

# BOMAG

FAYAT GROUP

## Spare Parts Catalogue

---

**BPR 35/60 D/E**

---

S/N 101692221001 > 101692221224  
Hatz



---

**Vibratory plate compactor**

---

**Discount  
Equipment**

[www.discount-equipment.com](http://www.discount-equipment.com)

Catalogue number  
**00818489**

**01.11.2007 - 01.01.2010**

# PARTS FINDER

**Search Website  
by Part Number**



**Search Manual  
Library For Parts  
Manual & Lookup Part  
Numbers – Purchase  
or Request Quote**

**Search Manuals**

Enter your information to help us find the right parts manual for your machine.

\* Brand:

\* Model:

\* Serial:

\* Part Number:

SEARCH

**Can't Find Part or  
Manual? Request Help  
by Manufacturer,  
Model & Description**

**Parts Order Form**

Please fill in the following information to help us find the right part for your machine.

Manufacturer:	<input type="text"/>
Model:	<input type="text"/>
Description:	<input type="text"/>
Part Number:	<input type="text"/>
Quantity:	<input type="text"/>
Notes:	<input type="text"/>

Discount-Equipment.com is your online resource for quality parts & equipment.

Florida: **561-964-4949** Outside Florida TOLL FREE: **877-690-3101**

**Need parts?**

Click on this link: <http://www.discount-equipment.com/category/5443-parts/> and choose one of the options to help get the right parts and equipment you are looking for. Please have the machine model and serial number available in order to help us get you the correct parts. If you don't find the part on the website or on one of the online manuals, please fill out the request form and one of our experienced staff members will get back to you with a quote for the right part that your machine needs.

We sell worldwide for the brands: Genie, Terex, JLG, MultiQuip, Mikasa, Essick, Whiteman, Mayco, Toro Stone, Diamond Products, Generac Magnum, Airman, Haulotte, Barreto, Power Blanket, Nifty Lift, Atlas Copco, Chicago Pneumatic, Allmand, Miller Curber, Skyjack, Lull, Skytrak, Tsurumi, Husquvarna Target, Stow, Wacker, Sakai, Mi-T-M, Sullair, Basic, Dynapac, MBW, Weber, Bartell, Bennar Newman, Haulotte, Ditch Runner, Menegotti, Morrison, Contec, Buddy, Crown, Edco, Wyco, Bomag, Laymor, EZ Trench, Bil-Jax, F.S. Curtis, Gehl Pavers, Heli, Honda, ICS/PowerGrit, IHI, Partner, Imer, Clipper, MMD, Koshin, Rice, CH&E, General Equipment, Amida, Coleman, NAC, Gradall, Square Shooter, Kent, Stanley, Tamco, Toku, Hatz, Kohler, Robin, Wisconsin, Northrock, Oztec, Toker TK, Rol-Air, APT, Wylie, Ingersoll Rand / Doosan, Innovatech, Con X, Ammann, Mecalac, Makinex, Smith Surface Prep, Small Line, Wanco, Yanmar

**© 2013 Bomag GmbH**

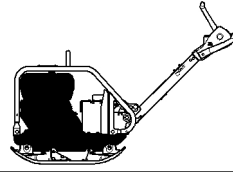
The reproduction, distribution and utilization of this document as well as the communication of its contents to others without express authorization is prohibited. Offenders will be held liable for the payment of damages. All rights reserved in the event of the grant of a patent, utility model or design.

[Go to Discount-Equipment.com](http://Discount-Equipment.com) to order your parts

Preface and Instructions

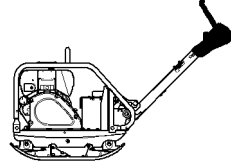


Engine / Fitting Parts



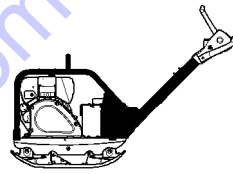
10

Power Transmission / Actuation



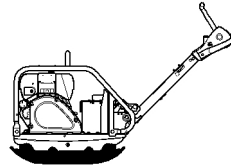
20

Frame with Attachment Parts



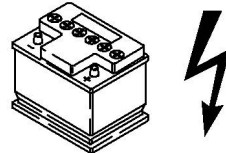
50

Plate / Foot



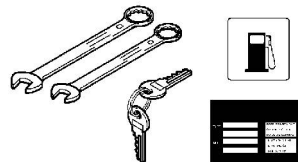
65

Electrical System



80

Accessories



100

Special Equipment



110

Go to Discount-Equipment.com to order your parts



## **Table of Contents**

**Foreword**

**Ordering Conditions**

**Structure of Spare Parts Catalogue**

**Frequently Used Parts**

**Spare Parts Catalogue**

**Numerical Index**

*Go to [Discount-Equipment.com](http://Discount-Equipment.com) to order your parts*

- Only the use of ORIGINAL SPARE PARTS guarantees the correct function of the machine. The use of non-original spare parts results in the loss of all claims, regarding warranty as well as product liability.
- The relevant warranty conditions are valid for all spare parts deliveries.

The listing of parts and part numbers is in accordance with economical and technical aspects. Further spare parts are not recommended.

- Our branch offices and dealers have well sorted spare parts stores. Therefore, first of all contact our nearest activity when ordering spare parts.
- We reserve the right for technical modifications without prior notification.

**Please fill in when receiving the machine**

_____	
Type	
_____	_____
Serial number	Engine type
_____	_____
Date of delivery	Engine number
Key-numbers:	
Ignition switch _____	Cabin door _____
Engine cover _____	Hydraulic tank lock _____
Burglary protection _____	Rear flap _____
Fuel tank lock _____	Others _____

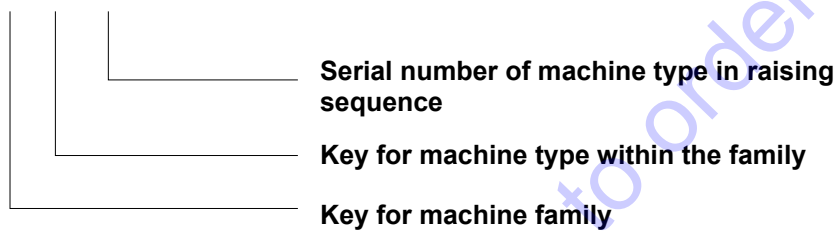
- Texts and illustrations from this catalogue must not be copied and distributed, nor must they be used for cometicitive purposes. All rights referring to the copyright law remain expressly reserved.

**BOMAG**

Please state the following when  
ordering spare parts:

1. Machine type

2. Serial number 101 400 04 0101



3. Engine type and number resp. component number

4. Part number

5. Quantity

6. Designation

7. Kind of shipment (mail, freight, express delivery, air freight, sea freight).

8. Destination (Post office, railway station, air port)

If no instructions are given concerning the Kind of shipment, we  
will deliver the parts in our estimation.

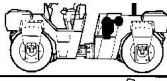
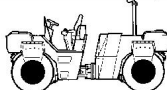

Spare parts deliveries are not possible without this information.

The customer is solely responsible for the acceptance and the  
transmission of phone orders.

**USE ONLY ORIGINAL SPARE PARTS!**

# Structure of Spare Parts Catalogue

# BOMAG

Motor / Anbauteile Pièces de montage Accesorios de montaje		10
Position / Actuations Bedienung / Betätigungen Comando / Commandes Accionamientos		20
Brake System Bremsensystem		30

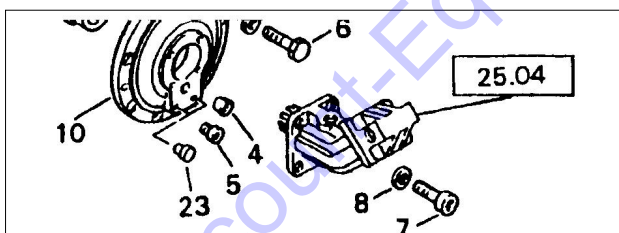
## 1. Subdivision of the catalogue main assembly groups

11.00	ENGINE PARTS LIST	MOTOREN-ERSATZTEILLISTE
11.01	Crankcase	Kurbelgehäuse
11.02	Front cover	Vorderer Deckel
11.04	Oil pan	Ölwanne
11.05	Cylinder and piston	Zylinder und Kolben
11.06	Crankshaft	Kurbelwelle
11.08	Cylinder head	Zylinderkopf
11.10	Control pieces	Steuerungsteile

## 2. Subdivision of the main assembly groups.

<b>51.03</b>	BC 671 RB	S/N 1015703
	<b>Frame Rear</b> <b>Rahmen hinten</b> <b>Chassis Arriere</b> <b>Chasis Trasero</b>	
Page Seite	1 / 3	

## 3. Assembly group consists of several pages. Page 1 of 3 pages.



## 4. 25.04 = Reference to another assembly group.

161 A	S/N 101640000101 ▶
<b>VIBR.ROLLER DRUM IN FRONT</b> <b>VIBRATIONS BANDAGE VORN</b> <b>BANDAGE DE VIBR.AVANT</b>	

## 5. Serial number

S/N 101 570 32 1001 ▶ = from serial number.

▶ S/N 101 570 32 1062 = up to serial number.

(Important for spare parts orders!)

05815244	1	TRAVEL MOTOR	FAHRMOTOR
05815976	1	>SEAL KIT	>DICHTUNGSSATZ
05815981	1	>DISTRIBUTOR	>VERTEILER
05815982	1	>>COVER	>>DECKEL
07231649	16	>>SOCKET-HEAD CAP SCRE	>>ZYLINDERSCHRAUBI
05815698	1	>>SEAL/O-RING	>>DICHTRING
07230802	1	>>SOCKET-HEAD CAP SCRE	>>ZYLINDERSCHRAUBI
	1	>>>LOOP RING	>>>RUNDDICHTRING
	1	>>>LOOP RING	>>>RUNDDICHTRING
	1	>>>LOOP RING	>>>RUNDDICHTRING

## 6. ">" ">>" ">>>": Parts marked with one or more additional ">" indicate, that one or more parts belong to a higher assembly group. Einheit gehören.

0	05801177	1	CONNECTING PLATE	ANSCHLUSSPLA
18		1	>CONNECTING PLATE	>ANSCHLUSSPLA
19	05801185	1	>COUPLING HUB	>KUPPLUNGSNA
20		4	>SPRING SLEEVE	>FEDERHUELSE
21		4	>PRESSURE SPRING	>DRUCKFEDER
22		4	>SOCKET-HEAD CAP SCRE	>ZYLINDERSCHF
23	06220983	1	>LOOP RING	>RUNDDICHTRI
24	06220821	1	>LOOP RING	>RUNDDICHTRI
25	06220109	1	>LOOP RING	>RUNDDICHTRI
26	06220083	4	>LOOP RING	>RUNDDICHTRI

## 7. Index: List of Part-No. with reference to the assembly group and position.

	BPR 35/60 D/E	S/N 101692221001 ▶ S/N 101692221224
	<b>Frequently used parts</b>	
<b>BOMAG</b>		

Description		Part no.	see
<b>Filter Elements</b>			
Oil filter		05720023	11.01/1
Filter element	Oil separator	05728309	11.01/2
Fuel filter		05720387	11.21/1
Fuel filter		05723502	11.21/1
Fuel filter		05723502	11.48/1
Air filter		05728350	11.48/1
Air filter		05728350	11.63/1
Fuel filter		05723502	194.08/1
Air filter		05728350	194.08/1
<b>Seals</b>			
Loop ring		05728108	11.01/1
Radial seal		05728111	11.01/1
Sealing ring	Oil dip stick	05728114	11.01/1
Loop ring		05728121	11.01/1
Sealing ring		09331198	11.01/1
Sealing ring		05728216	11.02/1
Loop ring		06220018	11.02/1
Radial seal		09311931	11.02/1
Sealing ring		09331198	11.02/1
Sealing ring		09331658	11.02/1
Sealing ring		05728152	11.08/1
Gasket		05728165	11.08/1
Cylinder head gasket		05728170	11.08/1
Sealing washer		05726722	11.18/1
Sealing ring		05728251	11.18/1
Loop ring		05728602	11.18/1
Loop ring		06220017	11.18/1
Loop ring		06220078	11.18/1
Sealing ring		09331050	11.18/1
Loop ring		06220078	11.21/1
Sealing ring		09331628	11.21/1
Loop ring		06220083	11.25/1
Kit,seal		05721063	11.47/1
Loop ring		05728108	11.47/1
Radial seal		05728111	11.47/1
Sealing ring	Oil dip stick	05728114	11.47/1
Loop ring		05728121	11.47/1
Sealing ring		05728152	11.47/1
Gasket		05728165	11.47/1
Sealing ring		05728216	11.47/1
Sealing ring		05728251	11.47/1
Loop ring		06220018	11.47/1
Loop ring		06220078	11.47/1
Loop ring		06220083	11.47/1
Radial seal		09311931	11.47/1
Radial seal		09311931	11.47/1
Sealing ring		09331198	11.47/1
Sealing ring		09331658	11.47/1

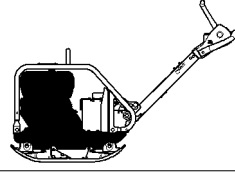
BPR 35/60 D/E	S/N 101692221001 ▶	S/N 101692221224	
<b>Frequently used parts</b>			
			<b>BOMAG</b>

Description	Part no.	see
<b>Seals</b>		
Loop ring	05728121	11.48/1
Gasket	05728165	11.48/1
Sealing ring	09331198	11.48/1
U-seal	06211422	12.13/1
Sealing ring	09331148	12.13/1
Sealing ring	09331768	12.13/1
Sealing ring	05720062	194.08/1
Sealing ring	05728114	194.08/1
Loop ring	05728121	194.08/1
Gasket	05728165	194.08/1
U-seal	06211422	194.08/1
Loop ring	06220401	27.14/1
Loop ring	06220530	27.14/1
Loop ring	06220183	27.17/1
Sealing ring	68110147	52.16/1
Loop ring	06220803	65.05/2
U-seal	06210610	65.05/3
Loop ring	06220803	65.05/3
Loop ring	06220852	65.05/3
Loop ring	06222657	65.05/3
Radial seal	09312809	65.05/3
<b>V-Belts</b>		
V-belt	06312275	12.13/1
V-belt	06312275	194.08/1
<b>Filler cap</b>		
Tank lock	05728313	11.21/1
<b>Keys</b>		
Key,ignition	05755124	81.04/1
<b>Fuses</b>		
Flat fuse	05755196	81.04/1
<b>Actuations</b>		
Lever	05728219	11.02/1
Ventilation valve	05728628	11.21/1
Steering rod head	69110170	27.01/1
Throttle control	05561593	27.09/1
Scraper	05568996	27.14/1
Piston seal	05802099	27.14/1
Housing	69110178	27.14/1
Detent, assembled	69110171	27.14/2
Travel lever	69110188	27.14/2

	BPR 35/60 D/E	S/N 101692221001 ▶ S/N 101692221224
	<b>Frequently used parts</b>	
<b>BOMAG</b>		

Description	Part no.	see
Actuations		
Lever	69110190	27.14/2
<b>Service Kits</b>		
Service kit	05728063	11.48/1

Go to Discount-Equipment.com to order your parts



Go to [Discount-Equipment.com](http://Discount-Equipment.com) to order your parts

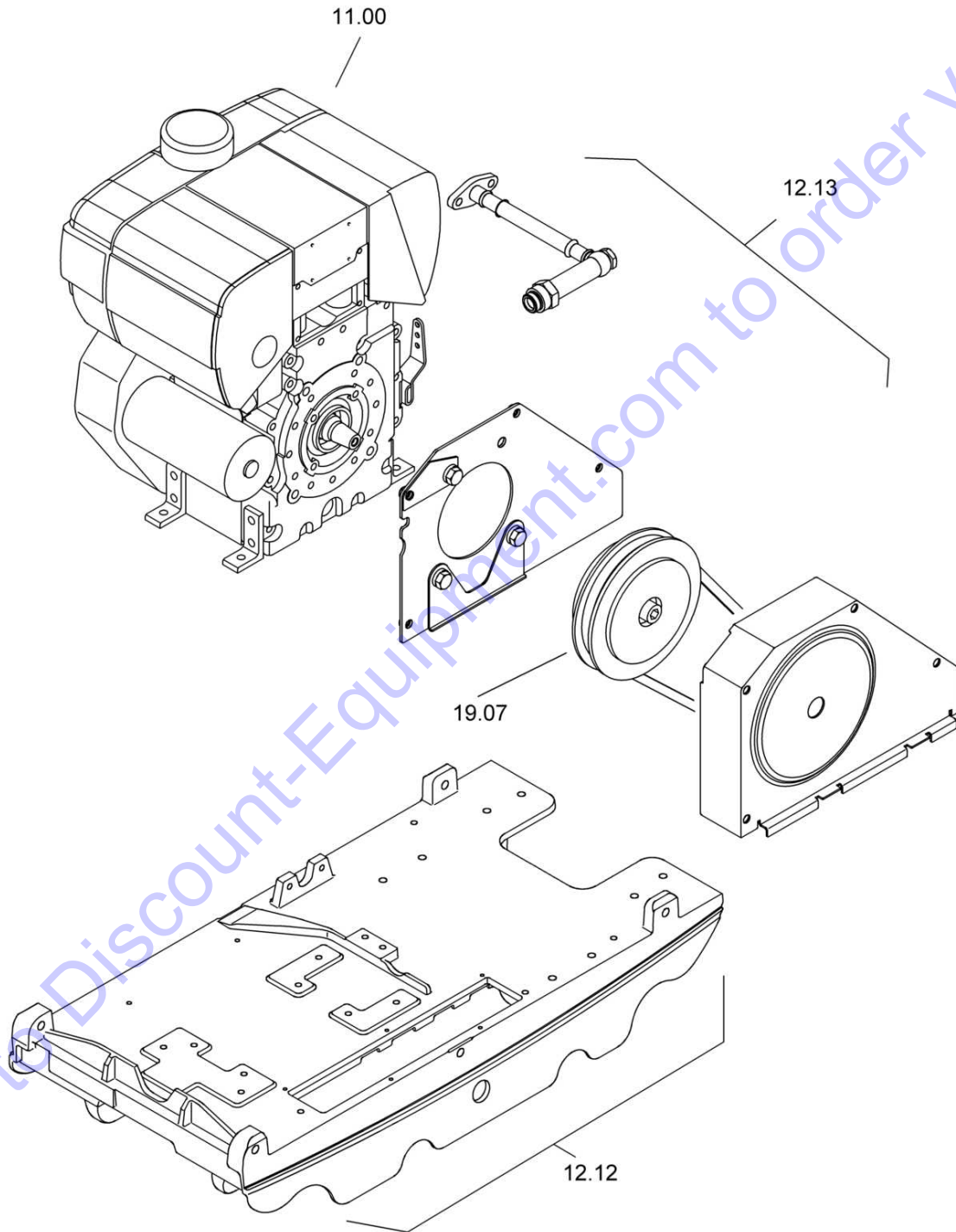


**10.00**

Engine / Fitting Parts

Page /

**BOMAG**



Go to Discount-Equipment.com to order your parts

<b>Engine / Fitting Parts</b>	<b>10.00</b>
	Page /
	<b>BOMAG</b>

**Pos. Description**

- 11.00 Engine Parts List
- 11.01 Crankcase
- 11.02 Front Cover
- 11.05 Cylinder And Piston
- 11.06 Crankshaft
- 11.08 Cylinder Head
- 11.09 Camshaft
- 11.18 Injection Valve
- 11.21 Fuel Tank
- 11.25 Throttle Control
- 11.26 Silencer
- 11.29 Cooling Blower
- 11.30 Cooling Air Duct
- 11.31 Recoil Starter
- 11.34 Generator And Starter
- 11.36 Electrical Equipment
- 11.47 Seal Kit
- 11.48 Maintenance Kit
- 11.49 Emergency Kit
- 11.63 Aircleaner & Exhaust
- 11.96 Other Parts
- 12.12 Engine Carrier
- 12.13 Engine
- 19.07 Centrifugal Clutch

Go to Discount-Equipment.com to order your parts

	Engine no.
<b>11.00</b>	S/N 1003100000000 ▶
Page <b>1 / 1</b>	<b>Engine Parts List</b> <b>1B20-6-259</b>
<b>BOMAG</b>	

**For this catalogue group no illustration.**

*Go to Discount-Equipment.com to order your parts*

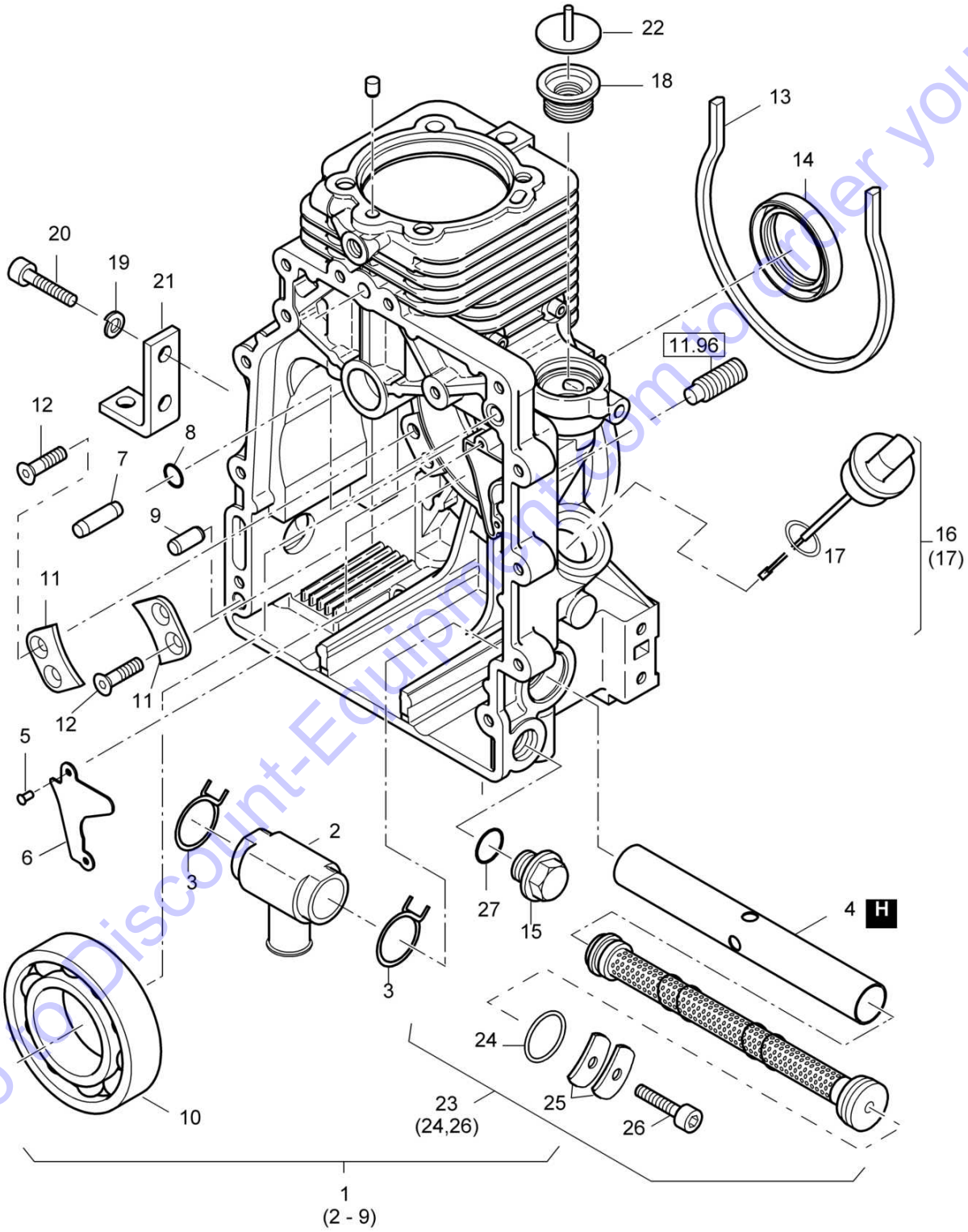
Engine no.		
S/N 1003100000000 ▶		
Engine Parts List	1B20-6-259	<b>11.00</b>
		Page 1 / 1
		<b>BOMAG</b>
	1001 E	

**Pos. Part no. Qty. Description**

1 05706334 1 Diesel engine

Go to Discount-Equipment.com to order your parts

	Engine no.
<b>11.01</b>	S/N 100310000000 ▶
Page <b>1 / 2</b>	<b>Crankcase</b>
<b>BOMAG</b>	MOT010030_000_00

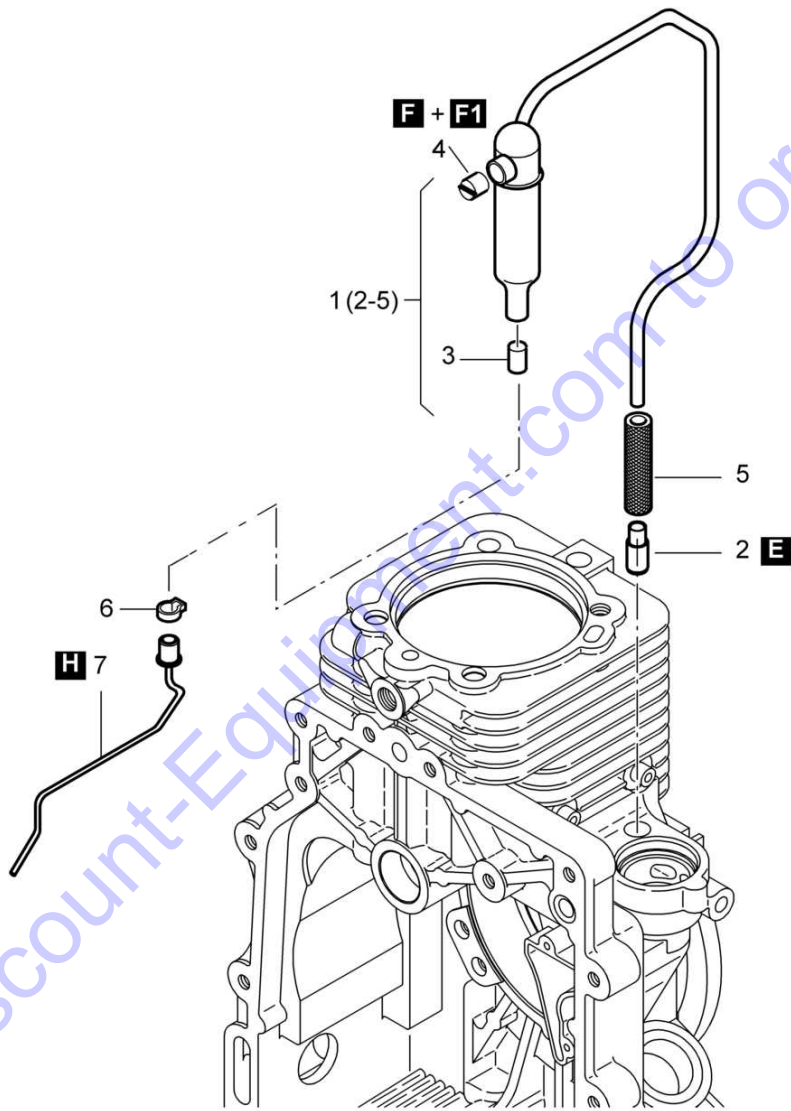


Engine no.	
S/N 100310000000 ▶	
<b>Crankcase</b>	<b>11.01</b>
	Page <b>1 / 2</b>
	<b>BOMAG</b>
MOT010030 1001 E	

Pos.	Part no.	Qty.	Description
1	05728580	1	Crankcase
2	05720047	1	>T-piece
3	05722090	2	>Hose clip
4	05728117	1	>Housing
5	05728105	2	>Rivet,blind
6	05728106	1	>Cover plate
7	05728024	1	>Nipple
8	4) 05728108	1	>Loop ring
9	05723458	1	>Pin,cylindric
10	05728118	1	Ball bearing,grooved
11	05728119	2	Joint bar
12	05720081	4	Countersunk screw
13	4) 05728110	1	Sealing section 318mm
14	4) 05728111	1	Radial seal
15	1) 07632216	1	Magnetic plug
16	05728113	1	Oil dip stick
17	4) 05728114	2	>Sealing ring
18	05722512	1	Membrane
19	08720814	8	Spring washer
20	05728115	8	Socket-head cap screw
21	05728116	4	Engine bracket
22	05728120	1	Washer
23	05720023	1	Oil filter
24	1) 05728121	1	Loop ring 4)
25	05728122	2	>Spring
26	07230605	1	>Socket-head cap screw
27	1) 09331198	1	Sealing ring 4)
30	00970017	1	Auxiliaries Sealing compound H
31	00978006	1,00 kg	Screw lock, middle strength D
		1)	Incl. in maintenance kit
		4)	Incl. in gasket set crankcase

Go to Discount-Equipment.com to order your parts

	Engine no.	
	S/N 1003100000000 ▶	
<b>11.01</b>	<b>Crankcase</b>	
Page <b>2 / 2</b>		
<b>BOMAG</b>		
		MOT010041_000_00



Engine no.	
S/N 1003100000000 ▶	
<b>Crankcase</b>	<b>11.01</b>
	Page <b>2 / 2</b>
	<b>BOMAG</b>
MOT010041 1001 E	

Pos.	Part no.	Qty.	Description
1	05720082	1	Oil separator
2	05720083	1	>Socket
3	05728309	1	>Filter element
4	05728362	1	>Plug
5	05720084	1	>Fuel pipe
6	05722993	1	Hose clip
7	05728311	1	Suction pipe
			Auxiliaries
8	00978000	1,00 kg	Adhesive,heat resisting E
9	00970028	1	Technicoll F
10	00970029	1	Technicoll F1
11	00970017	1	Sealing compound H

Go to Discount-Equipment.com to order your parts



Engine no.

S/N 100310000000 ▶

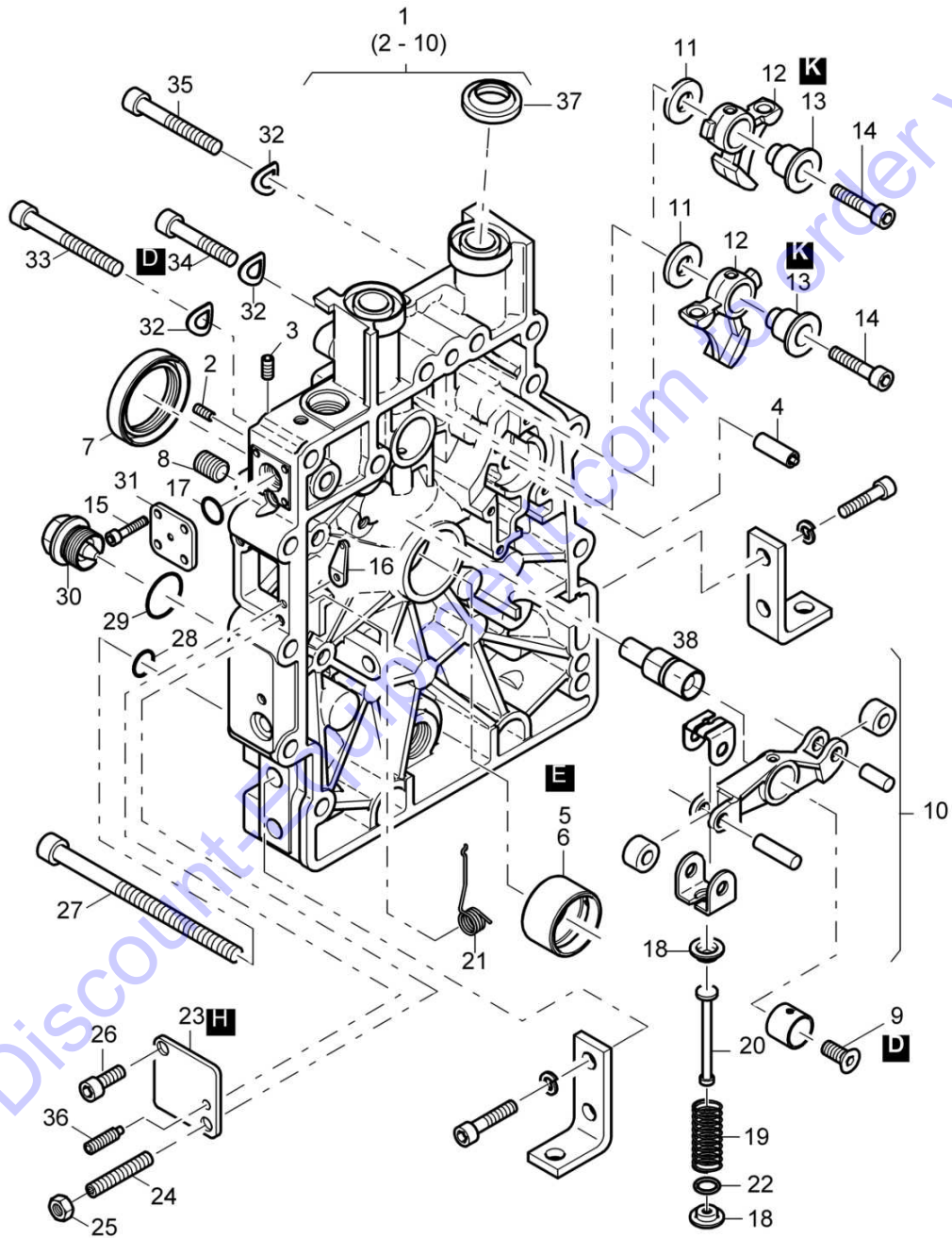
# 11.02

## Front Cover

Page 1 / 1

# BOMAG

MOT010036\_000\_00



mot010036\_000

Engine no.	
S/N 1003100000000 ▶	
Front Cover	<b>11.02</b>
	Page 1 / 1
	<b>BOMAG</b>
MOT010036 1001 E	

**Pos. Part no. Qty. Description**

1	05720628	1	Timing gear cover
2	07760502	2	>Tapped pin
3	05728034	1	>Tapped pin
4	05728206	1	>Bolt
5	05728207	1	>Main bearing
6	05728208	1	>Main bearing -0,5mm
7	4) 09311931	1	>Radial seal
8	05720051	5	>Tapped pin
9	07316035	1	>Countersunk screw
10	05720629	1	>Rocker arm
11	05722033	2	Washer
12	05728210	2	Cam follower
13	05722034	2	Axle
14	07230621	2	Socket-head cap screw
15	05722463	4	Socket-head cap screw
16	05728219	1	Lever
17	4) 06220018	1	Loop ring
18	05728211	2	Spring cup
19	05728212	1	Spring
20	05728621	1	Draw bar
21	05728213	1	Governor spring
22	05728214	1	Washer
23	05728215	1	Cover
24	07550640	1	Tapped pin
25	08110620	1	Hexagon nut
26	07230601	1	Socket-head cap screw
27	07230877	2	Socket-head cap screw
28	4) 09331658	2	Sealing ring
29	1) 09331198	1	Sealing ring
30	1) 07632216	1	Magnetic plug
31	05724184	1	Cover

- 1) Incl. in maintenance kit
- 4) Incl. in gasket set crankcase

continued

Go to Discount-Equipment.com to order your parts

Engine no.

S/N 100310000000 ▶

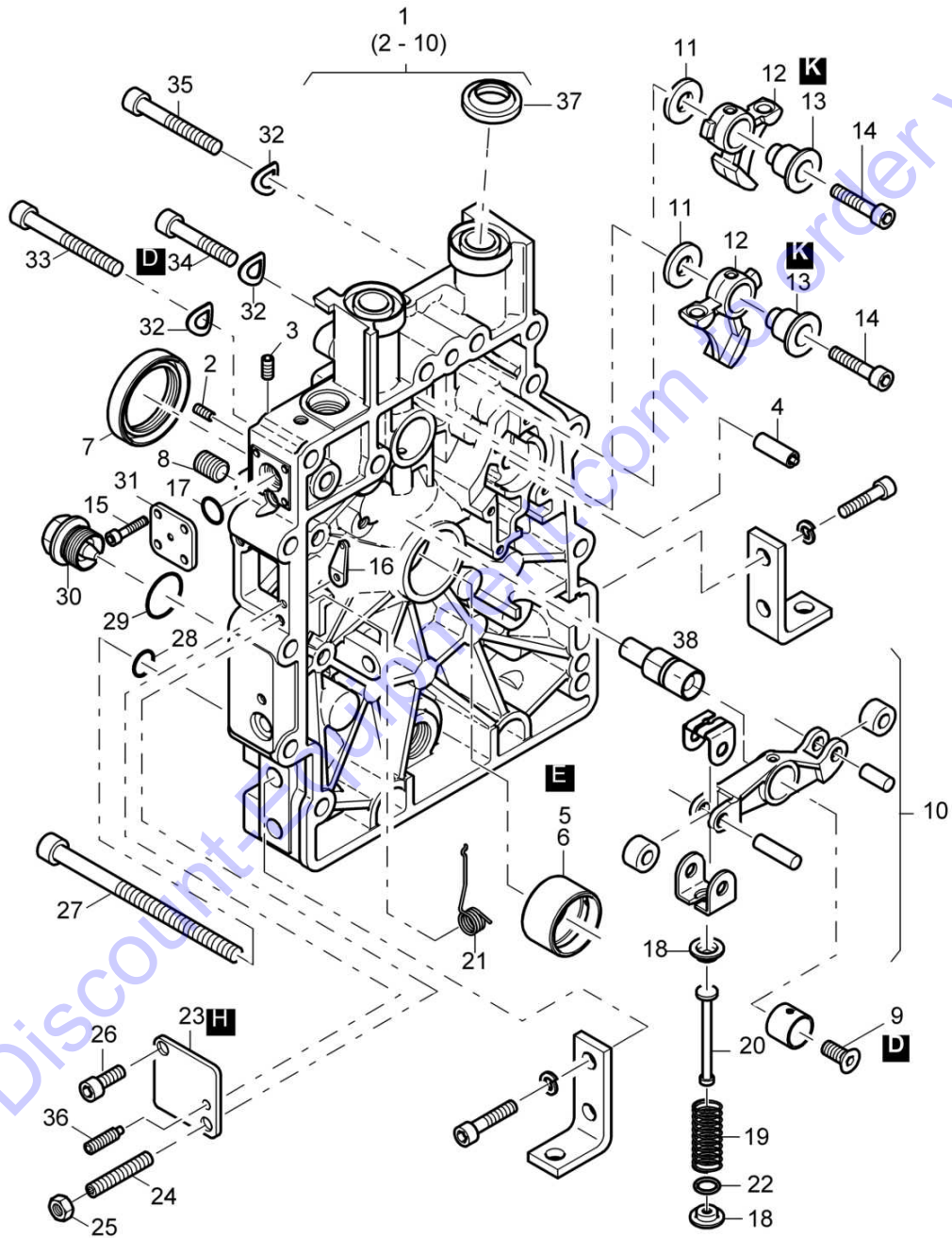
**11.02**

Front Cover

Page 1 / 1

**BOMAG**

MOT010036\_000\_00



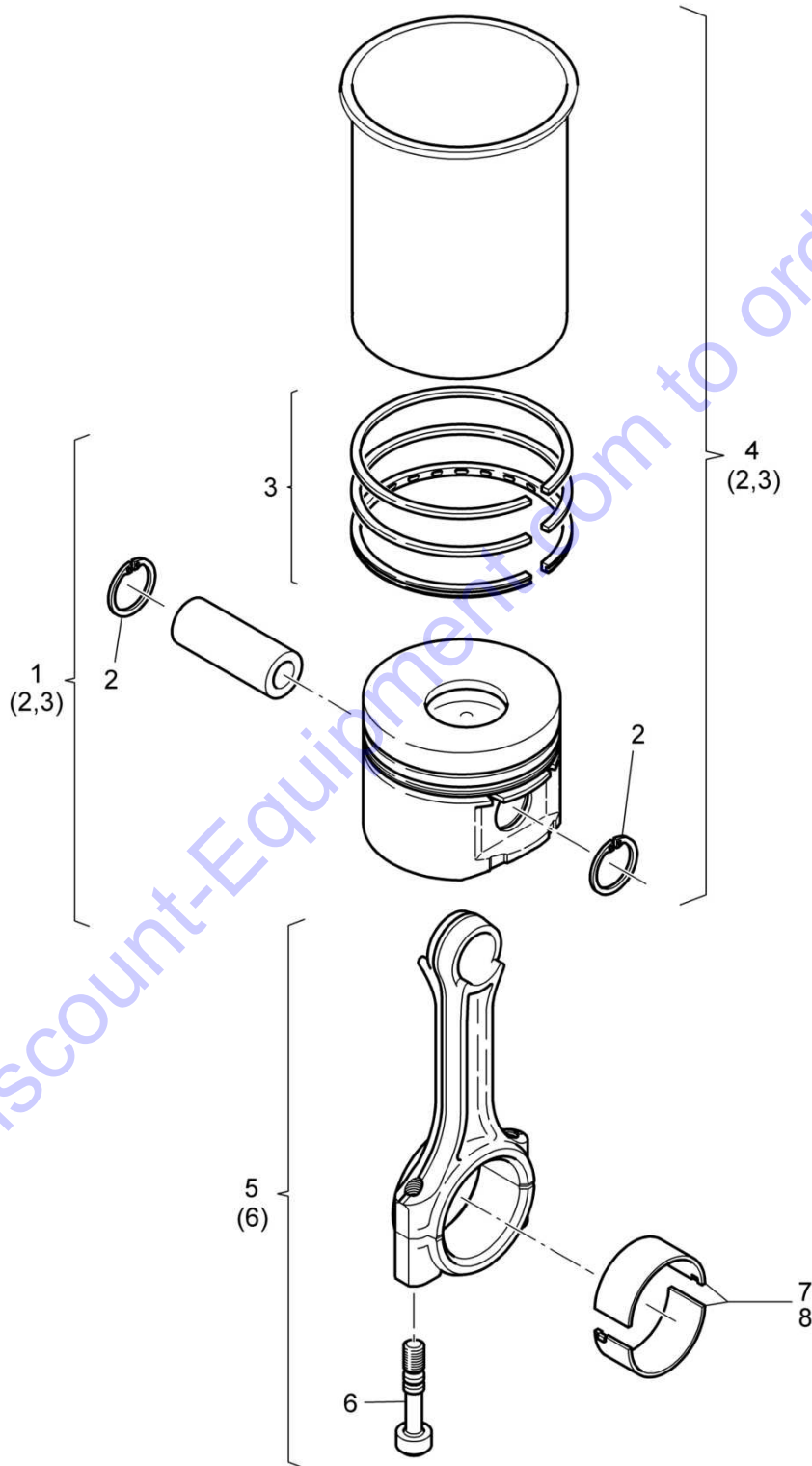
mot010036\_000

Engine no.	
S/N 1003100000000 ▶	
Front Cover	<b>11.02</b>
	Page 1 / 1
	<b>BOMAG</b>
	MOT010036 1001 E

Pos.	Part no.	Qty.	Description
32	08641084	13	Spring washer
33	07230847	1	Socket-head cap screw
34	07230834	2	Socket-head cap screw
35	07230838	10	Socket-head cap screw
36	07570420	1	Tapped pin
37	2) 05728216	2	Sealing ring
38	05720198	1	Bearing bush
			Auxiliaries
39	00978006	1,00 kg	Screw lock, middle strength D
40	00978000	1,00 kg	Adhesive,heat resisting E
41	00970017	1	Sealing compound H
42	05721037	1	Grease,special K
		2)	Incl. in gasket set for 1 cylinder head

Go to Discount-Equipment.com to order your parts

	Engine no.
<b>11.05</b>	S/N 100310000000 ▶
Page 1 / 1	<b>Cylinder and Piston</b>
<b>BOMAG</b>	MOT010033_000_00



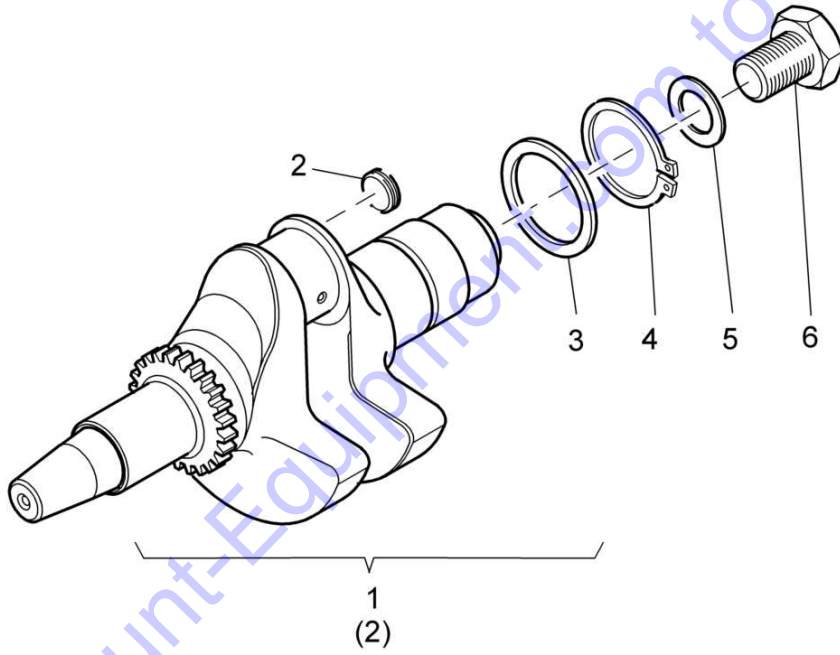
mot010033\_000

Engine no.	
S/N 1003100000000 ▶	
Cylinder and Piston	<b>11.05</b>
	Page 1 / 1
	<b>BOMAG</b>
	MOT010033 1001 E

Pos.	Part no.	Qty.	Description
1	05720325	1	Piston
2	05728140	2	>Circlip
3	05720034	1	>Piston ring set 1,5 / 1,5 / 3,0 mm
4	05720326	1	Cylinder and piston
5	05728144	1	Conrod
6	05728145	2	>Conrod screw
7	05728146	1	>Conrod bearing
8	05728147	1	Conrod bearing -0,5mm

Go to Discount-Equipment.com to order your parts

	Engine no.	
	S/N 1003100000000 ▶	
<b>11.06</b>	<b>Crankshaft</b>	
Page <b>1 / 1</b>		
<b>BOMAG</b>		
		MOT010031_000_00



Engine no.	
S/N 1003100000000 ▶	
<b>Crankshaft</b>	<b>11.06</b>
	Page <b>1 / 1</b>
	<b>BOMAG</b>
MOT010031 1001 E	

Pos.	Part no.	Qty.	Description
------	----------	------	-------------

1	05720324	1	Crankshaft
2	05720064	1	>Plug
3	05521525	1	Supporting disc
4	09212400	1	Circlip,external
5	05728128	1	Washer
6	07151822	1	Hexagon bolt

Go to Discount-Equipment.com to order your parts



Engine no.

S/N 100310000000 ▶

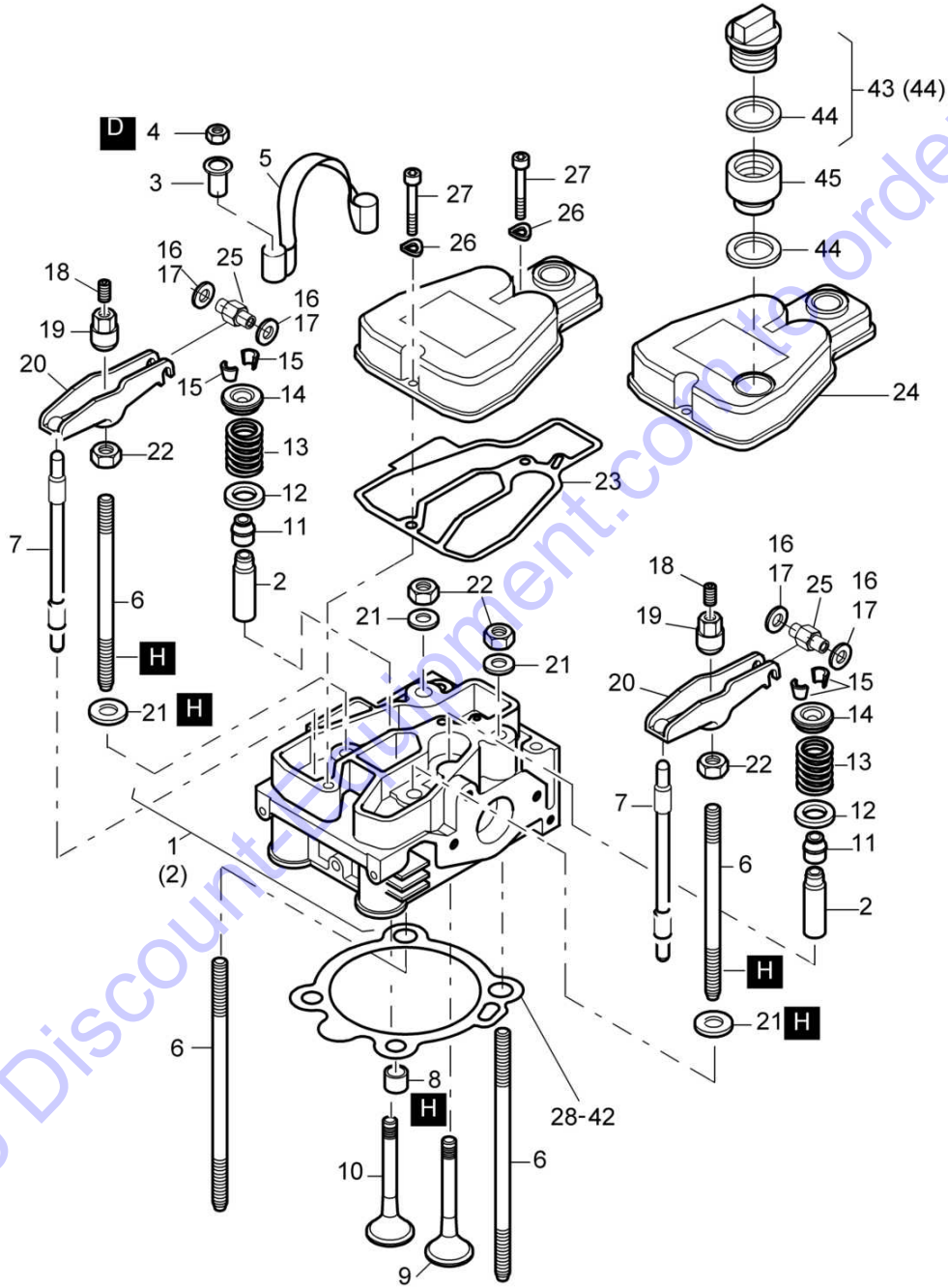
**11.08**

**Cylinder Head**

Page 1 / 1

**BOMAG**

MOT010034\_000\_00



Engine no.	
S/N 1003100000000 ▶	
Cylinder Head	<b>11.08</b>
	Page 1 / 1
	<b>BOMAG</b>
	MOT010034 1001 E

Pos.	Part no.	Qty.	Description
1	05728013	1	Cylinder head
2	05728149	2	>Valve guide
3	05720050	2	Rivet
4	08130813	2	Safety nut
5	05720046	1	Belt
6	05728150	4	Pin screw 128mm (M8)
7	05720570	2	Push rod
8	2) 05728152	2	Sealing ring
9	05728153	1	Valve cone,inlet
10	05728154	1	Valve cone,outlet
11	2) 05728155	2	Valve stem seal
12	05728156	2	Washer
13	05728157	2	Valve spring
14	05728158	2	Spring cup
15	05728159	2	Valve cone
16	05720049	1	Shim
17	05728160	1	Supporting disc
18	1) 05728030	2	Tapped pin
19	05728162	2	Nut
20	05720572	2	Rocker arm
21	05728164	4	Washer
22	08110813	4	Hexagon nut
23	1) 05728165	1	Gasket 2)
24	05720201	1	Cylinder head cover
25	05720571	2	Sliding nut
26	08641064	2	Spring washer
27	07230692	2	Socket-head cap screw
28	05728170	1	Cylinder head gasket 0,30mm
29	05720088	1	Cylinder head gasket 0,35mm

- 1) Incl. in maintenance kit  
2) Incl. in gasket set for 1 cylinder head

continued

Engine no.

S/N 100310000000 ▶

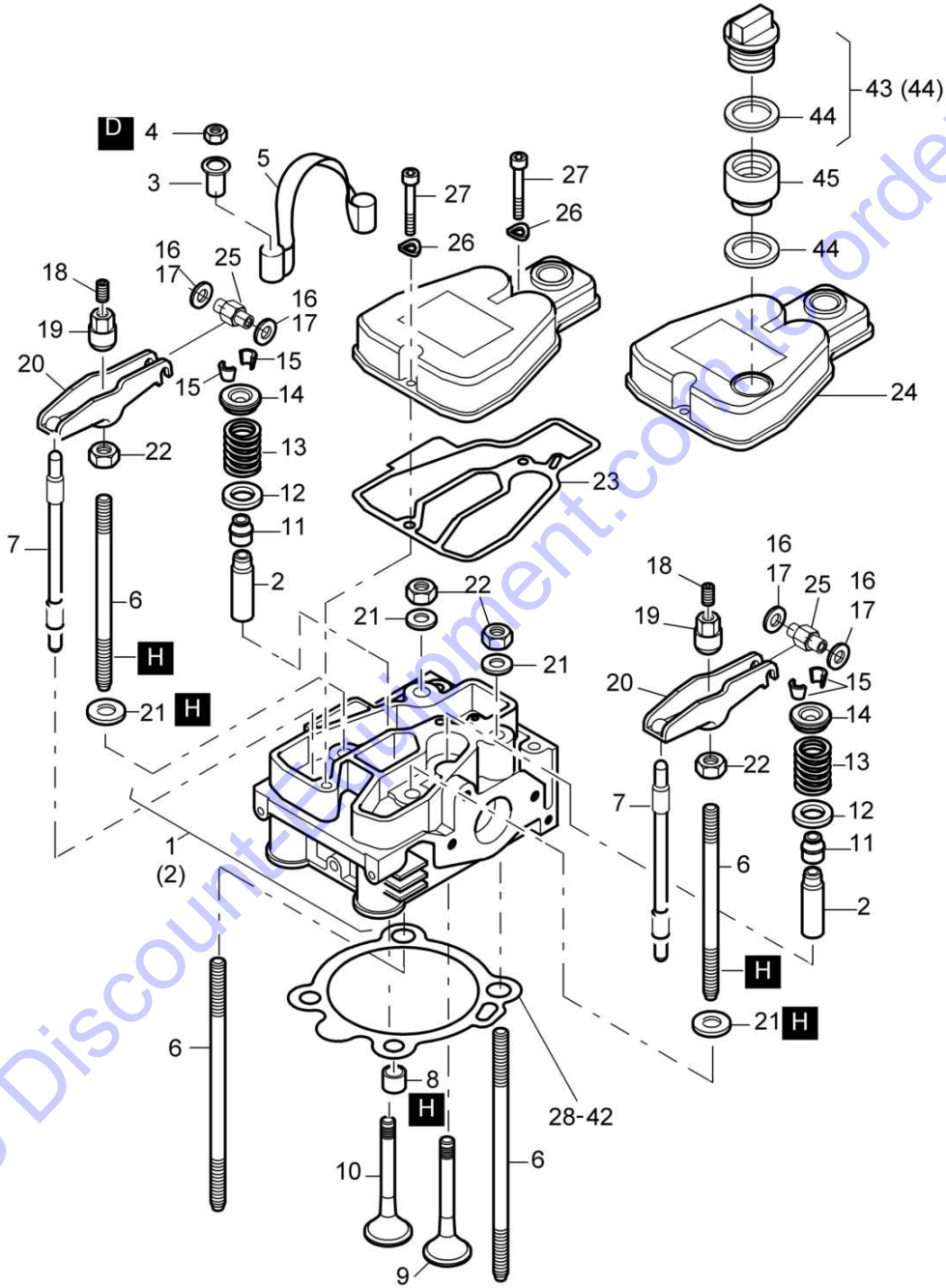
**11.08**

**Cylinder Head**

Page 1 / 1

**BOMAG**

MOT010034\_000\_00



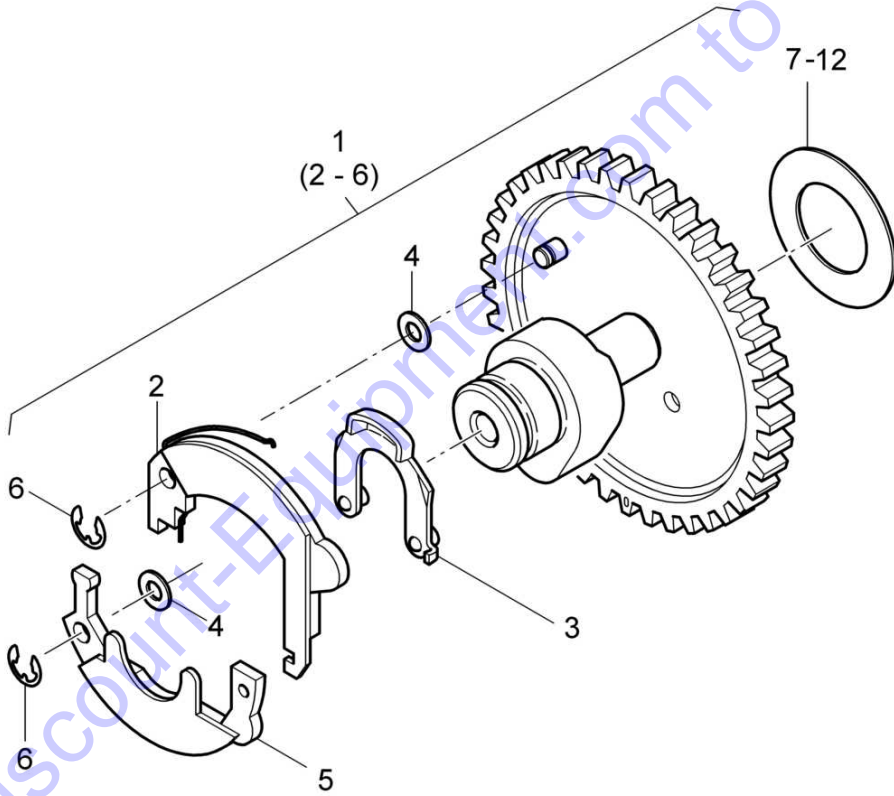
mot010034\_000

Engine no.	
S/N 1003100000000 ▶	
Cylinder Head	<b>11.08</b>
	Page 1 / 1
	<b>BOMAG</b>
	MOT010034 1001 E

Pos.	Part no.	Qty.	Description
30	05728171	1	Cylinder head gasket 0,40mm
31	05720089	1	Cylinder head gasket 0,45mm
32	2) 05728172	1	Cylinder head gasket 0,50mm
33	05720090	1	Cylinder head gasket 0,55mm
34	2) 05728173	1	Cylinder head gasket 0,60mm
35	05720091	1	Cylinder head gasket 0,65mm
36	2) 05728174	1	Cylinder head gasket 0,70mm
37	05720092	1	Cylinder head gasket 0,75mm
38	05728175	1	Cylinder head gasket 0,80mm
39	05720093	1	Cylinder head gasket 0,85mm
40	05728176	1	Cylinder head gasket 0,90mm
41	05720094	1	Cylinder head gasket 0,95mm
42	05728177	1	Cylinder head gasket 1,00mm
43	05728014	1	Filler cap
44	05720199	2	>Sealing ring
45	05720280	1	Extension
50	00978006	1,00 kg	Auxiliaries Screw lock, middle strength D
51	00970017	1	Sealing compound H
		2)	Incl. in gasket set for 1 cylinder head

Go to DiscountEquipment.com to order your parts

	Engine no.	
	S/N 1003100000000 ▶	
<b>11.09</b>	<b>Camshaft</b>	
Page 1 / 1		
<b>BOMAG</b>		
		MOT010032_000_00



Engine no.	
S/N 1003100000000 ▶	
Camshaft	<b>11.09</b>
	Page 1 / 1
	<b>BOMAG</b>
MOT010032 1001 E	

Pos.	Part no.	Qty.	Description
1	05720036	1	Camshaft
2	05728132	1	>Centrifugal weight
3	05728130	1	>Bow
4	05525003	2	>Shim
5	05728131	1	>Centrifugal weight
6	05727269	2	>Safety washer
7	05728133	1	Washer 0,9mm
8	05728134	1	Washer 1,0mm
9	05728135	1	Washer 1,1mm
10	05728136	1	Washer 1,2mm
11	05728137	1	Washer 1,3mm
12	05728138	1	Washer 1,4mm

Go to Discount-Equipment.com to order your parts

Engine no.

S/N 100310000000 ▶

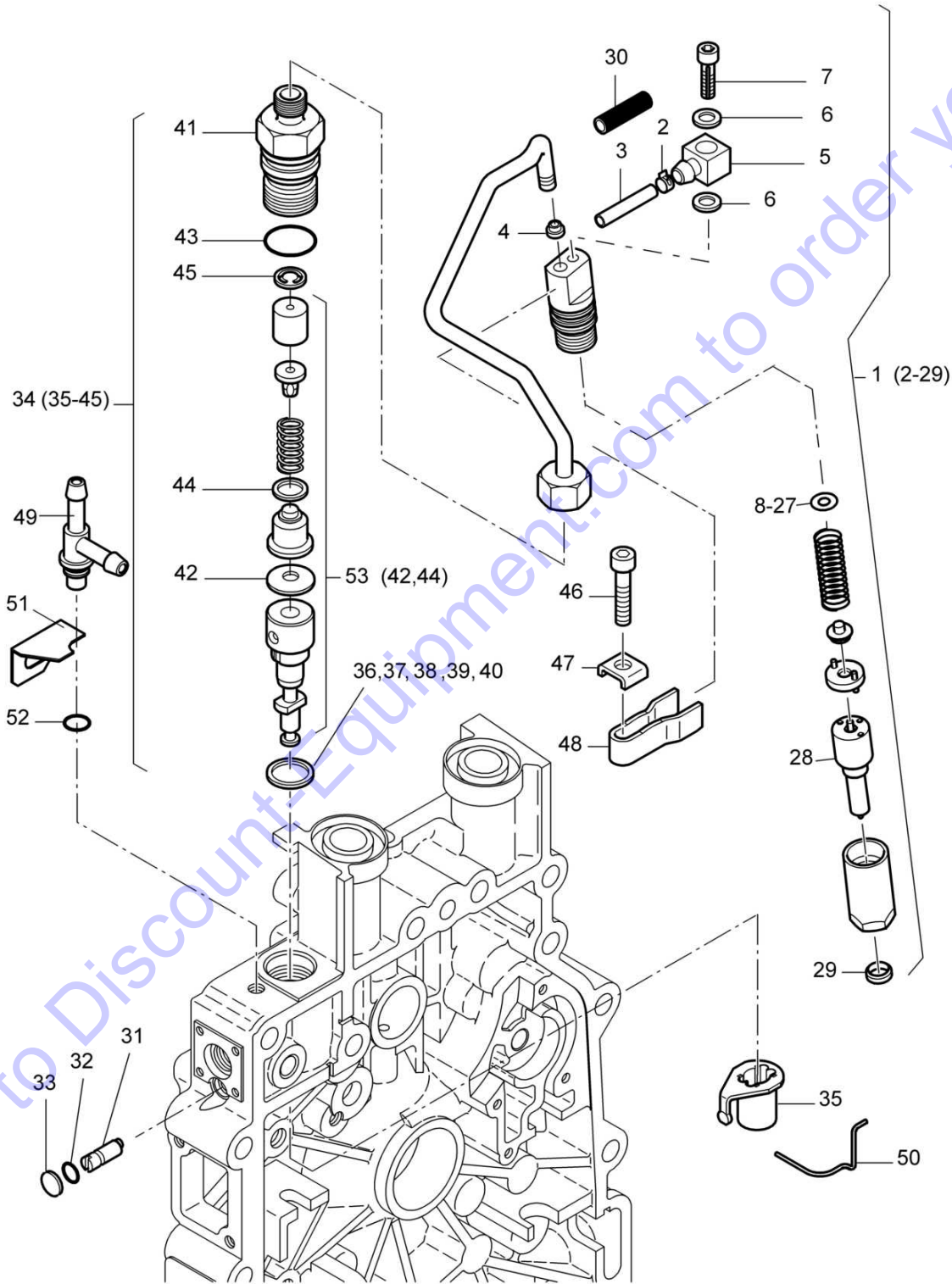
# 11.18

## Injection Valve

Page 1 / 1

# BOMAG

MOT010038\_000\_00



mot010038\_000

Engine no.	
S/N 1003100000000 ▶	
Injection Valve	<b>11.18</b>
	Page <b>1 / 1</b>
	<b>BOMAG</b>
MOT010038 1001 E	

Pos.	Part no.	Qty.	Description
1	05720095	1	Valve,injection
2	05720329	1	>Hose clip
3	05728046	1	>Fuel pipe
4	05728228	1	>Gasket
5	05728268	1	>Nipple
6	09331050	2	>Sealing ring
7	07230421	1	>Socket-head cap screw
8	05728230	1	>Set shim 1,00mm
9	05728231	1	>Set shim 1,04mm
10	05728232	1	>Set shim 1,10mm
11	05728233	1	>Set shim 1,14mm
12	05728234	1	>Set shim 1,20mm
13	05728235	1	>Set shim 1,24mm
14	05728236	1	>Set shim 1,30mm
15	05728237	1	>Set shim 1,34mm
16	05728238	1	>Set shim 1,40mm
17	05728239	1	>Set shim 1,44mm
18	05728240	1	>Set shim 1,50mm
19	05728241	1	>Set shim 1,54mm
20	05728242	1	>Set shim 1,60mm
21	05728243	1	>Set shim 1,64mm
22	05728244	1	>Set shim 1,70mm
23	05728245	1	>Set shim 1,74mm
24	05728246	1	>Set shim 1,80mm
25	05728247	1	>Set shim 1,84mm
26	05728248	1	>Set shim 1,90mm

continued

Go to Discount-Equipment.com to order your parts



Engine no.

S/N 100310000000 ▶

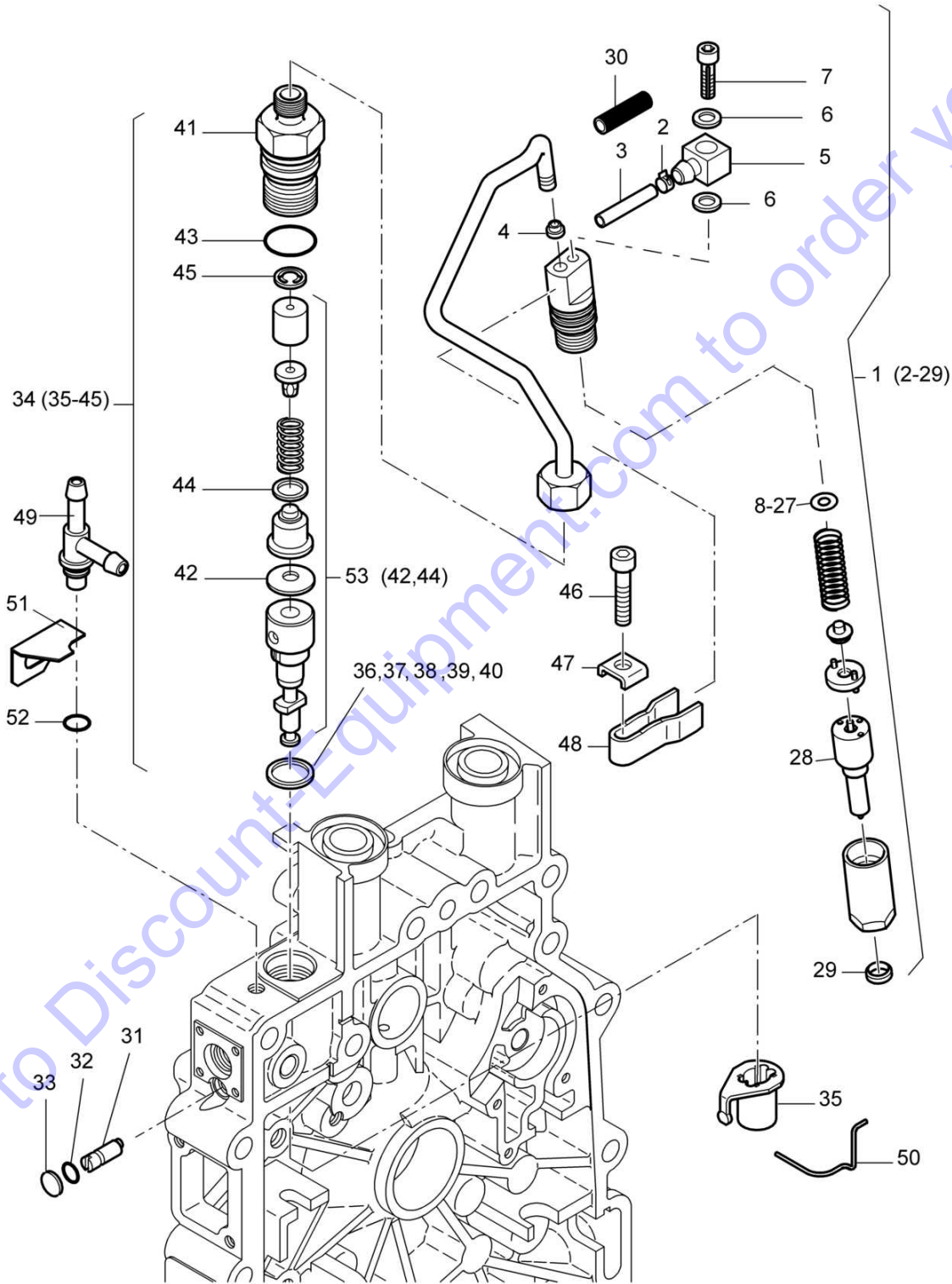
**11.18**

**Injection Valve**

Page **1 / 1**

**BOMAG**

MOT010038\_000\_00



mot010038\_000

Engine no.	
S/N 100310000000 ▶	
Injection Valve	<b>11.18</b>
	Page 1 / 1
	<b>BOMAG</b>
MOT010038 1001 E	

**Pos. Part no. Qty. Description**

27	05728249	1	>Set shim 1,94mm
28	3) 05720096	1	>Nozzle
29	2) 05728251	1	>Sealing ring
30	05720573	1	Hose 120mm
31	05728683	1	Eccentric bolt
32	06220017	1	Loop ring
33	08520008	1	Washer
34	05720327	1	Pump,injection
35	05728612	1	>Bushing
36	05728254	1	>Washer 0,2mm
37	05728255	1	>Washer 0,3mm
38	05728256	1	>Washer 0,4mm
39	05728257	1	>Washer 0,5mm
40	05728258	1	>Washer 0,6mm
41	05724473	1	>Holder
42	05728076	1	>Spring washer
43	05728602	1	>Loop ring
44	05726722	1	>Sealing washer
45	05724474	1	>Valve plate
46	07230623	1	Socket-head cap screw
47	05728264	1	Washer
48	05728265	1	Fork
49	05720077	1	Nipple
50	05728684	1	Bow
		2)	Incl. in gasket set for 1 cylinder head
		3)	Incl. in emergency kit

continued

Go to Discount-Equipment.com to order your parts

Engine no.

S/N 100310000000 ▶

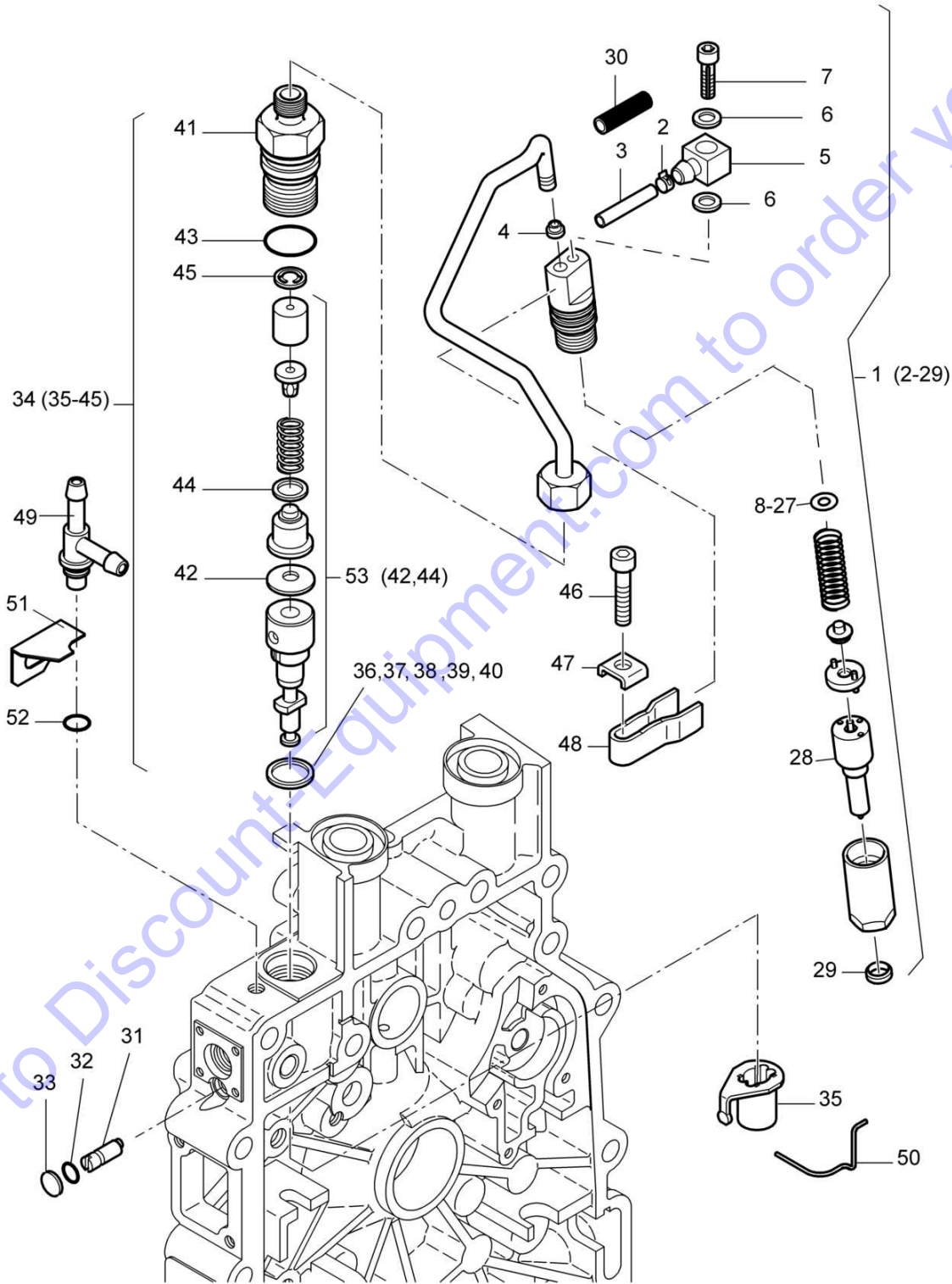
# 11.18

## Injection Valve

Page 1 / 1

# BOMAG

MOT010038\_000\_00



mot010038\_000

Engine no.	
S/N 1003100000000 ▶	
Injection Valve	<b>11.18</b>
	Page 1 / 1
	<b>BOMAG</b>
MOT010038 1001 E	

Pos.	Part no.	Qty.	Description
------	----------	------	-------------

51	05728080	1	Supporting plate
52	4) 06220078	1	Loop ring
53	05720328	1	Connecting piece
		4)	Incl. in gasket set crankcase

Go to Discount-Equipment.com to order your parts

Engine no.

S/N 100310000000 ▶

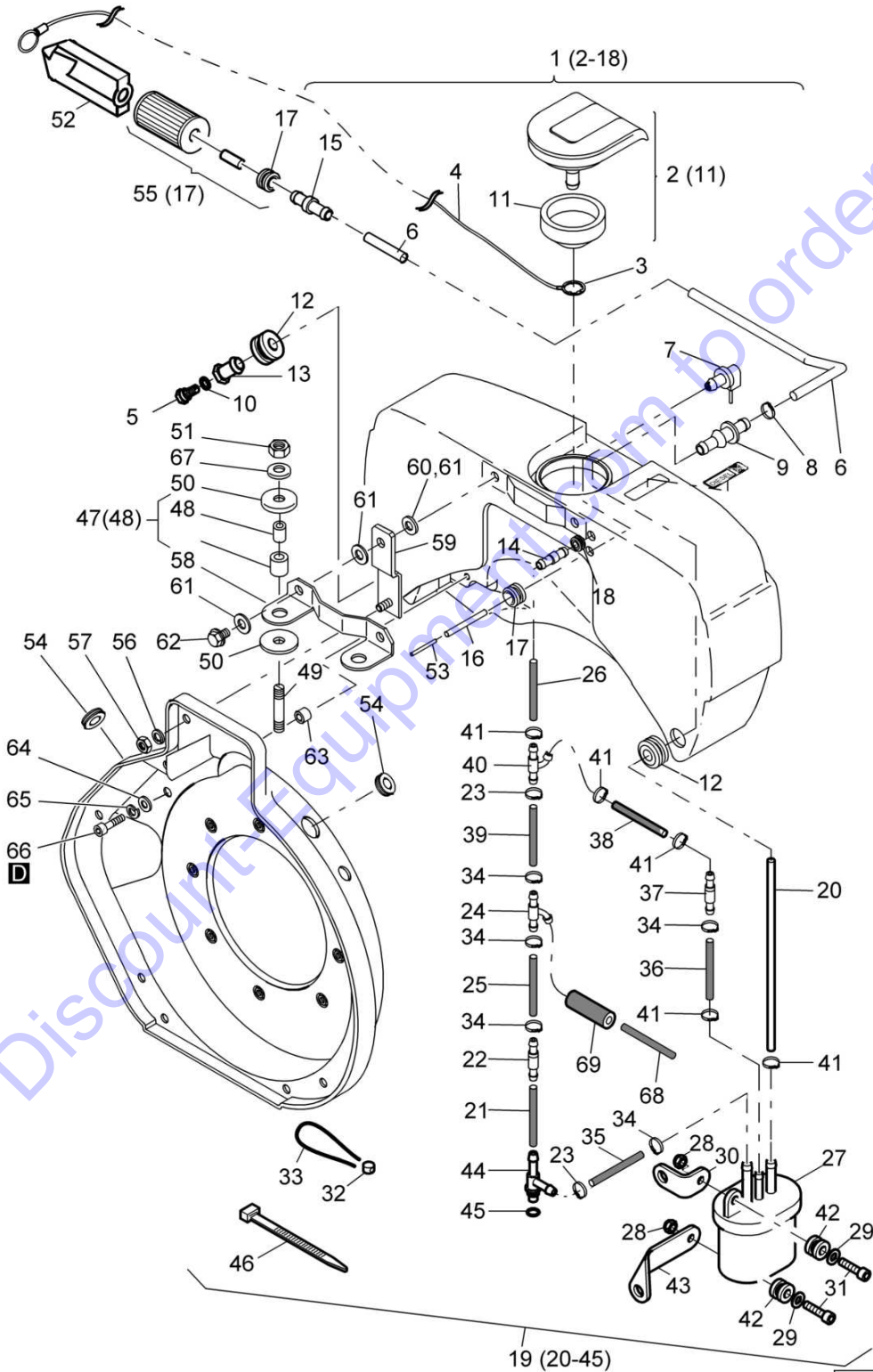
# 11.21

## Fuel Tank

Page 1 / 1

# BOMAG

MOT010042\_000\_00



mot010042\_000

Engine no.	
S/N 1003100000000 ▶	
Fuel Tank	<b>11.21</b>
	Page 1 / 1
	<b>BOMAG</b>
	MOT010042 1001 E

Pos.	Part no.	Qty.	Description
1	05720269	1	Fuel tank
2	05728313	1	>Tank lock
3	05728036	1	>Retainer ring
4	05728037	1	>Retaining band 440 mm
5	05726802	1	>Bleeder screw
6	05720134	1	>Fuel pipe
7	05728318	1	>Ventilation valve
8	05728344	1	>Hose clip
9	05728038	1	>Nipple
10	09331628	1	>Sealing ring
11	05728321	1	>Gasket
12	05728322	2	>Rubber grommet
13	05724185	1	>Reducing nipple
14	05728045	1	>Nipple
15	05728039	1	>Nipple
16	05728328	1	>Bleeding tube
17	05728327	2	>Rubber grommet
18	05728326	1	>Rubber grommet
19	05720388	1	Fuel pipe
20	05720386	1	>Fuel pipe
21	05728343	1	>Fuel pipe
22	05728325	1	>Ventilation valve
23	05728009	2	>Hose clip
24	05728042	1	>Hose nipple
25	05720202	1	>Fuel pipe
26	05720103	1	>Fuel pipe
27	05720387	1	>Fuel filter
28	08130408	2	>Safety nut
29	05728288	2	>Washer
30	05720577	1	>Angle
31	05728554	2	>Socket-head cap screw
32	05722630	1	>Lead seal
33	05722631	1	>Lead seal wire
34	05720677	6	>Hose clip
35	05720104	1	>Fuel pipe
36	05720105	1	>Fuel pipe
37	05728628	1	>Ventilation valve
38	05720679	1	>Fuel pipe
39	05723551	1	>Fuel pipe
40	05728619	1	>Hose nipple
41	05728344	4	>Hose clip
42	05720579	2	>Rubber grommet
43	05720580	1	>Angle
44	05720077	1	>Nipple

continued





Engine no.	
S/N 1003100000000 ▶	
Fuel Tank	<b>11.21</b>
	Page 1 / 1
	<b>BOMAG</b>
MOT010042 1001 E	

Pos.	Part no.	Qty.	Description
45	4) 06220078	1	>Loop ring
46	05722524	2	Cable binder
47	05728687	2	Sleeve
48	05728331	2	>Tube
49	07510816	2	Pin screw
50	05728329	4	Washer
51	05727284	2	Safety nut
52	05720270	1	Holder
53	05728334	1	Tube
54	05728335	2	Rubber grommet
55	1) 05723502	1	Fuel filter
56	08720611	2	Spring washer
57	08110620	2	Hexagon nut
58	05728337	1	Angle
59	05728338	2	Support
60	08621064	2	Washer
61	05728339	4	Washer
62	05728340	2	Hexagon bolt
63	05728341	2	Washer
64	08510612	2	Washer
65	08720611	2	Spring washer
66	07230605	2	Socket-head cap screw
67	08510817	2	Washer
68	05728046	1	Fuel pipe
69	05720106	1	Fuel pipe
			Auxiliaries
70	00978006	1,00 kg	Screw lock, middle strength D
		4)	Incl. in gasket set crankcase
		1)	Incl. in maintenance kit

Go to DiscountEquipment.com to order your parts



Engine no.

S/N 100310000000 ▶

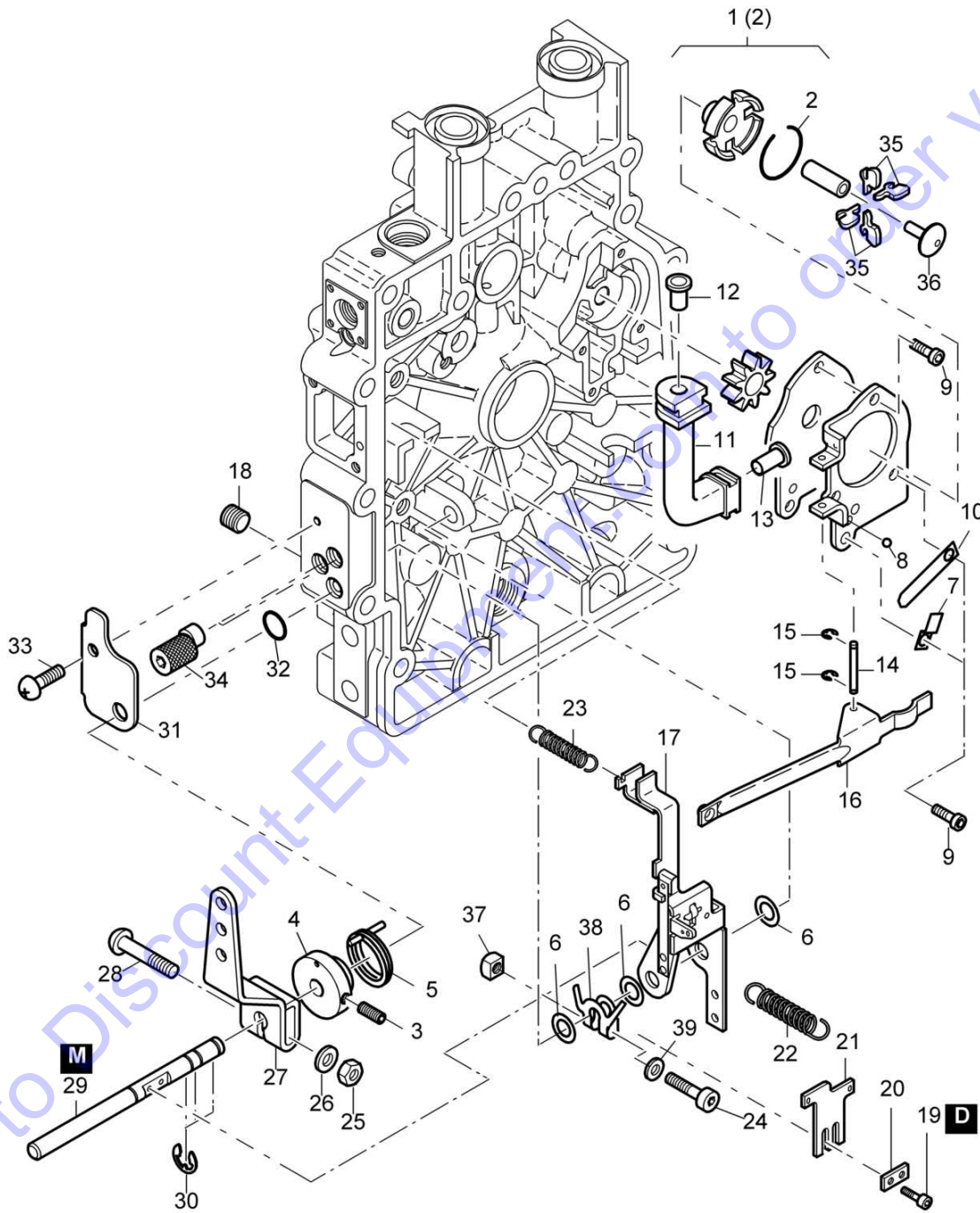
# 11.25

## Throttle Control

Page 1 / 1

# BOMAG

MOT010035\_000\_00



mot010035\_000

Engine no.	
S/N 1003100000000 ▶	
Throttle Control	<b>11.25</b>
	Page 1 / 1
	<b>BOMAG</b>
	MOT010035 1001 E

Pos.	Part no.	Qty.	Description
1	05720581	1	Cover
2	05720624	1	>Spring ring
3	07760502	1	Tapped pin
4	05724191	1	Bushing
5	05724192	1	Yoke spring
6	05520002	3	Shim
7	05728179	1	Angle
8	05728180	1	Ball
9	07240504	4	Socket-head cap screw
10	05728181	1	Spring 0,4 mm
11	05728182	1	Oil tube
12	05728183	1	Rivet
13	05728184	1	Rivet
14	05728185	1	Bolt
15	05728186	2	Safety washer
16	05728187	1	Reversing lever
17	05728678	1	Governor lever
18	07551000	1	Tapped pin
19	07230308	2	Socket-head cap screw
20	05728189	1	Intermediate plate
21	05728202	1	Stop
22	05720627	1	Governor spring
23	05720107	1	Tension spring
24	05728073	1	Socket-head cap screw
25	08110620	1	Hexagon nut
26	08510612	1	Washer
27	05728192	1	Lever
28	05723019	1	Button headed screw
29	05728193	1	Shaft
30	05727276	3	Safety washer
31	05728068	1	Supporting plate
32	4) 06220083	1	Loop ring
33	05728069	1	Button headed screw
34	05724193	2	Eccentric bolt
35	05720626	4	Centrifugal weight
36	05728199	1	Governor sleeve
37	05728071	1	Nut
38	05728072	1	Clamping bow

4) Incl. in gasket set crankcase

continued

Engine no.

S/N 100310000000 ▶

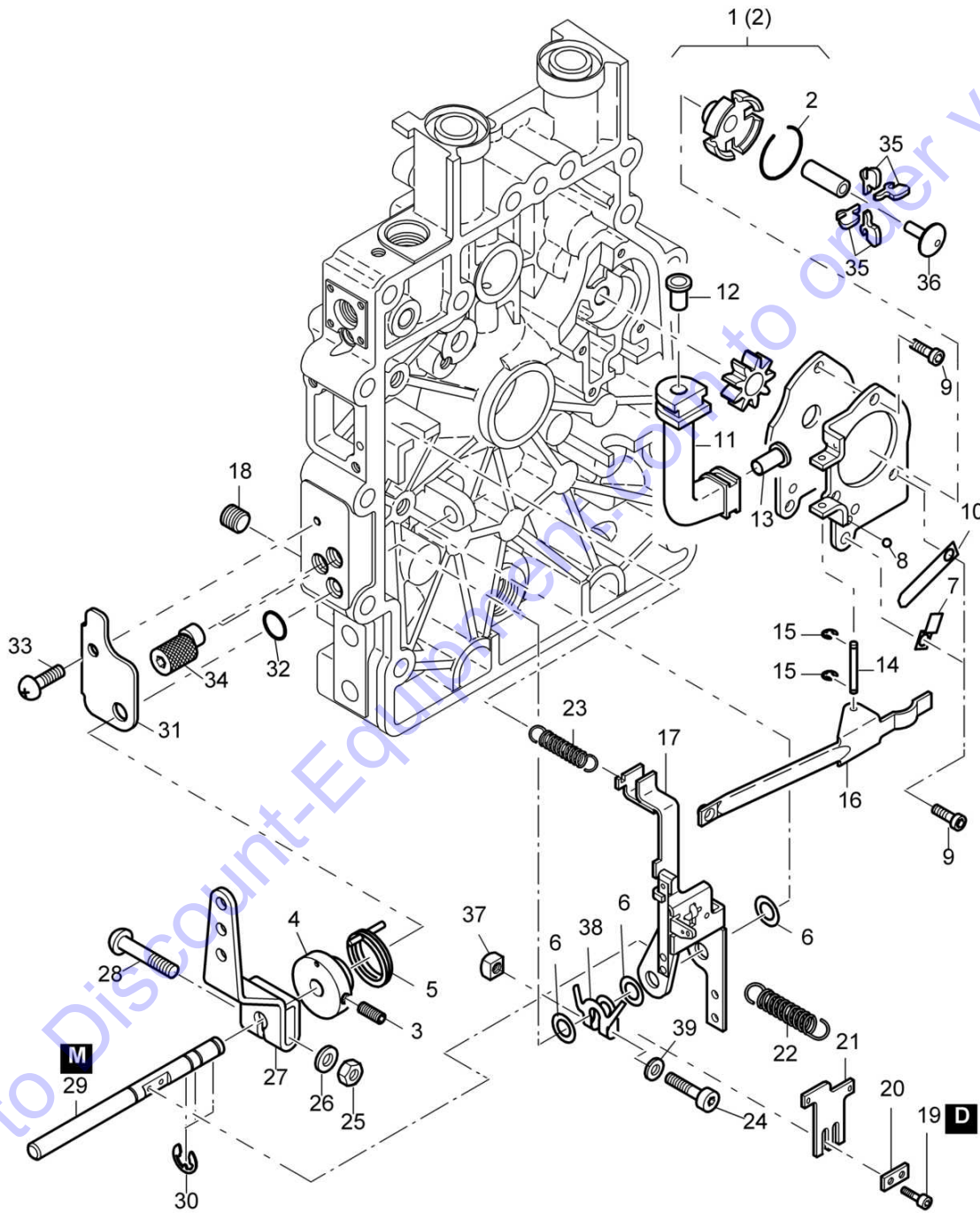
# 11.25

## Throttle Control

Page 1 / 1

# BOMAG

MOT010035\_000\_00



mot010035\_000

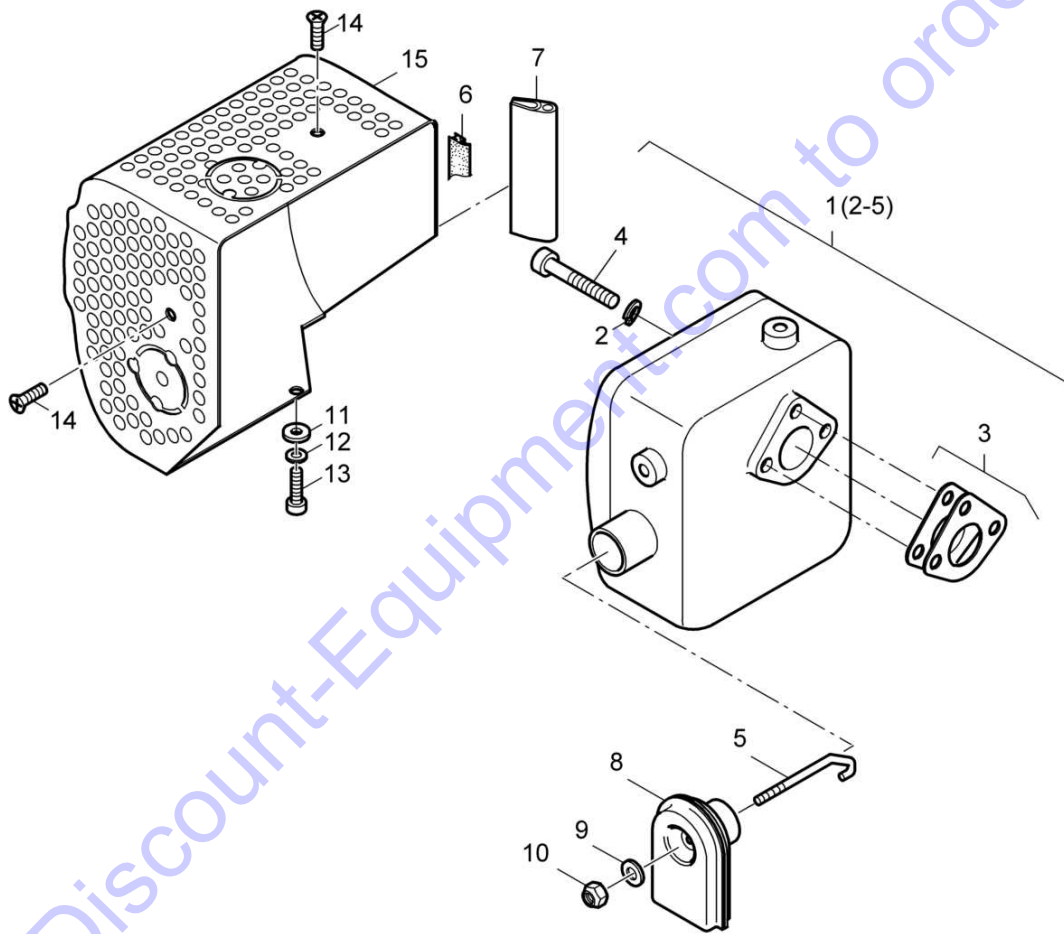
Engine no.	
S/N 1003100000000 ▶	
Throttle Control	<b>11.25</b>
	Page 1 / 1
	<b>BOMAG</b>
MOT010035 1001 E	

**Pos. Part no. Qty. Description**

39	08510511	1	Washer
40	00978006	1,00 kg	Auxiliaries Screw lock, middle strength D
41	00978023	1	Grinding paste M

Go to Discount-Equipment.com to order your parts

	Engine no.
<b>11.26</b>	S/N 100310000000 ▶
Page 1 / 1	<b>Silencer</b>
<b>BOMAG</b>	MOT010044_000_00



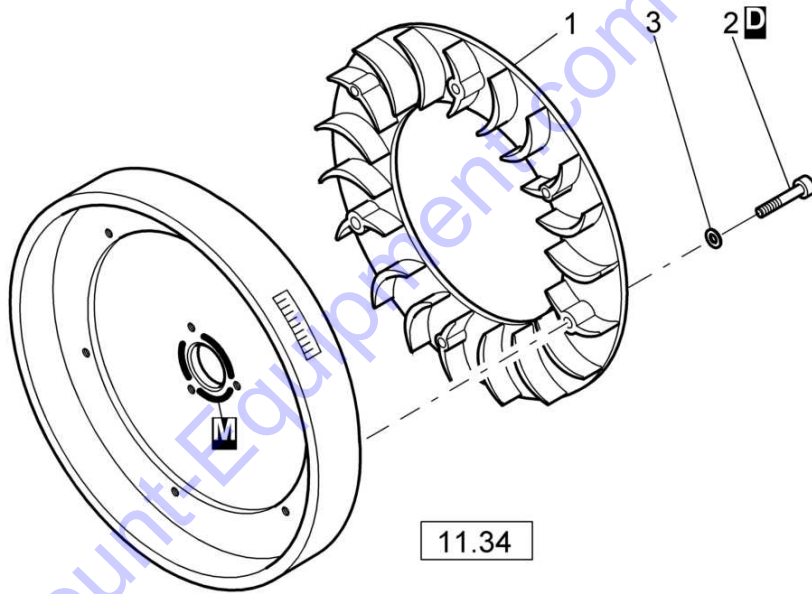
Engine no.	
S/N 1003100000000 ▶	
<b>Silencer</b>	<b>11.26</b>
	Page <b>1 / 1</b>
	<b>BOMAG</b>
MOT010044 1001 E	

**Pos. Part no. Qty. Description**

1	05720389	1	Exhaust silencer
2	08720814	3	>Spring washer
3	2) 05720044	1	>Kit,seal
4	05722063	3	>Socket-head cap screw
5	05724359	1	Threaded bolt
6	05728066	1	Sealing strip
7	05728372	1	Sealing strip
8	05720203	1	Exhaust elbow
9	08510612	1	Washer
10	05727283	1	Safety nut
11	08590617	1	Washer
12	08720611	1	Spring washer
13	07140626	1	Hexagon bolt
14	07320608	2	Countersunk screw
15	05728012	1	Protective device
		2)	Incl. in gasket set for 1 cylinder head

Go to Discount-Equipment.com to order your parts

	Engine no.
<b>11.29</b>	S/N 1003100000000 ▶
Page 1 / 1	<b>Cooling Blower</b>
<b>BOMAG</b>	MOT010037_000_00



Engine no.	
S/N 1003100000000 ▶	
Cooling Blower	<b>11.29</b>
	Page 1 / 1
	<b>BOMAG</b>
MOT010037 1001 E	

Pos.	Part no.	Qty.	Description
1	05724187	1	Blower ring
2	07230429	6	Socket-head cap screw
3	08641044	6	Spring washer
			Auxiliaries
5	00978006	1,00 kg	Screw lock, middle strength D

Go to Discount-Equipment.com to order your parts



Engine no.

S/N 100310000000 ▶

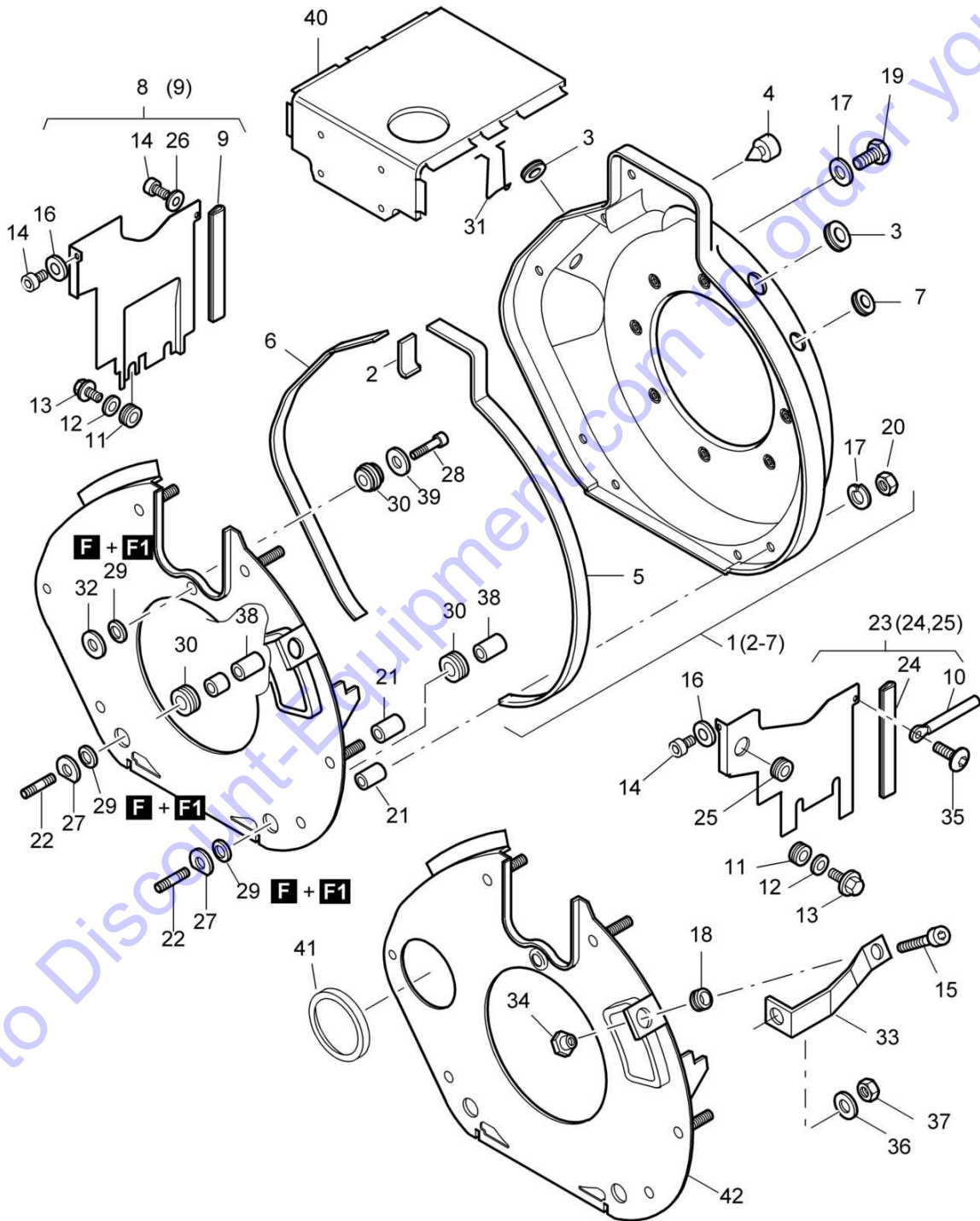
11.30

Cooling Air Duct

Page 1 / 1

BOMAG

MOT010040\_000\_00



mot010040\_000

Engine no.	
S/N 1003100000000 ▶	
Cooling Air Duct	<b>11.30</b>
	Page 1 / 1
	<b>BOMAG</b>
	MOT010040 1001 E

Pos.	Part no.	Qty.	Description
1	05720584	1	Cover
2	05728303	1	>Sealing strip 48mm
3	05728050	2	>Rubber grommet
4	05728685	1	>Rubber grommet
5	05728295	1	>Sealing strip 470mm
6	05728296	1	>Sealing strip 388mm
7	05728299	1	>Rubber grommet
8	05728294	1	Air duct plate
9	05728286	1	>Sealing strip 107mm
10	05722054	1	Cable clip
11	05728287	4	Rubber grommet
12	05728288	3	Washer
13	05728289	3	Hexagon bolt
14	07240608	3	Socket-head cap screw
15	07230605	1	Socket-head cap screw
16	08510612	2	Washer
17	08720611	7	Spring washer
18	05728291	1	Rubber grommet
19	07140629	1	Hexagon bolt
20	08110620	6	Hexagon nut
21	05728292	5	Bushing
22	07510628	2	Pin screw
23	05728285	1	Air duct plate
24	05728286	1	>Sealing strip 107mm
25	05722519	1	>Rubber grommet
26	05722766	1	Washer
27	05728604	2	Washer
28	07230621	1	Socket-head cap screw
29	05728297	3	Rubber ring
30	05720583	3	Spacer sleeve
31	05728307	1	Spring
32	05728304	1	Washer
33	05728300	1	Support
34	05728301	1	Tapped bush
35	05728052	1	Countersunk screw
36	08641084	1	Spring washer
37	08120809	1	Hexagon nut
38	05728292	2	Bushing
39	08720611	1	Spring washer
40	05720204	1	Sound protection hood

continued

Engine no.

S/N 100310000000 ▶

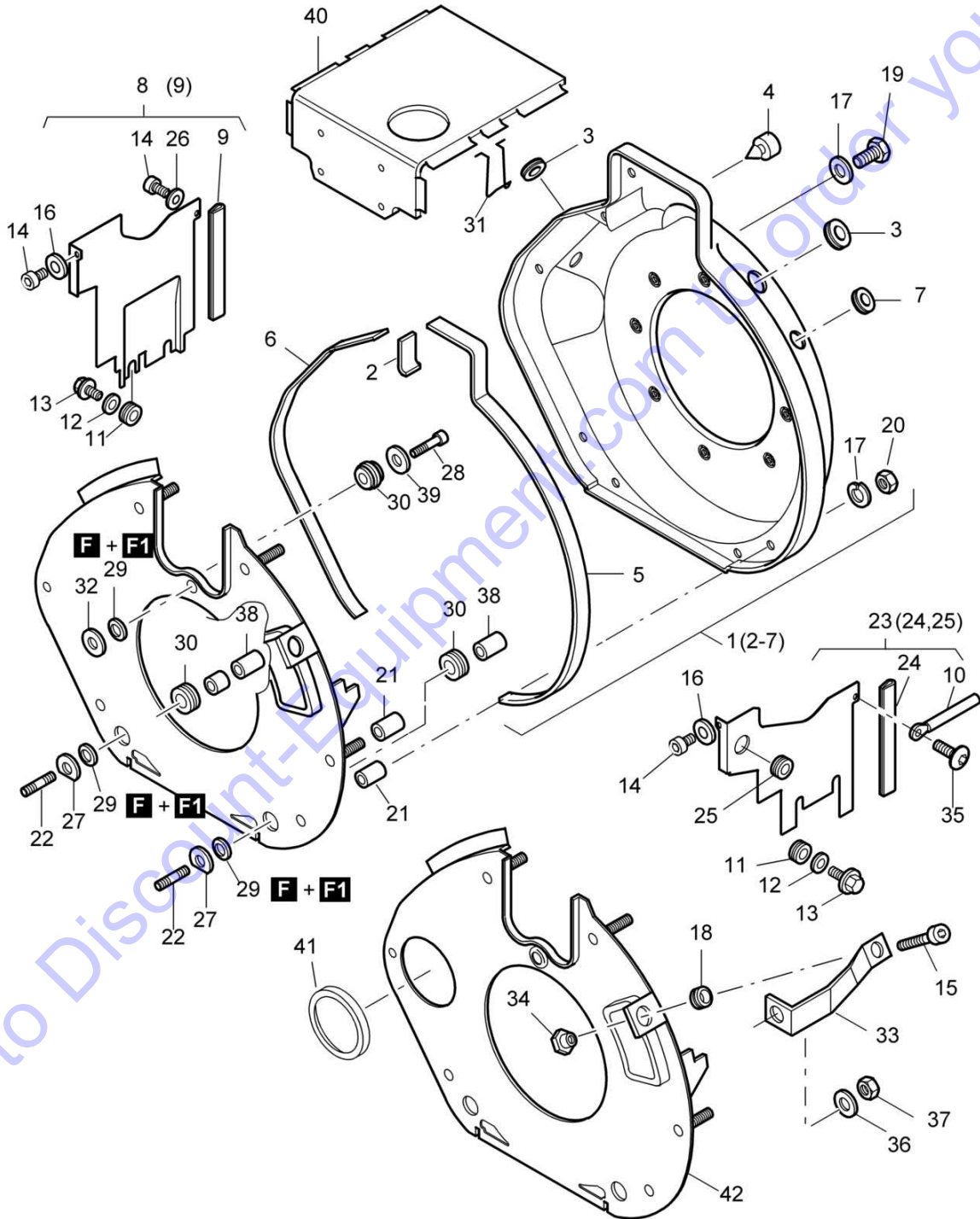
# 11.30

## Cooling Air Duct

Page 1 / 1

# BOMAG

MOT010040\_000\_00



mot010040\_000

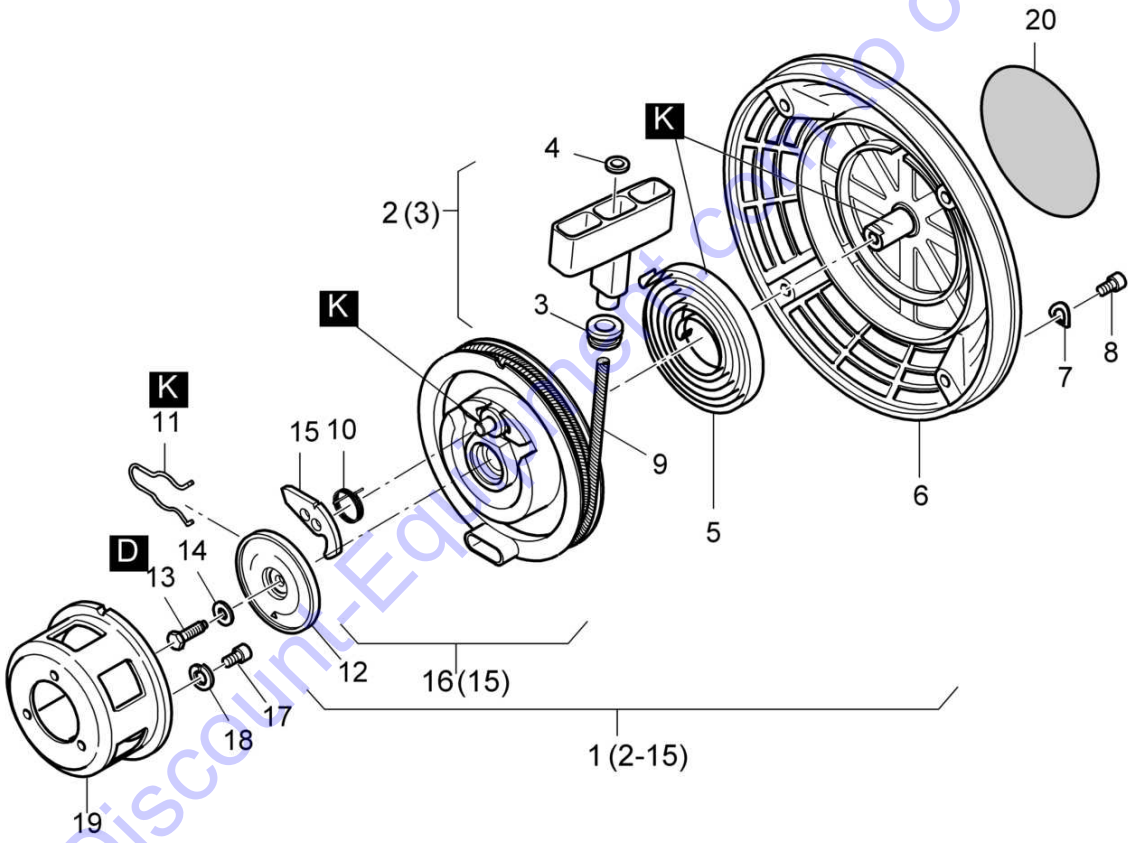
Engine no.	
S/N 1003100000000 ▶	
Cooling Air Duct	<b>11.30</b>
	Page 1 / 1
	<b>BOMAG</b>
MOT010040 1001 E	

Pos.	Part no.	Qty.	Description
------	----------	------	-------------

41	05728379	1	Sealing ring
42	05720039	1	Separating plate
			Auxiliaries
45	00970028	1	Technicoll F
46	00970029	1	Technicoll F1

Go to Discount-Equipment.com to order your parts

	Engine no.
	S/N 1003100000000 ▶
<b>11.31</b>	<b>Recoil Starter</b>
Page <b>1 / 1</b>	
<b>BOMAG</b>	MOT010039_000_00



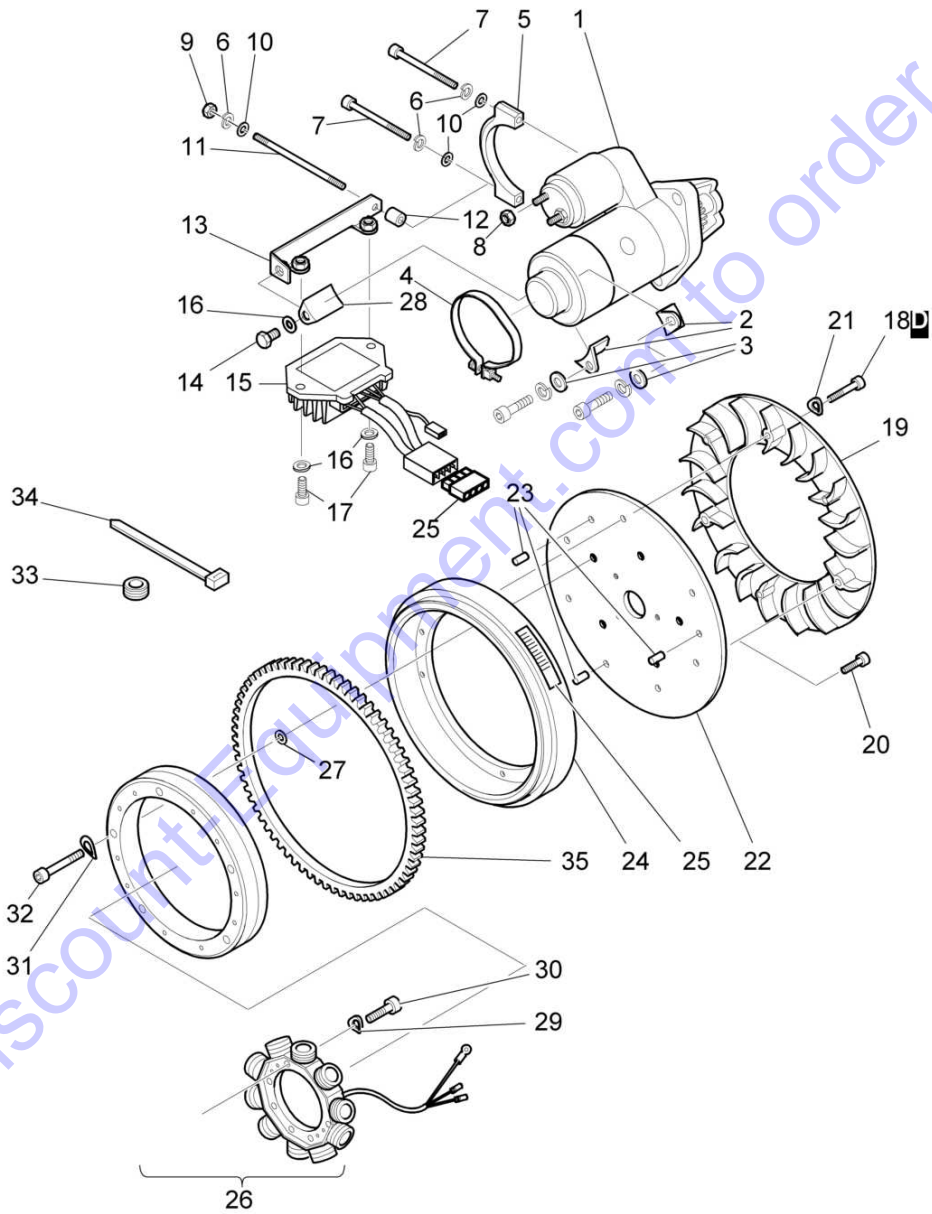
Go to DiscountEngine.com to order your parts

Engine no.	
S/N 1003100000000 ▶	
<b>Recoil Starter</b>	<b>11.31</b>
	Page 1 / 1
	<b>BOMAG</b>
MOT010039 1001 E	

Pos.	Part no.	Qty.	Description
1	05720110	1	Recoil starter
2	05728272	1	>Handle
3	05724445	1	>>Rubber grommet
4	05724188	1	>Washer
5	05728273	1	>Spiral spring
6	05728274	1	>Housing
7	08641064	4	>Spring washer
8	07230602	4	>Socket-head cap screw
9	05720205	1	>Starter rope 2040mm
10	05728279	1	>Torsion spring
11	05728276	1	>Brake spring
12	05728277	1	>Brake disc
13	07140629	1	>Hexagon bolt
14	08751064	1	>Spring washer
15	05728278	1	>Catch incl. Pos. 15
16	05728282	1	Rope pulley
17	07230602	3	Socket-head cap screw
18	08720611	3	Spring washer
19	05728280	1	Driver
20	05728281	1	Label
25	05721037	1	Auxiliaries Grease, special K

Go to Discount-Equipment.com to order your parts

	Engine no.
<b>11.34</b>	S/N 100310000000 ▶
Page <b>1 / 1</b>	<b>Generator and Starter</b>
<b>BOMAG</b>	MOT010045_000_00





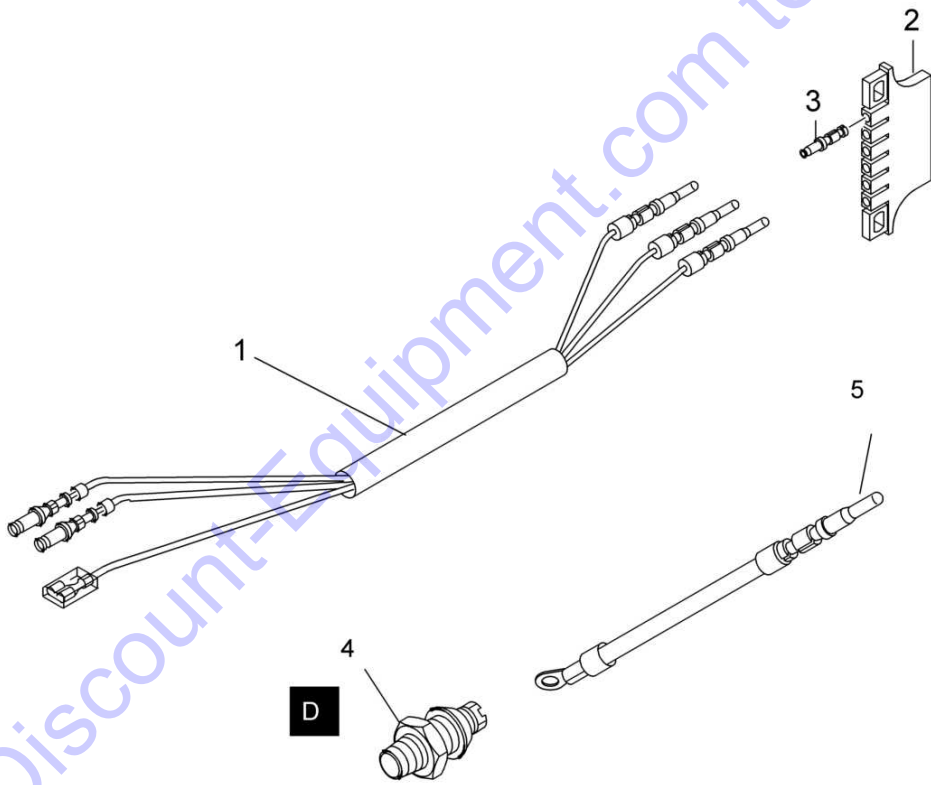
Engine no.	
S/N 1003100000000 ▶	
<b>Generator and Starter</b>	<b>11.34</b>
	Page 1 / 1
	<b>BOMAG</b>
MOT010045 1001 E	

Pos.	Part no.	Qty.	Description
1	05720043	1	Starter 12V - 1,0kW
2	05728381	2	Angle
3	08510817	2	Washer
4	05728382	1	Hose clip
5	05728383	1	Bow
6	08720611	2	Spring washer
7	07230665	2	Socket-head cap screw
8	08120809	1	Hexagon nut
9	08110620	1	Hexagon nut
10	08510612	2	Washer
11	05728384	1	Pin screw
12	05722771	1	Bushing
13	05728385	1	Angle
14	07130811	1	Hexagon bolt
15	05720163	1	Regulator switch 12V
16	08510817	3	Washer
17	07230827	2	Socket-head cap screw
18	07230429	6	Socket-head cap screw
19	05724187	1	Blower ring
20	07230605	3	Socket-head cap screw
21	08641044	6	Spring washer
22	05728475	1	Washer
23	09150601	3	Dowel pin
24	05720045	1	Flywheel
25	05722047	1	Socket housing
26	05720206	1	Generator 12V
27	08590617	5	Washer
28	05728381	1	Angle
29	08641054	4	Spring washer
30	05720604	4	Socket-head cap screw
31	08641064	5	Spring washer
32	07240620	5	Socket-head cap screw
33	05728389	1	Rubber grommet
34	05722524	3	Cable binder
35	05728390	1	Ring gear
40	00978010	1	Auxiliaries Loctite D

Go to [Dzount-Equipment.com](http://Dzount-Equipment.com) to order your parts



	Engine no.	
	S/N 1003100000000 ▶	
<b>11.36</b>	<b>Electrical Equipment</b>	
Page <b>1 / 1</b>		
<b>BOMAG</b>		
		MOT010046_000_00

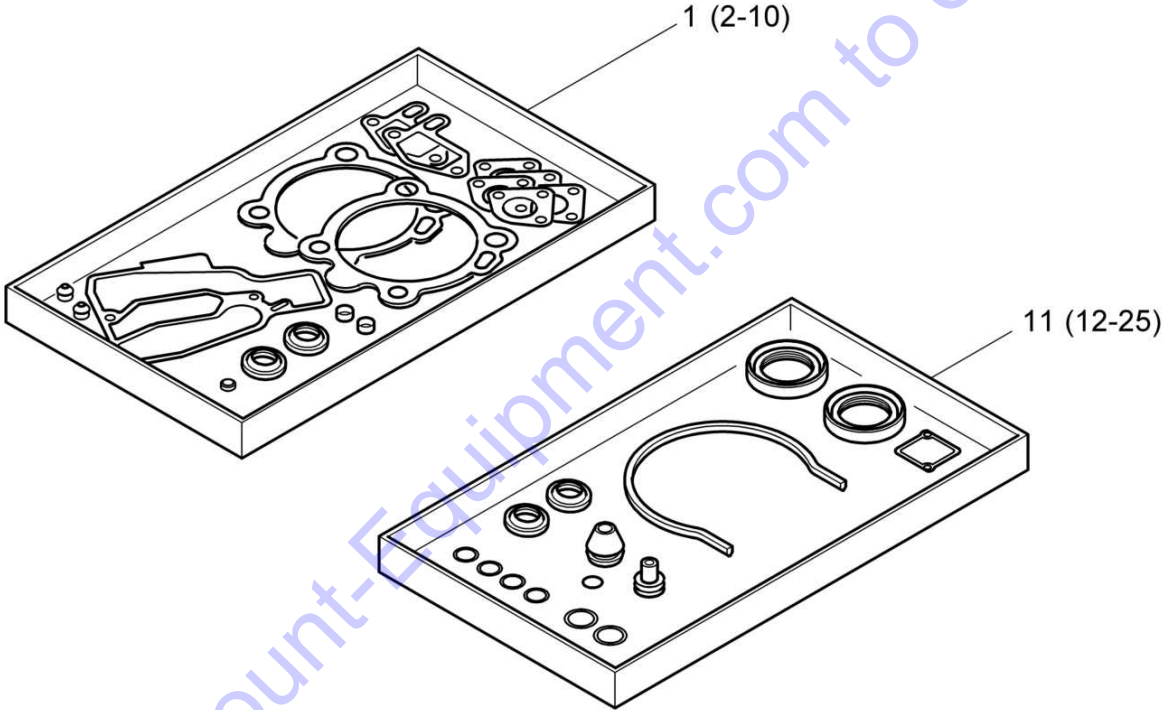


Engine no.	
S/N 1003100000000 ▶	
Electrical Equipment	<b>11.36</b>
	Page 1 / 1
	<b>BOMAG</b>
MOT010046 1001 E	

Pos.	Part no.	Qty.	Description
Pos.	Teilenr.	Menge	
Pos.	No.piece	Qte.	
1	05720040	1	Wire harness
2	05722372	1	Bush housing
3	05722320	3	Socket
4	05723469	1	Oil pressure switch 12 - 24V Oil
5	05724391	1	Cable (4) 500mm
10	00978006	1,00 kg	Auxiliaries Screw lock, middle strength D

Go to Discount-Equipment.com to order your parts

	Engine no.
	S/N 1003100000000 ▶
<b>11.47</b>	<b>Seal Kit</b>
Page <b>1 / 1</b>	
<b>BOMAG</b>	
	MOT010027_000_00



Engine no.	
S/N 1003100000000 ▶	
Seal Kit	<b>11.47</b>
	Page 1 / 1
	<b>BOMAG</b>
MOT010027 1001 E	

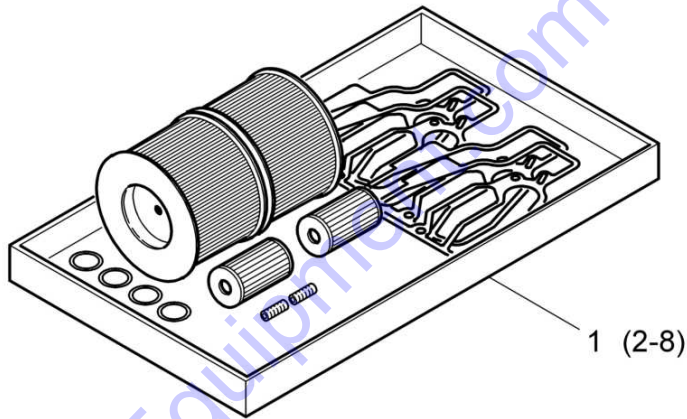
Pos.	Part no.	Qty.	Description
1	*1 05721063	1	Kit,seal
2	05728152	2	>Sealing ring
3	05728172	1	>Cylinder head gasket
4	05728173	1	>Cylinder head gasket
5	05728155	2	>Valve stem seal
6	05728216	2	>Sealing ring
7	05728165	1	>Gasket
8	05720044	1	>Kit,seal
9	05728360	2	>Gasket
10	05728251	1	>Sealing ring
11	*2 05720038	1	Kit,seal
12	05728454	1	>Breather line
13	05728110	1	>Sealing section
14	09331198	2	>Sealing ring
15	05728111	1	>Radial seal
16	05728108	1	>Loop ring
17	09331658	2	>Sealing ring
18	09311931	1	>Radial seal
19	09311931	1	>Radial seal
20	05728114	1	>Sealing ring
21	05728121	1	>Loop ring
22	06220083	1	>Loop ring
23	06220018	1	>Loop ring
24	06220078	1	>Loop ring
25	00970017	1	>Sealing compound

\*1 Gasket set for 1 cylinder head

\*2 Gasket set for crankcase

Go to Discount-Equipment.com to order your parts

	Engine no.
<b>11.48</b>	S/N 1003100000000 ▶
Page <b>1 / 1</b>	<b>Maintenance Kit</b>
<b>BOMAG</b>	MOT010028_000_00



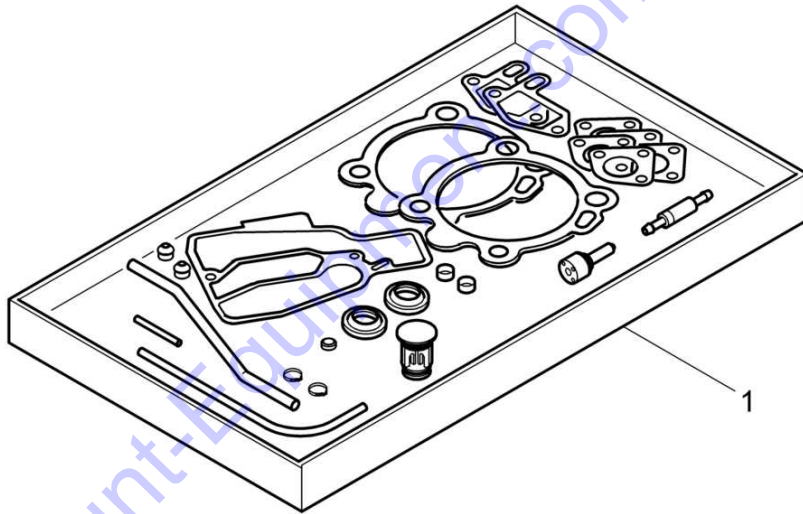
Engine no.	
S/N 1003100000000 ▶	
<b>Maintenance Kit</b>	<b>11.48</b>
	Page 1 / 1
	<b>BOMAG</b>
MOT010028 1001 E	

**Pos. Part no. Qty. Description**

1	05728063	1	Service kit 1000 Hours
2	05728350	2	>Air filter
3	05723502	2	>Fuel filter
4	05728165	4	>Gasket
5	07632216	1	>Magnetic plug
6	09331198	4	>Sealing ring
7	05728030	2	>Tapped pin
8	05728121	1	>Loop ring

Go to Discount-Equipment.com to order your parts

	Engine no.
<b>11.49</b>	S/N 1003100000000 ▶
Page <b>1 / 1</b>	<b>Emergency Kit</b>
<b>BOMAG</b>	MOT010029_000_00



Engine no.	
S/N 1003100000000 ▶	
Emergency Kit	<b>11.49</b>
	Page 1 / 1
	<b>BOMAG</b>
MOT010029 1001 E	

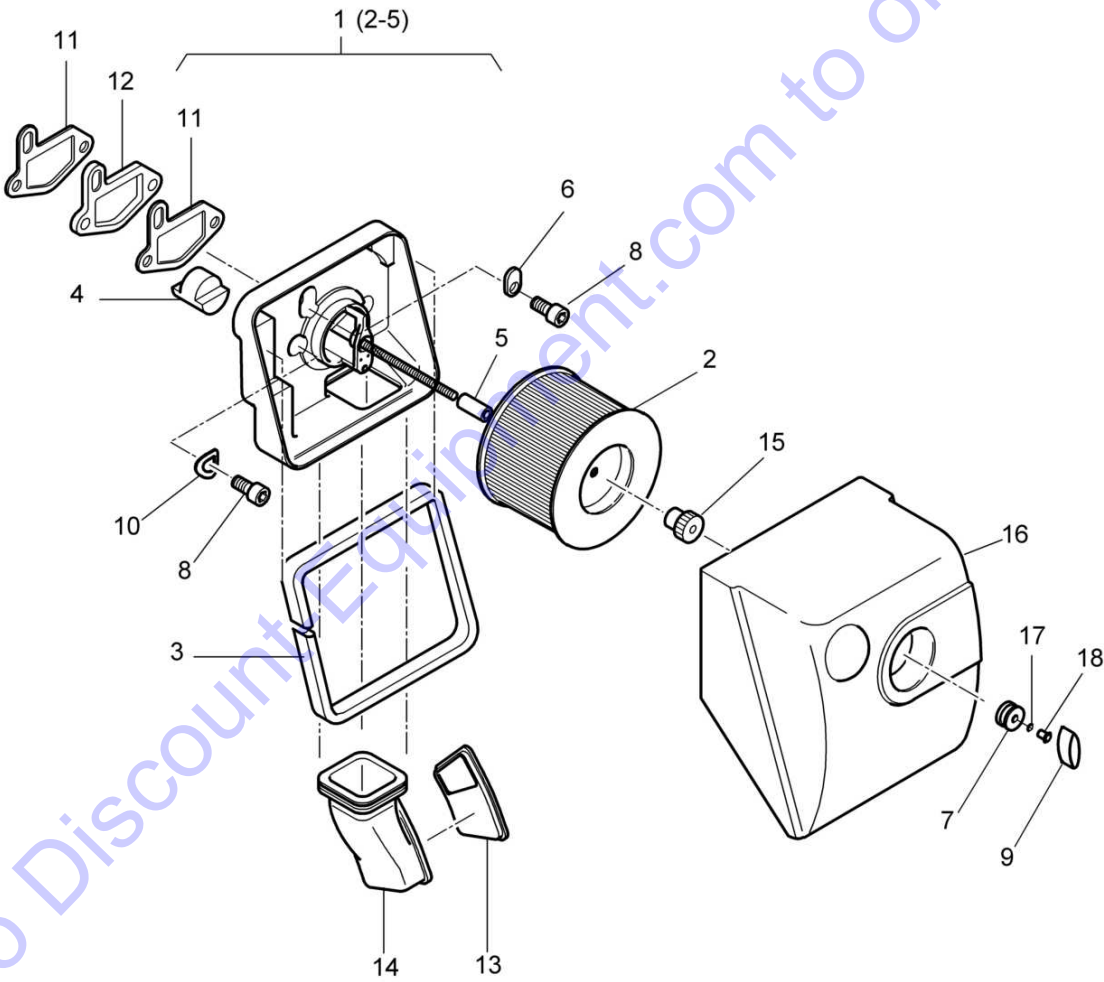
**Pos. Part no. Qty. Description**

1 05720112 1 Kit, Emergency

Go to Discount-Equipment.com to order your parts



	Engine no.
<b>11.63</b>	S/N 1003100000000 ▶
Page 1 / 1	<b>Air Cleaner &amp; Exhaust</b>
<b>BOMAG</b>	MOT010043_000_00



Engine no.	
S/N 1003100000000 ▶	
<b>Air Cleaner &amp; Exhaust</b>	<b>11.63</b>
	Page 1 / 1
	<b>BOMAG</b>
MOT010043 1001 E	

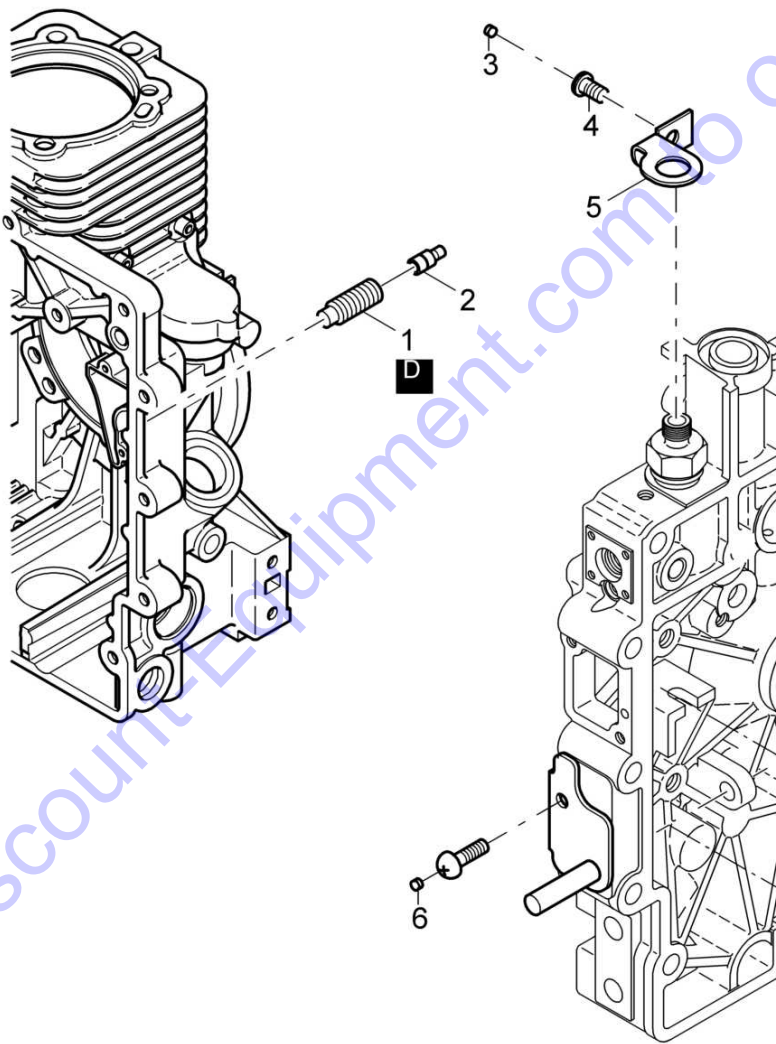
**Pos. Part no. Qty. Description**

1	05720113	1	Air filter housing
2	1) 05728350	1	>Air filter
3	05724189	1	>Sealing strip 545 mm
4	05728362	1	>Plug
5	05728609	1	>Sleeve 32 mm
6	05728349	1	Washer
7	05728355	1	Rubber grommet
8	07230819	3	Socket-head cap screw
9	05728357	1	Wing nut
10	08641084	2	Spring washer
11	2) 05728360	2	Gasket
12	05728361	1	Insulating flange
13	05728049	1	Orifice
14	05728358	1	Collar
15	05728351	1	Nut
16	05720136	1	Cover, air filter
17	05728011	1	Shim
18	05728010	1	Rivet

- 1) Incl. in maintenance kit  
2) Incl. in gasket set for 1 cylinder head

Go to Discount-Equipment.com to order your parts

	Engine no.	
	S/N 1003100000000 ▶	
<b>11.96</b>	<b>Other Parts</b>	
Page <b>1 / 1</b>		
<b>BOMAG</b>		
		MOT010047_000_00

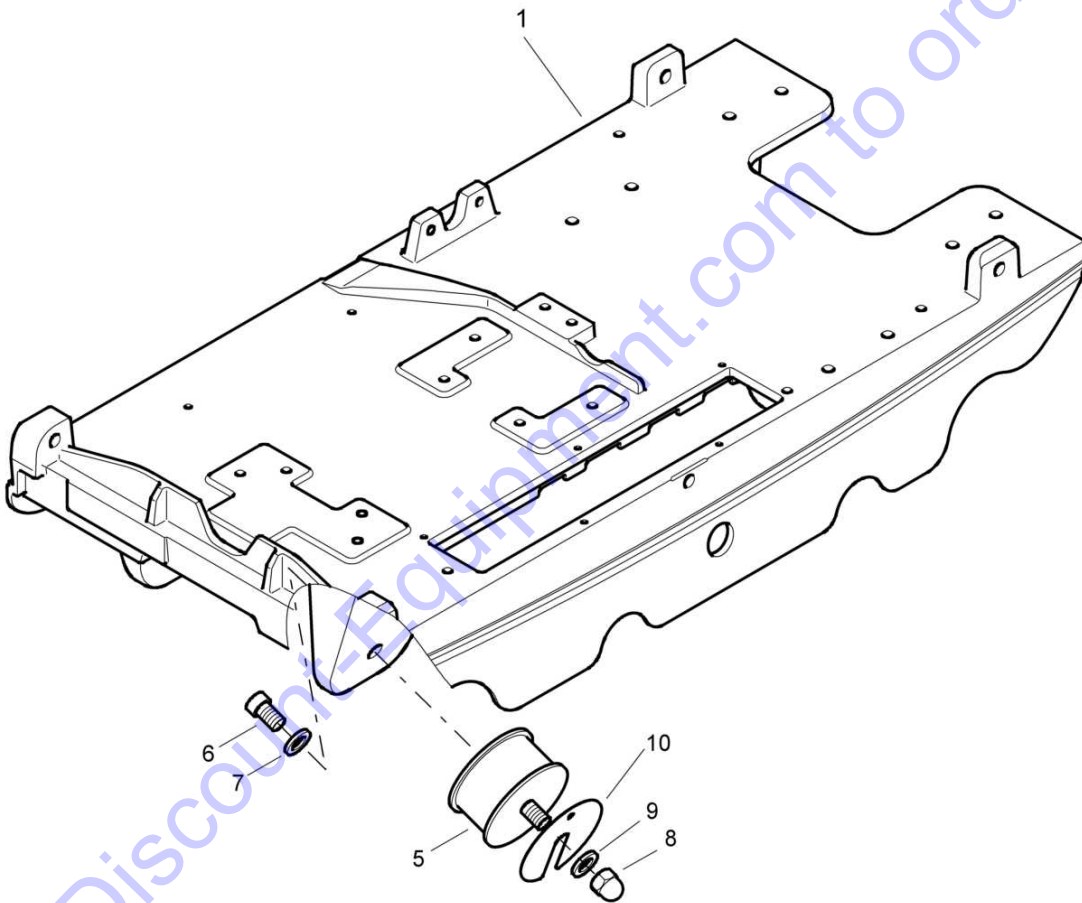


Engine no.	
S/N 1003100000000 ▶	
Other Parts	<b>11.96</b>
	Page 1 / 1
	<b>BOMAG</b>
MOT010047 1001 E	

Pos.	Part no.	Qty.	Description
1	05724182	1	Tapped pin
2	05724195	1	Plug
3	05724196	1	Plug
4	05728052	1	Countersunk screw
5	05724197	1	Protection ring
6	05724198	1	Plug
			Auxiliaries
7	00978006	1,00 kg	Screw lock, middle strength D

Go to Discount-Equipment.com to order your parts

	BPR 35/60 D/E	
<b>12.12</b>		S/N 101692221059 ▶
	<b>Engine Carrier</b>	
Page <b>1 / 1</b>		
<b>BOMAG</b>		69030044_000_05

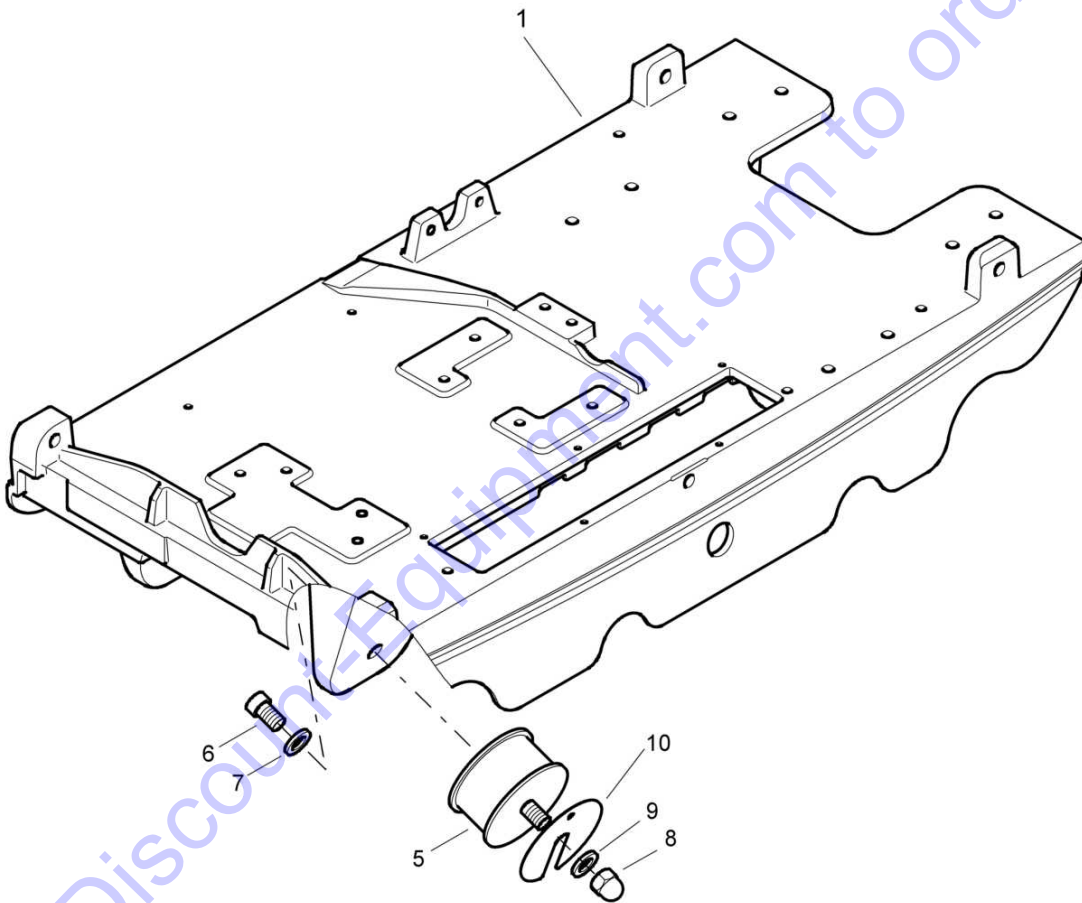


BPR 35/60 D/E		
S/N 101692221059 ▶		<b>12.12</b>
<b>Engine Carrier</b>		Page <b>1 / 1</b>
	69030044 1001 1	<b>BOMAG</b>

Pos.	Part no.	Qty.	Description
1	69030241	1	Engine carrier
5	06127525	4	Rubber buffer
6	07231211	4	Socket-head cap screw
7	08511324	4	Washer
8	08241217	4	Domed cap nut
9	08752130	4	Spring washer
10	69030240	4	Shim

Go to Discount-Equipment.com to order your parts

	BPR 35/60 D/E	S/N 101692221001 ▶ S/N 101692221058
<b>12.12</b>	<b>Engine Carrier</b>	
Page <b>1 / 1</b>		
<b>BOMAG</b>	69030044_000_05	



BPR 35/60 D/E		
S/N 101692221001 ▶ S/N 101692221058		<b>12.12</b>
<b>Engine Carrier</b>		Page <b>1 / 1</b>
69030044 1001 1		<b>BOMAG</b>

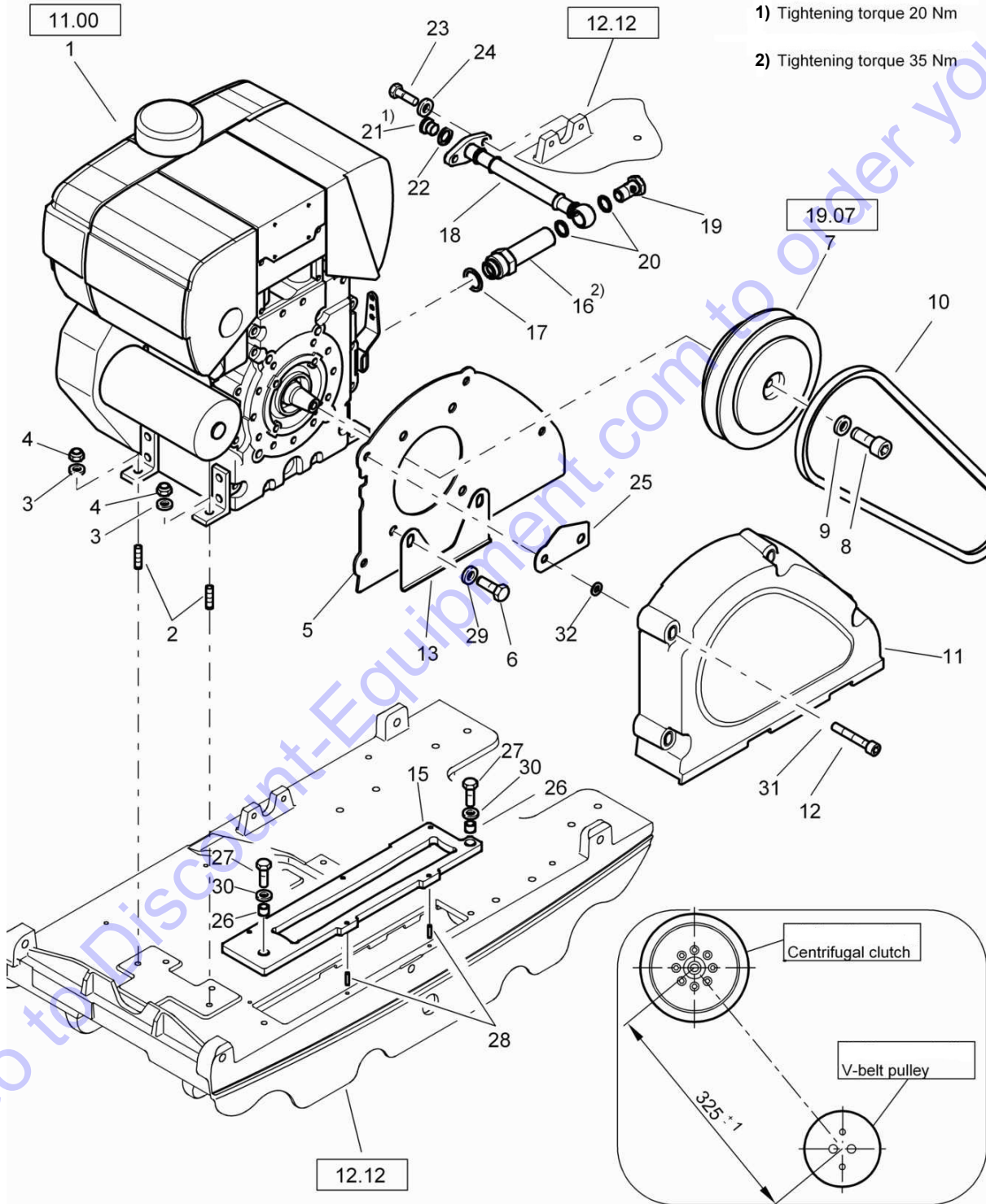
Pos.	Part no.	Qty.	Description
1	69030241	1	Engine carrier
5	06127525	4	Rubber buffer
6	07231211	4	Socket-head cap screw
7	08511324	4	Washer
8	08241217	4	Domed cap nut
9	08501335	4	Washer
10	69030240	4	Shim

Go to Discount-Equipment.com to order your parts



# 12.13

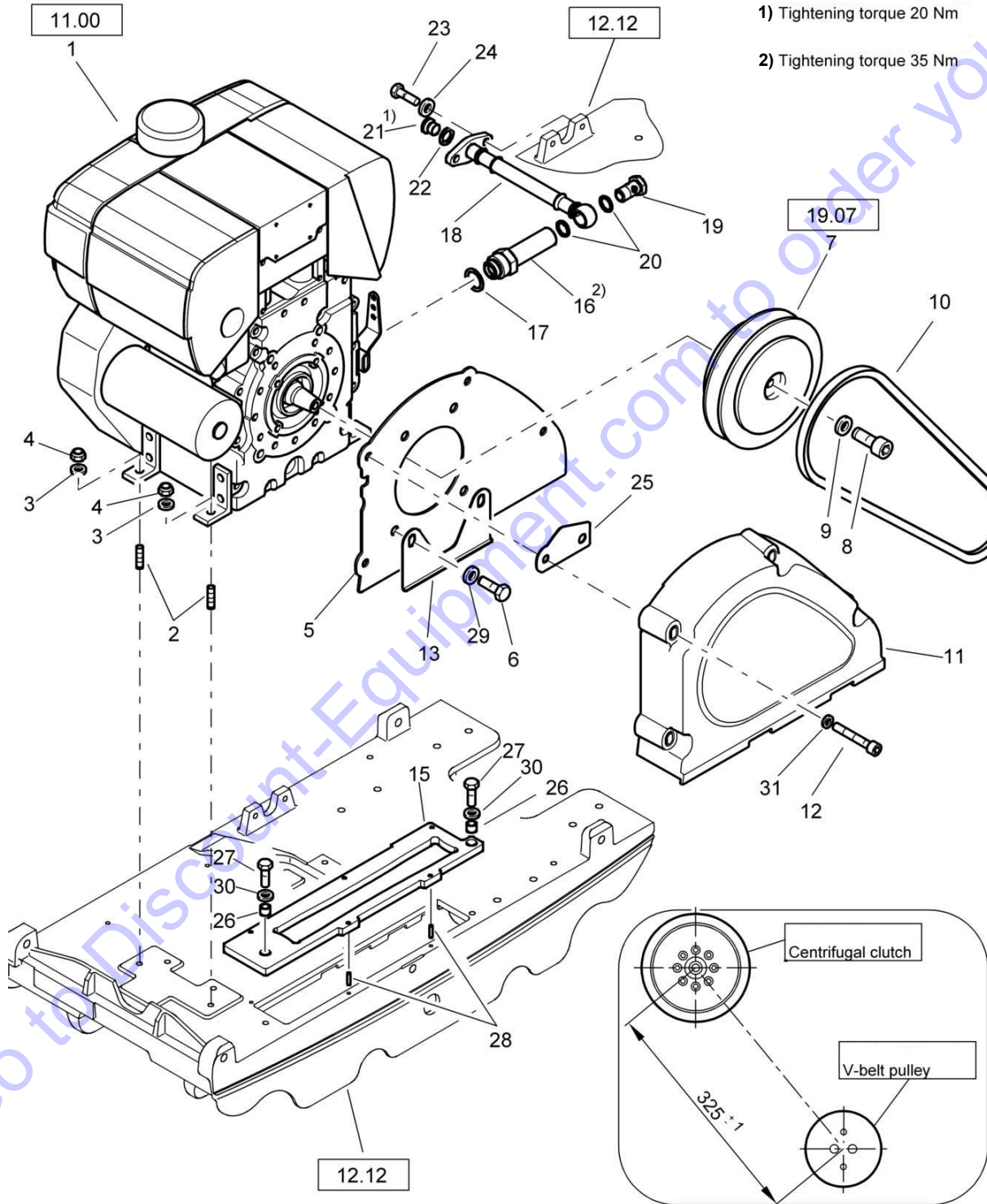
## Engine



BPR 35/60 D/E		
S/N 101692221209 ▶		<b>12.13</b>
Engine		Page 1 / 1
	69040020 1001 1	<b>BOMAG</b>

Pos.	Part no.	Qty.	Description
1	05706334	1	Diesel engine
2	07590804	4	Pin screw
3	08510817	4	Washer
4	08130813	4	Safety nut
5	69040296	1	Supporting plate
6	07141017	4	Hexagon bolt
7	05650117	1	Centrifugal clutch
8	07230834	1	Socket-head cap screw
9	69040261	1	Washer
10	06312289	1	V-belt
11	69040380	1	V-belt guard
12	07230847	4	Socket-head cap screw
13	69040239	1	Supporting plate
15	69040362	1	Seal
16	69040237	1	Double-ended union
17	09331768	1	Sealing ring
18	69040238	1	Oil drain hose
19	09710110	1	Hollow screw
20	09331148	2	Sealing ring
21	07621416	1	Screw plug
22	06211422	1	U-seal
23	07140824	2	Hexagon bolt
24	08510817	2	Washer
25	69040297	1	Plate
26	69040291	2	Sleeve
27	07140824	2	Hexagon bolt
28	09160406	5	Dowel pin
29	08511021	4	Washer
30	08510817	2	Washer
31	08510817	4	Washer
32	08665000	4	Stop disc

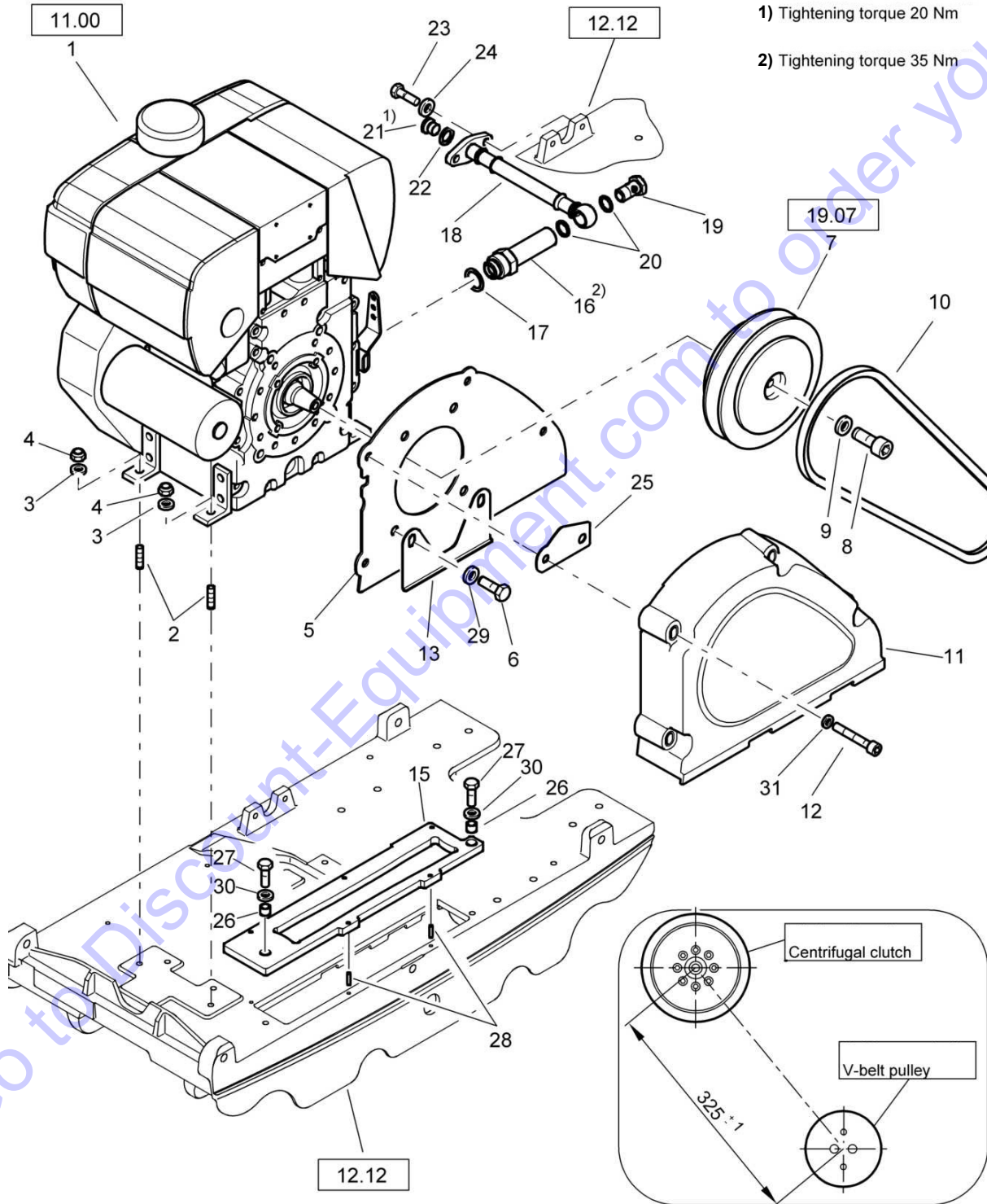
Go to Discount-Equipment.com to order your parts



BPR 35/60 D/E		
S/N 101692221145 ▶ S/N 101692221208		<b>12.13</b>
Engine		Page 1 / 1
	69040020 1001 1	<b>BOMAG</b>

Pos.	Part no.	Qty.	Description
1	05706334	1	Diesel engine
2	07590804	4	Pin screw
3	08510817	4	Washer
4	08130813	4	Safety nut
5	69040296	1	Supporting plate
6	07141017	4	Hexagon bolt
7	05650117	1	Centrifugal clutch
8	07230834	1	Socket-head cap screw
9	69040261	1	Washer
10	06312289	1	V-belt
11	69040276	1	V-belt guard
12	07230847	4	Socket-head cap screw
13	69040239	1	Supporting plate
15	69040362	1	Seal
16	69040237	1	Double-ended union
17	09331768	1	Sealing ring
18	69040238	1	Oil drain hose
19	09710110	1	Hollow screw
20	09331148	2	Sealing ring
21	07621416	1	Screw plug
22	06211422	1	U-seal
23	07140824	2	Hexagon bolt
24	08510817	2	Washer
25	69040297	1	Plate
26	69040291	2	Sleeve
27	07140824	2	Hexagon bolt
28	09160406	5	Dowel pin
29	08511021	4	Washer
30	08510817	2	Washer
31	08510817	4	Washer

Go to Discount-Equipment.com to order your parts





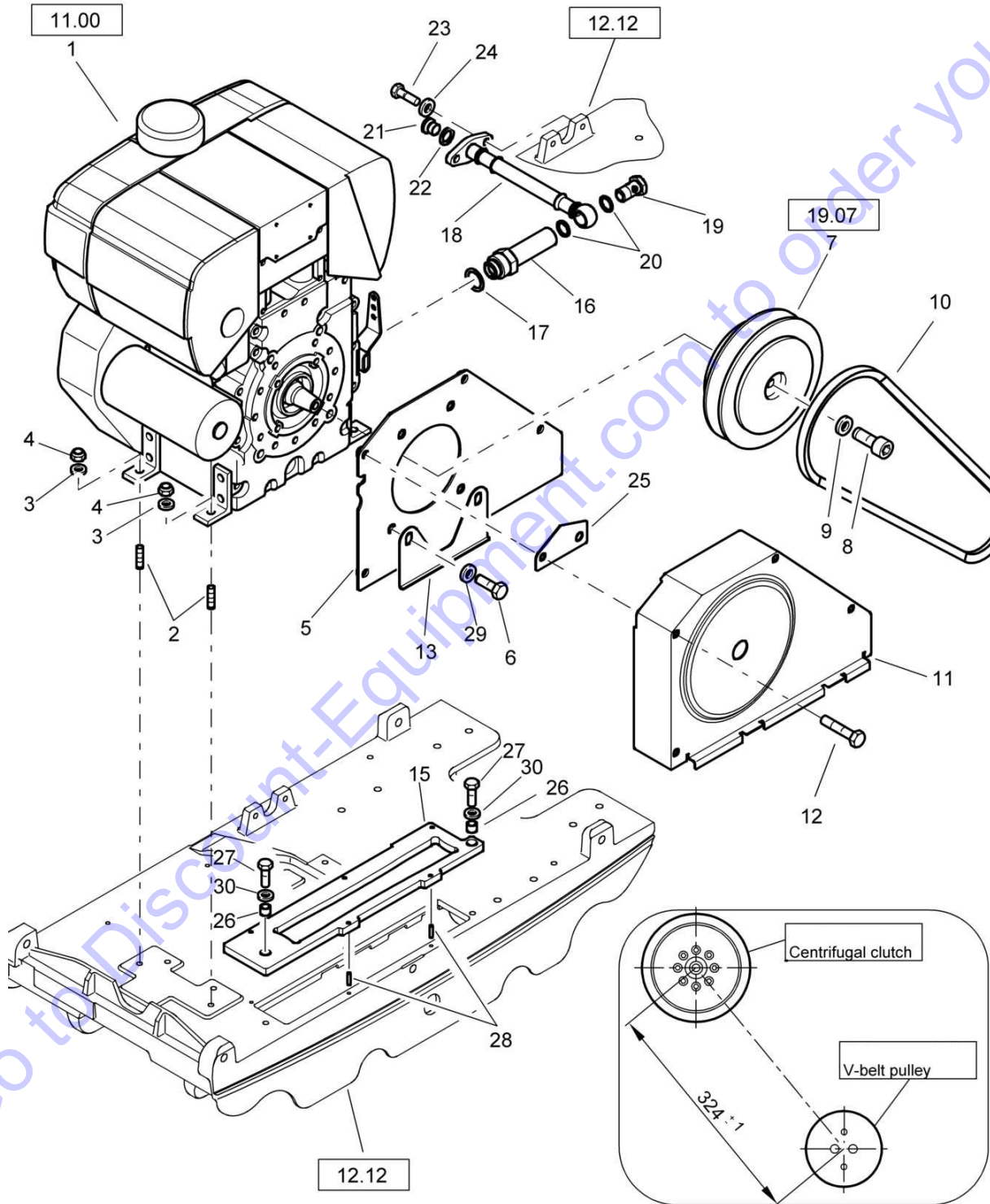
BPR 35/60 D/E		
S/N 101692221131 ▶ S/N 101692221144		<b>12.13</b>
<b>Engine</b>		Page <b>1 / 1</b>
	69040020 1001 1	<b>BOMAG</b>

Pos.	Part no.	Qty.	Description
1	05706334	1	Diesel engine
2	07590804	4	Pin screw
3	08510817	4	Washer
4	08130813	4	Safety nut
5	69040296	1	Supporting plate
6	07141017	4	Hexagon bolt
7	05650117	1	Centrifugal clutch
8	07230834	1	Socket-head cap screw
9	69040261	1	Washer
10	06312275	1	V-belt
11	69040276	1	V-belt guard
12	07230847	4	Socket-head cap screw
13	69040239	1	Supporting plate
15	69040362	1	Seal
16	69040237	1	Double-ended union
17	09331768	1	Sealing ring
18	69040238	1	Oil drain hose
19	09710110	1	Hollow screw
20	09331148	2	Sealing ring
21	07621416	1	Screw plug
22	06211422	1	U-seal
23	07140824	2	Hexagon bolt
24	08510817	2	Washer
25	69040297	1	Plate
26	69040291	2	Sleeve
27	07140824	2	Hexagon bolt
28	09160406	5	Dowel pin
29	08511021	4	Washer
30	08510817	2	Washer
31	08510817	4	Washer

Go to Discount-Equipment.com to order your parts

# 12.13

## Engine



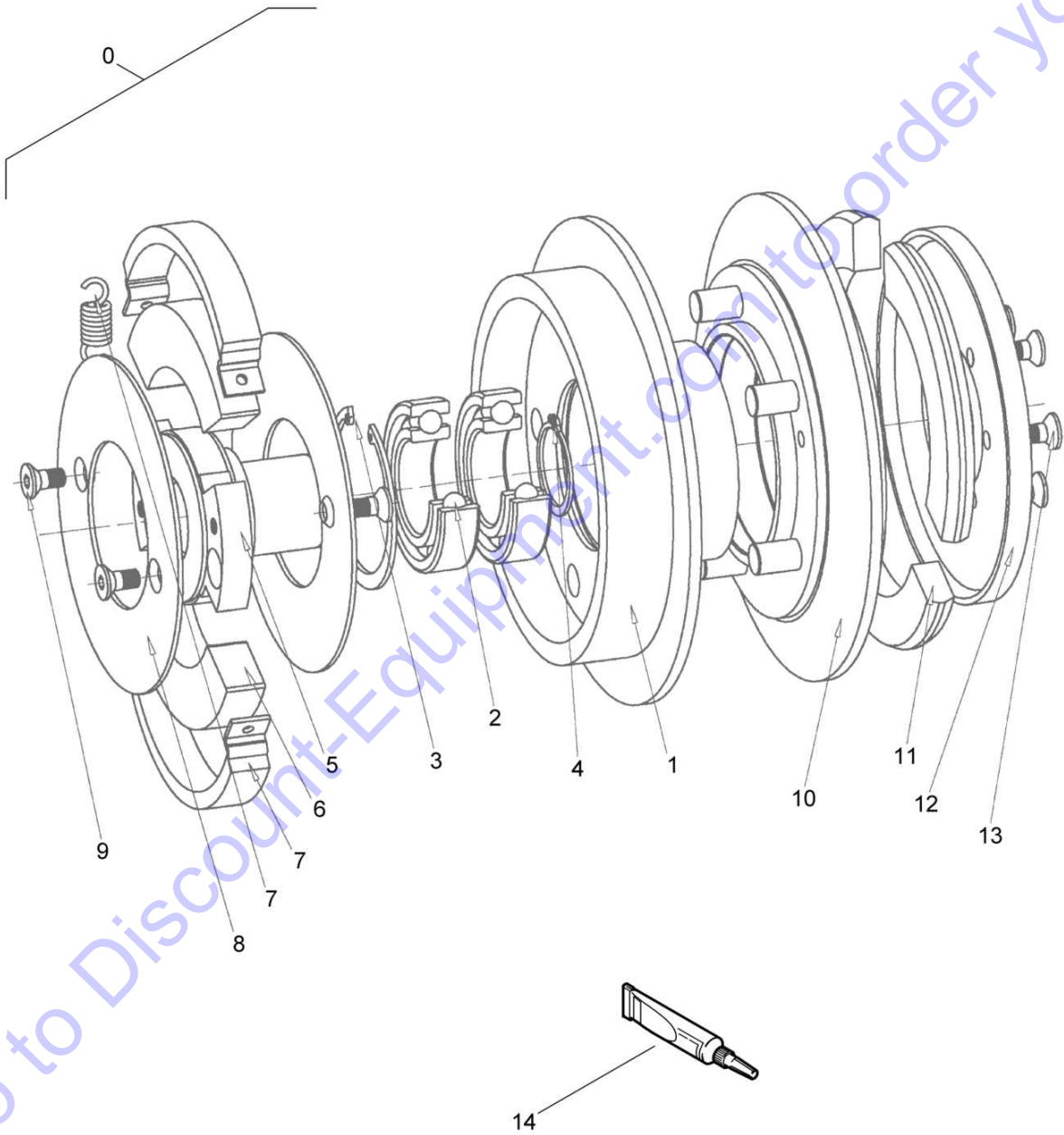
BPR 35/60 D/E		
S/N 101692221001 ▶ S/N 101692221130		<b>12.13</b>
<b>Engine</b>		Page <b>1 / 1</b>
	69040020 1001 1	<b>BOMAG</b>

Pos.	Part no.	Qty.	Description
1	05706334	1	Diesel engine
2	07590804	4	Pin screw
3	08510817	4	Washer
4	08130813	4	Safety nut
5	69040262	1	Supporting plate
6	07141017	4	Hexagon bolt
7	05650117	1	Centrifugal clutch
8	07230834	1	Socket-head cap screw
9	69040261	1	Washer
10	06312275	1	V-belt
11	69040288	1	V-belt guard
12	07130846	4	Hexagon bolt
13	69040239	1	Supporting plate
15	69040362	1	Seal
16	69040237	1	Double-ended union
17	09331768	1	Sealing ring
18	69040238	1	Oil drain hose
19	09710110	1	Hollow screw
20	09331148	2	Sealing ring
21	07621416	1	Screw plug
22	06211422	1	U-seal
23	07140824	2	Hexagon bolt
24	08510817	2	Washer
25	69040281	1	Plate
26	69040291	2	Sleeve
27	07140824	2	Hexagon bolt
28	09160406	5	Dowel pin
29	08511021	4	Washer
30	08510817	2	Washer

Go to Discount-Equipment.com to order your parts



	BPR 35/60 D/E	
<b>19.07</b>		S/N 101692221001 ▶
	<b>Centrifugal Clutch</b>	
Page <b>1 / 1</b>		
<b>BOMAG</b>		EA002612_000_00



Go to Discount-Equipment.com to order your parts

BPR 35/60 D/E	
S/N 101692221001 ▶	<b>19.07</b>
<b>Centrifugal Clutch</b>	Page <b>1 / 1</b>
	<b>BOMAG</b>
EA002612 1001 E	

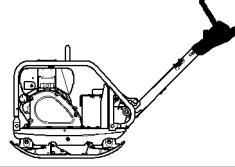
Pos.	Part no.	Qty.	Description
0	05650117	1	Centrifugal clutch
1	05660192	1	>Coupling housing
2	05113306	2	>Ball bearing,grooved
3	09223300	1	>Circlip,internal
4	09211800	1	>Circlip,external
5	05660178	1	>Coupling hub
6	05660728	2	>Centrifugal weight
7	05660189	1	>Repair Kit
8	05660724	2	>Cover disc
9	05660731	4	>Countersunk screw
10	05660193	1	>Belt pulley
11	05660182	3	>Centrifugal weight
12	05660194	1	>Covering disc
13	05660186	6	>Countersunk screw
14	05660188	1	Paste

Go to Discount-Equipment.com to order your parts

**X**

Go to [Discount-Equipment.com](http://Discount-Equipment.com) to order your parts

**Power Transmission / Actuation**



**20**

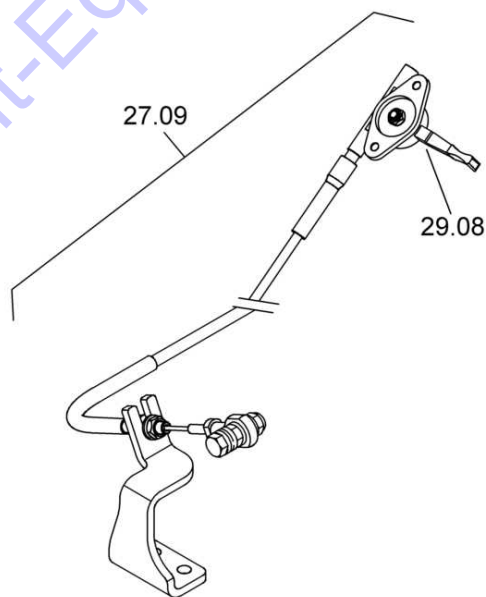
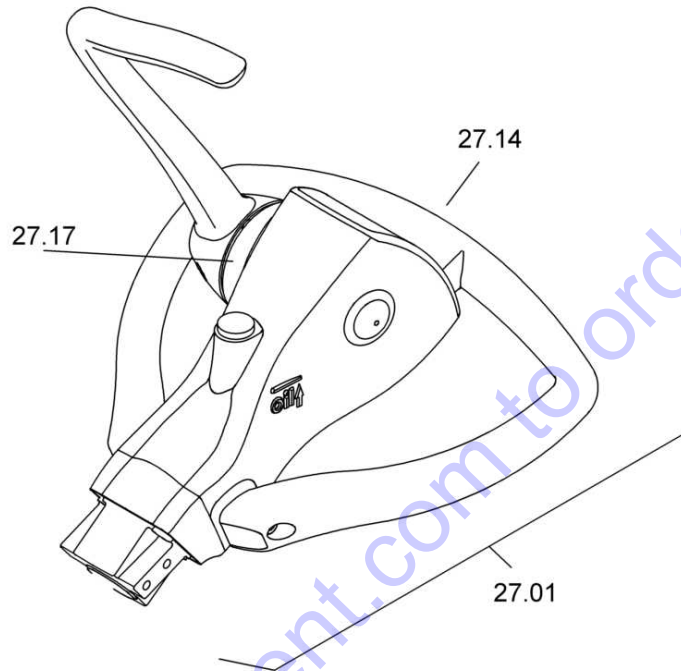
Go to [Discount-Equipment.com](http://Discount-Equipment.com) to order your parts

**20.00**

Power Transmission / Actuation

Page /

**BOMAG**



Go to Discount-Equipment.com to order your parts

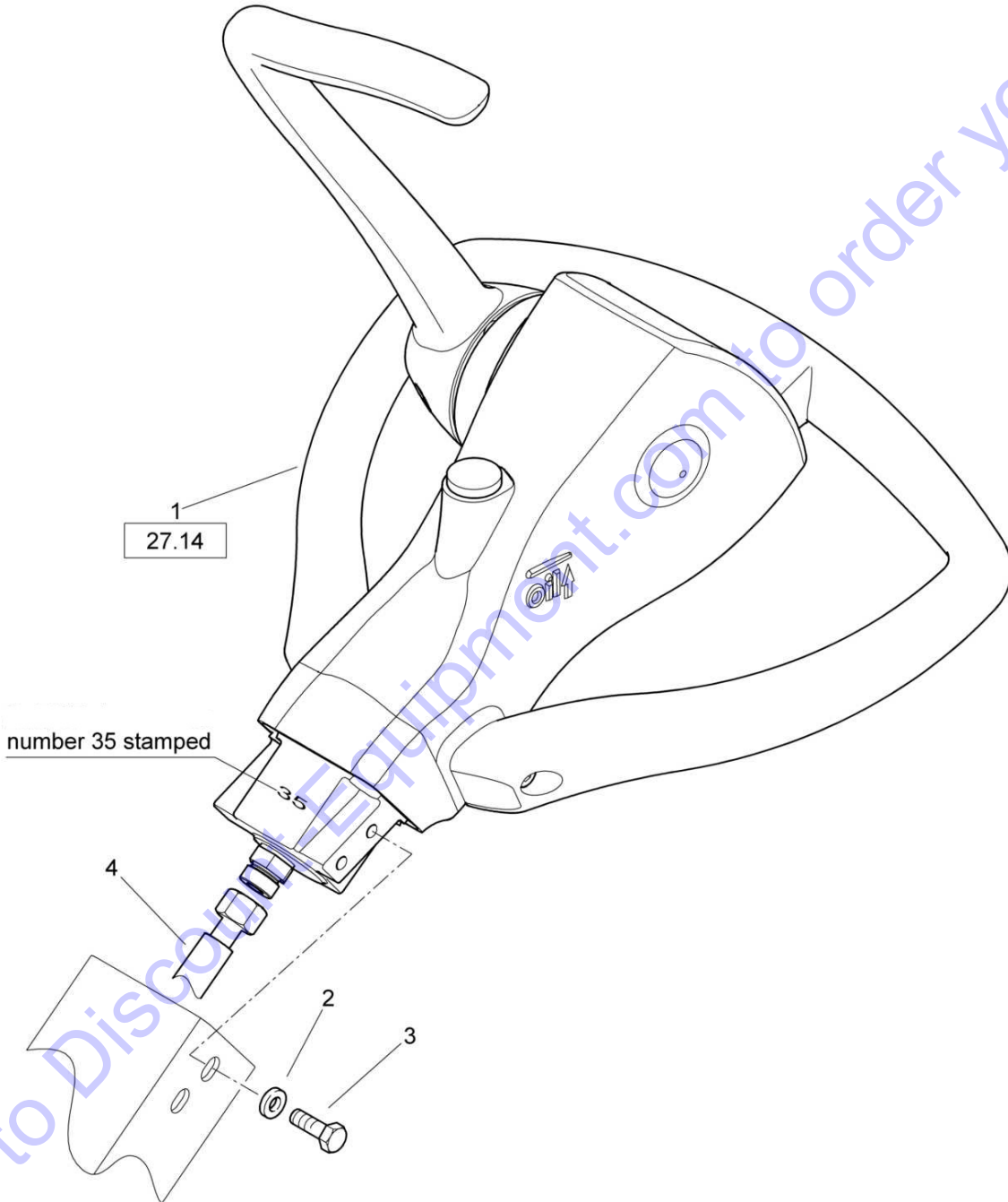
<b>Power Transmission / Actuation</b>	<b>20.00</b>
	Page /
	<b>BOMAG</b>

**Pos. Description**

- 27.01 Travel Actuation
- 27.09 Throttle Control
- 27.14 Steering rod head
- 27.17 Detent, assembled
- 29.08 Actuat.Cable Throttle Re.

Go to Discount-Equipment.com to order your parts

	BPR 35/60 D/E	
<b>27.01</b>		S/N 101692221001 ▶
	Travel Actuation	
Page <b>1 / 1</b>		
<b>BOMAG</b>		69110044_000_02



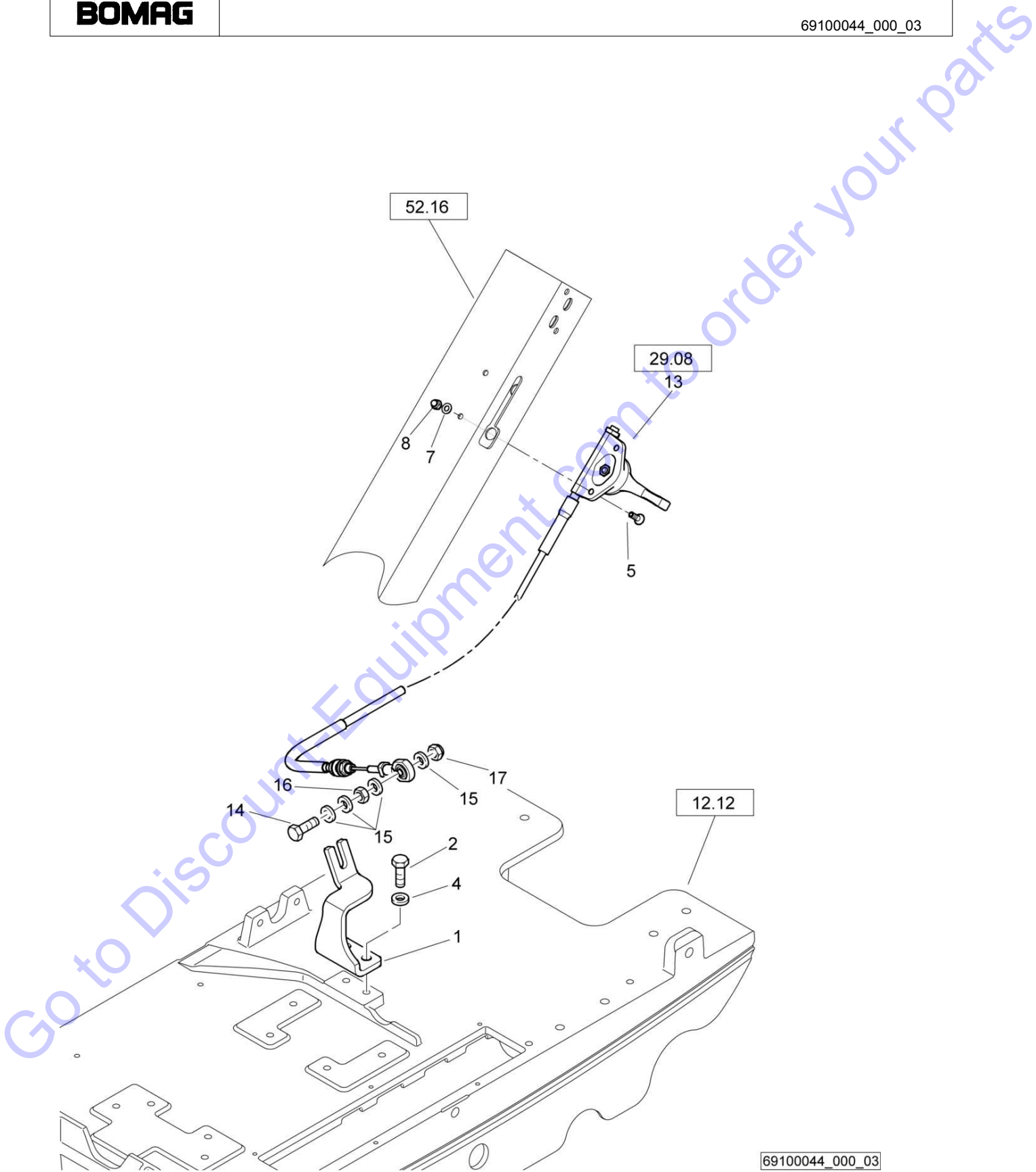
BPR 35/60 D/E		
S/N 101692221001 ▶		<b>27.01</b>
Travel Actuation		Page 1 / 1
	69110044 1001 1	<b>BOMAG</b>

Pos.	Part no.	Qty.	Description
1	69110170	1	Steering rod head
2	08510817	4	Washer
3	07140824	4	Hexagon bolt
4	05553192	1	Hose assy.ac.WN3111

Go to Discount-Equipment.com to order your parts



	BPR 35/60 D/E	
<b>27.09</b>		S/N 101692221001 ▶
	<b>Throttle Control Assembly</b>	
Page <b>1 / 1</b>		
<b>BOMAG</b>		69100044_000_03



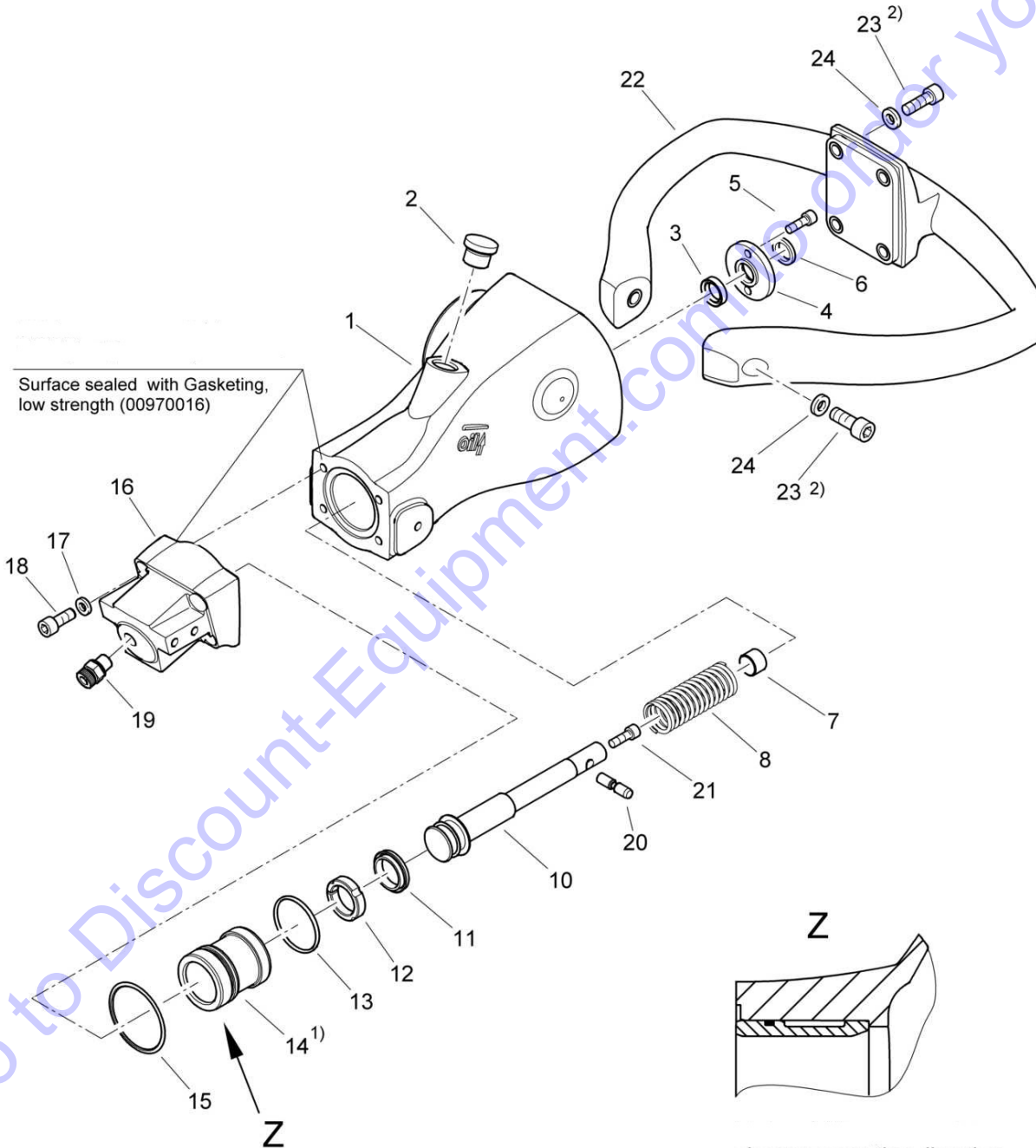
BPR 35/60 D/E		
S/N 101692221001 ▶		<b>27.09</b>
Throttle Control Assembly		Page 1 / 1
69100044 1001 1		<b>BOMAG</b>

Pos.	Part no.	Qty.	Description
1	69110198	1	Back stop
2	07140824	2	Hexagon bolt
4	08510817	2	Washer
5	07320508	2	Countersunk screw
7	08510511	2	Washer
8	08240510	2	Domed cap nut
13	05561593	1	Throttle control
14	07140649	1	Hexagon bolt
15	08510612	4	Washer
16	08110620	1	Hexagon nut
17	08130611	1	Safety nut

Go to Discount-Equipment.com to order your parts

	BPR 35/60 D/E	
<b>27.14</b>		S/N 101692221001 ▶
	<b>Steering rod head</b>	
Page <b>1 / 2</b>		
<b>BOMAG</b>		69110170_001_02

2) Tightening torque 25 Nm



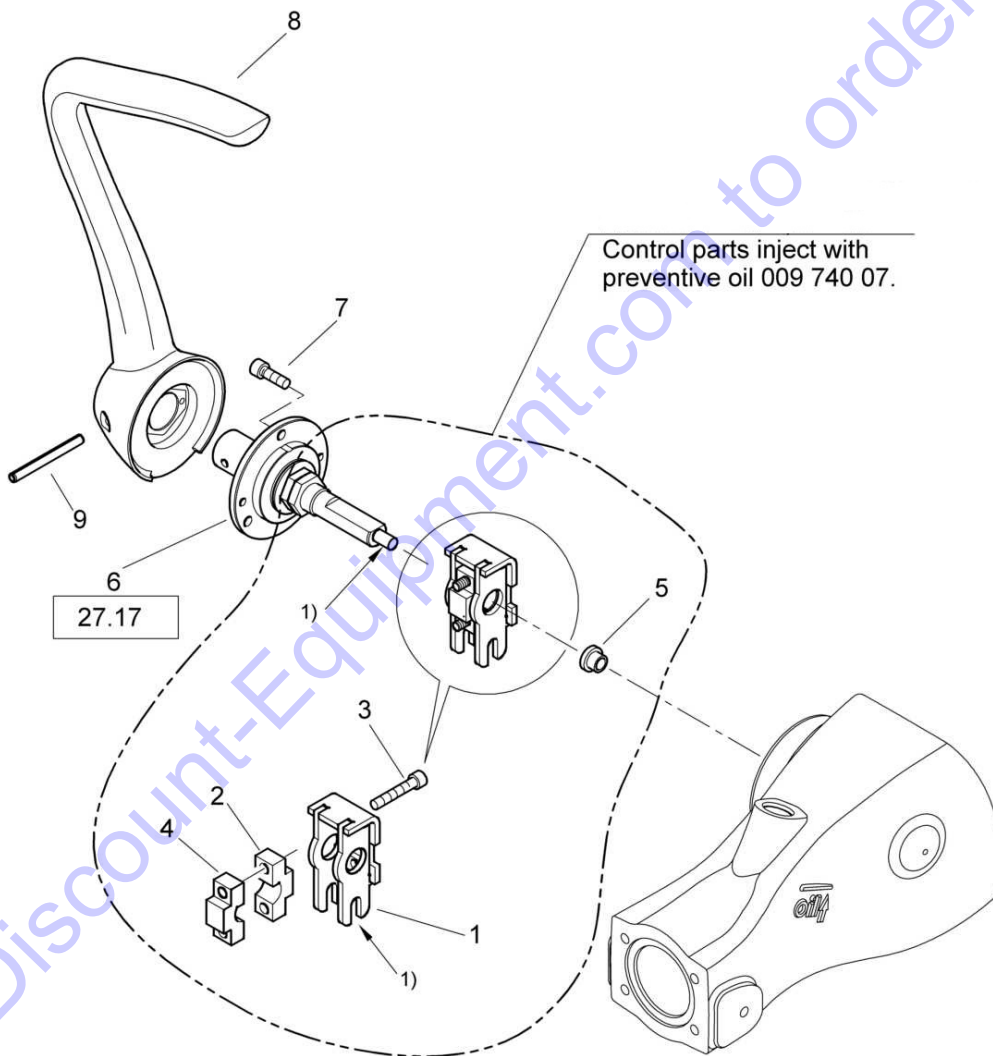
1) observe mounting direction

BPR 35/60 D/E		
S/N 101692221001 ▶		<b>27.14</b>
Steering rod head		Page <b>1 / 2</b>
		<b>BOMAG</b>
		69110170 1001 1

Pos.	Part no.	Qty.	Description
1	69110178	1	Housing
2	05546051	1	Screw plug with seal
3	06245059	1	Sealing ring
4	69110147	1	Sealing lid
5	07230605	2	Socket-head cap screw
6	05568996	1	Scraper
7	06283067	1	Bushing
8	05661358	1	Pressure spring
10	69110167	1	Piston rod
11	05802099	1	Piston seal
12	69110168	1	Guide bush
13	06220401	1	Loop ring
14	69110169	1	Bushing
15	06220530	1	Loop ring
16	69110161	1	Flange
17	08650817	4	Washer
18	07230822	4	Socket-head cap screw
19	05548022	1	Double-ended union
20	69110123	1	Bolt
21	69110122	1	Socket-head cap screw
22	69110164	1	Handle
23	07230822	6	Socket-head cap screw
24	08650817	2	Washer

Go to Discount-Equipment.com to order your parts

	BPR 35/60 D/E	S/N 101692221001 ▶
<b>27.14</b>	<b>Steering rod head</b>	
Page <b>2 / 2</b>		
<b>BOMAG</b>	69110170_002_02	



1) insert with grease 00996007 Klüberlub BE41-1501

BPR 35/60 D/E		
S/N 101692221001 ▶		<b>27.14</b>
Steering rod head		Page <b>2 / 2</b>
	69110170 1001 1	<b>BOMAG</b>

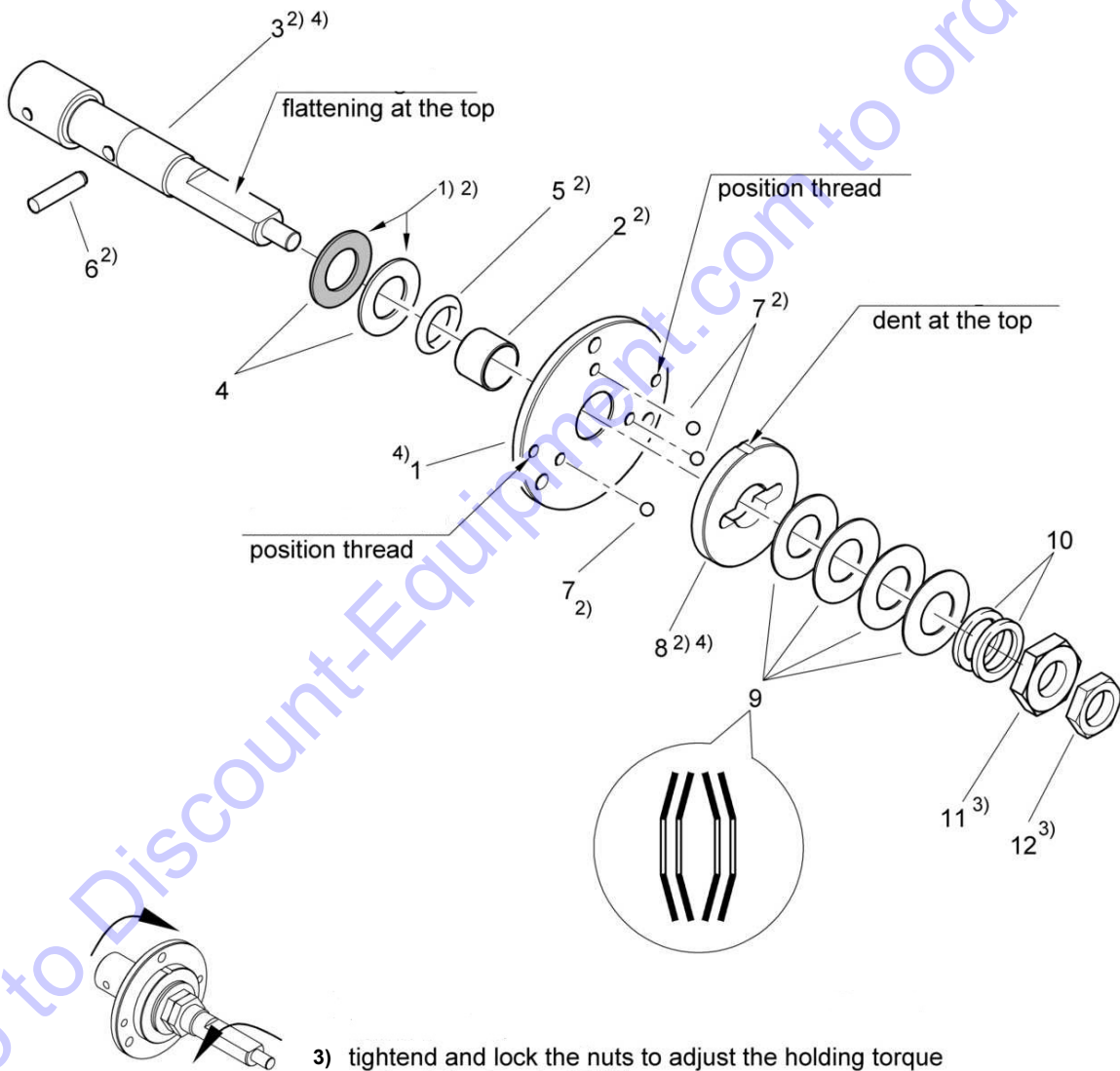
Pos.	Part no.	Qty.	Description
1	69110190	1	Lever
2	69110193	1	Driver
3	07230623	2	Socket-head cap screw
4	69110194	1	Driver
5	06282084	1	Bushing
6	69110171	1	Detent, assembled
7	07230613	3	Socket-head cap screw
8	69110188	1	Travel lever
9	09160817	1	Dowel pin

Go to Discount-Equipment.com to order your parts

	BPR 35/60 D/E	
<b>27.17</b>		S/N 101692221001 ▶
	<b>Detent, assembled</b>	
Page <b>1 / 1</b>		
<b>BOMAG</b>	69110171_000_02	

1) Sliding surface face together

2) insert with grease 00996007



Go to Discount-Equipment.com to order your parts

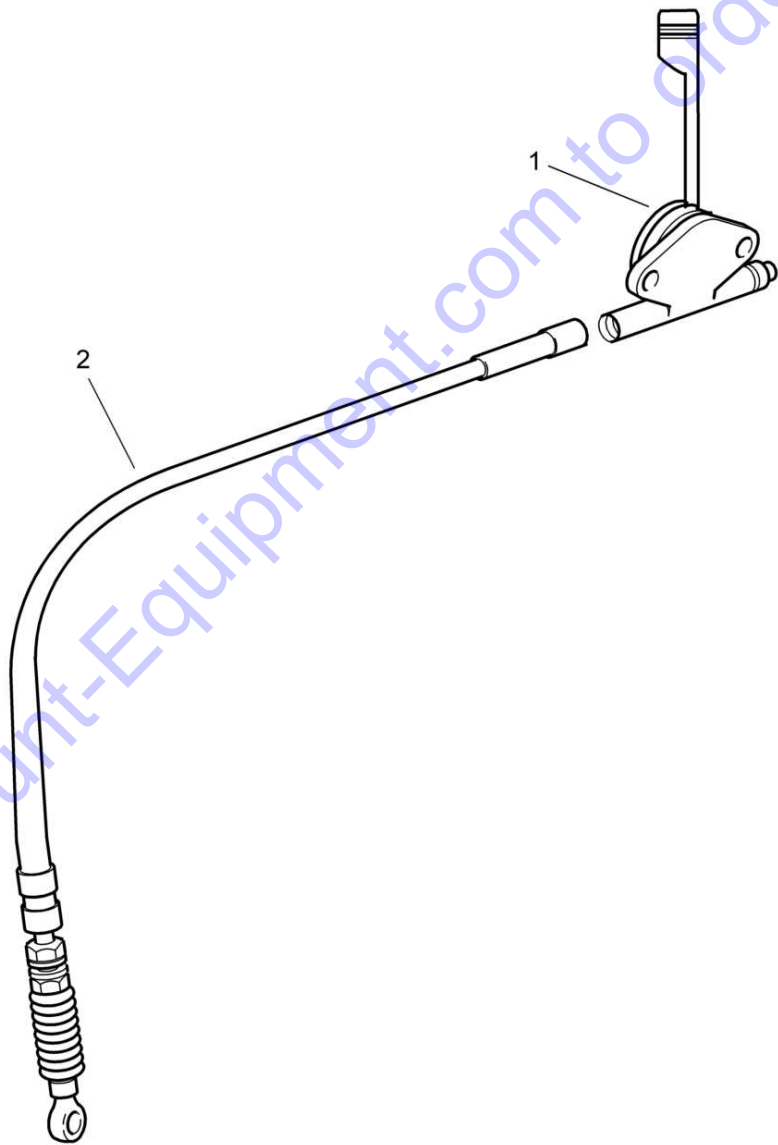
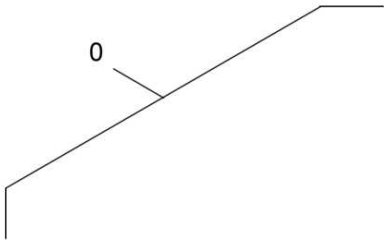
BPR 35/60 D/E		
S/N 101692221001 ▶		<b>27.17</b>
Detent, assembled		Page <b>1 / 1</b>
	69110171 1001 1	<b>BOMAG</b>

Pos.	Part no.	Qty.	Description
1	69110186	1	Flange
2	06283093	1	Bushing
3	69110187	1	Control shaft
4	05586256	2	Stop disc
5	06220183	1	Loop ring
6	97204693	1	Pin,cylindric
7	05340050	3	Ball
8	69110199	1	Stop disc
9	09290350	4	Belleville spring
10	05520416	2	Supporting disc
11	08121815	1	Hexagon nut
12	05542918	1	Nut

Go to Discount-Equipment.com to order your parts



	BPR 35/60 D/E
<b>29.08</b>	S/N 101692221001 ▶
	<b>Actuation Cable Throttle Relay</b>
Page <b>1 / 1</b>	
<b>BOMAG</b>	EA002304_000_00



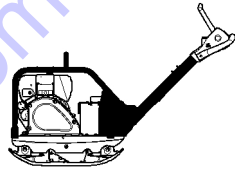
Go to Discount-Equipment.com to order your parts

BPR 35/60 D/E		
S/N 101692221001 ▶		<b>29.08</b>
<b>Actuation Cable Throttle Relay</b>		Page <b>1 / 1</b>
EA002304 1001 E		<b>BOMAG</b>

Pos.	Part no.	Qty.	Description
0	05561593	1	Throttle control
1	05566549	1	>Control box with lever
2	05561583	1	>Control

Go to Discount-Equipment.com to order your parts

Frame with Attachment Parts



**50**

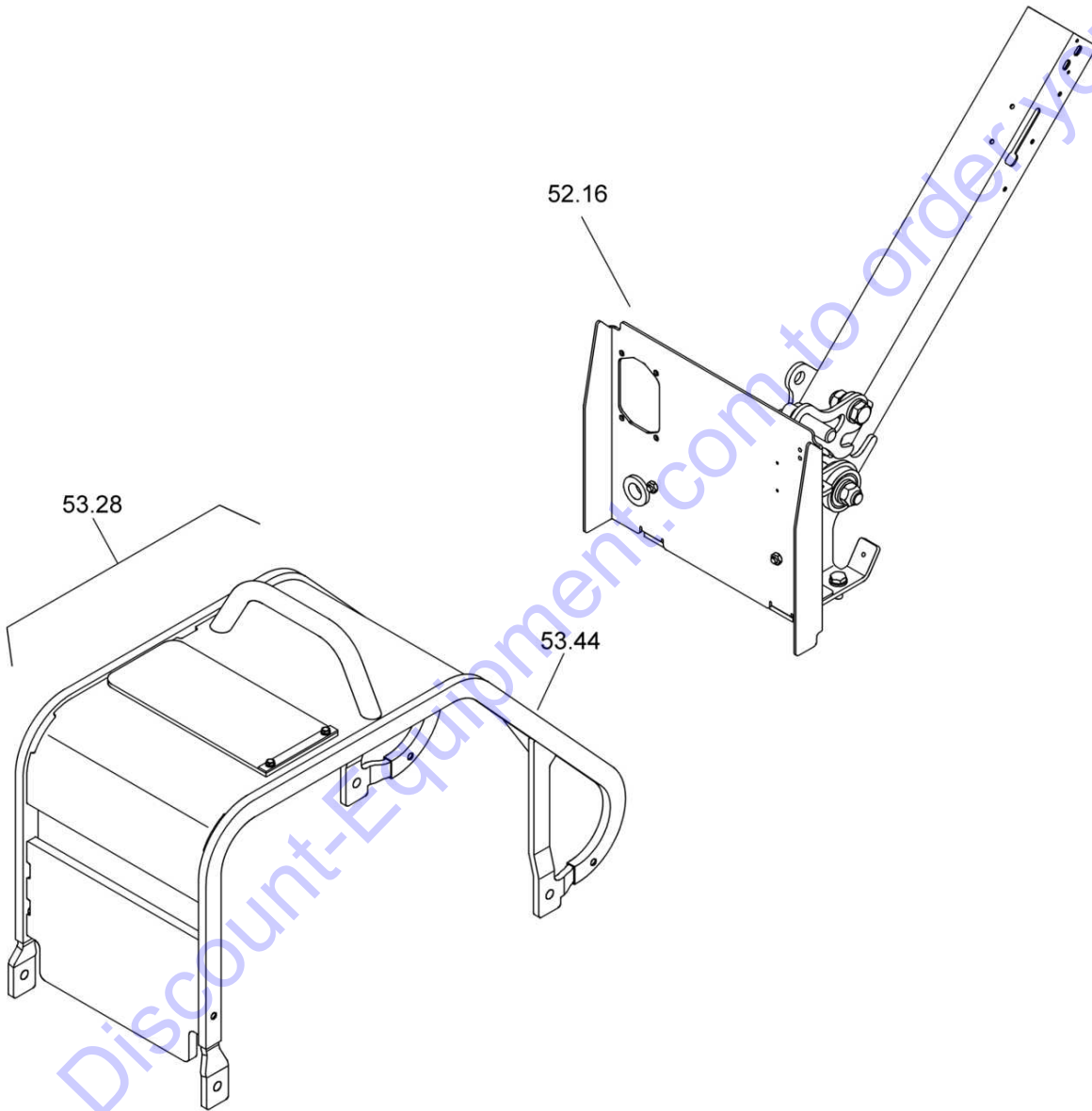
Go to [Discount-Equipment.com](http://Discount-Equipment.com) to order your parts

**50.00**

**Frame with Attachment Parts**

Page /

**BOMAG**



Go to Discount-Equipment.com to order your parts

<b>Frame with Attachment Parts</b>	<b>50.00</b>
	Page /
	<b>BOMAG</b>

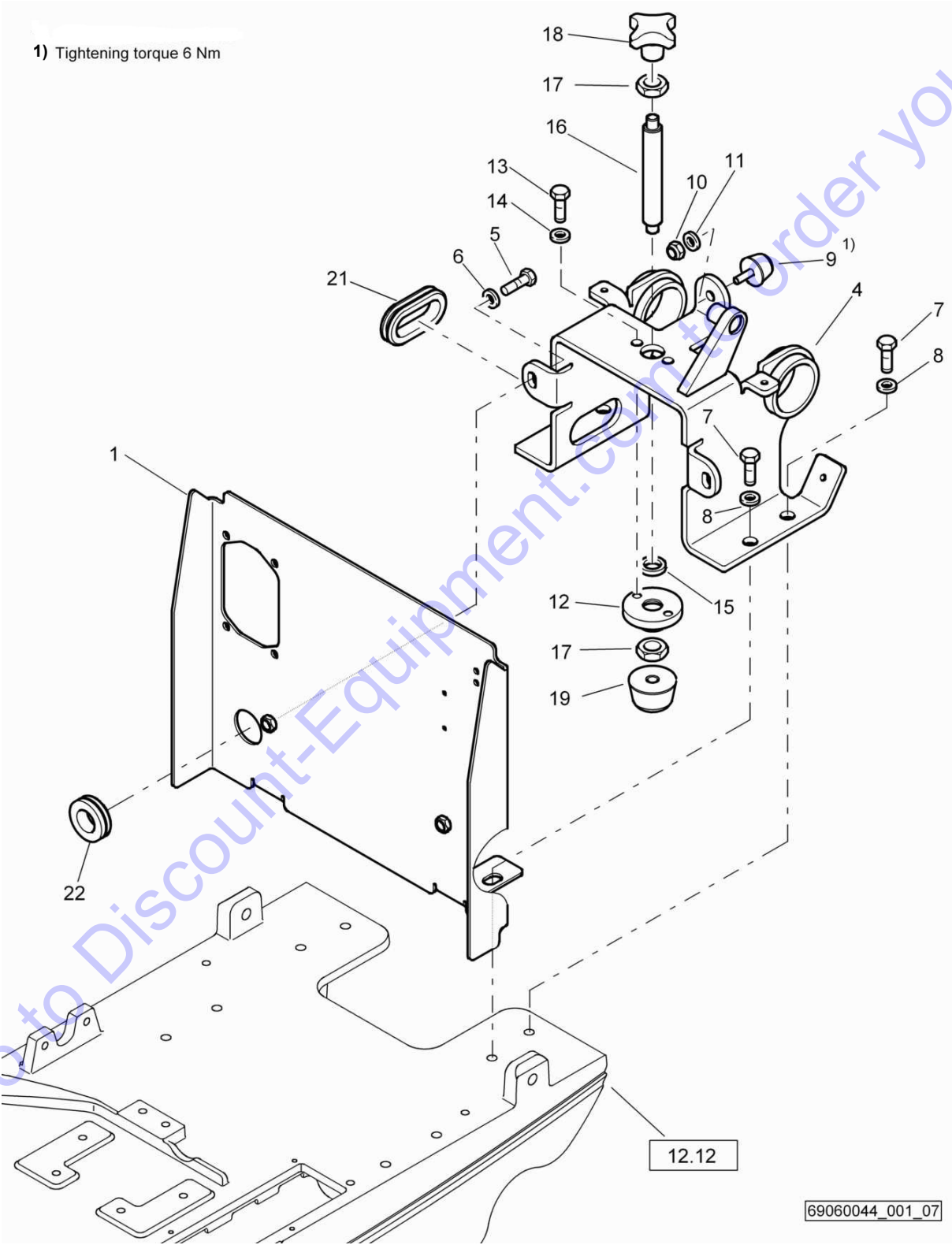
**Pos. Description**

- 52.16 Steering Handle
- 53.28 Protection hood
- 53.44 Hood, assembled

Go to Discount-Equipment.com to order your parts



	BPR 35/60 D/E	S/N 101692221209 ▶
<b>52.16</b>	<b>Steering Handle</b>	
Page <b>1 / 2</b>		
<b>BOMAG</b>	69060044_001_07	

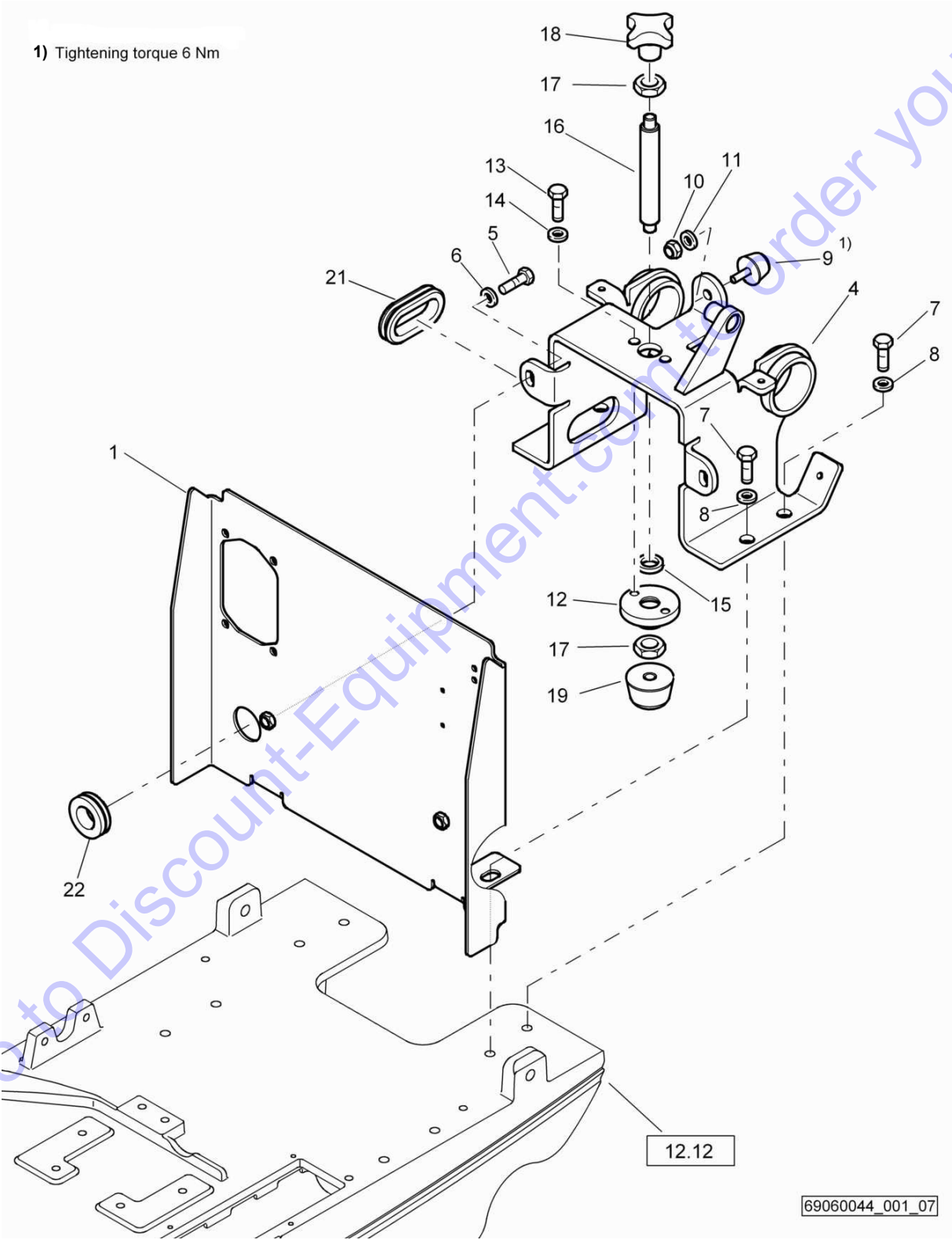


BPR 35/60 D/E		
S/N 101692221209 ▶		
Steering Handle		<b>52.16</b>
		Page <b>1 / 2</b>
	69060044 1001 1	<b>BOMAG</b>

Pos.	Part no.	Qty.	Description
1	69060430	1	Intermediate plate
4	69060311	1	Console
5	07140824	2	Hexagon bolt
6	08510817	2	Washer
7	07141027	4	Hexagon bolt
8	08511021	4	Washer
9	06142915	1	Stop buffer
10	08110813	1	Hexagon nut
11	08752084	1	Spring washer
12	69440120	1	Seal
13	07140824	2	Hexagon bolt
14	08510817	2	Washer
15	68110147	1	Sealing ring
16	73060114	1	Threaded rod
17	08141620	2	Hexagon nut
18	06421265	1	Star knob
19	06147115	1	Stop buffer
21	58160116	1	Wall duct
22	05756064	1	Wall duct

Go to Discount-Equipment.com to order your parts

BPR 35/60 D/E	
<b>52.16</b>	S/N 101692221001 ▶ S/N 101692221208
	<b>Steering Handle</b>
Page <b>1 / 2</b>	
<b>BOMAG</b>	69060044_001_07





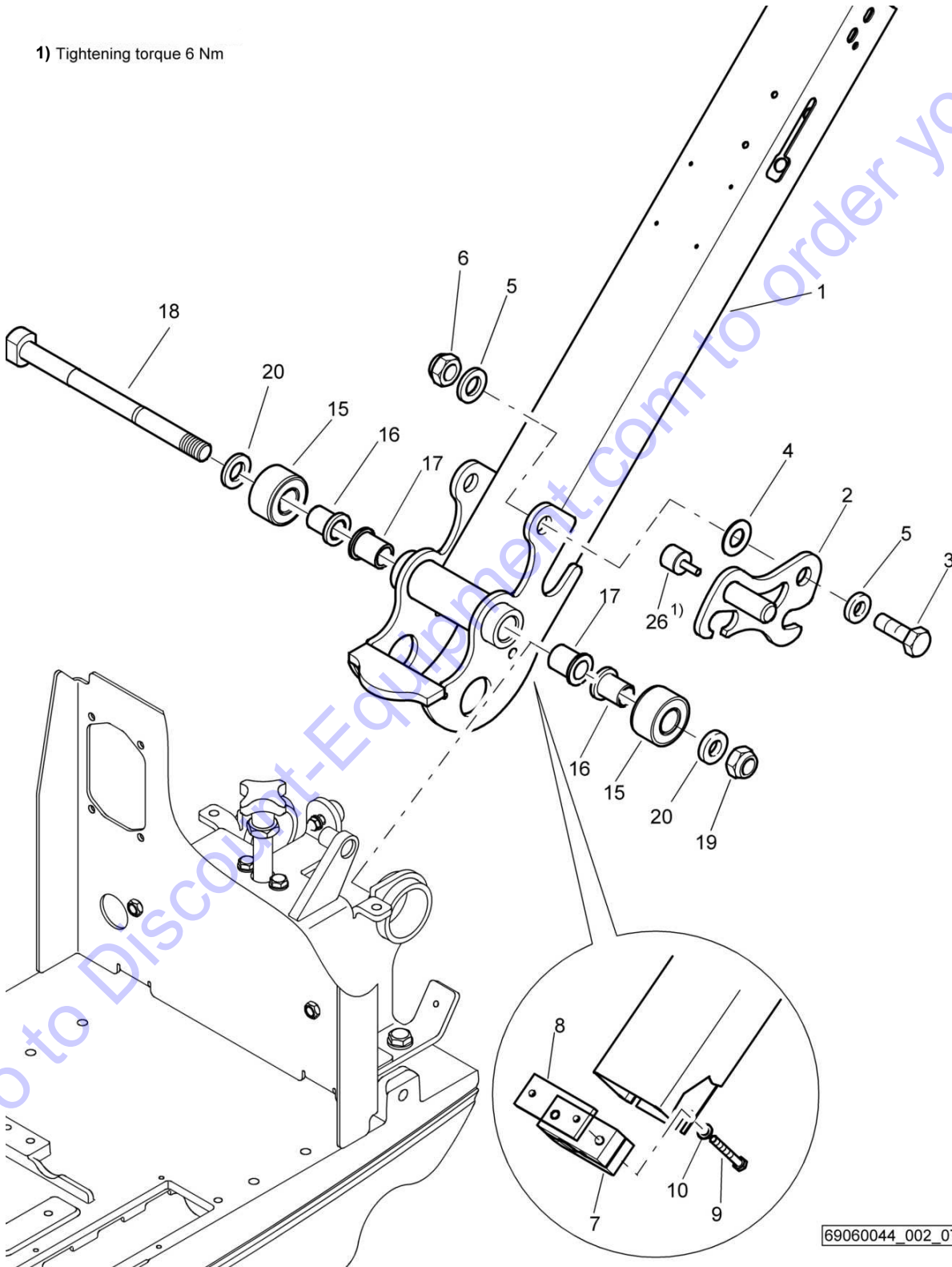
BPR 35/60 D/E		
S/N 101692221001 ▶ S/N 101692221208		<b>52.16</b>
<b>Steering Handle</b>		Page <b>1 / 2</b>
	69060044 1001 1	<b>BOMAG</b>

Pos.	Part no.	Qty.	Description
1	69060340	1	Intermediate plate
4	69060311	1	Console
5	07140824	2	Hexagon bolt
6	08510817	2	Washer
7	07141027	4	Hexagon bolt
8	08511021	4	Washer
9	06142915	1	Stop buffer
10	08110813	1	Hexagon nut
11	08752084	1	Spring washer
12	69440120	1	Seal
13	07140824	2	Hexagon bolt
14	08510817	2	Washer
15	68110147	1	Sealing ring
16	73060114	1	Threaded rod
17	08141620	2	Hexagon nut
18	06421265	1	Star knob
19	06147115	1	Stop buffer
21	58160116	1	Wall duct
22	05756064	1	Wall duct

Go to Discount-Equipment.com to order your parts

	BPR 35/60 D/E	S/N 101692221159 ▶
<b>52.16</b>	<b>Steering Handle</b>	
Page <b>2 / 2</b>		
<b>BOMAG</b>	69060044_002_07	

1) Tightening torque 6 Nm



69060044\_002\_07

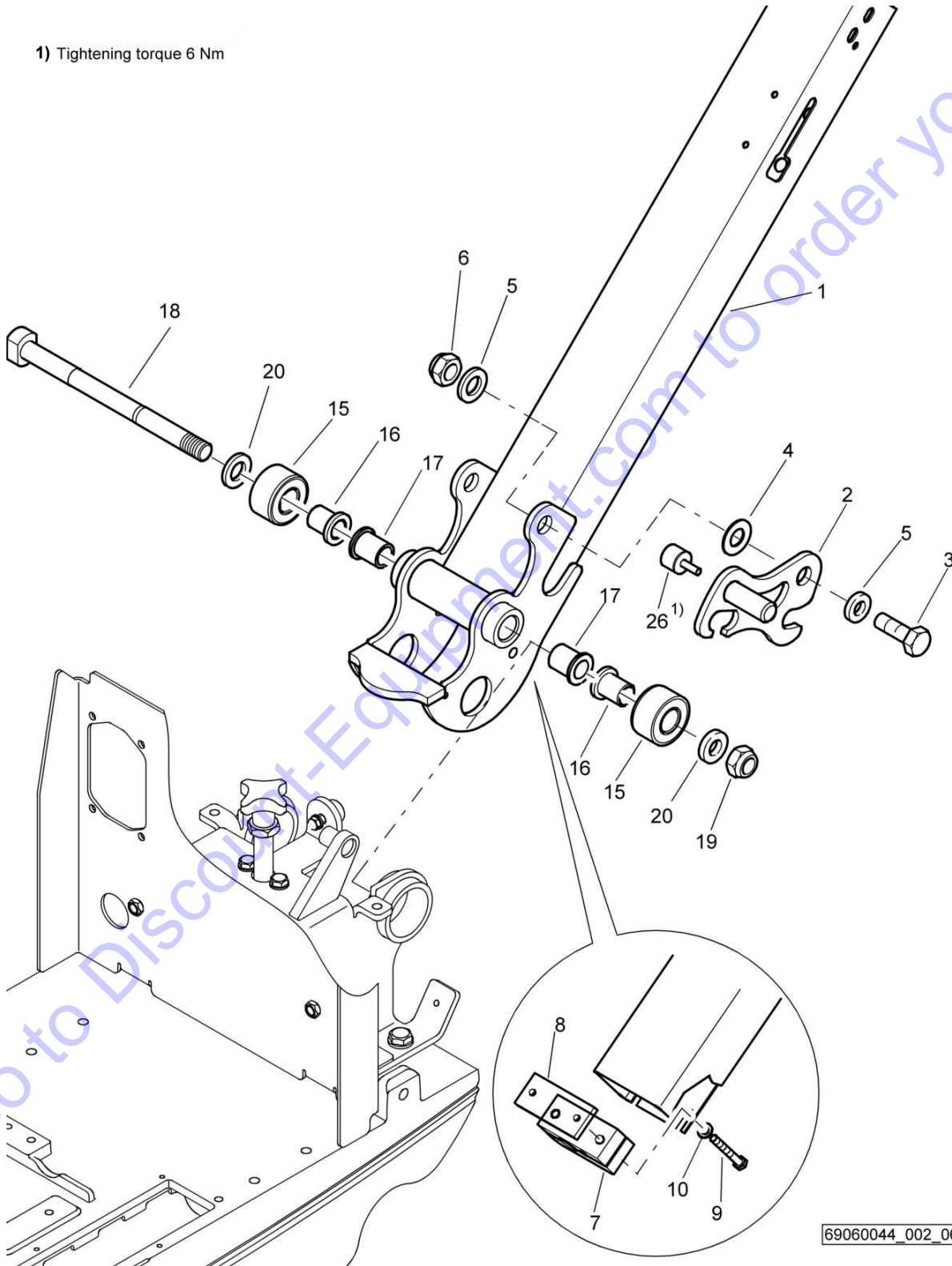
BPR 35/60 D/E		
S/N 101692221159 ▶		
Steering Handle		<b>52.16</b>
		Page <b>2 / 2</b>
	69060044 1001 1	<b>BOMAG</b>

Pos.	Part no.	Qty.	Description
1	69060411	1	Steering handle
2	69060320	1	Lever
3	07141641	1	Hexagon bolt
4	09293152	1	Belleville spring
5	08511730	2	Washer
6	08131621	1	Safety nut
7	69060206	1	Pillow block
8	69060147	1	Flat steel
9	07140665	2	Hexagon bolt
10	08510612	2	Washer
15	06151711	2	Rubber bush
16	22040106	2	Bushing
17	06282087	2	Bushing
18	95696140	1	Threaded bolt
19	08131621	1	Safety nut
20	08511730	2	Washer
26	06140985	1	Stop buffer

Go to Discount-Equipment.com to order your parts

	BPR 35/60 D/E	S/N 101692221138 ▶ S/N 101692221158
<b>52.16</b>	<b>Steering Handle</b>	
Page <b>2 / 2</b>		
<b>BOMAG</b>	69060044_002_06	

1) Tightening torque 6 Nm



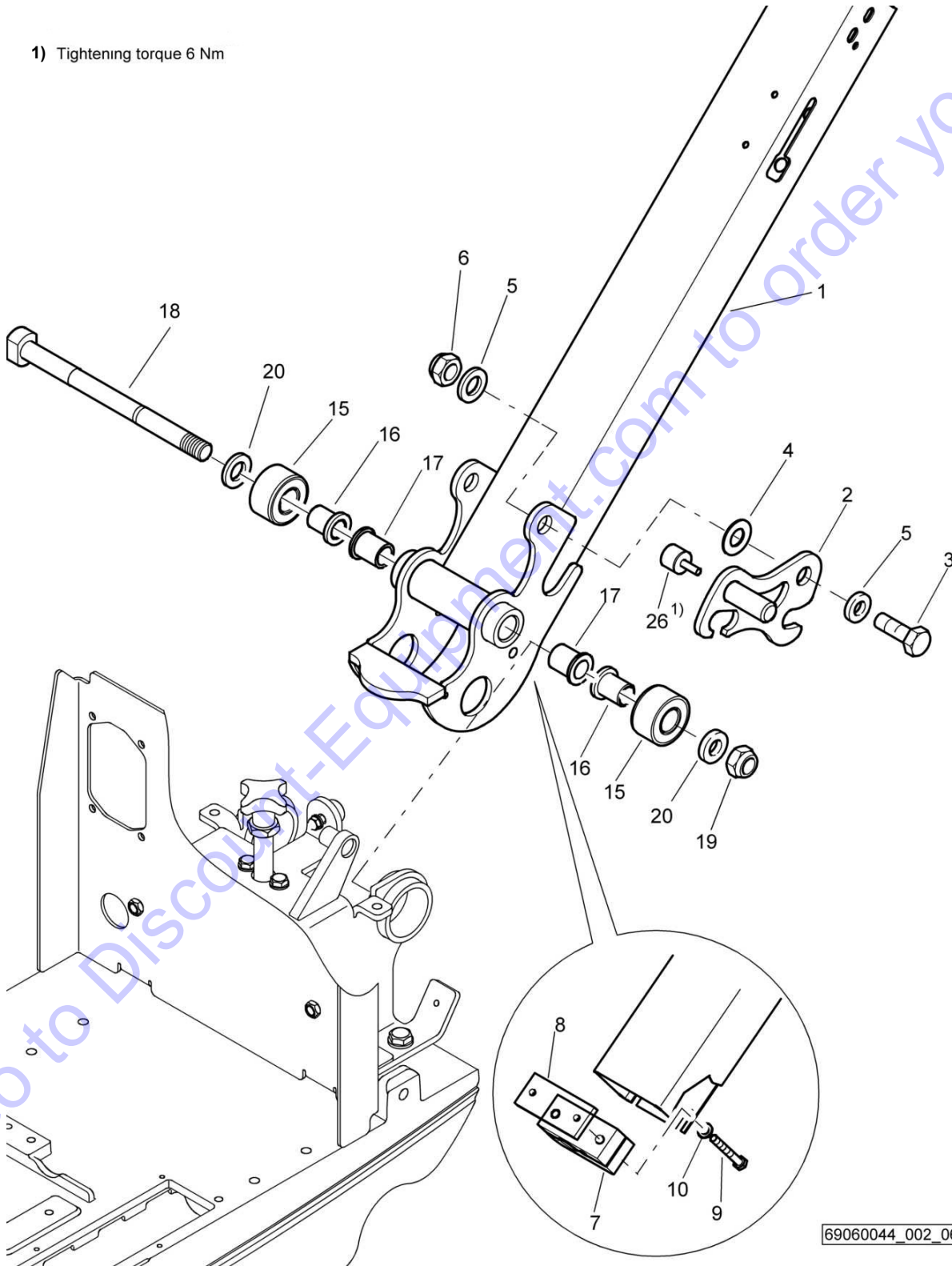
69060044\_002\_06

BPR 35/60 D/E		
S/N 101692221138 ▶ S/N 101692221158		<b>52.16</b>
<b>Steering Handle</b>		Page <b>2 / 2</b>
	69060044 1001 1	<b>BOMAG</b>

Pos.	Part no.	Qty.	Description
1	69060402	1	Steering handle
2	69060320	1	Lever
3	07141641	1	Hexagon bolt
4	09293152	1	Belleville spring
5	08511730	2	Washer
6	08131621	1	Safety nut
7	69060206	1	Pillow block
8	69060147	1	Flat steel
9	07140665	2	Hexagon bolt
10	08510612	2	Washer
15	06151711	2	Rubber bush
16	22040106	2	Bushing
17	06282087	2	Bushing
18	95696140	1	Threaded bolt
19	08131621	1	Safety nut
20	08511730	2	Washer
26	06140985	1	Stop buffer

Go to Discount-Equipment.com to order your parts

1) Tightening torque 6 Nm



BPR 35/60 D/E		
S/N 101692221059 ▶ S/N 101692221137		
Steering Handle		<b>52.16</b>
		Page <b>2 / 2</b>
	69060044 1001 1	<b>BOMAG</b>

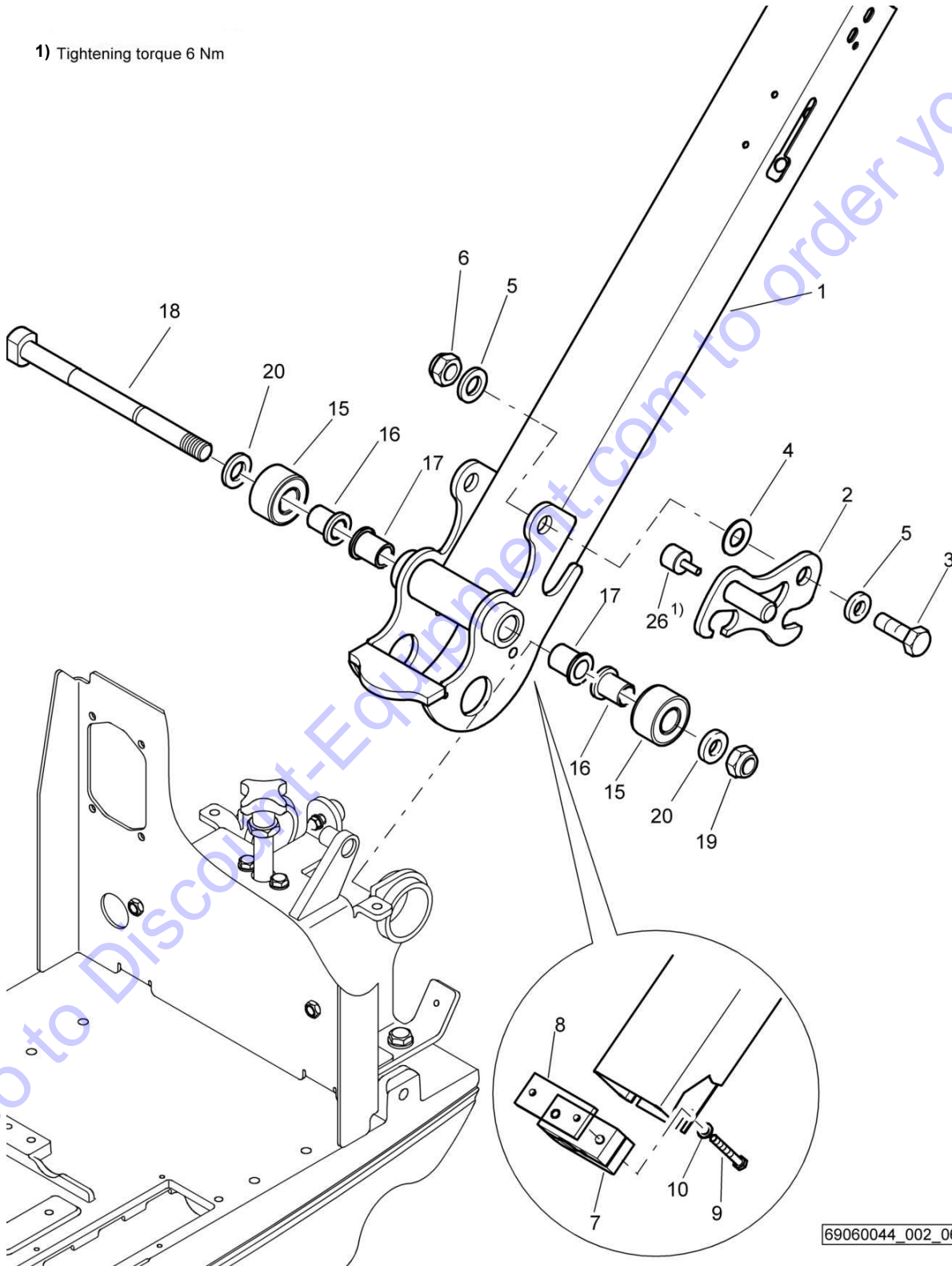
Pos.	Part no.	Qty.	Description
1	69060392	1	Steering handle
2	69060320	1	Lever
3	07141641	1	Hexagon bolt
4	09293152	1	Belleville spring
5	08511730	2	Washer
6	08131621	1	Safety nut
7	69060206	1	Pillow block
8	69060147	1	Flat steel
9	07140665	2	Hexagon bolt
10	08510612	2	Washer
15	06151711	2	Rubber bush
16	22040106	2	Bushing
17	06282087	2	Bushing
18	95696140	1	Threaded bolt
19	08131621	1	Safety nut
20	08511730	2	Washer
26	06140985	1	Stop buffer

Go to Discount-Equipment.com to order your parts



	BPR 35/60 D/E	S/N 101692221001 ▶ S/N 101692221058
<b>52.16</b>	<b>Steering Handle</b>	
Page <b>2 / 2</b>		
<b>BOMAG</b>	69060044_002_06	

1) Tightening torque 6 Nm



69060044\_002\_06

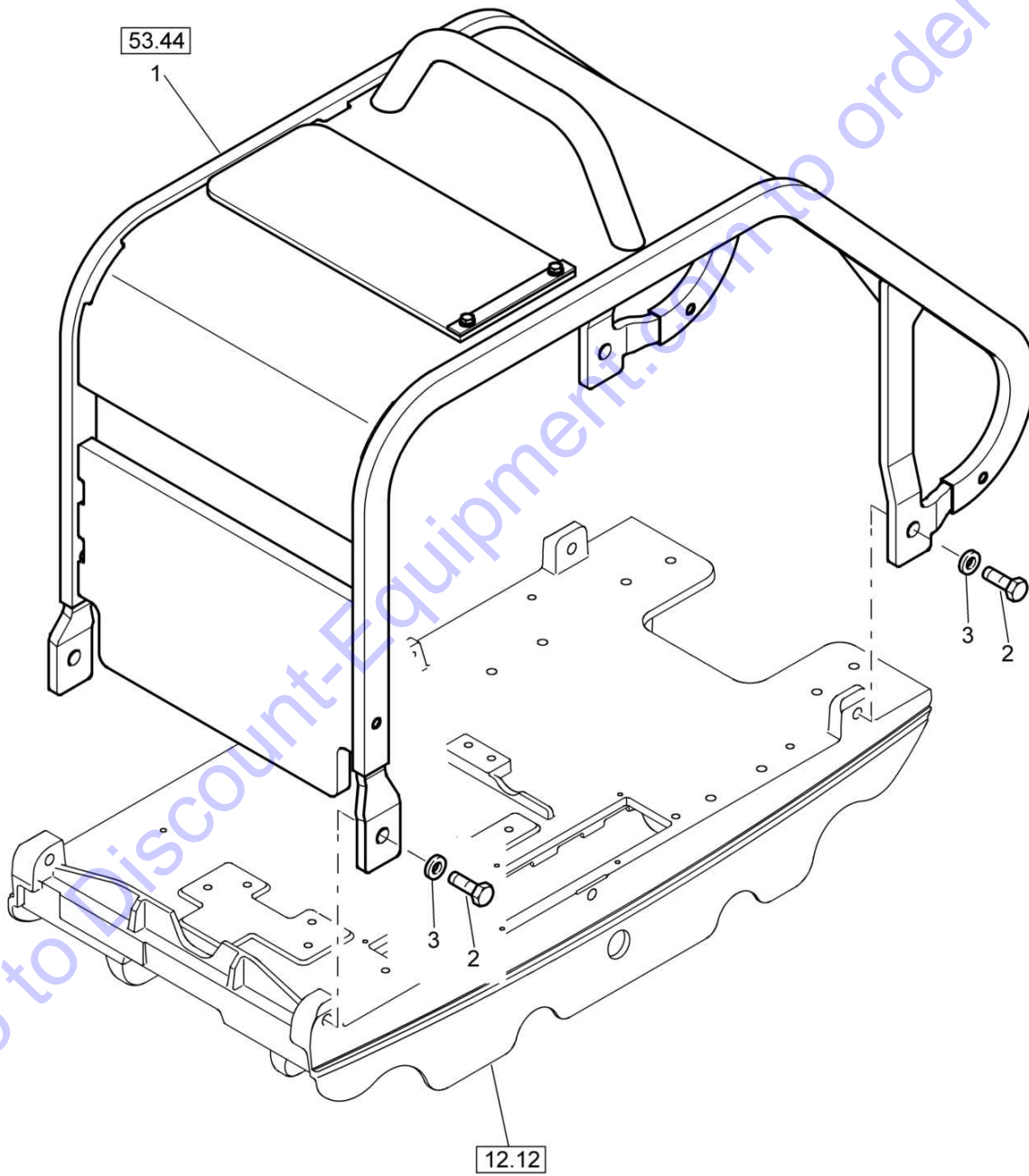


BPR 35/60 D/E		
S/N 101692221001 ▶ S/N 101692221058		<b>52.16</b>
<b>Steering Handle</b>		Page <b>2 / 2</b>
	69060044 1001 1	<b>BOMAG</b>

Pos.	Part no.	Qty.	Description
1	69060374	1	Steering handle
2	69060320	1	Lever
3	07141641	1	Hexagon bolt
4	09293152	1	Belleville spring
5	08511730	2	Washer
6	08131621	1	Safety nut
7	69060206	1	Pillow block
8	69060147	1	Flat steel
9	07140665	2	Hexagon bolt
10	08510612	2	Washer
15	06151711	2	Rubber bush
16	22040106	2	Bushing
17	06282087	2	Bushing
18	95696140	1	Threaded bolt
19	08131621	1	Safety nut
20	08511730	2	Washer
26	06140985	1	Stop buffer

Go to Discount-Equipment.com to order your parts

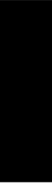
	BPR 35/60 D/E	S/N 101692221001 ▶
<b>53.28</b>	<b>Protection hood</b>	
Page <b>1 / 1</b>		
<b>BOMAG</b>	69120044_000_05	



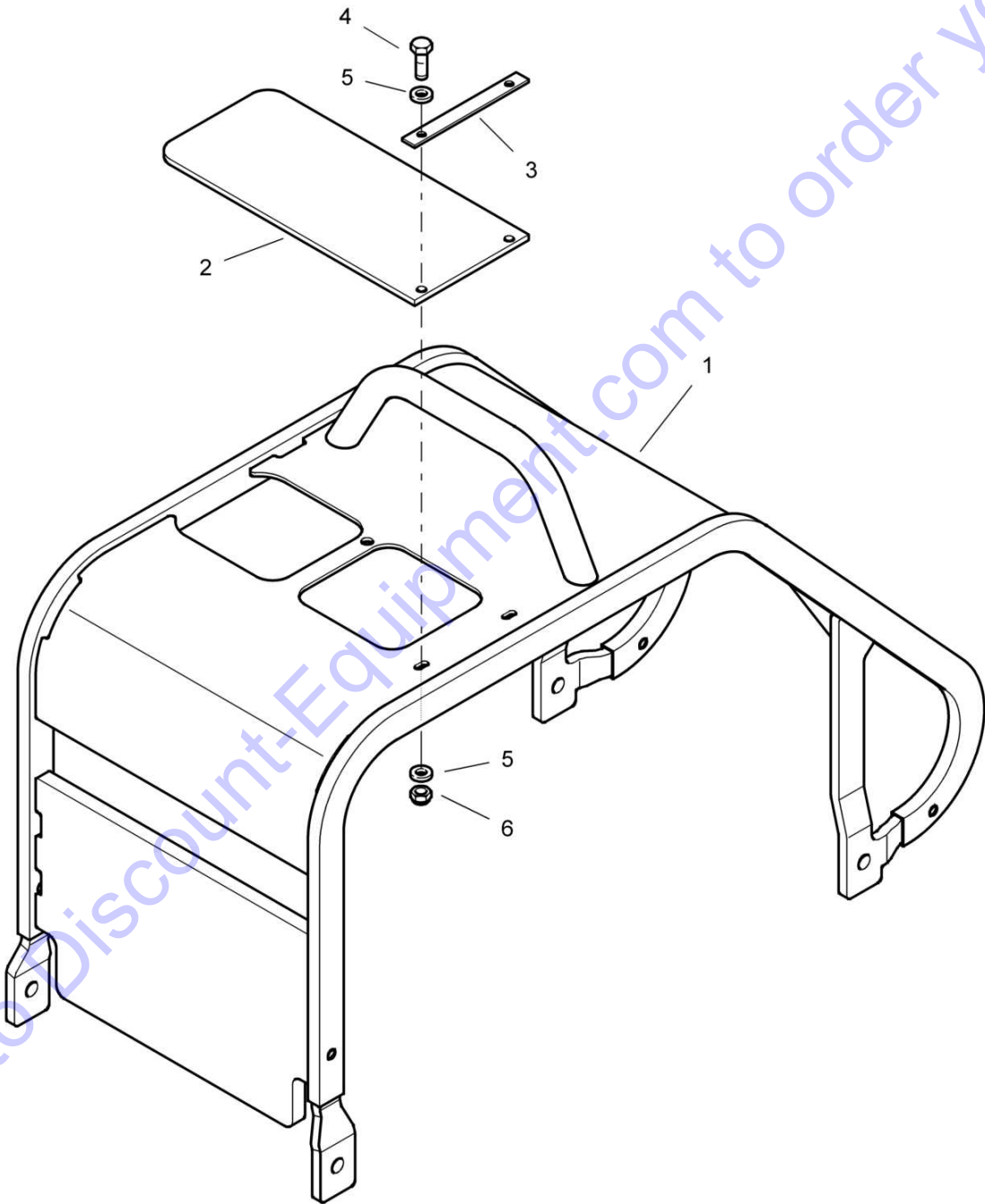
BPR 35/60 D/E		
S/N 101692221001 ▶		
Protection hood		<b>53.28</b>
		Page <b>1 / 1</b>
	69120044 1001 1	<b>BOMAG</b>

Pos.	Part no.	Qty.	Description
1	69120479	1	Hood, assembled
2	07141234	4	Hexagon bolt
3	08511324	4	Washer

Go to Discount-Equipment.com to order your parts



	BPR 35/60 D/E	S/N 101692221175 ▶
<b>53.44</b>	<b>Hood, assembled</b>	
Page <b>1 / 1</b>		
<b>BOMAG</b>	69120479_000_01	

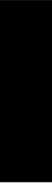


BPR 35/60 D/E		
S/N 101692221175 ▶		
Hood, assembled		<b>53.44</b>
		Page <b>1 / 1</b>
	69120479 1001 1	<b>BOMAG</b>

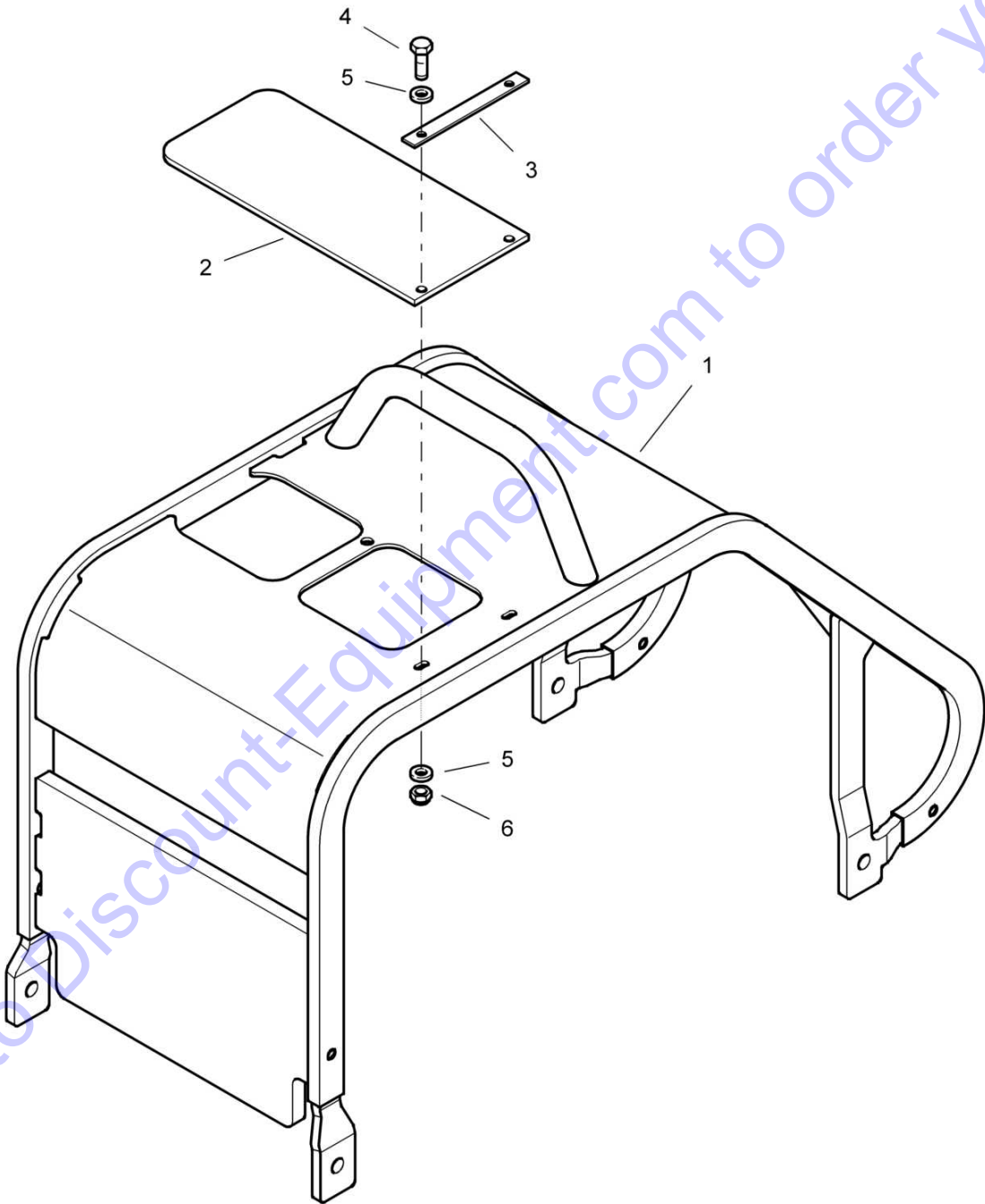
Pos.	Part no.	Qty.	Description
------	----------	------	-------------

1	69120727	1	Hood
2	69120478	1	Cover plate
3	69120353	1	Strip steel
4	07140641	2	Hexagon bolt
5	08510612	4	Washer
6	08130611	2	Safety nut

Go to Discount-Equipment.com to order your parts



	BPR 35/60 D/E	S/N 101692221001 ▶ S/N 101692221174
<b>53.44</b>	<b>Hood, assembled</b>	
Page <b>1 / 1</b>		
<b>BOMAG</b>	69120479_000_01	



Go to [Discount-Equipment.com](http://Discount-Equipment.com) to order your parts

BPR 35/60 D/E		
S/N 101692221001 ▶ S/N 101692221174		<b>53.44</b>
Hood, assembled		Page <b>1 / 1</b>
69120479 1001 1		<b>BOMAG</b>

Pos.	Part no.	Qty.	Description
------	----------	------	-------------

1	69120604	1	Hood
2	69120478	1	Cover plate
3	69120353	1	Strip steel
4	07140641	2	Hexagon bolt
5	08510612	4	Washer
6	08130611	2	Safety nut

Go to Discount-Equipment.com to order your parts

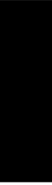
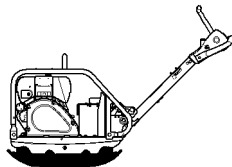


Plate / Foot



**65**

Go to [Discount-Equipment.com](http://Discount-Equipment.com) to order your parts

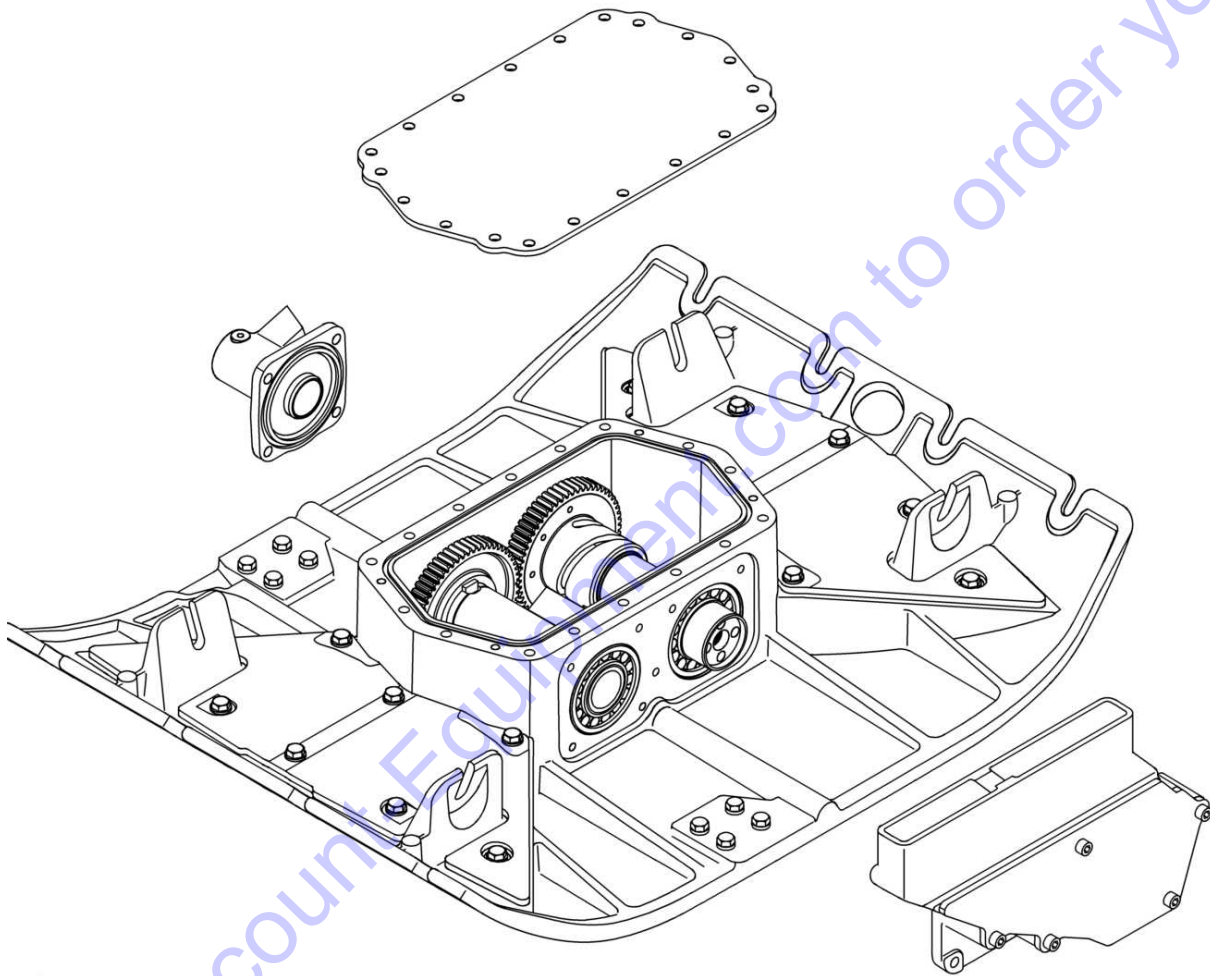


**65.00**

Plate / Foot

Page /

**BOMAG**



65.05

Go to Discount Equipment.com to order your parts

Plate / Foot	<b>65.00</b>
	Page /
	<b>BOMAG</b>

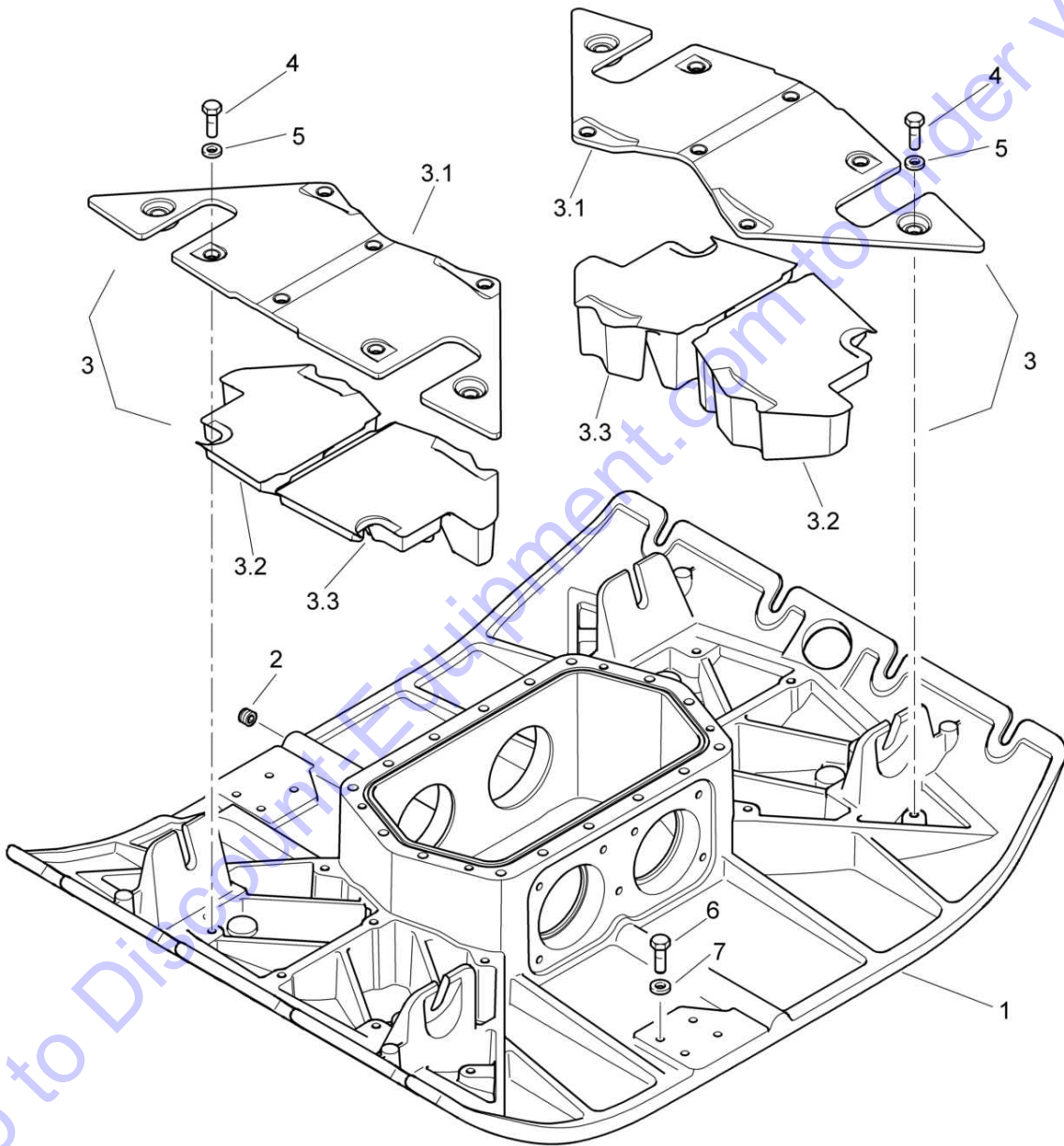
**Pos. Description**

65.05 Base Plate

Go to Discount-Equipment.com to order your parts



	BPR 35/60 D/E	
<b>65.05</b>		S/N 101692221059 ▶
	<b>Base Plate</b>	
Page <b>1 / 3</b>		
<b>BOMAG</b>		69020044_001_03

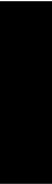


BPR 35/60 D/E		
S/N 101692221059 ▶		
<b>Base Plate</b>		<b>65.05</b>
		Page <b>1 / 3</b>
	69020044 1001 1	<b>BOMAG</b>

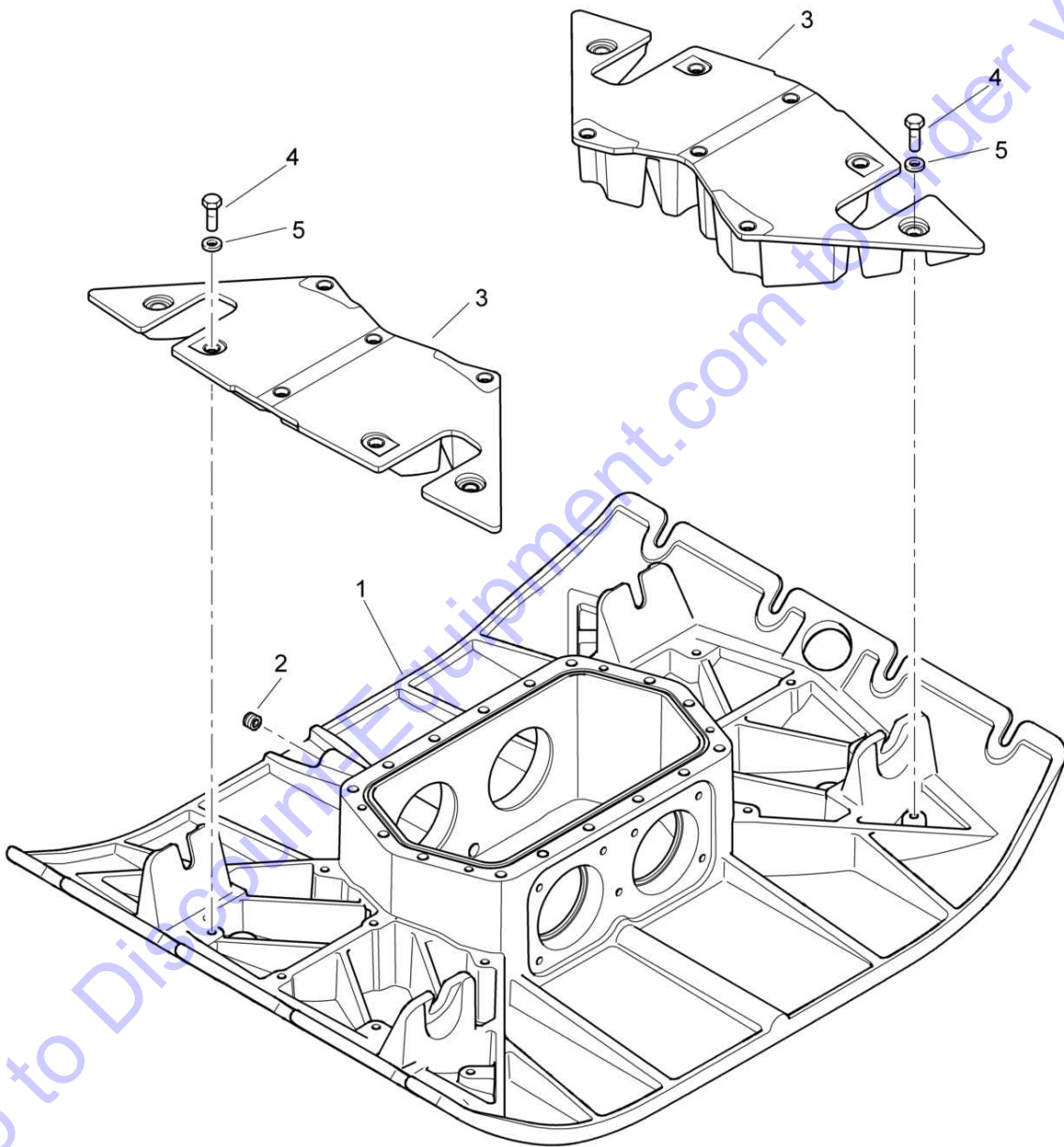
**Pos. Part no. Qty. Description**

1	69020690	1	Base plate
2	07611215	1	Screw plug
3	69020685	2	Hood, cover
3.1	69020686	1	Cover plate
3.2	69020681	1	Foam
3.3	69020682	1	Foam
4	07140824	16	Hexagon bolt
5	08621084	16	Washer
6	07140814	8	Hexagon bolt
7	08510817	8	Washer

Go to Discount-Equipment.com to order your parts



	BPR 35/60 D/E	S/N 101692221001 ▶ S/N 101692221058
<b>65.05</b>	<b>Base Plate</b>	
Page <b>1 / 3</b>		
<b>BOMAG</b>		69020044_001_02

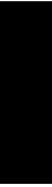


BPR 35/60 D/E		
S/N 101692221001 ▶ S/N 101692221058		<b>65.05</b>
<b>Base Plate</b>		Page <b>1 / 3</b>
	69020044 1001 1	<b>BOMAG</b>

Pos.	Part no.	Qty.	Description
------	----------	------	-------------

1	69020676	1	Base plate
2	07611215	1	Screw plug
3	69020274	2	Hood, cover
4	07140824	16	Hexagon bolt
5	08621084	16	Washer

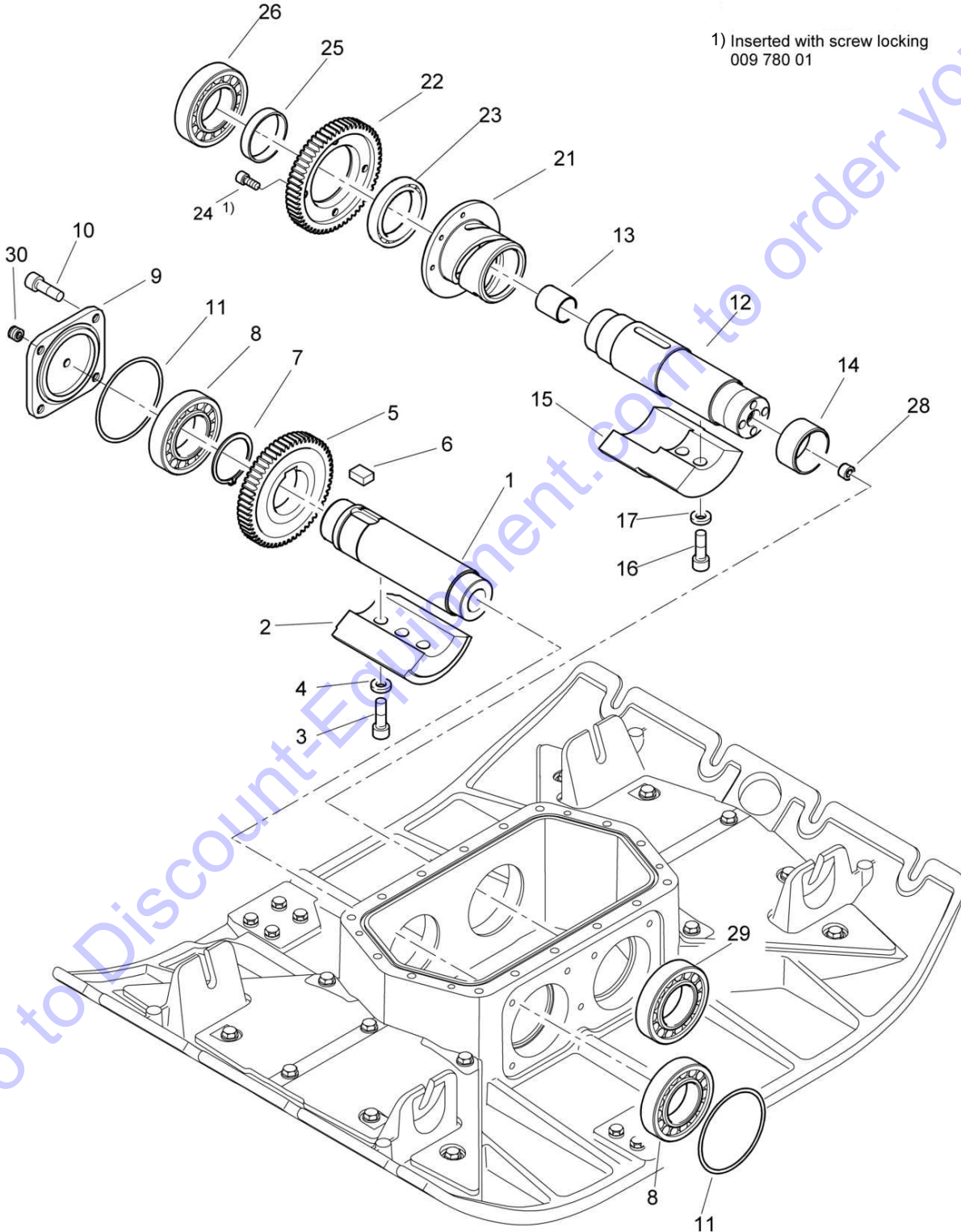
Go to Discount-Equipment.com to order your parts



**65.05**

**Base Plate**

**BOMAG**





BPR 35/60 D/E		
S/N 101692221209 ▶		
<b>Base Plate</b>		<b>65.05</b>
		Page <b>2 / 3</b>
	69020044 1001 1	<b>BOMAG</b>

Pos.	Part no.	Qty.	Description
1	69020306	1	Exciter shaft
2	69020276	1	Eccentric weight
3	07231211	3	Socket-head cap screw
4	69210174	3	Washer
5	95696070	1	Gear wheel
6	09182820	1	Fitting key
7	09213000	1	Circlip,external
8	05222264	2	Cylinder roller bearing
9	69020372	1	Cover
10	07230806	4	Socket-head cap screw
11	06220803	2	Loop ring
12	69020362	1	Exciter shaft
13	06283104	1	Bushing
14	05428122	1	Inner ring
15	69020275	1	Eccentric weight
16	07231211	2	Socket-head cap screw
17	69210174	2	Washer
21	95696073	1	Control sleeve
22	69020729	1	Gear wheel
23	05114030	1	Ball bearing,grooved
24	07230693	4	Socket-head cap screw
25	69020386	1	Bushing
26	05222263	1	Cylinder roller bearing
28	07611415	1	Screw plug
29	05222264	1	Cylinder roller bearing
30	07611010	1	Screw plug

Go to Discount-Equipment.com to order your parts



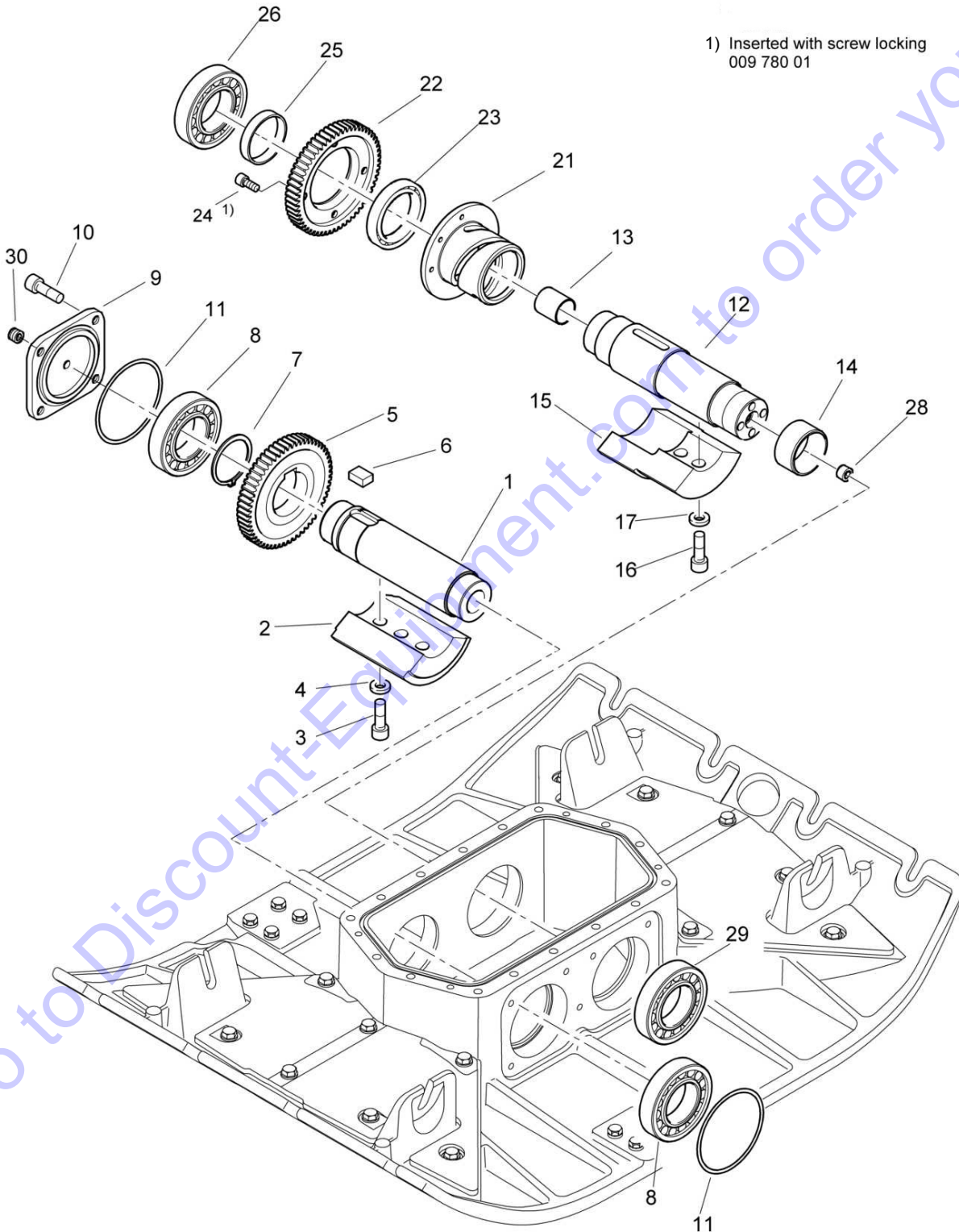
**65.05**

**Base Plate**

Page **2 / 3**

**BOMAG**

69020044\_002\_05



BPR 35/60 D/E		
S/N 101692221059 ▶ S/N 101692221208		<b>65.05</b>
<b>Base Plate</b>		Page <b>2 / 3</b>
	69020044 1001 1	<b>BOMAG</b>

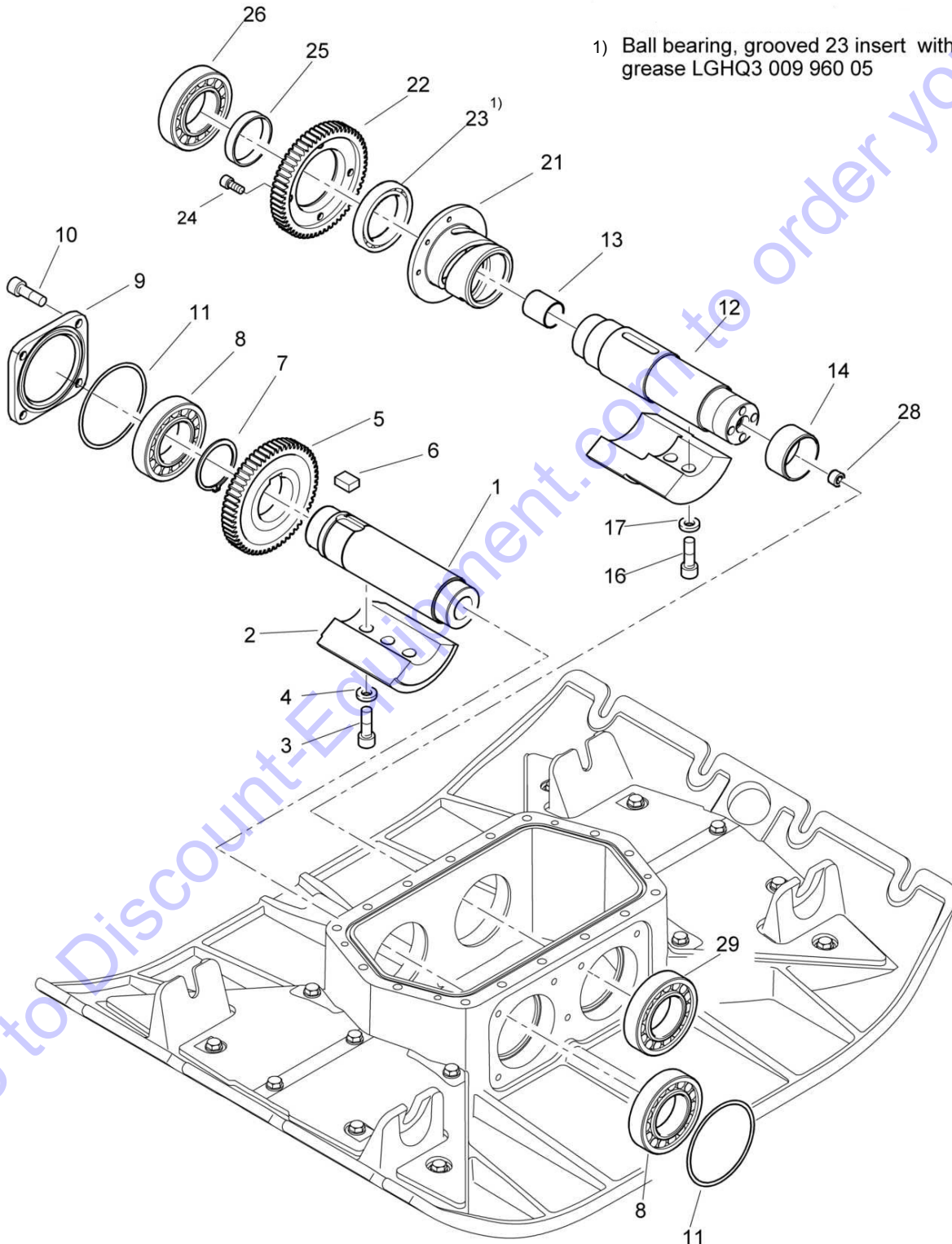
Pos.	Part no.	Qty.	Description
1	69020306	1	Exciter shaft
2	69020276	1	Eccentric weight
3	07231211	3	Socket-head cap screw
4	69210174	3	Washer
5	95696070	1	Gear wheel
6	09182820	1	Fitting key
7	09213000	1	Circlip,external
8	05222264	2	Cylinder roller bearing
9	69020372	1	Cover
10	07230806	4	Socket-head cap screw
11	06220803	2	Loop ring
12	69020362	1	Exciter shaft
13	06283104	1	Bushing
14	05428122	1	Inner ring
15	69020275	1	Eccentric weight
16	07231211	2	Socket-head cap screw
17	69210174	2	Washer
21	95696073	1	Control sleeve
22	95696071	1	Gear wheel
23	05114030	1	Ball bearing,grooved
24	07230693	4	Socket-head cap screw
25	69020386	1	Bushing
26	05222263	1	Cylinder roller bearing
28	07611415	1	Screw plug
29	05222264	1	Cylinder roller bearing
30	07611010	1	Screw plug

Go to Discount-Equipment.com to order your parts

**65.05**

Base Plate

**BOMAG**



BPR 35/60 D/E		
S/N 101692221001 ▶ S/N 101692221058		<b>65.05</b>
<b>Base Plate</b>		Page <b>2 / 3</b>
	69020044 1001 1	<b>BOMAG</b>

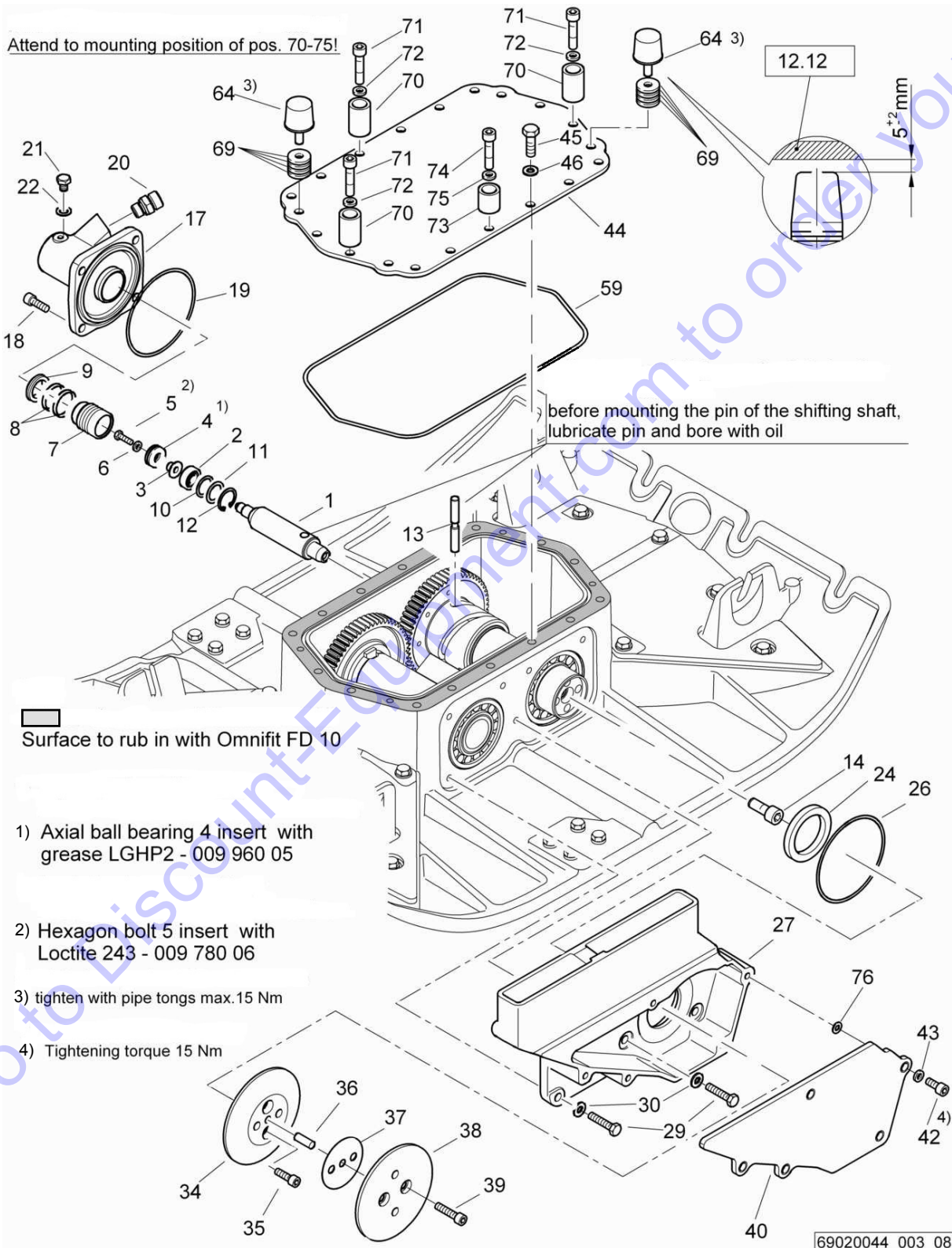
Pos.	Part no.	Qty.	Description
1	69020306	1	Exciter shaft
2	69020276	1	Eccentric weight
3	07231211	3	Socket-head cap screw
4	69210174	3	Washer
5	95696070	1	Gear wheel
6	09182820	1	Fitting key
7	09213000	1	Circlip,external
8	05222264	2	Cylinder roller bearing
9	69020372	1	Cover
10	07230806	4	Socket-head cap screw
11	06220803	2	Loop ring
12	69020362	1	Exciter shaft
13	06283104	1	Bushing
14	05428122	1	Inner ring
15	69020275	1	Eccentric weight
16	07231211	2	Socket-head cap screw
17	69210174	2	Washer
21	95696073	1	Control sleeve
22	95696071	1	Gear wheel
23	05114030	1	Ball bearing,grooved
24	07230693	4	Socket-head cap screw
25	69020386	1	Bushing
26	05222263	1	Cylinder roller bearing
28	07611415	1	Screw plug
29	05222264	1	Cylinder roller bearing
30	07611010	1	Screw plug

Go to Discount-Equipment.com to order your parts



**65.05****Base Plate**Page **3 / 3****BOMAG**

69020044\_003\_08



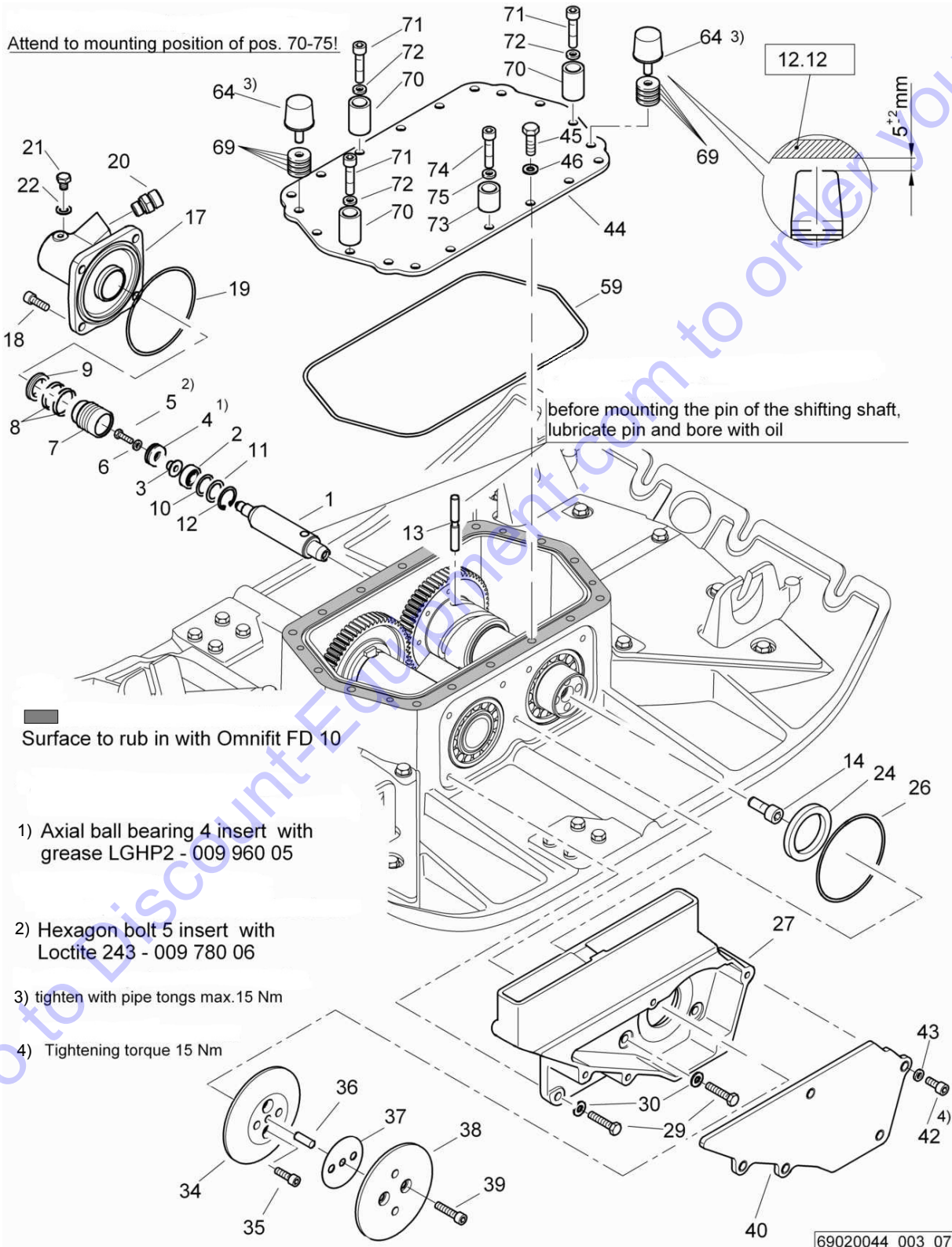
BPR 35/60 D/E		
S/N 101692221209 ▶		<b>65.05</b>
Base Plate		Page <b>3 / 3</b>
	69020044 1001 1	<b>BOMAG</b>

Pos.	Part no.	Qty.	Description
1	95696094	1	Control shaft
2	05113700	1	Ball bearing,grooved
3	68110170	1	Bushing
4	05151010	1	Axial ball bearing
5	07140532	1	Hexagon bolt
6	08510511	1	Washer
7	69020727	1	Piston
8	06245052	2	Guiding band
9	06245051	1	Piston seal
10	08602603	1	Spring washer
11	05520510	1	Shim
12	09221130	1	Circlip,internal
13	95696095	1	Pin,cylindric
14	95695566	1	Socket-head cap screw
17	69020367	1	Cylinder
18	07230811	4	Socket-head cap screw
19	06220852	1	Loop ring
20	05548036	1	Double-ended union
21	07140608	1	Hexagon bolt
22	06210610	1	U-seal
24	09312809	1	Radial seal
26	06220803	1	Loop ring
27	69020733	1	V-belt guard
29	07140842	7	Hexagon bolt
30	08510817	7	Washer
34	69020479	1	V-belt pulley
35	07230827	2	Socket-head cap screw
36	09120862	1	Pin,cylindric
37	69020304	1	Shim
38	69020480	1	V-belt pulley
39	07230834	2	Socket-head cap screw
40	69020732	1	Cover
42	07230811	5	Socket-head cap screw
43	08752084	5	Spring washer
44	69020253	1	Housing cover
45	07140842	12	Hexagon bolt
46	06270011	12	Wedge safety washer
59	06222657	1	Loop ring
64	06143712	4	Stop buffer
69	08621084	16	Washer
70	69020718	3	Stop
71	07230831	3	Socket-head cap screw
72	06270011	3	Wedge safety washer
73	69020719	1	Stop
74	07230831	1	Socket-head cap screw
75	06270011	1	Wedge safety washer
76	08665000	5	Stop disc

Go to [www.GoToParts.com](http://www.GoToParts.com) to order your parts

**65.05****Base Plate**Page **3 / 3****BOMAG**

69020044\_003\_07



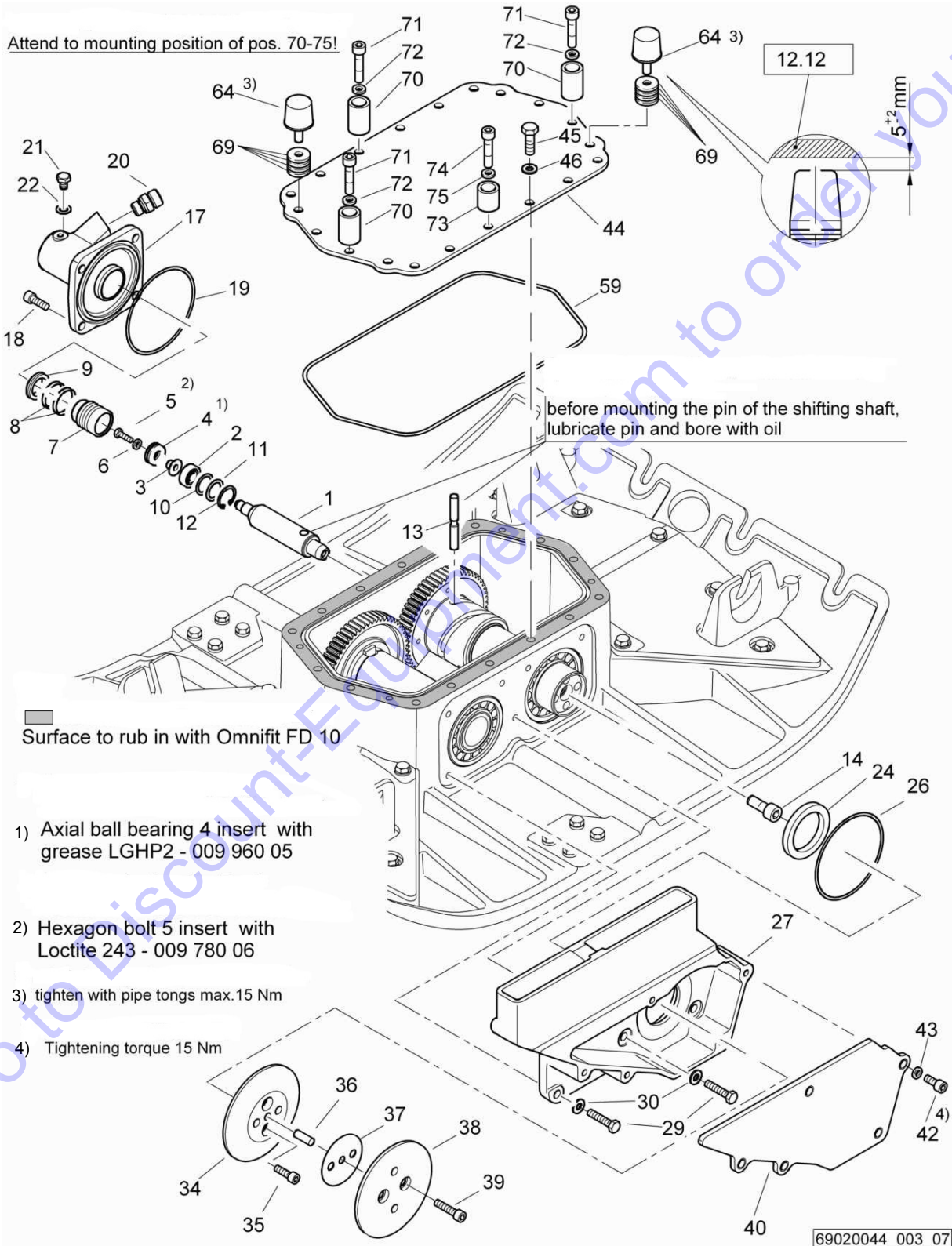
BPR 35/60 D/E		
S/N 101692221208 ▶ S/N 101692221208		<b>65.05</b>
<b>Base Plate</b>		Page <b>3 / 3</b>
	69020044 1001 1	<b>BOMAG</b>

Pos.	Part no.	Qty.	Description
1	95696094	1	Control shaft
2	05113700	1	Ball bearing,grooved
3	68110170	1	Bushing
4	05151010	1	Axial ball bearing
5	07140532	1	Hexagon bolt
6	08510511	1	Washer
7	69020727	1	Piston
8	06245052	2	Guiding band
9	06245051	1	Piston seal
10	08602603	1	Spring washer
11	05520510	1	Shim
12	09221130	1	Circlip,internal
13	95696095	1	Pin,cylindric
14	95695566	1	Socket-head cap screw
17	69020367	1	Cylinder
18	07230811	4	Socket-head cap screw
19	06220852	1	Loop ring
20	05548036	1	Double-ended union
21	07140608	1	Hexagon bolt
22	06210610	1	U-seal
24	09312809	1	Radial seal
26	06220803	1	Loop ring
27	69020461	1	V-belt guard
29	07140842	7	Hexagon bolt
30	08510817	7	Washer
34	69020479	1	V-belt pulley
35	07230827	2	Socket-head cap screw
36	09120862	1	Pin,cylindric
37	69020304	1	Shim
38	69020480	1	V-belt pulley
39	07230834	2	Socket-head cap screw
40	69020466	1	Cover
42	07230811	5	Socket-head cap screw
43	08752084	5	Spring washer
44	69020253	1	Housing cover
45	07140842	12	Hexagon bolt
46	06270011	12	Wedge safety washer
59	06222657	1	Loop ring
64	06143712	4	Stop buffer
69	08621084	16	Washer
70	69020718	3	Stop
71	07230831	3	Socket-head cap screw
72	06270011	3	Wedge safety washer
73	69020719	1	Stop
74	07230831	1	Socket-head cap screw
75	06270011	1	Wedge safety washer

Go to [www.GoToParts.com](http://www.GoToParts.com) to order your parts



BPR 35/60 D/E	
<b>65.05</b>	S/N 101692221175 ▶ S/N 101692221207
	<b>Base Plate</b>
Page <b>3 / 3</b>	
<b>BOMAG</b>	69020044_003_07



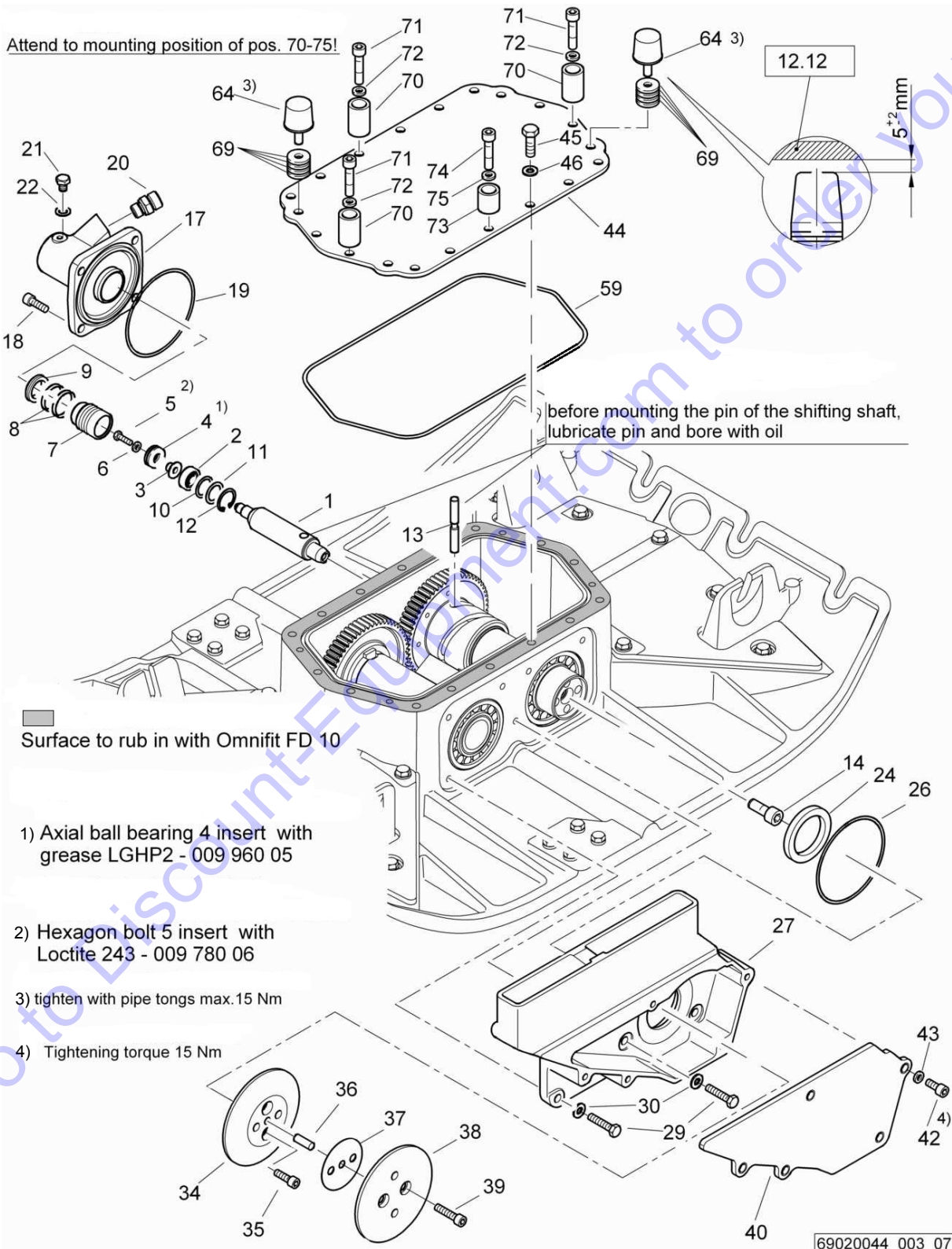
BPR 35/60 D/E		
S/N 101692221175 ▶ S/N 101692221207		<b>65.05</b>
<b>Base Plate</b>		Page <b>3 / 3</b>
	69020044 1001 1	<b>BOMAG</b>

Pos.	Part no.	Qty.	Description
1	95696094	1	Control shaft
2	05113700	1	Ball bearing,grooved
3	68110170	1	Bushing
4	05151010	1	Axial ball bearing
5	07140532	1	Hexagon bolt
6	08510511	1	Washer
7	95695016	1	Piston
8	06245052	2	Guiding band
9	06245051	1	Piston seal
10	08602603	1	Spring washer
11	05520510	1	Shim
12	09221130	1	Circlip,internal
13	95696095	1	Pin,cylindric
14	95695566	1	Socket-head cap screw
17	69020367	1	Cylinder
18	07230811	4	Socket-head cap screw
19	06220852	1	Loop ring
20	05548036	1	Double-ended union
21	07140608	1	Hexagon bolt
22	06210610	1	U-seal
24	09312809	1	Radial seal
26	06220803	1	Loop ring
27	69020461	1	V-belt guard
29	07140842	7	Hexagon bolt
30	08510817	7	Washer
34	69020479	1	V-belt pulley
35	07230827	2	Socket-head cap screw
36	09120862	1	Pin,cylindric
37	69020304	1	Shim
38	69020480	1	V-belt pulley
39	07230834	2	Socket-head cap screw
40	69020466	1	Cover
42	07230811	5	Socket-head cap screw
43	08752084	5	Spring washer
44	69020253	1	Housing cover
45	07140842	12	Hexagon bolt
46	06270011	12	Wedge safety washer
59	06222657	1	Loop ring
64	06143712	4	Stop buffer
69	08621084	16	Washer
70	69020718	3	Stop
71	07230831	3	Socket-head cap screw
72	06270011	3	Wedge safety washer
73	69020719	1	Stop
74	07230831	1	Socket-head cap screw
75	06270011	1	Wedge safety washer

Go to [www.go-to-part.com](http://www.go-to-part.com) to order your parts

**65.05****Base Plate**Page **3 / 3****BOMAG**

69020044\_003\_07



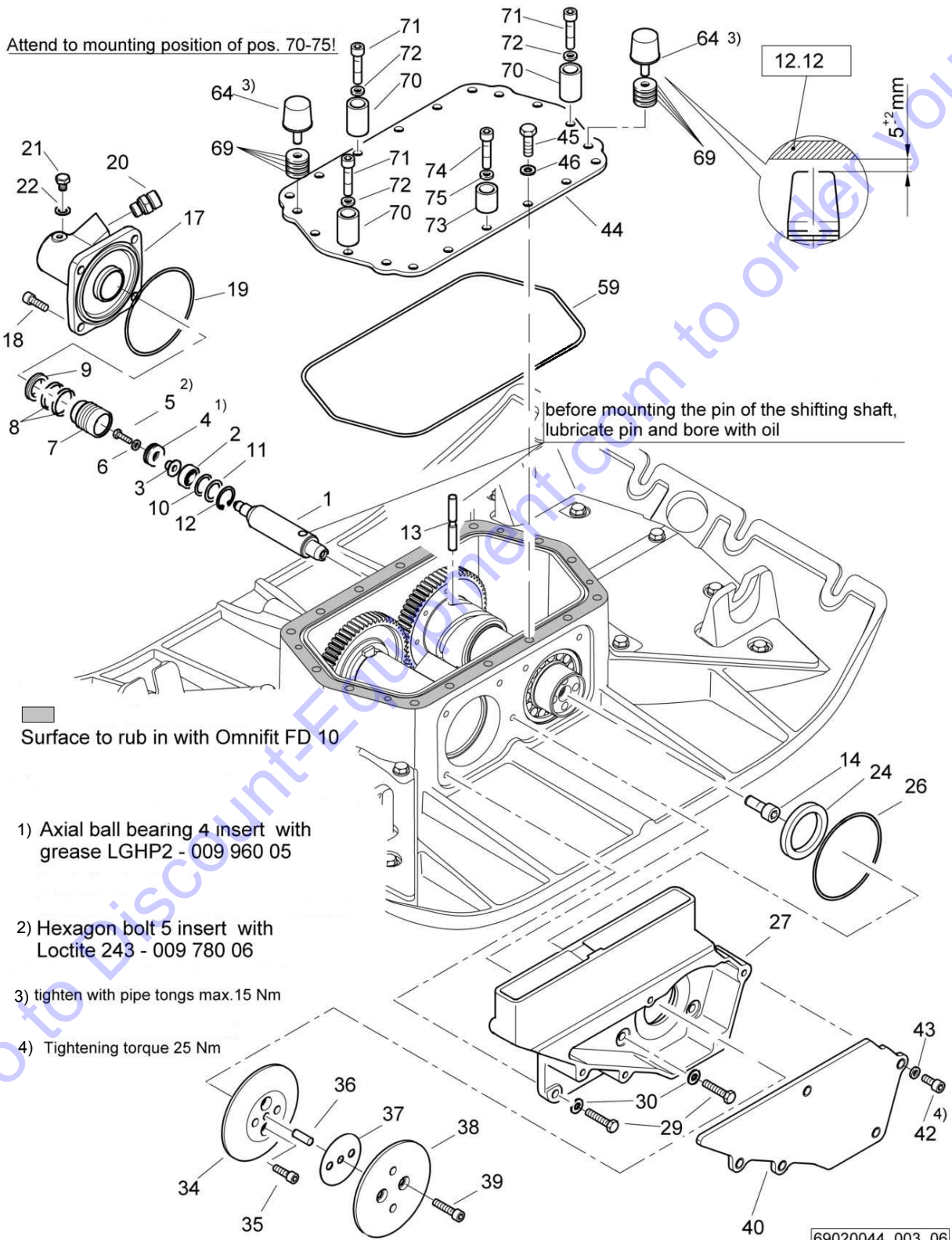
BPR 35/60 D/E		
S/N 101692221059 ▶ S/N 101692221174		<b>65.05</b>
<b>Base Plate</b>		Page <b>3 / 3</b>
	69020044 1001 1	<b>BOMAG</b>

Pos.	Part no.	Qty.	Description
1	95696094	1	Control shaft
2	05113700	1	Ball bearing,grooved
3	68110170	1	Bushing
4	05151010	1	Axial ball bearing
5	07140532	1	Hexagon bolt
6	08510511	1	Washer
7	95695016	1	Piston
8	06245052	2	Guiding band
9	06245051	1	Piston seal
10	08602603	1	Spring washer
11	05520510	1	Shim
12	09221130	1	Circlip,internal
13	95696095	1	Pin,cylindric
14	95695566	1	Socket-head cap screw
17	69020367	1	Cylinder
18	07230811	4	Socket-head cap screw
19	06220852	1	Loop ring
20	05548036	1	Double-ended union
21	07140608	1	Hexagon bolt
22	06210610	1	U-seal
24	09312809	1	Radial seal
26	06220803	1	Loop ring
27	69020461	1	V-belt guard
29	07140842	7	Hexagon bolt
30	08510817	7	Washer
34	69020479	1	V-belt pulley
35	07230827	2	Socket-head cap screw
36	09120862	1	Pin,cylindric
37	69020304	1	Shim
38	69020480	1	V-belt pulley
39	07230834	2	Socket-head cap screw
40	69020466	1	Cover
42	07230811	5	Socket-head cap screw
43	08752084	5	Spring washer
44	69020253	1	Housing cover
45	07140842	12	Hexagon bolt
46	06270011	12	Wedge safety washer
59	06222657	1	Loop ring
64	06143712	4	Stop buffer
69	08621084	16	Washer
70	69020404	3	Stop
71	07230831	3	Socket-head cap screw
72	06270011	3	Wedge safety washer
73	69020406	1	Stop
74	07230831	1	Socket-head cap screw
75	06270011	1	Wedge safety washer

Go to [www.equipment.com](http://www.equipment.com) to order your parts



BPR 35/60 D/E	
<b>65.05</b>	S/N 101692221001 ▶ S/N 101692221058
	<b>Base Plate</b>
Page <b>3 / 3</b>	
<b>BOMAG</b>	69020044_003_06



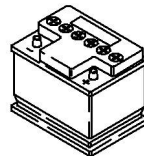
BPR 35/60 D/E		
S/N 101692221001 ▶ S/N 101692221058		<b>65.05</b>
<b>Base Plate</b>		Page <b>3 / 3</b>
	69020044 1001 1	<b>BOMAG</b>

Pos.	Part no.	Qty.	Description
1	95696094	1	Control shaft
2	05113700	1	Ball bearing,grooved
3	68110170	1	Bushing
4	05151010	1	Axial ball bearing
5	07140532	1	Hexagon bolt
6	08510511	1	Washer
7	95695016	1	Piston
8	06245052	2	Guiding band
9	06245051	1	Piston seal
10	08602603	1	Spring washer
11	05520510	1	Shim
12	09221130	1	Circlip,internal
13	95696095	1	Pin,cylindric
14	95695566	1	Socket-head cap screw
17	69020367	1	Cylinder
18	07230811	4	Socket-head cap screw
19	06220852	1	Loop ring
20	05548036	1	Double-ended union
21	07140608	1	Hexagon bolt
22	06210610	1	U-seal
24	09312809	1	Radial seal
26	06220803	1	Loop ring
27	69020461	1	V-belt guard
29	07140842	7	Hexagon bolt
30	08510817	7	Washer
34	69020479	1	V-belt pulley
35	07230827	2	Socket-head cap screw
36	09120862	1	Pin,cylindric
37	69020304	1	Shim
38	69020480	1	V-belt pulley
39	07230834	2	Socket-head cap screw
40	69020466	1	Cover
42	07230811	5	Socket-head cap screw
43	08752084	5	Spring washer
44	69020253	1	Housing cover
45	07140842	12	Hexagon bolt
46	06270011	12	Wedge safety washer
59	06222657	1	Loop ring
64	06143712	4	Stop buffer
69	08621084	16	Washer
70	69020404	3	Stop
71	07230831	3	Socket-head cap screw
72	06270011	3	Wedge safety washer
73	69020406	1	Stop
74	07230831	1	Socket-head cap screw
75	06270011	1	Wedge safety washer

Go to [www.equipment.com](http://www.equipment.com) to order your parts

Go to [Discount-Equipment.com](http://Discount-Equipment.com) to order your parts

Electrical System



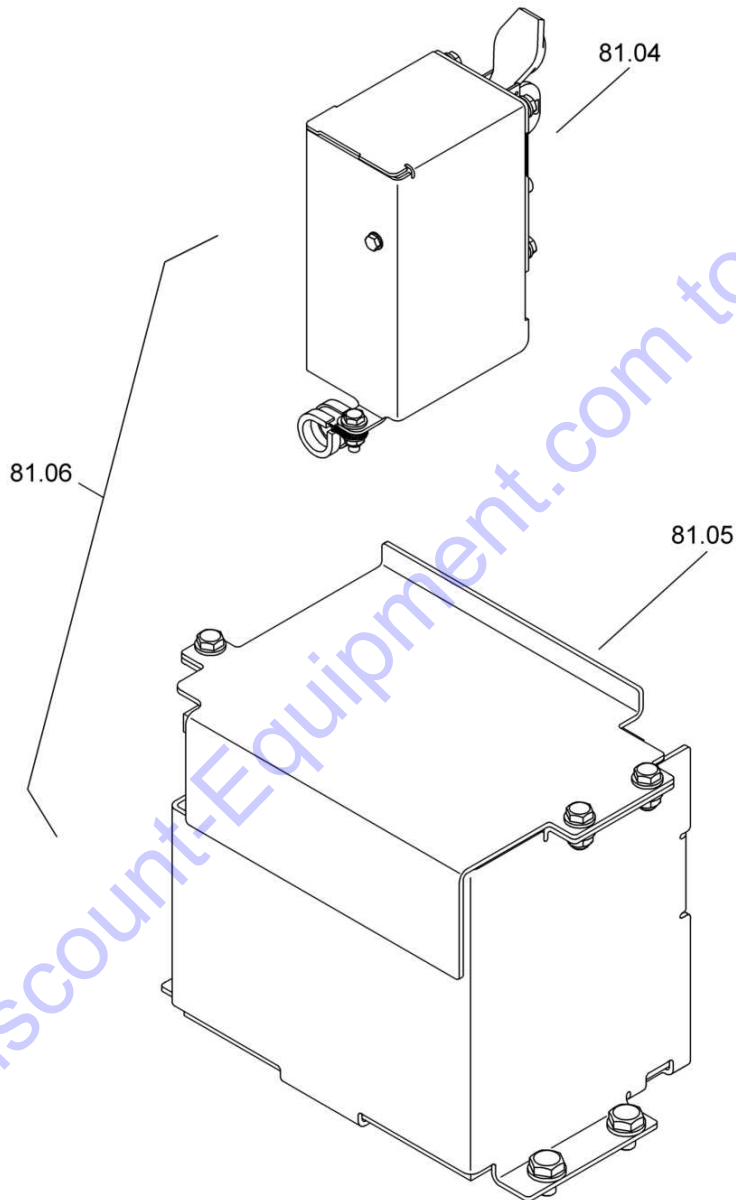
**80**

**80.00**

Electrical System

Page /

**BOMAG**





<b>Electrical System</b>	<b>80.00</b>
	Page /
	<b>BOMAG</b>

**Pos. Description**

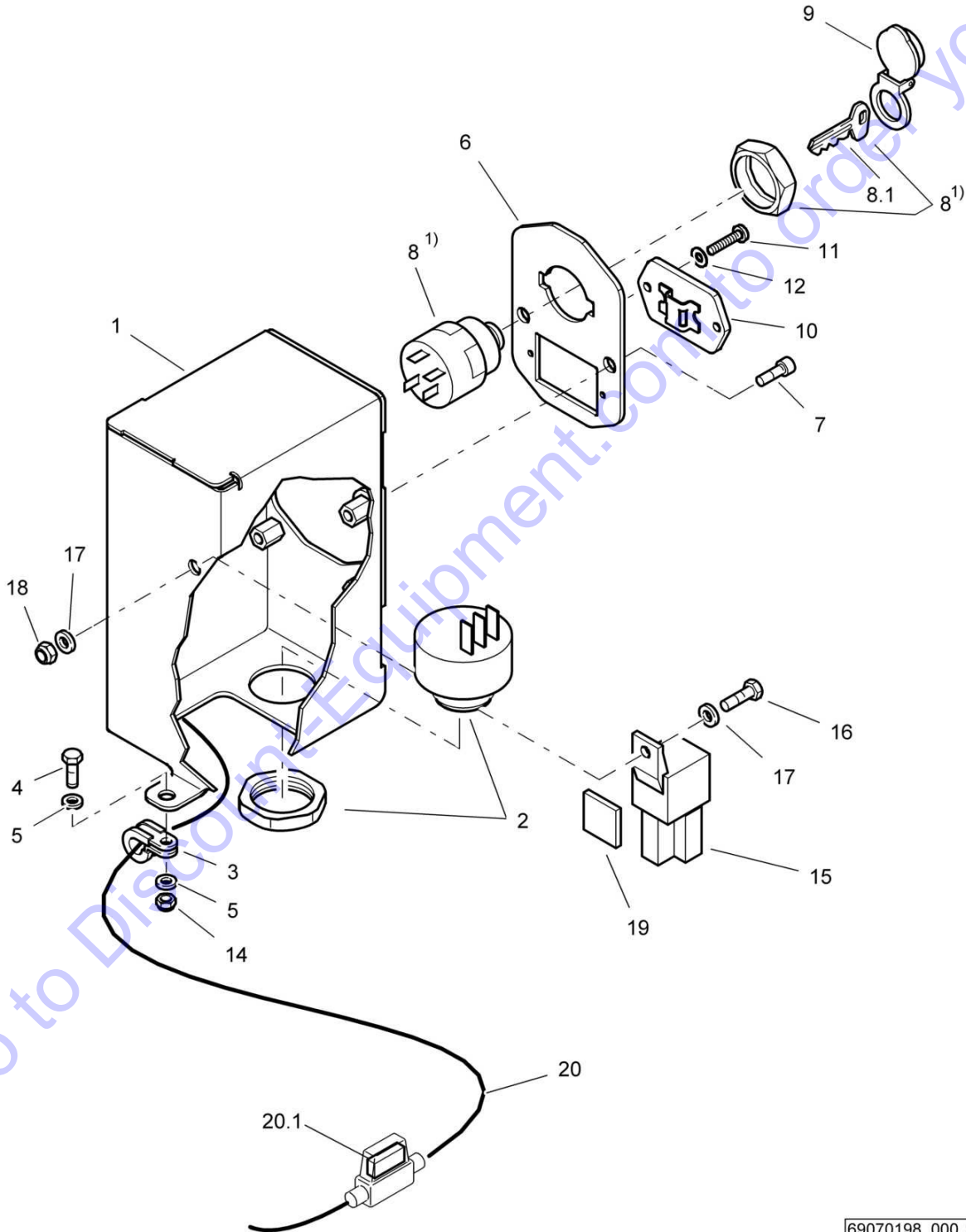
- 81.04 Central electric
- 81.05 Battery
- 81.06 Electrics

Go to Discount-Equipment.com to order your parts



	BPR 35/60 D/E	S/N 101692221175 ▶
<b>81.04</b>	<b>Central electric</b>	
Page <b>1 / 1</b>		
<b>BOMAG</b>	69070198_000_04	

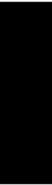
1) Tightening torque  $15 \pm 1$  Nm



BPR 35/60 D/E		
S/N 101692221175 ▶		
Central electric		<b>81.04</b>
		Page <b>1 / 1</b>
	69070198 1001 1	<b>BOMAG</b>

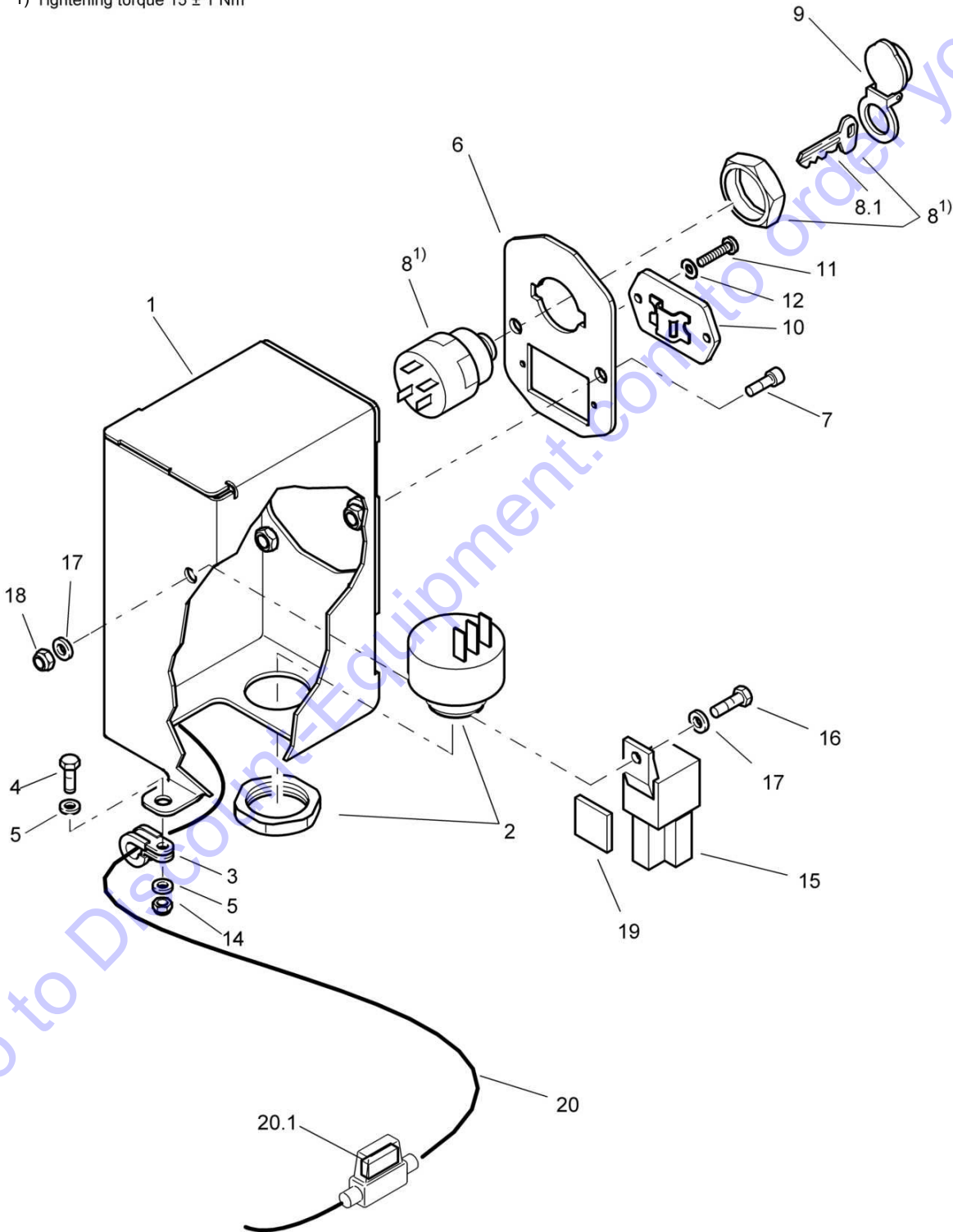
Pos.	Part no.	Qty.	Description
1	69070260	1	Box
2	05751225	1	Warning buzzer
3	05551912	1	Tube clamp
4	07140633	1	Hexagon bolt
5	08751053	2	Spring washer
6	69070217	1	Dash board
7	07230693	2	Socket-head cap screw
8	05766813	1	Glower starter switch
8.1	05755124	2	>Key,ignition
9	05766885	1	Cover
10	69070129	1	Cover
11	07210316	2	Lens head screw
12	08510307	2	Washer
14	08130611	1	Safety nut
15	05766958	1	Relay
16	07140520	1	Hexagon bolt
17	08510511	2	Washer
18	08130508	1	Safety nut
19	00652076	0,02 m	Expanded rubber
20	69070232	1	Wire harness
20.1	05755196	1	Flat fuse

Go to Discount-Equipment.com to order your parts



	BPR 35/60 D/E	S/N 101692221001 ▶ S/N 101692221174
<b>81.04</b>	<b>Central electric</b>	
Page <b>1 / 1</b>		
<b>BOMAG</b>	69070198_000_03	

1) Tightening torque  $15 \pm 1$  Nm

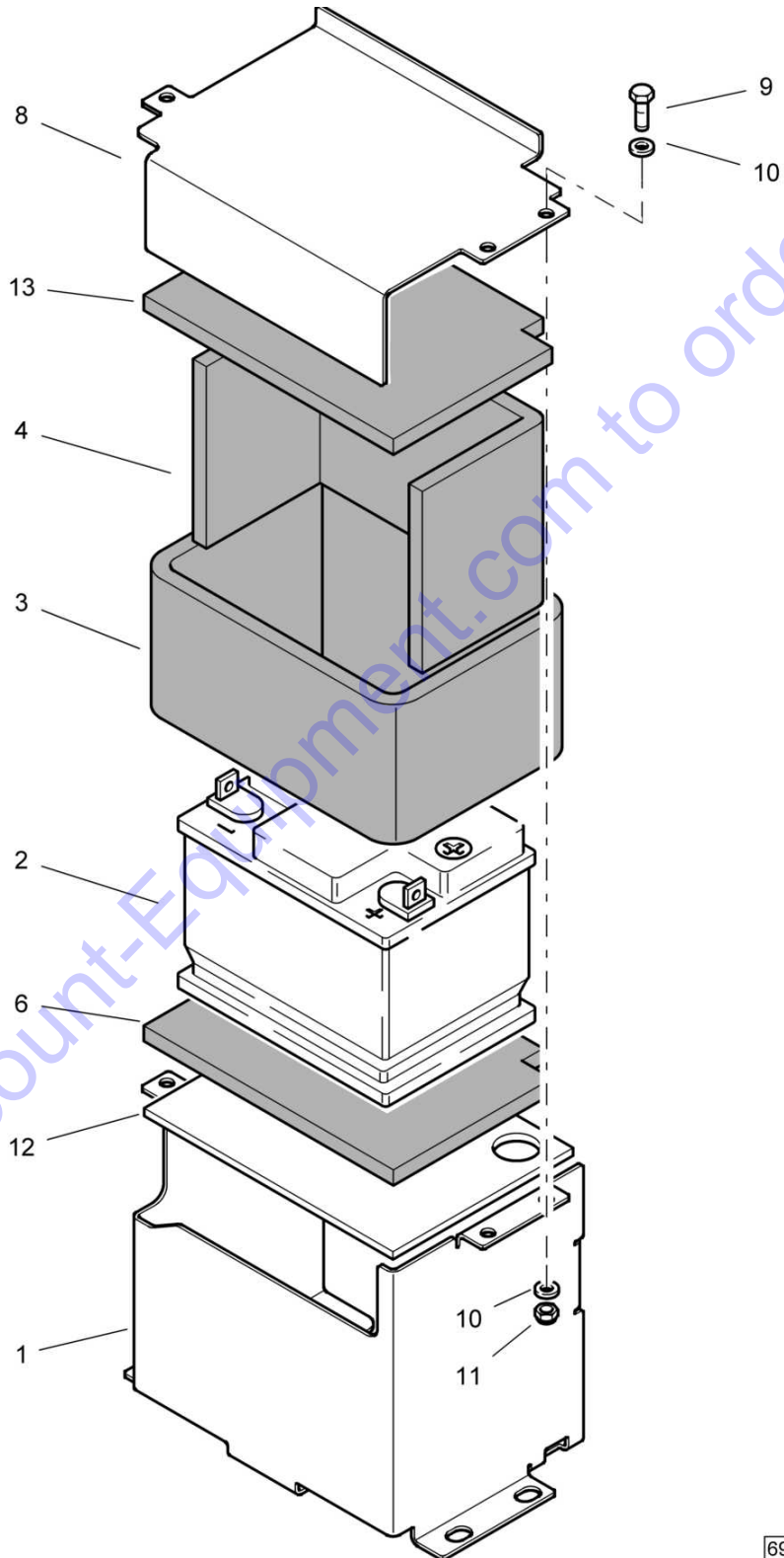


BPR 35/60 D/E		
S/N 101692221001 ▶ S/N 101692221174		<b>81.04</b>
Central electric		Page 1 / 1
69070198 1001 1		<b>BOMAG</b>

Pos.	Part no.	Qty.	Description
1	69070229	1	Box
2	05751225	1	Warning buzzer
3	05551912	1	Tube clamp
4	07140633	1	Hexagon bolt
5	08751053	2	Spring washer
6	69070217	1	Dash board
7	07230693	2	Socket-head cap screw
8	05766813	1	Glower starter switch
8.1	05755124	2	>Key,ignition
9	05766885	1	Cover
10	69070129	1	Cover
11	07210316	2	Lens head screw
12	08510307	2	Washer
14	08130611	1	Safety nut
15	05766958	1	Relay
16	07140520	1	Hexagon bolt
17	08510511	2	Washer
18	08130508	1	Safety nut
19	00652076	0,02 m	Expanded rubber
20	69070232	1	Wire harness
20.1	05755196	1	Flat fuse

Go to Discount-Equipment.com to order your parts

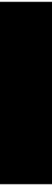
	BPR 35/60 D/E	
<b>81.05</b>		S/N 101692221001 ▶
	<b>Battery</b>	
Page <b>1 / 1</b>		
<b>BOMAG</b>		69070224_000_01



BPR 35/60 D/E		
S/N 101692221001 ▶		
<b>Battery</b>		<b>81.05</b>
		Page <b>1 / 1</b>
	69070224 1001 1	<b>BOMAG</b>

Pos.	Part no.	Qty.	Description
1	69070226	1	Battery box
2	05753234	1	Battery
3	69070144	1	Insulating mat
4	69070208	1	Insulating mat
6	69070207	1	Insulating mat
8	69070225	1	Battery box cover
9	07140824	3	Hexagon bolt
10	08510817	6	Washer
11	08130813	3	Safety nut
12	69070216	1	Support
13	69070227	1	Insulating mat

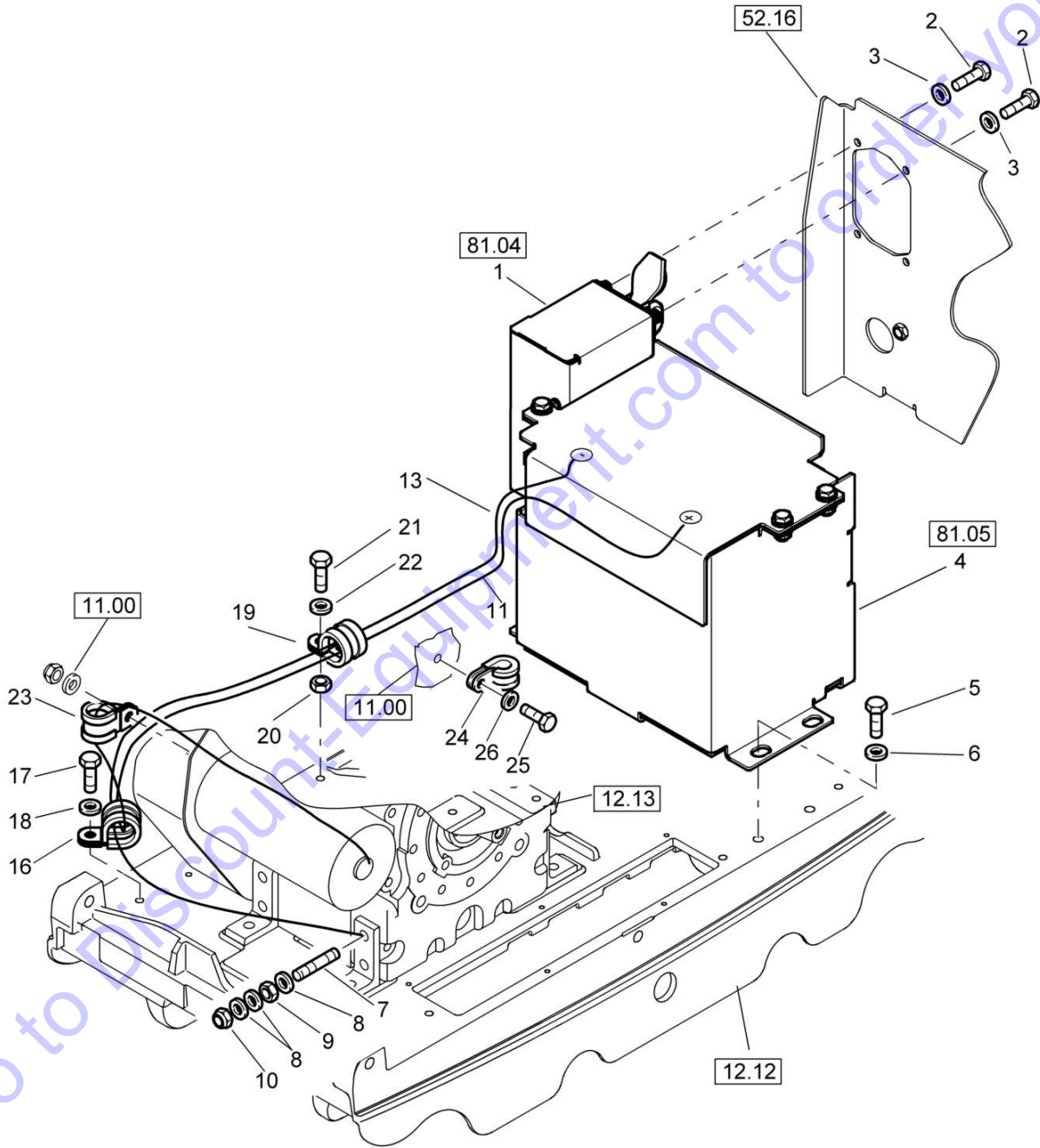
Go to Discount-Equipment.com to order your parts



**81.06**

**Electrics**

**BOMAG**

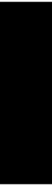




BPR 35/60 D/E		
S/N 101692221001 ▶		<b>81.06</b>
<b>Electrics</b>		Page <b>1 / 1</b>
	69070044 1001 1	<b>BOMAG</b>

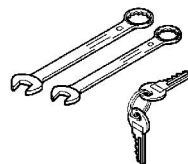
Pos.	Part no.	Qty.	Description
1	69070198	1	Central electric, assembled
2	07140626	4	Hexagon bolt
3	08510612	4	Washer
4	69070224	1	Battery, assembled
5	07141008	4	Hexagon bolt
6	08511021	4	Washer
7	07510832	1	Pin screw
8	08510817	3	Washer
9	08110813	1	Hexagon nut
10	08130813	1	Safety nut
11	69070230	1	Wire harness
13	69070231	1	Wire harness
16	05551911	1	Tube clamp
17	07140818	1	Hexagon bolt
18	08510817	1	Washer
19	05551911	1	Tube clamp
20	08111016	1	Hexagon nut
21	07140834	1	Hexagon bolt
22	08510817	1	Washer
23	05551914	1	Tube clamp
24	05551941	1	Tube clamp
25	07230693	1	Socket-head cap screw
26	08510612	1	Washer

Go to Discount-Equipment.com to order your parts



Go to Discount-Equipment.com to order your parts

**Accessories**



**100.00**

Accessories

Page /

**BOMAG**

101.03

**BOMAG**



Go to [Discount-Equipment.com](http://Discount-Equipment.com) to order your parts

<b>Accessories</b>	<b>100.00</b>
	Page /
	<b>BOMAG</b>

**Pos. Description**

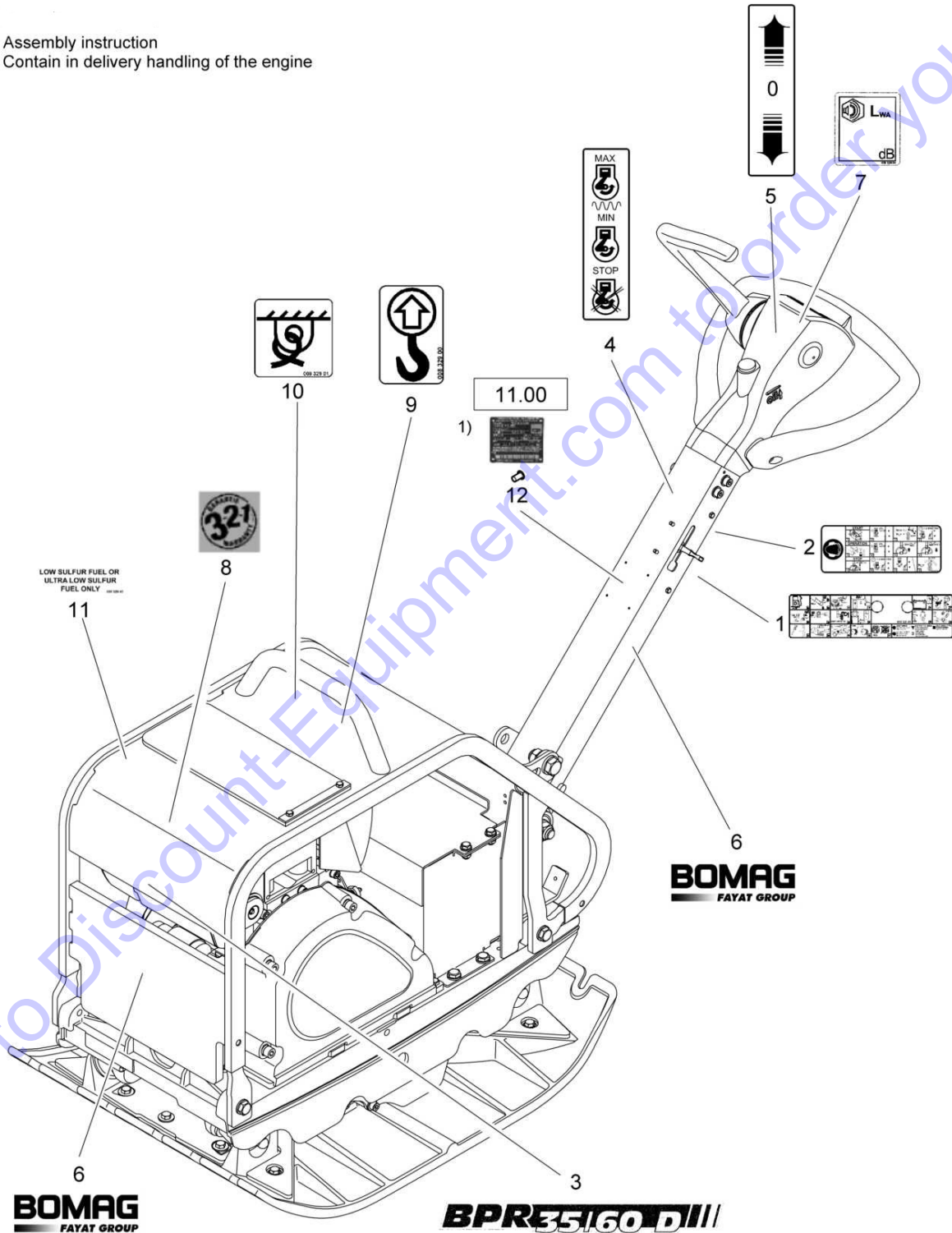
101.03 Decals

Go to Discount-Equipment.com to order your parts



	BPR 35/60 D/E	S/N 101692221159 ▶
<b>101.03</b>	<b>Decals</b>	
Page <b>1 / 1</b>		
<b>BOMAG</b>	69080044_000_06	

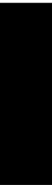
1) Assembly instruction  
Contain in delivery handling of the engine



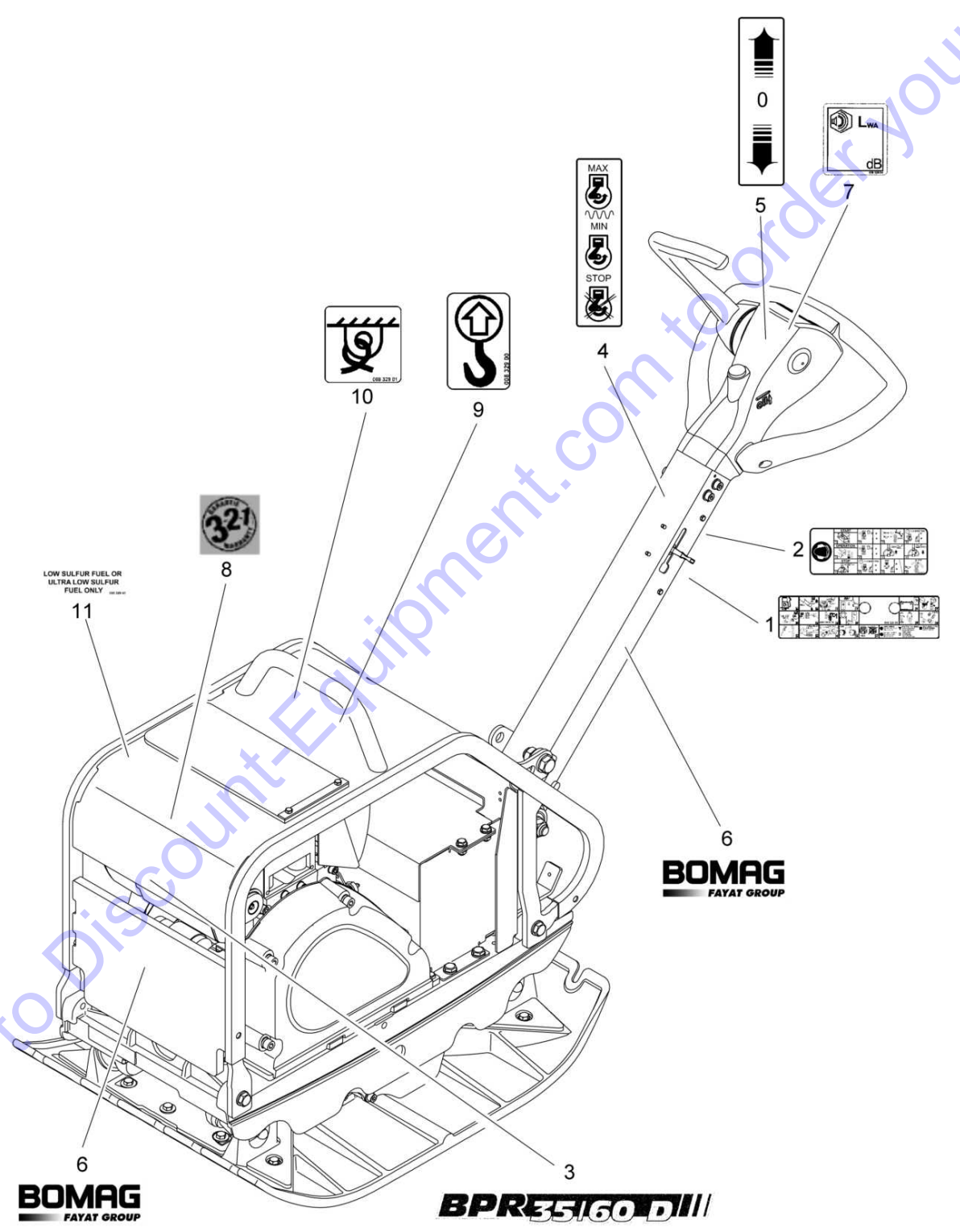
BPR 35/60 D/E		
S/N 101692221159 ▶		
<b>Decals</b>		<b>101.03</b>
		Page <b>1 / 1</b>
	69080044 1001 1	<b>BOMAG</b>

Pos.	Part no.	Qty.	Description
1	00832894	1	Decal,maintenance
2	00830765	1	Decal,operation
3	00832837	1	Type designation
4	00830066	1	Decal,operation
5	00830085	1	Decal,operation
6	00830376	3	Decal
7	00832654	1	Decal,indication
8	00892018	1	Label
9	00832900	1	Decal,indication
10	00832901	1	Decal,indication
11	00832940	1	Decal,indication
12	05990026	4	Rivet,blind

Go to Discount-Equipment.com to order your parts



	BPR 35/60 D/E	S/N 101692221138 ▶ S/N 101692221158
<b>101.03</b>	<b>Decals</b>	
Page <b>1 / 1</b>		
<b>BOMAG</b>		69080044_000_05



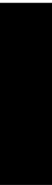
**BOMAG**  
FAYAT GROUP

**BPR 35/60 D/E**

BPR 35/60 D/E		
S/N 101692221138 ▶ S/N 101692221158		
<b>Decals</b>		<b>101.03</b>
		Page <b>1 / 1</b>
	69080044 1001 1	<b>BOMAG</b>

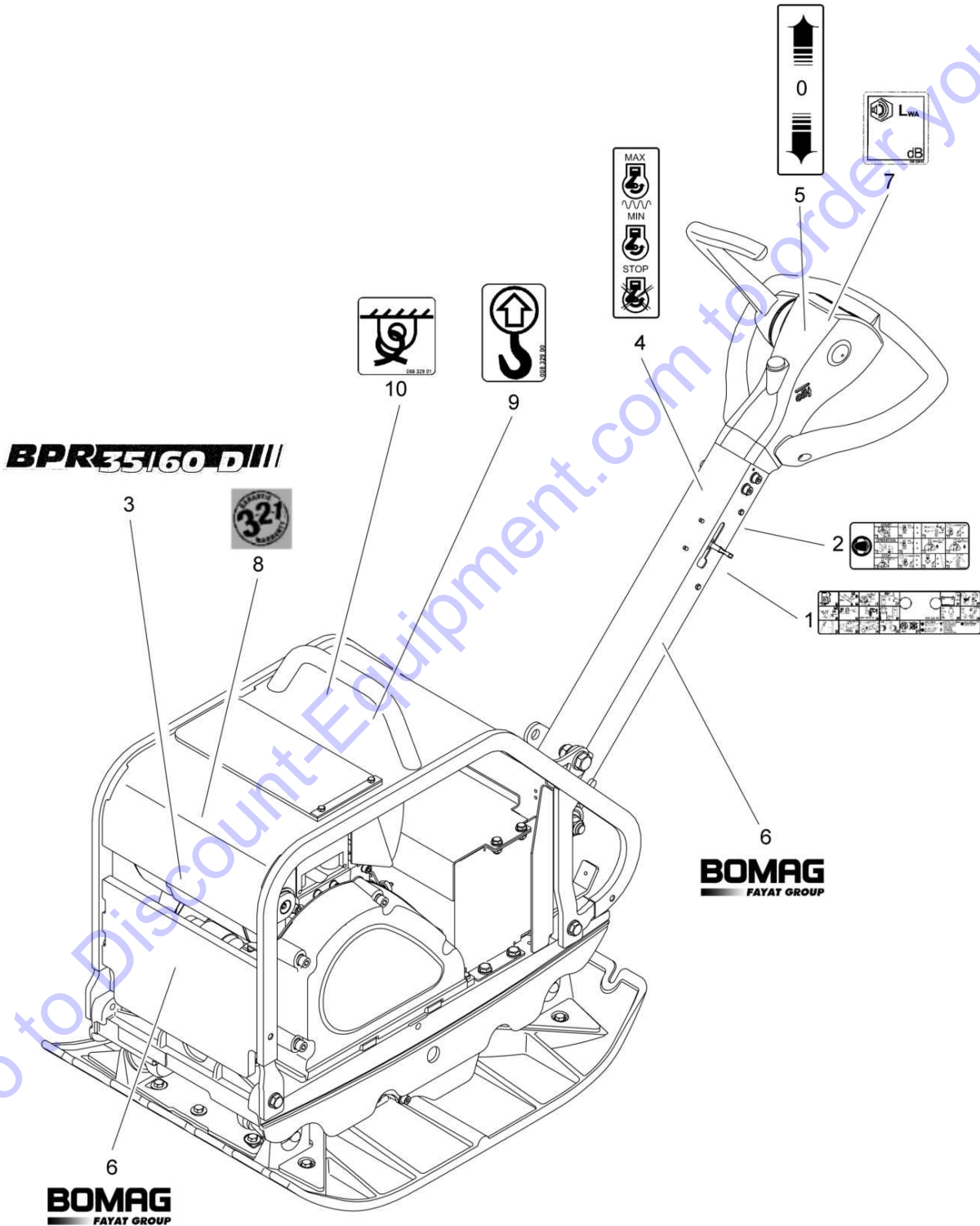
Pos.	Part no.	Qty.	Description
1	00832894	1	Decal,maintenance
2	00830765	1	Decal,operation
3	00832837	1	Type designation
4	00830066	1	Decal,operation
5	00830085	1	Decal,operation
6	00830376	3	Decal
7	00832654	1	Decal,indication
8	00892018	1	Label
9	00832900	1	Decal,indication
10	00832901	1	Decal,indication
11	00832940	1	Decal,indication

Go to Discount-Equipment.com to order your parts





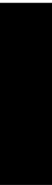
	BPR 35/60 D/E	S/N 101692221131 ▶ S/N 101692221137
<b>101.03</b>	Decals	
Page <b>1 / 1</b>		
<b>BOMAG</b>	69080044_000_04	



BPR 35/60 D/E		
S/N 101692221131 ▶ S/N 101692221137		
<b>Decals</b>		<b>101.03</b>
		Page <b>1 / 1</b>
	69080044 1001 1	<b>BOMAG</b>

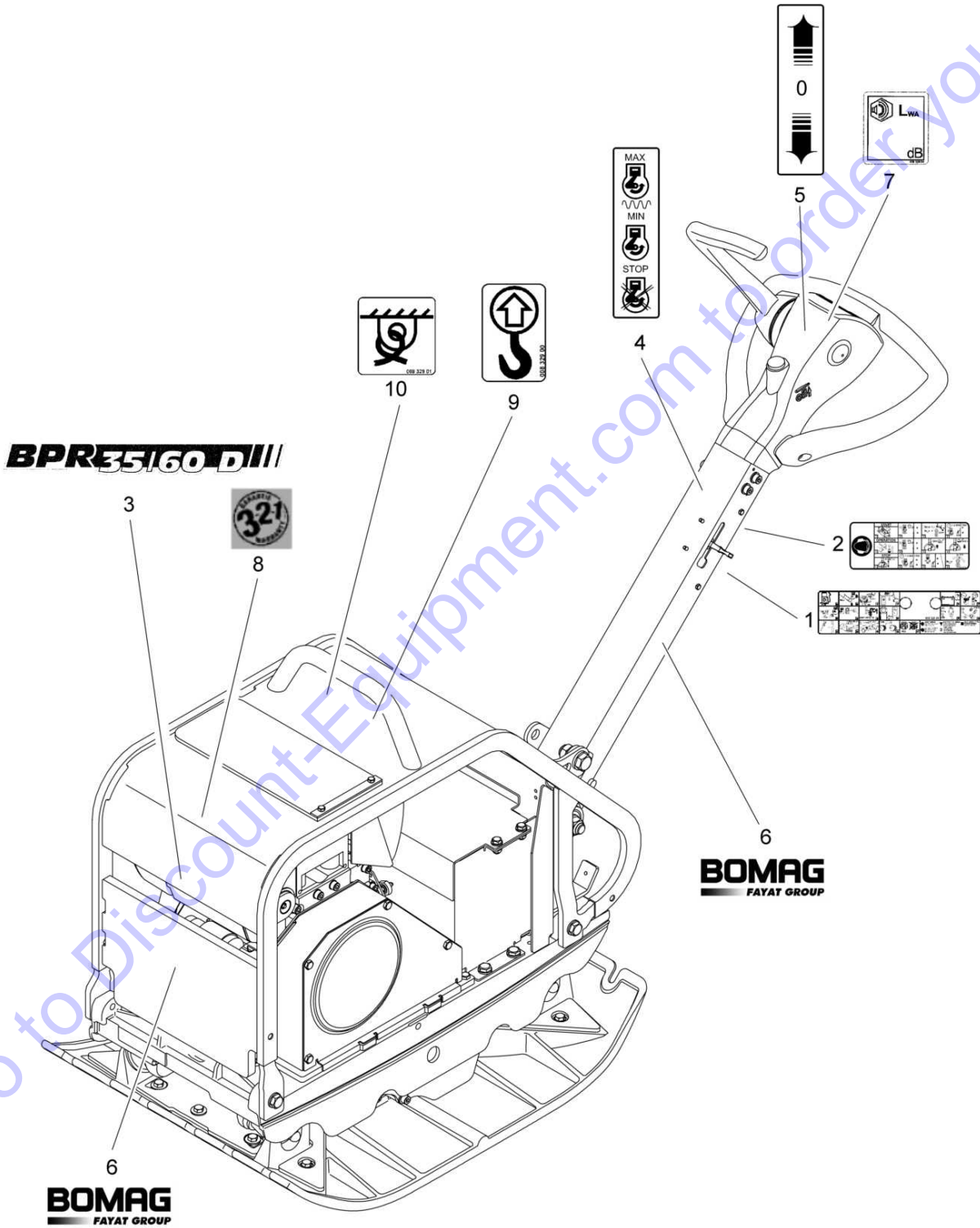
Pos.	Part no.	Qty.	Description
1	00832894	1	Decal,maintenance
2	00830765	1	Decal,operation
3	00832837	1	Type designation
4	00830066	1	Decal,operation
5	00830085	1	Decal,operation
6	00830376	3	Decal
7	00832654	1	Decal,indication
8	00892018	1	Label
9	00832900	1	Decal,indication
10	00832901	1	Decal,indication

Go to Discount-Equipment.com to order your parts



	BPR 35/60 D/E	S/N 101692221010 ▶ S/N 101692221130
<b>101.03</b>	Decals	
Page <b>1 / 1</b>		
<b>BOMAG</b>	69080044_000_03	

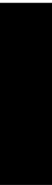
Go to Discount-Equipment.com to order your parts



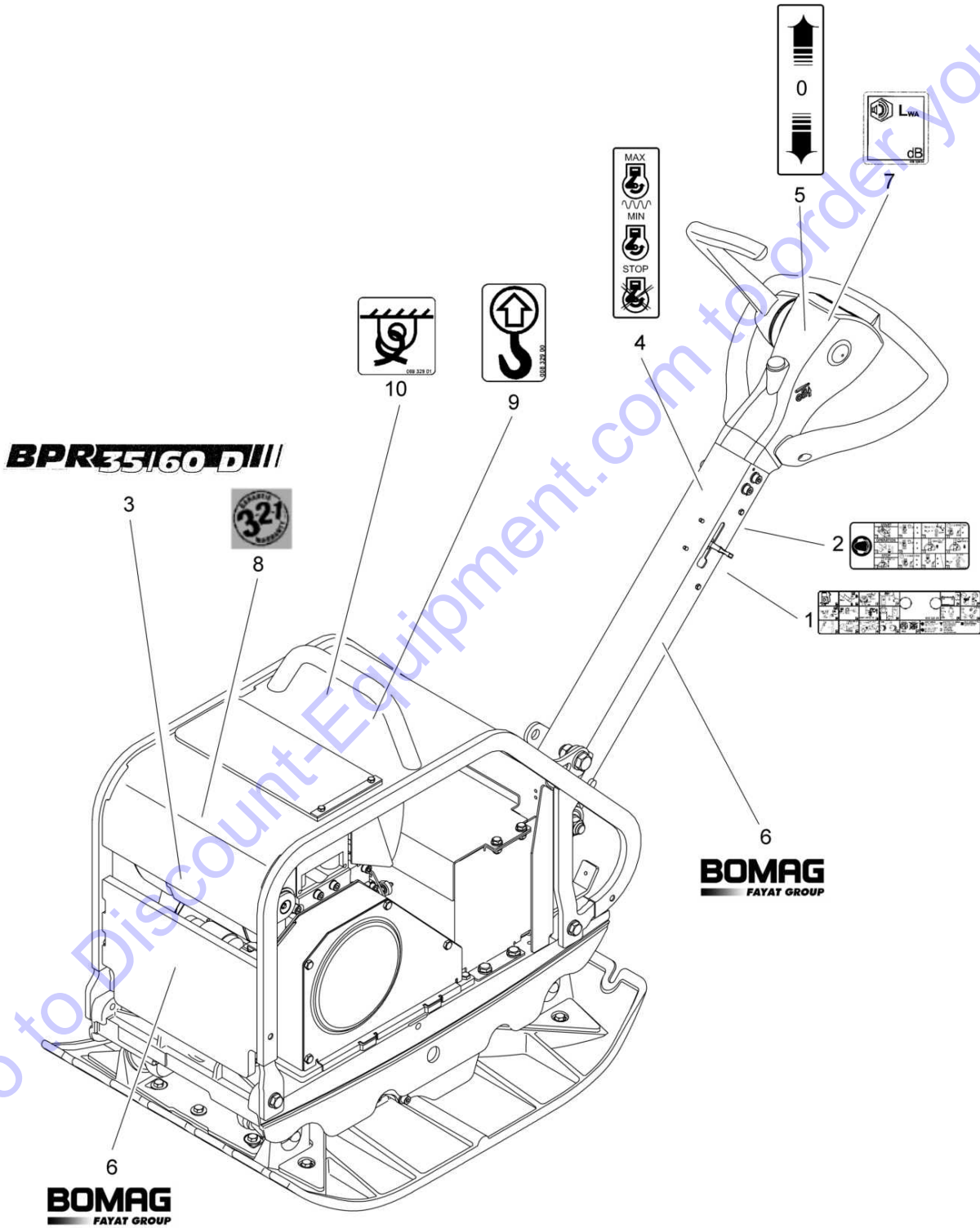
BPR 35/60 D/E		
S/N 101692221010 ▶ S/N 101692221130		
<b>Decals</b>		<b>101.03</b>
		Page <b>1 / 1</b>
	69080044 1001 1	<b>BOMAG</b>

Pos.	Part no.	Qty.	Description
1	00832894	1	Decal,maintenance
2	00830765	1	Decal,operation
3	00832837	1	Type designation
4	00830066	1	Decal,operation
5	00830085	1	Decal,operation
6	00830376	3	Decal
7	00832654	1	Decal,indication
8	00892018	1	Label
9	00832900	1	Decal,indication
10	00832901	1	Decal,indication

Go to Discount-Equipment.com to order your parts



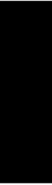
	BPR 35/60 D/E	S/N 101692221001 ▶ S/N 101692221009
<b>101.03</b>	Decals	
Page <b>1 / 1</b>		
<b>BOMAG</b>	69080044_000_03	



BPR 35/60 D/E		
S/N 101692221001 ▶ S/N 101692221009		<b>101.03</b>
<b>Decals</b>		Page <b>1 / 1</b>
	69080044 1001 1	<b>BOMAG</b>

Pos.	Part no.	Qty.	Description
1	00832894	1	Decal,maintenance
2	00830765	1	Decal,operation
3	00832837	1	Type designation
4	00830066	1	Decal,operation
5	00830085	1	Decal,operation
6	00830376	3	Decal
7	00832651	1	Decal,indication
8	00892018	1	Label
9	00832900	1	Decal,indication
10	00832901	1	Decal,indication

Go to Discount-Equipment.com to order your parts



Go to Discount-Equipment.com to order your parts

Special Equipment

**Option**

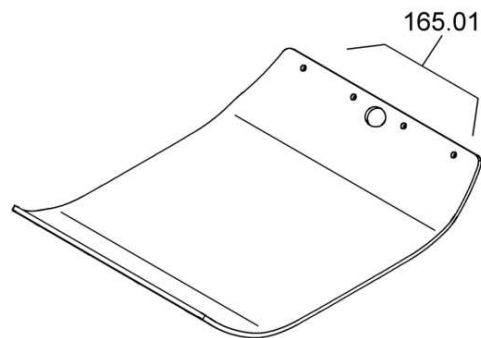
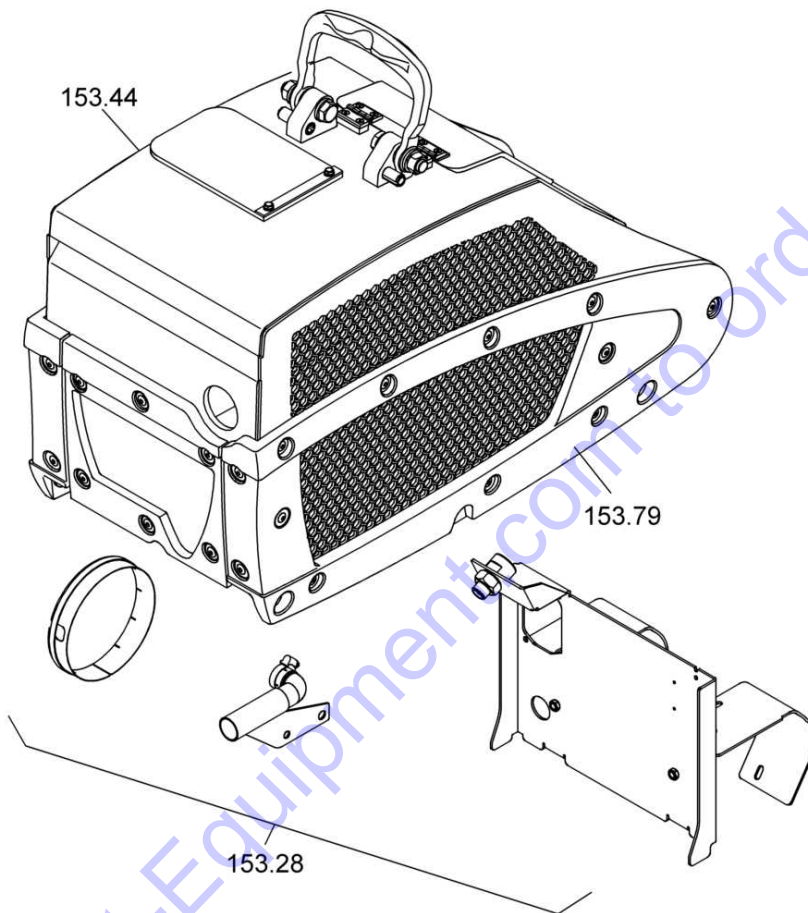
**110**

**110.00**

Special Equipment

Page /

**BOMAG**





<b>Special Equipment</b>	<b>110.00</b>
	Page /
	<b>BOMAG</b>

**Pos. Description**

- 153.28 AD1-Protection hood
- 153.44 Hood, assembled
- 153.79 Protection ridge
- 161.61 T88-Undercarriage,Rubber tyre
- 161.62 T89-Undercarriage,pneum. tyre
- 165.01 X5-Synthetic plate
- 182.04 AZ4-Operating hourmeter
- 194.08 SW10-Service kit

Go to Discount-Equipment.com to order your parts

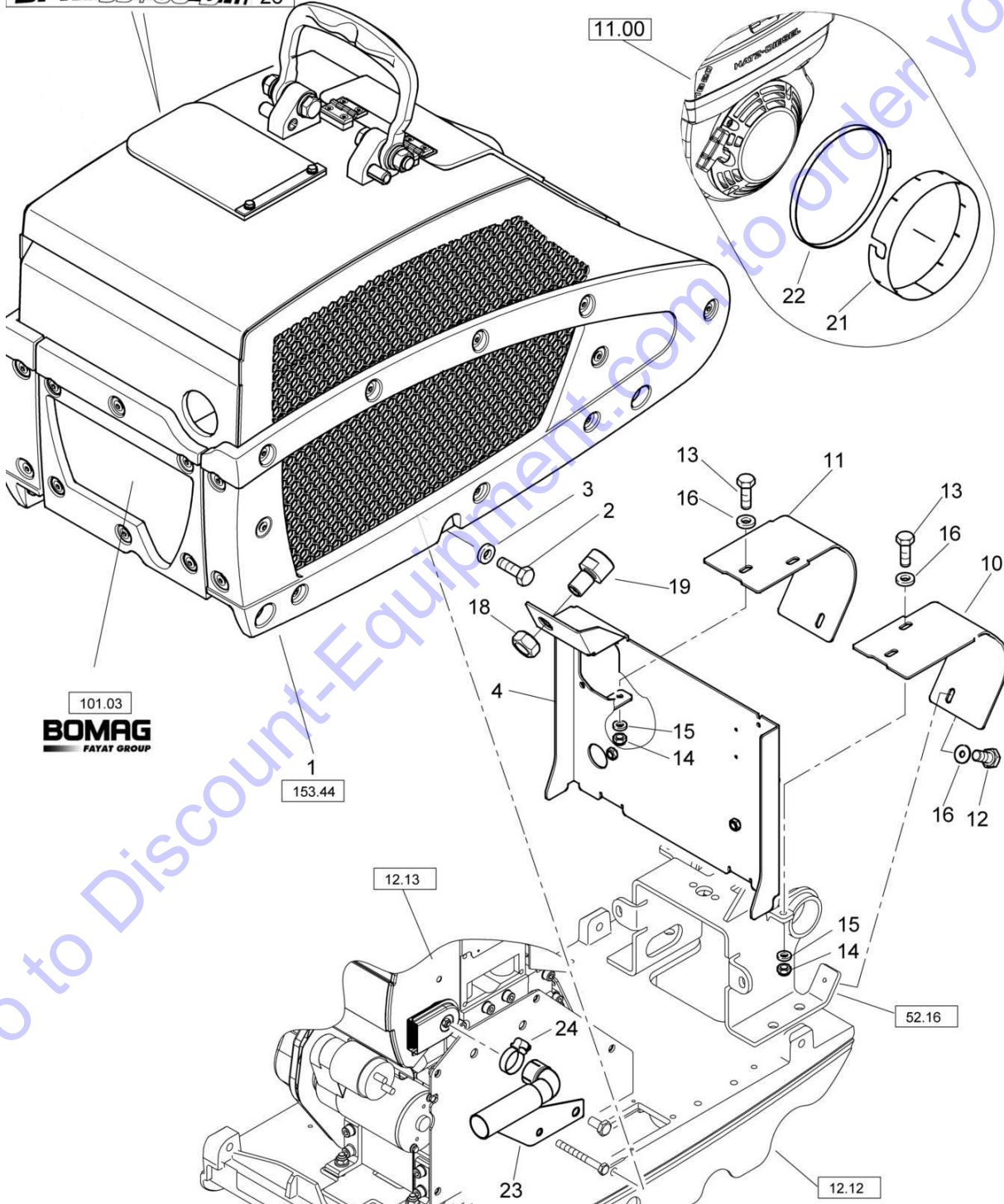


	BPR 35/60 D/E	
<b>153.28</b>		S/N 101692221145 ▶
	<b>AD1-Protection hood</b>	
Page <b>1 / 1</b>		
<b>BOMAG</b>	69000290_000_08	

Dependent on the type of machine use pos.25 or pos. 26

**BPR 35/42 DIII** 25

**BPR 35/60 DIII** 26

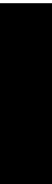


Go to Discount-Equipment.com to order your parts

BPR 35/60 D/E		
S/N 101692221145 ▶		
AD1-Protection hood		<b>153.28</b>
		Page 1 / 1
		<b>BOMAG</b>
		69000290 1001 1

Pos.	Part no.	Qty.	Description
1	69120486	1	Hood, assembled
2	07141221	2	Hexagon bolt
3	08511324	2	Washer
4	69120723	1	Intermediate plate
10	69120542	1	Cover
11	69120543	1	Cover
12	07140622	2	Hexagon bolt
13	07140633	4	Hexagon bolt
14	08130611	4	Safety nut
15	08510612	4	Washer
16	08621064	6	Washer
18	08132026	1	Safety nut
19	69060156	1	Sleeve
21	69003115	1	Air duct ring
22	05552440	1	Hose clip
23	69040216	1	Exhaust
24	05552405	1	Hose clip
25	00832813	1	Type designation
26	00832814	1	Type designation

Go to Discount-Equipment.com to order your parts

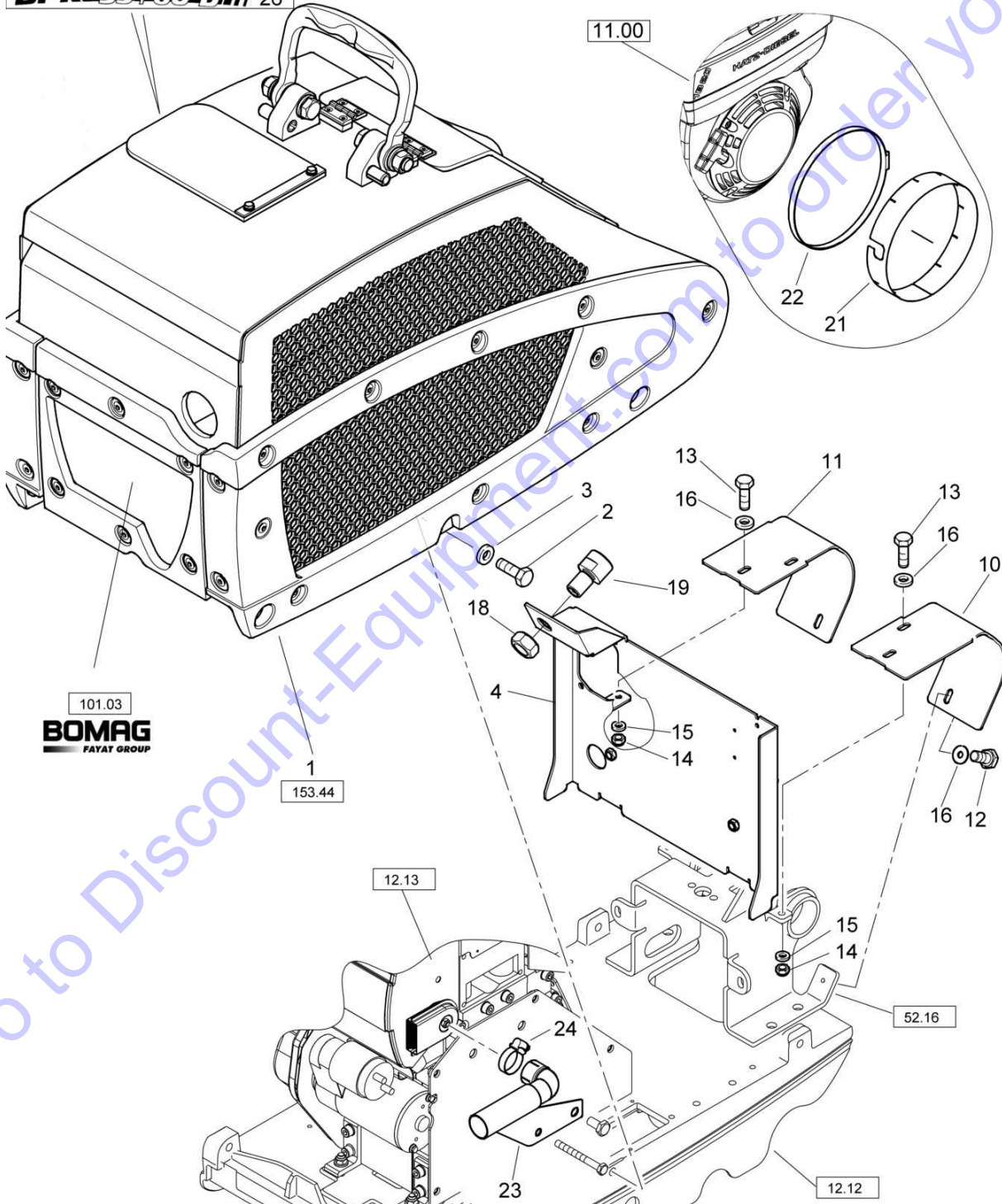


	BPR 35/60 D/E	S/N 101692221001 ▶ S/N 101692221144
<b>153.28</b>	<b>AD1-Protection hood</b>	
Page <b>1 / 1</b>		
<b>BOMAG</b>		69000290_000_08

Dependent on the type of machine use pos.25 or pos. 26

**BPR 35/42 DIII** 25

**BPR 35/60 DIII** 26

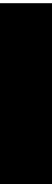


Go to Discount-Equipment.com to order your parts

BPR 35/60 D/E		
S/N 101692221001 ▶ S/N 101692221144		
<b>AD1-Protection hood</b>		<b>153.28</b>
		Page 1 / 1
		<b>BOMAG</b>
		69000290 1001 1

Pos.	Part no.	Qty.	Description
1	69120486	1	Hood, assembled
2	07141221	2	Hexagon bolt
3	08511324	2	Washer
4	69120582	1	Intermediate plate
10	69120542	1	Cover
11	69120543	1	Cover
12	07140622	2	Hexagon bolt
13	07140633	4	Hexagon bolt
14	08130611	4	Safety nut
15	08510612	4	Washer
16	08621064	6	Washer
18	08132026	1	Safety nut
19	69060156	1	Sleeve
21	69003115	1	Air duct ring
22	05552440	1	Hose clip
23	69040216	1	Exhaust
24	05552405	1	Hose clip
25	00832813	1	Type designation
26	00832814	1	Type designation

Go to Discount-Equipment.com to order your parts





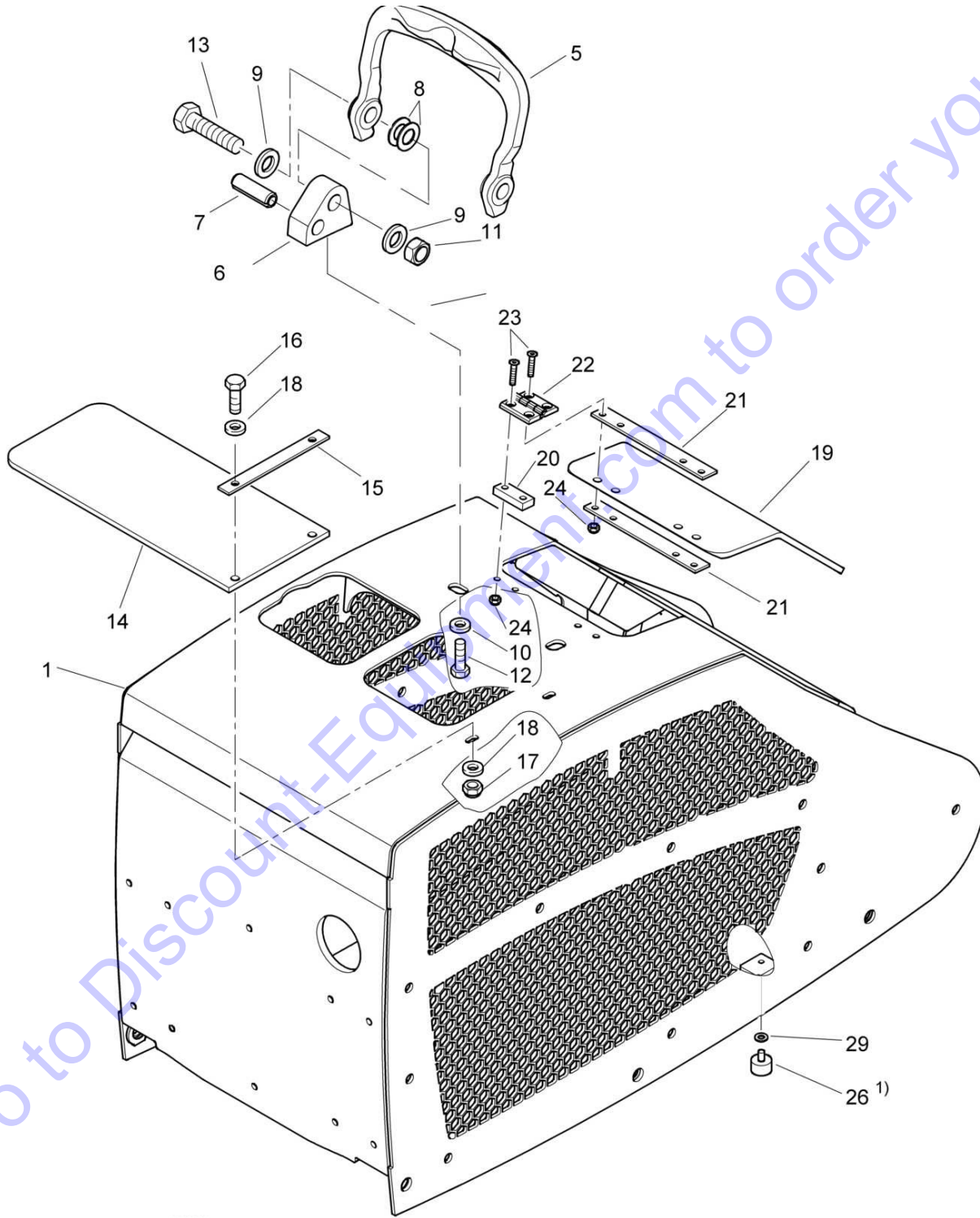
**153.44**

Hood, assembled

Page **1 / 2**

**BOMAG**

69120486\_001\_02

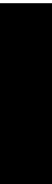


1) Tightening torque 6 Nm

BPR 35/60 D/E		
S/N 101692221208 ▶		
Hood, assembled		<b>153.44</b>
		Page 1 / 2
	69120486 1001 1	<b>BOMAG</b>

Pos.	Part no.	Qty.	Description
1	69120745	1	Hood
5	69120568	1	Single-point-lifting-dev.
6	69120138	2	Holder
7	09151615	2	Dowel pin
8	09293152	4	Belleville spring
9	08511730	4	Washer
10	08752130	2	Spring washer
11	08131621	2	Safety nut
12	07141224	2	Hexagon bolt
13	07131624	2	Hexagon bolt
14	69120478	1	Cover plate
15	69120353	1	Strip steel
16	07140641	2	Hexagon bolt
17	08130611	2	Safety nut
18	08510612	4	Washer
19	69120310	1	Cover plate
20	69120111	2	Flat steel
21	69120337	2	Strip steel
22	05939167	2	Hinge
23	07320523	8	Countersunk screw
24	08130508	8	Safety nut
26	06140945	1	Stop buffer
29	08510612	1	Washer

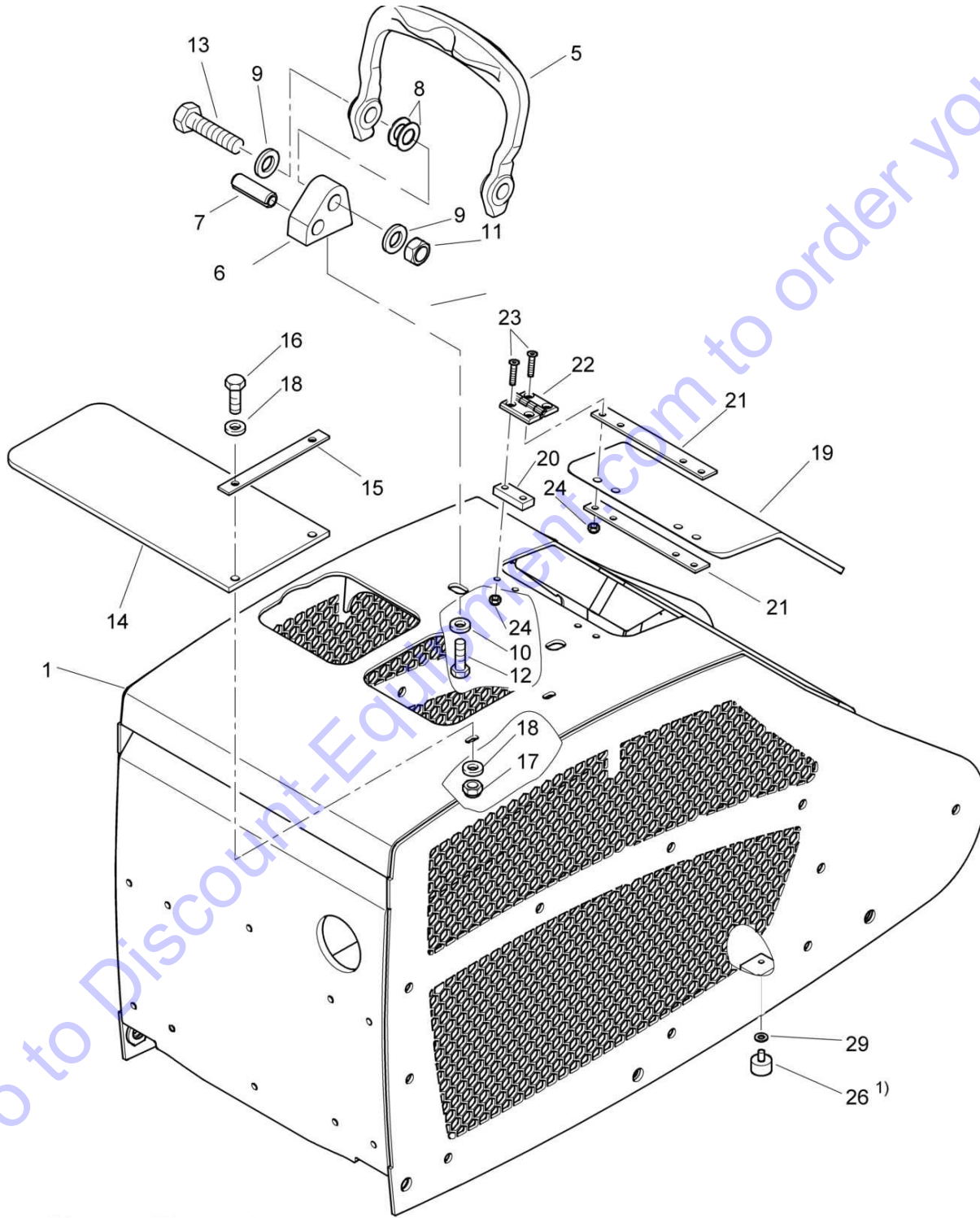
Go to Discount-Equipment.com to order your parts



**153.44**

Hood, assembled

**BOMAG**



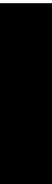
1) Tightening torque 6 Nm



BPR 35/60 D/E		
S/N 101692221131 ▶ S/N 101692221207		
Hood, assembled		<b>153.44</b>
		Page 1 / 2
	69120486 1001 1	<b>BOMAG</b>

Pos.	Part no.	Qty.	Description
1	69120680	1	Hood
5	69120568	1	Single-point-lifting-dev.
6	69120138	2	Holder
7	09151615	2	Dowel pin
8	09293152	4	Belleville spring
9	08511730	4	Washer
10	08752130	2	Spring washer
11	08131621	2	Safety nut
12	07141224	2	Hexagon bolt
13	07131624	2	Hexagon bolt
14	69120478	1	Cover plate
15	69120353	1	Strip steel
16	07140641	2	Hexagon bolt
17	08130611	2	Safety nut
18	08510612	4	Washer
19	69120310	1	Cover plate
20	69120111	2	Flat steel
21	69120337	2	Strip steel
22	05939167	2	Hinge
23	07320523	8	Countersunk screw
24	08130508	8	Safety nut
26	06140945	1	Stop buffer
29	08510612	1	Washer

Go to Discount-Equipment.com to order your parts



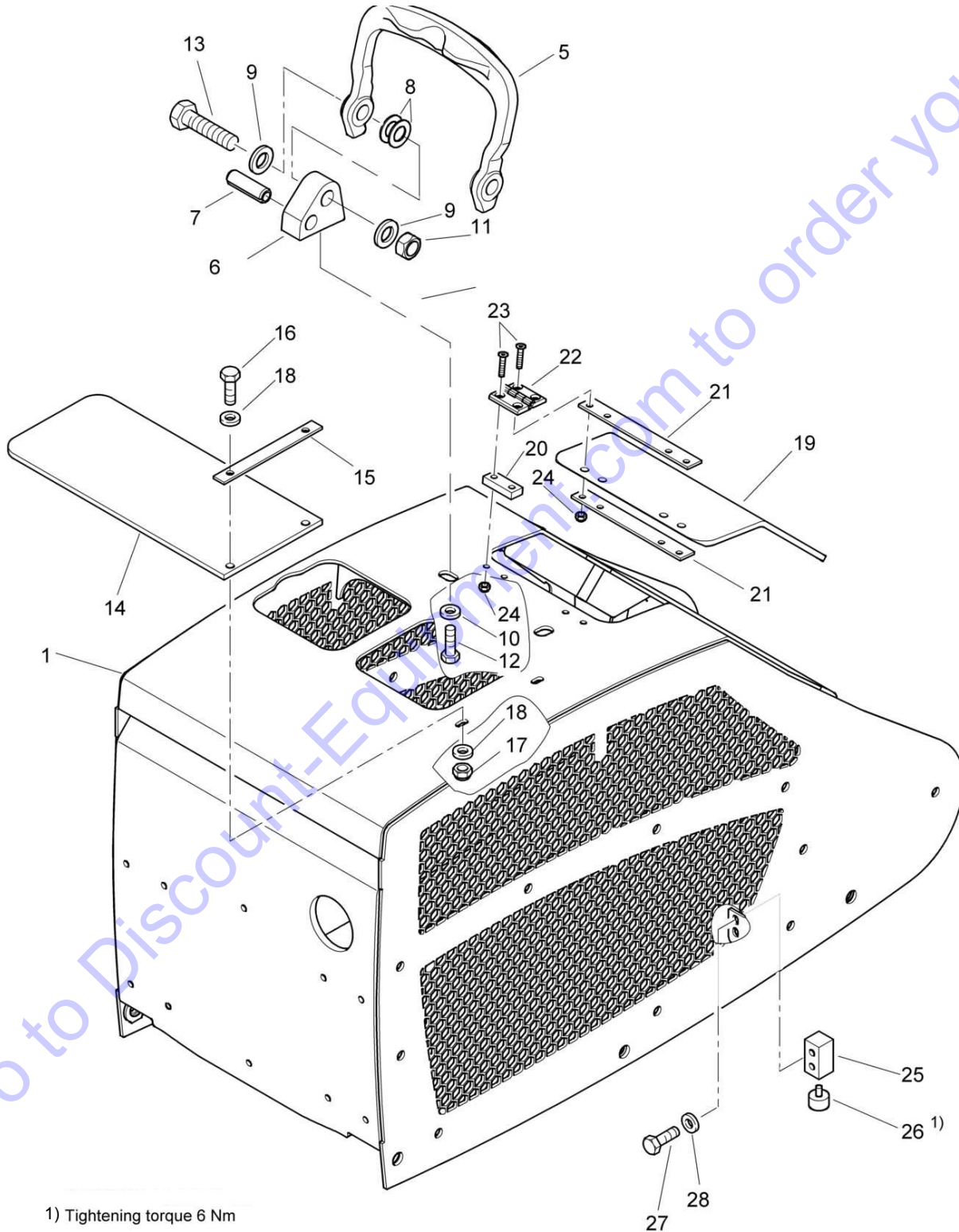
**153.44**

Hood, assembled

Page 1 / 2

**BOMAG**

69120486\_001\_01



1) Tightening torque 6 Nm

Go to Discount-Equipment.com to order your parts

BPR 35/60 D/E		
S/N 101692221001 ▶ S/N 101692221130		
Hood, assembled		<b>153.44</b>
		Page 1 / 2
	69120486 1001 1	<b>BOMAG</b>

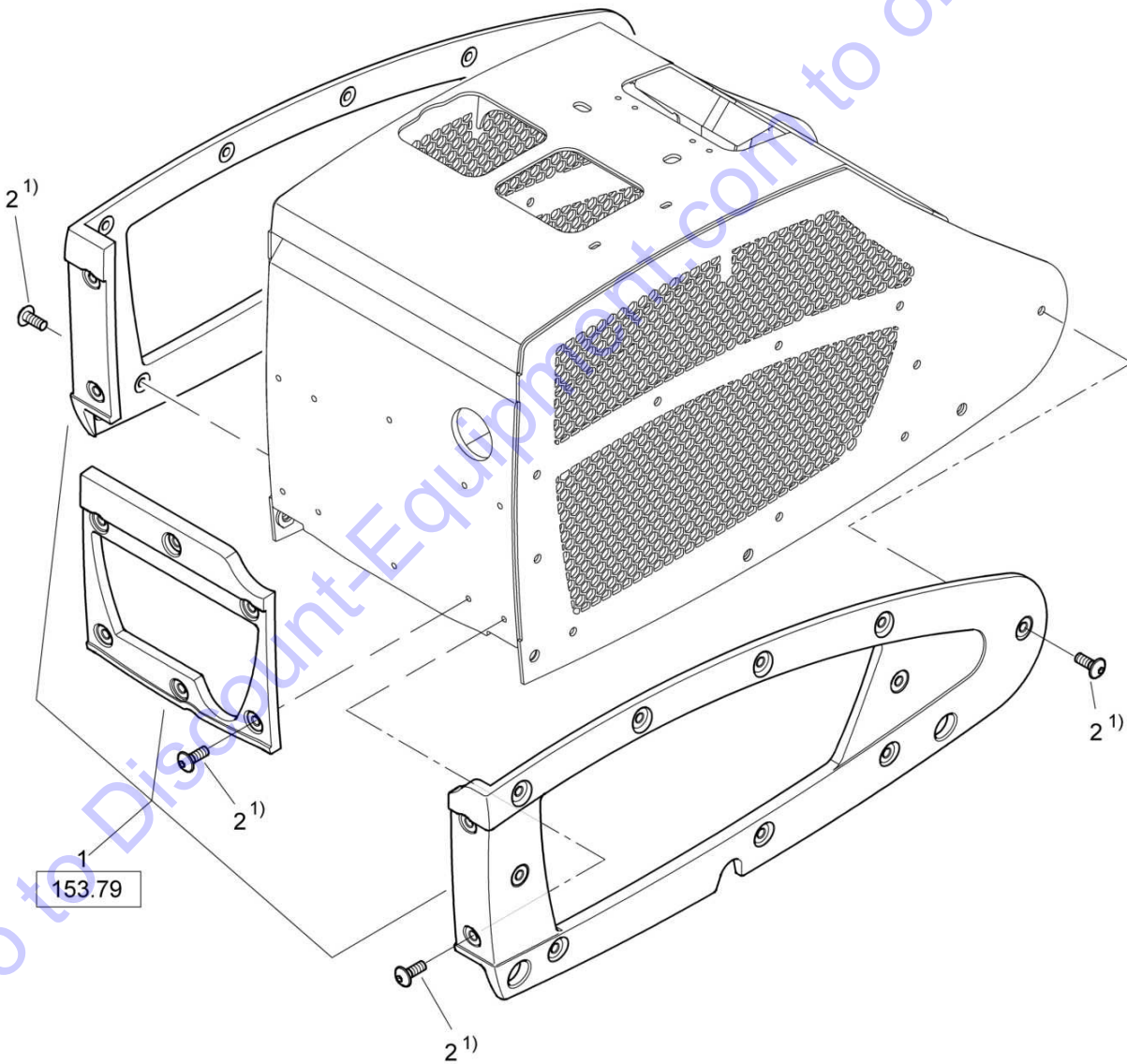
Pos.	Part no.	Qty.	Description
1	69120536	1	Hood
5	69120568	1	Single-point-lifting-dev.
6	69120138	2	Holder
7	09151615	2	Dowel pin
8	09293152	4	Belleville spring
9	08511730	4	Washer
10	08752130	2	Spring washer
11	08131621	2	Safety nut
12	07141224	2	Hexagon bolt
13	07131624	2	Hexagon bolt
14	69120478	1	Cover plate
15	69120353	1	Strip steel
16	07140641	2	Hexagon bolt
17	08130611	2	Safety nut
18	08510612	4	Washer
19	69120310	1	Cover plate
20	69120111	2	Flat steel
21	69120337	2	Strip steel
22	05939167	2	Hinge
23	07320523	8	Countersunk screw
24	08130508	8	Safety nut
25	69120397	1	Square piece
26	06140945	1	Stop buffer
27	07140633	2	Hexagon bolt
28	08510612	2	Washer

Go to Discount-Equipment.com to order your parts



	BPR 35/60 D/E	S/N 101692221001 ▶
<b>153.44</b>	<b>Hood, assembled</b>	
Page <b>2 / 2</b>		
<b>BOMAG</b>	69120486_002_00	

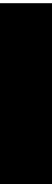
1) Tightening torque 15 Nm



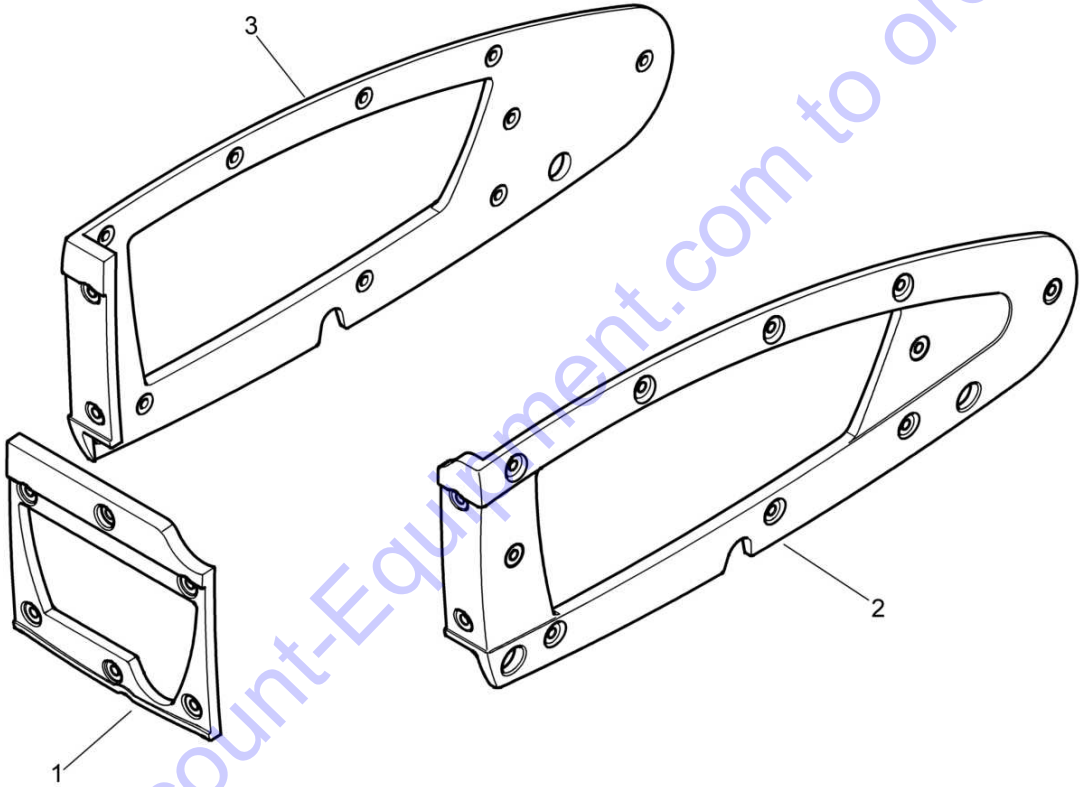
BPR 35/60 D/E		
S/N 101692221001 ▶		
Hood, assembled		<b>153.44</b>
		Page <b>2 / 2</b>
	69120486 1001 1	<b>BOMAG</b>

Pos.	Part no.	Qty.	Description
1	69120342	1	Protection ridge
2	07210895	30	Lens head screw

Go to Discount-Equipment.com to order your parts



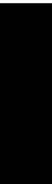
	BPR 35/60 D/E	
<b>153.79</b>		S/N 101692221001 ▶
	Protection ridge	
Page <b>1 / 1</b>		
<b>BOMAG</b>		69120342_000_00



BPR 35/60 D/E		
S/N 101692221001 ▶		
Protection ridge		<b>153.79</b>
		Page <b>1 / 1</b>
	69120342 1001 1	<b>BOMAG</b>

Pos.	Part no.	Qty.	Description
1	69120343	1	Protection ridge
2	69120344	1	Protection ridge
3	69120345	1	Protection ridge

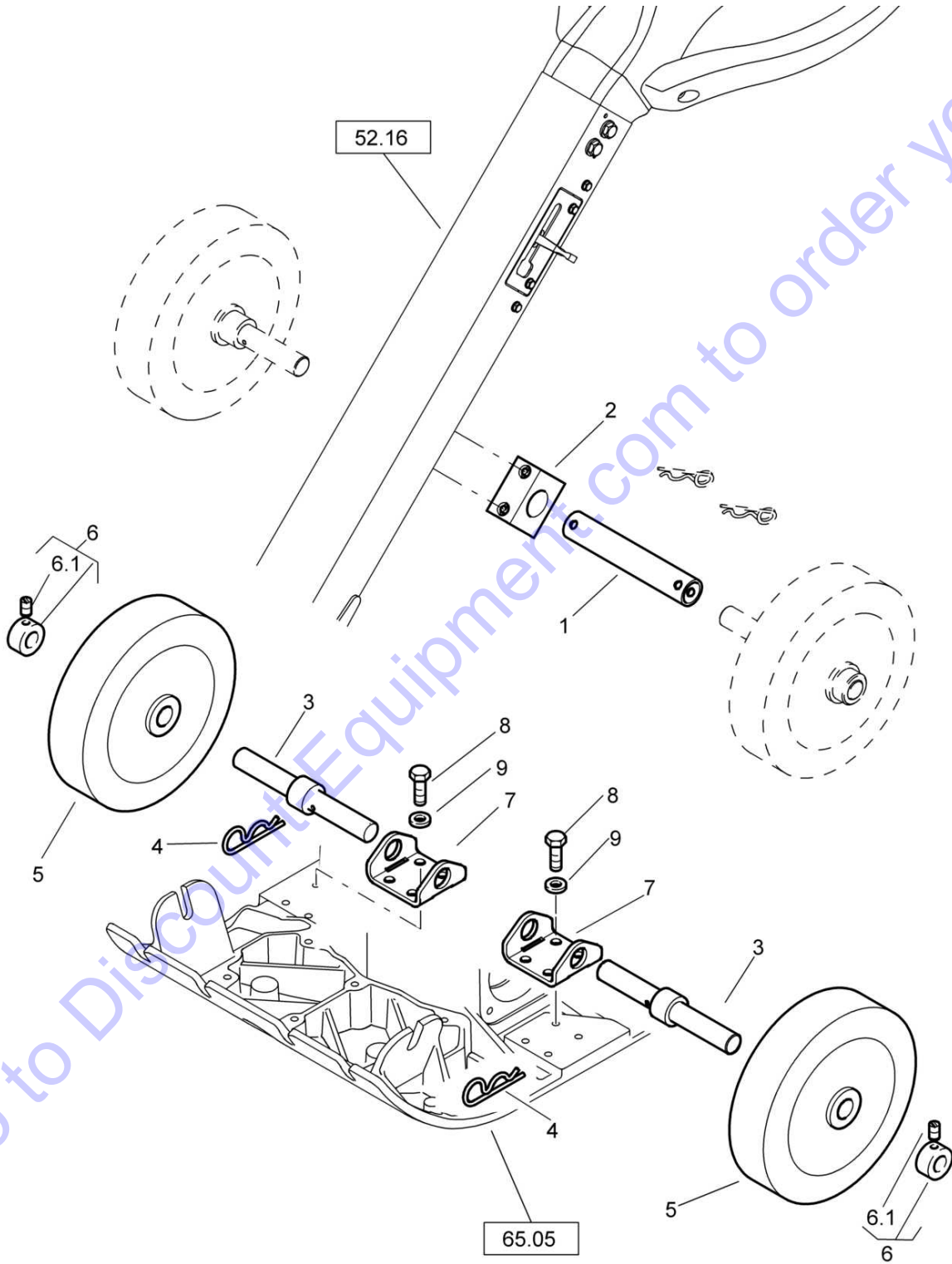
Go to Discount-Equipment.com to order your parts



**161.61**

T88-Undercarriage, Rubber tire

**BOMAG**



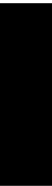


BPR 35/60 D/E	
S/N 101692221059 ▶	
T88-Undercarriage, Rubber tire	<b>161.61</b>
	Page 1 / 1
	<b>BOMAG</b>
69000601 1001 1	

**Pos. Part no. Qty. Description**

1	69003134	1	Tube
2	06910171	1	Fastening clamp
3	69003155	2	Bolt
4	05994004	2	Spring cotter
5	06704436	2	Wheel
6	09201020	2	Adjusting ring
6.1	07760600	1	Tapped pin
7	73003044	2	Holder
8	07140818	8	Hexagon bolt
9	08510817	8	Washer

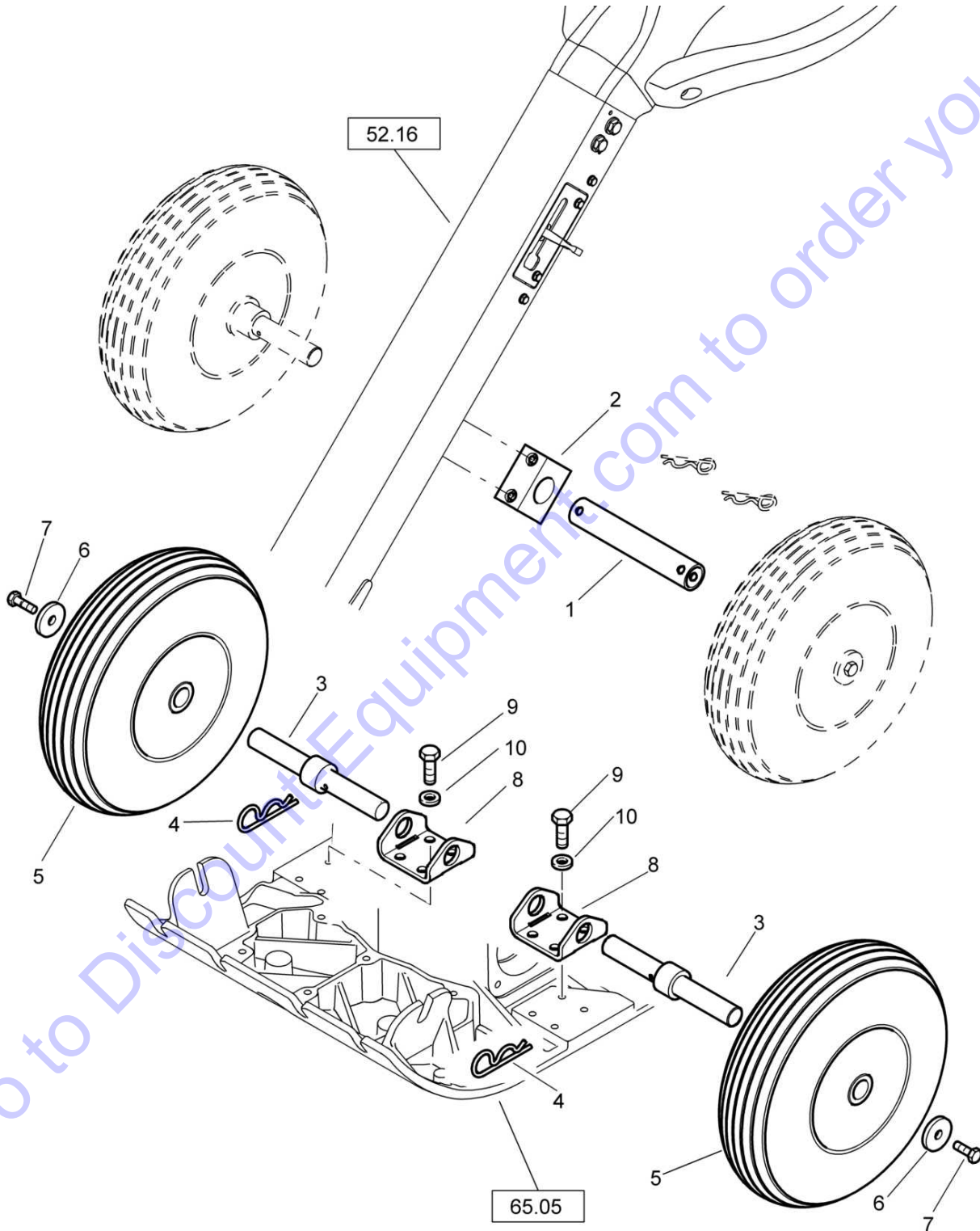
Go to Discount-Equipment.com to order your parts



**161.62**

T89-Undercarriage, pneumatic tire

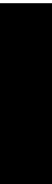
**BOMAG**



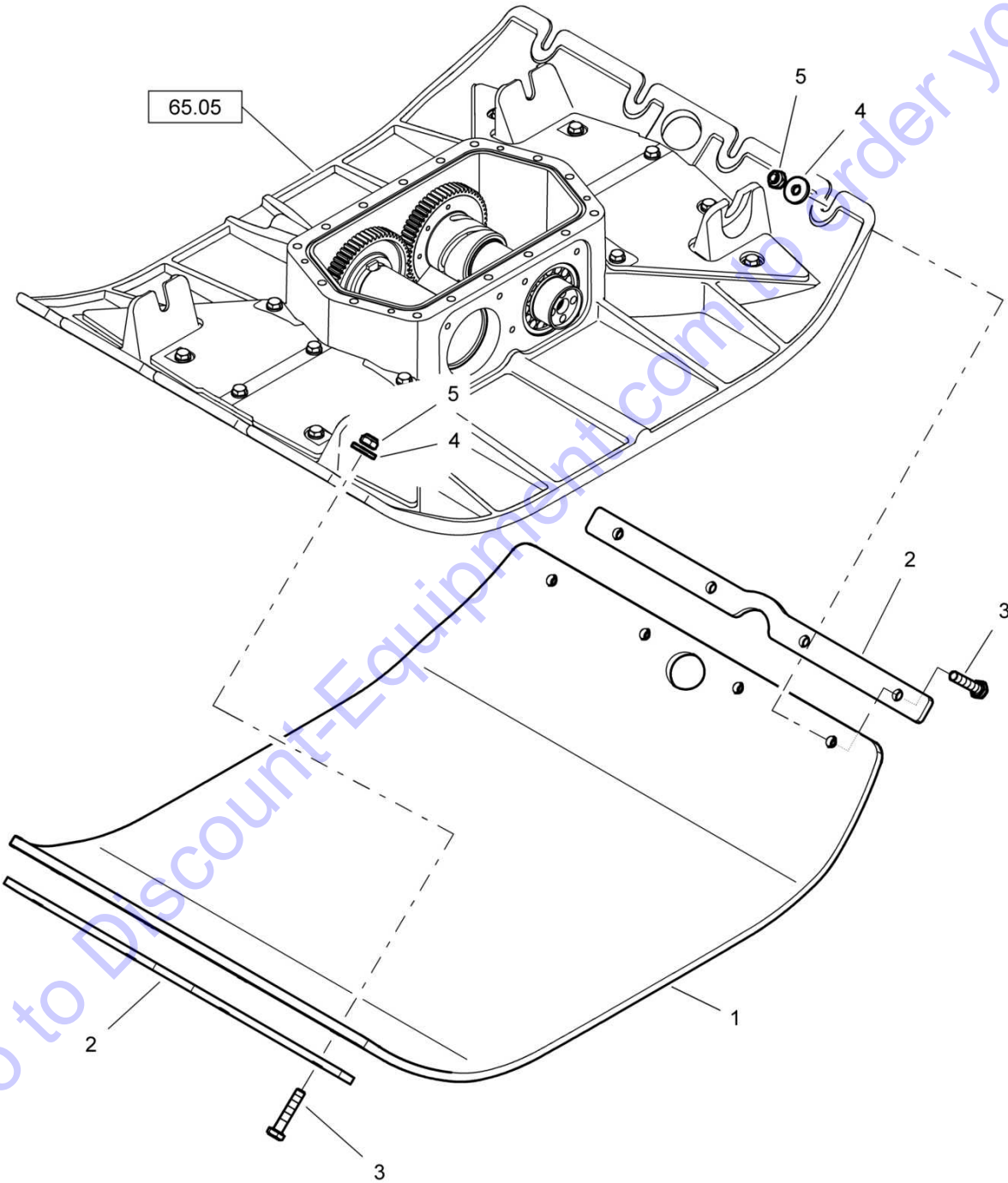
BPR 35/60 D/E	
S/N 101692221059 ▶	
T89-Undercarriage, pneumatic tire	<b>161.62</b>
	Page 1 / 1
	<b>BOMAG</b>
69000602 1001 1	

Pos.	Part no.	Qty.	Description
1	69003134	1	Tube
2	06910171	1	Fastening clamp
3	69003155	2	Bolt
4	05994004	2	Spring cotter
5	06704211	2	Tyre
6	69040261	2	Washer
7	07140824	2	Hexagon bolt
8	73003044	2	Holder
9	07140818	8	Hexagon bolt
10	08510817	8	Washer

Go to Discount-Equipment.com to order your parts



	BPR 35/60 D/E	
<b>165.01</b>		S/N 101692221001 ▶
	<b>X5-Synthetic plate</b>	
Page <b>1 / 1</b>		
<b>BOMAG</b>		69002124_000_01

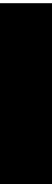


69002124\_000\_01

BPR 35/60 D/E		
S/N 101692221001 ▶		
<b>X5-Synthetic plate</b>		<b>165.01</b>
		Page <b>1 / 1</b>
	69002124 1001 1	<b>BOMAG</b>

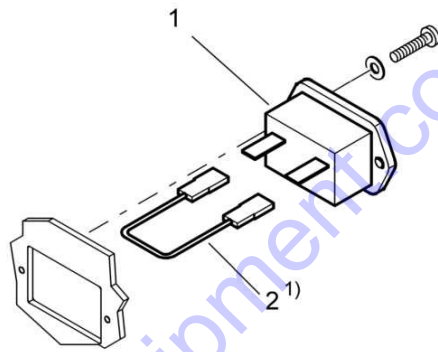
Pos.	Part no.	Qty.	Description
0	69002124	1	X5-Synthetic plate
1	69003151	1	Plastic plate
2	69003152	2	Bar
3	07141044	8	Hexagon bolt
4	08501028	8	Washer
5	08131016	8	Safety nut

Go to Discount-Equipment.com to order your parts



	BPR 35/60 D/E	
<b>182.04</b>		S/N 101692221001 ▶
	AZ4-Operating hourmeter	
Page <b>1 / 1</b>		
<b>BOMAG</b>		69000640_000_03

1) Pos. 2 only necessary at machines with Hatz engine

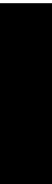


BPR 35/60 D/E		
S/N 101692221001 ▶		
AZ4-Operating hourmeter		<b>182.04</b>
		Page <b>1 / 1</b>
		<b>BOMAG</b>
		69000640 1001 1

**Pos. Part no. Qty. Description**

1	05766887	1	Hourmeter
2	69070241	1	Wire harness

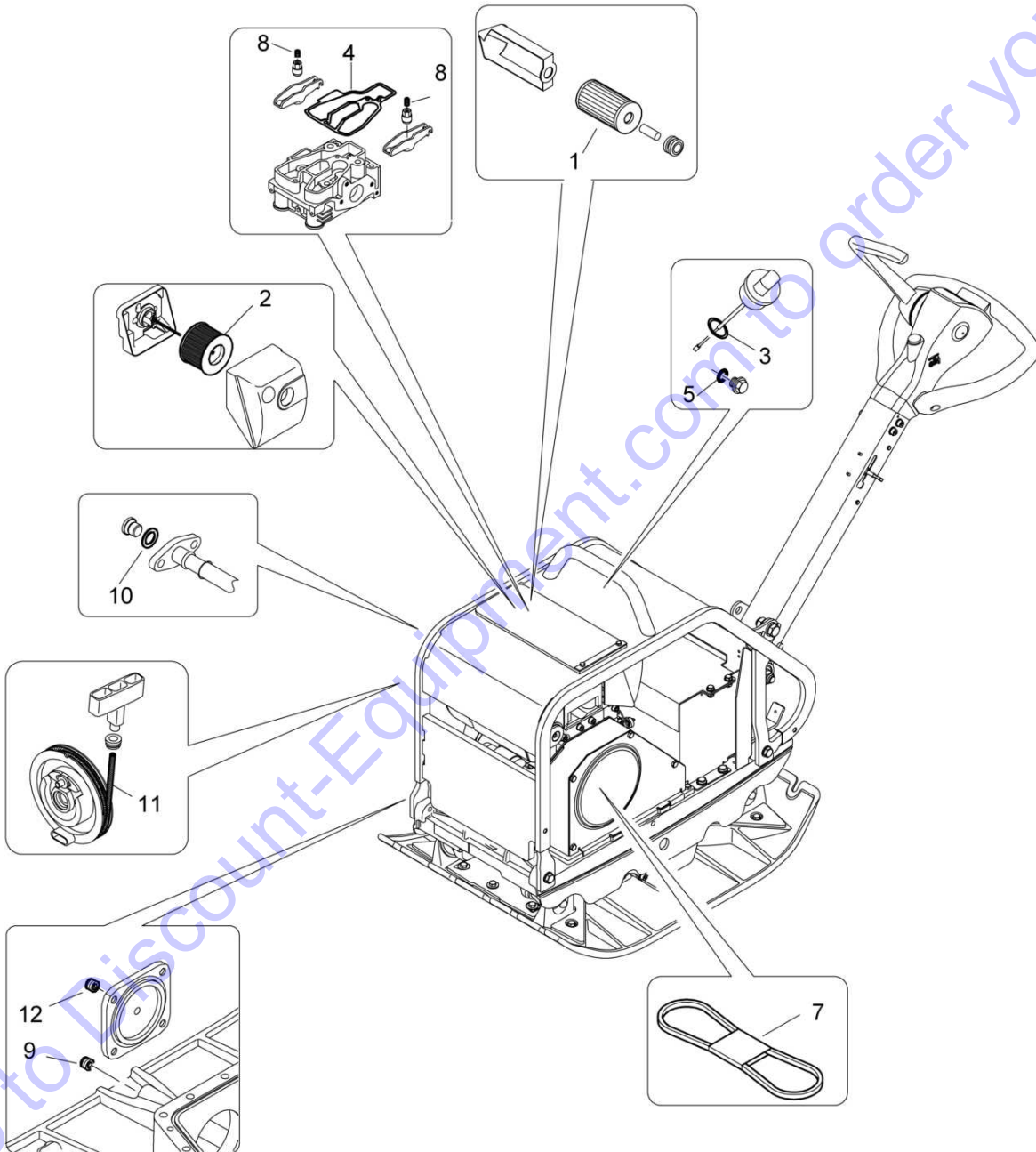
Go to Discount-Equipment.com to order your parts



**194.08**

SW10-Service kit

**BOMAG**

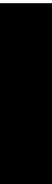




BPR 35/60 D/E	
S/N 101692221145 ▶	
SW10-Service kit	<b>194.08</b>
	Page 1 / 1
	<b>BOMAG</b>
77569044 1001 1	

Pos.	Part no.	Qty.	Description
0	77569044	1	SW10-Service kit
1	05723502	1	Fuel filter
2	05728350	1	Air filter
3	05728114	2	Sealing ring
4	05728165	1	Gasket
5	05728121	1	Loop ring
7	06312289	1	V-belt
8	05728030	2	Tapped pin
9	07611215	1	Screw plug
10	06211422	1	U-seal
11	05720205	1	Starter rope
12	07611010	1	Screw plug

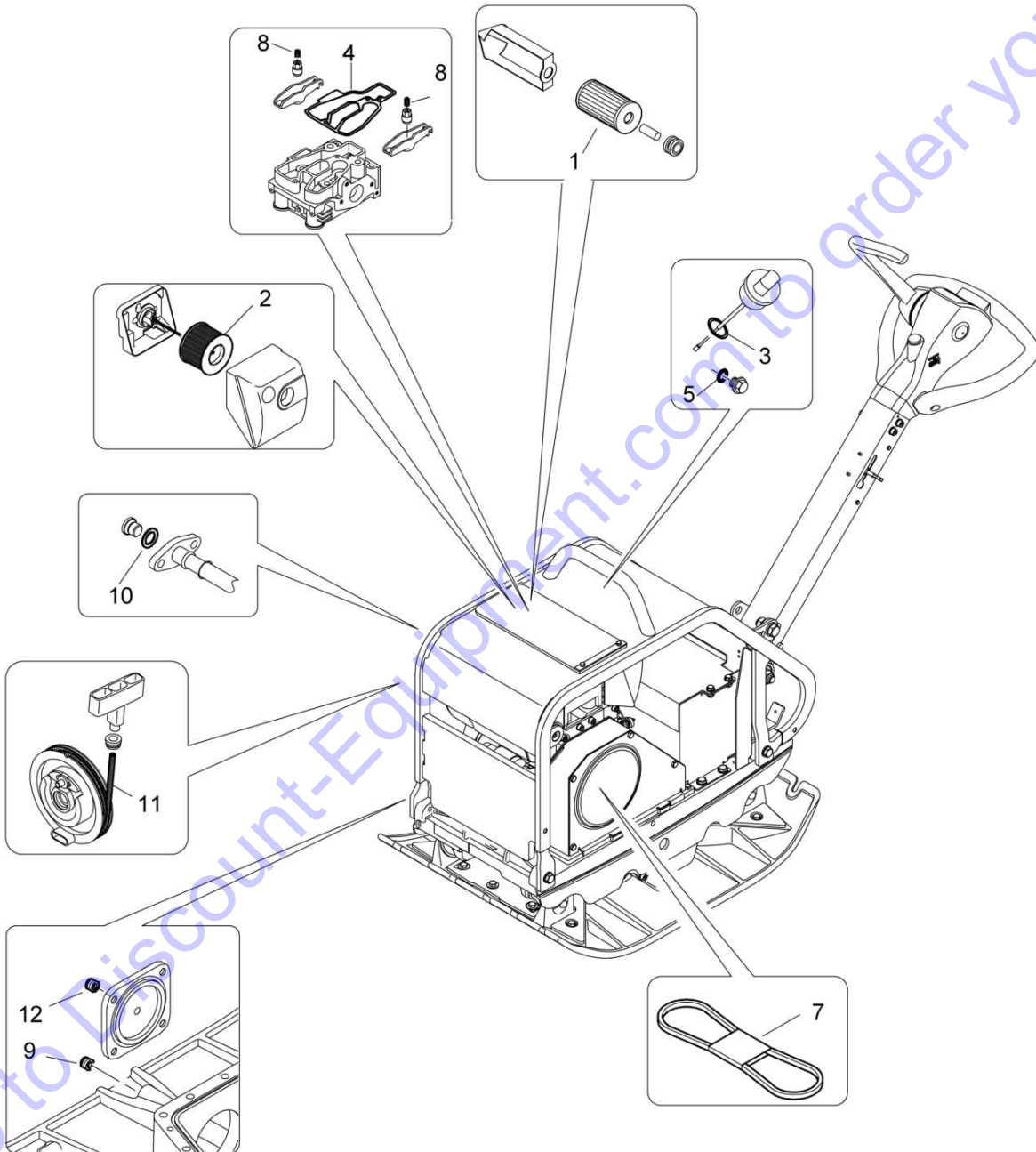
Go to Discount-Equipment.com to order your parts



**194.08**

SW10-Service kit

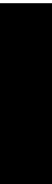
**BOMAG**



BPR 35/60 D/E		
S/N 101692221040 ▶ S/N 101692221144		
SW10-Service kit		<b>194.08</b>
		Page 1 / 1
77569044 1001 1		<b>BOMAG</b>

Pos.	Part no.	Qty.	Description
0	77569044	1	SW10-Service kit
1	05723502	1	Fuel filter
2	05728350	1	Air filter
3	05728114	2	Sealing ring
4	05728165	1	Gasket
5	05728121	1	Loop ring
7	06312275	1	V-belt
8	05728030	2	Tapped pin
9	07611215	1	Screw plug
10	06211422	1	U-seal
11	05720205	1	Starter rope
12	07611010	1	Screw plug

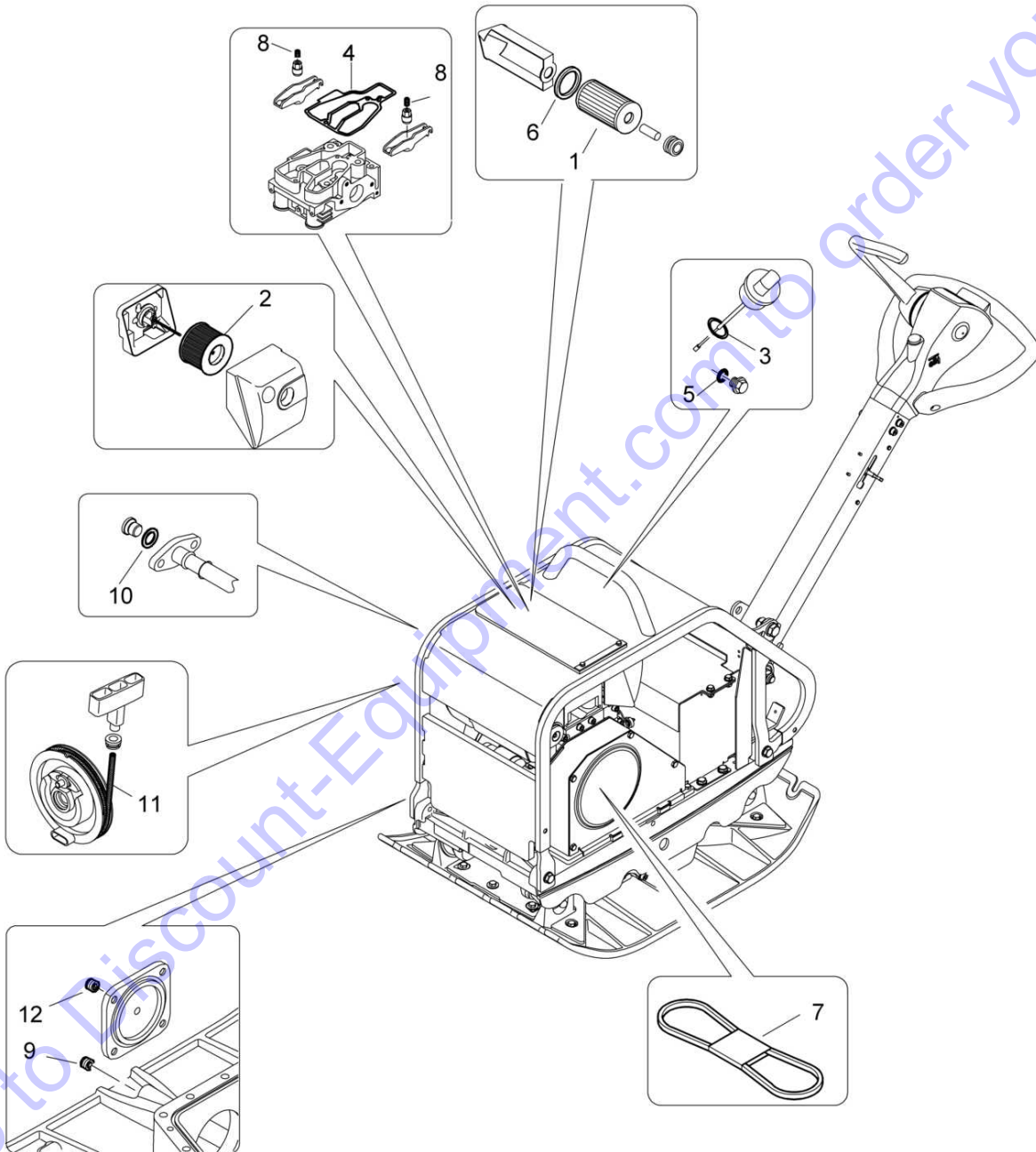
Go to Discount-Equipment.com to order your parts



**194.08**

**SW10-Service kit**

**BOMAG**



BPR 35/60 D/E		
S/N 101692221001 ▶ S/N 101692221039		
SW10-Service kit		<b>194.08</b>
		Page 1 / 1
77569044 1001 1		<b>BOMAG</b>

Pos.	Part no.	Qty.	Description
0	77569044	1	SW10-Service kit
1	05723502	1	Fuel filter
2	05728350	1	Air filter
3	05728114	2	Sealing ring
4	05728165	1	Gasket
5	05728121	1	Loop ring
6	05720062	1	Sealing ring
7	06312275	1	V-belt
8	05728030	2	Tapped pin
9	07611215	1	Screw plug
10	06211422	1	U-seal
11	05720205	1	Starter rope
12	07611010	1	Screw plug

Go to Discount-Equipment.com to order your parts



## INDEX

**BOMAG**

Part no.	Group	Pos.	Part no.	Group	Pos.	Part no.	Group	Pos.
00652076	81.04/1	19	05542918	27.17/1	12	05720064	11.06/1	2
00830066	101.03/1	4	05546051	27.14/1	2	05720077	11.18/1	49
00830085	101.03/1	5	05548022	27.14/1	19	05720077	11.21/1	44
00830376	101.03/1	6	05548036	65.05/3	20	05720081	11.01/1	12
00830765	101.03/1	2	05551911	81.06/1	16	05720082	11.01/2	1
00832651	101.03/1	7	05551911	81.06/1	19	05720083	11.01/2	2
00832654	101.03/1	7	05551912	81.04/1	3	05720084	11.01/2	5
00832813	153.28/1	25	05551914	81.06/1	23	05720088	11.08/1	29
00832814	153.28/1	26	05551941	81.06/1	24	05720089	11.08/1	31
00832837	101.03/1	3	05552405	153.28/1	24	05720090	11.08/1	33
00832894	101.03/1	1	05552440	153.28/1	22	05720091	11.08/1	35
00832900	101.03/1	9	05553192	27.01/1	4	05720092	11.08/1	37
00832901	101.03/1	10	05561583	29.08/1	2	05720093	11.08/1	39
00832940	101.03/1	11	05561593	27.09/1	13	05720094	11.08/1	41
00892018	101.03/1	8	05561593	29.08/1	0	05720095	11.18/1	1
00970017	11.01/1	30	05566549	29.08/1	1	05720096	11.18/1	28
00970017	11.01/2	11	05568996	27.14/1	6	05720103	11.21/1	26
00970017	11.02/1	41	05586256	27.17/1	4	05720104	11.21/1	35
00970017	11.08/1	51	05650117	12.13/1	7	05720105	11.21/1	36
00970017	11.47/1	25	05650117	19.07/1	0	05720106	11.21/1	69
00970028	11.01/2	9	05660178	19.07/1	5	05720107	11.25/1	23
00970028	11.30/1	45	05660182	19.07/1	11	05720110	11.31/1	1
00970029	11.01/2	10	05660186	19.07/1	13	05720112	11.49/1	1
00970029	11.30/1	46	05660188	19.07/1	14	05720113	11.63/1	1
00978000	11.01/2	8	05660189	19.07/1	7	05720134	11.21/1	6
00978000	11.02/1	40	05660192	19.07/1	1	05720136	11.63/1	16
00978006	11.01/1	31	05660193	19.07/1	10	05720163	11.34/1	15
00978006	11.02/1	39	05660194	19.07/1	12	05720198	11.02/1	38
00978006	11.08/1	50	05660724	19.07/1	8	05720199	11.08/1	44
00978006	11.21/1	70	05660728	19.07/1	6	05720201	11.08/1	24
00978006	11.25/1	40	05660731	19.07/1	9	05720202	11.21/1	25
00978006	11.29/1	5	05661358	27.14/1	8	05720203	11.26/1	8
00978006	11.36/1	10	05706334	11.00/1	1	05720204	11.30/1	40
00978006	11.96/1	7	05706334	12.13/1	1	05720205	11.31/1	9
00978010	11.34/1	40	05720023	11.01/1	23	05720205	194.08/1	11
00978023	11.25/1	41	05720034	11.05/1	3	05720206	11.34/1	26
05113306	19.07/1	2	05720036	11.09/1	1	05720269	11.21/1	1
05113700	65.05/3	2	05720038	11.47/1	11	05720270	11.21/1	52
05114030	65.05/2	23	05720039	11.30/1	42	05720280	11.08/1	45
05151010	65.05/3	4	05720040	11.36/1	1	05720324	11.06/1	1
05222263	65.05/2	26	05720043	11.34/1	1	05720325	11.05/1	1
05222264	65.05/2	29	05720044	11.26/1	3	05720326	11.05/1	4
05222264	65.05/2	8	05720044	11.47/1	8	05720327	11.18/1	34
05340050	27.17/1	7	05720045	11.34/1	24	05720328	11.18/1	53
05428122	65.05/2	14	05720046	11.08/1	5	05720329	11.18/1	2
05520002	11.25/1	6	05720047	11.01/1	2	05720386	11.21/1	20
05520416	27.17/1	10	05720049	11.08/1	16	05720387	11.21/1	27
05520510	65.05/3	11	05720050	11.08/1	3	05720388	11.21/1	19
05521525	11.06/1	3	05720051	11.02/1	8	05720389	11.26/1	1
05525003	11.09/1	4	05720062	194.08/1	6	05720570	11.08/1	7

**INDEX****BOMAG**

Part no.	Group	Pos.	Part no.	Group	Pos.	Part no.	Group	Pos.
05720571	11.08/1	25	05724188	11.31/1	4	05728076	11.18/1	42
05720572	11.08/1	20	05724189	11.63/1	3	05728080	11.18/1	51
05720573	11.18/1	30	05724191	11.25/1	4	05728105	11.01/1	5
05720577	11.21/1	30	05724192	11.25/1	5	05728106	11.01/1	6
05720579	11.21/1	42	05724193	11.25/1	34	05728108	11.01/1	8
05720580	11.21/1	43	05724195	11.96/1	2	05728108	11.47/1	16
05720581	11.25/1	1	05724196	11.96/1	3	05728110	11.01/1	13
05720583	11.30/1	30	05724197	11.96/1	5	05728110	11.47/1	13
05720584	11.30/1	1	05724198	11.96/1	6	05728111	11.01/1	14
05720604	11.34/1	30	05724359	11.26/1	5	05728111	11.47/1	15
05720624	11.25/1	2	05724391	11.36/1	5	05728113	11.01/1	16
05720626	11.25/1	35	05724445	11.31/1	3	05728114	11.01/1	17
05720627	11.25/1	22	05724473	11.18/1	41	05728114	11.47/1	20
05720628	11.02/1	1	05724474	11.18/1	45	05728114	194.08/1	3
05720629	11.02/1	10	05726722	11.18/1	44	05728115	11.01/1	20
05720677	11.21/1	34	05726802	11.21/1	5	05728116	11.01/1	21
05720679	11.21/1	38	05727269	11.09/1	6	05728117	11.01/1	4
05721037	11.02/1	42	05727276	11.25/1	30	05728118	11.01/1	10
05721037	11.31/1	25	05727283	11.26/1	10	05728119	11.01/1	11
05721063	11.47/1	1	05727284	11.21/1	51	05728120	11.01/1	22
05722033	11.02/1	11	05728009	11.21/1	23	05728121	11.01/1	24
05722034	11.02/1	13	05728010	11.63/1	18	05728121	11.47/1	21
05722047	11.34/1	25	05728011	11.63/1	17	05728121	11.48/1	8
05722054	11.30/1	10	05728012	11.26/1	15	05728121	194.08/1	5
05722063	11.26/1	4	05728013	11.08/1	1	05728122	11.01/1	25
05722090	11.01/1	3	05728014	11.08/1	43	05728128	11.06/1	5
05722320	11.36/1	3	05728024	11.01/1	7	05728130	11.09/1	3
05722372	11.36/1	2	05728030	11.08/1	18	05728131	11.09/1	5
05722463	11.02/1	15	05728030	11.48/1	7	05728132	11.09/1	2
05722512	11.01/1	18	05728030	194.08/1	8	05728133	11.09/1	7
05722519	11.30/1	25	05728034	11.02/1	3	05728134	11.09/1	8
05722524	11.21/1	46	05728036	11.21/1	3	05728135	11.09/1	9
05722524	11.34/1	34	05728037	11.21/1	4	05728136	11.09/1	10
05722630	11.21/1	32	05728038	11.21/1	9	05728137	11.09/1	11
05722631	11.21/1	33	05728039	11.21/1	15	05728138	11.09/1	12
05722766	11.30/1	26	05728042	11.21/1	24	05728140	11.05/1	2
05722771	11.34/1	12	05728045	11.21/1	14	05728144	11.05/1	5
05722993	11.01/2	6	05728046	11.18/1	3	05728145	11.05/1	6
05723019	11.25/1	28	05728046	11.21/1	68	05728146	11.05/1	7
05723458	11.01/1	9	05728049	11.63/1	13	05728147	11.05/1	8
05723469	11.36/1	4	05728050	11.30/1	3	05728149	11.08/1	2
05723502	11.21/1	55	05728052	11.30/1	35	05728150	11.08/1	6
05723502	11.48/1	3	05728052	11.96/1	4	05728152	11.08/1	8
05723502	194.08/1	1	05728063	11.48/1	1	05728152	11.47/1	2
05723551	11.21/1	39	05728066	11.26/1	6	05728153	11.08/1	9
05724182	11.96/1	1	05728068	11.25/1	31	05728154	11.08/1	10
05724184	11.02/1	31	05728069	11.25/1	33	05728155	11.08/1	11
05724185	11.21/1	13	05728071	11.25/1	37	05728155	11.47/1	5
05724187	11.29/1	1	05728072	11.25/1	38	05728156	11.08/1	12
05724187	11.34/1	19	05728073	11.25/1	24	05728157	11.08/1	13

## INDEX

**BOMAG**

Part no.	Group	Pos.	Part no.	Group	Pos.	Part no.	Group	Pos.
05728158	11.08/1	14	05728234	11.18/1	12	05728299	11.30/1	7
05728159	11.08/1	15	05728235	11.18/1	13	05728300	11.30/1	33
05728160	11.08/1	17	05728236	11.18/1	14	05728301	11.30/1	34
05728162	11.08/1	19	05728237	11.18/1	15	05728303	11.30/1	2
05728164	11.08/1	21	05728238	11.18/1	16	05728304	11.30/1	32
05728165	11.08/1	23	05728239	11.18/1	17	05728307	11.30/1	31
05728165	11.47/1	7	05728240	11.18/1	18	05728309	11.01/2	3
05728165	11.48/1	4	05728241	11.18/1	19	05728311	11.01/2	7
05728165	194.08/1	4	05728242	11.18/1	20	05728313	11.21/1	2
05728170	11.08/1	28	05728243	11.18/1	21	05728318	11.21/1	7
05728171	11.08/1	30	05728244	11.18/1	22	05728321	11.21/1	11
05728172	11.08/1	32	05728245	11.18/1	23	05728322	11.21/1	12
05728172	11.47/1	3	05728246	11.18/1	24	05728325	11.21/1	22
05728173	11.08/1	34	05728247	11.18/1	25	05728326	11.21/1	18
05728173	11.47/1	4	05728248	11.18/1	26	05728327	11.21/1	17
05728174	11.08/1	36	05728249	11.18/1	27	05728328	11.21/1	16
05728175	11.08/1	38	05728251	11.18/1	29	05728329	11.21/1	50
05728176	11.08/1	40	05728251	11.47/1	10	05728331	11.21/1	48
05728177	11.08/1	42	05728254	11.18/1	36	05728334	11.21/1	53
05728179	11.25/1	7	05728255	11.18/1	37	05728335	11.21/1	54
05728180	11.25/1	8	05728256	11.18/1	38	05728337	11.21/1	58
05728181	11.25/1	10	05728257	11.18/1	39	05728338	11.21/1	59
05728182	11.25/1	11	05728258	11.18/1	40	05728339	11.21/1	61
05728183	11.25/1	12	05728264	11.18/1	47	05728340	11.21/1	62
05728184	11.25/1	13	05728265	11.18/1	48	05728341	11.21/1	63
05728185	11.25/1	14	05728268	11.18/1	5	05728343	11.21/1	21
05728186	11.25/1	15	05728272	11.31/1	2	05728344	11.21/1	41
05728187	11.25/1	16	05728273	11.31/1	5	05728344	11.21/1	8
05728189	11.25/1	20	05728274	11.31/1	6	05728349	11.63/1	6
05728192	11.25/1	27	05728276	11.31/1	11	05728350	11.48/1	2
05728193	11.25/1	29	05728277	11.31/1	12	05728350	11.63/1	2
05728199	11.25/1	36	05728278	11.31/1	15	05728350	194.08/1	2
05728202	11.25/1	21	05728279	11.31/1	10	05728351	11.63/1	15
05728206	11.02/1	4	05728280	11.31/1	19	05728355	11.63/1	7
05728207	11.02/1	5	05728281	11.31/1	20	05728357	11.63/1	9
05728208	11.02/1	6	05728282	11.31/1	16	05728358	11.63/1	14
05728210	11.02/1	12	05728285	11.30/1	23	05728360	11.47/1	9
05728211	11.02/1	18	05728286	11.30/1	24	05728360	11.63/1	11
05728212	11.02/1	19	05728286	11.30/1	9	05728361	11.63/1	12
05728213	11.02/1	21	05728287	11.30/1	11	05728362	11.01/2	4
05728214	11.02/1	22	05728288	11.21/1	29	05728362	11.63/1	4
05728215	11.02/1	23	05728288	11.30/1	12	05728372	11.26/1	7
05728216	11.02/1	37	05728289	11.30/1	13	05728379	11.30/1	41
05728216	11.47/1	6	05728291	11.30/1	18	05728381	11.34/1	2
05728219	11.02/1	16	05728292	11.30/1	21	05728381	11.34/1	28
05728228	11.18/1	4	05728292	11.30/1	38	05728382	11.34/1	4
05728230	11.18/1	8	05728294	11.30/1	8	05728383	11.34/1	5
05728231	11.18/1	9	05728295	11.30/1	5	05728384	11.34/1	11
05728232	11.18/1	10	05728296	11.30/1	6	05728385	11.34/1	13
05728233	11.18/1	11	05728297	11.30/1	29	05728389	11.34/1	33



**INDEX****BOMAG**

Part no.	Group	Pos.	Part no.	Group	Pos.	Part no.	Group	Pos.
05728390	11.34/1	35	06220401	27.14/1	13	07140824	27.01/1	3
05728454	11.47/1	12	06220530	27.14/1	15	07140824	27.09/1	2
05728475	11.34/1	22	06220803	65.05/2	11	07140824	52.16/1	13
05728554	11.21/1	31	06220803	65.05/3	26	07140824	52.16/1	5
05728580	11.01/1	1	06220852	65.05/3	19	07140824	65.05/1	4
05728602	11.18/1	43	06222657	65.05/3	59	07140824	81.05/1	9
05728604	11.30/1	27	06245051	65.05/3	9	07140824	161.62/1	7
05728609	11.63/1	5	06245052	65.05/3	8	07140834	81.06/1	21
05728612	11.18/1	35	06245059	27.14/1	3	07140842	65.05/3	29
05728619	11.21/1	40	06270011	65.05/3	46	07140842	65.05/3	45
05728621	11.02/1	20	06270011	65.05/3	72	07141008	81.06/1	5
05728628	11.21/1	37	06270011	65.05/3	75	07141017	12.13/1	6
05728678	11.25/1	17	06282084	27.14/2	5	07141027	52.16/1	7
05728683	11.18/1	31	06282087	52.16/2	17	07141044	165.01/1	3
05728684	11.18/1	50	06283067	27.14/1	7	07141221	153.28/1	2
05728685	11.30/1	4	06283093	27.17/1	2	07141224	153.44/1	12
05728687	11.21/1	47	06283104	65.05/2	13	07141234	53.28/1	2
05751225	81.04/1	2	06312275	12.13/1	10	07141641	52.16/2	3
05753234	81.05/1	2	06312275	194.08/1	7	07151822	11.06/1	6
05755124	81.04/1	8.1	06312289	12.13/1	10	07210316	81.04/1	11
05755196	81.04/1	20.1	06312289	194.08/1	7	07210895	153.44/2	2
05756064	52.16/1	22	06421265	52.16/1	18	07230308	11.25/1	19
05766813	81.04/1	8	06704211	161.62/1	5	07230421	11.18/1	7
05766885	81.04/1	9	06704436	161.61/1	5	07230429	11.29/1	2
05766887	182.04/1	1	06910171	161.61/1	2	07230429	11.34/1	18
05766958	81.04/1	15	06910171	161.62/1	2	07230601	11.02/1	26
05802099	27.14/1	11	07130811	11.34/1	14	07230602	11.31/1	17
05939167	153.44/1	22	07130846	12.13/1	12	07230602	11.31/1	8
05990026	101.03/1	12	07131624	153.44/1	13	07230605	11.01/1	26
05994004	161.61/1	4	07140520	81.04/1	16	07230605	11.21/1	66
05994004	161.62/1	4	07140532	65.05/3	5	07230605	11.30/1	15
06127525	12.12/1	5	07140608	65.05/3	21	07230605	11.34/1	20
06140945	153.44/1	26	07140622	153.28/1	12	07230605	27.14/1	5
06140985	52.16/2	26	07140626	11.26/1	13	07230613	27.14/2	7
06142915	52.16/1	9	07140626	81.06/1	2	07230621	11.02/1	14
06143712	65.05/3	64	07140629	11.30/1	19	07230621	11.30/1	28
06147115	52.16/1	19	07140629	11.31/1	13	07230623	11.18/1	46
06151711	52.16/2	15	07140633	81.04/1	4	07230623	27.14/2	3
06210610	65.05/3	22	07140633	153.28/1	13	07230665	11.34/1	7
06211422	12.13/1	22	07140633	153.44/1	27	07230692	11.08/1	27
06211422	194.08/1	10	07140641	53.44/1	4	07230693	65.05/2	24
06220017	11.18/1	32	07140641	153.44/1	16	07230693	81.04/1	7
06220018	11.02/1	17	07140649	27.09/1	14	07230693	81.06/1	25
06220018	11.47/1	23	07140665	52.16/2	9	07230806	65.05/2	10
06220078	11.18/1	52	07140814	65.05/1	6	07230811	65.05/3	18
06220078	11.21/1	45	07140818	81.06/1	17	07230811	65.05/3	42
06220078	11.47/1	24	07140818	161.61/1	8	07230819	11.63/1	8
06220083	11.25/1	32	07140818	161.62/1	9	07230822	27.14/1	18
06220083	11.47/1	22	07140824	12.13/1	23	07230822	27.14/1	23
06220183	27.17/1	5	07140824	12.13/1	27	07230827	11.34/1	17

## INDEX

**BOMAG**

Part no.	Group	Pos.	Part no.	Group	Pos.	Part no.	Group	Pos.
07230827	65.05/3	35	08120809	11.34/1	8	08510817	27.01/1	2
07230831	65.05/3	71	08121815	27.17/1	11	08510817	27.09/1	4
07230831	65.05/3	74	08130408	11.21/1	28	08510817	52.16/1	14
07230834	11.02/1	34	08130508	81.04/1	18	08510817	52.16/1	6
07230834	12.13/1	8	08130508	153.44/1	24	08510817	65.05/1	7
07230834	65.05/3	39	08130611	27.09/1	17	08510817	65.05/3	30
07230838	11.02/1	35	08130611	53.44/1	6	08510817	81.05/1	10
07230847	11.02/1	33	08130611	81.04/1	14	08510817	81.06/1	18
07230847	12.13/1	12	08130611	153.28/1	14	08510817	81.06/1	22
07230877	11.02/1	27	08130611	153.44/1	17	08510817	81.06/1	8
07231211	12.12/1	6	08130813	11.08/1	4	08510817	161.61/1	9
07231211	65.05/2	16	08130813	12.13/1	4	08510817	161.62/1	10
07231211	65.05/2	3	08130813	81.05/1	11	08511021	12.13/1	29
07240504	11.25/1	9	08130813	81.06/1	10	08511021	52.16/1	8
07240608	11.30/1	14	08131016	165.01/1	5	08511021	81.06/1	6
07240620	11.34/1	32	08131621	52.16/2	19	08511324	12.12/1	7
07316035	11.02/1	9	08131621	52.16/2	6	08511324	53.28/1	3
07320508	27.09/1	5	08131621	153.44/1	11	08511324	153.28/1	3
07320523	153.44/1	23	08132026	153.28/1	18	08511730	52.16/2	20
07320608	11.26/1	14	08141620	52.16/1	17	08511730	52.16/2	5
07510628	11.30/1	22	08240510	27.09/1	8	08511730	153.44/1	9
07510816	11.21/1	49	08241217	12.12/1	8	08520008	11.18/1	33
07510832	81.06/1	7	08501028	165.01/1	4	08590617	11.26/1	11
07550640	11.02/1	24	08501335	12.12/1	9	08590617	11.34/1	27
07551000	11.25/1	18	08510307	81.04/1	12	08602603	65.05/3	10
07570420	11.02/1	36	08510511	11.25/1	39	08621064	11.21/1	60
07590804	12.13/1	2	08510511	27.09/1	7	08621064	153.28/1	16
07611010	65.05/2	30	08510511	65.05/3	6	08621084	65.05/1	5
07611010	194.08/1	12	08510511	81.04/1	17	08621084	65.05/3	69
07611215	65.05/1	2	08510612	11.21/1	64	08641044	11.29/1	3
07611215	194.08/1	9	08510612	11.25/1	26	08641044	11.34/1	21
07611415	65.05/2	28	08510612	11.26/1	9	08641054	11.34/1	29
07621416	12.13/1	21	08510612	11.30/1	16	08641064	11.08/1	26
07632216	11.01/1	15	08510612	11.34/1	10	08641064	11.31/1	7
07632216	11.02/1	30	08510612	27.09/1	15	08641064	11.34/1	31
07632216	11.48/1	5	08510612	52.16/2	10	08641084	11.02/1	32
07760502	11.02/1	2	08510612	53.44/1	5	08641084	11.30/1	36
07760502	11.25/1	3	08510612	81.06/1	26	08641084	11.63/1	10
07760600	161.61/1	6.1	08510612	81.06/1	3	08650817	27.14/1	17
08110620	11.02/1	25	08510612	153.28/1	15	08650817	27.14/1	24
08110620	11.21/1	57	08510612	153.44/1	18	08665000	12.13/1	32
08110620	11.25/1	25	08510612	153.44/1	28	08665000	65.05/3	76
08110620	11.30/1	20	08510612	153.44/1	29	08720611	11.21/1	56
08110620	11.34/1	9	08510817	11.21/1	67	08720611	11.21/1	65
08110620	27.09/1	16	08510817	11.34/1	16	08720611	11.26/1	12
08110813	11.08/1	22	08510817	11.34/1	3	08720611	11.30/1	17
08110813	52.16/1	10	08510817	12.13/1	24	08720611	11.30/1	39
08110813	81.06/1	9	08510817	12.13/1	3	08720611	11.31/1	18
08111016	81.06/1	20	08510817	12.13/1	30	08720611	11.34/1	6
08120809	11.30/1	37	08510817	12.13/1	31	08720814	11.01/1	19

**INDEX****BOMAG**

Part no.	Group	Pos.	Part no.	Group	Pos.	Part no.	Group	Pos.
08720814	11.26/1	2	69020274	65.05/1	3	69060374	52.16/2	1
08751053	81.04/1	5	69020275	65.05/2	15	69060392	52.16/2	1
08751064	11.31/1	14	69020276	65.05/2	2	69060402	52.16/2	1
08752084	52.16/1	11	69020304	65.05/3	37	69060411	52.16/2	1
08752084	65.05/3	43	69020306	65.05/2	1	69060430	52.16/1	1
08752130	12.12/1	9	69020362	65.05/2	12	69070129	81.04/1	10
08752130	153.44/1	10	69020367	65.05/3	17	69070144	81.05/1	3
09120862	65.05/3	36	69020372	65.05/2	9	69070198	81.06/1	1
09150601	11.34/1	23	69020386	65.05/2	25	69070207	81.05/1	6
09151615	153.44/1	7	69020404	65.05/3	70	69070208	81.05/1	4
09160406	12.13/1	28	69020406	65.05/3	73	69070216	81.05/1	12
09160817	27.14/2	9	69020461	65.05/3	27	69070217	81.04/1	6
09182820	65.05/2	6	69020466	65.05/3	40	69070224	81.06/1	4
09201020	161.61/1	6	69020479	65.05/3	34	69070225	81.05/1	8
09211800	19.07/1	4	69020480	65.05/3	38	69070226	81.05/1	1
09212400	11.06/1	4	69020676	65.05/1	1	69070227	81.05/1	13
09213000	65.05/2	7	69020681	65.05/1	3.2	69070229	81.04/1	1
09221130	65.05/3	12	69020682	65.05/1	3.3	69070230	81.06/1	11
09223300	19.07/1	3	69020685	65.05/1	3	69070231	81.06/1	13
09290350	27.17/1	9	69020686	65.05/1	3.1	69070232	81.04/1	20
09293152	52.16/2	4	69020690	65.05/1	1	69070241	182.04/1	2
09293152	153.44/1	8	69020718	65.05/3	70	69070260	81.04/1	1
09311931	11.02/1	7	69020719	65.05/3	73	69110122	27.14/1	21
09311931	11.47/1	18	69020727	65.05/3	7	69110123	27.14/1	20
09311931	11.47/1	19	69020729	65.05/2	22	69110147	27.14/1	4
09312809	65.05/3	24	69020732	65.05/3	40	69110161	27.14/1	16
09331050	11.18/1	6	69020733	65.05/3	27	69110164	27.14/1	22
09331148	12.13/1	20	69030240	12.12/1	10	69110167	27.14/1	10
09331198	11.01/1	27	69030241	12.12/1	1	69110168	27.14/1	12
09331198	11.02/1	29	69040216	153.28/1	23	69110169	27.14/1	14
09331198	11.47/1	14	69040237	12.13/1	16	69110170	27.01/1	1
09331198	11.48/1	6	69040238	12.13/1	18	69110171	27.14/2	6
09331628	11.21/1	10	69040239	12.13/1	13	69110178	27.14/1	1
09331658	11.02/1	28	69040261	12.13/1	9	69110186	27.17/1	1
09331658	11.47/1	17	69040261	161.62/1	6	69110187	27.17/1	3
09331768	12.13/1	17	69040262	12.13/1	5	69110188	27.14/2	8
09710110	12.13/1	19	69040276	12.13/1	11	69110190	27.14/2	1
22040106	52.16/2	16	69040281	12.13/1	25	69110193	27.14/2	2
58160116	52.16/1	21	69040288	12.13/1	11	69110194	27.14/2	4
68110147	52.16/1	15	69040291	12.13/1	26	69110198	27.09/1	1
68110170	65.05/3	3	69040296	12.13/1	5	69110199	27.17/1	8
69002124	165.01/1	0	69040297	12.13/1	25	69120111	153.44/1	20
69003115	153.28/1	21	69040362	12.13/1	15	69120138	153.44/1	6
69003134	161.61/1	1	69040380	12.13/1	11	69120310	153.44/1	19
69003134	161.62/1	1	69060147	52.16/2	8	69120337	153.44/1	21
69003151	165.01/1	1	69060156	153.28/1	19	69120342	153.44/2	1
69003152	165.01/1	2	69060206	52.16/2	7	69120343	153.79/1	1
69003155	161.61/1	3	69060311	52.16/1	4	69120344	153.79/1	2
69003155	161.62/1	3	69060320	52.16/2	2	69120345	153.79/1	3
69020253	65.05/3	44	69060340	52.16/1	1	69120353	53.44/1	3

## INDEX

**BOMAG**

Part no.	Group	Pos.	Part no.	Group	Pos.	Part no.	Group	Pos.
69120353	153.44/1	15						
69120397	153.44/1	25						
69120478	53.44/1	2						
69120478	153.44/1	14						
69120479	53.28/1	1						
69120486	153.28/1	1						
69120536	153.44/1	1						
69120542	153.28/1	10						
69120543	153.28/1	11						
69120568	153.44/1	5						
69120582	153.28/1	4						
69120604	53.44/1	1						
69120680	153.44/1	1						
69120723	153.28/1	4						
69120727	53.44/1	1						
69120745	153.44/1	1						
69210174	65.05/2	17						
69210174	65.05/2	4						
69440120	52.16/1	12						
73003044	161.61/1	7						
73003044	161.62/1	8						
73060114	52.16/1	16						
77569044	194.08/1	0						
95695016	65.05/3	7						
95695566	65.05/3	14						
95696070	65.05/2	5						
95696071	65.05/2	22						
95696073	65.05/2	21						
95696094	65.05/3	1						
95696095	65.05/3	13						
95696140	52.16/2	18						
97204693	27.17/1	6						

Go to Discount-Equipment.com to order your parts

# PARTS FINDER

**Search Website  
by Part Number**



**Search Manual  
Library For Parts  
Manual & Lookup Part  
Numbers – Purchase  
or Request Quote**

**Search Manuals**

Enter your information to help us find the right parts manual for your machine.

\* Brand:

\* Model:

\* Serial:

\* Part Number:

SEARCH

**Can't Find Part or  
Manual? Request Help  
by Manufacturer,  
Model & Description**

**Parts Order Form**

Please fill in the following information to help us find the right part for your machine.

Manufacturer:	<input type="text"/>
Model:	<input type="text"/>
Description:	<input type="text"/>
Part Number:	<input type="text"/>
Quantity:	<input type="text"/>
Notes:	<input type="text"/>

Submit

Discount-Equipment.com is your online resource for quality parts & equipment.

Florida: **561-964-4949** Outside Florida TOLL FREE: **877-690-3101**

**Need parts?**

Click on this link: <http://www.discount-equipment.com/category/5443-parts/> and choose one of the options to help get the right parts and equipment you are looking for. Please have the machine model and serial number available in order to help us get you the correct parts. If you don't find the part on the website or on one of the online manuals, please fill out the request form and one of our experienced staff members will get back to you with a quote for the right part that your machine needs.

We sell worldwide for the brands: Genie, Terex, JLG, MultiQuip, Mikasa, Essick, Whiteman, Mayco, Toro Stone, Diamond Products, Generac Magnum, Airman, Haulotte, Barreto, Power Blanket, Nifty Lift, Atlas Copco, Chicago Pneumatic, Allmand, Miller Curber, Skyjack, Lull, Skytrak, Tsurumi, Husquvarna Target, Stow, Wacker, Sakai, Mi-T-M, Sullair, Basic, Dynapac, MBW, Weber, Bartell, Bennar Newman, Haulotte, Ditch Runner, Menegotti, Morrison, Contec, Buddy, Crown, Edco, Wyco, Bomag, Laymor, EZ Trench, Bil-Jax, F.S. Curtis, Gehl Pavers, Heli, Honda, ICS/PowerGrit, IHI, Partner, Imer, Clipper, MMD, Koshin, Rice, CH&E, General Equipment, Amida, Coleman, NAC, Gradall, Square Shooter, Kent, Stanley, Tamco, Toku, Hatz, Kohler, Robin, Wisconsin, Northrock, Oztec, Toker TK, Rol-Air, APT, Wylie, Ingersoll Rand / Doosan, Innovatech, Con X, Ammann, Mecalac, Makinex, Smith Surface Prep, Small Line, Wanco, Yanmar