

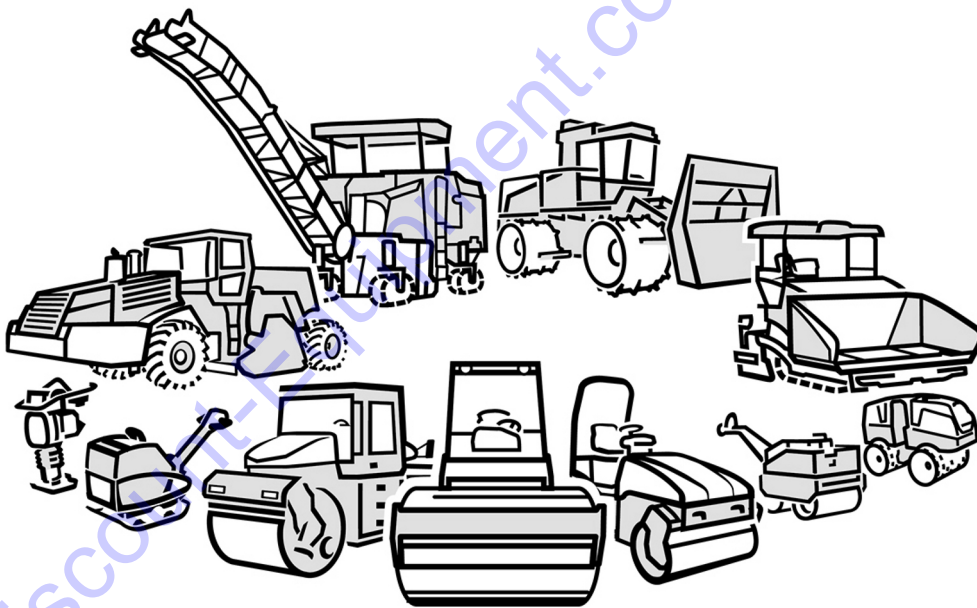
BOMAG

FAYAT GROUP

Spare Parts Catalogue

BPR 25/40 D

S/N 101692791001 > 101692791013
HATZ



Vibratory plate compactor



www.discount-equipment.com

Catalogue number:

00824789

@ 06/2019 Bomag GmbH

01.07.2015 - 01.06.2018

PARTS FINDER

**Search Website
by Part Number**



**Search Manual
Library For Parts
Manual & Lookup Part
Numbers – Purchase
or Request Quote**

**Can't Find Part or
Manual? Request Help
by Manufacturer,
Model & Description**

Discount-Equipment.com is your online resource for quality parts & equipment.

Florida: **561-964-4949** Outside Florida TOLL FREE: **877-690-3101**

Need parts?

Click on this link: <http://www.discount-equipment.com/category/5443-parts/> and choose one of the options to help get the right parts and equipment you are looking for. Please have the machine model and serial number available in order to help us get you the correct parts. If you don't find the part on the website or on one of the online manuals, please fill out the request form and one of our experienced staff members will get back to you with a quote for the right part that your machine needs.

We sell worldwide for the brands: Genie, Terex, JLG, MultiQuip, Mikasa, Essick, Whiteman, Mayco, Toro Stone, Diamond Products, Generac Magnum, Airman, Haulotte, Barreto, Power Blanket, Nifty Lift, Atlas Copco, Chicago Pneumatic, Allmand, Miller Curber, Skyjack, Lull, Skytrak, Tsurumi, Husquvarna Target, Stow, Wacker, Sakai, Mi-T-M, Sullair, Basic, Dynapac, MBW, Weber, Bartell, Bennar Newman, Haulotte, Ditch Runner, Menegotti, Morrison, Contec, Buddy, Crown, Edco, Wyco, Bomag, Laymor, EZ Trench, Bil-Jax, F.S. Curtis, Gehl Pavers, Heli, Honda, ICS/PowerGrit, IHI, Partner, Imer, Clipper, MMD, Koshin, Rice, CH&E, General Equipment, Amida, Coleman, NAC, Gradall, Square Shooter, Kent, Stanley, Tamco, Toku, Hatz, Kohler, Robin, Wisconsin, Northrock, Oztec, Toker TK, Rol-Air, APT, Wylie, Ingersoll Rand / Doosan, Innovatech, Con X, Ammann, Mecalac, Makinex, Smith Surface Prep, Small Line, Wanco, Yanmar

© 06/2019 Bomag GmbH

The reproduction, distribution and utilization of this document as well as the communication of its contents to others without express authorization is prohibited. Offenders will be held liable for the payment of damages. All rights reserved in the event of the grant of a patent, utility model or design.

[Go to Discount-Equipment.com](http://Discount-Equipment.com) to order your parts

EN

GENERAL INFORMATIONS



PLEASE FILL IN WHEN RECEIVING THE MACHINE

TYPE _____

SERIAL-NUMBER _____

ENGINE-TYPE _____

DATE OF DELIVERY _____

ENGINE-NUMBER _____

Only the use of BOMAG GENUINE PARTS guarantees the correct function of the machine. The use of nonoriginal spare parts results in the loss of all claims, regarding warranty as well as product liability.

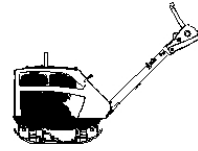
The relevant sales terms and delivery conditions are valid for all spare parts deliveries.

We reserve the right for technical modifications without prior notification.

PLEASE STATE THE FOLLOWING WHEN ORDERING SPARE PARTS:

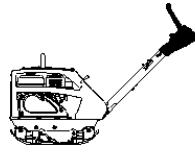
- machine type**
- Serial number (e.g. 101 400 04 1001)**
- Engine type and number resp. component number**
- Part number**
- Quantity**
- Designation**

Engine / Fitting Parts



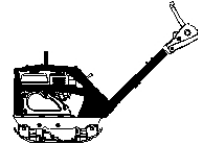
10

Power Transmission / Actuation



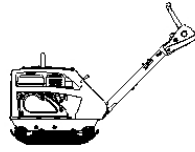
20

Frame with Attachment Parts



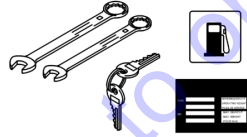
50

Plate / Foot



65

Accessories



100

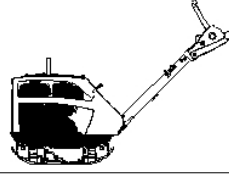
Special Equipment

Option

110

Go to Discount-Equipment.com to order your parts

Engine / Fitting Parts



10

[Go to Discount-Equipment.com](http://Discount-Equipment.com) to order your parts

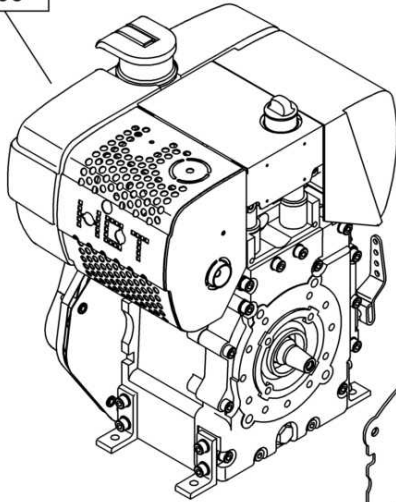
10.00

Engine / Fitting Parts

Page /

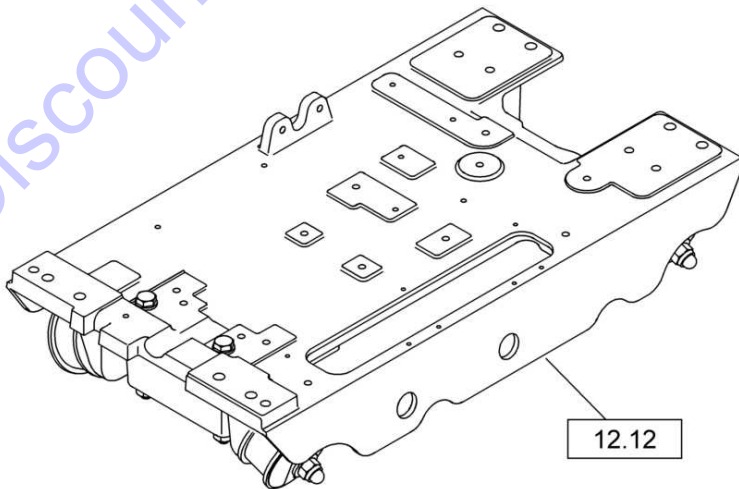
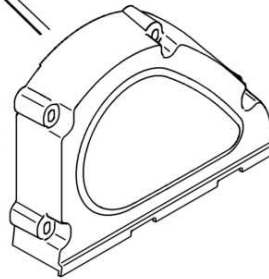
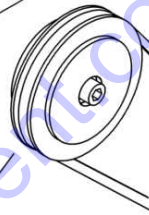
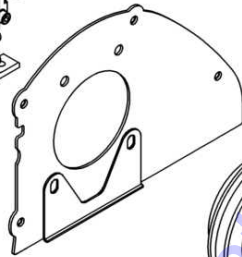


11.00



12.13

19.07



12.12

Engine / Fitting Parts

10.00


Page /



Pos. Description


- 11.00 Engine Parts List
- 11.01 Crankcase
- 11.02 Front Cover
- 11.05 Cylinder And Piston
- 11.06 Crankshaft
- 11.08 Cylinder Head
- 11.09 Camshaft
- 11.18 Injection Valve
- 11.21 Fuel Tank
- 11.25 Throttle Control
- 11.26 Silencer
- 11.29 Cooling Blower
- 11.30 Cooling Air Duct
- 11.31 Recoil Starter
- 11.47 Seal Kit
- 11.48 Maintenance Kit
- 11.63 Aircleaner & Exhaust
- 11.96 Other Parts
- 12.12 Engine Carrier
- 12.13 Engine
- 19.07 Centrifugal Clutch

Go to Discount-Equipment.com to order your parts

11.00	Engine no. S/N 1003415155280 ▶
Page 1 / 1	Engine Parts List
 BOMAG FAYAT GROUP	

For this catalogue group no illustration.

Go to Discount-Equipment.com to order your parts

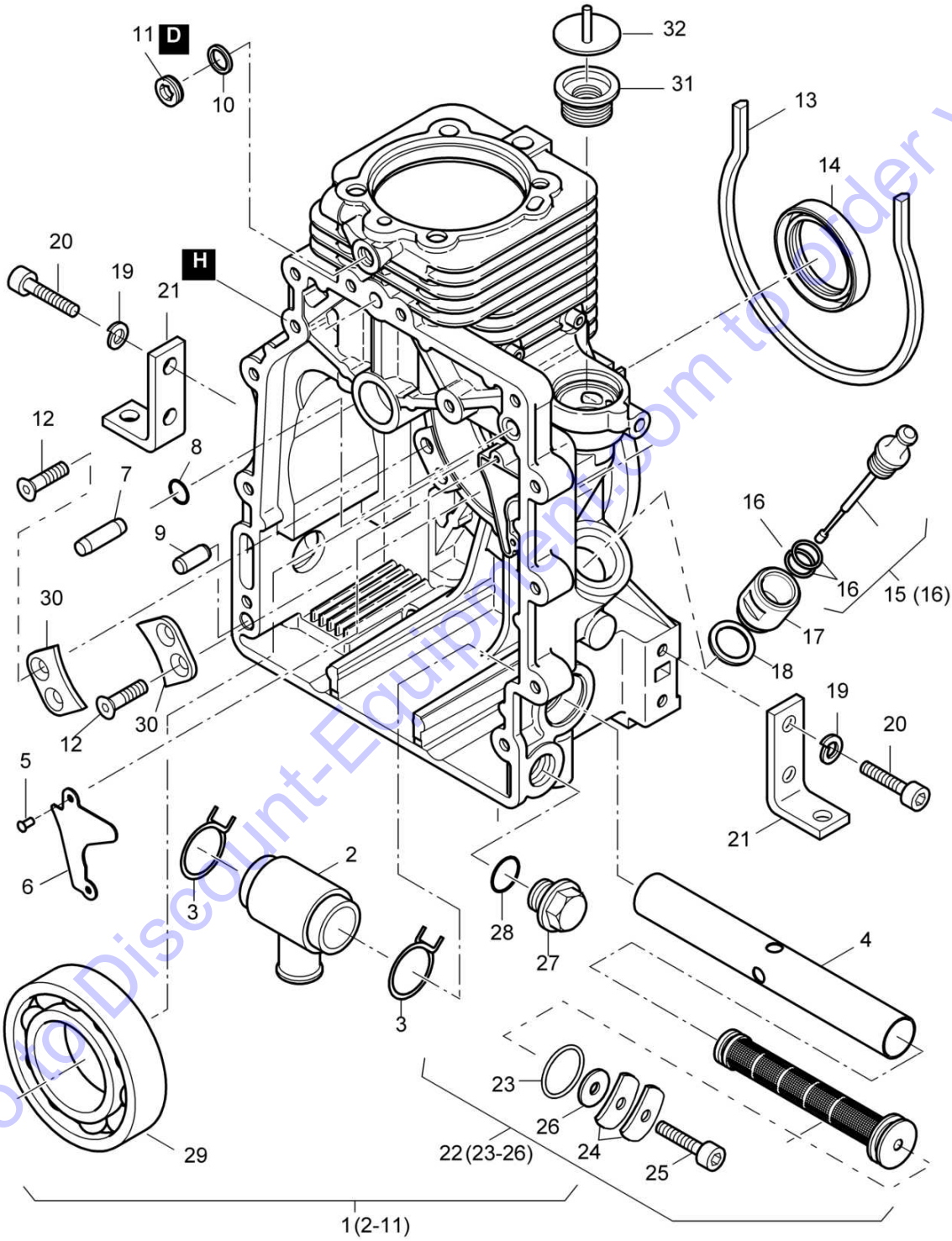
Engine no. S/N 1003415155280 ▶		
Engine Parts List		11.00
		Page 1 / 1
		
		1001 E


Pos. Part no. Qty. Description

1 05706419 1 Diesel engine

Go to Discount-Equipment.com to order your parts

11.01	Engine no.	S/N 1003415155280 ▶
	Crankcase	
Page 1 / 2		
BOMAG FAYAT GROUP	MOT017196_000_00	

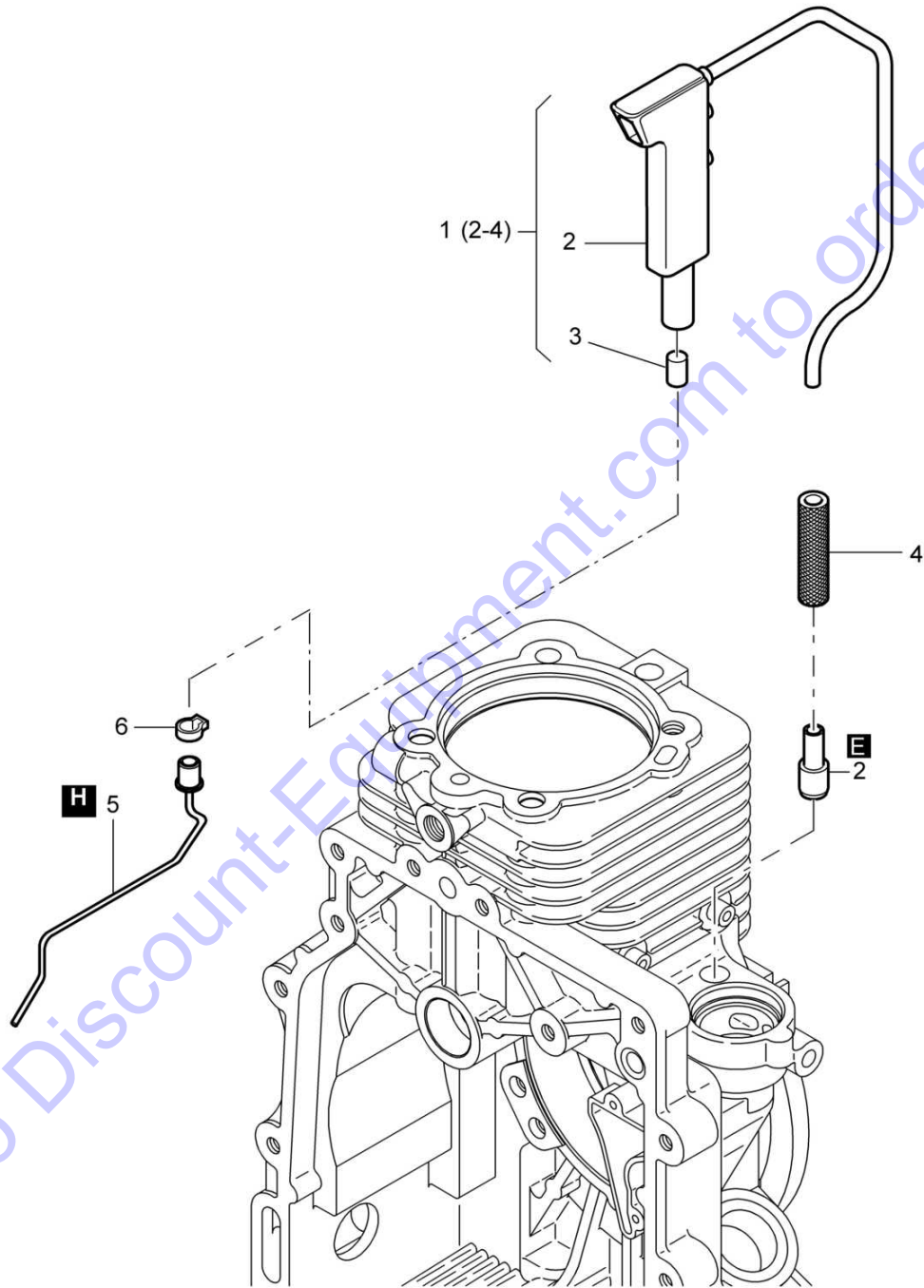



Engine no.	S/N 1003415155280 ▶	11.01
Crankcase		
		Page 1 / 2
	MOT017196 1001 E	

Pos.	Part no.	Qty.	Description
1	05728580	1	Crankcase
2	05720047	1	>T-piece
3	05722090	2	>Hose clip
4	05728117	1	>Housing
5	05728105	2	>Rivet,blind
6	05728106	1	>Cover plate
7	05728024	1	>Nipple
8	4) 05728108	1	>Loop ring
9	05723458	1	>Pin,cylindric
10	09331088	1	>Sealing ring
11	07621010	1	>Screw plug
12	05720081	4	Countersunk screw
13	4) 05728110	1	Sealing section 318mm
14	4) 05728111	1	Radial seal
15	05720869	1	Oil dip stick
16	06220019	2	>Loop ring
17	08821331	1	Connecting piece
18	05728114	1	Sealing ring
19	08720814	8	Spring washer
20	05728115	8	Socket-head cap screw
21	05728116	4	Engine bracket
22	05720023	1	Oil filter
23	1) 05728121	1	>Loop ring
24	05728122	2	>Spring
25	07230605	1	>Socket-head cap screw
26	05728304	1	>Washer
27	1) 07632216	1	Magnetic plug
28	4) 09331198	1	Sealing ring
29	05728118	1	Ball bearing,grooved
30	05728119	2	Joint bar
31	05722512	1	Membrane
32	05728120	1	Washer
			Auxiliaries
35	00978006	1,00 kg	Screw lock, middle strength D
36	00970017	1	Sealing compound H
		4)	Incl. in gasket set crankcase
		1)	Incl. in maintenance kit

Go to Discount-Equipment.com to order your parts

11.01	Engine no. S/N 1003415155280 ▶
	Crankcase
Page 2 / 2	
BOMAG FAYAT GROUP	MOT017684_000_00

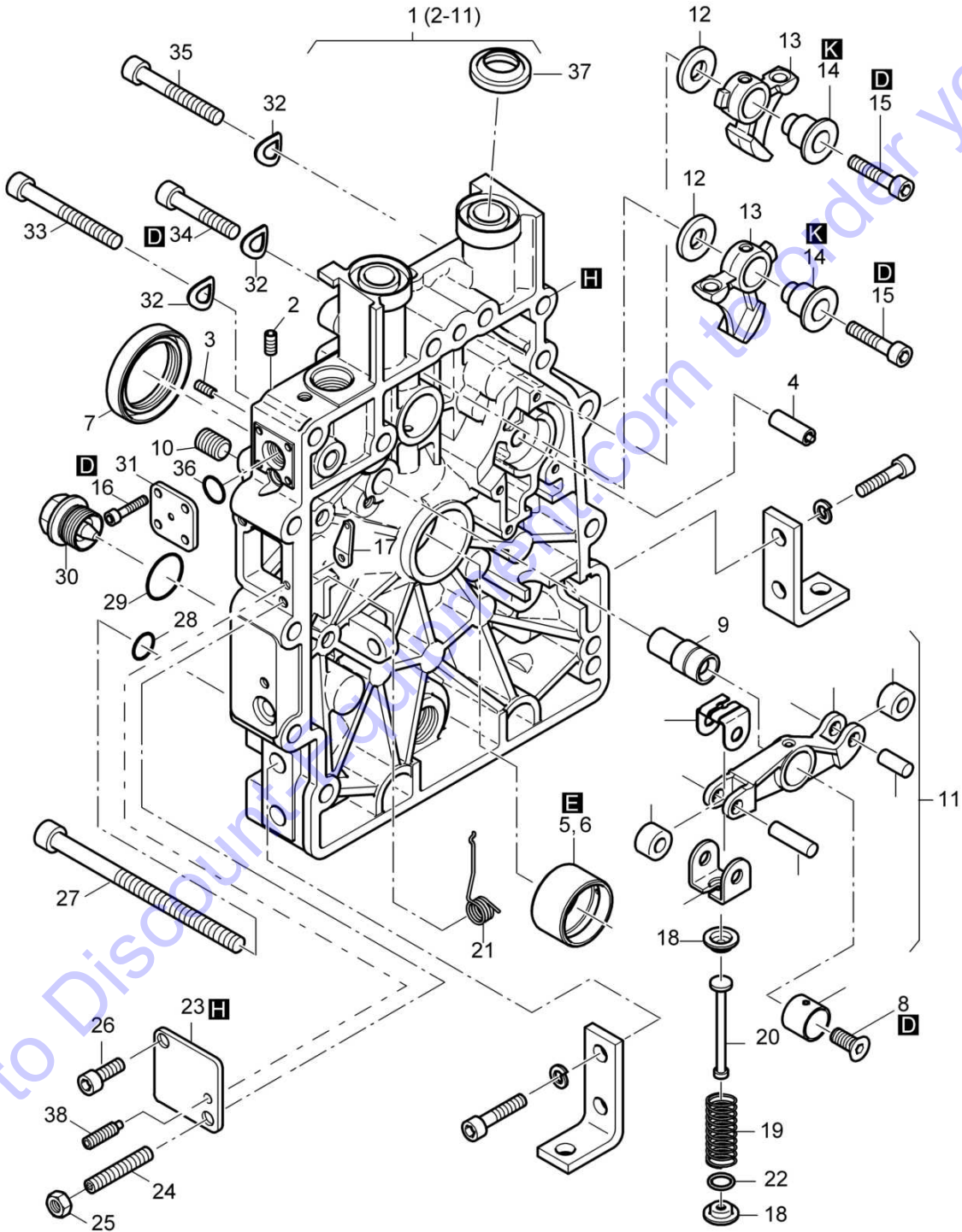



Engine no. S/N 1003415155280 ▶		11.01
Crankcase		
MOT017684 1001 E		Page 2 / 2
		

Pos.	Part no.	Qty.	Description
1	05720082	1	Oil separator
2	05720083	1	>Socket
3	05728309	1	>Filter element
4	05720084	1	>Fuel pipe
5	05728311	1	Suction pipe
6	05722993	1	Hose clip
Auxiliaries			
10	00978000	1,00 kg	Adhesive,heat resisting E
11	00970017	1	Sealing compound H

Go to Discount-Equipment.com to order your parts

11.02	Engine no. S/N 1003415155280 ▶
	Front Cover
Page 1 / 1	
BOMAG FAYAT GROUP	MOT012018_000_00

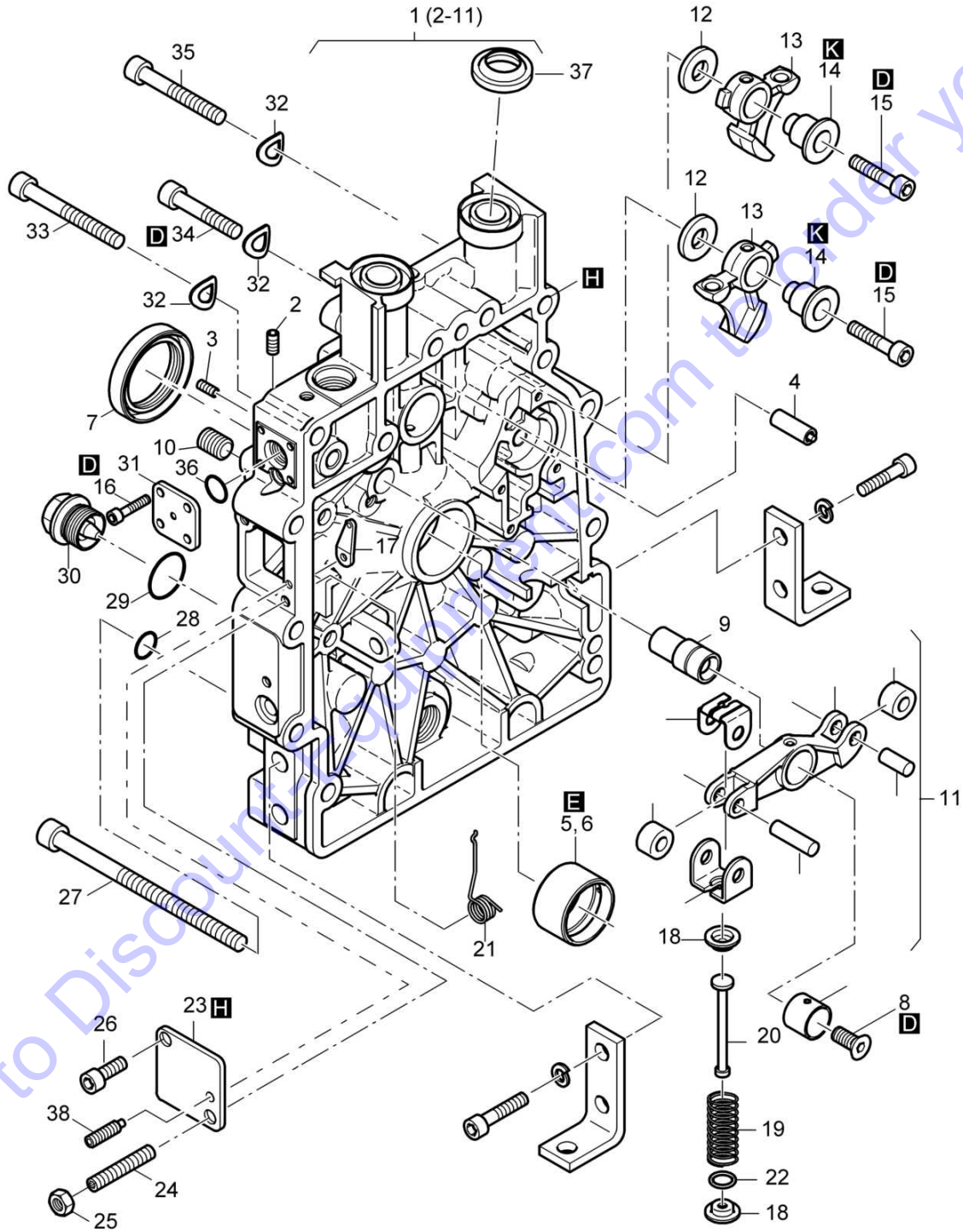



Engine no.	S/N 1003415155280 ▶	11.02
Front Cover		
		Page 1 / 1
	MOT012018 1001 E	

Pos.	Part no.	Qty.	Description
1	05720628	1	Timing gear cover
2	05728034	1	>Tapped pin
3	07760502	2	>Tapped pin
4	05728206	1	>Bolt
5	05728208	1	>Main bearing -0,5mm
6	05728207	1	>Main bearing
7	4) 09311931	1	>Radial seal
8	07316035	1	>Countersunk screw
9	05720198	1	>Bearing bush
10	05720051	5	>Tapped pin
11	05720629	1	>Rocker arm
12	05722033	2	Washer
13	05728210	2	Cam follower
14	05722034	2	Axle
15	07230621	2	Socket-head cap screw
16	05722463	4	Socket-head cap screw
17	05728219	1	Lever
18	05728211	2	Spring cup
19	05728212	1	Spring
20	05728621	1	Draw bar
21	05728213	1	Governor spring
22	05728214	1	Washer
23	05728215	1	Cover
24	07550640	1	Tapped pin
25	08110620	1	Hexagon nut
26	07230693	1	Socket-head cap screw
27	07230877	2	Socket-head cap screw
28	4) 09331658	2	Sealing ring
29	1) 09331198	1	Sealing ring
30	1) 07632216	1	Magnetic plug
31	05724184	1	Cover
32	08641084	13	Spring washer Socket-
33	07230847	1	head cap screw
		1)	Incl. in maintenance kit
		4)	Incl. in gasket set crankcase

Go to Discount-Equipment.com to order your parts

11.02	Engine no. S/N 1003415155280 ▶
	Front Cover
Page 1 / 1	
BOMAG FAYAT GROUP	MOT012018_000_00

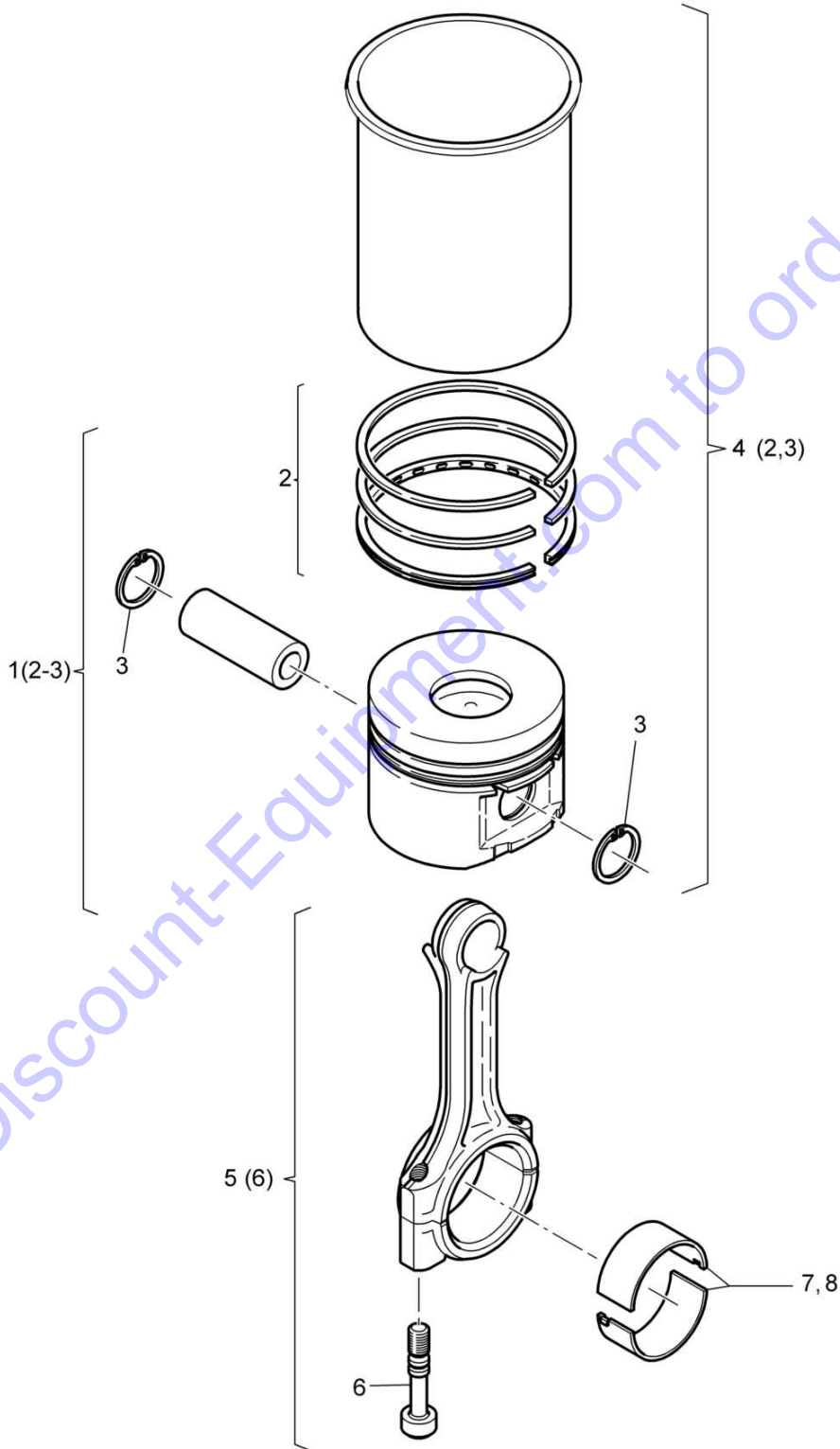


Engine no. S/N 1003415155280 ▶		11.02
Front Cover		
MOT012018 1001 E		Page 1 / 1
		


Pos.	Part no.	Qty.	Description
34	07230834	2	Socket-head cap screw
35	07230838	10	Socket-head cap screw
36	4) 06220018	1	Loop ring
37	2) 05728216	2	Sealing ring
38	07570420	1	Tapped pin
Auxiliaries			
40	00978006	1,00 kg	Screw lock, middle strength D
41	00978000	1,00 kg	Adhesive, heat resisting E
42	00970017	1	Sealing compound H
43	05721037	1	Grease, special K
		4)	Incl. in gasket set crankcase
		2)	Incl. in gasket set for 1 cylinder head

Go to Discount-Equipment.com to order your parts

11.05	Engine no.	S/N 1003415155280 ▶
	Cylinder And Piston	
Page 1 / 1		
BOMAG FAYAT GROUP		MOT012015_000_00



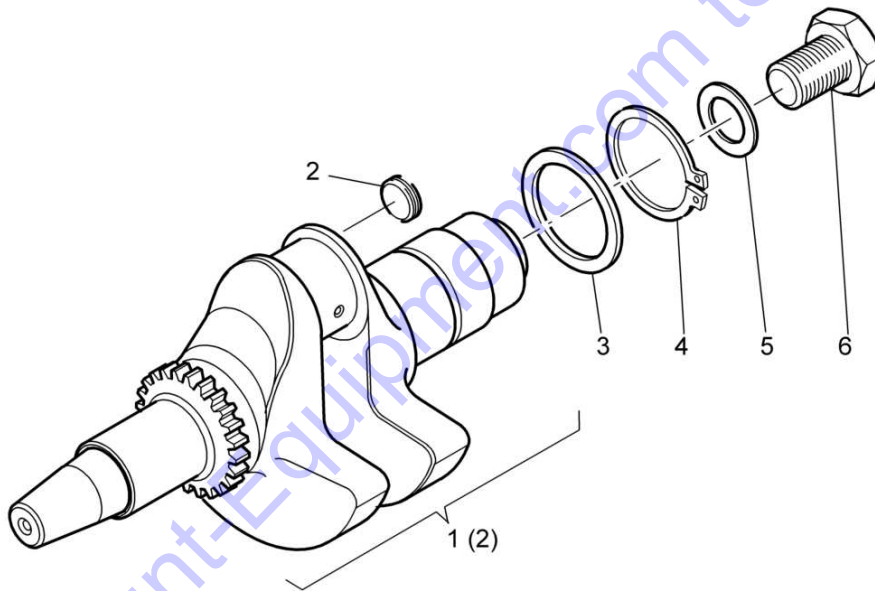
mot012015_000


Engine no. S/N 1003415155280 ▶		11.05
Cylinder And Piston		
MOT012015 1001 E		Page 1 / 1
		 BOMAG FAYAT GROUP

Pos.	Part no.	Qty.	Description
1	05720325	1	Piston
2	05720034	1	>Piston ring set
3	05728140	2	>Circlip
4	05720326	1	Cylinder and piston
5	05728144	1	Conrod
6	05728145	2	>Conrod screw
7	05728146	1	Conrod bearing
8	05728147	1	Conrod bearing -0,5mm

Go to Discount-Equipment.com to order your parts

11.06	Engine no.	S/N 1003415155280 ▶
	Crankshaft	
Page 1 / 1		
BOMAG FAYAT GROUP		MOT012013_000_00



Engine no.	S/N 1003415155280 ▶	
Crankshaft		11.06
		Page 1 / 1
	MOT012013 1001 E	

Pos. Part no. Qty. Description

1	05720324	1	Crankshaft
2	05720064	1	>Plug
3	05521525	1	Supporting disc
4	09212400	1	Circlip,external
5	05728128	1	Washer
6	07151822	1	Hexagon bolt

Go to Discount-Equipment.com to order your parts

11.08

Page 1 / 1

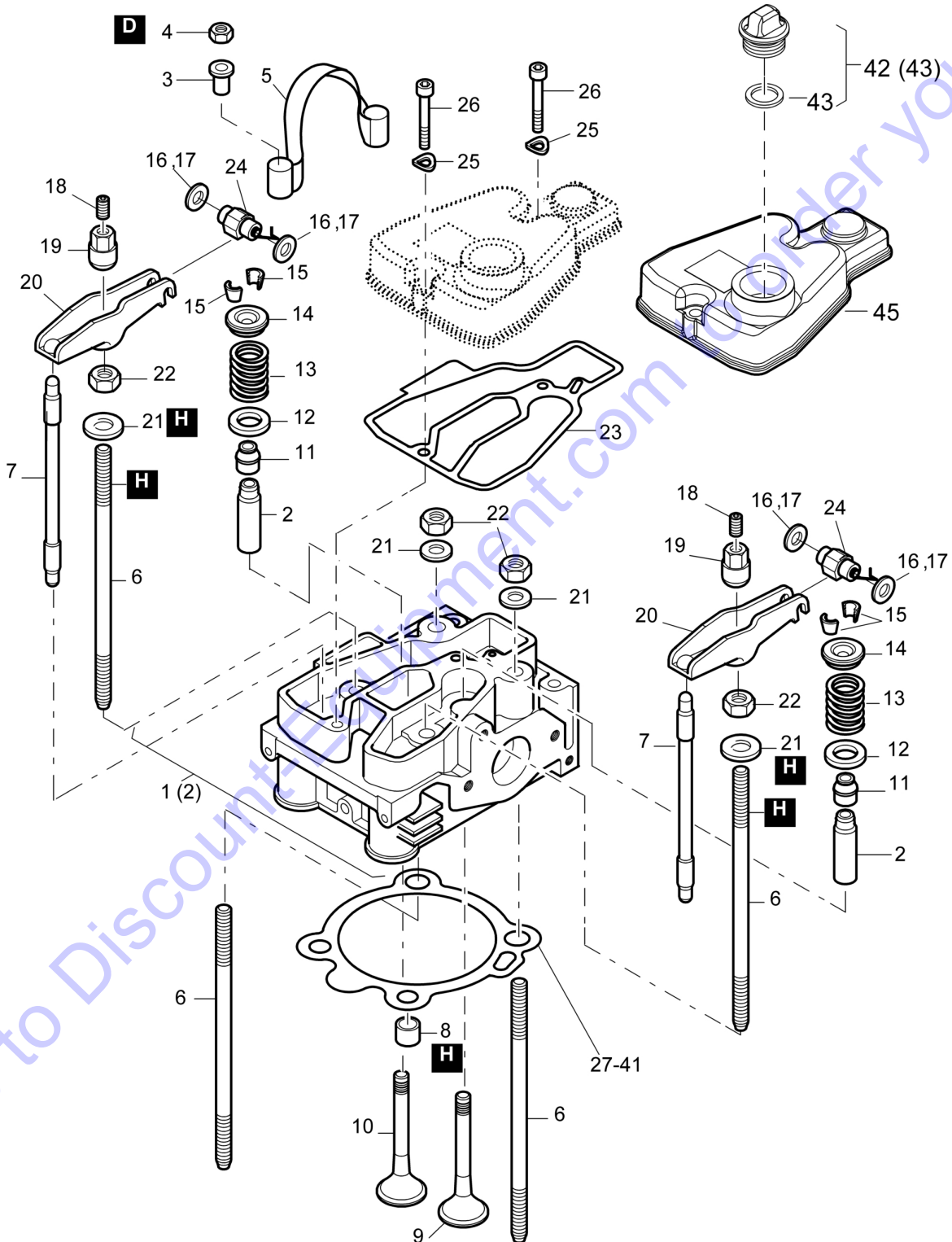


Engine no.


S/N 1003417185343 ▶

Cylinder Head

MOT019452_000_00



mot019452_000

Engine no.	S/N 1003417185343 ▶	11.08
Cylinder Head		
		Page 1 / 1
	MOT019452 1001 E	

Pos. Part no. Qty. Description

1	05728013	1	Cylinder head
2	05728149	2	>Valve guide
3	05720050	2	Rivet
4	08130813	2	Safety nut
5	05720046	1	Belt
6	05728150	4	Pin screw 128mm
7	05728151	2	>Push rod
8	2) 05728152	2	Sealing ring
9	05728153	1	Valve cone,inlet
10	05728154	1	Valve cone,outlet
11	2) 05728155	2	Valve stem seal
12	05728156	2	Washer
13	05728157	2	Valve spring
14	05728158	2	Spring cup
15	05728159	2	Valve cone
16	05720049	1	Shim
17	05728160	1	Supporting disc
18	1) 05728030	2	Tapped pin
19	05728162	2	Nut
20	05728163	2	Rocker arm
21	05728164	4	Washer
22	08110813	4	Hexagon nut
23	1) 05728165	1	Gasket 2)
24	05728161	2	Sliding block
25	08641064	2	Spring washer
26	07230692	2	Socket-head cap screw
27	05720088	1	Cylinder head gasket 0,35mm
28	05728170	1	Cylinder head gasket 0,30mm
29	05720089	1	Cylinder head gasket 0,45mm
		1)	Incl. in maintenance kit
		2)	Incl. in gasket set for 1 cylinder head

Go to Discount-Equipment.com to order your parts

11.08

Page 1 / 1

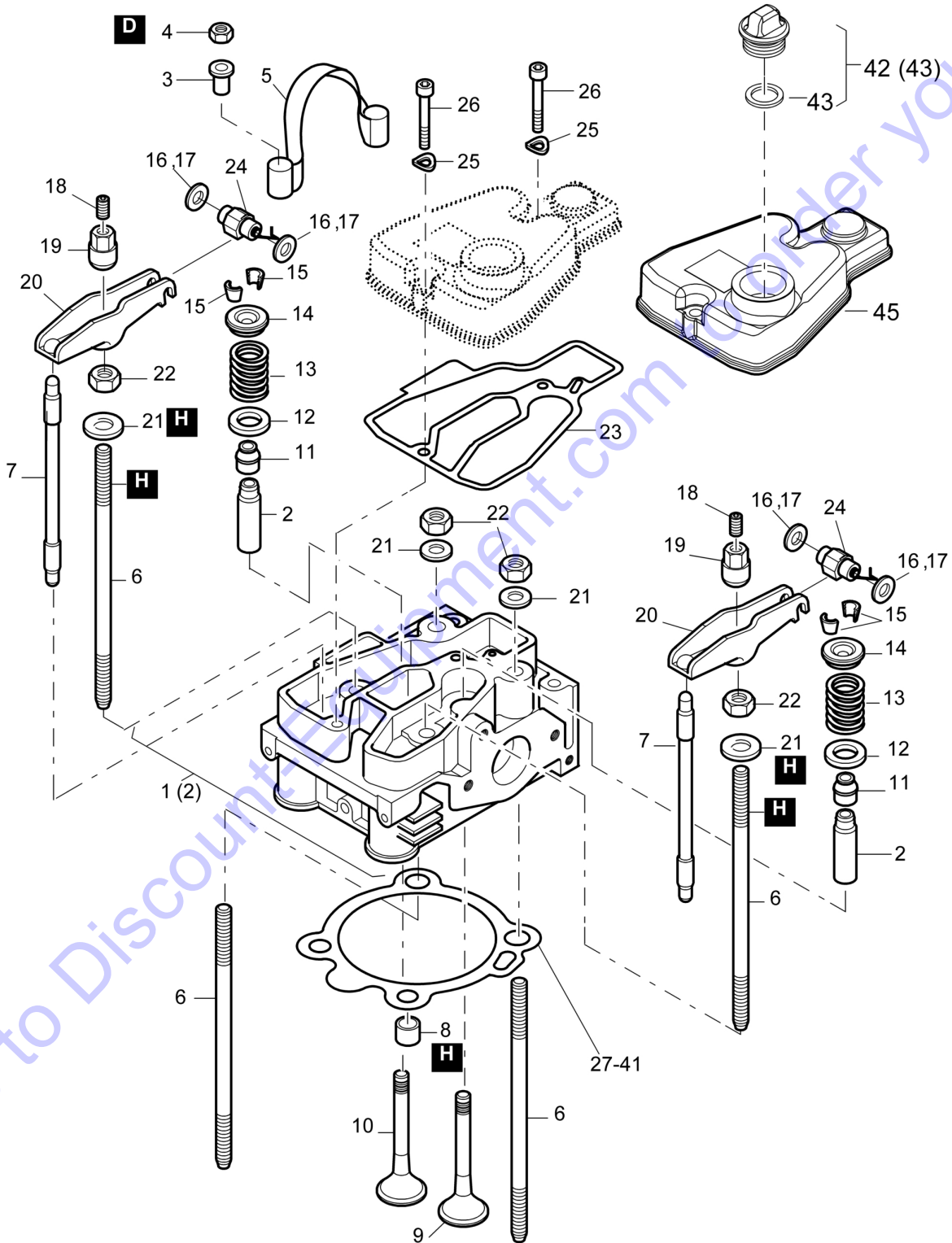


Engine no.


S/N 1003417185343 ▶

Cylinder Head

MOT019452_000_00



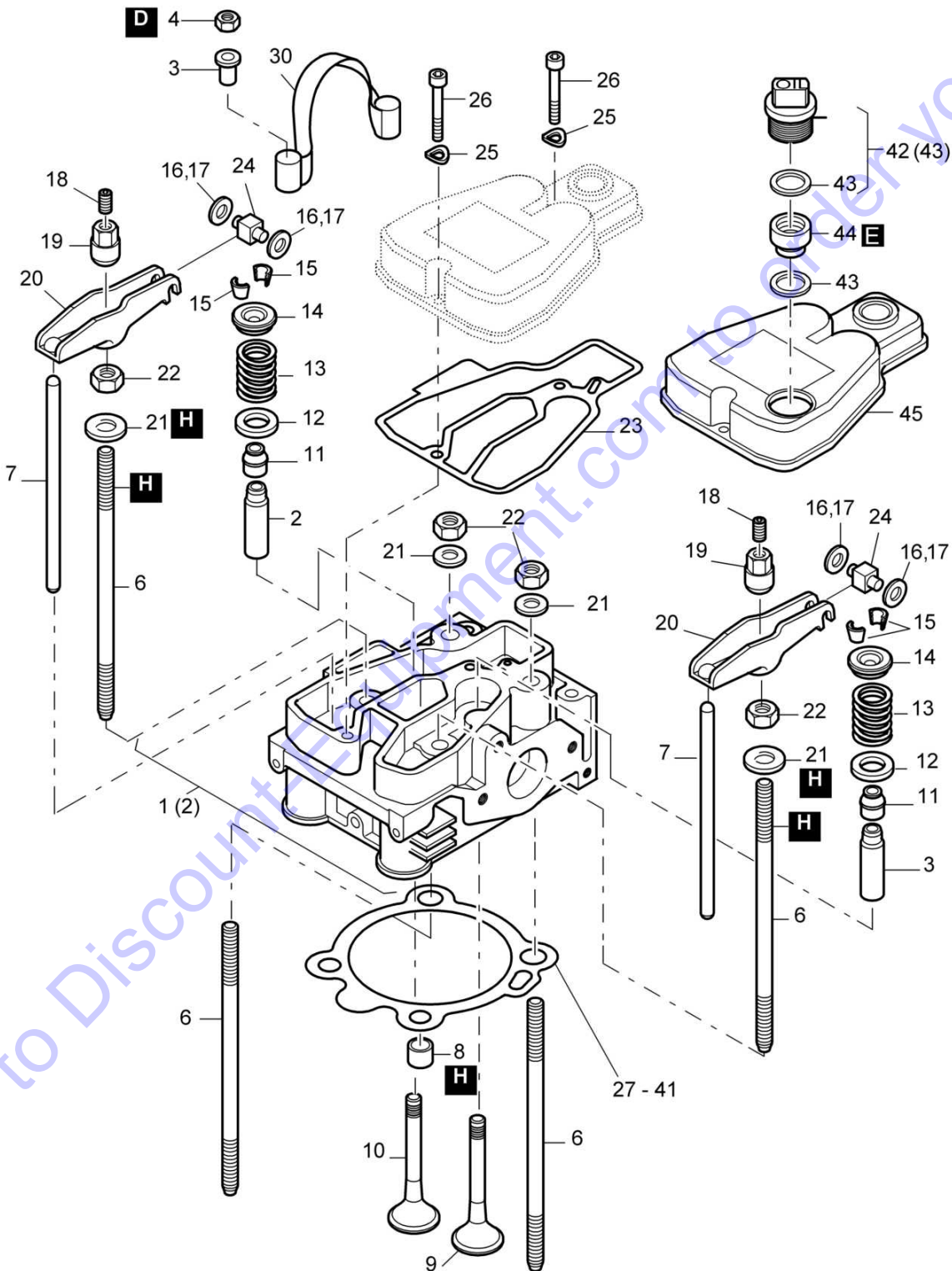
mot019452_000

Engine no. S/N 1003417185343 ▶		11.08
Cylinder Head		
MOT019452 1001 E		Page 1 / 1
		


Pos.	Part no.	Qty.	Description
30	05728171	1	Cylinder head gasket 0,40mm
31	05720090	1	Cylinder head gasket 0,55mm
32	2) 05728172	1	Cylinder head gasket 0,50mm
33	05720091	1	Cylinder head gasket 0,65mm
34	2) 05728173	1	Cylinder head gasket 0,60mm
35	05720092	1	Cylinder head gasket 0,75mm
36	2) 05728174	1	Cylinder head gasket 0,70mm
37	05720093	1	Cylinder head gasket 0,85mm
38	05728175	1	Cylinder head gasket 0,80mm
39	05720094	1	Cylinder head gasket 0,95mm
40	05728176	1	Cylinder head gasket 0,90mm
41	05728177	1	Cylinder head gasket 1,00mm
42	05728780	1	Screw plug
43	05728114	1	>Sealing ring
45	05720936	1	Cylinder head cover
50	00978006	0,07 kg	Auxiliaries Screw lock, middle strength D
51	00970017	1	Sealing compound H
		2)	Incl. in gasket set for 1 cylinder head

Go to Discount-Equipment.com to order your parts

11.08	Engine no. S/N 1003415155280 ▶
	Cylinder Head
Page 1 / 1	
BOMAG FAYAT GROUP	MOT017765_000_00



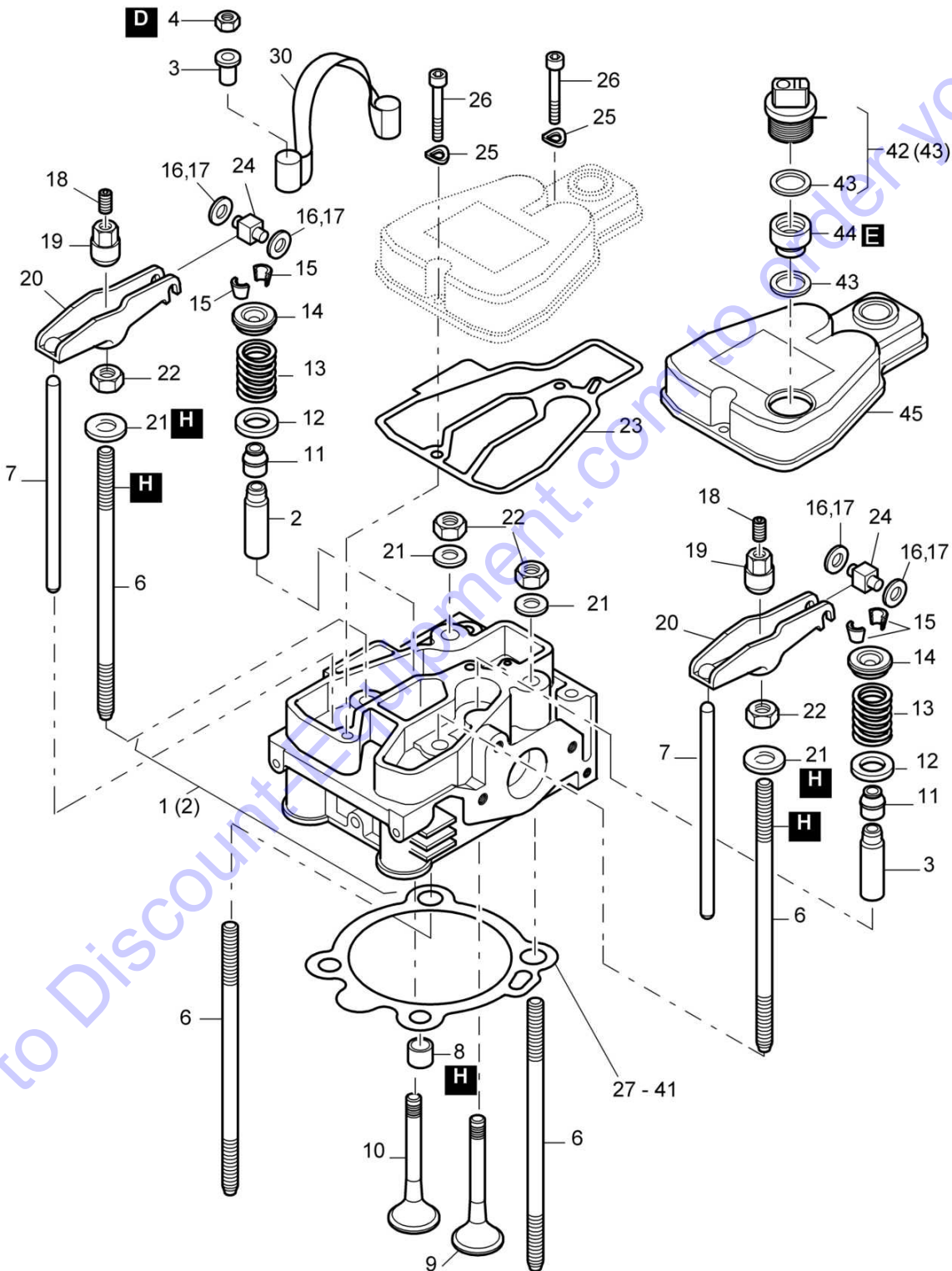
Go to Discount www.discountpart.com to order your parts


Engine no.	S/N 1003415155280 ▶	11.08
Cylinder Head		
		Page 1 / 1
	MOT017765 1001 E	

Pos.	Part no.	Qty.	Description
1	05728013	1	Cylinder head
2	05728149	2	>Valve guide
3	05720050	2	Rivet
4	08130813	2	Safety nut
5	05720046	1	Belt
6	05728150	4	Pin screw 128mm
8	2) 05728152	2	Sealing ring
9	05728153	1	Valve cone,inlet
10	05728154	1	Valve cone,outlet
11	2) 05728155	2	Valve stem seal
12	05728156	2	Washer
13	05728157	2	Valve spring
14	05728158	2	Spring cup
15	05728159	2	Valve cone
16	05720049	1	Shim
17	05728160	1	Supporting disc
18	1) 05728030	2	Tapped pin
19	05728162	2	Nut
20	05728163	2	Rocker arm
21	05728164	4	Washer
22	08110813	4	Hexagon nut
23	1) 05728165	1	Gasket 2)
25	08641064	2	Spring washer
26	07230692	2	Socket-head cap screw
27	05720088	1	Cylinder head gasket 0,35mm
28	05728170	1	Cylinder head gasket 0,30mm
29	05720089	1	Cylinder head gasket 0,45mm
30	05728171	1	Cylinder head gasket 0,40mm
		1)	Incl. in maintenance kit
		2)	Incl. in gasket set for 1 cylinder head

Go to Discount-Equipment.com to order your parts

11.08	Engine no. S/N 1003415155280 ▶
	Cylinder Head
Page 1 / 1	
BOMAG FAYAT GROUP	MOT017765_000_00

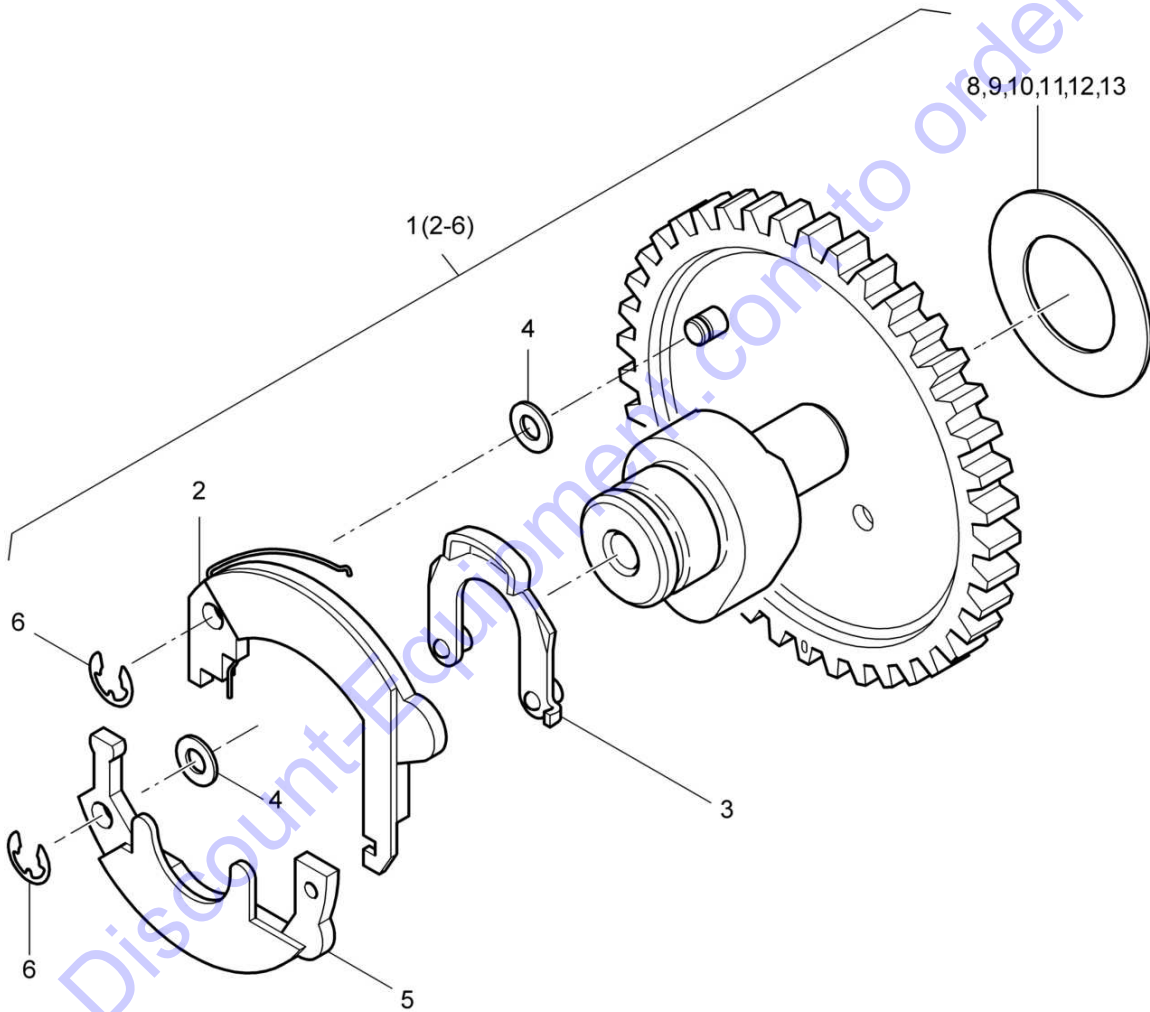



Engine no.	S/N 1003415155280 ▶	11.08
Cylinder Head		
MOT017765 1001 E		

Pos.	Part no.	Qty.	Description
31	05720090	1	Cylinder head gasket 0,55mm
32	2) 05728172	1	Cylinder head gasket 0,50mm
33	05720091	1	Cylinder head gasket 0,65mm
34	2) 05728173	1	Cylinder head gasket 0,60mm
35	05720092	1	Cylinder head gasket 0,75mm
36	2) 05728174	1	Cylinder head gasket 0,70mm
37	05720093	1	Cylinder head gasket 0,85mm
38	05728175	1	Cylinder head gasket 0,80mm
39	05720094	1	Cylinder head gasket 0,95mm
40	05728176	1	Cylinder head gasket 0,90mm
41	05728177	1	Cylinder head gasket 1,00mm
42	05728014	1	Filler cap
43	05720199	2	Sealing ring
44	05720280	1	Extension
45	05720201	1	Cylinder head cover
Auxiliaries			
50	00978006	1,00 kg	Screw lock, middle strength D
51	00978000	1,00 kg	Adhesive,heat resisting E
52	00970017	1	Sealing compound H
		2)	Incl. in gasket set for 1 cylinder head

Go to Discount-Equipment.com to order your parts

11.09	Engine no.	S/N 1003415155280 ▶
	Camshaft	
Page 1 / 1		
BOMAG FAYAT GROUP		MOT012014_000_00




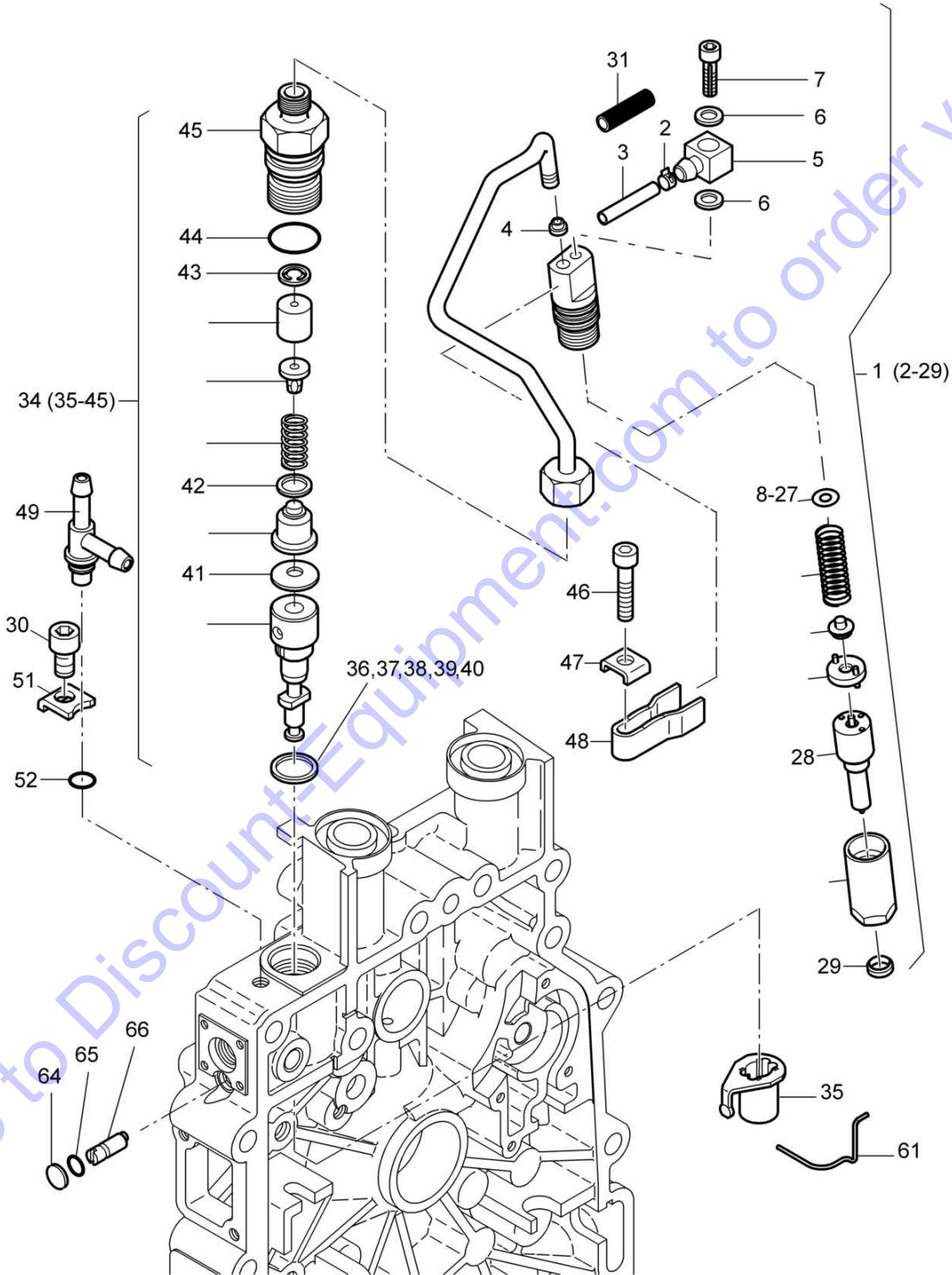
Engine no. S/N 1003415155280 ▶		11.09
Camshaft		
		Page 1 / 1
MOT012014 1001 E		


Pos. Part no. Qty. Description Benennung

1	05720036	1	Camshaft	
2	05728132	1	>Centrifugal weight	
3	05728130	1	>Bow	
4	05525003	2	>Shim	
5	05728131	1	>Centrifugal weight	
6	05727269	2	>Safety washer	
8	05728133	1	Washer 0,9mm	
9	05728134	1	Washer 1,0mm	
10	05728135	1	Washer 1,1mm	
11	05728136	1	Washer 1,2mm	
12	05728137	1	Washer 1,3mm	
13	05728138	1	Washer 1,4mm	

Go to Discount-Equipment.com to order your parts

11.18	Engine no. S/N 1003415155280 ▶
Page 1 / 1	Injection Valve
	MOT012020_000_00



Engine no.	S/N 1003415155280 ▶	11.18
Injection Valve		
		Page 1 / 1
	MOT012020 1001 E	

Pos.	Part no.	Qty.	Description
1	05720438	1	Valve,injection
2	05720329	1	>Hose clip
3	05728046	1	>Fuel pipe
4	05728228	1	>Gasket 5,3mm
5	05728268	1	>Nipple
6	09331050	2	>Sealing ring
7	07230421	1	>Socket-head cap screw
8	05728230	1	>Set shim 1,00mm
9	05728231	1	>Set shim 1,04mm
10	05728232	1	>Set shim 1,10mm
11	05728233	1	>Set shim 1,14mm
12	05728234	1	>Set shim 1,20mm
13	05728235	1	>Set shim 1,24mm
14	05728236	1	>Set shim 1,30mm
15	05728237	1	>Set shim 1,34mm
16	05728238	1	>Set shim 1,40mm
17	05728239	1	>Set shim 1,44mm
18	05728240	1	>Set shim 1,50mm
19	05728241	1	>Set shim 1,54mm
20	05728242	1	>Set shim 1,60mm
21	05728243	1	>Set shim 1,64mm
22	05728244	1	>Set shim 1,70mm
23	05728245	1	>Set shim 1,74mm
24	05728246	1	>Set shim 1,80mm
25	05728247	1	>Set shim 1,84mm

Go to Discount-Equipment.com to order your parts

11.18

Engine no.

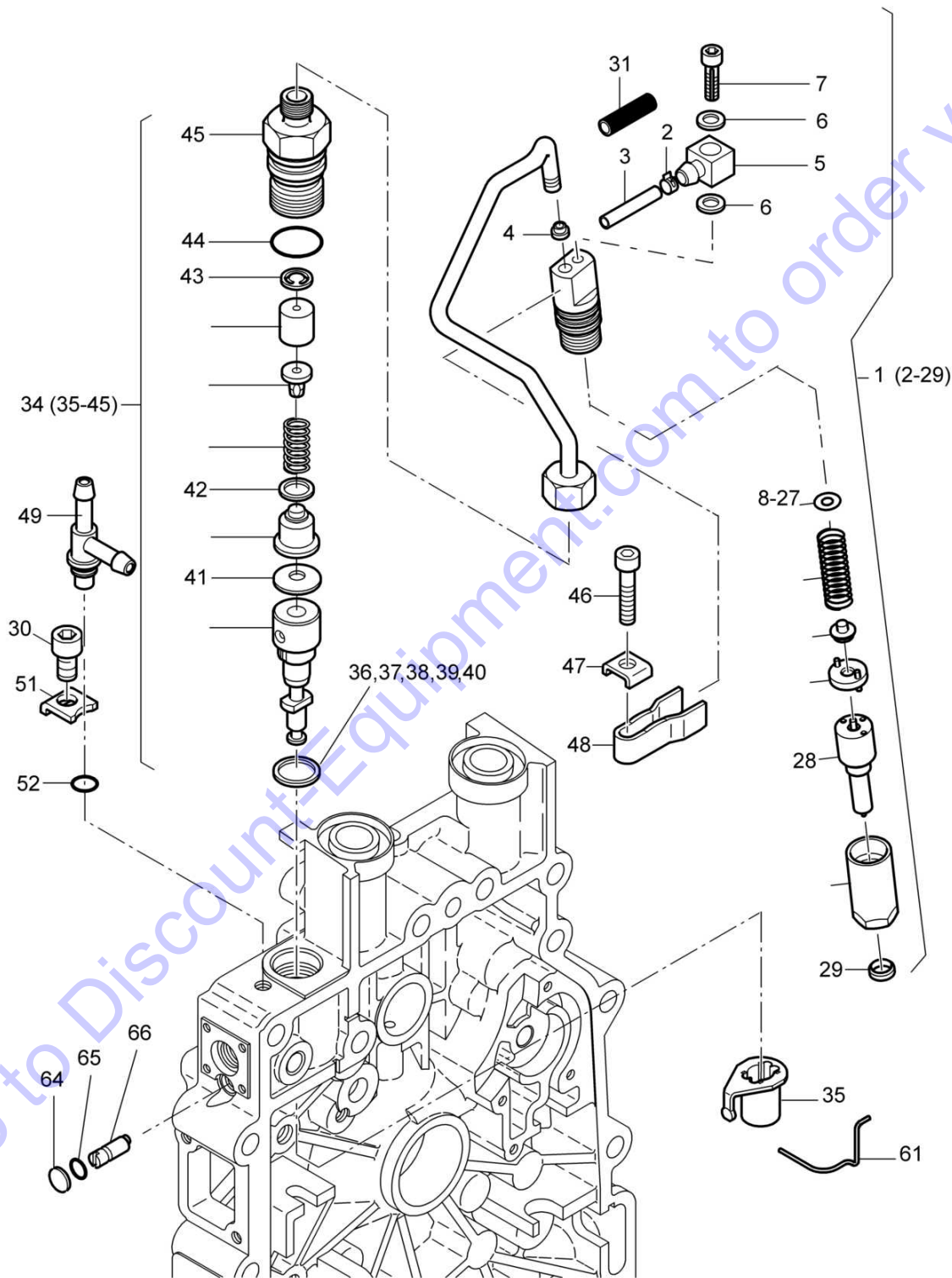
S/N 1003415155280 ▶

Injection Valve


Page 1 / 1



MOT012020_000_00



mot012020_000

Engine no.	S/N 1003415155280 ▶	11.18
Injection Valve		
		Page 1 / 1
	MOT012020 1001 E	

Pos.	Part no.	Qty.	Description
26	05728248	1	>Set shim 1,90mm
27	05728249	1	>Set shim 1,94mm
28	05720439	1	>Nozzle
29	05728251	1	>Sealing ring
30	05720604	1	Socket-head cap screw
31	05720573	1	Hose 120mm
32	05728683	1	Eccentric bolt
33	06220017	1	Loop ring
34	05720440	1	Pump,injection
35	05728612	1	>Bushing
36	05728254	1	>Washer 0,2mm
37	05728255	1	>Washer 0,3mm
38	05728256	1	>Washer 0,4mm
39	05728257	1	>Washer 0,5mm
40	05728258	1	>Washer 0,6mm
41	05728076	1	>Spring washer
42	05726722	1	>Sealing washer
43	05724474	1	>Valve plate
44	05728602	1	>Loop ring
45	05724473	1	>Holder
46	07230623	1	Socket-head cap screw
47	05728264	1	Washer
48	05728265	1	Fork
49	05720077	1	Nipple
50	05728684	1	Bow
51	05720542	1	Hold-down
52	06220078	1	Loop ring
53	08520008	1	Washer

Go to Discount-Equipment.com to order your parts

11.21

Engine no.

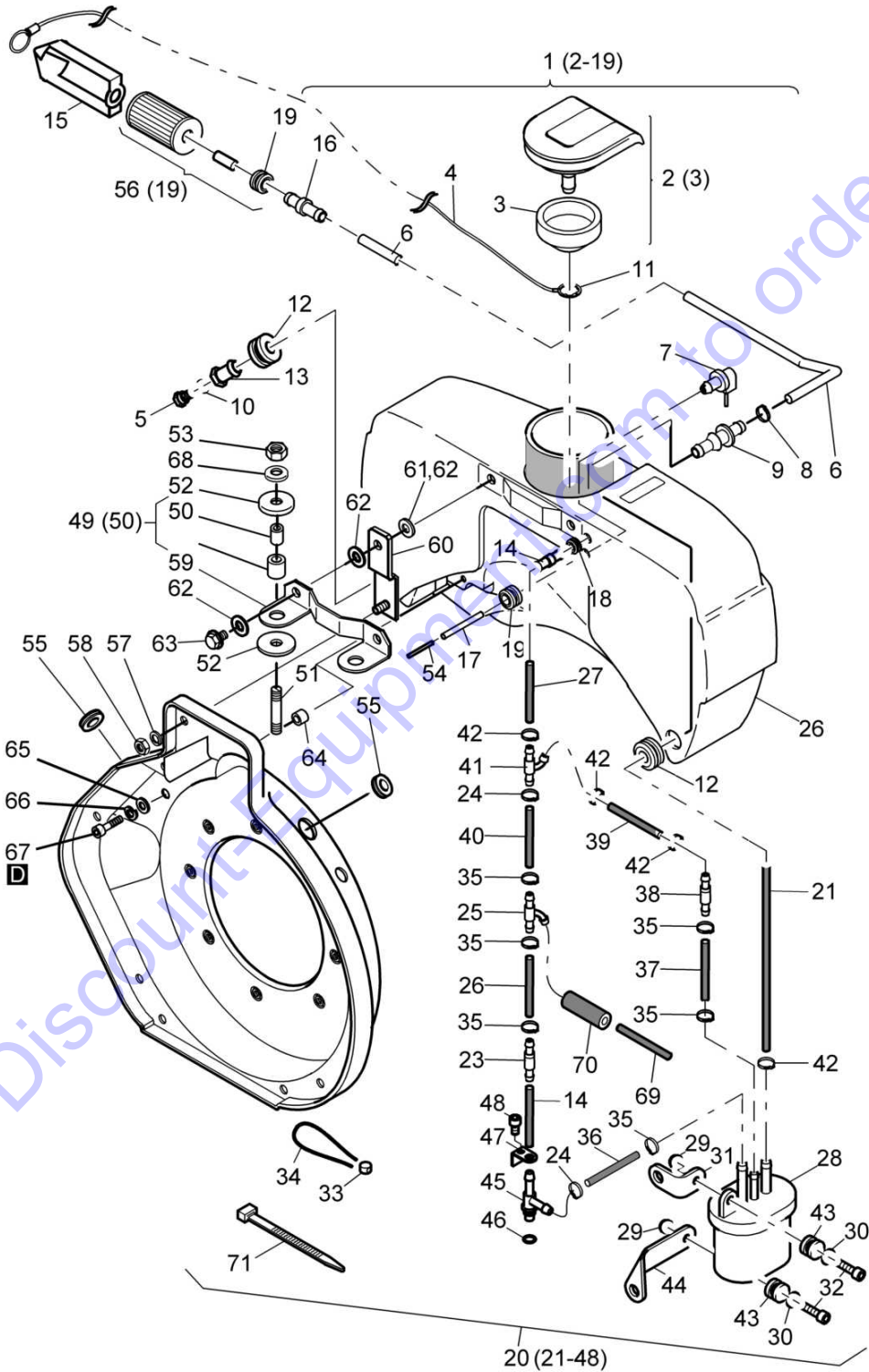
S/N 1003415155280 ▶

Fuel Tank


Page 1 / 1



MOT015919_000_00



mot015919_000

Engine no. S/N 1003415155280 ▶		11.21
Fuel Tank		
		Page 1 / 1 Seite 1 / 1
		
MOT015919 1001 E		

Pos.	Part no.	Qty.	Description
1	05720269	1	Fuel tank 3L
2	05728313	1	>Tank lock
3	05728321	1	>>Gasket
4	05728037	1	>Retaining band
5	05726802	1	>Bleeder screw
6	05720134	1	>Fuel pipe
7	05728318	1	>Ventilation valve
8	05728344	1	>Hose clip
9	05728038	1	>Nipple
10	09331628	1	>Sealing ring
11	05728036	1	>Retainer ring
12	05728322	2	>Rubber grommet
13	05724185	1	>Thread nipple
14	05728045	1	>Nipple
15	05720270	1	>Holder
16	05728039	1	>Nipple
17	05728328	1	>Bleeding tube
18	05728326	1	>Rubber grommet
19	05728327	2	>Rubber grommet
20	05720544	1	Fuel pipe
21	05720386	1	>Fuel pipe
22	05720543	1	>Fuel pipe
23	05728325	1	>Ventilation valve
24	05728009	2	>Hose clip
25	05728042	1	>Hose nipple
26	05720202	1	>Fuel pipe
27	05720103	1	>Fuel pipe
28	05720387	1	>Fuel filter
29	08130408	2	>Safety nut
30	05728288	2	>Washer
31	05720577	1	>Angle
32	05728554	2	>Socket-head cap screw
33	05722630	1	>Lead seal
34	05722631	1	>Lead seal wire
35	05720677	6	>Hose clip
36	05720104	1	>Fuel pipe
37	05720105	1	>Fuel pipe
38	05728628	1	>Ventilation valve
39	05720679	1	>Fuel pipe
40	05723551	1	>Fuel pipe
41	05728619	1	>Hose nipple
42	05728344	4	>Hose clip
43	05720579	2	>Rubber grommet
44	05720580	1	>Angle

Go to www.mount-equipment.com to order your parts

Engine no.

S/N 1003415155280 ▶

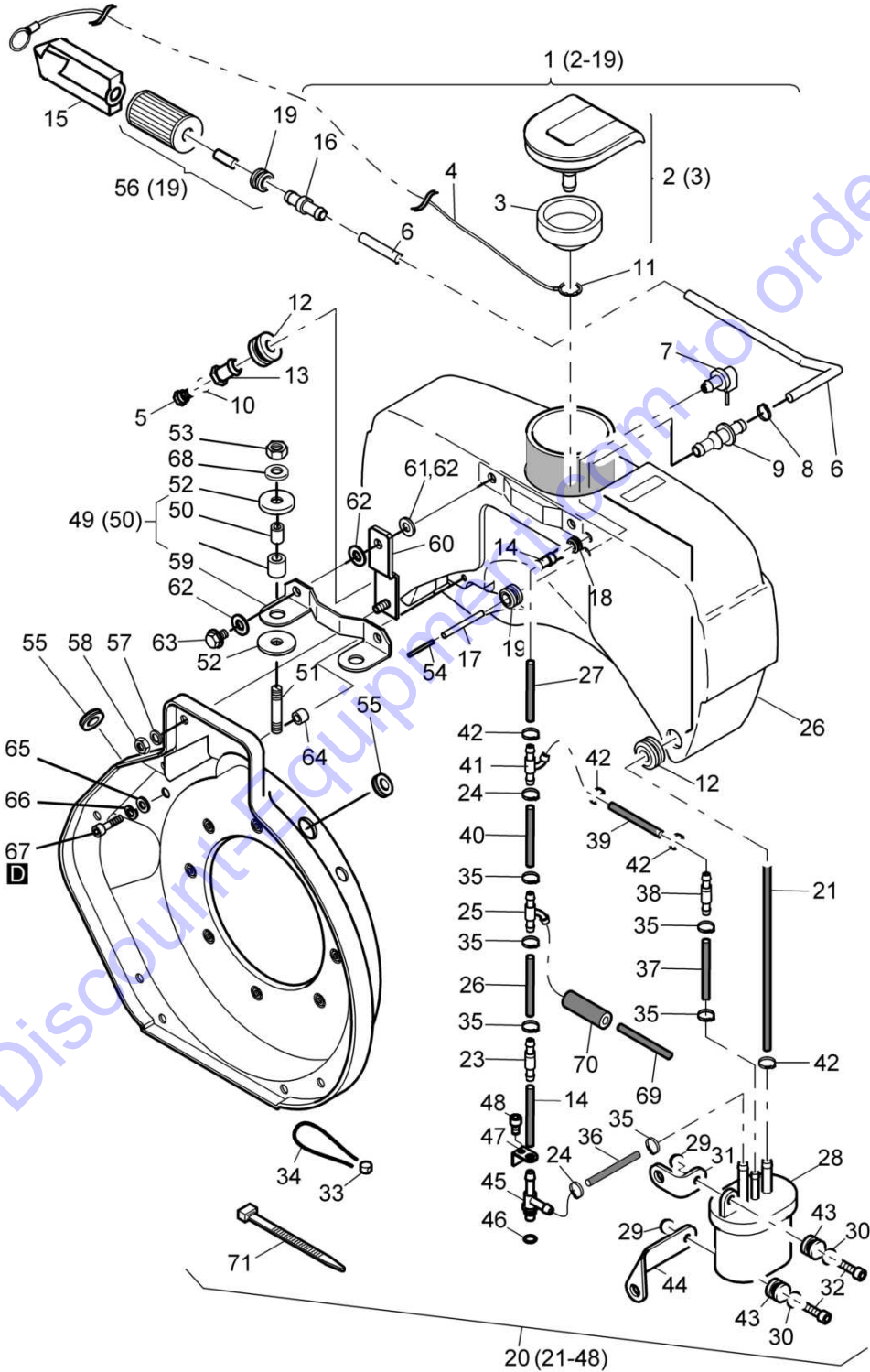
11.21

Fuel Tank


Page 1 / 1



MOT015919_000_00



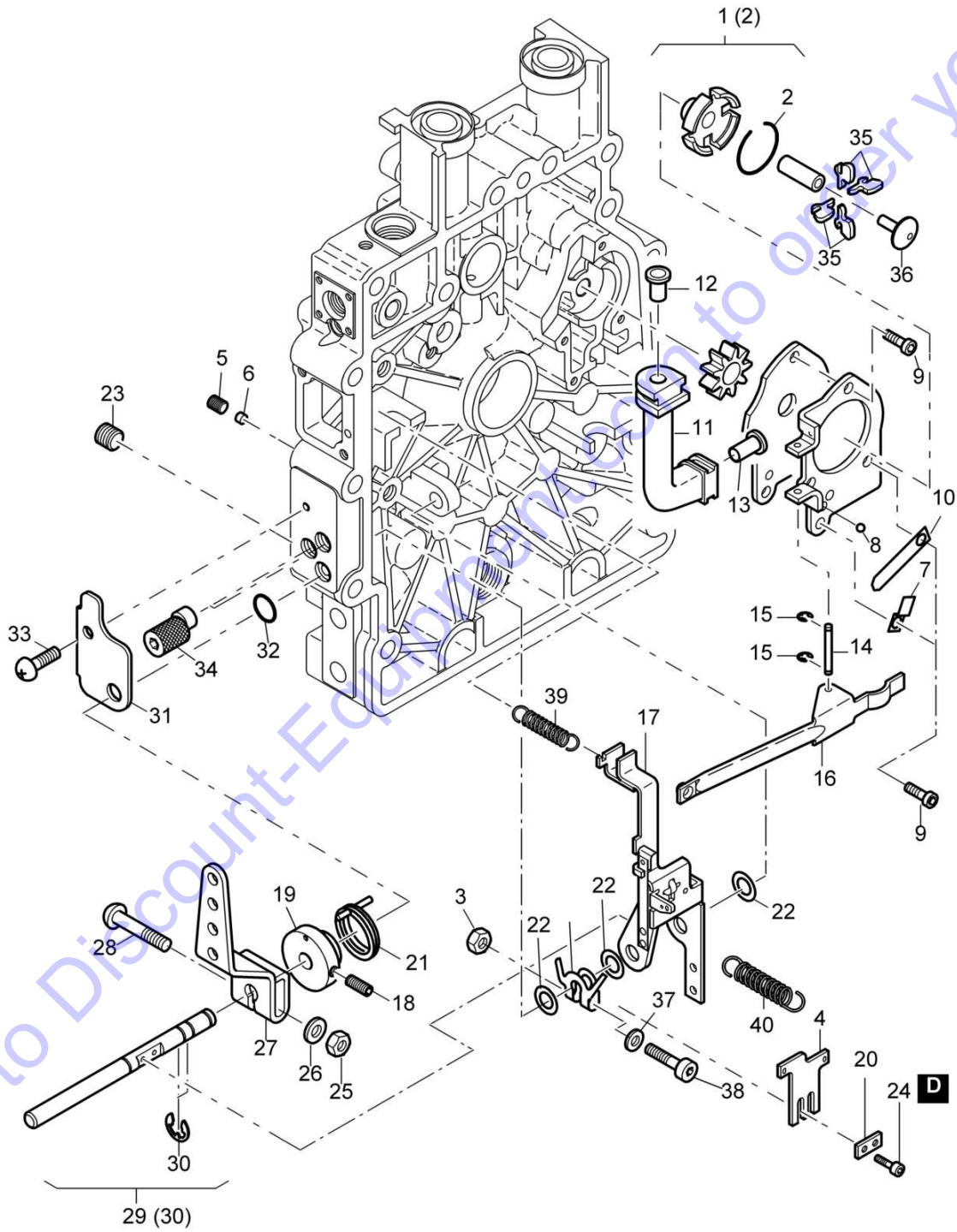
mot015919_000


Engine no. S/N 1003415155280 ▶		11.21
Fuel Tank		
MOT015919 1001 E		Page 1 / 1
		

Pos.	Part no.	Qty.	Description
45	05720077	1	>Nipple
46	06220078	1	>Loop ring
47	05720542	1	>Hold-down
48	05720604	1	>Socket-head cap screw
49	05728687	2	Sleeve
50	05728331	2	Tube
51	07510816	2	Pin screw
52	05728329	4	Washer
53	05727284	2	Safety nut
54	05728334	1	Tube
55	05728335	2	Rubber grommet
56	05723502	1	Fuel filter
57	08720611	2	Spring washer
58	08110620	2	Hexagon nut
59	05728337	1	Angle
60	05728338	2	Support
61	08621064	2	Washer
62	05728339	4	Washer
63	05728340	2	Hexagon bolt
64	05728341	2	Washer
65	08510612	2	Washer
66	08720611	2	Spring washer
67	07230605	2	Socket-head cap screw
68	08510817	2	Washer
69	05728046	1	Fuel pipe
70	05720106	1	Fuel pipe
71	05722524	2	Cable binder
80	00978006	1,00 kg	Auxiliaries Screw lock, middle strength D

Go to Discount-Equipment.com to order your parts

11.25	Engine no. S/N 1003415155280 ▶
	Throttle Control
Page 1 / 1	
BOMAG FAYAT GROUP	MOT015915_000_00

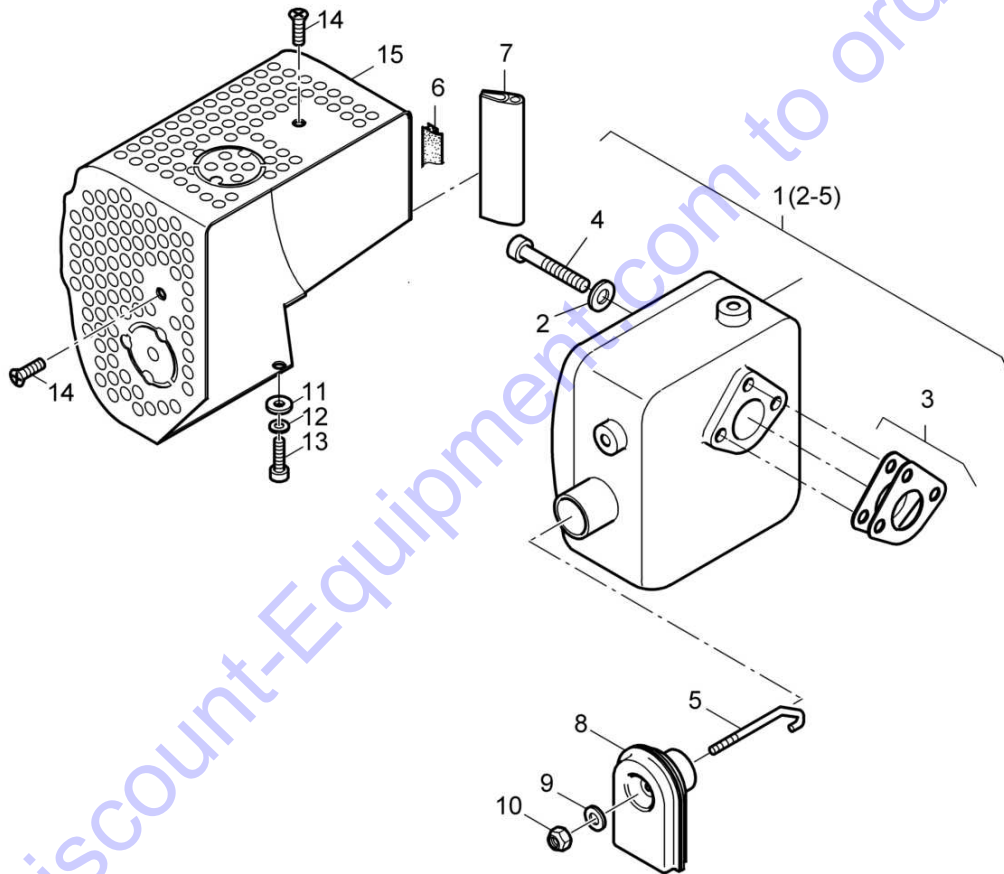



Engine no.	S/N 1003415155280 ▶	11.25
Throttle Control		
		Page 1 / 1
		
MOT015915 1001 E		

Pos.	Part no.	Qty.	Description
1	05720581	1	Cover
2	05720624	1	>Spring ring
3	08110508	1	Hexagon nut
4	05728202	1	Stop
5	05720454	1	Tapped pin
6	05720455	1	Plug
7	05728179	1	Angle
8	05728180	1	Ball
9	07240504	4	Socket-head cap screw
10	05728181	1	Spring
11	05728182	1	Oil tube
12	05728183	1	Rivet
13	05728184	1	Rivet
14	05728185	1	Bolt
15	05728186	2	Safety washer
16	05728187	1	Reversing lever
17	05728678	1	Governor lever
18	07760502	1	Tapped pin
19	05724191	1	Bushing
20	05728189	1	Intermediate plate
21	05724192	1	Yoke spring
22	05520002	3	Shim
23	07551000	1	Tapped pin
24	07230308	2	Socket-head cap screw
25	08110620	1	Hexagon nut
26	08510612	1	Washer
27	05728192	1	Lever
28	05723019	1	Button headed screw
29	05720429	1	Shaft
30	05727276	3	>Safety washer
31	05728068	1	Supporting plate
32	4) 06220083	1	Loop ring
33	05728069	1	Button headed screw
34	05724193	2	Eccentric bolt
35	05720626	4	Centrifugal weight
36	05728199	1	Governor sleeve
37	08510511	1	Washer
38	05728073	1	Socket-head cap screw
39	05720107	1	Tension spring
40	05720729	1	Governor spring
50	00978006	1,00 kg	Auxiliaries Screw lock, middle strength D
	4)		Incl. in gasket set crankcase

Go to www.equipment.com to order your parts

11.26	Engine no.	S/N 1003415155280 ▶
	Silencer	
Page 1 / 1		
BOMAG FAYAT GROUP		MOT012026_000_00



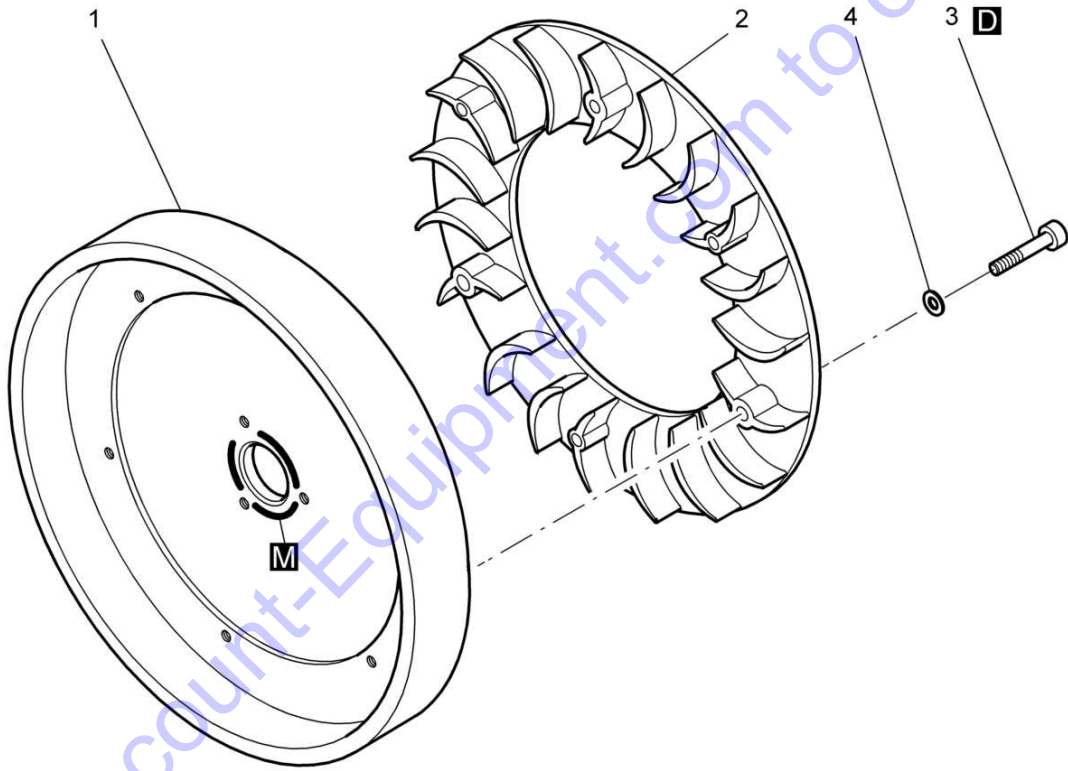
Engine no. S/N 1003415155280 ▶		11.26
Silencer		
MOT012026 1001 E		Page 1 / 1
		


Pos. Part no. Qty. Description

1	05720389	1	Exhaust silencer
2	08720814	3	>Spring washer
3	2) 05720044	1	>Kit,seal
4	05722063	3	>Socket-head cap screw
5	05724359	1	>Threaded bolt
6	05728066	1	Sealing strip 33mm
7	05728372	1	Sealing strip 65mm
8	05720203	1	Exhaust elbow
9	08510612	1	Washer
10	05727283	1	Safety nut
11	08590617	1	Washer
12	08720611	1	Spring washer
13	07140626	1	Hexagon bolt
14	07320608	2	Countersunk screw
15	05728012	1	Protective device
		2)	Incl. in gasket set for 1 cylinder head

Go to Discount-Equipment.com to order your parts

11.29	Engine no. S/N 1003415155280 ▶
	Cooling Blower
Page 1 / 1	
BOMAG FAYAT GROUP	MOT012019_000_00

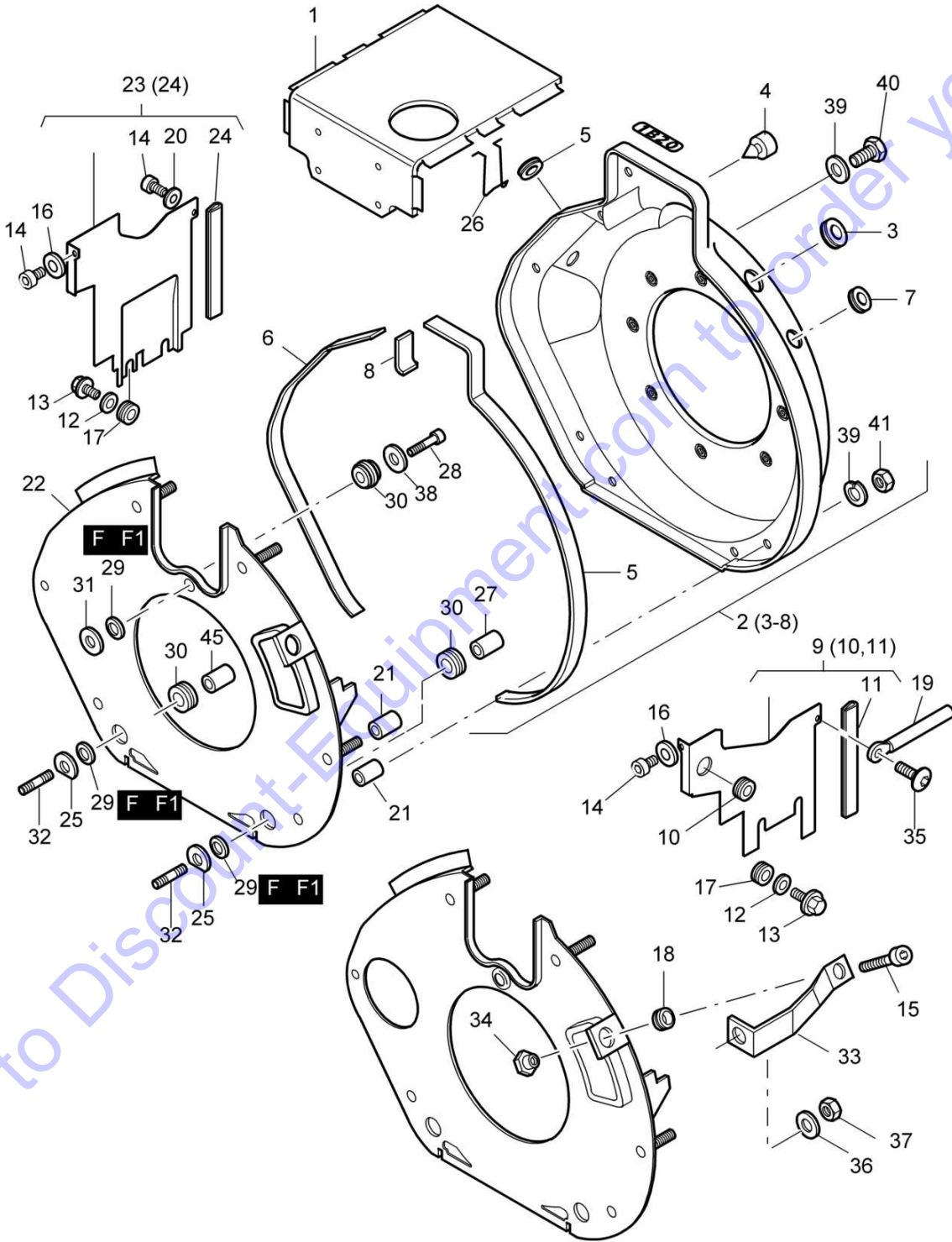



Engine no.	S/N 1003415155280 ▶	
Cooling Blower		11.29
		Page 1 / 1
		
		MOT012019 1001 E

Pos.	Part no.	Qty.	Description
1	05728224	1	Flywheel
2	05724187	1	Blower ring
3	07230429	6	Socket-head cap screw
4	08641044	6	Spring washer
			Auxiliaries
10	00978006	1,00 kg	Screw lock, middle strength D

Go to Discount-Equipment.com to order your parts

11.30	Engine no. S/N 1003415155280 ▶
	Cooling Air Duct
Page 1 / 1	
BOMAG FAYAT GROUP	MOT012022_000_00

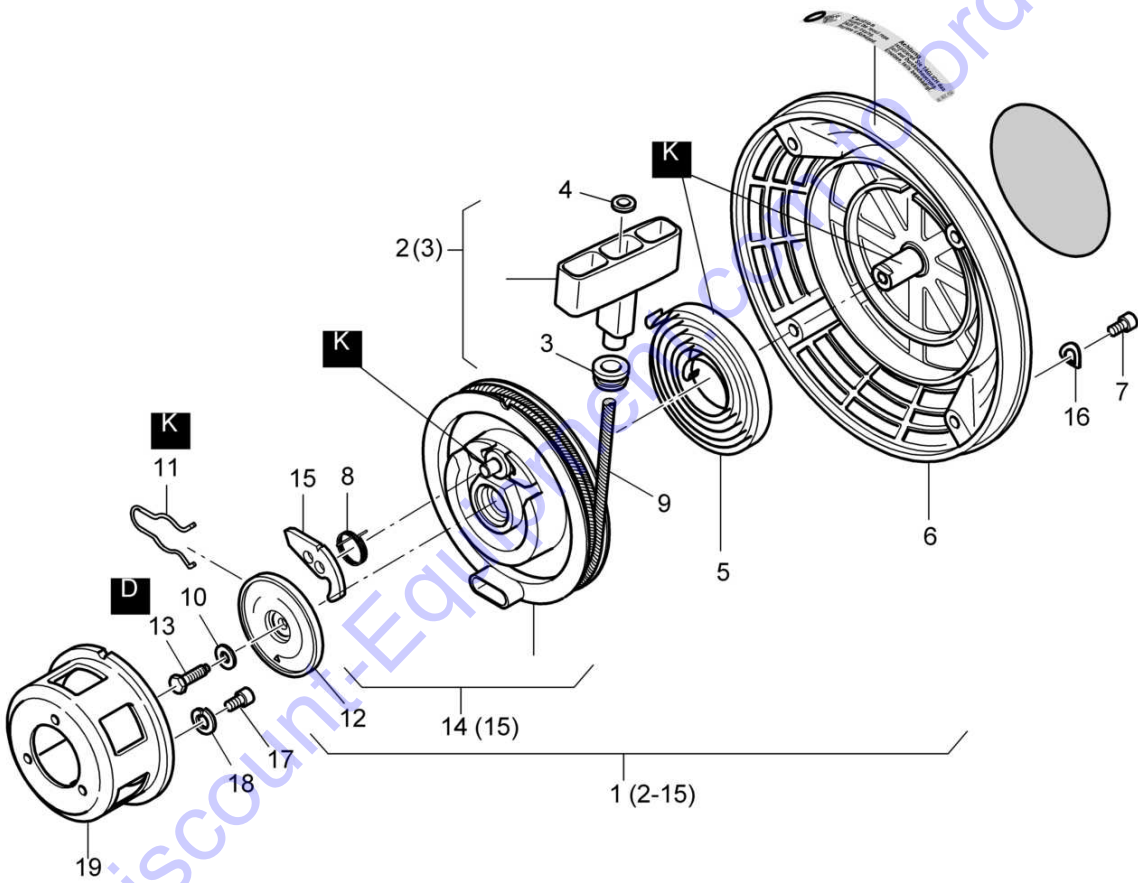



Engine no.	S/N 1003415155280 ▶	11.30
Cooling Air Duct		
		Page 1 / 1
		
		MOT012022 1001 E

Pos.	Part no.	Qty.	Description
1	05720204	1	Sound protection hood
2	05720584	1	Cover
3	05728050	2	>Rubber grommet
4	05728685	1	>Rubber grommet
5	05724367	1	>Sealing strip 520mm
6	05720457	1	>Sealing strip 440mm
7	05728299	1	>Rubber grommet
8	05728303	1	>Sealing strip
9	05728285	1	Air duct plate
10	05722519	1	Rubber grommet
11	05728286	1	Sealing strip 107mm
12	05728288	3	Washer
13	05728289	3	Hexagon bolt
14	07240608	3	Socket-head cap screw
15	07230605	1	Socket-head cap screw
16	08510612	2	Washer
17	05728287	4	Rubber grommet
18	05728291	1	Rubber grommet
19	05722054	1	Cable clip
20	05722766	1	Washer
21	05728292	5	Bushing
22	05720108	1	Separating plate
23	05728294	1	Air duct plate
24	05728286	1	>Sealing strip 107mm
25	05728604	2	Washer
26	05728307	1	Spring
27	05728292	2	Bushing
28	07230621	1	Socket-head cap screw
29	05728297	3	Rubber ring
30	05720583	3	Spacer sleeve
31	05728304	1	Washer
32	07510628	2	Pin screw
33	05728300	1	Support
34	05728301	1	Tapped bush
35	05728052	1	Countersunk screw
36	08641084	1	Spring washer
37	08120809	1	Hexagon nut
38	08720611	1	Spring washer
39	08720611	7	Spring washer
40	07140629	1	Hexagon bolt
41	08110620	6	Hexagon nut
			Auxiliaries
50	00970028	1	Technicoll F
51	00970029	1	Technicoll F1

Go to www.GoToParts.com to order your parts


11.31	Engine no.	S/N 1003415155280 ▶
	Recoil Starter	
Page 1 / 1		
BOMAG FAYAT GROUP		MOT012062_000_00

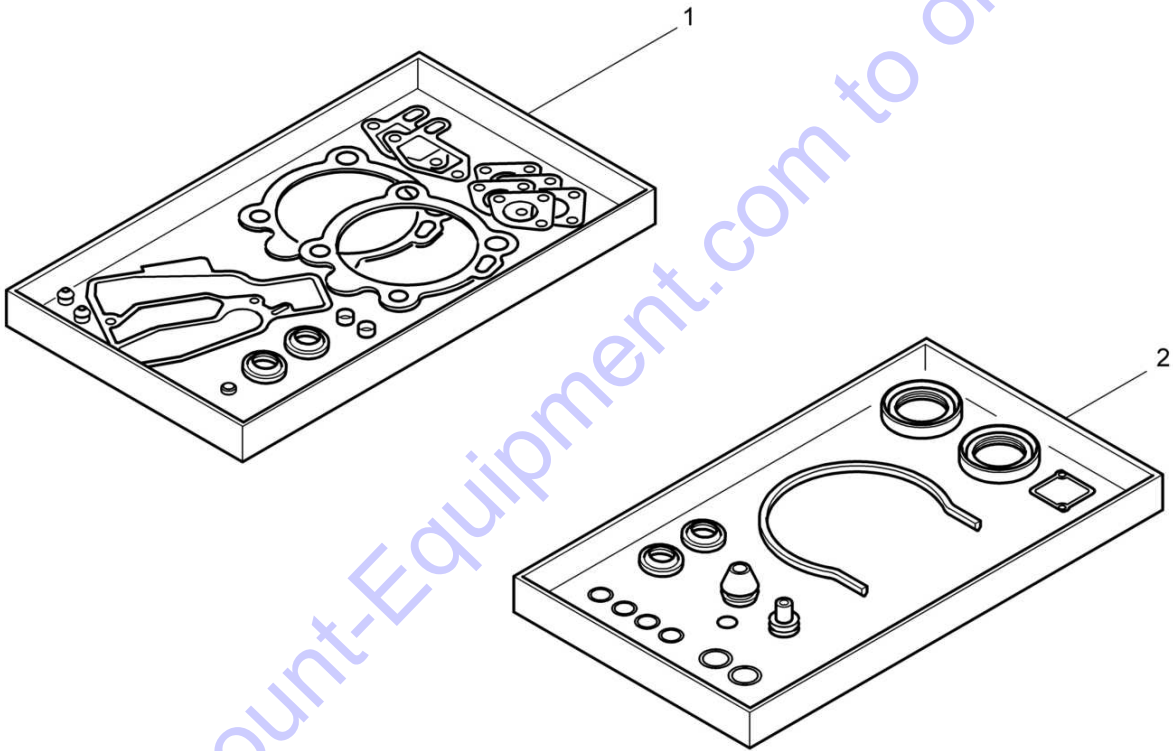



Engine no.	S/N 1003415155280 ▶	11.31
Recoil Starter		
		Page 1 / 1
	MOT012062 1001 E	

Pos.	Part no.	Qty.	Description
1	05720710	1	Recoil starter
2	05728272	1	>Handle
3	05724445	1	>>Rubber grommet
4	05724188	1	>Washer
5	05728273	1	>Spiral spring
6	05728274	1	>Housing
7	07230602	4	>Socket-head cap screw
8	05728279	1	>Torsion spring
9	05720205	1	>Starter rope 2040mm
10	08751064	1	>Spring washer
11	05728276	1	>Brake spring
12	05728277	1	>Brake disc
13	07140629	1	>Hexagon bolt
14	05728282	1	>Rope pulley
15	05728278	1	>Catch
16	08641064	4	Spring washer
17	07230602	3	Socket-head cap screw
18	08720611	3	Spring washer
19	05728280	1	Driver
20	05721037	1	Auxiliaries Grease,special K

Go to Discount-Equipment.com to order your parts


11.47	Engine no. S/N 1003415155280 ▶
	Seal Kit
Page 1 / 1	
 BOMAG FAYAT GROUP	MOT012010_000_00

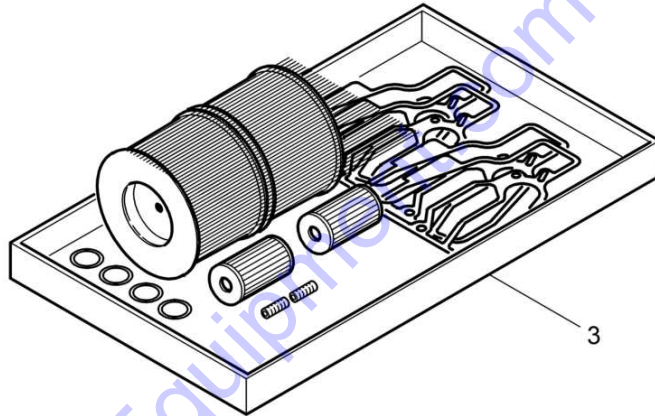



Engine no. S/N 1003415155280 ▶		11.47
Seal Kit		
		Page 1 / 1
MOT012010 1001 E		

Pos.	Part no.	Qty.	Description
1	1) 05721063	1	Kit,seal
2	2) 05728124	1	Kit,seal
		1)	Gasket set for 1 cylinder head
		2)	Gasket set for crankcase

Go to Discount-Equipment.com to order your parts

11.48	Engine no. S/N 1003415155280 ▶
Page 1 / 1	Maintenance Kit
 BOMAG FAYAT GROUP	MOT012011_000_00



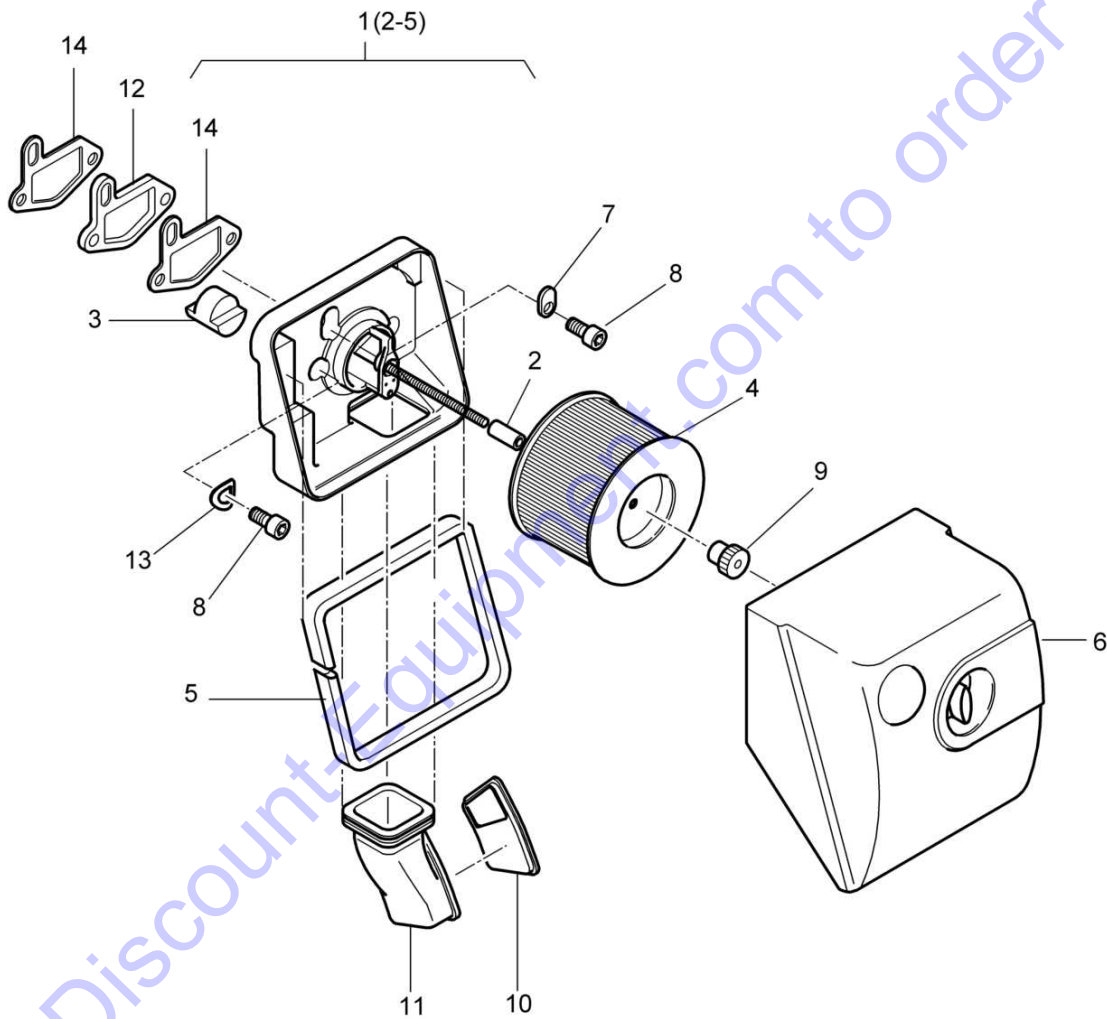
Engine no.	S/N 1003415155280 ▶	
Maintenance Kit		11.48
		Page 1 / 1
	MOT012011 1001 E	


Pos. Part no. Qty. Description

3 05728063 1 Service kit

Go to Discount-Equipment.com to order your parts

11.63	Engine no. S/N 1003415155280 ▶
	Aircleaner & Exhaust
Page 1 / 1	
BOMAG FAYAT GROUP	MOT017198_000_00



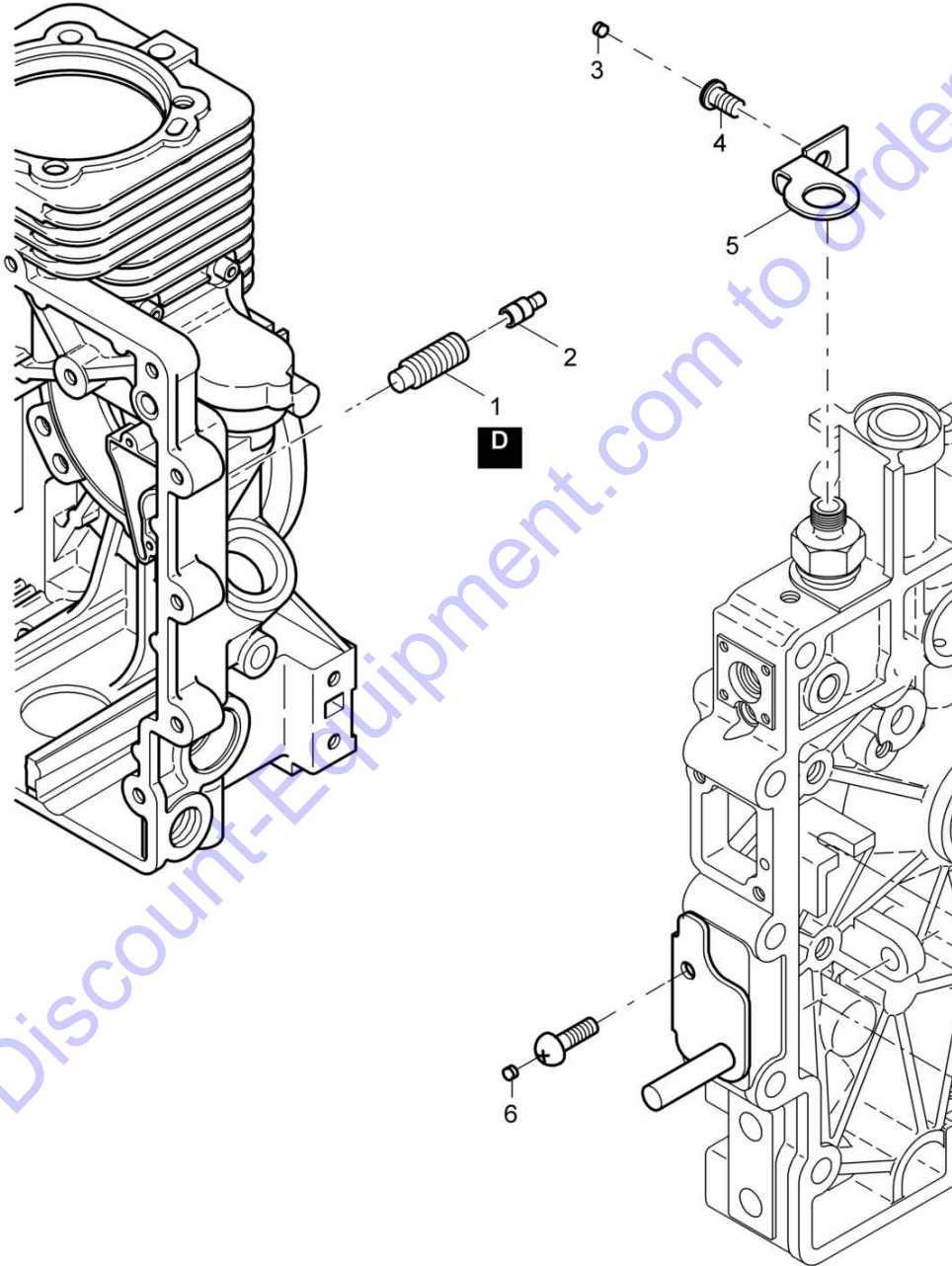
Engine no. S/N 1003415155280 ▶		11.63
Aircleaner & Exhaust		
MOT017198 1001 E		Page 1 / 1
		


Pos.	Part no.	Qty.	Description
1	05720113	1	Air filter housing
2	05728609	1	>Sleeve 32mm
3	05728362	1	>Plug
4	1) 05728350	1	>Air filter
5	05724189	1	>Sealing strip 545mm
6	05720136	1	Cover, air filter
7	05728349	1	Washer
8	07230819	3	Socket-head cap screw
9	05728351	1	Nut
10	05728049	1	Orifice
11	05728358	1	Collar
12	05728361	1	Insulating flange
13	08641084	2	Spring washer
14	2) 05728360	2	Gasket

- 1) Incl. in maintenance kit
2) Incl. in gasket set for 1 cylinder head

Go to Discount-Equipment.com to order your parts

11.96	Engine no.	S/N 1003415155280 ▶
	Other Parts	
Page 1 / 1		
BOMAG FAYAT GROUP		MOT012027_000_00



Engine no. S/N 1003415155280 ▶		11.96
Other Parts		
		Page 1 / 1
MOT012027 1001 E		

Pos.	Part no.	Qty.	Description
1	05724182	1	Tapped pin
2	05724195	1	Plug
3	05724196	1	Plug
4	05728052	1	Countersunk screw
5	05724197	1	Protection ring
6	05724198	1	Plug
Auxiliaries			
10	00978006	1,00 kg	Screw lock, middle strength D

Go to Discount-Equipment.com to order your parts

BPR 25/40 D

S/N 101692791008 ▶

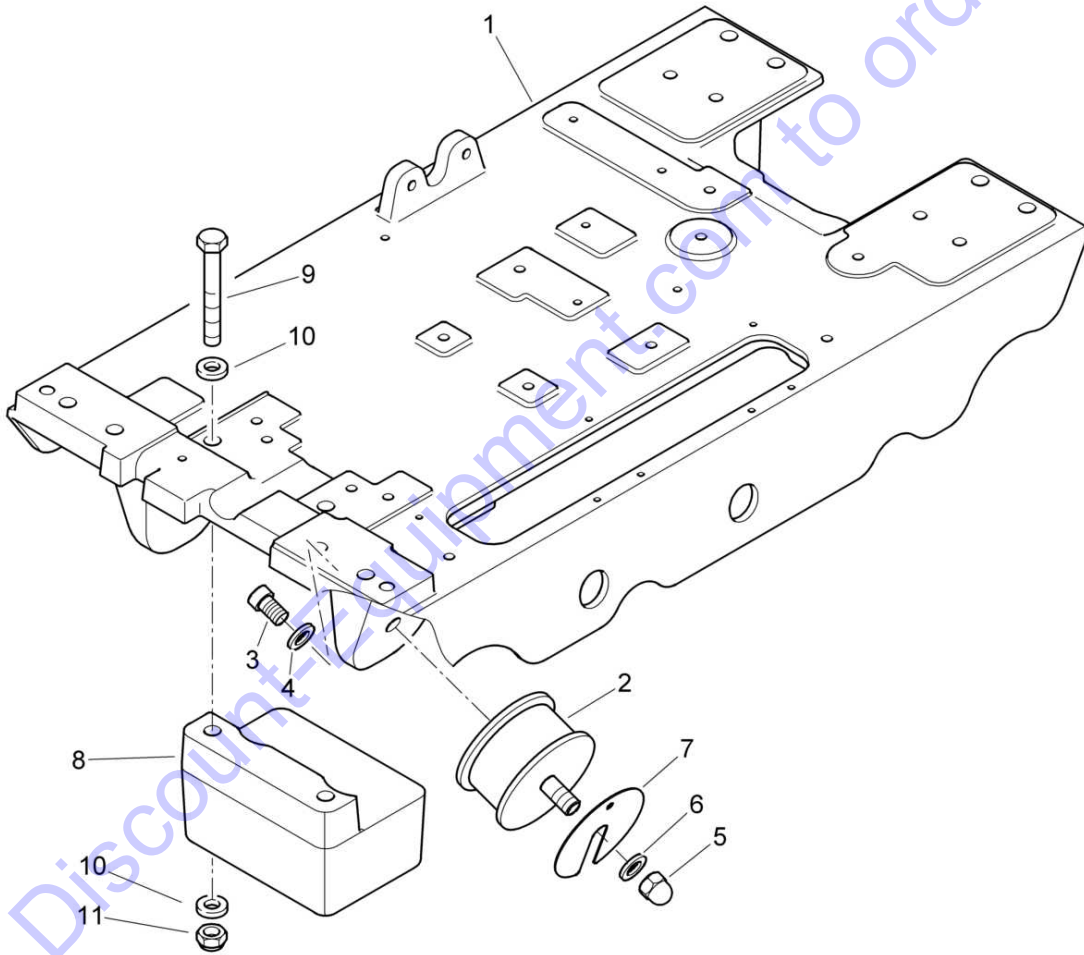
12.12

Engine Carrier


Page **1 / 1**



69030050_000_01



69030050_000_01

BPR 25/40 D		
S/N 101692791008 ▶		
Engine Carrier		12.12
		Page 1 / 1
	69030050 1001 1	

Pos.	Part no.	Qty.	Description
1	69030335	1	Engine carrier
2	06127513	4	Rubber buffer
3	07231211	4	Socket-head cap screw
4	08511324	4	Washer
5	08241217	4	Domed cap nut
6	08752130	4	Spring washer
7	69030240	4	Shim
8	69030299	1	Additional weight
9	07131064	2	Hexagon bolt
10	08511021	4	Washer
11	08131016	2	Safety nut

Go to Discount-Equipment.com to order your parts

BPR 25/40 D

S/N 101692791001 ▶ S/N 101692791007

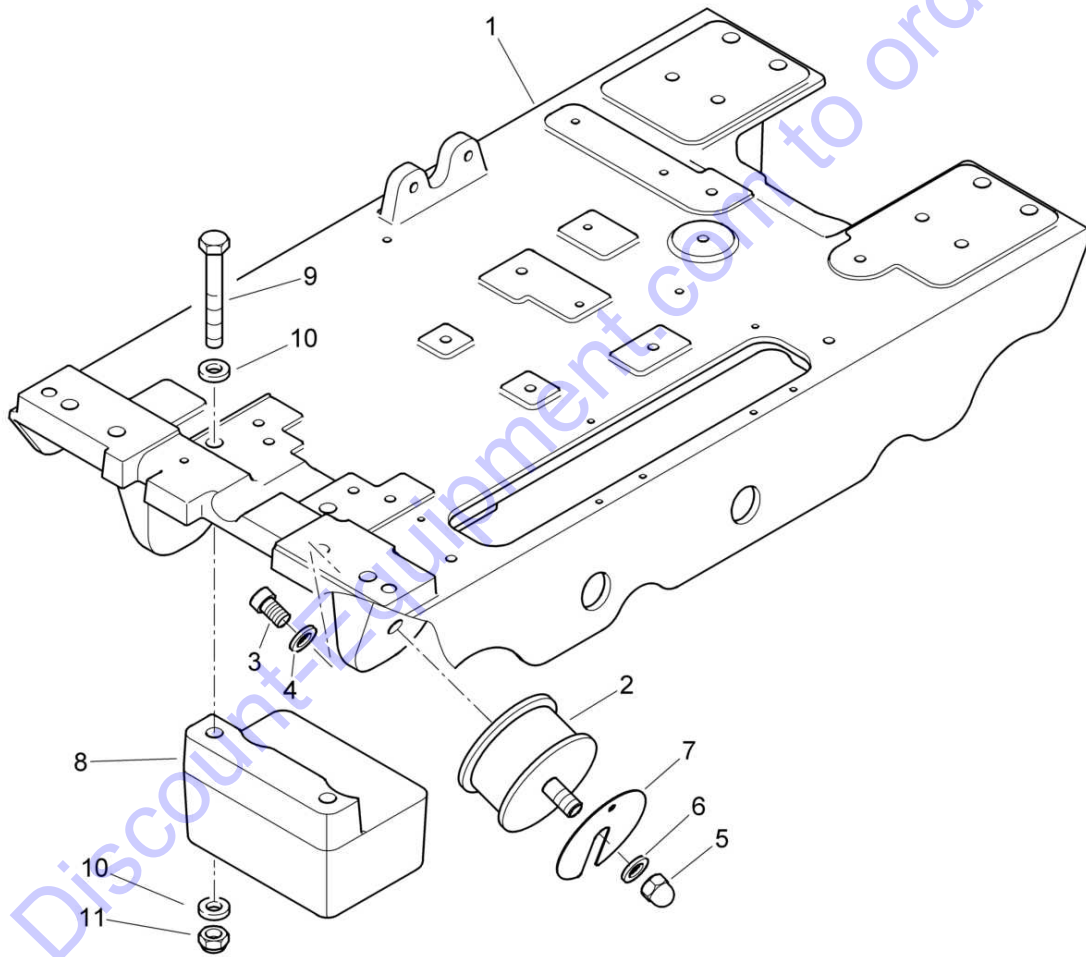
12.12

Engine Carrier


Page **1 / 1**



69030050_000_01

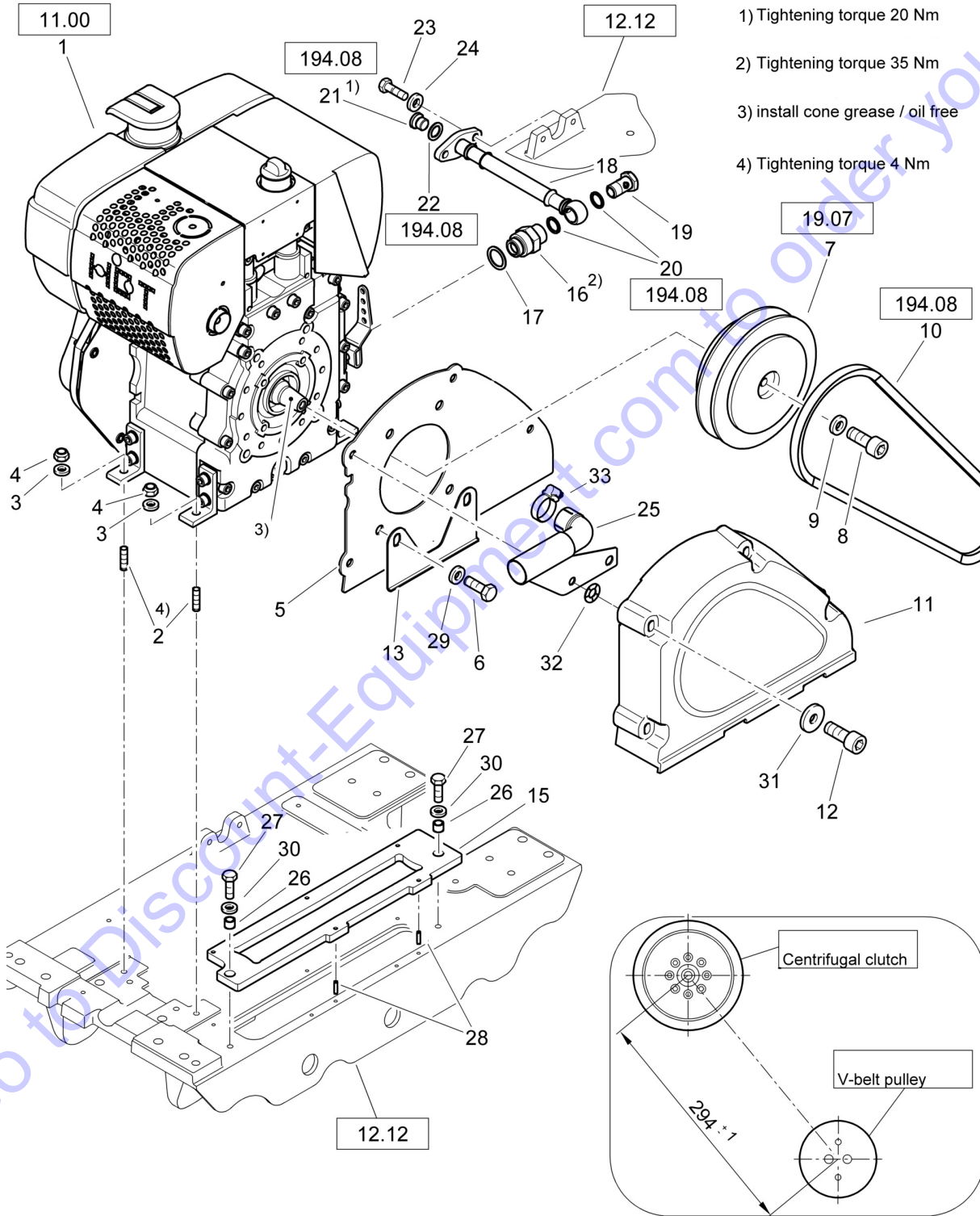



69030050_000_01

BPR 25/40 D		
S/N 101692791001 ▶ S/N 101692791007		12.12
Engine Carrier		Page 1 / 1
69030050 1001 1		

Pos.	Part no.	Qty.	Description
1	69030320	1	Engine carrier
2	06127513	4	Rubber buffer
3	07231211	4	Socket-head cap screw
4	08511324	4	Washer
5	08241217	4	Domed cap nut
6	08752130	4	Spring washer
7	69030240	4	Shim
8	69030299	1	Additional weight
9	07131064	2	Hexagon bolt
10	08511021	4	Washer
11	08131016	2	Safety nut

Go to Discount-Equipment.com to order your parts



BPR 25/40 D		
S/N 101692791001 ▶		
Engine		12.13
		Page 1 / 1
	69040079 1001 1	

Pos.	Part no.	Qty.	Description
1	05706419	1	Diesel engine
2	07510808	4	Pin screw
3	08510817	4	Washer
4	08130813	4	Safety nut
5	69040296	1	Supporting plate
6	07141017	4	Hexagon bolt
7	05650117	1	Centrifugal clutch
8	07230834	1	Socket-head cap screw
9	69040261	1	Washer
10	06312277	1	V-belt
11	69040400	1	V-belt guard
12	07230847	4	Socket-head cap screw
13	69040239	1	Supporting plate
15	69040295	1	Seal
16	69040345	1	Double-ended union
17	09331768	1	Sealing ring
18	69040238	1	Oil drain hose
19	09710110	1	Hollow screw
20	09331148	2	Sealing ring
21	07621416	1	Screw plug
22	06211422	1	U-seal
23	07140834	2	Hexagon bolt
24	08510817	2	Washer
25	69040404	1	Exhaust
26	69040291	2	Sleeve
27	07140834	2	Hexagon bolt
28	09160406	5	Dowel pin
29	08511021	4	Washer
30	08510817	2	Washer
31	08500823	4	Round anchor plate
32	08665000	4	Stop disc
33	05552405	1	Hose clip

Go to Discount-Equipment.com to order your parts

BPR 25/40 D

S/N 101692791001 ▶

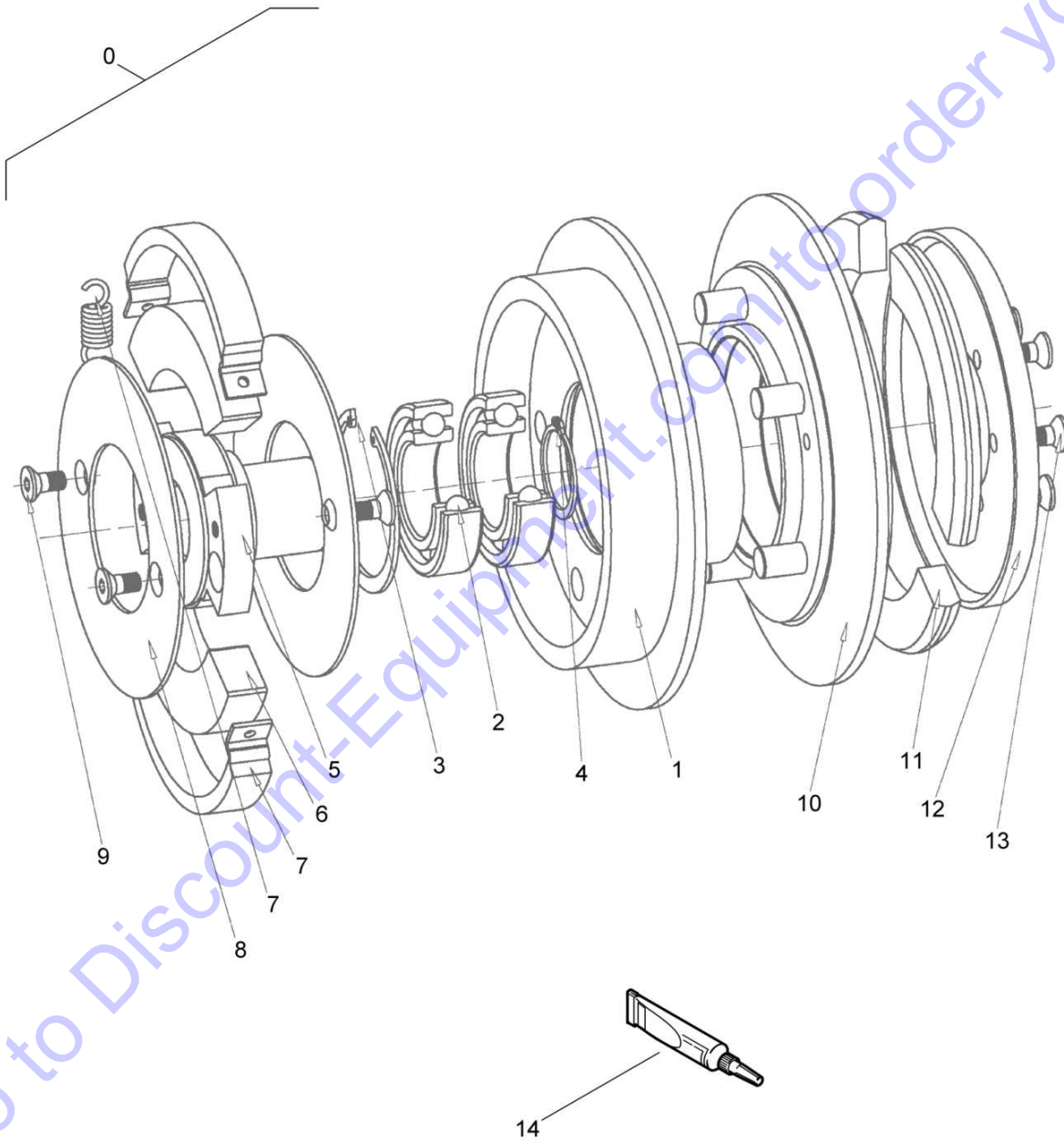
19.07

Centrifugal Clutch


Page **1 / 1**



EA002612_000_00



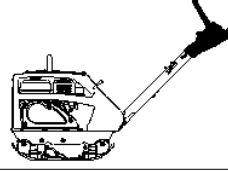
Go to Discount-Equipment.com to order your parts

BPR 25/40 D	
S/N 101692791001 ▶	19.07
Centrifugal Clutch	Page 1 / 1
	 BOMAG FAYAT GROUP
EA002612 1001 E	

Pos.	Part no.	Qty.	Description
0	05650117	1	Centrifugal clutch
1	05660192	1	>Coupling housing
2	05113306	2	>Ball bearing,grooved
3	09223300	1	>Circlip,internal
4	09211800	1	>Circlip,external
5	05660178	1	>Coupling hub
6	05660728	2	>Centrifugal weight
7	05660189	1	>Repair Kit
8	05660724	2	>Cover disc
9	05660731	4	>Countersunk screw
10	05660193	1	>Belt pulley
11	05660182	3	>Centrifugal weight
12	05660194	1	>Covering disc
13	05660186	6	>Countersunk screw
14	05660188	1	Paste

Go to Discount-Equipment.com to order your parts

Power Transmission / Actuation



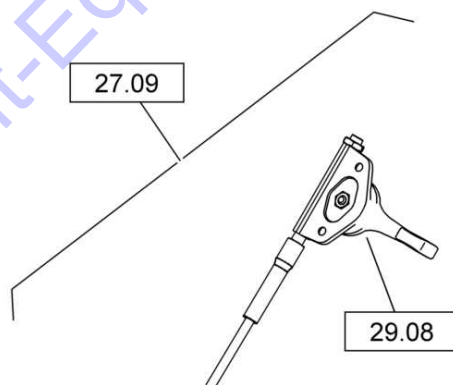
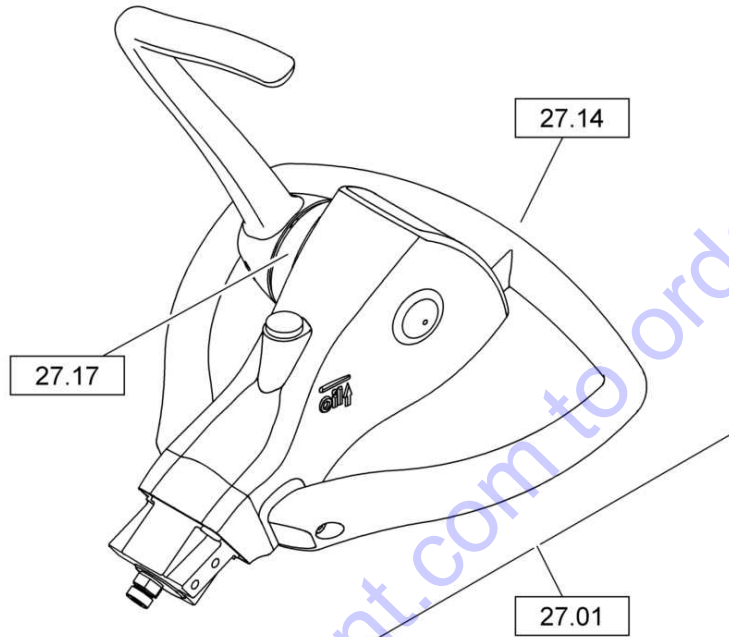
20

Go to Discount-Equipment.com to order your parts

20.00

Power Transmission / Actuation

Page /



Power Transmission / Actuation

20.00

Page /



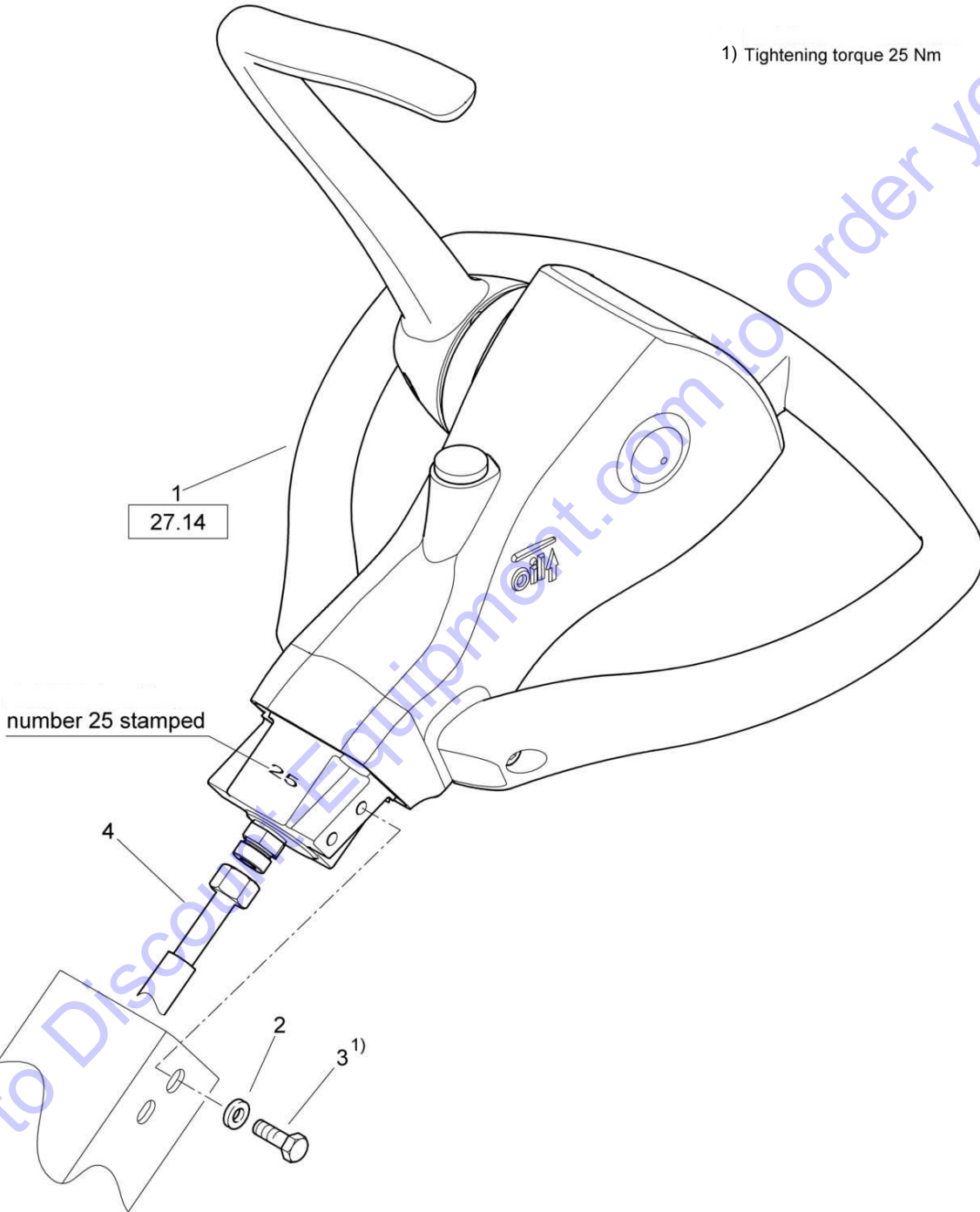
Pos. Description


- 27.01 Travel Actuation
- 27.09 Throttle Control
- 27.14 Steering rod head
- 27.17 Detent, assembled

Go to Discount-Equipment.com to order your parts

	BPR 25/40 D	
27.01		S/N 101692791001 ▶
	Travel Actuation	
Page 1 / 1		
BOMAG FAYAT GROUP		69110046_000_00

1) Tightening torque 25 Nm

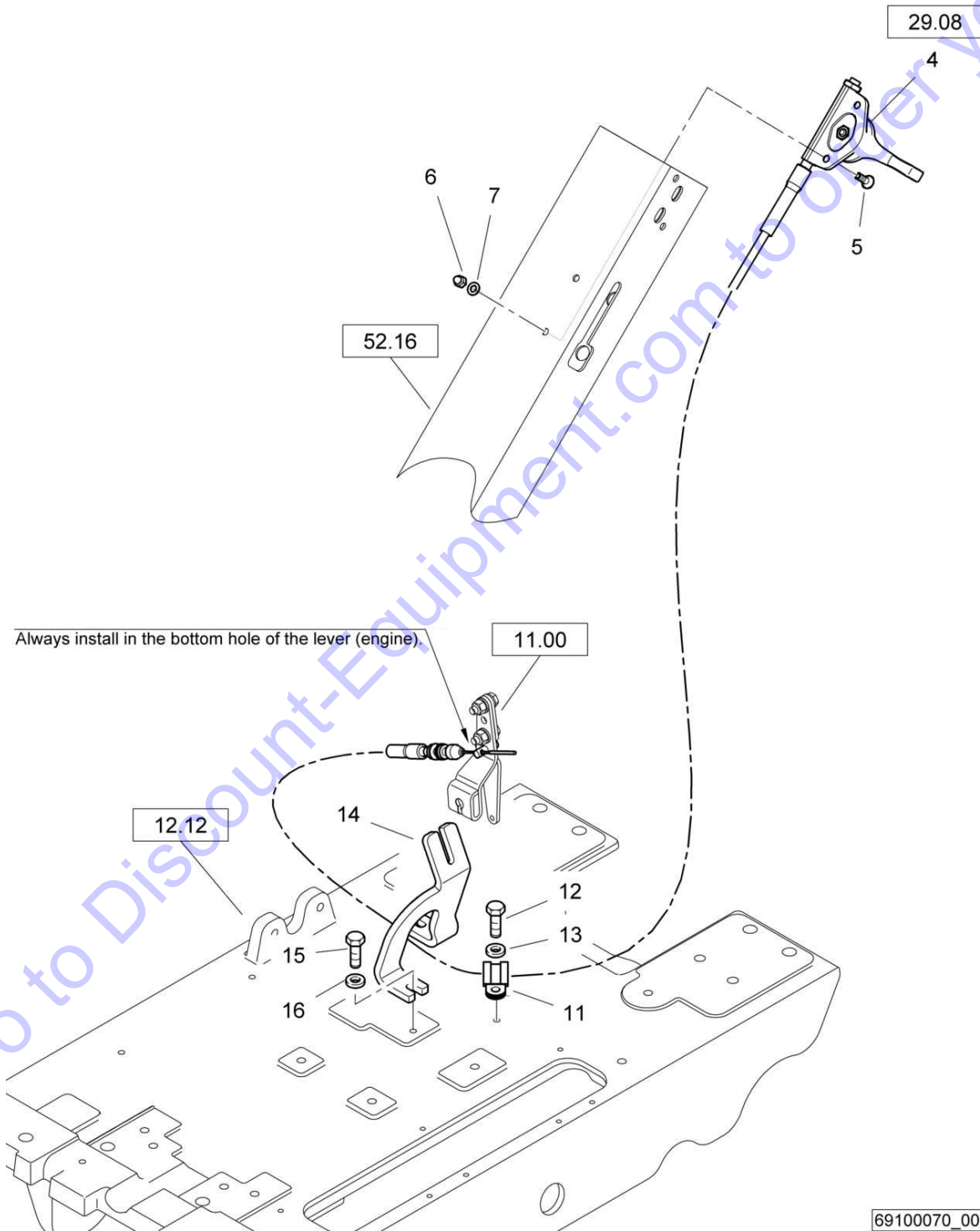



BPR 25/40 D	
S/N 101692791001 ▶	
Travel Actuation	27.01
	Page 1 / 1
	
69110046 1001 1	

Pos.	Part no.	Qty.	Description
1	69110170	1	Steering rod head
2	08510817	4	Washer
3	07140824	4	Hexagon bolt
4	05554143	1	Hose assy.ac.WN3111

Go to Discount-Equipment.com to order your parts

	BPR 25/40 D	
27.09		S/N 101692791001 ▶
	Throttle Control	
Page 1 / 1		
BOMAG FAYAT GROUP		69100070_000_01



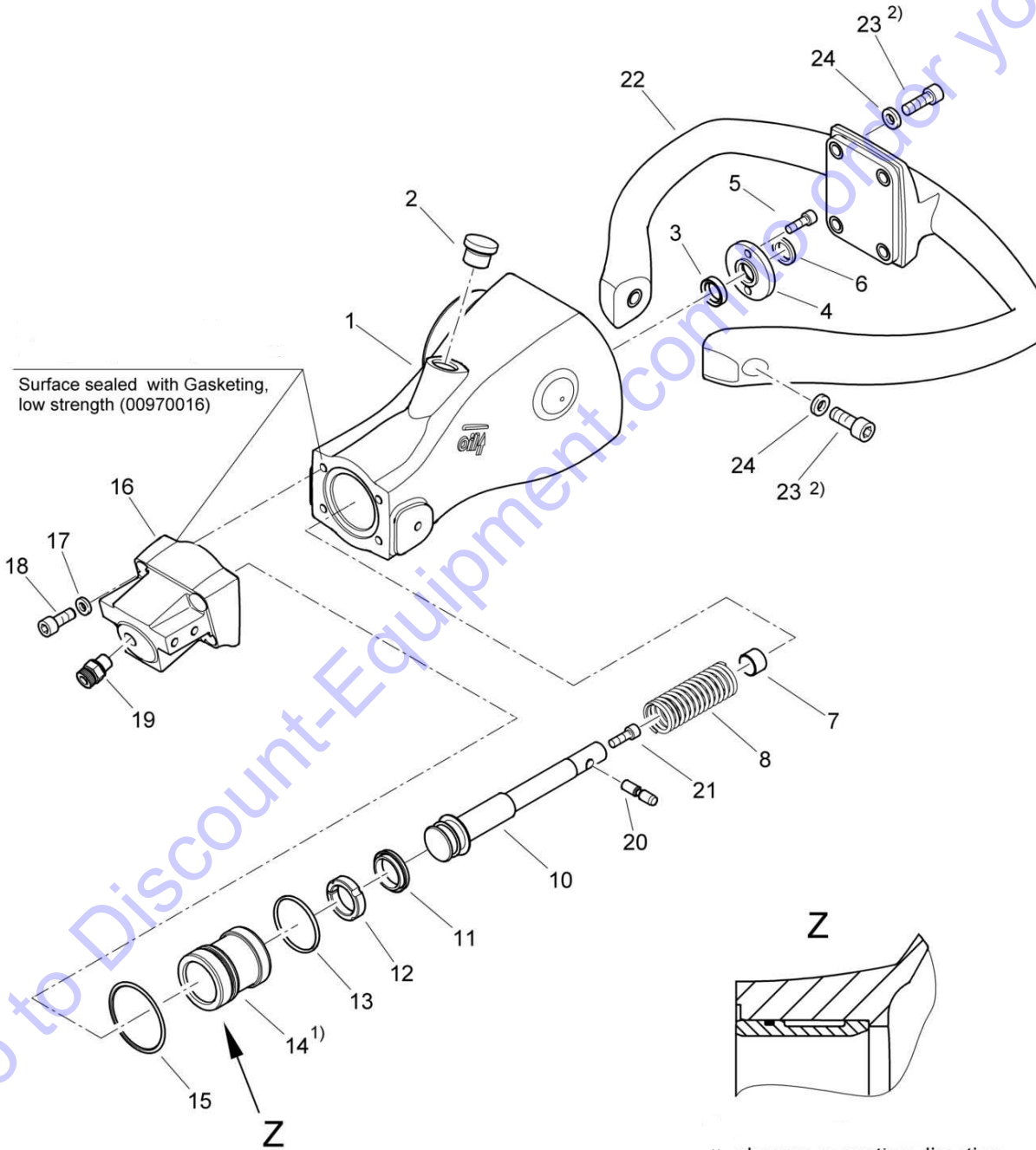
BPR 25/40 D		
S/N 101692791001 ▶		27.09
Throttle Control		Page 1 / 1
		
		69100070 1001 1

Pos.	Part no.	Qty.	Description
4	05561622	1	Throttle control
5	07320508	2	Countersunk screw
6	08240510	2	Domed cap nut
7	08510511	2	Washer
11	05551944	1	Tube clamp
12	07140633	1	Hexagon bolt
13	08510612	1	Washer
14	69110319	1	Back stop
15	07140633	2	Hexagon bolt
16	08510612	4	Washer


Go to Discount-Equipment.com to order your parts

	BPR 25/40 D	
27.14		S/N 101692791011 ▶
	Steering rod head	
Page 1 / 2		
BOMAG FAYAT GROUP		69110170_001_02

2) Tightening torque 25 Nm



1) observe mounting direction

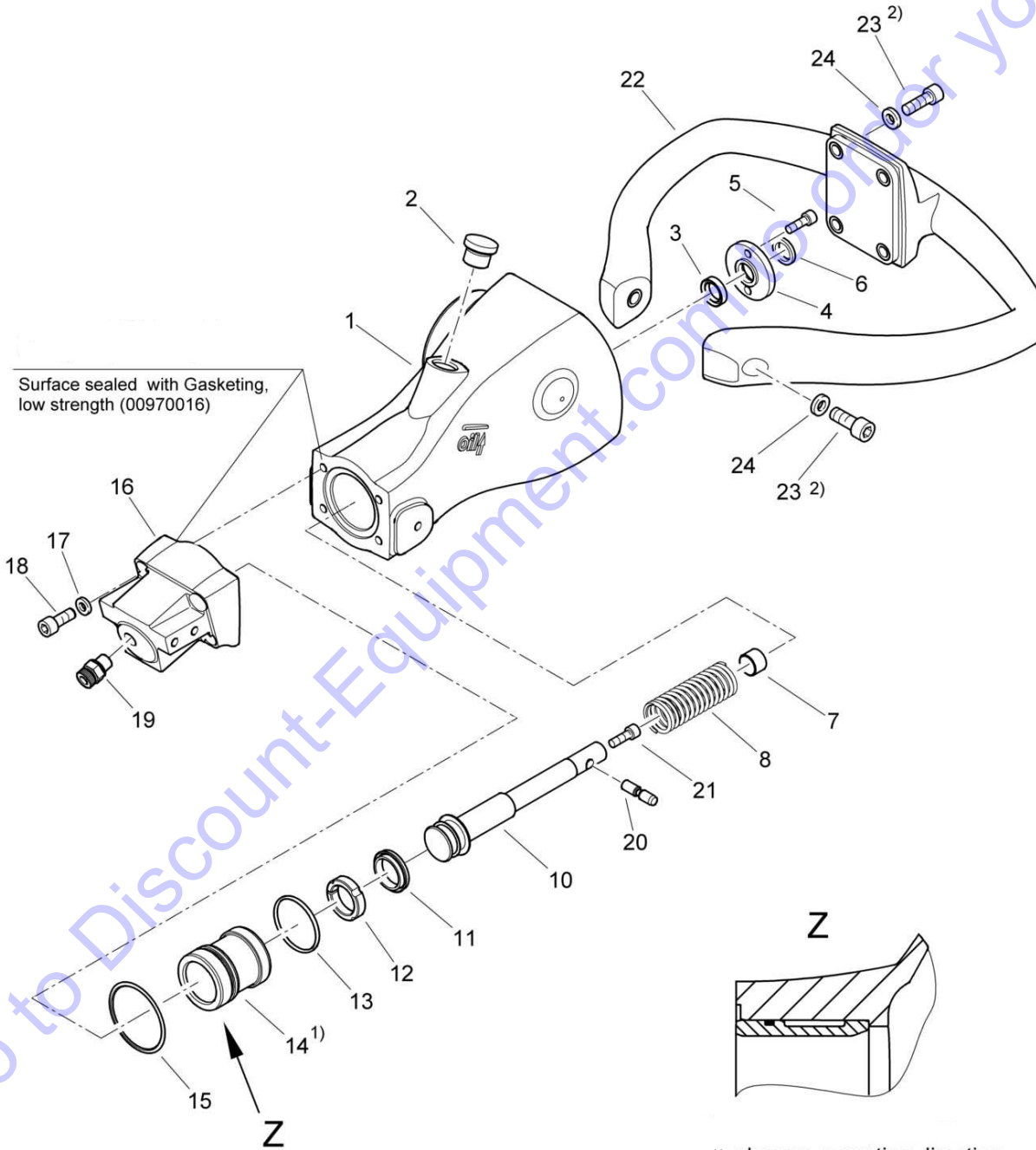
BPR 25/40 D		
S/N 101692791011 ▶		27.14
Steering rod head		Page 1 / 2
		
		69110170 1001 1

Pos.	Part no.	Qty.	Description
1	69110178	1	Housing
2	05546051	1	Screw plug with seal
3	06245060	1	Sealing ring
4	69110147	1	Sealing lid
5	07230605	2	Socket-head cap screw
6	05568996	1	Scraper
7	06283067	1	Bushing
8	05661358	1	Pressure spring
10	69110354	1	Piston rod
11	05802099	1	Piston seal
12	69110168	1	Guide bush
13	06220401	1	Loop ring
14	69110169	1	Bushing
15	06220530	1	Loop ring
16	69110363	1	Flange
17	08650817	4	Washer
18	07230822	4	Socket-head cap screw
19	05548022	1	Double-ended union
20	69110123	1	Bolt
21	69110122	1	Socket-head cap screw
22	69110164	1	Handle
23	07230822	6	Socket-head cap screw
24	08650817	6	Washer


Go to Discount-Equipment.com to order your parts

BPR 25/40 D	
27.14	S/N 101692791010 ▶ S/N 101692791010
	Steering rod head
Page 1 / 2	
BOMAG FAYAT GROUP	69110170_001_02

2) Tightening torque 25 Nm



1) observe mounting direction

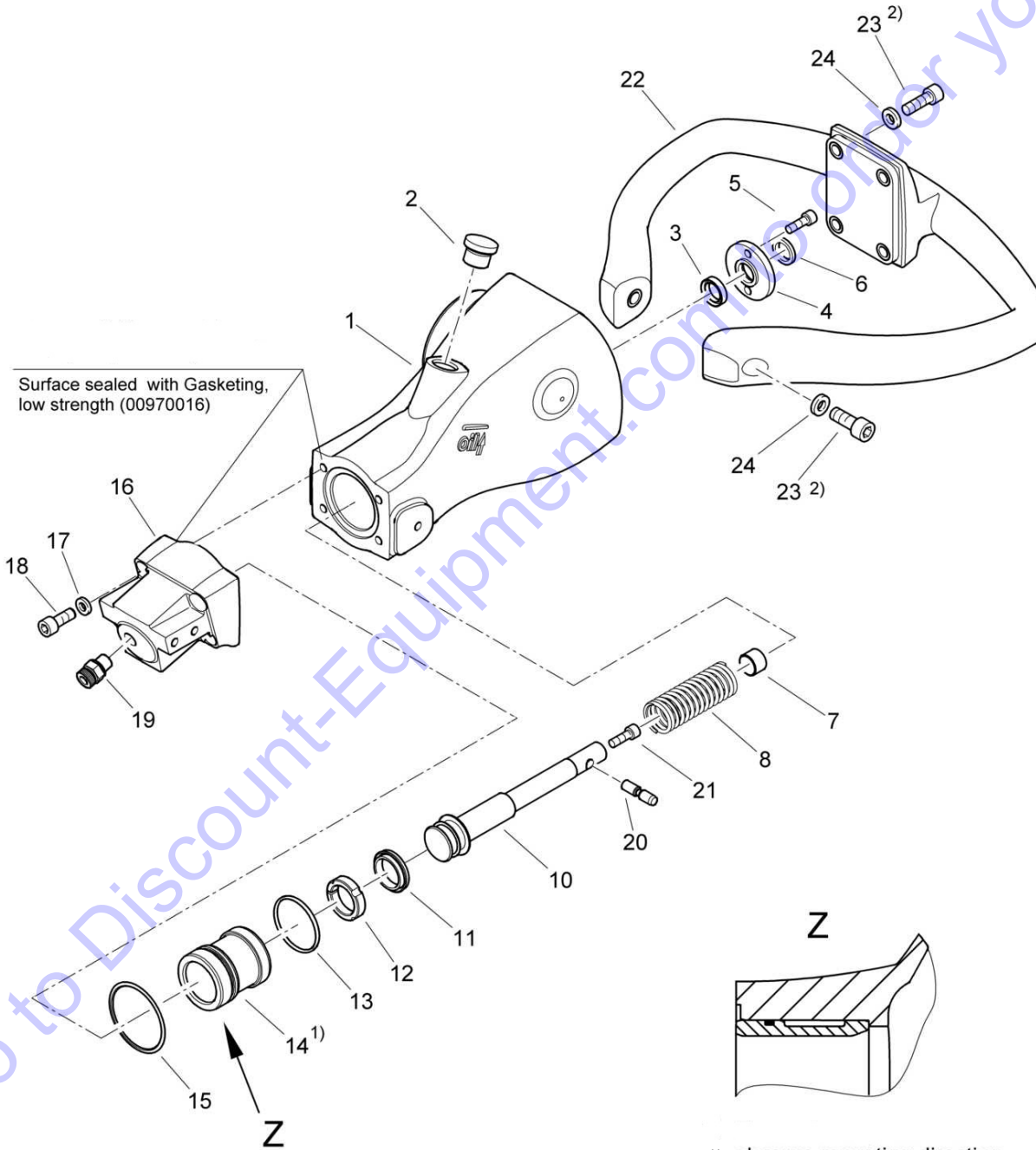
BPR 25/40 D		
S/N 101692791010 ▶ S/N 101692791010		
Steering rod head		27.14
		Page 1 / 2
69110170 1001 1		

Pos.	Part no.	Qty.	Description
1	69110178	1	Housing
2	05546051	1	Screw plug with seal
3	06245060	1	Sealing ring
4	69110147	1	Sealing lid
5	07230605	2	Socket-head cap screw
6	05568996	1	Scraper
7	06283067	1	Bushing
8	05661358	1	Pressure spring
10	69110354	1	Piston rod
11	05802099	1	Piston seal
12	69110168	1	Guide bush
13	06220401	1	Loop ring
14	69110169	1	Bushing
15	06220530	1	Loop ring
16	69110161	1	Flange
17	08650817	4	Washer
18	07230822	4	Socket-head cap screw
19	05548022	1	Double-ended union
20	69110123	1	Bolt
21	69110122	1	Socket-head cap screw
22	69110164	1	Handle
23	07230822	6	Socket-head cap screw
24	08650817	6	Washer


Go to Discount-Equipment.com to order your parts

BPR 25/40 D	
27.14	S/N 101692791001 ▶ S/N 101692791009
	Steering rod head
Page 1 / 2	
BOMAG FAYAT GROUP	69110170_001_02

2) Tightening torque 25 Nm



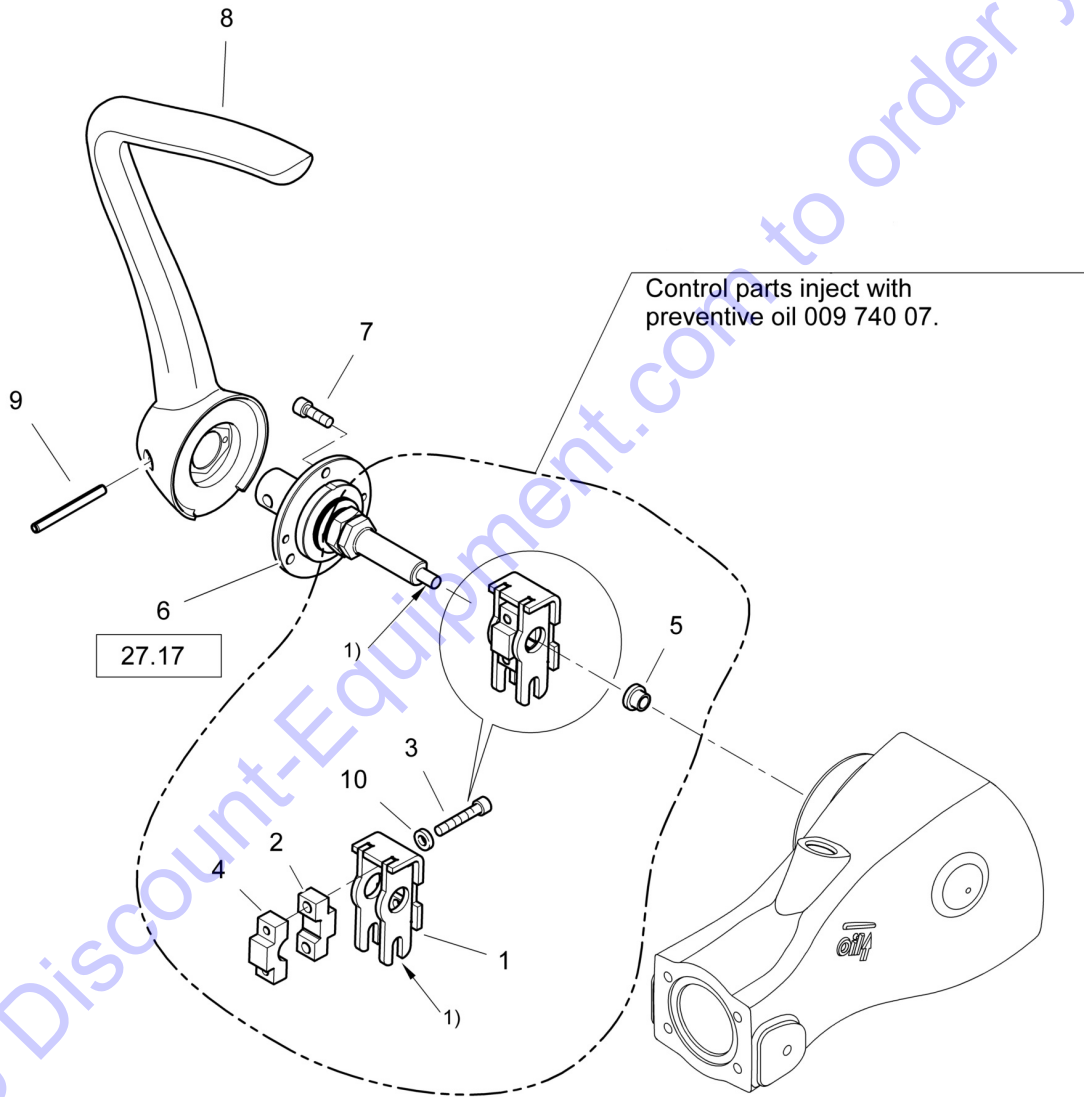
1) observe mounting direction

BPR 25/40 D		
S/N 101692791001 ▶ S/N 101692791009		27.14
Steering rod head		Page 1 / 2
		
		69110170 1001 1


Pos.	Part no.	Qty.	Description
1	69110178	1	Housing
2	05546051	1	Screw plug with seal
3	06245060	1	Sealing ring
4	69110147	1	Sealing lid
5	07230605	2	Socket-head cap screw
6	05568996	1	Scraper
7	06283067	1	Bushing
8	05661358	1	Pressure spring
10	69110225	1	Piston rod
11	05802099	1	Piston seal
12	69110168	1	Guide bush
13	06220401	1	Loop ring
14	69110169	1	Bushing
15	06220530	1	Loop ring
16	69110161	1	Flange
17	08650817	4	Washer
18	07230822	4	Socket-head cap screw
19	05548022	1	Double-ended union
20	69110123	1	Bolt
21	69110122	1	Socket-head cap screw
22	69110164	1	Handle
23	07230822	6	Socket-head cap screw
24	08650817	6	Washer

Go to Discount-Equipment.com to order your parts

	BPR 25/40 D	S/N 101692791011 ▶
27.14	Steering rod head	
Page 2 / 2		
BOMAG FAYAT GROUP	69110170_002_05	



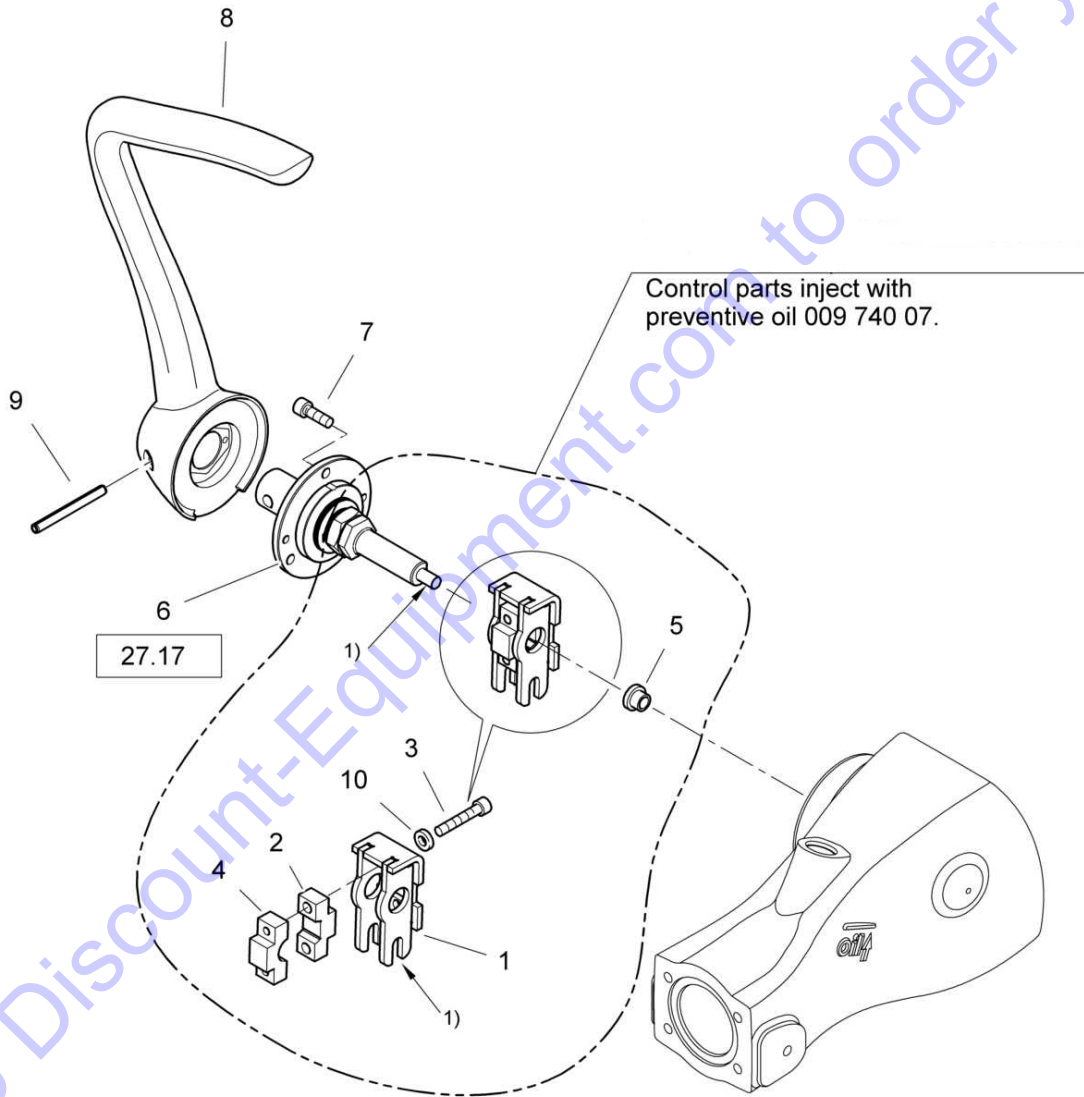
1) insert with grease 00996016


BPR 25/40 D	
S/N 101692791011 ▶	27.14
Steering rod head	Page 2 / 2
	
69110170 1001 1	

Pos.	Part no.	Qty.	Description
1	69110190	1	Lever
2	69110219	1	Driver
3	07230623	2	Socket-head cap screw
4	69110220	1	Driver
5	06282084	1	Bushing
6	69110222	1	Detent, assembled
7	07230613	3	Socket-head cap screw
8	69110188	1	Travel lever
9	09160817	1	Dowel pin
10	06270009	2	Wedge safety washer

Go to Discount-Equipment.com to order your parts

BPR 25/40 D	
27.14	S/N 101692791001 ▶ S/N 101692791010
	Steering rod head
Page 2 / 2	
BOMAG FAYAT GROUP	69110170_002_04



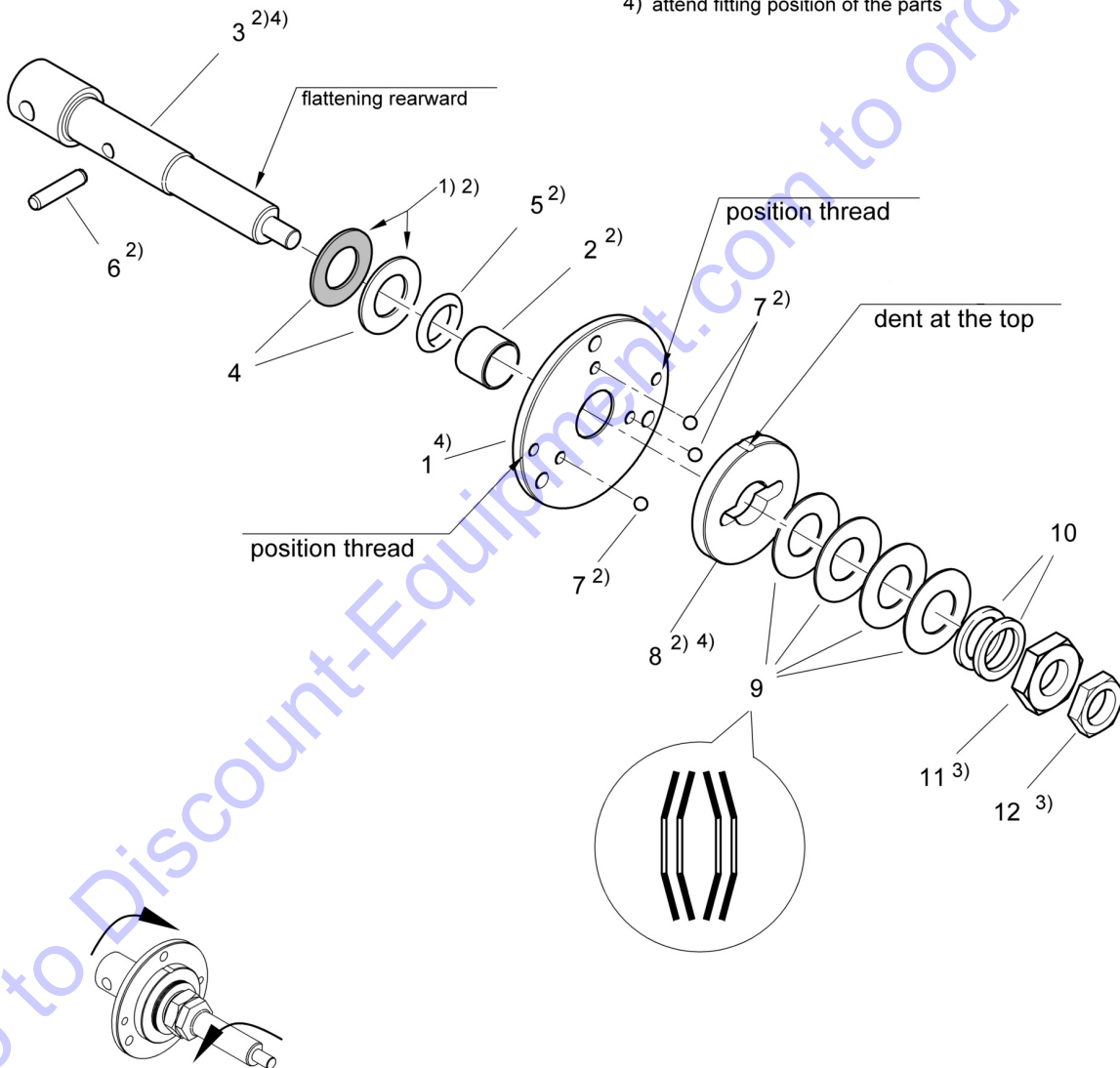
BPR 25/40 D		
S/N 101692791001 ▶ S/N 101692791010		27.14
Steering rod head		Page 2 / 2
		
		69110170 1001 1


Pos.	Part no.	Qty.	Description
1	69110190	1	Lever
2	69110219	1	Driver
3	07230623	2	Socket-head cap screw
4	69110220	1	Driver
5	06282084	1	Bushing
6	69110222	1	Detent, assembled
7	07230613	3	Socket-head cap screw
8	69110188	1	Travel lever
9	09160817	1	Dowel pin
10	06270009	2	Wedge safety washer

Go to Discount-Equipment.com to order your parts

27.17**Detent, assembled**Page **1 / 1**

- 1) Sliding surface face together
- 2) insert with grease 00996016
- 3) tightend and lock the nuts to adjust the holding torque of the defend up to 25^{+3} Nm.
- 4) attend fitting position of the parts



BPR 25/40 D	
S/N 101692791011 ▶	27.17
Detent, assembled	Page 1 / 1
69110222 1001 1	

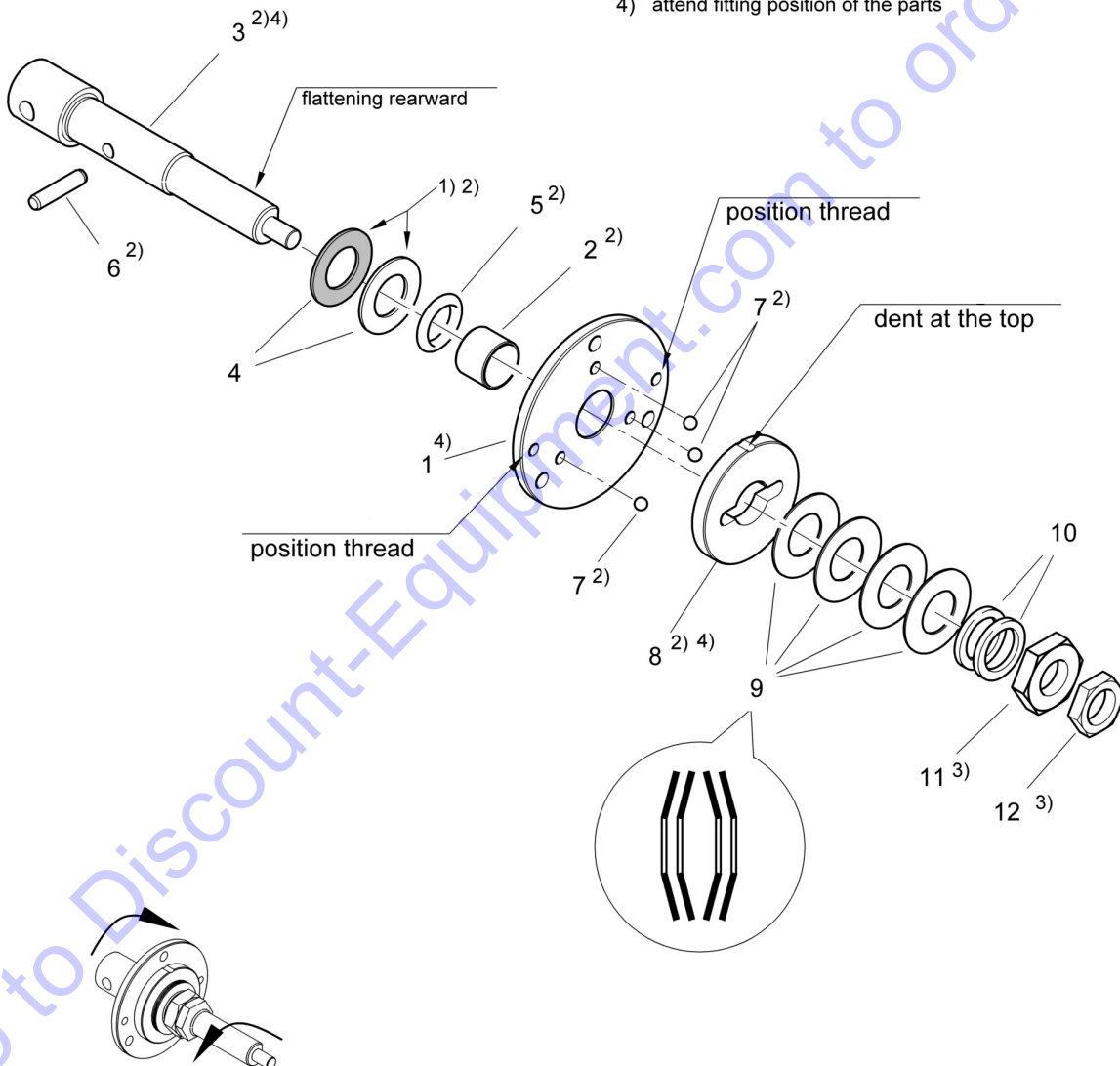
Pos.	Part no.	Qty.	Description
1	69110186	1	Flange
2	06283093	1	Bushing
3	69110221	1	Control shaft
4	05586256	2	Stop disc
5	06220183	1	Loop ring
6	09126629	1	Pin,cylindric
7	05340050	3	Ball
8	69110199	1	Stop disc
9	09290350	4	Belleville spring
10	05520416	2	Supporting disc
11	08121815	1	Hexagon nut
12	05542918	1	Nut


Go to Discount-Equipment.com to order your parts

27.17**Detent, assembled**Page **1 / 1**

69110222_000_01

- 1) Sliding surface face together
- 2) insert with grease 00996007
- 3) tightend and lock the nuts to adjust the holding torque of the defend up to 25^{+3} Nm.
- 4) attend fitting position of the parts

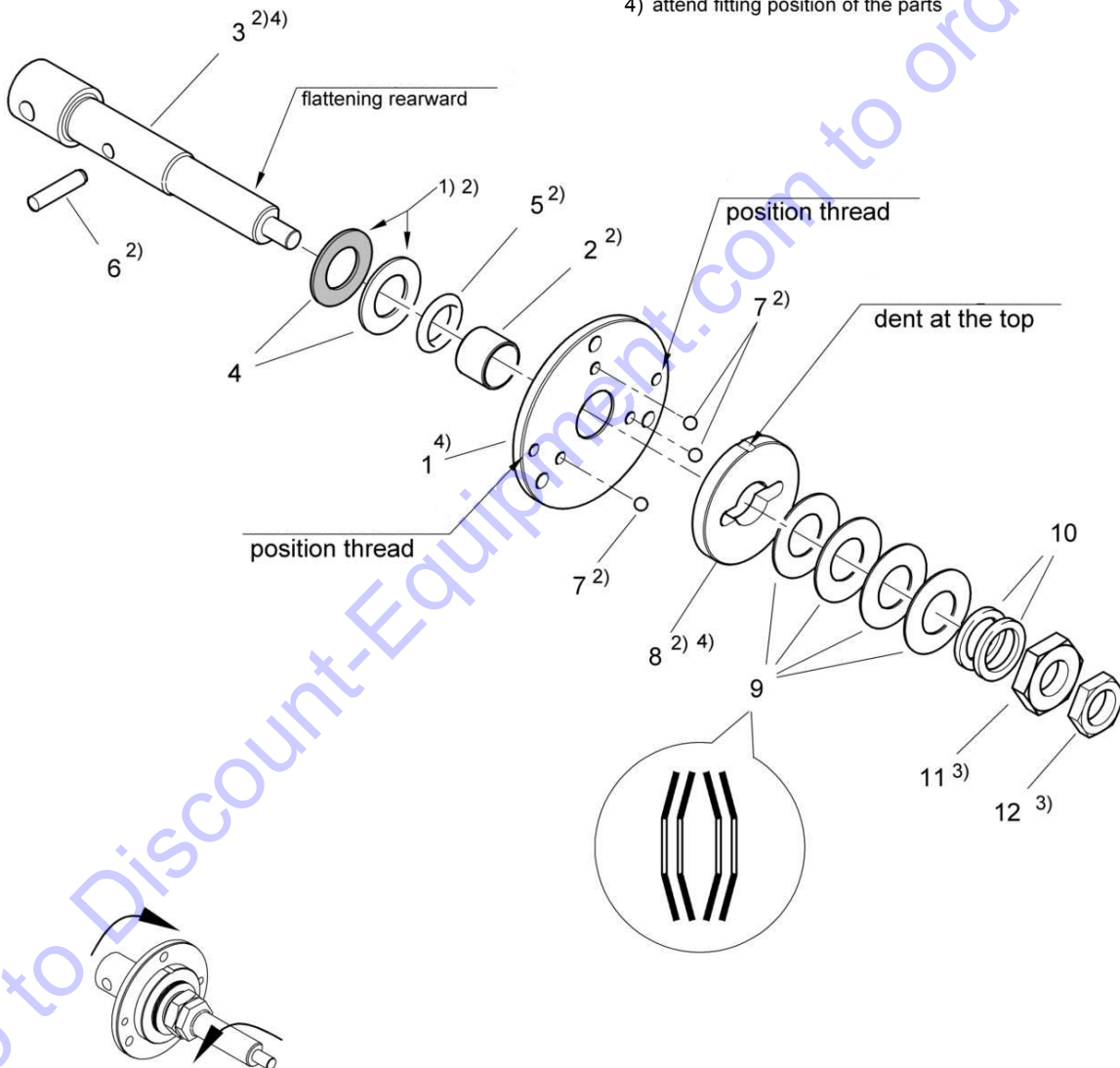



BPR 25/40 D	
S/N 101692791009 ▶ S/N 101692791010	27.17
Detent, assembled	Page 1 / 1
69110222 1001 1	

Pos.	Part no.	Qty.	Description
1	69110186	1	Flange
2	06283093	1	Bushing
3	69110221	1	Control shaft
4	05586256	2	Stop disc
5	06220183	1	Loop ring
6	09126629	1	Pin,cylindric
7	05340050	3	Ball
8	69110199	1	Stop disc
9	09290350	4	Belleville spring
10	05520416	2	Supporting disc
11	08121815	1	Hexagon nut
12	05542918	1	Nut

Go to Discount-Equipment.com to order your parts

- 1) Sliding surface face together
- 2) insert with grease 00996007
- 3) tightend and lock the nuts to adjust the holding torque of the defend up to 25^{+3} Nm.
- 4) attend fitting position of the parts

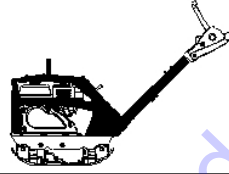


BPR 25/40 D		
S/N 101692791001 ▶ S/N 101692791008		27.17
Detent, assembled		Page 1 / 1
69110222 1001 1		

Pos.	Part no.	Qty.	Description
1	69110186	1	Flange
2	06283093	1	Bushing
3	69110221	1	Control shaft
4	05586256	2	Stop disc
5	06220183	1	Loop ring
6	97204693	1	Pin,cylindric
7	05340050	3	Ball
8	69110199	1	Stop disc
9	09290350	4	Belleville spring
10	05520416	2	Supporting disc
11	08121815	1	Hexagon nut
12	05542918	1	Nut

Go to Discount-Equipment.com to order your parts

Frame with Attachment Parts



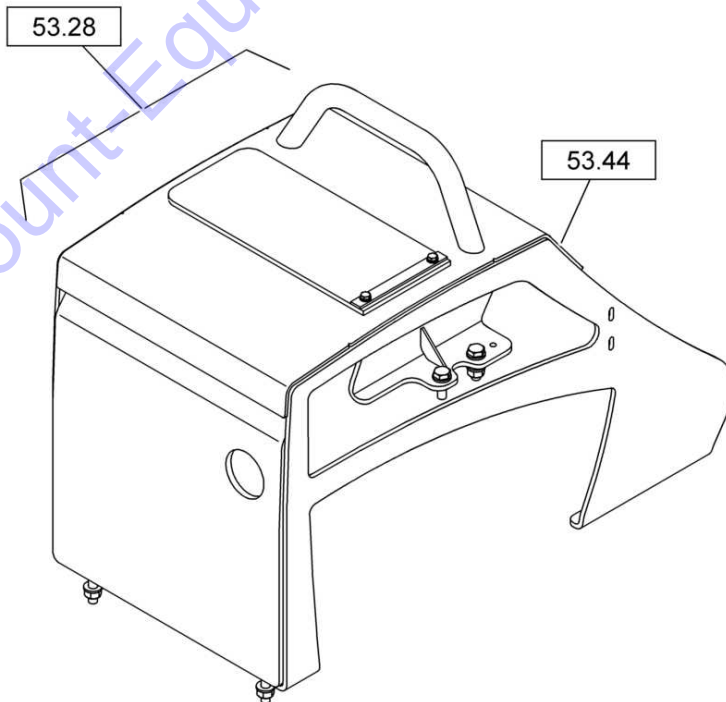
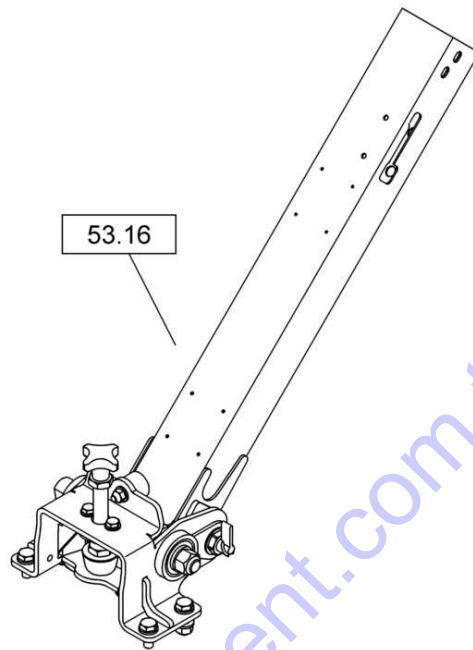
50


Go to Discount-Equipment.com to order your parts

50.00

Frame with Attachment Parts

Page /



Frame with Attachment Parts	50.00
	Page /
	

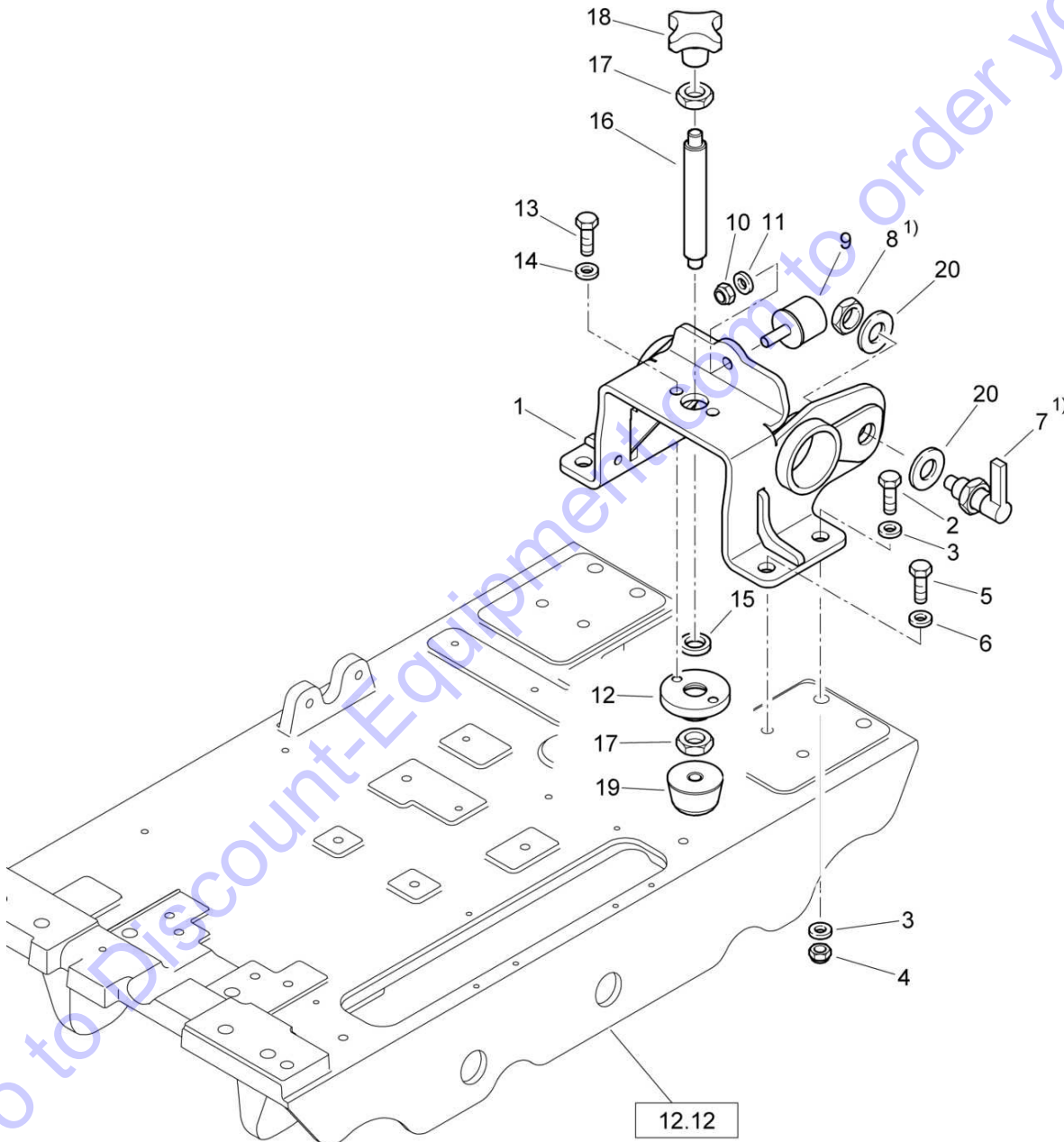
Pos. Description


- 52.16 Steering Handle
- 53.28 Protection hood
- 53.44 Hood, assembled

Go to Discount-Equipment.com to order your parts

	BPR 25/40 D	
52.16		S/N 101692791001 ▶
	Steering Handle	
Page 1 / 2		
BOMAG FAYAT GROUP		69060050_001_00

1) Tightening torque 100 Nm

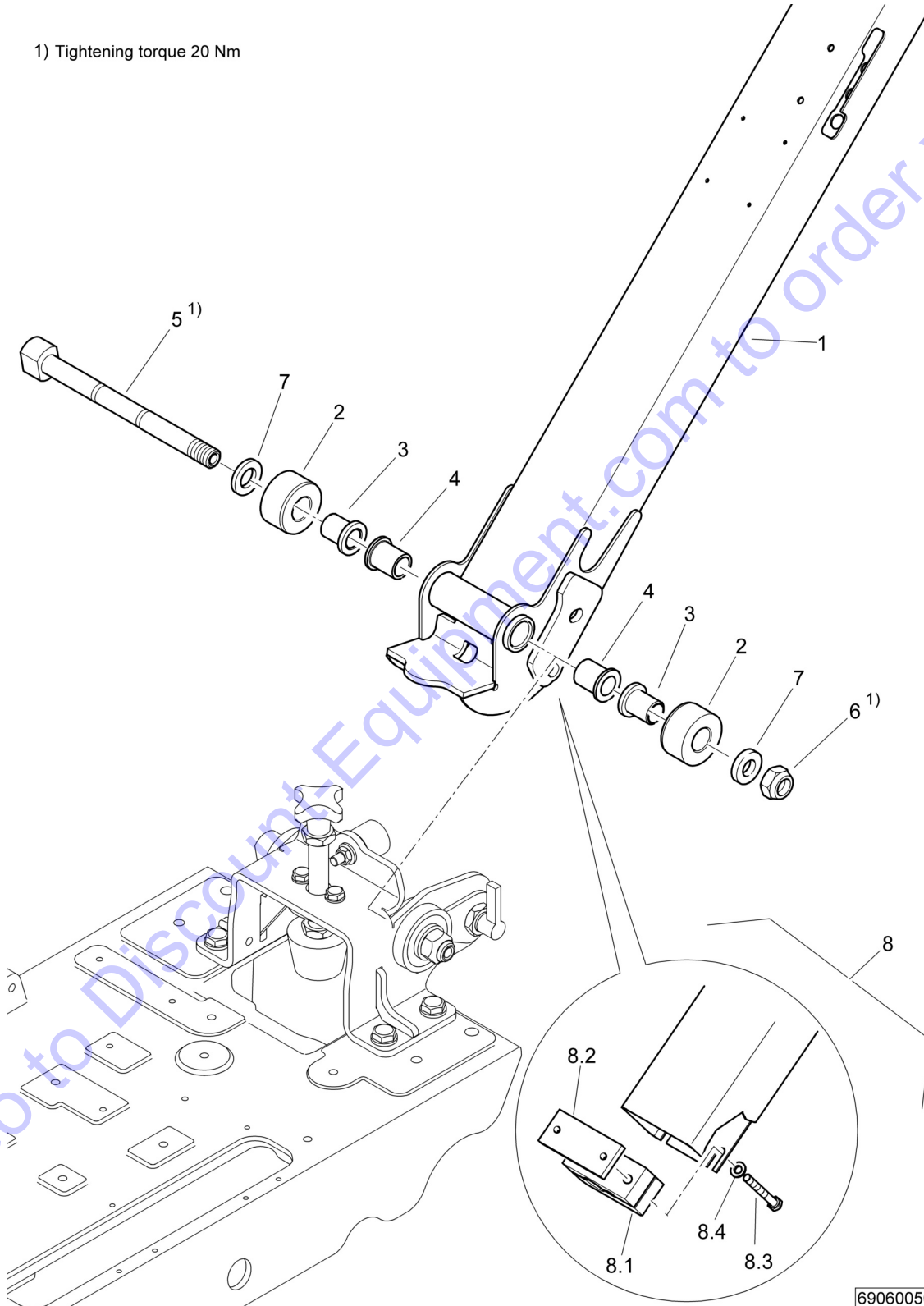



BPR 25/40 D		
S/N 101692791001 ▶		
Steering Handle		52.16
		Page 1 / 2
	69060050 1001 1	

Pos.	Part no.	Qty.	Description
1	69060464	1	Console
2	07141032	2	Hexagon bolt
3	08511021	4	Washer
4	08131016	2	Safety nut
5	07141027	2	Hexagon bolt
6	08511021	2	Washer
7	06422053	1	Locking bar
8	08141615	1	Hexagon nut
9	06142910	1	Stop buffer
10	08110813	1	Hexagon nut
11	08752084	1	Spring washer
12	69440120	1	Seal
13	07140824	2	Hexagon bolt
14	08510817	2	Washer
15	68110147	1	Sealing ring
16	73060114	1	Threaded rod
17	08141620	2	Hexagon nut
18	06421265	1	Star knob
19	06147115	1	Stop buffer
20	09293152	2	Belleville spring

Go to Discount-Equipment.com to order your parts

1) Tightening torque 20 Nm



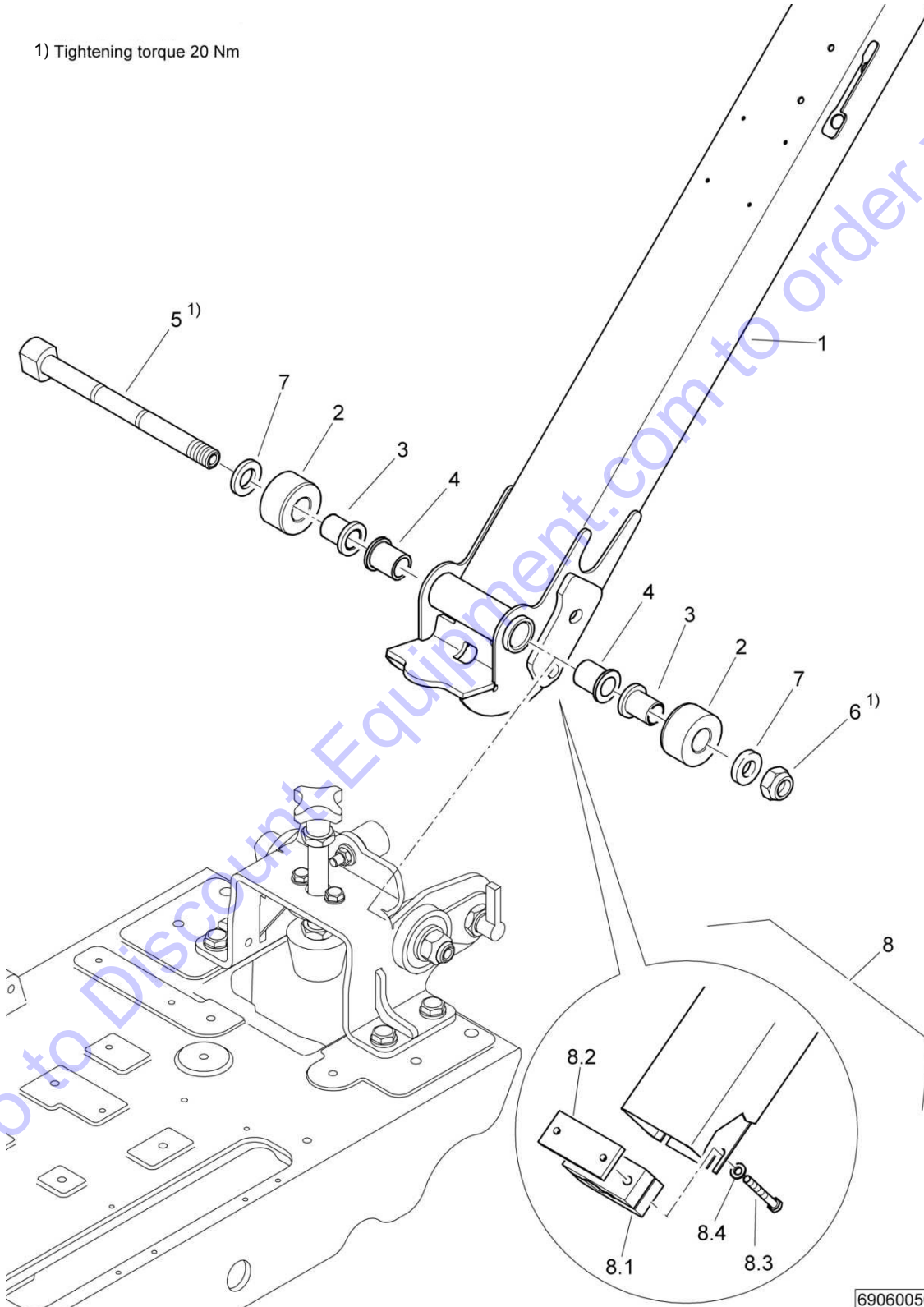
BPR 25/40 D	
S/N 101692791011 ▶	
Steering Handle	52.16
	Page 2 / 2
	 BOMAG FAYAT GROUP
69060050 1001 1	

Pos.	Part no.	Qty.	Description
1	69060530	1	Steering handle
2	06151711	2	Rubber bush
3	22040106	2	Bushing
4	06282087	2	Bushing
5	69060347	1	Threaded bolt
6	08131621	1	Safety nut
7	08511730	2	Washer
8	69060460	1	Holder,assembled
8.1	69060206	1	Pillow block
8.2	69060147	1	Flat steel
8.3	07140665	2	Hexagon bolt
8.4	08510612	2	Washer


Go to Discount-Equipment.com to order your parts

BPR 25/40 D	
52.16	S/N 101692791001 ▶ S/N 101692791010
	Steering Handle
Page 2 / 2	
BOMAG FAYAT GROUP	69060050_002_01

1) Tightening torque 20 Nm

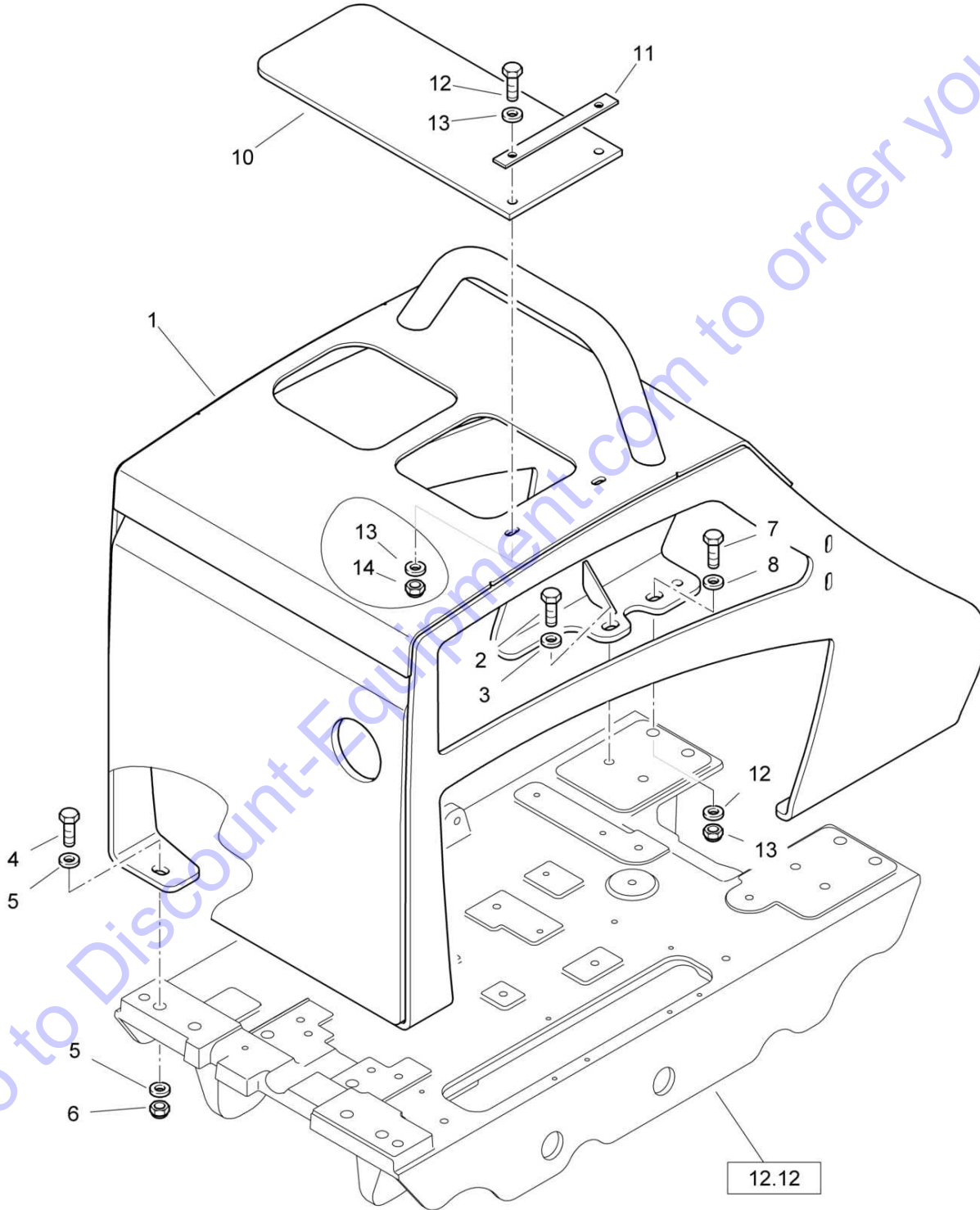



69060050_002_01

BPR 25/40 D		
S/N 101692791001 ▶ S/N 101692791010		
Steering Handle		52.16
		Page 2 / 2
	69060050 1001 1	

Pos.	Part no.	Qty.	Description
1	69060481	1	Steering handle
2	06151711	2	Rubber bush
3	22040106	2	Bushing
4	06282087	2	Bushing
5	69060347	1	Threaded bolt
6	08131621	1	Safety nut
7	08511730	2	Washer
8	69060460	1	Holder,assembled
8.1	69060206	1	Pillow block
8.2	69060147	1	Flat steel
8.3	07140665	2	Hexagon bolt
8.4	08510612	2	Washer

Go to Discount-Equipment.com to order your parts

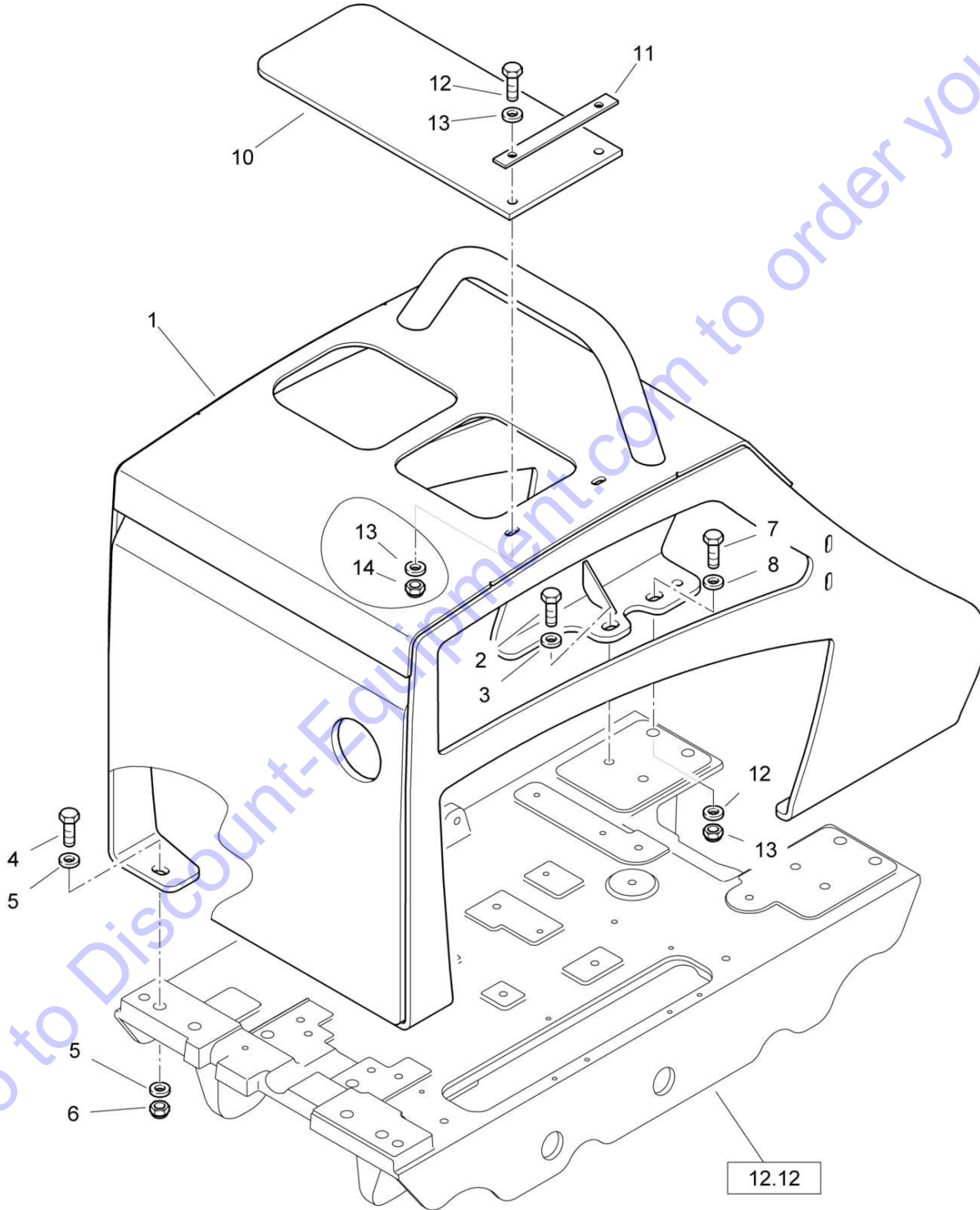



BPR 25/40 D	
S/N 101692791006 ▶	
Protection hood	53.28
	Page 1 / 1
	
69120051 1001 1	

Pos. Part no. Qty. Description

1	69121093	1	Hood
2	07141030	2	Hexagon bolt
3	08511021	2	Washer
4	07141044	2	Hexagon bolt
5	08511021	4	Washer
6	08131016	2	Safety nut
7	07141032	2	Hexagon bolt
8	08511021	4	Washer
9	08131016	2	Safety nut
10	69120478	1	Cover plate
11	69120353	1	Strip steel
12	07140641	2	Hexagon bolt
13	08510612	4	Washer
14	08130611	2	Safety nut

Go to Discount-Equipment.com to order your parts

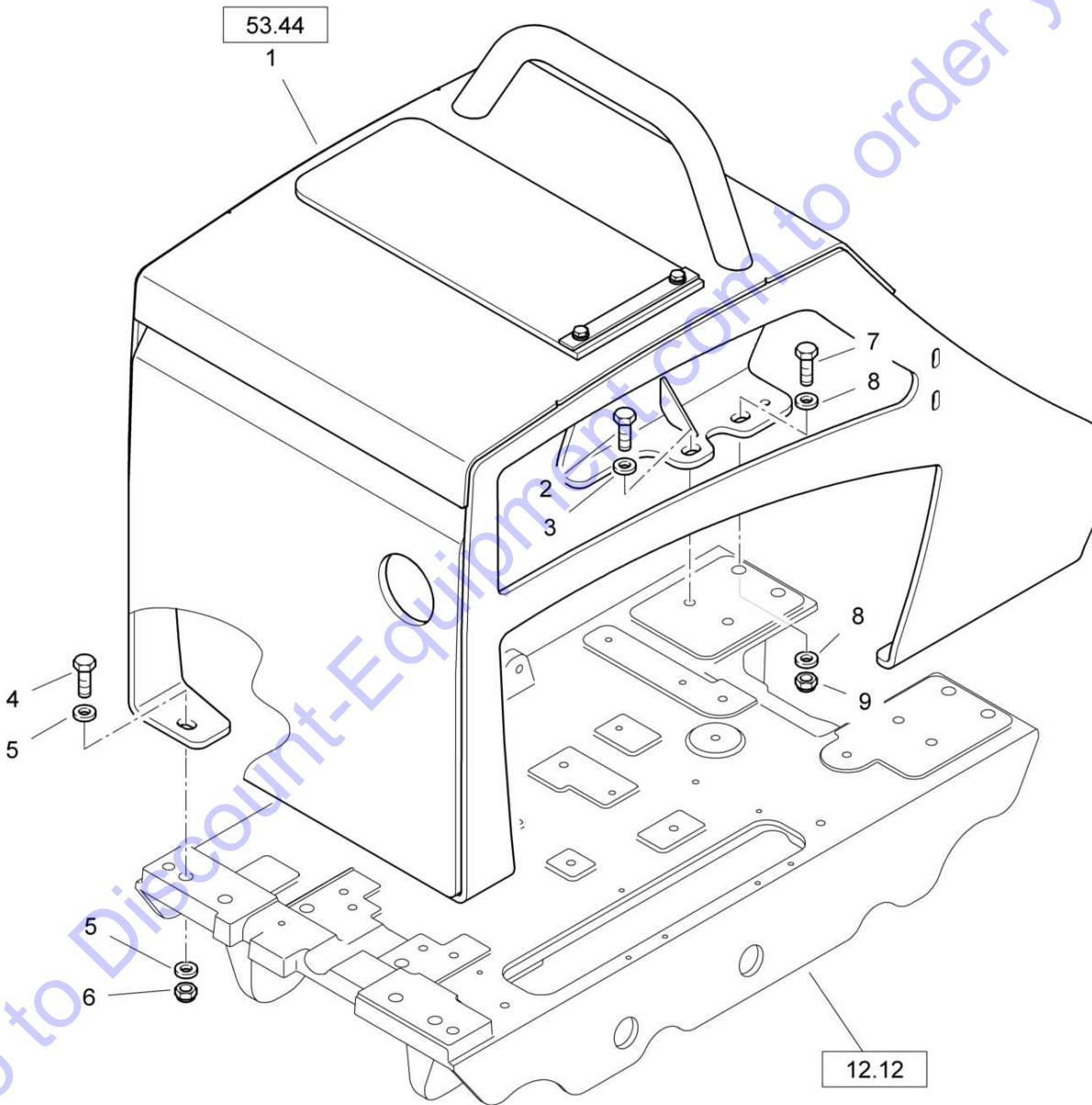



BPR 25/40 D	S/N 101692791004 ▶ S/N 101692791005	53.28
Protection hood		
		Page 1 / 1
	69120051 1001 1	

Pos. Part no. Qty. Description

1	69121014	1	Hood
2	07141030	2	Hexagon bolt
3	08511021	2	Washer
4	07141044	2	Hexagon bolt
5	08511021	4	Washer
6	08131016	2	Safety nut
7	07141032	2	Hexagon bolt
8	08511021	4	Washer
9	08131016	2	Safety nut
10	69120478	1	Cover plate
11	69120353	1	Strip steel
12	07140641	2	Hexagon bolt
13	08510612	4	Washer
14	08130611	2	Safety nut

Go to Discount-Equipment.com to order your parts

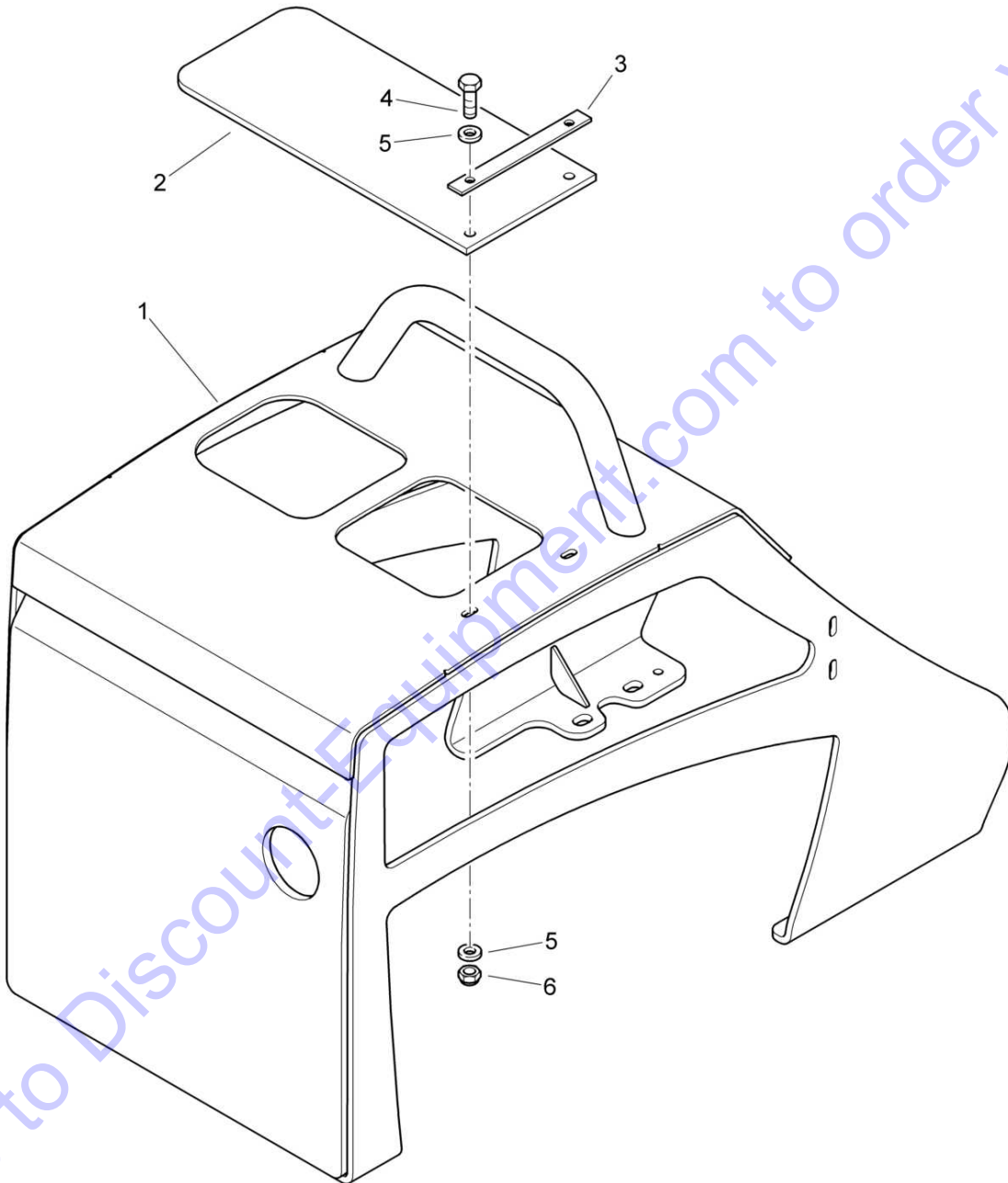



BPR 25/40 D	
S/N 101692791001 ▶ S/N 101692791003	53.28
Protection hood	Page 1 / 1
69120051 1001 1	

Pos.	Part no.	Qty.	Description
1	69120984	1	Hood, assembled
2	07141030	2	Hexagon bolt
3	08511021	2	Washer
4	07141044	2	Hexagon bolt
5	08511021	4	Washer
6	08131016	2	Safety nut
7	07141032	2	Hexagon bolt
8	08511021	4	Washer
9	08131016	2	Safety nut

Go to Discount-Equipment.com to order your parts

	BPR 25/40 D	S/N 101692791001 ▶ S/N 101692791003
53.44	Hood, assembled	
Page 1 / 1		
BOMAG FAYAT GROUP	69120984_000_01	



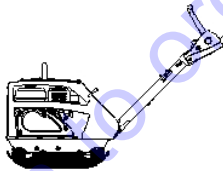
BPR 25/40 D		
S/N 101692791001 ▶ S/N 101692791003		
Hood, assembled		53.44
		Page 1 / 1
69120984 1001 1		

Pos. Part no. Qty. Description

1	69121014	1	Hood
2	69120478	1	Cover plate
3	69120353	1	Strip steel
4	07140641	2	Hexagon bolt
5	08510612	4	Washer
6	08130611	2	Safety nut

Go to Discount-Equipment.com to order your parts

Plate / Foot



65

Go to Discount-Equipment.com to order your parts

65.00

Plate / Foot

Page /

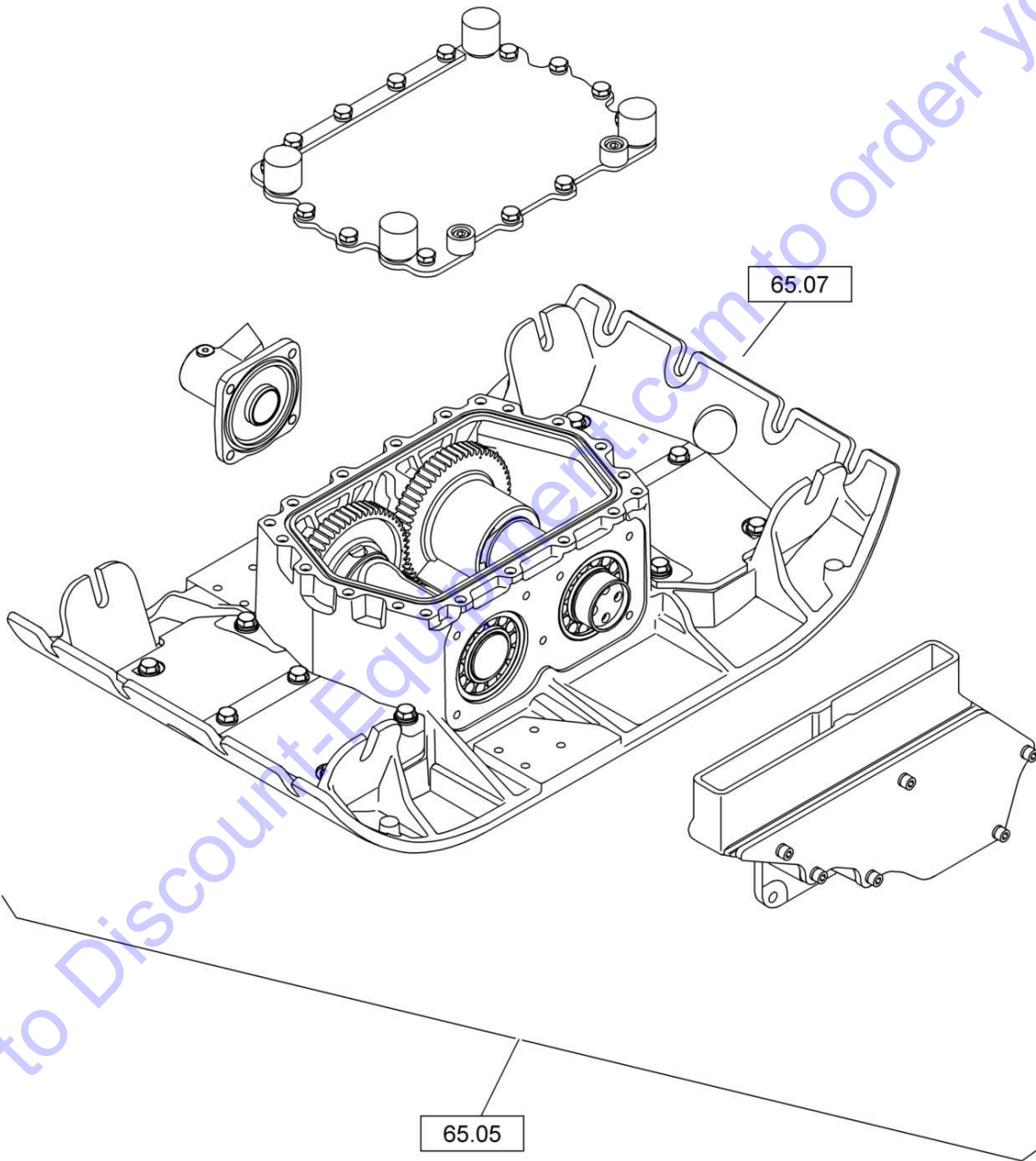



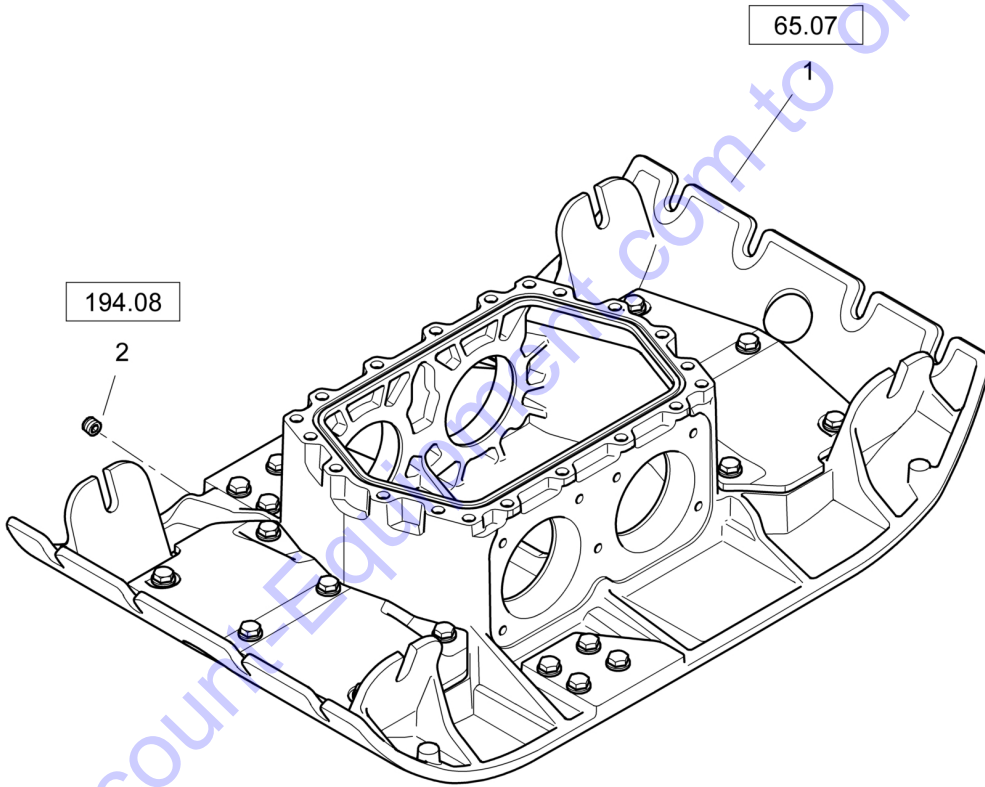
Plate / Foot	65.00
	Page /
	

Pos. Description


- 65.05 Base Plate
- 65.07 Base plate, assembled

Go to Discount-Equipment.com to order your parts

	BPR 25/40 D
65.05	S/N 101692791001 ▶
	Base Plate
Page 1 / 3	
BOMAG FAYAT GROUP	69020046_001_02

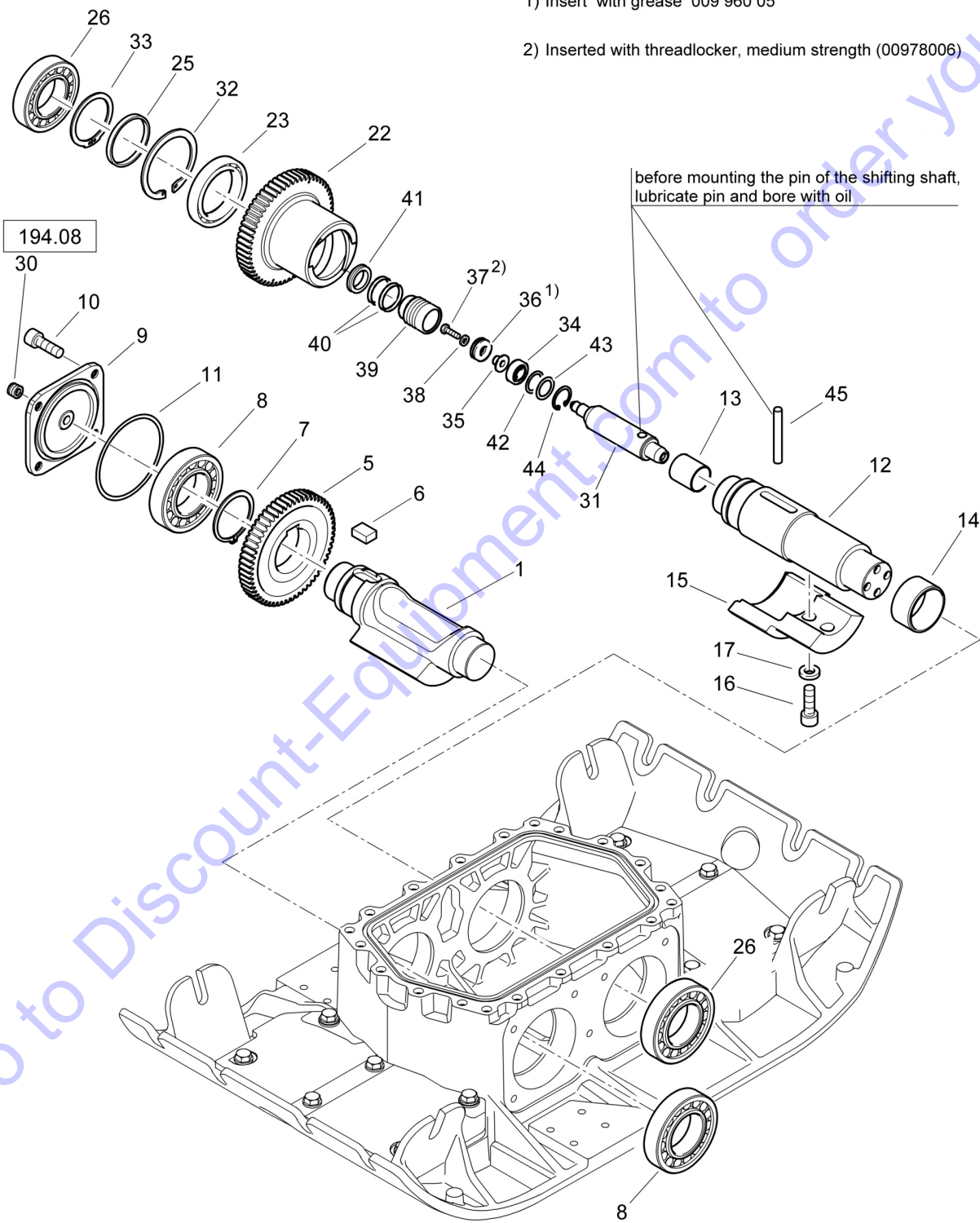



Go to DiscountEquipment.com to order your parts

BPR 25/40 D		
S/N 101692791001 ▶		
Base Plate		65.05
		Page 1 / 3
	69020046 1001 1	

Pos.	Part no.	Qty.	Description
1	69020840	1	Base plate,assembled
2	07611215	1	Screw plug

Go to Discount-Equipment.com to order your parts



BPR 25/40 D	
S/N 101692791003 ▶	
Base Plate	65.05
	Page 2 / 3
	 BOMAG FAYAT GROUP
69020046 1001 1	

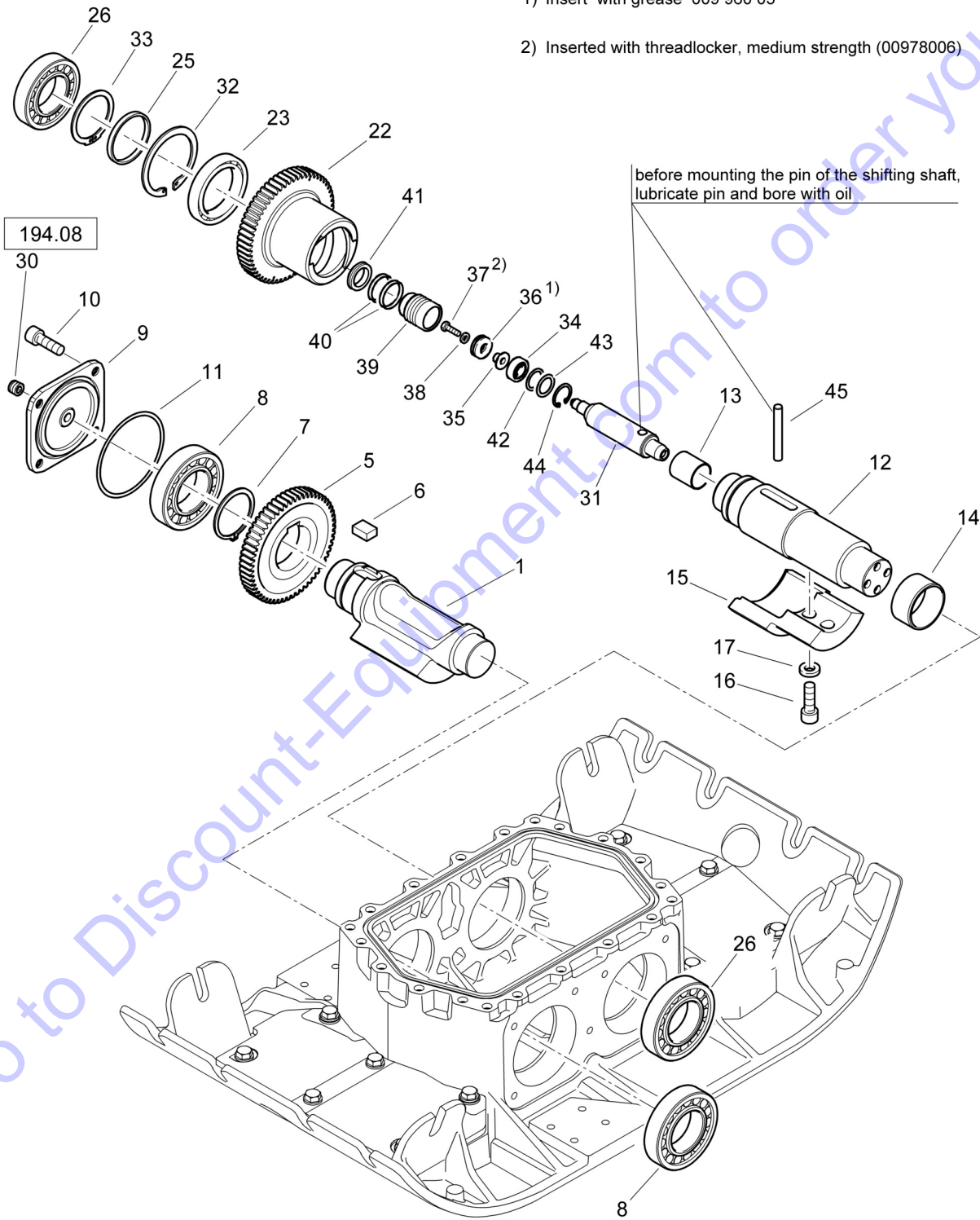
Pos.	Part no.	Qty.	Description
1	69020696	1	Exciter shaft
5	69020753	1	Gear wheel
6	09182820	1	Fitting key
7	09213000	1	Circlip,external
8	05222264	2	Cylinder roller bearing
9	69020384	1	Cover
10	07230806	4	Socket-head cap screw
11	06220803	1	Loop ring
12	69020748	1	Exciter shaft
13	06283104	1	Bushing
14	05428122	1	Inner ring
15	69020708	1	Eccentric weight
16	07231211	2	Socket-head cap screw
17	69210174	2	Washer
22	69020672	1	Gear wheel
23	05114030	1	Ball bearing,grooved
25	69020747	1	Bushing
26	05222264	2	Cylinder roller bearing
30	07611010	1	Screw plug
31	69020707	1	Control shaft
32	09223700	1	Circlip,internal
33	09213000	1	Circlip,external
34	05113700	1	Ball bearing,grooved
35	68110170	1	Bushing
36	05151010	1	Axial ball bearing
37	07140532	1	Hexagon bolt
38	08510511	1	Washer
39	69020727	1	Piston
40	06245052	2	Guiding band
41	06245051	1	Piston seal
42	08602603	1	Spring washer
43	05520510	1	Shim
44	09221130	1	Circlip,internal
45	69020802	1	Pin,cylindric


Go to Discount Equipment.com to order your parts

1) Insert with grease 009 960 05

2) Inserted with threadlocker, medium strength (00978006)

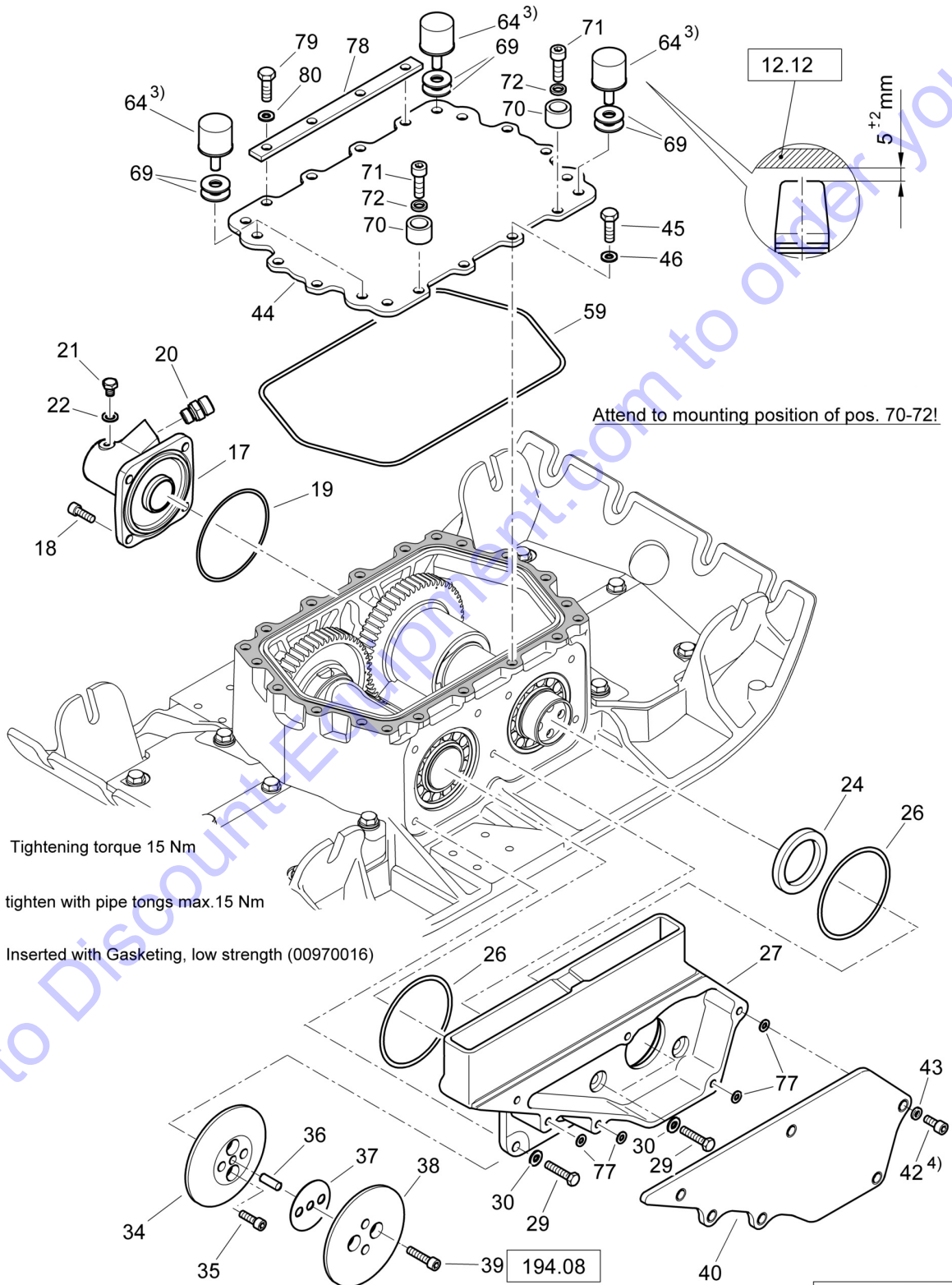
before mounting the pin of the shifting shaft,
lubricate pin and bore with oil




BPR 25/40 D	S/N 101692791001 ▶ S/N 101692791002	65.05
Base Plate		
		Page 2 / 3
	69020046 1001 1	

Pos.	Part no.	Qty.	Description
1	69020696	1	Exciter shaft
5	69020753	1	Gear wheel
6	09182820	1	Fitting key
7	09213000	1	Circlip,external
8	05222264	2	Cylinder roller bearing
9	69020384	1	Cover
10	07230806	4	Socket-head cap screw
11	06220803	1	Loop ring
12	69020748	1	Exciter shaft
13	06283104	1	Bushing
14	05428122	1	Inner ring
15	69020708	1	Eccentric weight
16	07231211	2	Socket-head cap screw
17	69210174	2	Washer
22	69020672	1	Gear wheel
23	05114030	1	Ball bearing,grooved
25	69020747	1	Bushing
26	05222264	2	Cylinder roller bearing
30	07611010	1	Screw plug
31	69020707	1	Control shaft
32	09223700	1	Circlip,internal
33	09213000	1	Circlip,external
34	05113700	1	Ball bearing,grooved
35	68110170	1	Bushing
36	05151010	1	Axial ball bearing
37	07140532	1	Hexagon bolt
38	08510511	1	Washer
39	69020727	1	Piston
40	06245052	2	Guiding band
41	06245051	1	Piston seal
42	08602603	1	Spring washer
43	05520510	1	Shim
44	09221130	1	Circlip,internal
45	09126824	1	Pin,cylindric

Go to Discount Equipment.com to order your parts



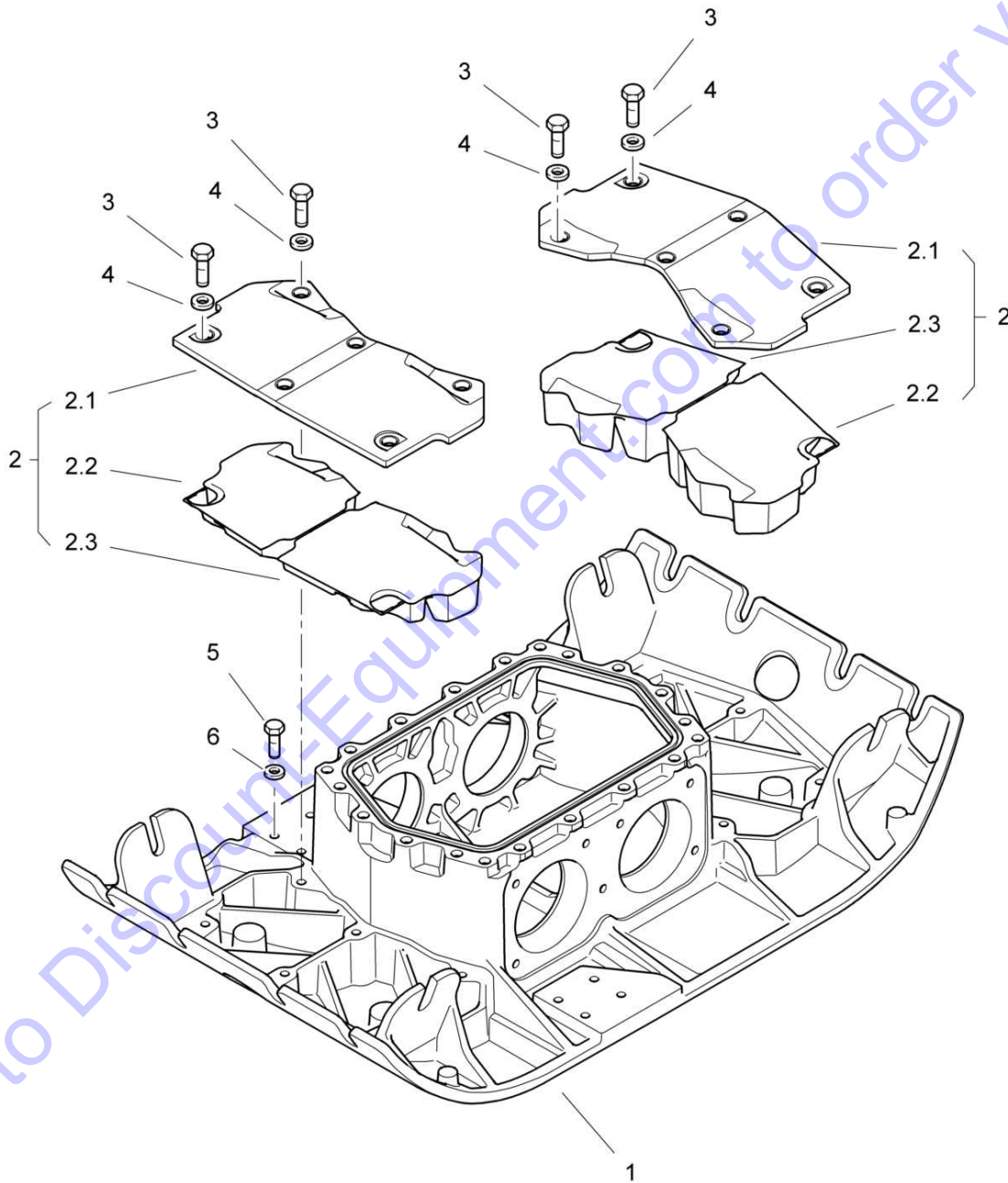
BPR 25/40 D	
S/N 101692791001 ▶	
Base Plate	65.05
	Page 3 / 3
	 BOMAG FAYAT GROUP
69020046 1001 1	


Pos.	Part no.	Qty.	Description
17	69020369	1	Cylinder
18	07230811	4	Socket-head cap screw
19	06220803	1	Loop ring
20	05548036	1	Double-ended union
21	07140608	1	Hexagon bolt
22	06210610	1	U-seal
24	09312809	1	Radial seal
26	06220803	2	Loop ring
27	69020731	1	V-belt guard
29	07140834	7	Hexagon bolt
30	08510817	7	Washer
34	69020665	1	V-belt pulley
35	07230822	2	Socket-head cap screw
36	09120862	1	Pin,cylindric
37	69020379	1	Shim
38	69020666	1	V-belt pulley
39	07230831	2	Socket-head cap screw
40	69020739	1	Cover
42	07230811	6	Socket-head cap screw
43	08752084	6	Spring washer
44	69020475	1	Housing cover
45	07140834	10	Hexagon bolt
46	06270011	10	Wedge safety washer
59	06222406	1	Loop ring
64	06142915	4	Stop buffer
69	08621084	8	Washer
70	69020443	2	Stop
71	07230819	2	Socket-head cap screw
72	06270011	2	Wedge safety washer
77	08665000	4	Stop disc
78	69020794	1	Flat steel
79	07140842	4	Hexagon bolt
80	06270011	4	Wedge safety washer

Go to Discount-Equipment.com to order your parts

65.07

Base plate, assembled



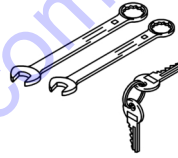
BPR 25/40 D	
S/N 101692791001 ▶	
Base plate, assembled	65.07
	Page 1 / 1
	
69020840 1001 1	

Pos. Part no. Qty. Description

1	69020809	1	Base plate
2	69020661	2	Hood, cover
2.1	69020662	1	Cover plate
2.2	69020663	1	Foam
2.3	69020664	1	Foam
3	07140824	12	Hexagon bolt
4	08510817	12	Washer
5	07140814	8	Hexagon bolt
6	08510817	8	Washer

Go to Discount-Equipment.com to order your parts

Accessories



100

Go to Discount-Equipment.com to order your parts

100.00

Accessories


Page /



101.03



69200070_100_00

Accessories	100.00
	Page /
	

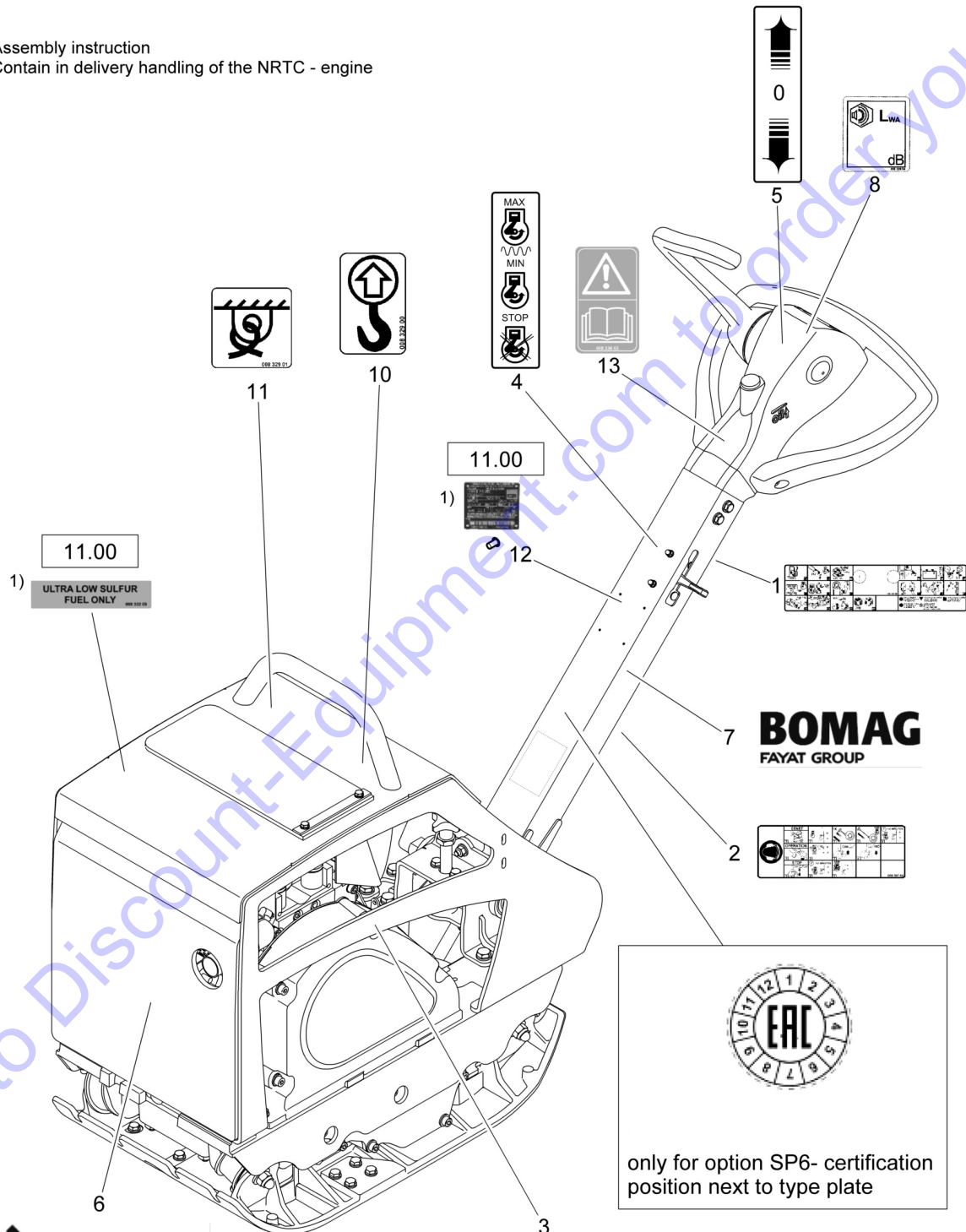
Pos. Description

101.03 Decals


Go to Discount-Equipment.com to order your parts

	BPR 25/40 D	S/N 101692791010 ▶
101.03	Decals	
Page 1 / 1		
BOMAG FAYAT GROUP	69080051_000_05	

1) Assembly instruction
Contain in delivery handling of the NRTC - engine




only for option SP6- certification
position next to type plate

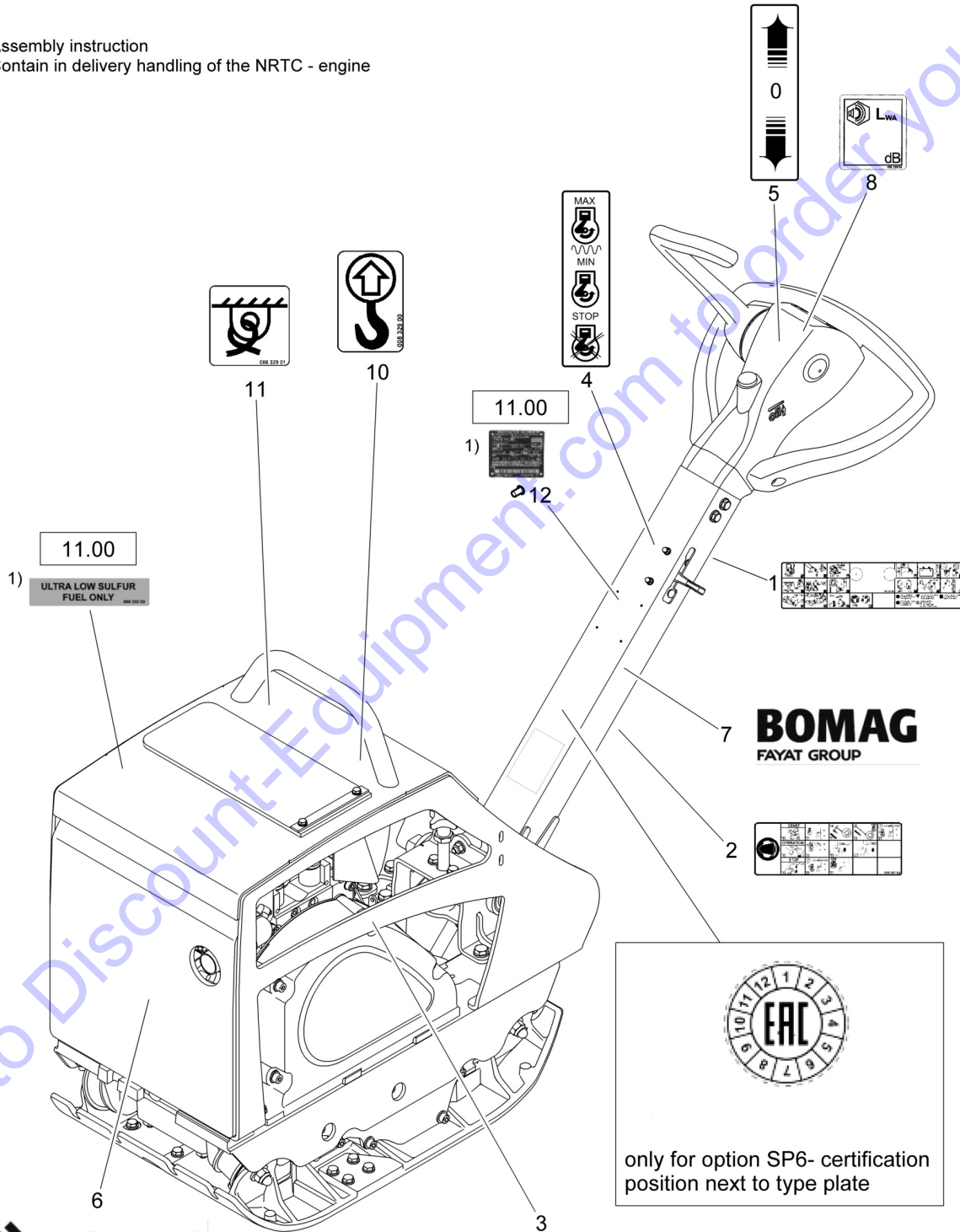
BPR 25/40 D		
S/N 101692791010 ▶		
Decals		101.03
		Page 1 / 1
	69080051 1001 1	

Pos.	Part no.	Qty.	Description
1	00833558	1	Maintenance instruction
2	00830764	1	Decal,operation
3	00833285	2	Type designation
4	00830066	1	Decal,operation
5	00830085	1	Decal,operation
6	00831919	1	Decal
7	00831902	2	Decal
8	00832654	1	Decal,indication
10	00832900	1	Decal,indication
11	00832901	1	Decal,indication
12	05990026	4	Rivet,blind
12	00833653	1	Decal,indication


Go to Discount-Equipment.com to order your parts

BPR 25/40 D	
101.03	S/N 101692791001 ▶ S/N 101692791009
	Decals
Page 1 / 1	
BOMAG FAYAT GROUP	69080051_000_04

1) Assembly instruction
Contain in delivery handling of the NRTC - engine




only for option SP6- certification
position next to type plate

BPR 25/40 D		
S/N 101692791001 ▶ S/N 101692791009		
Decals		101.03
		Page 1 / 1
	69080051 1001 1	

Pos.	Part no.	Qty.	Description
1	00833558	1	Maintenance instruction
2	00830764	1	Decal,operation
3	00833285	2	Type designation
4	00830066	1	Decal,operation
5	00830085	1	Decal,operation
6	00831919	1	Decal
7	00831902	2	Decal
8	00832654	1	Decal,indication
10	00832900	1	Decal,indication
11	00832901	1	Decal,indication
12	05990026	4	Rivet,blind

Go to Discount-Equipment.com to order your parts

Special Equipment

Option

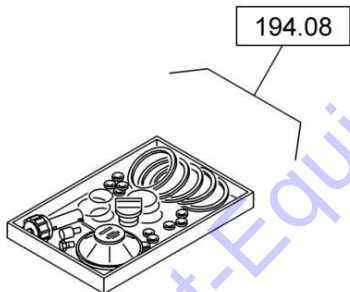
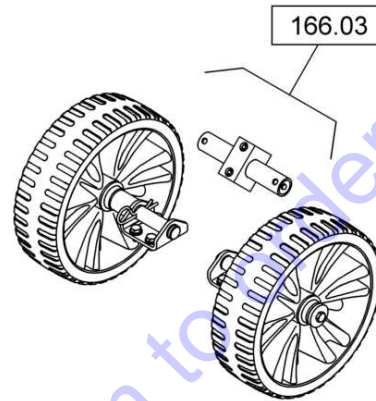
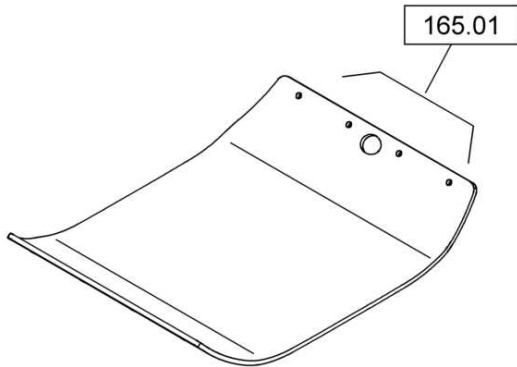
110

Go to Discount-Equipment.com to order your parts

110.00

Special Equipment

Page /



Go to Discount-Equipment.com to order your parts

Special Equipment

110.00

Page /



Pos. Description

- 165.01 X5-Synthetic plate
- 166.03 T94-Transport wheels, failsave
- 194.08 SW10-Service kit

Go to Discount-Equipment.com to order your parts

BPR 25/40 D

S/N 101692791001 ▶

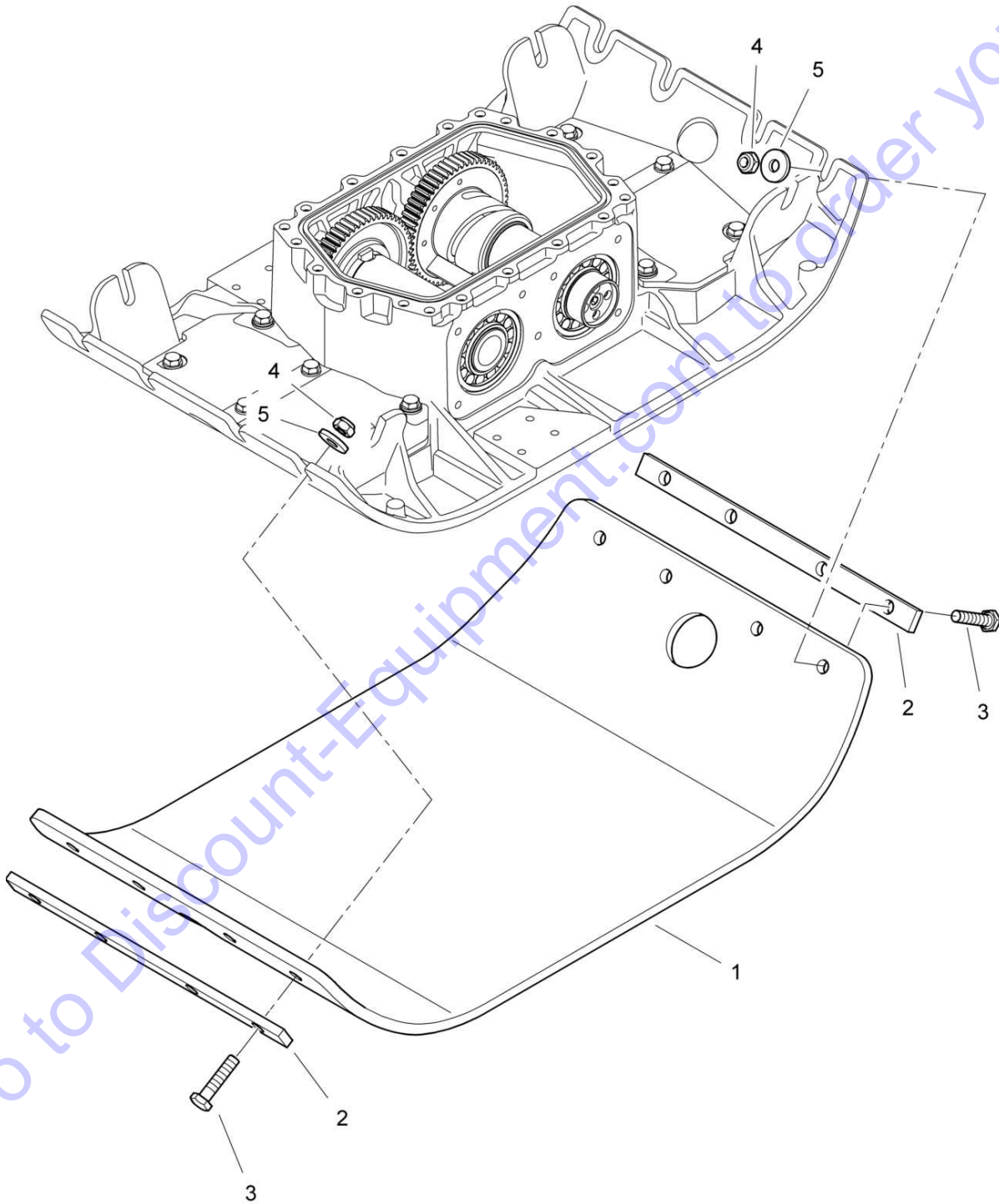
165.01

X5-Synthetic plate


Page **1 / 1**



69002133_000_01



69002133_000_01

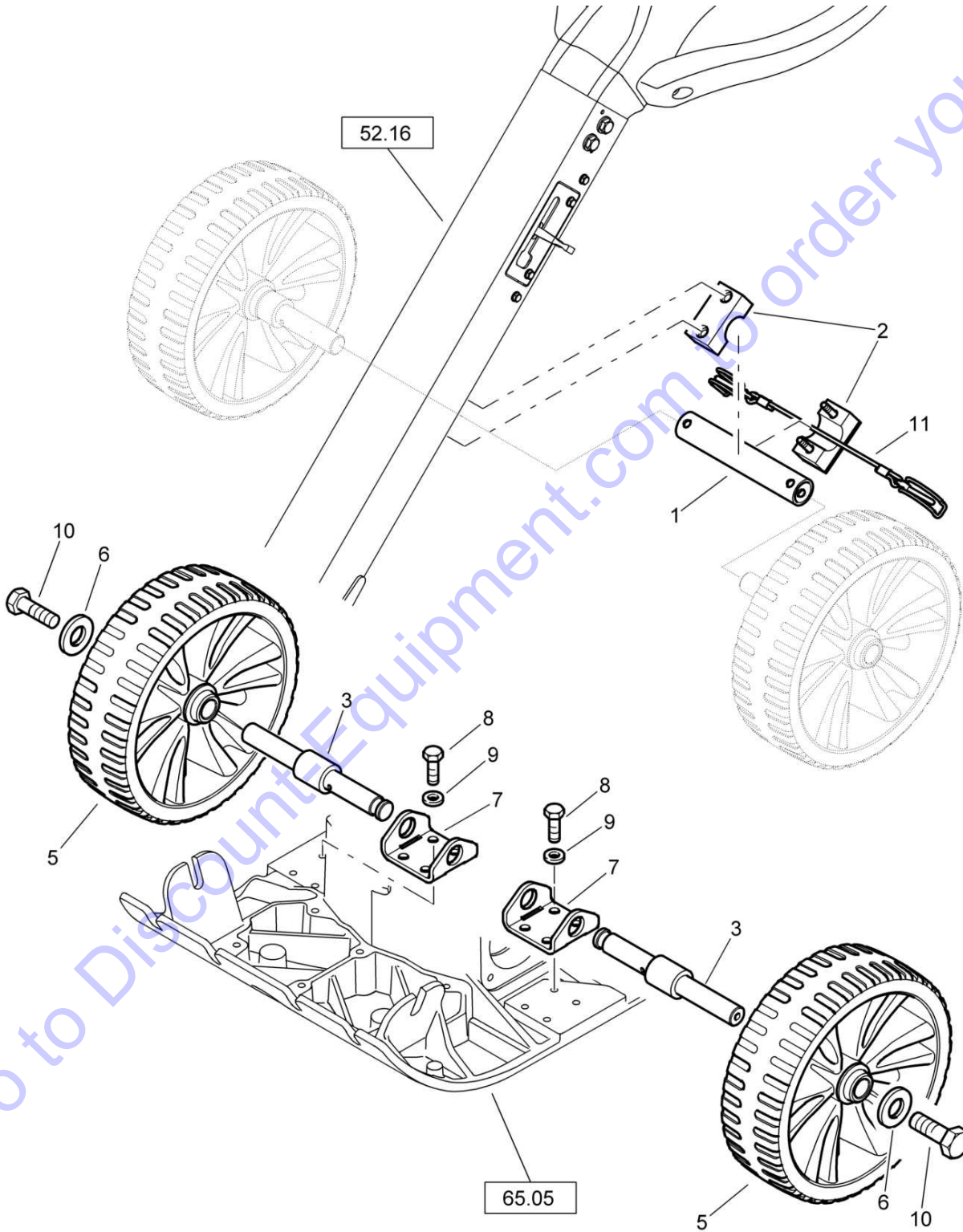
BPR 25/40 D	
S/N 101692791001 ▶	
X5-Synthetic plate	165.01
	Page 1 / 1
	 BOMAG FAYAT GROUP
69002133 1001 1	


Pos.	Part no.	Qty.	Description
0	69002133	1	X5-Synthetic plate
1	69003191	1	Plastic plate
2	69003147	2	Flat steel
3	07141041	8	Hexagon bolt
4	08131016	8	Safety nut
5	08501028	8	Washer

Go to Discount-Equipment.com to order your parts

166.03

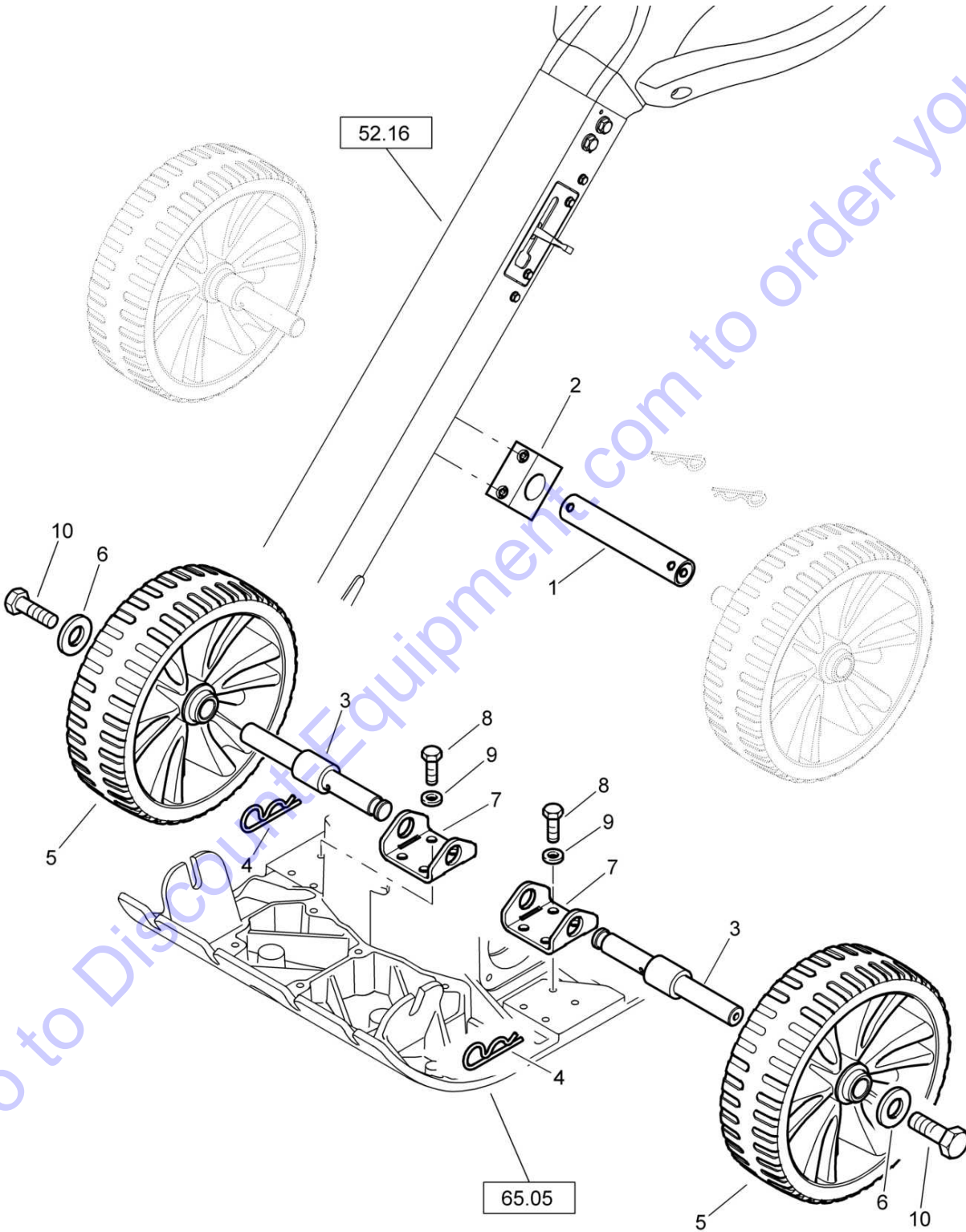
T94-Transport wheels, failsave




BPR 25/40 D	
S/N 101692791003 ▶	
T94-Transport wheels, failsave	166.03
	Page 1 / 1
	
69200601 1001 1	

Pos.	Part no.	Qty.	Description
1	69003134	1	Tube
2	06910171	1	Fastening clamp
3	69003243	2	Axle
5	06704509	2	Rubber tire
6	69040261	2	Washer
7	73003044	2	Holder
8	07140818	8	Hexagon bolt
9	08510817	8	Washer
10	07140824	2	Hexagon bolt
11	69003242	1	Securing device

Go to Discount-Equipment.com to order your parts



65.05

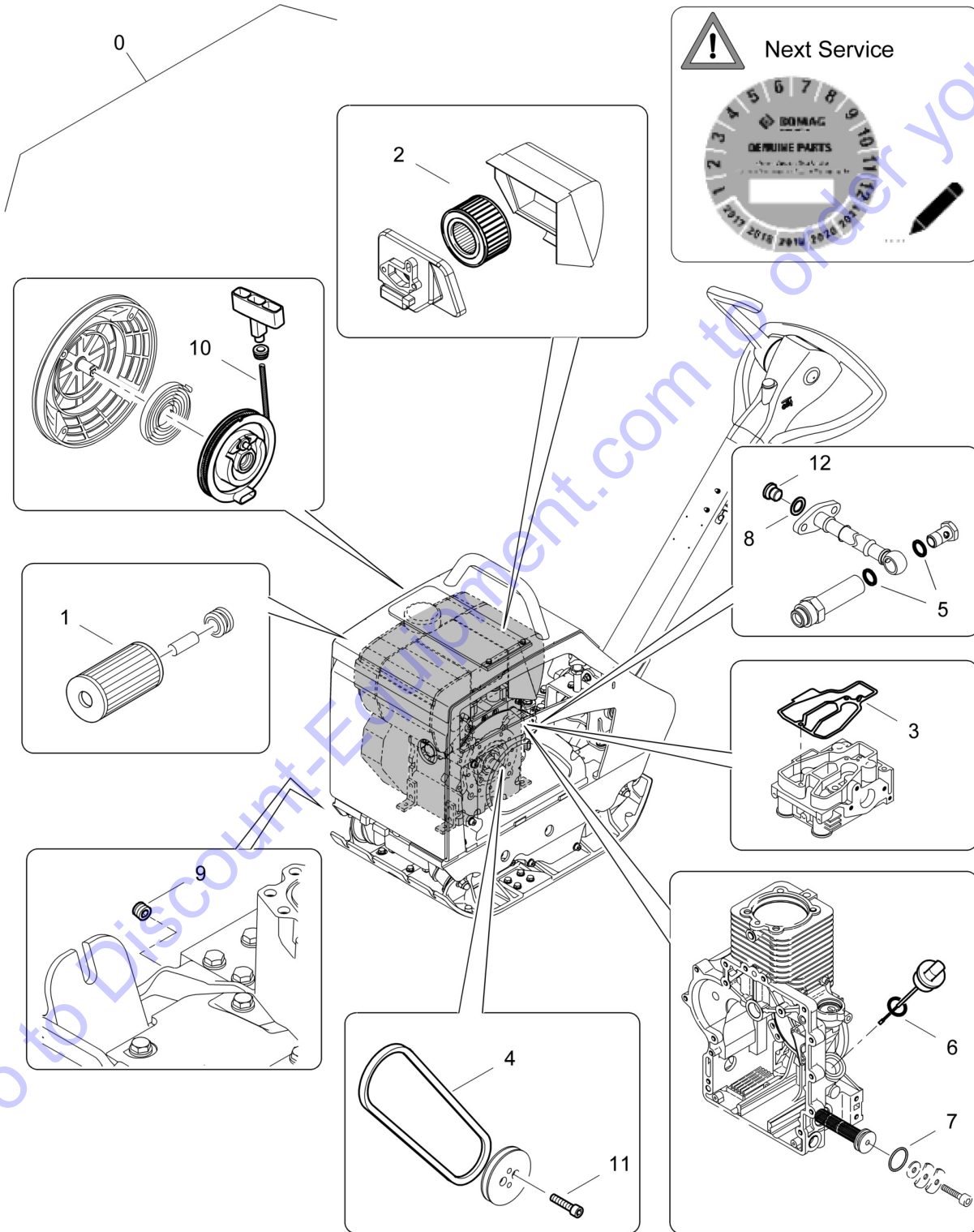
BPR 25/40 D		
S/N 101692791001 ▶ S/N 101692791002		
T94-Transport wheels, failsave		166.03
		Page 1 / 1
69200601 1001 1		


Pos.	Part no.	Qty.	Description
1	69003134	1	Tube
2	06910171	1	Fastening clamp
3	69003190	2	Axle
4	05994004	2	Spring cotter
5	06704509	2	Rubber tyre
6	69040261	2	Washer
7	73003044	2	Holder
8	07140818	8	Hexagon bolt
9	08510817	8	Washer
10	07140824	2	Hexagon bolt

Go to Discount-Equipment.com to order your parts

194.08

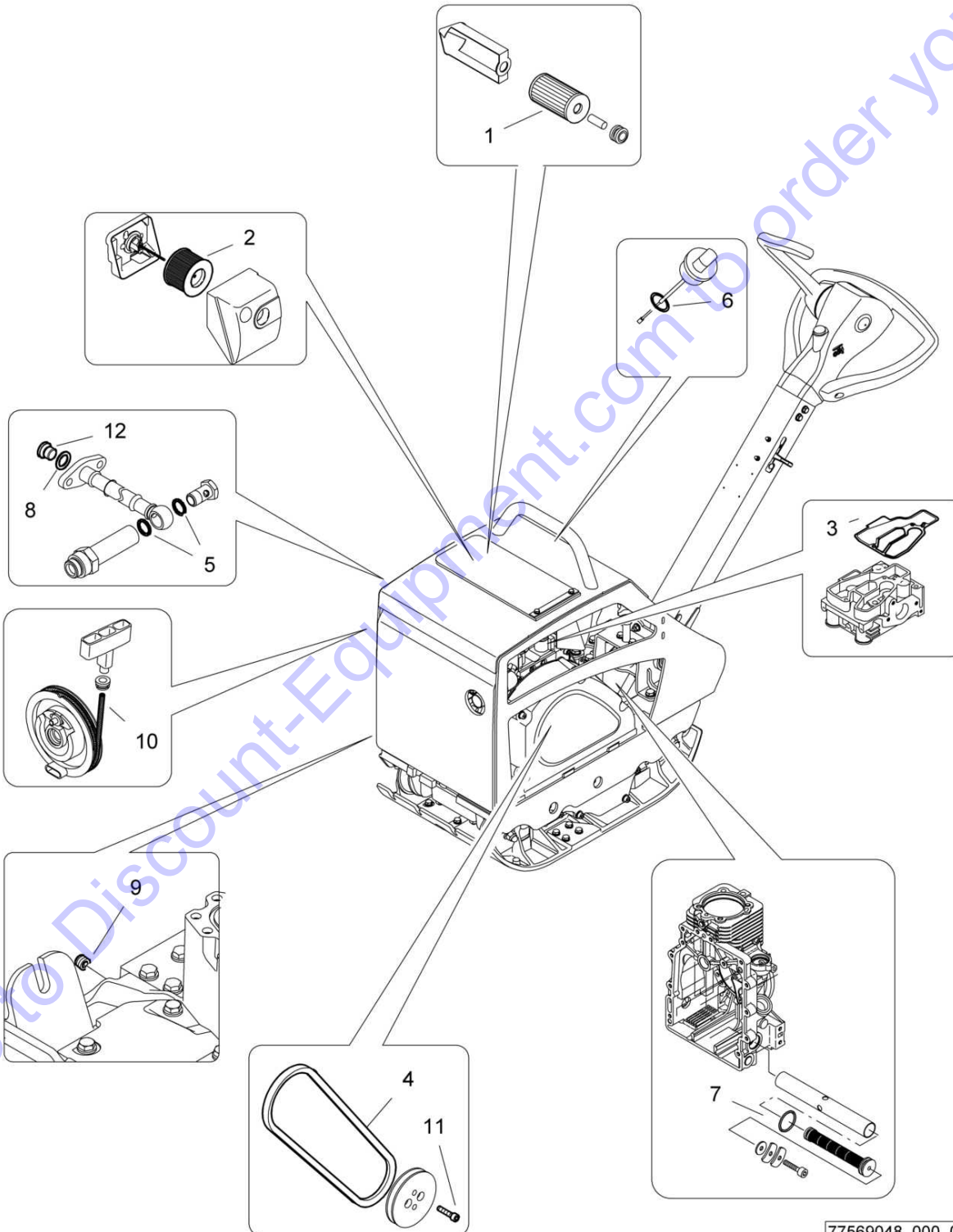
SW10-Service kit




BPR 25/40 D	
S/N 101692791011 ▶	
SW10-Service kit	194.08
	Page 1 / 1
	
77569048 1001 1	

Pos.	Part no.	Qty.	Description
0	77569048	1	SW10-Service kit
1	05723502	1	Fuel filter
2	05728350	1	Air filter
3	05728165	1	Gasket
4	06312277	1	V-belt
5	09331148	2	Sealing ring
6	05728114	2	Sealing ring
7	05728121	1	Loop ring
8	06211422	1	U-seal
9	07611215	1	Screw plug
10	05720205	1	Starter rope
11	07230831	2	Socket-head cap screw
12	07621416	1	Screw plug

Go to Discount-Equipment.com to order your parts



BPR 25/40 D		
S/N 101692791001 ▶ S/N 101692791010		
SW10-Service kit		194.08
		Page 1 / 1
77569048 1001 1		

Pos.	Part no.	Qty.	Description
0	77569048	1	SW10-Service kit
1	05723502	1	Fuel filter
2	05728350	1	Air filter
3	05728165	1	Gasket
4	06312277	1	V-belt
5	09331148	2	Sealing ring
6	05728114	2	Sealing ring
7	05728121	1	Loop ring
8	06211422	1	U-seal
9	07611215	1	Screw plug
10	05720205	1	Starter rope
11	07230831	2	Socket-head cap screw
12	07621416	1	Screw plug

Go to Discount-Equipment.com to order your parts

PARTS FINDER

**Search Website
by Part Number**



**Search Manual
Library For Parts
Manual & Lookup Part
Numbers – Purchase
or Request Quote**

Search Manuals

Enter your information to help us find the right parts manual for your machine.

* Brand:

* Model:

* Serial:

* Part Number:

SEARCH

**Can't Find Part or
Manual? Request Help
by Manufacturer,
Model & Description**

Parts Order Form

Please fill in the following information to help us find the right part for your machine.

Manufacturer:	<input type="text"/>
Model:	<input type="text"/>
Description:	<input type="text"/>
Part Number:	<input type="text"/>
Quantity:	<input type="text"/>
Notes:	<input type="text"/>

REQUEST HELP

Discount-Equipment.com is your online resource for quality parts & equipment.

Florida: **561-964-4949** Outside Florida TOLL FREE: **877-690-3101**

Need parts?

Click on this link: <http://www.discount-equipment.com/category/5443-parts/> and choose one of the options to help get the right parts and equipment you are looking for. Please have the machine model and serial number available in order to help us get you the correct parts. If you don't find the part on the website or on one of the online manuals, please fill out the request form and one of our experienced staff members will get back to you with a quote for the right part that your machine needs.

We sell worldwide for the brands: Genie, Terex, JLG, MultiQuip, Mikasa, Essick, Whiteman, Mayco, Toro Stone, Diamond Products, Generac Magnum, Airman, Haulotte, Barreto, Power Blanket, Nifty Lift, Atlas Copco, Chicago Pneumatic, Allmand, Miller Curber, Skyjack, Lull, Skytrak, Tsurumi, Husquvarna Target, Stow, Wacker, Sakai, Mi-T-M, Sullair, Basic, Dynapac, MBW, Weber, Bartell, Bennar Newman, Haulotte, Ditch Runner, Menegotti, Morrison, Contec, Buddy, Crown, Edco, Wyco, Bomag, Laymor, EZ Trench, Bil-Jax, F.S. Curtis, Gehl Pavers, Heli, Honda, ICS/PowerGrit, IHI, Partner, Imer, Clipper, MMD, Koshin, Rice, CH&E, General Equipment, Amida, Coleman, NAC, Gradall, Square Shooter, Kent, Stanley, Tamco, Toku, Hatz, Kohler, Robin, Wisconsin, Northrock, Oztec, Toker TK, Rol-Air, APT, Wylie, Ingersoll Rand / Doosan, Innovatech, Con X, Ammann, Mecalac, Makinex, Smith Surface Prep, Small Line, Wanco, Yanmar