

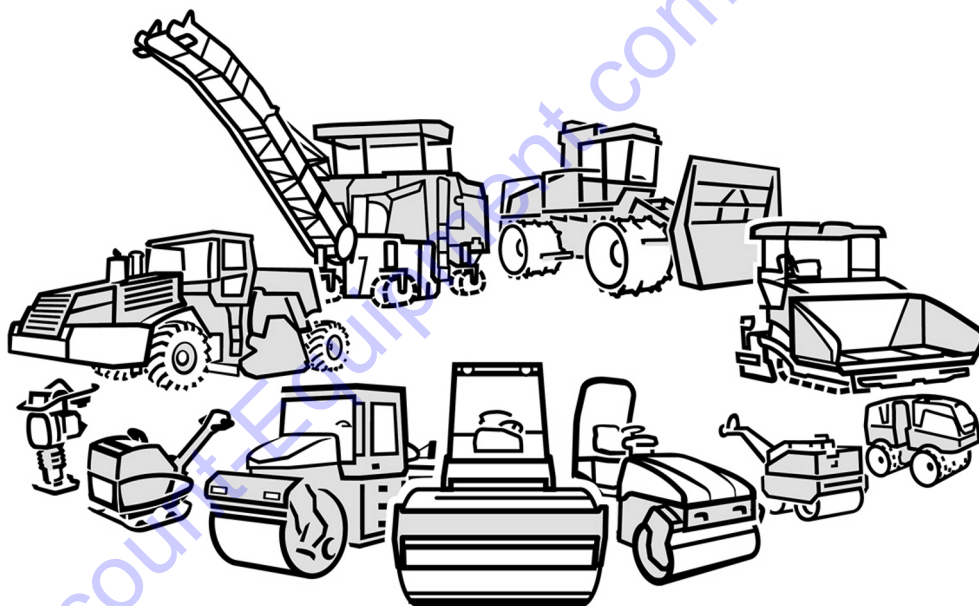
BOMAG

FAYAT GROUP

Spare Parts Catalogue

BP 25/50

S/N 101230051378 > 101230051682
Honda



Vibratory plate compactor



www.discount-equipment.com

Catalogue number

00824071

01.11.2012 - 01.11.2014

PARTS FINDER

**Search Website
by Part Number**



**Search Manual
Library For Parts
Manual & Lookup Part
Numbers – Purchase
or Request Quote**

Search Manuals

Enter your information to help us find the right parts manual for your machine.

* Brand:

* Model:

* Serial:

* Part Number:

SEARCH

**Can't Find Part or
Manual? Request Help
by Manufacturer,
Model & Description**

Parts Order Form

Please fill in the following information to help us find the right part for your machine.

| | |
|---------------|----------------------|
| Manufacturer: | <input type="text"/> |
| Model: | <input type="text"/> |
| Description: | <input type="text"/> |
| Part Number: | <input type="text"/> |
| Quantity: | <input type="text"/> |
| Notes: | <input type="text"/> |

Submit

Discount-Equipment.com is your online resource for quality parts & equipment.

Florida: **561-964-4949** Outside Florida TOLL FREE: **877-690-3101**

Need parts?

Click on this link: <http://www.discount-equipment.com/category/5443-parts/> and choose one of the options to help get the right parts and equipment you are looking for. Please have the machine model and serial number available in order to help us get you the correct parts. If you don't find the part on the website or on one of the online manuals, please fill out the request form and one of our experienced staff members will get back to you with a quote for the right part that your machine needs.

We sell worldwide for the brands: Genie, Terex, JLG, MultiQuip, Mikasa, Essick, Whiteman, Mayco, Toro Stone, Diamond Products, Generac Magnum, Airman, Haulotte, Barreto, Power Blanket, Nifty Lift, Atlas Copco, Chicago Pneumatic, Allmand, Miller Curber, Skyjack, Lull, Skytrak, Tsurumi, Husquvarna Target, Stow, Wacker, Sakai, Mi-T-M, Sullair, Basic, Dynapac, MBW, Weber, Bartell, Bennar Newman, Haulotte, Ditch Runner, Menegotti, Morrison, Contec, Buddy, Crown, Edco, Wyco, Bomag, Laymor, EZ Trench, Bil-Jax, F.S. Curtis, Gehl Pavers, Heli, Honda, ICS/PowerGrit, IHI, Partner, Imer, Clipper, MMD, Koshin, Rice, CH&E, General Equipment, Amida, Coleman, NAC, Gradall, Square Shooter, Kent, Stanley, Tamco, Toku, Hatz, Kohler, Robin, Wisconsin, Northrock, Oztec, Toker TK, Rol-Air, APT, Wylie, Ingersoll Rand / Doosan, Innovatech, Con X, Ammann, Mecalac, Makinex, Smith Surface Prep, Small Line, Wanco, Yanmar

© 2015 Bomag GmbH

The reproduction, distribution and utilization of this document as well as the communication of its contents to others without express authorization is prohibited. Offenders will be held liable for the payment of damages. All rights reserved in the event of the grant of a patent, utility model or design.

Go to Discount-Equipment.com to order your parts

Preface and Instructions



Engine / Fitting Parts



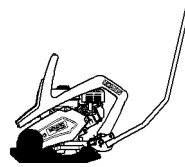
10

Frame with Attachment Parts



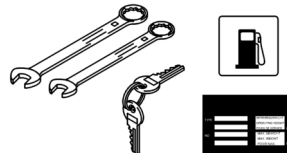
50

Plate / Foot



65

Accessories



100

Special Equipment

Option

110

Go to Discount-Equipment.com to order your parts



Table of Contents

Foreword

Ordering Conditions

Structure of Spare Parts Catalogue

Frequently Used Parts

Spare Parts Catalogue

Numerical Index

Go to Discount-Equipment.com to order your parts

Foreword



- Only the use of ORIGINAL SPARE PARTS guarantees the correct function of the machine. The use of non-original spare parts results in the loss of all claims, regarding warranty as well as product liability.
- The relevant warranty conditions are valid for all spare parts deliveries.

The listing of parts and part numbers is in accordance with economical and technical aspects. Further spare parts are not recommended.

- Our branch offices and dealers have well sorted spare parts stores. Therefore, first of all contact our nearest activity when ordering spare parts.
- We reserve the right for technical modifications without prior notification.

Please fill in when receiving the machine

| | |
|---------------------------|---------------------------|
| _____ | _____ |
| Serial number | Engine type |
| _____ | _____ |
| Date of delivery | Engine number |
| Key-numbers: _____ | |
| Ignition switch _____ | Cabin door _____ |
| Engine cover _____ | Hydraulic tank lock _____ |
| Burglary protection _____ | Rear flap _____ |
| Fuel tank lock _____ | Others _____ |

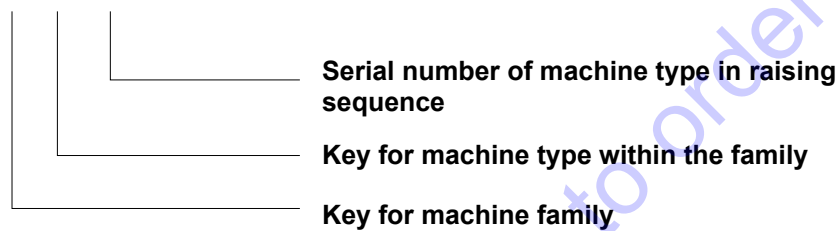
- Texts and illustrations from this catalogue must not be copied and distributed, nor must they be used for competitive purposes. All rights referring to the copyright law remain expressly reserved.



Please state the following when ordering spare parts:

1. Machine type

2. Serial number 101 400 04 0101



3. Engine type and number resp. component number

4. Part number

5. Quantity

6. Designation

7. Kind of shipment (mail, freight, express delivery, air freight, sea freight).

8. Destination (Post office, railway station, air port)
If no instructions are given concerning the Kind of shipment, we will deliver the parts in our estimation.

Spare parts deliveries are not possible without this information.

The customer is solely responsible for the acceptance and the transmission of phone orders.

USE ONLY ORIGINAL SPARE PARTS!

Structure of Spare Parts Catalogue



| | | |
|---|--|-----------|
| Motor / Anbaueile èces de montage orios de montaje | | 10 |
| ision / Actuations ng / Betätigungen ce / Commandes / Accionamientos | | 20 |
| Brake System Bremsystem | | 30 |

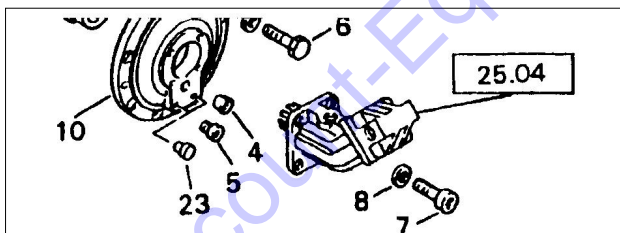
1. Subdivision of the catalogue main assembly groups

| 11.00 | ENGINE PARTS LIST | MOTOREN-ERSATZTEILLISTE |
|-------|---------------------|-------------------------|
| 11.01 | Crankcase | Kurbelgehäuse |
| 11.02 | Front cover | Vorderer Deckel |
| 11.04 | Oil pan | Ölwanne |
| 11.05 | Cylinder and piston | Zylinder und Kolben |
| 11.06 | Crankshaft | Kurbelwelle |
| 11.08 | Cylinder head | Zylinderkopf |
| 11.10 | Control pieces | Steuerungsteile |

2. Subdivision of the main assembly groups.

| | | |
|---------------|--|-------------|
| 51.03 | BC 671 RB | S/N 1015703 |
| | Frame Rear Rahmen hinten Chassis Arriere Chasis Trasero | |
| Page Seite | 1 / 3 | |

3. Assembly group consists of several pages. Page 1 of 3 pages.



4. 25.04 = Reference to another assembly group.

| | |
|---|--------------------|
| 161 A | S/N 101640000101 ▶ |
| VIBR.ROLLER DRUM IN FRONT VIBRATIONS BANDAGE VORN BANDAGE DE VIBR.AVANT | |

5. Serial number

S/N 101 570 32 1001 ▶ = from serial number.

▶ S/N 101 570 32 1062 = up to serial number.

(Important for spare parts orders!)

| | | | |
|----------|----|------------------------|--------------------|
| 05815244 | 1 | TRAVEL MOTOR | FAHRMOTOR |
| 05815976 | 1 | >SEAL KIT | >DICHTUNGSSATZ |
| 05815981 | 1 | >DISTRIBUTOR | >VERTEILER |
| 05815982 | 1 | >>COVER | >>DECKEL |
| 07231649 | 16 | >>SOCKET-HEAD CAP SCRE | >>ZYLINDERSCHRAUBI |
| 05815698 | 1 | >>SEAL/O-RING | >>DICHTRING |
| 07230802 | 1 | >>SOCKET-HEAD CAP SCRE | >>ZYLINDERSCHRAUBI |
| | 1 | >>>LOOP RING | >>>RUNDDICHTRING |
| | 1 | >>>LOOP RING | >>>RUNDDICHTRING |
| | 1 | >>>LOOP RING | >>>RUNDDICHTRING |

6. ">" ">>" ">>>" :Parts marked with one or more additional ">" indicate, that one or more parts belong to a higher assembly group. Einheit gehören.

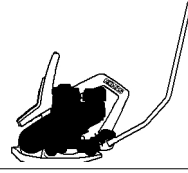
| | | | | |
|----|----------|---|-----------------------|---------------|
| 0 | 05801177 | 1 | CONNECTING PLATE | ANSCHLUSSPLA |
| 18 | | 1 | >CONNECTING PLATE | >ANSCHLUSSPLA |
| 19 | 05801185 | 1 | >COUPLING HUB | >KUPPLUNGSNA |
| 20 | | 4 | >SPRING SLEEVE | >FEDERHUELSE |
| 21 | | 4 | >PRESSURE SPRING | >DRUCKFEDER |
| 22 | | 4 | >SOCKET-HEAD CAP SCRE | >ZYLINDERSCHF |
| 23 | 06220983 | 1 | >LOOP RING | >RUNDDICHTRI |
| 24 | 06220821 | 1 | >LOOP RING | >RUNDDICHTRI |
| 25 | 06220109 | 1 | >LOOP RING | >RUNDDICHTRI |
| 26 | 06220083 | 4 | >LOOP RING | >RUNDDICHTRI |

7. Index: List of Part-No. with reference to the assembly group and position.

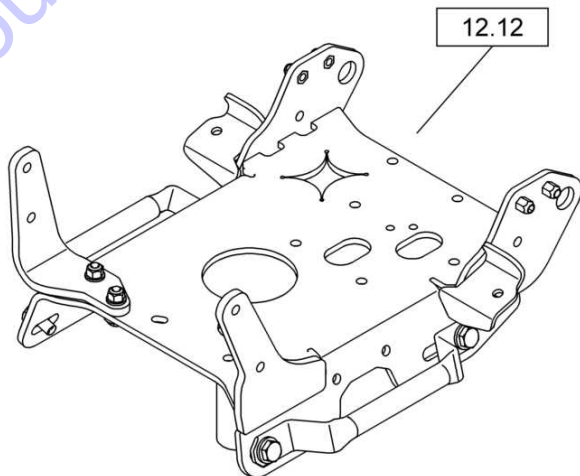
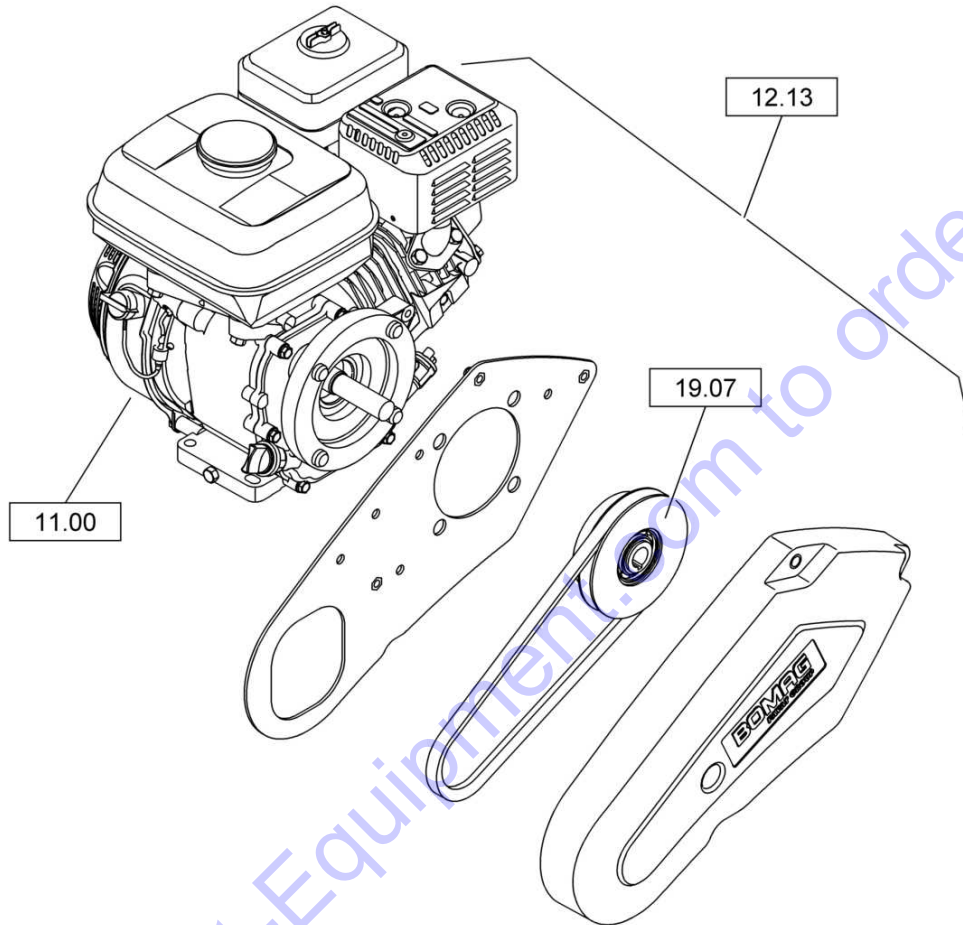
| | | |
|---|------------------------------|-------------------------------------|
| | BP 25/50 | S/N 101230051378 ▶ S/N 101230051682 |
| | Frequently used parts | |
|  | | |

| Description | | Part no. | see |
|------------------------|------------|----------|----------|
| Filter Elements | | | |
| Element,washable | Air filter | 05747215 | 11.22/1 |
| External filter | | 05747447 | 11.22/1 |
| Element,washable | Air filter | 05747215 | 194.08/1 |
| Seals | | | |
| Gasket | | 05747129 | 11.01/1 |
| Loop ring | | 05747188 | 11.01/1 |
| Radial seal | | 05748553 | 11.01/1 |
| Radial seal | | 05748553 | 11.02/1 |
| Valve cover gasket | | 05747125 | 11.08/1 |
| Loop ring | | 05747188 | 11.21/1 |
| Kit,seal | | 05747249 | 11.53/1 |
| Valve cover gasket | | 05747125 | 194.08/1 |
| Gasket | | 05747129 | 194.08/1 |
| Loop ring | | 05747188 | 194.08/1 |
| V-Belts | | | |
| V-belt | | 06312023 | 12.13/1 |
| V-belt | | 06312023 | 194.08/1 |
| Actuations | | | |
| Starter rope | | 05747296 | 11.31/1 |
| Starter rope | | 05747296 | 194.08/1 |
| Spark plug | | | |
| Spark plug | | 05747282 | 194.08/1 |

Go to Discount-Equipment.com to order your parts



Go to Discount-Equipment.com to order your parts




Engine / Fitting Parts**10.00**

Page /

**Pos. Description**


- 11.00 Engine Parts List
- 11.01 Crankcase
- 11.02 Front Cover
- 11.08 Cylinder Head
- 11.09 Camshaft
- 11.19 Crankshaft And Piston
- 11.21 Fuel Tank
- 11.22 Dry Air Filter
- 11.25 Throttle Control
- 11.26 Silencer
- 11.31 Recoil Starter
- 11.44 Covering
- 11.46 Contact Breaker/Ign.Coil
- 11.53 Carburetor
- 12.12 Engine Carrier
- 12.13 Engine
- 19.07 Centrifugal Clutch

Go to Discount-Equipment.com to order your parts

| | | |
|---|-------------------|-------------------|
| | Engine no. | S/N 1104985 ▶ |
| | | |
| | | |
| 11.00 | Engine Parts List | GX160UT2-QW-A4-SD |
| Page 1 / 1 | | |
|  BOMAG FAYAT GROUP | | |

For this catalogue group no illustration.

Go to Discount-Equipment.com to order your parts

| | | |
|--------------------------|--------------------------|---|
| Engine no. | S/N 1104985 ▶ | |
| | | |
| | | |
| Engine Parts List | GX160UT2-QW-A4-SD | 11.00 |
| | | Page 1 / 1 |
| | 1001 E |  |

Pos. Part no. Qty. Description

1 05747029 1 Four-stroke engine

Go to Discount-Equipment.com to order your parts

Engine no.

S/N 1104985 ▶

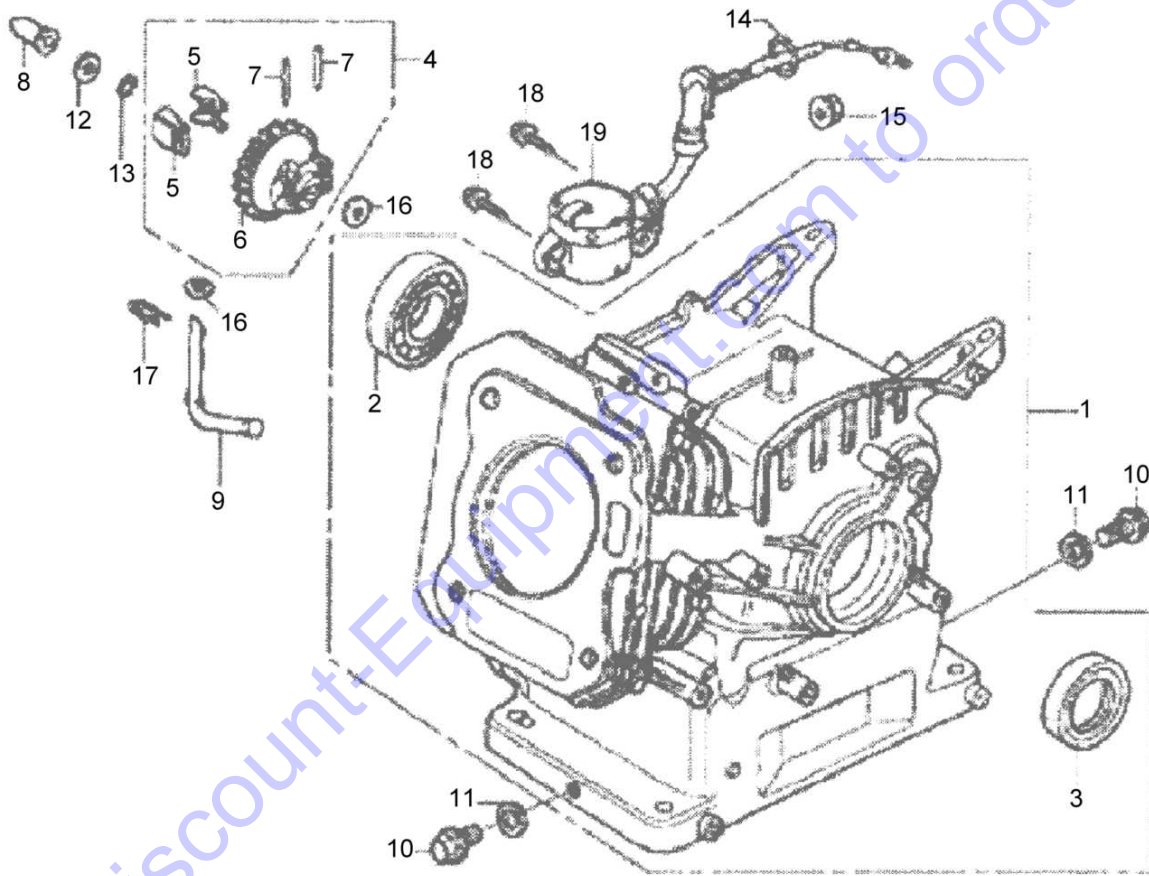
11.01

Crankcase


Page **1 / 1**



MOT015175_000_00



mot015175_000

| | | |
|------------------|------------------|---|
| Engine no. | S/N 1104985 ▶ | |
| | | |
| | | |
| Crankcase | | 11.01 |
| | | Page 1 / 1 |
| | MOT015175 1001 E |  |

| Pos. | Part no. | Qty. | Description |
|------|----------|------|-----------------------|
| 1 | 05748949 | 1 | Crankcase |
| 2 | 05747378 | 1 | >Ball bearing,grooved |
| 3 | 05748553 | 1 | >Radial seal |
| 4 | 05748950 | 1 | Governor / controller |
| 5 | 05748951 | 2 | >Weight |
| 6 | 05748952 | 1 | >Holder |
| 7 | 05747346 | 2 | >Pin |
| 8 | 05748953 | 1 | Spool valve |
| 9 | 05748954 | 1 | Shaft |
| 10 | 05747180 | 2 | Drain plug |
| 11 | 05747129 | 2 | Gasket |
| 12 | 05747233 | 1 | Thrust disc |
| 13 | 05747377 | 1 | Spring ring |
| 14 | 05747188 | 1 | Loop ring |
| 15 | 05747379 | 1 | Collar nut |
| 16 | 05747348 | 2 | Washer |
| 17 | 05747349 | 1 | Spring cotter |
| 18 | 05747380 | 2 | Screw |
| 19 | 05748599 | 1 | Oil pressure switch |

Go to Discount-Equipment.com to order your parts

Engine no.

S/N 1104985 ▶

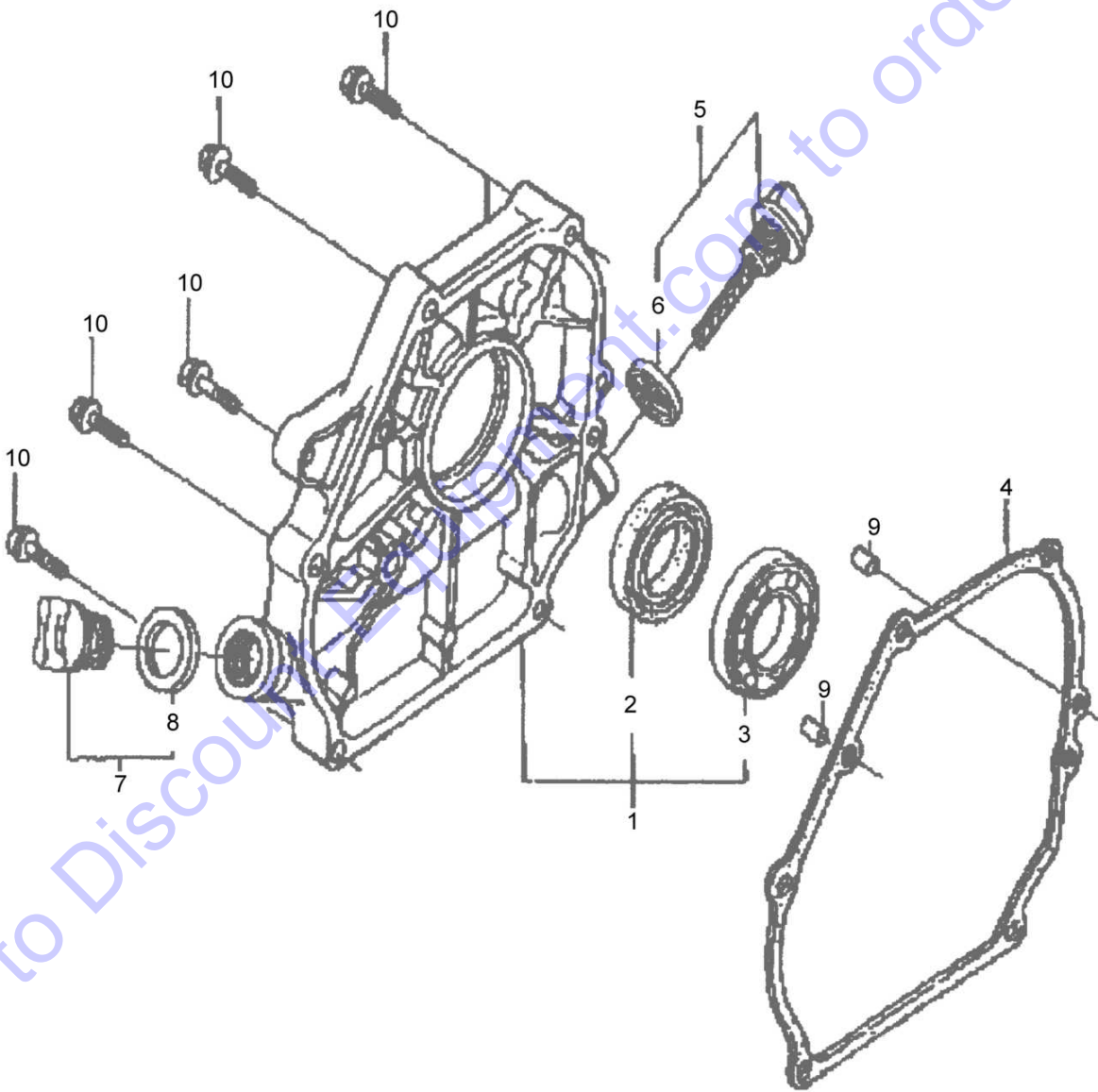
11.02

Front Cover


Page 1 / 1



MOT015176_000_00



mot015176_000

| | | |
|--------------------|------------------|---|
| Engine no. | S/N 1104985 ▶ | |
| | | |
| | | |
| Front Cover | | 11.02 |
| | | Page 1 / 1 |
| | MOT015176 1001 E |  |

| Pos. | Part no. | Qty. | Description |
|------|----------|------|------------------------|
| 1 | 05748955 | 1 | Crank case cover |
| 2 | 05748553 | 1 | >Radial seal |
| 3 | 05114005 | 1 | >Ball bearing,grooved |
| 4 | 05747384 | 1 | Gasket |
| 5 | 05748601 | 1 | Filler cap |
| 6 | 05748603 | 1 | >Gasket, oil dip stick |
| 7 | 05748602 | 1 | Filler cap |
| 8 | 05748603 | 1 | >Gasket, oil dip stick |
| 9 | 05747389 | 2 | Dowel pin |
| 10 | 05747390 | 6 | Screw |

Go to Discount-Equipment.com to order your parts

Engine no.

S/N 1104985 ▶

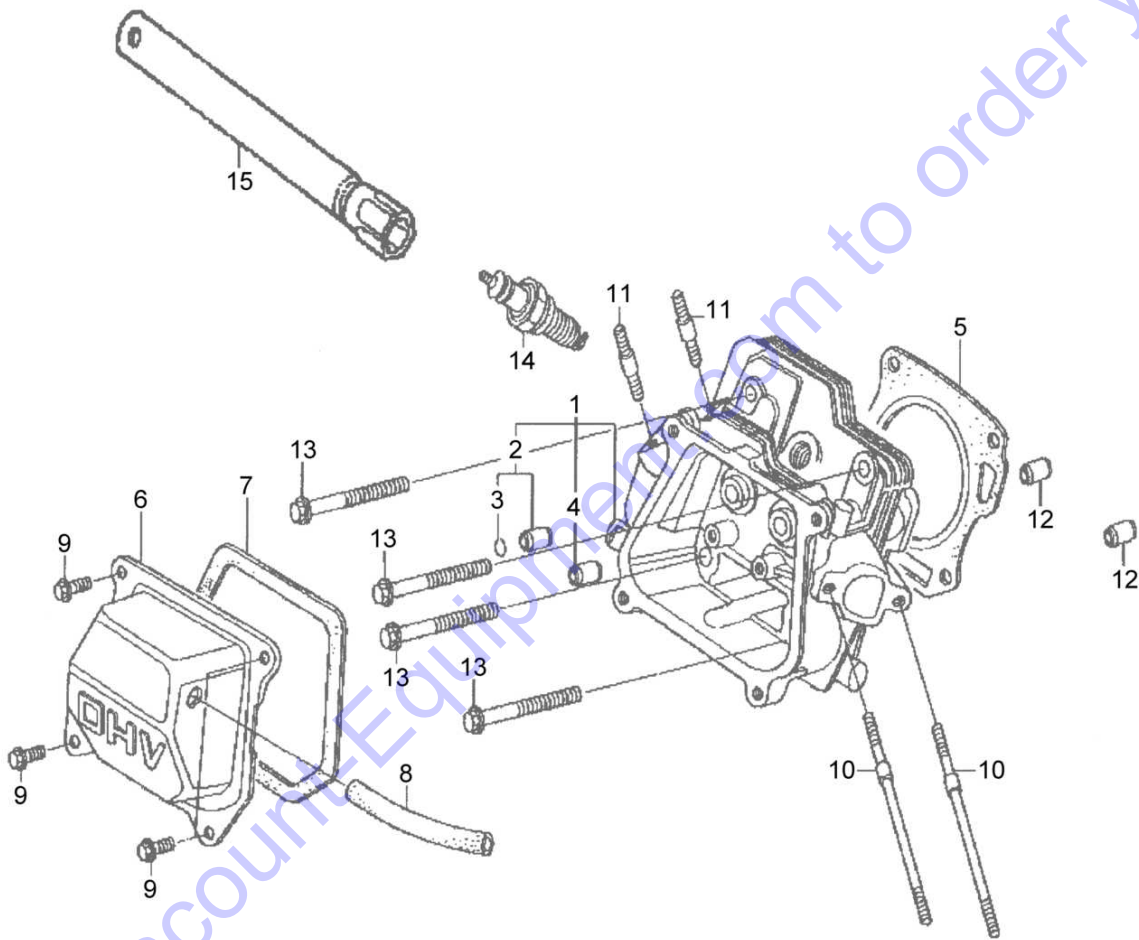
11.08

Cylinder Head


Page 1 / 1



MOT015177_000_00



mot015177_000

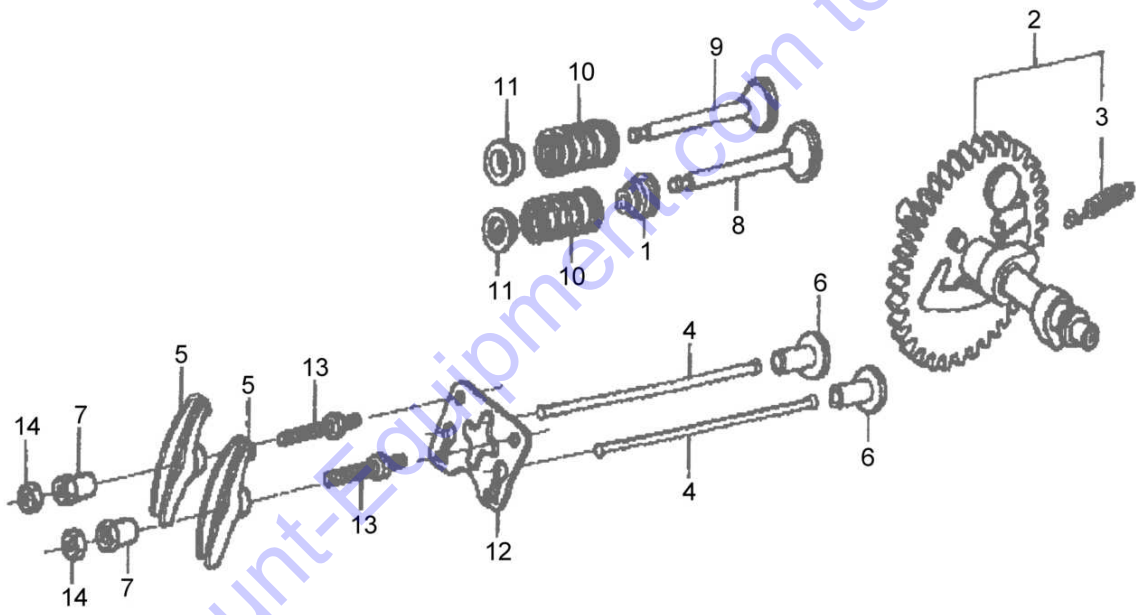
| | | |
|----------------------|------------------|---|
| Engine no. | S/N 1104985 ▶ | |
| | | |
| | | |
| Cylinder Head | | 11.08 |
| | | Page 1 / 1 |
| | MOT015177 1001 E |  |


| Pos. | Part no. | Qty. | Description |
|------|----------|------|-------------|
|------|----------|------|-------------|

| | | | |
|----|----------|---|-------------------------|
| 1 | 05748940 | 1 | Cylinder head |
| 2 | 05747212 | 1 | >Valve guide Exhaust |
| 3 | 05747368 | 1 | >>Circlip |
| 4 | 05747211 | 1 | >Valve guide Intake |
| 5 | 05748941 | 1 | Cylinder head gasket |
| 6 | 05748916 | 1 | Cylinder head cover |
| 7 | 05747125 | 1 | Valve cover gasket |
| 8 | 05747369 | 1 | Ventilation pipe |
| 9 | 05747322 | 4 | Hexagon bolt |
| 10 | 05747356 | 2 | Stud |
| 11 | 05747370 | 2 | Stud |
| 12 | 05747371 | 2 | Dowel pin |
| 13 | 05748639 | 4 | Hexagon bolt |
| 14 | 05748607 | 1 | Spark plug |
| | | | Service Parts |
| 15 | 05748608 | 1 | Spark plug spanner |

Go to Discount-Equipment.com to order your parts

| | | |
|-----------------------------|-----------------|------------------|
| | Engine no. | S/N 1104985 ▶ |
| | | |
| | | |
| 11.09 | Camshaft | |
| Page 1 / 1 | | |
| BOMAG FAYAT GROUP | | |
| | | MOT015178_000_00 |



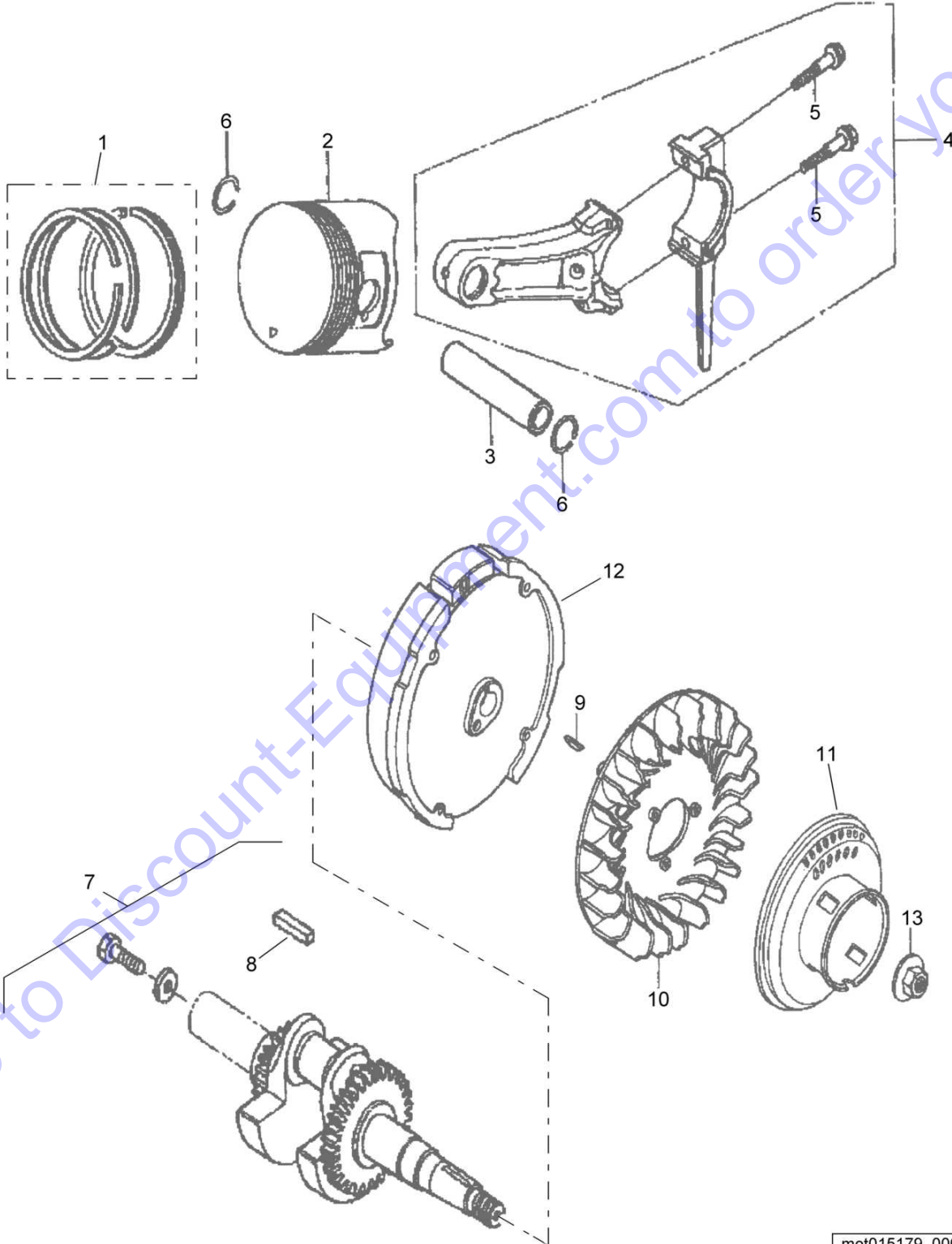
| | | |
|-----------------|------------------|---|
| Engine no. | S/N 1104985 ▶ | |
| | | |
| | | |
| Camshaft | | 11.09 |
| | | Page 1 / 1 |
| | MOT015178 1001 E |  |


| Pos. | Part no. | Qty. | Description |
|------|----------|------|-----------------|
| 1 | 05748920 | 1 | Valve stem seal |
| 2 | 05748961 | 1 | Camshaft |
| 3 | 05747139 | 1 | >Return spring |
| 4 | 05748962 | 2 | Pushrod |
| 5 | 05747231 | 2 | Rocker arm |
| 6 | 05747404 | 2 | Tappet |
| 7 | 05747406 | 2 | Journal |
| 8 | 05748963 | 1 | Inlet valve |
| 9 | 05748964 | 1 | Outlet valve |
| 10 | 05747345 | 2 | Valve spring |
| 11 | 05747106 | 2 | Valve plate |
| 12 | 05747257 | 1 | Guide plate |
| 13 | 05747272 | 2 | Bolt |
| 14 | 05747354 | 2 | Adjustment nut |

Go to Discount-Equipment.com to order your parts

11.19

Crankshaft And Piston



| | | |
|------------------------------|------------------|---|
| Engine no. | S/N 1104985 ▶ | |
| | | |
| | | |
| Crankshaft And Piston | | 11.19 |
| | | Page 1 / 1 |
| | MOT015179 1001 E |  |

| Pos. | Part no. | Qty. | Description |
|------|----------|------|-------------|
|------|----------|------|-------------|

| | | | |
|----|----------|---|-----------------------------|
| 1 | 05748932 | 1 | Piston ring set Standard |
| 2 | 05748957 | 1 | Piston |
| 3 | 05748958 | 1 | Floating wrist pin |
| 4 | 05748959 | 1 | Conrod |
| 5 | 05748960 | 2 | >Conrod screw |
| 6 | 05747239 | 2 | Spring ring |
| 7 | 05748956 | 1 | Crankshaft |
| 8 | 05748619 | 1 | >Fitting key |
| 9 | 05747191 | 1 | Woodruff key |
| 10 | 05747228 | 1 | Fan |
| 11 | 05748650 | 1 | Starting pulley |
| 12 | 05748939 | 1 | Flywheel |
| 13 | 05748622 | 1 | Collar nut |

Go to Discount-Equipment.com to order your parts

Engine no.

S/N 1104985 ▶

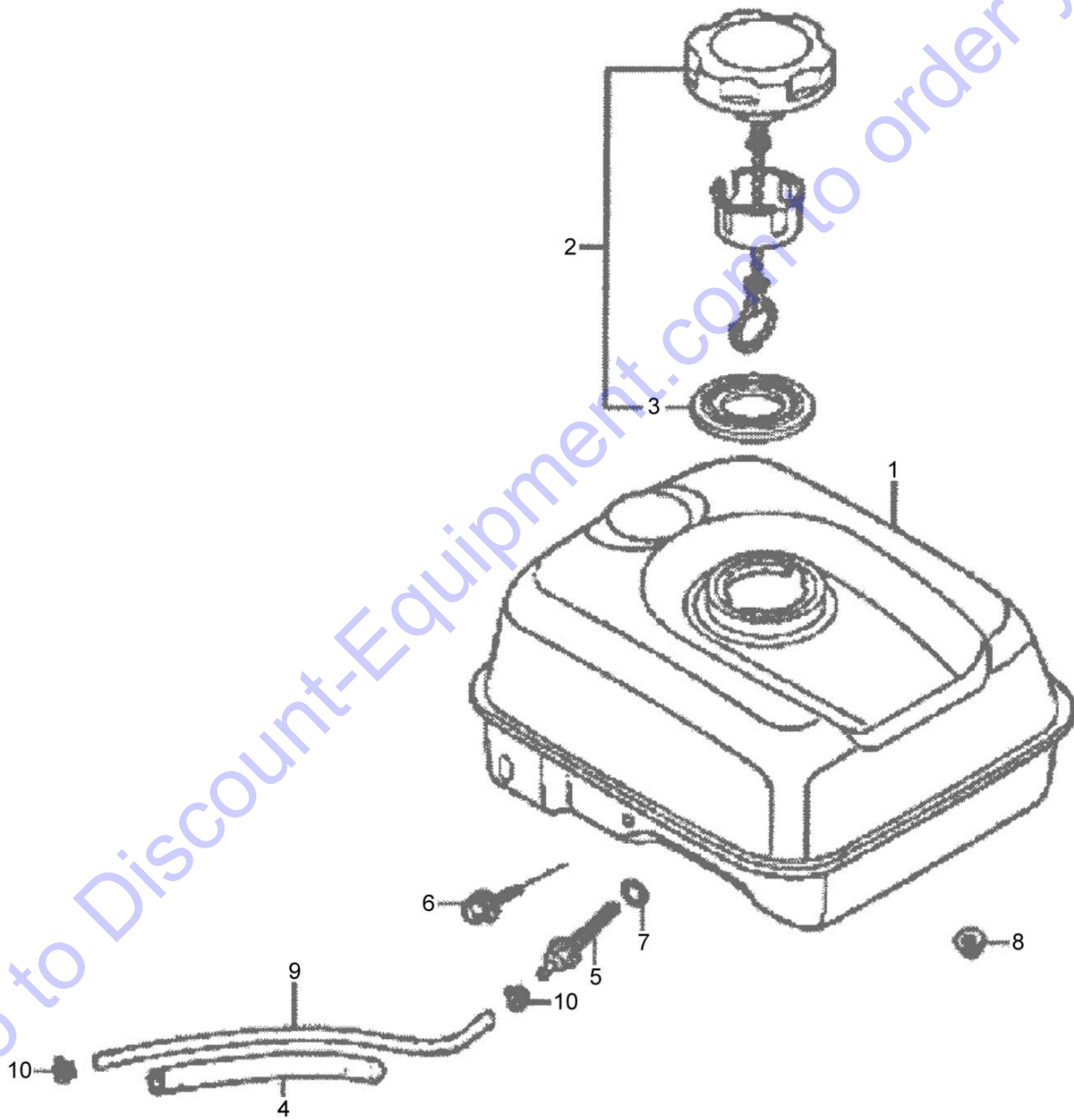
11.21

Fuel Tank


Page 1 / 1



MOT015180_000_00



mot015180_000

| | | |
|------------------|------------------|---|
| Engine no. | S/N 1104985 ▶ | |
| | | |
| | | |
| Fuel Tank | | 11.21 |
| | | Page 1 / 1 |
| | MOT015180 1001 E |  |

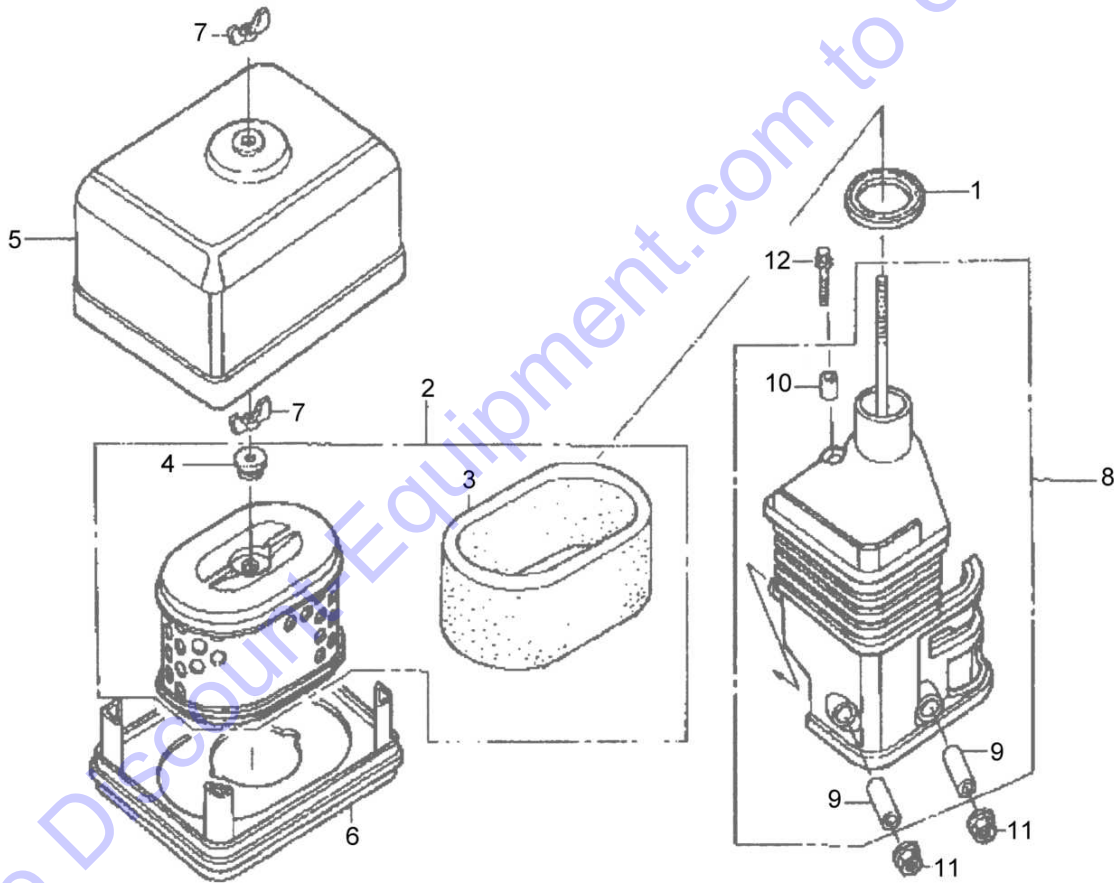
Pos. Part no. Qty. Description


| | | | |
|----|----------|---|---------------------|
| 1 | 05748938 | 1 | Fuel tank |
| 2 | 05748914 | 1 | Tank cover |
| 3 | 05748593 | 1 | >Gasket, tank cover |
| 4 | 05747464 | 1 | Rubber,supporter |
| 5 | 05747161 | 1 | Filter,fuel |
| 6 | 05748568 | 1 | Hexagon bolt |
| 7 | 05747188 | 1 | Loop ring |
| 8 | 05747312 | 2 | Collar nut |
| 9 | 05748937 | 1 | Fuel hose |
| 10 | 05748570 | 2 | Hose clip |

Go to Discount-Equipment.com to order your parts

11.22

Dry Air Filter



| | | |
|----------------|------------------|---|
| Engine no. | S/N 1104985 ▶ | |
| | | |
| | | |
| Dry Air Filter | | 11.22 |
| | | Page 1 / 1 |
| | MOT015181 1001 E |  |

| Pos. | Part no. | Qty. | Description |
|------|----------|------|---------------------|
| 1 | 05747126 | 1 | Gasket,knuckle tube |
| 2 | 05747215 | 1 | Element,washable |
| 3 | 05747447 | 1 | >External filter |
| 4 | 05747163 | 1 | >Rubber grommet |
| 5 | 05748935 | 1 | Filter cover |
| 6 | 05747164 | 1 | Air filter base |
| 7 | 05747183 | 2 | Wing nut |
| 8 | 05748936 | 1 | Knuckle tube |
| 9 | 05747451 | 2 | >Bushing |
| 10 | 05747449 | 1 | >Bushing |
| 11 | 05747312 | 2 | Collar nut |
| 12 | 05747452 | 1 | Screw |

Go to Discount-Equipment.com to order your parts

Engine no.

S/N 1104985 ▶

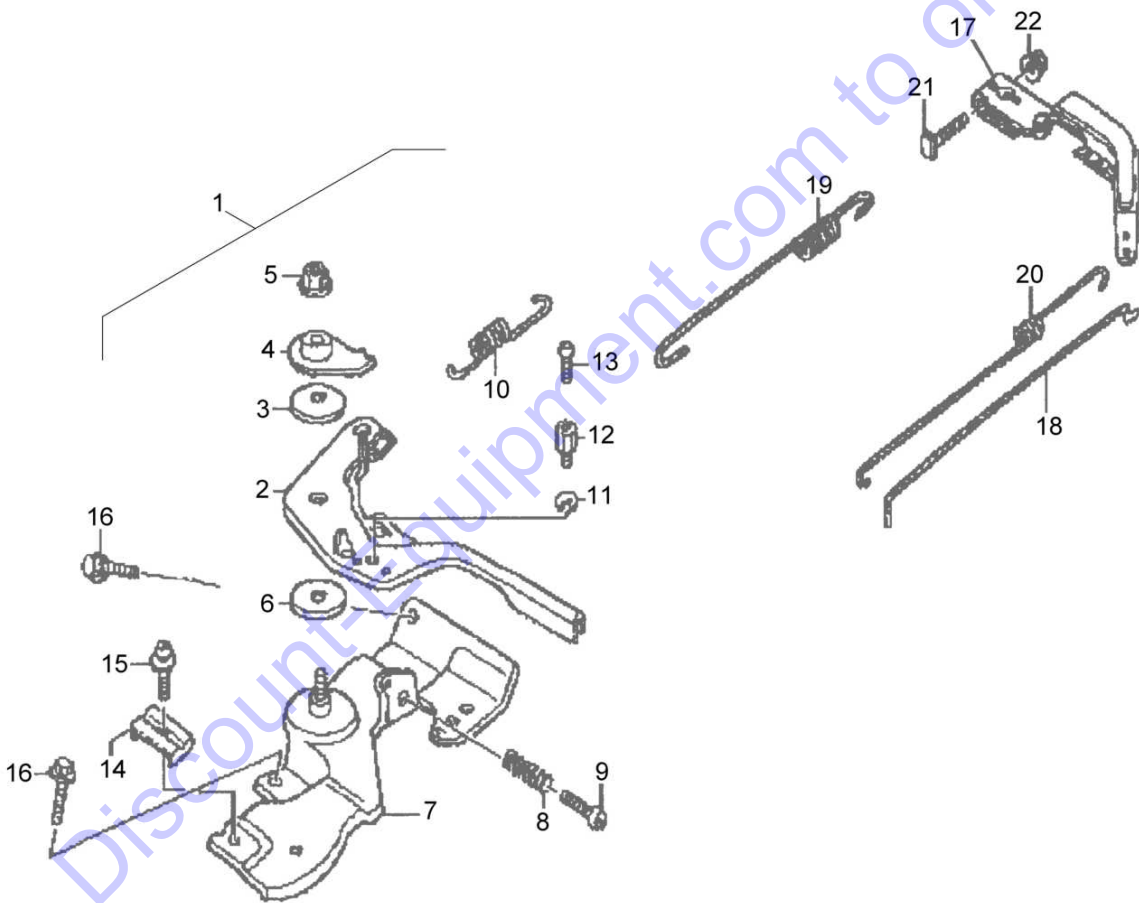
11.25

Throttle Control


Page 1 / 1



MOT015182_000_00



mot015182_000

| | | |
|-------------------------|------------------|---|
| Engine no. | S/N 1104985 ▶ | |
| | | |
| | | |
| Throttle Control | | 11.25 |
| | | Page 1 / 1 |
| | MOT015182 1001 E |  |

| Pos. | Part no. | Qty. | Description |
|------|----------|------|--------------------|
| 1 | 05748942 | 1 | Control assy. |
| 2 | 05748947 | 1 | >Lever,control |
| 3 | 05747227 | 1 | >Belleville spring |
| 4 | 05747155 | 1 | >Washer |
| 5 | 05747264 | 1 | >Safety nut |
| 6 | 05747156 | 1 | >Connecting piece |
| 7 | 05748948 | 1 | >Control base |
| 8 | 05747158 | 1 | >Adjusting spring |
| 9 | 05747425 | 1 | >Screw |
| 10 | 05747341 | 1 | >Return spring |
| 11 | 05747333 | 1 | >Spring ring |
| 12 | 05747332 | 1 | >Wire holder |
| 13 | 05747334 | 1 | >Screw |
| 14 | 05747418 | 1 | >Cable clip |
| 15 | 05747426 | 1 | >Screw |
| 16 | 05747322 | 2 | Hexagon bolt |
| 17 | 05748943 | 1 | Arm governor |
| 18 | 05748944 | 1 | Governor rod |
| 19 | 05748945 | 1 | Governor spring |
| 20 | 05748946 | 1 | Return spring |
| 21 | 05747423 | 1 | Screw |
| 22 | 05747312 | 1 | Collar nut |

Go to Discount-Equipment.com to order your parts

Engine no.

S/N 1104985 ▶

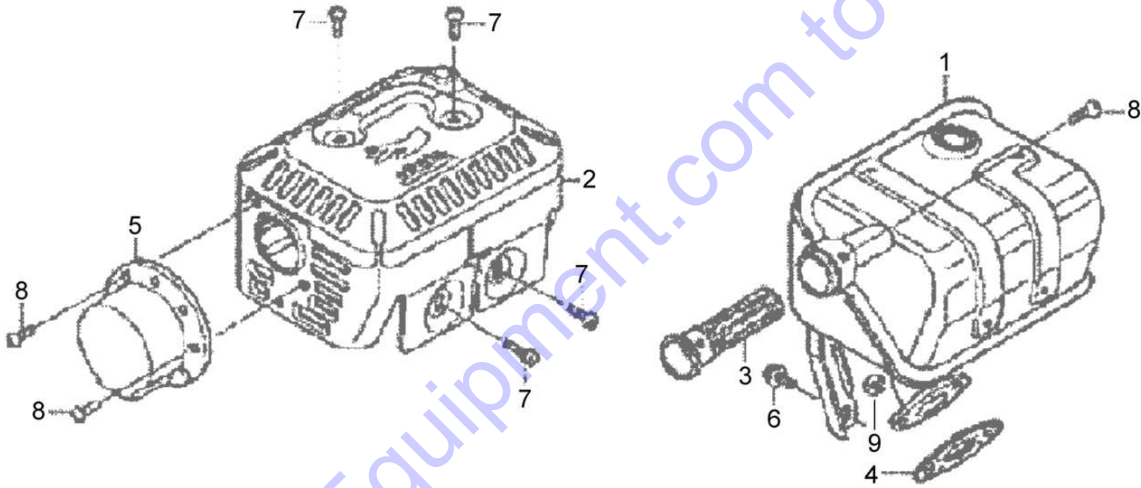
11.26

Silencer


Page 1 / 1



MOT015183_000_00



mot015183_000

| | | |
|-----------------|------------------|---|
| Engine no. | S/N 1104985 ▶ | |
| | | |
| | | |
| Silencer | | 11.26 |
| | | Page 1 / 1 |
| | MOT015183 1001 E |  |

| Pos. | Part no. | Qty. | Description |
|------|----------|------|--------------------|
| 1 | 05748911 | 1 | Silencer |
| 2 | 05748912 | 1 | Muffler guard |
| 3 | 05748910 | 1 | Avoid-sparks |
| 4 | 05748624 | 1 | Exhaust gasket |
| 5 | 05747128 | 1 | Cap |
| 6 | 05747355 | 1 | Screw |
| 7 | 05747316 | 4 | Self tapping screw |
| 8 | 05747317 | 3 | Self tapping screw |
| 9 | 05747190 | 2 | Hexagon nut |

Go to Discount-Equipment.com to order your parts

Engine no.

S/N 1104985 ▶

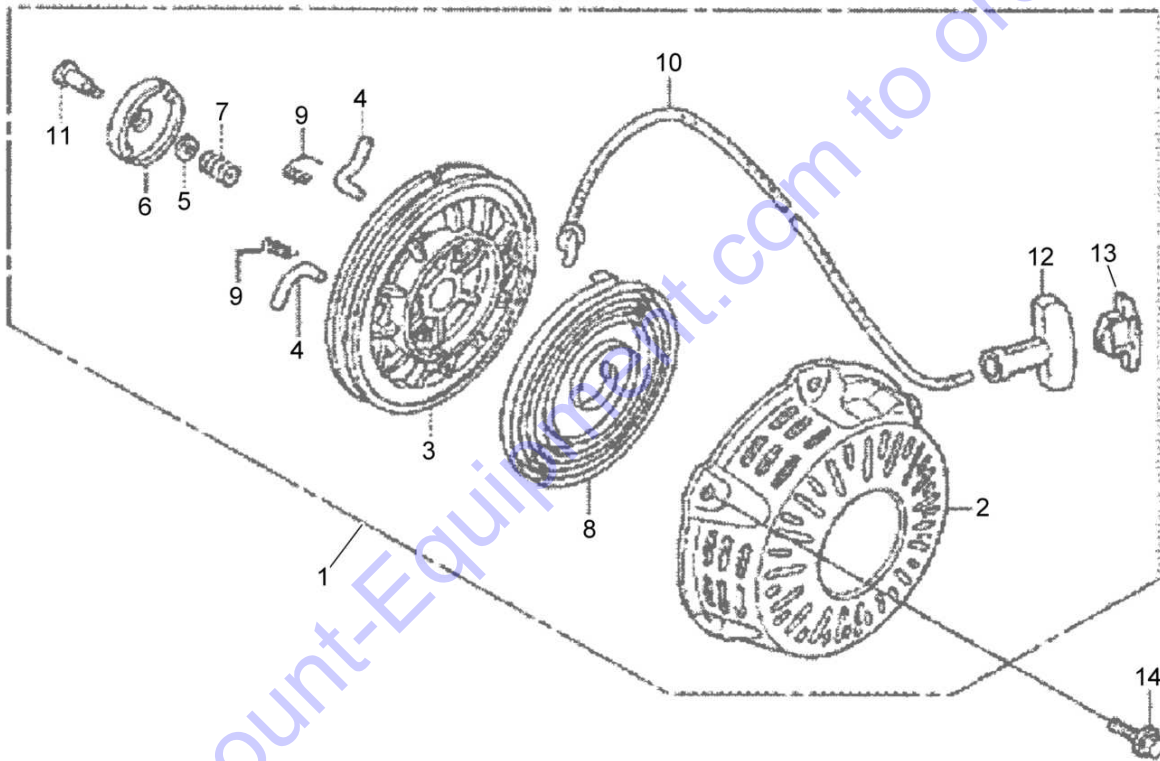
11.31

Recoil Starter


Page **1 / 1**



MOT015184_000_00



mot015184_000

| | | |
|-----------------------|------------------|---|
| Engine no. | S/N 1104985 ▶ | |
| | | |
| | | |
| Recoil Starter | | 11.31 |
| | | Page 1 / 1 |
| | MOT015184 1001 E |  |

| Pos. | Part no. | Qty. | Description |
|------|----------|------|------------------|
| 1 | 05748923 | 1 | Recoil starter |
| 2 | 05748893 | 1 | >Starter housing |
| 3 | 05748894 | 1 | >Rope pulley |
| 4 | 05748326 | 2 | >Ratchet |
| 5 | 05748327 | 1 | >Friction spring |
| 6 | 05748328 | 1 | >Guide,ratchet |
| 7 | 05748329 | 1 | >Spring |
| 8 | 05747293 | 1 | >Return spring |
| 9 | 05748330 | 2 | >Return spring |
| 10 | 05747296 | 1 | >Starter rope |
| 11 | 05748579 | 1 | >Locking screw |
| 12 | 05748895 | 1 | >Starter handle |
| 13 | 05748896 | 1 | >Handle |
| 14 | 05748331 | 3 | Screw |
| 15 | 05748654 | 1 | Label |

Go to Discount-Equipment.com to order your parts

Engine no.

S/N 1104985 ▶

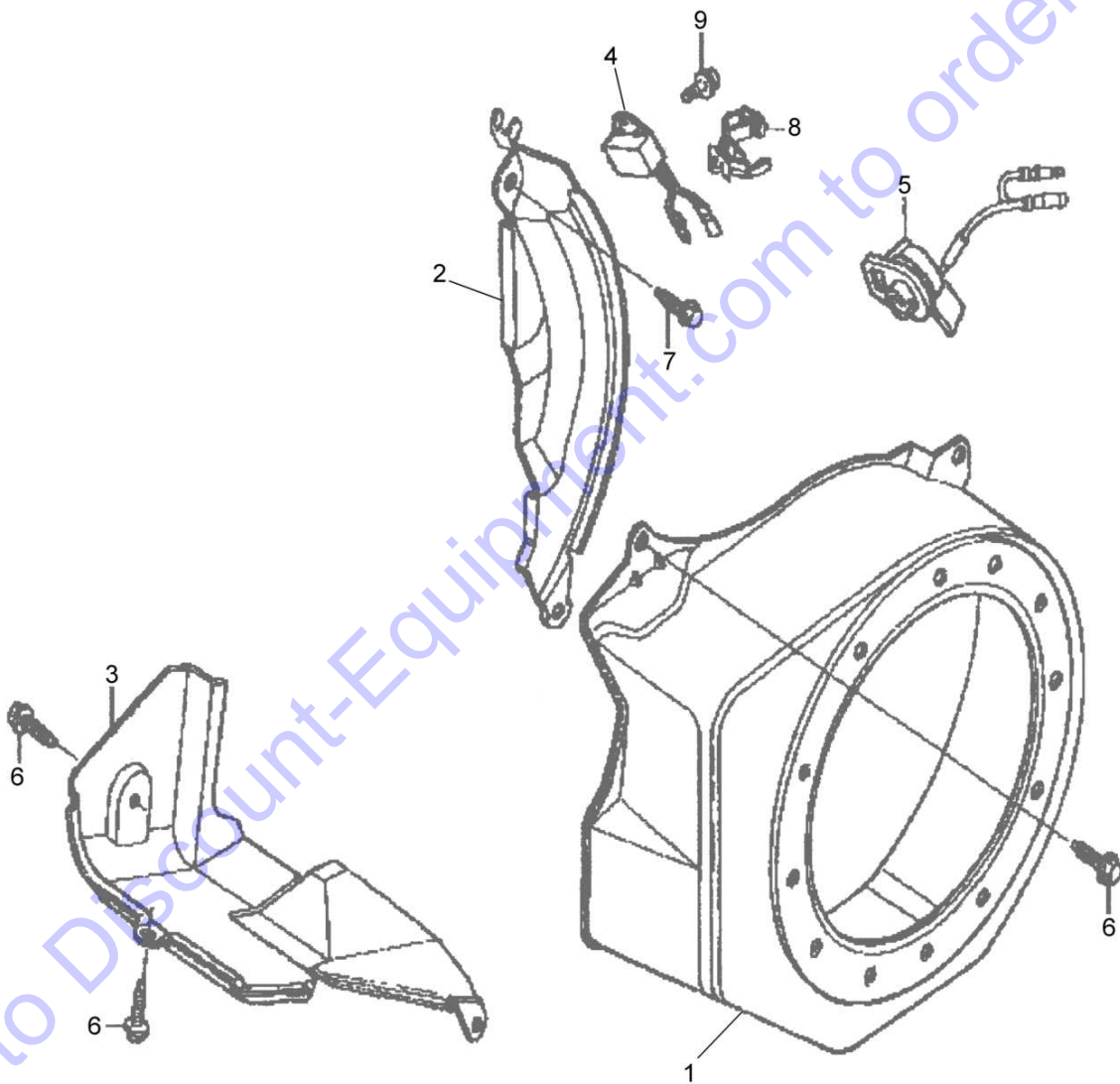
11.44

Covering


Page 1 / 1



MOT015185_000_00



mot015185_000

| | | |
|------------|------------------|---|
| Engine no. | S/N 1104985 ▶ | |
| | | |
| | | |
| Covering | | 11.44 |
| | | Page 1 / 1 |
| | MOT015185 1001 E |  |

| Pos. | Part no. | Qty. | Description |
|------|----------|------|--------------------|
| 1 | 05748925 | 1 | Engine cover |
| 2 | 05748926 | 1 | Side plate |
| 3 | 05748927 | 1 | Cover |
| 4 | 05748627 | 1 | Oil alarm unit |
| 5 | 05748628 | 1 | Engine stop switch |
| 6 | 05747322 | 6 | Hexagon bolt |
| 7 | 05747325 | 1 | Screw |
| 8 | 05747648 | 1 | Cable clip |
| 9 | 05747318 | 1 | Screw |

Go to Discount-Equipment.com to order your parts

Engine no.

S/N 1104985 ▶

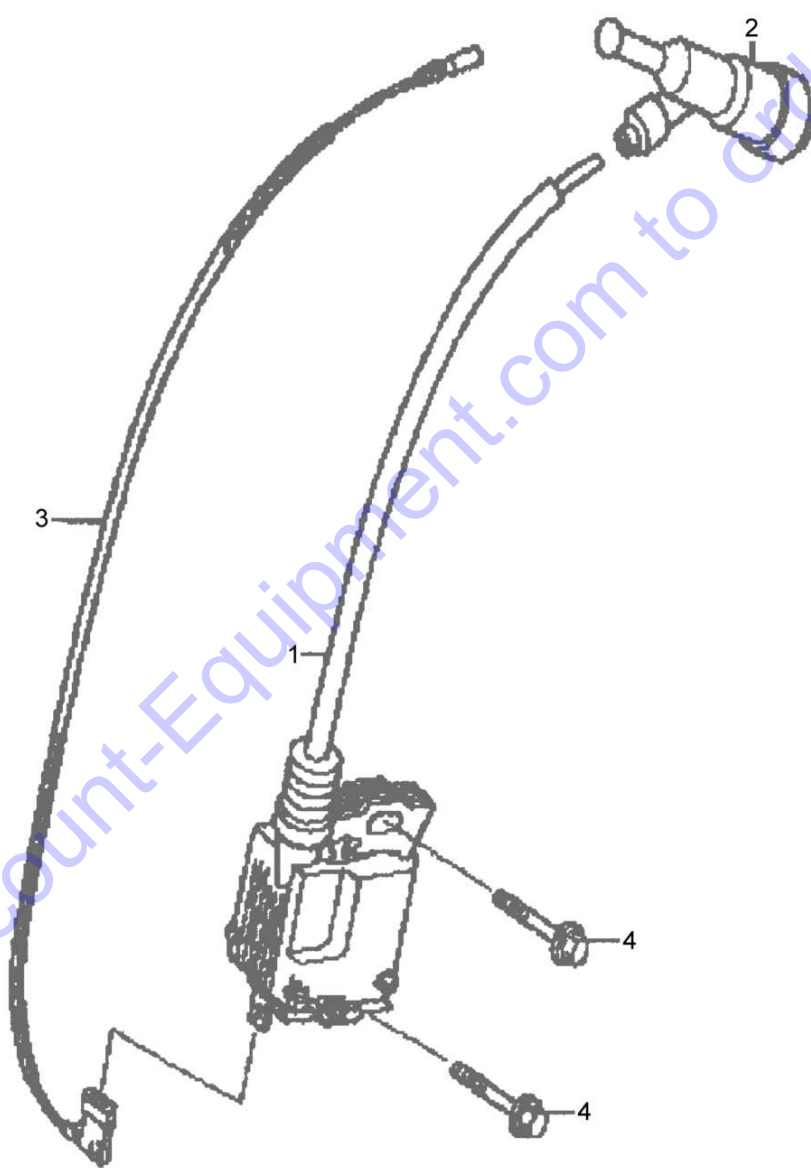
11.46

Contact Breaker/Ign.Coil


Page 1 / 1



MOT015186_000_00



mot015186_000

| | | |
|---------------------------------|------------------|---|
| Engine no. | S/N 1104985 ▶ | |
| | | |
| | | |
| Contact Breaker/Ign.Coil | | 11.46 |
| | | Page 1 / 1 |
| | MOT015186 1001 E |  |

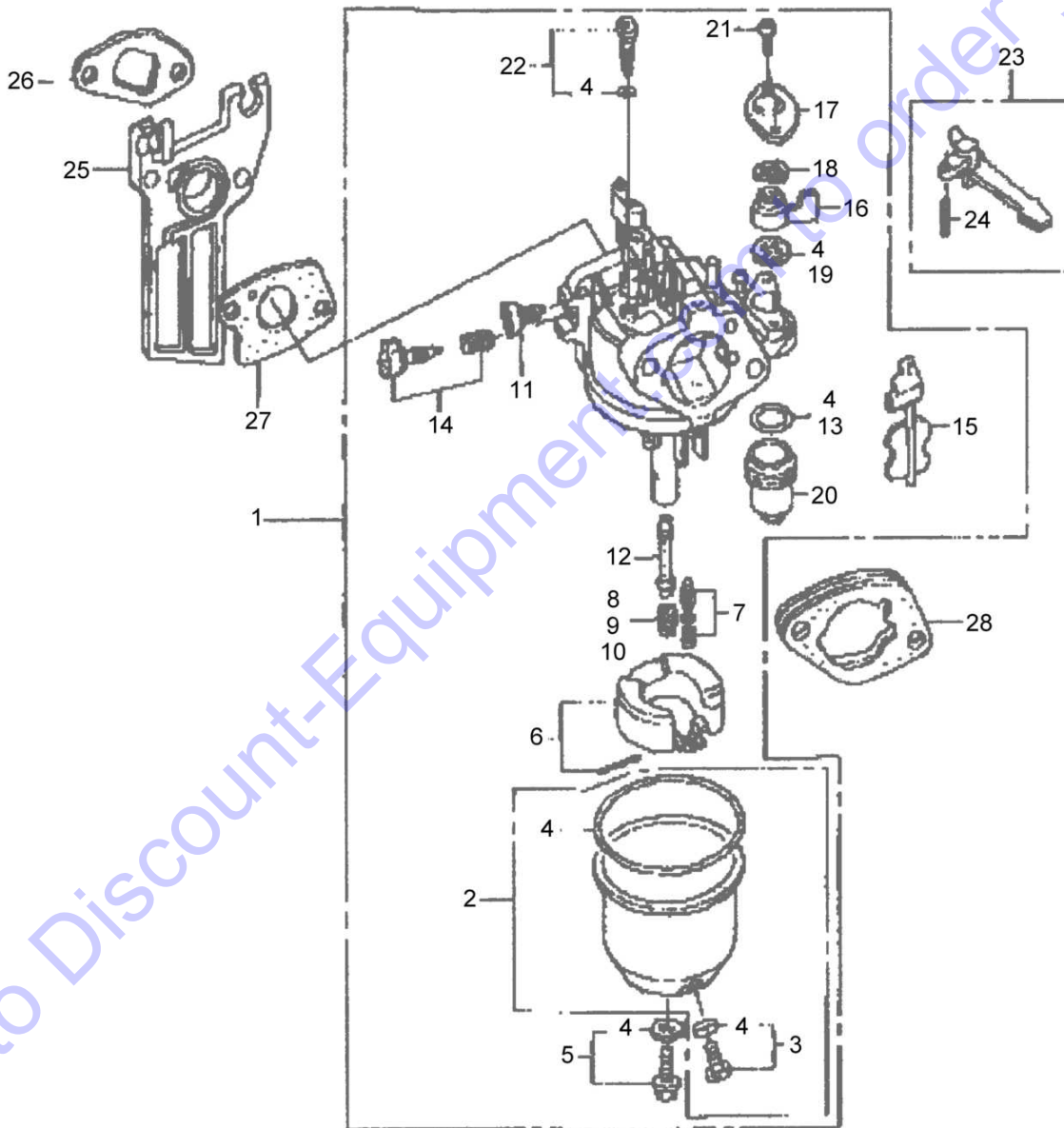
Pos. Part no. Qty. Description

| | | | |
|---|----------|---|-------------------|
| 1 | 05748630 | 1 | Coil,ignition |
| 2 | 05748631 | 1 | Spark plug socket |
| 3 | 05747415 | 1 | Shut down rope |
| 4 | 05747395 | 2 | Screw |


Go to Discount-Equipment.com to order your parts

11.53

Carburetor



Go to Discount-Equipment.com to order your parts

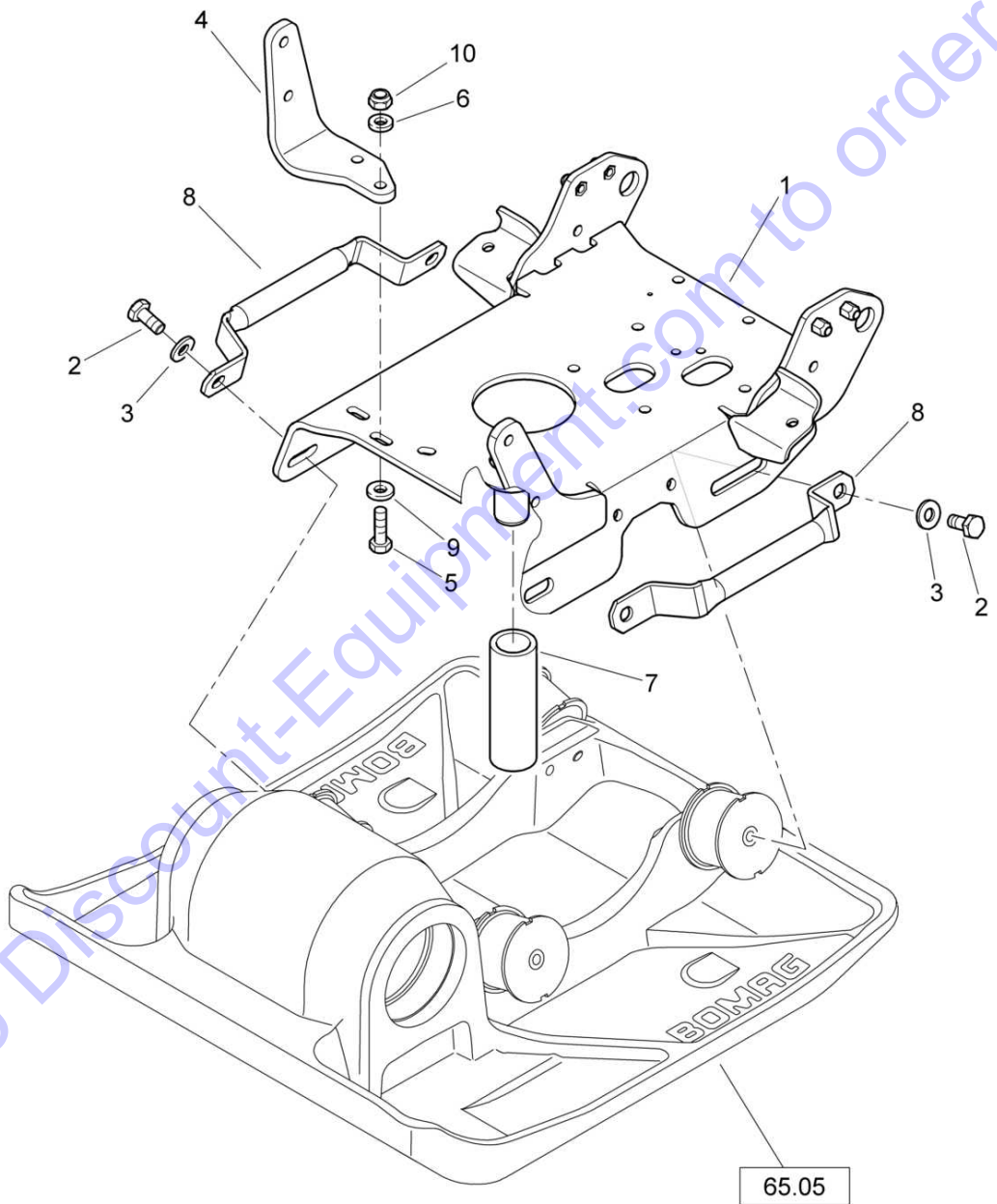
| | | |
|-------------------|------------------|---|
| Engine no. | S/N 1104985 ▶ | |
| | | |
| | | |
| Carburetor | | 11.53 |
| | | Page 1 / 1 |
| | MOT015187 1001 E |  |

Pos. Part no. Qty. Description


| | | | |
|----|----------|---|------------------------|
| 1 | 05748929 | 1 | Carburetor |
| 2 | 05748898 | 1 | >Floater housing |
| 3 | 05748899 | 1 | >>Screw plug with seal |
| 4 | 05747249 | 1 | >>Kit,seal |
| 5 | 05748900 | 1 | >Screw plug with seal |
| 6 | 05748588 | 1 | >Float set |
| 7 | 05747146 | 1 | >Kit,float valve |
| 8 | 05748584 | 1 | >Main nozzle #65 |
| 9 | 05748585 | 1 | >Main nozzle #68 |
| 10 | 05748589 | 1 | >Main nozzle #70 |
| 11 | 05747148 | 1 | >Stop screw |
| 12 | 05748930 | 1 | >Main nozzle |
| 13 | 05748490 | 1 | >Gasket |
| 14 | 05747644 | 1 | >Kit, bolts |
| 15 | 05748928 | 1 | >Kit, choke |
| 16 | 05747645 | 1 | >Lever |
| 17 | 05747441 | 1 | >Fastening plate |
| 18 | 05747442 | 1 | >Spring |
| 19 | 05747218 | 1 | >Gasket |
| 20 | 05747313 | 1 | >Cup,fuel strainer |
| 21 | 05748500 | 2 | >Screw |
| 22 | 05748505 | 1 | >Kit,nozzle #35 |
| 23 | 05747159 | 1 | Lever |
| 24 | 05747281 | 1 | >Dowel pin |
| 25 | 05748931 | 1 | Insulator |
| 26 | 05747342 | 1 | Insulator gasket |
| 27 | 05747440 | 1 | Gasket |
| 28 | 05747149 | 1 | Connecting piece |

Go to Discount-Equipment.com to order your parts

| | | |
|-----------------------------|-----------------------|--------------------|
| | BP 25/50 | S/N 101230051490 ▶ |
| 12.12 | Engine Carrier | |
| Page 1 / 1 | | |
| BOMAG FAYAT GROUP | 23030003_000_02 | |



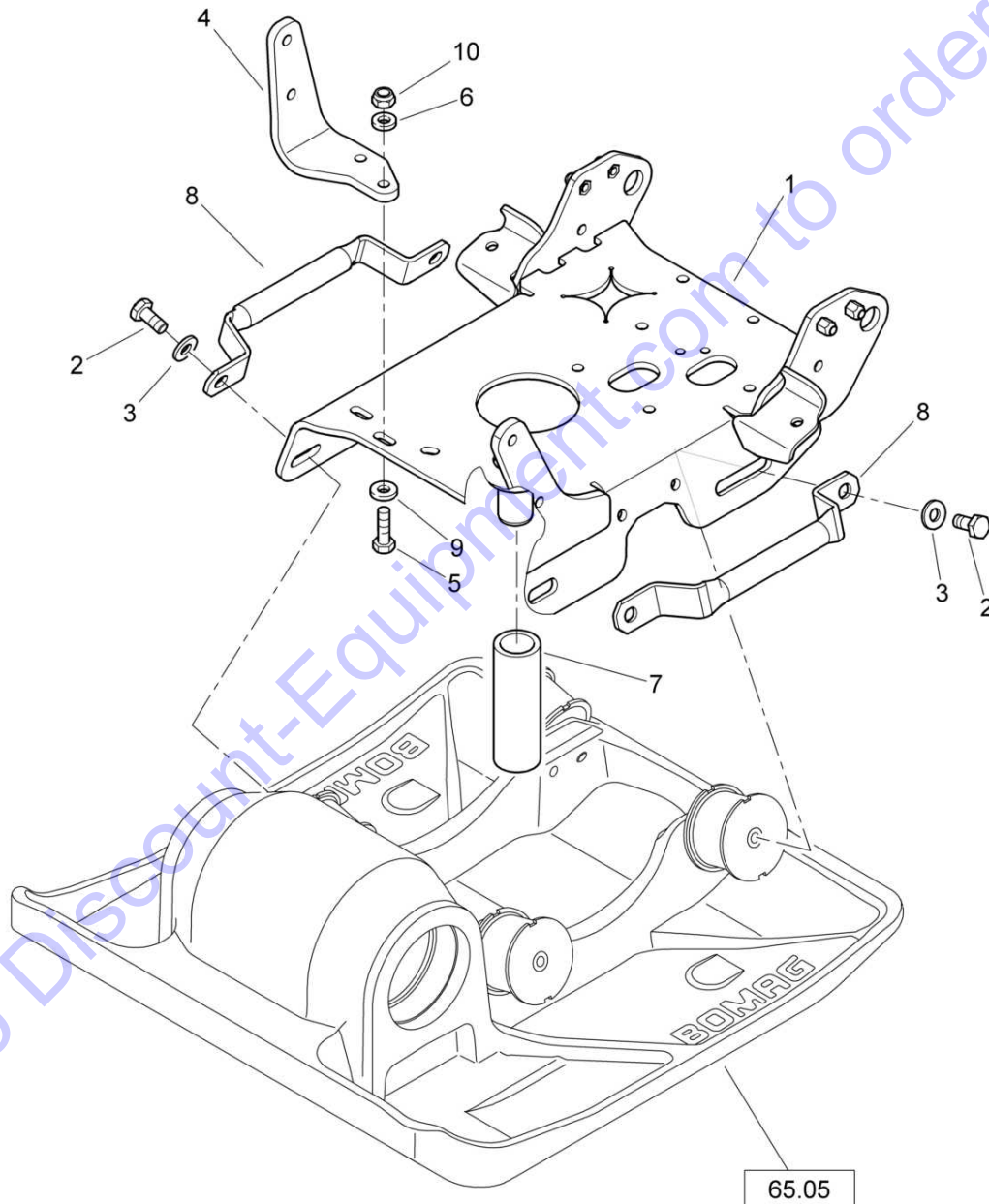
65.05

| | |
|-----------------------|---|
| BP 25/50 | |
| S/N 101230051490 ▶ | |
| Engine Carrier | 12.12 |
| | Page 1 / 1 |
| |  BOMAG FAYAT GROUP |
| 23030003 1001 1 | |


| Pos. | Part no. | Qty. | Description |
|------|----------|------|-----------------|
| 1 | 23030198 | 1 | Engine carrier |
| 2 | 07141020 | 4 | Hexagon bolt |
| 3 | 08752106 | 4 | Spring washer |
| 4 | 23030173 | 1 | Holder |
| 5 | 07140842 | 2 | Hexagon bolt |
| 6 | 08510817 | 2 | Washer |
| 7 | 23030205 | 1 | Stop |
| 8 | 23030176 | 2 | Carrying handle |
| 9 | 08590820 | 2 | Washer |
| 10 | 08130813 | 2 | Safety nut |

Go to Discount-Equipment.com to order your parts

Engine Carrier



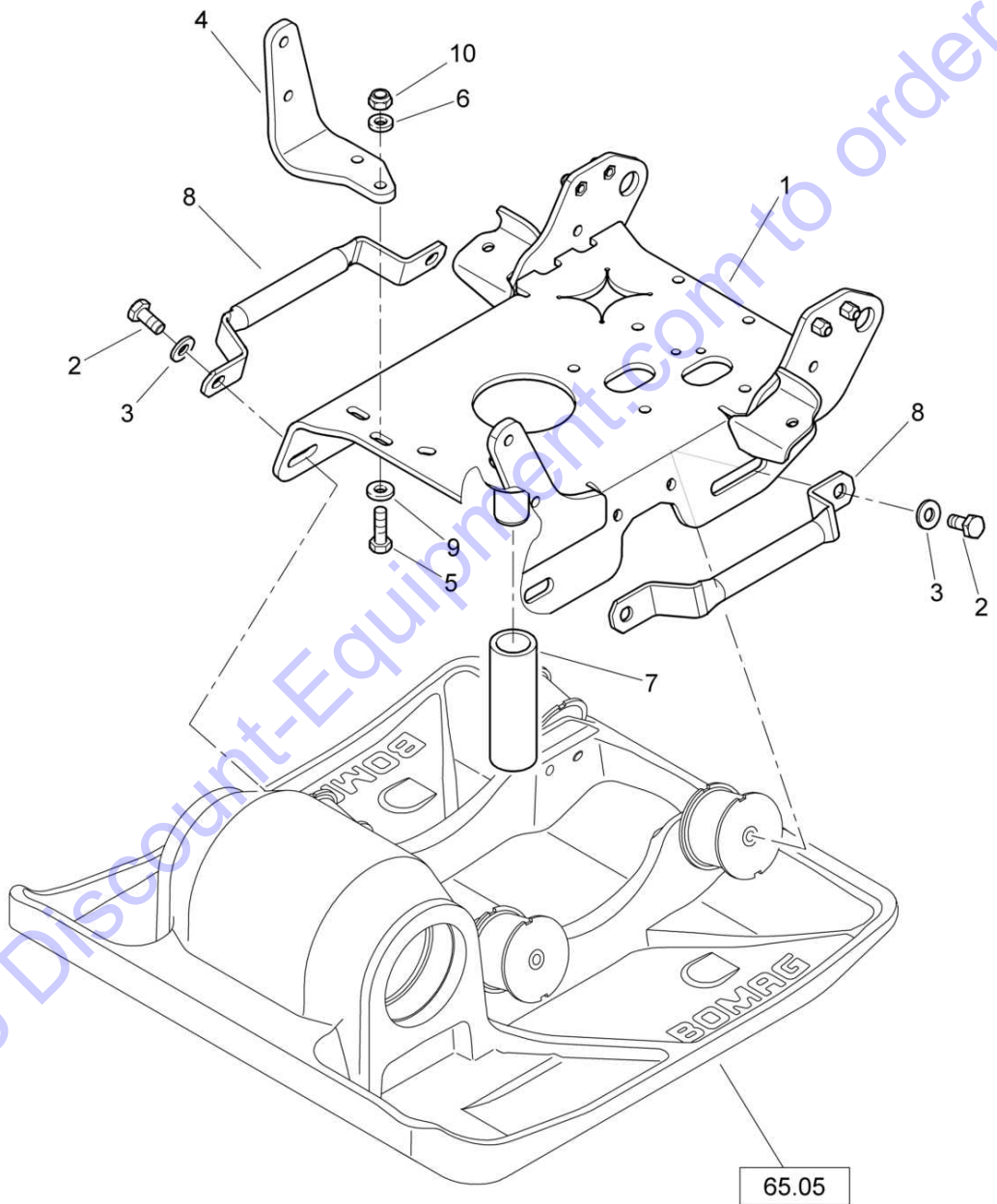
Go to Discount-Equipment.com to order your parts

| | | |
|-----------------------|-------------------------------------|---|
| BP 25/50 | S/N 101230051452 ▶ S/N 101230051489 | 12.12 |
| Engine Carrier | | |
| | | Page 1 / 1 |
| | 23030003 1001 1 |  |

| Pos. | Part no. | Qty. | Description |
|------|----------|------|-----------------|
| 1 | 23030193 | 1 | Engine carrier |
| 2 | 07141020 | 4 | Hexagon bolt |
| 3 | 08752106 | 4 | Spring washer |
| 4 | 23030173 | 1 | Holder |
| 5 | 07140842 | 2 | Hexagon bolt |
| 6 | 08510817 | 2 | Washer |
| 7 | 23030205 | 1 | Stop |
| 8 | 23030176 | 2 | Carrying handle |
| 9 | 08590820 | 2 | Washer |
| 10 | 08130813 | 2 | Safety nut |


Go to Discount-Equipment.com to order your parts

| | | |
|-----------------------------|-----------------------|-------------------------------------|
| | BP 25/50 | S/N 101230051378 ▶ S/N 101230051451 |
| 12.12 | Engine Carrier | |
| Page 1 / 1 | | |
| BOMAG FAYAT GROUP | | 23030003_000_01 |



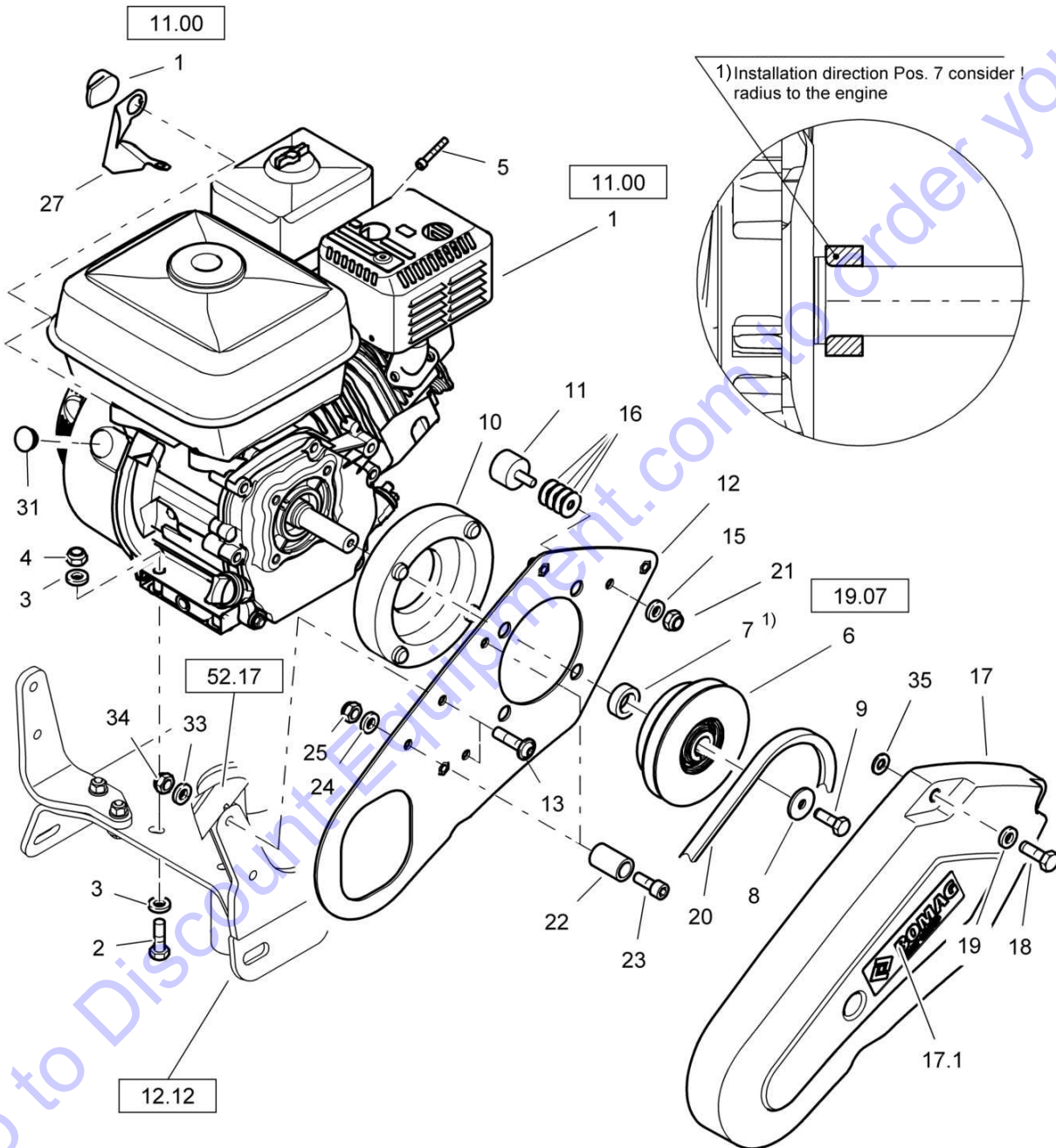
Go to Discount-Equipment.com to order your parts


65.05

| | | |
|-----------------------|-------------------------------------|---|
| BP 25/50 | S/N 101230051378 ▶ S/N 101230051451 | 12.12 |
| Engine Carrier | | |
| | | Page 1 / 1 |
| | 23030003 1001 1 |  |

| Pos. | Part no. | Qty. | Description |
|------|----------|------|-----------------|
| 1 | 23030193 | 1 | Engine carrier |
| 2 | 07141020 | 4 | Hexagon bolt |
| 3 | 08752106 | 4 | Spring washer |
| 4 | 23030173 | 1 | Holder |
| 5 | 07140842 | 2 | Hexagon bolt |
| 6 | 08510817 | 2 | Washer |
| 7 | 23030141 | 1 | Stop |
| 8 | 23030176 | 2 | Carrying handle |
| 9 | 08590820 | 2 | Washer |
| 10 | 08130813 | 2 | Safety nut |

Go to Discount-Equipment.com to order your parts

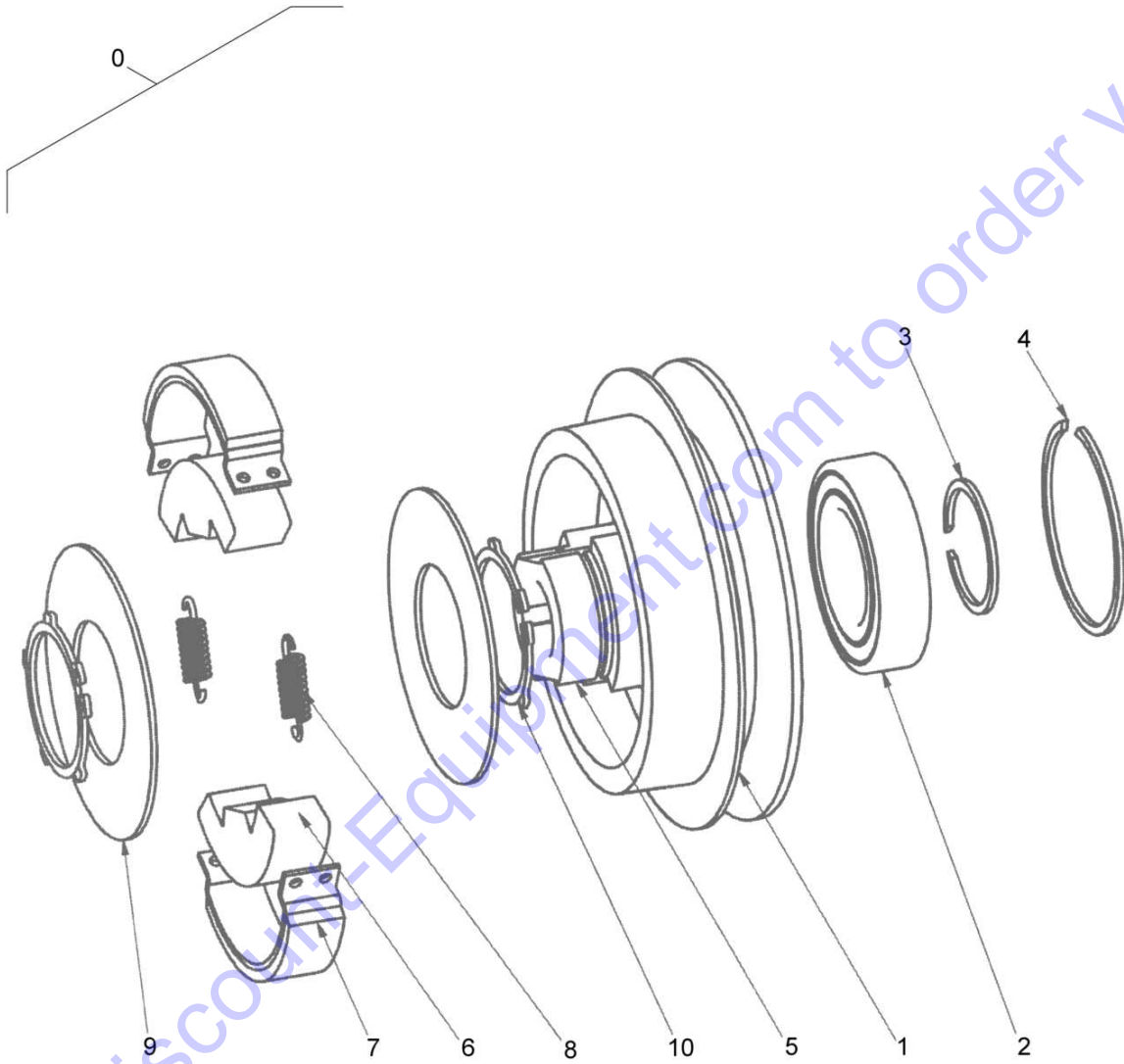



| | |
|--------------------|---|
| BP 25/50 | |
| S/N 101230051378 ▶ | 12.13 |
| Engine | Page 1 / 1 |
| 23040010 1001 1 |  |

| Pos. | Part no. | Qty. | Description |
|------|----------|------|-----------------------|
| 1 | 05747029 | 1 | Four-stroke engine |
| 2 | 07140848 | 4 | Hexagon bolt |
| 3 | 08510817 | 8 | Washer |
| 4 | 08130813 | 4 | Safety nut |
| 5 | 07230637 | 1 | Socket-head cap screw |
| 6 | 05650122 | 1 | Centrifugal clutch |
| 7 | 23040112 | 1 | Spacer sleeve |
| 8 | 23040137 | 1 | Washer |
| 9 | 07010816 | 1 | Hexagon bolt |
| 10 | 23040106 | 1 | Seal |
| 11 | 06142915 | 1 | Stop buffer |
| 12 | 23040139 | 1 | Supporting plate |
| 13 | 07210817 | 2 | Lens head screw |
| 15 | 08510817 | 1 | Washer |
| 16 | 08621084 | 4 | Washer |
| 17 | 23040150 | 1 | V-belt guard |
| 17.1 | 23040148 | 1 | Label |
| 18 | 07140853 | 3 | Hexagon bolt |
| 19 | 08510817 | 3 | Washer |
| 20 | 06312023 | 1 | V-belt |
| 21 | 08130813 | 1 | Safety nut |
| 22 | 69020718 | 2 | Stop |
| 23 | 07230819 | 2 | Socket-head cap screw |
| 24 | 08510817 | 2 | Washer |
| 25 | 08130813 | 2 | Safety nut |
| 27 | 23040147 | 1 | Supporting plate |
| 31 | 06510213 | 1 | Plug |
| 33 | 08510817 | 2 | Washer |
| 34 | 08130813 | 2 | Safety nut |
| 35 | 08665000 | 3 | Stop disc |

Go to Discount-Equipment.com to order your parts

| | | |
|-----------------------------|---------------------------|--------------------|
| | BP 25/50 | |
| 19.07 | | S/N 101230051378 ▶ |
| | Centrifugal Clutch | |
| Page 1 / 1 | | |
| BOMAG FAYAT GROUP | | EA002910_000_00 |



| | |
|---------------------------|---|
| BP 25/50 | |
| S/N 101230051378 ▶ | 19.07 |
| Centrifugal Clutch | Page 1 / 1 |
| |  |
| EA002910 1001 E | |

| Pos. | Part no. | Qty. | Description |
|------|----------|------|-----------------------|
| 0 | 05650122 | 1 | Centrifugal clutch |
| 1 | 05660548 | 1 | >Belt pulley |
| 2 | 05113306 | 1 | >Ball bearing,grooved |
| 3 | 05660215 | 1 | >Spring ring |
| 4 | 05660777 | 1 | >Circlip |
| 5 | 05660459 | 1 | >Hub |
| 6 | 05660214 | 2 | >Centrifugal weight |
| 7 | 05660174 | 2 | >Support with lining |
| 8 | 05660366 | 4 | >Tension spring |
| 9 | 05660134 | 2 | >Cover disc |
| 10 | 05660807 | 2 | >Circlip,external |

Go to Discount-Equipment.com to order your parts

Frame with Attachment Parts



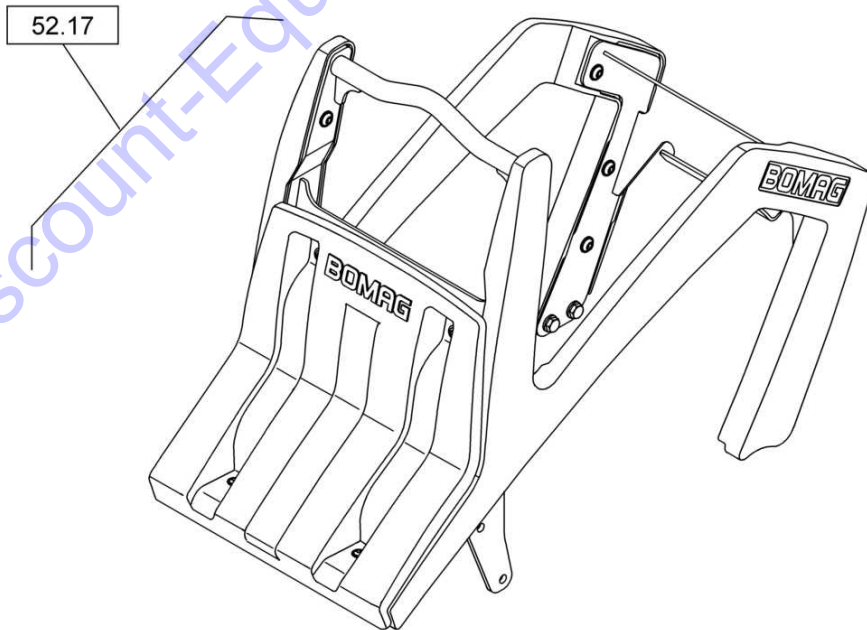
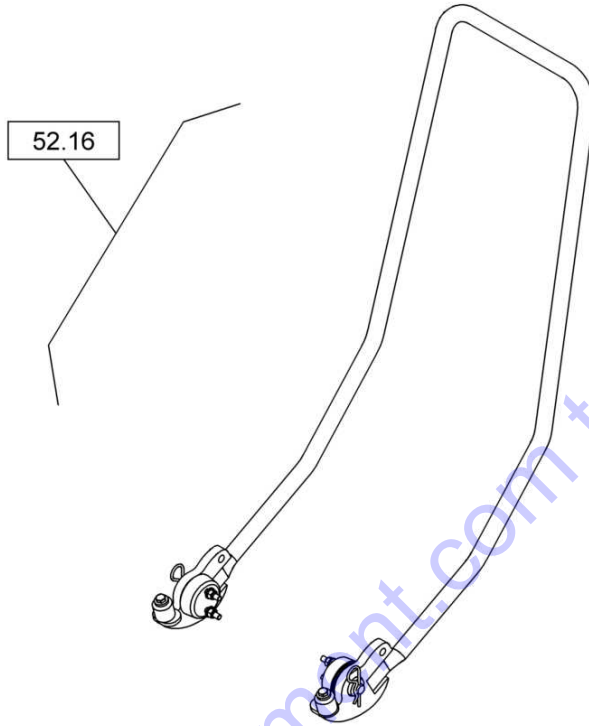
50

Go to Discount-Equipment.com to order your parts


50.00

Frame with Attachment Parts

Page /



Go to Discount-Equipment.com to order your parts

| | |
|-----------------------------|---|
| Frame with Attachment Parts | 50.00 |
| | Page / |
| |  |

Pos. Description

- 52.16 Steering Handle
- 52.17 Protection Bow

Go to Discount-Equipment.com to order your parts



BP 25/50

S/N 101230051490 ▶

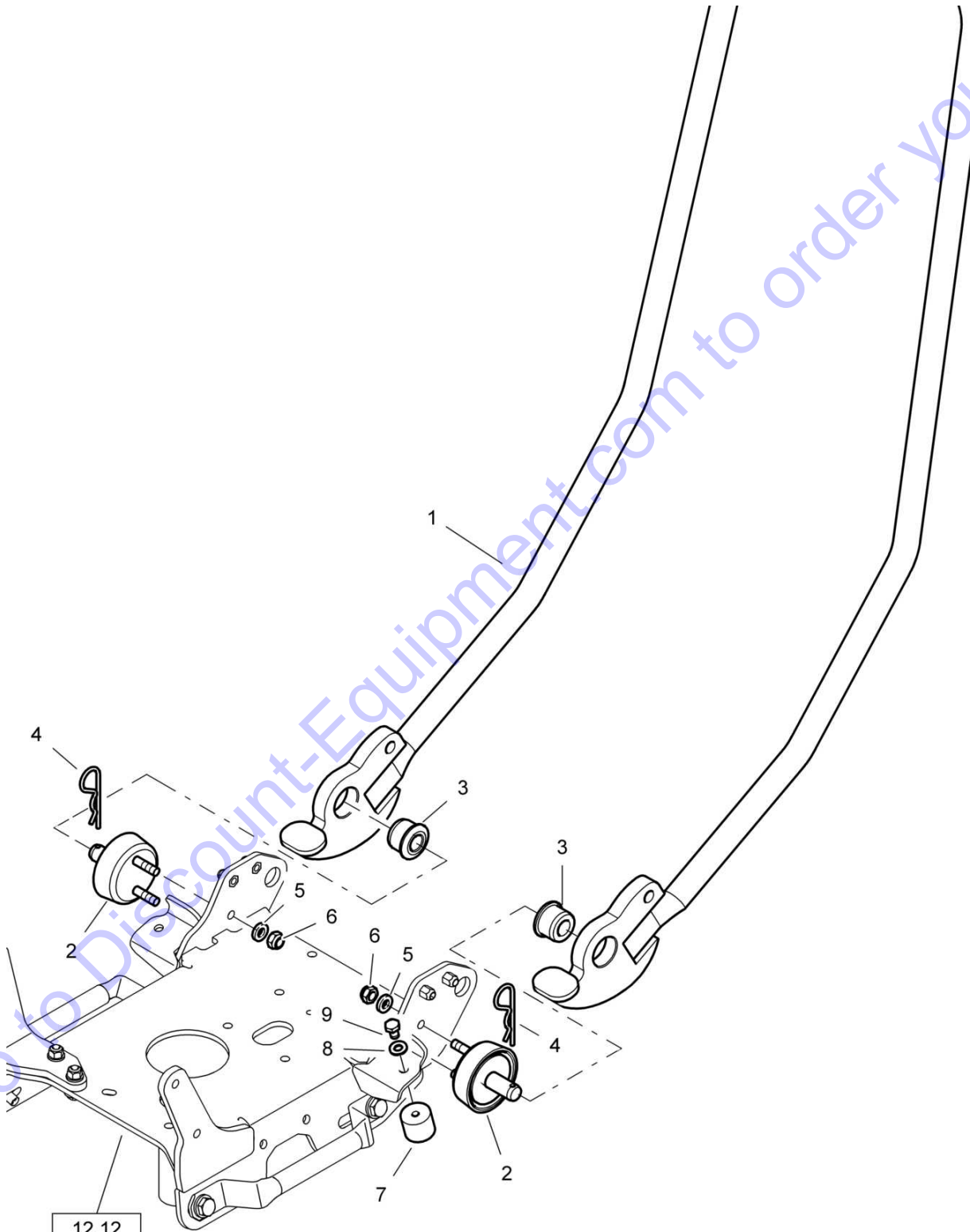
52.16

Steering Handle

Page 1 / 1




23060001_000_06



12.12

23060001_000_06

| | |
|------------------------|---|
| BP 25/50 | |
| S/N 101230051490 ▶ | |
| Steering Handle | 52.16 |
| | Page 1 / 1 |
| |  |
| 23060001 1001 1 | |

| Pos. | Part no. | Qty. | Description |
|------|----------|------|-----------------|
| 1 | 23060209 | 1 | Steering handle |
| 2 | 23060191 | 2 | Spring element |
| 3 | 23060203 | 2 | Bushing |
| 4 | 05994004 | 2 | Spring cotter |
| 5 | 08510817 | 4 | Washer |
| 6 | 08130813 | 4 | Safety nut |
| 7 | 06142912 | 2 | Stop buffer |
| 8 | 08590820 | 2 | Washer |
| 9 | 07140818 | 2 | Hexagon bolt |

Go to Discount-Equipment.com to order your parts



BP 25/50

S/N 101230051378 ▶ S/N 101230051489

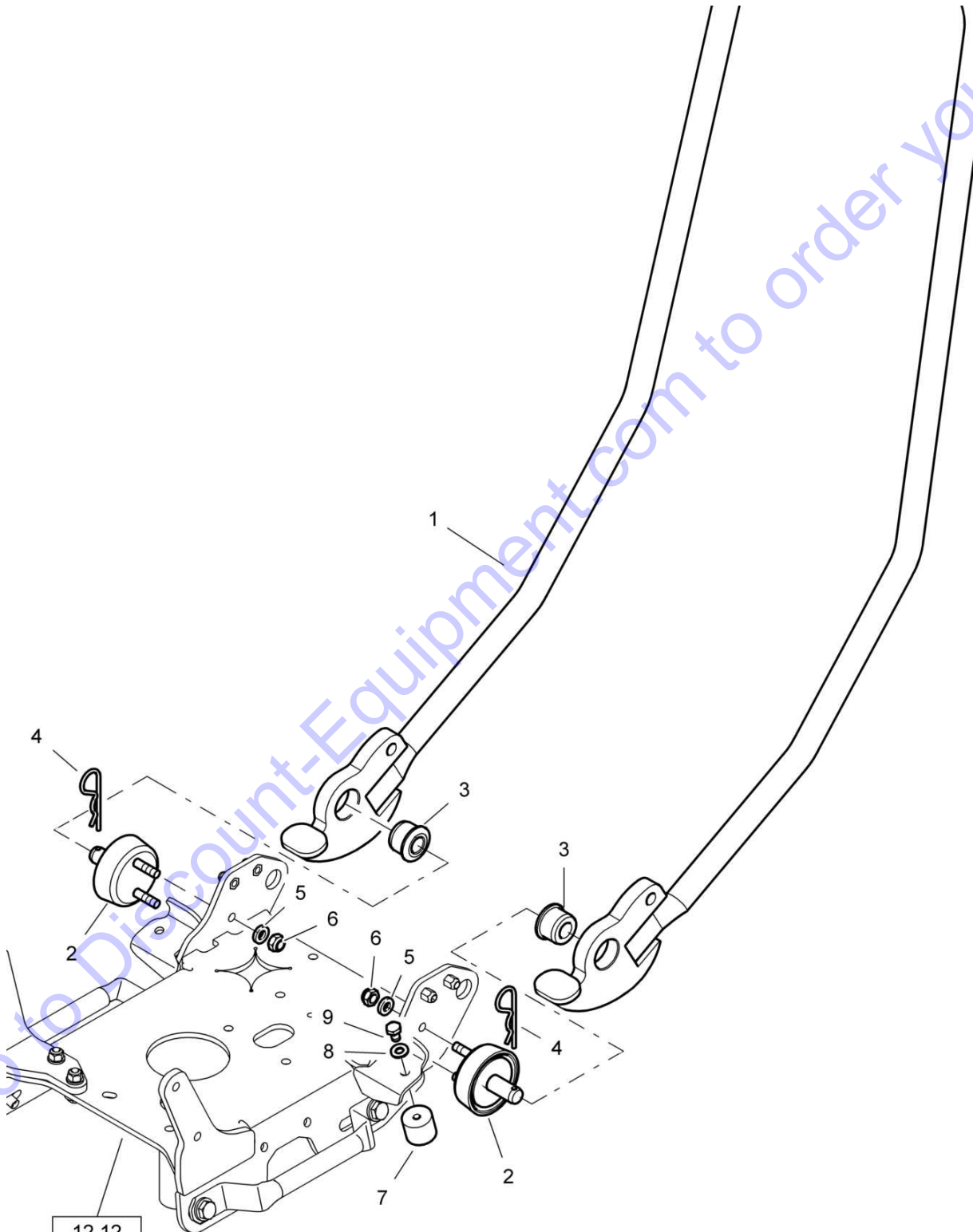
52.16

Steering Handle

Page 1 / 1




23060001_000_05



12.12

23060001_000_05

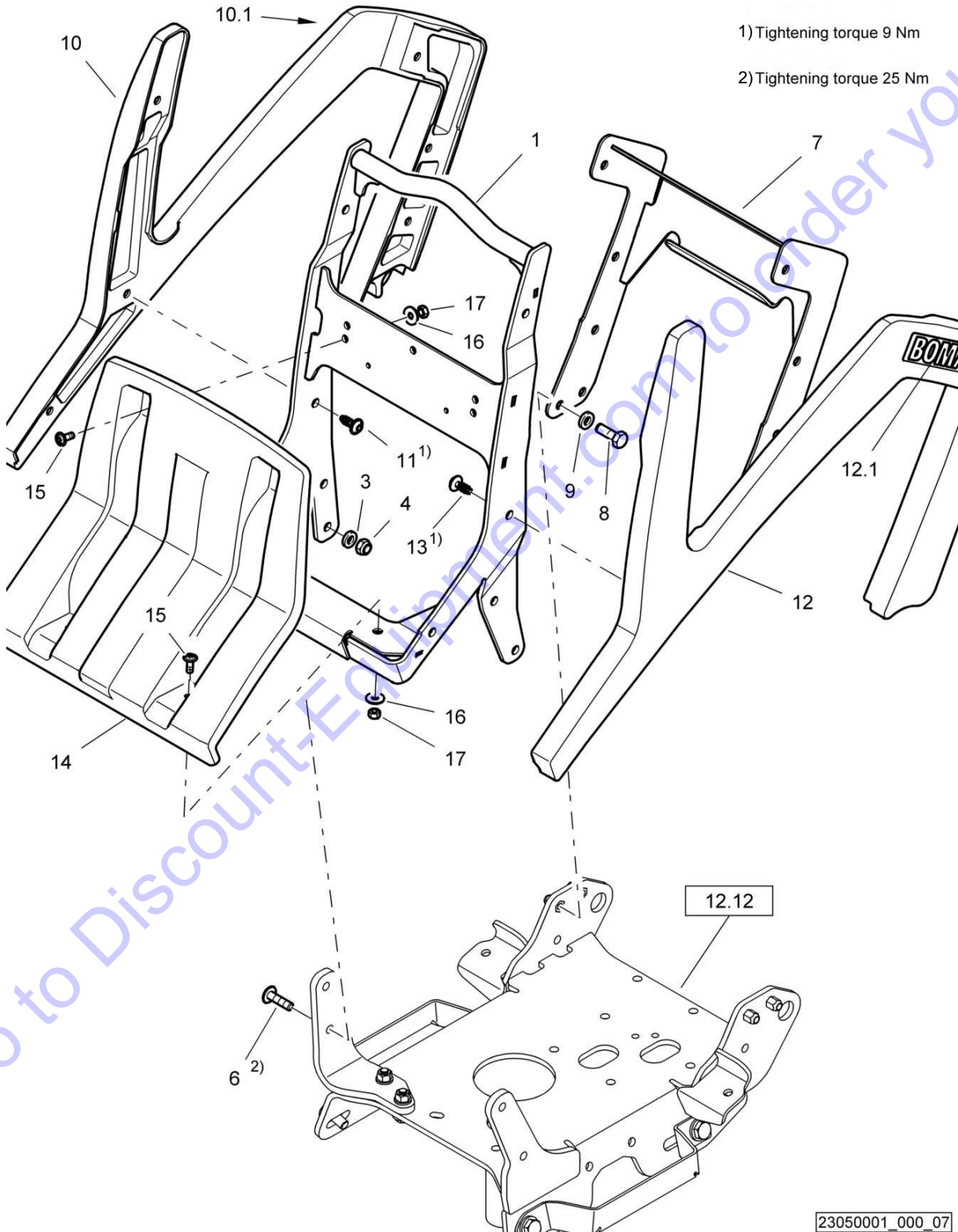
Go to Discount-Equipment.com to order your parts


| | | |
|------------------------|-------------------------------------|---|
| BP 25/50 | S/N 101230051378 ▶ S/N 101230051489 | 52.16 |
| Steering Handle | | |
| | | Page 1 / 1 |
| | 23060001 1001 1 |  |

| Pos. | Part no. | Qty. | Description |
|------|----------|------|-----------------|
| 1 | 23060209 | 1 | Steering handle |
| 2 | 23060191 | 2 | Spring element |
| 3 | 23060203 | 2 | Bushing |
| 4 | 05994004 | 2 | Spring cotter |
| 5 | 08510817 | 4 | Washer |
| 6 | 08130813 | 4 | Safety nut |
| 7 | 06142912 | 2 | Stop buffer |
| 8 | 08590820 | 2 | Washer |
| 9 | 07140818 | 2 | Hexagon bolt |

Go to Discount-Equipment.com to order your parts





| | |
|-----------------------|---|
| BP 25/50 | |
| S/N 101230051490 ▶ | |
| Protection Bow | 52.17 |
| | Page 1 / 1 |
| |  |
| 23050001 1001 1 | |

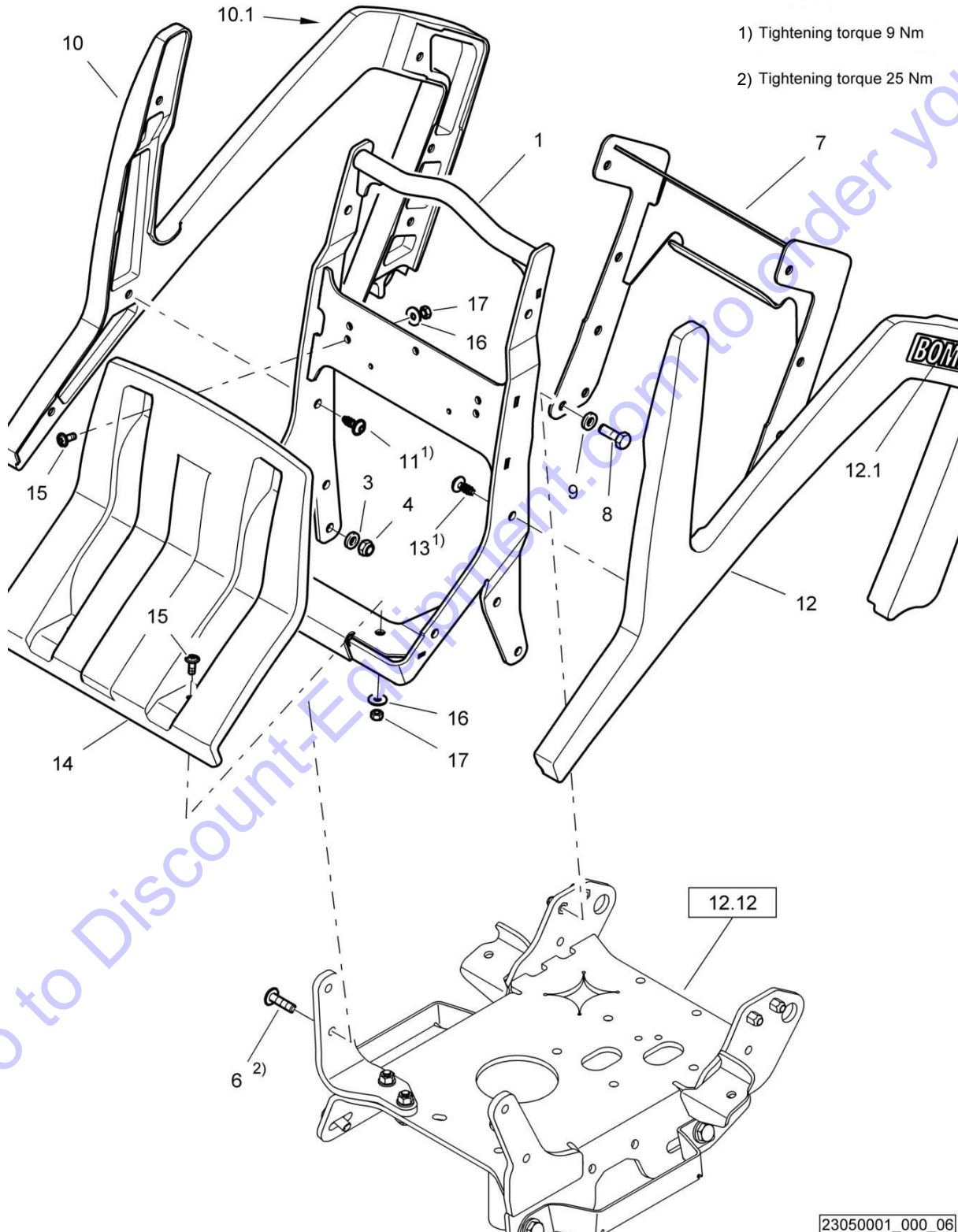
Pos. Part no. Qty. Description


| | | | |
|------|----------|---|-----------------|
| 1 | 23050282 | 1 | Pillow block |
| 3 | 08510817 | 2 | Washer |
| 4 | 08130813 | 2 | Safety nut |
| 6 | 07210817 | 2 | Lens head screw |
| 7 | 23050285 | 1 | Pillow block |
| 8 | 07140834 | 4 | Hexagon bolt |
| 9 | 08510817 | 4 | Washer |
| 10 | 23050309 | 1 | Side piece |
| 10.1 | 23050305 | 1 | Label |
| 11 | 07815008 | 6 | Screw |
| 12 | 23050310 | 1 | Side piece |
| 12.1 | 23050305 | 1 | Label |
| 13 | 07815008 | 6 | Screw |
| 14 | 23050234 | 1 | Cover |
| 15 | 07210616 | 4 | Lens head screw |
| 16 | 08621064 | 4 | Washer |
| 17 | 08130611 | 4 | Safety nut |

Go to Discount-Equipment.com to order your parts

52.17

Protection Bow



| | | |
|-----------------------|-------------------------------------|---|
| BP 25/50 | S/N 101230051378 ▶ S/N 101230051489 | 52.17 |
| Protection Bow | | |
| | | Page 1 / 1 |
| | 23050001 1001 1 |  |

Pos. Part no. Qty. Description

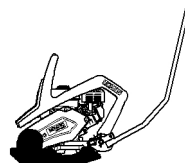
| | | | |
|------|----------|---|-----------------|
| 1 | 23050282 | 1 | Pillow block |
| 3 | 08510817 | 2 | Washer |
| 4 | 08130813 | 2 | Safety nut |
| 6 | 07210817 | 2 | Lens head screw |
| 7 | 23050285 | 1 | Pillow block |
| 8 | 07140834 | 4 | Hexagon bolt |
| 9 | 08510817 | 4 | Washer |
| 10 | 23050309 | 1 | Side piece |
| 10.1 | 23050305 | 1 | Label |
| 11 | 07815008 | 6 | Screw |
| 12 | 23050310 | 1 | Side piece |
| 12.1 | 23050305 | 1 | Label |
| 13 | 07815008 | 6 | Screw |
| 14 | 23050234 | 1 | Cover |
| 15 | 07210616 | 4 | Lens head screw |
| 16 | 08621064 | 4 | Washer |
| 17 | 08130611 | 4 | Safety nut |

Go to Discount-Equipment.com to order your parts



Go to Discount-Equipment.com to order your parts

Plate / Foot

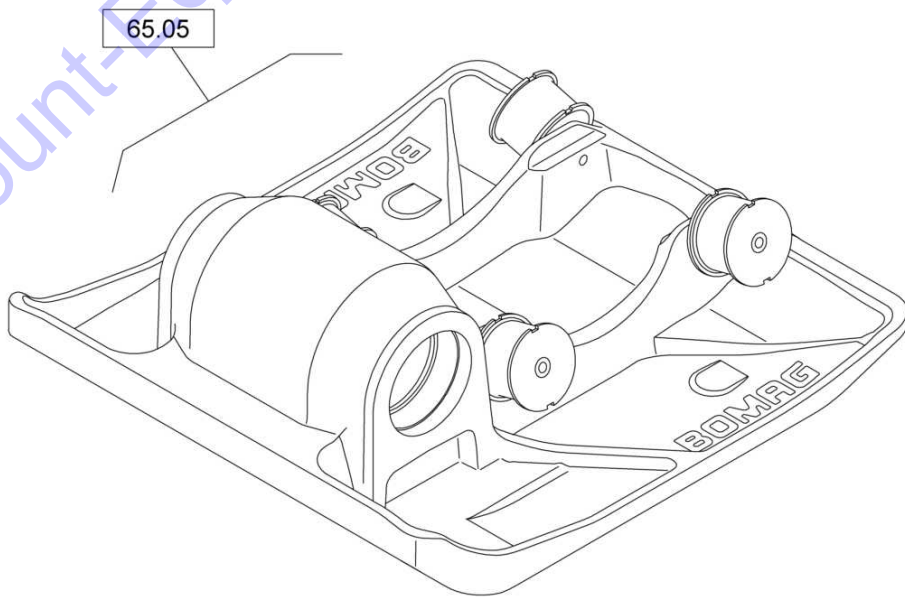
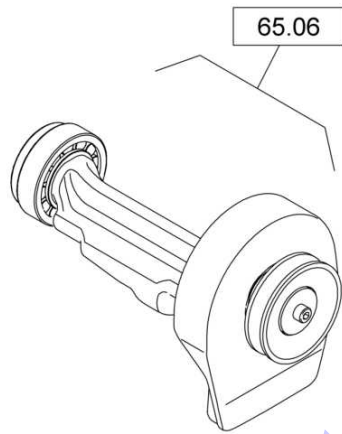


65


65.00

Plate / Foot

Page /



Go to Discount-Equipment.com to order your parts

| | |
|--------------|---|
| Plate / Foot | 65.00 |
| | Page / |
| |  BOMAG FAYAT GROUP |

Pos. Description

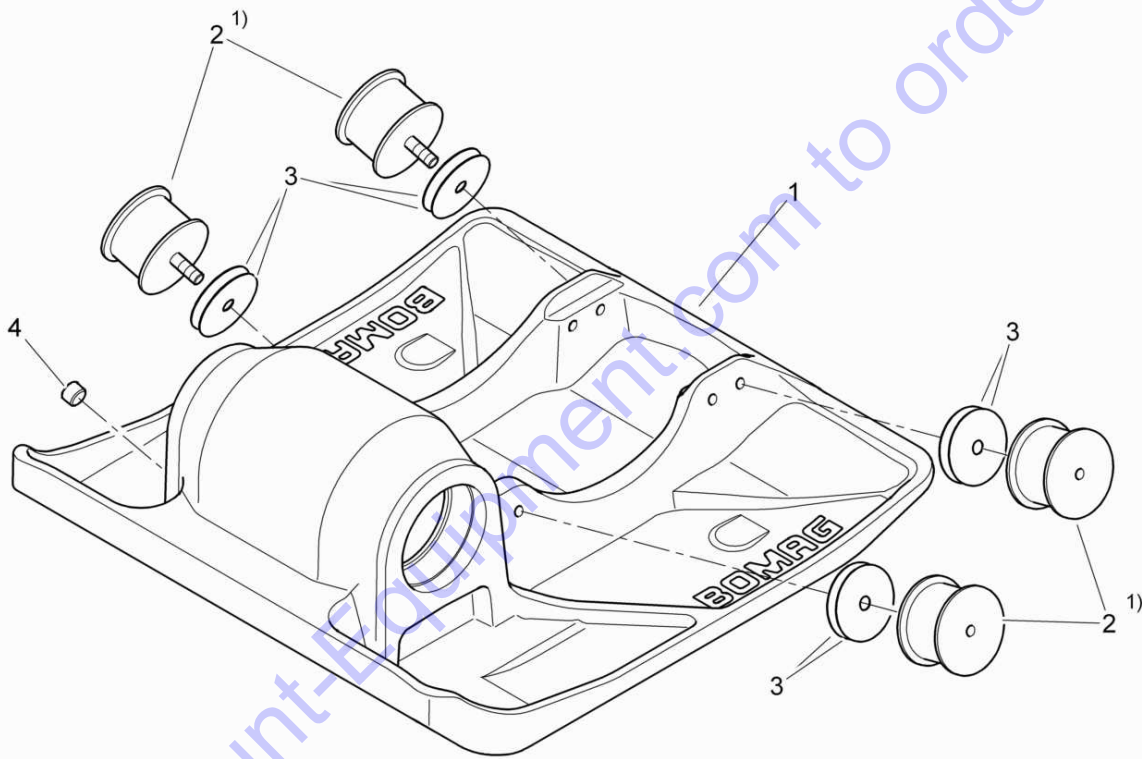
- 65.05 Base Plate
- 65.06 Exciter Unit


Go to Discount-Equipment.com to order your parts



| | | |
|-----------------------------|-------------------|--------------------|
| | BP 25/50 | |
| 65.05 | | S/N 101230051378 ▶ |
| | Base Plate | |
| Page 1 / 1 | | |
| BOMAG FAYAT GROUP | 23020007_000_00 | |

1) rubber buffer preload 0-1mm



| | |
|--------------------|---|
| BP 25/50 | |
| S/N 101230051378 ▶ | |
| Base Plate | 65.05 |
| | Page 1 / 1 |
| |  |
| 23020007 1001 1 | |

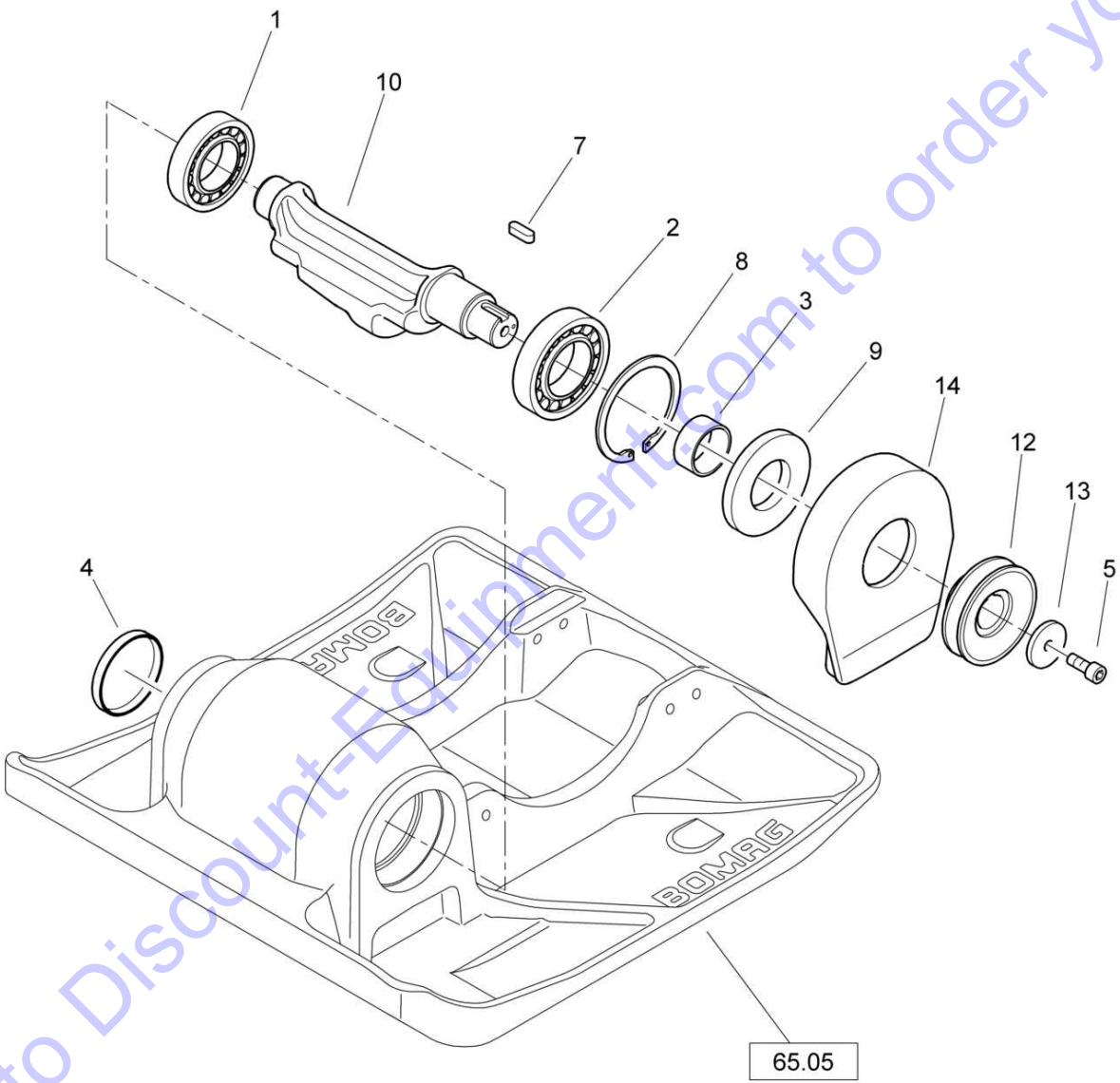
Pos. Part no. Qty. Description

| | | | |
|---|----------|---|---------------|
| 1 | 23020128 | 1 | Base plate |
| 2 | 06126912 | 4 | Rubber buffer |
| 3 | 23020117 | 8 | Shim |
| 4 | 07611616 | 1 | Magnetic plug |


Go to Discount-Equipment.com to order your parts



| | | |
|-----------------------------|---------------------|--------------------|
| | BP 25/50 | |
| 65.06 | | S/N 101230051378 ▶ |
| | Exciter Unit | |
| Page 1 / 1 | | |
| BOMAG FAYAT GROUP | 23010002_000_01 | |



Go to Discount-Equipment.com to order your parts

| | |
|---------------------|---|
| BP 25/50 | |
| S/N 101230051378 ▶ | |
| Exciter Unit | 65.06 |
| | Page 1 / 1 |
| |  |
| 23010002 1001 1 | |

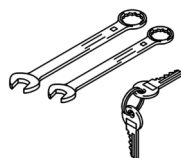
| Pos. | Part no. | Qty. | Description |
|------|----------|------|-------------------------|
| 1 | 05224252 | 1 | Cylinder roller bearing |
| 2 | 05224260 | 1 | Cylinder roller bearing |
| 3 | 05428122 | 1 | Inner ring |
| 4 | 06510380 | 1 | Locking cap |
| 5 | 07230819 | 1 | Socket-head cap screw |
| 7 | 09181604 | 1 | Fitting key |
| 8 | 09224400 | 1 | Circlip,internal |
| 9 | 09312808 | 1 | Radial seal |
| 10 | 23010161 | 1 | Exciter shaft |
| 12 | 23010140 | 1 | V-belt pulley |
| 13 | 23010132 | 1 | Washer |
| 14 | 23010156 | 1 | Seal |

Go to Discount-Equipment.com to order your parts



Go to Discount-Equipment.com to order your parts

Accessories



100.00


Accessories

Page /



101.03



| | |
|--------------------|---|
| Accessories | 100.00 |
| | Page / |
| |  |

Pos. Description

101.03 Decals

Go to Discount-Equipment.com to order your parts



BP 25/50

S/N 101230051490 ▶

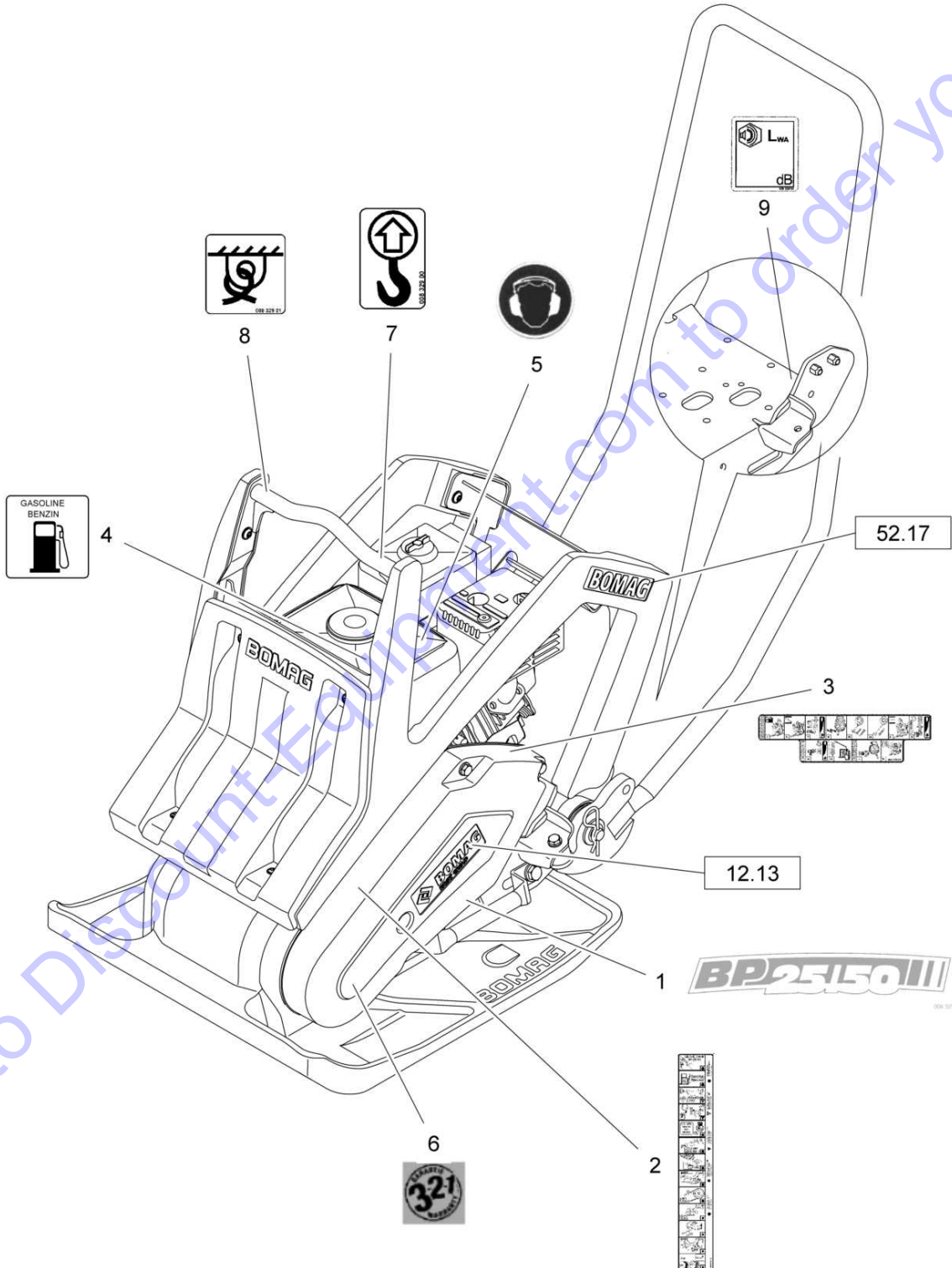
101.03

Decals


Page 1 / 1



23070007_000_04



23070007_000_04

| | |
|--------------------|---|
| BP 25/50 | |
| S/N 101230051490 ▶ | |
| Decals | 101.03 |
| | Page 1 / 1 |
| |  |
| 23070007 1001 1 | |

| Pos. | Part no. | Qty. | Description |
|------|----------|------|-------------|
|------|----------|------|-------------|

| | | | |
|---|----------|---|--------------------------|
| 1 | 00832937 | 1 | Type designation |
| 2 | 00832998 | 1 | Decal,maintenance instr. |
| 3 | 00833000 | 1 | Decal,operation |
| 4 | 00832193 | 1 | Decal,indication |
| 5 | 00832046 | 1 | Decal,indication |
| 6 | 00832996 | 1 | Label |
| 7 | 00832900 | 1 | Decal,indication |
| 8 | 00832901 | 1 | Decal,indication |
| 9 | 00832654 | 1 | Decal,indication |

Go to Discount-Equipment.com to order your parts



BP 25/50

S/N 101230051379 ▶ S/N 101230051489

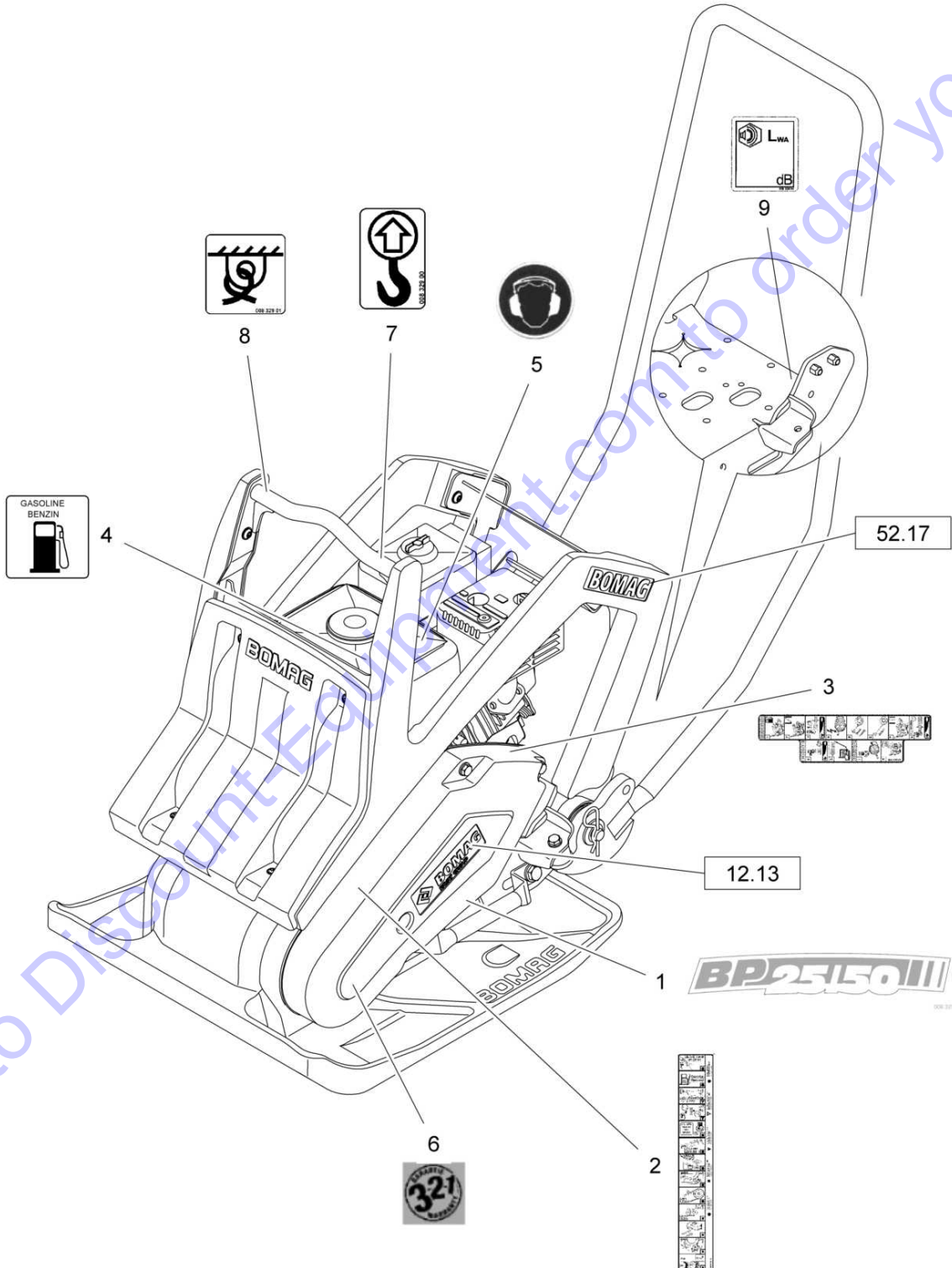
101.03

Decals


Page 1 / 1



23070007_000_03



23070007_000_03

| | | |
|---------------|-------------------------------------|---|
| BP 25/50 | S/N 101230051379 ▶ S/N 101230051489 | 101.03 |
| Decals | | |
| | | Page 1 / 1 |
| | 23070007 1001 1 |  |

| Pos. | Part no. | Qty. | Description |
|------|----------|------|-------------|
|------|----------|------|-------------|

| | | | |
|---|----------|---|--------------------------|
| 1 | 00832937 | 1 | Type designation |
| 2 | 00832998 | 1 | Decal,maintenance instr. |
| 3 | 00833000 | 1 | Decal,operation |
| 4 | 00832193 | 1 | Decal,indication |
| 5 | 00832046 | 1 | Decal,indication |
| 6 | 00832996 | 1 | Label |
| 7 | 00832900 | 1 | Decal,indication |
| 8 | 00832901 | 1 | Decal,indication |
| 9 | 00832654 | 1 | Decal,indication |

Go to Discount-Equipment.com to order your parts



BP 25/50

S/N 101230051378 ▶ S/N 101230051378

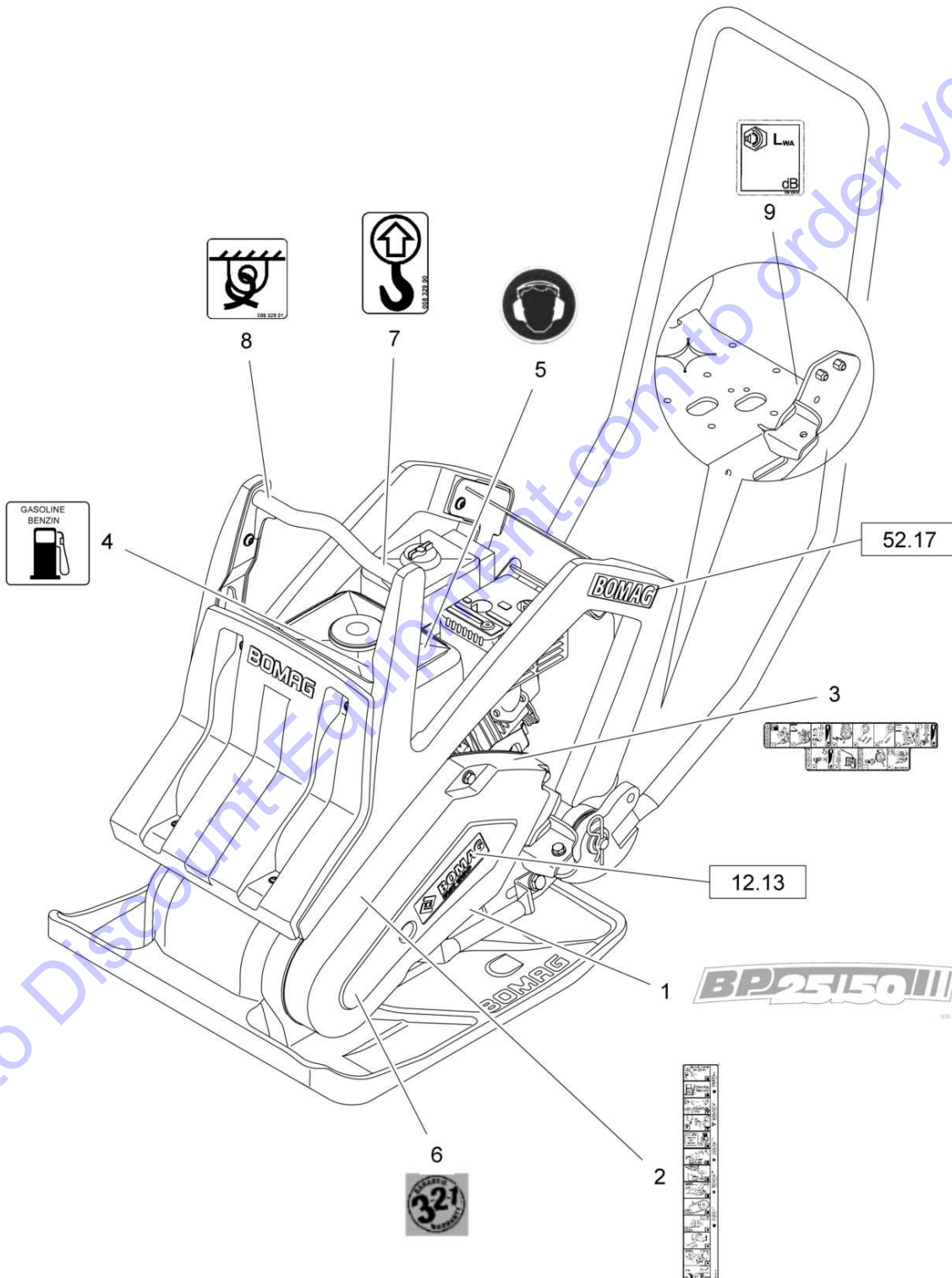
101.03

Decals


Page 1 / 1



23070007_000_03



23070007_000_03

| | | |
|---------------|-------------------------------------|---|
| BP 25/50 | S/N 101230051378 ▶ S/N 101230051378 | 101.03 |
| Decals | | |
| | | Page 1 / 1 |
| | 23070007 1001 1 |  |

| Pos. | Part no. | Qty. | Description |
|------|----------|------|-------------|
|------|----------|------|-------------|

| | | | |
|---|----------|---|--------------------------|
| 1 | 00832937 | 1 | Type designation |
| 2 | 00832998 | 1 | Decal,maintenance instr. |
| 3 | 00833000 | 1 | Decal,operation |
| 4 | 00832193 | 1 | Decal,indication |
| 5 | 00832046 | 1 | Decal,indication |
| 6 | 00832996 | 1 | Label |
| 7 | 00832900 | 1 | Decal,indication |
| 8 | 00832901 | 1 | Decal,indication |
| 9 | 00832652 | 1 | Decal,indication |

Go to Discount-Equipment.com to order your parts



Go to Discount-Equipment.com to order your parts

Special Equipment

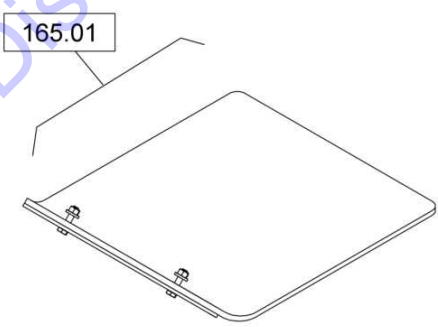
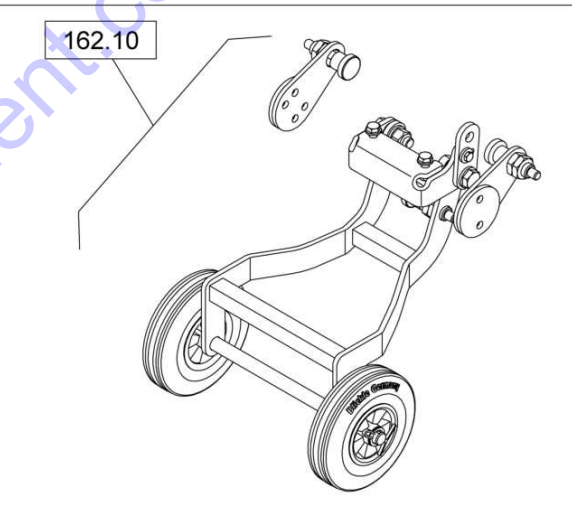
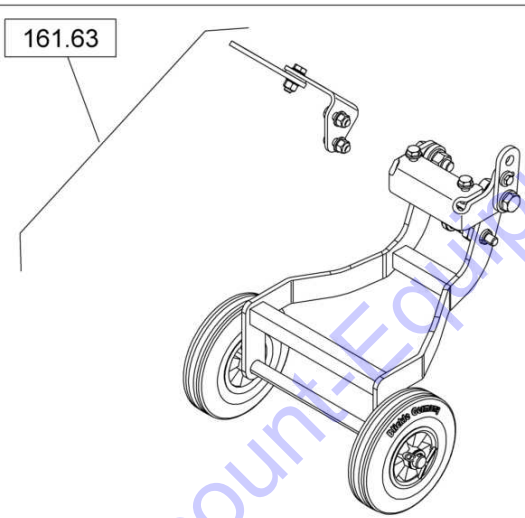
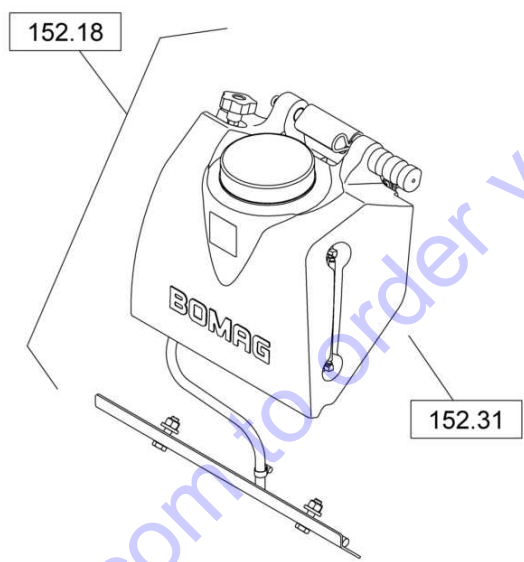
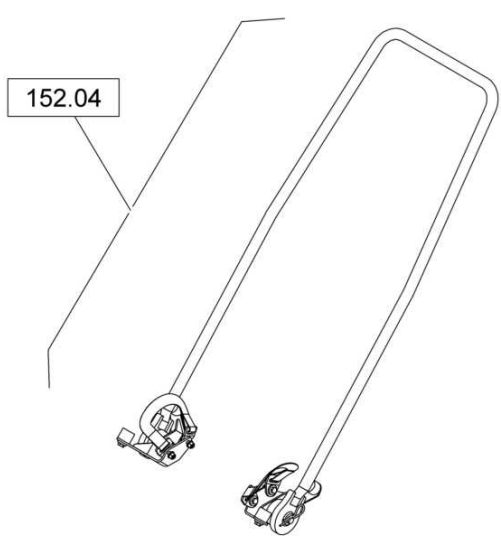
Option

110


110.00

Special Equipment

Page /



Go to DiscountEquipment.com to order your parts


| | |
|-------------------|---|
| Special Equipment | 110.00 |
| | Page / |
| |  |

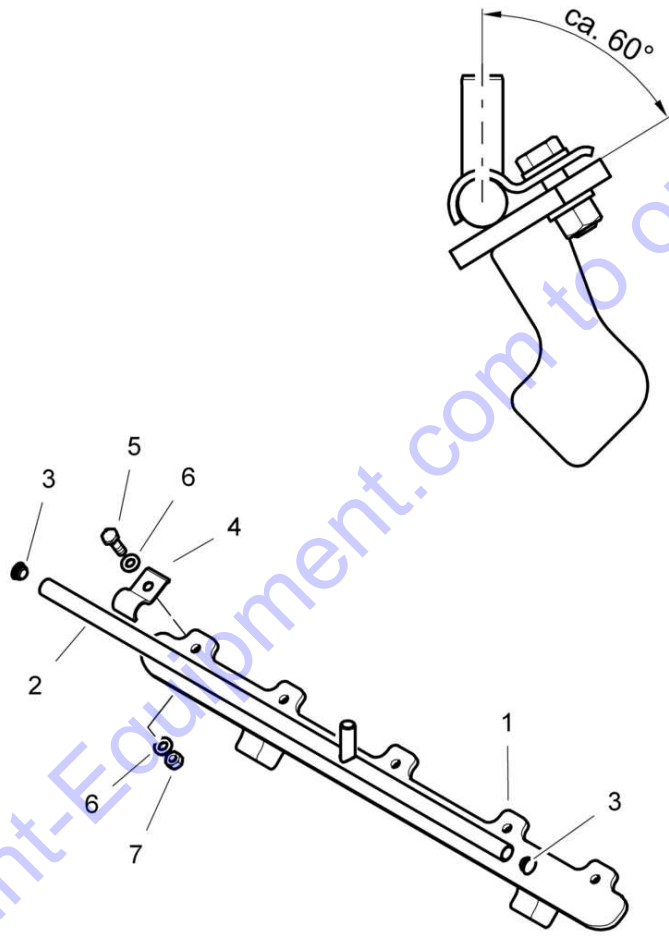
Pos. Description


- 151.69 Front sprinkler syst.,assembled
- 152.04 L15-Steering handle, Middle
- 152.18 W1-Water sprinkler system
- 152.31 Water tank, assembled
- 161.63 T90-Transport wheels,mid bow
- 162.10 T1-Transport wheels
- 165.01 X5-Synthetic plate
- 194.08 SW10-Service kit

Go to Discount-Equipment.com to order your parts



| | | |
|---|--|--------------------|
| | BP 25/50 | S/N 101230051378 ▶ |
| 151.69 | Front sprinkler system, assembled | |
| Page 1 / 1 | | |
|  BOMAG FAYAT GROUP | 23003413_000_00 | |



| | |
|-----------------------------------|---|
| BP 25/50 | |
| S/N 101230051378 ▶ | |
| Front sprinkler system, assembled | 151.69 |
| | Page 1 / 1 |
| |  |
| 23003413 1001 1 | |

| Pos. | Part no. | Qty. | Description |
|------|----------|------|------------------------|
| 1 | 23003384 | 1 | Pillow block |
| 2 | 23003403 | 1 | Water sprinkler system |
| 3 | 06510208 | 2 | Plug |
| 4 | 05552713 | 5 | Tube clamp |
| 5 | 07140633 | 5 | Hexagon bolt |
| 6 | 08510612 | 10 | Washer |
| 7 | 08130611 | 5 | Safety nut |

Go to Discount-Equipment.com to order your parts



BP 25/50

S/N 101230051378 ▶

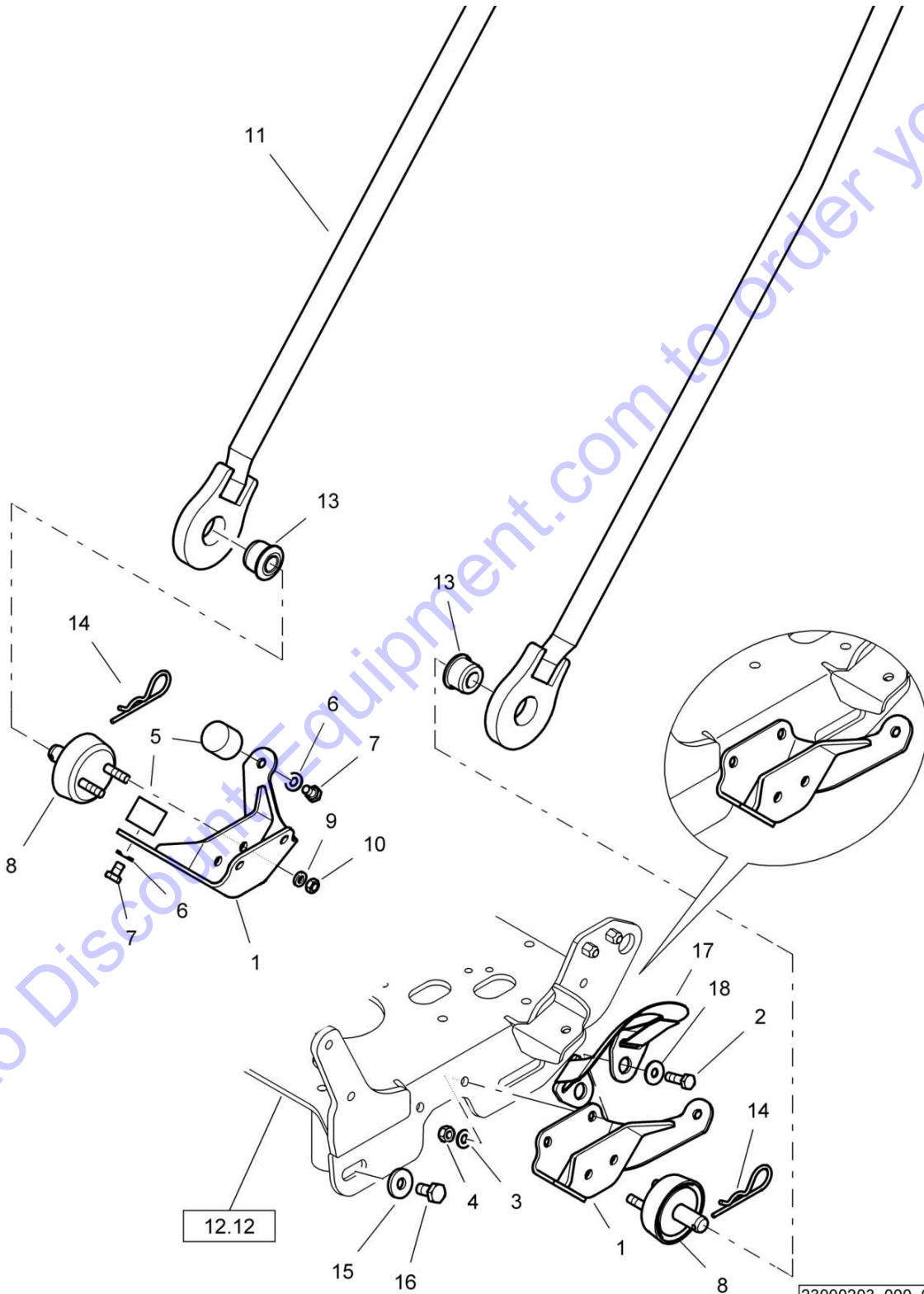
152.04

L15-Steering handle, Middle

Page 1 / 1




23000203_000_04



23000203_000_04

Go to DiscountEquipment.com to order your parts

| | |
|------------------------------------|---|
| BP 25/50 | |
| S/N 101230051378 ▶ | |
| L15-Steering handle, Middle | 152.04 |
| | Page 1 / 1 |
| |  |
| 23000203 1001 1 | |

| Pos. | Part no. | Qty. | Description |
|------|----------|------|--------------------|
| 1 | 23003309 | 2 | Pillow block |
| 2 | 07140842 | 4 | Hexagon bolt |
| 3 | 08510817 | 4 | Washer |
| 4 | 08130813 | 4 | Safety nut |
| 5 | 06142912 | 4 | Stop buffer |
| 6 | 08590820 | 4 | Washer |
| 7 | 07140818 | 4 | Hexagon bolt |
| 8 | 23060191 | 2 | Spring element |
| 9 | 08510817 | 4 | Washer |
| 10 | 08110813 | 4 | Hexagon nut |
| 11 | 23003304 | 1 | Steering handle |
| 13 | 23060203 | 2 | Bushing |
| 14 | 05994004 | 2 | Spring cotter |
| 15 | 08501028 | 4 | Washer |
| 16 | 07141017 | 4 | Hexagon bolt |
| 17 | 88003146 | 2 | Band, belt |
| 18 | 08500823 | 4 | Round anchor plate |

Go to Discount-Equipment.com to order your parts



BP 25/50

S/N 101230051647 ▶

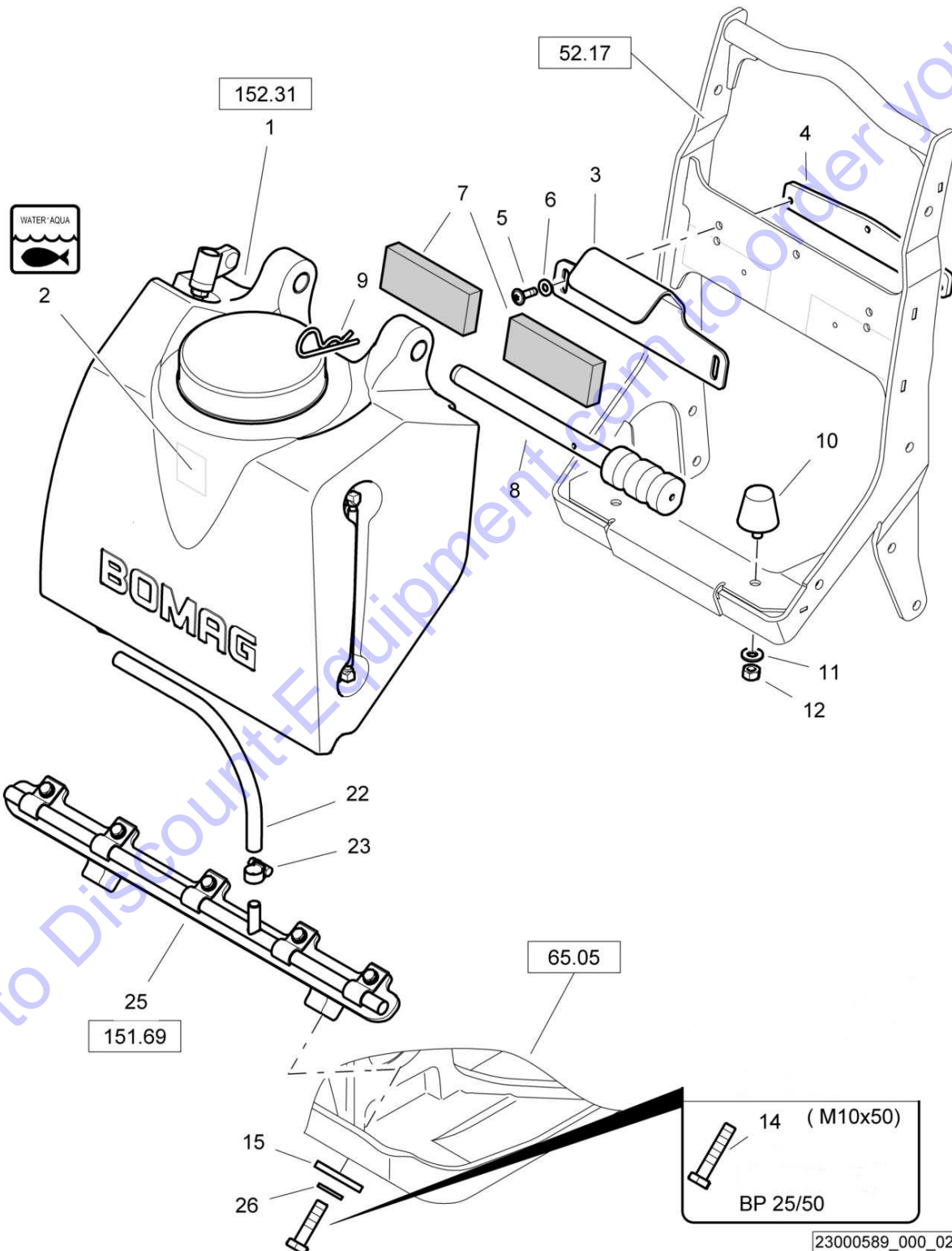
152.18

W1-Water sprinkler system


Page 1 / 1



23000589_000_02




23000589_000_02

| | |
|----------------------------------|---|
| BP 25/50 | |
| S/N 101230051647 ▶ | |
| W1-Water sprinkler system | 152.18 |
| | Page 1 / 1 |
| | 23000589 1001 1  |

| Pos. | Part no. | Qty. | Description |
|------|----------|---------|-----------------------------------|
| 1 | 23003359 | 1 | Water tank |
| 2 | 00830064 | 1 | Decal,indication |
| 3 | 23003273 | 1 | Plate |
| 4 | 23003181 | 1 | Tapped plate |
| 5 | 07210616 | 3 | Lens head screw |
| 6 | 08621064 | 3 | Washer |
| 7 | 00652073 | 2,00 dm | Expanded rubber |
| 8 | 23003180 | 1 | Bolt |
| 9 | 05994004 | 1 | Spring cotter |
| 10 | 06144100 | 2 | Stop buffer |
| 11 | 08752084 | 2 | Spring washer |
| 12 | 08130813 | 2 | Safety nut |
| 14 | 07131022 | 2 | Hexagon bolt |
| 15 | 08501028 | 2 | Washer |
| 22 | 00661095 | 2,50 dm | Fuel hose |
| 23 | 05552401 | 1 | Hose clip |
| 24 | 07131018 | 2 | Hexagon bolt |
| 25 | 23003413 | 1 | Front sprinkler system, assembled |
| 26 | 06270012 | 2 | Wedge safety washer |

Go to Discount-Equipment.com to order your parts



| | | |
|----------------------------------|-------------------------------------|---|
| BP 25/50 | S/N 101230051378 ▶ S/N 101230051646 | 152.18 |
| W1-Water sprinkler system | | |
| | | Page 1 / 1 |
| | 23000589 1001 1 |  |

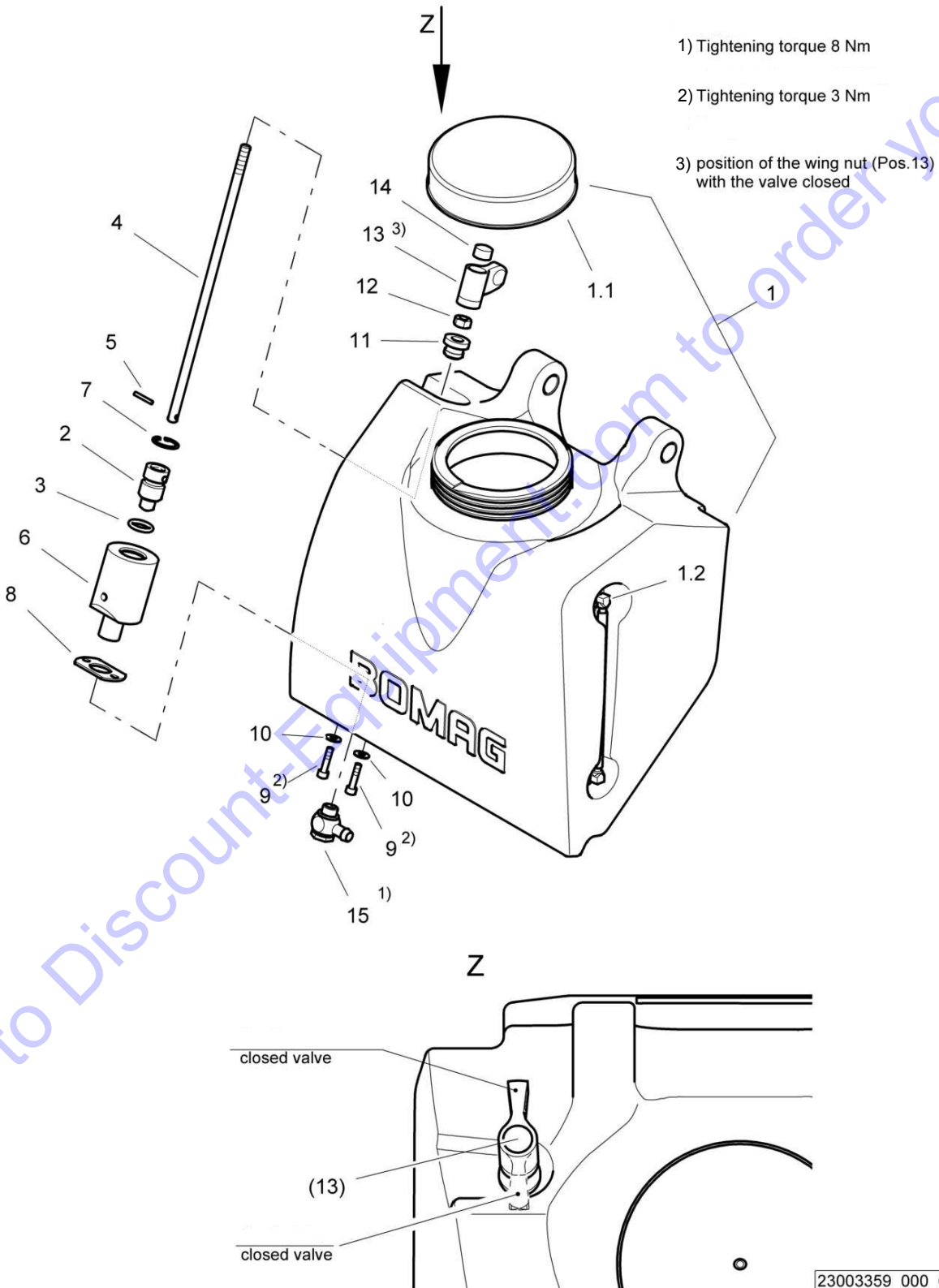
| Pos. | Part no. | Qty. | Description |
|------|----------|---------|-----------------------------------|
| 1 | 23003359 | 1 | Water tank |
| 2 | 00830064 | 1 | Decal,indication |
| 3 | 23003273 | 1 | Plate |
| 4 | 23003181 | 1 | Tapped plate |
| 5 | 07210616 | 3 | Lens head screw |
| 6 | 08621064 | 3 | Washer |
| 7 | 00652073 | 2,00 dm | Expanded rubber |
| 8 | 23003180 | 1 | Bolt |
| 9 | 05994004 | 1 | Spring cotter |
| 10 | 06144100 | 2 | Stop buffer |
| 11 | 08752084 | 2 | Spring washer |
| 12 | 08130813 | 2 | Safety nut |
| 14 | 07131018 | 2 | Hexagon bolt |
| 15 | 08752106 | 2 | Spring washer |
| 22 | 00661095 | 2,50 dm | Fuel hose |
| 23 | 05552401 | 1 | Hose clip |
| 24 | 07131012 | 2 | Hexagon bolt |
| 25 | 23003413 | 1 | Front sprinkler system, assembled |


Go to Discount-Equipment.com to order your parts



152.31

Water tank, assembled



| | |
|------------------------------|---|
| BP 25/50 | |
| S/N 101230051378 ▶ | |
| Water tank, assembled | 152.31 |
| | Page 1 / 1 |
| |  |
| 23003359 1001 1 | |

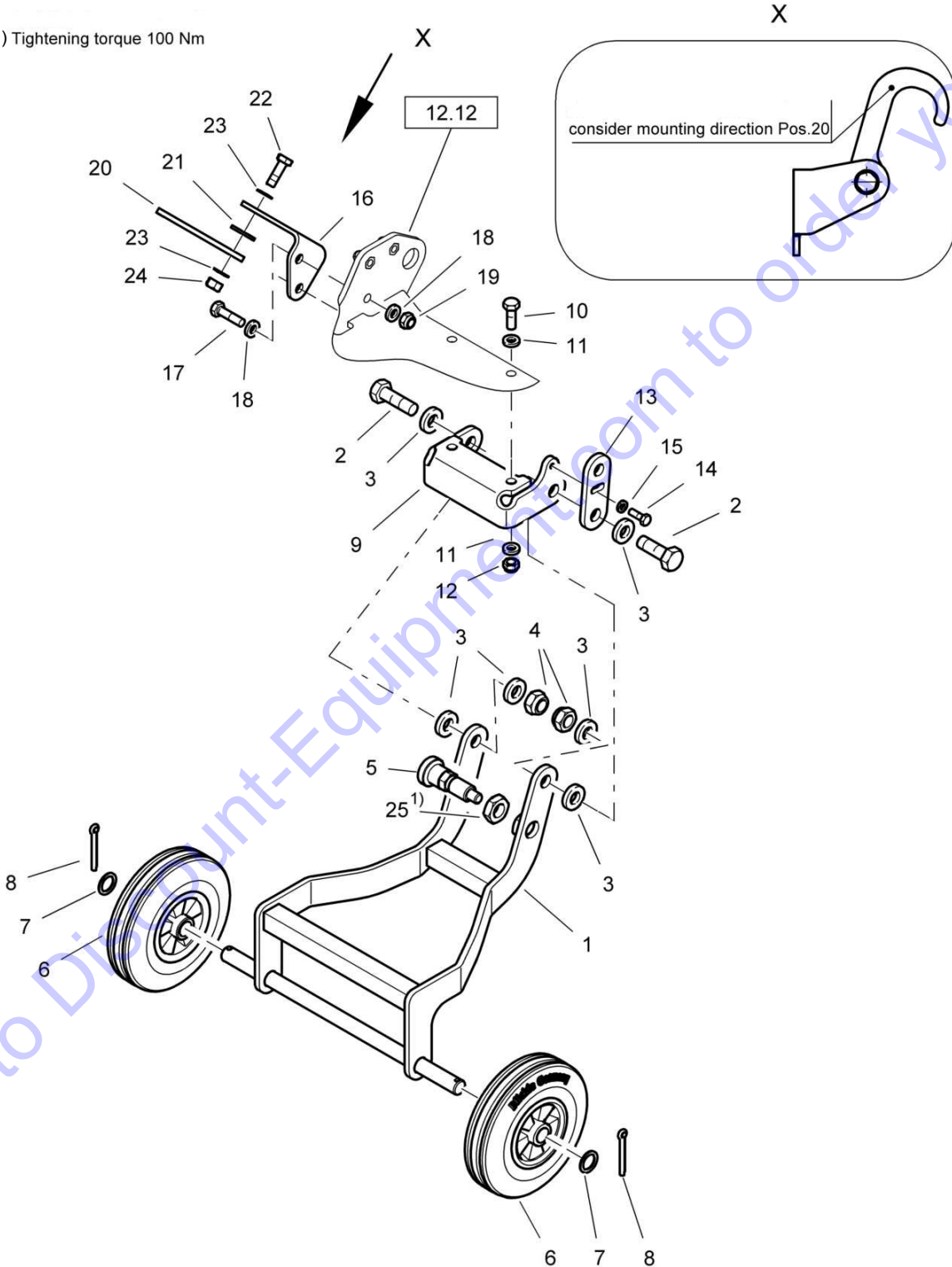
| Pos. | Part no. | Qty. | Description |
|------|----------|------|-------------------------|
| 1 | 23003176 | 1 | Tank |
| 1.1 | 23003289 | 1 | Tank cover |
| 1.2 | 23003319 | 1 | Filling level indicator |
| 2 | 23003383 | 1 | Adjustment sleeve |
| 3 | 06220148 | 1 | Loop ring |
| 4 | 23003346 | 1 | Rod |
| 5 | 09150308 | 1 | Dowel pin |
| 6 | 23003396 | 1 | Receptacle |
| 7 | 09220901 | 1 | Circlip,internal |
| 8 | 23003347 | 1 | Gasket |
| 9 | 07230521 | 2 | Socket-head cap screw |
| 10 | 08621053 | 2 | Washer |
| 11 | 06550012 | 1 | Gasket |
| 12 | 08110813 | 1 | Hexagon nut |
| 13 | 06420840 | 1 | Wing nut |
| 14 | 06420841 | 1 | Cap, cover |
| 15 | 05559597 | 1 | Tapped union |


Go to Discount-Equipment.com to order your parts



| | | |
|-----------------------------|--------------------------------------|--------------------|
| | BP 25/50 | S/N 101230051490 ▶ |
| 161.63 | T90-Transport wheels, mid bow | |
| Page 1 / 1 | | |
| BOMAG FAYAT GROUP | 23000608_000_04 | |

1) Tightening torque 100 Nm



| | |
|--------------------------------------|---|
| BP 25/50 | |
| S/N 101230051490 ▶ | |
| T90-Transport wheels, mid bow | 161.63 |
| | Page 1 / 1 |
| 23000608 1001 1 |  |

| Pos. | Part no. | Qty. | Description |
|------|----------|------|-------------------|
| 1 | 23003314 | 1 | Frame |
| 2 | 07141242 | 2 | Hexagon bolt |
| 3 | 08511324 | 6 | Washer |
| 4 | 08131218 | 2 | Safety nut |
| 5 | 06422046 | 1 | Control pin |
| 6 | 06704107 | 2 | Wheel |
| 7 | 05520315 | 2 | Supporting disc |
| 8 | 09170407 | 2 | Cotter pin |
| 9 | 23003248 | 1 | Holder |
| 10 | 07140834 | 2 | Hexagon bolt |
| 11 | 08510817 | 4 | Washer |
| 12 | 08130813 | 2 | Safety nut |
| 13 | 23003354 | 1 | Detent |
| 14 | 07140626 | 1 | Hexagon bolt |
| 15 | 08590617 | 1 | Washer |
| 16 | 23003287 | 1 | Holder |
| 17 | 07140834 | 2 | Hexagon bolt |
| 18 | 08510817 | 4 | Washer |
| 19 | 08130813 | 2 | Safety nut |
| 20 | 23003311 | 1 | Hook |
| 21 | 68050213 | 1 | Washer |
| 22 | 07140834 | 1 | Hexagon bolt |
| 23 | 09290169 | 2 | Belleville spring |
| 24 | 08130813 | 1 | Safety nut |
| 25 | 08141615 | 1 | Hexagon nut |

Go to Discount-Equipment.com to order your parts

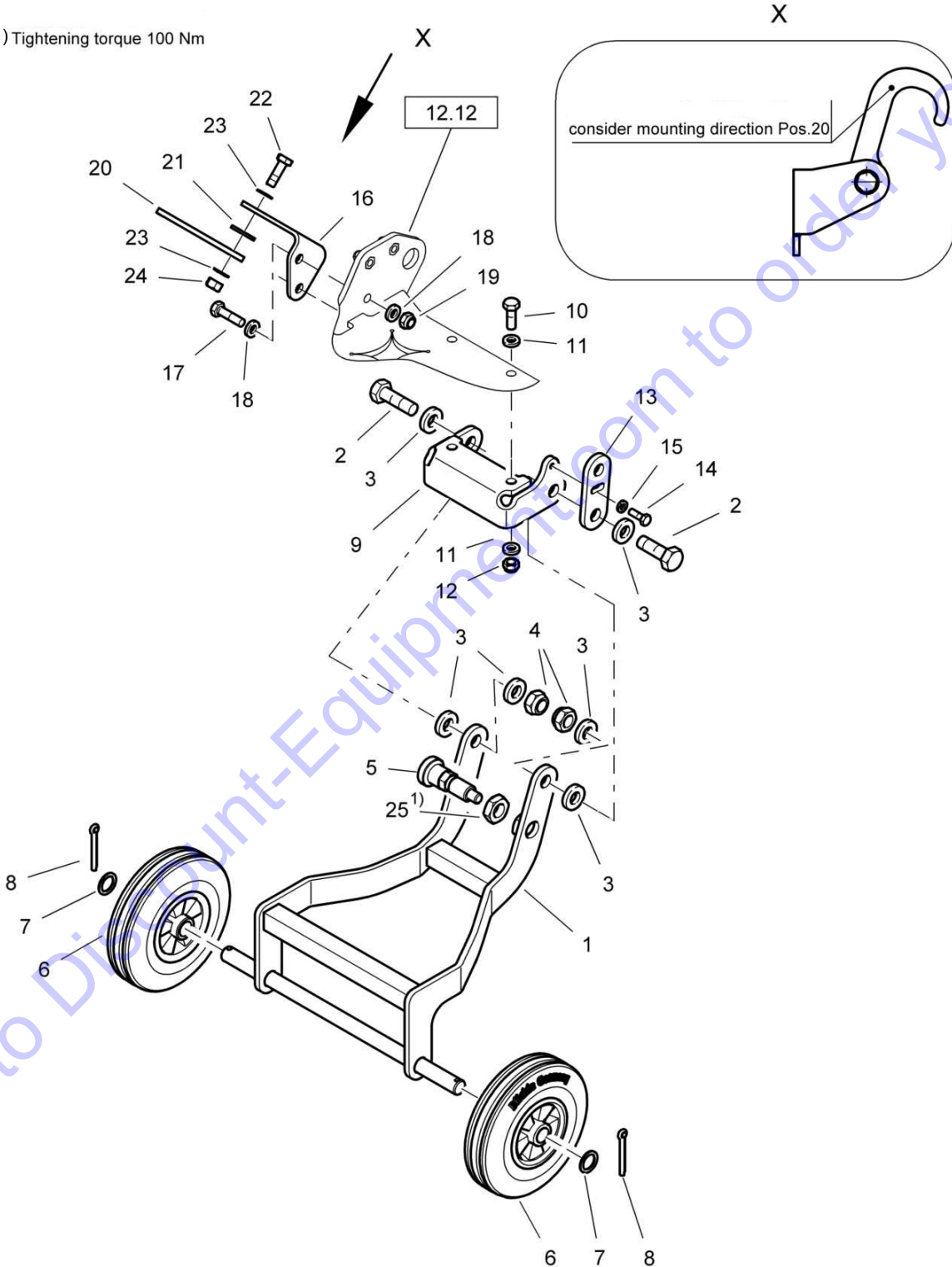



161.63

T90-Transport wheels, mid bow



1) Tightening torque 100 Nm



| | | |
|--------------------------------------|-------------------------------------|---|
| BP 25/50 | S/N 101230051378 ▶ S/N 101230051489 | 161.63 |
| T90-Transport wheels, mid bow | | |
| | | Page 1 / 1 |
| | 23000608 1001 1 |  |

| Pos. | Part no. | Qty. | Description |
|------|----------|------|-------------------|
| 1 | 23003314 | 1 | Frame |
| 2 | 07141242 | 2 | Hexagon bolt |
| 3 | 08511324 | 6 | Washer |
| 4 | 08131218 | 2 | Safety nut |
| 5 | 06422046 | 1 | Control pin |
| 6 | 06704107 | 2 | Wheel |
| 7 | 05520315 | 2 | Supporting disc |
| 8 | 09170407 | 2 | Cotter pin |
| 9 | 23003248 | 1 | Holder |
| 10 | 07140834 | 2 | Hexagon bolt |
| 11 | 08510817 | 4 | Washer |
| 12 | 08130813 | 2 | Safety nut |
| 13 | 23003354 | 1 | Detent |
| 14 | 07140626 | 1 | Hexagon bolt |
| 15 | 08590617 | 1 | Washer |
| 16 | 23003287 | 1 | Holder |
| 17 | 07140834 | 2 | Hexagon bolt |
| 18 | 08510817 | 4 | Washer |
| 19 | 08130813 | 2 | Safety nut |
| 20 | 23003311 | 1 | Hook |
| 21 | 68050213 | 1 | Washer |
| 22 | 07140834 | 1 | Hexagon bolt |
| 23 | 09290169 | 2 | Belleville spring |
| 24 | 08130813 | 1 | Safety nut |
| 25 | 08141615 | 1 | Hexagon nut |

Go to Discount-Equipment.com to order your parts

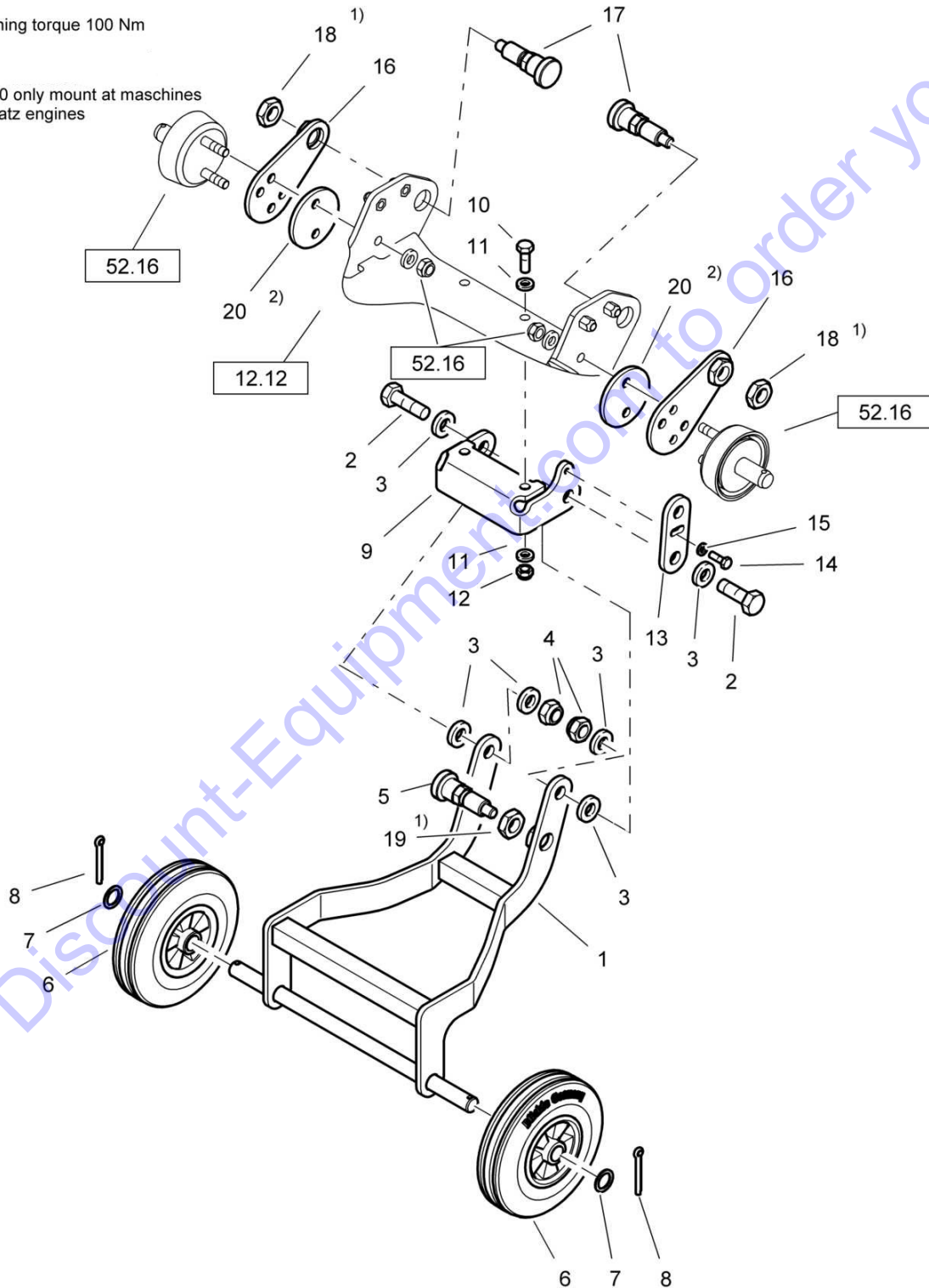


162.10**T1-Transport wheels**Page **1 / 1**


23000610_000_01

1) Tightening torque 100 Nm

2) Pos. 20 only mount at machines with Hatz engines



23000610_000_01

| | |
|---------------------|---|
| BP 25/50 | |
| S/N 101230051490 ▶ | |
| T1-Transport wheels | 162.10 |
| | Page 1 / 1 |
| |  |
| 23000610 1001 1 | |

| Pos. | Part no. | Qty. | Description |
|------|----------|------|-----------------|
| 1 | 23003314 | 1 | Frame |
| 2 | 07141242 | 2 | Hexagon bolt |
| 3 | 08511324 | 6 | Washer |
| 4 | 08131218 | 2 | Safety nut |
| 5 | 06422046 | 1 | Control pin |
| 6 | 06704107 | 2 | Wheel |
| 7 | 05520315 | 2 | Supporting disc |
| 8 | 09170407 | 2 | Cotter pin |
| 9 | 23003248 | 1 | Holder |
| 10 | 07140834 | 2 | Hexagon bolt |
| 11 | 08510817 | 4 | Washer |
| 12 | 08130813 | 2 | Safety nut |
| 13 | 23003354 | 1 | Detent |
| 14 | 07140626 | 1 | Hexagon bolt |
| 15 | 08590617 | 1 | Washer |
| 16 | 23003341 | 2 | Holder |
| 17 | 06422046 | 2 | Control pin |
| 18 | 08141615 | 2 | Hexagon nut |
| 19 | 08141615 | 1 | Hexagon nut |
| 20 | 23060208 | 2 | Spacer plate |

Go to Discount-Equipment.com to order your parts

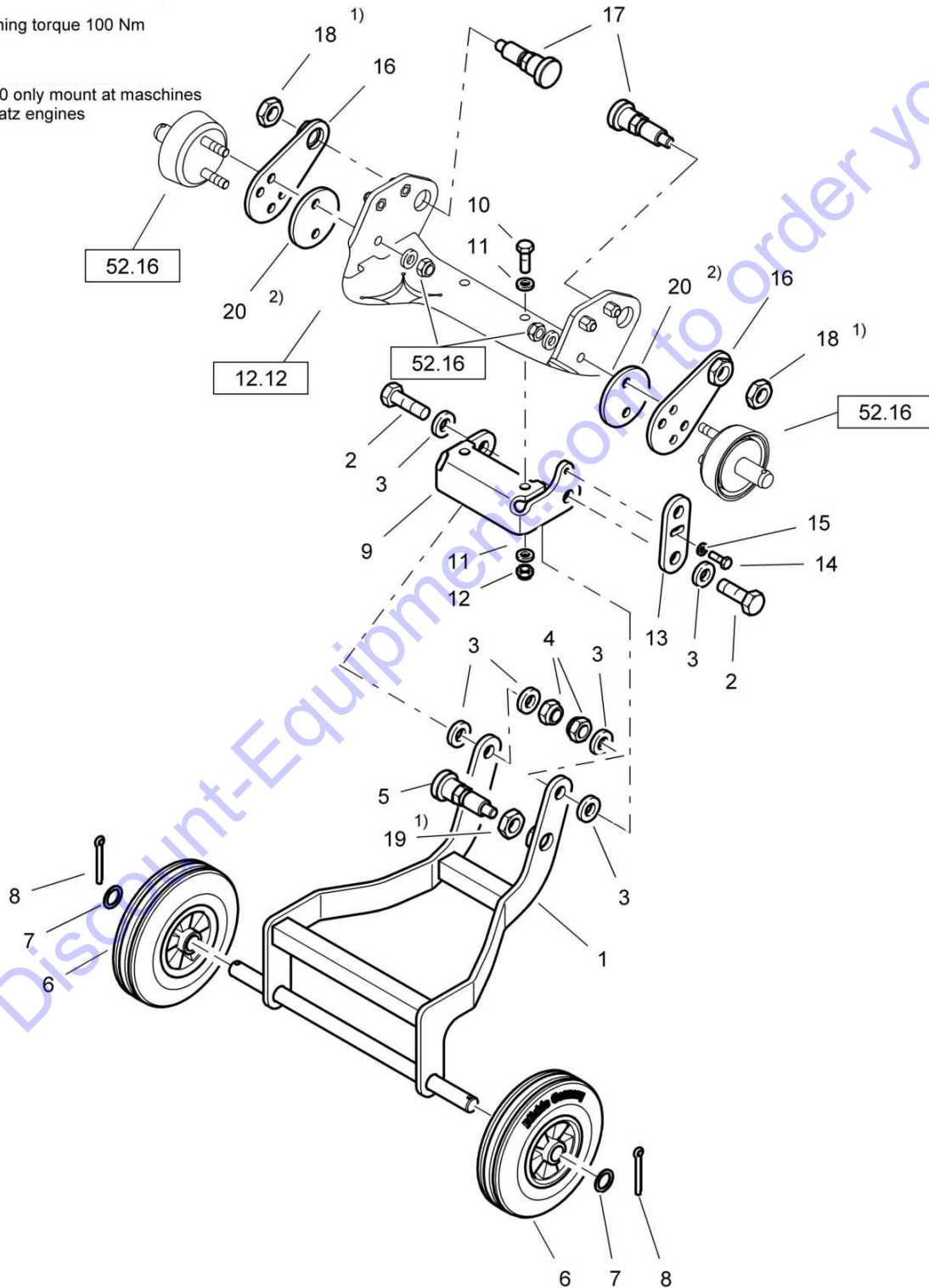


162.10**T1-Transport wheels**Page **1 / 1**


23000610_000_00

1) Tightening torque 100 Nm

2) Pos. 20 only mount at machines with Hatz engines



23000610_000_00

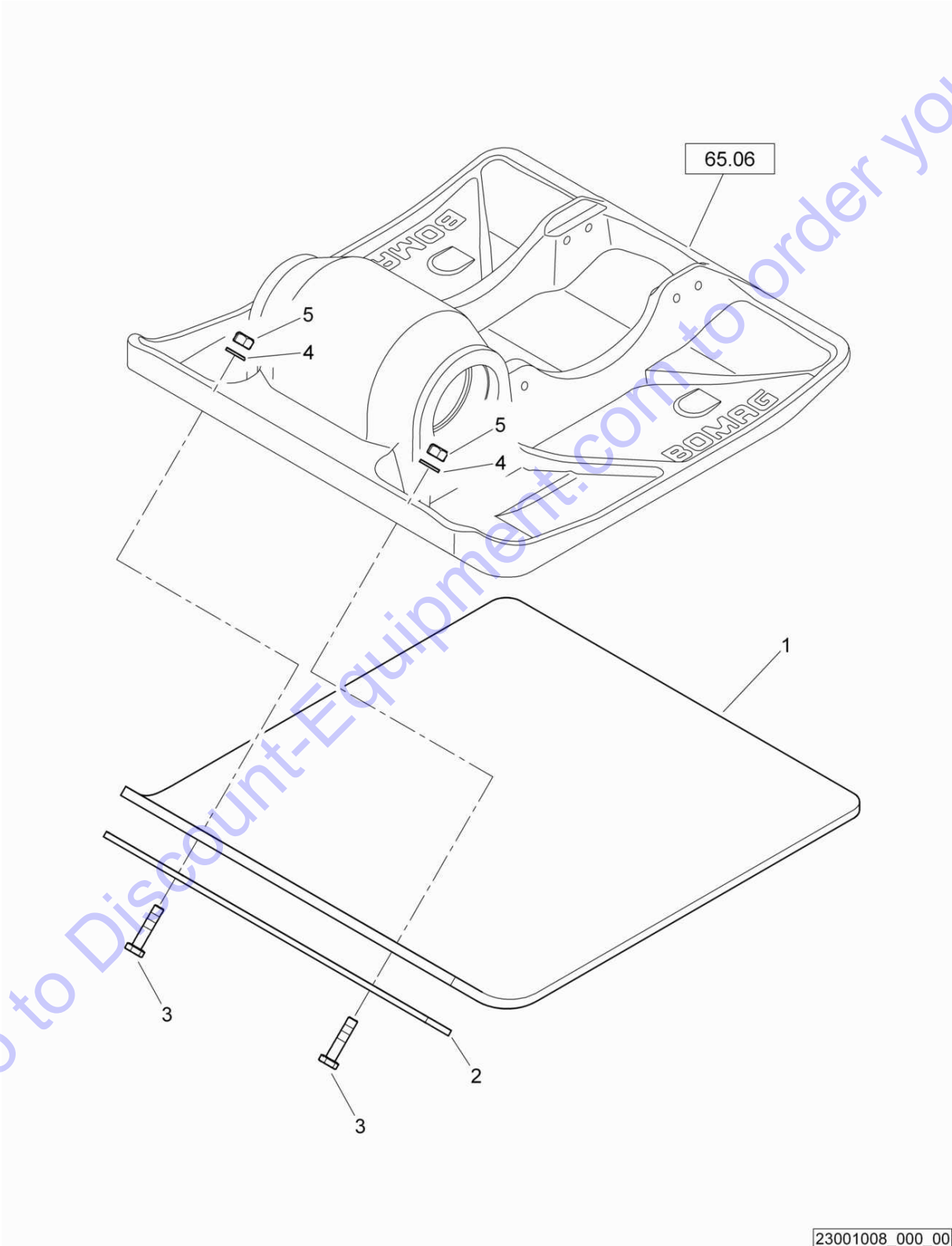
| | | |
|----------------------------|-------------------------------------|---|
| BP 25/50 | S/N 101230051378 ▶ S/N 101230051489 | 162.10 |
| T1-Transport wheels | | |
| | | Page 1 / 1 |
| | 23000610 1001 1 |  |

| Pos. | Part no. | Qty. | Description |
|------|----------|------|-----------------|
| 1 | 23003314 | 1 | Frame |
| 2 | 07141242 | 2 | Hexagon bolt |
| 3 | 08511324 | 6 | Washer |
| 4 | 08131218 | 2 | Safety nut |
| 5 | 06422046 | 1 | Control pin |
| 6 | 06704107 | 2 | Wheel |
| 7 | 05520315 | 2 | Supporting disc |
| 8 | 09170407 | 2 | Cotter pin |
| 9 | 23003248 | 1 | Holder |
| 10 | 07140834 | 2 | Hexagon bolt |
| 11 | 08510817 | 4 | Washer |
| 12 | 08130813 | 2 | Safety nut |
| 13 | 23003354 | 1 | Detent |
| 14 | 07140626 | 1 | Hexagon bolt |
| 15 | 08590617 | 1 | Washer |
| 16 | 23003341 | 2 | Holder |
| 17 | 06422046 | 2 | Control pin |
| 18 | 08141615 | 2 | Hexagon nut |
| 19 | 08141615 | 1 | Hexagon nut |
| 20 | 23060208 | 2 | Spacer plate |


Go to Discount-Equipment.com to order your parts



| | | |
|-----------------------------|---------------------------|--------------------|
| | BP 25/50 | S/N 101230051378 ▶ |
| 165.01 | X5-Synthetic plate | |
| Page 1 / 1 | | |
| BOMAG FAYAT GROUP | 23001008_000_00 | |



23001008_000_00

| | |
|---------------------------|---|
| BP 25/50 | |
| S/N 101230051378 ▶ | |
| X5-Synthetic plate | 165.01 |
| | Page 1 / 1 |
| |  |
| 23001008 1001 1 | |

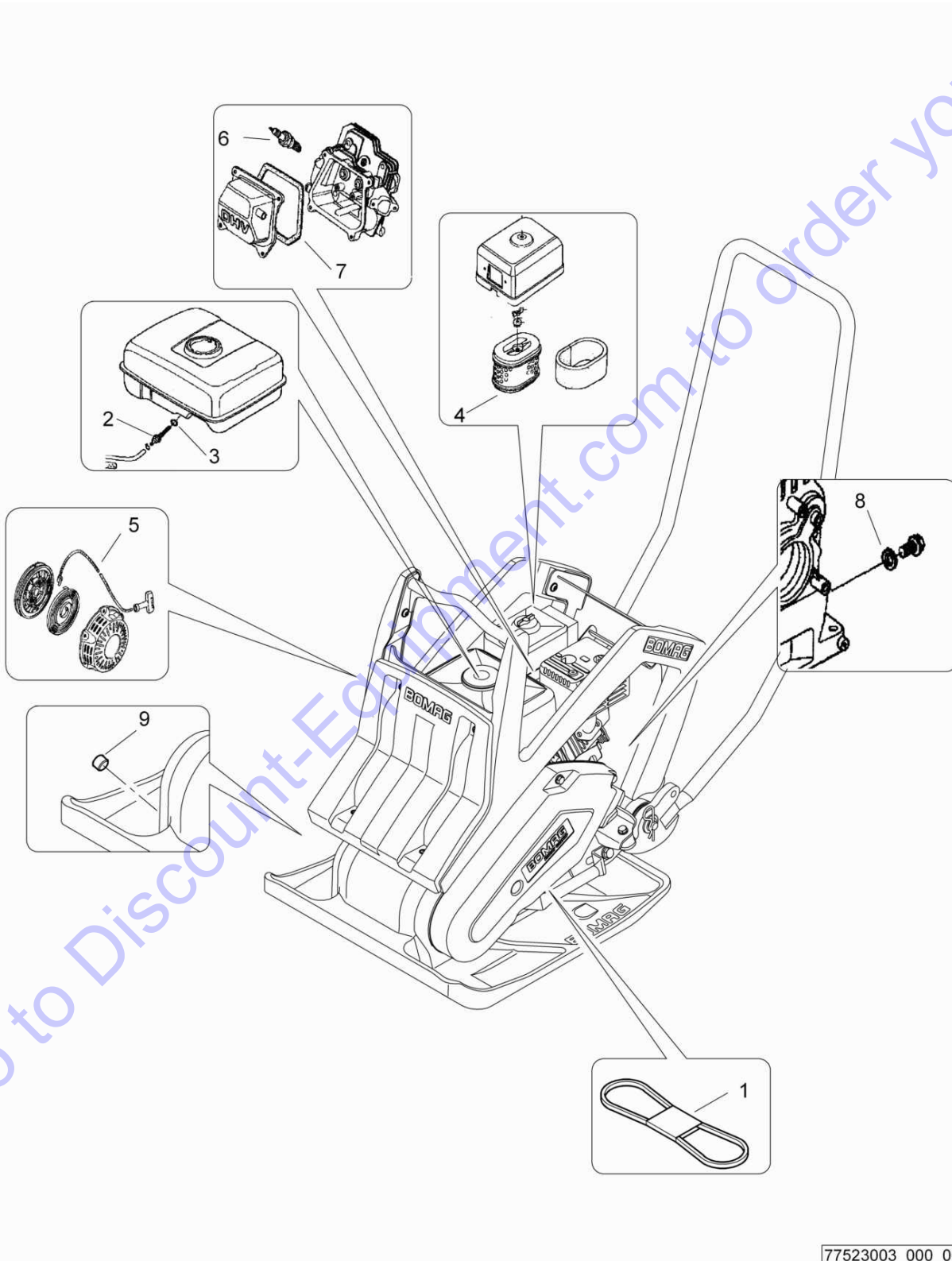
| Pos. | Part no. | Qty. | Description |
|------|----------|------|--------------------|
| 0 | 23001008 | 1 | X5-Synthetic plate |
| 1 | 23003232 | 1 | Plastic plate |
| 2 | 23003037 | 1 | Supporting plate |
| 3 | 07141041 | 2 | Hexagon bolt |
| 4 | 08591025 | 2 | Washer |
| 5 | 08131016 | 2 | Safety nut |


Go to Discount-Equipment.com to order your parts



194.08

SW10-Service kit



| | |
|--------------------|---|
| BP 25/50 | |
| S/N 101230051378 ▶ | |
| SW10-Service kit | 194.08 |
| | Page 1 / 1 |
| |  |
| 77523003 1001 1 | |

| Pos. | Part no. | Qty. | Description |
|------|----------|------|--------------------|
| 0 | 77523003 | 1 | SW10-Service kit |
| 1 | 06312023 | 1 | V-belt |
| 2 | 05747161 | 1 | Filter,fuel |
| 3 | 05747188 | 1 | Loop ring |
| 4 | 05747215 | 1 | Element,washable |
| 5 | 05747296 | 1 | Starter rope |
| 6 | 05747282 | 1 | Spark plug |
| 7 | 05747125 | 1 | Valve cover gasket |
| 8 | 05747129 | 1 | Gasket |
| 9 | 07611616 | 1 | Magnetic plug |

Go to Discount-Equipment.com to order your parts



INDEX



| Part no. | Group | Pos. | Part no. | Group | Pos. | Part no. | Group | Pos. |
|----------|----------|------|----------|----------|------|----------|---------|------|
| 00652073 | 152.18/1 | 7 | 05747159 | 11.53/1 | 23 | 05747349 | 11.01/1 | 17 |
| 00661095 | 152.18/1 | 22 | 05747161 | 11.21/1 | 5 | 05747354 | 11.09/1 | 14 |
| 00830064 | 152.18/1 | 2 | 05747161 | 194.08/1 | 2 | 05747355 | 11.26/1 | 6 |
| 00832046 | 101.03/1 | 5 | 05747163 | 11.22/1 | 4 | 05747356 | 11.08/1 | 10 |
| 00832193 | 101.03/1 | 4 | 05747164 | 11.22/1 | 6 | 05747368 | 11.08/1 | 3 |
| 00832652 | 101.03/1 | 9 | 05747180 | 11.01/1 | 10 | 05747369 | 11.08/1 | 8 |
| 00832654 | 101.03/1 | 9 | 05747183 | 11.22/1 | 7 | 05747370 | 11.08/1 | 11 |
| 00832900 | 101.03/1 | 7 | 05747188 | 11.01/1 | 14 | 05747371 | 11.08/1 | 12 |
| 00832901 | 101.03/1 | 8 | 05747188 | 11.21/1 | 7 | 05747377 | 11.01/1 | 13 |
| 00832937 | 101.03/1 | 1 | 05747188 | 194.08/1 | 3 | 05747378 | 11.01/1 | 2 |
| 00832996 | 101.03/1 | 6 | 05747190 | 11.26/1 | 9 | 05747379 | 11.01/1 | 15 |
| 00832998 | 101.03/1 | 2 | 05747191 | 11.19/1 | 9 | 05747380 | 11.01/1 | 18 |
| 00833000 | 101.03/1 | 3 | 05747211 | 11.08/1 | 4 | 05747384 | 11.02/1 | 4 |
| 05113306 | 19.07/1 | 2 | 05747212 | 11.08/1 | 2 | 05747389 | 11.02/1 | 9 |
| 05114005 | 11.02/1 | 3 | 05747215 | 11.22/1 | 2 | 05747390 | 11.02/1 | 10 |
| 05224252 | 65.06/1 | 1 | 05747215 | 194.08/1 | 4 | 05747395 | 11.46/1 | 4 |
| 05224260 | 65.06/1 | 2 | 05747218 | 11.53/1 | 19 | 05747404 | 11.09/1 | 6 |
| 05428122 | 65.06/1 | 3 | 05747227 | 11.25/1 | 3 | 05747406 | 11.09/1 | 7 |
| 05520315 | 161.63/1 | 7 | 05747228 | 11.19/1 | 10 | 05747415 | 11.46/1 | 3 |
| 05520315 | 162.10/1 | 7 | 05747231 | 11.09/1 | 5 | 05747418 | 11.25/1 | 14 |
| 05552401 | 152.18/1 | 23 | 05747233 | 11.01/1 | 12 | 05747423 | 11.25/1 | 21 |
| 05552713 | 151.69/1 | 4 | 05747239 | 11.19/1 | 6 | 05747425 | 11.25/1 | 9 |
| 05559597 | 152.31/1 | 15 | 05747249 | 11.53/1 | 4 | 05747426 | 11.25/1 | 15 |
| 05650122 | 12.13/1 | 6 | 05747257 | 11.09/1 | 12 | 05747440 | 11.53/1 | 27 |
| 05650122 | 19.07/1 | 0 | 05747264 | 11.25/1 | 5 | 05747441 | 11.53/1 | 17 |
| 05660134 | 19.07/1 | 9 | 05747272 | 11.09/1 | 13 | 05747442 | 11.53/1 | 18 |
| 05660174 | 19.07/1 | 7 | 05747281 | 11.53/1 | 24 | 05747447 | 11.22/1 | 3 |
| 05660214 | 19.07/1 | 6 | 05747282 | 194.08/1 | 6 | 05747449 | 11.22/1 | 10 |
| 05660215 | 19.07/1 | 3 | 05747293 | 11.31/1 | 8 | 05747451 | 11.22/1 | 9 |
| 05660366 | 19.07/1 | 8 | 05747296 | 11.31/1 | 10 | 05747452 | 11.22/1 | 12 |
| 05660459 | 19.07/1 | 5 | 05747296 | 194.08/1 | 5 | 05747464 | 11.21/1 | 4 |
| 05660548 | 19.07/1 | 1 | 05747312 | 11.21/1 | 8 | 05747644 | 11.53/1 | 14 |
| 05660777 | 19.07/1 | 4 | 05747312 | 11.22/1 | 11 | 05747645 | 11.53/1 | 16 |
| 05660807 | 19.07/1 | 10 | 05747312 | 11.25/1 | 22 | 05747648 | 11.44/1 | 8 |
| 05747029 | 11.00/1 | 1 | 05747313 | 11.53/1 | 20 | 05748326 | 11.31/1 | 4 |
| 05747029 | 12.13/1 | 1 | 05747316 | 11.26/1 | 7 | 05748327 | 11.31/1 | 5 |
| 05747106 | 11.09/1 | 11 | 05747317 | 11.26/1 | 8 | 05748328 | 11.31/1 | 6 |
| 05747125 | 11.08/1 | 7 | 05747318 | 11.44/1 | 9 | 05748329 | 11.31/1 | 7 |
| 05747125 | 194.08/1 | 7 | 05747322 | 11.08/1 | 9 | 05748330 | 11.31/1 | 9 |
| 05747126 | 11.22/1 | 1 | 05747322 | 11.25/1 | 16 | 05748331 | 11.31/1 | 14 |
| 05747128 | 11.26/1 | 5 | 05747322 | 11.44/1 | 6 | 05748490 | 11.53/1 | 13 |
| 05747129 | 11.01/1 | 11 | 05747325 | 11.44/1 | 7 | 05748500 | 11.53/1 | 21 |
| 05747129 | 194.08/1 | 8 | 05747332 | 11.25/1 | 12 | 05748505 | 11.53/1 | 22 |
| 05747139 | 11.09/1 | 3 | 05747333 | 11.25/1 | 11 | 05748553 | 11.01/1 | 3 |
| 05747146 | 11.53/1 | 7 | 05747334 | 11.25/1 | 13 | 05748553 | 11.02/1 | 2 |
| 05747148 | 11.53/1 | 11 | 05747341 | 11.25/1 | 10 | 05748568 | 11.21/1 | 6 |
| 05747149 | 11.53/1 | 28 | 05747342 | 11.53/1 | 26 | 05748570 | 11.21/1 | 10 |
| 05747155 | 11.25/1 | 4 | 05747345 | 11.09/1 | 10 | 05748579 | 11.31/1 | 11 |
| 05747156 | 11.25/1 | 6 | 05747346 | 11.01/1 | 7 | 05748584 | 11.53/1 | 8 |
| 05747158 | 11.25/1 | 8 | 05747348 | 11.01/1 | 16 | 05748585 | 11.53/1 | 9 |

INDEX

| Part no. | Group | Pos. | Part no. | Group | Pos. | Part no. | Group | Pos. |
|----------|---------|------|----------|----------|------|----------|----------|------|
| 05748588 | 11.53/1 | 6 | 05748943 | 11.25/1 | 17 | 07140626 | 161.63/1 | 14 |
| 05748589 | 11.53/1 | 10 | 05748944 | 11.25/1 | 18 | 07140626 | 162.10/1 | 14 |
| 05748593 | 11.21/1 | 3 | 05748945 | 11.25/1 | 19 | 07140633 | 151.69/1 | 5 |
| 05748599 | 11.01/1 | 19 | 05748946 | 11.25/1 | 20 | 07140818 | 52.16/1 | 9 |
| 05748601 | 11.02/1 | 5 | 05748947 | 11.25/1 | 2 | 07140818 | 152.04/1 | 7 |
| 05748602 | 11.02/1 | 7 | 05748948 | 11.25/1 | 7 | 07140834 | 52.17/1 | 8 |
| 05748603 | 11.02/1 | 6 | 05748949 | 11.01/1 | 1 | 07140834 | 161.63/1 | 10 |
| 05748603 | 11.02/1 | 8 | 05748950 | 11.01/1 | 4 | 07140834 | 161.63/1 | 17 |
| 05748607 | 11.08/1 | 14 | 05748951 | 11.01/1 | 5 | 07140834 | 161.63/1 | 22 |
| 05748608 | 11.08/1 | 15 | 05748952 | 11.01/1 | 6 | 07140834 | 162.10/1 | 10 |
| 05748619 | 11.19/1 | 8 | 05748953 | 11.01/1 | 8 | 07140842 | 12.12/1 | 5 |
| 05748622 | 11.19/1 | 13 | 05748954 | 11.01/1 | 9 | 07140842 | 152.04/1 | 2 |
| 05748624 | 11.26/1 | 4 | 05748955 | 11.02/1 | 1 | 07140848 | 12.13/1 | 2 |
| 05748627 | 11.44/1 | 4 | 05748956 | 11.19/1 | 7 | 07140853 | 12.13/1 | 18 |
| 05748628 | 11.44/1 | 5 | 05748957 | 11.19/1 | 2 | 07141017 | 152.04/1 | 16 |
| 05748630 | 11.46/1 | 1 | 05748958 | 11.19/1 | 3 | 07141020 | 12.12/1 | 2 |
| 05748631 | 11.46/1 | 2 | 05748959 | 11.19/1 | 4 | 07141041 | 165.01/1 | 3 |
| 05748639 | 11.08/1 | 13 | 05748960 | 11.19/1 | 5 | 07141242 | 161.63/1 | 2 |
| 05748650 | 11.19/1 | 11 | 05748961 | 11.09/1 | 2 | 07141242 | 162.10/1 | 2 |
| 05748654 | 11.31/1 | 15 | 05748962 | 11.09/1 | 4 | 07210616 | 52.17/1 | 15 |
| 05748893 | 11.31/1 | 2 | 05748963 | 11.09/1 | 8 | 07210616 | 152.18/1 | 5 |
| 05748894 | 11.31/1 | 3 | 05748964 | 11.09/1 | 9 | 07210817 | 12.13/1 | 13 |
| 05748895 | 11.31/1 | 12 | 05994004 | 52.16/1 | 4 | 07210817 | 52.17/1 | 6 |
| 05748896 | 11.31/1 | 13 | 05994004 | 152.04/1 | 14 | 07230521 | 152.31/1 | 9 |
| 05748898 | 11.53/1 | 2 | 05994004 | 152.18/1 | 9 | 07230637 | 12.13/1 | 5 |
| 05748899 | 11.53/1 | 3 | 06126912 | 65.05/1 | 2 | 07230819 | 12.13/1 | 23 |
| 05748900 | 11.53/1 | 5 | 06142912 | 52.16/1 | 7 | 07230819 | 65.06/1 | 5 |
| 05748910 | 11.26/1 | 3 | 06142912 | 152.04/1 | 5 | 07611616 | 65.05/1 | 4 |
| 05748911 | 11.26/1 | 1 | 06142915 | 12.13/1 | 11 | 07611616 | 194.08/1 | 9 |
| 05748912 | 11.26/1 | 2 | 06144100 | 152.18/1 | 10 | 07815008 | 52.17/1 | 11 |
| 05748914 | 11.21/1 | 2 | 06220148 | 152.31/1 | 3 | 07815008 | 52.17/1 | 13 |
| 05748916 | 11.08/1 | 6 | 06270012 | 152.18/1 | 26 | 08110813 | 152.04/1 | 10 |
| 05748920 | 11.09/1 | 1 | 06312023 | 12.13/1 | 20 | 08110813 | 152.31/1 | 12 |
| 05748923 | 11.31/1 | 1 | 06312023 | 194.08/1 | 1 | 08130611 | 52.17/1 | 17 |
| 05748925 | 11.44/1 | 1 | 06420840 | 152.31/1 | 13 | 08130611 | 151.69/1 | 7 |
| 05748926 | 11.44/1 | 2 | 06420841 | 152.31/1 | 14 | 08130813 | 12.12/1 | 10 |
| 05748927 | 11.44/1 | 3 | 06422046 | 161.63/1 | 5 | 08130813 | 12.13/1 | 21 |
| 05748928 | 11.53/1 | 15 | 06422046 | 162.10/1 | 17 | 08130813 | 12.13/1 | 25 |
| 05748929 | 11.53/1 | 1 | 06422046 | 162.10/1 | 5 | 08130813 | 12.13/1 | 34 |
| 05748930 | 11.53/1 | 12 | 06510208 | 151.69/1 | 3 | 08130813 | 12.13/1 | 4 |
| 05748931 | 11.53/1 | 25 | 06510213 | 12.13/1 | 31 | 08130813 | 52.16/1 | 6 |
| 05748932 | 11.19/1 | 1 | 06510380 | 65.06/1 | 4 | 08130813 | 52.17/1 | 4 |
| 05748935 | 11.22/1 | 5 | 06550012 | 152.31/1 | 11 | 08130813 | 152.04/1 | 4 |
| 05748936 | 11.22/1 | 8 | 06704107 | 161.63/1 | 6 | 08130813 | 152.18/1 | 12 |
| 05748937 | 11.21/1 | 9 | 06704107 | 162.10/1 | 6 | 08130813 | 161.63/1 | 12 |
| 05748938 | 11.21/1 | 1 | 07010816 | 12.13/1 | 9 | 08130813 | 161.63/1 | 19 |
| 05748939 | 11.19/1 | 12 | 07131012 | 152.18/1 | 24 | 08130813 | 161.63/1 | 24 |
| 05748940 | 11.08/1 | 1 | 07131018 | 152.18/1 | 14 | 08130813 | 162.10/1 | 12 |
| 05748941 | 11.08/1 | 5 | 07131018 | 152.18/1 | 24 | 08131016 | 165.01/1 | 5 |
| 05748942 | 11.25/1 | 1 | 07131022 | 152.18/1 | 14 | 08131218 | 161.63/1 | 4 |

INDEX

| Part no. | Group | Pos. | Part no. | Group | Pos. | Part no. | Group | Pos. |
|----------|----------|------|----------|----------|------|----------|----------|------|
| 08131218 | 162.10/1 | 4 | 23003181 | 152.18/1 | 4 | 23060191 | 52.16/1 | 2 |
| 08141615 | 161.63/1 | 25 | 23003232 | 165.01/1 | 1 | 23060191 | 152.04/1 | 8 |
| 08141615 | 162.10/1 | 18 | 23003248 | 161.63/1 | 9 | 23060203 | 52.16/1 | 3 |
| 08141615 | 162.10/1 | 19 | 23003248 | 162.10/1 | 9 | 23060203 | 152.04/1 | 13 |
| 08500823 | 152.04/1 | 18 | 23003273 | 152.18/1 | 3 | 23060208 | 162.10/1 | 20 |
| 08501028 | 152.04/1 | 15 | 23003287 | 161.63/1 | 16 | 23060209 | 52.16/1 | 1 |
| 08501028 | 152.18/1 | 15 | 23003289 | 152.31/1 | 1.1 | 68050213 | 161.63/1 | 21 |
| 08510612 | 151.69/1 | 6 | 23003304 | 152.04/1 | 11 | 69020718 | 12.13/1 | 22 |
| 08510817 | 12.12/1 | 6 | 23003309 | 152.04/1 | 1 | 77523003 | 194.08/1 | 0 |
| 08510817 | 12.13/1 | 15 | 23003311 | 161.63/1 | 20 | 88003146 | 152.04/1 | 17 |
| 08510817 | 12.13/1 | 19 | 23003314 | 161.63/1 | 1 | | | |
| 08510817 | 12.13/1 | 24 | 23003314 | 162.10/1 | 1 | | | |
| 08510817 | 12.13/1 | 3 | 23003319 | 152.31/1 | 1.2 | | | |
| 08510817 | 12.13/1 | 33 | 23003341 | 162.10/1 | 16 | | | |
| 08510817 | 52.16/1 | 5 | 23003346 | 152.31/1 | 4 | | | |
| 08510817 | 52.17/1 | 3 | 23003347 | 152.31/1 | 8 | | | |
| 08510817 | 52.17/1 | 9 | 23003354 | 161.63/1 | 13 | | | |
| 08510817 | 152.04/1 | 3 | 23003354 | 162.10/1 | 13 | | | |
| 08510817 | 152.04/1 | 9 | 23003359 | 152.18/1 | 1 | | | |
| 08510817 | 161.63/1 | 11 | 23003383 | 152.31/1 | 2 | | | |
| 08510817 | 161.63/1 | 18 | 23003384 | 151.69/1 | 1 | | | |
| 08510817 | 162.10/1 | 11 | 23003396 | 152.31/1 | 6 | | | |
| 08511324 | 161.63/1 | 3 | 23003403 | 151.69/1 | 2 | | | |
| 08511324 | 162.10/1 | 3 | 23003413 | 152.18/1 | 25 | | | |
| 08590617 | 161.63/1 | 15 | 23010132 | 65.06/1 | 13 | | | |
| 08590617 | 162.10/1 | 15 | 23010140 | 65.06/1 | 12 | | | |
| 08590820 | 12.12/1 | 9 | 23010156 | 65.06/1 | 14 | | | |
| 08590820 | 52.16/1 | 8 | 23010161 | 65.06/1 | 10 | | | |
| 08590820 | 152.04/1 | 6 | 23020117 | 65.05/1 | 3 | | | |
| 08591025 | 165.01/1 | 4 | 23020128 | 65.05/1 | 1 | | | |
| 08621053 | 152.31/1 | 10 | 23030141 | 12.12/1 | 7 | | | |
| 08621064 | 52.17/1 | 16 | 23030173 | 12.12/1 | 4 | | | |
| 08621064 | 152.18/1 | 6 | 23030176 | 12.12/1 | 8 | | | |
| 08621084 | 12.13/1 | 16 | 23030193 | 12.12/1 | 1 | | | |
| 08665000 | 12.13/1 | 35 | 23030198 | 12.12/1 | 1 | | | |
| 08752084 | 152.18/1 | 11 | 23030205 | 12.12/1 | 7 | | | |
| 08752106 | 12.12/1 | 3 | 23040106 | 12.13/1 | 10 | | | |
| 08752106 | 152.18/1 | 15 | 23040112 | 12.13/1 | 7 | | | |
| 09150308 | 152.31/1 | 5 | 23040137 | 12.13/1 | 8 | | | |
| 09170407 | 161.63/1 | 8 | 23040139 | 12.13/1 | 12 | | | |
| 09170407 | 162.10/1 | 8 | 23040147 | 12.13/1 | 27 | | | |
| 09181604 | 65.06/1 | 7 | 23040148 | 12.13/1 | 17.1 | | | |
| 09220901 | 152.31/1 | 7 | 23040150 | 12.13/1 | 17 | | | |
| 09224400 | 65.06/1 | 8 | 23050234 | 52.17/1 | 14 | | | |
| 09290169 | 161.63/1 | 23 | 23050282 | 52.17/1 | 1 | | | |
| 09312808 | 65.06/1 | 9 | 23050285 | 52.17/1 | 7 | | | |
| 23001008 | 165.01/1 | 0 | 23050305 | 52.17/1 | 10.1 | | | |
| 23003037 | 165.01/1 | 2 | 23050305 | 52.17/1 | 12.1 | | | |
| 23003176 | 152.31/1 | 1 | 23050309 | 52.17/1 | 10 | | | |
| 23003180 | 152.18/1 | 8 | 23050310 | 52.17/1 | 12 | | | |

PARTS FINDER

**Search Website
by Part Number**



**Search Manual
Library For Parts
Manual & Lookup Part
Numbers – Purchase
or Request Quote**

Search Manuals

Enter your information to help us find the right parts manual for your machine.

* Brand:

* Model:

* Serial:

* Part Number:

SEARCH

**Can't Find Part or
Manual? Request Help
by Manufacturer,
Model & Description**

Parts Order Form

Please fill in the following information to help us find the right part for your machine.

| | |
|---------------|----------------------|
| Manufacturer: | <input type="text"/> |
| Model: | <input type="text"/> |
| Description: | <input type="text"/> |
| Part Number: | <input type="text"/> |
| Quantity: | <input type="text"/> |
| Notes: | <input type="text"/> |

Discount-Equipment.com is your online resource for quality parts & equipment.

Florida: **561-964-4949** Outside Florida TOLL FREE: **877-690-3101**

Need parts?

Click on this link: <http://www.discount-equipment.com/category/5443-parts/> and choose one of the options to help get the right parts and equipment you are looking for. Please have the machine model and serial number available in order to help us get you the correct parts. If you don't find the part on the website or on one of the online manuals, please fill out the request form and one of our experienced staff members will get back to you with a quote for the right part that your machine needs.

We sell worldwide for the brands: Genie, Terex, JLG, MultiQuip, Mikasa, Essick, Whiteman, Mayco, Toro Stone, Diamond Products, Generac Magnum, Airman, Haulotte, Barreto, Power Blanket, Nifty Lift, Atlas Copco, Chicago Pneumatic, Allmand, Miller Curber, Skyjack, Lull, Skytrak, Tsurumi, Husquvarna Target, Stow, Wacker, Sakai, Mi-T-M, Sullair, Basic, Dynapac, MBW, Weber, Bartell, Bennar Newman, Haulotte, Ditch Runner, Menegotti, Morrison, Contec, Buddy, Crown, Edco, Wyco, Bomag, Laymor, EZ Trench, Bil-Jax, F.S. Curtis, Gehl Pavers, Heli, Honda, ICS/PowerGrit, IHI, Partner, Imer, Clipper, MMD, Koshin, Rice, CH&E, General Equipment, Amida, Coleman, NAC, Gradall, Square Shooter, Kent, Stanley, Tamco, Toku, Hatz, Kohler, Robin, Wisconsin, Northrock, Oztec, Toker TK, Rol-Air, APT, Wylie, Ingersoll Rand / Doosan, Innovatech, Con X, Ammann, Mecalac, Makinex, Smith Surface Prep, Small Line, Wanco, Yanmar