

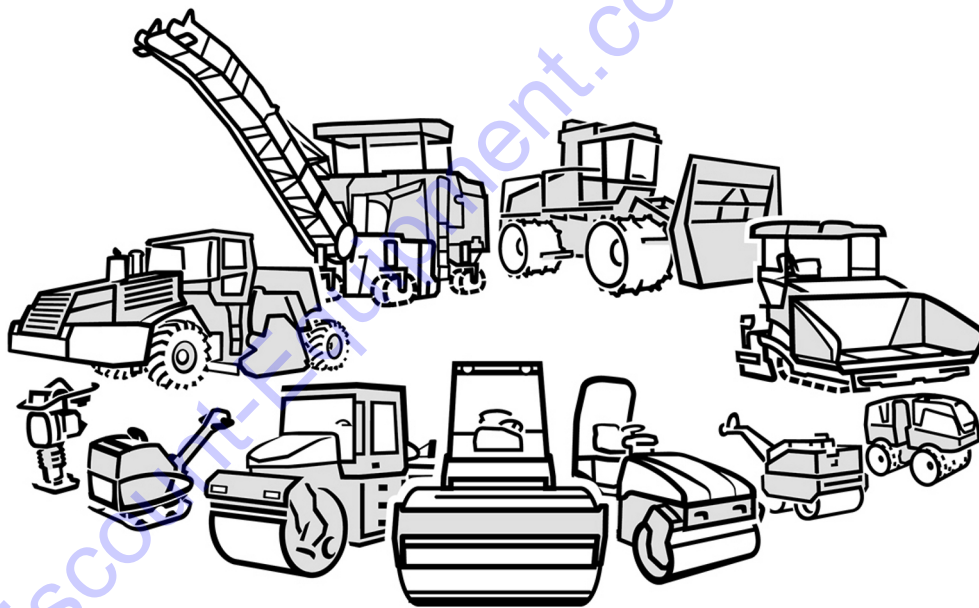
BOMAG

FAYAT GROUP

Spare Parts Catalogue

BVP 12/50 A

S/N 861834371001 > 861834371037
Honda



Vibratory plate compactor



www.discount-equipment.com

Catalogue number:
00825317

01.11.2018 - 01.04.2019

PARTS FINDER

**Search Website
by Part Number**



**Search Manual
Library For Parts
Manual & Lookup Part
Numbers – Purchase
or Request Quote**

Search Manuals

Enter your information to help us find the right parts manual for your machine.

* Brand:

* Model:

* Serial:

* Part Number:

SEARCH

**Can't Find Part or
Manual? Request Help
by Manufacturer,
Model & Description**

Parts Order Form

Please fill in the following information to help us find the right part for your machine.

MANUFACTURER:

MODEL:

DESCRIPTION:

DATE:

TIME:

PHONE:

EMAIL:

ADDRESS:

CITY:

STATE:

ZIP:

NAME:

COMPANY:

PHONE:

EMAIL:

REQUEST FOR QUOTE

Discount-Equipment.com is your online resource for quality parts & equipment.

Florida: **561-964-4949** Outside Florida TOLL FREE: **877-690-3101**

Need parts?

Click on this link: <http://www.discount-equipment.com/category/5443-parts/> and choose one of the options to help get the right parts and equipment you are looking for. Please have the machine model and serial number available in order to help us get you the correct parts. If you don't find the part on the website or on one of the online manuals, please fill out the request form and one of our experienced staff members will get back to you with a quote for the right part that your machine needs.

We sell worldwide for the brands: Genie, Terex, JLG, MultiQuip, Mikasa, Essick, Whiteman, Mayco, Toro Stone, Diamond Products, Generac Magnum, Airman, Haulotte, Barreto, Power Blanket, Nifty Lift, Atlas Copco, Chicago Pneumatic, Allmand, Miller Curber, Skyjack, Lull, Skytrak, Tsurumi, Husquvarna Target, Stow, Wacker, Sakai, Mi-T-M, Sullair, Basic, Dynapac, MBW, Weber, Bartell, Bennar Newman, Haulotte, Ditch Runner, Menegotti, Morrison, Contec, Buddy, Crown, Edco, Wyco, Bomag, Laymor, EZ Trench, Bil-Jax, F.S. Curtis, Gehl Pavers, Heli, Honda, ICS/PowerGrit, IHI, Partner, Imer, Clipper, MMD, Koshin, Rice, CH&E, General Equipment, Amida, Coleman, NAC, Gradall, Square Shooter, Kent, Stanley, Tamco, Toku, Hatz, Kohler, Robin, Wisconsin, Northrock, Oztec, Toker TK, Rol-Air, APT, Wylie, Ingersoll Rand / Doosan, Innovatech, Con X, Ammann, Mecalac, Makinex, Smith Surface Prep, Small Line, Wanco, Yanmar

© 06/2019 Bomag GmbH

The reproduction, distribution and utilization of this document as well as the communication of its contents to others without express authorization is prohibited. Offenders will be held liable for the payment of damages. All rights reserved in the event of the grant of a patent, utility model or design.

[Go to Discount-Equipment.com](http://Discount-Equipment.com) to order your parts

EN

GENERAL INFORMATIONS



PLEASE FILL IN WHEN RECEIVING THE MACHINE

TYPE _____

SERIAL-NUMBER _____

ENGINE-TYPE _____

DATE OF DELIVERY _____

ENGINE-NUMBER _____

Only the use of BOMAG GENUINE PARTS guarantees the correct function of the machine. The use of nonoriginal spare parts results in the loss of all claims, regarding warranty as well as product liability.

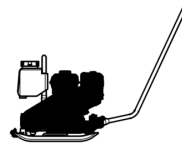
The relevant sales terms and delivery conditions are valid for all spare parts deliveries.

We reserve the right for technical modifications without prior notification.

PLEASE STATE THE FOLLOWING WHEN ORDERING SPARE PARTS:

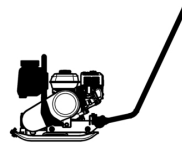
- machine type**
- Serial number (e.g. 101 400 04 1001)**
- Engine type and number resp. component number**
- Part number**
- Quantity**
- Designation**

Engine / Fitting Parts



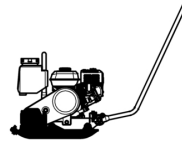
10

Frame with Attachment Parts



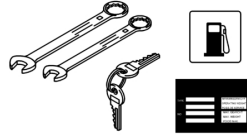
50

Plate / Foot



65

Accessories



100

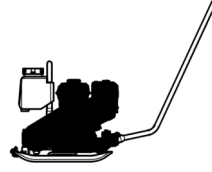
Special Equipment

Option

110

Go to Discount-Equipment.com to order your parts

Engine / Fitting Parts



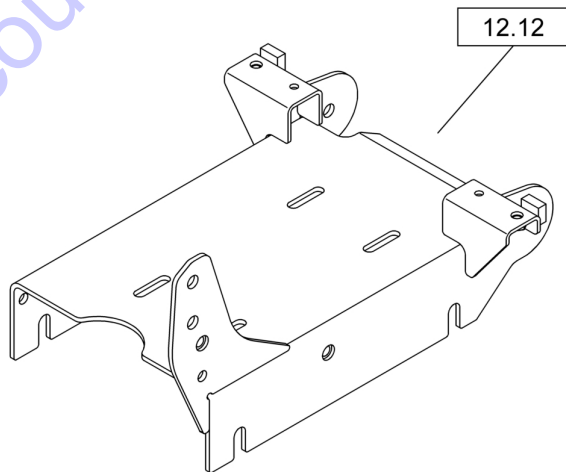
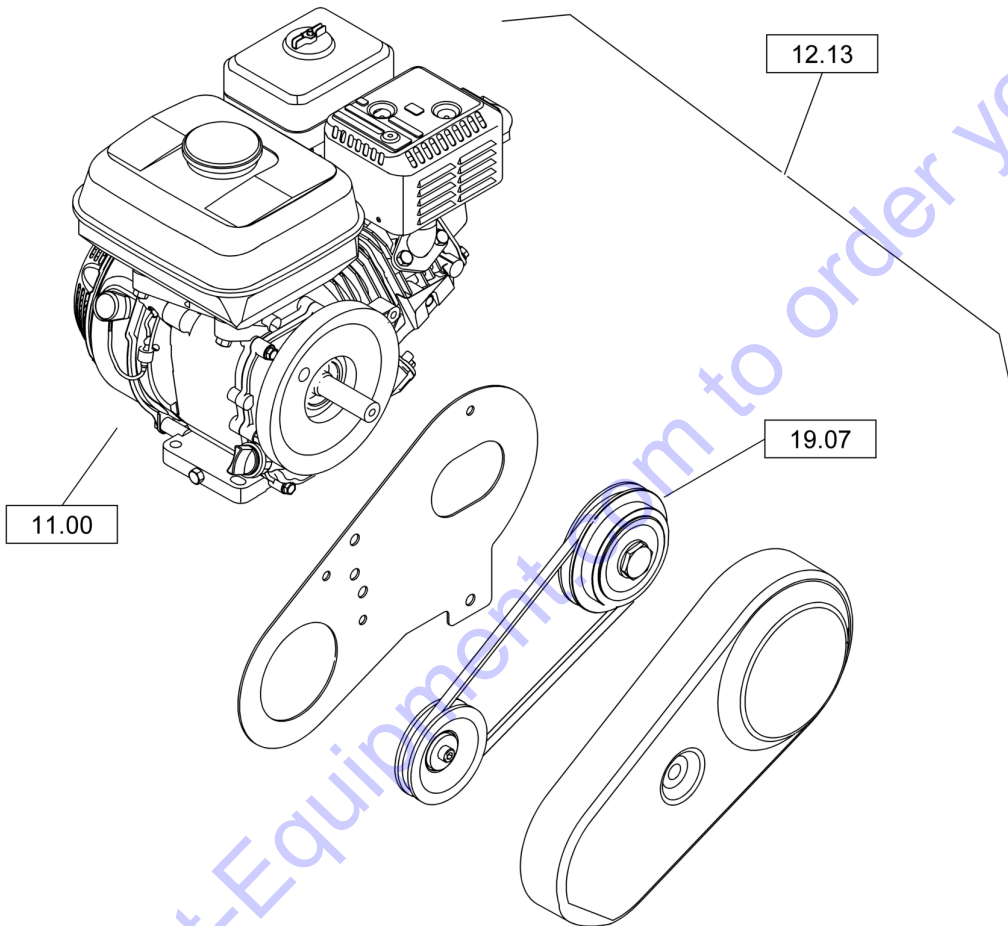
10

Go to Discount-Equipment.com to order your parts

10.00

Engine / Fitting Parts


Page /



Pos. Description


- 11.00 Engine Parts List
- 11.01 Crankcase
- 11.02 Front Cover
- 11.08 Cylinder Head
- 11.09 Camshaft
- 11.19 Crankshaft And Piston
- 11.21 Fuel Tank
- 11.22 Dry Air Filter
- 11.25 Throttle Control
- 11.26 Silencer
- 11.31 Recoil Starter
- 11.44 Covering
- 11.46 Contact Breaker/Ign.Coil
- 11.53 Carburetor
- 12.12 Engine Carrier
- 12.13 Engine
- 19.07 Centrifugal Clutch

Go to Discount-Equipment.com to order your parts

11.00	Engine no. S/N GCBMT-1560460 ▶
Page 1 / 1	Engine Parts List GX120UT2-QX-4-SD
 BOMAG FAYAT GROUP	

For this catalogue group no illustration.

Go to Discount-Equipment.com to order your parts

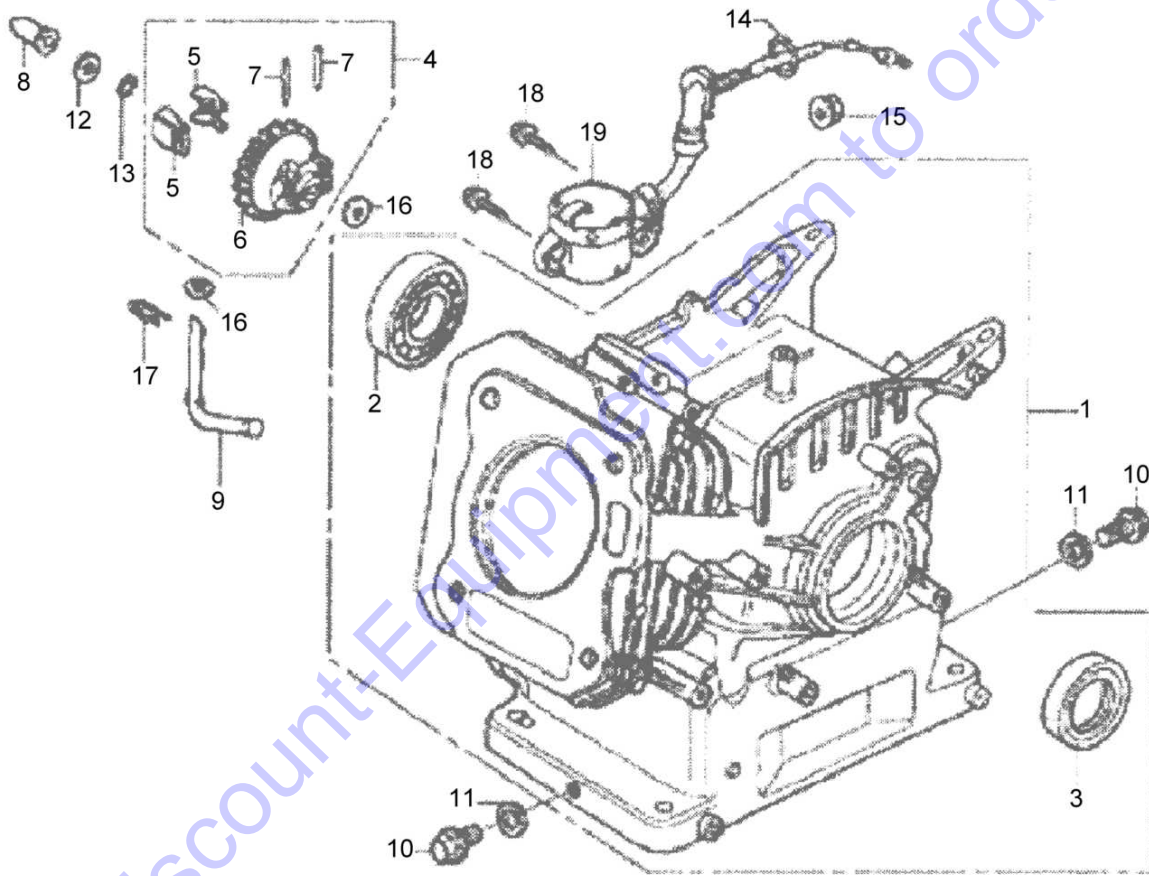
Engine no.	S/N GCBMT-1560460 ▶	
Engine Parts List	GX120UT2-QX-4-SD	11.00
		Page 1 / 1
		
		8061 E


Pos. Part no. Qty. Description

1 05747047 1 Four-stroke engine

Go to Discount-Equipment.com to order your parts

11.01	Engine no. S/N GCBMT-1560460 ▶
	Crankcase
Page 1 / 1	
BOMAG FAYAT GROUP	MOT015147_000_00

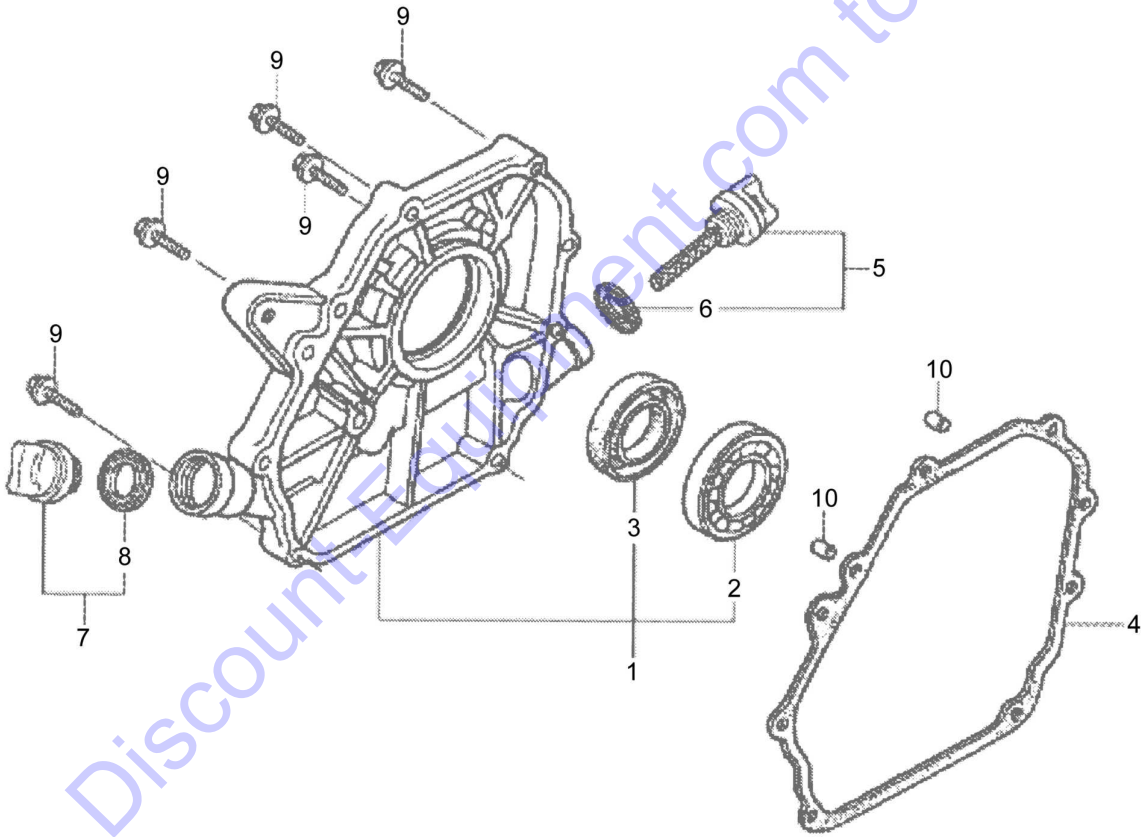



Engine no.	S/N GCBMT-1560460 ▶	11.01
Crankcase		
		Page 1 / 1
	MOT015147 8061 E	

Pos.	Part no.	Qty.	Description
1	05748597	1	Crankcase
2	05747185	1	>Ball bearing,grooved
3	05748598	1	>Radial seal
4	05747376	1	Governor / controller
5	05747266	2	>Weight
6	05747209	1	>Holder
7	05747346	2	>Pin
8	05747226	1	Spool valve
9	05747347	1	Shaft
10	05747180	2	Drain plug
11	05747129	2	Gasket
12	05747233	1	Thrust disc
13	05747377	1	Spring ring
14	05747188	1	Loop ring
15	05747379	1	Collar nut
16	05747348	2	Washer
17	05747349	1	Spring cotter
18	05747380	2	Screw
19	05748599	1	Oil pressure switch

Go to Discount-Equipment.com to order your parts

11.02	Engine no. S/N GCBMT-1560460 ▶
	Front Cover
Page 1 / 1	
BOMAG FAYAT GROUP	MOT017188_000_00

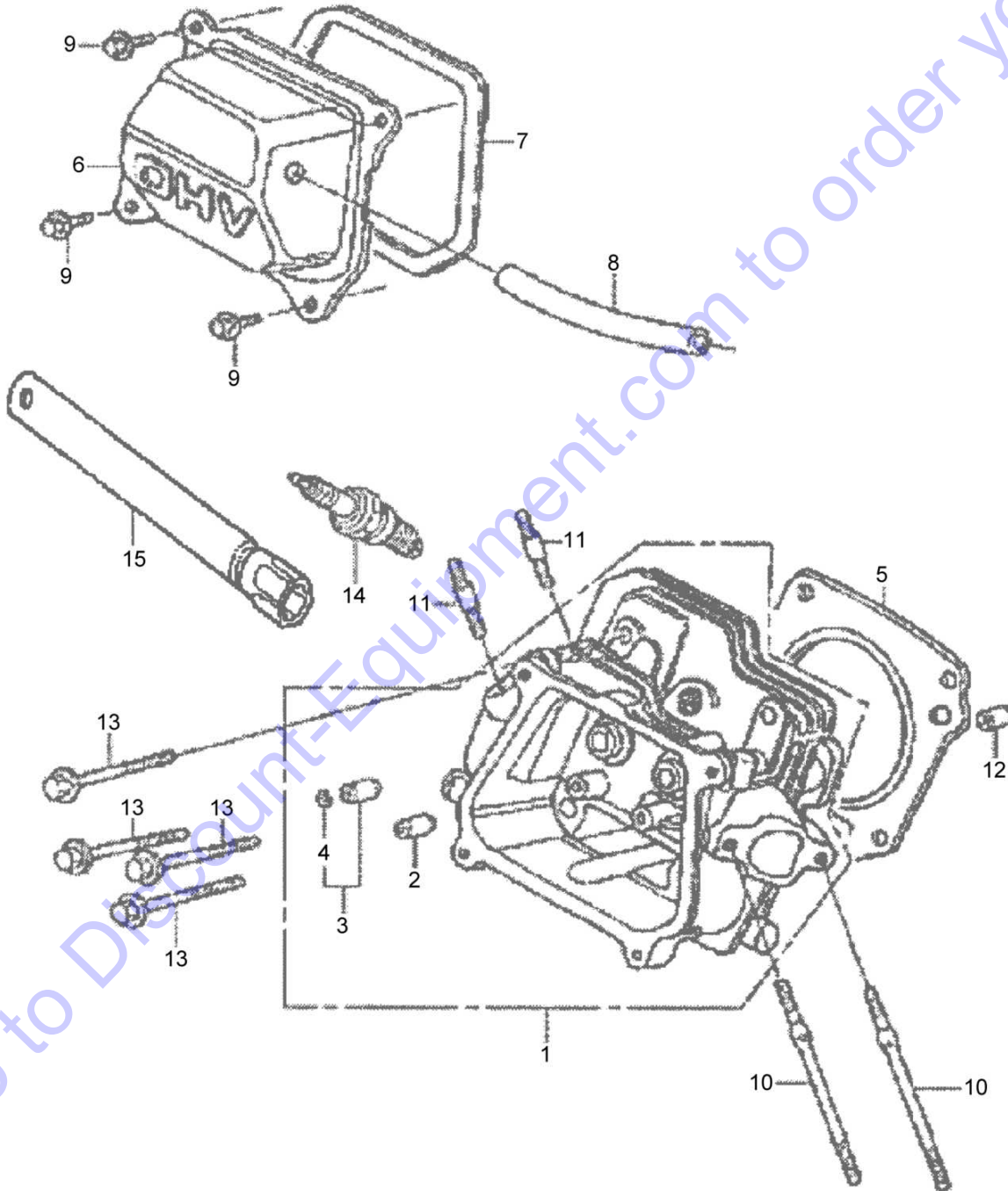


Engine no.	S/N GCBMT-1560460 ▶	
Front Cover		11.02
		Page 1 / 1
	MOT017188 8061 E	


Pos.	Part no.	Qty.	Description
1	05748600	1	Crank case cover
2	05747185	1	>Ball bearing,grooved
3	05747187	1	>Radial seal
4	05747383	1	Gasket,crankcase
5	05748601	1	Filler cap
6	05748603	1	>Gasket, oil dip stick
7	05748602	1	Filler cap
8	05748603	1	>Gasket, oil dip stick
9	05747247	7	Screw
10	05747389	2	Dowel pin

Go to Discount-Equipment.com to order your parts

11.08	Engine no.	S/N GCBMT-1560460 ▶
	Cylinder Head	
Page 1 / 1		
BOMAG FAYAT GROUP		MOT015149_000_00



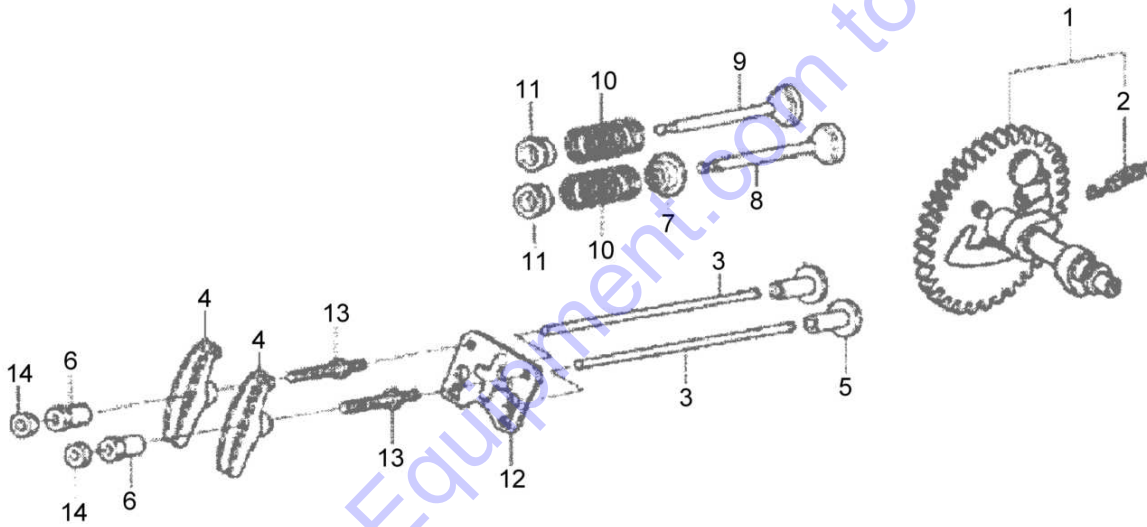
mot015149_000

Engine no.	S/N GCBMT-1560460 ▶	11.08
Cylinder Head		
		Page 1 / 1
	MOT015149 8061 E	


Pos.	Part no.	Qty.	Description
1	05747421	1	Cylinder head
2	05747211	1	>Valve guide Intake
3	05747212	1	>Valve guide Exhaust
4	05747368	1	>>Circlip
5	05748605	1	Cylinder head gasket
6	05748916	1	Cylinder head cover
7	05747125	1	Valve cover gasket
8	05747369	1	Ventilation pipe
9	05747322	4	Hexagon bolt
10	05748917	2	Stud
11	05747370	2	Stud
12	05747371	2	Dowel pin
13	05748606	4	Screw
14	05747282	1	Spark plug
15	05748608	1	Service Parts Spark plug spanner

Go to Discount-Equipment.com to order your parts

11.09	Engine no.	S/N GCBMT-1560460 ▶
	Camshaft	
Page 1 / 1		
BOMAG FAYAT GROUP		MOT015150_000_00



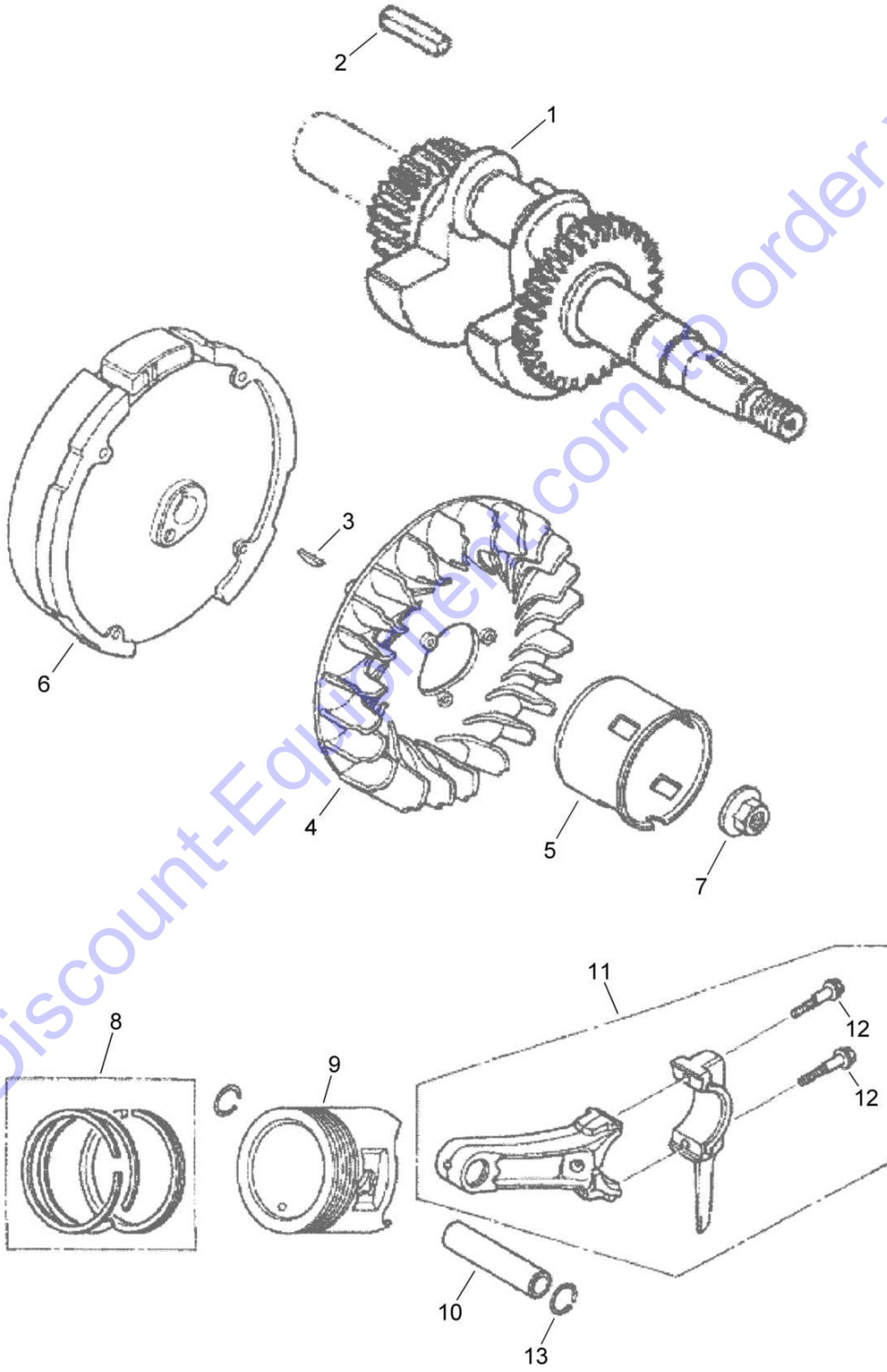
Go to Discount-Equipment.com to order your parts

Engine no.	S/N GCBMT-1560460 ▶	
Camshaft		11.09
		Page 1 / 1
	MOT015150 8061 E	


Pos.	Part no.	Qty.	Description
1	05747137	1	Camshaft
2	05747139	1	>Return spring
3	05747224	2	Pushrod
4	05747231	2	Rocker arm
5	05747404	2	Tappet
6	05747406	2	Journal
7	05748920	1	Valve stem seal
8	05748921	1	Inlet valve
9	05748922	1	Outlet valve
10	05747345	2	Valve spring
11	05747106	2	Valve plate
12	05747256	1	Guide plate
13	05747272	2	Bolt
14	05747354	2	Adjustment nut

Go to Discount-Equipment.com to order your parts

11.19	Engine no. S/N GCBMT-1560460 ▶
	Crankshaft And Piston
Page 1 / 1	
BOMAG FAYAT GROUP	MOT017189_000_00



mot017189_000

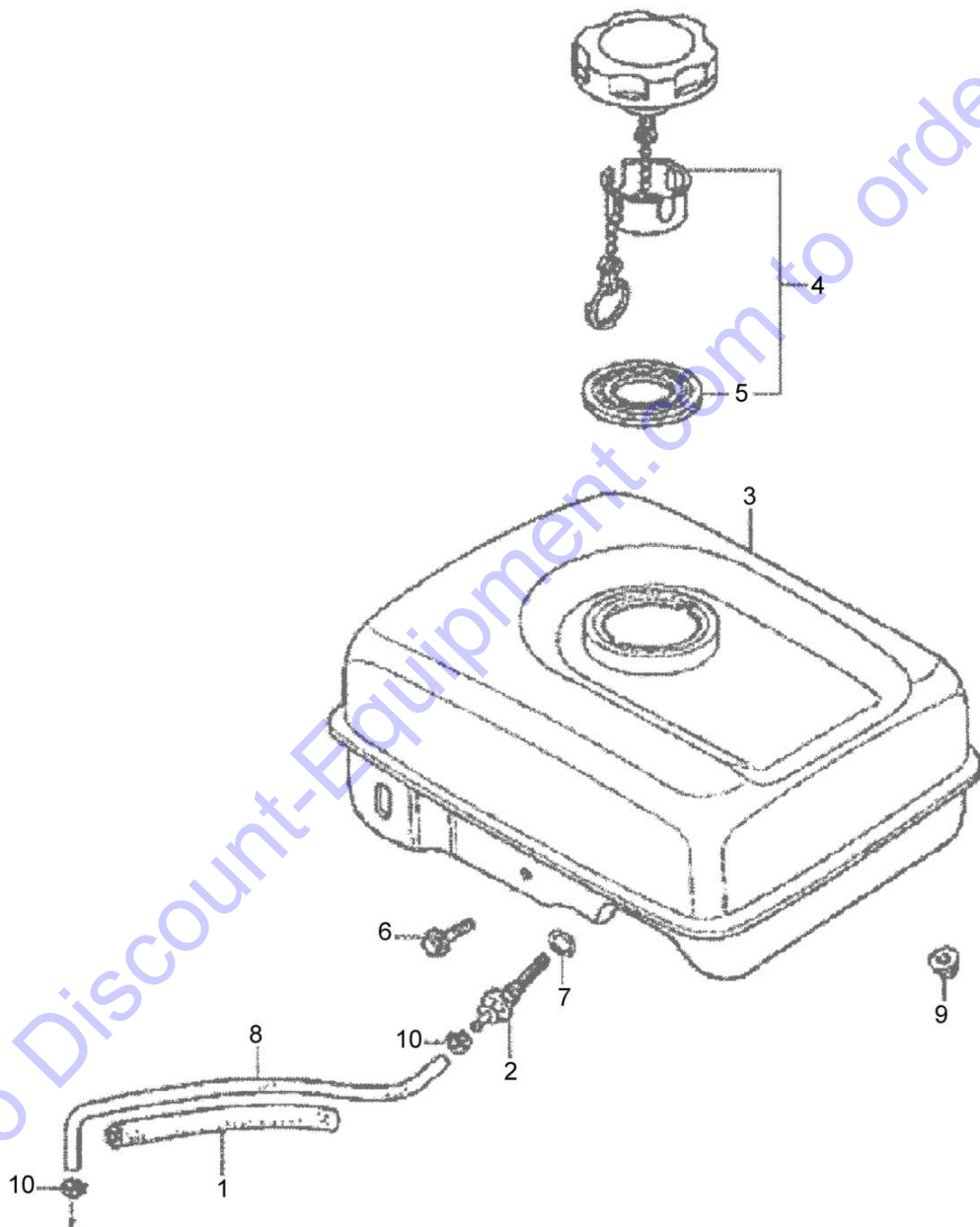
Engine no.	S/N GCBMT-1560460 ▶	11.19
Crankshaft And Piston		
		Page 1 / 1
		
		MOT017189 8061 E


Pos.	Part no.	Qty.	Description
------	----------	------	-------------

1	05748618	1	Crankshaft
2	05748619	1	Fitting key
3	05747191	1	Woodruff key
4	05747170	1	Fan
5	05749012	1	Starting pulley
6	05748621	1	Flywheel
7	05748622	1	Collar nut
8	05748609	1	Piston ring set Standard
8	05748610	1	Piston ring set +0,25
8	05748611	1	Piston ring set +0,50
9	05748613	1	Piston Standard
9	05748614	1	Piston +0,25
9	05748615	1	Piston +0,50
9	05748616	1	Piston +0,75
10	05747134	1	Floating wrist pin
11	05748617	1	Conrod
12	05747179	2	>Conrod screw
13	05747396	2	Spring ring

Go to Discount-Equipment.com to order your parts


11.21	Engine no.	S/N GCBMT-1560460 ▶
	Fuel Tank	
Page 1 / 1		
BOMAG FAYAT GROUP		MOT015152_000_00

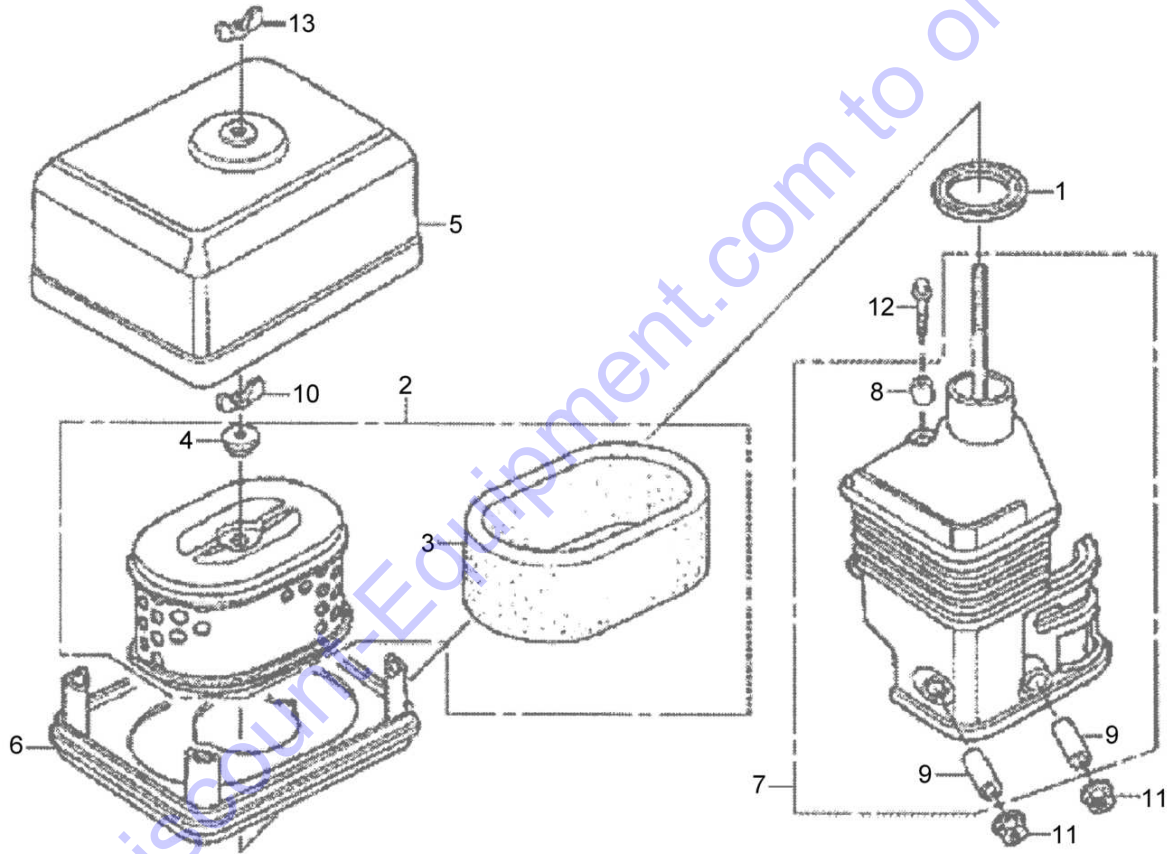



Engine no.	S/N GCBMT-1560460 ▶	
Fuel Tank		11.21
		Page 1 / 1
		MOT015152 8061 E 

Pos.	Part no.	Qty.	Description
1	05747464	1	Rubber,supporter
2	05747161	1	Filter,fuel
3	05748913	1	Fuel tank complete
4	05748914	1	Tank cover
5	05748593	1	>Gasket, tank cover
6	05748568	1	Hexagon bolt
7	05747188	1	Loop ring
8	05748915	1	Fuel hose
9	05747312	2	Collar nut
10	05748570	2	Hose clip

Go to Discount-Equipment.com to order your parts

11.22	Engine no. S/N GCBMT-1560460 ▶
Page 1 / 1	Dry Air Filter
	MOT015153_000_00

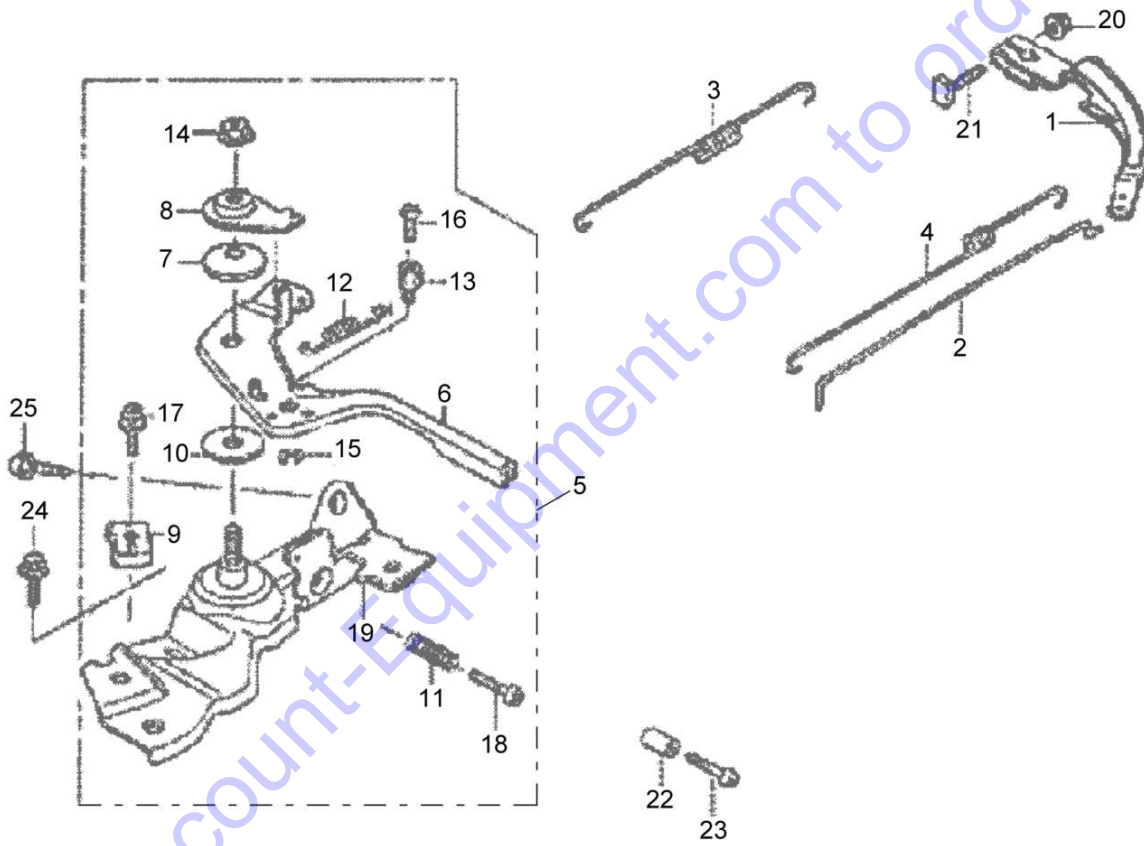



Engine no.	S/N GCBMT-1560460 ▶	
Dry Air Filter		11.22
		Page 1 / 1
		
		MOT015153 8061 E

Pos.	Part no.	Qty.	Description
1	05747126	1	Gasket,knuckle tube
2	05747116	1	Element,washable
3	05747446	1	>External filter
4	05747163	1	>Rubber grommet
5	05748906	1	Filter cover
6	05748907	1	Air filter base
7	05748908	1	Knuckle tube
8	05747449	1	>Bushing
9	05747451	2	>Bushing
10	05747183	1	Wing nut
11	05747312	2	Collar nut
12	05747452	1	Screw
13	05748909	1	Wing nut

Go to Discount-Equipment.com to order your parts

11.25	Engine no. S/N GCBMT-1560460 ▶
	Throttle Control
Page 1 / 1	
BOMAG FAYAT GROUP	MOT017190_000_00

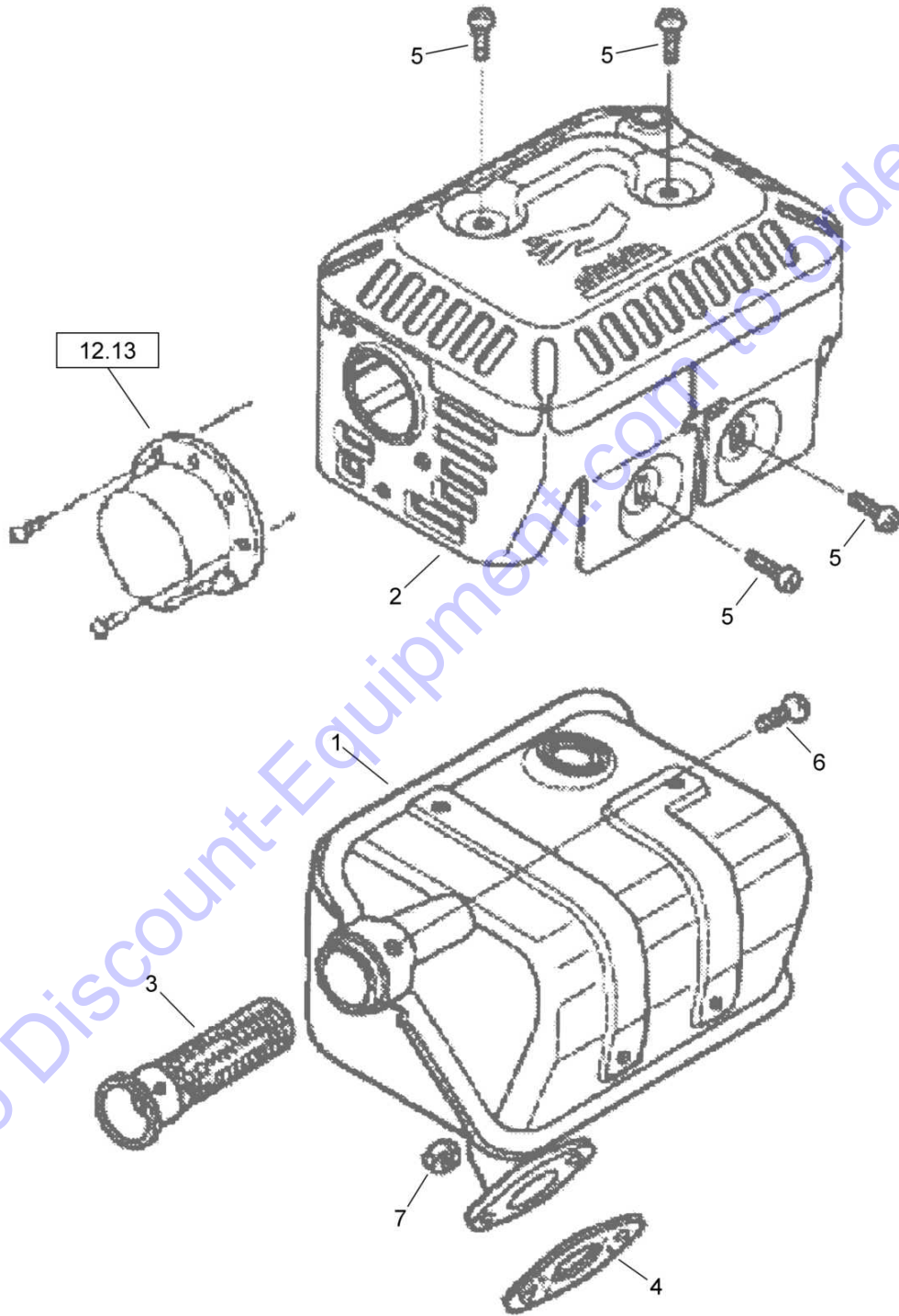


Engine no.	S/N GCBMT-1560460 ▶	11.25
Throttle Control		
		Page 1 / 1
		
MOT017190 8061 E		


Pos.	Part no.	Qty.	Description
1	05747151	1	Arm governor
2	05747152	1	Governor rod
3	05747329	1	Governor spring
4	05747330	1	Return spring
5	05749155	1	Control assy.
6	05748919	1	>Lever,control
7	05747227	1	>Belleville spring
8	05747155	1	>Washer
9	05747418	1	>Cable clip
10	05747156	1	>Connecting piece
11	05747158	1	>Adjusting spring
12	05747341	1	>Return spring
13	05747332	1	>Wire holder
14	05747264	1	>Safety nut
15	05747333	1	>Spring ring
16	05747334	1	>Screw
17	05747426	1	>Screw
18	05747425	1	>Screw
19	05748948	1	>Control base
20	05747312	1	Collar nut
21	05747423	1	Screw
22	05747422	1	Stop bush
23	05747424	1	Screw
24	05747322	1	Hexagon bolt
25	05747325	1	Screw

Go to Discount-Equipment.com to order your parts

11.26	Engine no.	S/N GCBMT-1560460 ▶
	Silencer	
Page 1 / 1		
BOMAG FAYAT GROUP		MOT017191_000_00



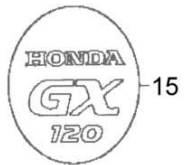
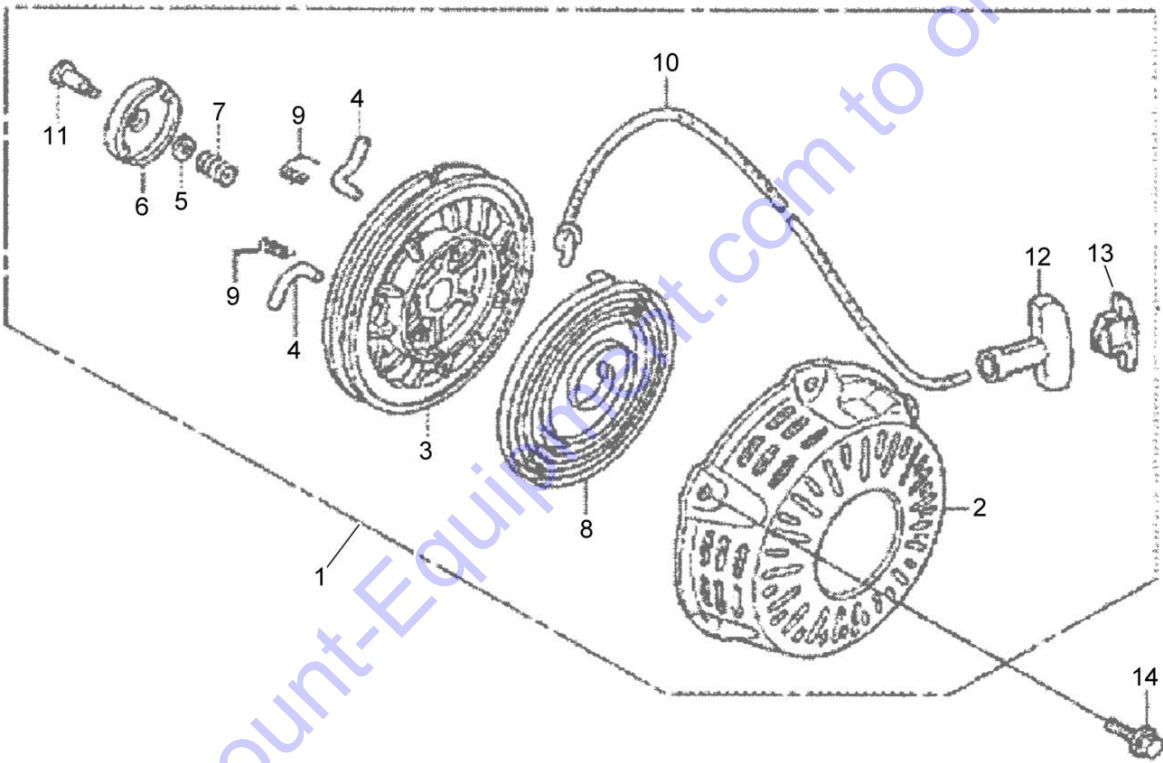
mot017191_000


Engine no. S/N GCBMT-1560460 ▶		
Silencer		11.26
		Page 1 / 1
		
		MOT017191 8061 E

Pos.	Part no.	Qty.	Description
1	05742127	1	Silencer
2	05749156	1	Muffler guard
3	05747169	1	Avoid-sparks optional
4	05748624	1	Exhaust gasket
5	05747316	4	Self tapping screw
6	05747317	1	Self tapping screw
7	05747190	2	Hexagon nut

Go to Discount-Equipment.com to order your parts

11.31	Engine no. S/N GCBMT-1560460 ▶
	Recoil Starter
Page 1 / 1	
BOMAG FAYAT GROUP	MOT015156_000_00

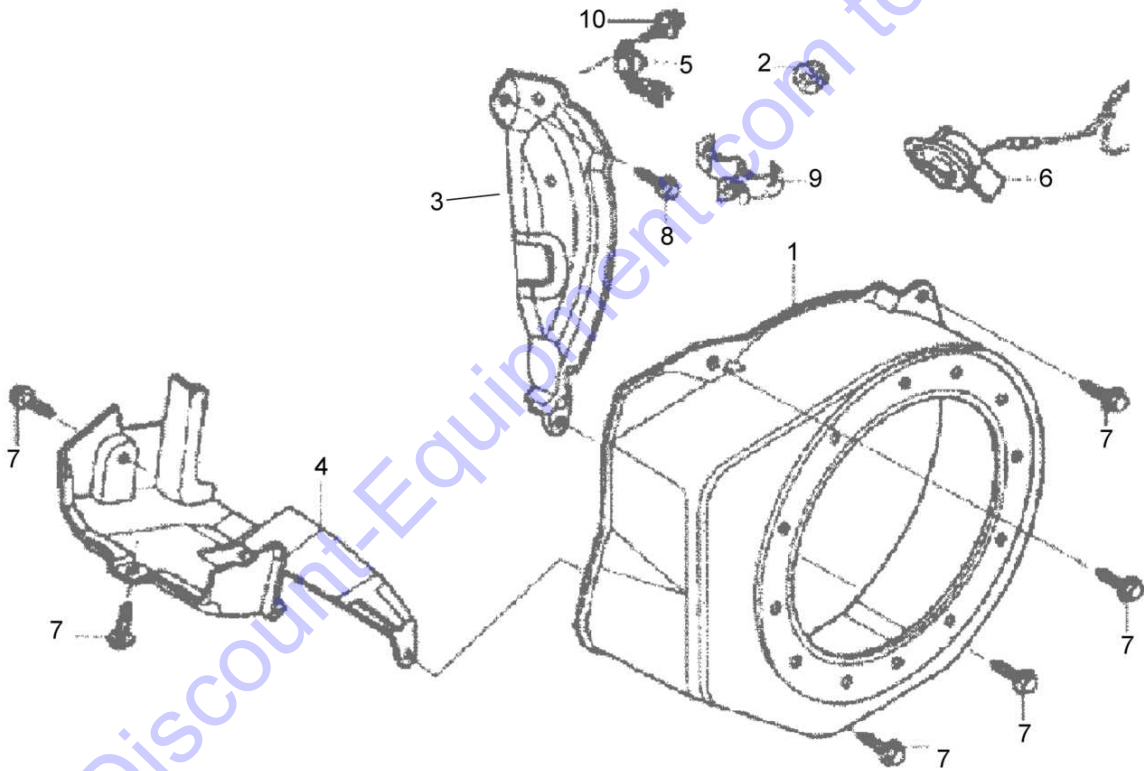



Engine no.	S/N GCBMT-1560460 ▶	11.31
Recoil Starter		
		Page 1 / 1
	MOT015156 8061 E	

Pos.	Part no.	Qty.	Description
1	05749000	1	Recoil starter
2	05748893	1	>Starter housing
3	05748894	1	>Rope pulley
4	05748326	2	>Ratchet
5	05748327	1	>Friction spring
6	05748328	1	>Guide,ratchet
7	05748329	1	>Spring
8	05747293	1	>Return spring
9	05748330	2	>Return spring
10	05747296	1	>Starter rope
11	05748579	1	>Locking screw
12	05748895	1	>Starter handle
13	05748896	1	>Handle
14	05748331	3	Screw
15	05748629	1	Label

Go to Discount-Equipment.com to order your parts


11.44	Engine no. S/N GCBMT-1560460 ▶
Page 1 / 1	Covering
BOMAG FAYAT GROUP	MOT015157_000_00

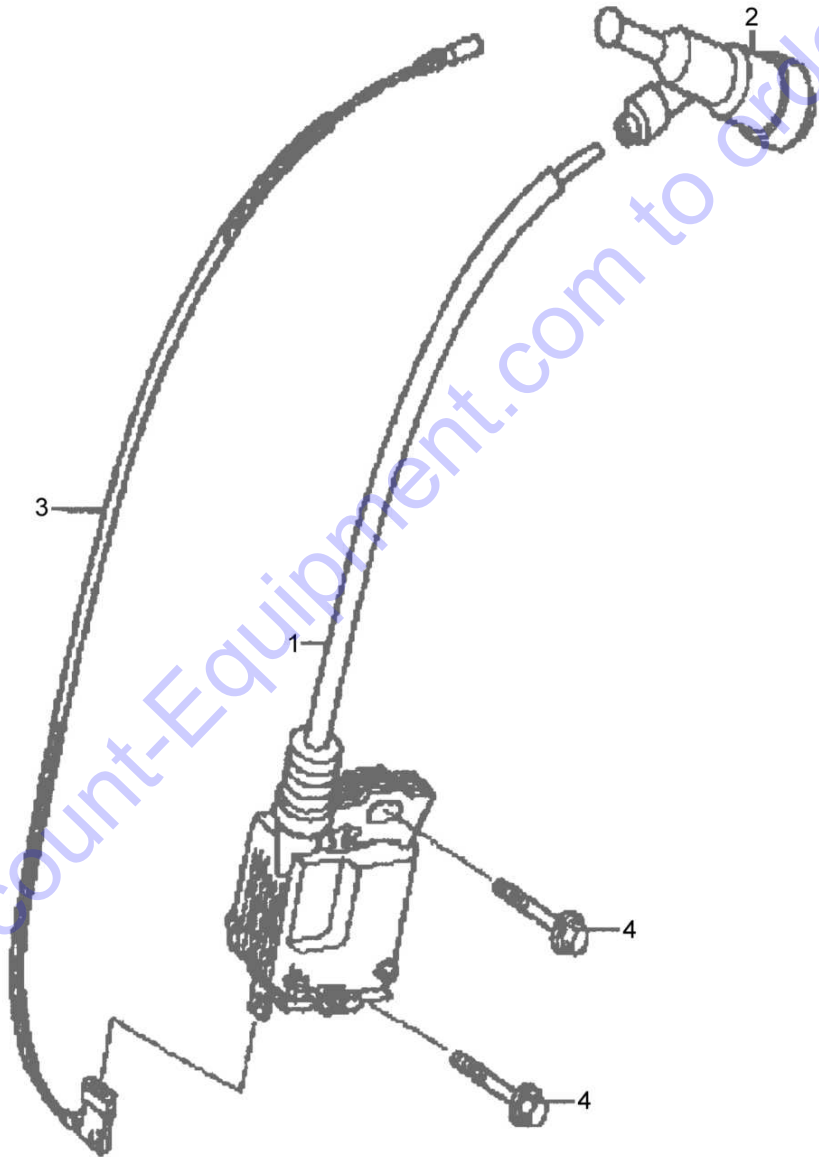



Engine no.	S/N GCBMT-1560460 ▶	
Covering		11.44
		Page 1 / 1
	MOT015157 8061 E	

Pos.	Part no.	Qty.	Description
1	05748625	1	Engine cover
2	05747408	1	Rubber grommet
3	05748626	1	Side plate
4	05747327	1	Cover
5	05748627	1	Oil alarm unit
6	05748628	1	Engine stop switch
7	05747322	6	Hexagon bolt
8	05747325	1	Screw
9	05747648	1	Cable clip
10	05747318	1	Screw

Go to Discount-Equipment.com to order your parts

11.46	Engine no. S/N GCBMT-1560460 ▶
	Contact Breaker / Ignition Coil
Page 1 / 1	
 BOMAG FAYAT GROUP	MOT015158_000_00




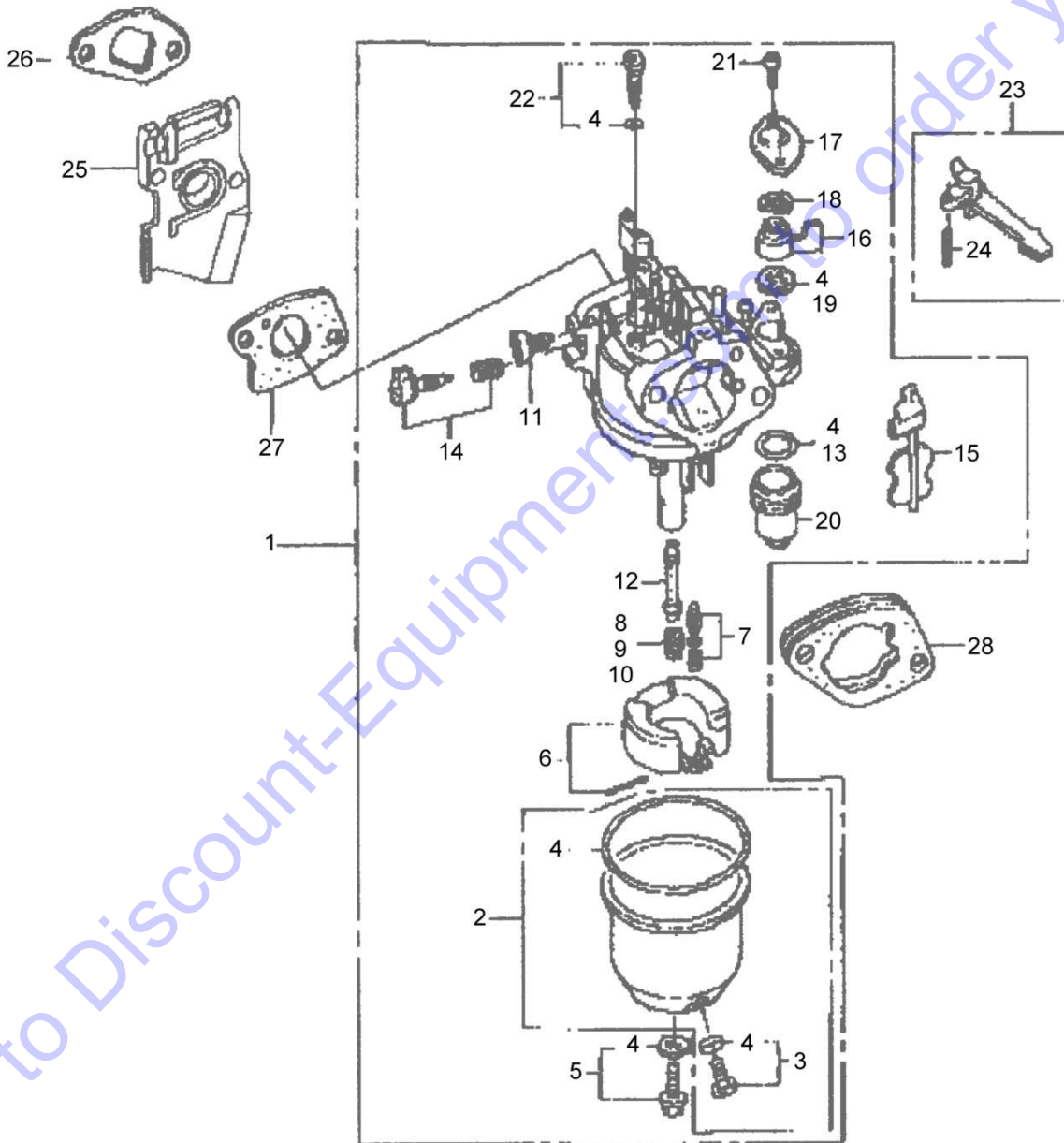
Engine no. S/N GCBMT-1560460 ▶		11.46
Contact Breaker / Igniton Coil		
MOT015158 8061 E		Page 1 / 1
		


Pos. Part no. Qty. Description

1	05748630	1	Coil,ignition
2	05748631	1	Spark plug socket
3	05747415	1	Shut down rope
4	05747395	2	Screw

Go to Discount-Equipment.com to order your parts

11.53	Engine no. S/N GCBMT-1560460 ▶
Page 1 / 1	Carburetor
 BOMAG <small>FAYAT GROUP</small>	MOT015159_000_00

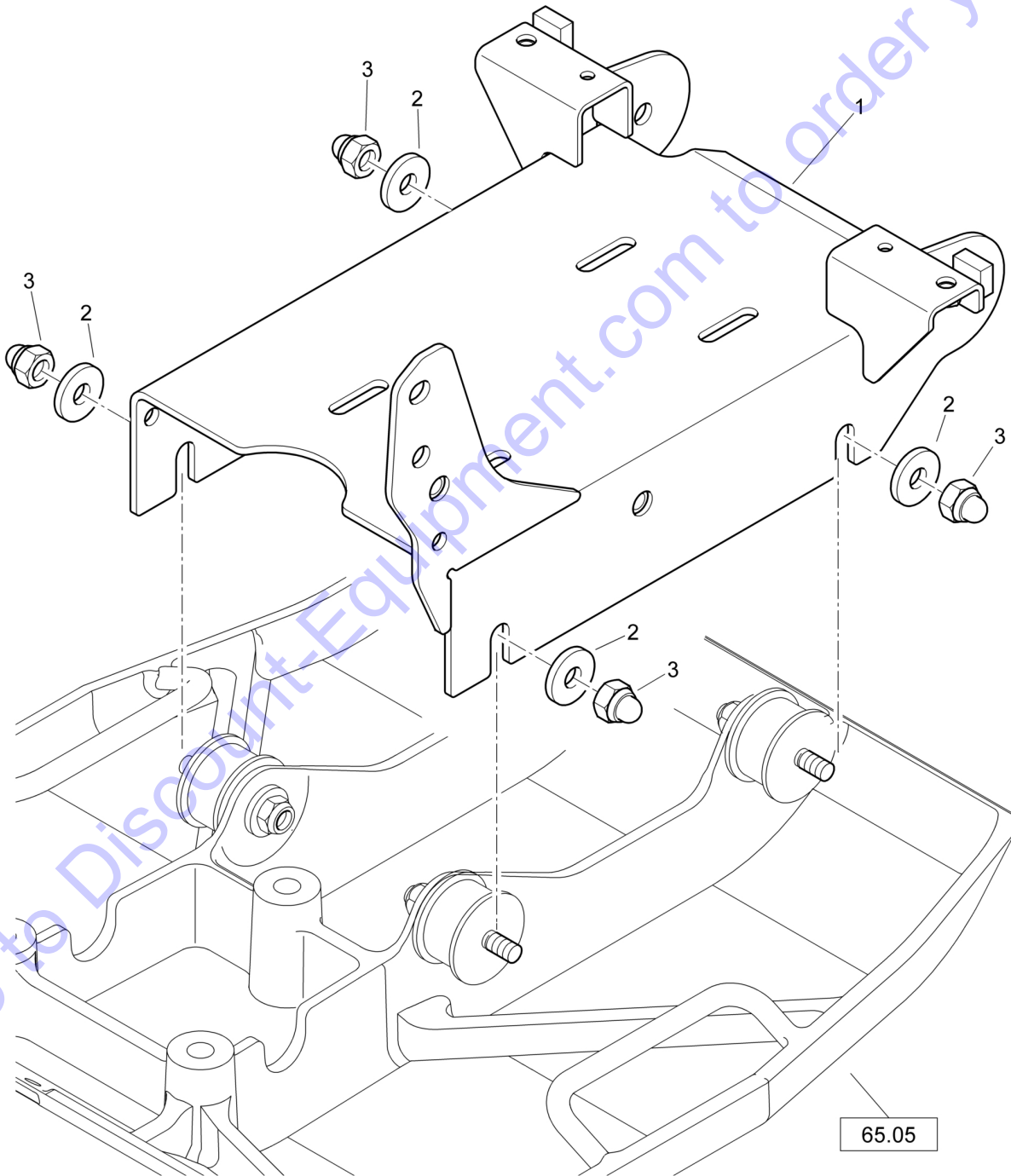


Engine no.	S/N GCBMT-1560460 ▶	11.53
Carburetor		
		Page 1 / 1
		
		MOT015159 8061 E

Pos.	Part no.	Qty.	Description
1	05748901	1	Carburetor
2	05748898	1	>Floater housing
3	05748899	1	>>Screw plug with seal
4	05747249	1	>>Kit,seal
5	05748900	1	>Screw plug with seal
6	05748588	1	>Float set
7	05747146	1	>Kit,floater valve
8	05748633	1	>Main nozzle #55
9	05748634	1	>Main nozzle #58
10	05748635	1	>Main nozzle #60
11	05747148	1	>Stop screw
12	05747436	1	>Main nozzle
13	05748490	1	>Gasket
14	05747644	1	>Kit, bolts
15	05747433	1	>Kit, choke
16	05747645	1	>Lever
17	05747441	1	>Fastening plate
18	05747442	1	>Spring
19	05747218	1	>Gasket
20	05747313	1	>Cup,fuel strainer
21	05748500	2	>Screw
22	05747194	1	>Kit,nozzle #35
23	05747159	1	Lever
24	05747281	1	>Dowel pin
25	05747210	1	Insulator
26	05747439	1	Insulator gasket
27	05747440	1	Gasket
28	05747149	1	Connecting piece


Go to Discount-Equipment.com to order your parts

	BVP 12/50 A
12.12	S/N 861834371001 ▶
Page 1 / 1	Engine Carrier
BOMAG FAYAT GROUP	83408249_000_00



65.05

83408249_000_00

BVP 12/50 A		
S/N 861834371001 ▶		12.12
Engine Carrier		Page 1 / 1
	83408249 8061 1	

Pos.	Part no.	Qty.	Description
------	----------	------	-------------

1	83412171	1	Engine carrier
2	08501028	4	Washer
3	08241035	4	Domed cap nut

Go to Discount-Equipment.com to order your parts

BVP 12/50 A

S/N 861834371001 ▶

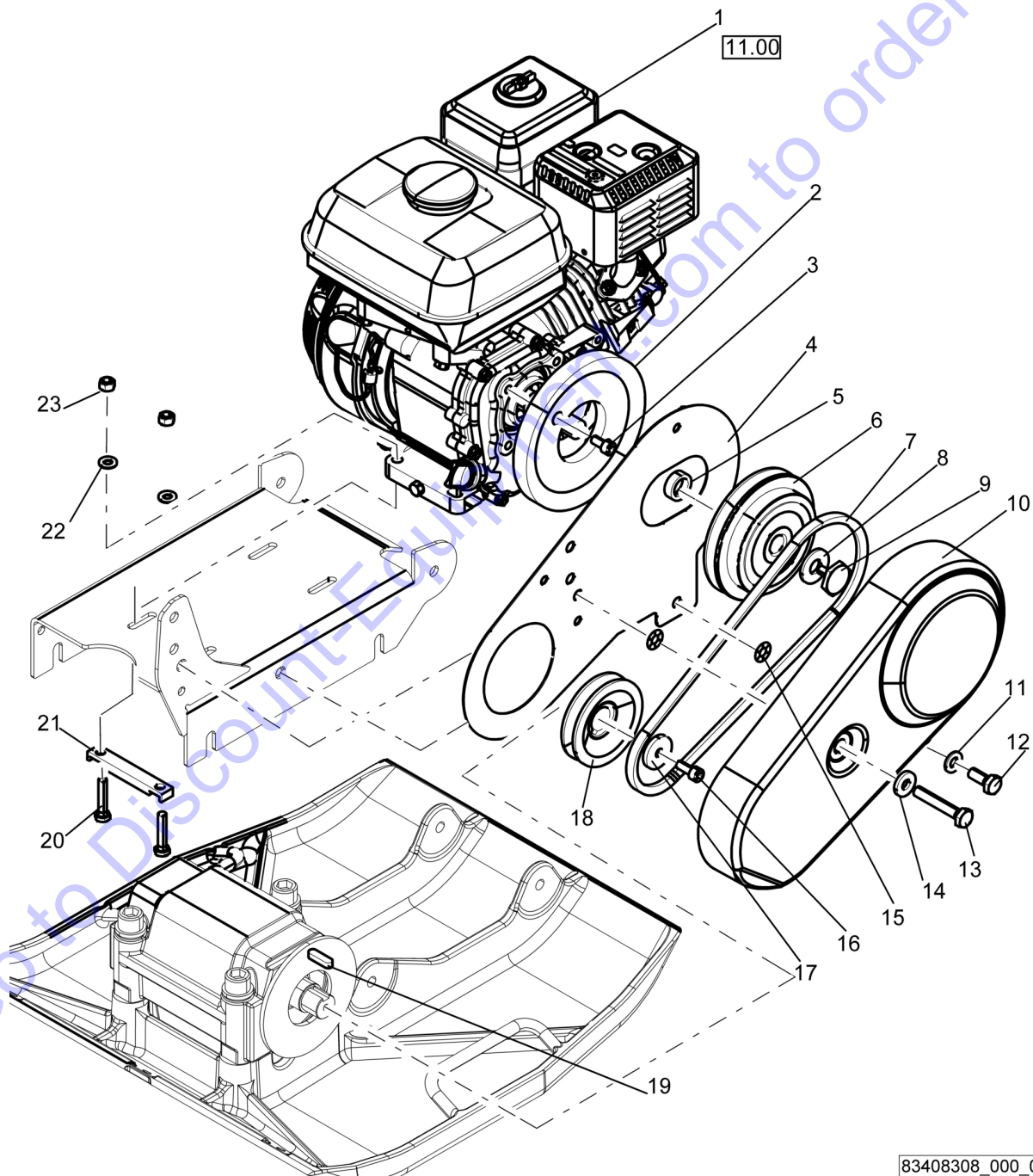
12.13

Engine


Page 1 / 1



83408308_000_00



83408308_000_00

BVP 12/50 A		
S/N 861834371001 ▶		
Engine		12.13
		Page 1 / 1
	83408308 8061 1	

Pos.	Part no.	Qty.	Description
1	05747047	1	Four-stroke engine
2	22240101	1	Sound proofing
3	07010816	2	Hexagon bolt
4	83412177	1	Plate
5	83412175	1	Washer
6	05050149	1	Centrifugal clutch
7	06312000	1	V-belt
8	08752140	1	Spring washer
9	83410455	1	Bolt
10	83412124	1	V-belt guard
11	08511021	1	Washer
12	07141027	1	Hexagon bolt
13	07141052	1	Hexagon bolt
14	08591025	1	Washer
15	08665001	2	Stop disc
16	07230811	1	Socket-head cap screw
17	69040261	1	Washer
18	22110121	1	V-belt pulley
19	09181602	1	Fitting key
20	07140848	4	Hexagon bolt
21	83412178	2	Plate
22	08510817	4	Washer
23	08130813	4	Safety nut

Go to Discount-Equipment.com to order your parts

BVP 12/50 A

S/N 861834371001 ▶

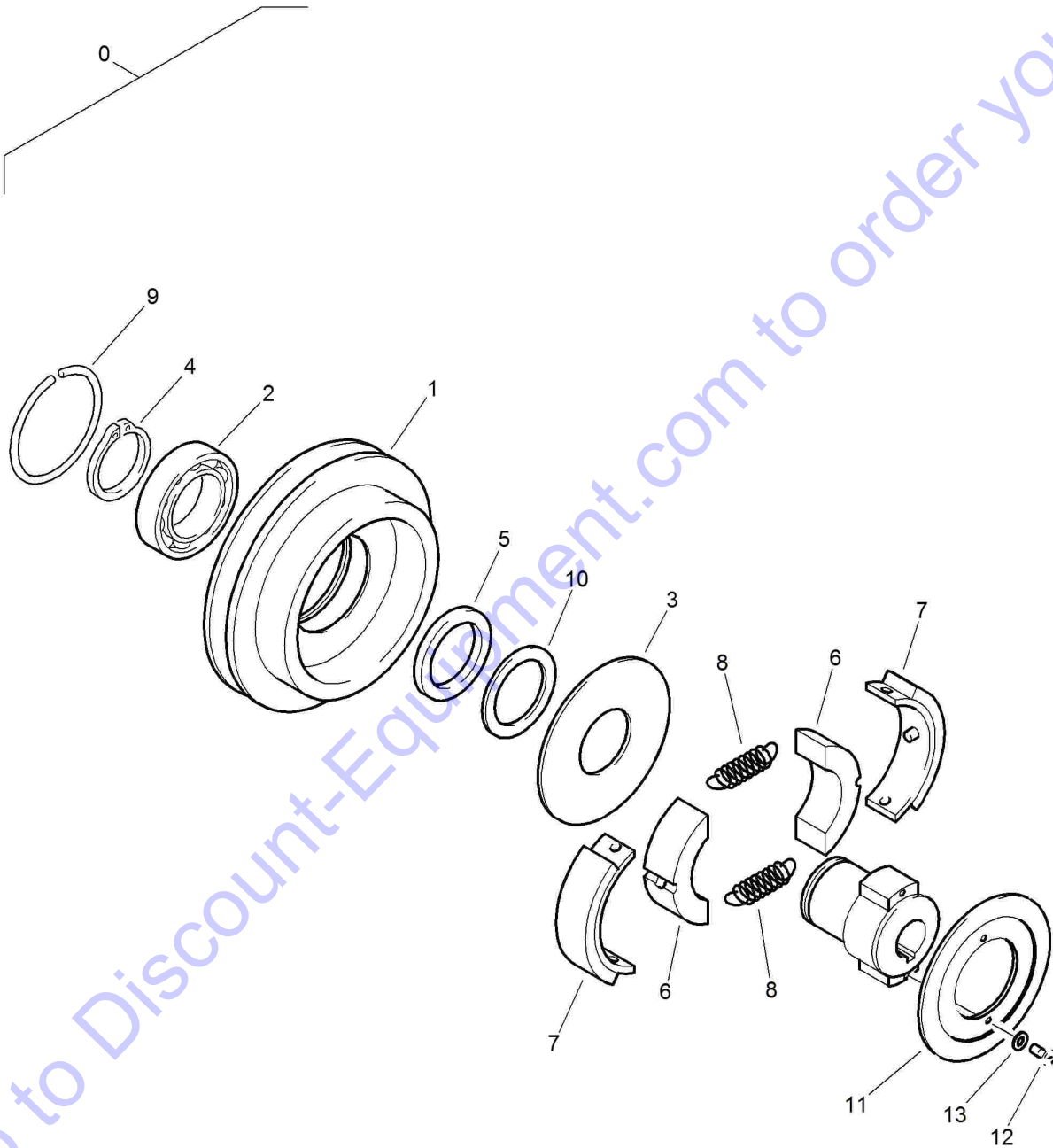
19.07

Centrifugal Clutch


Page **1 / 1**



EA004916_000_00



ea004916_000

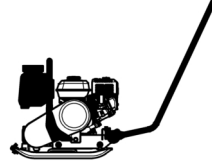
BVP 12/50 A		
S/N 861834371001 ▶		
Centrifugal Clutch		19.07
		Page 1 / 1
	EA004916 8061 E	

Pos.	Part no.	Qty.	Description
0	05050149	1	Centrifugal clutch
1	05660500	1	>Clutch housing
2	05660900	1	>Ball bearing,grooved
3	05660722	1	>Clamping disc
4	09211800	1	>Circlip,external
5	05660605	1	>Clamping disc
6	05660100	2	>Centrifugal weight
7	1) 05660207	2	>Lining strap
8	1) 05660322	2	>Tension spring
9	09230550	1	>Spring ring
10	05660813	1	>Supporting disc
11	05660710	1	>Cover disc
12	05660814	2	>Socket-head cap screw
13	05530610	2	>Safety washer

1) Can be exchanged only in sets of 2

Go to Discount-Equipment.com to order your parts

Frame with Attachment Parts



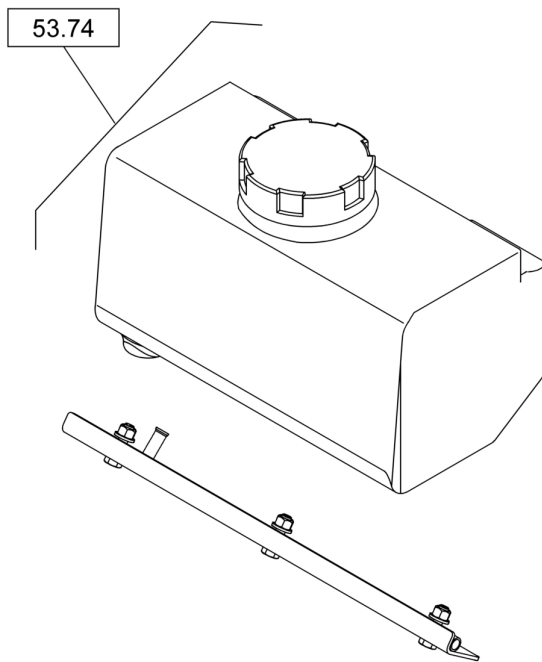
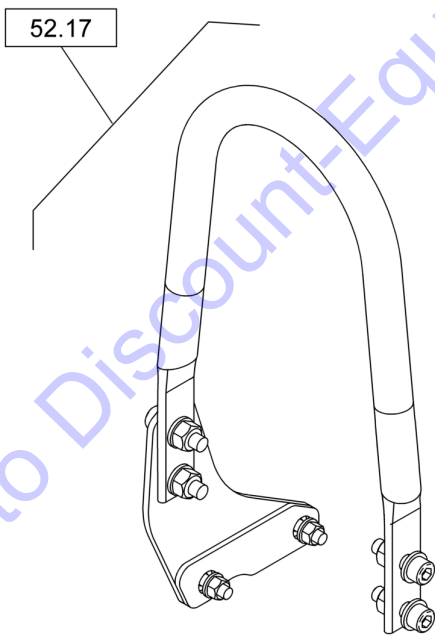
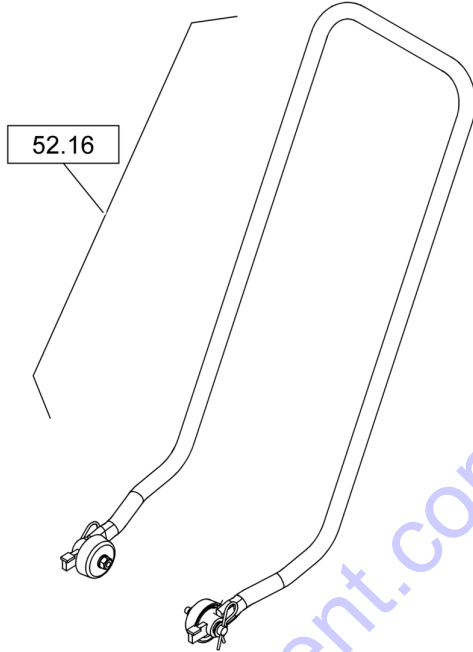
50

Go to Discount-Equipment.com to order your parts

50.00

Frame with Attachment Parts

Page /



Go to DiscountEquipment.com to order your parts

Frame with Attachment Parts

50.00

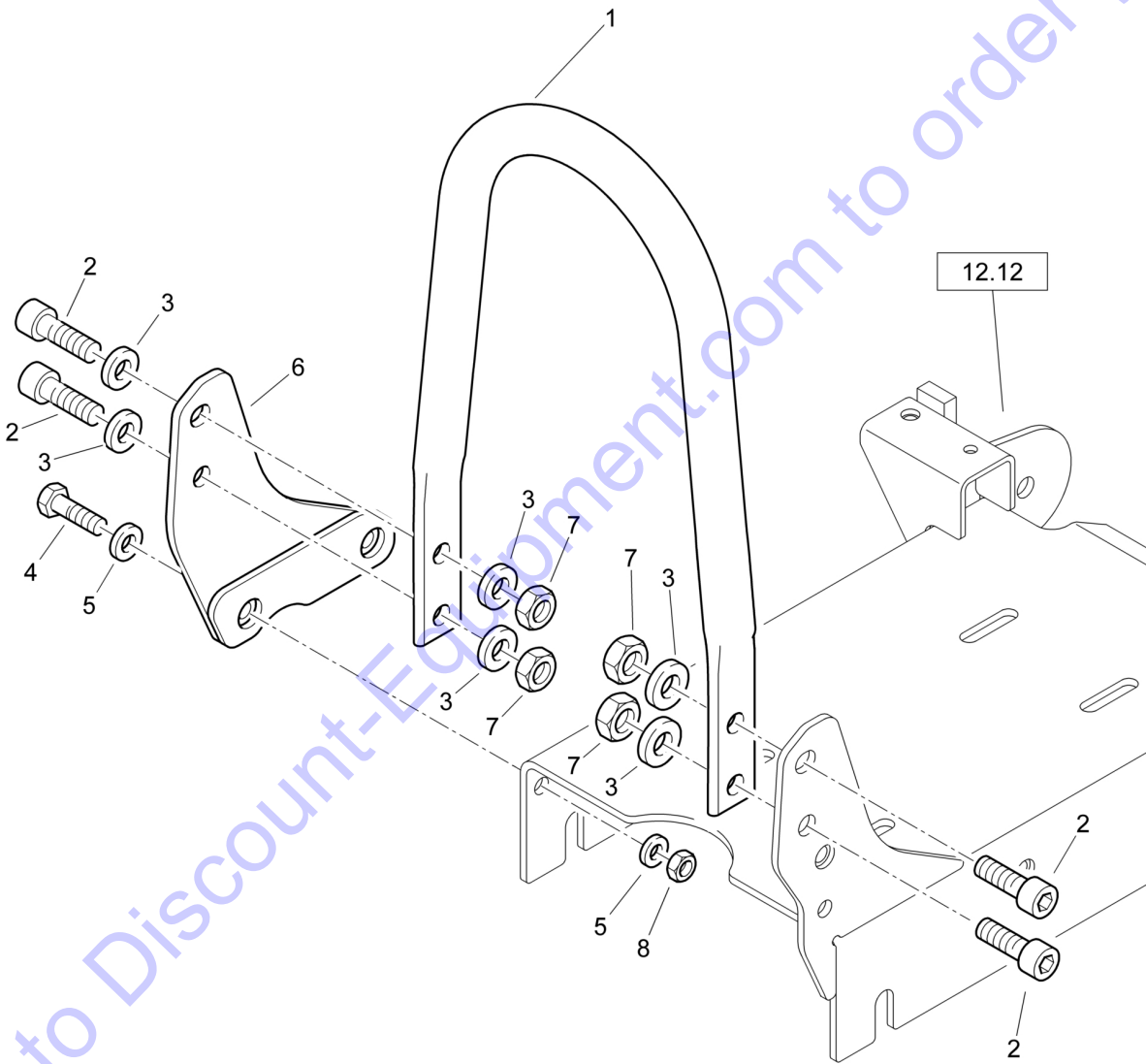
Page /




Pos. Description

- 52.17 Protection Bow
- 53.26 Steering Handle
- 53.74 Water Sprinkler System

Go to Discount-Equipment.com to order your parts

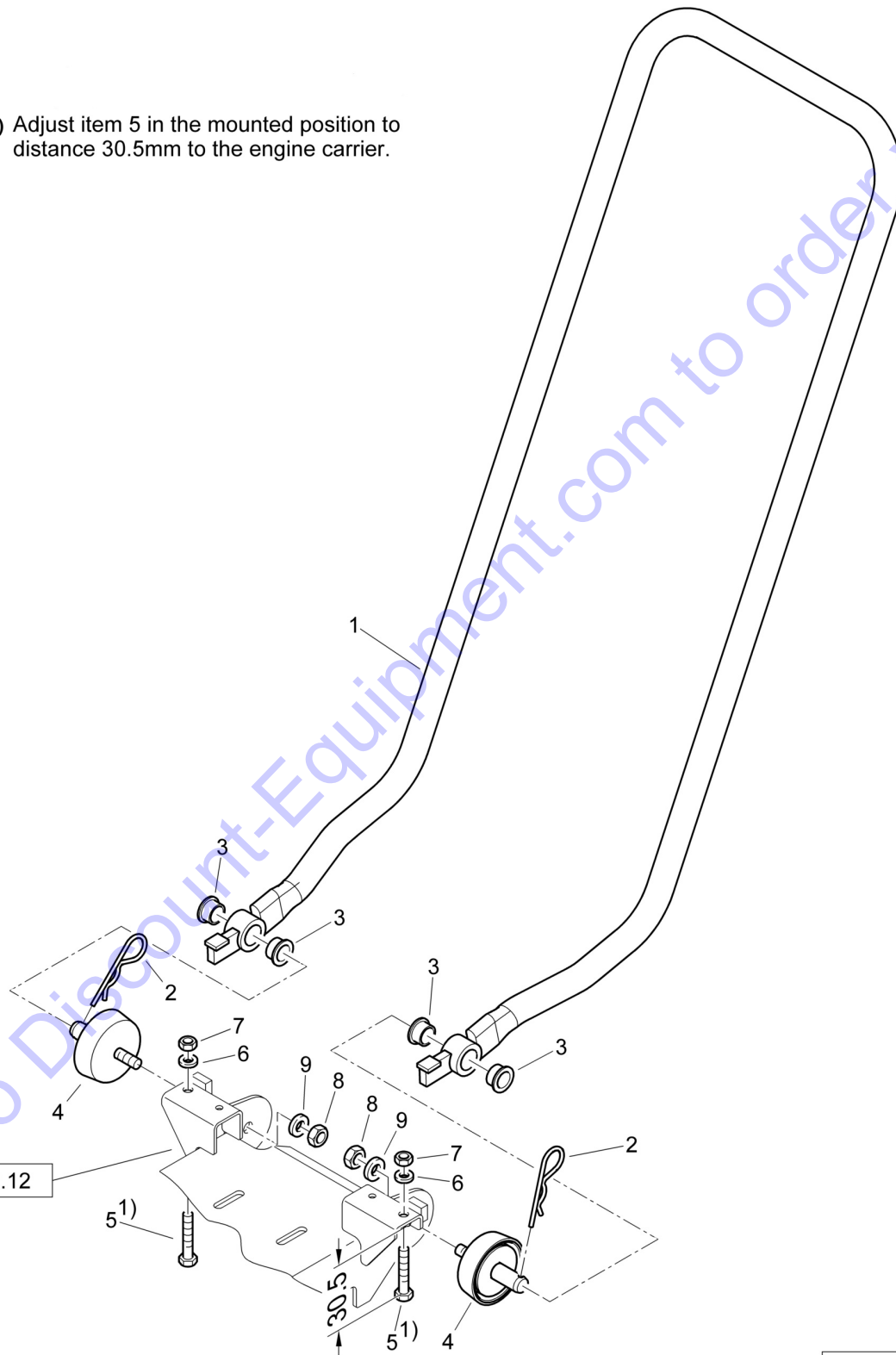



BVP 12/50 A	
S/N 861834371001 ▶	
Protection Bow	52.17
	Page 1 / 1
	 BOMAG FAYAT GROUP
83408256 8061 1	

Pos.	Part no.	Qty.	Description
1	83410401	1	Bow
2	07231019	4	Socket-head cap screw
3	08511021	6	Washer
4	07140842	2	Hexagon bolt
5	08510817	4	Washer
6	83412174	1	Support
7	08131016	4	Safety nut
8	08130813	2	Safety nut

Go to Discount-Equipment.com to order your parts

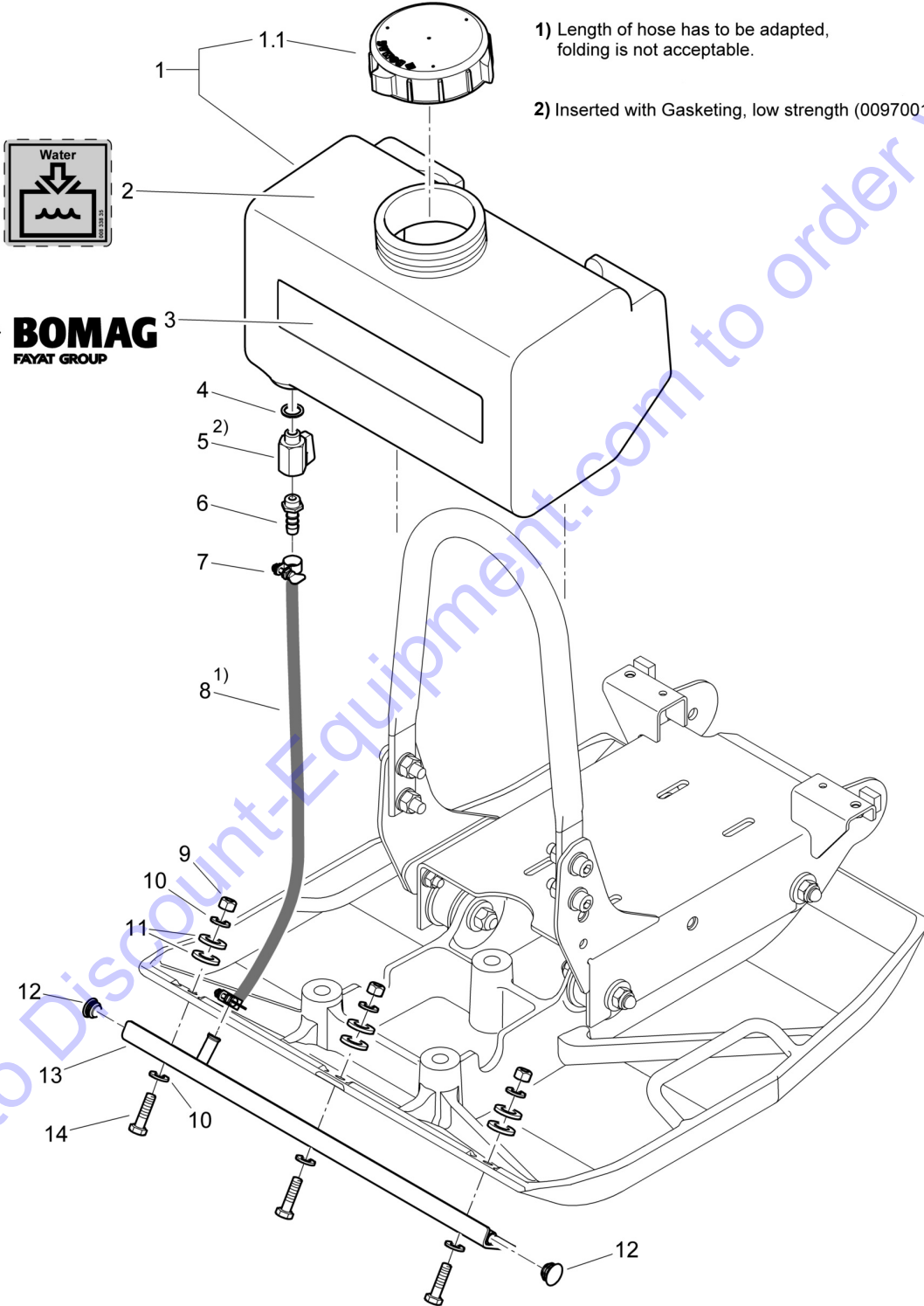
- 1) Adjust item 5 in the mounted position to distance 30.5mm to the engine carrier.




BVP 12/50 A		
S/N 861834371001 ▶		
Steering Handle		53.26
		Page 1 / 1
	83408252 8061 1	

Pos.	Part no.	Qty.	Description
1	22250204	1	Steering handle
2	05994004	2	Spring cotter
3	22040112	4	Bushing
4	22250109	2	Spring element
5	07140856	2	Hexagon bolt
6	08510817	2	Washer
7	08130813	2	Safety nut
8	08131016	2	Safety nut
9	08511021	2	Washer

Go to Discount-Equipment.com to order your parts

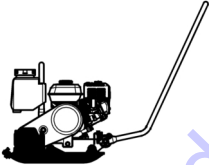


BVP 12/50 A	
S/N 861834371001 ▶	
Water Sprinkler System	53.74
	Page 1 / 1
	83408257 8061 1 

Pos.	Part no.	Qty.	Description
1	22103026	1	Water tank
1.1	83412162	1	Tank cover
2	00833835	0	Decal,indication
3	00831915	1	Decal
4	06211418	1	U-seal
5	09510119	1	Drain cock
6	06610460	1	Hose union
7	05552465	2	Hose clip
8	00661095	1,95 dm	Fuel hose
9	08130813	3	Safety nut
10	08510817	6	Washer
11	08511324	6	Washer
12	06510208	2	Plug
13	83412117	1	Water sprinkler system
14	07140842	3	Hexagon bolt

Go to Discount-Equipment.com to order your parts

Plate / Foot



65

Go to Discount-Equipment.com to order your parts

65.00

Plate / Foot

Page /

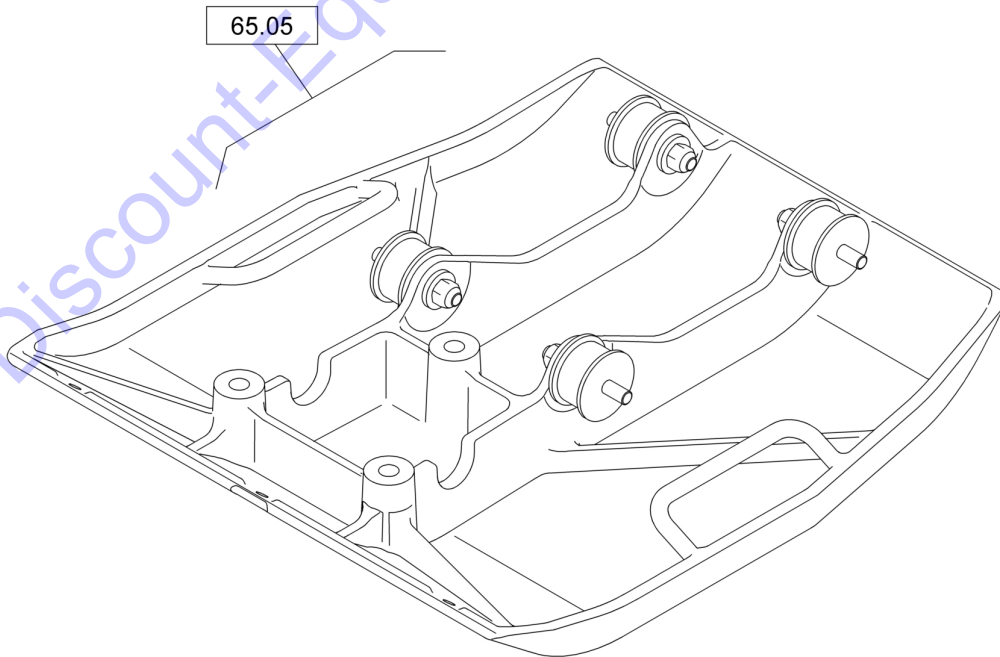
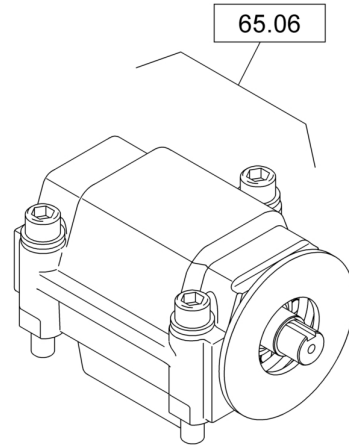



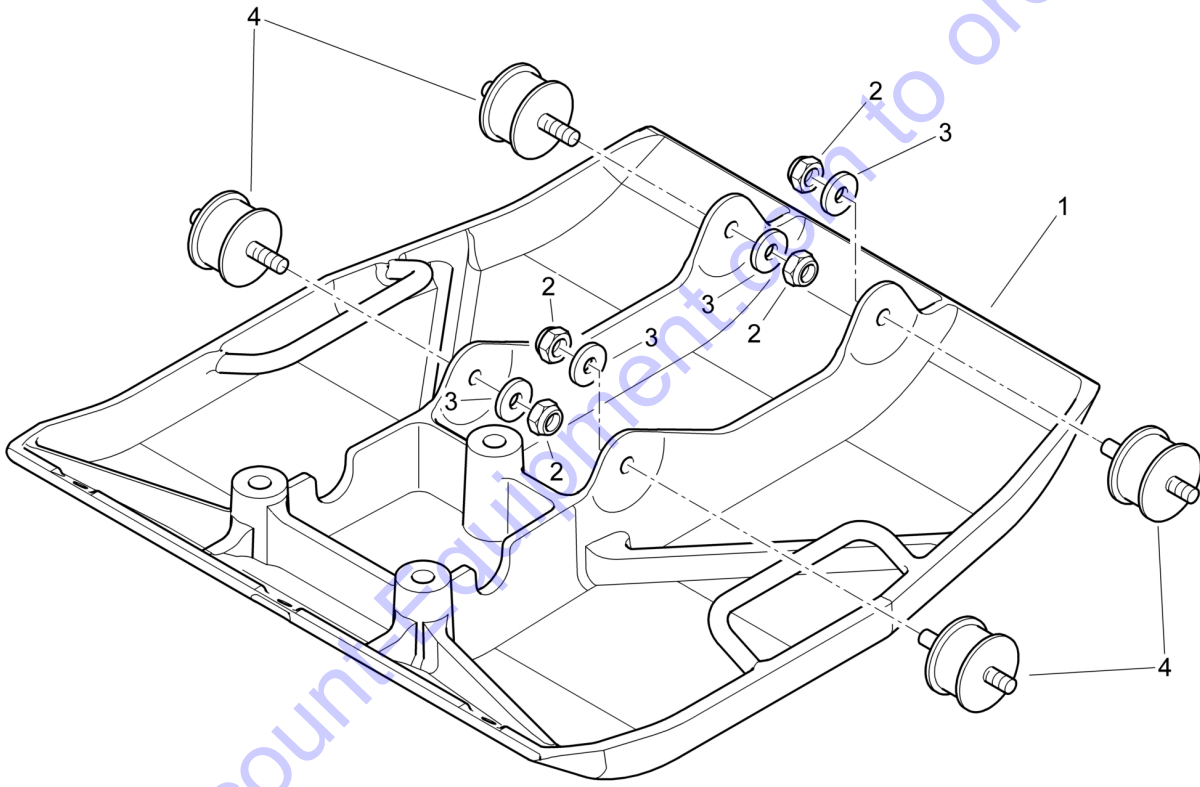
Plate / Foot	65.00
	Page /
	


Pos. Description

- 65.05 Base Plate
- 65.06 Exciter Unit

Go to Discount-Equipment.com to order your parts

	BVP 12/50 A	S/N 861834371001 ▶
65.05	Base Plate	
Page 1 / 1		
BOMAG FAYAT GROUP		83408255_000_00



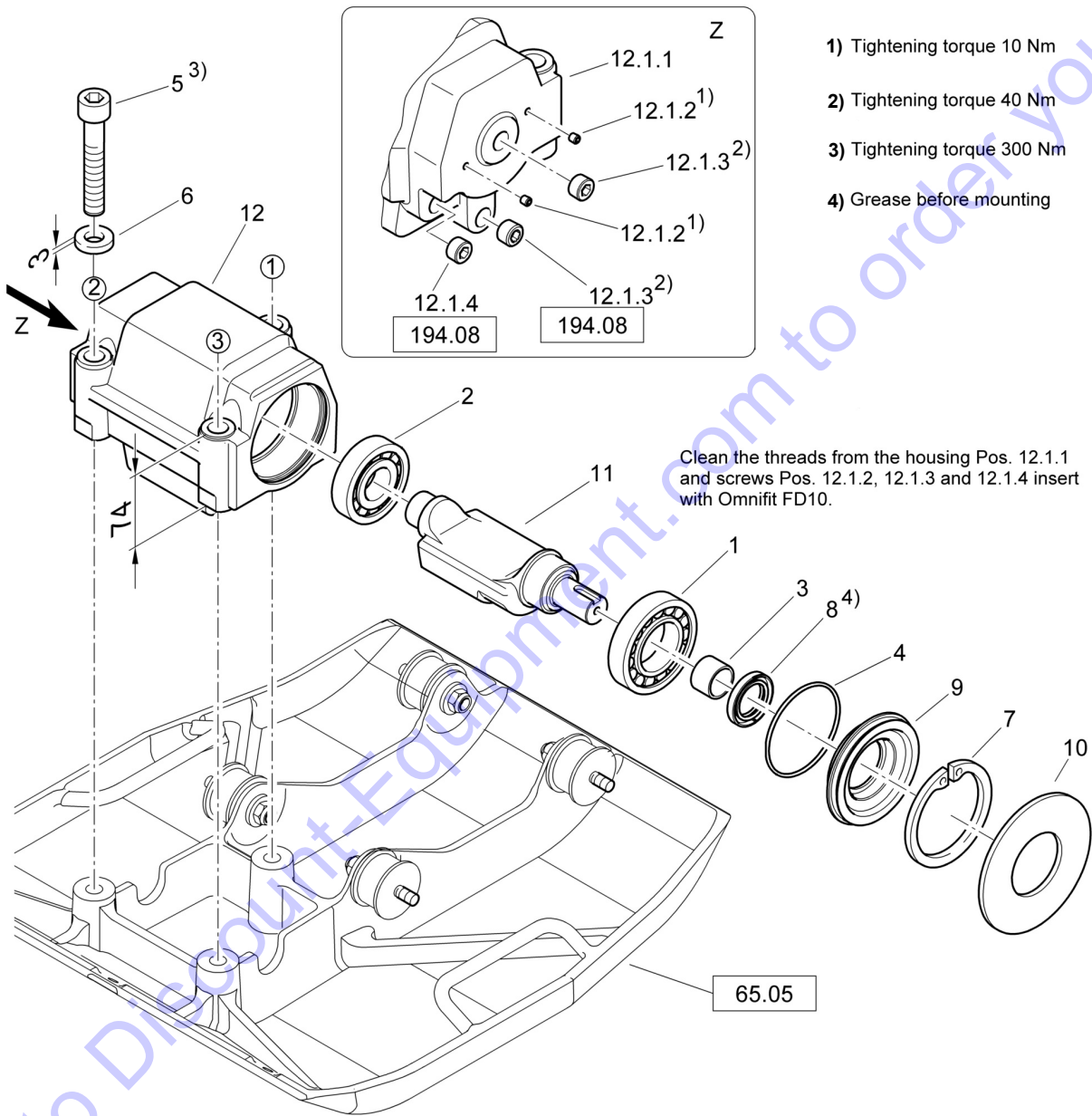
BVP 12/50 A	
S/N 861834371001 ▶	
Base Plate	65.05
	Page 1 / 1
	
83408255 8061 1	

Pos. Part no. Qty. Description

1	22210242	1	Base plate
2	08131015	4	Safety nut
3	08501028	4	Washer
4	06115818	4	Rubber buffer

Go to Discount-Equipment.com to order your parts

BVP 12/50 A	
65.06	S/N 861834371001 ▶
	Exciter Unit
Page 1 / 1	
BOMAG FAYAT GROUP	83408299_000_00




- 1) Tightening torque 10 Nm
- 2) Tightening torque 40 Nm
- 3) Tightening torque 300 Nm
- 4) Grease before mounting

Clean the threads from the housing Pos. 12.1.1 and screws Pos. 12.1.2, 12.1.3 and 12.1.4 insert with Omnifit FD10.

mounting note

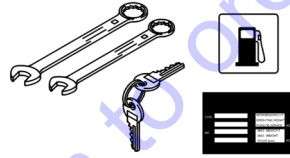
- Sequence for tightening the socket head cap screws: ① ② ③
- Contact faces clean and free of paint residuals
- Assembly without Loctite
- Oil quantity: 0,25l

BVP 12/50 A	
S/N 861834371001 ▶	
Exciter Unit	65.06
	Page 1 / 1
	
83408299 8061 1	

Pos.	Part no.	Qty.	Description
1	05222263	1	Cylinder roller bearing
2	05224241	1	Cylinder roller bearing
3	05050856	1	Inner ring
4	06220745	1	Loop ring
5	07231650	3	Socket-head cap screw
6	08511730	3	Washer
7	09224400	1	Circlip,internal
8	09311932	1	Radial seal
9	22110109	1	Flange
10	22110112	1	Sealing section
11	83412431	1	Exciter shaft
12	83412034	1	Exciter housing
12.1	83412036	1	Part in work
12.1.1	22110125	1	Exciter housing
12.1.2	07610608	2	Screw plug
12.1.3	07611615	2	Screw plug
12.1.4	07611616	1	Magnetic plug

Go to Discount-Equipment.com to order your parts

Accessories



100

Go to Discount-Equipment.com to order your parts

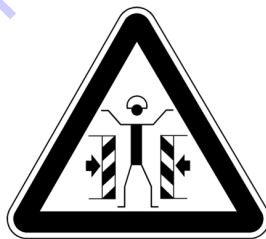
100.00

Accessories


Page /



101.03



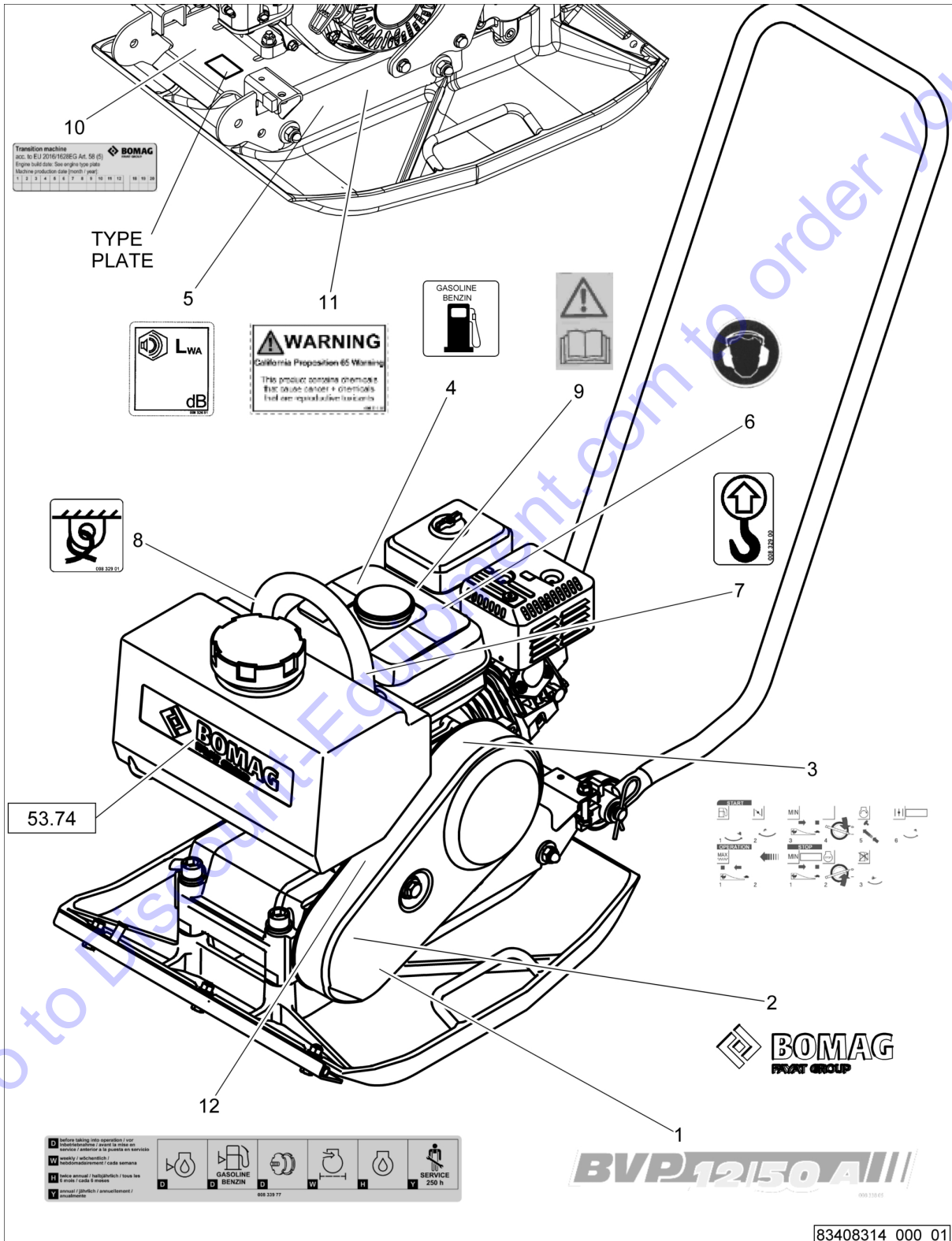
83400037_100_00


Accessories	100.00
	Page /
	

Pos. Description

101.03 Decals

Go to Discount-Equipment.com to order your parts

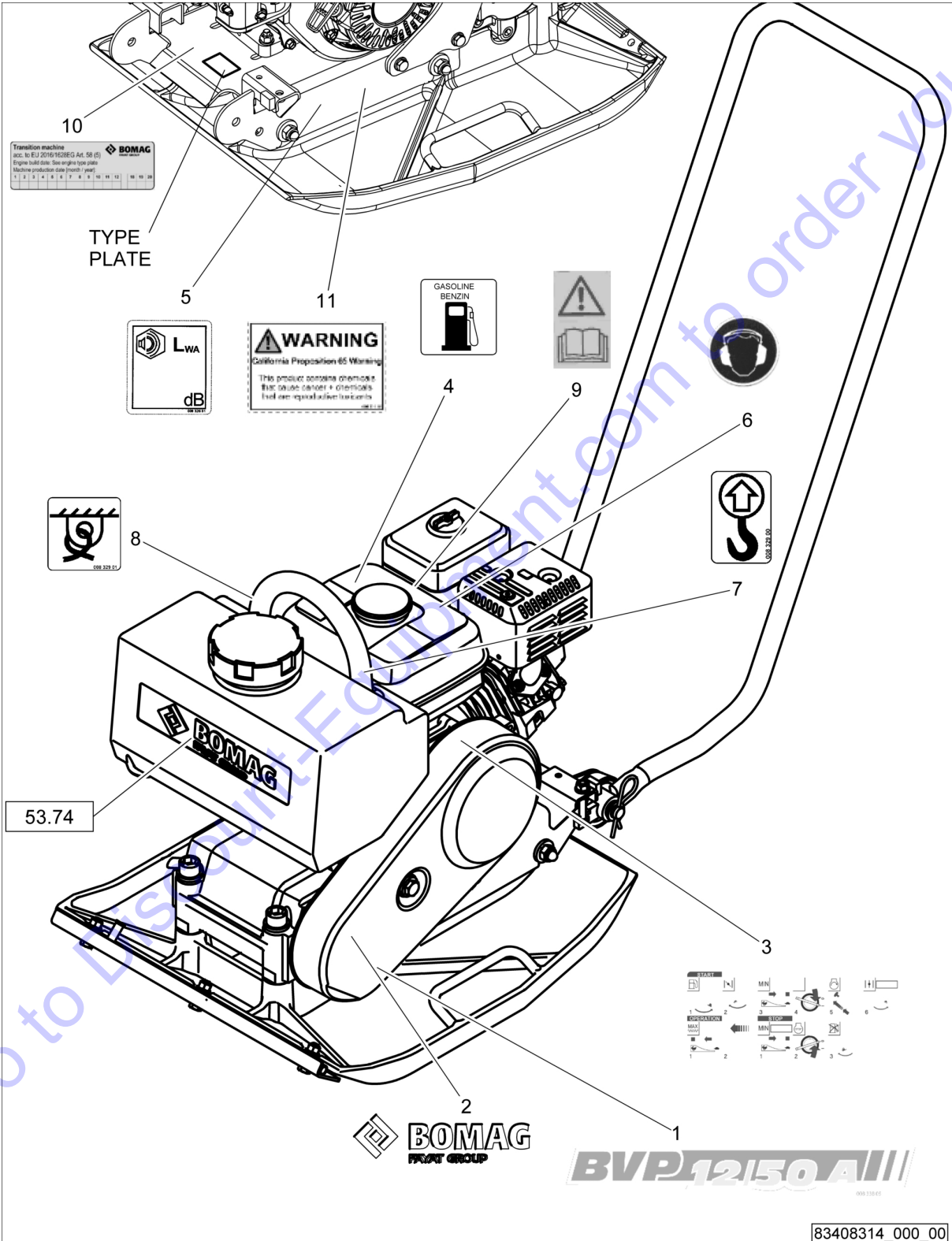



BVP 12/50 A		
S/N 861834371032 ▶		
Decals		101.03
		Page 1 / 1
	83408314 8061 1	

Pos.	Part no.	Qty.	Description
1	00833805	1	Type designation
2	00831911	1	Decal
3	00833801	1	Decal,operation
4	00832193	1	Decal,indication
5	00832654	1	Decal,indication
6	00832046	1	Decal,indication
7	05050358	1	Decal,indication
8	05050359	1	Decal,indication
9	00833653	1	Decal,indication
10	00833946	1	Decals
11	00833968	1	Warning sign
12	00833977	1	Decal,maintenance instr.

Go to Discount-Equipment.com to order your parts

	BVP 12/50 A	S/N 861834371001 ▶ S/N 861834371031
101.03	Decals	
Page 1 / 1		
BOMAG FAYAT GROUP		83408314_000_00



BVP 12/50 A		
S/N 861834371001 ▶ S/N 861834371031		
Decals		101.03
		Page 1 / 1
	83408314 8061 1	

Pos.	Part no.	Qty.	Description
1	00833805	1	Type designation
2	00831911	1	Decal
3	00833801	1	Decal,operation
4	00832193	1	Decal,indication
5	00832654	1	Decal,indication
6	00832046	1	Decal,indication
7	05050358	1	Decal,indication
8	05050359	1	Decal,indication
9	00833653	1	Decal,indication
10	00833946	1	Decals
11	00833968	1	Warning sign

Go to Discount-Equipment.com to order your parts

Special Equipment

Option

110

Go to Discount-Equipment.com to order your parts

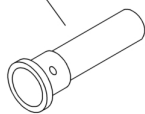
110.00

Special Equipment

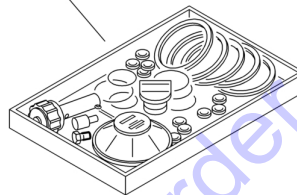
Page /



112.68



194.08



Go to Discount-Equipment.com to order your parts

Special Equipment

110.00


Page /

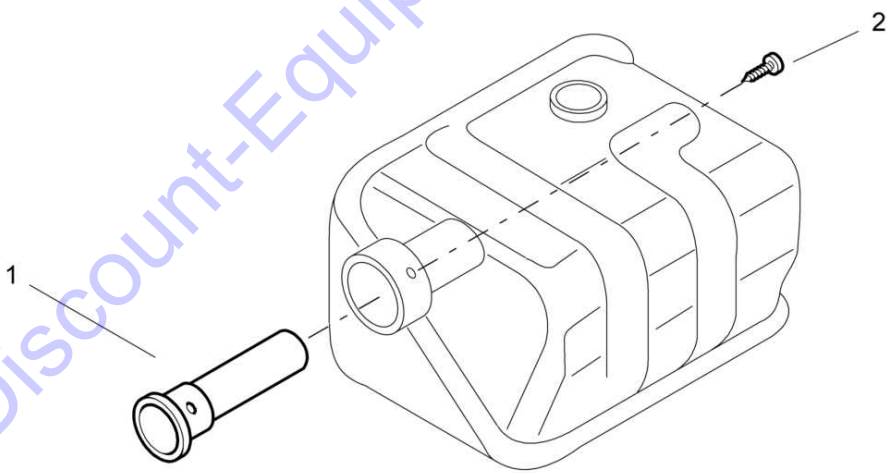
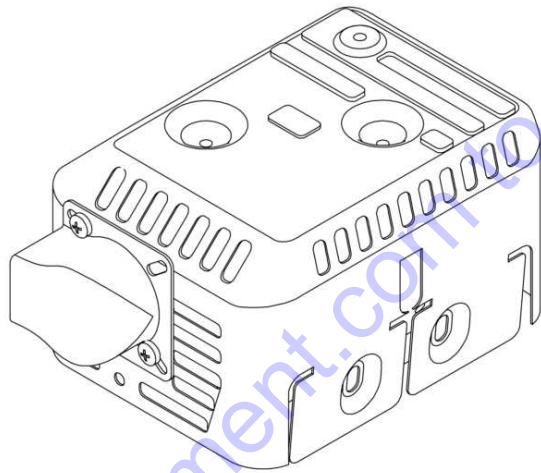


Pos. Description


- 112.68 SN6-Spark arrester
- 112.68 SN6-Spark arrester

Go to Discount-Equipment.com to order your parts

	BVP 12/50 A	S/N 861834371001 ▶
112.68	SN6-Spark arrester	
Page 1 / 1		
 BOMAG FAYAT GROUP	23001023_000_00	




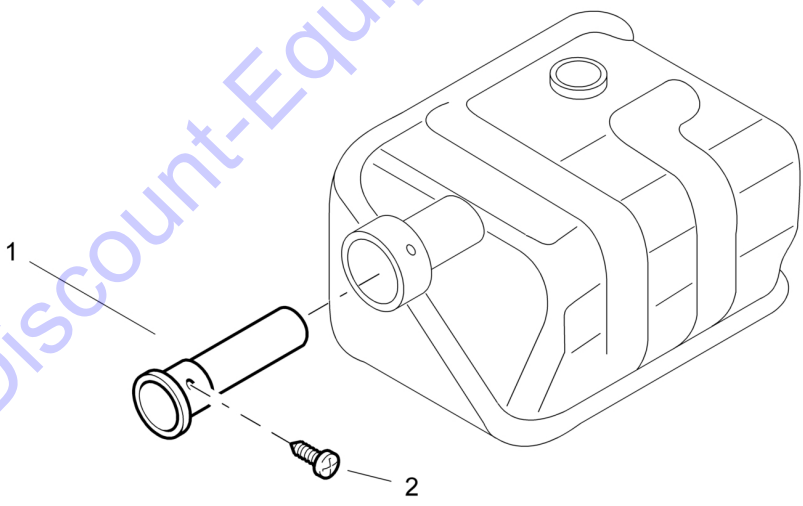
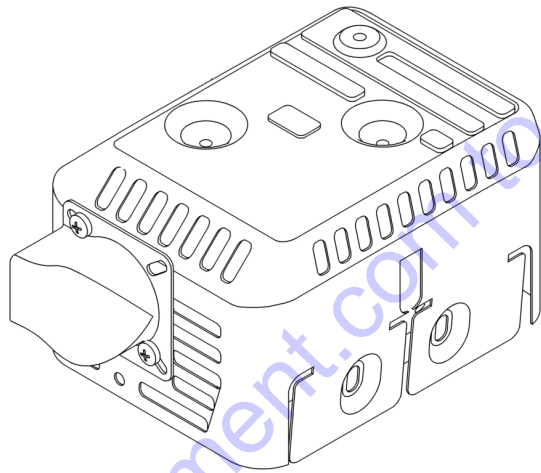
Go to Discount-Equipment.com to order your parts


BVP 12/50 A	
S/N 861834371001 ▶	
SN6-Spark arrester	112.68
	Page 1 / 1
	
23001023 8061 1	

Pos.	Part no.	Qty.	Description
0	23001023	1	SN6-Spark arrester
1	05747169	1	Avoid-sparks
2	05747317	1	Self tapping screw

Go to Discount-Equipment.com to order your parts

	BVP 12/50 A	S/N 861834371001 ▶
112.68	SN6-Spark arrester	
Page 1 / 1		
 BOMAG FAYAT GROUP	83400248_000_00	



BVP 12/50 A		
S/N 861834371001 ▶		
SN6-Spark arrester		112.68
		Page 1 / 1
		
83400248 8061 1		

Pos.	Part no.	Qty.	Description
------	----------	------	-------------

1	05747169	1	Avoid-sparks
2	05747317	1	Self tapping screw

Go to Discount-Equipment.com to order your parts

PARTS FINDER

**Search Website
by Part Number**



**Search Manual
Library For Parts
Manual & Lookup Part
Numbers – Purchase
or Request Quote**

Search Manuals

Enter your information to help us find the right parts manual for your machine.

* Brand:

* Model:

* Serial:

* Part Number:

SEARCH

**Can't Find Part or
Manual? Request Help
by Manufacturer,
Model & Description**

Parts Order Form

Please fill in the following information to help us find the right part for your machine.

Manufacturer:	<input type="text"/>
Model:	<input type="text"/>
Description:	<input type="text"/>
Part Number:	<input type="text"/>
Quantity:	<input type="text"/>
Notes:	<input type="text"/>

Submit

Discount-Equipment.com is your online resource for quality parts & equipment.

Florida: **561-964-4949** Outside Florida TOLL FREE: **877-690-3101**

Need parts?

Click on this link: <http://www.discount-equipment.com/category/5443-parts/> and choose one of the options to help get the right parts and equipment you are looking for. Please have the machine model and serial number available in order to help us get you the correct parts. If you don't find the part on the website or on one of the online manuals, please fill out the request form and one of our experienced staff members will get back to you with a quote for the right part that your machine needs.

We sell worldwide for the brands: Genie, Terex, JLG, MultiQuip, Mikasa, Essick, Whiteman, Mayco, Toro Stone, Diamond Products, Generac Magnum, Airman, Haulotte, Barreto, Power Blanket, Nifty Lift, Atlas Copco, Chicago Pneumatic, Allmand, Miller Curber, Skyjack, Lull, Skytrak, Tsurumi, Husquvarna Target, Stow, Wacker, Sakai, Mi-T-M, Sullair, Basic, Dynapac, MBW, Weber, Bartell, Bennar Newman, Haulotte, Ditch Runner, Menegotti, Morrison, Contec, Buddy, Crown, Edco, Wyco, Bomag, Laymor, EZ Trench, Bil-Jax, F.S. Curtis, Gehl Pavers, Heli, Honda, ICS/PowerGrit, IHI, Partner, Imer, Clipper, MMD, Koshin, Rice, CH&E, General Equipment, Amida, Coleman, NAC, Gradall, Square Shooter, Kent, Stanley, Tamco, Toku, Hatz, Kohler, Robin, Wisconsin, Northrock, Oztec, Toker TK, Rol-Air, APT, Wylie, Ingersoll Rand / Doosan, Innovatech, Con X, Ammann, Mecalac, Makinex, Smith Surface Prep, Small Line, Wanco, Yanmar