

BOMAG

FAYAT GROUP

Spare Parts Catalogue

BVT 65

S/N 101541201050 > 101541201834
Honda



Vibratory tamper



www.discount-equipment.com

Catalogue number
00818677

01.01.2012 - 01.11.2013

PARTS FINDER

**Search Website
by Part Number**



**Search Manual
Library For Parts
Manual & Lookup Part
Numbers – Purchase
or Request Quote**

Search Manuals

Enter your information to search for a manual or a part number. You can also search for a part number.

* Brand:

* Model:

* Serial:

* Part Number:

SEARCH

**Can't Find Part or
Manual? Request Help
by Manufacturer,
Model & Description**

Parts Order Form

Please fill in the following information to request help finding a part or manual.

Manufacturer:

Model:

Description:

Part Number:

Quantity:

Part Name:

Part Description:

Part Location:

Part Drawing:

Part Photo:

Part Video:

Part Link:

Part Image:

Part Name:

Part Description:

Part Location:

Part Drawing:

Part Photo:

Part Video:

Part Link:

Part Image:

Part Name:

Part Description:

Part Location:

Part Drawing:

Part Photo:

Part Video:

Part Link:

Part Image:

Discount-Equipment.com is your online resource for quality parts & equipment.

Florida: **561-964-4949** Outside Florida TOLL FREE: **877-690-3101**

Need parts?

Click on this link: <http://www.discount-equipment.com/category/5443-parts/> and choose one of the options to help get the right parts and equipment you are looking for. Please have the machine model and serial number available in order to help us get you the correct parts. If you don't find the part on the website or on one of the online manuals, please fill out the request form and one of our experienced staff members will get back to you with a quote for the right part that your machine needs.

We sell worldwide for the brands: Genie, Terex, JLG, MultiQuip, Mikasa, Essick, Whiteman, Mayco, Toro Stone, Diamond Products, Generac Magnum, Airman, Haulotte, Barreto, Power Blanket, Nifty Lift, Atlas Copco, Chicago Pneumatic, Allmand, Miller Curber, Skyjack, Lull, Skytrak, Tsurumi, Husquvarna Target, Stow, Wacker, Sakai, Mi-T-M, Sullair, Basic, Dynapac, MBW, Weber, Bartell, Bennar Newman, Haulotte, Ditch Runner, Menegotti, Morrison, Contec, Buddy, Crown, Edco, Wyco, Bomag, Laymor, EZ Trench, Bil-Jax, F.S. Curtis, Gehl Pavers, Heli, Honda, ICS/PowerGrit, IHI, Partner, Imer, Clipper, MMD, Koshin, Rice, CH&E, General Equipment, Amida, Coleman, NAC, Gradall, Square Shooter, Kent, Stanley, Tamco, Toku, Hatz, Kohler, Robin, Wisconsin, Northrock, Oztec, Toker TK, Rol-Air, APT, Wylie, Ingersoll Rand / Doosan, Innovatech, Con X, Ammann, Mecalac, Makinex, Smith Surface Prep, Small Line, Wanco, Yanmar

© 2014 Bomag GmbH

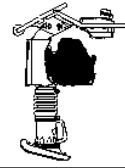
The reproduction, distribution and utilization of this document as well as the communication of its contents to others without express authorization is prohibited. Offenders will be held liable for the payment of damages. All rights reserved in the event of the grant of a patent, utility model or design.

Go to Discount-Equipment.com to order your parts

Preface and Instructions

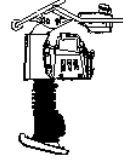


Engine / Fitting Parts



10

Power Transmission / Actuation



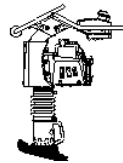
20

Frame with Attachment Parts



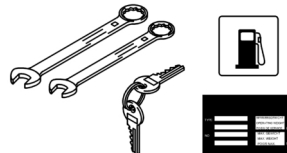
50

Plate / Foot



65

Accessories



100

Special Equipment

Option

110

Go to Discount-Equipment.com to order your parts

Table of Contents

Foreword

Ordering Conditions

Structure of Spare Parts Catalogue

Frequently Used Parts

Spare Parts Catalogue

Numerical Index

[Go to Discount-Equipment.com](http://Discount-Equipment.com) to order your parts

- Only the use of ORIGINAL SPARE PARTS guarantees the correct function of the machine. The use of non-original spare parts results in the loss of all claims, regarding warranty as well as product liability.
- The relevant warranty conditions are valid for all spare parts deliveries.

The listing of parts and part numbers is in accordance with economical and technical aspects. Further spare parts are not recommended.

- Our branch offices and dealers have well sorted spare parts stores. Therefore, first of all contact our nearest activity when ordering spare parts.
- We reserve the right for technical modifications without prior notification.

Please fill in when receiving the machine

_____		Type	_____	
Serial number	_____	Engine type	_____	
Date of delivery	_____	Engine number	_____	
Key-numbers:	_____			
Ignition switch	_____	Cabin door	_____	
Engine cover	_____	Hydraulic tank lock	_____	
Burglary protection	_____	Rear flap	_____	
Fuel tank lock	_____	Others	_____	

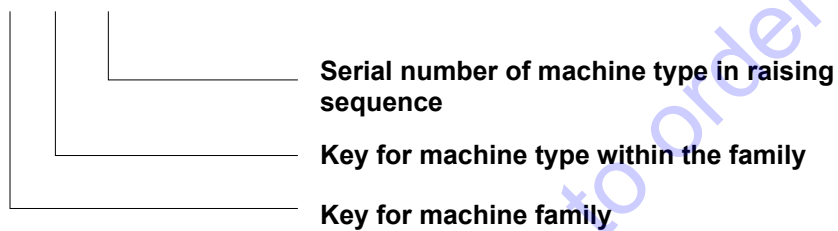
- Texts and illustrations from this catalogue must not be copied and distributed, nor must they be used for cometicitive purposes. All rights referring to the copyright law remain expressly reserved.

BOMAG

Please state the following when ordering spare parts:

1. Machine type

2. Serial number 101 400 04 0101



3. Engine type and number resp. component number

4. Part number

5. Quantity

6. Designation

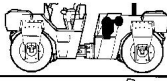
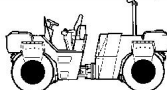

7. Kind of shipment (mail, freight, express delivery, air freight, sea freight).

8. Destination (Post office, railway station, air port)
If no instructions are given concerning the Kind of shipment, we will deliver the parts in our estimation.

USE ONLY ORIGINAL SPARE PARTS!

Structure of Spare Parts Catalogue

BOMAG

Motor / Anbaueile èces de montage orios de montaje		10
ision / Actuations ng / Betätigungen ce / Commandes / Accionamientos		20
Brake System Bremsystem		30

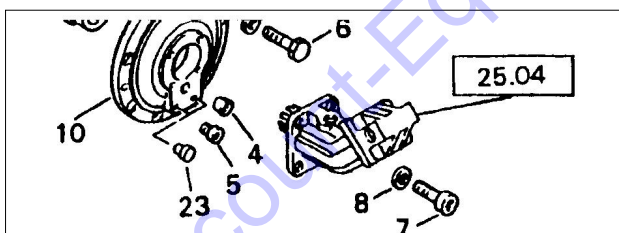
1. Subdivision of the catalogue main assembly groups

11.00	ENGINE PARTS LIST	MOTOREN-ERSATZTEILLISTE
11.01	Crankcase	Kurbelgehäuse
11.02	Front cover	Vorderer Deckel
11.04	Oil pan	Ölwanne
11.05	Cylinder and piston	Zylinder und Kolben
11.06	Crankshaft	Kurbelwelle
11.08	Cylinder head	Zylinderkopf
11.10	Control pieces	Steuerungsteile

2. Subdivision of the main assembly groups.

51.03	BC 671 RB	S/N 1015703
	Frame Rear Rahmen hinten Chassis Arriere Chasis Trasero	
Page Seite	1 / 3	

3. Assembly group consists of several pages. Page 1 of 3 pages.



4. 25.04 = Reference to another assembly group.

161 A	S/N 101640000101 ▶
VIBR.ROLLER DRUM IN FRONT VIBRATIONS BANDAGE VORN BANDAGE DE VIBR.AVANT	

5. Serial number

S/N 101 570 32 1001 ▶ = from serial number.

▶ S/N 101 570 32 1062 = up to serial number.

(Important for spare parts orders!)

05815244	1	TRAVEL MOTOR	FAHRMOTOR
05815976	1	>SEAL KIT	>DICHTUNGSSATZ
05815981	1	>DISTRIBUTOR	>VERTEILER
05815982	1	>>COVER	>>DECKEL
07231649	16	>>SOCKET-HEAD CAP SCRE	>>ZYLINDERSCHRAUBI
05815698	1	>>SEAL/O-RING	>>DICHTRING
07230802	1	>>SOCKET-HEAD CAP SCRE	>>ZYLINDERSCHRAUBI
	1	>>>LOOP RING	>>>RUNDDICHTRING
	1	>>>LOOP RING	>>>RUNDDICHTRING
	1	>>>LOOP RING	>>>RUNDDICHTRING

6. ">" ">>" ">>>" :Parts marked with one or more additional ">" indicate, that one or more parts belong to a higher assembly group. Einheit gehören.

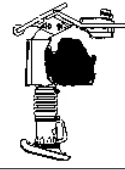
0	05801177	1	CONNECTING PLATE	ANSCHLUSSPLA
18		1	>CONNECTING PLATE	>ANSCHLUSSPLA
19	05801185	1	>COUPLING HUB	>KUPPLUNGSNA
20		4	>SPRING SLEEVE	>FEDERHUELSE
21		4	>PRESSURE SPRING	>DRUCKFEDER
22		4	>SOCKET-HEAD CAP SCRE	>ZYLINDERSCHF
23	06220983	1	>LOOP RING	>RUNDDICHTRI
24	06220821	1	>LOOP RING	>RUNDDICHTRI
25	06220109	1	>LOOP RING	>RUNDDICHTRI
26	06220083	4	>LOOP RING	>RUNDDICHTRI

7. Index: List of Part-No. with reference to the assembly group and position.

	BVT 65	S/N 101541201050 ▶ S/N 101541201834
	Frequently used parts	
BOMAG		

Description	Part no.	see
Filter Elements		
Filter element	05748269	11.22/1
Filter cartridge	05821205	12.13/1
Filter cartridge	05821205	12.26/1
Seals		
Gasket	05747129	11.02/1
Gasket, oil dip stick	05747388	11.02/1
Radial seal	05748160	11.02/1
Radial seal	05748162	11.02/1
Radial seal	05748160	11.07/1
Sealing compound	05748234	11.07/1
Toothed belt	05748180	11.09/1
Dust seal ring	05748265	11.53/1
Loop ring	06220953	29.10/1
Loop ring	06221040	29.10/1
Sealing ring	09331746	29.10/1
Sealing ring	09331746	29.10/1
Radial seal	09312442	52.14/1
Actuations		
Throttle control	05561590	52.16/1
Spark plug		
Spark plug	05748175	11.07/1
Spark plug spanner	05748277	11.07/1
Spark plug socket	05748332	11.46/1

Go to Discount-Equipment.com to order your parts



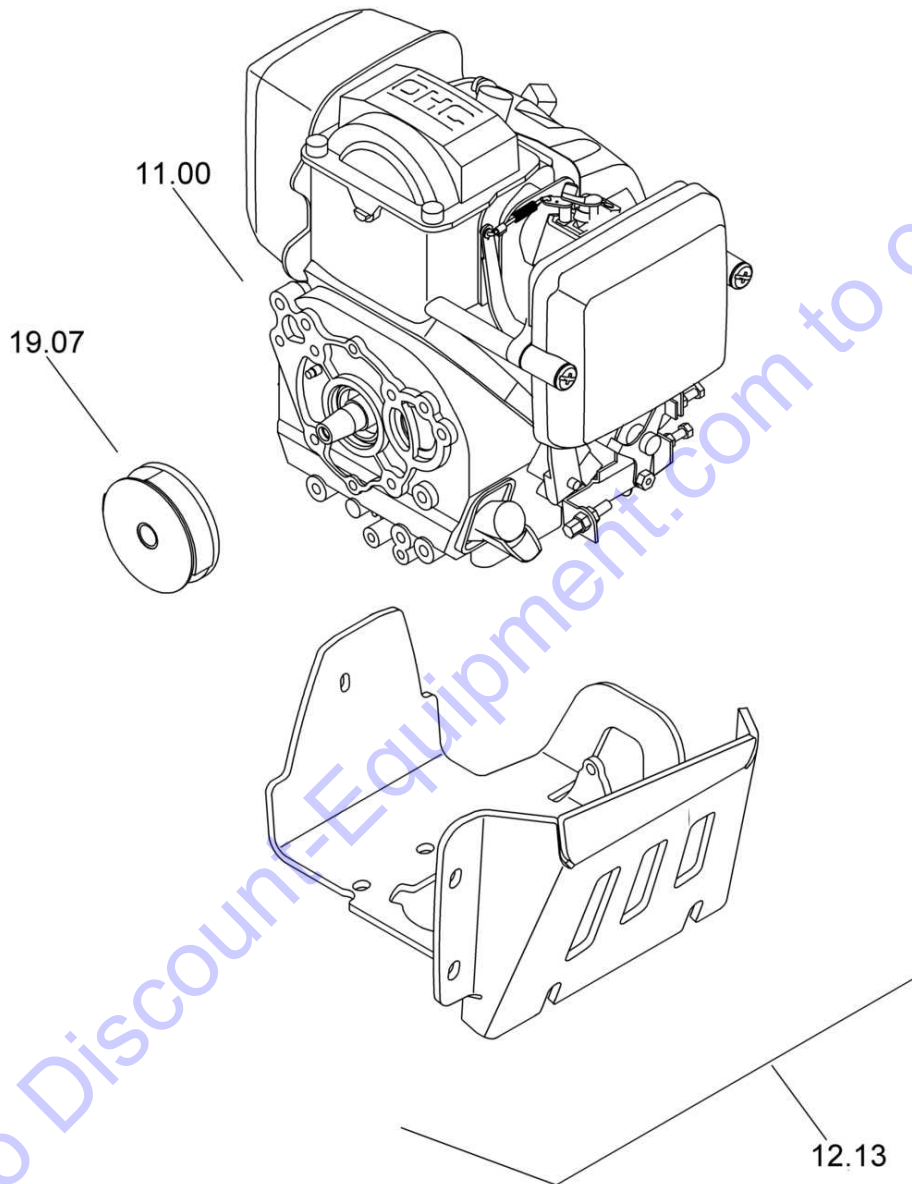
Go to Discount-Equipment.com to order your parts

10.00

Engine / Fitting Parts

Page /

BOMAG



Engine / Fitting Parts

10.00

Page /

BOMAG

Pos. Description

- 11.00 Engine Parts List
- 11.02 Front Cover
- 11.07 Crankcase and cyl. head
- 11.09 Camshaft
- 11.19 Crankshaft And Piston
- 11.22 Dry Air Filter
- 11.25 Throttle Control
- 11.26 Silencer
- 11.31 Recoil Starter
- 11.36 Electrical Equipment
- 11.44 Covering
- 11.46 Contact Breaker/Ign.Coil
- 11.53 Carburetor
- 12.13 Engine
- 12.26 Engine, assembled
- 19.07 Centrifugal Clutch

Go to Discount-Equipment.com to order your parts

	Engine no.
11.00	S/N GCAGK1325721 ▶
Page 1 / 1	Engine Parts List GX100U-KR-GA-SD
BOMAG	

For this catalogue group no illustration.

Go to Discount-Equipment.com to order your parts

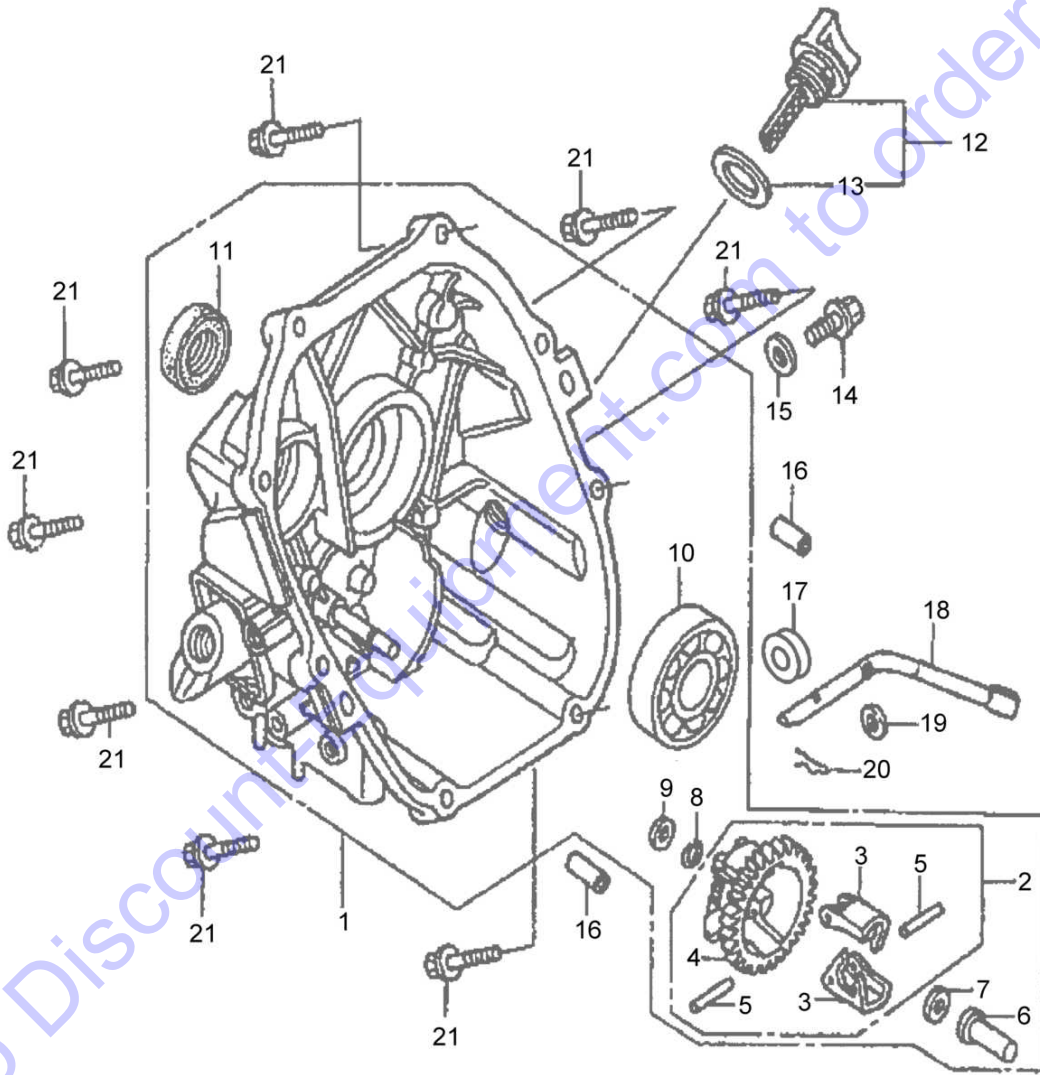
Engine no.		
S/N GCAGK1325721 ▶		
Engine Parts List	GX100U-KR-GA-SD	11.00
		Page 1 / 1
		BOMAG
	1001 E	

Pos. Part no. Qty. Description

1 05747026 1 Four-stroke engine

Go to Discount-Equipment.com to order your parts

	Engine no.
11.02	S/N GCAGK1325721 ▶
Page 1 / 1	Front Cover
BOMAG	MOT011900_000_00

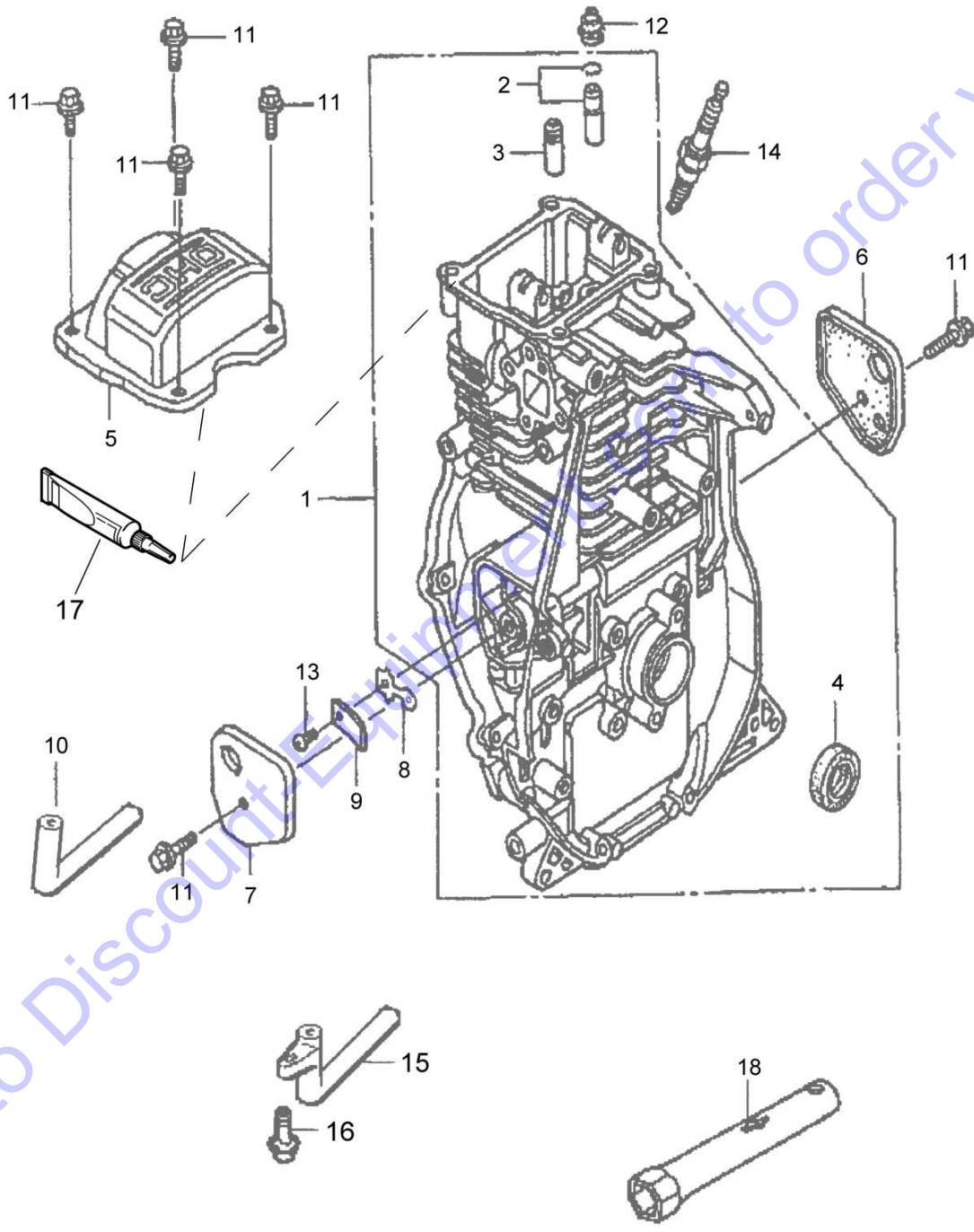


Engine no.	
S/N GCAGK1325721 ▶	
Front Cover	11.02
	Page 1 / 1
	BOMAG
	MOT011900 1001 E

Pos.	Part no.	Qty.	Description
1	05748525	1	Crank case cover
2	05748156	1	>Governor kit
3	05748157	2	>>Governor weight
4	05748158	1	>>Governor support
5	05747346	2	>>Pin
6	05747226	1	>Spool valve
7	05747233	1	>Thrust disc
8	05747377	1	>Spring ring
9	05747348	1	>Washer
10	05748163	1	>Bearing, ball
11	05748160	1	>Radial seal
12	05748526	1	Filler cap
13	05747388	1	>Gasket, oil dip stick
14	05747180	1	Drain plug
15	05747129	1	Gasket
16	05748161	2	Pin
17	05748162	1	Radial seal
18	05748159	1	Arm governor
19	05747348	1	Washer
20	05747349	1	Spring cotter
21	05747395	8	Screw

Go to Discount-Equipment.com to order your parts

	Engine no.
11.07	S/N GCAGK1325721 ▶
	Crankcase and Cylinder Head
Page 1 / 1	
BOMAG	MOT011901_000_00



Go to Discount [Go to Discount](#) to order your parts

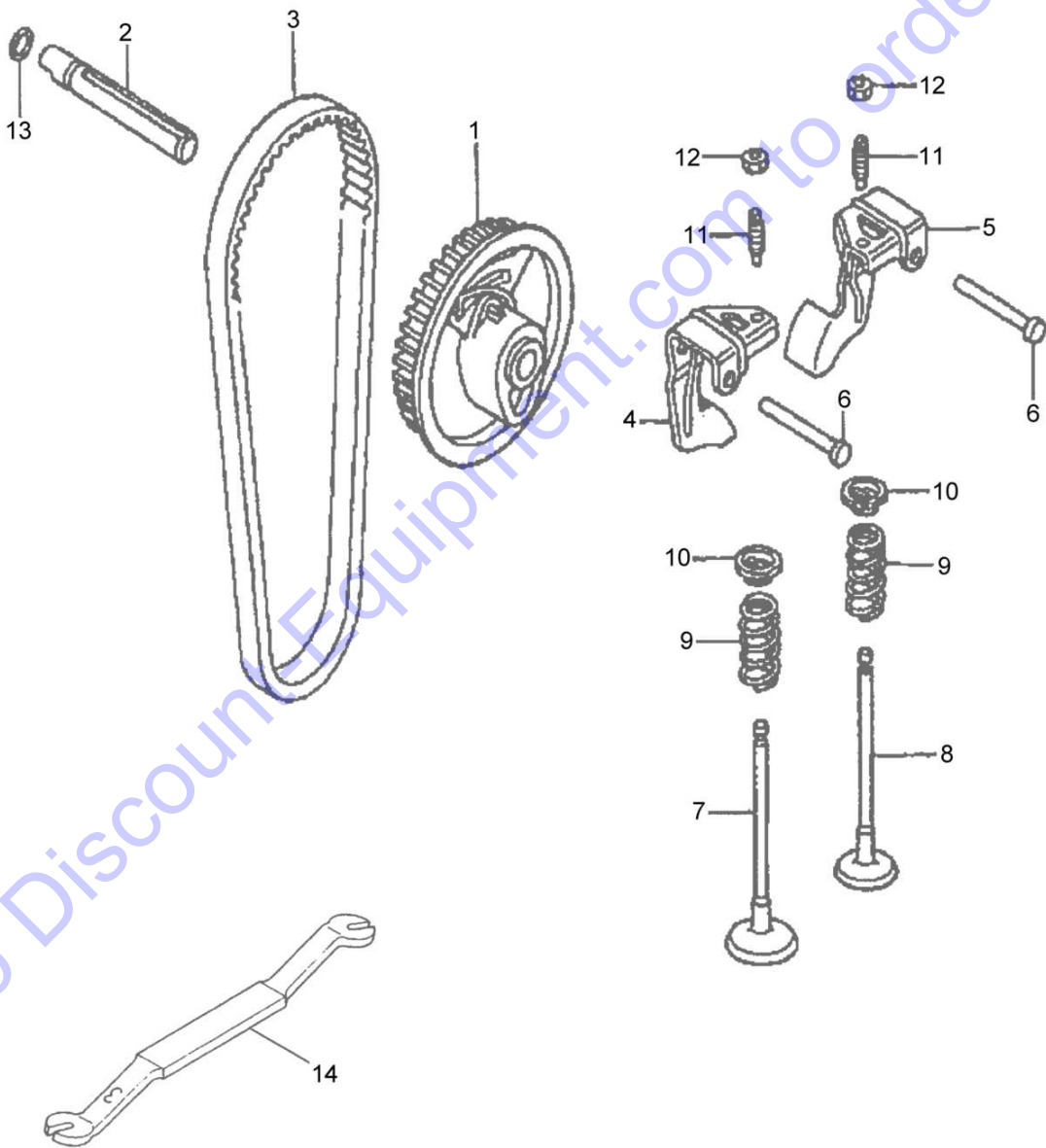
Engine no.	
S/N GCAGK1325721 ▶	
Crankcase and Cylinder Head	11.07
	Page 1 / 1
	BOMAG
MOT011901 1001 E	

Pos.	Part no.	Qty.	Description
------	----------	------	-------------

1	05748164	1	Crankcase
2	05748165	1	>Valve guide Exhaust
3	05748166	1	>Valve guide Intake
4	05748160	1	>Radial seal
5	05748168	1	Valve cover
6	05748169	1	Cover
7	05748170	1	Cover
8	05748171	1	Oil drain valve
9	05748172	1	Plate
10	05748673	1	Bleeding tube
11	05747995	6	Screw
12	05748167	1	Valve stem seal
13	05748174	1	Screw
14	05748175	1	Spark plug
15	05748176	1	Suction pipe
16	05748177	1	Screw
			Service Parts
17	05748234	1	Sealing compound
18	05748277	1	Spark plug spanner

Go to Discount-Equipment.com to order your parts

	Engine no.
11.09	S/N GCAGK1325721 ▶
Page 1 / 1	Camshaft
BOMAG	MOT011902_000_00

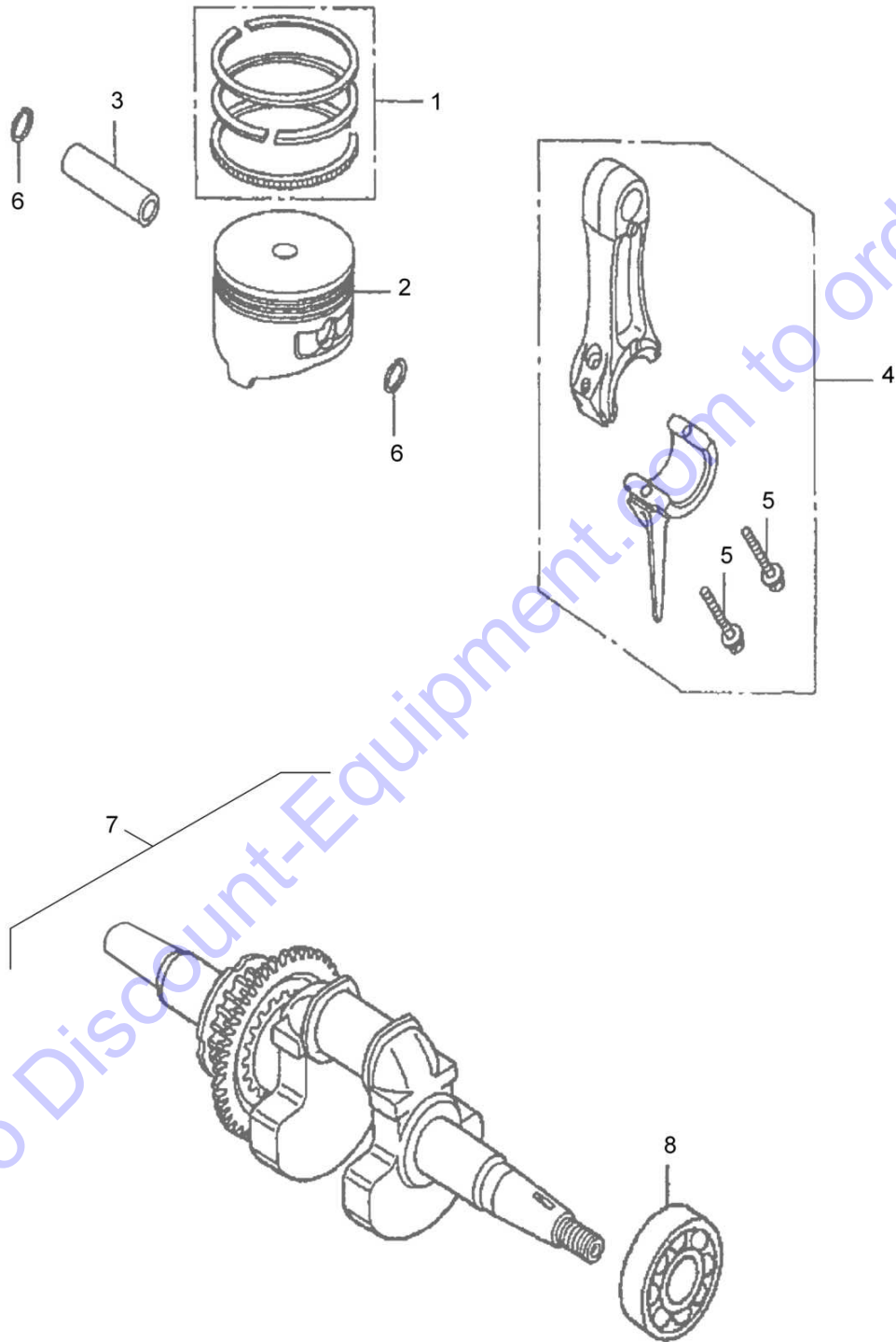


Engine no.	
S/N GCAGK1325721 ▶	
Camshaft	11.09
	Page 1 / 1
	BOMAG
	MOT011902 1001 E

Pos.	Part no.	Qty.	Description
1	05748283	1	Belt pulley
2	05748179	1	Camshaft
3	05748180	1	Toothed belt
4	05748181	1	Rocker lever,inlet
5	05748182	1	Rocker lever,outlet
6	05748183	2	Rocker lever axle
7	05748184	1	Inlet valve
8	05748185	1	Outlet valve
9	05748186	2	Valve spring
10	05748187	2	Valve plate
11	05748188	2	Setscrew
12	05748189	2	Adjustment nut
13	05748190	1	O-ring
14	05748590	1	Service Parts Key,special

Go to Discount-Equipment.com to order your parts

	Engine no.
11.19	S/N GCAGK1325721 ▶
Page 1 / 1	Crankshaft And Piston
BOMAG	MOT011903_000_00



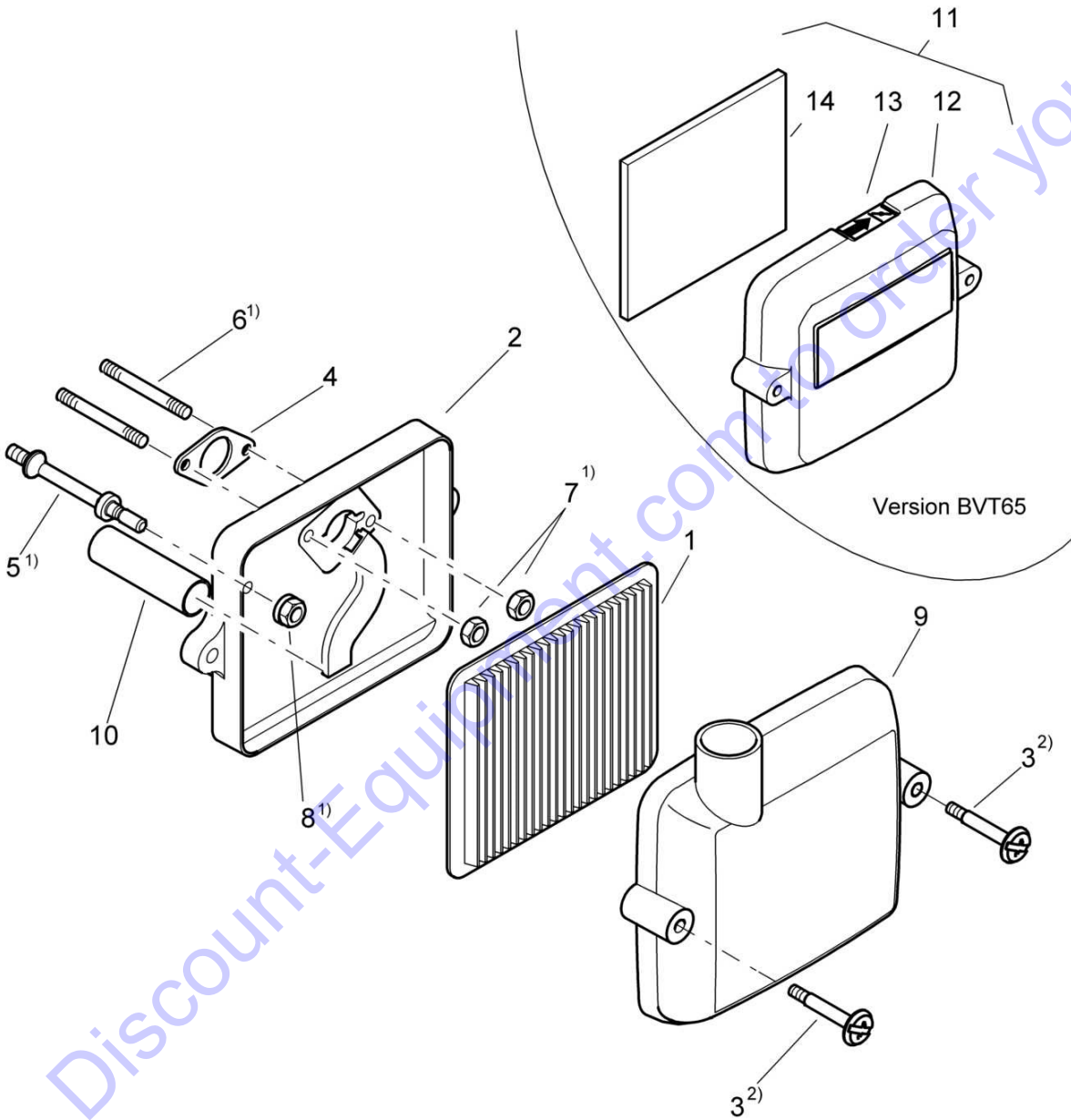
Engine no.	
S/N GCAGK1325721 ▶	
Crankshaft And Piston	11.19
	Page 1 / 1
	BOMAG
MOT011903 1001 E	

Pos.	Part no.	Qty.	Description
------	----------	------	-------------

1	05748191	1	Piston ring set
2	05748192	1	Piston
3	05747134	1	Floating wrist pin
4	05748193	1	Piston rod
5	05748195	2	>Screw
6	05747396	2	Spring ring
7	05748196	1	Crankshaft
8	05748197	1	>Bearing, ball

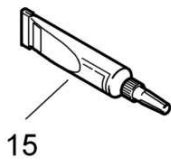
Go to Discount-Equipment.com to order your parts

	Engine no.
11.22	S/N GCAGK1325721 ▶
Page 1 / 1	Dry Air Filter
BOMAG	MOT011904_000_00



1) Torque value: 6 Nm

2) Torque value: 2,3 Nm

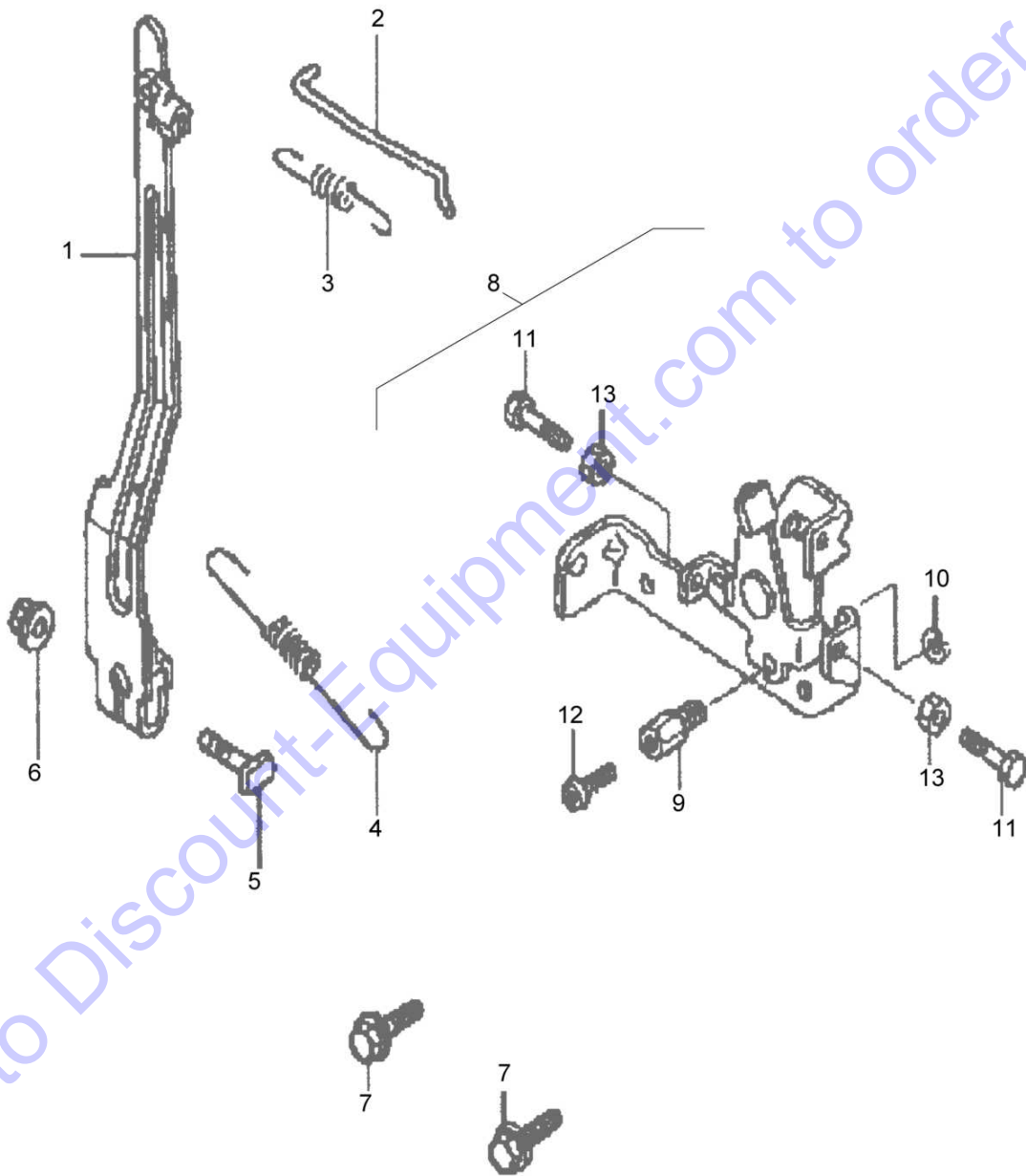


Engine no.	
S/N GCAGK1325721 ▶	
Dry Air Filter	11.22
	Page 1 / 1
	BOMAG
	MOT011904 1001 E

Pos.	Part no.	Qty.	Description
1	05748269	1	Filter element
2	05748270	1	Housing part
3	05748272	2	Screw
4	05748211	1	Gasket
5	05748674	1	Stud
6	05748675	2	Stud
7	05747578	2	Collar nut
8	05747312	1	Collar nut
9	05748657	1	Housing, front part
10	05748275	1	Bleeding tube
11	54101002	1	Cover, air filter, assembled
12	05748321	1	>Cover, air filter
13	05748995	1	>Decal, indication
14	05748319	1	>External filter
			Service Parts
15	00978001	1,00 kg	Screw lock, high strength

Go to Discount-Equipment.com to order your parts

	Engine no.
	S/N GCAGK1325721 ▶
11.25	Throttle Control
Page 1 / 1	
BOMAG	MOT011905_000_00



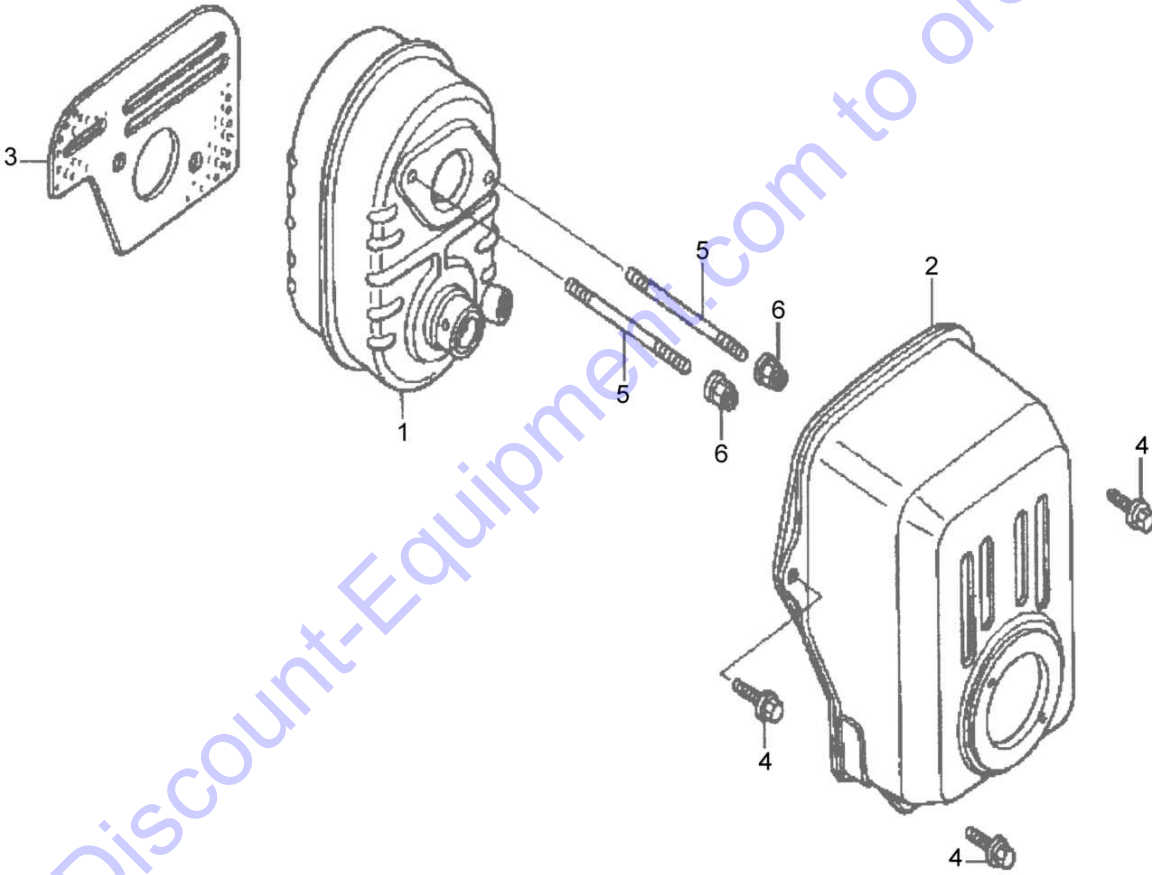
Engine no.	
S/N GCAGK1325721 ▶	
Throttle Control	11.25
	Page 1 / 1
	BOMAG
	MOT011905 1001 E

Pos.	Part no.	Qty.	Description
------	----------	------	-------------

1	05748528	1	Arm governor
2	05748207	1	Governor rod
3	05748530	1	Return spring
4	05748208	1	Governor spring
5	05747423	1	Screw
6	05747312	1	Collar nut
7	05747995	2	Screw
8	05748529	1	Control assy.
9	05747332	1	>Wire holder
10	05747333	1	>Spring ring
11	05747810	2	>Screw
12	05747334	1	>Screw
13	05747812	2	>Nut

Go to Discount-Equipment.com to order your parts

	Engine no.	
	S/N GCAGK1325721 ▶	
11.26	Silencer	
Page 1 / 1		
BOMAG		
		MOT011906_000_00



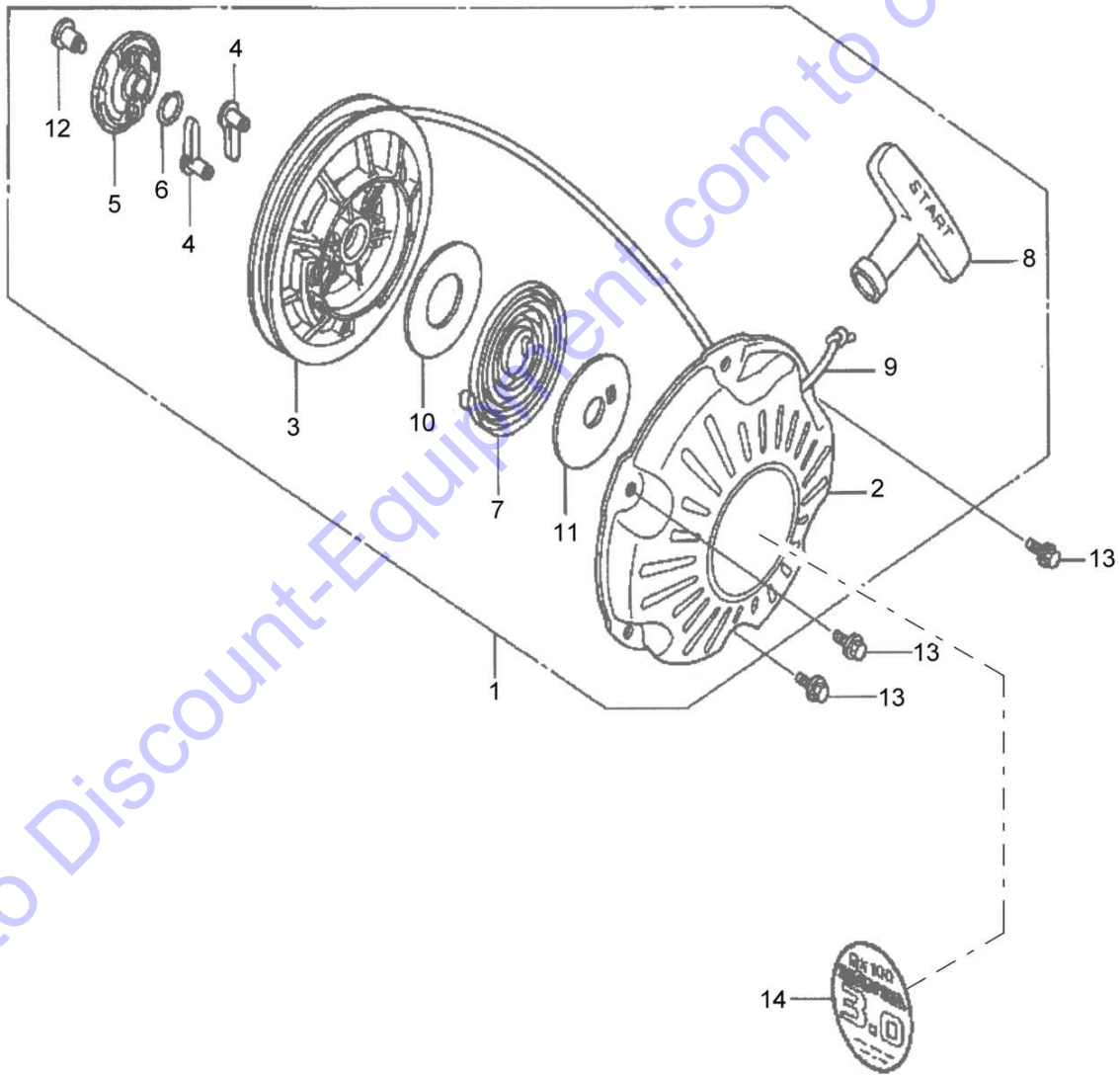
Engine no.	
S/N GCAGK1325721 ▶	
Silencer	11.26
	Page 1 / 1
	BOMAG
MOT011906 1001 E	

Pos.	Part no.	Qty.	Description
------	----------	------	-------------

1	05748212	1	Exhaust silencer
2	05748213	1	Muffler guard
3	05748214	1	Exhaust gasket
4	05747995	3	Screw
5	05748215	2	Stud
6	05748216	2	Safety nut

Go to Discount-Equipment.com to order your parts

	Engine no.
	S/N GCAGK1325721 ▶
11.31	Recoil Starter
Page 1 / 1	
BOMAG	MOT011907_000_00



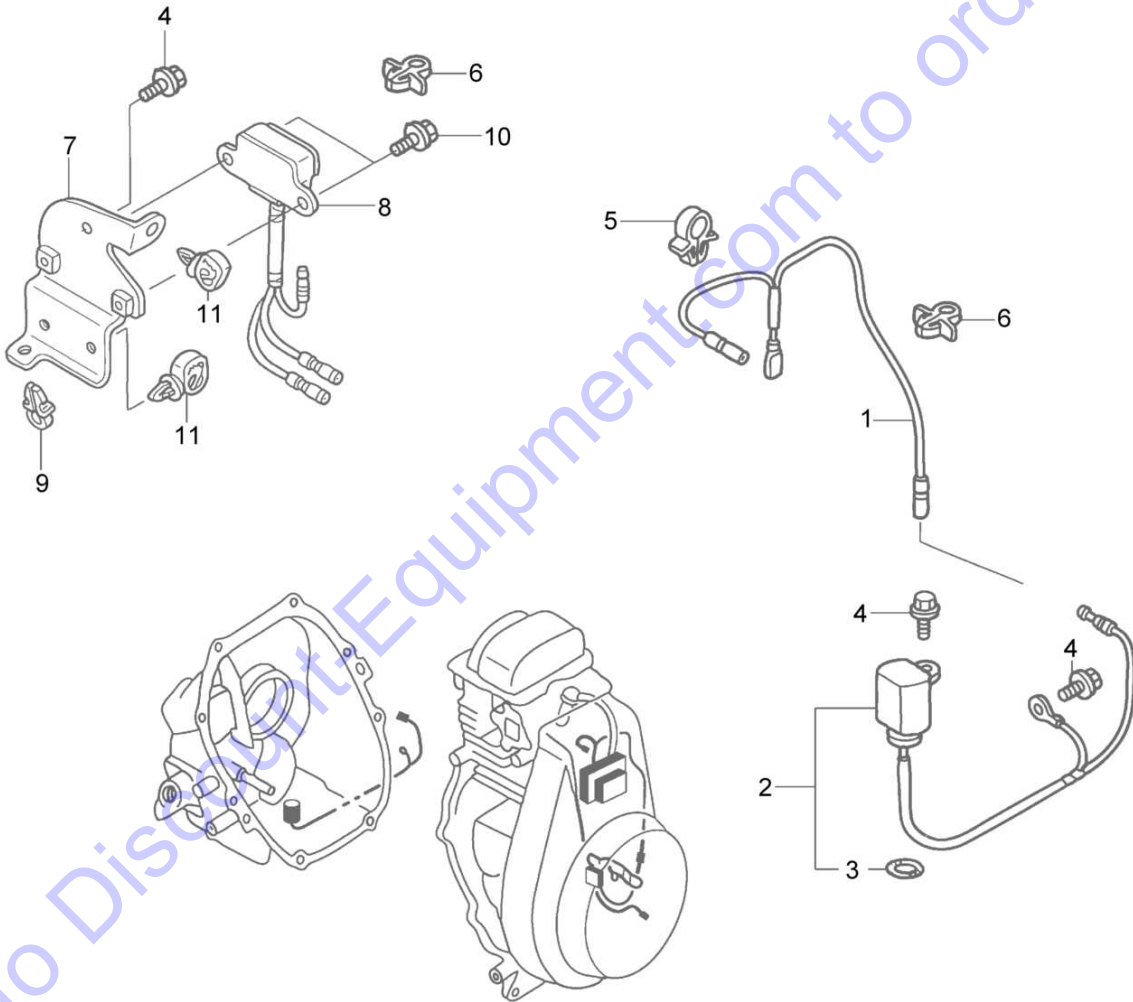
Engine no.	
S/N GCAGK1325721 ▶	
Recoil Starter	11.31
	Page 1 / 1
	BOMAG
MOT011907 1001 E	

Pos. Part no. Qty. Description

1	05748531	1	Recoil starter
2	05748676	1	>Starter housing
3	05748220	1	>Rope pulley
4	05747736	2	>Ratchet
5	05747737	1	>Guide,ratchet
6	05748221	1	>Spring
7	05747293	1	>Return spring
8	05747295	1	>Knob
9	05748546	1	>Starter rope
10	05748223	1	>Washer
11	05748224	1	>Washer
12	05747297	1	>Locking screw
13	05747318	3	Screw
14	05748594	1	Label

Go to Discount-Equipment.com to order your parts

	Engine no.
11.36	S/N GCAGK1325721 ▶
Page 1 / 1	Electrical Equipment
BOMAG	MOT011908_000_00

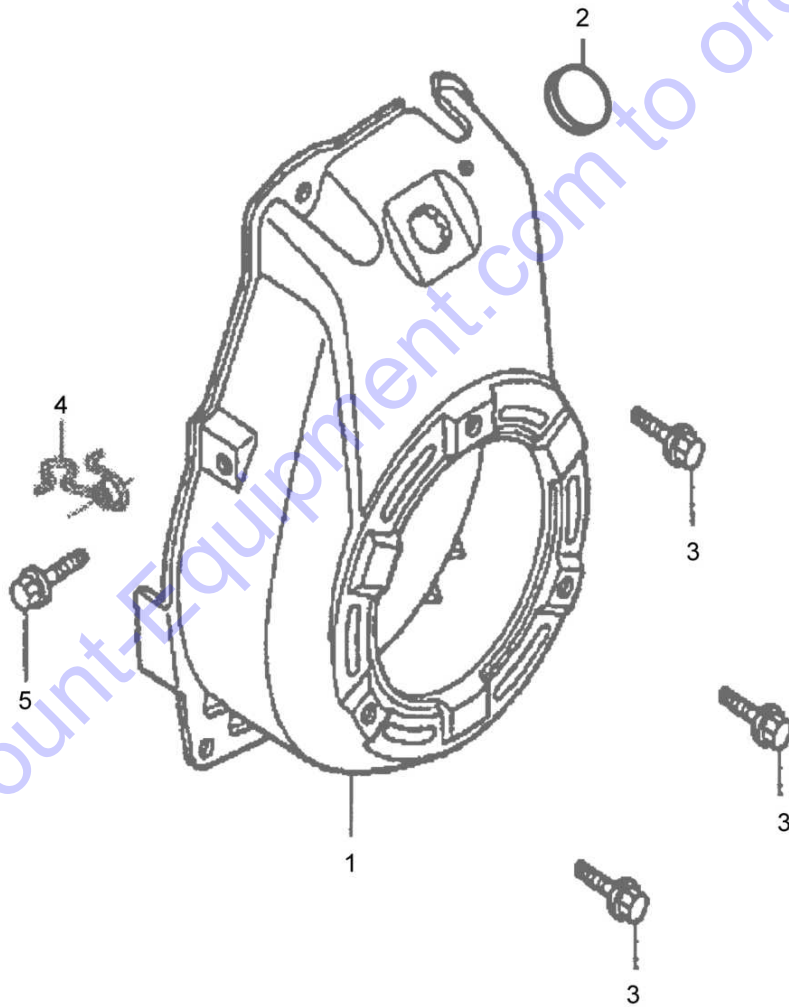


Engine no.	
S/N GCAGK1325721 ▶	
Electrical Equipment	11.36
	Page 1 / 1
	BOMAG
	MOT011908 1001 E

Pos.	Part no.	Qty.	Description
1	05748532	1	Connecting cable
2	05748533	1	Switch
3	05748535	1	>O-ring
4	05747995	4	Screw
5	05748124	1	Hose clip
6	05748534	2	Cable clamp
7	05748536	1	Pillow block
8	05748595	1	Oil alarm unit
9	05748431	1	Holder
10	05748538	2	Screw
11	05748596	1	Clamp

Go to Discount-Equipment.com to order your parts

	Engine no.	
	S/N GCAGK1325721 ▶	
11.44	Covering	
Page 1 / 1		
BOMAG		
		MOT011909_000_00



Engine no.	
S/N GCAGK1325721 ▶	
Covering	11.44
	Page 1 / 1
	BOMAG
MOT011909 1001 E	

Pos. Part no. Qty. Description

1	05748540	1	Housing cover
2	05747658	1	Rubber grommet
3	05747995	3	Screw
4	05748677	1	Wire holder
5	05748078	1	Screw

Go to Discount-Equipment.com to order your parts

Engine no.

S/N GCAGK1325721 ▶

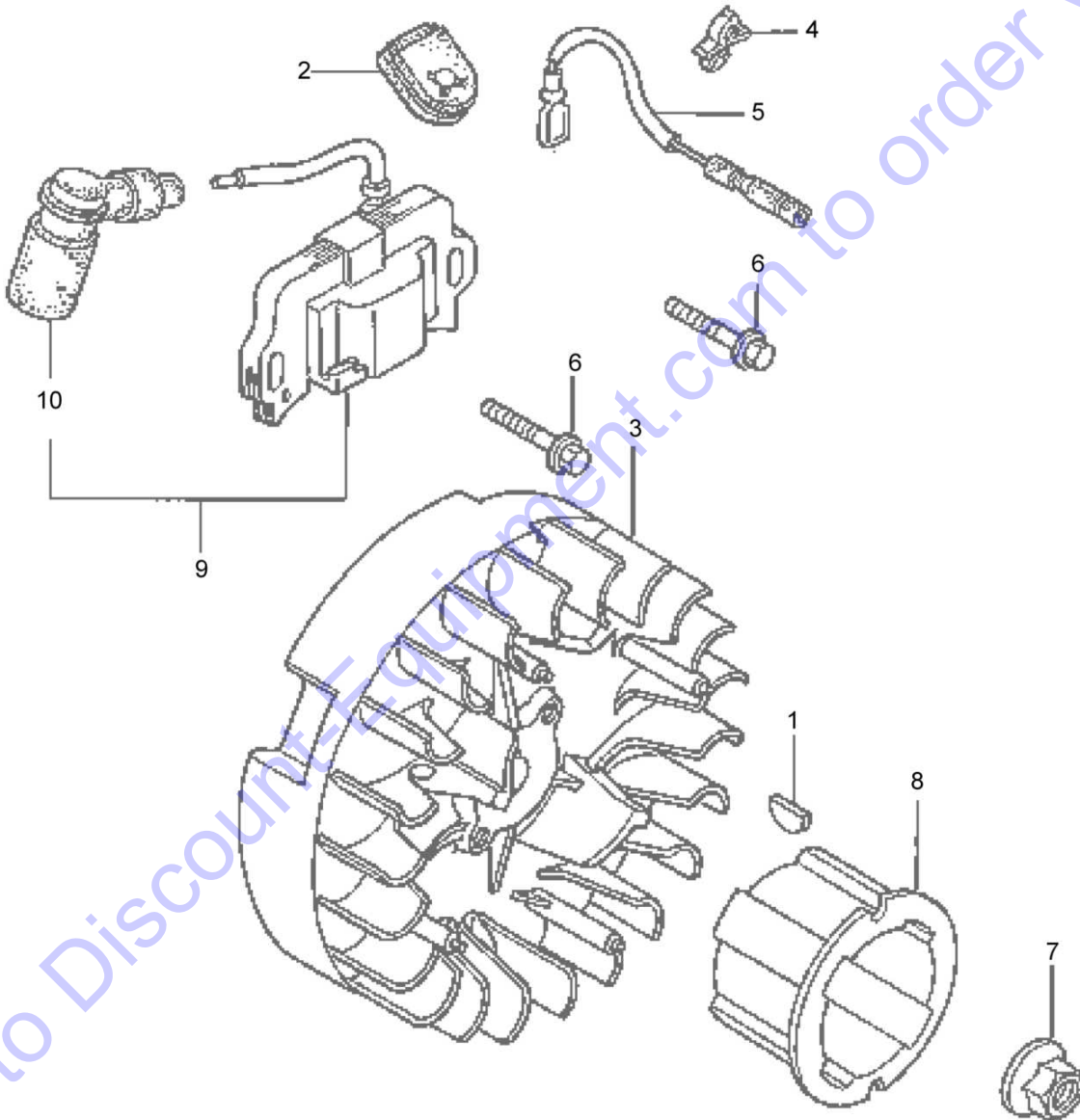
11.46

Contact Breaker Ignition Coil

Page **1 / 1**

BOMAG

MOT011910_000_00



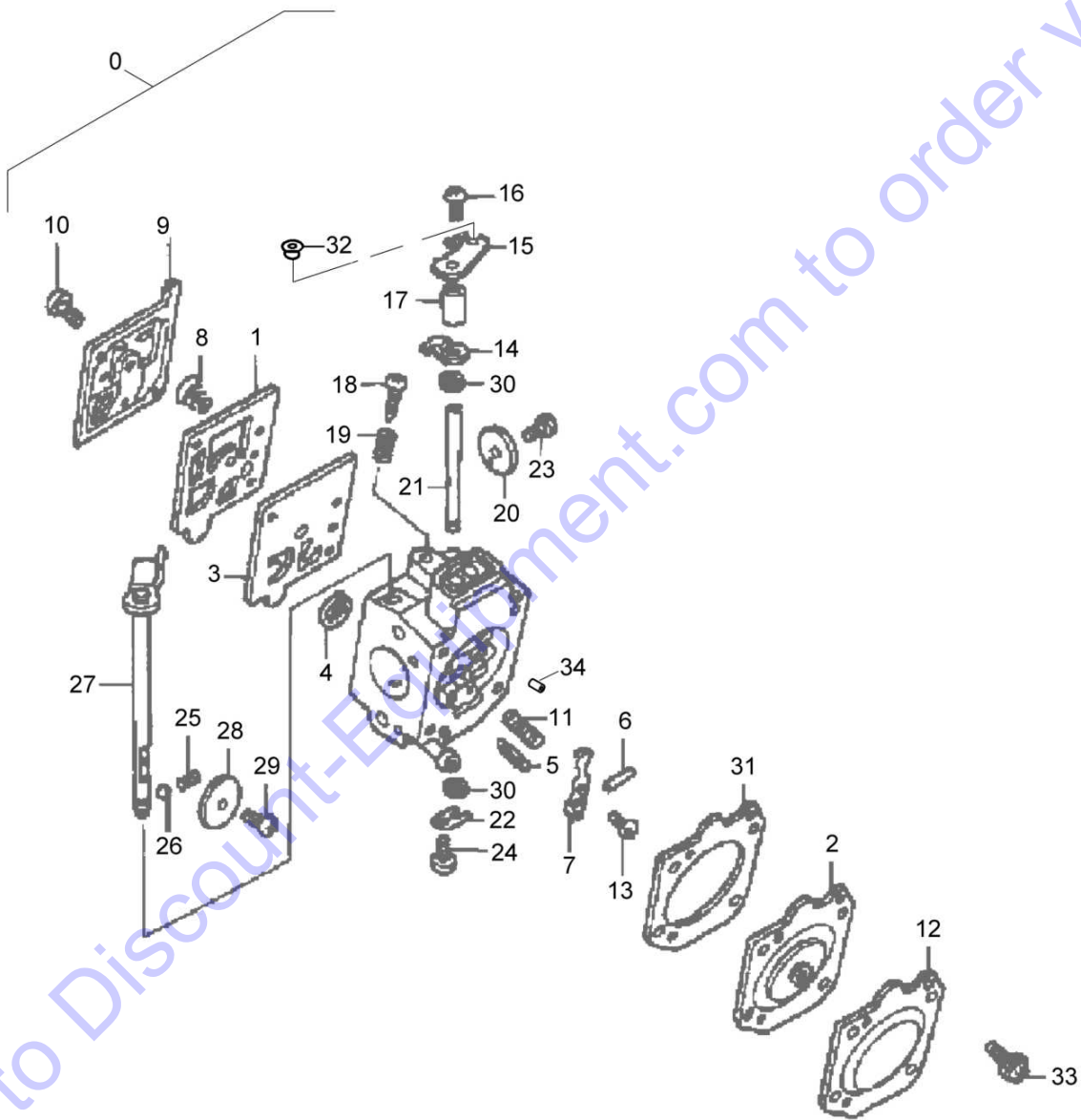
mot011910_000

Engine no.	
S/N GCAGK1325721 ▶	
Contact Breaker Ignition Coil	11.46
	Page 1 / 1
	BOMAG
MOT011910 1001 E	

Pos.	Part no.	Qty.	Description
1	05748225	1	Tepered disc
2	05748227	1	Grommet
3	05748228	1	Fan
4	05747561	1	Cableclip
5	05748229	1	Cable braid
6	05747325	2	Screw
7	05747695	1	Nut
8	05748230	1	Starting pulley
9	05748226	1	Coil,ignition
10	05748332	1	Spark plug socket

Go to Discount-Equipment.com to order your parts

	Engine no.
	S/N GCAGK1325721 ▶
11.53	Carburetor
Page 1 / 2	
BOMAG	
	MOT011911_000_00



Go to Discount-Equipment.com to order your parts

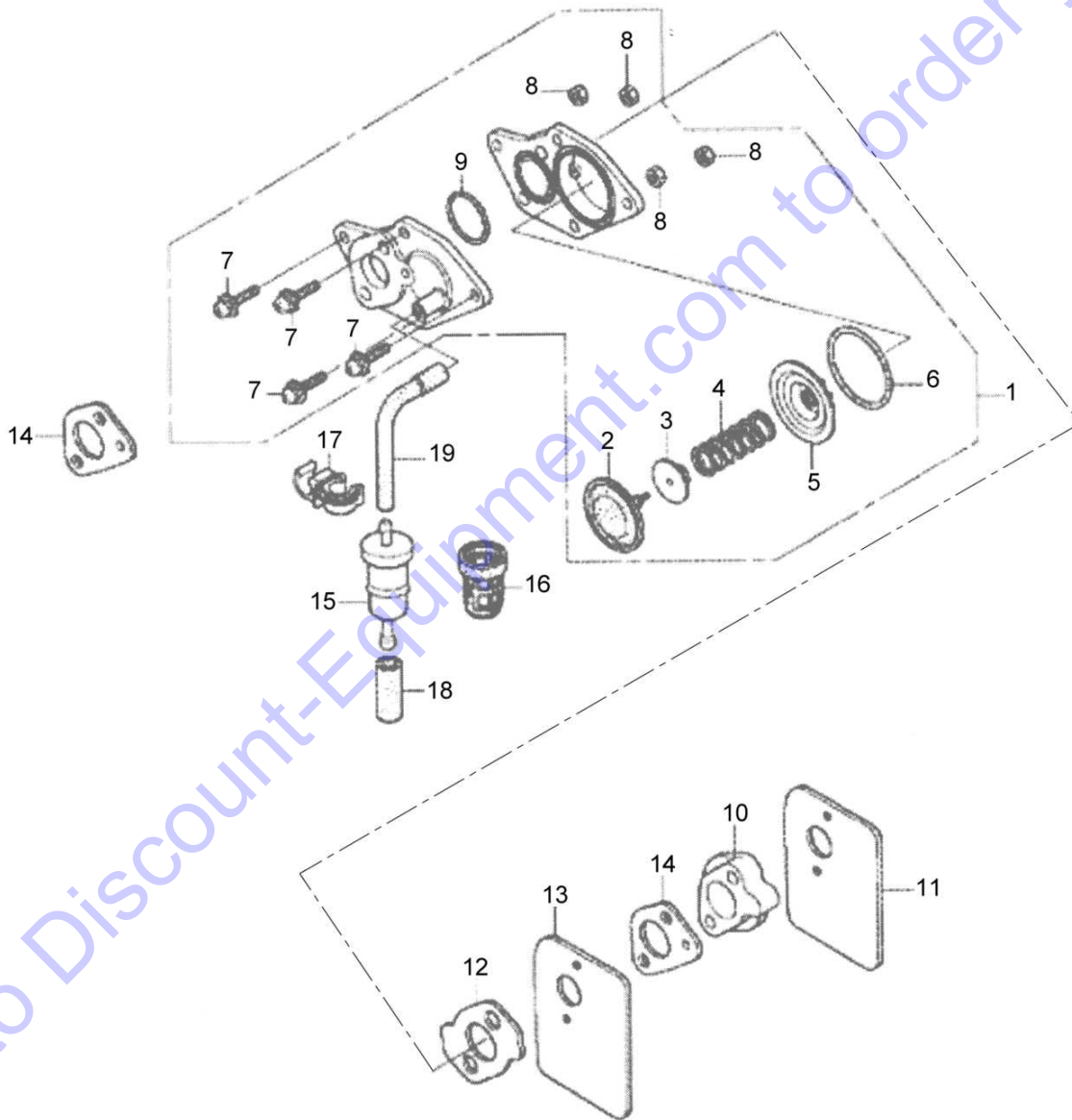
Engine no.	
S/N GCAGK1325721 ▶	
Carburetor	11.53
	Page 1 / 2
	BOMAG
	MOT011911 1001 E

Pos.	Part no.	Qty.	Description
------	----------	------	-------------

0	05748683	1	Carburetor
1	05748236	1	>Gasket
2	05748679	1	>Diaphragm plate
3	05748238	1	>Membrane
4	05748239	1	>Screen
5	05748240	1	>Needle valve
6	05748241	1	>Pin
7	05748242	1	>Lever
8	05748243	1	>Spring
9	05748680	1	>Cover
10	05748245	1	>Screw
11	05748246	1	>Spring
12	05748681	1	>Cover
13	05748682	1	>Screw
14	05748249	1	>Stop
15	05748543	1	>Lever
16	05748258	1	>Screw
17	05748252	1	>Spacer piece
18	05748686	1	>Screw
19	05748254	1	>Spring
20	05748255	1	>Flow control valve
21	05748256	1	>Shaft
22	05748257	1	>Clamp
23	05748258	1	>Screw
24	05748259	1	>Screw
25	05748260	1	>Spring
26	05748261	1	>Ball
27	05748545	1	>Shaft
28	05748263	1	>Choke
29	05748264	1	>Screw
30	05748265	2	>Dust seal ring
31	05748678	1	>Gasket
32	05747661	1	>Sleeve
33	05748687	4	>Screw
34	05748684	1	>Nozzle #56 Standard
34	05748232	1	>Main nozzle #52
34	05748267	1	>Nozzle #54
34	05748685	1	>Nozzle #58

Go to Discount-Equipment.com to order your parts

	Engine no.
	S/N GCAGK1325721 ▶
11.53	Carburetor
Page 2 / 2	
BOMAG	
	MOT011912_000_00



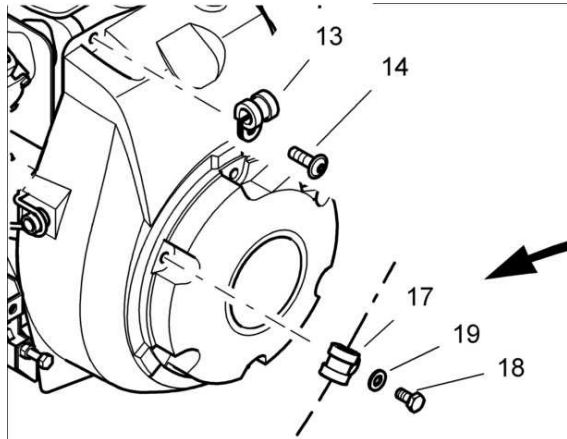
Engine no.	
S/N GCAGK1325721 ▶	
Carburetor	11.53
	Page 2 / 2
	BOMAG
	MOT011912 1001 E

Pos.	Part no.	Qty.	Description
1	05748688	1	Pump complete
2	05748689	1	>Diaphragm pump
3	05748690	1	>Pillow block
4	05748691	1	>Spring
5	05748692	1	>Pillow block
6	05748693	1	>O-ring
7	05748694	4	>Screw
8	05748695	4	>Nut
9	05748701	1	>O-ring
10	05748199	1	Insulator
11	05748200	1	Insulator gasket
12	05748697	1	Gasket
13	05748203	1	Plate
14	05748698	2	Gasket,carburetor
15	05748699	1	Strainer,fuel
16	05748700	1	Screen
17	05748702	1	Hose clip
18	05748703	1	Hose
19	05748696	1	Air hose

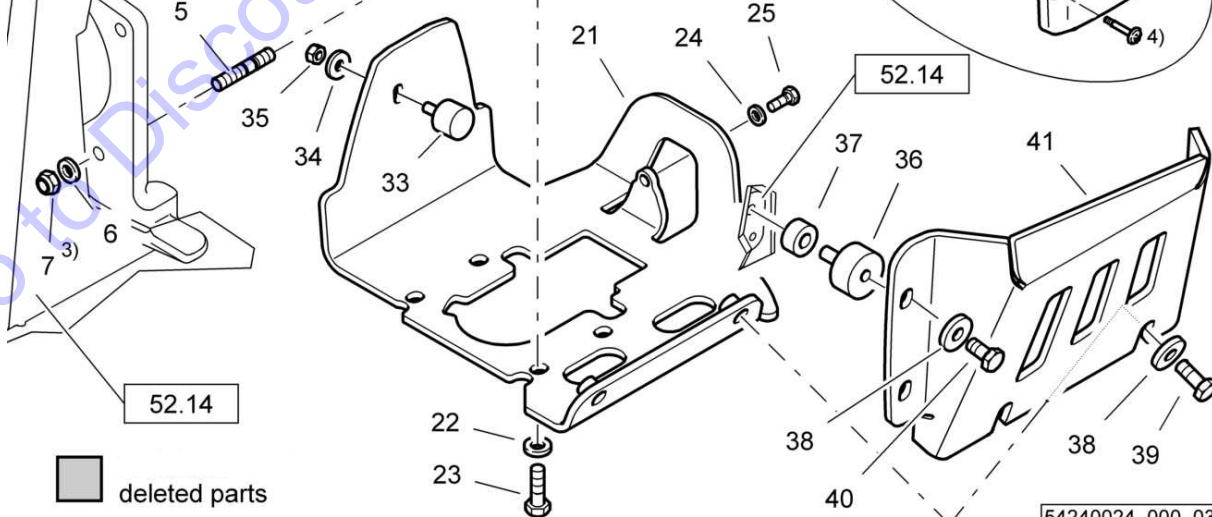
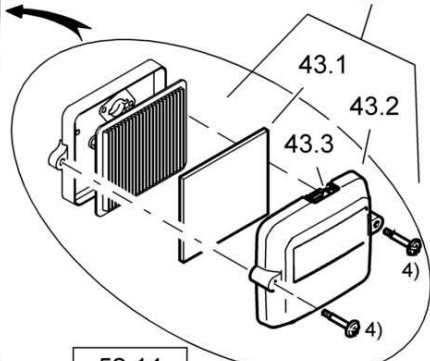
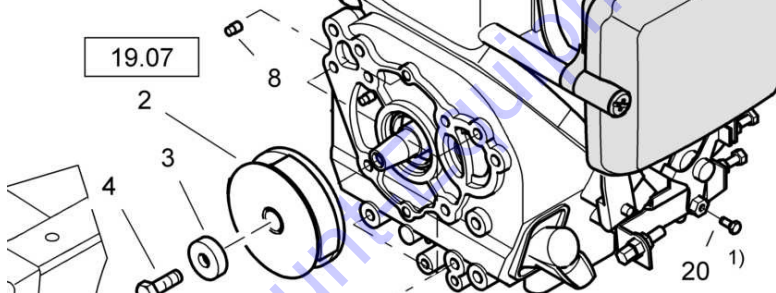
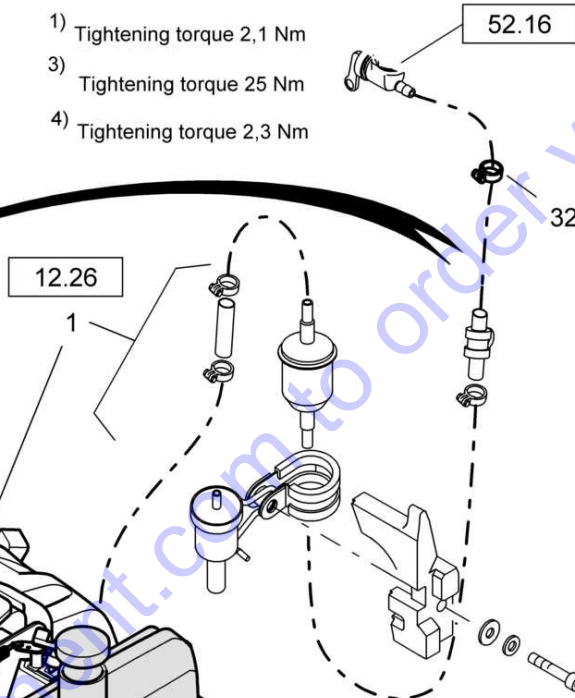
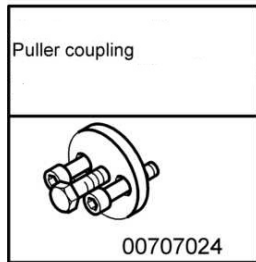
Go to Discount-Equipment.com to order your parts

12.13

Engine



- 1) Tightening torque 2,1 Nm
- 3) Tightening torque 25 Nm
- 4) Tightening torque 2,3 Nm



deleted parts

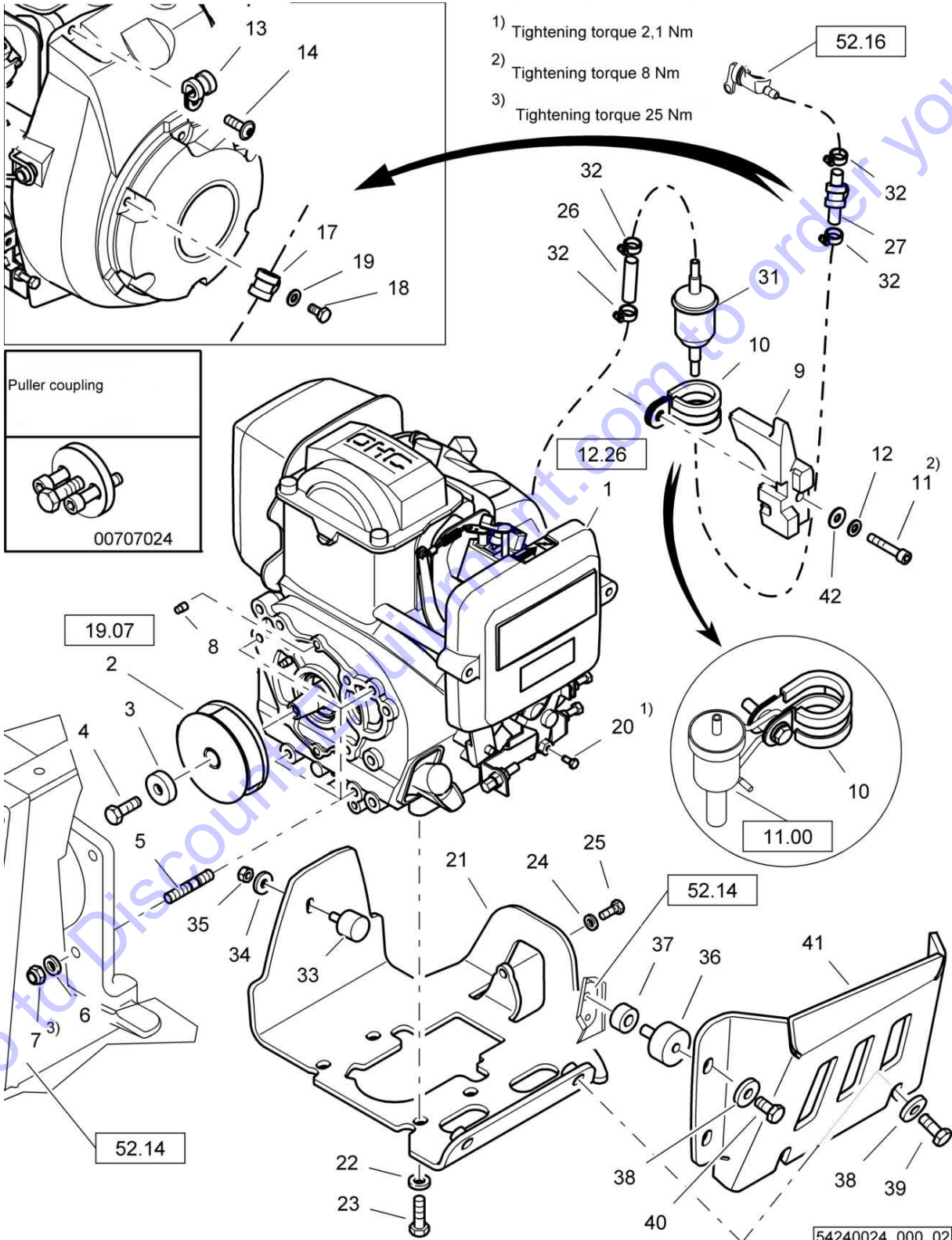
BVT 65	
S/N 101541201260 ▶	12.13
Engine	Page 1 / 1
54240024 1001 1	BOMAG

Pos.	Part no.	Qty.	Description
1	54240212	1	Engine, assembled
2	05650132	1	Centrifugal clutch
3	54240187	1	Washer
4	07140834	1	Hexagon bolt
5	07510824	4	Pin screw
6	08752084	4	Spring washer
7	08110813	4	Hexagon nut
8	54240177	2	Centering pin
13	05551940	1	Tube clamp
14	07210892	1	Lens head screw
17	05551944	1	Tube clamp
18	07140622	1	Hexagon bolt
19	08510612	1	Washer
20	07140403	1	Hexagon bolt
21	54240204	1	Engine protector plate
22	08510817	4	Washer
23	07140842	4	Hexagon bolt
24	08510612	1	Washer
25	07140626	1	Hexagon bolt
32	05551401	1	Hose clip
33	06140926	1	Stop buffer
34	08590617	1	Washer
35	08130611	1	Safety nut
36	06123105	2	Rubber buffer
37	54240206	2	Washer
38	08500823	4	Round anchor plate
39	07140824	2	Hexagon bolt
40	07140818	2	Hexagon bolt
41	54240203	1	Engine protector plate
43	54101002	1	Cover, air filter, assembled
43.1	05748319	1	External filter
43.2	05748321	1	Cover, air filter
43.3	05748995	1	Decal, indication

Go to Discount-Equipment.com to order your parts

12.13

Engine

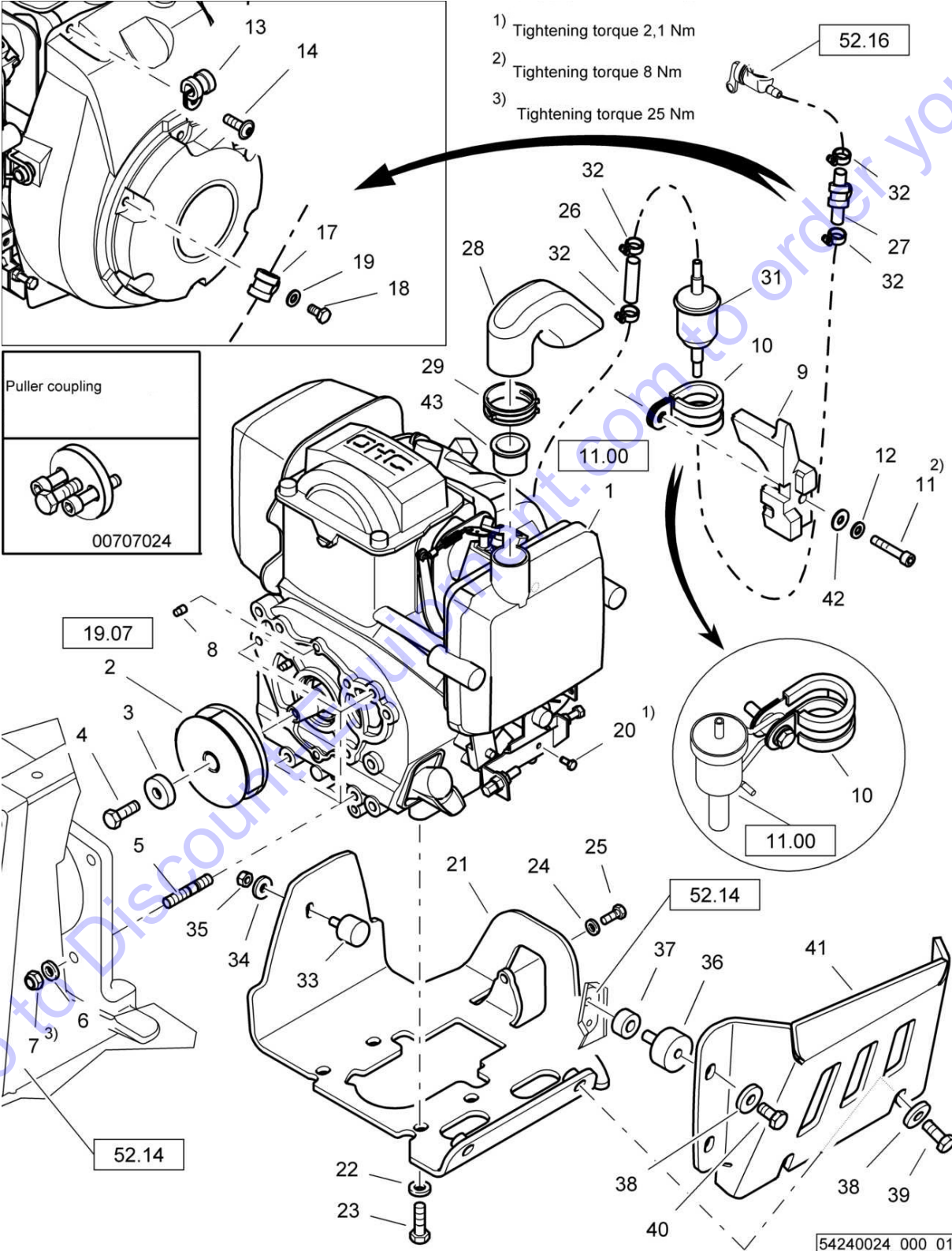


BVT 65	
S/N 101541201250 ▶ S/N 101541201259	12.13
Engine	Page 1 / 1
54240024 1001 1	BOMAG

Pos.	Part no.	Qty.	Description
1	54240210	1	Engine, assembled
2	05650132	1	Centrifugal clutch
3	54240187	1	Washer
4	07140834	1	Hexagon bolt
5	07510824	4	Pin screw
6	08752084	4	Spring washer
7	08110813	4	Hexagon nut
8	54240177	2	Centering pin
9	54240192	1	Holder
10	05551907	1	Tube clamp
11	07230632	1	Socket-head cap screw
12	08510612	1	Washer
13	05551940	1	Tube clamp
14	07210892	1	Lens head screw
17	05551944	1	Tube clamp
18	07140622	1	Hexagon bolt
19	08510612	1	Washer
20	07140403	1	Hexagon bolt
21	54240204	1	Engine protector plate
22	08510817	4	Washer
23	07140842	4	Hexagon bolt
24	08510612	1	Washer
25	07140626	1	Hexagon bolt
26	00661098	1,50 dm	Fuel hose
27	00661098	5,00 dm	Fuel hose
31	05821205	1	Filter cartridge
32	05551401	4	Hose clip
33	06140926	1	Stop buffer
34	08590617	1	Washer
35	08130611	1	Safety nut
36	06123105	2	Rubber buffer
37	54240206	2	Washer
38	08500823	4	Round anchor plate
39	07140824	2	Hexagon bolt
40	07140818	2	Hexagon bolt
41	54240203	1	Engine protector plate
42	08621064	1	Washer

Go to Dipoint-Equipment.com to order your parts

BVT 65		S/N 101541201050 ▶ S/N 101541201249
12.13	Engine	
	Page 1 / 1	
BOMAG	54240024_000_01	

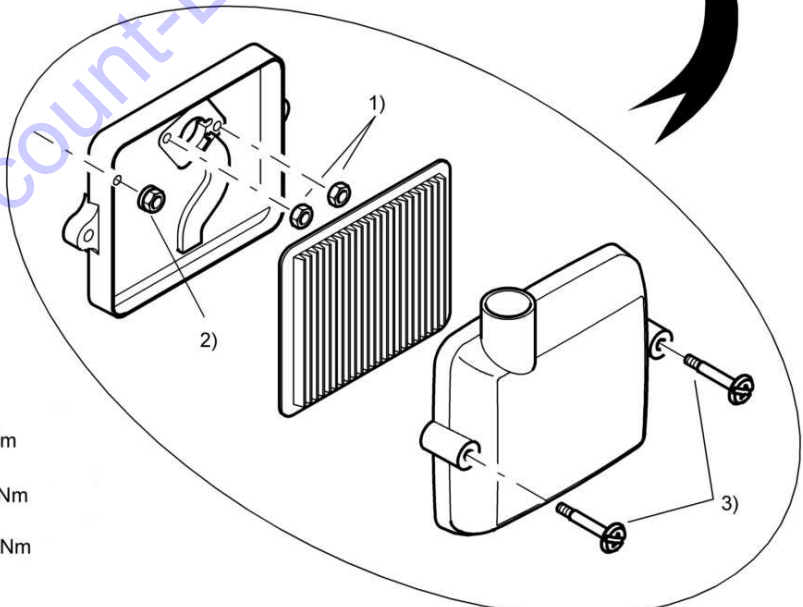
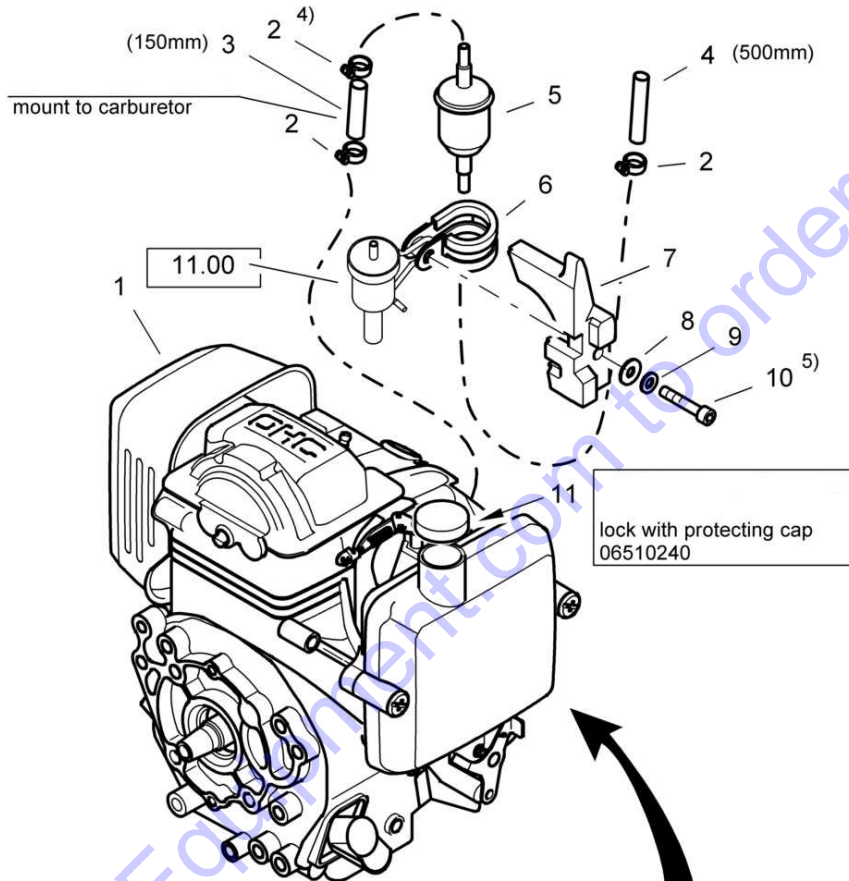


BVT 65	
S/N 101541201050 ▶ S/N 101541201249	12.13
Engine	Page 1 / 1
54240024 1001 1	BOMAG

Pos.	Part no.	Qty.	Description
1	05747026	1	Four-stroke engine
2	95542048	1	Centrifugal clutch
3	54240187	1	Washer
4	07140834	1	Hexagon bolt
5	07510824	4	Pin screw
6	08752084	4	Spring washer
7	08110813	4	Hexagon nut
8	54240177	2	Centering pin
9	54240192	1	Holder
10	05551907	1	Tube clamp
11	07230632	1	Socket-head cap screw
12	08510612	1	Washer
13	05551940	1	Tube clamp
14	07210892	1	Lens head screw
17	05551944	1	Tube clamp
18	07140622	1	Hexagon bolt
19	08510612	1	Washer
20	07140403	1	Hexagon bolt
21	54240204	1	Engine protector plate
22	08510817	4	Washer
23	07140842	4	Hexagon bolt
24	08510612	1	Washer
25	07140626	1	Hexagon bolt
26	00661098	1,50 dm	Fuel hose
27	00661098	5,00 dm	Fuel hose
28	54240202	1	Suction hose
29	05551421	1	Spring band clamp
31	05821205	1	Filter cartridge
32	05551401	4	Hose clip
33	06140926	1	Stop buffer
34	08590617	1	Washer
35	08130611	1	Safety nut
36	06123105	2	Rubber buffer
37	54240206	2	Washer
38	08500823	4	Round anchor plate
39	07140824	2	Hexagon bolt
40	07140818	2	Hexagon bolt
41	54240203	1	Engine protector plate
42	08621064	1	Washer
43	54240209	1	Orifice

Go to Dijnt-Equipment.com to order your parts

	BVT 65	
12.26		S/N 101541201260 ▶
Page 1 / 1	Engine, assembled	
BOMAG		54240212_000_00



- 1) Torque value: 6 Nm
- 2) Torque value: 10 Nm
- 3) Torque value: 2,3 Nm
- 4) fit on filter
- 5) Torque value: 8 Nm

BVT 65	
S/N 101541201260 ▶	
Engine, assembled	12.26
	Page 1 / 1
	BOMAG
54240212 1001 1	

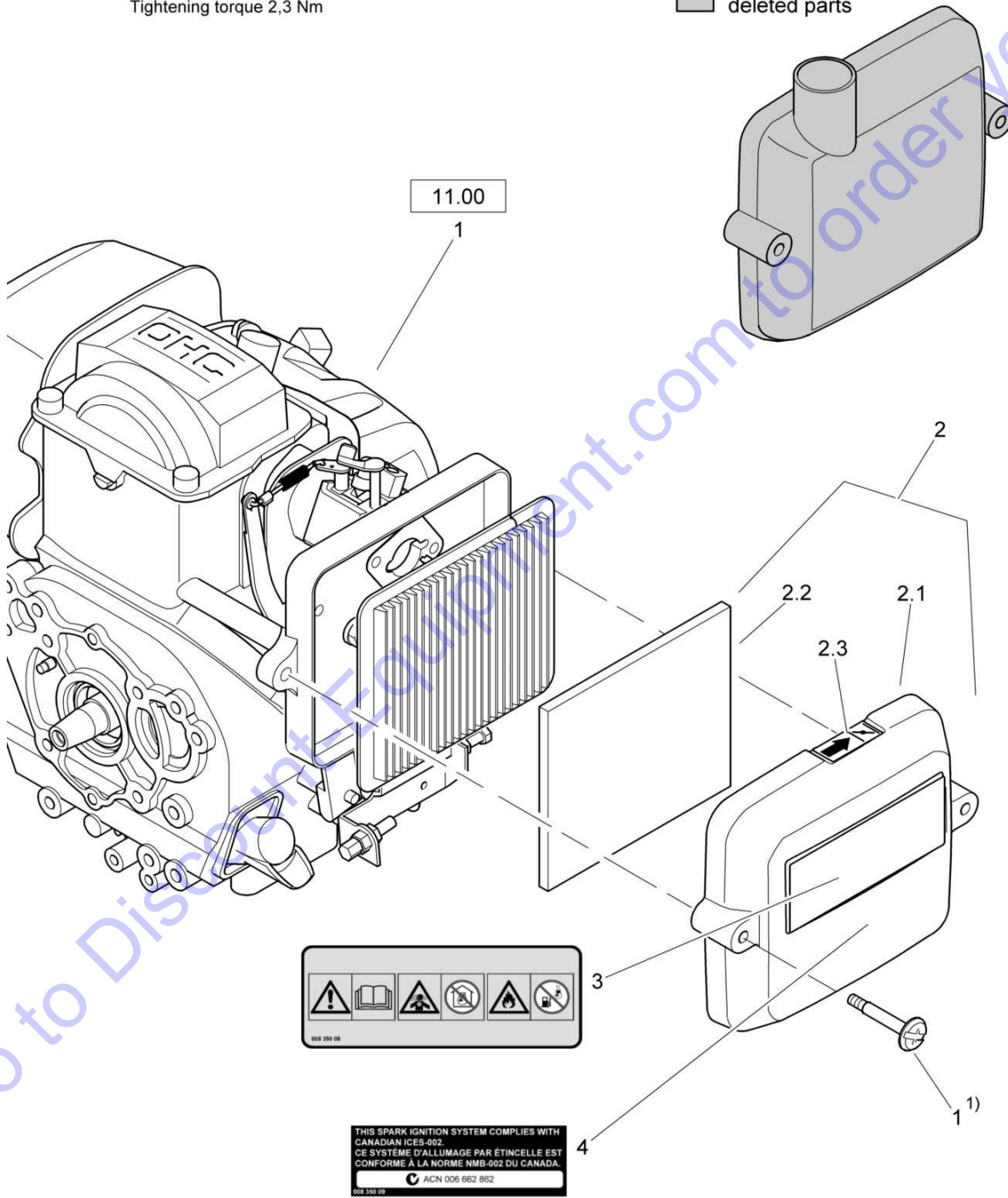
Pos.	Part no.	Qty.	Description
1	05747026	1	Four-stroke engine
2	05551401	3	Hose clip
3	00661098	1,50 dm	Fuel hose
4	00661098	5,00 dm	Fuel hose
5	05821205	1	Filter cartridge
6	05551907	1	Tube clamp
7	54240192	1	Holder
8	08621064	1	Washer
9	08510612	1	Washer
10	07230632	1	Socket-head cap screw
11	06510240	1	Cap

Go to Discount-Equipment.com to order your parts

	BVT 65	S/N 101541201250 ▶ S/N 101541201259
12.26	Engine, assembled	
Page 1 / 1		
BOMAG	54240210_000_00	

1) Tightening torque 2,3 Nm

■ deleted parts

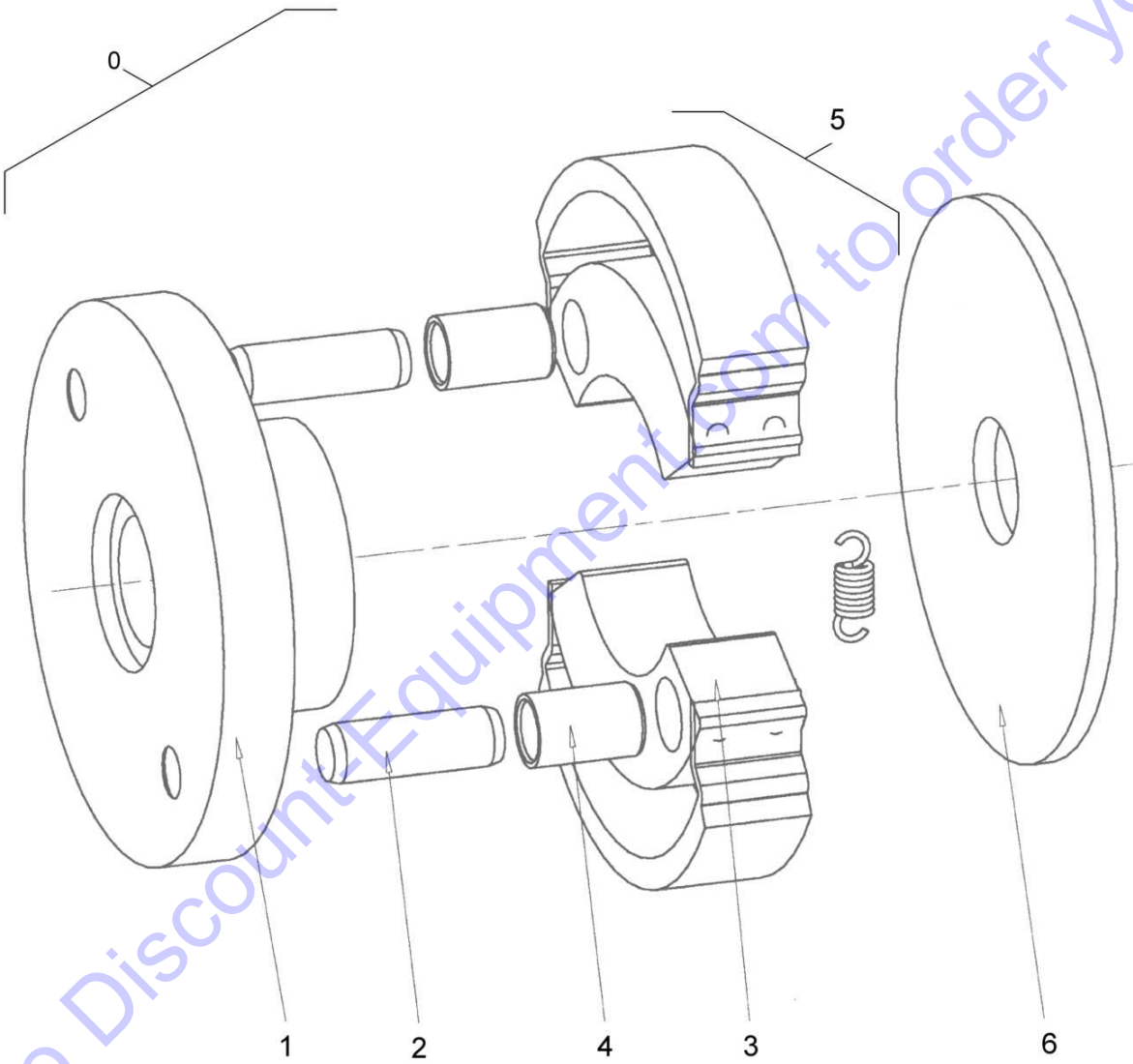


BVT 65	
S/N 101541201250 ▶ S/N 101541201259	12.26
Engine, assembled	Page 1 / 1
54240210 1001 1	BOMAG

Pos.	Part no.	Qty.	Description
1	05747026	1	Four-stroke engine
2	54101002	1	Cover, air filter,assembled
2.1	05748319	1	External filter
2.2	05748321	1	Cover, air filter
2.3	05748995	1	Decal,indication
3	00835008	1	Warning sign
4	00835009	1	Decal,indication

Go to Discount-Equipment.com to order your parts

	BVT 65	
19.07		S/N 101541201250 ▶
	Centrifugal Clutch	
Page 1 / 1		
BOMAG		EA004262_000_00

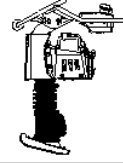


BVT 65	
S/N 101541201250 ▶	19.07
Centrifugal Clutch	Page 1 / 1
	BOMAG
EA004262 1001 E	

Pos.	Part no.	Qty.	Description
0	05650132	1	Centrifugal clutch
1	05660445	1	>Coupling hub
2	05660446	2	>Pin,cylindric
3	05660163	2	>Centrifugal weight
4	05660138	2	>Bushing
5	05660175	1	>Repair Kit
6	05660447	1	>Cover disc

Go to Discount-Equipment.com to order your parts

Power Transmission / Actuation



20

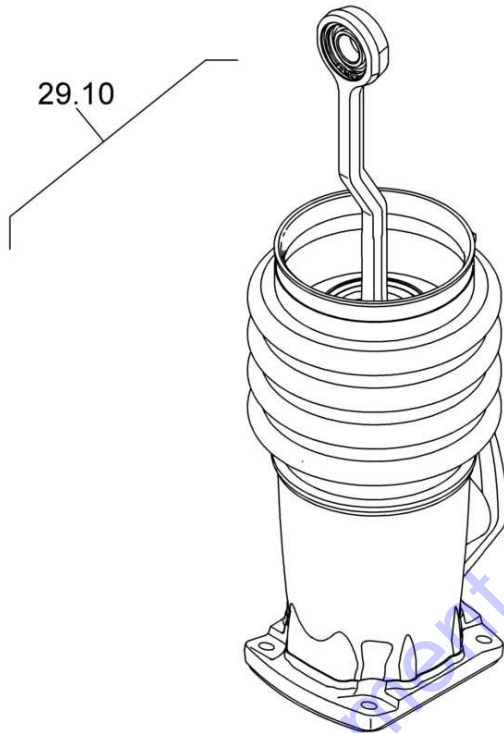
Go to Discount-Equipment.com to order your parts

20.00

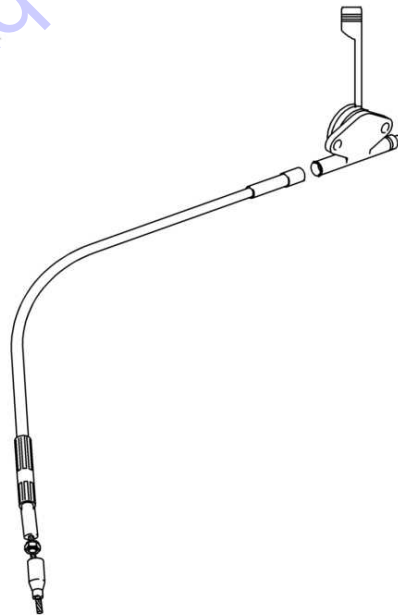
Power Transmission / Actuation

Page /

BOMAG



29.08



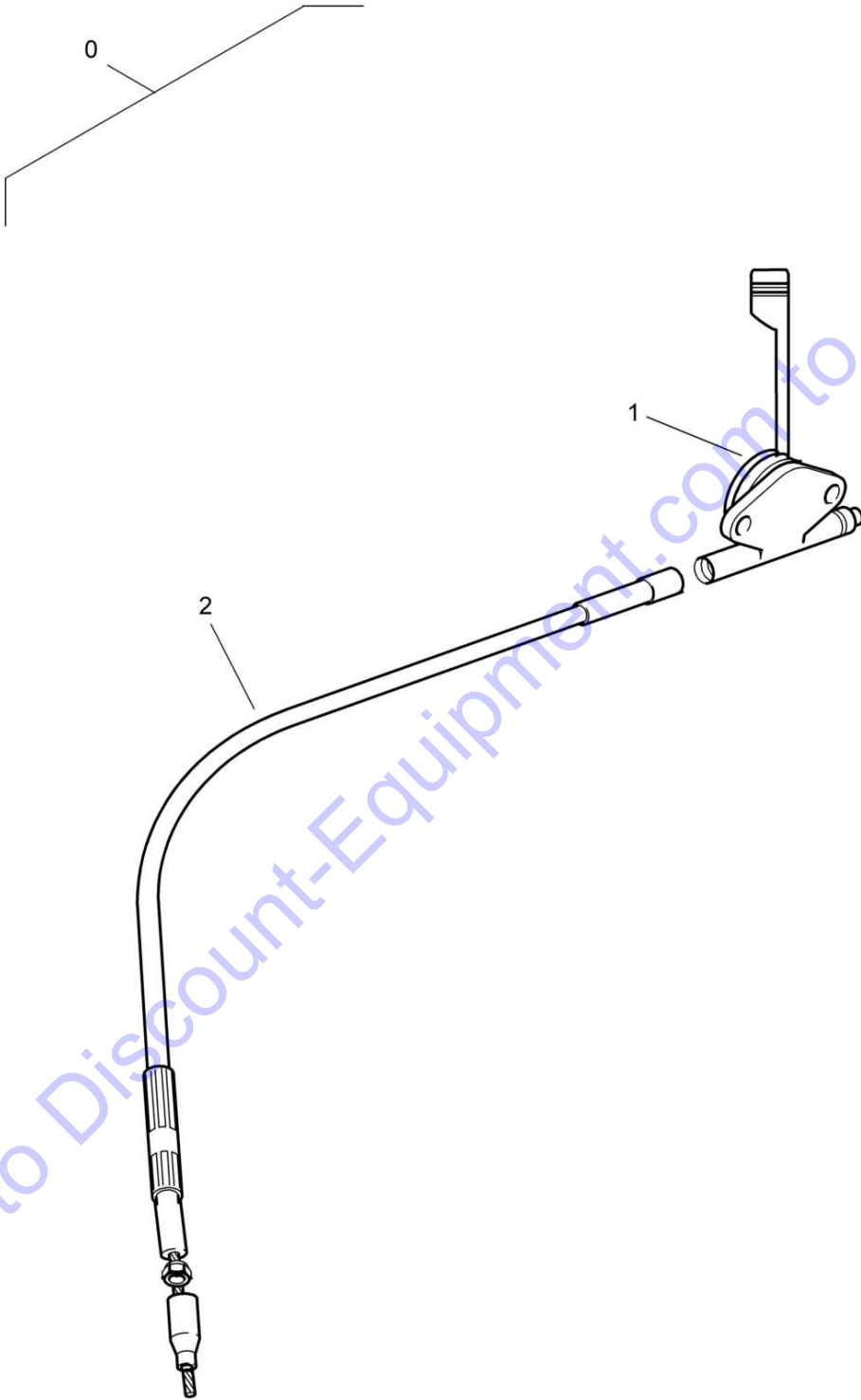
Power Transmission / Actuation	20.00
	Page /
	BOMAG

Pos. Description

- 29.08 Actuat.Cable Throttle Re.
- 29.08 Actuat.Cable Throttle Re.
- 29.10 Spring And Guide Unit

Go to Discount-Equipment.com to order your parts

	BVT 65
29.08	S/N 101541201050 ▶ S/N 101541201249
	Actuation Cable Throttle Relay
Page 1 / 1	
BOMAG	EA002301_000_00

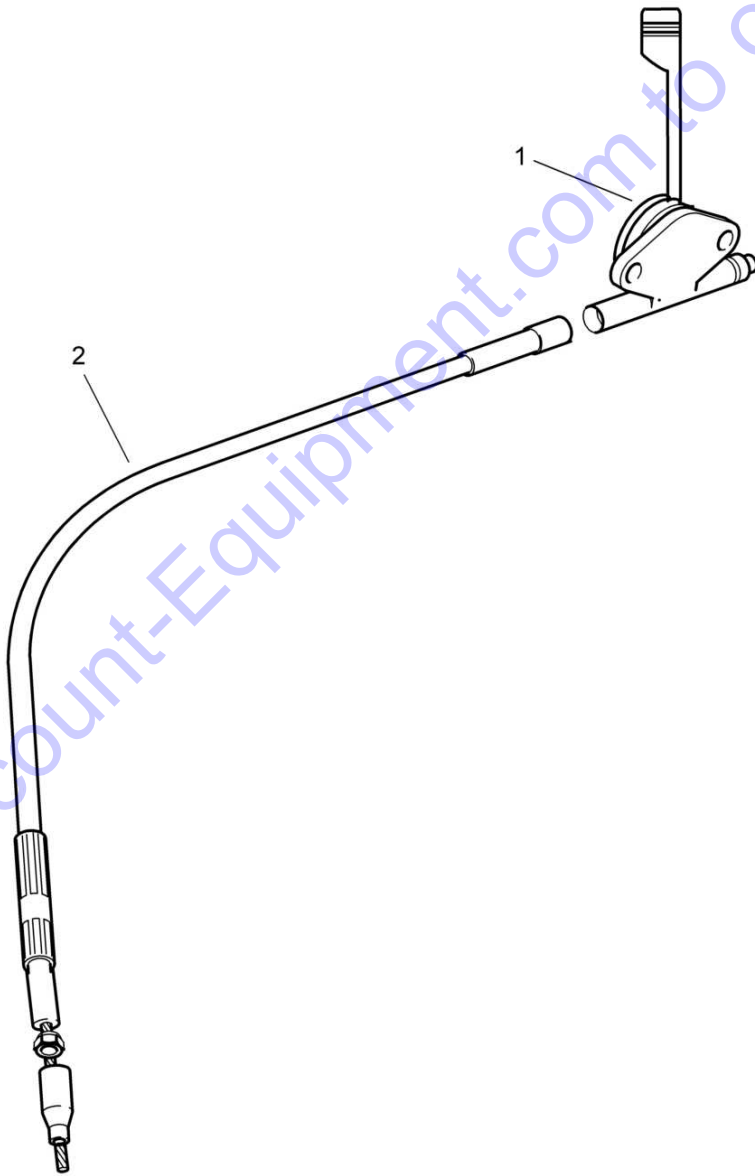
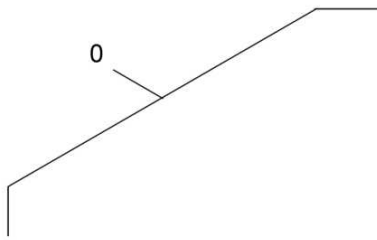


BVT 65	
S/N 101541201050 ▶ S/N 101541201249	29.08
Actuation Cable Throttle Relay	Page 1 / 1
EA002301 1001 E	BOMAG

Pos.	Part no.	Qty.	Description
0	05561590	1	Throttle control
1	05566580	1	>Control box with lever
2	05561050	1	>Control

Go to Discount-Equipment.com to order your parts

	BVT 65
29.08	S/N 101541201250 ▶
	Actuation Cable Throttle Relay
Page 1 / 1	
BOMAG	EA003127_000_00



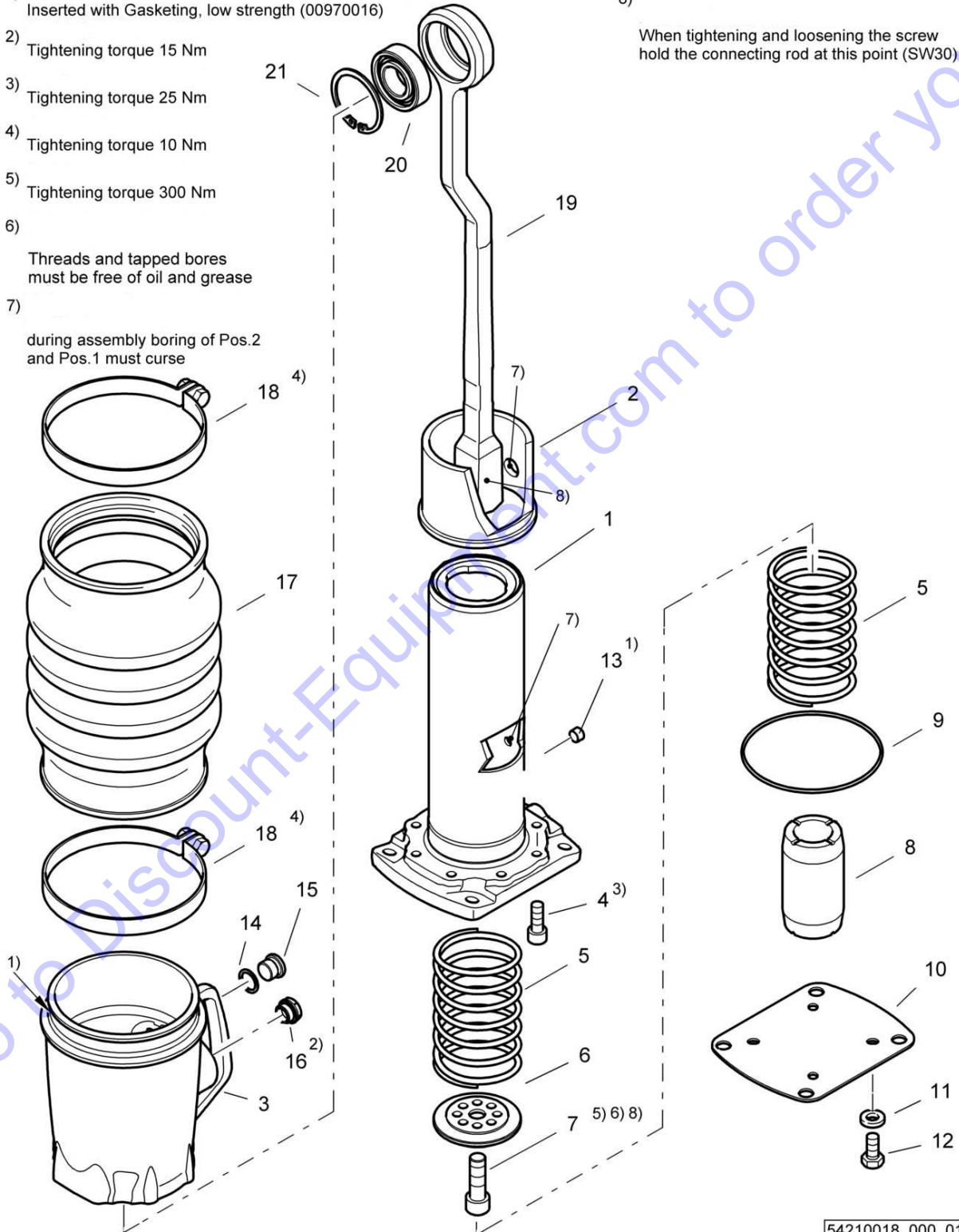
BVT 65	
S/N 101541201250 ▶	29.08
Actuation Cable Throttle Relay	Page 1 / 1
EA003127 1001 E	BOMAG

Pos.	Part no.	Qty.	Description
0	05561618	1	Throttle control
1	05566580	1	Control box with lever
2	05561619	1	Control

Go to Discount-Equipment.com to order your parts

- 1) Inserted with Gasketing, low strength (00970016)
- 2) Tightening torque 15 Nm
- 3) Tightening torque 25 Nm
- 4) Tightening torque 10 Nm
- 5) Tightening torque 300 Nm
- 6)
- 7) Threads and tapped bores must be free of oil and grease
- 8)
- 9)
- 10)
- 11)
- 12)
- 13)
- 14)
- 15)
- 16)
- 17)
- 18)
- 19)
- 20)
- 21)

8) When tightening and loosening the screw hold the connecting rod at this point (SW30)



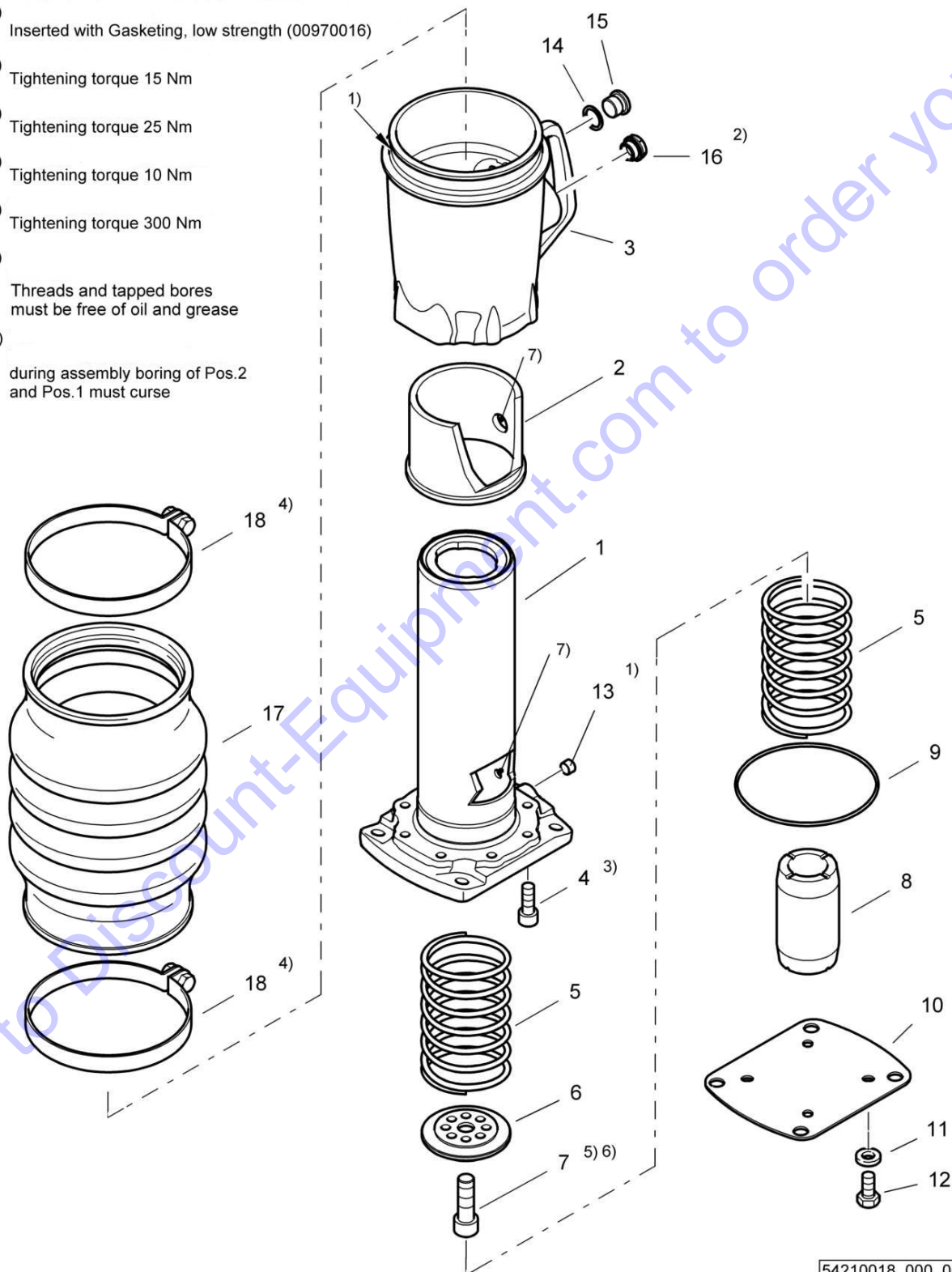
BVT 65	
S/N 101541201260 ▶	
Spring And Guide Unit	29.10
	Page 1 / 1
	BOMAG
54210018 1001 1	

Pos.	Part no.	Qty.	Description
1	54210242	1	Inner guide
2	54210238	1	Stop
3	54210239	1	Foot cup
4	07230827	8	Socket-head cap screw
5	54210135	2	Pressure spring
6	54210232	1	Piston
7	07231619	1	Socket-head cap screw
8	54210141	1	Stop
9	06221040	1	Loop ring
10	54210244	1	Cover plate
11	08752084	4	Spring washer
12	07140818	4	Hexagon bolt
13	07611010	1	Screw plug
14	09331746	1	Sealing ring
15	07622015	1	Screw plug
16	05973134	1	Oil level gauge
17	54020501	1	Bellows
18	05551490	2	Hose clip
19	54220169	1	Conrod
20	05114075	1	Ball bearing,grooved
21	09222900	1	Circlip,internal

Go to Discount-Equipment.com to order your parts

	BVT 65	S/N 101541201250 ▶ S/N 101541201259
29.10	Spring And Guide Unit	
Page 1 / 1		
BOMAG	54210018_000_00	

- 1) Inserted with Gasketing, low strength (00970016)
- 2) Tightening torque 15 Nm
- 3) Tightening torque 25 Nm
- 4) Tightening torque 10 Nm
- 5) Tightening torque 300 Nm
- 6) Threads and tapped bores must be free of oil and grease
- 7) during assembly boring of Pos.2 and Pos.1 must curse

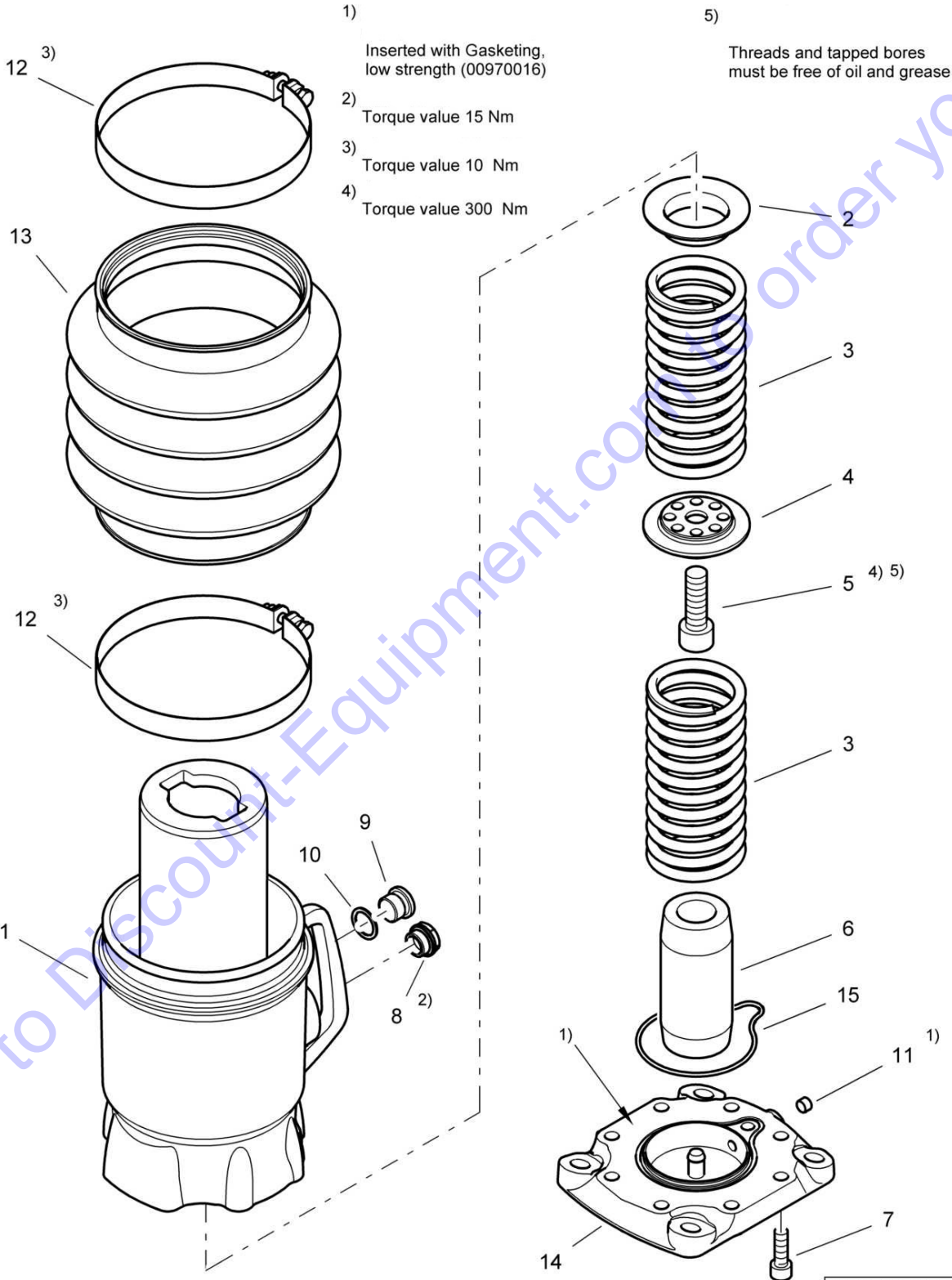


BVT 65	S/N 101541201250 ▶ S/N 101541201259	29.10
Spring And Guide Unit		
		Page 1 / 1
	54210018 1001 1	BOMAG

Pos.	Part no.	Qty.	Description
1	54210242	1	Inner guide
2	54210238	1	Stop
3	54210239	1	Foot cup
4	07230827	8	Socket-head cap screw
5	54210135	2	Pressure spring
6	54210232	1	Piston
7	07231619	1	Socket-head cap screw
8	54210141	1	Stop
9	06221040	1	Loop ring
10	54210244	1	Cover plate
11	08752084	4	Spring washer
12	07140818	4	Hexagon bolt
13	07611010	1	Screw plug
14	09331746	1	Sealing ring
15	07632015	1	Screw plug
16	05973134	1	Oil level gauge
17	54020501	1	Bellows
18	05551490	2	Hose clip

Go to Discount-Equipment.com to order your parts

	BVT 65	S/N 101541201050 ▶ S/N 101541201249
29.10	Spring And Guide Unit	
Page 1 / 1		
BOMAG	54210016_000_01	



BVT 65	S/N 101541201050 ▶ S/N 101541201249	29.10
Spring And Guide Unit		
		Page 1 / 1
	54210016 1001 1	BOMAG

Pos.	Part no.	Qty.	Description
1	54210211	1	Foot cup
2	54210217	1	Spring plate
3	54210225	2	Pressure spring
4	54210219	1	Piston
5	07231619	1	Socket-head cap screw
6	54210218	1	Stop
7	07231022	8	Socket-head cap screw
8	05973134	1	Oil level gauge
9	07622015	1	Screw plug
10	09331746	1	Sealing ring
11	07611010	1	Screw plug
12	05551490	2	Hose clip
13	54020501	1	Bellows
14	54210233	1	Flanged union
15	06220953	1	Loop ring

Go to Discount-Equipment.com to order your parts

Frame with Attachment Parts



50

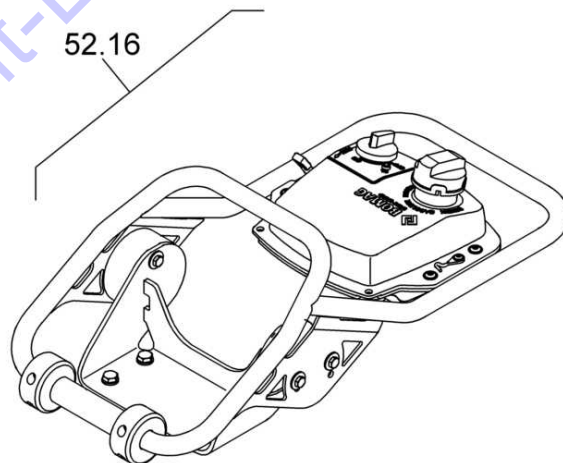
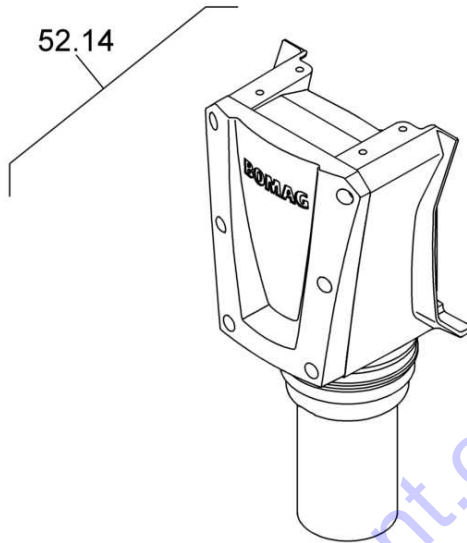
Go to Discount-Equipment.com to order your parts

50.00

Frame with Attachment Parts

Page /

BOMAG



Frame with Attachment Parts	50.00
	Page /
	BOMAG

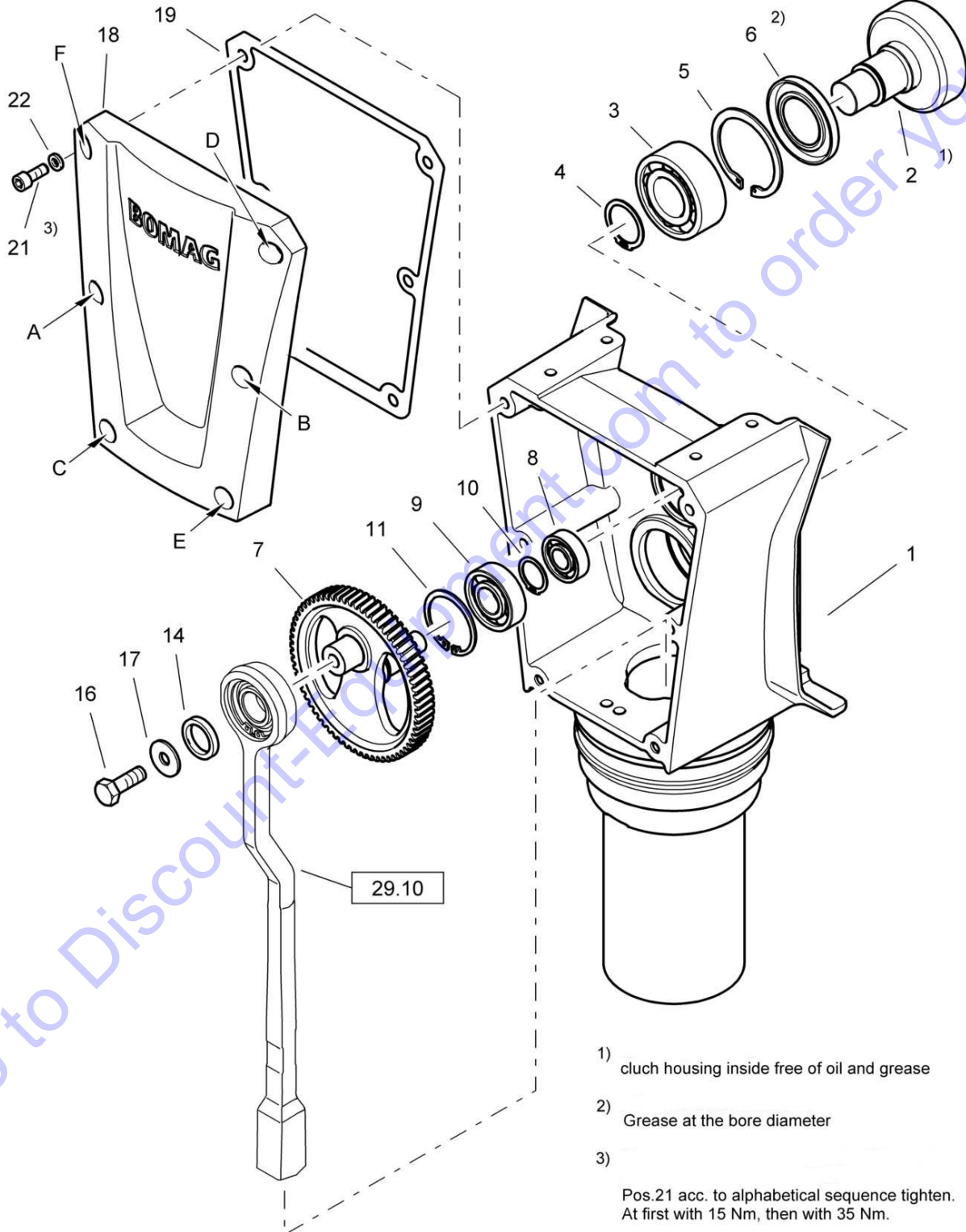
Pos. Description

- 52.14 Housing
- 52.16 Steering Handle

Go to Discount-Equipment.com to order your parts



	BVT 65	S/N 101541201260 ▶
52.14	Housing	
Page 1 / 1		
BOMAG	54220011_000_02	

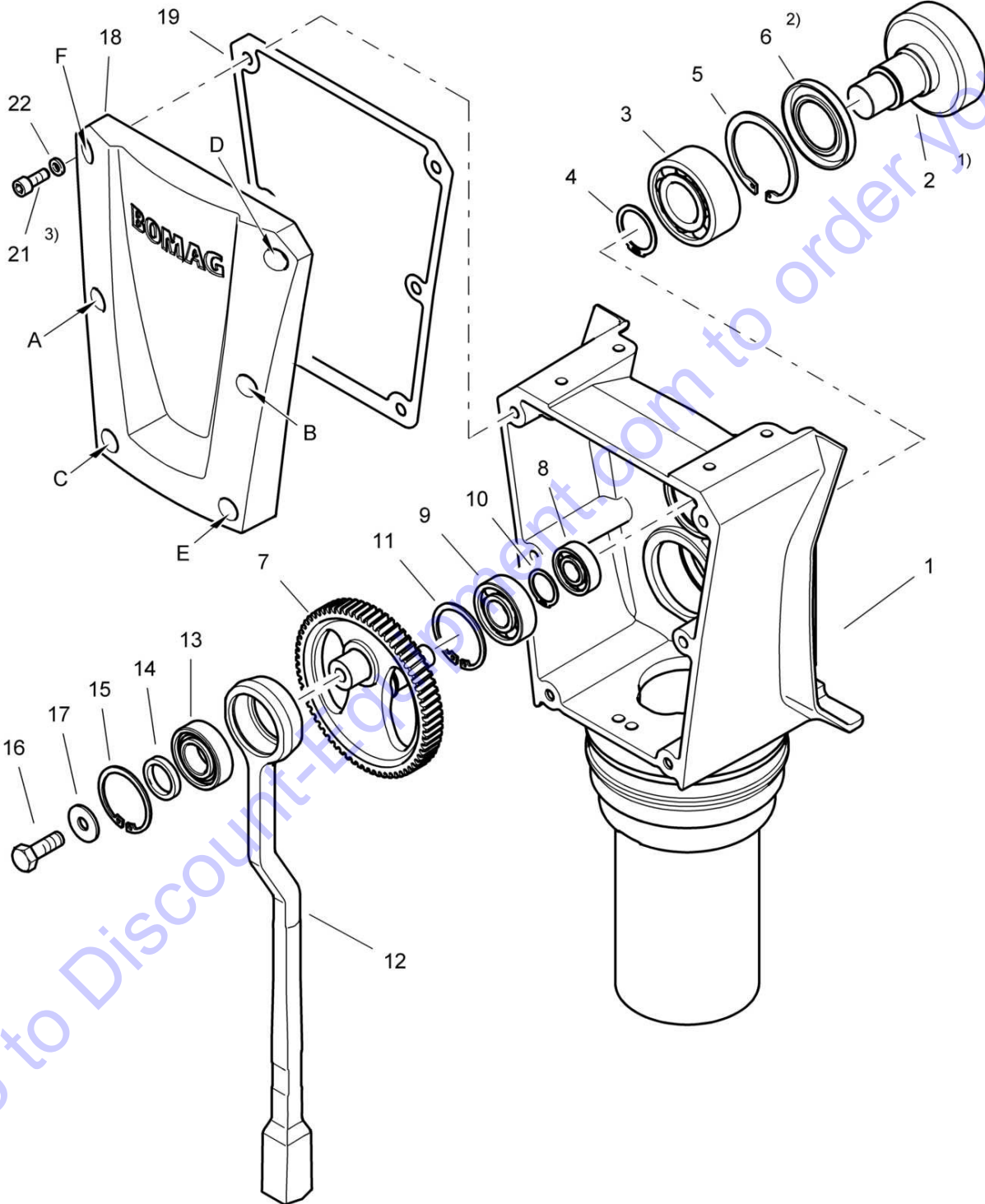


BVT 65	
S/N 101541201260 ▶	
Housing	52.14
	Page 1 / 1
	BOMAG
	54220011 1001 1

Pos.	Part no.	Qty.	Description
1	54220218	1	Housing, assembled
2	54220172	1	Drive shaft
3	05121077	1	Angular ball bearing
4	09212100	1	Circlip,external
5	09223700	1	Circlip,internal
6	09312442	1	Radial seal
7	54220171	1	Crankshaft
8	05114073	1	Ball bearing,grooved
9	05114075	1	Ball bearing,grooved
10	09211300	1	Circlip,external
11	09222900	1	Circlip,internal
14	54220176	1	Sleeve
16	07141032	1	Hexagon bolt
17	08621105	1	Washer
18	54220209	1	Transmission cover
19	54220216	1	Gasket
21	07230831	6	Socket-head cap screw
22	08752084	6	Spring washer

Go to Discount-Equipment.com to order your parts

BVT 65	
52.14	S/N 101541201250 ▶ S/N 101541201259
	Housing
Page 1 / 1	
BOMAG	54220011_000_01



1) clutch housing inside free of oil and grease

2) Grease at the bore diameter

3)

Pos.20 acc. to alphabetical sequence tighten.
At first with 15 Nm, then with 35 Nm.

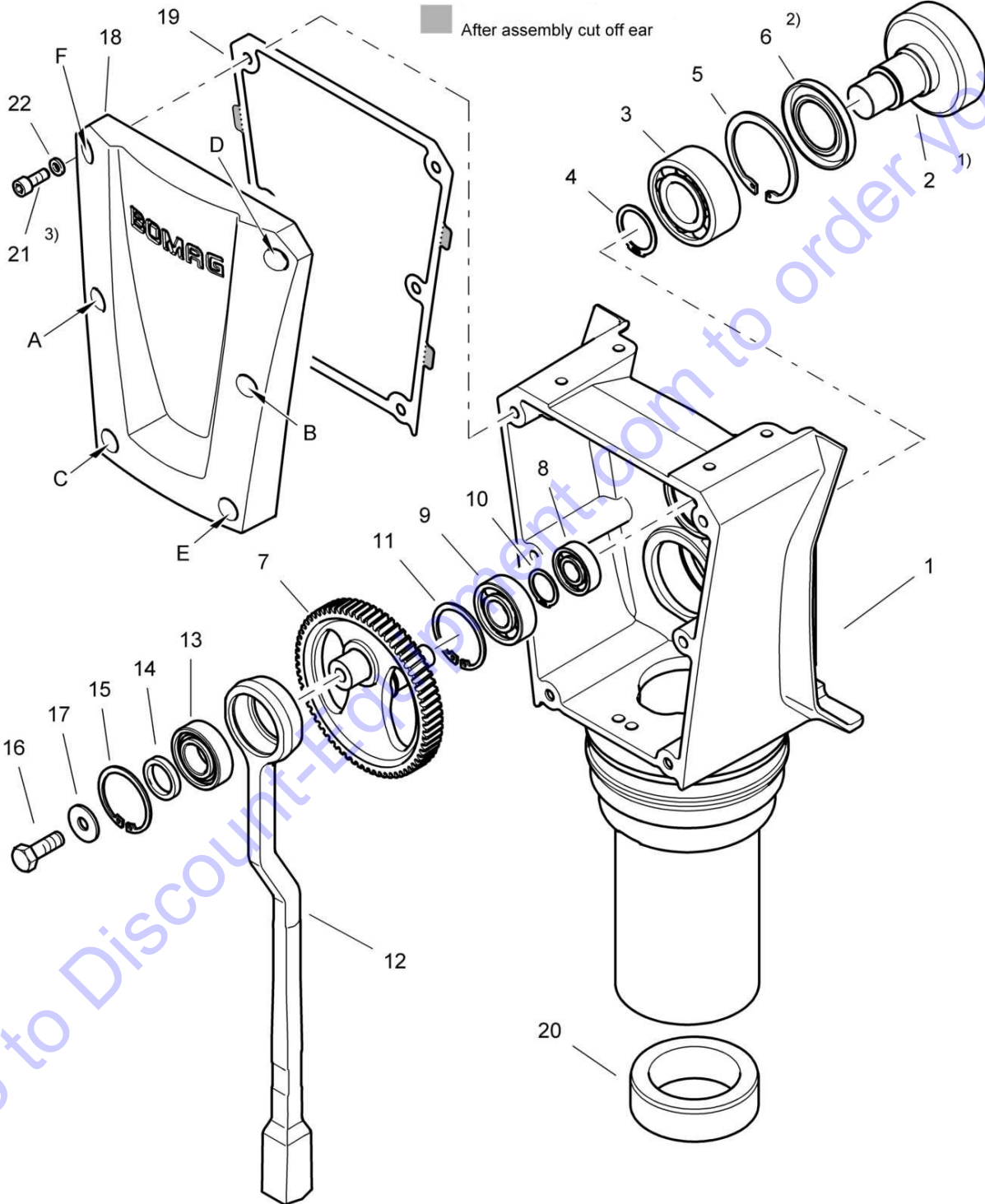
54220011_000_01

BVT 65	
S/N 101541201250 ▶ S/N 101541201259	52.14
Housing	Page 1 / 1
54220011 1001 1	BOMAG

Pos.	Part no.	Qty.	Description
1	54220218	1	Housing, assembled
2	54220172	1	Drive shaft
3	05121077	1	Angular ball bearing
4	09212100	1	Circlip,external
5	09223700	1	Circlip,internal
6	09312442	1	Radial seal
7	54220171	1	Crankshaft
8	05114073	1	Ball bearing,grooved
9	05114075	1	Ball bearing,grooved
10	09211300	1	Circlip,external
11	09222900	1	Circlip,internal
12	54220169	1	Conrod
13	05114075	1	Ball bearing,grooved
14	54220176	1	Sleeve
15	09222900	1	Circlip,internal
16	07141032	1	Hexagon bolt
17	08621105	1	Washer
18	54220209	1	Transmission cover
19	54220216	1	Gasket
21	07230831	6	Socket-head cap screw
22	08752084	6	Spring washer

Go to Discount-Equipment.com to order your parts

BVT 65	
52.14	S/N 101541201050 ▶ S/N 101541201249
	Housing
Page 1 / 1	
BOMAG	54220011_000_00



1) clutch housing inside free of oil and grease

2) Grease at the bore diameter

3)

Pos.20 acc. to alphabetical sequence tighten.
At first with 15 Nm, then with 35 Nm.

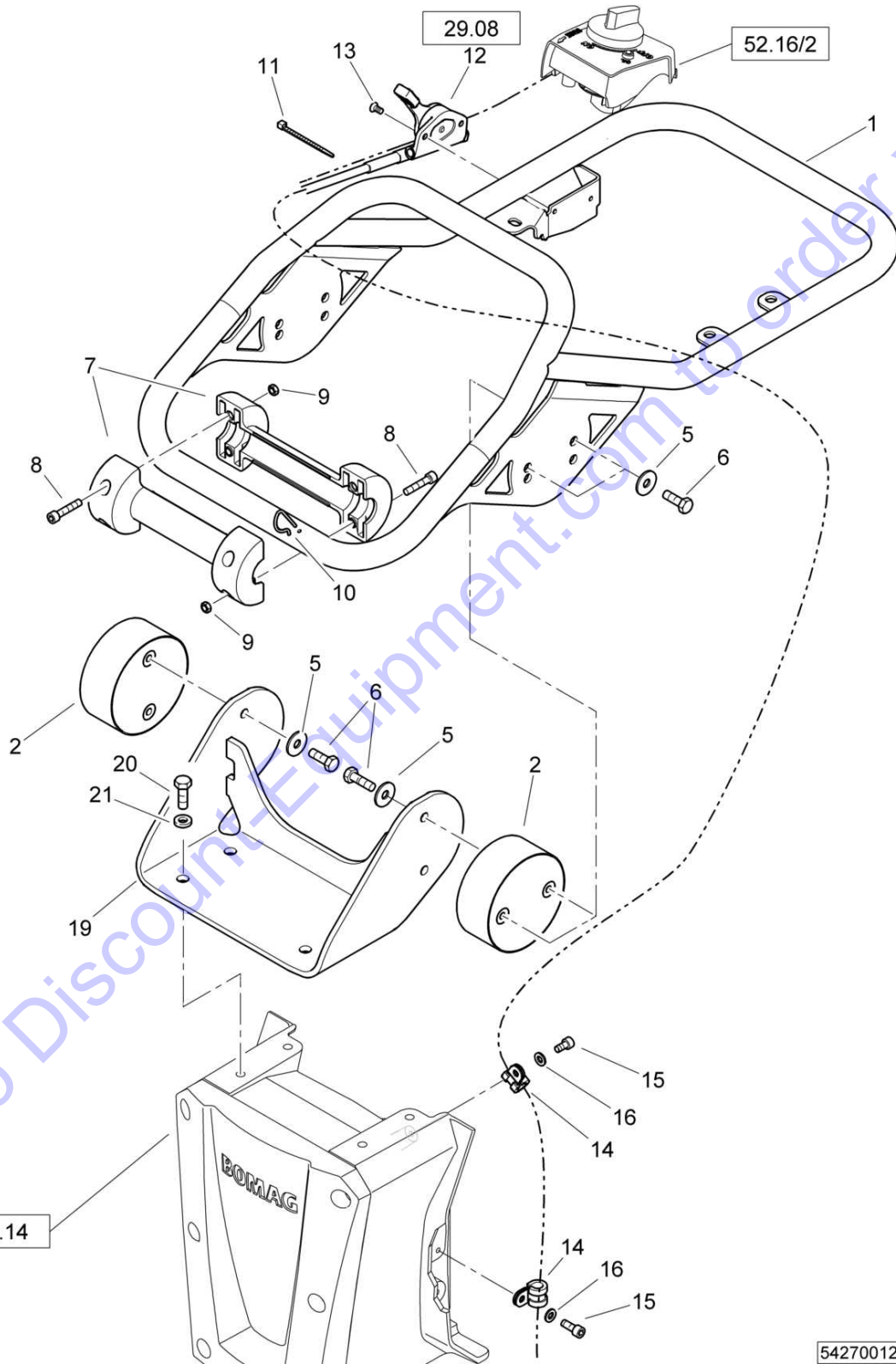
54220011_000_00

BVT 65	
S/N 101541201050 ▶ S/N 101541201249	52.14
Housing	Page 1 / 1
54220011 1001 1	BOMAG

Pos.	Part no.	Qty.	Description
1	54220197	1	Housing, assembled
2	54220172	1	Drive shaft
3	05121077	1	Angular ball bearing
4	09212100	1	Circlip,external
5	09223700	1	Circlip,internal
6	09312442	1	Radial seal
7	54220171	1	Crankshaft
8	05114073	1	Ball bearing,grooved
9	05114075	1	Ball bearing,grooved
10	09211300	1	Circlip,external
11	09222900	1	Circlip,internal
12	54220169	1	Conrod
13	05114075	1	Ball bearing,grooved
14	54220176	1	Sleeve
15	09222900	1	Circlip,internal
16	07141032	1	Hexagon bolt
17	08621105	1	Washer
18	54220200	1	Transmission cover
19	54220202	1	Gasket
20	54210229	1	Stop
21	07230831	6	Socket-head cap screw
22	08752084	6	Spring washer

Go to Discount-Equipment.com to order your parts

	BVT 65	S/N 101541201295 ▶
52.16	Steering Handle	
Page 1 / 2		
BOMAG	54270012_001_03	

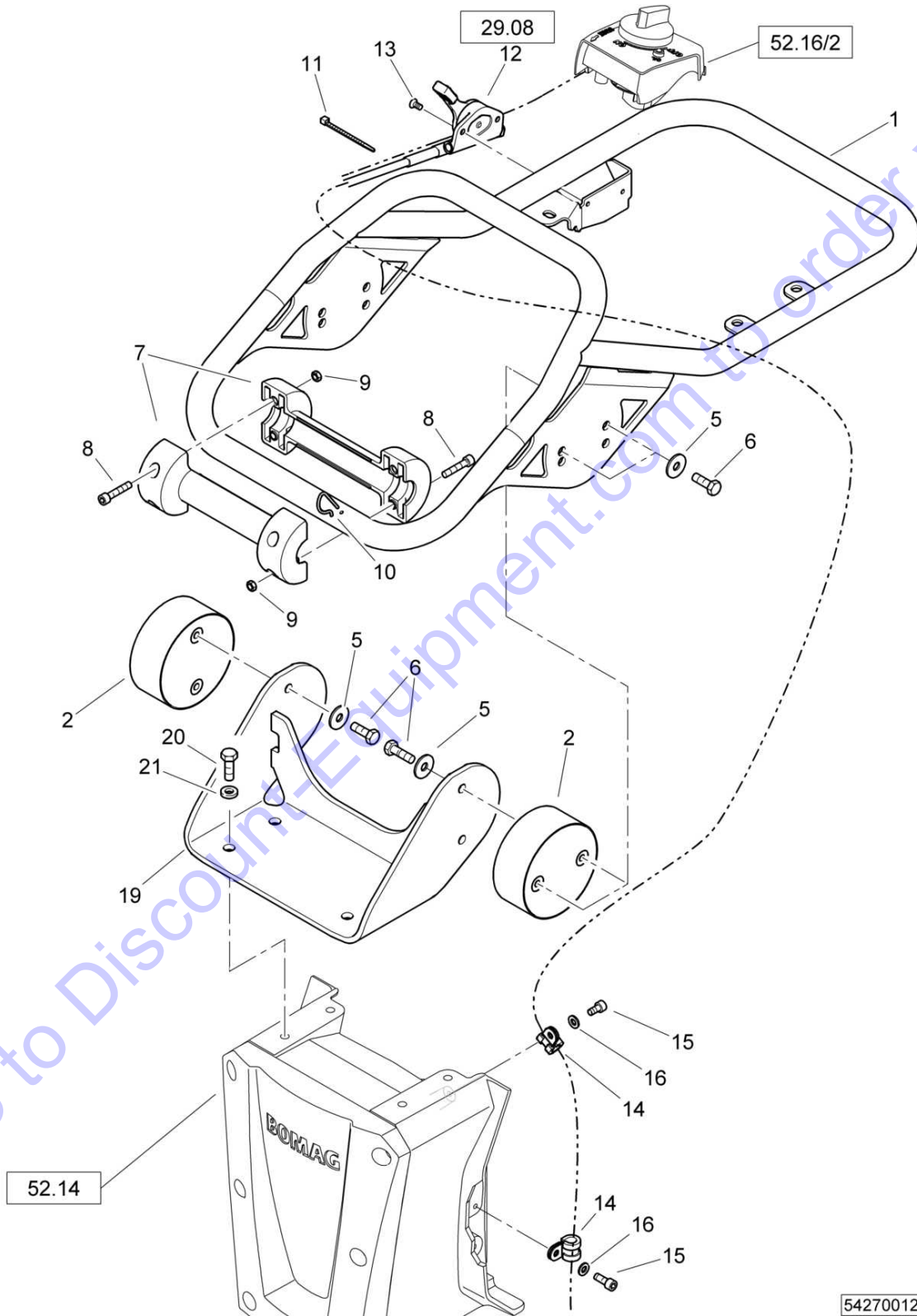


BVT 65	
S/N 101541201295 ▶	
Steering Handle	52.16
	Page 1 / 2
	BOMAG
54270012 1001 1	

Pos.	Part no.	Qty.	Description
1	54270219	1	Steering handle
2	06180320	2	Rubber buffer
5	08621084	8	Washer
6	07140820	8	Hexagon bolt
7	54270114	2	roller
8	07230692	4	Socket-head cap screw
9	08130611	4	Safety nut
10	54270141	1	Spring cotter
11	06911047	11	Cable strap
12	05561618	1	Throttle control
13	07310512	2	Countersunk screw
14	05551944	2	Tube clamp
15	07230693	2	Socket-head cap screw
16	08510612	2	Washer
19	54270227	1	Console
20	07141020	4	Hexagon bolt
21	08511021	4	Washer

Go to Discount-Equipment.com to order your parts

	BVT 65	S/N 101541201260 ▶ S/N 101541201294
52.16	Steering Handle	
Page 1 / 2		
BOMAG		54270012_001_03

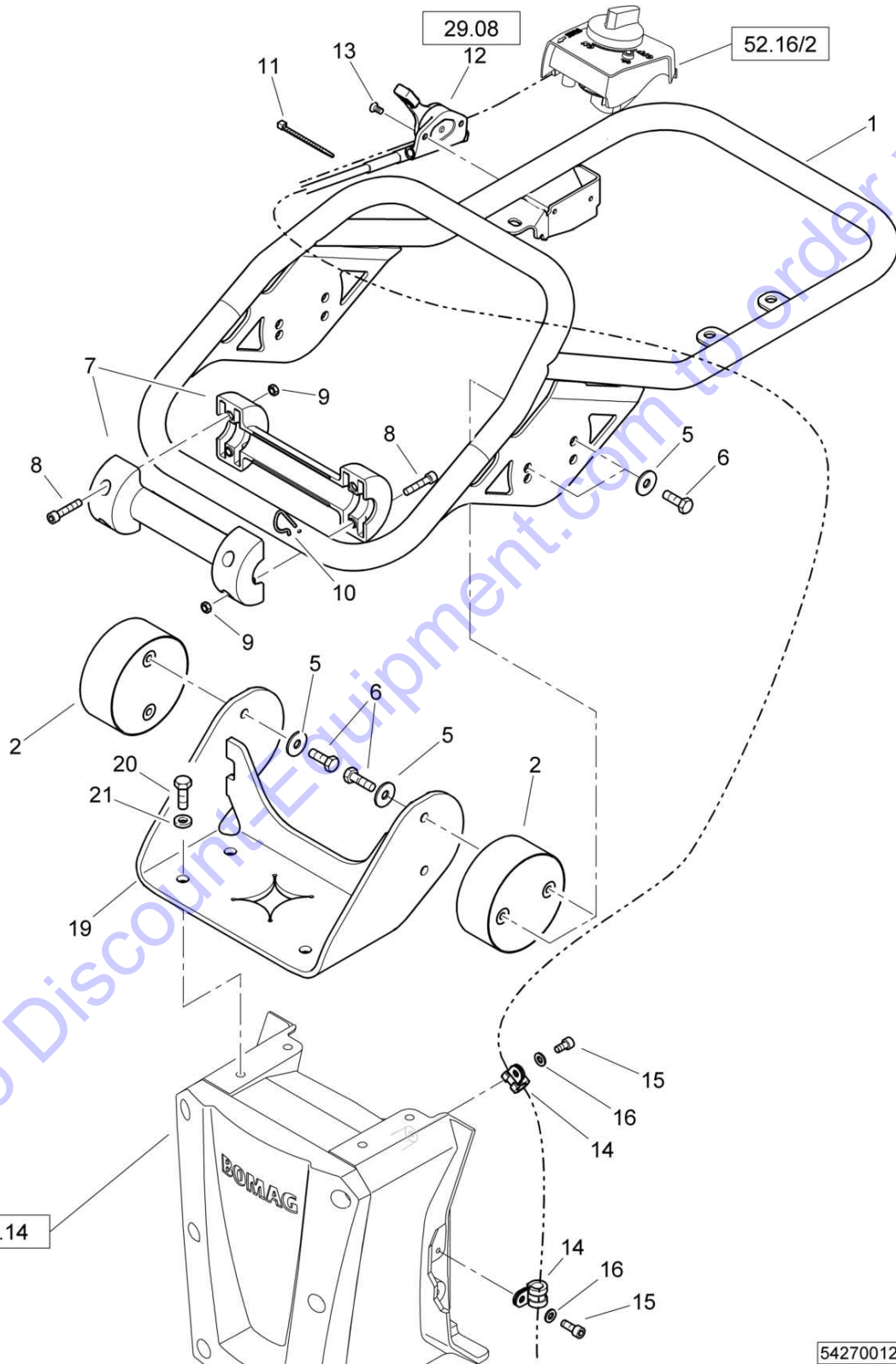


BVT 65	
S/N 101541201260 ▶ S/N 101541201294	52.16
Steering Handle	Page 1 / 2
54270012 1001 1	BOMAG

Pos.	Part no.	Qty.	Description
1	54270219	1	Steering handle
2	06180320	2	Rubber buffer
5	08621084	8	Washer
6	07140820	8	Hexagon bolt
7	54270114	2	roller
8	07230692	4	Socket-head cap screw
9	08130611	4	Safety nut
10	54270141	1	Spring cotter
11	06911047	10	Cable strap
12	05561618	1	Throttle control
13	07310512	2	Countersunk screw
14	05551944	2	Tube clamp
15	07230693	2	Socket-head cap screw
16	08510612	2	Washer
19	54270227	1	Console
20	07141020	4	Hexagon bolt
21	08511021	4	Washer

Go to Discount-Equipment.com to order your parts

	BVT 65	S/N 101541201250 ▶ S/N 101541201259
52.16	Steering Handle	
Page 1 / 2		
BOMAG		54270012_001_02



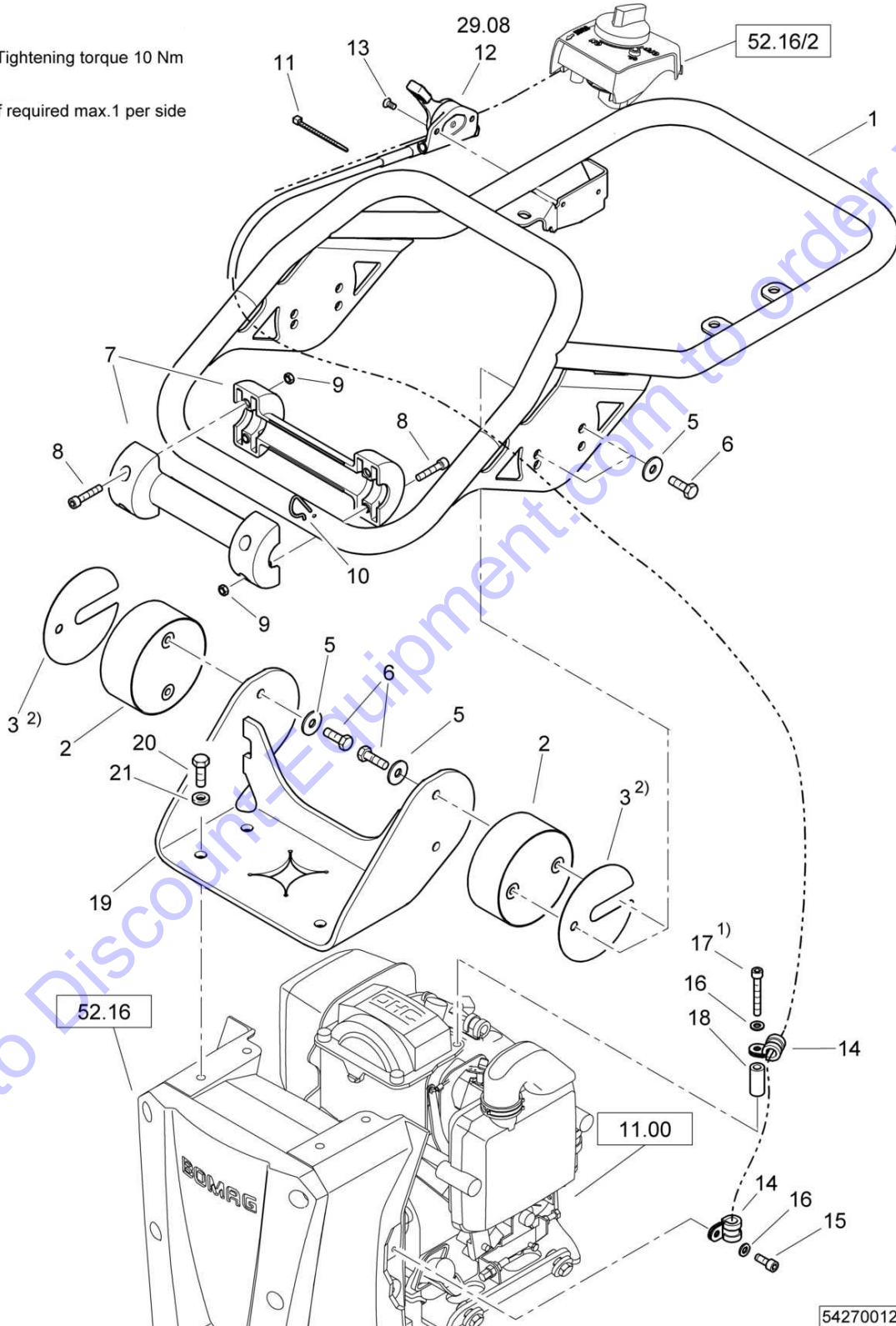
BVT 65	
S/N 101541201250 ▶ S/N 101541201259	52.16
Steering Handle	Page 1 / 2
54270012 1001 1	BOMAG

Pos.	Part no.	Qty.	Description
1	54270219	1	Steering handle
2	06180320	2	Rubber buffer
5	08621084	8	Washer
6	07140820	8	Hexagon bolt
7	54270114	2	roller
8	07230692	4	Socket-head cap screw
9	08130611	4	Safety nut
10	54270141	1	Spring cotter
11	06911047	10	Cable strap
12	05561618	1	Throttle control
13	07310512	2	Countersunk screw
14	05551944	2	Tube clamp
15	07230693	2	Socket-head cap screw
16	08510612	2	Washer
19	54270207	1	Console
20	07141020	4	Hexagon bolt
21	08511021	4	Washer

Go to Discount-Equipment.com to order your parts

	BVT 65	S/N 101541201050 ▶ S/N 101541201249
52.16	Steering Handle	
Page 1 / 2		
BOMAG		54270012_001_01

- 1) Tightening torque 10 Nm
- 2) If required max.1 per side



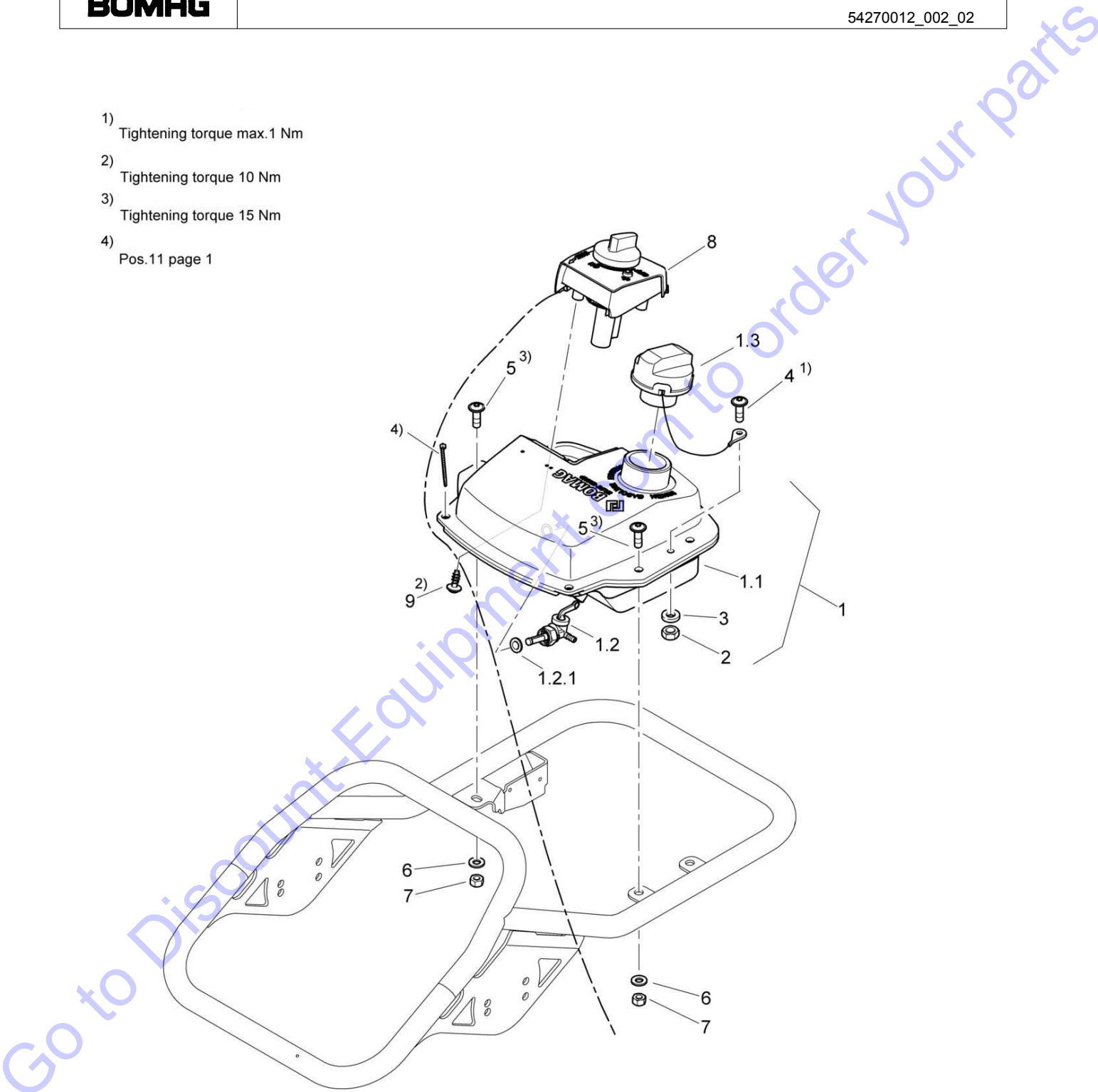
BVT 65	
S/N 101541201050 ▶ S/N 101541201249	52.16
Steering Handle	Page 1 / 2
54270012 1001 1	BOMAG

Pos.	Part no.	Qty.	Description
1	54270210	1	Steering handle
2	06180320	2	Rubber buffer
3	48230106	1	Shim
5	08621084	8	Washer
6	07140820	8	Hexagon bolt
7	54270114	2	roller
8	07230692	4	Socket-head cap screw
9	08130611	4	Safety nut
10	54270141	1	Spring cotter
11	06911047	10	Cable strap
12	05561590	1	Throttle control
13	07310512	2	Countersunk screw
14	05551944	2	Tube clamp
15	07230693	1	Socket-head cap screw
16	08510612	2	Washer
17	07230637	1	Socket-head cap screw
18	68150101	1	Sleeve
19	54270207	1	Console
20	07141020	4	Hexagon bolt
21	08511021	4	Washer

Go to Discount-Equipment.com to order your parts

	BVT 65	
52.16		S/N 101541201250 ▶
	Steering Handle	
Page 2 / 2		
BOMAG		54270012_002_02

- 1) Tightening torque max.1 Nm
- 2) Tightening torque 10 Nm
- 3) Tightening torque 15 Nm
- 4) Pos.11 page 1



BVT 65	
S/N 101541201250 ▶	
Steering Handle	52.16
	Page 2 / 2
	BOMAG
54270012 1001 1	

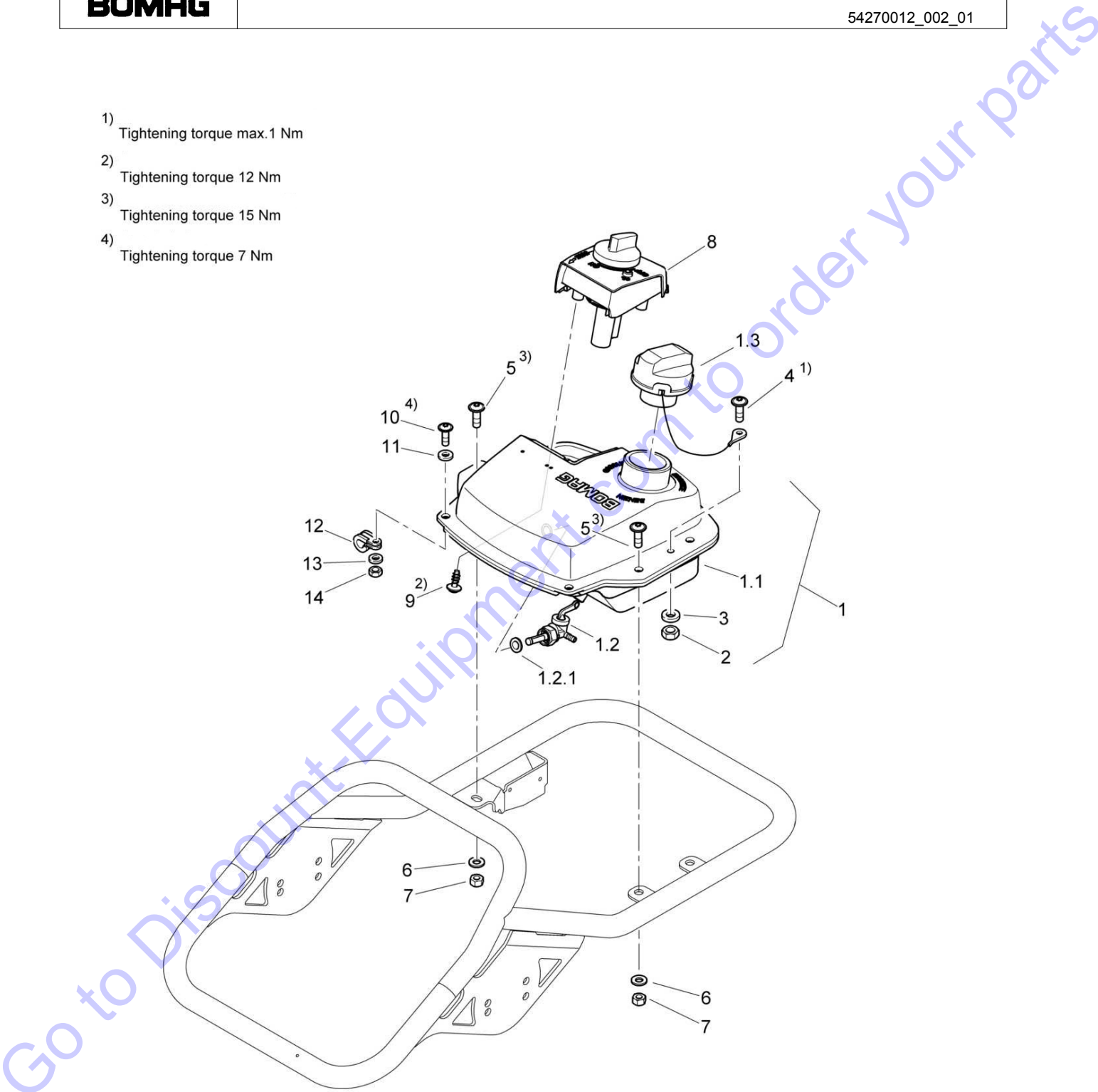
Pos.	Part no.	Qty.	Description
1	54270215	1	Fuel tank, assembled
1.1	54270214	1	Fuel tank
1.2	05824209	1	Fuel cock
1.2.1	05824225	1	Gasket
1.3	05950900	1	Tank cover
2	08130611	1	Safety nut
3	08751064	1	Spring washer
4	07210892	1	Lens head screw
5	07210825	3	Lens head screw
6	08510817	3	Washer
7	08130813	3	Safety nut
8	54270174	1	Shut down device
9	07815008	3	Screw

Go to Discount-Equipment.com to order your parts



	BVT 65	S/N 101541201050 ▶ S/N 101541201249
52.16	Steering Handle	
Page 2 / 2		
BOMAG	54270012_002_01	

- 1) Tightening torque max.1 Nm
- 2) Tightening torque 12 Nm
- 3) Tightening torque 15 Nm
- 4) Tightening torque 7 Nm



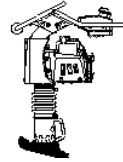
BVT 65	
S/N 101541201050 ▶ S/N 101541201249	52.16
Steering Handle	Page 2 / 2
54270012 1001 1	BOMAG

Pos.	Part no.	Qty.	Description
1	54270189	1	Fuel tank, assembled
1.1	54270185	1	Fuel tank
1.2	05824209	1	Fuel cock
1.2.1	05824225	1	Gasket
1.3	05950900	1	Tank cover
2	08130611	1	Safety nut
3	08751064	1	Spring washer
4	07210892	1	Lens head screw
5	07210825	3	Lens head screw
6	08510817	3	Washer
7	08130813	3	Safety nut
8	54270174	1	Shut down device
9	07815008	3	Screw
10	07210892	1	Lens head screw
11	08621064	1	Washer
12	05551944	1	Tube clamp
13	08751064	1	Spring washer
14	08130611	1	Safety nut

Go to Discount-Equipment.com to order your parts

Go to Discount-Equipment.com to order your parts

Plate / Foot



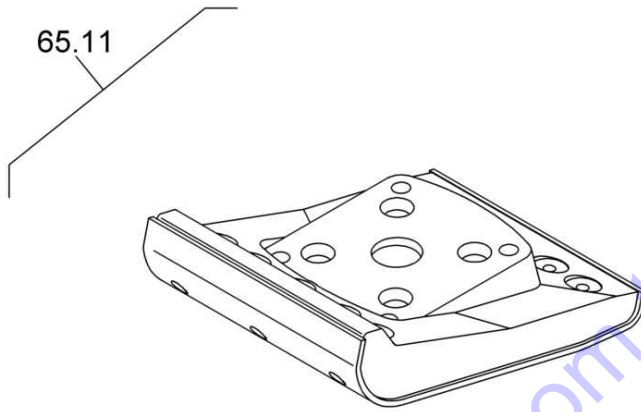
65

65.00

Plate / Foot

Page /

BOMAG



Go to Discount-Equipment.com to order your parts

Plate / Foot	65.00
	Page /
	BOMAG

Pos. Description

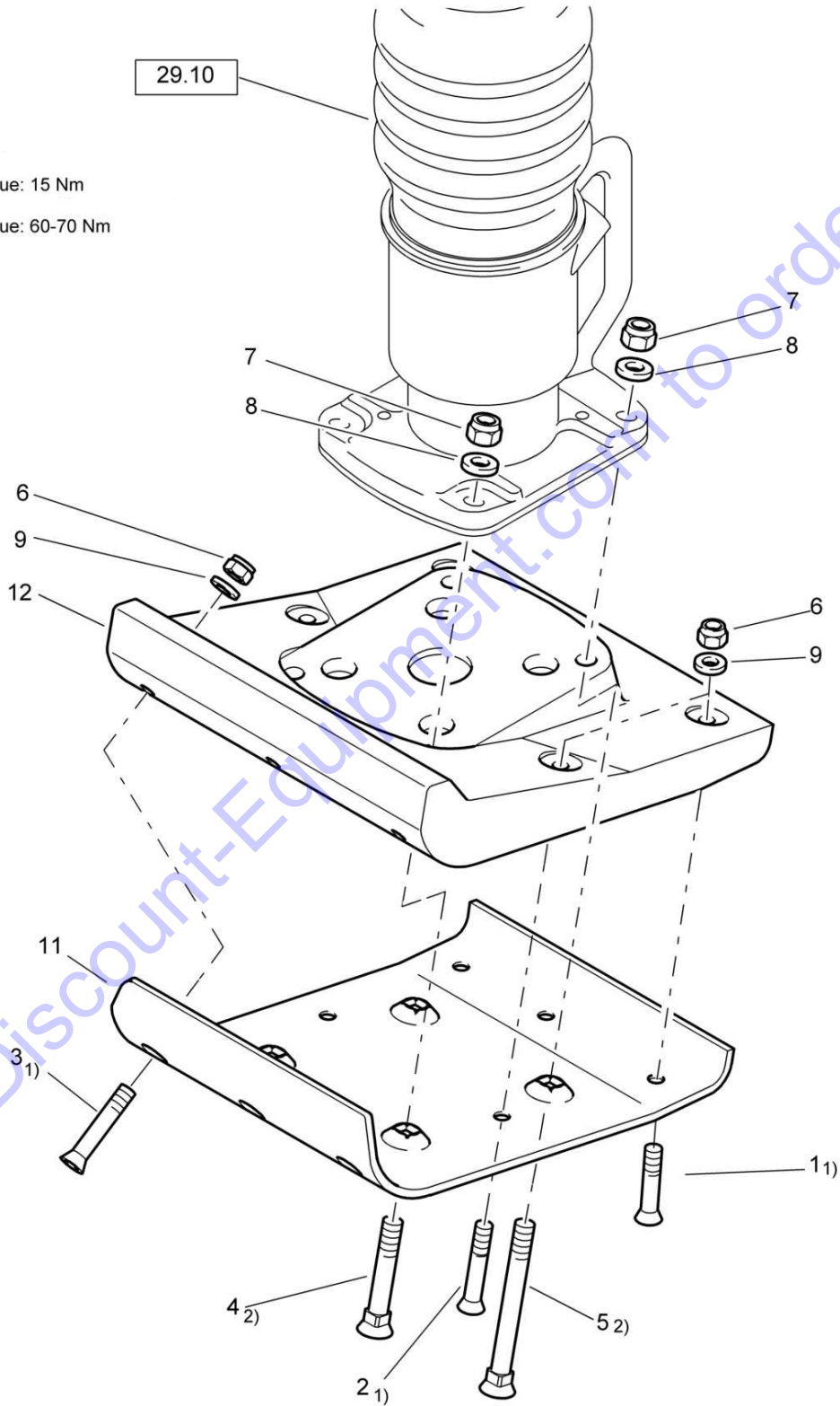
65.11 Tamper Foot

Go to Discount-Equipment.com to order your parts



	BVT 65	
65.11		S/N 101541201050 ▶
	Tamper Foot	
Page 1 / 1		
BOMAG		5420005_000_00

- 1) Torque value: 15 Nm
- 2) Torque value: 60-70 Nm



Go to Discount-Equipment.com to order your parts

BVT 65	
S/N 101541201050 ▶	
Tamper Foot	65.11
	Page 1 / 1
	BOMAG
54200005 1001 1	

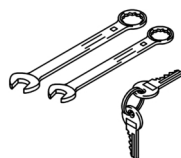
Pos.	Part no.	Qty.	Description	Benennung
1	07320830	3	Countersunk screw	
2	07320832	2	Countersunk screw	
3	07320836	3	Countersunk screw	
4	07361227	2	Countersunk screw	
5	07361239	2	Countersunk screw	
6	08130813	8	Safety nut	
7	08131218	4	Safety nut	
8	08752130	4	Spring washer	
9	08611095	8	Washer	
11	54200105	1	Base plate	
12	54200108	1	Tamping plate	

Go to Discount-Equipment.com to order your parts



Go to Discount-Equipment.com to order your parts

Accessories



100.00

Accessories

Page /

BOMAG

101.03

BOMAG
FAYAT GROUP



Accessories	100.00
	Page /
	BOMAG

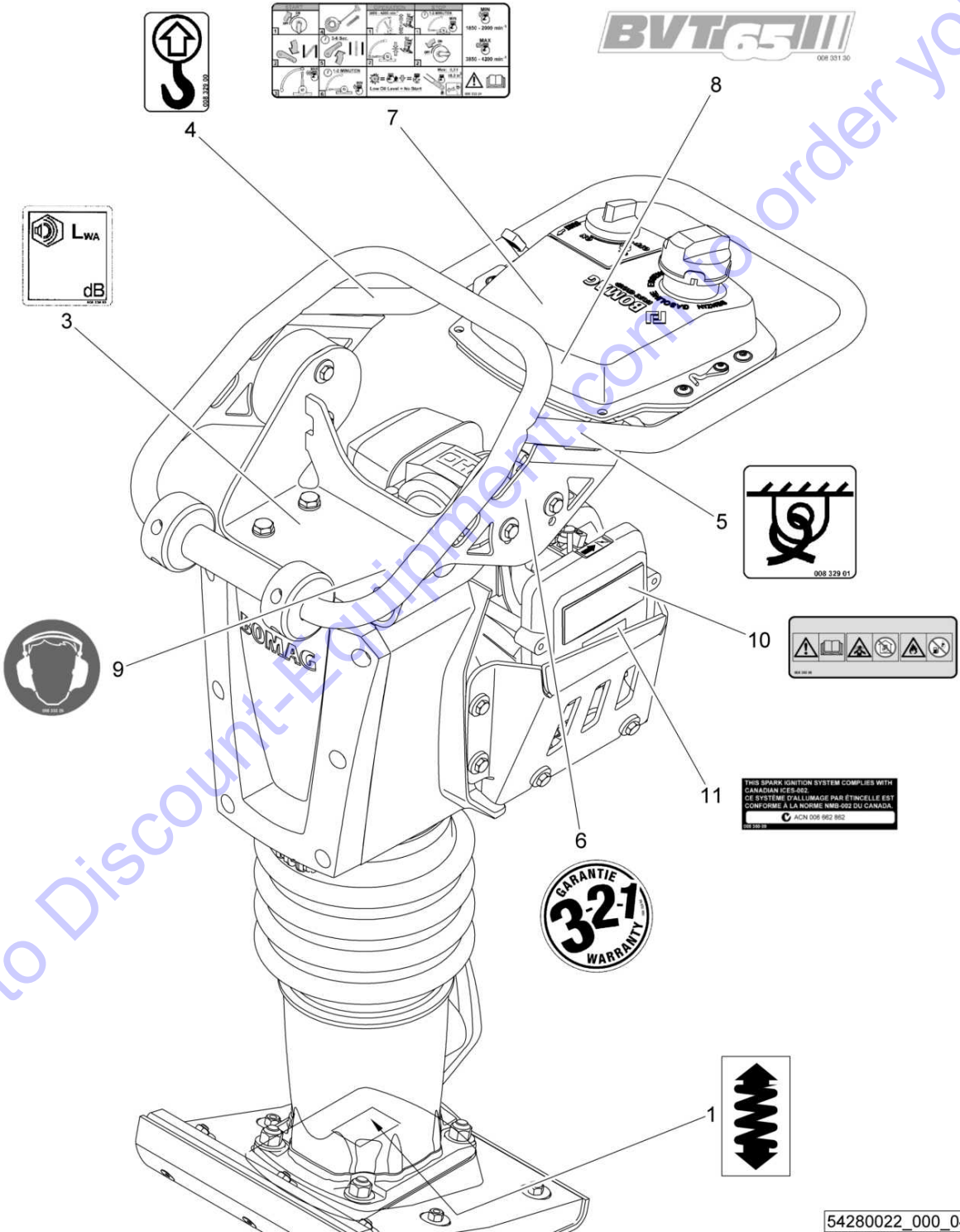
Pos. Description

101.03 Decals

Go to Discount-Equipment.com to order your parts



	BVT 65	S/N 101541201260 ▶
101.03	Decals	
Page 1 / 1		
BOMAG	54280022_000_04	



Go to Discount-Equipment.com to order your parts

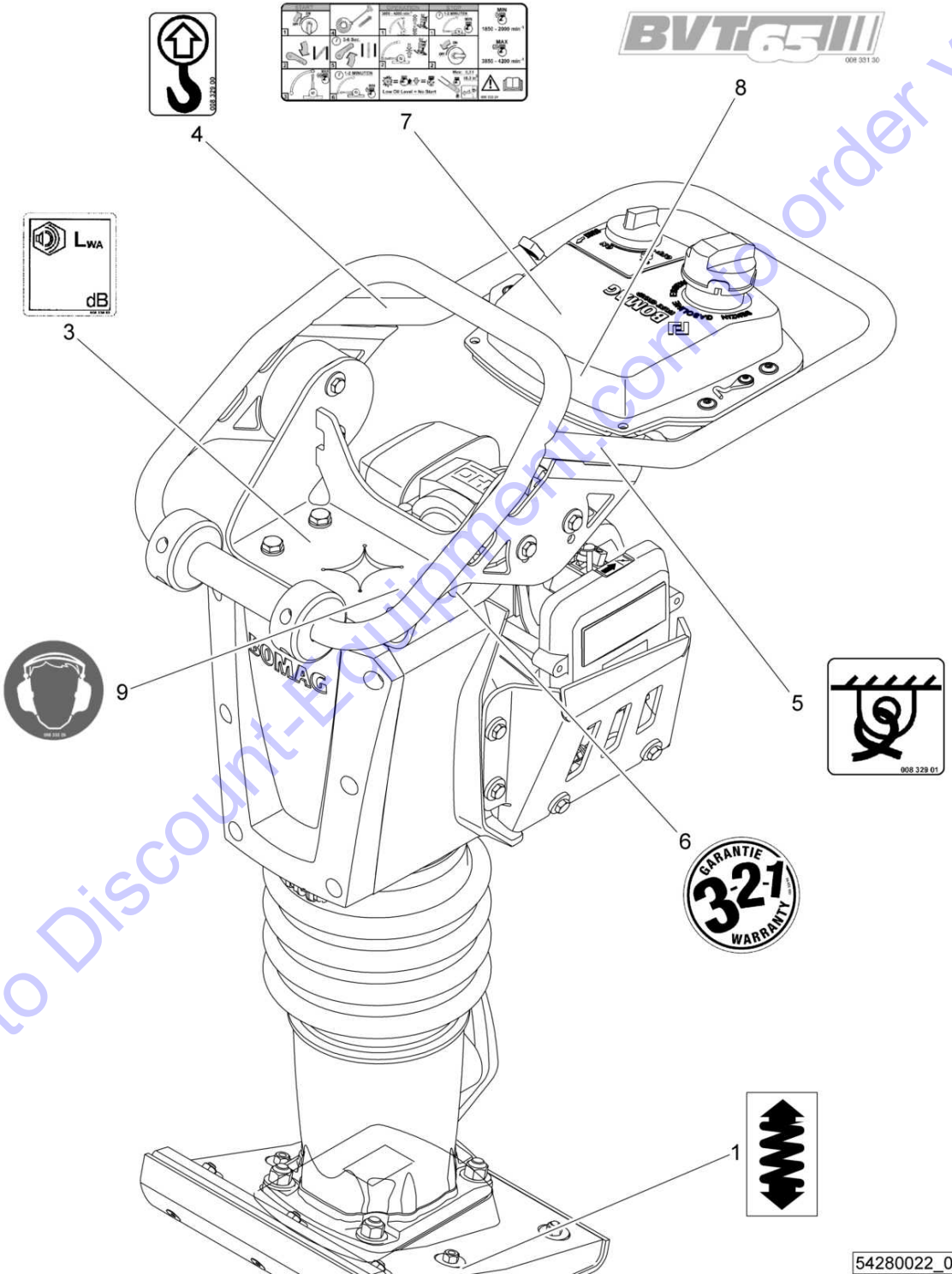
BVT 65	
S/N 101541201260 ▶	
Decals	101.03
	Page 1 / 1
	BOMAG
54280022 1001 1	

Pos.	Part no.	Qty.	Description
1	00832132	1	Decal,indication
3	00832654	1	Decal,indication
4	00832900	1	Decal,indication
5	00832901	1	Decal,indication
6	00832996	1	Label
7	00833224	1	Decal,operation
8	00833130	1	Type designation
9	00833226	1	Decal,indication
10	00835008	1	Warning sign
11	00835009	1	Decal,indication

Go to Discount-Equipment.com to order your parts



	BVT 65	S/N 101541201250 ▶ S/N 101541201259
101.03	Decals	
Page 1 / 1		
BOMAG		54280022_000_01



Go to Discount-Equipment.com to order your parts

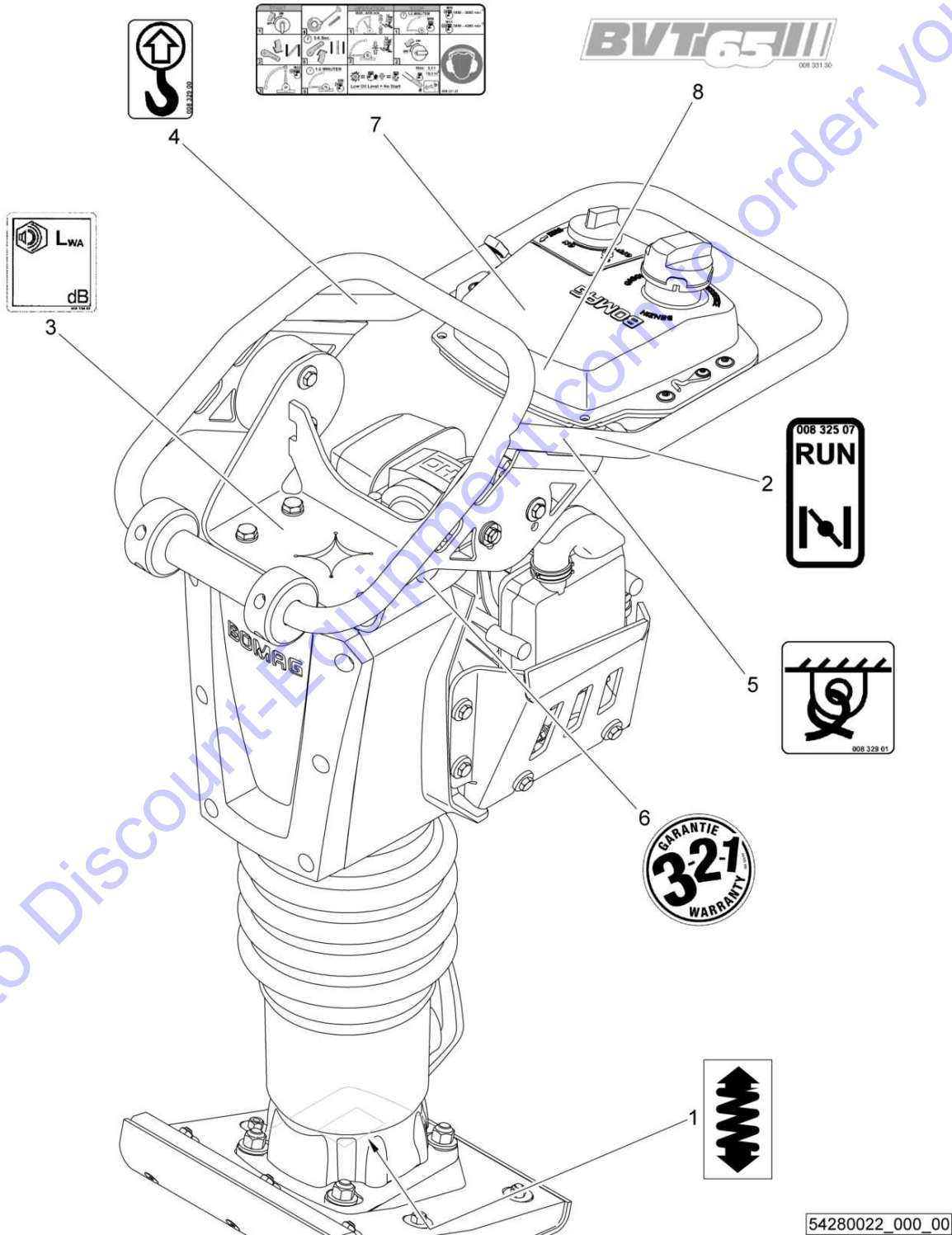
BVT 65	
S/N 101541201250 ▶ S/N 101541201259	
Decals	101.03
	Page 1 / 1
	BOMAG
54280022 1001 1	

Pos.	Part no.	Qty.	Description
1	00832132	1	Decal,indication
3	00832654	1	Decal,indication
4	00832900	1	Decal,indication
5	00832901	1	Decal,indication
6	00832996	1	Label
7	00833224	1	Decal,operation
8	00833130	1	Type designation
9	00833226	1	Decal,indication

Go to Discount-Equipment.com to order your parts



	BVT 65	S/N 101541201050 ▶ S/N 101541201249
101.03	Decals	
Page 1 / 1		
BOMAG		54280022_000_00



BVT 65	
S/N 101541201050 ▶ S/N 101541201249	101.03
Decals	Page 1 / 1 Seite 1 / 1
54280022 1001 1	BOMAG

Pos.	Part no.	Qty.	Description
1	00832132	1	Decal,indication
2	00832507	1	Decal,indication
3	00832654	1	Decal,indication
4	00832900	1	Decal,indication
5	00832901	1	Decal,indication
6	00832996	1	Label
7	00833127	1	Decal,operation
8	00833130	1	Type designation

Go to Discount-Equipment.com to order your parts



Go to Discount-Equipment.com to order your parts

Special Equipment

Option

110

110.00

Special Equipment

Page /

BOMAG

125.09

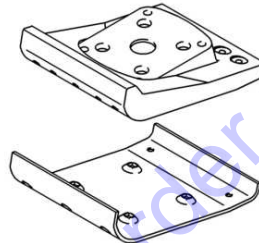
125.10

125.11

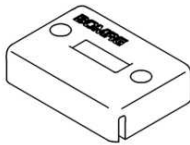


165.17

165.18



182.51



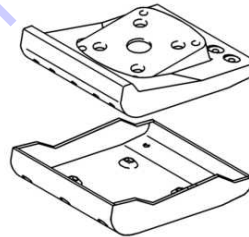
165.19

165.20

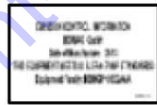
165.21

165.22

165.23

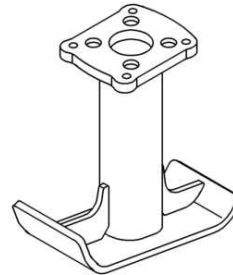


112.67



163.21

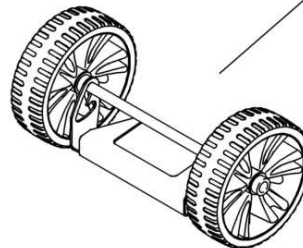
163.22



194.08



166.03



54100020_110_00

Special Equipment	110.00
	Page /
	BOMAG

Pos. Description

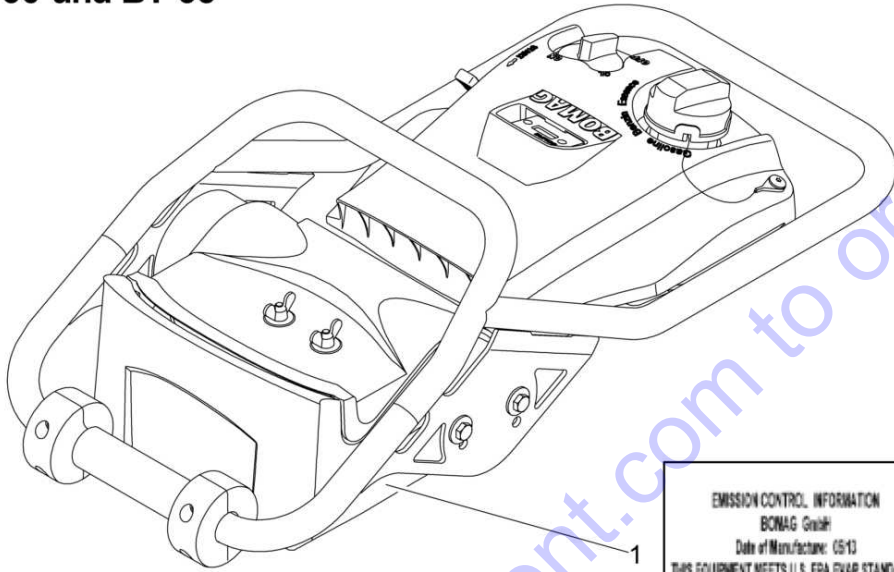
- 112.67 SP5-Gas emission dir. EVAP EPA
- 125.09 SL24-Spec.colour,bellows,red
- 125.10 SL26-Spec.colour,bellows,orange
- 125.11 SL29-Spec.colour,bellows,white
- 163.11 X8-Foot plate 330mm
- 163.12 X9-Foot plate 230mm
- 163.21 X15-Foot extension, 366x150
- 163.22 X18-Foot extension, 366x100
- 165.17 X21-Foot plate 280mm 13°
- 165.18 X22-Foot plate 230mm 13°
- 165.18 X22-Foot plate 230mm 13°
- 165.19 X23-Foot plate 330mm 13°
- 165.19 X23-Foot plate 330mm 13°
- 165.20 X24-Foot plate 290mm 13°
- 165.21 X25-Foot plate 240mm 13°
- 165.22 X26-Foot plate 200mm 13°
- 165.23 X27-Foot plate 160mm 13°
- 166.03 T94-Transport wheels,failsave
- 182.51 AZ20-Hour/Tach meter

Go to Discount-Equipment.com to order your parts



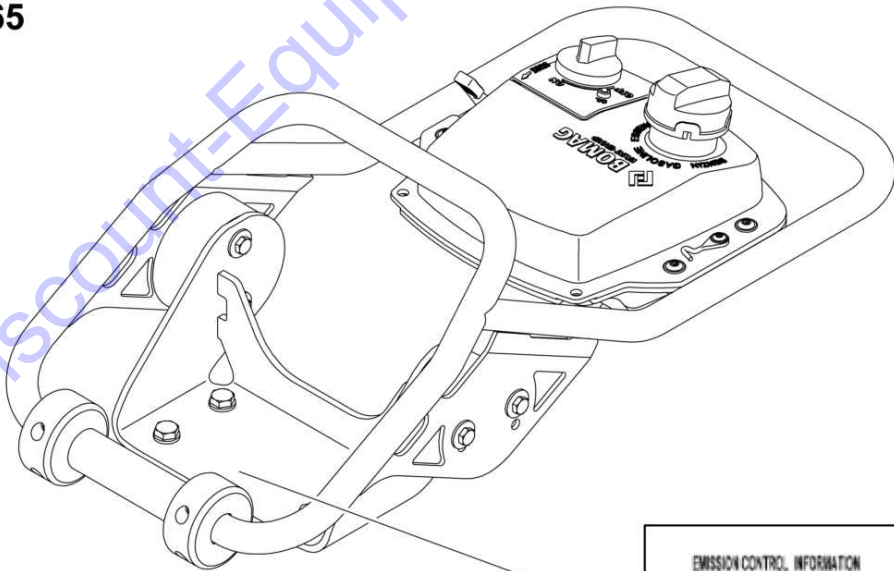
	BVT 65	S/N 101541201260 ▶
112.67	SP5-Gas emission dir. EVAP EPA	
Page 1 / 1		
BOMAG	54100900_000_00	

BT 60 und BT 65



EMISSION CONTROL INFORMATION
 BOMAG GmbH
 Date of Manufacture: 05/13
 THIS EQUIPMENT MEETS U.S. EPA EVAP STANDARDS
 Equipment Family: DBMGPHREGAAA

BVT 65



EMISSION CONTROL INFORMATION
 BOMAG GmbH
 Date of Manufacture: 05/13
 THIS EQUIPMENT MEETS U.S. EPA EVAP STANDARDS
 Equipment Family: DBMGPHREGAAA

BVT 65	
S/N 101541201260 ▶	112.67
SP5-Gas emission dir. EVAP EPA	
	Page 1 / 1 Seite 1 / 1
54100900 1001 1	BOMAG

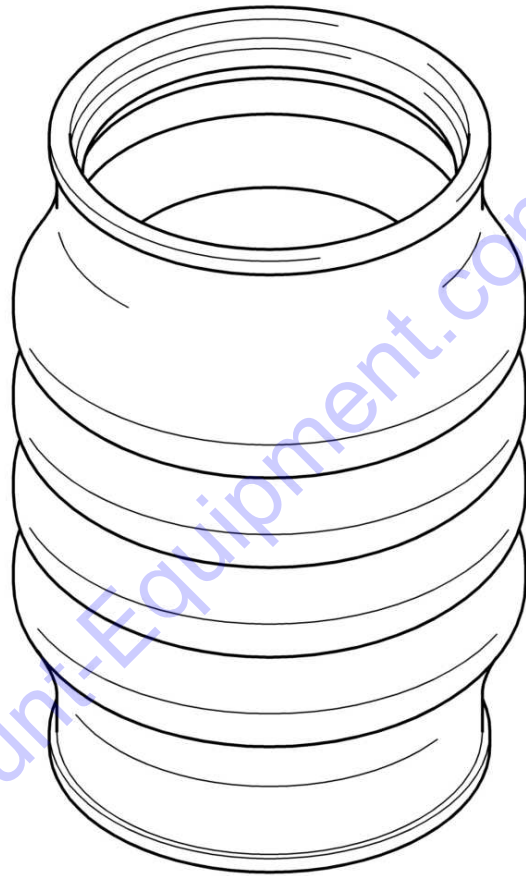
Pos. Part no. Qty. Description

1 54280127 1 Label

Go to Discount-Equipment.com to order your parts



	BVT 65	S/N 101541201050 ▶
125.09	SL24-Spec.colour,bellows,red	
Page 1 / 1		
BOMAG	54000891_000_00	



1
RAL 3020

Go to DiscountEquipment.com to order your parts

BVT 65	
S/N 101541201050 ▶	
SL24-Spec.colour,bellows,red	125.09
	Page 1 / 1
54000891 1001 1	BOMAG

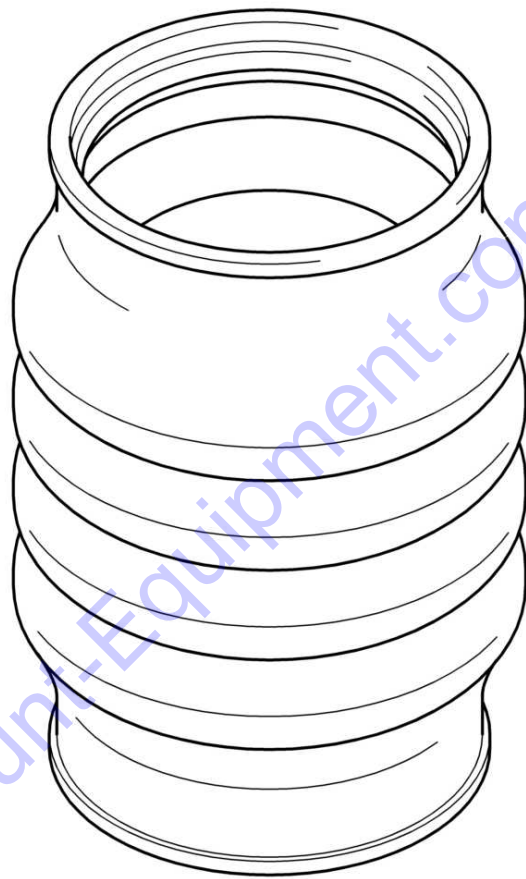
Pos. Part no. Qty. Description

1 54003081 1 Bellows

Go to Discount-Equipment.com to order your parts



	BVT 65	
125.10		S/N 101541201050 ▶
	SL26-Spec.colour,bellows,orange	
Page 1 / 1		
BOMAG		54000893_000_00



1
RAL 2004

BVT 65	
S/N 101541201050 ▶	
SL26-Spec.colour,bellows,orange	125.10
	Page 1 / 1
54000893 1001 1	BOMAG

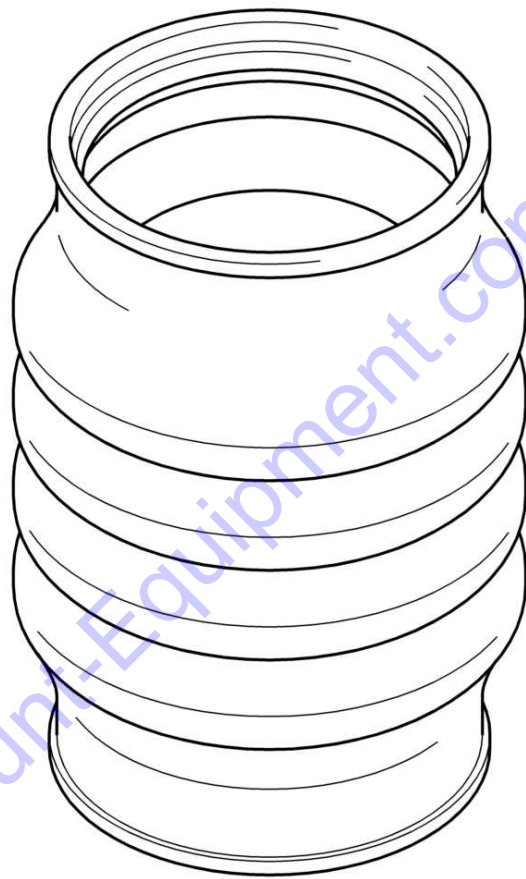
Pos. Part no. Qty. Description

1 54003095 1 Bellows

Go to Discount-Equipment.com to order your parts



	BVT 65	S/N 101541201050 ▶
125.11	SL29-Spec.colour,bellows,white	
Page 1 / 1		
BOMAG	54000895_000_00	



1
RAL 9010

BVT 65	
S/N 101541201050 ▶	
SL29-Spec.colour,bellows,white	125.11
	Page 1 / 1
54000895 1001 1	BOMAG

Pos. Part no. Qty. Description

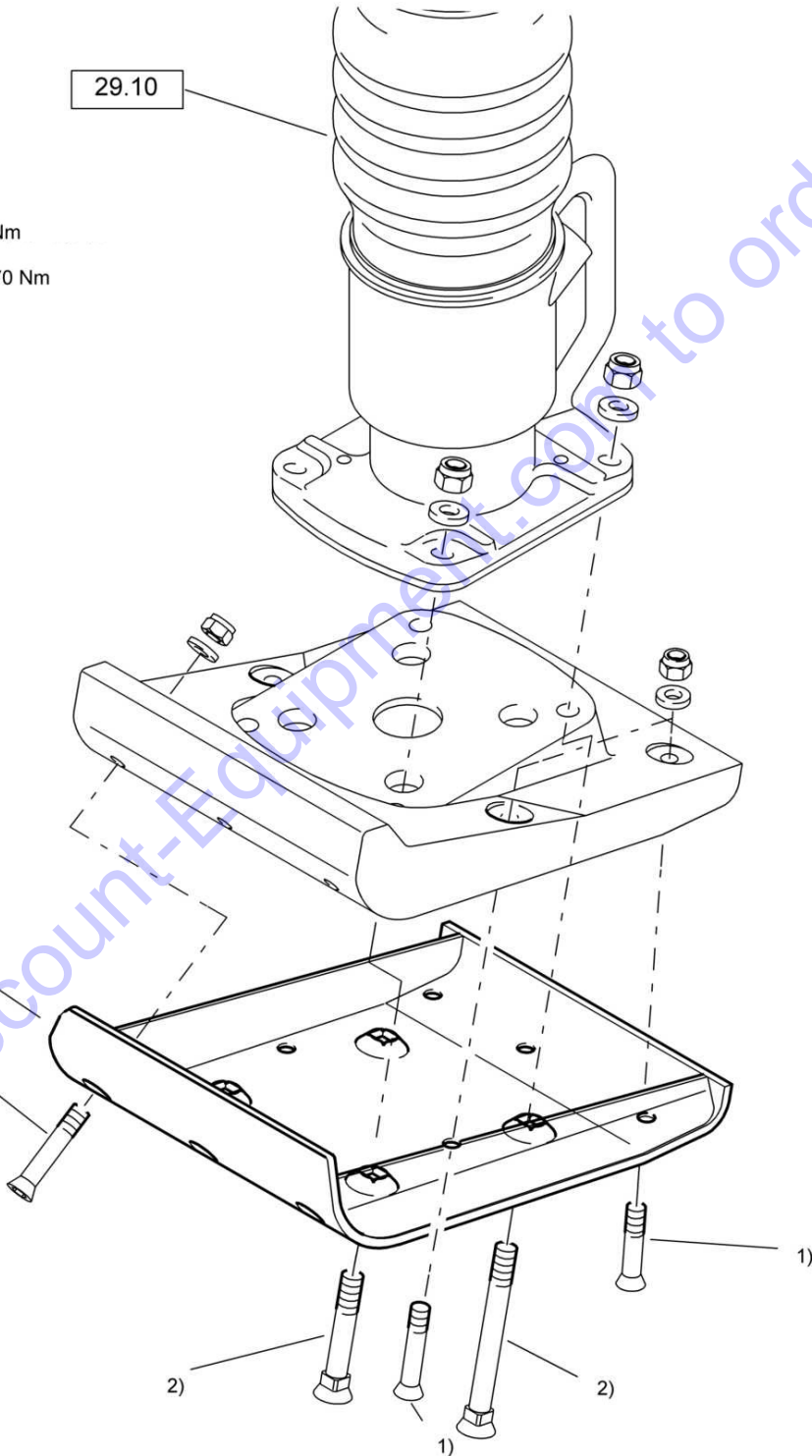
1 54003102 1 Bellows

Go to Discount-Equipment.com to order your parts



	BVT 65	S/N 101541201050 ▶ S/N 101541201259
163.11	X8-Foot plate 330mm	X8-foot plate 330mm
Page 1 / 1		
BOMAG		54000416_000_00

- 1) Torque value: 15 Nm
- 2) Torque value: 60-70 Nm



BVT 65		
S/N 101541201050 ▶ S/N 101541201259		163.11
X8-Foot plate 330mm	X8-foot plate 330mm	
		Page 1 / 1
		BOMAG
		54000416 1001 1

Pos. Part no. Qty. Description

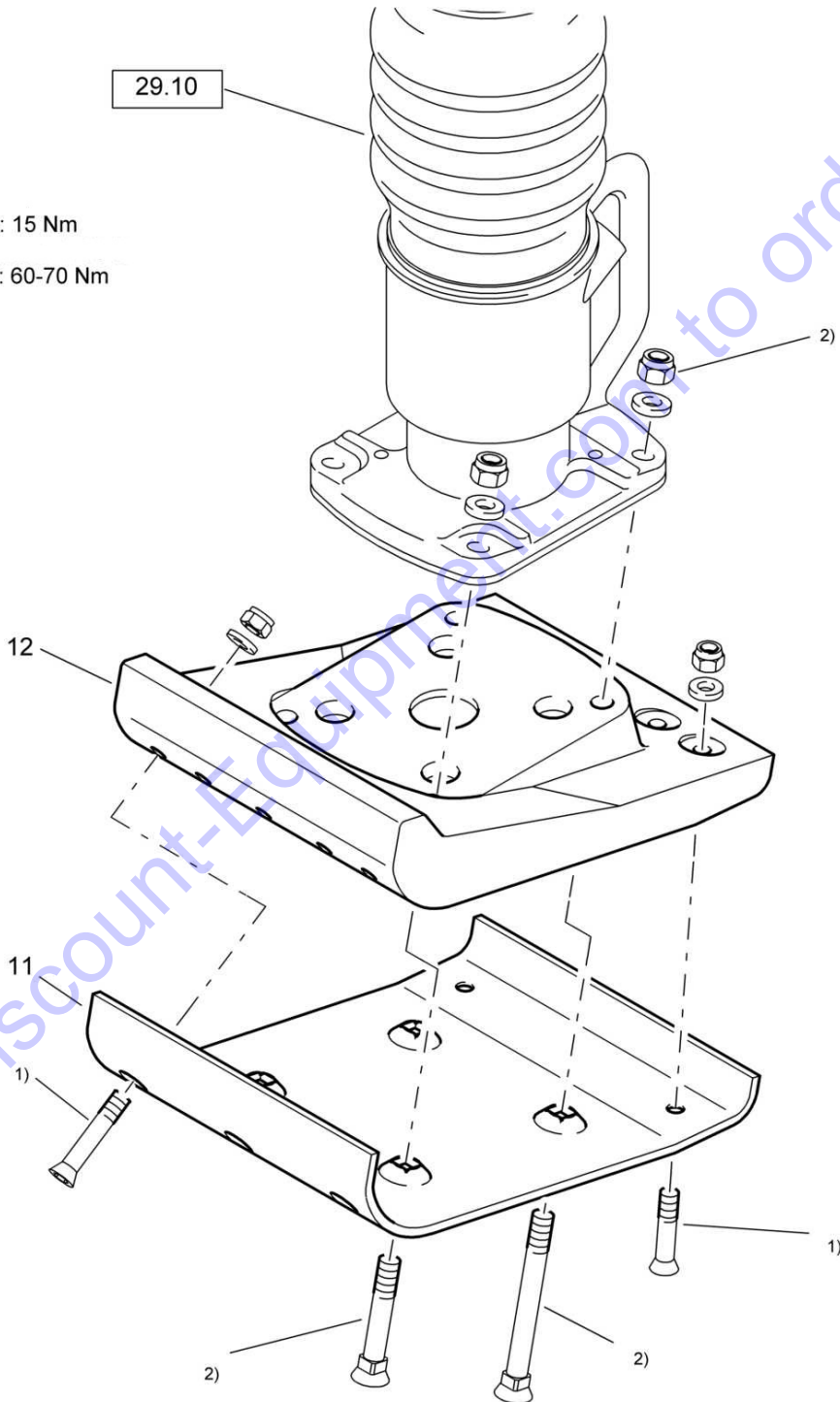
11 54003049 1 Base plate

Go to Discount-Equipment.com to order your parts



	BVT 65	S/N 101541201050 ▶ S/N 101541201259
163.12	X9-Foot plate 230mm	X9-foot plate 230mm
Page 1 / 1		
BOMAG		54000420_000_00

- 1) Torque value: 15 Nm
- 2) Torque value: 60-70 Nm



Go to Discount-Equipment.com to order your parts

BVT 65		
S/N 101541201050 ▶ S/N 101541201259		163.12
X9-Foot plate 230mm	X9-foot plate 230mm	
		Page 1 / 1
54000420 1001 1		BOMAG

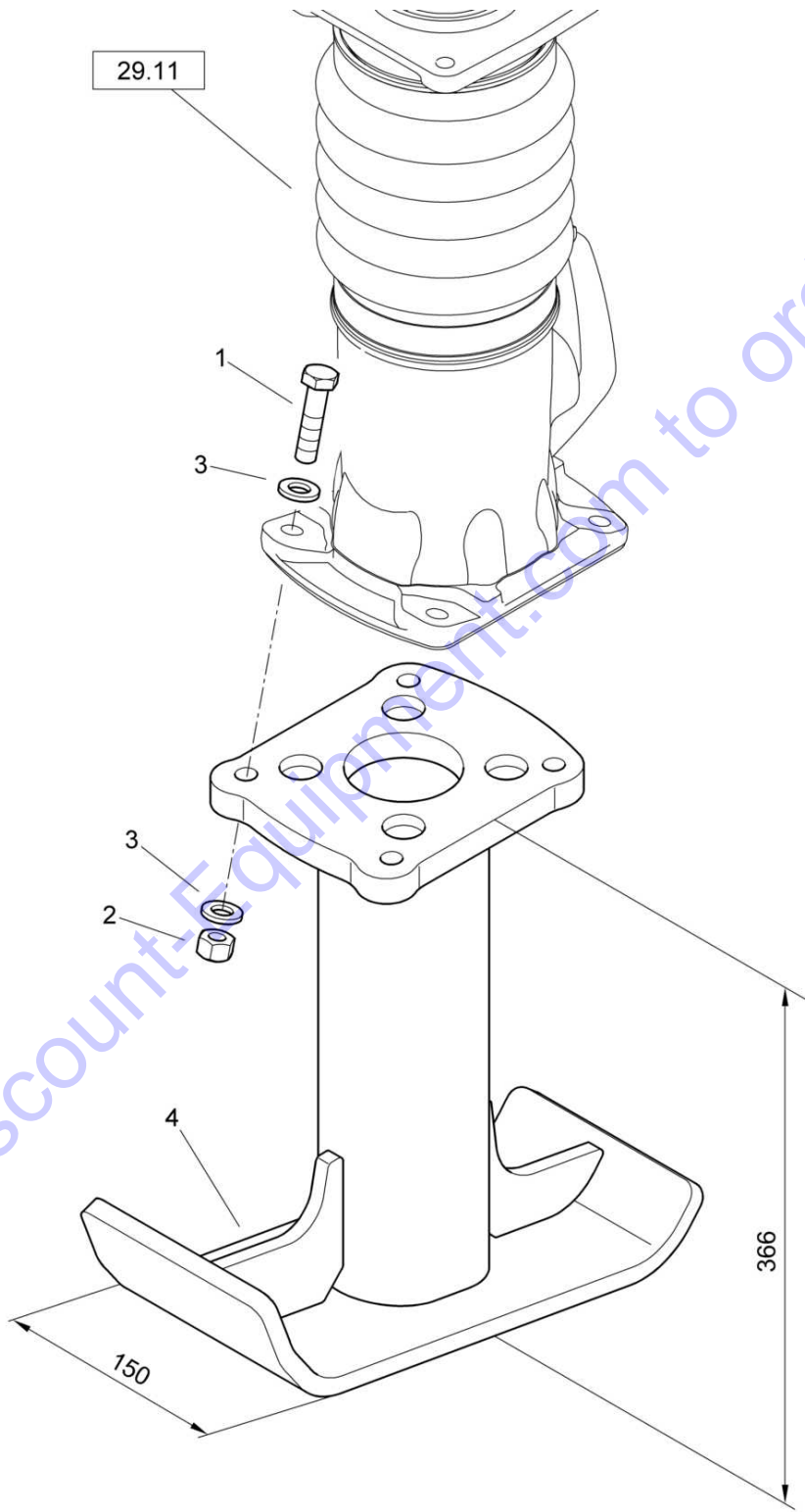
Pos. Part no. Qty. Description

11	54200106	1	Base plate
12	54200107	1	Tamping plate

Go to Discount-Equipment.com to order your parts



	BVT 65	
163.21		S/N 101541201250 ▶
	X15-Foot extension, 366x150	
Page 1 / 1		
BOMAG		54102002_000_00



54102002_000_00

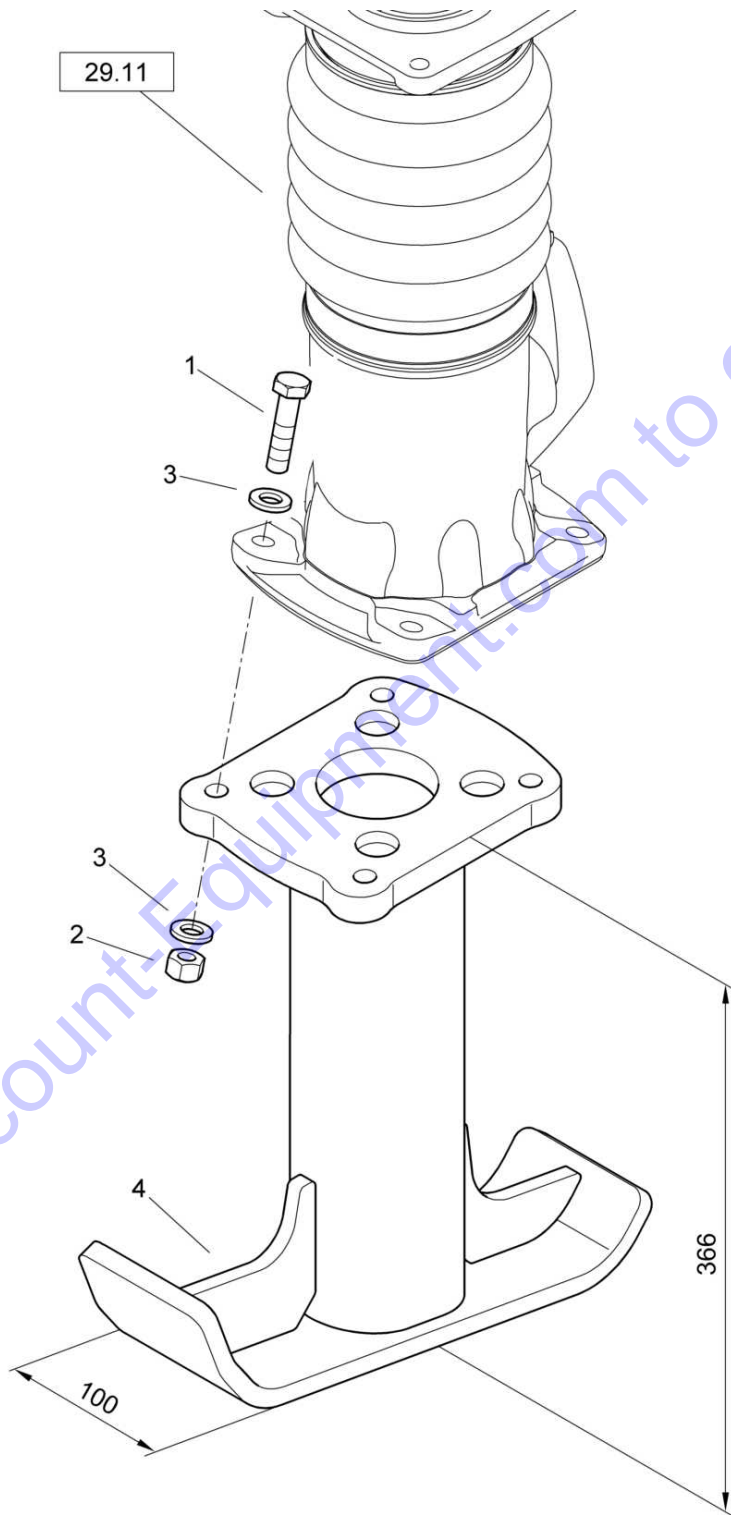
BVT 65	
S/N 101541201250 ▶	
X15-Foot extension, 366x150	163.21
	Page 1 / 1
	BOMAG
54102002 1001 1	

Pos.	Part no.	Qty.	Description
0	54102002	1	X15-Foot extension, 366x150
1	07141248	4	Hexagon bolt
2	08131218	4	Safety nut
3	08511324	8	Washer
4	54103003	1	Foot extension

Go to Discount-Equipment.com to order your parts



	BVT 65	S/N 101541201250 ▶
163.22	X18-Foot extension, 366x100	
Page 1 / 1		
BOMAG	54102003_000_00	



54102003_000_00

BVT 65	
S/N 101541201250 ▶	
X18-Foot extension, 366x100	163.22
	Page 1 / 1
	BOMAG
54102003 1001 1	

Pos.	Part no.	Qty.	Description	Benennung
------	----------	------	-------------	-----------

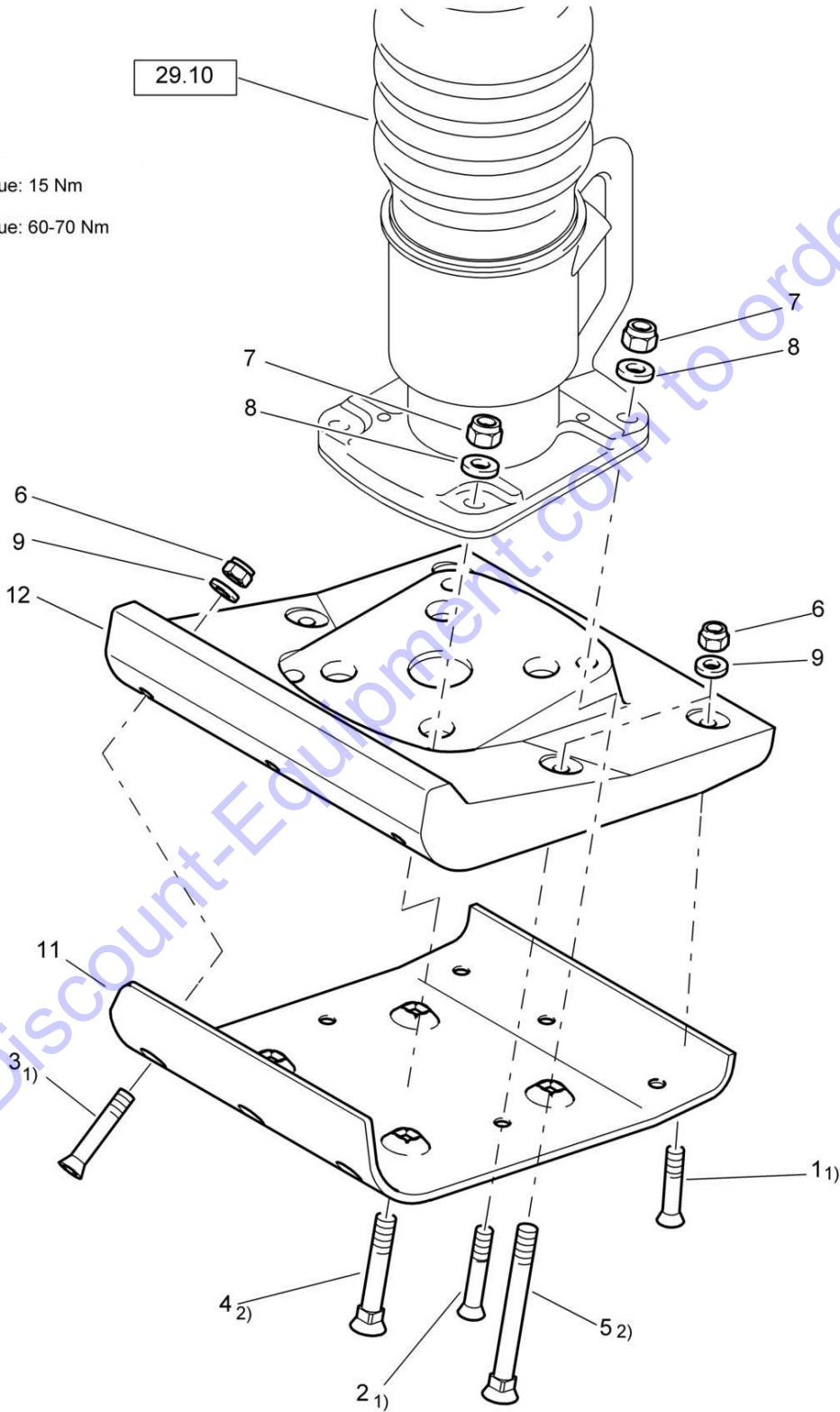
0	54102003	1	X18-Foot extension, 366x100	
1	07141248	4	Hexagon bolt	
2	08131218	4	Safety nut	
3	08511324	8	Washer	
4	54103004	1	Foot extension	

Go to Discount-Equipment.com to order your parts



	BVT 65	
165.17		S/N 101541201050 ▶
	X21-Foot plate 280mm 13°	
Page 1 / 1		
BOMAG		54002090_000_00

- 1) Torque value: 15 Nm
- 2) Torque value: 60-70 Nm



Go to Discount-Equipment.com to order your parts

BVT 65	
S/N 101541201050 ▶	
X21-Foot plate 280mm 13°	165.17
	Page 1 / 1
	BOMAG
54002090 1001 1	

Pos.	Part no.	Qty.	Description
0	54002090	1	X21-Foot plate 280mm
1	07320830	3	Countersunk screw
2	07320832	2	Countersunk screw
3	07320836	3	Countersunk screw
4	07361227	2	Countersunk screw
5	07361239	2	Countersunk screw
6	08130813	8	Safety nut
7	08131218	4	Safety nut
8	08752130	4	Spring washer
9	08611095	8	Washer
11	54200105	1	Base plate
12	54200108	1	Tamping plate

Go to Discount-Equipment.com to order your parts



165.18

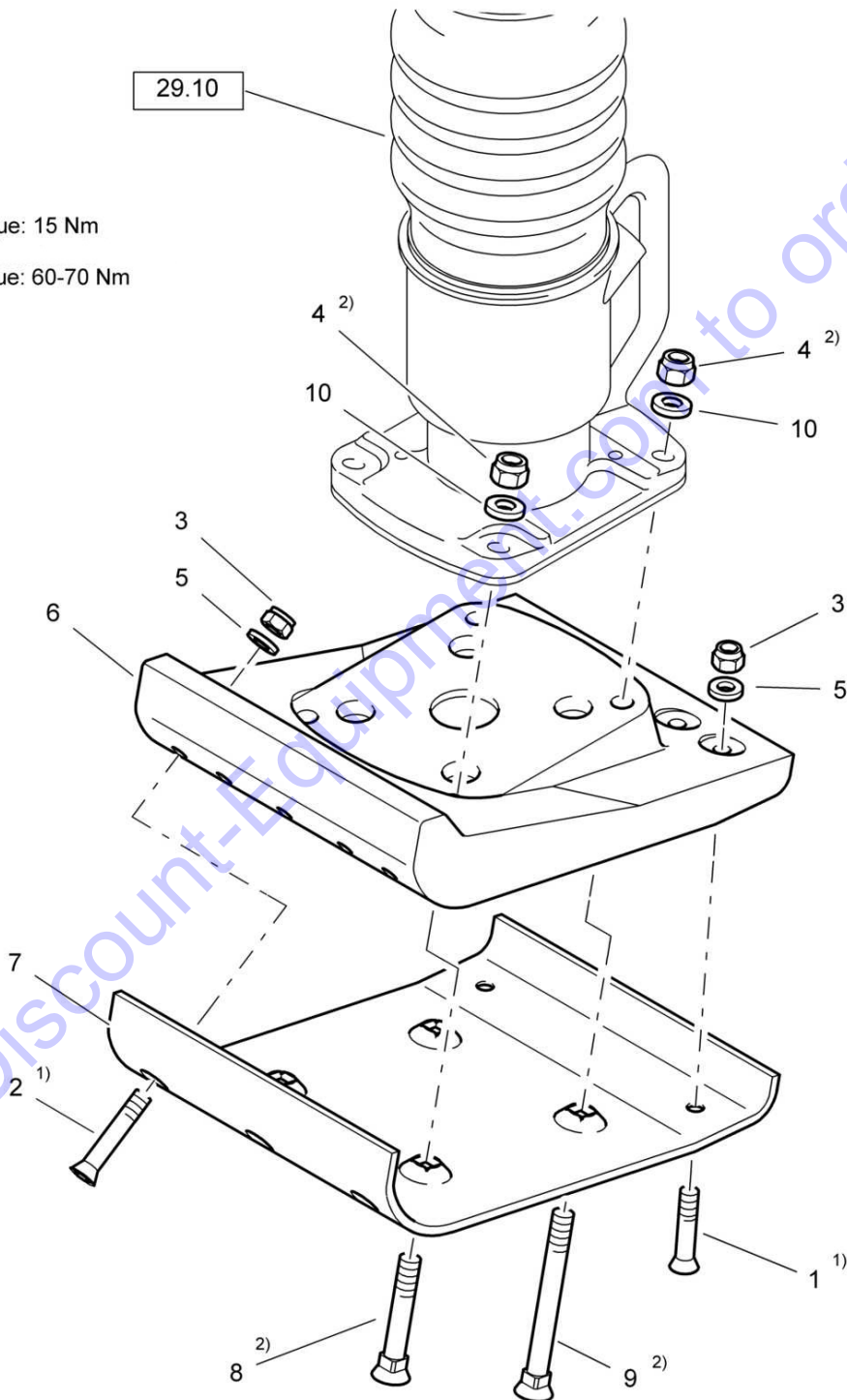
X22-Foot plate 230mm 13°

Page 1 / 1

BOMAG

54002091_000_00

- 1)
Torque value: 15 Nm
- 2)
Torque value: 60-70 Nm



BVT 65	
S/N 101541201050 ▶	
X22-Foot plate 230mm 13°	165.18
	Page 1 / 1
	BOMAG
54002091 1001 1	

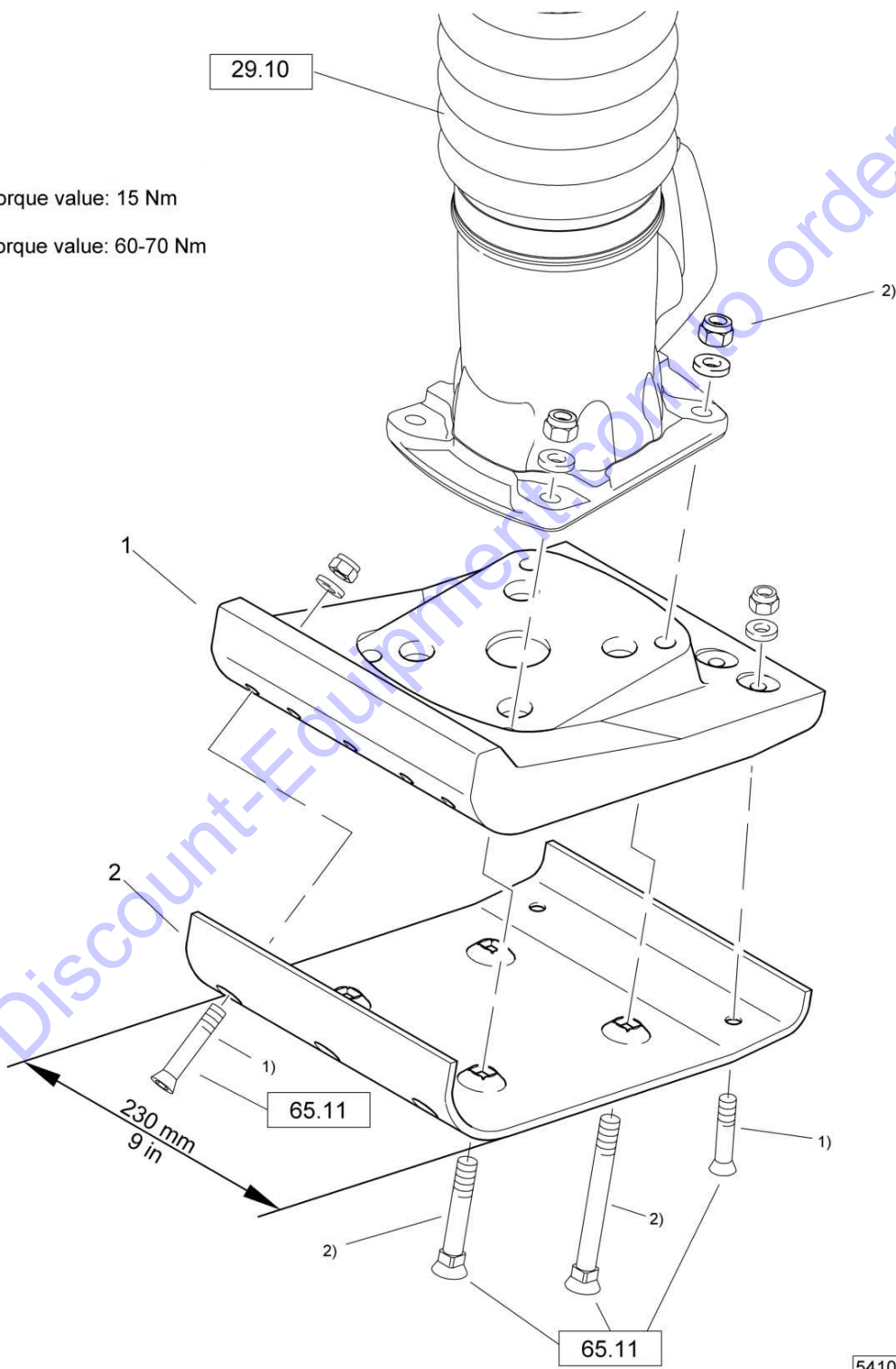
Pos.	Part no.	Qty.	Description
0	54002091	1	X22-Foot plate 230mm
1	07320830	2	Countersunk screw
2	07320836	3	Countersunk screw
3	08130813	5	Safety nut
4	08131218	4	Safety nut
5	08611095	5	Washer
6	54200107	1	Tamping plate
7	54200106	1	Base plate
8	07361227	2	Countersunk screw
9	07361239	2	Countersunk screw
10	08752130	4	Spring washer

Go to Discount-Equipment.com to order your parts



	BVT 65	
165.18		S/N 101541201260 ▶
	X22-Foot plate 230mm 13°	
Page 1 / 1		
BOMAG		54100404_000_00

- 1) Torque value: 15 Nm
- 2) Torque value: 60-70 Nm



BVT 65	
S/N 101541201260 ▶	
X22-Foot plate 230mm 13°	165.18
	Page 1 / 1
	BOMAG
54100404 1001 1	

Pos. Part no. Qty. Description

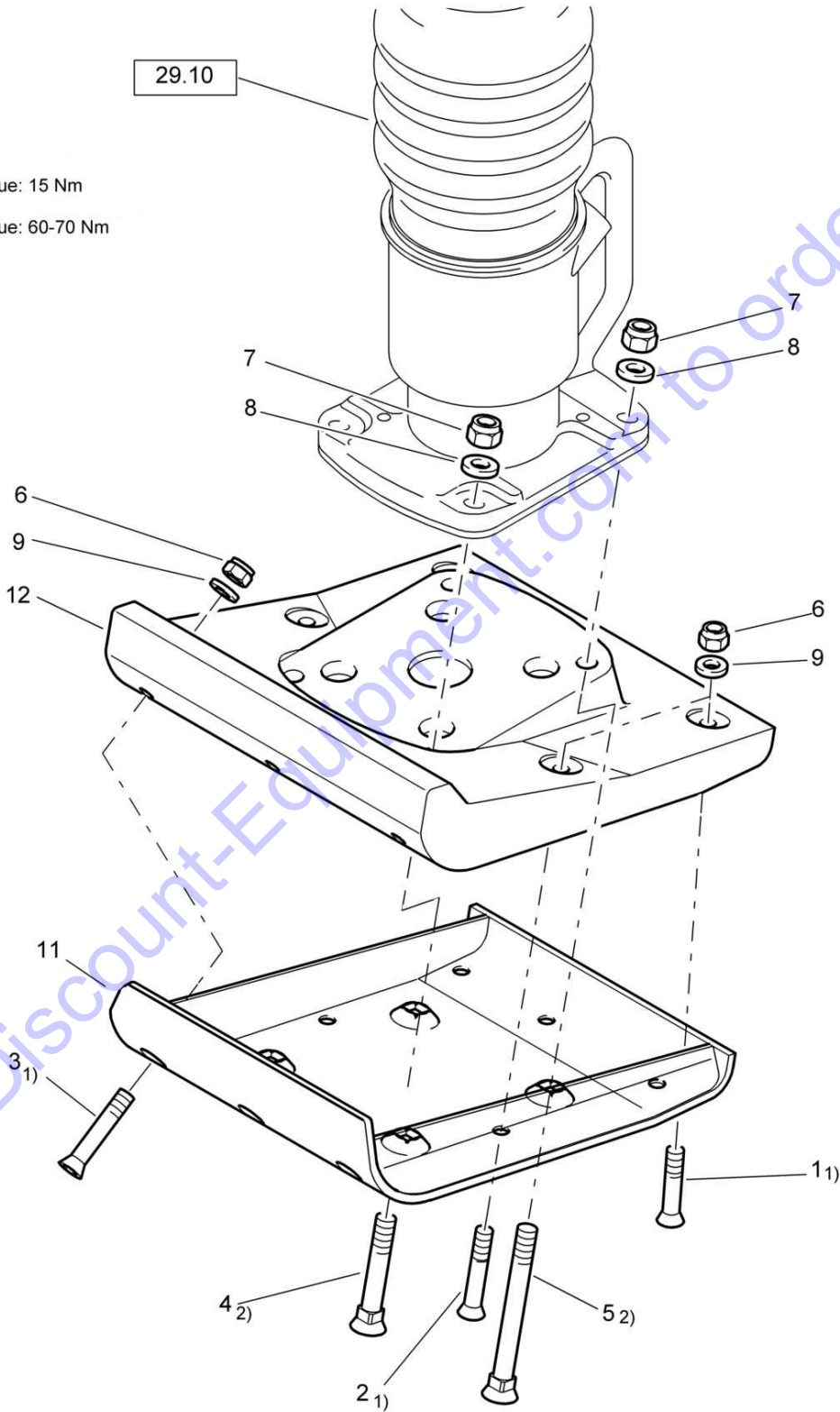
1	54200107	1	Tamping plate
2	54200106	1	Base plate

Go to Discount-Equipment.com to order your parts



	BVT 65	S/N 101541201050 ▶
165.19	X23-Foot plate 330mm 13°	
Page 1 / 1		
BOMAG	54002092_000_00	

- 1) Torque value: 15 Nm
- 2) Torque value: 60-70 Nm



Go to Discount-Equipment.com to order your parts

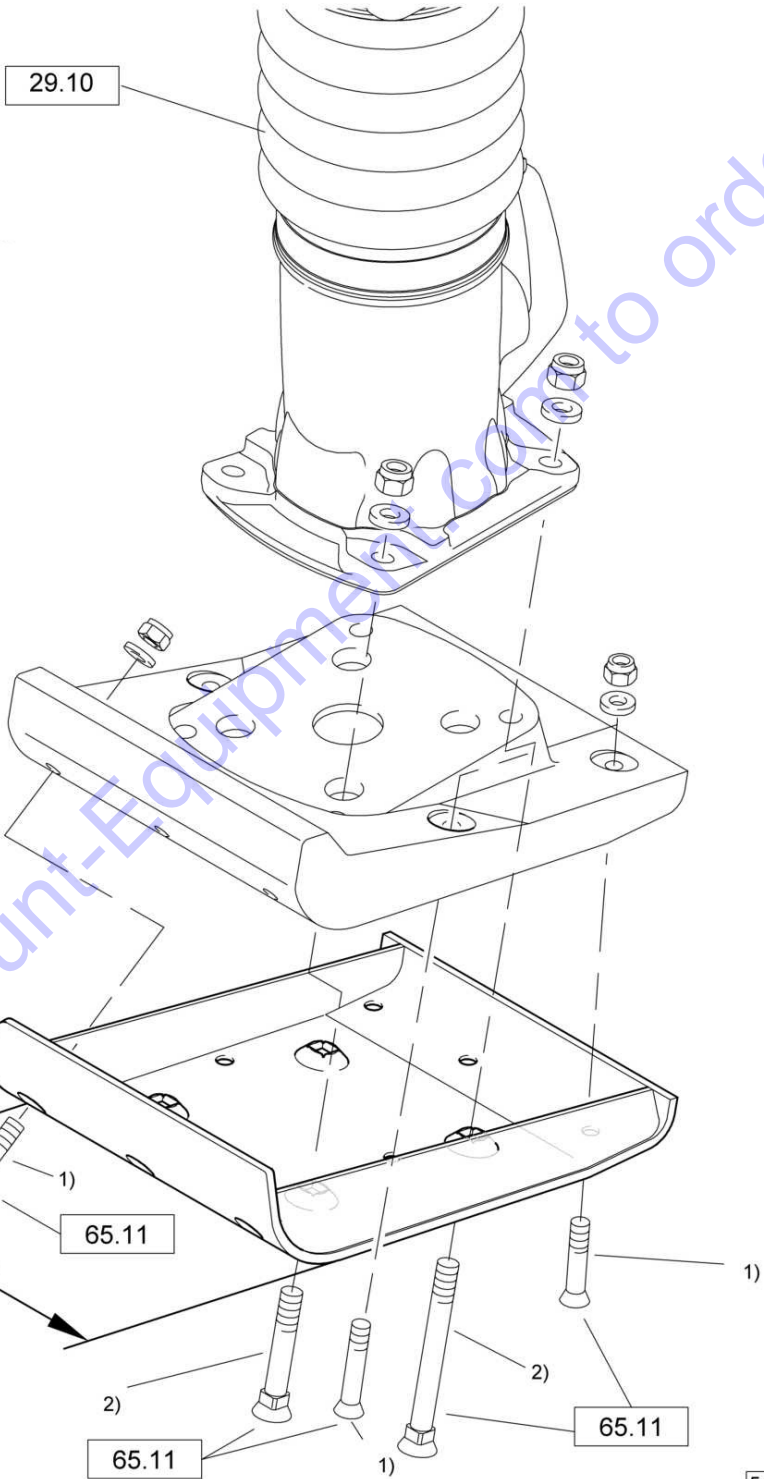
BVT 65	
S/N 101541201050 ▶	
X23-Foot plate 330mm 13°	165.19
	Page 1 / 1
	BOMAG
54002092 1001 1	

Pos.	Part no.	Qty.	Description
0	54002092	1	X23-Foot plate 330mm
1	07320830	3	Countersunk screw
2	07320832	2	Countersunk screw
3	07320836	3	Countersunk screw
4	07361227	2	Countersunk screw
5	07361239	2	Countersunk screw
6	08130813	8	Safety nut
7	08131218	4	Safety nut
8	08752130	4	Spring washer
9	08611095	8	Washer
11	54003049	1	Base plate
12	54200108	1	Tamping plate

Go to Discount-Equipment.com to order your parts



	BVT 65	
165.19		S/N 101541201260 ▶
	X23-Foot plate 330mm 13°	
Page 1 / 1		
BOMAG		54100403_000_00



BVT 65	
S/N 101541201260 ▶	
X23-Foot plate 330mm 13°	165.19
	Page 1 / 1
	BOMAG
54100403 1001 1	

Pos. Part no. Qty. Description

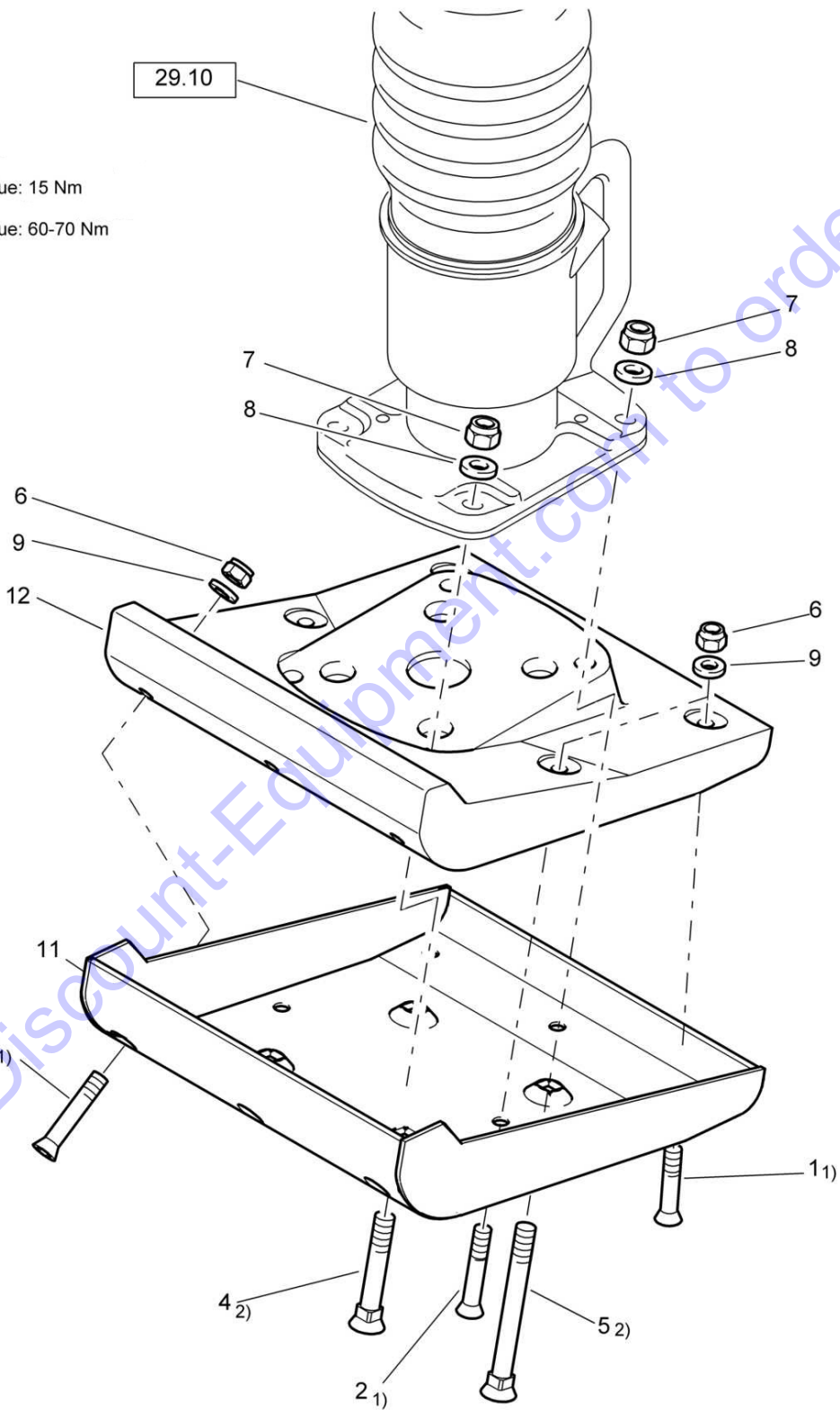
1 54003049 1 Base plate

Go to Discount-Equipment.com to order your parts



	BVT 65	
165.20		S/N 101541201050 ▶
	Page 1 / 1	X24-Foot plate 290mm 13° X24-Fußplatte 290mm 13° X24-Semelle 290mm 13° X24-Placa base 290mm 13°
BOMAG		54002093_000_00

- 1) Torque value: 15 Nm
- 2) Torque value: 60-70 Nm



Go to Discount-Equipment.com to order your parts

BVT 65	
S/N 101541201050 ▶	
X24-Foot plate 290mm 13°	165.20
	Page 1 / 1
	BOMAG
54002093 1001 1	

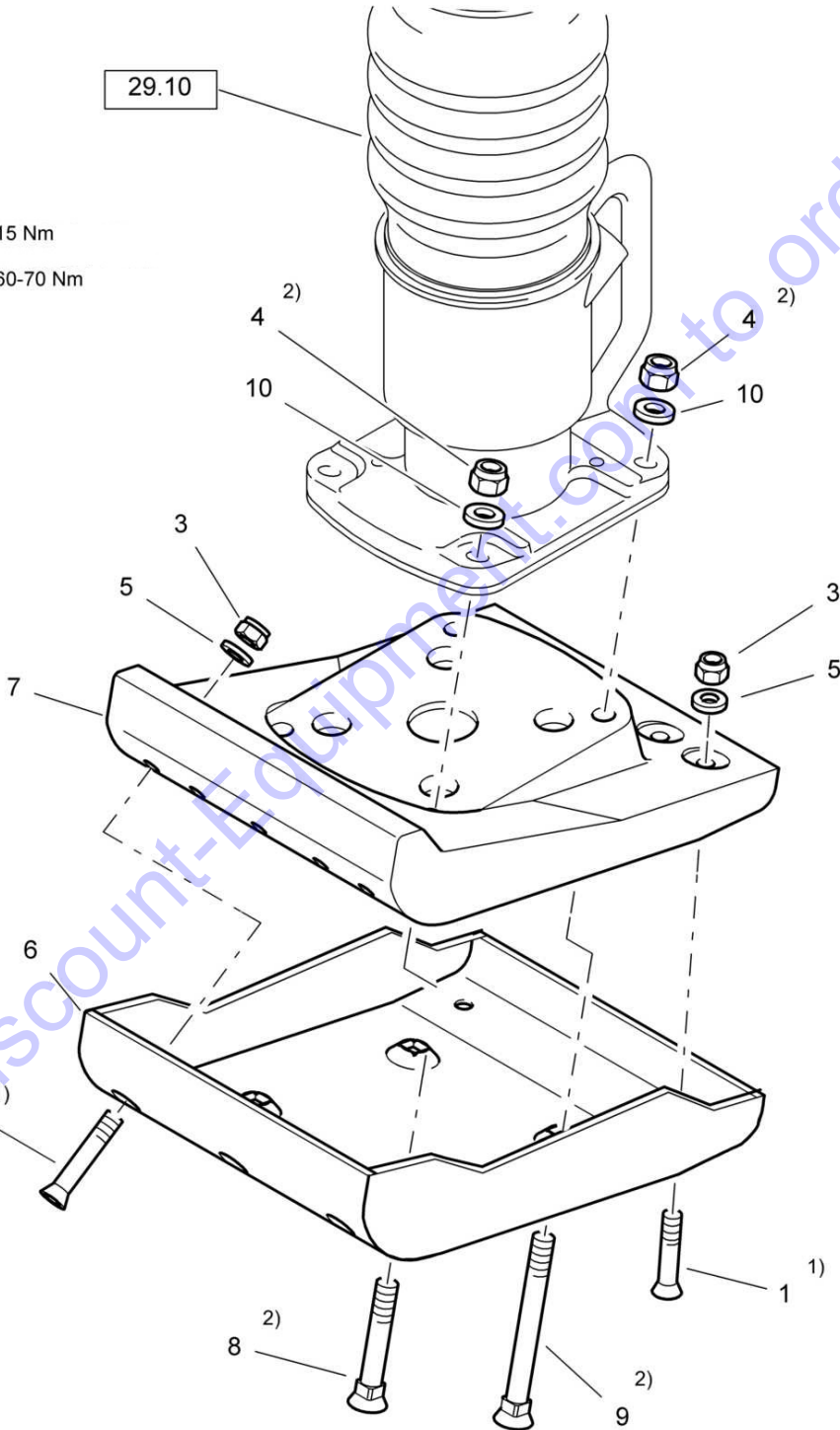
Pos.	Part no.	Qty.	Description
0	54002093	1	X24-Foot plate 290mm
1	07320830	3	Countersunk screw
2	07320832	2	Countersunk screw
3	07320836	3	Countersunk screw
4	07361227	2	Countersunk screw
5	07361239	2	Countersunk screw
6	08130813	8	Safety nut
7	08131218	4	Safety nut
8	08752130	4	Spring washer
9	08611095	8	Washer
11	54003048	1	Base plate
12	54200108	1	Tamping plate

Go to Discount-Equipment.com to order your parts



	BVT 65	
165.21		S/N 101541201050 ▶
	X25-Foot plate 240mm 13°	
Page 1 / 1		
BOMAG	54002094_000_00	

- 1) Torque value: 15 Nm
- 2) Torque value: 60-70 Nm



BVT 65	
S/N 101541201050 ▶	
X25-Foot plate 240mm 13°	165.21
	Page 1 / 1
	BOMAG
54002094 1001 1	

Pos.	Part no.	Qty.	Description
0	54002094	1	X25-Foot plate 240mm
1	07320830	2	Countersunk screw
2	07320836	3	Countersunk screw
3	08130813	5	Safety nut
4	08131218	4	Safety nut
5	08611095	5	Washer
6	54003046	1	Base plate
7	54200107	1	Tamping plate
8	07361227	2	Countersunk screw
9	07361239	2	Countersunk screw
10	08752130	4	Spring washer

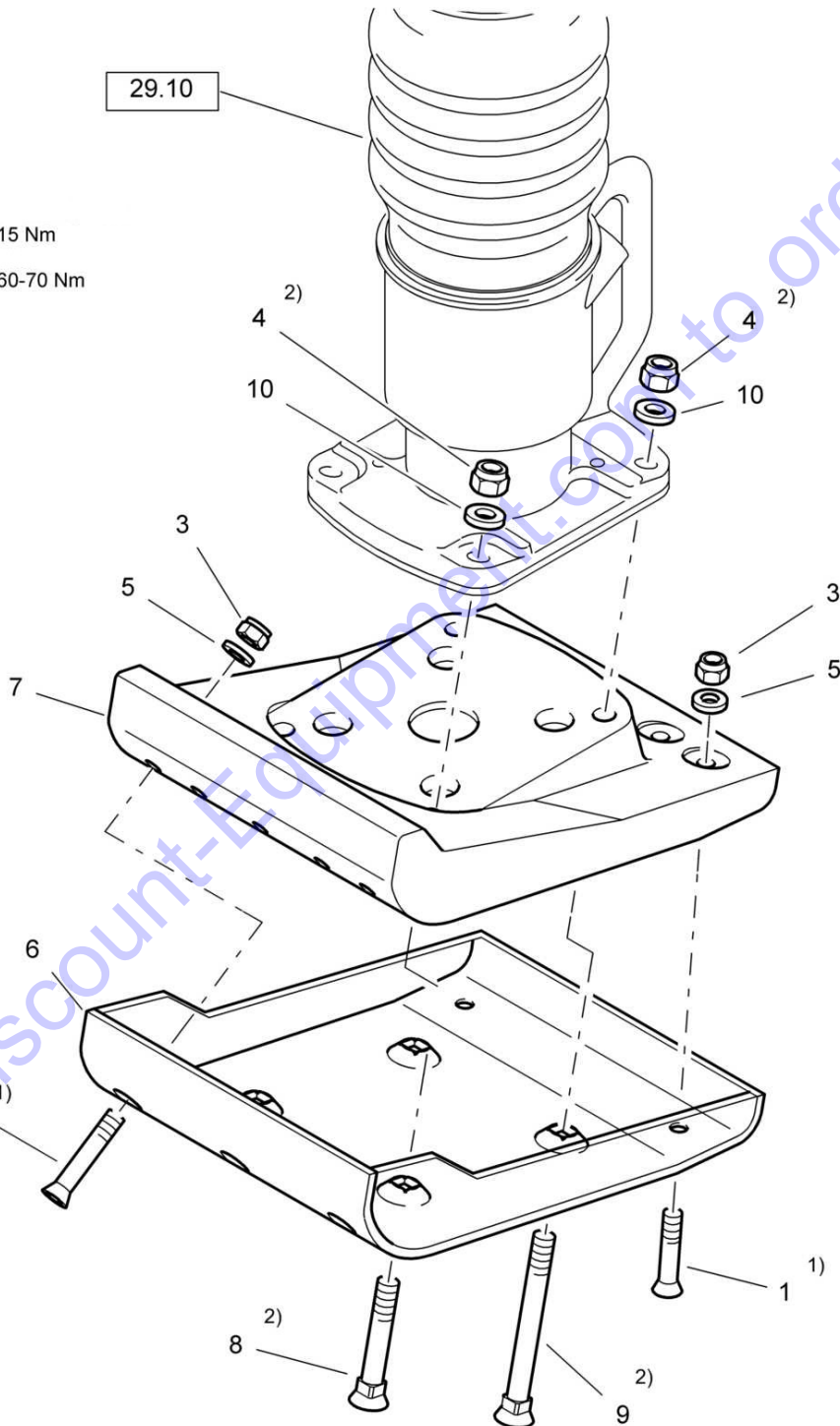
Go to Discount-Equipment.com to order your parts



165.22

X26-Foot plate 200mm 13°

- 1) Torque value: 15 Nm
- 2) Torque value: 60-70 Nm



BVT 65	
S/N 101541201050 ▶	
X26-Foot plate 200mm 13°	165.22
	Page 1 / 1
	BOMAG
54002095 1001 1	

Pos.	Part no.	Qty.	Description
0	54002095	1	X26-Foot plate 200mm
1	07320830	2	Countersunk screw
2	07320836	3	Countersunk screw
3	08130813	5	Safety nut
4	08131218	4	Safety nut
5	08611095	5	Washer
6	54003087	1	Base plate
7	54003089	1	Tamping plate
8	07361227	2	Countersunk screw
9	07361239	2	Countersunk screw
10	08752130	4	Spring washer

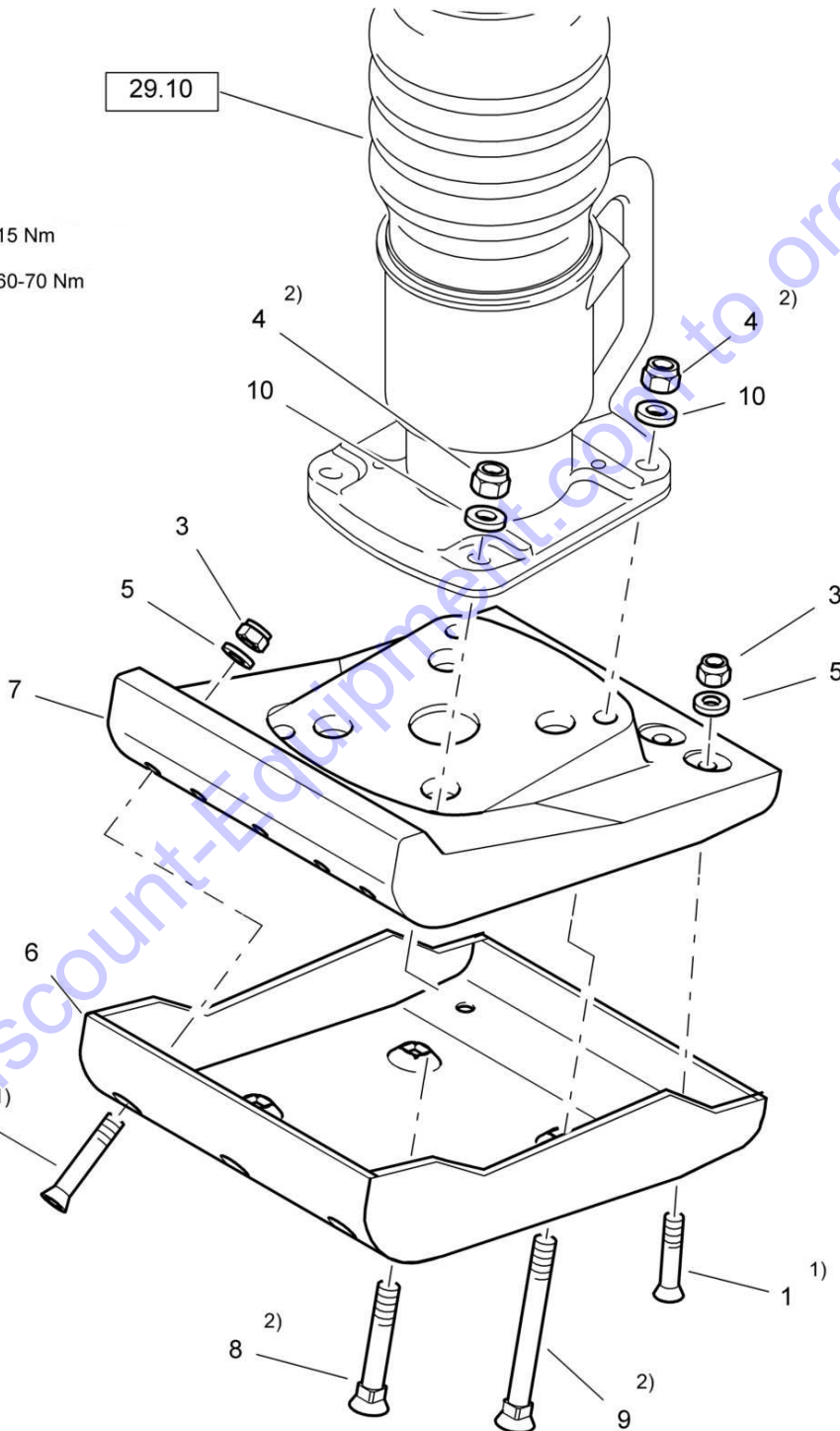
Go to Discount-Equipment.com to order your parts



165.23**X27-Foot plate 160mm 13°**Page **1 / 1****BOMAG**

54002096_000_00

- 1)
Torque value: 15 Nm
- 2)
Torque value: 60-70 Nm



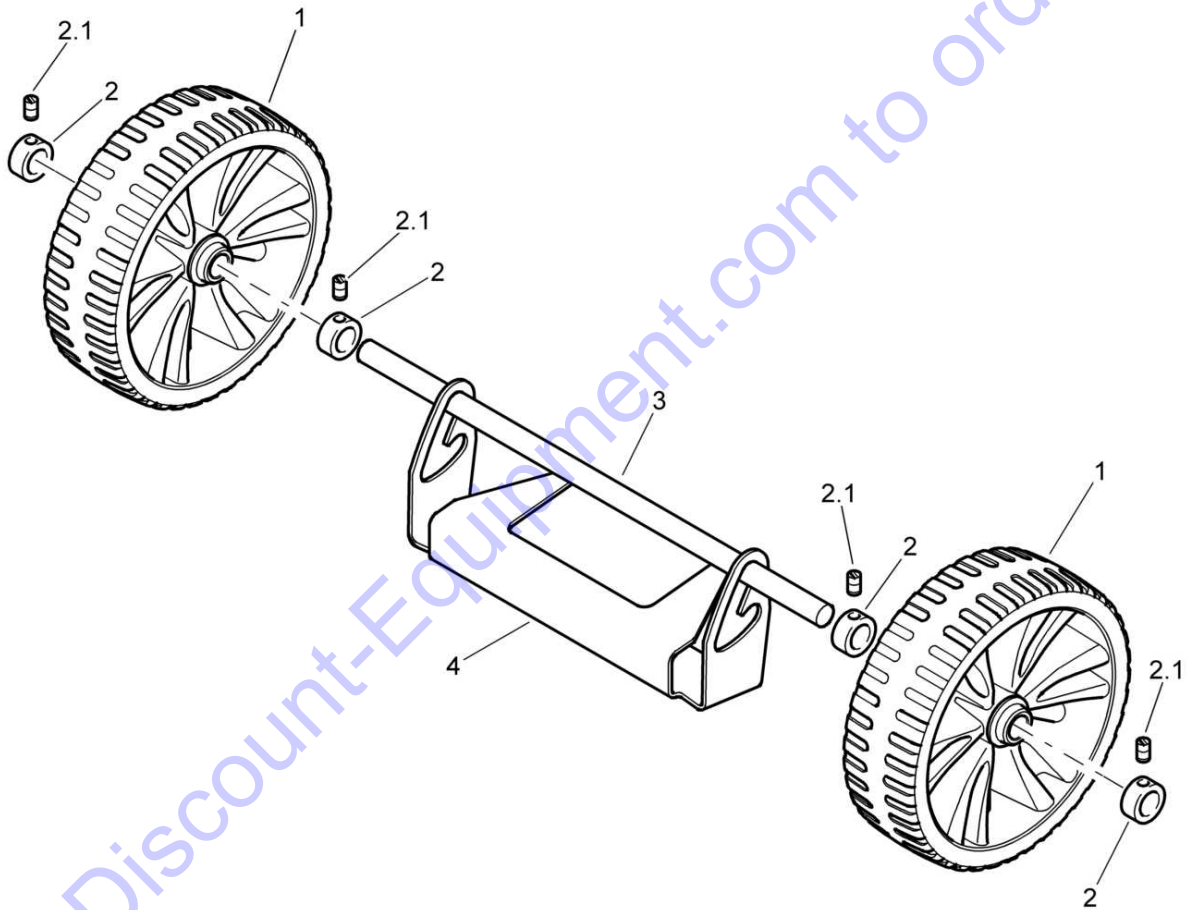
BVT 65	
S/N 101541201050 ▶	
X27-Foot plate 160mm 13°	165.23
	Page 1 / 1
	BOMAG
54002096 1001 1	

Pos.	Part no.	Qty.	Description
0	54002096	1	X27-Foot plate 160mm
1	07320830	2	Countersunk screw
2	07320836	3	Countersunk screw
3	08130813	5	Safety nut
4	08131218	4	Safety nut
5	08611095	5	Washer
6	54003032	1	Base plate
7	54003089	1	Tamping plate
8	07361227	2	Countersunk screw
9	07361239	2	Countersunk screw
10	08752130	4	Spring washer

Go to Discount-Equipment.com to order your parts



	BVT 65	
166.03		S/N 101541201250 ▶
	T94-Transport wheels,fail-save	
Page 1 / 1		
BOMAG	54102005_000_00	



Go to Discount-Equipment.com to order your parts

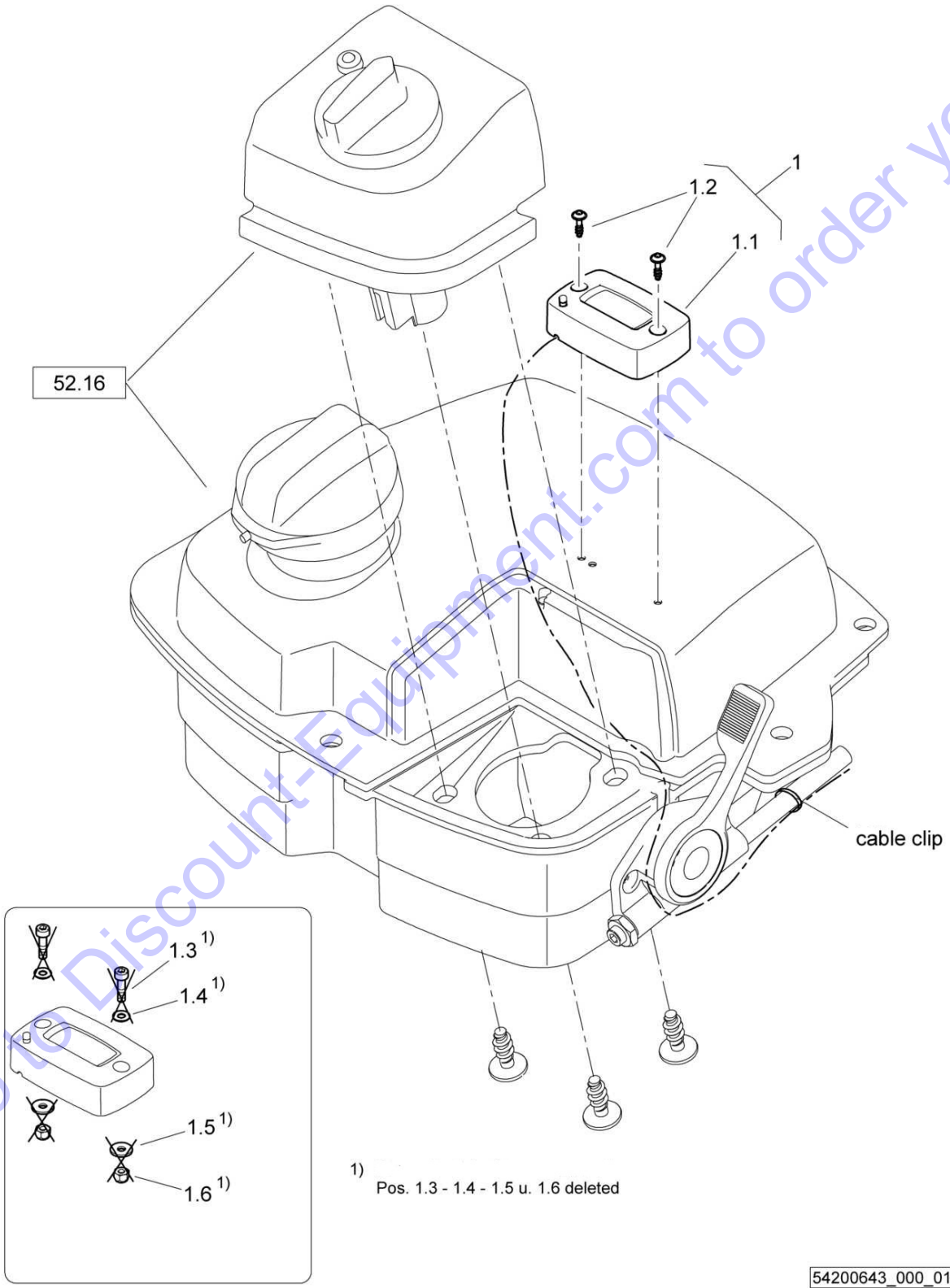
BVT 65	
S/N 101541201250 ▶	
T94-Transport wheels,fail-save	166.03
	Page 1 / 1 Seite 1 / 1
54102005 1001 1	BOMAG

Pos.	Part no.	Qty.	Description
0	54102005	1	T94-Transport wheels,fail-save
1	06704509	2	Rubber tyre
2	09201020	4	Adjusting ring
2.1	07760600	1	Tapped pin
3	54003090	1	Axle
4	54003091	1	Plate

Go to Discount-Equipment.com to order your parts



	BVT 65	S/N 101541201260 ▶
182.51	AZ20-Hour/Tach meter	
Page 1 / 1		
BOMAG	54200643_000_01	



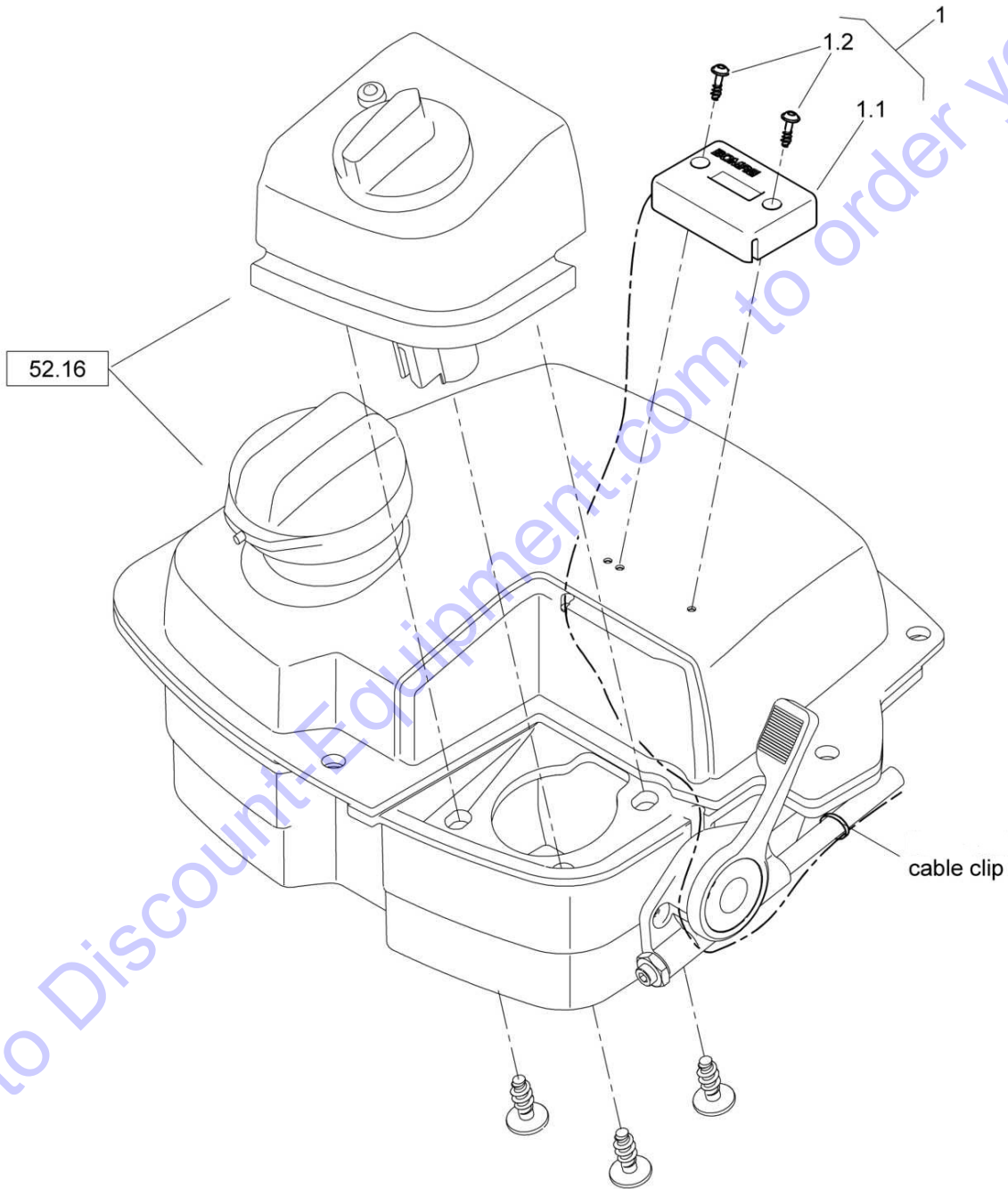
BVT 65	
S/N 101541201260 ▶	
AZ20-Hour/Tach meter	182.51
	Page 1 / 1 Seite 1 / 1
54200643 1001 1	BOMAG

Pos.	Part no.	Qty.	Description
1	54203022	1	Operating hour meter, assembled
1.1	05767407	1	Hourmeter and rpm meter
1.2	07815003	2	Fallow drop screw
1.3	07230312	2	Socket-head cap screw
1.4	08510307	2	Washer
1.5	08590309	2	Washer
1.6	08130305	2	Safety nut

Go to Discount-Equipment.com to order your parts



	BVT 65	S/N 101541201050 ▶ S/N 101541201259
182.51	AZ20-Hour/Tach meter	
Page 1 / 1		
BOMAG	54200643_000_00	



BVT 65	
S/N 101541201050 ▶ S/N 101541201259	182.51
AZ20-Hour/Tach meter	Page 1 / 1
54200643 1001 1	BOMAG

Pos.	Part no.	Qty.	Description
1	54203016	1	Operating hour-meter, assembled

Go to Discount-Equipment.com to order your parts



BVT 65	
INDEX	Page 1 / 4
	BOMAG

Part no.	Group	Pos.	Part no.	Group	Pos.	Part no.	Group	Pos.
00661098	12.13/1	26	05660447	19.07/1	6	05748161	11.02/1	16
00661098	12.13/1	27	05747026	11.00/1	1	05748162	11.02/1	17
00661098	12.26/1	3	05747026	12.13/1	1	05748163	11.02/1	10
00661098	12.26/1	4	05747026	12.26/1	1	05748164	11.07/1	1
00832132	101.03/1	1	05747129	11.02/1	15	05748165	11.07/1	2
00832507	101.03/1	2	05747134	11.19/1	3	05748166	11.07/1	3
00832654	101.03/1	3	05747180	11.02/1	14	05748167	11.07/1	12
00832900	101.03/1	4	05747226	11.02/1	6	05748168	11.07/1	5
00832901	101.03/1	5	05747233	11.02/1	7	05748169	11.07/1	6
00832996	101.03/1	6	05747293	11.31/1	7	05748170	11.07/1	7
00833127	101.03/1	7	05747295	11.31/1	8	05748171	11.07/1	8
00833130	101.03/1	8	05747297	11.31/1	12	05748172	11.07/1	9
00833224	101.03/1	7	05747312	11.22/1	8	05748174	11.07/1	13
00833226	101.03/1	9	05747312	11.25/1	6	05748175	11.07/1	14
00835008	12.26/1	3	05747318	11.31/1	13	05748176	11.07/1	15
00835008	101.03/1	10	05747325	11.46/1	6	05748177	11.07/1	16
00835009	12.26/1	4	05747332	11.25/1	9	05748179	11.09/1	2
00835009	101.03/1	11	05747333	11.25/1	10	05748180	11.09/1	3
00978001	11.22/1	15	05747334	11.25/1	12	05748181	11.09/1	4
05114073	52.14/1	8	05747346	11.02/1	5	05748182	11.09/1	5
05114075	29.10/1	20	05747348	11.02/1	19	05748183	11.09/1	6
05114075	52.14/1	13	05747348	11.02/1	9	05748184	11.09/1	7
05114075	52.14/1	9	05747349	11.02/1	20	05748185	11.09/1	8
05121077	52.14/1	3	05747377	11.02/1	8	05748186	11.09/1	9
05551401	12.13/1	32	05747388	11.02/1	13	05748187	11.09/1	10
05551401	12.26/1	2	05747395	11.02/1	21	05748188	11.09/1	11
05551421	12.13/1	29	05747396	11.19/1	6	05748189	11.09/1	12
05551490	29.10/1	12	05747423	11.25/1	5	05748190	11.09/1	13
05551490	29.10/1	18	05747561	11.46/1	4	05748191	11.19/1	1
05551907	12.13/1	10	05747578	11.22/1	7	05748192	11.19/1	2
05551907	12.26/1	6	05747658	11.44/1	2	05748193	11.19/1	4
05551940	12.13/1	13	05747661	11.53/1	32	05748195	11.19/1	5
05551944	12.13/1	17	05747695	11.46/1	7	05748196	11.19/1	7
05551944	52.16/1	14	05747736	11.31/1	4	05748197	11.19/1	8
05551944	52.16/2	12	05747737	11.31/1	5	05748199	11.53/2	10
05561050	29.08/1	2	05747810	11.25/1	11	05748200	11.53/2	11
05561590	29.08/1	0	05747812	11.25/1	13	05748203	11.53/2	13
05561590	52.16/1	12	05747995	11.07/1	11	05748207	11.25/1	2
05561618	29.08/1	0	05747995	11.25/1	7	05748208	11.25/1	4
05561618	52.16/1	12	05747995	11.26/1	4	05748211	11.22/1	4
05561619	29.08/1	2	05747995	11.36/1	4	05748212	11.26/1	1
05566580	29.08/1	1	05747995	11.44/1	3	05748213	11.26/1	2
05566580	29.08/1	1	05748078	11.44/1	5	05748214	11.26/1	3
05650132	12.13/1	2	05748124	11.36/1	5	05748215	11.26/1	5
05650132	19.07/1	0	05748156	11.02/1	2	05748216	11.26/1	6
05660138	19.07/1	4	05748157	11.02/1	3	05748220	11.31/1	3
05660163	19.07/1	3	05748158	11.02/1	4	05748221	11.31/1	6
05660175	19.07/1	5	05748159	11.02/1	18	05748223	11.31/1	10
05660445	19.07/1	1	05748160	11.02/1	11	05748224	11.31/1	11
05660446	19.07/1	2	05748160	11.07/1	4	05748225	11.46/1	1

	BVT 65
Page 2 / 4	INDEX
BOMAG	

Part no.	Group	Pos.	Part no.	Group	Pos.	Part no.	Group	Pos.
05748226	11.46/1	9	05748531	11.31/1	1	05767407	182.51/1	1.1
05748227	11.46/1	2	05748532	11.36/1	1	05821205	12.13/1	31
05748228	11.46/1	3	05748533	11.36/1	2	05821205	12.26/1	5
05748229	11.46/1	5	05748534	11.36/1	6	05824209	52.16/2	1.2
05748230	11.46/1	8	05748535	11.36/1	3	05824225	52.16/2	1.2.1
05748232	11.53/1	34	05748536	11.36/1	7	05950900	52.16/2	1.3
05748234	11.07/1	17	05748538	11.36/1	10	05973134	29.10/1	16
05748236	11.53/1	1	05748540	11.44/1	1	05973134	29.10/1	8
05748238	11.53/1	3	05748543	11.53/1	15	06123105	12.13/1	36
05748239	11.53/1	4	05748545	11.53/1	27	06140926	12.13/1	33
05748240	11.53/1	5	05748546	11.31/1	9	06180320	52.16/1	2
05748241	11.53/1	6	05748590	11.09/1	14	06220953	29.10/1	15
05748242	11.53/1	7	05748594	11.31/1	14	06221040	29.10/1	9
05748243	11.53/1	8	05748595	11.36/1	8	06510240	12.26/1	11
05748245	11.53/1	10	05748596	11.36/1	11	06704509	166.03/1	1
05748246	11.53/1	11	05748657	11.22/1	9	06911047	52.16/1	11
05748249	11.53/1	14	05748673	11.07/1	10	07140403	12.13/1	20
05748252	11.53/1	17	05748674	11.22/1	5	07140622	12.13/1	18
05748254	11.53/1	19	05748675	11.22/1	6	07140626	12.13/1	25
05748255	11.53/1	20	05748676	11.31/1	2	07140818	12.13/1	40
05748256	11.53/1	21	05748677	11.44/1	4	07140818	29.10/1	12
05748257	11.53/1	22	05748678	11.53/1	31	07140820	52.16/1	6
05748258	11.53/1	16	05748679	11.53/1	2	07140824	12.13/1	39
05748258	11.53/1	23	05748680	11.53/1	9	07140834	12.13/1	4
05748259	11.53/1	24	05748681	11.53/1	12	07140842	12.13/1	23
05748260	11.53/1	25	05748682	11.53/1	13	07141020	52.16/1	20
05748261	11.53/1	26	05748683	11.53/1	0	07141032	52.14/1	16
05748263	11.53/1	28	05748684	11.53/1	34	07141248	163.21/1	1
05748264	11.53/1	29	05748685	11.53/1	34	07141248	163.22/1	1
05748265	11.53/1	30	05748686	11.53/1	18	07210825	52.16/2	5
05748267	11.53/1	34	05748687	11.53/1	33	07210892	12.13/1	14
05748269	11.22/1	1	05748688	11.53/2	1	07210892	52.16/2	10
05748270	11.22/1	2	05748689	11.53/2	2	07210892	52.16/2	4
05748272	11.22/1	3	05748690	11.53/2	3	07230312	182.51/1	1.3
05748275	11.22/1	10	05748691	11.53/2	4	07230632	12.13/1	11
05748277	11.07/1	18	05748692	11.53/2	5	07230632	12.26/1	10
05748283	11.09/1	1	05748693	11.53/2	6	07230637	52.16/1	17
05748319	11.22/1	14	05748694	11.53/2	7	07230692	52.16/1	8
05748319	12.13/1	43.1	05748695	11.53/2	8	07230693	52.16/1	15
05748319	12.26/1	2.1	05748696	11.53/2	19	07230827	29.10/1	4
05748321	11.22/1	12	05748697	11.53/2	12	07230831	52.14/1	21
05748321	12.13/1	43.2	05748698	11.53/2	14	07231022	29.10/1	7
05748321	12.26/1	2.2	05748699	11.53/2	15	07231619	29.10/1	5
05748332	11.46/1	10	05748700	11.53/2	16	07231619	29.10/1	7
05748431	11.36/1	9	05748701	11.53/2	9	07310512	52.16/1	13
05748525	11.02/1	1	05748702	11.53/2	17	07320830	65.11/1	1
05748526	11.02/1	12	05748703	11.53/2	18	07320830	165.17/1	1
05748528	11.25/1	1	05748995	11.22/1	13	07320830	165.18/1	1
05748529	11.25/1	8	05748995	12.13/1	43.3	07320830	165.19/1	1
05748530	11.25/1	3	05748995	12.26/1	2.3	07320830	165.20/1	1

BVT 65	
INDEX	Page 3 / 4
	BOMAG

Part no.	Group	Pos.	Part no.	Group	Pos.	Part no.	Group	Pos.
07320830	165.21/1	1	08130813	165.19/1	6	08752130	165.19/1	8
07320830	165.22/1	1	08130813	165.20/1	6	08752130	165.20/1	8
07320830	165.23/1	1	08130813	165.21/1	3	08752130	165.21/1	10
07320832	65.11/1	2	08130813	165.22/1	3	08752130	165.22/1	10
07320832	165.17/1	2	08130813	165.23/1	3	08752130	165.23/1	10
07320832	165.19/1	2	08131218	65.11/1	7	09201020	166.03/1	2
07320832	165.20/1	2	08131218	163.21/1	2	09211300	52.14/1	10
07320836	65.11/1	3	08131218	163.22/1	2	09212100	52.14/1	4
07320836	165.17/1	3	08131218	165.17/1	7	09222900	29.10/1	21
07320836	165.18/1	2	08131218	165.18/1	4	09222900	52.14/1	11
07320836	165.19/1	3	08131218	165.19/1	7	09222900	52.14/1	15
07320836	165.20/1	3	08131218	165.20/1	7	09223700	52.14/1	5
07320836	165.21/1	2	08131218	165.21/1	4	09312442	52.14/1	6
07320836	165.22/1	2	08131218	165.22/1	4	09331746	29.10/1	10
07320836	165.23/1	2	08131218	165.23/1	4	09331746	29.10/1	14
07361227	65.11/1	4	08500823	12.13/1	38	48230106	52.16/1	3
07361227	165.17/1	4	08510307	182.51/1	1.4	54002090	165.17/1	0
07361227	165.18/1	8	08510612	12.13/1	12	54002091	165.18/1	0
07361227	165.19/1	4	08510612	12.13/1	19	54002092	165.19/1	0
07361227	165.20/1	4	08510612	12.13/1	24	54002093	165.20/1	0
07361227	165.21/1	8	08510612	12.26/1	9	54002094	165.21/1	0
07361227	165.22/1	8	08510612	52.16/1	16	54002095	165.22/1	0
07361227	165.23/1	8	08510817	12.13/1	22	54002096	165.23/1	0
07361239	65.11/1	5	08510817	52.16/2	6	54003032	165.23/1	6
07361239	165.17/1	5	08511021	52.16/1	21	54003046	165.21/1	6
07361239	165.18/1	9	08511324	163.21/1	3	54003048	165.20/1	11
07361239	165.19/1	5	08511324	163.22/1	3	54003049	163.11/1	11
07361239	165.20/1	5	08590309	182.51/1	1.5	54003049	165.19/1	11
07361239	165.21/1	9	08590617	12.13/1	34	54003049	165.19/1	1
07361239	165.22/1	9	08611095	65.11/1	9	54003081	125.09/1	1
07361239	165.23/1	9	08611095	165.17/1	9	54003087	165.22/1	6
07510824	12.13/1	5	08611095	165.18/1	5	54003089	165.22/1	7
07611010	29.10/1	11	08611095	165.19/1	9	54003089	165.23/1	7
07611010	29.10/1	13	08611095	165.20/1	9	54003090	166.03/1	3
07622015	29.10/1	15	08611095	165.21/1	5	54003091	166.03/1	4
07622015	29.10/1	9	08611095	165.22/1	5	54003095	125.10/1	1
07632015	29.10/1	15	08611095	165.23/1	5	54003102	125.11/1	1
07760600	166.03/1	2.1	08621064	12.13/1	42	54020501	29.10/1	13
07815003	182.51/1	1.2	08621064	12.26/1	8	54020501	29.10/1	17
07815008	52.16/2	9	08621064	52.16/2	11	54101002	11.22/1	11
08110813	12.13/1	7	08621084	52.16/1	5	54101002	12.13/1	43
08130305	182.51/1	1.6	08621105	52.14/1	17	54101002	12.26/1	2
08130611	12.13/1	35	08751064	52.16/2	13	54102002	163.21/1	0
08130611	52.16/1	9	08751064	52.16/2	3	54102003	163.22/1	0
08130611	52.16/2	14	08752084	12.13/1	6	54102005	166.03/1	0
08130611	52.16/2	2	08752084	29.10/1	11	54103003	163.21/1	4
08130813	52.16/2	7	08752084	52.14/1	22	54103004	163.22/1	4
08130813	65.11/1	6	08752130	65.11/1	8	54200105	65.11/1	11
08130813	165.17/1	6	08752130	165.17/1	8	54200105	165.17/1	11
08130813	165.18/1	3	08752130	165.18/1	10	54200106	163.12/1	11

	BVT 65
Page 4 / 4	INDEX
BOMAG	

Part no.	Group	Pos.	Part no.	Group	Pos.
54200106	165.18/1	7	54270174	52.16/2	8
54200106	165.18/1	2	54270185	52.16/2	1.1
54200107	163.12/1	12	54270189	52.16/2	1
54200107	165.18/1	6	54270207	52.16/1	19
54200107	165.18/1	1	54270210	52.16/1	1
54200107	165.21/1	7	54270214	52.16/2	1.1
54200108	65.11/1	12	54270215	52.16/2	1
54200108	165.17/1	12	54270219	52.16/1	1
54200108	165.19/1	12	54270227	52.16/1	19
54200108	165.20/1	12	54280127	112.67/1	1
54203016	182.51/1	1	68150101	52.16/1	18
54203022	182.51/1	1	95542048	12.13/1	2
54210135	29.10/1	5			
54210141	29.10/1	8			
54210211	29.10/1	1			
54210217	29.10/1	2			
54210218	29.10/1	6			
54210219	29.10/1	4			
54210225	29.10/1	3			
54210229	52.14/1	20			
54210232	29.10/1	6			
54210233	29.10/1	14			
54210238	29.10/1	2			
54210239	29.10/1	3			
54210242	29.10/1	1			
54210244	29.10/1	10			
54220169	29.10/1	19			
54220169	52.14/1	12			
54220171	52.14/1	7			
54220172	52.14/1	2			
54220176	52.14/1	14			
54220197	52.14/1	1			
54220200	52.14/1	18			
54220202	52.14/1	19			
54220209	52.14/1	18			
54220216	52.14/1	19			
54220218	52.14/1	1			
54240177	12.13/1	8			
54240187	12.13/1	3			
54240192	12.13/1	9			
54240192	12.26/1	7			
54240202	12.13/1	28			
54240203	12.13/1	41			
54240204	12.13/1	21			
54240206	12.13/1	37			
54240209	12.13/1	43			
54240210	12.13/1	1			
54240212	12.13/1	1			
54270114	52.16/1	7			
54270141	52.16/1	10			

Go to www.Count-Equipment.com to order your parts

PARTS FINDER

**Search Website
by Part Number**



**Search Manual
Library For Parts
Manual & Lookup Part
Numbers – Purchase
or Request Quote**

Search Manuals

Enter your information to help us find the right parts manual for your machine.

* Brand:

* Model:

* Serial:

* Part Number:

SEARCH

**Can't Find Part or
Manual? Request Help
by Manufacturer,
Model & Description**

Parts Order Form

Please fill in the following information to help us find the right part for your machine.

Manufacturer:	<input type="text"/>
Model:	<input type="text"/>
Description:	<input type="text"/>
Part Number:	<input type="text"/>
Quantity:	<input type="text"/>
Notes:	<input type="text"/>

Submit

Discount-Equipment.com is your online resource for quality parts & equipment.

Florida: **561-964-4949** Outside Florida TOLL FREE: **877-690-3101**

Need parts?

Click on this link: <http://www.discount-equipment.com/category/5443-parts/> and choose one of the options to help get the right parts and equipment you are looking for. Please have the machine model and serial number available in order to help us get you the correct parts. If you don't find the part on the website or on one of the online manuals, please fill out the request form and one of our experienced staff members will get back to you with a quote for the right part that your machine needs.

We sell worldwide for the brands: Genie, Terex, JLG, MultiQuip, Mikasa, Essick, Whiteman, Mayco, Toro Stone, Diamond Products, Generac Magnum, Airman, Haulotte, Barreto, Power Blanket, Nifty Lift, Atlas Copco, Chicago Pneumatic, Allmand, Miller Curber, Skyjack, Lull, Skytrak, Tsurumi, Husquvarna Target, Stow, Wacker, Sakai, Mi-T-M, Sullair, Basic, Dynapac, MBW, Weber, Bartell, Bennar Newman, Haulotte, Ditch Runner, Menegotti, Morrison, Contec, Buddy, Crown, Edco, Wyco, Bomag, Laymor, EZ Trench, Bil-Jax, F.S. Curtis, Gehl Pavers, Heli, Honda, ICS/PowerGrit, IHI, Partner, Imer, Clipper, MMD, Koshin, Rice, CH&E, General Equipment, Amida, Coleman, NAC, Gradall, Square Shooter, Kent, Stanley, Tamco, Toku, Hatz, Kohler, Robin, Wisconsin, Northrock, Oztec, Toker TK, Rol-Air, APT, Wylie, Ingersoll Rand / Doosan, Innovatech, Con X, Ammann, Mecalac, Makinex, Smith Surface Prep, Small Line, Wanco, Yanmar