



Illustrated Parts Manual

**Model
ES1530L**

P/N
3121796

May 30, 2019 - Rev A

ANSI

CE



An Oshkosh Corporation Company

PARTS FINDER

**Search Website
by Part Number**



**Search Manual
Library For Parts
Manual & Lookup Part
Numbers – Purchase
or Request Quote**

**Can't Find Part or
Manual? Request Help
by Manufacturer,
Model & Description**

Discount-Equipment.com is your online resource for quality parts & equipment.

Florida: **561-964-4949** Outside Florida TOLL FREE: **877-690-3101**

Need parts?

Click on this link: <http://www.discount-equipment.com/category/5443-parts/> and choose one of the options to help get the right parts and equipment you are looking for. Please have the machine model and serial number available in order to help us get you the correct parts. If you don't find the part on the website or on one of the online manuals, please fill out the request form and one of our experienced staff members will get back to you with a quote for the right part that your machine needs.

We sell worldwide for the brands: Genie, Terex, JLG, MultiQuip, Mikasa, Essick, Whiteman, Mayco, Toro Stone, Diamond Products, Generac Magnum, Airman, Haulotte, Barreto, Power Blanket, Nifty Lift, Atlas Copco, Chicago Pneumatic, Allmand, Miller Curber, Skyjack, Lull, Skytrak, Tsurumi, Husquvarna Target, Stow, Wacker, Sakai, Mi-T-M, Sullair, Basic, Dynapac, MBW, Weber, Bartell, Bennar Newman, Haulotte, Ditch Runner, Menegotti, Morrison, Contec, Buddy, Crown, Edco, Wyco, Bomag, Laymor, EZ Trench, Bil-Jax, F.S. Curtis, Gehl Pavers, Heli, Honda, ICS/PowerGrit, IHI, Partner, Imer, Clipper, MMD, Koshin, Rice, CH&E, General Equipment, Amida, Coleman, NAC, Gradall, Square Shooter, Kent, Stanley, Tamco, Toku, Hatz, Kohler, Robin, Wisconsin, Northrock, Oztec, Toker TK, Rol-Air, APT, Wylie, Ingersoll Rand / Doosan, Innovatech, Con X, Ammann, Mecalac, Makinex, Smith Surface Prep, Small Line, Wanco, Yanmar

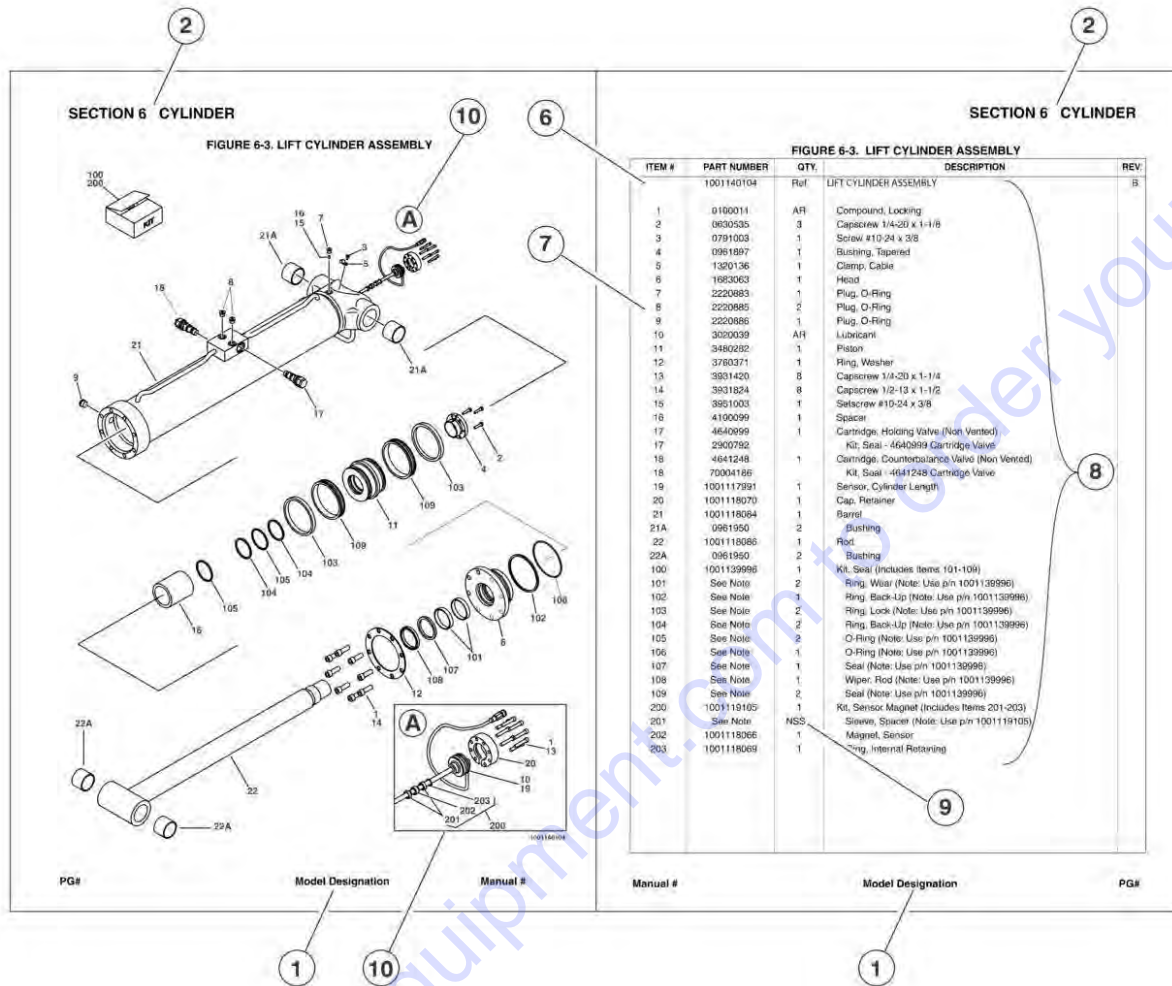
REVISION LOG

REVISION LOG:

May 30, 2019 - A - Original Issue of Manual (1001250000 Rev A)

Go to Discount-Equipment.com to order your parts

GENERAL INFORMATION



1) MACHINE IDENTIFICATION

Machines are identified by model and in some cases a combination of models, serial number (SN) or regional standard (i.e. ANSI, CE, CSA). Components may also be identified by SN or manufacturer. Common components that may be identified by these characteristics are engines and hydraulic components.

2) PARTS MANUAL ORGANIZATION

Product information in this manual is organized under section titles. Frame, Cylinder, Hydraulic and Electrical are a few examples. Each section is organized by figure and page number. The information within the Figure is then organized by item number, part number, description and corresponding illustration (s).

3) TABLE OF CONTENTS

A table of contents is found toward the beginning of the manual. Figure number, description and page number are provided for quick reference to the page containing the related information.

4) RECOMMENDED SPARE PARTS

The Recommended Spare Parts, located near the end of the manual, reference most frequently used maintenance parts.

5) PART NUMBER INDEX

A numerical index listing all part numbers and the corresponding page number(s) appears at the back of the manual.

GENERAL INFORMATION

6) NON-SERVICED PARTS

In some instances, it is necessary to display non-serviced parts, assemblies or installations. In the case of assemblies and installations there will be a Ref in the Qty column. In case of parts that are not available for service within assemblies or components, there will be a NSS (Not Sold Separately) or NLA (No Longer Available) listed in the Qty. column of the manual.

7) PARTS LIST ITEM NUMBERS

Numbers shown in the item# column correspond to numbers used in the associated illustration (s). Item numbers which are missing from the sequence in the parts list are not used on that page

8) INDENTED PARTS DESCRIPTION

An indented part description is included in the item under which it is indented.

9) ABBREVIATION AND SYMBOLS

AC.....	Alternating Current	LCD.....	Liquid Crystal Display
ADE.....	Advanced Design Electronics	LED.....	Light Emitting Diodes
ANSI.....	American National Standards Institute	LH.....	Left Hand
AR.....	As Required	LSS.....	Load Sensing System
ASSY.....	Assembly	M(m).....	Metric/Meter
AUX.....	Auxiliary	MM (mm).....	Milimeter
AWG.....	American Wire Gauge	mA.....	Miliamps
B/M.....	Bill of Material	NLA.....	No Longer Available
CE.....	European Conformity	NPT.....	National Pipe Threads
CCW.....	Counter Clockwise	NSS.....	Not Sold Separately
cm.....	Centimeter	OD.....	Outside Diameter
CW.....	Clockwise	ORB.....	O-Ring Boss
CSA.....	Canadian Standards Association	ORFS.....	O-Ring Face Seal
CYL.....	Cylinder	OZ (oz).....	Ounces
DIA.....	Diameter	PG.....	Page
DC.....	Direct Current	P/N.....	Part Number
EMS.....	Emergency Stop	qt.....	Quarts
ENG.....	Engine	QTY.....	Quantity
FT (ft).....	Feet	REF.....	Reference
GA (Ga).....	Gauge	REV.....	Revision Level
HYD.....	Hydraulic	RH.....	Right Hand
HZ.....	Hertz	SAE.....	Society of Automotive Engineers
ID.....	Inside Diameter	SN.....	Serial Number
in.....	inches	SPEC(S).....	Specifications
ISO.....	International Organization for Standards	T/T.....	Turntable
JIC.....	Joint Industry Council	UGM.....	Universal Ground Module
KG.....	Kilogram	V.....	Volts
L.....	Liter	W.....	Watts
LB.....	Pounds	#.....	Number

10) ILLUSTRATION REFERENCE LETTERS

When necessary, illustrations may contain reference letters that are intended to track information (i. e. hoses, harnesses) from one point to another or to track visual enlargement of components to show details that may be located in another area on the illustration.

Note: Due to continuous product improvements, JLG Industries, Inc. reserves the right to make specification changes without prior notification.

TABLE OF CONTENTS

SECTION 1 - FRAME.....	9
FIGURE 1-1. STEER INSTALLATION.....	10
FIGURE 1-2. DRIVE COMPONENTS INSTALLATION.....	12
FIGURE 1-3. DRIVE MOTOR ASSEMBLY.....	14
FIGURE 1-4. TIRE/WHEEL INSTALLATION.....	16
FIGURE 1-5. POTHOLE PROTECTION SYSTEM INSTALLATION.....	18
FIGURE 1-6. TILT SENSOR INSTALLATION.....	20
FIGURE 1-7. BATTERY CHARGER INSTALLATION - DELTA-Q (LOCALLY SUPPLIED PLUG).....	22
FIGURE 1-8. BATTERY CHARGER INSTALLATION - DELTA-Q (110V PLUG).....	24
FIGURE 1-9. BATTERY CHARGER INSTALLATION - GREEN POWER (LOCALLY SUPPLIED PLUG).....	26
FIGURE 1-10. BATTERY CHARGER INSTALLATION - GREEN POWER (110V PLUG).....	28
FIGURE 1-11. BATTERY CHARGER INSTALLATION - GREEN POWER (CHINA PLUG).....	30
FIGURE 1-12. BATTERY CHARGER INSTALLATION - GREEN POWER (KOREAN PLUG).....	32
FIGURE 1-13. STROBE LIGHT INSTALLATION - SINGLE (AMBER) (WITH GUARD).....	34
FIGURE 1-14. STROBE LIGHT INSTALLATION - DUAL (AMBER) (WITH GUARD).....	36
FIGURE 1-15. ALARM INSTALLATION (AMBIENT/WHITE NOISE).....	38
FIGURE 1-16. LADDER INSTALLATION.....	40
FIGURE 1-17. FRAME COVER INSTALLATION.....	42
SECTION 2 - GROUND CONTROLS.....	45
FIGURE 2-1. HYDRAULIC COMPONENT INSTALLATION.....	46
FIGURE 2-2. MOTOR/PUMP/TANK ASSEMBLY.....	48
FIGURE 2-3. ELECTRICAL COMPONENTS INSTALLATION (WITHOUT LSS).....	50
FIGURE 2-4. ELECTRICAL COMPONENTS INSTALLATION (WITH LSS).....	52
FIGURE 2-5. MDI INSTALLATION.....	54
FIGURE 2-6. BATTERIES INSTALLATION - STANDARD BATTERIES WITHOUT DISCONNECT.....	56
FIGURE 2-7. BATTERIES INSTALLATION - STANDARD BATTERIES WITH DISCONNECT.....	58
FIGURE 2-8. BATTERIES INSTALLATION - AGM BATTERIES WITHOUT DISCONNECT.....	60
FIGURE 2-9. BATTERIES INSTALLATION - AGM BATTERIES WITH DISCONNECT.....	62
FIGURE 2-10. DOORS INSTALLATION.....	64
SECTION 3 - SCISSOR ARMS.....	67
FIGURE 3-1. SCISSOR ARMS INSTALLATION (WITHOUT LSS).....	68
FIGURE 3-2. SCISSOR ARMS INSTALLATION (WITH LSS).....	72
FIGURE 3-3. ARM GUARDS INSTALLATION.....	76
SECTION 4 - PLATFORM.....	79
FIGURE 4-1. PLATFORM INSTALLATION.....	80
FIGURE 4-2. PLATFORM EXTENSION INSTALLATION.....	82
FIGURE 4-3. RAILS INSTALLATION (1.0M TUBE IN TUBE).....	84
FIGURE 4-4. RAILS INSTALLATION (1.1M TUBE IN TUBE).....	86
FIGURE 4-5. RAILS INSTALLATION (SIDE BY SIDE).....	88
FIGURE 4-6. GATE LATCH INSTALLATION.....	90
FIGURE 4-7. PLATFORM CONSOLE INSTALLATION.....	92
FIGURE 4-8. DRIVE/STEER CONTROLLER ASSEMBLY.....	94
SECTION 5 - CYLINDER.....	97
FIGURE 5-1. STEER CYLINDER ASSEMBLY.....	98
FIGURE 5-2. STEER CYLINDER ASSEMBLY.....	100
SECTION 6 - HYDRAULIC.....	103
FIGURE 6-1. HYDRAULIC DIAGRAM.....	104
SECTION 7 - ELECTRICAL.....	107
FIGURE 7-1. AC BOX AT PLATFORM INSTALLATION - 110V GFI (ALL SPECS EXCEPT AUSTRALIAN & CE SPECS).....	108
FIGURE 7-2. AC BOX AT PLATFORM INSTALLATION - 110V IEC YELLOW (CE SPECS).....	110
FIGURE 7-3. AC BOX AT PLATFORM INSTALLATION - 220V IEC BLUE (CE SPECS).....	112
FIGURE 7-4. AC BOX AT PLATFORM INSTALLATION - 220V CEE7 POST GROUND (CE SPECS).....	114
FIGURE 7-5. AC BOX AT PLATFORM INSTALLATION - 220V CEE7 SIDE GROUND (CE SPECS).....	116

TABLE OF CONTENTS

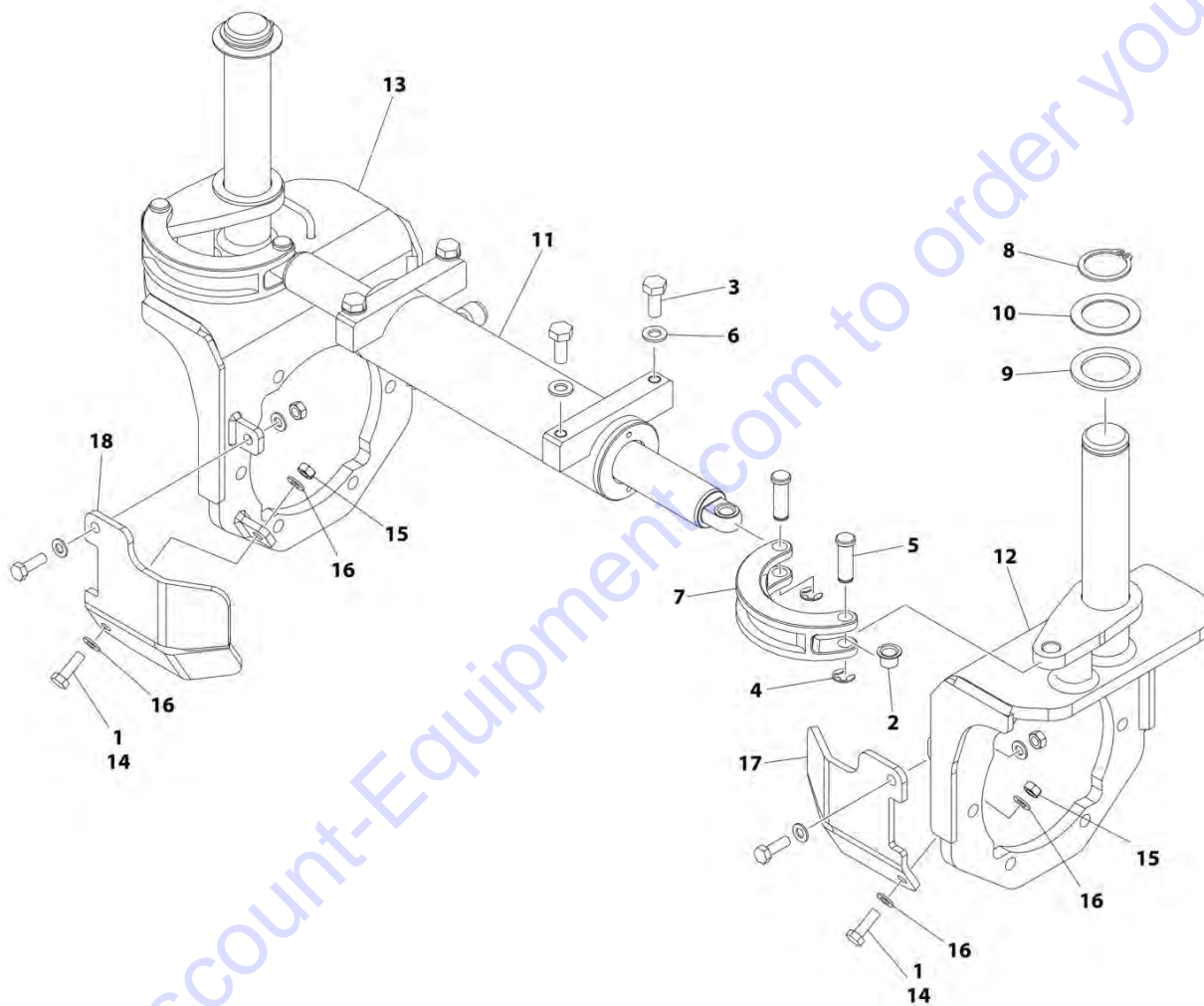
FIGURE 7-6. AC BOX AT PLATFORM INSTALLATION - 220V AFSINT 107 (CE SPECS)	118
FIGURE 7-7. AC BOX AT PLATFORM INSTALLATION - 220V CHINA PLUG (CHINA SPECS).....	120
FIGURE 7-8. AC BOX AT PLATFORM INSTALLATION - 220V LOCALLY SUPPLIED	122
FIGURE 7-9. BREAKER BOX KIT WITH 1 DOUBLE BREAKER	124
FIGURE 7-10. BREAKER BOX KIT WITH 3 BREAKER	126
FIGURE 7-11. CHASSIS HARNESS (WITHOUT LSS).....	128
FIGURE 7-12. CHASSIS HARNESS (WITH LSS)	132
FIGURE 7-13. DRIVE CONTROL HARNESS.....	136
FIGURE 7-14. GROUND TO PLATFORM CABLE INSTALLATION - WITHOUT AC CABLE/WITHOUT FOOTSWITCH	138
FIGURE 7-15. GROUND TO PLATFORM CABLE INSTALLATION - WITH AC CABLE/WITHOUT FOOTSWITCH.....	140
FIGURE 7-16. GROUND TO PLATFORM CABLE INSTALLATION - WITHOUT AC CABLE/WITH FOOTSWITCH.....	142
FIGURE 7-17. GROUND TO PLATFORM CABLE INSTALLATION - WITH AC CABLE/WITH FOOTSWITCH	144
FIGURE 7-18. LIFT DOWN HARNESS (WITHOUT LSS).....	146
FIGURE 7-19. LIFT DOWN HARNESS (WITH LSS)	148
FIGURE 7-20. PLATFORM CONTROL BOX HARNESS.....	150
FIGURE 7-21. RECEPTACLE BOX KIT - 110V GFI	152
FIGURE 7-22. RECEPTACLE BOX KIT - 110V IEC YELLOW (CE SPEC)	154
FIGURE 7-23. RECEPTACLE BOX KIT - 220V IEC BLUE (CE SPEC).....	156
FIGURE 7-24. RECEPTACLE BOX KIT - 220V CEE7 POST GROUND (CE SPEC)	158
FIGURE 7-25. RECEPTACLE BOX KIT - 220V CEE7 SIDE GROUND (CE SPEC).....	160
FIGURE 7-26. RECEPTACLE BOX KIT - 220V AFSINT 107 (CE SPEC)	162
SECTION 8 - DECALS	165
FIGURE 8-1. DECALS INSTALLATION (ANSI SPECS)	166
FIGURE 8-2. DECALS INSTALLATION (CE SPECS)	170
FIGURE 8-3. DECALS INSTALLATION (CHINA SPECS)	174
FIGURE 8-4. DECALS INSTALLATION (CSA SPECS)	178
FIGURE 8-5. DECALS INSTALLATION (JAPANESE SPECS).....	182
FIGURE 8-6. DECALS INSTALLATION (KOREAN SPECS)	186
FIGURE 8-7. DECAL INSTALLATION - OPTIONS	190
SECTION 9 - RECOMMENDED SERVICE PARTS STOCK	193
FIGURE 9-1. RECOMMENDED SERVICE PARTS STOCK.....	194
SECTION 10 - SPECIAL OPTIONS	195
FIGURE 10-1. SPECIAL OPTIONS	196
PART NUMBER INDEX.....	197

SECTION 1 - FRAME

Go to Discount-Equipment.com to order your parts

SECTION 1 - FRAME

FIGURE 1-1. STEER INSTALLATION



ART_1001243106

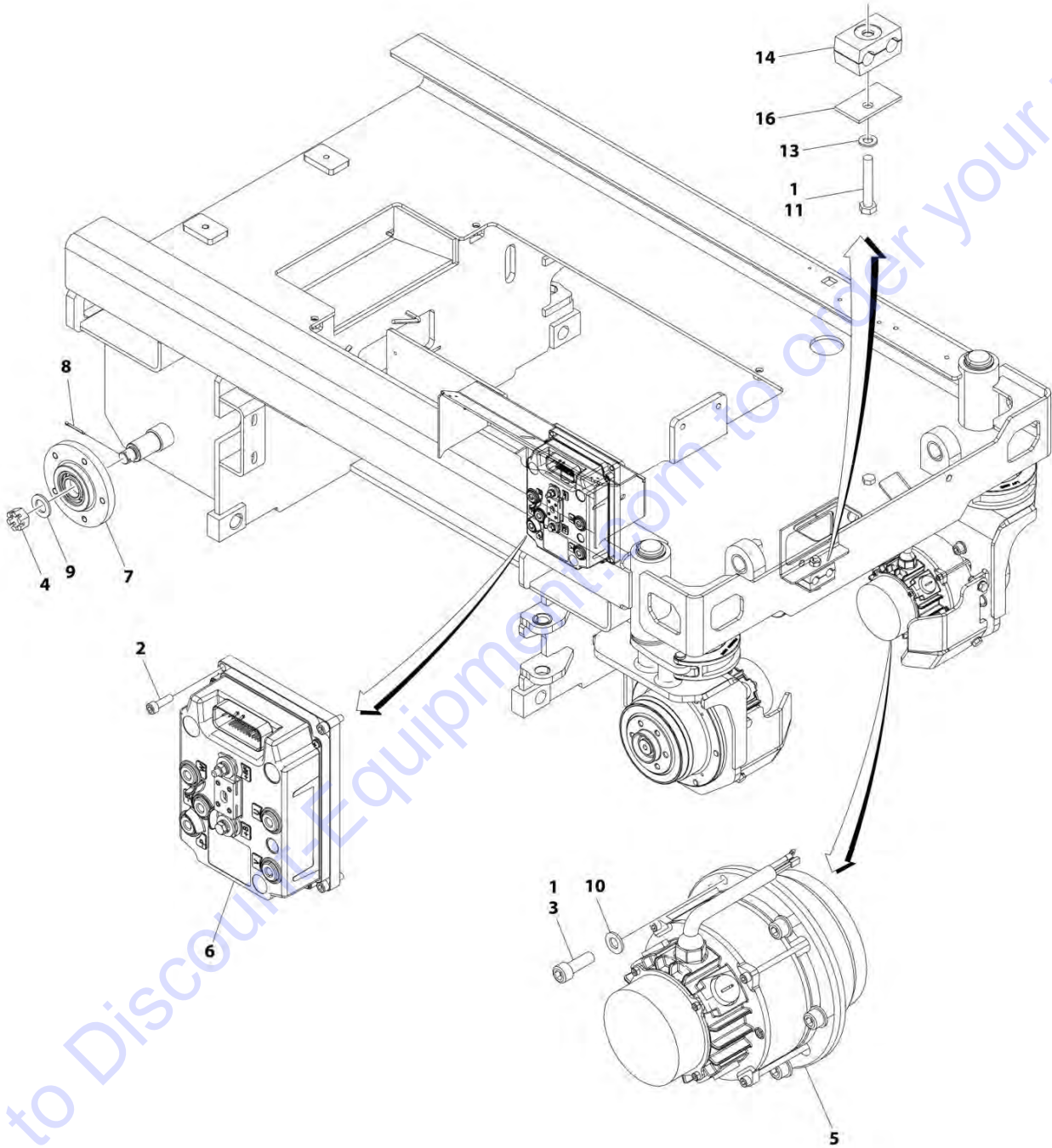
SECTION 1 - FRAME

FIGURE 1-1. STEER INSTALLATION

ITEM	PART NUMBER	QTY	DESCRIPTION	REV
	1001243106	Ref	STEER INSTALLATION	B
1	0100011	AR	Compound, Locking	
2	0440259	2	Bearing	
3	0761012	4	Bolt M10 x 25	
4	1380153	4	Clip	
5	3423037	4	Pin	
6	4812000	4	Washer M10	
7	4846757	2	Lug, Steering	
8	1001099560	2	Ring, Retaining	
9	1001233524	2	Washer	
10	1001233525	2	Washer	
11	1001234461	1	Steer Cylinder Assembly (See Separate Breakdown in CYLINDER SECTION)	
12	1001243248	1	Spindle (LH)	
13	1001243249	1	Spindle (RH)	
14	0760812	4	Bolt M8 x 25	
15	3290801	4	Nut M8	
16	4811900	8	Washer M8	
17	1001246920	1	Cover (LH)	
18	1001246921	1	Cover (RH)	
100	1001236834	4	Bearing (Part of Frame) (Not Shown)	

SECTION 1 - FRAME

FIGURE 1-2. DRIVE COMPONENTS INSTALLATION



ART_1001241599

SECTION 1 - FRAME

FIGURE 1-2. DRIVE COMPONENTS INSTALLATION

ITEM	PART NUMBER	QTY	DESCRIPTION	REV
	1001241599	Ref	DRIVE COMPONENTS INSTALLATION	E
1	0100011	AR	Compound, Locking	
2	4031708	4	Capscrew M6 x 20	
3	4032010	12	Capscrew M10 x 30	
4	3322203	2	Nut 3/4	
5	1001243257	2	Drive Motor Assembly (See Separate Breakdown in this Section)	
6	1001243107	1	Module, Control (Drive) (Note: Recalibration Required when Replaced.)	
7	1001242978	2	Hub, Assembly	
7	1001242980	4	Bearing (2 Per Hub)	
8	3391210	2	Pin, Cotter 3.2 x 30	
9	4812500	2	Washer M20	
10	4812000	12	Washer M10	
11	0700818	1	Bolt M8 x 50	
13	4811900	1	Washer M8	
14	1001249667	1	Clamp	
15	4240017	AR	Tie-Strap (Not Shown)	
16	1321752	1	Plate, Clamp	

Go to Discount-Equipment.com to order your parts

SECTION 1 - FRAME

FIGURE 1-3. DRIVE MOTOR ASSEMBLY

INFORMATION NOT AVAILABLE AT THE TIME OF PRINTING

ART_1001243257

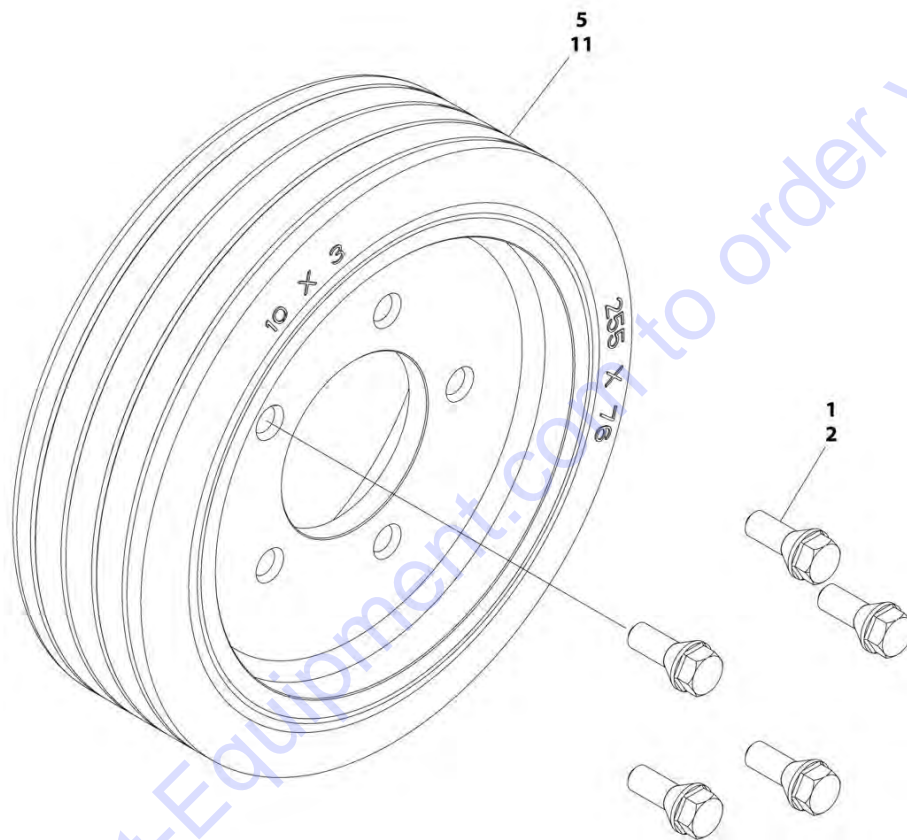
FIGURE 1-3. DRIVE MOTOR ASSEMBLY

ITEM	PART NUMBER	QTY	DESCRIPTION	REV
	1001243257	Ref	DRIVE MOTOR ASSEMBLY	
		Ref	Information not Available at Time of Printing	

Go to Discount-Equipment.com to order your parts

SECTION 1 - FRAME

FIGURE 1-4. TIRE/WHEEL INSTALLATION



ART_1001241546

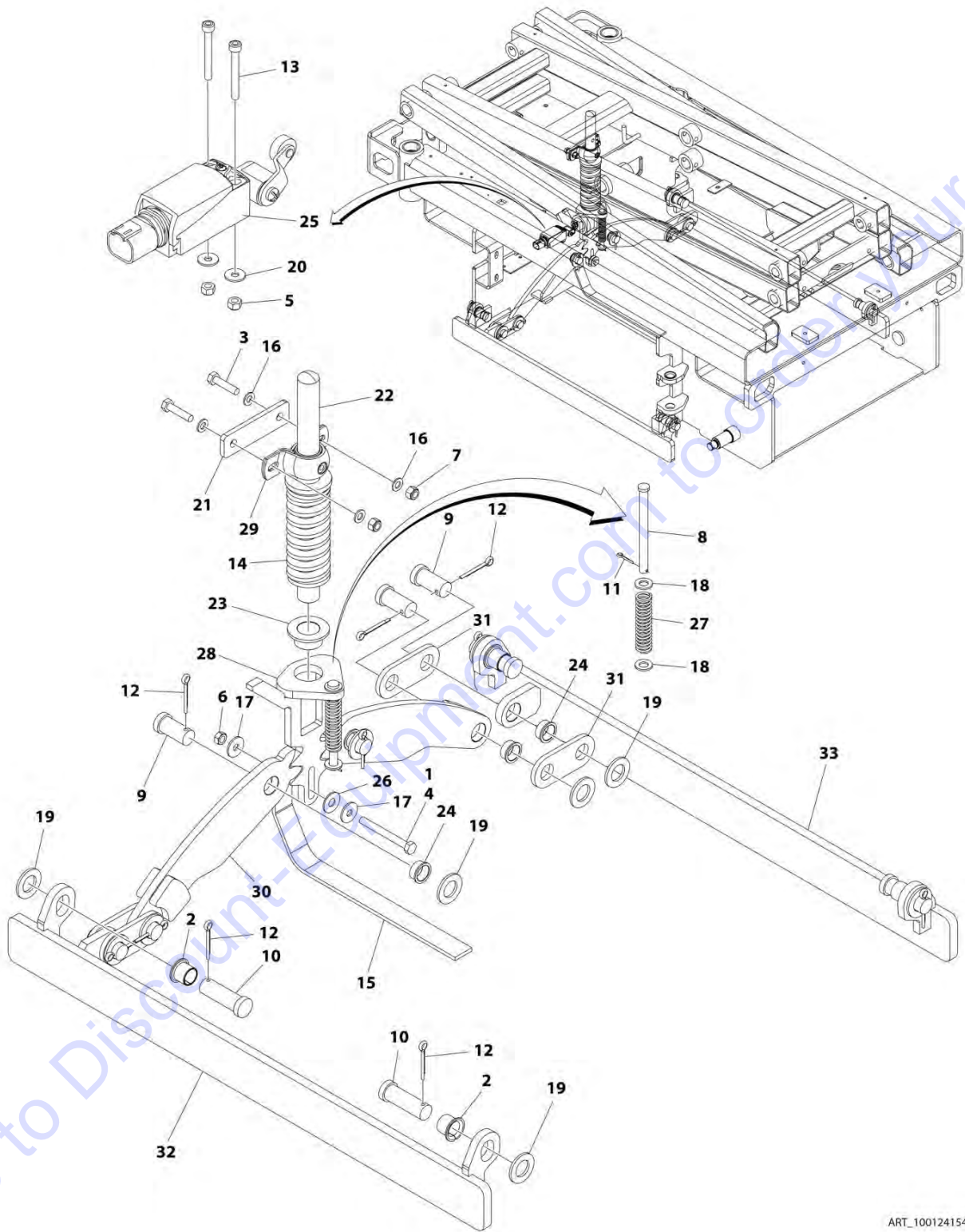
FIGURE 1-4. TIRE/WHEEL INSTALLATION

ITEM	PART NUMBER	QTY	DESCRIPTION	REV
	1001241546	Ref	TIRE/WHEEL INSTALLATION	D
		Ref	Note: Must Replace Tire and Wheel Assemblies in Pairs Per Axle	
1	0100011	AR	Compound, Locking	
2	1001245139	22	Bolt, Wheel M10 X 1.5	
5	1001241601	2	Tire and Wheel (Non - Marking) (Front)	
11	1001237518	2	Tire and Wheel (Non - Marking) (Rear)	

Go to Discount-Equipment.com to order your parts

SECTION 1 - FRAME

FIGURE 1-5. POTHOLE PROTECTION SYSTEM INSTALLATION



ART_1001241542

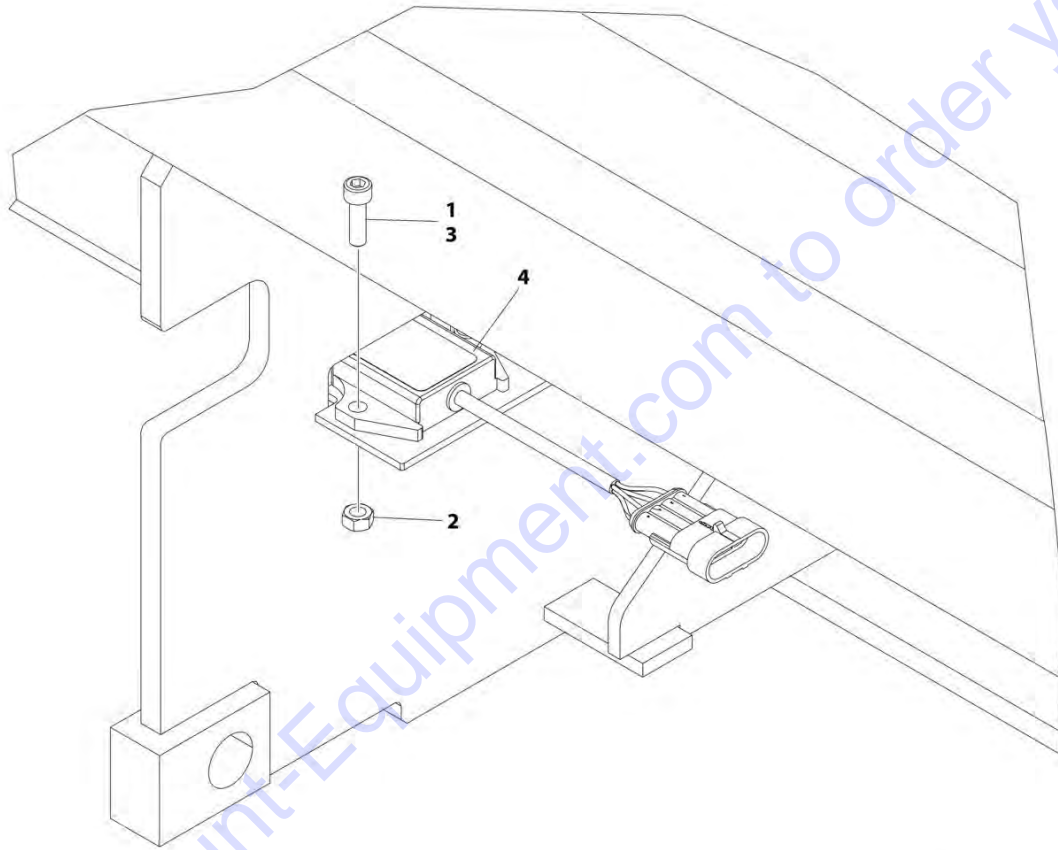
SECTION 1 - FRAME

FIGURE 1-5. POTHOLE PROTECTION SYSTEM INSTALLATION

ITEM	PART NUMBER	QTY	DESCRIPTION	REV
	1001241542	Ref	POTHOLE PROTECTION SYSTEM INSTALLATION	C
1	0100011	AR	Compound, Locking	
2	0440263	4	Bearing	
3	0700815	2	Bolt M8 x 35	
4	0700823	1	Bolt M8 x 75	
5	3290405	2	Nut M4	
6	3290801	1	Nut M8	
7	3290805	2	Nut M8	
8	3430636	1	Pin	
9	3431212	6	Pin	
10	3431218	4	Pin	
11	3450302	1	Pin, Cotter 7/8 x 1/2	
12	3450505	10	Pin, Cotter 5/32 x 1/2	
13	4031511	2	Capscrew M4 x 35	
14	4160202	1	Spring	
15	4240147	1	Strap, Anti-Static	
16	4811900	4	Washer M8	
17	4811902	2	Washer M8	
18	4812000	2	Washer M10	
19	4812500	14	Washer M20	
20	1001091102	2	Washer M4	
21	1001202987	1	Plate, Mounting	
22	1001202988	1	Actuator (Upper)	
23	1001203869	1	Bearing	
24	1001203870	6	Bearing	
25	1001203871	1	Switch, Limit	
26	1001203872	1	Washer 3/8	
27	1001212068	1	Spring	
28	1001214526	1	Actuator (Lower)	
29	1001215953	1	Bearing	
30	1001249846	2	Plate, Pinion	
31	1001236849	4	Link	
32	1001241543	1	Bar (LH)	
33	1001241544	1	Bar (RH)	

SECTION 1 - FRAME

FIGURE 1-6. TILT SENSOR INSTALLATION



ART_1001237507

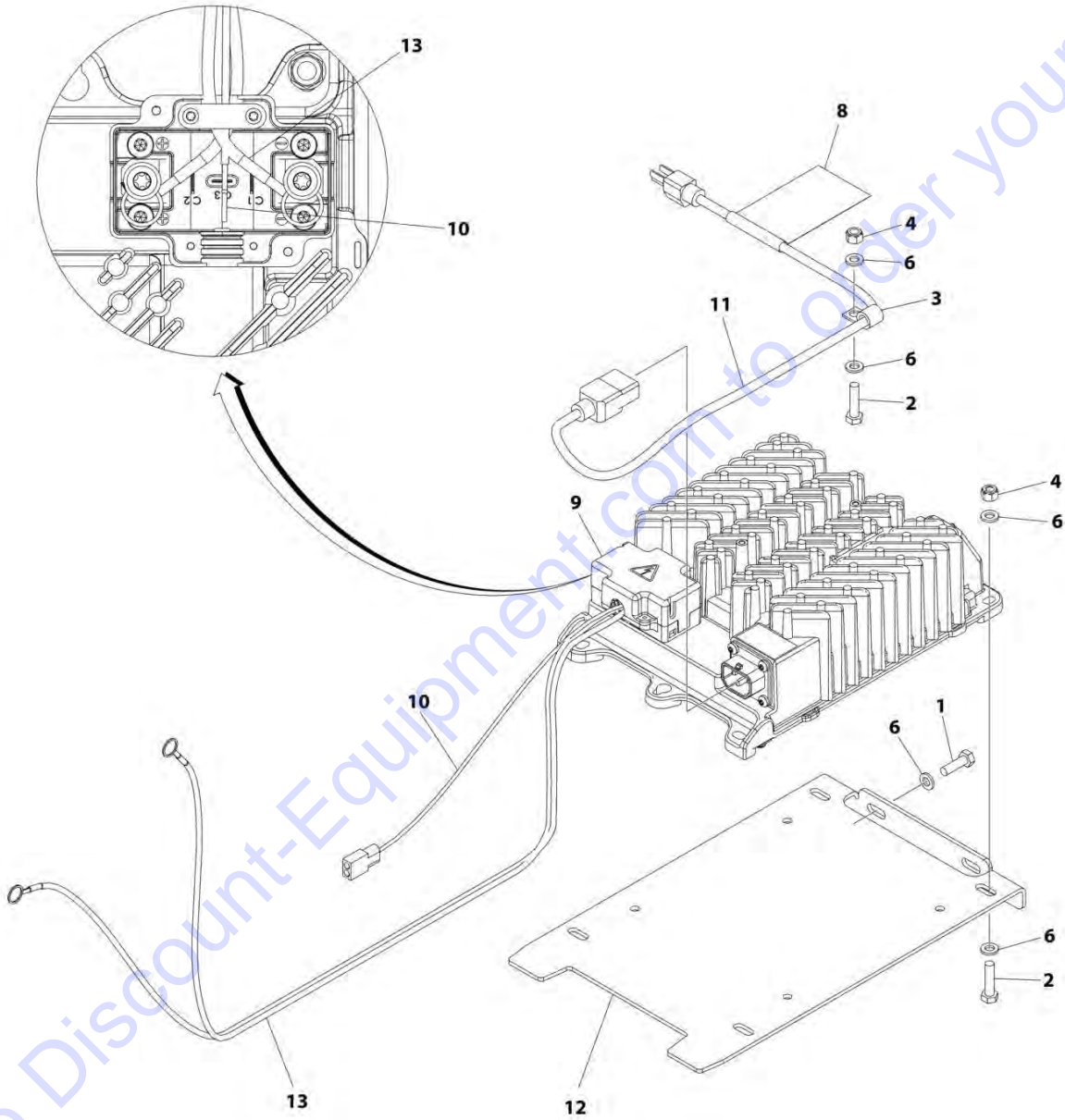
FIGURE 1-6. TILT SENSOR INSTALLATION

ITEM	PART NUMBER	QTY	DESCRIPTION	REV
	1001237507	Rev	TILT SENSOR INSTALLATION	B
1	0100011	1	Compound, Locking	
2	3290601	1	Nut M6 x 20	
3	4031708	1	Capscrew M6 x 20	
4	1001249798	1	Sensor, Tilt	

Go to Discount-Equipment.com to order your parts

SECTION 1 - FRAME

FIGURE 1-7. BATTERY CHARGER INSTALLATION - DELTA-Q (LOCALLY SUPPLIED PLUG)



ART_1001244598

SECTION 1 - FRAME

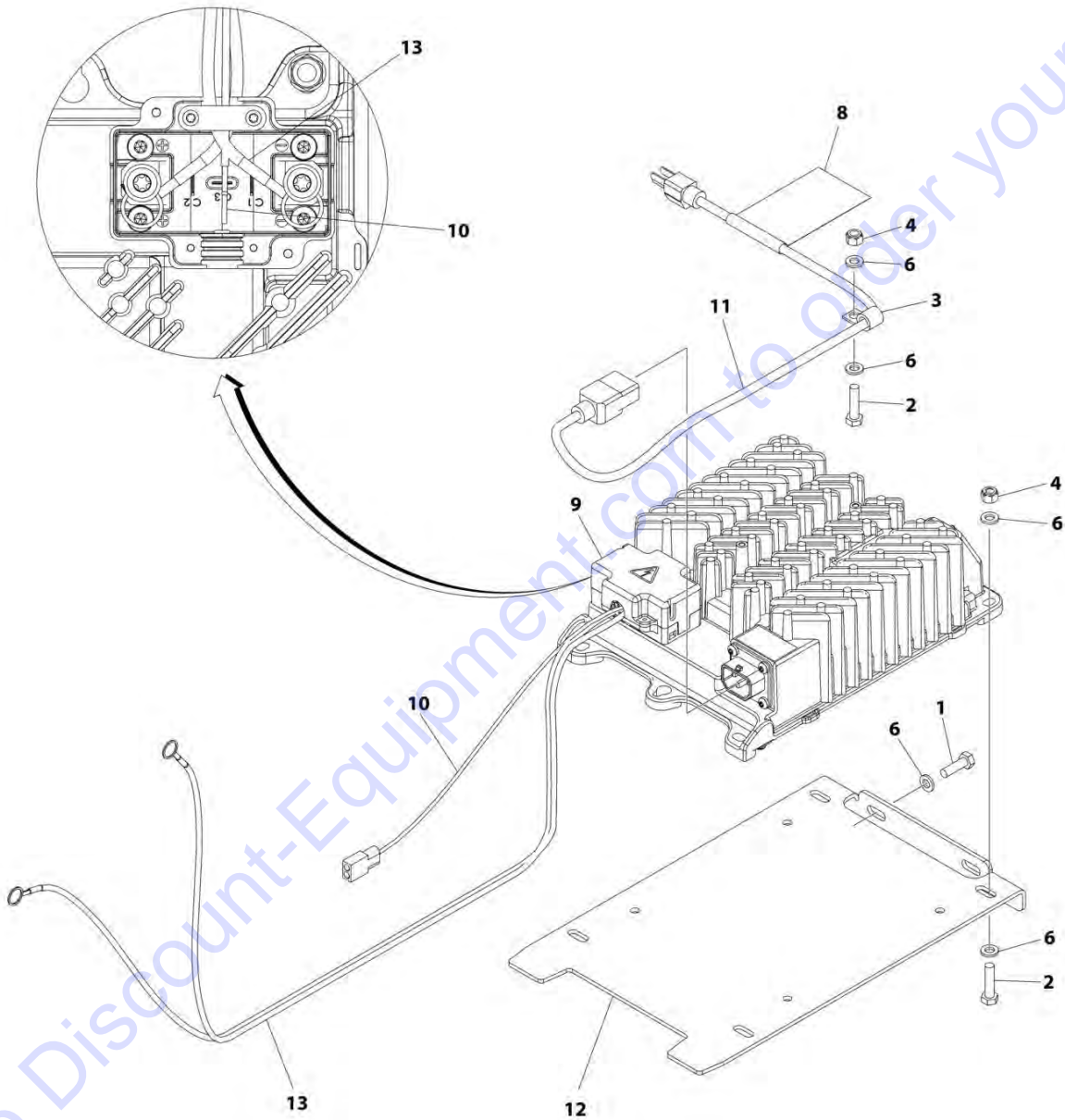
FIGURE 1-7. BATTERY CHARGER INSTALLATION - DELTA-Q (LOCALLY SUPPLIED PLUG)

ITEM	PART NUMBER	QTY	DESCRIPTION	REV
	1001244598	Ref	BATTERY CHARGER INSTALLATION - DELTA-Q (LOCALLY SUPPLIED PLUG)	B
1	0760610	2	Bolt M6 x 20	
2	0760612	4	Bolt M6 x 25	
3	1321293	1	Clamp	
4	3290605	4	Nut M6	
5	4240017	AR	Tie-Strap (Not Shown)	
6	4811700	10	Washer M6	
8	1001102489	1	Decal - Charger	
9	1001249940	1	Charger, Battery - Delta-Q	
10	1001207009	1	Charger Interlock Harness	
10	4460424	1	Receptacle, Female - 2 Position	
10	4460227	2	Pin, Male	
11	1001207974	1	Cable, Charger AC Input	
12	1001237462	1	Bracket	
13	1001241489	1	Charger DC Connection Harness	

Go to Discount-Equipment.com to order your parts

SECTION 1 - FRAME

FIGURE 1-8. BATTERY CHARGER INSTALLATION - DELTA-Q (110V PLUG)



ART_1001244603

SECTION 1 - FRAME

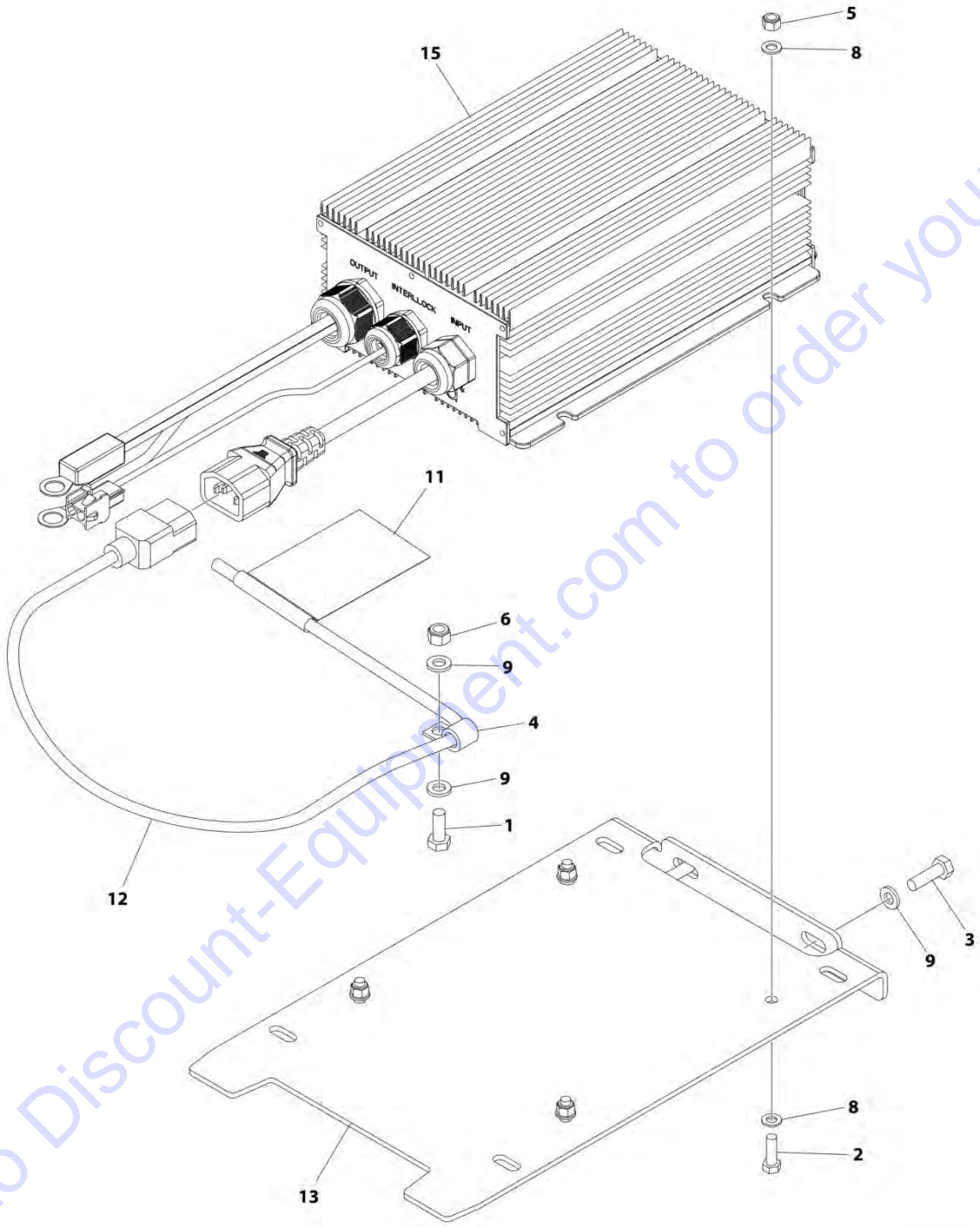
FIGURE 1-8. BATTERY CHARGER INSTALLATION - DELTA-Q (110V PLUG)

ITEM	PART NUMBER	QTY	DESCRIPTION	REV
	1001244603	Ref	BATTERY CHARGER INSTALLATION - DELTA-Q (110V PLUG)	B
1	0760610	2	Bolt M6 x 20	
2	0760612	4	Bolt M6 x 25	
3	1321293	1	Clamp	
4	3290605	4	Nut M6	
5	4240017	AR	Tie-Strap (Not Shown)	
6	4811700	10	Washer M6	
8	1001102489	1	Decal - Charger	
9	1001249940	1	Charger, Battery - Delta-Q	
10	1001207009	1	Charger Interlock Harness	
10	4460424	1	Receptacle, Female - 2 Position	
10	4460227	2	Pin, Male	
11	1001207970	1	Charger AC Input Cable	
12	1001237462	1	Bracket	
13	1001241489	1	Charger DC Connection Harness	

Go to Discount-Equipment.com to order your parts

SECTION 1 - FRAME

FIGURE 1-9. BATTERY CHARGER INSTALLATION - GREEN POWER (LOCALLY SUPPLIED PLUG)



ART_1001244600

SECTION 1 - FRAME

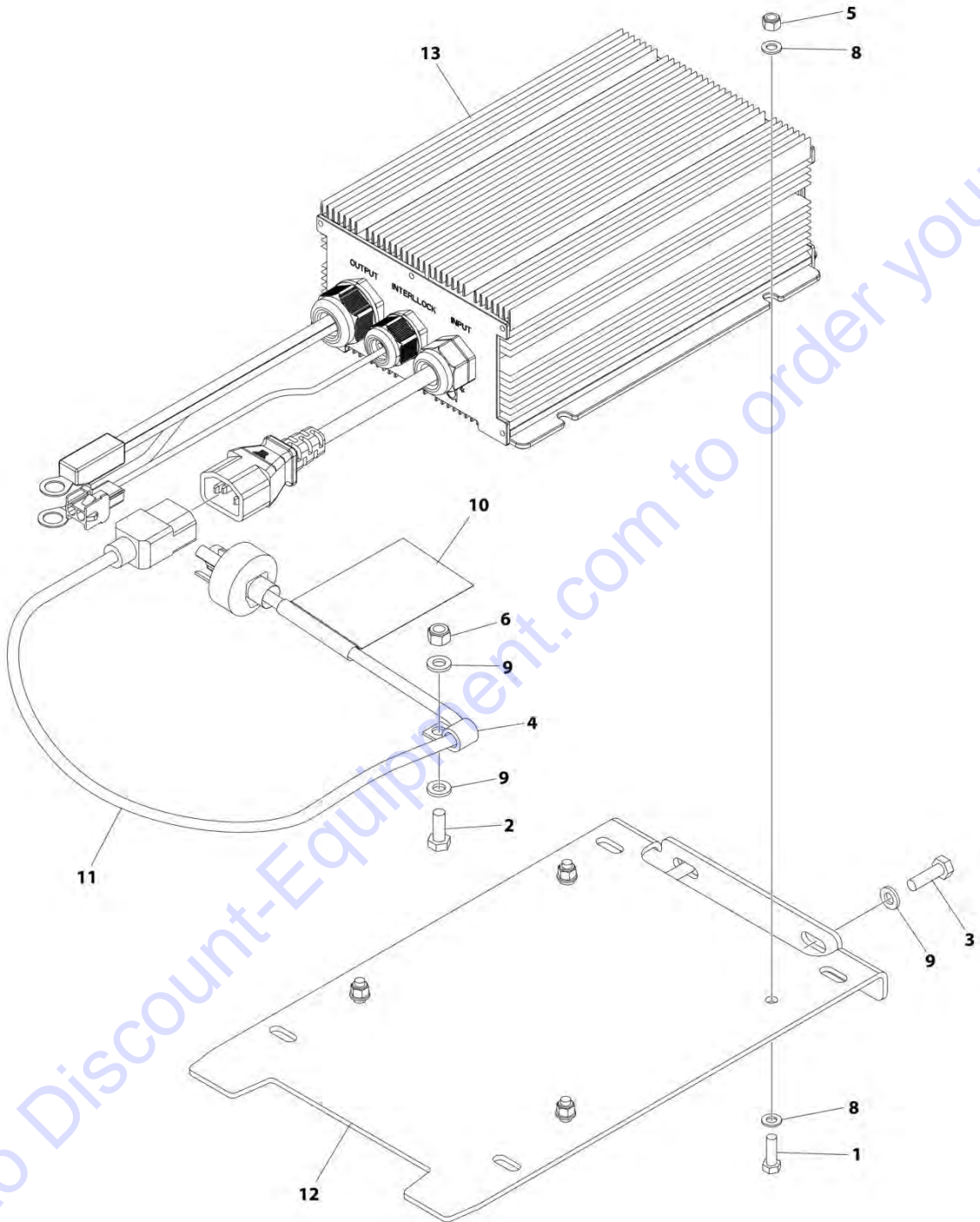
FIGURE 1-9. BATTERY CHARGER INSTALLATION - GREEN POWER (LOCALLY SUPPLIED PLUG)

ITEM	PART NUMBER	QTY	DESCRIPTION	REV
	1001244600	Ref	BATTERY CHARGER INSTALLATION - GREEN POWER (LOCALLY SUPPLIED PLUG)	B
1	0760608	1	Bolt M6 x 16	
2	0760508	4	Bolt M5 x 16	
3	0760610	2	Bolt M5 x 20	
4	1321293	1	Clamp, Cable	
5	3290505	4	Nut M5	
6	3290605	1	Nut M6	
7	4240017	AR	Tie-Strap (Not Shown)	
8	4811600	8	Washer M5	
9	4811700	4	Washer M6	
11	1001102489	1	Decal - Charger	
12	1001207974	1	Cable, Charger AC Input	
13	1001237462	1	Bracket	
15	1001244478	1	Charger, Battery-Green Power	

Go to Discount-Equipment.com to order your parts

SECTION 1 - FRAME

FIGURE 1-10. BATTERY CHARGER INSTALLATION - GREEN POWER (110V PLUG)



ART_1001250219

SECTION 1 - FRAME

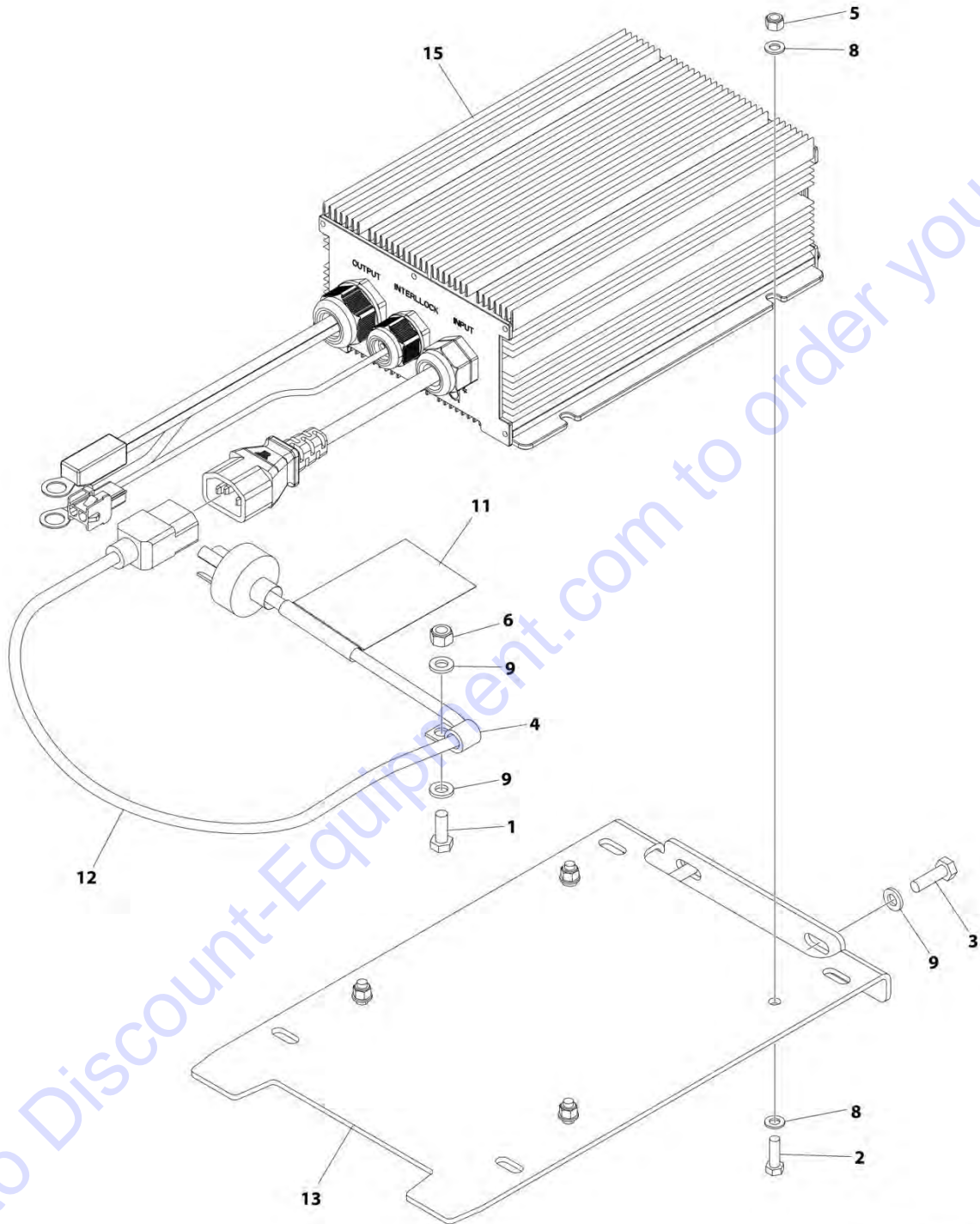
FIGURE 1-10. BATTERY CHARGER INSTALLATION - GREEN POWER (110V PLUG)

ITEM	PART NUMBER	QTY	DESCRIPTION	REV
	1001250219	Ref	BATTERY CHARGER INSTALLATION - GREEN POWER (110V PLUG)	A
1	0760508	4	Bolt M5 x 16	
2	0760608	1	Bolt M6 x 16	
3	0760610	2	Bolt M5 x 20	
4	1321293	1	Clamp, Cable	
5	3290505	4	Nut M5	
6	3290605	1	Nut M6	
7	4240017	AR	Tie-Strap (Not Shown)	
8	4811600	8	Washer M5	
9	4811700	4	Washer M6	
10	1001102489	1	Decal - Charger	
11	1001207970	1	Cable, Charger AC Input	
12	1001237462	1	Bracket	
13	1001244478	1	Charger, Battery-Green Power	

Go to Discount-Equipment.com to order your parts

SECTION 1 - FRAME

FIGURE 1-11. BATTERY CHARGER INSTALLATION - GREEN POWER (CHINA PLUG)



ART_1001244599

SECTION 1 - FRAME

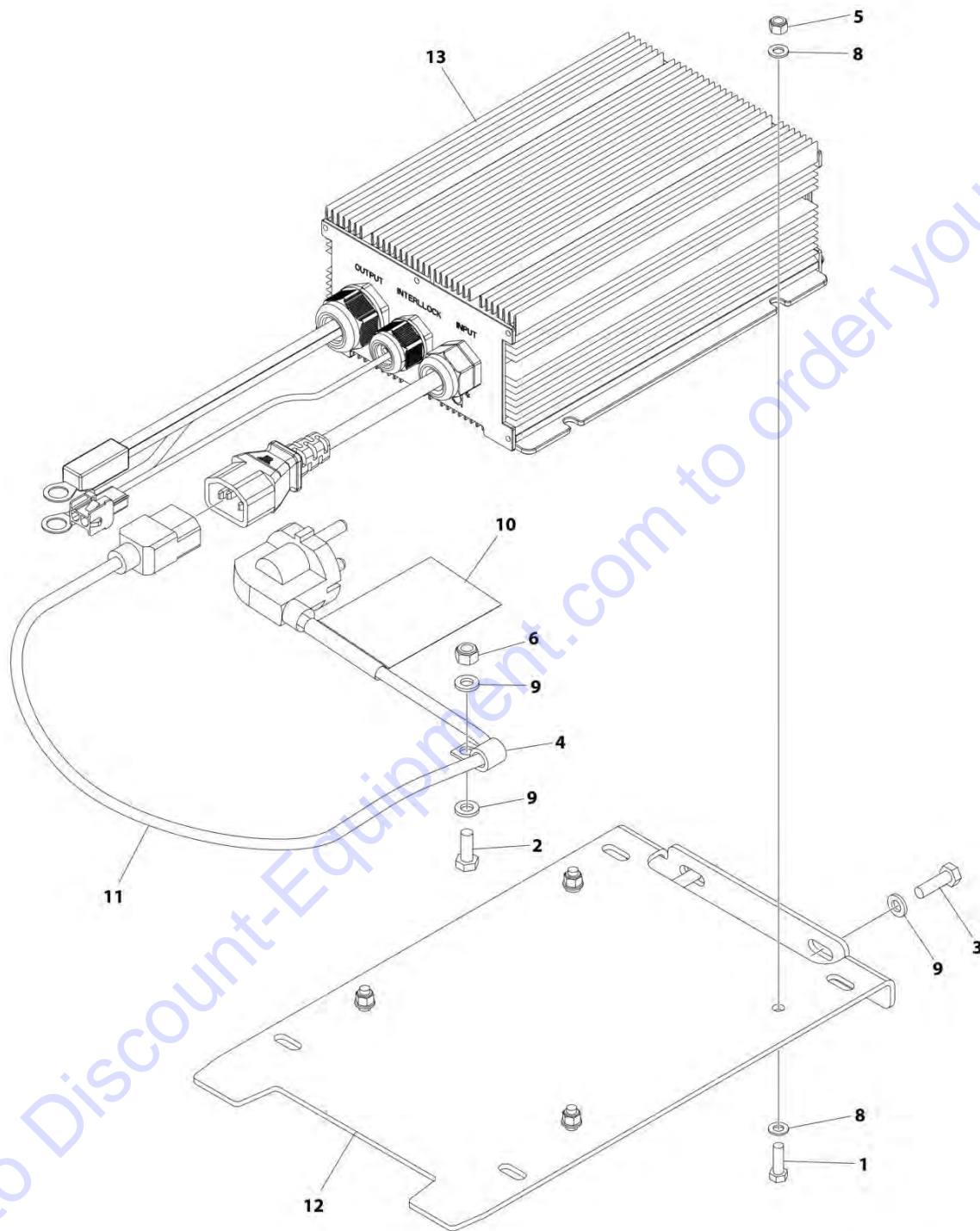
FIGURE 1-11. BATTERY CHARGER INSTALLATION - GREEN POWER (CHINA PLUG)

ITEM	PART NUMBER	QTY	DESCRIPTION	REV
	1001244599	Ref	BATTERY CHARGER INSTALLATION - GREEN POWER (CHINA PLUG)	B
1	0760608	1	Bolt M6 x 16	
2	0760508	4	Bolt M5 x 16	
3	0760610	2	Bolt M5 x 20	
4	1321293	1	Clamp, Cable	
5	3290505	4	Nut M5	
6	3290605	1	Nut M6	
7	4240017	AR	Tie-Strap (Not Shown)	
8	4811600	8	Washer M5	
9	4811700	4	Washer M6	
11	1001102489	1	Decal - Charger	
12	1001207973	1	Cable, Charger AC Input	
13	1001237462	1	Bracket	
15	1001244478	1	Charger, Battery-Green Power	

Go to Discount-Equipment.com to order your parts

SECTION 1 - FRAME

FIGURE 1-12. BATTERY CHARGER INSTALLATION - GREEN POWER (KOREAN PLUG)



ART_1001250218

SECTION 1 - FRAME

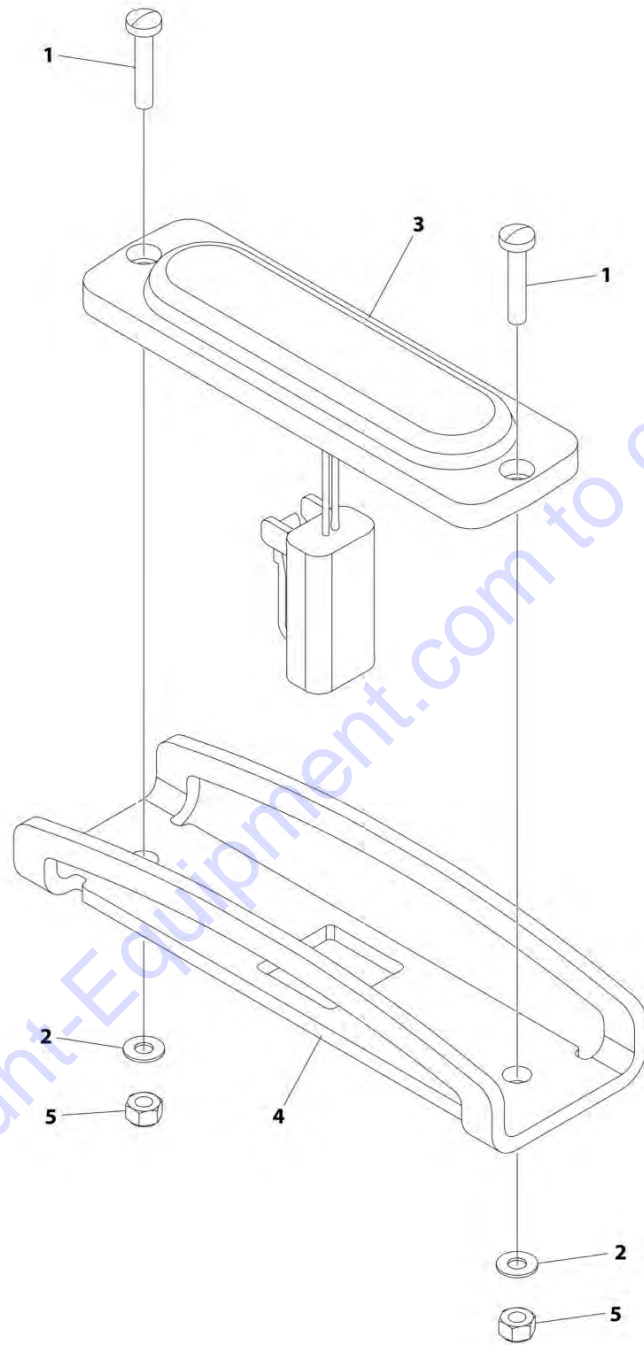
FIGURE 1-12. BATTERY CHARGER INSTALLATION - GREEN POWER (KOREAN PLUG)

ITEM	PART NUMBER	QTY	DESCRIPTION	REV
	1001250218	Ref	BATTERY CHARGER INSTALLATION - GREEN POWER (KOREAN PLUG)	A
1	0760508	4	Bolt M5 x 16	
2	0760608	1	Bolt M6 x 16	
3	0760610	2	Bolt M5 x 20	
4	1321293	1	Clamp, Cable	
5	3290505	4	Nut M5	
6	3290605	1	Nut M6	
7	4240017	AR	Tie-Strap (Not Shown)	
8	4811600	8	Washer M5	
9	4811700	4	Washer M6	
10	1001102489	1	Decal - Charger	
11	1001221949	1	Cable, Charger AC Input	
12	1001237462	1	Bracket	
13	1001244478	1	Charger, Battery-Green Power	

Go to Discount-Equipment.com to order your parts

SECTION 1 - FRAME

FIGURE 1-13. STROBE LIGHT INSTALLATION - SINGLE (AMBER) (WITH GUARD)



ART_1001239314

SECTION 1 - FRAME

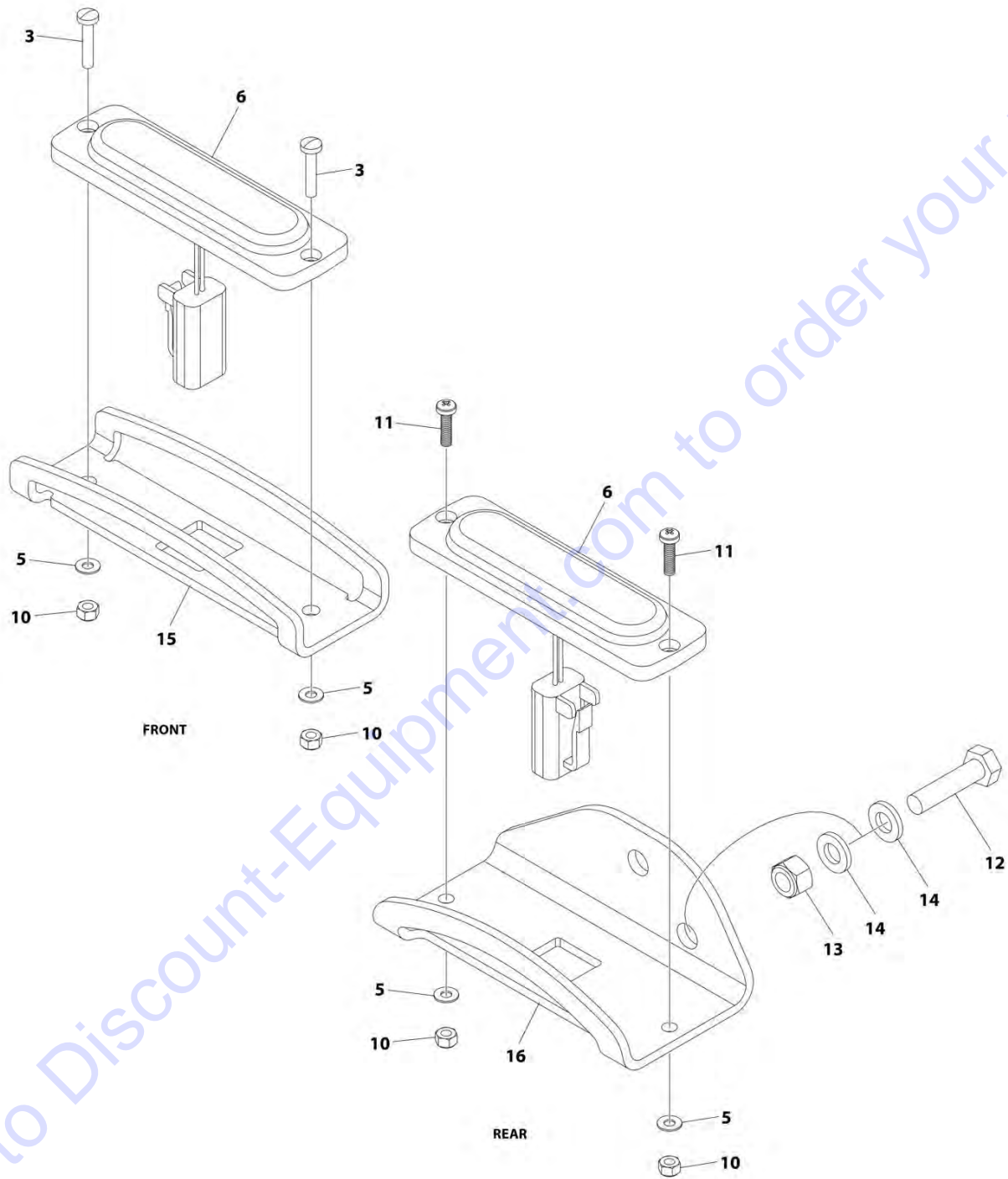
FIGURE 1-13. STROBE LIGHT INSTALLATION - SINGLE (AMBER) (WITH GUARD)

ITEM	PART NUMBER	QTY	DESCRIPTION	REV
	1001239314	Rev	STROBE LIGHT INSTALLATION - SINGLE (AMBER) (WITH GUARD)	C
1	4010308	2	Screw M3 x 16	
2	1001110544	2	Washer M3	
3	1001239224	1	Light, Strobe	
3	4460891	1	Plug, Male - 2 Position	
3	4460465	2	Socket, Female	
4	1001249966	1	Guard	
5	3290305	2	Nut M3	

Go to Discount-Equipment.com to order your parts

SECTION 1 - FRAME

FIGURE 1-14. STROBE LIGHT INSTALLATION - DUAL (AMBER) (WITH GUARD)



ART_1001239315

SECTION 1 - FRAME

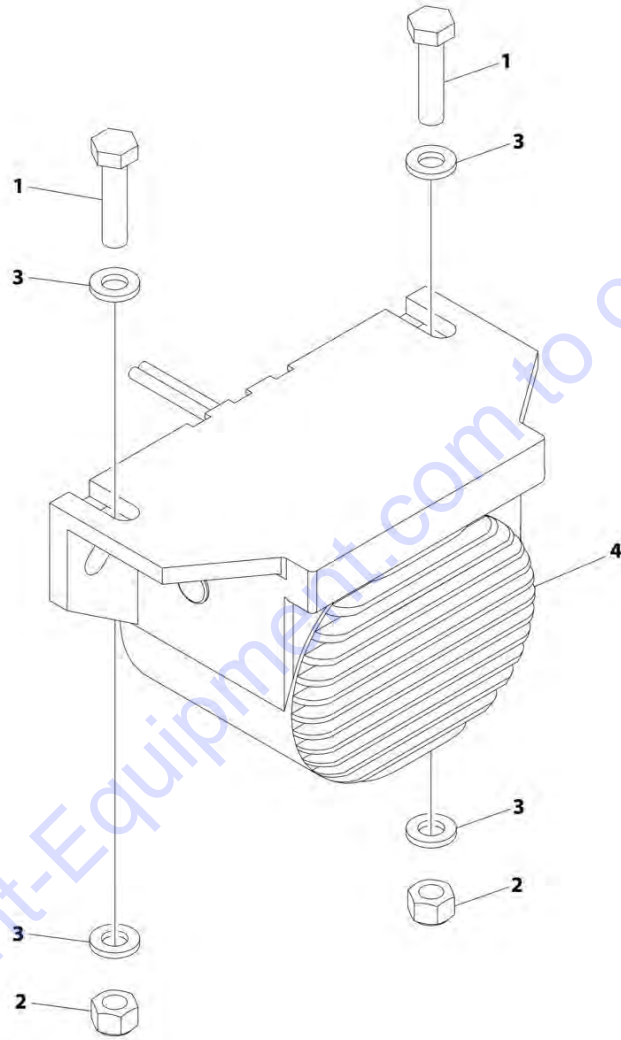
FIGURE 1-14. STROBE LIGHT INSTALLATION - DUAL (AMBER) (WITH GUARD)

ITEM	PART NUMBER	QTY	DESCRIPTION	REV
	1001239315	Ref	STROBE LIGHT INSTALLATION - DUAL (AMBER) (WITH GUARD)	D
3	4010308	2	Screw M3 x 16	
5	1001110544	4	Washer M3	
6	1001239224	2	Light, Strobe	
6	4460891	1	Plug, Male - 2 Position	
6	4460465	2	Socket, Female	
10	3290305	4	Nut M3	
11	1001198576	2	Screw	
12	0700612	2	Capscrew M6 x 25	
13	3290605	2	Nut M6	
14	4811700	4	Washer M6	
15	1001249966	1	Guard	
16	1001249967	1	Bracket	
17	1001250078	1	Strobe Light Jumper Harness (Not Shown)	
17	4460897	2	Receptacle, Female - 2 Position	
17	4460464	4	Pin, Male	
17	4460891	1	Plug, Male - 2 Position	
17	4460465	2	Socket, Female	

Go to Discount-Equipment.com to order your parts

SECTION 1 - FRAME

FIGURE 1-15. ALARM INSTALLATION (AMBIENT/WHITE NOISE)



ART_1001204495

SECTION 1 - FRAME

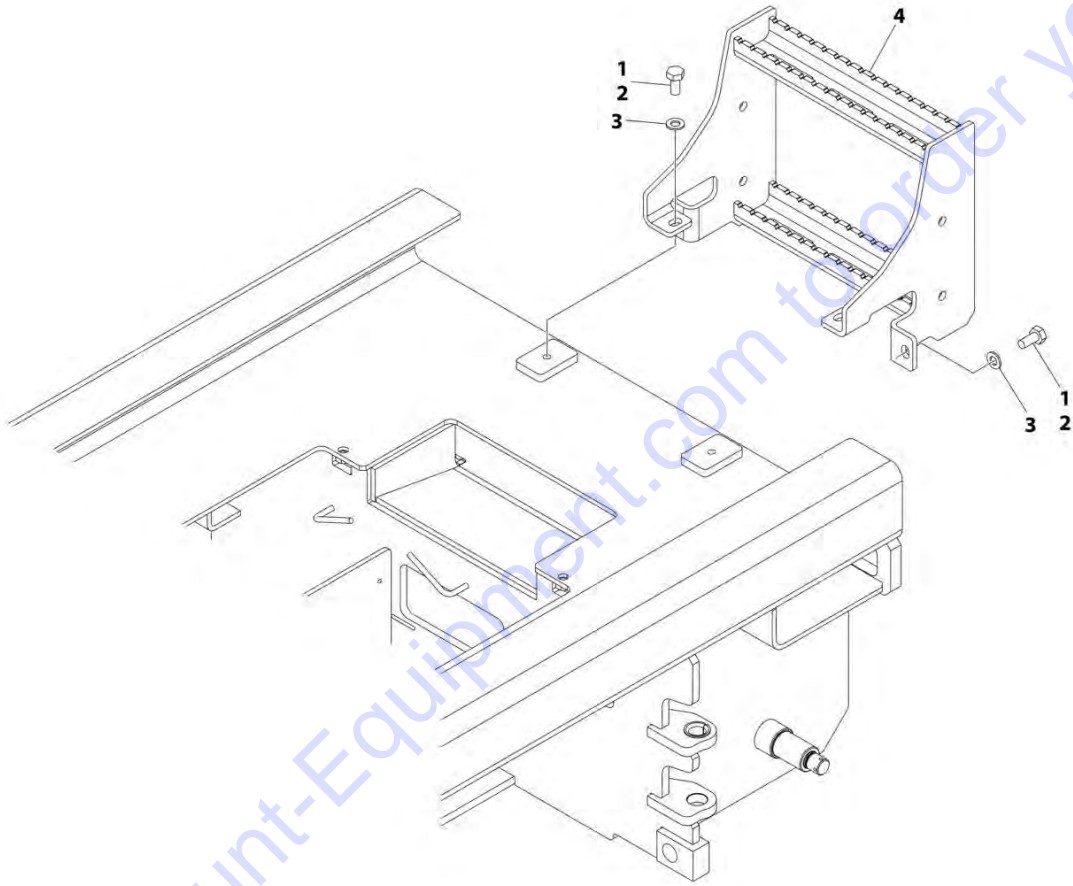
FIGURE 1-15. ALARM INSTALLATION (AMBIENT/WHITE NOISE)

ITEM	PART NUMBER	QTY	DESCRIPTION	REV
	1001204495	Ref	ALARM INSTALLATION (AMBIENT/WHITE NOISE)	B
1	0760612	2	Bolt M6 x 25	
2	3290605	2	Nut M6	
3	4811700	4	Washer M6	
4	1001182806	1	Alarm	
4	4460897	1	Receptacle, Female - 2 Position	
4	4460464	2	Pin, Male	

Go to Discount-Equipment.com to order your parts

SECTION 1 - FRAME

FIGURE 1-16. LADDER INSTALLATION



ART_1001241822

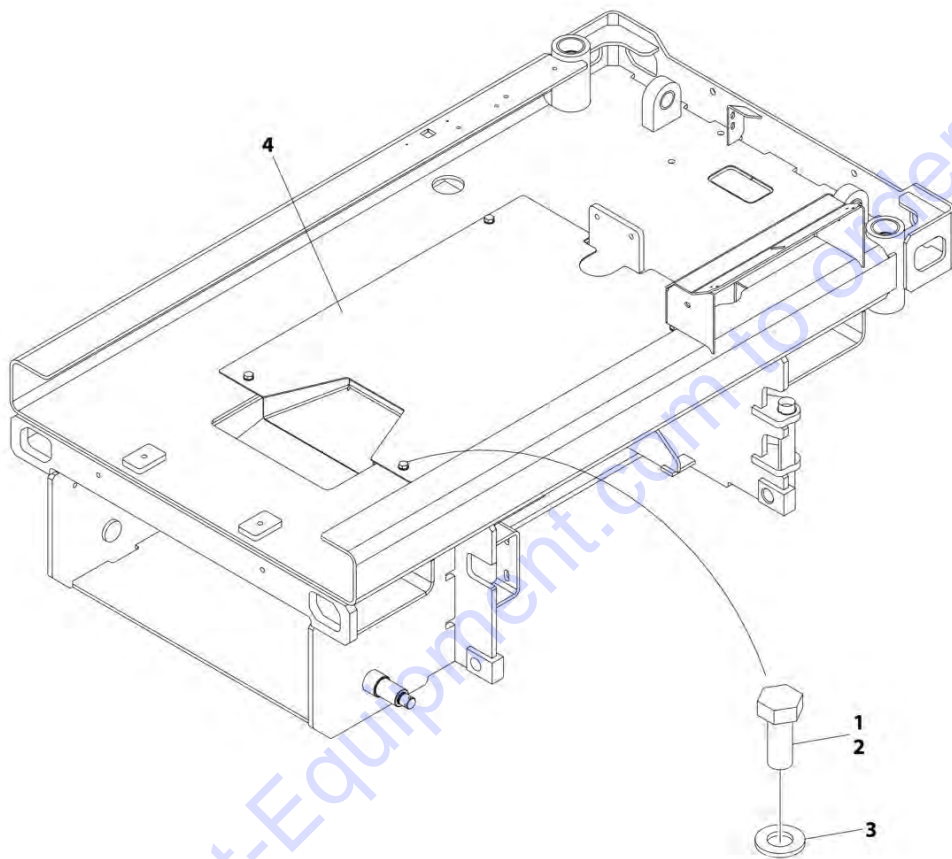
FIGURE 1-16. LADDER INSTALLATION

ITEM	PART NUMBER	QTY	DESCRIPTION	REV
	1001241822	Ref	LADDER INSTALLATION	D
1	0100011	AR	Compound, Locking	
2	0761011	4	Bolt M10 x 22	
3	4812000	4	Washer M10	
4	1001241823	1	Ladder	

Go to Discount-Equipment.com to order your parts

SECTION 1 - FRAME

FIGURE 1-17. FRAME COVER INSTALLATION



ART_1001241589

FIGURE 1-17. FRAME COVER INSTALLATION

ITEM	PART NUMBER	QTY	DESCRIPTION	REV
	1001241589	Ref	FRAME COVER INSTALLATION	D
1	0100011	AR	Compound, Locking	
2	0760810	4	Bolt M8 x 20	
3	4811900	4	Washer M8	
4	1001243838	1	Cover	

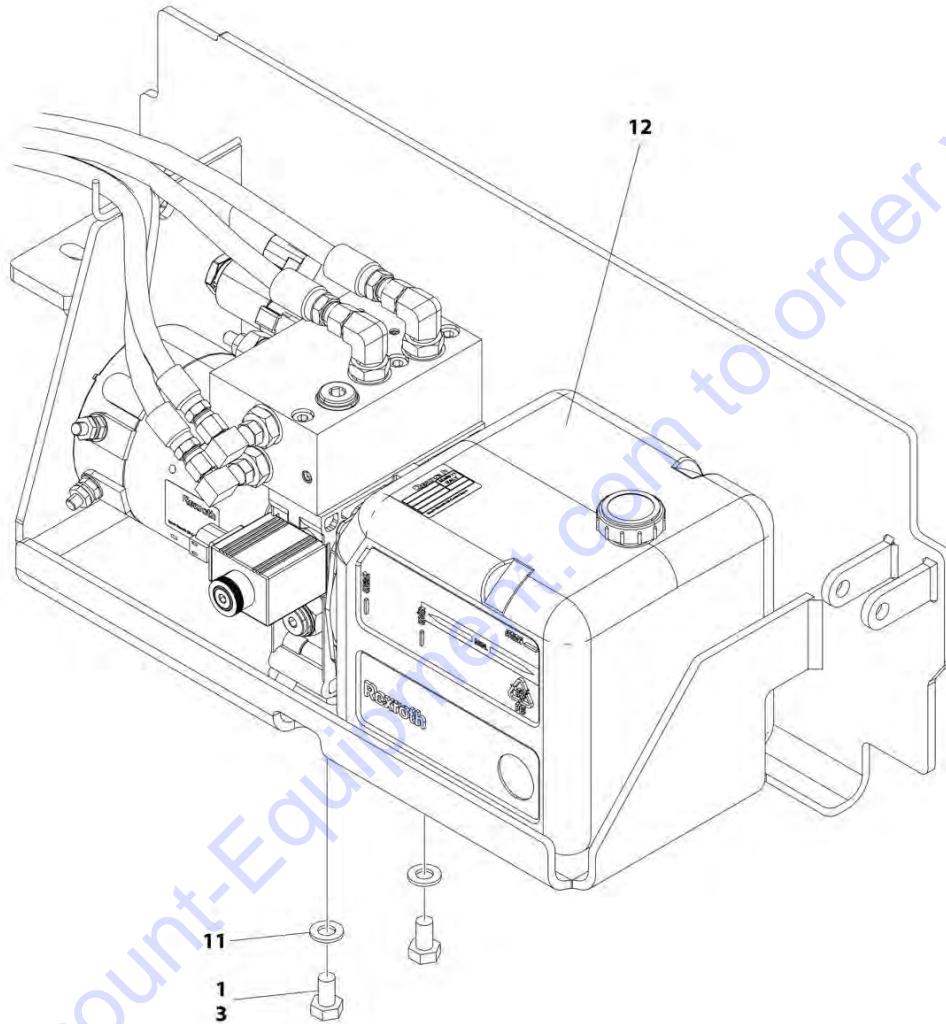
Go to Discount-Equipment.com to order your parts

SECTION 2 - GROUND CONTROLS

Go to Discount-Equipment.com to order your parts

SECTION 2 - GROUND CONTROLS

FIGURE 2-1. HYDRAULIC COMPONENT INSTALLATION



ART_1001235002_1OF2

SECTION 2 - GROUND CONTROLS

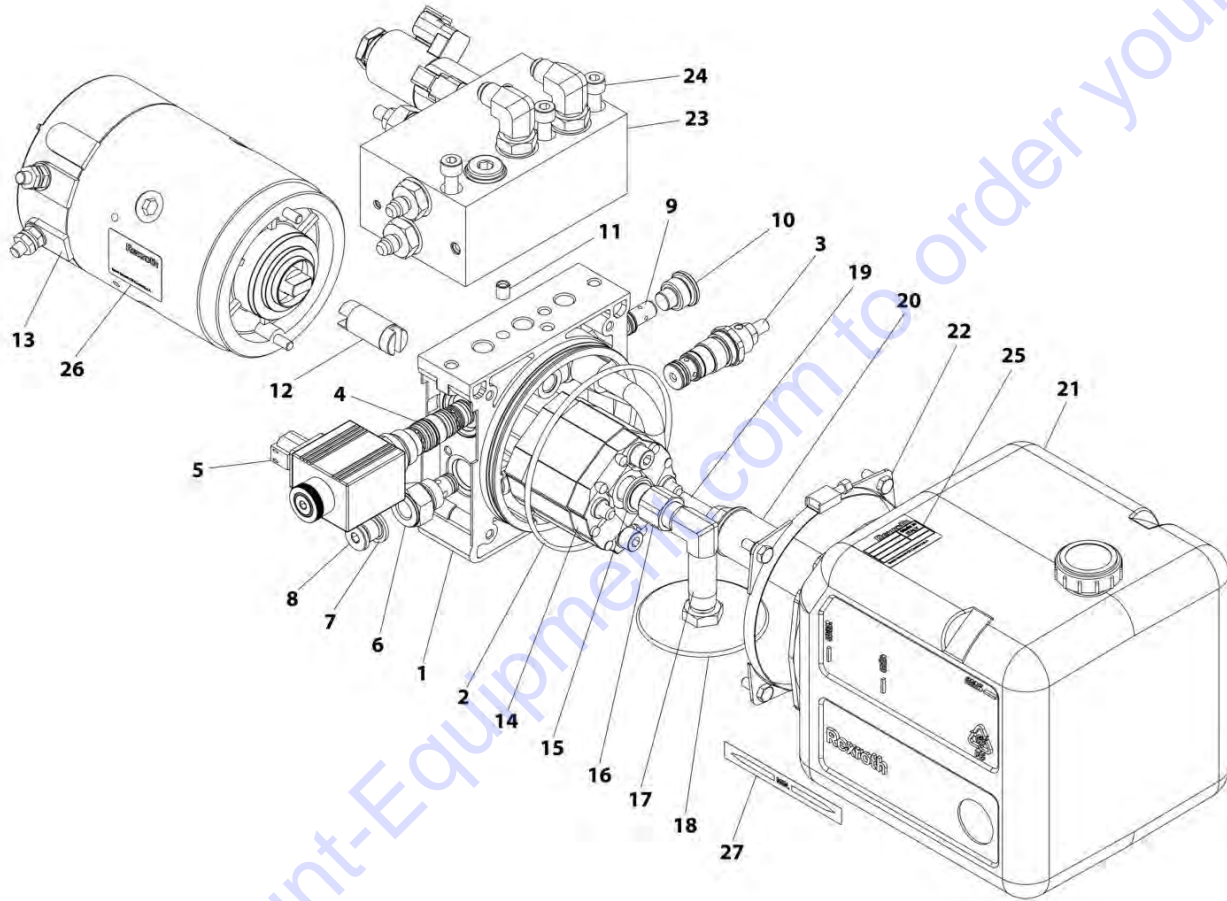
FIGURE 2-1. HYDRAULIC COMPONENT INSTALLATION

ITEM	PART NUMBER	QTY	DESCRIPTION	REV
	1001235002	Rev	HYDRAULIC COMPONENTS INSTALLATION	E
1	0100011	AR	Compound, Locking	
3	0761009	2	Bolt M10 x 18	
11	4812000	2	Washer M10	
12	1001245851	1	Motor/Pump/Tank Assembly (See Separate Breakdown in this Section)	

Go to Discount-Equipment.com to order your parts

SECTION 2 - GROUND CONTROLS

FIGURE 2-2. MOTOR/PUMP/TANK ASSEMBLY



ART_1001245851

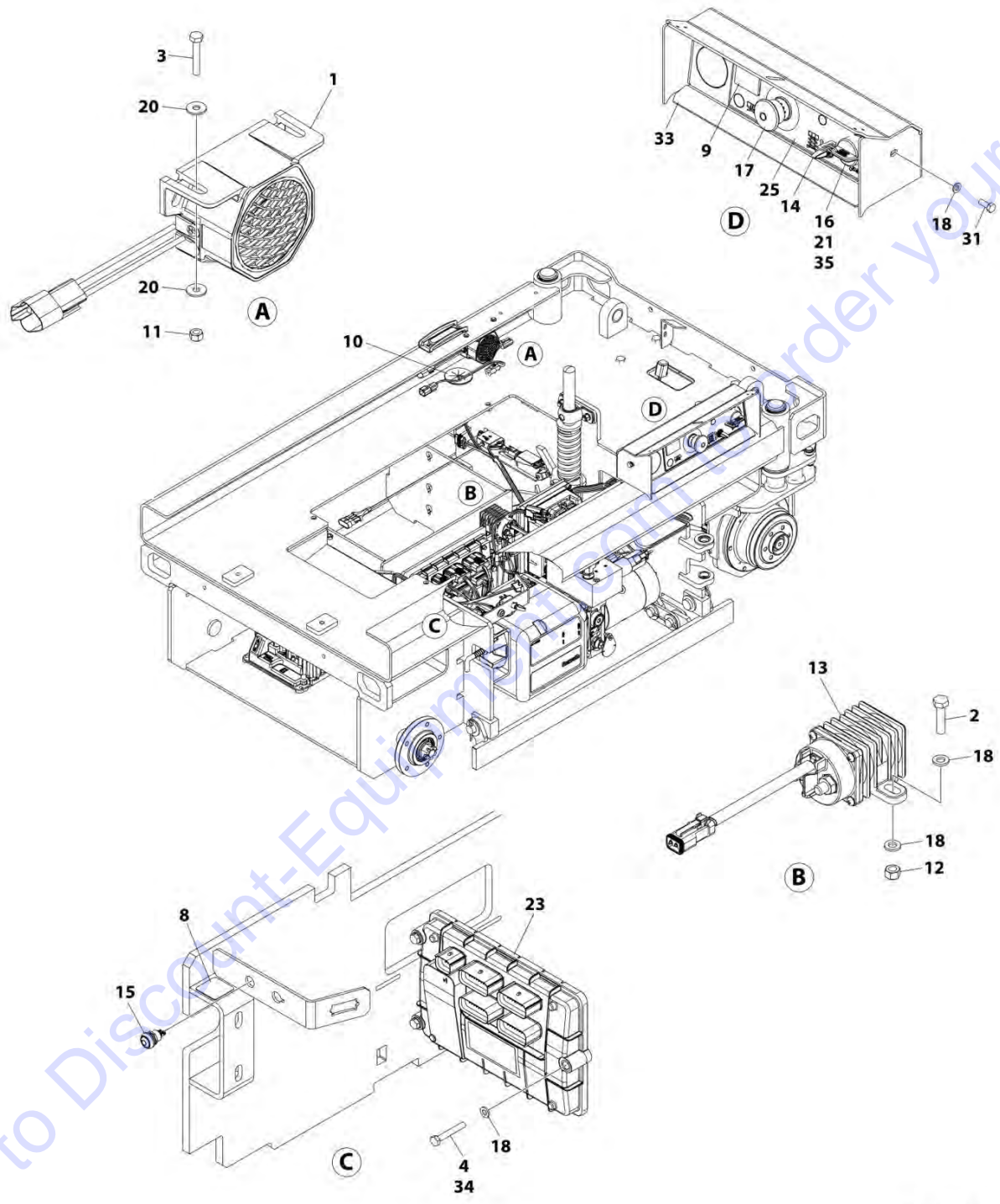
SECTION 2 - GROUND CONTROLS

FIGURE 2-2. MOTOR/PUMP/TANK ASSEMBLY

ITEM	PART NUMBER	QTY	DESCRIPTION	REV
	1001245851	Ref	MOTOR/PUMP/TANK ASSEMBLY	A
1	See Note	NSS	Manifold (Note: Purchase p/n 1001245851)	
2	70003690	1	O-Ring	
3	70007120	1	Cartridge, Valve (No Seal Kit Available)	
4	70003685	1	Cartridge, Valve (No Seal Kit Available)	
5	70003686	1	Coil	
6	See Note	NSS	Cartridge, Valve (No Seal Kit Available) (Note: Use p/n 70005636)	
7	See Note	NSS	Seal (Note: Use p/n 70005636)	
8	See Note	NSS	Plug (Note: Use p/n 70005636)	
9	70007121	1	Cartridge, Valve (No Seal Kit Available)	
10	See Note	NSS	Plug (Note: Not Available for Purchase)	
11	See Note	NSS	Plug (Note: Not Available for Purchase)	
12	70007122	1	Coupling (Pump to Motor)	
13	70007123	1	Motor, Replacement	
14	70007124	1	Pump, Replacement	
15	See Note	NSS	Seal (Note: Not Available for Purchase)	
16	See Note	NSS	Fitting (Note: Not Available for Purchase)	
17	See Note	NSS	Pipe, Suction (Note: Not Available for Purchase)	
18	70003696	1	Filter, Suction	
19	See Note	NSS	Pipe, Return (Note: Not Available for Purchase)	
20	70003734	1	Filter, Return	
21	70007125	1	Tank	
22	70007126	1	Clamp Kit - Tank	
23	70007127	1	Valve Assembly (Note: Sold as Assembly Only)	
24	See Note	NSS	Capscrew M8 x 55 (Note: Not Available - Purchase Locally)	
25	See Note	NSS	Nameplate - Identification (Note: Not Available for Purchase)	
26	See Note	NSS	Decal (Note: Not Available for Purchase)	
27	70007128	1	Decal - Oil Level	

SECTION 2 - GROUND CONTROLS

FIGURE 2-3. ELECTRICAL COMPONENTS INSTALLATION (WITHOUT LSS)



ART_1001243251

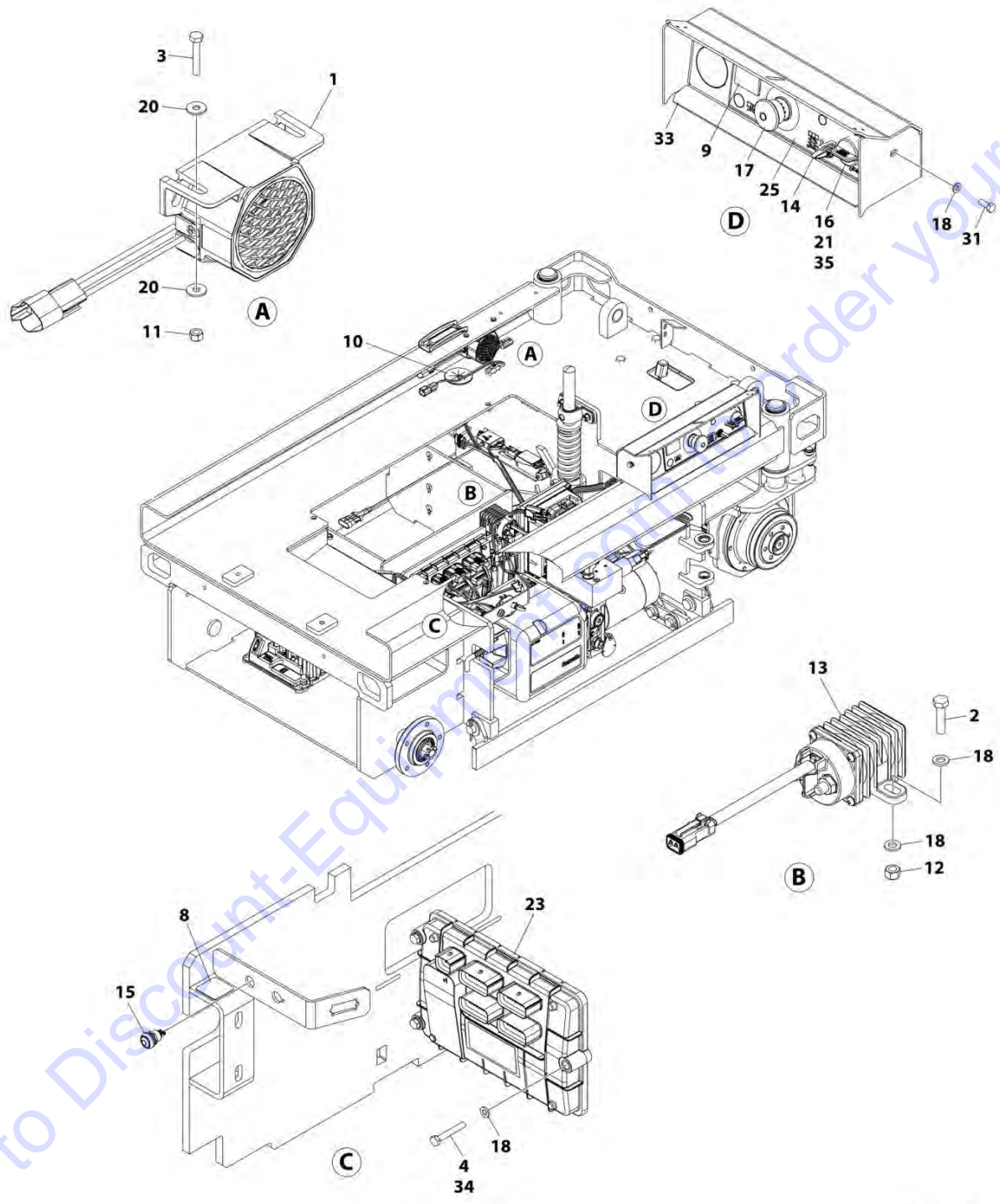
SECTION 2 - GROUND CONTROLS

FIGURE 2-3. ELECTRICAL COMPONENTS INSTALLATION (WITHOUT LSS)

ITEM	PART NUMBER	QTY	DESCRIPTION	REV
	1001243251	Ref	ELECTRICAL COMPONENTS INSTALLATION (WITHOUT LSS)	E
1	0140043	1	Alarm	
2	0700612	2	Bolt M6 x 25	
3	0700412	2	Bolt M6 x 25	
4	0700616	3	Bolt M6 x 40	
8	1706679	1	Decal - Brake Release	
9	2420172	1	Hourmeter	
10	2540045	2	Grommet	
11	3290405	2	Nut M4	
12	3290605	2	Nut M6	
13	3740150	1	Relay	
14	4360328	1	Switch, Toggle	
15	1001226749	1	Switch, Push Button	
16	4360469	1	Switch, Key	
16	2860030	1 Set	Key, Replacement	
17	4360475	1	Switch, Emergency Stop	
17	7020175	1	Cap	
17	7020176	1	Block, Contact	
18	4811700	9	Washer M6	
20	1001091102	4	Washer M4	
21	1001130590	1	Plate, Key Switch	
23	1001200629	1	Module, Control (Note: Re-calibration Required when Replaced)	
25	1001209682	1	Decal - Ground Control	
28	1001243253	1	Chassis Harness (Not Shown - See Separate Breakdown in ELECTRICAL SECTION)	
29	1001243255	1	Drive Control Harness (Not Shown - See Separate Breakdown in ELECTRICAL SECTION)	
30	4240017	AR	Tie-Strap (Not Shown)	
31	0760608	2	Bolt M6 x 16	
33	1001249645	1	Bracket, Ground Control	
34	0100011	AR	Compound, Locking	
35	3910804	3	Screw #8 x 1/4	

SECTION 2 - GROUND CONTROLS

FIGURE 2-4. ELECTRICAL COMPONENTS INSTALLATION (WITH LSS)



ART_1001243252

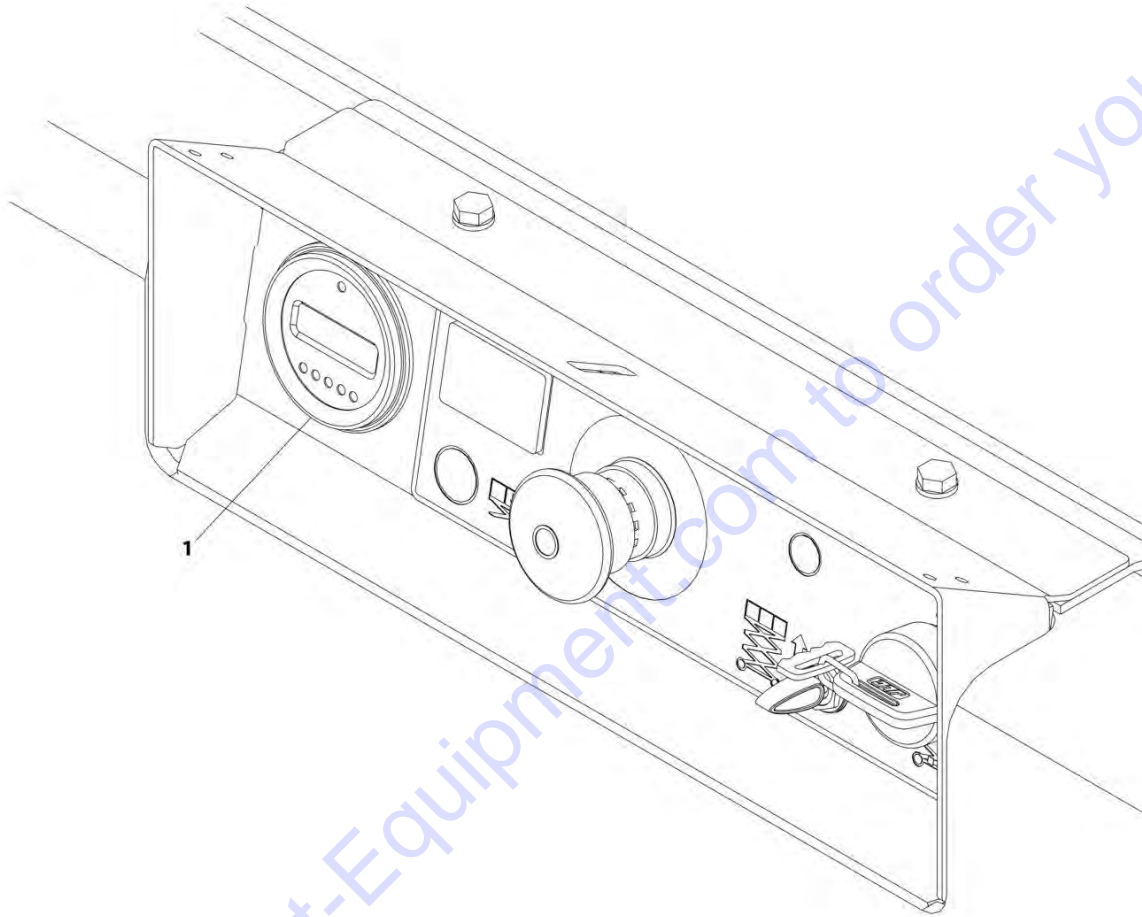
SECTION 2 - GROUND CONTROLS

FIGURE 2-4. ELECTRICAL COMPONENTS INSTALLATION (WITH LSS)

ITEM	PART NUMBER	QTY	DESCRIPTION	REV
	1001243252	Ref	ELECTRICAL COMPONENTS INSTALLATION (WITH LSS)	E
1	0140043	1	Alarm	
2	0700612	2	Bolt M6 x 25	
3	0700412	2	Bolt M6 x 25	
4	0700616	3	Bolt M6 x 40	
8	1706679	1	Decal - Brake Release	
9	2420172	1	Hourmeter	
10	2540045	2	Grommet	
11	3290405	2	Nut M4	
12	3290605	2	Nut M6	
13	3740150	1	Relay	
14	4360328	1	Switch, Toggle	
15	1001226749	1	Switch, Push Button	
16	4360469	1	Switch, Key	
16	2860030	1 Set	Key, Replacement	
17	4360475	1	Switch, Emergency Stop	
17	7020175	1	Cap	
17	7020176	1	Block, Contact	
18	4811700	9	Washer M6	
20	1001091102	4	Washer M4	
21	1001130590	1	Plate, Key Switch	
23	1001200629	1	Module, Control (Note: Re-calibration Required when Replaced)	
25	1001209682	1	Decal - Ground Control	
28	1001243254	1	Chassis Harness (Not Shown - See Separate Breakdown in ELECTRICAL SECTION)	
29	1001243255	1	Drive Control Harness (Not Shown - See Separate Breakdown in ELECTRICAL SECTION)	
30	4240017	AR	Tie-Strap (Not Shown)	
31	0760608	2	Bolt M6 x 16	
33	1001249645	1	Bracket, Ground Control	
34	0100011	AR	Compound, Locking	
35	3910804	3	Screw #8 x 1/4	

SECTION 2 - GROUND CONTROLS

FIGURE 2-5. MDI INSTALLATION



ART_1001207293

SECTION 2 - GROUND CONTROLS

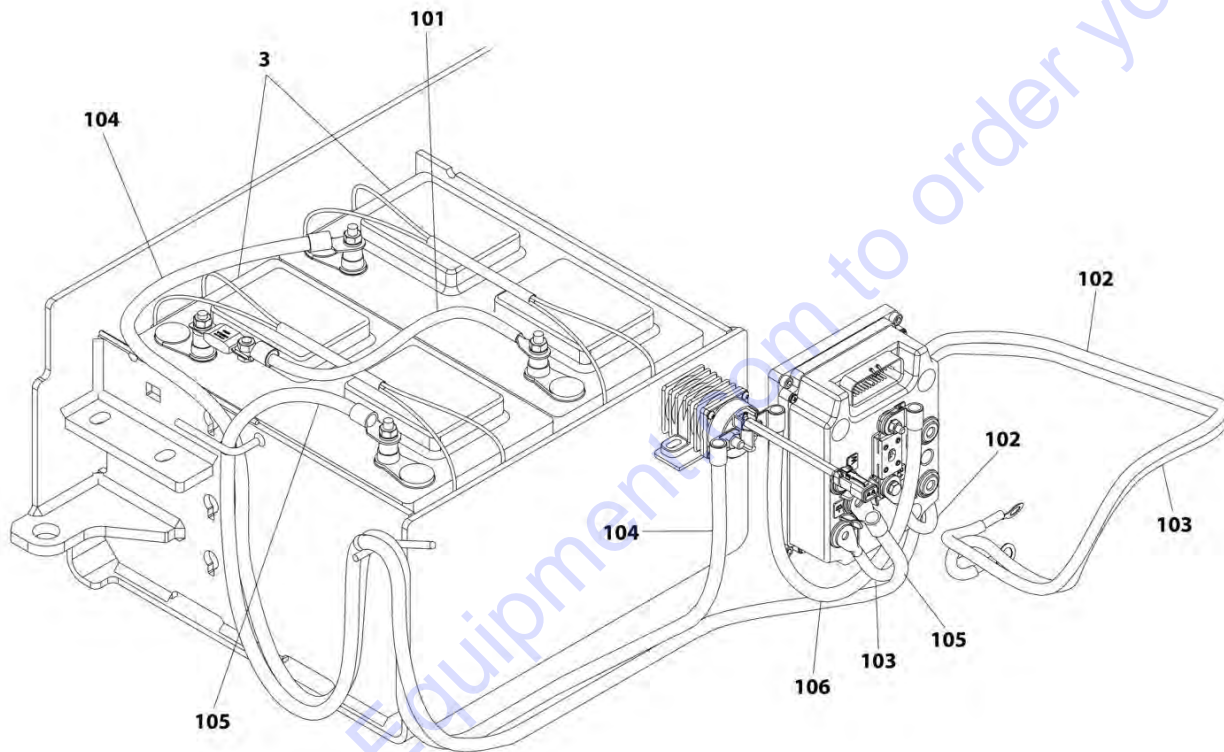
FIGURE 2-5. MDI INSTALLATION

ITEM	PART NUMBER	QTY	DESCRIPTION	REV
1	1001207293	Ref	MDI INSTALLATION	B
	1001200632	1	Gauge, MDI	

Go to Discount-Equipment.com to order your parts

SECTION 2 - GROUND CONTROLS

FIGURE 2-6. BATTERIES INSTALLATION - STANDARD BATTERIES WITHOUT DISCONNECT



ART_1001243226

SECTION 2 - GROUND CONTROLS

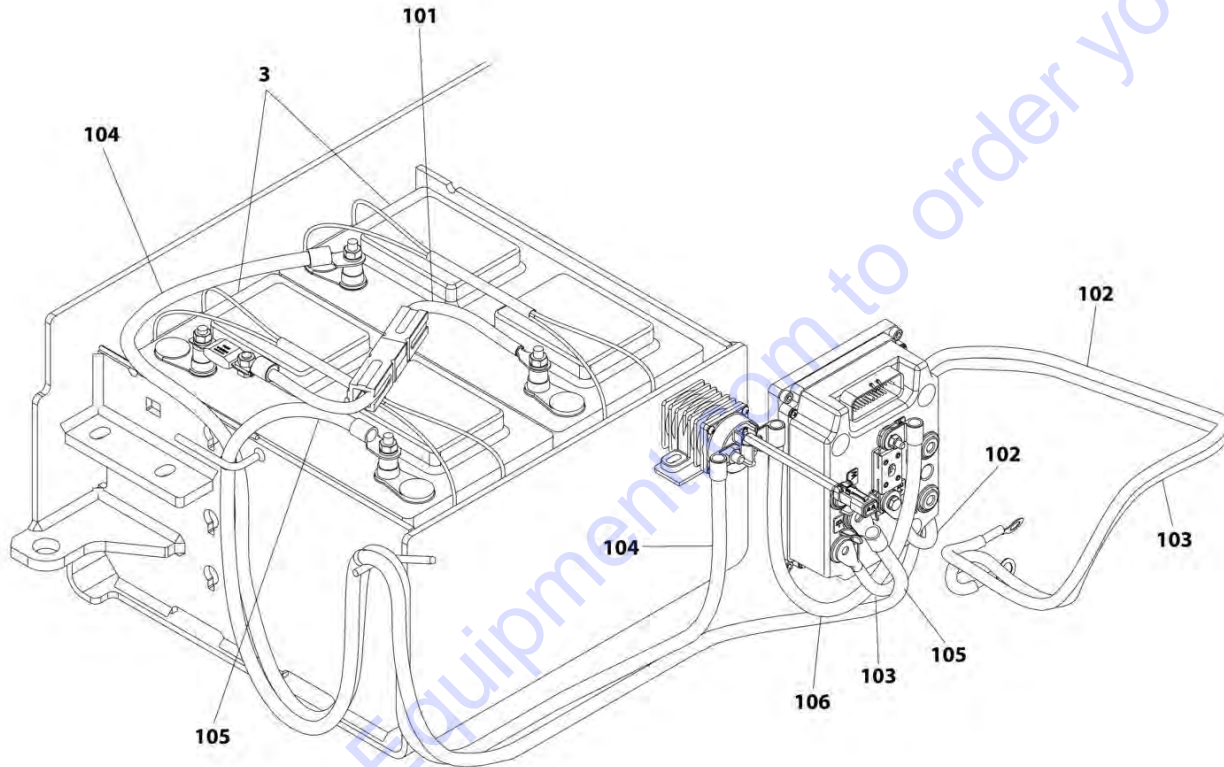
FIGURE 2-6. BATTERIES INSTALLATION - STANDARD BATTERIES WITHOUT DISCONNECT

ITEM	PART NUMBER	QTY	DESCRIPTION	REV
	1001243226	Ref	BATTERIES INSTALLTION - STANDARD BATTERIES WITHOUT DISCONNECT	E
1	0100051	AR	Grease, Terminal (Not Shown)	
2	4240017	AR	Tie-Strap (Not Shown)	
3	1001233714	2	Battery	
100	1001243230	1	Battery Cable Kit (Not Shown)	
101	1001239303	1	Cable, Positive (+) to Negative (-)	
102	1001243232	1	Cable, Pump Motor (+) to Module (+B)	
103	1001243233	1	Cable, Pump Motor (-) to Module (-P)	
104	1001244338	1	Cable, Battery (+) to Relay	
105	1001243235	1	Cable, Battery (-) to Module (-B)	
106	1001244339	1	Cable, Relay to Module (+BF)	

Go to Discount-Equipment.com to order your parts

SECTION 2 - GROUND CONTROLS

FIGURE 2-7. BATTERIES INSTALLATION - STANDARD BATTERIES WITH DISCONNECT



ART_1001243227

SECTION 2 - GROUND CONTROLS

FIGURE 2-7. BATTERIES INSTALLATION - STANDARD BATTERIES WITH DISCONNECT

ITEM	PART NUMBER	QTY	DESCRIPTION	REV
	1001243227	Ref	BATTERIES INSTALLATION - STANDARD BATTERIES WITH DISCONNECT	E
1	0100051	AR	Grease, Terminal (Not Shown)	
2	4240017	AR	Tie-Strap (Not Shown)	
3	1001233714	2	Battery	
100	1001243231	1	Battery Cable Kit (Not Shown)	
101	1001238060	1	Cable, Positive (+) to Negative (-)	
102	1001243232	1	Cable, Pump Motor (+) to Module (+B)	
103	1001243233	1	Cable, Pump Motor (-) to Module (-P)	
104	1001244338	1	Cable, Battery (+) to Relay	
105	1001243235	1	Cable, Battery (-) to Module (-B)	
106	1001244339	1	Cable, Relay to Module (+BF)	

Go to Discount-Equipment.com to order your parts

SECTION 2 - GROUND CONTROLS

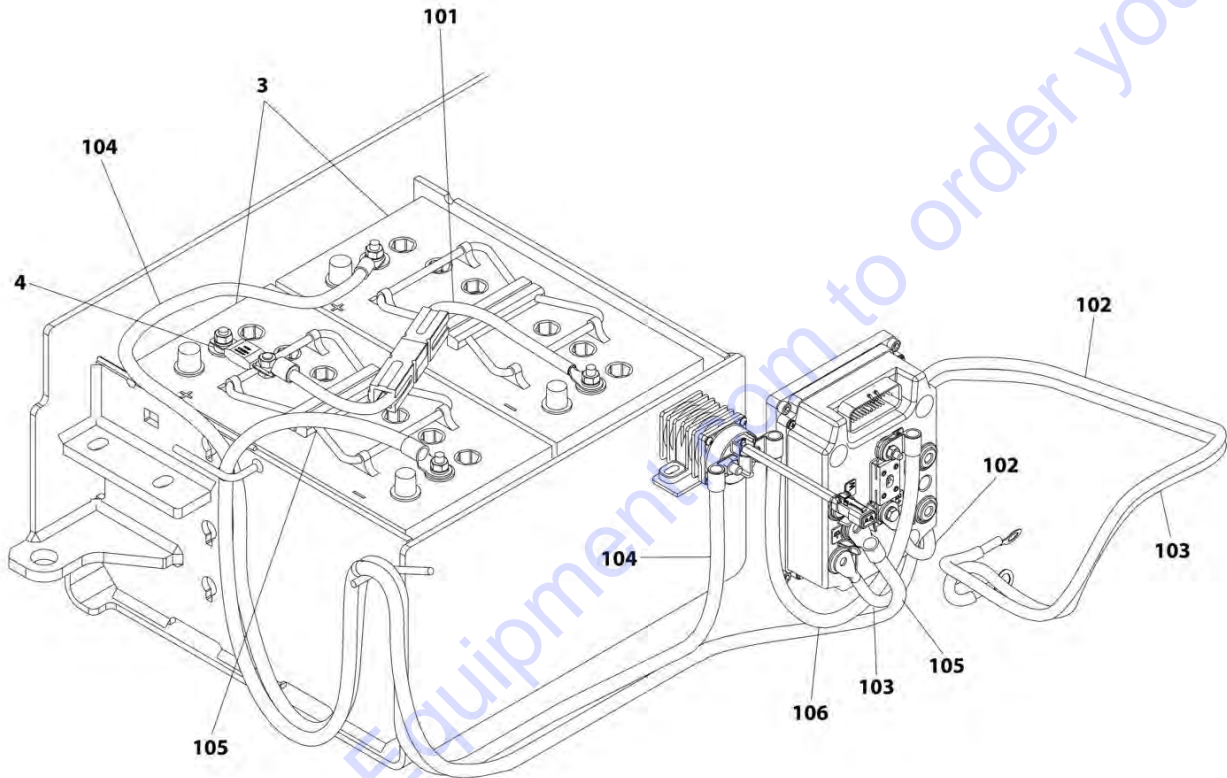
FIGURE 2-8. BATTERIES INSTALLATION - AGM BATTERIES WITHOUT DISCONNECT

ITEM	PART NUMBER	QTY	DESCRIPTION	REV
	1001243228	Ref	BATTERIES INSTALLATION - AGM BATTERIES WITHOUT DISCONNECT	D
1	0100051	AR	Grease, Terminal (Not Shown)	
2	4240017	AR	Tie-Strap (Not Shown)	
3	1001233715	2	Battery	
4	1001249668	1	Washer	
100	1001243230	1	Battery Cable Kit (Not Shown)	
101	1001239303	1	Cable, Positive (+) to Negative (-)	
102	1001243232	1	Cable, Pump Motor (+) to Module (+B)	
103	1001243233	1	Cable, Pump Motor (-) to Module (-P)	
104	1001244338	1	Cable, Battery (+) to Relay	
105	1001243235	1	Cable, Battery (-) to Module (-B)	
106	1001244339	1	Cable, Relay to Module (+BF)	

Go to Discount-Equipment.com to order your parts

SECTION 2 - GROUND CONTROLS

FIGURE 2-9. BATTERIES INSTALLATION - AGM BATTERIES WITH DISCONNECT



ART_1001243229

SECTION 2 - GROUND CONTROLS

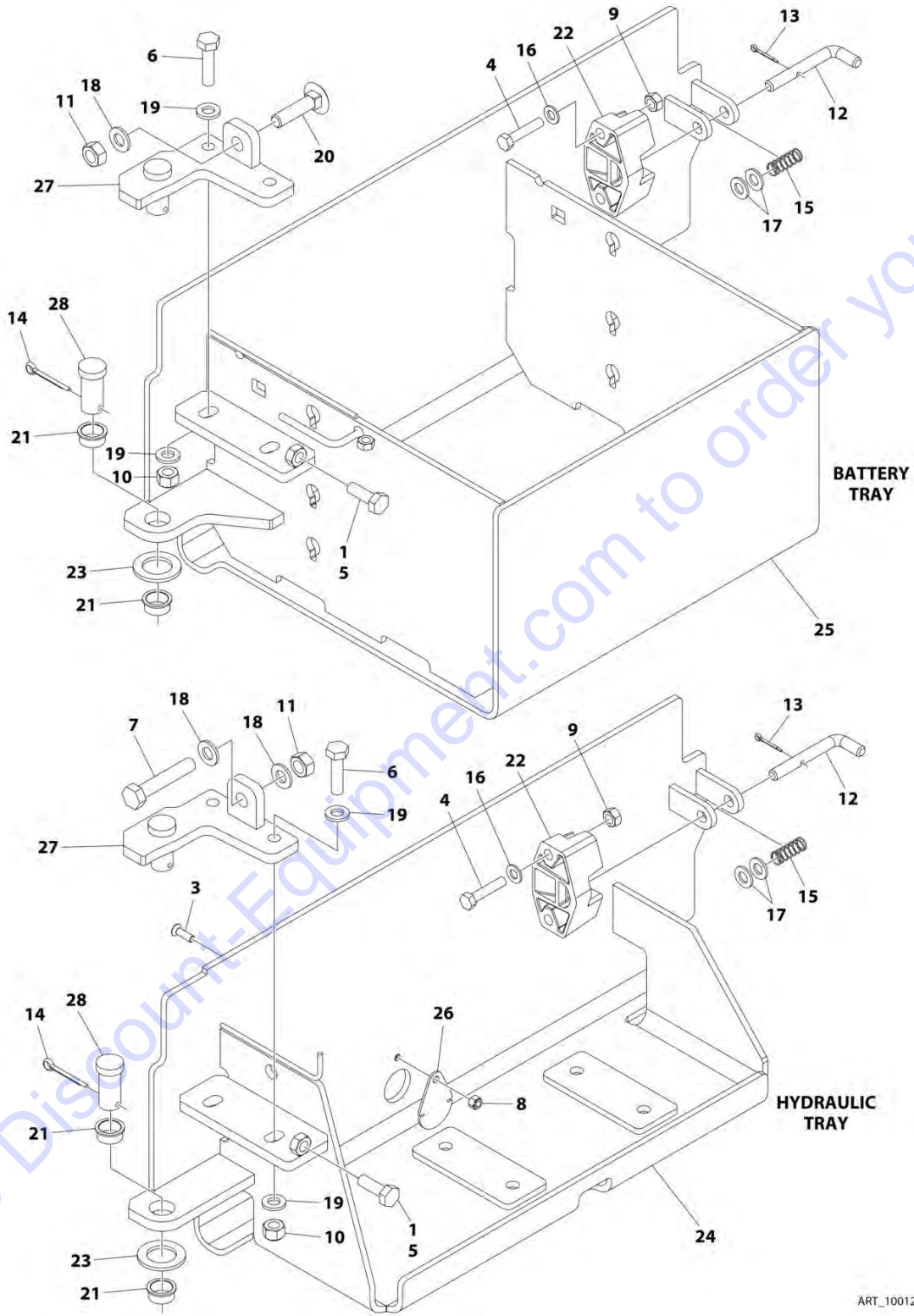
FIGURE 2-9. BATTERIES INSTALLATION - AGM BATTERIES WITH DISCONNECT

ITEM	PART NUMBER	QTY	DESCRIPTION	REV
	1001243229	Rev	BATTERIES INSTALLATION - STANDARD BATTERIES WITH DISCONNECT	D
1	0100051	AR	Grease, Terminal (Not Shown)	
2	4240017	AR	Tie-Strap (Not Shown)	
3	1001233715	2	Battery	
4	1001249668	1	Washer	
100	1001243231	1	Battery Cable Kit (Not Shown)	
101	1001238060	1	Cable, Positive (+) to Negative (-)	
102	1001243232	1	Cable, Pump Motor (+) to Module (+B)	
103	1001243233	1	Cable, Pump Motor (-) to Module (-P)	
104	1001244338	1	Cable, Battery (+) to Relay	
105	1001243235	1	Cable, Battery (-) to Module (-B)	
106	1001244339	1	Cable, Relay to Module (+BF)	

Go to Discount-Equipment.com to order your parts

SECTION 2 - GROUND CONTROLS

FIGURE 2-10. DOORS INSTALLATION



ART_1001236861

SECTION 2 - GROUND CONTROLS

FIGURE 2-10. DOORS INSTALLATION

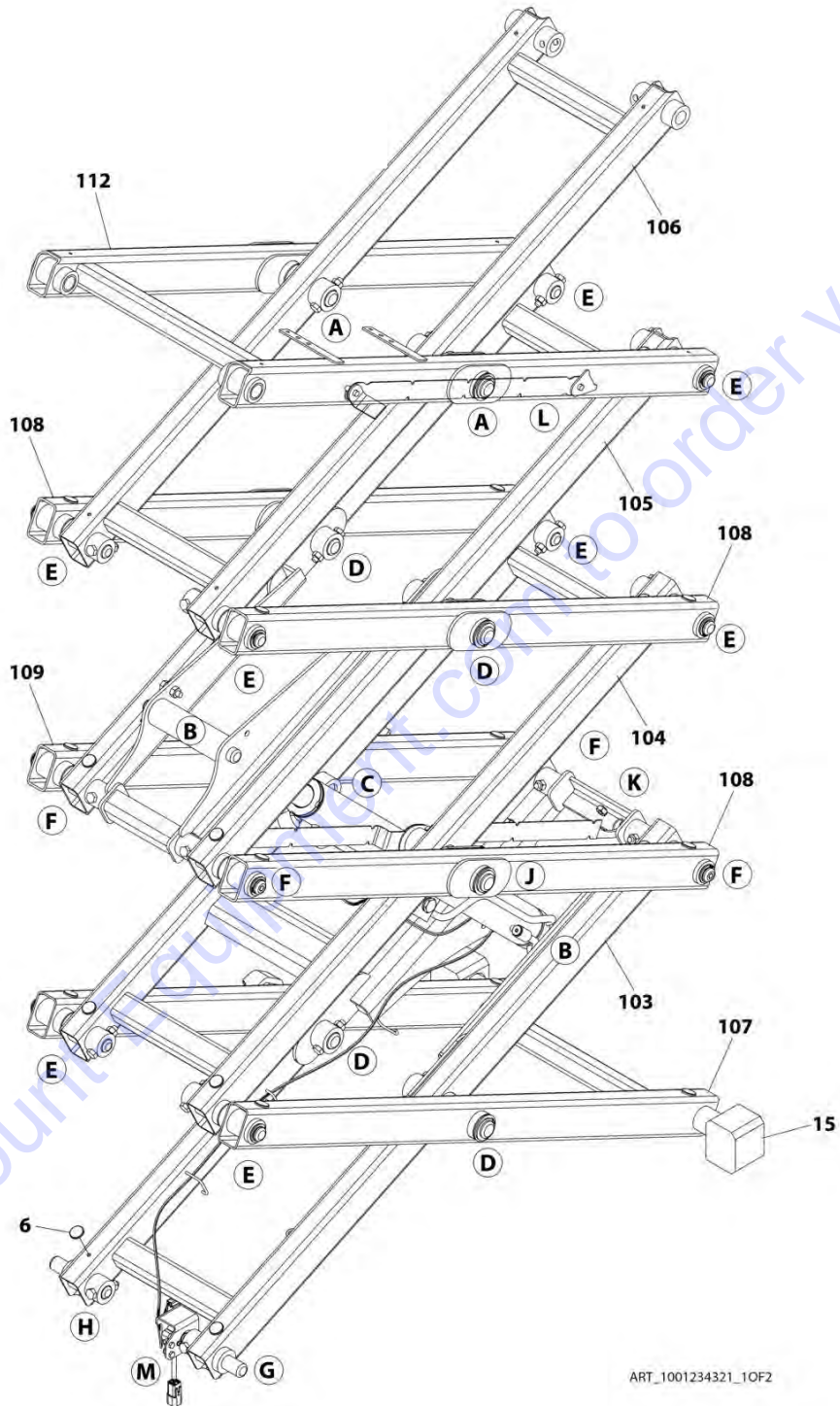
ITEM	PART NUMBER	QTY	DESCRIPTION	REV
	1001236861	Rev	DOORS INSTALLATION	B
1	0100011	AR	Compound, Locking	
3	0630576	1	Screw M6 x 20	
4	0700816	4	Bolt M8 x 40	
5	0761014	2	Bolt M10 x 30	
6	0761016	4	Bolt M10 x 40	
7	0761221	1	Bolt M12 x 65	
8	3290605	1	Nut M6	
9	3290805	4	Nut M8	
10	3291005	4	Nut M10	
11	3291201	2	Nut M12	
12	3423243	2	Pin, Latch	
13	3450303	2	Pin, Cotter 3/32 x 3/4	
14	3450505	2	Pin Cotter 5/32 x 1/2	
15	4160214	2	Spring	
16	4811900	4	Washer M8	
17	4812000	4	Washer M10	
18	4812100	3	Washer M12	
19	5241000	8	Washer M10	
20	1001245750	1	Bolt M12 x 50	
21	1001203870	4	Bearing	
22	1001214810	2	Support Latch	
23	1001229792	2	Washer	
24	1001236856	1	Tray, Hydraulic	
25	1001236860	1	Tray, Battery	
26	1001239457	1	Cover	
27	1001244672	2	Bracket	
28	3431212	2	Pin	

SECTION 3 - SCISSOR ARMS

Go to Discount-Equipment.com to order your parts

SECTION 3 - SCISSOR ARMS

FIGURE 3-1. SCISSOR ARMS INSTALLATION (WITHOUT LSS)



ART_1001234321_10F2

Go to DiscountParts.com to order your parts

SECTION 3 - SCISSOR ARMS

FIGURE 3-1. SCISSOR ARMS INSTALLATION (WITHOUT LSS)

ITEM	PART NUMBER	QTY	DESCRIPTION	REV
	1001234321	Ref	SCISSOR ARMS INSTALLATION (WITHOUT LSS)	I
1	0760608	2	Bolt M6 x 16	
2	0701020	14	Bolt M10 x 60	
3	3290405	2	Nut M4	
4	3290605	2	Nut M6	
5	3291007	24	Nut M10	
6	3340962	24	Pad	
7	3760115	12	Ring, Retaining	
8	3760387	9	Ring, Retaining	
9	4031512	2	Capscrew M4 x 40	
10	4740438	9	Washer	
11	4740531	12	Washer	
12	4811400	2	Washer M4	
13	4811700	4	Washer M6	
14	1001200746	1	Sensor, Angle	
15	1001204311	2	Block, Slide	
16	1001205345	1	Key	
17	1001231268	1	Mount	
18	1001203445	2	Pin	
19	1001233860	1	Pin	
20	1001233861	4	Pin	
22	1001233863	2	Pin	
23	1001233864	8	Pin	
24	1001233865	4	Pin	
25	1001233866	1	Pin	
26	1001233867	1	Pin	
28	1001239737	1	Pin	
29	1001244144	1	Prop, Arm	
31	1001234320	1	Arm Kit (Not Shown - See Item 101-111)	
32	1001247345	1	Lift Cylinder Assembly (See Separate Breakdown in CYLINDER SECTION)	
33	3321402	1	Nut 1/4	
34	4160078	1	Spring	
35	4240017	5	Tie-Strap (Not Shown)	
36	1001239373	1	Liftdown Harness (See Separate Breakdown in ELECTRICAL SECTION)	
37	1001239404	1	Cable, Manual Descent	
38	1001245636	1	Support	
39	1001245790	2	Support	
40	3760170	4	Ring	
41	4812000	8	Washer M10	
45	0701015	2	Bolt M10 x 35	
46	3841143	2	Keeper, Pin	
47	1001253153	1	Mount	
48	0760612	2	Bolt M6 x 25	
50	0701021	8	Bolt M10 x 65	
100	0440263	2	Bushing (Part of Frame)	
	1001234320	Ref	ARM KIT	
101	0440264	28	Bearing	
102	0440265	16	Bearing	

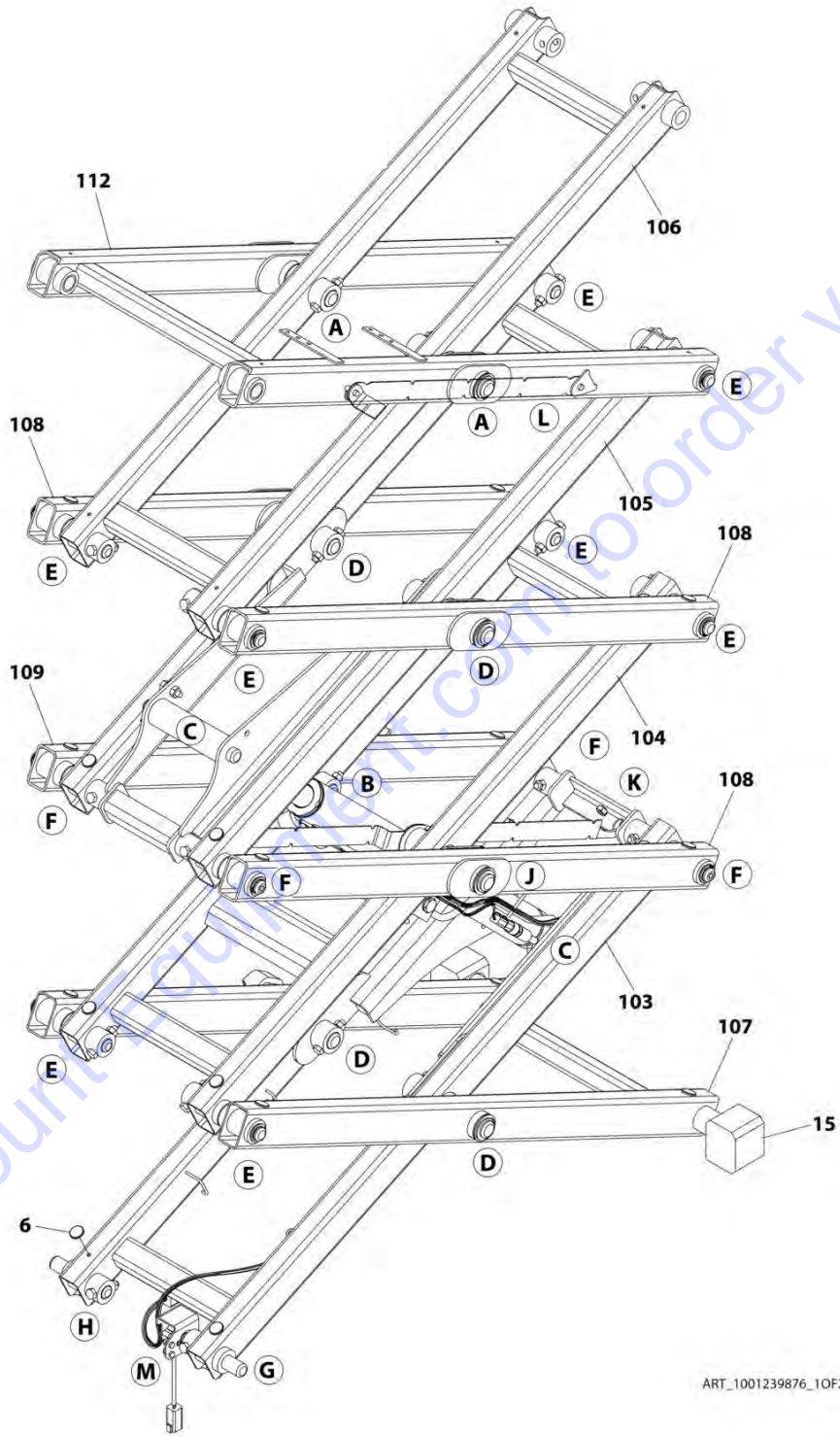
SECTION 3 - SCISSOR ARMS

ITEM	PART NUMBER	QTY	DESCRIPTION	REV
103	1001245386	1	Arm, Bottom Inside	
104	1001233834	1	Arm, Lower Mid Inside	
105	1001245388	1	Arm, Upper Mid Inside	
106	1001233836	1	Arm, Top Inside	
107	1001233837	1	Arm, Bottom Outside	
108	1001245634	3	Arm, Mid Outside	
109	1001245635	1	Arm, Mid Outside with Prop Mount	
112	1001245451	1	Arm, Top Outside	

Go to Discount-Equipment.com to order your parts

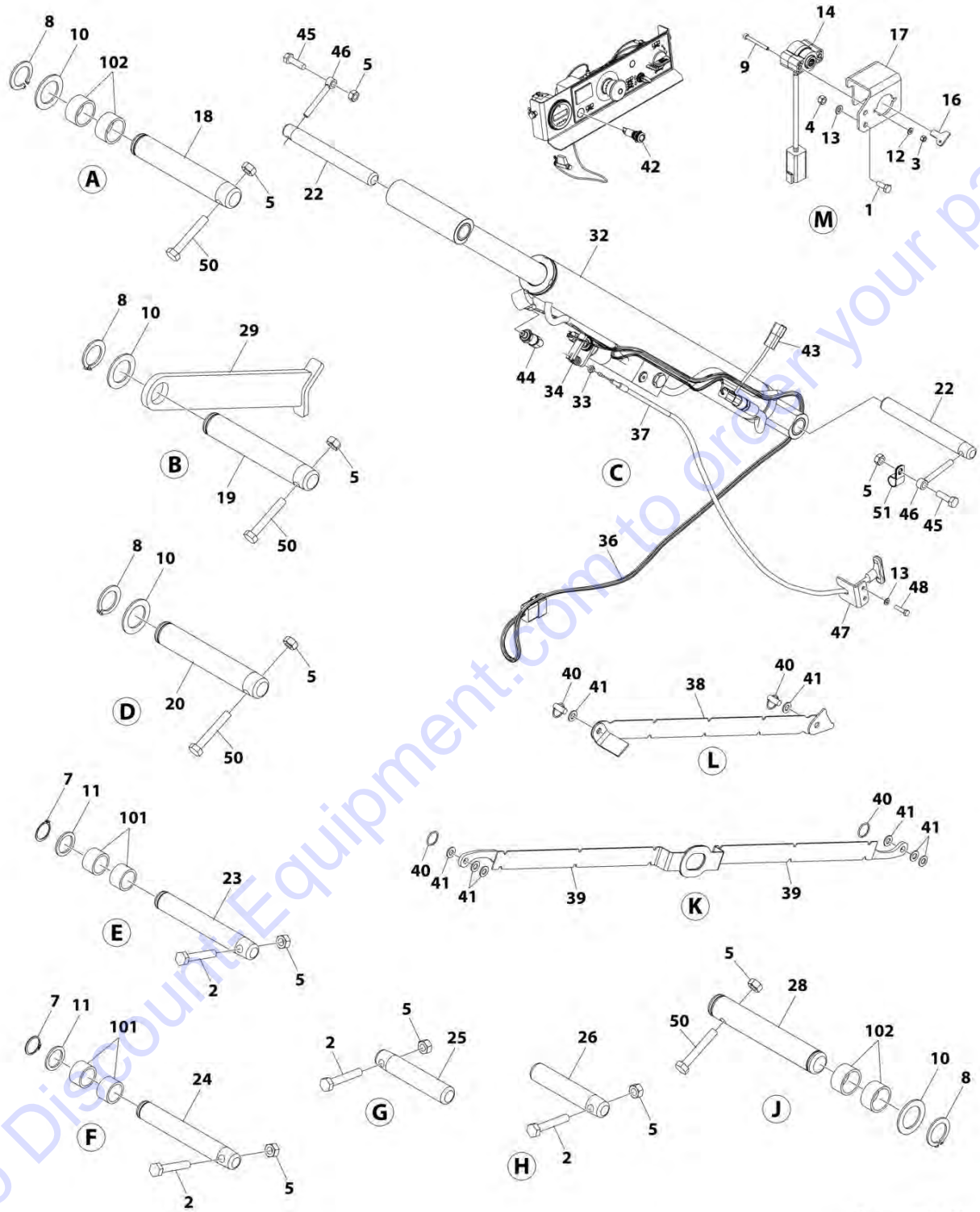
SECTION 3 - SCISSOR ARMS

FIGURE 3-2. SCISSOR ARMS INSTALLATION (WITH LSS)



ART_1001239876_10F2

SECTION 3 - SCISSOR ARMS



ART_1001239876_20F2

SECTION 3 - SCISSOR ARMS

FIGURE 3-2. SCISSOR ARMS INSTALLATION (WITH LSS)

ITEM	PART NUMBER	QTY	DESCRIPTION	REV
	1001239876	Ref	SCISSOR ARMS INSTALLATION (WITH LSS)	I
1	0760608	2	Bolt M6 x 16	
2	0701020	14	Bolt M10 x 60	
3	3290405	2	Nut M4	
4	3290605	2	Nut M6	
5	3291007	24	Nut M10	
6	3340962	24	Pad	
7	3760115	12	Ring, Retaining	
8	3760387	9	Ring, Retaining	
9	4031512	2	Capscrew M4 x 40	
10	4740438	9	Washer	
11	4740531	12	Washer	
12	4811400	2	Washer M4	
13	4811700	4	Washer M6	
14	1001146963	1	Sensor, Angle	
15	1001204311	2	Block, Lower Slide	
16	1001205345	1	Key	
17	1001231268	1	Mount	
18	1001203445	2	Pin	
19	1001233860	1	Pin	
20	1001233861	4	Pin	
22	1001233863	2	Pin	
23	1001233864	8	Pin	
24	1001233865	4	Pin	
25	1001233866	1	Pin	
26	1001233867	1	Pin	
28	1001239737	1	Pin	
29	1001244144	1	Prop, Arm	
31	1001234320	1	Arm Kit (Not Shown - See Item 101-112)	
32	1001247345	1	Lift Cylinder Assembly (See Separate Breakdown in Cylinder Section)	
33	3321402	1	Nut 1/4	
34	4160078	1	Spring	
35	4240017	7	Tie-Strap (Not Shown)	
36	1001239374	1	Liftdown Harness (See Separate Breakdown in Electrical Section)	
37	1001239404	1	Cable, Manual Descent	
38	1001245636	1	Support	
39	1001245790	2	Support	
40	3760170	4	Ring	
41	4812000	8	Washer M10	
42	1001200631	1	Light, Indicator	
43	1001235104	1	Transducer, Pressure	
44	1001225164	1	Transducer, Pressure	
45	0701015	2	Bolt M10 x 35	
46	3841143	2	Keeper, Pin	
47	1001253153	1	Mount	
48	0760612	2	Bolt M6 x 25	
50	0701021	8	Bolt M10 x 65	
51	1320061	1	Clamp	
100	0440263	2	Bushing (Part of Frame)	

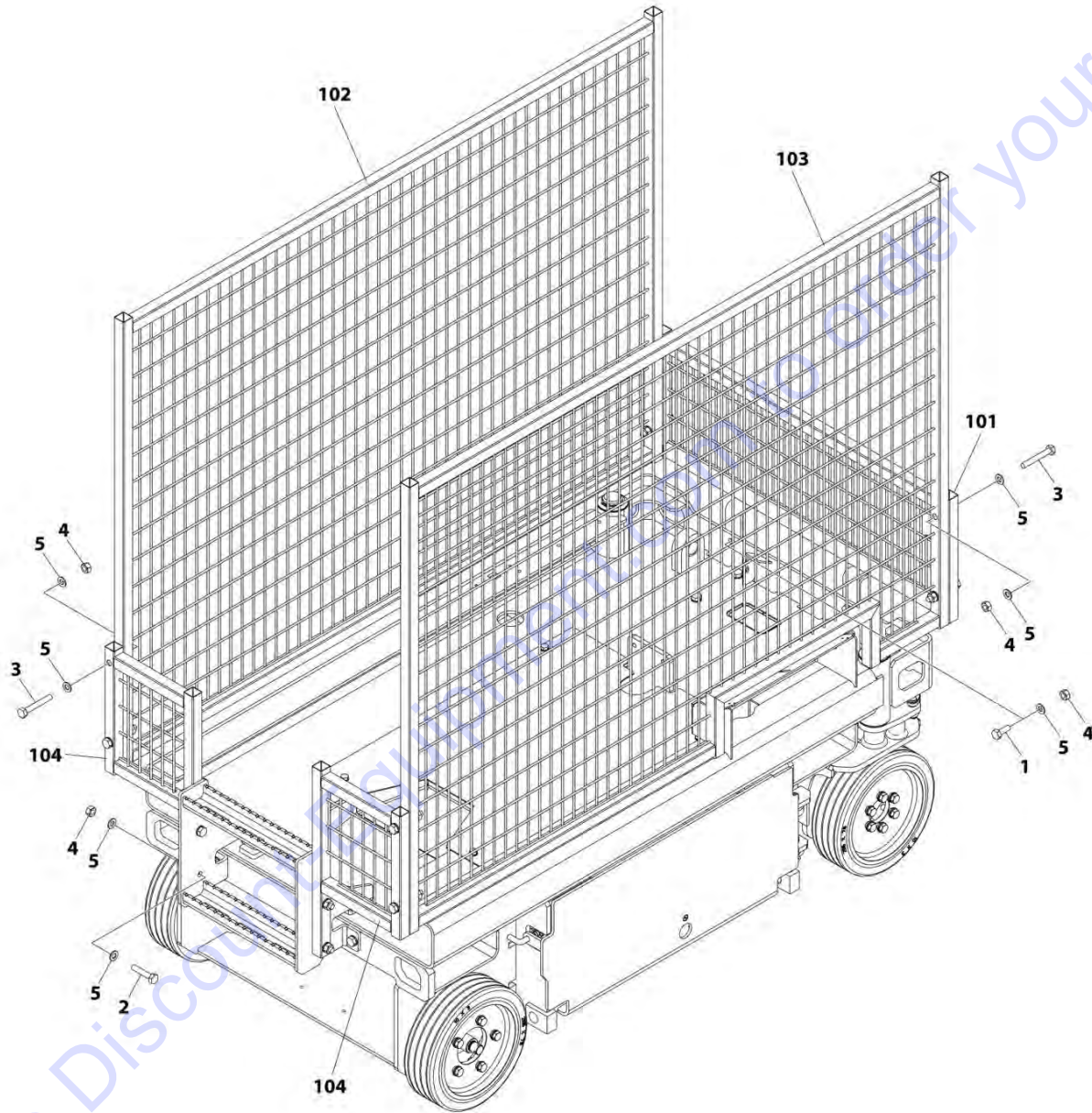
SECTION 3 - SCISSOR ARMS

ITEM	PART NUMBER	QTY	DESCRIPTION	REV
	1001234320	Ref	ARM KIT	
101	0440264	28	Bearing	
102	0440265	16	Bearing	
103	1001245386	1	Arm, Bottom Inside	
104	1001233834	1	Arm, Lower Mid Inside	
105	1001245388	1	Arm, Upper Mid Inside	
106	1001233836	1	Arm, Top Inside	
107	1001233837	1	Arm, Bottom Outside	
108	1001245634	3	Arm, Mid Outside	
109	1001245635	1	Arm, Mid Outside with Prop Mount	
112	1001245451	1	Arm, Top Outside	

Go to Discount-Equipment.com to order your parts

SECTION 3 - SCISSOR ARMS

FIGURE 3-3. ARM GUARDS INSTALLATION



ART_1001247246

SECTION 3 - SCISSOR ARMS

FIGURE 3-3. ARM GUARDS INSTALLATION

ITEM	PART NUMBER	QTY	DESCRIPTION	REV
	1001247246	Ref	ARM GUARDS INSTALLATION	B
1	0701013	2	Bolt M10 x 28	
2	0701018	4	Bolt M10 x 50	
3	0701022	8	Bolt M10 x 70	
4	3291007	14	Nut M10	
5	4812000	26	Washer M10	
100	1001247245	1	Arm Guard Kit (Not Shown)	
101	1001247241	1	Guard, Arm (Front)	
102	1001247242	1	Guard, Arm (LH)	
103	1001247243	1	Guard, Arm (RH)	
104	1001247244	1	Guard, Arm (Rear)	

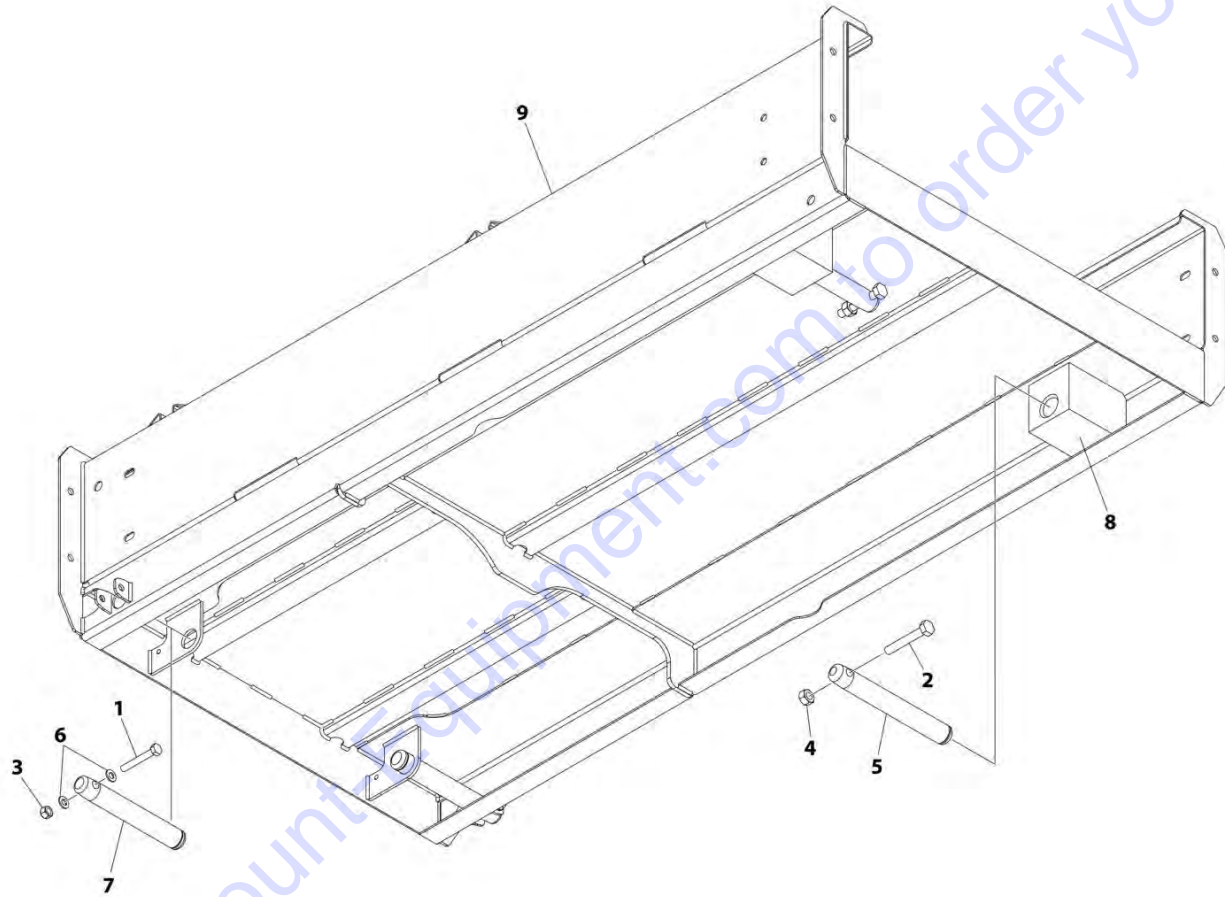
Go to Discount-Equipment.com to order your parts

SECTION 4 - PLATFORM

Go to Discount-Equipment.com to order your parts

SECTION 4 - PLATFORM

FIGURE 4-1. PLATFORM INSTALLATION



ART_1001248157

SECTION 4 - PLATFORM

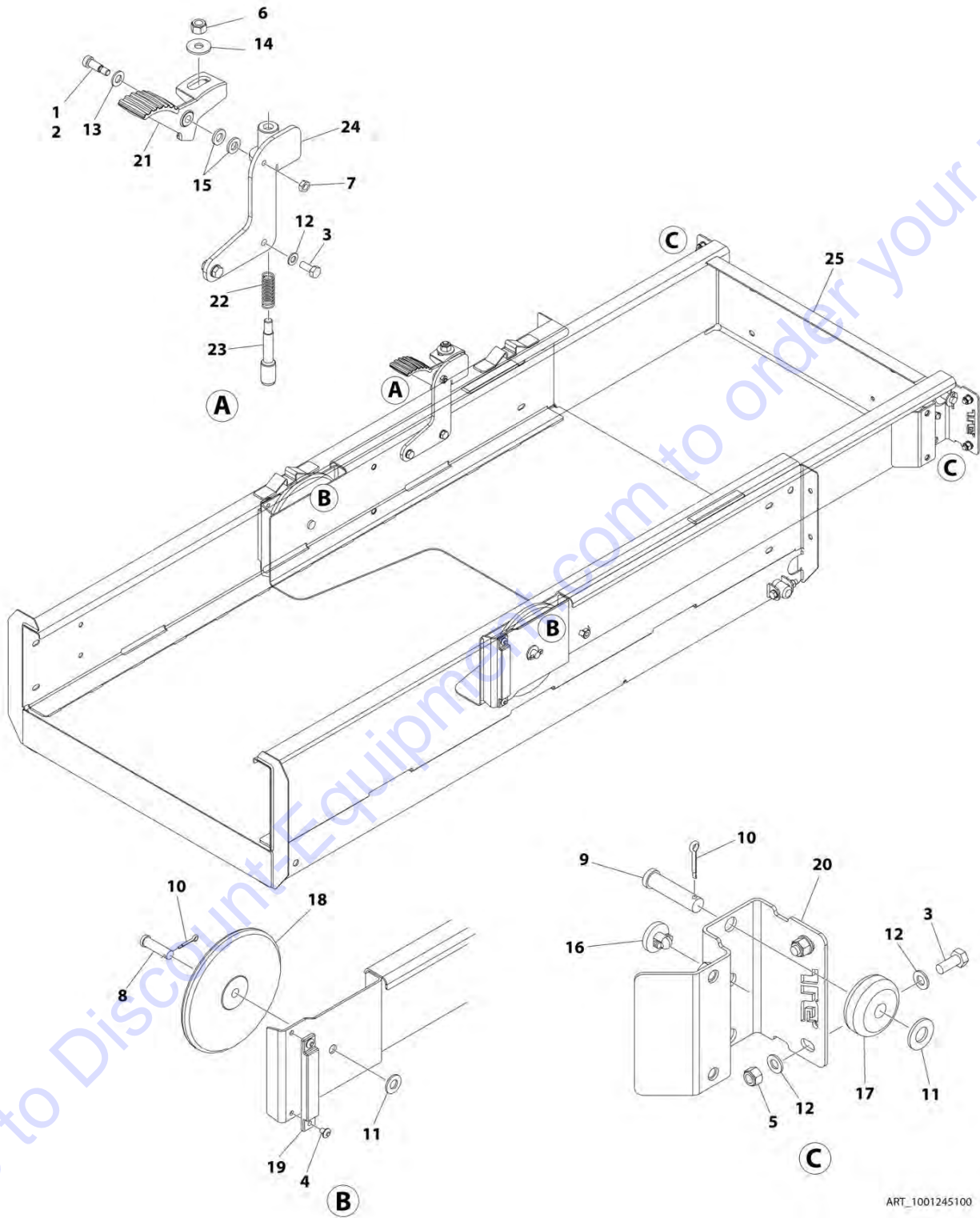
FIGURE 4-1. PLATFORM INSTALLATION

ITEM	PART NUMBER	QTY	DESCRIPTION	REV
	1001248157	Ref	PLATFORM INSTALLATION	A
1	0700819	2	Bolt M8 x 55	
2	0701021	2	Bolt M10 x 65	
3	3290805	2	Nut M8	
4	3291007	2	Nut M10	
5	3423032	2	Pin	
6	4811900	4	Washer M8	
7	1001203443	2	Pin	
8	1001205156	2	Block, Slide	
9	1001248155	1	Platform	

Go to Discount-Equipment.com to order your parts

SECTION 4 - PLATFORM

FIGURE 4-2. PLATFORM EXTENSION INSTALLATION



ART_1001245100

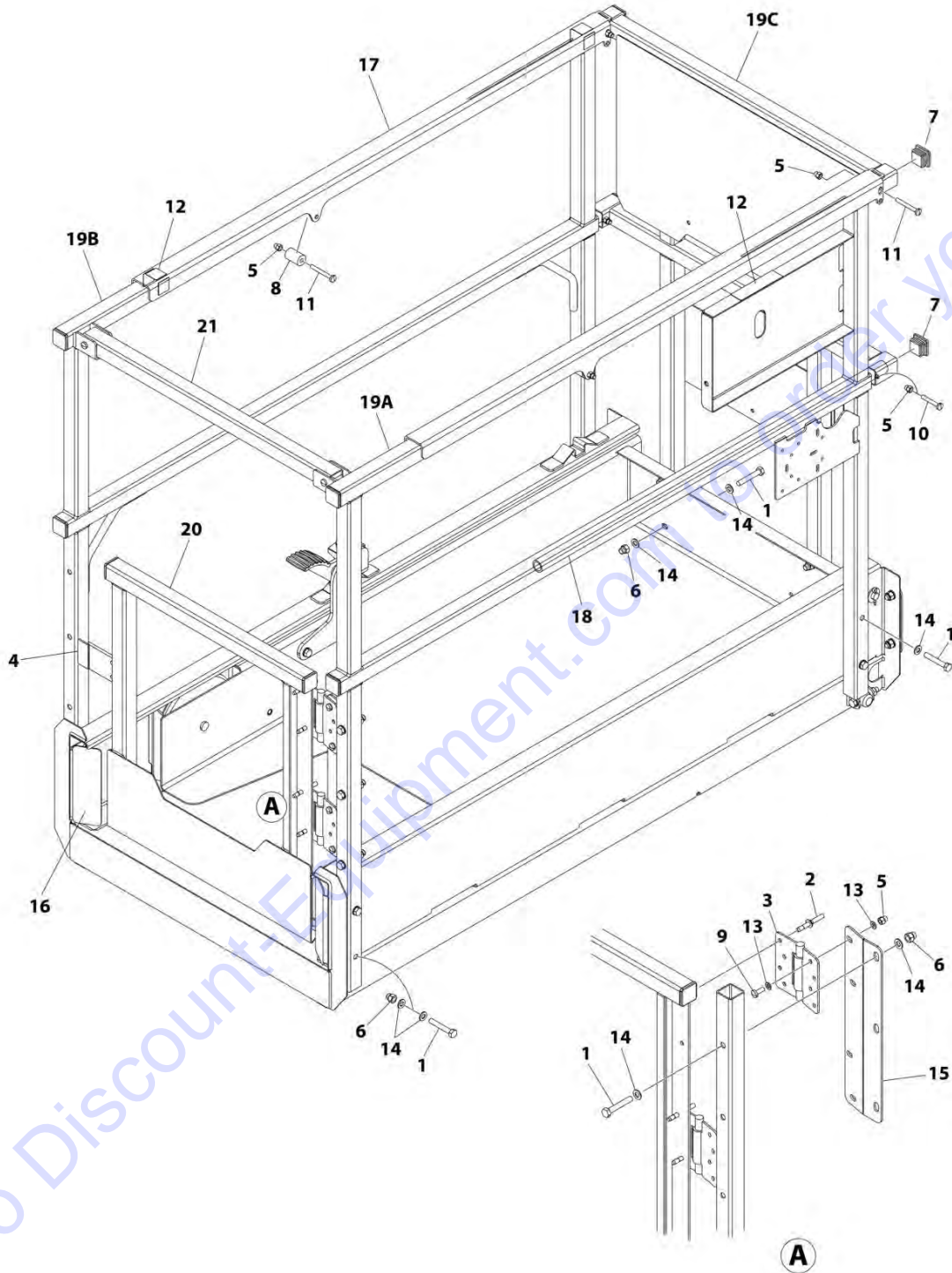
SECTION 4 - PLATFORM

FIGURE 4-2. PLATFORM EXTENSION INSTALLATION

ITEM	PART NUMBER	QTY	DESCRIPTION	REV
	1001245100	Ref	PLATFORM EXTENSION INSTALLATION	A
1	0100011	AR	Compound, Locking	
2	0630183	1	Screw 3/8 x 1	
3	0760810	6	Bolt M8 x 20	
4	2080040	4	Fastener	
5	3290805	4	Nut M8	
6	3291005	1	Nut M10	
7	3311502	1	Nut 5/16	
8	3430814	2	Pin	
9	3430816	2	Pin	
10	3450403	4	Pin, Cotter 1/8 x 3/4	
11	4711800	4	Washer 1/2	
12	4811900	10	Washer M8	
13	4812000	1	Washer M10	
14	4812002	1	Washer M10	
15	5241000	2	Washer M10	
16	1001137675	2	Bumper	
17	1001205422	2	Roller (Front)	
18	1001205430	2	Roller (Rear)	
19	1001208852	2	Pad	
20	1001210064	2	Support	
21	1001217043	1	Plate	
22	1001221475	1	Spring	
23	1001221476	1	Rod	
24	1001236129	1	Bracket	
25	1001245099	1	Extension, Platform	

SECTION 4 - PLATFORM

FIGURE 4-3. RAILS INSTALLATION (1.0M TUBE IN TUBE)



ART_1001245103

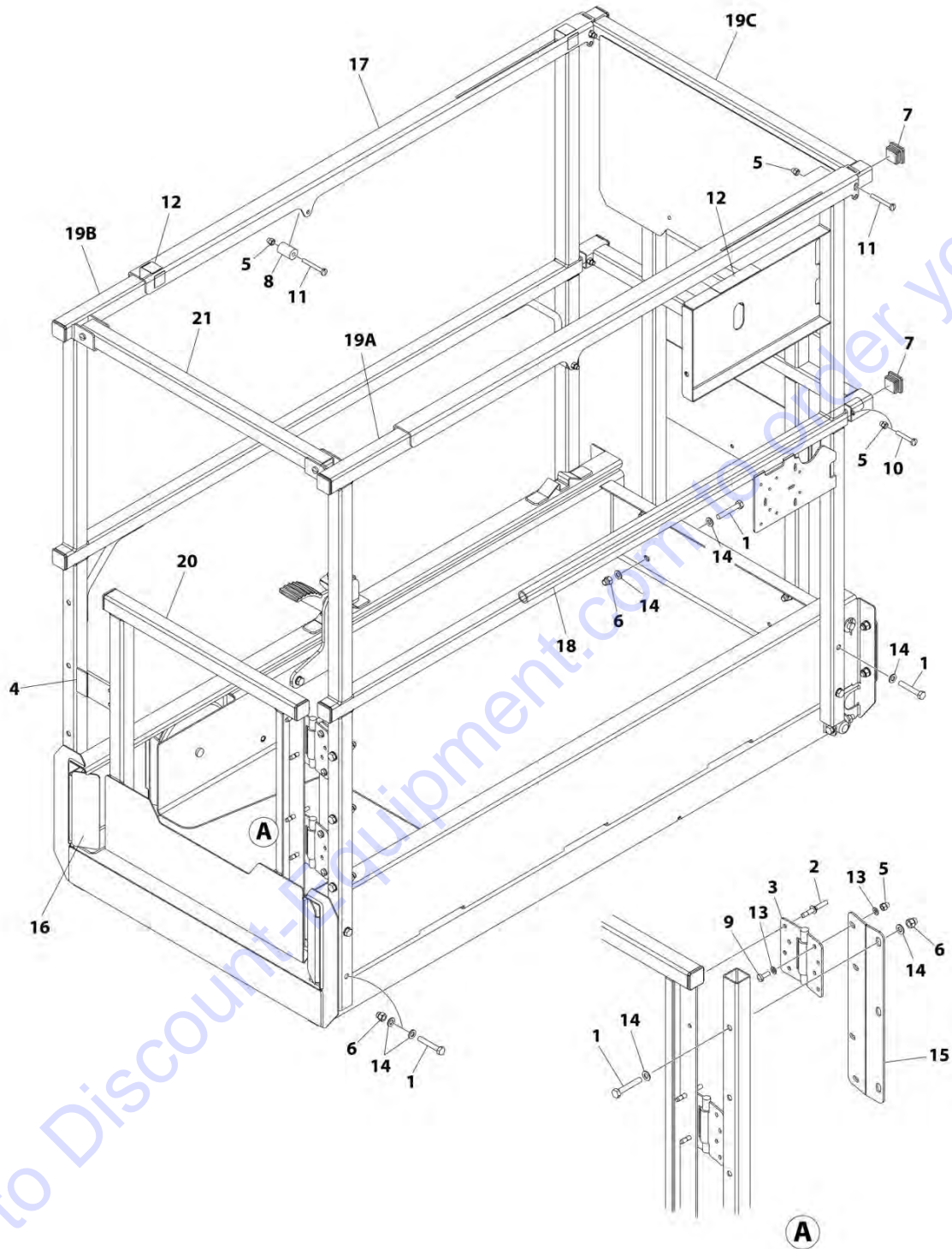
SECTION 4 - PLATFORM

FIGURE 4-3. RAILS INSTALLATION (1.0M TUBE IN TUBE)

ITEM	PART NUMBER	QTY	DESCRIPTION	REV
	1001245103	Ref	RAILS INSTALLATION (1.0M TUBE IN TUBE)	A
1	0700818	15	Bolt M8 x 50	
2	2080040	4	Fastener	
3	2600281	2	Hinge	
4	3080007	1	Latch, Magnetic Gate	
5	3290606	12	Nut M6	
6	3290806	11	Nut M8	
7	3520072	10	Plug	
8	3860111	2	Roller	
9	4010608	4	Screw M6 x 16	
10	4010616	2	Screw M6 x 40	
11	4010618	6	Screw M6 x 50	
12	4420062	16 in /40cm	Tape	
13	4811700	8	Washer M6	
14	4811900	26	Washer M8	
15	1001210586	1	Support	
16	1001210963	2	Cover	
17	1001244095	2	Rail, Top Slide	
18	1001244096	2	Rod	
19	1001245102	1	Rail, Kit (Not Shown)	
19A	1001244045	1	Rail, Side (RH)	
19B	1001244047	1	Rail, Side (LH)	
19C	1001245101	1	Rail, Front Extension	
20	1001245110	1	Gate	
21	1001245138	1	Rail, Rear	

SECTION 4 - PLATFORM

FIGURE 4-4. RAILS INSTALLATION (1.1M TUBE IN TUBE)



ART_1001245107

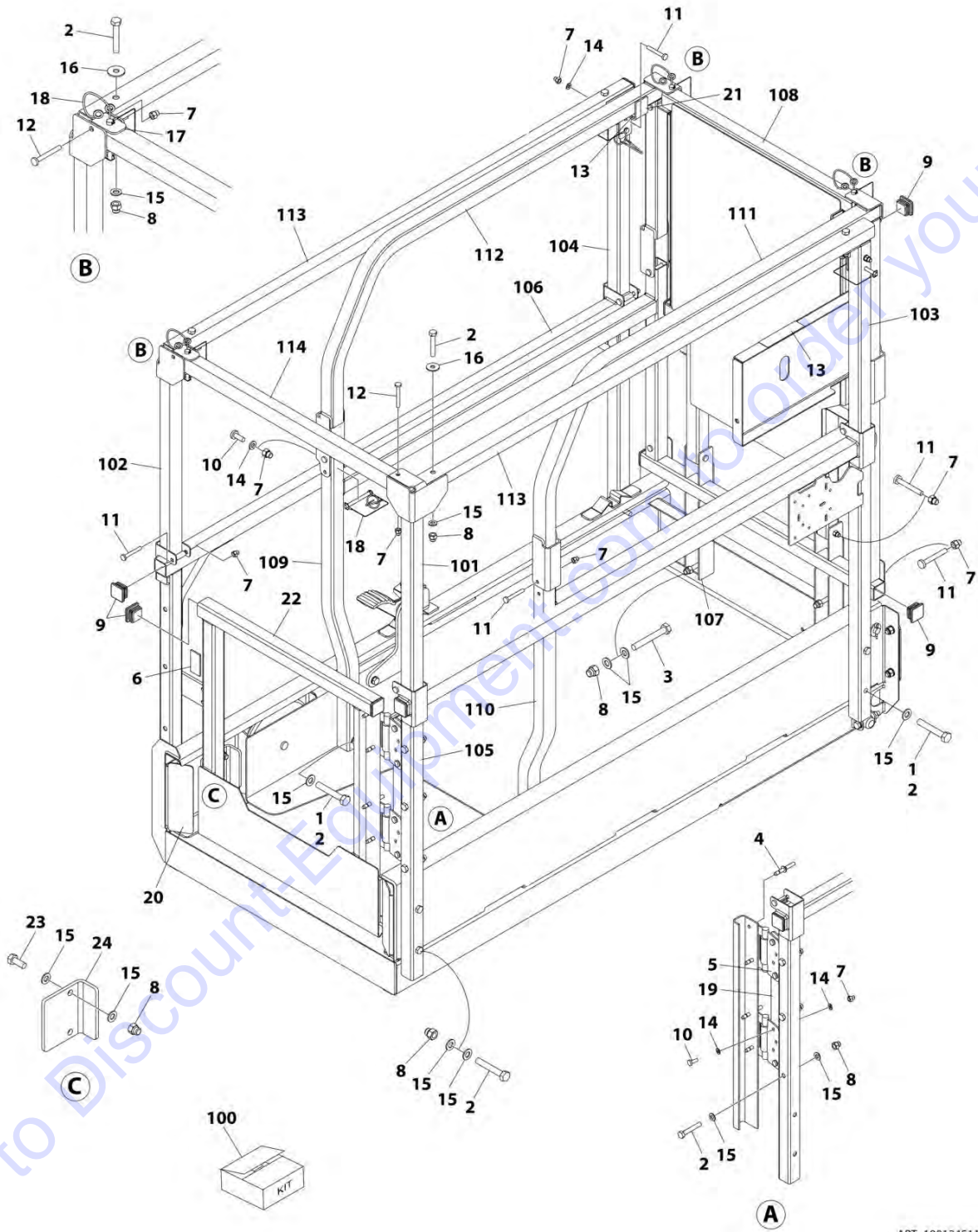
SECTION 4 - PLATFORM

FIGURE 4-4. RAILS INSTALLATION (1.1M TUBE IN TUBE)

ITEM	PART NUMBER	QTY	DESCRIPTION	REV
	1001245107	Ref	RAILS INSTALLATION (1.1M TUBE IN TUBE)	A
1	0700818	15	Bolt M8 x 50	
2	2080040	4	Fastener	
3	2600281	2	Hinge	
4	3080007	1	Latch, Magnetic Gate	
5	3290606	12	Nut M6	
6	3290806	11	Nut M8	
7	3520072	10	Plug	
8	3860111	2	Roller	
9	4010608	4	Screw M6 x 16	
10	4010616	2	Screw M6 x 40	
11	4010618	6	Screw M6 x 50	
12	4420062	16 in /40cm	Tape	
13	4811700	8	Washer M6	
14	4811900	26	Washer M8	
15	1001210586	1	Support	
16	1001210963	2	Cover	
17	1001244095	2	Rail, Top Slide	
18	1001244096	2	Rod	
19	1001245108	1	Rail, Kit (Not Shown)	
19A	1001244093	1	Rail, Side (RH)	
19B	1001244092	1	Rail, Side (LH)	
19C	1001245106	1	Rail, Front Extension	
20	1001245110	1	Gate	
21	1001245138	1	Rail, Rear	

SECTION 4 - PLATFORM

FIGURE 4-5. RAILS INSTALLATION (SIDE BY SIDE)



ART_1001245119

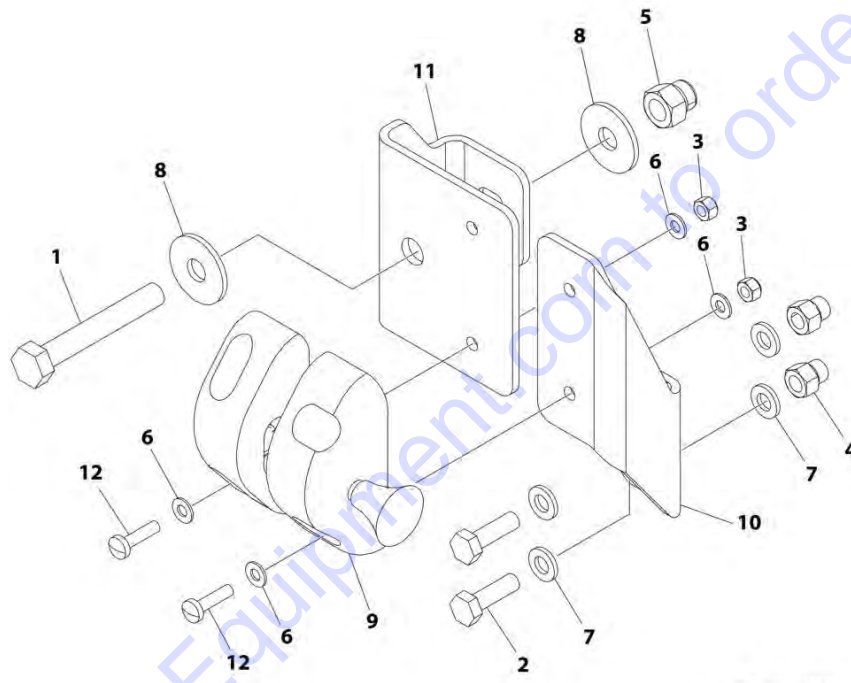
SECTION 4 - PLATFORM

FIGURE 4-5. RAILS INSTALLATION (SIDE BY SIDE)

ITEM	PART NUMBER	QTY	DESCRIPTION	REV
	1001245119	Ref	RAILS INSTALLATION (SIDE BY SIDE)	A
1	0100011	AR	Compound, Locking	
2	0700818	19	Bolt M8 x 50	
3	0700820	4	Bolt M8 x 60	
4	2080040	4	Fastener	
5	2600281	2	Hinge	
6	3080007	1	Latch, Magnetic Gate	
7	3290606	23	Nut M6	
8	3290806	17	Nut M8	
9	3520072	12	Plug	
10	4010608	5	Screw M6 x 16	
11	4010617	16	Screw M6 x 45	
12	4010618	2	Screw M6 x 50	
13	4420062	15 in/ 37cm	Tape	
14	4811700	13	Washer M6	
15	4811900	38	Washer M8	
16	4811902	4	Washer M8	
17	1001154378	1	Bracket	
18	1001187587	6	Pin, With Lanyard	
19	1001210586	1	Support	
20	1001210963	2	Cover	
21	1001232257	2	Brace	
22	1001245110	1	Gate	
23	0760810	2	Bolt M8 x 20	
24	1001232622	1	Bracket	
100	1001245120	1	Rail, Kit (Not Shown)	
101	1001229739	1	Rail (RH Upper Rear)	
102	1001229740	1	Rail (LH Upper Rear)	
103	1001229741	1	Rail (RH Upper Front)	
104	1001229742	1	Rail (LH Upper Front)	
105	1001245121	1	Rail (RH Lower)	
106	1001245122	1	Rail (LH Lower)	
107	1001245123	1	Rail (Lower Extension)	
108	1001245125	1	Rail (Upper Front Extension)	
109	1001245129	1	Rail (Extension LH Side Upper)	
110	1001245131	1	Rail (Extension RH Side Upper)	
111	1001245132	1	Rail (Extension RH Side Lower)	
112	1001245134	1	Rail (Extension LH Side Lower)	
113	1001245135	2	Rail (RH and LH Side Upper)	
114	1001245136	1	Rail (Rear Top)	

SECTION 4 - PLATFORM

FIGURE 4-6. GATE LATCH INSTALLATION



ART_1001220995

SECTION 4 - PLATFORM

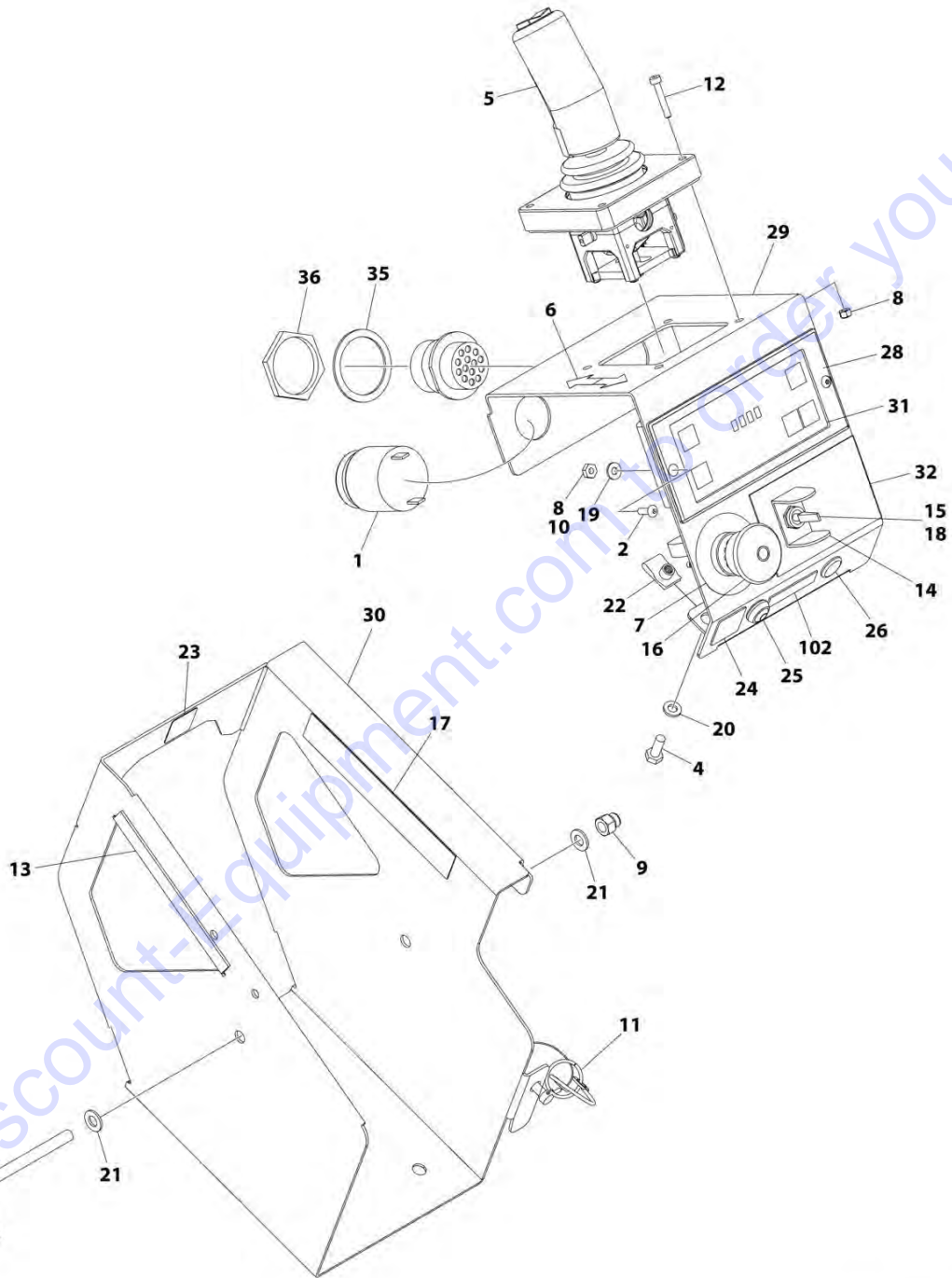
FIGURE 4-6. GATE LATCH INSTALLATION

ITEM	PART NUMBER	QTY	DESCRIPTION	REV
	1001220995	Ref	GATE LATCH INSTALLATION	B
1	0700819	1	Bolt M8 x 55	
2	0760610	2	Bolt M6 x 20	
3	3290405	4	Nut M4	
4	3290606	2	Nut M6	
5	3290806	1	Nut M8	
6	4811400	8	Washer M4	
7	4811700	4	Washer M6	
8	4811902	2	Washer M8	
9	1001134821	1	Latch	
10	1001220409	1	Mount	
11	1001220410	1	Plate	
12	4010408	4	Screw M4 x 16	

Go to Discount-Equipment.com to order your parts

SECTION 4 - PLATFORM

FIGURE 4-7. PLATFORM CONSOLE INSTALLATION



ART_1001215013

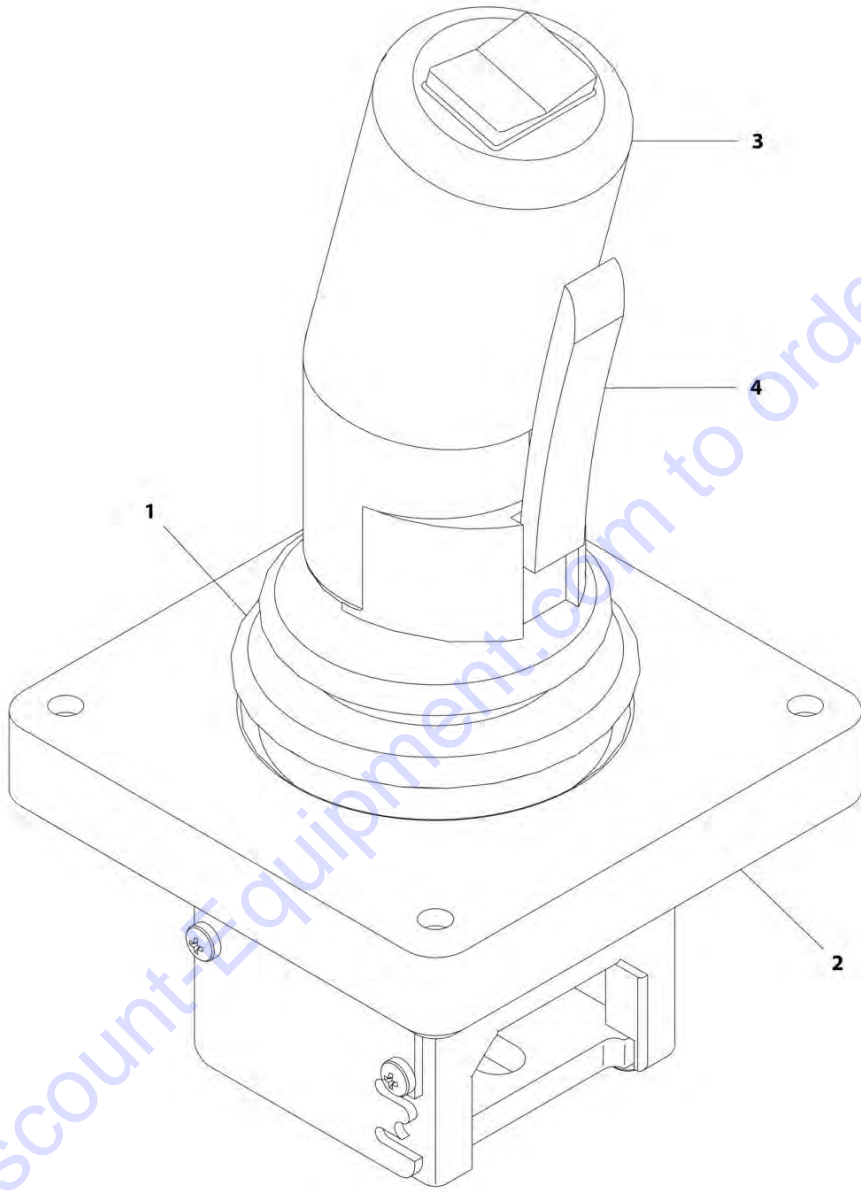
SECTION 4 - PLATFORM

FIGURE 4-7. PLATFORM CONSOLE INSTALLATION

ITEM	PART NUMBER	QTY	DESCRIPTION	REV
	1001215013	Ref	PLATFORM CONTROL BOX INSTALLATION	G
1	0140030	1	Alarm	
2	0630473	2	Screw #8 x 1/2	
2	1001047064	2	Screw M4 X 15	
3	0700835	1	Bolt M8 x 180	
4	0760610	2	Bolt M6 x 20	
5	1600402	1	Controller Assembly (See Separate Breakdown in this Section)	
6	1703819	1	Decal - Arrow	
7	1704260	1	Decal - Emergency Stop	
8	3290405	AR	Nut M4	
9	3290806	1	Nut M8	
10	3290805	2	Nut #8	
11	3423278	1	Pin, Snap with Lanyard	
12	4031509	4	Capscrew M4 x 25	
13	4060803	6 in/14cm	Flex-Trim	
14	4060906	1	Guard, Switch	
15	4360345	1	Switch, Toggle	
16	4360475	1	Switch, Emergency Stop	
16	7020175	1	Cap	
16	7020176	1	Block, Contact	
17	4420062	12 in/ 30cm	Tape	
18	4711700	1	Washer 7/16	
19	4750800	2	Washer #8	
19	4811400	2	Washer M4	
20	4811700	2	Washer M6	
21	4811900	2	Washer M8	
22	1001130220	2	Nut, Tinnerman M6	
23	1001132358	1	Decal - Steer	
24	1001132361	1	Decal - Horn	
25	1001176626	1	Plug	
26	1001200633	1	Switch, Push Button	
27	1001200819	1	Platform Control Box Harness (Not Shown) (See Separate Breakdown in ELECTRICAL SECTION)	
28	1001224873	1	Module, Platform Control (Note: Recalibration Required when Replaced.)	
29	1001209595	1	Plate, Box (Inside)	
30	1001209596	1	Plate, Box (Outside)	
31	1001210436	1	Decal - Platform Control	
32	1001213491	1	Decal - Lift/Drive Function	
35	4460496	1	Washer, Terminal	
36	4460497	1	Nut, Terminal	
	1001224869	Ref	PLATFORM CONTROL BOX INSTALLATION	C
102	1001219173	1	Decal - 1532R/1932R	

SECTION 4 - PLATFORM

FIGURE 4-8. DRIVE/STEER CONTROLLER ASSEMBLY



ART_1600402

SECTION 4 - PLATFORM

FIGURE 4-8. DRIVE/STEER CONTROLLER ASSEMBLY

ITEM	PART NUMBER	QTY	DESCRIPTION	REV
	1600402	Ref	DRIVE/STEER CONTROLLER ASSEMBLY	A
1	70001250	1	Boot, Panel	
2	70001252	1	Gasket, Mounting	
2	70001251	1	Bezel, Mounting	
3	70003650	1	Handle Repair Kit (Includes handle gasket, item#4 push button and item #4 lever installed in front handle half, back handle half, top actuator, boot and hardware.)	
3	70000084	1	Cap, Rubber	
3	70000082	1	Microswitch	
3	7027766	1	Ring, Retaining	
3	7027365	1	Actuator, Handle	
3	70001253	1	Gasket, Handle	
3	70000683	4	Washer, Neoprene	
3	70000685	2	Spacer, Plastic	
3	70000686	2	Screw (Top)	
3	70000684	2	Screw (Bottom)	
4	7027367	1	Switch, Push Button	
4	7027765	1	Lever, Enable	

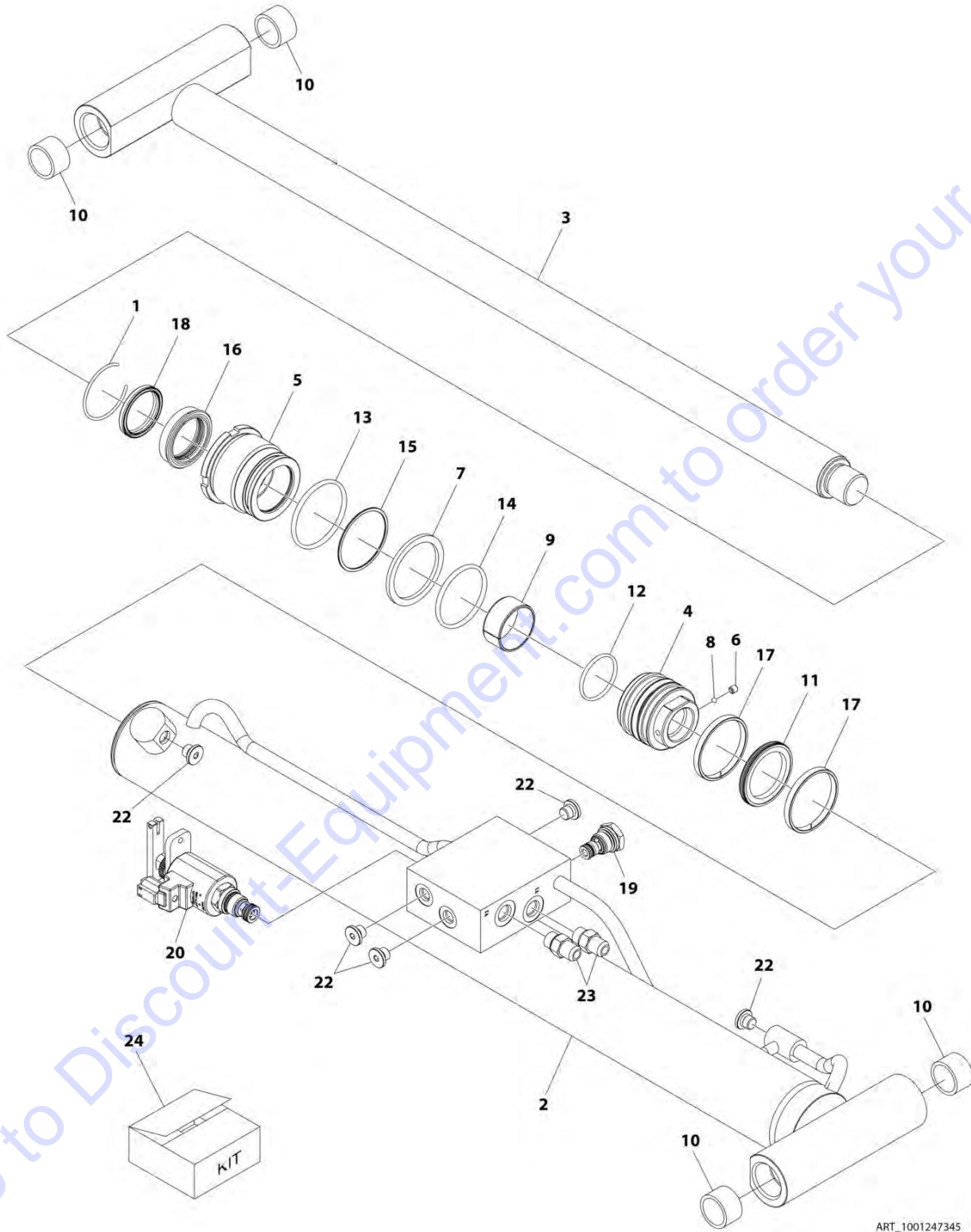
Go to Discount-Equipment.com to order your parts

SECTION 5 - CYLINDER

Go to Discount-Equipment.com to order your parts

SECTION 5 - CYLINDER

FIGURE 5-1. STEER CYLINDER ASSEMBLY



ART_1001247345

PARTS FINDER

**Search Website
by Part Number**



**Search Manual
Library For Parts
Manual & Lookup Part
Numbers – Purchase
or Request Quote**

**Can't Find Part or
Manual? Request Help
by Manufacturer,
Model & Description**

Discount-Equipment.com is your online resource for quality parts & equipment.

Florida: **561-964-4949** Outside Florida TOLL FREE: **877-690-3101**

Need parts?

Click on this link: <http://www.discount-equipment.com/category/5443-parts/> and choose one of the options to help get the right parts and equipment you are looking for. Please have the machine model and serial number available in order to help us get you the correct parts. If you don't find the part on the website or on one of the online manuals, please fill out the request form and one of our experienced staff members will get back to you with a quote for the right part that your machine needs.

We sell worldwide for the brands: Genie, Terex, JLG, MultiQuip, Mikasa, Essick, Whiteman, Mayco, Toro Stone, Diamond Products, Generac Magnum, Airman, Haulotte, Barreto, Power Blanket, Nifty Lift, Atlas Copco, Chicago Pneumatic, Allmand, Miller Curber, Skyjack, Lull, Skytrak, Tsurumi, Husquvarna Target, Stow, Wacker, Sakai, Mi-T-M, Sullair, Basic, Dynapac, MBW, Weber, Bartell, Bennar Newman, Haulotte, Ditch Runner, Menegotti, Morrison, Contec, Buddy, Crown, Edco, Wyco, Bomag, Laymor, EZ Trench, Bil-Jax, F.S. Curtis, Gehl Pavers, Heli, Honda, ICS/PowerGrit, IHI, Partner, Imer, Clipper, MMD, Koshin, Rice, CH&E, General Equipment, Amida, Coleman, NAC, Gradall, Square Shooter, Kent, Stanley, Tamco, Toku, Hatz, Kohler, Robin, Wisconsin, Northrock, Oztec, Toker TK, Rol-Air, APT, Wylie, Ingersoll Rand / Doosan, Innovatech, Con X, Ammann, Mecalac, Makinex, Smith Surface Prep, Small Line, Wanco, Yanmar

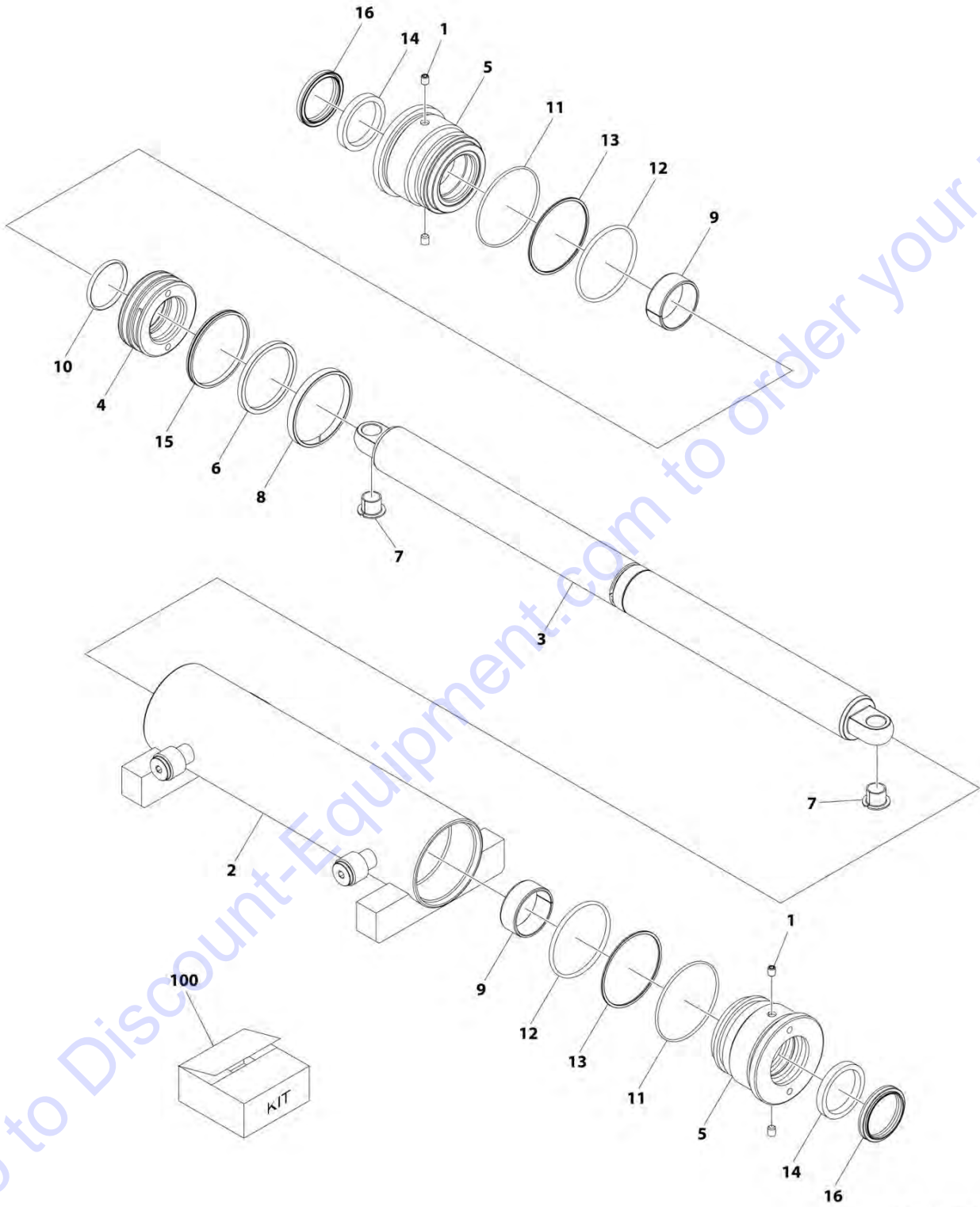
SECTION 5 - CYLINDER

FIGURE 5-1. STEER CYLINDER ASSEMBLY

ITEM	PART NUMBER	QTY	DESCRIPTION	REV
	1001247345	Ref	LIFT CYLINDER ASSEMBLY	A
1	70003636	1	Ring, Retaining	
2	See Note	NSS	Barrel (Note: Use p/n 1001247345)	
3	70007137	1	Rod	
4	70007130	1	Piston	
5	70007131	1	Head	
6	See Note	NSS	Setscrew (Note: Use Item 24)	
7	70007132	1	Ring, Back-up	
8	See Note	NSS	Ball (Note: Use Item 24)	
9	70007133	1	Ring, Wear	
10	0962292	4	Bearing	
11	See Note	NSS	Ring, Wear (Note: Use Item 24)	
12	See Note	NSS	O-Ring (Note: Use Item 24)	
13	See Note	NSS	O-Ring (Note: Use Item 24)	
14	See Note	NSS	O-Ring (Note: Use Item 24)	
15	See Note	NSS	Ring, Back-up (Note: Use Item 24)	
16	See Note	NSS	Seal, Rod (Note: Use Item 24)	
17	See Note	NSS	Seal, Piston (Note: Use Item 24)	
18	See Note	NSS	Wiper (Note: Use Item 24)	
19	70004585	1	Valve, Check	
20	70005236	1	Valve, Manual Descent	
21	70007134	2	Fitting, Straight (Not Shown)	
22	2220883	5	Plug	
23	70007135	2	Fitting, Straight	
24	70007138	1	Seal Kit - Cylinder (Includes Items 6, 8 & 11-18)	

SECTION 5 - CYLINDER

FIGURE 5-2. STEER CYLINDER ASSEMBLY



ART_1001234461

SECTION 5 - CYLINDER

FIGURE 5-2. STEER CYLINDER ASSEMBLY

ITEM	PART NUMBER	QTY	DESCRIPTION	REV
	1001234461	Ref	STEER CYLINDER ASSEMBLY	A
1	70003636	4	Ring Lock	
2	See Note	NSS	Barrel (Note: Use p/n 1001234461)	
3	70007074	1	Rod	
4	70007075	1	Piston	
5	70007076	2	Head	
6	70007077	1	Ring, Retaining	
7	0440259	2	Bushing	
8	See Note	NSS	Ring, Wear (Note: Use Item 100)	
9	See Note	NSS	Ring, Wear (Note: Use Item 100)	
10	See Note	NSS	O-Ring (Note: Use Item 100)	
11	See Note	NSS	O-Ring (Note: Use Item 100)	
12	See Note	NSS	O-Ring (Note: Use Item 100)	
13	See Note	NSS	Ring, Back-up (Note: Use Item 100)	
14	See Note	NSS	Seal, Rod (Note: Use Item 100)	
15	See Note	NSS	Seal, Piston (Note: Use Item 100)	
16	See Note	NSS	Wiper (Note: Use Item 100)	
100	70007118	1	Seal Kit - Cylinder (Includes Items 8-16)	

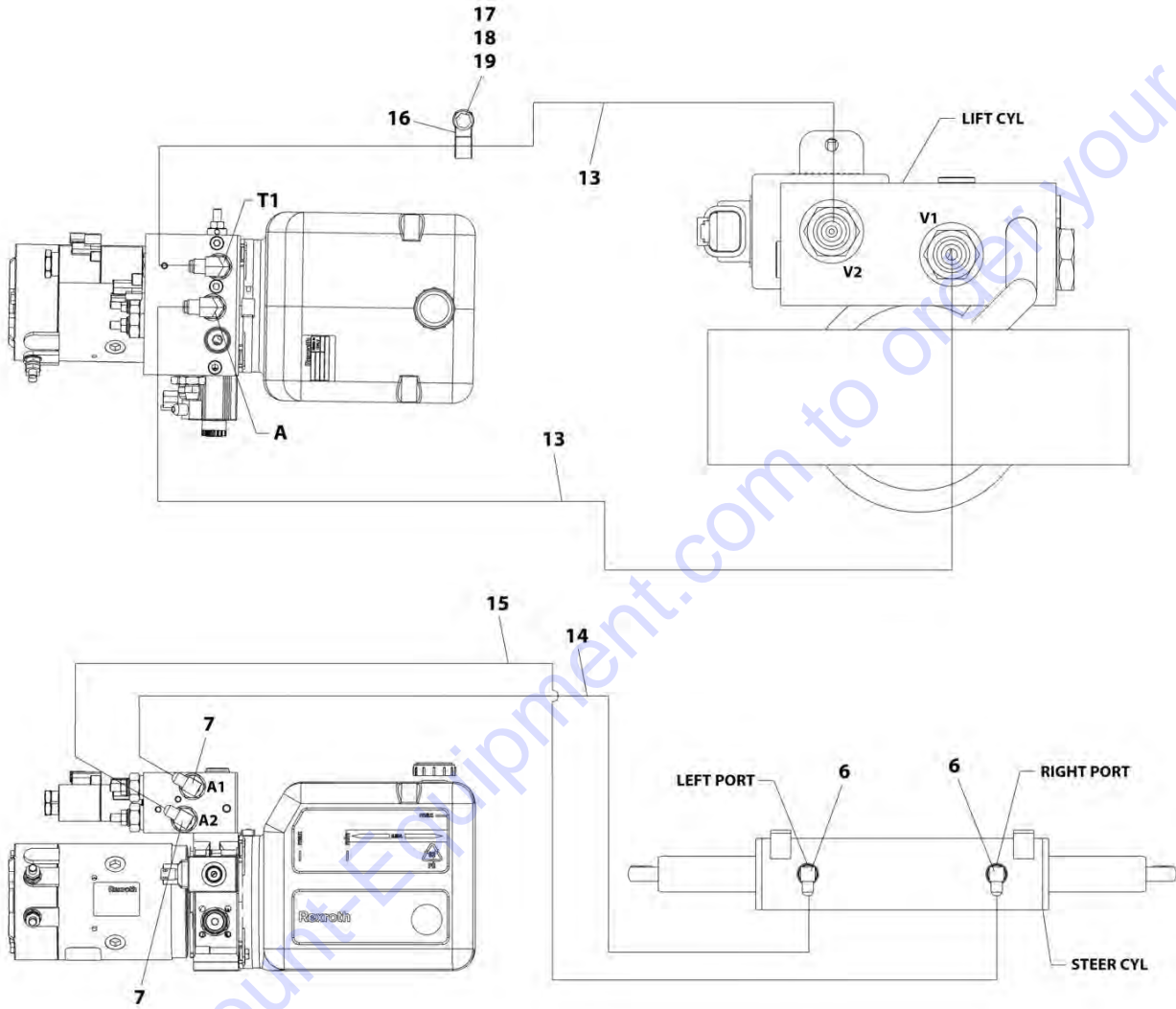
Go to Discount-Equipment.com to order your parts

SECTION 6 - HYDRAULIC

Go to Discount-Equipment.com to order your parts

SECTION 6 - HYDRAULIC

FIGURE 6-1. HYDRAULIC DIAGRAM



ART_1001235002_20F2

SECTION 6 - HYDRAULIC

FIGURE 6-1. HYDRAULIC DIAGRAM

ITEM	PART NUMBER	QTY	DESCRIPTION	REV
	1001235002	Rev	HYDRAULIC DIAGRAM	E
6	2220466	2	Adapter, 90	
7	2220654	2	Adapter, 90	
9	4240018	8	Tie-Strap (Not Shown)	
13	1001249887	2	Hose	
14	1001238025	1	Hose	
15	1001238026	1	Hose	
16	1001247924	1	Clamp, Hoses	
17	0780610	1	Screw M6 x 20	
18	5260600	1	Nut M6	
19	4811900	1	Washer M8	

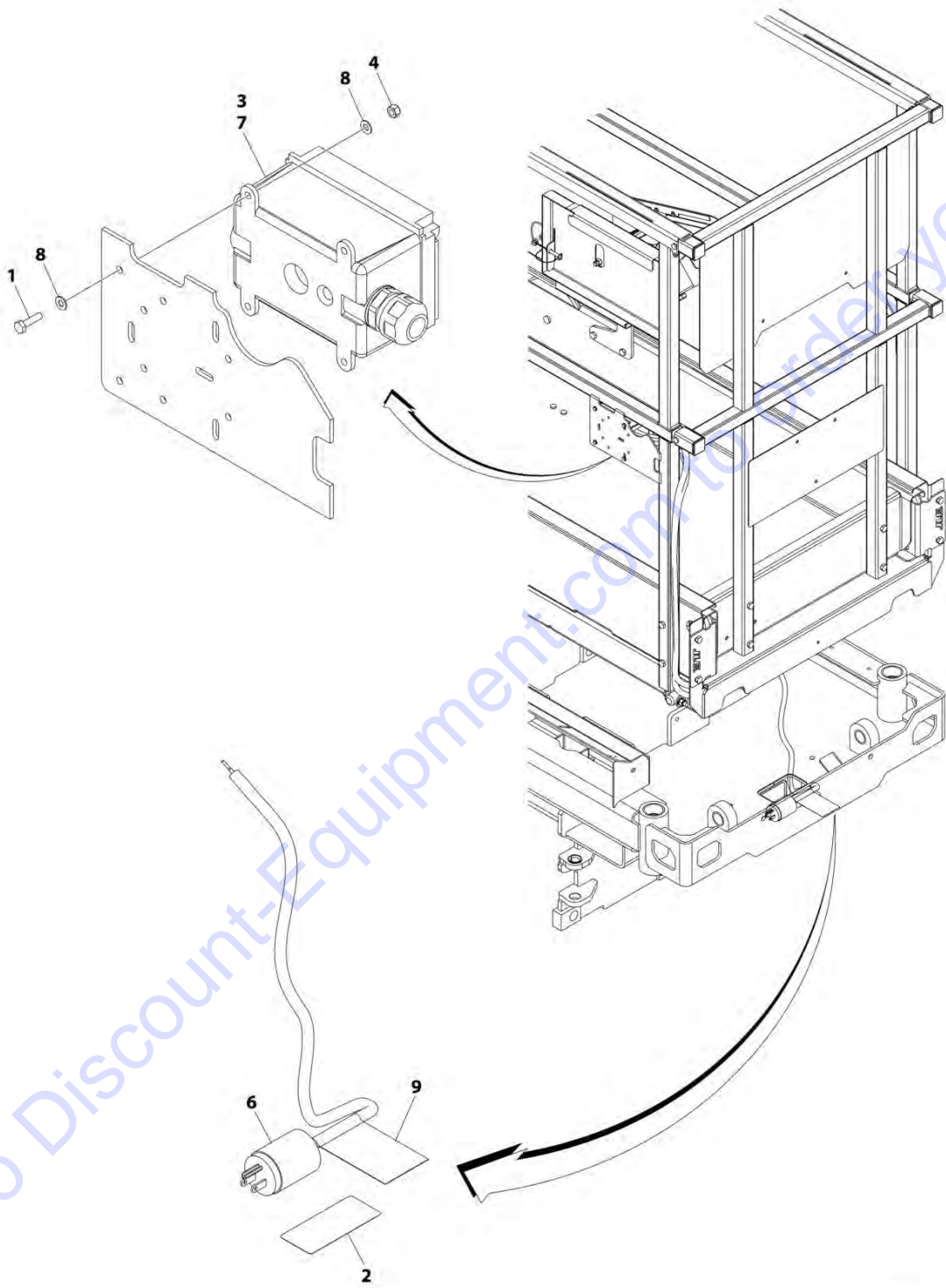
Go to Discount-Equipment.com to order your parts

SECTION 7 - ELECTRICAL

Go to Discount-Equipment.com to order your parts

SECTION 7 - ELECTRICAL

FIGURE 7-1. AC BOX AT PLATFORM INSTALLATION - 110V GFI (ALL SPECS EXCEPT AUSTRALIAN & CE SPECS)



ART_1001244911

SECTION 7 - ELECTRICAL

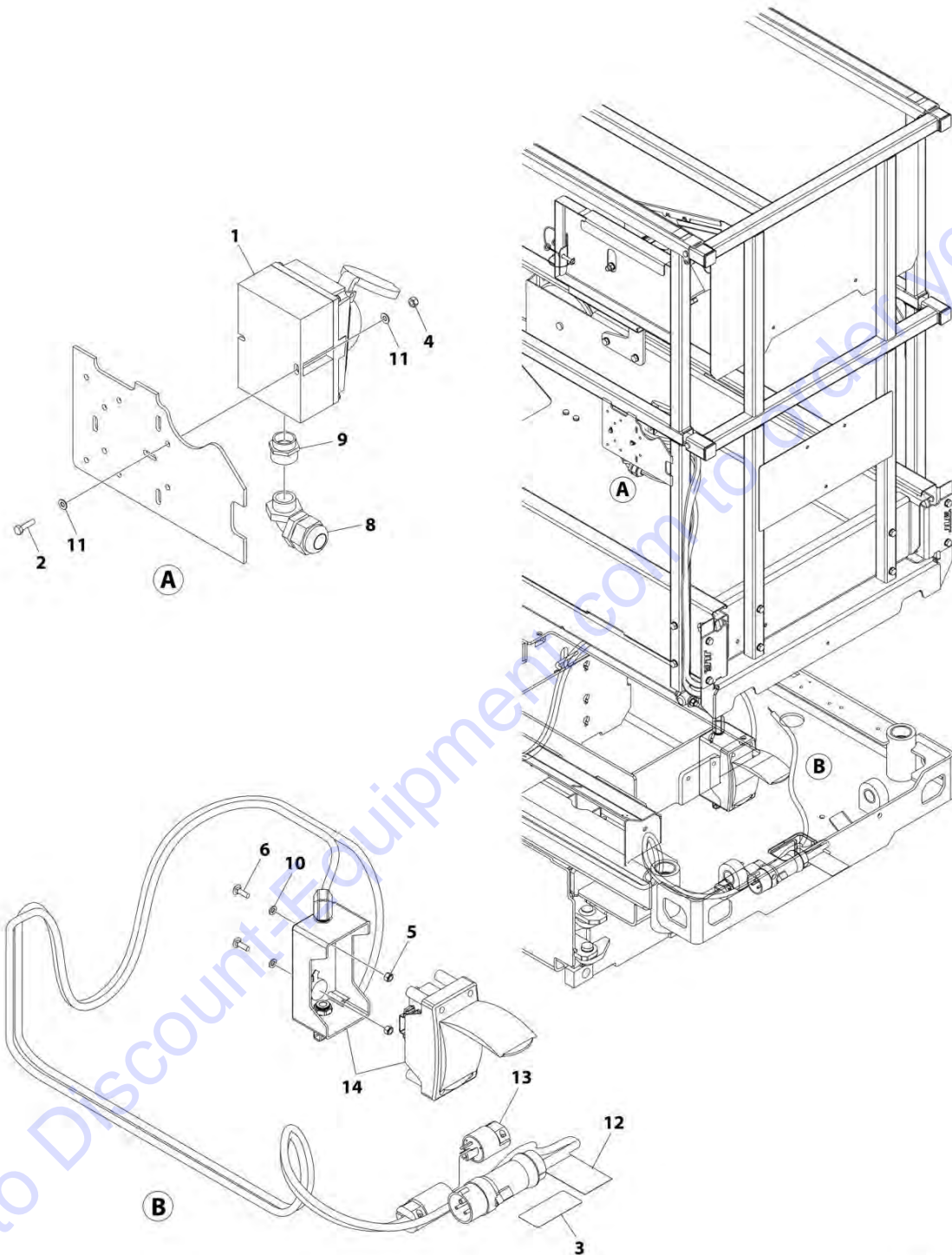
FIGURE 7-1. AC BOX AT PLATFORM INSTALLATION - 110V GFI (ALL SPECS EXCEPT AUSTRALIAN & CE SPECS)

ITEM	PART NUMBER	QTY	DESCRIPTION	REV
	1001244911	Ref	AC BOX AT PLATFORM INSTALLATION - 110V GFI	A
1	0760408	4	Bolt M4 x 16	
2	1703464	1	Decal - AC Power	
3	2902431	1	Receptacle Box Kit (See Separate Breakdown in this Section)	
4	3290405	4	Nut M4	
5	4240017	AR	Tie-Strap (Not Shown)	
6	4460138	1	Plug, Male - AC	
7	4460315	1	Terminal	
8	4811400	8	Washer M4	
9	1001102258	1	Decal - AC Label	

Go to Discount-Equipment.com to order your parts

SECTION 7 - ELECTRICAL

FIGURE 7-2. AC BOX AT PLATFORM INSTALLATION - 110V IEC YELLOW (CE SPECS)



ART_1001244916

SECTION 7 - ELECTRICAL

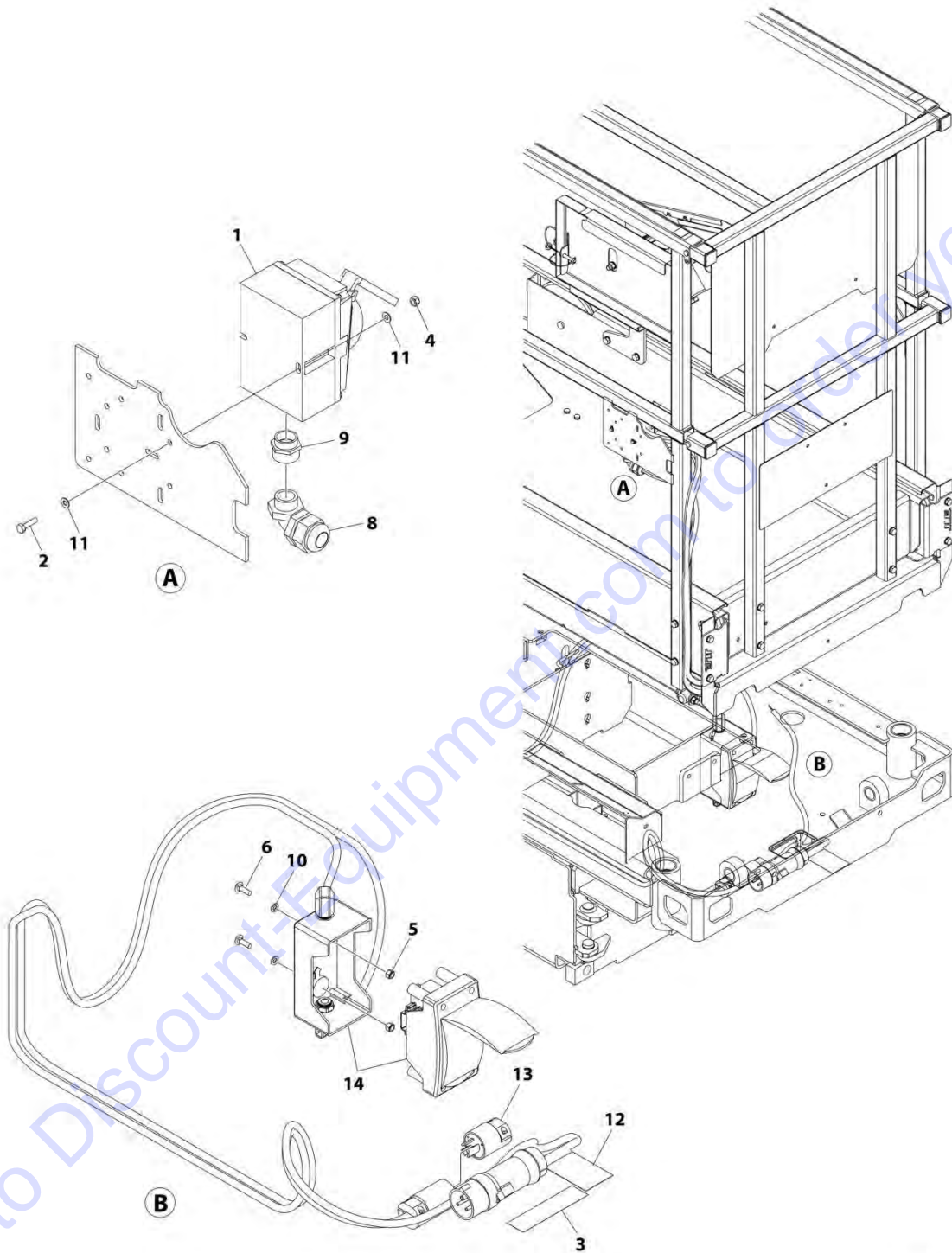
FIGURE 7-2. AC BOX AT PLATFORM INSTALLATION - 110V IEC YELLOW (CE SPECS)

ITEM	PART NUMBER	QTY	DESCRIPTION	REV
	1001244916	Ref	AC BOX AT PLATFORM INSTALLATION - 110V IEC YELLOW	B
1	0275216	1	Receptacle Box Kit - 110V IEC Yellow (See Separate Breakdown in this Section)	
2	0760408	2	Bolt M4 x 16	
3	1703464	1	Decal - AC Power	
4	3290405	2	Nut M4	
5	3290605	2	Nut M6	
6	1001100451	2	Bolt M6 x 20	
7	4240017	AR	Tie-Strap (Not Shown)	
8	4461257	1	Connector, Strain Relief	
9	4461258	1	Connector, Adapter	
10	4811700	2	Washer M6	
11	4811400	4	Washer M4	
12	1001102258	1	Decal - AC Label	
13	1001120204	1	Plug, Male Twist	
14	1001244909	1	Breaker Box Kit (See Separate Breakdown in this Section)	

Go to Discount-Equipment.com to order your parts

SECTION 7 - ELECTRICAL

FIGURE 7-3. AC BOX AT PLATFORM INSTALLATION - 220V IEC BLUE (CE SPECS)



ART_1001244917

SECTION 7 - ELECTRICAL

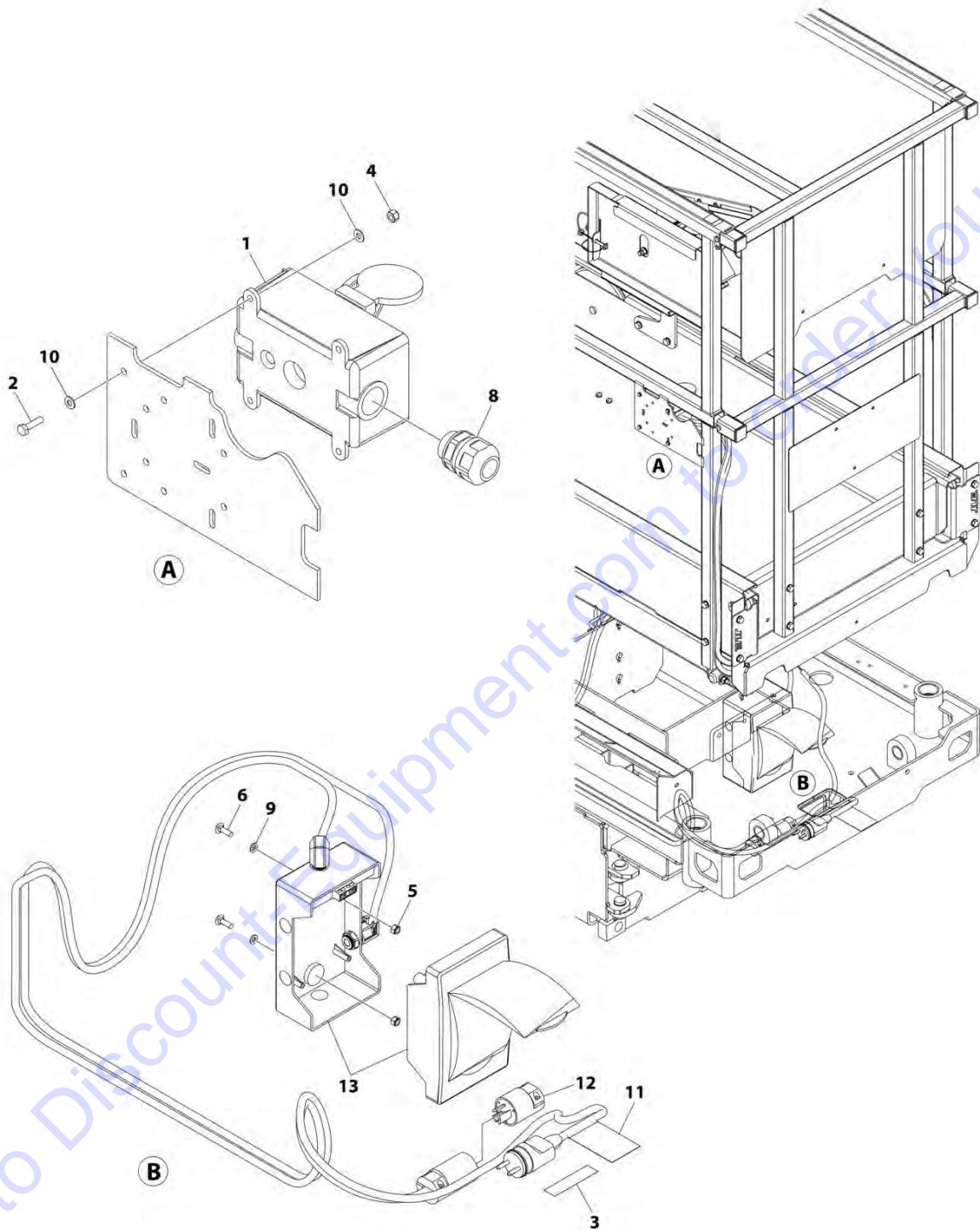
FIGURE 7-3. AC BOX AT PLATFORM INSTALLATION - 220V IEC BLUE (CE SPECS)

ITEM	PART NUMBER	QTY	DESCRIPTION	REV
	1001244917	Ref	AC BOX AT PLATFORM INSTALLATION - 220V IEC BLUE	B
1	0275217	1	Receptacle Box Kit - 220V IEC Blue (See Separate Breakdown in this Section)	
2	0760408	2	Bolt M4 x 16	
3	3252507	1	Decal - AC Power	
4	3290405	2	Nut M4	
5	3290605	2	Nut M6	
6	1001100451	2	Bolt M6 x 20	
7	4240017	AR	Tie-Strap (Not Shown)	
8	4461257	1	Connector, Strain Relief	
9	4461258	1	Connector, Adapter	
10	4811700	2	Washer M6	
11	4811400	4	Washer M4	
12	1001102258	1	Decal - AC Label	
13	1001120204	1	Plug, Male Twist	
14	1001244909	1	Breaker Box Kit (See Separate Breakdown in this Section)	

Go to Discount-Equipment.com to order your parts

SECTION 7 - ELECTRICAL

FIGURE 7-4. AC BOX AT PLATFORM INSTALLATION - 220V CEE7 POST GROUND (CE SPECS)



ART_1001244913

SECTION 7 - ELECTRICAL

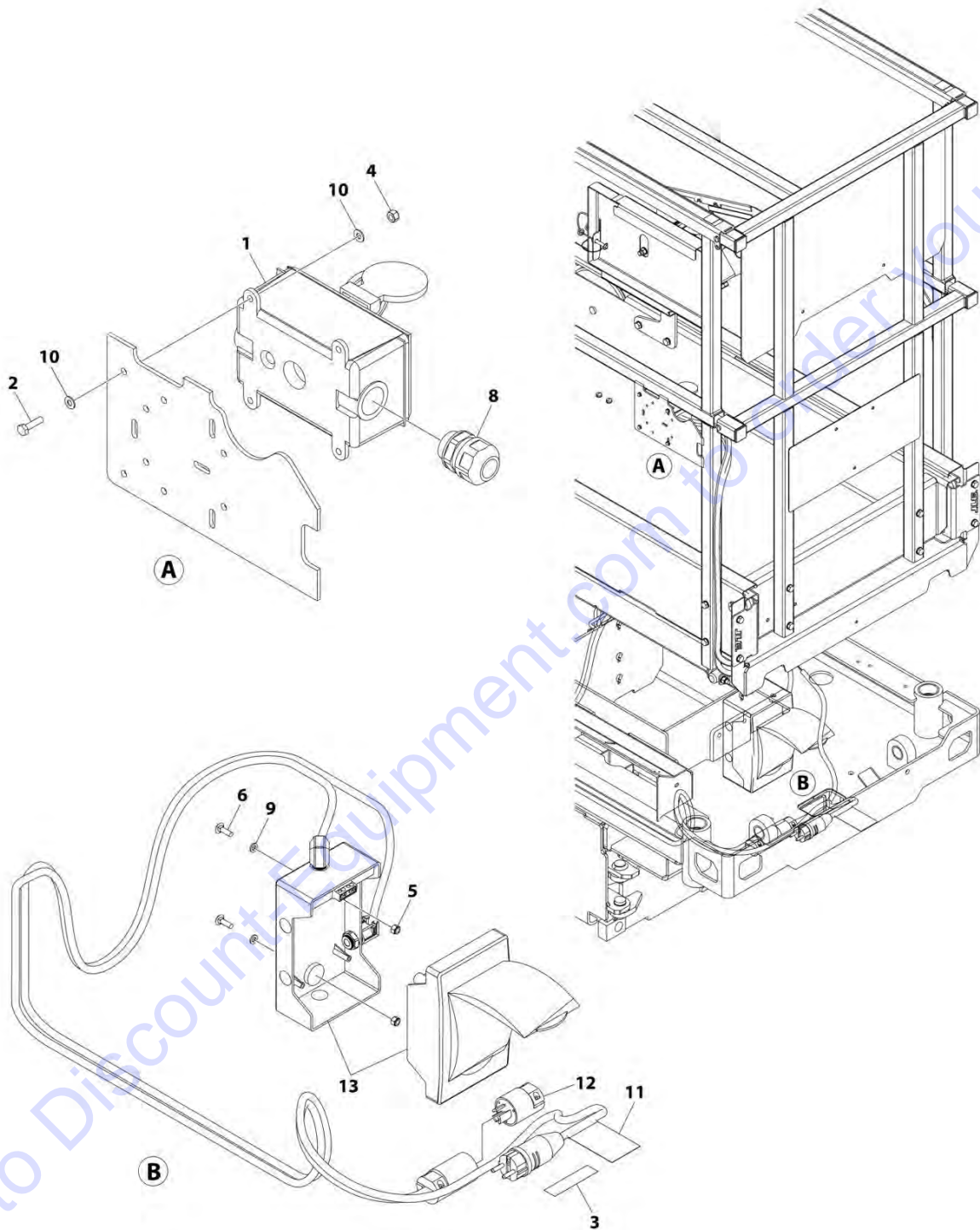
FIGURE 7-4. AC BOX AT PLATFORM INSTALLATION - 220V CEE7 POST GROUND (CE SPECS)

ITEM	PART NUMBER	QTY	DESCRIPTION	REV
	1001244913	Ref	AC BOX AT PLATFORM INSTALLATION - 220V CEE7 POST GROUND	B
1	0275452	1	Receptacle Box Kit - 220V CEE7 Post Ground (See Separate Breakdown in this Section)	
2	0760408	4	Bolt M4 x 16	
3	3252507	1	Decal - AC Power	
4	3290405	4	Nut M4	
5	3290605	2	Nut M6	
6	1001100451	2	Bolt M6 x 20	
7	4240017	AR	Tie-Strap (Not Shown)	
8	4460662	1	Connector, Strain Relief	
9	4811700	2	Washer M6	
10	4811400	8	Washer M4	
11	1001102258	1	Decal - AC Label	
12	1001120204	1	Plug, Male Twist	
13	1001244908	1	Breaker Box Kit (See Separate Breakdown in this Section)	

Go to Discount-Equipment.com to order your parts

SECTION 7 - ELECTRICAL

FIGURE 7-5. AC BOX AT PLATFORM INSTALLATION - 220V CEE7 SIDE GROUND (CE SPECS)



ART_1001244914

SECTION 7 - ELECTRICAL

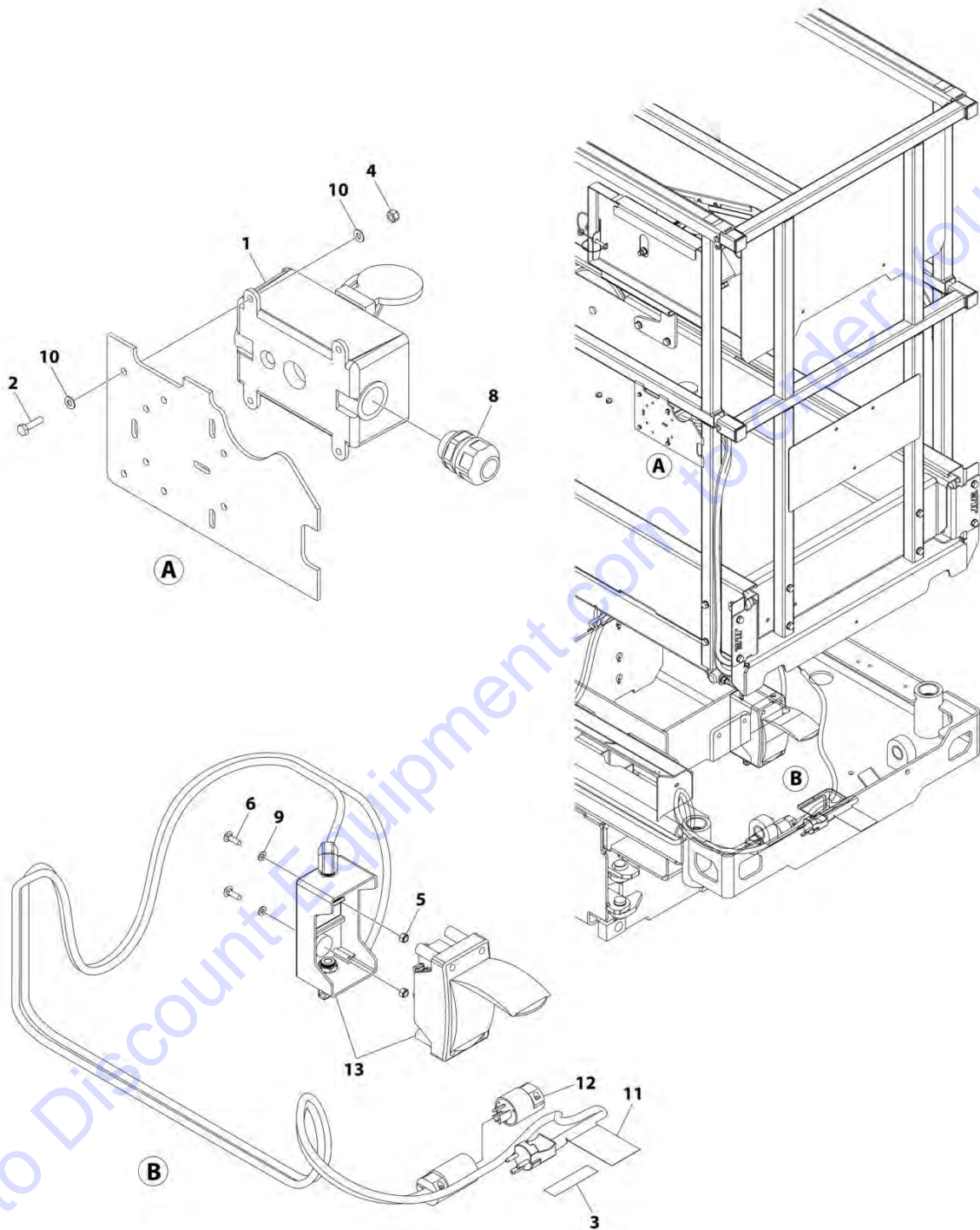
FIGURE 7-5. AC BOX AT PLATFORM INSTALLATION - 220V CEE7 SIDE GROUND (CE SPECS)

ITEM	PART NUMBER	QTY	DESCRIPTION	REV
	1001244914	Ref	AC BOX AT PLATFORM INSTALLATION - 220V CEE7 SIDE GROUND	B
1	0275453	1	Receptacle Box Kit - 220V CEE7 Side Ground (See Separate Breakdown in this Section)	
2	0760408	4	Bolt M4 x 16	
3	3252507	1	Decal - AC Power	
4	3290405	4	Nut M4	
5	3290605	2	Nut M6	
6	1001100451	2	Bolt M6 x 20	
7	4240017	AR	Tie-Strap (Not Shown)	
8	4460662	1	Connector, Strain Relief	
9	4811700	2	Washer M6	
10	4811400	8	Washer M4	
11	1001102258	1	Decal - AC Label	
12	1001120204	1	Plug, Male Twist	
13	1001244908	1	Breaker Box Kit (See Separate Breakdown in this Section)	

Go to Discount-Equipment.com to order your parts

SECTION 7 - ELECTRICAL

FIGURE 7-6. AC BOX AT PLATFORM INSTALLATION - 220V AFSINT 107 (CE SPECS)



ART_1001244915

SECTION 7 - ELECTRICAL

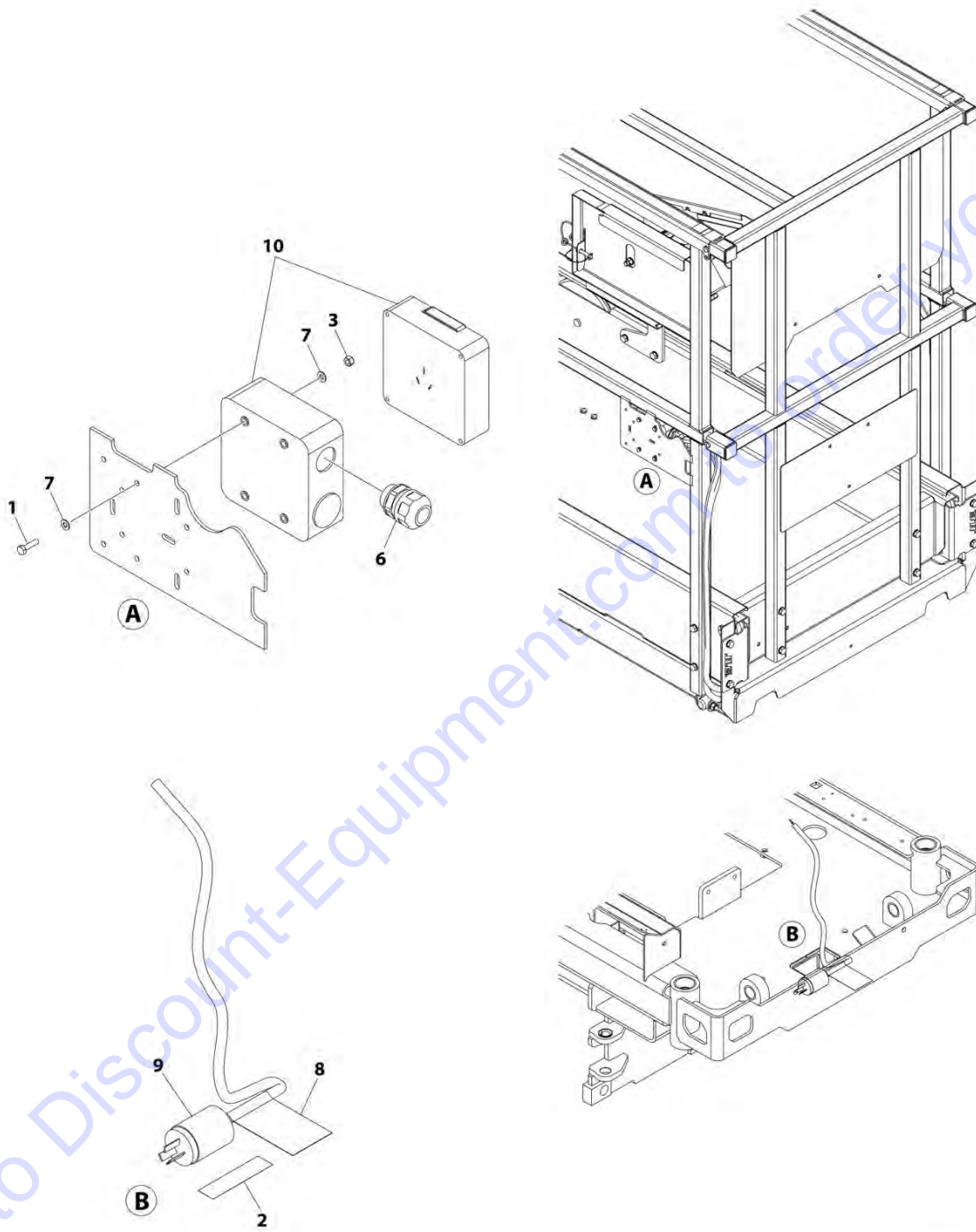
FIGURE 7-6. AC BOX AT PLATFORM INSTALLATION - 220V AFSINT 107 (CE SPECS)

ITEM	PART NUMBER	QTY	DESCRIPTION	REV
	1001244915	Ref	AC BOX AT PLATFORM INSTALLATION - 220V AFSINT 107	B
1	0275454	1	Receptacle Box Kit - 220V AFSINT 107 (See Separate Breakdown in this Section)	
2	0760408	4	Bolt M4 x 16	
3	3252507	1	Decal - AC Power	
4	3290405	4	Nut M4	
5	3290605	2	Nut M6	
6	1001100451	2	Bolt M6 x 20	
7	4240017	AR	Tie-Strap (Not Shown)	
8	4460662	1	Connector, Strain Relief	
9	4811700	2	Washer M6	
10	4811400	8	Washer M4	
11	1001102258	1	Decal - AC Label	
12	1001120204	1	Plug, Male Twist	
13	1001244909	1	Breaker Box Kit (See Separate Breakdown in this Section)	

Go to Discount-Equipment.com to order your parts

SECTION 7 - ELECTRICAL

FIGURE 7-7. AC BOX AT PLATFORM INSTALLATION - 220V CHINA PLUG (CHINA SPECS)



ART_1001244918

SECTION 7 - ELECTRICAL

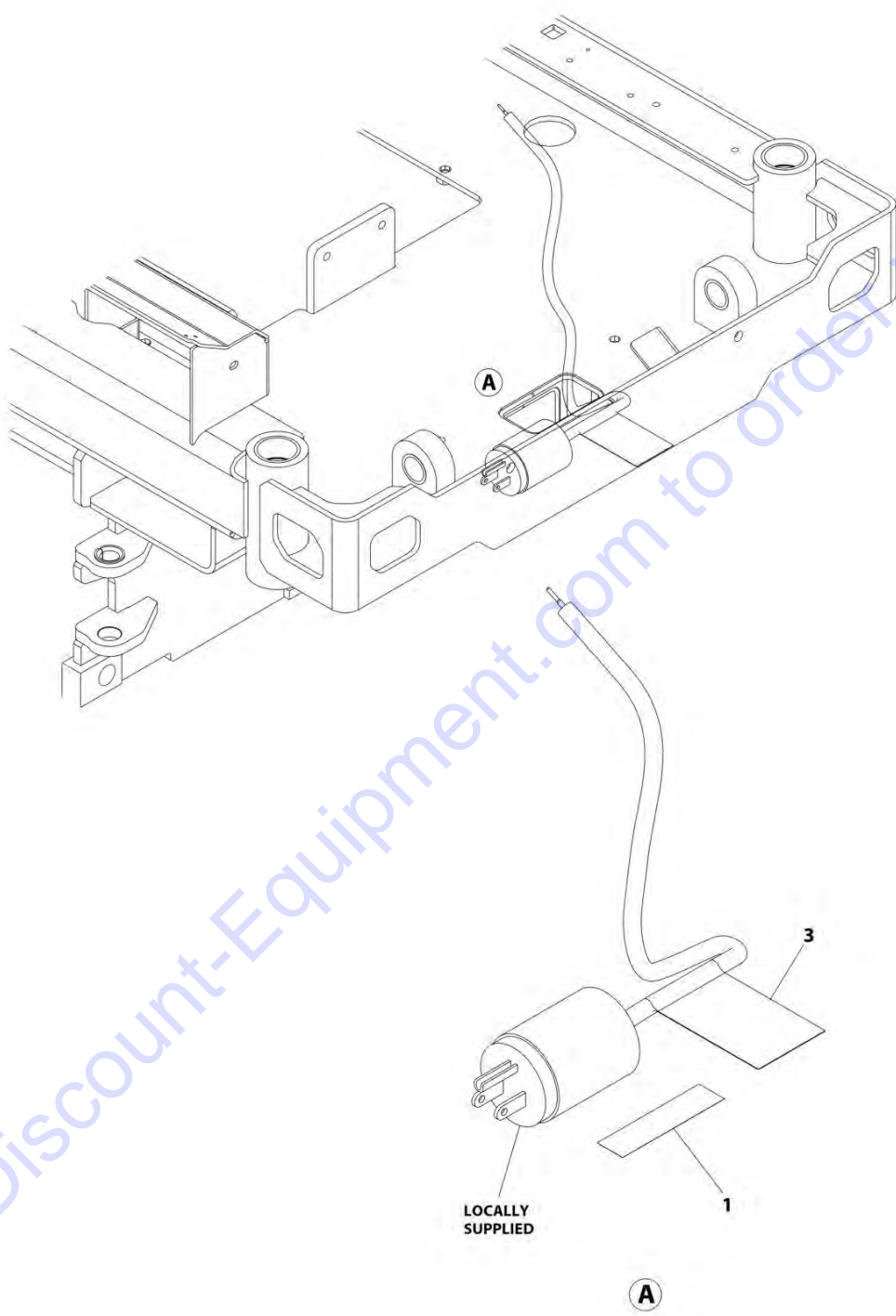
FIGURE 7-7. AC BOX AT PLATFORM INSTALLATION - 220V CHINA PLUG (CHINA SPECS)

ITEM	PART NUMBER	QTY	DESCRIPTION	REV
	1001244918	Ref	AC BOX AT PLATFORM INSTALLATION - 220V CHINA PLUG	A
1	0760408	4	Bolt M4 x 16	
2	3252507	1	Decal - 220 Volt	
3	3290405	4	Nut M4	
4	4240017	AR	Tie-Strap (Not Shown)	
5	4460315	1	Terminal (Not Shown)	
6	4460968	1	Connector, Strain Relief	
7	4811400	8	Washer M4	
8	1001102258	1	Decal - AC Label	
9	1001187816	1	Plug	
10	1001188116	1	Box	

Go to Discount-Equipment.com to order your parts

SECTION 7 - ELECTRICAL

FIGURE 7-8. AC BOX AT PLATFORM INSTALLATION - 220V LOCALLY SUPPLIED



Go to Discount-Equipment.com to order your parts

ART_1001244912

SECTION 7 - ELECTRICAL

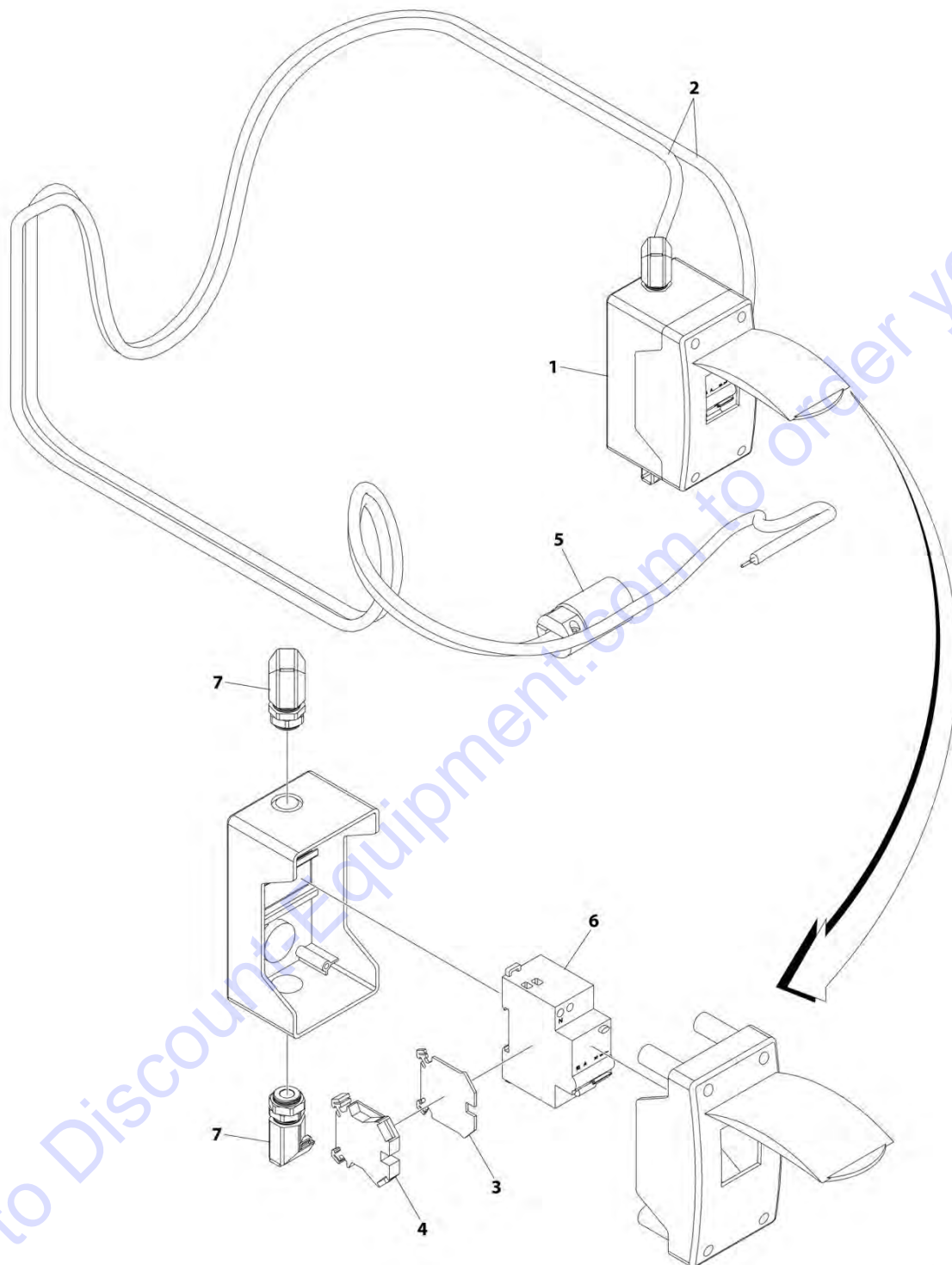
FIGURE 7-8. AC BOX AT PLATFORM INSTALLATION - 220V LOCALLY SUPPLIED

ITEM	PART NUMBER	QTY	DESCRIPTION	REV
	1001244912	Ref	AC BOX AT PLATFORM INSTALLATION - 220V LOCALLY SUPPLIED COMPONENTS	A
1	3252507	1	Decal - 220 Volt	
2	4240017	AR	Tie-Strap (Not Shown)	
3	1001102258	1	Decal - AC Label	

Go to Discount-Equipment.com to order your parts

SECTION 7 - ELECTRICAL

FIGURE 7-9. BREAKER BOX KIT WITH 1 DOUBLE BREAKER



ART_1001244909

SECTION 7 - ELECTRICAL

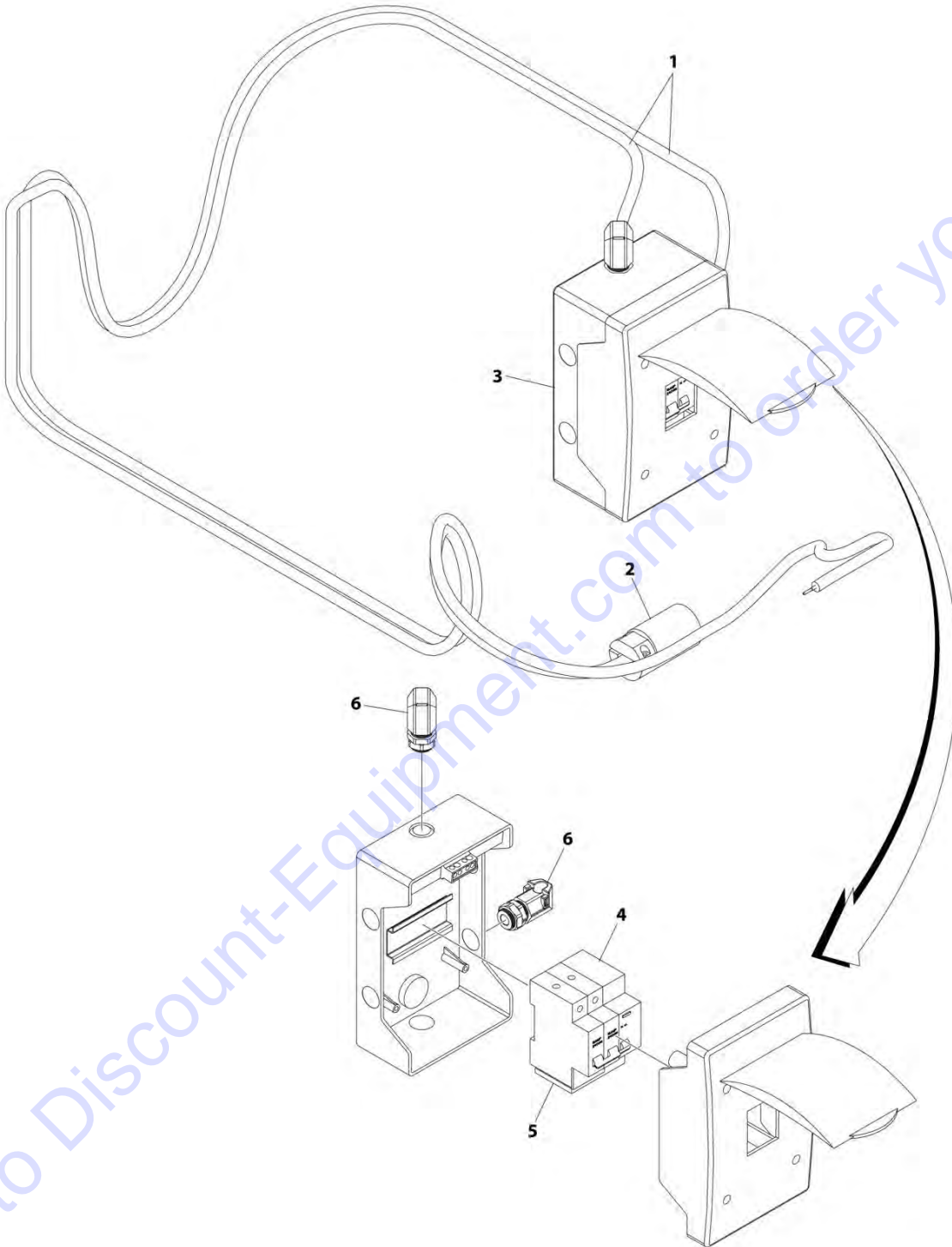
FIGURE 7-9. BREAKER BOX KIT WITH 1 DOUBLE BREAKER

ITEM	PART NUMBER	QTY	DESCRIPTION	REV
	1001244909	1	BREAKER BOX KIT WITH 1 DOUBLE BREAKER	A
1	0861880	1	Box, Breaker	
2	1060908	19 ft/5.7m	Cable, 12/3	
3	4460956	1	Barrier, Terminal	
4	4460957	1	Block, Terminal	
5	1001120205	1	Connector, Female	
6	1001181045	1	Breaker - 30mA/16Amp	
7	1001217164	2	Connector, Strain Relief - 90	

Go to Discount-Equipment.com to order your parts

SECTION 7 - ELECTRICAL

FIGURE 7-10. BREAKER BOX KIT WITH 3 BREAKER



ART_1001244908

SECTION 7 - ELECTRICAL

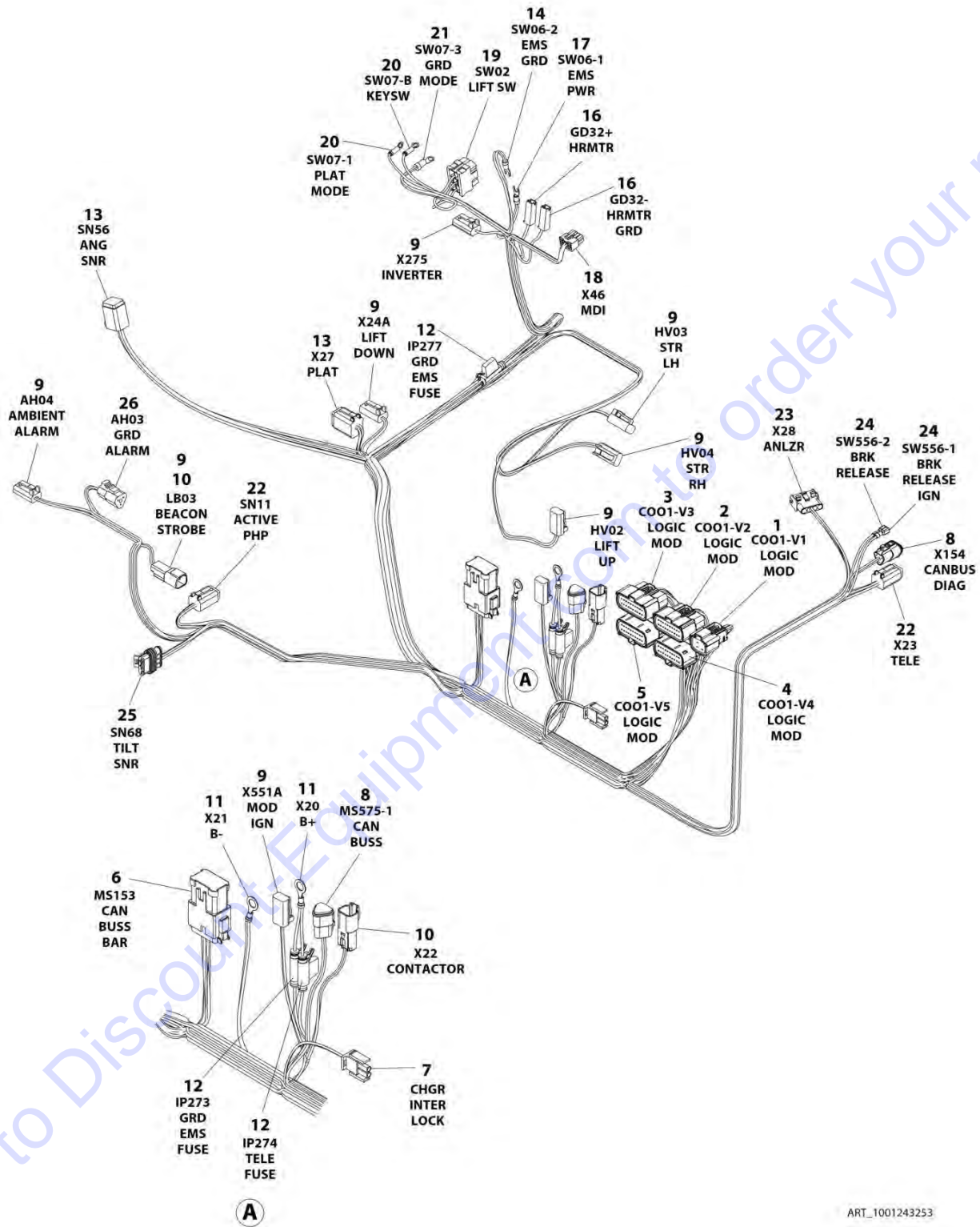
FIGURE 7-10. BREAKER BOX KIT WITH 3 BREAKER

ITEM	PART NUMBER	QTY	DESCRIPTION	REV
	1001244908	1	BREAKER BOX KIT WITH 3 BREAKERS	A
1	1060908	19 ft/5.7m	Cable, 12/3 Receptacle	
2	1001120205	1	Connector, Female	
3	1001152483	1	Box, Breaker	
4	1001189171	1	Breaker, 30mA	
5	1001189172	1	Breaker - 16Amp Double	
6	1001217164	2	Connector, Strain Relief - 90	

Go to Discount-Equipment.com to order your parts

SECTION 7 - ELECTRICAL

FIGURE 7-11. CHASSIS HARNESS (WITHOUT LSS)



SECTION 7 - ELECTRICAL

FIGURE 7-11. CHASSIS HARNESS (WITHOUT LSS)

ITEM	PART NUMBER	QTY	DESCRIPTION	REV
	1001243253	Ref	CHASSIS HARNESS (WITHOUT LSS)	E
1	1001205409	1	Connector - 8 Position	
1	1001162887	6	Terminal	
1	1001163340	2	Plug, Terminal	
2	1001205410	1	Connector - 20 Position	
2	1001162887	13	Terminal	
2	1001163340	7	Plug, Terminal	
3	1001162886	1	Connector - 20 Position	
3	1001162887	9	Terminal	
3	1001163340	11	Plug, Terminal	
4	1001205411	1	Connector - 20 Position	
4	1001162887	10	Terminal	
4	1001163340	10	Plug, Terminal	
5	1001205412	1	Connector - 20 Position	
5	1001162887	14	Terminal	
5	1001163340	6	Plug, Terminal	
6	4460933	1	Plug, Male - 12 Position	
6	4460465	12	Socket, Female	
6	1001125677	1	Bussbar - 12 Position	
7	4460320	1	Plug, Male - 2 Position	
7	4460226	1	Socket, Female	
8	1001116812	2	Plug, Male - 3 Position	
8	4460944	4	Socket, Female	
8	4460466	1	Plug, Terminal	
8	1001144296	1	Cap	
9	4460891	8	Plug, Male- 3 Position	
9	4460465	13	Socket, Female	
9	4460466	2	Plug, Terminal	
9	1001144295	2	Cap	
10	4460897	2	Receptacle, Female - 2 Position	
10	4460464	4	Pin, Male	
11	4460670	2	Terminal, Ring	
12	2400060	3	Fuseholder with Cover	
12		Ref	Fuse 5Amp	
12		Ref	Fuse 15Amp	
13	4460894	2	Plug, Male - 6 Position	
13	4460465	10	Socket, Female	
13	4460944	2	Socket, Female	
14	4460115	1	Terminal, Fork	
16	4460260	2	Cover, Terminal	
16	4460259	2	Terminal	
17	4460183	1	Terminal, Fork	
18	1001151629	1	Connector- 8 Position	
18	4461023	2	Terminal	
18	4460877	2	Terminal	
19	4460418	1	Connector, Switch	
19	4460419	3	Terminal	
20	4460247	2	Terminal, Ring	
21	4460042	1	Terminal, Ring	
22	4460884	2	Plug, Male - 4 Position	

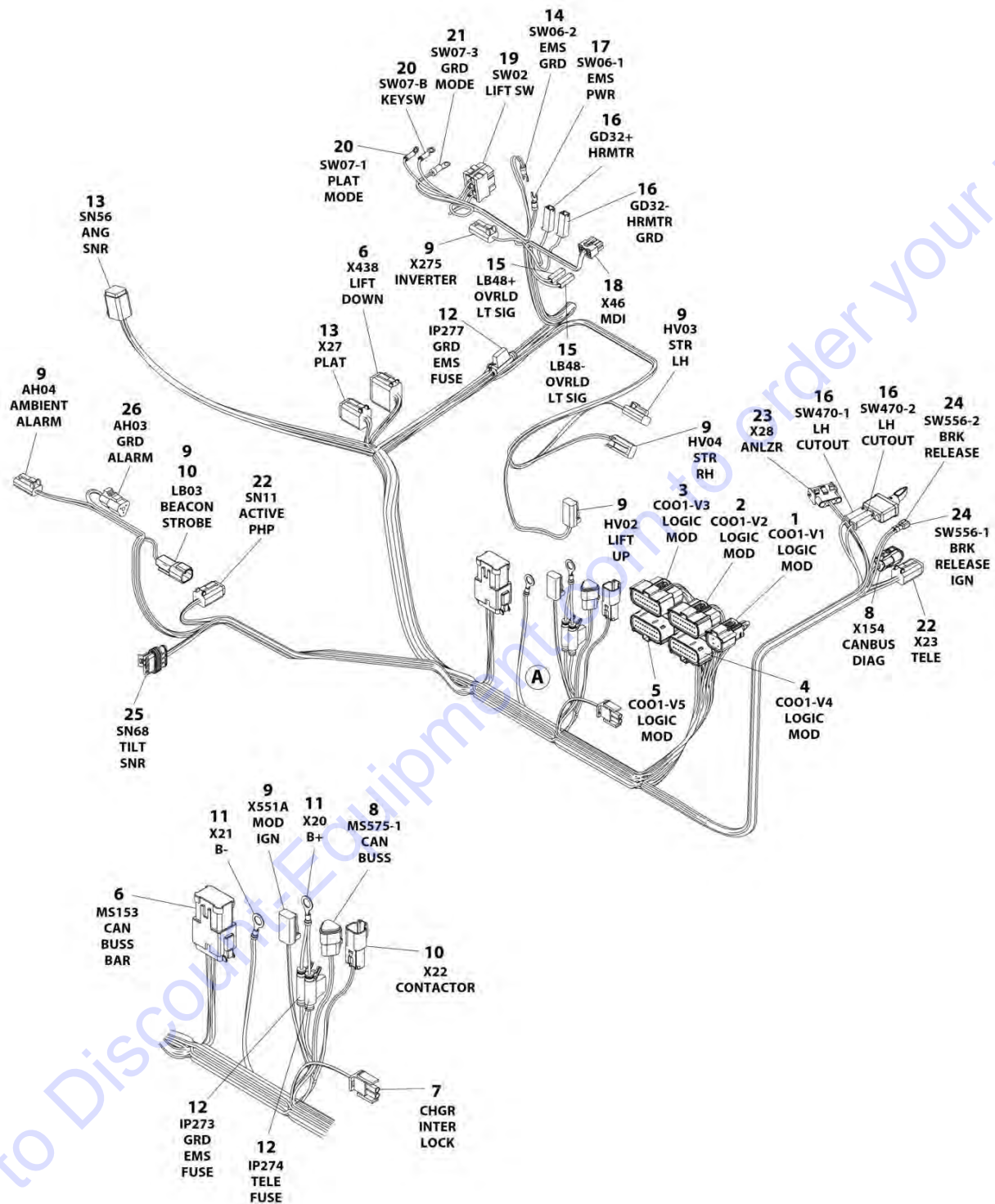
SECTION 7 - ELECTRICAL

ITEM	PART NUMBER	QTY	DESCRIPTION	REV
22	4460465	8	Socket, Female	
22	1001192401	1	Cap	
23	4460761	1	Receptacle, Female- 4 Position	
23	4460227	4	Pin, Male	
24	1001201885	2	Terminal	
25	1001103012	1	Plug, Male- 4 Position	
25	1001196589	4	Terminal	
25	1001104498	4	Seal	
26	4460539	1	Plug, Male -2 Position	
26	4460465	3	Socket, Female	

Go to Discount-Equipment.com to order your parts

SECTION 7 - ELECTRICAL

FIGURE 7-12. CHASSIS HARNESS (WITH LSS)



ART_1001243254

SECTION 7 - ELECTRICAL

FIGURE 7-12. CHASSIS HARNESS (WITH LSS)

ITEM	PART NUMBER	QTY	DESCRIPTION	REV
	1001243254	Ref	CHASSIS HARNESS (WITH LSS)	E
1	1001205409	1	Connector - 8 Position	
1	1001162887	6	Terminal	
1	1001163340	2	Plug, Terminal	
2	1001205410	1	Connector - 20 Position	
2	1001162887	13	Terminal	
2	1001163340	7	Plug, Terminal	
3	1001162886	1	Connector - 20 Position	
3	1001162887	15	Terminal	
3	1001163340	5	Plug, Terminal	
4	1001205411	1	Connector - 20 Position	
4	1001162887	16	Terminal	
4	1001163340	4	Plug, Terminal	
5	1001205412	1	Connector - 20 Position	
5	1001162887	14	Terminal	
5	1001163340	6	Plug, Terminal	
6	4460933	2	Plug, Male - 12 Position	
6	4460465	22	Socket, Female	
6	4460466	2	Plug, Terminal	
6	1001125677	1	Bussbar - 12 Position	
7	4460320	1	Plug, Male - 2 Position	
7	4460226	1	Socket, Female	
8	1001116812	2	Plug, Male - 3 Position	
8	4460944	4	Socket, Female	
8	4460466	1	Plug, Terminal	
8	1001144296	1	Cap	
9	4460891	7	Plug, Male- 3 Position	
9	4460465	11	Socket, Female	
9	4460466	2	Plug, Terminal	
9	1001144295	2	Cap	
10	4460897	2	Receptacle, Female - 2 Position	
10	4460464	4	Pin, Male	
11	4460670	2	Terminal, Ring	
12	2400060	3	Fuseholder with Cover	
12		Ref	Fuse 5Amp	
12		Ref	Fuse 15Amp	
13	4460894	2	Plug, Male - 6 Position	
13	4460465	10	Socket, Female	
13	4460944	2	Socket, Female	
14	4460115	1	Terminal, Fork	
15	1001117000	2	Cover, Terminal	
15	1001118387	2	Terminal	
16	4460260	4	Cover, Terminal	
16	4460259	4	Terminal	
17	4460183	1	Terminal, Fork	
18	1001151629	1	Connector- 8 Position	
18	4461023	2	Terminal	
18	4460877	2	Terminal	
19	4460418	1	Connector, Switch	
19	4460419	3	Terminal	

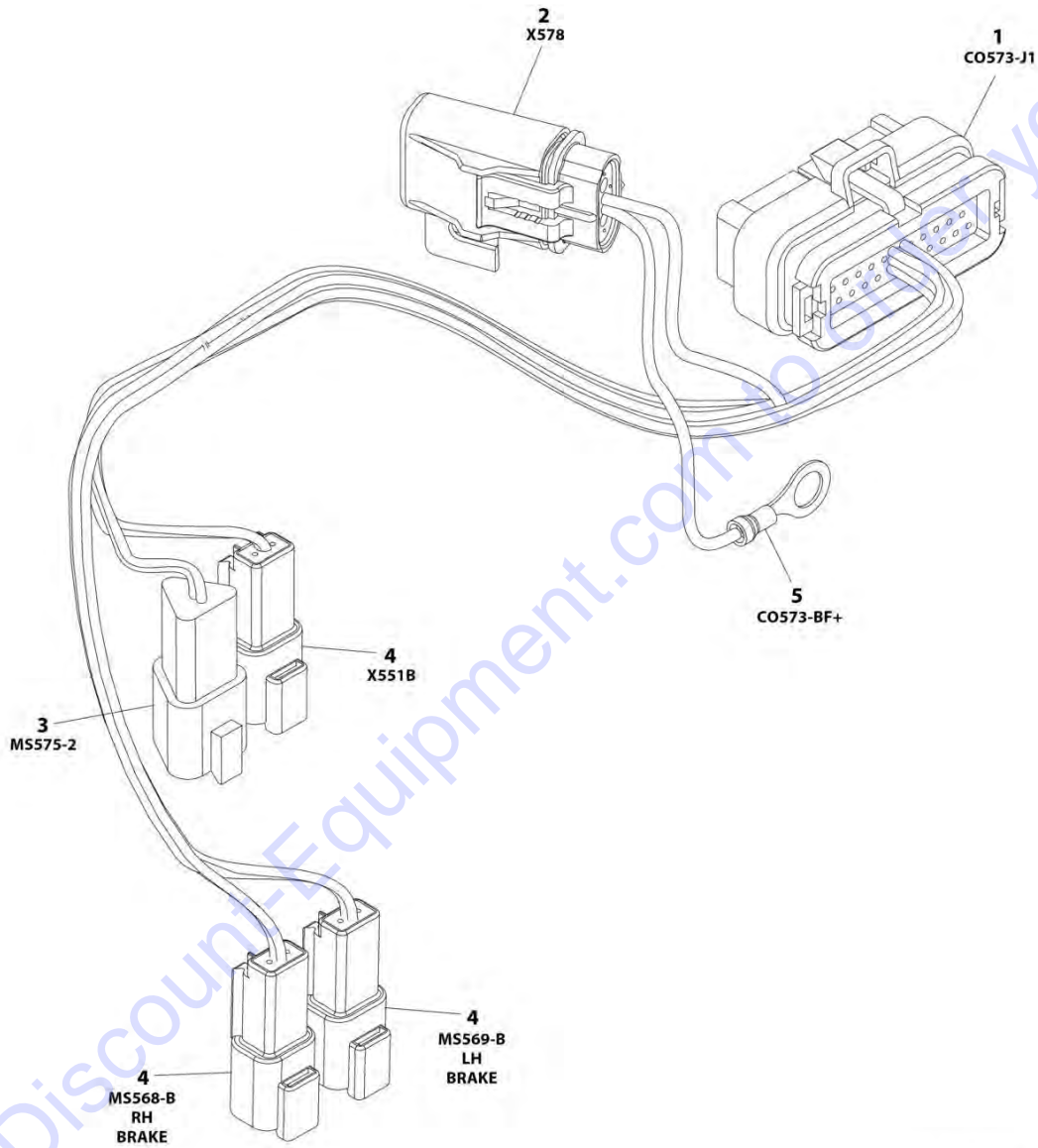
SECTION 7 - ELECTRICAL

ITEM	PART NUMBER	QTY	DESCRIPTION	REV
20	4460247	2	Terminal, Ring	
21	4460042	1	Terminal, Ring	
22	4460884	2	Plug, Male - 4 Position	
22	4460465	8	Socket, Female	
22	1001192401	1	Cap	
23	4460761	1	Receptacle, Female- 4 Position	
23	4460227	4	Pin, Male	
24	1001201885	2	Terminal	
25	1001103012	1	Plug, Male- 4 Position	
25	1001196589	4	Terminal	
25	1001104498	4	Seal	
26	4460539	1	Plug, Male -2 Position	
26	4460465	3	Socket, Female	

Go to Discount-Equipment.com to order your parts

SECTION 7 - ELECTRICAL

FIGURE 7-13. DRIVE CONTROL HARNESS



ART_1001243255

SECTION 7 - ELECTRICAL

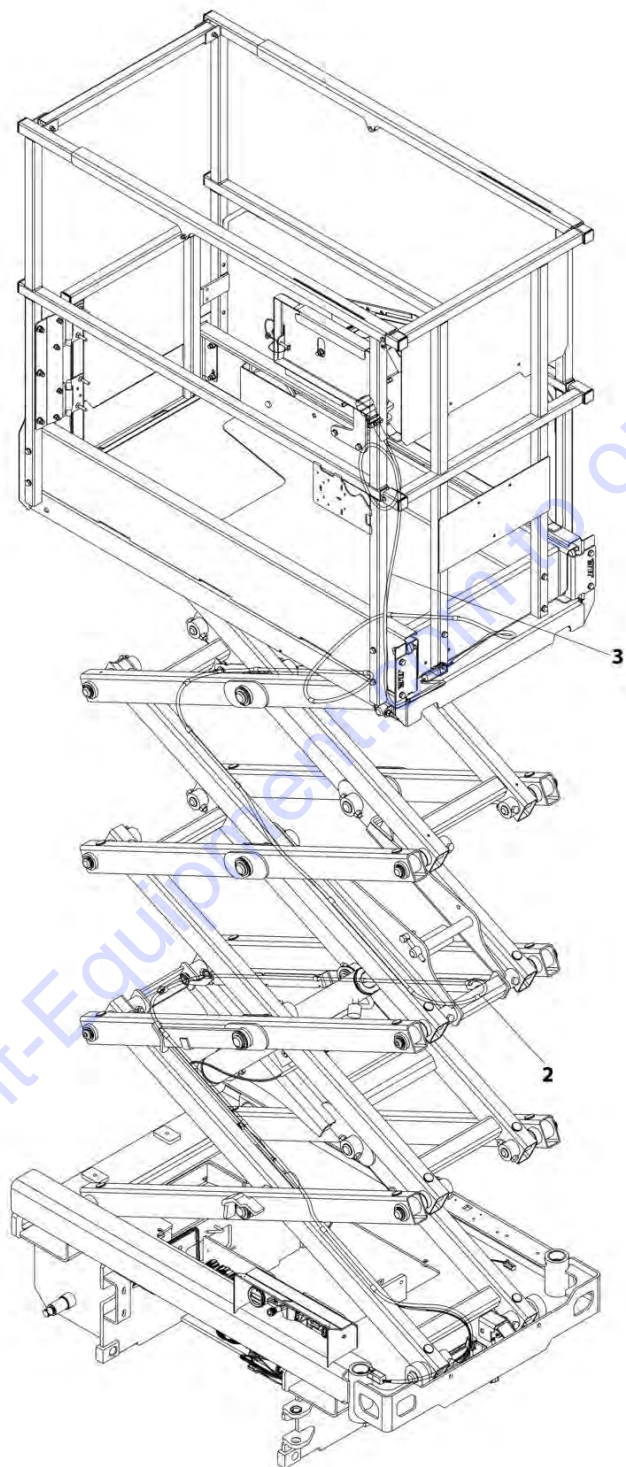
FIGURE 7-13. DRIVE CONTROL HARNESS

ITEM	PART NUMBER	QTY	DESCRIPTION	REV
	1001243255	Ref	DRIVE CONTROL HARNESS	C
1	4460873	1	Connector- 35 Position	
1	4460871	8	Socket, Female	
1	4460905	27	Plug, Terminal	
2	1001217843	1	Connector, Fuseholder	
2	1001116733	2	Terminal	
2	8229234	1	Fuse 10Amp ATO	
2	1001217842	1	Cover, Fuse	
3	1001144147	1	Receptacle, Female - 3 Position	
3	4460943	2	Pin, Male	
3	4460466	1	Plug, Terminal	
4	4460897	3	Receptacle, Female - 2 Position	
4	4460464	6	Pin, Male	
5	4460670	1	Terminal, Ring	

Go to Discount-Equipment.com to order your parts

SECTION 7 - ELECTRICAL

FIGURE 7-14. GROUND TO PLATFORM CABLE INSTALLATION - WITHOUT AC CABLE/WITHOUT FOOTSWITCH



ART_1001237553

SECTION 7 - ELECTRICAL

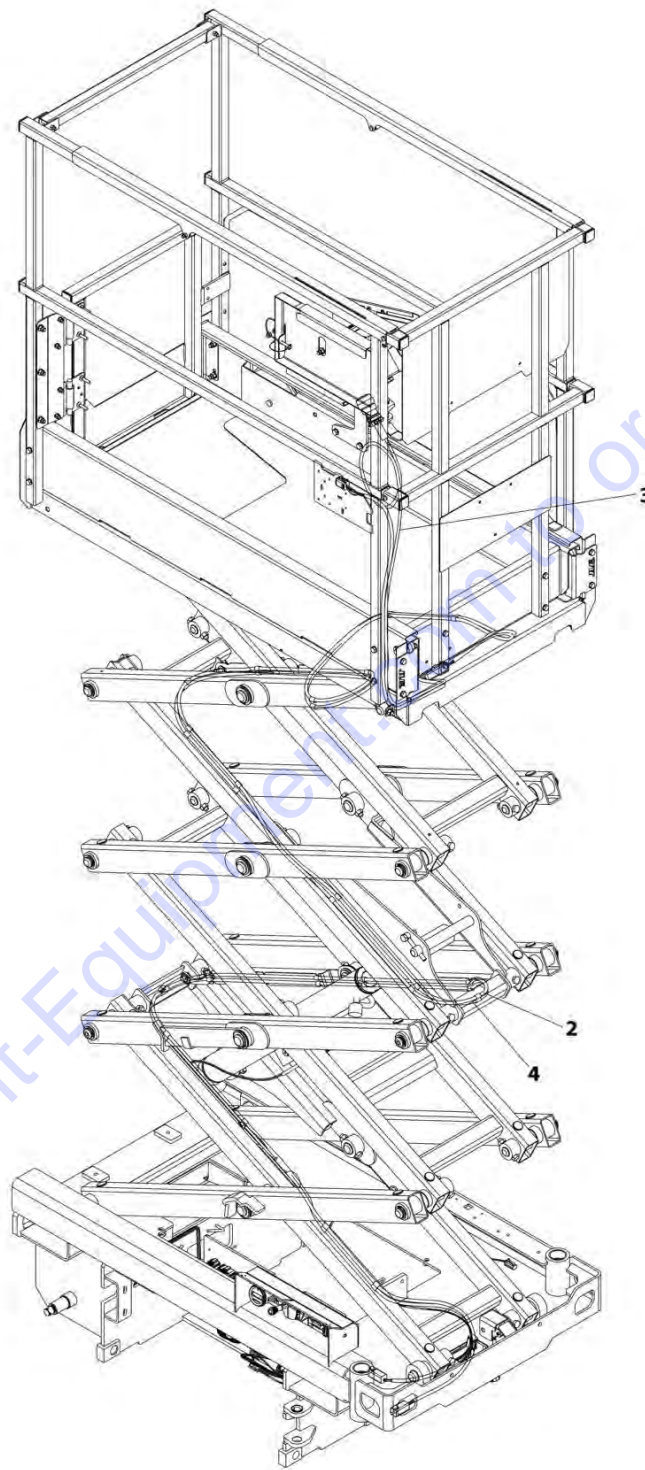
FIGURE 7-14. GROUND TO PLATFORM CABLE INSTALLATION - WITHOUT AC CABLE/WITHOUT FOOTSWITCH

ITEM	PART NUMBER	QTY	DESCRIPTION	REV
	1001237553	Ref	GROUND TO PLATFORM CABLE INSTALLATION	C
1	4240017	AR	Tie-Strap (Not Shown)	
2	1001237552	1	Cable Assembly - Ground to Platform	
2	4460899	1	Receptacle, Female - 6 Position (x58 Chassis)	
2	4460464	4	Pin, Male	
2	4460943	2	Pin, Male	
2	4460894	1	Plug, Male - 6 Position (x59 Platform)	
2	4460465	4	Socket, Female	
2	4460944	2	Socket, Female	
3	1001241320	1	Platform Harness	
3	4460754	1	Connector - 14 Position (x61 Platform Box)	
3	4460465	6	Socket, Female	
3	4460944	2	Socket, Female	
3	4460466	6	Plug, Terminal	
3	4460899	1	Receptacle, Female - 6 Position (x60 Platform)	
3	4460464	4	Pin, Male	
3	4460943	2	Pin, Male	

Go to Discount-Equipment.com to order your parts

SECTION 7 - ELECTRICAL

FIGURE 7-15. GROUND TO PLATFORM CABLE INSTALLATION - WITH AC CABLE/WITHOUT FOOTSWITCH



ART_1001239976

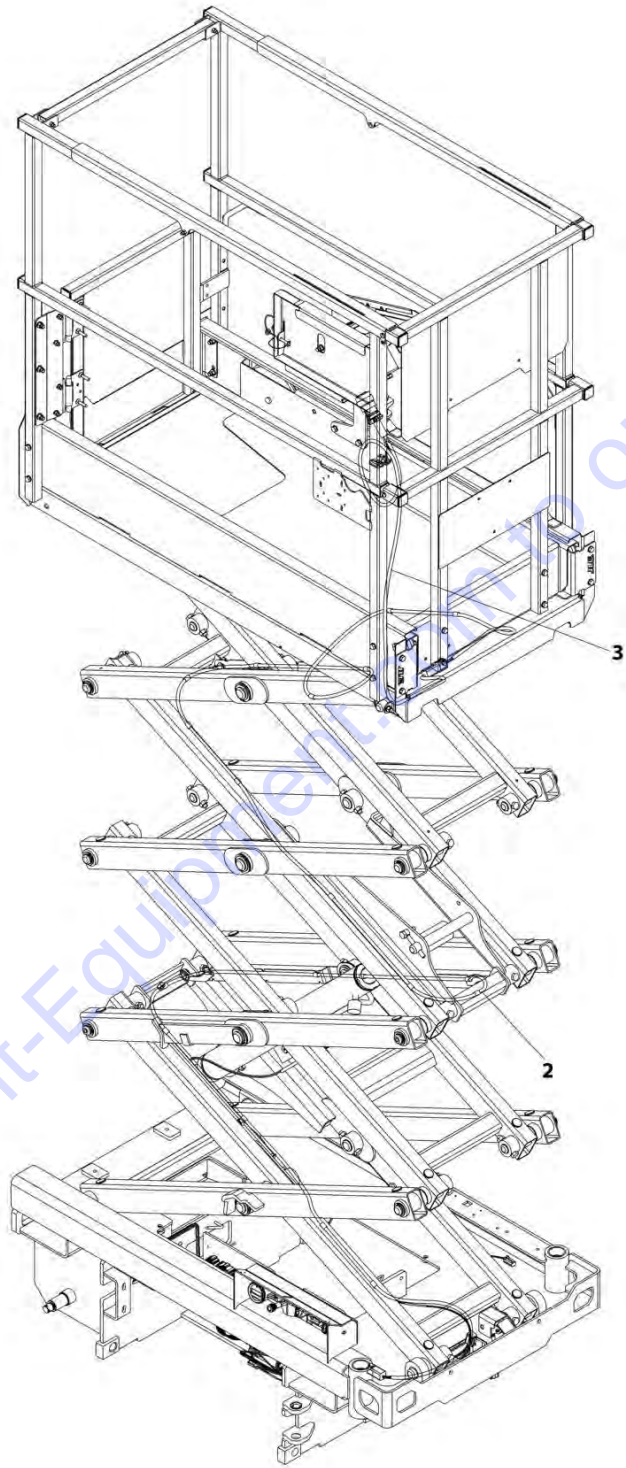
SECTION 7 - ELECTRICAL

FIGURE 7-15. GROUND TO PLATFORM CABLE INSTALLATION - WITH AC CABLE/WITHOUT FOOTSWITCH

ITEM	PART NUMBER	QTY	DESCRIPTION	REV
	1001239976	Ref	GROUND TO PLATFORM CABLE INSTALLATION	C
1	4240017	AR	Tie-Strap (Not Shown)	
2	1001237552	1	Cable Assembly - Ground to Platform	
2	4460899	1	Receptacle, Female - 6 Position (x58 Chassis)	
2	4460464	4	Pin, Male	
2	4460943	2	Pin, Male	
2	4460894	1	Plug, Male - 6 Position (x59 Platform)	
2	4460465	4	Socket, Female	
2	4460944	2	Socket, Female	
3	1001241320	1	Platform Harness	
3	4460754	1	Connector - 14 Position (x61 Platform Box)	
3	4460465	6	Socket, Female	
3	4460944	2	Socket, Female	
3	4460466	6	Plug, Terminal	
3	4460899	1	Receptacle, Female - 6 Position (x60 Platform)	
3	4460464	4	Pin, Male	
3	4460943	2	Pin, Male	
4	1001244432	1	Cable, AC	

SECTION 7 - ELECTRICAL

FIGURE 7-16. GROUND TO PLATFORM CABLE INSTALLATION - WITHOUT AC CABLE/WITH FOOTSWITCH



ART_1001239977

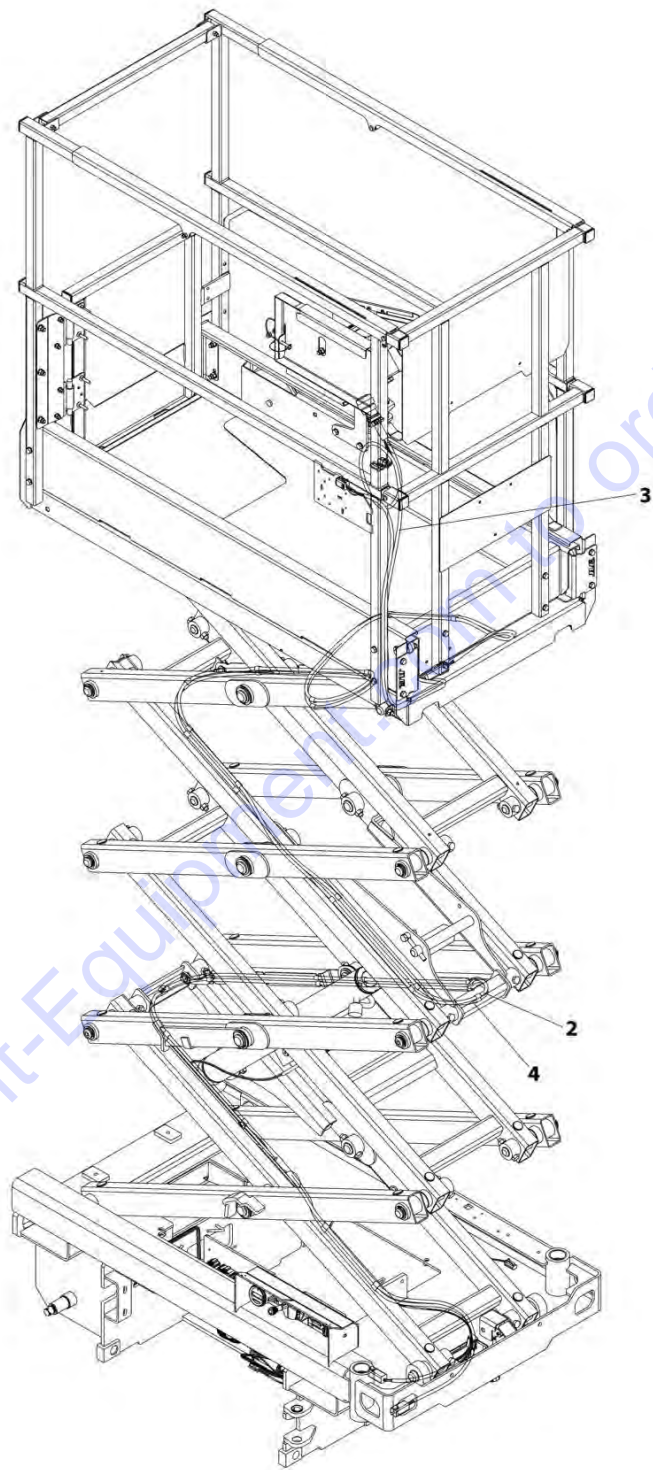
SECTION 7 - ELECTRICAL

FIGURE 7-16. GROUND TO PLATFORM CABLE INSTALLATION - WITHOUT AC CABLE/WITH FOOTSWITCH

ITEM	PART NUMBER	QTY	DESCRIPTION	REV
	1001239977	Ref	GROUND TO PLATFORM CABLE INSTALLATION	C
1	4240017	AR	Tie-Strap (Not Shown)	
2	1001237552	1	Cable Assembly - Ground to Platform	
2	4460899	1	Receptacle, Female - 6 Position (x58 Chassis)	
2	4460464	4	Pin, Male	
2	4460943	2	Pin, Male	
2	4460894	1	Plug, Male - 6 Position (x59 Platform)	
2	4460465	4	Socket, Female	
2	4460944	2	Socket, Female	
3	1001241321	1	Platform Harness	
3	4460754	1	Connector - 14 Position (x61 Platform Box)	
3	4460465	6	Socket, Female	
3	4460944	2	Socket, Female	
3	4460466	6	Plug, Terminal	
3	4460899	1	Receptacle, Female - 6 Position (x60 Platform)	
3	4460464	4	Pin, Male	
3	4460943	2	Pin, Male	
3	4460891	1	Plug, Male - 2 Position (SW63 Footswitch)	
3	4460465	2	Socket, Female	
3	4460539	1	Plug, Male - 3 Position (SW475 Overhead Switch)	
3	4460465	2	Socket, Female	
3	4460466	1	Plug, Terminal	

SECTION 7 - ELECTRICAL

FIGURE 7-17. GROUND TO PLATFORM CABLE INSTALLATION - WITH AC CABLE/WITH FOOTSWITCH



ART_1001239978

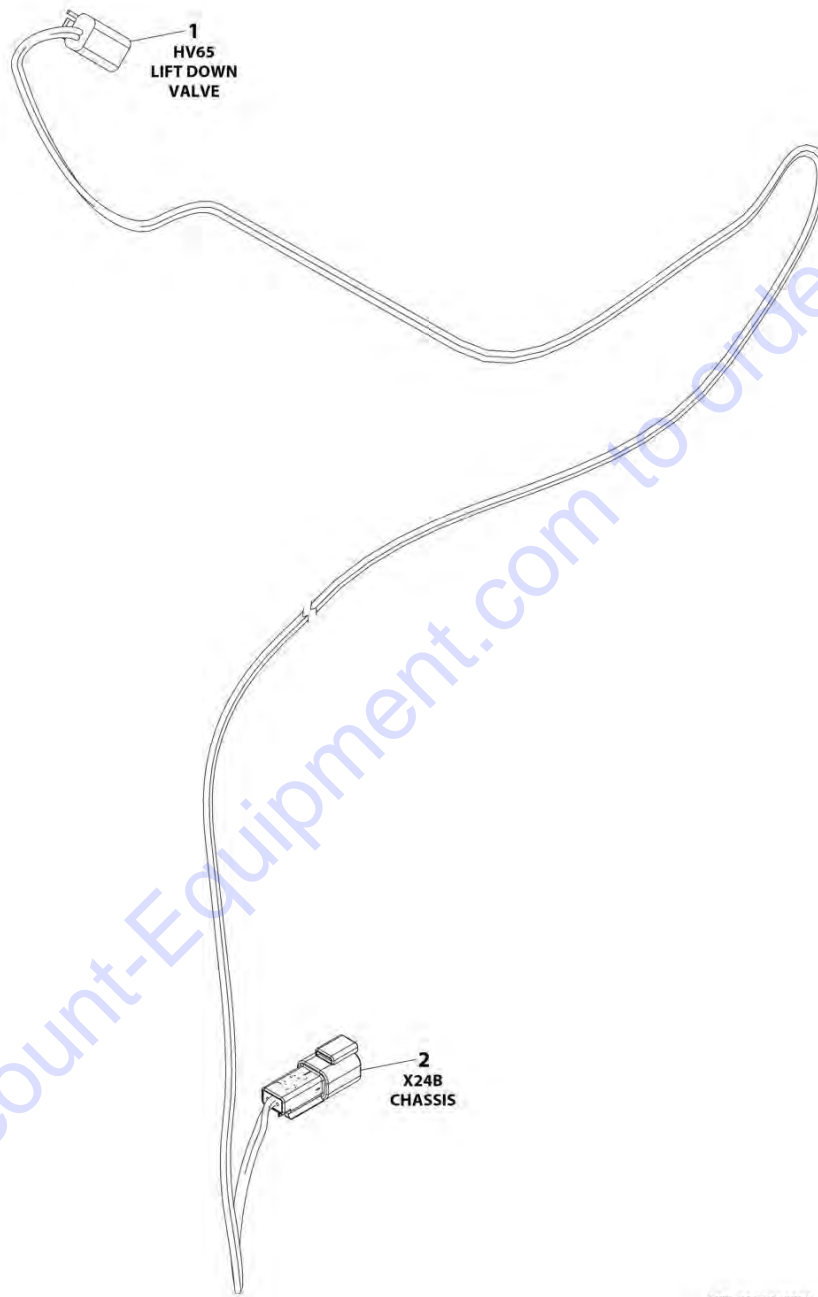
SECTION 7 - ELECTRICAL

FIGURE 7-17. GROUND TO PLATFORM CABLE INSTALLATION - WITH AC CABLE/WITH FOOTSWITCH

ITEM	PART NUMBER	QTY	DESCRIPTION	REV
	1001239978	Ref	GROUND TO PLATFORM CABLE INSTALLATION	C
1	4240017	AR	Tie-Strap (Not Shown)	
2	1001237552	1	Cable Assembly - Ground to Platform	
2	4460899	1	Receptacle, Female - 6 Position (x58 Chassis)	
2	4460464	4	Pin, Male	
2	4460943	2	Pin, Male	
2	4460894	1	Plug, Male - 6 Position (x59 Platform)	
2	4460465	4	Socket, Female	
2	4460944	2	Socket, Female	
3	1001241321	1	Platform Harness	
3	4460754	1	Connector - 14 Position (x61 Platform Box)	
3	4460465	6	Socket, Female	
3	4460944	2	Socket, Female	
3	4460466	6	Plug, Terminal	
3	4460899	1	Receptacle, Female - 6 Position (x60 Platform)	
3	4460464	4	Pin, Male	
3	4460943	2	Pin, Male	
3	4460891	1	Plug, Male - 2 Position (SW63 Footswitch)	
3	4460465	2	Socket, Female	
3	4460539	1	Plug, Male - 3 Position (SW475 Overhead Switch)	
3	4460465	2	Socket, Female	
3	4460466	1	Plug, Terminal	
4	1001244432	1	Cable, AC	

SECTION 7 - ELECTRICAL

FIGURE 7-18. LIFT DOWN HARNESS (WITHOUT LSS)



ART_1001239373

SECTION 7 - ELECTRICAL

FIGURE 7-18. LIFT DOWN HARNESS (WITHOUT LSS)

ITEM	PART NUMBER	QTY	DESCRIPTION	REV
	1001239373	Ref	LIFT DOWN HARNESS (WITHOUT LSS)	D
1	4460891	1	Plug, Male - 2 Position	
1	4460465	2	Socket, Female	
2	4460897	1	Receptacle, Female - 2 Position	
2	4460464	2	Pin, Male	

Go to Discount-Equipment.com to order your parts

PARTS FINDER

**Search Website
by Part Number**



**Search Manual
Library For Parts
Manual & Lookup Part
Numbers – Purchase
or Request Quote**

**Can't Find Part or
Manual? Request Help
by Manufacturer,
Model & Description**

Discount-Equipment.com is your online resource for quality parts & equipment.

Florida: **561-964-4949** Outside Florida TOLL FREE: **877-690-3101**

Need parts?

Click on this link: <http://www.discount-equipment.com/category/5443-parts/> and choose one of the options to help get the right parts and equipment you are looking for. Please have the machine model and serial number available in order to help us get you the correct parts. If you don't find the part on the website or on one of the online manuals, please fill out the request form and one of our experienced staff members will get back to you with a quote for the right part that your machine needs.

We sell worldwide for the brands: Genie, Terex, JLG, MultiQuip, Mikasa, Essick, Whiteman, Mayco, Toro Stone, Diamond Products, Generac Magnum, Airman, Haulotte, Barreto, Power Blanket, Nifty Lift, Atlas Copco, Chicago Pneumatic, Allmand, Miller Curber, Skyjack, Lull, Skytrak, Tsurumi, Husquvarna Target, Stow, Wacker, Sakai, Mi-T-M, Sullair, Basic, Dynapac, MBW, Weber, Bartell, Bennar Newman, Haulotte, Ditch Runner, Menegotti, Morrison, Contec, Buddy, Crown, Edco, Wyco, Bomag, Laymor, EZ Trench, Bil-Jax, F.S. Curtis, Gehl Pavers, Heli, Honda, ICS/PowerGrit, IHI, Partner, Imer, Clipper, MMD, Koshin, Rice, CH&E, General Equipment, Amida, Coleman, NAC, Gradall, Square Shooter, Kent, Stanley, Tamco, Toku, Hatz, Kohler, Robin, Wisconsin, Northrock, Oztec, Toker TK, Rol-Air, APT, Wylie, Ingersoll Rand / Doosan, Innovatech, Con X, Ammann, Mecalac, Makinex, Smith Surface Prep, Small Line, Wanco, Yanmar

SECTION 7 - ELECTRICAL

FIGURE 7-19. LIFT DOWN HARNESS (WITH LSS)



Go to Discount-Equipment.com to order your parts

ART_1001239374

SECTION 7 - ELECTRICAL

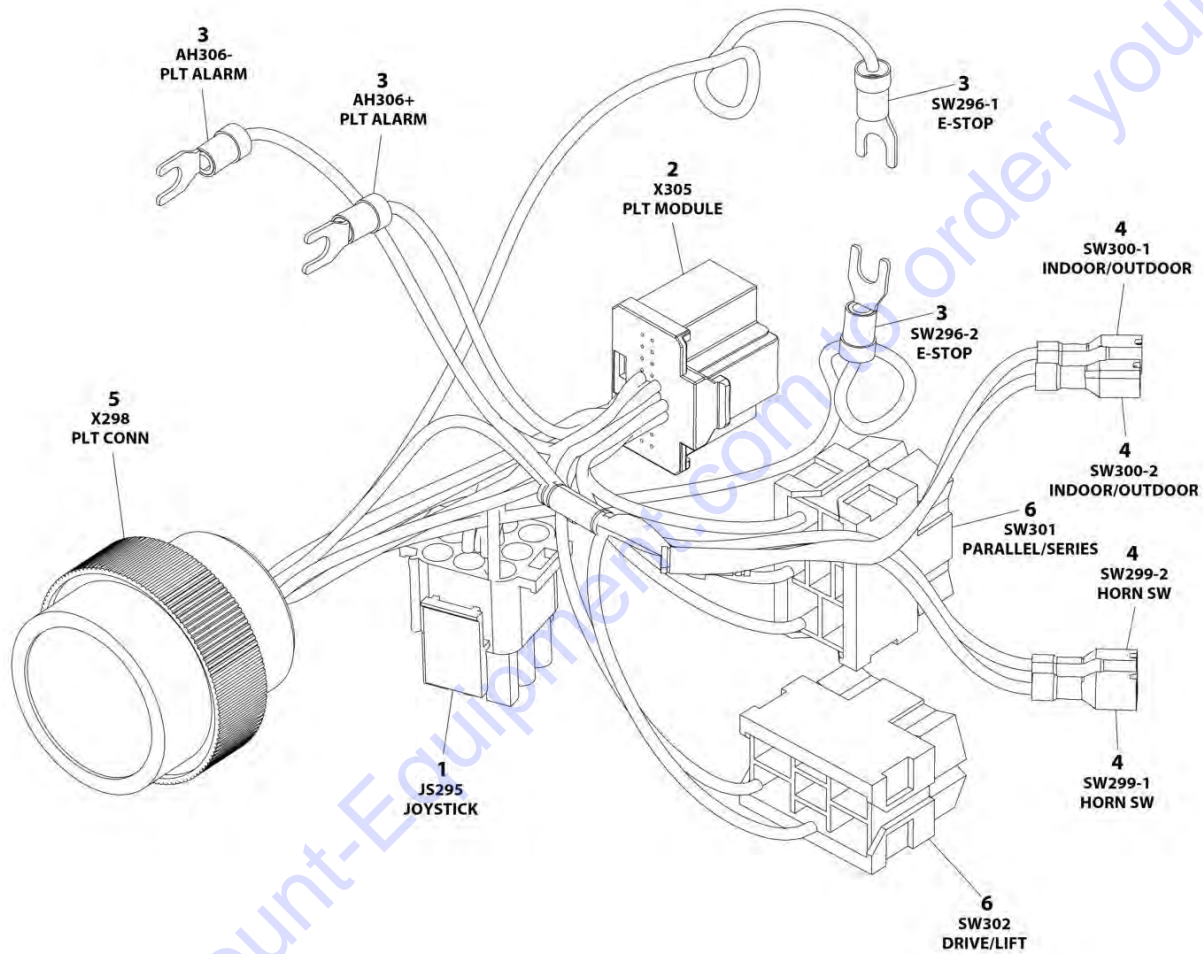
FIGURE 7-19. LIFT DOWN HARNESS (WITH LSS)

ITEM	PART NUMBER	QTY	DESCRIPTION	REV
	1001239374	Ref	LIFT DOWN HARNESS (WITH LSS)	D
1	4460970	1	Receptacle, Female - 12 Position	
1	4460464	9	Pin, Male	
1	4460466	3	Plug, Terminal	
2	4460891	1	Plug, Male - 2 Position	
2	4460465	2	Socket, Female	
3	4460884	1	Plug, Male - 4 Position	
3	4460465	4	Socket, Female	
4	4460539	1	Plug, Male - 3 Position	
4	4460465	3	Socket, Female	

Go to Discount-Equipment.com to order your parts

SECTION 7 - ELECTRICAL

FIGURE 7-20. PLATFORM CONTROL BOX HARNESS



ART_1001200819

SECTION 7 - ELECTRICAL

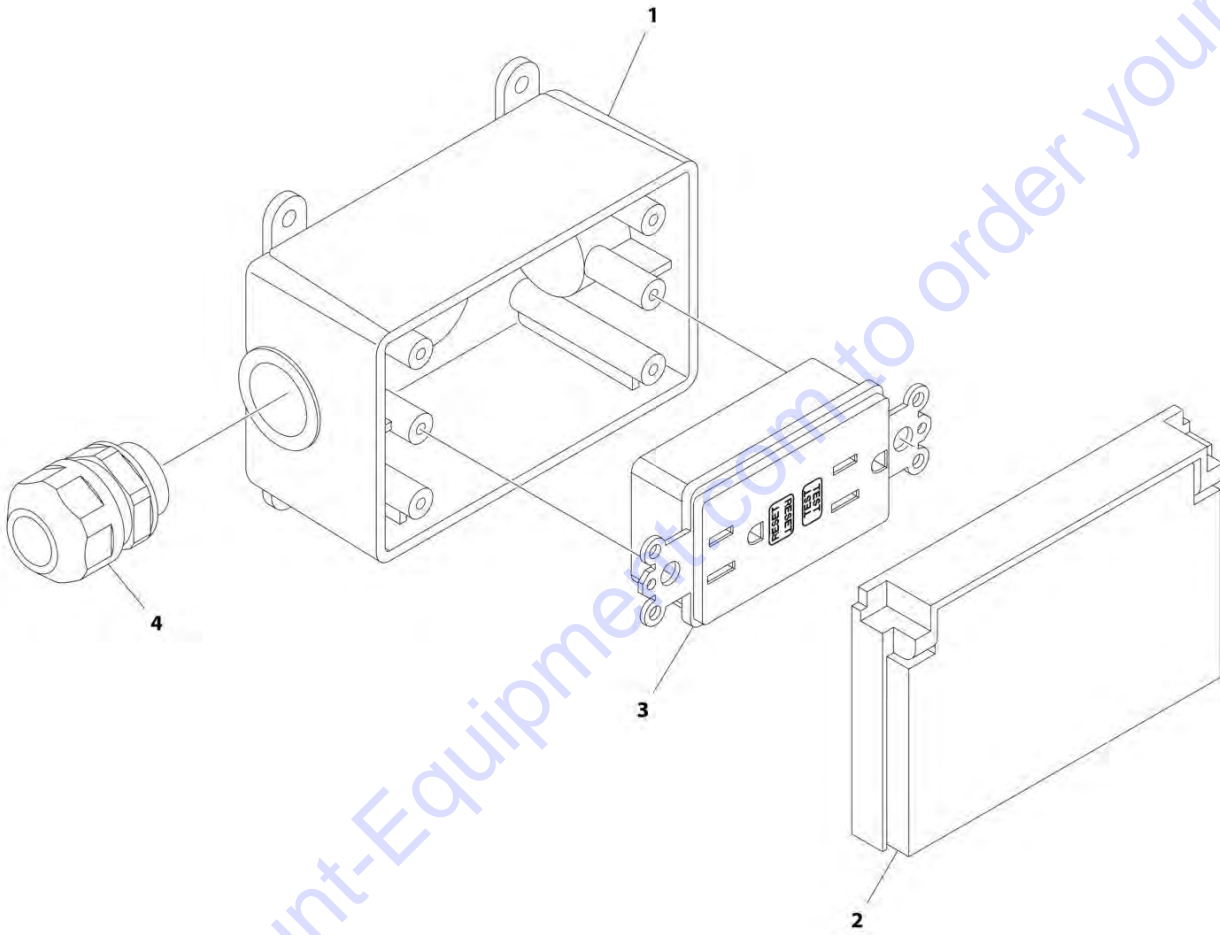
FIGURE 7-20. PLATFORM CONTROL BOX HARNESS

ITEM	PART NUMBER	QTY	DESCRIPTION	REV
	1001200819	Ref	PLATFORM CONTROL BOX HARNESS	C
1	4460265	1	Plug, Male - 9 Position	
1	4460267	6	Pin, Male	
2	1001212036	1	Connector - 20 Position	
2	1001212035	16	Terminal	
3	4460183	4	Terminal, Fork	
4	1001201885	4	Terminal with Cover	
5	4461016	1	Connector - 14 Position	
5	4460464	8	Pin, Male	
5	4460466	6	Plug, Terminal	
6	4460418	2	Connector - 6 Position	
6	1001159186	5	Terminal	

Go to Discount-Equipment.com to order your parts

SECTION 7 - ELECTRICAL

FIGURE 7-21. RECEPTACLE BOX KIT - 110V GFI



ART_2902431

SECTION 7 - ELECTRICAL

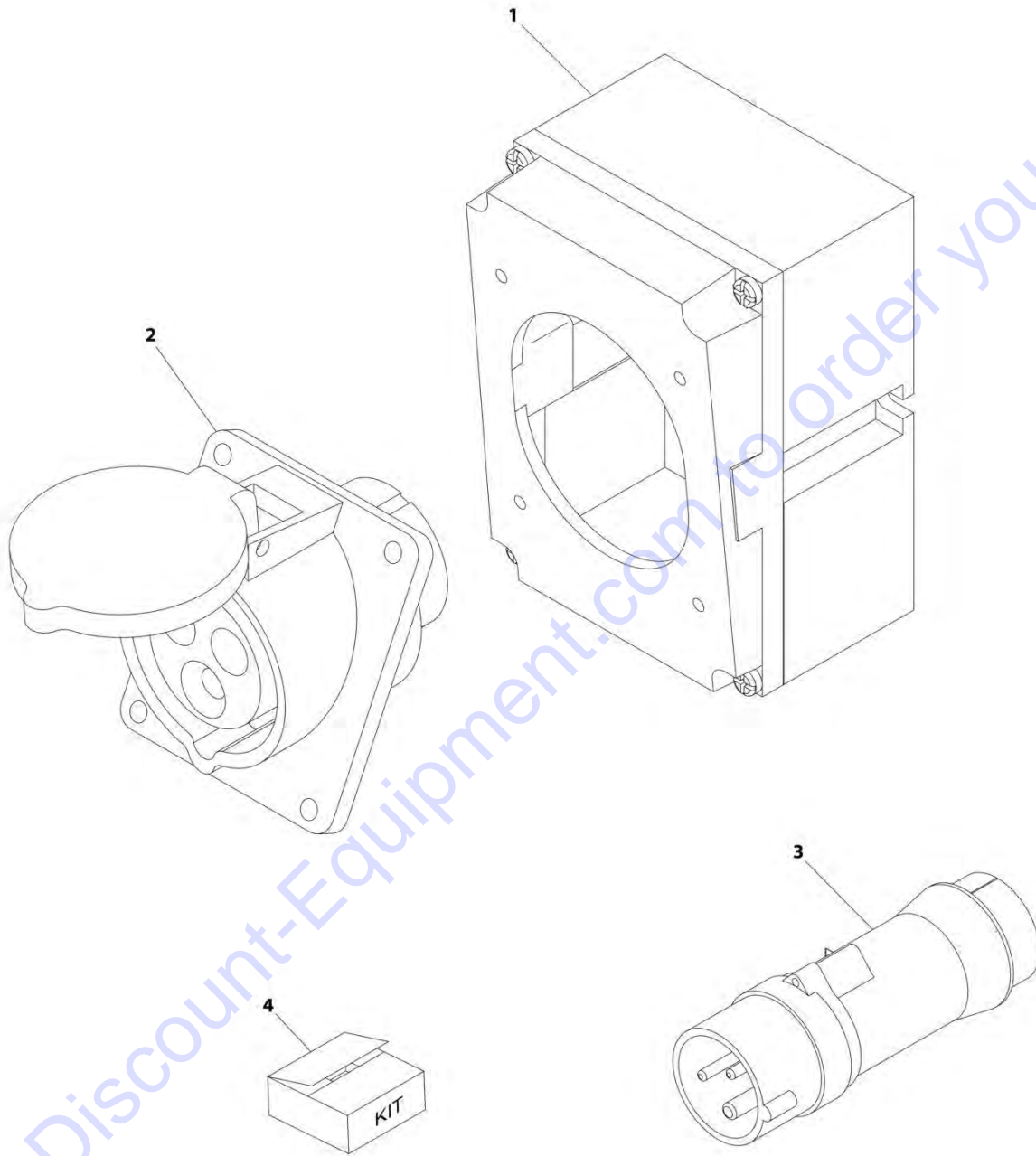
FIGURE 7-21. RECEPTACLE BOX KIT - 110V GFI

ITEM	PART NUMBER	QTY	DESCRIPTION	REV
	2902431	Ref	RECEPTACLE BOX KIT - 110V GFI	D
1	0861731	1	Box, Receptacle	
2	1671207	1	Cover, Receptacle	
3	4460346	1	Receptacle	
4	4460662	1	Connector, Strain Relief	

Go to Discount-Equipment.com to order your parts

SECTION 7 - ELECTRICAL

FIGURE 7-22. RECEPTACLE BOX KIT - 110V IEC YELLOW (CE SPEC)



ART_0275216

SECTION 7 - ELECTRICAL

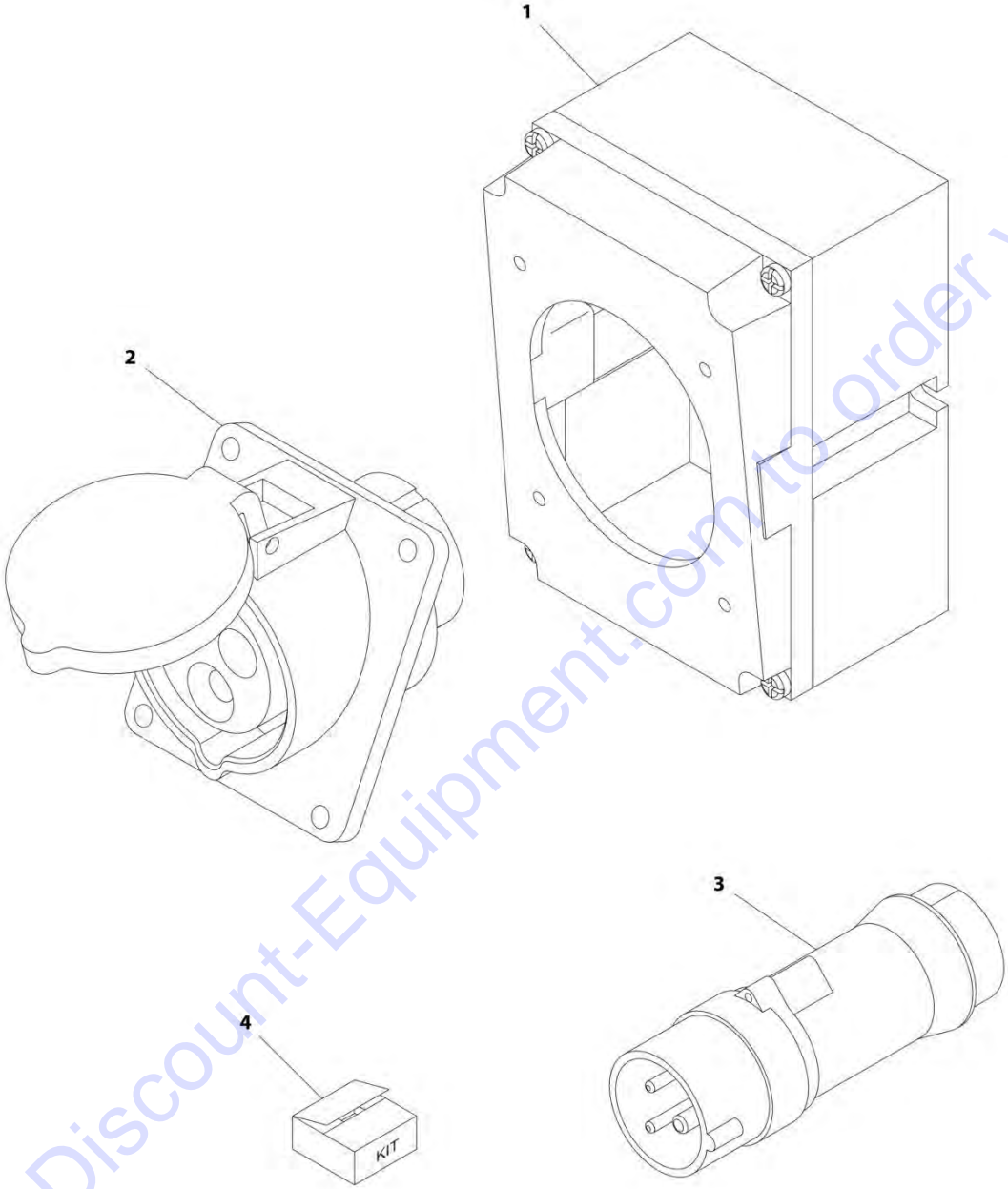
FIGURE 7-22. RECEPTACLE BOX KIT - 110V IEC YELLOW (CE SPEC)

ITEM	PART NUMBER	QTY	DESCRIPTION	REV
	0275216	Ref	RECEPTACLE BOX KIT - 110V IEC YELLOW	B
1	0861781	1	Box, Switch	
2	4461198	1	Receptacle	
3	4461196	1	Plug, Male	
4	1001100341	1	Plug and Socket Kit (Includes Items 1-3 and Female Plug p/n 4461197)	

Go to Discount-Equipment.com to order your parts

SECTION 7 - ELECTRICAL

FIGURE 7-23. RECEPTACLE BOX KIT - 220V IEC BLUE (CE SPEC)



Go to Discount-Equipment.com to order your parts

ART_0275217

SECTION 7 - ELECTRICAL

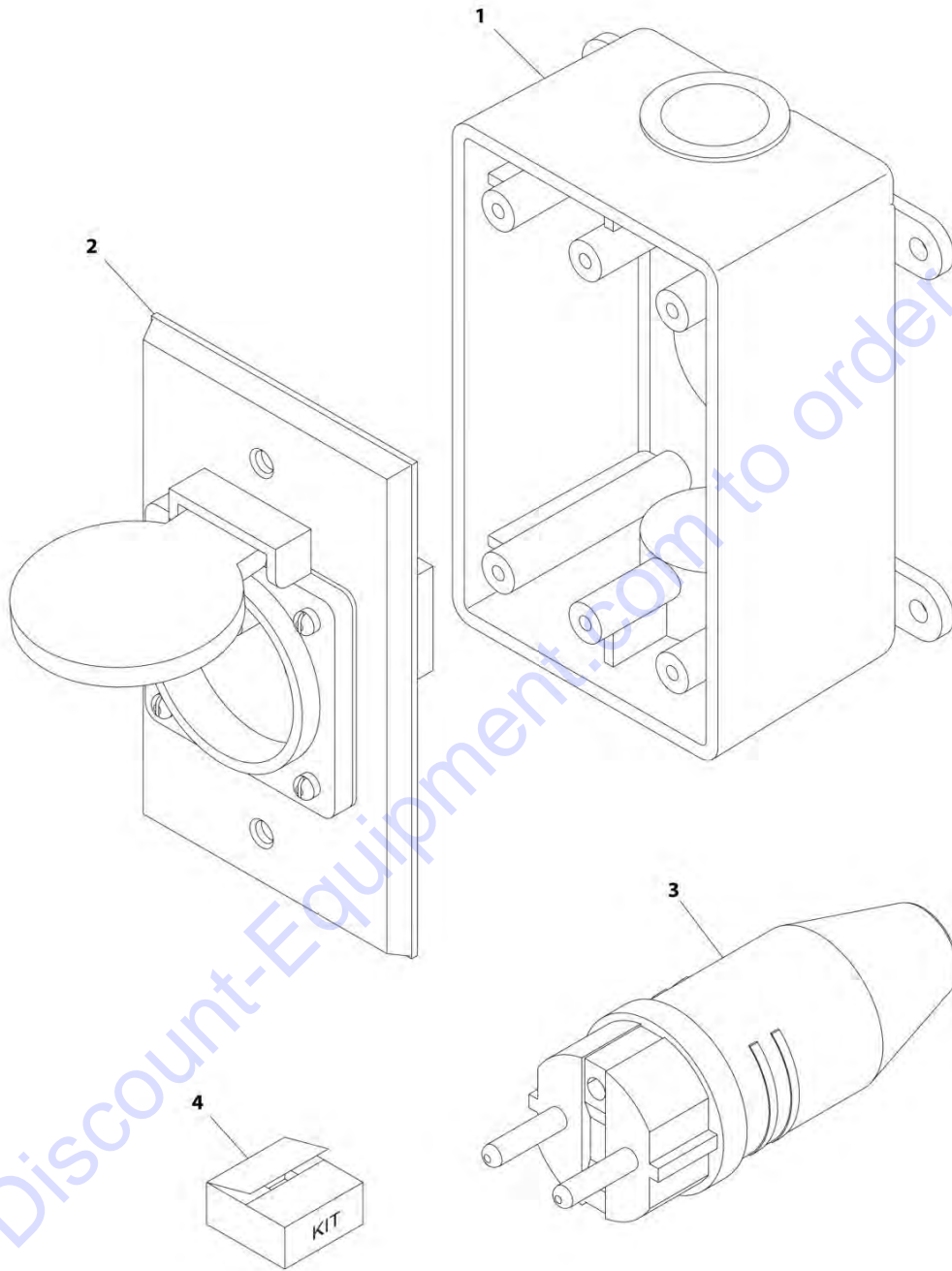
FIGURE 7-23. RECEPTACLE BOX KIT - 220V IEC BLUE (CE SPEC)

ITEM	PART NUMBER	QTY	DESCRIPTION	REV
	0275217	Ref	RECEPTACLE BOX KIT - 220V IEC BLUE	B
1	0861781	1	Box, Switch	
2	4461201	1	Receptacle	
3	4461199	1	Plug, Male	
4	1001100342	1	Plug and Socket Kit (Includes Items 1-3 and Female Plug p/n 4461200)	

Go to Discount-Equipment.com to order your parts

SECTION 7 - ELECTRICAL

FIGURE 7-24. RECEPTACLE BOX KIT - 220V CEE7 POST GROUND (CE SPEC)



ART_0275452-C

SECTION 7 - ELECTRICAL

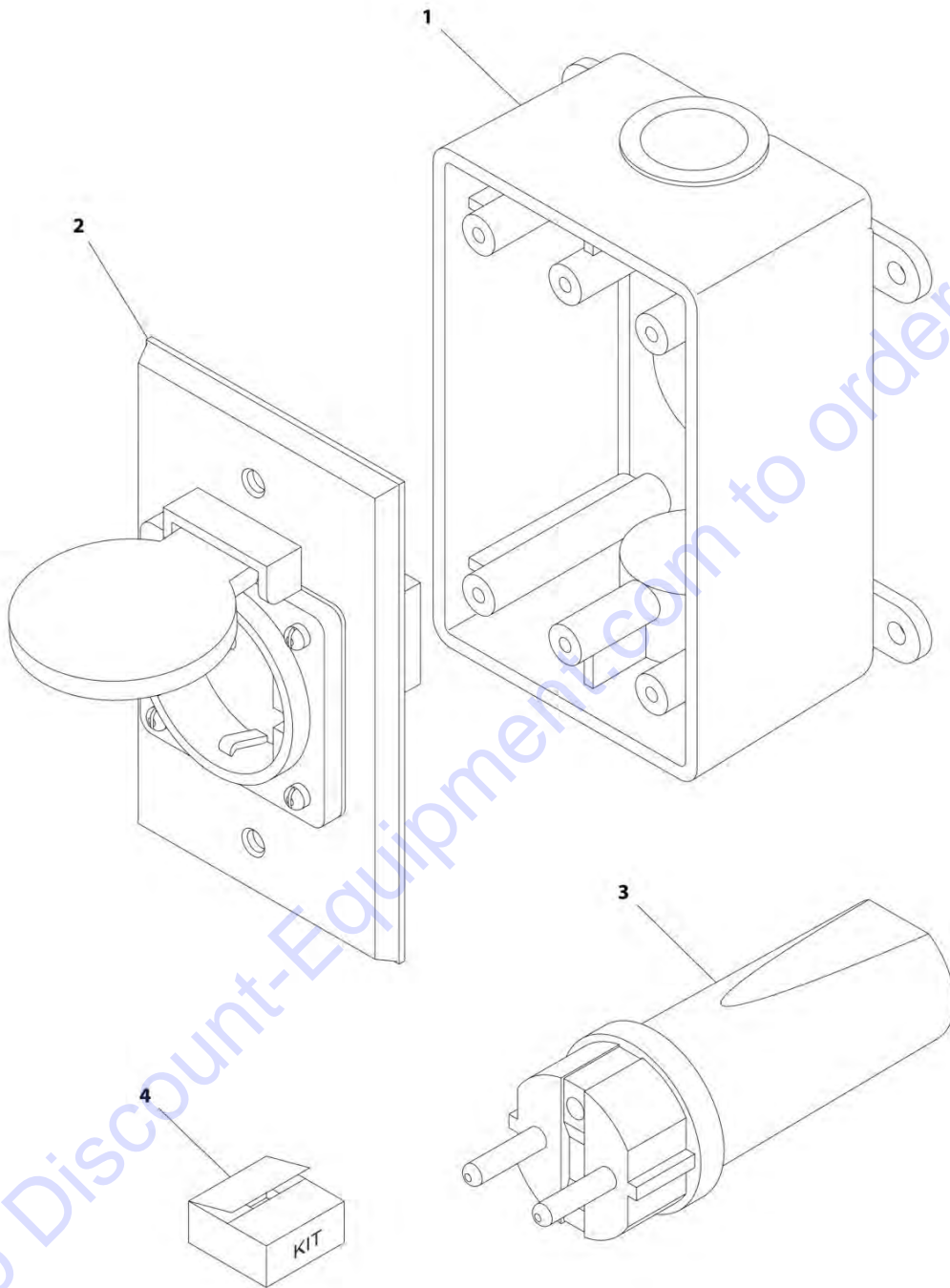
FIGURE 7-24. RECEPTACLE BOX KIT - 220V CEE7 POST GROUND (CE SPEC)

ITEM	PART NUMBER	QTY	DESCRIPTION	REV
	0275452	Ref	RECEPTACLE BOX KIT - 220V CEE7 POST GROUND	C
1	0861731	1	Box, Switch	
2	4461244	1	Receptacle	
3	4461205	1	Plug, Male	
4	1001100345	1	Plug and Socket Kit (Includes Items 1-3 and Female Plug p/n 4461206)	

Go to Discount-Equipment.com to order your parts

SECTION 7 - ELECTRICAL

FIGURE 7-25. RECEPTACLE BOX KIT - 220V CEE7 SIDE GROUND (CE SPEC)



ART_0275453

SECTION 7 - ELECTRICAL

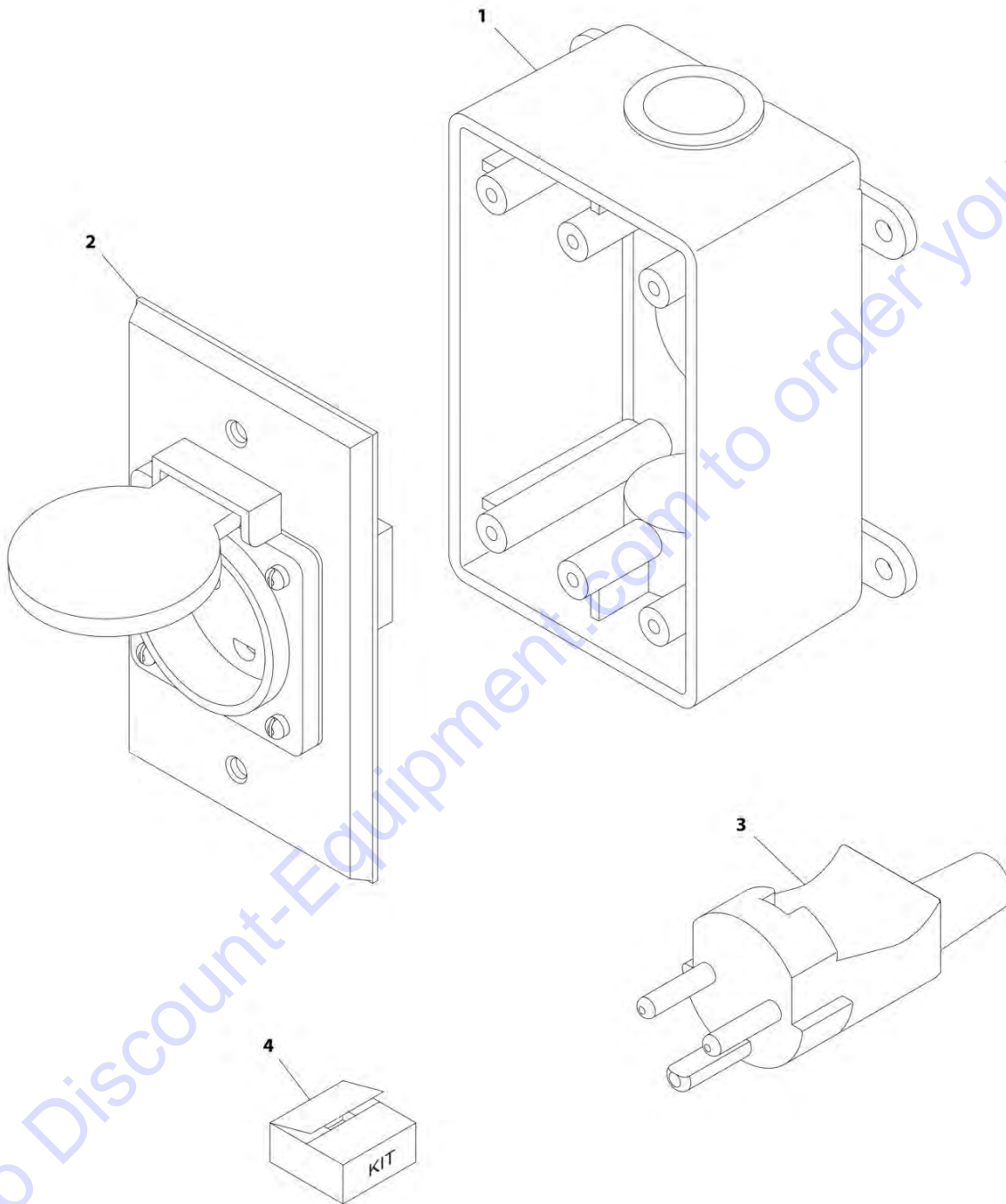
FIGURE 7-25. RECEPTACLE BOX KIT - 220V CEE7 SIDE GROUND (CE SPEC)

ITEM	PART NUMBER	QTY	DESCRIPTION	REV
	0275453	Ref	RECEPTACLE BOX KIT - 220V CEE7 SIDE GROUND	B
1	0861731	1	Box, Switch	
2	4461245	1	Receptacle	
3	4461205	1	Plug, Male	
4	1001100347	1	Plug and Socket Kit (Includes Items 1-3 and Female Plug p/n 4461206)	

Go to Discount-Equipment.com to order your parts

SECTION 7 - ELECTRICAL

FIGURE 7-26. RECEPTACLE BOX KIT - 220V AFSINT 107 (CE SPEC)



ART_0275454

SECTION 7 - ELECTRICAL

FIGURE 7-26. RECEPTACLE BOX KIT - 220V AFSINT 107 (CE SPEC)

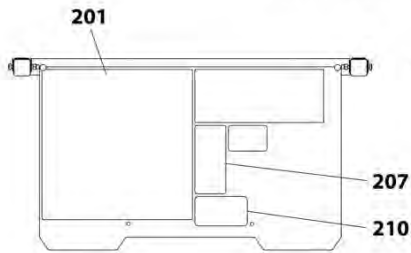
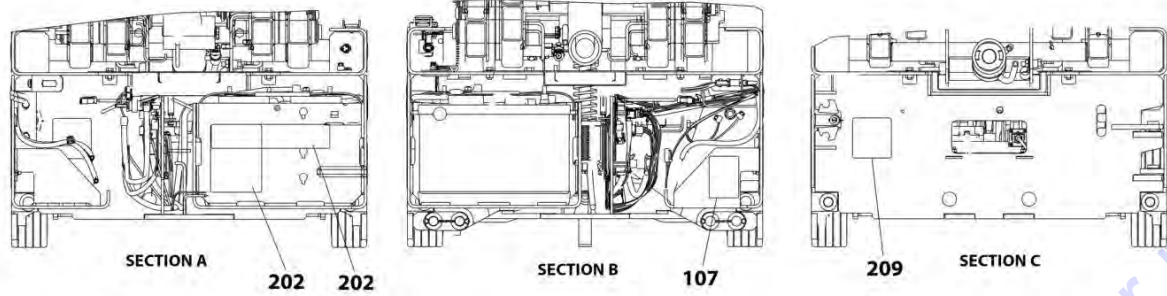
ITEM	PART NUMBER	QTY	DESCRIPTION	REV
	0275454	Ref	RECEPTACLE BOX KIT - 220V AFSINT 107	B
1	0861731	1	Box, Switch	
2	4461246	1	Receptacle	
3	4461249	1	Plug, Male	
4	1001100346	1	Plug and Socket Kit (Includes Items 1-3 and Female Plug p/n 4461250)	

Go to Discount-Equipment.com to order your parts

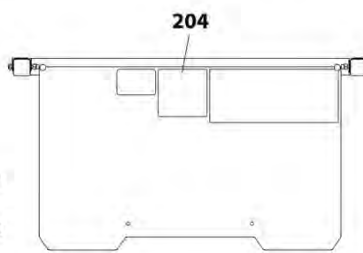
SECTION 8 - DECALS

Go to Discount-Equipment.com to order your parts

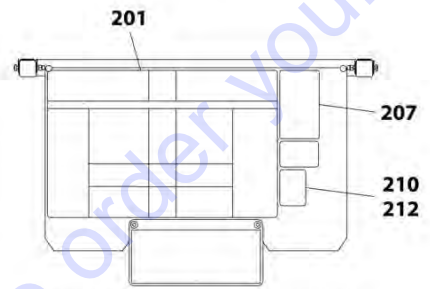
SECTION 8 - DECALS



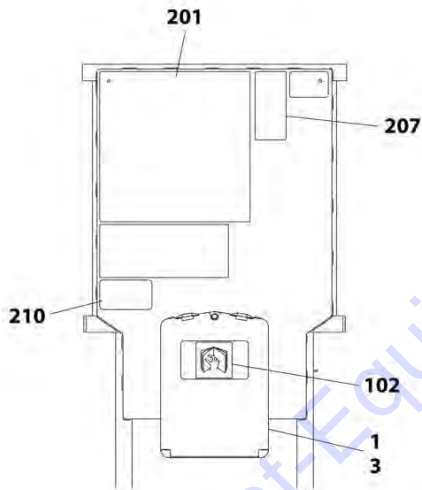
FIXED RAIL (ANSI SPECS)



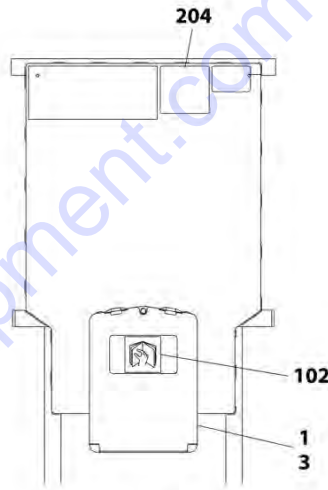
FIXED RAIL (CE AND JAPANESE SPECS)



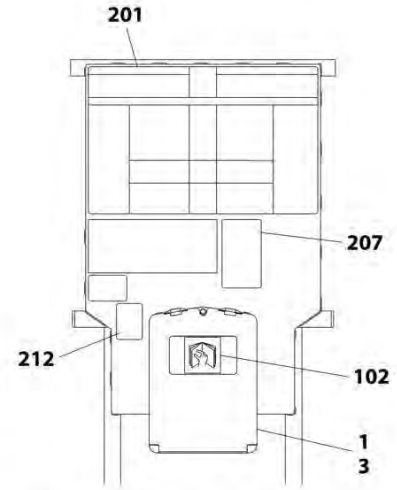
FIXED RAIL (CHINA, CSA AND KOREAN SPECS)



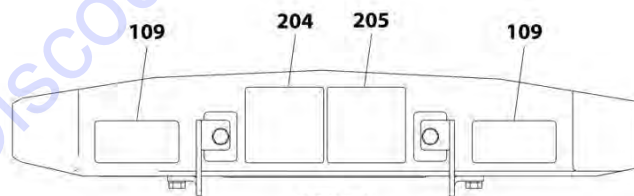
FOLDING RAIL (ANSI SPECS)



FOLDING RAIL (CE SPECS)



FOLDING RAIL (CHINA AND KOREAN SPECS)



DETAIL D
TOP REAR OF FRAME

NOTE: ITEMS SHOWN MAY NOT BE REQUIRED FOR ALL SPECS. REFER TO PARTS LISTS FOR USAGE.
NOTE: ADDITIONAL DECALS CALLED OUT ON DECAL INSTALLATION - OPTIONS.

ART_1001247301_20F2

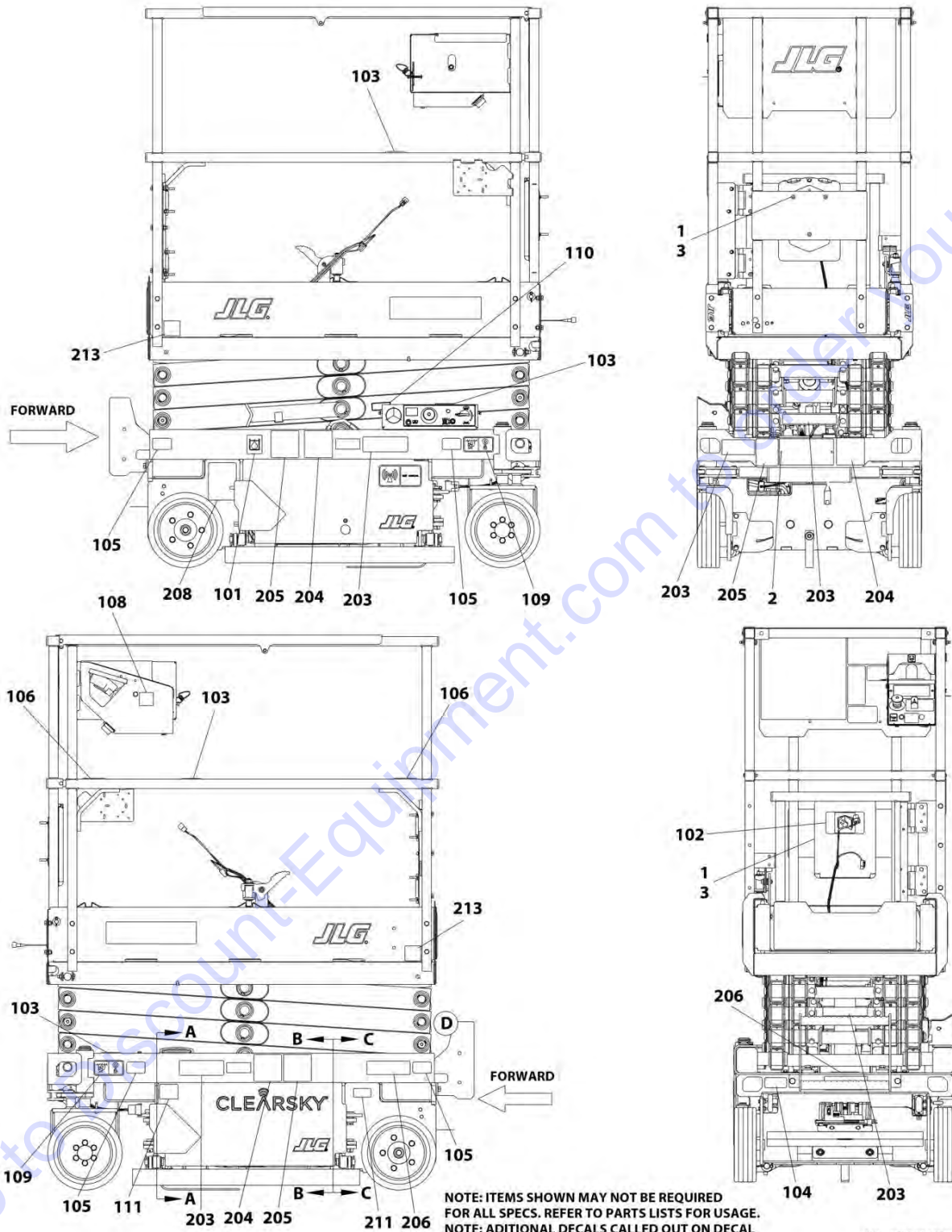
SECTION 8 - DECALS

FIGURE 8-1. DECALS INSTALLATION (ANSI SPECS)

ITEM	PART NUMBER	QTY	DESCRIPTION	REV
	1001247301	Ref	DECALS INSTALLATION (ANSI SPECS)	B
1	2080040	3	Fastener	
2	2080057	4	Fastener	
3	8990147	1	Holder Manual	
100	1001247296	1	Master Decal Kit (Not Shown)	B
101	1701504	1	Decal - Hydraulic Oil	
102	1701640	1	Decal - Manual	
103	1703819	4	Decal - Directional Arrow	
104	1001248126	1	Decal - Manual Descent Instructions	
105	1704016	4	Decal - Fork Lift	
106	1704277	2	Decal - Lanyard Attach	
107	1704412	1	Decal - Hydraulic Oil Chart	
108	1001132359	1	Decal - Control Box Locate	
109	1001162864	4	Decal - Lift Point/Tie Down	
110	1001220430	1	Decal - Safety Prop	
111	1702155	1	Decal - Battery Disconnect	
201	1703816	1	Decal - Danger/Warning	
202	1001146794	1	Decal - Battery/Charger Service	
203	1001211777	4	Decal - Crushing Hazard	
204	1001211779	4	Decal - Electrocution	
206	1703813	2	Decal - Warning Battery Ventilation	
207	1705686	1	Decal - Legend	
208	1001131270	1	Decal - Patent	
209	1001223055	1	Decal - Yearly Inspection	
210	1001231801	1	Decal - Warning Prop 65	
211	1001228370	1	Decal - ICES	

SECTION 8 - DECALS

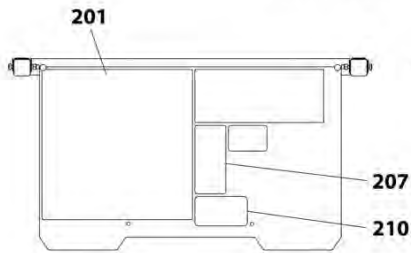
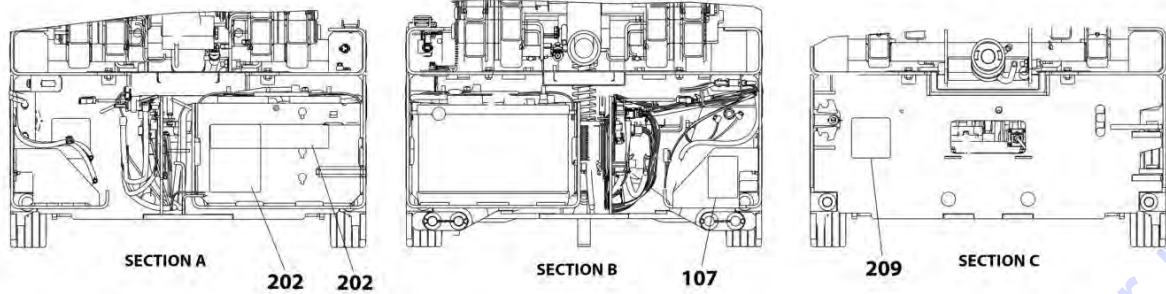
FIGURE 8-2. DECALS INSTALLATION (CE SPECS)



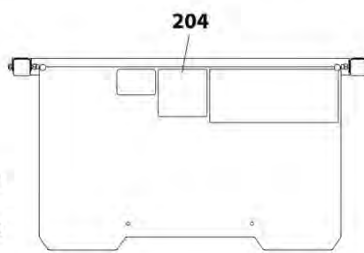
NOTE: ITEMS SHOWN MAY NOT BE REQUIRED FOR ALL SPECS. REFER TO PARTS LISTS FOR USAGE.
 NOTE: ADDITIONAL DECALS CALLED OUT ON DECAL INSTALLATION - OPTIONS.

ART_1001247305_10F2

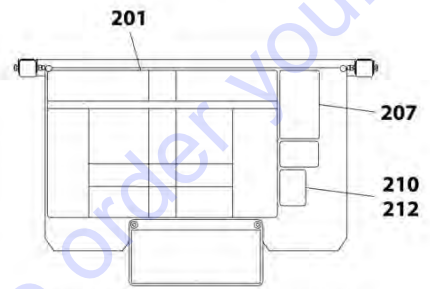
SECTION 8 - DECALS



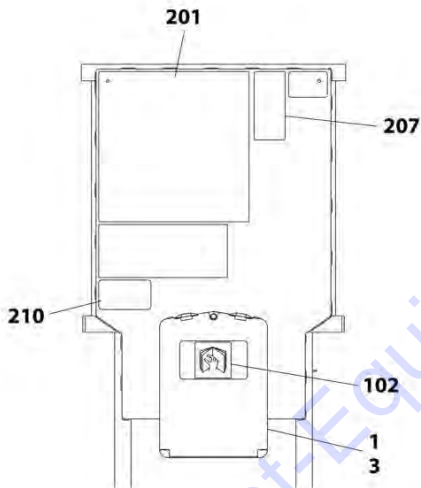
FIXED RAIL (ANSI SPECS)



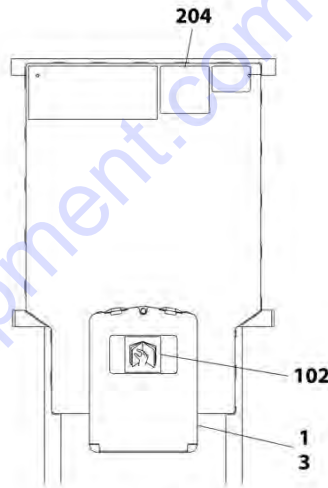
FIXED RAIL (CE AND JAPANESE SPECS)



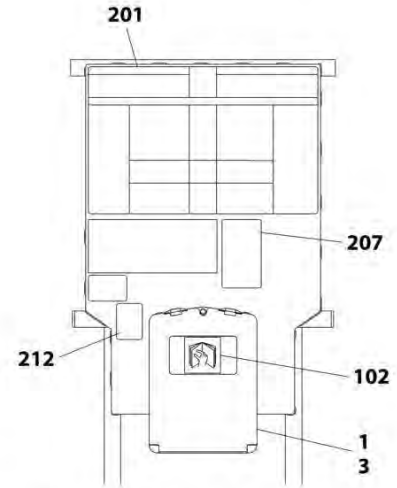
FIXED RAIL (CHINA, CSA AND KOREAN SPECS)



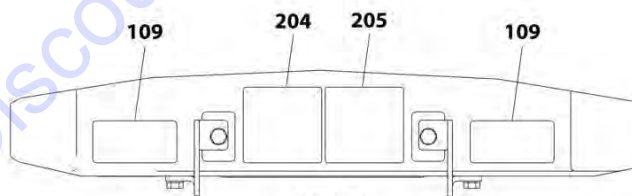
FOLDING RAIL (ANSI SPECS)



FOLDING RAIL (CE SPECS)



FOLDING RAIL (CHINA AND KOREAN SPECS)



DETAIL D
TOP REAR OF FRAME

NOTE: ITEMS SHOWN MAY NOT BE REQUIRED FOR ALL SPECS. REFER TO PARTS LISTS FOR USAGE.
NOTE: ADDITIONAL DECALS CALLED OUT ON DECAL INSTALLATION - OPTIONS.

ART_1001247305_20F2

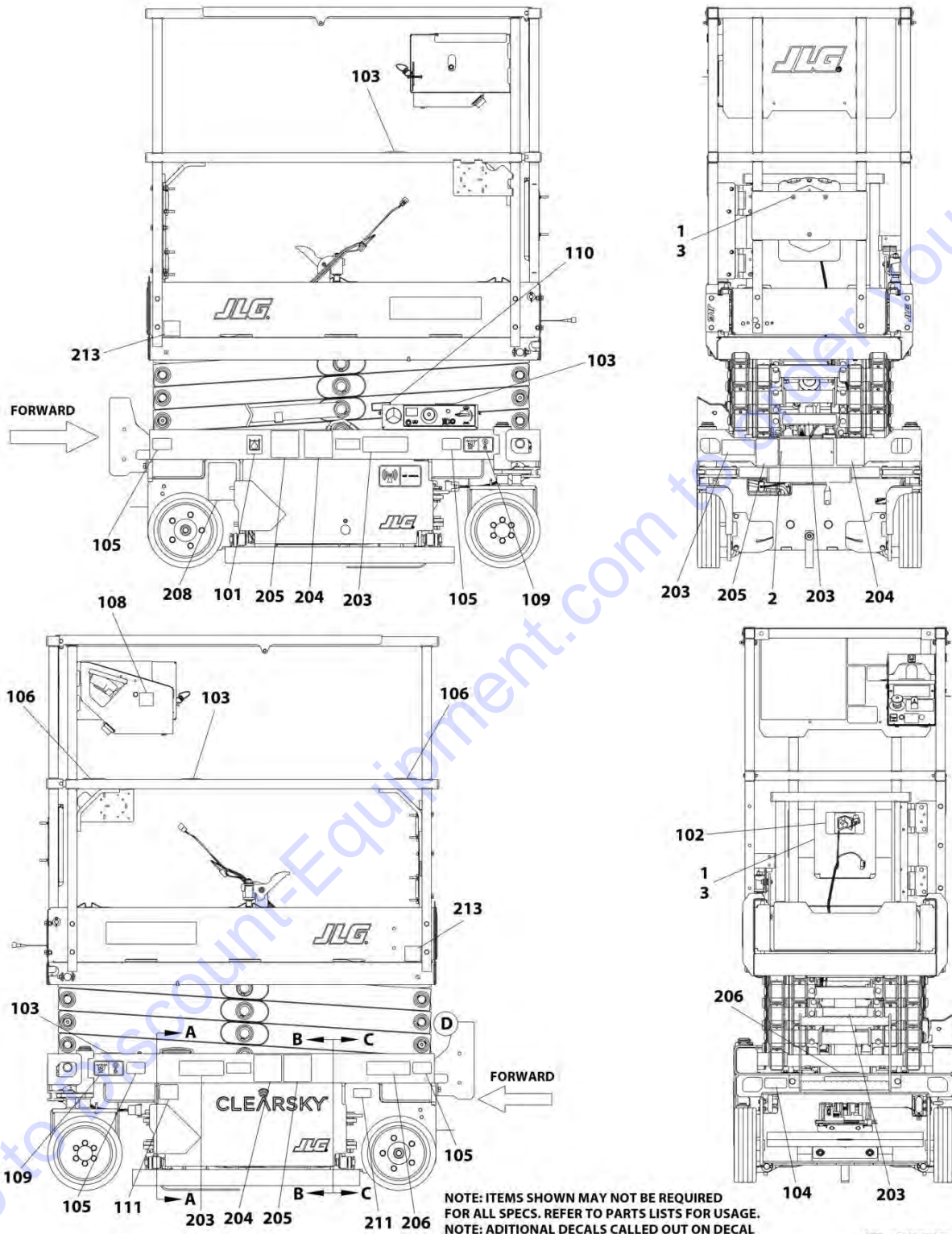
SECTION 8 - DECALS

FIGURE 8-2. DECALS INSTALLATION (CE SPECS)

ITEM	PART NUMBER	QTY	DESCRIPTION	REV
	1001247305	Ref	DECALS INSTALLATION (CE SPECS)	B
1	2080040	3	Fastener	
2	2080057	4	Fastener	
3	8990147	1	Holder Manual	
100	1001247296	1	Master Decal Kit (Not Shown)	
101	1701504	1	Decal - Hydraulic Oil	
102	1701640	1	Decal - Manual	
103	1703819	4	Decal - Directional Arrow	
104	1001248126	1	Decal - Manual Descent	
105	1704016	4	Decal - Fork Lift	
106	1704277	2	Decal - Lanyard Attach	
107	1704412	1	Decal - Hydraulic Oil Chart	
108	1001132359	1	Decal - Control Box Locate	
109	1001162864	4	Decal - Lift Point/Tie Down	
110	1001220430	1	Decal - Safety Prop	
111	1702155	1	Decal - Battery Disconnect	
202	1001247310	1	Decal - See Manual	
203	1001219172	4	Decal - Crushing	
204	1001219171	5	Decal - Electrocution	
206	1705670	2	Decal - Fire Hazard	

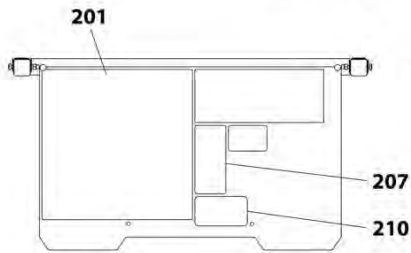
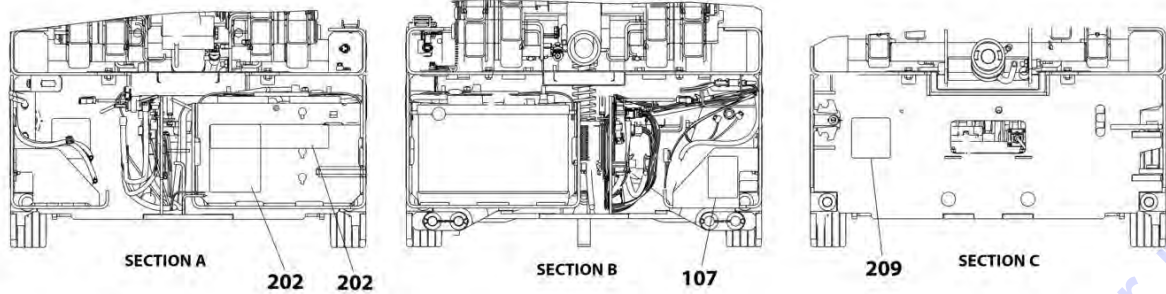
SECTION 8 - DECALS

FIGURE 8-3. DECALS INSTALLATION (CHINA SPECS)

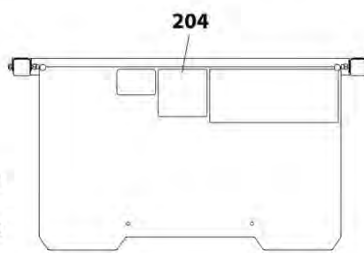


ART_1001247303_10F2

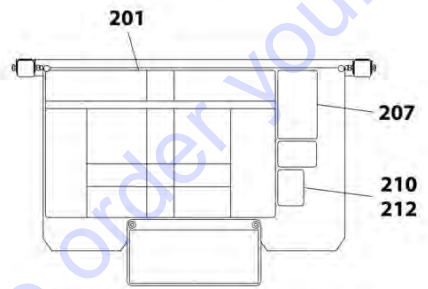
SECTION 8 - DECALS



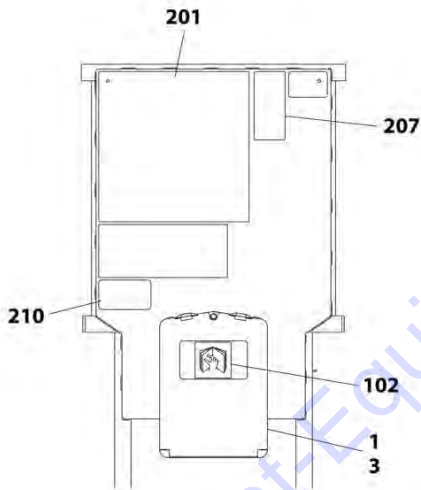
FIXED RAIL (ANSI SPECS)



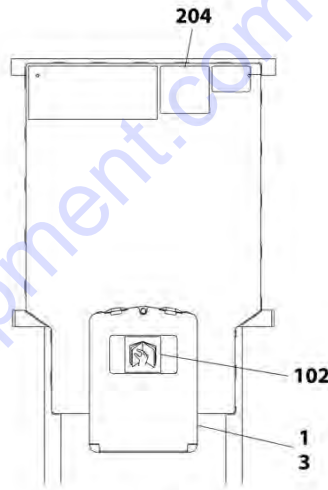
FIXED RAIL (CE AND JAPANESE SPECS)



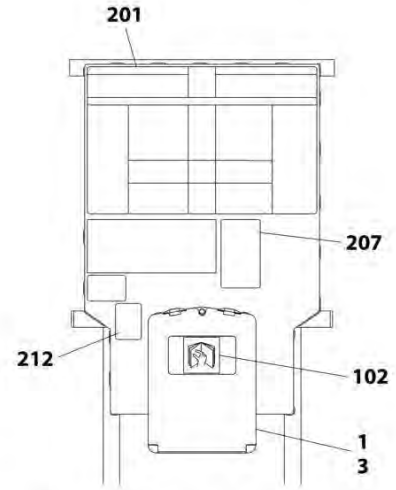
FIXED RAIL (CHINA, CSA AND KOREAN SPECS)



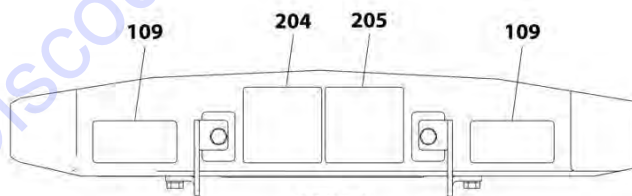
FOLDING RAIL (ANSI SPECS)



FOLDING RAIL (CE SPECS)



FOLDING RAIL (CHINA AND KOREAN SPECS)



DETAIL D
TOP REAR OF FRAME

NOTE: ITEMS SHOWN MAY NOT BE REQUIRED FOR ALL SPECS. REFER TO PARTS LISTS FOR USAGE.
NOTE: ADDITIONAL DECALS CALLED OUT ON DECAL INSTALLATION - OPTIONS.

ART_1001247303_20F2

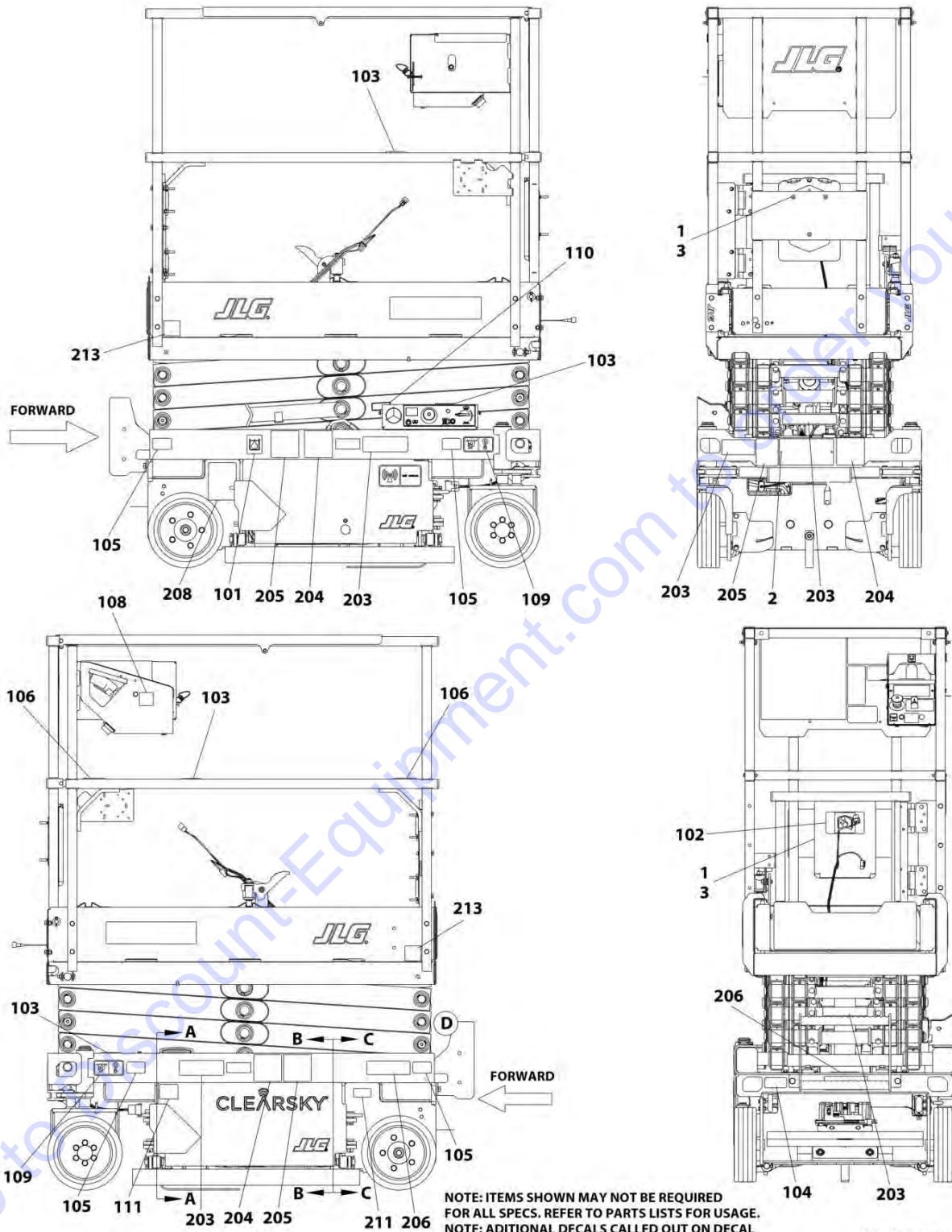
SECTION 8 - DECALS

FIGURE 8-3. DECALS INSTALLATION (CHINA SPECS)

ITEM	PART NUMBER	QTY	DESCRIPTION	REV
	1001247303	Ref	DECALS INSTALLATION (CHINA SPECS)	B
1	2080040	3	Fastener	
2	2080057	4	Fastener	
3	8990147	1	Holder Manual	
100	1001247296	1	Master Decal Kit (Not Shown)	
101	1701504	1	Decal - Hydraulic Oil	
102	1701640	1	Decal - Manual	
103	1703819	4	Decal - Directional Arrow	
104	1001248126	1	Decal - Manual Descent	
105	1704016	4	Decal - Fork Lift	
106	1704277	2	Decal - Lanyard Attach	
107	1704412	1	Decal - Hydraulic Oil Chart	
108	1001132359	1	Decal - Control Box Locate	
109	1001162864	4	Decal - Lift Point/Tie Down	
110	1001220430	1	Decal - Safety Prop	
111	1702155	1	Decal - Battery Disconnect	
201	1001247311	1	Decal - Danger/Warning	
202	1001146794	1	Decal - Battery/Charger Service	
203	1001249894	4	Decal - Crushing Hazard	
204	1001211779	4	Decal - Electrocution	
205	1001215747	4	Decal - Danger Electrocution	
206	1704344	2	Decal - Warning Battery Ventilation	
207	1705946	1	Decal - Legend	
209	1001224051	1	Decal - Yearly Inspection	
212	1001244301	1	Decal - NO Platform to Ground	
213	1001244298	2	Decal - App	

SECTION 8 - DECALS

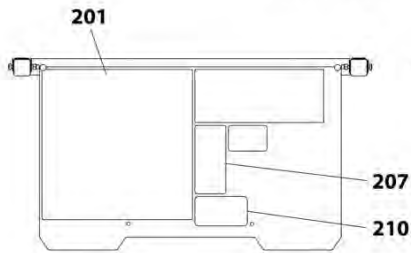
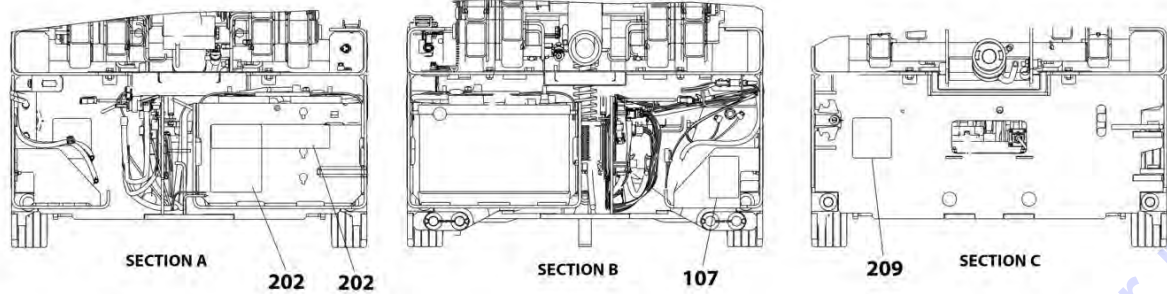
FIGURE 8-4. DECALS INSTALLATION (CSA SPECS)



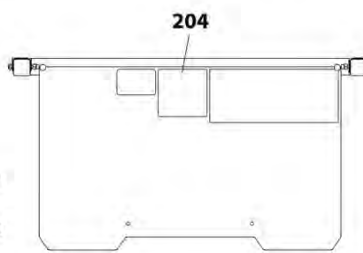
NOTE: ITEMS SHOWN MAY NOT BE REQUIRED FOR ALL SPECS. REFER TO PARTS LISTS FOR USAGE.
 NOTE: ADDITIONAL DECALS CALLED OUT ON DECAL INSTALLATION - OPTIONS.

ART_1001254501_10F2

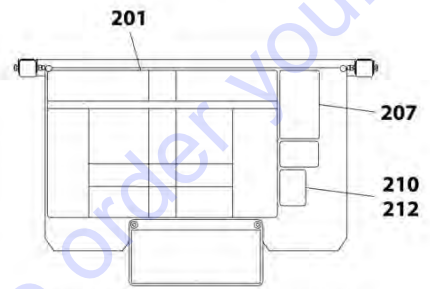
SECTION 8 - DECALS



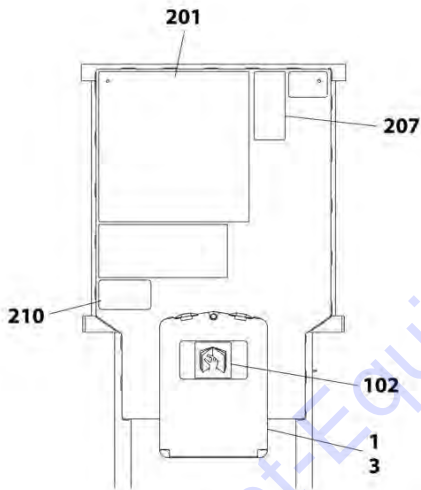
FIXED RAIL (ANSI SPECS)



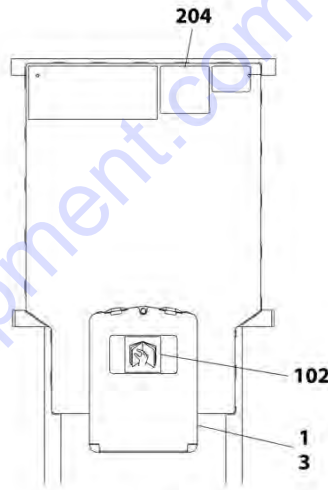
FIXED RAIL (CE AND JAPANESE SPECS)



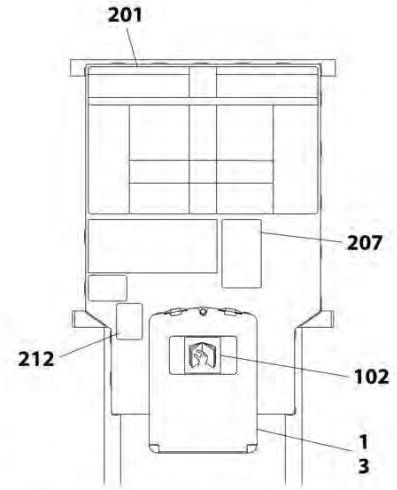
FIXED RAIL (CHINA, CSA AND KOREAN SPECS)



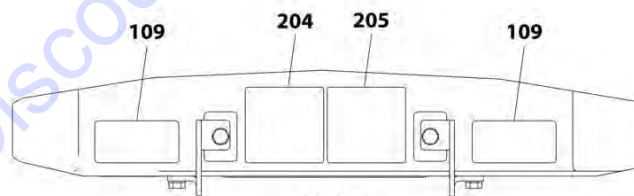
FOLDING RAIL (ANSI SPECS)



FOLDING RAIL (CE SPECS)



FOLDING RAIL (CHINA AND KOREAN SPECS)



DETAIL D
TOP REAR OF FRAME

NOTE: ITEMS SHOWN MAY NOT BE REQUIRED FOR ALL SPECS. REFER TO PARTS LISTS FOR USAGE.
NOTE: ADDITIONAL DECALS CALLED OUT ON DECAL INSTALLATION - OPTIONS.

ART_1001254501_20F2

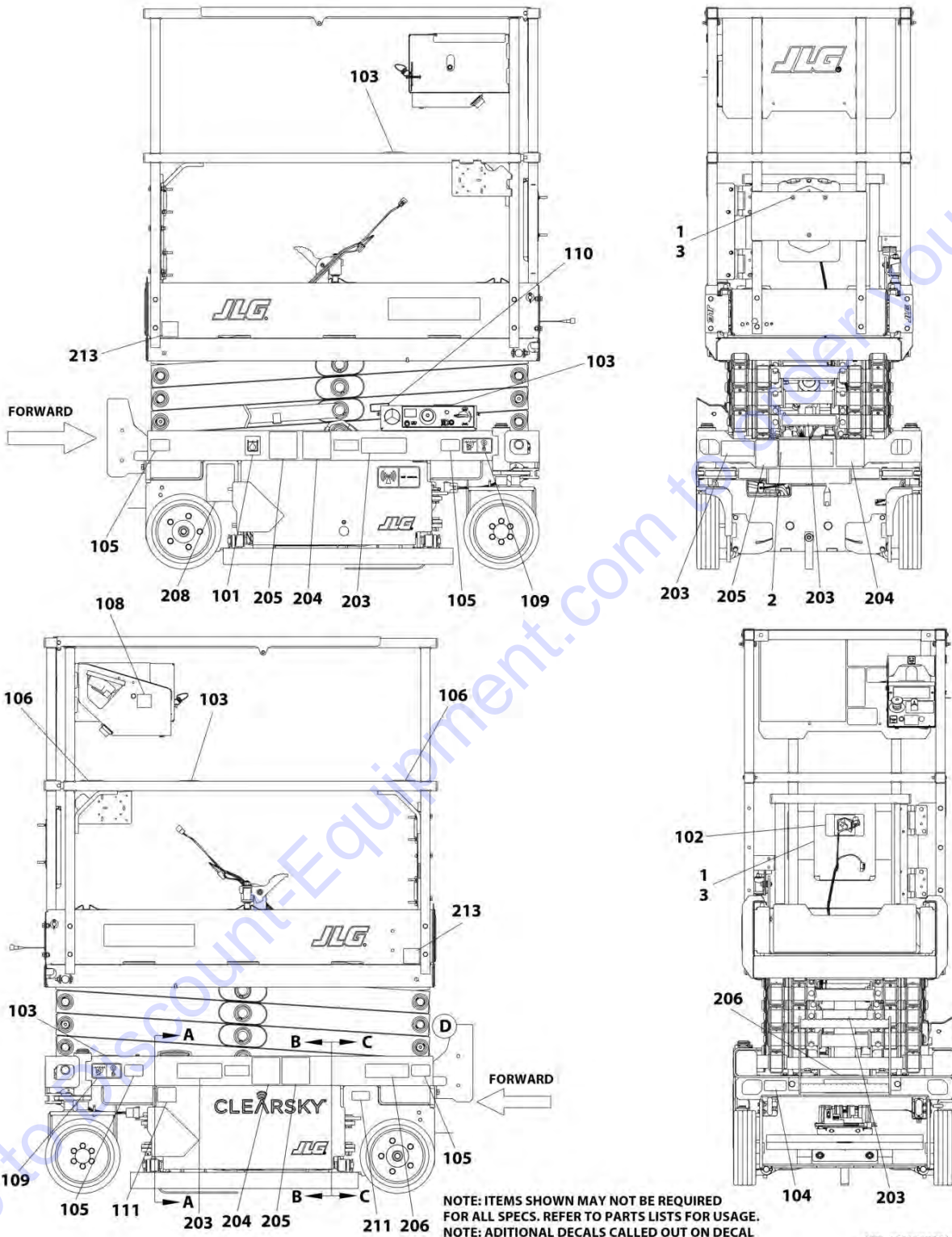
SECTION 8 - DECALS

FIGURE 8-4. DECALS INSTALLATION (CSA SPECS)

ITEM	PART NUMBER	QTY	DESCRIPTION	REV
	1001254501	Ref	DECALS INSTALLATION (CSA SPECS)	A
1	2080040	3	Fastener	
2	2080057	4	Fastener	
3	8990147	1	Holder Manual	
100	1001247296	1	Master Decal Kit (Not Shown)	
101	1701504	1	Decal - Hydraulic Oil	
102	1701640	1	Decal - Manual	
103	1703819	4	Decal - Directional Arrow	
104	1001248126	1	Decal - Manual Descent Instructions	B
105	1704016	4	Decal - Fork Lift	
106	1704277	2	Decal - Lanyard Attach	
107	1704412	1	Decal - Hydraulic Oil Chart	
108	1001132359	1	Decal - Control Box Locate	
109	1001162864	4	Decal - Lift Point/Tie Down	
110	1001220430	1	Decal - Safety Prop	
111	1702155	1	Decal - Battery Disconnect	
201	1704684	1	Decal - Danger/Warning	
202	1001146794	1	Decal - Battery/Charger Service	
203	1705311	4	Decal - Crushing Hazard	
204	1001211779	4	Decal - Electrocution	
206	1704340	2	Decal - Warning Battery Ventilation	
207	1705723	1	Decal - Legend	
208	1001131270	1	Decal - Patent	
209	1001223971	1	Decal - Yearly Inspection	
210	1001231801	1	Decal - Warning Prop 65	
211	1001228370	1	Decal - ICES	

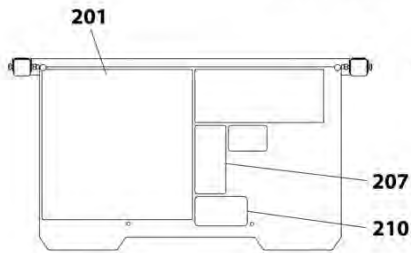
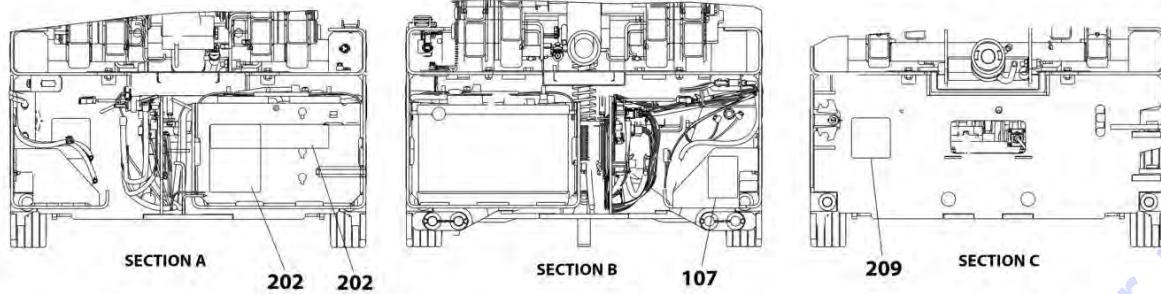
SECTION 8 - DECALS

FIGURE 8-5. DECALS INSTALLATION (JAPANESE SPECS)

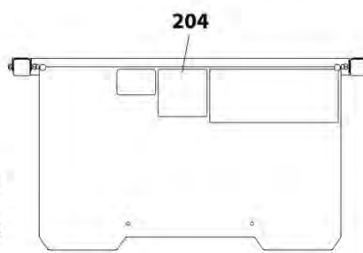


ART_1001247304_10F2

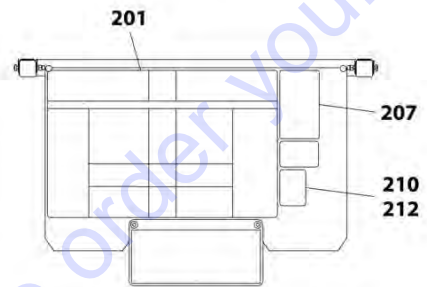
SECTION 8 - DECALS



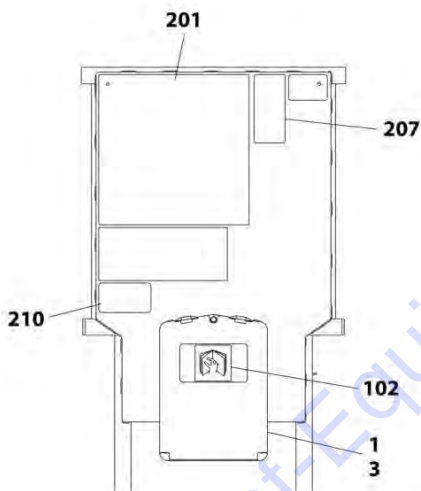
FIXED RAIL (ANSI SPECS)



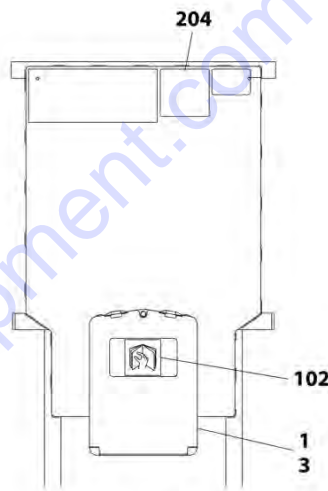
FIXED RAIL (CE AND JAPANESE SPECS)



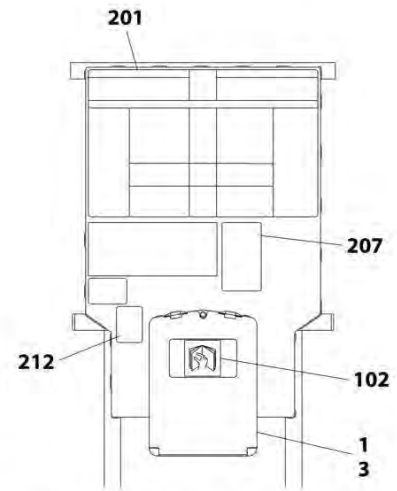
FIXED RAIL (CHINA, CSA AND KOREAN SPECS)



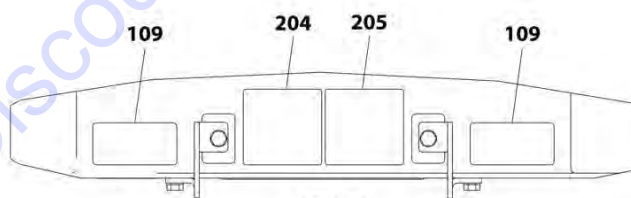
FOLDING RAIL (ANSI SPECS)



FOLDING RAIL (CE SPECS)



FOLDING RAIL (CHINA AND KOREAN SPECS)



DETAIL D
TOP REAR OF FRAME

NOTE: ITEMS SHOWN MAY NOT BE REQUIRED FOR ALL SPECS. REFER TO PARTS LISTS FOR USAGE.
NOTE: ADDITIONAL DECALS CALLED OUT ON DECAL INSTALLATION - OPTIONS.

ART_1001247304_20F2

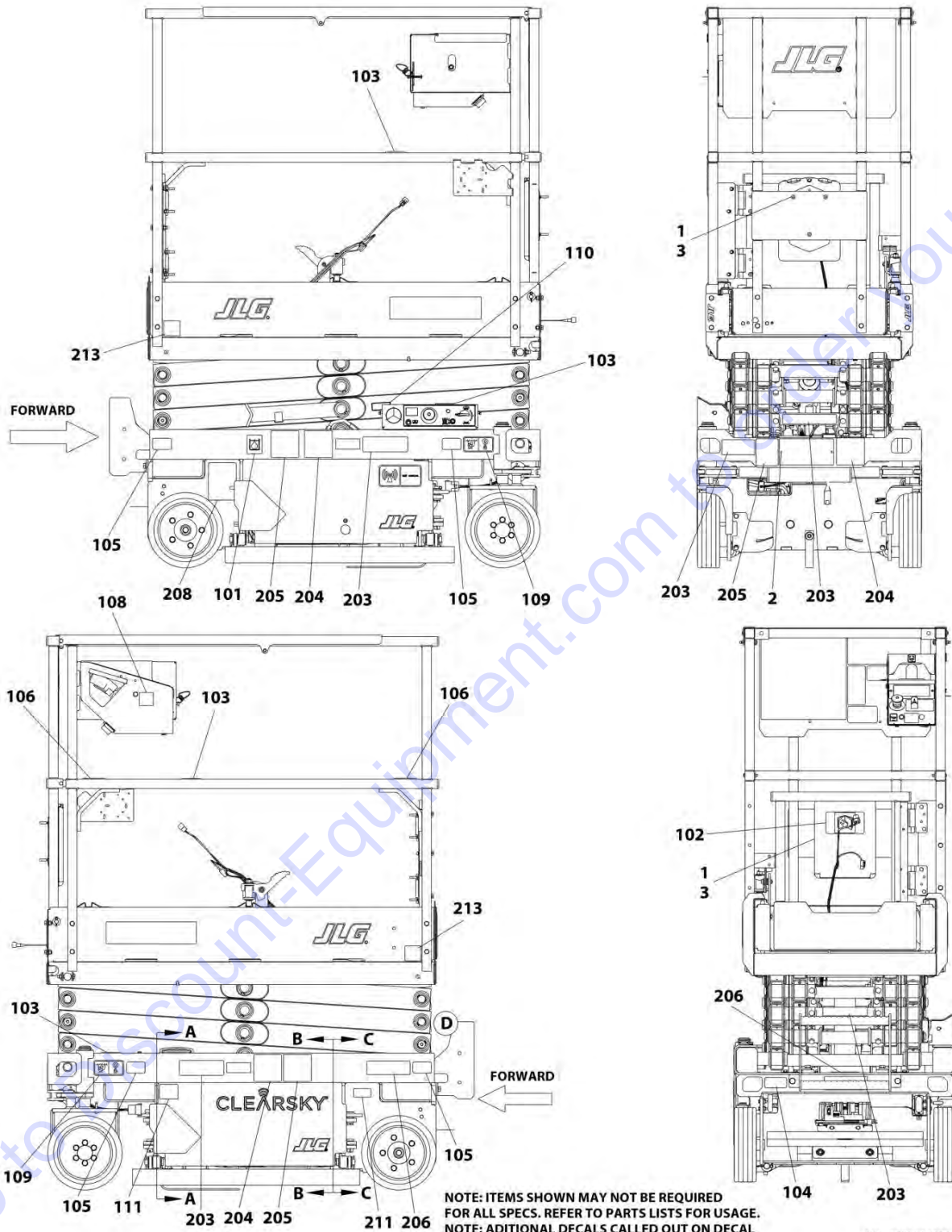
SECTION 8 - DECALS

FIGURE 8-5. DECALS INSTALLATION (JAPANESE SPECS)

ITEM	PART NUMBER	QTY	DESCRIPTION	REV
	1001247304	Ref	DECALS INSTALLATION (JAPANESE SPECS)	B
1	2080040	3	Fastener	
2	2080057	4	Fastener	
3	8990147	1	Holder Manual	
100	1001247296	1	Master Decal Kit (Not Shown)	
101	1701504	1	Decal - Hydraulic Oil	
102	1701640	1	Decal - Manual	
103	1703819	4	Decal - Directional Arrow	
104	1001248126	1	Decal - Manual Descent	
105	1704016	4	Decal - Fork Lift	
106	1704277	2	Decal - Lanyard Attach	
107	1704412	1	Decal - Hydraulic Oil Chart	
108	1001132359	1	Decal - Control Box Locate	
109	1001162864	4	Decal - Lift Point/Tie Down	
110	1001220430	1	Decal - Safety Prop	
111	1702155	1	Decal - Battery Disconnect	
202	1001146794	1	Decal - Battery/Charger Service	
203	1001219172	4	Decal - Crushing	
204	1001219171	5	Decal - Electrocution	
206	1705670	2	Decal - Fire Hazard	

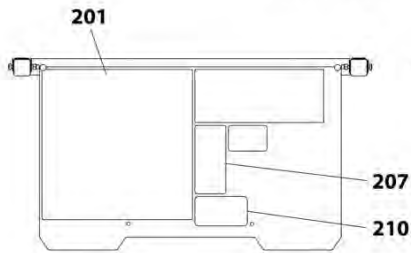
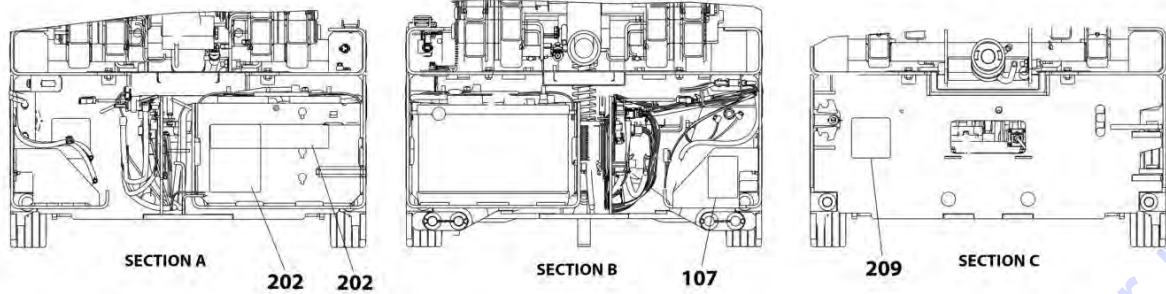
SECTION 8 - DECALS

FIGURE 8-6. DECALS INSTALLATION (KOREAN SPECS)

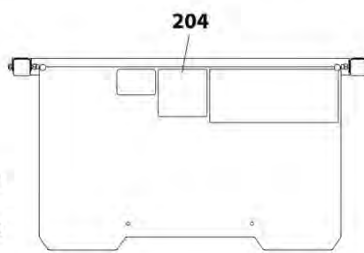


ART_1001247302_10F2

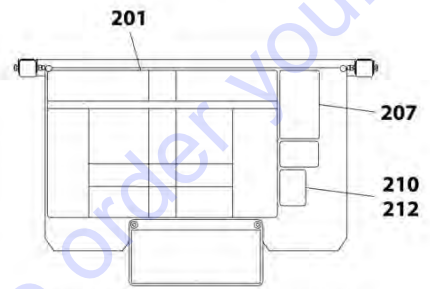
SECTION 8 - DECALS



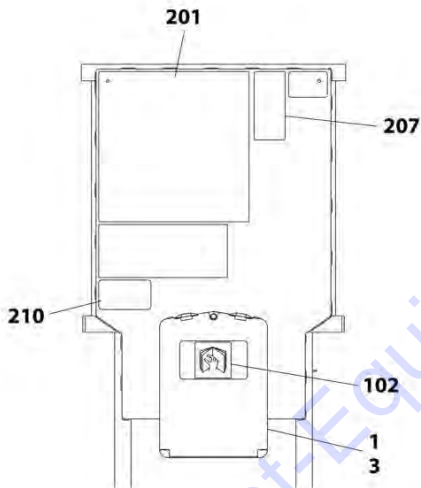
FIXED RAIL (ANSI SPECS)



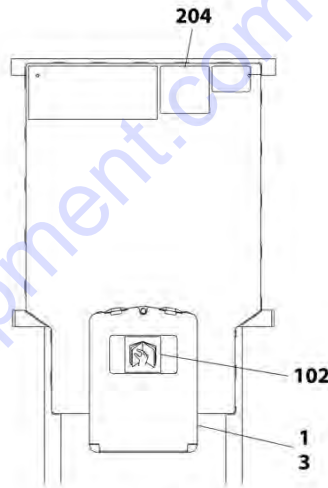
FIXED RAIL (CE AND JAPANESE SPECS)



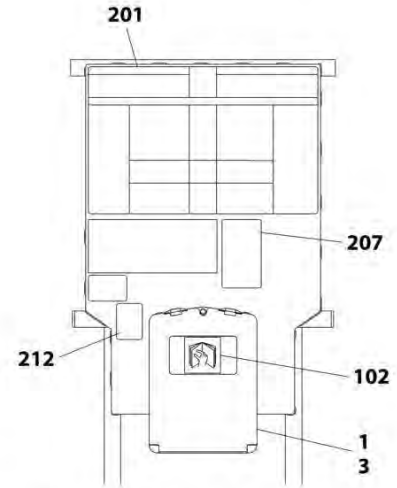
FIXED RAIL (CHINA, CSA AND KOREAN SPECS)



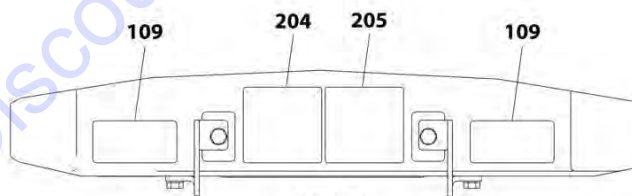
FOLDING RAIL (ANSI SPECS)



FOLDING RAIL (CE SPECS)



FOLDING RAIL (CHINA AND KOREAN SPECS)



DETAIL D
TOP REAR OF FRAME

NOTE: ITEMS SHOWN MAY NOT BE REQUIRED FOR ALL SPECS. REFER TO PARTS LISTS FOR USAGE.
NOTE: ADDITIONAL DECALS CALLED OUT ON DECAL INSTALLATION - OPTIONS.

ART_1001247302_20F2

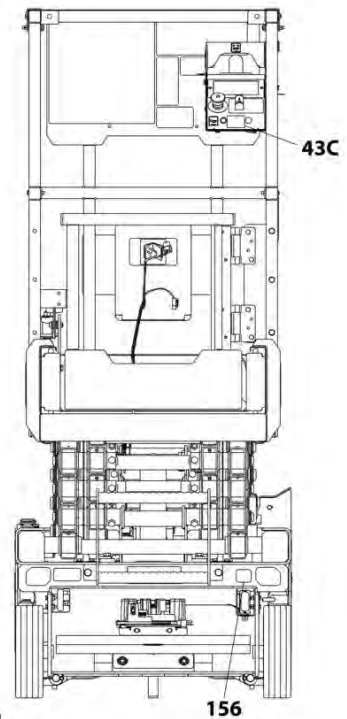
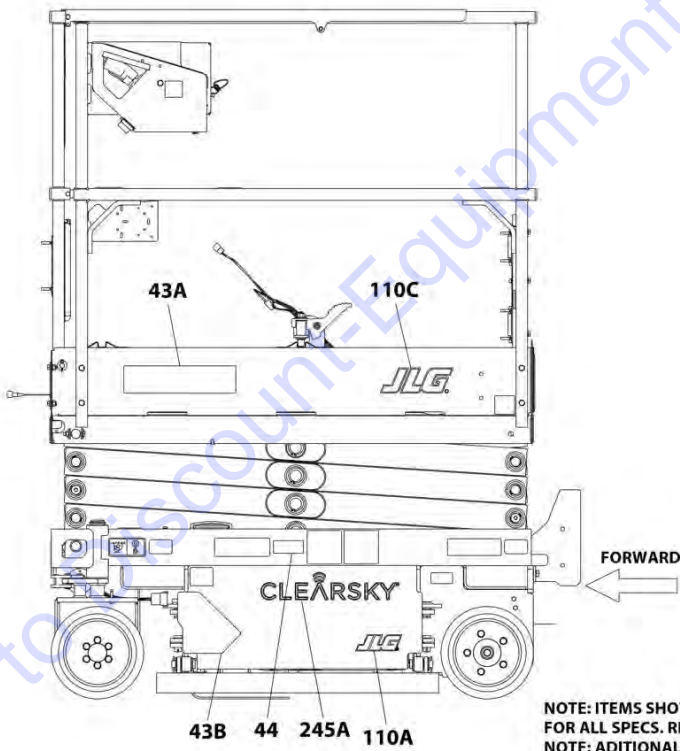
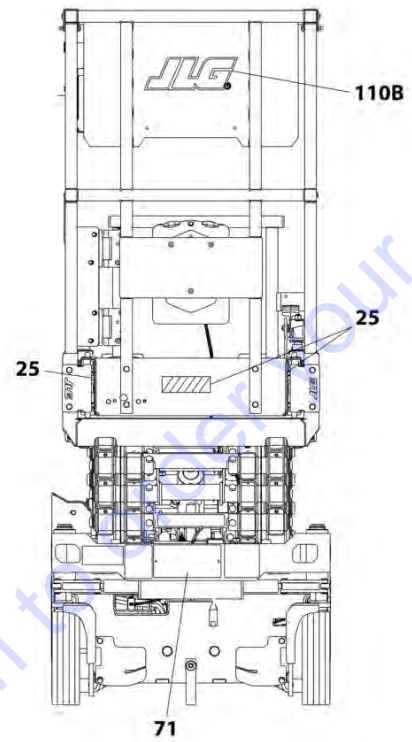
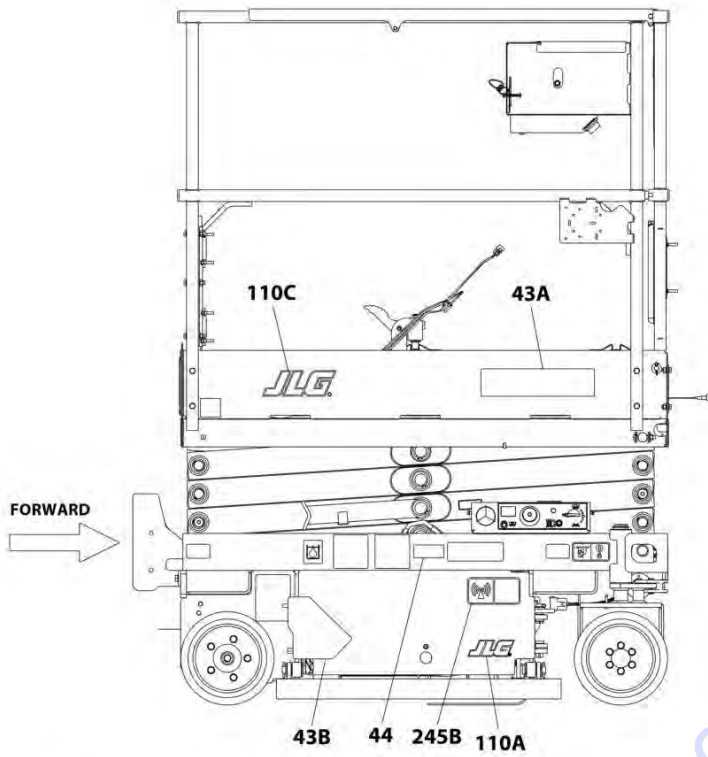
SECTION 8 - DECALS

FIGURE 8-6. DECALS INSTALLATION (KOREAN SPECS)

ITEM	PART NUMBER	QTY	DESCRIPTION	REV
	1001247302	1	DECALS INSTALLATION (KOREAN SPECS)	B
1	2080040	3	Fastener	
2	2080057	4	Fastener	
3	8990147	1	Holder Manual	
100	1001247296	1	Master Decal Kit (Not Shown)	
101	1701504	1	Decal - Hydraulic Oil	
102	1701640	1	Decal - Manual	
103	1703819	4	Decal - Directional Arrow	
104	1001248126	1	Decal - Manual Descent	
105	1704016	4	Decal - Fork Lift	
106	1704277	2	Decal - Lanyard Attach	
107	1704412	1	Decal - Hydraulic Oil Chart	
108	1001132359	1	Decal - Control Box Locate	
109	1001162864	4	Decal - Lift Point/Tie Down	
110	1001220430	1	Decal - Safety Prop	
111	1702155	1	Decal - Battery Disconnect	
201	1001247309	1	Decal - Danger/Warning	
202	1001146794	1	Decal - Battery/Charger Service	
203	1001249893	4	Decal - Crushing Hazard	
204	1001211779	4	Decal - Electrocution	
205	1001215750	4	Decal - Danger Electrocution	
206	1707022	2	Decal - Warning Battery Ventilation	
207	1706057	1	Decal - Legend	
209	1001224048	1	Decal - Yearly Inspection	

SECTION 8 - DECALS

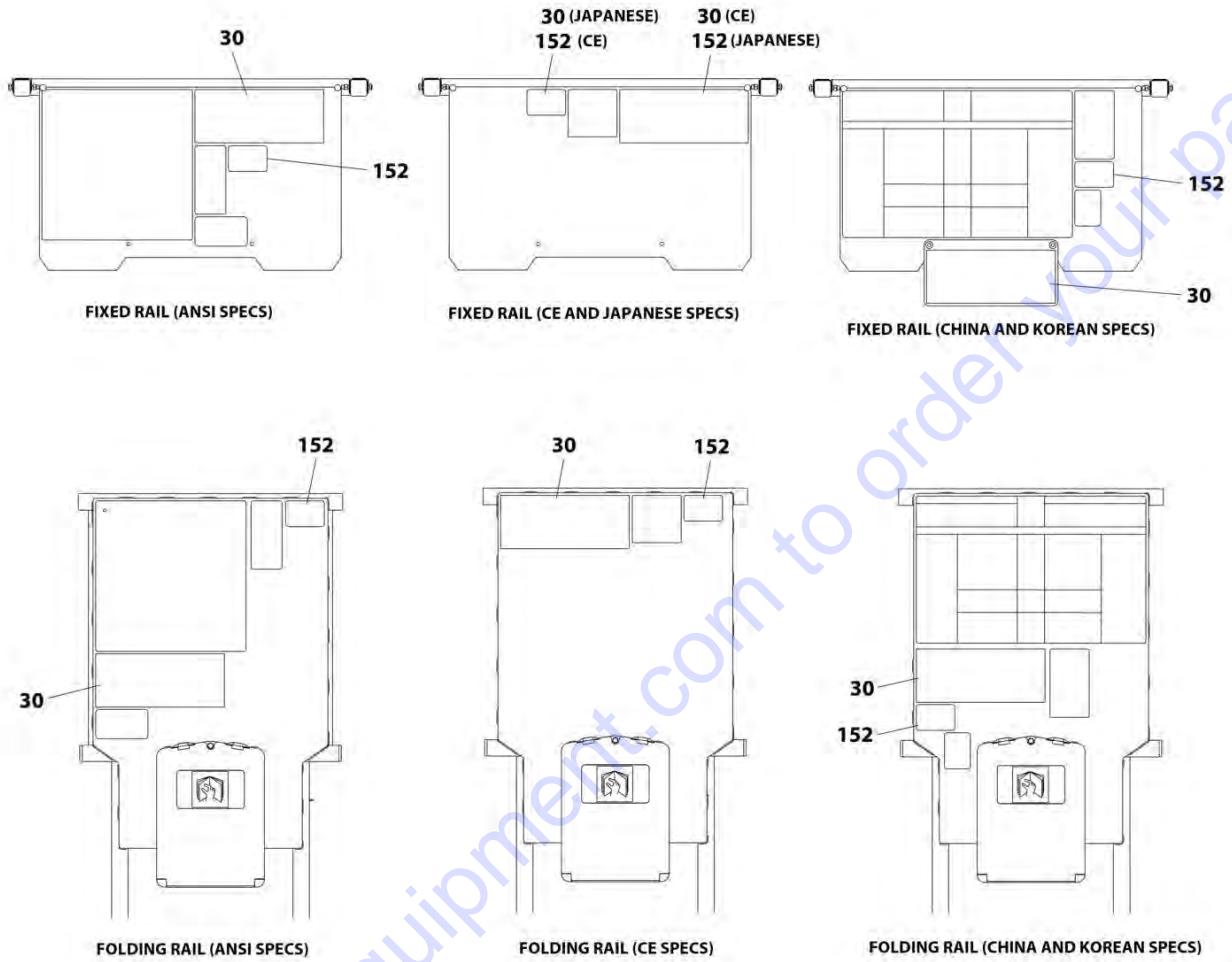
FIGURE 8-7. DECAL INSTALLATION - OPTIONS



NOTE: ITEMS SHOWN MAY NOT BE REQUIRED FOR ALL SPECS. REFER TO PARTS LISTS FOR USAGE.
 NOTE: ADDITIONAL DECALS CALLED OUT ON DECAL INSTALLATION - OPTIONS.

ART_DECAL_OPTIONS_10F2

SECTION 8 - DECALS



NOTE: ITEMS SHOWN MAY NOT BE REQUIRED FOR ALL SPECS. REFER TO PARTS LISTS FOR USAGE.
 NOTE: ADDITIONAL DECALS CALLED OUT ON DECAL INSTALLATION - OPTIONS.

ART_DECAL OPTIONS_20F2

SECTION 8 - DECALS

FIGURE 8-7. DECAL INSTALLATION - OPTIONS

ITEM	PART NUMBER	QTY	DESCRIPTION	REV
		Ref	DECAL INSTALLATION - OPTIONS	
25	1001247712	Ref	Corner Stripes Installation	
25	4420051	3 ft/ 92cm	Tape, Safety	
30		Ref	Decal - Capacity Options:	
30	1001246678	1	Decal - Capacity (500lb/227kg) (ANSI, ANSI Export, CE, China & Korean Specs)	
30	1001247297	Ref	Decal - Capacity (China and Korean Specs)	
30	1001246678	1	Decal - Capacity (500lb/227kg) (China and Korean Specs)	
30	1001247344	1	Plate, Decal Mounting	
30	2080040	2	Fastener	
30	1001246679	1	Decal - Capacity (500lb/227kg) (Japanese Specs)	
43	1001247300	Ref	Decal - Model Designation	
43A	1001246682	2	Decal - Model Designation	
43B	1001247346	2	Decal - Model Designation (Door)	
43C	1001249939	1	Decal - Model Designation	
44	1001247660	2	Decal - Maximum Tire Load	
71	See Note	NSS	Decal - Manufacturers Serial Number (Note: Not Available for Purchase)	
110	1001214779	Ref	JLG Decals Installation	C
110A	1703177	2	Decal - JLG	
110B	1705754	1	Decal - JLG	
110C	1705781	2	Decal - JLG	
152		Ref	Decal - No Pipe Racks Allowed Options:	
152	1001092071	1	Decal - No Pipe Racks Allowed (English) (ANSI, ANSI Export and China Specs)	
152	1001092497	1	Decal - No Pipe Racks Allowed (English) (CE and Japanese Specs)	
152	1001120622	1	Decal - No Pipe Racks Allowed (English/Chinese) (China Specs)	
152	1001120621	1	Decal - No Pipe Racks Allowed (English/Korean) (Korean Specs)	
156	1001173703	1	Decal - EAC (Russian/CIS Specs)	
245	1001236984	Ref	Decal - Clear Sky	
245A	1001116208	1	Decal - Clear Sky	
245B	1001120989	1	Decal - Radio Frequency	

SECTION 9 - RECOMMENDED SERVICE PARTS STOCK

SECTION 9 - RECOMMENDED SERVICE PARTS STOCK

Go to Discount-Equipment.com to order your parts

SECTION 9 - RECOMMENDED SERVICE PARTS STOCK

FIGURE 9-1. RECOMMENDED SERVICE PARTS STOCK

ITEM	PART NUMBER	QTY	DESCRIPTION	REV
		Ref	Note: The following list will service one machine (built to current production per date on the front cover) with emergency repair parts which can be installed in the field. Parts from the list should be replaced when inventory is depleted to keep service parts stock supplied. For further information, go to Discount-equipment.com	
		Ref	STANDARD PARTS	
	3740150	1	Relay	
	4360328	1	Switch, Toggle	
	4360469	1	Switch, Key (All Specs except CE Specs)	
	2860030	1	Key, Replacement	
	4360475	1	Switch, Emergency Stop	
	3080007	1	Magnet, Latch	
	1600402	1	Controller, Drive/Steer	
	4360345	1	Switch, Toggle	
	1001200633	1	Switch, Push Button	
	8229234	2	Fuse - 10AMP ATO	
		Ref	VARIABLE PARTS	
	1001243107	1	Module, Control (Drive)	
	1001203871	1	Switch, Roller	
	1001249798	1	Sensor, Tilt	
	1001200629	1	Module, Control	
	1001226749	1	Switch, Push Button (Machines with LSS)	
	1001200746	1	Sensor, Angle (Machines without LSS)	
	1001146963	1	Sensor, Angle (Machines with LSS)	
	1001224873	1	Module, Platform	
	1001181045	1	Breaker 30mAmp/16Amp (CE Specs Machines)	
	1001189171	1	Breaker 30mAmp (CE Specs Machines)	
	1001189172	1	Breaker 16Amp Double (CE Specs Machines)	

SECTION 10 - SPECIAL OPTIONS

Go to Discount-Equipment.com to order your parts

SECTION 10 - SPECIAL OPTIONS

FIGURE 10-1. SPECIAL OPTIONS

ITEM	PART NUMBER	QTY	DESCRIPTION	REV
		Ref	Note: This list is to accommodate machines ordered with special equipment. Options may not be applicable to all models. For more specific parts information go to Discount-equipment.com	
		Ref	SPECIAL OPTIONS	
	1001209921	Ref	Antivandalism Package	
		Ref	Decal Kit Options:	
	1001247296	1	Decal Kit - Common	
		Ref	Electrical Connector Kits	
	1001148902	Ref	Amp/Tyco Electrical Connector Kit	
	1001148903	Ref	Deutsch DT Electrical Connector Kit	
	1001148904	Ref	Deutsch HD Electrical Connector Kit	
	1001148905	Ref	Packard Electrical Connector Kit	
	1001148906	Ref	Various Electrical Connector Kit	
		Ref	Fluid Options	
	2300028	1	Hydraulic Fluid - DTE 10 (Machines with Standard Oil)	
	2300042	Ref	Hydraulic Fluid - Mobil EAL H 32 (Machines with Biodegradeable Oil)	
	1001236533	1	Footswitch Installation (ANSI Export & Japanese Specs Only)	
	1001246444	1	Low Height Retriktion System Installation (ANSI Export, Japan & Korean Specs)	
		Ref	Tools for Service	
	2901443	1	Analyzer Kit	
	1001232474	1	Benchtop Harness	
	8896941	1	Wire Stripper	
	7002821	1	Wire Crimper (To install wire ends to wires)	
	7002823	1	Pin/Socket Extractor - Universal (To Remove Pins/Sockets from Connectors)	
	4460467	1	Extractor - 16-18 Gauge (For Removal Pins/Sockets from Deutsch Connectors)	
	4460510	1	Extractor - 12-14 Gauge (For Removal of Pins/Sockets from Deutsch Connectors)	
	7002822	1	Screwdriver, Potentiometer (To Adjust Drive Controllers)	
	7016654	1	Screwdriver, Magnetic	
	7004275	1	Seal Installation Tool - 1in	
	7004276	1	Seal Installation Tool - 1-1/2in	
	7002826	1	Seal Installation Tool - 2in	

PART NUMBER INDEX

Go to Discount-Equipment.com to order your parts

PART NUMBER INDEX

0100011.....11, 13, 17, 19, 21, 41, 43, 47, 51, 53, 65, 83, 89	1001100347 161	1001200632 55	1001221949.....33
0100051.....57, 59, 61, 63	1001100451 111, 113, 115, 117, 119	1001200633 93, 194	1001223055.....168
0140030.....93	1001102258 109, 111, 113, 115, 117, 119, 121, 123	1001200746 70, 194	1001223971.....180
0140043.....51, 53	1001102489 ... 23, 25, 27, 29, 31, 33	1001200819 93, 151	1001224048.....188
0275216.....111, 155	1001103012 130, 134	1001201885 130, 134, 151	1001224051.....176
0275217.....113, 157	1001104498 130, 134	1001202987 19	1001224869.....93
0275452.....115, 159	1001110544 35, 37	1001202988 19	1001224873.....93, 194
0275453.....117, 161	1001116208 192	1001203443 81	1001225164.....74
0275454.....119, 163	1001116733 137	1001203445 70, 74	1001226749...51, 53, 194
0440259.....11, 101	1001116812 129, 133	1001203869 19	1001228370.....168, 180
0440263.....19, 70, 74	1001117000 133	1001203870 19, 65	1001229739.....89
0440264.....70, 75	1001118387 133	1001203871 19, 194	1001229740.....89
0440265.....70, 75	1001120204 111, 113, 115, 117, 119	1001203872 19	1001229741.....89
0630183.....83	1001120205 125, 127	1001204311 70, 74	1001229742.....89
0630473.....93	1001120621 192	1001204495 39	1001229792.....65
0630576.....65	1001120622 192	1001205156 81	1001231268.....70, 74
0700412.....51, 53	1001120989 192	1001205345 70, 74	1001231801.....168, 180
0700612.....37, 51, 53	1001125677 129, 133	1001205409 129, 133	1001232257.....89
0700616.....51, 53	1001130220 93	1001205410 129, 133	1001232474.....196
0700815.....19	1001130590 51, 53	1001205411 129, 133	1001232622.....89
0700816.....65	1001131270 168, 180	1001205412 129, 133	1001233524.....11
0700818.....13, 85, 87, 89	1001132358 93	1001205422 83	1001233525.....11
0700819.....81, 91	1001132359 168, 172, 176, 180, 184, 188	1001205430 83	1001233714.....57, 59
0700820.....89	1001132361 93	1001207009 23, 25	1001233715.....61, 63
0700823.....19	1001134821 91	1001207293 55	1001233834.....71, 75
0700835.....93	1001137675 83	1001207970 25, 29	1001233836.....71, 75
0701013.....77	1001144147 137	1001207973 31	1001233837.....71, 75
0701015.....70, 74	1001144295 129, 133	1001207974 23, 27	1001233860.....70, 74
0701018.....77	1001144296 129, 133	1001208852 83	1001233863.....70, 74
0701020.....70, 74	1001146794 168, 176, 180, 184, 188	1001209595 93	1001233864.....70, 74
0701021.....70, 74, 81	1001146963 74, 194	1001209596 93	1001233865.....70, 74
0701022.....77	1001148902 196	1001209682 51, 53	1001233866.....70, 74
0760408.....109, 111, 113, 115, 117, 119, 121	1001148903 196	1001209921 196	1001233867.....70, 74
0760508.....27, 29, 31, 33	1001148904 196	1001210064 83	1001234320.....70, 74, 75
0760608.....27, 29, 31, 33, 51, 53, 70, 74	1001148905 196	1001210436 93	1001234321.....70
0760610.....23, 25, 27, 29, 31, 33, 91, 93	1001148906 196	1001210586 85, 87, 89	1001234461.....11, 101
0760612.....23, 25, 39, 70, 74	1001151629 129, 133	1001210963 85, 87, 89	1001235002.....47, 105
0760810.....43, 83, 89	1001152483 127	1001211777 168	1001235104.....74
0760812.....11	1001154378 89	1001211779 168, 176, 180, 188	1001236129.....83
0761009.....47	1001159186 151	1001212035 151	1001236533.....196
0761011.....41	1001162864 168, 172, 176, 180, 184, 188	1001212036 151	1001236834.....11
0761012.....11	1001162886 129, 133	1001212068 19	1001236849.....19
0761014.....65	1001162887 129, 133	1001213491 93	1001236856.....65
0761016.....65	1001163340 129, 133	1001214526 19	1001236860.....65
0761221.....65	1001173703 192	1001214779 192	1001236861.....65
0780610.....105	1001176626 93	1001214810 65	1001236984.....192
0861731.....153, 159, 161, 163	1001181045 125, 194	1001214810 65	1001237462...23, 25, 27, 29, 31, 33
0861781.....155, 157	1001182806 39	1001215013 93	1001237507.....21
0861880.....125	1001187587 89	1001215747 176	1001237518.....17
0962292.....99	1001187816 121	1001215750 188	1001237552.....139, 141, 143, 145
1001047064.....93	1001188116 121	1001215953 19	1001237553.....139
1001091102.....19, 51, 53	1001189171 127, 194	1001217043 83	1001238025.....105
1001092071 192	1001189172 127, 194	1001217164 125, 127	1001238026.....105
1001092497 192	1001192401 130, 134	1001217842 137	1001238060.....59, 63
1001099560.....11	1001196589 130, 134	1001217843 137	1001239224.....35, 37
1001100341.....155	1001198576 37	1001219171 172, 184	1001239303.....57, 61
1001100342.....157	1001200629 .. 51, 53, 194	1001219172 172, 184	1001239314.....35
1001100345.....159	1001200631 74	1001219173 93	1001239315.....37
1001100346.....163		1001220409 91	1001239373.....70, 147
		1001220410 91	1001239374.....74, 149
		1001220430 168, 172, 176, 180, 184, 188	1001239404.....70, 74
		1001220995 91	1001239457.....65
		1001221475 83	1001239737.....70, 74
		1001221476 83	

PART NUMBER INDEX

1001239876	74	1001244912.....	123	1001247712.....	192	2080057 ...	168, 172, 176, 180, 184, 188
1001239976	141	1001244913.....	115	1001247924.....	105	2220466	105
1001239977	143	1001244914.....	117	1001248126.....	168, 172, 176, 180, 184, 188	2220654	105
1001239978	145	1001244915.....	119	1001248155.....	81	2220883	99
1001241320	139, 141	1001244916.....	111	1001248157.....	81	2300028	196
1001241321	143, 145	1001244917.....	113	1001249645.....	51, 53	2300042	196
1001241489	23, 25	1001244918.....	121	1001249667.....	13	2400060	129, 133
1001241542	19	1001245099.....	83	1001249668.....	61, 63	2420172	51, 53
1001241543	19	1001245100.....	83	1001249798.....	21, 194	2540045	51, 53
1001241544	19	1001245101.....	85	1001249846.....	19	2600281	85, 87, 89
1001241546	17	1001245102.....	85	1001249887.....	105	2860030	51, 53, 194
1001241589	43	1001245103.....	85	1001249893.....	188	2901443	196
1001241599	13	1001245106.....	87	1001249894.....	176	2902431	109, 153
1001241601	17	1001245107.....	87	1001249939.....	192	3080007 ...	85, 87, 89, 194
1001241822	41	1001245108.....	87	1001249940.....	23, 25	3252507 ...	113, 115, 117, 119, 121, 123
1001241823	41	1001245110.....	85, 87, 89	1001249966.....	35, 37	3290305	35, 37
1001242978	13	1001245119.....	89	1001249967.....	37	3290405 ...	19, 51, 53, 70, 74, 91, 93, 109, 111, 113, 115, 117, 119, 121
1001242980	13	1001245120.....	89	1001250078.....	37	3290505 ...	27, 29, 31, 33
1001243106	11	1001245121.....	89	1001250218.....	33	3290601	21
1001243107	13, 194	1001245122.....	89	1001250219.....	29	3290605 ...	23, 25, 27, 29, 31, 33, 37, 39, 51, 53, 65, 70, 74, 111, 113, 115, 117, 119
1001243226	57	1001245123.....	89	1001253153.....	70, 74	3290606 ...	85, 87, 89, 91
1001243227	59	1001245125.....	89	1001254501.....	180	3290801	11, 19
1001243228	61	1001245129.....	89	1060908.....	125, 127	3290805 ...	19, 65, 81, 83, 93
1001243229	63	1001245131.....	89	1320061.....	74	3290806 ...	85, 87, 89, 91, 93
1001243230	57, 61	1001245132.....	89	1321293.....	23, 25, 27, 29, 31, 33	3291005	65, 83
1001243231	59, 63	1001245134.....	89	1321752.....	13	3291007 ...	70, 74, 77, 81
1001243232 ...	57, 59, 61, 63	1001245135.....	89	1380153.....	11	3291201	65
1001243233 ...	57, 59, 61, 63	1001245136.....	89	1600402.....	93, 95, 194	3311502	83
1001243235 ...	57, 59, 61, 63	1001245138.....	85, 87	1671207.....	153	3321402	70, 74
1001243248	11	1001245139.....	17	1701504 ...	168, 172, 176, 180, 184, 188	3322203	13
1001243249	11	1001245386.....	71, 75	1701640 ...	168, 172, 176, 180, 184, 188	3340962	70, 74
1001243251	51	1001245388.....	71, 75	1702155 ...	168, 172, 176, 180, 184, 188	3391210	13
1001243252	53	1001245451.....	71, 75	1703177.....	192	3423032	81
1001243253	51, 129	1001245634.....	71, 75	1703464.....	109, 111	3423037	11
1001243254	53, 133	1001245635.....	71, 75	1703813.....	168	3423243	65
1001243255 ..	51, 53, 137	1001245636.....	70, 74	1703816.....	168	3423278	93
1001243257	13, 15	1001245750.....	65	1703819.....	93, 168, 172, 176, 180, 184, 188	3430636	19
1001243838	43	1001245790.....	70, 74	1704016 ...	168, 172, 176, 180, 184, 188	3430814	83
1001244045	85	1001245851.....	47, 49	1704260.....	93	3430816	83
1001244047	85	1001246444.....	196	1704277 ...	168, 172, 176, 180, 184, 188	3431212	19, 65
1001244092	87	1001246678.....	192	1703177.....	192	3431218	19
1001244093	87	1001246679.....	192	1703464.....	109, 111	3450302	19
1001244095	85, 87	1001246682.....	192	1703813.....	168	3450303	65
1001244096	85, 87	1001246920.....	11	1703816.....	168	3450403	83
1001244144	70, 74	1001246921.....	11	1703819.....	93, 168, 172, 176, 180, 184, 188	3450505	19, 65
1001244298	176	1001247241.....	77	1704016 ...	168, 172, 176, 180, 184, 188	3520072	85, 87, 89
1001244301	176	1001247242.....	77	1704260.....	93	3740150	51, 53, 194
1001244338 ...	57, 59, 61, 63	1001247242.....	77	1704277 ...	168, 172, 176, 180, 184, 188	3760115	70, 74
1001244339 ...	57, 59, 61, 63	1001247243.....	77	1704340.....	180	3760170	70, 74
1001244432	141, 145	1001247244.....	77	1704344.....	176	3760387	70, 74
1001244478 ...	27, 29, 31, 33	1001247245.....	77	1704412 ...	168, 172, 176, 180, 184, 188	3841143	70, 74
1001244598	23	1001247246.....	77	1704684.....	180	3860111	85, 87
1001244599	31	1001247296.....	168, 172, 176, 180, 184, 188, 196	1705311.....	180	3910804	51, 53
1001244600	27	1001247297.....	192	1705311.....	180	4010308	35, 37
1001244603	25	1001247297.....	192	1705670.....	172, 184	4010408	91
1001244672	65	1001247300.....	192	1705686.....	168	4010608	85, 87, 89
1001244908	115, 117, 127	1001247301.....	168	1705723.....	180	4010616	85, 87
1001244909	111, 113, 119, 125	1001247302.....	188	1705754.....	192	4010617	89
1001244911	109	1001247303.....	176	1705781.....	192		
		1001247304.....	184	1705946.....	176		
		1001247305.....	172	1706057.....	188		
		1001247309.....	188	1706679.....	51, 53		
		1001247310.....	172	1707022.....	188		
		1001247311.....	176	2080040 ...	83, 85, 87, 89, 168, 172, 176, 180, 184, 188, 192		
		1001247344.....	192				
		1001247345.....	70, 74, 99				
		1001247346.....	192				
		1001247660.....	192				

PART NUMBER INDEX

4010618.....85, 87, 89	4460465 35, 37, 129, 130,	4461205 159, 161	70003686.....49
4031509.....93	133, 134, 139, 141,	4461244 159	70003690.....49
4031511.....19	143, 145, 147, 149	4461245 161	70003696.....49
4031512.....70, 74	4460466 ... 129, 133, 137,	4461246 163	70003734.....49
4031708.....13, 21	139, 141, 143, 145,	4461249 163	70004585.....99
4032010.....13	149, 151	4461257 111, 113	70005236.....99
4060803.....93	4460467 196	4461258 111, 113	70007074.....101
4060906.....93	4460496 93	4711700 93	70007075.....101
4160078.....70, 74	4460497 93	4711800 83	70007076.....101
4160202.....19	4460510 196	4740438 70, 74	70007077.....101
4160214.....65	4460539 ... 130, 134, 143,	4740531 70, 74	70007118.....101
4240017 13, 23, 25, 27,	145, 149	4750800 93	70007120.....49
29, 31, 33, 51, 53, 57,	4460662 ... 115, 117, 119,	4811400 ... 70, 74, 91, 93,	70007121.....49
59, 61, 63, 70, 74, 109,	153	109, 111, 113, 115,	70007122.....49
111, 113, 115, 117,	4460670 129, 133, 137	117, 119, 121	70007123.....49
119, 121, 123, 139,	4460754 ... 139, 141, 143,	4811600 27, 29, 31, 33	70007124.....49
141, 143, 145	145	4811700 ... 23, 25, 27, 29,	70007125.....49
4240018.....105	4460761 130, 134	31, 33, 37, 39, 51, 53,	70007126.....49
4240147.....19	4460871 137	70, 74, 85, 87, 89, 91,	70007127.....49
4360328.....51, 53, 194	4460873 137	93, 111, 113, 115, 117,	70007128.....49
4360345.....93, 194	4460877 129, 133	119	70007130.....99
4360469.....51, 53, 194	4460884 ... 129, 134, 149	4811900 ... 11, 13, 19, 43,	70007131.....99
4360475...51, 53, 93, 194	4460891 35, 37, 129, 133,	65, 81, 83, 85, 87, 89,	70007132.....99
4420051.....192	143, 145, 147, 149	93, 105	70007133.....99
4420062.....85, 87, 89, 93	4460894 ... 129, 133, 139,	4811902 19, 89, 91	70007134.....99
4460042.....129, 134	141, 143, 145	4812000 ... 11, 13, 19, 41,	70007135.....99
4460115.....129, 133	4460897 37, 39, 129, 133,	47, 65, 70, 74, 77, 83	70007137.....99
4460138.....109	137, 147	4812002 83	70007138.....99
4460183.....129, 133, 151	4460899 ... 139, 141, 143,	4812100 65	7002821.....196
4460226.....129, 133	145	4812500 13, 19	7002822.....196
4460227.23, 25, 130, 134	4460905 137	4846757 11	7002823.....196
4460247.....129, 134	4460933 129, 133	5241000 65, 83	7002826.....196
4460259.....129, 133	4460943 ... 137, 139, 141,	5260600 105	7004275.....196
4460260.....129, 133	143, 145	70000082 95	7004276.....196
4460265.....151	4460944 ... 129, 133, 139,	70000084 95	7016654.....196
4460267.....151	141, 143, 145	70000683 95	7020175.....51, 53, 93
4460315.....109, 121	4460956 125	70000684 95	7020176.....51, 53, 93
4460320.....129, 133	4460957 125	70000685 95	7027365.....95
4460346.....153	4460968 121	70000686 95	7027367.....95
4460418.....129, 133, 151	4460970 149	70001250 95	7027765.....95
4460419.....129, 133	4461016 151	70001251 95	7027766.....95
4460424.....23, 25	4461023 129, 133	70001252 95	8229234.....137, 194
4460464 37, 39, 129, 133,	4461196 155	70001253 95	8896941.....196
137, 139, 141, 143,	4461198 155	70003636 99, 101	8990147.... 168, 172, 176,
145, 147, 149, 151	4461199 157	70003650 95	180, 184, 188
	4461201 157	70003685 49	

PARTS FINDER

**Search Website
by Part Number**



**Search Manual
Library For Parts
Manual & Lookup Part
Numbers – Purchase
or Request Quote**

**Can't Find Part or
Manual? Request Help
by Manufacturer,
Model & Description**

Discount-Equipment.com is your online resource for quality parts & equipment.

Florida: **561-964-4949** Outside Florida TOLL FREE: **877-690-3101**

Need parts?

Click on this link: <http://www.discount-equipment.com/category/5443-parts/> and choose one of the options to help get the right parts and equipment you are looking for. Please have the machine model and serial number available in order to help us get you the correct parts. If you don't find the part on the website or on one of the online manuals, please fill out the request form and one of our experienced staff members will get back to you with a quote for the right part that your machine needs.

We sell worldwide for the brands: Genie, Terex, JLG, MultiQuip, Mikasa, Essick, Whiteman, Mayco, Toro Stone, Diamond Products, Generac Magnum, Airman, Haulotte, Barreto, Power Blanket, Nifty Lift, Atlas Copco, Chicago Pneumatic, Allmand, Miller Curber, Skyjack, Lull, Skytrak, Tsurumi, Husquvarna Target, Stow, Wacker, Sakai, Mi-T-M, Sullair, Basic, Dynapac, MBW, Weber, Bartell, Bennar Newman, Haulotte, Ditch Runner, Menegotti, Morrison, Contec, Buddy, Crown, Edco, Wyco, Bomag, Laymor, EZ Trench, Bil-Jax, F.S. Curtis, Gehl Pavers, Heli, Honda, ICS/PowerGrit, IHI, Partner, Imer, Clipper, MMD, Koshin, Rice, CH&E, General Equipment, Amida, Coleman, NAC, Gradall, Square Shooter, Kent, Stanley, Tamco, Toku, Hatz, Kohler, Robin, Wisconsin, Northrock, Oztec, Toker TK, Rol-Air, APT, Wylie, Ingersoll Rand / Doosan, Innovatech, Con X, Ammann, Mecalac, Makinex, Smith Surface Prep, Small Line, Wanco, Yanmar