



---

# Illustrated Parts Manual

**Model  
4045R**

**P/N  
3121753**

November 16, 2018 - Rev F

**ANSI**



**AS/NZS**



An Oshkosh Corporation Company

# PARTS FINDER

**Search Website  
by Part Number**



**Search Manual  
Library For Parts  
Manual & Lookup Part  
Numbers – Purchase  
or Request Quote**

**Can't Find Part or  
Manual? Request Help  
by Manufacturer,  
Model & Description**

Discount-Equipment.com is your online resource for quality parts & equipment.

Florida: **561-964-4949** Outside Florida TOLL FREE: **877-690-3101**

## Need parts?

Click on this link: <http://www.discount-equipment.com/category/5443-parts/> and choose one of the options to help get the right parts and equipment you are looking for. Please have the machine model and serial number available in order to help us get you the correct parts. If you don't find the part on the website or on one of the online manuals, please fill out the request form and one of our experienced staff members will get back to you with a quote for the right part that your machine needs.

We sell worldwide for the brands: Genie, Terex, JLG, MultiQuip, Mikasa, Essick, Whiteman, Mayco, Toro Stone, Diamond Products, Generac Magnum, Airman, Haulotte, Barreto, Power Blanket, Nifty Lift, Atlas Copco, Chicago Pneumatic, Allmand, Miller Curber, Skyjack, Lull, Skytrak, Tsurumi, Husquvarna Target, Stow, Wacker, Sakai, Mi-T-M, Sullair, Basic, Dynapac, MBW, Weber, Bartell, Bennar Newman, Haulotte, Ditch Runner, Menegotti, Morrison, Contec, Buddy, Crown, Edco, Wyco, Bomag, Laymor, EZ Trench, Bil-Jax, F.S. Curtis, Gehl Pavers, Heli, Honda, ICS/PowerGrit, IHI, Partner, Imer, Clipper, MMD, Koshin, Rice, CH&E, General Equipment, Amida, Coleman, NAC, Gradall, Square Shooter, Kent, Stanley, Tamco, Toku, Hatz, Kohler, Robin, Wisconsin, Northrock, Oztec, Toker TK, Rol-Air, APT, Wylie, Ingersoll Rand / Doosan, Innovatech, Con X, Ammann, Mecalac, Makinex, Smith Surface Prep, Small Line, Wanco, Yanmar



## REVISION LOG

### NOTES:

NOTE: Country of Assembly - The R Scissor Lifts are assembled by JLG Industries in the following countries: USA, China and Mexico. Refer to the Serial Number Tag to identify the country of assembly. R Scissors assembled in USA will have a serial number prefix of 02 (i.e. 02XXXXXXXX). R Scissors manufactured in China will have a serial number prefix of B2 (i.e. B2XXXXXXXX). R Scissors manufactured in Mexico will have a serial number prefix of M2 (i.e. M2XXXXXXXX).

### REVISION LOG:

April 24, 2017 - A - Original Issue of Manual (1001212500 Rev B, 1001223183 Rev B & 1001223928 Rev B) (Revision 2)

July 14, 2017 - B - Revised Manual (1001212500 Rev E & 1001227279 Rev B) (Revision 2)

November 30, 2017 - C - Revised Manual (1001212500 Rev E & 1001227279 Rev B) (Revision 1)

March 15, 2018 - D - Revised Manual (1001212500 Rev E & 1001227279 Rev B) (Revision 3)

July 23, 2018 - E - Revised Manual (1001212500 Rev E & 1001227279 Rev B) (Revision 1)

November 16, 2018 - F - Revised Manual (1001212500 Rev M & 1001227279 Rev S) (Revision 2)

# GENERAL INFORMATION

**SECTION 6 CYLINDER**

**FIGURE 6-3. LIFT CYLINDER ASSEMBLY**

PG#      Model Designation      Manual #

1      10

**SECTION 6 CYLINDER**

**FIGURE 6-3. LIFT CYLINDER ASSEMBLY**

ITEM #	PART NUMBER	QTY.	DESCRIPTION	REV.
	1001140104		LIFT CYLINDER ASSEMBLY	B
1	0100011	AFI	Compound, Locking	
2	0630535	3	Cap screw 1/4-20 x 1-1/8	
3	0791003	1	Screw #10-24 x 3/8	
4	0961897	1	Bushing, Tapered	
5	1320136	1	Clamp, Cable	
6	1663063	1	Head	
7	2220883	1	Plug, O-Ring	
8	2220885	2	Plug, O-Ring	
9	2220886	1	Plug, O-Ring	
10	3020039	AFI	Lubricant	
11	3480282	1	Piston	
12	3780371	1	Ring, Washer	
13	3931420	8	Cap screw 1/4-20 x 1-1/4	
14	3931824	8	Cap screw 1/2-13 x 1-1/2	
15	3931003	1	Set screw #10-24 x 3/8	
16	4100099	1	Spacer	
17	4640999	1	Cartridge, Holding Valve (Non Vented)	
17	2900792		Kit, Seal - 4640999 Cartridge Valve	
18	4641248	1	Cartridge, Counterclockwise Valve (Non Vented)	
18	70004186		Kit, Seal - 4641248 Cartridge Valve	
19	1001117391	1	Sensor, Cylinder Length	
20	1001118070	1	Cap, Retainer	
21	1001118064	1	Barrel	
21A	0981950	2	Bushing	
22	1001118066	1	Rod	
22A	0981950	2	Bushing	
100	1001139996	1	Kit, Seal (Includes Items 101-109)	
101	See Note	2	Ring, Wear (Note: Use p/n 1001139996)	
102	See Note	1	Ring, Back-Up (Note: Use p/n 1001139996)	
103	See Note	2	Ring, Lock (Note: Use p/n 1001139996)	
104	See Note	2	Ring, Back-Up (Note: Use p/n 1001139996)	
105	See Note	2	O-Ring (Note: Use p/n 1001139996)	
106	See Note	1	O-Ring (Note: Use p/n 1001139996)	
107	See Note	1	Seal (Note: Use p/n 1001139996)	
108	See Note	1	Wiper, Rod (Note: Use p/n 1001139996)	
109	See Note	2	Seal (Note: Use p/n 1001139996)	
200	1001110105	1	Kit, Sensor Magnet (Includes Items 201-203)	
201	See Note	NSS	Sleeve, Spacer (Note: Use p/n 1001110105)	
202	1001118066	1	Magnet, Sensor	
203	1001118069	1	Ring, Internal Retaining	

Manual #      Model Designation      PG#

1      10

## 1) MACHINE IDENTIFICATION

Machines are identified by model and in some cases a combination of models, serial number (SN) or regional standard (i.e. ANSI, CE, CSA). Components may also be identified by SN or manufacturer. Common components that may be identified by these characteristics are engines and hydraulic components.

## 2) PARTS MANUAL ORGANIZATION

Product information in this manual is organized under section titles. Frame, Cylinder, Hydraulic and Electrical are a few examples. Each section is organized by figure and page number. The information within the Figure is then organized by item number, part number, description and corresponding illustration(s).

## 3) TABLE OF CONTENTS

A table of contents is found toward the beginning of the manual. Figure number, description and page number are provided for quick reference to the page containing the related information.

## 4) RECOMMENDED SPARE PARTS

The Recommended Spare Parts, located near the end of the manual, reference most frequently used maintenance parts.

## 5) PART NUMBER INDEX

A numerical index listing all part numbers and the corresponding page number(s) appears at the back of the manual.



## GENERAL INFORMATION

### 6) NON-SERVICED PARTS

In some instances, it is necessary to display non-serviced parts, assemblies or installations. In the case of assemblies and installations there will be a Ref in the Qty column. In case of parts that are not available for service within assemblies or components, there will be a NSS (Not Sold Separately) or NLA (No Longer Available) listed in the Qty. column of the manual.

### 7) PARTS LIST ITEM NUMBERS

Numbers shown in the item# column correspond to numbers used in the associated illustration (s). Item numbers which are missing from the sequence in the parts list are not used on that page

### 8) INDENTED PARTS DESCRIPTION

An indented part description is included in the item under which it is indented.

### 9) ABBREVIATION AND SYMBOLS

AC.....	Alternating Current	LCD.....	Liquid Crystal Display
ADE.....	Advanced Design Electronics	LED.....	Light Emitting Diodes
ANSI.....	American National Standards Institute	LH.....	Left Hand
AR.....	As Required	LSS.....	Load Sensing System
ASSY.....	Assembly	M(m).....	Metric/Meter
AUX.....	Auxiliary	MM (mm).....	Millimeter
AWG.....	American Wire Gauge	mA.....	Miliamps
B/M.....	Bill of Material	NLA.....	No Longer Available
CE.....	European Conformity	NPT.....	National Pipe Threads
CCW.....	Counter Clockwise	NSS.....	Not Sold Separately
cm.....	Centimeter	OD.....	Outside Diameter
CW.....	Clockwise	ORB.....	O-Ring Boss
CSA.....	Canadian Standards Association	ORFS.....	O-Ring Face Seal
CYL.....	Cylinder	OZ (oz).....	Ounces
DIA.....	Diameter	PG.....	Page
DC.....	Direct Current	P/N.....	Part Number
EMS.....	Emergency Stop	qt.....	Quarts
ENG.....	Engine	QTY.....	Quantity
FT (ft).....	Feet	REF.....	Reference
GA (Ga).....	Gauge	REV.....	Revision Level
HYD.....	Hydraulic	RH.....	Right Hand
HZ.....	Hertz	SAE.....	Society of Automotive Engineers
ID.....	Inside Diameter	SN.....	Serial Number
in.....	inches	SPEC(S).....	Specifications
ISO.....	International Organization for Standards	T/T.....	Turntable
JIC.....	Joint Industry Council	UGM.....	Universal Ground Module
KG.....	Kilogram	V.....	Volts
L.....	Liter	W.....	Watts
LB.....	Pounds	#.....	Number

### 10) ILLUSTRATION REFERENCE LETTERS

When necessary, illustrations may contain reference letters that are intended to track information (i. e. hoses, harnesses) from one point to another or to track visual enlargement of components to show details that may be located in another area on the illustration.

*Note: Due to continuous product improvements, JLG Industries, Inc. reserves the right to make specification changes without prior notification.*



# TABLE OF CONTENTS

SECTION 1 - FRAME.....	11
FIGURE 1-1. STEER INSTALLATION.....	12
FIGURE 1-2. DRIVE/BRAKE INSTALLATION .....	14
FIGURE 1-3. DRIVE MOTOR ASSEMBLY .....	16
FIGURE 1-4. TIRE AND WHEEL INSTALLATION .....	18
FIGURE 1-5. POTHOLE PROTECTION SYSTEM INSTALLATION .....	20
FIGURE 1-6. TILT SENSOR INSTALLATION .....	22
FIGURE 1-7. BATTERY CHARGER INSTALLATION - DELTA-Q (LOCALLY SUPPLIED PLUG).....	24
FIGURE 1-8. BATTERY CHARGER INSTALLATION - DELTA-Q (110V PLUG).....	26
FIGURE 1-9. BATTERY CHARGER INSTALLATION - DELTA-Q (AUSTRALIAN PLUG).....	28
FIGURE 1-10. BATTERY CHARGER INSTALLATION - DELTA-Q (KOREAN PLUG) .....	30
FIGURE 1-11. BATTERY CHARGER INSTALLATION - EAGLE PERFORMANCE (110V PLUG).....	32
FIGURE 1-12. BATTERY CHARGER INSTALLATION - GREEN POWER (LOCALLY SUPPLIED PLUG).....	34
FIGURE 1-13. BATTERY CHARGER INSTALLATION - GREEN POWER (CHINA PLUG).....	36
FIGURE 1-14. STROBE LIGHT INSTALLATION - SINGLE ECCO BRAND (AMBER) (WITHOUT GUARD) .....	38
FIGURE 1-15. STROBE LIGHT INSTALLATION - SINGLE SAMMOON BRAND (WITHOUT GUARD).....	40
FIGURE 1-16. STROBE LIGHT INSTALLATION - SINGLE SLIM (AMBER) (WITHOUT GUARD).....	42
FIGURE 1-17. STROBE LIGHT INSTALLATION - SINGLE ECCO BRAND (AMBER) (WITH GUARD).....	44
FIGURE 1-18. STROBE LIGHT INSTALLATION - SINGLE SAMMOON BRAND (WITH GUARD) .....	46
FIGURE 1-19. STROBE LIGHT INSTALLATION - SINGLE SLIM (AMBER) (WITH GUARD) .....	48
FIGURE 1-20. STROBE LIGHT INSTALLATION - DUAL ECCO BRAND (AMBER) (WITHOUT GUARD).....	50
FIGURE 1-21. STROBE LIGHT INSTALLATION - DUAL SAMMOON BRAND (WITHOUT GUARD) .....	52
FIGURE 1-22. STROBE LIGHT INSTALLATION - DUAL SLIM (AMBER) (WITHOUT GUARD) .....	54
FIGURE 1-23. STROBE LIGHT INSTALLATION - DUAL ECCO BRAND (AMBER) (WITH GUARD) .....	56
FIGURE 1-24. STROBE LIGHT INSTALLATION - DUAL SAMMOON BRAND (WITH GUARD).....	58
FIGURE 1-25. STROBE LIGHT INSTALLATION - DUAL SLIM (AMBER) (WITH GUARD).....	60
FIGURE 1-26. ALARM INSTALLATION (AMBIENT/WHITE NOISE) .....	62
FIGURE 1-27. LADDER INSTALLATION .....	64
SECTION 2 - GROUND CONTROLS .....	67
FIGURE 2-1. HYDRAULIC COMPONENTS INSTALLATION .....	68
FIGURE 2-2. VALVE ASSEMBLY .....	70
FIGURE 2-3. ELECTRICAL COMPONENTS INSTALLATION (CHINA BUILT MACHINES) .....	72
FIGURE 2-4. ELECTRICAL COMPONENTS INSTALLATION (USA & MEXICO BUILT MACHINES).....	74
FIGURE 2-5. MDI INSTALLATION .....	76
FIGURE 2-6. BATTERIES INSTALLATION - STANDARD 12V-150AH .....	78
FIGURE 2-7. BATTERIES INSTALLATION - STANDARD 12V-185AH .....	80
FIGURE 2-8. BATTERIES INSTALLATION - AGM 12V-150AH .....	82
FIGURE 2-9. INVERTER INSTALLATION (OPTIONAL) .....	84
FIGURE 2-10. DOORS INSTALLATION .....	86
SECTION 3 - SCISSORS ARMS .....	89
FIGURE 3-1. SCISSORS ARMS INSTALLATION .....	90
FIGURE 3-2. ARM GUARD INSTALLATION.....	96
SECTION 4 - PLATFORM.....	99
FIGURE 4-1. PLATFORM INSTALLATION .....	100
FIGURE 4-2. PLATFORM EXTENSION INSTALLATION .....	102
FIGURE 4-3. RAILS INSTALLATION (SIDE BY SIDE) .....	104
FIGURE 4-4. RAILS INSTALLATION (TUBE IN TUBE) .....	106
FIGURE 4-5. EXTENSION HANDLES INSTALLATION (OPTIONAL).....	108
FIGURE 4-6. PLATFORM CONSOLE INSTALLATION.....	110
FIGURE 4-7. DRIVE/STEER CONTROLLER ASSEMBLY .....	114
FIGURE 4-8. ELECTRICIAN'S TREE INSTALLATION (OPTIONAL).....	116
FIGURE 4-9. PANEL CARRIER INSTALLATION (OPTIONAL) .....	118
FIGURE 4-10. PIPE RACKS INSTALLATION (SIDE BY SIDE RAILS) (OPTIONAL).....	120
FIGURE 4-11. PIPE RACKS INSTALLATION (TUBE IN TUBE RAILS) (OPTIONAL) .....	122
FIGURE 4-12. QUIK WELDER INSTALLATION (OPTIONAL) .....	124
FIGURE 4-13. VISE INSTALLATION (OPTIONAL).....	126
FIGURE 4-14. WORKSTATION INSTALLATION (OPTIONAL) .....	128
FIGURE 4-15. OVERHEAD PROTECTION INSTALLATION (KOREAN SPECS) .....	130



# TABLE OF CONTENTS

SECTION 5 - CYLINDER.....	133
FIGURE 5-1. LIFT CYLINDER ASSEMBLY - LOWER.....	134
FIGURE 5-2. LIFT CYLINDER ASSEMBLY - UPPER.....	136
FIGURE 5-3. STEER CYLINDER ASSEMBLY.....	138
SECTION 6 - HYDRAULIC.....	141
FIGURE 6-1. HYDRAULIC COMPONENTS INSTALLATION.....	142
SECTION 7 - ELECTRICAL.....	145
FIGURE 7-1. AC BOX AT PLATFORM INSTALLATION - 110V GFI (ALL SPECS EXCEPT AUSTRALIAN & CE SPECS).....	146
FIGURE 7-2. AC BOX AT PLATFORM INSTALLATION (AUSTRALIAN SPECS).....	148
FIGURE 7-3. AC BOX AT PLATFORM INSTALLATION - 110V IEC YELLOW (CE SPECS).....	150
FIGURE 7-4. AC BOX AT PLATFORM INSTALLATION - 220V IEC BLUE (CE SPECS).....	152
FIGURE 7-5. AC BOX AT PLATFORM INSTALLATION - 220V CEE7 POST GROUND (CE SPECS).....	154
FIGURE 7-6. AC BOX AT PLATFORM INSTALLATION - 220V CEE7 SIDE GROUND (CE SPECS).....	156
FIGURE 7-7. AC BOX AT PLATFORM INSTALLATION - 220V AFSINT 107 (CE SPECS).....	158
FIGURE 7-8. AC BOX AT PLATFORM INSTALLATION - 220V CHINA PLUG (CHINA SPECS).....	160
FIGURE 7-9. AC BOX AT PLATFORM INSTALLATION - 220V LOCALLY SUPPLIED COMPONENTS (ALL SPECS).....	162
FIGURE 7-10. BREAKER BOX KIT WITH 1 DOUBLE BREAKER.....	164
FIGURE 7-11. BREAKER BOX KIT WITH 3 BREAKERS.....	166
FIGURE 7-12. CHASSIS HARNESS.....	168
FIGURE 7-13. GROUND TO PLATFORM CABLE INSTALLATION - WITHOUT PLATFORM COIL CABLE (CHINA BUILT MACHINES).....	172
FIGURE 7-14. GROUND TO PLATFORM CABLE INSTALLATION - WITH PLATFORM COIL CABLE (CHINA BUILT MACHINES).....	174
FIGURE 7-15. GROUND TO PLATFORM CABLE INSTALLATION - WITHOUT PLATFORM COIL CABLE AND WITH FOOTSWITCH (CHINA BUILT MACHINES).....	176
FIGURE 7-16. GROUND TO PLATFORM CABLE INSTALLATION - WITH PLATFORM COIL CABLE & FOOTSWITCH (CHINA BUILT MACHINES).....	178
FIGURE 7-17. GROUND TO PLATFORM CABLE INSTALLATION - PLATFORM STRAIGHT CABLE ONLY (MEXICO BUILT MACHINES).....	180
FIGURE 7-18. GROUND TO PLATFORM CABLE INSTALLATION - PLATFORM COIL CABLE ONLY (MEXICO BUILT MACHINES).....	182
FIGURE 7-19. GROUND TO PLATFORM CABLE INSTALLATION - SCISSORS ARMS CABLE ONLY (MEXICO BUILT MACHINES).....	184
FIGURE 7-20. INVERTER HARNESS.....	186
FIGURE 7-21. LIFT DOWN HARNESS - LOWER.....	188
FIGURE 7-22. LIFT DOWN HARNESS - UPPER.....	190
FIGURE 7-23. LSS HARNESS.....	192
FIGURE 7-24. PLATFORM CONTROL BOX HARNESS.....	194
FIGURE 7-25. RECEPTACLE BOX KIT - 110V GFI.....	196
FIGURE 7-26. RECEPTACLE BOX KIT - 110V IEC YELLOW (CE SPEC).....	198
FIGURE 7-27. RECEPTACLE BOX KIT - 220V IEC BLUE (CE SPEC).....	200
FIGURE 7-28. RECEPTACLE BOX KIT - 220V CEE7 POST GROUND (CE SPEC).....	202
FIGURE 7-29. RECEPTACLE BOX KIT - 220V CEE7 SIDE GROUND (CE SPEC).....	204
FIGURE 7-30. RECEPTACLE BOX KIT - 220V AFSINT 107 (CE SPEC).....	206
FIGURE 7-31. RECEPTACLE & BREAKER ASSEMBLY (AUSTRALIAN SPECS).....	208
FIGURE 7-32. ELECTRICAL LAYOUT TEST.....	210
SECTION 8 - DECALS.....	213
FIGURE 8-1. DECAL INSTALLATION (ANSI SPECS).....	214
FIGURE 8-2. DECAL INSTALLATION (AUSTRALIAN SPECS).....	216
FIGURE 8-3. DECAL INSTALLATION (BRAZIL SPECS).....	218
FIGURE 8-4. DECAL INSTALLATION (CE SPECS).....	220
FIGURE 8-5. DECAL INSTALLATION (CHINA SPECS).....	222
FIGURE 8-6. DECAL INSTALLATION (CSA SPECS).....	224
FIGURE 8-7. DECAL INSTALLATION (KOREAN SPECS).....	226
FIGURE 8-8. DECAL INSTALLATION (LATIN AMERICAN SPECS).....	228
FIGURE 8-9. DECAL INSTALLATION - OPTIONS.....	230
SECTION 9 - RECOMMENDED SERVICE PARTS STOCK.....	233
FIGURE 9-1. RECOMMENDED SERVICE PARTS STOCK.....	234

## TABLE OF CONTENTS

SECTION 10 - SPECIAL OPTIONS.....	235
FIGURE 10-1. SPECIAL OPTIONS.....	236
PART NUMBER INDEX.....	239

Go to [Discount-Equipment.com](http://Discount-Equipment.com) to order your parts

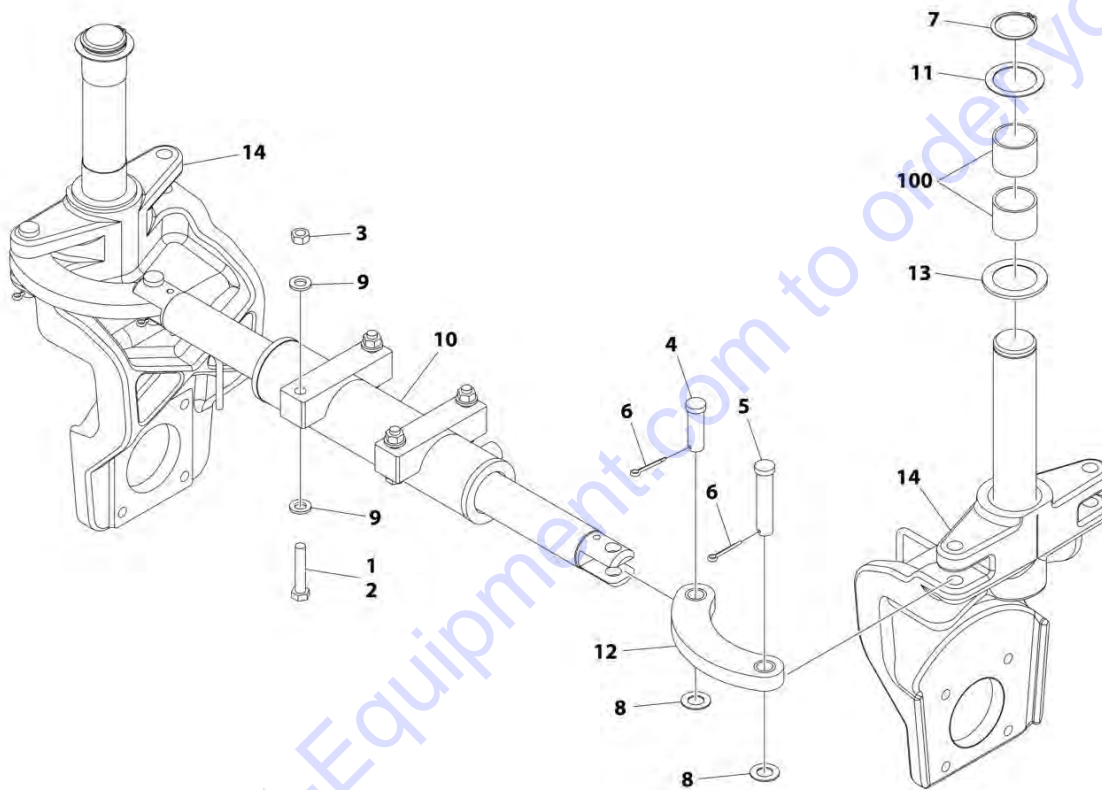


**SECTION 1 - FRAME**

Go to Discount-Equipment.com to order your parts

# SECTION 1 - FRAME

## FIGURE 1-1. STEER INSTALLATION



ART\_1001213926

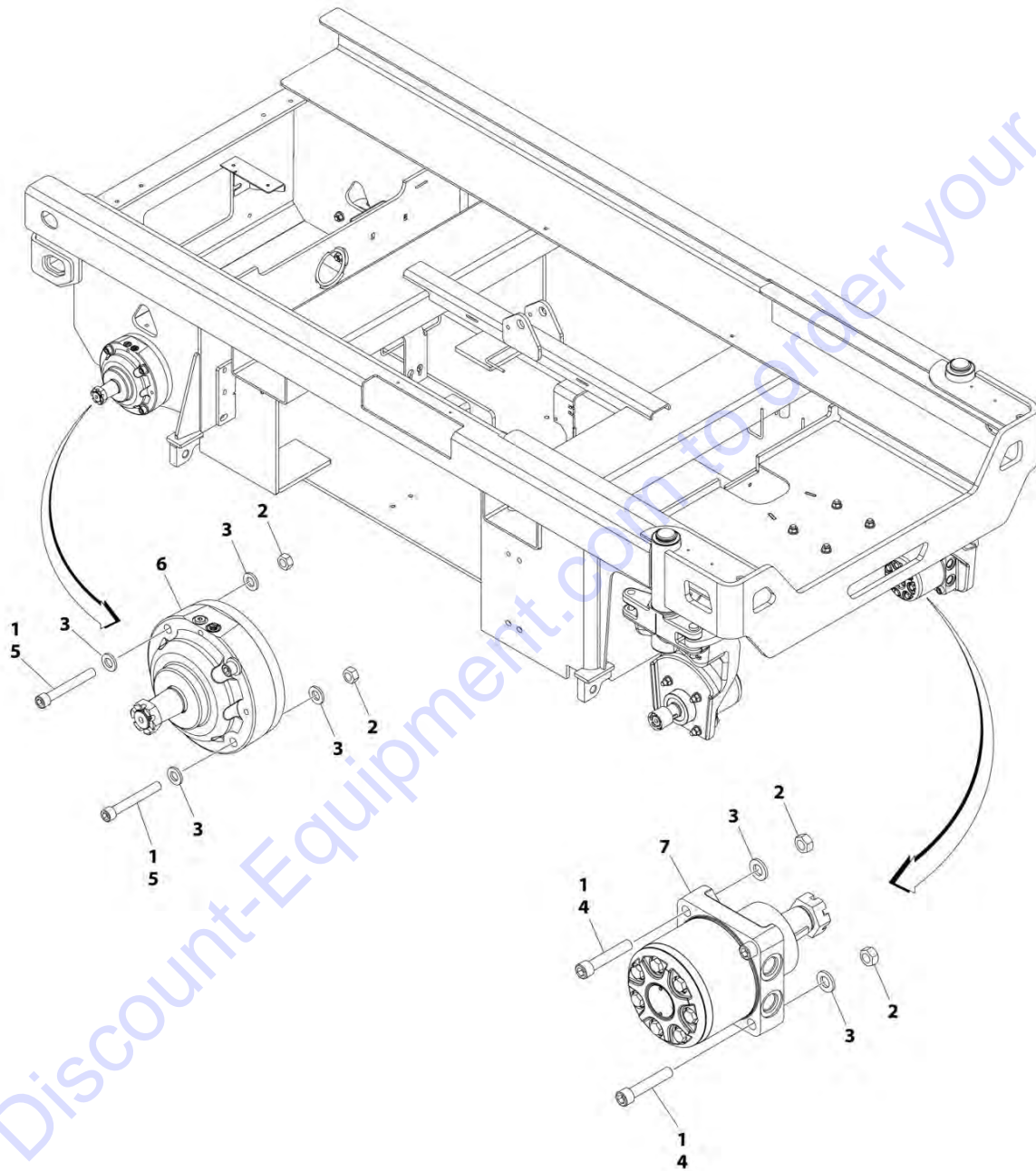


FIGURE 1-1. STEER INSTALLATION

ITEM	PART NUMBER	QTY	DESCRIPTION	REV
	1001213926	Ref	STEER INSTALLATION	A
1	0100011	AR	Compound, Locking	
2	0711221	4	Bolt M12 x 65	
3	3331211	4	Nut M12	
4	3431218	2	Pin	
5	3431228	2	Pin	
6	3450505	4	Pin, 5/32 x 1/2	
7	3760217	2	Ring, Retaining	
8	4740086	4	Washer	
9	5241200	8	Washer M12	
10	1001163178	1	Steer Cylinder Assembly (See Separate Breakdown in CYLINDER SECTION)	
11	1001197396	2	Washer	
12	1001213747	2	Link	
13	1001214024	2	Washer	
14	1001214152	2	Spindle	
100	1001153785	4	Bearing (Part of Frame)	

# SECTION 1 - FRAME

## FIGURE 1-2. DRIVE/BRAKE INSTALLATION



ART\_1001213816

## SECTION 1 - FRAME

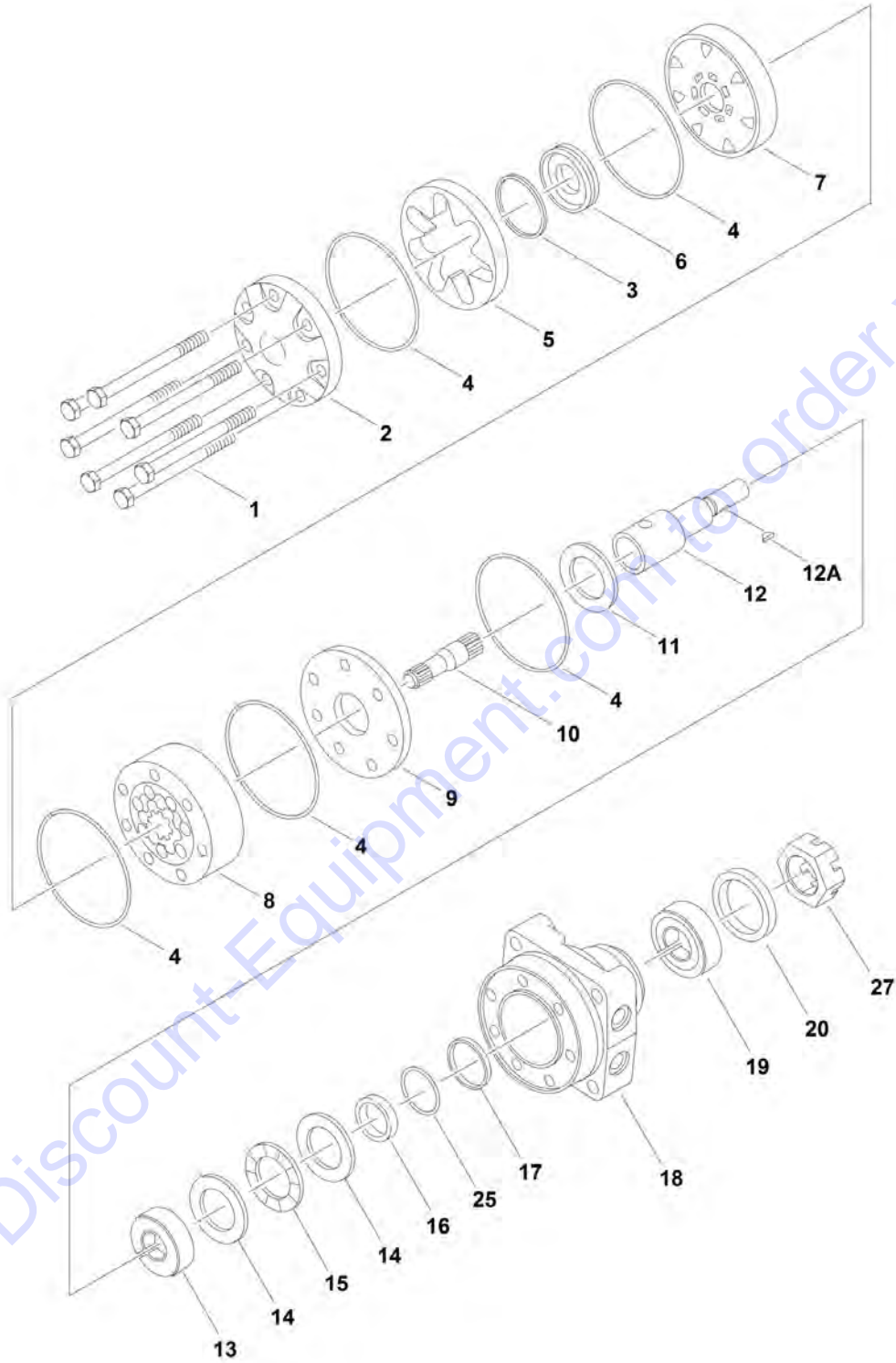
**FIGURE 1-2. DRIVE/BRAKE INSTALLATION**

ITEM	PART NUMBER	QTY	DESCRIPTION	REV
	1001213816	Ref	DRIVE/BRAKE INSTALLATION	A
1	0100011	AR	Compound, Locking	
2	3331211	16	Nut M12	
3	5241200	24	Washer M12	
4	5272120	8	Capscrew M12 x 80	
5	5272122	8	Capscrew M12 x 90	
6	1001202773	2	Drive Brake Assembly (Note: No Internal Service Parts Available.)	
6	70005918	1	Key, Shaft	
6	70005919	1	Nut 1-1/8	
7	1001213264	2	Drive Motor Assembly (See Separate Breakdown in this Section)	

Go to Discount-Equipment.com to order your parts

# SECTION 1 - FRAME

## FIGURE 1-3. DRIVE MOTOR ASSEMBLY



ART\_1001213264

## SECTION 1 - FRAME

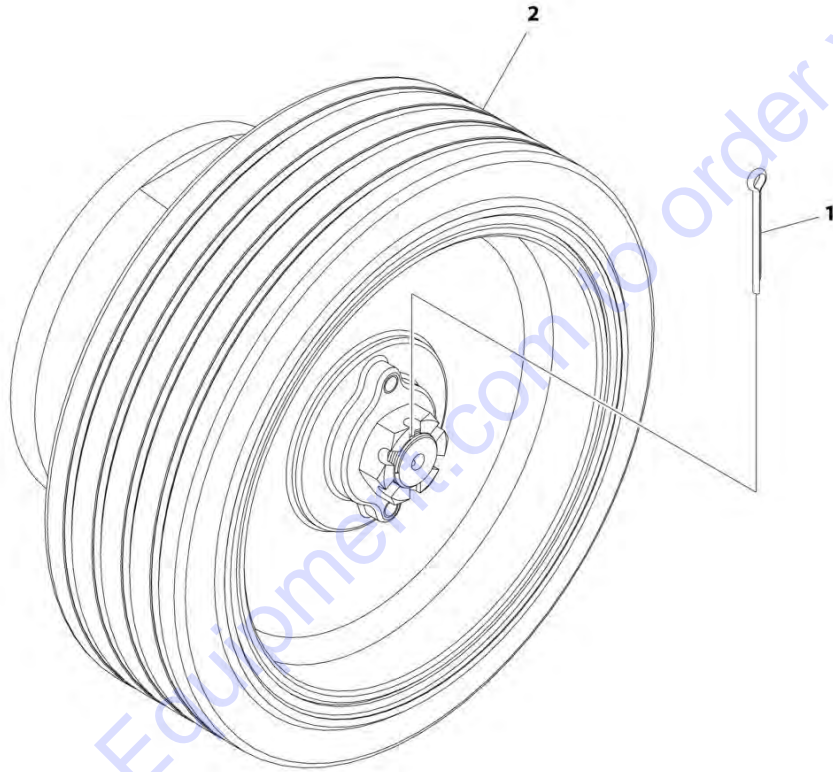
**FIGURE 1-3. DRIVE MOTOR ASSEMBLY**

ITEM	PART NUMBER	QTY	DESCRIPTION	REV
	1001213264	Ref	DRIVE MOTOR ASSEMBLY	B
1	7023329	7	Bolt	
2	7023328	1	Cover	
3	7023318	1	Seal, Commutator	
4	7023310	5	Ring, Seal	
5	7023315	1	Commutator (Includes Item 6)	
6	See Note	NSS	Ring, Commutator (Use p/n 7023315)	
7	70005812	1	Manifold	
8	70006245	1	Rotor Set	
9	7023311	1	Plate, Wear	
10	70006244	1	Link, Drive	
11	7023308	1	Bearing, Thrust	
12	70005813	1	Shaft	
12A	7023324	1	Key, Shaft (Supplied with Shaft)	
12A	7026179	1	Key, Shaft (Supplied Individually)	
13	7026174	1	Bearing, Inner	
14	7006724	2	Thrustwasher	
15	7023407	1	Bearing, Thrust	
16	7006725	1	Seal	
17	7023321	1	Washer, Backup	
18	See Note	NSS	Housing (Note: Use p/n 1001213264)	
19	7023408	1	Bearing, Outer	
20	7023319	1	Seal, Dirt and Water	
25	7023322	1	Washer, Backup	
27	70005807	1	Nut	



# SECTION 1 - FRAME

## FIGURE 1-4. TIRE AND WHEEL INSTALLATION



ART\_1001213928

**FIGURE 1-4. TIRE AND WHEEL INSTALLATION**

ITEM	PART NUMBER	QTY	DESCRIPTION	REV
	1001213928	Ref	TIRE AND WHEEL INSTALLATION	A
		Ref	Note: Must Replace Tire and Wheel Assemblies in pairs per axle.	
1	3450508	4	Pin, Cotter 5/32 x 2	
2	1001212187	4	Tire and Wheel	

Go to Discount-Equipment.com to order your parts

## SECTION 1 - FRAME

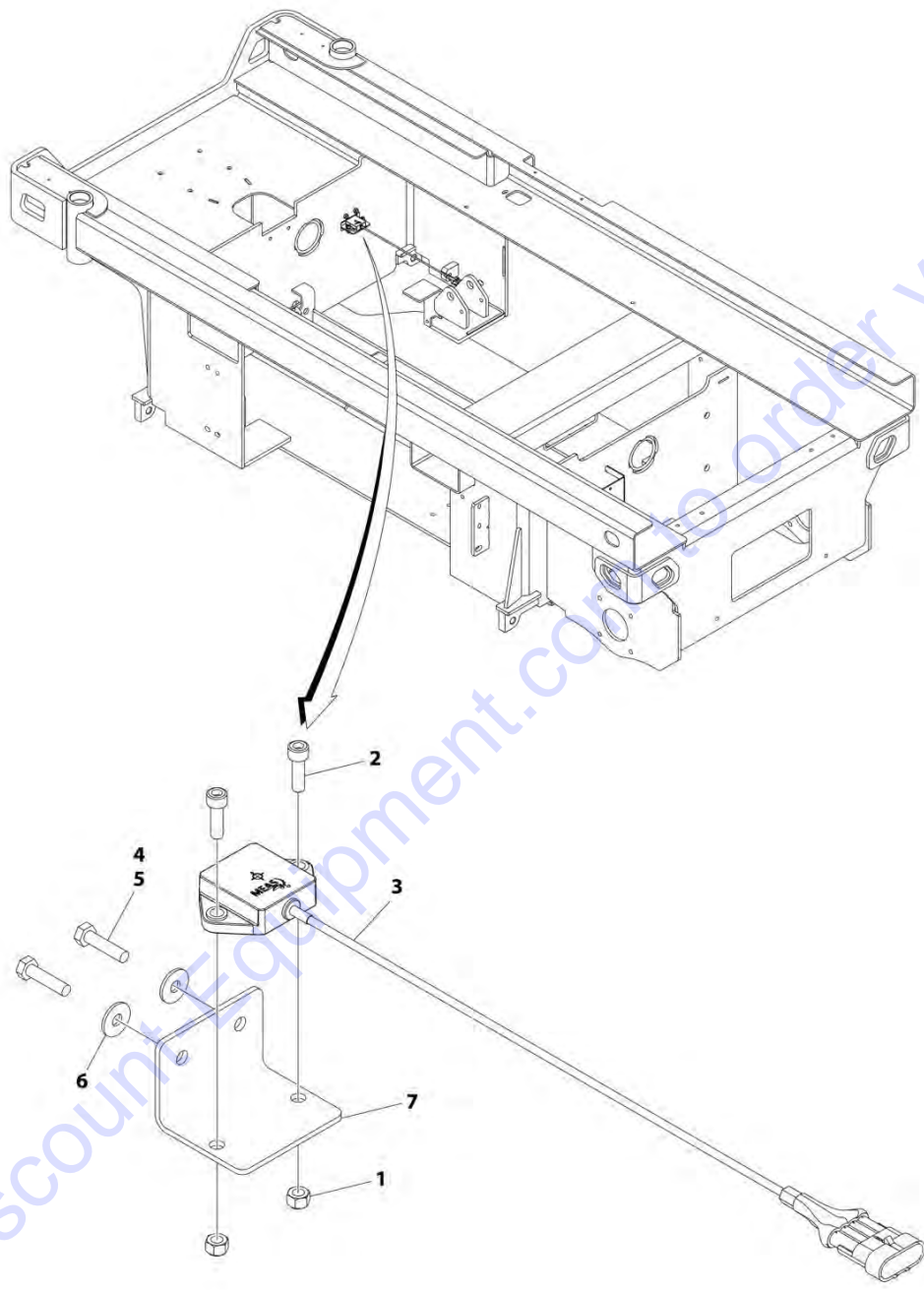
FIGURE 1-5. POTHOLE PROTECTION SYSTEM INSTALLATION

ITEM	PART NUMBER	QTY	DESCRIPTION	REV
	1001213590	Ref	POTHOLE PROTECTION SYSTEM INSTALLATION	G
1	0100011	AR	Compound, Locking	
3	0700815	2	Bolt M8 x 35	
4	0700823	1	Bolt M8 x 75	
5	3290405	2	Nut M4	
6	3290805	2	Nut M8	
7	3430636	1	Pin	
8	3431212	6	Pin	
9	3431218	4	Pin	
10	3450403	1	Pin 1/8 x 3/4	
11	3450505	10	Pin 5/32 x 1/2	
12	4031511	2	Capscrew M4 x 35	
13	4160202	1	Spring	
14	4811900	4	Washer M8	
15	4811902	2	Washer M8	
16	4812000	2	Washer M10	
17	4812500	10	Washer M20	
18	4240147	1	Strap, Anti-Static	
19	1001091102	2	Washer M4	
20	1001110302	1	Screw M12 x 35	
21	1001202987	1	Plate, Mounting	
22	1001203869	1	Bearing	
23	1001203870	6	Bearing	
24	1001203871	1	Switch, Limit	
25	1001203872	1	Washer	
26	1001213591	1	Bar (LH)	
27	1001213595	1	Bar (RH)	
28	1001213597	2	Plate, Pinion (Prior to SN 0200267774, Prior to SN B200049758)	
28	1001242587	2	Plate, Pinion (SN 0200267774 to Present, SN B200046758 to Present, SN M200000001 to Present)	
29	1001202999	4	Link	
30	1001214526	1	Actuator (Lower)	
31	1001214528	1	Actuator (Upper)	
32	1001214534	1	Pad	
33	1001215953	1	Bearing	
34	1001227855	1	Spring	
35	0700612	2	Bolt M6 x 25	
36	4811702	2	Washer M6	
37	1001218307	1	Plate, Sensor Mounting	
38	4740086	2	Washer	
39	3290801	1	Nut M8	



# SECTION 1 - FRAME

## FIGURE 1-6. TILT SENSOR INSTALLATION



ART\_1001214217



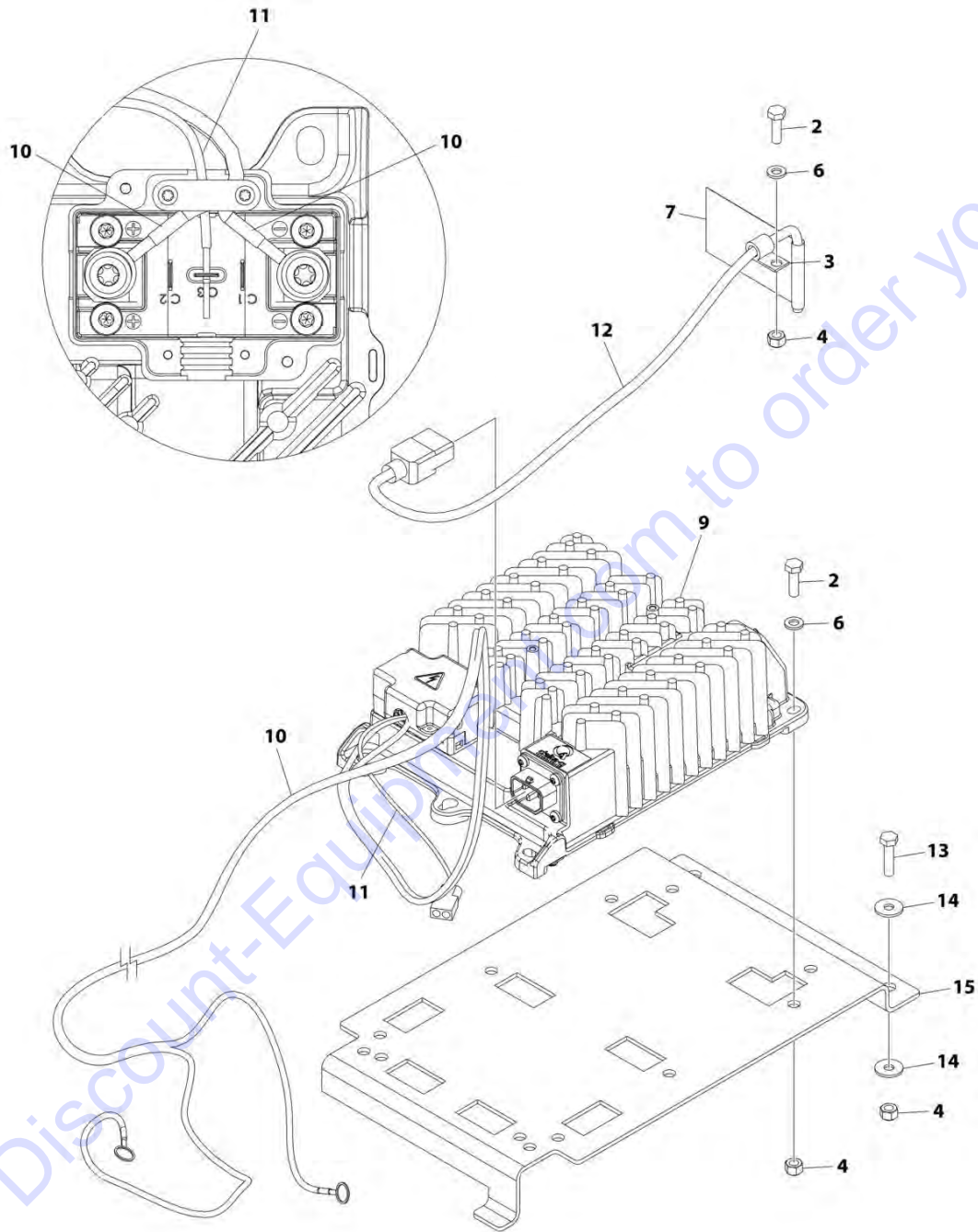
FIGURE 1-6. TILT SENSOR INSTALLATION

ITEM	PART NUMBER	QTY	DESCRIPTION	REV
	1001214217	Ref	TILT SENSOR INSTALLATION	B
1	3290605	2	Nut M6	
2	4031708	2	Capscrew M6 x 20	
3	1001186466	1	Sensor, Tilt	
4	0100011	AR	Compound, Locking	
5	0700612	2	Bolt M6 x 25	
6	4811702	2	Washer M6	
7	1001217059	1	Plate, Mounting	

Go to Discount-Equipment.com to order your parts

# SECTION 1 - FRAME

## FIGURE 1-7. BATTERY CHARGER INSTALLATION - DELTA-Q (LOCALLY SUPPLIED PLUG)



ART\_1001218851

## SECTION 1 - FRAME

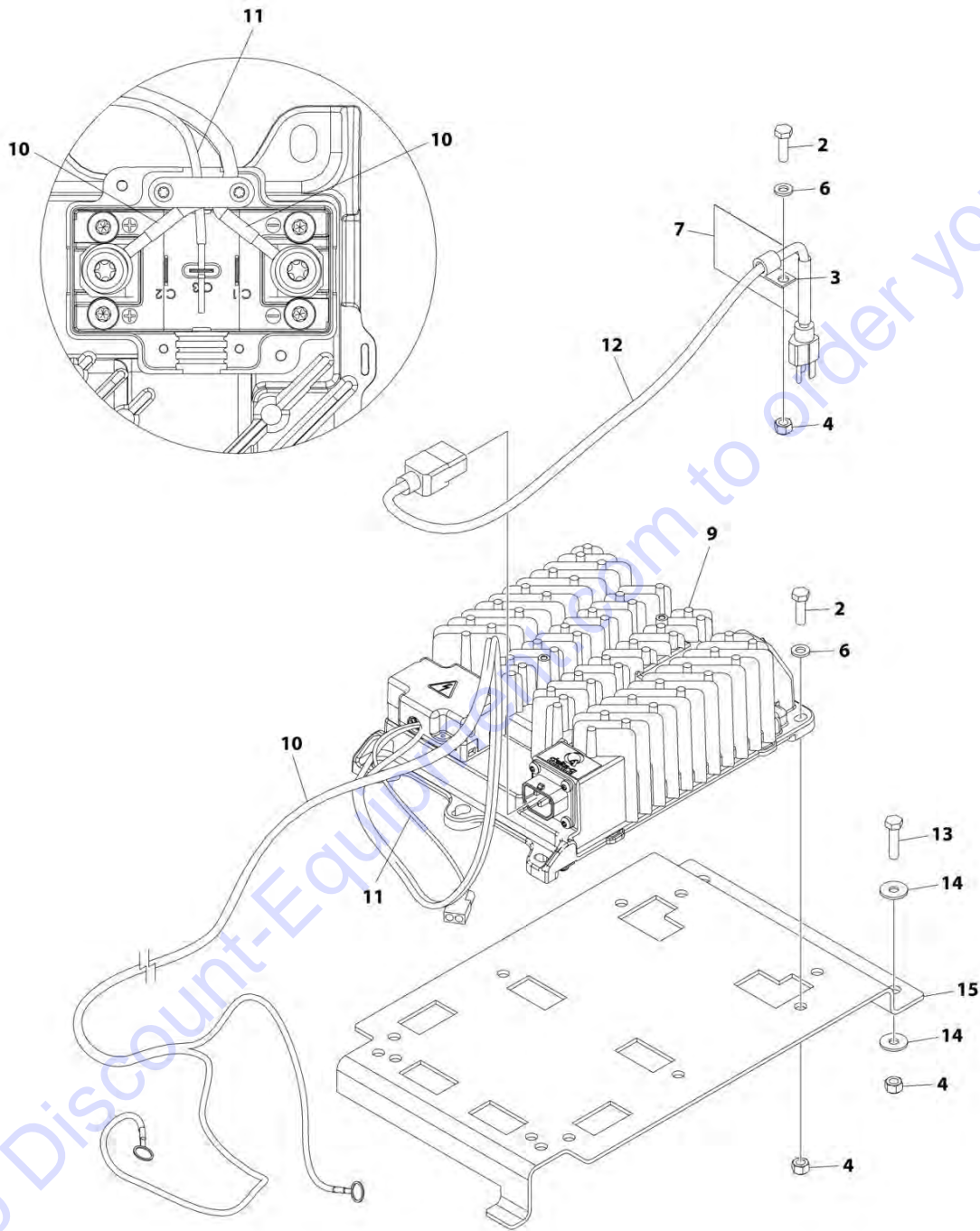
**FIGURE 1-7. BATTERY CHARGER INSTALLATION - DELTA-Q (LOCALLY SUPPLIED PLUG)**

ITEM	PART NUMBER	QTY	DESCRIPTION	REV
	1001218851	Ref	BATTERY CHARGER INSTALLATION - DELTA-Q (LOCALLY SUPPLIED PLUG)	C
2	0760610	5	Bolt M6 x 20	
3	1321293	1	Clamp	
4	3290605	7	Nut M6	
5	4240017	AR	Tie-Strap (Not Shown)	
6	4811700	5	Washer M6	
7	1001102489	1	Decal - Charger Label	
9	1001200561	1	Charger, Battery - Delta-Q	
10	1001215074	1	Battery Charger DC Harness	
11	1001207009	1	Charger Interlock Harness	
11	4460424	1	Receptacle, Female - 2 Position	
11	4460227	2	Pin, Male	
12	1001207974	1	Battery Charger to AC Connection Cable (Note: See SPECIAL OPTIONS for Korean Specs Cable)	
13	0760612	2	Bolt M6 x 25	
14	4811702	4	Washer M6	
15	1001214195	1	Bracket	

Go to Discount-Equipment.com to order your parts

# SECTION 1 - FRAME

## FIGURE 1-8. BATTERY CHARGER INSTALLATION - DELTA-Q (110V PLUG)



ART\_1001214214

## SECTION 1 - FRAME

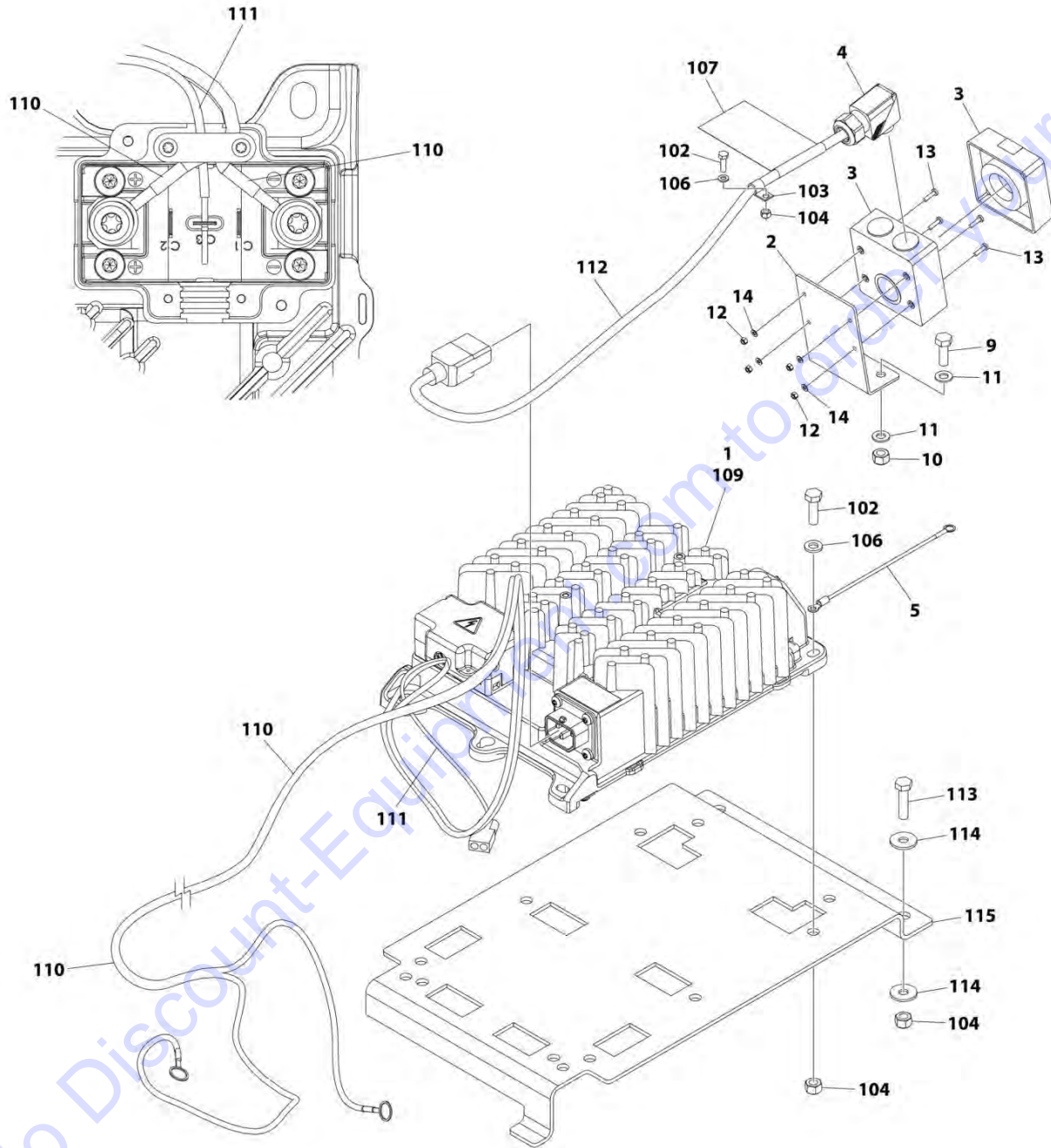
**FIGURE 1-8. BATTERY CHARGER INSTALLATION - DELTA-Q (110V PLUG)**

ITEM	PART NUMBER	QTY	DESCRIPTION	REV
	1001214214	Ref	BATTERY CHARGER INSTALLATION - DELTA-Q (110V PLUG)	C
2	0760610	5	Bolt M6 x 20	
3	1321293	1	Clamp	
4	3290605	7	Nut M6	
5	4240017	AR	Tie-Strap (Not Shown)	
6	4811700	5	Washer M6	
7	1001102489	1	Decal - Charger Label	
9	1001200561	1	Charger, Battery - Delta-Q	
10	1001215074	1	Battery Charger DC Harness	
11	1001207009	1	Charger Interlock Harness	
11	4460424	1	Receptacle, Female - 2 Position	
11	4460227	2	Pin, Male	
12	1001207920	1	Battery Charger to AC Connection Cable	
13	0760612	2	Bolt M6 x 25	
14	4811702	4	Washer M6	
15	1001214195	1	Bracket	

Go to Discount-Equipment.com to order your parts

# SECTION 1 - FRAME

## FIGURE 1-9. BATTERY CHARGER INSTALLATION - DELTA-Q (AUSTRALIAN PLUG)



ART\_1001244446

## SECTION 1 - FRAME

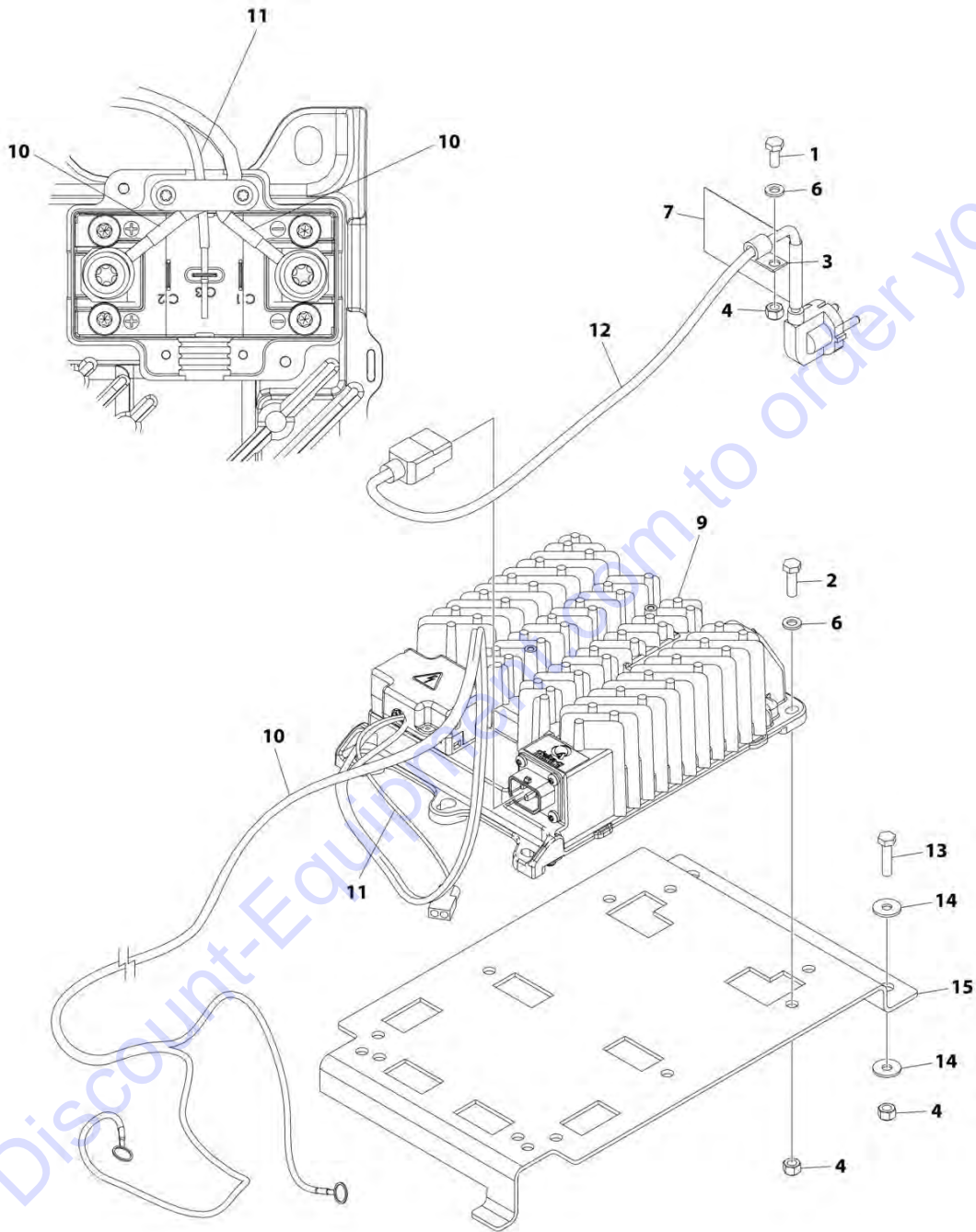
**FIGURE 1-9. BATTERY CHARGER INSTALLATION - DELTA-Q (AUSTRALIAN PLUG)**

ITEM	PART NUMBER	QTY	DESCRIPTION	REV
	1001244446	Ref	BATTERY CHARGER INSTALLATION - DELTA-Q (AUSTRALIAN PLUG)	A
1	1001218851	Ref	Battery Charger Installation (See Items 102-115 for Breakdown)	
2	1001234397	1	Bracket	
3	1001227267	1	Socket, Electrical - Australian	
4	1001245917	1	Connector, Strain Relief - 90	
5	1001227219	1	Harness, Ground	
9	0761014	2	Bolt M10 x 30	
10	3291005	2	Nut M10	
11	4812000	4	Washer M10	
12	3290405	4	Nut M4	
13	4010408	4	Screw M4 x 16	
14	4811400	4	Washer M4	
	1001218851	Ref	BATTERY CHARGER INSTALLATION - DELTA-Q	C
102	0760610	5	Bolt M6 x 20	
103	1321293	1	Clamp	
104	3290605	7	Nut M6	
105	4240017	AR	Tie-Strap (Not Shown)	
106	4811700	5	Washer M6	
107	1001102489	1	Decal - Charger Label	
109	1001200561	1	Charger, Battery - Delta-Q	
110	1001215074	1	Battery Charger DC Harness	
111	1001207009	1	Charger Interlock Harness	
111	4460424	1	Receptacle, Female - 2 Position	
111	4460227	2	Pin, Male	
112	1001207974	1	Battery Charger to AC Connection Cable	
113	0760612	2	Bolt M6 x 25	
114	4811702	4	Washer M6	
115	1001214195	1	Bracket	



# SECTION 1 - FRAME

FIGURE 1-10. BATTERY CHARGER INSTALLATION - DELTA-Q (KOREAN PLUG)



ART\_1001226422

## SECTION 1 - FRAME

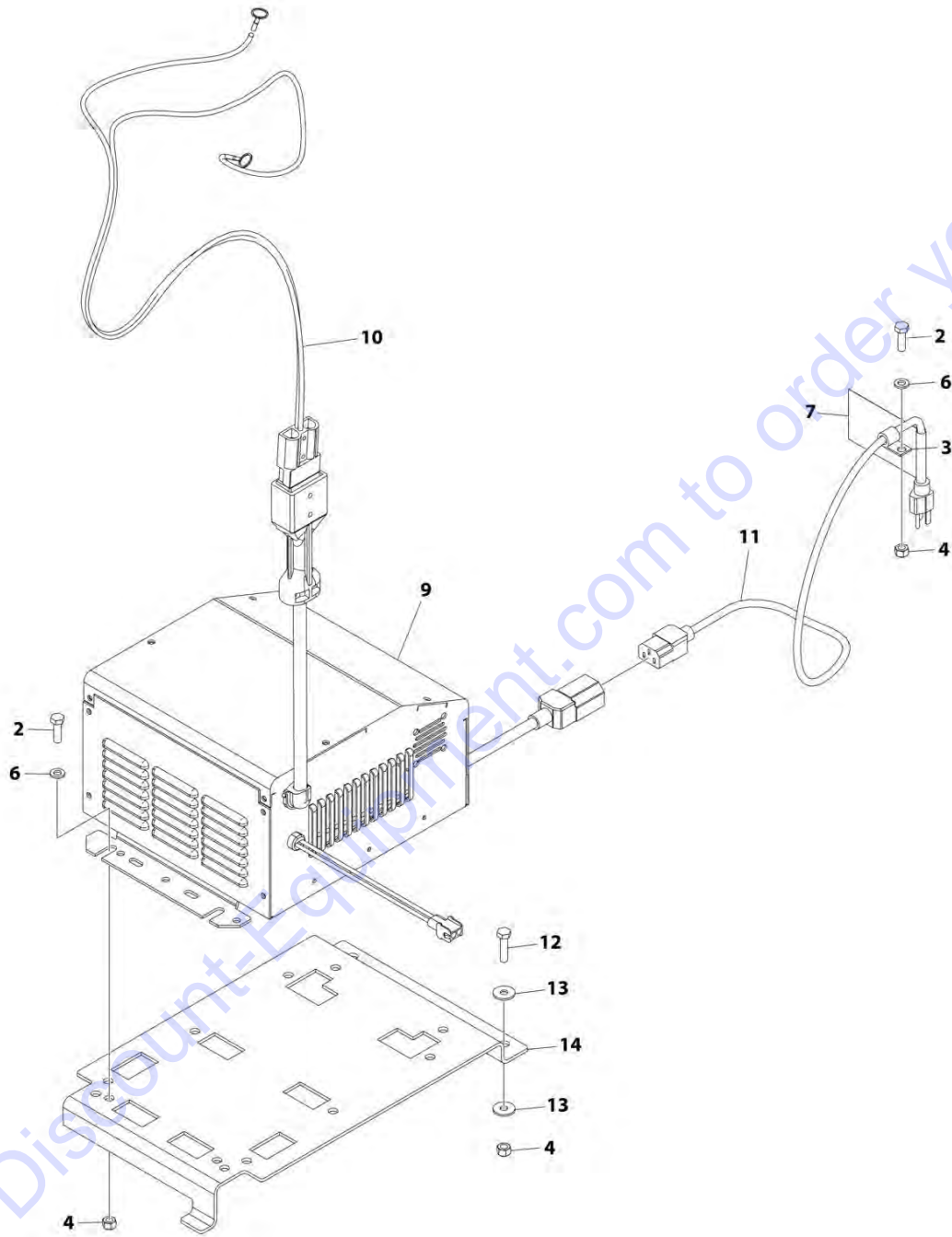
**FIGURE 1-10. BATTERY CHARGER INSTALLATION - DELTA-Q (KOREAN PLUG)**

ITEM	PART NUMBER	QTY	DESCRIPTION	REV
	1001226422	Ref	BATTERY CHARGER INSTALLATION - DELTA-Q (KOREAN PLUG)	A
1	0760607	1	Bolt M6 x 14	
2	0760610	4	Bolt M6 x 20	
3	1321293	1	Clamp	
4	3290605	7	Nut M6	
5	4240017	AR	Tie-Strap (Not Shown)	
6	4811700	5	Washer M6	
7	1001102489	1	Decal - Charger Label	
9	1001200561	1	Charger, Battery - Delta-Q	
10	1001215074	1	Battery Charger DC Harness	
11	1001207009	1	Charger Interlock Harness	
11	4460424	1	Receptacle, Female - 2 Position	
11	4460227	2	Pin, Male	
12	1001221949	1	Battery Charger to AC Connection Cable	
13	0760612	2	Bolt M6 x 25	
14	4811702	4	Washer M6	
15	1001214195	1	Bracket	

Go to Discount-Equipment.com to order your parts

# SECTION 1 - FRAME

## FIGURE 1-11. BATTERY CHARGER INSTALLATION - EAGLE PERFORMANCE (110V PLUG)



ART\_1001219077

## SECTION 1 - FRAME

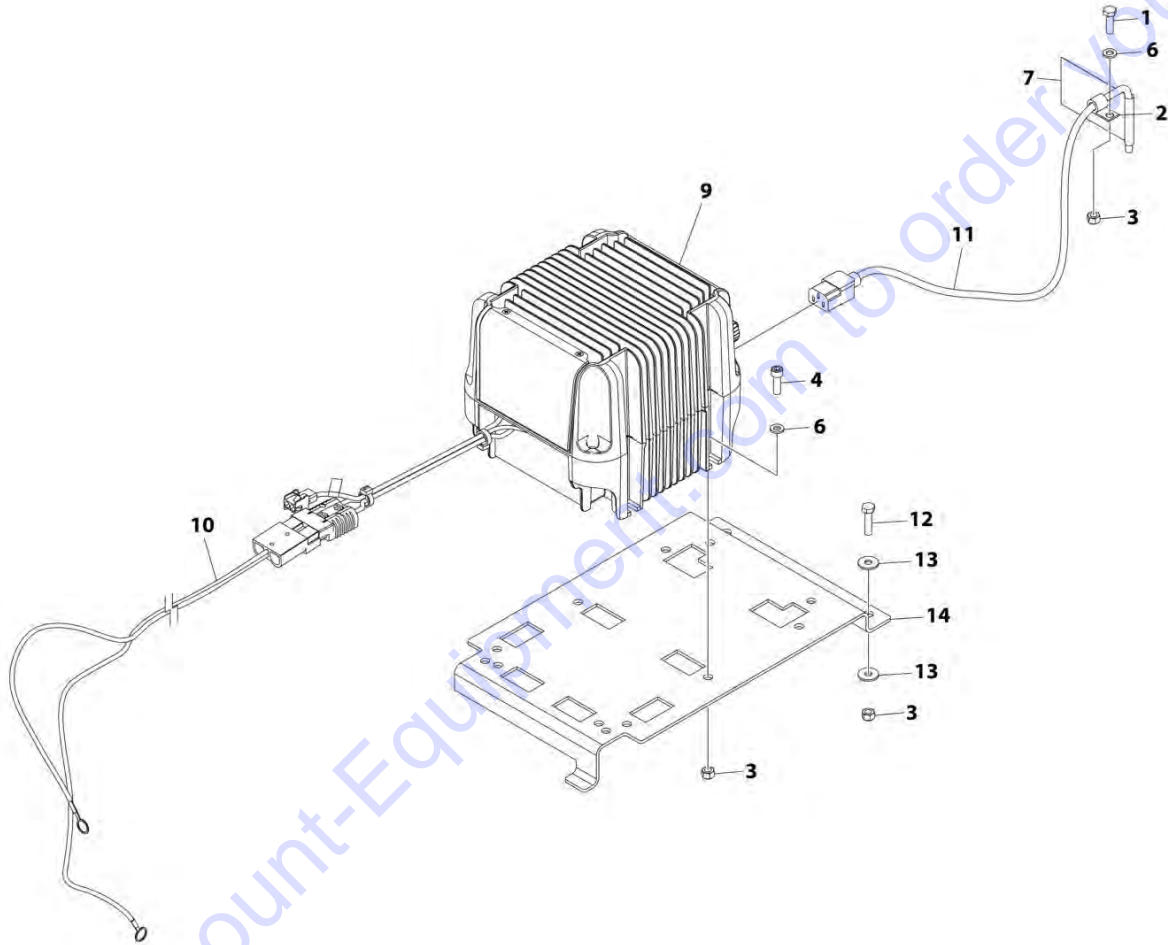
**FIGURE 1-11. BATTERY CHARGER INSTALLATION - EAGLE PERFORMANCE (110V PLUG)**

ITEM	PART NUMBER	QTY	DESCRIPTION	REV
	1001219077	Ref	BATTERY CHARGER INSTALLATION - EAGLE PERFORMANCE (110V PLUG)	C
2	0760610	5	Bolt M6 x 20	
3	1321293	1	Clamp	
4	3290605	7	Nut M6	
5	4240017	AR	Tie-Strap (Not Shown)	
6	4811700	5	Washer M6	
7	1001102489	1	Decal - Charger Label	
9	1001206995	1	Charger, Battery - Eagle Performance	
10	1001215075	1	Battery Charger DC Connection Harness	
11	1001207970	1	Battery Charger to AC Connection Cable	
12	0760612	2	Bolt M6 x 25	
13	4811702	4	Washer M6	
14	1001214195	1	Bracket	

Go to Discount-Equipment.com to order your parts

# SECTION 1 - FRAME

FIGURE 1-12. BATTERY CHARGER INSTALLATION - GREEN POWER (LOCALLY SUPPLIED PLUG)



ART\_1001218989

## SECTION 1 - FRAME

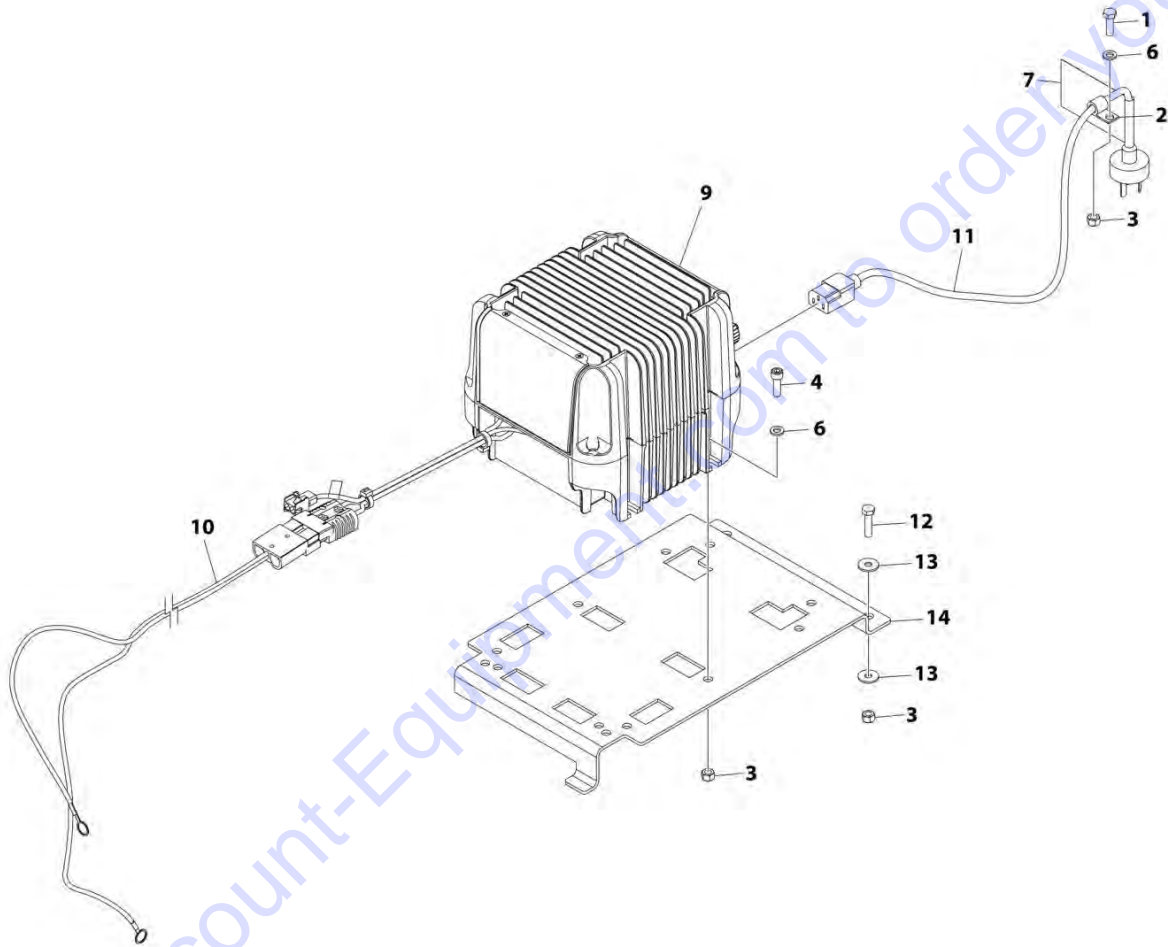
**FIGURE 1-12. BATTERY CHARGER INSTALLATION - GREEN POWER (LOCALLY SUPPLIED PLUG)**

ITEM	PART NUMBER	QTY	DESCRIPTION	REV
	1001218989	Ref	BATTERY CHARGER INSTALLATION - GREEN POWER (LOCALLY SUPPLIED PLUG)	C
1	0760610	1	Bolt M6 x 20	
2	1321293	1	Clamp	
3	3290605	7	Nut M6	
4	4031708	4	Capscrew M6 x 20	
5	4240017	AR	Tie-Strap (Not Shown)	
6	4811700	5	Washer M6	
7	1001102489	1	Decal - Charger Label	
9	1001205598	1	Charger, Battery - Green Power	
10	1001215075	1	Battery Charger DC Connection Harness	
11	1001207974	1	Battery Charger to AC Connection Cable (Note: See SPECIAL OPTIONS for Korean Specs Cable)	
12	0760612	2	Bolt M6 x 25	
13	4811702	4	Washer M6	
14	1001214195	1	Bracket	

Go to Discount-Equipment.com to order your parts

# SECTION 1 - FRAME

## FIGURE 1-13. BATTERY CHARGER INSTALLATION - GREEN POWER (CHINA PLUG)



ART\_1001218933



## SECTION 1 - FRAME

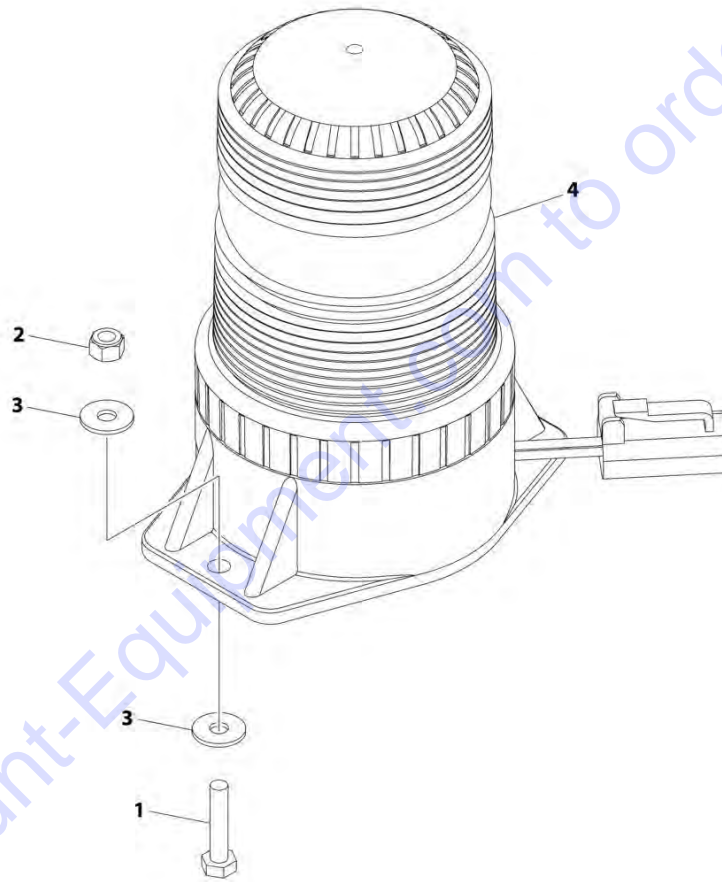
**FIGURE 1-13. BATTERY CHARGER INSTALLATION - GREEN POWER (CHINA PLUG)**

ITEM	PART NUMBER	QTY	DESCRIPTION	REV
	1001218933	Ref	BATTERY CHARGER INSTALLATION - GREEN POWER (CHINA PLUG)	C
1	0760610	1	Bolt M6 x 20	
2	1321293	1	Clamp	
3	3290605	7	Nut M6	
4	4031708	4	Capscrew M6 x 20	
5	4240017	AR	Tie-Strap (Not Shown)	
6	4811700	5	Washer M6	
7	1001102489	1	Decal - Charger Label	
9	1001205598	1	Charger, Battery - Green Power	
10	1001215075	1	Battery Charger DC Connection Harness	
11	1001207973	1	Battery Charger to AC Connection Cable (Note: See SPECIAL OPTIONS for Korean Specs Cable)	
12	0760612	2	Bolt M6 x 25	
13	4811702	4	Washer M6	
14	1001214195	1	Bracket	

Go to Discount-Equipment.com to order your parts

## SECTION 1 - FRAME

FIGURE 1-14. STROBE LIGHT INSTALLATION - SINGLE ECCO BRAND (AMBER) (WITHOUT GUARD)



ART\_1001214211

## SECTION 1 - FRAME

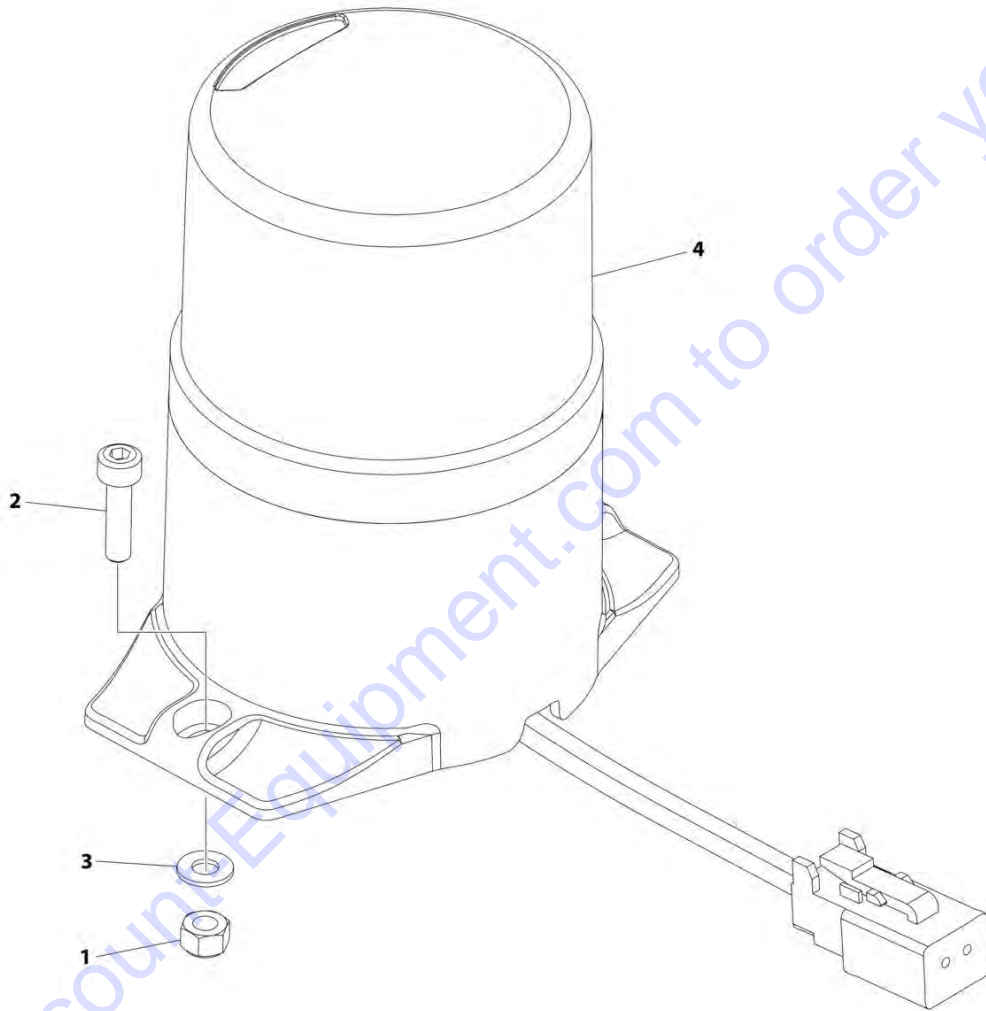
**FIGURE 1-14. STROBE LIGHT INSTALLATION - SINGLE ECCO BRAND (AMBER) (WITHOUT GUARD)**

ITEM	PART NUMBER	QTY	DESCRIPTION	REV
	1001214211	Ref	STROBE LIGHT INSTALLATION - SINGLE (AMBER) (WITHOUT GUARD)	B
1	0700410	2	Bolt M4 x 20	
2	3290405	2	Nut M4	
3	1001091102	4	Washer M4	
4	1001191139	1	Light, Strobe (Amber)	
4	4460891	1	Plug, Male - 2 Position	
4	4460465	2	Socket, Female	

Go to Discount-Equipment.com to order your parts

## SECTION 1 - FRAME

FIGURE 1-15. STROBE LIGHT INSTALLATION - SINGLE SAMMOON BRAND (WITHOUT GUARD)



ART\_1001238862

**SECTION 1 - FRAME**

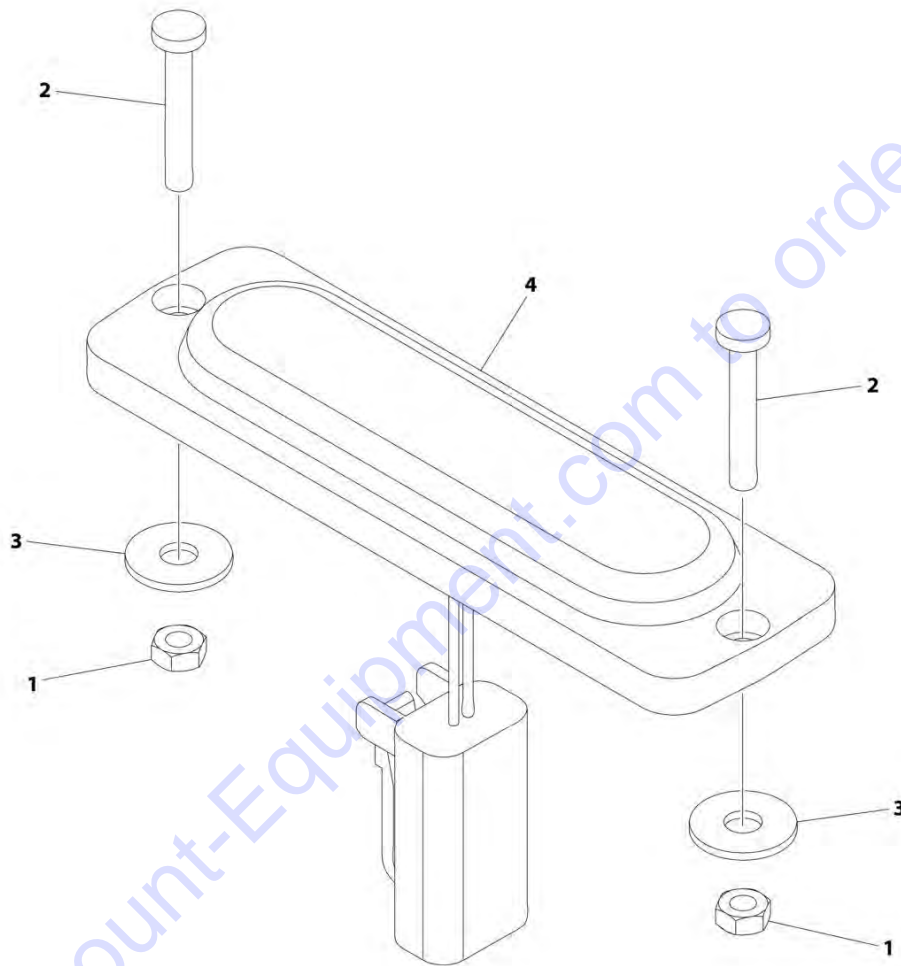
**FIGURE 1-15. STROBE LIGHT INSTALLATION - SINGLE SAMMOON BRAND (WITHOUT GUARD)**

ITEM	PART NUMBER	QTY	DESCRIPTION	REV
	1001238862	Ref	STROBE LIGHT INSTALLATION - SINGLE (WITHOUT GUARD)	A
1	3290405	2	Nut M4	
2	4031507	2	Bolt M4 x 16	
3	4811400	2	Washer M4	
4	1001233479	1	Light, Strobe	
4	4460891	1	Plug, Male - 2 Position	
4	4460465	2	Socket, Female	

Go to Discount-Equipment.com to order your parts

## SECTION 1 - FRAME

FIGURE 1-16. STROBE LIGHT INSTALLATION - SINGLE SLIM (AMBER) (WITHOUT GUARD)



ART\_1001242988

## SECTION 1 - FRAME

**FIGURE 1-16. STROBE LIGHT INSTALLATION - SINGLE SLIM (AMBER) (WITHOUT GUARD)**

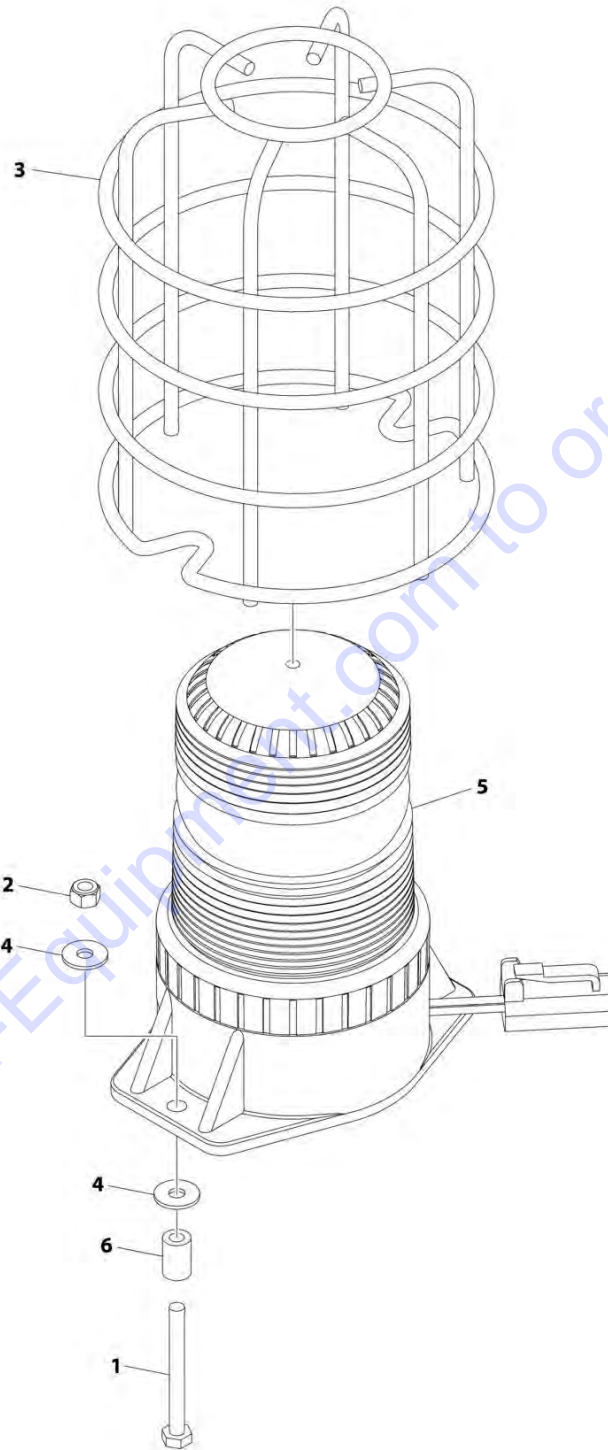
ITEM	PART NUMBER	QTY	DESCRIPTION	REV
	1001242988	Ref	STROBE LIGHT INSTALLATION - SINGLE (AMBER) (WITHOUT GUARD)	C
1	3290305	2	Nut M3	
2	4010310	2	Screw M3 x 20	
3	1001091102	2	Washer M4	
4	1001239224	1	Light, Strobe	
4	4460891	1	Plug, Male - 2 Position	
4	4460465	2	Socket, Female	

Go to Discount-Equipment.com to order your parts



## SECTION 1 - FRAME

FIGURE 1-17. STROBE LIGHT INSTALLATION - SINGLE ECCO BRAND (AMBER) (WITH GUARD)



ART\_1001219596

## SECTION 1 - FRAME

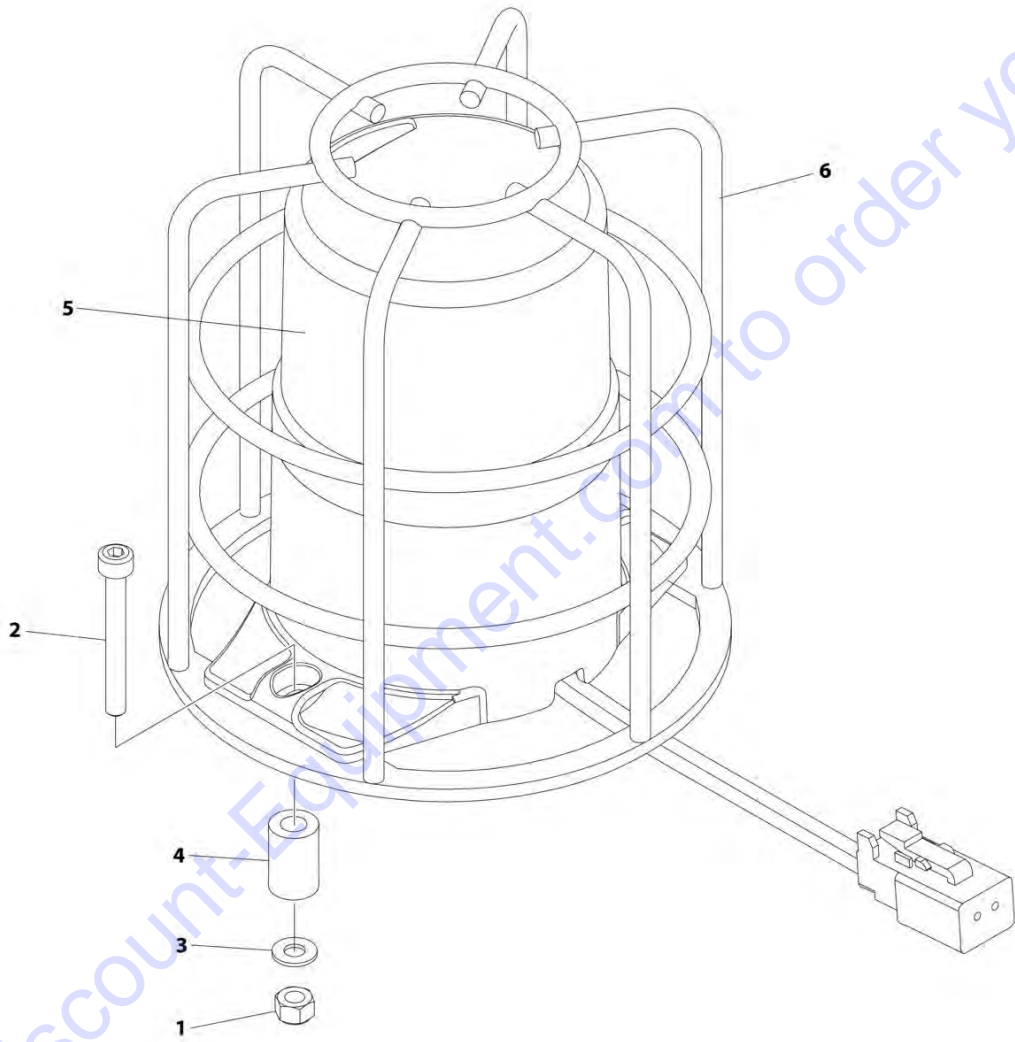
**FIGURE 1-17. STROBE LIGHT INSTALLATION - SINGLE ECCO BRAND (AMBER) (WITH GUARD)**

ITEM	PART NUMBER	QTY	DESCRIPTION	REV
	1001219596	Ref	STROBE LIGHT INSTALLATION - SINGLE (AMBER) (WITH GUARD)	B
1	0700416	2	Bolt M4 x 40	
2	3290405	2	Nut M4	
3	4060865	1	Guard	
4	1001091102	4	Washer M4	
5	1001191139	1	Light, Strobe (Amber)	
5	4460891	1	Plug, Male - 2 Position	
5	4460465	2	Socket, Female	
6	1001220766	2	Sleeve	

Go to Discount-Equipment.com to order your parts

# SECTION 1 - FRAME

FIGURE 1-18. STROBE LIGHT INSTALLATION - SINGLE SAMMOON BRAND (WITH GUARD)



ART\_1001238864

## SECTION 1 - FRAME

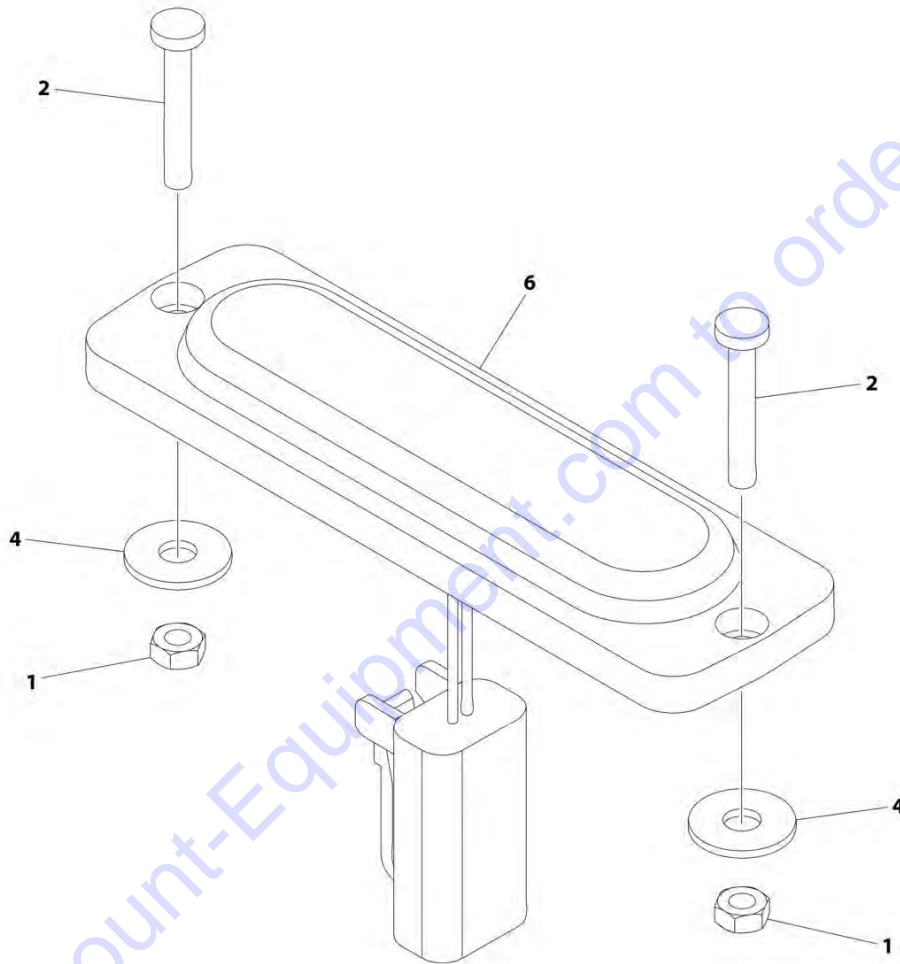
**FIGURE 1-18. STROBE LIGHT INSTALLATION - SINGLE SAMMOON BRAND (WITH GUARD)**

ITEM	PART NUMBER	QTY	DESCRIPTION	REV
	1001238864	Ref	STROBE LIGHT INSTALLATION - SINGLE (WITH GUARD)	A
1	3290405	2	Nut M4	
2	4031511	2	Bolt M4 x 35	
3	4811400	2	Washer M4	
4	1001220766	2	Sleeve	
5	1001233479	1	Light, Strobe	
5	4460891	1	Plug, Male - 2 Position	
5	4460465	1	Socket, Female	
6	1001233998	1	Guard	

Go to Discount-Equipment.com to order your parts

# SECTION 1 - FRAME

FIGURE 1-19. STROBE LIGHT INSTALLATION - SINGLE SLIM (AMBER) (WITH GUARD)



ART\_1001242989

## SECTION 1 - FRAME

**FIGURE 1-19. STROBE LIGHT INSTALLATION - SINGLE SLIM (AMBER) (WITH GUARD)**

ITEM	PART NUMBER	QTY	DESCRIPTION	REV
	1001242989	Ref	STROBE LIGHT INSTALLATION - DUAL (AMBER) (WITHOUT GUARD)	C
1	3290305	4	Nut M3	
2	4010310	4	Screw M3 x 20	
3	4240018	AR	Tie-Strap (Not Shown)	
4	1001091102	4	Washer M4	
5	1001215216	1	Strobe Light Jumper Harness (Not Shown)	
5	4460897	2	Receptacle, Female - 2 Position	
5	4460464	4	Pin, Male	
5	4460891	1	Plug, Male - 2 Position	
5	4460465	2	Socket, Female	
6	1001239224	2	Light, Strobe	
6	4460891	1	Plug, Male - 2 Position	
6	4460465	2	Socket, Female	

Go to Discount-Equipment.com to order your parts

# PARTS FINDER

**Search Website  
by Part Number**



**Search Manual  
Library For Parts  
Manual & Lookup Part  
Numbers – Purchase  
or Request Quote**

A screenshot of the "Search Manuals" form. The form has a title "Search Manuals" and a subtitle "Please enter the model number or serial number of the machine you are looking for." Below the subtitle are several input fields: "Find" (with a dropdown menu), "Serial Number" (with a dropdown menu), "Year" (with a dropdown menu), "Make" (with a dropdown menu), "Part Number" (with a dropdown menu), "Part Name" (with a dropdown menu), and "Category" (with a dropdown menu). There is a "Search" button at the bottom of the form.

**Can't Find Part or  
Manual? Request Help  
by Manufacturer,  
Model & Description**

A screenshot of the "Parts Order Form". The form has a title "Parts Order Form" and a subtitle "Please fill out the form below." Below the subtitle are several input fields: "Manufacturer" (with a dropdown menu), "Model" (with a dropdown menu), "Description" (with a text area), "Part Number" (with a dropdown menu), "Part Name" (with a dropdown menu), "Quantity" (with a text input field), "Price" (with a text input field), "Tax" (with a dropdown menu), and "Comments" (with a text area). There is a "Submit" button at the bottom of the form.

Discount-Equipment.com is your online resource for quality parts & equipment.

Florida: **561-964-4949** Outside Florida TOLL FREE: **877-690-3101**

**Need parts?**

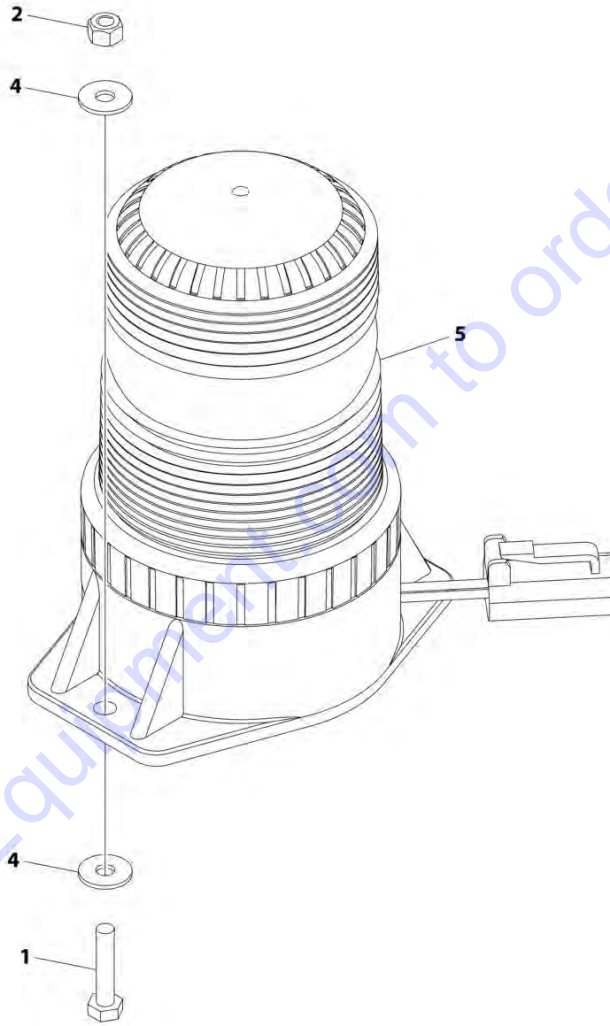
Click on this link: <http://www.discount-equipment.com/category/5443-parts/> and choose one of the options to help get the right parts and equipment you are looking for. Please have the machine model and serial number available in order to help us get you the correct parts. If you don't find the part on the website or on one of the online manuals, please fill out the request form and one of our experienced staff members will get back to you with a quote for the right part that your machine needs.

We sell worldwide for the brands: Genie, Terex, JLG, MultiQuip, Mikasa, Essick, Whiteman, Mayco, Toro Stone, Diamond Products, Generac Magnum, Airman, Haulotte, Barreto, Power Blanket, Nifty Lift, Atlas Copco, Chicago Pneumatic, Allmand, Miller Curber, Skyjack, Lull, Skytrak, Tsurumi, Husquvarna Target, Stow, Wacker, Sakai, Mi-T-M, Sullair, Basic, Dynapac, MBW, Weber, Bartell, Bennar Newman, Haulotte, Ditch Runner, Menegotti, Morrison, Contec, Buddy, Crown, Edco, Wyco, Bomag, Laymor, EZ Trench, Bil-Jax, F.S. Curtis, Gehl Pavers, Heli, Honda, ICS/PowerGrit, IHI, Partner, Imer, Clipper, MMD, Koshin, Rice, CH&E, General Equipment, Amida, Coleman, NAC, Gradall, Square Shooter, Kent, Stanley, Tamco, Toku, Hatz, Kohler, Robin, Wisconsin, Northrock, Oztec, Toker TK, Rol-Air, APT, Wylie, Ingersoll Rand / Doosan, Innovatech, Con X, Ammann, Mecalac, Makinex, Smith Surface Prep, Small Line, Wanco, Yanmar



## SECTION 1 - FRAME

FIGURE 1-20. STROBE LIGHT INSTALLATION - DUAL ECCO BRAND (AMBER) (WITHOUT GUARD)



ART\_1001214212

## SECTION 1 - FRAME

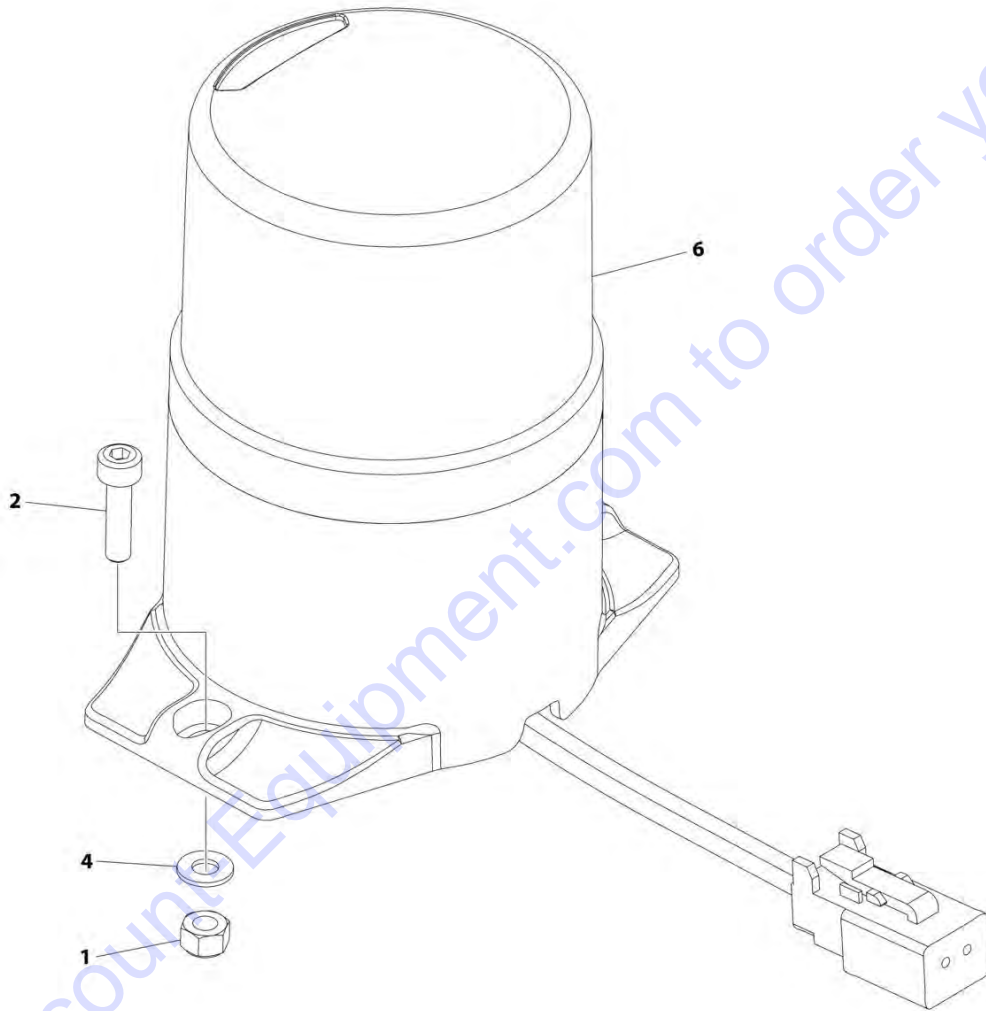
**FIGURE 1-20. STROBE LIGHT INSTALLATION - DUAL ECCO BRAND (AMBER) (WITHOUT GUARD)**

ITEM	PART NUMBER	QTY	DESCRIPTION	REV
	1001214212	Ref	STROBE LIGHT INSTALLATION - DUAL (AMBER) (WITHOUT GUARD)	B
1	0700410	4	Bolt M4 x 20	
2	3290405	4	Nut M4	
3	4240018	4	Tie-Strap (Not Shown)	
4	1001091102	8	Washer M4	
5	1001191139	2	Light, Strobe (Amber)	
5	4460891	1	Plug, Male - 2 Position	
5	4460465	2	Socket, Female	
6	1001215216	1	Strobe Light Jumper Harness (Not Shown)	
6	4460897	2	Receptacle, Female - 2 Position	
6	4460464	4	Pin, Male	
6	4460891	1	Plug, Male - 2 Position	
6	4460465	2	Socket, Female	

Go to Discount-Equipment.com to order your parts

## SECTION 1 - FRAME

FIGURE 1-21. STROBE LIGHT INSTALLATION - DUAL SAMMOON BRAND (WITHOUT GUARD)



ART\_1001238863

## SECTION 1 - FRAME

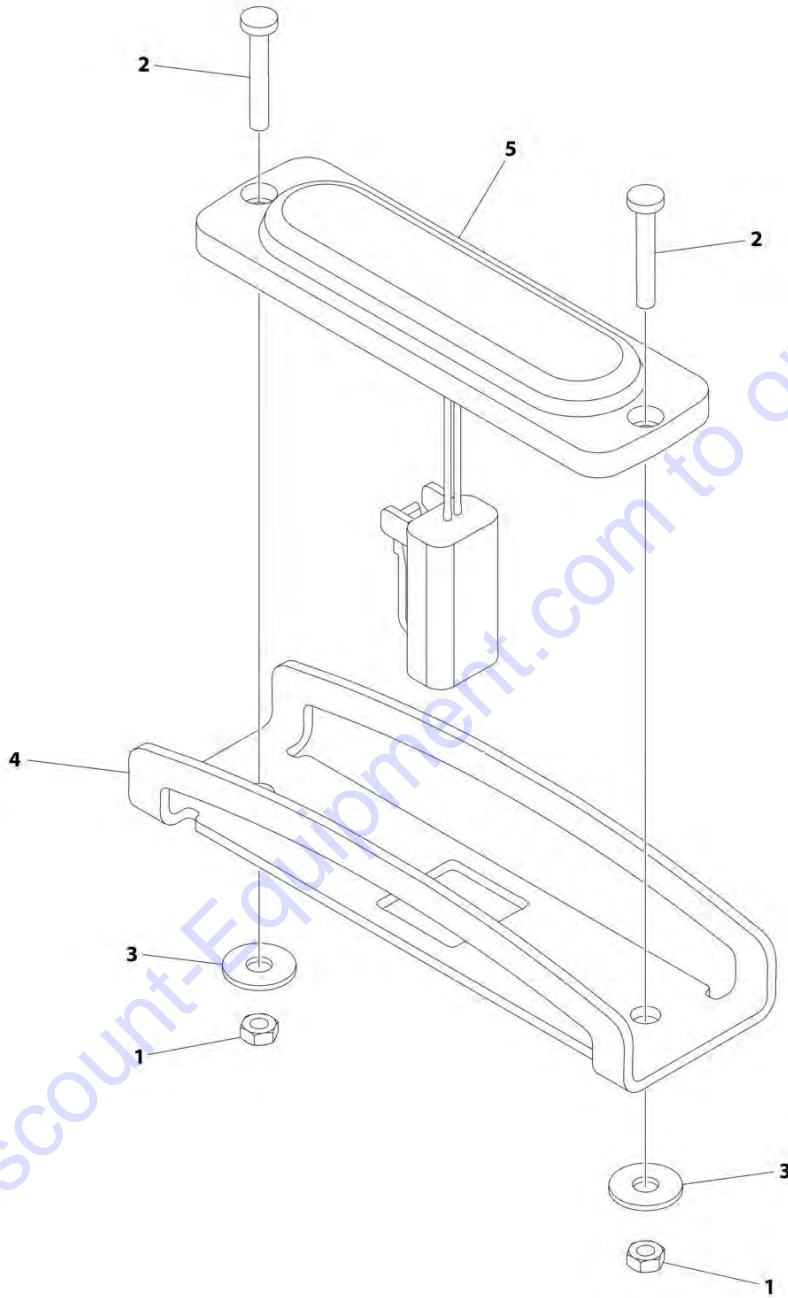
**FIGURE 1-21. STROBE LIGHT INSTALLATION - DUAL SAMMOON BRAND (WITHOUT GUARD)**

ITEM	PART NUMBER	QTY	DESCRIPTION	REV
	1001238863	Ref	STROBE LIGHT INSTALLATION - DUAL (WITHOUT GUARD)	A
1	3290405	4	Nut M4	
2	4031507	4	Bolt M4 x 16	
3	4240018	4	Tie-Strap (Not Shown)	
4	4811400	4	Washer M4	
5	1001215216	1	Strobe Light Jumper Harness (Not Shown)	
5	4460897	2	Receptacle, Female - 2 Position	
5	4460464	4	Pin, Male	
5	4460891	1	Plug, Male - 2 Position	
5	4460465	2	Socket, Female	
6	1001233479	2	Light, Strobe	
6	4460891	1	Plug, Male - 2 Position	
6	4460465	2	Socket, Female	

Go to Discount-Equipment.com to order your parts

# SECTION 1 - FRAME

FIGURE 1-22. STROBE LIGHT INSTALLATION - DUAL SLIM (AMBER) (WITHOUT GUARD)



ART\_1001242697

## SECTION 1 - FRAME

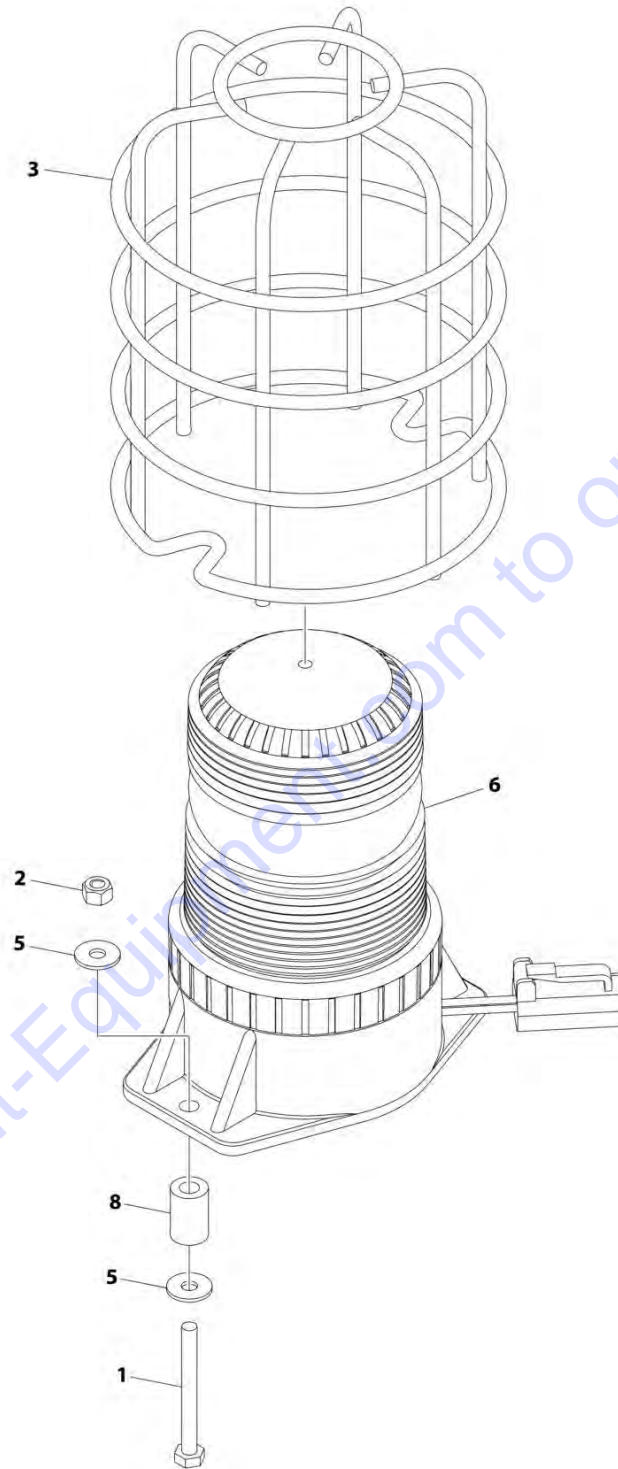
**FIGURE 1-22. STROBE LIGHT INSTALLATION - DUAL SLIM (AMBER) (WITHOUT GUARD)**

ITEM	PART NUMBER	QTY	DESCRIPTION	REV
	1001242697	Ref	STROBE LIGHT INSTALLATION - SINGLE (AMBER) (WITH GUARD)	C
1	3290305	2	Nut M3	
2	4010310	2	Screw M3 x 20	
3	1001091102	2	Washer M4	
4	1001242539	1	Guard	
5	1001239224	1	Light, Strobe	
5	4460891	1	Plug, Male - 2 Position	
5	4460465	2	Socket, Female	

Go to Discount-Equipment.com to order your parts

# SECTION 1 - FRAME

FIGURE 1-23. STROBE LIGHT INSTALLATION - DUAL ECCO BRAND (AMBER) (WITH GUARD)



ART\_1001219597

## SECTION 1 - FRAME

**FIGURE 1-23. STROBE LIGHT INSTALLATION - DUAL ECCO BRAND (AMBER) (WITH GUARD)**

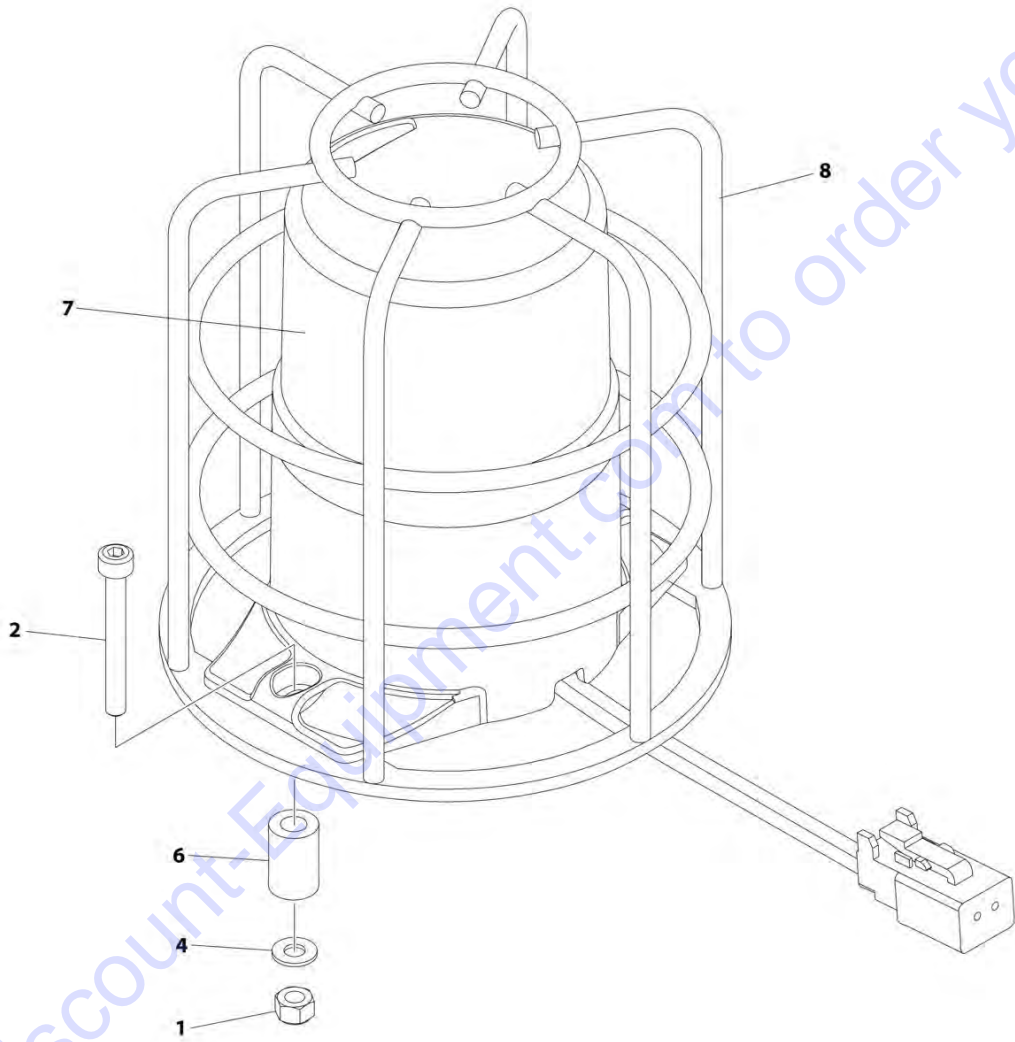
ITEM	PART NUMBER	QTY	DESCRIPTION	REV
	1001219597	Ref	STROBE LIGHT INSTALLATION - DUAL (AMBER) (WITH GUARD)	B
1	0700416	4	Bolt M4 x 40	
2	3290405	4	Nut M4	
3	4060865	2	Guard	
4	4240018	4	Tie-Strap (Not Shown)	
5	1001091102	8	Washer M4	
6	1001191139	2	Light, Strobe (Amber)	
6	4460891	1	Plug, Male - 2 Position	
6	4460465	2	Socket, Female	
6	4460865	1	Guard (Must be Purchased Separately) (Not Shown)	
7	1001215216	1	Strobe Light Jumper Harness (Not Shown)	
7	4460897	2	Receptacle, Female - 2 Position	
7	4460464	4	Pin, Male	
7	4460891	1	Plug, Male - 2 Position	
7	4460465	2	Socket, Female	
8	1001220766	4	Sleeve	

Go to Discount-Equipment.com to order your parts



## SECTION 1 - FRAME

FIGURE 1-24. STROBE LIGHT INSTALLATION - DUAL SAMMOON BRAND (WITH GUARD)



ART\_1001238865

## SECTION 1 - FRAME

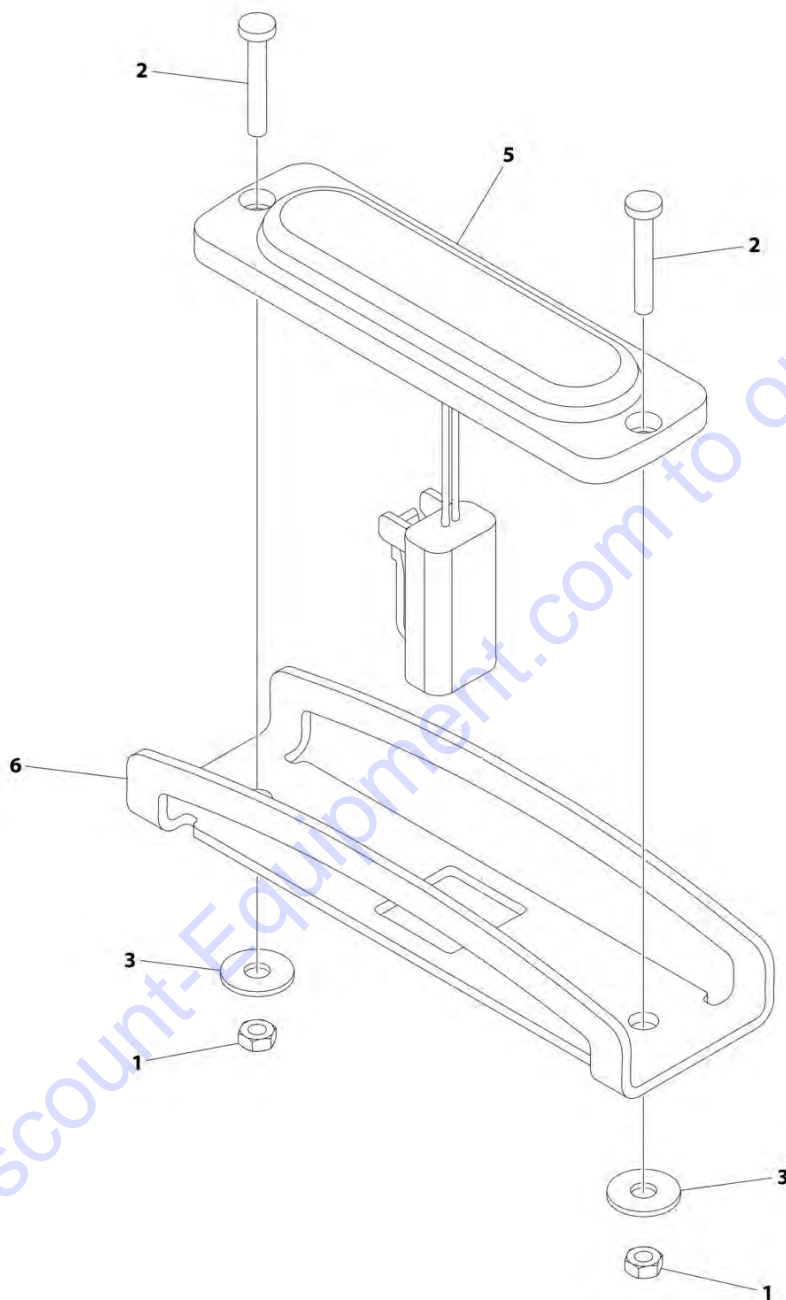
**FIGURE 1-24. STROBE LIGHT INSTALLATION - DUAL SAMMOON BRAND (WITH GUARD)**

ITEM	PART NUMBER	QTY	DESCRIPTION	REV
	1001238865	Ref	STROBE LIGHT INSTALLATION - DUAL (WITH GUARD)	A
1	3290405	4	Nut M4	
2	4031511	4	Bolt M4 x 35	
3	4240018	4	Tie-Strap (Not Shown)	
4	4811400	4	Washer M4	
5	1001215216	1	Strobe Light Jumper Harness (Not Shown)	
5	4460897	2	Receptacle, Female - 2 Position	
5	4460464	4	Pin, Male	
5	4460891	1	Plug, Male - 2 Position	
5	4460465	2	Socket, Female	
6	1001220766	4	Sleeve	
7	1001233479	2	Light, Strobe	
7	4460891	1	Plug, Male - 2 Position	
7	4460465	2	Socket, Female	
7	4460865	1	Guard (Must be Purchased Separately) (Not Shown)	
8	1001233998	2	Guard	

Go to Discount-Equipment.com to order your parts

# SECTION 1 - FRAME

FIGURE 1-25. STROBE LIGHT INSTALLATION - DUAL SLIM (AMBER) (WITH GUARD)



ART\_1001242990

## SECTION 1 - FRAME

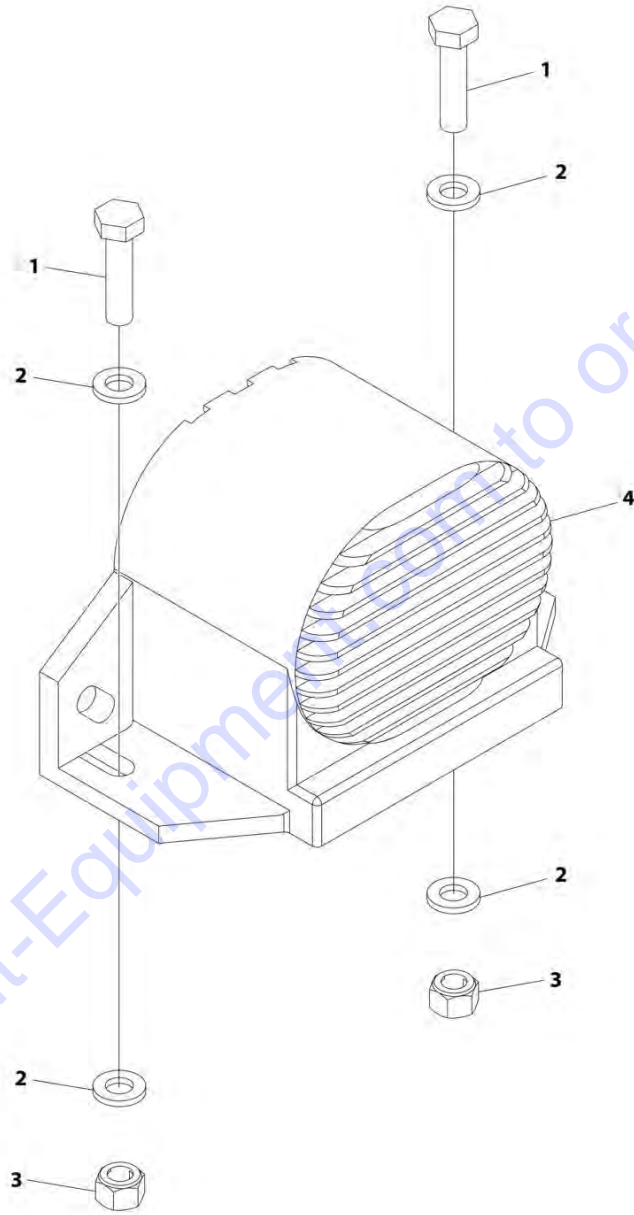
**FIGURE 1-25. STROBE LIGHT INSTALLATION - DUAL SLIM (AMBER) (WITH GUARD)**

ITEM	PART NUMBER	QTY	DESCRIPTION	REV
	1001242990	Ref	STROBE LIGHT INSTALLATION - DUAL (AMBER) (WITH GUARD)	C
1	3290305	4	Nut M3	
2	4010310	4	Screw M3 x 20	
3	1001091102	4	Washer M4	
4	1001215216	1	Strobe Light Jumper Harness (Not Shown)	
4	4460897	2	Receptacle, Female - 2 Position	
4	4460464	4	Pin, Male	
4	4460891	1	Plug, Male - 2 Position	
4	4460465	2	Socket, Female	
5	1001239224	2	Light, Strobe	
5	4460891	1	Plug, Male - 2 Position	
5	4460465	2	Socket, Female	
6	1001242539	2	Guard	
7	4240018	AR	Tie-Strap (Not Shown)	

Go to Discount-Equipment.com to order your parts

# SECTION 1 - FRAME

## FIGURE 1-26. ALARM INSTALLATION (AMBIENT/WHITE NOISE)



ART\_1001214150

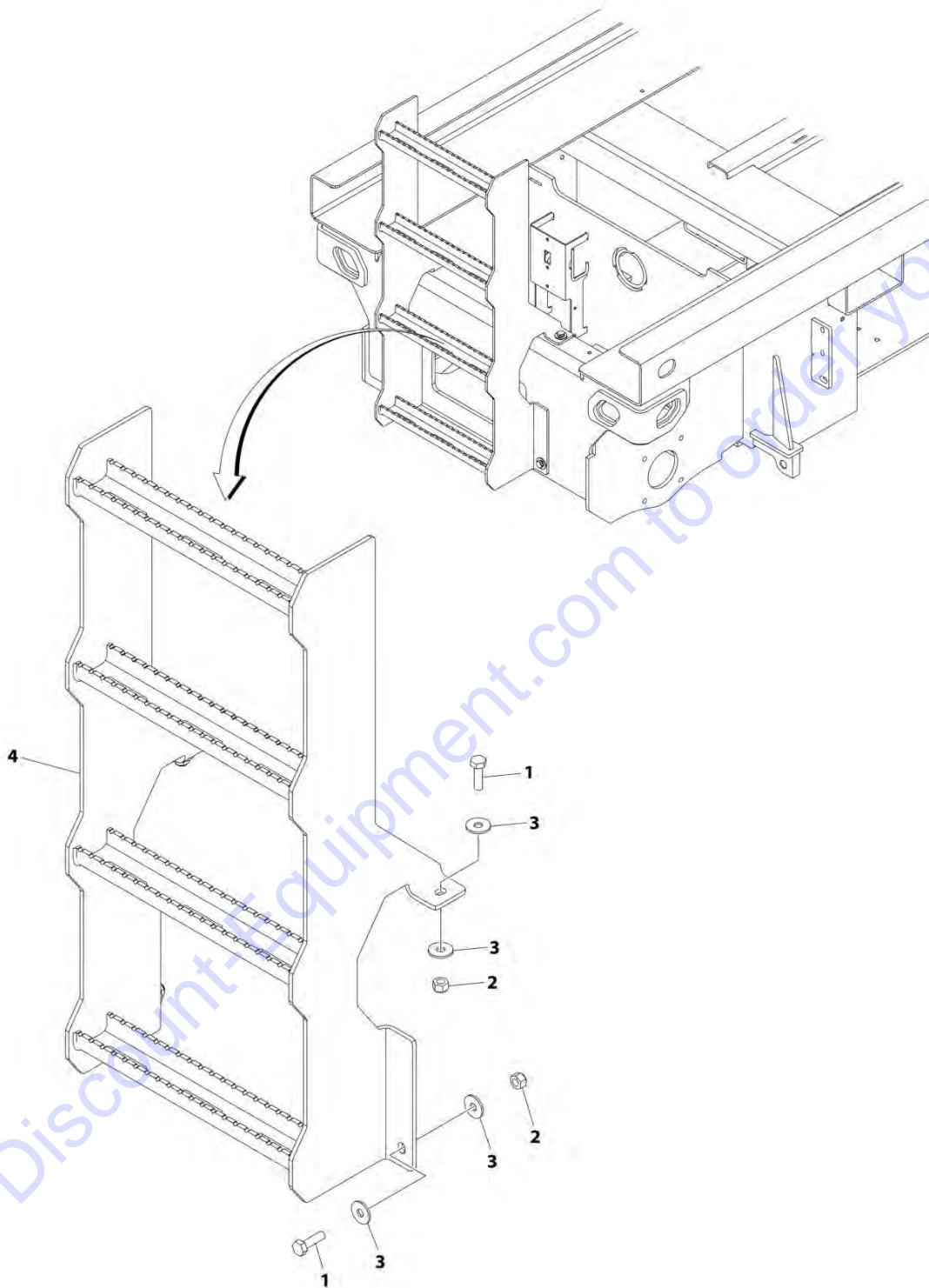
**FIGURE 1-26. ALARM INSTALLATION (AMBIENT/WHITE NOISE)**

ITEM	PART NUMBER	QTY	DESCRIPTION	REV
	1001214150	Ref	ALARM INSTALLATION (AMBIENT/WHITE NOISE)	B
1	0760612	2	Bolt M6 x 25	
2	4811700	4	Washer M6	
3	3290605	2	Nut, Tinnerman M6	
4	1001182806	1	Alarm	
4	4460897	1	Receptacle, Female - 2 Position	
4	4460464	2	Pin, Male	

Go to Discount-Equipment.com to order your parts

# SECTION 1 - FRAME

## FIGURE 1-27. LADDER INSTALLATION



ART\_1001214219

FIGURE 1-27. LADDER INSTALLATION

ITEM	PART NUMBER	QTY	DESCRIPTION	REV
	1001214219	Ref	LADDER INSTALLATION	A
1	0761015	4	Bolt M10 x 35	
2	3291005	4	Nut M10	
3	4812002	8	Washer M10	
4	1001217216	1	Ladder	

Go to Discount-Equipment.com to order your parts



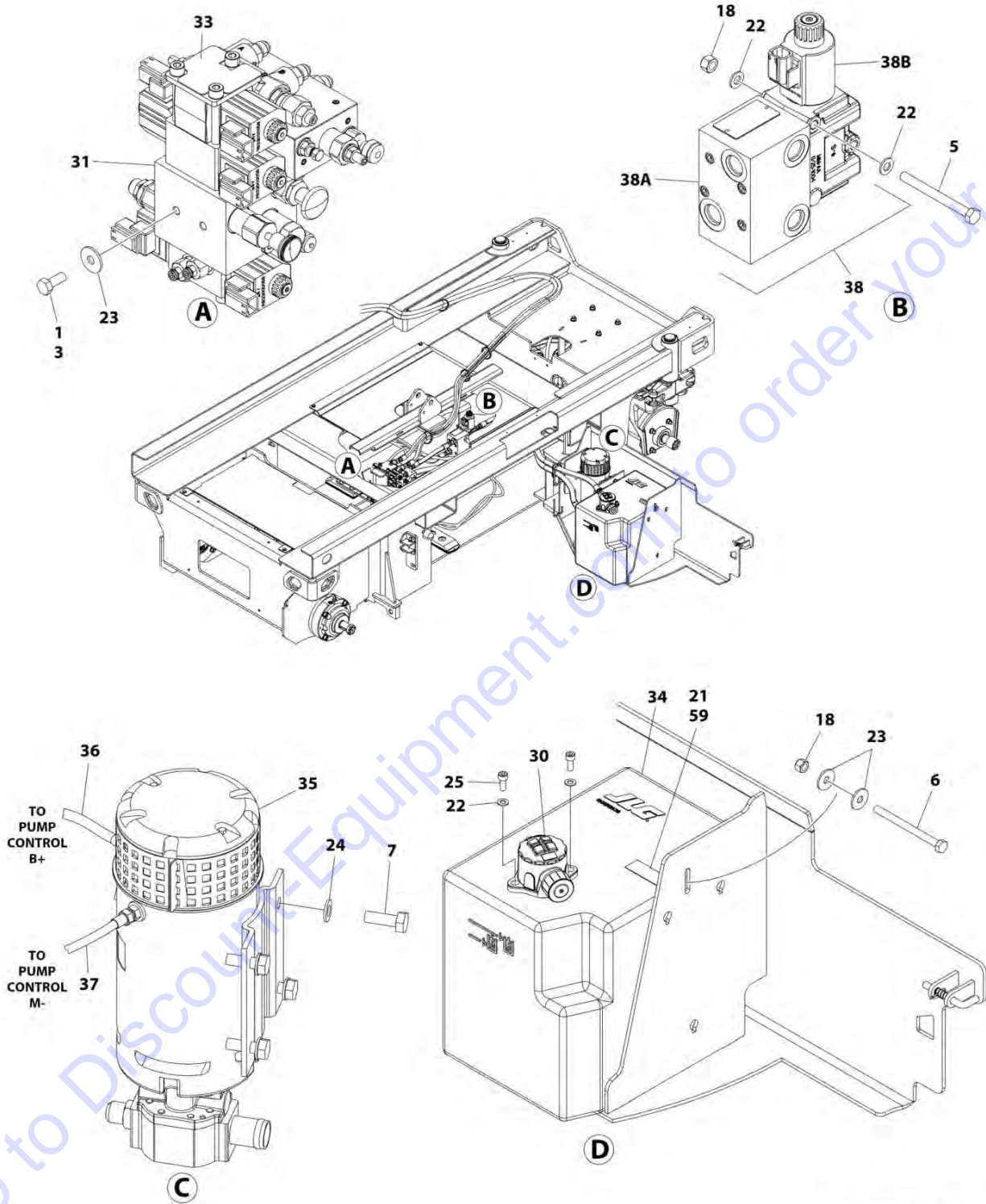


**SECTION 2 - GROUND CONTROLS**

Go to Discount-Equipment.com to order your parts

# SECTION 2 - GROUND CONTROLS

## FIGURE 2-1. HYDRAULIC COMPONENTS INSTALLATION



ART\_1001213815\_10F2

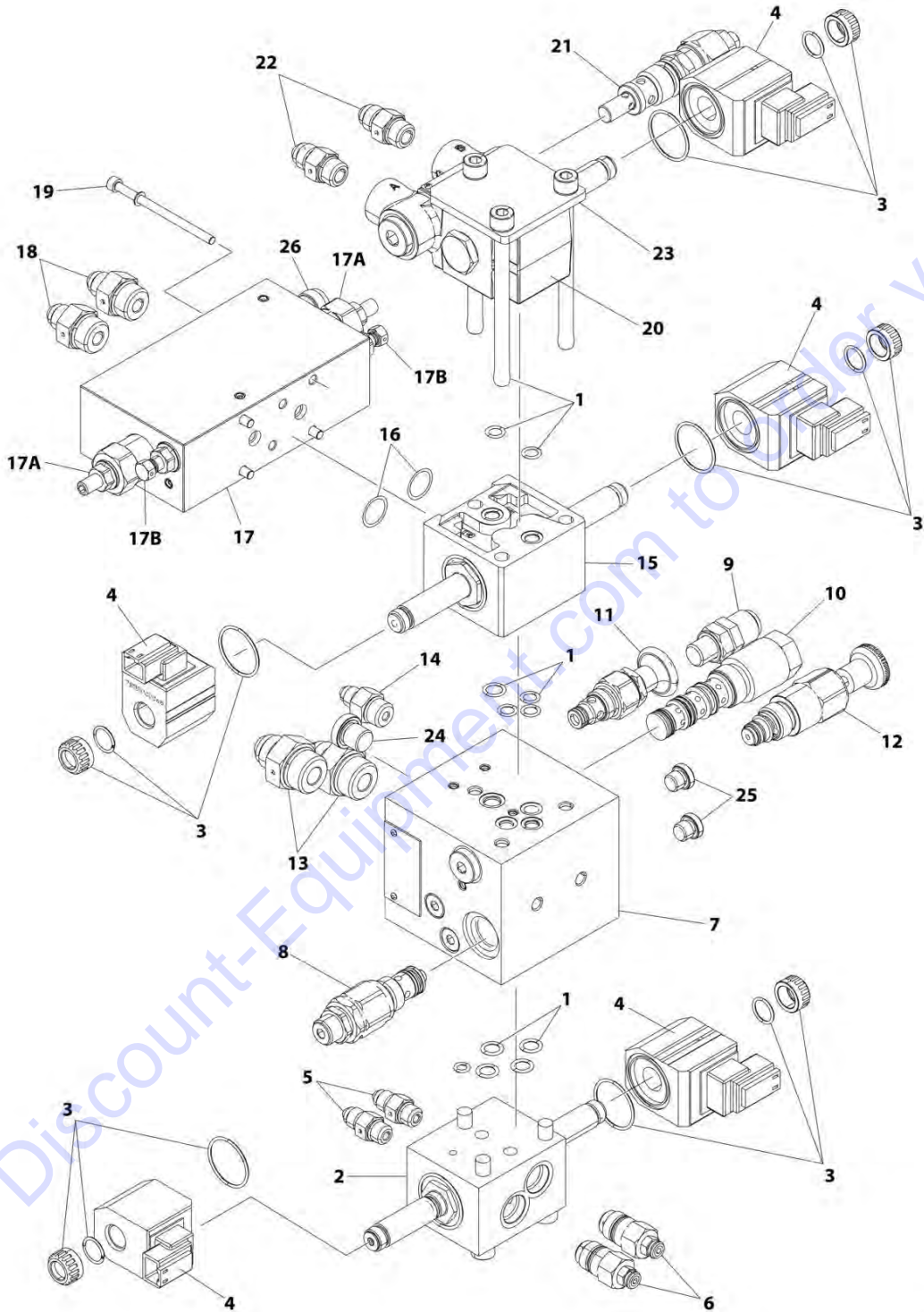
## SECTION 2 - GROUND CONTROLS

**FIGURE 2-1. HYDRAULIC COMPONENTS INSTALLATION**

ITEM	PART NUMBER	QTY	DESCRIPTION	REV
	1001213815	Ref	HYDRAULIC COMPONENTS INSTALLATION	J
1	0100011	AR	Compound, Locking	
3	0760810	2	Bolt M8 x 20	
5	0700825	2	Bolt M8 x 85	
6	0760827	1	Bolt M8 x 100 ( <b>Prior to SN B200046105, Prior to SN 0200267008</b> )	
6	0760812	1	Bolt M8 x 25 ( <b>SN B200046105 to Present, SN 0200267008 to Present, SN M200000001 to Present</b> )	
7	0761014	4	Bolt M10 x 30	
18	3290805	AR	Nut M8	
21	4420062	3 in/ 75mm	Tape	
22	4811900	AR	Washer M8	
23	4811902	4	Washer M8	
24	4812000	4	Washer M10	
25	5271808	2	Capscrew M8 x 20	
30	1001202851	1	Filter, Hydraulic	
30	70005423	1	Service Kit (Includes Element & Cap & Bowl O-Rings)	
31	1001215433	1	Main Valve Assembly (See Separate Breakdown in this Section)	
33	1001212294	1	Decal - Manifold	
34	1001213036	1	Tank, Hydraulic	
35	1001213875	1	Motor/Pump Assembly	
35	70006351	1	Motor, Replacement	
35	70006352	1	Pump, Replacement	
35	70005816	1	Pump Seal & Mounting Kit (Includes Shaft Seal, Retaining Ring, Gasket, Bolts & Washers)	
36	1001214875	1	Cable, Pump (+)	
37	1001214876	1	Cable, Pump (-)	
38	1001215434	1	Traction Valve Assembly	
38	70006295	4	Screw	
38A	70004465	1	Valve, Flow Divider	
38A	70004164	1	Seal Kit - 70004465 Valve	
38B	70006296	1	Valve, Diverter	
38B	70006297	1	Coil	
38B	70006298	1	Seal, Interface	
38B	70006299	1	Coil Seal & Nut Kit	
59	1001231841	1	Bracket, Hydraulic Tank ( <b>SN B200046105 to Present, SN 0200267008 to Present, SN M200000001 to Present</b> )	

# SECTION 2 - GROUND CONTROLS

## FIGURE 2-2. VALVE ASSEMBLY



ART\_1001215433

## SECTION 2 - GROUND CONTROLS

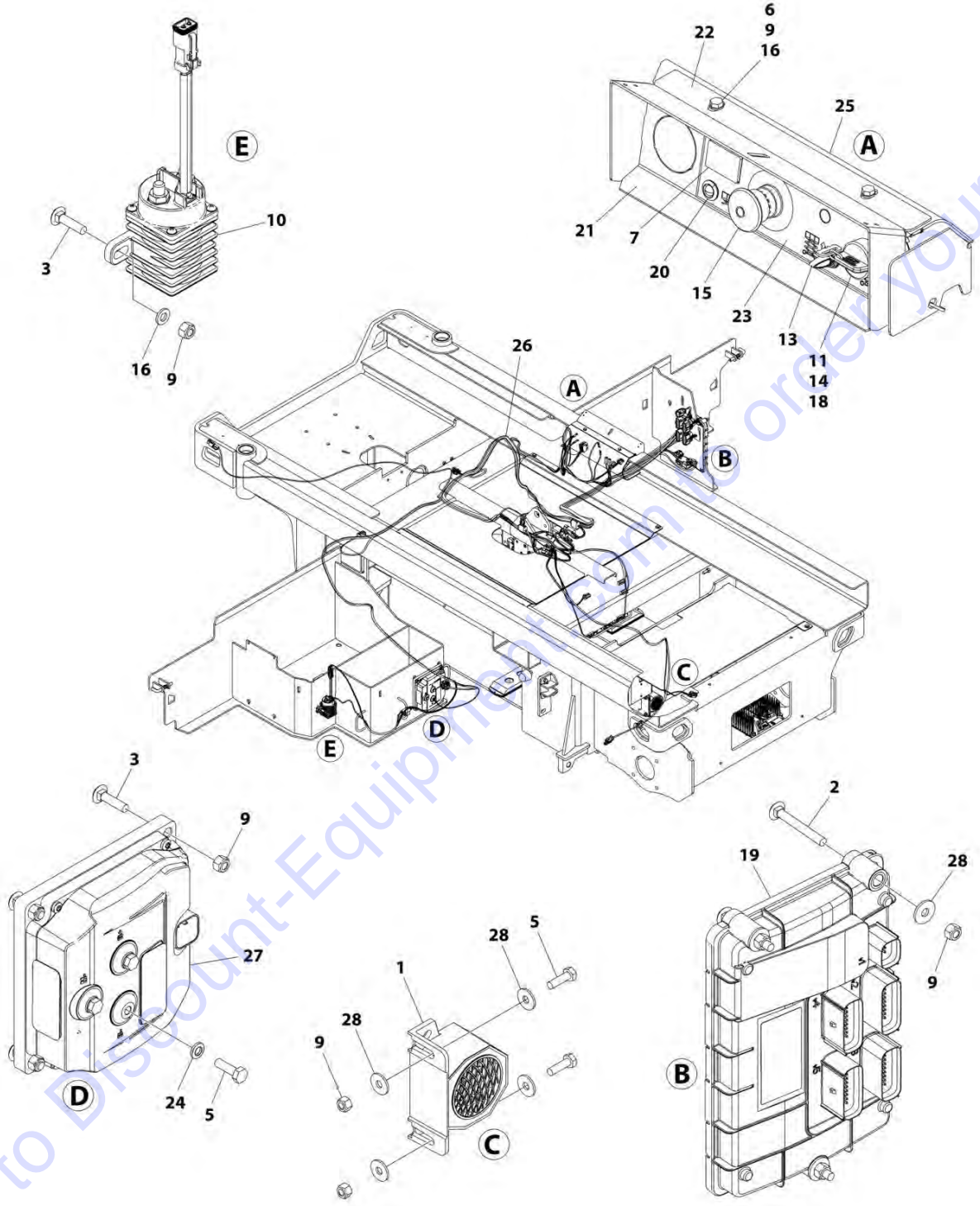
### FIGURE 2-2. VALVE ASSEMBLY

ITEM	PART NUMBER	QTY	DESCRIPTION	REV
	1001215433	Ref	VALVE ASSEMBLY	A
1	70005891	1	Assembly Kit (Includes Assembly Hardware and Seals Between Valve Blocks)	
2	70006302	1	Valve Assembly Less Coil (Steer)	
3	70021209	5	Coil Retainer Kit	
4	70005893	5	Coil	
5	2220415	2	Fitting, Straight	
6	70006301	3	Valve, Cartridge (Steer)	
7	See Note	NSS	Block, Valve (Entry Valve) (Note: Use p/n 1001215433)	
8	70005896	1	Valve, Cartridge	
9	2221086	1	Fitting, Hydraulic Test	
10	70005898	1	Valve, Cartridge	
11	70005899	1	Valve, Cartridge	
12	70005900	1	Valve, Cartridge	
13	2220374	2	Fitting, Straight JIC/ORB	
14	2220582	1	Fitting, Straight JIC/ORB	
15	70005903	1	Valve Assembly Less Coil (Lower Drive Valve)	
16	70005904	1	Seal Kit	
17	70006300	1	Valve Assembly (Upper Drive Valve)	
17A	See Note	NSS	Valve, Cartridge (Note: Use p/n 70006300)	
17B	See Note	NSS	Valve, Cartridge (Note: Use p/n 70006300)	
18	2220372	2	Fitting, Straight JIC/ORB	
19	70005907	1	Hardware Kit - Valve Mounting	
20	70005908	1	Valve Assembly Less Coil (Lift)	
21	70005909	1	Valve, Cartridge	
22	2220371	2	Fitting, Straight JIC/ORB	
23	70005911	1	Plate, End	
24	70005912	1	Plug	
25	70005913	2	Plug	
26	70005914	1	Valve, Cartridge	



# SECTION 2 - GROUND CONTROLS

## FIGURE 2-3. ELECTRICAL COMPONENTS INSTALLATION (CHINA BUILT MACHINES)



ART\_1001217492

## SECTION 2 - GROUND CONTROLS

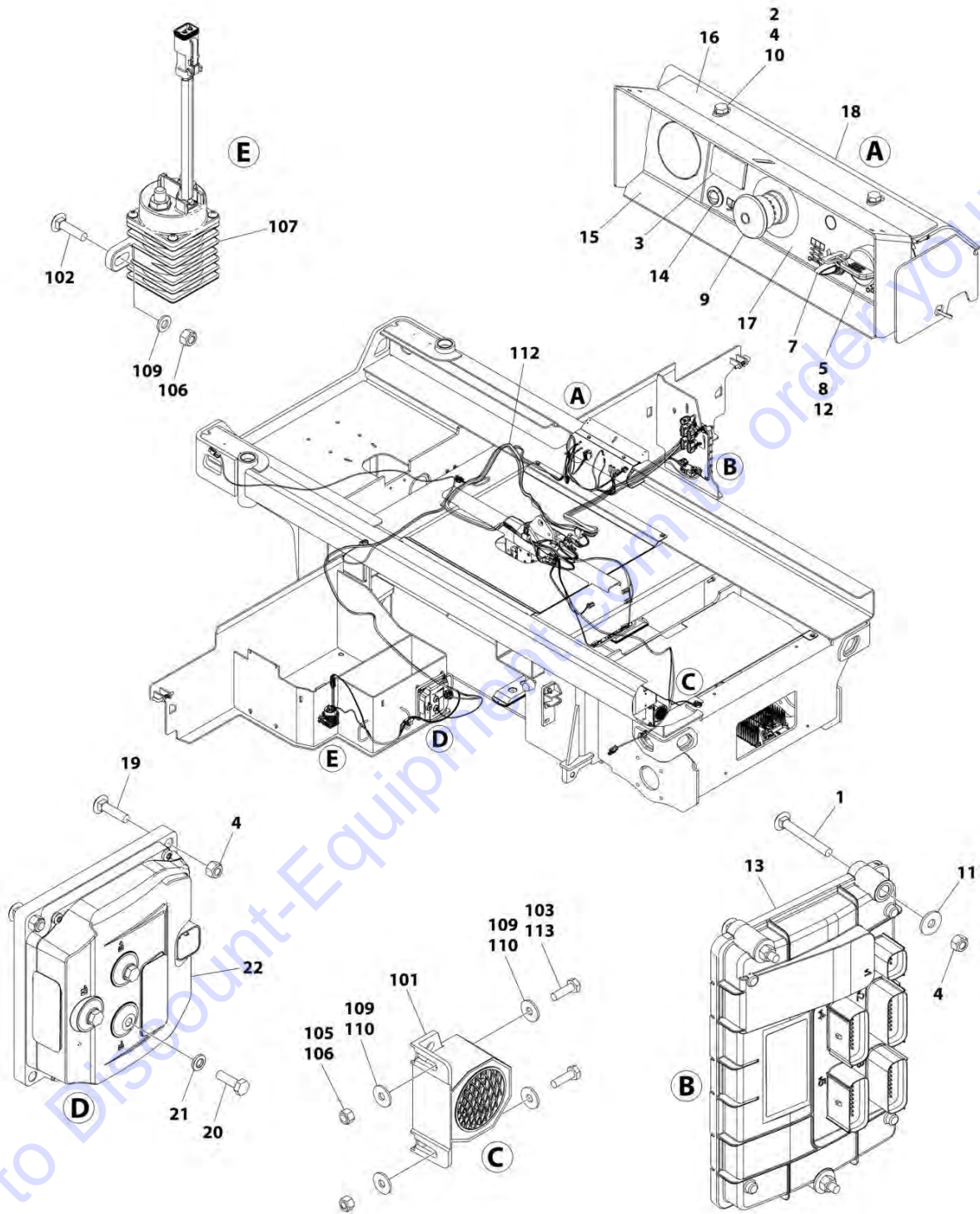
**FIGURE 2-3. ELECTRICAL COMPONENTS INSTALLATION (CHINA BUILT MACHINES)**

ITEM	PART NUMBER	QTY	DESCRIPTION	REV
	1001217492	Ref	ELECTRICAL COMPONENTS INSTALLATION (CHINA BUILT MACHINES)	D
1	0140043	1	Alarm	
2	0630586	3	Bolt M6 x 50	
3	0630587	4	Bolt M6 x 25	
5	0760610	AR	Bolt M6 x 20	
6	0760612	2	Bolt M6 x 25	
7	2420172	1	Hourmeter	
9	3290605	AR	Nut M6	
10	3740150	1	Relay	
11	3910804	3	Screw #8 x 1/4	
12	4240017	AR	Tie-Strap (Not Shown)	
13	4360328	1	Switch, Toggle	
14	4360469	1	Switch, Key	
14	2860030	1 Set	Key, Replacement	
15	4360475	1	Switch, Emergency Stop	
15	7020175	1	Cap	
15	7020176	1	Block, Contact	
16	4811700	6	Washer M6 ( <b>Prior to SN B200045699</b> )	
18	1001130590	1	Plate, Key Switch	
19	1001200629	1	Module, Control (Note: Recalibration Required when Replaced)	
20	1001200631	1	Light, Indicator (Red)	
21	1001207214	1	Support	
22	1001207215	1	Bracket	
23	1001209682	1	Decal - Ground Control	
24	1001210966	3	Washer	
25	1001214088	1	Cover, Rubber ( <b>Prior to SN B200045699</b> )	
25	1001231264	1	Bracket, Ground Control Back ( <b>SN B200045699 to Present</b> )	
26	1001214596	1	Chassis Harness (See Separate Breakdown in ELECTRICAL SECTION)	
27	1001216062	1	Module, Power (Note: Recalibration Required when Replaced)	
28	4811702	AR	Washer M6	



# SECTION 2 - GROUND CONTROLS

FIGURE 2-4. ELECTRICAL COMPONENTS INSTALLATION (USA & MEXICO BUILT MACHINES)



ART\_1001223790

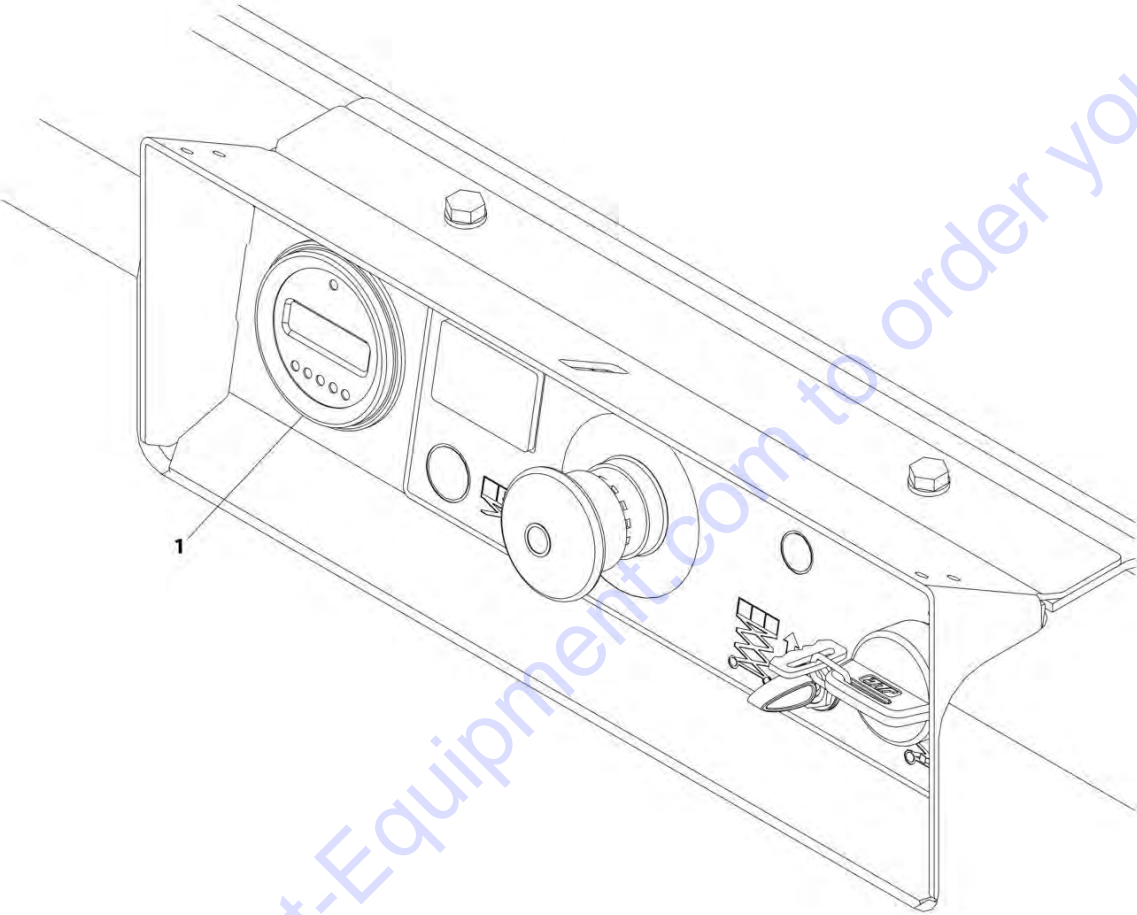
## SECTION 2 - GROUND CONTROLS

**FIGURE 2-4. ELECTRICAL COMPONENTS INSTALLATION (USA & MEXICO BUILT MACHINES)**

ITEM	PART NUMBER	QTY	DESCRIPTION	REV
		Ref	ELECTRICAL COMPONENTS INSTALLATION (USA & MEXICO BUILT MACHINES)	
	1001223790	Ref	GOUND CONTROL AND MODULE INSTALLATION	D
1	0630586	3	Bolt M6 x 50	
2	0760612	2	Bolt M6 x 25	
3	2420172	1	Hourmeter	
4	3290605	AR	Nut M6	
5	3910804	3	Screw #8 x 1/4	
6	4240017	AR	Tie-Strap (Not Shown)	
7	4360328	1	Switch, Toggle	
8	4360469	1	Switch, Key	
8	2860030	1 Set	Key, Replacement	
9	4360475	1	Switch, Emergency Stop	
9	7020175	1	Cap	
9	7020176	1	Block, Contact	
10	4811700	4	Washer M6 <b>(Prior to SN 0200266823)</b>	
11	4811702	AR	Washer M6	
12	1001130590	1	Plate. Key Switch	
13	1001200629	1	Module, Control (Note: Recalibration Required when Replaced)	
14	1001200631	1	Light, Indicator (Red)	
15	1001207214	1	Support	
16	1001207215	1	Bracket	
17	1001209682	1	Decal - Ground Control	
18	1001214088	1	Cover, Rubber <b>(Prior to SN 0200266823)</b>	
18	1001231264	1	Bracket, Ground Control Back <b>(SN 0200266823 to Present, SN M200000001 to Present)</b>	
19	0630587	2	Bolt M6 x 25	
20	0760610	3	Bolt M6 x 20	
21	1001210966	3	Washer	
22	1001216062	1	Control, Power (Note: Recalibration Required when Replaced)	
	1001223446	Ref	ALARM, RELAY AND POWER MODULE INSTALLATION	C
101	0140043	1	Alarm	
102	0630587	2	Bolt M6 x 25	
103	0700408	AR	Bolt M4 x 16	
105	3290405	AR	Nut M4	
106	3290605	AR	Nut M6	
107	3740150	1	Relay	
108	4240017	AR	Tie-Strap (Not Shown)	
109	4811702	AR	Washer M6	
110	1001091102	AR	Washer M4	
112	1001214596	1	Chassis Harness (See Separate Breakdown in ELECTRICAL SECTION)	
113	0760610	AR	Bolt M6 x 20	

**SECTION 2 - GROUND CONTROLS**

**FIGURE 2-5. MDI INSTALLATION**



ART\_1001207293

## SECTION 2 - GROUND CONTROLS

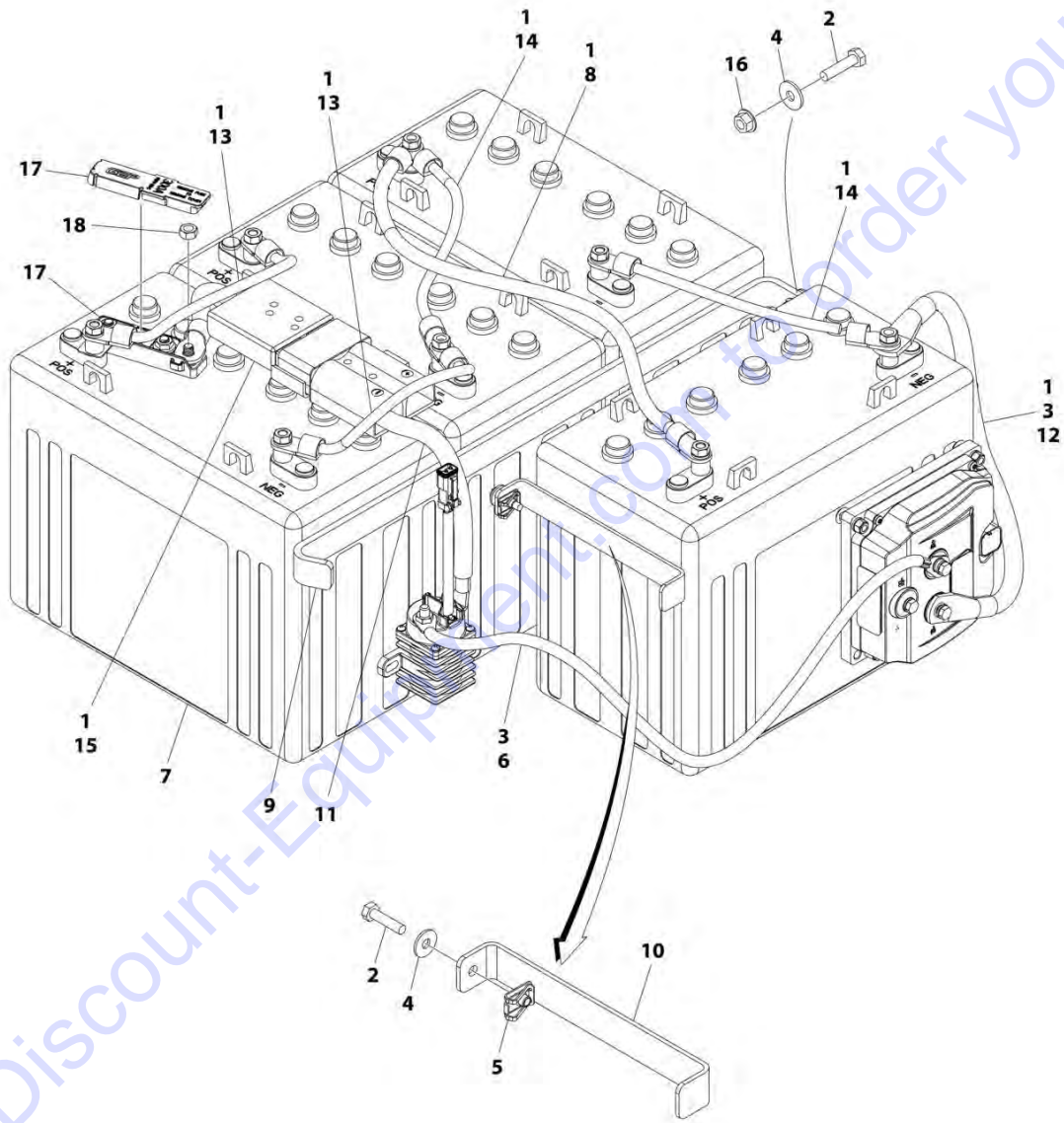
### FIGURE 2-5. MDI INSTALLATION

ITEM	PART NUMBER	QTY	DESCRIPTION	REV
1	1001207293	Ref	MDI INSTALLATION	B
	1001200632	1	Gauge, MDI	

Go to Discount-Equipment.com to order your parts

## SECTION 2 - GROUND CONTROLS

FIGURE 2-6. BATTERIES INSTALLATION - STANDARD 12V-150AH



ART\_1001214913

## SECTION 2 - GROUND CONTROLS

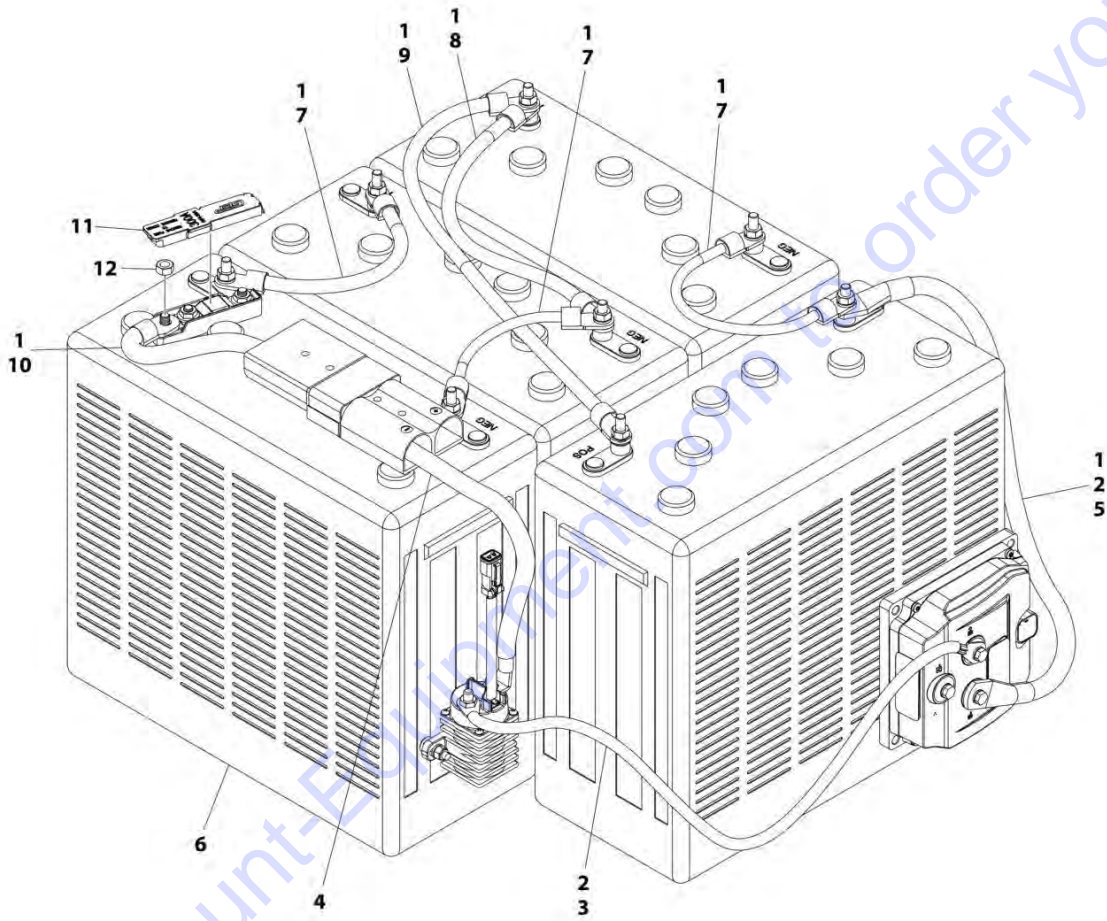
**FIGURE 2-6. BATTERIES INSTALLATION - STANDARD 12V-150AH**

ITEM	PART NUMBER	QTY	DESCRIPTION	REV
	1001214913	Ref	BATTERIES INSTALLATION - STANDARD 12V-150AH	D
1	0100051	AR	Grease, Terminal	
2	0760612	2	Bolt M6 x 25	
3	4240017	AR	Tie-Strap	
4	4811702	2	Washer M6	
5	8305919	1	Nut, Retainer, M6	
6	1001214877	1	Cable, Contactor to Pump Control B+ <b>(Prior to SN B200040799, Prior to SN 0200266700)</b>	
7	1001214981	4	Battery	
8	1001216411	1	Cable, Battery (+ to -)	
9	1001220904	1	Bracket	
10	1001220905	1	Bracket	
11	1001214878	1	Cable, Contactor to Battery Disconnect	
11	4460290	1	Connector, Anderson	
12	1001214879	1	Cable, Battery to Pump Control B-	
13	1001216409	2	Cable	
14	1001216410	2	Cable	
15	1001216417	1	Cable, Battery Disconnect +	
15	2400087	1	Fuse - 300Amp	
16	5260600	1	Nut, M6 Class 10	
17	1001229522	1	Holder, Mega Fuse 300A <b>(SN B200040799 to Present, SN 0200266700 to Present, SN M200000001 to Present)</b>	
18	3290801	1	Nut M8 <b>(SN B200040799 to Present, SN 0200266700 to Present, SN M200000001 to Present)</b>	



## SECTION 2 - GROUND CONTROLS

FIGURE 2-7. BATTERIES INSTALLATION - STANDARD 12V-185AH



ART\_1001214915

## SECTION 2 - GROUND CONTROLS

**FIGURE 2-7. BATTERIES INSTALLATION - STANDARD 12V-185AH**

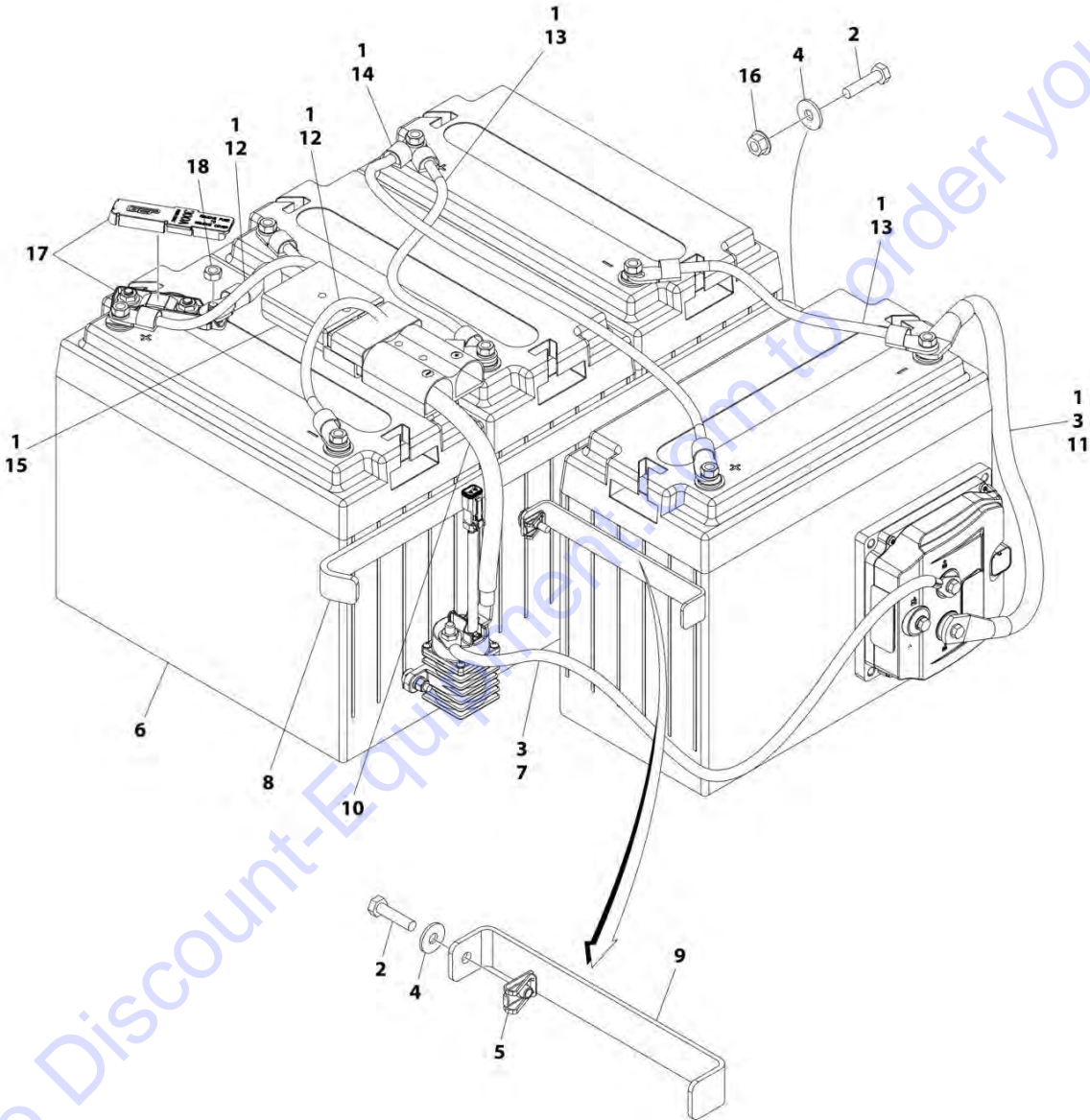
ITEM	PART NUMBER	QTY	DESCRIPTION	REV
	1001214915	Ref	BATTERIES INSTALLATION - STANDARD 12V-185AH	D
1	0100051	AR	Grease, Terminal	
2	4240017	AR	Tie-Strap	
3	1001214877	1	Cable, Contactor to Pump Control B+ <b>(Prior to SN B200040799, Prior to SN 0200266700)</b>	
4	1001214878	1	Cable, Contactor to Battery Disconnect	
4	4460290	1	Connector, Anderson	
5	1001214879	1	Cable, Battery - to Pump Control B-	
6	1001214980	4	Battery	
7	1001216409	3	Cable, Battery	
8	1001216410	1	Cable, Battery (+ to -)	
9	1001216411	1	Cable, Battery (+ to +)	
10	1001216417	1	Cable, Battery Disconnect to Fuse	
10	4460290	1	Connector, Anderson	
10	2400087	1	Fuse - 300Amp	
11	1001229522	1	Holder, Mega Fuse 300A <b>(SN B200040799 to Present, SN 0200266700 to Present, SN M200000001 to Present)</b>	
12	3290801	1	Nut M8 <b>(SN B200040799 to Present, SN 0200266700 to Present, SN M200000001 to Present)</b>	

Go to Discount-Equipment.com to order your parts



## SECTION 2 - GROUND CONTROLS

FIGURE 2-8. BATTERIES INSTALLATION - AGM 12V-150AH



ART\_1001214911

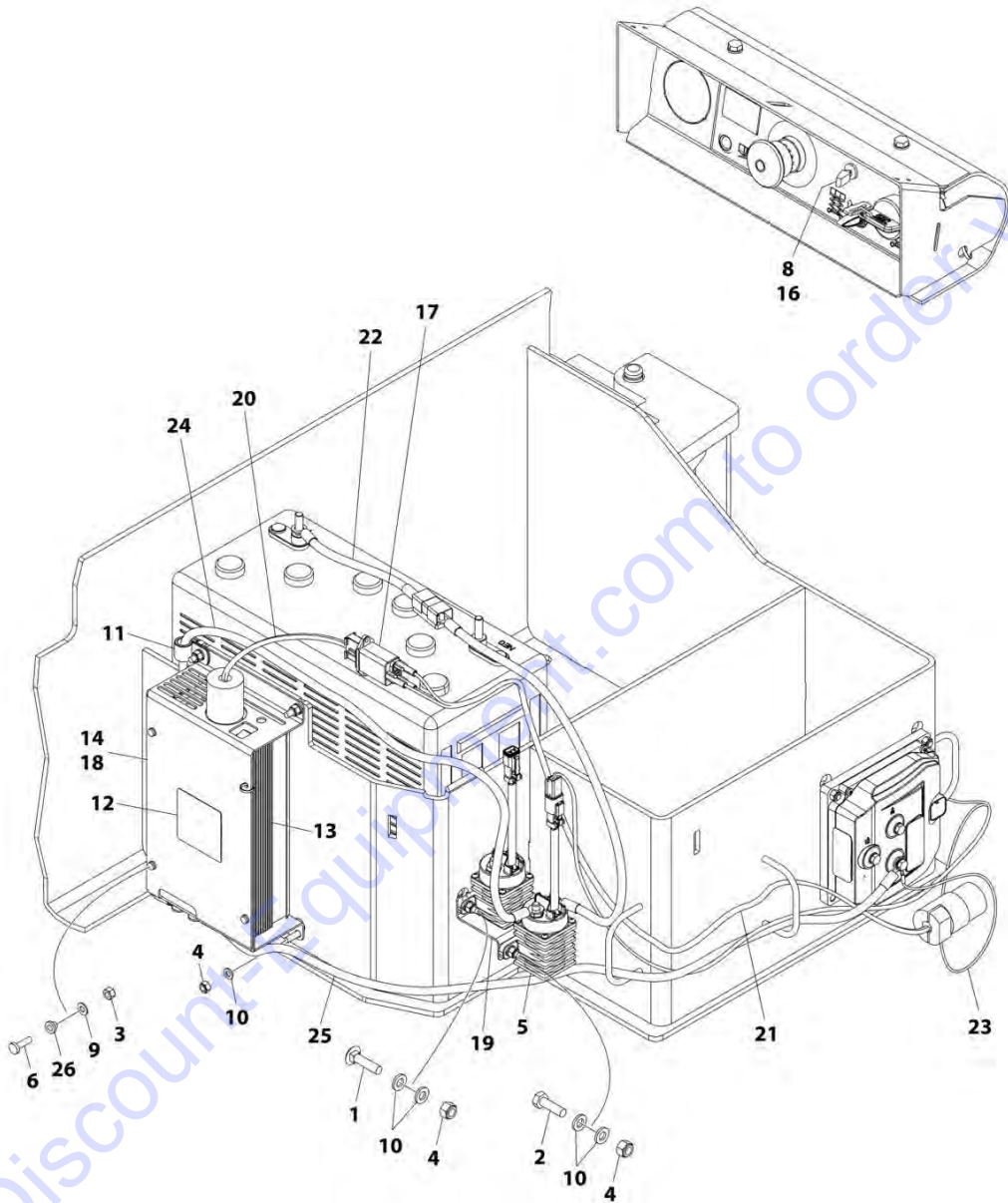
## SECTION 2 - GROUND CONTROLS

**FIGURE 2-8. BATTERIES INSTALLATION - AGM 12V-150AH**

ITEM	PART NUMBER	QTY	DESCRIPTION	REV
	1001214911	Ref	BATTERIES INSTALLATION - AGM 12V-150AH	D
1	0100051	AR	Grease, Terminal	
2	0760612	2	Bolt M6 x 25	
3	4240017	AR	Tie-Strap	
4	4811702	2	Washer M6	
5	8305919	1	Nut, Retainer, M6	
6	1001214309	4	Battery	
7	1001214877	1	Cable, Contactor to Pump Control B+ <b>(Prior to SN B200040799, Prior to SN 0200266700)</b>	
8	1001220904	1	Bracket	
9	1001220905	1	Bracket	
10	1001214878	1	Cable, Contactor to Battery Disconnect	
10	4460290	1	Connector, Anderson	
11	1001214879	1	Cable, Battery to Pump Control B-	
12	1001216409	2	Cable, Battery	
13	1001216410	2	Cable, Battery	
14	1001216411	1	Cable, Battery (+ to +)	
15	1001216417	1	Cable, Battery Disconnect +	
15	2400087	1	Fuse - 300Amp	
16	5260600	1	Nut, M6 Class 10	
17	1001229522	1	Holder, Mega Fuse 300A <b>(SN B200040799 to Present, SN 0200266700 to Present, SN M200000001 to Present)</b>	
18	3290801	1	Nut M8 <b>(SN B200040799 to Present, SN 0200266700 to Present, SN M200000001 to Present)</b>	

## SECTION 2 - GROUND CONTROLS

FIGURE 2-9. INVERTER INSTALLATION (OPTIONAL)



ART\_1001214215

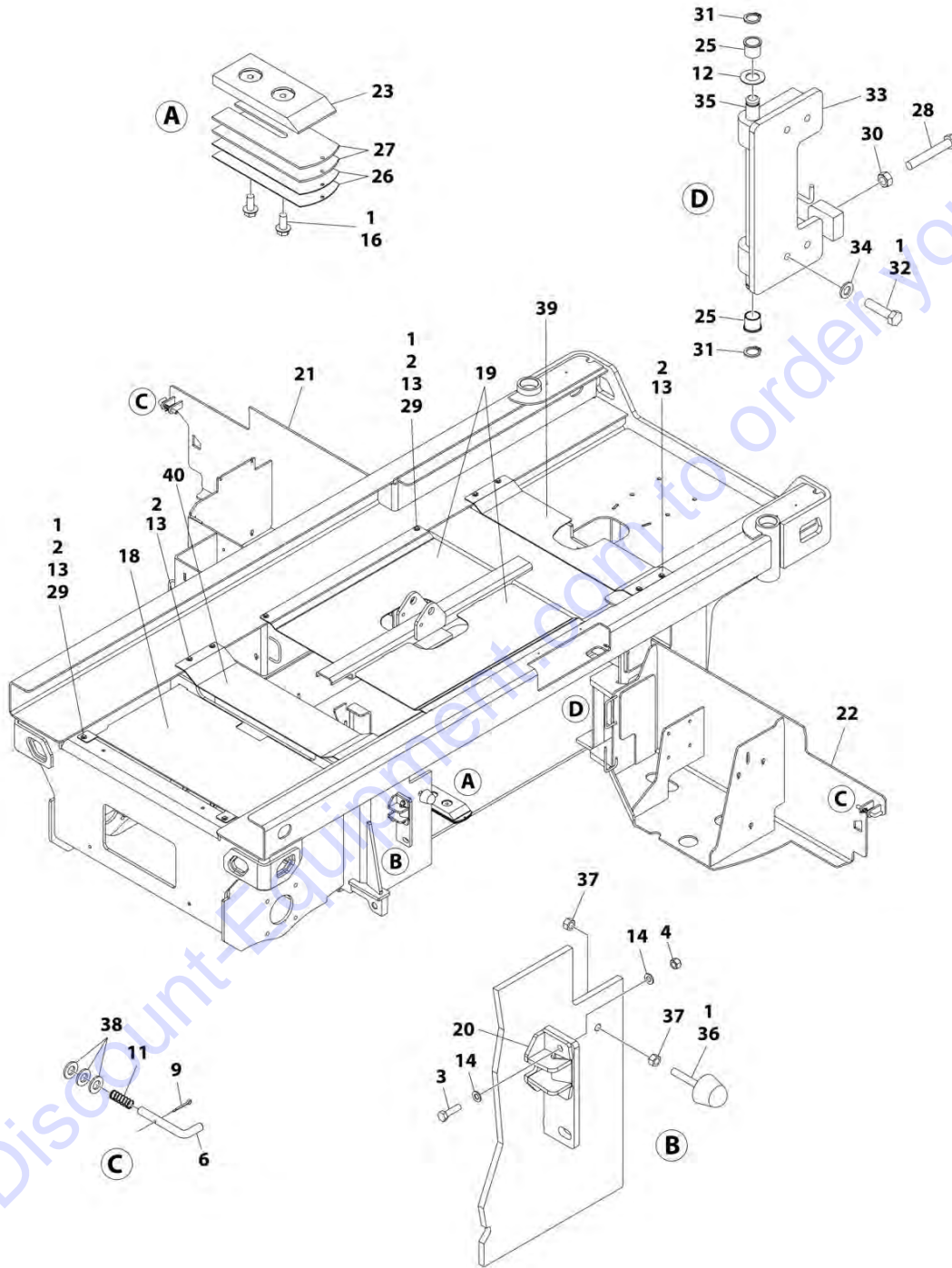
## SECTION 2 - GROUND CONTROLS

**FIGURE 2-9. INVERTER INSTALLATION (OPTIONAL)**

ITEM	PART NUMBER	QTY	DESCRIPTION	REV
	1001214215	Ref	INVERTER INSTALLATION (OPTIONAL)	B
1	0630587	6	Bolt M6 x 25	
2	0760610	2	Bolt M6 x 20	
3	3290405	3	Nut M4	
4	3290605	8	Nut M6	
5	3740150	1	Relay	
6	1001101540	3	Screw M4 x 14	
7	4240017	AR	Tie-Strap (Not Shown)	
8	4360336	1	Switch, Toggle	
9	4811400	3	Washer M4	
10	4811700	8	Washer M6	
11	85941016	1	Clamp	
12	1001125483	1	Decal - Pressure Wash	
13	1001136757	1	Inverter	
14	1001142173	1	Insulate	
15	1001143009	1	Decal - Inverter (Not Shown - Located on LH side of Frame)	
16	1001143010	1	Decal - On/Off Inverter	
17	1001157547	1	Inverter	
18	1001210440	1	Support	
19	1001210605	1	Support	
20	1001210881	1	Cable, Inverter to AC Filter	
20	4460138	1	Plug, Male - 3 Prong	
20	1001157513	1	Plug, Male - 3 Position	
20	1001157790	3	Terminal	
21	1001210882	1	Cable AC Filter to AC Plug	
21	4460779	1	Receptacle, Female	
22	1001214880	1	Cable, Battery + to Relay	
23	1001214994	1	Harness, Inverter (See Separate Breakdown in ELECTRICAL SECTION)	
24	1001215215	1	Cable, Inverter + to Relay	
25	1001217445	1	Cable, Pump Control B- to Inverter -	
26	1001142174	3	Washer 1/8	

# SECTION 2 - GROUND CONTROLS

## FIGURE 2-10. DOORS INSTALLATION



ART\_1001216353

## SECTION 2 - GROUND CONTROLS

### FIGURE 2-10. DOORS INSTALLATION

ITEM	PART NUMBER	QTY	DESCRIPTION	REV
	1001216353	Ref	DOORS INSTALLATION	F
1	0100011	AR	Compound, Locking	
2	0700612	AR	Bolt M6 x 25	
3	0700814	AR	Bolt M8 x 30	
3	0700817	AR	Bolt M8 x 45	
4	3290805	4	Nut M8	
6	3423243	2	Pin, Latch	
9	3450303	2	Pin	
11	4160214	2	Spring	
12	4740086	2	Washer	
13	4811702	AR	Washer M6	
14	4811902	AR	Washer M8	
16	5251011	4	Bolt M10 x 22	
18	1001217458	1	Cover	
19	1001217464	2	Panel	
20	1001217916	2	Bracket (Prior to SN B200045402)	
20	1001214810	2	Bracket (SN B200045402 to Present, SN M200000001 to Present, Including 0200000001)	
21	1001218048	1	Door, Battery	
22	1001218181	1	Door, Hydraulic	
23	1001218563	2	Pad, Wear	
25	1001218573	4	Bearing	
26	1001219828	4	Shim 18GA	
27	1001219829	4	Shim, Wear Pad 11GA	
28	0761224	2	Bolt M12 x 80	
29	3290605	AR	Nut M6	
30	3291201	2	Nut M12	
31	3760348	4	Ring, Retaining	
32	0761218001	8	Bolt M12 x 50	
33	1001223073	2	Hinge	
34	4812100001	8	Washer M12	
35	1001223171	2	Pin	
36	0940071	2	Bumper	
37	3271601	4	Nut 3/8	
38	4812000	AR	Washer M10	
39	1001234257	1	Panel (SN B200045793 to Present)	
40	1001234301	1	Panel (SN B200045793 to Present, SN M200000001 to Present, Including 0200000001)	



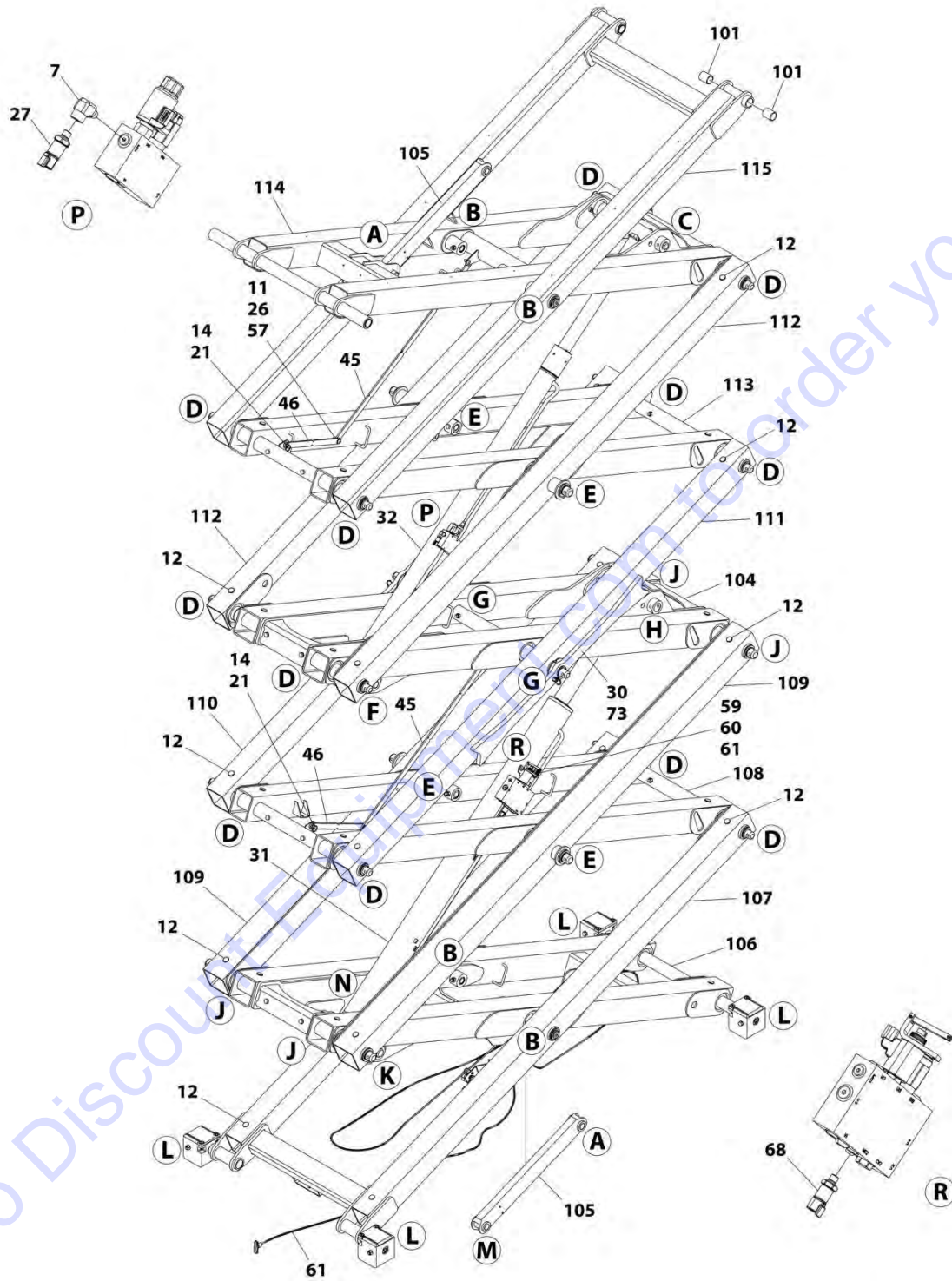
**SECTION 3 - SCISSORS ARMS**

Go to Discount-Equipment.com to order your parts



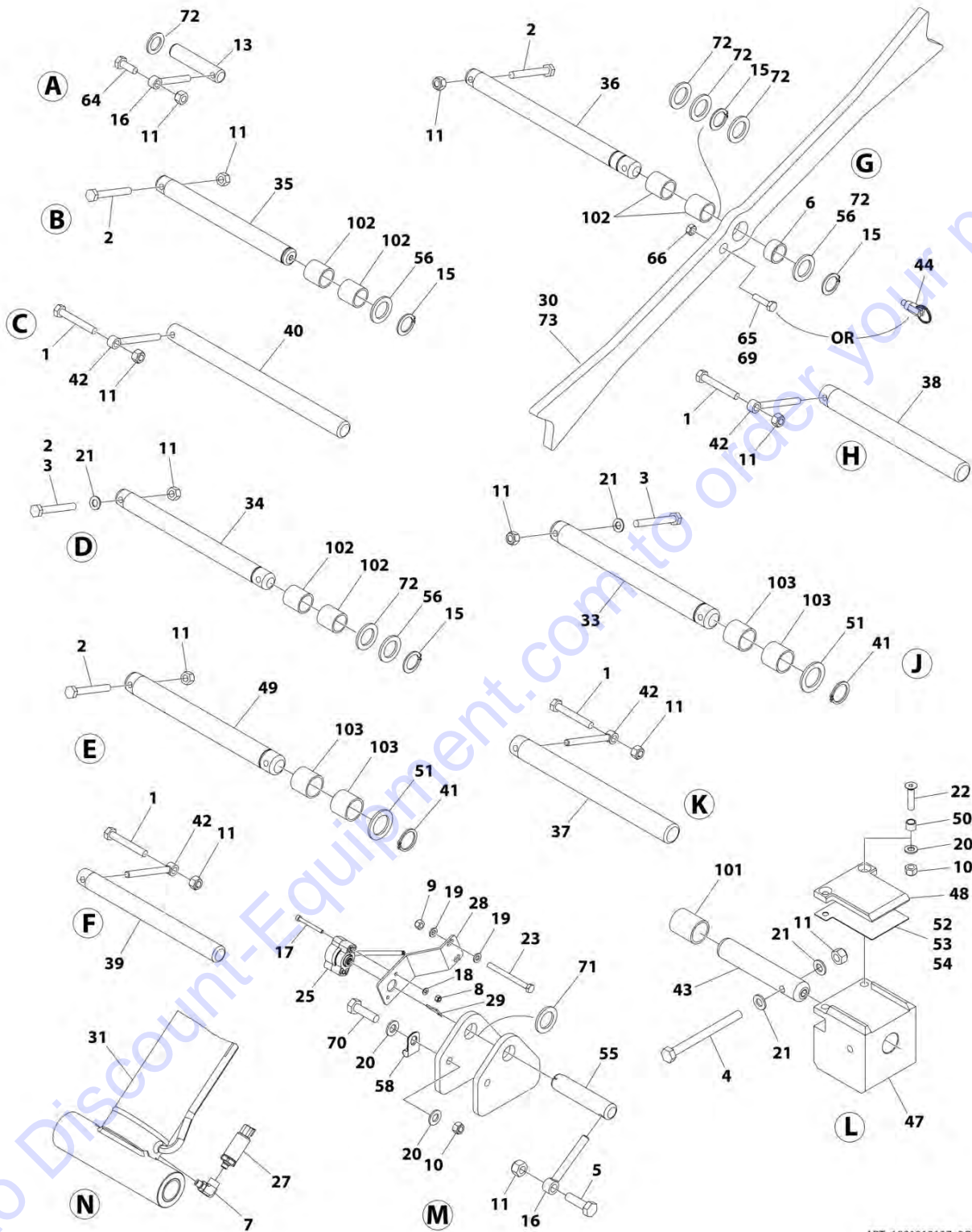
# SECTION 3 - SCISSORS ARMS

## FIGURE 3-1. SCISSORS ARMS INSTALLATION



ART\_1001213137\_10F2

# SECTION 3 - SCISSORS ARMS



## SECTION 3 - SCISSORS ARMS

FIGURE 3-1. SCISSORS ARMS INSTALLATION

ITEM	PART NUMBER	QTY	DESCRIPTION	REV
	1001213137	Ref	SCISSORS ARMS INSTALLATION	M
1	0701022	4	Bolt M10 x 70	
2	0701024	18	Bolt M10 x 80	
3	0701025	8	Bolt M10 x 85	
4	0701029	AR	Bolt M10 x 120	
4	0701030	AR	Bolt M10 x 130	
5	0701015	1	Bolt M10 x 35	
6	0962257	2	Bushing (Prior to SN B200040518, Prior to SN 0200266894)	
6	1001227919	2	Bushing (SN B200040518 through B200041089, SN 0200266894 through 0200266704)	
7	2221116	AR	Fitting, 90 ORB/ORB	
8	3290405	2	Nut M4	
9	3290605	2	Nut M6	
10	3290805	9	Nut M8	
11	3291005	39	Nut M10	
12	3340962	36	Pad (Prior to SN B200040518, Prior to SN 0200266894)	
12	1001228533	36	Pad (SN B200040518 to Present, SN 0200266894 to Present, SN M200000001 to Present)	
13	3422943	2	Pin	
14	3760170	4	Ring, Split	
15	3760387	AR	Ring, Retaining	
16	3841143	3	Keeper, Pin	
17	4031512	2	Capscrew M4 x 40	
18	4811400	2	Washer M4	
19	4811700	4	Washer M6	
20	4811900	10	Washer M8	
21	4812000	AR	Washer M10	
22	1001094312	8	Screw M8 x 30	
23	1001096653	2	Bolt M6 x 70	
25	1001146963	1	Sensor, BEI Angle	
25	4460899	1	Receptacle, Female - 6 Position	
25	4460464	6	Pin, Male	
26	1001153195	6	Washer M10	
27	1001200740	2	Transducer, Pressure (Prior to SN B200040518, Prior to SN 0200266894)	
27	1001227516	2	Transducer, Pressure (SN B200040518 to Present, SN 0200266894 to Present, SN M200000001 to Present)	
28	1001222308	1	Bracket	
29	1001205345	1	Key, Sensor (Prior to SN 0200267399, Prior to SN B200046828)	
29	1001234204	1	Key, Sensor (SN 0200267399 to Present, SN B200046828 to Present)	
30	1001212284	2	Prop, Safety (Prior to SN B200045460, Prior to SN 0200266894)	
31	1001212482	1	Lift Cylinder Assembly - Lower (See Separate Breakdown in CYLINDER SECTION)	
32	1001212483	1	Lift Cylinder Assembly - Upper (See Separate Breakdown in CYLINDER SECTION)	
33	1001214625	4	Pin	
34	1001214641	12	Pin	
35	1001214644	4	Pin	
36	1001214645	2	Pin (Prior to SN 0200266928)	
36	1001231837	2	Pin (SN 0200266928 to Present, SN M200000001 to Present)	

## SECTION 3 - SCISSORS ARMS

ITEM	PART NUMBER	QTY	DESCRIPTION	REV
36	1001214645	2	Pin (Prior to SN B200046782)	
36	1001231837	2	Pin (SN B200046782 to Present)	
37	1001214646	1	Pin	
38	1001214648	1	Pin	
39	1001214649	1	Pin	
40	1001214650	1	Pin	
41	1001214689	8	Ring, Reatining	
42	1001214907	4	Keeper, Pin	
43	1001215790	4	Pin	
44	3423151	2	Pin, Plunger (Prior to SN B200040518, Prior to SN 0200266894)	
45	1001216690	2	Support, Cable	
46	1001216691	2	Support, Cable	
47	1001216781	4	Block, Slide	
48	1001216792	4	Pad, Slide	
49	1001216808	4	Pin	
50	1001217110	8	Sleeve	
51	1001217457	8	Washer	
52	1001217466	AR	Shim, 20 Gauge	
53	1001219834	AR	Shim, 15 Gauge	
54	1001219835	AR	Shim, 24 Gauge	
55	1001220144	1	Pin, Sensor	
56	1001220407	AR	Washer	
57	1001174673	2	Screw M10 x 30	
58	8406003	1	Clamp	
59	3321402	1	Nut 1/4	
60	4160078	1	Spring	
61	1001218696	1	Cable, Manual Descent	
61	7020218	1	Handle	
62	1001216594	1	Lift Down Harness - Lower (Not Shown) (See Separate Breakdown in ELECTRICAL SECTION)	
63	1001216595	1	Lift Down Harness - Upper (Not Shown) (See Separate Breakdown in ELECTRICAL SECTION)	
64	0701014	2	Bolt M10 x 30	
65	0701016	2	Bolt M10 x 40	
66	3291001	2	Nut M10	
67	1001216593	1	LSS Harness (Not Shown - See Separate Breakdown in ELECTRICAL SECTION)	
68	1001225164	1	Sensor, Pressure Transducer	
69	0100011	AR	Compound, Locking	
70	0700814	1	Bolt M8 x 30	
71	4740446	AR	Washer (Prior to SN 0200266928, Prior to SN B200046782)	
72	1001231270	AR	Shim	
73	1001231890	2	Assembly, Safety Prop (SN B200045460 to Present)	
73	1001212284	1	Plate, Safety Prop	
73	1001227919	1	Bearing, Bronze	
	1001219766	Ref	ARM KIT	
101	0440266	8	Bearing	
102	0440267	36	Bearing	
103	0962272	16	Bearing	
104	1001211677	1	Arm - Inner 3	
105	1001211951	2	Link	
105	0962474	4	Bushing	

### SECTION 3 - SCISSORS ARMS

ITEM	PART NUMBER	QTY	DESCRIPTION	REV
106	1001212768	1	Arm - Inner 1	
107	1001212795	1	Arm - Outer 1	
108	1001212829	1	Arm - Inner 2	
109	1001212958	2	Arm - Outer 2	
110	1001212963	1	Arm - Outer 3 (LH)	
111	1001212964	1	Arm - Outer 3 (RH)	
112	1001212967	2	Arm - Outer 4	
113	1001212970	1	Arm - Inner 4	
114	1001212971	1	Arm - Inner 5	
115	1001212972	1	Arm - Outer 5	

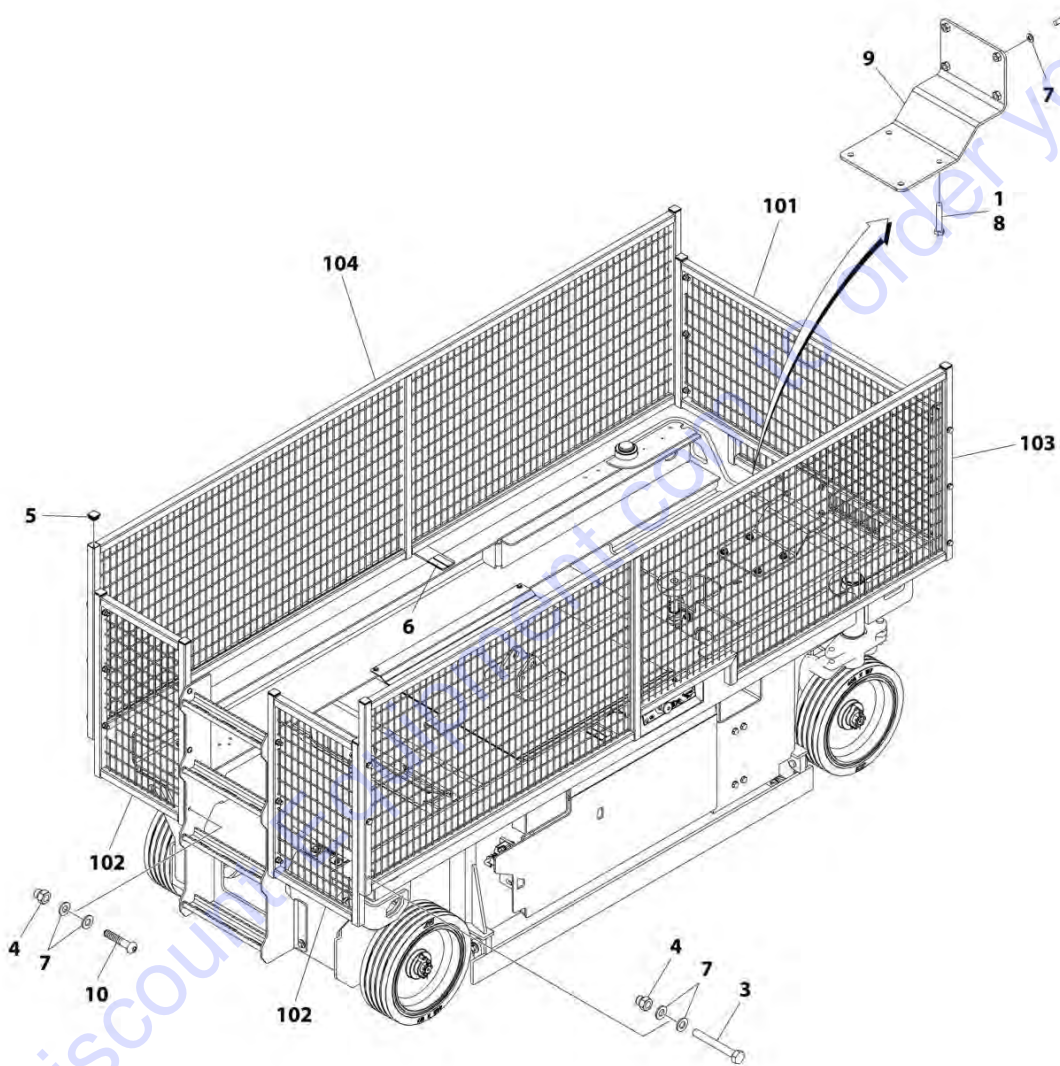
Go to Discount-Equipment.com to order your parts





# SECTION 3 - SCISSORS ARMS

## FIGURE 3-2. ARM GUARD INSTALLATION



ART\_1001226220

## SECTION 3 - SCISSORS ARMS

**FIGURE 3-2. ARM GUARD INSTALLATION**

ITEM	PART NUMBER	QTY	DESCRIPTION	REV
	1001226220	Ref	ARM GUARD INSTALLATION	A
1	0100011	AR	Compound, Locking	
2	0701019	4	Bolt M10 x 55	
3	0701024	12	Bolt M10 x 80	
4	3291006	18	Nut M10	
5	3520072	10	Plug	
6	4420062	1 ft/30cm	Tape	
7	4812000	40	Washer M10	
8	1001098828	4	Bolt M12 x 70 Garde 10.9	
9	1001226215	1	Bracket	
10	1001229529	6	Screw M10 x 50	
100	1001226219	1	Arm Guard Kit (Not Shown)	
101	1001226216	1	Guard, Arm (Front)	
102	1001226218	2	Guard, Arm (Rear)	
103	1001229950	1	Guard, Arm (RH)	
104	1001229951	1	Guard, Arm (LH)	

Go to Discount-Equipment.com to order your parts





# PARTS FINDER

**Search Website  
by Part Number**



**Search Manual  
Library For Parts  
Manual & Lookup Part  
Numbers – Purchase  
or Request Quote**

**Can't Find Part or  
Manual? Request Help  
by Manufacturer,  
Model & Description**

Discount-Equipment.com is your online resource for quality parts & equipment.

Florida: **561-964-4949** Outside Florida TOLL FREE: **877-690-3101**

**Need parts?**

Click on this link: <http://www.discount-equipment.com/category/5443-parts/> and choose one of the options to help get the right parts and equipment you are looking for. Please have the machine model and serial number available in order to help us get you the correct parts. If you don't find the part on the website or on one of the online manuals, please fill out the request form and one of our experienced staff members will get back to you with a quote for the right part that your machine needs.

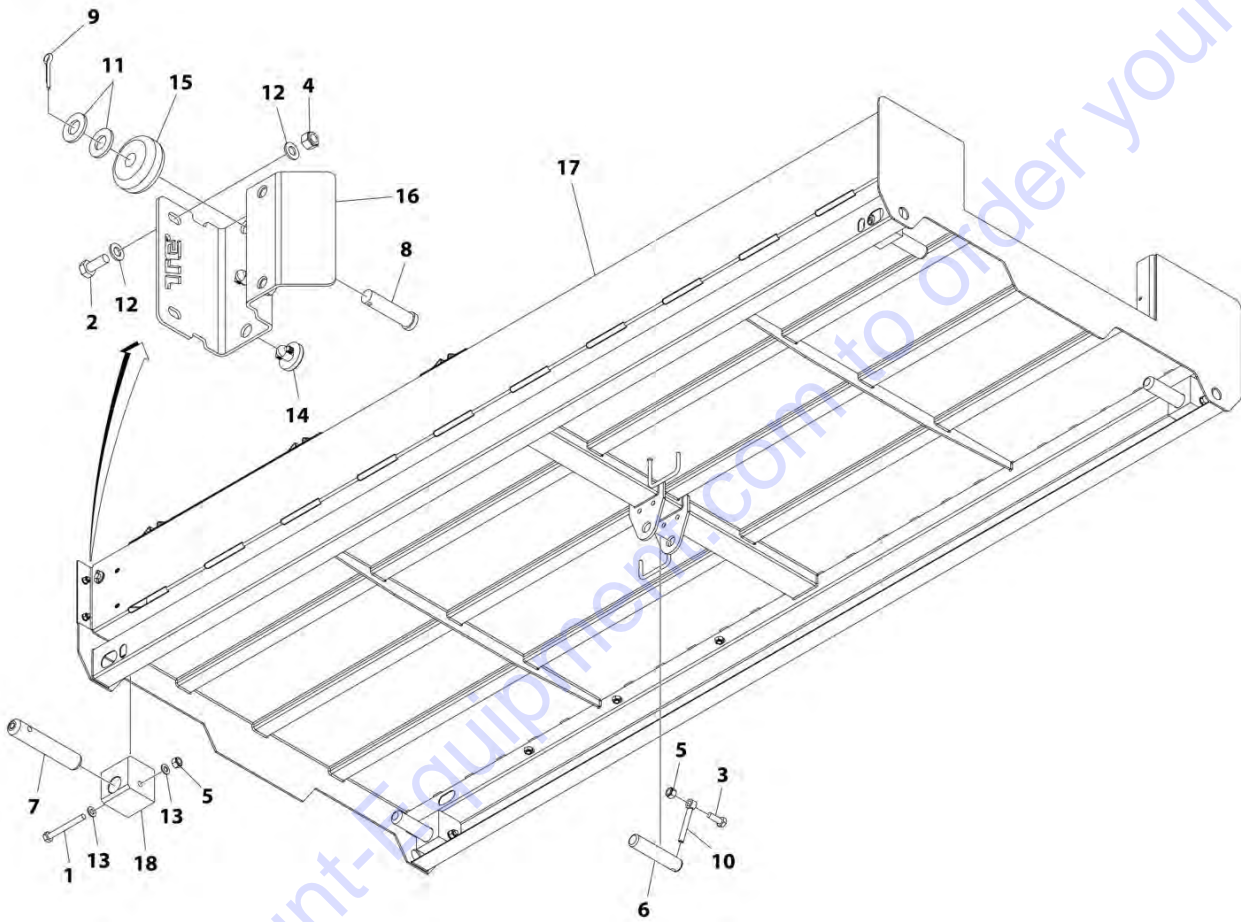
We sell worldwide for the brands: Genie, Terex, JLG, MultiQuip, Mikasa, Essick, Whiteman, Mayco, Toro Stone, Diamond Products, Generac Magnum, Airman, Haulotte, Barreto, Power Blanket, Nifty Lift, Atlas Copco, Chicago Pneumatic, Allmand, Miller Curber, Skyjack, Lull, Skytrak, Tsurumi, Husquvarna Target, Stow, Wacker, Sakai, Mi-T-M, Sullair, Basic, Dynapac, MBW, Weber, Bartell, Bennar Newman, Haulotte, Ditch Runner, Menegotti, Morrison, Contec, Buddy, Crown, Edco, Wyco, Bomag, Laymor, EZ Trench, Bil-Jax, F.S. Curtis, Gehl Pavers, Heli, Honda, ICS/PowerGrit, IHI, Partner, Imer, Clipper, MMD, Koshin, Rice, CH&E, General Equipment, Amida, Coleman, NAC, Gradall, Square Shooter, Kent, Stanley, Tamco, Toku, Hatz, Kohler, Robin, Wisconsin, Northrock, Oztec, Toker TK, Rol-Air, APT, Wylie, Ingersoll Rand / Doosan, Innovatech, Con X, Ammann, Mecalac, Makinex, Smith Surface Prep, Small Line, Wanco, Yanmar

**SECTION 4 - PLATFORM**

Go to Discount-Equipment.com to order your parts

# SECTION 4 - PLATFORM

## FIGURE 4-1. PLATFORM INSTALLATION



ART\_1001213267

## SECTION 4 - PLATFORM

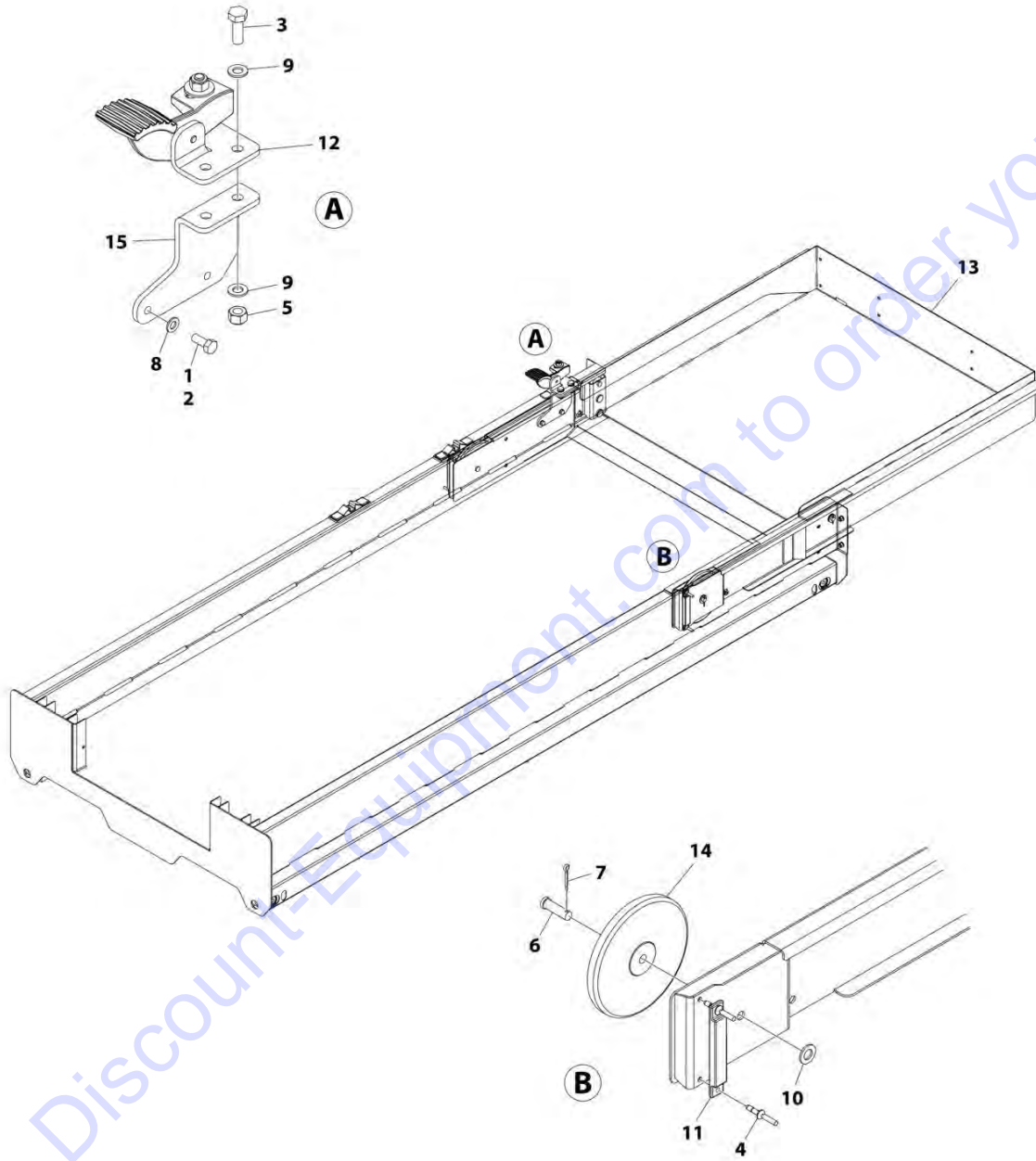
**FIGURE 4-1. PLATFORM INSTALLATION**

ITEM	PART NUMBER	QTY	DESCRIPTION	REV
	1001213267	Ref	PLATFORM INSTALLATION	F
1	0701026	4	Bolt M10 x 90	
2	0760810	4	Bolt M8 x 20	
3	0761014	1	Bolt M10 x 30	
4	3290805	4	Nut M8	
5	3291005	5	Nut M10	
6	3422943	1	Pin	
7	1001215790	4	Pin	
8	3430816	2	Pin	
9	3450403	2	Pin 1/8 x 3/4	
10	3841143	1	Keeper, Pin	
11	4711800	4	Washer 1/2	
12	4811900	8	Washer M8	
13	4812000	8	Washer M10	
14	1001137675	4	Bumper	
15	1001205422	2	Roller	
16	1001210064	2	Support, Roller	
17	1001213275	1	Platform	
18	1001214268	4	Block, Slide	

Go to Discount-Equipment.com to order your parts

# SECTION 4 - PLATFORM

## FIGURE 4-2. PLATFORM EXTENSION INSTALLATION



ART\_1001213268

## SECTION 4 - PLATFORM

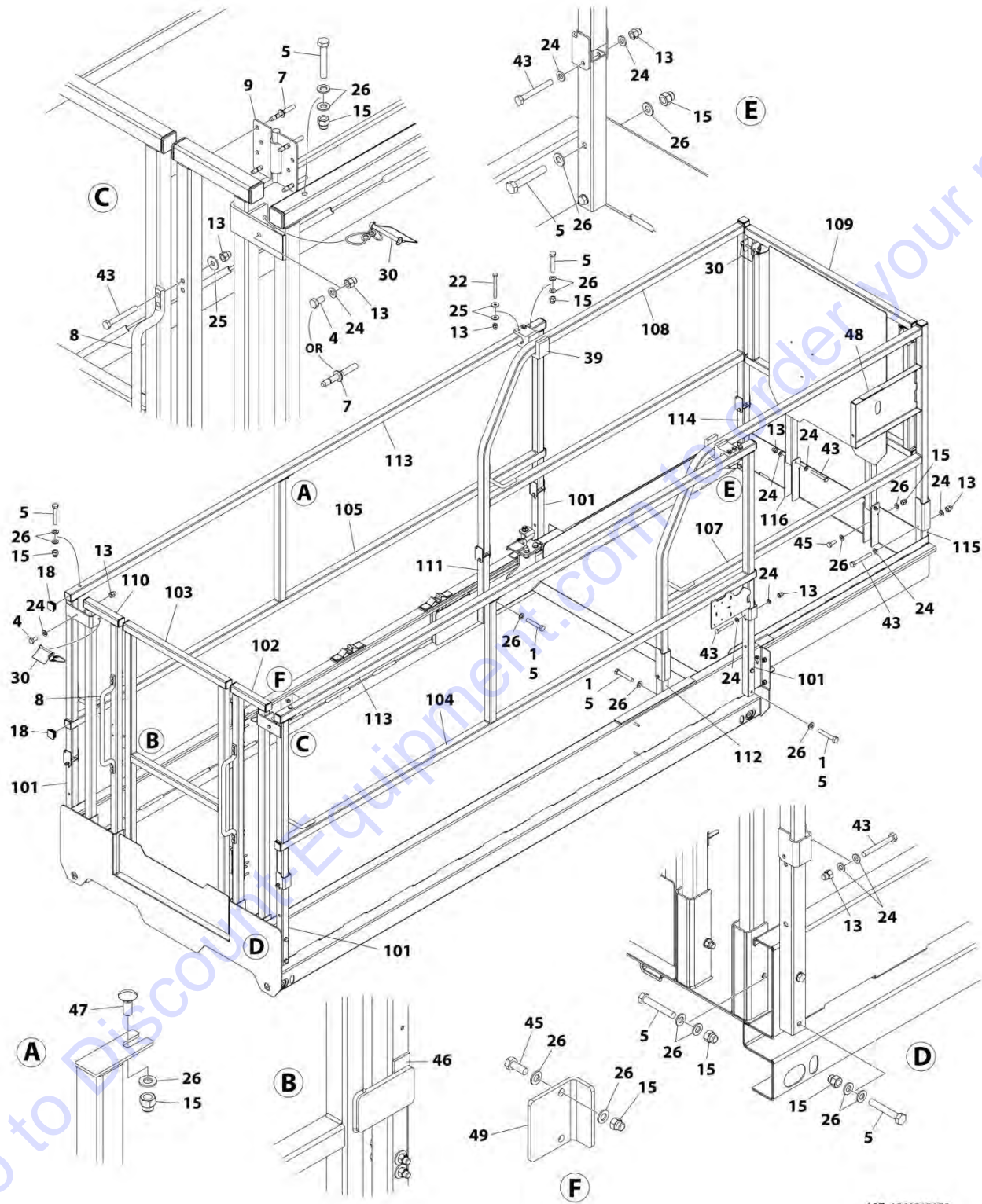
**FIGURE 4-2. PLATFORM EXTENSION INSTALLATION**

ITEM	PART NUMBER	QTY	DESCRIPTION	REV
	1001213268	Ref	PLATFORM EXTENSION INSTALLATION	C
1	0100011	AR	Compound, Locking	
2	0760810	AR	Bolt M8 x 20	
2	0760812	AR	Bolt M8 x 25	
3	0761014	2	Bolt M10 x 30	
4	2080040	4	Fastener	
5	3291005	2	Nut M10	
6	3430813	2	Pin	
7	3450404	2	Pin 1/8 x 1	
8	4811900	2	Washer M8	
9	4812000	4	Washer M10	
10	4812200	2	Washer M14	
11	1001208852	2	Pad, Slide	
12	1001209256	1	Bracket, Latch <b>(Prior to SN 0200267720, Prior to SN B200051692)</b>	
12	1001234407	1	Bracket, Latch <b>(SN 0200267720 to Present, SN B200051692 to Present, SN M200000001 to Present)</b>	
13	1001213470	1	Extension	
14	1001213550	2	Roller	
15	1001213838	1	Plate	



# SECTION 4 - PLATFORM

## FIGURE 4-3. RAILS INSTALLATION (SIDE BY SIDE)



ART\_1001213270



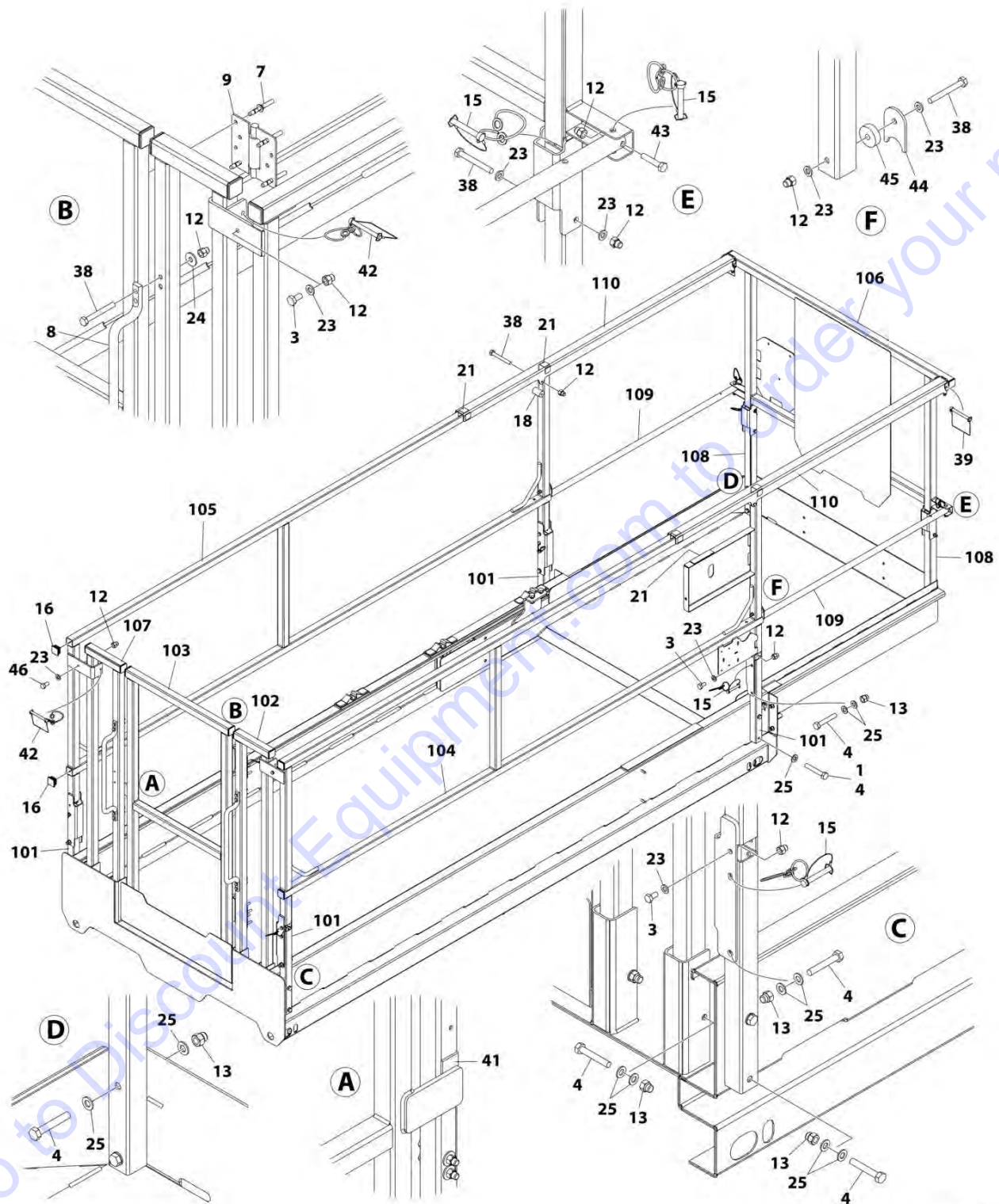
## SECTION 4 - PLATFORM

**FIGURE 4-3. RAILS INSTALLATION (SIDE BY SIDE)**

ITEM	PART NUMBER	QTY	DESCRIPTION	REV
	1001213270	Ref	RAILS INSTALLATION (SIDE BY SIDE)	J
1	0100011	AR	Compound, Locking	
4	0760606	AR	Bolt M6 x 12	
5	0700818	24	Bolt M8 x 50	
7	2080040	AR	Fastener	
8	2560176	2	Handle <b>(Prior to SN B200051326, Prior to SN 0200268303)</b>	
9	2600281	2	Hinge	
13	3290606	AR	Nut M6	
15	3290806	AR	Nut M8	
18	3520072	20	Plug	
22	0700621	AR	Bolt M6 x 65	
22	0700617	AR	Bolt M6 x 45	
24	4811700	AR	Washer M6	
25	4811702	AR	Washer M6	
26	4811900	AR	Washer M8	
30	1001187587	1	Pin, Snap with Lanyard	
39	1001213884	NLA	Pad, Slide (Use p/n 1001237911) <b>(Prior to SN B200051326, Prior to SN 0200268303)</b>	
39	1001237911	2	Bracket, Slide <b>(SN B200051326 to Present, SN 0200268303 to Present, SN M200000001 to Present)</b>	
43	0700618	AR	Bolt M6 x 50	
45	0760810	AR	Bolt M8 x 20	
46	3080007	1	Magnet, Gate	
47	1001186235	2	Bolt M8 x 20	
48	4420062	4 in/ 10cm	Tape	
49	1001232622	1	Bracket, Stop <b>(SN B200044498 to Present, SN 0200266699 to Present, SN M200000001 to Present)</b>	
	1001218264	Ref	Rail Kit	
101	1001213393	4	Tube	
102	1001213394	1	Rail, Rear (RH)	
103	1001213397	1	Gate	
104	1001222907	1	Rail, Side (RH)	
105	1001222913	1	Rail, Side (LH)	
107	1001213915	1	Rail, Extension Side (RH)	
108	1001213916	1	Rail, Extension Side (LH)	
109	1001213931	1	Rail, Extension Front	
110	1001222742	1	Rail, Rear (LH)	
111	1001222861	1	Tube (LH)	
112	1001222869	1	Tube (RH)	
113	1001223040	2	Rail, Top	
114	1001223165	1	Tube, Extension (LH)	
115	1001223166	1	Tube, Extension (RH)	
116	1001223053	2	Bracket	

# SECTION 4 - PLATFORM

## FIGURE 4-4. RAILS INSTALLATION (TUBE IN TUBE)



ART\_1001213269

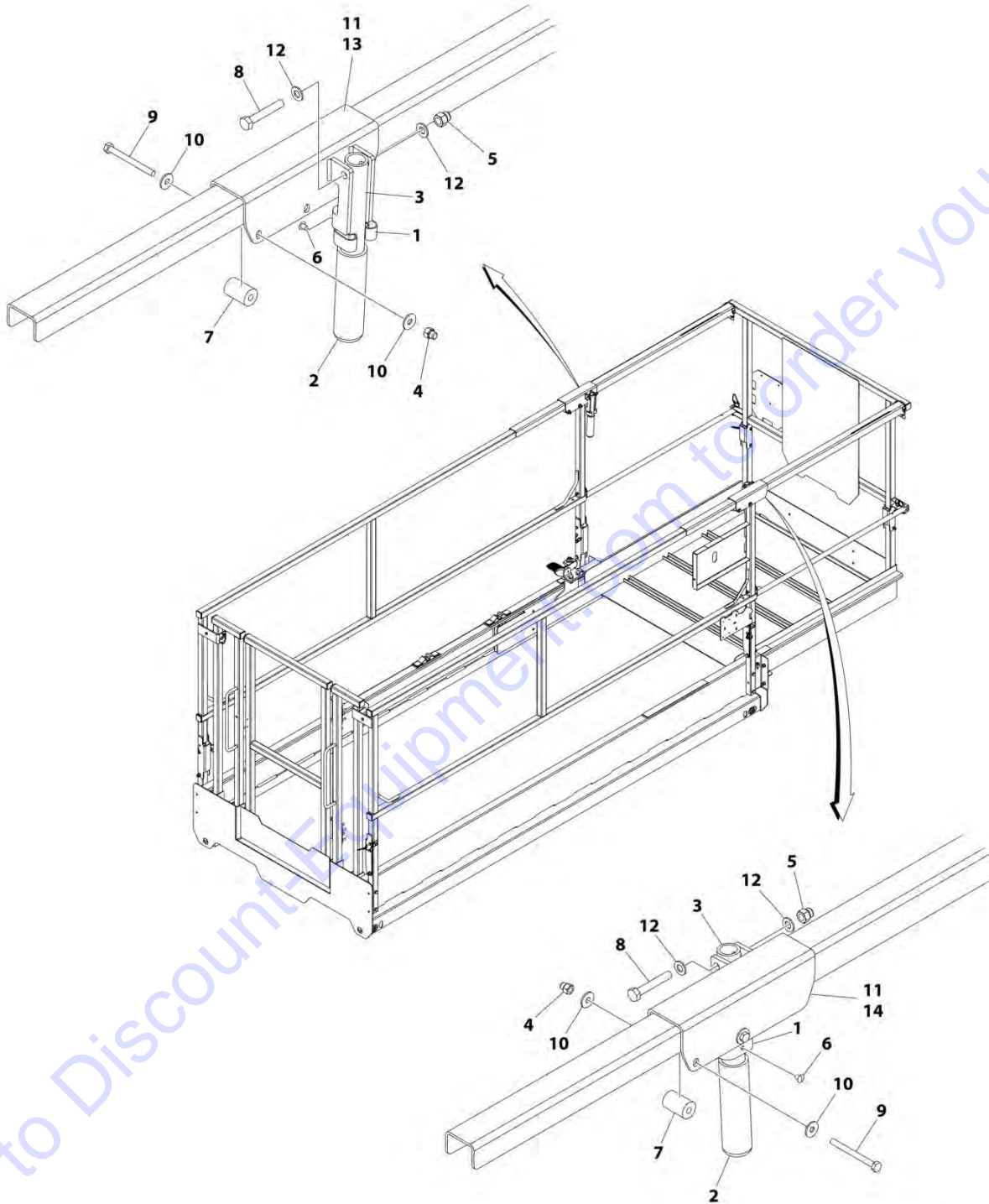
## SECTION 4 - PLATFORM

**FIGURE 4-4. RAILS INSTALLATION (TUBE IN TUBE)**

ITEM	PART NUMBER	QTY	DESCRIPTION	REV
	1001213269	Ref	RAILS INSTALLATION (TUBE IN TUBE)	H
1	0100011	AR	Compound, Locking	
3	0760606	4	Bolt M6 x 12	
4	0700818	20	Bolt M8 x 50	
7	2080040	16	Fastener	
8	2560176	2	Handle <b>(Prior to SN B200051326, Prior to SN 0200268303)</b>	
9	2600281	2	Hinge	
12	3290606	AR	Nut M6	
13	3290806	16	Nut M8	
15	3423278	8	Pin, Snap	
16	3520072	14	Plug	
18	3860111	2	Roller	
21	4420062	16 in/ 40cm	Tape	
23	4811700	14	Washer M6	
24	4811702	AR	Washer M6	
25	4811900	36	Washer M8	
38	0700618	AR	Bolt M6 x 50	
39	3422219	2	Pin, Snap	
41	3080007	1	Magnet, Gate	
42	1001187587	2	Pin, Snap with Lanyard	
43	0700614	2	Bolt M6 x 30	
44	1001227972	2	Plate, Extension Rod Stop	
45	1001227994	2	Washer	
46	0760608	2	Bolt M6 x 16	
	1001218263	Ref	RAIL KIT	
101	1001213393	4	Tube	
102	1001213394	1	Rail, Rear (RH)	
103	1001213397	1	Gate	
104	1001213403	1	Rail, Side (RH)	
105	1001213407	1	Rail, Side (LH)	
106	1001213409	1	Rail, Extension Front	
107	1001222742	1	Rail, Rear (LH)	
108	1001223164	2	Tube, Extension	
109	1001227969	2	Rail, Center Slide	
110	1001213416	2	Rail, Top Slide	

# SECTION 4 - PLATFORM

## FIGURE 4-5. EXTENSION HANDLES INSTALLATION (OPTIONAL)



ART\_1001215446

## SECTION 4 - PLATFORM

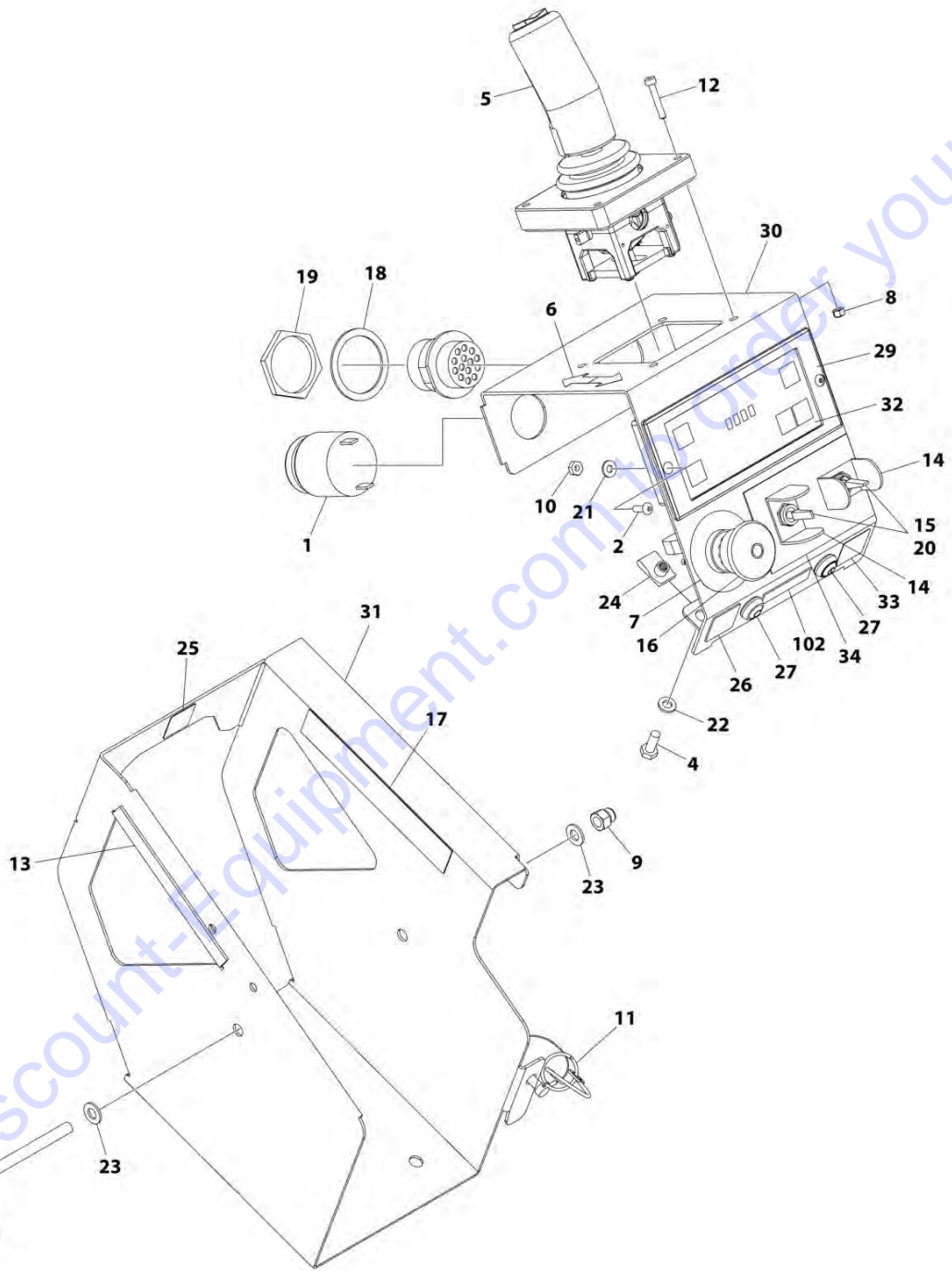
**FIGURE 4-5. EXTENSION HANDLES INSTALLATION (OPTIONAL)**

ITEM	PART NUMBER	QTY	DESCRIPTION	REV
	1001215446	Ref	EXTENSION HANDLES INSTALLATION (OPTIONAL)	E
1	1380132	2	Clip	
2	2560088	2	Grip	
3	2560190	2	Handle	
4	3290606	2	Nut M6	
5	3290806	2	Nut M8	
6	3820019	2	Rivet	
7	3860111	2	Roller	
8	0700818	AR	Bolt M8 x 50	
9	0700621	AR	Bolt M6 x 65	
10	4811702	AR	Washer M6	
11	1001216823	2	Bracket (Prior to SN 0200267774, SN B200000100 to Present)	
12	4811900	AR	Washer M8	
13	1001235560	1	Bracket (LH) (SN 0200267774 to Present, SN M200000001 to Present)	
14	1001235561	1	Bracket (RH) (SN 0200267774 to Present, SN M200000001 to Present)	

Go to Discount-Equipment.com to order your parts

# SECTION 4 - PLATFORM

## FIGURE 4-6. PLATFORM CONSOLE INSTALLATION



ART\_1001214924



## SECTION 4 - PLATFORM

**FIGURE 4-6. PLATFORM CONSOLE INSTALLATION**

ITEM	PART NUMBER	QTY	DESCRIPTION	REV
	1001214924	Ref	PLATFORM CONSOLE ASSEMBLY	E
1	0140030	1	Alarm	
2	0630473	2	Screw #8 x 1/2	
2	1001047064	2	Screw (Socket Head)	
3	0700835	1	Bolt M8 x 180	
4	0760610	2	Bolt M6 x 20	
5	1600402	1	Controller Assembly (See Separate Breakdown in this Section)	
6	1703819	1	Decal - Arrow	
7	1704260	1	Decal - Emergency Stop	
8	3290405	AR	Nut M4	
9	3290806	1	Nut M8	
10	3310805	AR	Nut #8	
11	3423278	1	Pin, Snap with Lanyard	
12	4031509	4	Capscrew M4 x 25	
13	4060803	6 in /14cm	Flex-Trim	
14	4060906	2	Guard, Switch	
15	4360345	2	Switch, Toggle	
16	4360475	1	Switch, Emergency Stop	
16	7020175	1	Cap	
16	7020176	1	Block, Contact	
17	4420062	12 in/ 30cm	Tape	
18	4460496	1	Washer, Terminal	
19	4460497	1	Nut, Terminal	
20	4711700	2	Washer 7/16	
21	4750800	AR	Washer #8	
21	4811400	AR	Washer M4	
22	4811700	2	Washer M6	
23	4811900	2	Washer M8	
24	1001130220	2	Nut, Tinnerman M6	
25	1001132358	1	Decal - Steer	
26	1001132361	1	Decal - Horn	
27	1001200633	2	Switch - Push Button <b>(Prior to SN B200045699, Prior to SN 0200266945)</b>	
27	1001226749	2	Switch - Push Button <b>(SN B200045699 to Present, SN 0200266945 to Present, SN M200000001 to Present)</b>	
28	1001200819	1	Platform Control Box Harness (Not Shown) (See Separate Breakdown in ELECTRICAL SECTION)	
29	1001224873	1	Module, Platform Control <b>(Prior to SN B200045699, Prior to SN 0200266945)</b>	
29	1001228112	1	Module, Platform Control <b>(SN B200045699 to Present, SN 0200266945 to Present, SN M200000001 to Present)</b>	
30	1001209595	1	Plate, Box (Inside)	
31	1001209596	1	Plate, Box (Outside)	
32	1001210436	1	Decal - Platform Control <b>(Prior to SN B200045699, Prior to SN 0200266945)</b>	
32	1001218285	1	Decal - Platform Control <b>(SN B200045699 to Present, SN 0200266945 to Present, SN M200000001 to Present)</b>	
33	1001213886	1	Decal - Indoor/Outdoor	
34	1001220893	1	Decal - Lift/Drive Function	
	1001214151	Ref	PLATFORM CONSOLE INSTALLATION	D

## SECTION 4 - PLATFORM

ITEM	PART NUMBER	QTY	DESCRIPTION	REV
102	1001220889	1	Decal - 3246R/4045R	

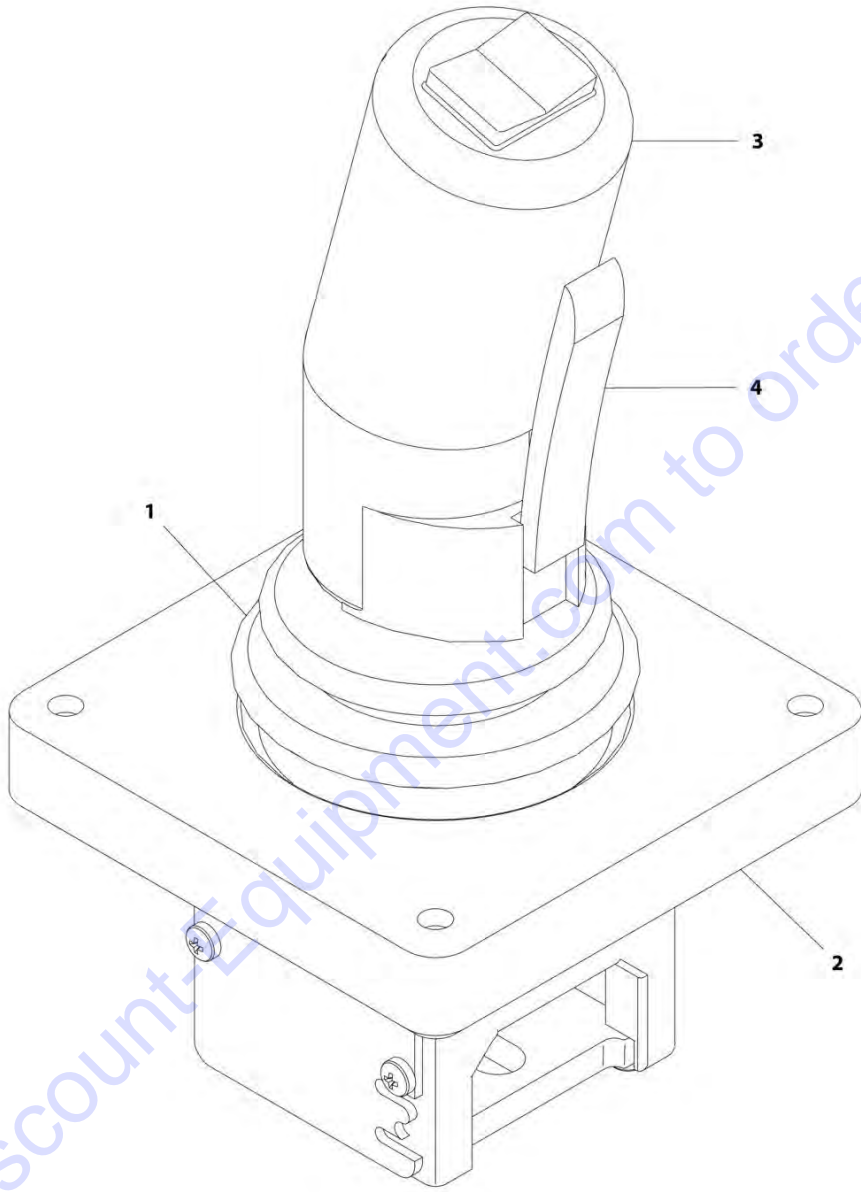
Go to Discount-Equipment.com to order your parts





# SECTION 4 - PLATFORM

## FIGURE 4-7. DRIVE/STEER CONTROLLER ASSEMBLY



ART\_1600402

## SECTION 4 - PLATFORM

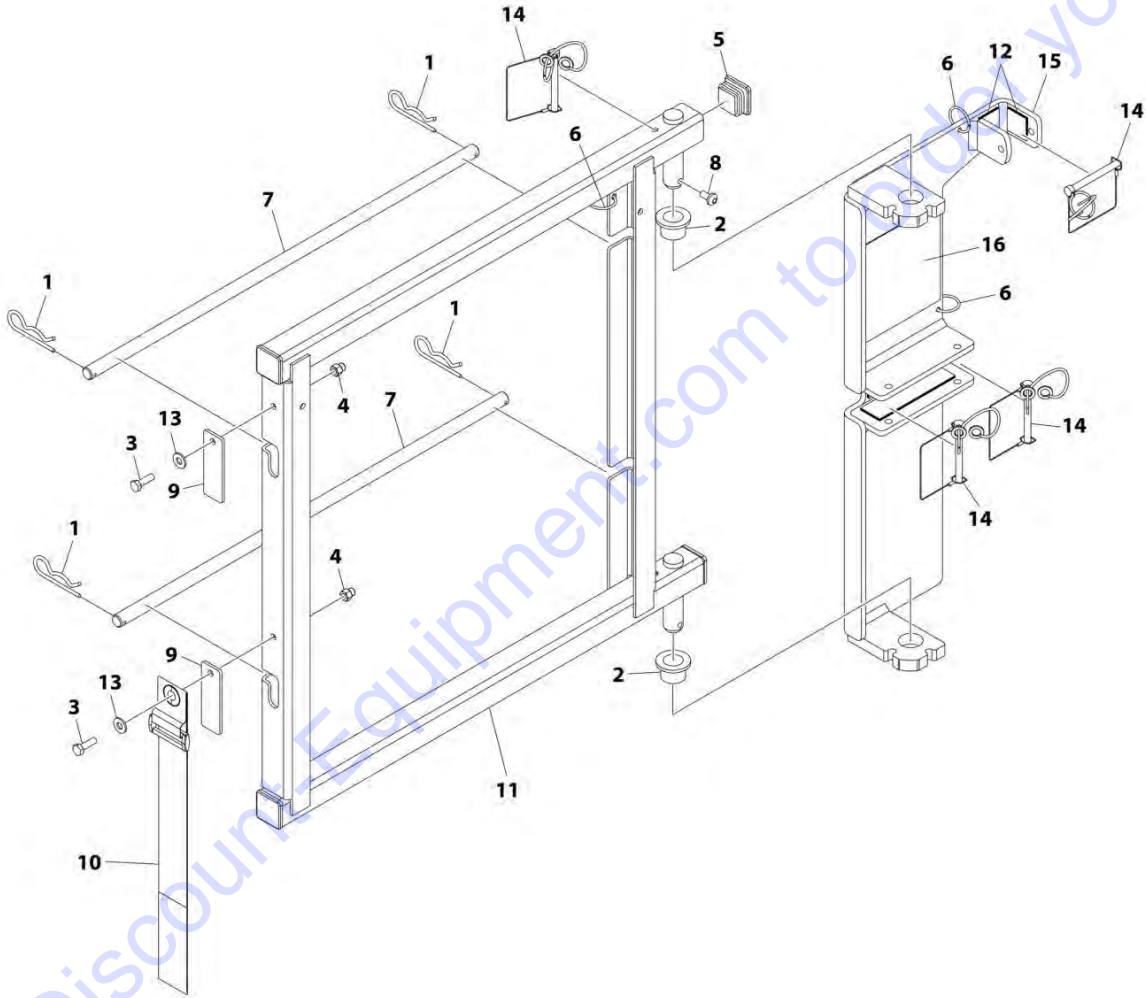
**FIGURE 4-7. DRIVE/STEER CONTROLLER ASSEMBLY**

ITEM	PART NUMBER	QTY	DESCRIPTION	REV
	1600402	Ref	DRIVE/STEER CONTROLLER ASSEMBLY	A
1	70001250	1	Boot, Panel	
2	70001252	1	Gasket, Mounting	
2	70001251	1	Bezel, Mounting	
3	70003650	1	Handle Repair Kit (Includes handle gasket, item#4 push button and item #4 lever installed in front handle half, back handle half, top actuator, boot and hardware.)	
3	70000084	1	Cap, Rubber	
3	70000082	1	Microswitch	
3	7027766	1	Ring, Retaining	
3	7027365	1	Actuator, Handle	
3	70001253	1	Gasket, Handle	
3	70000683	4	Washer, Neoprene	
3	70000685	2	Spacer, Plastic	
3	70000686	2	Screw (Top)	
3	70000684	2	Screw (Bottom)	
4	7027367	1	Switch, Push Button	
4	7027765	1	Lever, Enable	

Go to Discount-Equipment.com to order your parts

# SECTION 4 - PLATFORM

## FIGURE 4-8. ELECTRICIAN'S TREE INSTALLATION (OPTIONAL)



ART\_1001219622

## SECTION 4 - PLATFORM

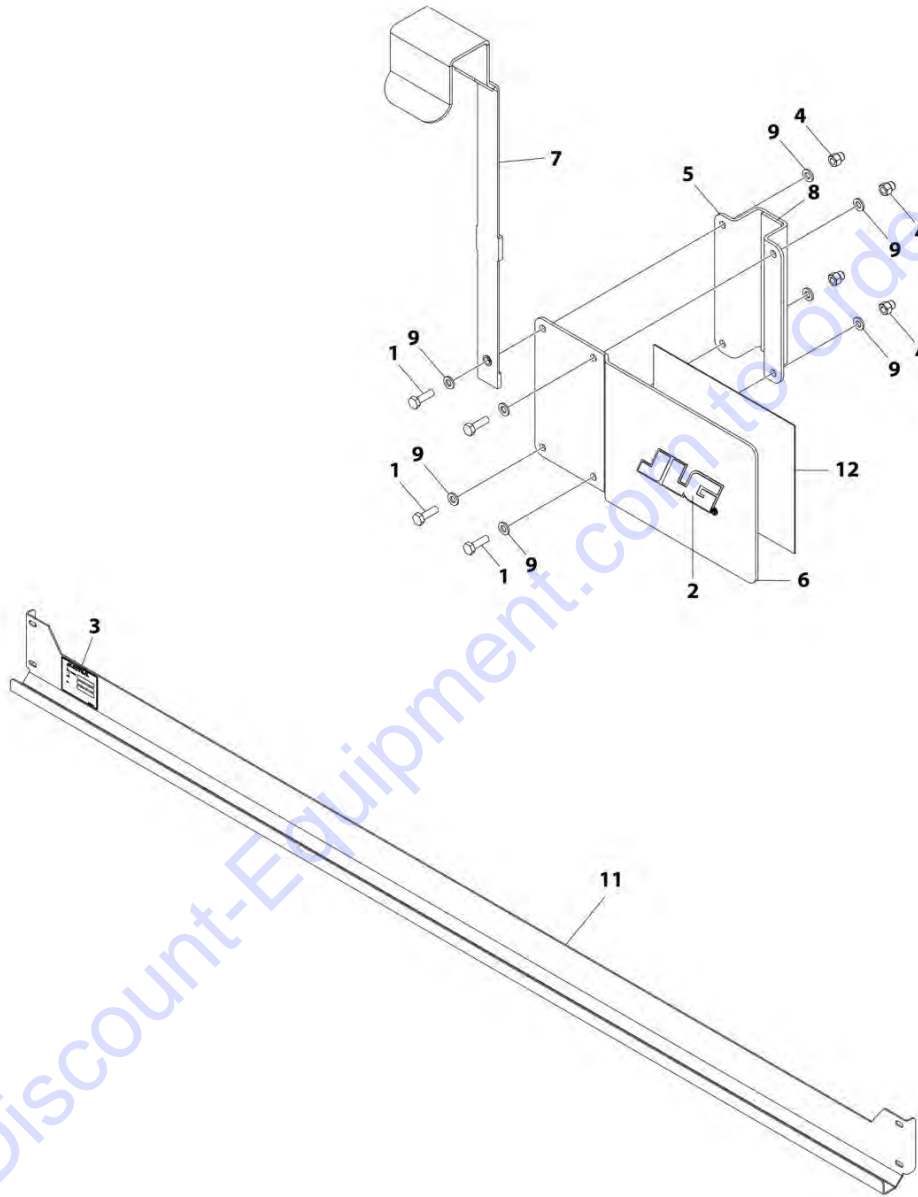
**FIGURE 4-8. ELECTRICIAN'S TREE INSTALLATION (OPTIONAL)**

ITEM	PART NUMBER	QTY	DESCRIPTION	REV
	1001214274	Ref	ELECTRICIAN'S TREE INSTALLATION	A
	1001219622	Ref	ELECTRICIAN'S TREE ASSEMBLY	A
1	80325	4	Hairpin	
2	0440223	2	Bushing	
3	0700610	2	Bolt M6 x 20	
4	3290606	2	Nut M6	
5	3520072	4	Plug	
6	3760170	3	Ring	
7	3841675	2	Rod, Spool	
8	4191706	1	Screw M6 x 12	
9	4220227	2	Stop	
10	4240003	1	Strap, Cinch	
11	4340947	1	Mount	
12	4420062	15 in/ 38cm	Tape	
13	4711400	2	Washer 1/4	
14	1001187587	4	Pin, Snap with Lanyard	
15	1001219670	1	Mount	
16	1001220894	1	Decal - Electrician's Tree	

Go to Discount-Equipment.com to order your parts

# SECTION 4 - PLATFORM

## FIGURE 4-9. PANEL CARRIER INSTALLATION (OPTIONAL)



ART\_1001216779

## SECTION 4 - PLATFORM

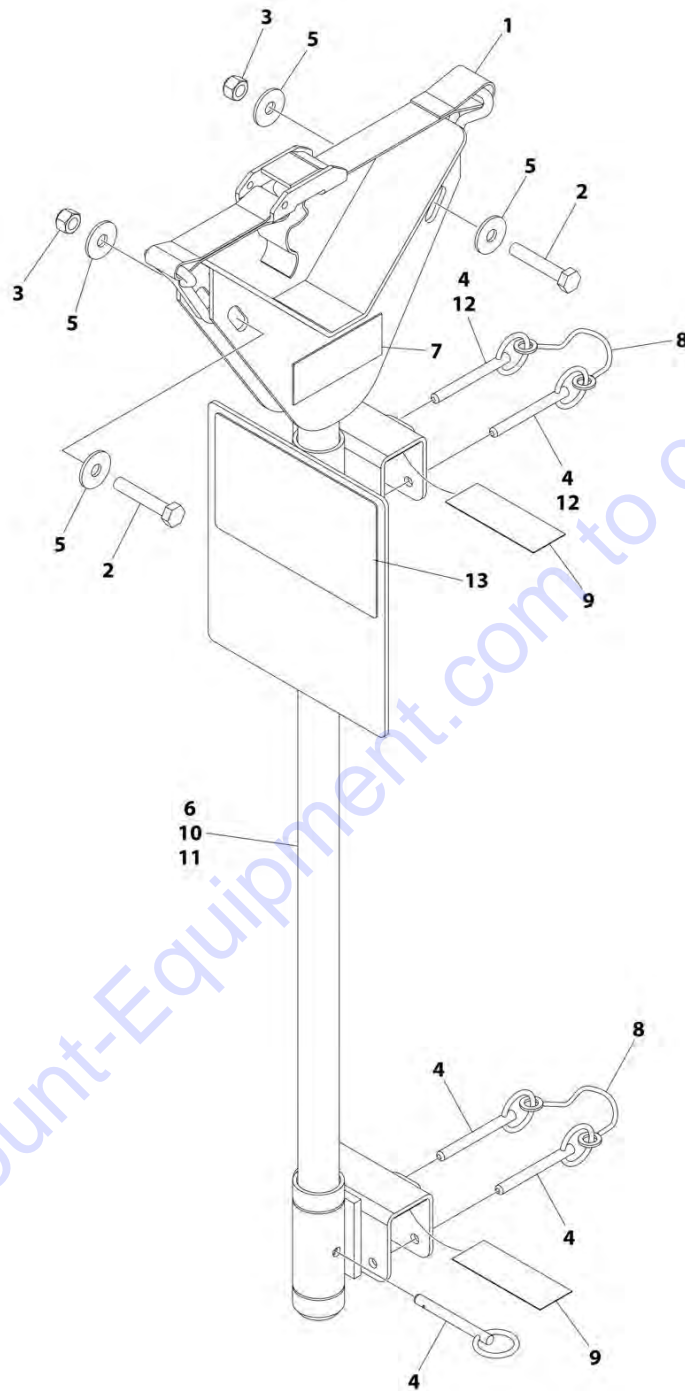
**FIGURE 4-9. PANEL CARRIER INSTALLATION (OPTIONAL)**

ITEM	PART NUMBER	QTY	DESCRIPTION	REV
	1001216779	Ref	PANEL CARRIER INSTALLATION (OPTIONAL)	A
1	0760610	4	Bolt M6 x 20	
2	1702010	1	Decal - JLG	
3	See Note	NSS	Nameplate - Accessory SN (Note: Not Available for Purchase)	
4	3290606	4	Nut M6	
5	3574505	1	Bracket	
6	3574506	1	Plate, Billboard	
7	4240165	1	Strap	
8	4420037	6 in /15cm	Tape	
9	4811700	8	Washer M6	
11	1001216816	1	Channel, Panel Carrier	
12	1001220891	1	Decal - Capacity	

Go to Discount-Equipment.com to order your parts

# SECTION 4 - PLATFORM

## FIGURE 4-10. PIPE RACKS INSTALLATION (SIDE BY SIDE RAILS) (OPTIONAL)



ART\_1001214229



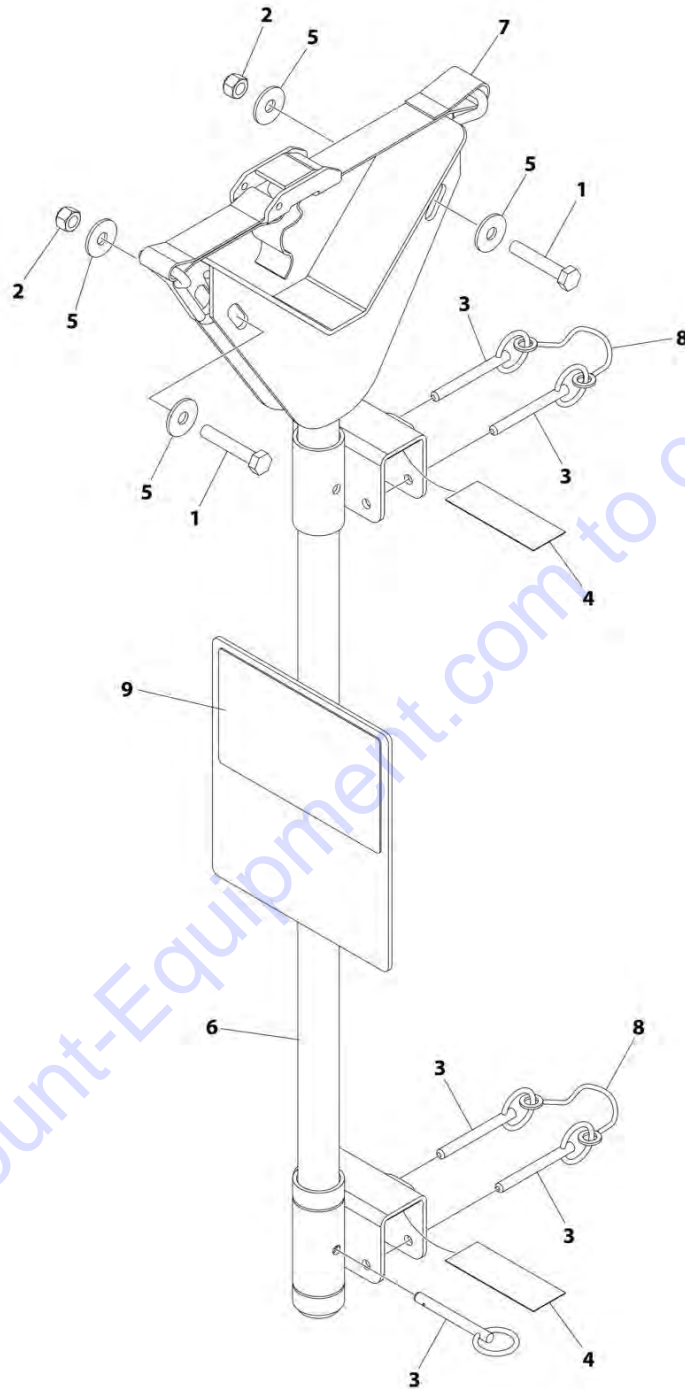
## SECTION 4 - PLATFORM

**FIGURE 4-10. PIPE RACKS INSTALLATION (SIDE BY SIDE RAILS) (OPTIONAL)**

ITEM	PART NUMBER	QTY	DESCRIPTION	REV
	1001214229	Ref	PIPE RACKS INSTALLATION (SIDE BY SIDE RAILS) (OPTIONAL)	B
1	0480100	2	Strap	
2	0700817	4	Bolt M8 x 45	
3	3290805	4	Nut M8	
4	3422661	AR	Pin	
5	4811902	8	Washer M6	
6	4845582	2	Rack, Tube ( <b>Prior to SN 0200268169, SN B200000100 to Present</b> )	
7	1001220892	2	Decal - Tube Rack Capacity ( <b>Prior to SN 0200268169, SN B200000100 to Present</b> )	
8	1060379	4	Lanyard ( <b>SN 0200268170 to Present, SN B2000051240 to Present, SN M200000001 to Present</b> )	
9	4420062	AR	Tape ( <b>SN 0200268170 to Present, SN B2000051240 to Present, SN M200000001 to Present</b> )	
10	1001235498	1	Rack, Tube (Rear) ( <b>SN 0200268170 to Present, SN B2000051240 to Present, SN M200000001 to Present</b> )	
11	1001235509	1	Rack, Tube (Front) ( <b>SN 0200268170 to Present, SN B2000051240 to Present, SN M200000001 to Present</b> )	
12	1001235941	2	Pin ( <b>SN 0200268170 to Present, SN B2000051240 to Present, SN M200000001 to Present</b> )	
13	1001236621	2	Decal - Pipe Rack Capacity ( <b>SN 0200268170 to Present, SN B2000051240 to Present, SN M200000001 to Present</b> )	

# SECTION 4 - PLATFORM

## FIGURE 4-11. PIPE RACKS INSTALLATION (TUBE IN TUBE RAILS) (OPTIONAL)



ART\_1001235849

## SECTION 4 - PLATFORM

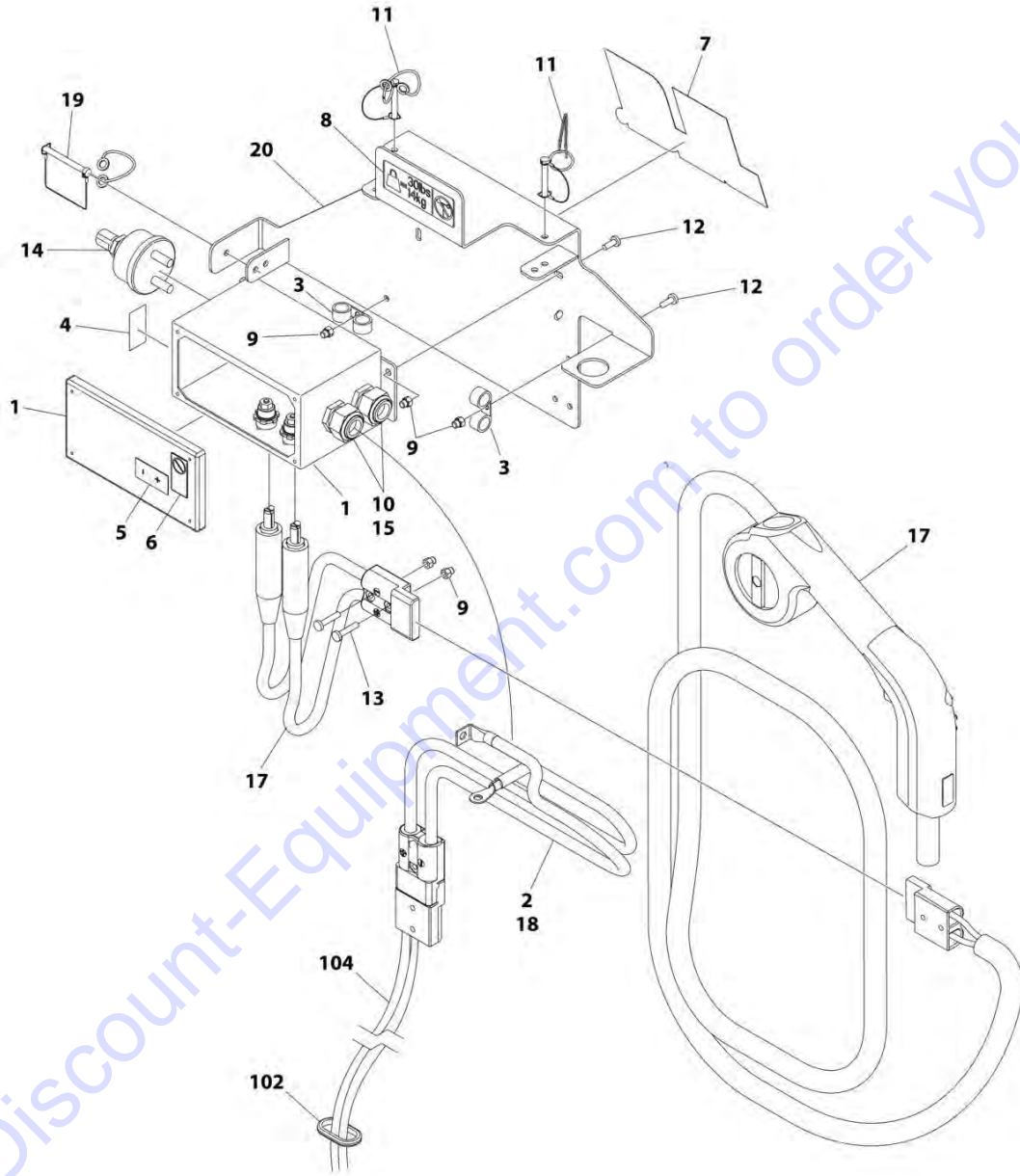
**FIGURE 4-11. PIPE RACKS INSTALLATION (TUBE IN TUBE RAILS) (OPTIONAL)**

ITEM	PART NUMBER	QTY	DESCRIPTION	REV
	1001235849	Ref	PIPE RACKS INSTALLATION (OPTIONAL)	A
1	0700817	4	Bolt M8 x 45	
2	3290805	4	Nut M8	
3	3422661	10	Pin	
4	4420062	AR	Tape	
5	4811902	8	Washer M6	
6	1001235498	2	Rack, Tube	
7	0480100	2	Strap	
8	1060379	4	Lanyard	
9	1001236621	2	Decal - Tube Rack Capacity	

Go to Discount-Equipment.com to order your parts

# SECTION 4 - PLATFORM

## FIGURE 4-12. QUIK WELDER INSTALLATION (OPTIONAL)



ART\_1001219333

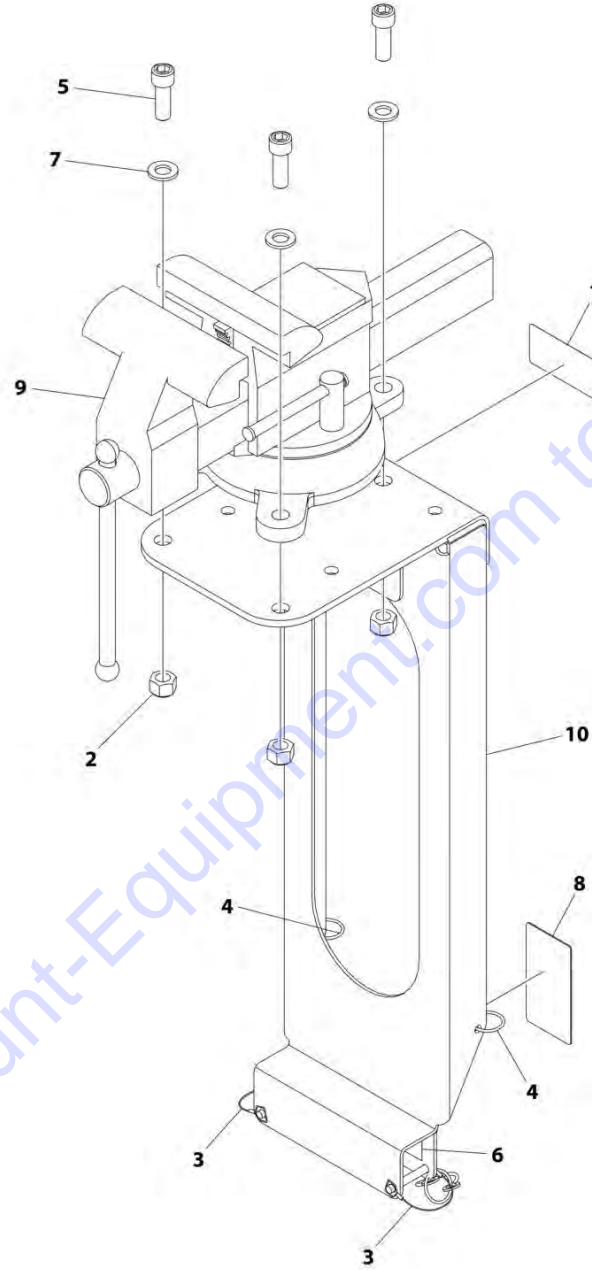
## SECTION 4 - PLATFORM

**FIGURE 4-12. QUIK WELDER INSTALLATION (OPTIONAL)**

ITEM	PART NUMBER	QTY	DESCRIPTION	REV
	1001219333	Ref	QUIK WELDER KIT	C
1	0861527	1	Box, Disconnect	
2	1060957	1	Cable, Welder	
3	1320224	4	Clamp	
4	1705213	1	Decal - On/Off	
5	1705214	1	Decal - Plus/Minus	
6	1705305	1	Decal - Weld Lead	
7	1705754	1	Decal - JLG	
8	1705953	1	Decal - Weight	
9	3290606	8	Nut M6	
10	3300048	2	Nut - Conduit	
11	3423278	2	Pin, Snap	
12	4010608	6	Screw M6 x 16	
13	4010614	2	Screw M6 x 30	
14	4360155	1	Switch, Master Disconnect	
15	4460328	2	Connector, Strain Relief	
17	4530021	1	Welder Kit	
18	4923048	1	Cable, Quik Welder	
19	1001187587	1	Pin, Snap with Lanyard	
20	1001220158	1	Mount	
	1001214228	Ref	QUIK WELDER INSTALLATION	B
101	4240018	4	Tie-Strap (Not Shown)	
102	1001213945	1	Grommet	
104	1001219740	1	Cable, Quik Welder (Ground to Platform)	

# SECTION 4 - PLATFORM

## FIGURE 4-13. VISE INSTALLATION (OPTIONAL)



Go to Discount-Equipment.com to order your parts

ART\_1001219133

## SECTION 4 - PLATFORM

**FIGURE 4-13. VISE INSTALLATION (OPTIONAL)**

ITEM	PART NUMBER	QTY	DESCRIPTION	REV
	1001219133	Ref	WISE INSTALLATION (OPTIONAL)	A
1	1705985	1	Decal - Weight	
2	3291205	3	Nut M12	
3	3423278	2	Pin, Snap with Lanyard	
4	3760170	2	Ring	
5	4032111	3	Capscrew M12 x 35	
6	4420062	39 in/ 99cm	Tape	
7	4812100	3	Washer M12	
8	8005670	1	Decal - Instruction/Read Operators Manual	
9	1001157050	1	Vise	
10	1001219319	1	Bracket	

Go to Discount-Equipment.com to order your parts





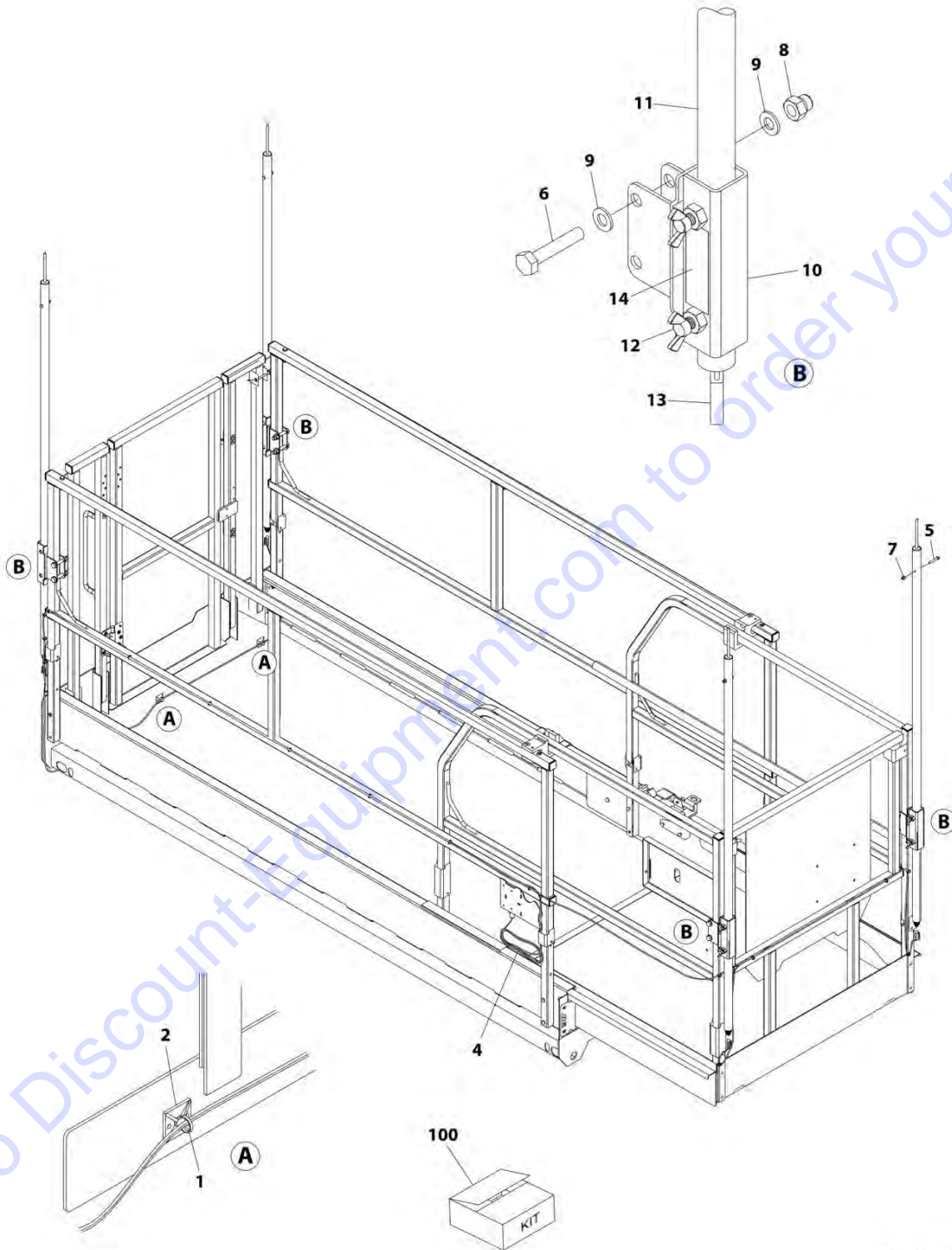
## SECTION 4 - PLATFORM

**FIGURE 4-14. WORKSTATION INSTALLATION (OPTIONAL)**

ITEM	PART NUMBER	QTY	DESCRIPTION	REV
	1001218190	Ref	WORKSTATION INSTALLATION	A
	1001220771	Ref	WORKSTATION ASSEMBLY	A
1	1060379	1	Lanyard	
2	1120555	2	Cap	
3	1580023	1	Container, Work Bench	
4	1580024	1	Tray	
5	1705997	1	Decal - Workstation	
6	2700100	1	Hook	
7	3422219	1	Pin, Snap	
8	3460334	1	Tube	
9	3760170	2	Ring	
10	3900355	2	Screw 5/16	
11	3931412	2	Capscrew 1/4 x 3/4	
12	3931508	6	Capscrew 5/16 x 1/2	
13	4240003	2	Strap, Cinch	
14	4340853	1	Mount (RH)	
15	4340854	1	Mount (LH)	
16	4711400	2	Washer 1/4	
17	4740480	2	Insert	
18	1001220890	1	Decal - Workstation Capacity	

# SECTION 4 - PLATFORM

## FIGURE 4-15. OVERHEAD PROTECTION INSTALLATION (KOREAN SPECS)



ART\_1001226901

## SECTION 4 - PLATFORM

**FIGURE 4-15. OVERHEAD PROTECTION INSTALLATION (KOREAN SPECS)**

ITEM	PART NUMBER	QTY	DESCRIPTION	REV
	1001226901	Ref	OVERHEAD PROTECTION INSTALLATION (KOREAN SPECS)	A
1	4240017	AR	Tie-Strap	
2	4460234	2	Mount, Tie-Strap	
4	1001227728	1	Overhead Protection Harness	A
4	4460891	4	Plug, Male - 2 Position (X503-X506)	
4	4460465	8	Socket, Female	
4	4460536	1	Receptacle, Female - 3 Position (X507)	
4	4460464	2	Pin, Male	
4	4460466	1	Plug, Terminal	
5	0700616	4	Bolt M6 x 40	
6	0701019	8	Bolt M10 x 55	
7	3290606	4	Nut M6	
8	3291006	8	Nut M10	
9	4812000	16	Washer M10	
10	1001221275	4	Bracket	
11	1001221276	4	Tube	
12	1001222914	8	Thumb Screw	
13	1001226277	4	Switch, Overhead Protection	
14	1001228184	1	Decal - Overhaed Protection Weight	
100	1001221244	1	Overhead Protection Kit (Includes Items 5-14)	

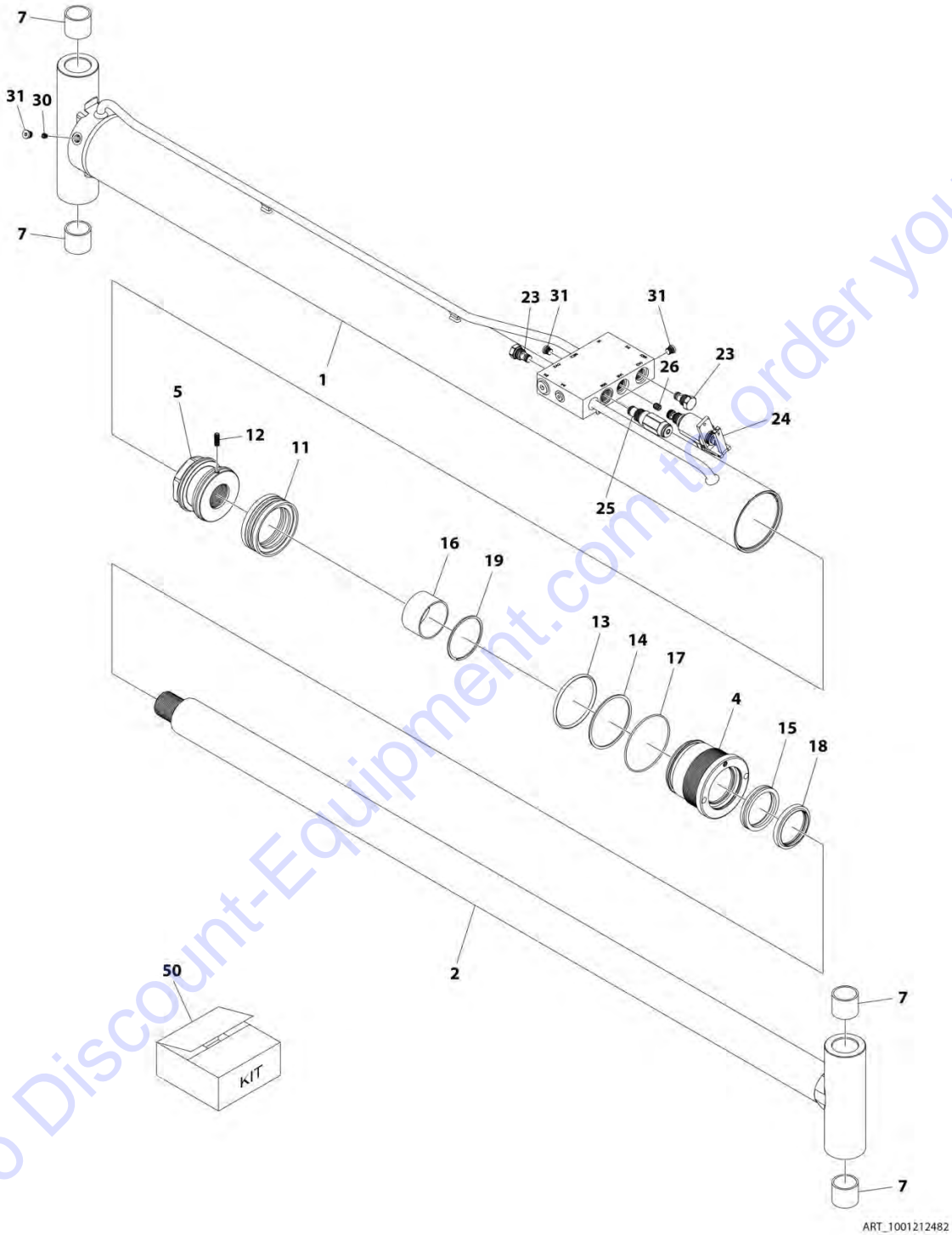


**SECTION 5 - CYLINDER**

Go to [Discount-Equipment.com](http://Discount-Equipment.com) to order your parts

# SECTION 5 - CYLINDER

## FIGURE 5-1. LIFT CYLINDER ASSEMBLY - LOWER



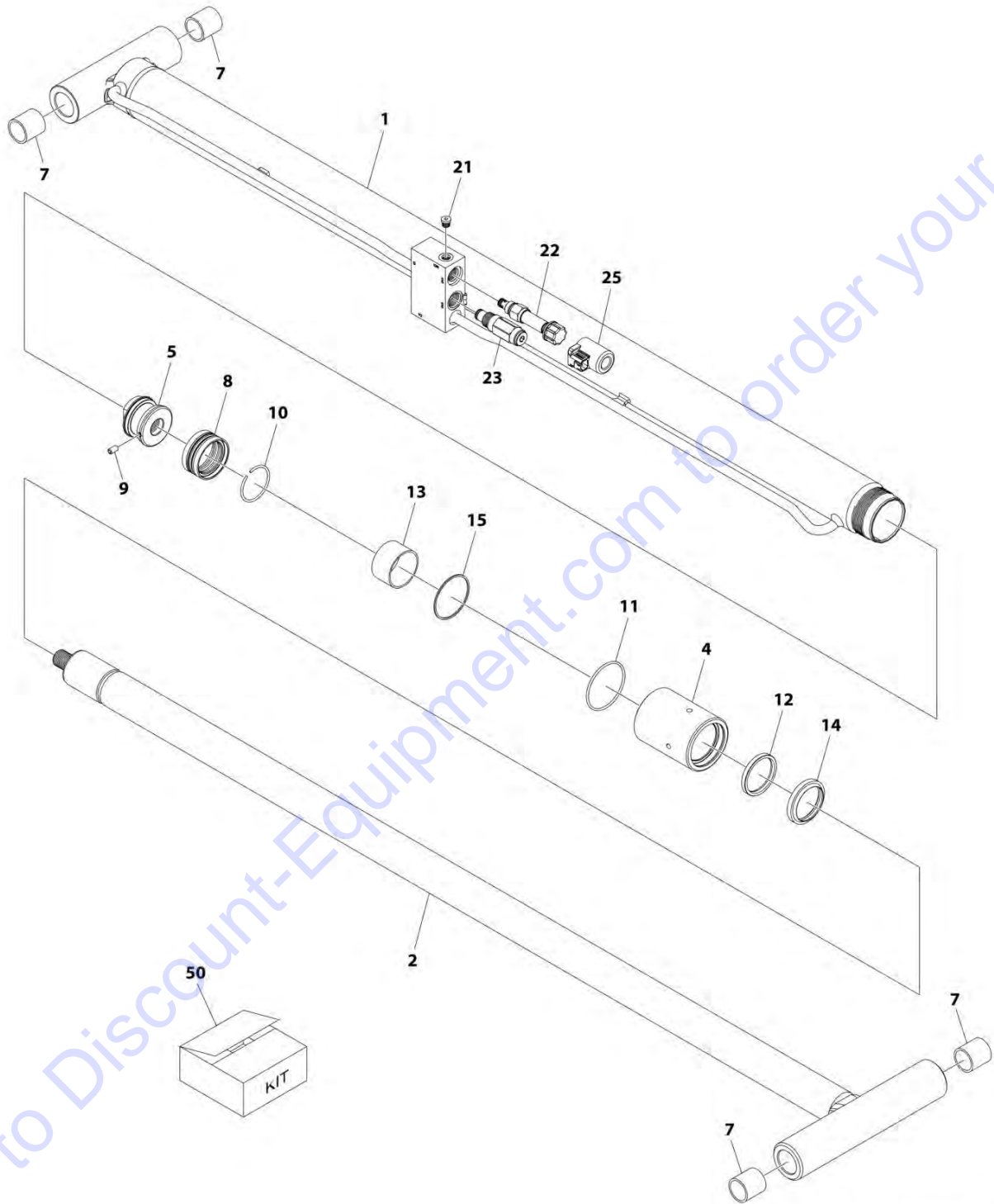
## SECTION 5 - CYLINDER

**FIGURE 5-1. LIFT CYLINDER ASSEMBLY - LOWER**

ITEM	PART NUMBER	QTY	DESCRIPTION	REV
	1001212482	Ref	LIFT CYLINDER ASSEMBLY - LOWER	G
1	70006316	1	Barrel	
2	70006317	1	Rod	
4	70006318	1	Head	
5	70000764	1	Piston	
7	0962272	4	Bushing	
11	See Note	NSS	Seal, Piston (Note: Use Item 50)	
12	70006319	1	Setscrew	
13	See Note	NSS	O-Ring (Note: Use Item 50)	
14	See Note	NSS	Ring, Back-up (Note: Use Item 50)	
15	See Note	NSS	Seal, Rod (Note: Use Item 50)	
16	70006320	1	Spacer	
17	See Note	NSS	O-Ring (Note: Use Item 50)	
18	See Note	NSS	Wiper (Note: Use Item 50)	
19	70006321	1	Ring, Retaining	
23	7012955	2	Valve, Check	
23	7012967	2	Seal Kit - 7012955 Valve	
24	70005236	1	Solenoid Valve Assembly (Note: Sold as Assembly Only)	
25	70006325	1	Valve, Relief	
25	7017496	1	Seal Kit - 70006325 Valve	
26	70006322	1	Orifice	
30	70006323	1	Orifice	
31	70025619	3	Plug	
50	70005664	1	Seal Kit - 1001212482 Cylinder (Includes Items 11,13,14,15,17 & 18)	

# SECTION 5 - CYLINDER

## FIGURE 5-2. LIFT CYLINDER ASSEMBLY - UPPER



ART\_1001212483



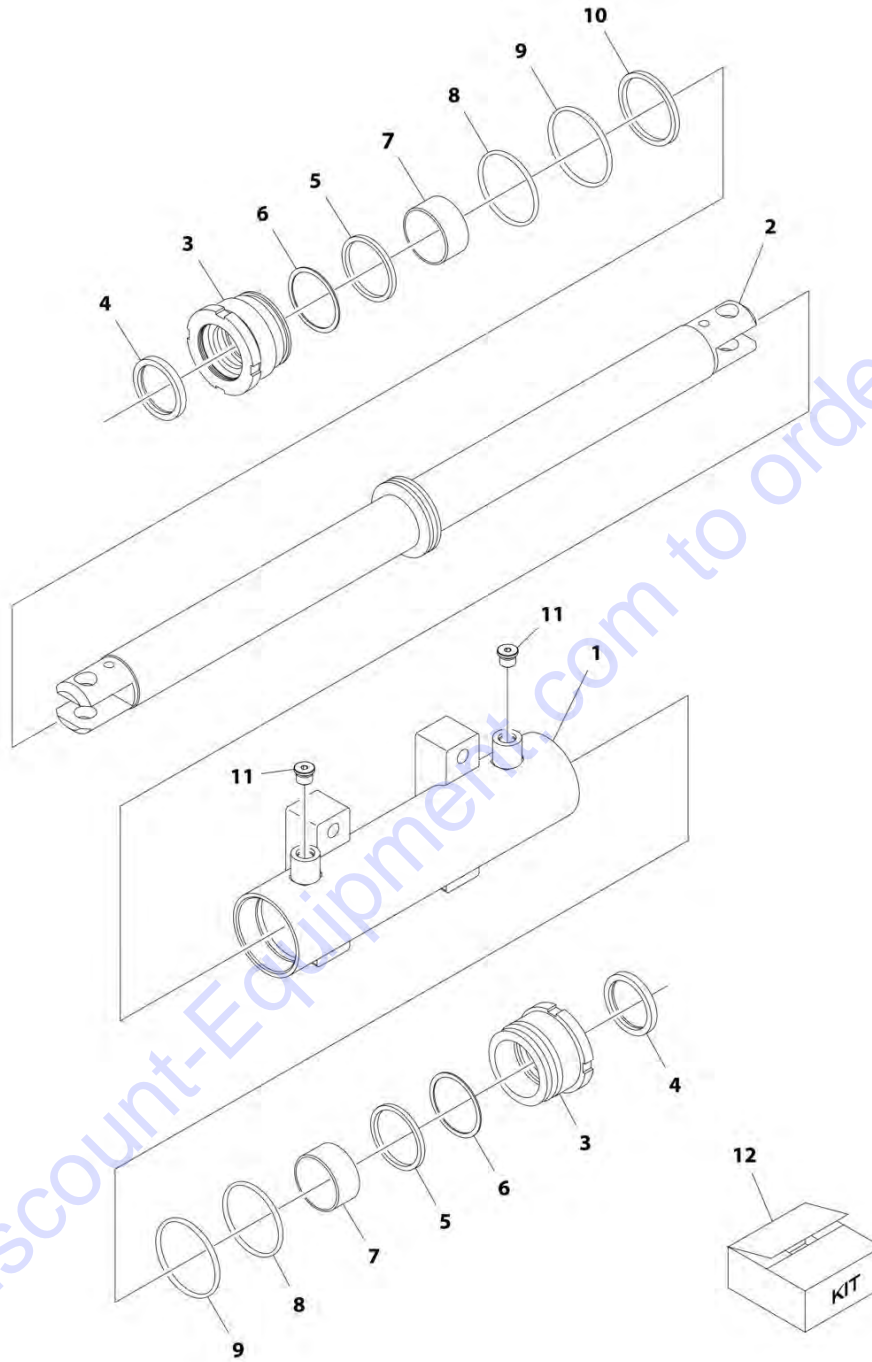
## SECTION 5 - CYLINDER

**FIGURE 5-2. LIFT CYLINDER ASSEMBLY - UPPER**

ITEM	PART NUMBER	QTY	DESCRIPTION	REV
	1001212483	Ref	LIFT CYLINDER ASSEMBLY - UPPER	I
1	70006326	1	Barrel	
2	70006327	1	Rod	
4	70006328	1	Head	
5	70006329	1	Piston	
7	0440267	4	Bushing	
8	See Note	NSS	Seal, Piston (Note: Use Item 50)	
9	70025605	1	Setscrew	
10	70006330	1	Ring, Retaining	
11	See Note	NSS	O-Ring (Note: Use Item 50)	
12	See Note	NSS	Seal, Rod (Note: Use Item 50)	
13	70006331	1	Spacer	
14	See Note	NSS	Wiper (Note: Use Item 50)	
15	70025627	1	Ring, Retaining	
21	70025619	3	Plug	
22	70006333	1	Cartridge, Solenoid Less Coil	
22	70006334	1	Seal Kit - 70006333 Valve	
23	70006325	1	Valve, Relief	
23	7017496	1	Seal Kit - 70006325 Valve	
25	70006335	1	Coil	
50	70005665	1	Seal Kit - 1001212483 Cylinder (Includes Items 8,11,12 & 14)	

# SECTION 5 - CYLINDER

## FIGURE 5-3. STEER CYLINDER ASSEMBLY



ART\_1001163178

## SECTION 5 - CYLINDER

**FIGURE 5-3. STEER CYLINDER ASSEMBLY**

ITEM	PART NUMBER	QTY	DESCRIPTION	REV
	1001163178	Ref	STEER CYLINDER ASSEMBLY	D
		Ref	Note: Original Cylinder May Have Been Replaced with Service Replacement. Identify PN Stamped on Cylinder Before Ordering Parts.	
1	70005150	1	Barrel	
2	70005151	1	Rod	
3	70005152	2	Head	
4	See Note	NSS	Wiper (Note: Use Item 12)	
5	See Note	NSS	Seal, Rod (Note: Use Item 12)	
6	See Note	NSS	Ring, Back-up (Note: Use Item 12)	
7	70005153	2	Bearing, Dry	
8	See Note	NSS	O-Ring (Note: Use Item 12)	
9	See Note	NSS	O-Ring (Note: Use Item 12)	
10	See Note	NSS	Seal, Piston (Note: Use Item 12)	
11	See Note	2	Plug 9/16 (Note: Not Available for Purchase)	
12	70005154	1	Seal Kit - 1001163178 Cylinder (Includes Items 4-6 & 8-10)	

Go to Discount-Equipment.com to order your parts



**SECTION 6 - HYDRAULIC**

Go to [Discount-Equipment.com](http://Discount-Equipment.com) to order your parts



## SECTION 6 - HYDRAULIC

**FIGURE 6-1. HYDRAULIC COMPONENTS INSTALLATION**

ITEM	PART NUMBER	QTY	DESCRIPTION	REV
	1001213815	Ref	HYDRAULIC COMPONENTS INSTALLATION	J
2	0760818	2	Bolt M8 x 50 (Prior to SN B200046105, Prior to SN 0200267008)	
	0700819	AR	Bolt M8 x 55 (SN B200046105 to Present, SN 0200267008 to Present, SN M200000001 to Present)	
4	0760822	1	Bolt M8 x 70	
8	2220346	1	Fitting, Straight JIC/NPT	
9	4640780	1	Valve, Cartridge - Check	
10	2220372	4	Fitting, Straight JIC/ORB	
11	2220373	1	Fitting, Straight JIC/ORB	
12	2220582	2	Fitting, Straight JIC/ORB	
13	2220466	2	Fitting, 90 JIC/ORB	
14	2220473	1	Fitting, 90 JIC/ORB	
15	2220497	4	Fitting, Straight JIC/ORB	
16	2220502	2	Fitting, 45 JIC/ORB	
17	2220628	3	Fitting, 90 JIC/ORB	
18	3290805	AR	Nut M8	
20	4240018	AR	Tie-Strap (Not Shown)	
22	4811900	AR	Washer M8	
26	77133139	2	Clamp Set (Prior to SN B200052413, Prior to SN 0200268630)	
28	1001143501	2	Clamp	
29	1001143645	3	Strap, Cinch	
32	1001209953	NLA	Clamp (Use p/n 1001243109) (Prior to SN B200052413, Prior to SN 0200268630)	
32	1001243109	1	Clamp (SN B200052413 to Present, SN 0200268630 to Present, SN M200000001 to Present)	
39	1001217386	1	Bracket	
40	1001218159	2	Hose	
41	1001218160	1	Hose	
42	1001218161	2	Hose	
43	1001218162	1	Hose	
44	1001218163	1	Hose	
46	1001218165	4	Hose	
47	1001218167	1	Hose	
48	1001218168	2	Hose	
49	1001218169	1	Hose	
50	1001218170	1	Hose	
54	1321283	1	Clamp	
56	1001137263	2	Strap, Cinch	
57	0700812	2	Bolt M8 x 25	
58	2220371	1	Fitting, Straight JIC/ORB	
60	1320187	2	Clamp, Twin (SN B200052413 to Present, SN 0200268630 to Present, SN M200000001 to Present)	
61	1321752	2	Clamp, Top Plate (SN B200052413 to Present, SN 0200268630 to Present, SN M200000001 to Present)	



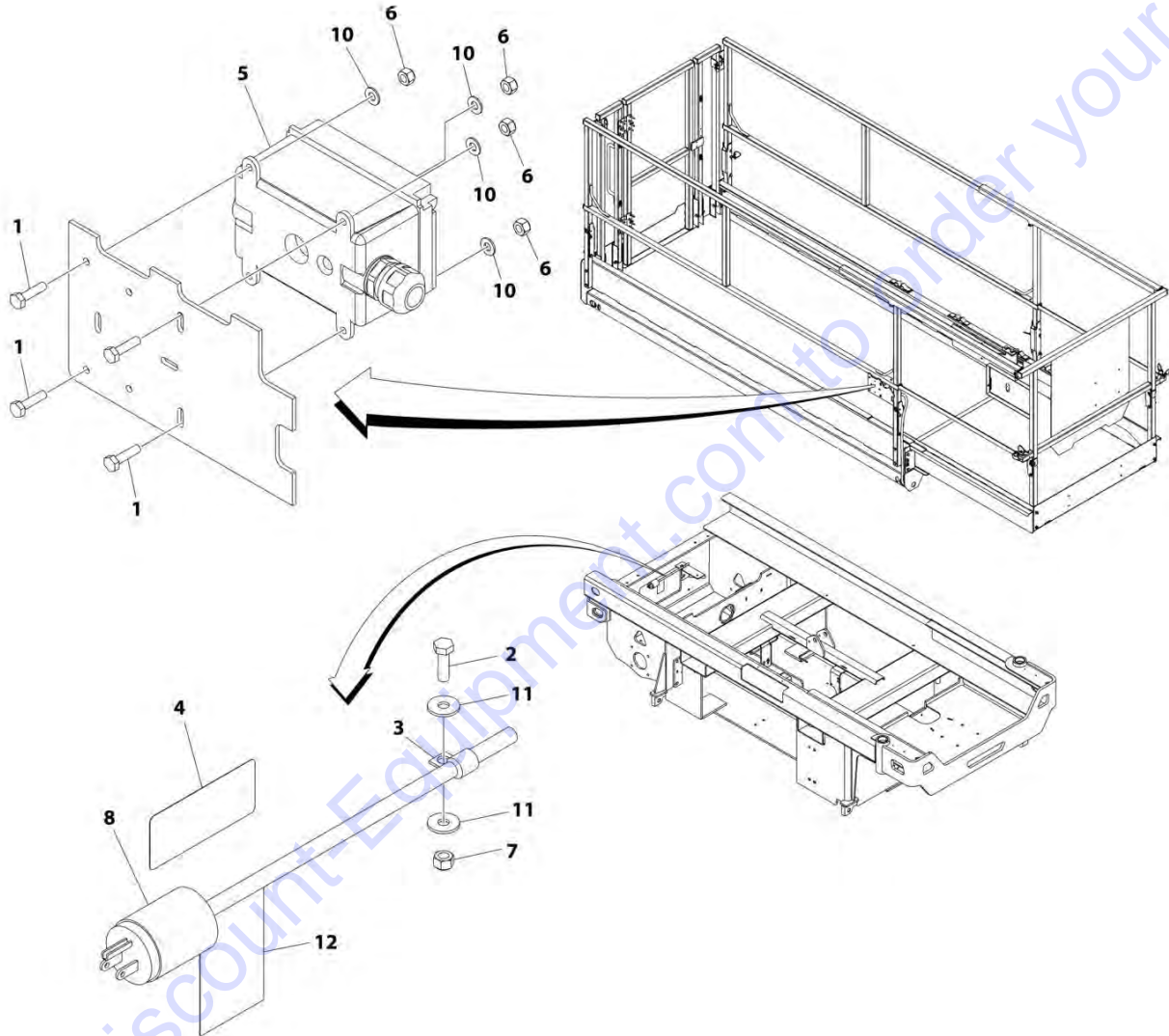


**SECTION 7 - ELECTRICAL**

Go to [Discount-Equipment.com](http://Discount-Equipment.com) to order your parts

# SECTION 7 - ELECTRICAL

FIGURE 7-1. AC BOX AT PLATFORM INSTALLATION - 110V GFI (ALL SPECS EXCEPT AUSTRALIAN & CE SPECS)



ART\_1001214446

## SECTION 7 - ELECTRICAL

**FIGURE 7-1. AC BOX AT PLATFORM INSTALLATION - 110V GFI (ALL SPECS EXCEPT AUSTRALIAN & CE SPECS)**

ITEM	PART NUMBER	QTY	DESCRIPTION	REV
	1001214446	Ref	AC BOX AT PLATFORM INSTALLATION - 110V GFI (ALL SPECS EXCEPT AUSTRALIAN & CE SPECS)	A
1	0760408	4	Bolt M4 x 16	
2	0760610	1	Bolt M6 x 20	
3	1321293	1	Clamp	
4	1703464	1	Decal - AC Power	
5	2902431	1	Receptacle Box Kit (See Separate Breakdown in this Section)	
6	3290405	4	Nut M4	
7	3290605	1	Nut M6	
8	4460138	1	Plug, Male - AC	
9	4460315	1	Terminal (Not Shown)	
10	4811400	4	Washer M4	
11	4811702	2	Washer M6	
12	1001102258	1	Decal - AC Label	

Go to Discount-Equipment.com to order your parts

# PARTS FINDER

**Search Website  
by Part Number**



**Search Manual  
Library For Parts  
Manual & Lookup Part  
Numbers – Purchase  
or Request Quote**

**Can't Find Part or  
Manual? Request Help  
by Manufacturer,  
Model & Description**

Discount-Equipment.com is your online resource for quality parts & equipment.

Florida: **561-964-4949** Outside Florida TOLL FREE: **877-690-3101**

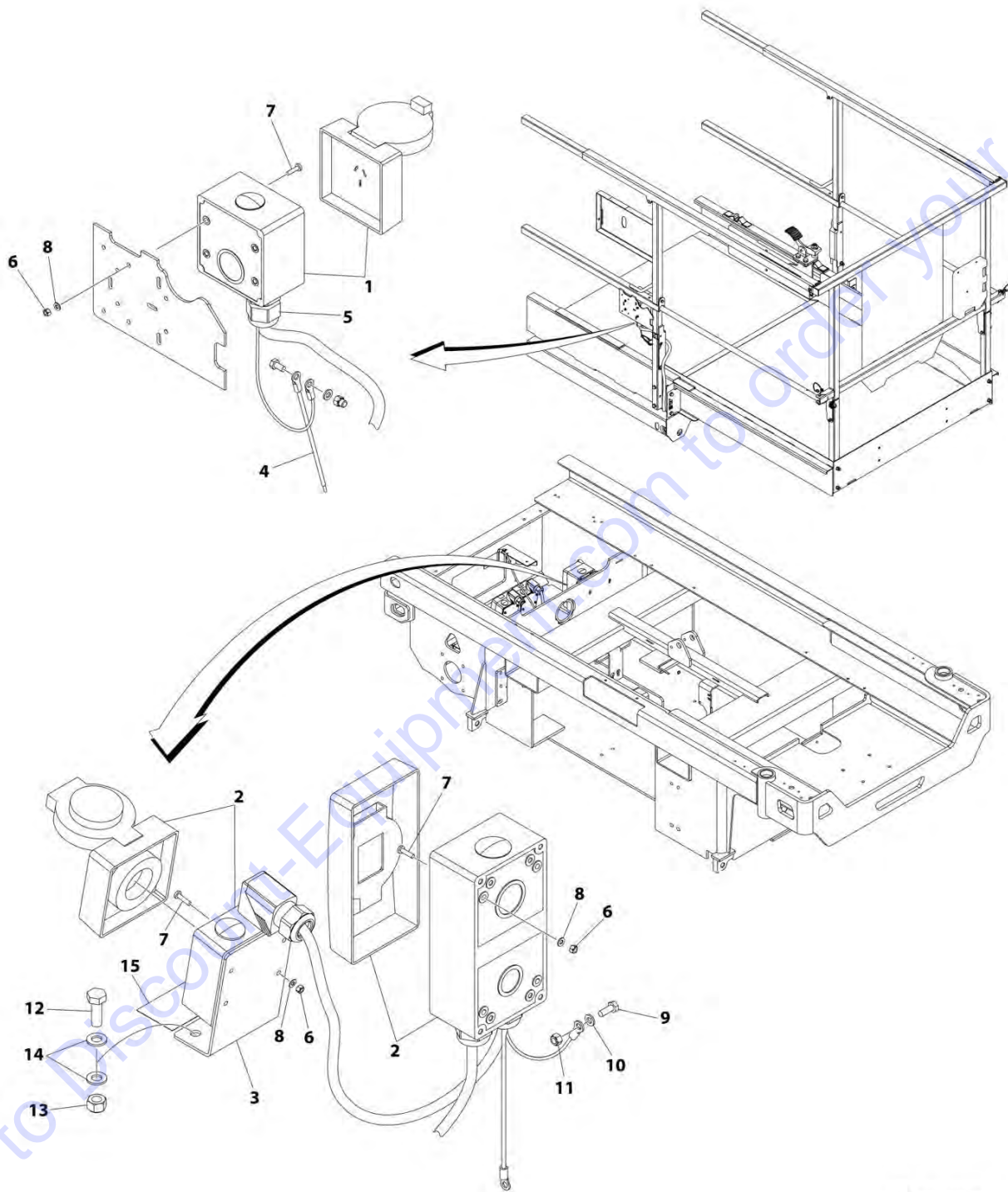
**Need parts?**

Click on this link: <http://www.discount-equipment.com/category/5443-parts/> and choose one of the options to help get the right parts and equipment you are looking for. Please have the machine model and serial number available in order to help us get you the correct parts. If you don't find the part on the website or on one of the online manuals, please fill out the request form and one of our experienced staff members will get back to you with a quote for the right part that your machine needs.

We sell worldwide for the brands: Genie, Terex, JLG, MultiQuip, Mikasa, Essick, Whiteman, Mayco, Toro Stone, Diamond Products, Generac Magnum, Airman, Haulotte, Barreto, Power Blanket, Nifty Lift, Atlas Copco, Chicago Pneumatic, Allmand, Miller Curber, Skyjack, Lull, Skytrak, Tsurumi, Husquvarna Target, Stow, Wacker, Sakai, Mi-T-M, Sullair, Basic, Dynapac, MBW, Weber, Bartell, Bennar Newman, Haulotte, Ditch Runner, Menegotti, Morrison, Contec, Buddy, Crown, Edco, Wyco, Bomag, Laymor, EZ Trench, Bil-Jax, F.S. Curtis, Gehl Pavers, Heli, Honda, ICS/PowerGrit, IHI, Partner, Imer, Clipper, MMD, Koshin, Rice, CH&E, General Equipment, Amida, Coleman, NAC, Gradall, Square Shooter, Kent, Stanley, Tamco, Toku, Hatz, Kohler, Robin, Wisconsin, Northrock, Oztec, Toker TK, Rol-Air, APT, Wylie, Ingersoll Rand / Doosan, Innovatech, Con X, Ammann, Mecalac, Makinex, Smith Surface Prep, Small Line, Wanco, Yanmar

# SECTION 7 - ELECTRICAL

## FIGURE 7-2. AC BOX AT PLATFORM INSTALLATION (AUSTRALIAN SPECS)



ART\_1001245255

## SECTION 7 - ELECTRICAL

**FIGURE 7-2. AC BOX AT PLATFORM INSTALLATION (AUSTRALIAN SPECS)**

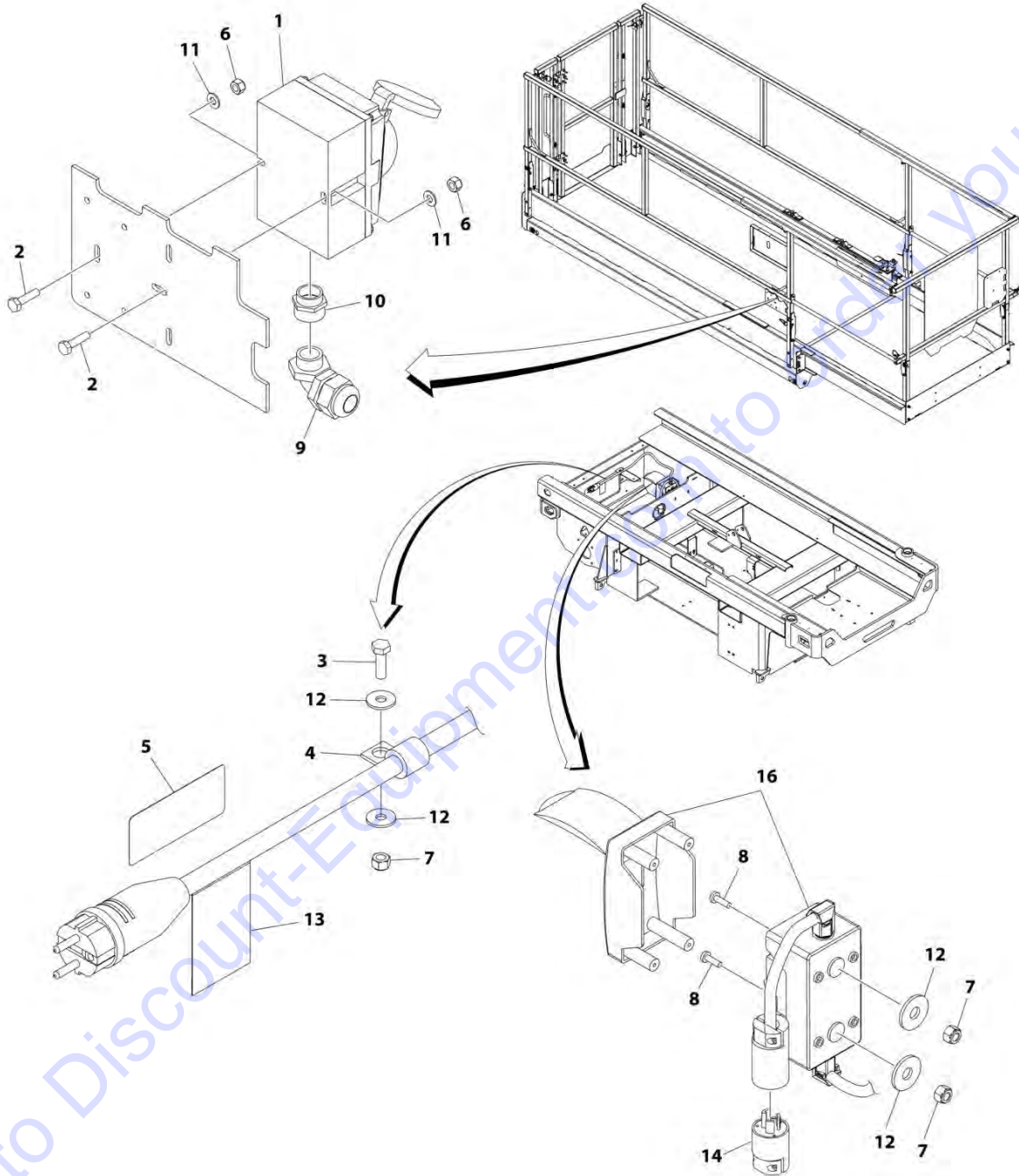
ITEM	PART NUMBER	QTY	DESCRIPTION	REV
	1001245255	Ref	AC BOX AT PLATFORM INSTALLATION	A
1	1001227268	1	Receptacle (Australian)	
2	1001246085	1	Receptacle and Breaker Assembly (See Separate Breakdown in this Section)	
3	1001234397	1	Bracket	
4	1001245744	1	Harness, Ground	
5	1001097150	1	Connector Strain Relief	
6	3290405	12	Nut M4	
7	4010408	12	Screw M4 x 16	
8	4811400	12	Washer M4	
9	0760608	1	Bolt M6 x 16	
10	4811700	1	Washer M6	
11	3290605	1	Nut M6	
12	0761014	2	Bolt M10 x 30	
13	3291005	2	Nut M10	
14	4812000	4	Washer M10	
15	1001102258	1	Decal - AC Label	

Go to Discount-Equipment.com to order your parts



# SECTION 7 - ELECTRICAL

## FIGURE 7-3. AC BOX AT PLATFORM INSTALLATION - 110V IEC YELLOW (CE SPECS)



ART\_1001214453

## SECTION 7 - ELECTRICAL

**FIGURE 7-3. AC BOX AT PLATFORM INSTALLATION - 110V IEC YELLOW (CE SPECS)**

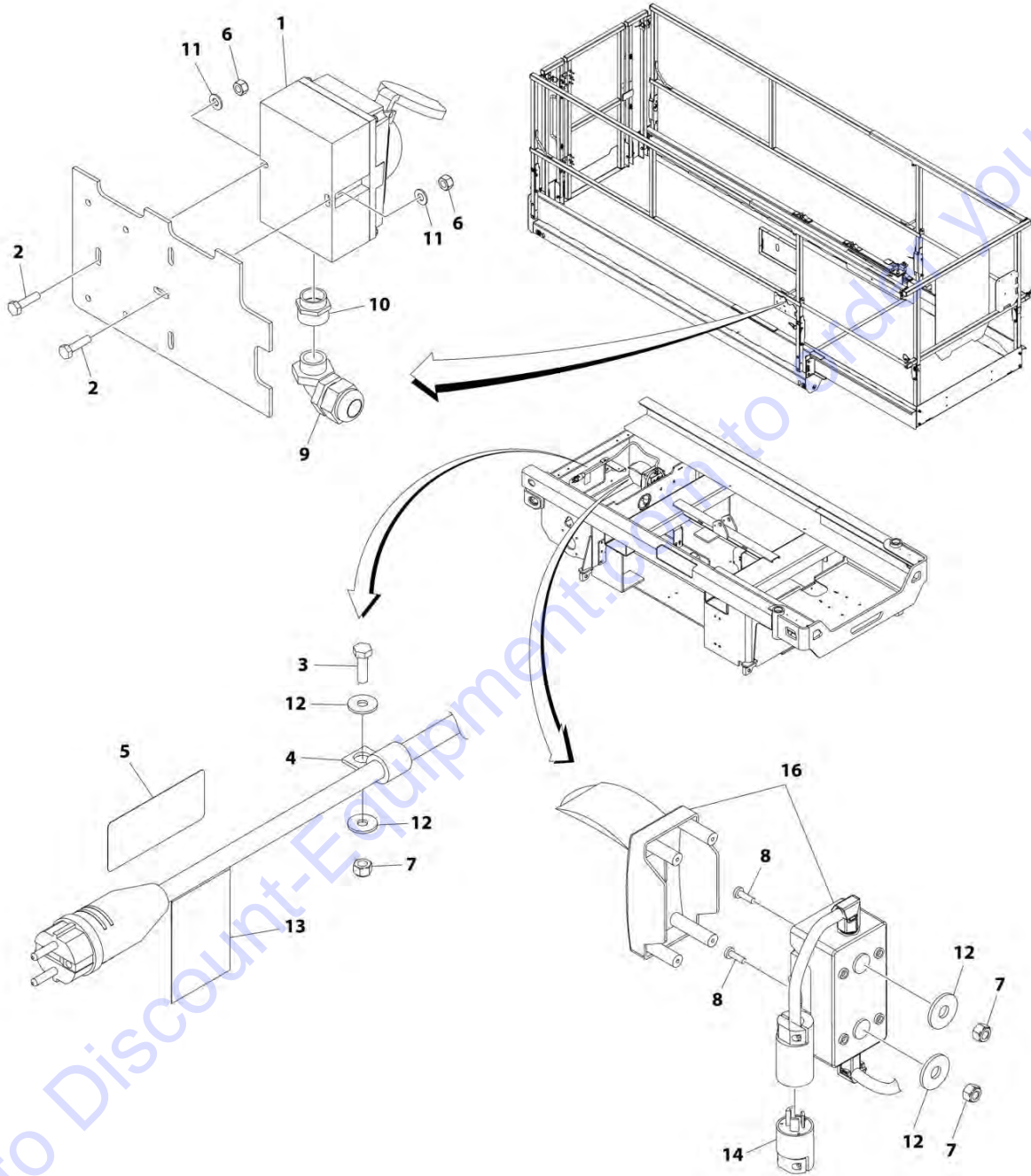
ITEM	PART NUMBER	QTY	DESCRIPTION	REV
	1001214453	Ref	AC BOX AT PLATFORM INSTALLATION - 110V IEC YELLOW (CE SPECS)	B
1	0275216	1	Receptacle Box Kit - 110V IEC Yellow (See Separate Breakdown in this Section)	
2	0760408	2	Bolt M4 x 16	
3	0760610	1	Bolt M6 x 20	
4	1321293	1	Clamp	
5	1703464	1	Decal - AC Power	
6	3290405	2	Nut M4	
7	3290605	3	Nut M6	
8	4010610	2	Screw M6 x 20	
9	4461257	1	Connector, Strain Relief	
10	4461258	1	Connector, Adapter	
11	4811400	2	Washer M4	
12	4811702	4	Washer M6	
13	1001102258	1	Decal - AC Label	
14	1001120204	1	Plug, Male Twist	
16	1001219041	1	Breaker Box Kit (See Separate Breakdown in this Section)	

Go to Discount-Equipment.com to order your parts



# SECTION 7 - ELECTRICAL

## FIGURE 7-4. AC BOX AT PLATFORM INSTALLATION - 220V IEC BLUE (CE SPECS)



ART\_1001214456

## SECTION 7 - ELECTRICAL

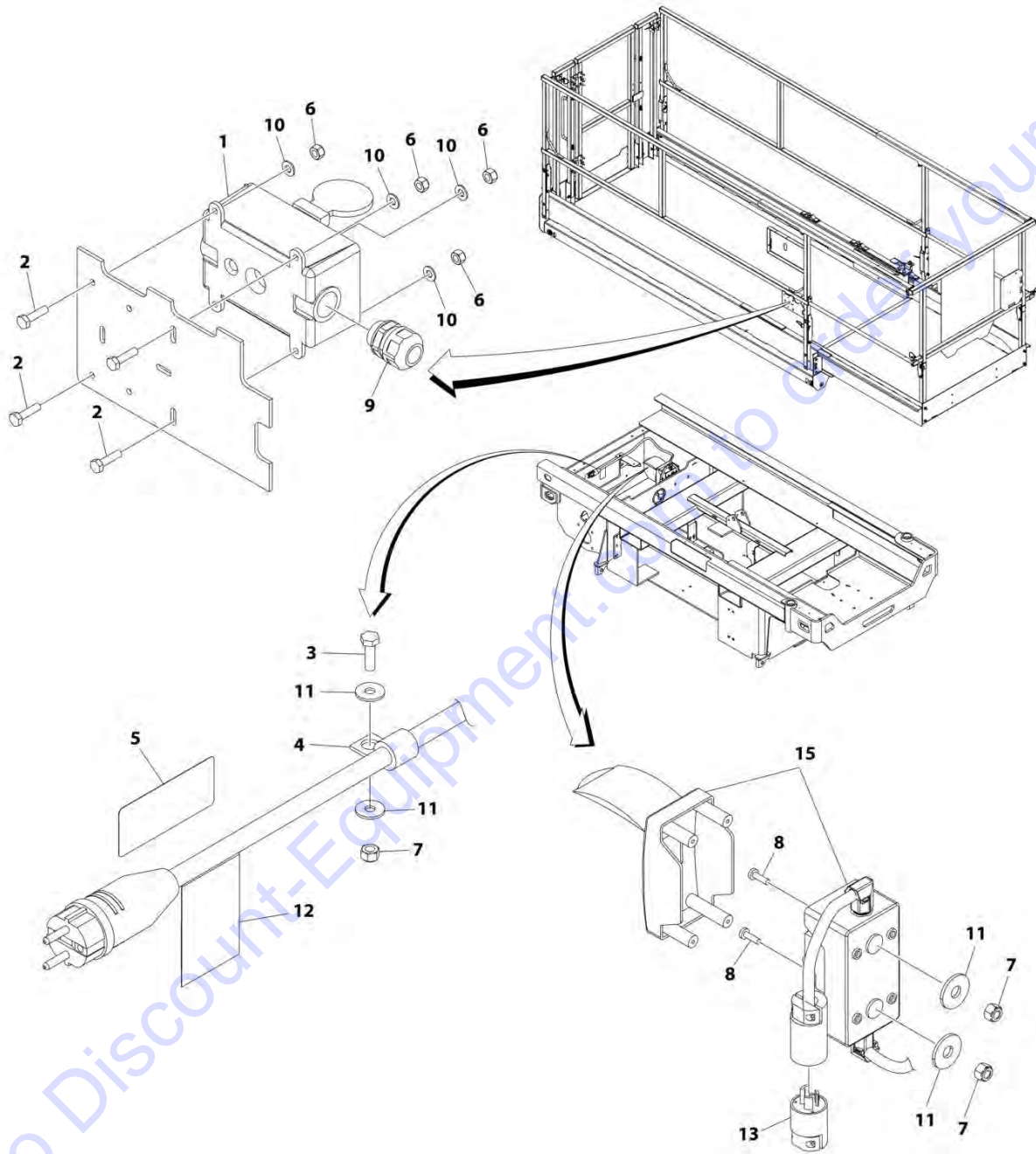
**FIGURE 7-4. AC BOX AT PLATFORM INSTALLATION - 220V IEC BLUE (CE SPECS)**

ITEM	PART NUMBER	QTY	DESCRIPTION	REV
	1001214456	Ref	AC BOX AT PLATFORM INSTALLATION - 220V IEC BLUE (CE SPECS)	B
1	0275217	1	Receptacle Box Kit - 220V IEC Blue (See Separate Breakdown in this Section)	
2	0760408	2	Bolt M4 x 16	
3	0760610	1	Bolt M6 x 20	
4	1321293	1	Clamp	
5	3252507	1	Decal - AC Power	
6	3290405	2	Nut M4	
7	3290605	3	Nut M6	
8	4010610	2	Screw M6 x 20	
9	4461257	1	Connector, Strain Relief	
10	4461258	1	Connector, Adapter	
11	4811400	2	Washer M4	
12	4811702	4	Washer M6	
13	1001102258	1	Decal - AC Label	
14	1001120204	1	Plug, Male Twist	
16	1001219041	1	Breaker Box Kit (See Separate Breakdown in this Section)	

Go to Discount-Equipment.com to order your parts

# SECTION 7 - ELECTRICAL

## FIGURE 7-5. AC BOX AT PLATFORM INSTALLATION - 220V CEE7 POST GROUND (CE SPECS)



ART\_1001214450

## SECTION 7 - ELECTRICAL

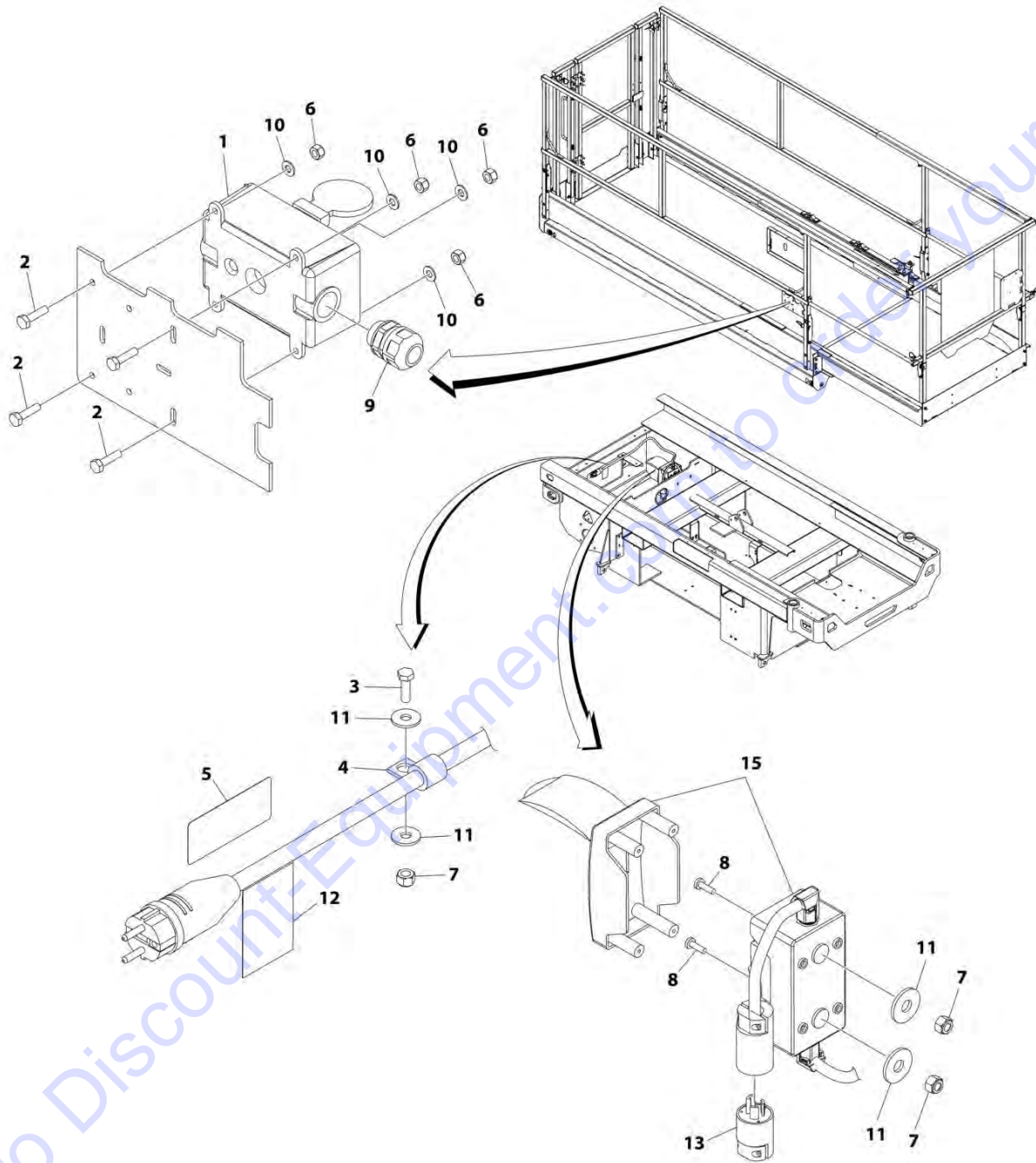
**FIGURE 7-5. AC BOX AT PLATFORM INSTALLATION - 220V CEE7 POST GROUND (CE SPECS)**

ITEM	PART NUMBER	QTY	DESCRIPTION	REV
	1001214450	Ref	AC BOX AT PLATFORM INSTALLATION - 220V CEE7 POST GROUND (CE SPECS)	B
1	0275452	1	Receptacle Box Kit - 220V CEE7 Post Ground (See Separate Breakdown in this Section)	
2	0760408	4	Bolt M4 x 16	
3	0760610	1	Bolt M6 x 20	
4	1321293	1	Clamp	
5	3252507	1	Decal - AC Power	
6	3290405	4	Nut M4	
7	3290605	3	Nut M6	
8	4010610	2	Screw M6 x 20	
9	4460662	1	Connector, Strain Relief	
10	4811400	4	Washer M4	
11	4811702	4	Washer M6	
12	1001102258	1	Decal - AC Label	
13	1001120204	1	Plug, Male Twist	
15	1001219018	1	Breaker Box Kit (See Separate Breakdown in this Section)	

Go to Discount-Equipment.com to order your parts

# SECTION 7 - ELECTRICAL

FIGURE 7-6. AC BOX AT PLATFORM INSTALLATION - 220V CEE7 SIDE GROUND (CE SPECS)



ART\_1001214451

## SECTION 7 - ELECTRICAL

**FIGURE 7-6. AC BOX AT PLATFORM INSTALLATION - 220V CEE7 SIDE GROUND (CE SPECS)**

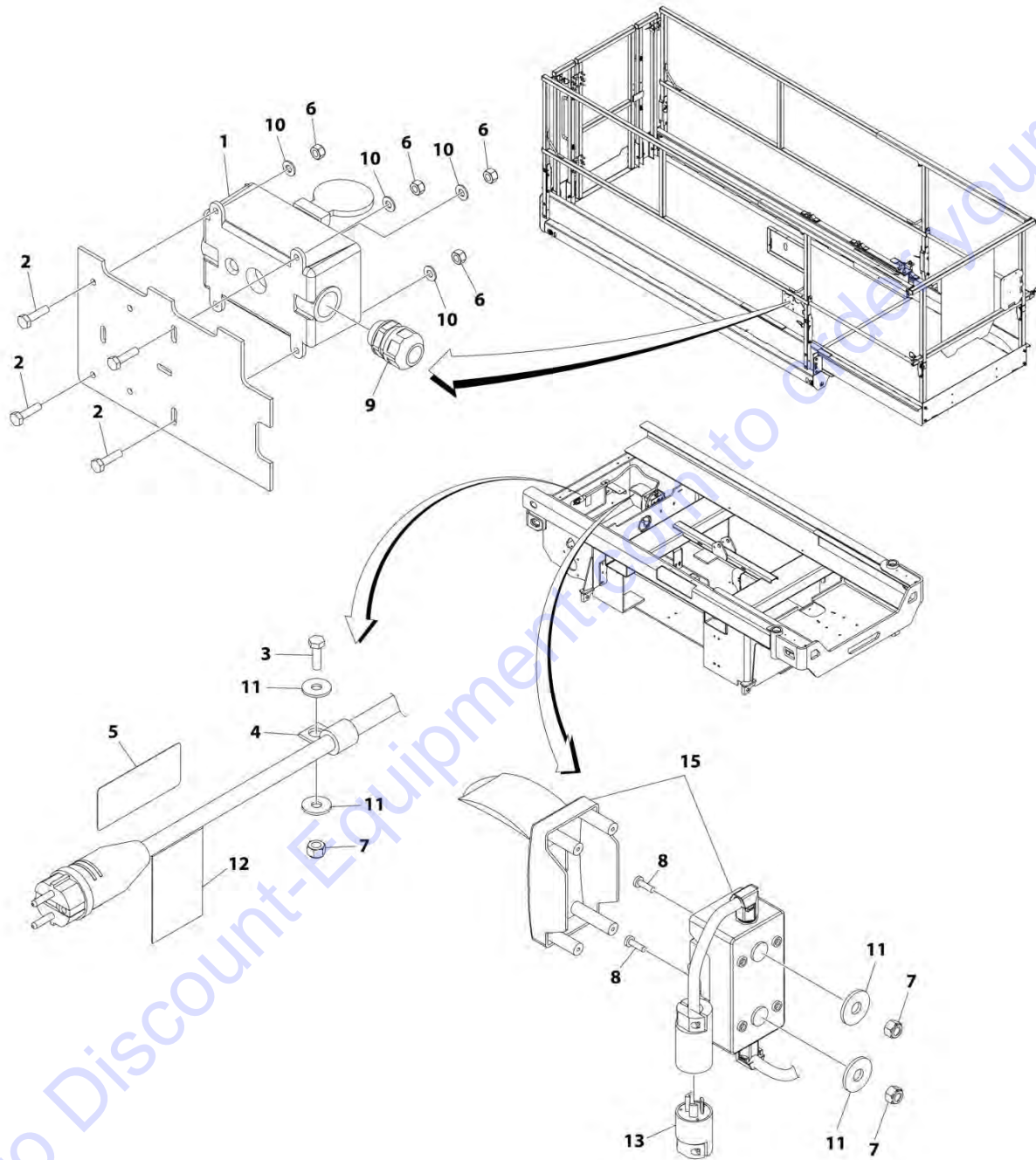
ITEM	PART NUMBER	QTY	DESCRIPTION	REV
	1001214451	Ref	AC BOX AT PLATFORM INSTALLATION - 220V CEE7 SIDE GROUND (CE SPECS)	B
1	0275453	1	Receptacle Box Kit - 220V CEE7 Side Ground (See Separate Breakdown in this Section)	
2	0760408	4	Bolt M4 x 16	
3	0760610	1	Bolt M6 x 20	
4	1321293	1	Clamp	
5	3252507	1	Decal - AC Power	
6	3290405	4	Nut M4	
7	3290605	3	Nut M6	
8	4010610	2	Screw M6 x 20	
9	4460662	1	Connector, Strain Relief	
10	4811400	4	Washer M4	
11	4811702	4	Washer M6	
12	1001102258	1	Decal - AC Label	
13	1001120204	1	Plug, Male Twist	
15	1001209018	1	Breaker Box Kit (See Separate Breakdown in this Section)	

Go to Discount-Equipment.com to order your parts



# SECTION 7 - ELECTRICAL

## FIGURE 7-7. AC BOX AT PLATFORM INSTALLATION - 220V AFSINT 107 (CE SPECS)



ART\_1001214452

## SECTION 7 - ELECTRICAL

**FIGURE 7-7. AC BOX AT PLATFORM INSTALLATION - 220V AFSINT 107 (CE SPECS)**

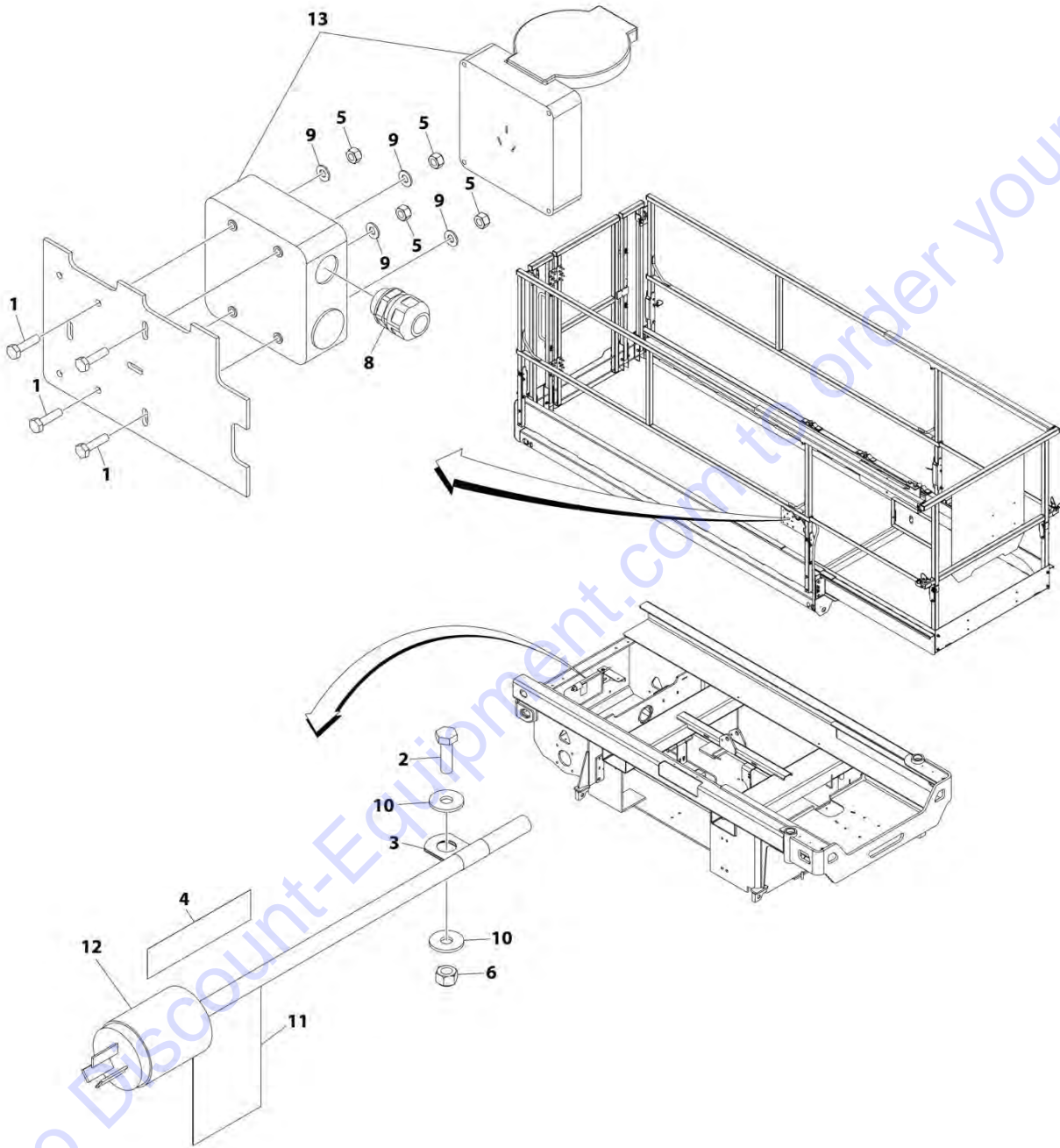
ITEM	PART NUMBER	QTY	DESCRIPTION	REV
	1001214452	Ref	AC BOX AT PLATFORM INSTALLATION - 220V AFSINT 107 (CE SPECS)	B
1	0275454	1	Receptacle Box Kit - 220V AFSINT 107 (See Separate Breakdown in this Section)	
2	0760408	4	Bolt M4 x 16	
3	0760610	1	Bolt M6 x 20	
4	1321293	1	Clamp	
5	3252507	1	Decal - AC Power	
6	3290405	4	Nut M4	
7	3290605	3	Nut M6	
8	4010610	2	Screw M6 x 20	
9	4460662	1	Connector, Strain Relief	
10	4811400	4	Washer M4	
11	4811702	4	Washer M6	
12	1001102258	1	Decal - AC Label	
13	1001120204	1	Plug, Male Twist	
15	1001219041	1	Breaker Box Kit (See Separate Breakdown in this Section)	

Go to Discount-Equipment.com to order your parts



# SECTION 7 - ELECTRICAL

FIGURE 7-8. AC BOX AT PLATFORM INSTALLATION - 220V CHINA PLUG (CHINA SPECS)



ART\_1001214457

## SECTION 7 - ELECTRICAL

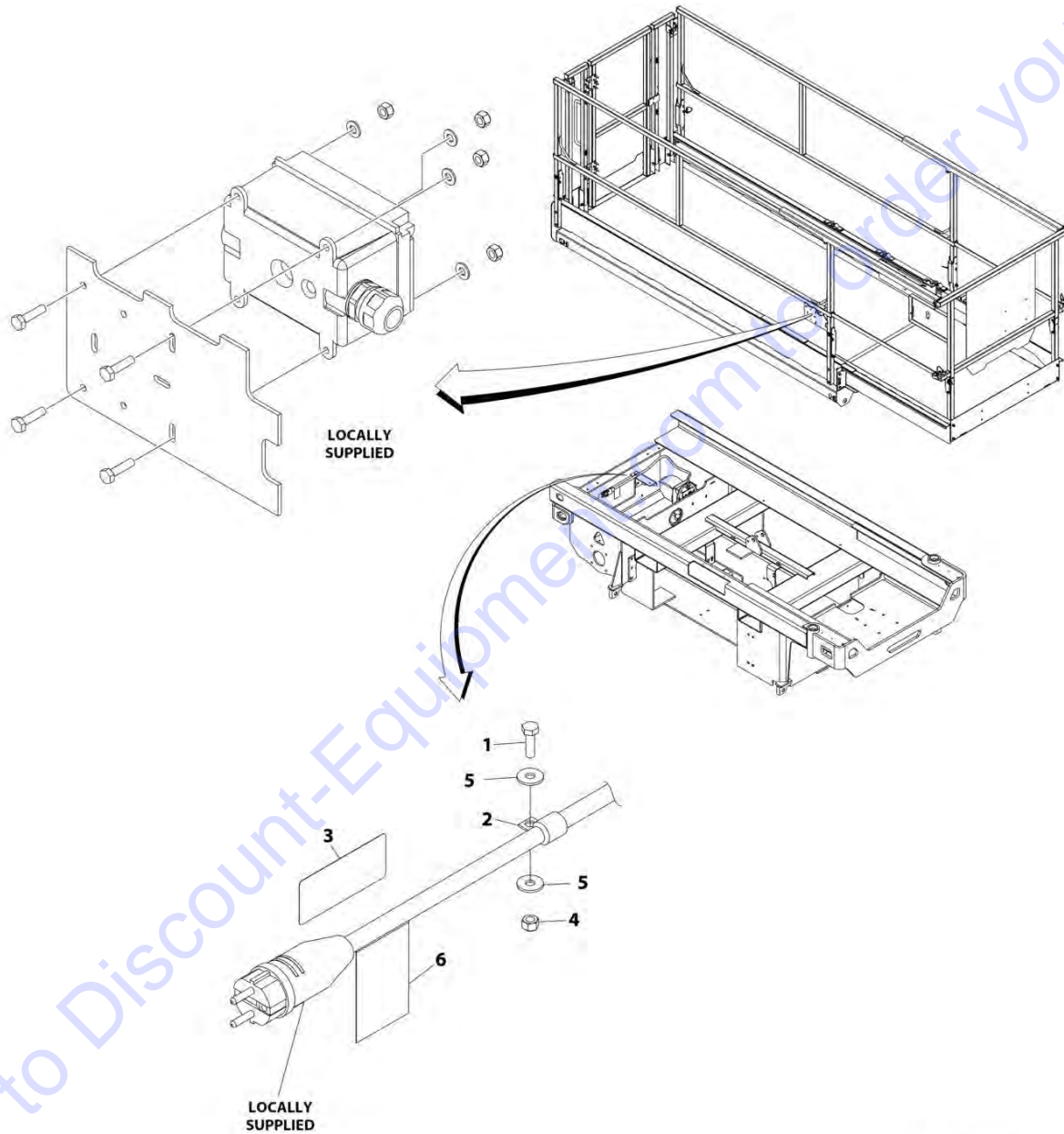
**FIGURE 7-8. AC BOX AT PLATFORM INSTALLATION - 220V CHINA PLUG (CHINA SPECS)**

ITEM	PART NUMBER	QTY	DESCRIPTION	REV
	1001214457	Ref	AC BOX AT PLATFORM INSTALLATION - 220V CHINA PLUG (CHINA SPECS)	A
1	0760408	4	Bolt M4 x 16	
2	0760610	1	Bolt M6 x 20	
3	8406003	1	Clamp	
4	3252507	1	Decal - 220 Volt	
5	3290405	4	Nut M4	
6	3290605	1	Nut M6	
7	4460315	1	Terminal (Not Shown)	
8	4460968	1	Connector, Strain Relief	
9	4811400	4	Washer M4	
10	4811702	2	Washer M6	
11	1001102258	1	Decal - AC Label	
12	1001187816	1	Plug	
13	1001188116	1	Box	

Go to Discount-Equipment.com to order your parts

# SECTION 7 - ELECTRICAL

## FIGURE 7-9. AC BOX AT PLATFORM INSTALLATION - 220V LOCALLY SUPPLIED COMPONENTS (ALL SPECS)



## SECTION 7 - ELECTRICAL

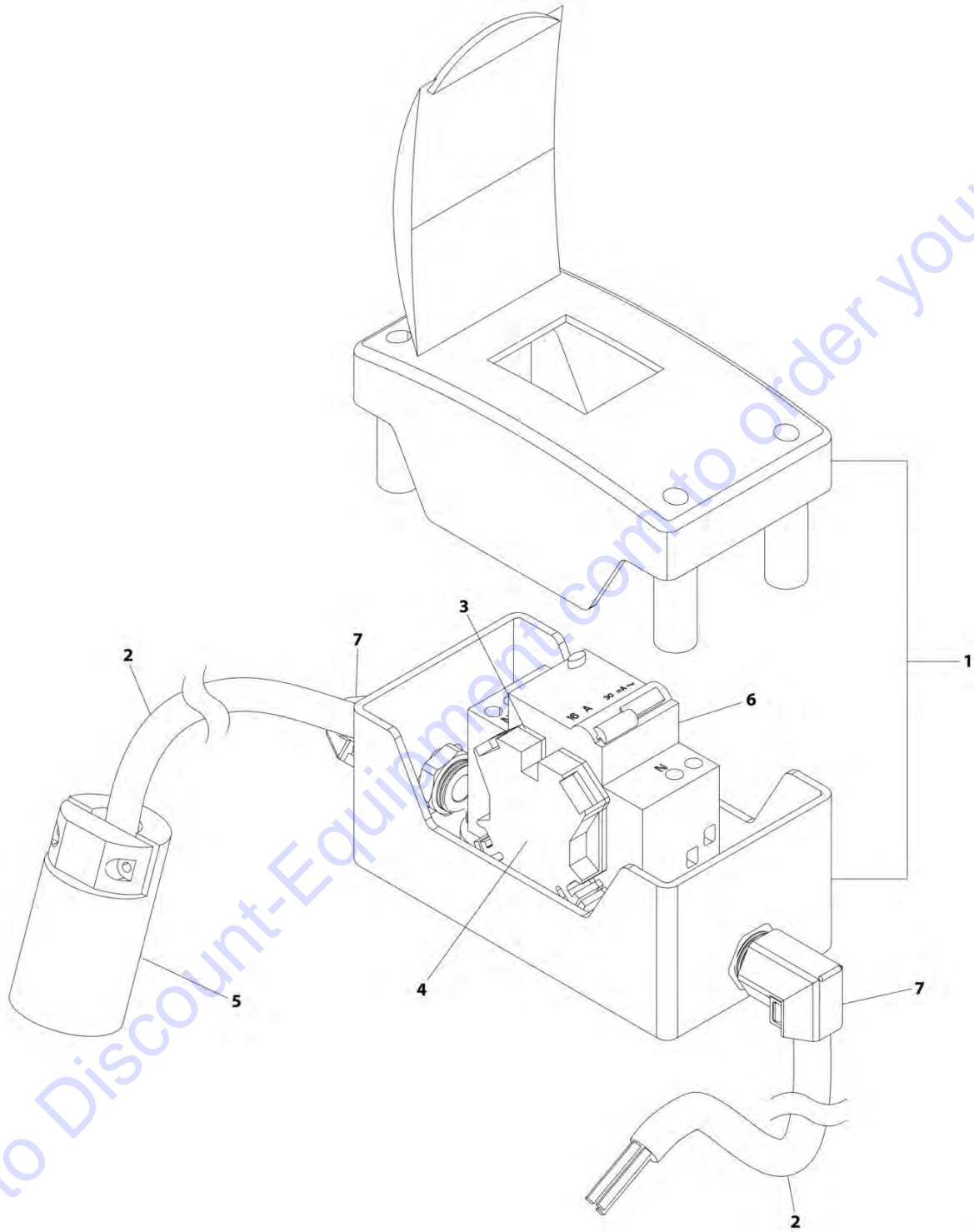
**FIGURE 7-9. AC BOX AT PLATFORM INSTALLATION - 220V LOCALLY SUPPLIED COMPONENTS  
(ALL SPECS)**

ITEM	PART NUMBER	QTY	DESCRIPTION	REV
	1001214447	Ref	AC BOX AT PLATFORM INSTALLATION - 220V LOCALLY SUPPLIED COMPONENTS (ALL SPECS)	A
1	0760610	1	Bolt M6 x 20	
2	1321293	1	Clamp	
3	3252507	1	Decal - 220 Volt	
4	3290605	1	Nut M6	
5	4811702	2	Washer M6	
6	1001102258	1	Decal - AC Label	

Go to Discount-Equipment.com to order your parts

# SECTION 7 - ELECTRICAL

## FIGURE 7-10. BREAKER BOX KIT WITH 1 DOUBLE BREAKER



ART\_1001219041

## SECTION 7 - ELECTRICAL

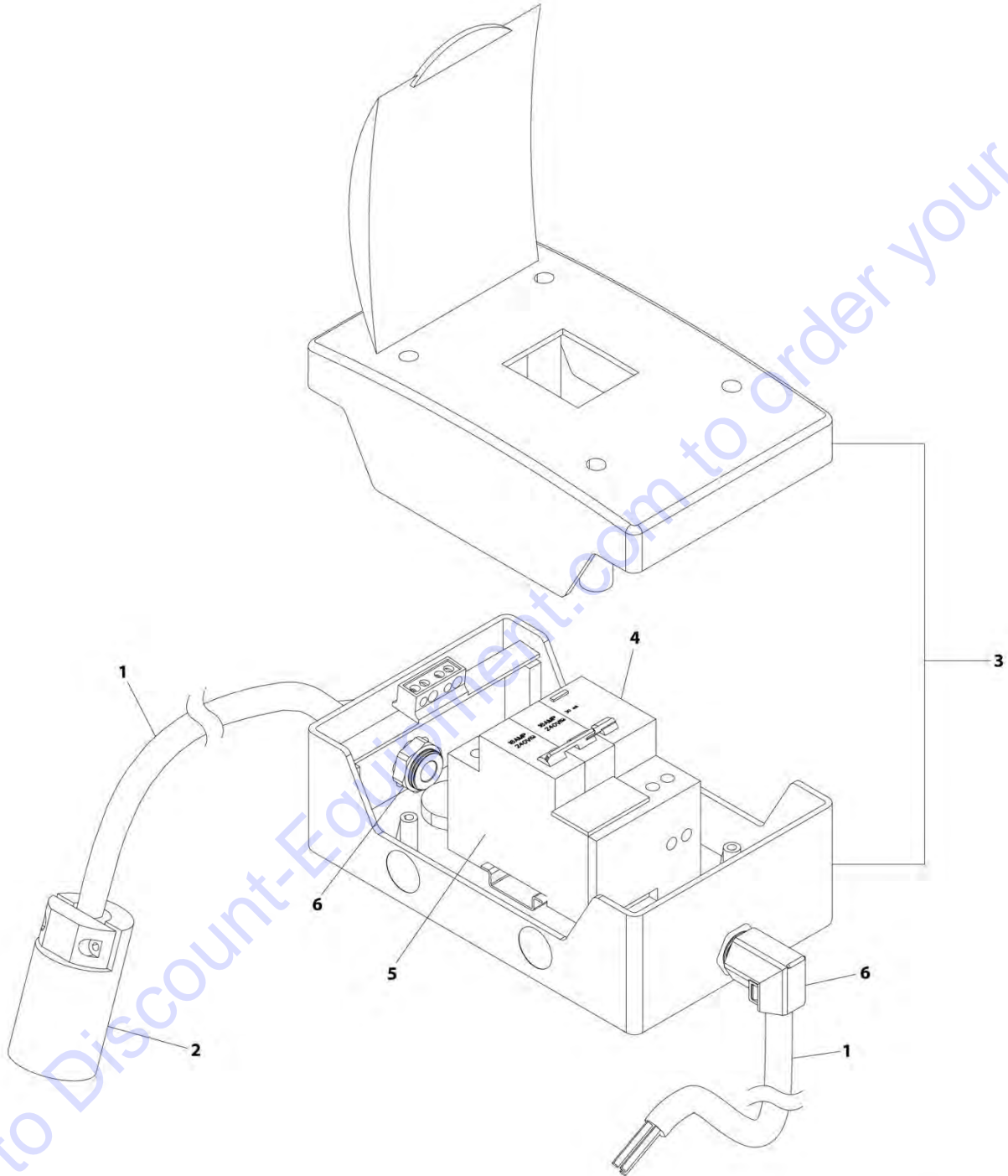
**FIGURE 7-10. BREAKER BOX KIT WITH 1 DOUBLE BREAKER**

ITEM	PART NUMBER	QTY	DESCRIPTION	REV
	1001219041	Ref	BREAKER BOX KIT WITH 1 DOUBLE BREAKER	A
1	0861880	1	Box	
2	1060908	4.5 ft/ 1.3m	Cable, 12/3	
3	4460956	1	Barrier, Terminal	
4	4460957	1	Block, Terminal	
5	1001120205	1	Connector, Female Twist	
6	1001181045	1	Breaker 30mAmp/16 Amp	
7	1001217164	2	Connector, Strain Relief 90	

Go to Discount-Equipment.com to order your parts

# SECTION 7 - ELECTRICAL

## FIGURE 7-11. BREAKER BOX KIT WITH 3 BREAKERS



ART\_1001219018

## SECTION 7 - ELECTRICAL

### FIGURE 7-11. BREAKER BOX KIT WITH 3 BREAKERS

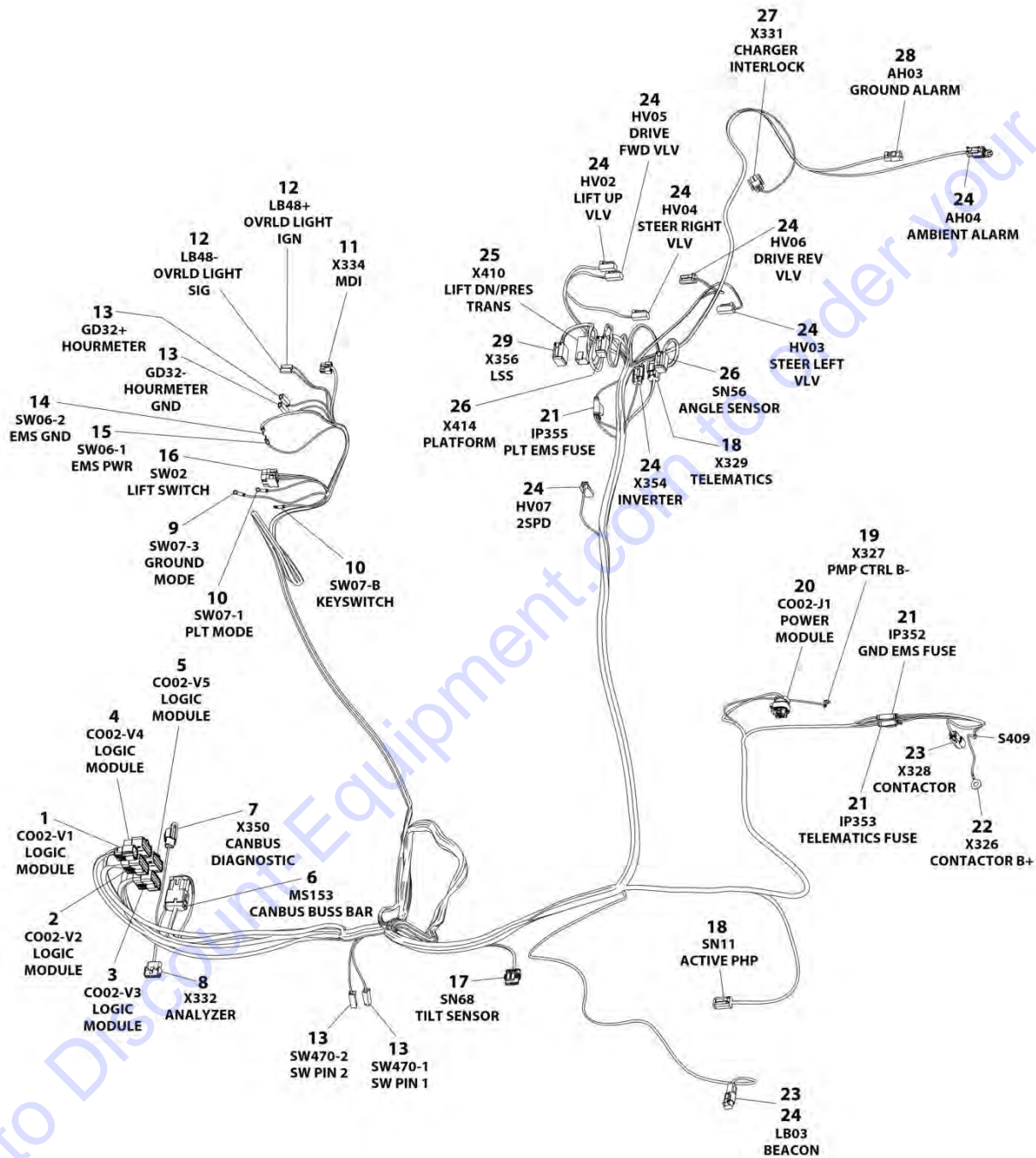
ITEM	PART NUMBER	QTY	DESCRIPTION	REV
	1001219018	Ref	BREAKER BOX KIT WITH 3 BREAKERS	A
1	1060908	4.5 ft/ 1.3m	Cable, 12/3	
2	1001120205	1	Connector, Female Twist	
3	1001152483	1	Box	
4	1001189171	1	Breaker, 30mAmp	
5	1001189172	1	Breaker 16 Amp, Double	
6	1001217164	2	Connector, Strain Relief 90	

Go to Discount-Equipment.com to order your parts



# SECTION 7 - ELECTRICAL

## FIGURE 7-12. CHASSIS HARNESS



ART\_1001214596

## SECTION 7 - ELECTRICAL

### FIGURE 7-12. CHASSIS HARNESS

ITEM	PART NUMBER	QTY	DESCRIPTION	REV
	1001214596	Ref	CHASSIS HARNESS	E
1	1001205409	1	Connector - 8 Position	
1	1001162887	6	Terminal	
1	1001163340	2	Plug, Terminal	
2	1001205410	1	Connector - 20 Position	
2	1001162887	13	Terminal	
2	1001163340	7	Plug, Terminal	
3	1001162886	1	Connector - 20 Position	
3	1001162887	14	Terminal	
3	1001163340	6	Plug, Terminal	
4	1001205411	1	Connector - 20 Position	
4	1001162887	15	Terminal	
4	1001163340	5	Plug, Terminal	
5	1001205412	1	Connector - 20 Position	
5	1001162887	18	Terminal	
5	1001163340	2	Plug, Terminal	
6	4460933	1	Plug, Male - 12 Position	
6	4460944	12	Socket, Female	
6	1001125677	1	Receptacle, Female Buss Bar - 2x6 Position	
7	1001116812	1	Receptacle, Female - 3 Position	
7	4460944	2	Pin, Male	
7	1001144296	1	Cover	
8	4460761	2	Plug, Male - 4 Position	
8	4460227	8	Socket, Female	
9	4460042	1	Terminal, Ring	
10	4460247	2	Terminal, Ring	
11	1001151629	1	Plug, Male - 8 Position	
11	4461023	2	Terminal	
11	4460877	2	Terminal	
12	1001117000	2	Cover, Terminal	
12	1001118387	2	Terminal	
13	4460260	4	Cover, Terminal	
13	4460259	4	Terminal	
14	4460115	1	Terminal, Ring	
15	4460183	1	Terminal, Ring	
16	4460418	1	Connector - 6 Position	
16	4460419	3	Terminal	
17	1001103012	1	Plug, Male - 4 Position	
17	1001107854	4	Socket, Female	
18	4460884	2	Plug, Male - 4 Position	
18	4460465	8	Socket, Female	
18	1001192401	1	Cover	
19	1001207173	1	Terminal, Ring	
20	1001113961	1	Connector - 8 Position	
20	4460871	4	Socket, Female	
20	4460905	4	Plug, Terminal	
21	2400060	3	Fuseholder with Cover	
21	8229242	2	Fuse 5 Amp	
21	8229244	1	Fuse 15 Amp	
22	1001211775	1	Terminal, Ring	

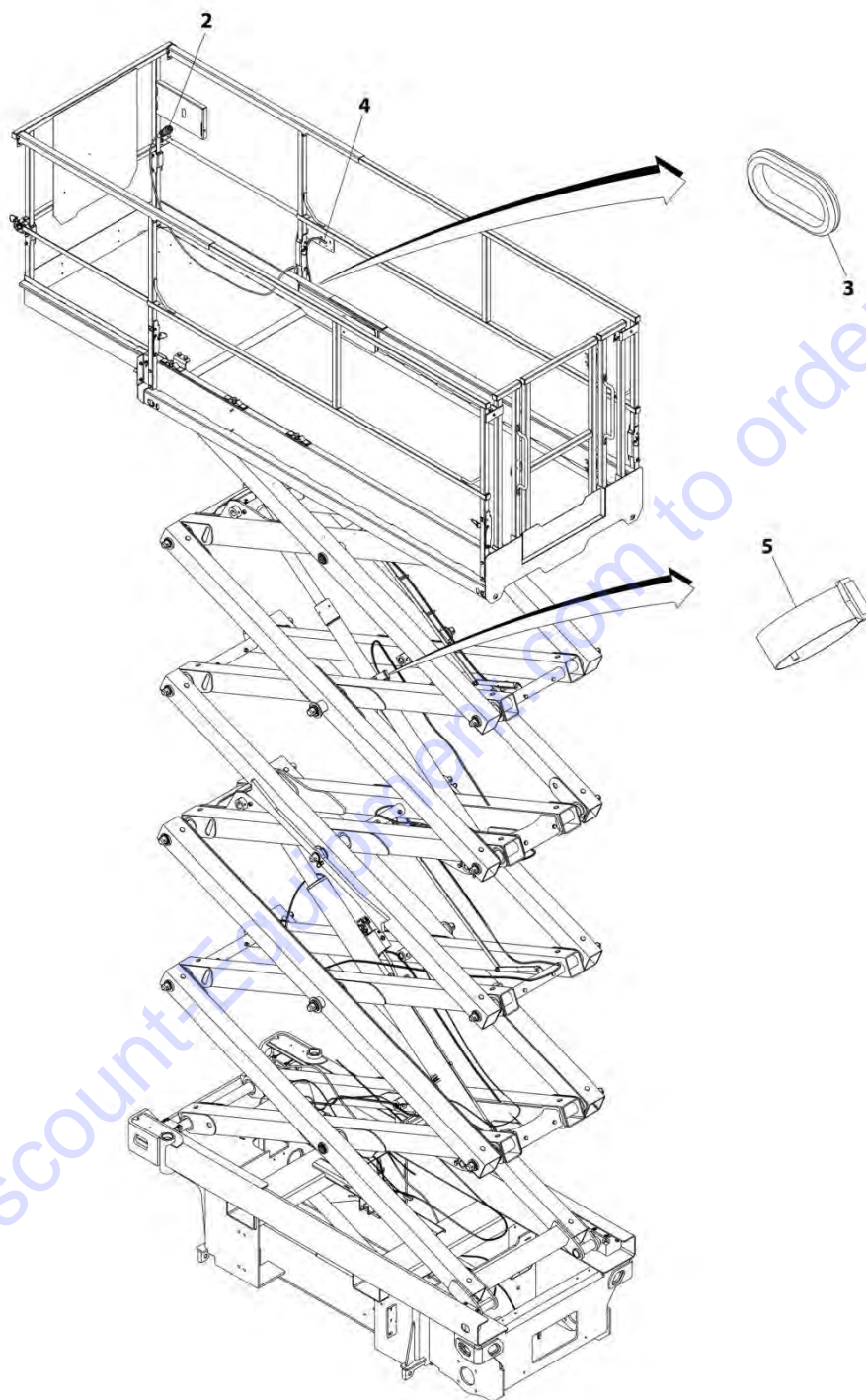
## SECTION 7 - ELECTRICAL

ITEM	PART NUMBER	QTY	DESCRIPTION	REV
23	4460897	2	Receptacle, Female - 2 Position	
23	4460464	4	Pin, Male	
24	4460891	9	Plug, Male - 2 Position	
24	4460465	16	Socket, Female	
24	4460466	2	Plug, Terminal	
25	4460899	1	Receptacle, Female - 6 Position	
25	4460464	4	Pin, Male	
25	4460466	2	Plug, Terminal	
26	4460894	2	Plug, Male - 6 Position	
26	4460465	12	Socket, Female	
27	4460320	1	Plug, Male - 2 Position	
27	4460226	1	Socket, Female	
28	4460539	1	Plug, Male - 3 Position	
28	4460465	3	Socket, Female	
29	4460930	1	Plug, Male - 8 Position	
29	4460465	6	Socket, Female	
29	4460466	2	Plug, Terminal	



## SECTION 7 - ELECTRICAL

FIGURE 7-13. GROUND TO PLATFORM CABLE INSTALLATION - WITHOUT PLATFORM COIL CABLE  
(CHINA BUILT MACHINES)



ART\_1001214442

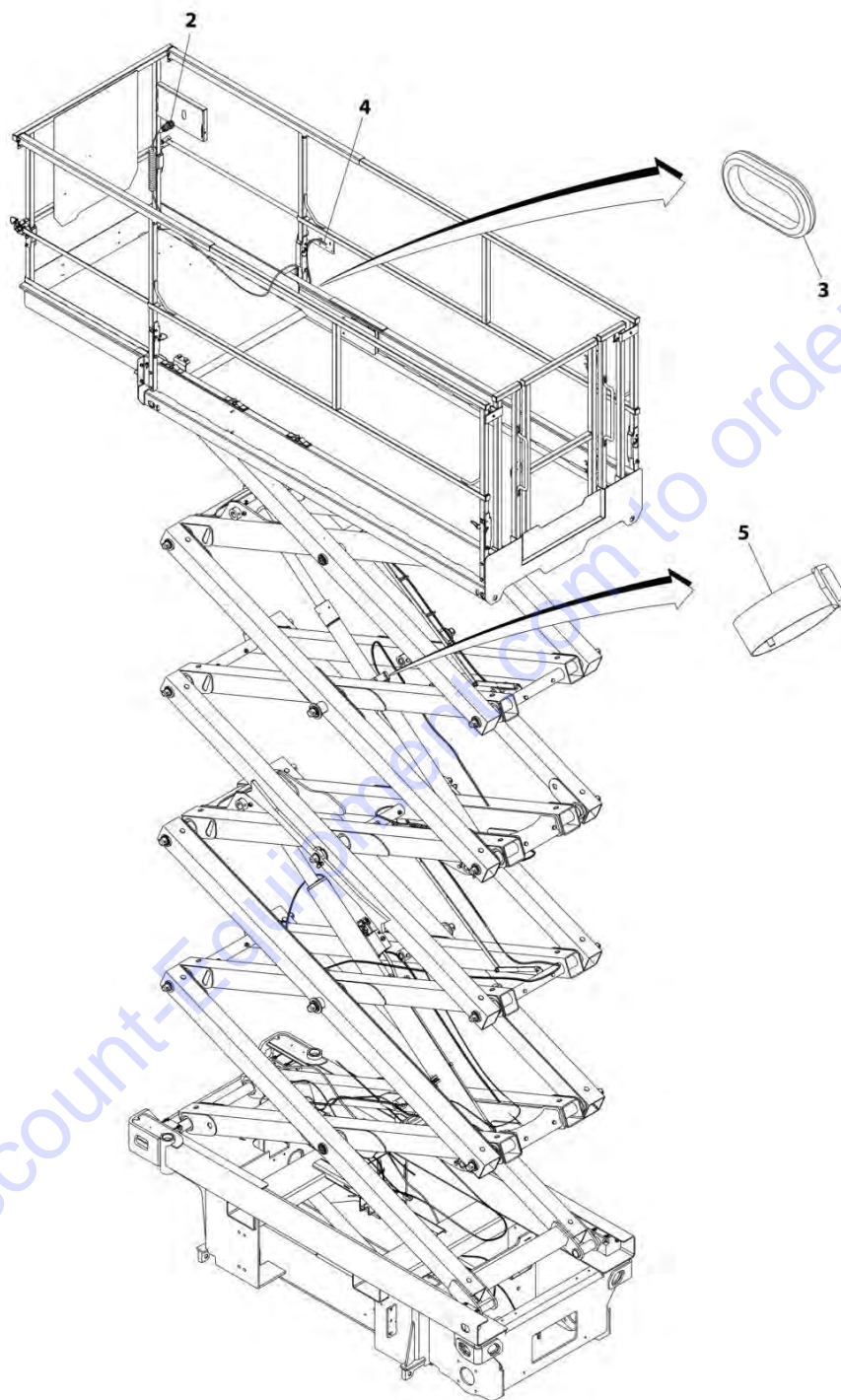
## SECTION 7 - ELECTRICAL

**FIGURE 7-13. GROUND TO PLATFORM CABLE INSTALLATION - WITHOUT PLATFORM COIL CABLE  
(CHINA BUILT MACHINES)**

ITEM	PART NUMBER	QTY	DESCRIPTION	REV
	1001214442	Ref	GROUND TO PLATFORM CABLE INSTALLATION - WITHOUT PLATFORM COIL CABLE (CHINA BUILT MACHINES)	E
1	4240017	AR	Tie-Strap (Not Shown)	
2	1001200812	1	Platform Harness	
2	4460899	1	Receptacle, Female - 6 Position (To Item 4)	
2	4460464	4	Pin, Male	
2	4460943	2	Pin, Male	
2	4460754	1	Connector - 14 Position (To Console Box)	
2	4460465	8	Socket, Female	
2	4460466	6	Plug, Terminal	
3	1001213945	1	Grommet	
4	1001215732	1	Cable Assembly - Ground to Platform	
4	4460894	1	Plug, Male - 6 Position (To Platform Harness Item 2)	
4	4460465	4	Socket, Female	
4	4460944	2	Socket, Female	
4	4460899	1	Receptacle, Female - 6 Position (To Chassis Harness)	
4	4460464	4	Pin, Male	
4	4460943	2	Pin, Male	
5	1001137263	1	Strap, Cinch	

## SECTION 7 - ELECTRICAL

FIGURE 7-14. GROUND TO PLATFORM CABLE INSTALLATION - WITH PLATFORM COIL CABLE  
(CHINA BUILT MACHINES)



ART\_1001214443



## SECTION 7 - ELECTRICAL

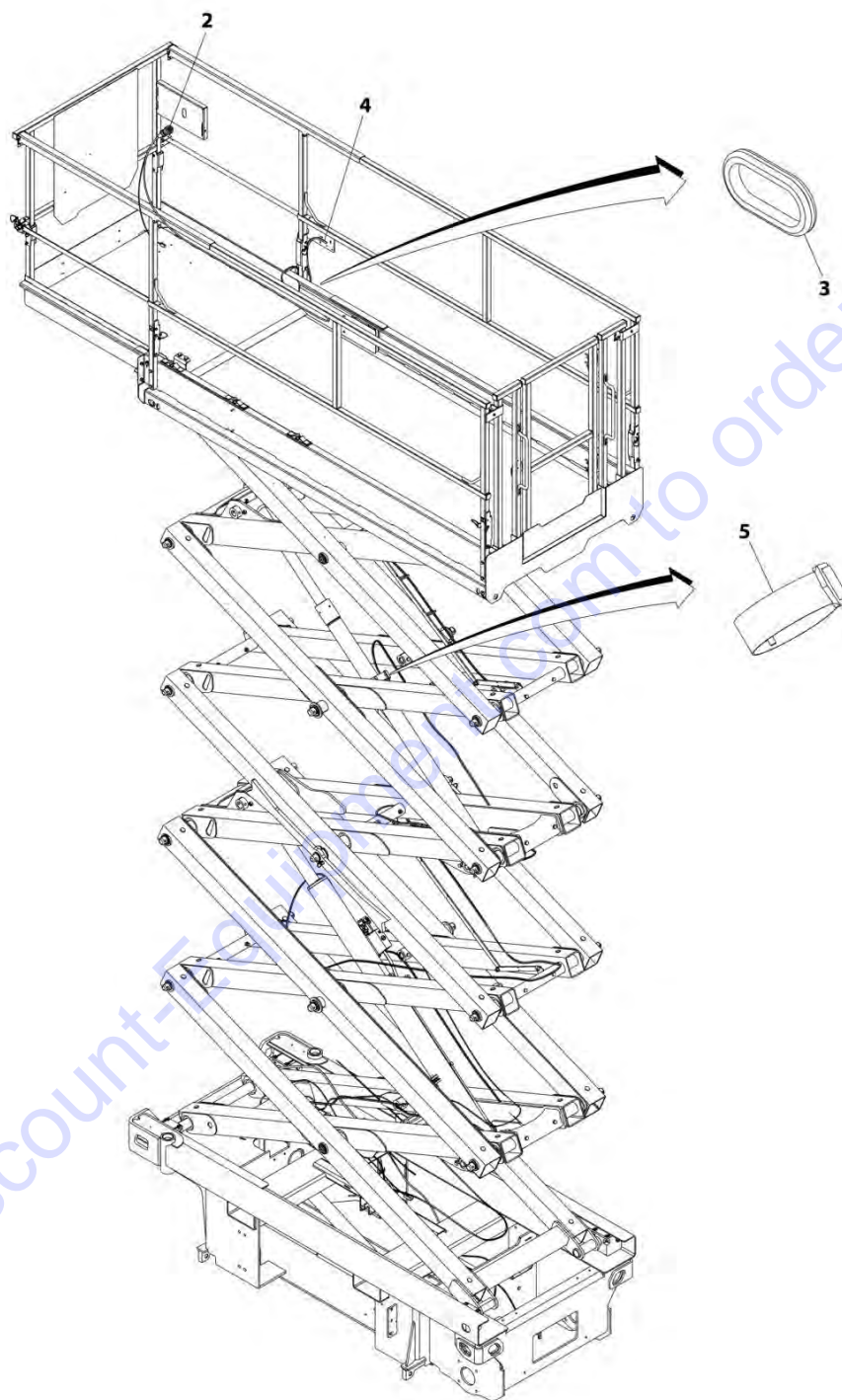
**FIGURE 7-14. GROUND TO PLATFORM CABLE INSTALLATION - WITH PLATFORM COIL CABLE  
(CHINA BUILT MACHINES)**

ITEM	PART NUMBER	QTY	DESCRIPTION	REV
	1001214443	Ref	GROUND TO PLATFORM CABLE INSTALLATION - WITH PLATFORM COIL CABLE (CHINA BUILT MACHINES)	E
1	4240017	AR	Tie-Strap (Not Shown)	
2	1001202184	1	Platform Harness	
2	4460899	1	Receptacle, Female - 6 Position (To Item 4)	
2	4460464	4	Pin, Male	
2	4460943	2	Pin, Male	
2	4460754	1	Connector - 14 Position (To Console Box)	
2	4460465	8	Socket, Female	
2	4460466	6	Plug, Terminal	
3	1001213945	1	Grommet	
4	1001215732	1	Cable Assembly - Ground to Platform	
4	4460894	1	Plug, Male - 6 Position (To Platform Harness Item 2)	
4	4460465	4	Socket, Female	
4	4460944	2	Socket, Female	
4	4460899	1	Receptacle, Female - 6 Position (To Chassis Harness)	
4	4460464	4	Pin, Male	
4	4460943	2	Pin, Male	
5	1001137263	1	Strap, Cinch	



## SECTION 7 - ELECTRICAL

FIGURE 7-15. GROUND TO PLATFORM CABLE INSTALLATION - WITHOUT PLATFORM COIL CABLE AND WITH FOOTSWITCH (CHINA BUILT MACHINES)



ART\_1001214444

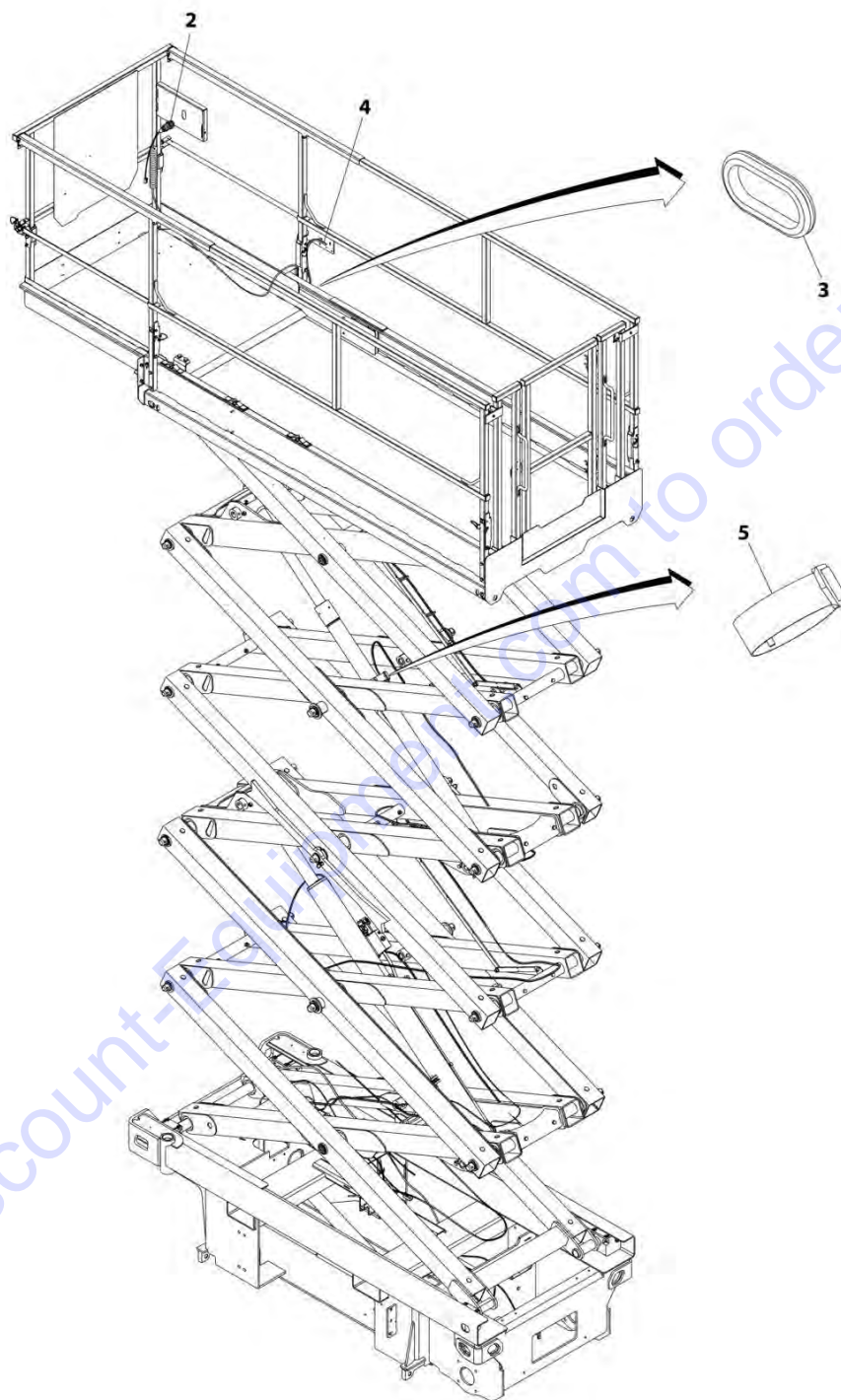
## SECTION 7 - ELECTRICAL

**FIGURE 7-15. GROUND TO PLATFORM CABLE INSTALLATION - WITHOUT PLATFORM COIL CABLE AND WITH FOOTSWITCH (CHINA BUILT MACHINES)**

ITEM	PART NUMBER	QTY	DESCRIPTION	REV
	1001214444	Ref	GROUND TO PLATFORM CABLE INSTALLATION - WITHOUT PLATFORM COIL CABLE AND WITH FOOTSWITCH (CHINA BUILT MACHINES)	F
		Ref	Note: Only Available on Japanese Specs.	
1	4240017	AR	Tie-Strap (Not Shown)	
2	1001223263	1	Platform Harness - Without Coil Cable	
2	4460899	1	Receptacle, Female - 6 Position (To Ground to Platform Cable to Item 4)	
2	4460464	4	Pin, Male	
2	4460943	2	Pin, Male	
2	4460539	1	Plug, Male - 3 Position (To Overhead Switches)	
2	4460465	2	Socket, Female	
2	4460466	1	Plug, Terminal	
2	4460891	1	Plug, Male - 2 Position (To Footswitch)	
2	4460465	2	Socket, Female	
2	4460754	1	Connector - 14 Position (To Platform Box)	
2	4460465	8	Socket, Female	
2	4460944	2	Socket, Female	
2	4460466	4	Plug, Terminal	
2	4460897	1	Receptacle, Female - 2 Position (Jumper for Footswitch Plug)	
2	4460464	2	Pin, Male	
3	1001213945	1	Grommet	
4	1001215732	1	Cable Assembly - Ground to Platform	
4	4460894	1	Plug, Male - 6 Position (To Platform Harness Item 2)	
4	4460465	4	Socket, Female	
4	4460944	2	Socket, Female	
4	4460899	1	Receptacle, Female - 6 Position (To Chassis Harness)	
4	4460464	4	Pin, Male	
4	4460943	2	Pin, Male	
5	1001137263	1	Strap, Cinch	

## SECTION 7 - ELECTRICAL

FIGURE 7-16. GROUND TO PLATFORM CABLE INSTALLATION - WITH PLATFORM COIL CABLE & FOOTSWITCH (CHINA BUILT MACHINES)



ART\_1001214445

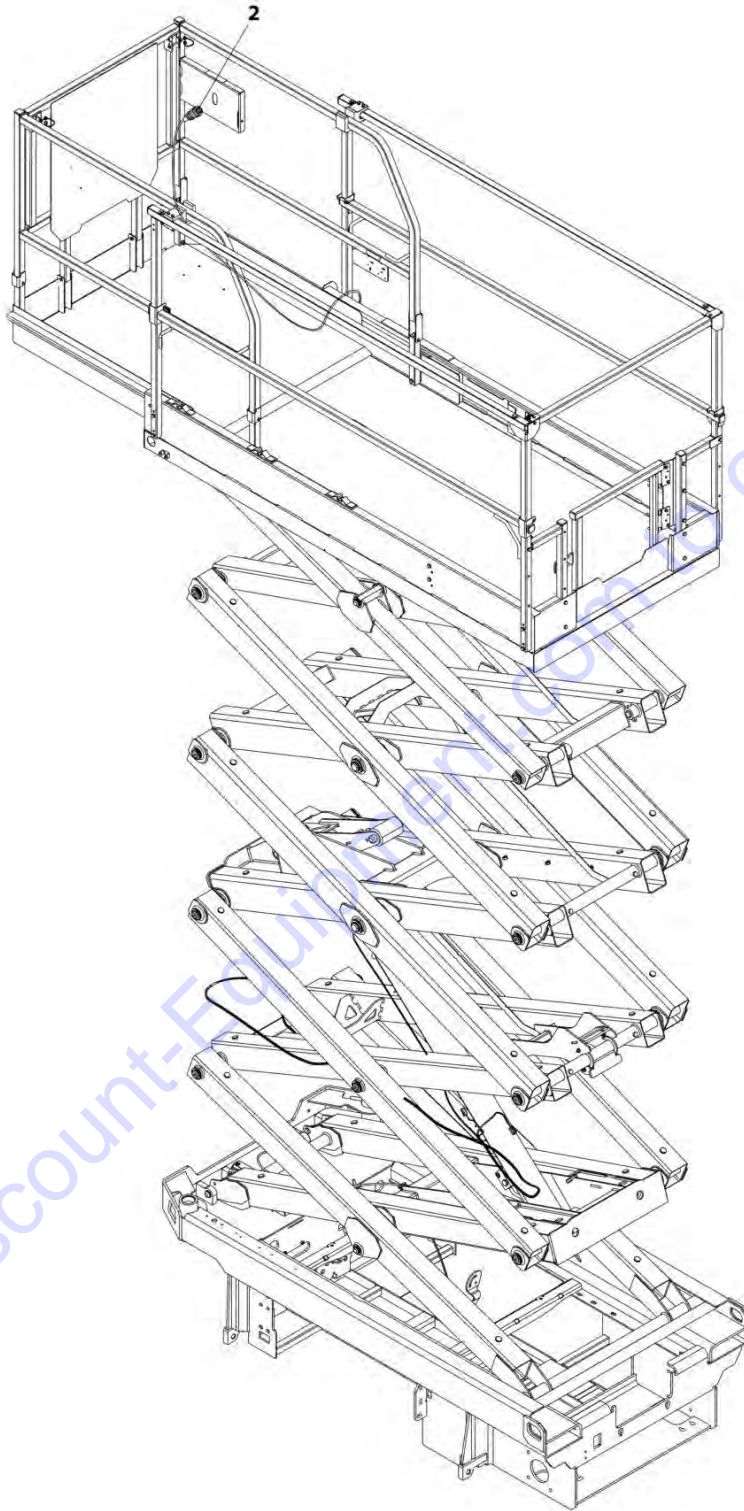
## SECTION 7 - ELECTRICAL

**FIGURE 7-16. GROUND TO PLATFORM CABLE INSTALLATION - WITH PLATFORM COIL CABLE & FOOTSWITCH (CHINA BUILT MACHINES)**

ITEM	PART NUMBER	QTY	DESCRIPTION	REV
	1001214445	Ref	GROUND TO PLATFORM CABLE INSTALLATION - WITH PLATFORM COIL CABLE AND FOOTSWITCH (CHINA BUILT MACHINES)	F
		Ref	Note: Only Available on Japanese Specs.	
1	4240017	AR	Tie-Strap (Not Shown)	
2	1001223262	1	Platform Harness - With Coil Cable	
2	4460899	1	Receptacle, Female - 6 Position (To Ground to Platform Cable to Item 4)	
2	4460464	4	Pin, Male	
2	4460943	2	Pin, Male	
2	4460539	1	Plug, Male - 3 Position (To Overhead Switches)	
2	4460465	2	Socket, Female	
2	4460466	1	Plug, Terminal	
2	4460891	1	Plug, Male - 2 Position (To Footswitch)	
2	4460465	2	Socket, Female	
2	4460754	1	Connector - 14 Position (To Platform Box)	
2	4460465	8	Socket, Female	
2	4460944	2	Socket, Female	
2	4460466	4	Plug, Terminal	
2	4460897	1	Receptacle, Female - 2 Position (Jumper for Footswitch Plug)	
2	4460464	2	Pin, Male	
3	1001213945	1	Grommet	
4	1001215732	1	Cable Assembly - Ground to Platform	
4	4460894	1	Plug, Male - 6 Position (To Platform Harness Item 2)	
4	4460465	4	Socket, Female	
4	4460944	2	Socket, Female	
4	4460899	1	Receptacle, Female - 6 Position (To Chassis Harness)	
4	4460464	4	Pin, Male	
4	4460943	2	Pin, Male	
5	1001137263	1	Strap, Cinch	

## SECTION 7 - ELECTRICAL

FIGURE 7-17. GROUND TO PLATFORM CABLE INSTALLATION - PLATFORM STRAIGHT CABLE ONLY (MEXICO BUILT MACHINES)



ART\_1001223650



## SECTION 7 - ELECTRICAL

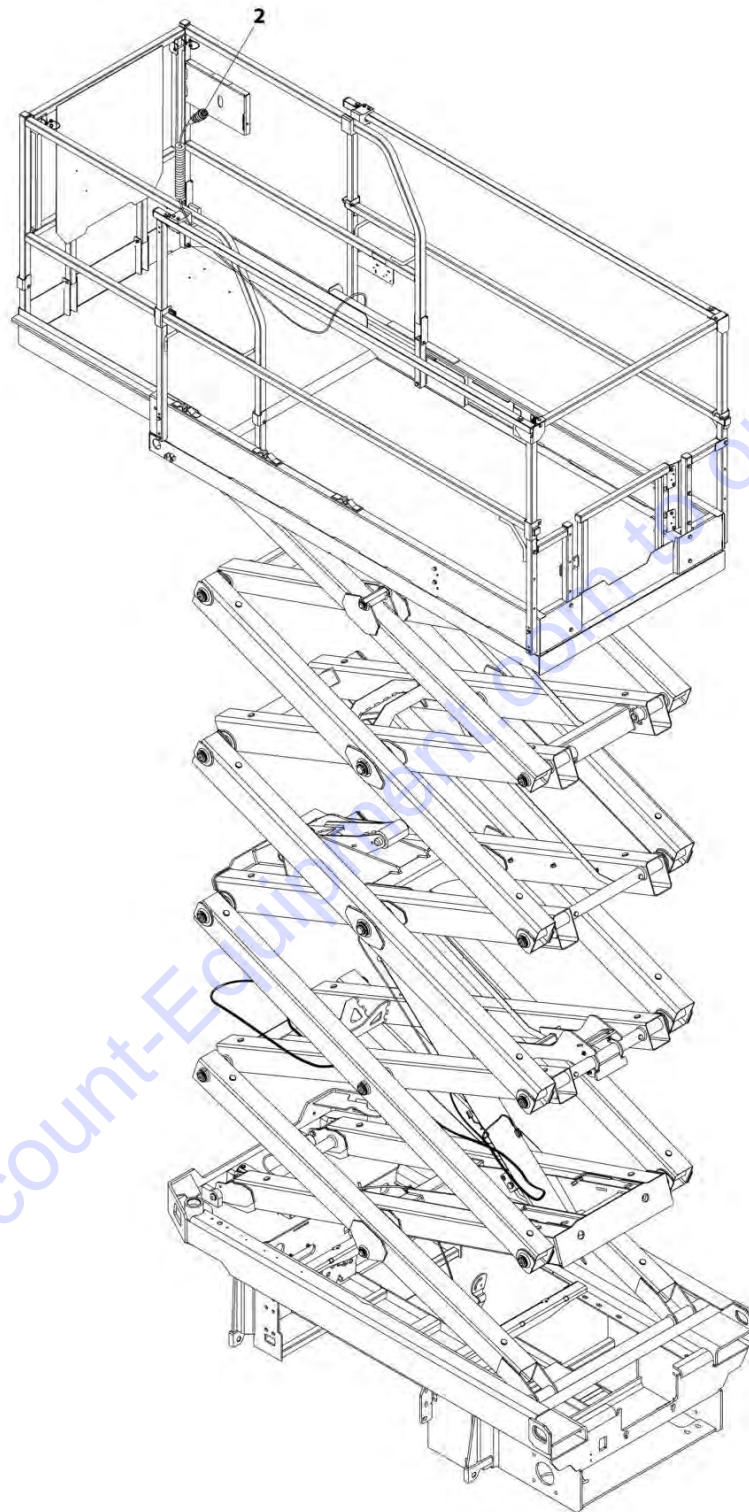
**FIGURE 7-17. GROUND TO PLATFORM CABLE INSTALLATION - PLATFORM STRAIGHT CABLE ONLY (MEXICO BUILT MACHINES)**

ITEM	PART NUMBER	QTY	DESCRIPTION	REV
	1001223650	Ref	GROUND TO PLATFORM CABLE INSTALLATION - PLATFORM STRAIGHT CABLE ONLY	A
1	4240017	AR	Tie-Strap (Not Shown)	
2	1001200812	1	Platform Harness	
2	4460899	1	Receptacle, Female - 6 Position (To Item 104)	
2	4460464	4	Pin, Male	
2	4460943	2	Pin, Male	
2	4460754	1	Connector - 14 Position (To Console Box)	
2	4460465	8	Socket, Female	
2	4460466	6	Plug, Terminal	

Go to Discount-Equipment.com to order your parts

## SECTION 7 - ELECTRICAL

FIGURE 7-18. GROUND TO PLATFORM CABLE INSTALLATION - PLATFORM COIL CABLE ONLY  
(MEXICO BUILT MACHINES)



ART\_100123651

## SECTION 7 - ELECTRICAL

**FIGURE 7-18. GROUND TO PLATFORM CABLE INSTALLATION - PLATFORM COIL CABLE ONLY  
(MEXICO BUILT MACHINES)**

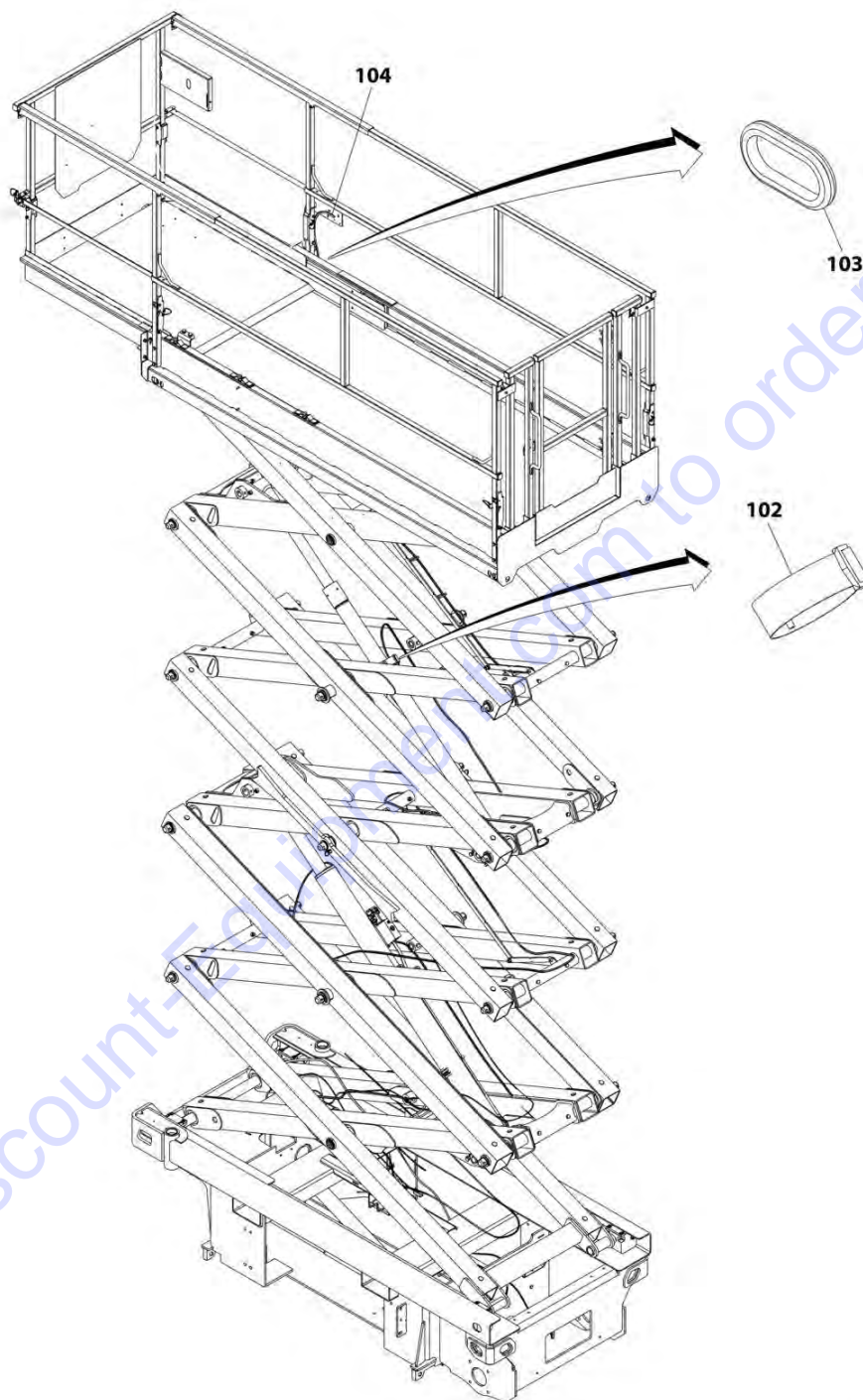
ITEM	PART NUMBER	QTY	DESCRIPTION	REV
	1001223651	Ref	GROUND TO PLATFORM CABLE INSTALLATION - PLATFORM COIL CABLE ONLY	A
1	4240017	AR	Tie-Strap (Not Shown)	
2	1001202184	1	Platform Harness	
2	4460899	1	Receptacle, Female - 6 position (To Item 104)	
2	4460464	4	Pin, Male	
2	4460943	2	Pin, Male	
2	4460754	1	Connector - 14 Position (To Console Box)	
2	4460465	8	Socket, Female	
2	4460466	6	Plug, Terminal	

Go to Discount-Equipment.com to order your parts



## SECTION 7 - ELECTRICAL

FIGURE 7-19. GROUND TO PLATFORM CABLE INSTALLATION - SCISSORS ARMS CABLE ONLY  
(MEXICO BUILT MACHINES)



ART\_1001223447

## SECTION 7 - ELECTRICAL

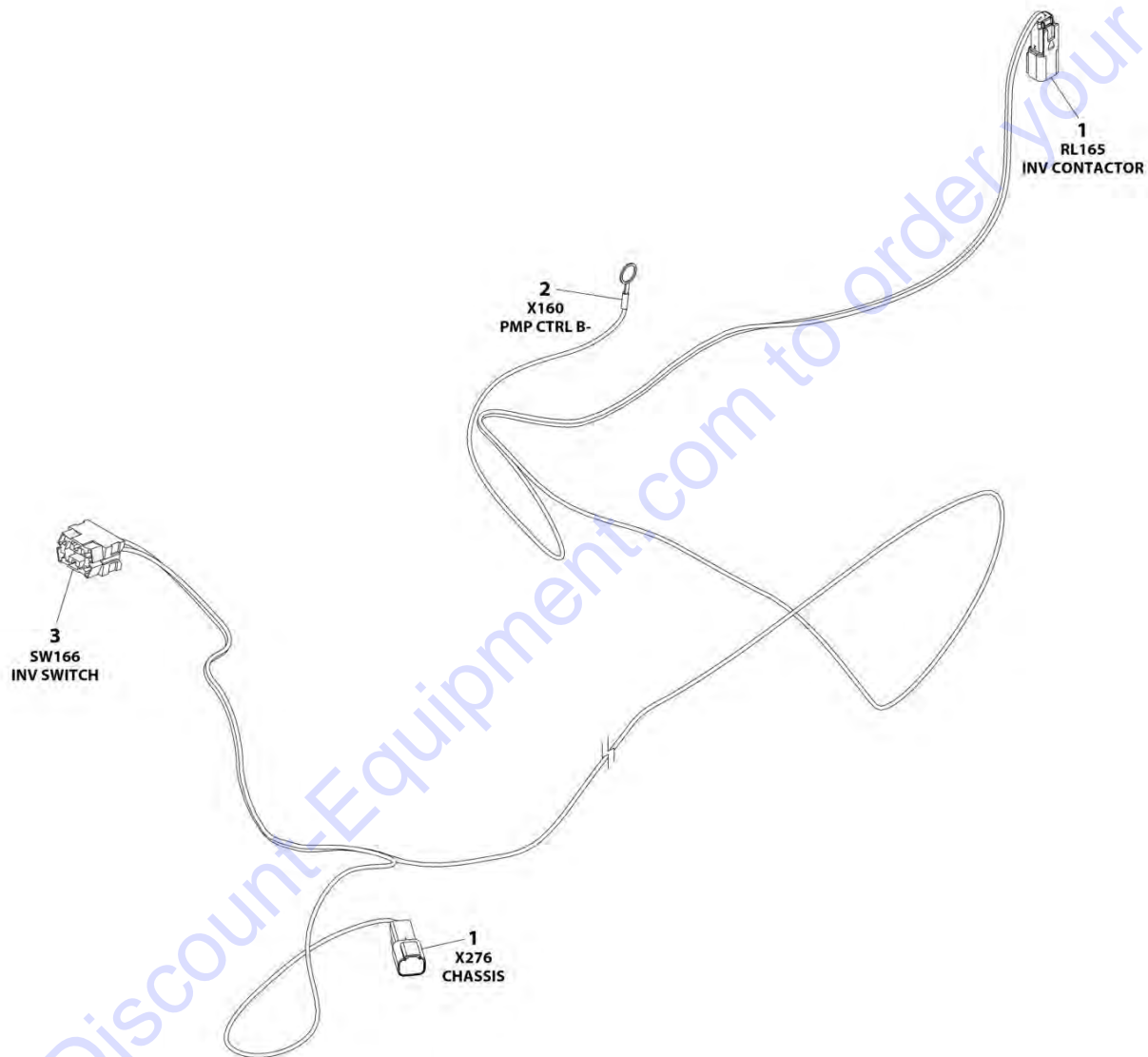
**FIGURE 7-19. GROUND TO PLATFORM CABLE INSTALLATION - SCISSORS ARMS CABLE ONLY  
(MEXICO BUILT MACHINES)**

ITEM	PART NUMBER	QTY	DESCRIPTION	REV
	1001223447	Ref	GROUND TO PLATFORM CABLE INSTALLATION	A
101	4240017	AR	Tie-Strap (Not Shown)	
102	1001137263	1	Strap, Cinch	
103	1001213945	1	Grommet	
104	1001215732	1	Cable Assembly - Ground to Platform	
104	4460894	1	Plug, Male - 6 Position (To Platform Harness Item 2)	
104	4460465	4	Socket, Female	
104	4460944	2	Socket, Female	
104	4460899	1	Receptacle, Female - 6 Position (To Chassis Harness)	
104	4460464	4	Pin, Male	
104	4460943	2	Pin, Male	

Go to Discount-Equipment.com to order your parts

# SECTION 7 - ELECTRICAL

## FIGURE 7-20. INVERTER HARNESS



ART\_1001214994

## SECTION 7 - ELECTRICAL

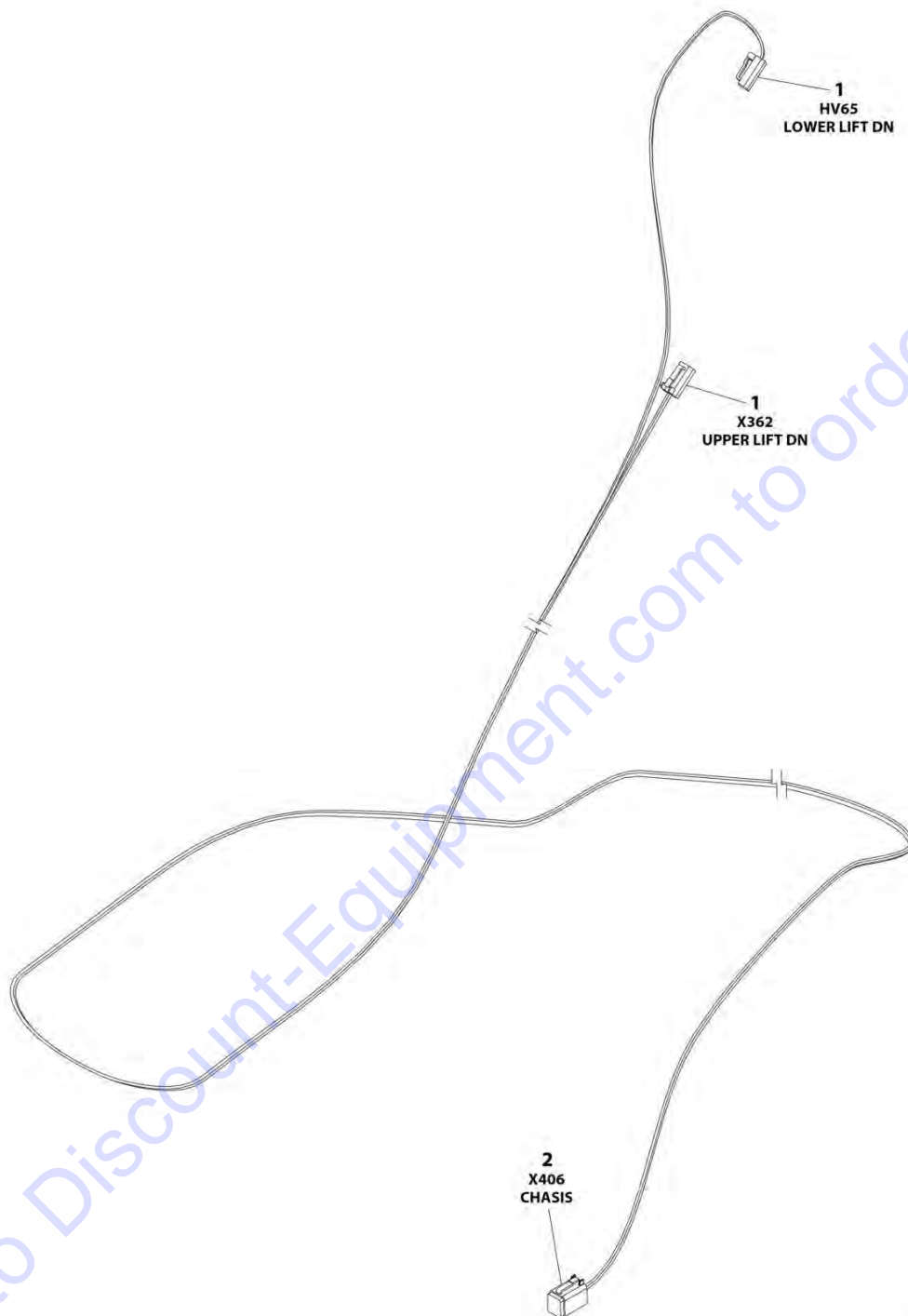
### FIGURE 7-20. INVERTER HARNESS

ITEM	PART NUMBER	QTY	DESCRIPTION	REV
	1001214994	Ref	INVERTER HARNESS	A
1	4460897	2	Receptacle, Female - 2 Position	
1	4460464	3	Pin, Male	
1	4460466	1	Plug, Terminal	
2	4460722	1	Terminal, Ring	
3	4460418	1	Connector - 6 Position	
3	4460419	2	Terminal	

Go to Discount-Equipment.com to order your parts

# SECTION 7 - ELECTRICAL

## FIGURE 7-21. LIFT DOWN HARNESS - LOWER



ART\_1001216594

## SECTION 7 - ELECTRICAL

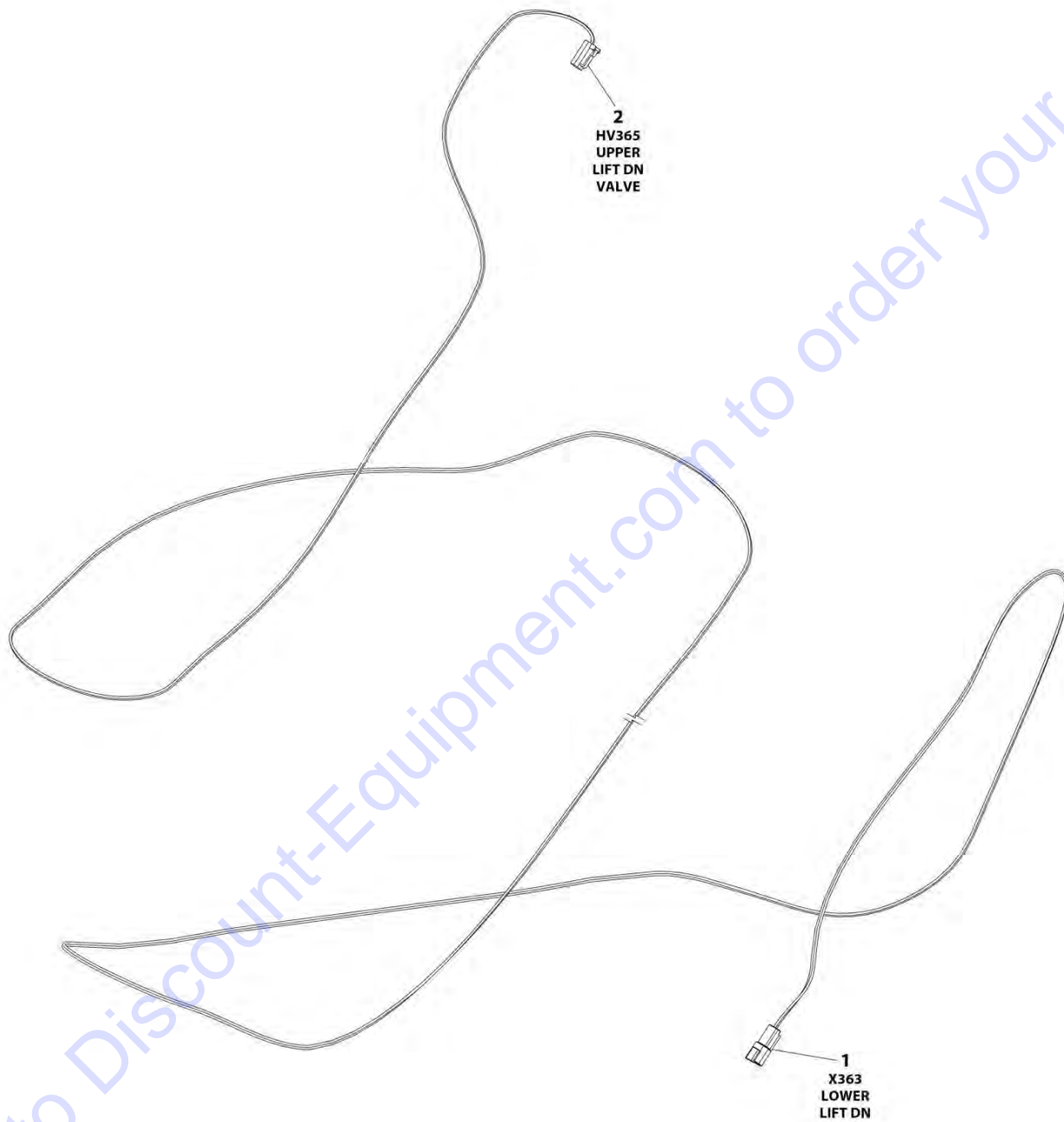
### FIGURE 7-21. LIFT DOWN HARNESS - LOWER

ITEM	PART NUMBER	QTY	DESCRIPTION	REV
	1001216594	Ref	LIFT DOWN HARNESS - LOWER	D
1	4460891	2	Plug, Male - 2 Position	
1	4460465	4	Socket, Female	
2	4460894	1	Plug, Male - 6 Position	
2	4460465	4	Socket, Female	
2	4460466	2	Plug, Terminal	

Go to Discount-Equipment.com to order your parts

# SECTION 7 - ELECTRICAL

## FIGURE 7-22. LIFT DOWN HARNESS - UPPER



ART\_1001216595

## SECTION 7 - ELECTRICAL

### FIGURE 7-22. LIFT DOWN HARNESS - UPPER

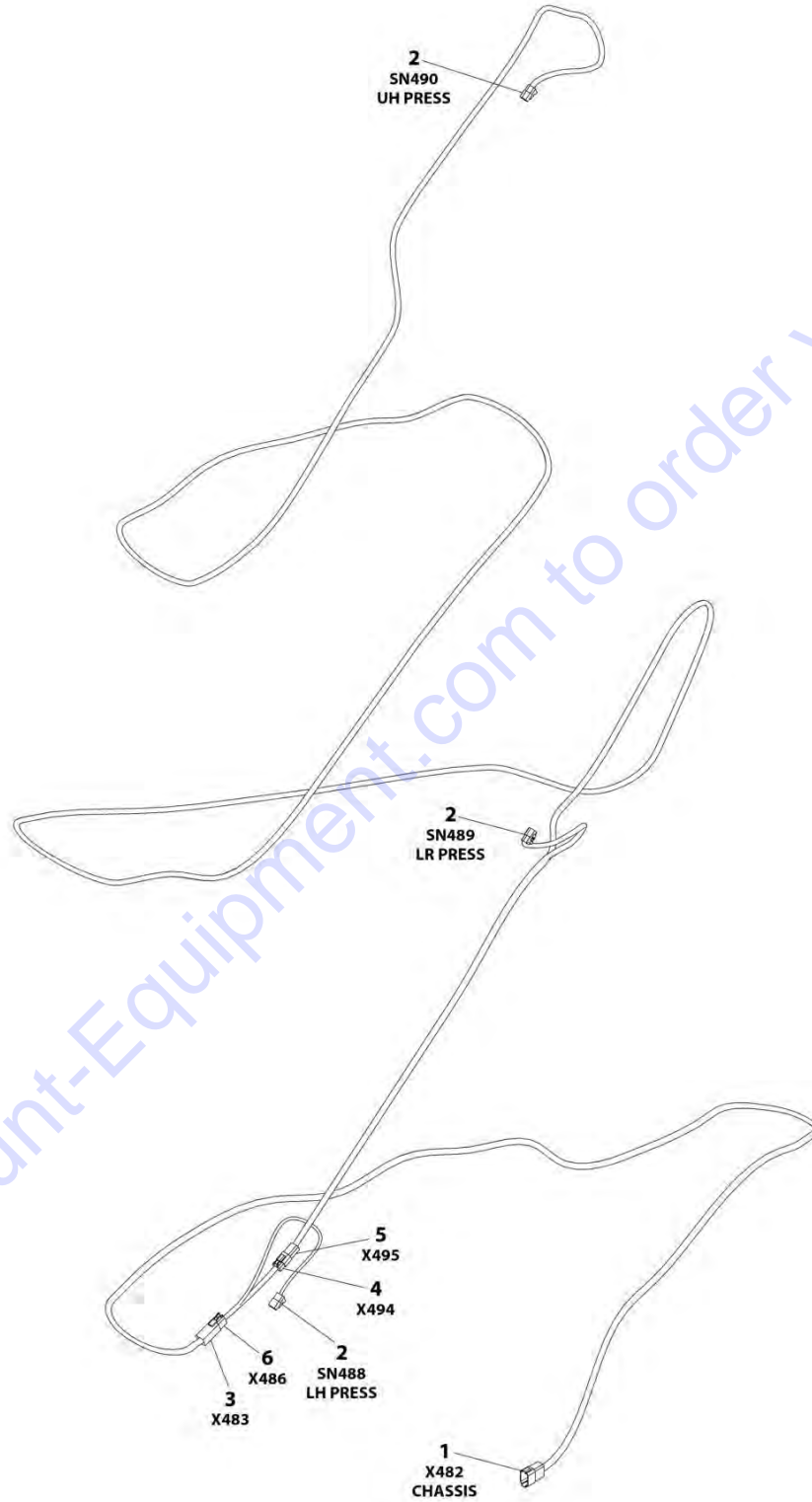
ITEM	PART NUMBER	QTY	DESCRIPTION	REV
	1001216595	Ref	LIFT DOWN HARNESS - UPPER	A
1	4460897	1	Receptacle, Female - 2 Position	
1	4460464	2	Pin, Male	
2	4460891	1	Plug, Male - 2 Position	
2	4460465	2	Socket, Female	

Go to Discount-Equipment.com to order your parts



SECTION 7 - ELECTRICAL

FIGURE 7-23. LSS HARNESS



ART\_1001216593

## SECTION 7 - ELECTRICAL

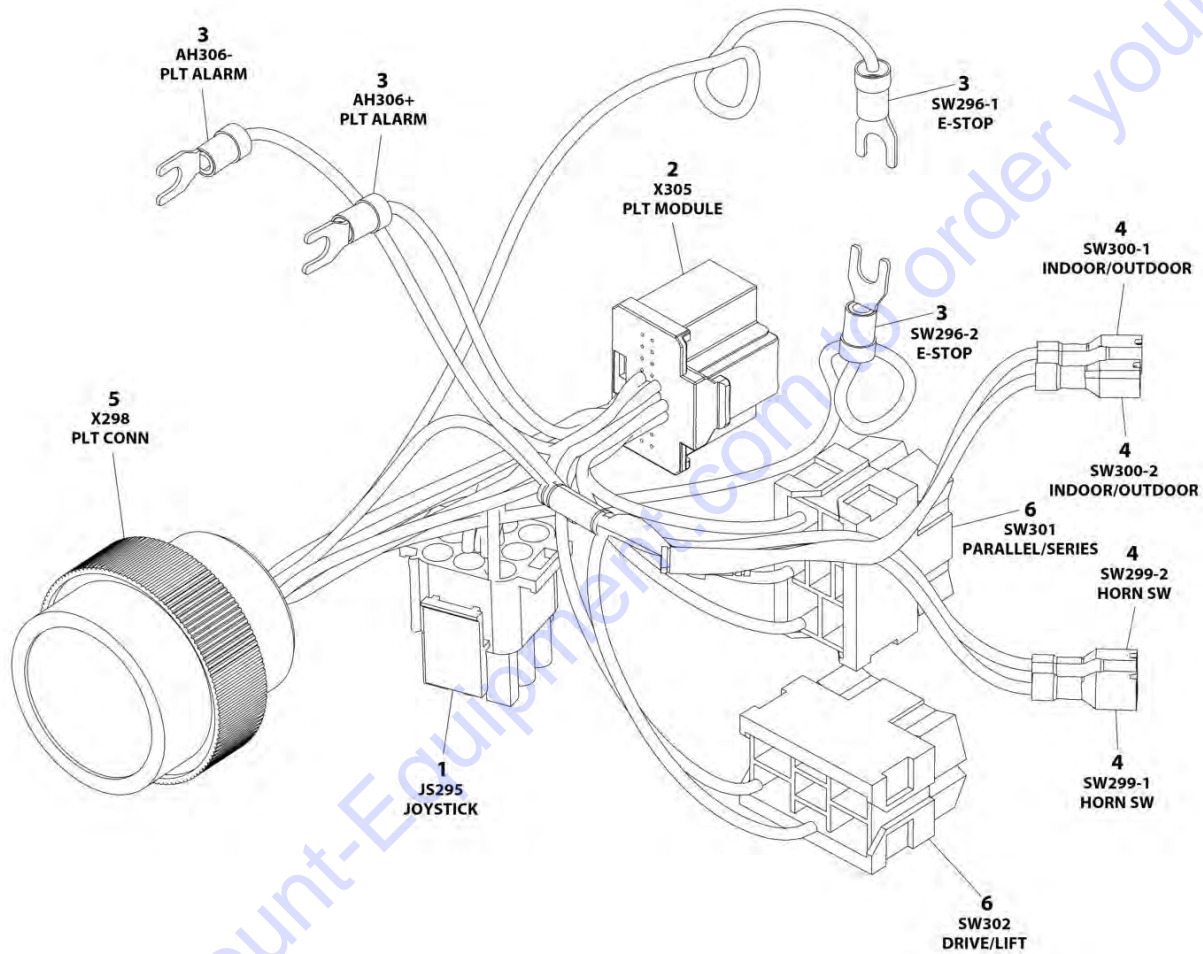
**FIGURE 7-23. LSS HARNESS**

ITEM	PART NUMBER	QTY	DESCRIPTION	REV
	1001216593	Ref	LSS HARNESS	C
1	4460931	1	Receptacle, Female - 8 Position	
1	4460464	6	Pin, Male	
1	4460466	2	Plug, Terminal	
2	4460539	3	Plug, Male - 3 Position	
2	4460465	9	Socket, Female	
3	4460899	1	Receptacle, Female - 6 Position	
3	4460464	6	Pin, Male	
4	4460884	1	Plug, Male - 6 Position	
4	4460465	4	Socket, Female	
5	4460932	1	Receptacle, Female - 4 Position	
5	4460464	4	Pin, Male	
6	4460894	1	Plug, Male - 6 Position	
6	4460465	6	Socket, Female	

Go to Discount-Equipment.com to order your parts

# SECTION 7 - ELECTRICAL

## FIGURE 7-24. PLATFORM CONTROL BOX HARNESS



ART\_1001200819

## SECTION 7 - ELECTRICAL

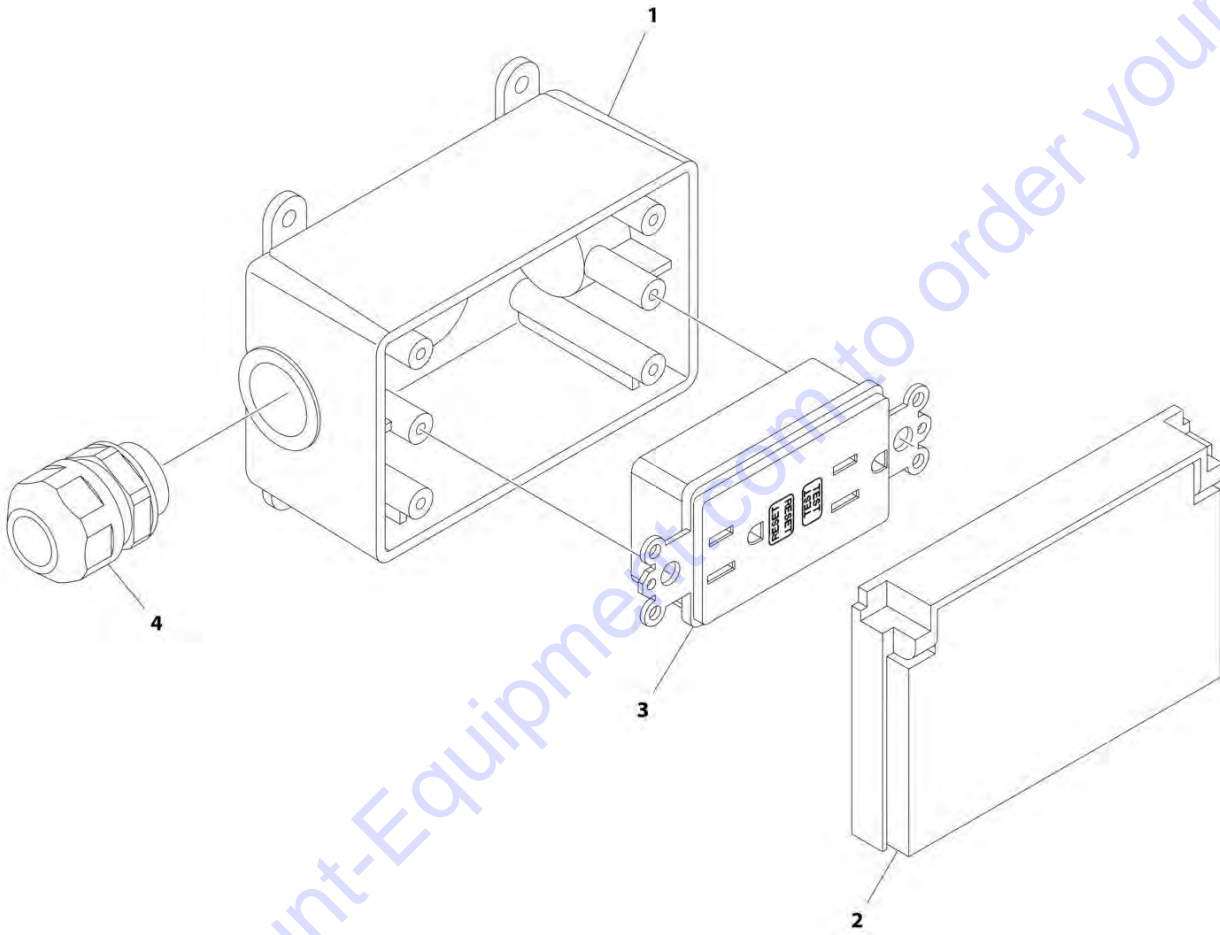
**FIGURE 7-24. PLATFORM CONTROL BOX HARNESS**

ITEM	PART NUMBER	QTY	DESCRIPTION	REV
	1001200819	Ref	PLATFORM CONTROL BOX HARNESS	C
1	4460265	1	Plug, Male - 9 Position	
1	4460267	6	Pin, Male	
2	1001212036	1	Connector - 20 Position	
2	1001212035	16	Terminal	
3	4460183	4	Terminal, Fork	
4	1001201885	4	Terminal with Cover	
5	4461016	1	Connector - 14 Position	
5	4460464	8	Pin, Male	
5	4460466	6	Plug, Terminal	
6	4460418	2	Connector - 6 Position	
6	1001159186	5	Terminal	

Go to Discount-Equipment.com to order your parts

# SECTION 7 - ELECTRICAL

FIGURE 7-25. RECEPTACLE BOX KIT - 110V GFI



ART\_2902431

# PARTS FINDER

**Search Website  
by Part Number**



**Search Manual  
Library For Parts  
Manual & Lookup Part  
Numbers – Purchase  
or Request Quote**

**Can't Find Part or  
Manual? Request Help  
by Manufacturer,  
Model & Description**

Discount-Equipment.com is your online resource for quality parts & equipment.

Florida: **561-964-4949** Outside Florida TOLL FREE: **877-690-3101**

## Need parts?

Click on this link: <http://www.discount-equipment.com/category/5443-parts/> and choose one of the options to help get the right parts and equipment you are looking for. Please have the machine model and serial number available in order to help us get you the correct parts. If you don't find the part on the website or on one of the online manuals, please fill out the request form and one of our experienced staff members will get back to you with a quote for the right part that your machine needs.

We sell worldwide for the brands: Genie, Terex, JLG, MultiQuip, Mikasa, Essick, Whiteman, Mayco, Toro Stone, Diamond Products, Generac Magnum, Airman, Haulotte, Barreto, Power Blanket, Nifty Lift, Atlas Copco, Chicago Pneumatic, Allmand, Miller Curber, Skyjack, Lull, Skytrak, Tsurumi, Husquvarna Target, Stow, Wacker, Sakai, Mi-T-M, Sullair, Basic, Dynapac, MBW, Weber, Bartell, Bennar Newman, Haulotte, Ditch Runner, Menegotti, Morrison, Contec, Buddy, Crown, Edco, Wyco, Bomag, Laymor, EZ Trench, Bil-Jax, F.S. Curtis, Gehl Pavers, Heli, Honda, ICS/PowerGrit, IHI, Partner, Imer, Clipper, MMD, Koshin, Rice, CH&E, General Equipment, Amida, Coleman, NAC, Gradall, Square Shooter, Kent, Stanley, Tamco, Toku, Hatz, Kohler, Robin, Wisconsin, Northrock, Oztec, Toker TK, Rol-Air, APT, Wylie, Ingersoll Rand / Doosan, Innovatech, Con X, Ammann, Mecalac, Makinex, Smith Surface Prep, Small Line, Wanco, Yanmar

## SECTION 7 - ELECTRICAL

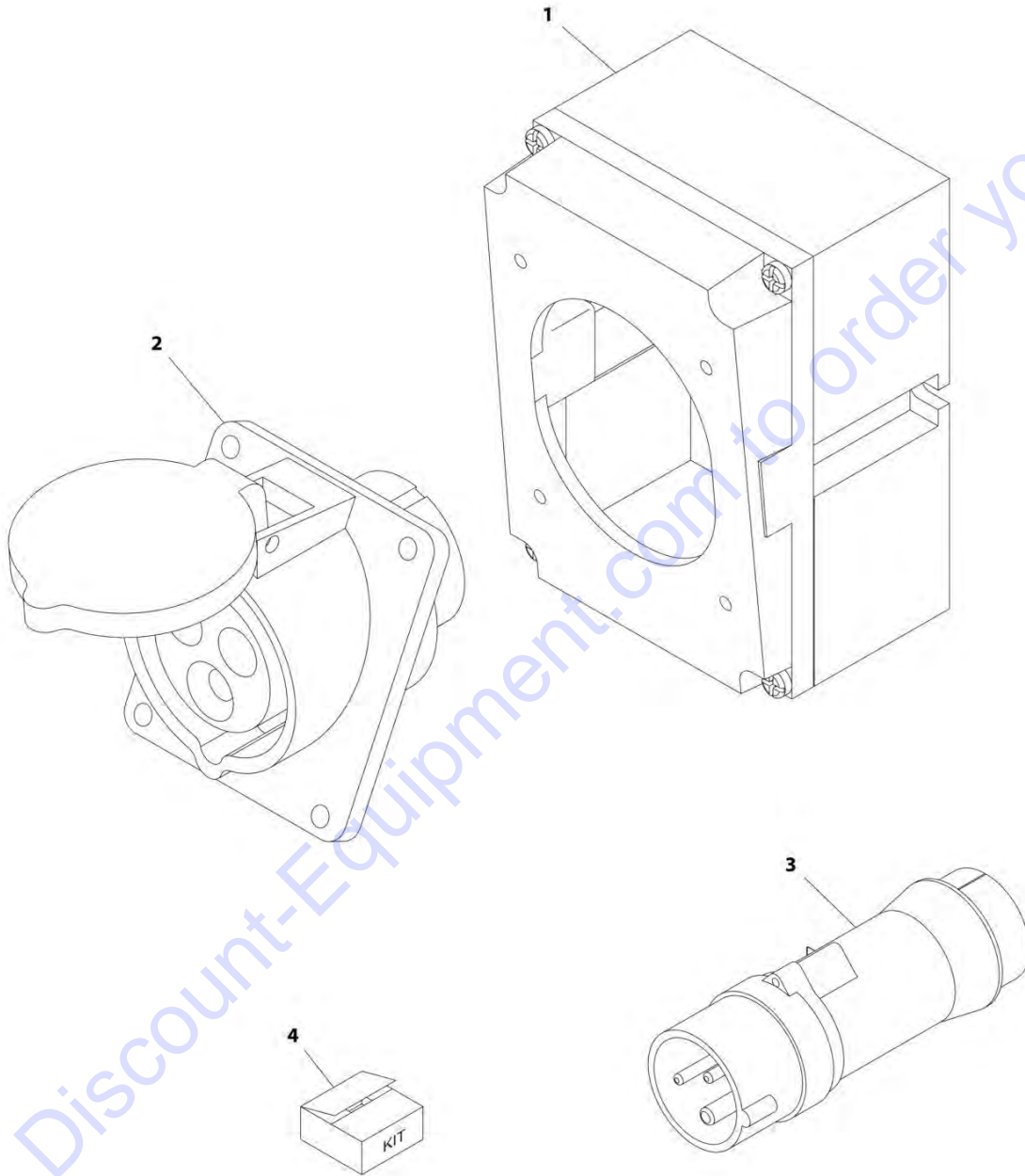
**FIGURE 7-25. RECEPTACLE BOX KIT - 110V GFI**

ITEM	PART NUMBER	QTY	DESCRIPTION	REV
	2902431	Ref	RECEPTACLE BOX KIT - 110V GFI	D
1	0861731	1	Box, Receptacle	
2	1671207	1	Cover, Receptacle	
3	4460346	1	Receptacle	
4	4460662	1	Connector, Strain Relief	

Go to Discount-Equipment.com to order your parts

# SECTION 7 - ELECTRICAL

FIGURE 7-26. RECEPTACLE BOX KIT - 110V IEC YELLOW (CE SPEC)



ART\_0275216



## SECTION 7 - ELECTRICAL

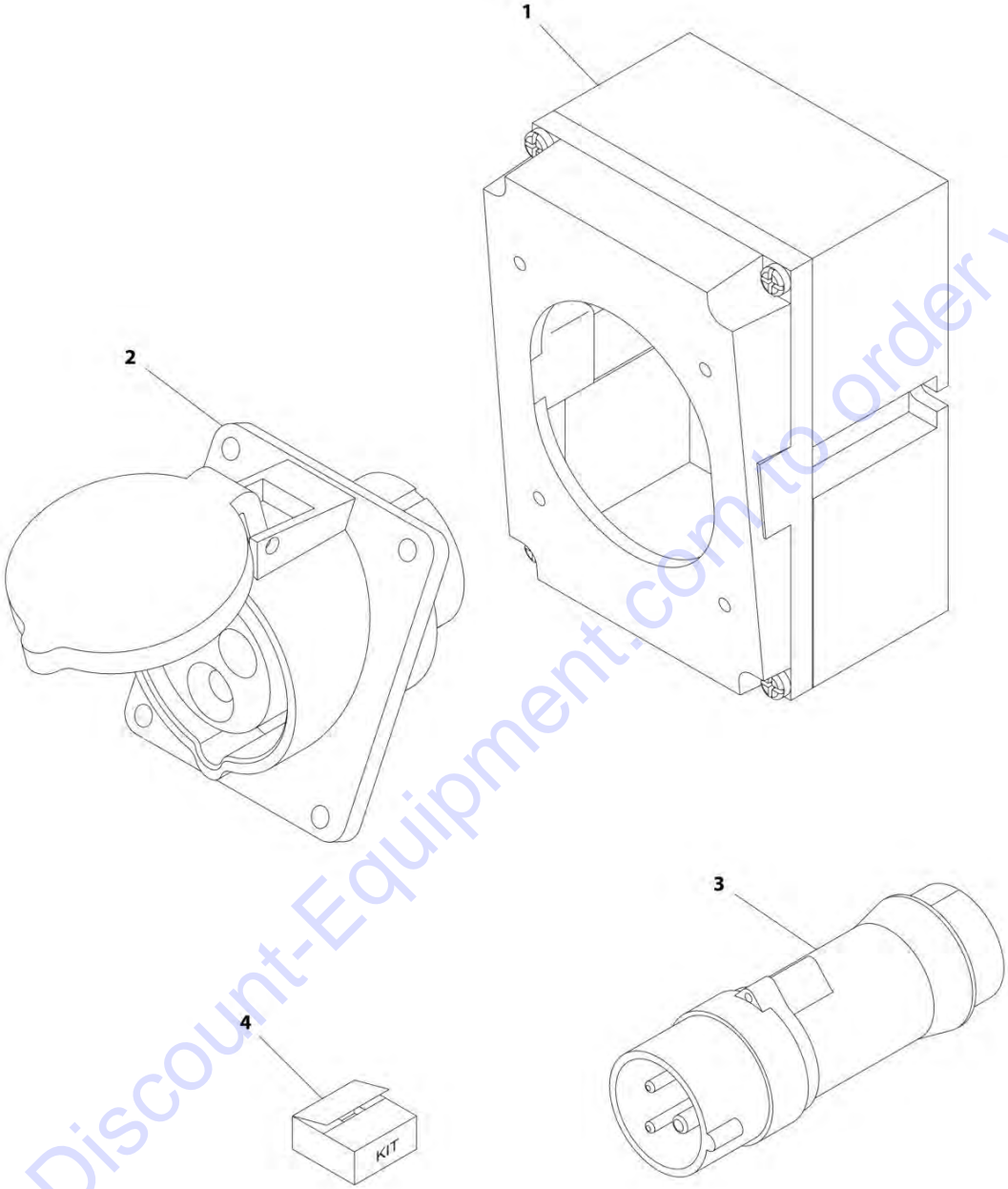
**FIGURE 7-26. RECEPTACLE BOX KIT - 110V IEC YELLOW (CE SPEC)**

ITEM	PART NUMBER	QTY	DESCRIPTION	REV
	0275216	Ref	RECEPTACLE BOX KIT - 110V IEC YELLOW	B
1	0861781	1	Box, Switch	
2	4461198	1	Receptacle	
3	4461196	1	Plug, Male	
4	1001100341	1	Plug and Socket Kit (Includes Items 1-3 and Female Plug p/n 4461197)	

Go to Discount-Equipment.com to order your parts

**SECTION 7 - ELECTRICAL**

**FIGURE 7-27. RECEPTACLE BOX KIT - 220V IEC BLUE (CE SPEC)**



Go to Discount-Equipment.com to order your parts

ART\_0275217

## SECTION 7 - ELECTRICAL

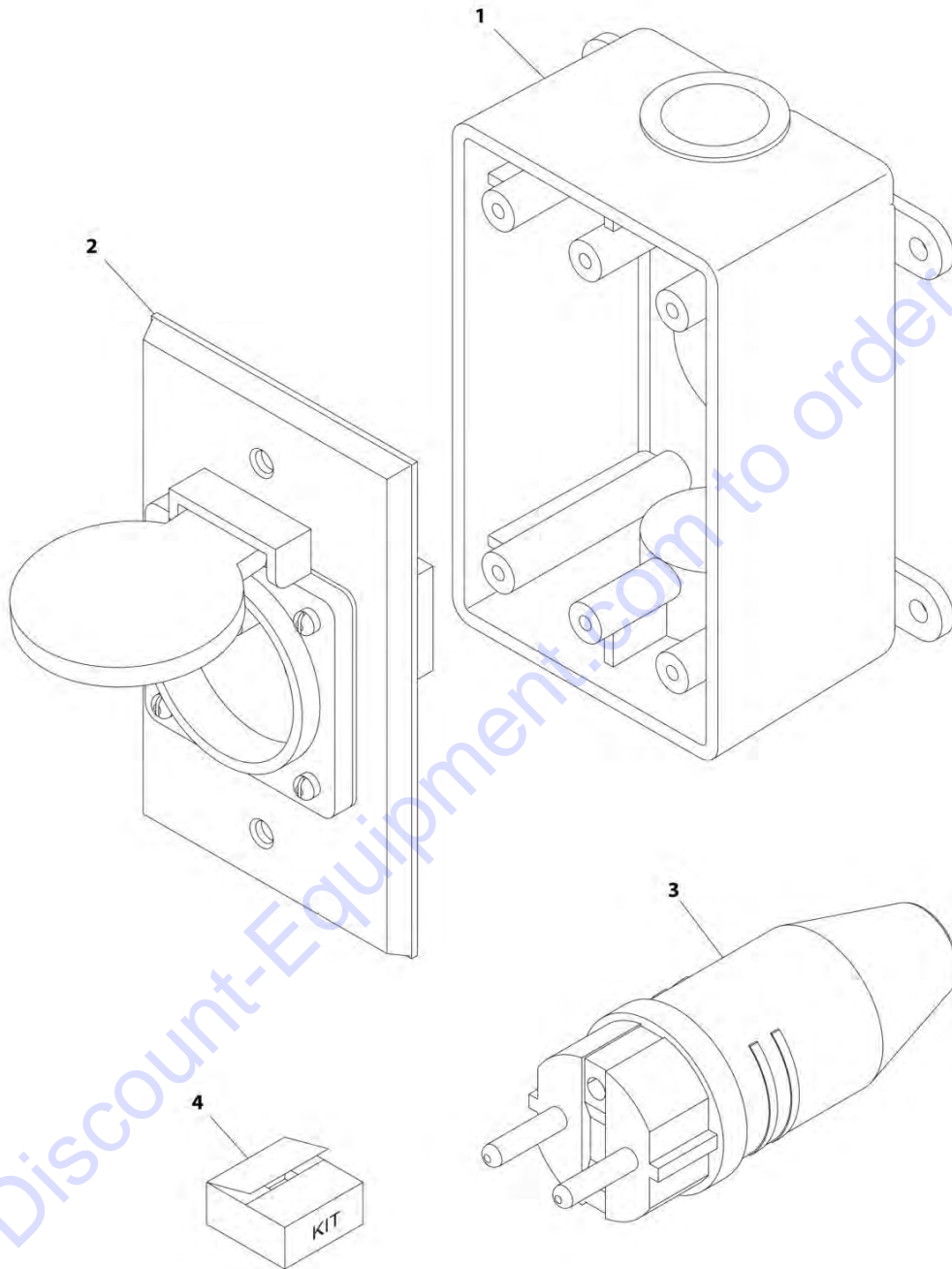
FIGURE 7-27. RECEPTACLE BOX KIT - 220V IEC BLUE (CE SPEC)

ITEM	PART NUMBER	QTY	DESCRIPTION	REV
	0275217	Ref	RECEPTACLE BOX KIT - 220V IEC BLUE	B
1	0861781	1	Box, Switch	
2	4461201	1	Receptacle	
3	4461199	1	Plug, Male	
4	1001100342	1	Plug and Socket Kit (Includes Items 1-3 and Female Plug p/n 4461200)	

Go to Discount-Equipment.com to order your parts

## SECTION 7 - ELECTRICAL

FIGURE 7-28. RECEPTACLE BOX KIT - 220V CEE7 POST GROUND (CE SPEC)



ART\_0275452-C

## SECTION 7 - ELECTRICAL

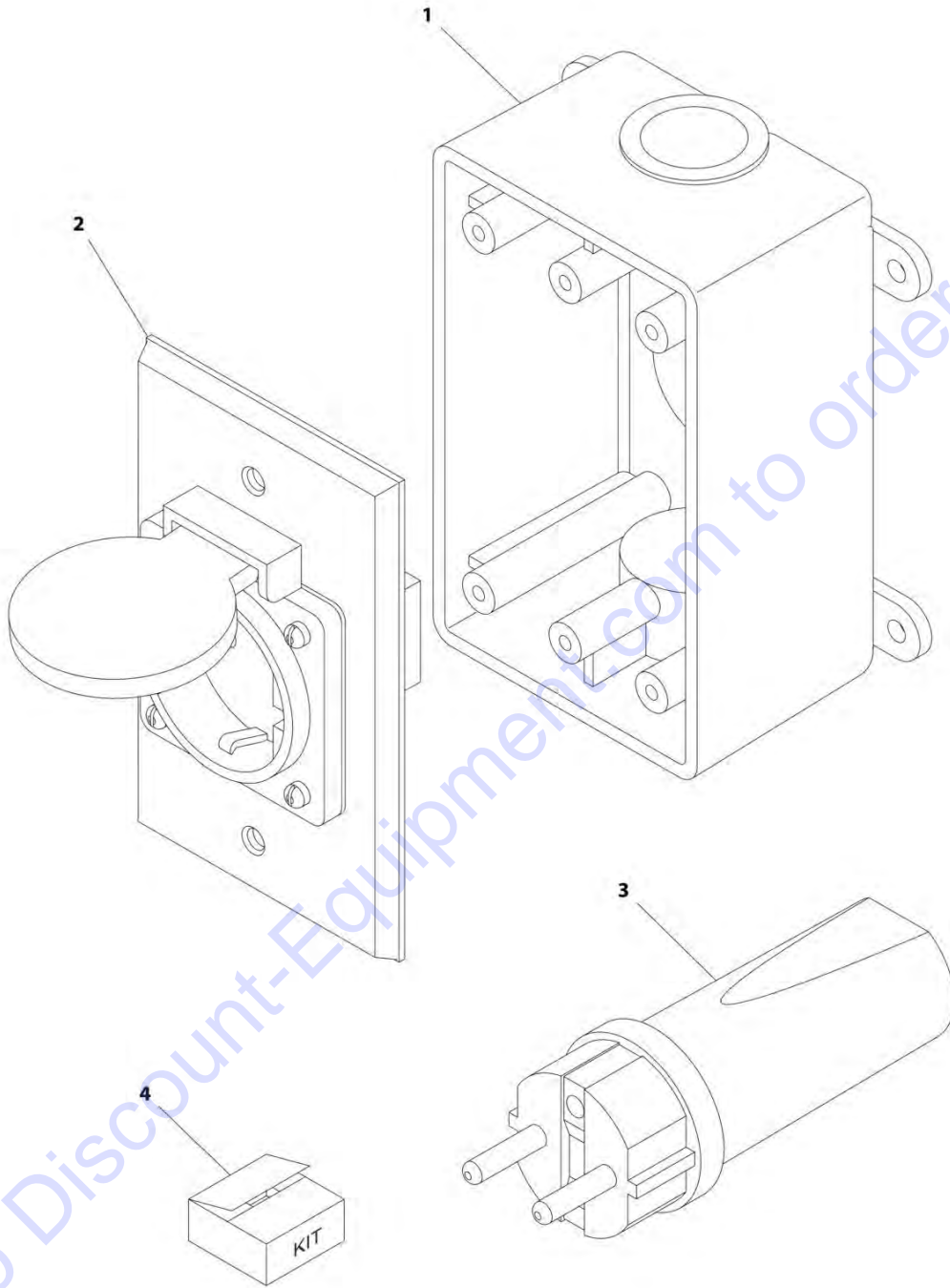
**FIGURE 7-28. RECEPTACLE BOX KIT - 220V CEE7 POST GROUND (CE SPEC)**

ITEM	PART NUMBER	QTY	DESCRIPTION	REV
	0275452	Ref	RECEPTACLE BOX KIT - 220V CEE7 POST GROUND	C
1	0861731	1	Box, Switch	
2	4461244	1	Receptacle	
3	4461205	1	Plug, Male	
4	1001100345	1	Plug and Socket Kit (Includes Items 1-3 and Female Plug p/n 4461206)	

Go to Discount-Equipment.com to order your parts

# SECTION 7 - ELECTRICAL

FIGURE 7-29. RECEPTACLE BOX KIT - 220V CEE7 SIDE GROUND (CE SPEC)



ART\_0275453

## SECTION 7 - ELECTRICAL

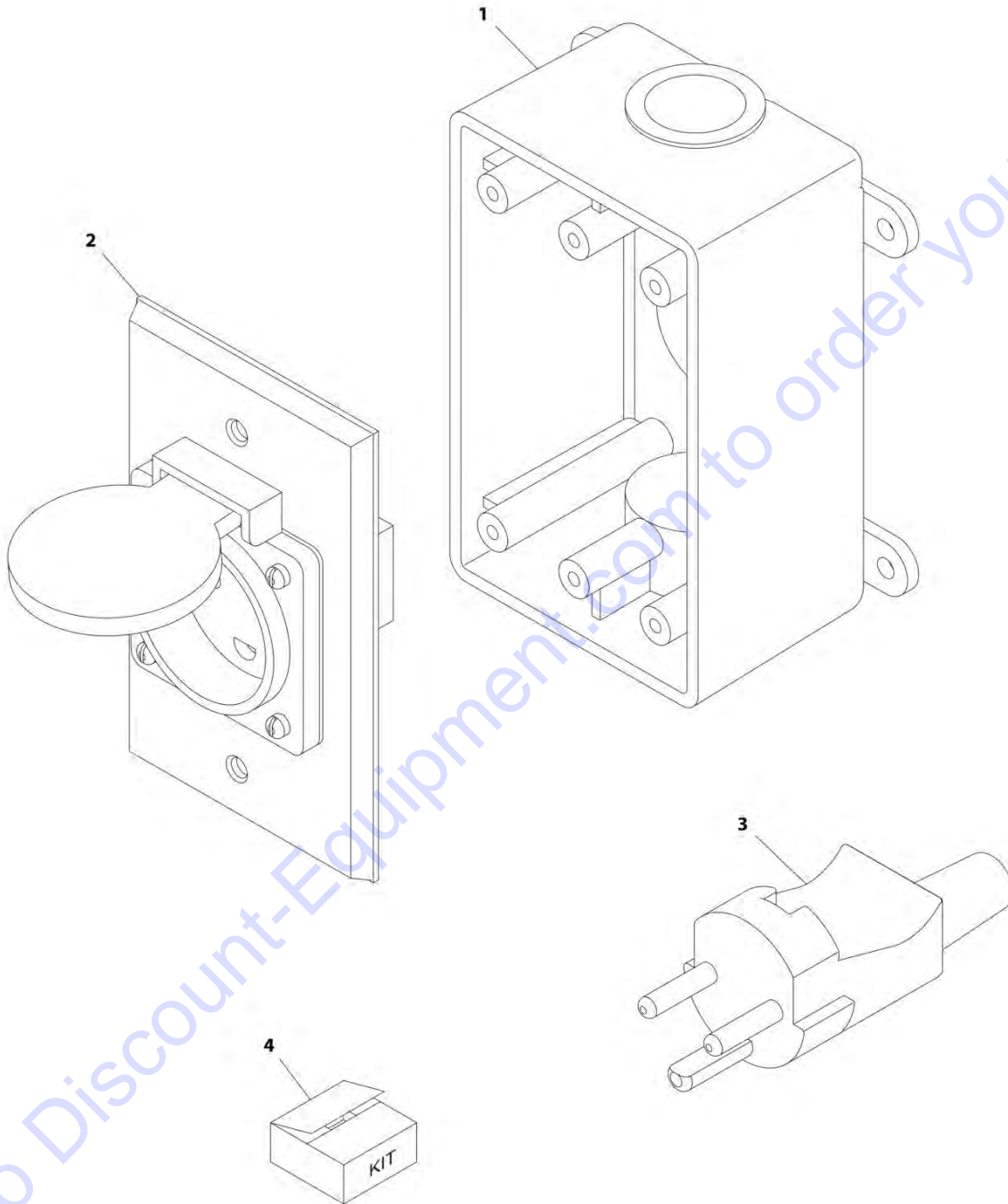
**FIGURE 7-29. RECEPTACLE BOX KIT - 220V CEE7 SIDE GROUND (CE SPEC)**

ITEM	PART NUMBER	QTY	DESCRIPTION	REV
	0275453	Ref	RECEPTACLE BOX KIT - 220V CEE7 SIDE GROUND	B
1	0861731	1	Box, Switch	
2	4461245	1	Receptacle	
3	4461205	1	Plug, Male	
4	1001100347	1	Plug and Socket Kit (Includes Items 1-3 and Female Plug p/n 4461206)	

Go to Discount-Equipment.com to order your parts

# SECTION 7 - ELECTRICAL

FIGURE 7-30. RECEPTACLE BOX KIT - 220V AFSINT 107 (CE SPEC)



ART\_0275454



## SECTION 7 - ELECTRICAL

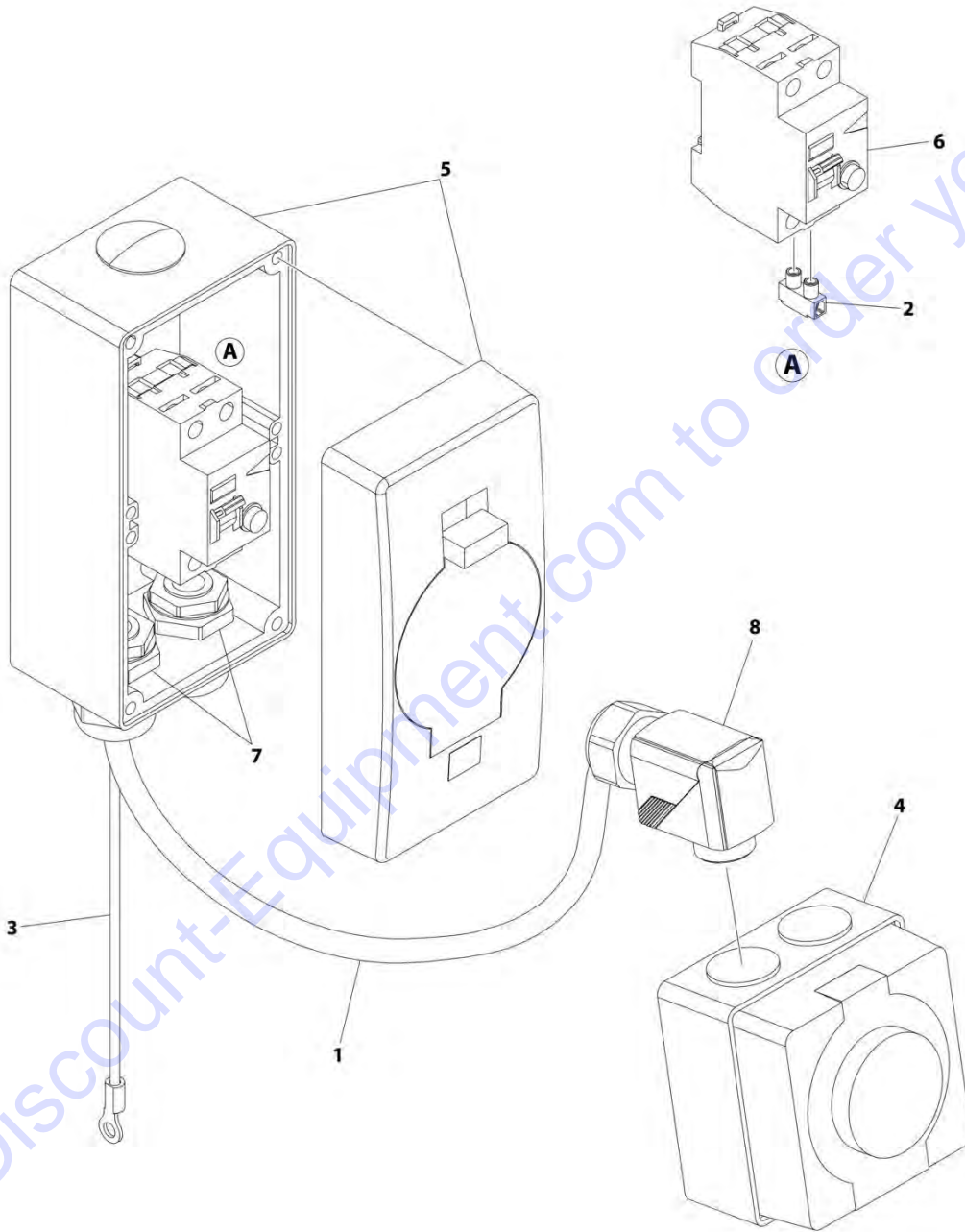
**FIGURE 7-30. RECEPTACLE BOX KIT - 220V AFSINT 107 (CE SPEC)**

ITEM	PART NUMBER	QTY	DESCRIPTION	REV
	0275454	Ref	RECEPTACLE BOX KIT - 220V AFSINT 107	B
1	0861731	1	Box, Switch	
2	4461246	1	Receptacle	
3	4461249	1	Plug, Male	
4	1001100346	1	Plug and Socket Kit (Includes Items 1-3 and Female Plug p/n 4461250)	

Go to Discount-Equipment.com to order your parts

# SECTION 7 - ELECTRICAL

## FIGURE 7-31. RECEPTACLE & BREAKER ASSEMBLY (AUSTRALIAN SPECS)



ART\_1001246085

## SECTION 7 - ELECTRICAL

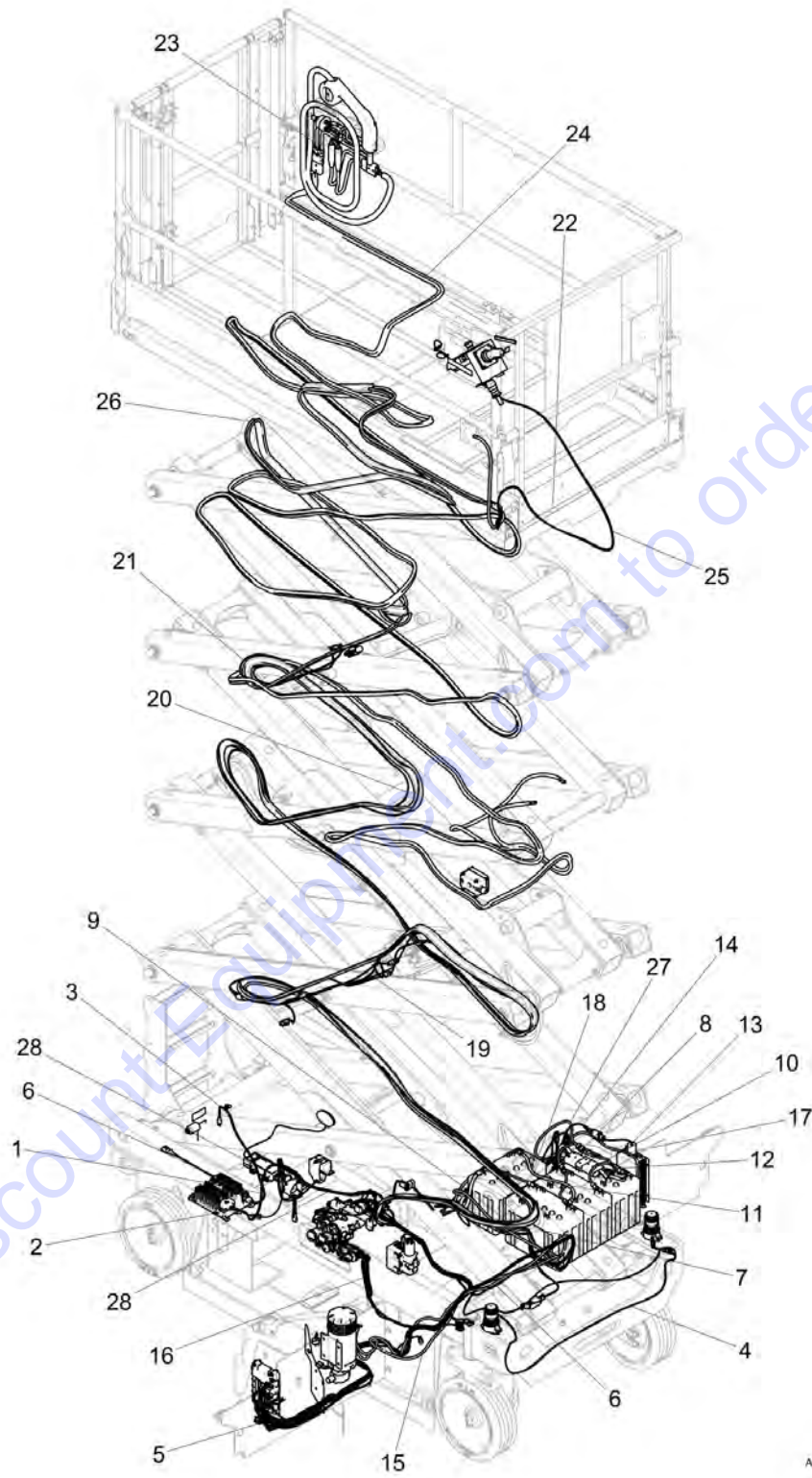
**FIGURE 7-31. RECEPTACLE & BREAKER ASSEMBLY (AUSTRALIAN SPECS)**

ITEM	PART NUMBER	QTY	DESCRIPTION	REV
	1001246085	Ref	RECEPTACLE AND BREAKER ASSEMBLY	A
1	1060908	1 ft/ 60cm	Cable, 12/3	
2	1001245743	1	Block, Terminal	
3	1001245744	1	Harness, Ground	
4	1001227267	1	Receptacle and Enclosure (Australian)	
5	1001227269	1	Box, Breaker with Cover	
5	1001246171	1	Cover	
6	1001228191	1	Breaker 250V / 10A-30MA Double	
7	1001097150	2	Connector, Strain Relief	
8	1001245917	1	Connector, Strain Relief 90	

Go to Discount-Equipment.com to order your parts

# SECTION 7 - ELECTRICAL

## FIGURE 7-32. ELECTRICAL LAYOUT TEST



ART\_ELEC\_LAYOUT\_TEST

## SECTION 7 - ELECTRICAL

**FIGURE 7-32. ELECTRICAL LAYOUT TEST**

ITEM	PART NUMBER	QTY	DESCRIPTION	REV
REF		Ref	<b>ELECTRICAL LAYOUT - 4045R</b>	
1	See Note	1	Charger DC Connection Harness (See Battery Charger Installation for PN)	
2	See Note	1	Charger Interlock Harness (See Battery Charger Installation for PN)	
3	See Note	1	AC Plug to Charger Cable (See Battery Charger Installation for PN)	
4	See Note	1	Strobe Light Jumper Harness (See Strobe Light Installation - Dual for PN)	
5	See Note	1	Chassis Harness (See Separate Breakdown in this Section)	
6	See Note	1	Contactor to Pump Control B+ Cable (See Batteries Installation for PN)	
7	See Note	1	Battery Cable (+ to +) (See Batteries Installation for PN)	
8	See Note	1	Contactor to Battery Disconnect Cable (See Batteries Installation for PN)	
9	See Note	1	Battery to Pump Control B- Cable (See Batteries Installation for PN)	
10	See Note	1	Battery Cable (See Batteries Installation for PN)	
11	See Note	1	Battery Cable (See Batteries Installation for PN)	
12	See Note	1	Battery Disconnect + Cable (See Batteries Installation for PN)	
13	See Note	1	Inverter to AC Filter Cable (See Inverter Installation for PN)	
14	See Note	1	AC Filter to AC Plug Cable (See Inverter Installation for PN)	
15	See Note	1	Battery + to Relay Cable (See Inverter Installation for PN)	
16	See Note	1	Inverter Harness (See Separate Breakdown in this Section)	
17	See Note	1	Inverter + to Relay Cable (See Inverter Installation for PN)	
18	See Note	1	Pump Control B- to Inverter - Cable (See Inverter Installation for PN)	
19	See Note	1	Lift Down Harness - Lower (See Separate Breakdown in this Section)	
20	See Note	1	Lift Down Harness - Upper (See Separate Breakdown in this Section)	
21	See Note	1	LSS Harness (See Separate Breakdown in this Section)	
22	See Note	1	Platform Control Box Harness (See Separate Breakdown in this Section)	
23	See Note	1	Quik Welder Cable (At Platform) (See Quik Welder Installation for PN)	
24	See Note	1	Quik Welder Cable (Ground to Platform) (See Quik Welder Installation for PN)	
25	See Note	1	Platform Harness (See Separate Breakdown in this Section)	
26	See Note	1	Ground to Platform Cable (See Separate Breakdown in this Section)	
27	See Note	1	Pump – to Pump Control M Cable (See Hyd Components Installation for PN)	
28	See Note	1	Pump + to Pump Control B +/Contactor Output Cable (See Hyd Components Installation for PN)	

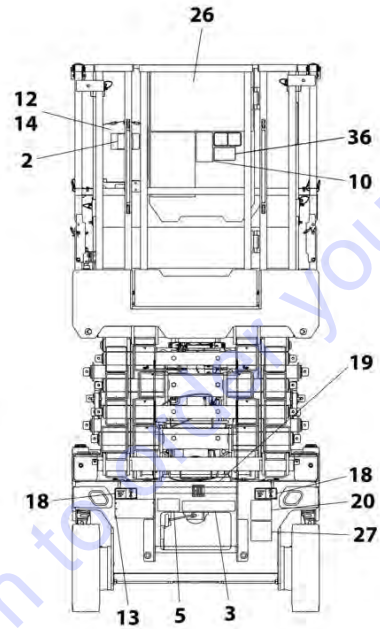
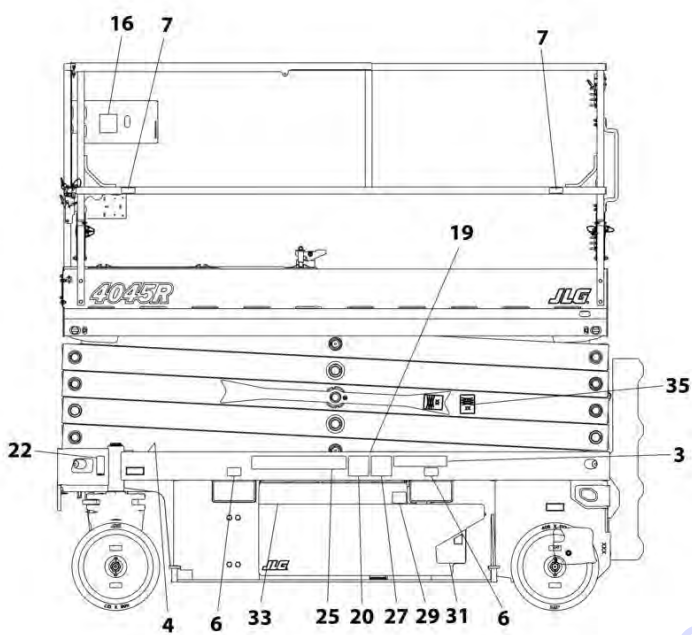


**SECTION 8 - DECALS**

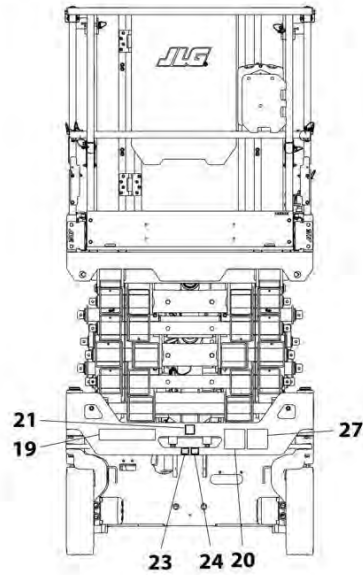
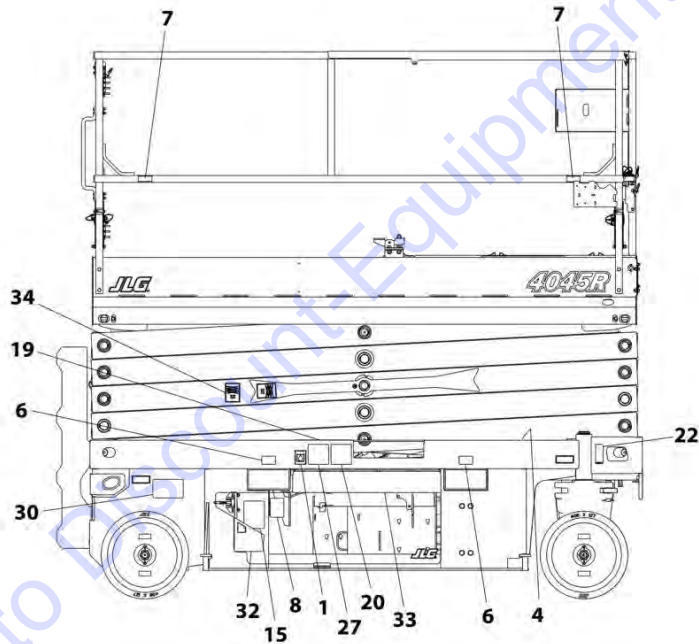
Go to Discount-Equipment.com to order your parts

# SECTION 8 - DECALS

## FIGURE 8-1. DECAL INSTALLATION (ANSI SPECS)



NOTE: ITEMS SHOWN MAY NOT BE REQUIRED FOR ALL SPECS. REFER TO PARTS LISTS FOR USAGE.  
NOTE: ADDITIONAL DECALS CALLED OUT ON DECAL INSTALLATION - OPTIONS



ART\_1001222124



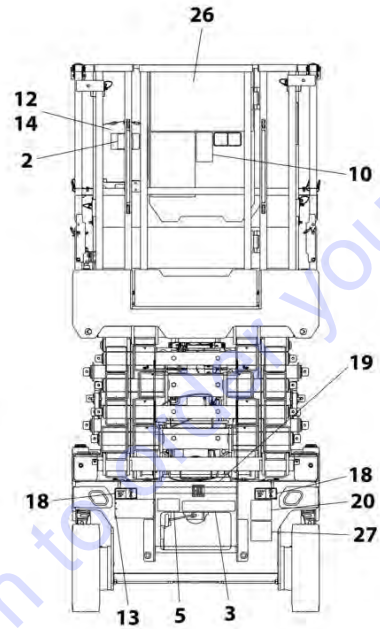
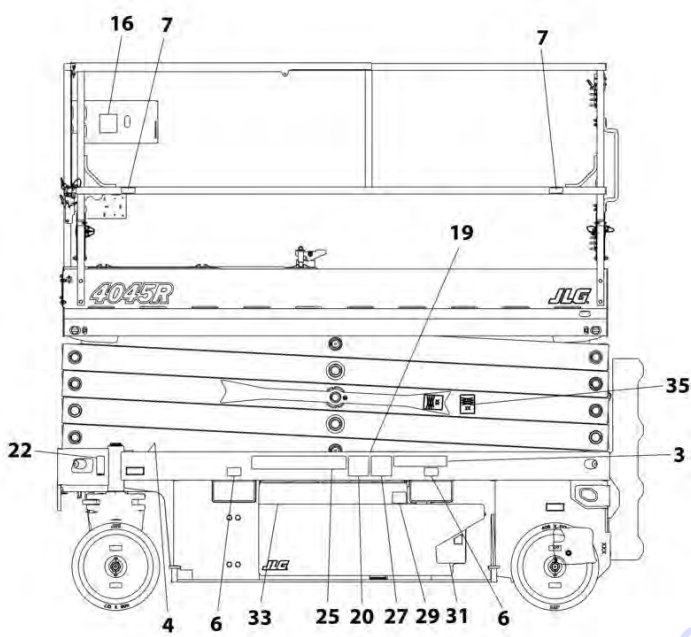
## SECTION 8 - DECALS

**FIGURE 8-1. DECAL INSTALLATION (ANSI SPECS)**

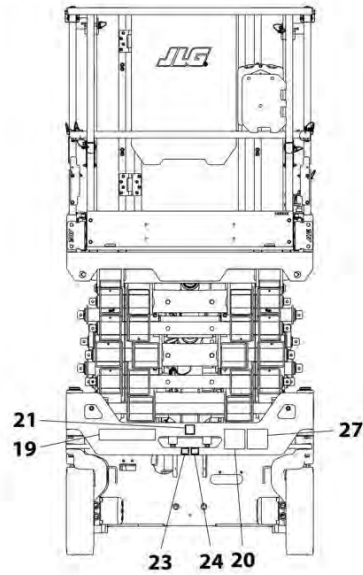
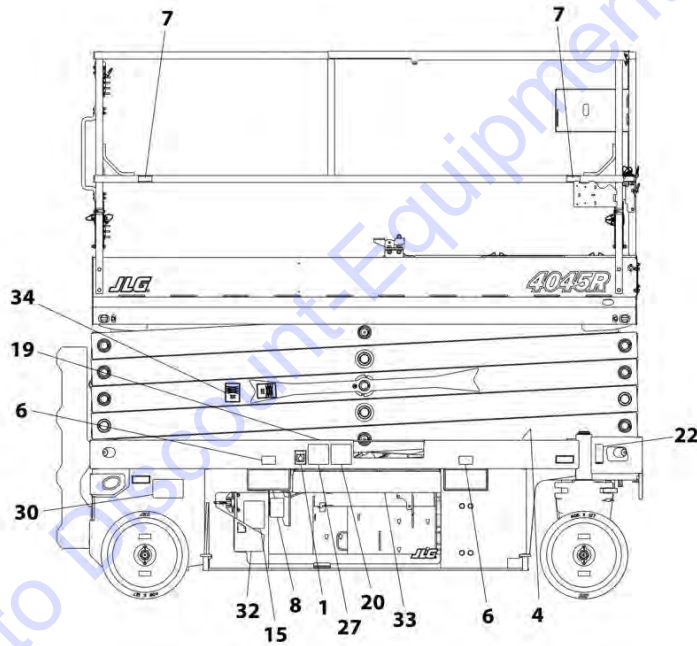
ITEM	PART NUMBER	QTY	DESCRIPTION	REV
	1001222124	Ref	DECAL INSTALLATION (ANSI SPECS)	D
	1001217031	Ref	DECAL REFERENCE CHART	G
1	1701504	1	Decal - Hydraulic Oil	
2	1701640	1	Decal - Manual	
3	1703813	2	Decal - Warning Battery Ventilation	
4	1703819	4	Decal - Direction Arrow	
5	1703822	1	Decal - Manual Descent Instruction	
6	1704016	4	Decal - Forklift	
7	1704277	4	Decal - Lanyard Attach	
8	1704412	1	Decal - Hydraulic Oil	
10	1705686	1	Decal - Legend	
12	2080040	3	Fastener	
13	2080057	4	Fastener	
14	8990147	1	Box, Manual	
15	1001131270	1	Decal - Patent	
16	1001132359	1	Decal - Control Box Locate	
18	1001162864	2	Decal - Lift Up/Tie Down	
19	1001211777	4	Decal - Crushing Hazard	
20	1001211779	4	Decal - Electrocution	
21	1001212290	1	Decal - Tie Down	
22	1001213442	2	Decal - Lift and Tie Down	
23	1001212292	1	Decal - No Lifting	
24	1001212293	1	Decal - No Forklift	
25	1001146794	1	Decal - Battery/Charger Service	
26	1703816	1	Decal - Danger/Warning	
29	1702155	1	Decal - Battery Disconnect	
30	1001223055	1	Decal - Yearly Inspection	
31	1001225620	1	Decal - Model Designation (RH)	
32	1001225621	1	Decal - Model Designation (LH)	
33	1001225622	2	Decal - Black Strip	
34	1001228641	2	Decal - Safety Prop (RH)	
35	1001228642	2	Decal - Safety Prop (LH)	
36	1001231801	1	Decal - Warning Prop 65 (SN 0200268769 to Present, SN B200052835 to Present, SN M200000001 to Present)	

# SECTION 8 - DECALS

## FIGURE 8-2. DECAL INSTALLATION (AUSTRALIAN SPECS)



NOTE: ITEMS SHOWN MAY NOT BE REQUIRED FOR ALL SPECS. REFER TO PARTS LISTS FOR USAGE.  
NOTE: ADDITIONAL DECALS CALLED OUT ON DECAL INSTALLATION - OPTIONS



ART\_1001222131

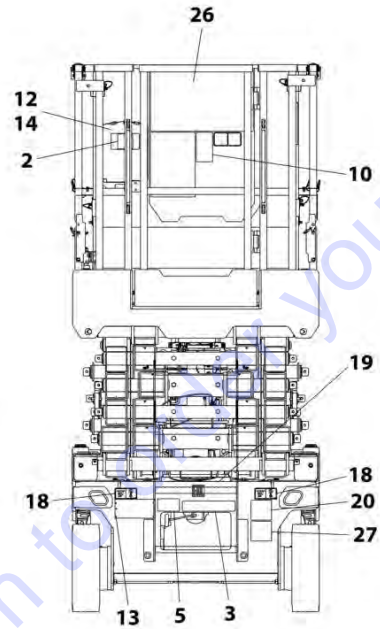
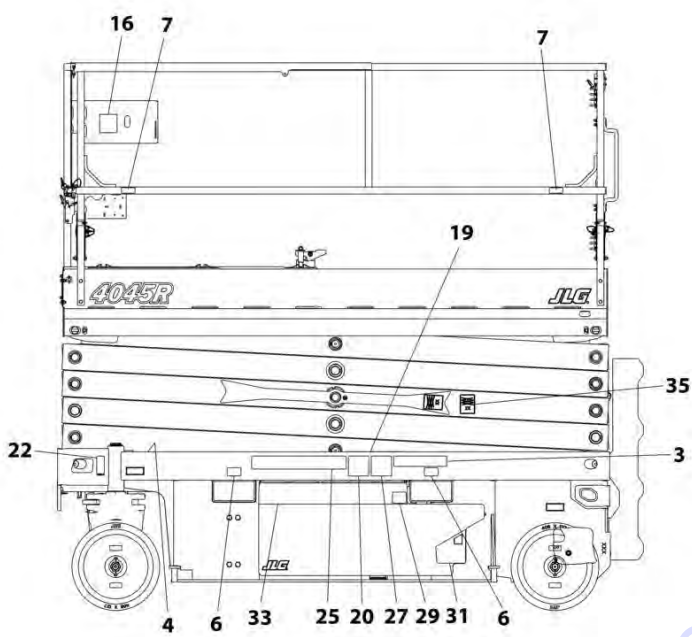
## SECTION 8 - DECALS

**FIGURE 8-2. DECAL INSTALLATION (AUSTRALIAN SPECS)**

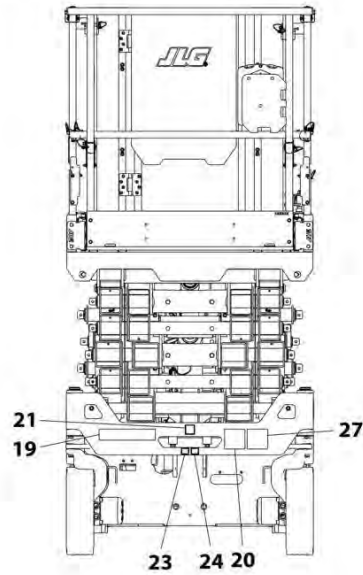
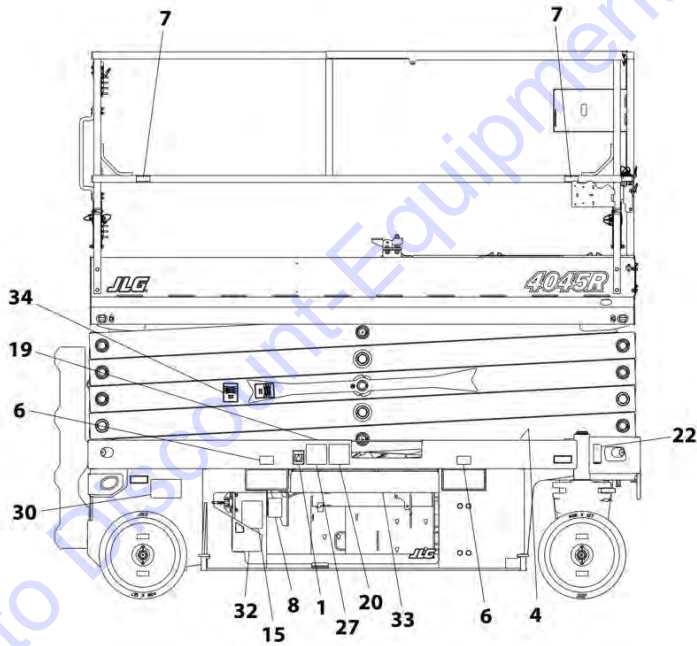
ITEM	PART NUMBER	QTY	DESCRIPTION	REV
	1001222131	Ref	DECAL INSTALLATION (AUSTRALIAN SPECS)	C
	1001217031	Ref	DECAL REFERENCE CHART	G
1	1701504	1	Decal - Hydraulic Oil	
2	1701640	1	Decal - Manual	
3	1705670	2	Decal - Fire Hazard	
4	1703819	4	Decal - Dircetion Arrow	
5	1703822	1	Decal - Manual Descent Instruction	
6	1704016	4	Decal - Forklift	
7	1704277	4	Decal - Lanyard Attach	
8	1704412	1	Decal - Hydraulic Oil	
12	2080040	3	Fastener	
13	2080057	4	Fastener	
14	8990147	1	Box, Manual	
16	1001132359	1	Decal - Control Box Locate	
18	1001162864	2	Decal - Lift Up/Tie Down	
19	1705673	4	Decal - Crushing	
20	1705671	5	Decal - Electrocuton	
21	1001212290	1	Decal - Tie Down	
22	1001213442	2	Decal - Lift and Tie Down	
23	1001212292	1	Decal - No Lifting	
24	1001212293	1	Decal - No Forklift	
25	1001146794	1	Decal - Battery/Charger Service	
29	1702155	1	Decal - Battery Disconnect	
31	1001225620	1	Decal - Model Designation (RH)	
32	1001225621	1	Decal - Model Designation (LH)	
33	1001225622	2	Decal - Black Strip	
34	1001228641	2	Decal - Safety Prop (RH)	
35	1001228642	2	Decal - Safety Prop (LH)	

# SECTION 8 - DECALS

## FIGURE 8-3. DECAL INSTALLATION (BRAZIL SPECS)



NOTE: ITEMS SHOWN MAY NOT BE REQUIRED FOR ALL SPECS. REFER TO PARTS LISTS FOR USAGE.  
NOTE: ADDITIONAL DECALS CALLED OUT ON DECAL INSTALLATION - OPTIONS



ART\_1001222127

## SECTION 8 - DECALS

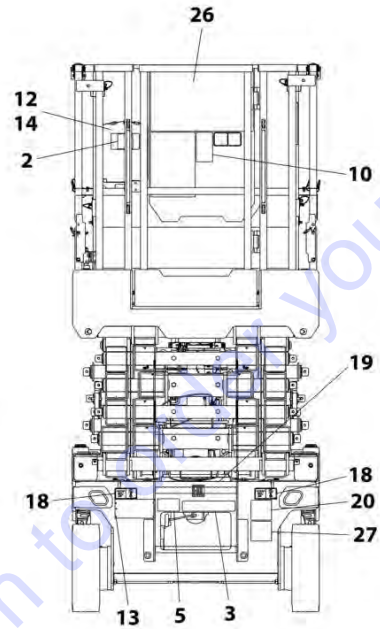
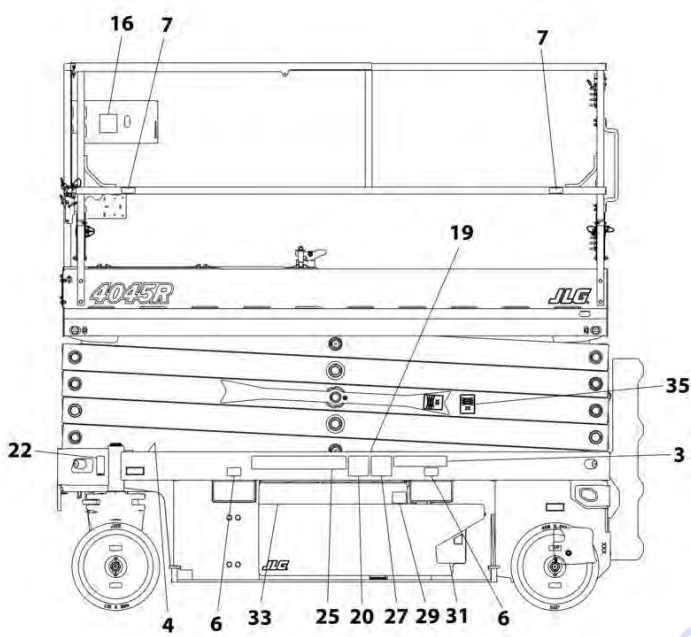
**FIGURE 8-3. DECAL INSTALLATION (BRAZIL SPECS)**

ITEM	PART NUMBER	QTY	DESCRIPTION	REV
	1001222127	Ref	DECAL INSTALLATION (BRAZIL SPECS)	C
	1001217031	Ref	DECAL REFERENCE CHART	G
1	1701504	1	Decal - Hydraulic Oil	
2	1701640	1	Decal - Manual	
3	1704341	2	Decal - Warning Battery Ventilation	
4	1703819	4	Decal - Direction Arrow	
5	1703822	1	Decal - Manual Descent Instruction	
6	1704016	4	Decal - Forklift	
7	1704277	4	Decal - Lanyard Attach	
8	1704412	1	Decal - Hydraulic Oil	
10	1705726	1	Decal - Legend	
12	2080040	3	Fastener	
13	2080057	4	Fastener	
14	8990147	1	Box, Manual	
16	1001132359	1	Decal - Control Box Locate	
18	1001162864	2	Decal - Lift Up/Tie Down	
19	1001216650	4	Decal - Crushing Hazard	
20	1001215748	4	Decal - Danger Electrocution	
21	1001212290	1	Decal - Tie Down	
22	1001213442	2	Decal - Lift and Tie Down	
23	1001212292	1	Decal - No Lifting	
24	1001212293	1	Decal - No Forklift	
25	1001146794	1	Decal - Battery/Charger Service	
26	1704699	1	Decal - Danger/Warning	
27	1001216648	4	Decal - Danger Electrocution	
29	1702155	1	Decal - Battery Disconnect	
30	1001224052	1	Decal - Yearly Inspection	
31	1001225620	1	Decal - Model Designation (RH)	
32	1001225621	1	Decal - Model Designation (LH)	
33	1001225622	2	Decal - Black Strip	
34	1001228641	2	Decal - Safety Prop (RH)	
35	1001228642	2	Decal - Safety Prop (LH)	

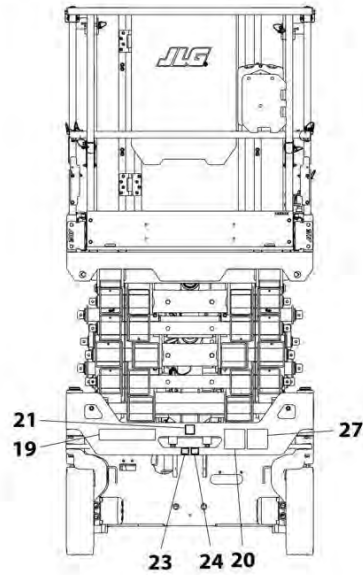
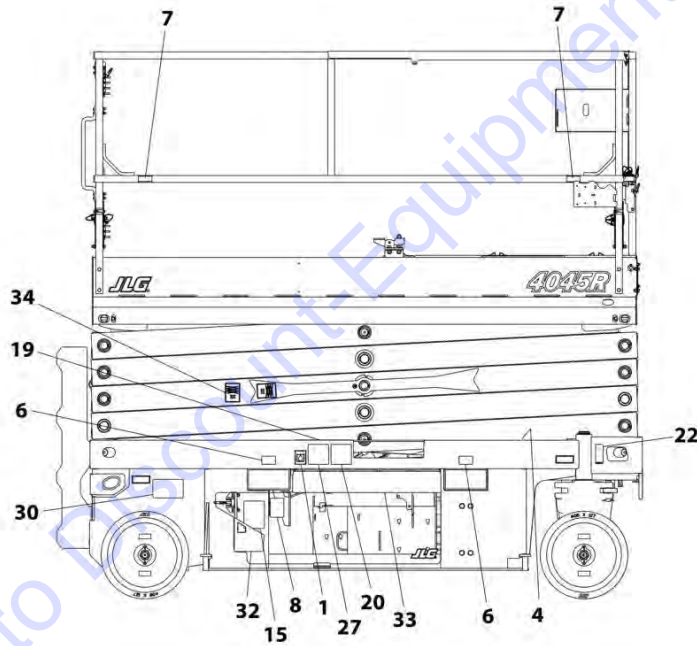


# SECTION 8 - DECALS

## FIGURE 8-4. DECAL INSTALLATION (CE SPECS)



NOTE: ITEMS SHOWN MAY NOT BE REQUIRED FOR ALL SPECS. REFER TO PARTS LISTS FOR USAGE.  
NOTE: ADDITIONAL DECALS CALLED OUT ON DECAL INSTALLATION - OPTIONS



ART\_1001222130

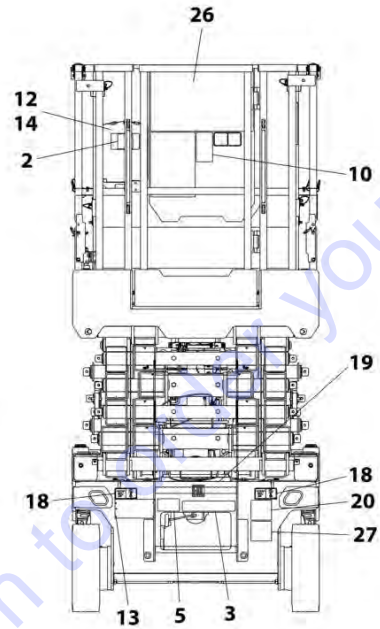
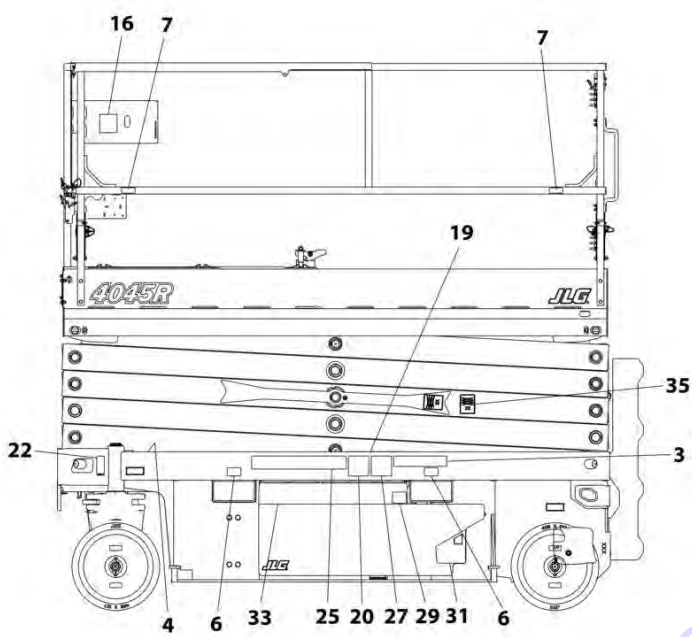
## SECTION 8 - DECALS

**FIGURE 8-4. DECAL INSTALLATION (CE SPECS)**

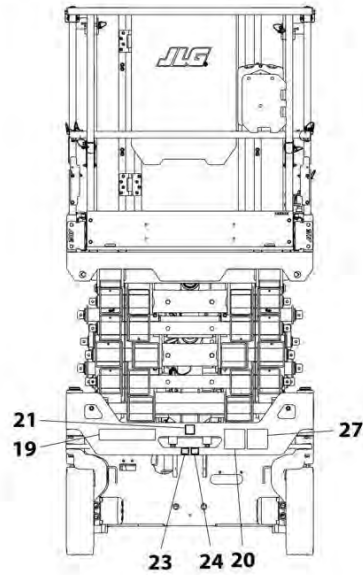
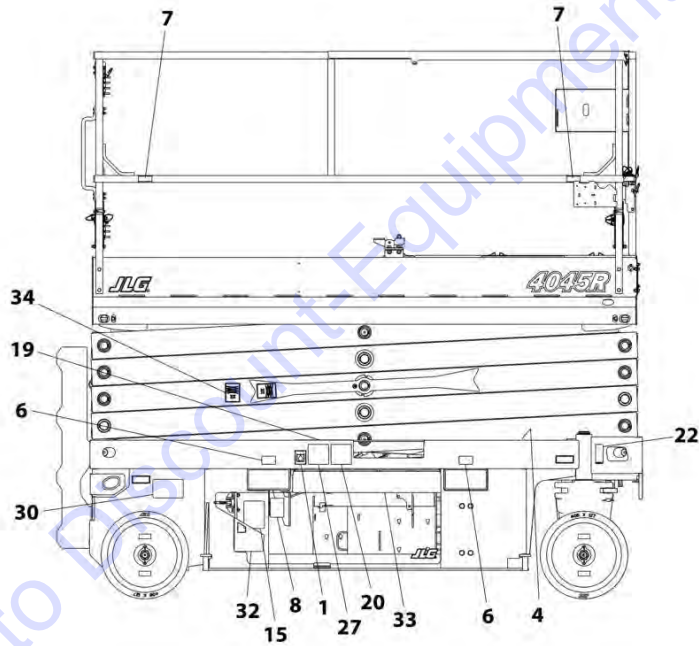
ITEM	PART NUMBER	QTY	DESCRIPTION	REV
	1001222130	Ref	DECAL INSTALLATION (CE SPECS)	C
	1001217031	Ref	DECAL REFERENCE CHART	G
1	1701504	1	Decal - Hydraulic Oil	
2	1701640	1	Decal - Manual	
3	1705670	2	Decal - Fire Hazard	
4	1703819	4	Decal - Direction Arrow	
5	1703822	1	Decal - Manual Descent Instruction	
6	1704016	4	Decal - Forklift	
7	1704277	4	Decal - Lanyard Attach	
8	1704412	1	Decal - Hydraulic Oil	
12	2080040	3	Fastener	
13	2080057	4	Fastener	
14	8990147	1	Box, Manual	
16	1001132359	1	Decal - Control Box Locate	
18	1001162864	2	Decal - Lift Up/Tie Down	
19	1705673	4	Decal - Crushing	
20	1705671	5	Decal - Electrocution	
21	1001212290	1	Decal - Tie Down	
22	1001213442	2	Decal - Lift and Tie Down	
23	1001212292	1	Decal - No Lifting	
24	1001212293	1	Decal - No Forklift	
25	1001146795	1	Decal - See Manual	
29	1702155	1	Decal - Battery Disconnect	
31	1001225620	1	Decal - Model Designation (RH)	
32	1001225621	1	Decal - Model Designation (LH)	
33	1001225622	2	Decal - Black Strip	
34	1001228641	2	Decal - Safety Prop (RH)	
35	1001228642	2	Decal - Safety Prop (LH)	

# SECTION 8 - DECALS

## FIGURE 8-5. DECAL INSTALLATION (CHINA SPECS)



NOTE: ITEMS SHOWN MAY NOT BE REQUIRED FOR ALL SPECS. REFER TO PARTS LISTS FOR USAGE.  
NOTE: ADDITIONAL DECALS CALLED OUT ON DECAL INSTALLATION - OPTIONS



ART\_1001222126



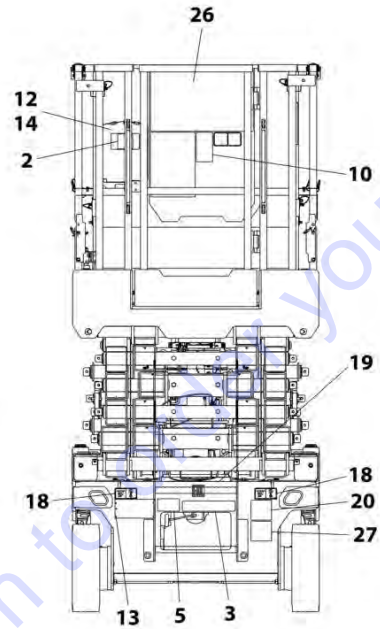
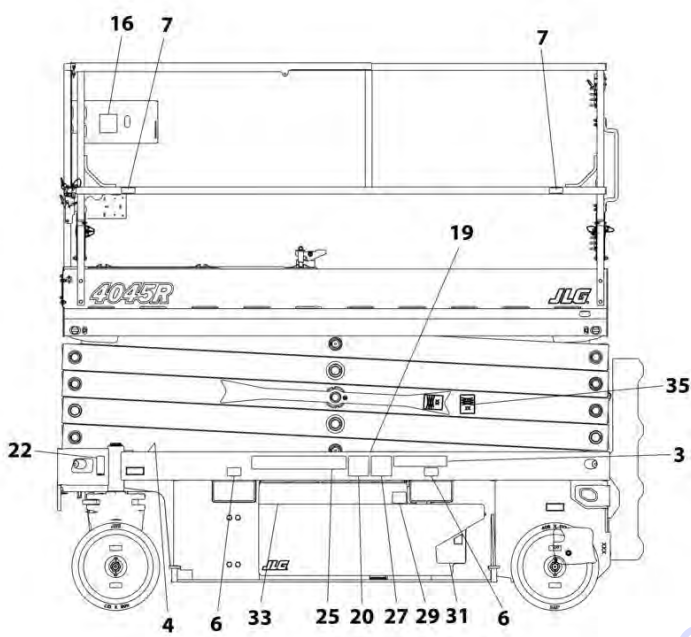
## SECTION 8 - DECALS

**FIGURE 8-5. DECAL INSTALLATION (CHINA SPECS)**

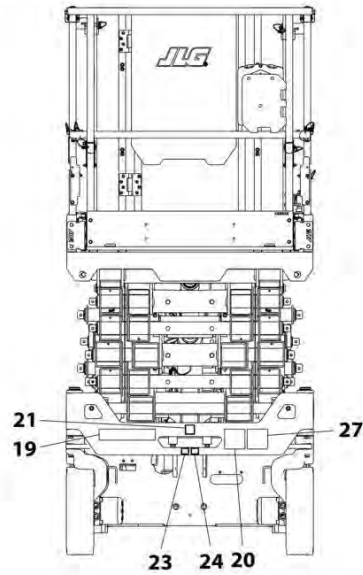
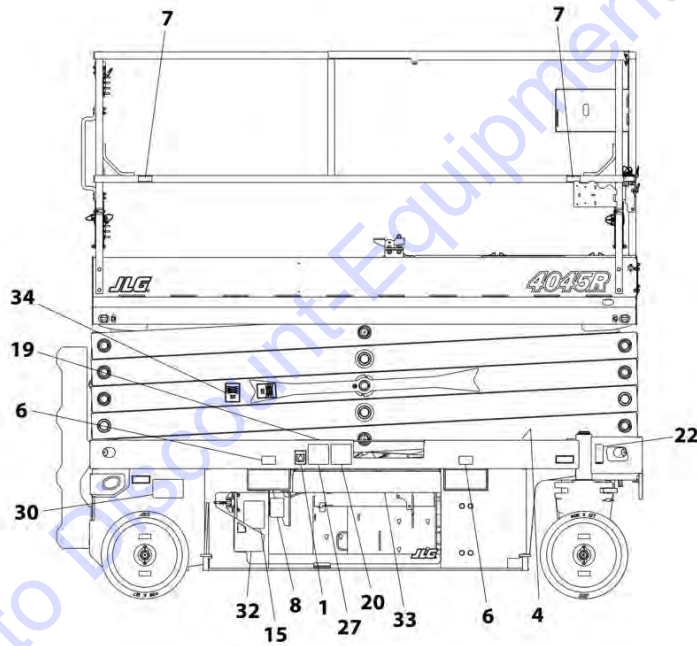
ITEM	PART NUMBER	QTY	DESCRIPTION	REV
	1001222126	Ref	DECAL INSTALLATION (CHINA SPECS)	C
	1001217031	Ref	DECAL REFERENCE CHART	G
1	1701504	1	Decal - Hydraulic Oil	
2	1701640	1	Decal - Manual	
3	1704344	2	Decal - Warning Battery Ventilation	
4	1703819	4	Decal - Direction Arrow	
5	1703822	1	Decal - Manual Descent Instruction	
6	1704016	4	Decal - Forklift	
7	1704277	4	Decal - Lanyard Attach	
8	1704412	1	Decal - Hydraulic Oil	
10	1705946	1	Decal - Legend	
12	2080040	3	Fastener	
13	2080057	4	Fastener	
14	8990147	1	Box, Manual	
16	1001132359	1	Decal - Control Box Locate	
18	1001162864	2	Decal - Lift Up/Tie Down	
19	1001215752	4	Decal - Crushing Hazard	
20	1001211779	4	Decal - Electrocution	
21	1001212290	1	Decal - Tie Down	
22	1001213442	2	Decal - Lift and Tie Down	
23	1001212292	1	Decal - No Lifting	
24	1001212293	1	Decal - No Forklift	
25	1001146794	1	Decal - Battery/Charger Service	
26	1705195	1	Decal - Danger/Warning	
27	1001215747	4	Decal - Danger Electrocution	
29	1702155	1	Decal - Battery Disconnect	
30	1001224051	1	Decal - Yearly Inspection	
31	1001225620	1	Decal - Model Designation (RH)	
32	1001225621	1	Decal - Model Designation (LH)	
33	1001225622	2	Decal - Black Strip	
34	1001228641	2	Decal - Safety Prop (RH)	
35	1001228642	2	Decal - Safety Prop (LH)	

# SECTION 8 - DECALS

## FIGURE 8-6. DECAL INSTALLATION (CSA SPECS)



NOTE: ITEMS SHOWN MAY NOT BE REQUIRED FOR ALL SPECS. REFER TO PARTS LISTS FOR USAGE.  
NOTE: ADDITIONAL DECALS CALLED OUT ON DECAL INSTALLATION - OPTIONS



ART\_1001222129

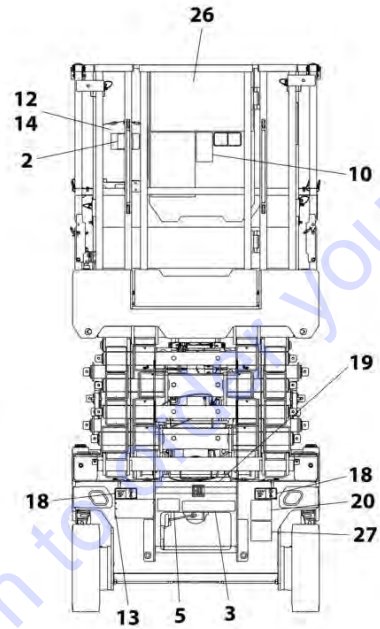
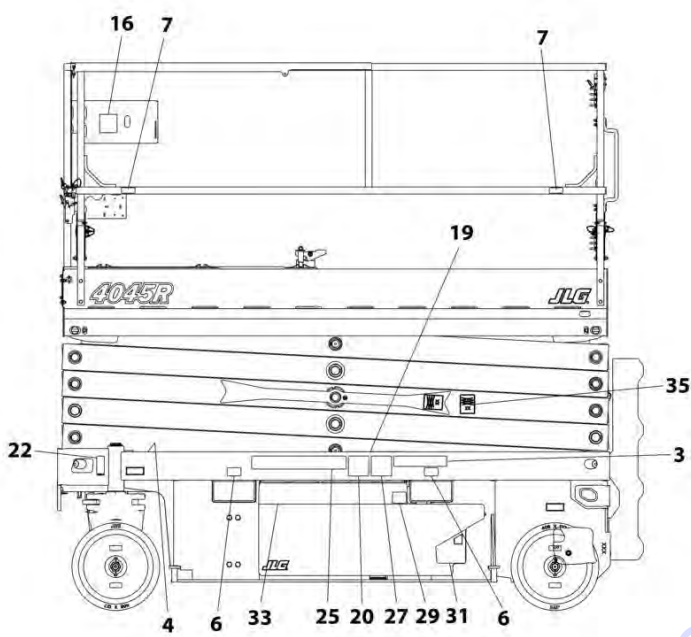
## SECTION 8 - DECALS

**FIGURE 8-6. DECAL INSTALLATION (CSA SPECS)**

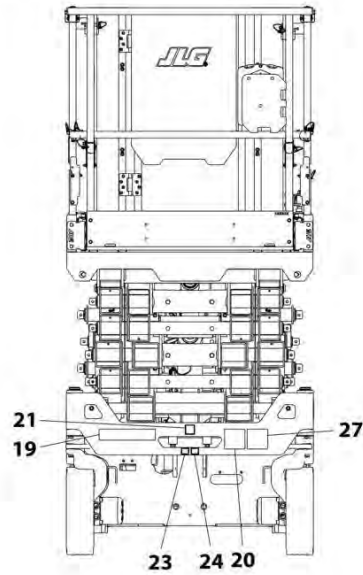
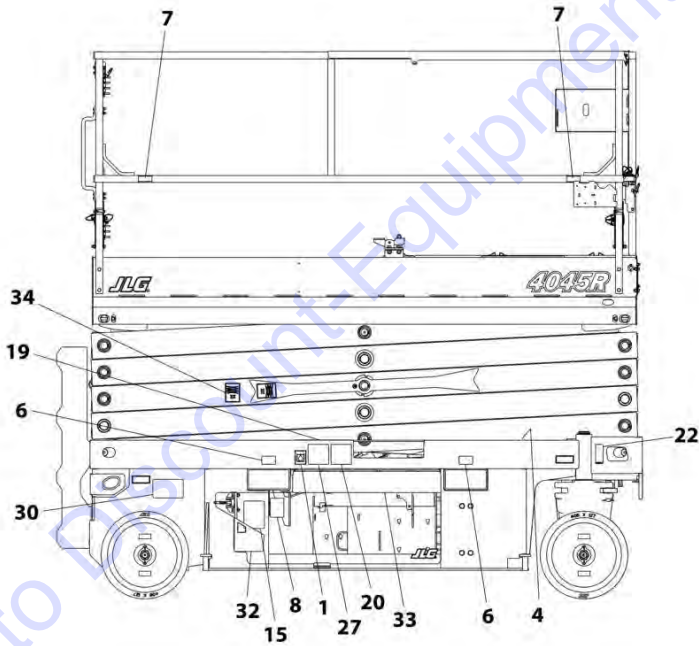
ITEM	PART NUMBER	QTY	DESCRIPTION	REV
	1001222129	Ref	DECAL INSTALLATION (CSA SPECS)	C
	1001217031	Ref	DECAL REFERENCE CHART	G
1	1701504	1	Decal - Hydraulic Oil	
2	1701640	1	Decal - Manual	
3	1704340	2	Decal - Warning Battery Ventilation	
4	1703819	4	Decal - Direction Arrow	
5	1703822	1	Decal - Manual Descent Instruction	
6	1704016	4	Decal - Forklift	
7	1704277	4	Decal - Lanyard Attach	
8	1704412	1	Decal - Hydraulic Oil	
10	1705723	1	Decal - Legend	
12	2080040	3	Fastener	
13	2080057	4	Fastener	
14	8990147	1	Box, Manual	
15	1001131270	1	Decal - Patent	
16	1001132359	1	Decal - Control Box Locate	
18	1001162864	2	Decal - Lift Up/Tie Down	
19	1001215755	4	Decal - Crushing Hazard	
20	1001211779	4	Decal - Electrocution	
21	1001212290	1	Decal - Tie Down	
22	1001213442	2	Decal - Lift and Tie Down	
23	1001212292	1	Decal - No Lifting	
24	1001212293	1	Decal - No Forklift	
25	1001146794	1	Decal - Battery/Charger Service	
26	1704684	1	Decal - Danger/Warning	
27	1001215749	4	Decal - Danger Electrocution	
29	1702155	1	Decal - Battery Disconnect	
30	1001223971	1	Decal - Yearly Inspection	
31	1001225620	1	Decal - Model Designation (RH)	
32	1001225621	1	Decal - Model Designation (LH)	
33	1001225622	2	Decal - Black Strip	
34	1001228641	2	Decal - Safety Prop (RH)	
35	1001228642	2	Decal - Safety Prop (LH)	

# SECTION 8 - DECALS

## FIGURE 8-7. DECAL INSTALLATION (KOREAN SPECS)



NOTE: ITEMS SHOWN MAY NOT BE REQUIRED FOR ALL SPECS. REFER TO PARTS LISTS FOR USAGE.  
NOTE: ADDITIONAL DECALS CALLED OUT ON DECAL INSTALLATION - OPTIONS



ART\_1001222125

## SECTION 8 - DECALS

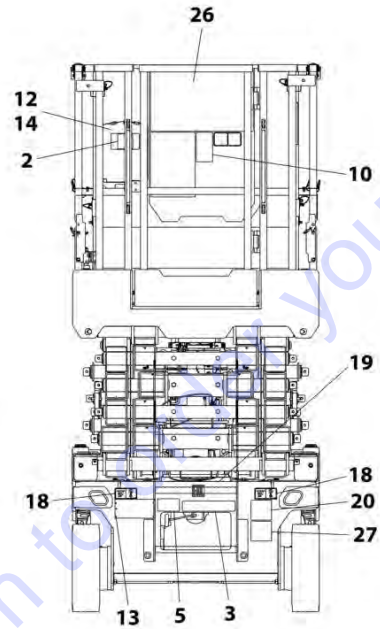
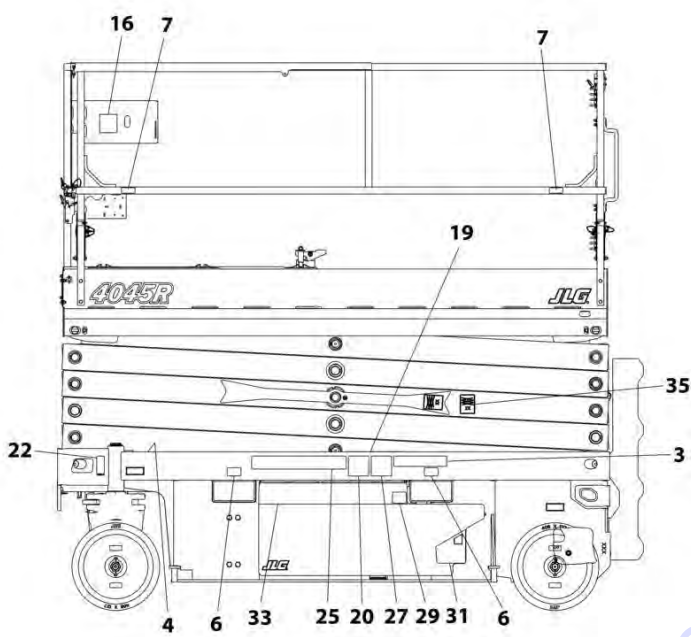
**FIGURE 8-7. DECAL INSTALLATION (KOREAN SPECS)**

ITEM	PART NUMBER	QTY	DESCRIPTION	REV
	1001222125	Ref	DECAL INSTALLATION (KOREAN SPECS)	C
	1001217031	Ref	DECAL REFERENCE CHART	G
1	1701504	1	Decal - Hydraulic Oil	
2	1701640	1	Decal - Manual	
3	1707022	2	Decal - Warning Battery Ventilation	
4	1703819	4	Decal - Direction Arrow	
5	1703822	1	Decal - Manual Descent Instruction	
6	1704016	4	Decal - Forklift	
7	1704277	4	Decal - Lanyard Attach	
8	1704412	1	Decal - Hydraulic Oil	
10	1706057	1	Decal - Legend	
12	2080040	2	Fastener	
13	2080057	4	Fastener	
14	8990147	1	Box, Manual	
16	1001132359	1	Decal - Control Box Locate	
18	1001162864	2	Decal - Lift Up/Tie Down	
19	1001215751	4	Decal - Crushing Hazard	
20	1001211779	4	Decal - Electrocution	
21	1001212290	1	Decal - Tie Down	
22	1001213442	2	Decal - Lift and Tie Down	
23	1001212292	1	Decal - No Lifting	
24	1001212293	1	Decal - No Forklift	
25	1001146794	1	Decal - Battery/Charger Service	
26	1001162115	1	Decal - Danger/Warning	
27	1001215750	4	Decal - Danger Electrocution	
29	1702155	1	Decal - Battery Disconnect	
30	1001224048	1	Decal - Yearly Inspection	
31	1001225620	1	Decal - Model Designation (RH)	
32	1001225621	1	Decal - Model Designation (LH)	
33	1001225622	2	Decal - Black Strip	
34	1001228641	2	Decal - Safety Prop (RH)	
35	1001228642	2	Decal - Safety Prop (LH)	

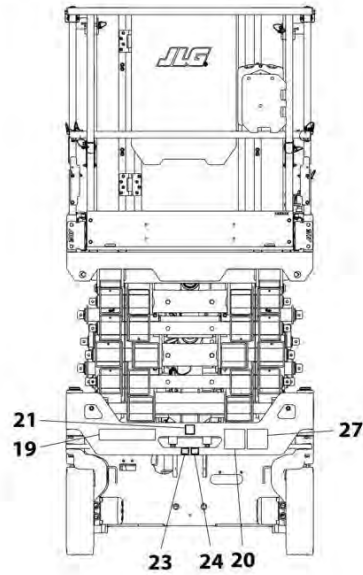
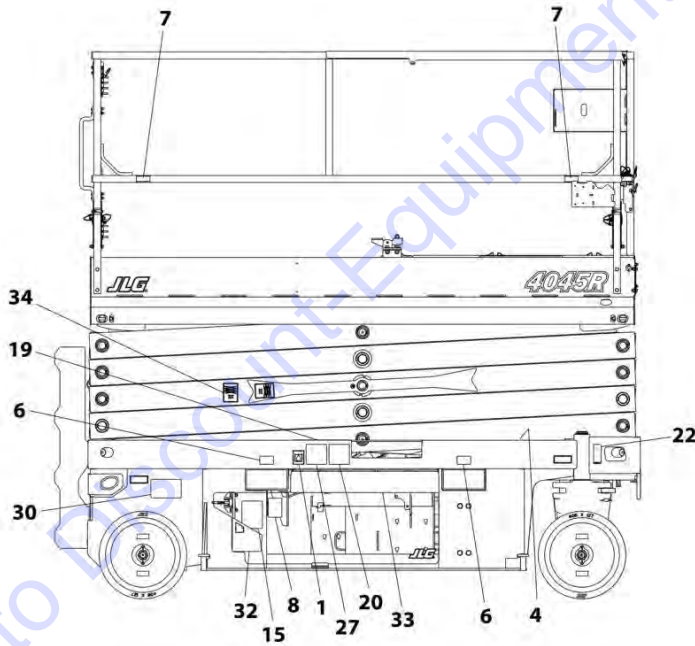


# SECTION 8 - DECALS

## FIGURE 8-8. DECAL INSTALLATION (LATIN AMERICAN SPECS)



NOTE: ITEMS SHOWN MAY NOT BE REQUIRED FOR ALL SPECS. REFER TO PARTS LISTS FOR USAGE.  
NOTE: ADDITIONAL DECALS CALLED OUT ON DECAL INSTALLATION - OPTIONS



ART\_1001222128

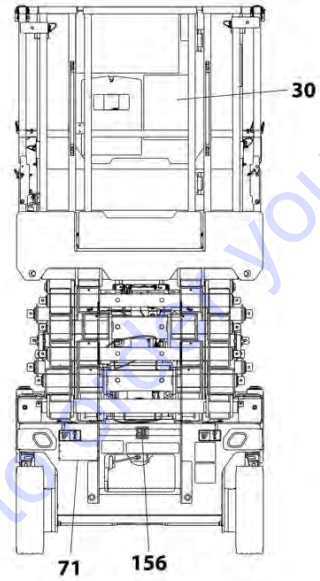
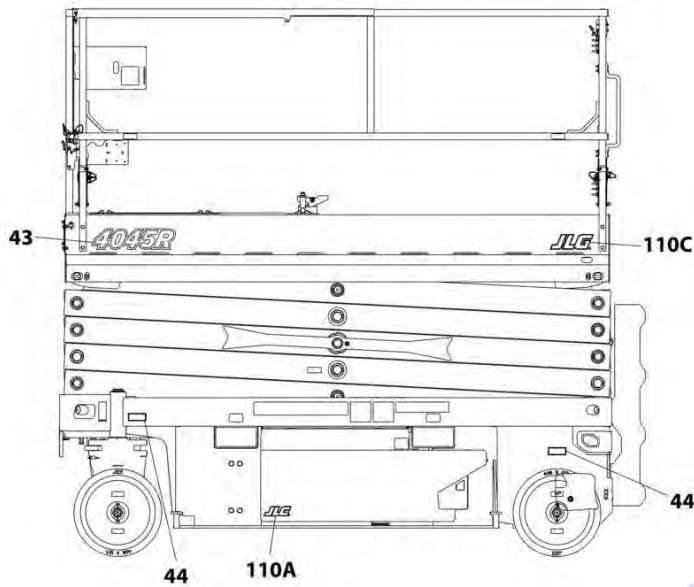
## SECTION 8 - DECALS

**FIGURE 8-8. DECAL INSTALLATION (LATIN AMERICAN SPECS)**

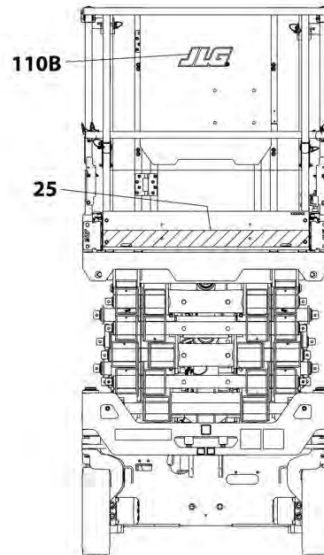
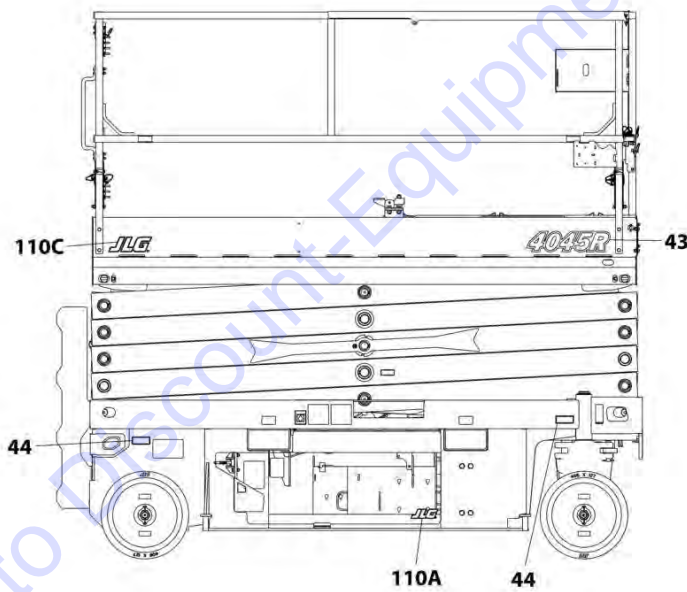
ITEM	PART NUMBER	QTY	DESCRIPTION	REV
	1001222128	Ref	DECAL INSTALLATION (LATIN AMERICAN SPECS)	C
	1001217031	Ref	DECAL REFERENCE CHART	G
1	1701504	1	Decal - Hydraulic Oil	
2	1701640	1	Decal - Manual	
3	1704339	2	Decal - Warning Battery Ventilation	
4	1703819	4	Decal - Direction Arrow	
5	1703822	1	Decal - Manual Descent Instruction	
6	1704016	4	Decal - Forklift	
7	1704277	4	Decal - Lanyard Attach	
8	1704412	1	Decal - Hydraulic Oil	
10	1705720	1	Decal - Legend	
12	2080040	3	Fastener	
13	2080057	4	Fastener	
14	8990147	1	Box, Manual	
16	1001132359	1	Decal - Control Box Locate	
18	1001162864	2	Decal - Lift Up/Tie Down	
19	1001215754	4	Decal - Crushing Hazard	
20	1001211779	4	Decal - Electrocution	
21	1001212290	1	Decal - Tie Down	
22	1001213442	2	Decal - Lift and Tie Down	
23	1001212292	1	Decal - No Lifting	
24	1001212293	1	Decal - No Forklift	
25	1001146794	1	Decal - Battery/Charger Service	
26	1704691	1	Decal - Danger/Warning	
27	1001215748	4	Decal - Danger Electrocution	
29	1702155	1	Decal - Battery Disconnect	
30	1001224049	1	Decal - Yearly Inspection	
31	1001225620	1	Decal - Model Designation (RH)	
32	1001225621	1	Decal - Model Designation (LH)	
33	1001225622	2	Decal - Black Strip	
34	1001228641	2	Decal - Safety Prop (RH)	
35	1001228642	2	Decal - Safety Prop (LH)	

# SECTION 8 - DECALS

## FIGURE 8-9. DECAL INSTALLATION - OPTIONS



NOTE: ITEMS SHOWN MAY NOT BE REQUIRED FOR ALL SPECS. REFER TO PARTS LISTS FOR USAGE.



ART\_DECAL OPTIONS



## SECTION 8 - DECALS

**FIGURE 8-9. DECAL INSTALLATION - OPTIONS**

ITEM	PART NUMBER	QTY	DESCRIPTION	REV
		Ref	DECAL INSTALLATION - OPTIONS	
25	1001217894	Ref	Corner Stripes Installation	
25	4420051	62 in/ 156cm	Tape, Safety	
30		Ref	Decal - Capacity Options	
30	1001220378	1	Decal - Capacity (All Specs except Australian & Japanese Specs)	
30	1001229804	1	Decal - Capacity (Australian Specs)	
30	1001231228	1	Decal - Capacity (Japanese Specs)	
43	1001220380	2	Decal - 4045R	
44	1001224553	4	Decal - Maximum Tire Load	
71	See Note	NSS	Decal - Manufacturers Serial Number (Note: Not Available for Purchase)	
110	1001224578	Ref	JLG Decals Installation	
110A	1703177	2	Decal - JLG	
110B	1705754	1	Decal - JLG	
110C	1705781	2	Decal - JLG	
156	1001173703	1	Decal - EAC (Russian/CIS Specs)	



**SECTION 9 - RECOMMENDED SERVICE PARTS STOCK**

Go to [Discount-Equipment.com](http://Discount-Equipment.com) to order your parts

## SECTION 9 - RECOMMENDED SERVICE PARTS STOCK

FIGURE 9-1. RECOMMENDED SERVICE PARTS STOCK

ITEM	PART NUMBER	QTY	DESCRIPTION	REV
		Ref	Note: The following list will service one machine (built to current production per date on the front cover) with emergency repair parts which can be installed in the field. Parts from the list should be replaced when inventory is depleted to keep service parts stock supplied. For further information, go to Discount-equipment.com	
		Ref	STANDARD PARTS	
	70005423	6	Hydraulic Filter Service Kit	
	70006297	1	Coil	
	3740150	1	Relay	
	70005893	1	Coil	
	4360328	1	Switch, Toggle	
	4360469	1	Switch, Key (All Specs except CE Specs)	
	2860030	1	Key, Replacement	
	4360475	1	Switch, Mushroom	
	2400087	2	Fuse - 300Amp	
	3080007	1	Magnet, Latch	
	1600402	1	Controller, Drive/Steer	
	4360345	1	Switch, Toggle	
	1001200633	1	Switch, Push Button	
	8229242	2	Fuse 5Amp	
	70006335	1	Coil	
		Ref	VARIABLE PARTS	
	1001203871	1	Switch, Roller	
	1001186466	1	Sensor, Tilt	
	1001200629	1	Module, Control	
	1001216062	1	Module, Power	
	4360336	1	Switch, Toggle (Machines with Inverter)	
	1001146963	1	Sensor, Angle	
	1001224873	1	Module, Platform	
	1001181045	1	Breaker 30mAmp/16Amp (CE Specs Machines)	
	1001189171	1	Breaker 30mAmp (CE Specs Machines)	
	1001189172	1	Breaker 16Amp Double (CE Specs Machines)	

**SECTION 10 - SPECIAL OPTIONS**

Go to Discount-Equipment.com to order your parts

## SECTION 10 - SPECIAL OPTIONS

FIGURE 10-1. SPECIAL OPTIONS

ITEM	PART NUMBER	QTY	DESCRIPTION	REV
		Ref	Note: This list is to accommodate machines ordered with special equipment. Options may not be applicable to all models. For more specific parts information go to Discount-equipment.com	
		Ref	SPECIAL OPTIONS	
	1001209921	Ref	Antivandalism Package	
	1001225173	Ref	Anti-Vandalism Add-on Kit	
	1001225169	Ref	Beacon Add-on Kit (Single)	
	1001225170	Ref	Beacon Add-on Kit - (Dual)	
		Ref	ClearSky Installation Options:	
	1001229107	Ref	ClearSky Installation - 3 Wire (ANSI & CSA Specs)	
	1001233237	Ref	ClearSky Installation - 3 Wire (ANSI Export & CE Specs)	
	1001235697	Ref	ClearSky Installation - Canbus (ANSI & CSA Specs)	
	1001246530	Ref	ClearSky Installation - Canbus (Australian Specs)	
	1001236982	Ref	ClearSky Installation - Canbus (ANSI Export & CE Specs)	
	1001246531	Ref	ClearSky Installation - Canbus (China Specs)	
	1001236983	Ref	Decal - ClearSky	
	1001239115	Ref	Control Box Cover Installation Kit	
	1001233422	Ref	Decal Kit – 4045R	
	1001216582	Ref	Drive Motor Covers installation	
		Ref	Electrical Connector Kits	
	1001148902	Ref	Amp/Tyco Electrical Connector Kit	
	1001148903	Ref	Deutsch DT Electrical Connector Kit	
	1001148904	Ref	Deutsch HD Electrical Connector Kit	
	1001148905	Ref	Packard Electrical Connector Kit	
	1001148906	Ref	Various Electrical Connector Kit	
	1001218728	Ref	Fire Extinguisher Installation	
		Ref	Fluid Options	
	2300014	Ref	Hydraulic Fluid - Mobil 424 (Machines with Standard Oil)	
	2300042	Ref	Hydraulic Fluid - Mobil EAL H 32 (Machines with Biodegradeable Oil)	
	2300028	Ref	Hydraulic Fluid - Mobil DTE 10 XL15 (Cold Weather Conditions)	
	1001215448	Ref	Footswitch Installation (ANSI Export & Japanese Specs Only)	
	1001234379	Ref	Frame Cover Upgrade Kit	
	1001232356	Ref	Ground Control Panel Cover Add-on Kit	
	1001225172	Ref	Inverter Add-on Kit (ANSI USA Specs Only)	
	1001226903	Ref	Low Height Restriction System Installation	
	1001161710	Ref	Switch, Toggle	
	1001229728	Ref	Overhead Protection Add-on Kit (ANSI Export Specs Only)	
	1001231309	Ref	Platform Extension Deployment Handles Add-on Kit	
	1001223283	Ref	Platform Gate Latch (Magnetic) Installation	
	1001214226	Ref	Platform Worklight Installation	
	1001225171	Ref	Platform Work Lights Add-on Kit	
	1001224583	Ref	Service Kits List	E
		Ref	Soft-Touch Installation Options:	
	1001224567	Ref	Soft-Touch Installation (With Switches & Without Padding)	
	1001224566	Ref	Soft-Touch Installation (With Switches & With Padding) (Tube-in-Tube Extension)	
	1001214272	Ref	Soft-Touch Installation (Without Switches & With Padding) (Tube-in-Tube Extension)	

## SECTION 10 - SPECIAL OPTIONS

ITEM	PART NUMBER	QTY	DESCRIPTION	REV
	1001220127	Ref	Soft-Touch Installation (Without Switches & With Padding) (Side-by-Side Extension)	
		Ref	Tools For Service:	
	2901443	1	Analyzer Kit	
	1001232474	1	Bench-Top R-Scissors Harness	
	8896941	1	Wire Stripper	
	7002821	1	Wire Crimper (To Install Wire Ends to Wires)	
	7002823	1	Pin/Socket Extractor - Universal (To Remove Pins/Sockets from Connectors)	
	4460467	1	Extractor - 16-18 Gauge (For Removal Pins/Sockets from Deutsch Connectors)	
	4460510	1	Extractor - 12-14 Gauge (For Removal of Pins/Sockets from Deutsch Connectors)	
	7002822	1	Screwdriver, Potentiometer (To Adjust Drive Controllers)	
	7016654	1	Screwdriver, Magnetic	
	7004275	1	Seal Installation Tool - 1in	
	7004276	1	Seal Installation - 1-1/2in	
	7002826	1	Seal Installation Tool - 2in	
	1001225174	Ref	Welder Add-on Kit (Quik Welder)	

Go to Discount-Equipment.com to order your parts





**PART NUMBER INDEX**

Go to [Discount-Equipment.com](http://Discount-Equipment.com) to order your parts

# PART NUMBER INDEX

0100011.....13, 15, 20, 23, 69, 87, 93, 97, 103, 105, 107	0760827 ..... 69	1001146794 ..... 215, 217, 219, 223, 225, 227, 229	1001205412.....169
0100051.....79, 81, 83	0761015 ..... 65	1001146795 ..... 221	1001205422..... 101
0140030.....111	0761218001 ..... 87	1001146963 ..... 92, 234	1001205598..... 35, 37
0140043.....73, 75	0761224 ..... 87	1001148902 ..... 236	1001206995..... 33
0275216.....151, 199	0861527 ..... 125	1001148903 ..... 236	1001207009.....25, 27, 29, 31
0275217.....153, 201	0861731 ... 197, 203, 205, 207	1001148904 ..... 236	1001207173.....169
0275452.....155, 203	0861781 ..... 199, 201	1001148905 ..... 236	1001207214.....73, 75
0275453.....157, 205	0861880 ..... 165	1001148906 ..... 236	1001207215.....73, 75
0275454.....159, 207	0940071 ..... 87	1001151629 ..... 169	1001207293.....77
0440223.....117	0962257 ..... 92	1001152483 ..... 167	1001207920.....27
0440266.....93	0962272 ..... 93, 135	1001153195 ..... 92	1001207970.....33
0440267.....93, 137	0962474 ..... 93	1001153785 ..... 13	1001207973.....37
0480100.....121, 123	1001047064 ..... 111	1001157050 ..... 127	1001207974.....25, 29, 35
0630473.....111	1001091102 ... 20, 39, 43, 45, 49, 51, 55, 57, 61, 75	1001157513 ..... 85	1001208852.....103
0630586.....73, 75		1001157547 ..... 85	1001209018.....157
0630587.....73, 75, 85		1001157790 ..... 85	1001209256.....103
0700408.....75		1001159186 ..... 195	1001209595.....111
0700410.....39, 51		1001161710 ..... 236	1001209596.....111
0700416.....45, 57		1001162115 ..... 227	1001209682.....73, 75
0700610.....117		1001162864 ..... 215, 217, 219, 221, 223, 225, 227, 229	1001209921.....236
0700612.....20, 23, 87		1001162886 ..... 169	1001209953.....143
0700614.....107		1001162887 ..... 169	1001210064.....101
0700616.....131		1001163178 ..... 13, 139	1001210436.....111
0700617.....105		1001163340 ..... 169	1001210440.....85
0700618.....105, 107		1001173703 ..... 231	1001210605.....85
0700621.....105, 109		1001174673 ..... 93	1001210881.....85
0700812.....143		1001181045 ..... 165, 234	1001210882.....85
0700814.....87, 93		1001182806 ..... 63	1001210966.....73, 75
0700815.....20		1001186235 ..... 105	1001211677.....93
0700817.....87, 121, 123		1001186466 ..... 23, 234	1001211775.....169
0700818.....105, 107, 109		1001187587 ..... 105, 107, 117, 125	1001211777.....215
0700819.....143		1001187816 ..... 161	1001211779.....215, 223, 225, 227, 229
0700823.....20		1001188116 ..... 161	1001211951.....93
0700825.....69		1001189171 ..... 167, 234	1001212035.....195
0700835.....111		1001189172 ..... 167, 234	1001212036.....195
0701014.....93		1001191139 ... 39, 45, 51, 57	1001212187.....19
0701015.....92		1001192401 ..... 169	1001212284.....92, 93
0701016.....93		1001197396 ..... 13	1001212290.....215, 217, 219, 221, 223, 225, 227, 229
0701019.....97, 131		1001200561 ... 25, 27, 29, 31	1001212292.....215, 217, 219, 221, 223, 225, 227, 229
0701022.....92		1001200629 .. 73, 75, 234	1001212293.....215, 217, 219, 221, 223, 225, 227, 229
0701024.....92, 97		1001200631 ..... 73, 75	1001212294.....69
0701025.....92		1001200632 ..... 77	1001212482.....92, 135
0701026.....101		1001200633 ..... 111, 234	1001212483.....92, 137
0701029.....92		1001200740 ..... 92	1001212768.....94
0701030.....92		1001200812 ..... 173, 181	1001212795.....94
0711221.....13		1001200819 ..... 111, 195	1001212829.....94
0760408.....147, 151, 153, 155, 157, 159, 161		1001201885 ..... 195	1001212958.....94
0760606.....105, 107		1001202184 ..... 175, 183	1001212963.....94
0760607.....31		1001202773 ..... 15	1001212964.....94
0760608.....107, 149		1001202851 ..... 69	1001212967.....94
0760610.....25, 27, 29, 31, 33, 35, 37, 73, 75, 85, 111, 119, 147, 151, 153, 155, 157, 159, 161, 163		1001202987 ..... 20	1001212970.....94
0760612.....25, 27, 29, 31, 33, 35, 37, 63, 73, 75, 79, 83		1001202999 ..... 20	1001212971.....94
0760810.....69, 101, 103, 105		1001203869 ..... 20	1001212972.....94
0760812.....69, 103		1001203870 ..... 20	1001213036.....69
0760818.....143		1001203871 ..... 20, 234	1001213137.....92
0760822.....143		1001203872 ..... 20	1001213264.....15, 17
		1001205345 ..... 92	1001213267.....101
		1001205409 ..... 169	1001213268.....103
		1001205410 ..... 169	
		1001205411 ..... 169	

## PART NUMBER INDEX

1001213269.....	107	1001214534.....	20	1001216823.....	109	1001220889.....	112
1001213270.....	105	1001214596... 73, 75, 169		1001217031.....	215, 217,	1001220890.....	129
1001213275.....	101	1001214625.....	92	219, 221, 223, 225,		1001220891.....	119
1001213393.....	105, 107	1001214641.....	92	227, 229		1001220892.....	121
1001213394.....	105, 107	1001214644.....	92	1001217059.....	23	1001220893.....	111
1001213397.....	105, 107	1001214645.....	92, 93	1001217110.....	93	1001220894.....	117
1001213403.....	107	1001214646.....	93	1001217164.....	165, 167	1001220904.....	79, 83
1001213407.....	107	1001214648.....	93	1001217216.....	65	1001220905.....	79, 83
1001213409.....	107	1001214649.....	93	1001217386.....	143	1001221244.....	131
1001213416.....	107	1001214650.....	93	1001217445.....	85	1001221275.....	131
1001213442.....	215, 217,	1001214689.....	93	1001217457.....	93	1001221276.....	131
219, 221, 223, 225,		1001214810.....	87	1001217458.....	87	1001221949.....	31
227, 229		1001214875.....	69	1001217464.....	87	1001222124.....	215
1001213470.....	103	1001214876.....	69	1001217466.....	93	1001222125.....	227
1001213550.....	103	1001214877.....	79, 81, 83	1001217492.....	73	1001222126.....	223
1001213590.....	20	1001214878.....	79, 81, 83	1001217894.....	231	1001222127.....	219
1001213591.....	20	1001214879.....	79, 81, 83	1001217916.....	87	1001222128.....	229
1001213595.....	20	1001214880.....	85	1001218048.....	87	1001222129.....	225
1001213597.....	20	1001214907.....	93	1001218159.....	143	1001222130.....	221
1001213747.....	13	1001214911.....	83	1001218160.....	143	1001222131.....	217
1001213815.....	69, 143	1001214913.....	79	1001218161.....	143	1001222308.....	92
1001213816.....	15	1001214915.....	81	1001218162.....	143	1001222742.....	105, 107
1001213838.....	103	1001214924.....	111	1001218163.....	143	1001222861.....	105
1001213875.....	69	1001214980.....	81	1001218165.....	143	1001222869.....	105
1001213884.....	105	1001214981.....	79	1001218167.....	143	1001222907.....	105
1001213886.....	111	1001214994.....	85, 187	1001218168.....	143	1001222913.....	105
1001213915.....	105	1001215074.....	25, 27, 29,	1001218169.....	143	1001222914.....	131
1001213916.....	105	31		1001218170.....	143	1001223040.....	105
1001213926.....	13	1001215075.....	33, 35, 37	1001218181.....	87	1001223053.....	105
1001213928.....	19	1001215215.....	85	1001218190.....	129	1001223055.....	215
1001213931.....	105	1001215216.....	49, 51, 53,	1001218263.....	107	1001223073.....	87
1001213945.....	125, 173,	57, 59, 61		1001218264.....	105	1001223164.....	107
175, 177, 179, 185		1001215433.....	69, 71	1001218285.....	111	1001223165.....	105
1001214024.....	13	1001215434.....	69	1001218307.....	20	1001223166.....	105
1001214088.....	73, 75	1001215446.....	109	1001218563.....	87	1001223171.....	87
1001214150.....	63	1001215448.....	236	1001218573.....	87	1001223262.....	179
1001214151.....	111	1001215732.....	173, 175,	1001218696.....	93	1001223263.....	177
1001214152.....	13	177, 179, 185		1001218728.....	236	1001223283.....	236
1001214195.....	25, 27, 29,	1001215747.....	223	1001218851.....	25, 29	1001223446.....	75
31, 33, 35, 37		1001215748.....	219, 229	1001218933.....	37	1001223447.....	185
1001214211.....	39	1001215749.....	225	1001218989.....	35	1001223650.....	181
1001214212.....	51	1001215750.....	227	1001219018.....	155, 167	1001223651.....	183
1001214214.....	27	1001215751.....	227	1001219041.....	151, 153,	1001223790.....	75
1001214215.....	85	1001215752.....	223	159, 165		1001223971.....	225
1001214217.....	23	1001215754.....	229	1001219077.....	33	1001224048.....	227
1001214219.....	65	1001215755.....	225	1001219133.....	127	1001224049.....	229
1001214226.....	236	1001215790.....	93, 101	1001219319.....	127	1001224051.....	223
1001214228.....	125	1001215953.....	20	1001219333.....	125	1001224052.....	219
1001214229.....	121	1001216062... 73, 75, 234		1001219596.....	45	1001224553.....	231
1001214268.....	101	1001216353.....	87	1001219597.....	57	1001224566.....	236
1001214272.....	236	1001216409.....	79, 81, 83	1001219622.....	117	1001224567.....	236
1001214274.....	117	1001216410.....	79, 81, 83	1001219670.....	117	1001224578.....	231
1001214309.....	83	1001216411.....	79, 81, 83	1001219740.....	125	1001224583.....	236
1001214442.....	173	1001216417.....	79, 81, 83	1001219766.....	93	1001224873.....	111, 234
1001214443.....	175	1001216582.....	236	1001219828.....	87	1001225164.....	93
1001214444.....	177	1001216593.....	93, 193	1001219829.....	87	1001225169.....	236
1001214445.....	179	1001216594.....	93, 189	1001219834.....	93	1001225170.....	236
1001214446.....	147	1001216595.....	93, 191	1001219835.....	93	1001225171.....	236
1001214447.....	163	1001216648.....	219	1001220127.....	237	1001225172.....	236
1001214450.....	155	1001216650.....	219	1001220144.....	93	1001225173.....	236
1001214451.....	157	1001216690.....	93	1001220158.....	125	1001225174.....	237
1001214452.....	159	1001216691.....	93	1001220378.....	231	1001225620.....	215, 217,
1001214453.....	151	1001216779.....	119	1001220380.....	231	219, 221, 223, 225,	
1001214456.....	153	1001216781.....	93	1001220407.....	93	227, 229	
1001214457.....	161	1001216792.....	93	1001220766.....	45, 47, 57,	1001225621.....	215, 217,
1001214526.....	20	1001216808.....	93	59		219, 221, 223, 225,	
1001214528.....	20	1001216816.....	119	1001220771.....	129	227, 229	

# PART NUMBER INDEX

1001225622.....215, 217, 219, 221, 223, 225, 227, 229	1001235697 ..... 236	1704339 ..... 229	3290405....20, 29, 39, 41, 45, 47, 51, 53, 57, 59, 75, 85, 92, 111, 147, 149, 151, 153, 155, 157, 159, 161
1001226215 .....97	1001235849 ..... 123	1704340 ..... 225	3290605....23, 25, 27, 29, 31, 33, 35, 37, 63, 73, 75, 85, 87, 92, 147, 149, 151, 153, 155, 157, 159, 161, 163
1001226216 .....97	1001235941 ..... 121	1704341 ..... 219	3290606.... 105, 107, 109, 117, 119, 125, 131
1001226218 .....97	1001236621 ..... 121, 123	1704344 ..... 223	3290801.... 20, 79, 81, 83
1001226219 .....97	1001236982 ..... 236	1704412 ... 215, 217, 219, 221, 223, 225, 227, 229	3290805....20, 69, 87, 92, 101, 121, 123, 143
1001226220 .....97	1001236983 ..... 236	1704684 ..... 225	3290806.... 105, 107, 109, 111
1001226277 ..... 131	1001237911 ..... 105	1704691 ..... 229	3291001..... 93
1001226422 .....31	1001238862 ..... 41	1704699 ..... 219	3291005.. 29, 65, 92, 101, 103, 149
1001226749 ..... 111	1001238863 ..... 53	1705195 ..... 223	3291006..... 97, 131
1001226901 ..... 131	1001238864 ..... 47	1705213 ..... 125	3291201..... 87
1001226903 ..... 236	1001238865 ..... 59	1705214 ..... 125	3291205..... 127
1001227219 ..... 29	1001239115 ..... 236	1705305 ..... 125	3300048..... 125
1001227267 ..... 29, 209	1001239224 ... 43, 49, 55, 61	1705670 ..... 217, 221	3310805..... 111
1001227268 ..... 149	1001242539 ..... 55, 61	1705671 ..... 217, 221	3321402..... 93
1001227269 ..... 209	1001242587 ..... 20	1705673 ..... 217, 221	3331211..... 13, 15
1001227516 .....92	1001242697 ..... 55	1705686 ..... 215	3340962..... 92
1001227728 ..... 131	1001242988 ..... 43	1705720 ..... 229	3422219..... 107, 129
1001227855 ..... 20	1001242989 ..... 49	1705723 ..... 225	3422661..... 121, 123
1001227919 .....92, 93	1001242990 ..... 61	1705726 ..... 219	3422943..... 92, 101
1001227969 ..... 107	1001243109 ..... 143	1705754 ..... 125, 231	3423151..... 93
1001227972 ..... 107	1001244446 ..... 29	1705781 ..... 231	3423243..... 87
1001227994 ..... 107	1001245255 ..... 149	1705946 ..... 223	3423278.... 107, 111, 125, 127
1001228112 ..... 111	1001245743 ..... 209	1705953 ..... 125	3430636..... 20
1001228184 ..... 131	1001245744 ..... 149, 209	1705985 ..... 127	3430813..... 103
1001228184 ..... 131	1001245917 ..... 29, 209	1705997 ..... 129	3430816..... 101
1001228191 ..... 209	1001246085 ..... 149, 209	1706057 ..... 227	3431212..... 20
1001228533 .....92	1001246171 ..... 209	1707022 ..... 227	3431218..... 13, 20
1001228641 .....215, 217, 219, 221, 223, 225, 227, 229	1001246530 ..... 236	2080040 ... 103, 105, 107, 215, 217, 219, 221, 223, 225, 227, 229	3431228..... 13
1001228642 .....215, 217, 219, 221, 223, 225, 227, 229	1001246531 ..... 236	2080057 ... 215, 217, 219, 221, 223, 225, 227, 229	3450303..... 87
1001229107 ..... 236	1060379 ... 121, 123, 129	2220346 ..... 143	3450403..... 20, 101
1001229522 .....79, 81, 83	1060908 .... 165, 167, 209	2220371 ..... 71, 143	3450404..... 103
1001229529 ..... 97	1060957 ..... 125	2220372 ..... 71, 143	3450505..... 13, 20
1001229728 ..... 236	1120555 ..... 129	2220373 ..... 143	3450508..... 19
1001229804 ..... 231	1320187 ..... 143	2220374 ..... 71	3460334..... 129
1001229950 .....97	1320224 ..... 125	2220415 ..... 71	3520072..... 97, 105, 107, 117
1001229951 .....97	1321283 ..... 143	2220466 ..... 143	3574505..... 119
1001231228 ..... 231	1321293 ... 25, 27, 29, 31, 33, 35, 37, 147, 151, 153, 155, 157, 159, 163	2220473 ..... 143	3574506..... 119
1001231264 .....73, 75	1321752 ..... 143	2220497 ..... 143	3740150...73, 75, 85, 234
1001231270 .....93	1380132 ..... 109	2220502 ..... 143	3760170..... 92, 117, 127, 129
1001231309 ..... 236	1580023 ..... 129	2220582 ..... 71, 143	3760217..... 13
1001231801 ..... 215	1580024 ..... 129	2220628 ..... 143	3760348..... 87
1001231837 .....92, 93	1600402 ... 111, 115, 234	2221086 ..... 71	3760387..... 92
1001231841 .....69	1671207 ..... 197	2221116 ..... 92	3820019..... 109
1001231890 ..... 93	1701504 ... 215, 217, 219, 221, 223, 225, 227, 229	2300014 ..... 236	3841143..... 92, 101
1001232356 ..... 236	1701640 ... 215, 217, 219, 221, 223, 225, 227, 229	2300028 ..... 236	3841675..... 117
1001232474 ..... 237	1702010 ..... 119	2300042 ..... 236	3860111..... 107, 109
1001232622 ..... 105	1702155 ... 215, 217, 219, 221, 223, 225, 227, 229	2400060 ..... 169	3900355..... 129
1001233237 ..... 236	1703177 ..... 231	2400087 .. 79, 81, 83, 234	3910804..... 73, 75
1001233422 ..... 236	1703464 ..... 147, 151	2420172 ..... 73, 75	3931412..... 129
1001233479 .....41, 47, 53, 59	1703813 ..... 215	2560088 ..... 109	3931508..... 129
1001233998 .....47, 59	1703816 ..... 215	2560176 ..... 105, 107	4010310.... 43, 49, 55, 61
1001234204 .....92	1703819 ... 111, 215, 217, 219, 221, 223, 225, 227, 229	2560190 ..... 109	4010408..... 29, 149
1001234257 ..... 87	1703822 ... 215, 217, 219, 221, 223, 225, 227, 229	2600281 ..... 105, 107	
1001234301 ..... 87	1704016 ... 215, 217, 219, 221, 223, 225, 227, 229	2700100 ..... 129	
1001234379 ..... 236	1704260 ..... 111	2860030 ..... 73, 75, 234	
1001234397 ..... 29, 149	1704277 ... 215, 217, 219, 221, 223, 225, 227, 229	2901443 ..... 237	
1001234407 ..... 103		2902431 ..... 147, 197	
1001235498 ..... 121, 123		3080007 ... 105, 107, 234	
1001235509 ..... 121		3252507 ... 153, 155, 157, 159, 161, 163	
1001235560 ..... 109		3271601 ..... 87	
1001235561 ..... 109		3290305 .... 43, 49, 55, 61	

## PART NUMBER INDEX

4010608 .....	125	4460465 ...	39, 41, 43, 45, 47, 49, 51, 53, 55, 57, 59, 61, 131, 169, 170, 173, 175, 177, 179, 181, 183, 185, 189, 191, 193	4711700.....	111	70005816.....	69
4010610 ...	151, 153, 155, 157, 159	4460466 ...	131, 170, 173, 175, 177, 179, 181, 183, 187, 189, 193, 195	4711800.....	101	70005891.....	71
4010614 .....	125	4460467 .....	237	4740086.....	13, 20, 87	70005893.....	71, 234
4031507 .....	41, 53	4460496 .....	111	4740446.....	93	70005896.....	71
4031509 .....	111	4460497 .....	111	4740480.....	129	70005898.....	71
4031511 .....	20, 47, 59	4460510 .....	237	4750800.....	111	70005899.....	71
4031512 .....	92	4460536 .....	131	4811400....	29, 41, 47, 53, 59, 85, 92, 111, 147, 149, 151, 153, 155, 157, 159, 161	70005900.....	71
4031708 .....	23, 35, 37	4460539 ...	170, 177, 179, 193	4811700....	25, 27, 29, 31, 33, 35, 37, 63, 73, 75, 85, 92, 105, 107, 111, 119, 149	70005903.....	71
4032111 .....	127	4460662 ...	155, 157, 159, 197	4811702....	20, 23, 25, 27, 29, 31, 33, 35, 37, 73, 75, 79, 83, 87, 105, 107, 109, 147, 151, 153, 155, 157, 159, 161, 163	70005904.....	71
4060803 .....	111	4460722 .....	187	4811900....	20, 69, 92, 101, 103, 105, 107, 109, 111, 143	70005907.....	71
4060865 .....	45, 57	4460754 ...	173, 175, 177, 179, 181, 183	4812000....	20, 29, 69, 87, 92, 97, 101, 103, 131, 149	70005908.....	71
4060906 .....	111	4460761 .....	169	4812002.....	65	70005909.....	71
4160078 .....	93	4460779 .....	85	4812100.....	127	70005911.....	71
4160202 .....	20	4460865 .....	57, 59	4812100001.....	87	70005912.....	71
4160214 .....	87	4460871 .....	169	4812200.....	103	70005913.....	71
4191706 .....	117	4460877 .....	169	4812500.....	20	70005914.....	71
4220227 .....	117	4460884 .....	169, 193	4845582.....	121	70005918.....	15
4240003 .....	117, 129	4460891 ...	39, 41, 43, 45, 47, 49, 51, 53, 55, 57, 59, 61, 131, 170, 177, 179, 189, 191	4923048.....	125	70005919.....	15
4240017 ...	25, 27, 29, 31, 33, 35, 37, 73, 75, 79, 81, 83, 85, 131, 173, 175, 177, 179, 181, 183, 185	4460894 ...	170, 173, 175, 177, 179, 185, 189, 193	5241200.....	13, 15	70006244.....	17
4240018 ...	49, 51, 53, 57, 59, 61, 125, 143	4460897 ...	49, 51, 53, 57, 59, 61, 63, 170, 177, 179, 187, 191	5251011.....	87	70006245.....	17
4240147 .....	20	4460899 ....	92, 170, 173, 175, 177, 179, 181, 183, 185, 193	5260600.....	79, 83	70006295.....	69
4240165 .....	119	4460905 .....	169	5271808.....	69	70006296.....	69
4340853 .....	129	4460930 .....	170	5272120.....	15	70006297.....	69, 234
4340854 .....	129	4460931 .....	193	5272122.....	15	70006298.....	69
4340947 .....	117	4460932 .....	193	70000082.....	115	70006299.....	69
4360155 .....	125	4460933 .....	169	70000084.....	115	70006300.....	71
4360328 .....	73, 75, 234	4460943 ...	173, 175, 177, 179, 181, 183, 185	70000683.....	115	70006301.....	71
4360336 .....	85, 234	4460944 ...	169, 173, 175, 177, 179, 185	70000684.....	115	70006302.....	71
4360345 .....	111, 234	4460956 .....	165	70000685.....	115	70006316.....	135
4360469 .....	73, 75, 234	4460957 .....	165	70000686.....	115	70006317.....	135
4360475 73, 75, 111, 234		4460968 .....	161	70000764.....	135	70006318.....	135
4420037 .....	119	4461016 .....	195	70001250.....	115	70006319.....	135
4420051 .....	231	4461023 .....	169	70001251.....	115	70006320.....	135
4420062 69, 97, 105, 107, 111, 117, 121, 123, 127		4461196 .....	199	70001252.....	115	70006321.....	135
4460042 .....	169	4461198 .....	199	70001253.....	115	70006322.....	135
4460115 .....	169	4461199 .....	201	70003650.....	115	70006323.....	135
4460138 .....	85, 147	4461201 .....	201	70004164.....	69	70006325.....	135, 137
4460183 .....	169, 195	4461205 .....	203, 205	70004465.....	69	70006326.....	137
4460226 .....	170	4461244 .....	203	70005150.....	139	70006327.....	137
4460227 ...	25, 27, 29, 31, 169	4461245 .....	205	70005151.....	139	70006328.....	137
4460234 .....	131	4461246 .....	207	70005152.....	139	70006329.....	137
4460247 .....	169	4461249 .....	207	70005153.....	139	70006330.....	137
4460259 .....	169	4461257 .....	151, 153	70005154.....	139	70006331.....	137
4460260 .....	169	4461258 .....	151, 153	70005236.....	135	70006333.....	137
4460265 .....	195	4530021 .....	125	70005423.....	69, 234	70006334.....	137
4460267 .....	195	4640780 .....	143	70005664.....	135	70006335.....	137, 234
4460290 .....	79, 81, 83	4711400 .....	117, 129	70005665.....	137	70006351.....	69
4460315 .....	147, 161			70005807.....	17	70006352.....	69
4460320 .....	170			70005812.....	17	70021209.....	71
4460328 .....	125			70005813.....	17	70025605.....	137
4460346 .....	197					70025619.....	135, 137
4460418 ...	169, 187, 195					70025627.....	137
4460419 .....	169, 187					7002821.....	237
4460424 ...	25, 27, 29, 31					7002822.....	237
4460464 ...	49, 51, 53, 57, 59, 61, 63, 92, 131, 170, 173, 175, 177, 179, 181, 183, 185, 187, 191, 193, 195					7002823.....	237
						7002826.....	237
						7004275.....	237
						7004276.....	237
						7006724.....	17
						7006725.....	17
						7012955.....	135
						7012967.....	135
						7016654.....	237
						7017496.....	135, 137
						7020175.....	73, 75, 111
						7020176.....	73, 75, 111
						7020218.....	93

## PART NUMBER INDEX

7023308.....	17	7023324.....	17	7027367.....	115	8305919.....	79, 83
7023310.....	17	7023328.....	17	7027765.....	115	8406003.....	93, 161
7023311.....	17	7023329.....	17	7027766.....	115	85941016.....	85
7023315.....	17	7023407.....	17	77133139.....	143	8896941.....	237
7023318.....	17	7023408.....	17	8005670.....	127	8990147....	215, 217, 219,
7023319.....	17	7026174.....	17	80325.....	117		221, 223, 225, 227, 229
7023321.....	17	7026179.....	17	8229242.....	169, 234		
7023322.....	17	7027365.....	115	8229244.....	169		

Go to [Discount-Equipment.com](http://Discount-Equipment.com) to order your parts



# PARTS FINDER

**Search Website  
by Part Number**



**Search Manual  
Library For Parts  
Manual & Lookup Part  
Numbers – Purchase  
or Request Quote**

**Can't Find Part or  
Manual? Request Help  
by Manufacturer,  
Model & Description**

Discount-Equipment.com is your online resource for quality parts & equipment.

Florida: **561-964-4949** Outside Florida TOLL FREE: **877-690-3101**

**Need parts?**

Click on this link: <http://www.discount-equipment.com/category/5443-parts/> and choose one of the options to help get the right parts and equipment you are looking for. Please have the machine model and serial number available in order to help us get you the correct parts. If you don't find the part on the website or on one of the online manuals, please fill out the request form and one of our experienced staff members will get back to you with a quote for the right part that your machine needs.

We sell worldwide for the brands: Genie, Terex, JLG, MultiQuip, Mikasa, Essick, Whiteman, Mayco, Toro Stone, Diamond Products, Generac Magnum, Airman, Haulotte, Barreto, Power Blanket, Nifty Lift, Atlas Copco, Chicago Pneumatic, Allmand, Miller Curber, Skyjack, Lull, Skytrak, Tsurumi, Husquvarna Target, Stow, Wacker, Sakai, Mi-T-M, Sullair, Basic, Dynapac, MBW, Weber, Bartell, Bennar Newman, Haulotte, Ditch Runner, Menegotti, Morrison, Contec, Buddy, Crown, Edco, Wyco, Bomag, Laymor, EZ Trench, Bil-Jax, F.S. Curtis, Gehl Pavers, Heli, Honda, ICS/PowerGrit, IHI, Partner, Imer, Clipper, MMD, Koshin, Rice, CH&E, General Equipment, Amida, Coleman, NAC, Gradall, Square Shooter, Kent, Stanley, Tamco, Toku, Hatz, Kohler, Robin, Wisconsin, Northrock, Oztec, Toker TK, Rol-Air, APT, Wylie, Ingersoll Rand / Doosan, Innovatech, Con X, Ammann, Mecalac, Makinex, Smith Surface Prep, Small Line, Wanco, Yanmar