



Illustrated Parts Manual

Models

3369LE

4069LE

M3369

M4069

SN 0200230092

to Present

SN M200000100

to Present

P/N

3121640

December 20, 2018 - Rev 0

ANSI

CE



AS/NZS



An Oshkosh Corporation Company

PARTS FINDER

**Search Website
by Part Number**



**Search Manual
Library For Parts
Manual & Lookup Part
Numbers – Purchase
or Request Quote**

**Can't Find Part or
Manual? Request Help
by Manufacturer,
Model & Description**

Discount-Equipment.com is your online resource for quality parts & equipment.

Florida: **561-964-4949** Outside Florida TOLL FREE: **877-690-3101**

Need parts?

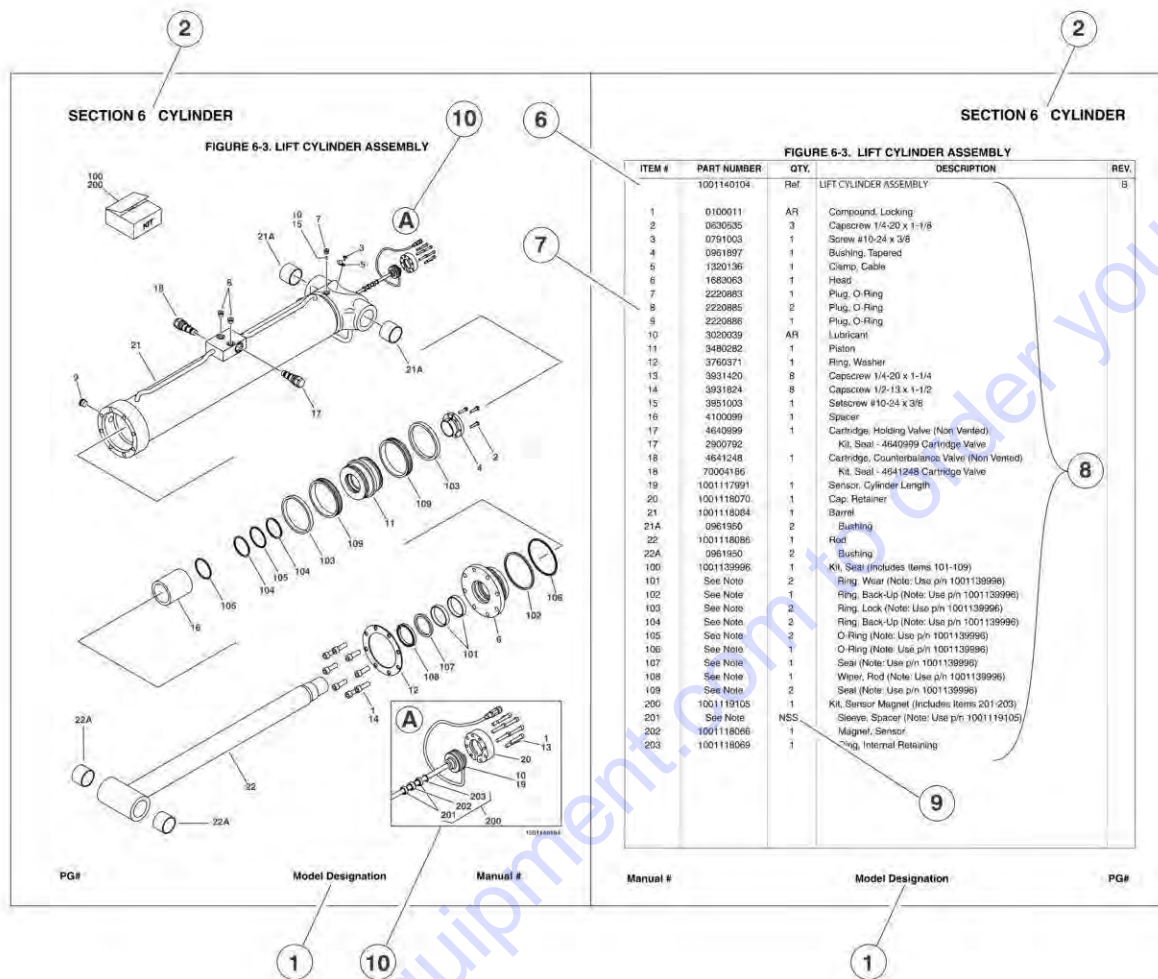
Click on this link: <http://www.discount-equipment.com/category/5443-parts/> and choose one of the options to help get the right parts and equipment you are looking for. Please have the machine model and serial number available in order to help us get you the correct parts. If you don't find the part on the website or on one of the online manuals, please fill out the request form and one of our experienced staff members will get back to you with a quote for the right part that your machine needs.

We sell worldwide for the brands: Genie, Terex, JLG, MultiQuip, Mikasa, Essick, Whiteman, Mayco, Toro Stone, Diamond Products, Generac Magnum, Airman, Haulotte, Barreto, Power Blanket, Nifty Lift, Atlas Copco, Chicago Pneumatic, Allmand, Miller Curber, Skyjack, Lull, Skytrak, Tsurumi, Husquvarna Target, Stow, Wacker, Sakai, Mi-T-M, Sullair, Basic, Dynapac, MBW, Weber, Bartell, Bennar Newman, Haulotte, Ditch Runner, Menegotti, Morrison, Contec, Buddy, Crown, Edco, Wyco, Bomag, Laymor, EZ Trench, Bil-Jax, F.S. Curtis, Gehl Pavers, Heli, Honda, ICS/PowerGrit, IHI, Partner, Imer, Clipper, MMD, Koshin, Rice, CH&E, General Equipment, Amida, Coleman, NAC, Gradall, Square Shooter, Kent, Stanley, Tamco, Toku, Hatz, Kohler, Robin, Wisconsin, Northrock, Oztec, Toker TK, Rol-Air, APT, Wylie, Ingersoll Rand / Doosan, Innovatech, Con X, Ammann, Mecalac, Makinex, Smith Surface Prep, Small Line, Wanco, Yanmar

REVISION LOG

November 1, 2014 - A - Original Issue Of Manual (Edited to B/M 1001165000 Revision C)
September 30, 2015 - B - Revised Manual (Edited to B/M 1001165000 Revision I)
November 30, 2015 - C - Revised Manual (Edited to B/M 1001165000 Revision M)
February 12, 2016 - D - Revised Manual (Edited to B/M 1001165000 Revision O)
May 5, 2016 - E - Revised Manual (Edited to B/M 1001165000 Revision Q)
August 31, 2016 - F - Revised Manual (Edited to B/M 1001165000 Revision R)
November 23, 2016 - G - Revised Manual (Edited to B/M 1001165000 Revision S)
February 16, 2017 - H - Revised Manual (Edited to B/M 1001165000 Revision T)
May 19, 2017 - I - Revised Manual (Edited to B/M 1001165000 Revision T)
August 04, 2017 - J - Revised Manual (Edited to B/M 1001165000 Revision T)
November 30, 2017 - K - Revised Manual (Edited to B/M 1001165000 Revision T)
February 2, 2018 - L - Revised Manual (Edited to B/M 1001165000 Revision V)
May 30, 2018 - M - Revised Manual (Edited to B/M 1001165000 Revision V)
August 25, 2018 - N - Revised Manual (Edited to B/M 1001165000 Revision X) (Revision1)
December 20, 2018 - O - Revised Manual (Edited to B/M 1001165000 Revision X)

GENERAL INFORMATION



1) MACHINE IDENTIFICATION

Machines are identified by model and in some cases a combination of models, serial number (SN) or regional standard (i.e ANSI, CE, CSA). Components may also be identified by SN or manufacturer. Common components that may be identified by these characteristics are engines and hydraulic components.

2) PARTS MANUAL ORGANIZATION

Product information in this manual is organized under section titles. Frame, Cylinder, Hydraulic and Electrical are a few examples. Each section is organized by figure and page number. The information within the Figure is then organized by item number, part number, description and corresponding illustration(s).

3) TABLE OF CONTENTS

A table of contents is found toward the beginning of the manual. Figure number, description and page number are provided for quick reference to the page containing the related information.

4) RECOMMENDED SPARE PARTS

The Recommended Spare Parts, located near the end of the manual, reference most frequently used maintenance parts.

5) PART NUMBER INDEX

A numerical index listing all part numbers and the corresponding page number(s) appears at the back of the manual.

GENERAL INFORMATION

6) NON-SERVICED PARTS

In some instances, it is necessary to display non-serviced parts, assemblies or installations. In the case of assemblies and installations there will be a Ref in the Qty column. In case of parts that are not available for service within assemblies or components, there will be a NSS (Not Sold Separately) or NLA (No Longer Available) listed in the Qty. column of the manual.

7) PARTS LIST ITEM NUMBERS

Numbers shown in the item# column correspond to numbers used in the associated illustration (s). Item numbers which are missing from the sequence in the parts list are not used on that page

8) INDENTED PARTS DESCRIPTION

An indented part description is included in the item under which it is indented.

9) ABB REVIATION AND SYMBOLS

AC.....	.. Alternating Current	LCD.....	.. Liquid Crystal Display
ADE.....	..Advanced Design Electronics	LED.....	.. Light Emitting Diodes
ANSI.....	..American National Standards Institute	LH.....	.. Left Hand
AR.....	..As Required	LSS.....	..Load Sensing System
ASSY.....	.. Assembly	M(m).....	.. Metric/Meter
AUX.....	..Auxiliary	MM (mm).....	..Milimeter
AWG.....	..American WireGauge	mA.....	.. Miliamps
B/M.....	.. Bill of Material	NLA.....	..No Longer Available
CE.....	..European Conformity	NPT.....	.. National Pipe Threads
CCW.....	..Counter Clockwise	NSS.....	..Not Sold Separately
cm.....	.. Centimeter	OD.....	..Outside Diameter
CW.....	..Clockwise	ORB.....	.. O-Ring Boss
CSA.....	..Canadian Standards Association	ORFS.....	.. O-Ring Face Seal
CYL.....	..Cylinder	OZ (oz).....	..Ounces
DIA.....	.. Diameter	PG.....	..Page
DC.....	..Direct Current	P/N.....	..Part Number
EMS.....	.. Emergency Stop	qt.....	..Quarts
ENG.....	..Engine	QTY.....	..Quantity
FT (ft).....	.. Feet	REF.....	.. Reference
GA(Ga).....	..Gauge	REV.....	..Revision Level
HYD.....	..Hydraulic	RH.....	.. Right Hand
Hz.....	.. Hertz	SAE.....	.. Society of Automotive Engineers
ID.....	..Inside Diameter	SN.....	..Serial Number
in.....	..inches	SPEC(S).....	..Specifications
ISO.....	..International Organization for Standards	T/T.....	..Turntable
JIC.....	..Joint Industry Council	UGM.....	..Universal Ground Module
KG.....	..Kilogram	V.....	..Volts
L.....	..Liter	W.....	..Watts
LB.....	..Pounds	#.....	.. Number

10) ILLUSTRATION REFERENCE LETTERS

When necessary, illustrations may contain reference letters that are intended to track information (i. e. hoses, harnesses) from one point to another or to track visual enlargement of components to show details that may be located in another area on the illustration.

Note: Due to continuous product improvements, JLG Industries, Inc. reserves the right to make specification changes without prior notification.

TABLE OF CONTENTS

SECTION 1 - FRAME.....	11
FIGURE 1-1. REAR AXLE INSTALLATION - FIXED.....	12
FIGURE 1-2. REAR AXLE INSTALLATION - OSCILLATING (ALL SPECS EXCEPT CE SPEC).....	14
FIGURE 1-3. OSCILLATING AXLE VALVE ASSEMBLY (ALL SPECS EXCEPT CE SPEC).....	16
FIGURE 1-4. REAR AXLE INSTALLATION - OSCILLATING (CE SPEC) (SN 0200246353 to Present, SN M200000100 to Present).....	18
FIGURE 1-5. OSCILLATING AXLE VALVE ASSEMBLY (CE SPEC) (SN 0200246353 to Present, SN M200000100 to Present).....	20
FIGURE 1-6. STEERING INSTALLATION - 2WD.....	22
FIGURE 1-7. STEERING INSTALLATION - 4WD.....	24
FIGURE 1-8. STEERING AND FRONT DRIVE INSTALLATION - 4WD FRONT.....	26
FIGURE 1-9. WHEEL DRIVE AND CONTROLLER INSTALLATION - 2WD/4WD REAR.....	28
FIGURE 1-10. HUB ASSEMBLY - 2WD FRONT.....	30
FIGURE 1-11. DRIVE HUB ASSEMBLY - 2WD/4WD REAR.....	32
FIGURE 1-12. DRIVE BRAKE ASSEMBLY - 2WD/4WD REAR.....	36
FIGURE 1-13. DRIVE MOTOR ASSEMBLY - OPERATORS POSITION RH SIDE - 4WD FRONT (SN 0200230092 to Present, SN M200000100 through M200023101).....	38
FIGURE 1-14. DRIVE MOTOR ASSEMBLY - OPERATORS POSITION RH SIDE - 4WD FRONT (SN M200023102 to Present).....	40
FIGURE 1-15. DRIVE MOTOR ASSEMBLY - OPERATORS POSITION LH SIDE - 4WD FRONT (SN 0200230092 to Present, SN M200000100 through M200023101).....	42
FIGURE 1-16. DRIVE MOTOR ASSEMBLY - OPERATORS POSITION LH SIDE - 4WD FRONT (SN M200023102 to Present).....	44
FIGURE 1-17. DRIVE MOTOR ASSEMBLY - 2WD/4WD REAR.....	46
FIGURE 1-18. DRIVE VALVE ASSEMBLY - 4WD ONLY.....	48
FIGURE 1-19. FLOW DIVIDER VALVE ASSEMBLY - 4WD ONLY.....	50
FIGURE 1-20. TIRE AND WHEEL INSTALLATION - IN240/55 X 17.5 FOAM-FILLED.....	52
FIGURE 1-21. TIRE AND WHEEL INSTALLATION - IN240/55 X 17.5 NON-MARKING FOAM FILLED.....	54
FIGURE 1-22. TIRE AND WHEEL INSTALLATION - 27.2/10.5LL X 15 TURF FOAM-FILLED.....	56
FIGURE 1-23. LEVELING JACKS INSTALLATION - OPTIONAL.....	58
FIGURE 1-24. LEVELING JACK CONTROL VALVE ASSEMBLY.....	60
FIGURE 1-25. BATTERY CHARGER INSTALLATION - 110V/60HZ (3369LE & 4069LE ANSI, ANSI EXPORT, CSA AND JAPANESE SPECS).....	62
FIGURE 1-26. BATTERY CHARGER INSTALLATION - 110V/60HZ (M3369 & M4069 ANSI, ANSI EXPORT, CSA AND JAPANESE SPECS).....	64
FIGURE 1-27. BATTERY CHARGER INSTALLATION - 120-240V/50-60HZ (3369LE & 4069LE ANSI, ANSI EXPORT, CSA AND CE SPECS).....	66
FIGURE 1-28. BATTERY CHARGER INSTALLATION - 120-240V/50-60HZ (M3369 & M4069 ANSI, ANSI EXPORT, CSA AND CE SPECS).....	68
FIGURE 1-29. BATTERY CHARGER INSTALLATION - 250V/50HZ (3369LE & 4069LE ANSI EXPORT AND AUSTRALIAN SPECS).....	70
FIGURE 1-30. BATTERY CHARGER INSTALLATION - 250V/50HZ (M3369 & M4069 ANSI EXPORT AND AUSTRALIAN SPECS).....	72
FIGURE 1-31. BATTERY CHARGER ASSEMBLY.....	74
FIGURE 1-32. BATTERY CHARGER DOOR ASSEMBLY - 3369LE & 4069LE.....	76
FIGURE 1-33. INVERTER INSTALLATION - OPTIONAL.....	78
FIGURE 1-34. BEACON INSTALLATION.....	80
FIGURE 1-35. LADDER INSTALLATION WITHOUT LEVELING JACKS - 3369LE/M3369 (ALL SPEC EXCEPT CE SPEC).....	82
FIGURE 1-36. LADDER INSTALLATION WITHOUT LEVELING JACKS - 3369LE/M3369 (CE SPEC).....	84
FIGURE 1-37. LADDER INSTALLATION WITHOUT LEVELING JACKS - 4069LE/M4069 (ALL SPECS EXCEPT CE SPEC).....	86
FIGURE 1-38. LADDER INSTALLATION WITHOUT LEVELING JACKS - 4069LE/M4069 (CE SPECS).....	88
FIGURE 1-39. LADDER INSTALLATION WITH LEVELING JACKS.....	90
FIGURE 1-40. FRAME COVER INSTALLATION (STANDARD).....	92
FIGURE 1-41. FRAME COVER INSTALLATION (4069LE/M4069) (HOSTILE ENVIRONMENT).....	94
FIGURE 1-42. FRAME COVER INSTALLATION (3369LE/M3369) (HOSTILE ENVIRONMENT).....	96
SECTION 2 - GROUND COMPONENTS.....	99
FIGURE 2-1. MAIN CONTROL VALVE INSTALLATION.....	100
FIGURE 2-2. MAIN CONTROL VALVE ASSEMBLY.....	102
FIGURE 2-3. HYDRAULIC COMPARTMENT INSTALLATION.....	104
FIGURE 2-4. MOTOR ASSEMBLY.....	106
FIGURE 2-5. GROUND CONTROL BOX AND HORN INSTALLATIONS - 3369LE/4069LE WITHOUT LEVELING JACKS (ALL SPECS EXCEPT CE SPEC).....	108
FIGURE 2-6. GROUND CONTROL BOX AND HORN INSTALLATIONS - 3369LE/4069LE WITHOUT LEVELING JACKS (CE SPEC).....	110

TABLE OF CONTENTS

FIGURE 2-7. GROUND CONTROL BOX AND HORN INSTALLATIONS - 3369LE/4069LE WITH LEVELING JACKS (ALL SPECS EXCEPT CE SPEC).....	112
FIGURE 2-8. GROUND CONTROL BOX AND HORN INSTALLATIONS - 3369LE/4069LE WITH LEVELING JACKS (CE SPEC).....	114
FIGURE 2-9. GROUND CONTROL BOX AND HORN INSTALLATIONS - M3369/M4069 (2WD - ALL SPECS EXCEPT CE SPEC).....	116
FIGURE 2-10. GROUND CONTROL BOX AND HORN INSTALLATIONS - M3369/M4069 (2WD - CE SPEC).....	118
FIGURE 2-11. GROUND CONTROL BOX AND HORN INSTALLATIONS - M3369/M4069 (4WD - ALL SPECS EXCEPT CE SPEC).....	120
FIGURE 2-12. GROUND CONTROL BOX AND HORN INSTALLATIONS - M3369/M4069 (4WD - CE SPEC).....	122
FIGURE 2-13. GROUND CONTROL BOX AND HORN INSTALLATIONS - M4069 (DRIVE AT FULL HEIGHT).....	124
FIGURE 2-14. GROUND CONTROL BOX ASSEMBLY - 3369LE/4069LE (ALL SPECS EXCEPT CE SPEC).....	126
FIGURE 2-15. GROUND CONTROL BOX ASSEMBLY - 3369LE/4069LE (CE SPEC).....	128
FIGURE 2-16. GROUND CONTROL BOX ASSEMBLY - M3369/M4069 (ALL SPECS EXCEPT CE SPEC).....	130
FIGURE 2-17. GROUND CONTROL BOX ASSEMBLY - M3369/M4069 (CE SPECS).....	132
FIGURE 2-18. GROUND CONTROL BOX ASSEMBLY - M4069 DRIVE AT FULL HEIGHT.....	134
FIGURE 2-19. GROUND CONTROL BOX COMPONENTS (SN 0200243015 to Present, SN M200000100 to Present).....	136
FIGURE 2-20. BATTERY BOX INSTALLATION - 370A-H BATTERIES (SN 0200230092 through 0200258591).....	138
FIGURE 2-21. BATTERY BOX INSTALLATION - 370A-H BATTERIES (SN 0200258591 to Present).....	140
FIGURE 2-22. BATTERY BOX INSTALLATION - 390A-H AGM BATTERIES (SN 0200230092 through 0200258591).....	142
FIGURE 2-23. BATTERY BOX INSTALLATION - 390A-H AGM BATTERIES (SN 0200258591 to Present).....	144
FIGURE 2-24. ALARM INSTALLATION.....	146
FIGURE 2-25. ALARM INSTALLATION - MOTION.....	148
FIGURE 2-26. COVERS INSTALLATION.....	150
FIGURE 2-27. TANK INSTALLATION - M3369/M4069 (MACHINES WITH STANDARD BATTERY).....	154
FIGURE 2-28. TANK INSTALLATION - M3369/M4069 (MACHINES WITH AGM BATTERY).....	156
SECTION 3 - ENGINE.....	159
FIGURE 3-1. KUBOTA ENGINE/GENERATOR INSTALLATION - M3369/M4069 (WITH STANDARD BATTERY).....	160
FIGURE 3-2. KUBOTA ENGINE/GENERATOR INSTALLATION - M3369/M4069 (WITH AGM BATTERY).....	162
FIGURE 3-3. KUBOTA MOTOR/GENERATOR ASSEMBLY (SN 0200230092 to Present, SN M200000100 through M200028845).....	164
FIGURE 3-4. KUBOTA MOTOR/GENERATOR ASSEMBLY (SN M200028846 to Present).....	166
FIGURE 3-5. KUBOTA MOTOR/GENERATOR COMPONENTS (SN 0200230092 to Present, SN M200000100 through M200028845).....	168
SECTION 4 - SCISSORS ARMS.....	171
FIGURE 4-1. SCISSORS ARMS INSTALLATION WITHOUT LSS - 3369LE/M3369.....	172
FIGURE 4-2. SCISSORS ARMS ASSEMBLY WITHOUT LSS - 3369LE/M3369.....	174
FIGURE 4-3. SCISSORS ARMS INSTALLATION WITH LSS - 3369LE/M3369.....	178
FIGURE 4-4. SCISSORS ARMS ASSEMBLY WITH LSS - 3369LE/M3369.....	180
FIGURE 4-5. SCISSORS ARMS INSTALLATION WITHOUT LSS - 4069LE/M4069.....	184
FIGURE 4-6. SCISSORS ARMS ASSEMBLY WITHOUT LSS - 4069LE/M4069.....	186
FIGURE 4-7. SCISSORS ARMS INSTALLATION WITH LSS - 4069LE/M4069.....	190
FIGURE 4-8. SCISSORS ARMS ASSEMBLY WITH LSS - 4069LE/M4069.....	192
FIGURE 4-9. SCISSORS ARM GUARDS INSTALLATION (CE SPECS ONLY).....	196
SECTION 5 - PLATFORM.....	199
FIGURE 5-1. PLATFORM INSTALLATION WITHOUT D-RINGS.....	200
FIGURE 5-2. PLATFORM INSTALLATION WITH D-RINGS.....	202
FIGURE 5-3. PLATFORM INSTALLATION WITHOUT D-RINGS AND WITH LSS.....	204
FIGURE 5-4. PLATFORM INSTALLATION WITH D-RINGS AND WITH LSS.....	208
FIGURE 5-5. HANDRAILS INSTALLATION WITH SELF-CLOSING GATE.....	212
FIGURE 5-6. HANDRAILS INSTALLATION WITH CHAIN GATE.....	214
FIGURE 5-7. 3FT PLATFORM EXTENSION W/RAILS.....	216
FIGURE 5-8. CONSOLE BOX ASSEMBLY - 3369LE/4069LE NO LEVELING.....	218
FIGURE 5-9. CONSOLE BOX ASSEMBLY - 3369LE/4069LE WITH LEVELING JACKS.....	220
FIGURE 5-10. CONSOLE BOX ASSEMBLY - M3369/M4069 2WD NO LEVELING JACKS.....	222
FIGURE 5-11. CONSOLE BOX ASSEMBLY - M3369/M4069 2WD WITH LEVELING JACKS.....	224
FIGURE 5-12. CONSOLE BOX ASSEMBLY - M3369/M4069 4WD NO LEVELING JACKS.....	226
FIGURE 5-13. CONSOLE BOX ASSEMBLY - M3369/M4069 4WD WITH LEVELING JACKS.....	228
FIGURE 5-14. DRIVE/STEER CONTROLLER ASSEMBLY.....	230
SECTION 6 - CYLINDER.....	233

TABLE OF CONTENTS

FIGURE 6-1. AXLE LOCKOUT CYLINDER ASSEMBLY	234
FIGURE 6-2. LEVELING JACK CYLINDER ASSEMBLY	236
FIGURE 6-3. LIFT CYLINDER ASSEMBLY - 3369LE/M3369	238
FIGURE 6-4. LIFT (LOWER) CYLINDER ASSEMBLY - 4069LE/M4069	240
FIGURE 6-5. LIFT (UPPER) CYLINDER ASSEMBLY - 4069LE/M4069	242
FIGURE 6-6. STEER CYLINDER ASSEMBLY	244
SECTION 7 - HYDRAULIC	247
FIGURE 7-1. HYDRAULIC DIAGRAM LIST	248
FIGURE 7-2. HYDRAULIC DIAGRAM - 4WD	250
FIGURE 7-3. HYDRAULIC DIAGRAM - LEVELING JACKS (OPTIONAL)	252
FIGURE 7-4. HYDRAULIC DIAGRAM - LIFT CYLINDER - 3369LE/M3369 WITHOUT LSS	254
FIGURE 7-5. HYDRAULIC DIAGRAM - LIFT CYLINDER - 3369LE/M3369 WITH LSS	256
FIGURE 7-6. HYDRAULIC DIAGRAM - LIFT CYLINDER - 4069LE/M4069 WITHOUT LSS	258
FIGURE 7-7. HYDRAULIC DIAGRAM - LIFT CYLINDER - 4069LE/M4069 WITH LSS	260
FIGURE 7-8. HYDRAULIC DIAGRAM - STANDARD - 3369LE/M3369 WITH FIXED AXLE	262
FIGURE 7-9. HYDRAULIC DIAGRAM - STANDARD - 3369LE/M3369 WITH OSCILLATING AXLE (ALL SPECS EXCEPT CE SPEC)	264
FIGURE 7-10. HYDRAULIC DIAGRAM - STANDARD - 4069LE/M4069 WITH FIXED AXLE	268
FIGURE 7-11. HYDRAULIC DIAGRAM - STANDARD - 4069LE/M4069 WITH OSCILLATING AXLE (ALL SPECS EXCEPT CE SPEC)	270
FIGURE 7-12. HYDRAULIC DIAGRAM - STANDARD - 3369LE/M3369 WITH OSCILLATING AXLE (CE SPEC) (SN 0200246353 to Present, SN M200000100 to Present)	274
FIGURE 7-13. HYDRAULIC DIAGRAM - STANDARD - 4069LE/M4069 WITH OSCILLATING AXLE (CE SPEC) (SN 0200246353 to Present, SN M200000100 to Present)	278
SECTION 8 - ELECTRICAL	283
FIGURE 8-1. ELECTRICAL DIAGRAM LIST	284
FIGURE 8-2. AC TO PLATFORM INSTALLATION - 110V GFI (3369LE/M3369)	286
FIGURE 8-3. AC TO PLATFORM INSTALLATION - 110V GFI (4069LE/M4069)	288
FIGURE 8-4. AC TO PLATFORM INSTALLATION - 110V IEC YELLOW (CE SPEC ONLY)	290
FIGURE 8-5. AC TO PLATFORM INSTALLATION - 220V IEC BLUE (CE SPEC ONLY)	292
FIGURE 8-6. AC TO PLATFORM INSTALLATION - 220V AFSINT107 (CE SPEC ONLY)	294
FIGURE 8-7. AC TO PLATFORM INSTALLATION - 220V CEE7 SIDE GROUND (CE SPEC ONLY)	296
FIGURE 8-8. AC TO PLATFORM INSTALLATION - 220V CEE7 POST GROUND (CE SPEC ONLY)	298
FIGURE 8-9. ALARM HARNESS	300
FIGURE 8-10. BEACON LIGHT HARNESS	302
FIGURE 8-11. BREAKER BOX KIT WITH TWO BREAKERS - CE SPEC ONLY	304
FIGURE 8-12. BREAKER BOX KIT WITH THREE BREAKERS - CE SPEC ONLY	306
FIGURE 8-13. CHARGER CORD PLUG INSTALLATION - 110V IEC YELLOW PLUG (CE SPEC)	308
FIGURE 8-14. CHARGER CORD PLUG INSTALLATION - 220V IEC BLUE PLUG (CE SPEC)	310
FIGURE 8-15. CHARGER CORD PLUG INSTALLATION - 220V AFSINT 107 KEYED GROUND (CE SPEC)	312
FIGURE 8-16. CHARGER CORD PLUG INSTALLATION - 220V CEE7 POST GROUND (CE SPEC)	314
FIGURE 8-17. CHARGER CORD PLUG INSTALLATION - 220V CEE7 SIDE GROUND (CE SPEC)	316
FIGURE 8-18. FRONT WHEEL ASSIST (4WD) HARNESS	318
FIGURE 8-19. GENERATOR HARNESS - M3369/M4069 ONLY	320
FIGURE 8-20. GROUND CONTROL BOX HARNESS - 3369LE/4069LE	322
FIGURE 8-21. GROUND CONTROL BOX HARNESS - M3369/M4069	324
FIGURE 8-22. GROUND CONTROL BOX HARNESS (M4069 DRIVE AT FULL HEIGHT)	326
FIGURE 8-23. GROUND CONTROL BOX TO BULKHEAD HARNESS INSTALLATION - 3369LE/M3369	328
FIGURE 8-24. GROUND CONTROL BOX TO BULKHEAD HARNESS INSTALLATION - 4069LE/M4069	330
FIGURE 8-25. GROUND CONTROL BOX TO BULKHEAD HARNESS	332
FIGURE 8-26. LEVELING JACK HARNESS	334
FIGURE 8-27. LEVELING JACK N.C. HARNESS	336
FIGURE 8-28. LEVELING JACK N.O. HARNESS	338
FIGURE 8-29. LEVELING JACK VALVE HARNESS	340
FIGURE 8-30. LIFT DOWN HARNESS - LOWER	342
FIGURE 8-31. LIFT DOWN HARNESS - 3369LE/M3369 UPPER	344
FIGURE 8-32. LIFT DOWN HARNESS - 4069LE/M4069 UPPER	346
FIGURE 8-33. PLATFORM CABLE HARNESS - 3369LE/M3369	348
FIGURE 8-34. PLATFORM CABLE HARNESS - 4069LE/M4069	350
FIGURE 8-35. PLATFORM CONSOLE BOX HARNESS WITHOUT LEVELING JACKS	352
FIGURE 8-36. PLATFORM CONSOLE BOX HARNESS WITH LEVELING JACKS	354
FIGURE 8-37. RECEPTACLE BOX KIT - 110V GFI	356
FIGURE 8-38. RECEPTACLE BOX KIT - 110V IEC YELLOW (CE SPEC)	358

TABLE OF CONTENTS

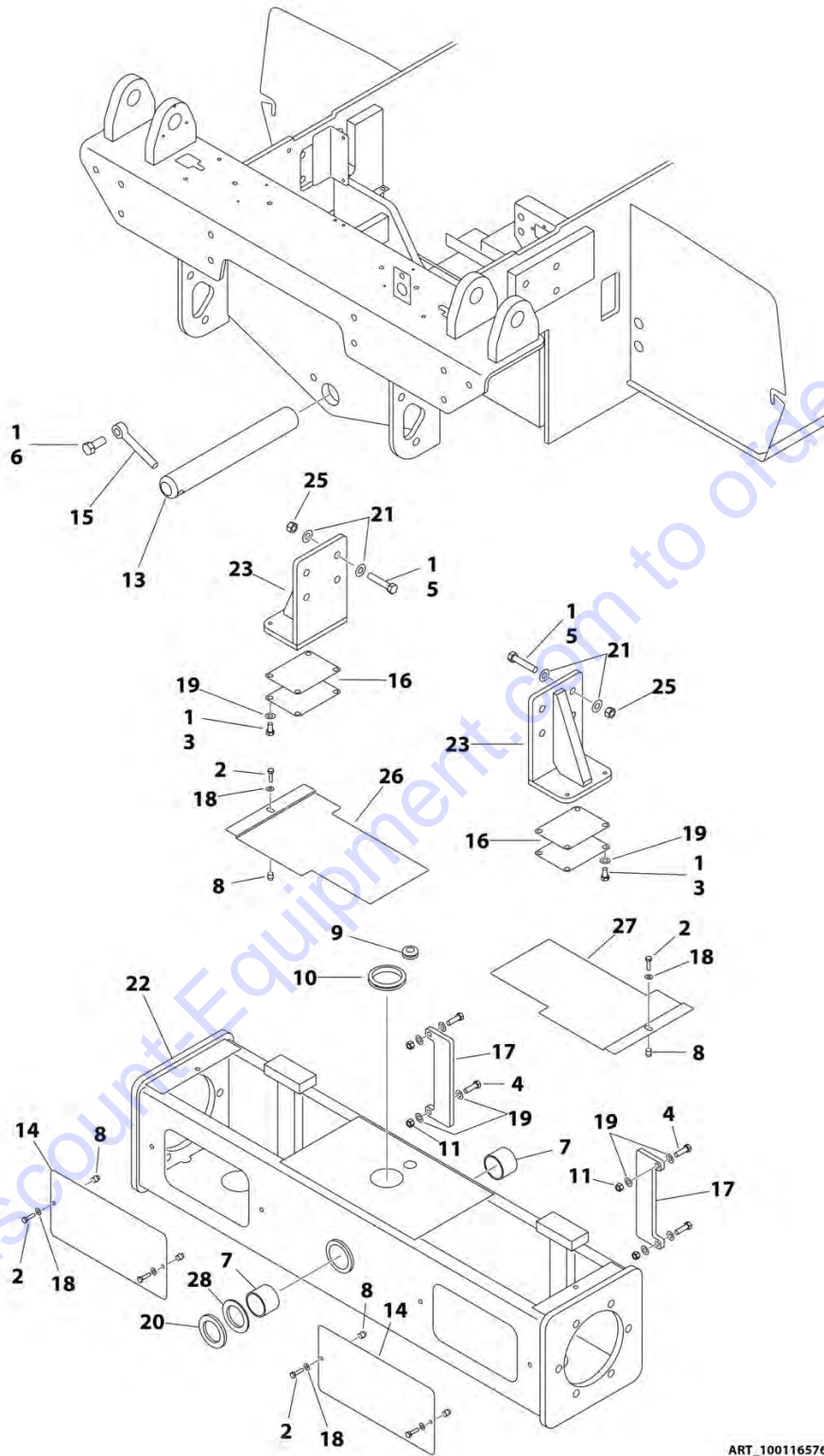
FIGURE 8-39. RECEPTACLE BOX KIT - 220V IEC BLUE (CE SPEC).....	360
FIGURE 8-40. RECEPTACLE BOX KIT - 220V AFSINT 107 (CE SPEC).....	362
FIGURE 8-41. RECEPTACLE BOX KIT - 220V CEE7 SIDE GROUND (CE SPEC).....	364
FIGURE 8-42. RECEPTACLE BOX KIT - 220V CEE7 POST GROUND (CE SPEC).....	366
FIGURE 8-43. VALVE HARNESS.....	368
SECTION 9 - DECALS.....	371
FIGURE 9-1. DECAL INSTALLATION - ANSI SPEC (ENGLISH).....	372
FIGURE 9-2. DECAL INSTALLATION - AUSTRALIAN AND CE SPECS - 3369LE & 4069LE.....	374
FIGURE 9-3. DECAL INSTALLATION - AUSTRALIAN AND CE SPECS - M3369 & M4069.....	376
FIGURE 9-4. DECAL INSTALLATION - BRAZIL SPEC (DUAL LANGUAGE - PORTUGUESE/SPANISH).....	378
FIGURE 9-5. DECAL INSTALLATION - CHINESE SPEC (DUAL LANGUAGE - ENGLISH/CHINESE).....	380
FIGURE 9-6. DECAL INSTALLATION - CSA SPEC (DUAL LANGUAGE - ENGLISH/FRENCH).....	382
FIGURE 9-7. DECAL INSTALLATION - JAPANESE SPEC (DUAL LANGUAGE - ENGLISH/JAPANESE).....	384
FIGURE 9-8. DECAL INSTALLATION - KOREAN SPEC (DUAL LANGUAGE - ENGLISH/KOREAN).....	386
FIGURE 9-9. DECAL INSTALLATION - LATIN AMERICAN SPEC (DUAL LANGUAGE - ENGLISH/SPANISH).....	388
FIGURE 9-10. DECAL INSTALLATION - OPTIONS.....	390
SECTION 10 - RECOMMENDED SERVICE PARTS STOCK.....	393
FIGURE 10-1. RECOMMENDED SERVICE PARTS STOCK.....	394
SECTION 11 - SPECIAL OPTIONS.....	395
FIGURE 11-1. SPECIAL OPTIONS.....	396
PART NUMBER INDEX.....	399

SECTION 1 - FRAME

Go to Discount-Equipment.com to order your parts

SECTION 1 - FRAME

FIGURE 1-1. REAR AXLE INSTALLATION - FIXED



ART_1001165760

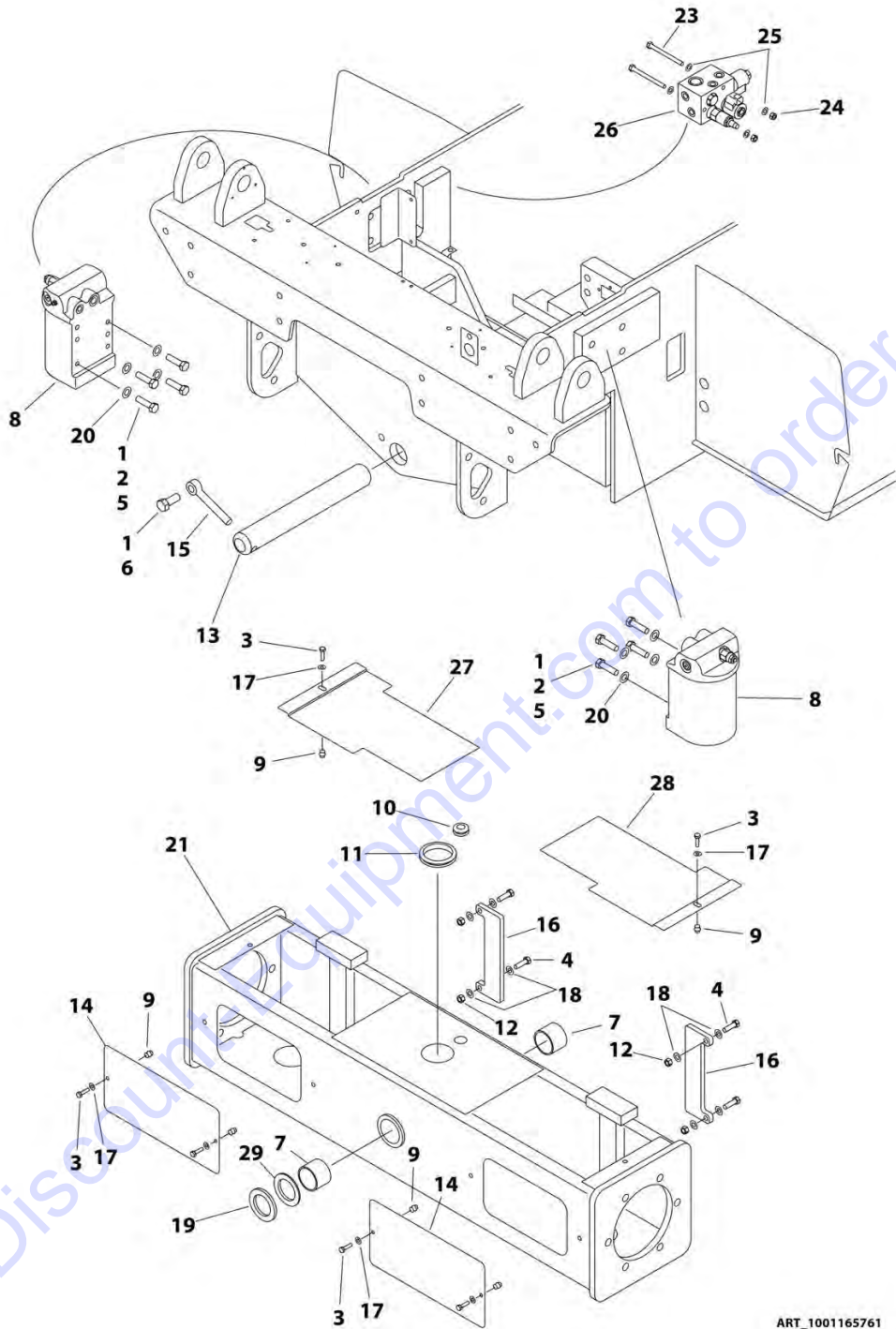
SECTION 1 - FRAME

FIGURE 1-1. REAR AXLE INSTALLATION - FIXED

ITEM	PART NUMBER	QTY	DESCRIPTION	REV
	1001165760	Ref	REAR AXLE INSTALLATION - FIXED	D
1	0100011	AR	Compound, Locking	
2	0641408	6	Bolt 1/4 x 1	
3	0641606	4	Bolt 3/8 x 3/4	
4	0641610	4	Bolt 3/8 x 1-1/4	
5	0641820	8	Bolt 1/2 x 2-1/2	
6	0642012	1	Bolt 5/8 x 1-1/2	
7	0961950	2	Bearing	
8	2080061	6	Fastener	
9	2540038	1	Grommet	
10	2540039	1	Grommet	
11	3311605	4	Nut 3/8	
13	3422900	1	Pin	
14	3572554	2	Plate, Cover	
15	3841258	1	Keeper, Pin	
16	4070932	4	Shim 16Ga	
17	4071008	2	Shim	
18	4711400	6	Washer 1/4	
19	4711600	12	Washer 3/8	
20	4740158	1	Washer	
21	4891800	16	Washer 1/2	
22	1001164150	1	Axle	
23	1001165629	2	Support	
25	3311805	8	Nut 1/2	
26	1001165821	NLA	Plate, Cover (LH) (Use p/n 1001180299) (SN 0200230092 through 0200235754)	
26	1001180299	1	Plate, Cover (LH) (SN 0200235755 to Present)	
26	1001180299	1	Plate, Cover (LH) (SN M200000100 to Present)	
27	1001165821	NLA	Plate, Cover (RH) (Use p/n 1001180300) (SN 0200230092 through 0200235754)	
27	1001180300	1	Plate, Cover (RH) (SN 0200235755 to Present)	
27	1001180300	1	Plate, Cover (RH) (SN M200000100 to Present)	
28	4740541	AR	Washer, Thrust	

SECTION 1 - FRAME

FIGURE 1-2. REAR AXLE INSTALLATION - OSCILLATING (ALL SPECS EXCEPT CE SPEC)



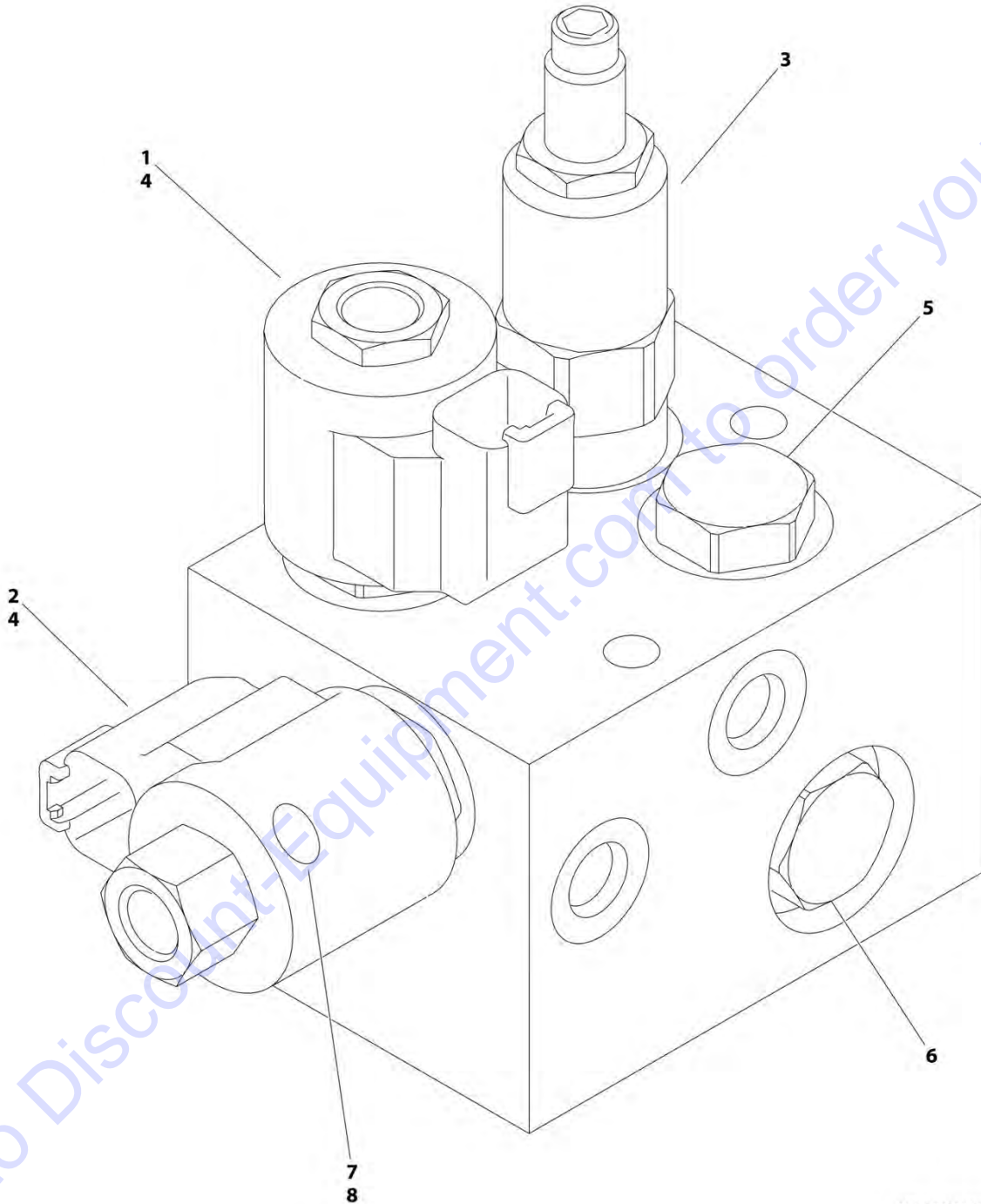
SECTION 1 - FRAME

FIGURE 1-2. REAR AXLE INSTALLATION - OSCILLATING (ALL SPECS EXCEPT CE SPEC)

ITEM	PART NUMBER	QTY	DESCRIPTION	REV
	1001165761	Ref	REAR AXLE INSTALLATION - OSCILLATING (ALL SPECS EXCEPT CE SPEC)	F
1	0100011	AR	Compound, Locking	
2	0100038	AR	Primer, Locking	
3	0641408	6	Bolt 1/4 x 1	
4	0641610	4	Bolt 3/8 x 1-1/4	
5	0701217	8	Bolt M12 x 45	
6	0642012	1	Bolt 5/8 x 1-1/2	
7	0961950	2	Bearing	
8	1001163580	2	Axle Lockout Cylinder Assembly (See CYLINDER SECTION for Breakdown)	
9	2080061	6	Fastener	
10	2540038	1	Grommet	
11	2540039	1	Grommet	
12	3311605	4	Nut 3/8	
13	3422900	1	Pin	
14	3572554	2	Plate, Cover	
15	3841258	1	Keeper, Pin	
16	4071008	2	Shim	
17	4711400	6	Washer 1/4	
18	4711600	8	Washer 3/8	
19	4740158	1	Washer 1/4	
20	5241200	8	Washer M12	
21	1001164150	1	Axle	
23	0641530	2	Bolt 5/16 x 3-3/4	
24	3311505	2	Nut 5/16	
25	4711500	4	Washer 5/16	
26	1001166487	1	Oscillating Axle Valve Assembly (See OSCILLATING AXLE VALVE ASSEMBLY (ALL SPECS EXCEPT CE SPEC) for Breakdown)	
27	1001165821	NLA	Plate, Cover (LH) (Use p/n 1001180299) (SN 0200230092 through 0200235754)	
27	1001180299	1	Plate, Cover (LH) (SN 0200235755 to Present)	
27	1001180299	1	Plate, Cover (LH) (SN M200000100 to Present)	
28	1001165821	NLA	Plate, Cover (RH) (Use p/n 1001180300) (SN 0200230092 through 0200235754)	
28	1001180300	1	Plate, Cover (RH) (SN 0200235755 to Present)	
28	1001180300	1	Plate, Cover (RH) (SN M200000100 to Present)	
29	4740541	AR	Washer, Thrust	

SECTION 1 - FRAME

FIGURE 1-3. OSCILLATING AXLE VALVE ASSEMBLY (ALL SPECS EXCEPT CE SPEC)



ART_1001166487

SECTION 1 - FRAME

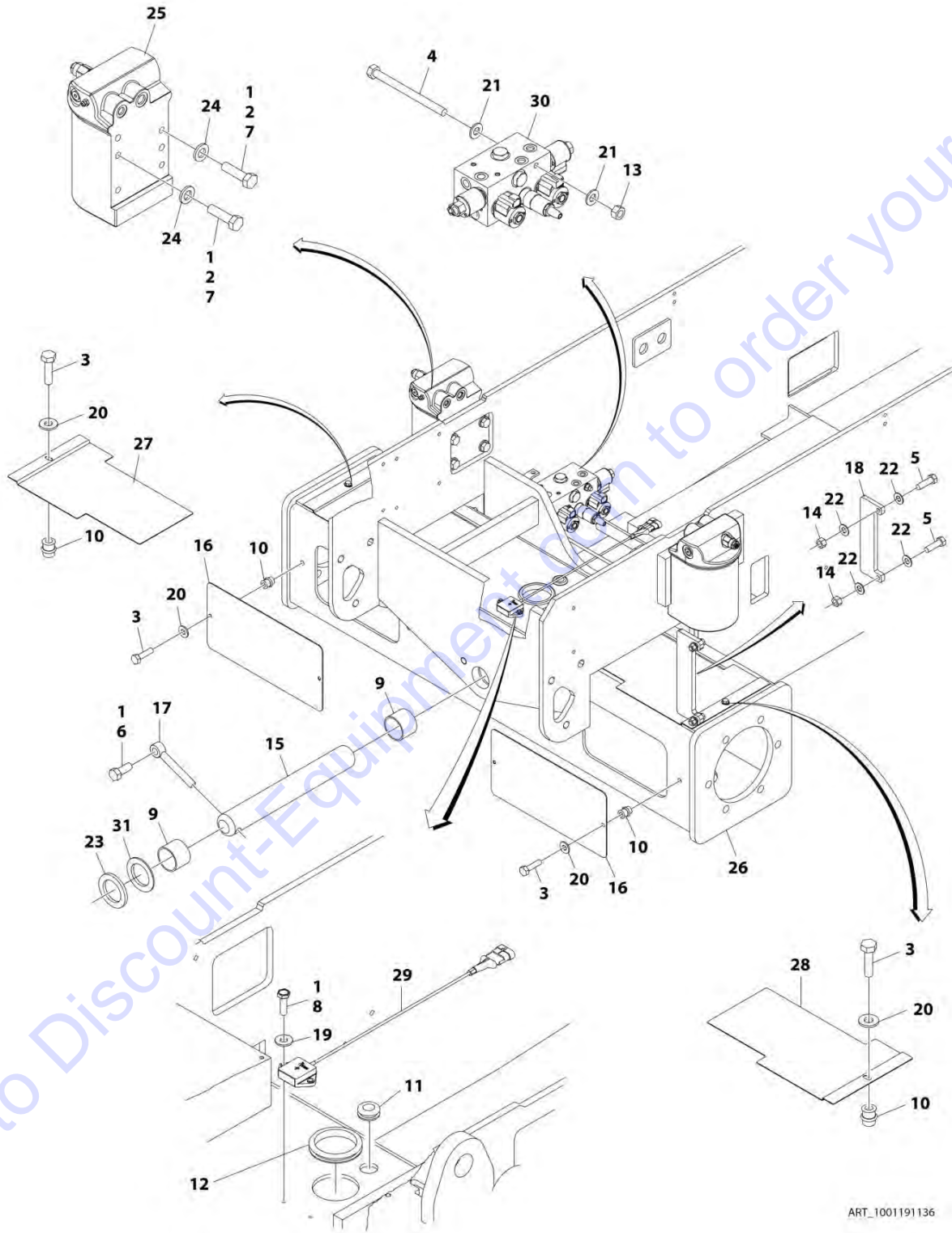
FIGURE 1-3. OSCILLATING AXLE VALVE ASSEMBLY (ALL SPECS EXCEPT CE SPEC)

ITEM	PART NUMBER	QTY	DESCRIPTION	REV
	1001166487	Ref	OSCILLATING AXLE VALVE ASSEMBLY (ALL SPECS EXCEPT CE SPEC)	D
1	70004387	1	Cartridge Less Coil	
1	7010543	1	Seal Kit - 70004387 Valve	
2	7017410	1	Cartridge Less Coil	
2	7012967	1	Seal Kit - 7017410 Valve	
2	70003978	1	Nut, Coil	
3	70004388	1	Cartridge, Valve	
3	7021653	1	Seal Kit - 70004388 Valve	
4	70002963	2	Coil	
5	7023976	1	Cartridge, Valve	
5	7012967	1	Seal Kit - 7023976 Valve	
6	7012955	1	Cartridge, Valve	
6	7012967	1	Seal Kit - 7012955 Cartridge	
7	70004389	1	Orifice	
8	7017406	1	Plug	

Go to Discount-Equipment.com to order your parts

SECTION 1 - FRAME

FIGURE 1-4. REAR AXLE INSTALLATION - OSCILLATING (CE SPEC) (SN 0200246353 to Present, SN M200000100 to Present)



ART_1001191136

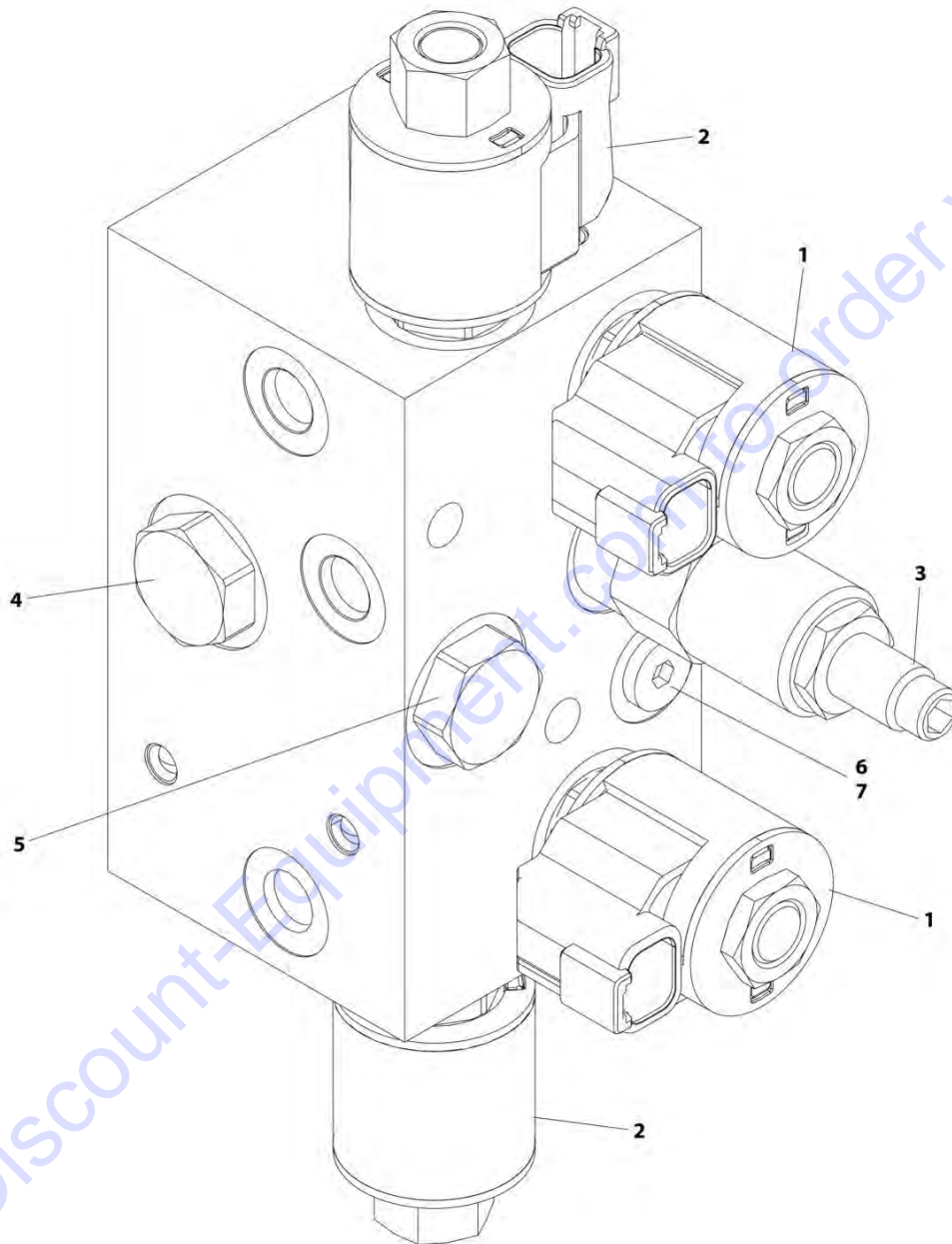
SECTION 1 - FRAME

FIGURE 1-4. REAR AXLE INSTALLATION - OSCILLATING (CE SPEC) (SN 0200246353 to Present, SN M200000100 to Present)

ITEM	PART NUMBER	QTY	DESCRIPTION	REV
	1001191136	Ref	REAR AXLE INSTALLATION - OSCILLATING (CE SPEC) (SN 0200246353 to Present)	C
	1001191136	Ref	REAR AXLE INSTALLATION - OSCILLATING (CE SPEC) (SN M200000100 to Present)	C
1	0100011	AR	Compound, Locking	
2	0100038	AR	Primer, Locking	
3	0641408	6	Bolt 1/4 x 1	
4	0641532	2	Bolt 1/4 x 1	
5	0641610	4	Bolt 5/16 x 4	
6	0642012	1	Bolt 5/8 x 1-1/2	
7	0701217	8	Bolt M12 x 45	
8	0721005	2	Bolt 10 x 0.625	
9	0961950	2	Bearing	
10	2080061	6	Fastener	
11	2540038	1	Grommet	
12	2540039	1	Grommet	
13	3311505	2	Nut 5/16	
14	3311605	4	Nut 3/8	
15	3422900	1	Pin	
16	3572554	2	Plate, Cover	
17	3841258	1	Keeper, Pin	
18	4071008	2	Shim	
19	4711000	2	Washer #10	
20	4711400	6	Washer 1/4	
21	4711500	4	Washer 5/16	
22	4711600	8	Washer 3/8	
23	4740158	1	Washer 1/4	
24	5241200	8	Washer M12	
25	1001163580	2	Axle Lockout Cylinder Assembly (See CYLINDER SECTION for Breakdown)	
26	1001164150	1	Axle	
27	1001180299	1	Plate, Cover (LH)	
28	1001180300	1	Plate, Cover (RH)	
29	1001186467	1	Sensor	
30	1001186548	1	Oscillating Axle Valve Assembly (See OSCILLATING AXLE VALVE ASSEMBLY (CE SPEC) for Breakdown)	
31	4740541	AR	Washer, Thrust	

SECTION 1 - FRAME

FIGURE 1-5. OSCILLATING AXLE VALVE ASSEMBLY (CE SPEC) (SN 0200246353 to Present, SN M200000100 to Present)



ART_1001186548

SECTION 1 - FRAME

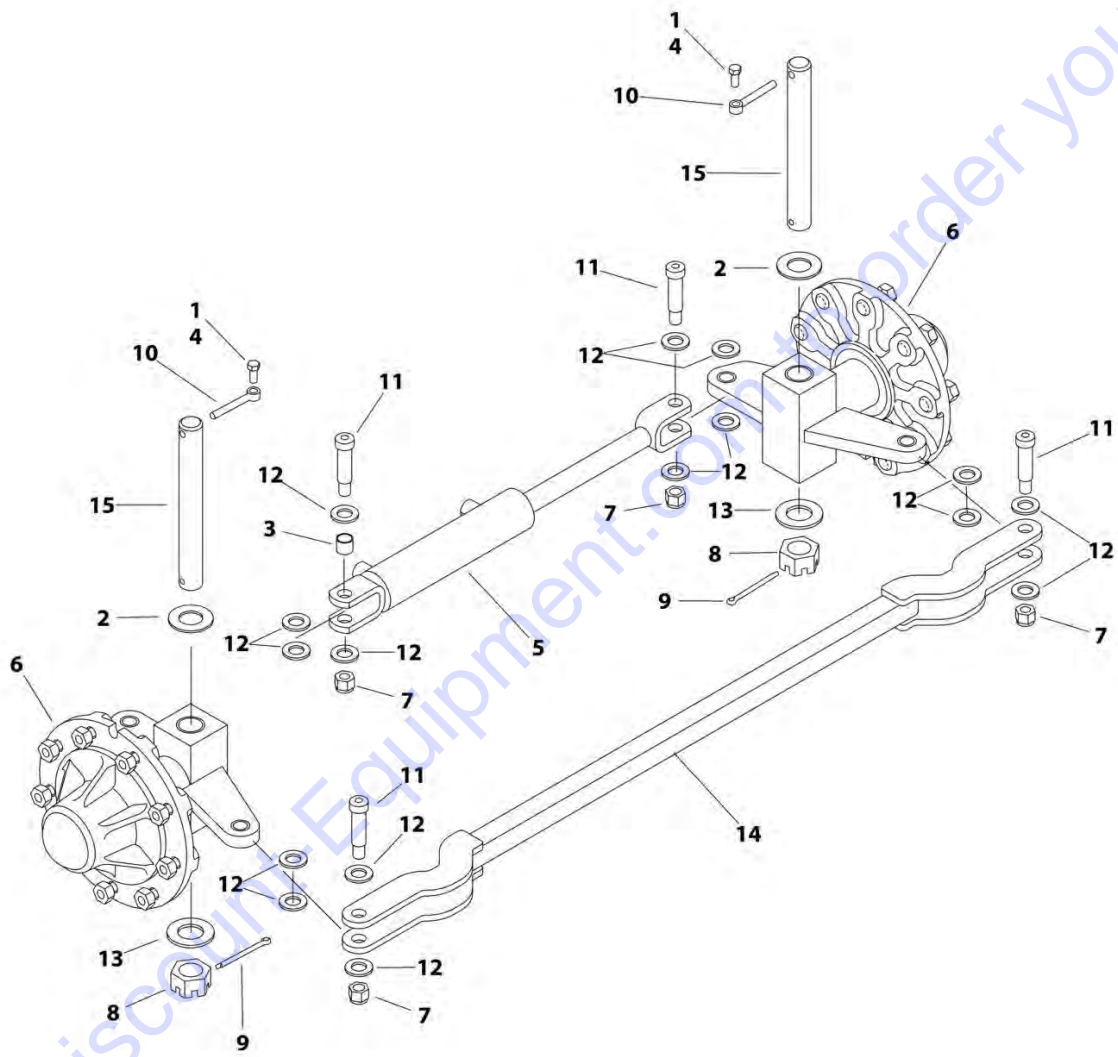
FIGURE 1-5. OSCILLATING AXLE VALVE ASSEMBLY (CE SPEC) (SN 0200246353 to Present, SN M200000100 to Present)

ITEM	PART NUMBER	QTY	DESCRIPTION	REV
	1001186548	Ref	OSCILLATING AXLE VALVE ASSEMBLY (CE SPEC) (SN 0200246353 to Present)	A
	1001186548	Ref	OSCILLATING AXLE VALVE ASSEMBLY (CE SPEC) (SN M200000100 to Present)	A
1	70004387	2	Cartridge, Check	
1A	7010543	1	Seal Kit - 70004387 Valve	
1B	70002963	2	Coil	
2	7017410	2	Cartridge, Check	
2A	7012967	1	Seal Kit - 7017410 Valve	
2B	70003978	1	Nut, Coil	
2C	70002963	2	Coil	
3	70004388	1	Cartridge, Check	
3A	7021653	1	Seal Kit - 7014388 Valve	
4	7023976	1	Cartridge, Check	
4A	7012967	1	Seal Kit - 7013976 Valve	
5	7012955	1	Cartridge, Check	
5A	7012967	1	Seal Kit - 7012955 Valve	
6	70004389	1	Orifice	
7	2220883	1	Plug	

Go to Discount-Equipment.com to order your parts

SECTION 1 - FRAME

FIGURE 1-6. STEERING INSTALLATION - 2WD



ART_1001165838

SECTION 1 - FRAME

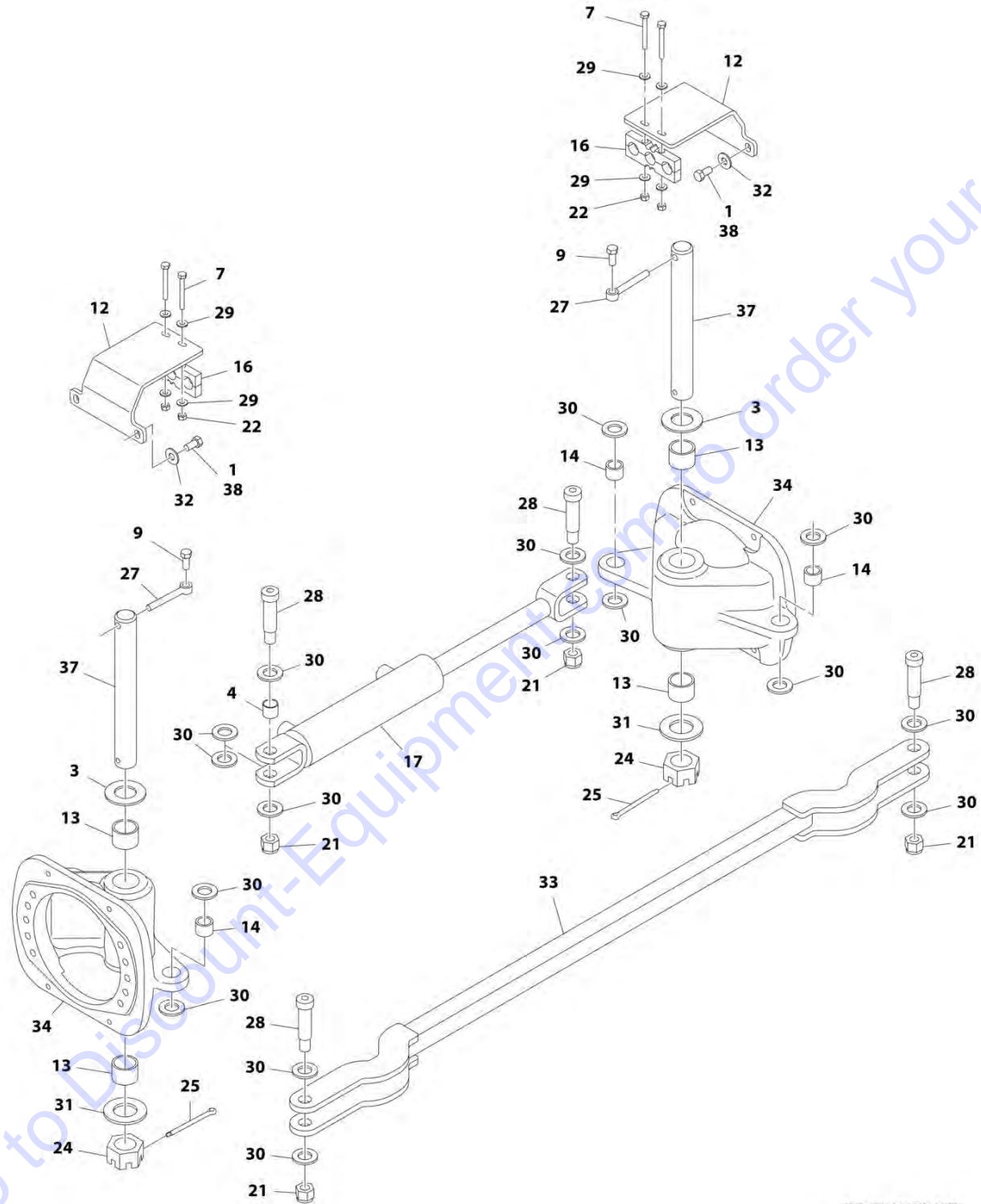
FIGURE 1-6. STEERING INSTALLATION - 2WD

ITEM	PART NUMBER	QTY	DESCRIPTION	REV
	1001165838	Ref	STEERING INSTALLATION - 2WD	B
1	0100011	AR	Compound, Locking	
2	0440162	2	Bearing	
3	0440247	1	Bearing	
4	0641607	2	Bolt 3/8 x 7/8	
5	1683994	1	Steer Cylinder Assembly (See CYLINDER SECTION for Breakdown)	
6	2780234	2	Hub Assembly (See HUB ASSEMBLY - 2WD FRONT for Breakdown)	
7	3300240	4	Nut 5/8	
8	3313003	2	Nut 1-1/4	
9	3450812	2	Pin, Cotter	
10	3841143	2	Keeper, Pin	
11	3900266	4	Screw	
12	4712200	16	Washer 3/4	
13	4713000	2	Washer 1-1/4	
14	4846301	1	Tie-Rod	
15	1001165819	2	Kingpin	

Go to Discount-Equipment.com to order your parts

SECTION 1 - FRAME

FIGURE 1-7. STEERING INSTALLATION - 4WD



ART_1001165839_10F2

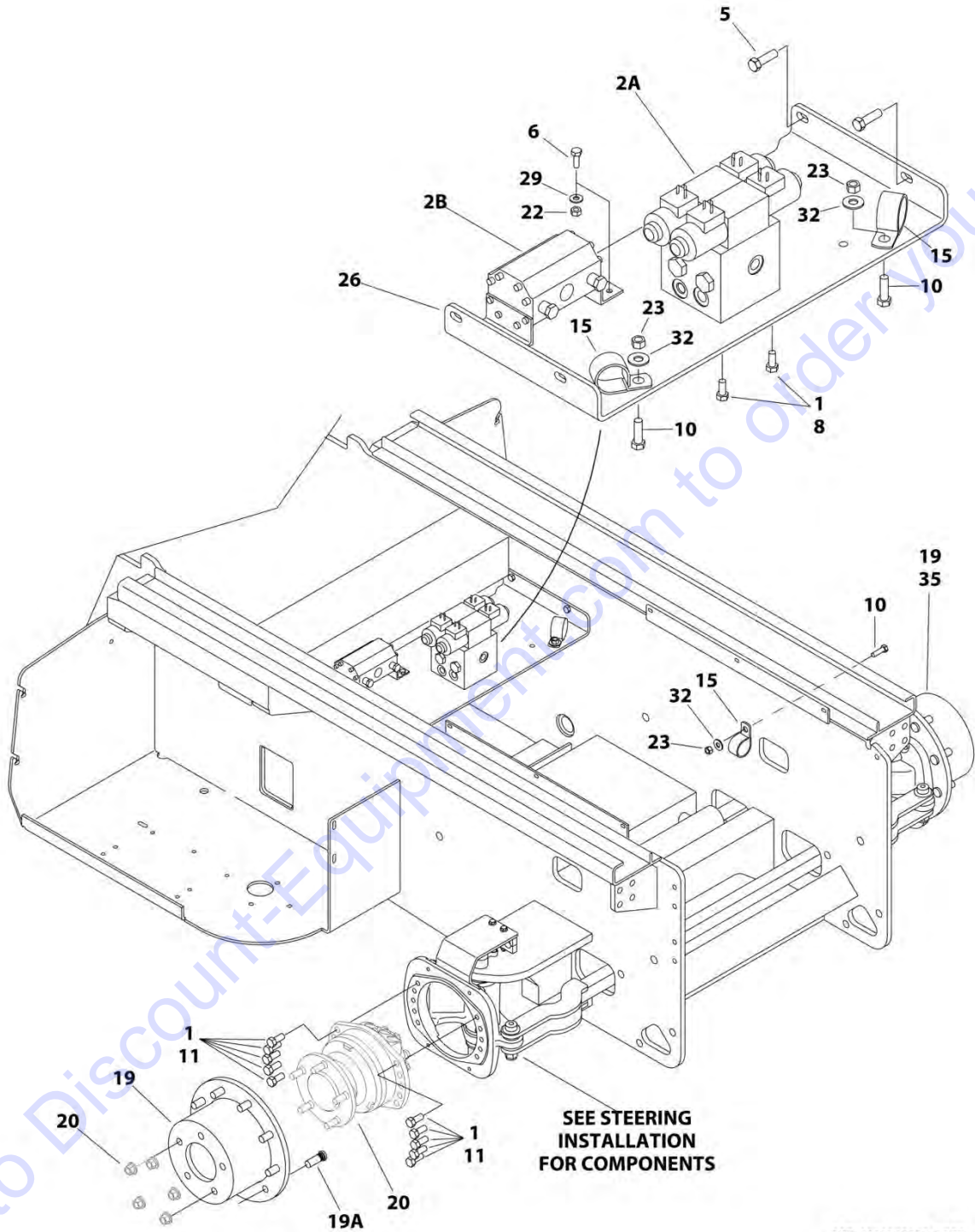
SECTION 1 - FRAME

FIGURE 1-7. STEERING INSTALLATION - 4WD

ITEM	PART NUMBER	QTY	DESCRIPTION	REV
	1001165839	Ref	STEERING INSTALLATION - 4WD	D
		Ref	For UK MOD Machines, refer to JLG Manual p/n 3121698.	
1	0100011	1	Compound, Locking	
3	0440162	2	Bearing, Thrust	
4	0440247	1	Bearing	
7	0641418	4	Bolt 1/4 x 2-1/4	
9	0641607	2	Bolt 3/8 x 7/8	
12	0902704	2	Bracket	
13	0961951	4	Bushing	
14	0962140	3	Bearing	
16	1320292	1	Clamp	
17	1683994	1	Steer Cylinder Assembly (See CYLINDER SECTION for Breakdown)	
21	3300240	4	Nut 5/8	
22	3311405	8	Nut 1/4	
24	3313003	2	Nut 1-1/4	
25	3450812	2	Pin, Cotter	
27	3841143	2	Keeper, Pin	
28	3900266	4	Capscrew 5/8 x 2-1/4	
29	4711400	12	Washer 1/4	
30	4712200	16	Washer 3/4	
31	4713000	2	Washer 1-1/4	
32	4751600	10	Washer 3/8	
33	4846301	1	Tie-Rod	
34	1001097815	2	Spindle	
37	1001165819	2	Pin	
38	0641606	4	Bolt 3/8 x 3/4	

SECTION 1 - FRAME

FIGURE 1-8. STEERING AND FRONT DRIVE INSTALLATION - 4WD FRONT



ART_1001165839_20F2

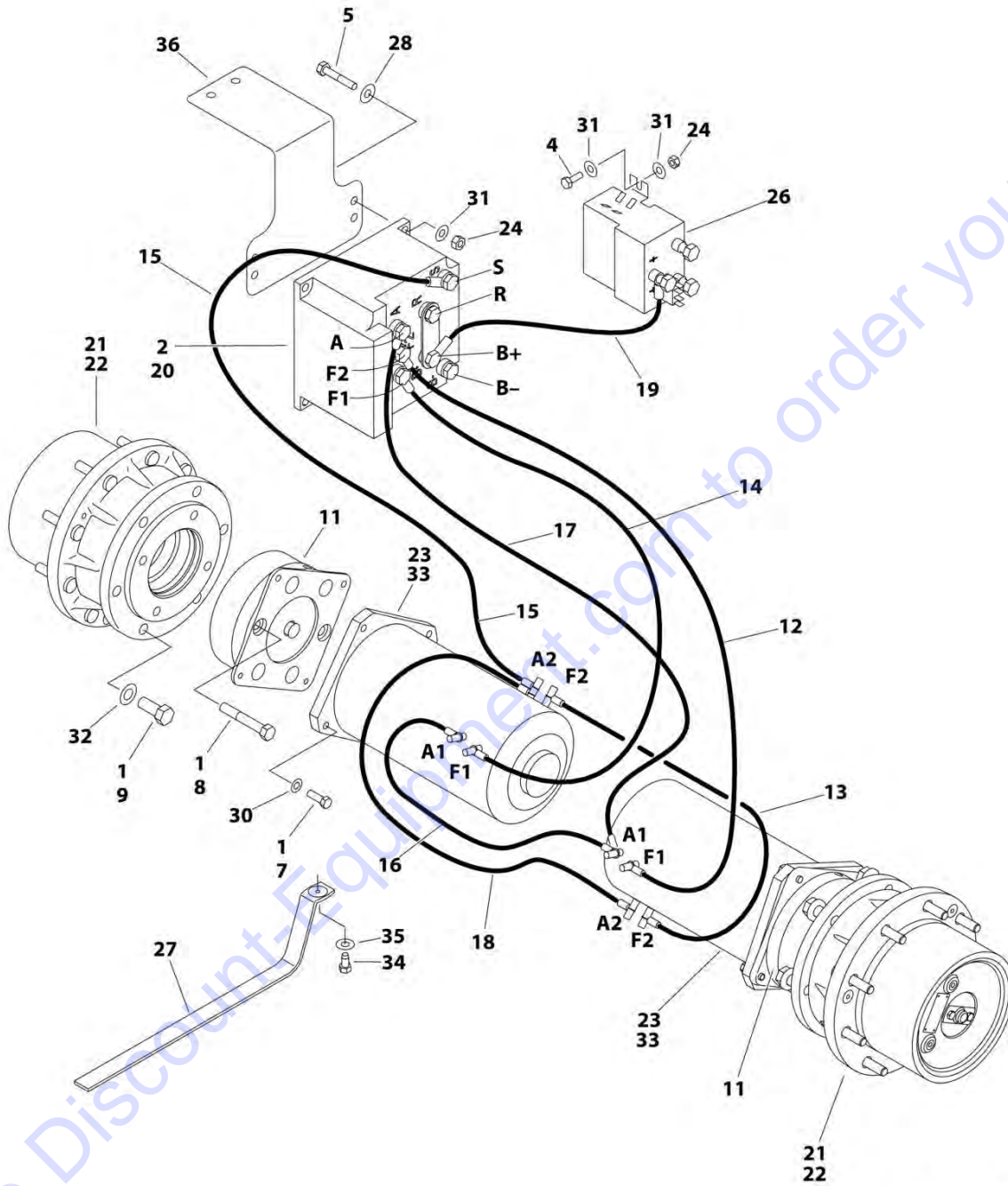
SECTION 1 - FRAME

FIGURE 1-8. STEERING AND FRONT DRIVE INSTALLATION - 4WD FRONT

ITEM	PART NUMBER	QTY	DESCRIPTION	REV
	1001165839	Ref	STEERING AND FRONT DRIVE INSTALLATION - 4WD FRONT	E
1	0100011	AR	Compound, Locking	
2	0270991	NSS	Valves Installation (Not Shown) (See HYDRAULIC SECTION for Breakdown)	D
2A	1001092586	1	Drive Valve Assembly (See DRIVE VALVE ASSEMBLY - 4WD ONLY for Breakdown)	
2B	4641148	1	Flow Divider Valve Assembly (See FLOW DIVIDER VALVE ASSEMBLY - 4WD ONLY)	
5	0630549	4	Capscrew 3/8 x 1-1/4	
6	0641406	4	Bolt 1/4 x 3/4	
8	0641506	4	Bolt 5/16 x 3/4	
10	0641610	4	Bolt 3/8 x 1-1/4	
11	0681809	20	Bolt 1/2 x 1-1/8 Grade 8	
15	1320095	4	Clamp	
18	1704998	2	Decal - All Wheel Drive (Not Shown - Located on side of Platform)	
19	2780260	2	Drive Hub Assembly	
19A	4300145	18	Stud, Wheel (9 per Hub)	
20	3160245	NLA	Drive Motor Assembly (Use p/n 1001228233) (See DRIVE MOTOR ASSEMBLY - OPERATORS POSITION RH SIDE - 4WD FRONT for Breakdown) (SN 0200230092 to Present, SN M200000100 through M200023101)	
20	1001228233	1	Drive Motor Assembly (See DRIVE MOTOR ASSEMBLY - OPERATORS POSITION RH SIDE - 4WD FRONT for Breakdown) (SN M200023102 to Present)	
22	3311405	4	Nut 1/4	
23	3311605	4	Nut 3/8	
26	3572850	1	Plate, Mounting	
29	4711400	12	Washer 1/4	
32	4751600	10	Washer 3/8	
35	1001101934	NLA	Drive Motor Assembly (Use p/n 1001228231) (See DRIVE MOTOR ASSEMBLY - OPERATORS POSITION LH SIDE - 4WD FRONT for Breakdown) (SN 0200230092 to Present, SN M200000100 through M200023101)	
35	1001228231	1	Drive Motor Assembly (See DRIVE MOTOR ASSEMBLY - OPERATORS POSITION LH SIDE - 4WD FRONT for Breakdown) (SN M200023102 to Present)	
36	1001101989	1	Harness, 4WD (Not Shown - See ELECTRICAL SECTION for Breakdown)	

SECTION 1 - FRAME

FIGURE 1-9. WHEEL DRIVE AND CONTROLLER INSTALLATION - 2WD/4WD REAR



ART_1001099375

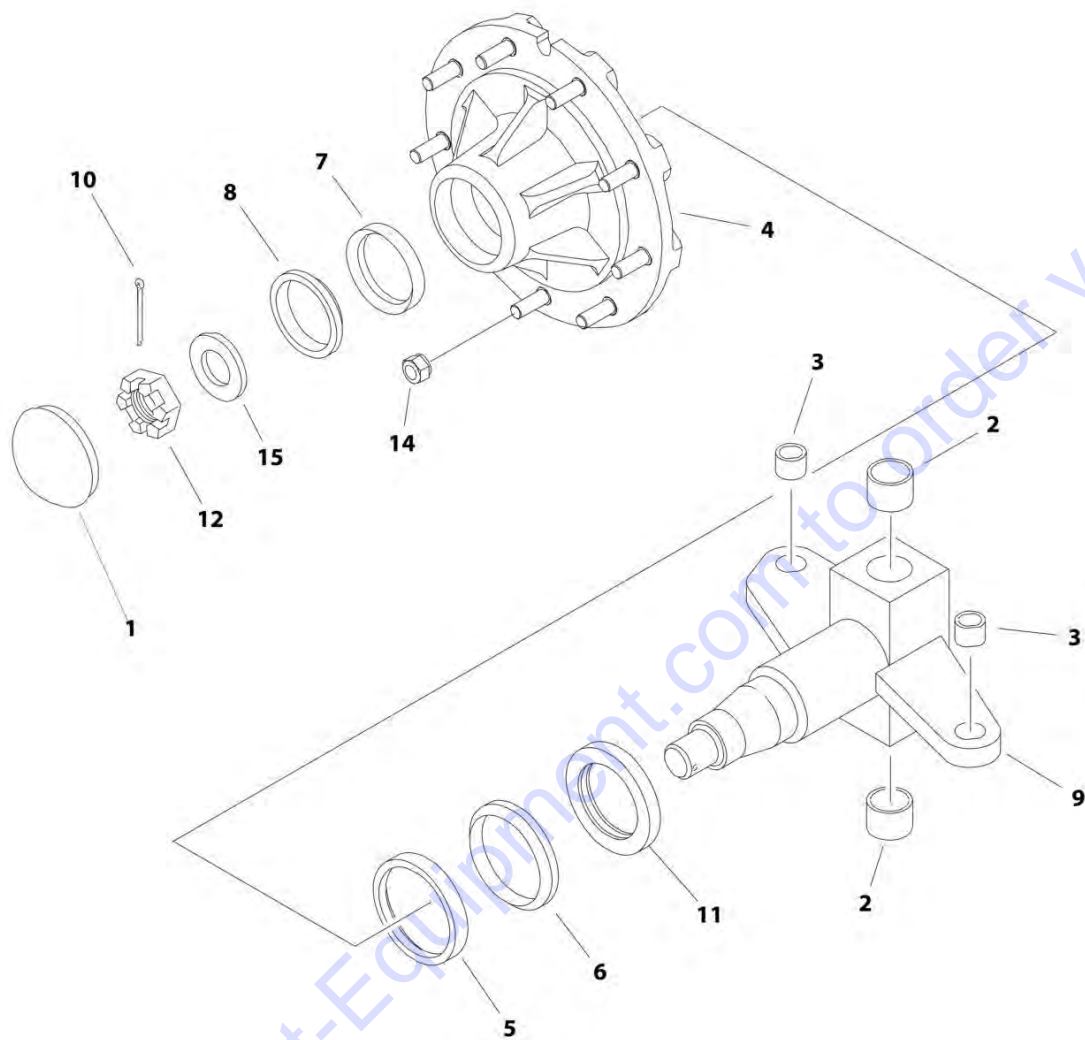
SECTION 1 - FRAME

FIGURE 1-9. WHEEL DRIVE AND CONTROLLER INSTALLATION - 2WD/4WD REAR

ITEM	PART NUMBER	QTY	DESCRIPTION	REV
	1001099375	Ref	WHEEL DRIVE AND CONTROLLER INSTALLATION - 2WD/4WD REAR	C
1	0100019	AR	Compound, Locking	
2	0100083	AR	Grease, Heat Transfer	
4	0641406	2	Bolt 1/4 x 3/4	
5	0641412	4	Bolt 1/4 x 1-1/2	
7	0641609	8	Bolt 3/8 x 1-1/8	
8	0641826	4	Bolt 1/2 x 3-1/4	
9	0682012	12	Bolt 5/8 x 1-1/2 Grade 8	
11	0920118	1	Drive Brake Assembly (See DRIVE BRAKE ASSEMBLY for Breakdown)	
12	1060888	1	Cable, Electrical (Controller F2 to Right Motor F1)	
13	1060889	1	Cable, Electrical (RH Motor F2 to LH Motor F2)	
14	1060890	1	Cable, Electrical (Controller F1 to LH Motor F1)	
15	1060891	1	Cable, Electrical (Controller S to LH Motor A2)	
16	1060892	1	Cable, Electrical (RH Motor A1 to LH Motor A1)	
17	1060893	1	Cable, Electrical (Controller A to RH Motor A1)	
18	1060894	1	Cable, Electrical (LH Motor A2 to RH Motor A2)	
19	1060895	1	Cable, Electrical (Controller B+ to Contactor ++)	
20	1600421	1	Controller	
21	2780282	2	Drive Hub Assembly (See DRIVE HUB ASSEMBLY - REAR for Breakdown)	
22	3020008	1.6 qt /1.5L	Lubricant 80W-90	
23	3160256	2	Drive Motor Assembly - Rear (See DRIVE HUB ASSEMBLY - REAR for Breakdown)	
24	3311405	6	Nut 1/4	
26	3740135	1	Contactor	
27	4240084	1	Strap, Anti-Static	
28	4711400	4	Washer 1/4	
30	4711600	8	Washer 3/8	
31	4751400	8	Washer 1/4	
32	4892000	1	Washer 5/8	
33	3020037	AR	Lubricant	
34	3941606	1	Screw 3/8 x 3/4	
35	4751600	1	Washer 3/8	
36	0903273	1	Bracket	

SECTION 1 - FRAME

FIGURE 1-10. HUB ASSEMBLY - 2WD FRONT



ART_2780234

SECTION 1 - FRAME

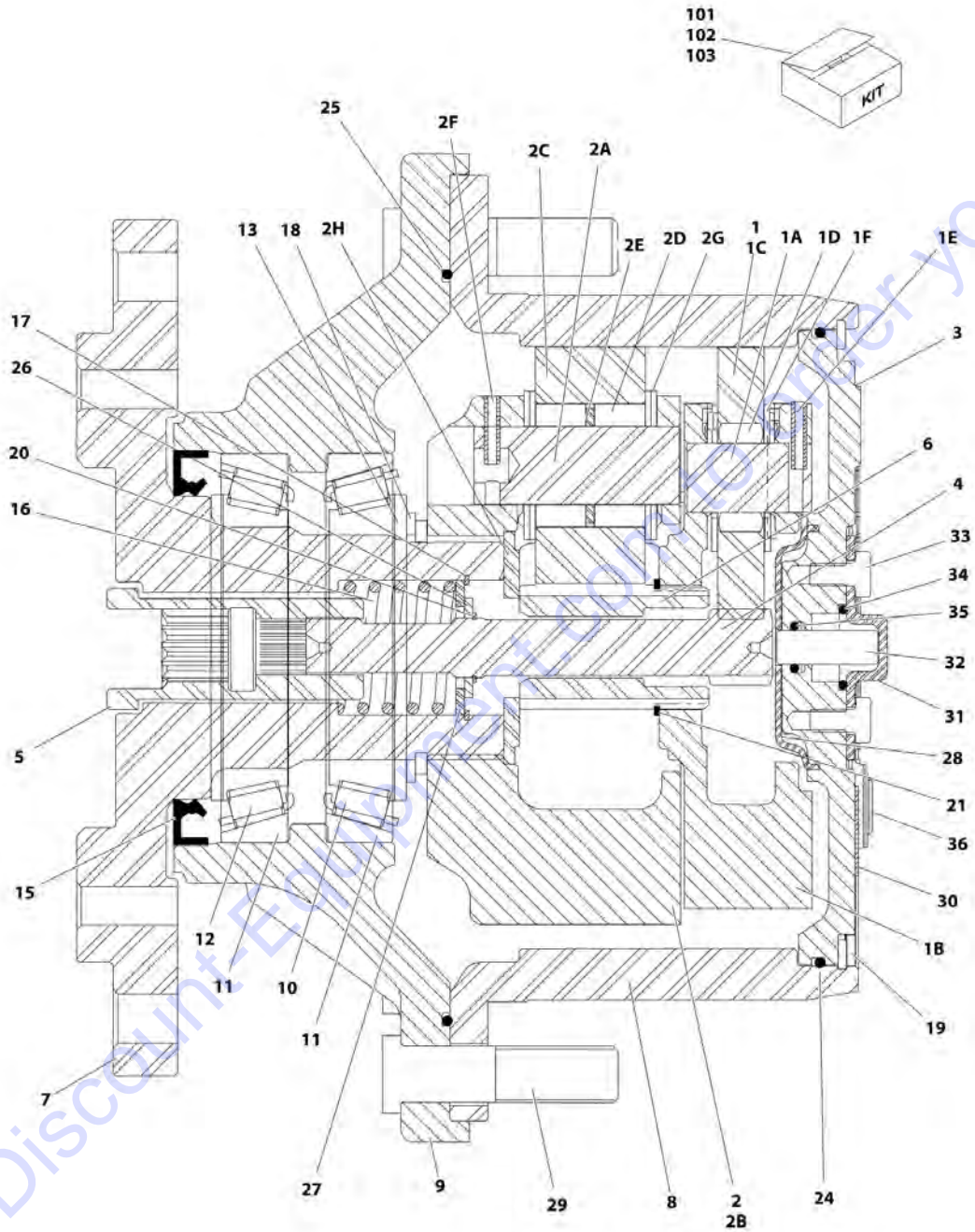
FIGURE 1-10. HUB ASSEMBLY - 2WD FRONT

ITEM	PART NUMBER	QTY	DESCRIPTION	REV
	2780234	Ref	HUB ASSEMBLY - 2WD FRONT	F
1	7020033	1	Cap, Dust	
2	0961951	1	Bushing	
3	0962140	2	Bushing	
4	7020035	2	Hub	
5	7020036	1	Cup, Bearing - Inner	
6	7020037	1	Cone, Bearing - Inner	
7	7020038	1	Cup, Bearing - Outer	
8	7020039	1	Cone, Bearing - Outer	
9	7020148	1	Spindle	
10	7020140	1	Pin, Cotter	
11	7020040	1	Seal	
12	7020054	1	Nut 1-1/4	
13	7020041	9	Stud, Wheel 5/8-18	
14	7020042	1	Nut 5/8	
15	7020055	1	Washer, Tanged 1-1/4	

Go to Discount-Equipment.com to order your parts

SECTION 1 - FRAME

FIGURE 1-11. DRIVE HUB ASSEMBLY - 2WD/4WD REAR



SECTION 1 - FRAME

FIGURE 1-11. DRIVE HUB ASSEMBLY - 2WD/4WD REAR

ITEM	PART NUMBER	QTY	DESCRIPTION	REV
	2780282	Ref	DRIVE HUB ASSEMBLY - 2WD/4WD REAR	C
1	70001366	1	Carrier Sub Assembly	
1A	See Note	NSS	Shaft, Planet (Note: Use Item 1)	
1B	See Note	NSS	Carrier (Note: Use Item 1)	
1C	See Note	NSS	Gear, Planet (Note: Use Item 1)	
1D	See Note	NSS	Bearing, Needle (Note: Use Item 1)	
1E	See Note	NSS	Rollpin (Note: Use Item 1)	
1F	See Note	NSS	Washer, Thrust (Note: Use Item 1)	
2	70001367	1	Carrier, Input	
2A	See Note	NSS	Shaft, Planet (Note: Use Item 2)	
2B	See Note	NSS	Carrier (Note: Use Item 2)	
2C	See Note	NSS	Gear, Planet (Note: Use Item 2)	
2D	See Note	NSS	Bearing, Needle (Note: Use Item 2)	
2E	See Note	NSS	Spacer, Thrust (Note: Use Item 2)	
2F	See Note	NSS	Rollpin (Note: Use Item 2)	
2G	See Note	NSS	Washer, Thrust (Note: Use Item 2)	
2H	See Note	NSS	Washer, Thrust (Note: Use Item 2)	
3	See Note	NSS	Cover (Note: Use Item 103)	
4	70001369	1	Shaft, Input	
5	70001370	1	Coupling	
6	70001371	1	Shaft, Sun Gear	
7	70001372	1	Spindle	
8	70001373	1	Gear, Ring	
9	See Note	NSS	Housing (Note: Not Available - Purchase Complete Assembly)	
10	See Note	NSS	Cone, Bearing (Note: Use Item 101)	
11	See Note	NSS	Cup, Bearing (Note: Use Item 101)	
12	See Note	NSS	Cone, Bearing (Note: Use Item 101)	
13	7017009	1	Washer, Thrust	
15	See Note	NSS	Seal, Lip (Note: Use Item 102)	
16	70001374	1	Spring	
17	70001375	1	Ring, Retaining (Internal)	
18	See Note	NSS	Ring, Retaining (Note: Use Item 102)	
19	7024738	1	Ring, Retaining (Note: Use Item 102)	
20	70001376	1	Ring, Retaining (External)	
21	70001377	1	Ring, Retaining (External)	
22	7000281	4	Screw (Not Shown - ID Plate Screws)	
23	7017022	3	Screw (Not Shown - Located on Front of Hub)	
24	See Note	NSS	O-Ring (Note: Use Item 102)	
25	See Note	NSS	O-Ring (Note: Use Item 102)	
26	70001378	1	Spacer, Thrust	
27	70001379	1	Washer, Thrust	
28	7024741	1	Spacer, Thrust	
29	7007640	9	Stud, Wheel	
30	See Note	NSS	Flange, Plate (Note: Use Item 103)	
31	See Note	NSS	Cap, Disengage (Note: Use Item 103)	
32	See Note	NSS	Pin, Dowel (Note: Use Item 103)	
33	See Note	NSS	Bolt (Note: Use Item 103)	
34	See Note	NSS	O-Ring (Note: Use Item 103)	
35	See Note	NSS	O-Ring (Note: Use Item 103)	
36	See Note	NSS	O-Ring (Note: Use Item 103)	

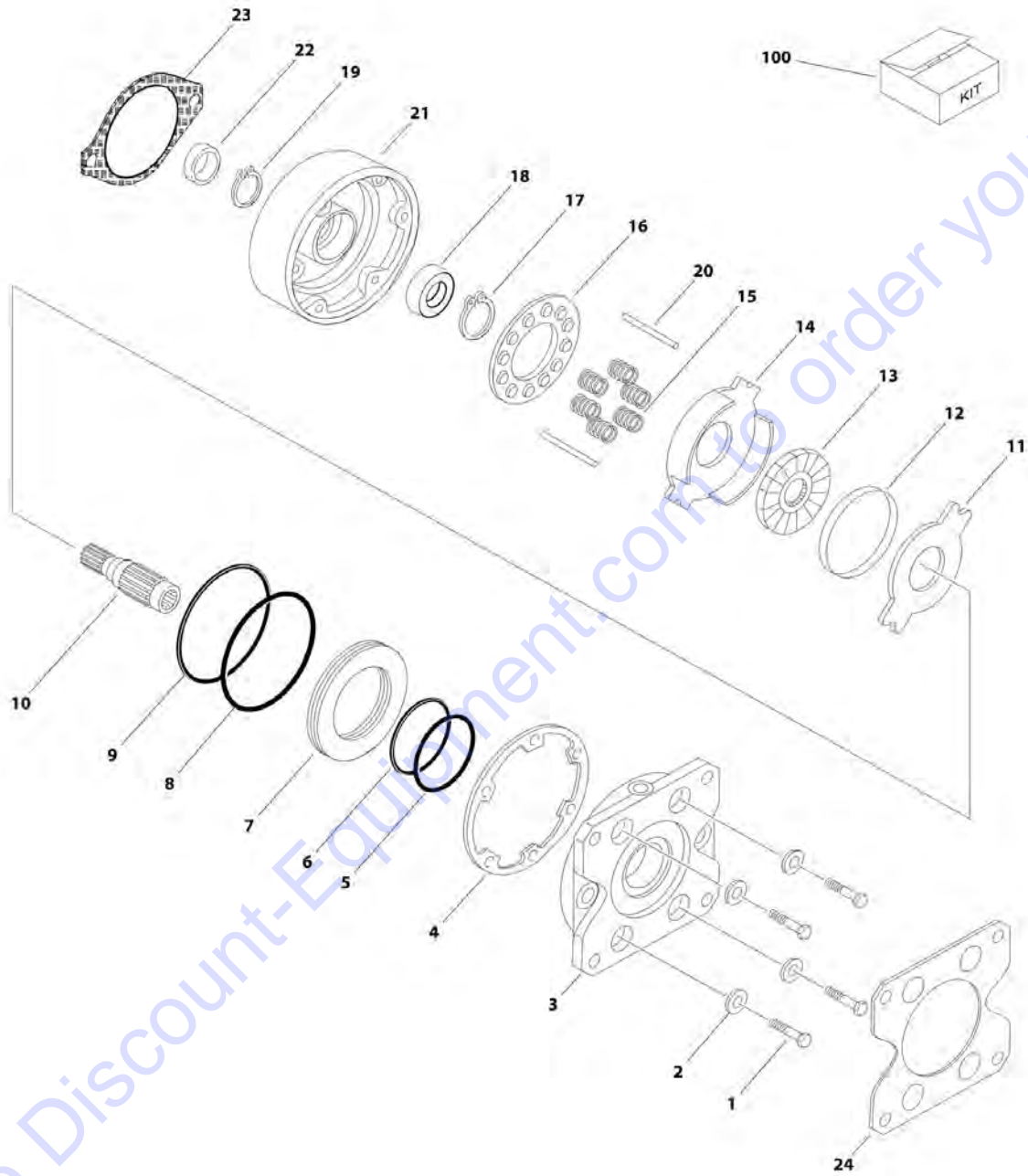
SECTION 1 - FRAME

ITEM	PART NUMBER	QTY	DESCRIPTION	REV
101	7017007	1	Planet Gear Bearing Kit (Includes Items 10-12)	
102	70001380	1	Planet Gear Seal Kit (Includes Items 15, 18, 24 & 25)	
103	70001368	1	Cover/Cap/Disengage Kit (Includes Items 3 & 30-36)	

Go to Discount-Equipment.com to order your parts

SECTION 1 - FRAME

FIGURE 1-12. DRIVE BRAKE ASSEMBLY - 2WD/4WD REAR



ART_0920118

SECTION 1 - FRAME

FIGURE 1-12. DRIVE BRAKE ASSEMBLY - 2WD/4WD REAR

ITEM	PART NUMBER	QTY	DESCRIPTION	REV
	0920118	Ref	DRIVE BRAKE ASSEMBLY - 2WD/4WD REAR	C
1	7007913	4	Bolt	
2	See Note	NSS	Washer (Note: Not Available at Time of Printing)	
3	See Note	NSS	Plate, Pressure (Note: Use p/n 0920118)	
4	See Note	NSS	Seal, Case (Note: Use Item 100)	
5	See Note	NSS	O-Ring (Note: Use Item 100)	
6	See Note	NSS	Ring, Back-up (Note: Use Item 100)	
7	See Note	NSS	Piston (Note: Use p/n 0920118)	
8	See Note	NSS	O-Ring (Note: Use Item 100)	
9	See Note	NSS	Ring, Back-up (Note: Use Item 100)	
10	See Note	NSS	Shaft (Note: Use p/n 0920118)	
11	See Note	NSS	Stator (Note: Use Item 100)	
12	See Note	NSS	Ring, Sensor (Note: Use p/n 0920118)	
13	See Note	NSS	Rotor (Note: Use Item 100)	
14	See Note	NSS	Plate, Return (Note: Use Item 100)	
15	See Note	AR	Spring (Note: Use Item 100)	
16	See Note	NSS	Guide, Spring (Note: Use Item 100)	
17	7007977	1	Ring, Retaining	
18	2900768	1	Bearing Kit (Part of Repair Kit)	
19	7011716	1	Ring, Retaining	
20	7007987	2	Pin, Dowel	
21	See Note	NSS	Cover (Note: Use p/n 0920118)	
22	7007900	1	Seal, Oil - Front (Part of Repair Kit)	
23	7007933	1	Gasket, Brake to Hub (Part of Repair Kit)	
24	70002408	1	Gasket, Brake to Motor (Note: Not part of Repair Kit - Must be Purchased Separately)	
100	7011757	1	Repair Kit (Includes Items 4, 5, 6, 8, 9, 11, 13, 14, 15, 16, 18, 22 & 23)	

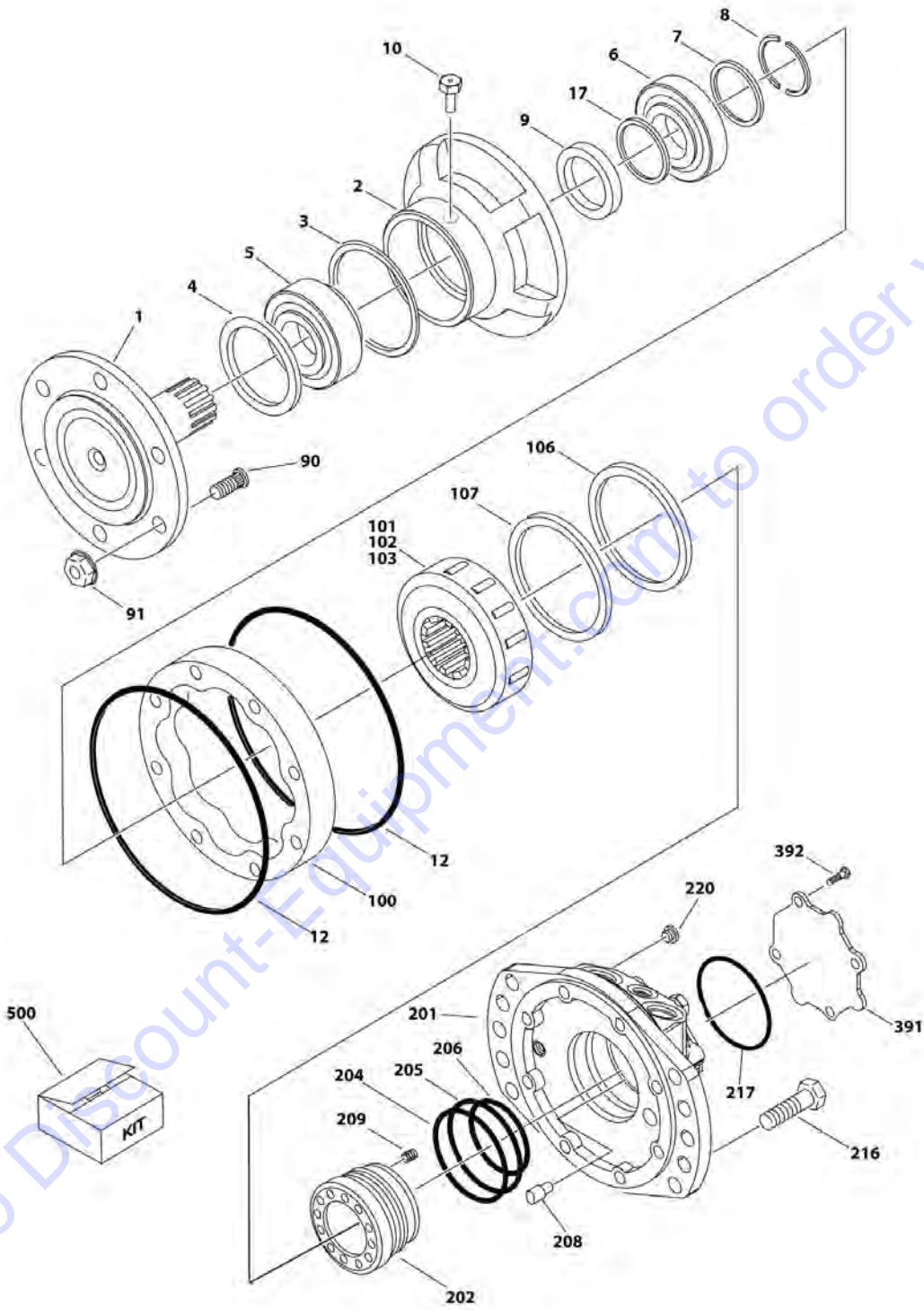
SECTION 1 - FRAME

FIGURE 1-13. DRIVE MOTOR ASSEMBLY - OPERATORS POSITION RH SIDE - 4WD FRONT (SN 0200230092 to Present, SN M200000100 through M200023101)

ITEM	PART NUMBER	QTY	DESCRIPTION	REV
	3160245	Ref	DRIVE MOTOR ASSEMBLY - OPERATORS POSITION RH SIDE - 4WD FRONT	F
1	See Note	1	Front Housing Assembly (Note: Assembly Not Available for Purchase -See Items 101-108 for Serviceable Components)	
2	See Note	1	Rotary Assembly (Note: Not Available - Purchase Complete Motor)	
2A	See Note	1	Rotary without Cam (Note: Not Available - Purchase Complete Motor)	
2B	See Note	1	Cam (Note: Not Available - Purchase Complete Motor)	
3	See Note	1	Rear Housing Assembly (Note: Assembly Not Available for Purchase - See Items 201-208 for Serviced Components)	
4	See Note	NSS	Seal, Square (Note: Use Item 300)	
5	See Note	6	Capscrew (Note: Note Available - Purchase Locally)	
9	7023806	5	Lugnut	
10	7023807	5	Stud, Wheel	
16	7024008	1	Seal, Square	
17	7024007	1	Plate, Rear Cover	
18	7024009	8	Capscrew	
	NPN	Ref	FRONT HOUSING ASSEMBLY	
101	7022586	1	Shaft	
102	See Note	NSS	Seal, Face (Note: Use Item 300)	
103	7022587	1	Bearing, Front	
104	See Note	1	Casting, Front (Note: Not Available - Purchase Complete Motor)	
105	See Note	NSS	Seal, Shaft (Note: Use Item 300)	
106	7022588	1	Bearing, Rear	
107	See Note	AR	Washer (Note: Factory Set - Not Available for Purchase)	
108	7022589	1	Ring, Split	
	NPN	Ref	REAR HOUSING ASSEMBLY	
201	See Note	1	Ring, Distribution (Note: Not Available - Purchase Complete Motor)	
202	See Note	9	Spring (Note: Not Available - Purchase Complete Motor)	
203	See Note	NSS	Seal, Nylon (Note: Use Item 300)	
204	See Note	NSS	Seal, Nylon (Note: Use Item 300)	
205	See Note	NSS	Seal, Nylon (Note: Use Item 300)	
206	See Note	1	Housing, Rear (Note: Not Available - Purchase Complete Motor)	
207	7022590	1	Pin, Stop	
208	7022591	1	Plug with O-Ring	
300	7023801	1	Seal Kit (Includes Items 4, 102, 105 & 203-205)	

SECTION 1 - FRAME

FIGURE 1-14. DRIVE MOTOR ASSEMBLY - OPERATORS POSITION RH SIDE - 4WD FRONT (SN M200023102 to Present)



ART. 1001228233

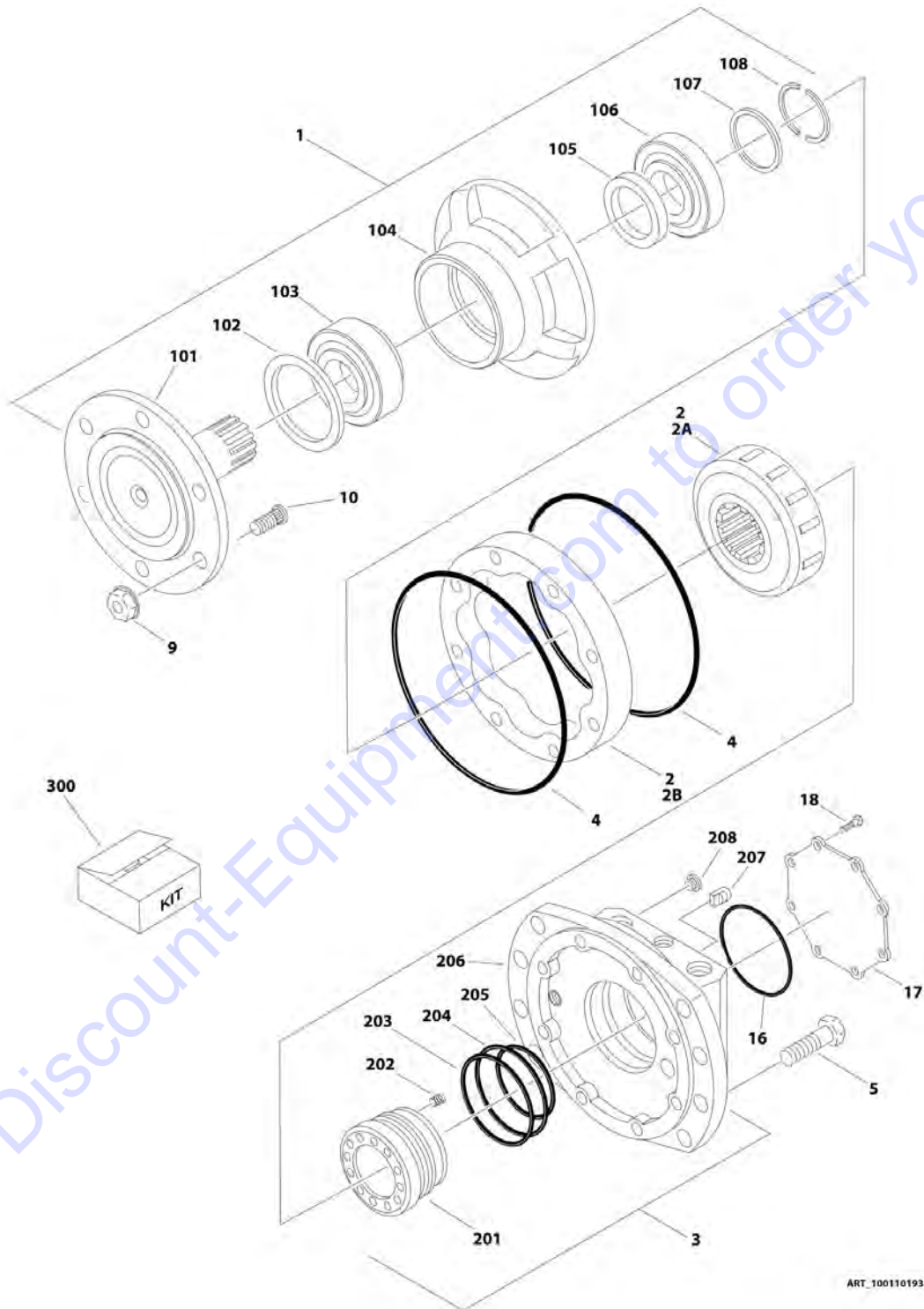
SECTION 1 - FRAME

FIGURE 1-14. DRIVE MOTOR ASSEMBLY - OPERATORS POSITION RH SIDE - 4WD FRONT (SN M200023102 to Present)

ITEM	PART NUMBER	QTY	DESCRIPTION	REV
	1001228233	Ref	DRIVE MOTOR ASSEMBLY	A
1	70006744	1	Shaft	
2	See Note	1	Casting, Front (Note: Purchase Complete Motor)	
3	See Note	NSS	Seal, Face (Note: Use Item 500)	
4	70006745	1	Spacer	
5	70006746	1	Bearing, Front	
6	7022588	1	Bearing, Rear	
7	70006747	1	Washer	
8	7022589	1	Ring, Split	
9	See Note	NSS	Seal, Shaft (Note: Use Item 500)	
10	70006748	1	Plug, Zero-Leak	
12	See Note	NSS	Seal, Square (Note: Use Item 500)	
17	70006749	1	Retainer, Seal	
90	7023807	5	Stud, Wheel	
91	7023806	5	Lugnut	
100	70006750	1	CAM	
101	70006763	1	Block, Cylinder	
102	70006752	8	Piston	
103	70006753	8	Roller	
106	70006756	2	Circlip	
107	70006757	2	Ring, Retaining	
201	See Note	1	Housing, Rear (Note: Purchase Complete Motor)	
202	70006764	1	Ring, Distribution	
204	See Note	NSS	Seal, Nylon (Note: Use Item 500)	
205	See Note	NSS	Seal, Nylon (Note: Use Item 500)	
206	See Note	NSS	Seal, Nylon (Note: Use Item 500)	
208	70006759	1	Pin, Stop	
209	7023872	9	Spring	
216	70001091	6	Capscrew	
217	See Note	NSS	Seal, Square (Note: Use Item 500)	
220	70002759	1	Plug	
391	See Note	NSS	Plate, Rear Cover	
392	70002264	4	Capscrew	
500	70006765	1	Seal Kit (Includes Items 3, 9, 12, 204-206 & 217)	

SECTION 1 - FRAME

FIGURE 1-15. DRIVE MOTOR ASSEMBLY - OPERATORS POSITION LH SIDE - 4WD FRONT (SN 0200230092 to Present, SN M200000100 through M200023101)



ART_1001101934

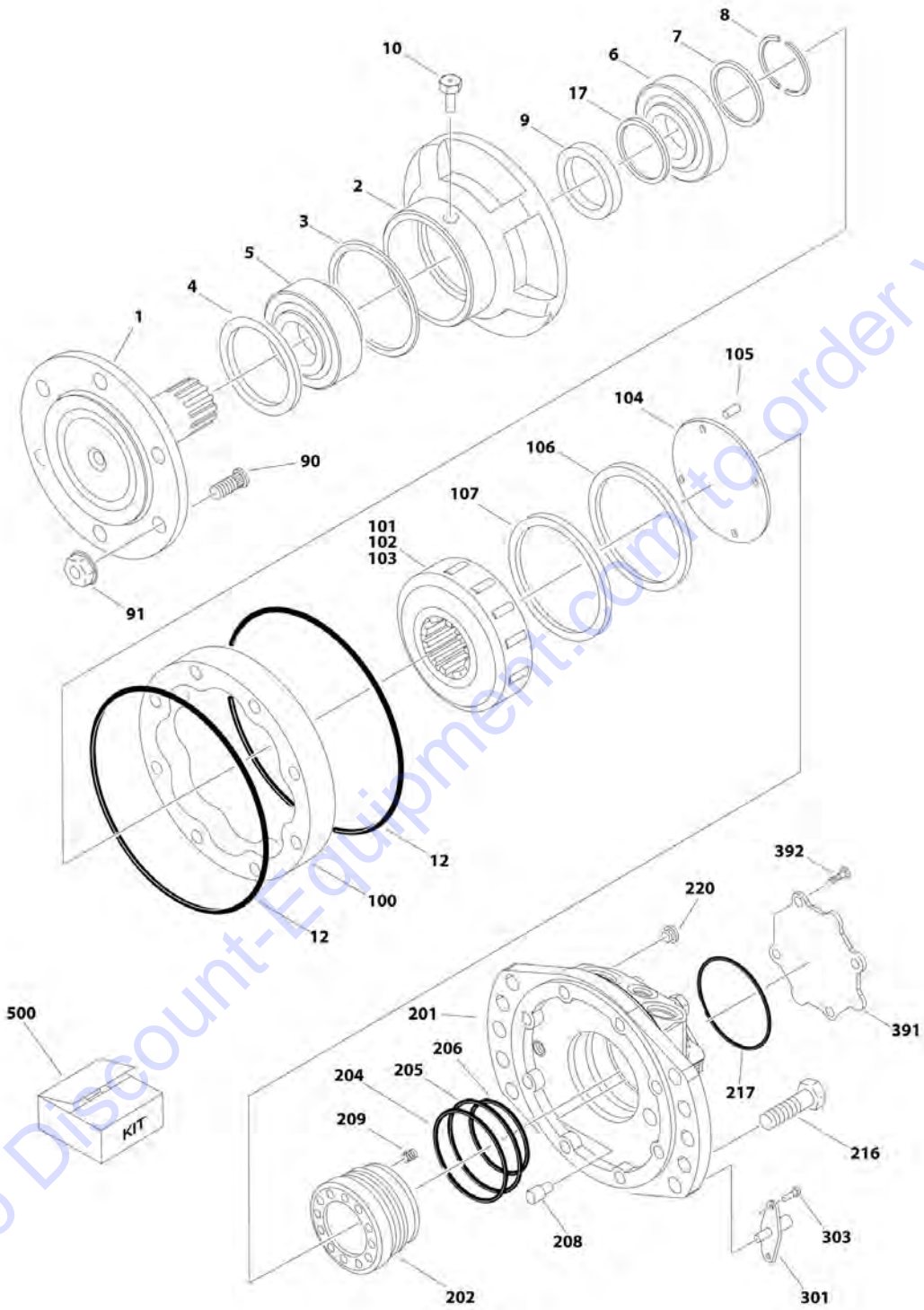
SECTION 1 - FRAME

FIGURE 1-15. DRIVE MOTOR ASSEMBLY - OPERATORS POSITION LH SIDE - 4WD FRONT (SN 0200230092 to Present, SN M200000100 through M200023101)

ITEM	PART NUMBER	QTY	DESCRIPTION	REV
	1001101934	Ref	DRIVE MOTOR ASSEMBLY - OPERATORS POSITION LH SIDE - 4WD FRONT	E
1	7024963	1	Front Housing Assembly (See Items 101-108 for Serviceable Components)	
2	70002261	1	Rotary Assembly	
2A	See Note	1	Rotary without Cam (Note: Not Available - Purchase Complete Assembly)	
2B	70002262	1	Cam	
3	70002263	1	Rear Housing Assembly (See Items 201-208 for Serviced Components)	
4	See Note	NSS	Seal, Square (Note: Use Item 300)	
5	70001091	6	Capscrew	
9	7023806	5	Lugnut	
10	7023807	5	Stud, Wheel	
16	7024008	1	Seal, Square	
17	7024007	1	Plate, Rear Cover	
18	70002264	8	Capscrew	
19	70002265	1	Sensor, Speed (Not Shown)	
	7024963	Ref	FRONT HOUSING ASSEMBLY	
101	7022586	1	Shaft	
102	See Note	NSS	Seal, Face (Note: Use Item 300)	
103	7022587	1	Bearing, Front	
104	See Note	NSS	Casting, Front (Note: Use p/n 7024963)	
105	See Note	NSS	Seal, Shaft (Note: Use Item 300)	
106	7022588	1	Bearing, Rear	
107	See Note	1	Washer (Note: Factory Set - Not Available for Purchase)	
108	7022589	1	Ring, Split	
	70002263	Ref	REAR HOUSING ASSEMBLY	
201	70002267	1	Ring, Distribution	
202	7023872	9	Spring	
203	See Note	NSS	Seal, Nylon (Note: Use Item 300)	
204	See Note	NSS	Seal, Nylon (Note: Use Item 300)	
205	See Note	NSS	Seal, Nylon (Note: Use Item 300)	
206	See Note	NSS	Housing, Rear (Note: Use p/n 70002263)	
207	70002268	1	Pin, Stop	
208	2220890	1	Plug with O-Ring	
300	70002269	1	Seal Kit (Includes Items 4, 102, 105 & 203-205)	

SECTION 1 - FRAME

FIGURE 1-16. DRIVE MOTOR ASSEMBLY - OPERATORS POSITION LH SIDE - 4WD FRONT (SN M200023102 to Present)



ART_1001228231

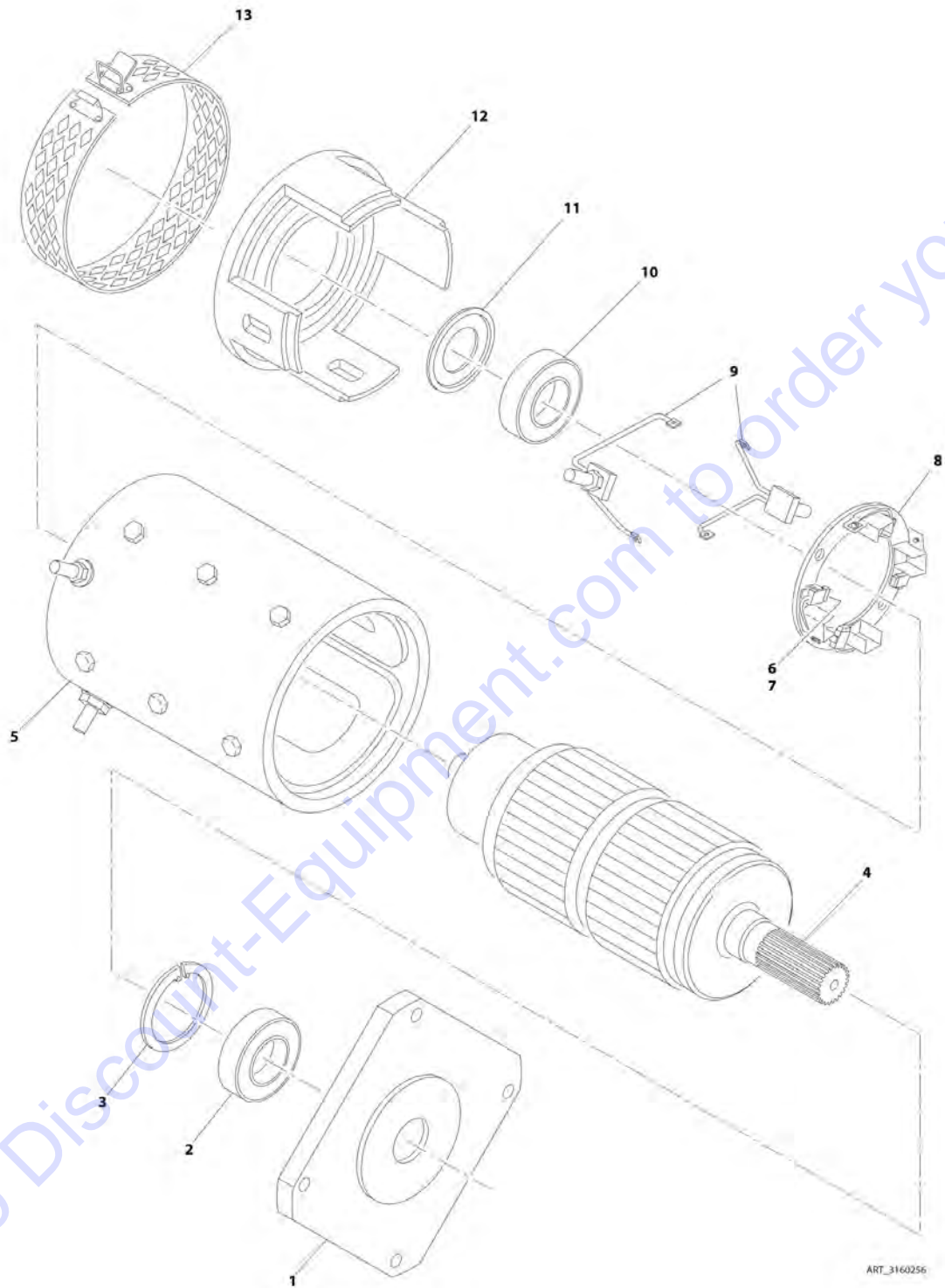
SECTION 1 - FRAME

FIGURE 1-16. DRIVE MOTOR ASSEMBLY - OPERATORS POSITION LH SIDE - 4WD FRONT (SN M200023102 to Present)

ITEM	PART NUMBER	QTY	DESCRIPTION	REV
	1001228231	Ref	DRIVE MOTOR ASSEMBLY	A
1	70006744	1	Shaft	
2	See Note	1	Casting, Front (Note: Purchase Complete Motor)	
3	See Note	NSS	Seal, Face (Note: Use Item 500)	
4	70006745	1	Spacer	
5	70006746	1	Bearing, Front	
6	7022588	1	Bearing, Rear	
7	70006747	1	Washer	
8	7022589	1	Ring, Split	
9	See Note	NSS	Seal, Shaft (Note: Use Item 500)	
10	70006748	1	Plug, Zero-Leak	
12	See Note	NSS	Seal, Square (Note: Use Item 500)	
17	70006749	1	Retainer, Seal	
90	7023807	5	Stud, Wheel	
91	7023806	5	Lugnut	
100	70006750	1	CAM	
101	70006763	1	Block, Cylinder	
102	70006752	8	Piston	
103	70006753	8	Roller	
104	70006754	1	Disc	
105	70006755	4	Rollpin	
106	70006756	2	Circlip	
107	70006757	2	Ring, Retaining	
201	See Note	1	Housing, Rear (Note: Purchase Complete Motor)	
202	70006764	1	Ring, Distribution	
204	See Note	NSS	Seal, Nylon (Note: Use Item 500)	
205	See Note	NSS	Seal, Nylon (Note: Use Item 500)	
206	See Note	NSS	Seal, Nylon (Note: Use Item 500)	
208	70006759	1	Pin, Stop	
209	7023872	9	Spring	
216	70001091	6	Capscrew	
217	See Note	NSS	Seal, Square (Note: Use Item 500)	
220	70002759	1	Plug	
301	70006760	1	Sensor, Speed	
303	70006761	2	Capscrew	
391	See Note	NSS	Plate, Rear Cover	
392	70002264	4	Capscrew	
500	70006765	1	Seal Kit (Includes Items 3, 9, 12, 204-206 & 217)	

SECTION 1 - FRAME

FIGURE 1-17. DRIVE MOTOR ASSEMBLY - 2WD/4WD REAR



SECTION 1 - FRAME

FIGURE 1-17. DRIVE MOTOR ASSEMBLY - 2WD/4WD REAR

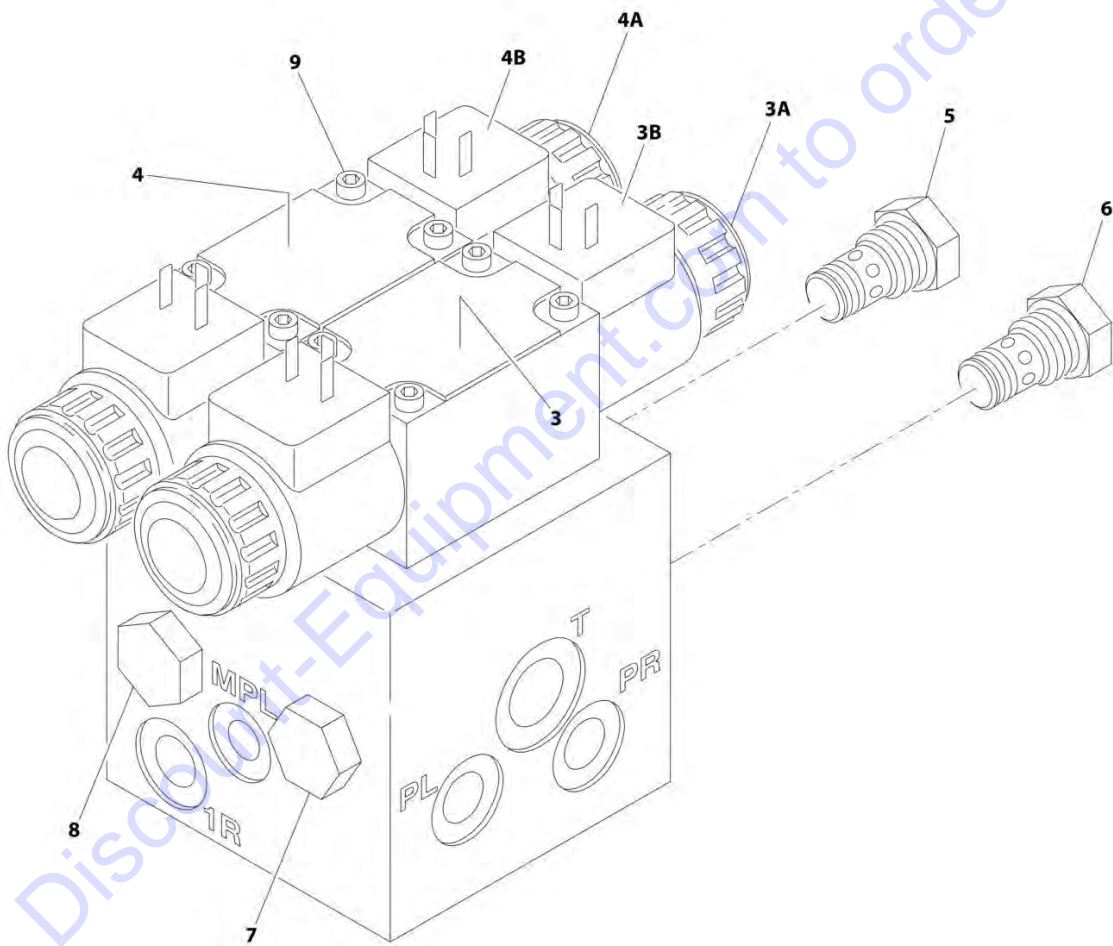
ITEM	PART NUMBER	QTY	DESCRIPTION	REV
	3160256	Ref	DRIVE MOTOR ASSEMBLY - 2WD/4WD REAR	D
1	7020184	1	Plate, End	
2	7012545	1	Bearing	
3	7020185	1	Ring, Retaining	
4	7023343	1	Armature	
5	See Note	NSS	Frame/Field Assembly (Note: Not Available - Purchase Complete Motor)	
6	7012548	4	Spring, Brush	
7	7012547	4	Brush	
8	7023344	1	Holder, Brush	
9	7023229	2	Brush Lead Assembly Kit	
10	7012545	1	Bearing	
11	7012549	1	Washer, Wavy	
12	7020189	1	End, Commutator	
13	7019609	1	Headband Assembly	

Go to Discount-Equipment.com to order your parts

SECTION 1 - FRAME

FIGURE 1-18. DRIVE VALVE ASSEMBLY - 4WD ONLY

NOTE: TORQUE ITEM#9
TO 60 IN/LBS



ART_1001092586

SECTION 1 - FRAME

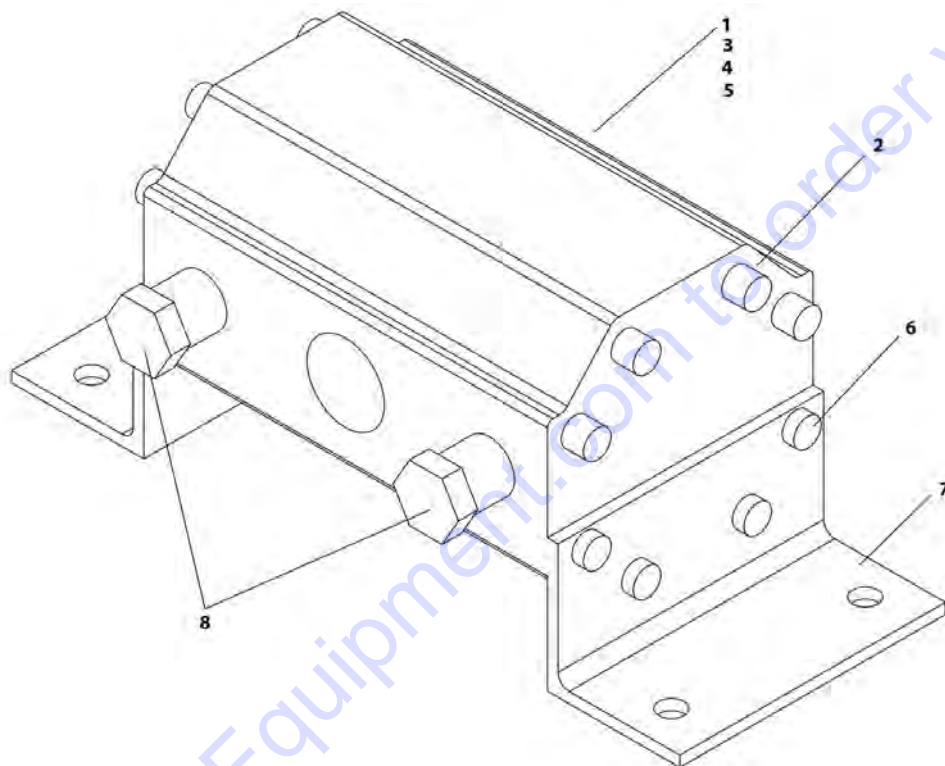
FIGURE 1-18. DRIVE VALVE ASSEMBLY - 4WD ONLY

ITEM	PART NUMBER	QTY	DESCRIPTION	REV
	1001092586	Ref	DRIVE VALVE ASSEMBLY - 4WD ONLY	B
3	70001422	1	Control Valve Assembly	
3	7012773	1	Seal Kit - 70001422 Valve	
3A	7021375	1	Nut, Coil	
3B	70002947	1	Coil	
4	70001422	1	Control Valve Assembly	
4	7012773	1	Seal Kit - 70001422 Valve	
4A	7021375	1	Nut, Coil	
4B	70002947	1	Coil	
5	7012969	1	Cartridge, Check	
5	7012540	1	Seal Kit - 7012969 Valve	
6	7012969	1	Cartridge, Check	
6	7012540	1	Seal Kit - 7012969 Valve	
7	7012969	1	Cartridge, Check	
7	7012540	1	Seal Kit - 7012969 Valve	
8	7012969	1	Cartridge, Check	
8	7012540	1	Seal Kit - 7012969 Valve	
9	7018942	8	Capscrew #10 x 2	

Go to Discount-Equipment.com to order your parts

SECTION 1 - FRAME

FIGURE 1-19. FLOW DIVIDER VALVE ASSEMBLY - 4WD ONLY



ART. 4641148

SECTION 1 - FRAME

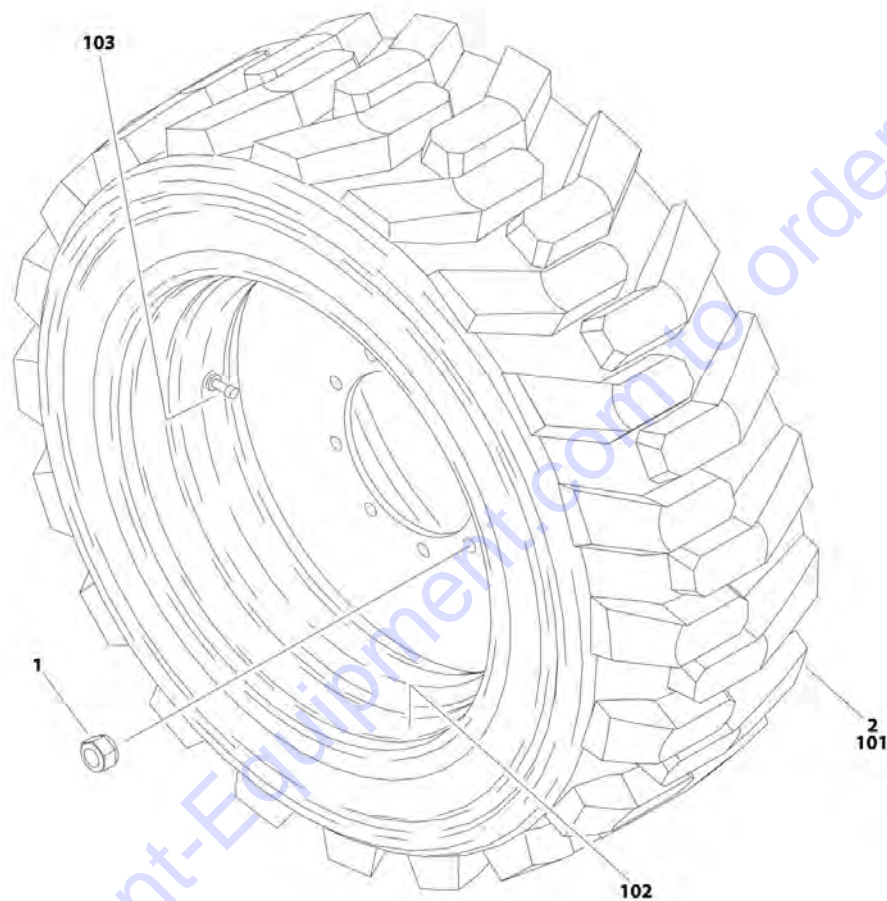
FIGURE 1-19. FLOW DIVIDER VALVE ASSEMBLY - 4WD ONLY

ITEM	PART NUMBER	QTY	DESCRIPTION	REV
	4641148	Ref	FLOW DIVIDER VALVE ASSEMBLY - 4WD ONLY	C
1	7010921	AR	Seal	
2	7010928	8	Screw 1/4 x 2	
3	7010911	AR	Pin, Shear	
4	7010920	AR	Plate, Seal	
5	7010919	AR	Plate, Wear	
6	See Note	NSS	Screw 1/4 x 2-1/8 (Note: Not Available - Purchase Locally)	
7	See Note	NSS	Bracket (Note: Not Available for Purchase)	
8	See Note	NSS	Valve, Relief (Note: Not Available for Purchase)	

Go to Discount-Equipment.com to order your parts

SECTION 1 - FRAME

FIGURE 1-20. TIRE AND WHEEL INSTALLATION - IN240/55 X 17.5 FOAM-FILLED



ART. 0270570

SECTION 1 - FRAME

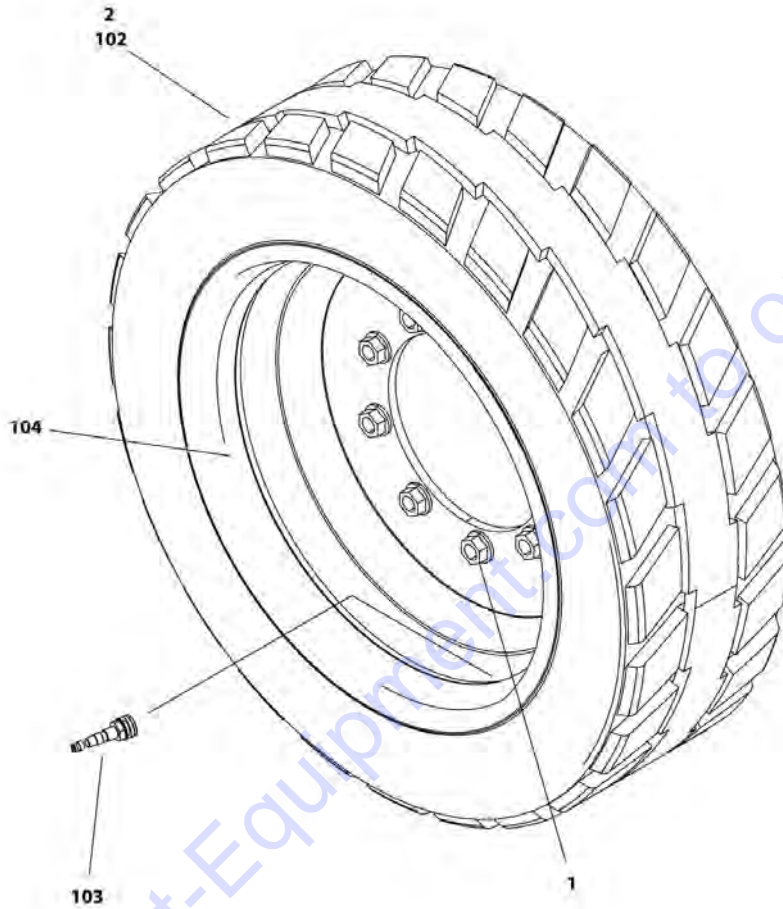
FIGURE 1-20. TIRE AND WHEEL INSTALLATION - IN240/55 X 17.5 FOAM-FILLED

ITEM	PART NUMBER	QTY	DESCRIPTION	REV
	0270570	Ref	TIRE AND WHEEL INSTALLATION - IN240/55 X 17.5 FOAM-FILLED	C
1	3300426	36	Lugnut	
2	0258997	4	Tire and Wheel Assembly - IN240/55 x 17.5 Foam-Filled	F
101	4520209	1	Tire IN240/55 x 17.5	
102	4860191	1	Rim, Wheel	
103	4641122	1	Valve	
		Ref	Note: Assemblies require ballast/foam filling to manufacturer's specification prior to installing on a machine. Refer to Operation and Safety or Service and Maintenance Manuals. Purchase individual tire and/or rim only if able to foam fill tire and wheel assembly, otherwise, purchase complete assembly.	

Go to Discount-Equipment.com to order your parts

SECTION 1 - FRAME

FIGURE 1-21. TIRE AND WHEEL INSTALLATION - IN240/55 X 17.5 NON-MARKING FOAM FILLED



ART. 0273477

SECTION 1 - FRAME

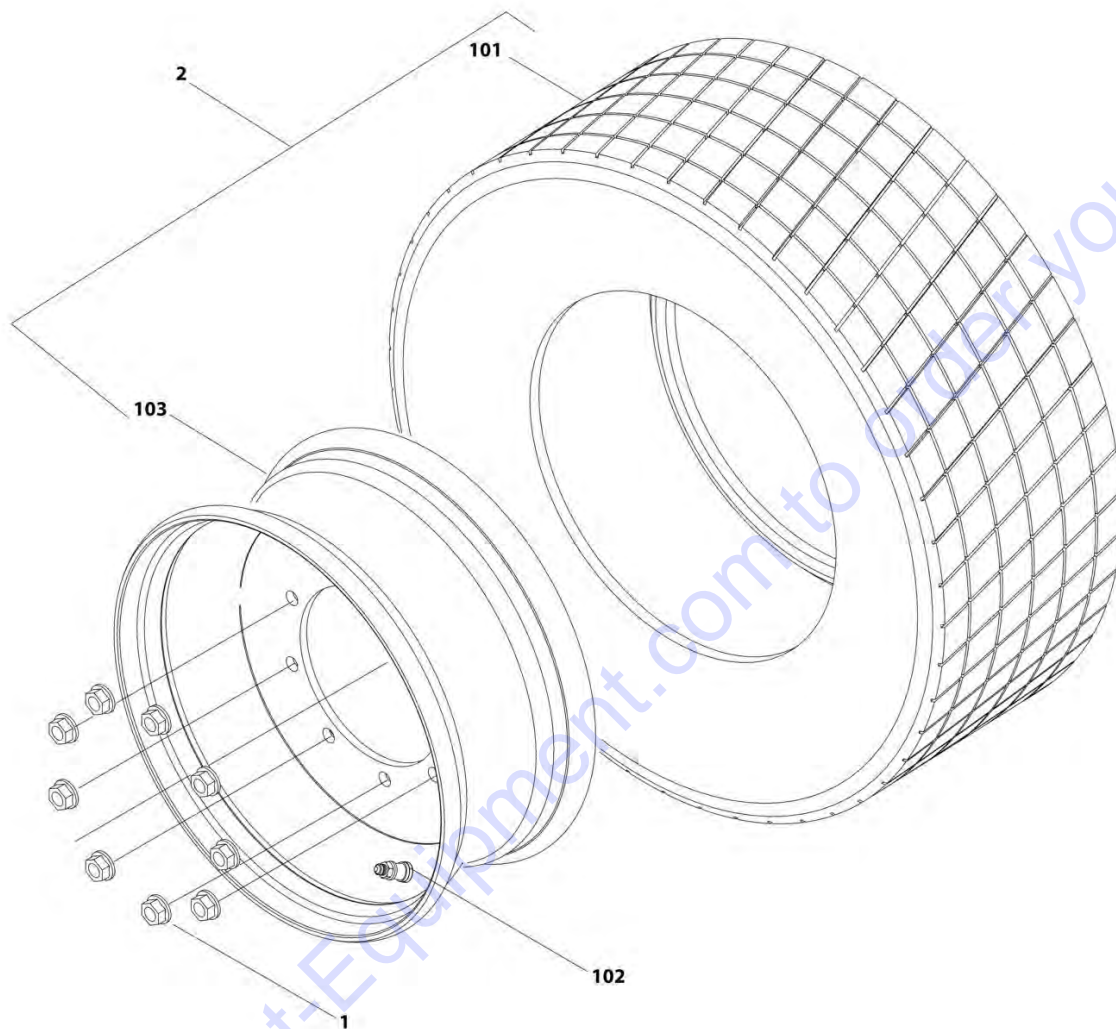
FIGURE 1-21. TIRE AND WHEEL INSTALLATION - IN240/55 X 17.5 NON-MARKING FOAM FILLED

ITEM	PART NUMBER	QTY	DESCRIPTION	REV
	0273477	Ref	TIRE AND WHEEL INSTALLATION - IN240/55 X 17.5 NON-MARKING FOAM FILLED	B
1	3300426	36	Lugnut	
2	0273468	4	Tire and Wheel Assembly - IN240/55 x 17.5 Non-Marking Foam-Filled	H
102	4520269	1	Tire IN240/55 x 17.5 Non-Marking	
103	4641122	1	Valve	
104	4860191	1	Rim, Wheel	
		Ref	Note: Assemblies require ballast/foam filling to manufacturer's specification prior to installing on a machine. Refer to Operation and Safety or Service and Maintenance Manuals. Purchase individual tire and/or rim only if able to foam fill tire and wheel assembly, otherwise, purchase complete assembly.	

Go to Discount-Equipment.com to order your parts

SECTION 1 - FRAME

FIGURE 1-22. TIRE AND WHEEL INSTALLATION - 27.2/10.5LL X 15 TURF FOAM-FILLED



ART_0270627

SECTION 1 - FRAME

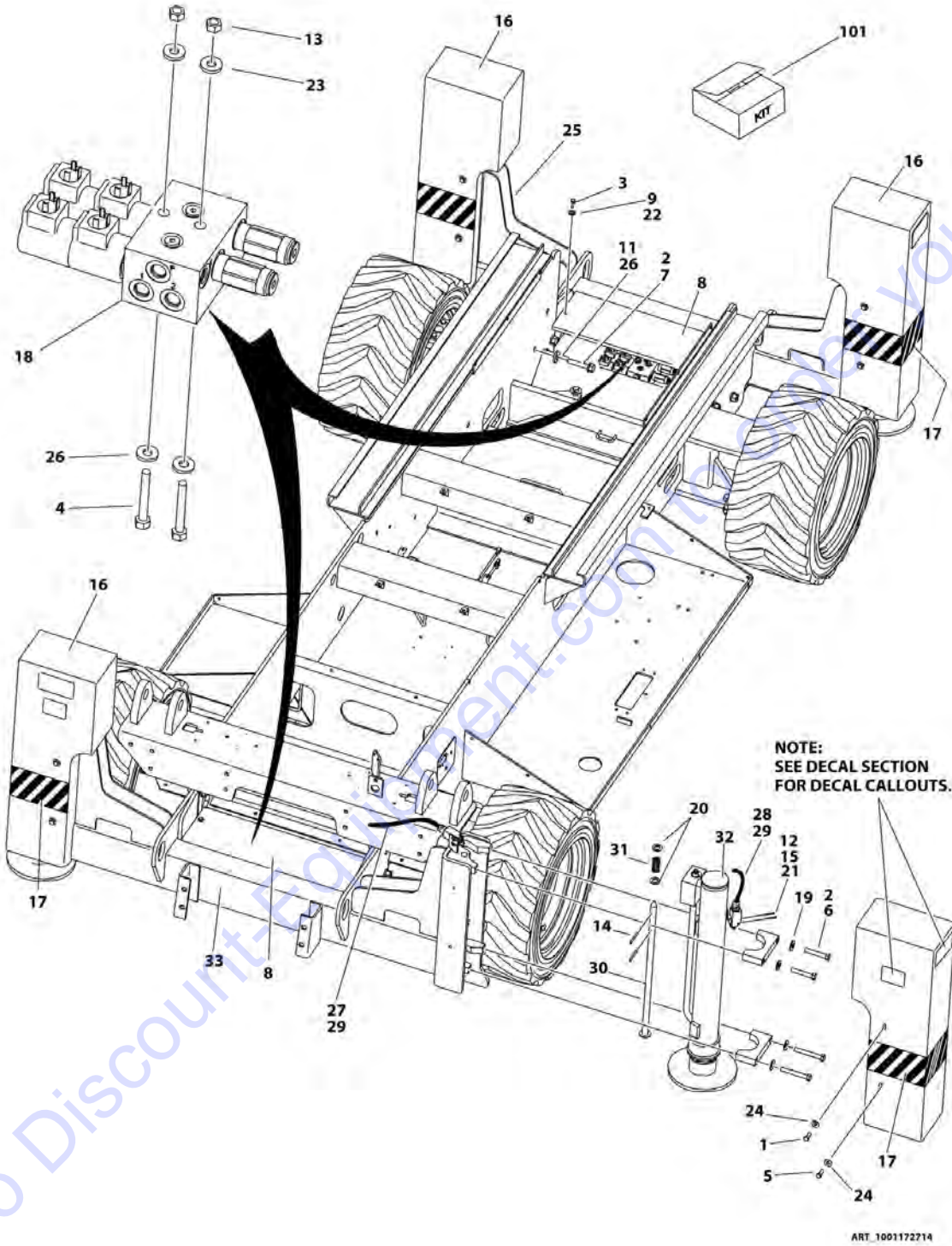
FIGURE 1-22. TIRE AND WHEEL INSTALLATION - 27.2/10.5LL X 15 TURF FOAM-FILLED

ITEM	PART NUMBER	QTY	DESCRIPTION	REV
	0270627	Ref	TIRE AND WHEEL INSTALLATION - 27.2/10.5LL X 15 TURF FOAM-FILLED	C
1	3300426	36	Lugnut	
2	0270530	4	Tire and Wheel Assembly - 27.2/10.5LL x 15 Turf Foam-Filled	F
101	4520249	1	Tire 27.2/10.5LL x 15.0 Turf	
102	4640113	1	Valve	
103	4860221	1	Rim, Wheel	
		Ref	Note: Assemblies require ballast/foam filling to manufacturer's specification prior to installing on a machine. Refer to Operation and Safety or Service and Maintenance Manuals. Purchase individual tire and/or rim only if able to foam fill tire and wheel assembly, otherwise, purchase complete assembly.	

Go to Discount-Equipment.com to order your parts

SECTION 1 - FRAME

FIGURE 1-23. LEVELING JACKS INSTALLATION - OPTIONAL



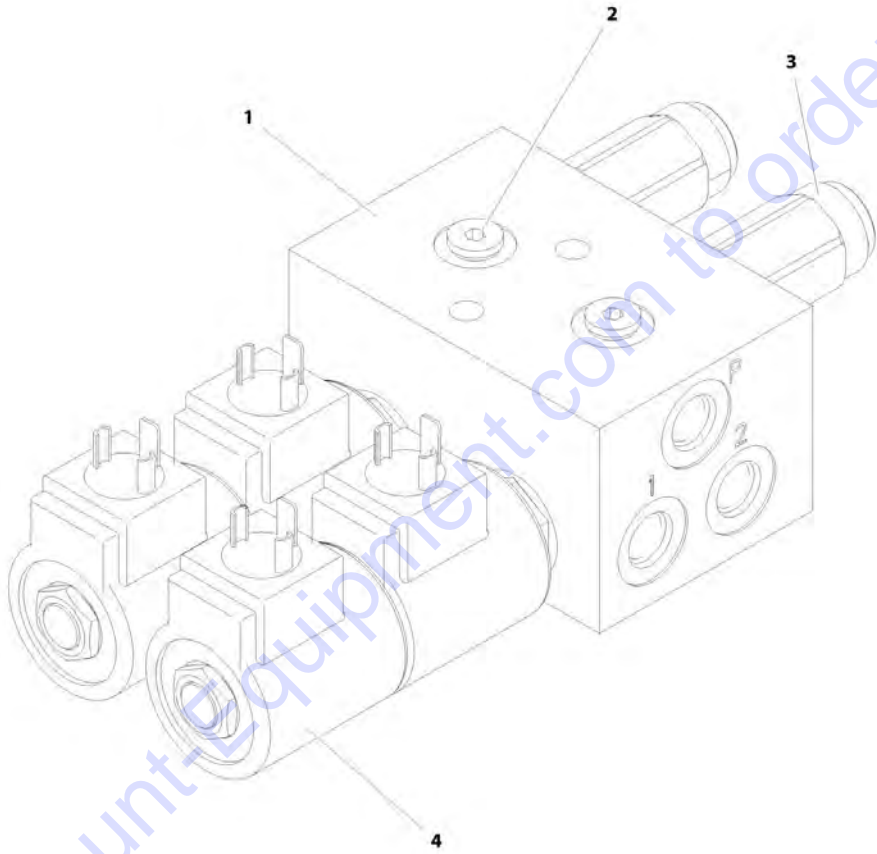
SECTION 1 - FRAME

FIGURE 1-23. LEVELING JACKS INSTALLATION - OPTIONAL

ITEM	PART NUMBER	QTY	DESCRIPTION	REV
	1001172714	Ref	LEVELING JACKS INSTALLATION - OPTIONAL	B
1	0100011	AR	Compound, Locking	
2	0100019	AR	Compound, Locking	
3	0641406	4	Bolt 1/4 x 3/4	
4	0641528	4	Bolt 5/16 x 3-1/2	
5	0641608	16	Bolt 3/8 x 1	
6	0641828	16	Bolt 1/2 x 3-1/2	
7	0682016	12	Bolt 5/8 x 2 Grade 8	
8	1670971	2	Cover, Valve	
9	2080052	4	Fastener	
10	2792494	1	Hydraulic Diagram - Leveling Jacks (Not Shown - See HYDRAULIC SECTION for Breakdown)	
11	3272001	12	Nut 5/8 Grade 8	
12	3310805	16	Nut #8	
13	3311505	4	Nut 5/16	
14	3440420	8	Rollpin	
15	3930820	16	Capscrew #8 x 1-1/4	
16	4061003	4	Cover	
17	4420051	8.3 ft /2.5m	Tape, Safety	
18	4641150	2	Leveling Jack Control Valve Assembly (See LEVELING JACK CONTROL VALVE ASSEMBLY for Breakdown)	
19	4711800	16	Washer 1/2	
20	4740415	4	Washer	
21	4750800	16	Washer #8	
22	4751400	4	Washer 1/4	
23	4751500	4	Washer 5/16	
24	4751600	16	Washer 3/8	
25	4846224	1	Frame, Leveling Jack (Front)	
26	4892000	16	Washer 5/8	
27	4922454	2	Harness, Leveling Jack (N.O.) (See ELECTRICAL SECTION for Breakdown)	
28	4922455	2	Harness, Leveling Jack (N.C.) (See ELECTRICAL SECTION for Breakdown)	
29	4922456	1	Harness, Leveling Jack (See ELECTRICAL SECTION for Breakdown)	
30	1001128736	4	Rod	
31	1001128890	4	Spring	
32	1001140600	4	Leveling Jack Cylinder Assembly (See CYLINDER SECTION for Breakdown)	
33	1001172562	1	Frame, Leveling Jack (Rear)	
101	1001131751	1	Rod Replacement Kit (Includes Items 1, 2, 6, 14, 20, 30 & 31)	A

SECTION 1 - FRAME

FIGURE 1-24. LEVELING JACK CONTROL VALVE ASSEMBLY



ART_4641150

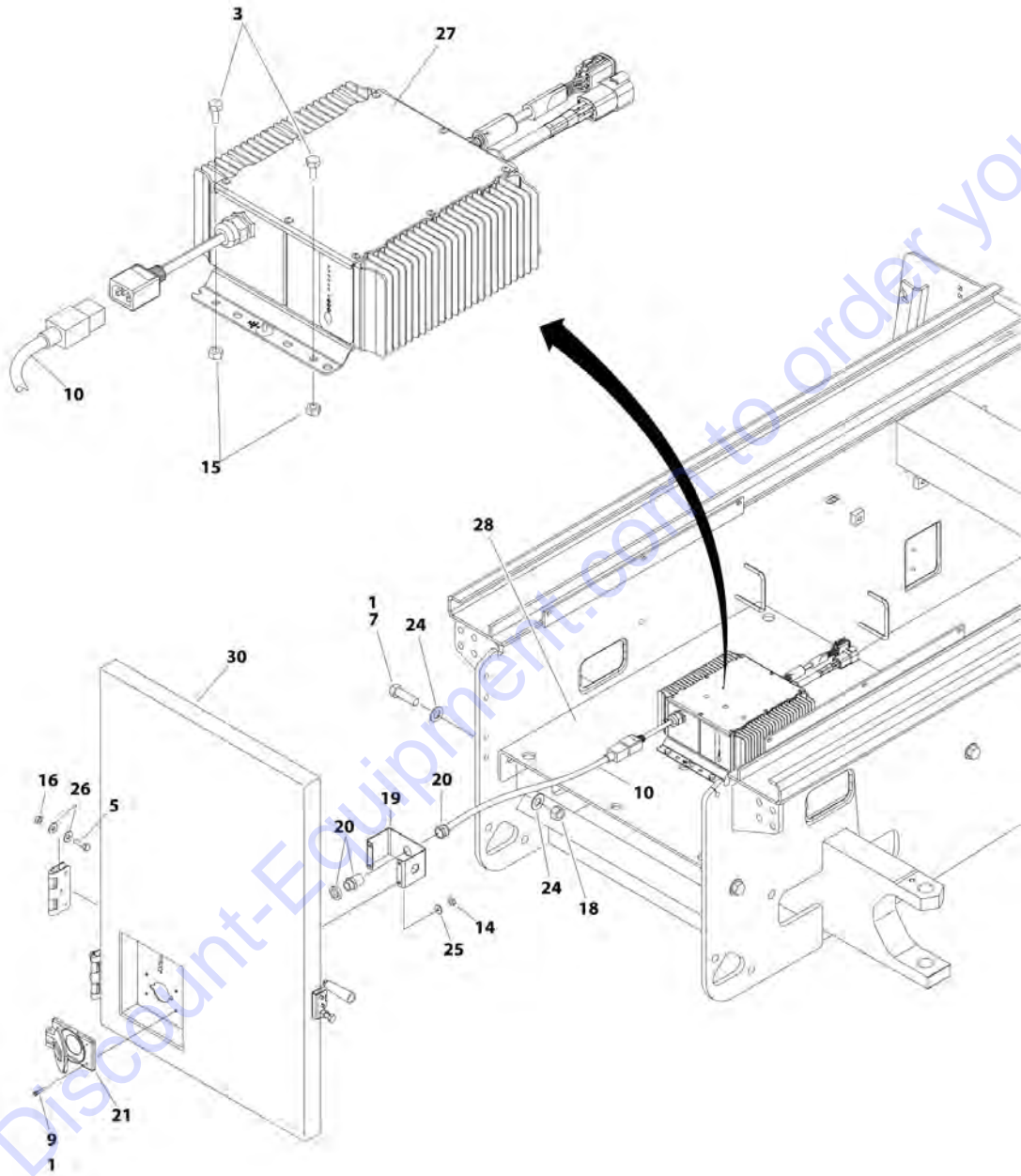
FIGURE 1-24. LEVELING JACK CONTROL VALVE ASSEMBLY

ITEM	PART NUMBER	QTY	DESCRIPTION	REV
	4641150	Ref	LEVELING JACK CONTROL VALVE ASSEMBLY	B
1	0561407	1	Block, Valve	
2	2220883	2	Plug with O-Ring	
3	4641151	2	Cartridge, Relief Valve	
3	7021653	2	Seal Kit - 4641151 Valve (1 Per Cartridge)	
4	4641152	2	Cartridge, 4 Way Valve	
4	7012903	2	Seal Kit - 4641152 Valve (1 Per Cartridge)	
4	7012943	4	Coil (2 Per Cartridge)	

Go to Discount-Equipment.com to order your parts

SECTION 1 - FRAME

FIGURE 1-25. BATTERY CHARGER INSTALLATION - 110V/60HZ (3369LE & 4069LE ANSI, ANSI EXPORT, CSA AND JAPANESE SPECS)



ART_100116 5767

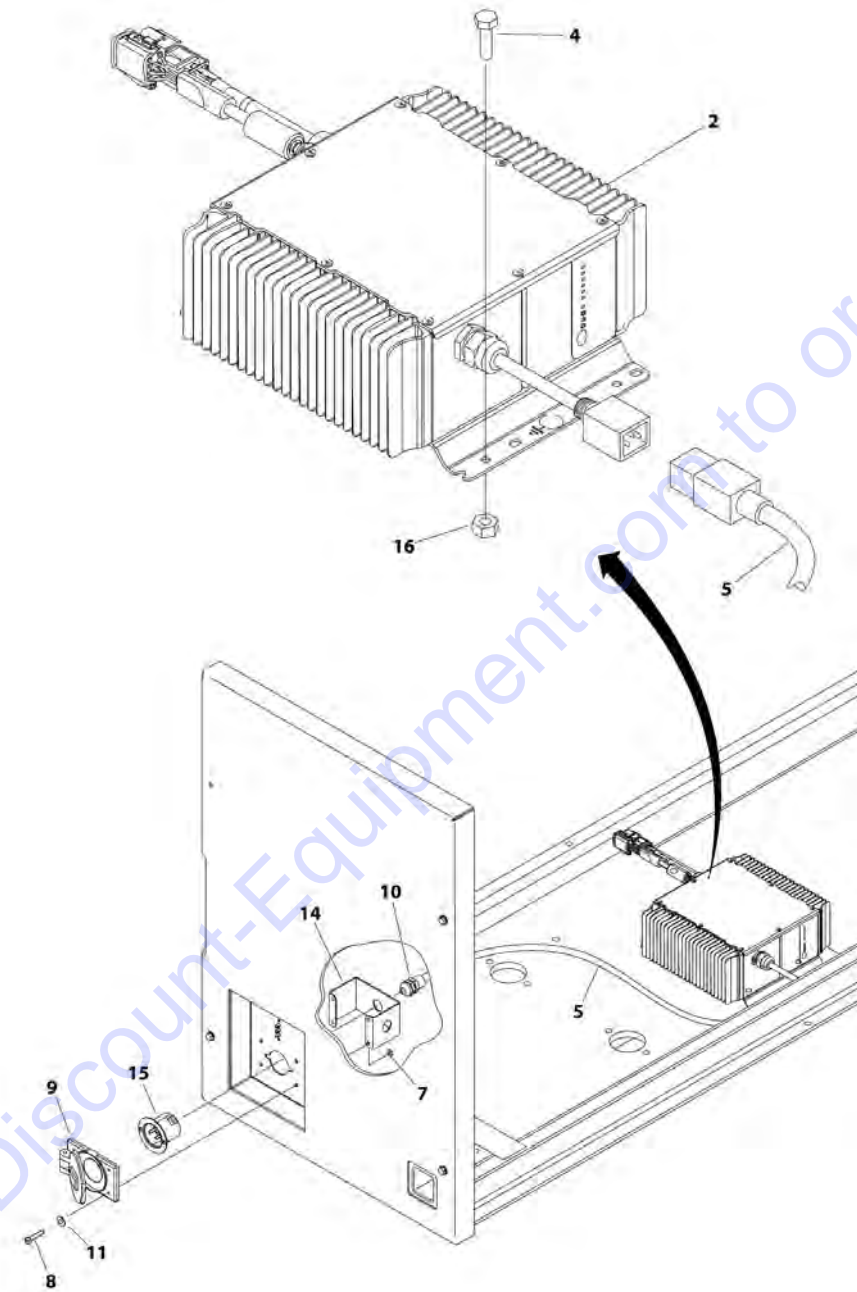
SECTION 1 - FRAME

FIGURE 1-25. BATTERY CHARGER INSTALLATION - 110V/60HZ (3369LE & 4069LE ANSI, ANSI EXPORT, CSA AND JAPANESE SPECS)

ITEM	PART NUMBER	QTY	DESCRIPTION	REV
		Ref	NOTE: AVAILABLE ON 3369LE & 4069LE ANSI, ANSI EXPORT, CSA AND JAPANESE SPECS.	
	1001165767	Ref	BATTERY CHARGER INSTALLATION - 110V/60HZ (3369LE & 4069LE ANSI, ANSI EXPORT, CSA AND JAPANESE SPECS)	C
1	0100011	AR	Compound, Locking	
3	0641405	4	Bolt 1/4 x 5/8	
5	0641509	4	Bolt 5/16 x 1-1/8	
7	0642016	4	Bolt 5/8 x 2	
9	0721008	4	Bolt #10	
10	1060689	1	Cord, Electrical	
14	3311001	4	Nut #10	
15	3311405	4	Nut 1/4	
16	3311505	1	Nut 5/16	
18	3312005	4	Nut 5/8	
19	3571584	1	Plate, Plug Inlet	
20	4460428	1	Connector, Strain Relief	
21	4460802	1	Cover, Weatherproof	
22	4460803	1	Plug	
24	4712000	8	Washer 5/8	
25	4751000	4	Washer #10	
26	4751500	8	Washer 5/16	
27	1001103105	1	Battery Charger Assembly (See BATTERY CHARGER ASSEMBLY for Breakdown)	
28	1001165370	1	Plate, Support	
30	1001166234	1	Battery Charger Door Assembly (See BATTERY CHARGER DOOR ASSEMBLY for Breakdown)	

SECTION 1 - FRAME

FIGURE 1-26. BATTERY CHARGER INSTALLATION - 110V/60HZ (M3369 & M4069 ANSI, ANSI EXPORT, CSA AND JAPANESE SPECS)



ART_0270840

SECTION 1 - FRAME

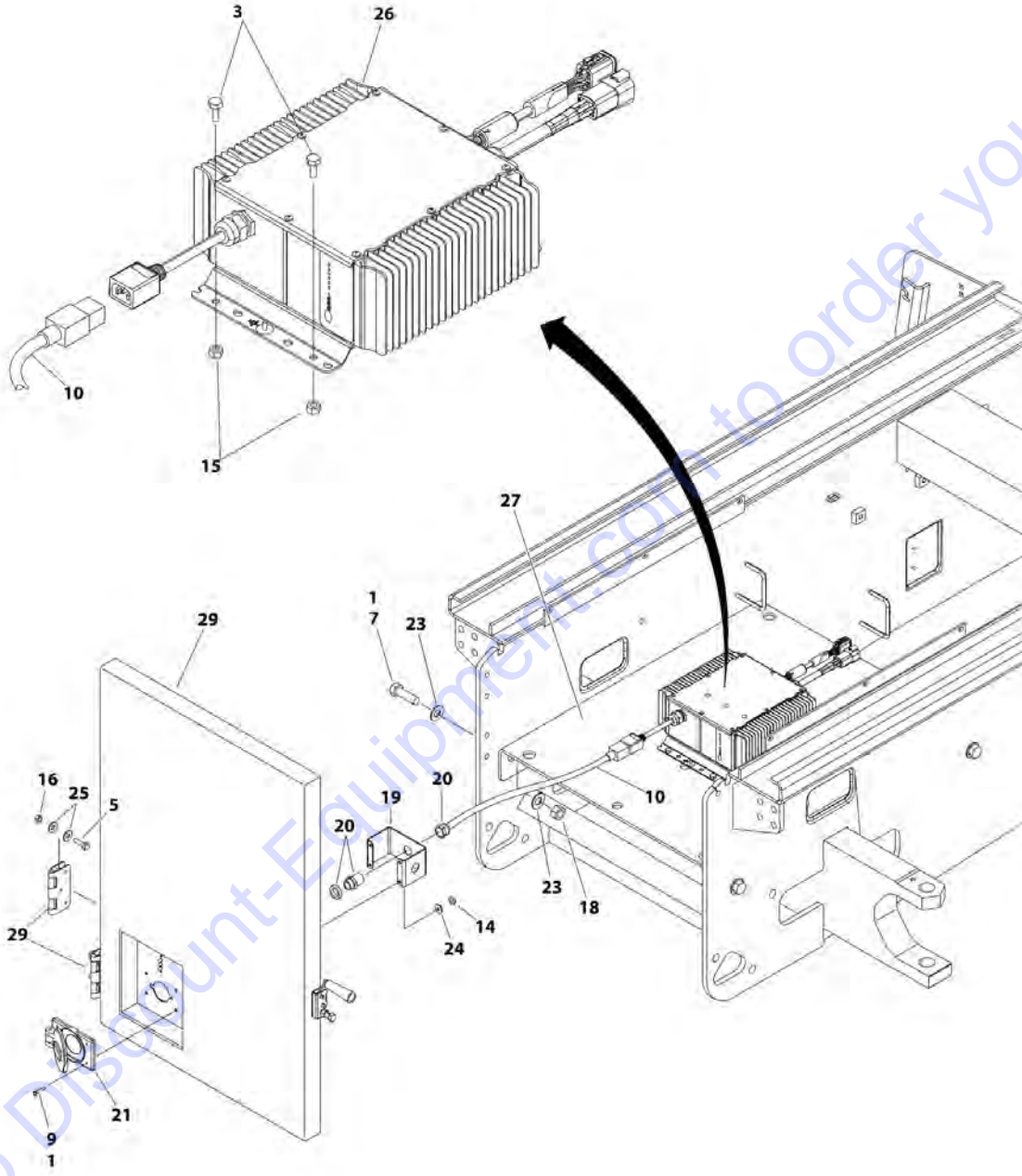
FIGURE 1-26. BATTERY CHARGER INSTALLATION - 110V/60HZ (M3369 & M4069 ANSI, ANSI EXPORT, CSA AND JAPANESE SPECS)

ITEM	PART NUMBER	QTY	DESCRIPTION	REV
		Ref	NOTE: AVAILABLE ON M3369 & M4069 ANSI, ANSI EXPORT, CSA AND JAPANESE SPECS.	
	0270840	Ref	BATTERY CHARGER INSTALLATION - 110V/60HZ (M3369 & M4069 ANSI, ANSI EXPORT, CSA AND JAPANESE SPECS)	F
2	1001103105	1	Battery Charger Assembly (See BATTERY CHARGER ASSEMBLY for Breakdown)	
4	0641407	4	Bolt 1/4 x 7/8	
5	1060689	1	Cord, Electrical	
7	3311005	4	Nut #10	
8	3911014	4	Screw #10 x 7/8	
9	4460802	1	Cover, Weatherproof	
10	4460428	1	Connector, Strain Relief	
11	4751000	4	Washer #10	
14	3571584	1	Plate, Plug Inlet	
15	4460803	1	Plug	
16	3311405	4	Nut 1/4	

Go to Discount-Equipment.com to order your parts

SECTION 1 - FRAME

FIGURE 1-27. BATTERY CHARGER INSTALLATION - 120-240V/50-60HZ (3369LE & 4069LE ANSI, ANSI EXPORT, CSA AND CE SPECS)



ART_1001166240

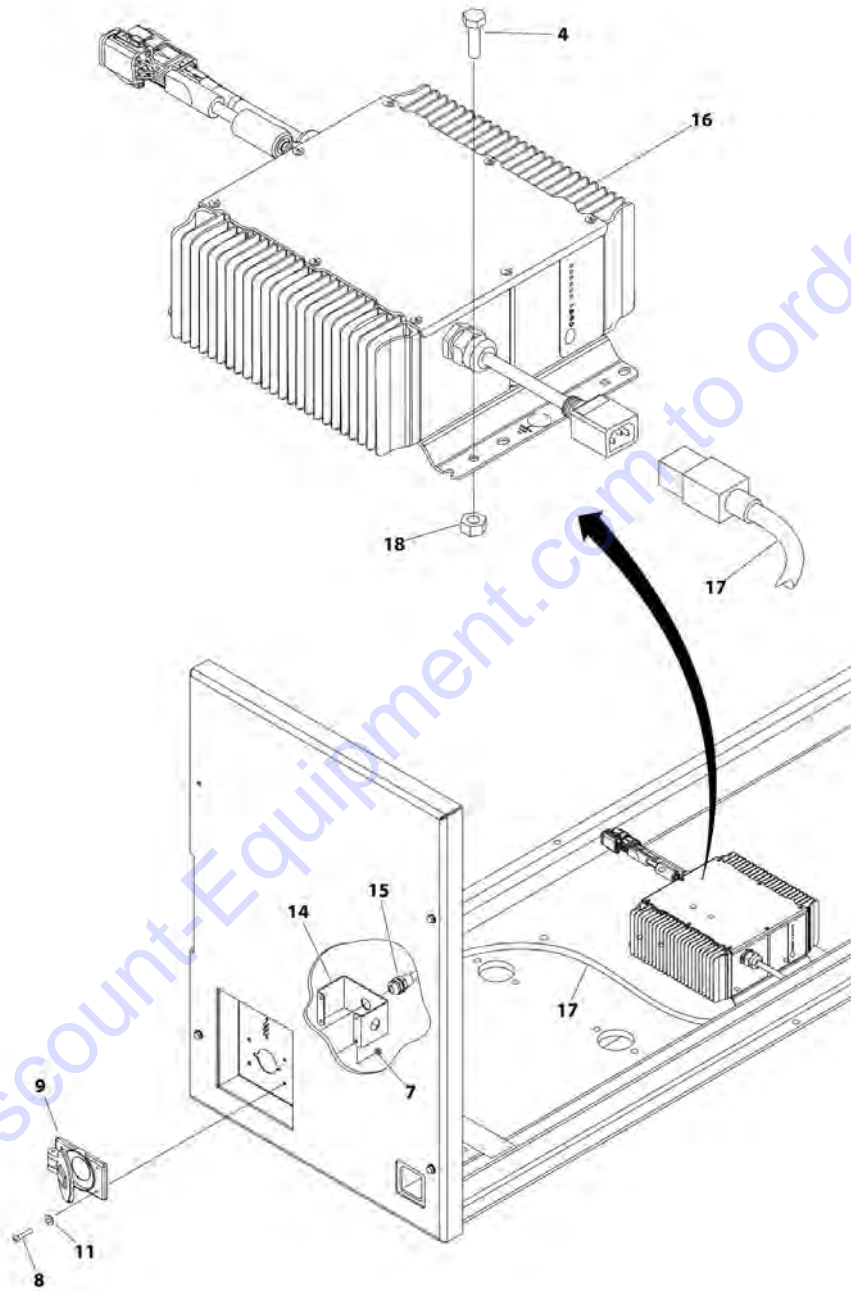
SECTION 1 - FRAME

FIGURE 1-27. BATTERY CHARGER INSTALLATION - 120-240V/50-60HZ (3369LE & 4069LE ANSI, ANSI EXPORT, CSA AND CE SPECS)

ITEM	PART NUMBER	QTY	DESCRIPTION	REV
		Ref	NOTE: AVAILABLE ON 3369LE & 4069LE ANSI, ANSI EXPORT, CSA AND CE SPECS.	
	1001166240	Ref	BATTERY CHARGER INSTALLATION - 120-240V/50-60HZ (3369LE & 4069LE ANSI, ANSI EXPORT, CSA AND CE SPECS)	C
1	0100011	AR	Compound, Locking	
3	0641405	4	Bolt 1/4 x 5/8	
5	0641509	4	Bolt 5/16 x 1-1/8	
7	0642016	4	Bolt 5/8 x 2	
9	0721008	4	Bolt #10 x 1	
10	1060689	1	Cord, Electrical	
14	3311001	4	Nut #10	
15	3311405	4	Nut 1/4	
16	3311505	4	Nut 5/16	
18	3312005	4	Nut 5/8	
19	3571584	1	Plate, Plug Inlet	
20	4460428	1	Connector, Strain Relief	
21	4460802	1	Cover, Weatherproof	
23	4712000	8	Washer 5/8	
24	4751000	4	Washer #10	
25	4751500	8	Washer 5/16	
26	1001103105	1	Battery Charger Assembly (See BATTERY CHARGER ASSEMBLY for Breakdown)	
27	1001165370	1	Plate, Support	
29	1001166234	1	Battery Charger Door Assembly (See BATTERY CHARGER DOOR ASSEMBLY for Breakdown)	

SECTION 1 - FRAME

FIGURE 1-28. BATTERY CHARGER INSTALLATION - 120-240V/50-60HZ (M3369 & M4069 ANSI, ANSI EXPORT, CSA AND CE SPECS)



ART_0270841

SECTION 1 - FRAME

FIGURE 1-28. BATTERY CHARGER INSTALLATION - 120-240V/50-60HZ (M3369 & M4069 ANSI, ANSI EXPORT, CSA AND CE SPECS)

ITEM	PART NUMBER	QTY	DESCRIPTION	REV
		Ref	NOTE: AVAILABLE ON M3369 & M4069 ANSI, ANSI EXPORT, CSA AND CE SPECS.	
	0270841	Ref	BATTERY CHARGER INSTALLATION - 120-240V/50-60HZ (M3369 & M4069 ANSI, ANSI EXPORT, CSA AND CE SPECS)	F
4	0641407	4	Bolt 1/4 x 7/8	
7	3311005	4	Nut #10	
8	3911014	4	Screw #10 x 7/8	
9	4460802	1	Cover, Weatherproof	
11	4751000	4	Washer #10	
14	3571584	1	Plate, Plug Inlet	
15	4460428	1	Connector, Strain Relief	
16	1001103105	1	Battery Charger Assembly (See BATTERY CHARGER ASSEMBLY for Breakdown)	
17	1060689	1	Cord, Electrical	
18	3311405	4	Nut 1/4	

Go to Discount-Equipment.com to order your parts

PARTS FINDER

**Search Website
by Part Number**



**Search Manual
Library For Parts
Manual & Lookup Part
Numbers – Purchase
or Request Quote**

**Can't Find Part or
Manual? Request Help
by Manufacturer,
Model & Description**

Discount-Equipment.com is your online resource for quality parts & equipment.

Florida: **561-964-4949** Outside Florida TOLL FREE: **877-690-3101**

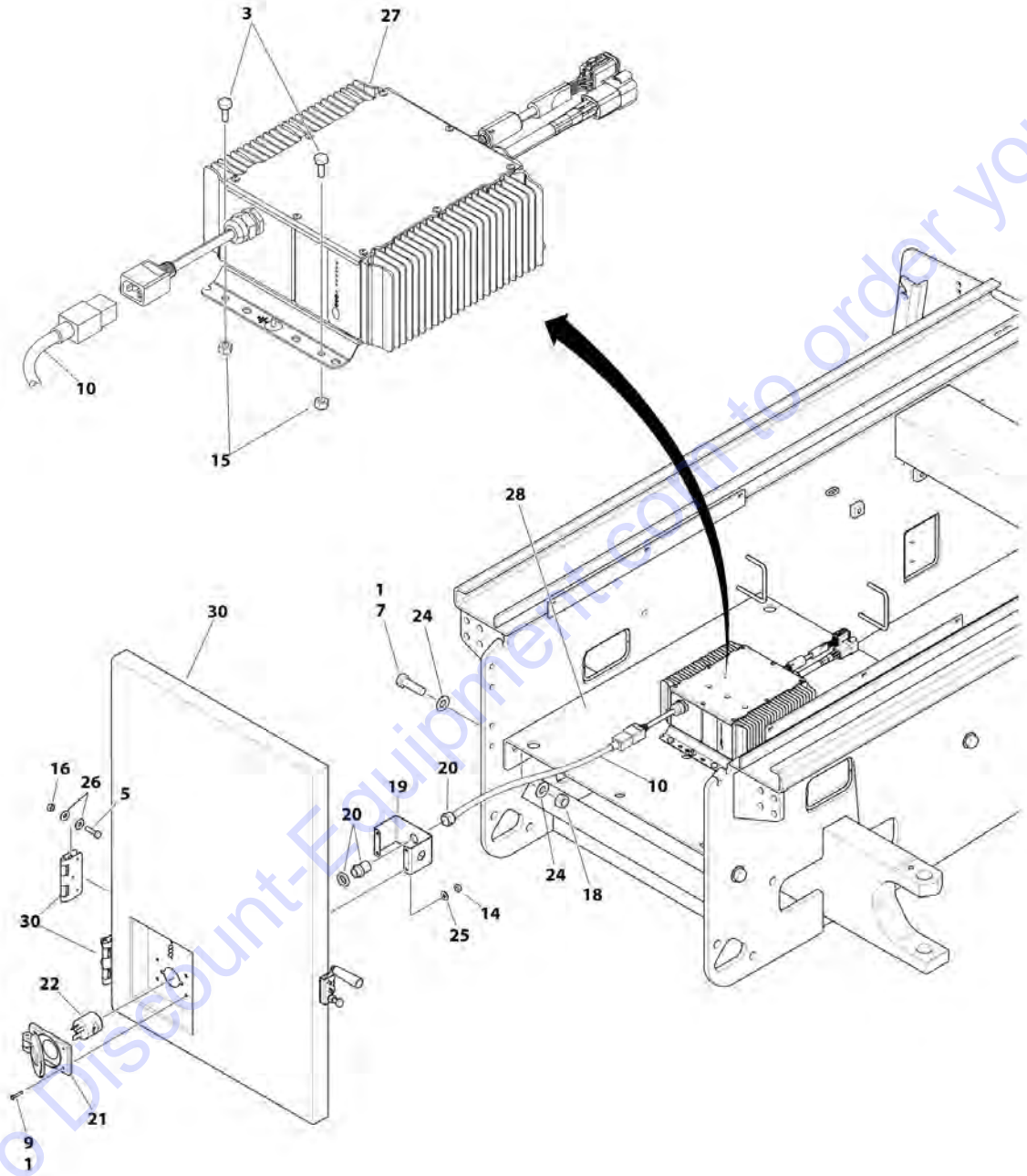
Need parts?

Click on this link: <http://www.discount-equipment.com/category/5443-parts/> and choose one of the options to help get the right parts and equipment you are looking for. Please have the machine model and serial number available in order to help us get you the correct parts. If you don't find the part on the website or on one of the online manuals, please fill out the request form and one of our experienced staff members will get back to you with a quote for the right part that your machine needs.

We sell worldwide for the brands: Genie, Terex, JLG, MultiQuip, Mikasa, Essick, Whiteman, Mayco, Toro Stone, Diamond Products, Generac Magnum, Airman, Haulotte, Barreto, Power Blanket, Nifty Lift, Atlas Copco, Chicago Pneumatic, Allmand, Miller Curber, Skyjack, Lull, Skytrak, Tsurumi, Husquvarna Target, Stow, Wacker, Sakai, Mi-T-M, Sullair, Basic, Dynapac, MBW, Weber, Bartell, Bennar Newman, Haulotte, Ditch Runner, Menegotti, Morrison, Contec, Buddy, Crown, Edco, Wyco, Bomag, Laymor, EZ Trench, Bil-Jax, F.S. Curtis, Gehl Pavers, Heli, Honda, ICS/PowerGrit, IHI, Partner, Imer, Clipper, MMD, Koshin, Rice, CH&E, General Equipment, Amida, Coleman, NAC, Gradall, Square Shooter, Kent, Stanley, Tamco, Toku, Hatz, Kohler, Robin, Wisconsin, Northrock, Oztec, Toker TK, Rol-Air, APT, Wylie, Ingersoll Rand / Doosan, Innovatech, Con X, Ammann, Mecalac, Makinex, Smith Surface Prep, Small Line, Wanco, Yanmar

SECTION 1 - FRAME

FIGURE 1-29. BATTERY CHARGER INSTALLATION - 250V/50HZ (3369LE & 4069LE ANSI EXPORT AND AUSTRALIAN SPECS)



ART_1001166241

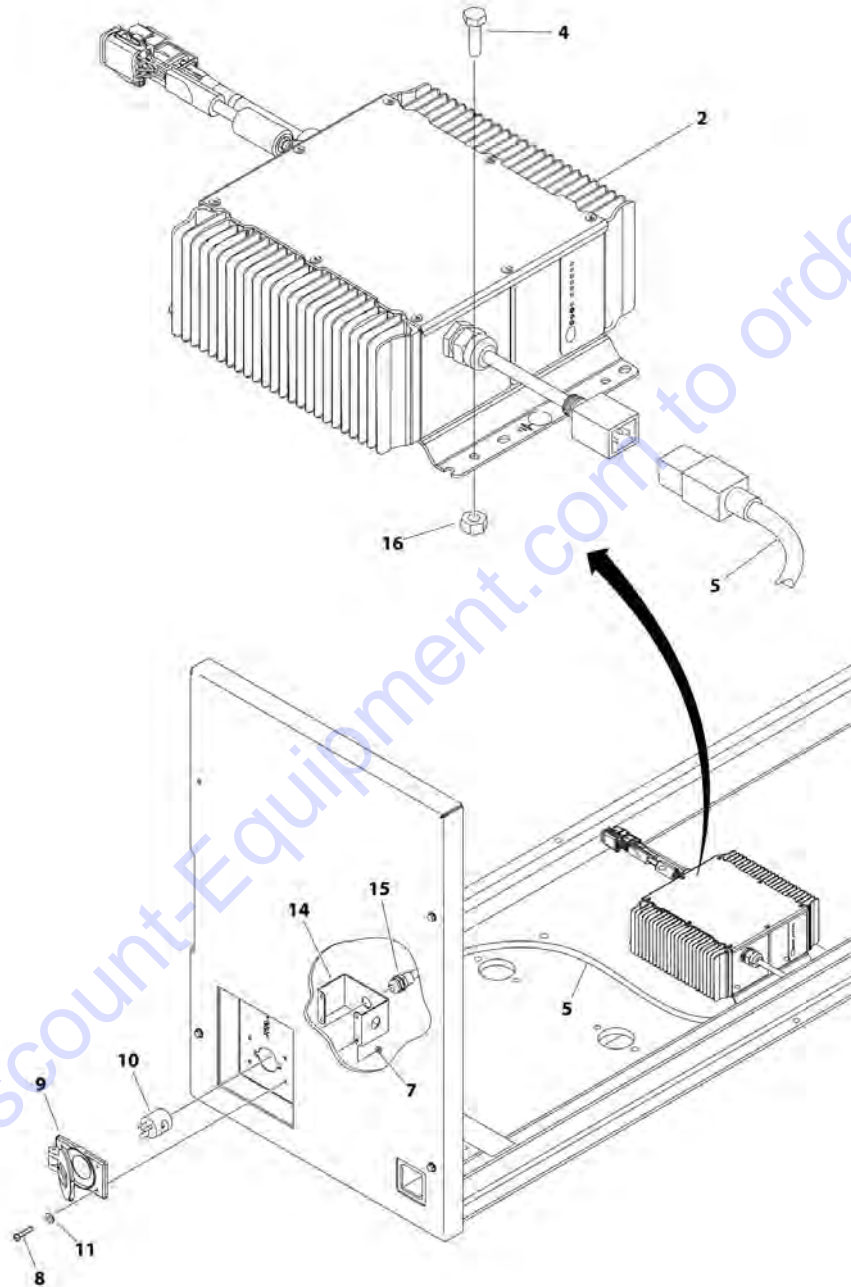
SECTION 1 - FRAME

FIGURE 1-29. BATTERY CHARGER INSTALLATION - 250V/50HZ (3369LE & 4069LE ANSI EXPORT AND AUSTRALIAN SPECS)

ITEM	PART NUMBER	QTY	DESCRIPTION	REV
		Ref	NOTE: AVAILABLE ON 3369LE & 4069LE ANSI EXPORT AND AUSTRALIAN SPECS.	
	1001166241	Ref	BATTERY CHARGER INSTALLATION - 250V/50HZ (3369LE & 4069LE ANSI EXPORT AND AUSTRALIAN SPECS)	C
1	0100011	AR	Compound, Locking	
3	0641405	4	Bolt 1/4 x 5/8	
5	0641509	4	Bolt 5/16 x 1-1/8	
7	0642016	4	Bolt 5/8 x 2	
9	0721008	4	Bolt #10 x 1	
10	1060689	1	Cord, Electrical	
14	3311001	4	Nut #10	
15	3311405	4	Nut 1/4	
16	3311505	4	Nut 5/16	
18	3312005	4	Nut 5/8	
19	3571584	1	Plate, Plug Inlet	
20	4460428	1	Connector, Strain Relief	
21	4460802	1	Cover, Weatherproof	
22	4460805	1	Plug	
24	4712000	8	Washer 5/8	
25	4751000	4	Washer #10	
26	4751500	8	Washer 5/16	
27	1001103105	1	Battery Charger Assembly (See BATTERY CHARGER ASSEMBLY for Breakdown)	
28	1001165370	1	Plate, Support	
30	1001166234	1	Battery Charger Door Assembly (See BATTERY CHARGER DOOR ASSEMBLY for Breakdown)	

SECTION 1 - FRAME

FIGURE 1-30. BATTERY CHARGER INSTALLATION - 250V/50HZ (M3369 & M4069 ANSI EXPORT AND AUSTRALIAN SPECS)



ART_0270842

SECTION 1 - FRAME

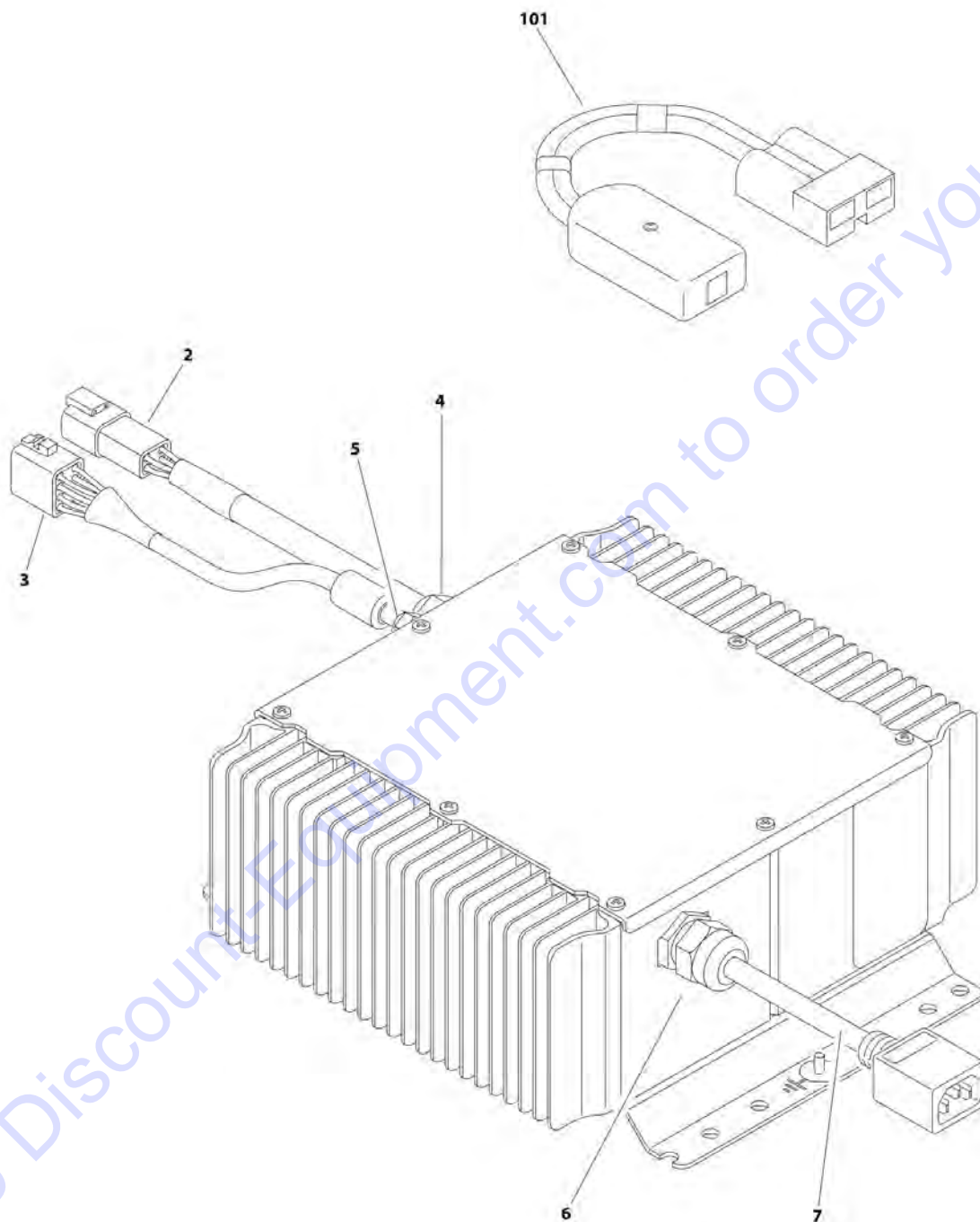
FIGURE 1-30. BATTERY CHARGER INSTALLATION - 250V/50HZ (M3369 & M4069 ANSI EXPORT AND AUSTRALIAN SPECS)

ITEM	PART NUMBER	QTY	DESCRIPTION	REV
		Ref	NOTE: AVAILABLE ON M3369 & M4069 ANSI EXPORT AND AUSTRALIAN SPECS.	
	0270842	Ref	BATTERY CHARGER INSTALLATION - 250V/50HZ (M3369 & M4069 ANSI EXPORT AND AUSTRALIAN SPECS)	F
2	1001103105	1	Battery Charger Assembly (See BATTERY CHARGER ASSEMBLY for Breakdown)	
4	0641407	1	Bolt 1/4 x 7/8	
5	1060689	1	Cord, Electrical	
7	3311005	1	Nut #10	
8	3911014	1	Screw #10 x 7/8	
9	4460802	1	Cover, Weatherproof	
10	4460805	1	Plug	
11	4751000	1	Washer #10	
14	3571584	1	Plate, Plug Inlet	
15	4460428	1	Connector, Strain Relief	
16	3311405	1	Nut 1/4	

Go to Discount-Equipment.com to order your parts

SECTION 1 - FRAME

FIGURE 1-31. BATTERY CHARGER ASSEMBLY



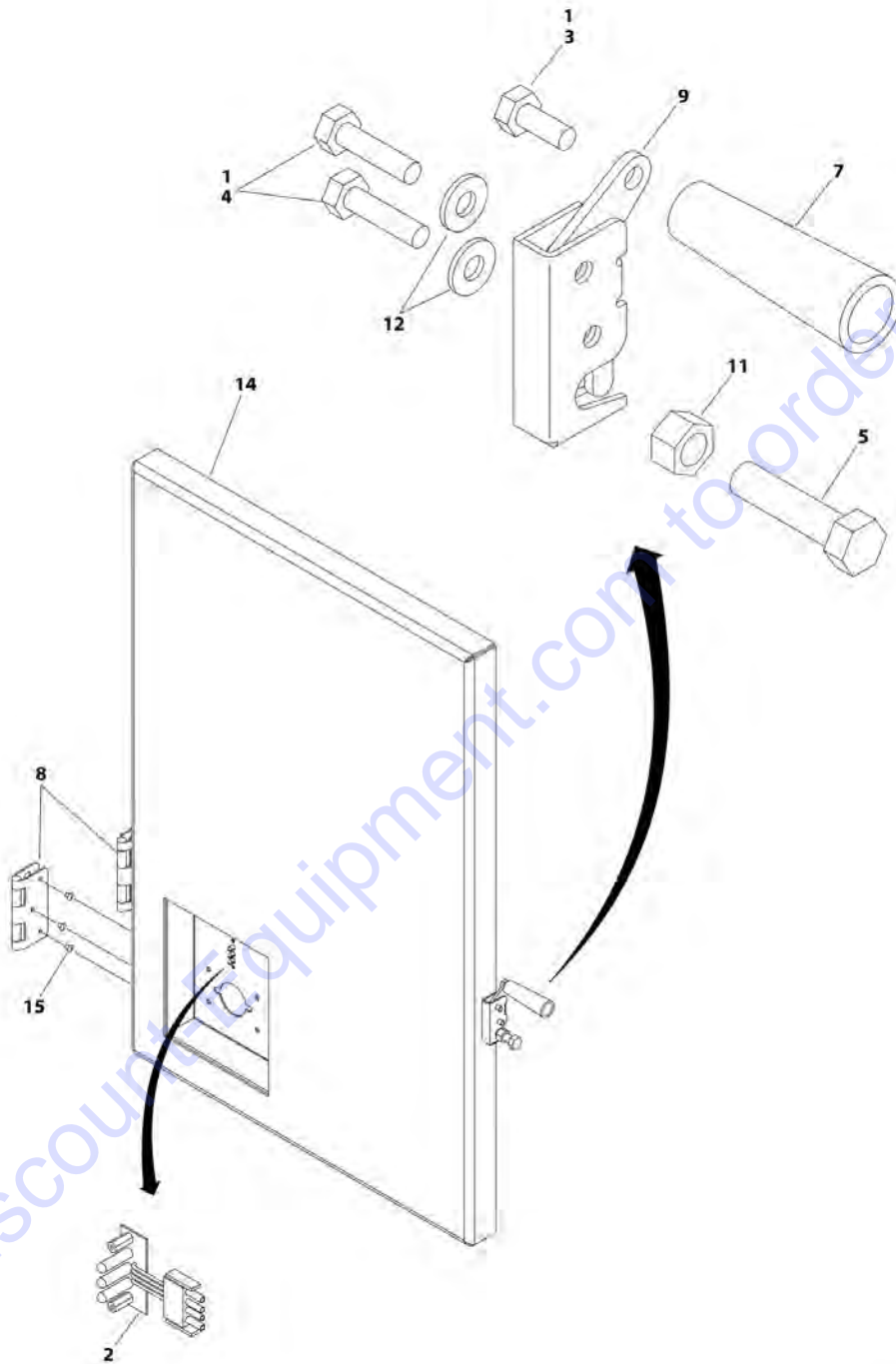
ART_1001103105

FIGURE 1-31. BATTERY CHARGER ASSEMBLY

ITEM	PART NUMBER	QTY	DESCRIPTION	REV
	1001103105	Ref	BATTERY CHARGER ASSEMBLY	D
2	See Note	1	Harness with Connector (Note: Not Available for Purchase)	
2	1001116811	1	Receptacle, Female - 4 Position	
2	4460508	4	Pin, Male	
3	See Note	1	Harness with Connector (Note: Not Available for Purchase)	
3	4460930	1	Plug, Male - 8 Position	
3	4460464	7	Socket, Female	
4	See Note	1	Connector, Strain Relief (Note: Not Available for Purchase)	
5	See Note	1	Connector, Strain Relief (Note: Not Available for Purchase)	
6	See Note	1	Connector, Strain Relief (Note: Not Available for Purchase)	
7	See Note	1	Harness with Connector (Note: Not Available for Purchase)	
101	1600466	NLA	Battery Charger Reprogram Controller (Use p/n 2915230)	

SECTION 1 - FRAME

FIGURE 1-32. BATTERY CHARGER DOOR ASSEMBLY - 3369LE & 4069LE



ART 1001166234

SECTION 1 - FRAME

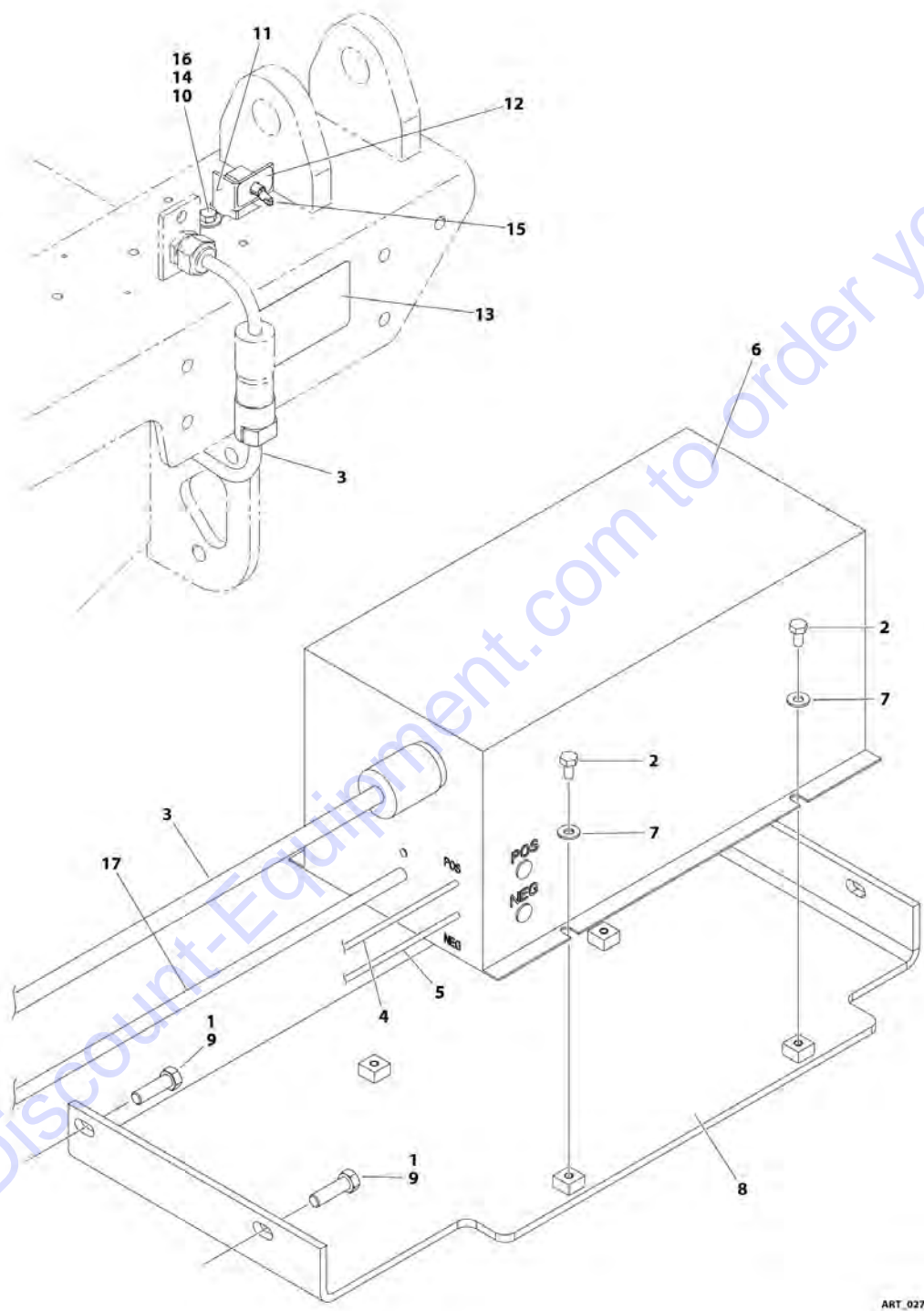
FIGURE 1-32. BATTERY CHARGER DOOR ASSEMBLY - 3369LE & 4069LE

ITEM	PART NUMBER	QTY	DESCRIPTION	REV
	1001166234	Ref	BATTERY CHARGER DOOR ASSEMBLY - 3369LE & 4069LE	B
1	0100011	AR	Compound, Locking	
2	0610131	1	Board, PC	
3	0641405	1	Bolt 1/4 x 5/8	
4	0641408	2	Bolt 1/4 x 1	
5	0641612	1	Bolt 3/8 x 1-1/2	
7	2560137	1	Handle	
8	2600258	2	Hinge	
9	2940098	1	Latch	
11	3311605	1	Nut 3/8	
12	4711400	4	Washer 1/4	
14	1001165636	1	Door	
15	3820019	6	Rivet	

Go to Discount-Equipment.com to order your parts

SECTION 1 - FRAME

FIGURE 1-33. INVERTER INSTALLATION - OPTIONAL



ART_0271344

SECTION 1 - FRAME

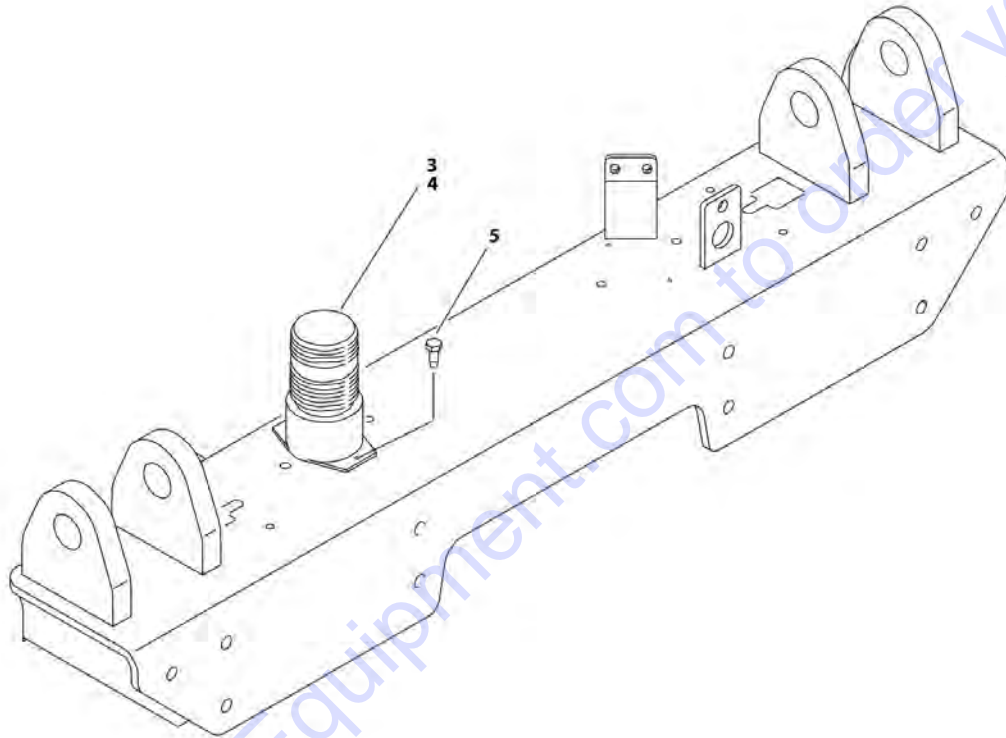
FIGURE 1-33. INVERTER INSTALLATION - OPTIONAL

ITEM	PART NUMBER	QTY	DESCRIPTION	REV
	0271344	Ref	INVERTER INSTALLATION - OPTIONAL	D
1	0100011	AR	Compound, Locking	
2	0641404	4	Bolt 1/4 x 1/2	
3	1060933	1	Cord, Electrical	
3	4460138	1	Plug, Male	
3	4460779	1	Receptacle, Female	
4	1060934	1	Harness, Positive Inverter	
5	1060935	1	Harness, Negative Inverter	
6	2460037	1	Inverter	
7	4711400	4	Washer 1/4	
8	4846520	1	Bracket, Mounting	
9	0630549	4	Bolt 3/8 x 1-1/4	
10	0641608	1	Bolt 3/8 x 1	
11	0902780	1	Bracket, Mounting	
12	1705052	1	Decal - Inverter On-Off	
13	1705051	1	Decal - Inverter	
14	3311605	1	Nut 3/8	
15	4360482	1	Switch, Toggle	
16	4751600	1	Washer 3/8	
17	4922668	1	Harness, Inverter Switch	

Go to Discount-Equipment.com to order your parts

SECTION 1 - FRAME

FIGURE 1-34. BEACON INSTALLATION



ART. 0259593

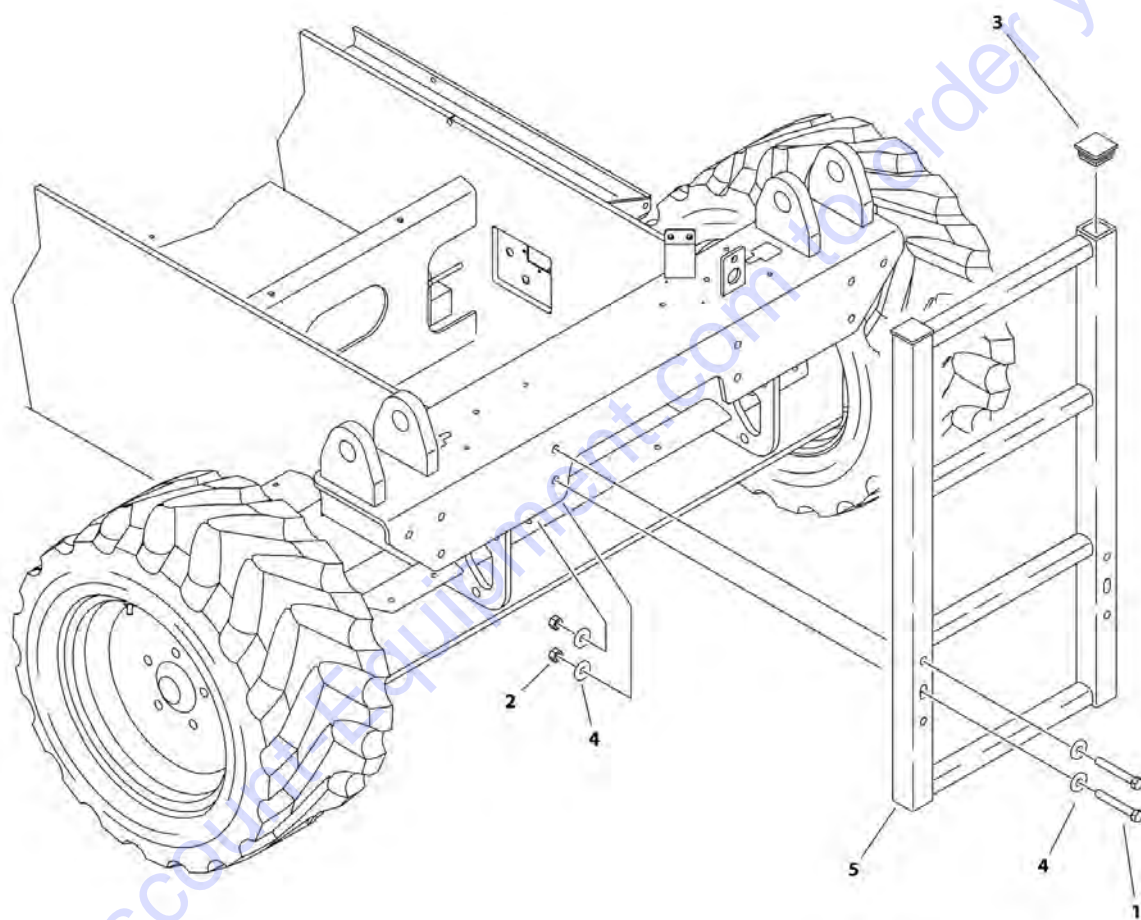
FIGURE 1-34. BEACON INSTALLATION

ITEM	PART NUMBER	QTY	DESCRIPTION	REV
	0259593	Ref	BEACON INSTALLATION	D
3	2820018	AR	Heat Shrink	
4	2920146	1	Beacon Light Assembly	
4	7016319	1	Bulb	
4	7016372	1	Lens	
5	3941004	2	Screw #10 x 1/2	
11	4922426	1	Harness, Beacon (Not Shown - See ELECTRICAL SECTION for Breakdown)	

Go to Discount-Equipment.com to order your parts

SECTION 1 - FRAME

FIGURE 1-35. LADDER INSTALLATION WITHOUT LEVELING JACKS - 3369LE/M3369 (ALL SPEC EXCEPT CE SPEC)



ART_0259576

SECTION 1 - FRAME

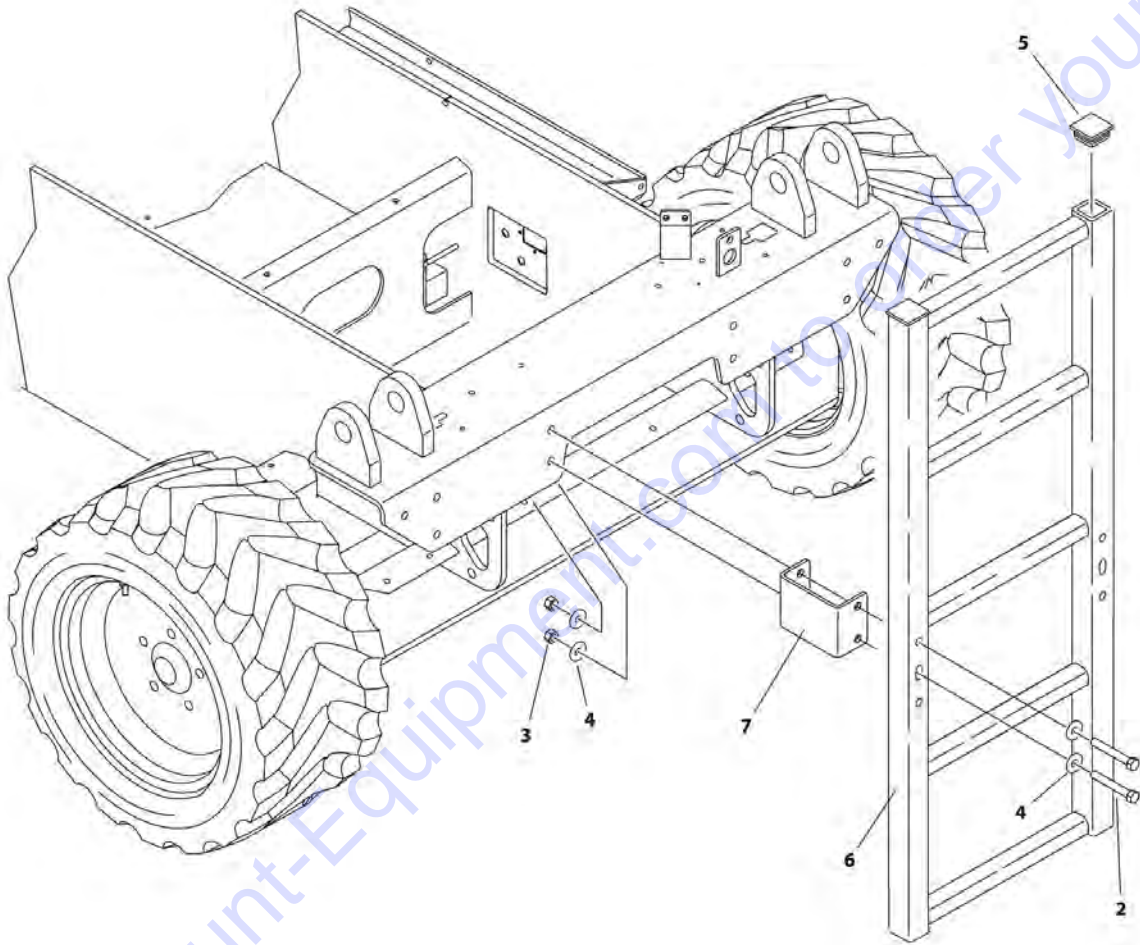
FIGURE 1-35. LADDER INSTALLATION WITHOUT LEVELING JACKS - 3369LE/M3369 (ALL SPEC EXCEPT CE SPEC)

ITEM	PART NUMBER	QTY	DESCRIPTION	REV
	0259576	Ref	LADDER INSTALLATION WITHOUT LEVELING JACKS - 3369LE/M3369 (ALL SPEC EXCEPT CE SPEC)	F
1	0641828	4	Bolt 1/2 x 3-1/2	
2	3311805	4	Nut 1/2	
3	1001109533	8	Cap-Plug	
4	4751800	2	Washer 1/2	
5	4846159	1	Ladder	

Go to Discount-Equipment.com to order your parts

SECTION 1 - FRAME

FIGURE 1-36. LADDER INSTALLATION WITHOUT LEVELING JACKS - 3369LE/M3369 (CE SPEC)



WRT_1001172397

SECTION 1 - FRAME

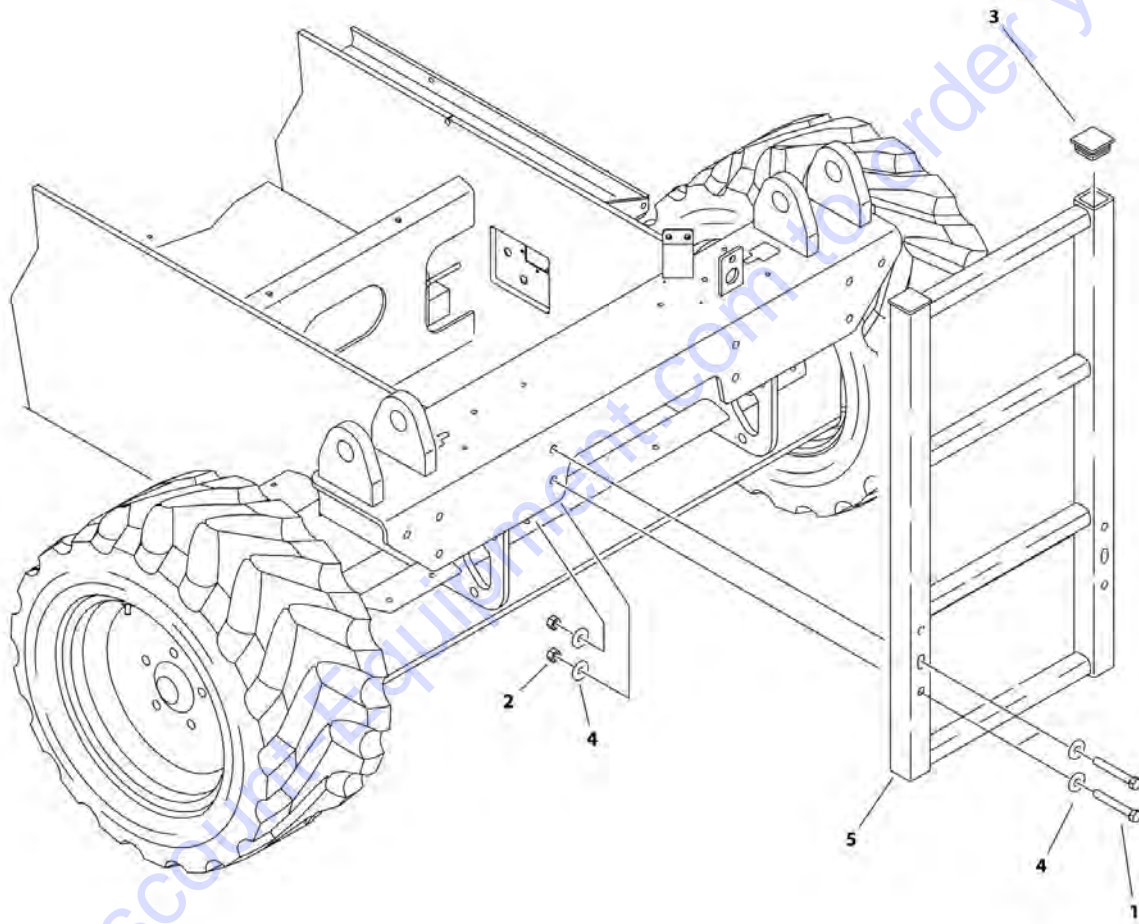
FIGURE 1-36. LADDER INSTALLATION WITHOUT LEVELING JACKS - 3369LE/M3369 (CE SPEC)

ITEM	PART NUMBER	QTY	DESCRIPTION	REV
	1001172397	Ref	LADDER INSTALLATION WITHOUT LEVELING JACKS - 3369LE/M3369 (CE SPEC)	B
1	0641814	4	Bolt 1/2 x 1-3/4	
2	0641824	4	Bolt 1/2 x 3	
3	3311805	8	Nut 1/2	
4	4751800	16	Washer 1/2	
5	1001109533	2	Cap-Plug	
6	1001172415	1	Ladder	
7	1001172416	2	Bracket	

Go to Discount-Equipment.com to order your parts

SECTION 1 - FRAME

FIGURE 1-37. LADDER INSTALLATION WITHOUT LEVELING JACKS - 4069LE/M4069 (ALL SPECS EXCEPT CE SPEC)



ART_0259577

SECTION 1 - FRAME

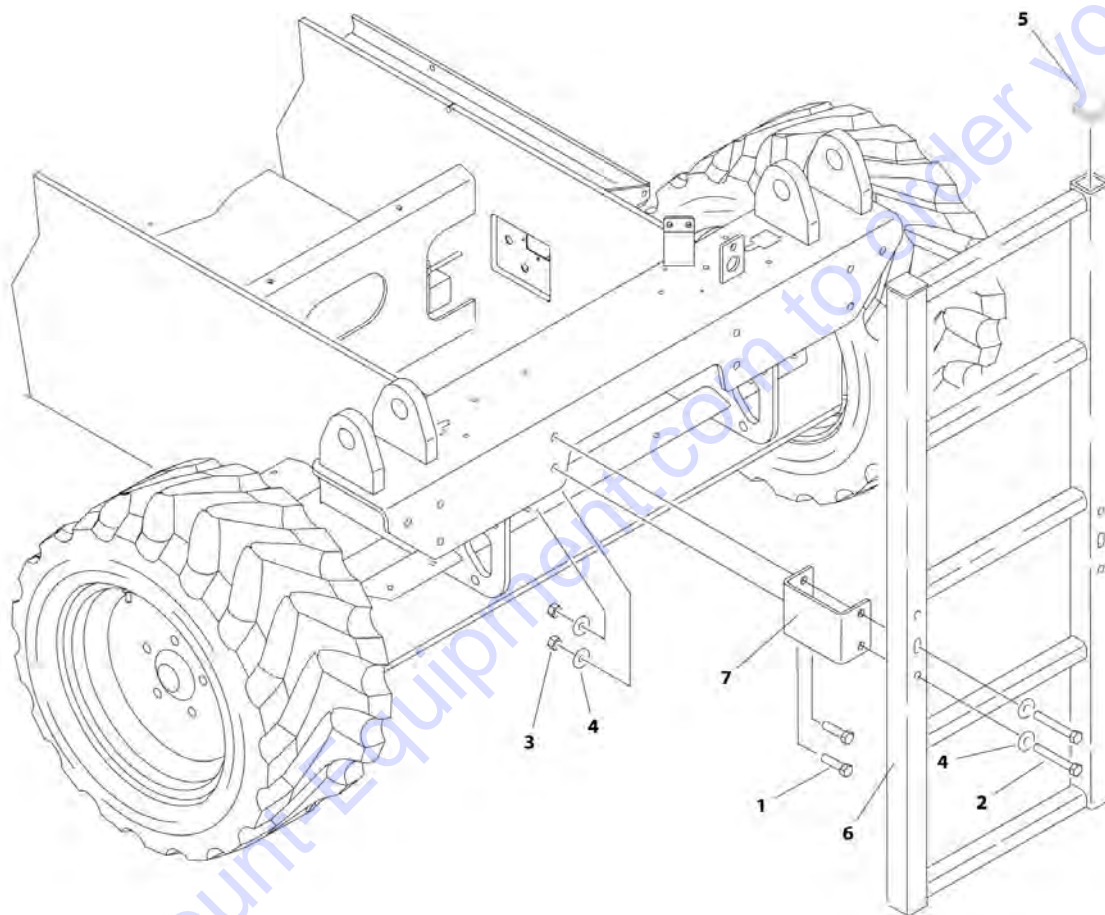
FIGURE 1-37. LADDER INSTALLATION WITHOUT LEVELING JACKS - 4069LE/M4069 (ALL SPECS EXCEPT CE SPEC)

ITEM	PART NUMBER	QTY	DESCRIPTION	REV
	0259577	Ref	LADDER INSTALLATION WITHOUT LEVELING JACKS - 4069LE/M4069 (ALL SPECS EXCEPT CE SPEC)	F
1	0641828	4	Bolt 1/2 x 3-1/2	
2	3311805	4	Nut 1/2	
3	1001109533	2	Cap-Plug	
4	4751800	8	Washer 1/2	
5	4846159	1	Ladder	

Go to Discount-Equipment.com to order your parts

SECTION 1 - FRAME

FIGURE 1-38. LADDER INSTALLATION WITHOUT LEVELING JACKS - 4069LE/M4069 (CE SPECS)



ART_1001172768

SECTION 1 - FRAME

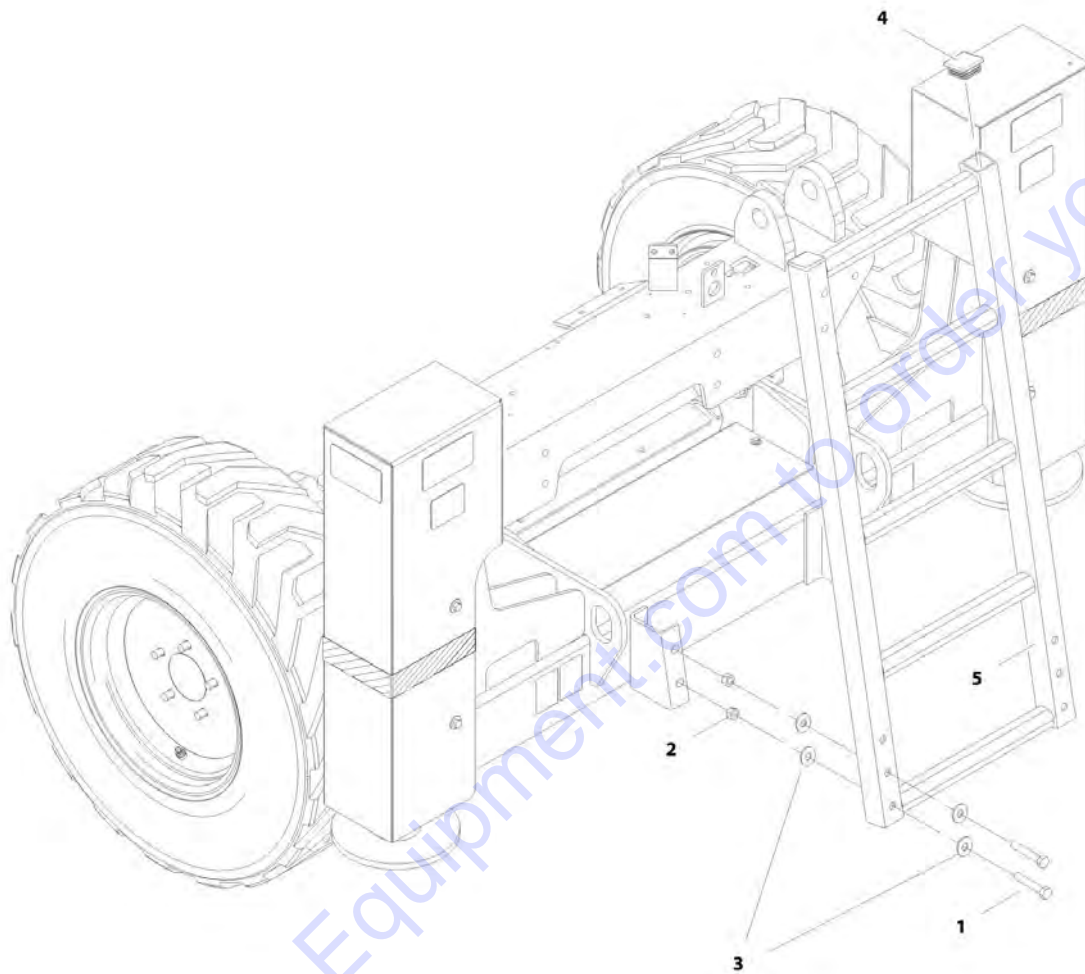
FIGURE 1-38. LADDER INSTALLATION WITHOUT LEVELING JACKS - 4069LE/M4069 (CE SPECS)

ITEM	PART NUMBER	QTY	DESCRIPTION	REV
	1001172768	Ref	LADDER INSTALLATION WITHOUT LEVELING JACKS - 4069LE/M4069 (CE SPECS)	B
1	0641814	4	Bolt 1/2 x 1-3/4	
2	0641824	4	Bolt 1/2 x 3	
3	3311805	8	Nut 1/2	
4	4751800	16	Washer 1/2	
5	1001109533	2	Cap-Plug	
6	1001172415	1	Ladder	
7	1001172416	2	Bracket	

Go to Discount-Equipment.com to order your parts

SECTION 1 - FRAME

FIGURE 1-39. LADDER INSTALLATION WITH LEVELING JACKS



ART. 1001172393

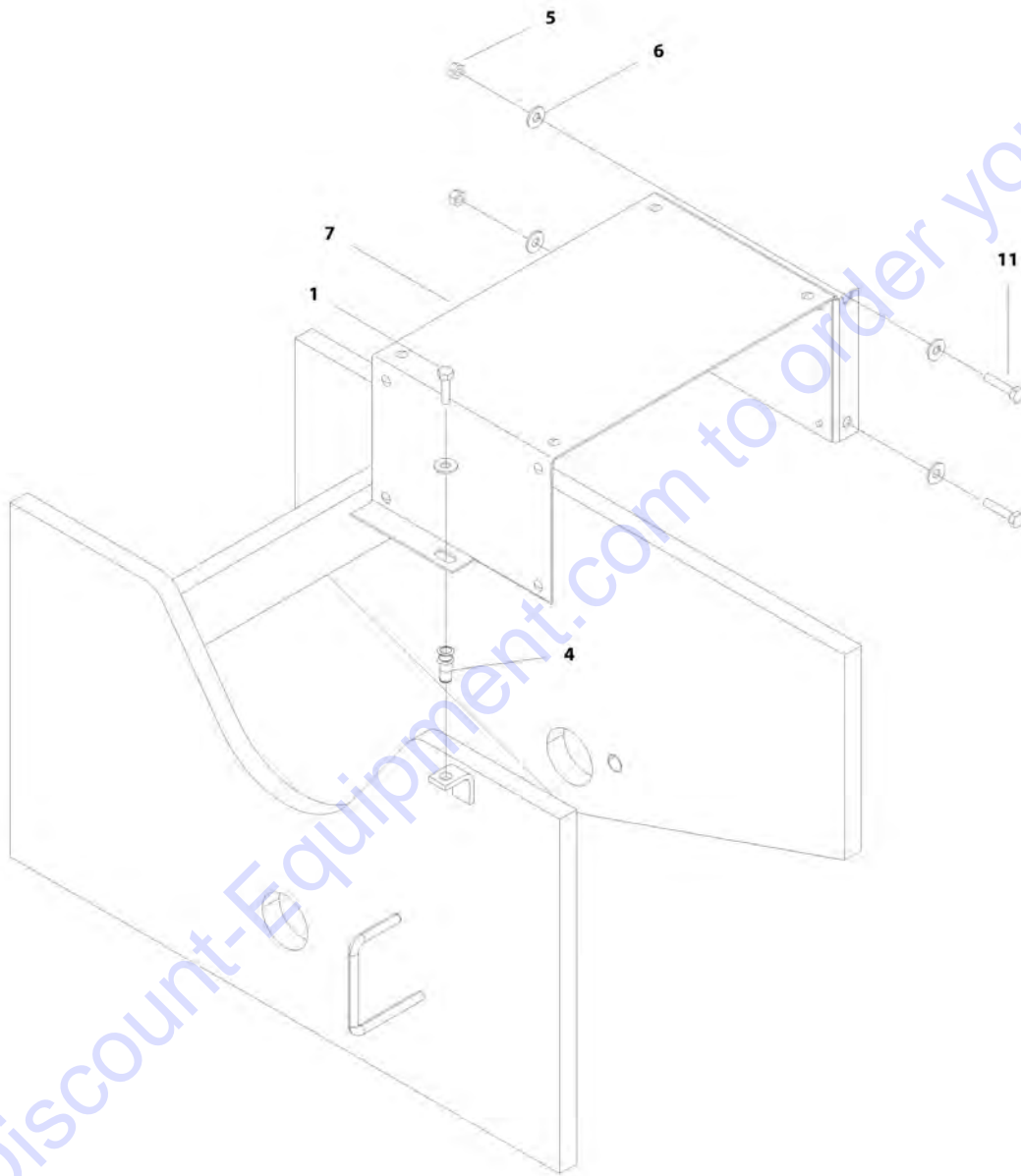
FIGURE 1-39. LADDER INSTALLATION WITH LEVELING JACKS

ITEM	PART NUMBER	QTY	DESCRIPTION	REV
	1001172393	Ref	LADDER INSTALLATION WITH LEVELING JACKS	B
1	0641824	4	Bolt 1/2 x 3	
2	3311805	4	Nut 1/2	
3	4751800	8	Washer 1/2	
4	1001109533	2	Cap-Plug	
5	1001172413	1	Ladder	

Go to Discount-Equipment.com to order your parts

SECTION 1 - FRAME

FIGURE 1-40. FRAME COVER INSTALLATION (STANDARD)



ART_1001165824

SECTION 1 - FRAME

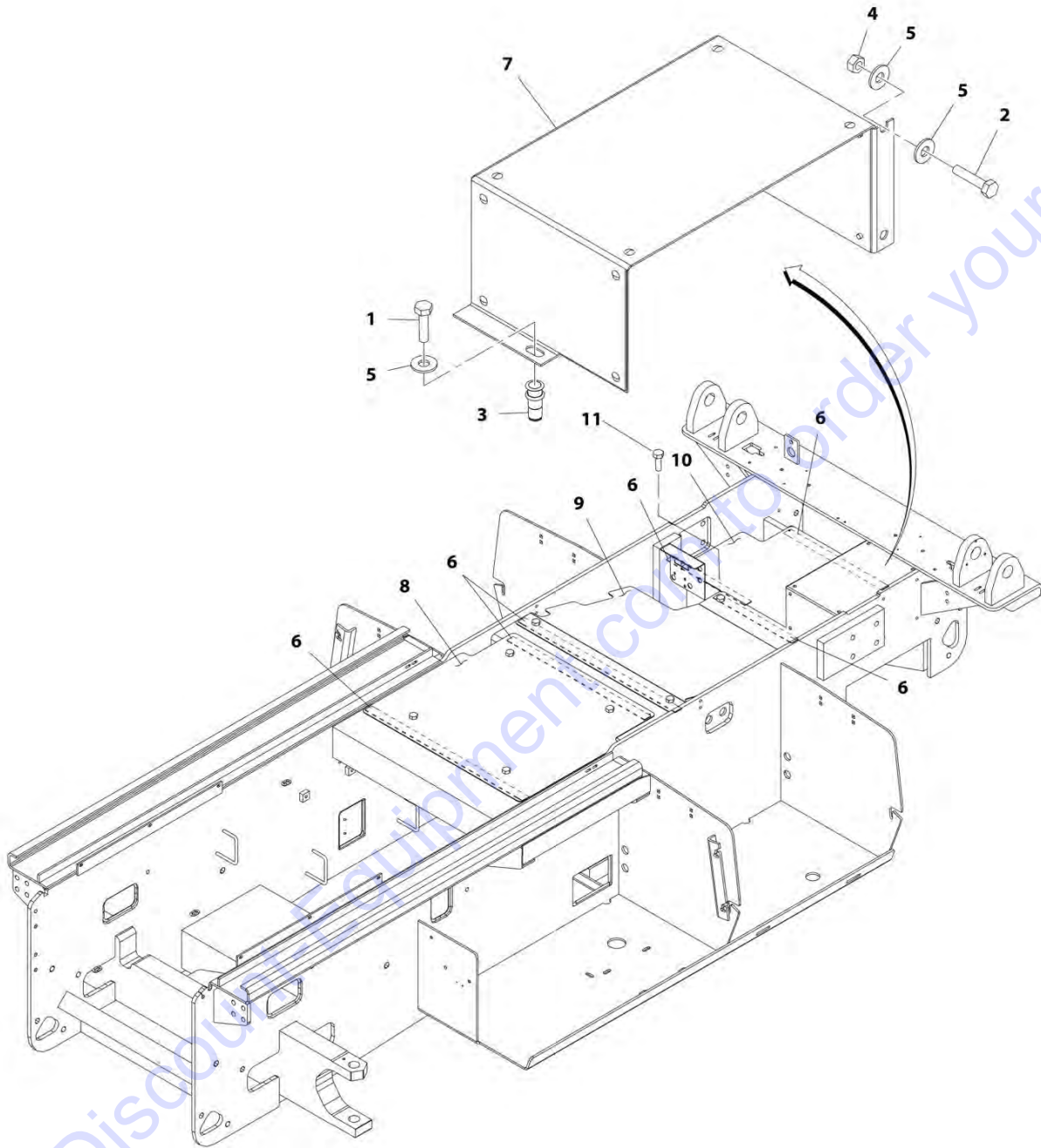
FIGURE 1-40. FRAME COVER INSTALLATION (STANDARD)

ITEM	PART NUMBER	QTY	DESCRIPTION	REV
	1001165824	Ref	FRAME COVER INSTALLATION (STANDARD)	C
1	0641408	1	Bolt 1/4 x 1	
4	2080052	1	Fastener 1/4	
5	3311405	2	Nut 1/4	
6	4751400	5	Washer 1/4	
7	1001165628	1	Cover	
11	0641410	2	Bolt 1/4 x 1-1/4	

Go to Discount-Equipment.com to order your parts

SECTION 1 - FRAME

FIGURE 1-41. FRAME COVER INSTALLATION (4069LE/M4069) (HOSTILE ENVIRONMENT)



ART_1001207524

SECTION 1 - FRAME

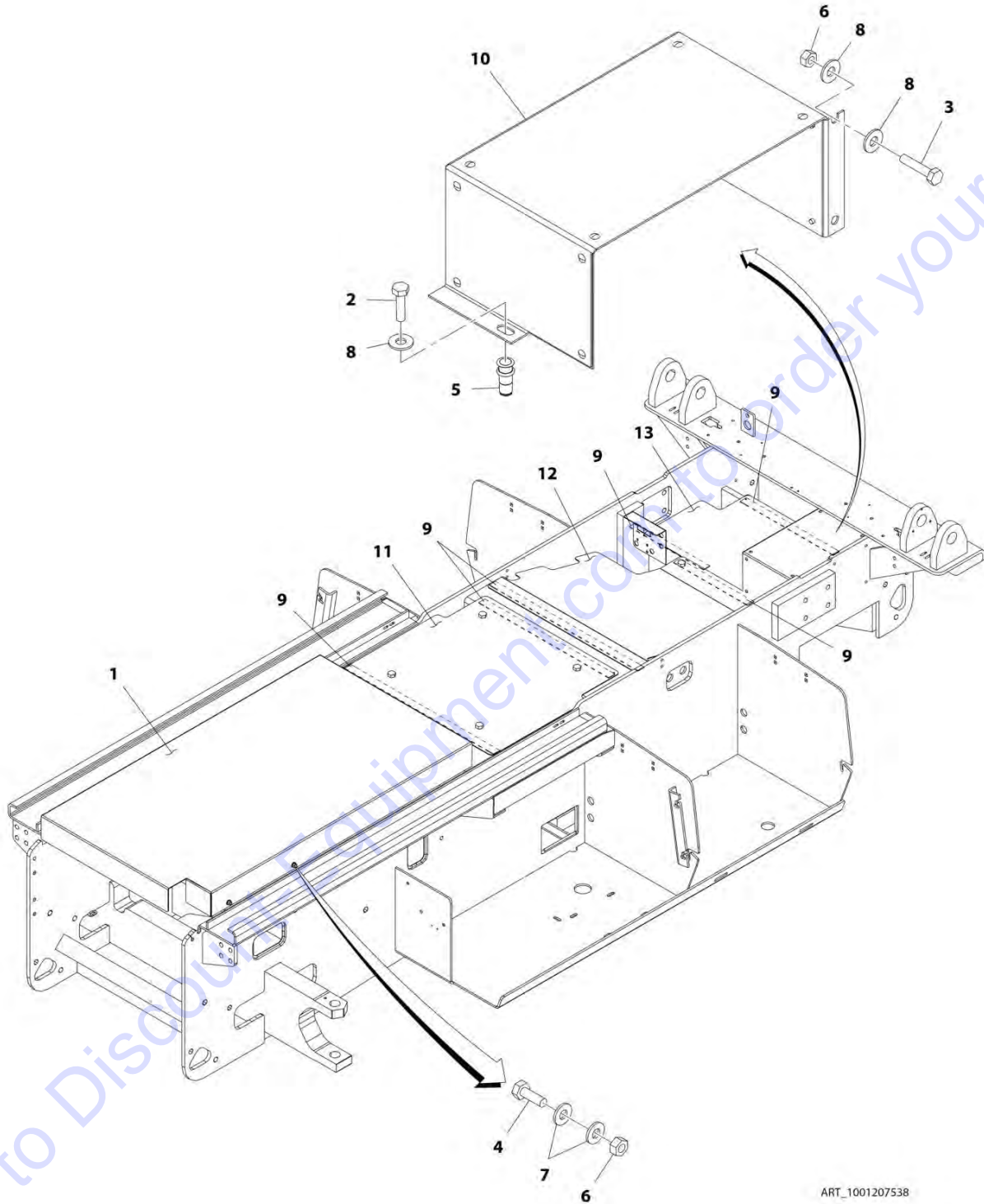
FIGURE 1-41. FRAME COVER INSTALLATION (4069LE/M4069) (HOSTILE ENVIRONMENT)

ITEM	PART NUMBER	QTY	DESCRIPTION	REV
	1001207524	Ref	FRAME COVER INSTALLATION (4069LE/M4069) (HOSTILE ENVIRONMENT)	B
1	0641408	8	Bolt 1/4 x 1	
2	0641410	2	Bolt 1/4 x 1-1/4	
3	2080052	8	Fastener 1/4	
4	3311405	3	Nut 1/4	
5	4751400	14	Washer 1/4	
6	1001104090	8.5 ft /2.6m	Tape	
7	1001165628	1	Cover	
8	1001207527	1	Cover	
9	1001207528	1	Cover	
10	1001207529	1	Cover	
11	0641406	1	Bolt 1/4 x 3/4	

Go to Discount-Equipment.com to order your parts

SECTION 1 - FRAME

FIGURE 1-42. FRAME COVER INSTALLATION (3369LE/M3369) (HOSTILE ENVIRONMENT)



ART_1001207538

SECTION 1 - FRAME

FIGURE 1-42. FRAME COVER INSTALLATION (3369LE/M3369) (HOSTILE ENVIRONMENT)

ITEM	PART NUMBER	QTY	DESCRIPTION	REV
	1001207538	Ref	FRAME COVER INSTALLATION (3369LE/M3369) (HOSTILE ENVIRONMENT)	B
1	1670990	1	Cover	
2	0641408	8	Bolt 1/4 x 1	
3	0641410	2	Bolt 1/4 x 1-1/4	
4	0641406	5	Bolt 1/4 x 3/4	
5	2080052	8	Fastener 1/4	
6	3311405	7	Nut 1/4	
7	4711400	8	Washer 1/4	
8	4751400	14	Washer 1/4	
9	1001104090	8.5 ft /2.6m	Tape (Prior to SN 0200261628)	
10	1001165628	1	Cover	
11	1001207527	1	Cover	
12	1001207528	1	Cover	
13	1001207529	1	Cover	

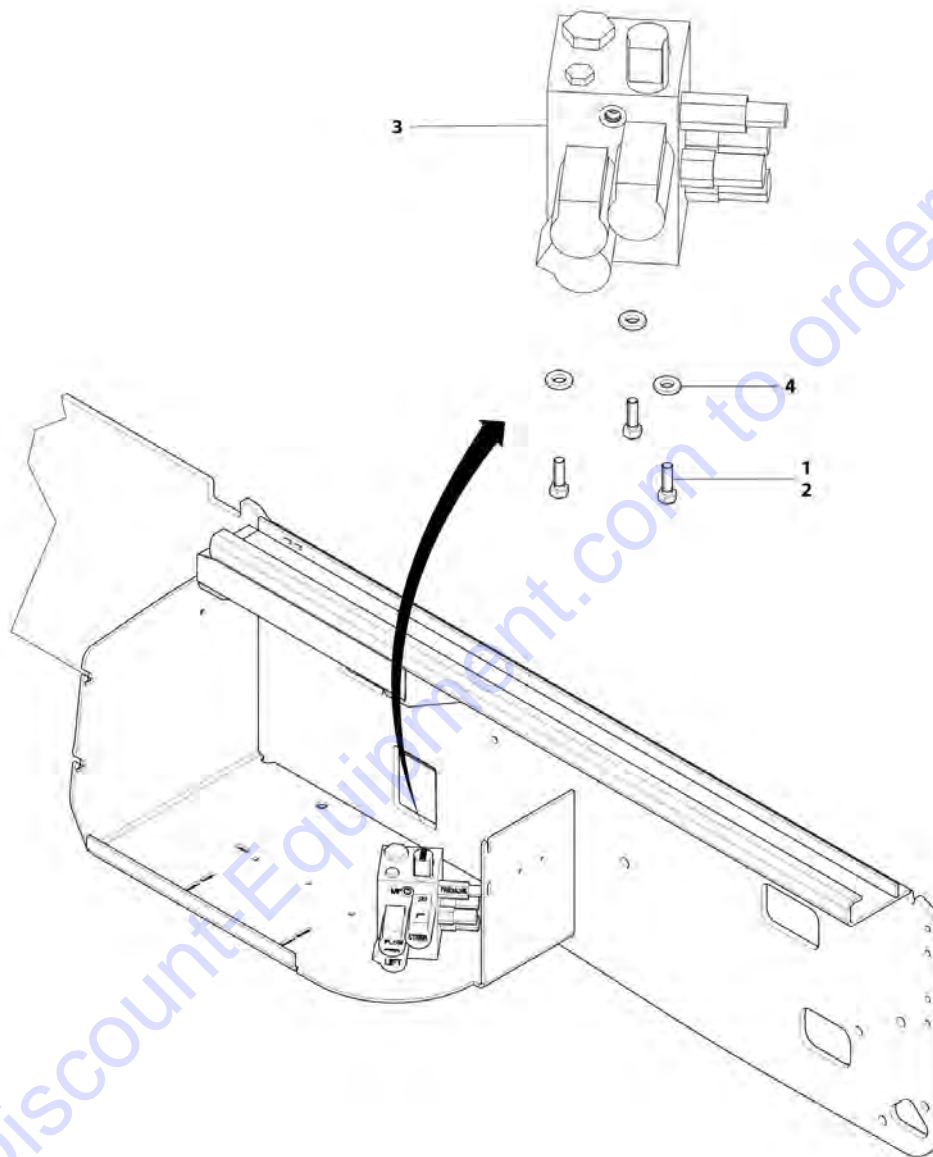
Go to Discount-Equipment.com to order your parts

SECTION 2 - GROUND COMPONENTS

Go to Discount-Equipment.com to order your parts

SECTION 2 - GROUND COMPONENTS

FIGURE 2-1. MAIN CONTROL VALVE INSTALLATION



ART_0270692

SECTION 2 - GROUND COMPONENTS

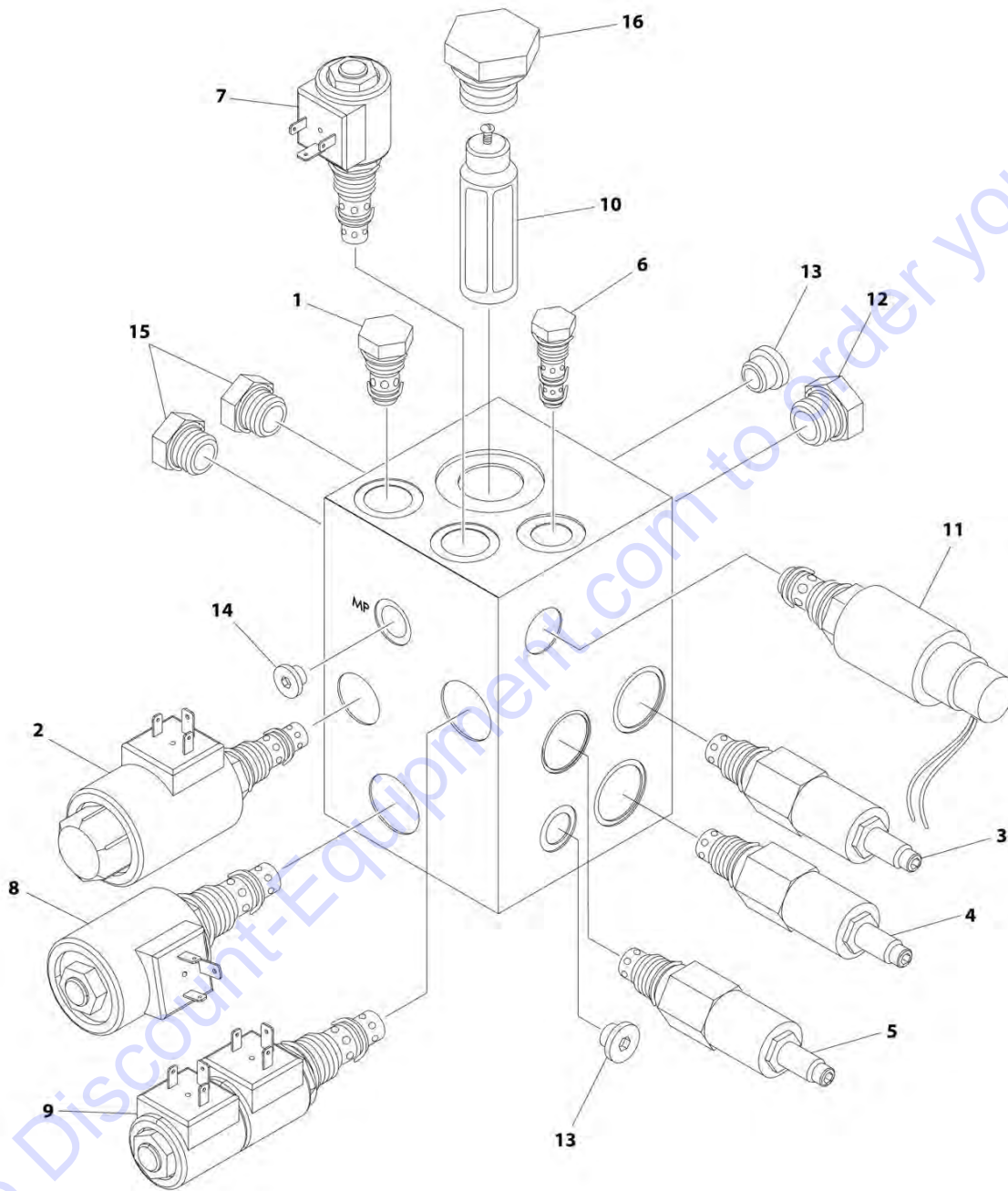
FIGURE 2-1. MAIN CONTROL VALVE INSTALLATION

ITEM	PART NUMBER	QTY	DESCRIPTION	REV
	0270692	Ref	MAIN CONTROL VALVE INSTALLATION	C
1	0100011	Ref	Compound, Locking	
2	0641508	3	Bolt 5/16 x 1	
3	4641178	1	Main Control Valve Assembly (See MAIN CONTROL VALVE ASSEMBLY for Breakdown)	
4	4891600	3	Washer 3/8	

Go to Discount-Equipment.com to order your parts

SECTION 2 - GROUND COMPONENTS

FIGURE 2-2. MAIN CONTROL VALVE ASSEMBLY



ART_4641178

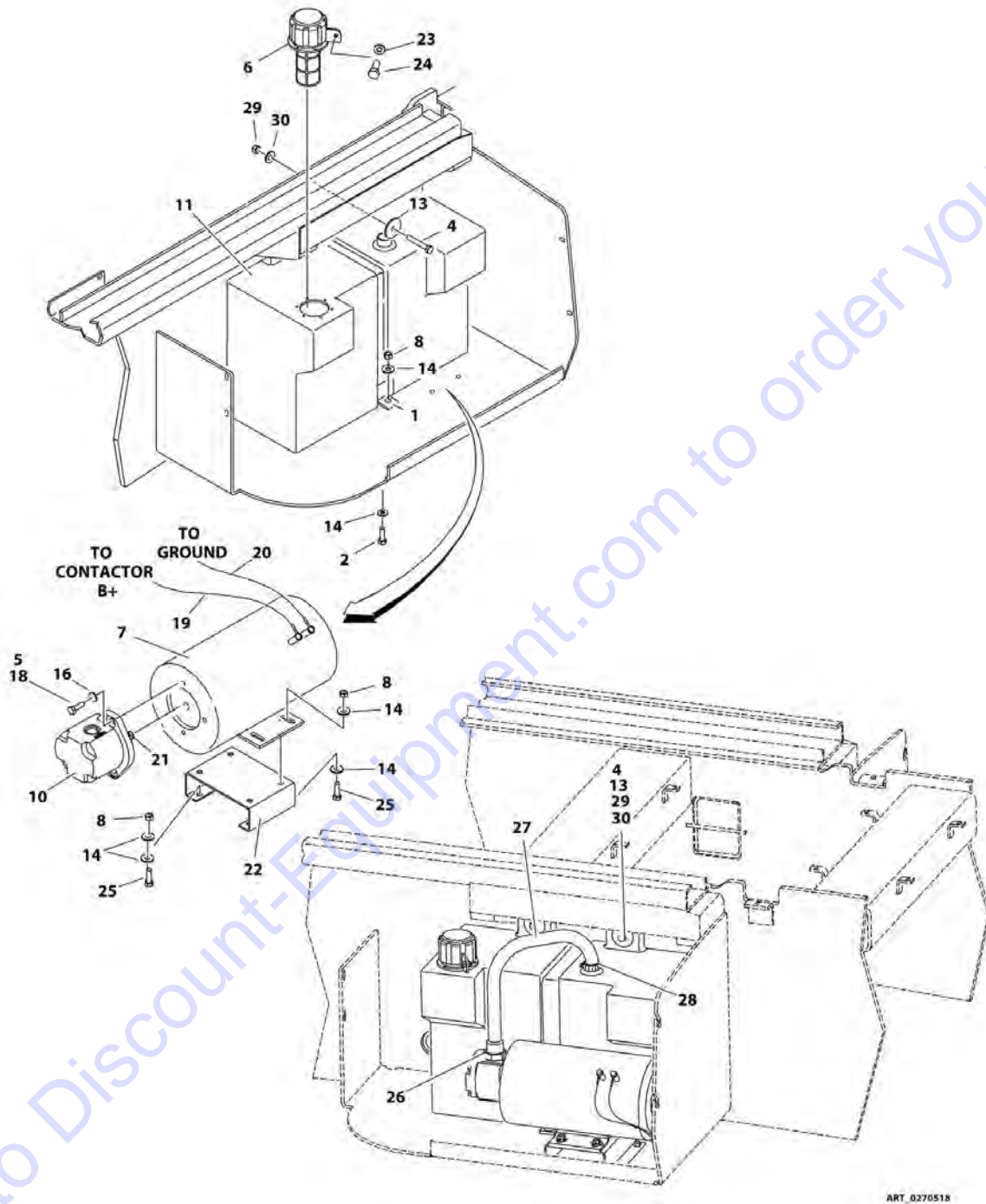
SECTION 2 - GROUND COMPONENTS

FIGURE 2-2. MAIN CONTROL VALVE ASSEMBLY

ITEM	PART NUMBER	QTY	DESCRIPTION	REV
	4641178	Ref	MAIN CONTROL VALVE ASSEMBLY	H
1	7022391	1	Cartridge, Check (Brake)	
1	7012967	1	Seal Kit - 7022391 Cartridge	
2	7023904	1	Cartridge, Solenoid (Flow Control) (Cartridge Only)	
2	7012518	1	Seal Kit - 7023904 Cartridge	
2	7017451	1	Coil	
3	70006422	1	Cartridge, Relief (Main)	
3	7017496	1	Seal Kit - 70006422 Cartridge	
4	70006423	1	Cartridge, Relief (Lift)	
4	7017496	1	Seal Kit - 70006423 Cartridge	
5	7017428	1	Cartridge, Relief (Steer)	
5	7012998	1	Seal Kit - 7017428 Cartridge	
6	10837580	1	Cartridge, Shuttle (Steer)	
6	7010543	1	Seal Kit - 10837580 Cartridge	
7	7012941	1	Cartridge, Solenoid (Brake) (Cartridge Only)	
7	7010543	1	Seal Kit - 7012941 Cartridge	
7	7012944	1	Coil	
8	7022394	1	Cartridge, Solenoid (Lift) (Cartridge Only)	
8	7012518	1	Seal Kit - 7022394 Cartridge	
8	7012943	1	Coil	
9	7017433	1	Cartridge, Check (Steer) (Cartridge Only)	
9	7017402	1	Seal Kit - 7017433 Cartridge	
9	7012944	2	Coil	
10	7021616	1	Cartridge, Filter	
11	7021619	1	Cartridge, Pressure Switch	
12	7024832	1	Plug	
13	70006424	2	Plug	
14	70005833	1	Plug	
15	2220883	2	Plug	
16	2220885	1	Plug	

SECTION 2 - GROUND COMPONENTS

FIGURE 2-3. HYDRAULIC COMPARTMENT INSTALLATION



ART_0270518

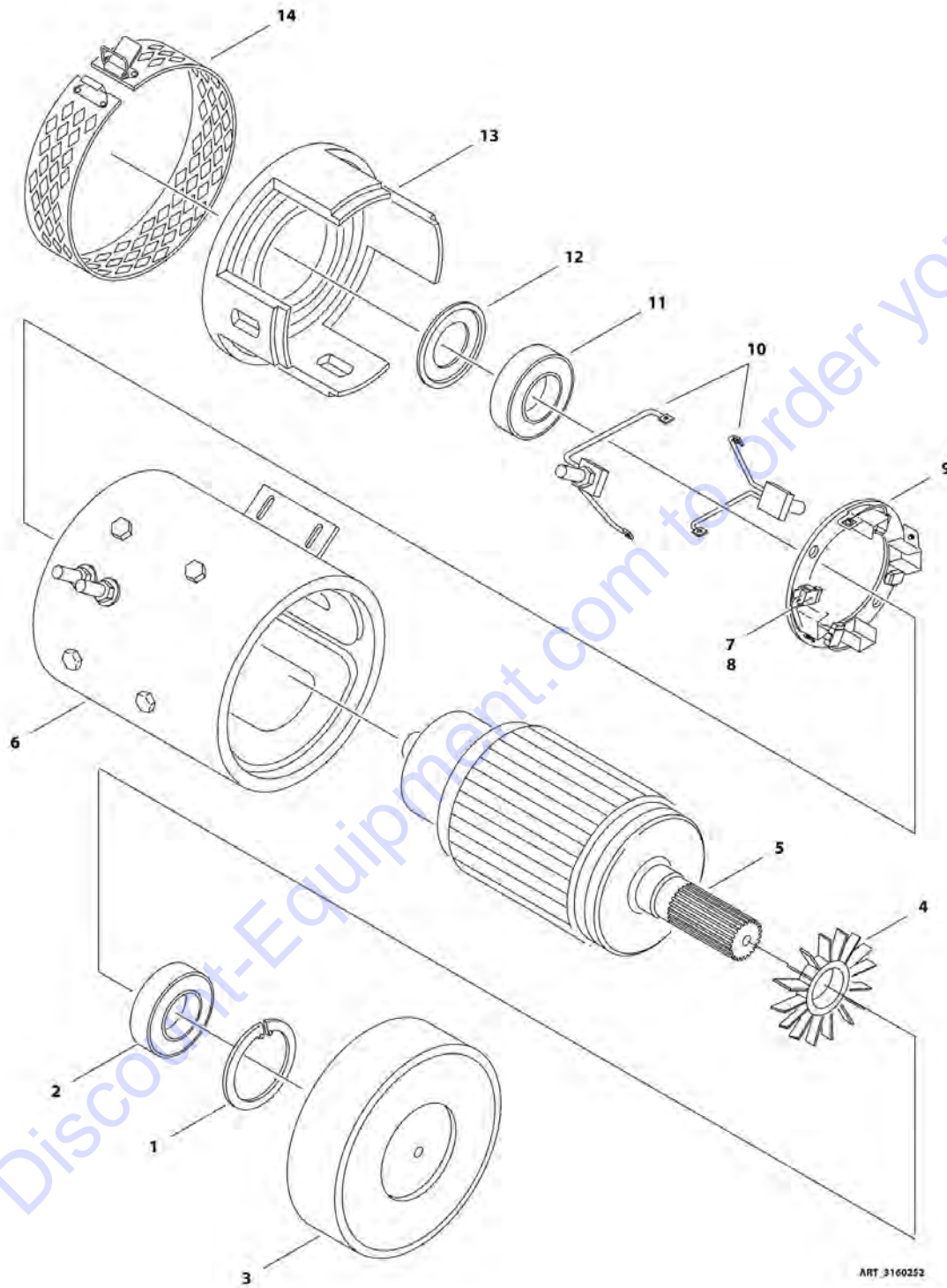
SECTION 2 - GROUND COMPONENTS

FIGURE 2-3. HYDRAULIC COMPARTMENT INSTALLATION

ITEM	PART NUMBER	QTY	DESCRIPTION	REV
	0270518	Ref	HYDRAULIC COMPARTMENT INSTALLATION	I
1	0182014	1	Angle	
2	0641507	1	Bolt 5/16 x 7/8	
4	0641618	2	Bolt 3/8 x 2-1/4	
5	0700812	2	Bolt M8 x 25	
6	1120534	1	Cap/Breather	
7	3160252	1	Motor Assembly (See MOTOR ASSEMBLY for Breakdown)	
8	3311505	9	Nut 5/16	
10	3600367	1	Pump Assembly	
10	7024960	1	Seal Kit (Note: If repairs beyond seal kit are required, replace complete pump)	
11	4400433	1	Tank, Hydraulic	
13	4740076	2	Washer	
14	4751500	10	Washer 5/16	
16	4891500	2	Washer 5/16	
18	0100011	AR	Compound, Locking	
19	1060900	1	Cable, Contactor (B+ to Pump)	
20	1060901	1	Cable, Contactor (Pump to Ground)	
21	3020037	AR	Lubricant, Pump Coupling	
22	0902701	1	Bracket, Pump/Motor	
23	3311401	1	Nut 1/4	
24	0641404	1	Bolt 1/4 x 1/2	
25	0641506	8	Bolt 5/16 x 3/4	
26	2220377	1	Fitting, Straight JIC/ORB	
27	4568203	1	Tube	
28	1320033	1	Clamp	
29	3311605	2	Nut 3/8	
30	4711600	2	Washer 3/8	

SECTION 2 - GROUND COMPONENTS

FIGURE 2-4. MOTOR ASSEMBLY



SECTION 2 - GROUND COMPONENTS

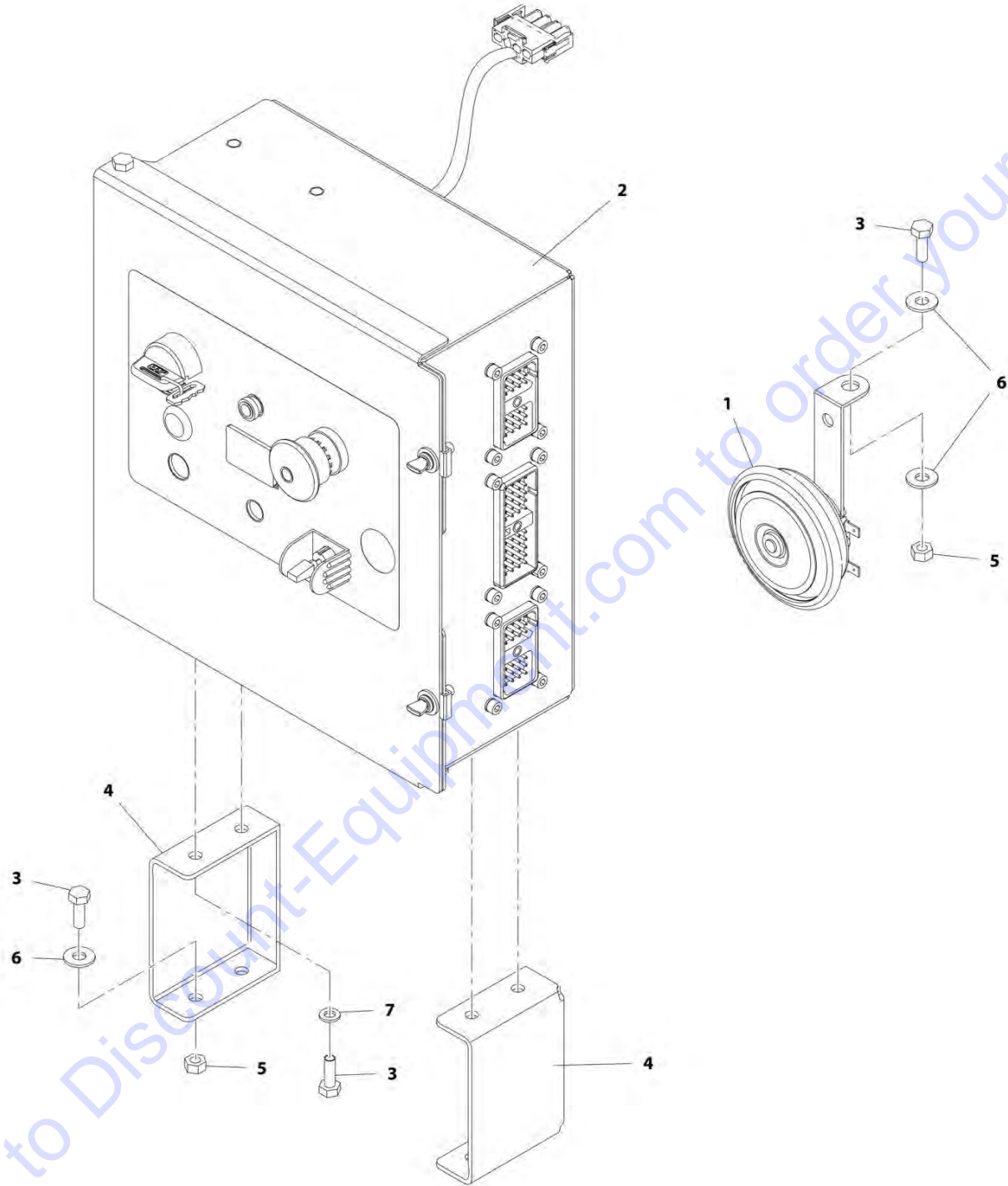
FIGURE 2-4. MOTOR ASSEMBLY

ITEM	PART NUMBER	QTY	DESCRIPTION	REV
	3160252	Ref	MOTOR ASSEMBLY	B
1	7020291	1	Ring, Retaining	
2	7020292	1	Bearing (Shaft End)	
3	7020293	1	Endhead, Shaft	
4	7020294	1	Fan	
5	7020295	1	Armature Assembly	
6	7020296	1	Field Coil/Case Kit	
7	7012548	8	Spring, Brush	
8	7020297	8	Brush	
9	7020298	1	Box Assembly - Brush	
10	7020299	1	Lead Kit, Brush Wire	
11	7012545	1	Bearing (Commutator End)	
12	7012549	1	Washer	
13	7023200	1	Endhead, Commutator	
14	7023272	1	Headband Assembly	

Go to Discount-Equipment.com to order your parts

SECTION 2 - GROUND COMPONENTS

FIGURE 2-5. GROUND CONTROL BOX AND HORN INSTALLATIONS - 3369LE/4069LE WITHOUT LEVELING JACKS (ALL SPECS EXCEPT CE SPEC)



ART_1001167499

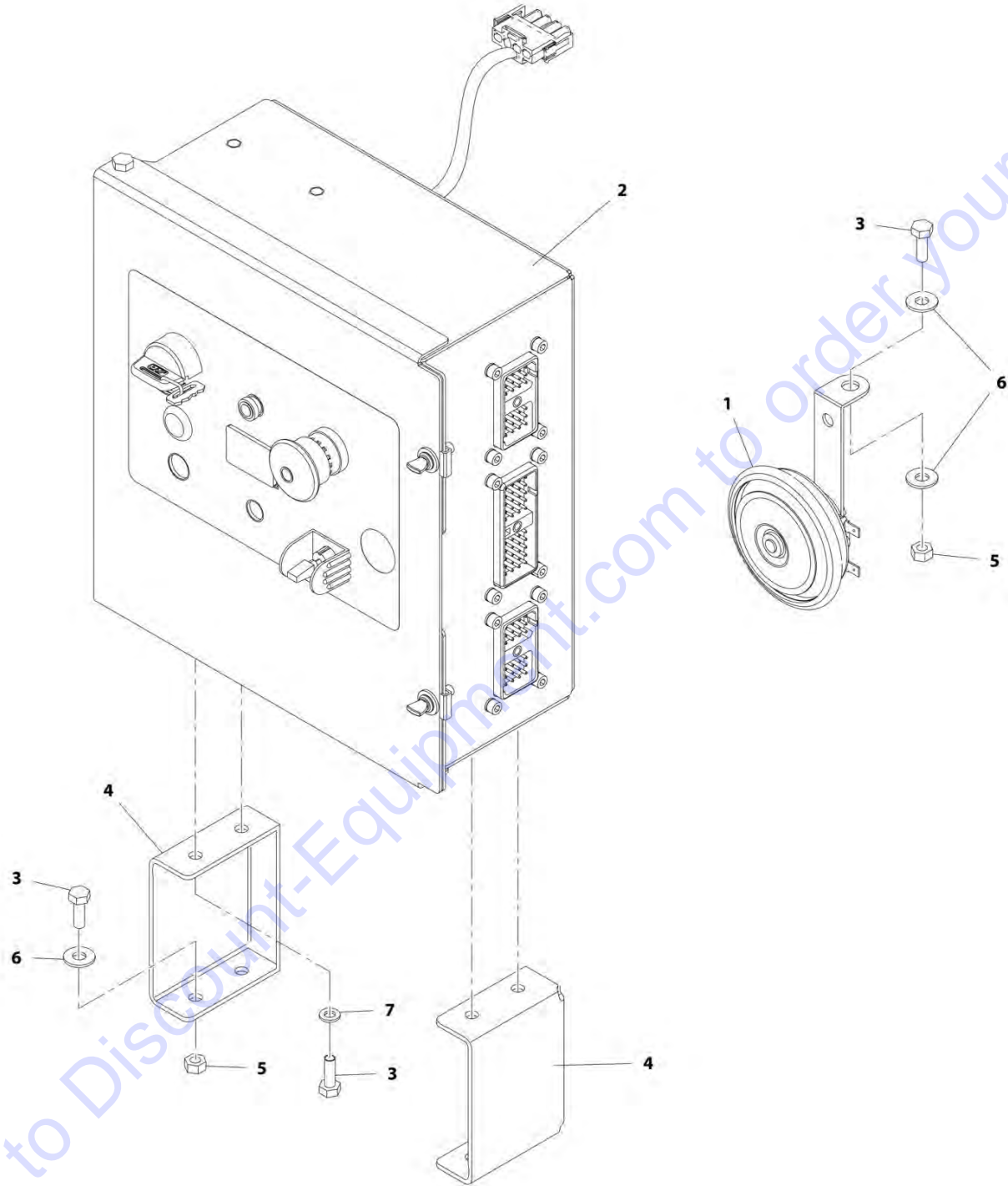
SECTION 2 - GROUND COMPONENTS

FIGURE 2-5. GROUND CONTROL BOX AND HORN INSTALLATIONS - 3369LE/4069LE WITHOUT LEVELING JACKS (ALL SPECS EXCEPT CE SPEC)

ITEM	PART NUMBER	QTY	DESCRIPTION	REV
	1001167499	Ref	GROUND CONTROL BOX AND HORN INSTALLATIONS - 3369LE/4069LE WITHOUT LEVELING JACKS (ALL SPECS EXCEPT CE SPEC)	E
1	0140028	1	Alarm	
2	0270544	1	Ground Control Box Assembly (See GROUND CONTROL BOX ASSEMBLY - 3369LE & 4069LE (ALL SPECS EXCEPT CE SPEC) for Breakdown)	
3	0641406	10	Bolt 1/4 x 3/4	
4	0902696	2	Bracket	
5	3311405	5	Nut 1/4	
6	4751400	6	Washer 1/4	
7	4761400	6	Washer 1/4	
8	1001171103	1	Valve Harness (Not Shown - See ELECTRICAL SECTION for Breakdown)	
9	3311401	1	Nut 1/4 (Not Shown) (SN 0200242101 to Present)	
9	3311401	1	Nut 1/4 (Not Shown) (SN M200000100 to Present)	
10	4460234	1	Terminal, Mount (Not Shown) (Including M200016776)	

SECTION 2 - GROUND COMPONENTS

FIGURE 2-6. GROUND CONTROL BOX AND HORN INSTALLATIONS - 3369LE/4069LE WITHOUT LEVELING JACKS (CE SPEC)



ART_1001167501

SECTION 2 - GROUND COMPONENTS

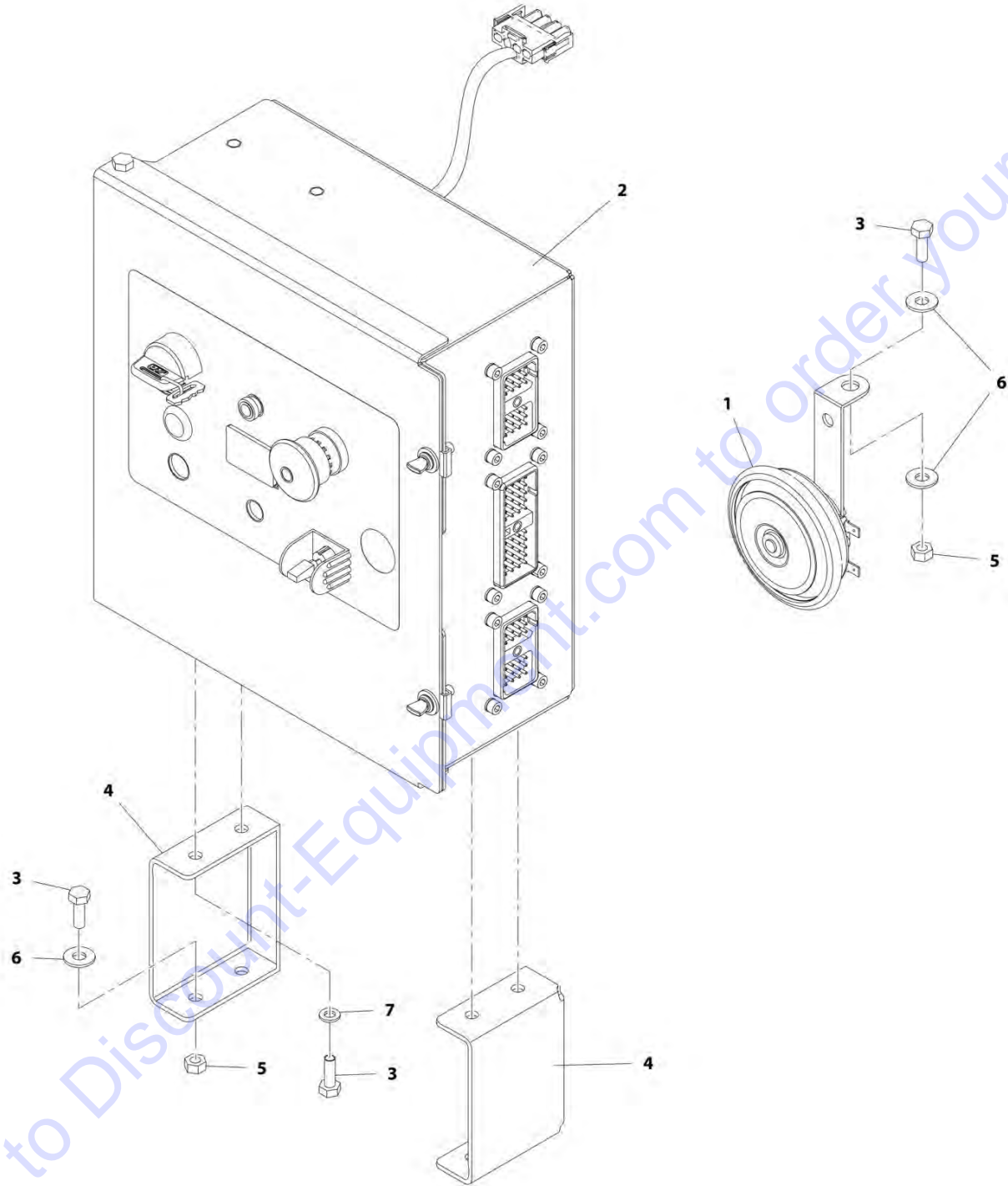
FIGURE 2-6. GROUND CONTROL BOX AND HORN INSTALLATIONS - 3369LE/4069LE WITHOUT LEVELING JACKS (CE SPEC)

ITEM	PART NUMBER	QTY	DESCRIPTION	REV
	1001167501	Ref	GROUND CONTROL BOX AND HORN INSTALLATIONS - 3369LE/4069LE WITHOUT LEVELING JACKS (CE SPEC)	D
1	0140028	1	Alarm	
2	0270768	1	Ground Control Box Assembly (See GROUND CONTROL BOX ASSEMBLY - 3369LE & 4069LE (CE SPEC) for Breakdown)	
3	0641406	9	Bolt 1/4 x 3/4	
4	0902696	2	Bracket	
5	3311405	5	Nut 1/4	
6	4751400	6	Washer 1/4	
7	4761400	4	Washer 1/4	
8	1001171103	1	Valve Harness (Not Shown - See ELECTRICAL SECTION for Breakdown)	

Go to Discount-Equipment.com to order your parts

SECTION 2 - GROUND COMPONENTS

FIGURE 2-7. GROUND CONTROL BOX AND HORN INSTALLATIONS - 3369LE/4069LE WITH LEVELING JACKS (ALL SPECS EXCEPT CE SPEC)



ART_1001167500

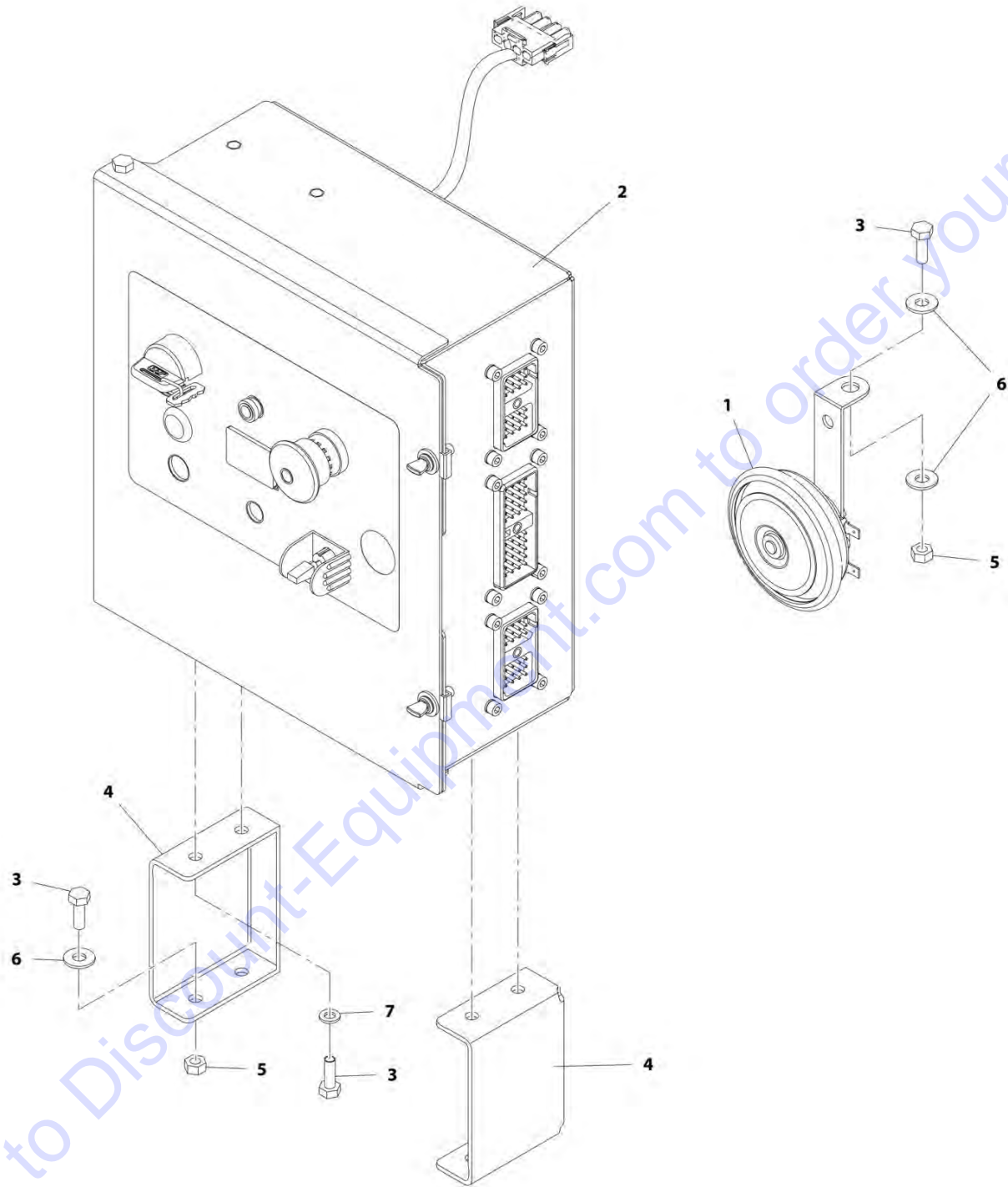
SECTION 2 - GROUND COMPONENTS

FIGURE 2-7. GROUND CONTROL BOX AND HORN INSTALLATIONS - 3369LE/4069LE WITH LEVELING JACKS (ALL SPECS EXCEPT CE SPEC)

ITEM	PART NUMBER	QTY	DESCRIPTION	REV
	1001167500	Ref	GROUND CONTROL BOX AND HORN INSTALLATIONS - 3369LE/4069LE WITH LEVELING JACKS (ALL SPECS EXCEPT CE SPEC)	C
1	0140028	1	Alarm	
2	0270544	1	Ground Control Box Assembly (See GROUND CONTROL BOX ASSEMBLY - 3369LE & 4069LE (ALL SPECS EXCEPT CE SPEC) for Breakdown)	
3	0641406	9	Bolt 1/4 x 3/4	
4	0902696	2	Bracket	
5	3311405	5	Nut 1/4	
6	4751400	6	Washer 1/4	
7	4761400	4	Washer 1/4	
8	4922529	1	Leveling Jacks Harness (Not Shown - See ELECTRICAL SECTION for Breakdown)	
9	1001171103	1	Valve Harness (Not Shown - See ELECTRICAL SECTION for Breakdown)	

SECTION 2 - GROUND COMPONENTS

FIGURE 2-8. GROUND CONTROL BOX AND HORN INSTALLATIONS - 3369LE/4069LE WITH LEVELING JACKS (CE SPEC)



ART_1001167502

SECTION 2 - GROUND COMPONENTS

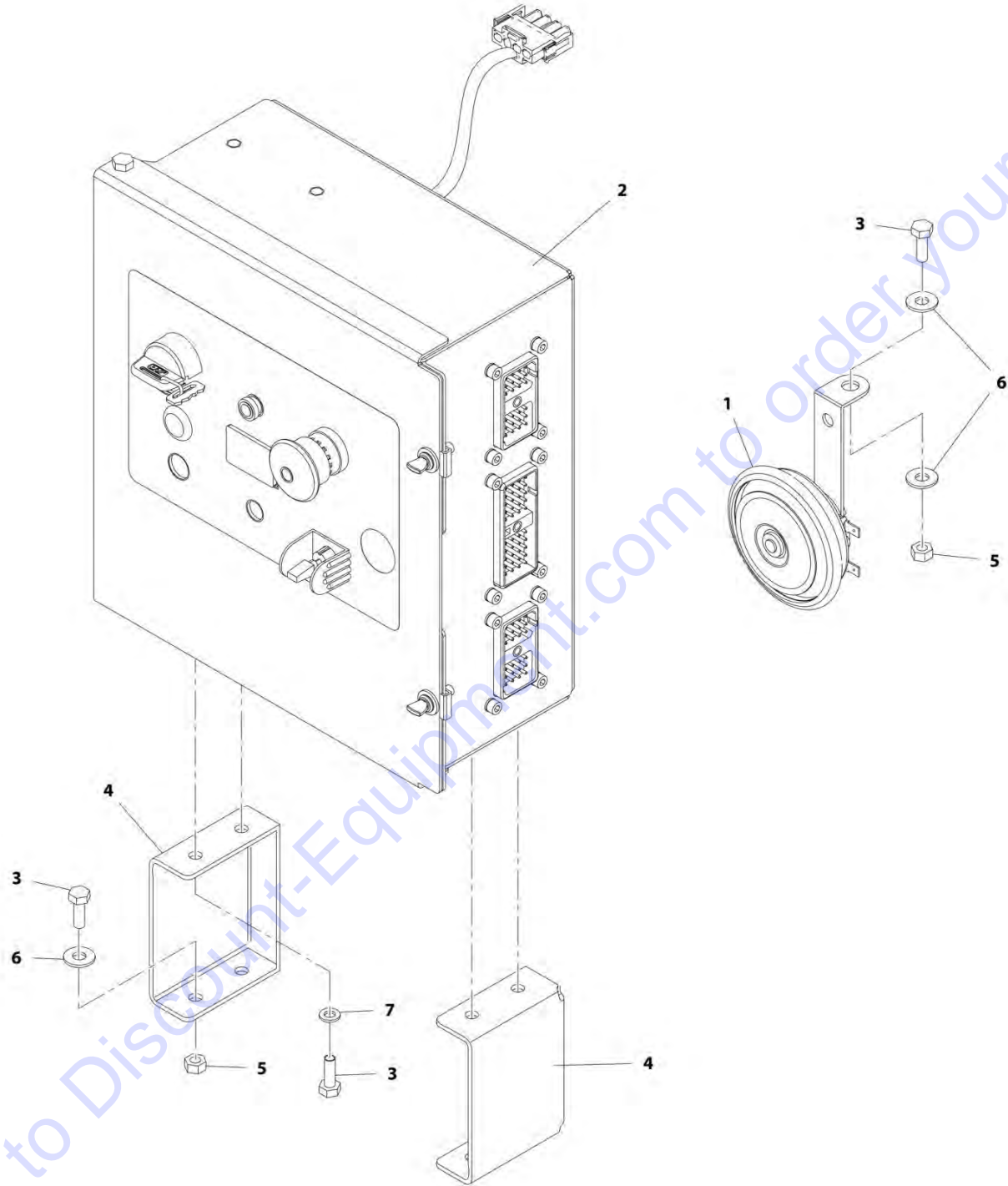
FIGURE 2-8. GROUND CONTROL BOX AND HORN INSTALLATIONS - 3369LE/4069LE WITH LEVELING JACKS (CE SPEC)

ITEM	PART NUMBER	QTY	DESCRIPTION	REV
	1001167502	Ref	GROUND CONTROL BOX AND HORN INSTALLATIONS - 3369LE/4069LE WITH LEVELING JACKS (CE SPEC)	D
1	0140028	1	Alarm	
2	0270768	1	Ground Control Box Assembly (See GROUND CONTROL BOX ASSEMBLY - 3369LE & 4069LE (CE SPEC) for Breakdown)	
3	0641406	9	Bolt 1/4 x 3/4	
4	0902696	2	Bracket	
5	3311405	5	Nut 1/4	
6	4751400	6	Washer 1/4	
7	4761400	4	Washer 1/4	
8	4922529	1	Leveling Jacks Harness (Not Shown - See ELECTRICAL SECTION for Breakdown)	
9	1001171103	1	Valve Harness (Not Shown - See ELECTRICAL SECTION for Breakdown)	

Go to Discount-Equipment.com to order your parts

SECTION 2 - GROUND COMPONENTS

FIGURE 2-9. GROUND CONTROL BOX AND HORN INSTALLATIONS - M3369/M4069 (2WD - ALL SPECS EXCEPT CE SPEC)



ART_1001171072

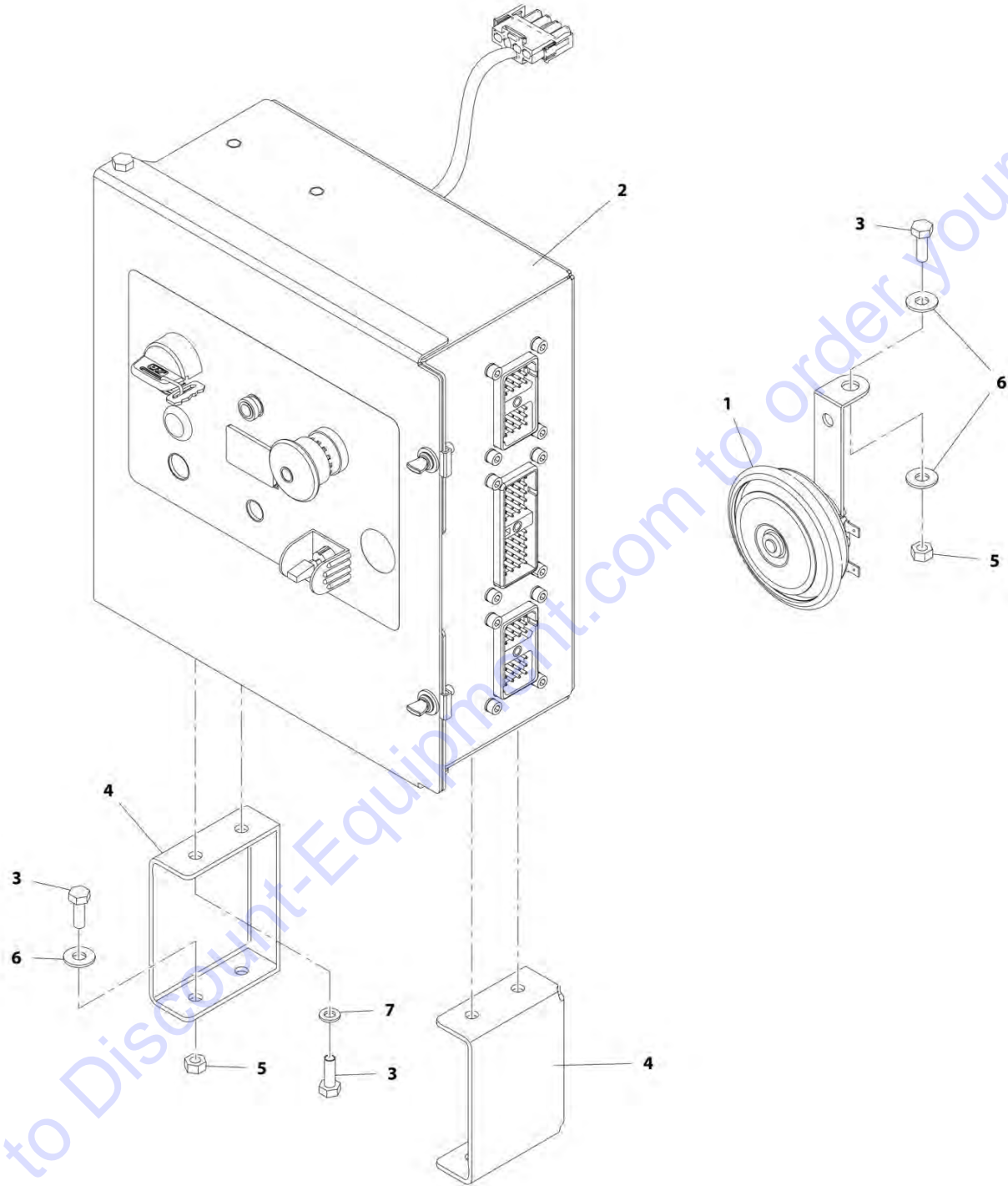
SECTION 2 - GROUND COMPONENTS

FIGURE 2-9. GROUND CONTROL BOX AND HORN INSTALLATIONS - M3369/M4069 (2WD - ALL SPECS EXCEPT CE SPEC)

ITEM	PART NUMBER	QTY	DESCRIPTION	REV
	1001171072	Ref	GROUND CONTROL BOX AND HORN INSTALLATIONS - M3369/M4069 (2WD - ALL SPECS EXCEPT CE SPEC)	C
1	0140028	1	Alarm	
2	0271442	1	Ground Control Box Assembly (See GROUND CONTROL BOX ASSEMBLY - M3369 & M4069 (ALL SPECS EXCEPT CE SPEC) for Breakdown)	
3	0641406	9	Bolt 1/4 x 3/4	
4	0902696	2	Bracket	
5	3311405	5	Nut 1/4	
6	4751400	6	Washer 1/4	
7	4761400	4	Washer 1/4	
8	4922602	1	Generator Harness (Not Shown - See ELECTRICAL SECTION for Breakdown)	
9	1001171103	1	Valve Harness (Not Shown - See ELECTRICAL SECTION for Breakdown)	

SECTION 2 - GROUND COMPONENTS

FIGURE 2-10. GROUND CONTROL BOX AND HORN INSTALLATIONS - M3369/M4069 (2WD - CE SPEC)



ART_1001171073

SECTION 2 - GROUND COMPONENTS

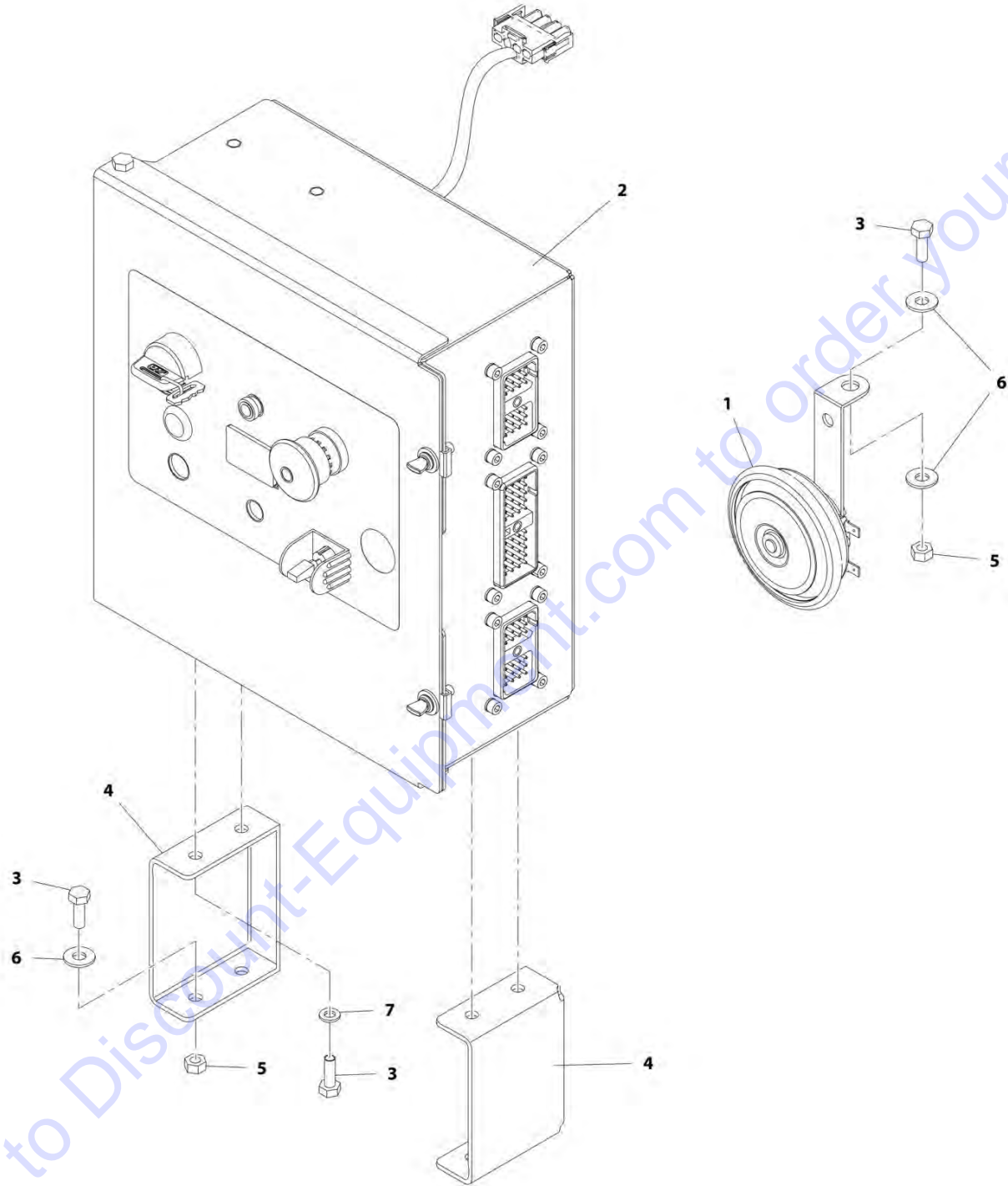
FIGURE 2-10. GROUND CONTROL BOX AND HORN INSTALLATIONS - M3369/M4069 (2WD - CE SPEC)

ITEM	PART NUMBER	QTY	DESCRIPTION	REV
	1001171073	Ref	GROUND CONTROL BOX AND HORN INSTALLATIONS - M3369/M4069 (2WD - CE SPEC)	D
1	0140028	1	Alarm	
2	0271447	1	Ground Control Box Assembly (See GROUND CONTROL BOX ASSEMBLY - M3369 & M4069 (CE SPEC) for Breakdown)	
3	0641406	9	Bolt 1/4 x 3/4	
4	0902696	2	Bracket	
5	3311405	5	Nut 1/4	
6	4751400	6	Washer 1/4	
7	4761400	4	Washer 1/4	
8	4922602	1	Generator Harness (Not Shown - See ELECTRICAL SECTION for Breakdown)	
9	1001171103	1	Valve Harness (Not Shown - See ELECTRICAL SECTION for Breakdown)	

Go to Discount-Equipment.com to order your parts

SECTION 2 - GROUND COMPONENTS

FIGURE 2-11. GROUND CONTROL BOX AND HORN INSTALLATIONS - M3369/M4069 (4WD - ALL SPECS EXCEPT CE SPEC)



ART_1001171070

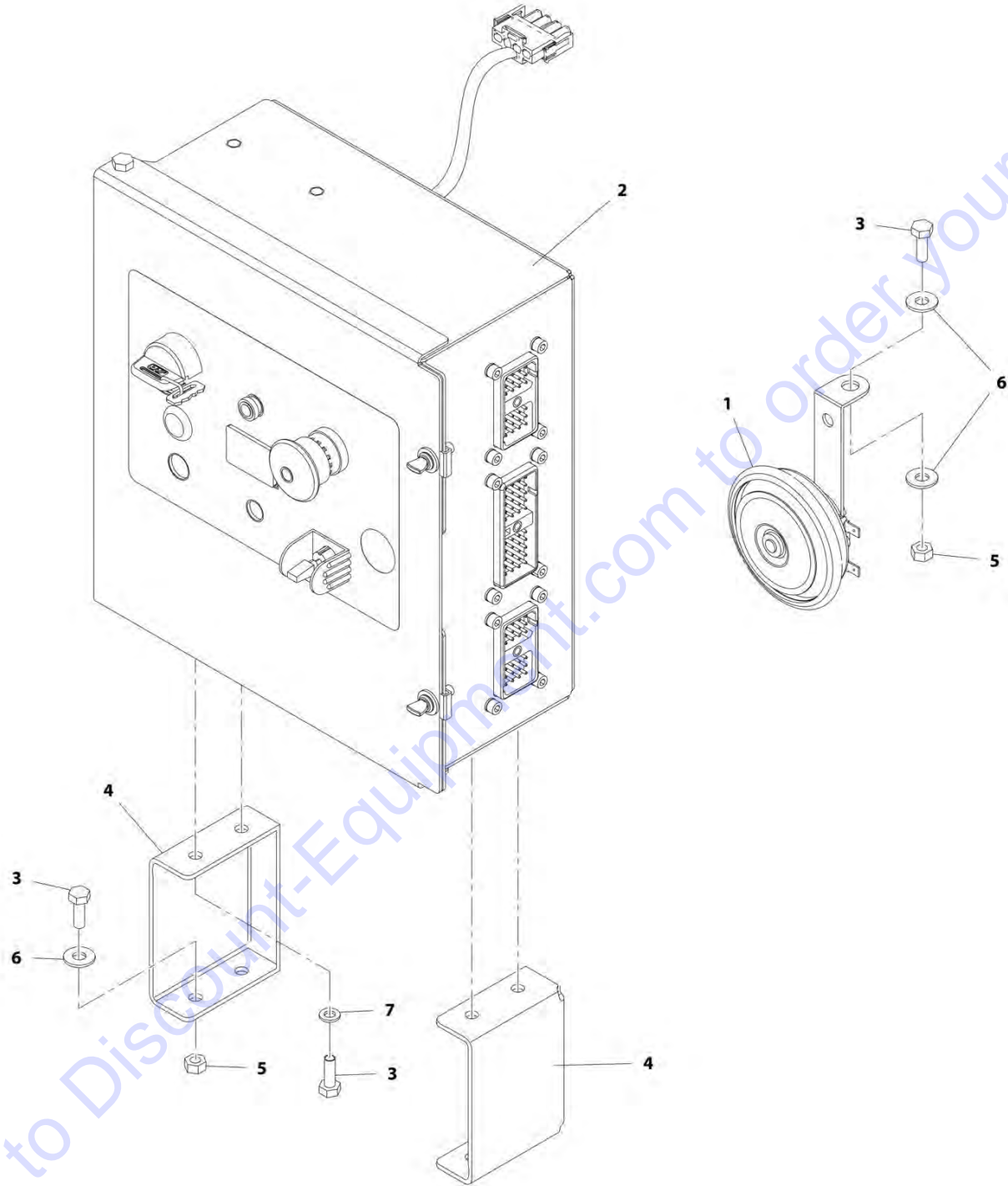
SECTION 2 - GROUND COMPONENTS

FIGURE 2-11. GROUND CONTROL BOX AND HORN INSTALLATIONS - M3369/M4069 (4WD - ALL SPECS EXCEPT CE SPEC)

ITEM	PART NUMBER	QTY	DESCRIPTION	REV
	1001171070	Ref	GROUND CONTROL BOX AND HORN INSTALLATIONS - M3369/M4069 (4WD - ALL SPECS EXCEPT CE SPEC)	D
1	0140028	1	Alarm	
2	0271442	1	Ground Control Box Assembly (See GROUND CONTROL BOX ASSEMBLY - M3369 & M4069 (ALL SPECS EXCEPT CE SPEC) for Breakdown)	
3	0641406	10	Bolt 1/4 x 3/4	
4	0902696	2	Bracket	
5	3311405	5	Nut 1/4	
6	4751400	6	Washer 1/4	
7	4761400	6	Washer 1/4	
8	4922529	1	Leveling Jacks Harness (Not Shown - See ELECTRICAL SECTION for Breakdown)	
9	1001171103	1	Valve Harness (Not Shown - See ELECTRICAL SECTION for Breakdown)	
10	3311401	1	Nut 1/4 (Not Shown) (SN 0200242101 to Present)	
10	3311401	1	Nut 1/4 (Not Shown) (SN M200000100 to Present)	

SECTION 2 - GROUND COMPONENTS

FIGURE 2-12. GROUND CONTROL BOX AND HORN INSTALLATIONS - M3369/M4069 (4WD - CE SPEC)



ART_1001171071

SECTION 2 - GROUND COMPONENTS

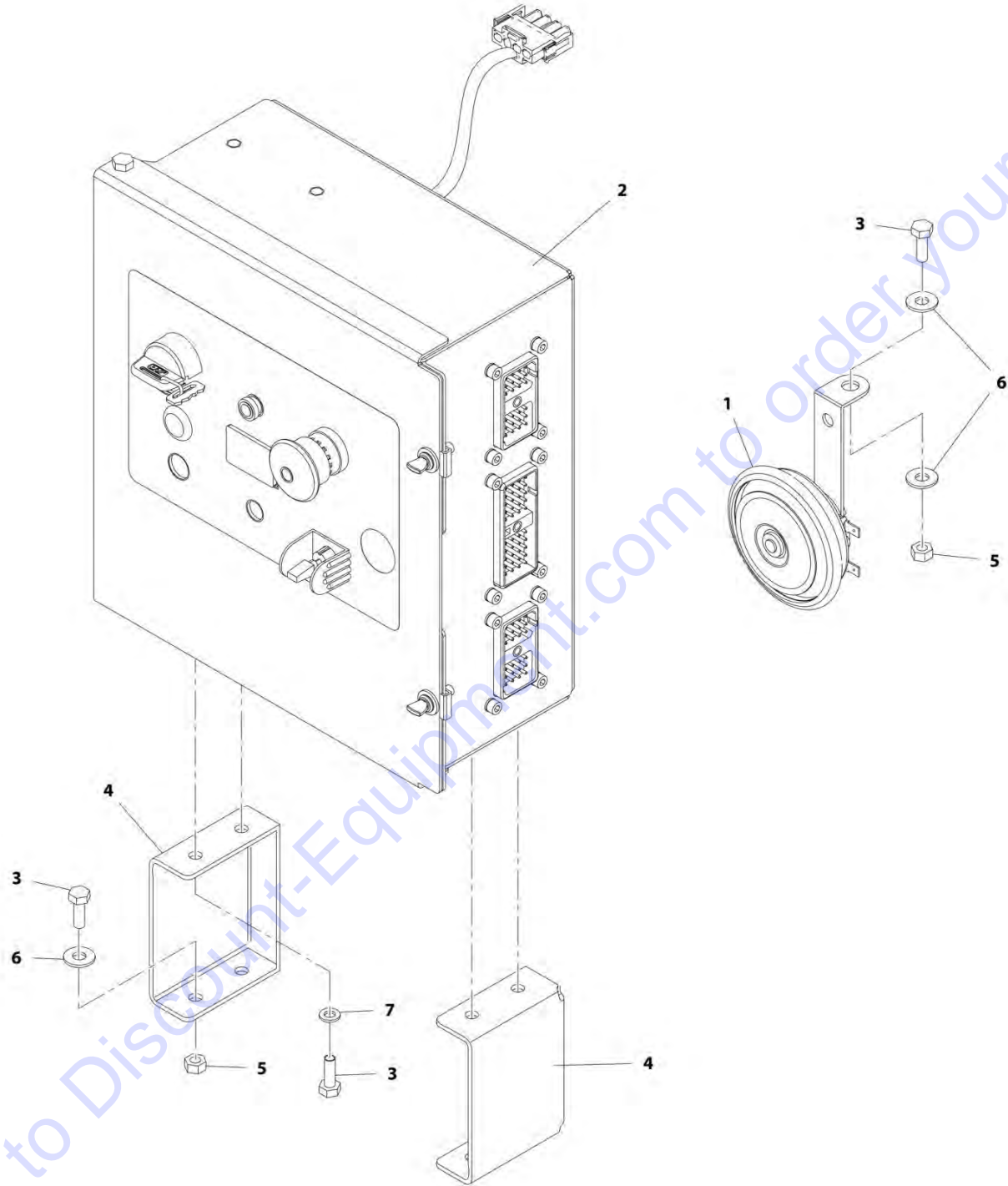
FIGURE 2-12. GROUND CONTROL BOX AND HORN INSTALLATIONS - M3369/M4069 (4WD - CE SPEC)

ITEM	PART NUMBER	QTY	DESCRIPTION	REV
	1001171071	Ref	GROUND CONTROL BOX AND HORN INSTALLATIONS - M3369/M4069 (4WD - CE SPEC)	D
1	0140028	1	Alarm	
2	0271447	1	Ground Control Box Assembly (See GROUND CONTROL BOX ASSEMBLY - M3369 & M4069 (CE SPEC) for Breakdown)	
3	0641406	9	Bolt 1/4 x 3/4	
4	0902696	2	Bracket	
5	3311405	5	Nut 1/4	
6	4751400	6	Washer 1/4	
7	4761400	4	Washer 1/4	
8	4922529	1	Leveling Jacks Harness (Not Shown - See ELECTRICAL SECTION for Breakdown)	
9	1001171103	1	Valve Harness (Not Shown - See ELECTRICAL SECTION for Breakdown)	

Go to Discount-Equipment.com to order your parts

SECTION 2 - GROUND COMPONENTS

FIGURE 2-13. GROUND CONTROL BOX AND HORN INSTALLATIONS - M4069 (DRIVE AT FULL HEIGHT)



ART_1001171074

SECTION 2 - GROUND COMPONENTS

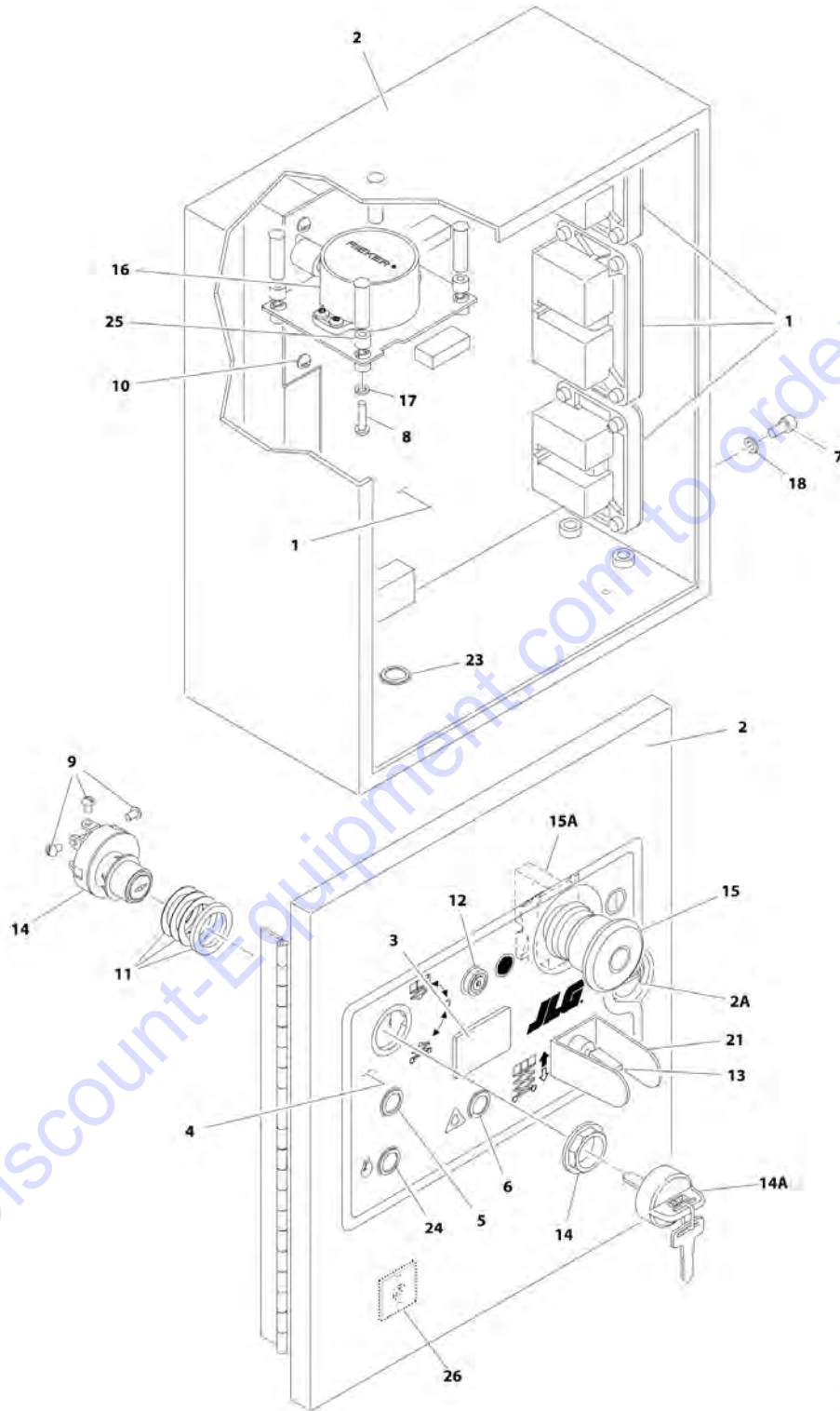
FIGURE 2-13. GROUND CONTROL BOX AND HORN INSTALLATIONS - M4069 (DRIVE AT FULL HEIGHT)

ITEM	PART NUMBER	QTY	DESCRIPTION	REV
	1001171074	Ref	GROUND CONTROL BOX AND HORN INSTALLATIONS - M4069 (DRIVE AT FULL HEIGHT) (NOTE: ONLY AVAILABLE ON AUSTRALIAN SPEC MACHINES)	C
1	0140028	1	Alarm	
2	0275787	1	Ground Control Box Assembly (See GROUND CONTROL BOX ASSEMBLY - M4069 DRIVE AT FULL HEIGHT for Breakdown)	
3	0641406	9	Bolt 1/4 x 3/4	
4	0902696	2	Bracket	
5	3311405	5	Nut 1/4	
6	4751400	6	Washer 1/4	
7	4761400	4	Washer 1/4	
8	4922529	1	Leveling Jacks Harness (Not Shown - See ELECTRICAL SECTION for Breakdown)	
9	1001171103	1	Valve Harness (Not Shown - See ELECTRICAL SECTION for Breakdown)	

Go to Discount-Equipment.com to order your parts

SECTION 2 - GROUND COMPONENTS

FIGURE 2-14. GROUND CONTROL BOX ASSEMBLY - 3369LE/4069LE (ALL SPECS EXCEPT CE SPEC)



ART_0270544

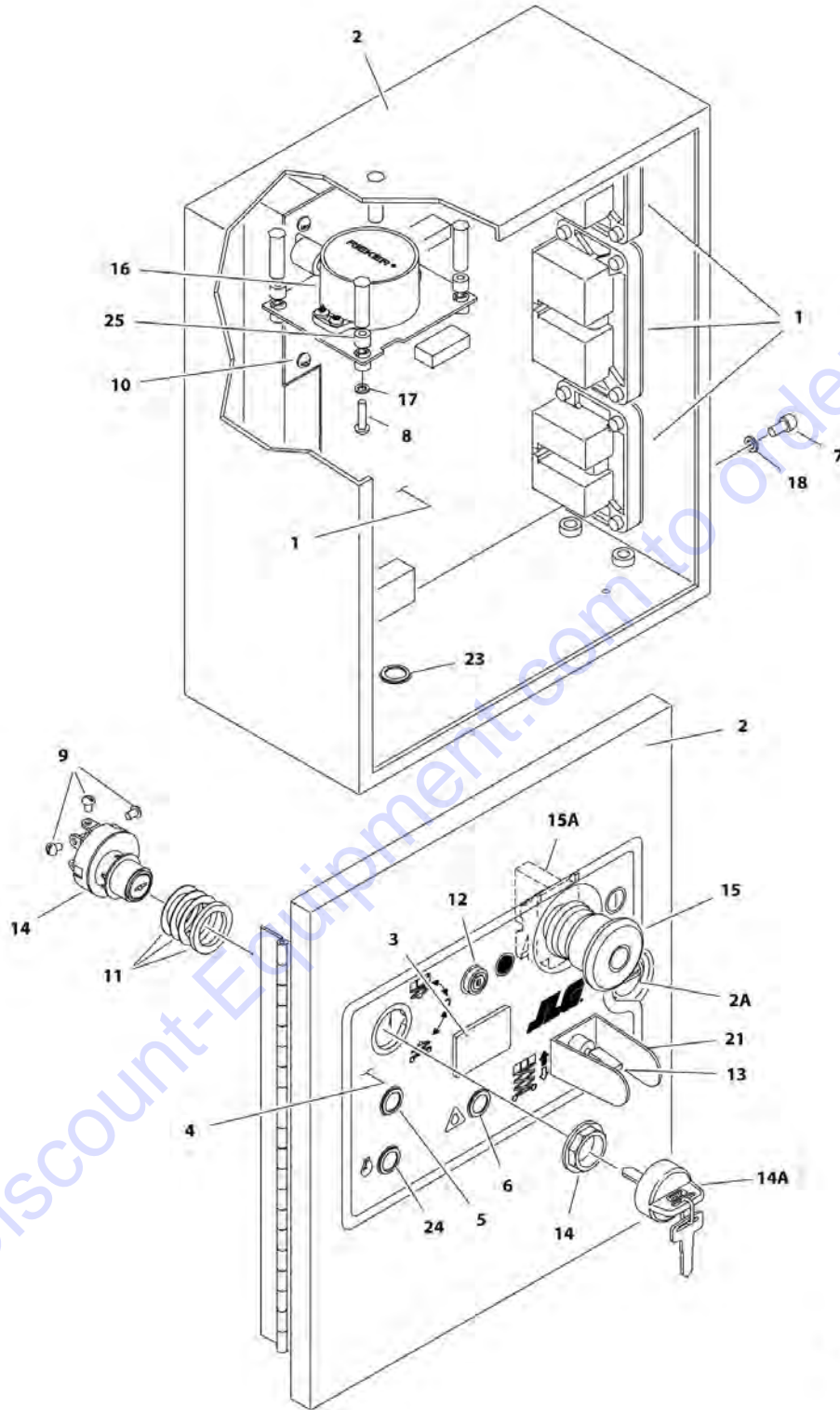
SECTION 2 - GROUND COMPONENTS

FIGURE 2-14. GROUND CONTROL BOX ASSEMBLY - 3369LE/4069LE (ALL SPECS EXCEPT CE SPEC)

ITEM	PART NUMBER	QTY	DESCRIPTION	REV
	0270544	Ref	GROUND CONTROL BOX ASSEMBLY - 3369LE/4069LE (ALL SPECS EXCEPT CE SPEC)	Z
1	1001099428	NLA	Module, Control (Use p/n 1001155878) (Note: Re-calibration Required when Replaced)	
2	0861385	1	Box (SN 0200230092 through 0200243014)	
2A	7023212	1	Latch (SN 0200230092 through 0200243014)	
2	1001181087	1	Box (See GROUND CONTROL BOX COMPONENTS for Breakdown) (SN 0200243015 to Present)	
2	1001181087	1	Box (See GROUND CONTROL BOX COMPONENTS for Breakdown) (SN M200000100 to Present)	
3	2420172	1	Hourmeter	
4	1705710	1	Nameplate	
5	3520193	1	Plug	
6	3520079	1	Plug	
7	3900300	12	Capscrew	
8	3910616	4	Screw #6 x 1	
9	3910804	3	Screw #8 x 1/4	
10	3911014	2	Screw #10 x 7/8 (SN 0200230092 through 0200243014)	
10	3900128	2	Screw #10 x 7/8 (SN 0200243015 to Present)	
10	3900128	2	Screw #10 x 7/8 (SN M200000100 to Present)	
11	4070987	3	Shim .015	
12	4360069	1	Breaker, Circuit - 10Amp	
13	4360328	1	Switch, Toggle	
14	4360469	1	Switch, Key	
14A	2860030	1 Set	Key, Replacement	
15	4360475	1	Switch, Emergency Stop	
15	7020175	1	Cap	
15A	7020176	1	Block, Contact	
16	1810140	1	Switch, Dual Axis	
		Ref	Note: Control System Must be Re-calibrated when replaced.	
16	4460321	1	Plug, Male - 4 Position	
16	4460267	1	Pin, Male	
17	4760600	4	Washer #6	
18	4761000	14	Washer #10	
20	4922480	1	Harness, Ground Control Box (Not Shown - See ELECTRICAL SECTION for Breakdown)	
21	4060802	1	Guard, Switch	
23	3520030	1	Plug, Hole	
24	3520080	1	Plug, Hole	
25	1001102512	4	Washer	
26	4460234	4	Terminal, Mount	

SECTION 2 - GROUND COMPONENTS

FIGURE 2-15. GROUND CONTROL BOX ASSEMBLY - 3369LE/4069LE (CE SPEC)



ART_0270768

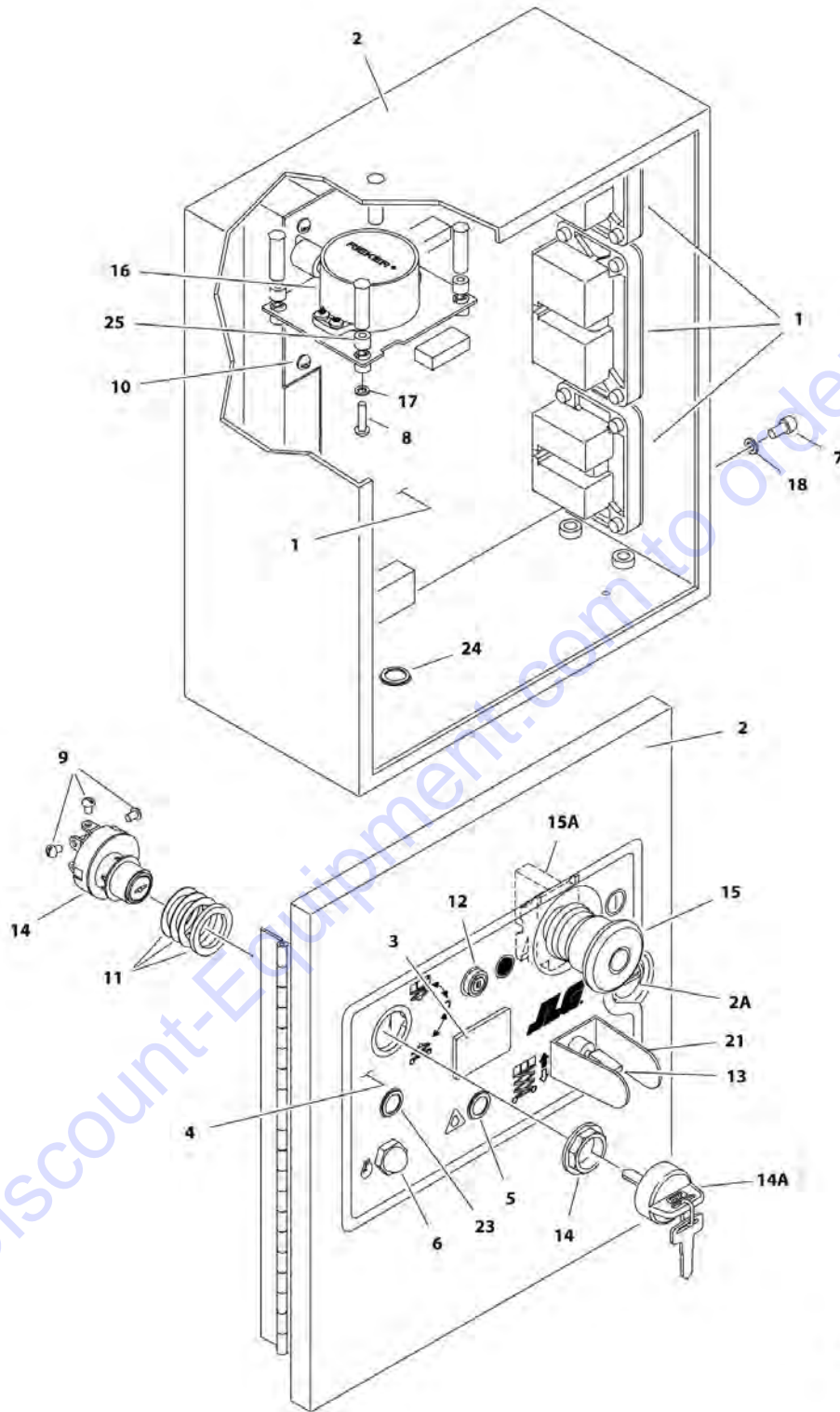
SECTION 2 - GROUND COMPONENTS

FIGURE 2-15. GROUND CONTROL BOX ASSEMBLY - 3369LE/4069LE (CE SPEC)

ITEM	PART NUMBER	QTY	DESCRIPTION	REV
	0270768	Ref	GROUND CONTROL BOX ASSEMBLY - 3369LE/4069LE (CE SPEC)	Y
1	1001099428	NLA	Module, Control (Use p/n 1001155878) (Note: Re-calibration Required when Replaced)	
2	0861385	1	Box (SN 0200230092 through 0200243014)	
2A	7023212	1	Latch (SN 0200230092 through 0200243014)	
2	1001181087	1	Box (See GROUND CONTROL BOX COMPONENTS for Breakdown) (SN 0200243015 to Present)	
2	1001181087	1	Box (See GROUND CONTROL BOX COMPONENTS for Breakdown) (SN M200000100 to Present)	
3	2420172	1	Hourmeter	
4	1705710	1	Nameplate	
5	3520193	1	Plug	
6	3520079	1	Plug	
7	3900300	12	Capscrew	
8	3910616	4	Screw #6 x 1	
9	3910804	3	Screw #8 x 1/4	
10	3911014	2	Screw #10 x 7/8 (SN 0200230092 through 0200243014)	
10	3900128	2	Screw #10 x 7/8 (SN 0200243015 to Present)	
10	3900128	2	Screw #10 x 7/8 (SN M200000100 to Present)	
11	4070987	3	Shim .015	
12	4360069	1	Breaker, Circuit - 10Amp	
13	4360328	1	Switch, Toggle	
14	4360469	1	Switch, Key	
14A	2860030	1 Set	Key, Replacement	
15	4360475	1	Switch, Emergency Stop	
15	7020175	1	Cap	
15A	7020176	1	Block, Contact	
16	1810140	1	Switch, Dual Axis	
		Ref	Note: Control System Must be Re-calibrated when replaced.	
16	4460321	1	Plug, Male - 4 Position	
16	4460267	1	Pin, Male	
17	4760600	4	Washer #6	
18	4761000	14	Washer #10	
20	4922480	1	Harness, Ground Control Box (Not Shown - See ELECTRICAL SECTION for Breakdown)	
21	4060802	1	Guard, Switch	
23	3520030	1	Plug, Hole	
24	3520080	1	Plug, Hole	
25	1001102512	4	Washer	

SECTION 2 - GROUND COMPONENTS

FIGURE 2-16. GROUND CONTROL BOX ASSEMBLY - M3369/M4069 (ALL SPECS EXCEPT CE SPEC)



ART_0271442

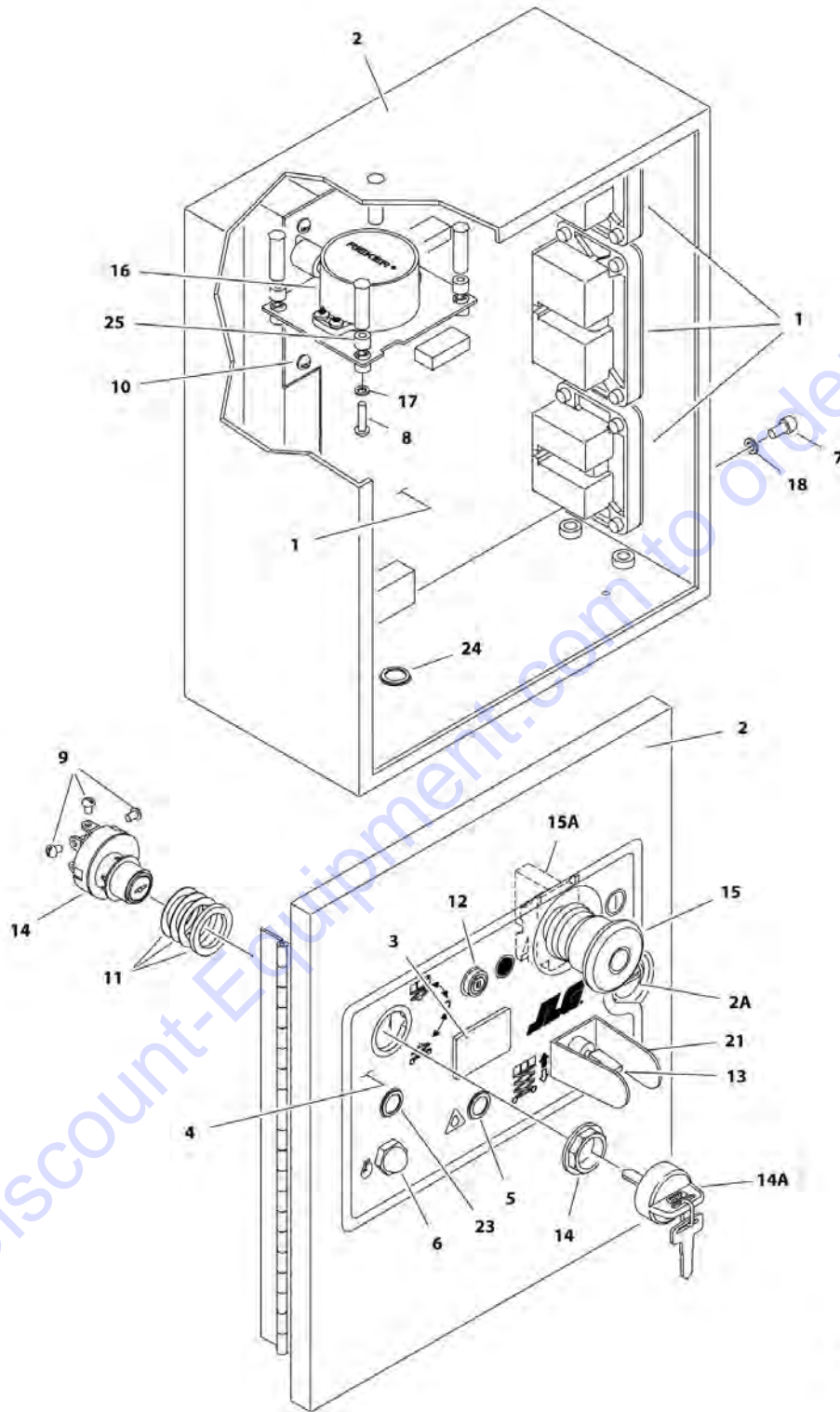
SECTION 2 - GROUND COMPONENTS

FIGURE 2-16. GROUND CONTROL BOX ASSEMBLY - M3369/M4069 (ALL SPECS EXCEPT CE SPEC)

ITEM	PART NUMBER	QTY	DESCRIPTION	REV
	0271442	Ref	GROUND CONTROL BOX ASSEMBLY - M3369/M4069 (ALL SPECS EXCEPT CE SPEC)	V
1	1001099428	NLA	Module, Control (Use p/n 1001155878) (Note: Re-calibration Required when Replaced)	
2	0861385	1	Box (SN 0200230092 through 0200243014)	
2A	7023212	1	Latch (SN 0200230092 through 0200243014)	
2	1001181087	1	Box (See GROUND CONTROL BOX COMPONENTS for Breakdown) (SN 0200243015 to Present)	
2	1001181087	1	Box (See GROUND CONTROL BOX COMPONENTS for Breakdown) (SN M200000100 to Present)	
3	2420172	1	Hourmeter	
4	1705710	1	Nameplate	
5	2920151	1	Light, LED	
6	4360387	1	Switch, Push Button	
7	3900300	12	Capscrew	
8	3910616	4	Screw #6 x 1	
9	3910804	3	Screw #8 x 1/4	
10	3911014	2	Screw #10 x 7/8 (SN 0200230092 through 0200243014)	
10	3900128	2	Screw #10 x 7/8 (SN 0200243015 to Present)	
10	3900128	2	Screw #10 x 7/8 (SN M200000100 to Present)	
11	4070987	3	Shim .015	
12	4360069	1	Breaker, Circuit - 10Amp	
13	4360328	1	Switch, Toggle	
14	4360469	1	Switch, Key	
14A	2860030	1 Set	Key, Replacement	
15	4360475	1	Switch, Emergency Stop	
15	7020175	1	Cap	
15A	7020176	1	Block, Contact	
16	1810140	1	Switch, Dual Axis	
		Ref	Note: Control System Must be Re-calibrated when replaced.	
16	4460321	1	Plug, Male - 4 Position	
16	4460267	4	Pin, Male	
17	4760600	4	Washer #6	
18	4761000	14	Washer #10	
20	4922604	1	Harness, Ground Control Box (Not Shown - See ELECTRICAL SECTION for Breakdown)	
21	4060802	1	Guard, Switch	
23	3520193	1	Plug, Hole	
24	3520030	1	Plug, Hole	
25	1001102512	4	Washer	

SECTION 2 - GROUND COMPONENTS

FIGURE 2-17. GROUND CONTROL BOX ASSEMBLY - M3369/M4069 (CE SPECS)



ART_0271447

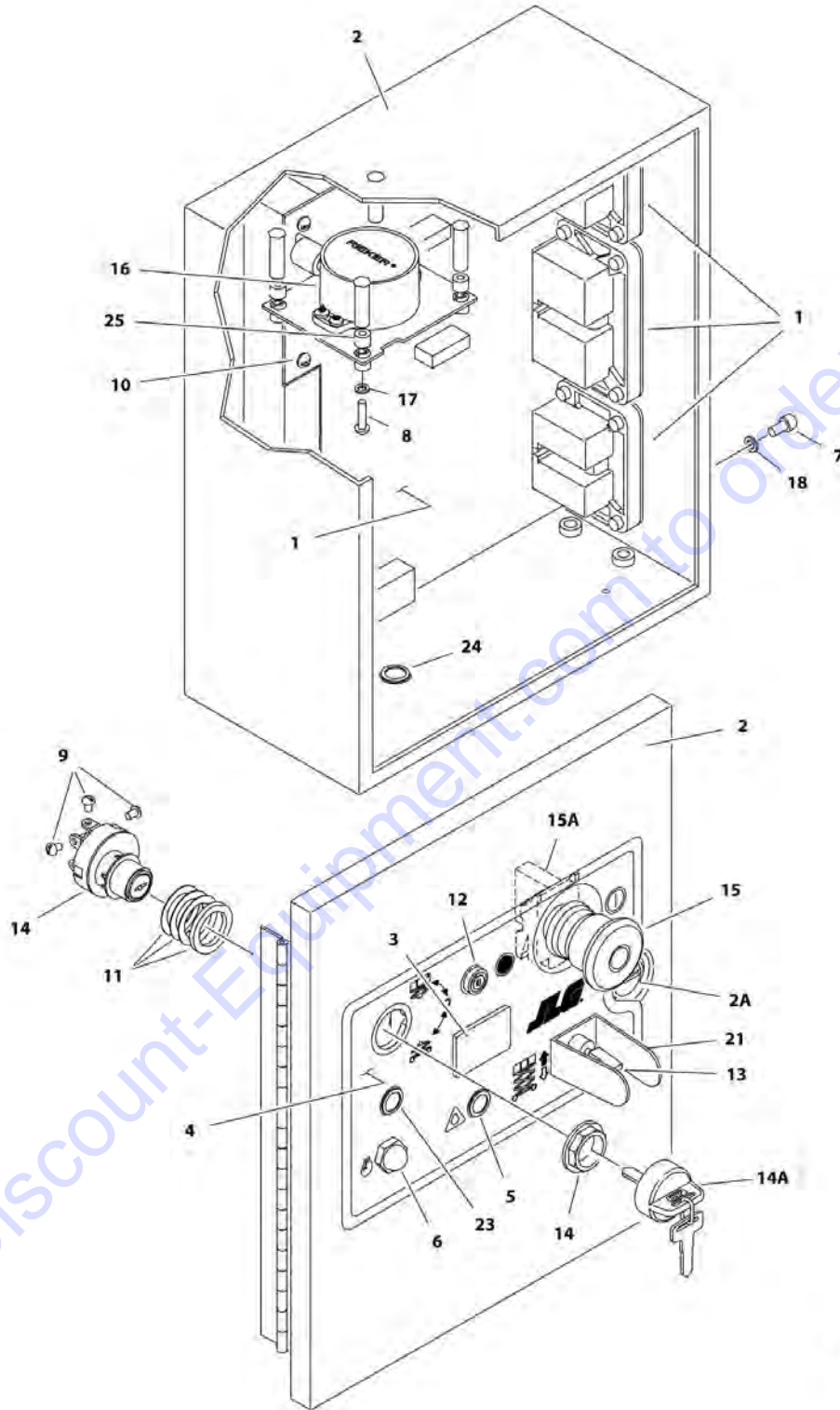
SECTION 2 - GROUND COMPONENTS

FIGURE 2-17. GROUND CONTROL BOX ASSEMBLY - M3369/M4069 (CE SPECS)

ITEM	PART NUMBER	QTY	DESCRIPTION	REV
	0271447	Ref	GROUND CONTROL BOX ASSEMBLY - M3369/M4069 (CE SPECS)	U
1	1001099428	NLA	Module, Control (Use p/n 1001155878) (Note: Re-calibration Required when Replaced)	
2	0861385	1	Box (SN 0200230092 through 0200243014)	
2A	7023212	1	Latch (SN 0200230092 through 0200243014)	
2	1001181087	1	Box (See GROUND CONTROL BOX COMPONENTS for Breakdown) (SN 0200243015 to Present)	
2	1001181087	1	Box (See GROUND CONTROL BOX COMPONENTS for Breakdown) (SN M200000100 to Present)	
3	2420172	1	Hourmeter	
4	1705710	1	Nameplate	
5	2920151	1	Light, LED	
6	4360387	1	Switch, Push Button	
7	3900300	12	Capscrew	
8	3910616	4	Screw #6 x 1	
9	3910804	3	Screw #8 x 1/4	
10	3911014	2	Screw #10 x 7/8 (SN 0200230092 through 0200243014)	
10	3900128	2	Screw #10 x 7/8 (SN 0200243015 to Present)	
10	3900128	2	Screw #10 x 7/8 (SN M200000100 to Present)	
11	4070987	3	Shim .015	
12	4360069	1	Breaker, Circuit - 10Amp	
13	4360328	1	Switch, Toggle	
14	4360470	1	Switch, Key (SN 0200230092 through 0200241794)	
14A	2860030	1 Set	Key, Replacement	
14	4360469	1	Switch, Key (SN 0200241795 to Present)	
14	4360469	1	Switch, Key (SN M200000100 to Present)	
14A	2860030	1 Set	Key, Replacement	
15	4360475	1	Switch, Emergency Stop	
15	7020175	1	Cap	
15A	7020176	1	Block, Contact	
16	1810140	1	Switch, Dual Axis	
		Ref	Note: Control System Must be Re-calibrated when replaced.	
16	4460321	1	Plug, Male - 4 Position	
16	4460267	4	Pin, Male	
17	4760600	4	Washer #6	
18	4761000	14	Washer #10	
20	4922604	1	Harness, Ground Control Box (Not Shown - See ELECTRICAL SECTION for Breakdown)	
21	4060802	1	Guard, Switch	
23	3520193	1	Plug, Hole	
24	3520030	1	Plug, Hole	
25	1001102512	4	Washer	

SECTION 2 - GROUND COMPONENTS

FIGURE 2-18. GROUND CONTROL BOX ASSEMBLY - M4069 DRIVE AT FULL HEIGHT



ART_0275787

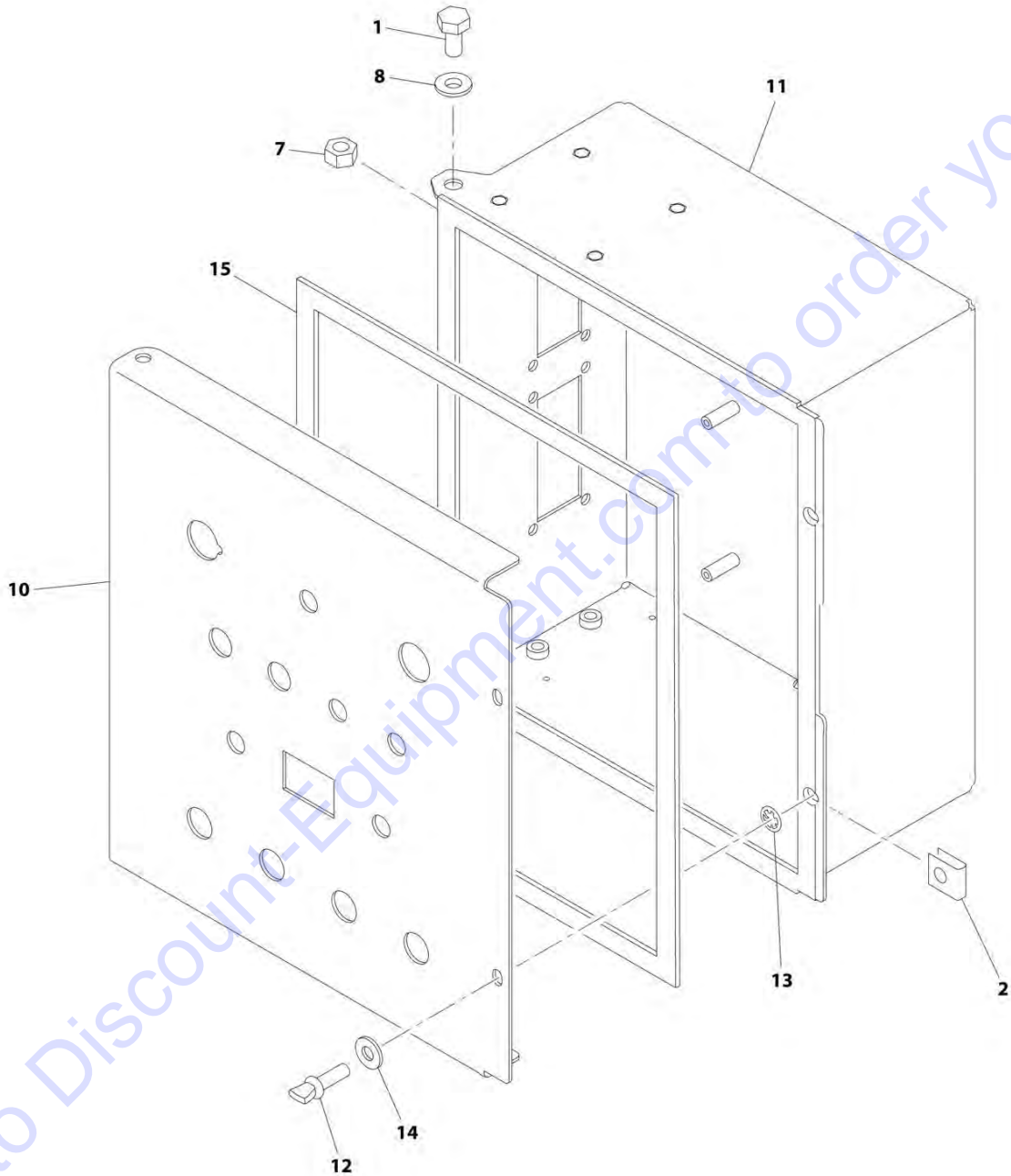
SECTION 2 - GROUND COMPONENTS

FIGURE 2-18. GROUND CONTROL BOX ASSEMBLY - M4069 DRIVE AT FULL HEIGHT

ITEM	PART NUMBER	QTY	DESCRIPTION	REV
	0275787	Ref	GROUND CONTROL BOX ASSEMBLY - M4069 DRIVE AT FULL HEIGHT	J
1	1001099428	NLA	Module, Control (Use p/n 1001155878) (Note: Re-calibration Required when Replaced)	
2	0861385	1	Box (SN 0200230092 through 0200243014)	
2A	7023212	1	Latch (SN 0200230092 through 0200243014)	
2	1001181087	1	Box (See GROUND CONTROL BOX COMPONENTS for Breakdown) (SN 0200243015 to Present)	
2	1001181087	1	Box (See GROUND CONTROL BOX COMPONENTS for Breakdown) (SN M200000100 to Present)	
3	2420172	1	Hourmeter	
4	1705710	1	Nameplate	
5	2920151	1	Light, LED	
6	4360387	1	Switch, Push Button	
7	3900300	12	Capscrew	
8	3910616	4	Screw #6 x 1	
9	3910804	3	Screw #8 x 1/4	
10	3911014	2	Screw #10 x 7/8 (SN 0200230092 through 0200243014)	
10	3900128	2	Screw #10 x 7/8 (SN 0200243015 to Present)	
10	3900128	2	Screw #10 x 7/8 (SN M200000100 to Present)	
11	4070987	3	Shim .015	
12	4360069	1	Breaker, Circuit - 10Amp	
13	4360328	1	Switch, Toggle	
14	4360470	1	Switch, Key	
14A	2860030	1 Set	Key, Replacement	
15	4360475	1	Switch, Emergency Stop	
15	7020175	1	Cap	
15A	7020176	1	Block, Contact	
16	1810140	1	Switch, Dual Axis	
		Ref	Note: Control System Must be Re-calibrated when replaced.	
16A	4460321	1	Plug, Male - 4 Position	
16B	4460267	4	Pin, Male	
17	4760600	4	Washer #6	
18	4761000	14	Washer #10	
21	4060802	1	Guard, Switch	
23	3520193	1	Plug, Hole	
24	3520030	1	Plug, Hole	
25	1001102512	4	Washer	
26	4923619	1	Harness, Ground Control Box (Not Shown - See ELECTRICAL SECTION for Breakdown)	

SECTION 2 - GROUND COMPONENTS

FIGURE 2-19. GROUND CONTROL BOX COMPONENTS (SN 0200243015 to Present, SN M200000100 to Present)



ART_1001181087

SECTION 2 - GROUND COMPONENTS

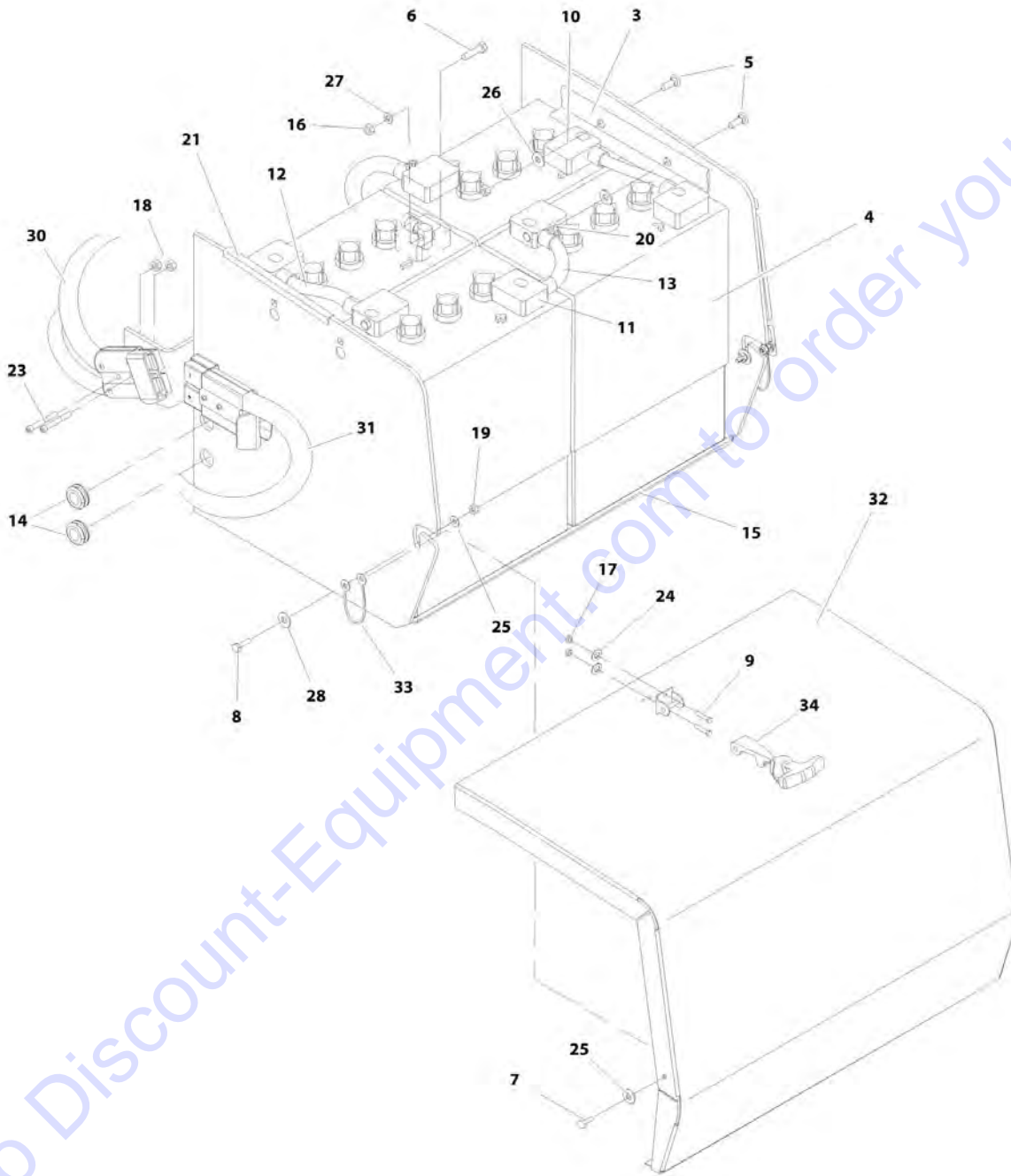
FIGURE 2-19. GROUND CONTROL BOX COMPONENTS (SN 0200243015 to Present, SN M200000100 to Present)

ITEM	PART NUMBER	QTY	DESCRIPTION	REV
	1001181087	Ref	GROUND CONTROL BOX COMPONENTS (SN 0200243015 to Present)	G
	1001181087	Ref	GROUND CONTROL BOX COMPONENTS (SN M200000100 to Present)	G
1	0641404	2	Bolt 1/4 x 1/2	
2	3300353	2	Nut, Tinnerman	
7	3311405	2	Nut 1/4	
8	4740518	2	Washer	
10	1001181089	1	Lid	
11	See Note	NSS	Box (Note: Use p/n 1001181087)	
12	1001103308	2	Screw 1/4 x 3/4	
13	1001188874	2	Nut, Push	
14	4711400	2	Washer 1/4	
15	1001165734	44 in/1.1m	Seal (SN 0200253232 to Present)	
15	1001165734	44 in/1.1m	Seal (SN M200000100 to Present)	

Go to Discount-Equipment.com to order your parts

SECTION 2 - GROUND COMPONENTS

FIGURE 2-20. BATTERY BOX INSTALLATION - 370A-H BATTERIES (SN 0200230092 through 0200258591)



ART_1001170851

PARTS FINDER

**Search Website
by Part Number**



**Search Manual
Library For Parts
Manual & Lookup Part
Numbers – Purchase
or Request Quote**

**Can't Find Part or
Manual? Request Help
by Manufacturer,
Model & Description**

Discount-Equipment.com is your online resource for quality parts & equipment.

Florida: **561-964-4949** Outside Florida TOLL FREE: **877-690-3101**

Need parts?

Click on this link: <http://www.discount-equipment.com/category/5443-parts/> and choose one of the options to help get the right parts and equipment you are looking for. Please have the machine model and serial number available in order to help us get you the correct parts. If you don't find the part on the website or on one of the online manuals, please fill out the request form and one of our experienced staff members will get back to you with a quote for the right part that your machine needs.

We sell worldwide for the brands: Genie, Terex, JLG, MultiQuip, Mikasa, Essick, Whiteman, Mayco, Toro Stone, Diamond Products, Generac Magnum, Airman, Haulotte, Barreto, Power Blanket, Nifty Lift, Atlas Copco, Chicago Pneumatic, Allmand, Miller Curber, Skyjack, Lull, Skytrak, Tsurumi, Husquvarna Target, Stow, Wacker, Sakai, Mi-T-M, Sullair, Basic, Dynapac, MBW, Weber, Bartell, Bennar Newman, Haulotte, Ditch Runner, Menegotti, Morrison, Contec, Buddy, Crown, Edco, Wyco, Bomag, Laymor, EZ Trench, Bil-Jax, F.S. Curtis, Gehl Pavers, Heli, Honda, ICS/PowerGrit, IHI, Partner, Imer, Clipper, MMD, Koshin, Rice, CH&E, General Equipment, Amida, Coleman, NAC, Gradall, Square Shooter, Kent, Stanley, Tamco, Toku, Hatz, Kohler, Robin, Wisconsin, Northrock, Oztec, Toker TK, Rol-Air, APT, Wylie, Ingersoll Rand / Doosan, Innovatech, Con X, Ammann, Mecalac, Makinex, Smith Surface Prep, Small Line, Wanco, Yanmar

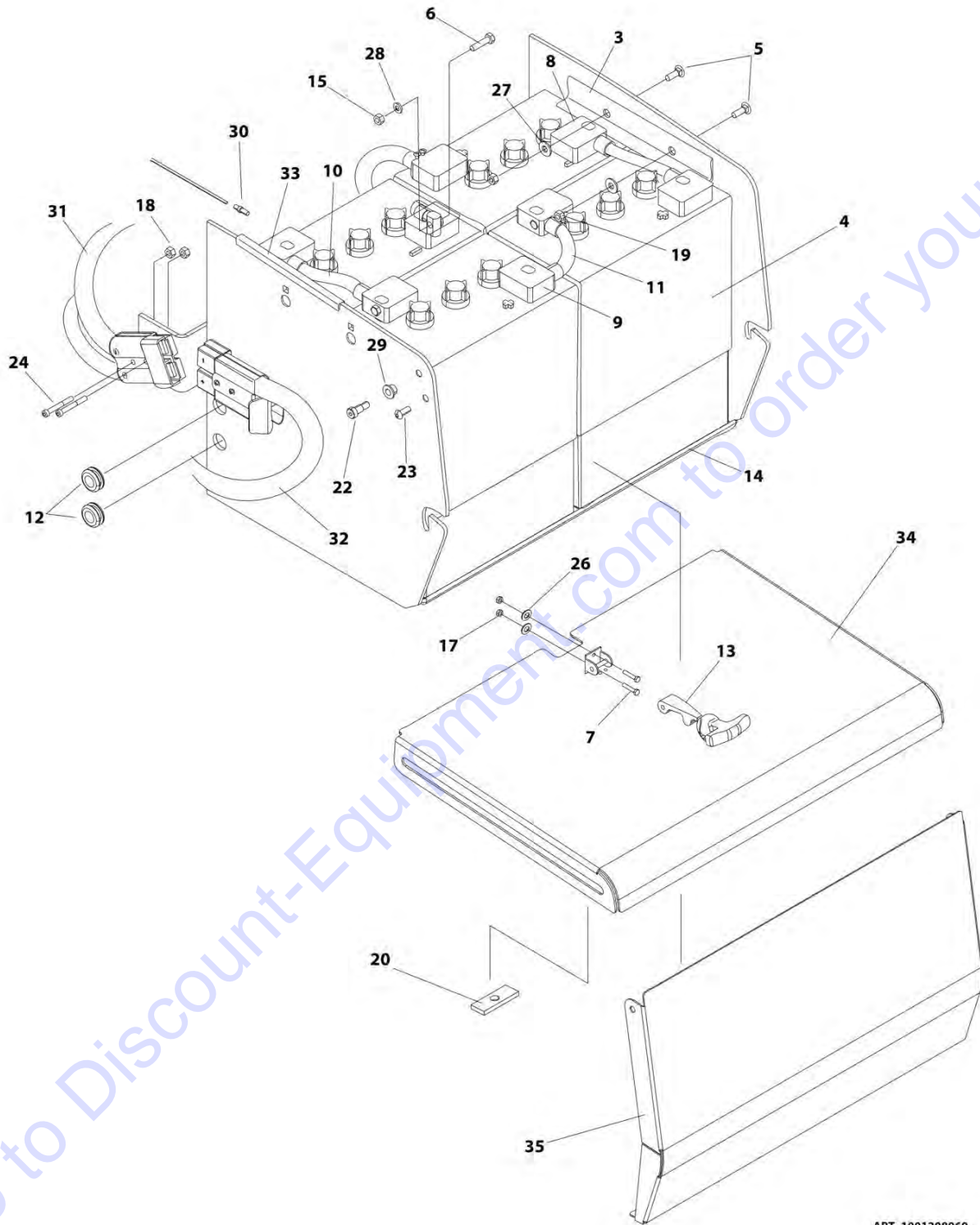
SECTION 2 - GROUND COMPONENTS

FIGURE 2-20. BATTERY BOX INSTALLATION - 370A-H BATTERIES (SN 0200230092 through 0200258591)

ITEM	PART NUMBER	QTY	DESCRIPTION	REV
	1001170851	Ref	BATTERY BOX INSTALLATION - 370A-H BATTERIES (SN 0200230092 through 0200258591)	C
1	0100011	AR	Compound, Locking	
2	0100051	AR	Grease, Terminal	
3	0182017	4	Angle, Battery Hold-Down	
4	0400055	8	Battery, 370A-HR Wet	
4	7016177	8	Battery, 370A-HR Dry	
5	0630462	8	Bolt	
6	0630526	16	Bolt 5/16 x 1-1/4	
7	0641405	4	Bolt 1/4 x 5/8	
8	0641408	4	Bolt 1/4 x 1	
9	0721008	4	Bolt #10 x 1	
10	0840048	6	Boot, Terminal - "d" Shaped	
11	0840049	4	Boot, Terminal - "b" Shaped	
12	1060884	4	Cable, Battery	
13	1060885	2	Cable, Battery	
14	2540038	4	Grommet	
15	3000018	2	Liner, Battery Box	
16	3300429	16	Nut 5/16	
17	3310801	4	Nut #8	
18	3311401	2	Nut 1/4	
19	3311405	8	Nut 1/4	
20	3311501	8	Nut 5/16	
21	1001177536	4	Pad, Slide	
22	3820019	4	Rivet	
23	3931430	2	Capscrew 1/4 x 1-7/8	
24	4711000	4	Washer #10	
25	4711400	8	Washer 1/4	
26	4711500	8	Washer 5/16	
27	4740474	16	Washer 5/16	
28	4751500	8	Washer 5/16	
29	1001114496	1	Sensor, Battery Temperature	
30	1001165355	1	Cable, Battery	
30	4460335	1	Connector, Anderson	
31	1001170081	1	Cable, Battery	
31	4460335	1	Connector, Anderson	
32	1001171003	2	Cover, Battery	
33	1060379	4	Lanyard	
34	2940095	2	T-Handle and Latch Plate	

SECTION 2 - GROUND COMPONENTS

FIGURE 2-21. BATTERY BOX INSTALLATION - 370A-H BATTERIES (SN 0200258591 to Present)



ART_1001208069

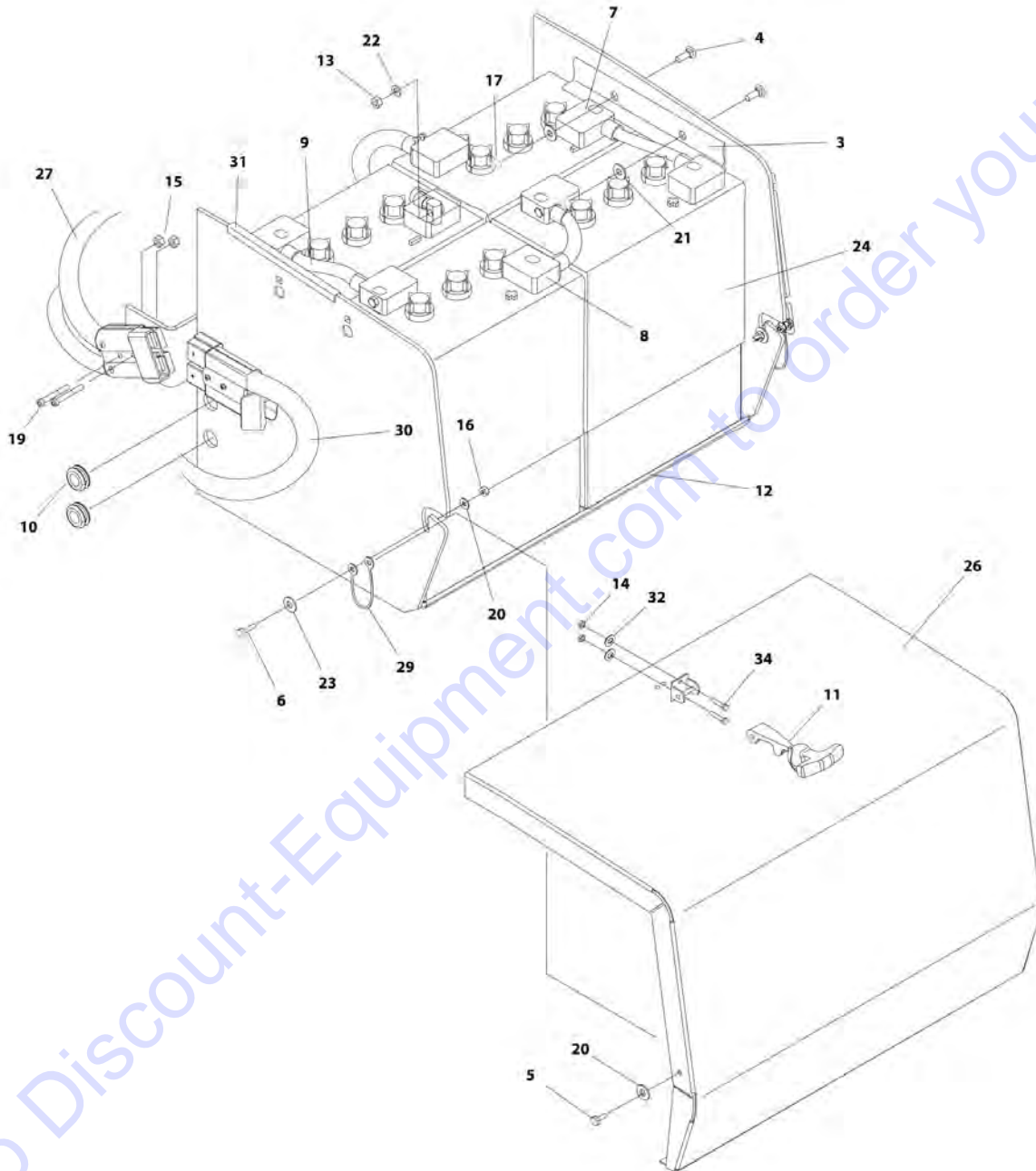
SECTION 2 - GROUND COMPONENTS

FIGURE 2-21. BATTERY BOX INSTALLATION - 370A-H BATTERIES (SN 0200258591 to Present)

ITEM	PART NUMBER	QTY	DESCRIPTION	REV
	1001208069	Ref	BATTERY BOX INSTALLATION - 370A-H BATTERIES (SN 0200258591 to Present)	A
1	0100011	AR	Compound, Locking	
2	0100051	AR	Grease, Terminal	
3	0182017	4	Angle, Battery Hold-Down	
4	0400055	8	Battery, 370A-HR Wet	
5	0630462	8	Bolt	
6	0630526	16	Bolt 5/16 x 1-1/4	
7	0721008	4	Bolt #10 x 1	
8	0840048	6	Boot, Terminal - "d" Shaped	
9	0840049	10	Boot, Terminal - "b" Shaped	
10	1060884	4	Cable, Battery	
11	1060885	2	Cable, Battery	
12	2540038	4	Grommet	
13	2940095	2	T-Handle and Latch Plate	
14	3000018	2	Liner, Battery Box	
15	3300429	16	Nut 5/16	
16	3311001	4	Nut #10	
17	3311401	2	Nut 1/4	
18	3311501	12	Nut 5/16	
19	3311505	4	Locknut 5/16	
20	3340861	2	Pad, Rubber	
21	3900190	4	Screw, Shoulder	
22	3900210	4	Screw, Button-Head	
23	3820019	4	Rivet	
24	3931430	2	Capscrew 1/4 x 1-7/8	
25	4420037	1.2 m	Tape, Insulation (Not Shown)	
26	4711000	4	Washer #10	
27	4711500	12	Washer 5/16	
28	4740474	16	Washer 5/16	
29	4740480	4	Washer, Plastic Insert	
30	1001114496	1	Sensor, Battery Temperature	
31	1001165355	1	Cable, Battery	
31	4460335	1	Connector, Anderson	
32	1001170081	1	Cable, Battery	
32	4460335	1	Connector, Anderson	
33	1001177536	4	Pad, Slide	
34	1001207981	2	Cover, Battery	
35	1001207982	2	Plate, Battery Cover	

SECTION 2 - GROUND COMPONENTS

FIGURE 2-22. BATTERY BOX INSTALLATION - 390A-H AGM BATTERIES (SN 0200230092 through 0200258591)



ART_1001166246

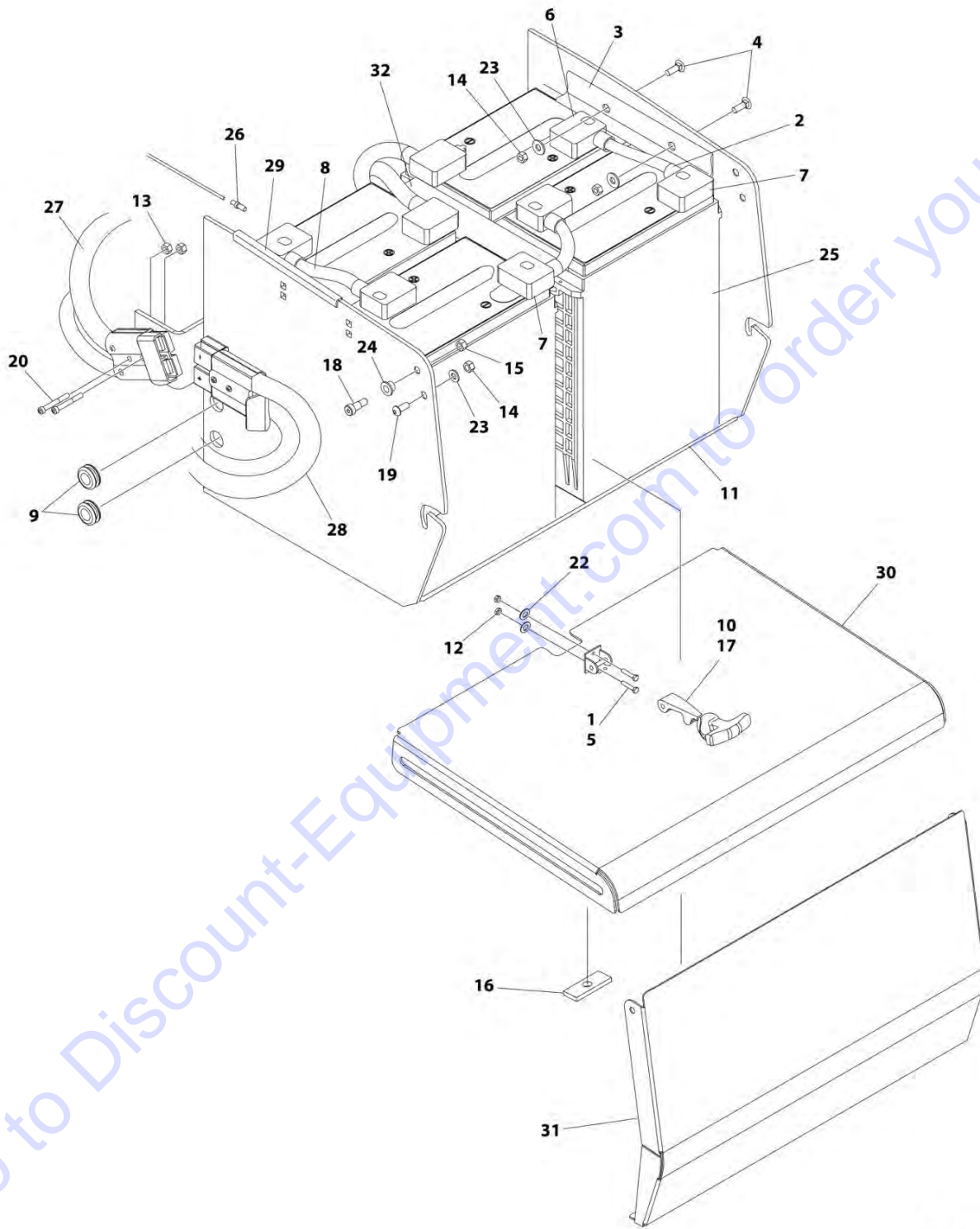
SECTION 2 - GROUND COMPONENTS

FIGURE 2-22. BATTERY BOX INSTALLATION - 390A-H AGM BATTERIES (SN 0200230092 through 0200258591)

ITEM	PART NUMBER	QTY	DESCRIPTION	REV
	1001166246	Ref	BATTERY BOX INSTALLATION - 390A-H AGM BATTERIES (SN 0200230092 through 0200258591)	E
1	0100011	AR	Compound, Locking	
2	0100051	AR	Grease, Terminal	
3	0182017	4	Angle, Battery Hold-Down	
4	0630462	8	Bolt	
5	0641405	4	Bolt 1/4 x 5/8	
6	0641408	4	Bolt 1/4 x 1	
7	0840048	6	Boot, Terminal - "d" Shaped	
8	0840049	10	Boot, Terminal - "b" Shaped	
9	1060884	6	Cable, Battery	
10	2540038	4	Grommet	
11	2940095	2	T-Handle and Latch Plate	
12	3000018	2	Liner, Battery Box	
13	3300429	16	Nut 5/16	
14	3310801	4	Nut #8	
15	3311401	2	Nut 1/4	
16	3311405	8	Nut 1/4	
17	3311501	8	Nut 5/16	
19	3931430	2	Capscrew 1/4 x 1-7/8	
20	4711400	8	Washer 1/4	
21	4711500	8	Washer 5/16	
22	4740474	16	Washer 5/16	
23	4751500	8	Washer 5/16	
24	1001102534	8	Battery	
25	1001114496	1	Sensor, Battery Temperature	
26	1001171003	2	Cover, Battery	
27	1001165355	1	Cable, Battery	
27	4460335	1	Connector, Anderson	
29	1060379	4	Lanyard	
30	1001170081	1	Cable, Battery	
30	4460335	1	Connector, Anderson	
31	1001177536	4	Pad, Slide	
32	4711000	4	Washer #10	
33	3820019	4	Rivet	
34	0721008	4	Bolt #10 x 1	

SECTION 2 - GROUND COMPONENTS

FIGURE 2-23. BATTERY BOX INSTALLATION - 390A-H AGM BATTERIES (SN 0200258591 to Present)



ART_1001208070

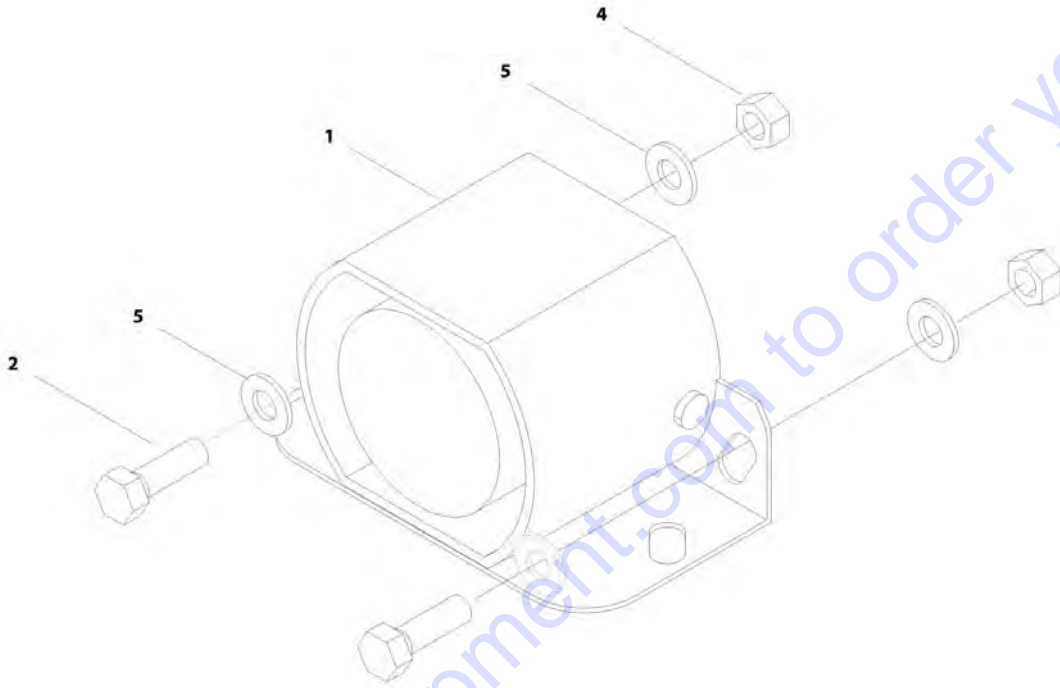
SECTION 2 - GROUND COMPONENTS

FIGURE 2-23. BATTERY BOX INSTALLATION - 390A-H AGM BATTERIES (SN 0200258591 to Present)

ITEM	PART NUMBER	QTY	DESCRIPTION	REV
	1001208070	Ref	BATTERY BOX INSTALLATION - 390A-H AGM BATTERIES (SN 0200258591 to Present)	C
1	0100011	AR	Compound, Locking	
2	0100051	AR	Grease, Terminal	
3	0182017	4	Angle, Battery Hold-Down	
4	0630462	8	Bolt	
5	0721008	4	Bolt #10 x 1	
6	0840048	6	Boot, Terminal - "d" Shaped	
7	0840049	10	Boot, Terminal - "b" Shaped	
8	1060884	6	Cable, Battery (Prior to SN M200015022)	
8	1001228395	6	Cable, Battery (SN M200015022 to Present)	
9	2540038	4	Grommet	
10	2940095	2	T-Handle and Latch Plate	
11	3000018	2	Liner, Battery Box	
12	3311001	4	Nut #10	
13	3311401	2	Nut 1/4	
14	3311501	12	Nut 5/16	
15	3311505	4	Locknut 5/16	
16	3340861	2	Pad, Rubber	
17	3820019	4	Rivet	
18	3900190	4	Screw, Shoulder	
19	3900210	4	Buttonhead Screw 5/16 x 3/4	
20	3931430	2	Capscrew 1/4 x 1-7/8	
21	4420037	1.2 m	Tape, Insulation (Not Shown)	
22	4711000	4	Washer #10	
23	4711500	12	Washer 5/16	
24	4740480	4	Washer, Plastic Insert	
25	1001102534	8	Battery (Prior to SN M200015022)	
25	1001228392	8	Battery (SN M200015022 to Present)	
26	1001114496	1	Sensor, Battery Temperature	
27	1001165355	1	Cable, Battery (Prior to SN M200015022)	
27	4460335	1	Connector, Anderson	
27	1001228394	1	Cable, Battery (SN M200015022 to Present)	
28	1001170081	1	Cable, Battery (Prior to SN M200015022)	
28	1001228393	1	Cable, Battery (SN M200015022 to Present)	
28	4460335	1	Connector, Anderson	
29	1001177536	4	Pad, Slide	
30	1001207981	2	Cover, Battery Box Lid	
31	1001207982	2	Plate, Battery Cover	
32	1001218766	2	Stop, Battery Spacer (SN M200011529 to Present)	

SECTION 2 - GROUND COMPONENTS

FIGURE 2-24. ALARM INSTALLATION



ART_0273968

SECTION 2 - GROUND COMPONENTS

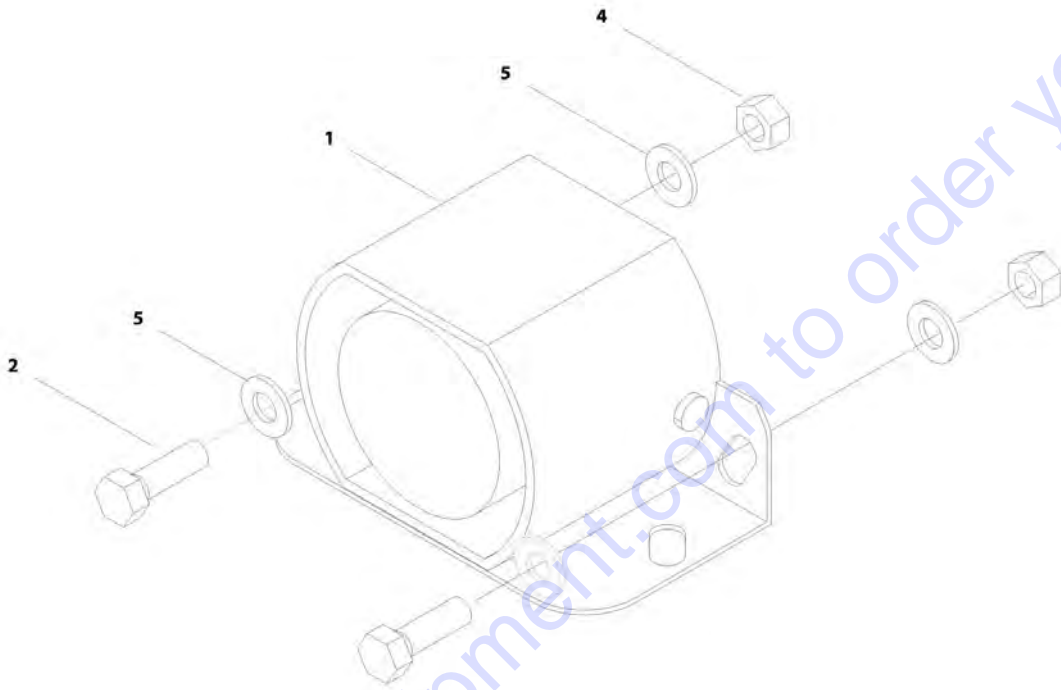
FIGURE 2-24. ALARM INSTALLATION

ITEM	PART NUMBER	QTY	DESCRIPTION	REV
	0273968	Ref	ALARM INSTALLATION	C
1	0140032	1	Alarm	
2	0641508	2	Bolt 5/16 x 1	
3	2820018	AR	Heat Shrink	
4	3311505	2	Nut 5/16	
5	4711500	4	Washer 5/16	
6	4922517	1	Alarm Harness (Not Shown - See ALARM HARNESS for Breakdown)	

Go to Discount-Equipment.com to order your parts

SECTION 2 - GROUND COMPONENTS

FIGURE 2-25. ALARM INSTALLATION - MOTION



ART_0270942

SECTION 2 - GROUND COMPONENTS

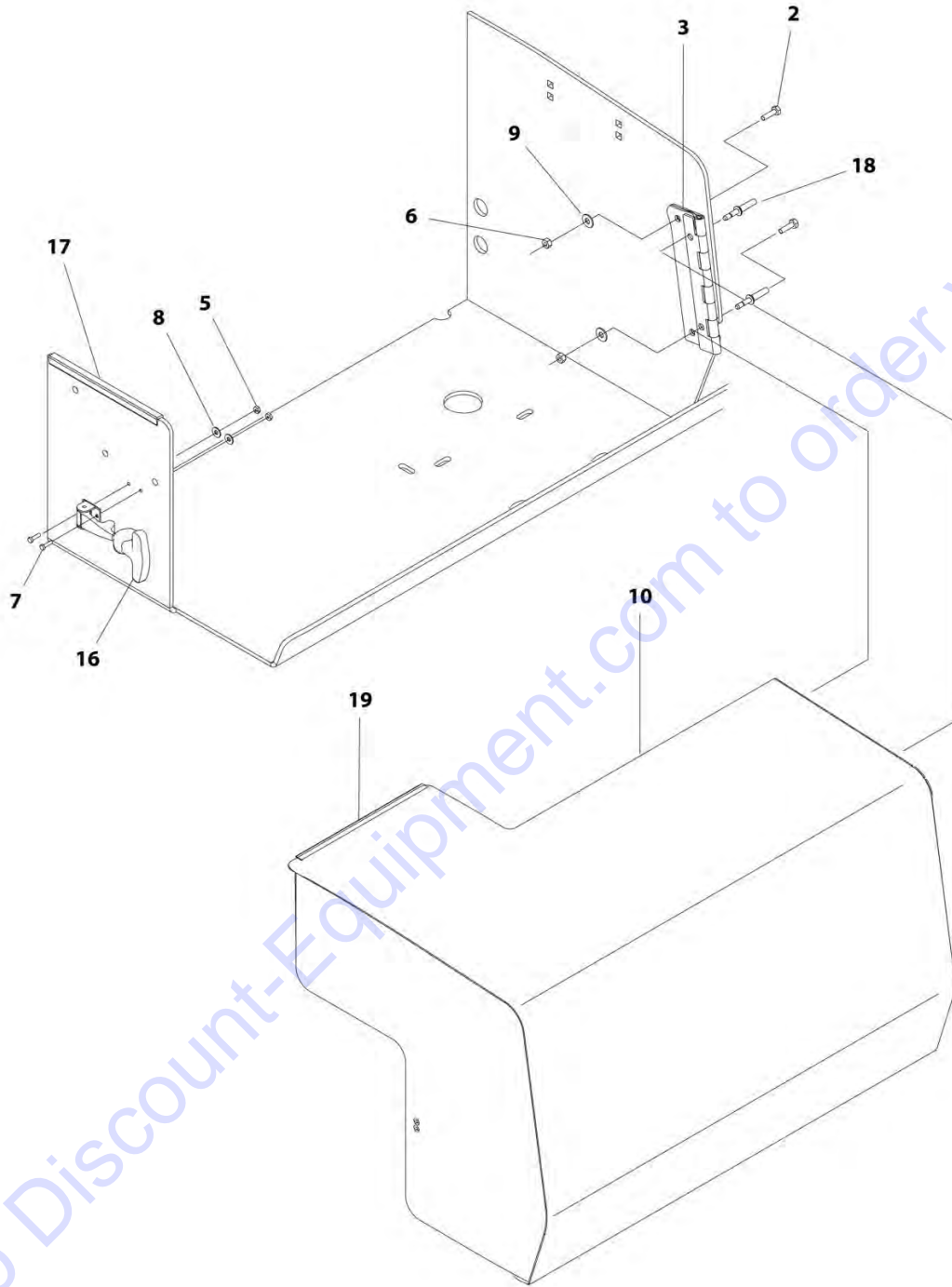
FIGURE 2-25. ALARM INSTALLATION - MOTION

ITEM	PART NUMBER	QTY	DESCRIPTION	REV
	0270942	Ref	ALARM INSTALLATION - MOTION	D
1	0140032	1	Alarm	
2	0641508	2	Bolt 5/16 x 1	
3	2820018	AR	Heat Shrink	
4	3311505	2	Nut 5/16	
5	4711500	4	Washer 5/16	
6	4922517	1	Alarm Harness (Not Shown - See ALARM HARNESS for Breakdown)	

Go to Discount-Equipment.com to order your parts

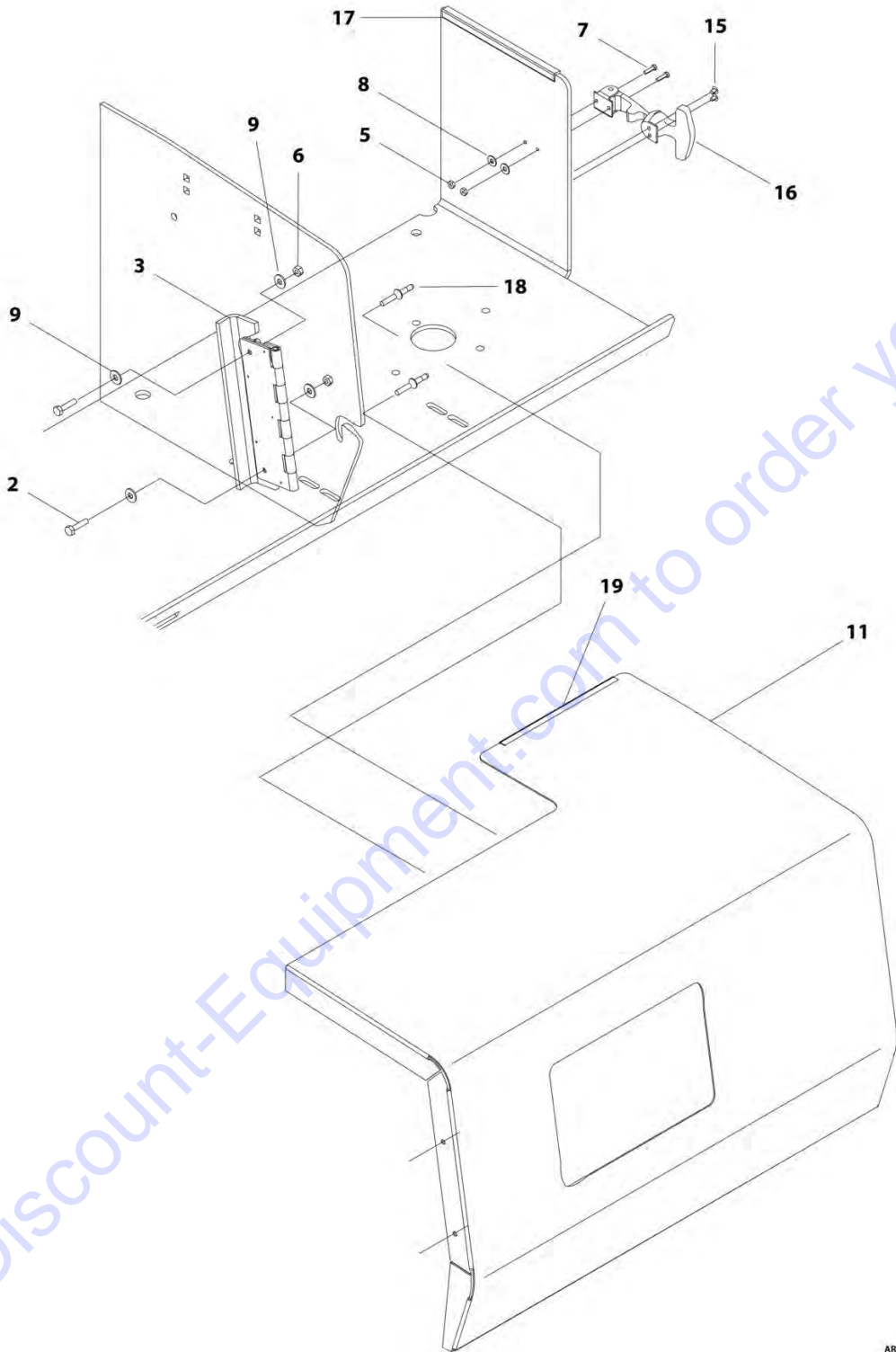
SECTION 2 - GROUND COMPONENTS

FIGURE 2-26. COVERS INSTALLATION



ART_1001165822_10F2

SECTION 2 - GROUND COMPONENTS



ART_1001165822_20F2

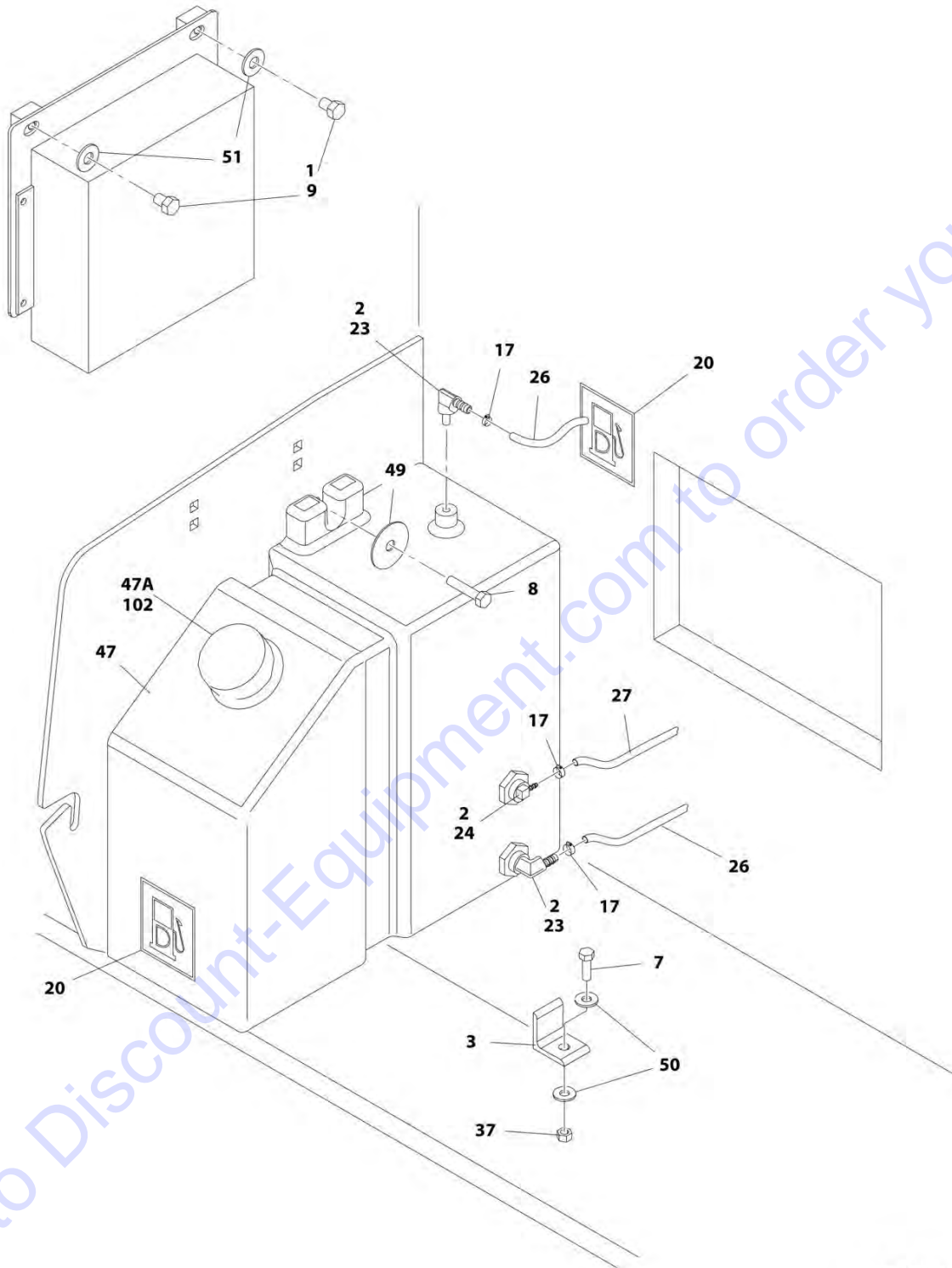
SECTION 2 - GROUND COMPONENTS

FIGURE 2-26. COVERS INSTALLATION

ITEM	PART NUMBER	QTY	DESCRIPTION	REV
	1001165822	1	COVERS INSTALLATION	C
2	0641407	4	Bolt 1/4 x 7/8	
3	2600275	2	Hinge	
5	3310801	4	Nut #8	
6	3311405	4	Nut 1/4	
7	3900305	4	Screw #8	
8	4711000	4	Washer #10	
9	4751400	8	Washer 1/4	
10	1001164975	1	Plate, Left Side Cover	
11	1001164977	1	Plate, Right Side Cover	
15	3820019	4	Rivet	
16	2940095	2	T-Handle and Latch Plate	
17	1001177536	2	Pad, Slide	
18	2080040	4	Fastener, Huck	
19	4060803	32 in /81cm	Flex-Trim	

SECTION 2 - GROUND COMPONENTS

FIGURE 2-27. TANK INSTALLATION - M3369/M4069 (MACHINES WITH STANDARD BATTERY)



ART_1001165843_10F2

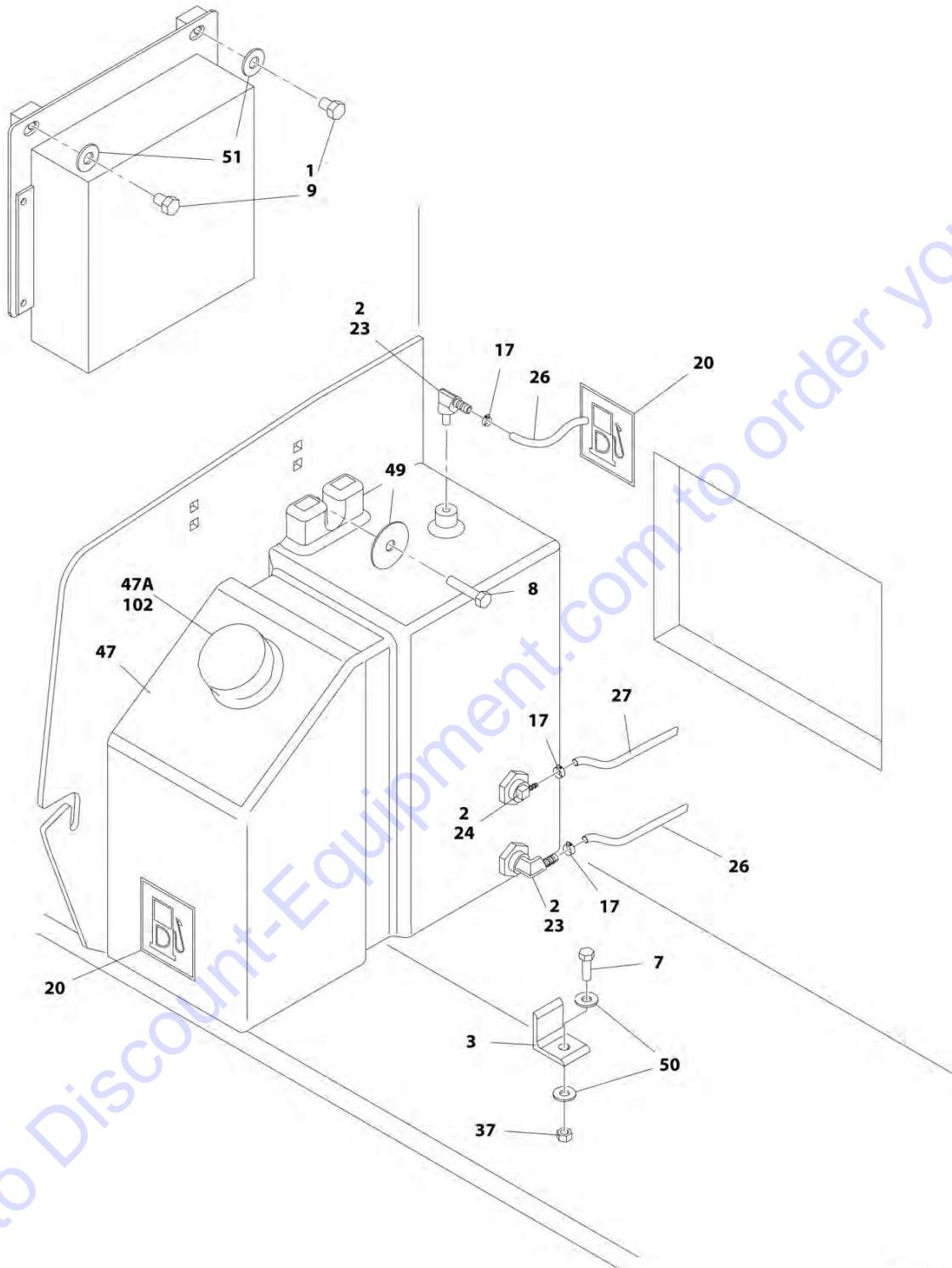
SECTION 2 - GROUND COMPONENTS

FIGURE 2-27. TANK INSTALLATION - M3369/M4069 (MACHINES WITH STANDARD BATTERY)

ITEM	PART NUMBER	QTY	DESCRIPTION	REV
	1001165843	Ref	TANK INSTALLATION - M3369/M4069 (MACHINES WITH STANDARD BATTERY)	F
1	0100011	AR	Compound, Locking	
2	0100020	AR	Sealant, Pipe	
3	0182014	1	Angle	
7	0641508	1	Bolt 5/16 x 1	
8	0641512	1	Bolt 5/16 x 1-1/2	
9	0641604	2	Bolt 3/8 x 1/2	
17	1320022	5	Clamp	
20	1701505	2	Decal - Diesel Fuel	
23	2221046	2	Fitting, 90 NPT/Barbed	
24	2221047	1	Fitting, 90 NPT/Barbed	
26	2720058	10 ft /3m	Hose	
27	2720271	10 ft /3m	Hose	
37	3311505	1	Nut 5/16	
47	4400434	1	Tank, Fuel	
47A	7016314	1	Cap, Fuel (Standard Non-Locking)	
49	4740076	1	Washer	
50	4751500	2	Washer 5/16	
51	4751600	6	Washer 3/8	
	0259613	Ref	LOCKABLE FUEL CAP INSTALLATION - OPTIONAL	C
102	1120485	1	Cap, Fuel (Optional - Lockable)	

SECTION 2 - GROUND COMPONENTS

FIGURE 2-28. TANK INSTALLATION - M3369/M4069 (MACHINES WITH AGM BATTERY)



ART_1001202685_10F2

SECTION 2 - GROUND COMPONENTS

FIGURE 2-28. TANK INSTALLATION - M3369/M4069 (MACHINES WITH AGM BATTERY)

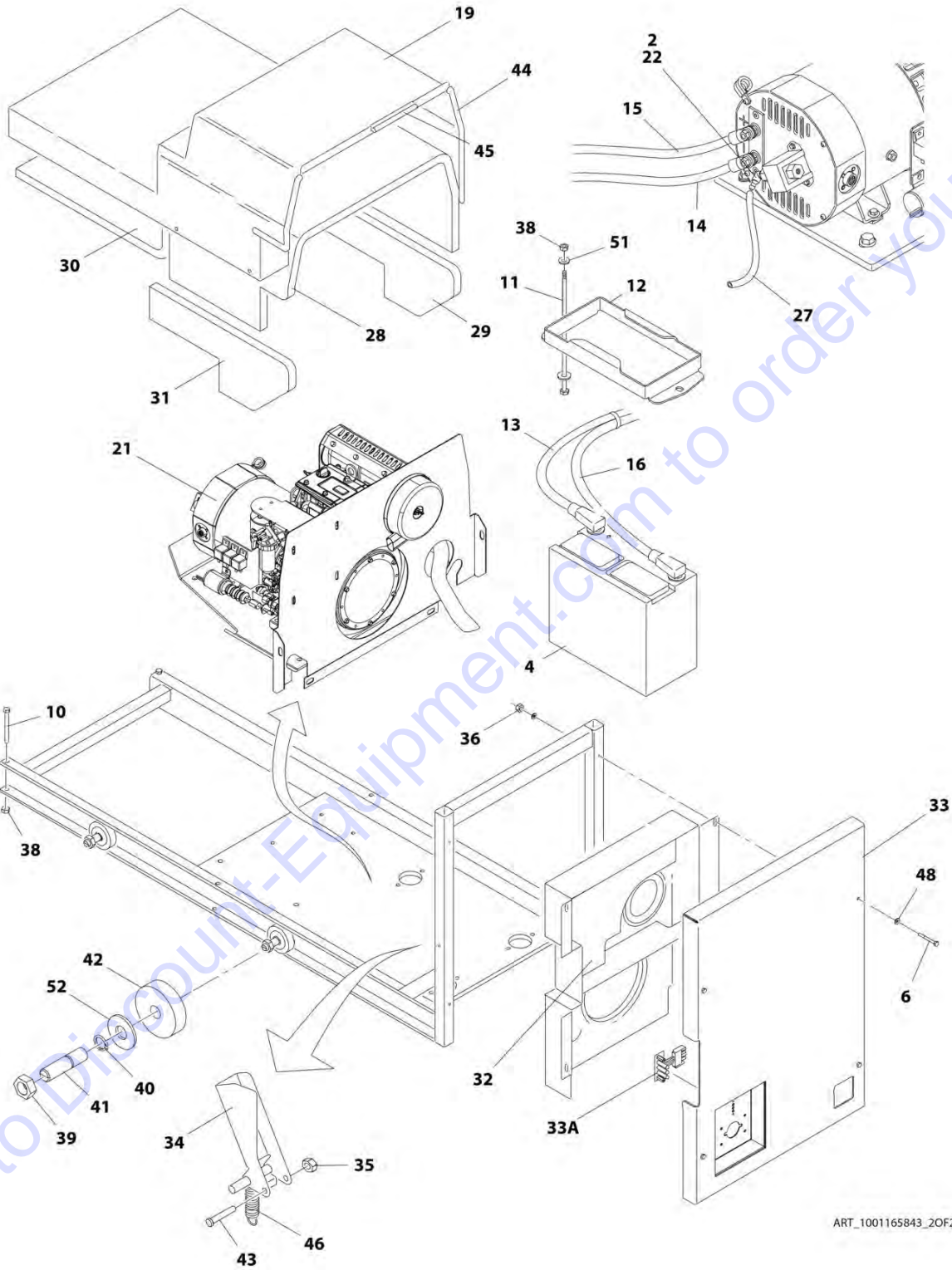
ITEM	PART NUMBER	QTY	DESCRIPTION	REV
	1001202685	Ref	TANK INSTALLATION - M3369/M4069 (MACHINES WITH AGM BATTERY)	B
1	0100011	AR	Compound, Locking	
2	0100020	AR	Sealant, Pipe	
3	0182014	1	Angle	
7	0641508	1	Bolt 5/16 x 1	
8	0641512	1	Bolt 5/16 x 1-1/2	
9	0641604	2	Bolt 3/8 x 1/2	
17	1320022	5	Clamp	
20	1701505	2	Decal - Diesel Fuel	
23	2221046	2	Fitting, 90 NPT/Barbed	
24	2221047	1	Fitting, 90 NPT/Barbed	
26	2720058	10 ft /3m	Hose	
27	2720271	10 ft /3m	Hose	
37	3311505	1	Nut 5/16	
47	4400434	1	Tank, Fuel	
47A	7016314	1	Cap, Fuel (Standard Non-Locking)	
49	4740076	1	Washer	
50	4751500	2	Washer 5/16	
51	4751600	6	Washer 3/8	
	0259613	Ref	LOCKABLE FUEL CAP INSTALLATION - OPTIONAL	C
102	1120485	1	Cap, Fuel (Optional - Lockable)	

SECTION 3 - ENGINE

Go to Discount-Equipment.com to order your parts

SECTION 3 - ENGINE

FIGURE 3-1. KUBOTA ENGINE/GENERATOR INSTALLATION - M3369/M4069 (WITH STANDARD BATTERY)



ART_1001165843_20F2

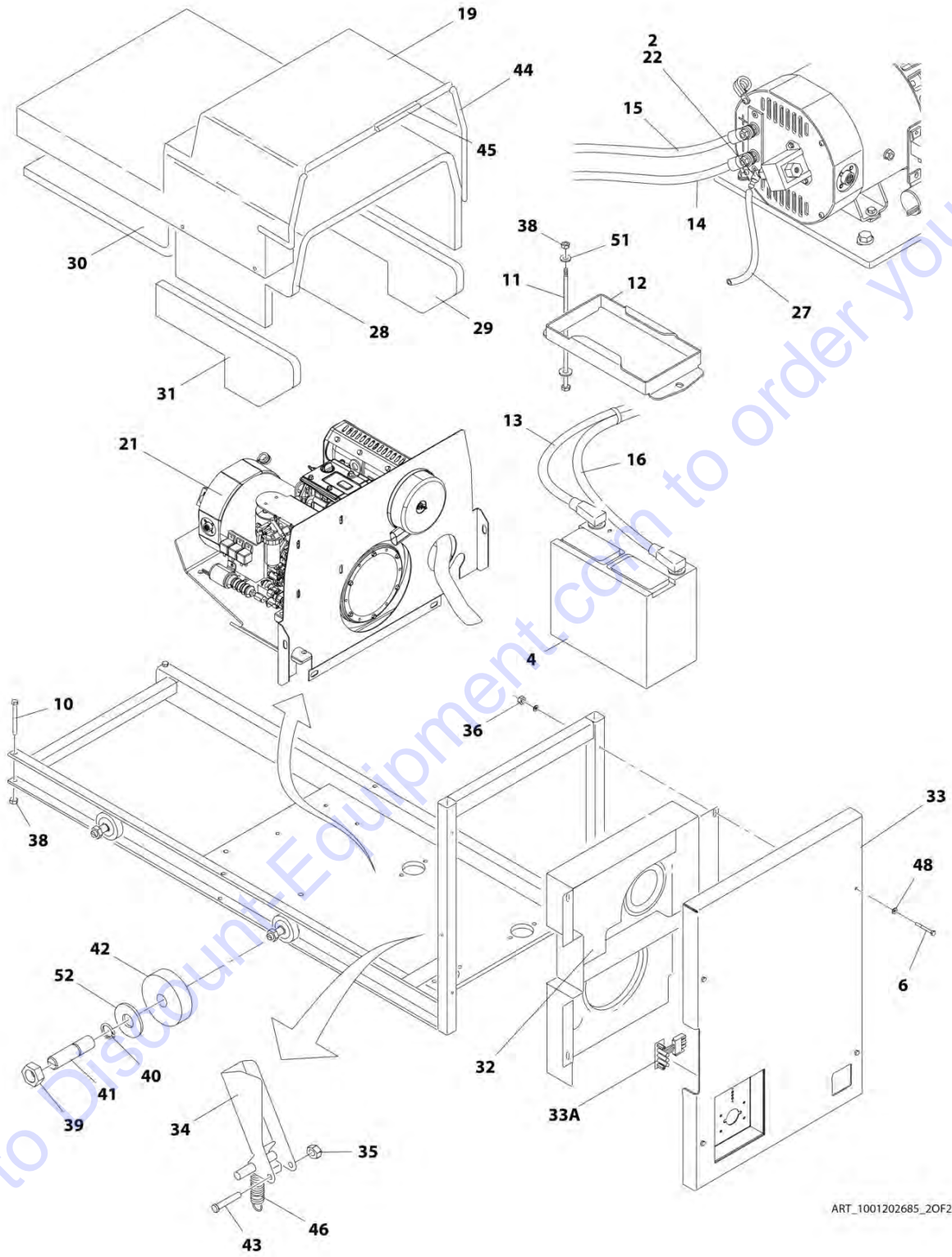
SECTION 3 - ENGINE

FIGURE 3-1. KUBOTA ENGINE/GENERATOR INSTALLATION - M3369/M4069 (WITH STANDARD BATTERY)

ITEM	PART NUMBER	QTY	DESCRIPTION	REV
	1001165843	Ref	KUBOTA ENGINE/GENERATOR INSTALLATION - M3369/M4069 (WITH STANDARD BATTERY)	F
1	0100011	AR	Compound, Locking	
2	0100020	AR	Sealant, Pipe	
4	0400201	1	Battery	
6	0641418	4	Bolt 1/4 x 2-1/4	
10	0641632	2	Bolt 3/8 x 4	
11	0641660	2	Bolt 3/8 x 7-1/2	
12	0902659	1	Bracket, Hold-Down	
13	1060820	1	Cable, Battery (Battery + to Starter)	
14	1060916	1	Cable, Battery (Generator – to Controller –)	
15	1060917	1	Cable, Battery (Lower Generator + to Contactor +)	
16	1060950	1	Cable, Battery (Battery – to Ground)	
17	1320022	5	Clamp	
19	1671010	1	Cover, Engine	
21	1001159358	1	Kubota Motor/Generator Assembly (See Separate Breakdown in this Section) (SN 0200230092 to Present)	
21	1001159358	1	Kubota Motor/Generator Assembly (See Separate Breakdown in this Section) (SN M200000100 through M200028845)	
21	1001242115	1	Kubota Motor/Generator Assembly (See Separate Breakdown in this Section) (SN M200028846 to Present)	
22	2220805	1	Fitting, 90 NPT/Barbed	
27	2720271	10 ft /3m	Hose	
28	2820135	1	Insulation	
29	2820136	1	Insulation	
30	2820137	1	Insulation	
31	2820138	1	Insulation	
32	2820228	1	Insulation	
33	1001166302	1	Cover, Front (Includes PC Board)	
33	1001165794	1	Cover, Front (Less PC Board)	
33A	0610131	1	PC Board, LED Light	
34	2940137	1	Latch	
35	3300374	1	Nut	
36	3311405	4	Nut 1/4	
38	3311605	4	Nut 3/8	
39	3322202	5	Nut	
40	3760348	4	Ring, Retaining	
41	3841233	4	Rod, Roller	
42	3860059	4	Roller, Extension	
43	3900184	1	Screw #10 x 5/8	
44	3960389	2 ft /60cm	Seal	
45	3960418	2 ft /60cm	Seal	
46	4160189	1	Spring	
48	4711400	8	Washer 1/4	
51	4751600	6	Washer 3/8	
52	4752200	4	Washer 3/4	

SECTION 3 - ENGINE

FIGURE 3-2. KUBOTA ENGINE/GENERATOR INSTALLATION - M3369/M4069 (WITH AGM BATTERY)



ART_1001202685_20F2

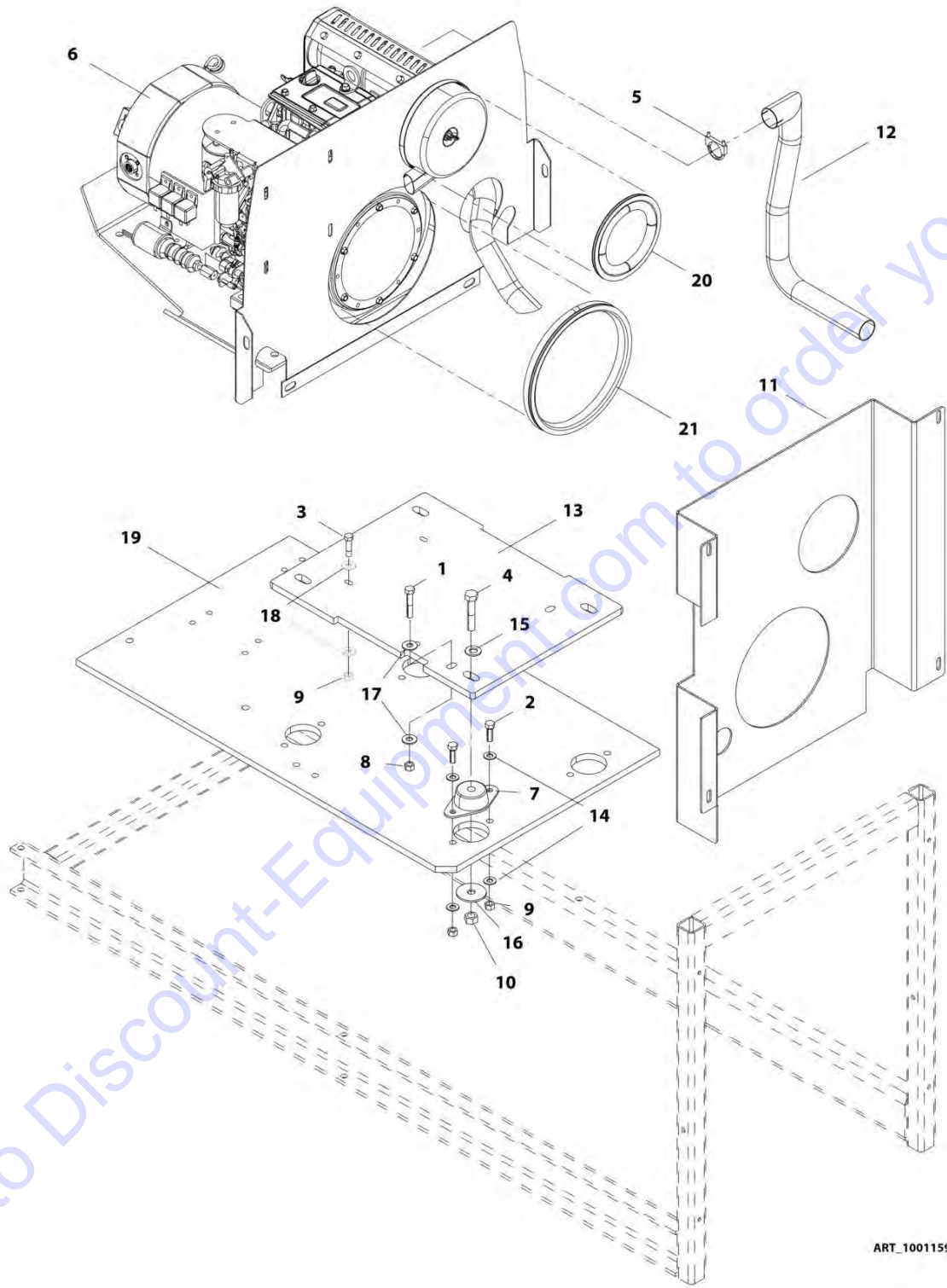
SECTION 3 - ENGINE

FIGURE 3-2. KUBOTA ENGINE/GENERATOR INSTALLATION - M3369/M4069 (WITH AGM BATTERY)

ITEM	PART NUMBER	QTY	DESCRIPTION	REV
	1001202685	Ref	KUBOTA ENGINE/GENERATOR INSTALLATION - M3369/M4069 (WITH AGM BATTERY)	B
1	0100011	AR	Compound, Locking	
2	0100020	AR	Sealant, Pipe	
4	1001196117	1	Battery	
6	0641418	4	Bolt 1/4 x 2-14	
10	0641432	2	Bolt 3/8 x 4	
11	0641660	2	Bolt 3/8 x 7-1/2	
12	0902659	1	Bracket, Hold-Down	
13	1060820	1	Cable, Battery (Battery + to Starter)	
14	1060916	1	Cable, Battery (Generator – to Controller –)	
15	1060917	1	Cable, Battery (Lower Generator + to Contactor +)	
16	1060950	1	Cable, Battery (Battery – to Ground)	
17	1320022	5	Clamp	
19	1671010	1	Cover, Engine	
21	1001159358	1	Kubota Motor/Generator Assembly (See Separate Breakdown in this Section) (SN 0200230092 to Present)	
21	1001159358	1	Kubota Motor/Generator Assembly (See Separate Breakdown in this Section) (SN M200000100 through 020028845)	
21	1001242115	1	Kubota Motor/Generator Assembly (See Separate Breakdown in this Section) (SN M200028846 to Present)	
22	2220805	1	Fitting, 90 NPT/Barbed	
27	2720271	10 ft /3m	Hose	
28	2820135	1	Insulation	
29	2820136	1	Insulation	
30	2820137	1	Insulation	
31	2820138	1	Insulation	
32	2820228	1	Insulation	
33	1001166302	1	Cover, Front (Includes PC Board)	
33	1001165794	1	Cover, Front (Less PC Board)	
33A	0610131	1	PC Board, LED Light	
34	2940137	1	Latch	
35	3300374	1	Nut	
36	3311405	4	Nut 1/4	
38	3311605	4	Nut 3/8	
39	3322202	5	Nut	
40	3760348	4	Ring, Retaining	
41	3841233	4	Rod, Roller	
42	3860059	4	Roller, Extension	
43	3900184	1	Screw #10 x 5/8	
44	3960389	2 ft /60cm	Seal	
45	3960418	2 ft /60cm	Seal	
46	4160189	1	Spring	
48	4711400	8	Washer 1/4	
51	4751600	6	Washer 3/8	
52	4752200	4	Washer 3/4	

SECTION 3 - ENGINE

FIGURE 3-3. KUBOTA MOTOR/GENERATOR ASSEMBLY (SN 0200230092 to Present, SN M200000100 through M200028845)



ART_1001159358

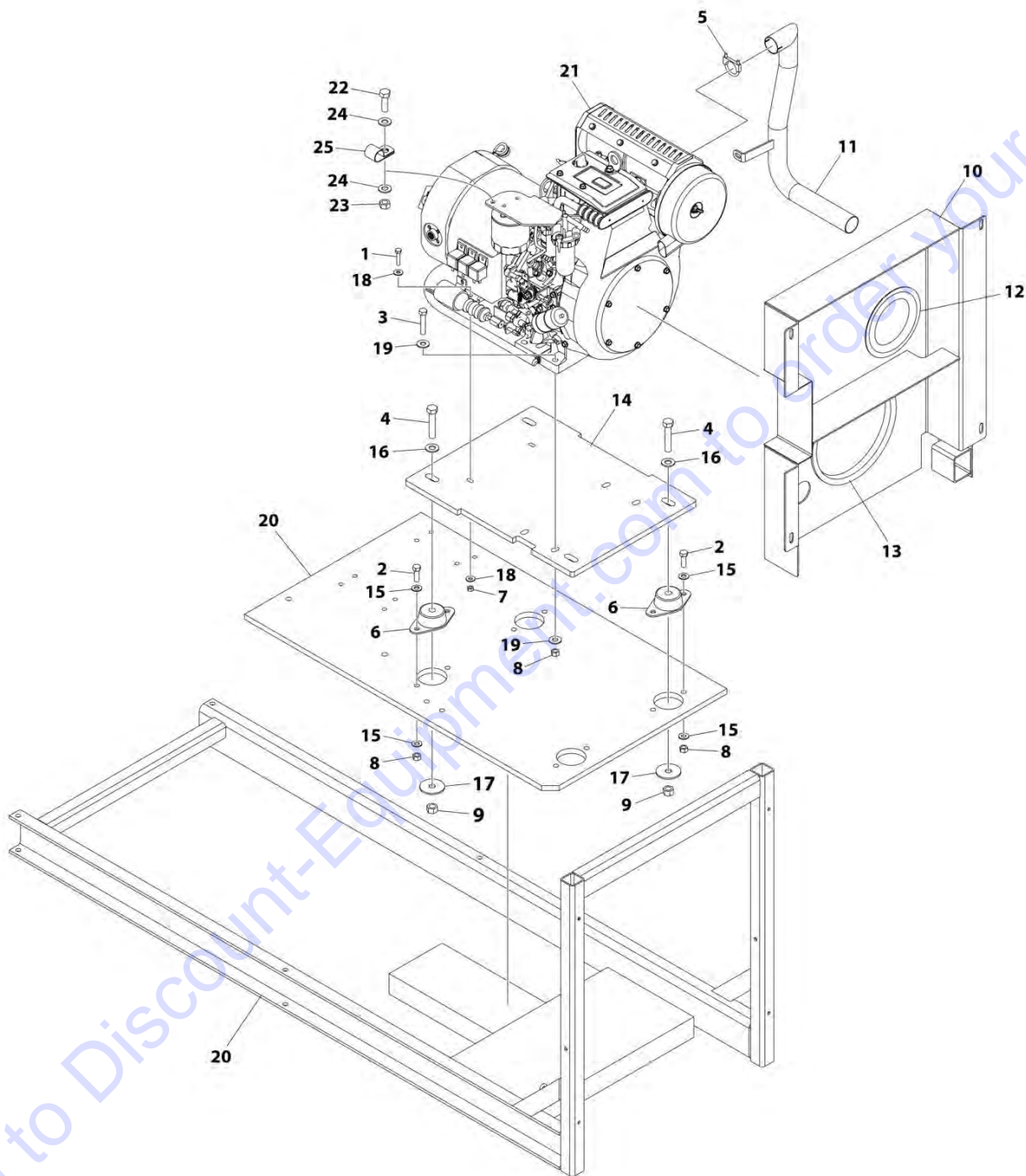
SECTION 3 - ENGINE

FIGURE 3-3. KUBOTA MOTOR/GENERATOR ASSEMBLY (SN 0200230092 to Present, SN M200000100 through M200028845)

ITEM	PART NUMBER	QTY	DESCRIPTION	REV
	1001159358	Ref	KUBOTA MOTOR/GENERATOR ASSEMBLY	E
1	0641410	2	Bolt 1/4 x 1-1/4	
2	0641609	8	Bolt 3/8 x 1-1/8	
3	0641616	4	Bolt 3/8 x 2	
4	0641820	4	Bolt 1/2 x 2-1/2	
5	1320135	1	Clamp	
6	1001159355	1	Engine, Kubota (See Separate Breakdown in this Section)	
7	3200425	4	Mount, Engine	
8	3311405	2	Nut 1/4	
9	3311605	12	Nut 3/8	
10	3311805	4	Nut 1/2	
11	3380609	1	Plate, Baffle	
12	3460475	1	Pipe, Exhaust	
13	4341095	1	Plate, Mounting	
14	4711600	16	Washer 3/8	
15	4711800	4	Washer 1/2	
16	4740274	4	Washer	
17	4751400	4	Washer 1/4	
18	4751600	8	Washer 3/8	
19	4846317	1	Tray	
20	3960389	18 in /46cm	Seal	
21	3960418	28 in /71cm	Seal	

SECTION 3 - ENGINE

FIGURE 3-4. KUBOTA MOTOR/GENERATOR ASSEMBLY (SN M200028846 to Present)



ART_1001242115

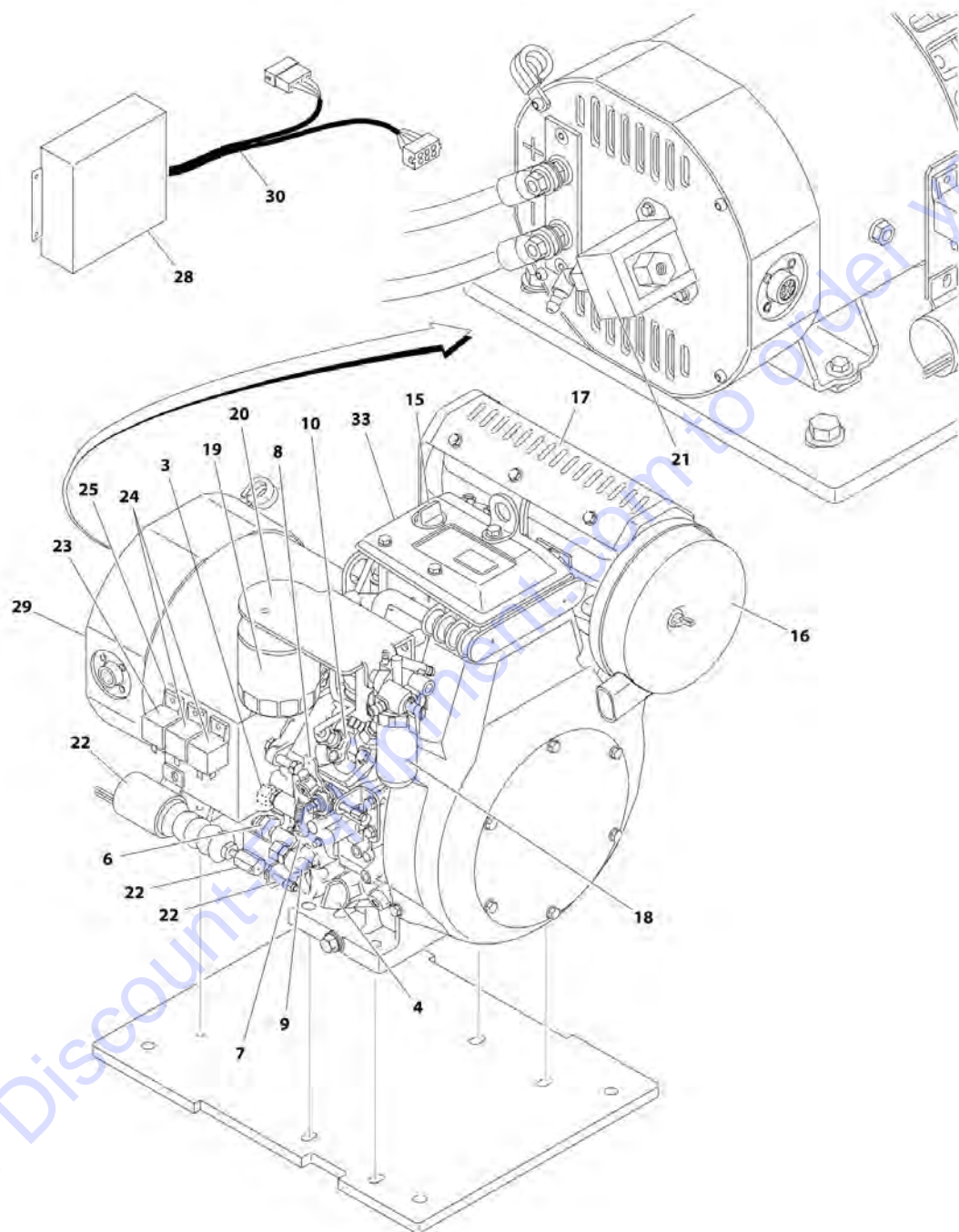
SECTION 3 - ENGINE

FIGURE 3-4. KUBOTA MOTOR/GENERATOR ASSEMBLY (SN M200028846 to Present)

ITEM	PART NUMBER	QTY	DESCRIPTION	REV
	1001242115	Ref	KUBOTA MOTOR/GENERATOR ASSEMBLY	D
1	0641410	2	Bolt 1/4 x 1-1/4	
2	0641609	8	Bolt 3/8 x 1-1/8	
3	0641616	4	Bolt 3/8 x 2	
4	0641820	4	Bolt 1/2 x 2-1/2	
5	1320135	1	Clamp	
6	3200425	4	Mount Engine	
7	3311405	2	Nut 1/4	
8	3311605	12	Nut 3/8	
9	3311805	4	Nut 1/2	
10	3380609	1	Plate, Baffle	
11	3460475	1	Pipe, Exhaust	
12	3960389	20 in/ 150cm	Seal	
13	3960418	28 in/ 170cm	Seal	
14	4341095	1	Plate, Mounting	
15	4711600	16	Washer 3/8	
16	4711800	4	Washer 1/2	
17	4740274	4	Washer	
18	4751400	4	Washer 1/4	
19	4751600	8	Washer 3/8	
20	4846317	1	Tray	
21	1001233626	1	Engine, Kubota (See Separate Breakdown in this Section)	
22	0641508	1	Bolt 5/16 x 1	
23	3311505	1	Nut 5/16	
24	4711500	2	Washer 5/16	
25	8406101	1	Clip	

SECTION 3 - ENGINE

FIGURE 3-5. KUBOTA MOTOR/GENERATOR COMPONENTS (SN 0200230092 to Present, SN M200000100 through M200028845)



ART 1001159355

SECTION 3 - ENGINE

FIGURE 3-5. KUBOTA MOTOR/GENERATOR COMPONENTS (SN 0200230092 to Present, SN M200000100 through M200028845)

ITEM	PART NUMBER	QTY	DESCRIPTION	REV
	1001159355	Ref	KUBOTA MOTOR/GENERATOR COMPONENTS	B
1	70000290	1	Glow Plug (Not Shown)	
1	70000291	1	Harness, Glow Plug (Not Shown)	
2	70000292	1	Screen, Oil Sump (Includes O-Ring)	
3	70000293	1	Cap, Oil Filler (Includes O-Ring)	
4	70000294	1	Dipstick	
5	70000295	1	Pump, Oil Rotor (Not Shown - Located beside Item 6)	
5	70000296	1	O-Ring Oil Rotor Pump (Not Shown)	
6	70000297	1	Switch, Oil	
7	70000298	1	Lever, Governor	
7	70000299	1	Pin, Governor Lever	
7	70000300	1	Spring, Governor Lever	
8	70000301	1	Spring, Idling	
8	70000304	1	Lever, Spring Control	
8	70000305	1	Spring, Stop (Speed Control Lever)	
9	70000302	1	Valve, Fuel Limit (Not Shown)	
9	70000303	1	Gasket, Fuel Limit (Not Shown)	
10	70000306	1	Pump, Injection	
10	70000307	1	Kit, Pump Adjustment Shim	
11	70000308	1	Flywheel/Ring Gear Assembly (Not Shown - Located Behind Front Cover)	
11	70000309	1	Ring Gear (Not Shown)	
11	70001121	1	Stator, Engine (Not Shown - Located Behind Flywheel) (Includes Coil and Grommet)	
12	70003557	1	Regulator, Voltage (Not Shown - Located on Opposite Side of Engine)	
13	70000310	1	Starter (Not Shown - Located on Opposite of Engine)	
14	70000311	1	Solenoid, Starter (Not Shown - Located on Opposite Side of Engine)	
15	70002244	1	Cap, Oil Filler (Includes O-Ring)	
16	70000312	1	Air Filter Assembly	
16	70000313	1	Element, Air Cleaner	
16	70000314	1	Gasket, Air Cleaner	
17	70000315	1	Muffler Assembly	
17	70000316	1	Gasket, Muffler	
18	70000317	1	Inline Fuel Check Valve Assembly	
18	70000967	1	Fuel Filter Assembly	
18	70000318	1	Element, Fuel Filter	
19	70000319	1	Element, Oil Filter	
19	70001144	1	Head, Oil Filter Head (Note: Does Not Include Element)	
20	70002544	1	Bracket, Oil Filter Mount	
21	70000320	1	Pump, Fuel	
22	70000321	1	Solenoid, Fuel	
22	70003618	1	Adapter, Solenoid	
22	70003619	1	Screw	
23	70000322	1	Relay	
24	70000323	2	Relay	
25	70002083	1	Bracket, Solenoid/Relay	
26	70000324	1	Sensor, Speed (Not Shown - Located Inside Front Cover)	
26	70004265	1	Bracket, Speed Sensor (Not Show - Located Inside Front Cover)	

SECTION 3 - ENGINE

ITEM	PART NUMBER	QTY	DESCRIPTION	REV
27	70000325	1	Sensor, Oil Temperature (Not Shown - Located on Opposite Side of Engine Base)	
28	70000326	1	Module, Engine Control	
29	70000327	1	Alternator	
29	70000382	1	Stator, Alternator	
29	70004394	1	Lead, Field Terminal Block Diode	
30	70000328	1	Harness, Generator	
31	70000329	1	Fuse 15Amp (Not Shown)	
32	70000330	1	Fuse 20Amp (Not Shown)	
33	70002543	1	Engine, Kubota (Without Generator)	
34	70000289	1	Regulator, Voltage (Not Shown - Located on Opposite Side of Engine)	

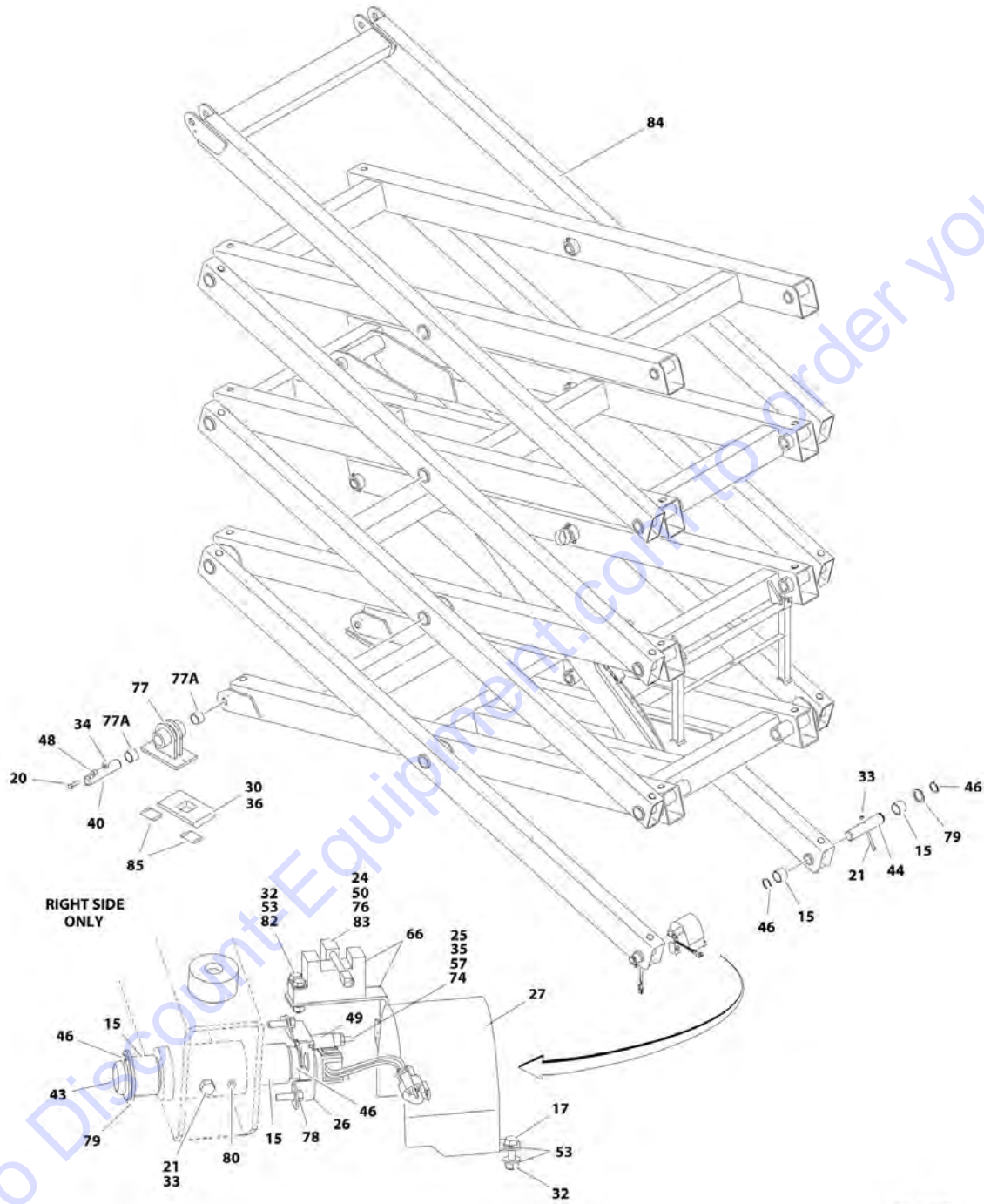
Go to Discount-Equipment.com to order your parts

SECTION 4 - SCISSORS ARMS

Go to Discount-Equipment.com to order your parts

SECTION 4 - SCISSORS ARMS

FIGURE 4-1. SCISSORS ARMS INSTALLATION WITHOUT LSS - 3369LE/M3369



ART_0272932

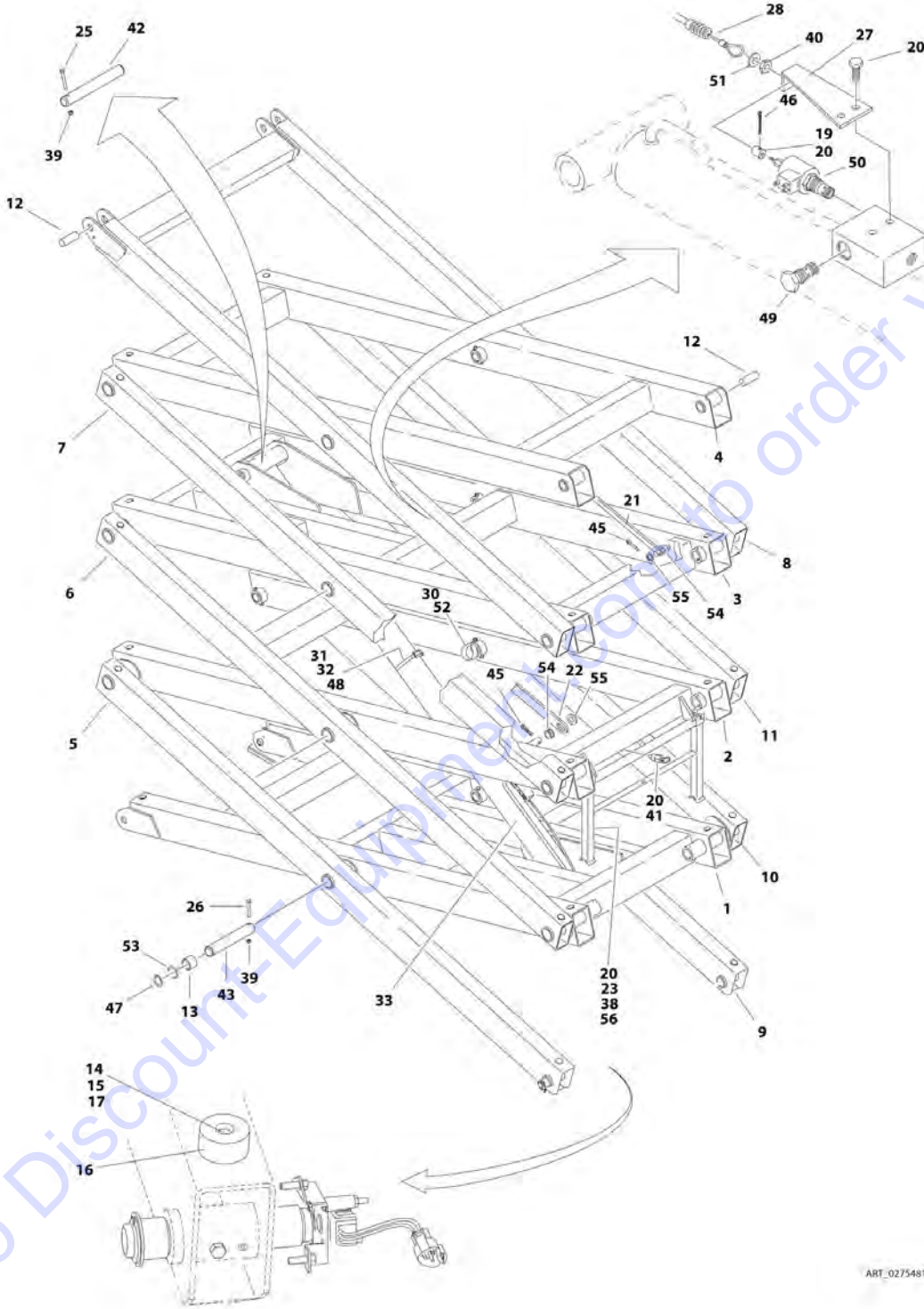
SECTION 4 - SCISSORS ARMS

FIGURE 4-1. SCISSORS ARMS INSTALLATION WITHOUT LSS - 3369LE/M3369

ITEM	PART NUMBER	QTY	DESCRIPTION	REV
	0272932	Ref	SCISSORS ARMS INSTALLATION WITHOUT LSS - 3369LE/M3369	L
15	0440234	4	Bushing	
17	0641408	2	Bolt 1/4 x 1	
20	0641610	2	Bolt 3/8 x 1-1/4	
21	0681520	2	Bolt 5/16 x 2-1/2 Grade 8	
24	3900325	2	Screw #10 x 1/2	
25	0721014	2	Screw #10 x 1-3/4	
25	0731012	2	Screw #10 x 1-1/2	
26	0902713	1	Bracket, Limit Switch	
27	1670965	1	Cover, Limit Switch	
30	3020022	AR	Lubricant	
32	3311405	4	Nut 1/4	
33	3311505	2	Nut 5/16	
34	3311605	2	Nut 3/8	
35	3311001	2	Nut #10	
35	3321001	2	Nut #10	
36	3340856	2	Pad, Slide	
40	3422822	2	Pin	
43	3422905	1	Pin	
44	3422907	1	Pin	
46	3760387	4	Ring, Retaining	
48	3841143	2	Keeper, Pin	
49	4360500	1	Switch, Rotary Angle Sensor	
49	77363243	1	Receptacle, Female - 3 Position	
49	4460464	3	Pin, Male	
50	4360502	1	Switch, Proximity Sensor	
50	4460897	1	Connector, Female - 2 Position	
50	4460464	2	Pin, Male	
53	4711400	8	Washer 1/4	
57	4751000	4	Washer #10	
60	1271441	1	Channel, Arm Retainer (Not Shown)	
66	3200453	1	Block, Mounting	
66	0903273	1	Bracket, Switch	
74	0100035	AR	Compound, Locking	
75	4922543	1	Harness, Lift Down (Lower) (Not Shown - See ELECTRICAL SECTION for Breakdown)	
76	3300455	2	Nut #10	
77	1001099550	2	Slider (Bottom)	
77A	0440234	4	Bushing (2 Per Assembly)	
78	0791406	3	Screw 1/4 x 3/4	
79	4740438	2	Washer	
80	3422927	1	Rollpin	
82	0641410	2	Bolt 1/4 x 1-1/4	
83	4740506	2	Washer	
84	0275481	1	Scissors Arms Assembly (See SCISSORS ARMS ASSEMBLY WITHOUT LSS - 3369LE/M3369 for Breakdown)	
85	1001125245	1	Decal Kit - Calibration (Includes 2 Decals)	

SECTION 4 - SCISSORS ARMS

FIGURE 4-2. SCISSORS ARMS ASSEMBLY WITHOUT LSS - 3369LE/M3369



ART_0275481_TOF2

SECTION 4 - SCISSORS ARMS

FIGURE 4-2. SCISSORS ARMS ASSEMBLY WITHOUT LSS - 3369LE/M3369

ITEM	PART NUMBER	QTY	DESCRIPTION	REV
	0275481	Ref	SCISSORS ARMS ASSEMBLY WITHOUT LSS - 3369LE/M3369	E
1	0200654	1	Arm Weldment (Bottom Inboard)	
2	0200655	1	Arm Weldment (Lower Mid Inboard)	
3	0200656	1	Arm Weldment (Upper Mid Inboard)	
4	0200724	1	Arm Weldment (Top Inboard)	
5	0200658	1	Arm Weldment (Bottom Left Side Outboard)	
6	0200659	1	Arm Weldment (Lower Mid Left Side Outboard)	
7	0200660	1	Arm Weldment (Upper Mid Left Side Outboard)	
8	0200725	1	Arm Weldment (Top Outboard)	
9	0200667	1	Arm Weldment (Bottom Right Side Outboard)	
10	0200668	1	Arm Weldment (Lower Mid Right Side Outboard)	
11	0200669	1	Arm Weldment (Upper Mid Right Side Outboard)	
12	0440250	4	Bushing	
13	0440236	40	Bushing	
14	0641510	24	Bolt 5/16 x 1-1/4	
15	3311505	24	Nut 5/16	
16	3340866	24	Pad, Arm	
17	4711500	24	Washer 5/16	
19	0080228	1	Adapter, Cable	
20	0100011	AR	Compound, Locking	
21	0362840	1	Bar, Cable Carrier	
22	0362841	1	Bar, Cable Carrier	
23	0641418	2	Bolt 1/4 x 2-1/4	
24	0641506	2	Bolt 5/16 x 3/4	
25	0681622	2	Bolt 3/8 x 2-3/4 Grade 8	
26	0681624	20	Bolt 3/8 x 3 Grade 8	
27	0902421	1	Bracket, Cable	
28	1060846	1	Cable, Manual Descent	
29	1060866	1	Cable, Electrical - 12/3 (Not Shown)	
30	1320110	1	Clamp, Support	
31	1320122	1	Clamp	
32	1670995	1	Cover, Hose/Cable	
33	1684119	1	Lift Cylinder Assembly (See CYLINDER SECTION for Breakdown)	
38	3300151	2	Nut 1/4	
39	3311605	22	Nut 3/8	
40	3321402	2	Nut 1/4	
41	3422369	1	Pin, Plunger	
42	3422778	2	Pin, Pivot	
43	3422825	16	Pin, Pivot	
44	3422826	4	Pin, Pivot	
45	3450304	4	Pin, Cotter 3/32 x 1	
46	3450405	1	Pin, Cotter	
47	3760420	20	Ring, Retaining	
48	4280295	6 in/15cm	Strip, Protective	
49	4641002	1	Cartridge, Check/Restrictor Valve	
49	7012953	1	Seal Kit - 4641002 Valve	
50	4641172	1	Cartridge, Solenoid Valve	
50	7017445	1	Cartridge, Valve Less Coil	
50	7012967	1	Seal Kit - 7017445 Valve	
50	7012943	1	Coil	

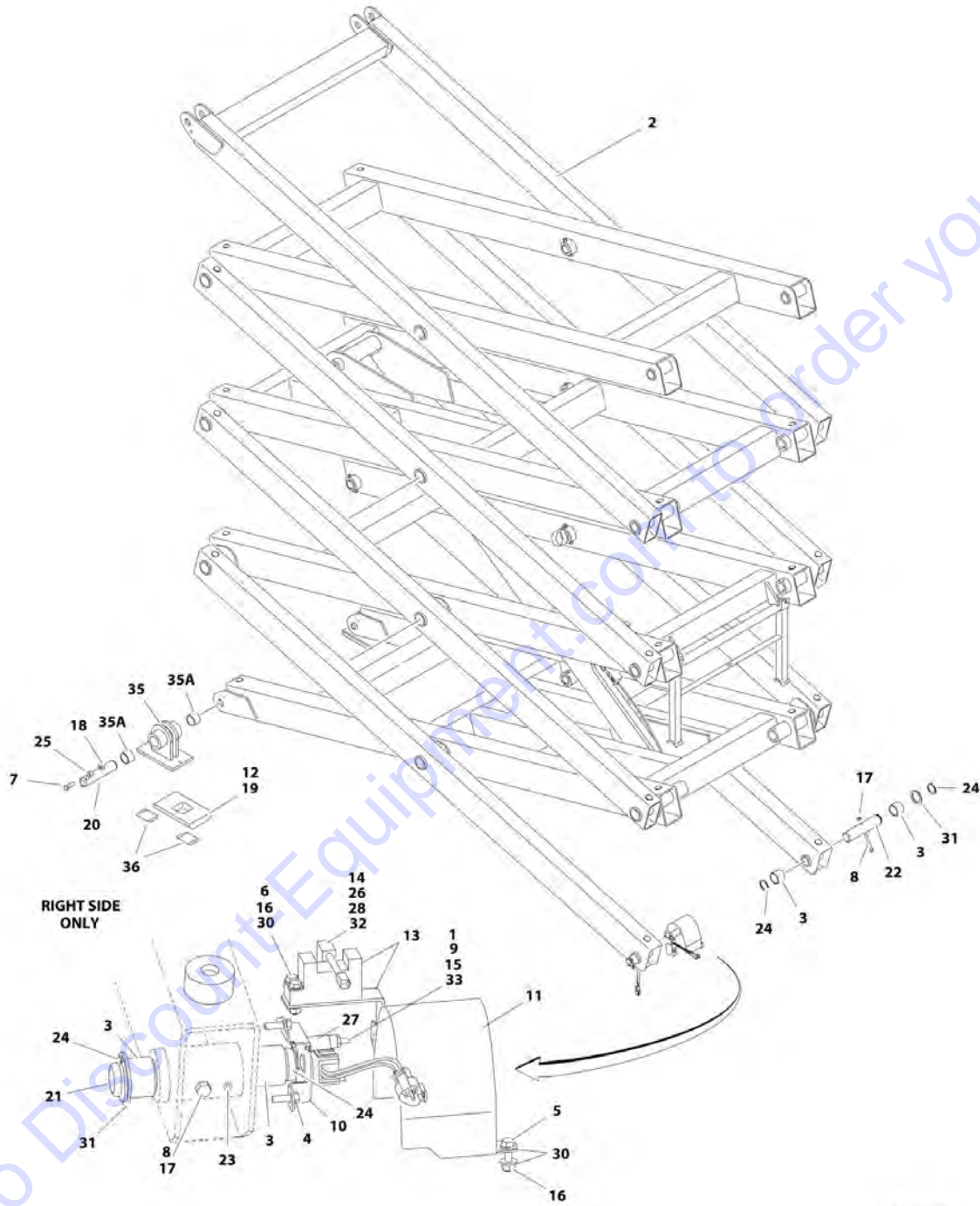
SECTION 4 - SCISSORS ARMS

ITEM	PART NUMBER	QTY	DESCRIPTION	REV
51	4711400	1	Washer 1/4	
52	4711600	1	Washer 3/8	
53	4740332	20	Washer, Special	
54	4740480	4	Washer, Plastic Insert	
55	4751500	4	Washer 5/16	
56	4846020	1	Prop, Safety	
57	4922477	1	Platform Harness (Not Shown - See ELECTRICAL SECTION for Breakdown)	
58	4922544	1	Lift Down Harness (Upper) (Not Shown - See ELECTRICAL SECTION for Breakdown)	
60	2902253	1	Arm Kit (Includes Items 1-17) (Not Shown)	D

Go to Discount-Equipment.com to order your parts

SECTION 4 - SCISSORS ARMS

FIGURE 4-3. SCISSORS ARMS INSTALLATION WITH LSS - 3369LE/M3369



ART_0275552

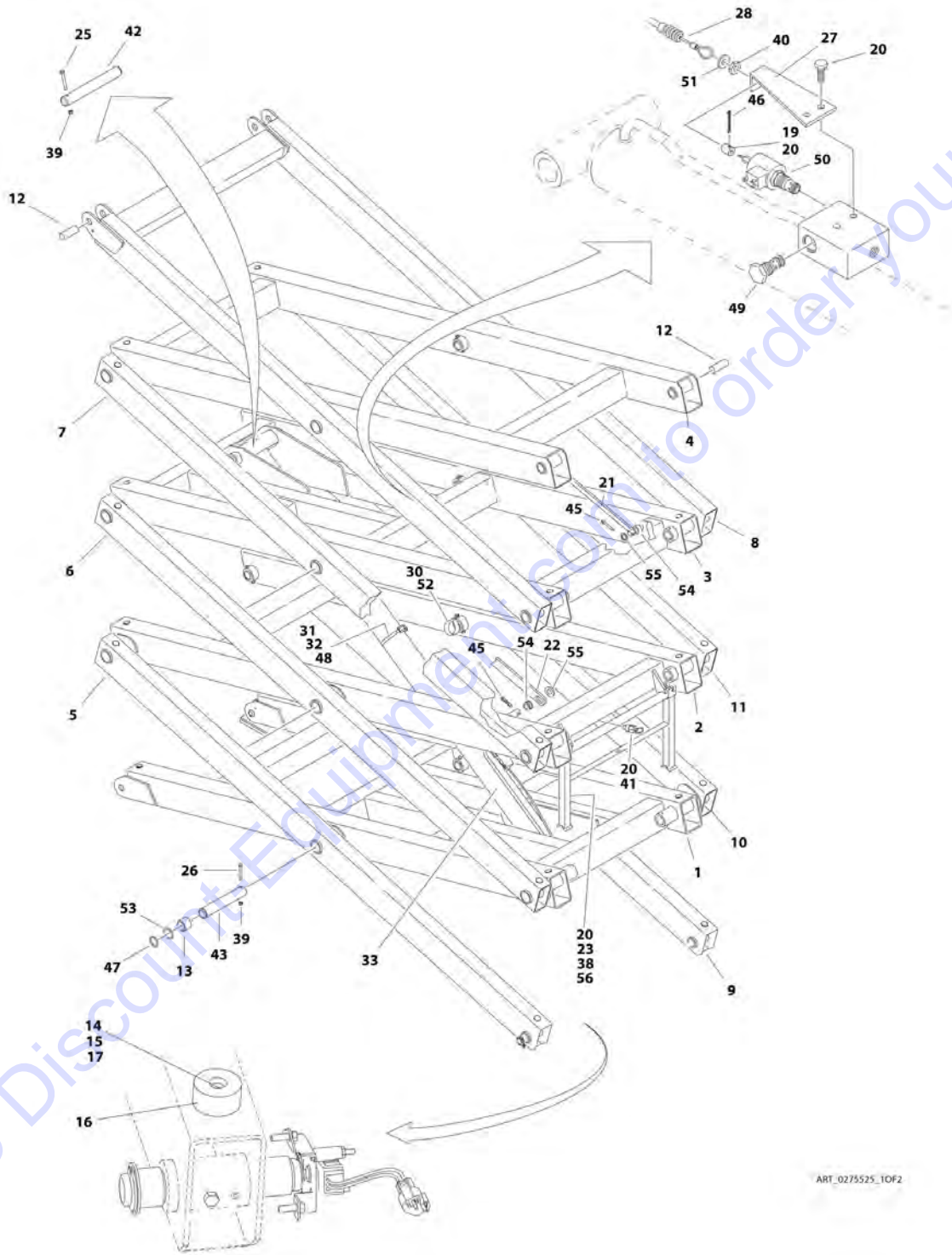
SECTION 4 - SCISSORS ARMS

FIGURE 4-3. SCISSORS ARMS INSTALLATION WITH LSS - 3369LE/M3369

ITEM	PART NUMBER	QTY	DESCRIPTION	REV
	0275552	Ref	SCISSORS ARMS INSTALLATION WITH LSS - 3369LE/M3369	H
		Ref	Note: For Machines with LSS and Soft Touch refer to SPECIAL OPTIONS Section. For UK MOD Machines, refer to JLG Manual p/n 3121698.	
1	0100035	AR	Compound, Locking	
2	0275525	1	Scissors Arms Assembly (See SCISSORS ARMS ASSEMBLY WITH LSS - 3369LE/M3369 for Breakdown)	
3	0440234	4	Bushing	
4	0791406	3	Screw 1/4 x 3/4	
5	0641408	2	Bolt 1/4 x 1	
6	0641410	2	Bolt 1/4 x 1-1/4	
7	0641610	2	Bolt 3/8 x 1-1/4	
8	0681520	2	Bolt 5/16 x 2-1/2 Grade 8	
9	0721014	2	Screw #10 x 1-3/4	
9	0731012	2	Screw #10 x 1-1/2	
10	0902713	1	Bracket, Limit Switch	
11	1670965	1	Cover, Limit Switch	
12	3020022	AR	Lubricant	
13	3200453	1	Block, Mounting	
13	0903273	1	Bracket, Switch	
14	3300455	2	Nut #10	
15	3311001	2	Nut #10	
15	3321001	2	Nut #10	
16	3311405	4	Nut 1/4	
17	3311505	2	Nut 5/16	
18	3311605	2	Nut 3/8	
19	3340856	2	Pad, Slide	
20	3422822	2	Pin	
21	3422905	1	Pin	
22	3422907	1	Pin	
23	3422927	1	Rollpin	
24	3760387	4	Ring, Retaining	
25	3841143	2	Keeper, Pin	
26	3900325	2	Screw #10 x 1/2	
27	4360500	1	Switch, Rotary Angle Sensor	
27	77363243	1	Receptacle, Female - 3 Position	
27	4460464	3	Pin, Male	
28	4360502	1	Switch, Proximity Sensor	
28	4460897	1	Connector, Female - 2 Position	
28	4460464	2	Pin, Male	
29	1271441	1	Channel, Arm Retainer (Not Shown)	
30	4711400	8	Washer 1/4	
31	4740438	2	Washer	
32	4740506	2	Washer	
33	4751000	4	Washer #10	
34	4922543	1	Harness, Lift Down (Lower) (Not Shown - See ELECTRICAL SECTION for Breakdown)	
35	1001099550	2	Slider (Bottom)	
35A	0440234	4	Bushing (2 Per Assembly)	
36	1001125245	1	Decal Kit - Calibration (Includes 2 Decals)	

SECTION 4 - SCISSORS ARMS

FIGURE 4-4. SCISSORS ARMS ASSEMBLY WITH LSS - 3369LE/M3369



ART_0275525_TOF2

SECTION 4 - SCISSORS ARMS

FIGURE 4-4. SCISSORS ARMS ASSEMBLY WITH LSS - 3369LE/M3369

ITEM	PART NUMBER	QTY	DESCRIPTION	REV
	0275525	Ref	SCISSORS ARMS ASSEMBLY WITH LSS - 3369LE/M3369	F
1	0200654	1	Arm Weldment (Bottom Inboard)	
2	0200655	1	Arm Weldment (Lower Mid Inboard)	
3	0200656	1	Arm Weldment (Upper Mid Inboard)	
4	0200724	1	Arm Weldment (Top Inboard)	
5	0200658	1	Arm Weldment (Bottom Left Side Outboard)	
6	0200659	1	Arm Weldment (Lower Mid Left Side Outboard)	
7	0200660	1	Arm Weldment (Upper Mid Left Side Outboard)	
8	0200725	1	Arm Weldment (Top Outboard)	
9	0200667	1	Arm Weldment (Bottom Right Side Outboard)	
10	0200668	1	Arm Weldment (Lower Mid Right Side Outboard)	
11	0200669	1	Arm Weldment (Upper Mid Right Side Outboard)	
12	0440250	4	Bushing	
13	0440236	40	Bushing	
14	0641510	24	Bolt 5/16 x 1-1/4	
15	3311505	24	Nut 5/16	
16	3340866	24	Pad, Arm	
17	4711500	24	Washer 5/16	
19	0080228	1	Adapter, Cable	
20	0100011	AR	Compound, Locking	
21	0362840	1	Bar, Cable Carrier	
22	0362841	1	Bar, Cable Carrier	
23	0641418	2	Bolt 1/4 x 2-1/4	
24	0641506	2	Bolt 5/16 x 3/4	
25	0681622	2	Bolt 3/8 x 2-3/4 Grade 8	
26	0681624	20	Bolt 3/8 x 3 Grade 8	
27	0902421	1	Bracket, Cable	
28	1060846	1	Cable, Manual Descent	
29	1060866	1	Cable, Electrical - 12/3 (Not Shown)	
30	1320110	1	Clamp, Support	
31	1320122	1	Clamp	
32	1670995	1	Cover, Hose/Cable	
33	1684119	1	Lift Cylinder Assembly (See CYLINDER SECTION for Breakdown)	
38	3300151	2	Nut 1/4	
39	3311605	22	Nut 3/8	
40	3321402	2	Nut 1/4	
41	3422369	1	Pin, Plunger	
42	3422778	2	Pin, Pivot	
43	3422825	16	Pin, Pivot	
44	3422826	4	Pin, Pivot	
45	3450304	4	Pin, Cotter 3/32 x 1	
46	3450405	1	Pin, Cotter	
47	3760420	20	Ring, Retaining	
48	4280295	6 in/15cm	Strip, Protective	
49	4641002	1	Cartridge, Check/Restrictor Valve	
49	7012953	1	Seal Kit - 4641002 Valve	
50	4641172	1	Cartridge, Solenoid Valve	
50	7017445	1	Cartridge, Valve Less Coil	
50	7012967	1	Seal Kit - 7017445 Valve	
50	7012943	1	Coil	

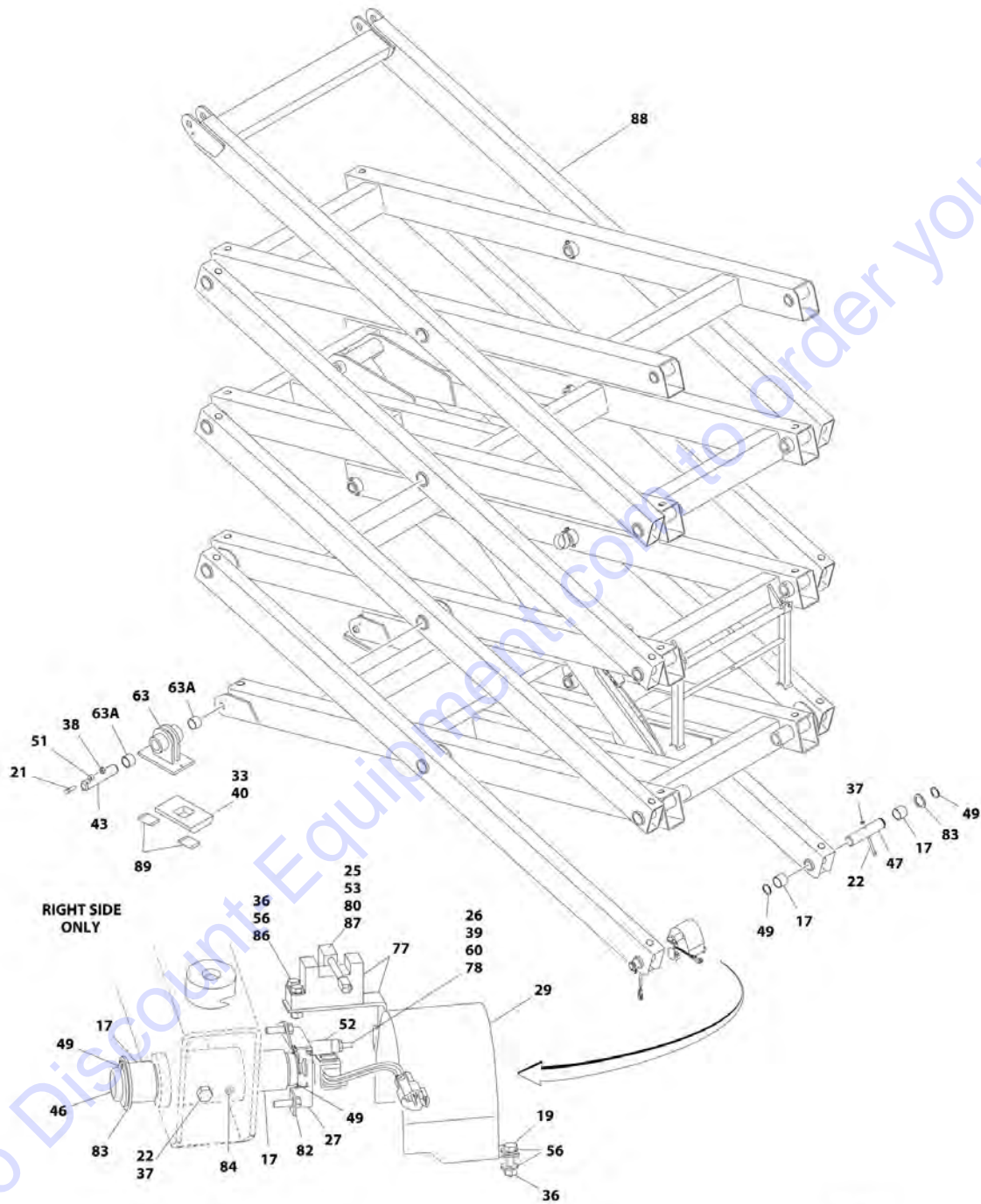
SECTION 4 - SCISSORS ARMS

ITEM	PART NUMBER	QTY	DESCRIPTION	REV
51	4711400	1	Washer 1/4	
52	4711600	1	Washer 3/8	
53	4740332	20	Washer, Special	
54	4740480	4	Washer, Plastic Insert	
55	4751500	4	Washer 5/16	
56	4846020	1	Prop, Safety	
57	4922477	1	Platform Harness (Not Shown - See ELECTRICAL SECTION for Breakdown)	
58	4922544	1	Lift Down Harness (Upper) (Not Shown - See ELECTRICAL SECTION for Breakdown)	
59	4922903	1	Load Sense Harness (Not Shown - See Platform Section)	
60	2902253	1	Arm Kit (Includes Items 1-17) (Not Shown)	D

Go to Discount-Equipment.com to order your parts

SECTION 4 - SCISSORS ARMS

FIGURE 4-5. SCISSORS ARMS INSTALLATION WITHOUT LSS - 4069LE/M4069



ART_0272931

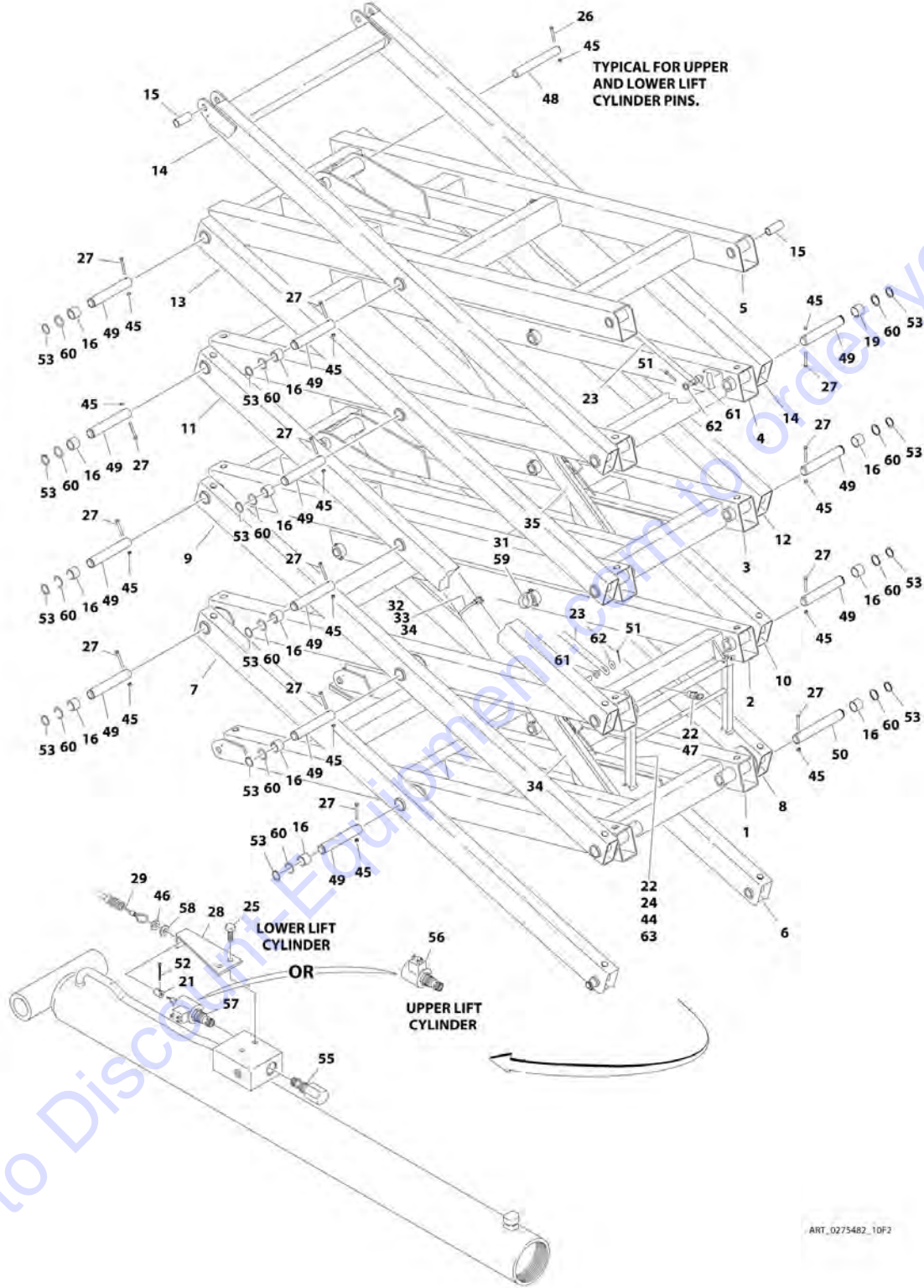
SECTION 4 - SCISSORS ARMS

FIGURE 4-5. SCISSORS ARMS INSTALLATION WITHOUT LSS - 4069LE/M4069

ITEM	PART NUMBER	QTY	DESCRIPTION	REV
	0272933	Ref	SCISSORS ARMS INSTALLATION WITHOUT LSS - 4069LE/M4069	L
17	0440234	4	Bushing	
19	0641408	2	Bolt 1/4 x 1	
21	0641610	2	Bolt 3/8 x 1-1/4	
22	0681520	2	Bolt 5/16 x 2-1/2 Grade 8	
25	3900325	2	Screw #10	
26	0721014	2	Screw #10 x 1-3/4	
26	0731012	2	Screw #10 x 1-1/2	
27	0902713	1	Bracket, Limit Switch	
29	1670965	1	Cover, Limit Switch	
33	3020022	AR	Lubricant	
36	3311405	4	Nut 1/4	
37	3311505	2	Nut 5/16	
38	3311605	2	Nut 3/8	
39	3311001	2	Nut #10	
39	3321001	2	Nut #10	
40	3340856	2	Pad, Slide	
43	3422822	2	Pin, Pivot	
46	3422905	1	Pin, Pivot	
47	3422907	1	Pin, Pivot	
49	3760387	4	Ring, Retaining	
51	3841143	2	Keeper, Pin	
52	4360500	1	Switch, Rotary Angle Sensor	
52	77363243	1	Receptacle, Female - 3 Position	
52	4460464	3	Pin, Male	
53	4360502	1	Switch, Proximity Sensor	
53	4460897	1	Receptacle, Female - 2 Position	
53	4460464	2	Pin, Male	
56	4711400	8	Washer 1/4	
60	4751000	8	Washer #10	
63	1001099550	2	Slider	
63A	0440234	4	Bushing	
77	3200453	1	Block	
77	0903273	1	Bracket	
78	0100035	AR	Compound, Locking	
79	4922543	1	Harness, Lift Down (Lower) (Not Shown - See ELECTRICAL SECTION for Breakdown)	
80	3300455	2	Nut #10	
82	0791406	3	Screw 1/4 x 3/4	
83	4740438	2	Washer	
84	3422927	1	Rollpin	
86	0641410	2	Bolt 1/4 x 1-1/4	
87	4740506	2	Washer #10	
88	0275482	1	Scissors Arms Assembly (See SCISSORS ARMS ASSEMBLY WITHOUT LSS - 4069LE/M4069 for Breakdown)	
89	1001125244	1	Decal Kit - Calibration (Includes 2 Decals)	

SECTION 4 - SCISSORS ARMS

FIGURE 4-6. SCISSORS ARMS ASSEMBLY WITHOUT LSS - 4069LE/M4069



ART_0275482_1DF2

SECTION 4 - SCISSORS ARMS

FIGURE 4-6. SCISSORS ARMS ASSEMBLY WITHOUT LSS - 4069LE/M4069

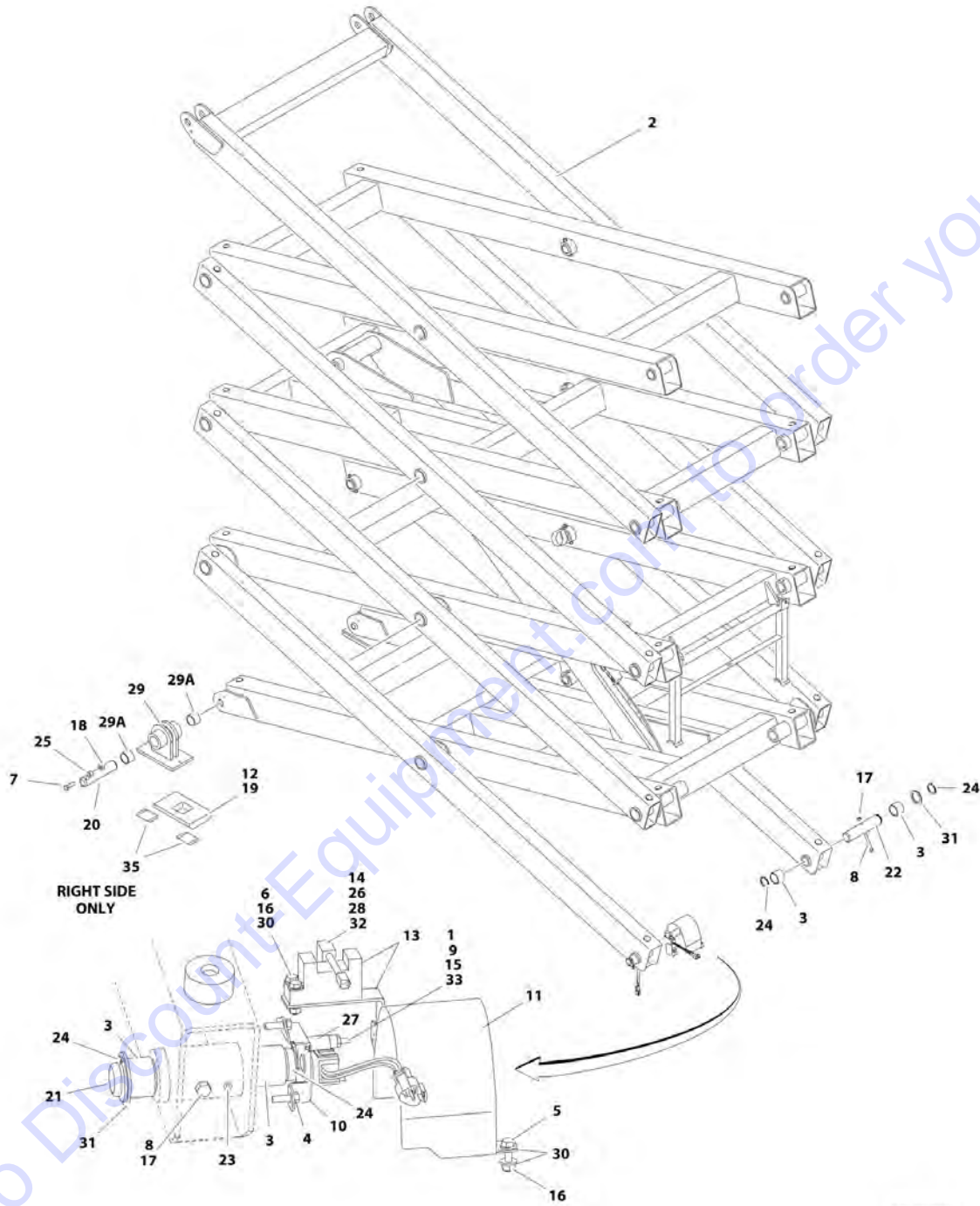
ITEM	PART NUMBER	QTY	DESCRIPTION	REV
	0275482	Ref	SCISSORS ARMS ASSEMBLY WITHOUT LSS - 4069LE/M4069	E
1	0200683	1	Arm Weldment (Bottom Inboard)	
2	0200684	1	Arm Weldment (Lower Mid Inboard)	
3	0200685	1	Arm Weldment (Center Mid Inboard)	
4	0200686	1	Arm Weldment (Upper Mid Inboard)	
5	0200726	1	Arm Weldment (Top Inboard)	
6	0200688	1	Arm Weldment (Bottom Right Side Outboard)	
7	0200689	1	Arm Weldment (Bottom Left Side Outboard)	
8	0200690	1	Arm Weldment (Lower Mid Right Side Outboard)	
9	0200691	1	Arm Weldment (Lower Mid Left Side Outboard)	
10	0200692	1	Arm Weldment (Center Mid Right Side Outboard)	
11	0200693	1	Arm Weldment (Center Mid Left Side Outboard)	
12	0200694	1	Arm Weldment (Upper Mid Right Side Outboard)	
13	0200695	1	Arm Weldment (Upper Mid Left Side Outboard)	
14	0200727	1	Arm Weldment (Top Outboard)	
15	0440250	4	Bushing	
16	0440236	52	Bushing	
17	0940090	32	Bumper, Arm Spacer	
18	3311401	32	Nut 1/4	
19	4711500	32	Washer 5/16	
21	0080228	1	Adapter, Cable	
22	0100011	AR	Compound, Locking	
23	0362841	2	Bar, Cable Carrier	
24	0641418	2	Bolt 1/4 x 2-1/4	
25	0641506	2	Bolt 5/16 x 3/4	
26	0681622	4	Bolt 3/8 x 2-3/4 Grade 8	
27	0681624	26	Bolt 3/8 x 3 Grade 8	
28	0902421	1	Bracket, Cable Mounting	
29	1060846	1	Cable, Manual Descent	
30	1060867	1	Cable, Electrical -12/3 (Not Shown)	
31	1320110	1	Clamp, Support	
32	1320122	1	Clamp	
33	1670995	1	Cover, Hose/Cable	
34	1684120	1	Lift Cylinder Assembly - Lower (See CYLINDER SECTION for Breakdown)	
35	1684121	1	Lift Cylinder Assembly - Upper (See CYLINDER SECTION for Breakdown)	
44	3300151	2	Nut 1/4	
45	3311605	30	Nut 3/8	
46	3321402	2	Nut 1/4	
47	3422369	1	Pin, Plunger	
48	3422778	4	Pin, Pivot	
49	3422825	24	Pin, Pivot	
50	3422826	2	Pin, Pivot	
51	3450304	4	Pin, Cotter 3/32 x 1	
52	3450405	1	Pin, Cotter	
53	3760420	26	Ring, Retaining	
54	4280295	6 in/15cm	Strip, Protective	
55	4641118	2	Cartridge, Relief Valve (Lower and Upper Cylinders (1 Per Cylinder)	

SECTION 4 - SCISSORS ARMS

ITEM	PART NUMBER	QTY	DESCRIPTION	REV
55	7012998	2	Seal Kit - 4641118 Valve (1 Per Cartridge)	
56	4641168	1	Cartridge, Solenoid Valve with Coil (Upper Cylinder)	
56	7017467	1	Seal Kit - 4641168 Valve	
56	7012944	1	Coil	
57	4641172	1	Cartridge, Solenoid Valve with Coil (Lower Cylinder)	
57	7017445	1	Cartridge, Solenoid Valve Less Coil	
57	7012967	1	Seal Kit - 4641172 Valve	
57	7012943	1	Coil	
58	4711400	2	Washer 1/4	
59	4711600	1	Washer 3/8	
60	4740332	26	Washer	
61	4740480	4	Washer, Plastic Insert	
62	4751500	4	Washer 5/16	
63	4846020	1	Prop, Safety	
64	4922478	1	Platform Harness (Not Shown - See ELECTRICAL SECTION for Breakdown)	
65	4922545	1	Lift Down Harness (Upper) (Not Shown - See ELECTRICAL SECTION for Breakdown)	
70	2902254	1	Arm Kit (Includes Items 1-19) (Not Shown)	C

SECTION 4 - SCISSORS ARMS

FIGURE 4-7. SCISSORS ARMS INSTALLATION WITH LSS - 4069LE/M4069



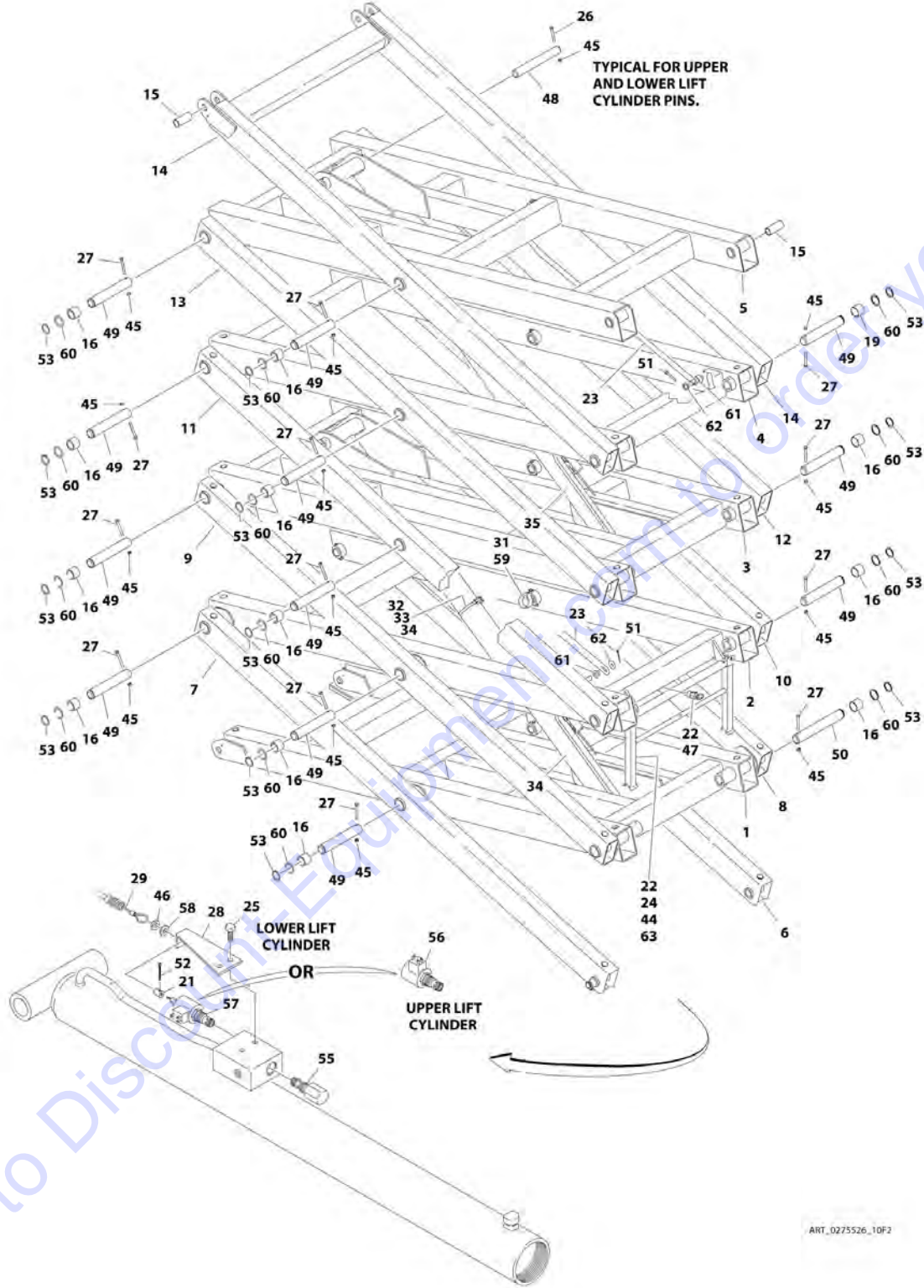
SECTION 4 - SCISSORS ARMS

FIGURE 4-7. SCISSORS ARMS INSTALLATION WITH LSS - 4069LE/M4069

ITEM	PART NUMBER	QTY	DESCRIPTION	REV
	0275553	Ref	SCISSORS ARMS INSTALLATION WITH LSS - 4069LE/M4069	H
1	0100035	AR	Compound, Locking	
2	0275526	1	Scissors Arms Assembly (See SCISSORS ARMS ASSEMBLY WITH LSS - 4069LE/M4069 For Breakdown)	
3	0440234	4	Bushing	
4	0791406	3	Screw 1/4 x 3/4	
5	0641408	2	Bolt 1/4 x 1	
6	0641410	2	Bolt 1/4 x 1-1/4	
7	0641610	2	Bolt 3/8 x 1-1/4	
8	0681520	2	Bolt 5/16 x 2-1/2 Grade 8	
9	0721014	2	Screw #10 x 1-3/4	
9	0731012	2	Screw #10 x 1-1/2	
10	0902713	1	Bracket, Limit Switch	
11	1670965	1	Cover, Limit Switch	
12	3020022	AR	Lubricant	
13	3200453	1	Block	
13	0903273	1	Bracket	
14	3300455	2	Nut #10	
15	3311001	2	Nut #10	
15	3321001	2	Nut #10	
16	3311405	4	Nut 1/4	
17	3311505	2	Nut 5/16	
18	3311605	2	Nut 3/8	
19	3340856	2	Pad, Slide	
20	3422822	2	Pin, Pivot	
21	3422905	1	Pin, Pivot	
22	3422907	1	Pin, Pivot	
23	3422927	1	Rollpin	
24	3760387	4	Ring, Retaining	
25	3841143	2	Keeper, Pin	
26	3900325	2	Screw #10	
27	4360500	1	Switch, Rotary Angle Sensor	
27	77363243	1	Receptacle, Female - 3 Position	
27	4460464	3	Pin, Male	
28	4360502	1	Switch, Proximity Sensor	
28	4460897	1	Receptacle, Female - 2 Position	
28	4460464	2	Pin, Male	
29	1001099550	2	Slider	
29A	0440234	4	Bushing	
30	4711400	8	Washer 1/4	
31	4740438	2	Washer	
32	4740506	2	Washer #10	
33	4751000	8	Washer #10	
34	4922543	1	Harness, Lift Down (Lower) (Not Shown - See ELECTRICAL SECTION for Breakdown)	
35	1001125244	1	Decal Kit - Calibration (Includes 2 Decals)	

SECTION 4 - SCISSORS ARMS

FIGURE 4-8. SCISSORS ARMS ASSEMBLY WITH LSS - 4069LE/M4069



ART_0275526_10F2

SECTION 4 - SCISSORS ARMS

FIGURE 4-8. SCISSORS ARMS ASSEMBLY WITH LSS - 4069LE/M4069

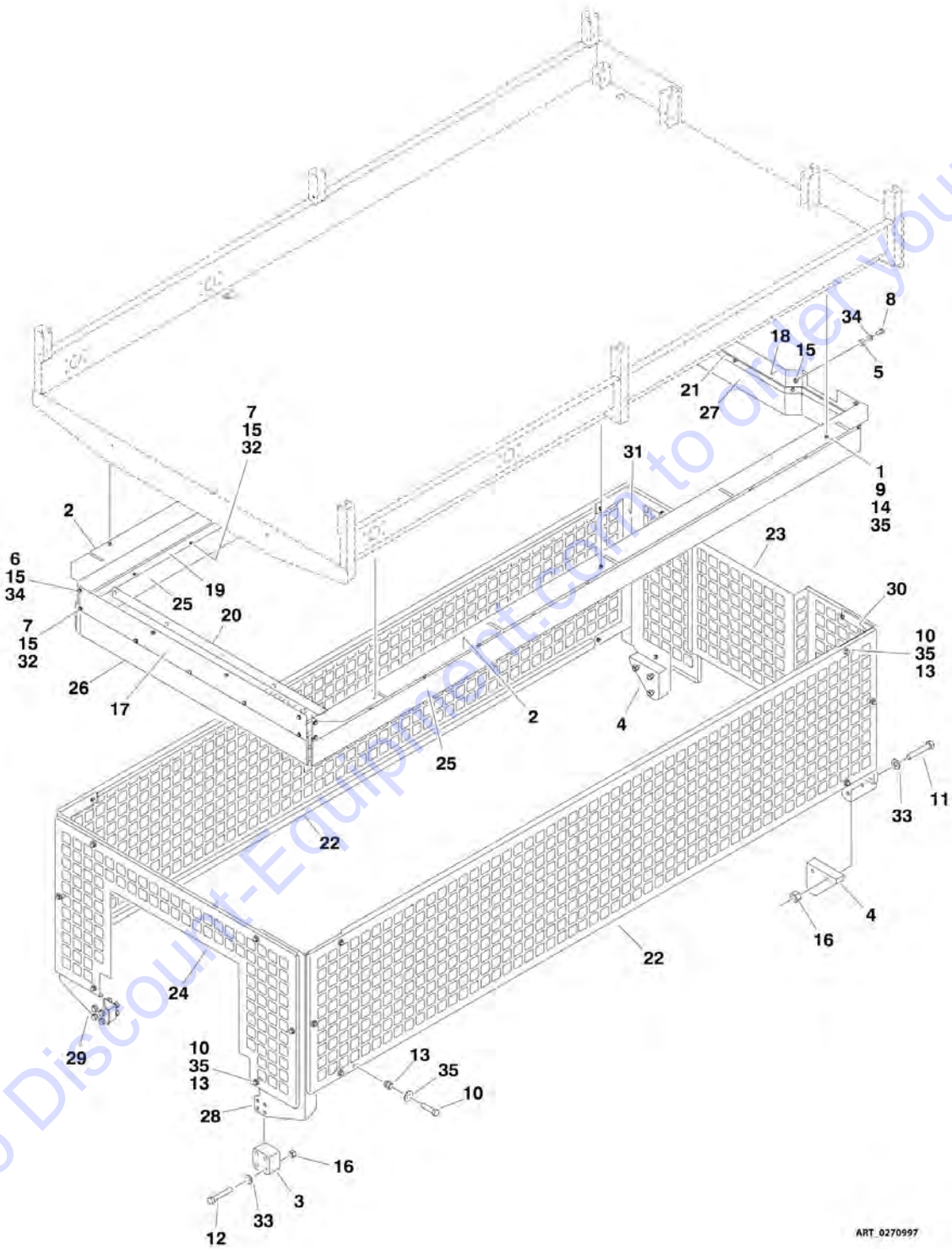
ITEM	PART NUMBER	QTY	DESCRIPTION	REV
	0275526	Ref	SCISSORS ARMS ASSEMBLY WITH LSS - 4069LE/M4069	F
1	0200683	1	Arm Weldment (Bottom Inboard)	
2	0200684	1	Arm Weldment (Lower Mid Inboard)	
3	0200685	1	Arm Weldment (Center Mid Inboard)	
4	0200686	1	Arm Weldment (Upper Mid Inboard)	
5	0200726	1	Arm Weldment (Top Inboard)	
6	0200688	1	Arm Weldment (Bottom Right Side Outboard)	
7	0200689	1	Arm Weldment (Bottom Left Side Outboard)	
8	0200690	1	Arm Weldment (Lower Mid Right Side Outboard)	
9	0200691	1	Arm Weldment (Lower Mid Left Side Outboard)	
10	0200692	1	Arm Weldment (Center Mid Right Side Outboard)	
11	0200693	1	Arm Weldment (Center Mid Left Side Outboard)	
12	0200694	1	Arm Weldment (Upper Mid Right Side Outboard)	
13	0200695	1	Arm Weldment (Upper Mid Left Side Outboard)	
14	0200727	1	Arm Weldment (Top Outboard)	
15	0440250	4	Bushing	
16	0440236	52	Bushing	
17	0940090	32	Bumper, Arm Spacer	
18	3311401	32	Nut 1/4	
19	4711500	32	Washer 5/16	
21	0080228	1	Adpater, Cable	
22	0100011	AR	Compound, Locking	
23	0362841	2	Bar, Cable Carrier	
24	0641418	2	Bolt 1/4 x 2-1/4	
25	0641506	2	Bolt 5/16 x 3/4	
26	0681622	4	Bolt 3/8 x 2-3/4 Grade 8	
27	0681624	26	Bolt 3/8 x 3 Grade 8	
28	0902421	1	Bracket, Cable Mounting	
29	1060846	1	Cable, Manual Descent	
30	1060867	1	Cable, Electrical -12/3 (Not Shown)	
31	1320110	1	Clamp, Support	
32	1320122	1	Clamp	
33	1670995	1	Cover, Hose/Cable	
34	1684120	1	Lift Cylinder Assembly - Lower (See CYLINDER SECTION for Breakdown)	
35	1684121	1	Lift Cylinder Assembly - Upper (See CYLINDER SECTION for Breakdown)	
44	3300151	2	Nut 1/4	
45	3311605	30	Nut 3/8	
46	3321402	2	Nut 1/4	
47	3422369	1	Pin, Plunger	
48	3422778	4	Pin, Pivot	
49	3422825	24	Pin, Pivot	
50	3422826	2	Pin, Pivot	
51	3450304	4	Pin, Cotter 3/32 x 1	
52	3450405	1	Pin, Cotter	
53	3760420	26	Ring, Retaining	
54	4280295	6 in/15cm	Strip, Protective	
55	4641118	2	Cartridge, Relief Valve (Lower and Upper Cylinders (1 Per Cylinder)	

SECTION 4 - SCISSORS ARMS

ITEM	PART NUMBER	QTY	DESCRIPTION	REV
55	7012998	2	Seal Kit - 4641118 Valve (1 Per Cartridge)	
56	4641168	1	Cartridge, Solenoid Valve with Coil (Upper Cylinder)	
56	7017467	1	Seal Kit - 4641168 Valve	
56	7012944	1	Coil	
57	4641172	1	Cartridge, Solenoid Valve with Coil (Lower Cylinder)	
57	7017445	1	Cartridge, Solenoid Valve Less Coil	
57	7012967	1	Seal Kit - 4641172 Valve	
57	7012943	1	Coil	
58	4711400	2	Washer 1/4	
59	4711600	1	Washer 3/8	
60	4740332	26	Washer	
61	4740480	4	Washer, Plastic Insert	
62	4751500	4	Washer 5/16	
63	4846020	1	Prop, Safety	
64	4922478	1	Platform Harness (Not Shown - See ELECTRICAL SECTION for Breakdown)	
65	4922545	1	Lift Down Harness (Upper) (Not Shown - See ELECTRICAL SECTION for Breakdown)	
66	4922903	1	Load Sense Harness (Not Shown - See Platform Section)	
70	2902254	1	Arm Kit (Includes Items 1-19) (Not Shown)	C

SECTION 4 - SCISSORS ARMS

FIGURE 4-9. SCISSORS ARM GUARDS INSTALLATION (CE SPECS ONLY)



SECTION 4 - SCISSORS ARMS

FIGURE 4-9. SCISSORS ARM GUARDS INSTALLATION (CE SPECS ONLY)

ITEM	PART NUMBER	QTY	DESCRIPTION	REV
	0270997	Ref	SCISSORS ARM GUARDS INSTALLATION (CE SPECS ONLY)	C
		Ref	Note: For UK MOD Machines, refer to JLG Manual p/n 3121698.	
1	0100011	AR	Compound, Locking	
2	0182008	2	Angle	
3	0561410	2	Block, Spacer	
4	0561411	2	Block, Spacer	
5	0561415	4	Block, Spacer	
6	0641405	4	Bolt 1/4 x 5/8	
7	0641407	32	Bolt 1/4 x 7/8	
8	0641409	4	Bolt 1/4 x 1-1/8	
9	0641607	6	Bolt 3/8 x 7/8	
10	0641612	24	Bolt 3/8 x 1-1/2	
11	0641824	6	Bolt 1/2 x 3	
12	0641826	4	Bolt 1/2 x 3-1/4	
13	2080056	24	Fastener 3/8 x 5/16	
14	2080058	6	Fastener 3/8 x 5/32	
15	3311405	40	Nut 1/4	
16	3311805	10	Nut 1/2	
17	3572410	1	Plate	
18	3572411	1	Plate	
19	3572449	2	Plate, Backing	
20	3572450	1	Plate, Backing	
21	3572452	1	Plate, Backing	
22	4061013	2	Shield	
23	4061015	1	Shield	
24	4061022	1	Shield	
25	4280311	2	Strip, Rubber	
26	4280312	1	Strip, Rubber	
27	4280313	1	Strip, Rubber	
28	4340715	1	Support	
29	4340716	1	Support	
30	4340717	1	Support	
31	4340718	1	Support	
32	4711400	32	Washer 1/4	
33	4711800	10	Washer 1/2	
34	4751400	8	Washer 1/4	
35	4751600	30	Washer 3/8	
100	2902126	1	Kit, Support Arm Guard (Includes Items 28-31) (Not Shown)	
100	2902128	1	Kit, Arm Guard (Includes Items 2 & 17-24) (Not Shown)	

PARTS FINDER

**Search Website
by Part Number**



**Search Manual
Library For Parts
Manual & Lookup Part
Numbers – Purchase
or Request Quote**

**Can't Find Part or
Manual? Request Help
by Manufacturer,
Model & Description**

Discount-Equipment.com is your online resource for quality parts & equipment.

Florida: **561-964-4949** Outside Florida TOLL FREE: **877-690-3101**

Need parts?

Click on this link: <http://www.discount-equipment.com/category/5443-parts/> and choose one of the options to help get the right parts and equipment you are looking for. Please have the machine model and serial number available in order to help us get you the correct parts. If you don't find the part on the website or on one of the online manuals, please fill out the request form and one of our experienced staff members will get back to you with a quote for the right part that your machine needs.

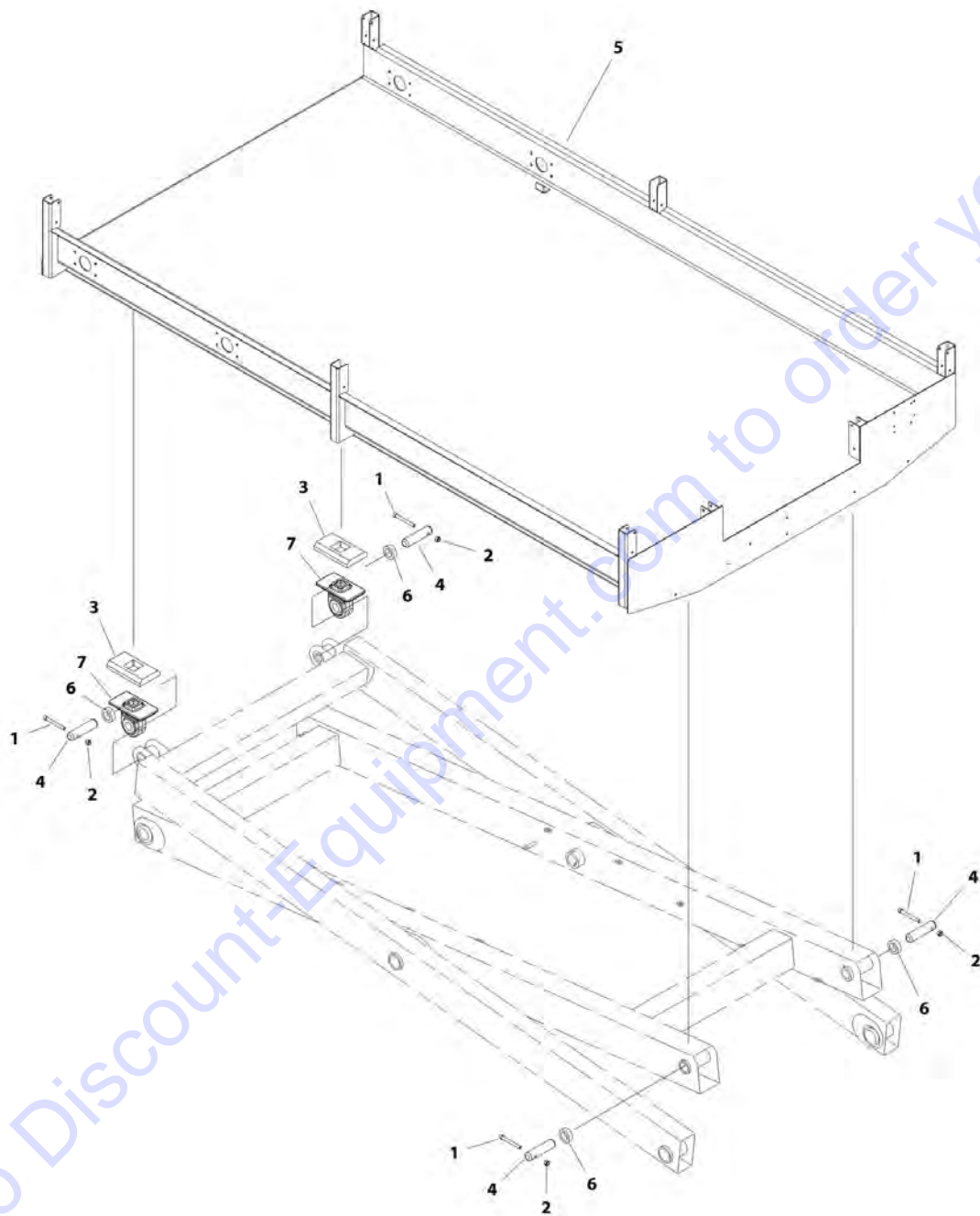
We sell worldwide for the brands: Genie, Terex, JLG, MultiQuip, Mikasa, Essick, Whiteman, Mayco, Toro Stone, Diamond Products, Generac Magnum, Airman, Haulotte, Barreto, Power Blanket, Nifty Lift, Atlas Copco, Chicago Pneumatic, Allmand, Miller Curber, Skyjack, Lull, Skytrak, Tsurumi, Husquvarna Target, Stow, Wacker, Sakai, Mi-T-M, Sullair, Basic, Dynapac, MBW, Weber, Bartell, Bennar Newman, Haulotte, Ditch Runner, Menegotti, Morrison, Contec, Buddy, Crown, Edco, Wyco, Bomag, Laymor, EZ Trench, Bil-Jax, F.S. Curtis, Gehl Pavers, Heli, Honda, ICS/PowerGrit, IHI, Partner, Imer, Clipper, MMD, Koshin, Rice, CH&E, General Equipment, Amida, Coleman, NAC, Gradall, Square Shooter, Kent, Stanley, Tamco, Toku, Hatz, Kohler, Robin, Wisconsin, Northrock, Oztec, Toker TK, Rol-Air, APT, Wylie, Ingersoll Rand / Doosan, Innovatech, Con X, Ammann, Mecalac, Makinex, Smith Surface Prep, Small Line, Wanco, Yanmar

SECTION 5 - PLATFORM

Go to Discount-Equipment.com to order your parts

SECTION 5 - PLATFORM

FIGURE 5-1. PLATFORM INSTALLATION WITHOUT D-RINGS



ART. 0272959

SECTION 5 - PLATFORM

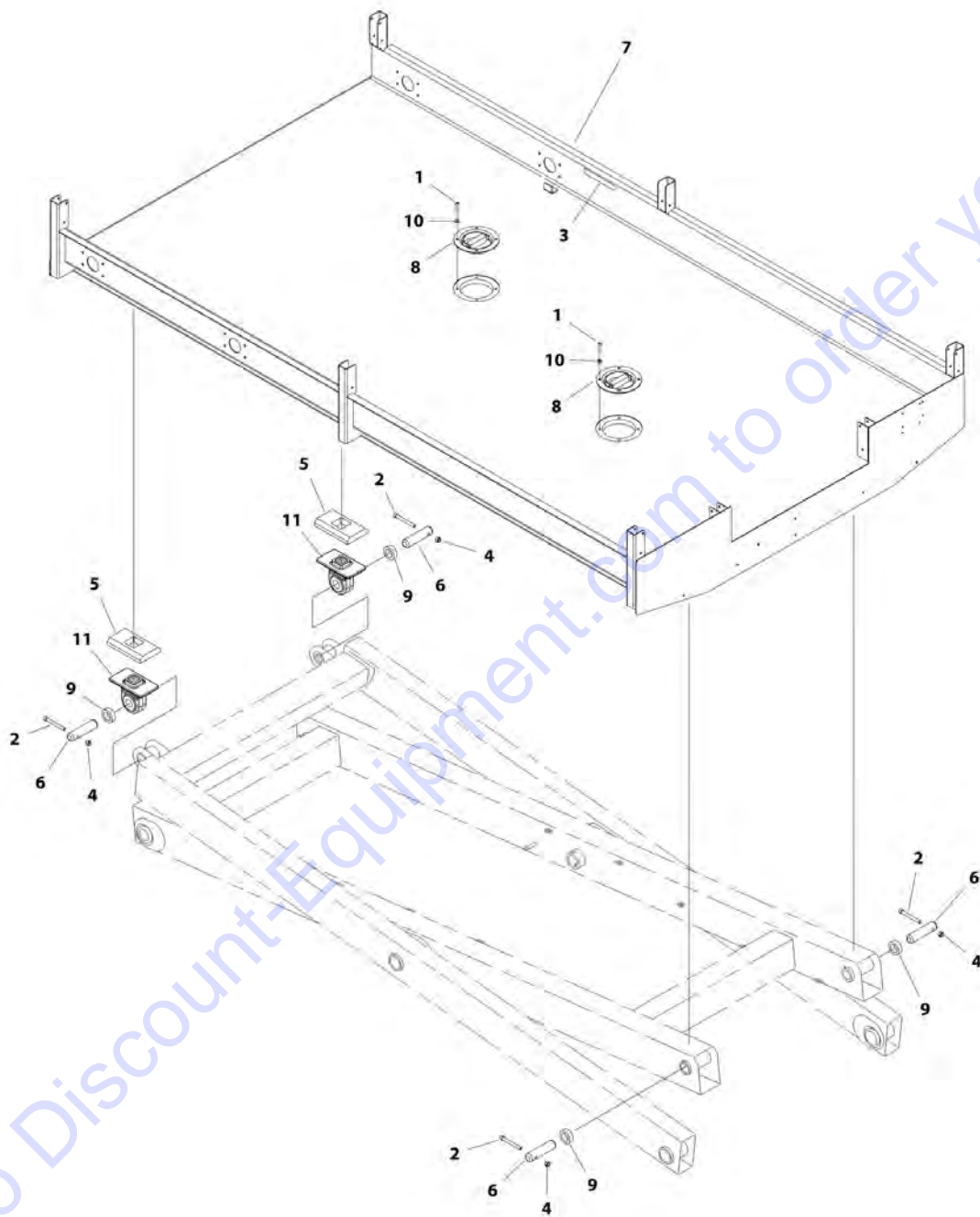
FIGURE 5-1. PLATFORM INSTALLATION WITHOUT D-RINGS

ITEM	PART NUMBER	QTY	DESCRIPTION	REV
	0272959	Ref	PLATFORM INSTALLATION WITHOUT D-RINGS	E
1	4032022	4	Capscrew M10 x 90	
2	3291005	4	Nut M10	
3	3340856	2	Pad, Slide	
4	3423049	4	Pin	
5	3510795	1	Platform	
6	4568295	4	Tube, Spacer	
7	1001099533	2	Slider	

Go to Discount-Equipment.com to order your parts

SECTION 5 - PLATFORM

FIGURE 5-2. PLATFORM INSTALLATION WITH D-RINGS



ART.0272960

SECTION 5 - PLATFORM

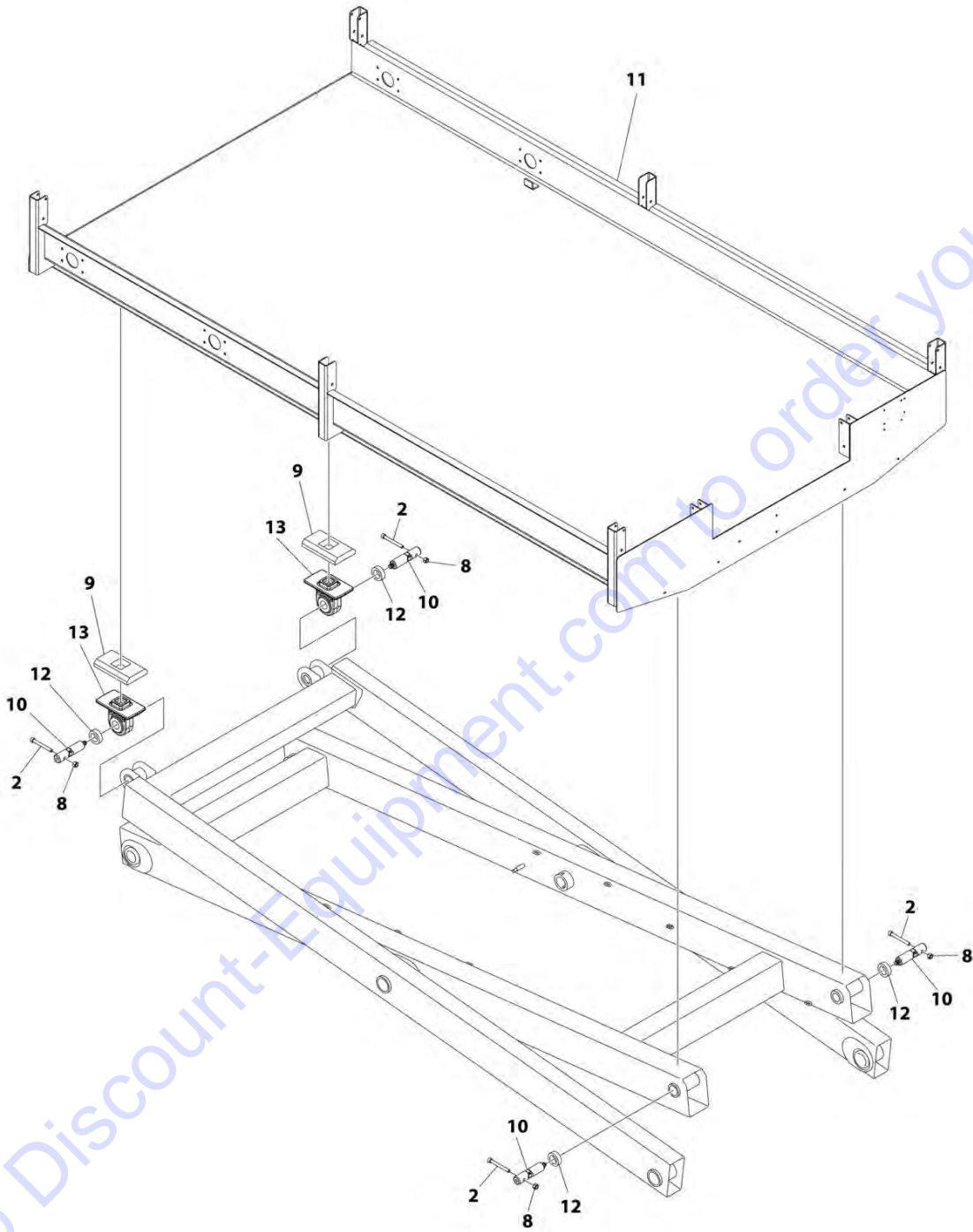
FIGURE 5-2. PLATFORM INSTALLATION WITH D-RINGS

ITEM	PART NUMBER	QTY	DESCRIPTION	REV
	0272960	Ref	PLATFORM INSTALLATION WITH D-RINGS	E
1	0630476	8	Screw 5/16 x 1-1/4	
2	4032022	4	Capscrew M10 x 90	
3	1703175	2	Decal - Lanyard	
4	3291005	4	Nut M10	
5	3340856	2	Pad, Slide	
6	3423049	4	Pin	
7	3510796	1	Platform with D-Rings	
8	3760321	2	D-Ring, Swivel	
9	4568295	4	Tube, Spacer	
10	4711500	8	Washer 5/16	
11	1001099533	2	Slider	

Go to Discount-Equipment.com to order your parts

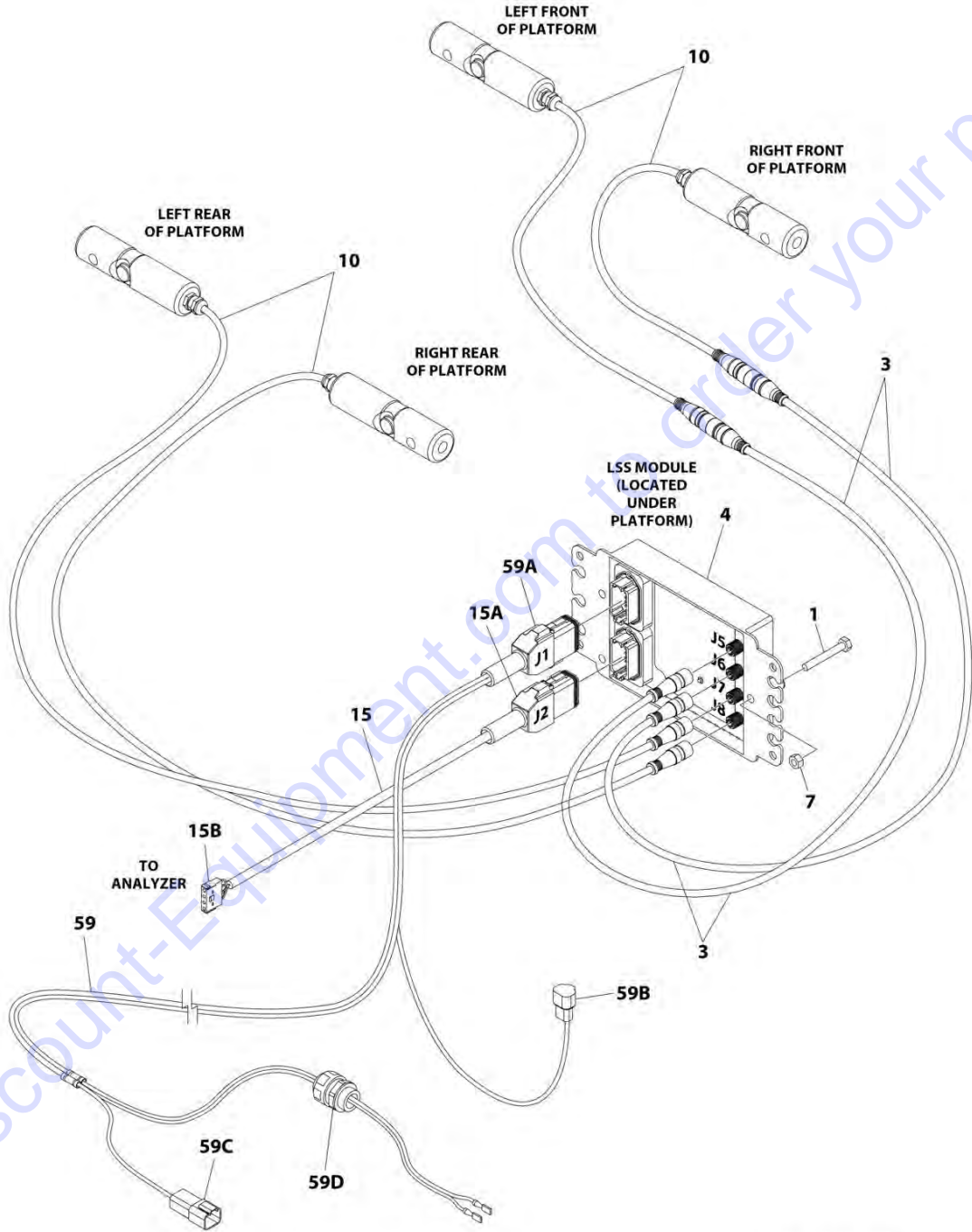
SECTION 5 - PLATFORM

FIGURE 5-3. PLATFORM INSTALLATION WITHOUT D-RINGS AND WITH LSS



ART_0272930_10F2

SECTION 5 - PLATFORM



ART_0272930_20F2

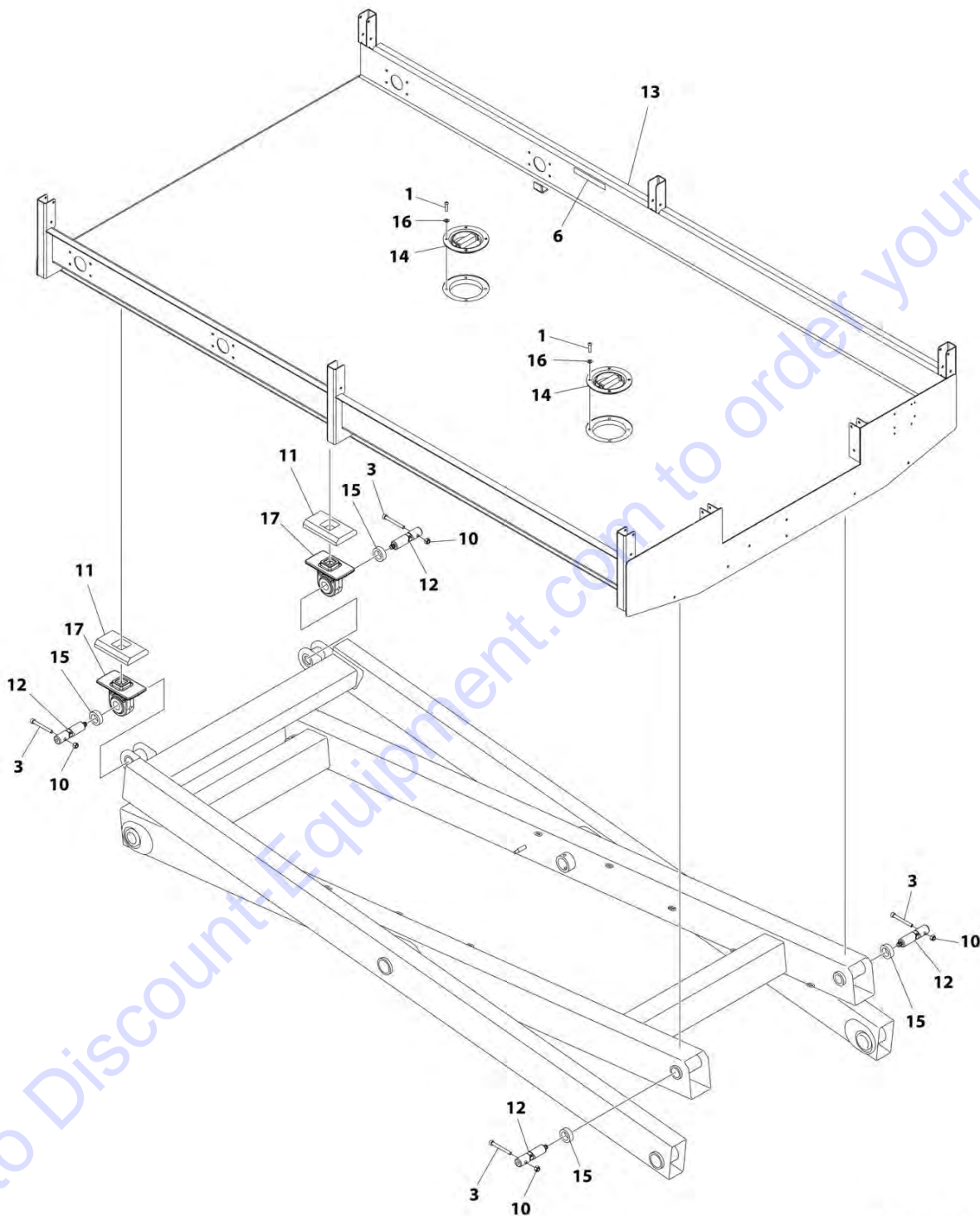
SECTION 5 - PLATFORM

FIGURE 5-3. PLATFORM INSTALLATION WITHOUT D-RINGS AND WITH LSS

ITEM	PART NUMBER	QTY	DESCRIPTION	REV
	0272930	Ref	PLATFORM INSTALLATION WITHOUT D-RINGS AND WITH LSS	J
1	0641414	3	Bolt 1/4 x 1-3/4	
2	4032022	4	Capscrew M10 x 90	
3	1061020	2	Cable, Extension	
4	1600387	1	Module, Load Sense (Note: Re-Calibration Required when Replaced)	
5	2920026	2	Lamp, Indicator (Not Shown - Located on Platform and Ground Control Boxes)	
6	2920029	2	Lamp, Bulb (Not Shown - Located on Platform and Ground Control Boxes)	
7	3311405	3	Nut 1/4	
8	3291005	4	Nut M10	
9	3340856	2	Pad	
10	3422938	4	Pin, Load Management (Includes Harness)	
11	3510795	1	Platform	
12	4568295	4	Tube, Spacer	
13	1001099533	2	Slider	
15	4922904	1	Harness, LSS to Analyzer	B
15A	4460836	1	Plug, Male 12 Position	
15A	4460465	4	Socket, Female	
15A	4460466	8	Seal, Plug	
15A	0840055	1	Boot	
15B	4460761	1	Connector, Female 4 Position	
15B	4460294	4	Pin, Male	
59	4922903	1	Main Load Sensing Harness	E
59A	4460836	1	Plug, Male 12 Position	
59A	4460465	4	Socket, Female	
59A	4460466	8	Seal, Plug	
59A	0840055	1	Boot	
59B	4460897	2	Connector, Female 2 Position	
59A	4460464	2	Pin, Male	
59C	4460932	1	Connector, Female 4 Position	
59C	4460464	4	Pin, Male	
59D	4460049	1	Connector, Strain Relief	
59D	3300047	1	Nut	

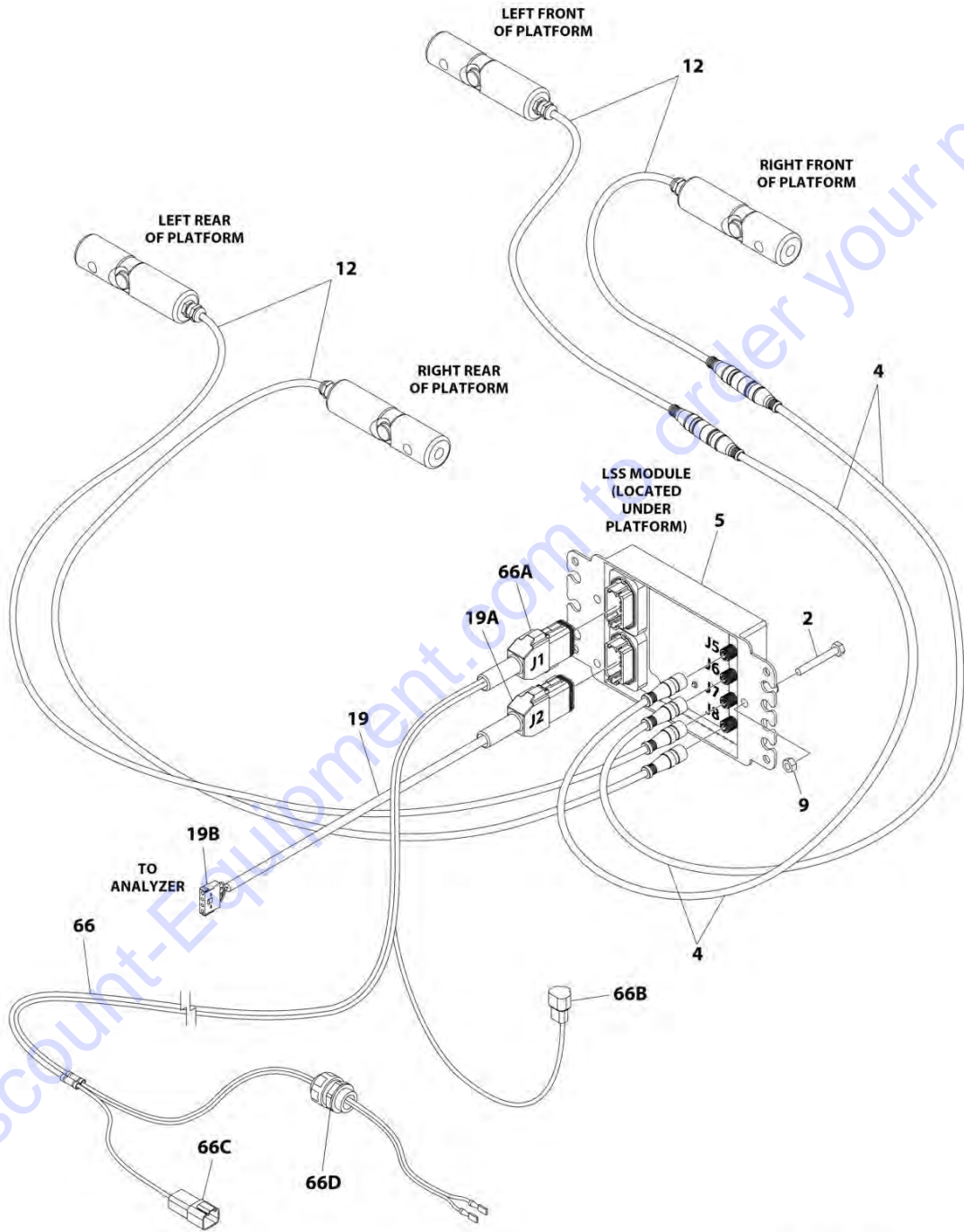
SECTION 5 - PLATFORM

FIGURE 5-4. PLATFORM INSTALLATION WITH D-RINGS AND WITH LSS



ART_0272931_10F2

SECTION 5 - PLATFORM



ART_0272931_2OF2

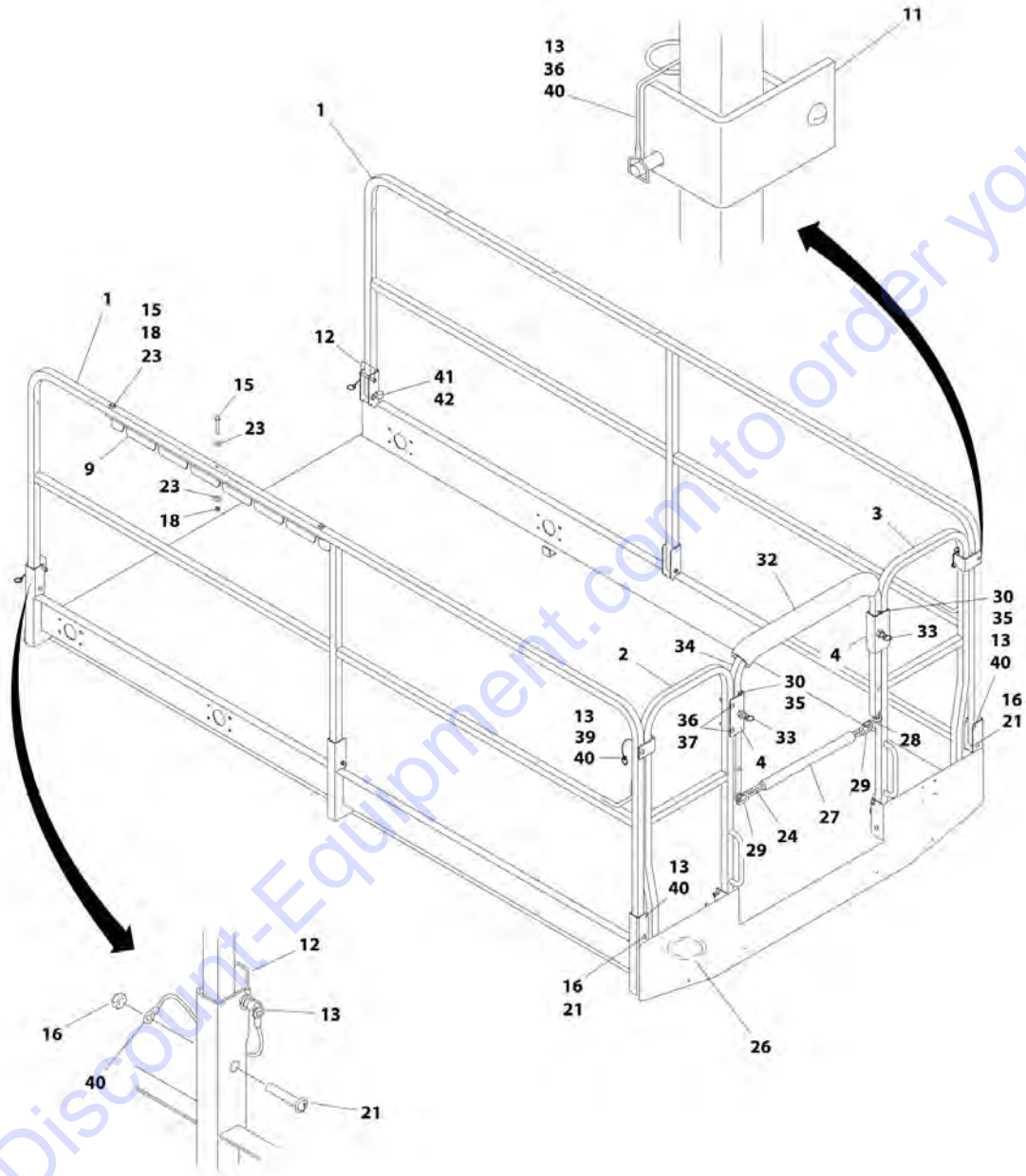
SECTION 5 - PLATFORM

FIGURE 5-4. PLATFORM INSTALLATION WITH D-RINGS AND WITH LSS

ITEM	PART NUMBER	QTY	DESCRIPTION	REV
	0272931	Ref	PLATFORM INSTALLATION WITH D-RINGS AND WITH LSS	J
1	0630476	8	Screw 5/16 x 1-1/4	
2	0641414	3	Bolt 1/4 x 1-3/4	
3	4032022	4	Capscrew M10 x 90	
4	1061020	2	Cable, Extension	
5	1600387	1	Module, Load Sense (Note: Re-Calibration Required when Replaced)	
6	1703175	2	Decal - Lanyard	
7	2920026	2	Lamp, Indicator (Not Shown - Located on Platform and Ground Control Boxes)	
8	2920029	2	Lamp, Bulb (Not Shown - Located on Platform and Ground Control Boxes)	
9	3311405	3	Nut 1/4	
10	3291005	4	Nut M10	
11	3340856	2	Pad, Slide	
12	3422938	4	Pin, Load Management (Includes Harness)	
13	3510796	1	Platform with D-Rings	
14	3760321	2	D-Ring, Swivel	
15	4568295	4	Tube, Spacer	
16	4711500	8	Washer 5/16	
17	1001099533	2	Slider	
19	4922904	1	Harness, LSS to Analyzer	B
19A	4460836	1	Plug, Male 12 Position	
19A	4460465	4	Socket, Female	
19A	4460466	8	Seal, Plug	
19A	0840055	1	Boot	
19B	4460761	1	Connector, Female 4 Position	
19B	4460294	4	Pin, Male	
66	4922903	1	Main Load Sensing Harness	E
66A	4460836	1	Plug, Male 12 Position	
66A	4460465	4	Socket, Female	
66A	4460466	8	Seal, Plug	
66A	0840055	1	Boot	
66B	4460897	1	Connector, Female 2 Position	
66B	4460464	2	Pin, Male	
66C	4460932	1	Connector, Female 4 Position	
66C	4460464	4	Pin, Male	
66D	4460049	1	Connector, Strain Relief	
66D	3300047	1	Nut	

SECTION 5 - PLATFORM

FIGURE 5-5. HANDRAILS INSTALLATION WITH SELF-CLOSING GATE



ART 0259566

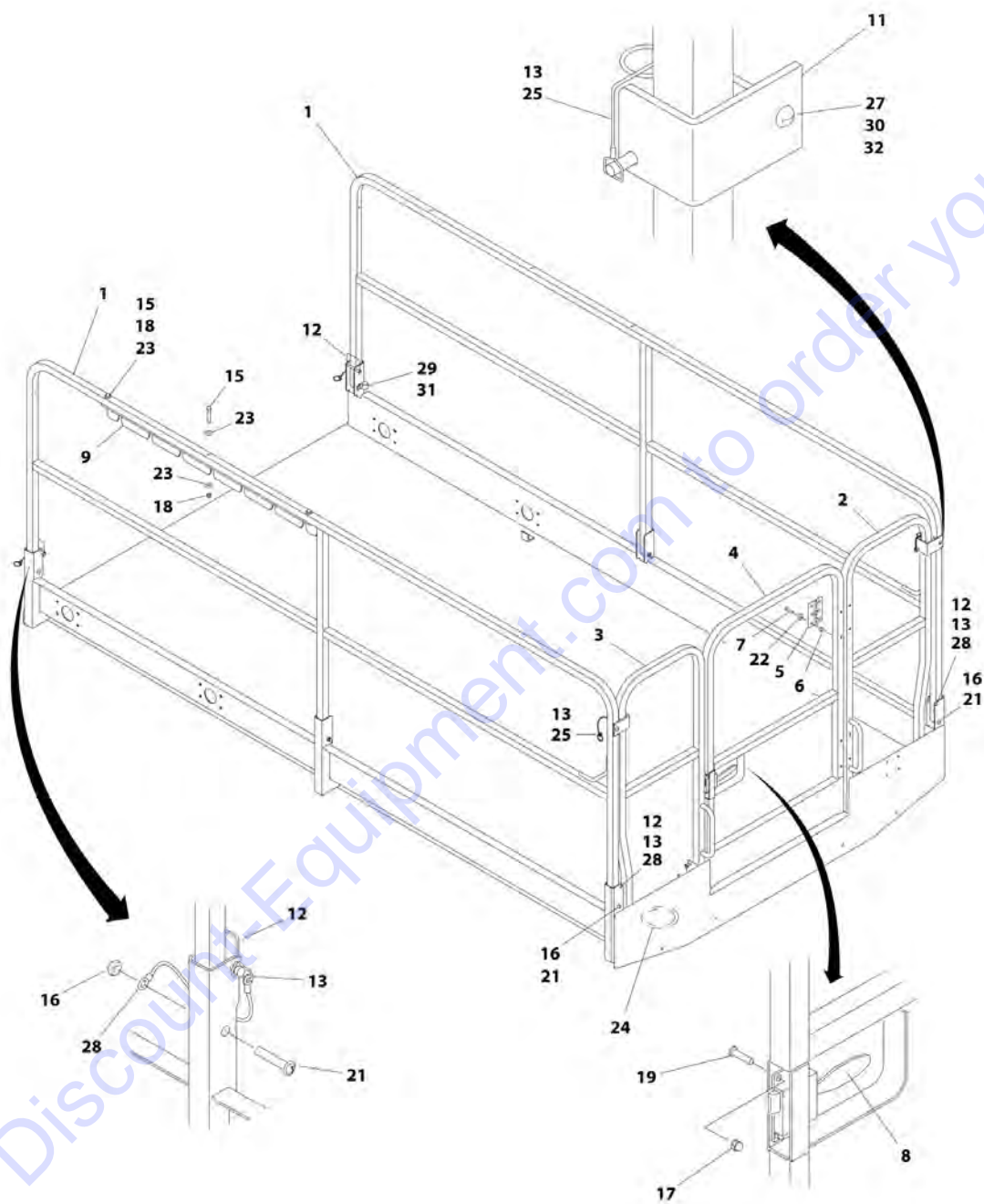
SECTION 5 - PLATFORM

FIGURE 5-5. HANDRAILS INSTALLATION WITH SELF-CLOSING GATE

ITEM	PART NUMBER	QTY	DESCRIPTION	REV
	0259566	Ref	HANDRAILS INSTALLATION WITH SELF-CLOSING GATE	H
1	4846123	2	Rail, Side	
2	4846125	1	Rail, Rear (Right Side)	
3	4846124	1	Rail, Rear (Left Side)	
4	4845829	2	Retainer, Rail	
9	3571829	1	Plate, Latch	
11	0901870	2	Bracket	
12	3421565	AR	Pin, Snap	
13	3760170	AR	Ring, Split	
15	0641516	3	Bolt 5/16 x 2	
16	2080064	10	Nut 5/16	
18	3311505	3	Nut 5/16	
21	3900323	9	Screw 5/16 x 2	
23	4751500	6	Washer 5/16	
24	1260136	2 ft /61cm	Chain	
26	2540020	1	Grommet	
27	2820097	2 ft /.6m	Tubing, Mesh	
28	2940064	1	Latch, Snap	
29	3010088	2	Link	
30	2080063	8	Nut 1/4	
32	3340612	18 in /46cm	Pad	
33	3422369	2	Pin, Plunger	
34	3641310	1	Rail, Entry	
35	3911424	2	Screw 1/4 x 1-1/2	
36	3900318	6	Screw 1/4 x 2	
37	4711400	14	Washer 1/4	
38	0100011	AR	Compound, Locking (Not Shown)	
39	3422219	2	Pin, Snap	
40	1060808	6	Lanyard	
41	3911536	1	Screw 5/16 x 2-1/4	
42	1320061	1	Clamp	

SECTION 5 - PLATFORM

FIGURE 5-6. HANDRAILS INSTALLATION WITH CHAIN GATE



ART_0259968

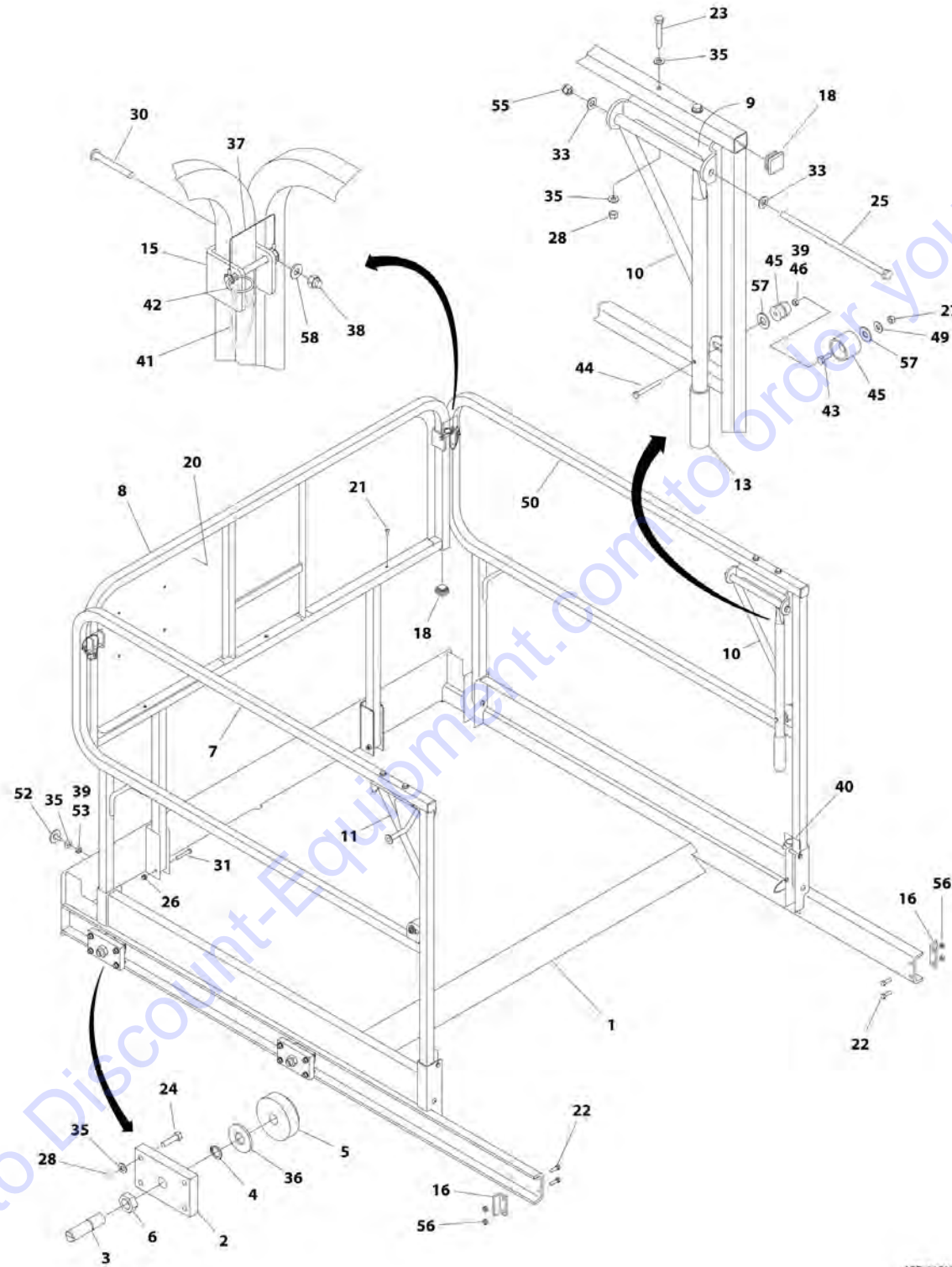
SECTION 5 - PLATFORM

FIGURE 5-6. HANDRAILS INSTALLATION WITH CHAIN GATE

ITEM	PART NUMBER	QTY	DESCRIPTION	REV
	0259568	Ref	HANDRAILS INSTALLATION WITH CHAIN GATE	J
1	4846123	2	Rail, Side	
2	4846125	1	Rail, Rear (Right Side)	
3	4846124	1	Rail, Rear (Left Side)	
4	4846122	1	Gate	
5	2600253	2	Hinge	
6	2080069	1	Fastener #10	
7	3900267	1	Capscrew	
8	2940074	1	Latch	
9	3571829	1	Plate, Latch	
11	0901870	2	Bracket	
12	3421565	4	Pin, Snap	
13	3760170	5	Ring, Split	
15	0641516	3	Bolt 5/16 x 2	
16	2080064	10	Nut 5/16	
17	3300432	4	Nut #10	
18	3311505	3	Nut 5/16	
19	3911010	4	Screw #10 x 5/8	
21	3900323	9	Screw 5/16 x 2	
22	4751000	1	Washer #10	
23	4751500	6	Washer 5/16	
24	2540020	1	Grommet	
25	3422219	2	Pin, Snap	
26	0100011	AR	Compound, Locking (Not Shown)	
27	2080063	8	Nut 1/4	
28	1060808	5	Lanyard	
29	3911536	1	Screw 5/16 x 2-1/4	
30	3900318	2	Screw 1/4 x 2	
31	1320061	1	Clamp	
32	4711400	14	Washer 1/4	

SECTION 5 - PLATFORM

FIGURE 5-7. 3FT PLATFORM EXTENSION W/RAILS



ART_0259565

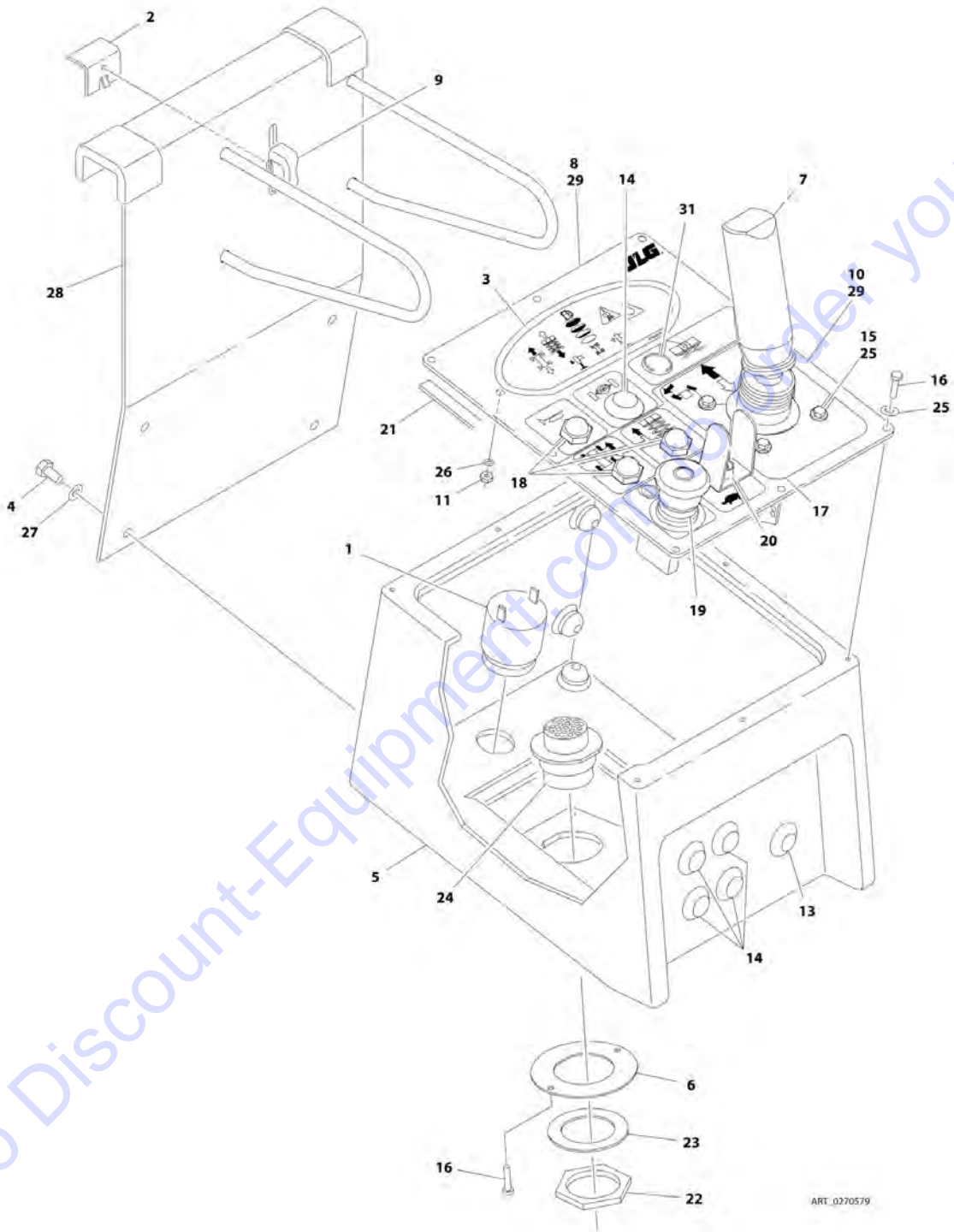
SECTION 5 - PLATFORM

FIGURE 5-7. 3FT PLATFORM EXTENSION W/RAILS

ITEM	PART NUMBER	QTY	DESCRIPTION	REV
	0259565	Ref	3FT PLATFORM EXTENSION W/RAILS	L
1	4846117	1	Extension, Platform	
2	3537619	4	Mount, Roller	
3	3841233	4	Rod, Roller	
4	3760348	4	Ring, Retaining	
5	3860059	4	Roller, Extension	
6	3322202	4	Nut 3/4	
7	4846121	1	Rail, Side (Left Side)	
8	4846120	1	Rail, Front	
9	3537609	2	Plate, Pivot	
10	4846191	1	Handle (Right Side)	
11	4846181	1	Handle (Left Side)	
13	2560088	2	Grip, Handle	
15	0901870	2	Bracket	
16	0182035	2	Angle, Stop	
17	3020022	AR	Grease, Lithium (Not Shown)	
18	3520072	4	Cap-Plug	
20	3571862	1	Plate, Placard	
21	3820020	7	Rivet	
22	0681508	4	Bolt 5/16 x 1	
23	0641516	4	Bolt 5/16 x 2	
24	0641510	16	Bolt 5/16 x 1-1/4	
25	0641676	2	Bolt 3/8 x 9-1/2	
26	2080064	6	Nut 5/16	
27	3311405	2	Nut 1/4	
28	3311505	20	Nut 5/16	
30	3900318	2	Screw 1/4 x 2	
31	3900323	6	Screw 5/16 x 2	
33	4711600	4	Washer 3/8	
35	4711500	26	Washer 5/16	
36	4752200	4	Washer 3/4	
37	3422219	2	Pin, Snap	
38	2080063	2	Nut 1/4	
39	0100011	AR	Compound, Locking	
40	3421565	2	Pin, Snap	
41	1060808	4	Lanyard	
42	3760170	4	Ring, Split	
43	0641406	2	Bolt 1/4 x 3/4	
44	0700619	2	Screw M6 x 55	
45	2940127	2	Latch, Rubber	
46	3290601	2	Nut M6	
49	4751400	2	Washer 1/4	
50	4846256	1	Rail, Side (Right Side)	
52	0940090	2	Bumper	
53	3311401	2	Nut 1/4	
55	3300467	2	Nut 3/8	
56	3271505	1	Nut 5/16	
57	4751600	2	Washer 3/8	
58	4711400	2	Washer 1/4	

SECTION 5 - PLATFORM

FIGURE 5-8. CONSOLE BOX ASSEMBLY - 3369LE/4069LE NO LEVELING



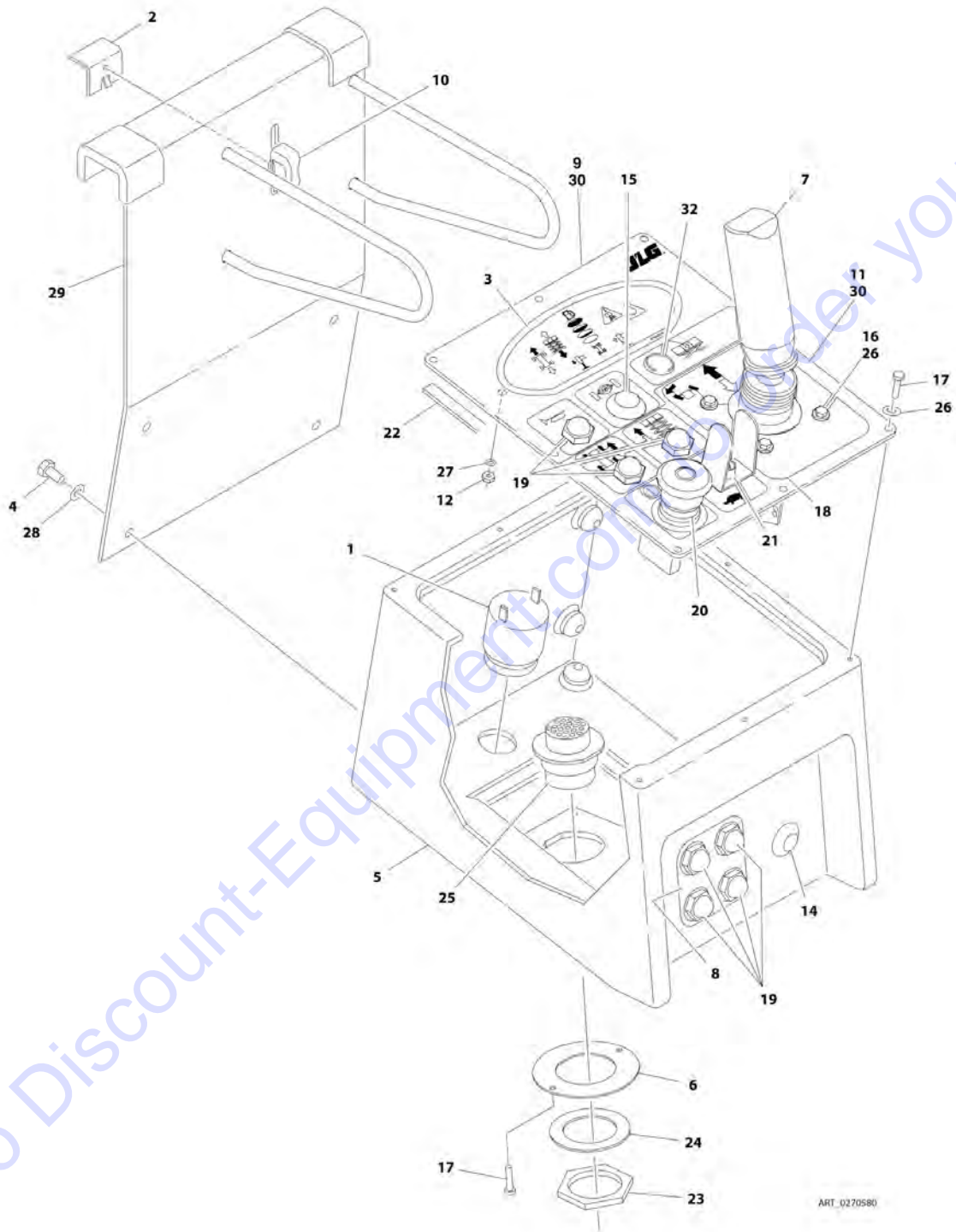
SECTION 5 - PLATFORM

FIGURE 5-8. CONSOLE BOX ASSEMBLY - 3369LE/4069LE NO LEVELING

ITEM	PART NUMBER	QTY	DESCRIPTION	REV
	0270579	Ref	CONSOLE BOX ASSEMBLY - 3369LE/4069LE NO LEVELING JACKS	G
1	0140011	1	Alarm	
2	0181847	1	Angle, Latch	
3	0610169	1	PC Board	
4	0641404	4	Bolt 1/4 x 1/2	
5	0861357	1	Box	
6	0902499	1	Bracket, "D" Slot	
7	1600403	1	Drive/Steer Controller Assembly (See DRIVE/STEER CONTROLLER ASSEMBLY for Breakdown)	
8	1705911	1	Decal - Platform Box (Upper)	
9	2560141	1	Thumbscrew	
10	1705912	1	Decal - Platform Box (Lower)	
11	3310601	4	Nut #6	
13	3520079	1	Plug	
14	3520080	5	Plug	
15	3900178	4	Screw #10 x 1/2	
16	3900265	10	Screw #8 x 3/4	
17	4060802	1	Guard, Switch	
18	4360387	3	Switch, Push Button	
19	4360475	1	Switch, Emergency Stop	
19	7020175	1	Ring, Sealing	
19	7020176	1	Block, Contact	
20	4360482	1	Switch, Toggle	
21	4420008	38 in /96cm	Tape, Insulation	
22	4460470	1	Nut, Terminal	
23	4460471	1	Lockwasher, Terminal	
24	4460480	1	Connector, Terminal	
25	4740120	12	Washer	
26	4760600	4	Washer #6	
27	4791400	4	Washer 1/4	
28	4845938	1	Bracket, Box Hanger	
29	4846249	1	Lid	
30	4922526	1	Platform Console Box Harness (Not Shown - See ELECTRICAL SECTION for Breakdown)	
31	3520193	1	Plug	
31		Ref	Note: Components common with standard machines are called-out in this figure. For LSS specific components, See JLG Load Sensing System Supplement Manual p/n 3124288.	

SECTION 5 - PLATFORM

FIGURE 5-9. CONSOLE BOX ASSEMBLY - 3369LE/4069LE WITH LEVELING JACKS



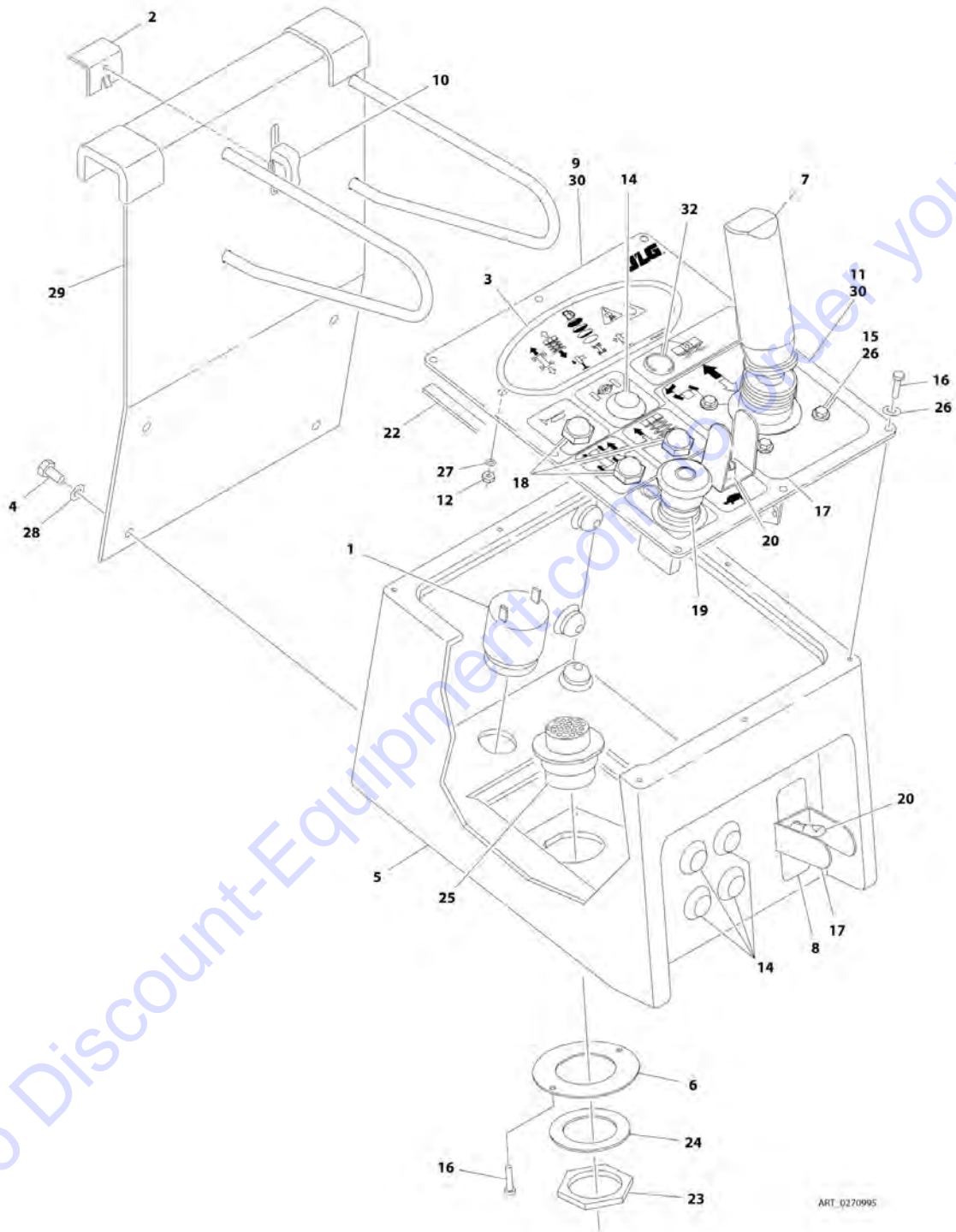
SECTION 5 - PLATFORM

FIGURE 5-9. CONSOLE BOX ASSEMBLY - 3369LE/4069LE WITH LEVELING JACKS

ITEM	PART NUMBER	QTY	DESCRIPTION	REV
	0270580	Ref	CONSOLE BOX ASSEMBLY - 3369LE/4069LE WITH LEVELING JACKS	G
1	0140011	1	Alarm	
2	0181847	1	Angle, Latch	
3	0610169	1	PC Board	
4	0641404	4	Bolt 1/4 x 1/2	
5	0861357	1	Box	
6	0902499	1	Bracket, "D" Slot	
7	1600403	1	Drive/Steer Controller Assembly (See DRIVE/STEER CONTROLLER ASSEMBLY for Breakdown)	
8	1704574	1	Decal - Outrigger	
9	1705911	1	Decal - Platform Box (Upper)	
10	2560141	1	Thumbscrew	
11	1705912	1	Decal - Platform Box (Lower)	
12	3310601	4	Nut #6	
14	3520079	1	Plug	
15	3520080	1	Plug	
16	3900178	4	Screw #10 x 1/2	
17	3900265	10	Screw #8 x 3/4	
18	4060802	2	Guard, Switch	
19	4360387	7	Switch, Push Button	
20	4360475	1	Switch, Emergency Stop	
20	7020175	1	Ring, Sealing	
20	7020176	1	Block, Contact	
21	4360482	1	Switch, Toggle	
22	4420008	38 in /96cm	Tape, Insulation	
23	4460470	1	Nut, Terminal	
24	4460471	1	Lockwasher, Terminal	
25	4460480	1	Connector, Terminal	
26	4740120	12	Washer	
27	4760600	4	Washer #6	
28	4791400	4	Washer 1/4	
29	4845938	1	Bracket, Box Hanger	
30	4846249	1	Lid	
31	4922527	1	Platform Console Box Harness (Not Shown - See ELECTRICAL SECTION for Breakdown)	
32	3520193	1	Plug	
32		Ref	Note: Components common with standard machines are called-out in this figure. For LSS specific components, See JLG Load Sensing System Supplement Manual p/n 3124288.	

SECTION 5 - PLATFORM

FIGURE 5-10. CONSOLE BOX ASSEMBLY - M3369/M4069 2WD NO LEVELING JACKS



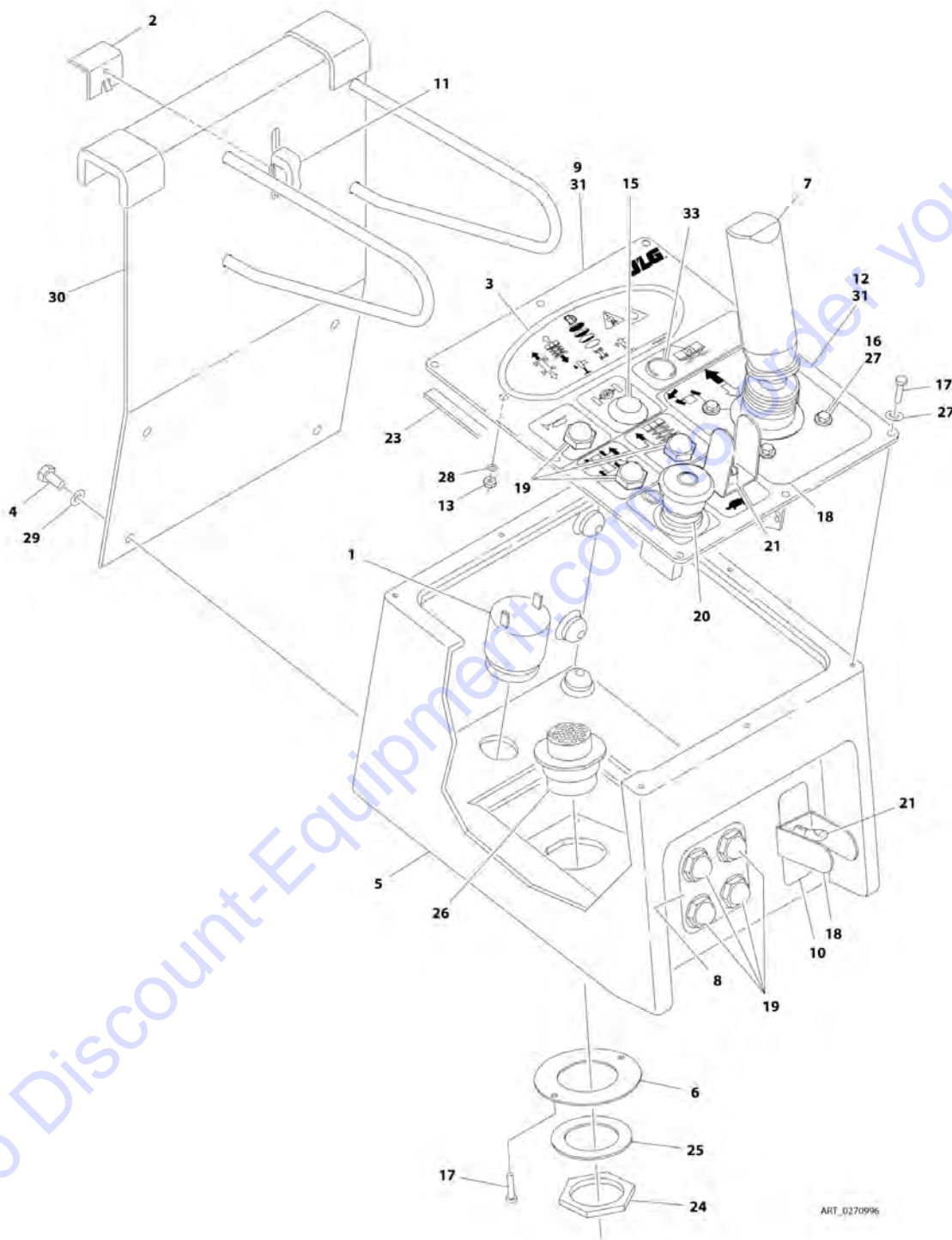
SECTION 5 - PLATFORM

FIGURE 5-10. CONSOLE BOX ASSEMBLY - M3369/M4069 2WD NO LEVELING JACKS

ITEM	PART NUMBER	QTY	DESCRIPTION	REV
	0270995	Ref	CONSOLE BOX ASSEMBLY - M3369/M4069 2WD NO LEVELING JACKS	H
		Ref	Note: For Machines with Spotlight, see SPECIAL OPTIONS Section.	
1	0140011	1	Alarm	
2	0181847	1	Angle, Latch	
3	0610169	1	PC Board	
4	0641404	4	Bolt 1/4 x 1/2	
5	0861357	1	Box	
6	0902499	1	Bracket, "D" Slot	
7	1600403	1	Drive/Steer Controller Assembly (See DRIVE/STEER CONTROLLER ASSEMBLY for Breakdown)	
8	1704921	1	Decal - Generator Enable M3369 & M4069	
9	1705911	1	Decal - Platform Box (Upper)	
10	2560141	1	Thumbscrew	
11	1705912	1	Decal - Platform Box (Lower)	
12	3310601	4	Nut #6	
14	3520080	5	Plug	
15	3900178	4	Screw #10 x 1/2	
16	3900265	10	Screw #8 x 3/4	
17	4060802	2	Guard, Switch	
18	4360387	3	Switch, Push Button	
19	4360475	1	Switch, Emergency Stop	
19	7020175	1	Ring, Sealing	
19	7020176	1	Block, Contact	
20	4360482	1	Switch, Toggle	
22	4420008	38 in /96cm	Tape, Insulation	
23	4460470	1	Nut, Terminal	
24	4460471	1	Lockwasher, Terminal	
25	4460480	1	Connector, Terminal	
26	4740120	12	Washer	
27	4760600	4	Washer #6	
28	4791400	4	Washer 1/4	
29	4845938	1	Bracket, Box Hanger	
30	4846249	1	Lid	
31	4922526	1	Platform Console Box Harness (Not Shown - See ELECTRICAL SECTION for Breakdown)	
32	3520193	1	Plug	
32		Ref	Note: Components common with standard machines are called-out in this figure. For LSS specific components, See JLG Load Sensing System Supplement Manual p/n 3124288.	

SECTION 5 - PLATFORM

FIGURE 5-11. CONSOLE BOX ASSEMBLY - M3369/M4069 2WD WITH LEVELING JACKS



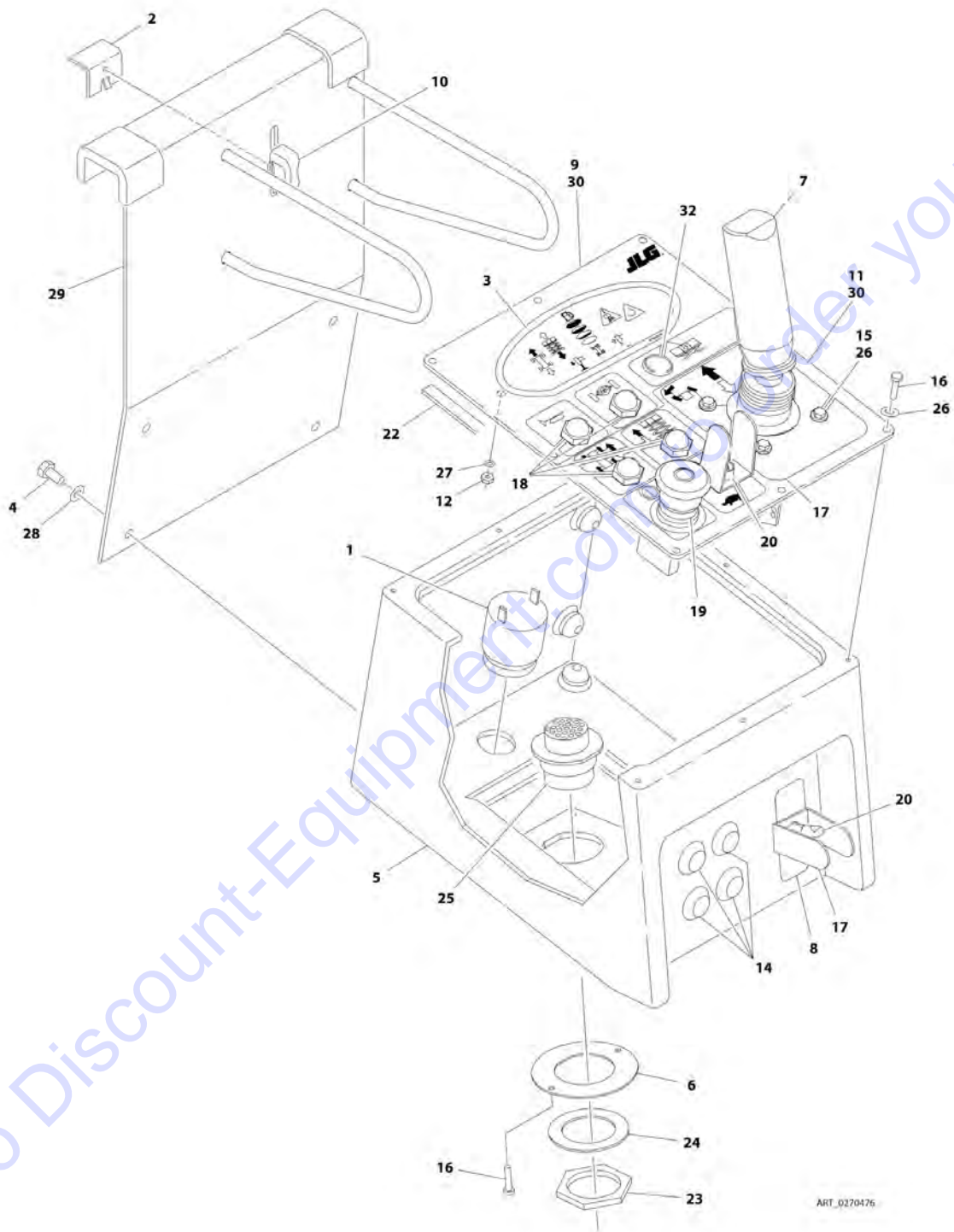
SECTION 5 - PLATFORM

FIGURE 5-11. CONSOLE BOX ASSEMBLY - M3369/M4069 2WD WITH LEVELING JACKS

ITEM	PART NUMBER	QTY	DESCRIPTION	REV
	0270996	Ref	CONSOLE BOX ASSEMBLY - M3369/M4069 2WD WITH LEVELING JACKS	H
1	0140011	1	Alarm	
2	0181847	1	Angle, Latch	
3	0610169	1	PC Board	
4	0641404	4	Bolt 1/4 x 1/2	
5	0861357	1	Box	
6	0902499	1	Bracket, "D" Slot	
7	1600403	1	Drive/Steer Controller Assembly (See DRIVE/STEER CONTROLLER ASSEMBLY for Breakdown)	
8	1704574	1	Decal - Outrigger	
9	1705911	1	Decal - Platform Box (Upper)	
10	1704921	1	Decal - Generator Enable M3369 & M4069	
11	2560141	1	Thumbscrew	
12	1705912	1	Decal - Platform Box (Lower)	
13	3310601	4	Nut #6	
15	3520080	1	Plug	
16	3900178	4	Screw #10 x 1/2	
17	3900265	10	Screw #8 x 3/4	
18	4060802	2	Guard, Switch	
19	4360387	7	Switch, Push Button	
20	4360475	1	Switch, Emergency Stop	
20	7020175	1	Ring, Sealing	
20	7020176	1	Block, Contact	
21	4360482	1	Switch, Toggle	
23	4420008	38 in /96cm	Tape, Insulation	
24	4460470	1	Nut, Terminal	
25	4460471	1	Lockwasher, Terminal	
26	4460480	1	Connector, Terminal	
27	4740120	12	Washer	
28	4760600	4	Washer #6	
29	4791400	4	Washer 1/4	
30	4845938	1	Bracket, Box Hanger	
31	4846249	1	Lid	
32	4922527	1	Platform Console Box Harness (Not Shown - See ELECTRICAL SECTION for Breakdown)	
33	3520193	1	Plug	
33		Ref	Note: Components common with standard machines are called-out in this figure. For LSS specific components, See JLG Load Sensing System Supplement Manual p/n 3124288.	

SECTION 5 - PLATFORM

FIGURE 5-12. CONSOLE BOX ASSEMBLY - M3369/M4069 4WD NO LEVELING JACKS



ART_0270476

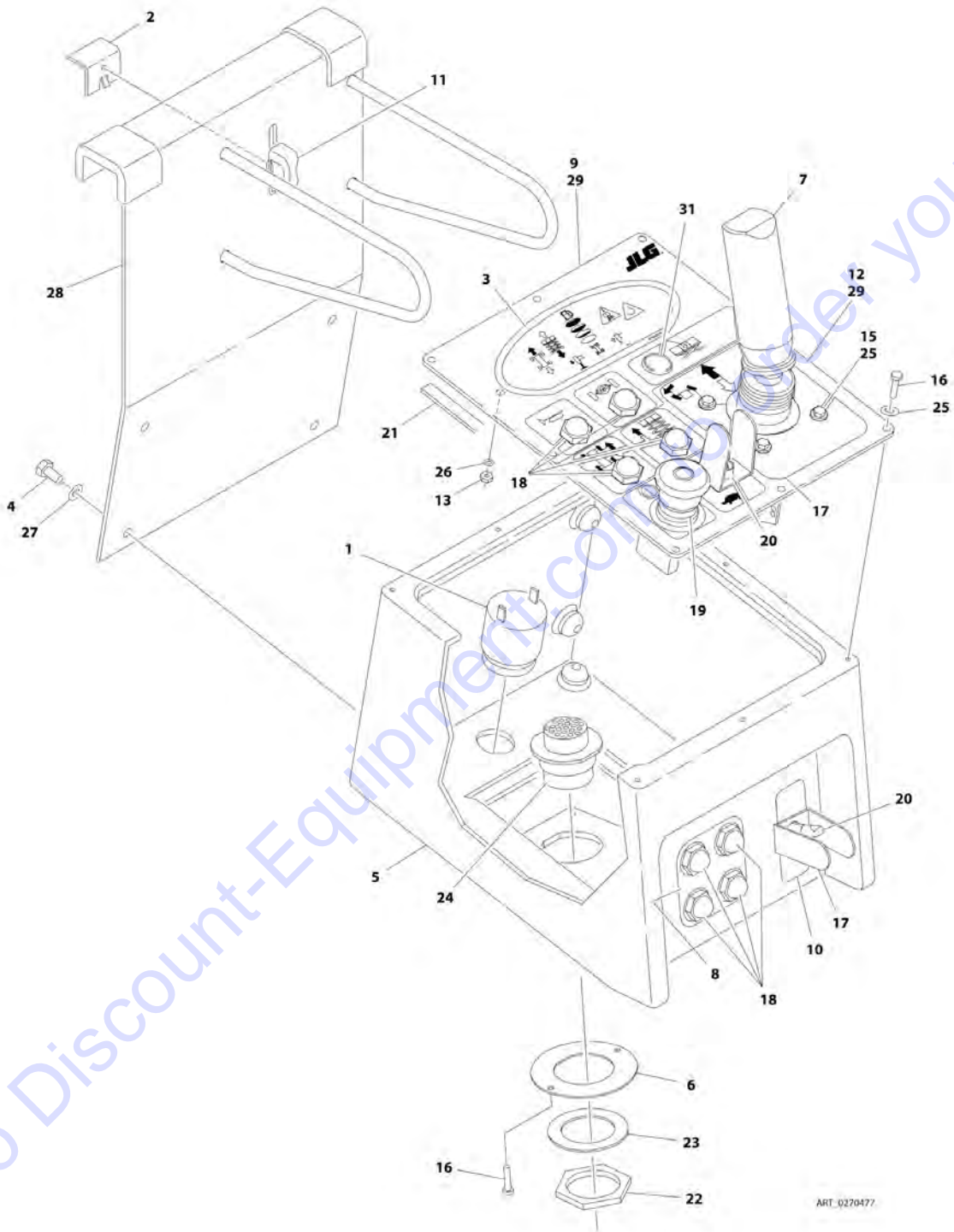
SECTION 5 - PLATFORM

FIGURE 5-12. CONSOLE BOX ASSEMBLY - M3369/M4069 4WD NO LEVELING JACKS

ITEM	PART NUMBER	QTY	DESCRIPTION	REV
	0270476	Ref	CONSOLE BOX ASSEMBLY - M3369/M4069 4WD NO LEVELING JACKS	G
1	0140011	1	Alarm	
2	0181847	1	Angle, Latch	
3	0610169	1	PC Board	
4	0641404	4	Bolt 1/4 x 1/2	
5	0861357	1	Box	
6	0902499	1	Bracket, "D" Slot	
7	1600403	1	Drive/Steer Controller Assembly (See DRIVE/STEER CONTROLLER ASSEMBLY for Breakdown)	
8	1704921	1	Decal - Generator Enable M3369 & M4069	
9	1705911	1	Decal - Platform Box (Upper)	
10	2560141	1	Thumbscrew	
11	1705912	1	Decal - Platform Box (Lower)	
12	3310601	4	Nut #6	
14	3520080	4	Plug	
15	3900178	4	Screw #10 x 1/2	
16	3900265	10	Screw #8 x 3/4	
17	4060802	2	Guard, Switch	
18	4360387	4	Switch, Push Button	
19	4360475	1	Switch, Emergency Stop	
19	7020175	1	Ring, Sealing	
19	7020176	1	Block, Contact	
20	4360482	1	Switch, Toggle	
22	4420008	38 in /96cm	Tape, Insulation	
23	4460470	1	Nut, Terminal	
24	4460471	1	Lockwasher, Terminal	
25	4460480	1	Connector, Terminal	
26	4740120	12	Washer	
27	4760600	4	Washer #6	
28	4791400	4	Washer 1/4	
29	4845938	1	Bracket, Box Hanger	
30	4846249	1	Lid	
31	4922526	1	Platform Console Box Harness (Not Shown - See ELECTRICAL SECTION for Breakdown)	
32	3520193	1	Plug	
32		Ref	Note: Components common with standard machines are called-out in this figure. For LSS specific components, See JLG Load Sensing System Supplement Manual p/n 3124288.	

SECTION 5 - PLATFORM

FIGURE 5-13. CONSOLE BOX ASSEMBLY - M3369/M4069 4WD WITH LEVELING JACKS



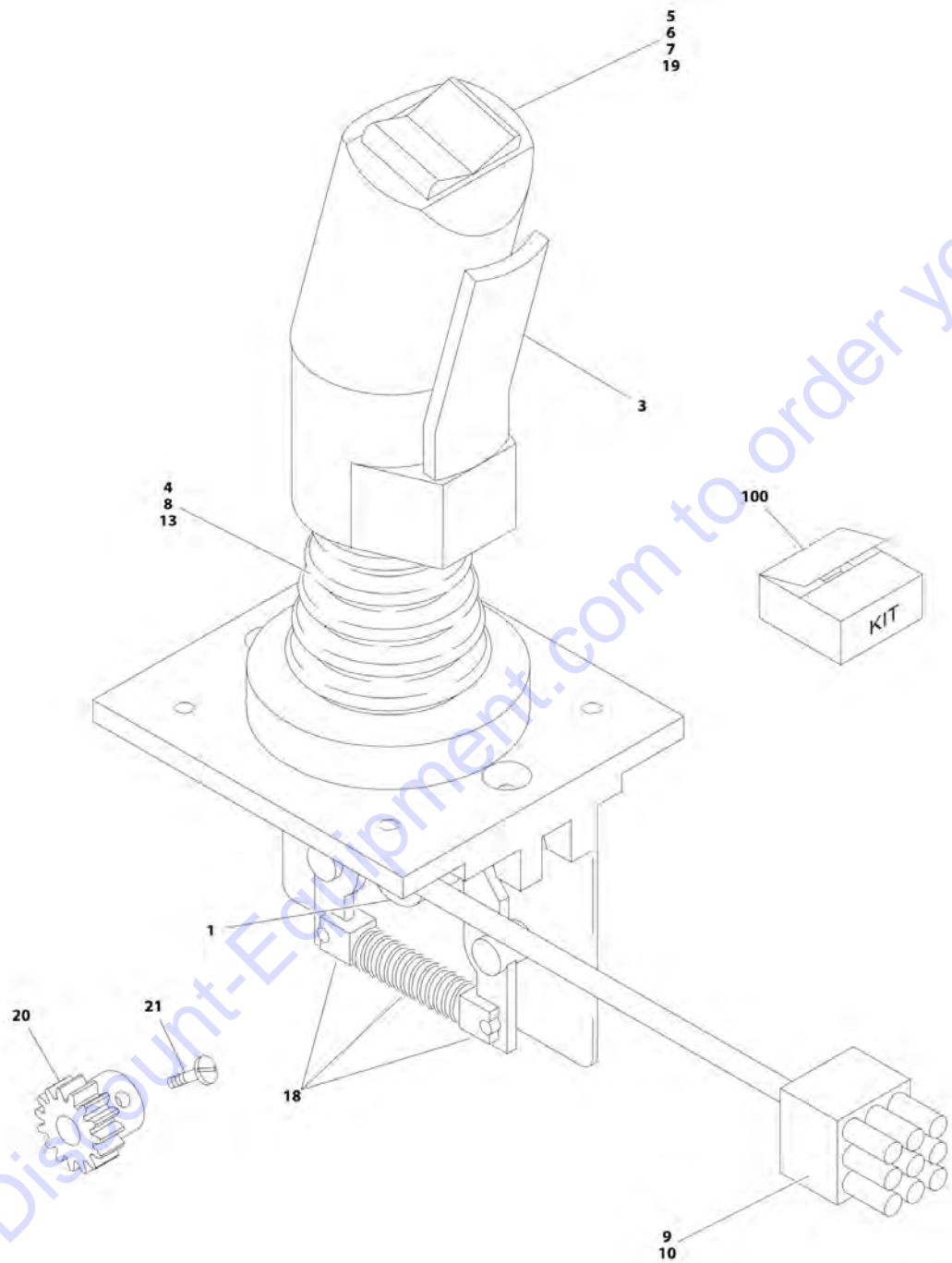
SECTION 5 - PLATFORM

FIGURE 5-13. CONSOLE BOX ASSEMBLY - M3369/M4069 4WD WITH LEVELING JACKS

ITEM	PART NUMBER	QTY	DESCRIPTION	REV
	0270477	Ref	CONSOLE BOX ASSEMBLY - M3369/M4069 4WD WITH LEVELING JACKS	G
1	0140011	1	Alarm	
2	0181847	1	Angle, Latch	
3	0610169	1	PC Board	
4	0641404	4	Bolt 1/4 x 1/2	
5	0861357	1	Box	
6	0902499	1	Bracket, "D" Slot	
7	1600403	1	Drive/Steer Controller Assembly (See DRIVE/STEER CONTROLLER ASSEMBLY for Breakdown)	
8	1704574	1	Decal - Outrigger	
9	1705911	1	Decal - Platform Box (Upper)	
10	1704921	1	Decal - Generator Enable M3369 & M4069	
11	2560141	1	Thumbscrew	
12	1705912	1	Decal - Platform Box (Lower)	
13	3310601	4	Nut #6	
15	3900178	4	Screw #10 x 1/2	
16	3900265	10	Screw #8 x 3/4	
17	4060802	2	Guard, Switch	
18	4360387	8	Switch, Push Button	
19	4360475	1	Switch, Emergency Stop	
20	7020175	1	Ring, Sealing	
20	7020176	1	Block, Contact	
20	4360482	1	Switch, Toggle	
21	4420008	38 in /96cm	Tape, Insulation	
22	4460470	1	Nut, Terminal	
23	4460471	1	Lockwasher, Terminal	
24	4460480	1	Connector, Terminal	
25	4740120	12	Washer	
26	4760600	4	Washer #6	
27	4791400	4	Washer 1/4	
28	4845938	1	Bracket, Box Hanger	
29	4846249	1	Lid	
30	4922527	1	Platform Console Box Harness (Not Shown - See ELECTRICAL SECTION for Breakdown)	
31	3520193	1	Plug	
31		Ref	Note: Components common with standard machines are called-out in this figure. For LSS specific components, See JLG Load Sensing System Supplement Manual p/n 3124288.	

SECTION 5 - PLATFORM

FIGURE 5-14. DRIVE/STEER CONTROLLER ASSEMBLY



ART_160040J

SECTION 5 - PLATFORM

FIGURE 5-14. DRIVE/STEER CONTROLLER ASSEMBLY

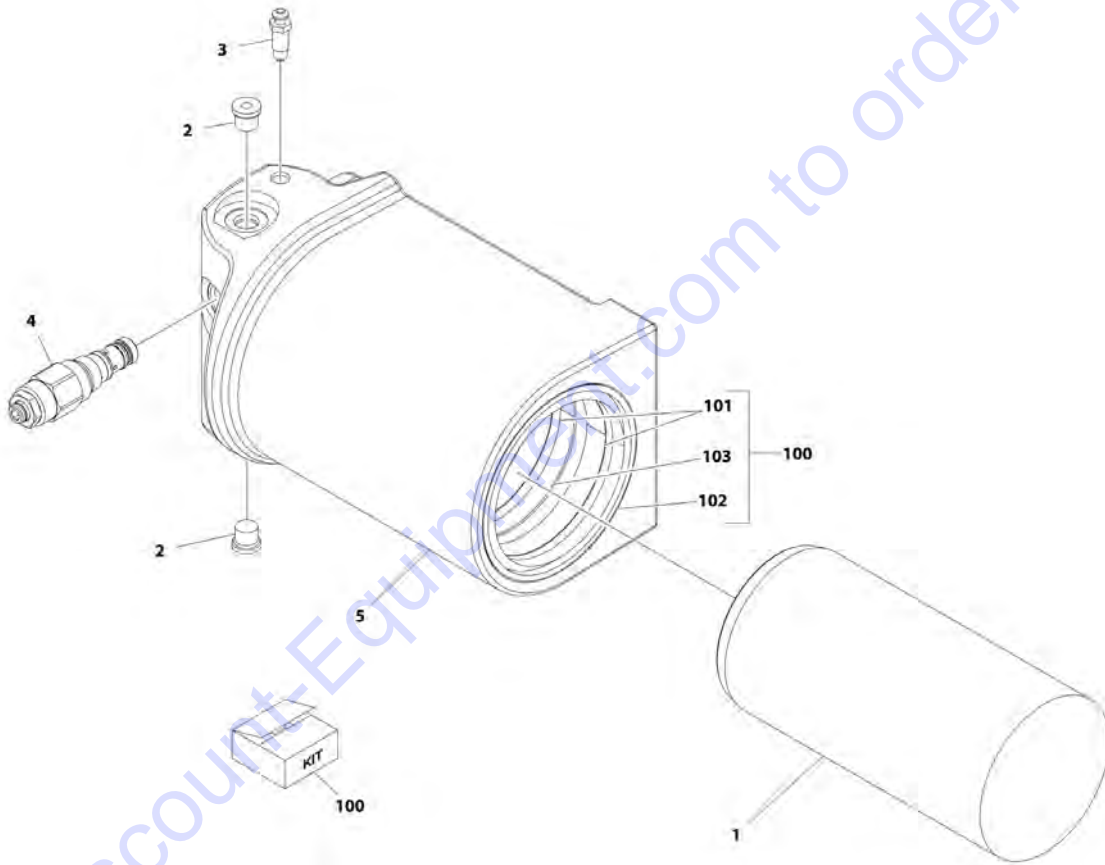
ITEM	PART NUMBER	QTY	DESCRIPTION	REV
	1600403	Ref	DRIVE/STEER CONTROLLER ASSEMBLY	G
1	70000081	1	Potentiometer	
2	7027367	1	Switch, Push Button (Not Shown - Located Behind #3)	
3	7027765	1	Lever, Enabler	
4	7027766	1	Ring, Retaining	
5	70000082	1	Microswitch	
6	70000083	1	Coupler, Microswitch	
7	70000084	1	Cap, Rubber	
8	70000085	1	Boot, Rubber	
9	4460265	1	Plug, Male - 9 Pin	
10	4460226	8	Socket, Female	
11	4460266	1	Connector, Receptacle - 9 Pin (Not Shown - Part of Console Harness)	
12	4460267	8	Pin, Male (Not Shown - Part of Console Harness)	
13	70000685	1	Washer, Plastic Bushing	
14	70000684	AR	Screw, Handle (Not Shown)	
15	Not Available	AR	Nut, Handle (Not Shown)	
16	70000683	AR	Washer, Neoprene (Not Shown)	
17	70000686	AR	Screw, Handle (Not Shown)	
18	70004194	1	Return Spring Kit	
19	7027365	1	Actuator, Switch	
20	70005484	1	Gear, Potentiometer	
21	70005485	1	Setscrew	
100	70003650	1	Handle Repair Kit (Includes handle gasket, push button, lever, front handle half, back handle half, top actuator, boot and hardware.	

SECTION 6 - CYLINDER

Go to Discount-Equipment.com to order your parts

SECTION 6 - CYLINDER

FIGURE 6-1. AXLE LOCKOUT CYLINDER ASSEMBLY



ART_1001163580

SECTION 6 - CYLINDER

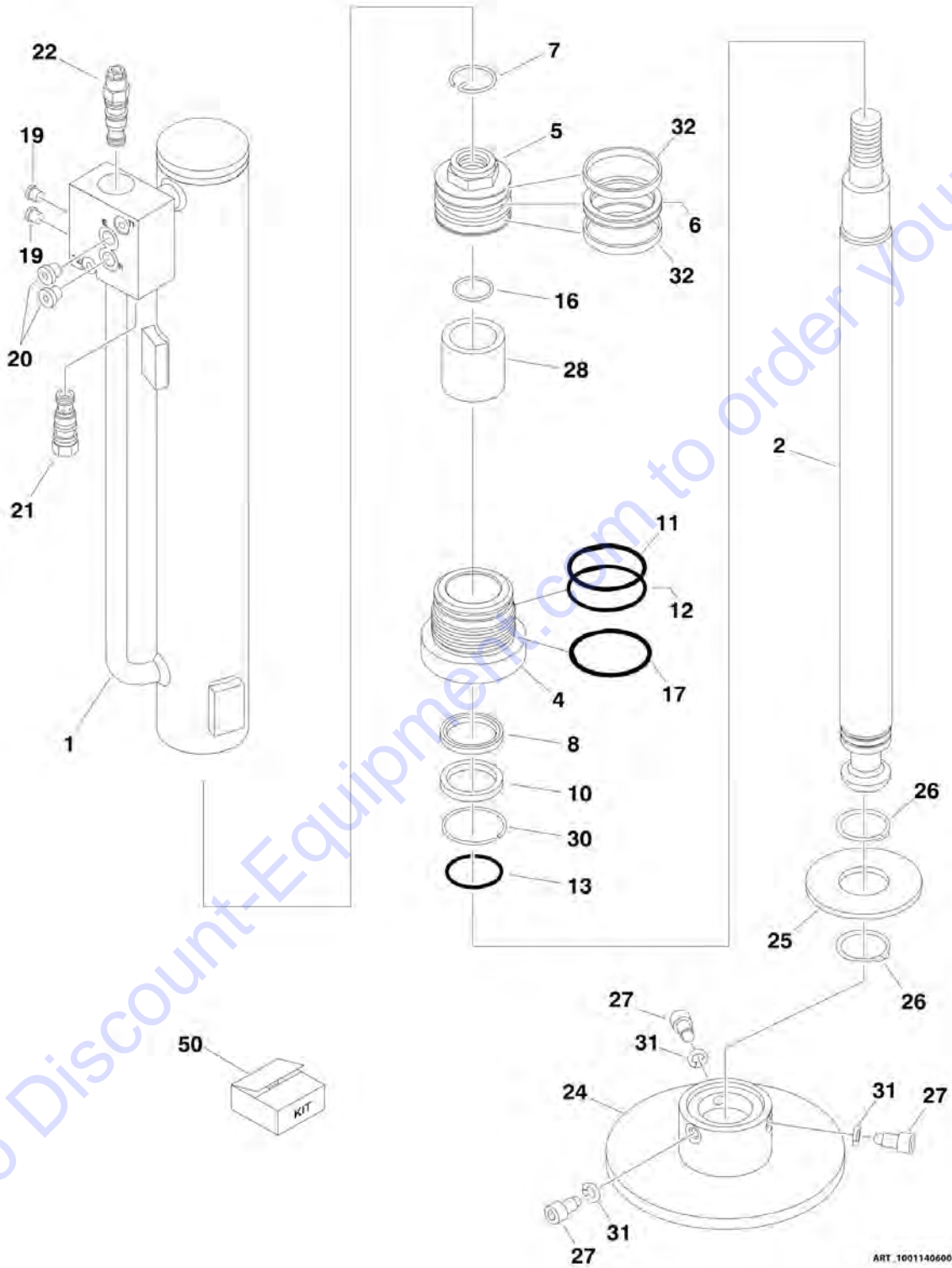
FIGURE 6-1. AXLE LOCKOUT CYLINDER ASSEMBLY

ITEM	PART NUMBER	QTY	DESCRIPTION	REV
	1001163580	Ref	AXLE LOCKOUT CYLINDER ASSEMBLY	G
1	1684290	1	Rod	
2	2220890	2	Plug	
3	4640858	1	Bleeder	
4	1001117372	1	Cartridge, Counterbalance Valve	
4	70002842	1	Seal Kit - 1001117372 Valve	
5	1001164817	1	Barrel	
100	2902266	1	Seal Kit, Cylinder (Includes Items 101-103)	
101	See Note	NSS	Ring, Wear (Note: Use Item 100)	
102	See Note	NSS	Seal, Wiper (Note: Use Item 100)	
103	See Note	NSS	Seal, Rod (Note: Use Item 100)	

Go to Discount-Equipment.com to order your parts

SECTION 6 - CYLINDER

FIGURE 6-2. LEVELING JACK CYLINDER ASSEMBLY



ART. 1001140600

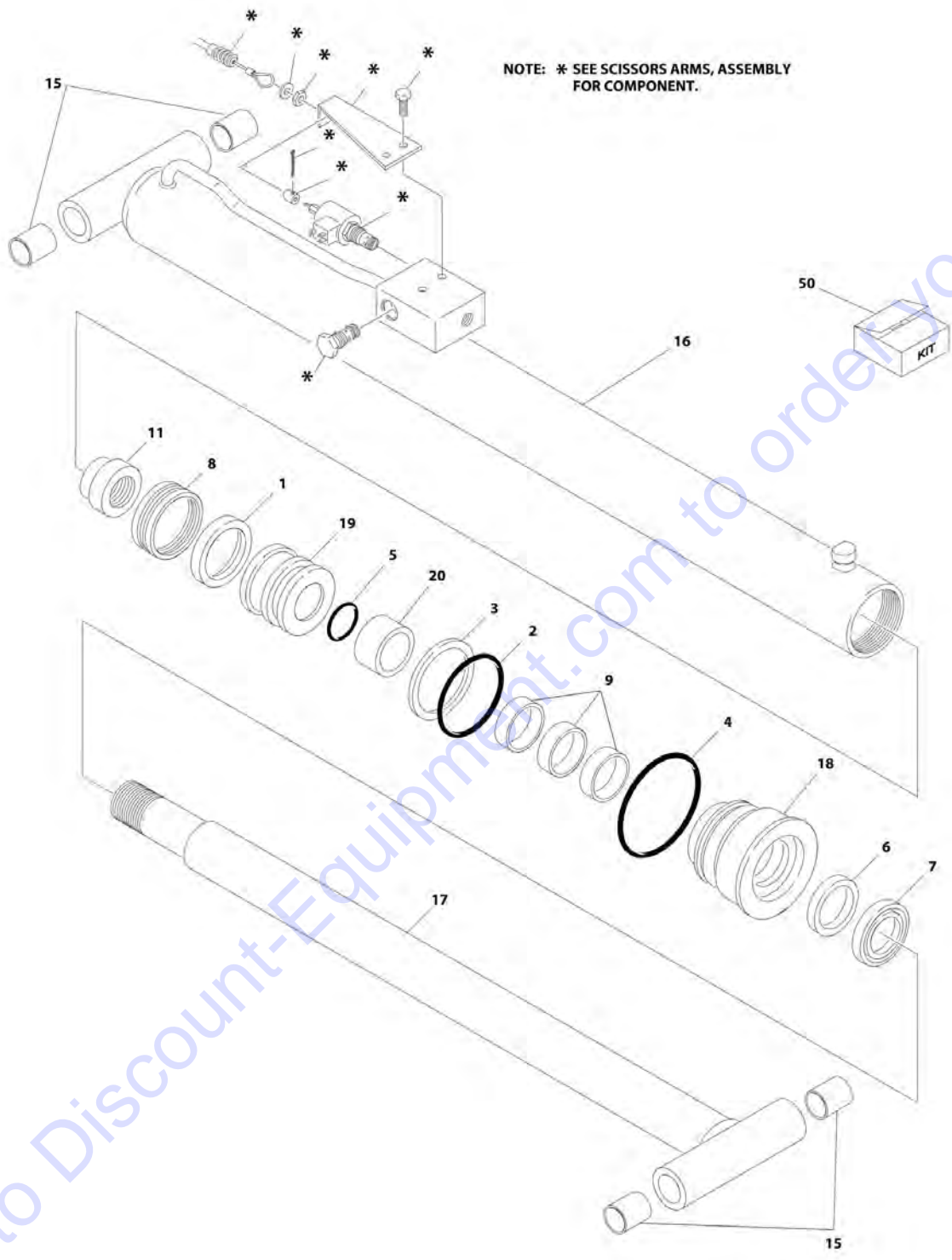
SECTION 6 - CYLINDER

FIGURE 6-2. LEVELING JACK CYLINDER ASSEMBLY

ITEM	PART NUMBER	QTY	DESCRIPTION	REV
	1001140600	Ref	LEVELING JACK CYLINDER ASSEMBLY	B
1	70003826	1	Barrel	
2	70003827	1	Rod	
4	70003818	1	Head	
5	70003819	1	Piston	
6	See Note	NSS	Seal, Piston (Note: Use Item 50)	
7	70002216	1	Retainer	
8	See Note	NSS	Seal, Rod (Note: Use Item 50)	
10	See Note	NSS	Seal, Wiper (Note: Use Item 50)	
11	See Note	NSS	O-Ring (Note: Use Item 50)	
12	See Note	NSS	Ring, Back-up (Note: Use Item 50)	
13	70003820	1	O-Ring	
16	See Note	NSS	O-Ring (Note: Use Item 50)	
17	See Note	NSS	O-Ring (Note: Use Item 50)	
19	7017406	2	Plug	
20	7024844	2	Plug	
21	4641156	1	Valve, Check	
21	2900770	1	Seal Kit - 4641156 Valve	
22	4640495	1	Valve, Counter Balance	
22	2900770	1	Seal Kit - 4640495 Valve	
24	70003828	1	Pad, Jack	
25	70003821	1	Plate	
26	70003822	2	Ring, Retaining	
27	70003823	3	Screw 1/2 x 1-1/4	
28	70003824	1	Spacer	
30	70002219	1	Ring, Retaining	
31	70003825	3	Washer	
32	See Note	NSS	Ring, Wear (Note: Use Item 50)	
50	70003829	1	Seal Kit (Includes Items 6, 8-12, 16, 17 & 32)	

SECTION 6 - CYLINDER

FIGURE 6-3. LIFT CYLINDER ASSEMBLY - 3369LE/M3369



ART_1684119

SECTION 6 - CYLINDER

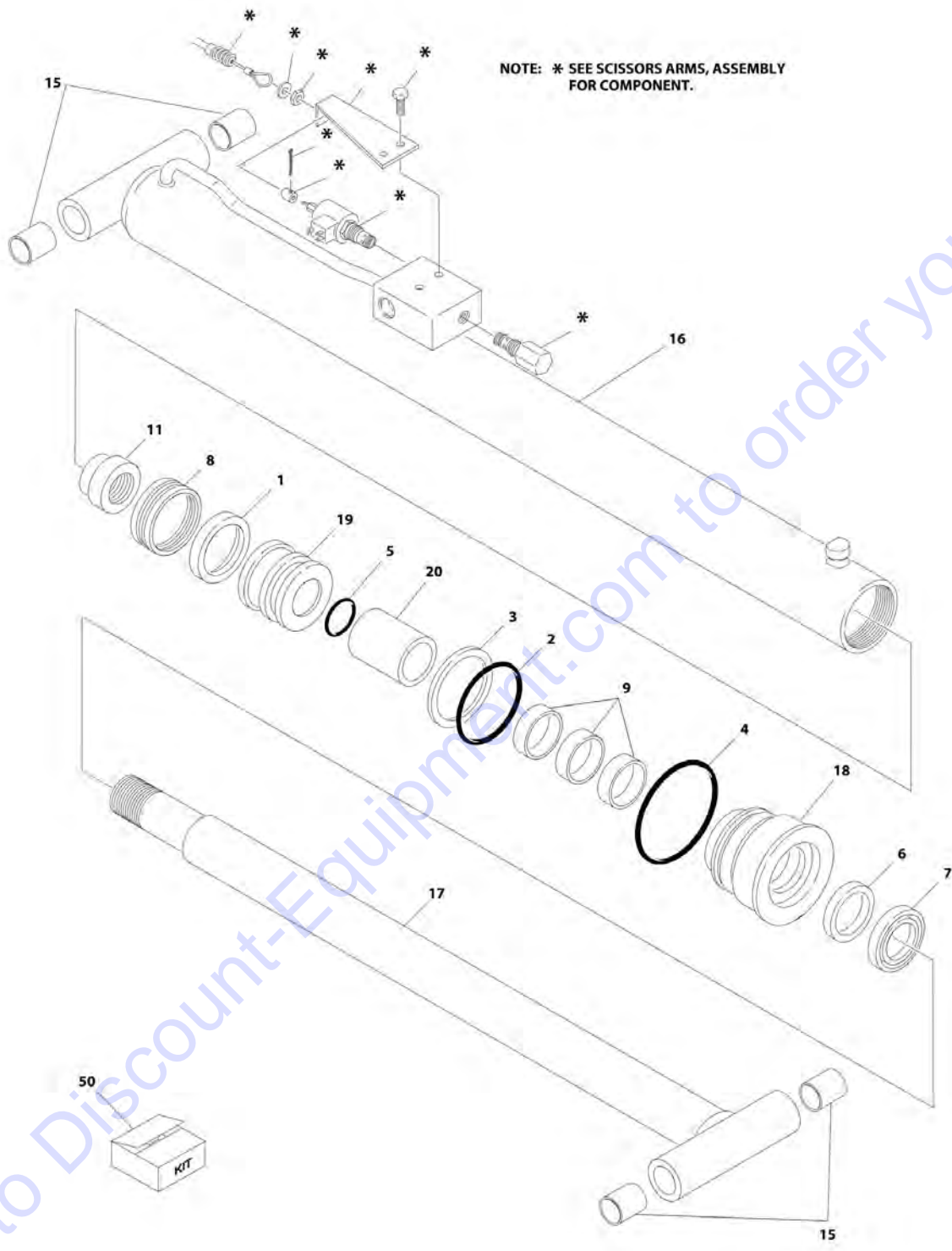
FIGURE 6-3. LIFT CYLINDER ASSEMBLY - 3369LE/M3369

ITEM	PART NUMBER	QTY	DESCRIPTION	REV
	1684119	Ref	LIFT CYLINDER ASSEMBLY - 3369LE/M3369	D
1	See Note	NSS	Seal (Note: Use Item 50)	
2	See Note	NSS	O-Ring (Note: Use Item 50)	
3	See Note	NSS	Ring, Back-up (Note: Use Item 50)	
4	See Note	NSS	O-Ring (Note: Use Item 50)	
5	See Note	NSS	O-Ring (Note: Use Item 50)	
6	See Note	NSS	Seal (Note: Use Item 50)	
7	See Note	NSS	Wiper (Note: Use Item 50)	
8	See Note	NSS	Ring, Wear (Note: Use Item 50)	
9	See Note	NSS	Ring, Wear (Note: Use Item 50)	
11	7003226	1	Locknut	
15	0962012	4	Bushing	
16	7019898	1	Barrel	
17	70001358	1	Rod	
18	7019886	1	Head	
19	7024101	1	Piston	
20	70001357	1	Spacer	
50	7024103	1	Seal Kit (Includes Items 1-9)	

Go to Discount-Equipment.com to order your parts

SECTION 6 - CYLINDER

FIGURE 6-4. LIFT (LOWER) CYLINDER ASSEMBLY - 4069LE/M4069



NOTE: * SEE SCISSORS ARMS, ASSEMBLY FOR COMPONENT.

Go to Discount-Equipment.com to order your parts

ART_1684120

SECTION 6 - CYLINDER

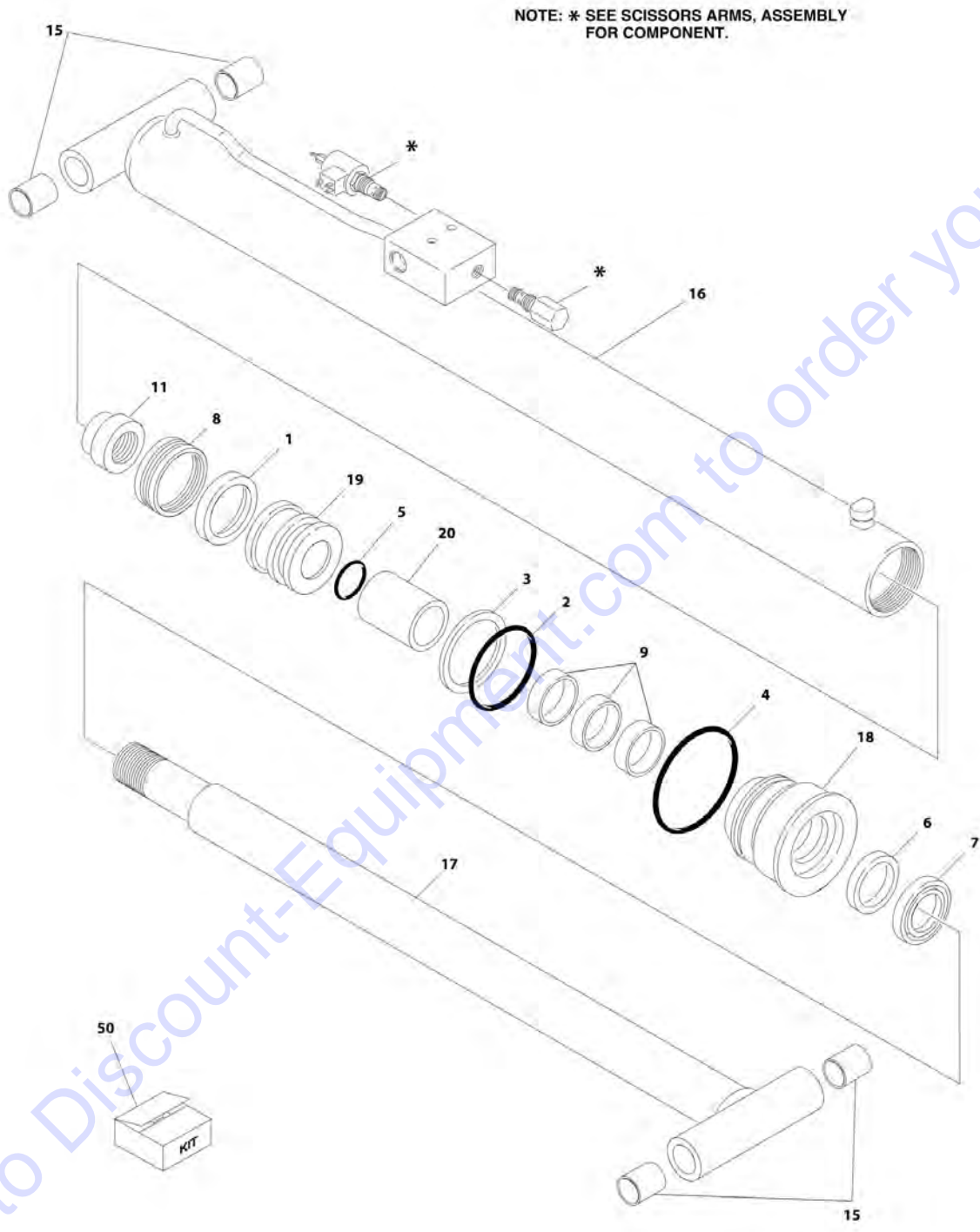
FIGURE 6-4. LIFT (LOWER) CYLINDER ASSEMBLY - 4069LE/M4069

ITEM	PART NUMBER	QTY	DESCRIPTION	REV
	1684120	Ref	LIFT (LOWER) CYLINDER ASSEMBLY - 4069LE/M4069	C
1	See Note	NSS	Seal (Note: Use Item 50)	
2	See Note	NSS	O-Ring (Note: Use Item 50)	
3	See Note	NSS	Ring, Back-up (Note: Use Item 50)	
4	See Note	NSS	O-Ring (Note: Use Item 50)	
5	See Note	NSS	O-Ring (Note: Use Item 50)	
6	See Note	NSS	Seal (Note: Use Item 50)	
7	See Note	NSS	Wiper (Note: Use Item 50)	
8	See Note	NSS	Ring, Wear (Note: Use Item 50)	
9	See Note	NSS	Ring, Wear (Note: Use Item 50)	
11	7003226	1	Locknut	
15	7019889	4	Bushing	
16	7019888	1	Barrel	
17	7023505	1	Rod	
18	7019886	1	Head	
19	7024101	1	Piston	
20	7023509	1	Spacer	
50	7024103	1	Seal Kit (Includes Items 1-9)	

Go to Discount-Equipment.com to order your parts

SECTION 6 - CYLINDER

FIGURE 6-5. LIFT (UPPER) CYLINDER ASSEMBLY - 4069LE/M4069



ART_1684121

SECTION 6 - CYLINDER

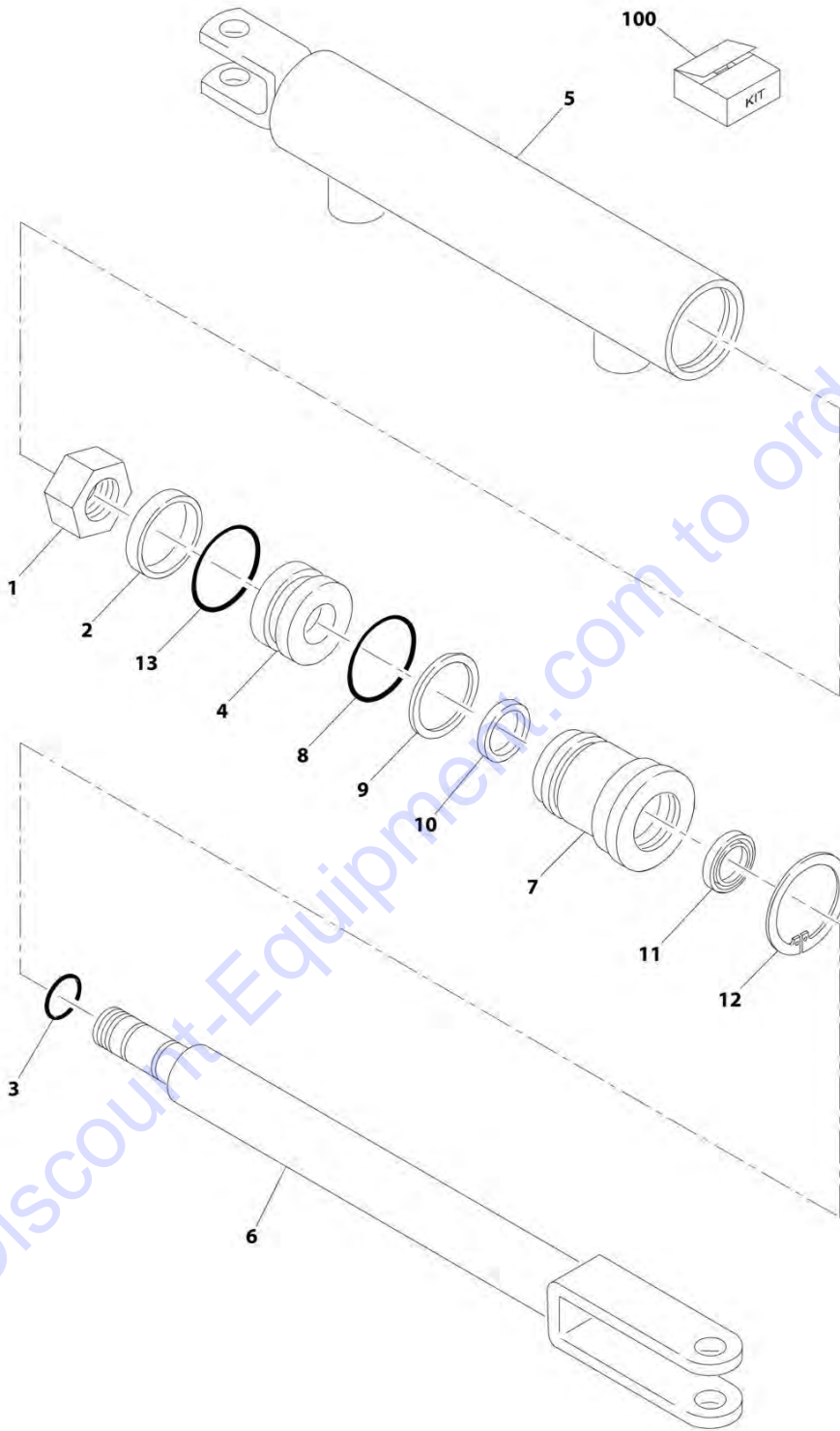
FIGURE 6-5. LIFT (UPPER) CYLINDER ASSEMBLY - 4069LE/M4069

ITEM	PART NUMBER	QTY	DESCRIPTION	REV
	1684121	Ref	LIFT (UPPER) CYLINDER ASSEMBLY - 4069LE/M4069	C
1	See Note	NSS	Seal (Note: Use Item 50)	
2	See Note	NSS	O-Ring (Note: Use Item 50)	
3	See Note	NSS	Ring, Back-up (Note: Use Item 50)	
4	See Note	NSS	O-Ring (Note: Use Item 50)	
5	See Note	NSS	O-Ring (Note: Use Item 50)	
6	See Note	NSS	Seal (Note: Use Item 50)	
7	See Note	NSS	Wiper (Note: Use Item 50)	
8	See Note	NSS	Ring, Wear (Note: Use Item 50)	
9	See Note	NSS	Ring, Wear (Note: Use Item 50)	
11	7003212	1	Nut	
15	7019889	4	Bushing	
16	7019895	1	Barrel	
17	7023508	1	Rod	
18	7019893	1	Head	
19	7019862	1	Piston	
20	7023510	1	Spacer	
50	7024102	1	Seal Kit (Includes Items 1-9)	

Go to Discount-Equipment.com to order your parts

SECTION 6 - CYLINDER

FIGURE 6-6. STEER CYLINDER ASSEMBLY



ART_1683994

SECTION 6 - CYLINDER

FIGURE 6-6. STEER CYLINDER ASSEMBLY

ITEM	PART NUMBER	QTY	DESCRIPTION	REV
	1683994	Ref	STEER CYLINDER ASSEMBLY	D
1	7001626	1	Locknut	
2	See Note	NSS	Seal, Piston (Note: Use Item 50)	
3	See Note	NSS	O-Ring (Note: Use Item 50)	
4	70002518	1	Piston	
5	7023022	1	Barrel	
6	7023021	1	Rod	
7	7017294	1	Guide	
8	See Note	NSS	O-Ring (Note: Use Item 50)	
9	See Note	NSS	Ring, Back-up (Note: Use Item 50)	
10	See Note	NSS	Seal (Note: Use Item 50)	
11	See Note	NSS	Wiper (Note: Use Item 50)	
12	See Note	NSS	Ring, Retaining (Note: Use Item 50)	
13	See Note	NSS	O-Ring (Note: Use Item 50)	
100	70002517	1	Seal Kit (Includes Items 2, 3 & 8-13)	

Go to Discount-Equipment.com to order your parts

SECTION 7 - HYDRAULIC

Go to Discount-Equipment.com to order your parts

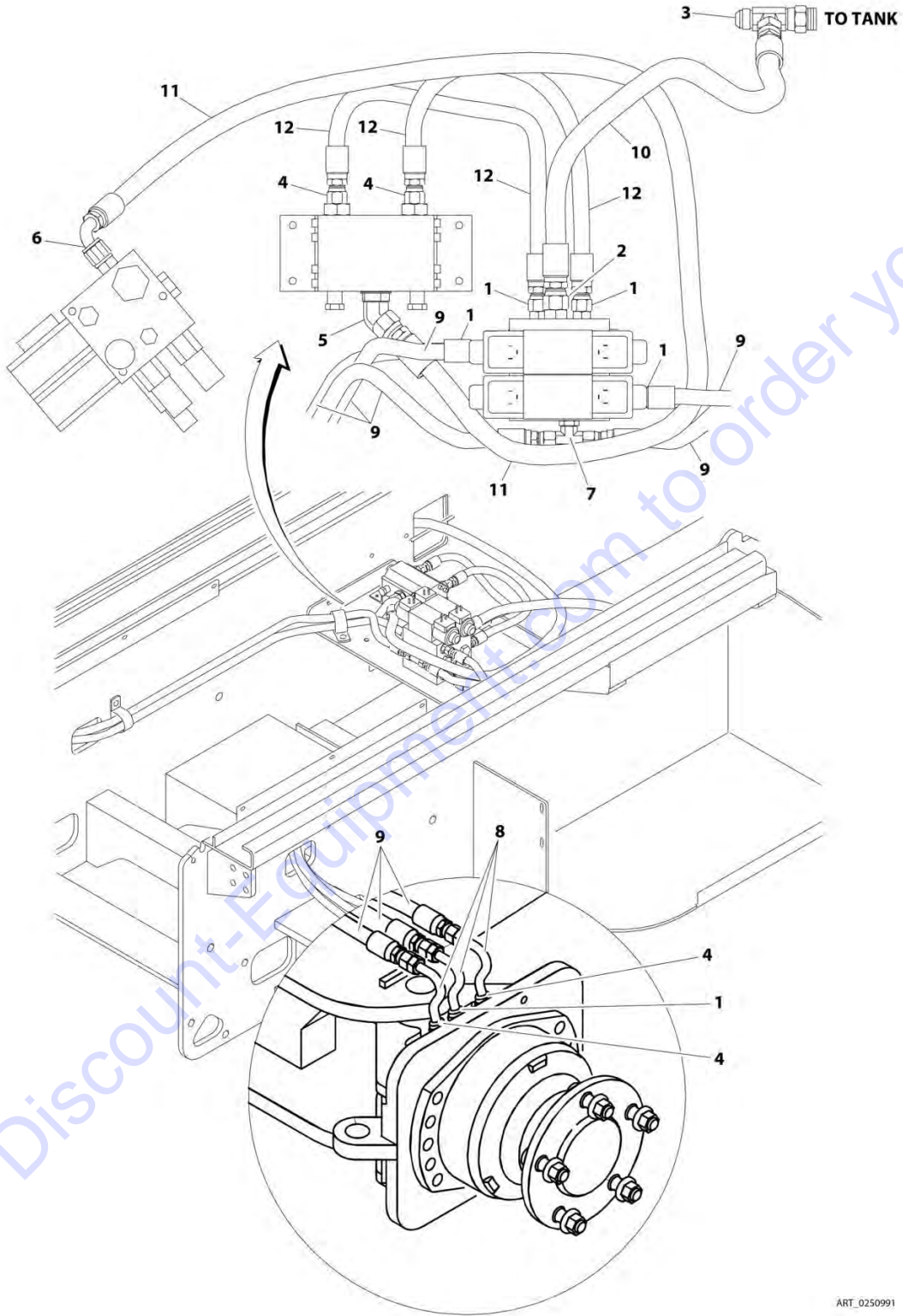
SECTION 7 - HYDRAULIC

FIGURE 7-1. HYDRAULIC DIAGRAM LIST

ITEM	PART NUMBER	QTY	DESCRIPTION	REV
		Ref	HYDRAULIC DIAGRAM LIST	
	0270991	Ref	Hydraulic Diagram - 4WD	
	2792494	Ref	Hydraulic Diagram - Leveling Jacks (Optional)	
	0275481	Ref	Hydraulic Diagram - Lift Cylinder - 3369LE/M3369 without LSS	
	0275525	Ref	Hydraulic Diagram - Lift Cylinder - 3369LE/M3369 with LSS	
	0275482	Ref	Hydraulic Diagram - Lift Cylinder - 4069LE/M4069 without LSS	
	0275526	Ref	Hydraulic Diagram - Lift Cylinder - 4069LE/M4069 with LSS	
	2792443	Ref	Hydraulic Diagram - Standard - 3369LE/M4069 with Fixed Axle	
	1001167496	Ref	Hydraulic Diagram - Standard - 3369LE/M3369 with Oscillating Axle (All Specs except CE Spec)	
	2792445	Ref	Hydraulic Diagram - Standard - 4069LE/M4069 with Fixed Axle	
	1001167498	Ref	Hydraulic Diagram - Standard - 4069LE/M4069 with Oscillating Axle (All Specs except CE Spec)	
	1001167495	Ref	Hydraulic Schematic (Except CE Spec) (Not Shown - See Service Manual)	
	1001191135	Ref	Hydraulic Schematic (CE Spec) (Not Shown - See Service Manual) (SN 0200246353 to Present)	
	1001191135	Ref	Hydraulic Schematic (CE Spec) (Not Shown - See Service Manual) (SN M200000100 to Present)	
	1001191137	Ref	Hydraulic Diagram - Standard - 3369LE/M3369 with Oscillating Axle (CE SPEC)	
	1001191141	Ref	Hydraulic Diagram - Standard - 4069LE/M4069 with Oscillating Axle (CE SPEC)	

SECTION 7 - HYDRAULIC

FIGURE 7-2. HYDRAULIC DIAGRAM - 4WD



ART. 0250991

SECTION 7 - HYDRAULIC

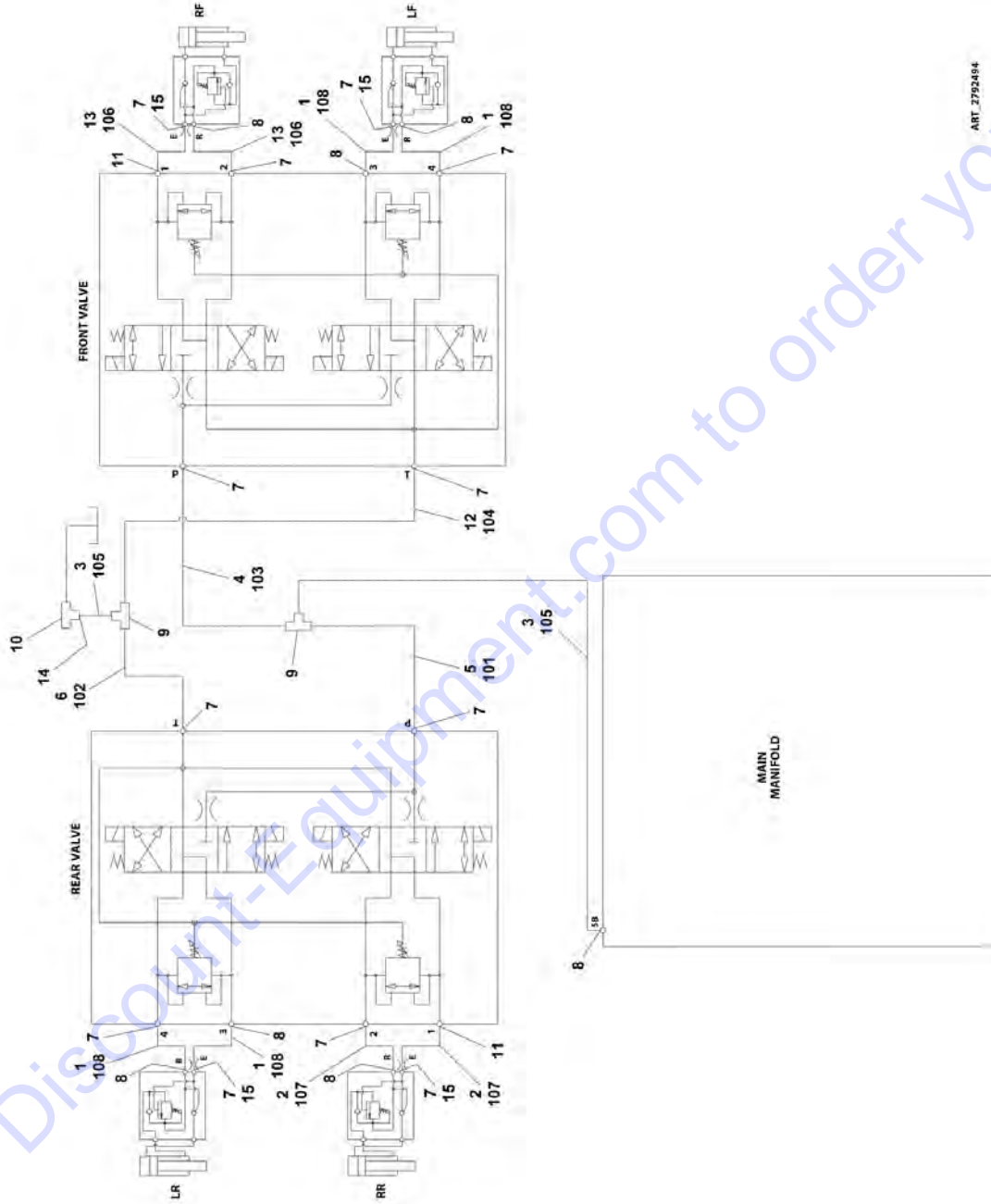
FIGURE 7-2. HYDRAULIC DIAGRAM - 4WD

ITEM	PART NUMBER	QTY	DESCRIPTION	REV
	0270991	Ref	HYDRAULIC DIAGRAM - 4WD	E
1	2220371	8	Fitting, Straight JIC/ORB	
2	2220373	1	Fitting, Straight JIC/ORB	
3	2220385	1	Fitting, Tee JIC/JIC/JIC	
4	2220497	6	Fitting, Straight JIC/ORB	
5	2220499	1	Fitting, 45 JIC/ORB	
6	2220600	1	Fitting, Straight FL/ORB	
7	2220899	1	Fitting, Tee JIC/ORB/JIC	
8	2230087	6	Fitting	
9	2752966	6	Hose	
10	2752516	1	Hose	
11	2752497	1	Hose	
12	2753118	2	Hose	

Go to Discount-Equipment.com to order your parts

SECTION 7 - HYDRAULIC

FIGURE 7-3. HYDRAULIC DIAGRAM - LEVELING JACKS (OPTIONAL)



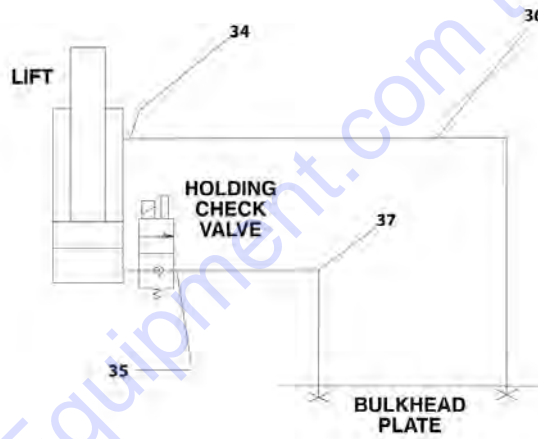
SECTION 7 - HYDRAULIC

FIGURE 7-3. HYDRAULIC DIAGRAM - LEVELING JACKS (OPTIONAL)

ITEM	PART NUMBER	QTY	DESCRIPTION	REV
	2792494	Ref	HYDRAULIC DIAGRAM - LEVELING JACKS (OPTIONAL)	F
1	2753532	4	Hose (Prior to SN M200011808)	
2	2753529	2	Hose (Prior to SN M200011808)	
3	2753397	2	Hose (Prior to SN M200011808)	
4	2753059	1	Hose (Prior to SN M200011808)	
5	2750908	1	Hose (Prior to SN M200011808)	
6	2750915	1	Hose (Prior to SN M200011808)	
7	2220371	12	Fitting, Straight JIC/ORB	
8	2220473	7	Fitting, 90 JIC/ORB	
9	2220490	2	Fitting, Tee JIC/JIC/JIC	
10	2220385	1	Fitting, Tee JIC/JIC/JIC	
11	2220819	2	Fitting, 90 JIC/ORB	
12	2753120	1	Hose (Prior to SN M200011808)	
13	2753524	2	Hose (Prior to SN M200011808)	
14	2220619	1	Fitting, Reducer JIC/JIC	
15	2221089	4	Orifice (.0625)	
100	1001230581	Ref	Kit, Fixed Axle Hose (SN M200011808 to Present)	
101	See Note	1	Hose (Note: Use p/n 1001230581)	
102	See Note	1	Hose (Note: Use p/n 1001230581)	
103	See Note	1	Hose (Note: Use p/n 1001230581)	
104	See Note	1	Hose (Note: Use p/n 1001230581)	
105	See Note	2	Hose (Note: Use p/n 1001230581)	
106	See Note	1	Hose (Note: Use p/n 1001230581)	
107	See Note	1	Hose (Note: Use p/n 1001230581)	
108	See Note	1	Hose (Note: Use p/n 1001230581)	

SECTION 7 - HYDRAULIC

FIGURE 7-4. HYDRAULIC DIAGRAM - LIFT CYLINDER - 3369LE/M3369 WITHOUT LSS



ART_0255481_20F2

SECTION 7 - HYDRAULIC

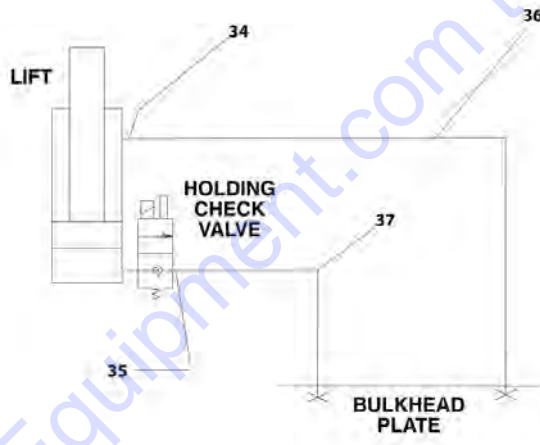
FIGURE 7-4. HYDRAULIC DIAGRAM - LIFT CYLINDER - 3369LE/M3369 WITHOUT LSS

ITEM	PART NUMBER	QTY	DESCRIPTION	REV
	0275481	Ref	HYDRAULIC DIAGRAM - LIFT CYLINDER - 3369LE/M3369 WITHOUT LSS	D
34	2220371	1	Fitting, Straight JIC/ORB	
35	2220473	1	Fitting, 90 JIC/ORB	
36	2753137	1	Hose	
37	2753526	1	Hose	

Go to Discount-Equipment.com to order your parts

SECTION 7 - HYDRAULIC

FIGURE 7-5. HYDRAULIC DIAGRAM - LIFT CYLINDER - 3369LE/M3369 WITH LSS



ART_0255525_20F2

SECTION 7 - HYDRAULIC

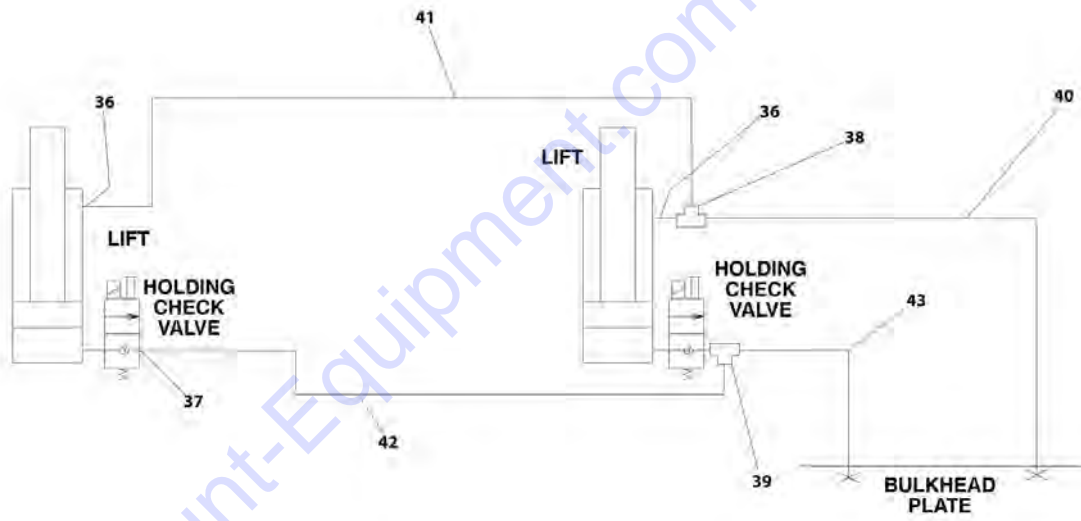
FIGURE 7-5. HYDRAULIC DIAGRAM - LIFT CYLINDER - 3369LE/M3369 WITH LSS

ITEM	PART NUMBER	QTY	DESCRIPTION	REV
	0275525	Ref	HYDRAULIC DIAGRAM - LIFT CYLINDER - 3369LE/M3369 WITH LSS	F
34	2220371	1	Fitting, Straight JIC/ORB	
35	2220473	1	Fitting, 90 JIC/ORB	
36	2753137	1	Hose	
37	2753526	1	Hose	

Go to Discount-Equipment.com to order your parts

SECTION 7 - HYDRAULIC

FIGURE 7-6. HYDRAULIC DIAGRAM - LIFT CYLINDER - 4069LE/M4069 WITHOUT LSS



ART_0255482_20F3

SECTION 7 - HYDRAULIC

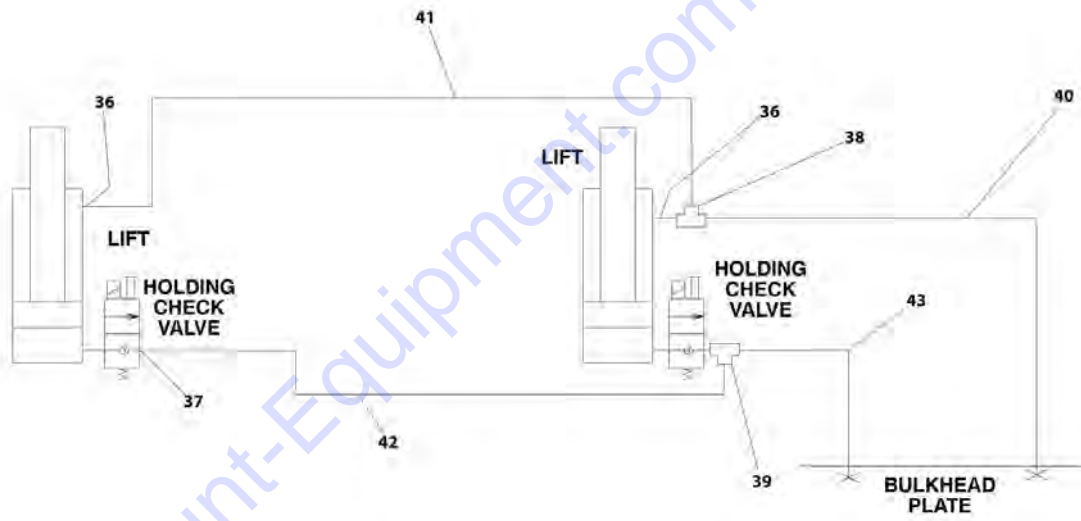
FIGURE 7-6. HYDRAULIC DIAGRAM - LIFT CYLINDER - 4069LE/M4069 WITHOUT LSS

ITEM	PART NUMBER	QTY	DESCRIPTION	REV
	0275482	Ref	HYDRAULIC DIAGRAM - LIFT CYLINDER - 4069LE/M4069 WITHOUT LSS	E
36	2220371	2	Fitting, Straight JIC/ORB	
37	2220473	1	Fitting, 90 JIC/ORB	
38	2220635	1	Fitting, Tee JIC/JIC/JIC	
39	2220899	1	Fitting, Tee JIC/ORB/JIC	
40	2753137	1	Hose	
41	2753414	1	Hose	
42	2753415	1	Hose	
43	2753526	1	Hose	

Go to Discount-Equipment.com to order your parts

SECTION 7 - HYDRAULIC

FIGURE 7-7. HYDRAULIC DIAGRAM - LIFT CYLINDER - 4069LE/M4069 WITH LSS



ART_0255526_20F1

SECTION 7 - HYDRAULIC

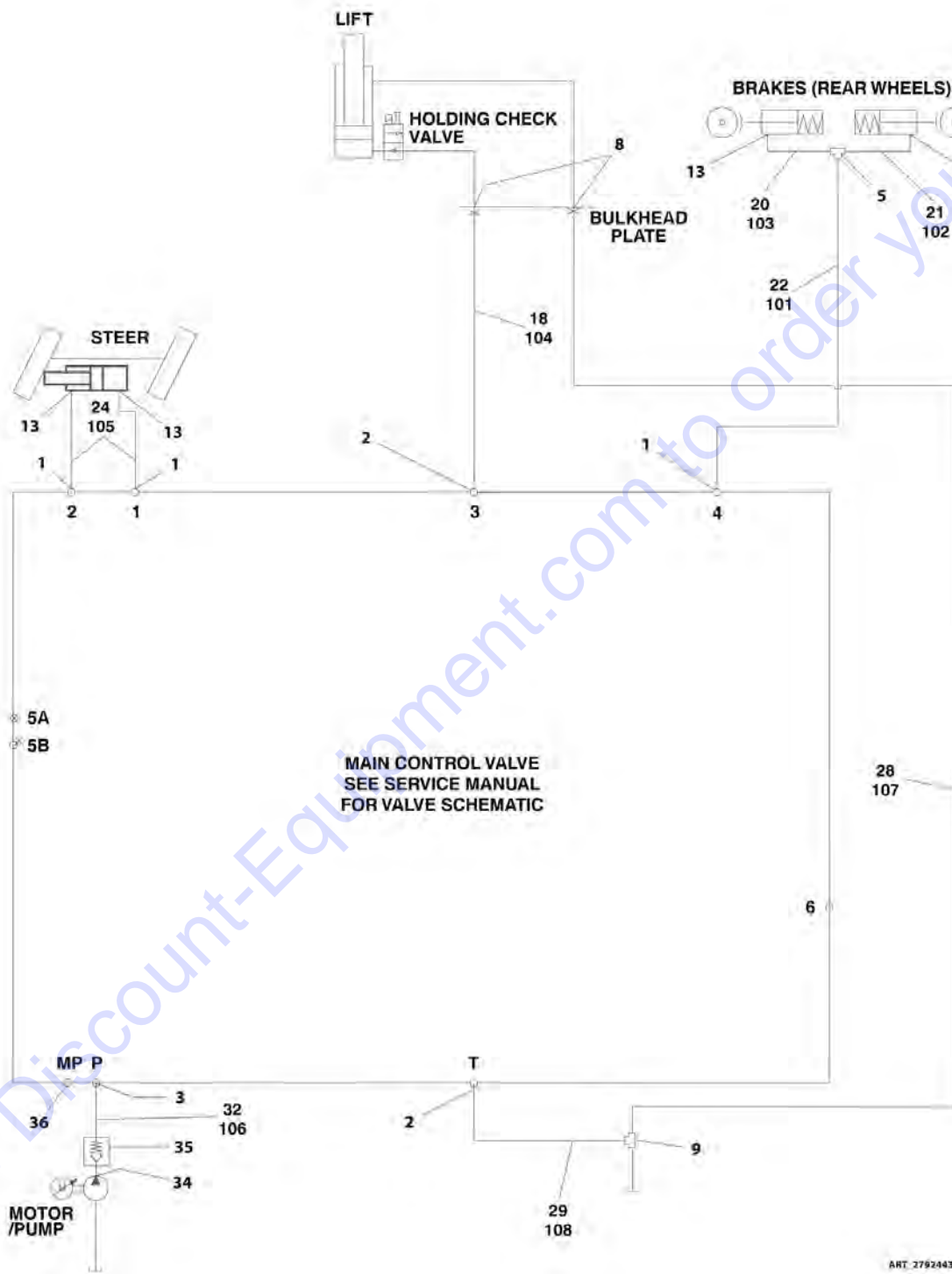
FIGURE 7-7. HYDRAULIC DIAGRAM - LIFT CYLINDER - 4069LE/M4069 WITH LSS

ITEM	PART NUMBER	QTY	DESCRIPTION	REV
	0275526	1	HYDRAULIC DIAGRAM - LIFT CYLINDER - 4069LE/M4069 WITH LSS	F
36	2220371	2	Fitting, Straight JIC/ORB	
37	2220473	1	Fitting, 90 JIC/ORB	
38	2220635	1	Fitting, Tee JIC/JIC/JIC	
39	2220899	1	Fitting, Tee JIC/ORB/JIC	
40	2753137	1	Hose	
41	2753414	1	Hose	
42	2753415	1	Hose	
43	2753526	1	Hose	

Go to Discount-Equipment.com to order your parts

SECTION 7 - HYDRAULIC

FIGURE 7-8. HYDRAULIC DIAGRAM - STANDARD - 3369LE/M3369 WITH FIXED AXLE



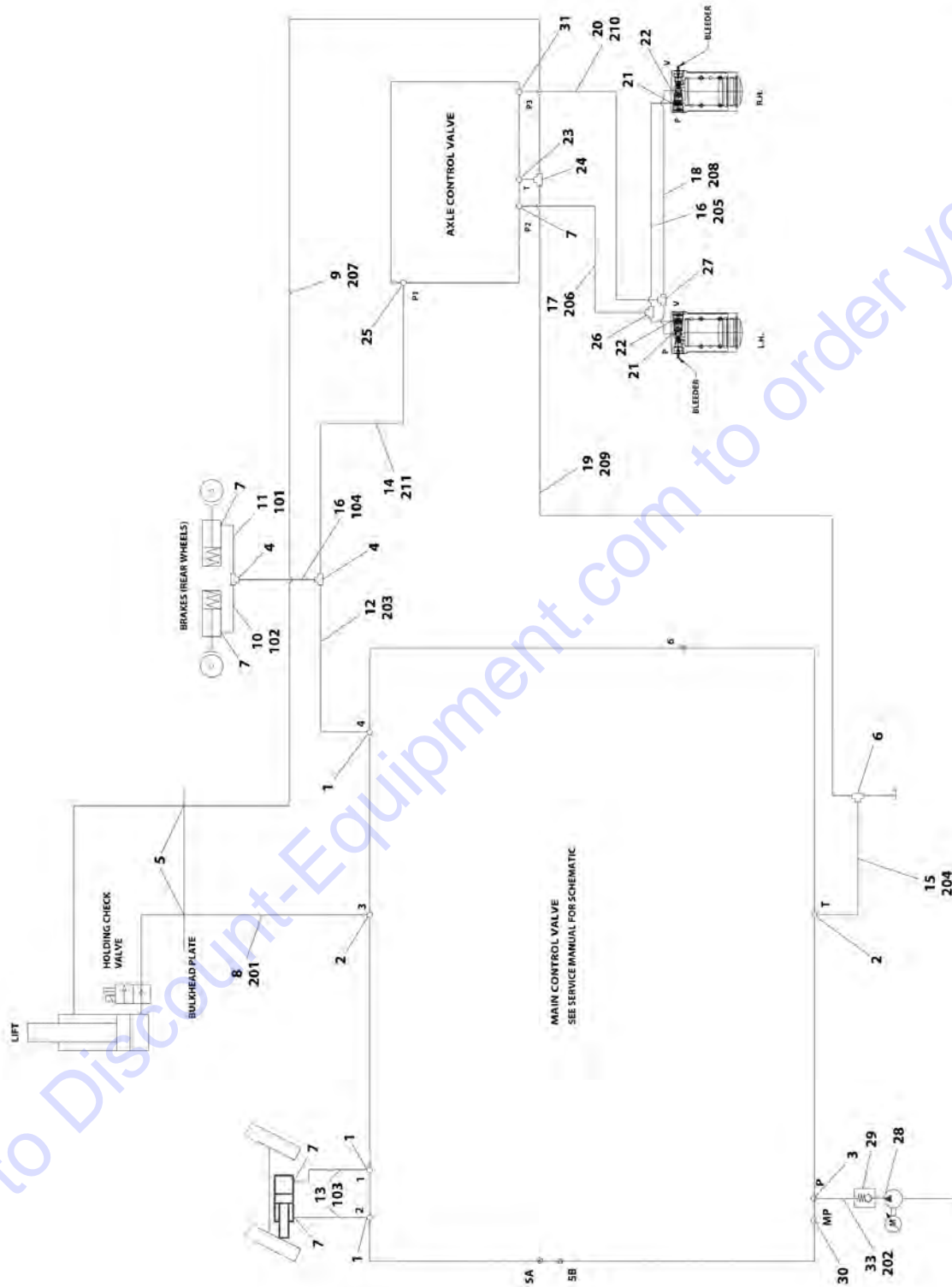
SECTION 7 - HYDRAULIC

FIGURE 7-8. HYDRAULIC DIAGRAM - STANDARD - 3369LE/M3369 WITH FIXED AXLE

ITEM	PART NUMBER	QTY	DESCRIPTION	REV
	2792443	Ref	HYDRAULIC DIAGRAM - STANDARD - 3369LE/M3369 WITH FIXED AXLE	F
1	2220415	3	Fitting, Straight JIC/ORB	
2	2220371	2	Fitting, Straight JIC/ORB	
3	2220373	1	Fitting, Straight JIC/ORB	
5	2220504	1	Fitting, Tee JIC/JIC/JIC	
8	2230024	2	Fitting, Bulkhead JIC/JIC	
9	2221041	1	Fitting, Tee	
13	2220466	4	Fitting, 90 JIC/ORB	
18	2752958	1	Hose (Prior to SN M200011808)	
20	2752593	1	Hose (Prior to SN M200011808)	
21	2752444	1	Hose (Prior to SN M200011808)	
22	2750905	1	Hose (Prior to SN M200011808)	
24	2752983	2	Hose (Prior to SN M200011808)	
28	2753527	1	Hose (Prior to SN M200011808)	
29	2753528	1	Hose (Prior to SN M200011808)	
32	2753187	1	Hose (Prior to SN M200011808)	
34	2220810	1	Fitting, Straight ORB/ORB	
35	4640744	1	Valve, Inline Check	
36	2221086	1	Fitting, Test Port	
100	1001230578	Ref	Kit, Fixed Axle Hose (SN M200011808 to Present)	
101	See Note	1	Hose (Note: Use p/n 1001230578)	
102	See Note	1	Hose (Note: Use p/n 1001230578)	
103	See Note	1	Hose (Note: Use p/n 1001230578)	
104	See Note	1	Hose (Note: Use p/n 1001230578)	
105	See Note	2	Hose (Note: Use p/n 1001230578)	
106	See Note	1	Hose (Note: Use p/n 1001230578)	
107	See Note	1	Hose (Note: Use p/n 1001230578)	
108	See Note	1	Hose (Note: Use p/n 1001230578)	

SECTION 7 - HYDRAULIC

FIGURE 7-9. HYDRAULIC DIAGRAM - STANDARD - 3369LE/M3369 WITH OSCILLATING AXLE (ALL SPECS EXCEPT CE SPEC)



ART. 1001167496

SECTION 7 - HYDRAULIC

FIGURE 7-9. HYDRAULIC DIAGRAM - STANDARD - 3369LE/M3369 WITH OSCILLATING AXLE (ALL SPECS EXCEPT CE SPEC)

ITEM	PART NUMBER	QTY	DESCRIPTION	REV
	1001167496	Ref	HYDRAULIC DIAGRAM - STANDARD - 3369LE/M3369 WITH OSCILLATING AXLE (ALL SPECS EXCEPT CE SPEC)	F
1	2220415	3	Fitting, Straight	
2	2220371	2	Fitting, Straight	
3	2220373	1	Fitting, Straight	
4	2220504	2	Fitting, Tee	
5	2230024	2	Fitting, Bulkhead	
6	2221041	1	Fitting, Tee	
7	2220466	5	Fitting, 90	
8	2752958	1	Hose (Prior to SN M200011808)	
9	1001170684	1	Hose (Prior to SN M200011808)	
10	2752593	1	Hose (Prior to SN M200011808)	
11	2752444	1	Hose (Prior to SN M200011808)	
12	2753462	1	Hose (Prior to SN M200011808)	
13	2752983	2	Hose (Prior to SN M200011808)	
14	1001177692	1	Hose (Prior to SN M200011808)	
15	2753528	1	Hose (Prior to SN M200011808)	
16	1001170682	2	Hose (Prior to SN M200011808)	
17	1001170683	1	Hose (Prior to SN M200011808)	
18	1001170685	1	Hose (Prior to SN M200011808)	
19	1001170686	1	Hose (Prior to SN M200011808)	
20	1001170687	1	Hose (Prior to SN M200011808)	
21	2220923	2	Fitting, Straight JIC/ORB	
22	2220998	1	Fitting, Straight JIC/ORB	
23	2220603	1	Fitting, Straight JIC/ORB	
24	2220579	1	Fitting, Tee JIC/JIC/JIC	
25	2220502	1	Fitting, 45 JIC/ORB	
26	2220605	1	Fitting, Tee JIC/JIC/JIC	
27	2220635	1	Fitting, Tee JIC/JIC/JIC	
28	2220810	1	Fitting, Straight ORB/ORB	
29	4640744	1	Valve, Inline Check	
30	2221086	1	Fitting, Test Port	
31	2220775	1	Fitting, 90 JIC/ORB	
33	2753187	1	Hose (Prior to SN M200011808)	
100	1001230577	Ref	Kit, Frame Hose (SN M200011808 to Present)	
101	See Note	1	Hose (Note: Use p/n 1001230577)	
102	See Note	1	Hose (Note: Use p/n 1001230577)	
103	See Note	1	Hose (Note: Use p/n 1001230577)	
104	See Note	1	Hose (Note: Use p/n 1001230577)	
200	1001230579	Ref	Kit, Hosing Station (SN M200011808 to Present)	
201	See Note	2	Hose (Note: Use p/n 1001230579)	
202	See Note	1	Hose (Note: Use p/n 1001230579)	
203	See Note	1	Hose (Note: Use p/n 1001230579)	
204	See Note	2	Hose (Note: Use p/n 1001230579)	
205	See Note	1	Hose (Note: Use p/n 1001230579)	
206	See Note	2	Hose (Note: Use p/n 1001230579)	
207	See Note	1	Hose (Note: Use p/n 1001230579)	
208	See Note	1	Hose (Note: Use p/n 1001230579)	
209	See Note	1	Hose (Note: Use p/n 1001230579)	

SECTION 7 - HYDRAULIC

ITEM	PART NUMBER	QTY	DESCRIPTION	REV
210	See Note	1	Hose (Note: Use p/n 1001230579)	
211	See Note	1	Hose (Note: Use p/n 1001230579)	

Go to Discount-Equipment.com to order your parts

PARTS FINDER

**Search Website
by Part Number**



**Search Manual
Library For Parts
Manual & Lookup Part
Numbers – Purchase
or Request Quote**

**Can't Find Part or
Manual? Request Help
by Manufacturer,
Model & Description**

Discount-Equipment.com is your online resource for quality parts & equipment.

Florida: **561-964-4949** Outside Florida TOLL FREE: **877-690-3101**

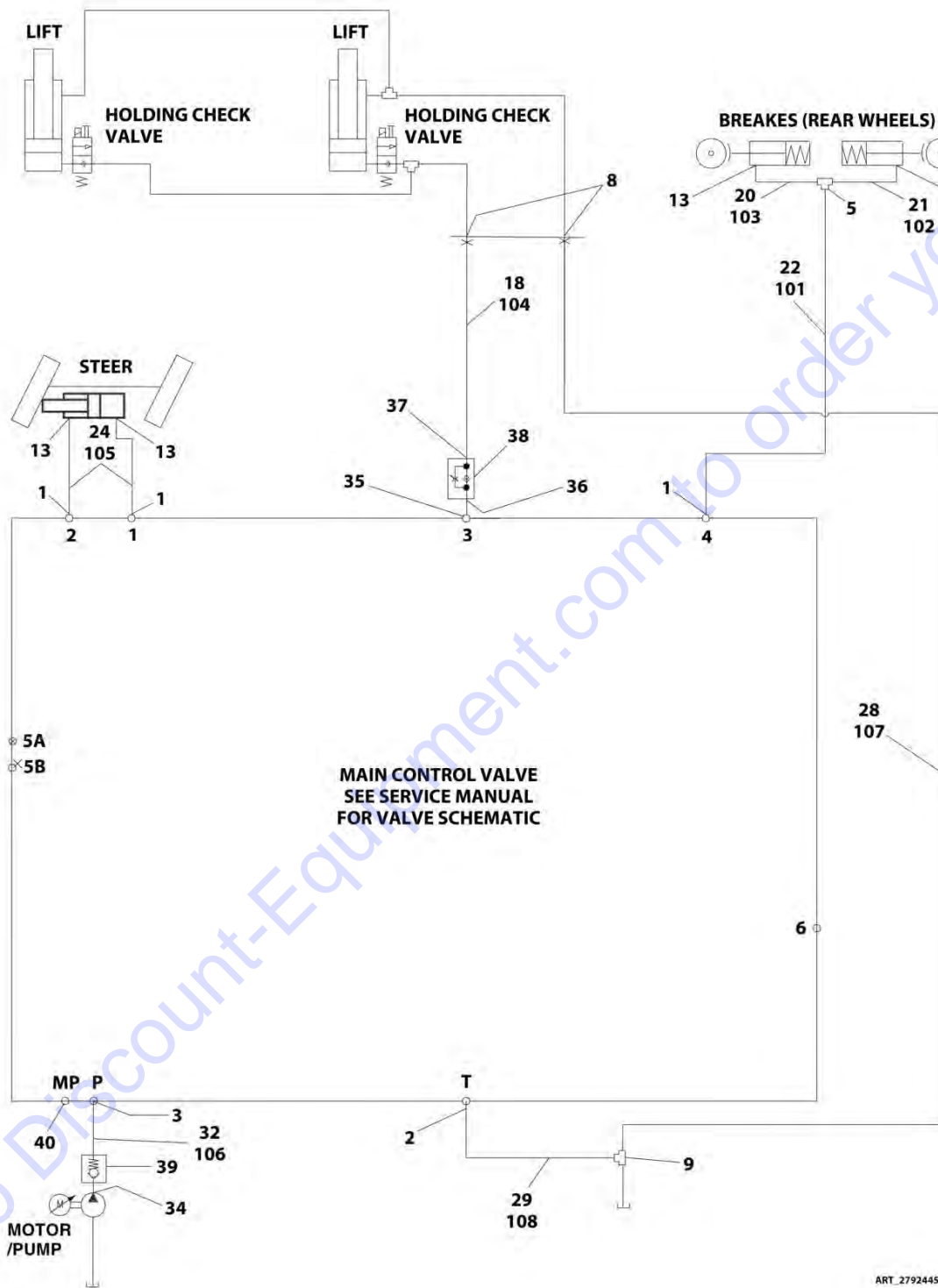
Need parts?

Click on this link: <http://www.discount-equipment.com/category/5443-parts/> and choose one of the options to help get the right parts and equipment you are looking for. Please have the machine model and serial number available in order to help us get you the correct parts. If you don't find the part on the website or on one of the online manuals, please fill out the request form and one of our experienced staff members will get back to you with a quote for the right part that your machine needs.

We sell worldwide for the brands: Genie, Terex, JLG, MultiQuip, Mikasa, Essick, Whiteman, Mayco, Toro Stone, Diamond Products, Generac Magnum, Airman, Haulotte, Barreto, Power Blanket, Nifty Lift, Atlas Copco, Chicago Pneumatic, Allmand, Miller Curber, Skyjack, Lull, Skytrak, Tsurumi, Husquvarna Target, Stow, Wacker, Sakai, Mi-T-M, Sullair, Basic, Dynapac, MBW, Weber, Bartell, Bennar Newman, Haulotte, Ditch Runner, Menegotti, Morrison, Contec, Buddy, Crown, Edco, Wyco, Bomag, Laymor, EZ Trench, Bil-Jax, F.S. Curtis, Gehl Pavers, Heli, Honda, ICS/PowerGrit, IHI, Partner, Imer, Clipper, MMD, Koshin, Rice, CH&E, General Equipment, Amida, Coleman, NAC, Gradall, Square Shooter, Kent, Stanley, Tamco, Toku, Hatz, Kohler, Robin, Wisconsin, Northrock, Oztec, Toker TK, Rol-Air, APT, Wylie, Ingersoll Rand / Doosan, Innovatech, Con X, Ammann, Mecalac, Makinex, Smith Surface Prep, Small Line, Wanco, Yanmar

SECTION 7 - HYDRAULIC

FIGURE 7-10. HYDRAULIC DIAGRAM - STANDARD - 4069LE/M4069 WITH FIXED AXLE



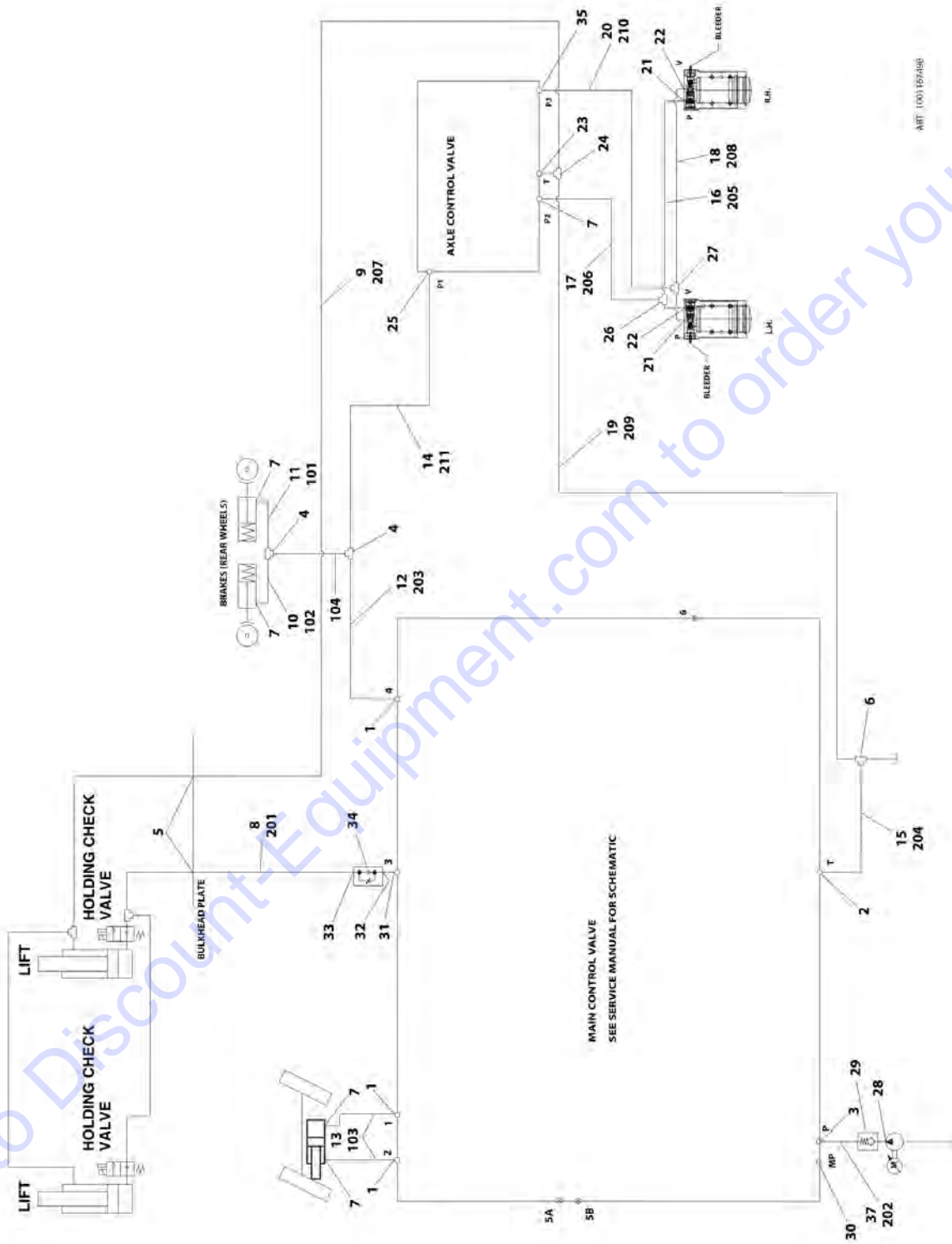
SECTION 7 - HYDRAULIC

FIGURE 7-10. HYDRAULIC DIAGRAM - STANDARD - 4069LE/M4069 WITH FIXED AXLE

ITEM	PART NUMBER	QTY	DESCRIPTION	REV
	2792445	Ref	HYDRAULIC DIAGRAM - STANDARD - 4069LE/M4069 WITH FIXED AXLE	G
1	2220415	3	Fitting, Straight JIC/ORB	
2	2220371	1	Fitting, Straight JIC/ORB	
3	2220373	1	Fitting, Straight JIC/ORB	
5	2220504	1	Fitting, Tee JIC/JIC/JIC	
8	2230024	2	Fitting, Bulkhead JIC/JIC	
9	2221041	1	Fitting, Tee	
13	2220466	4	Fitting, 90 JIC/ORB	
18	2752958	1	Hose (Prior to SN M200011808)	
20	2752593	1	Hose (Prior to SN M200011808)	
21	2752444	1	Hose (Prior to SN M200011808)	
22	2750905	1	Hose (Prior to SN M200011808)	
24	2752983	2	Hose (Prior to SN M200011808)	
28	2753527	1	Hose (Prior to SN M200011808)	
29	2753528	1	Hose (Prior to SN M200011808)	
32	2753187	1	Hose (Prior to SN M200011808)	
34	2220810	1	Fitting, Straight ORB/ORB	
35	2220600	1	Fitting, Straight ORB	
36	2220651	1	Fitting, Straight	
37	2221044	1	Fitting, 45	
38	4640757	1	Valve, Color Flow	
39	4640744	1	Valve, Inline Check	
40	2221086	1	Fitting, Test Port	
100	1001230578	Ref	Kit, Fixed Axle Hose (SN M200011808 to Present)	
101	See Note	1	Hose (Note: Use p/n 1001230578)	
102	See Note	1	Hose (Note: Use p/n 1001230578)	
103	See Note	1	Hose (Note: Use p/n 1001230578)	
104	See Note	1	Hose (Note: Use p/n 1001230578)	
105	See Note	2	Hose (Note: Use p/n 1001230578)	
106	See Note	1	Hose (Note: Use p/n 1001230578)	
107	See Note	1	Hose (Note: Use p/n 1001230578)	
108	See Note	1	Hose (Note: Use p/n 1001230578)	

SECTION 7 - HYDRAULIC

FIGURE 7-11. HYDRAULIC DIAGRAM - STANDARD - 4069LE/M4069 WITH OSCILLATING AXLE (ALL SPECS EXCEPT CE SPEC)



AMT 1001167496

SECTION 7 - HYDRAULIC

FIGURE 7-11. HYDRAULIC DIAGRAM - STANDARD - 4069LE/M4069 WITH OSCILLATING AXLE (ALL SPECS EXCEPT CE SPEC)

ITEM	PART NUMBER	QTY	DESCRIPTION	REV
	1001167498	Ref	HYDRAULIC DIAGRAM - STANDARD - 4069LE/M4069 WITH OSCILLATING AXLE (ALL SPECS EXCEPT CE SPEC)	E
1	2220415	3	Fitting, Straight	
2	2220371	1	Fitting, Straight	
3	2220373	1	Fitting, Straight	
4	2220504	2	Fitting, Tee	
5	2230024	2	Fitting, Bulkhead	
6	2221041	1	Fitting, Tee	
7	2220466	5	Fitting, 90	
8	2752958	1	Hose (Prior to SN M200011808)	
9	1001170684	1	Hose (Prior to SN M200011808)	
10	2752593	1	Hose (Prior to SN M200011808)	
11	2752444	1	Hose (Prior to SN M200011808)	
12	2753462	1	Hose (Prior to SN M200011808)	
13	2752983	2	Hose (Prior to SN M200011808)	
14	1001177692	1	Hose (Prior to SN M200011808)	
15	2753528	1	Hose (Prior to SN M200011808)	
16	1001170682	2	Hose (Prior to SN M200011808)	
17	1001170683	1	Hose (Prior to SN M200011808)	
18	1001170685	1	Hose (Prior to SN M200011808)	
19	1001170686	1	Hose (Prior to SN M200011808)	
20	1001170687	1	Hose (Prior to SN M200011808)	
21	2220923	2	Fitting, Straight JIC/ORB	
22	2220998	1	Fitting, Straight JIC/ORB	
23	2220603	1	Fitting, Straight JIC/ORB	
24	2220579	1	Fitting, Tee JIC/JIC/JIC	
25	2220502	1	Fitting, 45 JIC/ORB	
26	2220605	1	Fitting, Tee JIC/JIC/JIC	
27	2220635	1	Fitting, Tee JIC/JIC/JIC	
28	2220810	1	Fitting, Straight ORB/ORB	
29	4640744	1	Valve, Inline Check	
30	2221086	1	Fitting, Test Port	
31	2220600	1	Fitting, Straight ORB	
32	2220651	1	Fitting, Straight	
33	2221044	1	Fitting, 45	
34	4640757	1	Valve, Color Flow	
35	2220775	1	Fitting, 90 JIC/ORB	
37	2753187	1	Hose (Prior to SN M200011808)	
100	1001230577	Ref	Kit, Frame Hose (SN M200011808 to Present)	
101	See Note	1	Hose (Note: Use p/n 1001230577)	
102	See Note	1	Hose (Note: Use p/n 1001230577)	
103	See Note	1	Hose (Note: Use p/n 1001230577)	
104	See Note	1	Hose (Note: Use p/n 1001230577)	
200	1001230579	Ref	Kit, Hosing Station (SN M200011808 to Present)	
201	See Note	2	Hose (Note: Use p/n 1001230579)	
202	See Note	1	Hose (Note: Use p/n 1001230579)	
203	See Note	1	Hose (Note: Use p/n 1001230579)	
204	See Note	2	Hose (Note: Use p/n 1001230579)	
205	See Note	1	Hose (Note: Use p/n 1001230579)	

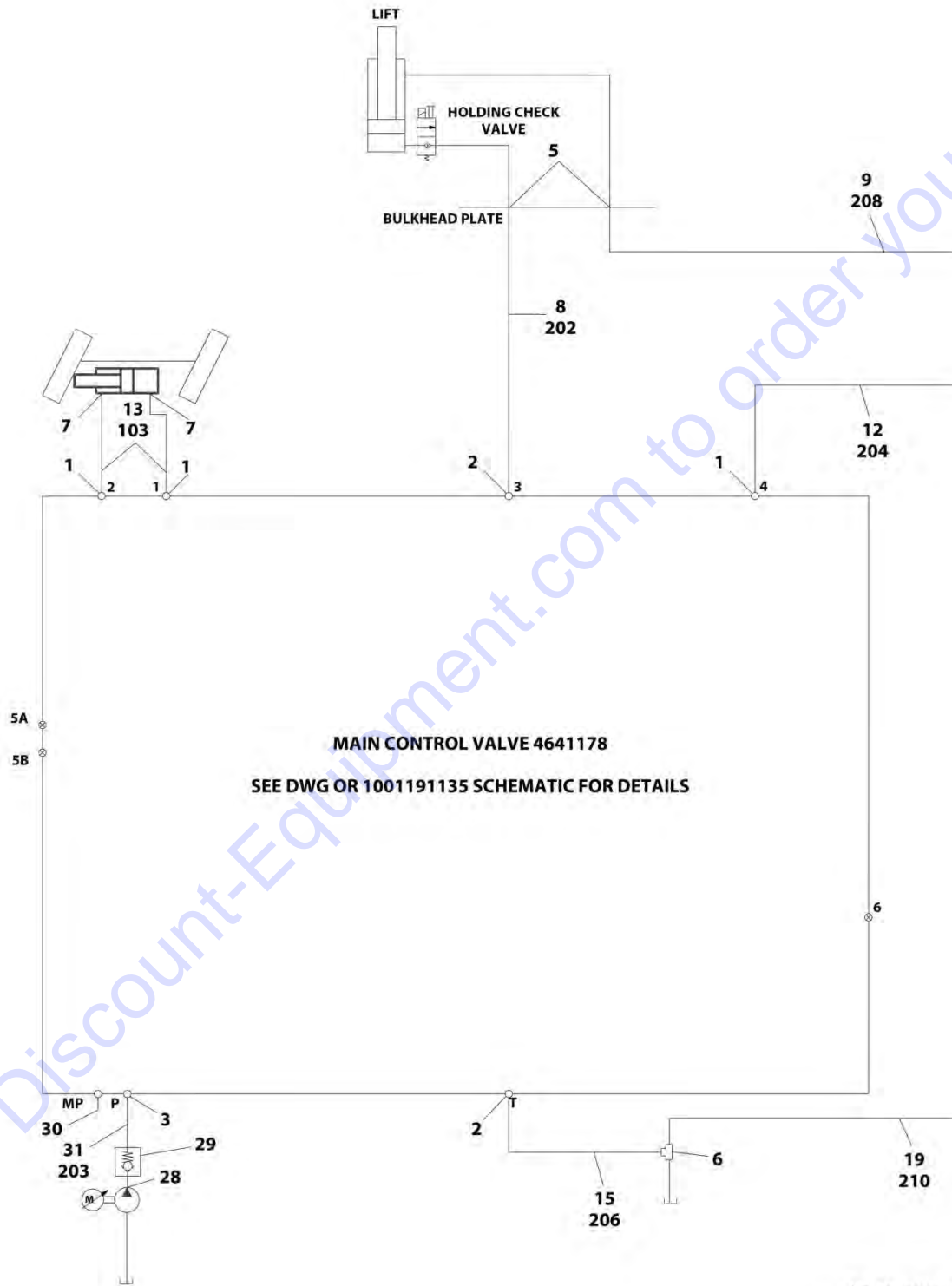
SECTION 7 - HYDRAULIC

ITEM	PART NUMBER	QTY	DESCRIPTION	REV
206	See Note	2	Hose (Note: Use p/n 1001230579)	
207	See Note	1	Hose (Note: Use p/n 1001230579)	
208	See Note	1	Hose (Note: Use p/n 1001230579)	
209	See Note	1	Hose (Note: Use p/n 1001230579)	
210	See Note	1	Hose (Note: Use p/n 1001230579)	
211	See Note	1	Hose (Note: Use p/n 1001230579)	

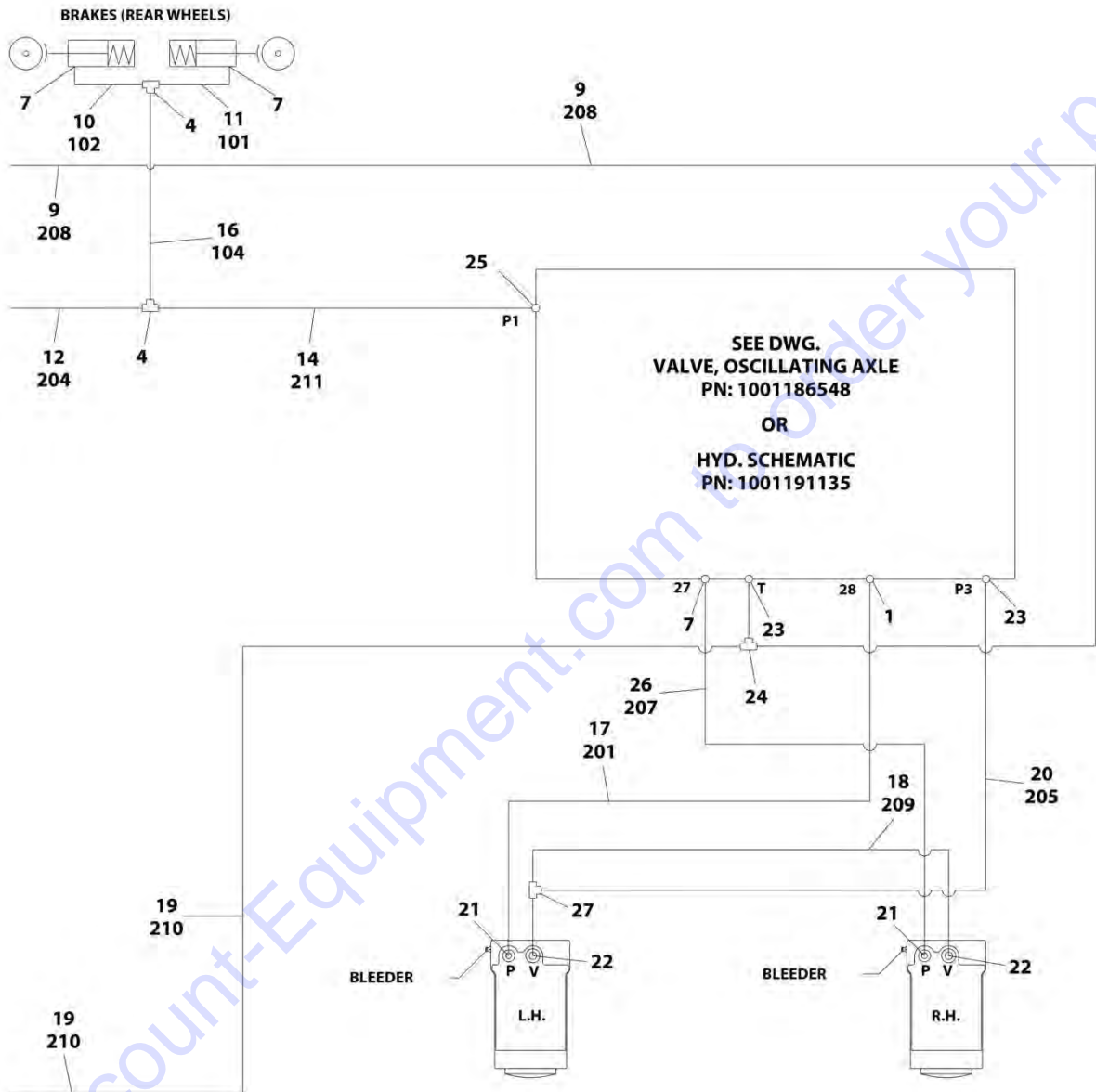
Go to Discount-Equipment.com to order your parts

SECTION 7 - HYDRAULIC

FIGURE 7-12. HYDRAULIC DIAGRAM - STANDARD - 3369LE/M3369 WITH OSCILLATING AXLE (CE SPEC) (SN 0200246353 to Present, SN M200000100 to Present)



SECTION 7 - HYDRAULIC



ART_1001191137_20F2

SECTION 7 - HYDRAULIC

FIGURE 7-12. HYDRAULIC DIAGRAM - STANDARD - 3369LE/M3369 WITH OSCILLATING AXLE (CE SPEC) (SN 0200246353 to Present, SN M200000100 to Present)

ITEM	PART NUMBER	QTY	DESCRIPTION	REV
	1001191137	Ref	HYDRAULIC DIAGRAM - STANDARD - 3369LE/M3369 WITH OSCILLATING AXLE (CE SPEC) (SN 0200246353 to Present)	C
	1001191137	Ref	HYDRAULIC DIAGRAM - STANDARD - 3369LE/M3369 WITH OSCILLATING AXLE (CE SPEC) (SN M200000100 to Present)	C
1	2220415	4	Fitting, Straight	
2	2220371	2	Fitting, Straight	
3	2220373	1	Fitting, Straight	
4	2220504	2	Fitting, Tee	
5	2230024	2	Fitting, Bulkhead	
6	2221041	1	Fitting, Tee	
7	2220466	5	Fitting, 90	
8	2752958	1	Hose (Prior to SN M200011808)	
9	1001170684	1	Hose (Prior to SN M200011808)	
10	2752593	1	Hose (Prior to SN M200011808)	
11	2752444	1	Hose (Prior to SN M200011808)	
12	2753462	1	Hose (Prior to SN M200011808)	
13	2752983	2	Hose (Prior to SN M200011808)	
14	1001177692	1	Hose (Prior to SN M200011808)	
15	2753528	1	Hose (Prior to SN M200011808)	
16	1001170682	1	Hose (Prior to SN M200011808)	
17	2752453	1	Hose (Prior to SN M200011808)	
18	1001170685	1	Hose (Prior to SN M200011808)	
19	1001170686	1	Hose (Prior to SN M200011808)	
20	2753487	1	Hose (Prior to SN M200011808)	
21	2220923	2	Fitting, Straight JIC/ORB	
22	2220998	2	Fitting, Straight JIC/ORB	
23	2220603	2	Fitting, Straight JIC/ORB	
24	2220579	1	Fitting, Tee JIC/JIC/JIC	
25	2220502	1	Fitting, 45 JIC/ORB	
26	2754230	1	Hose (Prior to SN M200011808)	
27	2220635	1	Fitting, Tee JIC/JIC/JIC	
28	2220810	1	Fitting, Straight ORB/ORB	
29	4640744	1	Valve, Inline Check	
30	2221086	1	Fitting, Test Port	
31	2753187	1	Hose (Prior to SN M200011808)	
100	1001230577	Ref	Kit, Frame Hose (SN M200011808 to Present)	
101	See Note	1	Hose (Note: Use p/n 1001230577)	
102	See Note	1	Hose (Note: Use p/n 1001230577)	
103	See Note	1	Hose (Note: Use p/n 1001230577)	
104	See Note	1	Hose (Note: Use p/n 1001230577)	
200	1001230580	Ref	Kit, Hosing Station (SN M200011808 to Present)	
201	See Note	2	Hose (Note: Use p/n 1001230580)	
202	See Note	1	Hose (Note: Use p/n 1001230580)	
203	See Note	1	Hose (Note: Use p/n 1001230580)	
204	See Note	2	Hose (Note: Use p/n 1001230580)	
205	See Note	1	Hose (Note: Use p/n 1001230580)	
206	See Note	2	Hose (Note: Use p/n 1001230580)	
207	See Note	1	Hose (Note: Use p/n 1001230580)	
208	See Note	1	Hose (Note: Use p/n 1001230580)	

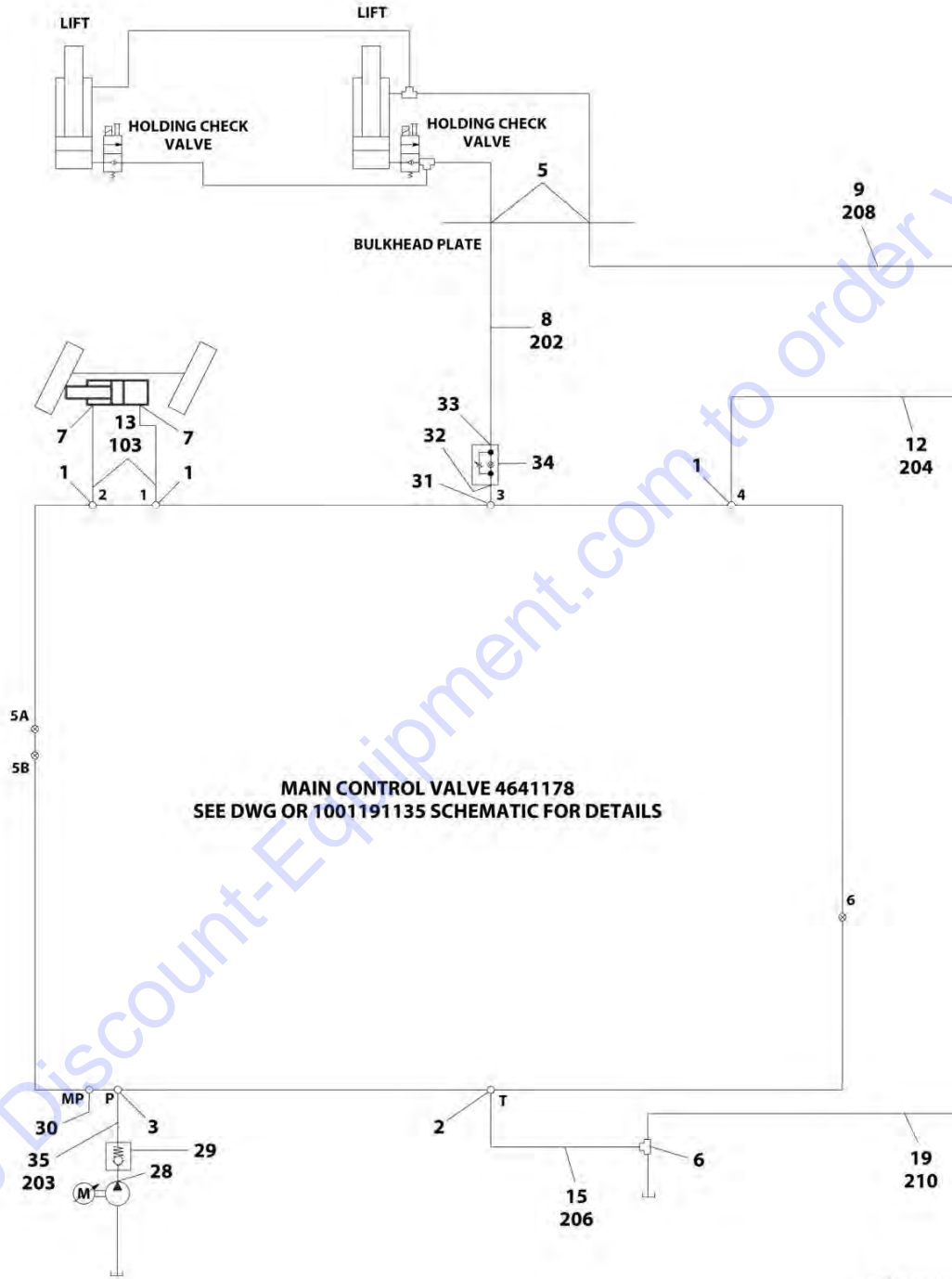
SECTION 7 - HYDRAULIC

ITEM	PART NUMBER	QTY	DESCRIPTION	REV
209	See Note	1	Hose (Note: Use p/n 1001230580)	
210	See Note	1	Hose (Note: Use p/n 1001230580)	
211	See Note	1	Hose (Note: Use p/n 1001230580)	

Go to Discount-Equipment.com to order your parts

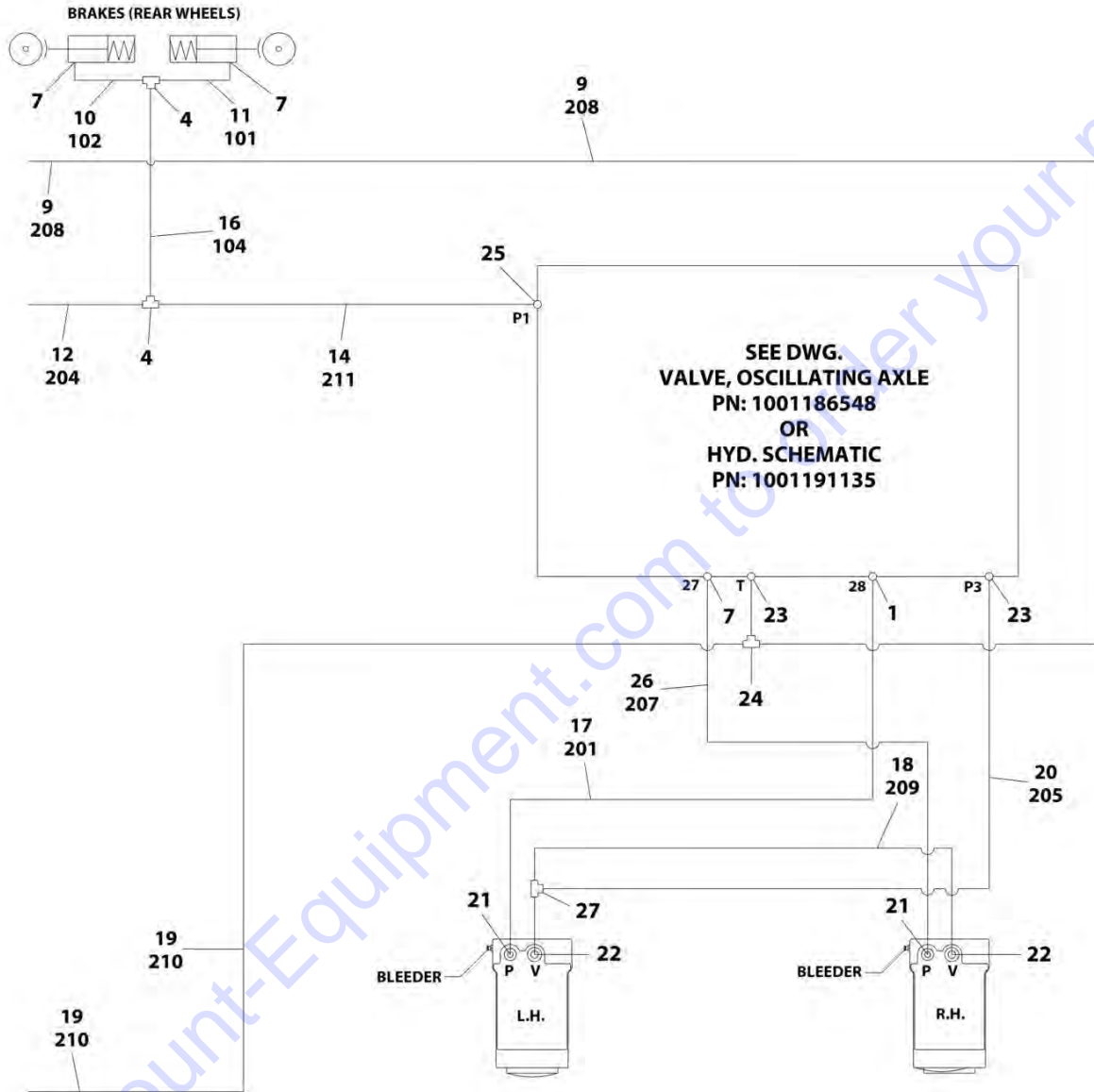
SECTION 7 - HYDRAULIC

FIGURE 7-13. HYDRAULIC DIAGRAM - STANDARD - 4069LE/M4069 WITH OSCILLATING AXLE (CE SPEC) (SN 0200246353 to Present, SN M200000100 to Present)



ART_1001191141_10F2

SECTION 7 - HYDRAULIC



ART_1001191141_20F2

SECTION 7 - HYDRAULIC

FIGURE 7-13. HYDRAULIC DIAGRAM - STANDARD - 4069LE/M4069 WITH OSCILLATING AXLE (CE SPEC) (SN 0200246353 to Present, SN M200000100 to Present)

ITEM	PART NUMBER	QTY	DESCRIPTION	REV
	1001191141	Ref	HYDRAULIC DIAGRAM - STANDARD - 4069LE/M4069 WITH OSCILLATING AXLE (CE SPEC) (SN 0200246353 to Present)	C
	1001191141	Ref	HYDRAULIC DIAGRAM - STANDARD - 4069LE/M4069 WITH OSCILLATING AXLE (CE SPEC) (SN M200000100 to Present)	C
1	2220415	4	Fitting, Straight	
2	2220371	1	Fitting, Straight	
3	2220373	1	Fitting, Straight	
4	2220504	2	Fitting, Tee	
5	2230024	2	Fitting, Bulkhead	
6	2221041	1	Fitting, Tee	
7	2220466	5	Fitting, 90	
8	2752958	1	Hose (Prior to SN M200011808)	
9	1001170684	1	Hose (Prior to SN M200011808)	
10	2752593	1	Hose (Prior to SN M200011808)	
11	2752444	1	Hose (Prior to SN M200011808)	
12	2753462	1	Hose (Prior to SN M200011808)	
13	2752983	2	Hose (Prior to SN M200011808)	
14	1001177692	1	Hose (Prior to SN M200011808)	
15	2753528	1	Hose (Prior to SN M200011808)	
16	1001170682	1	Hose (Prior to SN M200011808)	
17	2752453	1	Hose (Prior to SN M200011808)	
18	1001170685	1	Hose (Prior to SN M200011808)	
19	1001170686	1	Hose (Prior to SN M200011808)	
20	2753487	1	Hose (Prior to SN M200011808)	
21	2220923	2	Fitting, Straight JIC/ORB	
22	2220998	2	Fitting, Straight JIC/ORB	
23	2220603	2	Fitting, Straight JIC/ORB	
24	2220579	1	Fitting, Tee JIC/JIC/JIC	
25	2220502	1	Fitting, 45 JIC/ORB	
26	2754230	1	Hose (Prior to SN M200011808)	
27	2220635	1	Fitting, Tee JIC/JIC/JIC	
28	2220810	1	Fitting, Straight ORB/ORB	
29	4640744	1	Valve, Inline Check	
30	2221086	1	Fitting, Test Port	
31	2220600	1	Fitting, Straight ORB	
32	2220651	1	Fitting, Straight	
33	2221044	1	Fitting, 45	
34	4640757	1	Valve, Color Flow	
35	2753187	1	Hose (Prior to SN M200011808)	
100	1001230577	Ref	Kit, Frame Hose (SN M200011808 to Present)	
101	See Note	1	Hose (Note: Use p/n 1001230577)	
102	See Note	1	Hose (Note: Use p/n 1001230577)	
103	See Note	1	Hose (Note: Use p/n 1001230577)	
104	See Note	1	Hose (Note: Use p/n 1001230577)	
200	1001230580	Ref	Kit, Hosing Station (SN M200011808 to Present)	
201	See Note	2	Hose (Note: Use p/n 1001230580)	
202	See Note	1	Hose (Note: Use p/n 1001230580)	
203	See Note	1	Hose (Note: Use p/n 1001230580)	
204	See Note	2	Hose (Note: Use p/n 1001230580)	

SECTION 7 - HYDRAULIC

ITEM	PART NUMBER	QTY	DESCRIPTION	REV
205	See Note	1	Hose (Note: Use p/n 1001230580)	
206	See Note	2	Hose (Note: Use p/n 1001230580)	
207	See Note	1	Hose (Note: Use p/n 1001230580)	
208	See Note	1	Hose (Note: Use p/n 1001230580)	
209	See Note	1	Hose (Note: Use p/n 1001230580)	
210	See Note	1	Hose (Note: Use p/n 1001230580)	
211	See Note	1	Hose (Note: Use p/n 1001230580)	

Go to Discount-Equipment.com to order your parts

SECTION 8 - ELECTRICAL

Go to Discount-Equipment.com to order your parts

SECTION 8 - ELECTRICAL

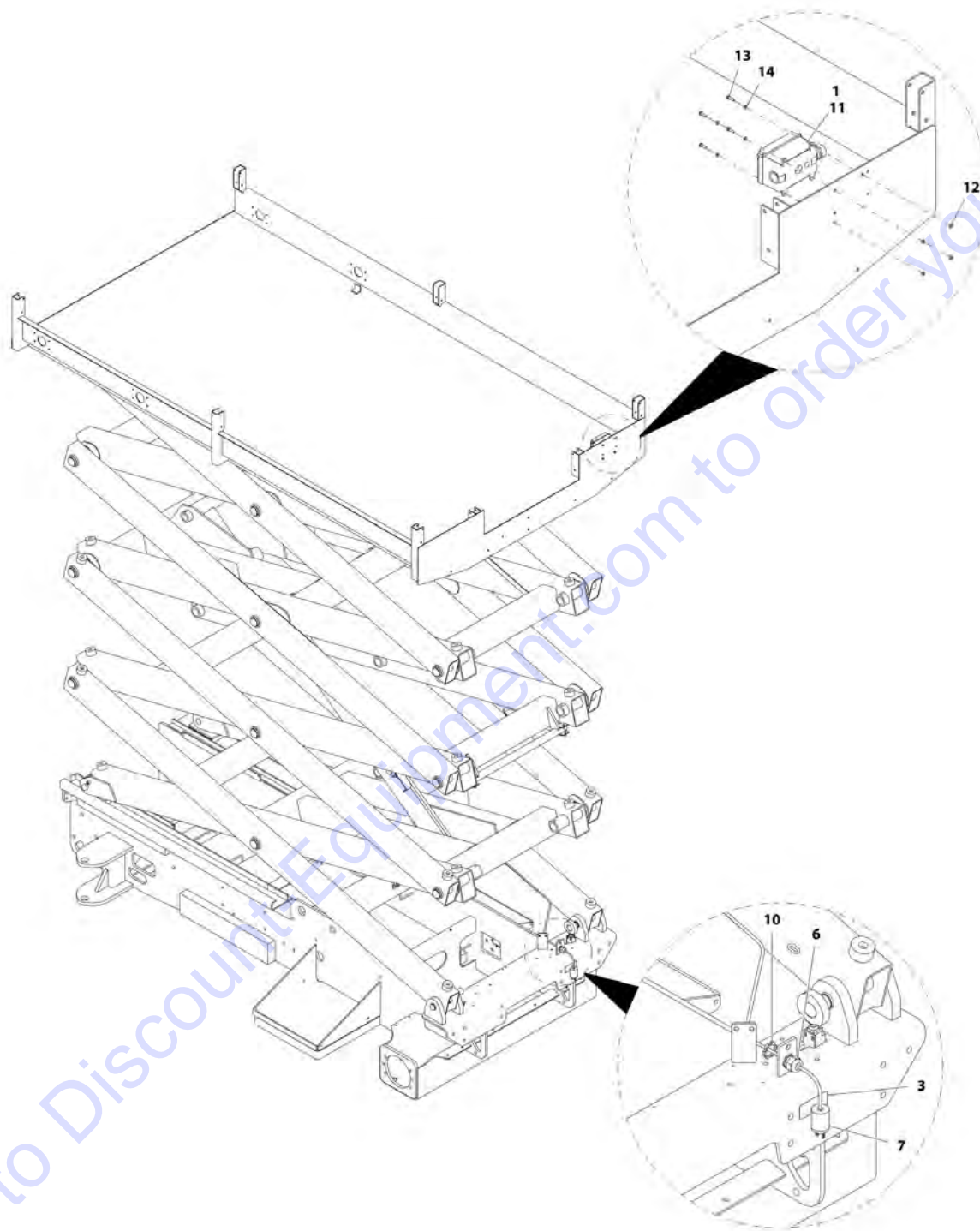
FIGURE 8-1. ELECTRICAL DIAGRAM LIST

ITEM	PART NUMBER	QTY	DESCRIPTION	REV
		Ref	ELECTRICAL DIAGRAM LIST	
	1001171104	Ref	Electrical Schematic - All Specs except Australian Spec (Note: See Service and Maintenance Manual)	
	1001171105	Ref	Electrical Schematic - Australian Spec (Note: See Service and Maintenance Manual)	

Go to Discount-Equipment.com to order your parts

SECTION 8 - ELECTRICAL

FIGURE 8-2. AC TO PLATFORM INSTALLATION - 110V GFI (3369LE/M3369)



ART_0259587

SECTION 8 - ELECTRICAL

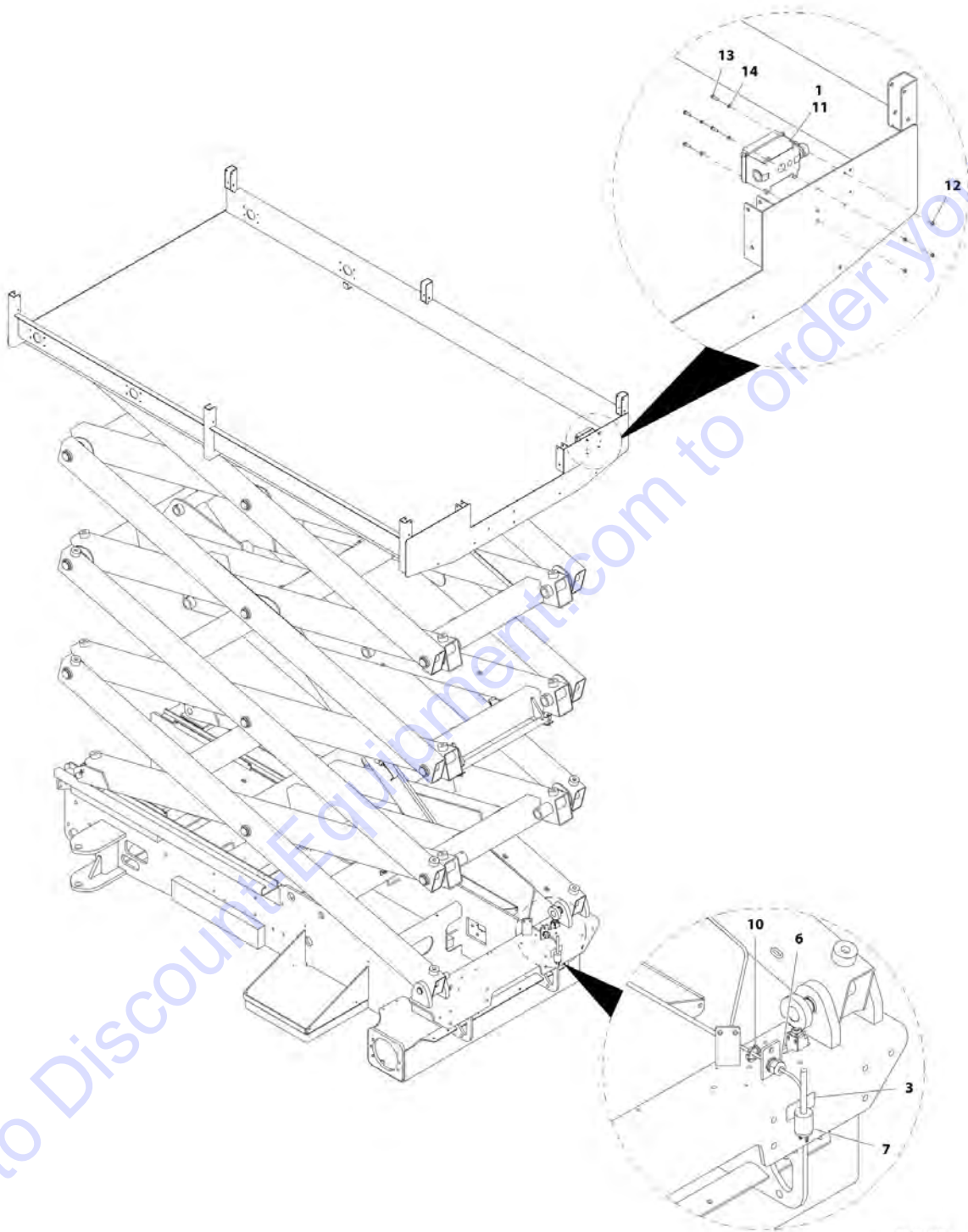
FIGURE 8-2. AC TO PLATFORM INSTALLATION - 110V GFI (3369LE/M3369)

ITEM	PART NUMBER	QTY	DESCRIPTION	REV
	0259587	Ref	AC TO PLATFORM INSTALLATION - 110V GFI (3369LE/M3369)	J
1	2902431	1	Receptacle Box Kit - 110V GFI (See RECEPTACLE BOX KIT - 110V GFI for Breakdown)	
3	1703464	1	Decal - 120V-60Hz AC Power to Platform	
6	4460071	1	Connector, Strain Relief	
7	4460138	1	Plug, Male	
10	3300048	1	Nut 3/4	
11	4460315	3	Terminal	
12	3290405	4	Nut M4	
13	4010408	4	Screw M4 x 16	
14	4811400	4	Washer M4	

Go to Discount-Equipment.com to order your parts

SECTION 8 - ELECTRICAL

FIGURE 8-3. AC TO PLATFORM INSTALLATION - 110V GFI (4069LE/M4069)



ART_027010M

SECTION 8 - ELECTRICAL

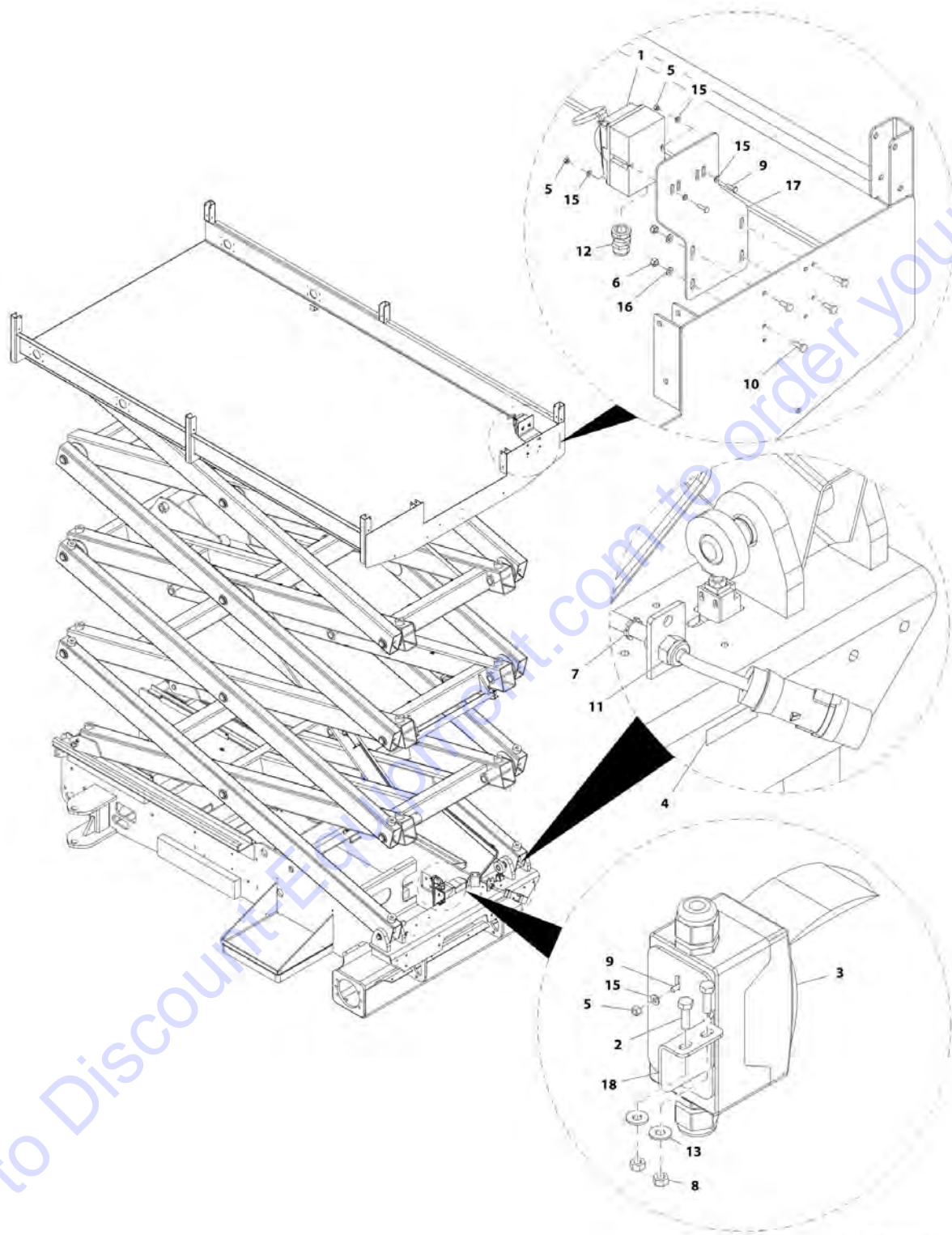
FIGURE 8-3. AC TO PLATFORM INSTALLATION - 110V GFI (4069LE/M4069)

ITEM	PART NUMBER	QTY	DESCRIPTION	REV
	0270109	Ref	AC TO PLATFORM INSTALLATION - 110V GFI (4069LE/M4069)	I
1	2902431	1	Receptacle Box Kit - 110V GFI (See RECEPTACLE BOX KIT - 110V GFI for Breakdown)	
3	1703464	1	Decal - 120V-60Hz AC Power to Platform	
6	4460071	1	Connector, Strain Relief	
7	4460138	1	Plug, Male	
10	3300048	1	Nut 3/4	
11	4460315	3	Terminal	
12	3290405	4	Nut M4	
13	4010408	4	Screw M4 x 16	
14	4811400	4	Washer M4	

Go to Discount-Equipment.com to order your parts

SECTION 8 - ELECTRICAL

FIGURE 8-4. AC TO PLATFORM INSTALLATION - 110V IEC YELLOW (CE SPEC ONLY)



SECTION 8 - ELECTRICAL

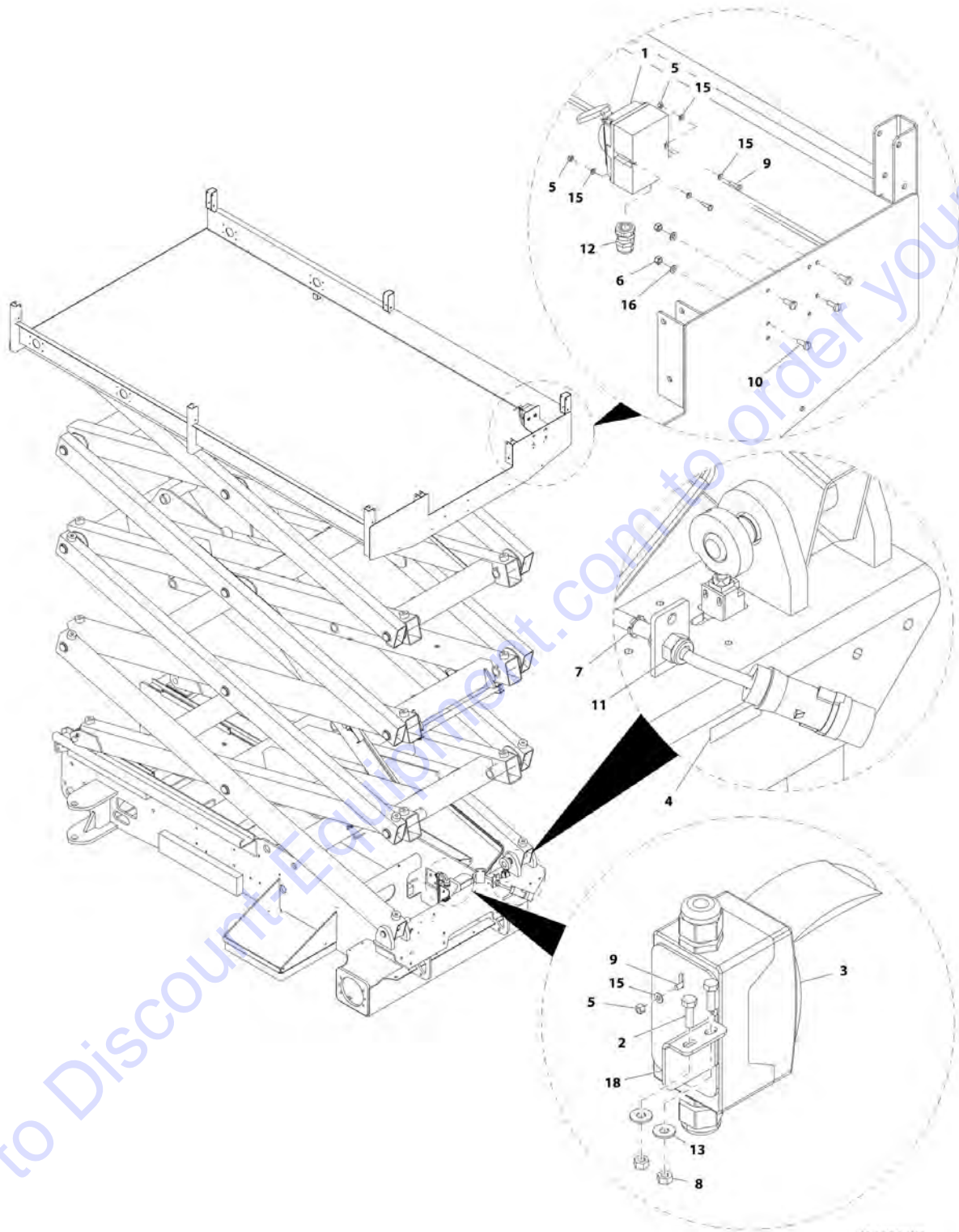
FIGURE 8-4. AC TO PLATFORM INSTALLATION - 110V IEC YELLOW (CE SPEC ONLY)

ITEM	PART NUMBER	QTY	DESCRIPTION	REV
	1001094911	Ref	AC TO PLATFORM INSTALLATION - 110V IEC YELLOW (CE SPEC ONLY)	B
1	0275216	1	Receptacle Box Kit - 110V IEC Yellow (See RECEPTACLE BOX KIT - 110V IEC YELLOW for Breakdown)	
2	0641407	2	Bolt 1/4 x 7/8	
3	2902549	1	Breaker Box Kit (See BREAKER BOX KIT WITH TWO BREAKERS - CE SPEC for Breakdown)	
4	3252507	1	Decal - 220V - 50/60Hz	
5	3290405	4	Nut M4	
6	3290605	4	Nut M6	
7	3300048	1	Nut 3/4	
8	3311405	2	Nut 1/4	
9	4010408	4	Screw M4 x 16	
10	4010608	4	Screw M6 x 16	
11	4460071	1	Connector, Strain Relief	
12	4460968	1	Connector, Strain Relief	
13	4751400	2	Washer 1/4	
15	4811400	8	Washer M4	
16	4811700	4	Washer M6	
17	1001151377	1	Bracket	
18	1001094915	1	Bracket	

Go to Discount-Equipment.com to order your parts

SECTION 8 - ELECTRICAL

FIGURE 8-5. AC TO PLATFORM INSTALLATION - 220V IEC BLUE (CE SPEC ONLY)



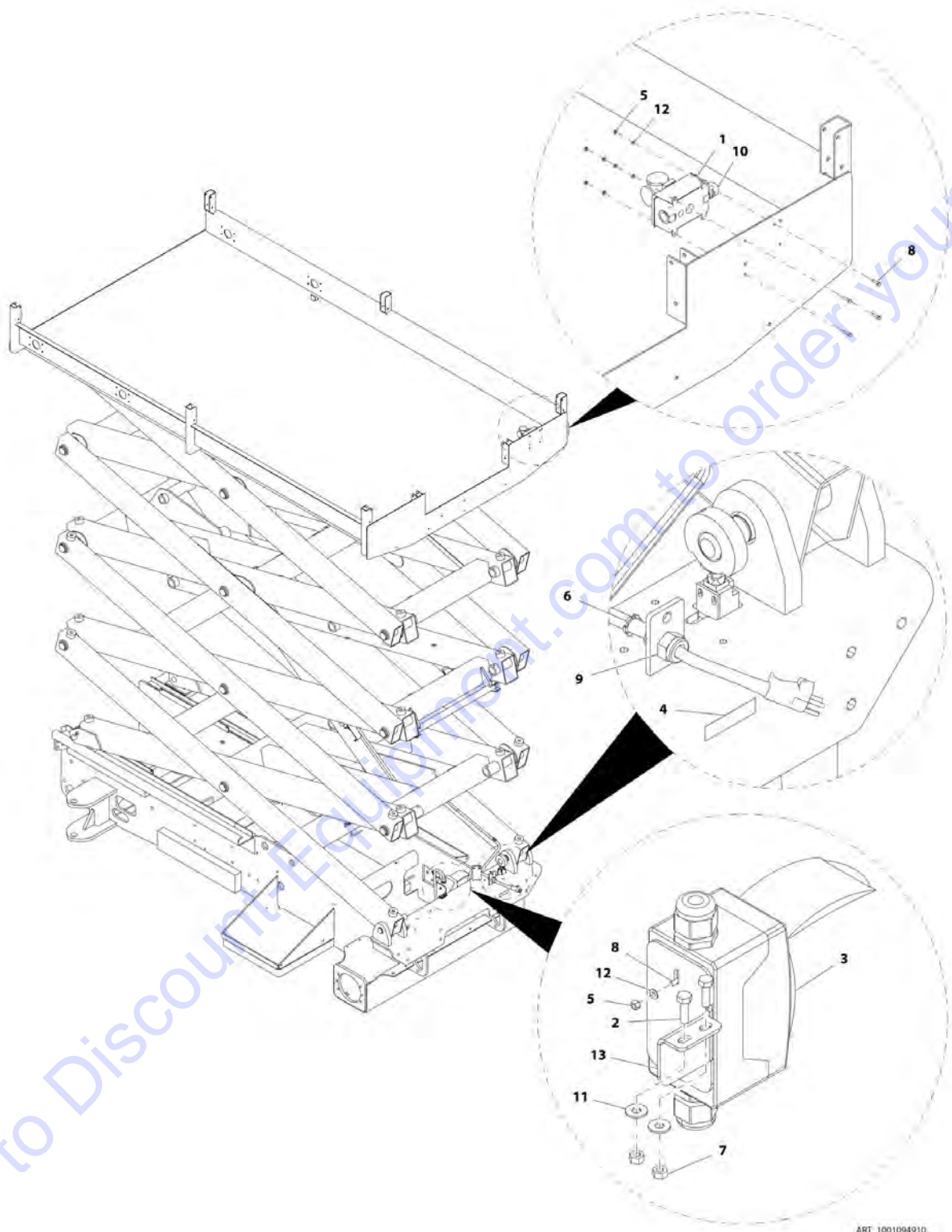
SECTION 8 - ELECTRICAL

FIGURE 8-5. AC TO PLATFORM INSTALLATION - 220V IEC BLUE (CE SPEC ONLY)

ITEM	PART NUMBER	QTY	DESCRIPTION	REV
	1001094912	Ref	AC TO PLATFORM INSTALLATION - 220V IEC BLUE (CE SPEC ONLY)	B
1	0275217	1	Receptacle Box Kit - 220V IEC Blue (See RECEPTACLE BOX KIT - 220V IEC BLUE for Breakdown)	
2	0641407	2	Bolt 1/4 x 7/8	
3	2902549	1	Breaker Box Kit (See BREAKER BOX KIT WITH TWO BREAKERS - CE SPEC for Breakdown)	
4	3252507	1	Decal - 220V - 50/60Hz	
5	3290405	4	Nut M4	
6	3290605	4	Nut M6	
7	3300048	1	Nut 3/4	
8	3311405	2	Nut 1/4	
9	4010408	4	Screw M4 x 16	
10	4010608	4	Screw M6 x 16	
11	4460071	1	Connector, Strain Relief	
12	4460968	1	Connector, Strain Relief	
13	4751400	2	Washer 1/4	
15	4811400	8	Washer M4	
16	4811700	4	Washer M6	
17	1001151377	1	Bracket	
18	1001094915	1	Bracket	

SECTION 8 - ELECTRICAL

FIGURE 8-6. AC TO PLATFORM INSTALLATION - 220V AFSINT107 (CE SPEC ONLY)



SECTION 8 - ELECTRICAL

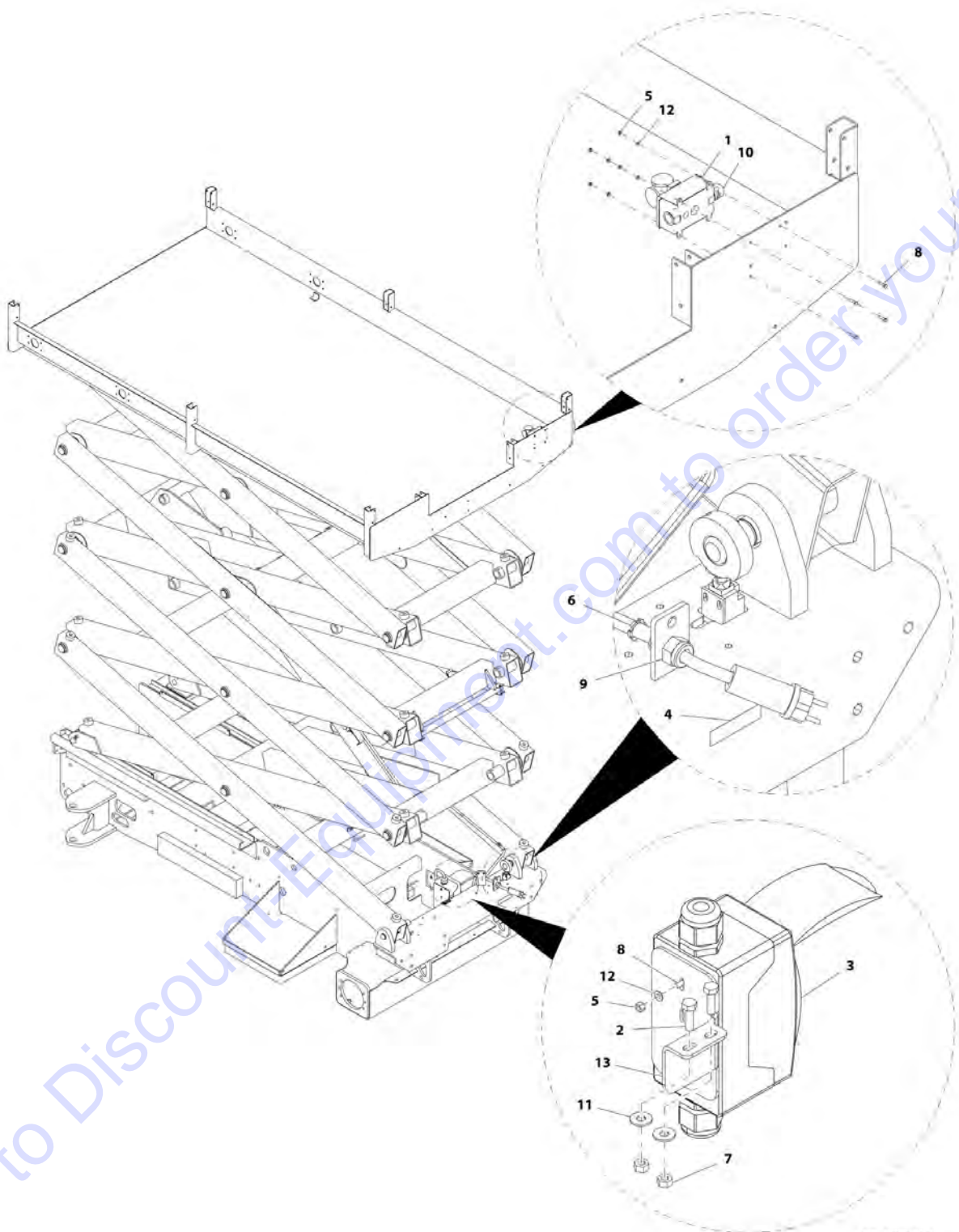
FIGURE 8-6. AC TO PLATFORM INSTALLATION - 220V AFSINT107 (CE SPEC ONLY)

ITEM	PART NUMBER	QTY	DESCRIPTION	REV
	1001094910	Ref	AC TO PLATFORM INSTALLATION - 220V AFSINT107 (CE SPEC ONLY)	A
1	0275454	1	Receptacle Box Kit - 220V AFSINT107 (See RECEPTACLE BOX KIT - 220V AFSINT107 for Breakdown)	
2	0641407	2	Bolt 1/4 x 7/8	
3	2902549	1	Breaker Box Kit (See BREAKER BOX KIT WITH TWO BREAKERS - CE SPEC for Breakdown)	
4	3252507	1	Decal - 220V - 50/60Hz	
5	3290405	6	Nut M4	
6	3300048	1	Nut 3/4	
7	3311405	2	Nut 1/4	
8	4010408	6	Screw M4 x 16	
9	4460071	1	Connector, Strain Relief	
10	4460662	1	Connector, Strain Relief	
11	4751400	2	Washer 1/4	
12	4811400	8	Washer M4	
13	1001094915	1	Bracket	

Go to Discount-Equipment.com to order your parts

SECTION 8 - ELECTRICAL

FIGURE 8-7. AC TO PLATFORM INSTALLATION - 220V CEE7 SIDE GROUND (CE SPEC ONLY)



ART_1001162452

Go to DiscountEquipment.com to order your parts

SECTION 8 - ELECTRICAL

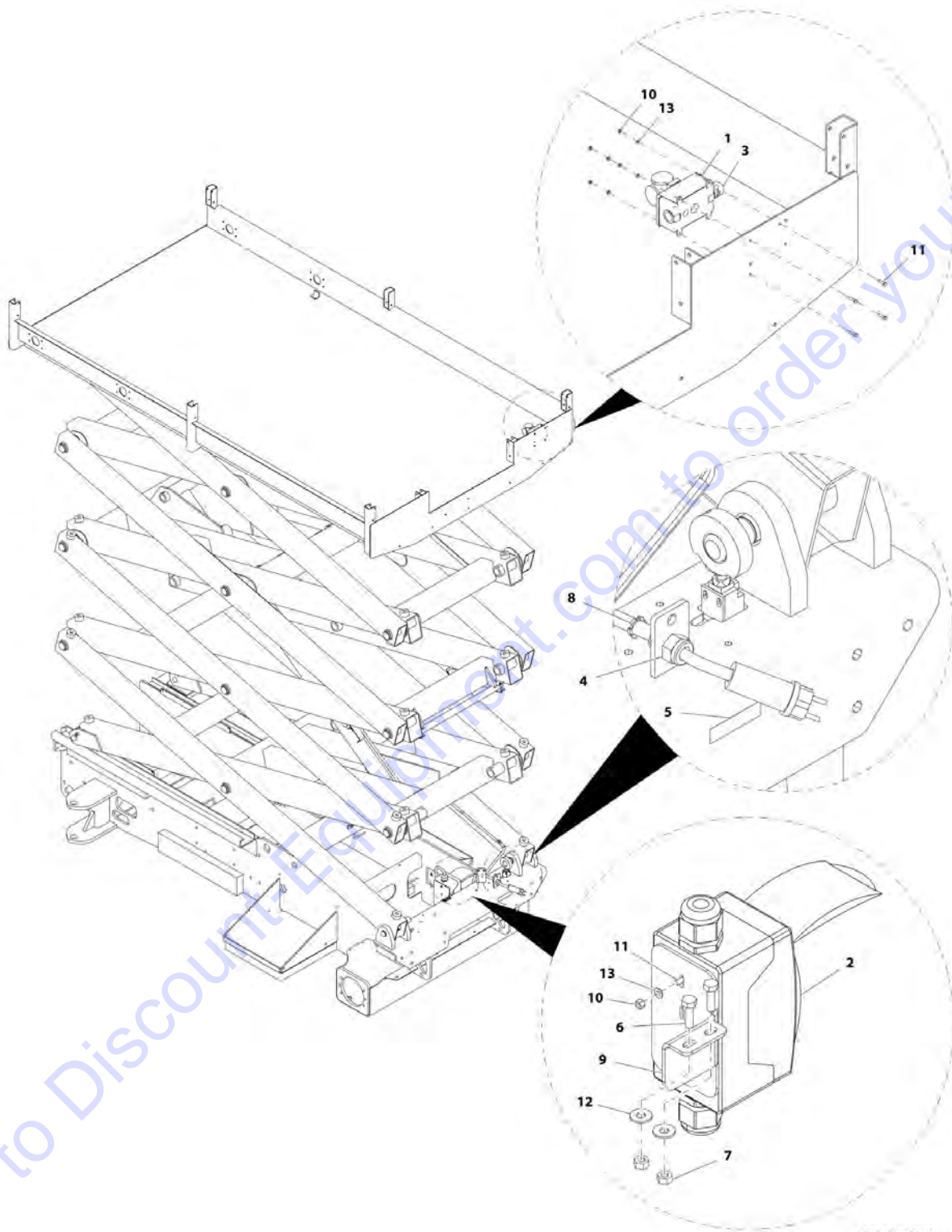
FIGURE 8-7. AC TO PLATFORM INSTALLATION - 220V CEE7 SIDE GROUND (CE SPEC ONLY)

ITEM	PART NUMBER	QTY	DESCRIPTION	REV
	1001162452	Ref	AC TO PLATFORM INSTALLATION - 220V CEE7 SIDE GROUND (CE SPEC ONLY)	B
1	0275453	1	Receptacle Box Kit - 220V CEE7 Side Ground (See RECEPTACLE BOX KIT - 220V CEE7 SIDE GROUND for Breakdown)	
2	0641407	2	Bolt 1/4 x 7/8	
3	1001152485	1	Breaker Box Kit (See BREAKER BOX KIT WITH THREE BREAKERS - CE SPEC for Breakdown)	
4	3252507	1	Decal - 220V - 50/60Hz	
5	3290405	6	Nut M4	
6	3300048	1	Nut 3/4	
7	3311405	2	Nut 1/4	
8	4010408	6	Screw M4 x 16	
9	4460071	1	Connector, Strain Relief	
10	4460662	1	Connector, Strain Relief	
11	4751400	2	Washer 1/4	
12	4811400	8	Washer M4	
13	1001162456	1	Bracket	

Go to Discount-Equipment.com to order your parts

SECTION 8 - ELECTRICAL

FIGURE 8-8. AC TO PLATFORM INSTALLATION - 220V CEE7 POST GROUND (CE SPEC ONLY)



ART_1001176007

SECTION 8 - ELECTRICAL

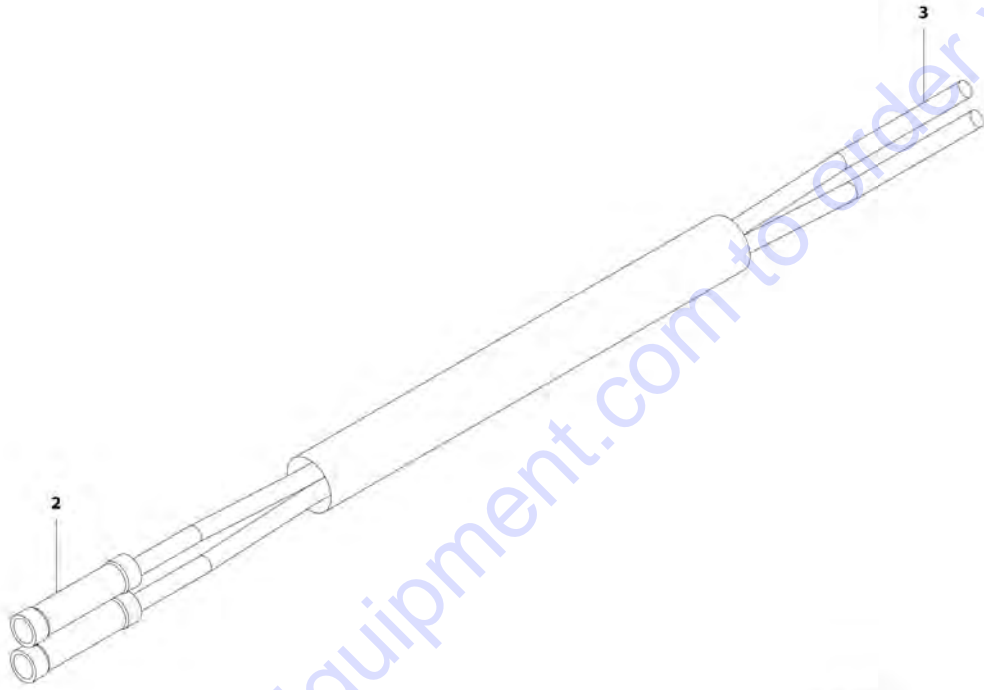
FIGURE 8-8. AC TO PLATFORM INSTALLATION - 220V CEE7 POST GROUND (CE SPEC ONLY)

ITEM	PART NUMBER	QTY	DESCRIPTION	REV
	1001176007	Ref	AC TO PLATFORM INSTALLATION - 220V CEE7 POST GROUND (CE SPEC ONLY)	B
1	0275452	1	Receptacle Box Kit - CEE7 Post Ground (See RECEPTACLE BOX KIT - CEE7 POST GROUND for Breakdown)	
2	1001152485	1	Breaker Box Kit (See BREAKER BOX KIT WITH THREE BREAKERS - CE SPEC for Breakdown)	
3	4460662	1	Connector, Strain Relief	
4	4460071	1	Connector, Strain Relief	
5	3252507	1	Decal - 220V - 50/60Hz	
6	0641407	2	Bolt 1/4 x 7/8	
7	3311405	2	Nut 1/4	
8	3300048	1	Nut 3/4	
9	1001162456	1	Bracket	
10	3290405	6	Nut M4	
11	4010408	6	Screw M4 x 16	
12	4751400	2	Washer 1/4	
13	4811400	8	Washer M4	

Go to Discount-Equipment.com to order your parts

SECTION 8 - ELECTRICAL

FIGURE 8-9. ALARM HARNESS



ART_4922517

SECTION 8 - ELECTRICAL

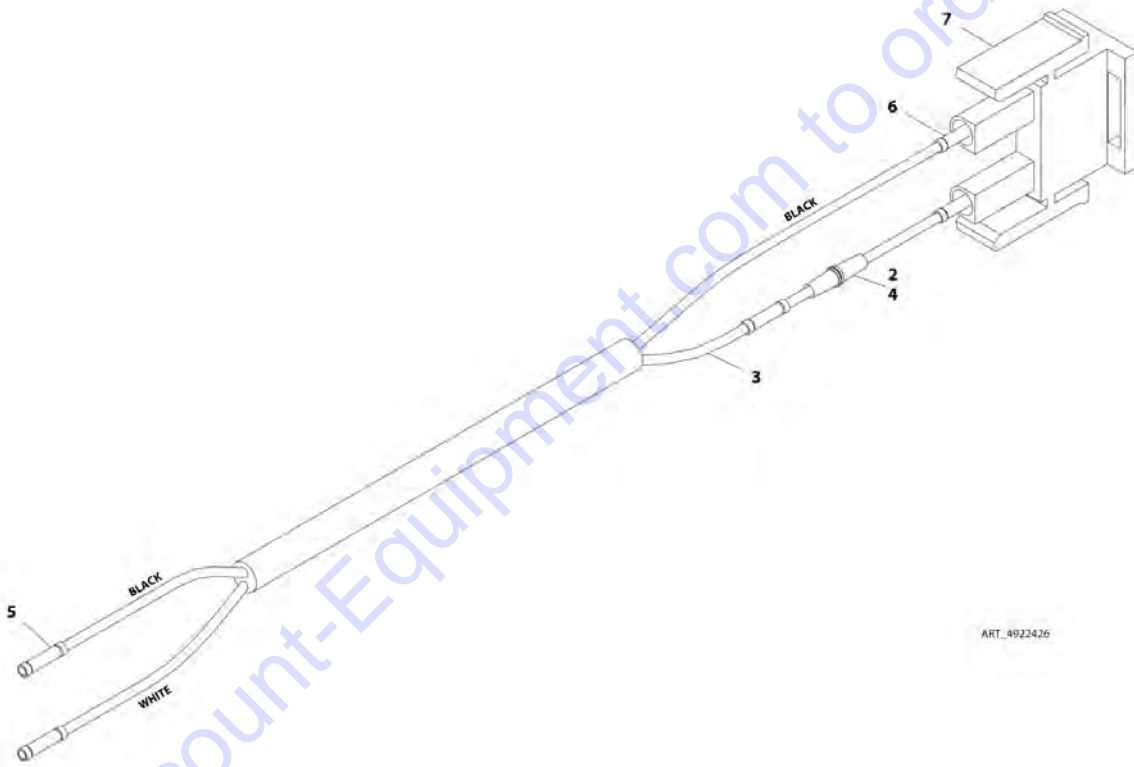
FIGURE 8-9. ALARM HARNESS

ITEM	PART NUMBER	QTY	DESCRIPTION	REV
	4922517	Ref	ALARM HARNESS	C
2	4460248	2	Connector	
3	4460465	2	Socket, Female	

Go to Discount-Equipment.com to order your parts

SECTION 8 - ELECTRICAL

FIGURE 8-10. BEACON LIGHT HARNESS



ART_4922426

SECTION 8 - ELECTRICAL

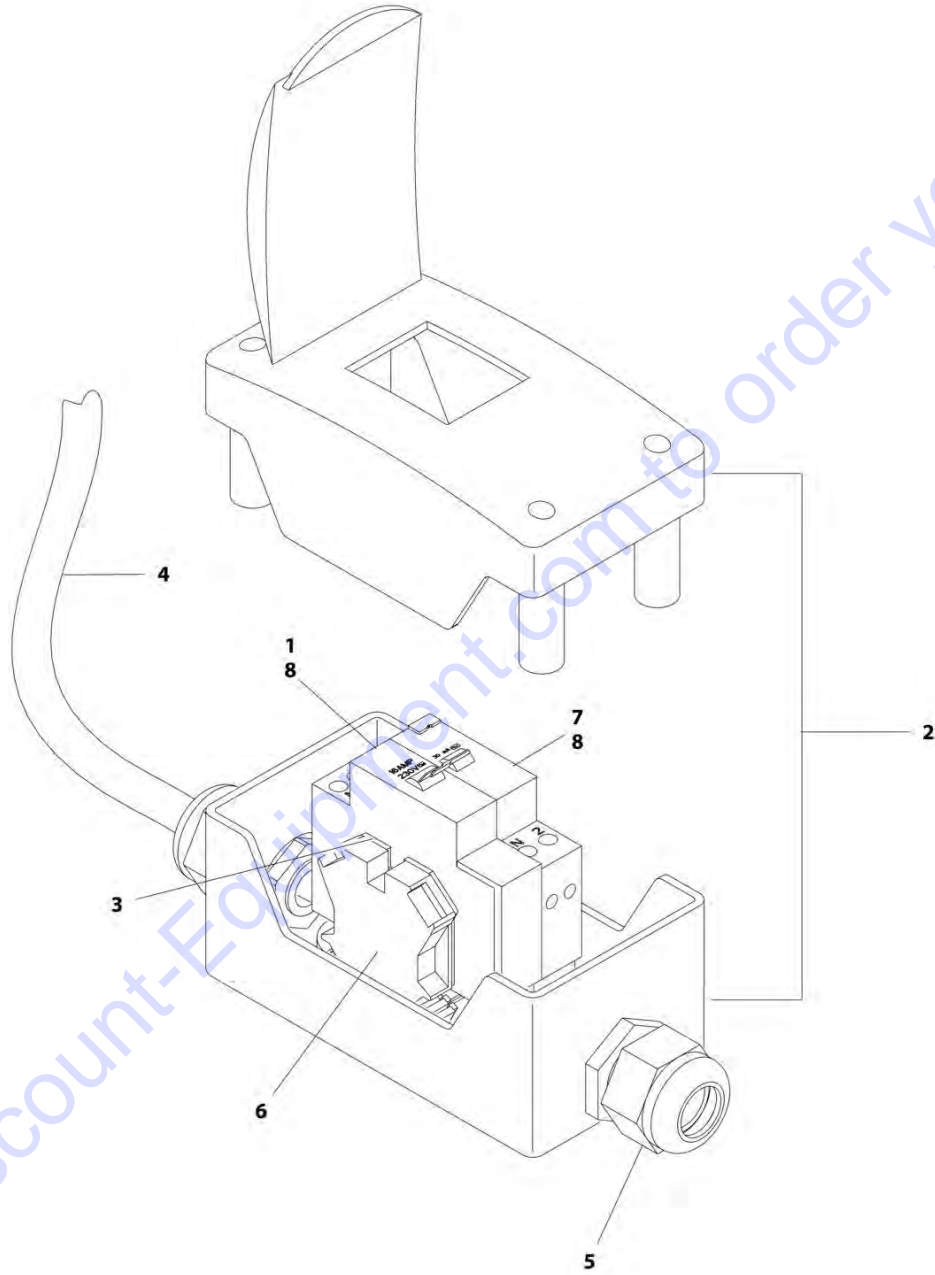
FIGURE 8-10. BEACON LIGHT HARNESS

ITEM	PART NUMBER	QTY	DESCRIPTION	REV
	4922426	Ref	BEACON LIGHT HARNESS	B
2	2400056	1	Fuse .5Amp	
3	2820018	AR	Heat Shrink	
4	4460044	1	Fuseholder	
5	4460248	3	Terminal, Splice	
6	4460268	2	Socket, Female	
7	4460320	1	Plug, Male - 2 Position	

Go to Discount-Equipment.com to order your parts

SECTION 8 - ELECTRICAL

FIGURE 8-11. BREAKER BOX KIT WITH TWO BREAKERS - CE SPEC ONLY



ART_2902549

SECTION 8 - ELECTRICAL

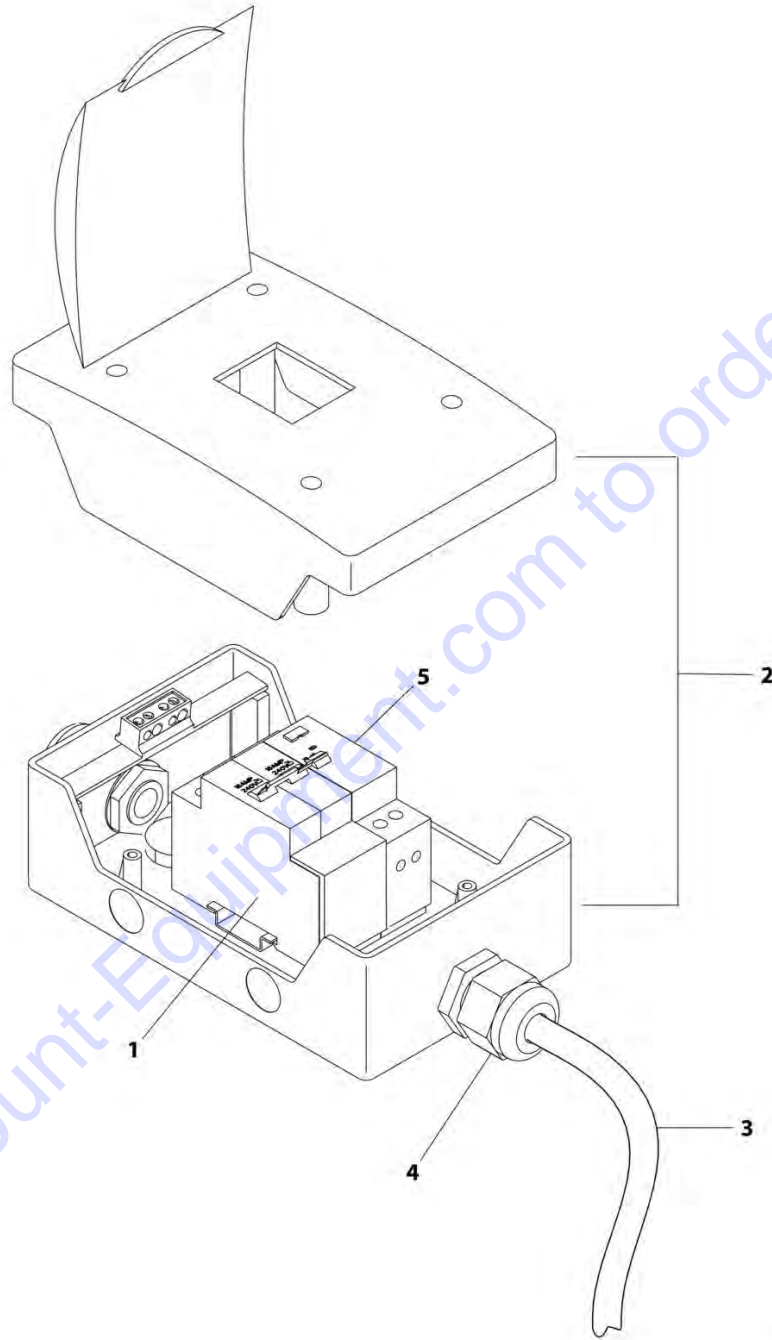
FIGURE 8-11. BREAKER BOX KIT WITH TWO BREAKERS - CE SPEC ONLY

ITEM	PART NUMBER	QTY	DESCRIPTION	REV
	2902549	Ref	BREAKER BOX KIT WITH TWO BREAKERS - CE SPEC ONLY	F
1	1001109475	NLA	Breaker, 16Amp (Use p/n 1001181045) (SN 0200230092 through 0200245684)	
2	0861880	1	Box	
3	4460956	1	Barrier, Terminal	
4	1060908	6 ft/1.8m	Cable, 12/3	
5	1001097150	2	Connector, Strain Relief	
6	4460957	1	Block, Terminal	
7	1001109482	NLA	Breaker, 30mAmp (Use p/n 1001181045) (SN 0200230092 through 0200245684)	
8	1001181045	1	Breaker, 16Amp/30mAmp Combination (SN 0200245685 to Present)	
8	1001181045	1	Breaker, 16Amp/30mAmp Combination (SN M200000100 to Present)	

Go to Discount-Equipment.com to order your parts

SECTION 8 - ELECTRICAL

FIGURE 8-12. BREAKER BOX KIT WITH THREE BREAKERS - CE SPEC ONLY



ART_1001152485

SECTION 8 - ELECTRICAL

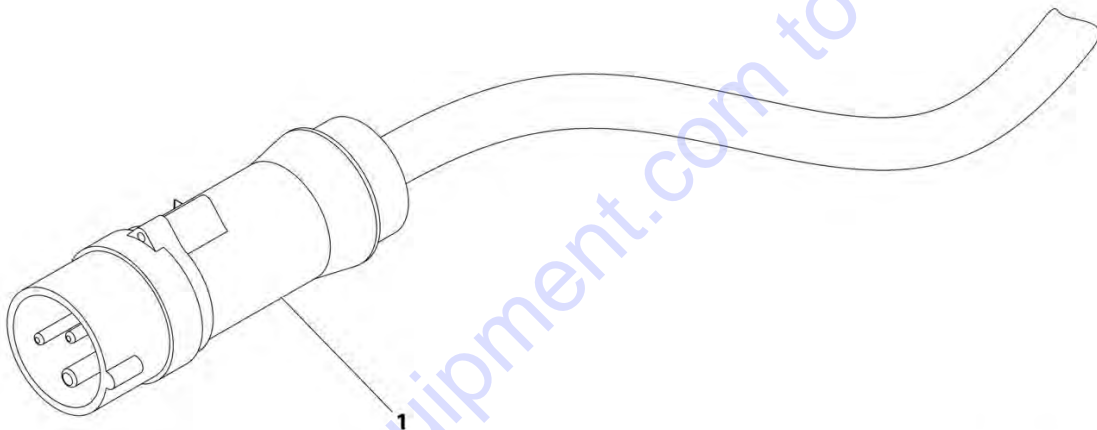
FIGURE 8-12. BREAKER BOX KIT WITH THREE BREAKERS - CE SPEC ONLY

ITEM	PART NUMBER	QTY	DESCRIPTION	REV
	1001152485	Ref	BREAKER BOX KIT WITH THREE BREAKERS - CE SPEC ONLY	C
1	1001152479	NLA	Breaker, 16Amp (Use p/n 1001189172) (SN 0200230092 through 0200248167)	
1	1001189172	1	Breaker, 16Amp (SN 0200248168 to Present)	
1	1001189172	1	Breaker, 16Amp (SN M200000100 to Present)	
2	1001152483	1	Box	
3	1060908	6 ft/1.8m	Cable, 12/3	
4	1001097150	2	Connector, Strain Relief	
5	1001152482	NLA	Breaker, 30mAmp (Use p/n 1001189171) (SN 0200230092 through 0200248167)	
5	1001189171	1	Breaker, 30mAmp (SN 0200248168 to Present)	
5	1001189171	1	Breaker, 30mAmp (SN M200000100 to Present)	

Go to Discount-Equipment.com to order your parts

SECTION 8 - ELECTRICAL

FIGURE 8-13. CHARGER CORD PLUG INSTALLATION - 110V IEC YELLOW PLUG (CE SPEC)



ART_0275666

SECTION 8 - ELECTRICAL

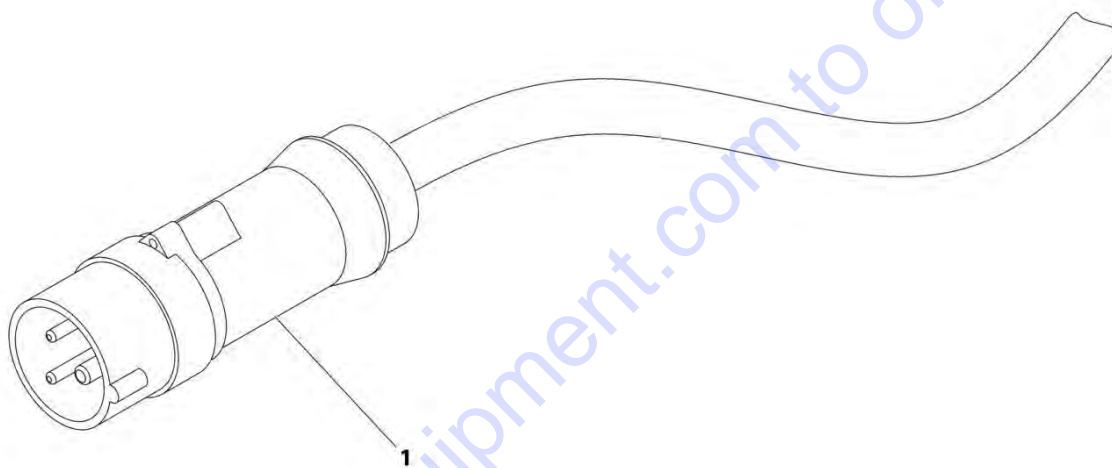
FIGURE 8-13. CHARGER CORD PLUG INSTALLATION - 110V IEC YELLOW PLUG (CE SPEC)

ITEM	PART NUMBER	QTY	DESCRIPTION	REV
	0275666	Ref	CHARGER CORD PLUG INSTALLATION - 110V IEC YELLOW PLUG (CE SPEC)	A
1	4461196	1	Plug	

Go to Discount-Equipment.com to order your parts

SECTION 8 - ELECTRICAL

FIGURE 8-14. CHARGER CORD PLUG INSTALLATION - 220V IEC BLUE PLUG (CE SPEC)



ART_0275667

SECTION 8 - ELECTRICAL

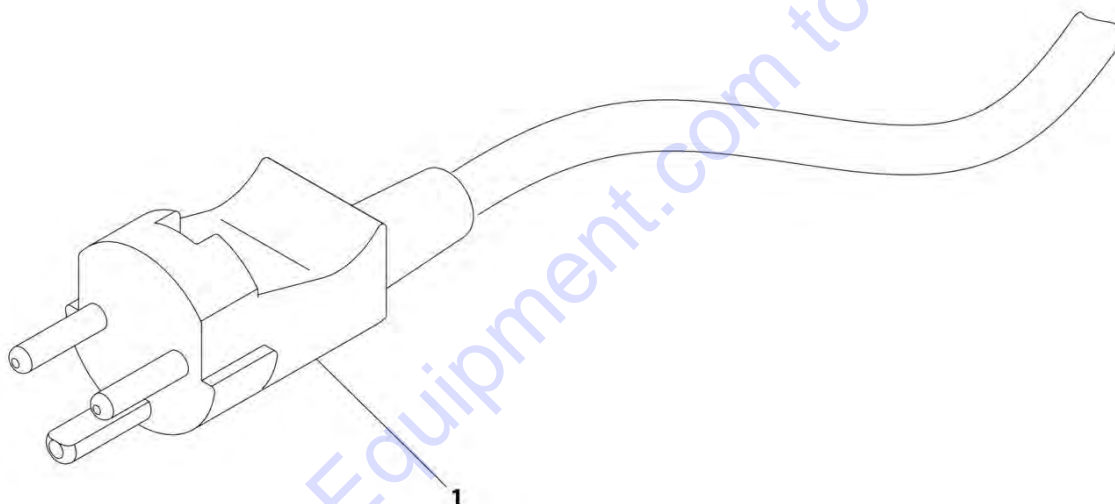
FIGURE 8-14. CHARGER CORD PLUG INSTALLATION - 220V IEC BLUE PLUG (CE SPEC)

ITEM	PART NUMBER	QTY	DESCRIPTION	REV
	0275667	Ref	CHARGER CORD PLUG INSTALLATION - 220V IEC BLUE PLUG (CE SPEC)	A
1	4461199	1	Plug	

Go to Discount-Equipment.com to order your parts

SECTION 8 - ELECTRICAL

FIGURE 8-15. CHARGER CORD PLUG INSTALLATION - 220V AFSINT 107 KEYED GROUND (CE SPEC)



ART_0275665

SECTION 8 - ELECTRICAL

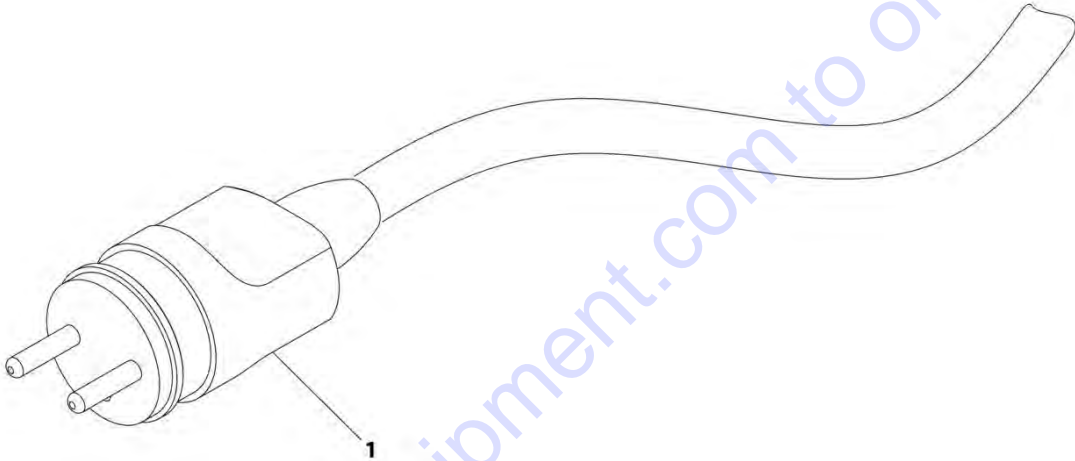
FIGURE 8-15. CHARGER CORD PLUG INSTALLATION - 220V AFSINT 107 KEYED GROUND (CE SPEC)

ITEM	PART NUMBER	QTY	DESCRIPTION	REV
	0275665	Ref	CHARGER CORD PLUG INSTALLATION - 220V AFSINT 107 KEYED GROUND (CE SPEC)	A
1	4461249	1	Plug	

Go to Discount-Equipment.com to order your parts

SECTION 8 - ELECTRICAL

FIGURE 8-16. CHARGER CORD PLUG INSTALLATION - 220V CEE7 POST GROUND (CE SPEC)



ART_0275663

Go to Discount-Equipment.com to order your parts

SECTION 8 - ELECTRICAL

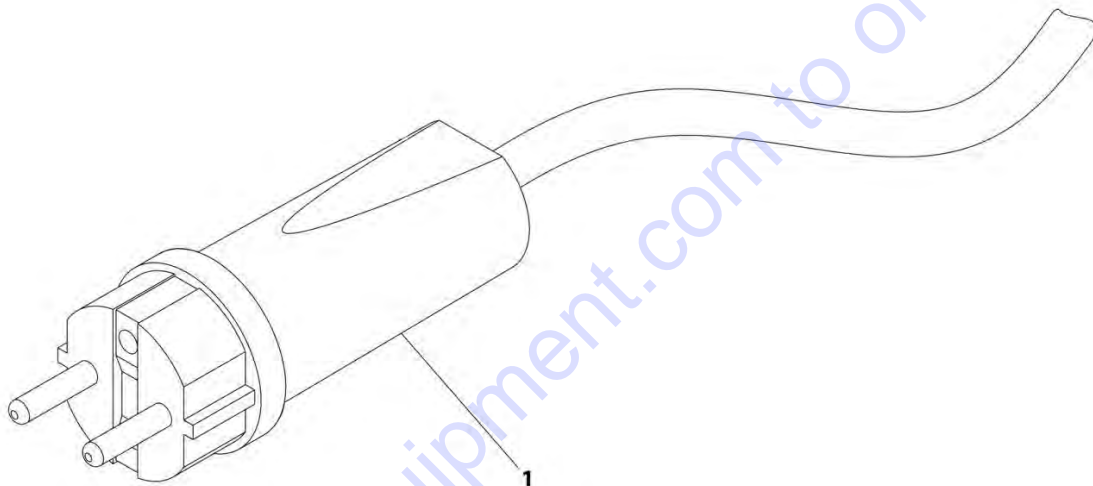
FIGURE 8-16. CHARGER CORD PLUG INSTALLATION - 220V CEE7 POST GROUND (CE SPEC)

ITEM	PART NUMBER	QTY	DESCRIPTION	REV
	0275663	Ref	CHARGER CORD PLUG INSTALLATION - 220V CEE7 POST GROUND (CE SPEC)	A
1	4461202	1	Plug	

Go to Discount-Equipment.com to order your parts

SECTION 8 - ELECTRICAL

FIGURE 8-17. CHARGER CORD PLUG INSTALLATION - 220V CEE7 SIDE GROUND (CE SPEC)



ART_0275664

SECTION 8 - ELECTRICAL

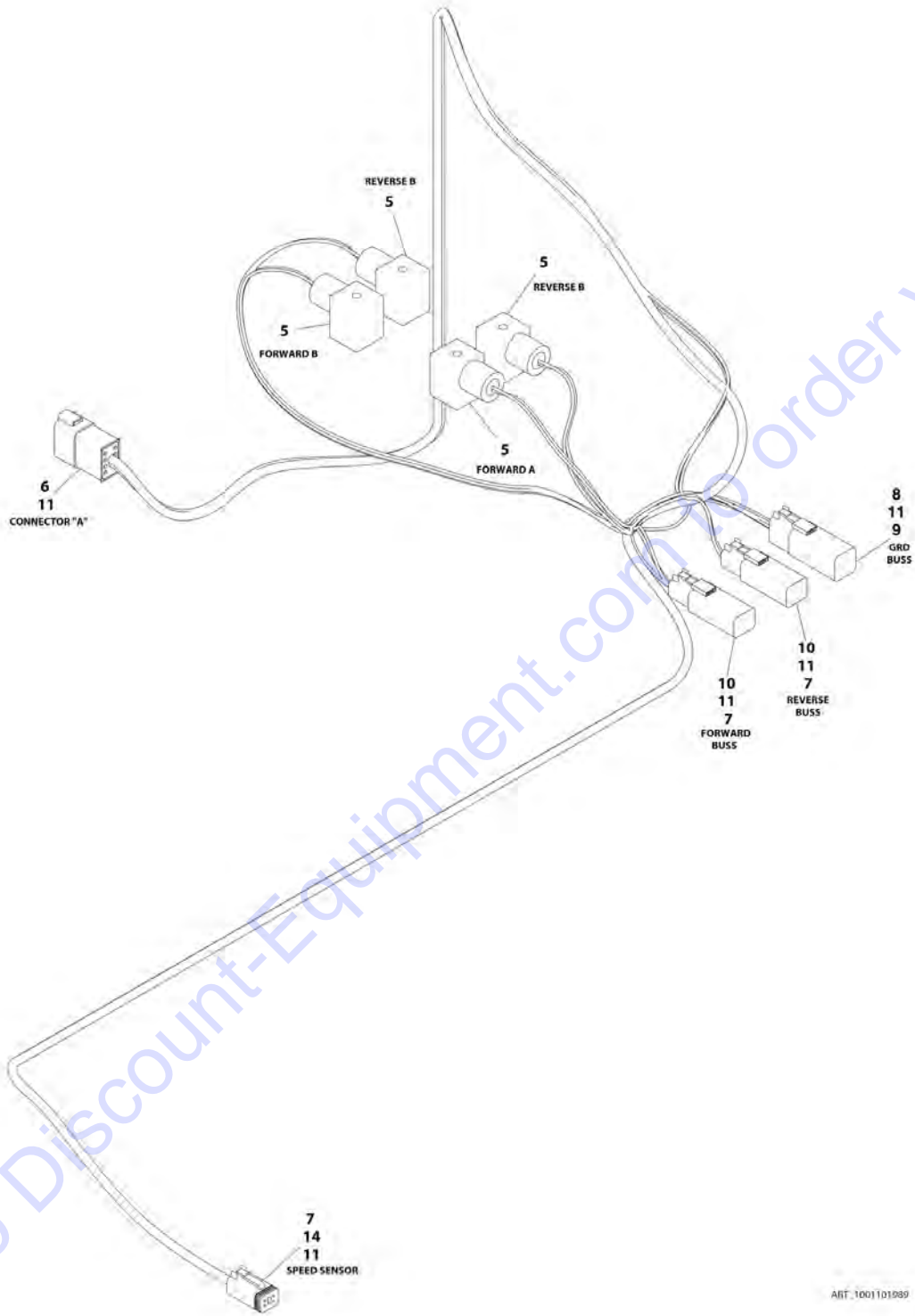
FIGURE 8-17. CHARGER CORD PLUG INSTALLATION - 220V CEE7 SIDE GROUND (CE SPEC)

ITEM	PART NUMBER	QTY	DESCRIPTION	REV
	0275664	Ref	CHARGER CORD PLUG INSTALLATION - 220V CEE7 SIDE GROUND (CE SPEC)	A
1	4461205	1	Plug	

Go to Discount-Equipment.com to order your parts

SECTION 8 - ELECTRICAL

FIGURE 8-18. FRONT WHEEL ASSIST (4WD) HARNESS



SECTION 8 - ELECTRICAL

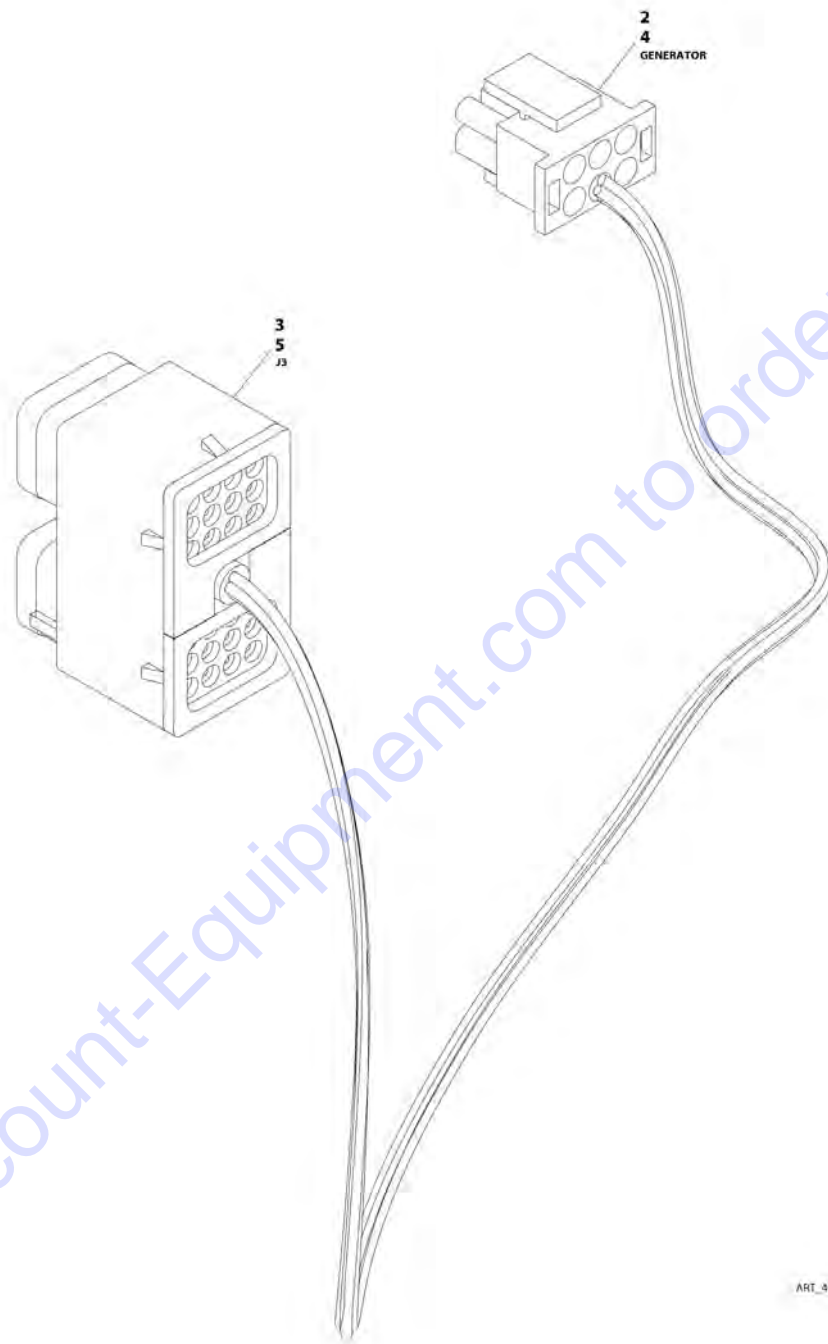
FIGURE 8-18. FRONT WHEEL ASSIST (4WD) HARNESS

ITEM	PART NUMBER	QTY	DESCRIPTION	REV
	1001101989	Ref	FRONT WHEEL ASSIST (4WD) HARNESS	B
5	4460499	4	Connector, DIN	
6	4460931	1	Receptacle, Female - 8 Position	
7	4460884	3	Plug, Male - 4 Position	
8	4460894	1	Plug, Male - 6 Position	
9	4460892	1	Buss Bar - 6 Position	
10	4460893	2	Buss Bar - 4 Position	
11	4460465	22	Socket, Female	
14	4460466	1	Plug, Seal	

Go to Discount-Equipment.com to order your parts

SECTION 8 - ELECTRICAL

FIGURE 8-19. GENERATOR HARNESS - M3369/M4069 ONLY



SECTION 8 - ELECTRICAL

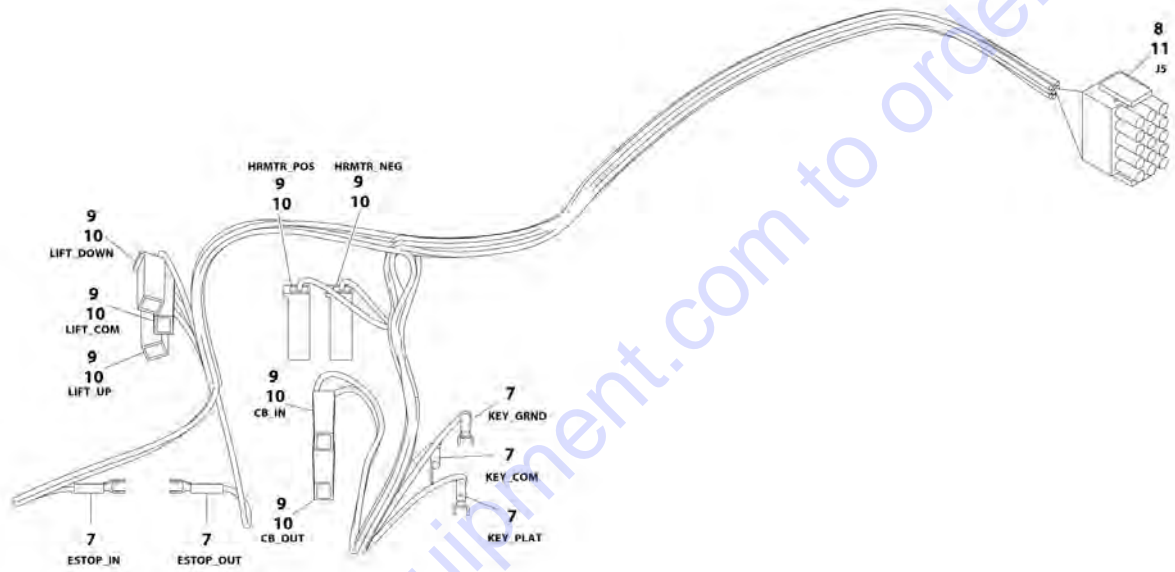
FIGURE 8-19. GENERATOR HARNESS - M3369/M4069 ONLY

ITEM	PART NUMBER	QTY	DESCRIPTION	REV
	4922602	Ref	GENERATOR HARNESS - M3369/M4069 ONLY	B
2	4460225	1	Plug, Male - 6 Position	
3	4460896	1	Plug, Male - 24 Position	
4	4460267	4	Pin, Male	
5	4460465	4	Socket, Female	

Go to Discount-Equipment.com to order your parts

SECTION 8 - ELECTRICAL

FIGURE 8-20. GROUND CONTROL BOX HARNESS - 3369LE/4069LE



ART_4922480

SECTION 8 - ELECTRICAL

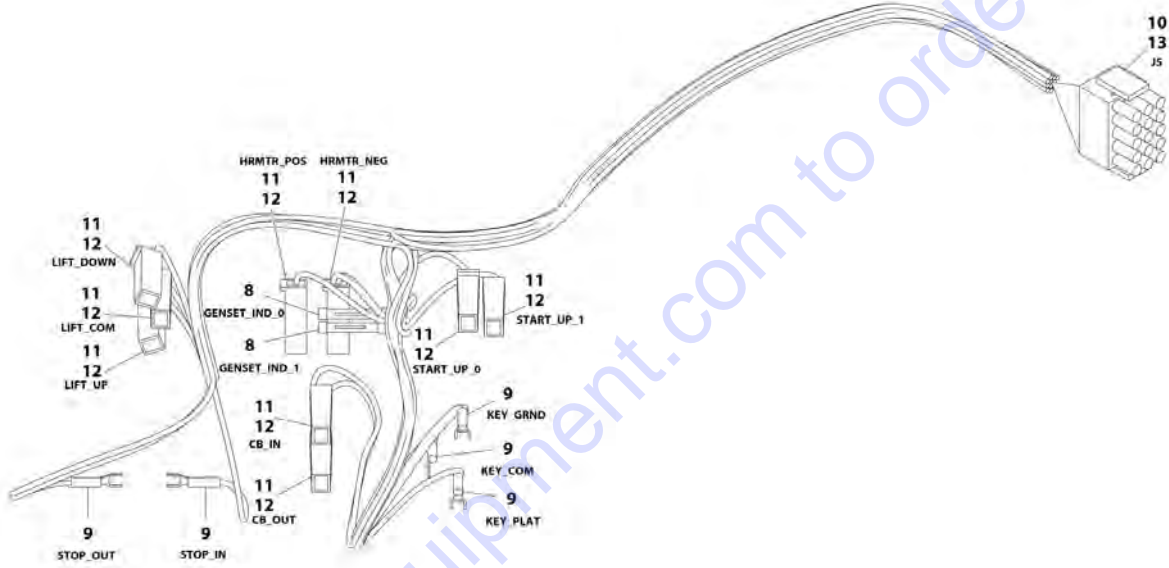
FIGURE 8-20. GROUND CONTROL BOX HARNESS - 3369LE/4069LE

ITEM	PART NUMBER	QTY	DESCRIPTION	REV
	4922480	Ref	GROUND CONTROL BOX HARNESS - 3369LE/4069LE	B
7	4460183	5	Terminal, Fork	
8	4460434	1	Plug, Male - 15 Position	
9	4460260	7	Housing, Terminal	
10	4460259	7	Terminal	
11	4460268	8	Socket, Female	

Go to Discount-Equipment.com to order your parts

SECTION 8 - ELECTRICAL

FIGURE 8-21. GROUND CONTROL BOX HARNESS - M3369/M4069



ART_4922004

SECTION 8 - ELECTRICAL

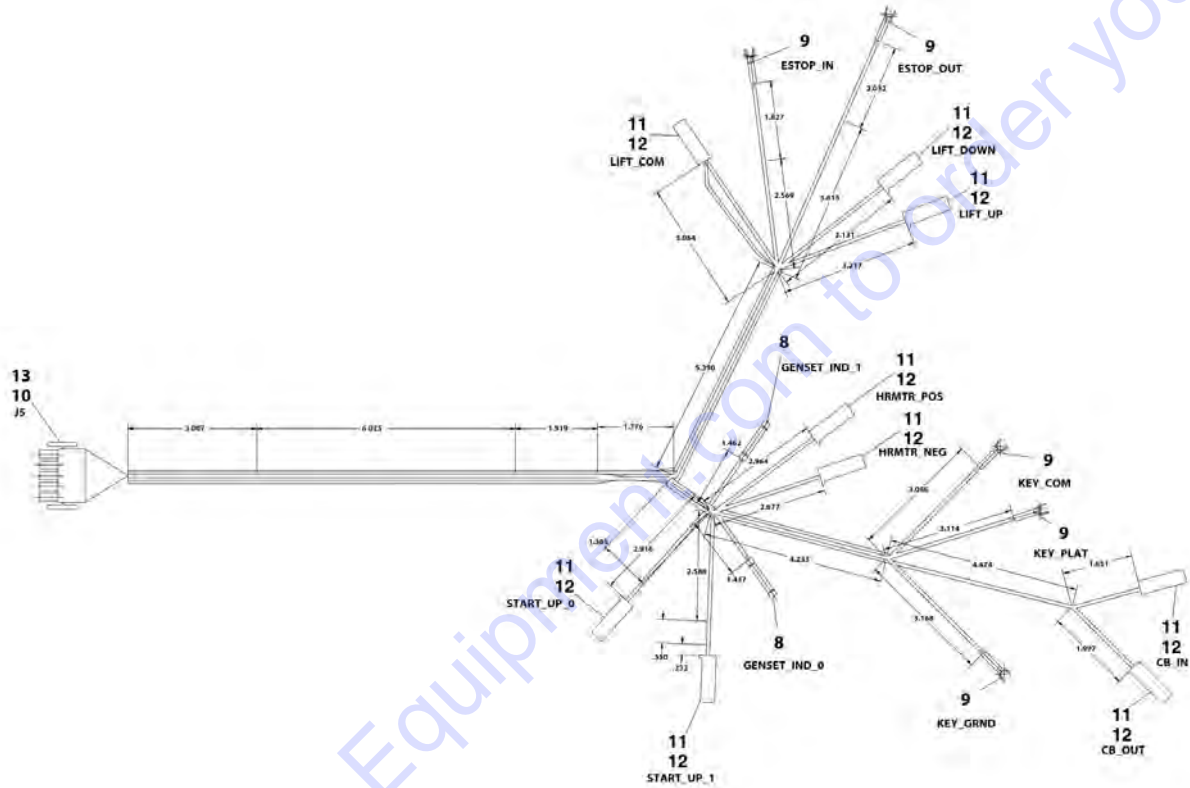
FIGURE 8-21. GROUND CONTROL BOX HARNESS - M3369/M4069

ITEM	PART NUMBER	QTY	DESCRIPTION	REV
	4922604	Ref	GROUND CONTROL BOX HARNESS - M3369/M4069	A
8	4460248	2	Terminal, Splice	
9	4460183	5	Terminal, Fork	
10	4460434	1	Plug, Male - 15 Position	
11	4460260	9	Housing, Terminal	
12	4460259	9	Terminal	
13	4460268	8	Socket, Female	

Go to Discount-Equipment.com to order your parts

SECTION 8 - ELECTRICAL

FIGURE 8-22. GROUND CONTROL BOX HARNESS (M4069 DRIVE AT FULL HEIGHT)



ART 4923619

SECTION 8 - ELECTRICAL

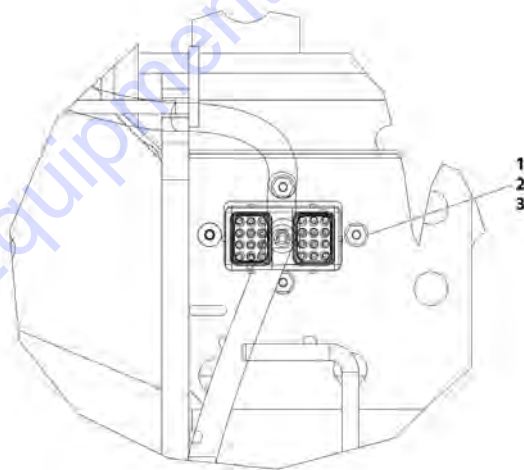
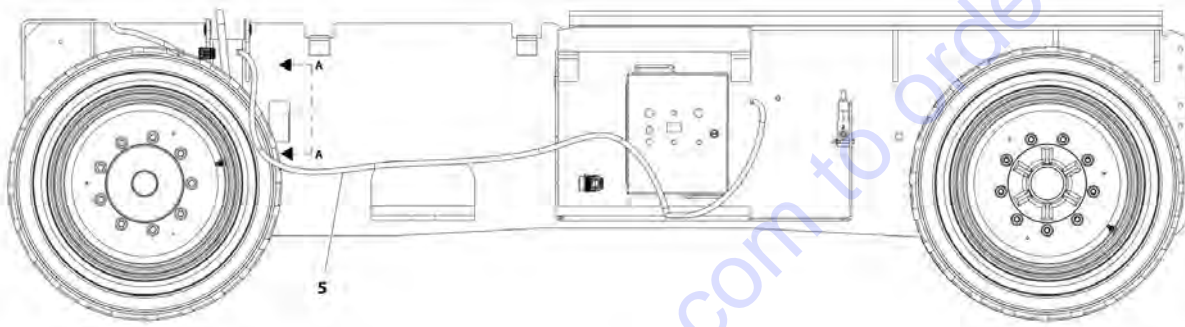
FIGURE 8-22. GROUND CONTROL BOX HARNESS (M4069 DRIVE AT FULL HEIGHT)

ITEM	PART NUMBER	QTY	DESCRIPTION	REV
	4923619	Ref	GROUND CONTROL BOX HARNESS (M4069 DRIVE AT FULL HEIGHT)	B
8	4460248	2	Terminal, Splice	
9	4460183	5	Terminal, Fork	
10	4460434	1	Plug, Male - 15 Position	
11	4460260	9	Housing, Terminal	
12	4460259	9	Terminal	
13	4460268	9	Socket, Female	

Go to Discount-Equipment.com to order your parts

SECTION 8 - ELECTRICAL

FIGURE 8-23. GROUND CONTROL BOX TO BULKHEAD HARNESS INSTALLATION - 3369LE/M3369



DETAIL A-A

ART_0270572

SECTION 8 - ELECTRICAL

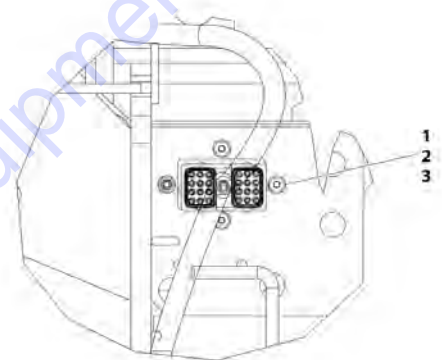
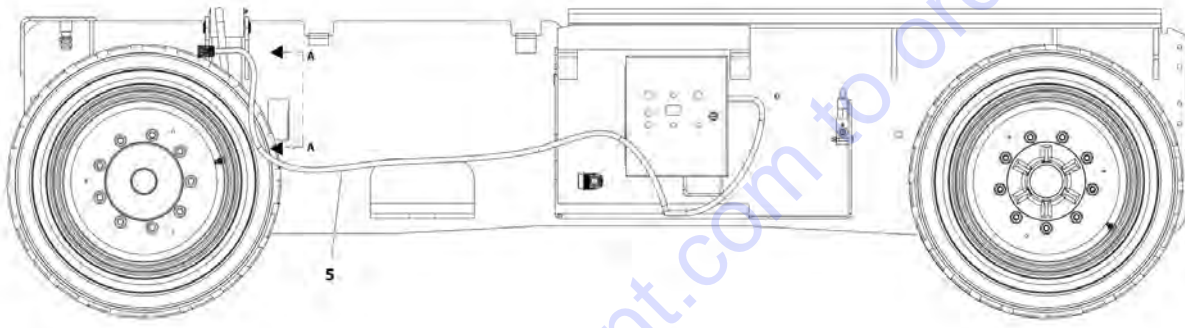
FIGURE 8-23. GROUND CONTROL BOX TO BULKHEAD HARNESS INSTALLATION - 3369LE/M3369

ITEM	PART NUMBER	QTY	DESCRIPTION	REV
	0270572	Ref	GROUND CONTROL BOX TO BULKHEAD HARNESS INSTALLATION - 3369LE/M3369	C
1	0720805	4	Screw #8 x 5/8	
2	3310805	4	Nut #8	
3	4750800	4	Washer #8	
5	4922479	1	Ground Control Box to Bulkhead Harness (See GROUND CONTROL BOX TO BULKHEAD HARNESS for Breakdown)	

Go to Discount-Equipment.com to order your parts

SECTION 8 - ELECTRICAL

FIGURE 8-24. GROUND CONTROL BOX TO BULKHEAD HARNESS INSTALLATION - 4069LE/M4069



DETAIL A-A

ART_0270573

Go to Discount-Equipment.com to order your parts

SECTION 8 - ELECTRICAL

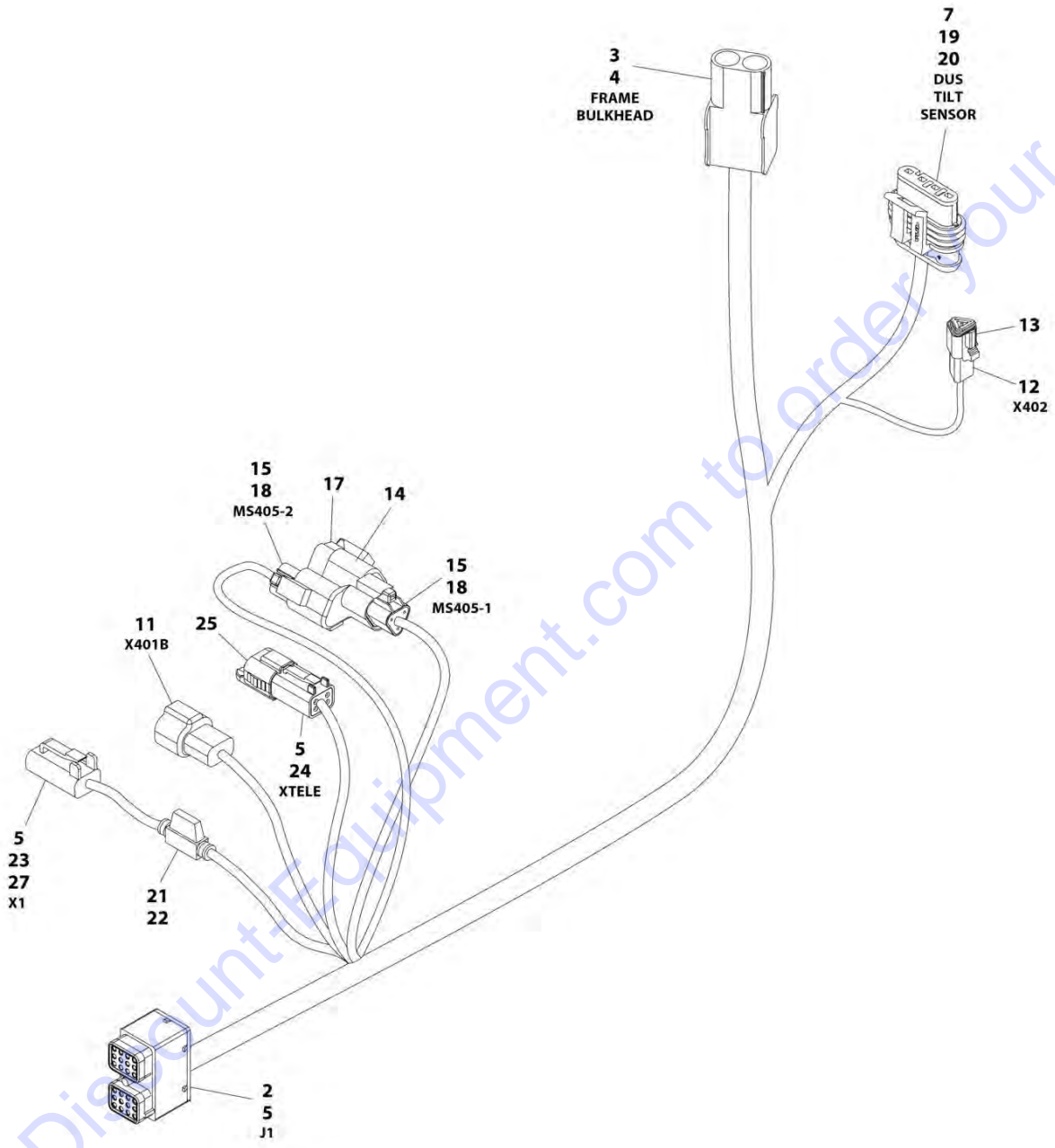
FIGURE 8-24. GROUND CONTROL BOX TO BULKHEAD HARNESS INSTALLATION - 4069LE/M4069

ITEM	PART NUMBER	QTY	DESCRIPTION	REV
	0270573	Ref	GROUND CONTROL BOX TO BULKHEAD HARNESS INSTALLATION - 4069LE/M4069	C
1	0720805	4	Screw #8 x 5/8	
2	3310805	4	Nut #8	
3	4750800	4	Washer #8	
5	4922479	1	Ground Control Box to Bulkhead Harness (See GROUND CONTROL BOX TO BULKHEAD HARNESS for Breakdown)	

Go to Discount-Equipment.com to order your parts

SECTION 8 - ELECTRICAL

FIGURE 8-25. GROUND CONTROL BOX TO BULKHEAD HARNESS



ART_4922479

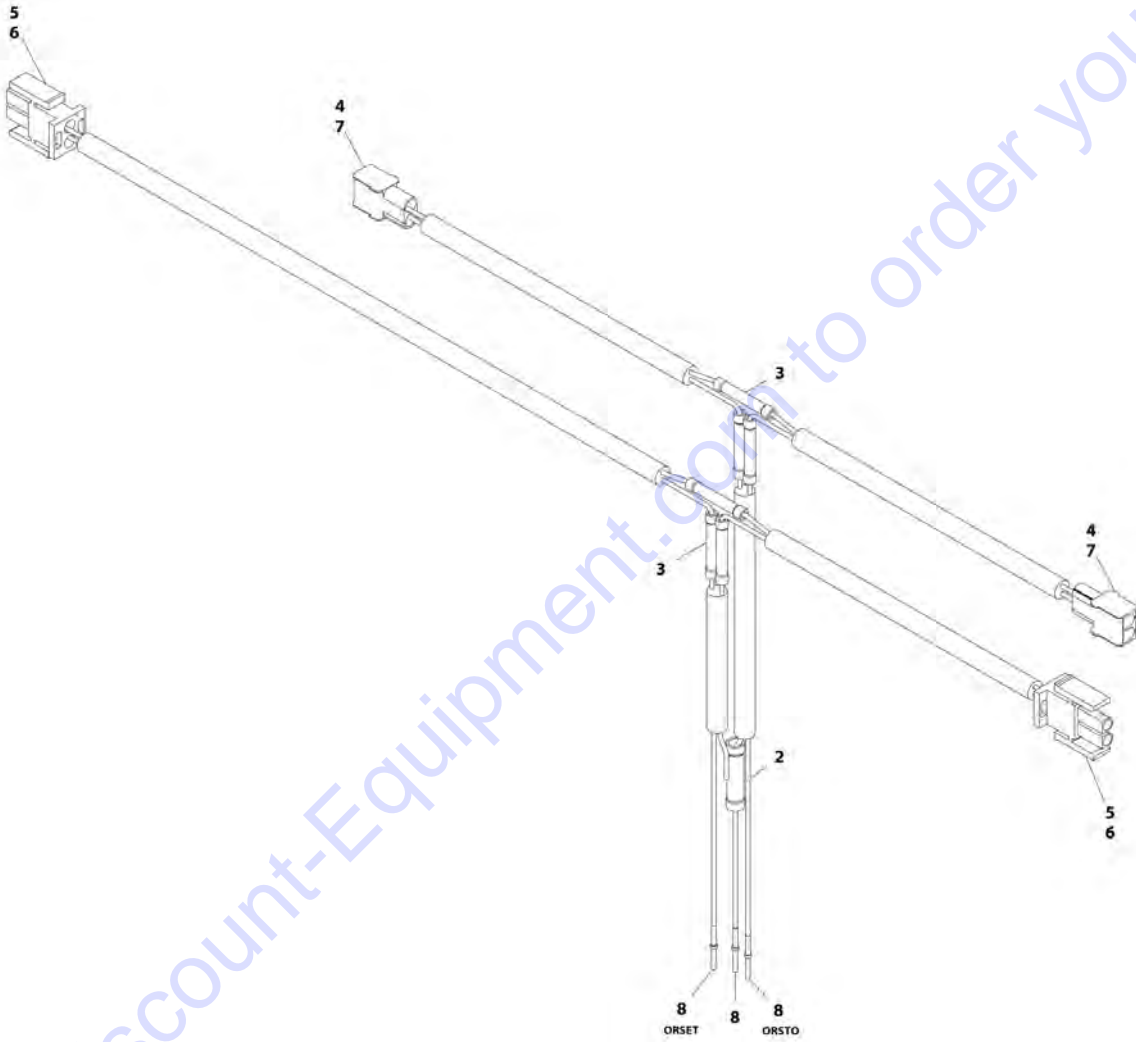
SECTION 8 - ELECTRICAL

FIGURE 8-25. GROUND CONTROL BOX TO BULKHEAD HARNESS

ITEM	PART NUMBER	QTY	DESCRIPTION	REV
	4922479	Ref	GROUND CONTROL BOX TO BULKHEAD HARNESS	E
2	4460812	1	Plug, Male - 24 Position	
3	4460846	1	Receptacle, Female - 24 Position	
4	4460464	21	Pin, Male	
5	4460465	26	Socket, Female	
7	1001103012	1	Plug, Male - 4 Position (SN 0200241795 to Present)	
7	1001103012	1	Plug, Male - 4 Position (SN M200000100 to Present)	
11	4460897	1	Receptacle, Female - 2 Position (SN 0200241795 to Present)	
11	4460897	1	Receptacle, Female - 2 Position (SN M200000100 to Present)	
12	4461095	1	Plug, Male - 3 Position (SN 0200241795 to Present)	
12	4461095	1	Plug, Male - 3 Position (SN M200000100 to Present)	
13	4461070	1	Connector - 3 Position (SN 0200241795 to Present)	
13	4461070	1	Connector - 3 Position (SN M200000100 to Present)	
14	4460945	1	Receptacle, Tee (SN 0200241795 to Present)	
14	4460945	1	Receptacle, Tee (SN M200000100 to Present)	
15	1001116812	2	Plug, Male - 3 Position (SN 0200241795 to Present)	
15	1001116812	2	Plug, Male - 3 Position (SN M200000100 to Present)	
17	1001130615	1	Plug, Male - 3 Position (SN 0200241795 to Present)	
17	1001130615	1	Plug, Male - 3 Position (SN M200000100 to Present)	
18	4460944	8	Socket, Female (SN 0200241795 to Present)	
18	4460944	8	Socket, Female (SN M200000100 to Present)	
19	1001107854	4	Socket, Female (SN 0200241795 to Present)	
19	1001107854	4	Socket, Female (SN M200000100 to Present)	
20	1001197457	4	Seal, Terminal (SN 0200249094 to Present)	
20	1001197457	4	Seal, Terminal (SN M200000100 to Present)	
21	2400060	1	Fuseholder with Cover (SN 0200251812 to Present)	
21	2400060	1	Fuseholder with Cover (SN M200000100 to Present)	
22	8229242	1	Fuse 5Amp (SN 0200251812 to Present)	
22	8229242	1	Fuse 5Amp (SN M200000100 to Present)	
23	4460891	1	Plug, Male - 2 Position (SN 0200251812 to Present)	
23	4460891	1	Plug, Male - 2 Position (SN M200000100 to Present)	
24	4460884	1	Plug, Male - 4 Position (SN 0200251812 to Present)	
24	4460884	1	Plug, Male - 4 Position (SN M200000100 to Present)	
25	1001192401	1	Cap, Dust (SN 0200251812 to Present)	
25	1001192401	1	Cap, Dust (SN M200000100 to Present)	
27	4460466	1	Plug, Terminal (SN 0200251812 to Present)	
27	4460466	1	Plug, Terminal (SN M200000100 to Present)	

SECTION 8 - ELECTRICAL

FIGURE 8-26. LEVELING JACK HARNESS



ART_4922456

SECTION 8 - ELECTRICAL

FIGURE 8-26. LEVELING JACK HARNESS

ITEM	PART NUMBER	QTY	DESCRIPTION	REV
	4922456	Ref	LEVELING JACK HARNESS	B
2	4460335	1	Terminal, Splice	
3	4460248	6	Terminal, Splice	
4	4460267	4	Pin, Male	
5	4460268	4	Socket, Female	
6	4460320	2	Plug, Male - 2 Position	
7	4460424	2	Receptacle, Female - 2 Position	
8	4460465	3	Socket, Female	

Go to Discount-Equipment.com to order your parts

PARTS FINDER

**Search Website
by Part Number**



**Search Manual
Library For Parts
Manual & Lookup Part
Numbers – Purchase
or Request Quote**

**Can't Find Part or
Manual? Request Help
by Manufacturer,
Model & Description**

Discount-Equipment.com is your online resource for quality parts & equipment.

Florida: **561-964-4949** Outside Florida TOLL FREE: **877-690-3101**

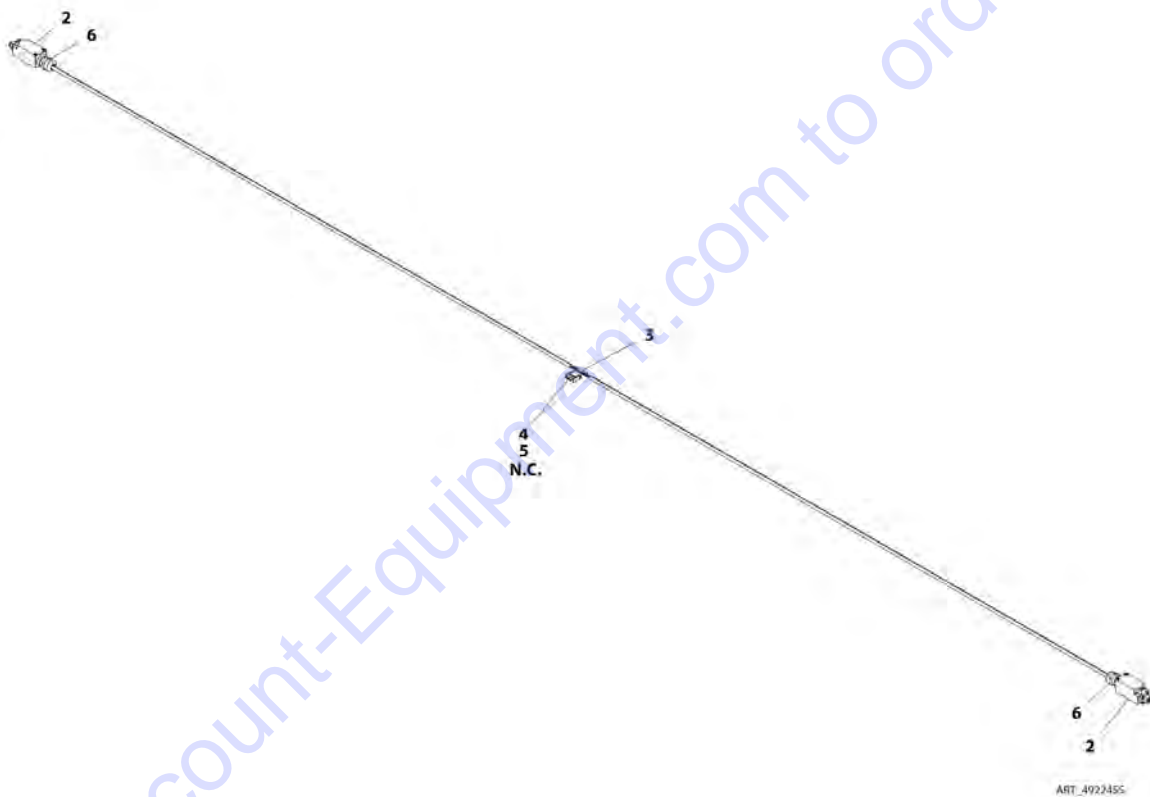
Need parts?

Click on this link: <http://www.discount-equipment.com/category/5443-parts/> and choose one of the options to help get the right parts and equipment you are looking for. Please have the machine model and serial number available in order to help us get you the correct parts. If you don't find the part on the website or on one of the online manuals, please fill out the request form and one of our experienced staff members will get back to you with a quote for the right part that your machine needs.

We sell worldwide for the brands: Genie, Terex, JLG, MultiQuip, Mikasa, Essick, Whiteman, Mayco, Toro Stone, Diamond Products, Generac Magnum, Airman, Haulotte, Barreto, Power Blanket, Nifty Lift, Atlas Copco, Chicago Pneumatic, Allmand, Miller Curber, Skyjack, Lull, Skytrak, Tsurumi, Husquvarna Target, Stow, Wacker, Sakai, Mi-T-M, Sullair, Basic, Dynapac, MBW, Weber, Bartell, Bennar Newman, Haulotte, Ditch Runner, Menegotti, Morrison, Contec, Buddy, Crown, Edco, Wyco, Bomag, Laymor, EZ Trench, Bil-Jax, F.S. Curtis, Gehl Pavers, Heli, Honda, ICS/PowerGrit, IHI, Partner, Imer, Clipper, MMD, Koshin, Rice, CH&E, General Equipment, Amida, Coleman, NAC, Gradall, Square Shooter, Kent, Stanley, Tamco, Toku, Hatz, Kohler, Robin, Wisconsin, Northrock, Oztec, Toker TK, Rol-Air, APT, Wylie, Ingersoll Rand / Doosan, Innovatech, Con X, Ammann, Mecalac, Makinex, Smith Surface Prep, Small Line, Wanco, Yanmar

SECTION 8 - ELECTRICAL

FIGURE 8-27. LEVELING JACK N.C. HARNESS



SECTION 8 - ELECTRICAL

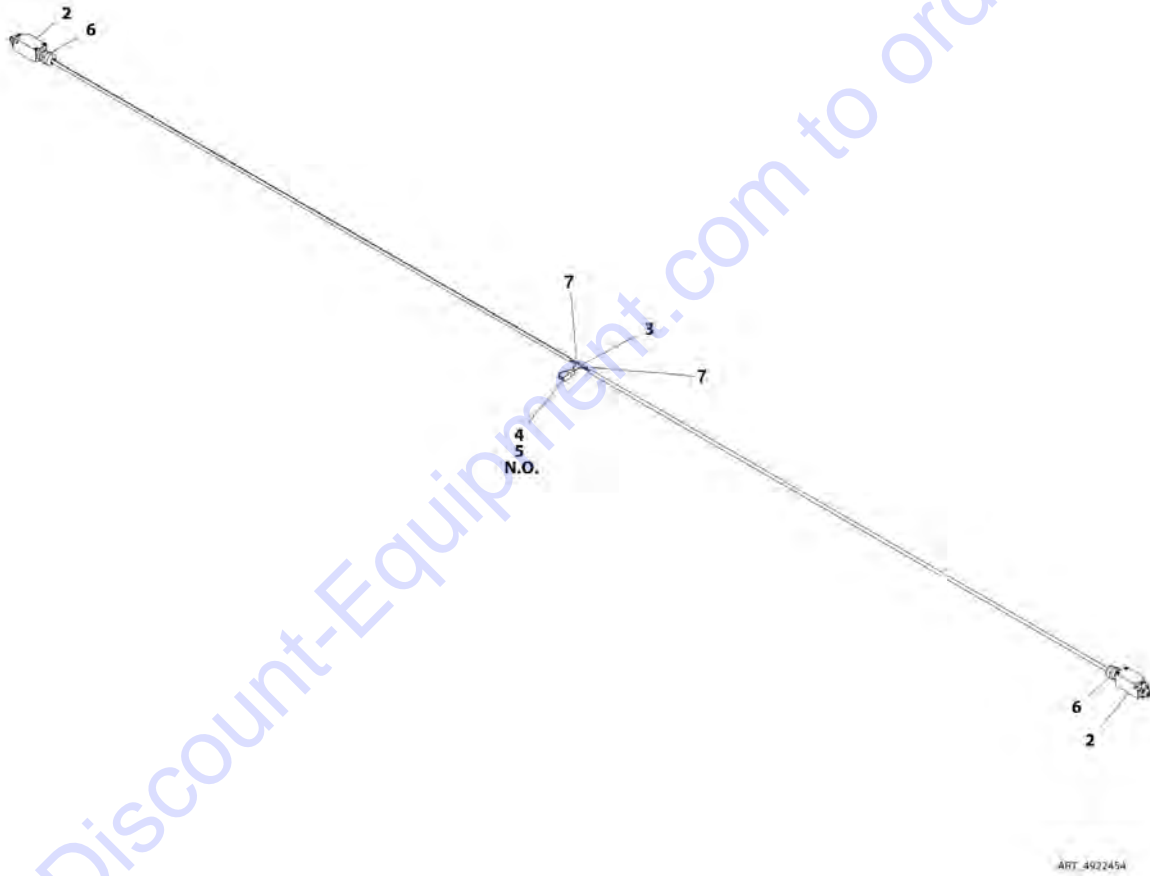
FIGURE 8-27. LEVELING JACK N.C. HARNESS

ITEM	PART NUMBER	QTY	DESCRIPTION	REV
	4922455	Ref	LEVELING JACK N.C. HARNESS	D
2	4360548	2	Switch, Limit	
3	4460248	1	Terminal, Splice	
4	4460268	2	Socket, Female	
5	4460320	1	Plug, Male - 2 Position	
6	4460968	2	Connector, Strain Relief	

Go to Discount-Equipment.com to order your parts

SECTION 8 - ELECTRICAL

FIGURE 8-28. LEVELING JACK N.O. HARNESS



ART. 4922454

SECTION 8 - ELECTRICAL

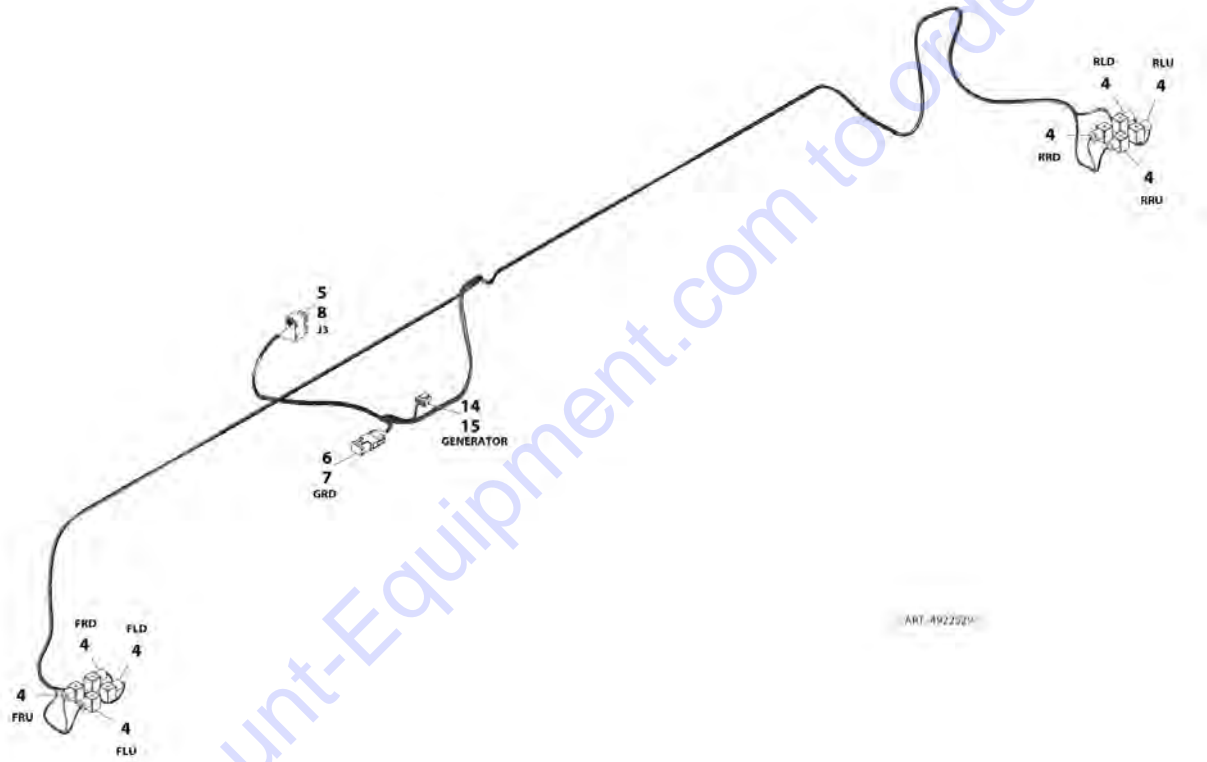
FIGURE 8-28. LEVELING JACK N.O. HARNESS

ITEM	PART NUMBER	QTY	DESCRIPTION	REV
	4922454	Ref	LEVELING JACK N.O. HARNESS	F
2	4360548	2	Switch, Limit	
3	4460248	1	Terminal, Splice	
4	4460267	2	Pin, Male	
5	4460424	1	Receptacle, Female - 2 Position	
6	4460968	2	Connector, Strain Relief	
7	2820171	AR	Heat Shrink	

Go to Discount-Equipment.com to order your parts

SECTION 8 - ELECTRICAL

FIGURE 8-29. LEVELING JACK VALVE HARNESS



SECTION 8 - ELECTRICAL

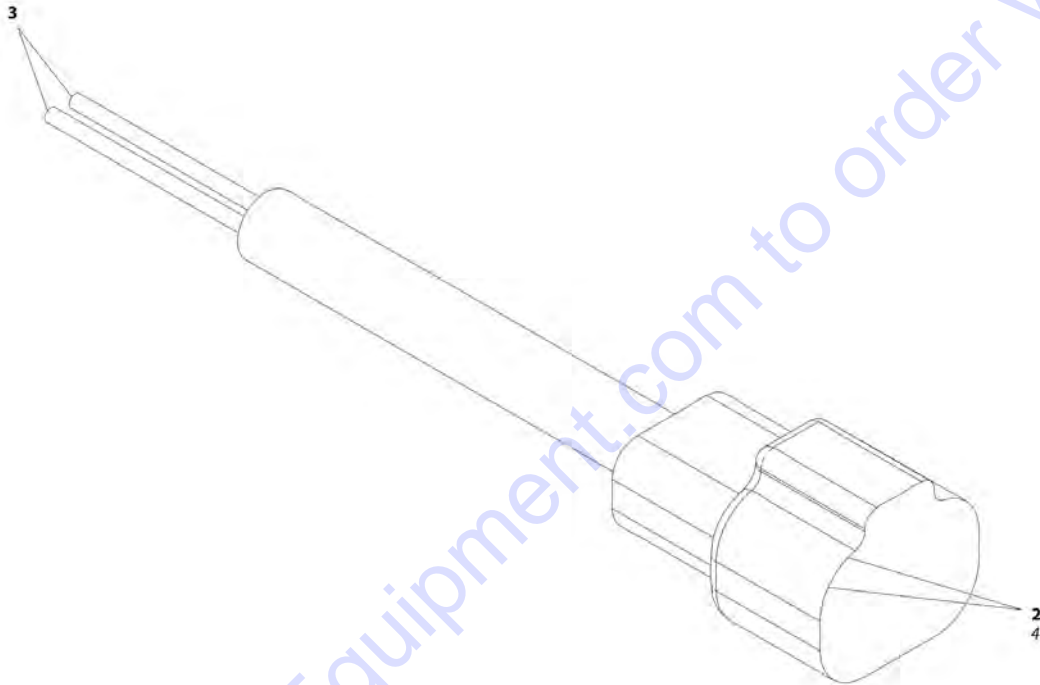
FIGURE 8-29. LEVELING JACK VALVE HARNESS

ITEM	PART NUMBER	QTY	DESCRIPTION	REV
	4922529	Ref	LEVELING JACK VALVE HARNESS	B
4	4460499	8	Connector, DIN	
5	4460896	1	Plug, Male - 24 Position	
6	4460836	1	Receptacle, Female - 12 Position	
7	4460837	1	Plug, Male - 12 Position	
8	4460465	18	Socket, Female	
9	4460466	3	Plug, Seal	
14	4460225	1	Plug, Male - 6 Position	
15	4460267	4	Pin, Male	

Go to Discount-Equipment.com to order your parts

SECTION 8 - ELECTRICAL

FIGURE 8-30. LIFT DOWN HARNESS - LOWER



ART_4922543

SECTION 8 - ELECTRICAL

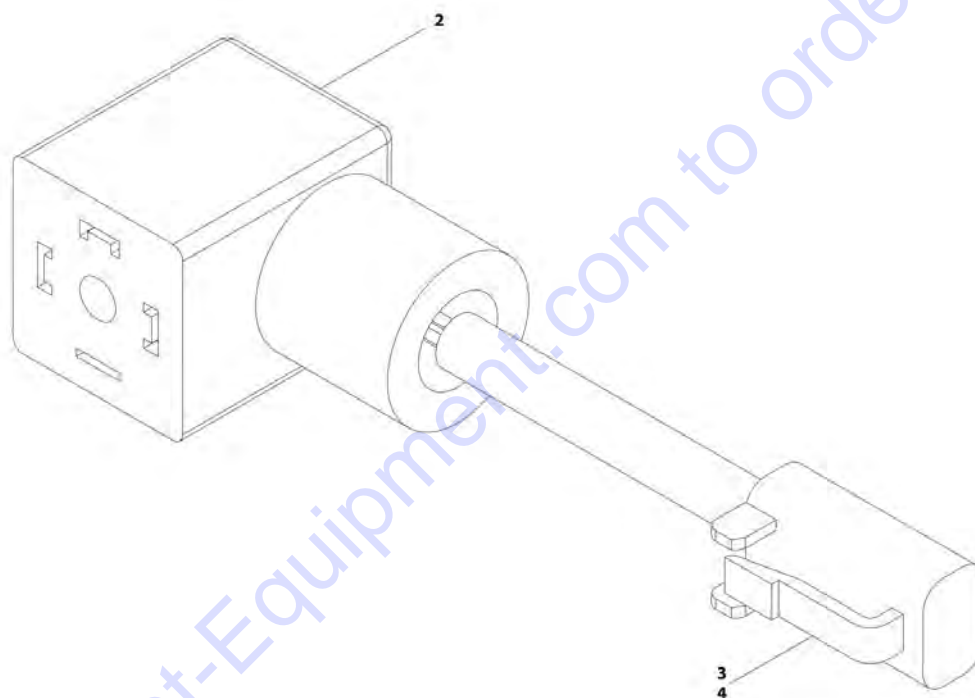
FIGURE 8-30. LIFT DOWN HARNESS - LOWER

ITEM	PART NUMBER	QTY	DESCRIPTION	REV
	4922543	Ref	LIFT DOWN HARNESS - LOWER	C
2	4460464	2	Pin, Male	
3	4460465	2	Socket, Female	
4	4460897	1	Receptacle, Female - 2 Position	

Go to Discount-Equipment.com to order your parts

SECTION 8 - ELECTRICAL

FIGURE 8-31. LIFT DOWN HARNESS - 3369LE/M3369 UPPER



ART. 4922544

SECTION 8 - ELECTRICAL

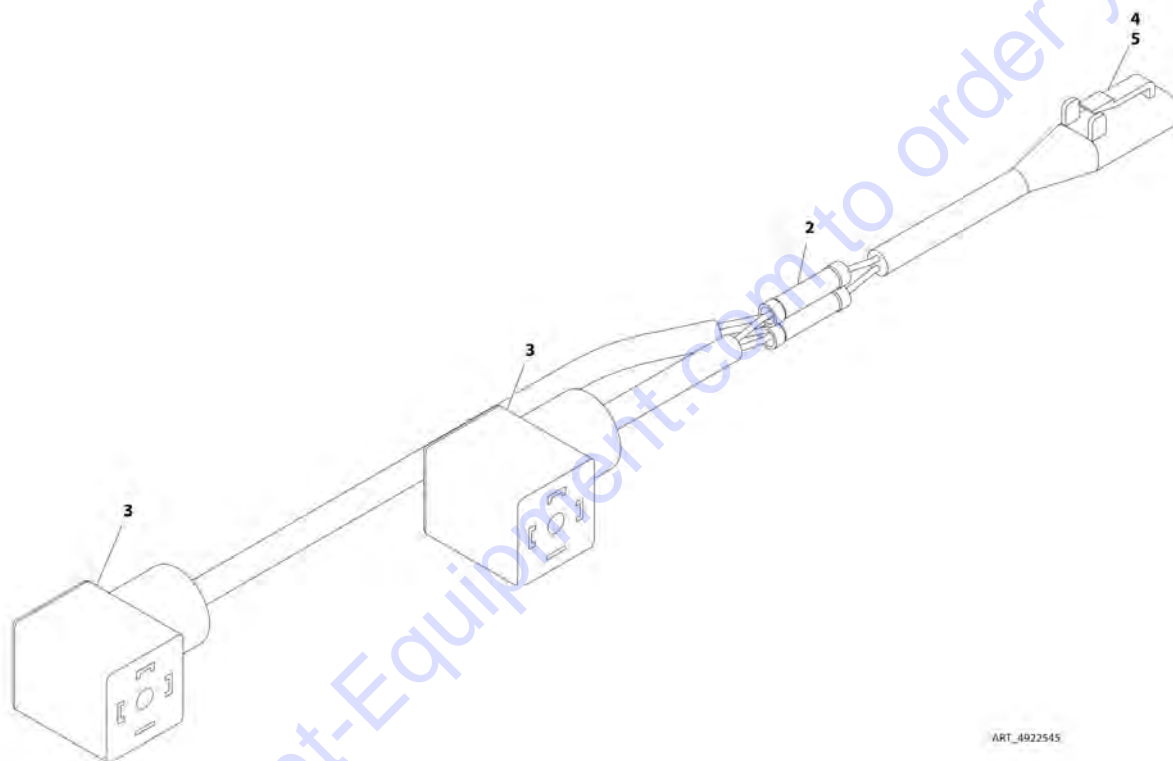
FIGURE 8-31. LIFT DOWN HARNESS - 3369LE/M3369 UPPER

ITEM	PART NUMBER	QTY	DESCRIPTION	REV
	4922544	Ref	LIFT DOWN HARNESS - 3369LE/M3369 UPPER	B
2	4460499	1	Connector, DIN	
3	4460465	2	Socket, Female	
4	4460891	1	Plug, Male - 2 Position	

Go to Discount-Equipment.com to order your parts

SECTION 8 - ELECTRICAL

FIGURE 8-32. LIFT DOWN HARNESS - 4069LE/M4069 UPPER



ART_4922545

SECTION 8 - ELECTRICAL

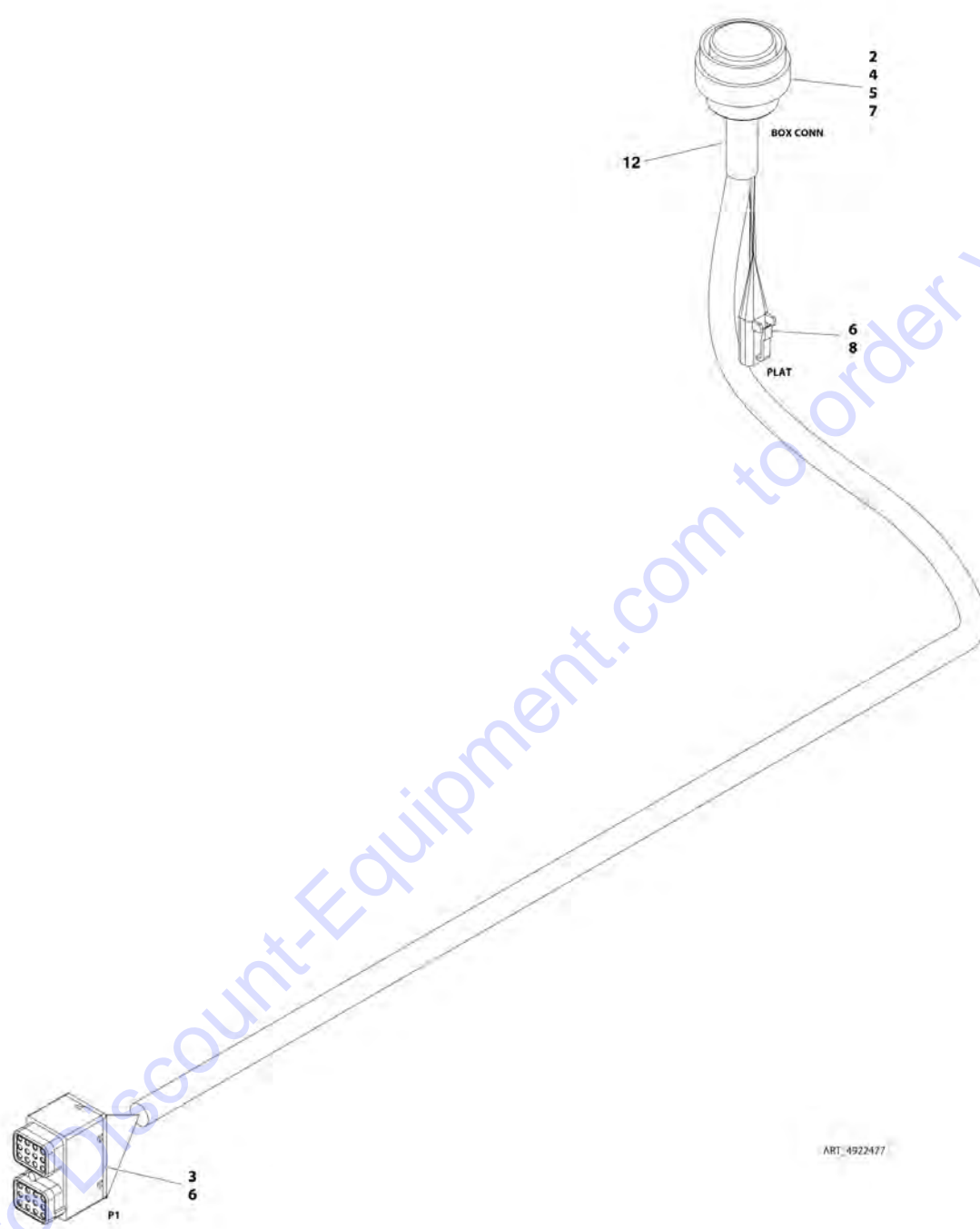
FIGURE 8-32. LIFT DOWN HARNESS - 4069LE/M4069 UPPER

ITEM	PART NUMBER	QTY	DESCRIPTION	REV
	4922545	Ref	LIFT DOWN HARNESS - 4069LE/M4069 UPPER	B
2	4460035	1	Terminal, Splice	
3	4460499	2	Connector, DIN	
4	4460465	2	Socket, Female	
5	4460891	1	Plug, Male - 2 Position	

Go to Discount-Equipment.com to order your parts

SECTION 8 - ELECTRICAL

FIGURE 8-33. PLATFORM CABLE HARNESS - 3369LE/M3369



SECTION 8 - ELECTRICAL

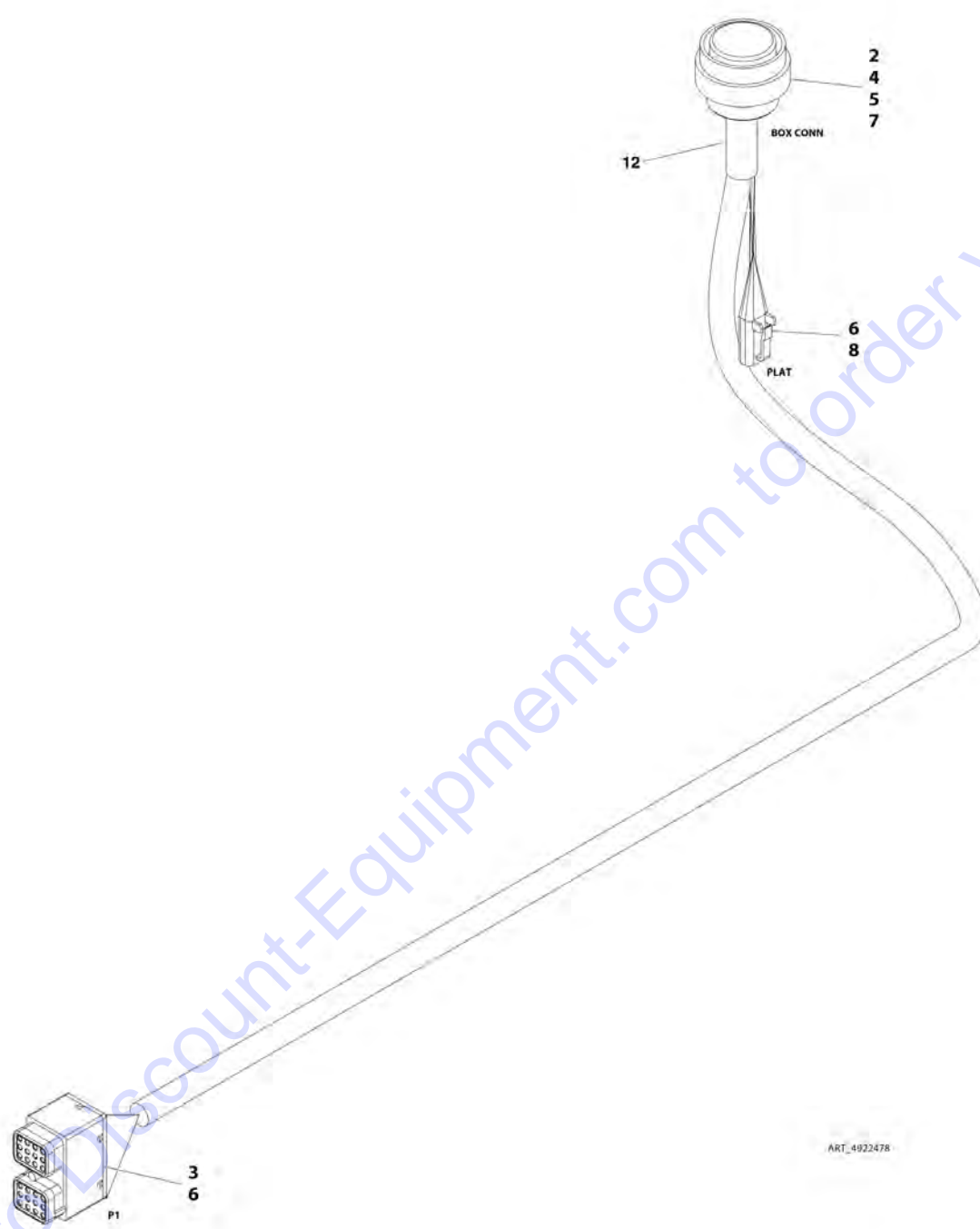
FIGURE 8-33. PLATFORM CABLE HARNESS - 3369LE/M3369

ITEM	PART NUMBER	QTY	DESCRIPTION	REV
	4922477	Ref	PLATFORM CABLE HARNESS - 3369LE/M3369	C
2	4460481	1	Connector - 23 Position	
3	4460812	1	Plug, Male - 24 Position	
4	4460468	1	Cap, Dust	
5	4460473	1	Cable/Clamp Assembly	
6	4460465	21	Socket, Female	
7	4460464	20	Pin, Male	
8	4460891	1	Plug, Male - 2 Position	
12	1001226400	1	Heat Shrink (SN M200015636 to Present)	

Go to Discount-Equipment.com to order your parts

SECTION 8 - ELECTRICAL

FIGURE 8-34. PLATFORM CABLE HARNESS - 4069LE/M4069



SECTION 8 - ELECTRICAL

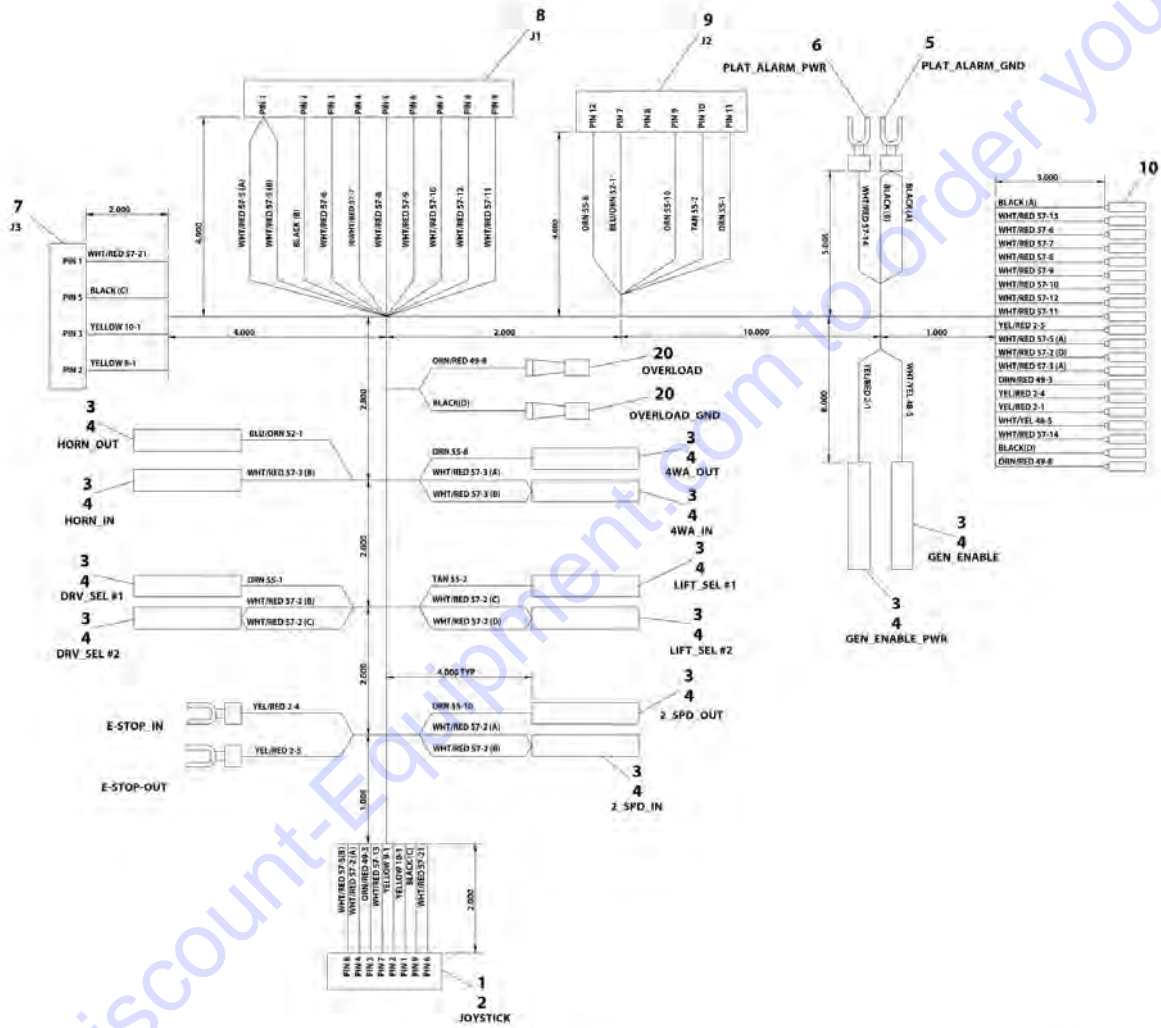
FIGURE 8-34. PLATFORM CABLE HARNESS - 4069LE/M4069

ITEM	PART NUMBER	QTY	DESCRIPTION	REV
	4922478	Ref	PLATFORM CABLE HARNESS - 4069LE/M4069	B
2	4460481	1	Connector - 23 Position	
3	4460812	1	Plug, Male - 24 Position	
4	4460468	1	Cap, Dust	
5	4460473	1	Cable/Clamp Assembly	
6	4460465	21	Socket, Female	
7	4460464	20	Pin, Male	
8	4460891	1	Plug, Male - 2 Position	
12	1001226400	1	Heat Shrink (SN M200015636 to Present)	

Go to Discount-Equipment.com to order your parts

SECTION 8 - ELECTRICAL

FIGURE 8-35. PLATFORM CONSOLE BOX HARNESS WITHOUT LEVELING JACKS



ART 49225/6

SECTION 8 - ELECTRICAL

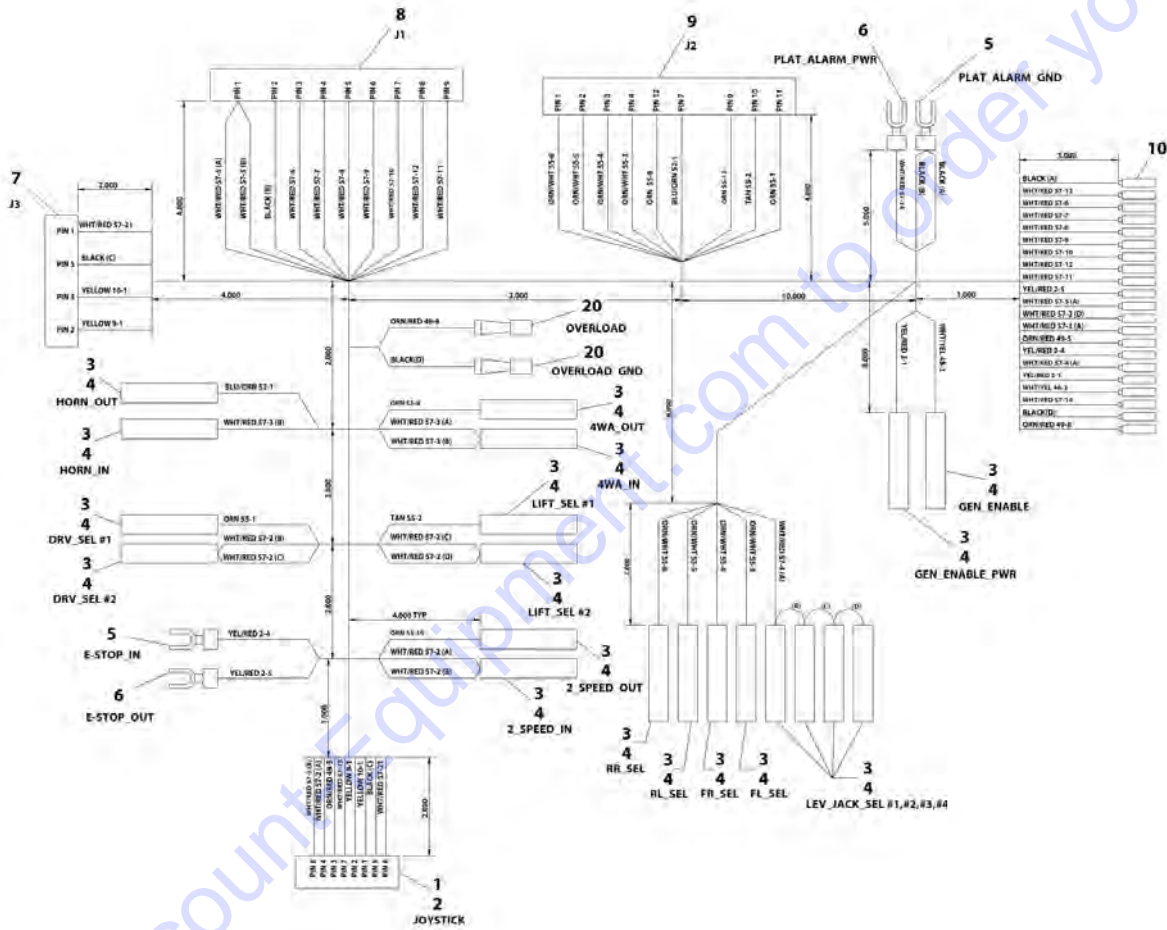
FIGURE 8-35. PLATFORM CONSOLE BOX HARNESS WITHOUT LEVELING JACKS

ITEM	PART NUMBER	QTY	DESCRIPTION	REV
	4922526	Ref	PLATFORM CONSOLE BOX HARNESS WITHOUT LEVELING JACKS	D
1	4460266	1	Receptacle, Female - 9 Position	
2	4460267	8	Pin, Male	
3	4460259	12	Terminal	
4	4460260	12	Housing, Terminal	
5	4460115	2	Terminal, Fork	
6	4460183	2	Terminal, Fork	
7	4460817	1	Plug, Male - 5 Position	
8	4460818	1	Plug, Male - 10 Position	
9	4460895	1	Plug, Male - 12 Position	
10	4460465	18	Socket, Female	
20	4460016	2	Terminal, Receptacle	

Go to Discount-Equipment.com to order your parts

SECTION 8 - ELECTRICAL

FIGURE 8-36. PLATFORM CONSOLE BOX HARNESS WITH LEVELING JACKS



ART-4922527

SECTION 8 - ELECTRICAL

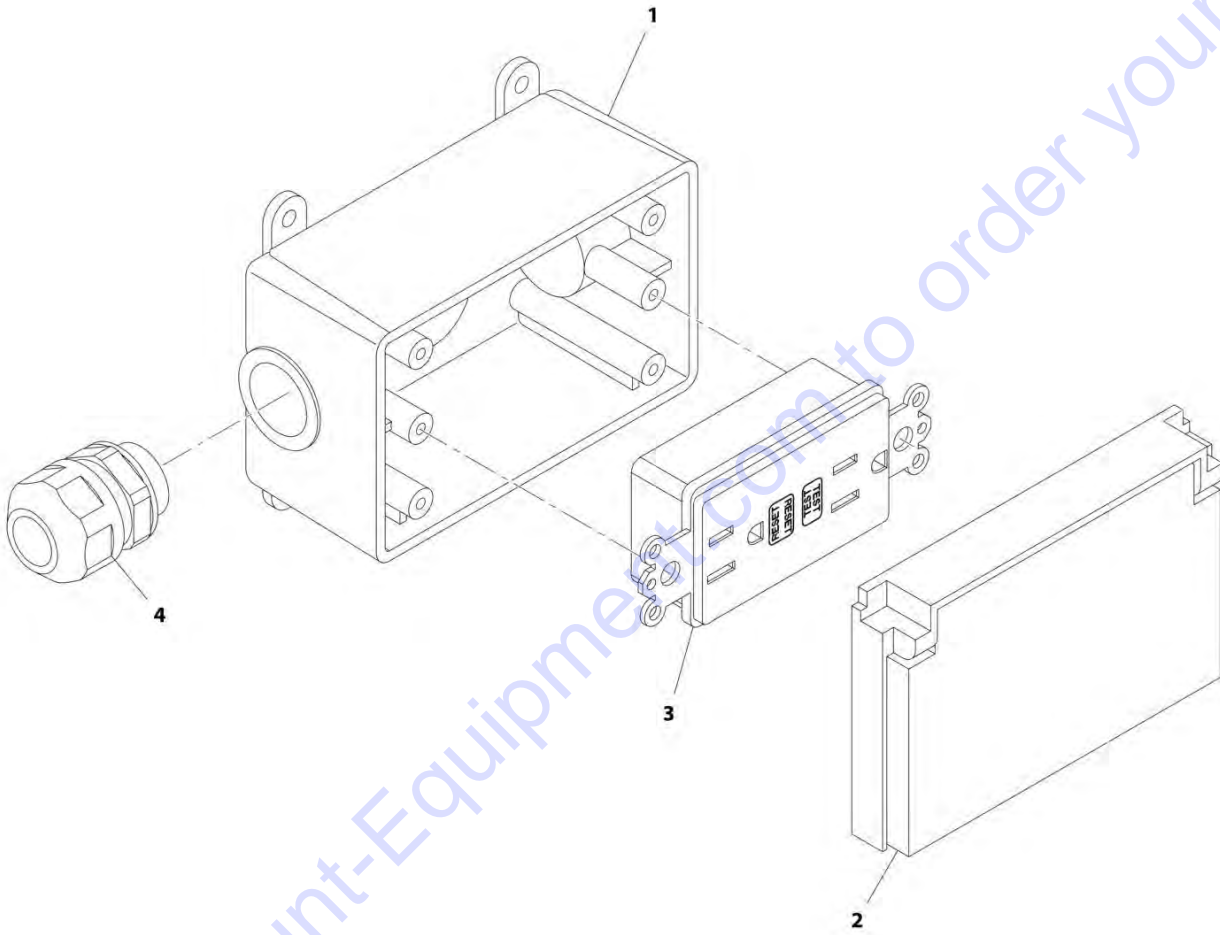
FIGURE 8-36. PLATFORM CONSOLE BOX HARNESS WITH LEVELING JACKS

ITEM	PART NUMBER	QTY	DESCRIPTION	REV
	4922527	Ref	PLATFORM CONSOLE BOX HARNESS WITH LEVELING JACKS	C
1	4460266	1	Receptacle, Female - 9 Position	
2	4460267	8	Pin, Male	
3	4460259	16	Terminal	
4	4460260	20	Housing, Terminal	
5	4460115	2	Terminal, Fork	
6	4460183	2	Terminal, Fork	
7	4460817	1	Plug, Male - 5 Position	
8	4460818	1	Plug, Male - 10 Position	
9	4460895	1	Plug, Male - 12 Position	
10	4460465	19	Socket, Female	
20	4460016	2	Terminal, Receptacle	

Go to Discount-Equipment.com to order your parts

SECTION 8 - ELECTRICAL

FIGURE 8-37. RECEPTACLE BOX KIT - 110V GFI



ART_2902431

SECTION 8 - ELECTRICAL

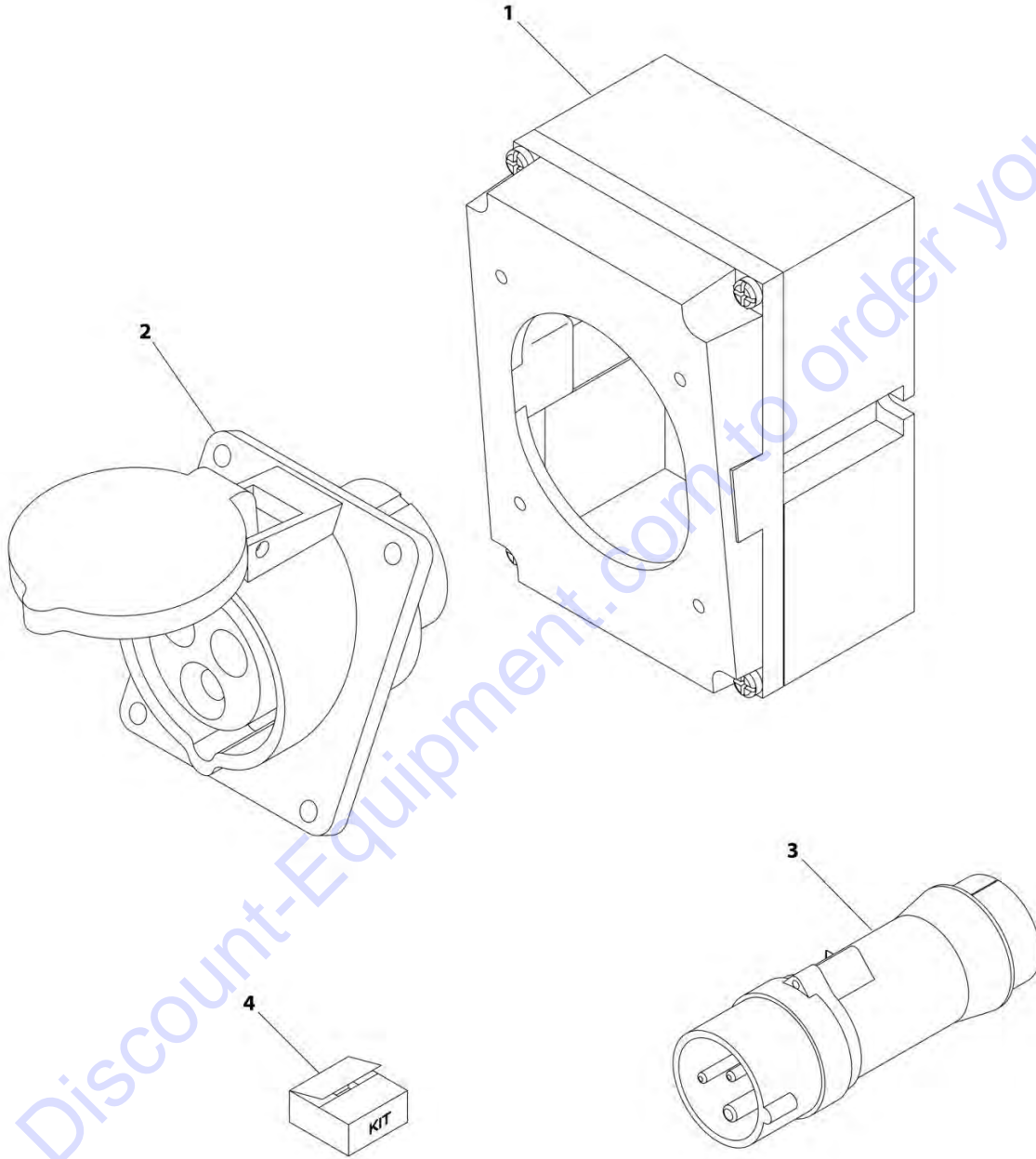
FIGURE 8-37. RECEPTACLE BOX KIT - 110V GFI

ITEM	PART NUMBER	QTY	DESCRIPTION	REV
	2902431	Ref	RECEPTACLE BOX KIT - 110V GFI	C
1	0861731	1	Box, Receptacle	
2	1671207	1	Cover, Receptacle	
3	4460346	1	Receptacle	
4	4460662	1	Connector, Strain Relief	

Go to Discount-Equipment.com to order your parts

SECTION 8 - ELECTRICAL

FIGURE 8-38. RECEPTACLE BOX KIT - 110V IEC YELLOW (CE SPEC)



ART_0275216

SECTION 8 - ELECTRICAL

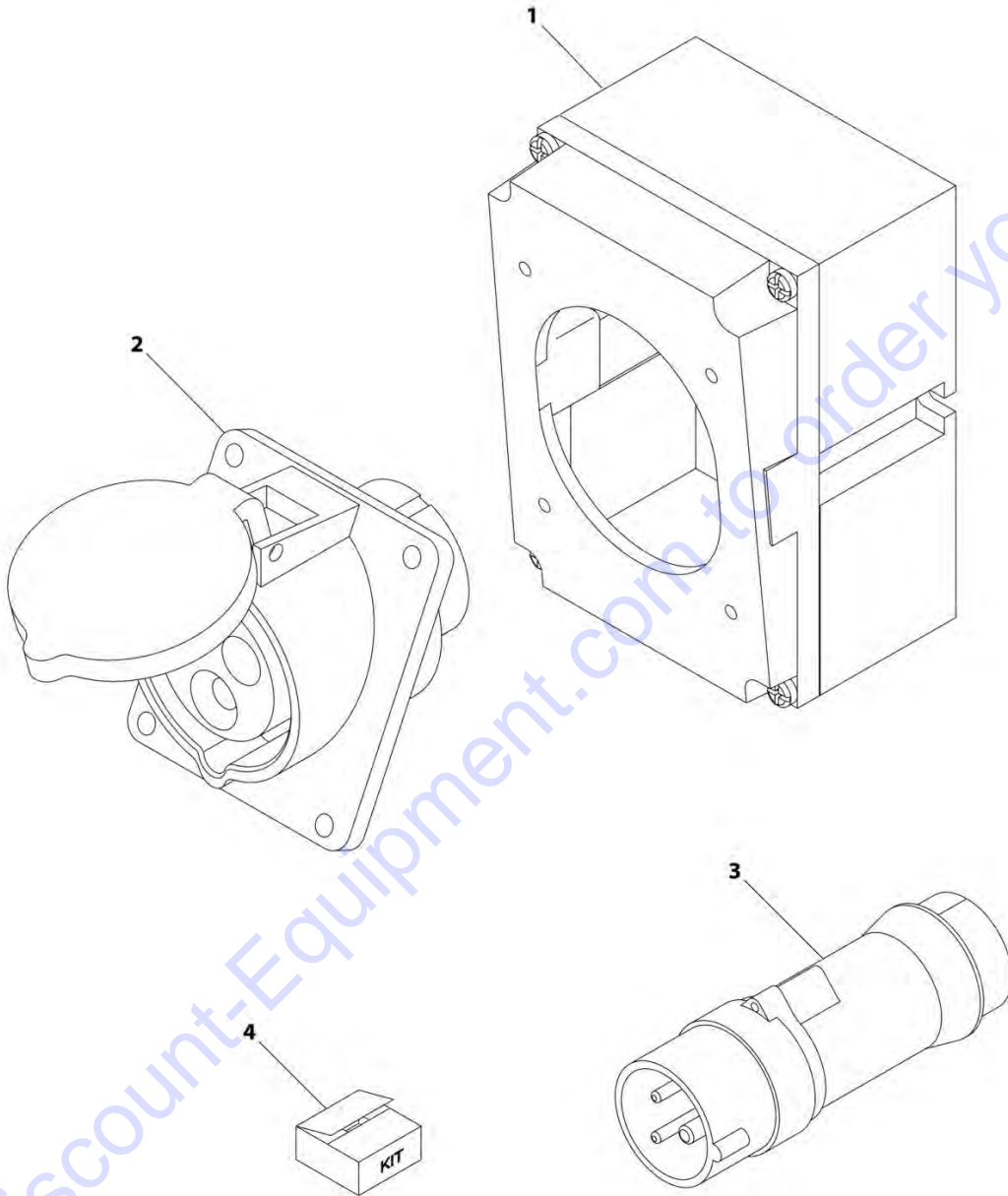
FIGURE 8-38. RECEPTACLE BOX KIT - 110V IEC YELLOW (CE SPEC)

ITEM	PART NUMBER	QTY	DESCRIPTION	REV
	0275216	Ref	RECEPTACLE BOX KIT - 110V IEC YELLOW (CE SPEC)	2
1	0861781	1	Box, Switch	
2	4461198	1	Receptacle	
3	4461196	1	Plug, Male	
4	1001100341	1	Plug and Socket Kit (Includes Items 1-3 and Female Plug p/n 4461197)	

Go to Discount-Equipment.com to order your parts

SECTION 8 - ELECTRICAL

FIGURE 8-39. RECEPTACLE BOX KIT - 220V IEC BLUE (CE SPEC)



ART_0275217

SECTION 8 - ELECTRICAL

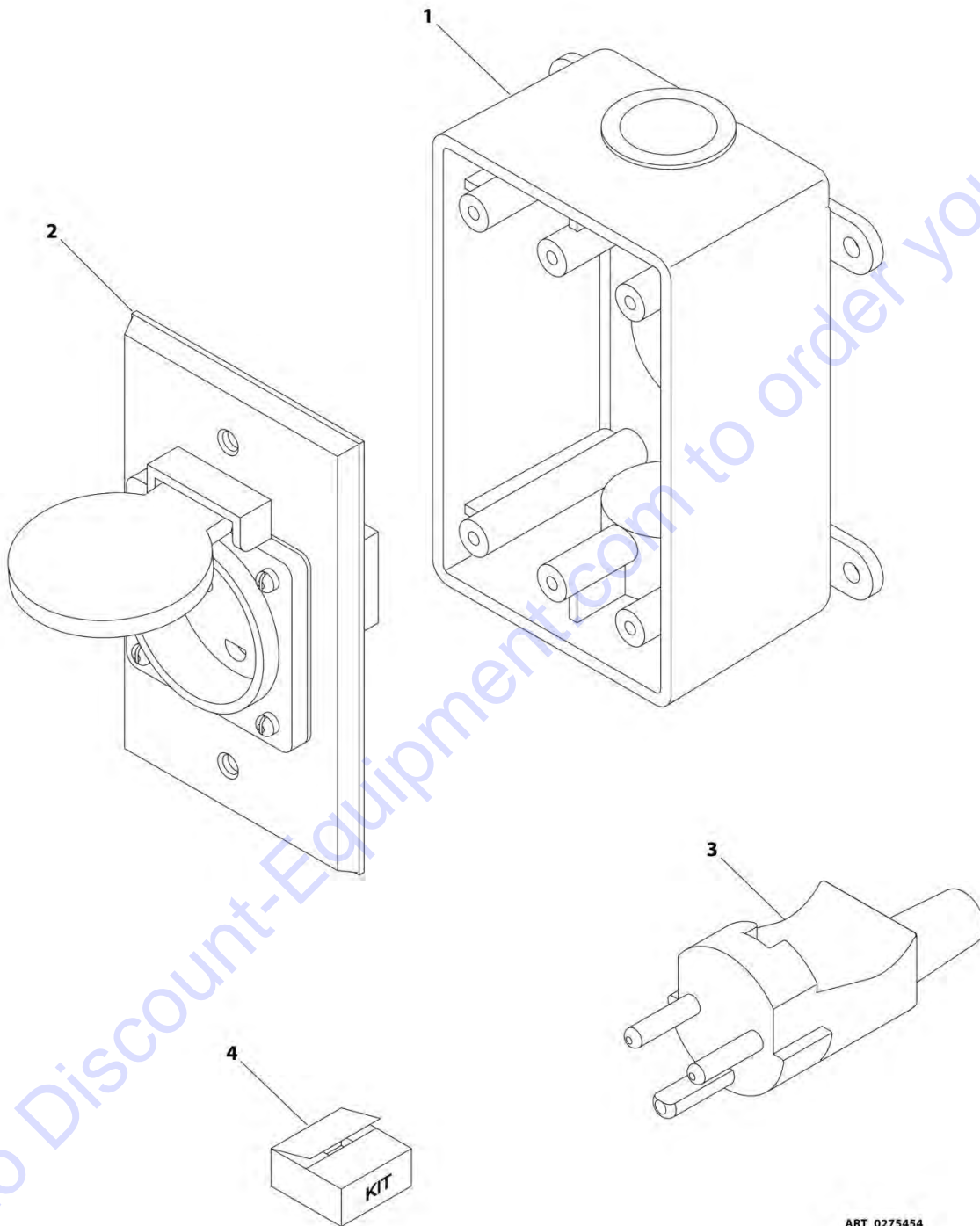
FIGURE 8-39. RECEPTACLE BOX KIT - 220V IEC BLUE (CE SPEC)

ITEM	PART NUMBER	QTY	DESCRIPTION	REV
	0275217	Ref	RECEPTACLE BOX KIT - 220V IEC BLUE (CE SPEC)	2
1	0861781	1	Box, Switch	
2	4461201	1	Receptacle	
3	4461199	1	Plug, Male	
4	1001100342	1	Plug and Socket Kit (Includes Items 1-3 and Female Plug p/n 4461200)	

Go to Discount-Equipment.com to order your parts

SECTION 8 - ELECTRICAL

FIGURE 8-40. RECEPTACLE BOX KIT - 220V AFSINT 107 (CE SPEC)



ART_0275454

SECTION 8 - ELECTRICAL

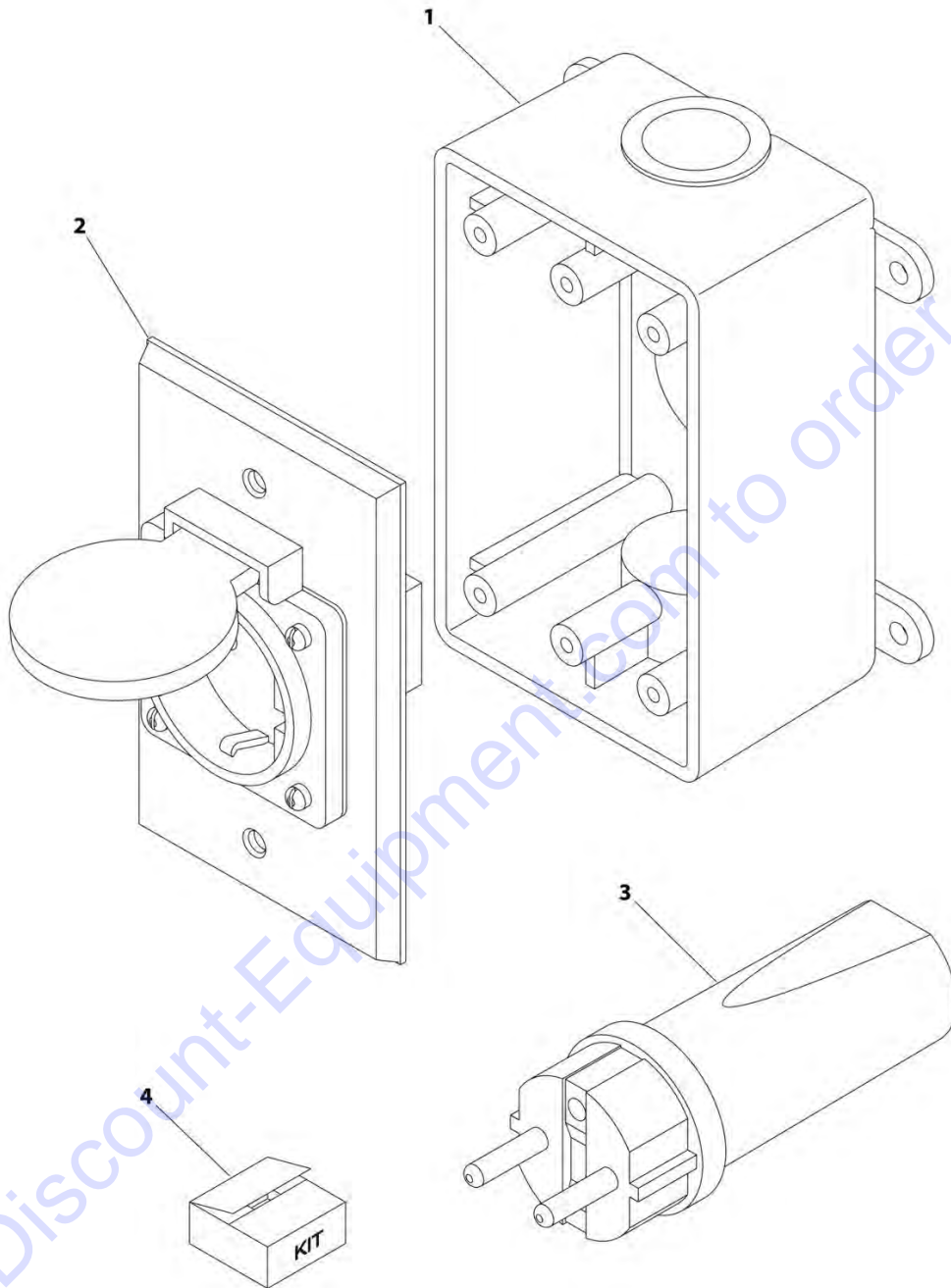
FIGURE 8-40. RECEPTACLE BOX KIT - 220V AFSINT 107 (CE SPEC)

ITEM	PART NUMBER	QTY	DESCRIPTION	REV
	0275454	Ref	RECEPTACLE BOX KIT - 220V AFSINT 107 (CE SPEC)	2
1	0861731	1	Box, Switch	
2	4461246	1	Receptacle	
3	4461249	1	Plug, Male	
4	1001100346	1	Plug and Socket Kit (Includes Items 1-3 and Female Plug p/n 4461250)	

Go to Discount-Equipment.com to order your parts

SECTION 8 - ELECTRICAL

FIGURE 8-41. RECEPTACLE BOX KIT - 220V CEE7 SIDE GROUND (CE SPEC)



ART_0275453

SECTION 8 - ELECTRICAL

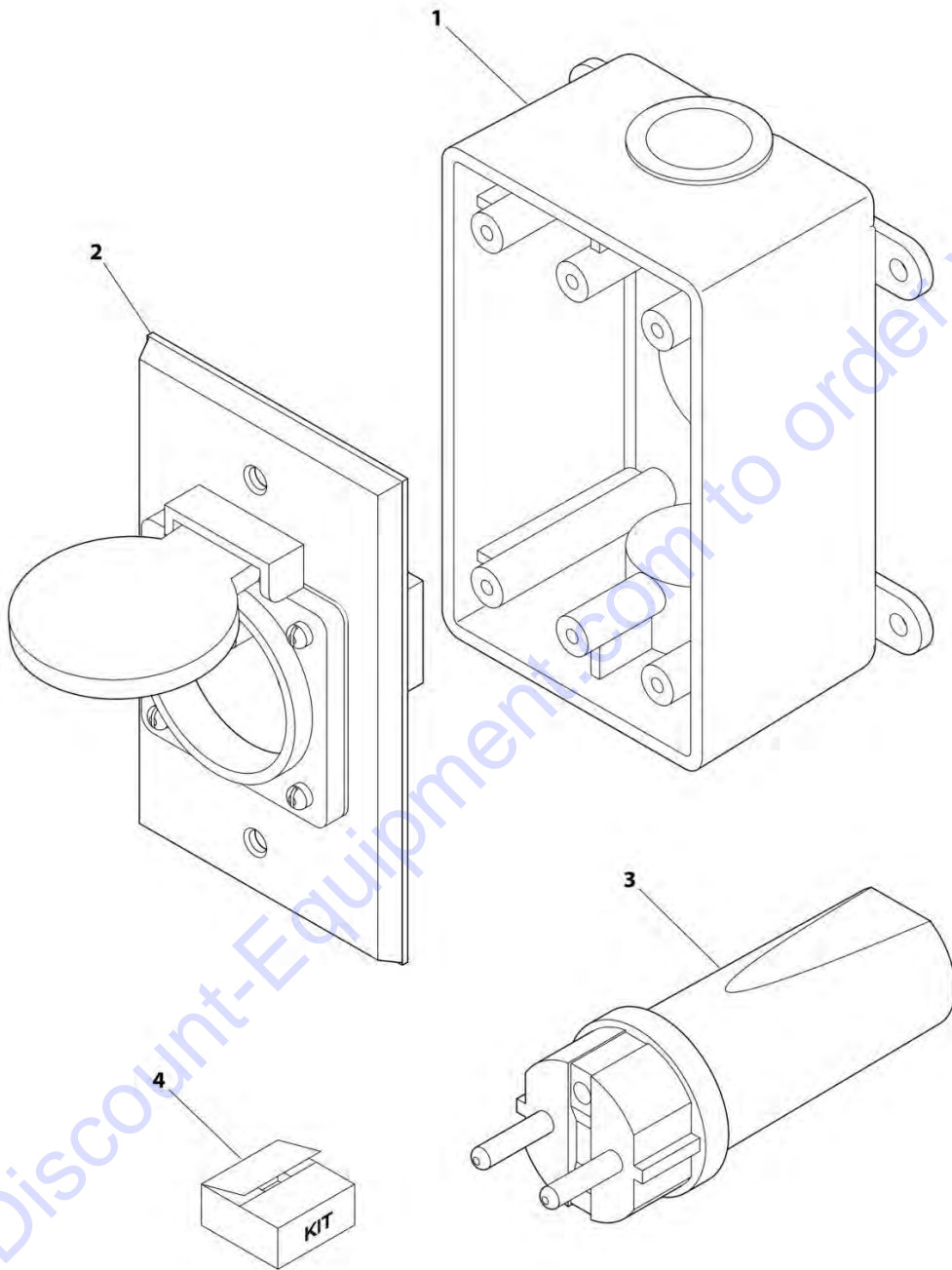
FIGURE 8-41. RECEPTACLE BOX KIT - 220V CEE7 SIDE GROUND (CE SPEC)

ITEM	PART NUMBER	QTY	DESCRIPTION	REV
	0275453	Ref	RECEPTACLE BOX KIT - 220V CEE7 SIDE GROUND (CE SPEC)	1
1	0861731	1	Box, Switch	
2	4461245	1	Receptacle	
3	4461205	1	Plug, Male	
4	1001100347	1	Plug and Socket Kit (Includes Items 1-3 and Female Plug p/n 4461206)	

Go to Discount-Equipment.com to order your parts

SECTION 8 - ELECTRICAL

FIGURE 8-42. RECEPTACLE BOX KIT - 220V CEE7 POST GROUND (CE SPEC)



ART_0275452

SECTION 8 - ELECTRICAL

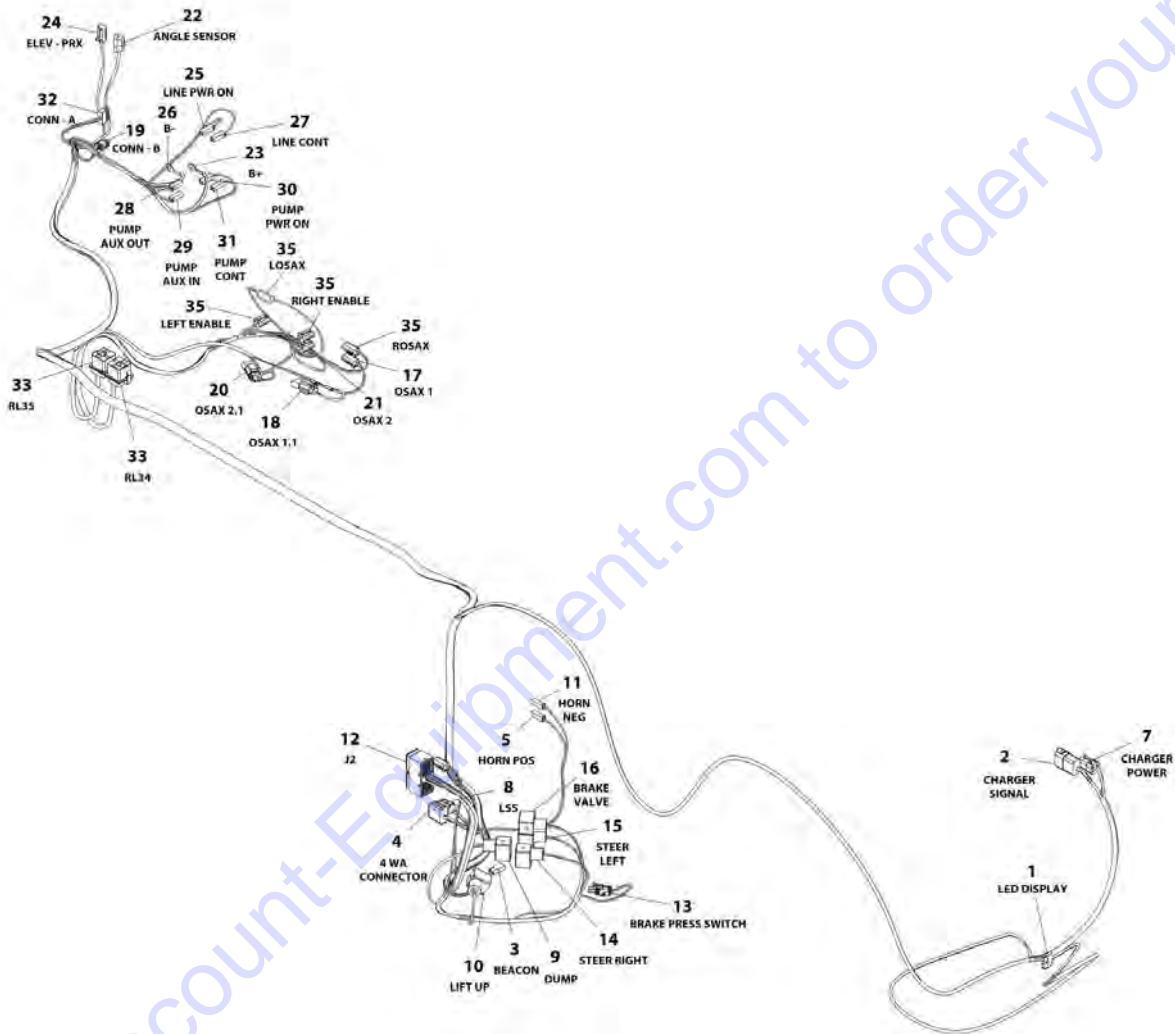
FIGURE 8-42. RECEPTACLE BOX KIT - 220V CEE7 POST GROUND (CE SPEC)

ITEM	PART NUMBER	QTY	DESCRIPTION	REV
	0275452	Ref	RECEPTACLE BOX KIT - 220V CEE7 POST GROUND (CE SPEC)	2
1	0861731	1	Box, Switch	
2	4461244	1	Receptacle	
3	4461202	1	Plug, Male	
4	1001100345	1	Plug and Socket Kit (Includes Items 1-3 and Female Plug p/n 4461206)	

Go to Discount-Equipment.com to order your parts

SECTION 8 - ELECTRICAL

FIGURE 8-43. VALVE HARNESS



AHT_1001171101

SECTION 8 - ELECTRICAL

FIGURE 8-43. VALVE HARNESS

ITEM	PART NUMBER	QTY	DESCRIPTION	REV
	1001171103	Ref	VALVE HARNESS	G
1	4460761	1	Receptacle, Female - 4 Position	
1	4460226	4	Socket, Female	
2	4460931	1	Receptacle, Female - 8 Position	
2	4460464	6	Pin, Male	
2	4460466	2	Plug, Seal	
3	4460424	1	Plug, Male - 2 Position	
3	4460267	3	Pin, Male	
4	4460930	1	Plug, Male - 8 Position	
4	4460465	7	Socket, Female	
4	4460466	1	Plug, Seal	
5	4460260	1	Housing, Terminal	
5	4460259	1	Terminal	
7	1001096188	1	Plug, Male - 4 Position	
7	4460509	2	Socket, Female	
7	4460466	2	Plug, Seal	
8	4460884	1	Plug, Male - 4 Position	
8	4460465	4	Socket, Female	
9	4460499	1	Connector, DIN	
10	4460499	1	Connector, DIN	
11	4460260	1	Housing, Terminal	
11	4460259	1	Terminal	
12	4460814	1	Connector - 40 Position	
12	4460465	32	Socket, Female	
12	4460466	8	Plug, Seal	
13	4460742	1	Plug, Male - 2 Position	
13	4460743	2	Socket, Female	
14	4460499	1	Connector, DIN	
15	4460499	1	Connector, DIN	
16	4460499	1	Connector, DIN	
17	4460891	1	Plug, Male - 2 Position	
17	4460465	2	Socket, Female	
18	4460891	1	Plug, Male - 2 Position	
18	4460465	2	Socket, Female	
18	1001116816	1	Receptacle, Female - 2 Position with Diode	
19	4460870	1	Plug, Male - 12 Position	
19	4460877	4	Terminal	
20	4460891	1	Plug, Male - 2 Position	
20	4460465	2	Socket, Female	
21	4460891	1	Plug, Male - 2 Position	
21	4460465	2	Socket, Female	
21	1001116816	1	Receptacle, Female - 2 Position with Diode	
22	4460539	1	Plug, Male - 3 Position	
22	4460465	3	Socket, Female	
23	4460019	1	Terminal, Ring	
24	4460891	1	Plug, Male - 2 Position	
24	4460465	2	Socket, Female	
25	4460260	1	Housing, Terminal	
25	4460259	1	Terminal	
26	4460019	1	Terminal, Ring	

SECTION 8 - ELECTRICAL

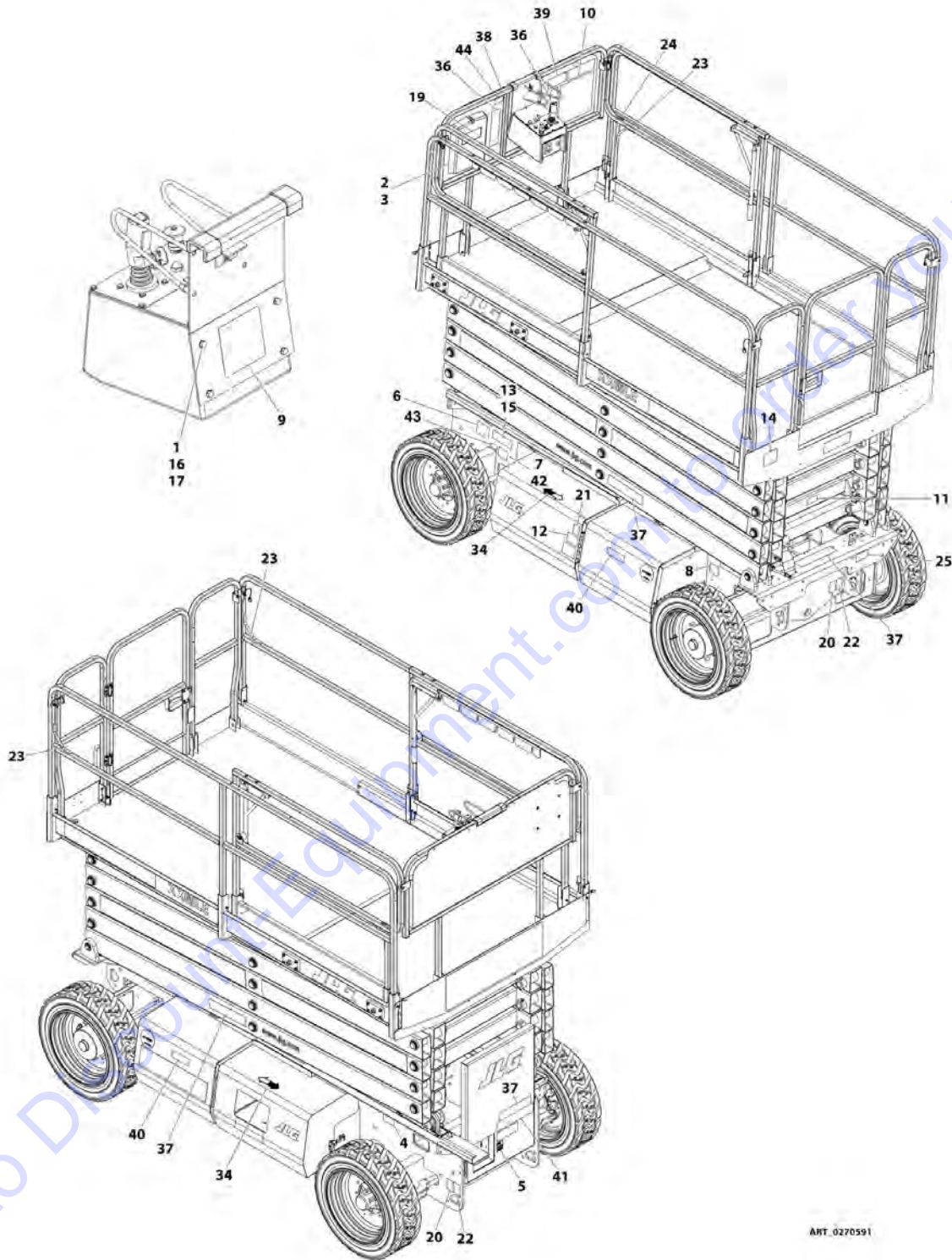
ITEM	PART NUMBER	QTY	DESCRIPTION	REV
27	4460260	1	Housing, Terminal	
27	4460259	1	Terminal	
28	4460260	1	Housing, Terminal	
28	4460259	1	Terminal	
29	4460260	1	Housing, Terminal	
29	4460259	1	Terminal	
30	4460260	1	Housing, Terminal	
30	4460259	1	Terminal	
31	4460260	1	Housing, Terminal	
31	4460259	1	Terminal	
32	4460868	1	Plug, Male - 6 Position	
32	4460877	1	Terminal	
33	4460374	2	Plug, Relay (SN 0200241795 to Present)	
33	4460374	2	Plug, Relay (SN M200000100 to Present)	
33	4460375	8	Terminal (SN 0200241795 to Present)	
33	4460375	8	Terminal (SN M200000100 to Present)	
33	3740080	2	Relay (SN 0200241795 to Present)	
33	3740080	2	Relay (SN M200000100 to Present)	
35	4460891	4	Plug, Male - 2 Position (SN 0200241795 to Present)	
35	4460891	4	Plug, Male - 2 Position (SN M200000100 to Present)	
35	4460465	8	Socket, Female (SN 0200241795 to Present)	
35	4460465	8	Socket, Female (SN M200000100 to Present)	

SECTION 9 - DECALS

Go to Discount-Equipment.com to order your parts

SECTION 9 - DECALS

FIGURE 9-1. DECAL INSTALLATION - ANSI SPEC (ENGLISH)



ART. 0270591

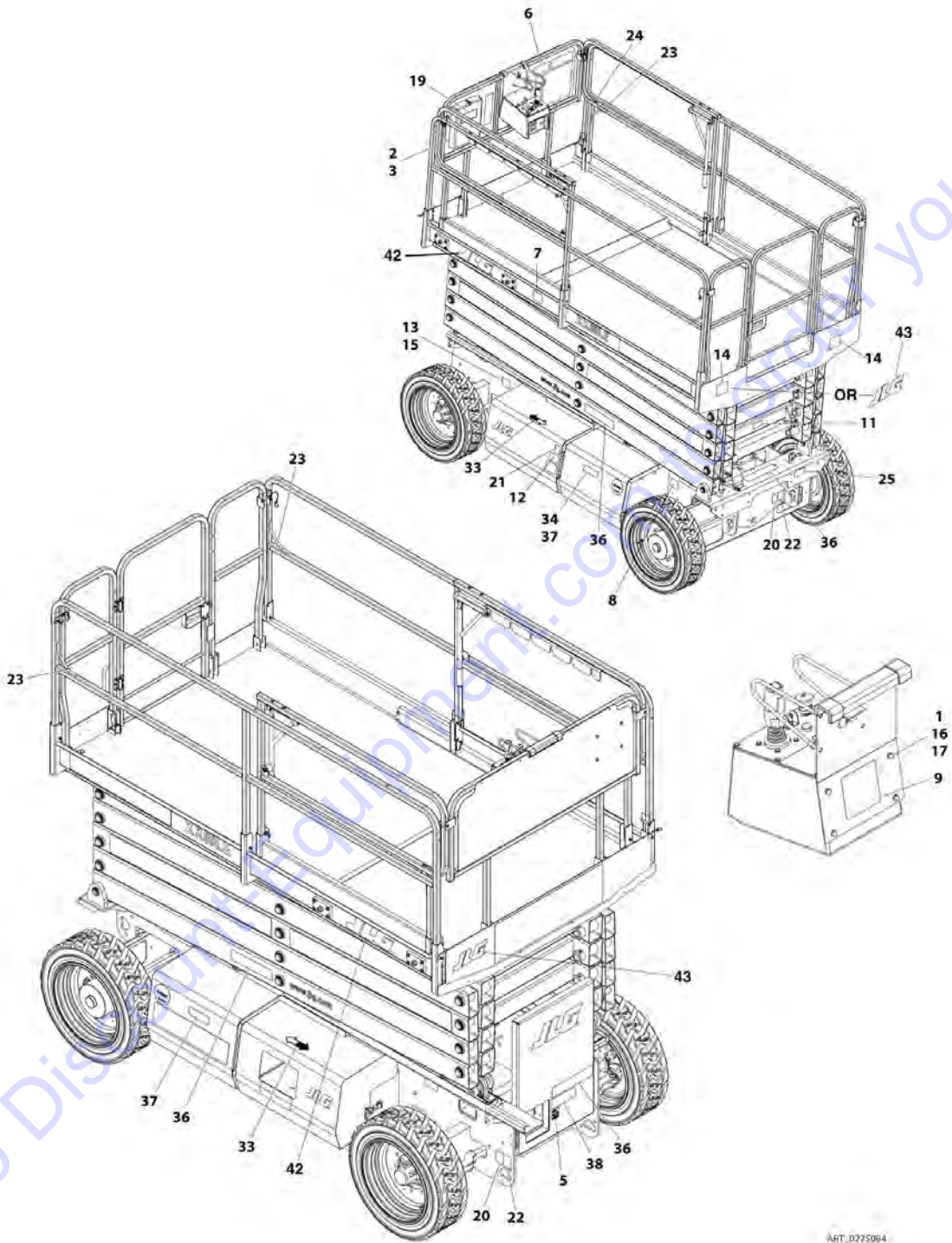
SECTION 9 - DECALS

FIGURE 9-1. DECAL INSTALLATION - ANSI SPEC (ENGLISH)

ITEM	PART NUMBER	QTY	DESCRIPTION	REV
	1283217	Ref	DECAL INSTALLATION - REFERENCE CHART	S
	0270591	Ref	DECAL INSTALLATION - ANSI SPEC (ENGLISH)	I
1	0641405	4	Bolt 1/4 x 5/8	
2	0860520	1	Box, Manual Storage	
3	1060279	1	Cable, Lanyard (SN 0200230092 to Present, SN M200000100 through M200021529)	
4	1001131270	1	Decal - Patent	
5	1701644	1	Decal - Battery Charger	
6	1705303	1	Decal - CSA (SN 0200260119 to Present)	
7	1702153	1	Decal - Inspection (SN M200000100 through M200011727)	
8	1702155	1	Decal - Battery Disconnect	
9	See Note	NSS	Decal - Barcode (Note: Not Available for Purchase)	
10	1703816	1	Decal - Danger/Warning	
11	1704211	1	Decal - Safety Prop	
12	1704412	1	Decal - Hydraulic Oil	
13	2080057	4	Fastener	
14	3251813	1	Decal - USA (SN 0200230092 through 0200264013)	
15	See Note	NSS	Nameplate - Serial Number (Note: Not Available for Purchase)	
16	3311405	4	Nut 1/4	
17	4711400	8	Washer 1/4	
19	1701509	1	Decal - Manual	
20	1703811	4	Decal - Lifting Lugs	
21	1703812	1	Decal - Hydraulic Oil	
22	1703814	4	Decal - Tie Down	
23	1704277	8	Decal - Attach Lanyard Here	
24	1703819	2	Decal - Directional Arrow	
25	1703822	1	Decal - Manual Descent	
34	1703687	2	Decal - Directional Arrow	
36	1704911	1	Decal - Legend	
37	1703818	4	Decal - Warning Crushing Hazard/Danger Electrocution	
38	1703821	1	Decal - Control Box Location	
39	1704903	1	Decal - Gradeability	
40	1703813	2	Decal - Battery Warning	
41	1704248	1	Decal - Battery Charger Instructions	
42	1001223055	1	Decal -Yearly Inspection (DOM) (SN 0200266462 to Present, SN M200010510 to Present)	
43	1001228370	1	Decal - ICES (CAN) (SN 0200266462 to Present, SN M200010510 to Present)	
44	1001231801	1	Decal - Prop 65 (SN M200027567 to Present)	

SECTION 9 - DECALS

FIGURE 9-2. DECAL INSTALLATION - AUSTRALIAN AND CE SPECS - 3369LE & 4069LE



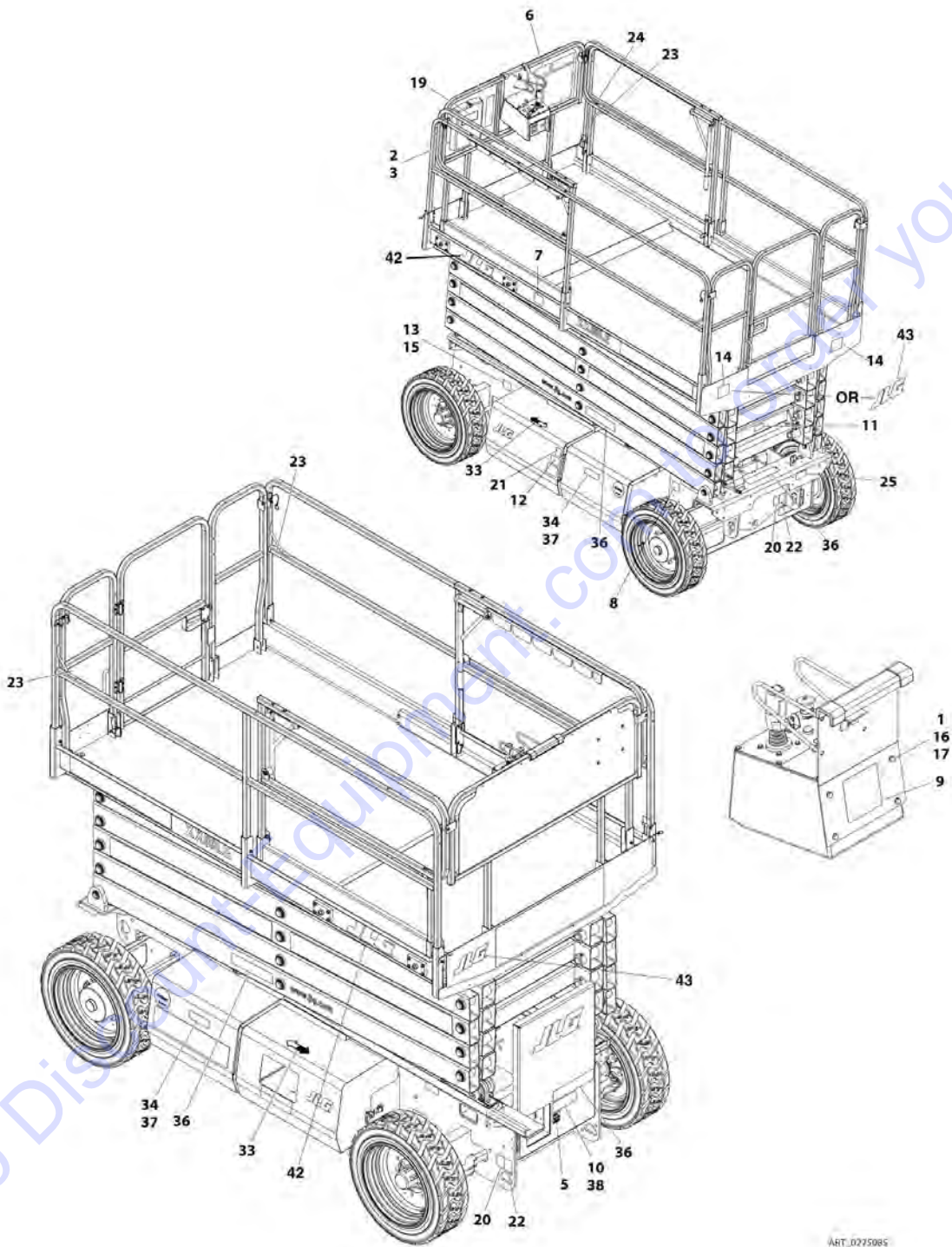
SECTION 9 - DECALS

FIGURE 9-2. DECAL INSTALLATION - AUSTRALIAN AND CE SPECS - 3369LE & 4069LE

ITEM	PART NUMBER	QTY	DESCRIPTION	REV
	1283249	Ref	DECAL INSTALLATION - REFERENCE CHART	O
	0275084	Ref	DECAL INSTALLATION - AUSTRALIAN AND CE SPECS - 3369LE & 4069LE	E
1	0641405	4	Bolt 1/4 x 5/8	
2	0860520	1	Box, Manual Storage	
3	1060279	1	Cable, Lanyard (SN 0200230092 to Present, SN M200000100 through M200021529)	
5	1701644	1	Decal - Battery Charger	
6	1706338	1	Decal - Warning Crushing Hazard/Danger Electrocution	
8	1702155	1	Decal - Battery Disconnect	
9	See Note	NSS	Decal - Barcode (Note: Not Available for Purchase)	
11	1704211	1	Decal - Safety Prop	
12	1704412	1	Decal - Hydraulic Oil	
13	2080057	2	Fastener	
14	3251813	1	Decal - USA (SN 0200230092 through 0200264013)	
15	See Note	NSS	Nameplate - Serial Number (Note: Not Available for Purchase)	
16	3311405	4	Nut 1/4	
17	4711400	8	Washer 1/4	
19	1701509	1	Decal - Manual Reference	
20	1703811	4	Decal - Lifting Lugs	
21	1703812	1	Decal - Hydraulic Oil	
22	1703814	4	Decal - Tie Down	
23	1704277	4	Decal - Attach Lanyard Here	
24	1703819	2	Decal - Directional Arrow	
25	1703822	1	Decal - Manual Descent	
33	1703687	2	Decal - Directional Arrow	
36	1706338	AR	Decal - Warning Crushing Hazard/Danger Electrocution	
37	1705670	2	Decal - Battery Warning	
38	1706492	1	Decal - Battery Charger Instructions	
42	1702773	2	Decal - JLG (5in Height)	
43	1701435	2	Decal - JLG (3.5in Height)	

SECTION 9 - DECALS

FIGURE 9-3. DECAL INSTALLATION - AUSTRALIAN AND CE SPECS - M3369 & M4069



ART_0275085

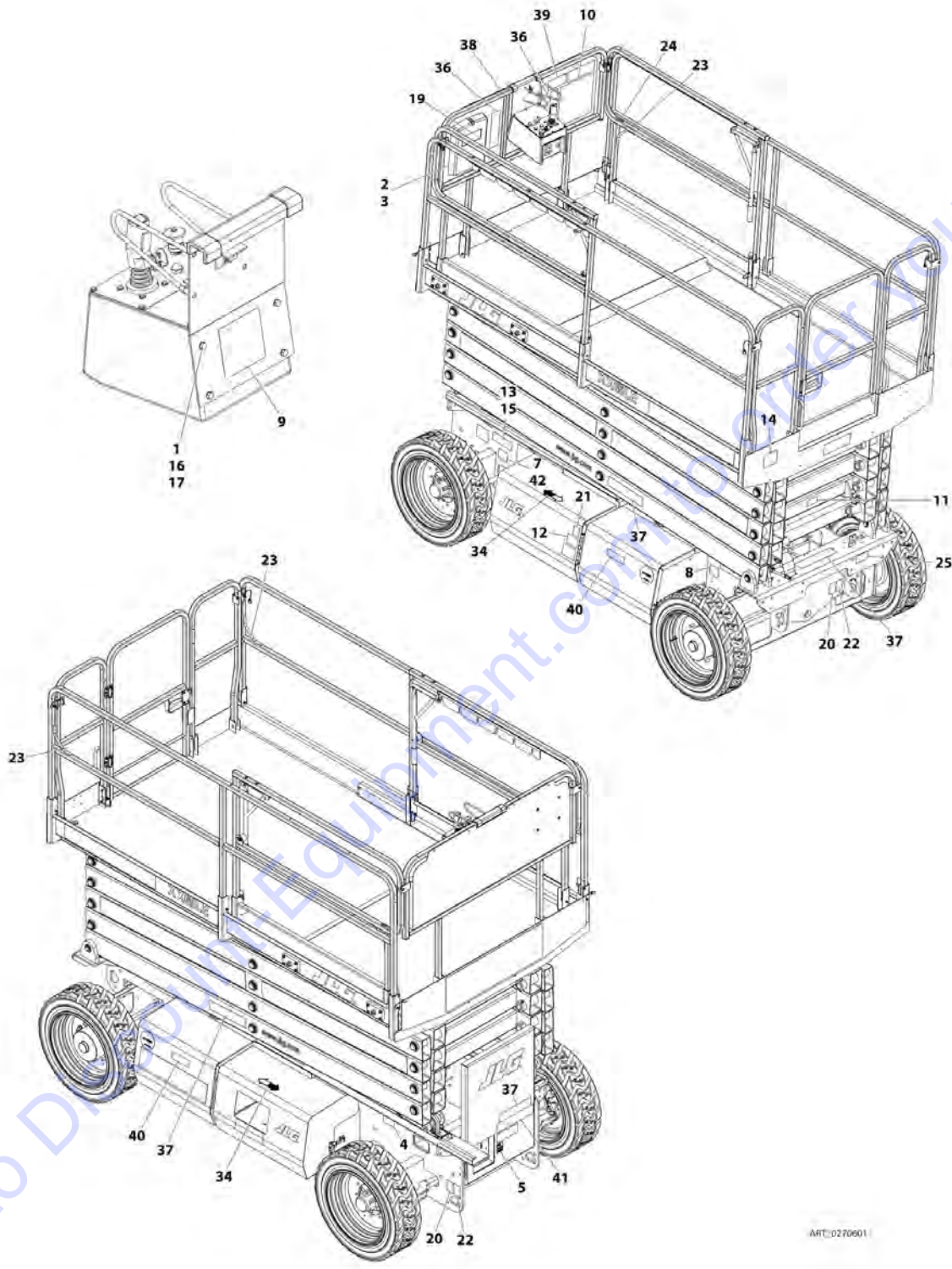
SECTION 9 - DECALS

FIGURE 9-3. DECAL INSTALLATION - AUSTRALIAN AND CE SPECS - M3369 & M4069

ITEM	PART NUMBER	QTY	DESCRIPTION	REV
	1283249	Ref	DECAL INSTALLATION - REFERENCE CHART	O
	0275085	Ref	DECAL INSTALLATION - AUSTRALIAN AND CE SPECS - M3369 & M4069	E
		Ref	Note: For UK MOD Machines, refer to JLG Manual p/n 3121698.	
1	0641405	4	Bolt 1/4 x 5/8	
2	0860520	1	Box, Manual Storage	
3	1060279	1	Cable, Lanyard (SN 0200230092 to Present, SN M200000100 through M200021529)	
5	1701644	1	Decal - Battery Charger	
6	1706338	1	Decal - Warning Crushing Hazard/Danger Electrocution	
7	1705084	2	Decal - Sound Power Level	
8	1702155	1	Decal - Battery Disconnect	
9	See Note	NSS	Decal - Barcode (Note: Not Available for Purchase)	
11	1704211	1	Decal - Safety Prop	
12	1704412	1	Decal - Hydraulic Oil	
13	2080057	2	Fastener	
14	3251813	1	Decal - USA (SN 0200230092 through 0200264013)	
15	See Note	NSS	Nameplate - Serial Number (Note: Not Available for Purchase)	
16	3311405	4	Nut 1/4	
17	4711400	8	Washer 1/4	
19	1701509	1	Decal - Manual Reference	
20	1703811	4	Decal - Lifting Lugs	
21	1703812	1	Decal - Hydraulic Oil	
22	1703814	4	Decal - Tie Down	
23	1704277	4	Decal - Attach Lanyard Here	
24	1703819	2	Decal - Directional Arrow	
25	1703822	1	Decal - Manual Descent	
33	1703687	2	Decal - Directional Arrow	
36	1706338	AR	Decal - Warning Crushing Hazard/Danger Electrocution	
37	1705670	2	Decal - Battery Warning	
38	1706492	1	Decal - Battery Charger Instructions	
42	1702773	2	Decal - JLG (5in Height)	
43	1701435	2	Decal - JLG (3.5in Height)	

SECTION 9 - DECALS

FIGURE 9-4. DECAL INSTALLATION - BRAZIL SPEC (DUAL LANGUAGE - PORTUGUESE/SPANISH)



ART_0270601

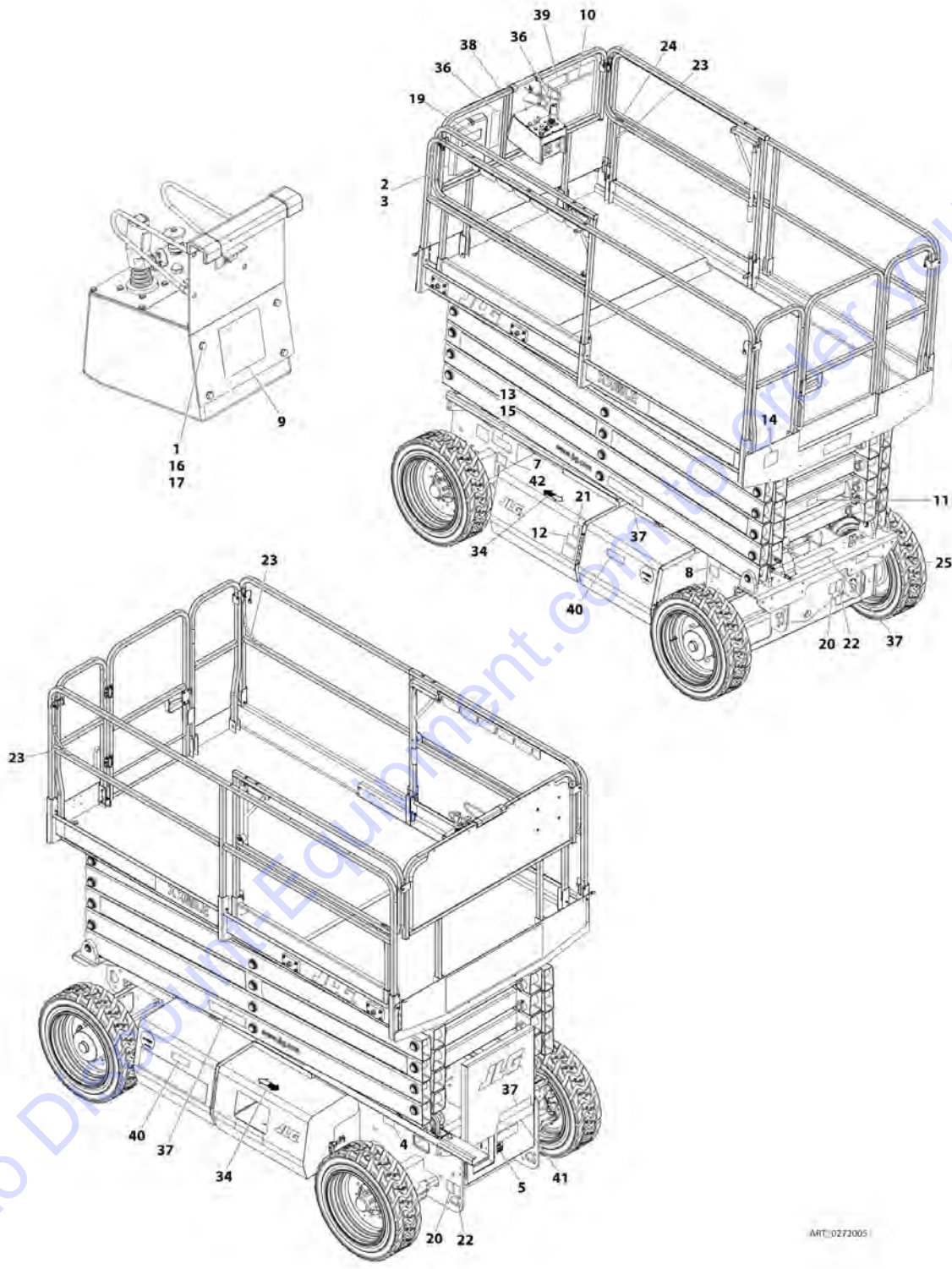
SECTION 9 - DECALS

FIGURE 9-4. DECAL INSTALLATION - BRAZIL SPEC (DUAL LANGUAGE - PORTUGUESE/SPANISH)

ITEM	PART NUMBER	QTY	DESCRIPTION	REV
	1283217	Ref	DECAL INSTALLATION - REFERENCE CHART	S
	0270601	Ref	DECAL INSTALLATION - BRAZIL SPEC (DUAL LANGUAGE - PORTUGUESE/SPANISH)	H
1	0641405	4	Bolt 1/4 x 5/8	
2	0860520	1	Box, Manual Storage	
3	1060279	1	Cable, Lanyard (SN 0200230092 to Present, SN M200000100 through M200021529)	
5	1701644	1	Decal - Battery Charger	
7	1704008	1	Decal - Inspection (SN M200000100 through M200011727)	
8	1702155	1	Decal - Battery Disconnect	
9	See Note	NSS	Decal - Barcode (Note: Not Available for Purchase)	
10	1704699	1	Decal - Danger/Warning	
11	1704211	1	Decal - Safety Prop	
12	1704412	1	Decal - Hydraulic Oil	
13	2080057	4	Fastener	
14	3251813	1	Decal - USA (SN 0200230092 through 0200264013)	
15	See Note	NSS	Nameplate - Serial Number (Note: Not Available for Purchase)	
16	3311405	4	Nut 1/4	
17	4711400	8	Washer 1/4	
19	1701509	1	Decal - Manual	
20	1703811	4	Decal - Lifting Lugs	
21	1703812	1	Decal - Hydraulic Oil	
22	1703814	4	Decal - Tie Down	
23	1704277	8	Decal - Attach Lanyard Here	
24	1703819	2	Decal - Directional Arrow	
25	1703822	1	Decal - Manual Descent	
34	1703687	2	Decal - Directional Arrow	
36	1704915	1	Decal - Legend	
37	1704701	4	Decal - Crushing Hazard/Electrocution	
38	1704702	1	Decal - Console Box Location	
39	1704916	1	Decal - Gradeability	
40	1704341	1	Decal - Warning Battery Ventilation	
41	1704330	1	Decal - Battery Charger Instructions	
42	1001224052	1	Decal - Yearly Inspection (SN 0200266462 to Present, SN M200010510 to Present)	

SECTION 9 - DECALS

FIGURE 9-5. DECAL INSTALLATION - CHINESE SPEC (DUAL LANGUAGE - ENGLISH/CHINESE)



ART_0272005

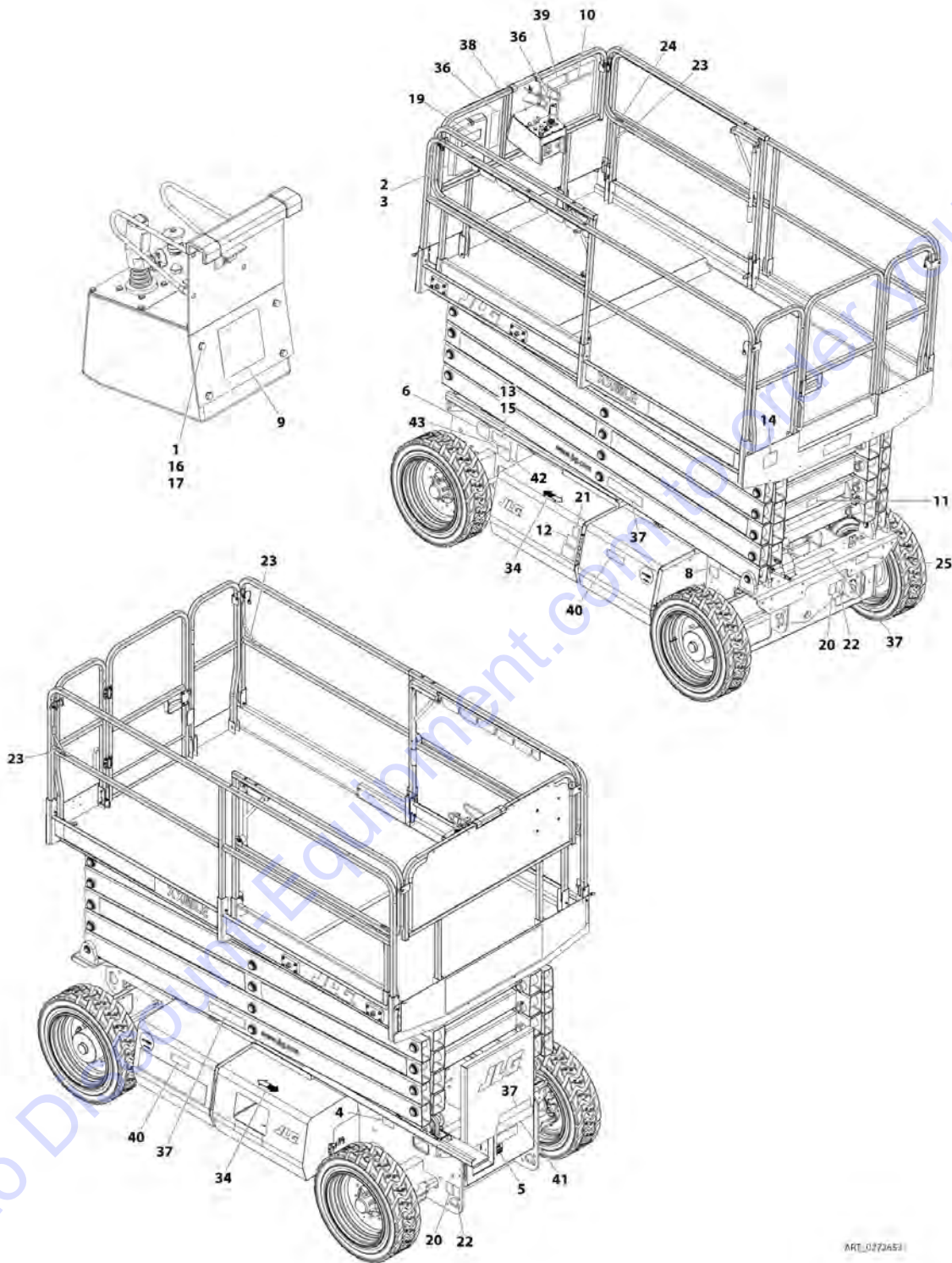
SECTION 9 - DECALS

FIGURE 9-5. DECAL INSTALLATION - CHINESE SPEC (DUAL LANGUAGE - ENGLISH/CHINESE)

ITEM	PART NUMBER	QTY	DESCRIPTION	REV
	1283217	Ref	DECAL INSTALLATION - REFERENCE CHART	S
	0272005	Ref	DECAL INSTALLATION - ANSI EXPORT AND CE SPECS (DUAL LANGUAGE - ENGLISH/CHINESE)	H
1	0641405	4	Bolt 1/4 x 5/8	
2	0860520	1	Box, Manual Storage	
3	1060279	1	Cable, Lanyard (SN 0200230092 to Present, SN M200000100 through M200021529)	
5	1701644	1	Decal - Battery Charger	
7	1704607	1	Decal - Inspection (SN M200000100 through M200011727)	
8	1702155	1	Decal - Battery Disconnect	
9	See Note	1	Decal - Barcode (Note: Not Available for Purchase)	
10	1705195	1	Decal - Danger/Warning	
11	1704211	1	Decal - Safety Prop	
12	1704412	1	Decal - Hydraulic Oil	
13	2080057	4	Fastener	
14	3251813	1	Decal - USA (SN 0200230092 through 0200264013)	
15	See Note	1	Nameplate - Serial Number (Note: Not Available for Purchase)	
16	3311405	4	Nut 1/4	
17	4711400	8	Washer 1/4	
19	1701509	1	Decal - Manual	
20	1703811	4	Decal - Lifting Lugs	
21	1703812	1	Decal - Hydraulic Oil	
22	1703814	4	Decal - Tie Down	
23	1704277	8	Decal - Attach Lanyard Here	
24	1703819	2	Decal - Directional Arrow	
25	1703822	1	Decal - Manual Descent	
34	1703687	2	Decal - Directional Arrow	
36	1705097	1	Decal - Legend	
37	1705193	4	Decal - Warning	
38	1705194	1	Decal - Control Box Location	
39	1705098	1	Decal - Gradeability	
40	1704344	2	Decal - Warning Battery Ventilation	
41	1704333	1	Decal - Battery Charging Instructions	
42	1001224050	1	Decal - Yearly Inspection (SN 0200266462 to Present, SN M200010510 to Present)	

SECTION 9 - DECALS

FIGURE 9-6. DECAL INSTALLATION - CSA SPEC (DUAL LANGUAGE - ENGLISH/FRENCH)



ART_072653

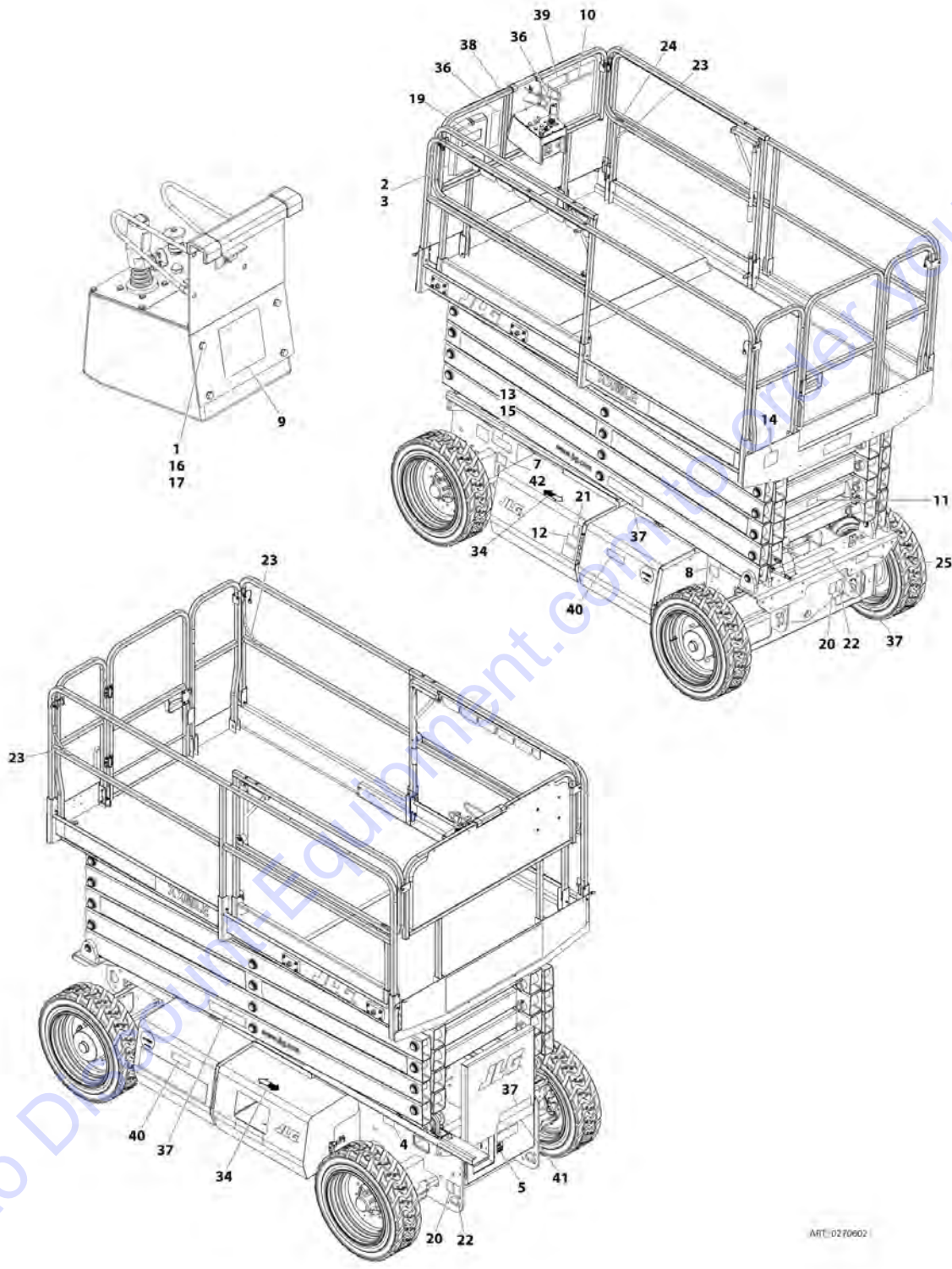
SECTION 9 - DECALS

FIGURE 9-6. DECAL INSTALLATION - CSA SPEC (DUAL LANGUAGE - ENGLISH/FRENCH)

ITEM	PART NUMBER	QTY	DESCRIPTION	REV
	1283217	Ref	DECAL INSTALLATION - REFERENCE CHART	S
	0272653	Ref	DECAL INSTALLATION - CSA SPEC (DUAL LANGUAGE - ENGLISH/FRENCH)	G
1	0641405	4	Bolt 1/4 x 5/8	
2	0860520	1	Box, Manual Storage	
3	1060279	1	Cable, Lanyard (SN 0200230092 to Present, SN M200000100 through M200021529)	
4	1001131270	1	Decal - Patent	
5	1701644	1	Decal - Battery Charger	
6	1705303	1	Decal - CSA	
8	1702155	1	Decal - Battery Disconnect	
9	See Note	NSS	Decal - Barcode (Note: Not Available for Purchase)	
10	1704684	1	Decal - Danger/Warning	
11	1704211	1	Decal - Safety Prop	
12	1704412	1	Decal - Hydraulic Oil	
13	2080057	4	Fastener	
14	3251813	1	Decal - USA (SN 0200230092 through 0200264013)	
15	See Note	NSS	Nameplate - Serial Number (Note: Not Available for Purchase)	
16	3311405	4	Nut 1/4	
17	4711400	8	Washer 1/4	
19	1701509	1	Decal- Manual	
20	1703811	4	Decal - Lifting Lugs	
21	1703812	1	Decal - Hydraulic Oil	
22	1703814	4	Decal - Tie Down	
23	1704277	8	Decal - Attach Lanyard Here	
24	1703819	2	Decal - Directional Arrow	
25	1703822	1	Decal - Manual Descent	
34	1703687	2	Decal - Directional Arrow	
36	1704904	1	Decal - Legend	
37	1704686	4	Decal - Warning	
38	1704687	1	Decal - Control Box Location	
39	1704912	1	Decal - Gradeability	
40	1704340	2	Decal - Warning Battery Ventilation	
41	1704329	1	Decal - Battery Charging Instructions	
42	1001223971	1	Decal - Yearly Inspection (SN 0200266462 to Present, SN M200010510 to Present)	
43	1001228370	1	Decal - ICES (SN 0200266462 to Present, SN M200010510 to Present)	

SECTION 9 - DECALS

FIGURE 9-7. DECAL INSTALLATION - JAPANESE SPEC (DUAL LANGUAGE - ENGLISH/JAPANESE)



ART:0270602

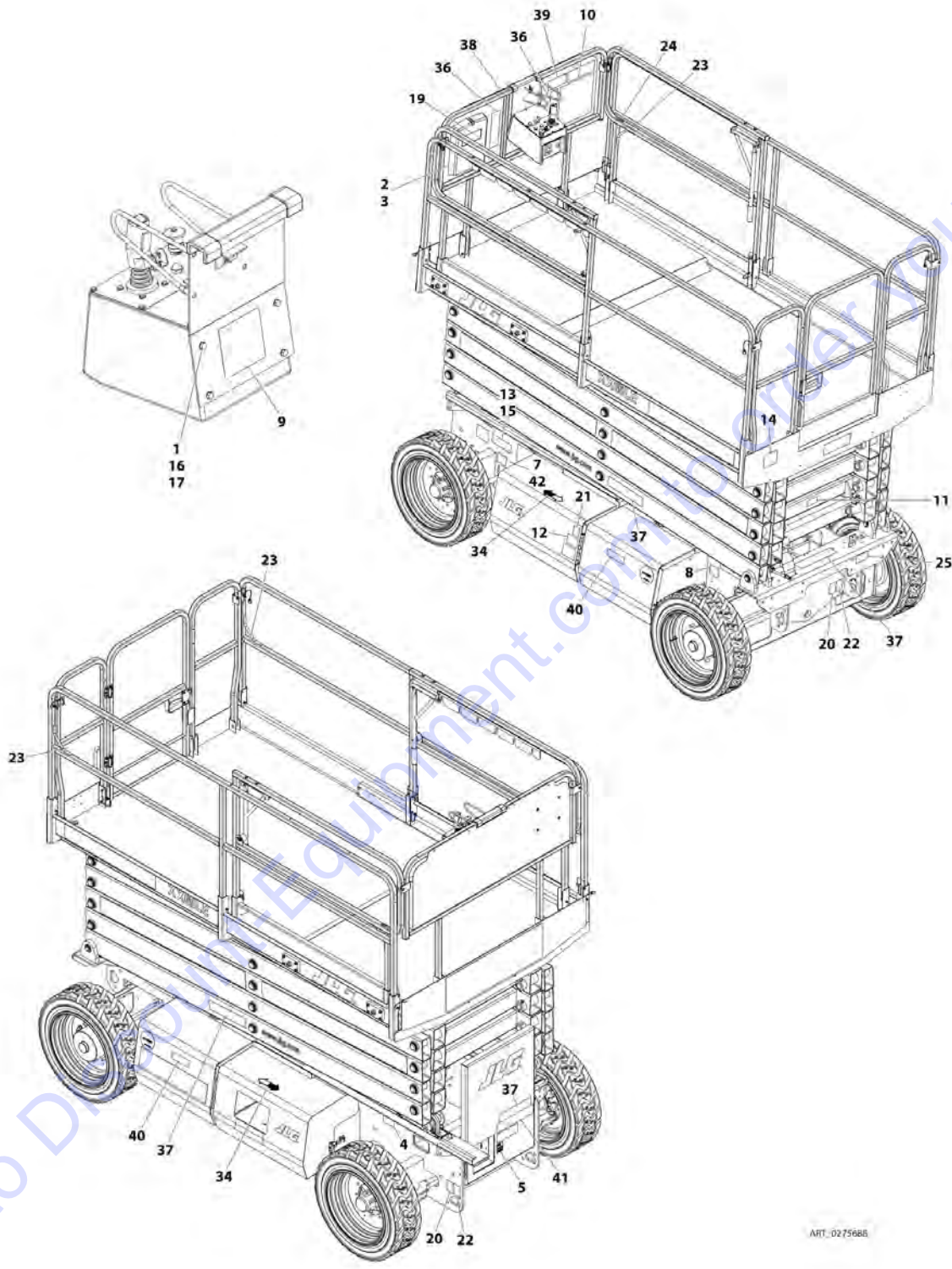
SECTION 9 - DECALS

FIGURE 9-7. DECAL INSTALLATION - JAPANESE SPEC (DUAL LANGUAGE - ENGLISH/JAPANESE)

ITEM	PART NUMBER	QTY	DESCRIPTION	REV
	1283217	Ref	DECAL INSTALLATION - REFERENCE CHART	S
	0270602	Ref	DECAL INSTALLATION - JAPANESE SPEC (DUAL LANGUAGE - ENGLISH/JAPANESE)	H
1	0641405	4	Bolt 1/4 x 5/8	
2	0860520	1	Box, Manual Storage	
3	1060279	1	Cable, Lanyard (SN 0200230092 to Present, SN M200000100 through M200021529)	
5	1701644	1	Decal - Battery Charger	
7	1701621	1	Decal - Inspection (SN M200000100 through M200011727)	
8	1702155	1	Decal - Battery Disconnect	
9	See Note	NSS	Decal - Barcode (Note: Not Available for Purchase)	
10	1704278	1	Decal - Danger/Warning	
11	1704211	1	Decal - Safety Prop	
12	1704412	1	Decal - Hydraulic Oil	
13	2080057	2	Fastener	
14	3251813	1	Decal - USA (SN 0200230092 through 0200264013)	
15	See Note	NSS	Nameplate - Serial Number (Note: Not Available for Purchase)	
16	3311405	4	Nut 1/4	
17	4711400	8	Washer 1/4	
19	1701509	1	Decal - Manual	
20	1703811	4	Decal - Lifting Lugs	
21	1703812	1	Decal - Hydraulic Oil	
22	1703814	4	Decal - Tie Down	
23	1704277	8	Decal - Attach Lanyard Here	
24	1703819	2	Decal - Directional Arrow	
25	1703822	1	Decal - Manual Descent	
34	1703687	2	Decal - Directional Arrow	
36	1704917	1	Decal - Legend	
37	1705394	4	Decal - Warning	
38	1705398	1	Decal - Control Box Location	
39	1704918	1	Decal - Gradeability	
40	1704342	2	Decal - Warning Battery Ventilation	
41	1704331	1	Decal - Battery Charging Instruction	
42	1001224053	1	Decal - Yearly Inspection (SN 0200266462 to Present, SN M200010510 to Present)	

SECTION 9 - DECALS

FIGURE 9-8. DECAL INSTALLATION - KOREAN SPEC (DUAL LANGUAGE - ENGLISH/KOREAN)



ART_027568B

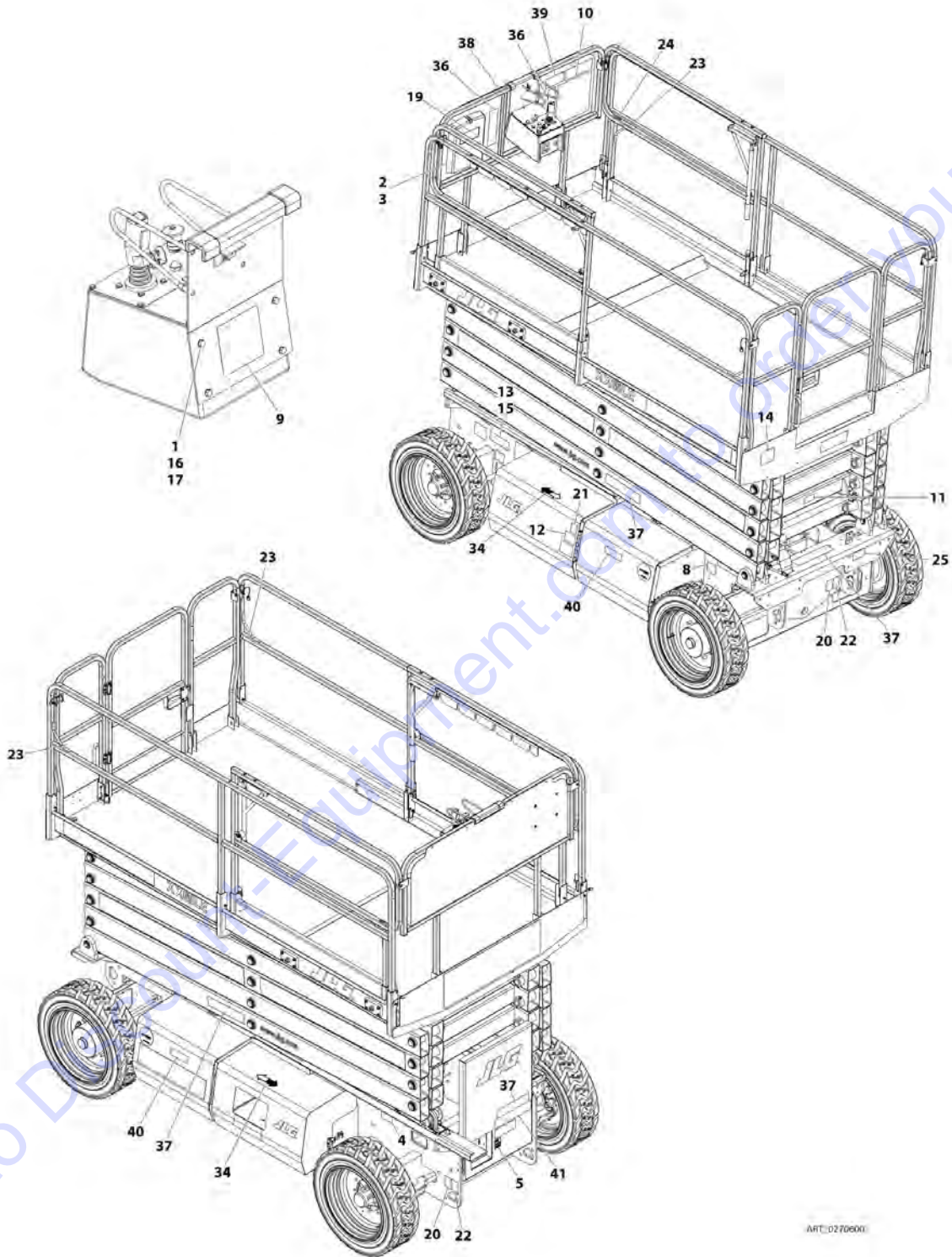
SECTION 9 - DECALS

FIGURE 9-8. DECAL INSTALLATION - KOREAN SPEC (DUAL LANGUAGE - ENGLISH/KOREAN)

ITEM	PART NUMBER	QTY	DESCRIPTION	REV
	1283217	Ref	DECAL INSTALLATION - REFERENCE CHART	S
	0275688	Ref	DECAL INSTALLATION - KOREAN SPEC (DUAL LANGUAGE - ENGLISH/KOREAN)	H
1	0641405	4	Bolt 1/4 x 5/8	
2	0860520	1	Box, Manual Storage	
3	1060279	1	Cable, Lanyard (SN 0200230092 to Present, SN M200000100 through M200021529)	
5	1701644	1	Decal - Battery Charger	
7	1703962	1	Decal - Inspection (SN M200000100 through M200011727)	
8	1702155	1	Decal - Battery Disconnect	
9	See Note	1	Decal - Barcode (Note: Not Available for Purchase)	
10	1707021	1	Decal - Danger/Warning	
11	1704211	1	Decal - Safety Prop	
12	1704412	1	Decal - Hydraulic Oil	
13	2080057	4	Fastener	
14	3251813	1	Decal - USA (SN 0200230092 through 0200264013)	
15	See Note	1	Nameplate - Serial Number (Note: Not Available for Purchase)	
16	3311405	4	Nut 1/4	
17	4711400	8	Washer 1/4	
19	1701509	1	Decal - Manual	
20	1703811	4	Decal - Lifting Lugs	
21	1703812	1	Decal - Hydraulic Oil	
22	1703814	4	Decal - Tie Down	
23	1704277	8	Decal - Attach Lanyard Here	
24	1703819	2	Decal - Directional Arrow	
25	1703822	1	Decal - Manual Descent	
34	1703687	2	Decal - Directional Arrow	
36	1707026	1	Decal - Legend	
37	1707018	4	Decal - Warning	
38	1707020	1	Decal - Control Box Location	
39	1707024	1	Decal - Gradeability	
40	1707022	2	Decal - Warning Battery Ventilation	
41	1707025	1	Decal - Battery Charging Instructions	
42	1001223055	1	Decal - Yearly Inspection (SN 0200266462 to Present, SN M200010510 to Present)	

SECTION 9 - DECALS

FIGURE 9-9. DECAL INSTALLATION - LATIN AMERICAN SPEC (DUAL LANGUAGE - ENGLISH/SPANISH)



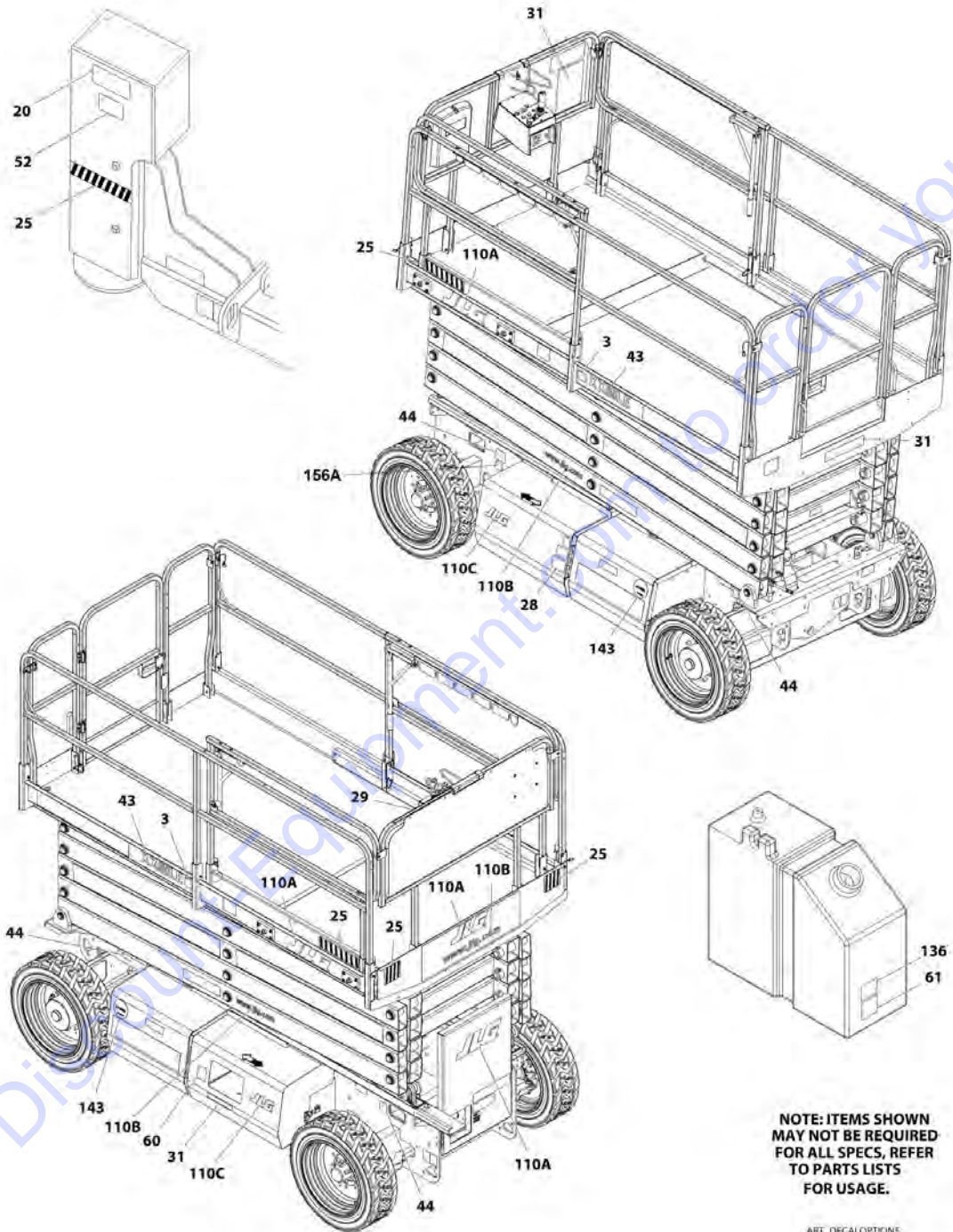
SECTION 9 - DECALS

FIGURE 9-9. DECAL INSTALLATION - LATIN AMERICAN SPEC (DUAL LANGUAGE - ENGLISH/SPANISH)

ITEM	PART NUMBER	QTY	DESCRIPTION	REV
	1283217	Ref	DECAL INSTALLATION - REFERENCE CHART	S
	0270600	Ref	DECAL INSTALLATION - LATIN AMERICA SPEC (DUAL LANGUAGE - ENGLISH/SPANISH)	G
1	0641405	4	Bolt 1/4 x 5/8	
2	0860520	1	Box, Manual Storage	
3	1060279	1	Cable, Lanyard (SN 0200230092 to Present, SN M200000100 through M200021529)	
5	1701644	1	Decal - Battery Charger	
8	1702155	1	Decal - Battery Disconnect	
9	See Note	NSS	Decal - Barcode (Note: Not Available for Purchase)	
10	1704691	1	Decal - Danger/Warning	
11	1704211	1	Decal - Safety Prop	
12	1704412	1	Decal - Hydraulic Oil	
13	2080057	4	Fastener	
14	3251813	1	Decal - USA (SN 0200230092 through 0200264013)	
15	See Note	NSS	Nameplate - Serial Number (Note: Not Available for Purchase)	
16	3311405	4	Nut 1/4	
17	4711400	8	Washer 1/4	
19	1701509	1	Decal - Manual	
20	1703811	4	Decal - Lifting Lugs	
21	1703812	1	Decal - Hydraulic Oil	
22	1703814	4	Decal - Tie Down	
23	1704277	8	Decal - Attach Lanyard Here	
24	1703819	2	Decal - Directional Arrow	
25	1703822	1	Decal - Manual Descent	
34	1703687	2	Decal - Directional Arrow	
36	1704913	1	Decal - Legend	
37	1704693	4	Decal - Warning	
38	1704694	1	Decal - Control Box Location	
39	1704914	1	Decal - Gradeability	
40	1704339	2	Decal - Warning Battery Ventilation	
41	1704328	1	Decal - Battery Charging Instruction	
42	1001224049	1	Decal - Yearly Inspection (SN 0200266462 to Present, SN M200010510 to Present)	

SECTION 9 - DECALS

FIGURE 9-10. DECAL INSTALLATION - OPTIONS



SECTION 9 - DECALS

FIGURE 9-10. DECAL INSTALLATION - OPTIONS

ITEM	PART NUMBER	QTY	DESCRIPTION	REV
	1283217	Ref	DECAL INSTALLATION - REFERENCE CHART (ALL SPECS EXCEPT AUSTRALIAN AND CE SPECS)	S
	1283249	Ref	DECAL INSTALLATION - REFERENCE CHART (AUSTRALIAN AND CE SPECS ONLY)	O
	1001165000	Ref	DECAL INSTALLATION - OPTIONS	
3	1704998	2	Decal - All Wheel Drive (4WD Only)	
20	1701214	8	Decal - Outrigger Warning (ANSI and ANSI Export Specs) (English)	
20	1701785	AR	Decal - Outrigger Warning (Australian and CE Specs)	
20	1704698	8	Decal - Outrigger Warning (Brazil Specs) (Portuguese/Spanish)	
20	1704690	8	Decal - Outrigger Warning (CSA Specs) (English/French)	
20	1704536	8	Decal - Outrigger Warning (Japanese Specs) (English/Japanese)	
20	1704697	8	Decal - Outrigger Warning (Latin America Specs) (English/Spanish)	
25	0251642	Ref	Corner Stripes Installation	D
25	4420051	4 ft/1.2m	Tape, Safety	
28	1704174	1	Decal - Biodegradable Oil (Optional - All Specs except German Spec)	
28	1704175	1	Decal - Biodegradable Hydraulic Fluid (German Spec Only)	
29	1702962	1	Decal - Warning Prop 65 (M3369 & M4069 ANSI Spec Only)	
31	1001125438	3	Decal - Capacity 1000LBS/454KG (3369LE/M3369 All Specs except Australian and CE Specs)	
31	1704530	1	Decal - Capacity 450KG (3369LE/M3369 Australian and CE Specs)	
31	1706491	1	Decal - Capacity 450KG (CE Machines with 60KPH Wind Specs)	
31	1001125437	3	Decal - Capacity 800LBS/363KG (4069LE/M4069 All Specs except Australian and CE Specs)	
31	1704580	1	Decal - Capacity 360KG (Australian and CE Specs)	
31	1001195037	1	Decal - Capacity (UK MOD Machines)	
43	1704783	2	Decal - 3369LE	
43	1704784	2	Decal - 4069LE	
43	1704908	2	Decal - M3369	
43	1704909	2	Decal - M4069	
44	1703490	4	Decal - Max Tire Load (3369LE & M3369)	
44	1704953	4	Decal - Max Tire Load (4069LE & M4069)	
52	1704955	4	Decal - Max Jack Load (3369LE/M3369)	
52	1704954	4	Decal - Max Jack Load (4069LE/M4069)	
60	1704286	1	Decal - Generator (M3369 & M4069 ANSI and ANSI Export Specs Only)	
60	1001093687	1	Decal - Generator (M3369 & M4069 ANSI Export, Australian, CE and Japanese Specs Only) (Pictogram)	
60	1704371	1	Decal - Generator (M3369 & M4069 ANSI Export Specs Only) (Dual Language English/ Spanish)	
60	1704373	1	Decal - Generator (M3369 & M4069 Brazil Spec Only) (Portuguese/Spanish)	
60	1704368	1	Decal - Generator (M3369 & M4069 CSA Specs Only) (Dual Language English/French)	
61	1701505	2	Decal - Diesel Fuel	
110	1001166308	Ref	JLG Decals Installation (All Specs except CE Specs) (Not Shown)	A
110	1001166308	Ref	JLG Decals Installation (CE Specs) (Not Shown) (SN 0200230092 through 0200259790)	A
110A	1702773	4	Decal - JLG	

SECTION 9 - DECALS

ITEM	PART NUMBER	QTY	DESCRIPTION	REV
110B	1704885	3	Decal - Website	
110C	1705781	2	Decal - JLG	
136	1001108923	1	Decal - Fuel Spec (M3369/M4069 ANSI and CSA Specs Only)	
143	1001121510	2	Decal - Hybrid (M3369/M4069 Only)	
156	1001214029	1	Decal - EAC Installation (CIS and Russia Specs)	
156A	1001173703	1	Decal - EAC	

Go to Discount-Equipment.com to order your parts

SECTION 10 - RECOMMENDED SERVICE PARTS STOCK

SECTION 10 - RECOMMENDED SERVICE PARTS STOCK

Go to Discount-Equipment.com to order your parts

SECTION 10 - RECOMMENDED SERVICE PARTS STOCK

FIGURE 10-1. RECOMMENDED SERVICE PARTS STOCK

ITEM	PART NUMBER	QTY	DESCRIPTION	REV
		Ref	Note: The following list will service one machine (built to current production per date on the front cover) with emergency repair parts which can be installed in the field. Parts from the list should be replaced when inventory is depleted to keep service parts stock supplied. For further information, go to Discount-equipment.com	
		Ref	STANDARD PARTS	
	70002963	1	Coil	
	7012943	1	Coil	
	7017451	1	Coil	
	7012944	1	Coil	
	7021619	1	Switch, Pressure	
	1120534	1	Cap, Filler/Breather	
	4360069	1	Breaker, Circuit - 10Amp	
	4360328	1	Switch, Toggle	
	2860030	1	Key, Replacement	
	4360475	1	Switch, Emergency Stop	
	4360387	1	Switch, Push Button	
	4360482	1	Switch, Toggle	
	1600403	1	Controller Assembly	
		Ref	VARIABLE PARTS	
	1600421	1	Controller, Power Pack	
	3740135	1	Contacto	
	0610131	1	PC Board - Battery Charger	
	1001099428	1	Module, Ground Control	
	4360469	1	Switch, Key (All Specs except CE Spec)	
	4360470	1	Switch, Key (CE Spec)	
	1810140	1	Module, Tilt	
	7016314	1	Cap, Fuel (M3369/M4069)	
	70000313	12	Element, Air Cleaner (M3369/M4069)	
	70000318	12	Element, Fuel Filter (M3369/M4069)	
	70000319	12	Element, Oil Filter (M3369/M4069)	
	4360500	1	Switch, Rotary Angle Sensor	
	4360502	1	Switch, Proximity Sensor	
	2940064	1	Latch, Snap (Chain Gate)	
	2940074	1	Latch (Self Closing Gate)	
	0610169	1	PC Board Platform Console Box	
	2400056	2	Fuse .5Amp (Beacon Light Option)	
	1001181045	1	Breaker 16Amp/30mAmp Combination (CE Spec with 2 Breaker Box)	
	1001189172	1	Breaker 16Amp (Box with 3 Breakers)	
	1001189171	1	Breaker 30mAmp (Box with 3 Breakers)	
	4360548	1	Switch, Limit (Leveling Jacks)	

SECTION 11 - SPECIAL OPTIONS

Go to Discount-Equipment.com to order your parts

SECTION 11 - SPECIAL OPTIONS

FIGURE 11-1. SPECIAL OPTIONS

ITEM	PART NUMBER	QTY	DESCRIPTION	REV
		Ref	Note: This list is to accommodate machines ordered with special equipment. Options may not be applicable to all models. For more specific parts information go to Discount-equipment.com	
		Ref	SPECIAL OPTIONS	
	0274808	Ref	Airline to Platform Installation (3369LE/M3369)	
	1001096087	Ref	Airline to Platform Installation (4069LE/M4069)	
	1001197147	Ref	Arms Installation with LSS and Soft Touch (M3369) (Prior to SN 0200261628)	
	1001193272	Ref	Arm Guards Installation with Tow (UK MOD Machines - See JLG Manual p/n 3121698)	
	1001197891	Ref	Battery (Trickle) Charger Installation	
	0270543	Ref	Bubble Level Installation	
	1001239667	Ref	ClearSky (Telematics) Installation (Factory Installed) 3-Wire Connection (ANSI and CSA Specs)	
	1001239668	Ref	ClearSky (Telematics) Installation (Factory Installed) 3-Wire Connection (ANSI Export and CE Specs)	
	1001243224	Ref	ClearSky (Telematics) Add-on Kit (North America Specs)	
	1001243225	Ref	ClearSky (Telematics) Add-on Kit (CE Specs)	
		Ref	Decals:	
	1001241282	Ref	Decal - ClearSky	
		Ref	Decal Kits:	
	1001125245	Ref	Decal Kit - Calibration (3369LE/M3369)	
	1001125244	Ref	Decal Kit - Calibration (4069LE/M4069)	
	2902040	Ref	Decal Kit - Country Spec (ANSI Spec) (English Language)	
	2902043	Ref	Decal Kit - Country Spec (Brazil) (Portuguese/Spanish)	
	2902124	Ref	Decal Kit - Country Spec (Chinese) (English/Chinese)	
	2902041	Ref	Decal Kit - Country Spec (CSA) (English/French)	
	2902045	Ref	Decal Kit - Country Spec (Japanese) (English/Japanese)	
	2902553	Ref	Decal Kit - Country Spec (Korean) (English/Korean)	
	2902042	Ref	Decal Kit - Country Spec (Latin American) (English/Spanish)	
	2901912	Ref	Decal Kit - Master	
		Ref	Electrical Connector Kits:	
	1001148902	Ref	Electrical Connector Kit (Amp/Tyco Connectors)	
	1001148903	Ref	Electrical Connector Kit (Deutsch DT Connectors)	
	1001148904	Ref	Electrical Connector Kit (Deutsch HD Connectors)	
	1001148905	Ref	Electrical Connector Kit (Packard Connectors)	
	1001148906	Ref	Electrical Connector Kit (Various Connectors)	
	1001111710	Ref	Filter Kit (Without Hydraulic Breather) - Kubota Engine	
	1001111699	Ref	Filter Kit (Without Hydraulic Breather) - Yanmar Engine	
	0274849	Ref	Fire Extinguisher Installation (ANSI Spec)	
		Ref	Fluids:	
	2300028	AR	Fluid, Hydraulic Mobil DTE 10 Excel 15	
	2300016	AR	Fluid, Hydraulic Mobil DTE 10 Excel 32	
	2300029	AR	Fluid, Hydraulic Mobil EAL ISO 46 Biodegradeable	
	0100083	AR	Grease, Heat Transfer (Contactor Plate)	
	0100051	AR	Grease, Terminal (Battery Terminals)	
	3020008	AR	Lubricant 80W-90 (Drive Hub)	
	3020037	AR	Lubricant (Pump Coupling)	
	3020022	AR	Lubricant (Scissors Arms and Platform Extension)	
	1001195035	Ref	Ground Control Box Illumination Light Installation	

SECTION 11 - SPECIAL OPTIONS

ITEM	PART NUMBER	QTY	DESCRIPTION	REV
	1001182243	Ref	Hydraulic/Air Filter Service Kit	
	1001195031	Ref	Platform with Drop Rails (UK MOD Machines - See JLG Manual p/n 3121698) (Prior to SN 0200261628)	
	1001201464	Ref	Platform Console Box with Spotlight (2WD) (UK MOD Machines - See JLG Manual p/n 3121698)	
	1001195035	Ref	Platform Console Illumination Light Installation	
	1001192600	Ref	Platform Extension with Drop Rails (UK MOD Machines - See JLG Manual p/n 3121698) (Prior to SN 0200261628)	
	0274793	Ref	Platform Padding Installation (ANSI, ANSI Export and CSA Specs)	
	0274794	Ref	Platform Padding and Deck Bumpers Installation (ANSI, ANSI Export and CSA Specs)	
	1001177623	Ref	Platform Padding, Deck Bumpers Installation and Soft Touch Switches	
	1001193441	Ref	Platform Padding, Deck Bumpers Installation and Soft Touch Switches (UK MOD Machines - See JLG Manual p/n 3121698) (Prior to SN 0200261628)	
	0271125	Ref	Platform Worklights Installation (3369LE/M3369)	
	0271126	Ref	Platform Worklights Installation (4069LE/M4069)	
	1001166511	Ref	Security Lock (Programmable) Installation (CE Spec)	
	1001185245	Ref	Soft Touch Ground Harness Installation	
	1001201091	Ref	Spotlight Installation	
	0272946	Ref	Tie-Strap Installation (3369LE/M3369)	
	0272947	Ref	Tie-Strap Installation (4069LE/M4069)	
		Ref	Tools for Service:	
	2901443	Ref	Analyzer and Cable Kit	
	2915230	Ref	Battery Charger Reprogram Controller	
	7002821	Ref	Crimper (For Wire to Pin/Socket Connections)	
	4460510	Ref	Extractor, Pin (Yellow 12-14 Gauge) (For Removal of Pin/Socket)	
	4460467	Ref	Extractor, Pin (Blue 16-18 Gauge) (For Removal of Pin/Socket)	
	7002823	Ref	Extractor, Pin - Universal (For Removal of Pin/Socket)	
	7016654	Ref	Screwdriver, Magnetic	
	7002822	Ref	Screwdriver, Pontimeter (To Adjust Drive Controller)	
	7004275	Ref	Seal Tool 1 (For Cylinders)	
	7004276	Ref	Seal Tool 1-1/2 (For Cylinders)	
	7002826	Ref	Seal Tool 2 (For Cylinders)	
	1001137005	Ref	Software USB Cable Kit	
	7002828	Ref	Stripper, Wire	
	1001195036	Ref	Tow Bar Installation (UK MOD Machines - See JLG Manual p/n 3121698)	

PART NUMBER INDEX

Go to Discount-Equipment.com to order your parts

PART NUMBER INDEX

0080228.... 175, 181, 187, 193	0270109 289	0275663 315	0641516..... 213, 215, 217
0100011.... 13, 15, 19, 23, 25, 27, 59, 63, 67, 71, 77, 79, 101, 105, 139, 141, 143, 145, 155, 157, 161, 163, 175, 181, 187, 193, 197, 213, 215, 217	0270476 227	0275664 317	0641528..... 59
0100019..... 29, 59	0270477 229	0275665 313	0641530..... 15
0100020.... 155, 157, 161, 163	0270518 105	0275666 309	0641532..... 19
0100035.... 173, 179, 185, 191	0270530 57	0275667 311	0641604..... 155, 157
0100038..... 15, 19	0270543 396	0275688 387	0641606..... 13, 25
0100051.... 139, 141, 143, 145, 396	0270544 ... 109, 113, 127	0275787 125, 135	0641607..... 23, 25, 197
0100083..... 29, 396	0270570 53	0362840 175, 181	0641608..... 59, 79
0140011.... 219, 221, 223, 225, 227, 229	0270572 329	0362841 ... 175, 181, 187, 193	0641609..... 29, 165, 167
0140028.... 109, 111, 113, 115, 117, 119, 121, 123, 125	0270573 331	0400055 139, 141	0641610.... 13, 15, 19, 27, 173, 179, 185, 191
0140032..... 147, 149	0270579 219	0400201 161	0641612..... 77, 197
0181847.... 219, 221, 223, 225, 227, 229	0270580 221	0440162 23, 25	0641616..... 165, 167
0182008..... 197	0270591 373	0440234 ... 173, 179, 185, 191	0641618..... 105
0182014.... 105, 155, 157	0270600 389	0440236 ... 175, 181, 187, 193	0641632..... 161
0182017.... 139, 141, 143, 145	0270601 379	0440247 23, 25	0641660..... 161, 163
0182035..... 217	0270602 385	0440250 ... 175, 181, 187, 193	0641676..... 217
0200654..... 175, 181	0270627 57	0561407 61	0641814..... 85, 89
0200655..... 175, 181	0270692 101	0561410 197	0641820..... 13, 165, 167
0200656..... 175, 181	0270768 ... 111, 115, 129	0561411 197	0641824... 85, 89, 91, 197
0200658..... 175, 181	0270840 65	0561415 197	0641826..... 29, 197
0200659..... 175, 181	0270841 69	0610131 77, 161, 163, 394	0641828..... 59, 83, 87
0200660..... 175, 181	0270842 73	0610169 ... 219, 221, 223, 225, 227, 229, 394	0642012..... 13, 15, 19
0200667..... 175, 181	0270942 149	0630462 ... 139, 141, 143, 145	0642016..... 63, 67, 71
0200668..... 175, 181	0270991 27, 248, 251	0630476 203, 210	0681508..... 217
0200669..... 175, 181	0270995 223	0630526 139, 141	0681520.... 173, 179, 185, 191
0200683..... 187, 193	0270996 225	0630549 27, 79	0681622.... 175, 181, 187, 193
0200684..... 187, 193	0270997 197	0641404 79, 105, 137, 219, 221, 223, 225, 227, 229	0681624.... 175, 181, 187, 193
0200685..... 187, 193	0271125 397	0641405 ... 63, 67, 71, 77, 139, 143, 197, 373, 375, 377, 379, 381, 383, 385, 387, 389	0681809..... 27
0200686..... 187, 193	0271126 397	0641406 ... 27, 29, 59, 95, 97, 109, 111, 113, 115, 117, 119, 121, 123, 125, 217	0682012..... 29
0200688..... 187, 193	0271344 79	0641407 . 65, 69, 73, 152, 197, 291, 293, 295, 297, 299	0682016..... 59
0200689..... 187, 193	0271442 ... 117, 121, 131	0641408 ... 13, 15, 19, 77, 93, 95, 97, 139, 143, 173, 179, 185, 191	0700619..... 217
0200690..... 187, 193	0271447 ... 119, 123, 133	0641409 197	0700812..... 105
0200691..... 187, 193	0272005 381	0641410 . 93, 95, 97, 165, 167, 173, 179, 185, 191	0701217..... 15, 19
0200692..... 187, 193	0272653 383	0641412 29	0720805..... 329, 331
0200693..... 187, 193	0272930 206	0641414 206, 210	0721005..... 19
0200694..... 187, 193	0272931 210	0641418 25, 161, 163, 175, 181, 187, 193	0721008. 63, 67, 71, 139, 141, 143, 145
0200695..... 187, 193	0272932 173	0641432 163	0721014.... 173, 179, 185, 191
0200724..... 175, 181	0272933 185	0641506 27, 105, 175, 181, 187, 193	0731012.... 173, 179, 185, 191
0200725..... 175, 181	0272946 397	0641507 105	0791406.... 173, 179, 185, 191
0200726..... 187, 193	0272947 397	0641508 ... 101, 147, 149, 155, 157, 167	0840048.... 139, 141, 143, 145
0200727..... 187, 193	0272959 201	0641509 63, 67, 71	0840049.... 139, 141, 143, 145
0251642..... 391	0272960 203	0641510 175, 181, 217	0840055..... 206, 210
0258997..... 53	0273468 55	0641512 155, 157	0860520.... 373, 375, 377, 379, 381, 383, 385, 387, 389
0259565..... 217	0273477 55		0861357.... 219, 221, 223, 225, 227, 229
0259566..... 213	0273968 147		0861385.... 127, 129, 131, 133, 135
0259568..... 215	0274793 397		0861731.... 357, 363, 365, 367
0259576..... 83	0274794 397		0861781..... 359, 361
0259577..... 87	0274808 396		0861880..... 305
0259587..... 287	0274849 396		0901870.... 213, 215, 217
0259593..... 81	0275084 375		0902421.... 175, 181, 187, 193
0259613..... 155, 157	0275085 377		
	0275216 291, 359		
	0275217 293, 361		
	0275452 299, 367		
	0275453 297, 365		
	0275454 295, 363		
	0275481 ... 173, 175, 248, 255		
	0275482 ... 185, 187, 248, 259		
	0275525 ... 179, 181, 248, 257		
	0275526 ... 191, 193, 248, 261		
	0275552 179		
	0275553 191		

PART NUMBER INDEX

0902499 ... 219, 221, 223, 225, 227, 229	1001125244..... 185, 191, 396	1001167501..... 111	1001197147 396
0902659 161, 163	1001125245..... 173, 179, 396	1001167502..... 115	1001197457 333
0902696 ... 109, 111, 113, 115, 117, 119, 121, 123, 125	1001125437..... 391	1001170081..... 139, 141, 143, 145	1001197891 396
0902701 105	1001125438..... 391	1001170682..... 265, 271, 276, 280	1001201091 397
0902704 25	1001128736..... 59	1001170683..... 265, 271	1001201464 397
0902713 ... 173, 179, 185, 191	1001128890..... 59	1001170684..... 265, 271, 276, 280	1001202685 157, 163
0902780 79	1001130615..... 333	1001170685..... 265, 271, 276, 280	1001207524 95
0903273 29, 173, 179, 185, 191	1001131270..... 373, 383	1001170686..... 265, 271, 276, 280	1001207527 95, 97
0920118 29, 37	1001131751..... 59	1001170687..... 265, 271	1001207528 95, 97
0940090 ... 187, 193, 217	1001137005..... 397	1001170688..... 265, 271, 276, 280	1001207529 95, 97
0961950 13, 15, 19	1001140600..... 59, 237	1001170689..... 265, 271	1001207538 97
0961951 25, 31	1001148902..... 396	1001170851..... 139	1001207981 141, 145
0962012 239	1001148903..... 396	1001171003..... 139, 143	1001207982 141, 145
0962140 25, 31	1001148904..... 396	1001171070..... 121	1001208069 141
1001092586 27, 49	1001148905..... 396	1001171071..... 123	1001208070 145
1001093687 391	1001148906..... 396	1001171072..... 117	1001214029 392
1001094910 295	1001151377..... 291, 293	1001171073..... 119	1001218766 145
1001094911 291	1001152479..... 307	1001171074..... 125	1001223055 373, 387
1001094912 293	1001152482..... 307	1001171077..... 109, 111, 113, 115, 117, 119, 121, 123, 125, 369	1001223971 383
1001094915 291, 293, 295	1001152483..... 307	1001171103..... 109, 111, 113, 115, 117, 119, 121, 123, 125, 369	1001224049 389
1001096087 396	1001152485..... 297, 299, 307	1001171104..... 284	1001224050 381
1001096188 369	1001159355..... 165, 169	1001171105..... 284	1001224052 379
1001097150 305, 307	1001159358..... 161, 163, 165	1001172393..... 91	1001224053 385
1001097815 25	1001162452..... 297	1001172397..... 85	1001226400 349, 351
1001099375 29	1001162456..... 297, 299	1001172413..... 91	1001228231 27, 45
1001099428 127, 129, 131, 133, 135, 394	1001163580... 15, 19, 235	1001172415..... 85, 89	1001228233 27, 41
1001099533 201, 203, 206, 210	1001164150..... 13, 15, 19	1001172416..... 85, 89	1001228370 373, 383
1001099550 173, 179, 185, 191	1001164817..... 235	1001172562..... 59	1001228392 145
1001100341 359	1001164975..... 152	1001172714..... 59	1001228393 145
1001100342 361	1001164977..... 152	1001172768..... 89	1001228394 145
1001100345 367	1001165000..... 391	1001172703..... 392	1001228395 145
1001100346 363	1001165355..... 139, 141, 143, 145	1001176007..... 299	1001230577 265, 271, 276, 280
1001100347 365	1001165370..... 63, 67, 71	1001177536..... 139, 141, 143, 145, 152	1001230578 263, 269
1001101934 27, 43	1001165628..... 93, 95, 97	1001177623..... 397	1001230579 265, 271
1001101989 27, 319	1001165629..... 13	1001177692..... 265, 271, 276, 280	1001230580 276, 280
1001102512 127, 129, 131, 133, 135	1001165636..... 77	1001180299..... 13, 15, 19	1001230581 253
1001102534 143, 145	1001165734..... 137	1001180300..... 13, 15, 19	1001231801 373
1001103012 333	1001165760..... 13	1001181045..... 305, 394	1001233626 167
1001103105 ... 63, 65, 67, 69, 71, 73, 75	1001165761..... 15	1001181087..... 127, 129, 131, 133, 135, 137	1001239667 396
1001103308 137	1001165767..... 63	1001181089..... 137	1001239668 396
1001104090 95, 97	1001165794..... 161, 163	1001182243..... 397	1001241282 396
1001107854 333	1001165819..... 23, 25	1001185245..... 397	1001242115 161, 163, 167
1001108923 392	1001165821..... 13, 15	1001186467..... 19	1001243224 396
1001109475 305	1001165822..... 152	1001186548..... 19, 21	1001243225 396
1001109482 305	1001165824..... 93	1001188874..... 137	1060279 ... 373, 375, 377, 379, 381, 383, 385, 387, 389
1001109533 ... 83, 85, 87, 89, 91	1001165838..... 23	1001189171..... 307, 394	1060379 139, 143
1001111699 396	1001165839..... 25, 27	1001189172..... 307, 394	1060689 ... 63, 65, 67, 69, 71, 73
1001111710 396	1001165843..... 155, 161	1001191135..... 248	1060808 ... 213, 215, 217
1001114496 139, 141, 143, 145	1001166234... 63, 67, 71, 77	1001191136..... 19	1060820 161, 163
1001116811 75	1001166240..... 67	1001191137..... 248, 276	1060846 ... 175, 181, 187, 193
1001116812 333	1001166241..... 71	1001191141..... 248, 280	1060866 175, 181
1001116816 369	1001166246..... 143	1001192401..... 333	1060867 187, 193
1001117372 235	1001166302..... 161, 163	1001192600..... 397	1060884 ... 139, 141, 143, 145
1001121510 392	1001166308..... 391	1001193272..... 396	1060885 139, 141
	1001166487..... 15, 17	1001193441..... 397	1060888 29
	1001166511..... 397	1001195031..... 397	1060889 29
	1001167495..... 248	1001195035..... 396, 397	1060890 29
	1001167496..... 248, 265	1001195036..... 397	1060891 29
	1001167498..... 248, 271	1001195037..... 391	1060892 29
	1001167499..... 109	1001196117 163	1060893 29
	1001167500..... 113		

PART NUMBER INDEX

1060894.....	29	1703464.....	287, 289	1704699.....	379	2220371....	251, 253, 255,
1060895.....	29	1703490.....	391	1704701.....	379	257, 259, 261, 263,	
1060900.....	105	1703687 ...	373, 375, 377,	1704702.....	379	265, 269, 271, 276, 280	
1060901.....	105	379, 381, 383, 385,		1704783.....	391	2220373....	251, 263, 265,
1060908.....	305, 307	387, 389		1704784.....	391	269, 271, 276, 280	
1060916.....	161, 163	1703811 ...	373, 375, 377,	1704885.....	392	2220377.....	105
1060917.....	161, 163	379, 381, 383, 385,		1704903.....	373	2220385.....	251, 253
1060933.....	79	387, 389		1704904.....	383	2220415....	263, 265, 269,
1060934.....	79	1703812 ...	373, 375, 377,	1704908.....	391	271, 276, 280	
1060935.....	79	379, 381, 383, 385,		1704909.....	391	2220466....	263, 265, 269,
1060950.....	161, 163	387, 389		1704911.....	373	271, 276, 280	
1061020.....	206, 210	1703813.....	373	1704912.....	383	2220473....	253, 255, 257,
10837580.....	103	1703814 ...	373, 375, 377,	1704913.....	389	259, 261	
1120485.....	155, 157	379, 381, 383, 385,		1704914.....	389	2220490.....	253
1120534.....	105, 394	387, 389		1704915.....	379	2220497.....	251
1260136.....	213	1703816.....	373	1704916.....	379	2220499.....	251
1271441.....	173, 179	1703818.....	373	1704917.....	385	2220502....	265, 271, 276,
1283217....	373, 379, 381,	1703819 ...	373, 375, 377,	1704918.....	385	280	
383, 385, 387, 389, 391		379, 381, 383, 385,		1704921 ...	223, 225, 227,	2220504....	263, 265, 269,
1283249....	375, 377, 391	387, 389		229		271, 276, 280	
1320022....	155, 157, 161,	1703821.....	373	1704953.....	391	2220579....	265, 271, 276,
163		1703822 ...	373, 375, 377,	1704954.....	391	280	
1320033.....	105	379, 381, 383, 385,		1704955.....	391	2220600....	251, 269, 271,
1320061.....	213, 215	387, 389		1704998.....	27, 391	280	
1320095.....	27	1703962.....	387	1705051.....	79	2220603....	265, 271, 276,
1320110....	175, 181, 187,	1704008.....	379	1705052.....	79	280	
193		1704174.....	391	1705084.....	377	2220605.....	265, 271
1320122....	175, 181, 187,	1704175.....	391	1705097.....	381	2220619.....	253
193		1704211 ...	373, 375, 377,	1705098.....	381	2220635....	259, 261, 265,
1320135.....	165, 167	379, 381, 383, 385,		1705193.....	381	271, 276, 280	
1320292.....	25	387, 389		1705194.....	381	2220651....	269, 271, 280
1600387.....	206, 210	1704248.....	373	1705195.....	381	2220775.....	265, 271
1600403....	219, 221, 223,	1704277 ...	373, 375, 377,	1705303.....	373, 383	2220805.....	161, 163
225, 227, 229, 231, 394		379, 381, 383, 385,		1705394.....	385	2220810....	263, 265, 269,
1600421.....	29, 394	387, 389		1705398.....	385	271, 276, 280	
1600466.....	75	1704278.....	385	1705670.....	375, 377	2220819.....	253
1670965....	173, 179, 185,	1704286.....	391	1705710 ...	127, 129, 131,	2220883.....	21, 61, 103
191		1704328.....	389	133, 135		2220885.....	103
1670971.....	59	1704329.....	383	1705781.....	392	2220890.....	43, 235
1670990.....	97	1704330.....	379	1705911 ...	219, 221, 223,	2220899....	251, 259, 261
1670995....	175, 181, 187,	1704331.....	385	225, 227, 229		2220923....	265, 271, 276,
193		1704333.....	381	1705912 ...	219, 221, 223,	280	
1671010.....	161, 163	1704339.....	389	225, 227, 229		2220998....	265, 271, 276,
1671207.....	357	1704340.....	383	1706338.....	375, 377	280	
1683994.....	23, 25, 245	1704341.....	379	1706491.....	391	2221041....	263, 265, 269,
1684119....	175, 181, 239	1704342.....	385	1706492.....	375, 377	271, 276, 280	
1684120....	187, 193, 241	1704344.....	381	1707018.....	387	2221044....	269, 271, 280
1684121....	187, 193, 243	1704368.....	391	1707020.....	387	2221046.....	155, 157
1684290.....	235	1704371.....	391	1707021.....	387	2221047.....	155, 157
1701214.....	391	1704373.....	391	1707022.....	387	2221086....	263, 265, 269,
1701435.....	375, 377	1704412 ...	373, 375, 377,	1707024.....	387	271, 276, 280	
1701505....	155, 157, 391	379, 381, 383, 385,		1707025.....	387	2221089.....	253
1701509....	373, 375, 377,	387, 389		1707026.....	387	2230024....	263, 265, 269,
379, 381, 383, 385,		1704530.....	391	1810140 ...	127, 129, 131,	271, 276, 280	
387, 389		1704536.....	391	133, 135, 394		2230087.....	251
1701621.....	385	1704574 ...	221, 225, 229	2080040.....	152	2300016.....	396
1701644....	373, 375, 377,	1704580.....	391	2080052 ...	59, 93, 95, 97	2300028.....	396
379, 381, 383, 385,		1704607.....	381	2080056.....	197	2300029.....	396
387, 389		1704684.....	383	2080057 ...	373, 375, 377,	2400056.....	303, 394
1701785.....	391	1704686.....	383	379, 381, 383, 385,		2400060.....	333
1702153.....	373	1704687.....	383	387, 389		2420172....	127, 129, 131,
1702155....	373, 375, 377,	1704690.....	391	2080058.....	197	133, 135	
379, 381, 383, 385,		1704691.....	389	2080061.....	13, 15, 19	2460037.....	79
387, 389		1704693.....	389	2080063 ...	213, 215, 217	2540020.....	213, 215
1702773....	375, 377, 391	1704694.....	389	2080064 ...	213, 215, 217	2540038..	13, 15, 19, 139,
1702962.....	391	1704697.....	391	2080069.....	215	141, 143, 145	
1703175.....	203, 210	1704698.....	391			2540039.....	13, 15, 19

PART NUMBER INDEX

2560088 217	2901912 396	3300467 217	3422907 ... 173, 179, 185, 191
2560137 77	2902040 396	3310601.... 219, 221, 223, 225, 227, 229	3422927 ... 173, 179, 185, 191
2560141 ... 219, 221, 223, 225, 227, 229	2902041 396	3310801.... 139, 143, 152	3422938 206, 210
2600253 215	2902042 396	3310805..... 59, 329, 331	3423049 201, 203
2600258 77	2902043 396	3311001... 63, 67, 71, 141, 145, 173, 179, 185, 191	3440420 59
2600275 152	2902045 396	3311005..... 65, 69, 73	3450304 ... 175, 181, 187, 193
2720058 155, 157	2902124 396	3311401.... 105, 109, 121, 139, 141, 143, 145, 187, 193, 217	3450405 ... 175, 181, 187, 193
2720271 ... 155, 157, 161, 163	2902126 197	3311405.... 25, 27, 29, 63, 65, 67, 69, 71, 73, 93, 95, 97, 109, 111, 113, 115, 117, 119, 121, 123, 125, 137, 139, 143, 152, 161, 163, 165, 167, 173, 179, 185, 191, 197, 206, 210, 217, 291, 293, 295, 297, 299, 373, 375, 377, 379, 381, 383, 385, 387, 389	3450812 23, 25
2750905 263, 269	2902128 197	3311501.... 139, 141, 143, 145	3460475 165, 167
2750908 253	2902253 176, 182	3311505.... 15, 19, 59, 63, 67, 71, 105, 141, 145, 147, 149, 155, 157, 167, 173, 175, 179, 181, 185, 191, 213, 215, 217	3510795 201, 206
2750915 253	2902254 188, 194	3311605.... 13, 15, 19, 27, 77, 79, 105, 161, 163, 165, 167, 173, 175, 179, 181, 185, 187, 191, 193	3510796 203, 210
2752444 ... 263, 265, 269, 271, 276, 280	2902266 235	3311805.... 13, 83, 85, 87, 89, 91, 165, 167, 197	3520030 ... 127, 129, 131, 133, 135
2752453 276, 280	2902431 ... 287, 289, 357	3312005..... 63, 67, 71	3520072 217
2752497 251	2902549 ... 291, 293, 295, 305	3313003..... 23, 25	3520079 ... 127, 129, 219, 221
2752516 251	2902553 396	3321001.... 173, 179, 185, 191	3520080 ... 127, 129, 219, 221, 223, 225, 227
2752593 ... 263, 265, 269, 271, 276, 280	2915230 397	3321402.... 175, 181, 187, 193	3520193 ... 127, 129, 131, 133, 135, 219, 221, 223, 225, 227, 229
2752958 ... 263, 265, 269, 271, 276, 280	2920026 206, 210	3322020.... 161, 163, 217	3537609 217
2752966 251	2920029 206, 210	3322202..... 213	3537619 217
2752983 ... 263, 265, 269, 271, 276, 280	2920146 81	3340612..... 213	3571584 ... 63, 65, 67, 69, 71, 73
2753059 253	2920151 ... 131, 133, 135	3340856.... 173, 179, 185, 191, 201, 203, 206, 210	3571829 213, 215
2753118 251	2940064 213, 394	3340861..... 141, 145	3571862 217
2753120 253	2940074 215, 394	3340866..... 175, 181	3572410 197
2753137 ... 255, 257, 259, 261	2940095 ... 139, 141, 143, 145, 152	3380609..... 165, 167	3572411 197
2753187 ... 263, 265, 269, 271, 276, 280	2940098 77	3421565.... 213, 215, 217	3572449 197
2753397 253	2940127 217	3422219.... 213, 215, 217	3572450 197
2753414 259, 261	2940137 161, 163	3422369.... 175, 181, 187, 193, 213	3572452 197
2753415 259, 261	3000018 ... 139, 141, 143, 145	3422778.... 175, 181, 187, 193	3572554 13, 15, 19
2753462 ... 265, 271, 276, 280	3010088 213	3422822.... 173, 179, 185, 191	3572850 27
2753487 276, 280	3020008 29, 396	3422825.... 175, 181, 187, 193	3600367 105
2753524 253	3020022 ... 173, 179, 185, 191, 217, 396	3422826.... 175, 181, 187, 193	3641310 213
2753526 ... 255, 257, 259, 261	3020037 29, 105, 396	3422900..... 13, 15, 19	3740080 370
2753527 263, 269	3160245 27, 39	3422905.... 173, 179, 185, 191	3740135 29, 394
2753528 ... 263, 265, 269, 271, 276, 280	3160252 105, 107		3760170 213, 215, 217
2753529 253	3160256 29, 47		3760321 203, 210
2753532 253	3200425 165, 167		3760348 161, 163, 217
2754230 276, 280	3200453 ... 173, 179, 185, 191		3760387 ... 173, 179, 185, 191
2780234 23, 31	3251813 ... 373, 375, 377, 379, 381, 383, 385, 387, 389		3760420 ... 175, 181, 187, 193
2780260 27	3252507 ... 291, 293, 295, 297, 299		3820019 77, 139, 141, 143, 145, 152
2780282 29, 33	3271505 217		3820020 217
2792443 248, 263	3272001 59		3841143 23, 25, 173, 179, 185, 191
2792445 248, 269	3290405 ... 287, 289, 291, 293, 295, 297, 299		3841233 161, 163, 217
2792494 59, 248, 253	3290601 217		3841258 13, 15, 19
2820018 81, 147, 149, 303	3290605 291, 293		3860059 161, 163, 217
2820097 213	3291005 ... 201, 203, 206, 210		3900128 ... 127, 129, 131, 133, 135
2820135 161, 163	3300047 206, 210		3900178 ... 219, 221, 223, 225, 227, 229
2820136 161, 163	3300048 ... 287, 289, 291, 293, 295, 297, 299		3900184 161, 163
2820137 161, 163	3300151 ... 175, 181, 187, 193		3900190 141, 145
2820138 161, 163	3300240 23, 25		3900210 141, 145
2820171 339	3300353 137		3900265 ... 219, 221, 223, 225, 227, 229
2820228 161, 163	3300374 161, 163		3900266 23, 25
2860030 ... 127, 129, 131, 133, 135, 394	3300426 53, 55, 57		
2900768 37	3300429 ... 139, 141, 143		
2900770 237	3300432 215		
2901443 397	3300455 ... 173, 179, 185, 191		

PART NUMBER INDEX

3900267.....215	4360475 ... 127, 129, 131, 133, 135, 219, 221, 223, 225, 227, 229, 394	4460466 ... 206, 210, 319, 333, 341, 369	4461246.....363
3900300....127, 129, 131, 133, 135	4360482 79, 219, 221, 223, 225, 227, 229, 394	4460467 397	4461249.....313, 363
3900305.....152	4360500 ... 173, 179, 185, 191, 394	4460468 349, 351	4520209.....53
3900318.....213, 215, 217	4360502 ... 173, 179, 185, 191, 394	4460470 ... 219, 221, 223, 225, 227, 229	4520249.....57
3900323.....213, 215, 217	4400433 105	4460471 ... 219, 221, 223, 225, 227, 229	4520269.....55
3900325....173, 179, 185, 191	4400434 155, 157	4460473 349, 351	4568203.....105
3910616....127, 129, 131, 133, 135	4420008 ... 219, 221, 223, 225, 227, 229	4460480 ... 219, 221, 223, 225, 227, 229	4568295....201, 203, 206, 210
3910804....127, 129, 131, 133, 135	4420037 141, 145	4460481 349, 351	4640113.....57
3911010.....215	4420051 59, 391	4460481 349, 351	4640495.....237
3911014...65, 69, 73, 127, 129, 131, 133, 135	4460016 353, 355	4460499 ... 319, 341, 345, 347, 369	4640744....263, 265, 269, 271, 276, 280
3911424.....213	4460019 369	4460508 75	4640757....269, 271, 280
3911536.....213, 215	4460035 347	4460509 369	4640858.....235
3930820.....59	4460044 303	4460510 397	4641002.....175, 181
3931430....139, 141, 143, 145	4460049 206, 210	4460539 369	4641118.....187, 193
3941004.....81	4460071 ... 287, 289, 291, 293, 295, 297, 299	4460662 ... 295, 297, 299, 357	4641122.....53, 55
3941606.....29	4460115 353, 355	4460742 369	4641148.....27, 51
3960389....161, 163, 165, 167	4460138 79, 287, 289	4460743 369	4641150.....59, 61
3960418....161, 163, 165, 167	4460183 ... 323, 325, 327, 353, 355	4460779 79	4641151.....61
4010408....287, 289, 291, 293, 295, 297, 299	4460225 321, 341	4460802 ... 63, 65, 67, 69, 71, 73	4641152.....61
4010608.....291, 293	4460226 231, 369	4460803 63, 65	4641156.....237
4032022....201, 203, 206, 210	4460234 109, 127	4460805 71, 73	4641168.....188, 194
4060802....127, 129, 131, 133, 135, 219, 221, 223, 225, 227, 229	4460248 ... 301, 303, 325, 327, 335, 337, 339	4460812 ... 333, 349, 351	4641172....175, 181, 188, 194
4060803.....152	4460259 ... 323, 325, 327, 353, 355, 369, 370	4460814 369	4641178.....101, 103
4061003.....59	4460260 ... 323, 325, 327, 353, 355, 369, 370	4460818 353, 355	4711000.....19, 139, 141, 143, 145, 152
4061013.....197	4460265 231	4460836 ... 206, 210, 341	4711400....13, 15, 19, 25, 27, 29, 77, 79, 97, 137, 139, 143, 161, 163, 173, 176, 179, 182, 185, 188, 191, 194, 197, 213, 215, 217, 373, 375, 377, 379, 381, 383, 385, 387, 389
4061015.....197	4460266 ... 231, 353, 355	4460837 341	4711500 15, 19, 139, 141, 143, 145, 147, 149, 167, 175, 181, 187, 193, 203, 210, 217
4061022.....197	4460267 ... 127, 129, 131, 133, 135, 231, 321, 335, 339, 341, 353, 355, 369	4460846 333	4711600....13, 15, 19, 29, 105, 165, 167, 176, 182, 188, 194, 217
4070932.....13	4460268 ... 303, 323, 325, 327, 335, 337	4460877 369, 370	4711800.....59, 165, 167, 197
4070987....127, 129, 131, 133, 135	4460294 206, 210	4460884 319, 333, 369	4712000.....63, 67, 71
4071008.....13, 15, 19	4460315 287, 289	4460891 ... 333, 345, 347, 349, 351, 369, 370	4712200.....23, 25
4160189.....161, 163	4460320 303, 335, 337	4460892 319	4713000.....23, 25
4240084.....29	4460321 ... 127, 129, 131, 133, 135	4460893 319	4740076....105, 155, 157
4280295....175, 181, 187, 193	4460335 ... 139, 141, 143, 145, 335	4460894 319	4740120....219, 221, 223, 225, 227, 229
4280311.....197	4460346 357	4460895 353, 355	4740158.....13, 15, 19
4280312.....197	4460374 370	4460896 321, 341	4740274.....165, 167
4280313.....197	4460375 370	4460897 ... 173, 179, 185, 191, 206, 210, 333, 343	4740332....176, 182, 188, 194
4300145.....27	4460424 335, 339, 369	4460930 75, 369	4740415.....59
4340715.....197	4460428 ... 63, 65, 67, 69, 71, 73	4460931 319, 369	4740438....173, 179, 185, 191
4340716.....197	4460434 323, 325, 327	4460932 206, 210	4740474....139, 141, 143
4340717.....197	4460464 75, 173, 179, 185, 191, 206, 210, 333, 343, 349, 351, 369	4460944 333	4740480....141, 145, 176, 182, 188, 194
4340718.....197	4460465 ... 206, 210, 301, 319, 321, 333, 335, 341, 343, 345, 347, 349, 351, 353, 355, 369, 370	4460945 333	4740506....173, 179, 185, 191
4341095.....165, 167		4460956 305	4740518.....137
4360069....127, 129, 131, 133, 135, 394		4460957 305	4740541.....13, 15, 19
4360328....127, 129, 131, 133, 135, 394		4460968 ... 291, 293, 337, 339	4750800.....59, 329, 331
4360387....131, 133, 135, 219, 221, 223, 225, 227, 229, 394		4461070 333	
4360469....127, 129, 131, 133, 394		4461095 333	
4360470....133, 135, 394		4461196 309, 359	
		4461198 359	
		4461199 311, 361	
		4461201 361	
		4461202 315, 367	
		4461205 317, 365	
		4461244 367	
		4461245 365	

PART NUMBER INDEX

4751000 ... 63, 65, 67, 69, 71, 73, 173, 179, 185, 191, 215	4922480 127, 129, 323	70000382.....170	70004265..... 169
4751400 ... 29, 59, 93, 95, 97, 109, 111, 113, 115, 117, 119, 121, 123, 125, 152, 165, 167, 197, 217, 291, 293, 295, 297, 299	4922517 147, 149, 301	70000683.....231	70004387..... 17, 21
4751500 ... 59, 63, 67, 71, 105, 139, 143, 155, 157, 176, 182, 188, 194, 213, 215	4922526 ... 219, 223, 227, 353	70000684.....231	70004388..... 17, 21
4751600 ... 25, 27, 29, 59, 79, 155, 157, 161, 163, 165, 167, 197, 217	4922527 ... 221, 225, 229, 355	70000685.....231	70004389..... 17, 21
4751800 ... 83, 85, 87, 89, 91	4922529 ... 113, 115, 121, 123, 125, 341	70000686.....231	70004394..... 170
4752200 161, 163, 217	4922543 ... 173, 179, 185, 191, 343	70000967.....169	70005484..... 231
4760600 ... 127, 129, 131, 133, 135, 219, 221, 223, 225, 227, 229	4922544 176, 182, 345	70001091.....41, 43, 45	70005485..... 231
4761000 ... 127, 129, 131, 133, 135	4922545 188, 194, 347	70001121.....169	70005833..... 103
4761400 ... 109, 111, 113, 115, 117, 119, 121, 123, 125	4922602 117, 119, 321	70001144.....169	70006422..... 103
4791400 ... 219, 221, 223, 225, 227, 229	4922604 131, 133, 325	70001357.....239	70006423..... 103
4811400 ... 287, 289, 291, 293, 295, 297, 299	4922668 79	70001358.....239	70006424..... 103
4811700 291, 293	4922903 ... 182, 194, 206, 210	70001366.....33	70006744..... 41, 45
4845829 213	4922904 206, 210	70001367.....33	70006745..... 41, 45
4845938 ... 219, 221, 223, 225, 227, 229	4923619 135, 327	70001368.....34	70006746..... 41, 45
4846020 ... 176, 182, 188, 194	5241200 15, 19	70001369.....33	70006747..... 41, 45
4846117 217	70000081 231	70001370.....33	70006748..... 41, 45
4846120 217	70000082 231	70001371.....33	70006749..... 41, 45
4846121 217	70000083 231	70001372.....33	70006750..... 41, 45
4846122 215	70000084 231	70001373.....33	70006752..... 41, 45
4846123 213, 215	70000085 231	70001374.....33	70006753..... 41, 45
4846124 213, 215	70000289 170	70001375.....33	70006754..... 45
4846125 213, 215	70000290 169	70001376.....33	70006755..... 45
4846159 83, 87	70000291 169	70001377.....33	70006756..... 41, 45
4846181 217	70000292 169	70001378.....33	70006757..... 41, 45
4846191 217	70000293 169	70001379.....33	70006759..... 41, 45
4846224 59	70000294 169	70001380.....34	70006760..... 45
4846249 ... 219, 221, 223, 225, 227, 229	70000295 169	70001422.....49	70006761..... 45
4846256 217	70000296 169	70002083.....169	70006763..... 41, 45
4846301 23, 25	70000297 169	70002216.....237	70006764..... 41, 45
4846317 165, 167	70000298 169	70002219.....237	70006765..... 41, 45
4846520 79	70000299 169	70002244.....169	7001626 245
4860191 53, 55	70000300 169	70002261.....43	7002821 397
4860221 57	70000301 169	70002262.....43	7002822 397
4891500 105	70000302 169	70002263.....43	7002823 397
4891600 101	70000303 169	70002264.....41, 43, 45	7002826 397
4891800 13	70000304 169	70002265.....43	7002828 397
4892000 29, 59	70000305 169	70002267.....43	7003212 243
4922426 81, 303	70000306 169	70002268.....43	7003226 239, 241
4922454 59, 339	70000307 169	70002269.....43	7004275 397
4922455 59, 337	70000308 169	70002408.....37	7004276 397
4922456 59, 335	70000309 169	70002517.....245	7007640 33
4922477 176, 182, 349	70000310 169	70002518.....245	7007900 37
4922478 188, 194, 351	70000311 169	70002543.....170	7007913 37
4922479 329, 331, 333	70000312 169	70002544.....169	7007933 37
	70000313 169, 394	70002759.....41, 45	7007977 37
	70000314 169	7000281.....33	7007987 37
	70000315 169	70002842.....235	7010543 17, 21, 103
	70000316 169	70002947.....49	7010911 51
	70000317 169	70002963.....17, 21, 394	7010919 51
	70000318 169, 394	70003557.....169	7010920 51
	70000319 169, 394	70003618.....169	7010921 51
	70000320 169	70003619.....169	7010928 51
	70000321 169	70003650.....231	7011716 37
	70000322 169	70003818.....237	7011757 37
	70000323 169	70003819.....237	7012518 103
	70000324 169	70003820.....237	7012540 49
	70000325 170	70003821.....237	7012545 47, 107
	70000326 170	70003822.....237	7012547 47
	70000327 170	70003823.....237	7012548 47, 107
	70000328 170	70003824.....237	7012549 47, 107
	70000329 170	70003825.....237	7012773 49
	70000330 170	70003826.....237	7012903 61
		70003827.....237	7012941 103
		70003828.....237	7012943 61, 103, 175, 181, 188, 194, 394
		70003829.....237	7012944 ... 103, 188, 194, 394
		70003978.....17, 21	
		70004194.....231	

PART NUMBER INDEX

7012953.....	175, 181	7019888.....	241	7020293.....	107	7023508.....	243
7012955.....	17, 21	7019889.....	241, 243	7020294.....	107	7023509.....	241
7012967.....	17, 21, 103, 175, 181, 188, 194	7019893.....	243	7020295.....	107	7023510.....	243
7012969.....	49	7019895.....	243	7020296.....	107	7023801.....	39
7012998.....	103, 188, 194	7019898.....	239	7020297.....	107	7023806.....	39, 41, 43, 45
7016177.....	139	7020033.....	31	7020298.....	107	7023807.....	39, 41, 43, 45
7016314.....	155, 157, 394	7020035.....	31	7020299.....	107	7023872.....	41, 43, 45
7016319.....	81	7020036.....	31	7021375.....	49	7023904.....	103
7016372.....	81	7020037.....	31	7021616.....	103	7023976.....	17, 21
7016654.....	397	7020038.....	31	7021619.....	103, 394	7024007.....	39, 43
7017007.....	34	7020039.....	31	7021653.....	17, 21, 61	7024008.....	39, 43
7017009.....	33	7020040.....	31	7022391.....	103	7024009.....	39
7017022.....	33	7020041.....	31	7022394.....	103	7024101.....	239, 241
7017294.....	245	7020042.....	31	7022586.....	39, 43	7024102.....	243
7017402.....	103	7020054.....	31	7022587.....	39, 43	7024103.....	239, 241
7017406.....	17, 237	7020055.....	31	7022588.....	39, 41, 43, 45	7024738.....	33
7017410.....	17, 21	7020140.....	31	7022589.....	39, 41, 43, 45	7024741.....	33
7017428.....	103	7020148.....	31	7022590.....	39	7024832.....	103
7017433.....	103	7020175 ...	127, 129, 131, 133, 135, 219, 221, 223, 225, 227, 229	7022591.....	39	7024844.....	237
7017445.....	175, 181, 188, 194	7020176 ...	127, 129, 131, 133, 135, 219, 221, 223, 225, 227, 229	7023021.....	245	7024960.....	105
7017451.....	103, 394	7020184.....	47	7023022.....	245	7024963.....	43
7017467.....	188, 194	7020185.....	47	7023200.....	107	7027365.....	231
7017496.....	103	7020189.....	47	7023212 ...	127, 129, 131, 133, 135	7027367.....	231
7018942.....	49	7020291.....	107	7023229.....	47	7027765.....	231
7019609.....	47	7020292.....	107	7023272.....	107	7027766.....	231
7019862.....	243			7023343.....	47	77363243..	173, 179, 185, 191
7019886.....	239, 241			7023344.....	47	8229242.....	333
				7023505.....	241	8406101.....	167

PARTS FINDER

**Search Website
by Part Number**



**Search Manual
Library For Parts
Manual & Lookup Part
Numbers – Purchase
or Request Quote**

**Can't Find Part or
Manual? Request Help
by Manufacturer,
Model & Description**

Discount-Equipment.com is your online resource for quality parts & equipment.

Florida: **561-964-4949** Outside Florida TOLL FREE: **877-690-3101**

Need parts?

Click on this link: <http://www.discount-equipment.com/category/5443-parts/> and choose one of the options to help get the right parts and equipment you are looking for. Please have the machine model and serial number available in order to help us get you the correct parts. If you don't find the part on the website or on one of the online manuals, please fill out the request form and one of our experienced staff members will get back to you with a quote for the right part that your machine needs.

We sell worldwide for the brands: Genie, Terex, JLG, MultiQuip, Mikasa, Essick, Whiteman, Mayco, Toro Stone, Diamond Products, Generac Magnum, Airman, Haulotte, Barreto, Power Blanket, Nifty Lift, Atlas Copco, Chicago Pneumatic, Allmand, Miller Curber, Skyjack, Lull, Skytrak, Tsurumi, Husquvarna Target, Stow, Wacker, Sakai, Mi-T-M, Sullair, Basic, Dynapac, MBW, Weber, Bartell, Bennar Newman, Haulotte, Ditch Runner, Menegotti, Morrison, Contec, Buddy, Crown, Edco, Wyco, Bomag, Laymor, EZ Trench, Bil-Jax, F.S. Curtis, Gehl Pavers, Heli, Honda, ICS/PowerGrit, IHI, Partner, Imer, Clipper, MMD, Koshin, Rice, CH&E, General Equipment, Amida, Coleman, NAC, Gradall, Square Shooter, Kent, Stanley, Tamco, Toku, Hatz, Kohler, Robin, Wisconsin, Northrock, Oztec, Toker TK, Rol-Air, APT, Wylie, Ingersoll Rand / Doosan, Innovatech, Con X, Ammann, Mecalac, Makinex, Smith Surface Prep, Small Line, Wanco, Yanmar