



Illustrated Parts Manual

Model
2646ES
3246ES

SN 0200239382 to Present
SN B200020297 to Present
SN M200000100 to Present
SN 1200025021 to Present

P/N
3121683

January 18, 2019 - Rev P

ANSI

CE



AS/NZS



An Oshkosh Corporation Company

PARTS FINDER

**Search Website
by Part Number**



**Search Manual
Library For Parts
Manual & Lookup Part
Numbers – Purchase
or Request Quote**

**Can't Find Part or
Manual? Request Help
by Manufacturer,
Model & Description**

Discount-Equipment.com is your online resource for quality parts & equipment.

Florida: **561-964-4949** Outside Florida TOLL FREE: **877-690-3101**

Need parts?

Click on this link: <http://www.discount-equipment.com/category/5443-parts/> and choose one of the options to help get the right parts and equipment you are looking for. Please have the machine model and serial number available in order to help us get you the correct parts. If you don't find the part on the website or on one of the online manuals, please fill out the request form and one of our experienced staff members will get back to you with a quote for the right part that your machine needs.

We sell worldwide for the brands: Genie, Terex, JLG, MultiQuip, Mikasa, Essick, Whiteman, Mayco, Toro Stone, Diamond Products, Generac Magnum, Airman, Haulotte, Barreto, Power Blanket, Nifty Lift, Atlas Copco, Chicago Pneumatic, Allmand, Miller Curber, Skyjack, Lull, Skytrak, Tsurumi, Husquvarna Target, Stow, Wacker, Sakai, Mi-T-M, Sullair, Basic, Dynapac, MBW, Weber, Bartell, Bennar Newman, Haulotte, Ditch Runner, Menegotti, Morrison, Contec, Buddy, Crown, Edco, Wyco, Bomag, Laymor, EZ Trench, Bil-Jax, F.S. Curtis, Gehl Pavers, Heli, Honda, ICS/PowerGrit, IHI, Partner, Imer, Clipper, MMD, Koshin, Rice, CH&E, General Equipment, Amida, Coleman, NAC, Gradall, Square Shooter, Kent, Stanley, Tamco, Toku, Hatz, Kohler, Robin, Wisconsin, Northrock, Oztec, Toker TK, Rol-Air, APT, Wylie, Ingersoll Rand / Doosan, Innovatech, Con X, Ammann, Mecalac, Makinex, Smith Surface Prep, Small Line, Wanco, Yanmar

REVISION LOG

NOTES:

NOTE: Country of Manufacture - The ES Scissor Lifts are manufactured by JLG Industries in the following countries:

USA, Belgium, China or Mexico. Refer to the Serial Number Tag to identify the country of manufacture. ES Scissors manufactured in the USA will have a serial number prefix of 02 (i.e. 02XXXXXXXX), ES Scissors manufactured in Belgium will have a prefix of 12 (i.e. 12XXXXXXXX), ES Scissors manufactured in China will have a serial number prefix of B2 (i.e. B2XXXXXXXX) and ES Scissors manufactured in Mexico will have a serial number prefix of M2 (i.e. M2XXXXXXXX).

NOTE: 2646ES & 3246ES Global Illustrated Parts Manual P/N

3121167 has been replaced by multiple manuals. Review machine SN and use the Global Illustrated Parts Manual for the correct serial number range:

USA Built Machines Prior to SN 0200135154 - Use manual p/n 3121246.

USA Built Machines SN 0200135154 to SN 0200152824 - Use manual p/n 3121245.

USA Built Machines SN 0200152825 to SN 0200198013 - Use manual p/n 3121248.

USA Built Machines SN 0200198014 to SN 0200239381 - Use manual p/n 3121275.

USA Built Machines SN 0200239382 to Present - Use manual p/n 3121683 (2646ES and 3246ES)

Belgium Built Machines Prior to SN 1200004293 - Use manual p/n 3121246.

Belgium Built Machines SN 1200004293 to SN 1200008480 - Use manual p/n 3121247.

Belgium Built Machines SN 1200008481 through SN 1200025022 - Use manual p/n 3121248.

Belgium Built Machines SN 1200025023 to present - Use manual p/n 3121681.

China Built Machines SN B200000100 to SN B200020296- Use manual p/n 3121275.

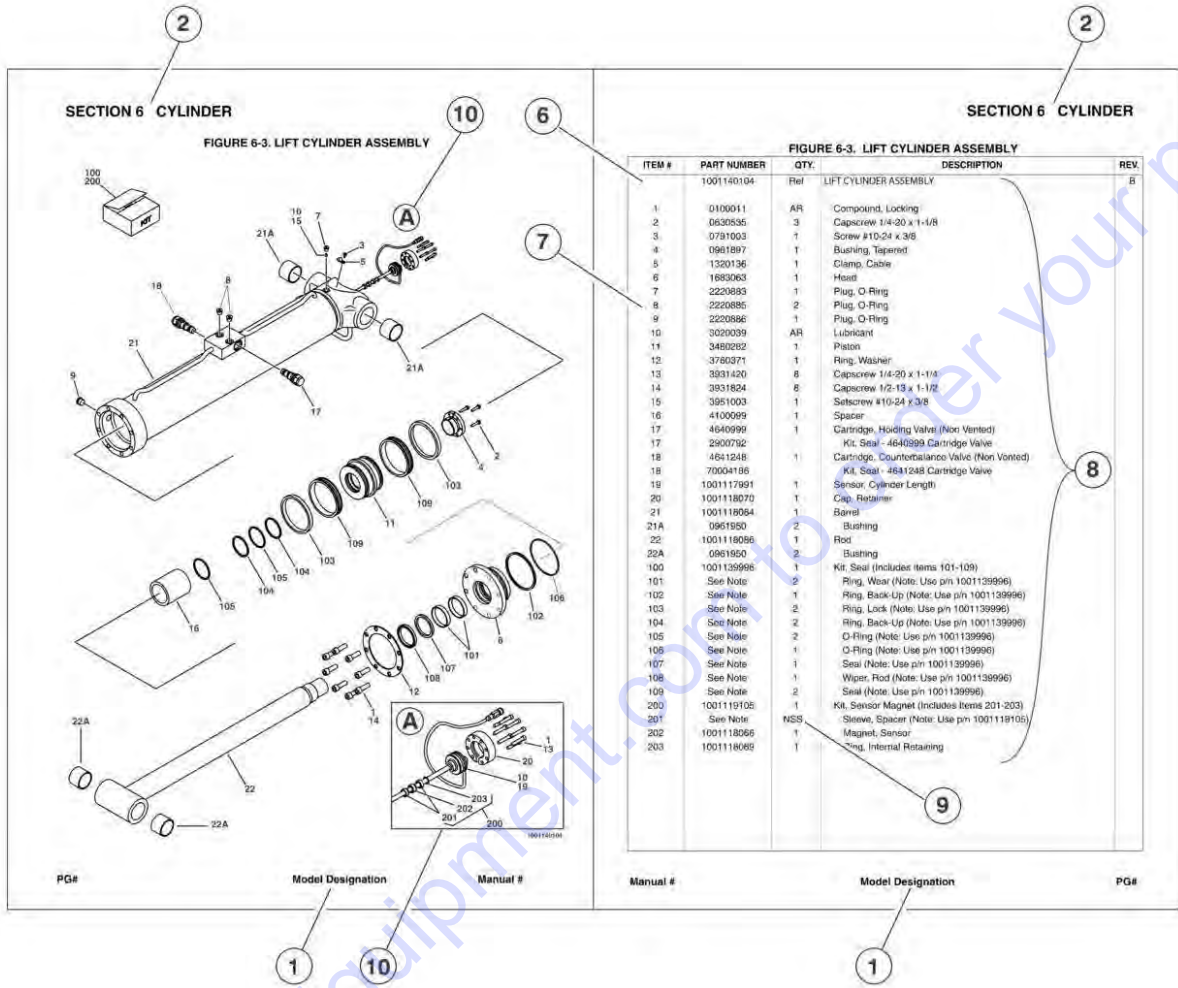
China Built Machines SN B200020297 to Present - Use manual p/n 3121683 (2646ES and 3246ES)

Mexico Built Machines SN M200000100 to Present - Use manual p/n 3121683 (2646ES and 3246ES)

MANUAL REVISION LOG:

July 1, 2015 - A - Original Issue of Manual (Edited to B/M 1001180000 Revision G)
September 15, 2015 - B - Revised Manual (Edited to B/M 1001180000 Revision W) (Revision 1)
December 2, 2015 - C - Revised Manual (Edited to B/M 1001180000 Revision X) (Revision 3)
March 21, 2016 - D - Revised Manual (Edited to B/M 1001180000 Revision AE) (Revision 2)
June 30, 2016 - E - Revised Manual (Edited to B/M 1001180000 Revision AI) (Revision 2)
September 9, 2016 - F - Revised Manual (Edited to B/M 1001180000 Revision AI) (Revision 2)
December 14, 2016 - G - Revised Manual (Edited to B/M 1001180000 Revision AI) (Revision 2)
March 15, 2017 - H - Revised Manual (Edited to B/M 1001180000 Revision AU and 1001215518 Revision B) (Revision 2)
June 2, 2017 - I - Revised Manual (Edited to B/M 1001180000 Revision AW and 1001215518 Revision B) (Revision 2)
August 4, 2017 - J - Revised Manual (Edited to B/M 1001180000 Revision AW and 1001215518 Revision B) (Revision 2)
November 10, 2017 - K - Revised Manual (Edited to B/M 1001180000 Revision AW and 1001215518 Revision B)
December 8, 2017 - L - Revised Manual (Edited to B/M 1001180000 Revision BA and 1001215518 Revision C) (Revision 2)
April 12, 2018 - M - Revised Manual (Edited to B/M 1001180000 Revision BF and 1001215518 Revision C) (Revision 1)
June 8, 2018 - N - Revised Manual (Edited to B/M 1001180000 Revision BF and 1001215518 Revision D) (Revision 2)
October 1, 2018 - O - Revised Manual (Edited to B/M 1001180000 Revision BL and 1001215518 Revision E) (Revision 1)
January 18, 2019 - P - Revised Manual (Edited to B/M 1001180000 Revision BP and 1001215518 Revision F)

GENERAL INFORMATION



1) MACHINE IDENTIFICATION

Machines are identified by model and in some cases a combination of models, serial number (SN) or regional standard (i.e. ANSI, CE, CSA). Components may also be identified by SN or manufacturer. Common components that may be identified by these characteristics are engines and hydraulic components.

2) PARTS MANUAL ORGANIZATION

Product information in this manual is organized under section titles. Frame, Cylinder, Hydraulic and Electrical are a few examples. Each section is organized by figure and page number. The information within the figure is then organized by item number, part number, description and corresponding illustration (s).

3) TABLE OF CONTENTS

A table of contents is found toward the beginning of the manual. Figure number, description and page number are provided for quick reference to the page containing the related information.

4) RECOMMENDED SPARE PARTS

The Recommended Spare Parts, located near the end of the manual, reference most frequently used maintenance parts.

5) PART NUMBER INDEX

A numerical index listing all part numbers and the corresponding page number(s) appears at the back of the manual.

GENERAL INFORMATION

6) NON-SERVICED PARTS

In some instances, it is necessary to display non-serviced parts, assemblies or installations. In the case of assemblies and installations there will be a Ref in the Qty column. In case of parts that are not available for service within assemblies or components, there will be a NSS (Not Sold Separately) or NLA (No Longer Available) listed in the Qty. column of the manual.

7) PARTS LIST ITEM NUMBERS

Numbers shown in the item# column correspond to numbers used in the associated illustration (s). Item numbers which are missing from the sequence in the parts list are not used on that page

8) INDENTED PARTS DESCRIPTION

An indented part description is included in the item under which it is indented.

9) ABB REVIATION AND SYMBOLS

AC.....	.. Alternating Current	LCD Liquid Crystal Display
ADE.....	..Advanced Design Electronics	LED Light Emitting Diodes
ANSIAmerican National Standards Institute	LH.....	.. Left Hand
AR.....	..As Required	LSSLoad Sensing System
ASSY Assembly	M(m).....	.. Metric/Meter
AUX.....	..A uxiliary	MM (mm).....	..Milimeter
AWG.....	..American Wire Gauge	mA.....	.. Milliamps
B/M.....	.. Bill of Material	NLA.....No Longer A vailable
CE.....	..European Conformity	NPT National Pipe Threads
CCWCounter Clockwise	NSSNot So ld Separately
cm.....	.. Centimet er	OD.....Outside Diameter
CW.....	..Clockwise	ORB..... O-Ring Bos s
CSA.....	..Canadian Standards Association	ORFS..... O-Ring Face Seal
CYL.....	..Cylinder	OZ (oz).....Ounces
DIA.....	..Diameter	PGPage
DC.....	..Direct Current	P/N.....Part Number
EMS Emergency Stop	qt.....Quarts
ENGEngine	QTY.....Quantity
FT (ft).....	.. Feet	REFReference
GA(Ga).....	.. Gauge	REVRevision Level
HYDHydraulic	RH..... Right Hand
Hz.....	..Her tz	SAE..... Society of Automotive E ngineers
ID.....	..Inside Diameter	SN.....Serial Number
in.....	..inches	SPEC(S).....Specifications
ISO.....	..I nternational Organ ization for Stand ards	T/T.....T urntable
JIC.....	..Joint Industry Council	UGMUniv ersal G round Module
KGKilogram	V.....Volts
L.....	..Liter	W..... Watts
LB.....	..P ounds	#..... Number

10) ILLUSTRATION REFERENCE LETTERS

When necessary, illustrations may contain reference letters that are intended to track information (i. e. hoses, harnesses) from one point to another or to track visual enlargement of components to show details that may be located in another area on the illustration.

Note: Due to continuous product improvements, JLG Industries, Inc. reserves the right to make specification changes without prior notification.

TABLE OF CONTENTS

SECTION 1 - FRAME.....	13
FIGURE 1-1. STEERING INSTALLATION (USA AND MEXICO BUILT MACHINES).....	14
FIGURE 1-2. STEERING INSTALLATION (BELGIUM, CHINA AND MEXICO BUILT MACHINES).....	16
FIGURE 1-3. DRIVE HUB AND MODULE INSTALLATION.....	18
FIGURE 1-4. DRIVE HUB AND MODULE INSTALLATION (BELGIUM BUILT MACHINES ONLY).....	20
FIGURE 1-5. DRIVE MOTOR/HUB ASSEMBLY.....	22
FIGURE 1-6. HUB ASSEMBLY - REAR.....	26
FIGURE 1-7. TIRE AND WHEEL ASSEMBLY.....	28
FIGURE 1-8. POTHOLE PROTECTION INSTALLATION - NON-UL.....	30
FIGURE 1-9. POTHOLE PROTECTION INSTALLATION - UL.....	32
FIGURE 1-10. BATTERY CHARGER INSTALLATION WITH 110V PLUG AND DELTA-Q CHARGER (ANSI, ANSI EXPORT, CSA, JAPANESE AND UL SPECS).....	34
FIGURE 1-11. BATTERY CHARGER INSTALLATION WITH 110V PLUG AND EAGLE PERFORMANCE CHARGER (ANSI AND CSA SPECS).....	36
FIGURE 1-12. BATTERY CHARGER INSTALLATION WITH LOCALLY SUPPLIED PLUG AND DELTA-Q CHARGER (ANSI, ANSI EXPORT, CSA AND CE SPECS).....	38
FIGURE 1-13. BATTERY CHARGER INSTALLATION WITH LOCALLY SUPPLIED PLUG AND EAGLE PERFORMANCE CHARGER (ANSI AND CSA SPECS).....	40
FIGURE 1-14. BATTERY CHARGER INSTALLATION WITH LOCALLY SUPPLIED PLUG (AUSTRALIAN SPEC).....	42
FIGURE 1-15. BATTERY CHARGER INSTALLATION – WITH VOLTAGE GUARD (LOCALLY SUPPLIED PLUG) (ANSI EXPORT AND KOREA SPECS).....	44
FIGURE 1-16. BATTERY CHARGER INSTALLATION – WITH VOLTAGE GUARD AND CHINESE PLUG (ANSI EXPORT AND KOREA SPECS).....	46
FIGURE 1-17. BATTERY CHARGER INSTALLATION – WITH VOLTAGE GUARD AND CHINESE PLUG (CHINESE SPECS) (SN M200000100 through B200046724).....	48
FIGURE 1-18. BATTERY CHARGER INSTALLATION WITH CHINESE PLUG (CHINESE SPEC).....	50
FIGURE 1-19. BATTERY CHARGER ASSEMBLY - DELTA-Q.....	52
FIGURE 1-20. BATTERY CHARGER ASSEMBLY - EAGLE PERFORMANCE.....	54
FIGURE 1-21. CHARGER (INVERTER) INSTALLATION (ANSI, ANSI EXPORT, CSA SPECS).....	56
FIGURE 1-22. BATTERY CHARGER INSTALLATION - GREEN POWER (CHINESE PLUG) (CHINESE SPECS) (SN 0200238382 through 0200261035, SN B200020297 through B200036742, SN M200000100 through M200007339).....	58
FIGURE 1-23. BATTERY CHARGER INSTALLATION - GREEN POWER (CHINESE PLUG) (CHINESE SPECS).....	60
FIGURE 1-24. BATTERY CHARGER INSTALLATION - GREEN POWER (LOCALLY SUPPLIED PLUG) (KOREA SPECS).....	62
FIGURE 1-25. BATTERY CHARGER INSTALLATION - GREEN POWER (110V PLUG) (JAPANESE SPECS).....	64
FIGURE 1-26. BEACON (AMBER) LIGHT INSTALLATION (OPTIONAL).....	66
FIGURE 1-27. LADDER INSTALLATION.....	68
SECTION 2 - GROUND COMPONENTS.....	71
FIGURE 2-1. GROUND CONTROL BOX/ALARM INSTALLATION - NO LSS (SN 0200239382 to Present, SN B200023346 to Present, SN M200000100 to Present).....	72
FIGURE 2-2. GROUND CONTROL BOX/ALARM INSTALLATION - NO LSS (SN B200020297 through B200023345).....	74
FIGURE 2-3. GROUND CONTROL BOX/ALARM INSTALLATION - LSS (ALL SPECS EXCEPT CE SPECS) (SN 0200239382 to Present, SN B200023346 to Present, SN M200000100 to Present).....	76
FIGURE 2-4. GROUND CONTROL BOX/ALARM INSTALLATION - LSS (ALL SPECS EXCEPT CE SPECS) (SN B200020297 through B200023345).....	78
FIGURE 2-5. GROUND CONTROL BOX/ALARM INSTALLATION - LSS (CE SPEC) (SN 0200239382 through 0200241828) ..	80
FIGURE 2-6. GROUND CONTROL BOX/ALARM INSTALLATION - LSS (CE SPEC) (SN B200020297 through B200021650) ..	82
FIGURE 2-7. GROUND CONTROL BOX/ALARM INSTALLATION - LSS (CE SPECS) (SN 0200241829 to Present, SN B200021651 to Present, SN M200000100 to Present).....	84
FIGURE 2-8. GROUND CONTROL BOX/ALARM INSTALLATION - LSS (CE SPECS) (SN 1200025021 to Present)	86
FIGURE 2-9. GROUND CONTROL BOX ASSEMBLY - NO LSS (SN 0200239382 to Present, SN B200023346 to Present, SN M200000100 to Present).....	88
FIGURE 2-10. GROUND CONTROL BOX ASSEMBLY - NO LSS (SN B200020297 through B200023345).....	90
FIGURE 2-11. GROUND CONTROL BOX ASSEMBLY - LSS (ALL SPECS EXCEPT CE SPECS) (SN 0200239382 to Present, SN B200023346 to Present, SN M200000100 to Present).....	92
FIGURE 2-12. GROUND CONTROL BOX ASSEMBLY - LSS (ALL SPECS EXCEPT CE SPECS) (SN B200020297 through B200023345).....	94
FIGURE 2-13. GROUND CONTROL BOX ASSEMBLY - LSS (CE SPECS) (SN 0200239382 through 0200241828)	96
FIGURE 2-14. GROUND CONTROL BOX ASSEMBLY - LSS (CE SPECS) (SN B200020297 through B200021650)	98
FIGURE 2-15. GROUND CONTROL BOX ASSEMBLY - LSS (CE SPECS) (SN 0200241829 to Present, SN 1200025021 to Present, SN B200021651 to Present, SN M200000100 to Present).....	100
FIGURE 2-16. BATTERIES INSTALLATION - AGM AND EVG TYPE - 225 AH RATING (NON-LOCKING COVERS).....	102
FIGURE 2-17. BATTERIES INSTALLATION - AGM AND EVG TYPE - 225 AH RATING (NON-UL LOCKING COVERS).....	104
FIGURE 2-18. BATTERIES INSTALLATION - AGM AND EVG TYPE - 225 AH RATING (UL LOCKING COVERS).....	106

TABLE OF CONTENTS

FIGURE 2-19. BATTERIES INSTALLATION - AGM VISION AND EVG TYPE - 220 AH RATING (NON-LOCKING COVERS) ..	108
FIGURE 2-20. BATTERIES INSTALLATION - AGM VISION AND EVG TYPE - 220 AH RATING (NON-UL LOCKING COVERS)	110
FIGURE 2-21. BATTERIES INSTALLATION - EV TYPE - 244 AH RATING (NON-LOCKING COVERS).....	112
FIGURE 2-22. BATTERIES INSTALLATION - EV TYPE - 244 AH RATING (NON-UL LOCKING COVERS)	114
FIGURE 2-23. BATTERIES INSTALLATION - EV TYPE - 244 AH RATING (UL LOCKING COVERS)	116
FIGURE 2-24. BATTERIES INSTALLATION - GC TYPE - 225 AH RATING (NON LOCKING COVERS)	118
FIGURE 2-25. BATTERIES INSTALLATION - GC TYPE - 225 AH RATING (NON-UL LOCKING COVERS).....	120
FIGURE 2-26. BATTERIES INSTALLATION - GC TYPE - 225 AH RATING (UL LOCKING COVERS).....	122
FIGURE 2-27. BATTERIES INSTALLATION - 220 AH RATING WITHOUT BATTERIES (NON LOCKING COVERS).....	124
FIGURE 2-28. BATTERY TRAY ASSEMBLY - NON-UL	126
FIGURE 2-29. BATTERY TRAY ASSEMBLY - UL	128
FIGURE 2-30. BATTERY COVER ASSEMBLY - NON-LOCKING	130
FIGURE 2-31. BATTERY COVER ASSEMBLY - LOCKING	132
FIGURE 2-32. BRAKE DISCONNECT AND MDI (MULTIFUNCTION DIGITAL INDICATOR) GAUGE INSTALLATION	134
FIGURE 2-33. BRAKE CABLE INSTALLATION (OPTIONAL).....	136
SECTION 3 - SCISSOR ARMS	139
FIGURE 3-1. SCISSORS ARMS INSTALLATION - 2646ES STANDARD HYDRAULIC OIL (USA BUILT MACHINES) (SN 0200239382 through 0200241220)	140
FIGURE 3-2. SCISSORS ARMS ASSEMBLY - 2646ES STANDARD HYDRAULIC OIL (USA BUILT MACHINES) (SN 0200239382 through 0200241220)	142
FIGURE 3-3. SCISSORS ARMS INSTALLATION - 2646ES STANDARD HYDRAULIC OIL (USA AND MEXICO BUILT MACHINES) (SN 0200241221 to Present, SN M200000100 through M200022030).....	144
FIGURE 3-4. SCISSORS ARMS ASSEMBLY - 2646ES STANDARD HYDRAULIC OIL (USA AND MEXICO BUILT MACHINES) (SN 0200241221 to Present, SN M200000100 to Present).....	146
FIGURE 3-5. SCISSORS ARMS INSTALLATION - 2646ES STANDARD HYDRAULIC OIL (CHINA BUILT MACHINES (SN B200020297 through B200020981)	148
FIGURE 3-6. SCISSORS ARMS ASSEMBLY - 2646ES STANDARD HYDRAULIC OIL (CHINA BUILT MACHINES) (SN B200020297 through B200020981)	150
FIGURE 3-7. SCISSORS ARMS INSTALLATION - 2646ES STANDARD HYDRAULIC OIL (BELGIUM, CHINA AND MEXICO BUILT MACHINES) (SN 1200025021 to Present, SN B200020982 to Present, SN M200022031 to Present).....	152
FIGURE 3-8. SCISSORS ARMS ASSEMBLY - 2646ES STANDARD HYDRAULIC OIL (CHINA BUILT MACHINES) (SN B200020982 to Present)	154
FIGURE 3-9. SCISSORS ARMS INSTALLATION - 2646ES BIODEGRADEABLE HYDRAULIC OIL (USA BUILT MACHINES) (SN 0200239382 through 0200241220)	156
FIGURE 3-10. SCISSORS ARMS ASSEMBLY - 2646ES BIODEGRADEABLE HYDRAULIC OIL (USA BUILT MACHINES) (SN 0200239382 through 0200241220)	158
FIGURE 3-11. SCISSORS ARMS INSTALLATION - 2646ES BIODEGRADEABLE HYDRAULIC OIL (USA AND MEXICO BUILT MACHINES) (SN 0200241221 to Present, SN M200000100 to Present).....	160
FIGURE 3-12. SCISSORS ARMS ASSEMBLY - 2646ES BIODEGRADEABLE HYDRAULIC OIL (USA AND MEXICO BUILT MACHINES) (SN 0200241221 to Present, SN M200000100 to Present).....	162
FIGURE 3-13. SCISSORS ARMS INSTALLATION - 2646ES BIODEGRADEABLE HYDRAULIC OIL (CHINA BUILT MACHINES) (SN B200020297 through B200020981)	164
FIGURE 3-14. SCISSORS ARMS ASSEMBLY - 2646ES BIODEGRADEABLE HYDRAULIC OIL (CHINA BUILT MACHINES) (SN B200020297 through B200020981)	166
FIGURE 3-15. SCISSORS ARMS INSTALLATION - 2646ES BIODEGRADEABLE HYDRAULIC OIL (CHINA BUILT MACHINES) (SN B200020982 to Present)	168
FIGURE 3-16. SCISSORS ARMS ASSEMBLY - 2646ES BIODEGRADEABLE HYDRAULIC OIL (CHINA BUILT MACHINES) (SN B200020982 to Present)	170
FIGURE 3-17. SCISSORS ARMS INSTALLATION - 3246ES STANDARD HYDRAULIC OIL (USA BUILT MACHINES) (SN 0200239382 through 0200241220)	172
FIGURE 3-18. SCISSORS ARMS ASSEMBLY - 3246ES STANDARD HYDRAULIC OIL (USA BUILT MACHINES) (SN 0200239382 through 0200241220)	174
FIGURE 3-19. SCISSORS ARMS INSTALLATION - 3246ES STANDARD HYDRAULIC OIL (USA AND MEXICO BUILT MACHINES) (SN 0200241221 to Present, SN M200000100 through M200022032)	178
FIGURE 3-20. SCISSORS ARMS ASSEMBLY - 3246ES STANDARD HYDRAULIC OIL (USA AND MEXICO BUILT MACHINES) (SN 0200241221 to Present, SN M200000100 to Present).....	180
FIGURE 3-21. SCISSORS ARMS INSTALLATION - 3246ES STANDARD HYDRAULIC OIL (CHINA BUILT MACHINES) (SN B200020297 through B200020981)	184
FIGURE 3-22. SCISSORS ARMS ASSEMBLY - 3246ES STANDARD HYDRAULIC OIL (CHINA BUILT MACHINES) (SN B200020297 through B200020981)	186
FIGURE 3-23. SCISSORS ARMS INSTALLATION - 3246ES STANDARD HYDRAULIC OIL (BELGIUM, CHINA AND MEXICO BUILT MACHINES) (SN 1200025021 to Present, SN B200020982 to Present, SN M200022033 to Present)	190
FIGURE 3-24. SCISSORS ARMS INSTALLATION - 3246ES STANDARD HYDRAULIC OIL (CHINA BUILT MACHINES) (SN B200020982 to Present)	192

TABLE OF CONTENTS

FIGURE 3-25. SCISSORS ARMS INSTALLATION - 3246ES BIODEGRADEABLE HYDRAULIC OIL (USA BUILT MACHINES) (SN 0200239382 through 0200241220)	196
FIGURE 3-26. SCISSORS ARMS ASSEMBLY - 3246ES BIODEGRADEABLE HYDRAULIC OIL (USA BUILT MACHINES) (SN 0200239382 through 0200241220).....	198
FIGURE 3-27. SCISSORS ARMS INSTALLATION - 3246ES BIODEGRADEABLE HYDRAULIC OIL (USA AND MEXICO BUILT MACHINES) (SN 0200241221 to Present, SN M200000100 to Present).....	202
FIGURE 3-28. SCISSORS ARMS ASSEMBLY - 3246ES BIODEGRADEABLE HYDRAULIC OIL (USA AND MEXICO BUILT MACHINES) (SN 0200241221 to Present, SN M200000100 to Present).....	204
FIGURE 3-29. SCISSORS ARMS INSTALLATION - 3246ES BIODEGRADEABLE HYDRAULIC OIL (CHINA BUILT MACHINES) (SN B200020297 through B200020981).....	208
FIGURE 3-30. SCISSORS ARMS ASSEMBLY - 3246ES BIODEGRADEABLE HYDRAULIC OIL (CHINA BUILT MACHINES) (SN B200020297 through B200020981).....	210
FIGURE 3-31. SCISSORS ARMS INSTALLATION - 3246ES BIODEGRADEABLE HYDRAULIC OIL (CHINA BUILT MACHINES) (SN B200020982 to Present).....	214
FIGURE 3-32. SCISSORS ARMS ASSEMBLY - 3246ES BIODEGRADEABLE HYDRAULIC OIL (CHINA BUILT MACHINES) (SN B200020982 to Present).....	216
SECTION 4 - PLATFORM.....	219
FIGURE 4-1. PLATFORM INSTALLATION - WITH INSIDE EXTENSION RAILS AND WITHOUT LSS.....	220
FIGURE 4-2. PLATFORM INSTALLATION - WITH OUTSIDE EXTENSION RAILS AND WITHOUT LSS	222
FIGURE 4-3. PLATFORM INSTALLATION - WITH INSIDE EXTENSION RAILS AND WITH LSS	224
FIGURE 4-4. PLATFORM INSTALLATION - WITH OUTSIDE EXTENSION RAILS AND WITH LSS	226
FIGURE 4-5. PLATFORM AND EXTENSION ASSEMBLY - WITH INSIDE EXTENSION RAILS	228
FIGURE 4-6. PLATFORM AND EXTENSION ASSEMBLY - WITH OUTSIDE EXTENSION RAILS	230
FIGURE 4-7. LATCH ASSEMBLY - WITH INSIDE EXTENSION RAILS (SN 1200025021 through 1200030233, SN B200020297 through B200051184, SN M200000100 through M200021520)	232
FIGURE 4-8. LATCH ASSEMBLY - WITH INSIDE EXTENSION RAILS (SN 1200030234 to Present, SN B200051185 to Present, SN M200021521 to Present)	234
FIGURE 4-9. LATCH ASSEMBLY - WITH OUTSIDE EXTENSION RAILS	236
FIGURE 4-10. RAILS INSTALLATION - WITH INSIDE EXTENSION RAILS AND CHAIN GATE.....	238
FIGURE 4-11. RAILS INSTALLATION - WITH INSIDE EXTENSION RAILS, HANDLE AND CHAIN GATE	240
FIGURE 4-12. RAIL KIT - WITH INSIDE EXTENSION RAILS AND CHAIN GATE	242
FIGURE 4-13. RAIL KIT - WITH INSIDE EXTENSION RAILS, HANDLE AND CHAIN GATE	244
FIGURE 4-14. RAILS INSTALLATION - WITH INSIDE EXTENSION RAILS AND SELF CLOSING GATE	246
FIGURE 4-15. RAILS INSTALLATION - WITH INSIDE EXTENSION RAILS, HANDLE AND SELF CLOSING GATE	248
FIGURE 4-16. RAILS INSTALLATION - WITH OUTSIDE EXTENSION RAILS AND SELF CLOSING GATE	250
FIGURE 4-17. RAIL KIT - WITH INSIDE EXTENSION RAILS AND SELF CLOSING GATE	252
FIGURE 4-18. RAIL KIT - WITH INSIDE EXTENSION RAILS, HANDLE AND SELF CLOSING GATE.....	254
FIGURE 4-19. RAIL KIT - WITH OUTSIDE EXTENSION RAILS AND SELF CLOSING GATE (SN 0200239382 through 0200264570, SN 1200025023 through 1200030201, SN B200020297 through B200041196)	256
FIGURE 4-20. RAIL KIT - WITH OUTSIDE EXTENSION RAILS AND SELF CLOSING GATE (SN 0200264571 to Present, SN 1200030202 to Present, SN B200041197 to Present).....	258
FIGURE 4-21. PLATFORM CONSOLE ASSEMBLY	260
FIGURE 4-22. PLATFORM CONSOLE ASSEMBLY	262
FIGURE 4-23. DRIVE/STEER CONTROLLER ASSEMBLY	264
FIGURE 4-24. PLATFORM CONSOLE HANGER INSTALLATION (OPTIONAL).....	266
FIGURE 4-25. WORKSTATION WITHOUT DC CONVERTER INSTALLATION.....	268
FIGURE 4-26. WORKSTATION WITH DC CONVERTER INSTALLATION	270
FIGURE 4-27. ELECTRICIAN'S TREE INSTALLATION	272
FIGURE 4-28. VISE INSTALLATION (ELECTRICAL, PLUMBERS AND PLANT PACKAGE).....	274
FIGURE 4-29. LOW HEIGHT DRIVE CUTOUT (JAPANESE SPECS ONLY).....	276
FIGURE 4-30. OVERHEAD PROTECTION AND LOW HEIGHT DRIVE CUTOUT (KOREA SPECS ONLY).....	278
FIGURE 4-31. OVERHEAD SWITCH KIT (FRONT) (SN B200020297 through B200046829).....	280
FIGURE 4-32. OVERHEAD SWITCH KIT (REAR) (SN B200020297 through B200046829).....	282
FIGURE 4-33. OVERHEAD SWITCH KIT (FRONT/REAR) (SN B200046830 to Present).....	284
FIGURE 4-34. PANEL INSTALLATION (ANSI, ANSI EXPORT, CHINESE, CSA AND KOREA SPECS).....	286
FIGURE 4-35. PANEL INSTALLATION (AUSTRALIAN, CE AND JAPANESES SPECS)	288
FIGURE 4-36. PIPE RACKS INSTALLATION (FACTORY INSTALLED)	290
FIGURE 4-37. PIPE RACK INSTALLATION (FACTORY INSTALLED).....	292
FIGURE 4-38. QUIK WELDER INSTALLATION.....	294
FIGURE 4-39. QUIK WELDER READY INSTALLATION	296
SECTION 5 - CYLINDER.....	299
FIGURE 5-1. LIFT CYLINDER ASSEMBLY - 2646ES WITH STANDARD HYDRAULIC OIL (TEXAS HYDRAULICS)	300
FIGURE 5-2. LIFT CYLINDER ASSEMBLY - 2646ES WITH BIODEGRADEABLE HYDRAULIC OIL (TEXAS HYDRAULICS)..	304

TABLE OF CONTENTS

FIGURE 5-3. LIFT CYLINDER ASSEMBLY - 3246ES WITH STANDARD HYDRAULIC OIL (TEXAS HYDRAULICS).....	308
FIGURE 5-4. LIFT CYLINDER ASSEMBLY - 3246ES WITH BIODEGRADEABLE HYDRAULIC OIL (TEXAS HYDRAULICS) ..	312
FIGURE 5-5. LIFT CYLINDER ASSEMBLY - 2646ES WITH STANDARD HYDRAULIC OIL (SERTA)	316
FIGURE 5-6. LIFT CYLINDER ASSEMBLY - 2646ES WITH STANDARD HYDRAULIC OIL (SH-PAC).....	320
FIGURE 5-7. LIFT CYLINDER ASSEMBLY - 2646ES WITH BIODEGRADEABLE HYDRAULIC OIL (SERTA)	324
FIGURE 5-8. LIFT CYLINDER ASSEMBLY - 2646ES WITH BIODEGRADEABLE HYDRAULIC OIL (SH-PAC).....	328
FIGURE 5-9. LIFT CYLINDER ASSEMBLY - 3246ES WITH STANDARD HYDRAULIC OIL (SERTA)	332
FIGURE 5-10. LIFT CYLINDER ASSEMBLY - 3246ES WITH STANDARD HYDRAULIC OIL (SH-PAC).....	336
FIGURE 5-11. LIFT CYLINDER ASSEMBLY - 3246ES WITH BIODEGRADEABLE HYDRAULIC OIL (SERTA)	340
FIGURE 5-12. LIFT CYLINDER ASSEMBLY - 3246ES WITH BIODEGRADEABLE HYDRAULIC OIL (SH-PAC).....	344
FIGURE 5-13. STEER CYLINDER ASSEMBLY (SERTA)	348
FIGURE 5-14. STEER CYLINDER ASSEMBLY (SH-PAC)	350
 SECTION 6 - HYDRAULIC	 353
FIGURE 6-1. HYDRAULIC DIAGRAM LIST	354
 SECTION 7 - ELECTRICAL.....	 355
FIGURE 7-1. ELECTRICAL DIAGRAM LIST	356
FIGURE 7-2. AC BOX AT PLATFORM INSTALLATION - 110V GFI	358
FIGURE 7-3. AC BOX AT PLATFORM INSTALLATION - 220V CEE7 SIDE GRD (ANSI EXPORT SPEC ONLY).....	360
FIGURE 7-4. AC BOX AT PLATFORM INSTALLATION - 110V IEC YELLOW (CE SPEC ONLY)	362
FIGURE 7-5. AC BOX AT PLATFORM INSTALLATION - 220V IEC BLUE (CE SPEC ONLY).....	364
FIGURE 7-6. AC BOX AT PLATFORM INSTALLATION - 220V AFSINT107 (CE SPEC ONLY).....	366
FIGURE 7-7. AC BOX AT PLATFORM INSTALLATION - 220V CEE7 SIDE GRD (CE SPEC ONLY).....	368
FIGURE 7-8. AC BOX AT PLATFORM INSTALLATION - 220V CEE7 POST GRD (CE SPEC ONLY)	370
FIGURE 7-9. AC BOX AT PLATFORM INSTALLATION - 220V CEE7 SIDE GRD - DUAL OUTLET (CE SPEC - 2646ES ONLY)	372
FIGURE 7-10. AC BOX AT PLATFORM INSTALLATION - 220V (ANSI EXPORT AND CHINESE SPECS ONLY)	374
FIGURE 7-11. BATTERY CABLE KIT	376
FIGURE 7-12. BRAKE DISCONNECT HARNESS	378
FIGURE 7-13. BREAKER BOX KIT WITH TWO BREAKERS (CE SPEC ONLY).....	380
FIGURE 7-14. BREAKER BOX KIT WITH THREE BREAKERS (CE SPEC ONLY).....	382
FIGURE 7-15. CABLES INSTALLATION	384
FIGURE 7-16. CABLES INSTALLATION	386
FIGURE 7-17. CABLES INSTALLATION	388
FIGURE 7-18. CABLES INSTALLATION	390
FIGURE 7-19. CABLES INSTALLATION	392
FIGURE 7-20. CABLES INSTALLATION	394
FIGURE 7-21. CHARGER CORD PLUG INSTALLATION - 110V IEC YELLOW (CE SPEC ONLY).....	396
FIGURE 7-22. CHARGER CORD PLUG INSTALLATION - 220V IEC BLUE (CE SPEC)	398
FIGURE 7-23. CHARGER CORD PLUG INSTALLATION - 220V AFSINT 107 (CE SPEC).....	400
FIGURE 7-24. CHARGER CORD PLUG INSTALLATION - 220V CEE7 POST GROUND (CE SPEC).....	402
FIGURE 7-25. CHARGER CORD PLUG INSTALLATION - 220V POST GROUND (CE SPEC).....	404
FIGURE 7-26. CHARGER CORD PLUG INSTALLATION (KOREA SPEC)	406
FIGURE 7-27. CHASSIS HARNESS.....	408
FIGURE 7-28. CHASSIS HARNESS - UL SPEC	410
FIGURE 7-29. CYLINDER HARNESS	412
FIGURE 7-30. DRIVE CABLE ASSEMBLY.....	414
FIGURE 7-31. DRIVE FIELD CONNECTION HARNESS	416
FIGURE 7-32. GROUND CONTROL BOX HARNESS (SN B200020297 through B200023345)	418
FIGURE 7-33. GROUND CONTROL BOX HARNESS (SN 0200239382 to Present, SN 1200025021 to Present, SN B200023346 to Present, SN M200000100 to Present).....	420
FIGURE 7-34. GROUND CONTROL BOX HARNESS - NO LSS (SN 0200266380 to Present, SN B200043104 to Present, SN M200012171 to Present).....	422
FIGURE 7-35. GROUND TO PLATFORM HARNESS	424
FIGURE 7-36. GROUND TO PLATFORM HARNESS	426
FIGURE 7-37. MDI (MULTIFUNCTION DIGITAL INDICATOR) HARNESS.....	428
FIGURE 7-38. PLATFORM BOX HARNESS	430
FIGURE 7-39. PLATFORM CABLE ASSEMBLY (SN 0200239382 through 0200262555, SN 1200025024 to Present, SN B200020297 to Present, SN M200000100 through M200010214).....	432
FIGURE 7-40. PLATFORM CABLE ASSEMBLY (SN 0200262556 to Present, SN M200010215 to Present).....	434
FIGURE 7-41. PUMP POWER CABLE ASSEMBLY.....	436
FIGURE 7-42. RECEPTACLE BOX KIT - 110V GFI	438
FIGURE 7-43. RECEPTACLE BOX KIT - 110V IEC YELLOW (CE SPEC)	440
FIGURE 7-44. RECEPTACLE BOX KIT - 220V IEC BLUE (CE SPEC).....	442

TABLE OF CONTENTS

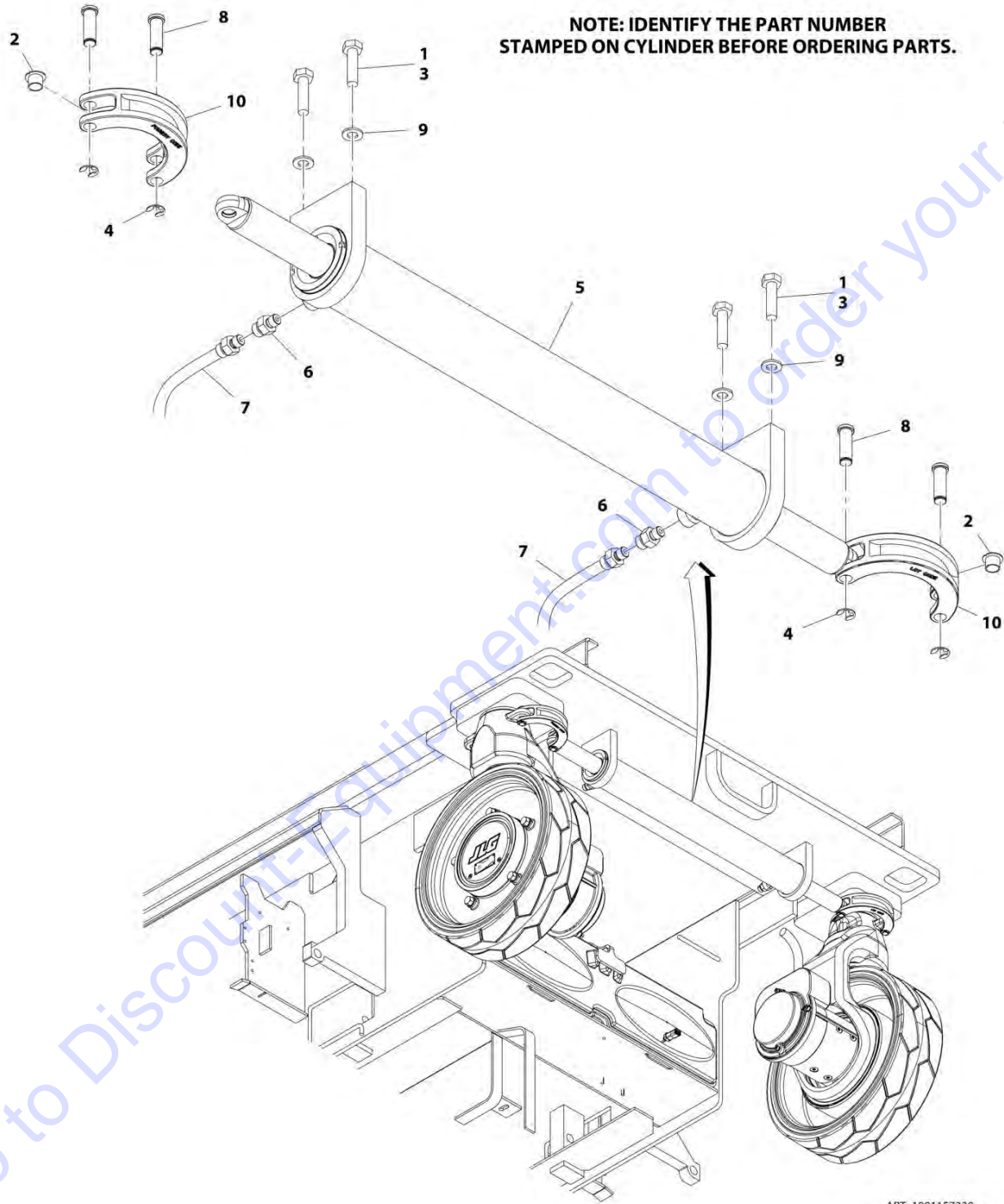
FIGURE 7-45. RECEPTACLE BOX KIT - 220V AFSINT 107 (CE SPEC).....	444
FIGURE 7-46. RECEPTACLE BOX KIT - 220V CEE7 SIDE GROUND (CE SPEC) AND DUAL OUTLET (CE SPEC - 2646ES).....	446
FIGURE 7-47. RECEPTACLE BOX KIT - 220V CEE7 POST GROUND (CE SPEC).....	448
FIGURE 7-48. WORKSTATION POWER HARNESS.....	450
SECTION 8 - DECALS.....	453
FIGURE 8-1. DECAL INSTALLATION - ANSI SPEC (ENGLISH).....	454
FIGURE 8-2. DECAL INSTALLATION - AUSTRALIAN SPEC (ENGLISH).....	456
FIGURE 8-3. DECAL INSTALLATION - BRAZIL SPEC (PORTUGUESE/SPANISH).....	458
FIGURE 8-4. DECAL INSTALLATION - CE SPEC (ENGLISH).....	460
FIGURE 8-5. DECAL INSTALLATION - CHINA SPEC (GB).....	462
FIGURE 8-6. DECAL INSTALLATION - CHINESE SPEC (CHINESE/ENGLISH).....	464
FIGURE 8-7. DECAL INSTALLATION - CSA SPEC (ENGLISH/FRENCH).....	466
FIGURE 8-8. DECAL INSTALLATION - KOREAN SPEC (KOREAN/ENGLISH).....	468
FIGURE 8-9. DECAL INSTALLATION - LATIN AMERICAN SPEC (ENGLISH/SPANISH).....	470
FIGURE 8-10. DECAL INSTALLATION - OPTIONS.....	472
SECTION 9 - RECOMMENDED SERVICE PARTS STOCK.....	475
FIGURE 9-1. RECOMMENDED SERVICE PARTS STOCK.....	476
SECTION 10 - SPECIAL OPTIONS.....	477
FIGURE 10-1. SPECIAL OPTIONS.....	478
PART NUMBER INDEX.....	481

SECTION 1 - FRAME

Go to Discount-Equipment.com to order your parts

SECTION 1 - FRAME

FIGURE 1-1. STEERING INSTALLATION (USA AND MEXICO BUILT MACHINES)



ART_1001157328

SECTION 1 - FRAME

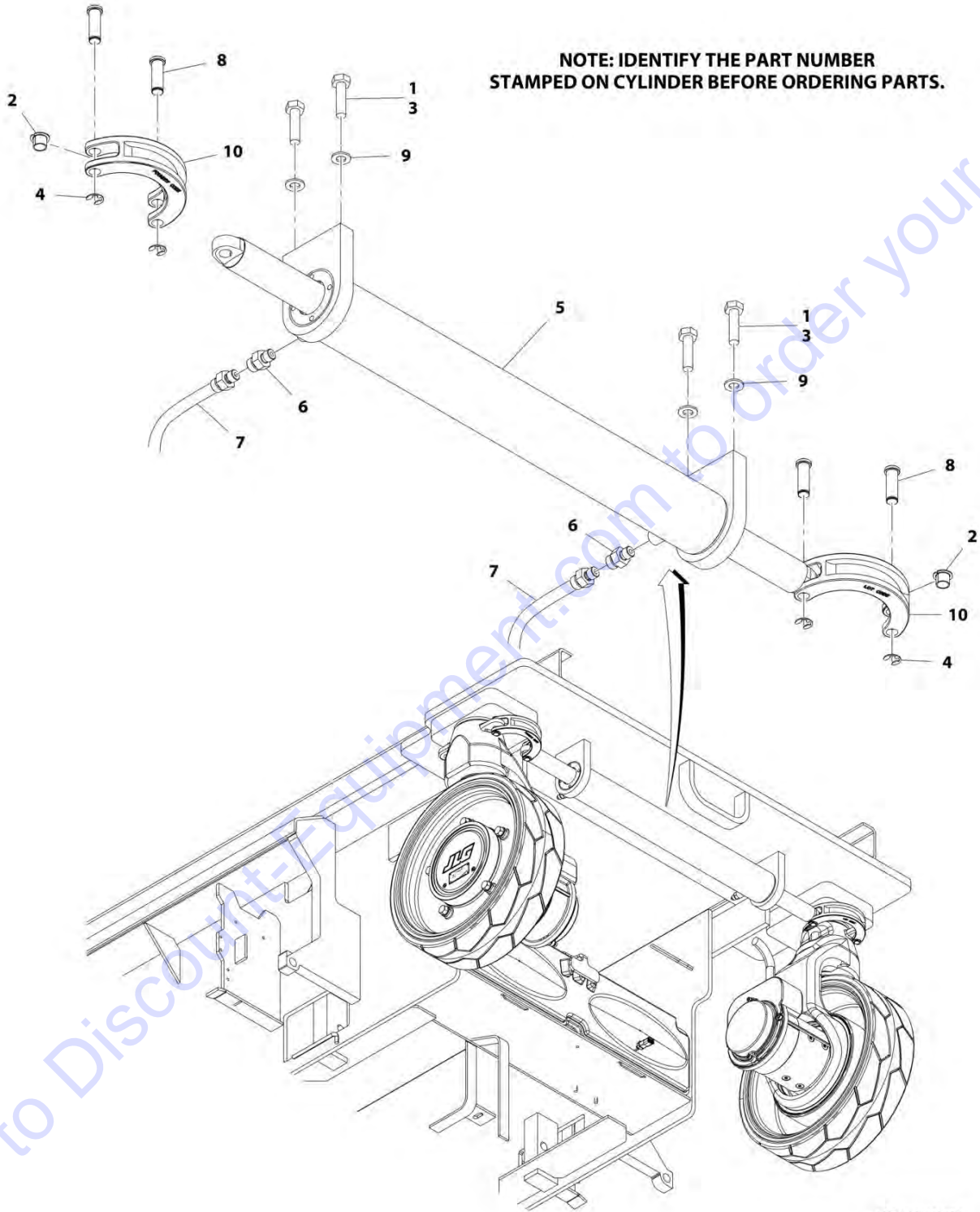
FIGURE 1-1. STEERING INSTALLATION (USA AND MEXICO BUILT MACHINES)

ITEM	PART NUMBER	QTY	DESCRIPTION	REV
	1001157328	Ref	STEERING INSTALLATION	B
1	0100011	AR	Compound, Locking	
2	0440259	2	Bearing	
3	0701016	4	Bolt M10 x 40	
4	1380153	4	Clip	
5	1001155851	1	Steer Cylinder Assembly (See CYLINDER SECTION for Breakdown)	
6	2110404	2	Fitting, Straight ORFS/ORB	
7	2753883	2	Steering Hose Assembly	
8	3423037	4	Pin, Clevis	
9	4812000	4	Washer M10	
10	4846757	2	Lug, Steer	

Go to Discount-Equipment.com to order your parts

SECTION 1 - FRAME

FIGURE 1-2. STEERING INSTALLATION (BELGIUM, CHINA AND MEXICO BUILT MACHINES)



ART_1001131076

SECTION 1 - FRAME

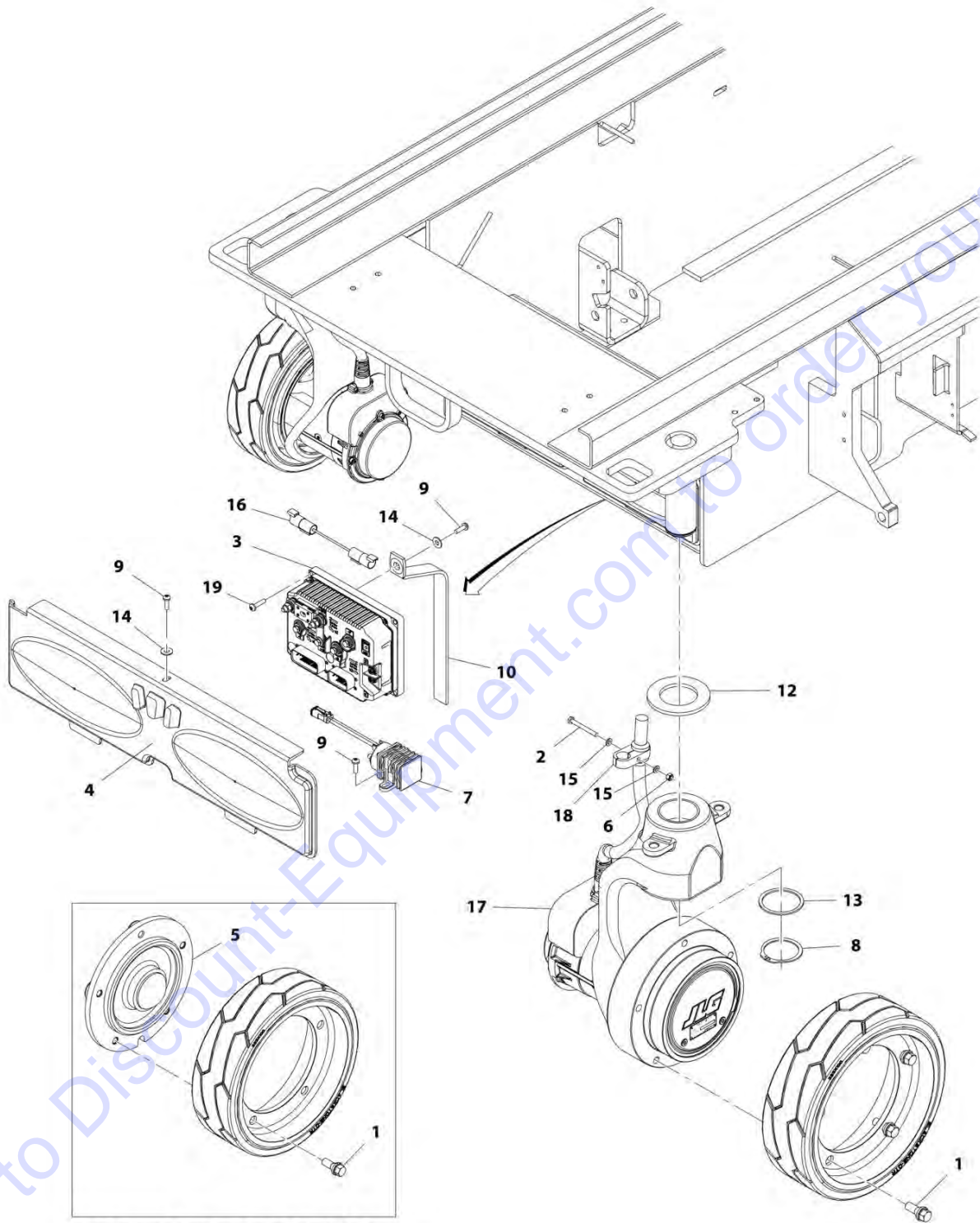
FIGURE 1-2. STEERING INSTALLATION (BELGIUM, CHINA AND MEXICO BUILT MACHINES)

ITEM	PART NUMBER	QTY	DESCRIPTION	REV
	1001131076	Ref	STEERING INSTALLATION	E
1	0100011	AR	Compound, Locking	
2	0440259	2	Bearing	
3	0701016	4	Bolt M10 x 40	
4	1380153	4	Clip	
5	1001129268	1	Steer Cylinder Assembly (See CYLINDER SECTION for Breakdown)	
6	2110404	2	Fitting, Straight ORFS/ORB	
7	0275883	2	Steering Hose Assembly	
8	3423037	4	Pin, Clevis	
9	4812000	4	Washer M10	
10	4846757	2	Lug, Steer	

Go to Discount-Equipment.com to order your parts

SECTION 1 - FRAME

FIGURE 1-3. DRIVE HUB AND MODULE INSTALLATION



ART_100117033

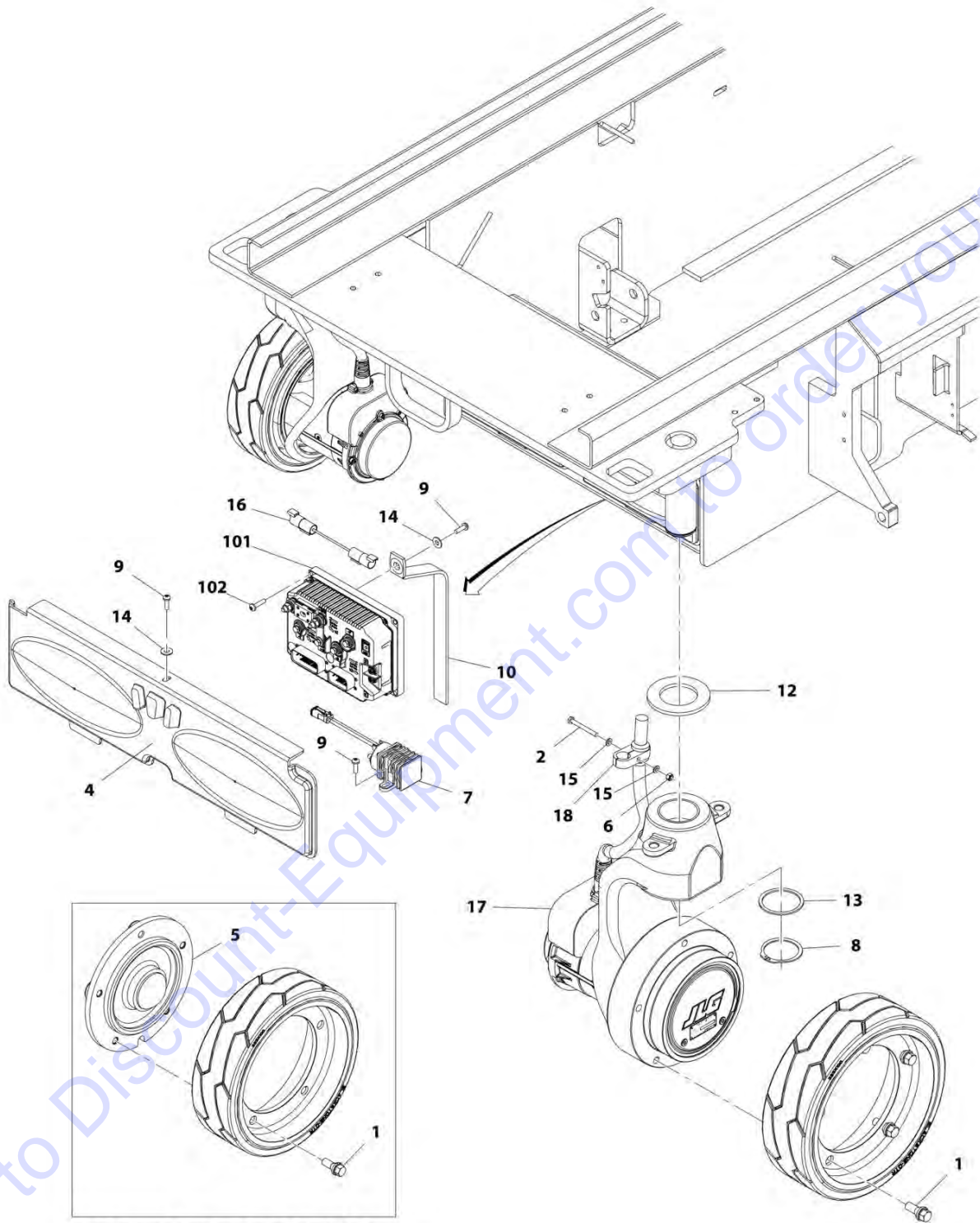
SECTION 1 - FRAME

FIGURE 1-3. DRIVE HUB AND MODULE INSTALLATION

ITEM	PART NUMBER	QTY	DESCRIPTION	REV
	1001117033	Ref	DRIVE HUB AND MODULE INSTALLATION	C
1	0630580	20	Bolt, Wheel	
2	0700619	2	Bolt M6 x 55	
3	1001092456	1	Module, Control	
4	1671133	1	Cover, Controller	
5	2780266	2	Hub Assembly - Rear (See HUB ASSEMBLY - REAR for Breakdown)	
6	3290605	2	Nut M6	
7	3740150	1	Relay	
8	3760463	2	Ring, Retaining	
9	4191708	4	Screw M6 x 20	
10	4240147	1	Strap, Anti-Static	
12	4740524	2	Washer, Thrust	
13	4740564	2	Washer	
14	4751400	2	Washer 1/4	
15	4811700	4	Washer M6	
16	4923602	1	Harness, Field Wire Connection (See ELECTRICAL SECTION for Breakdown)	
17	1001092738	2	Drive Motor Assembly (See DRIVE MOTOR/HUB ASSEMBLY for Breakdown)	
18	1001094301	2	Clamp	
19	4191709	4	Screw M6 x 25	

SECTION 1 - FRAME

FIGURE 1-4. DRIVE HUB AND MODULE INSTALLATION (BELGIUM BUILT MACHINES ONLY)



ART_1001219124

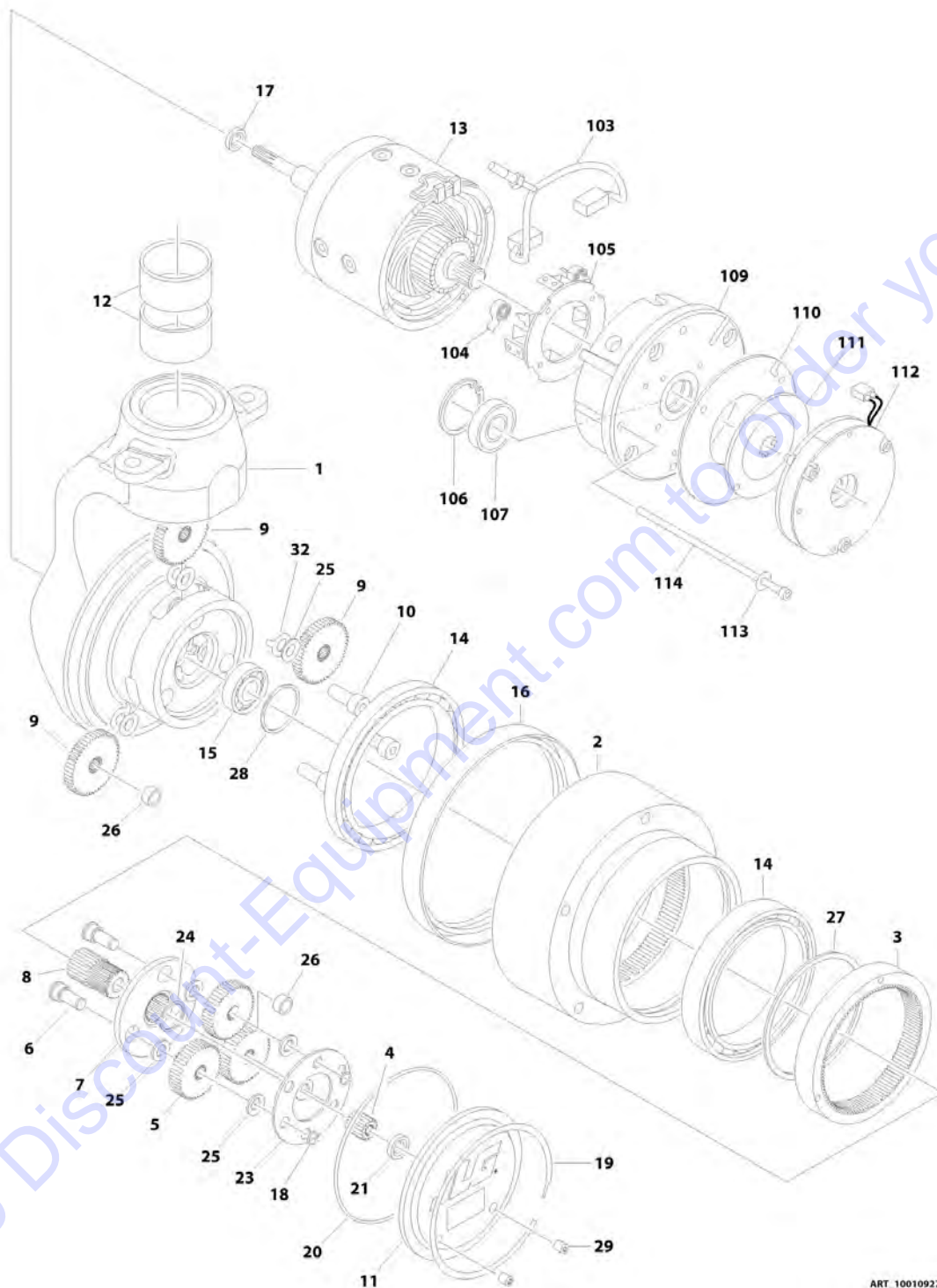
SECTION 1 - FRAME

FIGURE 1-4. DRIVE HUB AND MODULE INSTALLATION (BELGIUM BUILT MACHINES ONLY)

ITEM	PART NUMBER	QTY	DESCRIPTION	REV
	1001219124	Ref	DRIVE HUB AND MODULE INSTALLATION	A
1	0630580	20	Bolt, Wheel	
2	0700619	2	Bolt M6 x 55	
4	1671133	1	Cover, Controller	
5	2780266	2	Hub Assembly - Rear (See HUB ASSEMBLY - REAR for Breakdown)	
6	3290605	2	Nut M6	
7	3740150	1	Relay	
8	3760463	2	Ring, Retaining	
9	4191708	4	Screw M6 x 20	
10	4240147	1	Strap, Anti-Static	
12	4740524	2	Washer, Thrust	
13	4740564	2	Washer	
14	4751400	2	Washer 1/4	
15	4811700	4	Washer M6	
16	4923602	1	Harness, Field Wire Connection (See ELECTRICAL SECTION for Breakdown)	
17	1001092738	2	Drive Motor Assembly (See DRIVE MOTOR/HUB ASSEMBLY for Breakdown)	
18	1001094301	2	Clamp	
		Ref	ADDITIONAL COMPONENTS ORDERED SEPARATE	
101	1001092456	1	Module, Control	
102	4191709	4	Screw M6 x 25	

SECTION 1 - FRAME

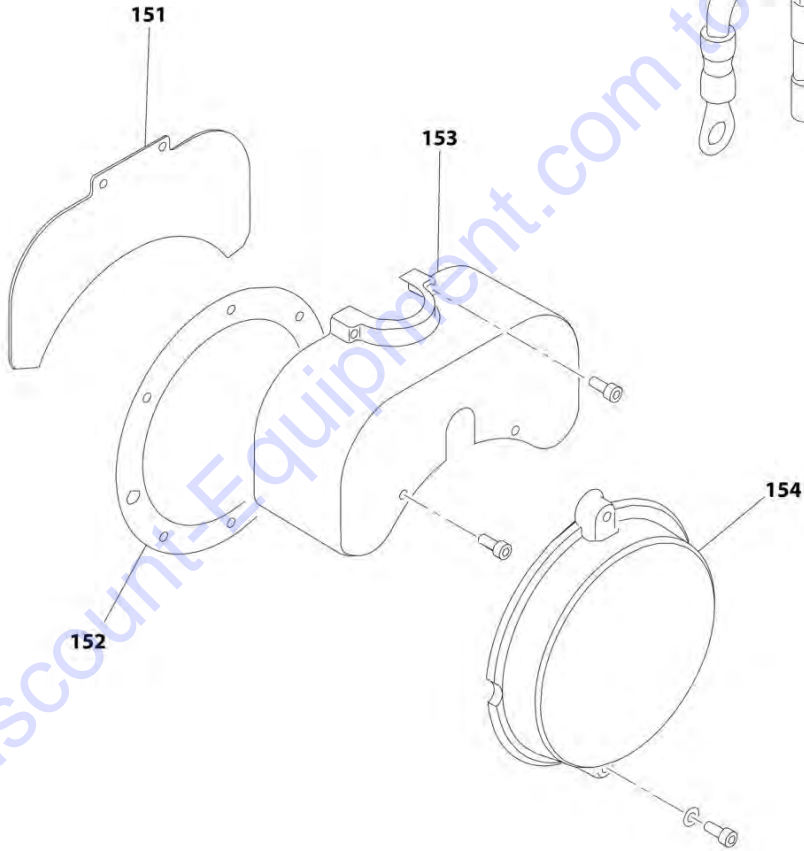
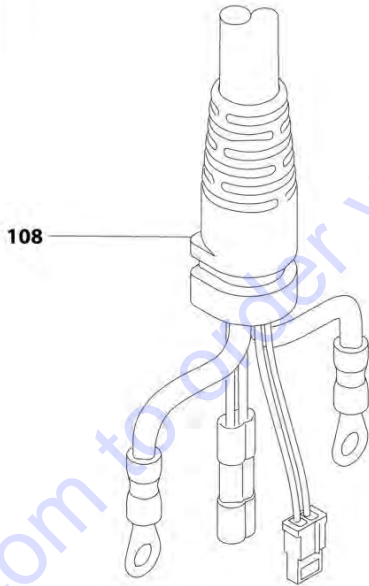
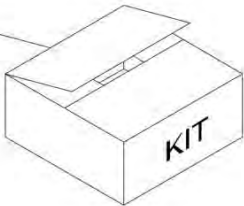
FIGURE 1-5. DRIVE MOTOR/HUB ASSEMBLY



ART_1001092738_10F2

SECTION 1 - FRAME

- 201
- 202
- 203
- 204
- 205
- 206
- 207
- 208
- 209
- 210
- 211



ART_1001092738_20F2

SECTION 1 - FRAME

FIGURE 1-5. DRIVE MOTOR/HUB ASSEMBLY

ITEM	PART NUMBER	QTY	DESCRIPTION	REV
	1001092738	Ref	DRIVE MOTOR/HUB ASSEMBLY	K
		Ref	HUB ASSEMBLY	
1	See Note	NSS	Spindle (Note: Purchase Complete Assembly)	
2	See Note	NSS	Hub (Note: Use Item 206)	
3	See Note	NSS	Ring, Input (Note: Use Item 204)	
4	See Note	NSS	Gear, Input Sun (Note: Use Item 203)	
5	See Note	NSS	Gear, Input Planet (Note: Use Item 203)	
6	See Note	NSS	Pin, Planet Gear (Note: Use Item 203)	
7	See Note	NSS	Carrier (Note: Use Item 203)	
8	See Note	NSS	Gear, Output Sun (Note: Use Item 203)	
9	See Note	NSS	Gear, Output Planet (Note: Use Item 207)	
10	See Note	NSS	Pin, Output Planet (Note: Use Item 207)	
11	See Note	NSS	Cover (Note: Use Item 201)	
12	7024757	1	Bushing Kit, Kingpin (Includes 2 Bushings)	
13	See Note	NSS	Motor, Electric (Note: Use Item 205)	
14	See Note	NSS	Bearing, Main (Note: Use Item 202, 204, 206 or 207)	
15	See Note	NSS	Bearing, Shaft (Note: Use Item 207)	
16	70001739	1	Seal, Lip	
17	7024786	1	Seal, Lip	
18	See Note	NSS	Ring, Retaining (Note: Use Item 203)	
19	See Note	NSS	Ring, Retaining (Note: Use Item 201)	
20	70000191	1	O-Ring	
21	See Note	NSS	Washer, Thrust (Note: Use Item 201)	
23	See Note	NSS	Plate, Thrust (Note: Use Item 203)	
24	See Note	NSS	Ring, Retaining (Note: Use Item 203)	
25	See Note	NSS	Washer, Thrust (Note: Use Item 203 or 207)	
26	See Note	NSS	Bushing (Note: Use Item 203 or 207)	
27	See Note	NSS	Ring, Retaining (Note: Use Item 204, 206 or 207)	
28	See Note	NSS	Ring, Retaining (Note: Use Item 207)	
29	See Note	NSS	Plug (Note: Use Item 201)	
32	See Note	NSS	Washer, Tanged (Note: Use Item 207)	
		Ref	BRAKE AND MOTOR COMPONENTS	
103	See Note	NSS	Brush and Terminal Assembly (Note: Use Item 208)	
104	70000790	2	Spring, Brush	
105	70000791	1	Box, Brush	
106	See Note	NSS	Ring, Retaining (Note: Use Item 208)	
107	See Note	NSS	Bearing (Note: Use Item 208)	
108	1001132439	1	Harness, Drive Motor (See ELECTRICAL SECTION for Breakdown)	
109	70000792	1	Commutator	
110	See Note	NSS	Disc, Reaction (Note: Use Item 209)	
111	7024785	1	Disc, Friction	
112	See Note	NSS	Brake Assembly (Note: Use Item 209)	
113	See Note	NSS	Washer (Note: Use Item 210)	
114	See Note	NSS	Bolt (Note: Use Item 210)	
151	See Note	NSS	Plate, Cover (Note: Use Item 211)	
152	70001949	1	Gasket, Cover	
153	70006426	1	Cover, Top	
154	See Note	NSS	Cover, End (Note: Use Item 211)	
		Ref	KIT OPTIONS	

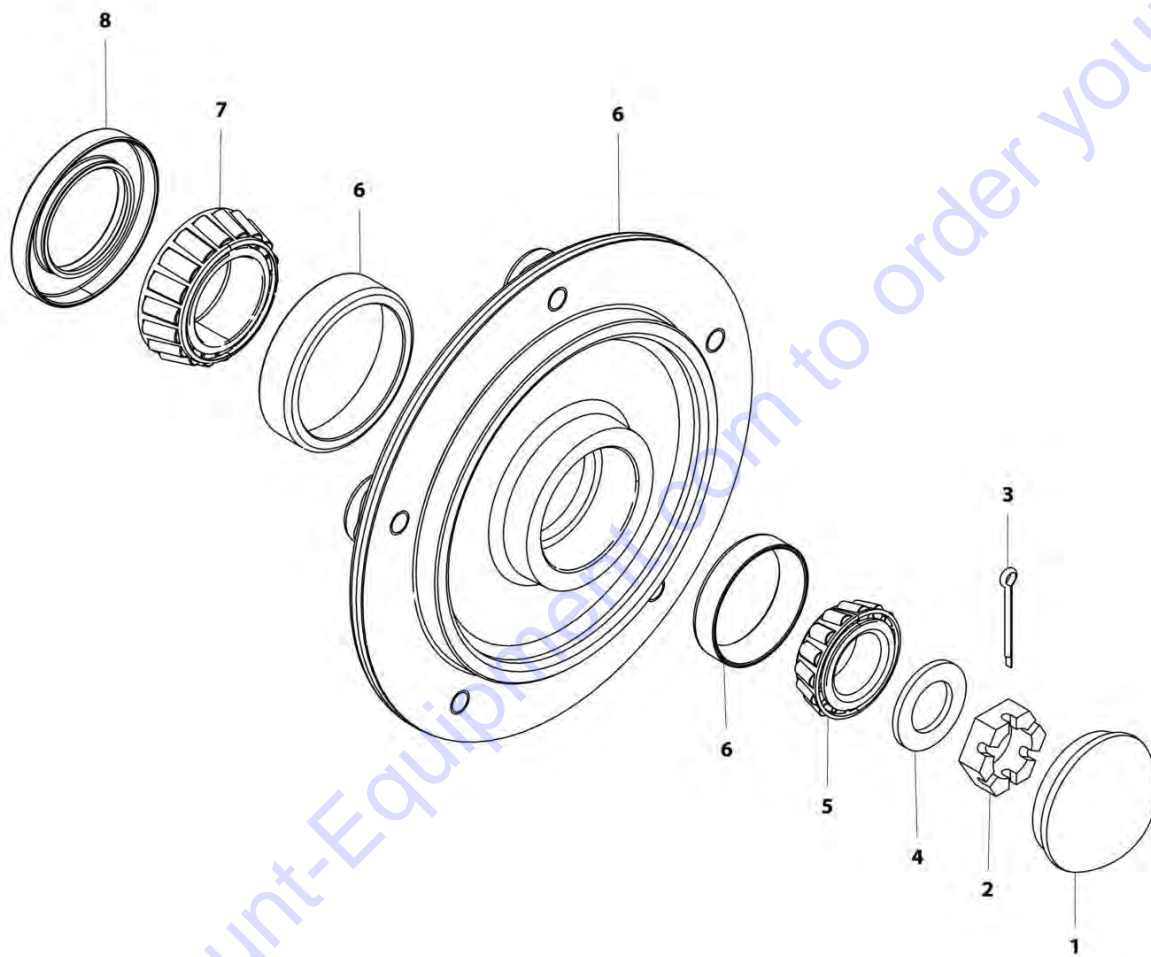
SECTION 1 - FRAME

ITEM	PART NUMBER	QTY	DESCRIPTION	REV
201	7024747	1	Cover Kit (Includes Items 11, 19, 20, 21 & 29)	
202	7024748	1	Main Seal Kit (Includes Qty 1 of Items 14, 16 & 20)	
203	7024749	1	Input Carrier Kit (Includes Items 4-8, 18, 20 & 23-26)	
204	7024758	1	Input Ring Kit (Includes Items 3, 20, 27 & Qty 1 of Item 14)	
205	70001345	1	Motor Kit (Includes Items 13,17,103-114,151, 152 & 154)	
206	7024756	1	Hub Kit (Includes Items 2, 16, 20, 27 & Qty 1 of Item 14)	
207	7024750	1	Output Planet Kit (Includes Items 9, 10, 15, 20, 25-28, 32 & Qty 1 of Item 14)	
208	7024771	1	Motor Brush and Bearing Kit (Includes Items 103, 106 & 107)	
209	7024772	1	Brake Kit (Includes Items 110, 111 & 112)	
210	7024776	1	Motor Hardware Kit (Includes Items 113 & 114)	
211	70001265	1	Brake Cover Kit (Includes Items 151, 152 & 154)	

Go to Discount-Equipment.com to order your parts

SECTION 1 - FRAME

FIGURE 1-6. HUB ASSEMBLY - REAR



ART_2780266

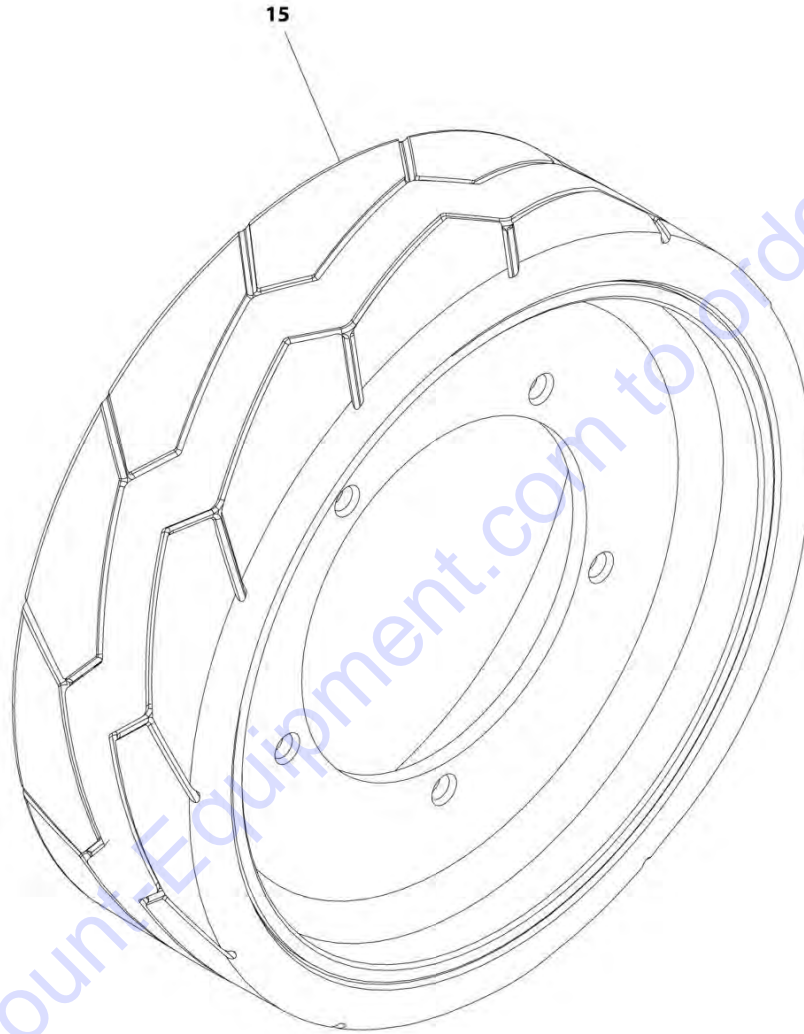
FIGURE 1-6. HUB ASSEMBLY - REAR

ITEM	PART NUMBER	QTY	DESCRIPTION	REV
	2780266	Ref	HUB ASSEMBLY - REAR	D
1	1001102354	1	Cap, Dust (was p/n 7012524)	
2	3300423	1	Nut, Slotted (was p/n 7010641)	
3	3450406	1	Pin, Cotter 2 x 3/16 (was p/n 7010642)	
4	4740468	1	Washer (was p/n 7019697)	
5	1001102351	1	Bearing, Cone - Outer (was p/n 7026185)	
6	See Note	NSS	Hub (Note: Purchase Complete Assembly p/n 2780266)	
7	1001102353	1	Bearing, Cone - Inner (was p/n 7026183)	
8	1001102349	1	Seal (was p/n 7026184)	

Go to Discount-Equipment.com to order your parts

SECTION 1 - FRAME

FIGURE 1-7. TIRE AND WHEEL ASSEMBLY



ART_100114466

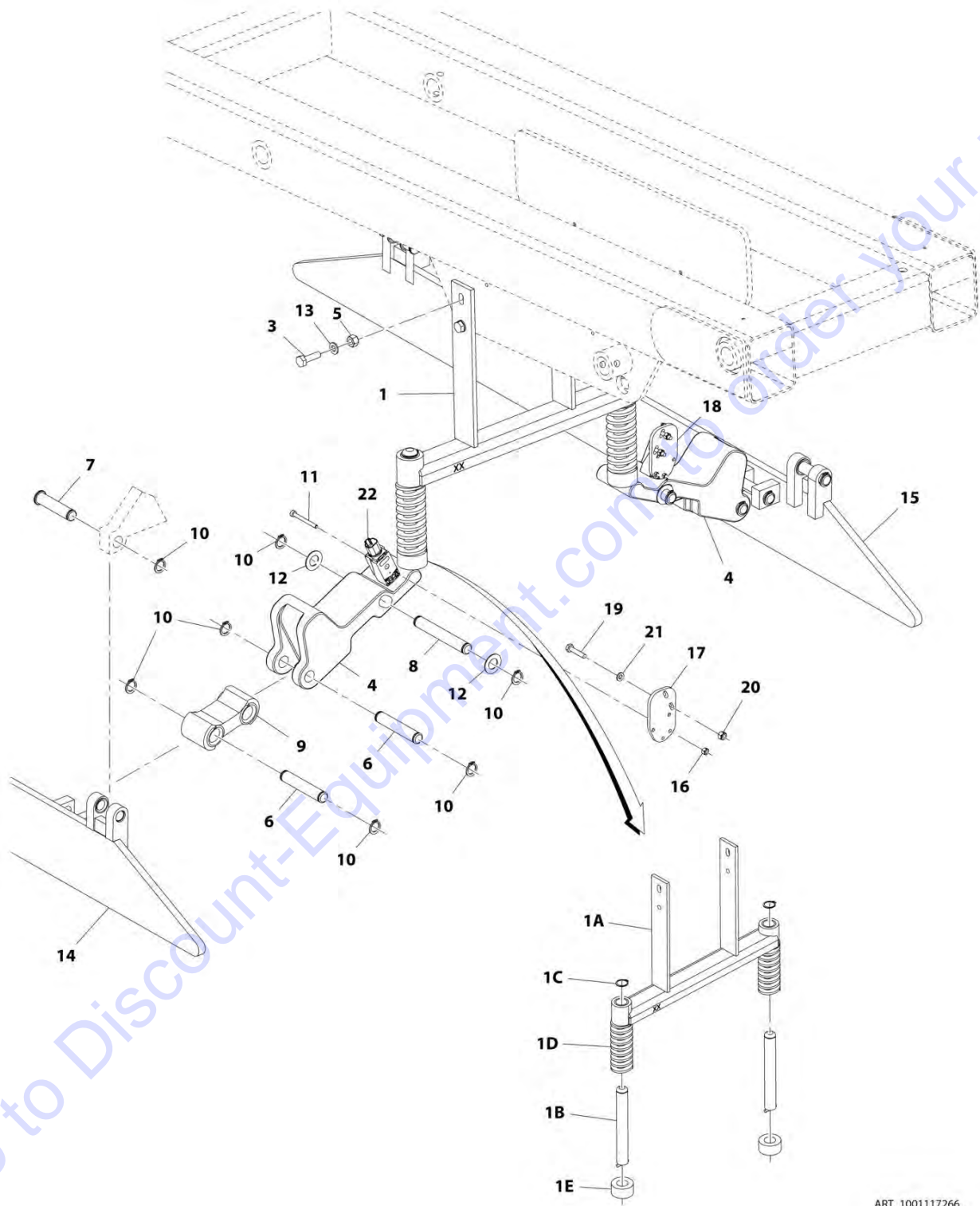
FIGURE 1-7. TIRE AND WHEEL ASSEMBLY

ITEM	PART NUMBER	QTY	DESCRIPTION	REV
15	1001114466 2915013	Ref	TIRE AND WHEEL ASSEMBLY	
		Ref	NOTE: MUST REPLACE TIRE AND WHEEL ASSEMBLIES IN PAIRS PER AXLE.	
		4	Tire and Wheel Assembly - Non-Marking	
		4	Tire and Wheel Kit (Includes Tire, Wheel and Bolts)	

Go to Discount-Equipment.com to order your parts

SECTION 1 - FRAME

FIGURE 1-8. POTHOLE PROTECTION INSTALLATION - NON-UL



ART_1001117266

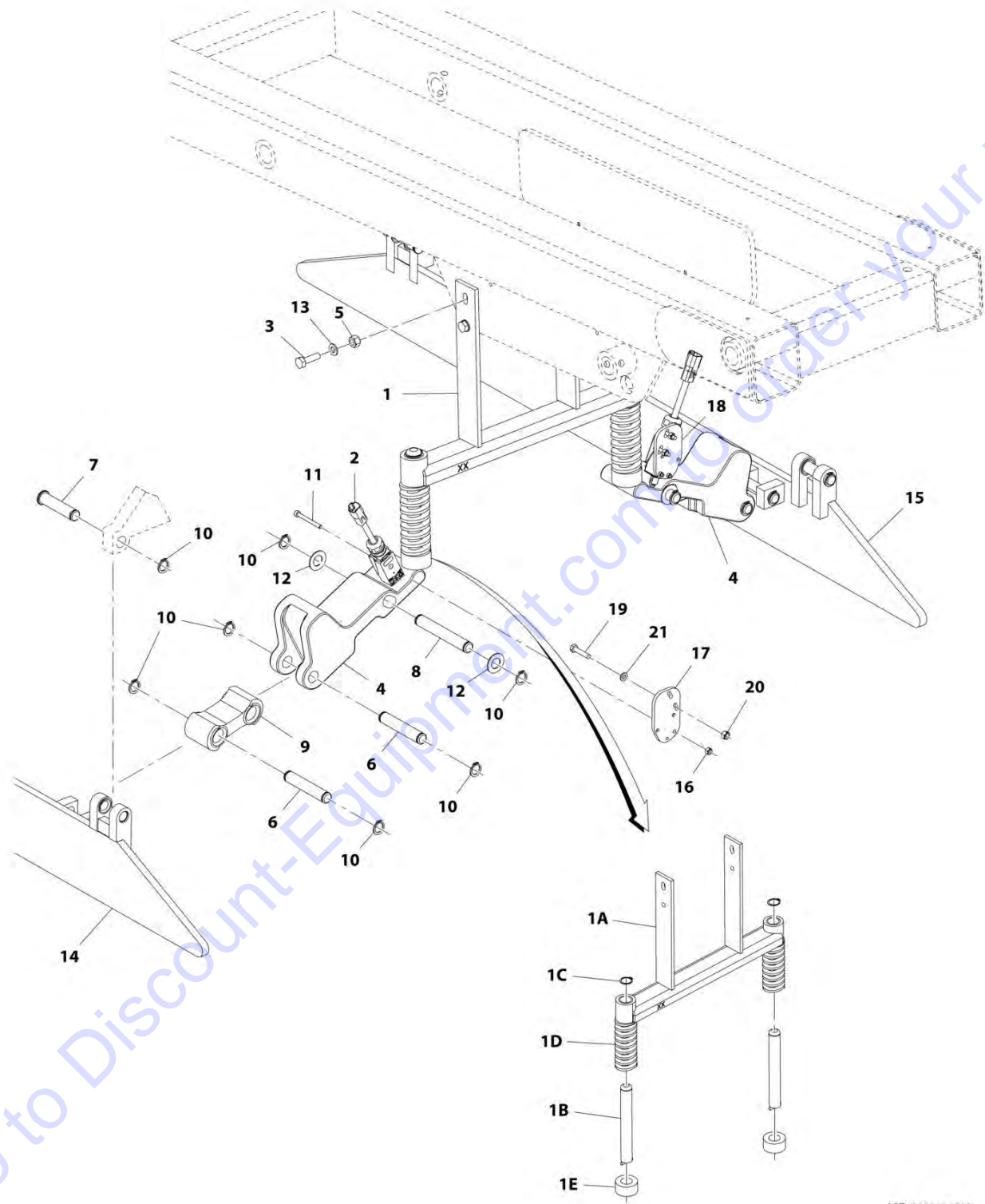
SECTION 1 - FRAME

FIGURE 1-8. POTHOLE PROTECTION INSTALLATION - NON-UL

ITEM	PART NUMBER	QTY	DESCRIPTION	REV
	1001117266	Ref	POTHOLE PROTECTION INSTALLATION - NON-UL	B
1	0060092	1	Actuator Assembly (Includes Items 1A-1E)	F
1A	0060093	1	Bracket, Actuator	
1B	3423289	2	Pin	
1C	3760115	2	Ring, Retaining	
1D	4160202	2	Spring	
1E	4220293	2	Pad	
3	0701015	4	Bolt M10 x 35	
4	3010158	2	Link	
5	3291005	4	Nut M10 x 1.5	
6	3423045	4	Pin, Pivot	
7	3423189	4	Pin, Pivot	
8	3423267	2	Pin	
9	3574176	2	Plate, Link	
10	3760348	16	Ring, Retaining	
11	4031512	4	Capscrew M4 x 40	
12	4740086	4	Washer, Thrust	
13	4812000	4	Washer M10	
14	4846811	1	Weld, Pothole Support (RH)	
15	4846862	1	Weld, Pothole Support (LH)	
16	3290405	4	Nut M4	
17	1001109232	1	Plate, Mounting	
18	1001109233	1	Plate, Mounting	
19	0700614	4	Bolt M6 x 30	
20	3290605	4	Nut M6	
21	4811700	4	Washer M6	
22	1001109088	2	Switch, Limit	

SECTION 1 - FRAME

FIGURE 1-9. POTHOLE PROTECTION INSTALLATION - UL



ART_1001126903

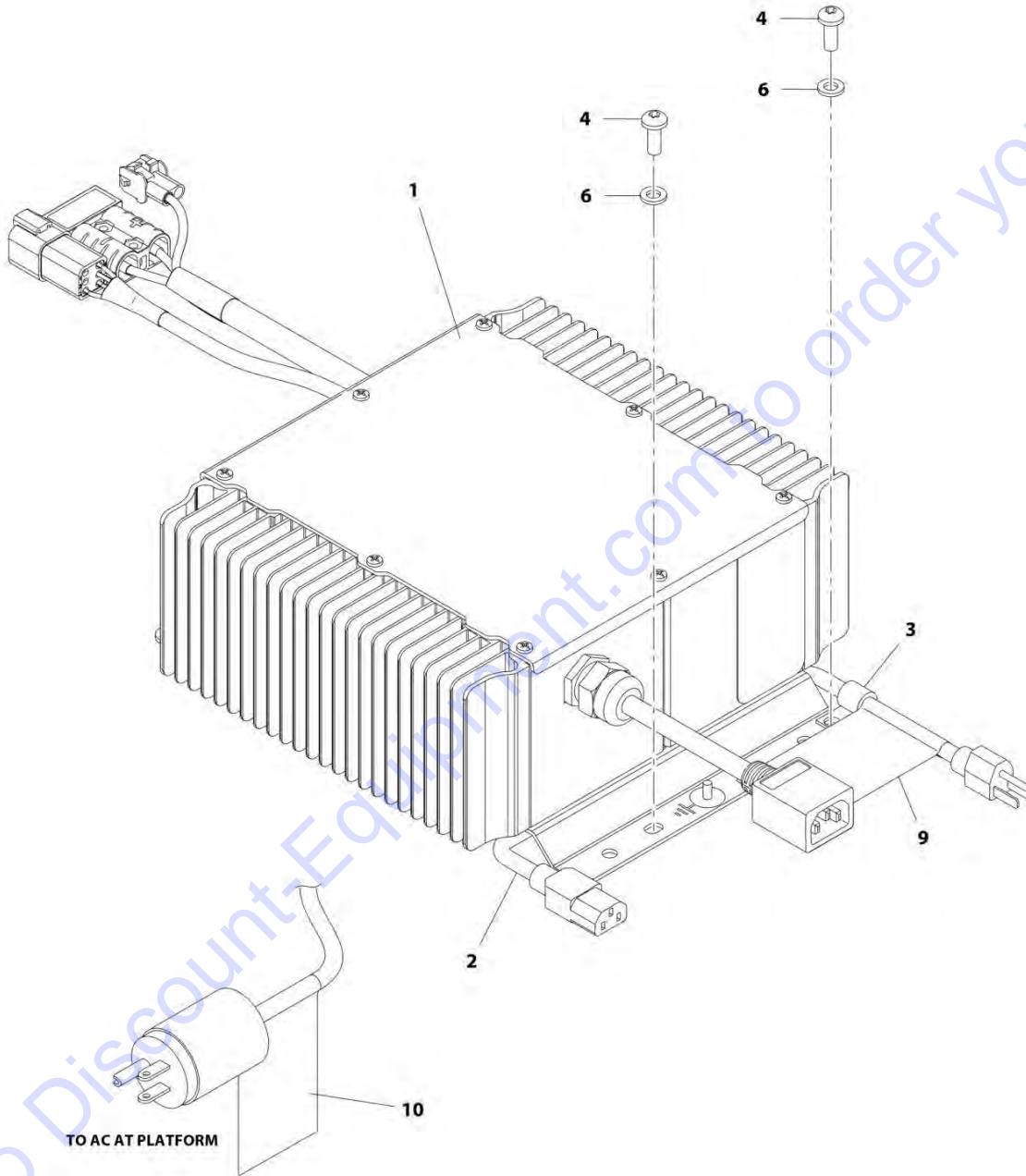
SECTION 1 - FRAME

FIGURE 1-9. POTHOLE PROTECTION INSTALLATION - UL

ITEM	PART NUMBER	QTY	DESCRIPTION	REV
	1001126903	Ref	POTHOLE PROTECTION INSTALLATION - UL	B
1	0060092	1	Actuator Assembly (Includes Items 1A-1E)	F
1A	0060093	1	Bracket, Actuator	
1B	3423289	2	Pin	
1C	3760115	2	Ring, Retaining	
1D	4160202	2	Spring	
1E	4220293	2	Pad	
2	1001126905	2	Switch, Limit	
3	0701015	4	Bolt M10 x 35	
4	3010158	2	Link	
5	3291005	4	Nut M10	
6	3423045	4	Pin, Pivot	
7	3423189	4	Pin, Pivot	
8	3423267	2	Pin	
9	3574176	2	Plate, Link	
10	3760348	16	Ring, Retaining	
11	4031512	4	Capscrew M4 x 40	
12	4740086	4	Washer, Thrust	
13	4812000	4	Washer M10	
14	4846811	1	Weld, Pothole Support (RH)	
15	4846862	1	Weld, Pothole Support (LH)	
16	3290405	4	Nut M4	
17	1001109232	1	Plate, Mounting	
18	1001109233	1	Plate, Mounting	
19	0700614	4	Bolt M6 x 30	
20	3290605	4	Nut M6	
21	4811700	4	Washer M6	

SECTION 1 - FRAME

FIGURE 1-10. BATTERY CHARGER INSTALLATION WITH 110V PLUG AND DELTA-Q CHARGER
(ANSI, ANSI EXPORT, CSA, JAPANESE AND UL SPECS)



ART_0272874

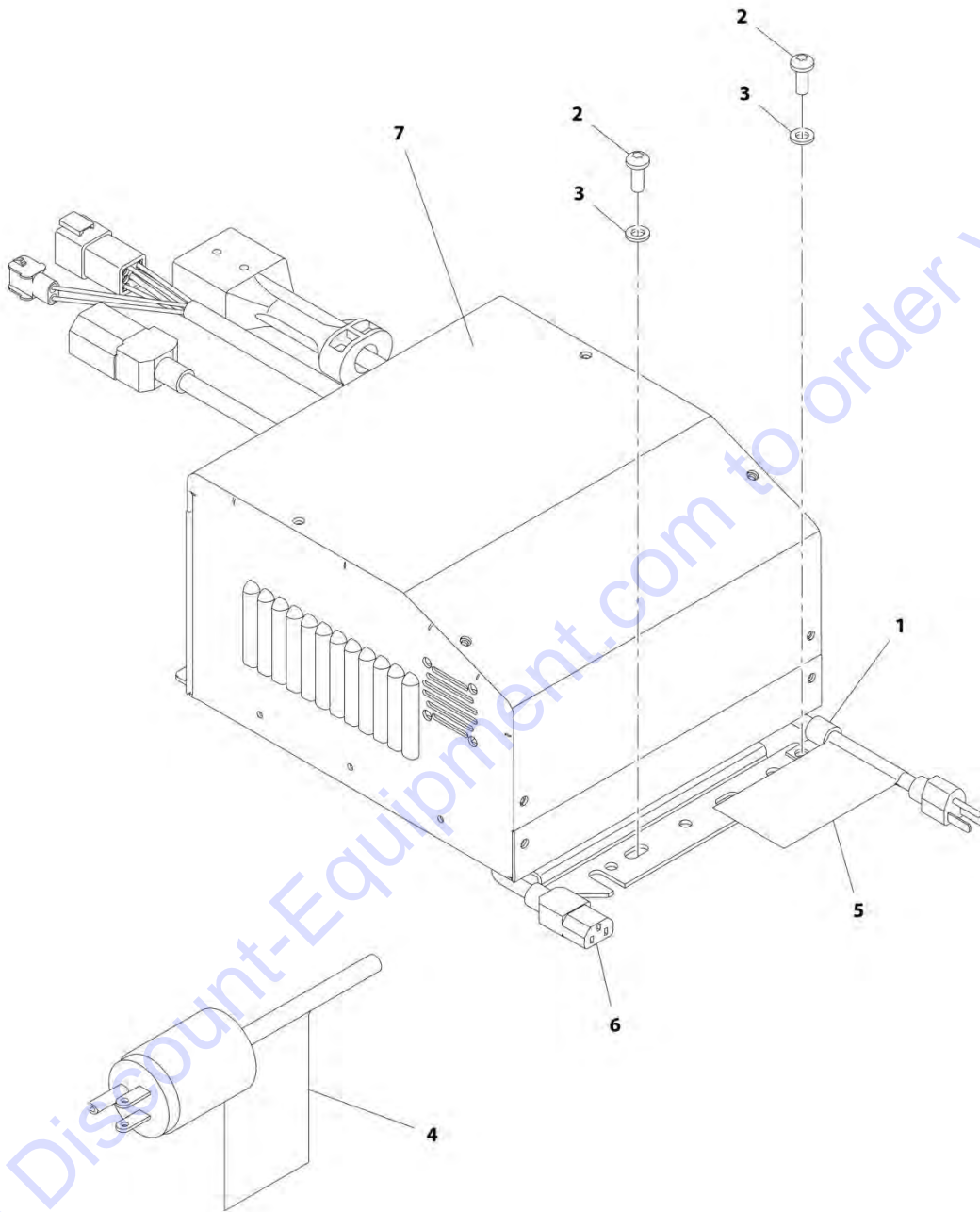
SECTION 1 - FRAME

**FIGURE 1-10. BATTERY CHARGER INSTALLATION WITH 110V PLUG AND DELTA-Q CHARGER
(ANSI, ANSI EXPORT, CSA, JAPANESE AND UL SPECS)**

ITEM	PART NUMBER	QTY	DESCRIPTION	REV
	0272874	Ref	BATTERY CHARGER INSTALLATION WITH 110V PLUG AND DELTA-Q CHARGER (ANSI, ANSI EXPORT, CSA, JAPANESE AND UL SPECS)	N
1	1001112111	1	Battery Charger Assembly (See BATTERY CHARGER ASSEMBLY - DELTA-Q for Breakdown)	
2	1001103257	1	Cable, Charger (AC Input)	
3	1321293	1	Clamp	
4	4191707	2	Screw M6 x 16	
6	4811700	2	Washer M6	
9	1001102489	1	Decal - Charger Plug (SN 0200239382 through 0200257822, SN B200020297 through B200037370, SN M200000100 through M200002934)	
9	1001215870	1	Decal - Charger Plug (SN 0200257823 to Present, SN B200037371 to Present, SN M200002935 to Present)	
10	1001102258	1	Decal - AC to Platform	
11	1001112113	1	Sensor, Temperature (Not Shown - Located on Negative Battery Terminal) (SN 0200266434 to Present, SN B200045240 to Present, SN M200014363 to Present)	

SECTION 1 - FRAME

FIGURE 1-11. BATTERY CHARGER INSTALLATION WITH 110V PLUG AND EAGLE PERFORMANCE CHARGER (ANSI AND CSA SPECS)



ART_1001179428

SECTION 1 - FRAME

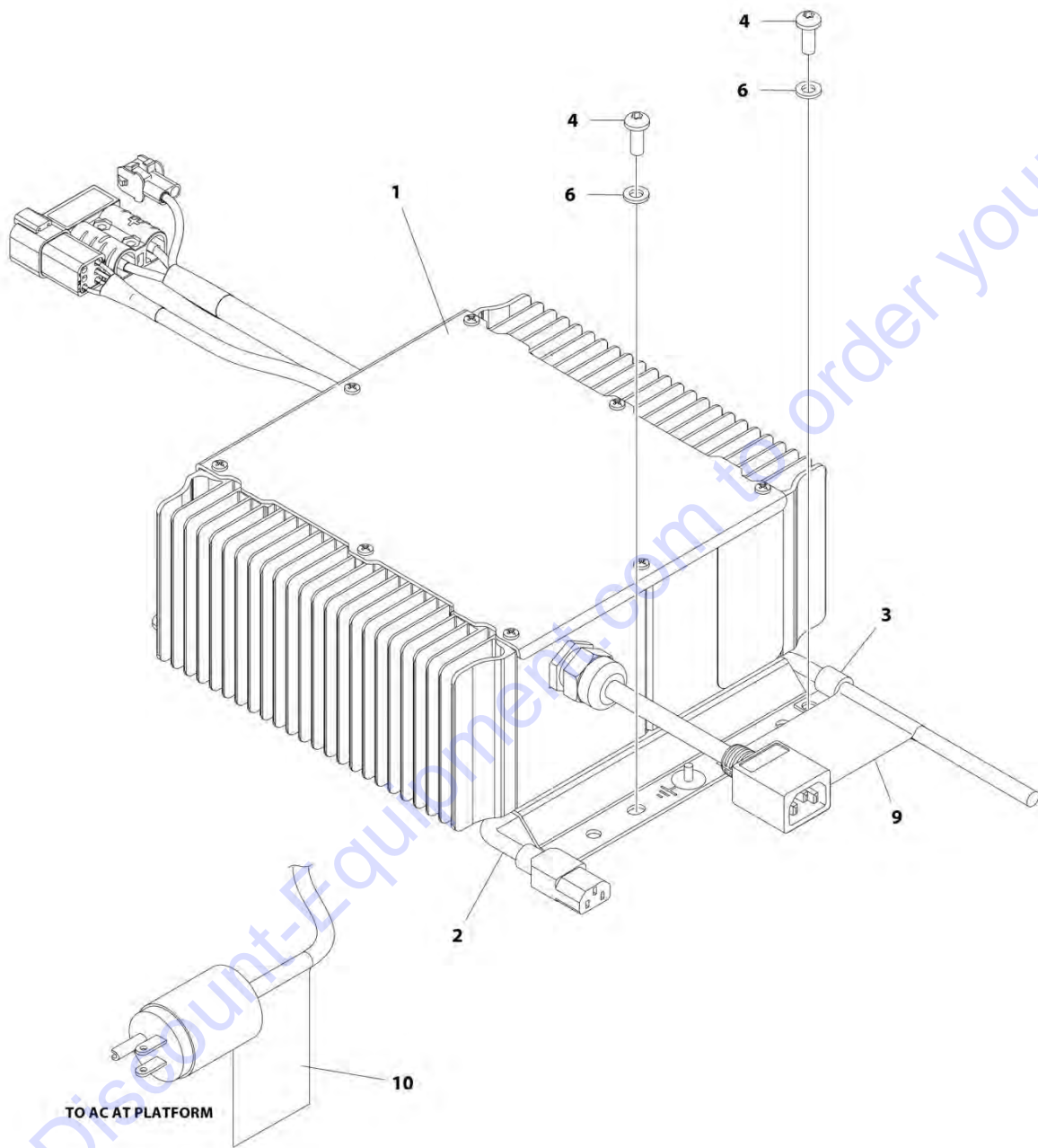
FIGURE 1-11. BATTERY CHARGER INSTALLATION WITH 110V PLUG AND EAGLE PERFORMANCE CHARGER (ANSI AND CSA SPECS)

ITEM	PART NUMBER	QTY	DESCRIPTION	REV
	1001179428	Ref	BATTERY CHARGER INSTALLATION WITH 110V PLUG AND EAGLE PERFORMANCE CHARGER	A
1	1321293	1	Clamp	
2	4191707	2	Screw M6 x 16	
3	4811700	2	Washer M6	
4	1001102258	1	Decal - AC to Platform	
5	1001102489	1	Decal - Charger Plug	
6	1001103257	1	Cable, Charger (AC Input)	
7	1001177842	1	Battery Charger Assembly (See BATTERY CHARGER ASSEMBLY - EAGLE PERFORMANCE for Breakdown)	

Go to Discount-Equipment.com to order your parts

SECTION 1 - FRAME

FIGURE 1-12. BATTERY CHARGER INSTALLATION WITH LOCALLY SUPPLIED PLUG AND DELTA-Q CHARGER (ANSI, ANSI EXPORT, CSA AND CE SPECS)



ART_0272875

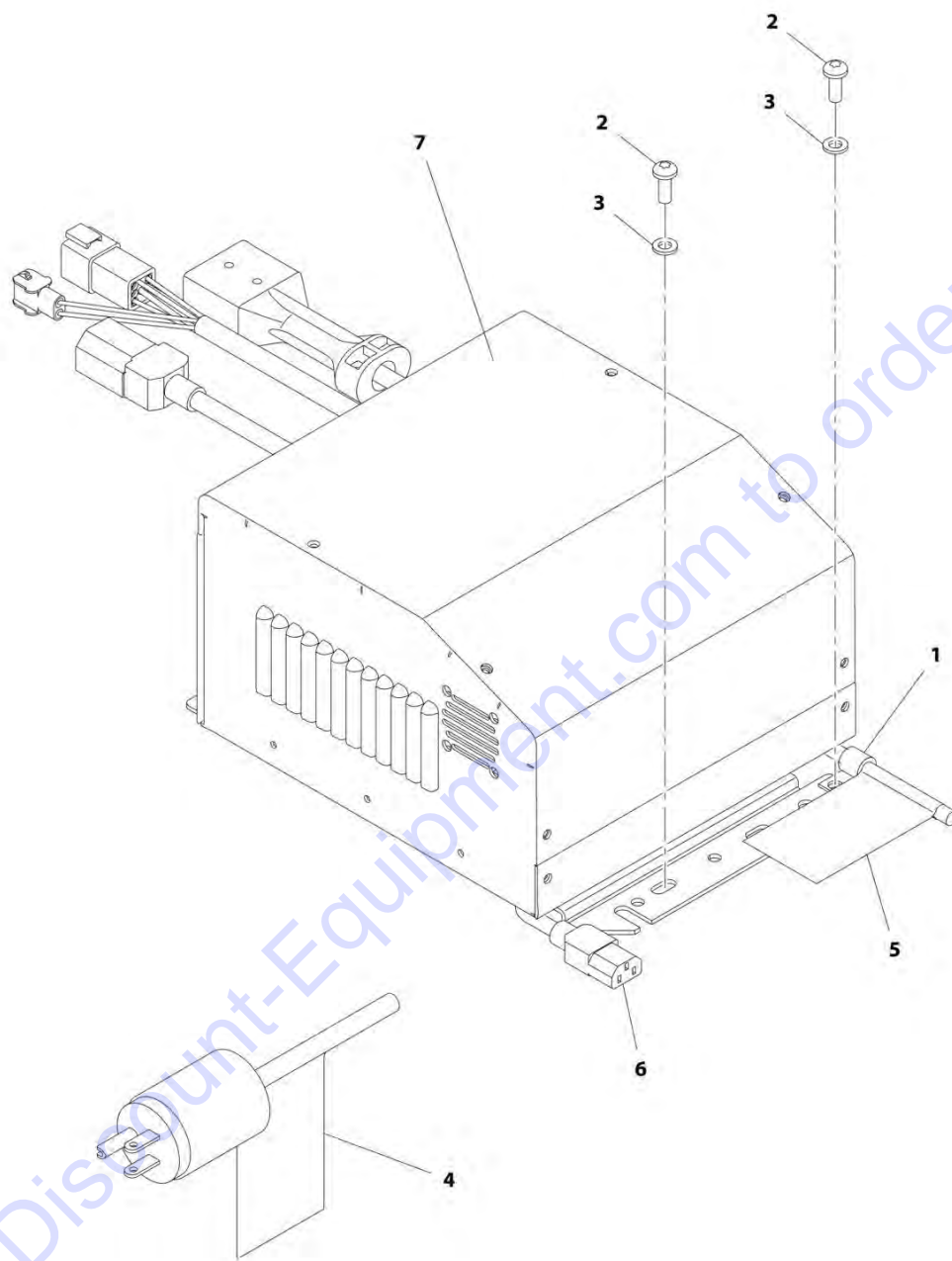
SECTION 1 - FRAME

FIGURE 1-12. BATTERY CHARGER INSTALLATION WITH LOCALLY SUPPLIED PLUG AND DELTA-Q CHARGER (ANSI, ANSI EXPORT, CSA AND CE SPECS)

ITEM	PART NUMBER	QTY	DESCRIPTION	REV
	0272875	Ref	BATTERY CHARGER INSTALLATION WITH LOCALLY SUPPLIED PLUG AND DELTA-Q CHARGER (ANSI, ANSI EXPORT, CSA AND CE SPECS)	N
1	1001112111	1	Battery Charger Assembly (See BATTERY CHARGER ASSEMBLY - DELTA-Q for Breakdown)	
2	1001103258	1	Cable, Charger (AC Input)	
3	1320136	1	Clamp (USA Built Machines)	
3	1321293	1	Clamp	
4	4191707	2	Screw M6 x 16	
6	4811700	2	Washer M6	
9	1001102489	1	Decal - Charger Plug (SN 0200239382 through 0200257822, SN B200020297 through B200037370, SN M200000100 through M200002934)	
9	1001215870	1	Decal - Charger Plug (SN 0200257823 to Present, SN B200037371 to Present, SN 1200025021 to Present, SN M200002835 to Present)	
10	1001102258	1	Decal - AC to Platform	
11	1001112113	1	Sensor, Temperature (Not Shown - Located on Negative Battery Terminal) (SN 0200266434 to Present, SN 1200026952 to Present, SN B200045240 to Present, SN M200014363 to Present)	

SECTION 1 - FRAME

FIGURE 1-13. BATTERY CHARGER INSTALLATION WITH LOCALLY SUPPLIED PLUG AND EAGLE PERFORMANCE CHARGER (ANSI AND CSA SPECS)



ART_1001180312

SECTION 1 - FRAME

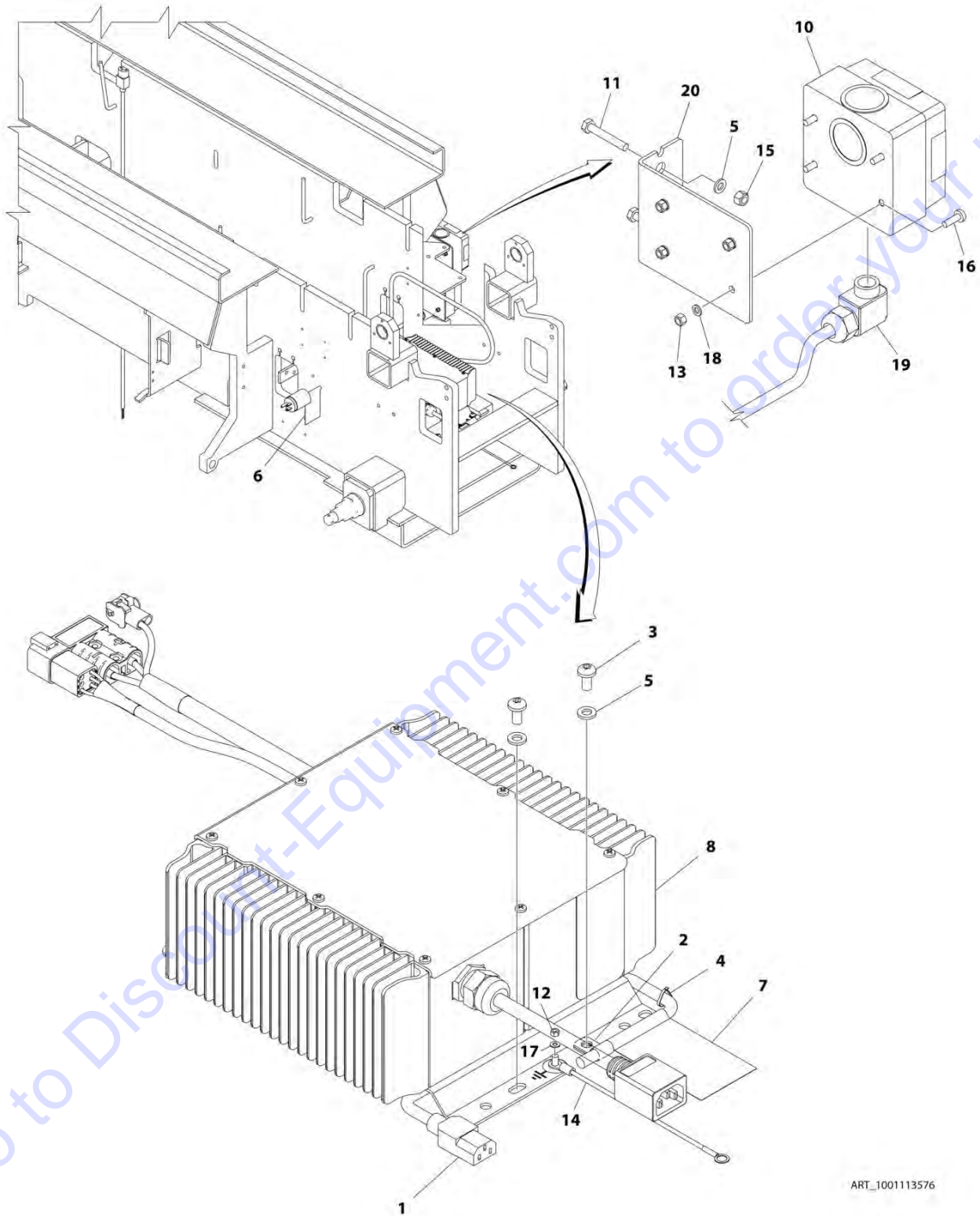
FIGURE 1-13. BATTERY CHARGER INSTALLATION WITH LOCALLY SUPPLIED PLUG AND EAGLE PERFORMANCE CHARGER (ANSI AND CSA SPECS)

ITEM	PART NUMBER	QTY	DESCRIPTION	REV
	1001180312	Ref	BATTERY CHARGER INSTALLATION WITH LOCALLY SUPPLIED PLUG AND EAGLE PERFORMANCE CHARGER	A
1	1320136	1	Clamp	
2	4191707	2	Screw M6 x 16	
3	4811700	2	Washer M6	
4	1001102258	1	Decal - AC to Platform	
5	1001102489	1	Decal - Charger Plug	
6	1001103258	1	Cable, Charger (AC Input)	
7	1001177842	1	Battery Charger Assembly (See BATTERY CHARGER ASSEMBLY - EAGLE PERFORMANCE for Breakdown)	

Go to Discount-Equipment.com to order your parts

SECTION 1 - FRAME

FIGURE 1-14. BATTERY CHARGER INSTALLATION WITH LOCALLY SUPPLIED PLUG (AUSTRALIAN SPEC)



ART_1001113576

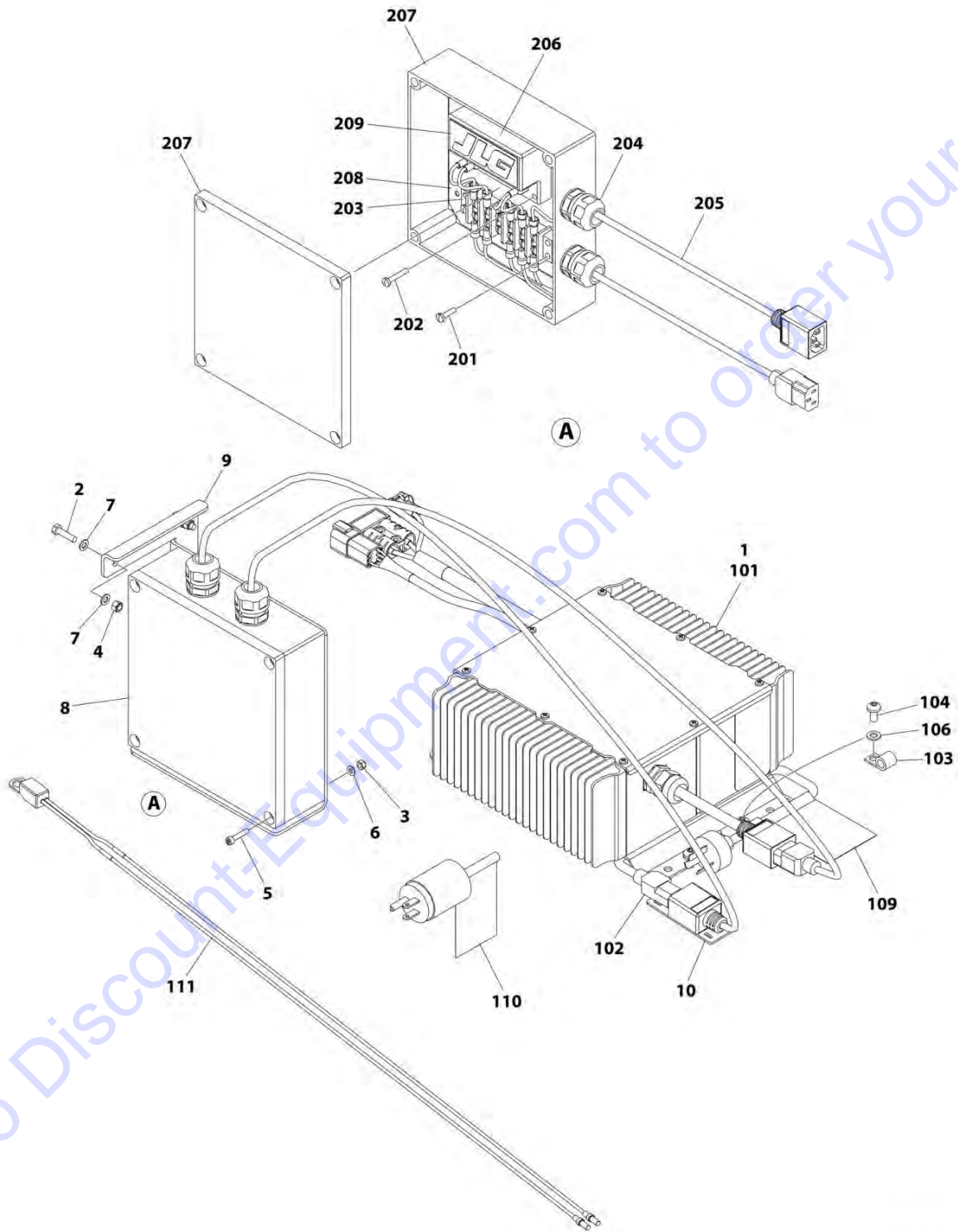
SECTION 1 - FRAME

FIGURE 1-14. BATTERY CHARGER INSTALLATION WITH LOCALLY SUPPLIED PLUG (AUSTRALIAN SPEC)

ITEM	PART NUMBER	QTY	DESCRIPTION	REV
	1001113576	Ref	BATTERY CHARGER INSTALLATION WITH LOCALLY SUPPLIED PLUG (AUSTRALIAN SPEC)	G
1	1060689	1	Cable, Charger (AC Input)	
2	1320136	1	Clamp (USA Built Machines)	
2	1321293	1	Clamp	
3	4191707	2	Screw M6 x 16	
4	4240033	2	Tie-Strap	
5	4811700	AR	Washer M6	
6	1001102258	1	Decal - AC to Platform	
7	1001102489	1	Decal - Charger Plug (SN 0200239382 through 0200257822, SN B200020297 through B200037370, SN M200000100 through M200002934)	
7	1001215870	1	Decal - Charger Plug (SN 0200257823 to Present, SN B200037371 to Present, SN M200002935 to Present)	
8	1001112111	1	Battery Charger Assembly (See BATTERY CHARGER ASSEMBLY - DELTA-Q for Breakdown)	
9	1001112113	1	Sensor, Temperature (Not Shown - Located on Negative Battery Terminal) (SN 0200266434 to Present, SN B200045240 to Present, SN M200014363 to Present)	
10	1001227267	1	Electric Assembly (SN B200053359 to Present, SN M200022372 to Present)	
11	0700616	4	Bolt M6 x 40	
12	3290405	1	Nut M4	
13	3290505	8	Nut M5	
14	1001227219	1	Earth/Ground Harness (SN B200053359 to Present, SN M200022372 to Present)	
15	3290605	4	Nut M6	
16	3900381	8	Screw M5 x 16	
17	4811400	1	Washer M4	
18	4831600	8	Washer M5	
19	1001103471	1	Connector, Strain Relief (SN B200053359 to Present, SN M200022372 to Present)	
20	1001227213	1	Bracket (SN B200053359 to Present, SN M200022372 to Present)	

SECTION 1 - FRAME

FIGURE 1-15. BATTERY CHARGER INSTALLATION – WITH VOLTAGE GUARD (LOCALLY SUPPLIED PLUG) (ANSI EXPORT AND KOREA SPECS)



ART_1001212459

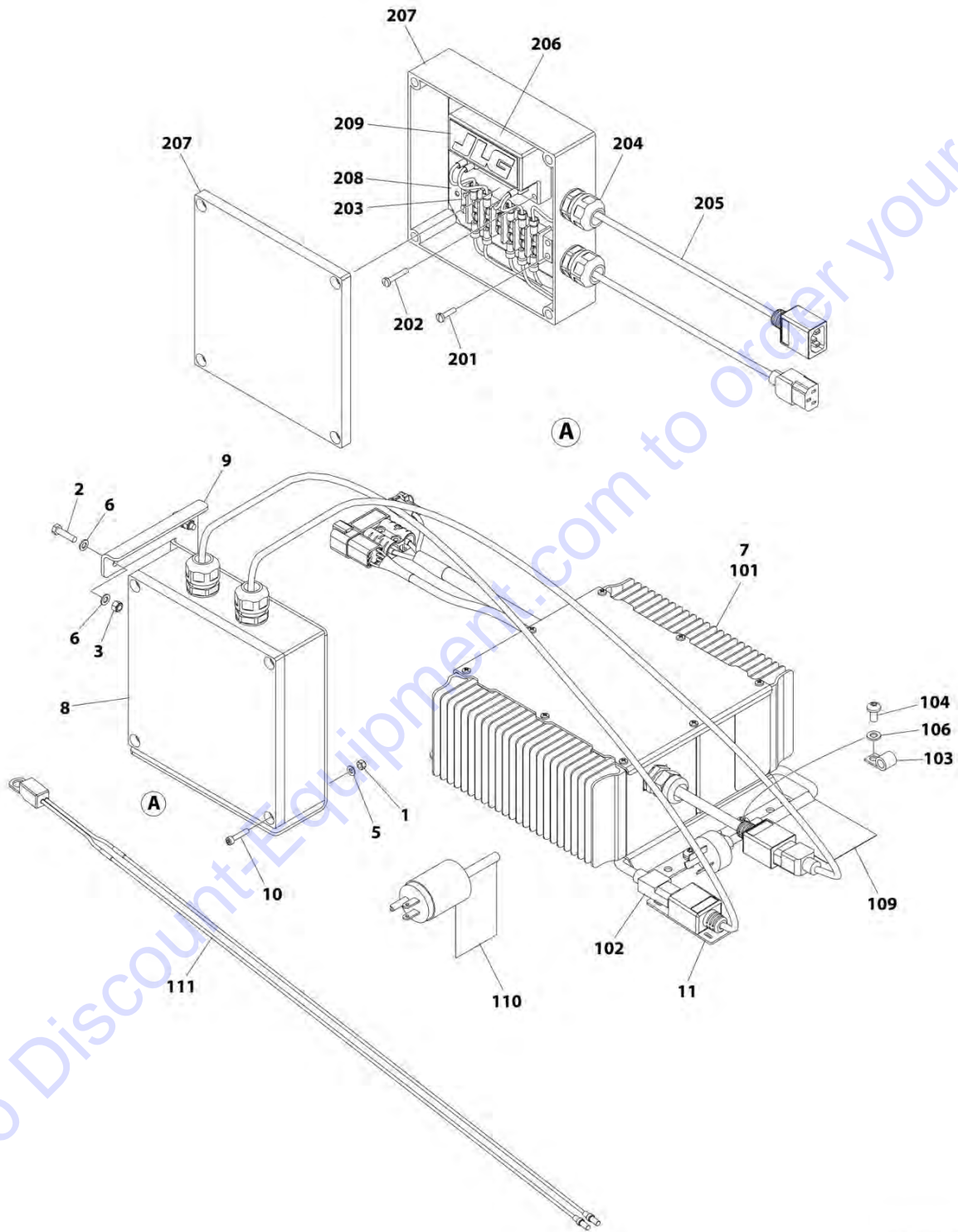
SECTION 1 - FRAME

FIGURE 1-15. BATTERY CHARGER INSTALLATION – WITH VOLTAGE GUARD (LOCALLY SUPPLIED PLUG) (ANSI EXPORT AND KOREA SPECS)

ITEM	PART NUMBER	QTY	DESCRIPTION	REV
	1001212459	Ref	BATTERY CHARGER INSTALLATION - WITH VOLTAGE GUARD (LOCALLY SUPPLIED PLUG)	B
1	0272875	1	Charger Installation (See Items 101-111)	
2	0700510	2	Bolt M5 x 20	
3	3290405	4	Nut M4	
4	3290505	2	Nut M5	
5	4031510	4	Screw M4 x 30	
6	4811400	4	Washer M4	
7	4811600	4	Washer M5	
8	1001185306	1	Voltage Guard Installation (See Items 201-209)	
9	1001185830	1	Bracket	
10	1001215326	1	Support	
11	4240017	2	Tie Strap (Not Shown)	
	0272875	Ref	CHARGER INSTALLATION	N
101	1001112111	1	Battery Charger Assembly (See BATTERY CHARGER ASSEMBLY - DELTA-Q for Breakdown)	
102	1001103258	1	Cable, Charger (AC Input)	
103	1320136	1	Clamp (USA Built Machines)	
103	1321293	1	Clamp	
104	4191707	2	Screw M6 x 16	
106	4811700	2	Washer M6	
109	1001215870	1	Decal - Charger Plug	
110	1001102258	1	Decal - AC to Platform	
111	1001112113	1	Sensor, Temperature	
	1001185306	Ref	VOLTAGE GUARD INSTALLATION	C
201	4010408	2	Screw M4 x 16	
202	4010412	2	Screw M4 x 24	
203	4460007	1	Bus Bar	
204	4460968	2	Connector Strain Relief	
205	1001184947	1	Harness	
206	1001185156	1	Voltage Guard	
207	1001186497	1	Box	
208	1001187101	1	Plate	
209	1001187530	1	Decal - JLG	

SECTION 1 - FRAME

FIGURE 1-16. BATTERY CHARGER INSTALLATION – WITH VOLTAGE GUARD AND CHINESE PLUG
(ANSI EXPORT AND KOREA SPECS)



ART_1001221857

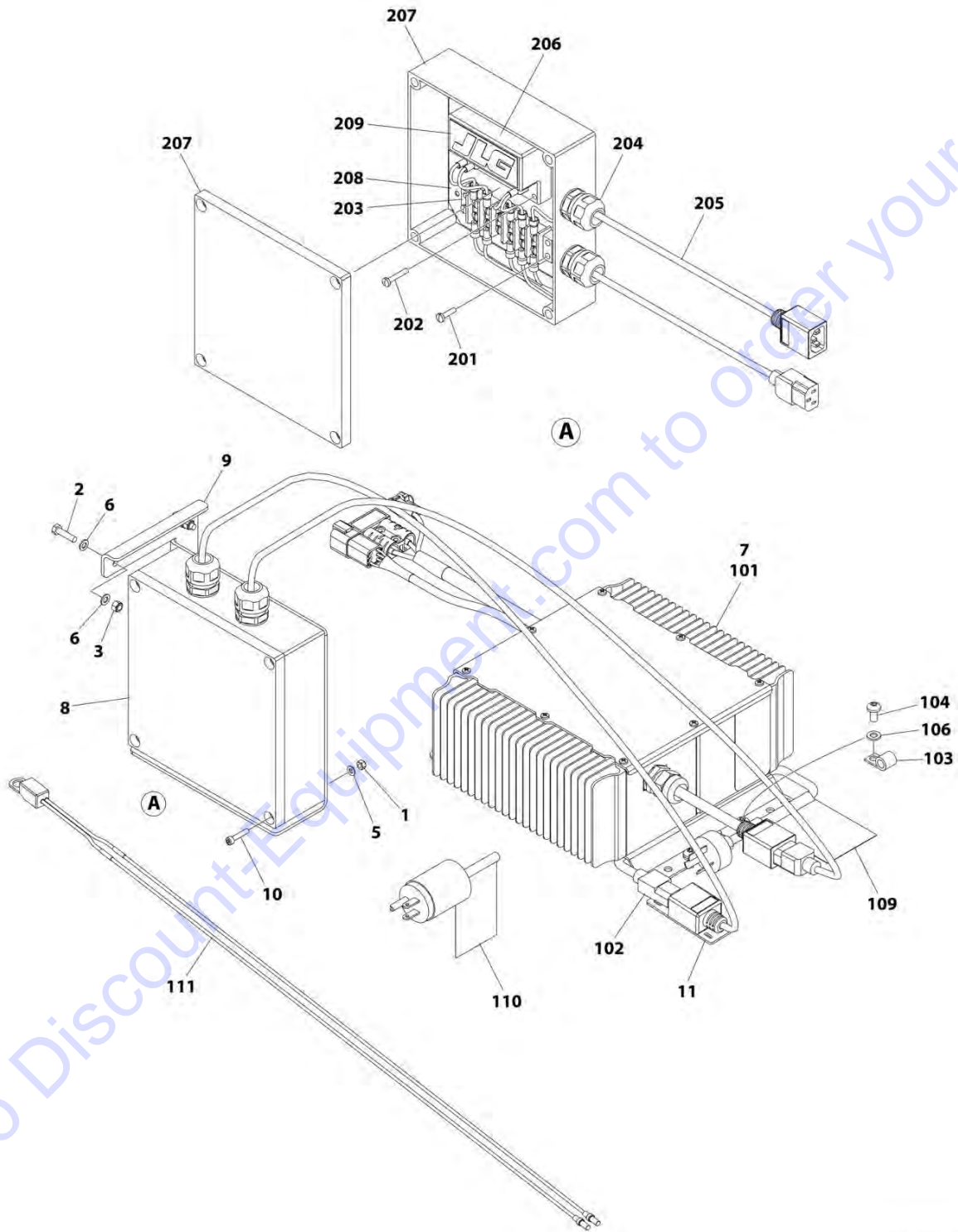
SECTION 1 - FRAME

**FIGURE 1-16. BATTERY CHARGER INSTALLATION – WITH VOLTAGE GUARD AND CHINESE PLUG
(ANSI EXPORT AND KOREA SPECS)**

ITEM	PART NUMBER	QTY	DESCRIPTION	REV
	1001221857	Ref	BATTERY CHARGER INSTALLATION - WITH VOLTAGE GUARD AND CHINESE PLUG	A
1	3290405	4	Nut M4	
2	0700510	2	Bolt M5 x 20	
3	3290505	2	Nut M5	
5	4811400	4	Washer M4	
6	4811600	4	Washer M5	
7	1001172008	1	Charger Installation (See Items 101-111)	
8	1001185306	1	Voltage Guard Installation (See Items 201-209)	
9	1001185830	1	Bracket	
10	4031510	4	Screw M4 x 30	
11	1001215326	1	Support	
12	4240017	2	Tie Strap (Not Shown)	
	1001172008	Ref	CHARGER INSTALLATION	E
101	1001112111	1	Battery Charger Assembly (See BATTERY CHARGER ASSEMBLY - DELTA-Q for Breakdown)	
102	1001172010	1	Cable, Charger (AC Input)	
103	1321293	1	Clamp	
104	4191707	2	Screw M6 x 16	
106	4811700	2	Washer M6	
109	1001215870	1	Decal - Charger Plug	
110	1001102258	1	Decal - AC to Platform	
111	1001112113	1	Sensor, Temperature	
	1001185306	Ref	VOLTAGE GUARD INSTALLATION	C
201	4010408	2	Screw M4 x 16	
202	4010412	2	Screw M4 x 24	
203	4460007	1	Bus Bar	
204	4460968	2	Connector Strain Relief	
205	1001184947	1	Harness	
206	1001185156	1	Voltage Guard	
207	1001186497	1	Box	
208	1001187101	1	Plate	
209	1001187530	1	Decal - JLG	

SECTION 1 - FRAME

FIGURE 1-17. BATTERY CHARGER INSTALLATION – WITH VOLTAGE GUARD AND CHINESE PLUG
(CHINESE SPECS) (SN M200000100 through B200046724)



ART_1001221857

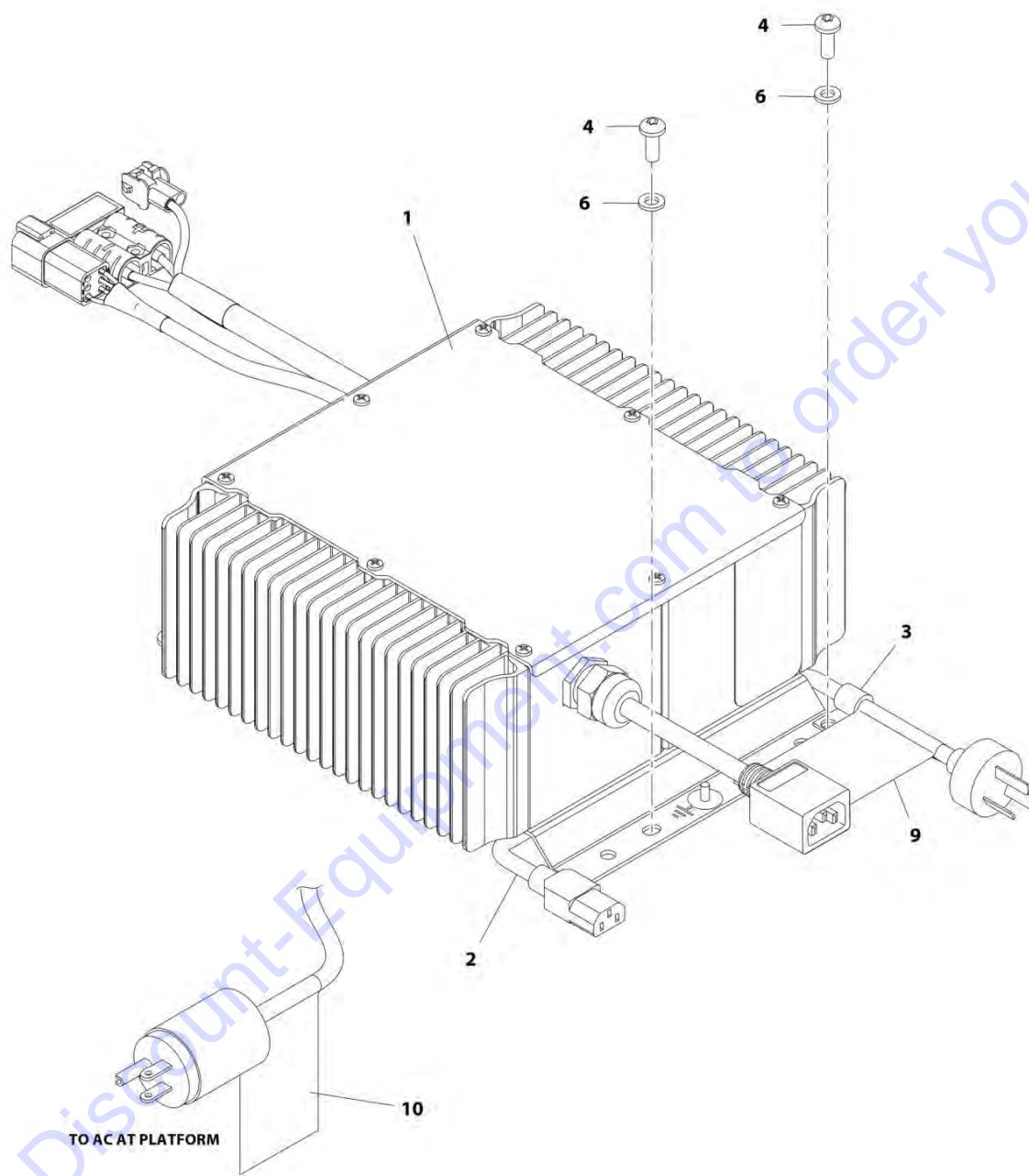
SECTION 1 - FRAME

**FIGURE 1-17. BATTERY CHARGER INSTALLATION – WITH VOLTAGE GUARD AND CHINESE PLUG
(CHINESE SPECS) (SN M200000100 through B200046724)**

ITEM	PART NUMBER	QTY	DESCRIPTION	REV
	1001221857	Ref	BATTERY CHARGER INSTALLATION - WITH VOLTAGE GUARD AND CHINESE PLUG	A
1	3290405	4	Nut M4	
2	0700510	2	Bolt M5 x 20	
3	3290505	2	Nut M5	
5	4811400	4	Washer M4	
6	4811600	4	Washer M5	
7	1001172008	1	Charger Installation (See Items 101-111)	
8	1001185306	1	Voltage Guard Installation (See Items 201-209)	
9	1001185830	1	Bracket	
10	4031510	4	Screw M4 x 30	
11	1001215326	1	Support	
12	4240017	2	Tie Strap (Not Shown)	
	1001172008	Ref	CHARGER INSTALLATION	E
101	1001112111	1	Battery Charger Assembly (See BATTERY CHARGER ASSEMBLY - DELTA-Q for Breakdown)	
102	1001172010	1	Cable, Charger (AC Input)	
103	1321293	1	Clamp	
104	4191707	2	Screw M6 x 16	
106	4811700	2	Washer M6	
109	1001215870	1	Decal - Charger Plug	
110	1001102258	1	Decal - AC to Platform	
111	1001112113	1	Sensor, Temperature	
	1001185306	Ref	VOLTAGE GUARD INSTALLATION	C
201	4010408	2	Screw M4 x 16	
202	4010412	2	Screw M4 x 24	
203	4460007	1	Bus Bar	
204	4460968	2	Connector Strain Relief	
205	1001184947	1	Harness	
206	1001185156	1	Voltage Guard	
207	1001186497	1	Box	
208	1001187101	1	Plate	
209	1001187530	1	Decal - JLG	

SECTION 1 - FRAME

FIGURE 1-18. BATTERY CHARGER INSTALLATION WITH CHINESE PLUG (CHINESE SPEC)



ART_1001172008

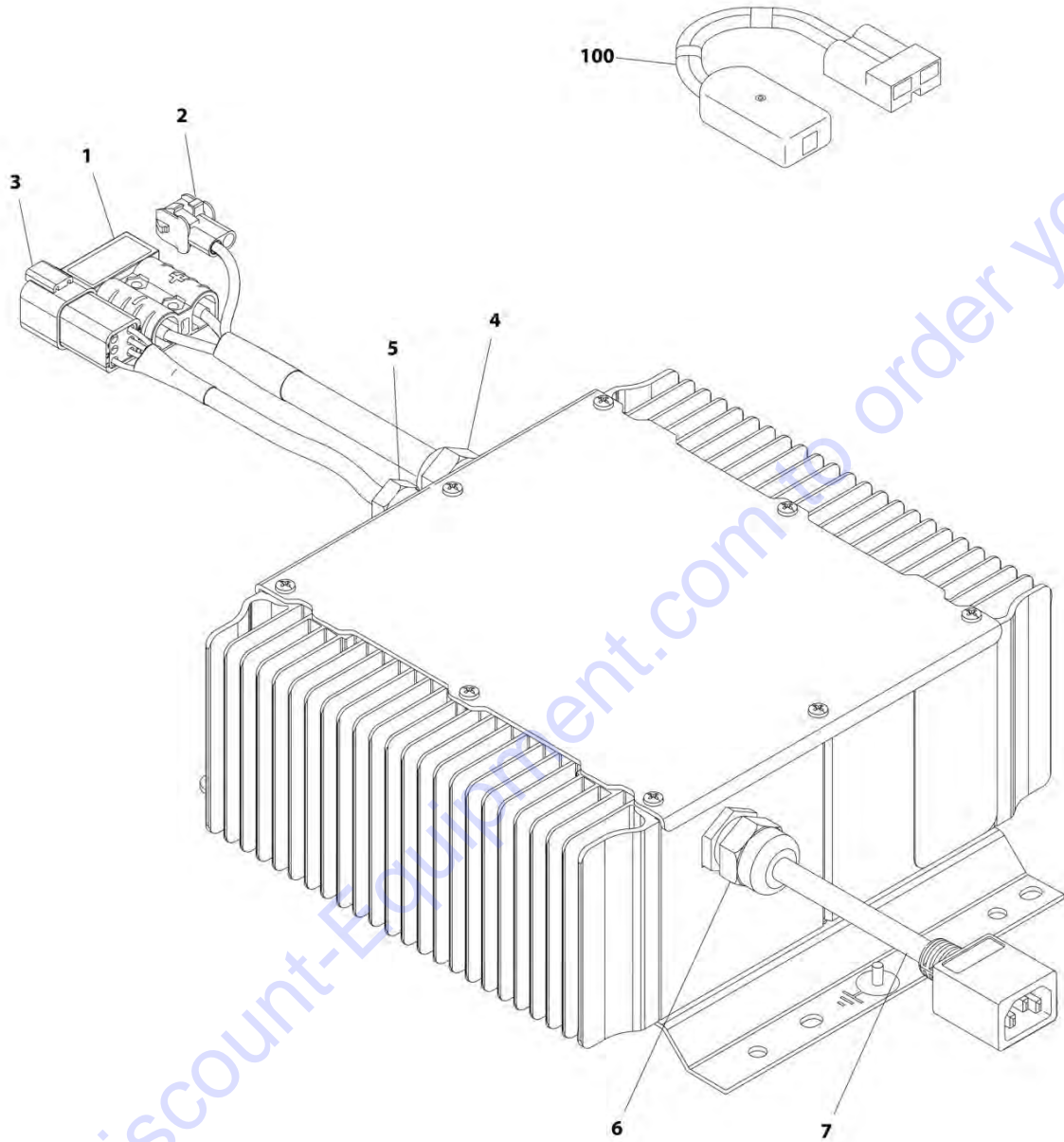
SECTION 1 - FRAME

FIGURE 1-18. BATTERY CHARGER INSTALLATION WITH CHINESE PLUG (CHINESE SPEC)

ITEM	PART NUMBER	QTY	DESCRIPTION	REV
	1001172008	Ref	BATTERY CHARGER INSTALLATION WITH CHINESE PLUG (CHINESE SPEC)	E
1	1001112111	1	Battery Charger Assembly (See BATTERY CHARGER ASSEMBLY - DELTA-Q for Breakdown)	
2	1001172010	1	Cable, Charger (AC Input)	
3	1321293	1	Clamp	
4	4191707	2	Screw M6 x 16	
6	4811700	2	Washer M6	
9	1001102489	1	Decal - Charger Plug (SN 0200239382 through 0200257822, SN B200020297 through B200037370, SN M200000100 through M200002934)	
9	1001215870	1	Decal - Charger Plug (SN 0200257823 to Present, SN M200002935 to Present)	
10	1001102258	1	Decal - AC to Platform	
11	1001112113	1	Sensor, Temperature (Not Shown - Located on Negative Battery Terminal) (SN 0200266434 to Present, SN 1200026952 to Present, SN B200045240 to Present, SN M200014363 to Present)	

SECTION 1 - FRAME

FIGURE 1-19. BATTERY CHARGER ASSEMBLY - DELTA-Q



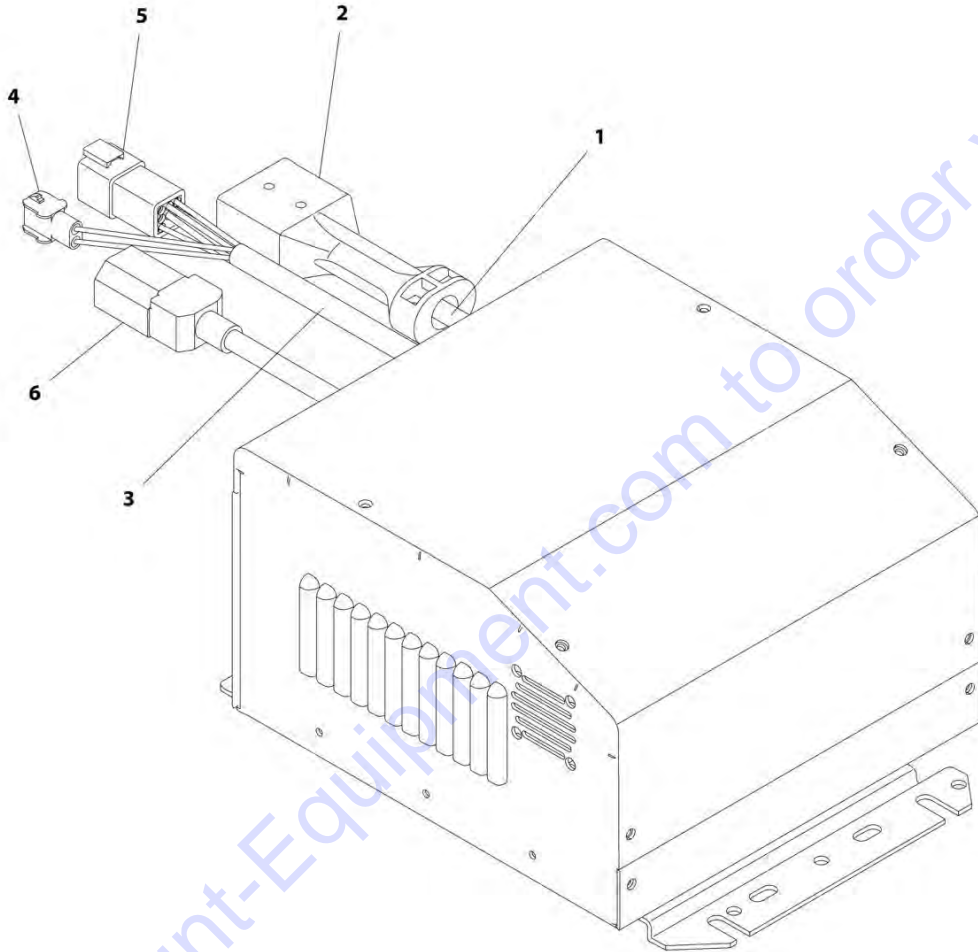
ART_1001112111

FIGURE 1-19. BATTERY CHARGER ASSEMBLY - DELTA-Q

ITEM	PART NUMBER	QTY	DESCRIPTION	REV
	1001112111	Ref	BATTERY CHARGER ASSEMBLY - DELTA-Q	K
1	Not Available	1	Harness with Plug	
1	4460648	1	Plug, Anderson Battery Cable	
2	Not Available	1	Harness with Connector	
2	4460424	1	Connector, Female - 2 Position	
2	4460227	2	Pin, Male	
3	Not Available	1	Harness with Connector	
3	4460899	1	Connector, Female - 6 Position	
3	4460464	6	Pin, Male	
4	Not Available	1	Connector, Strain Relief	
5	Not Available	1	Connector, Strain Relief	
6	Not Available	1	Connector, Strain Relief	
7	Not Available	1	Harness with Connector	
100	2915230	1	BATTERY CHARGER REPROGRAM CONTROLLER KIT (Includes Controller, Software and Instructions)	

SECTION 1 - FRAME

FIGURE 1-20. BATTERY CHARGER ASSEMBLY - EAGLE PERFORMANCE



ART_1001177842

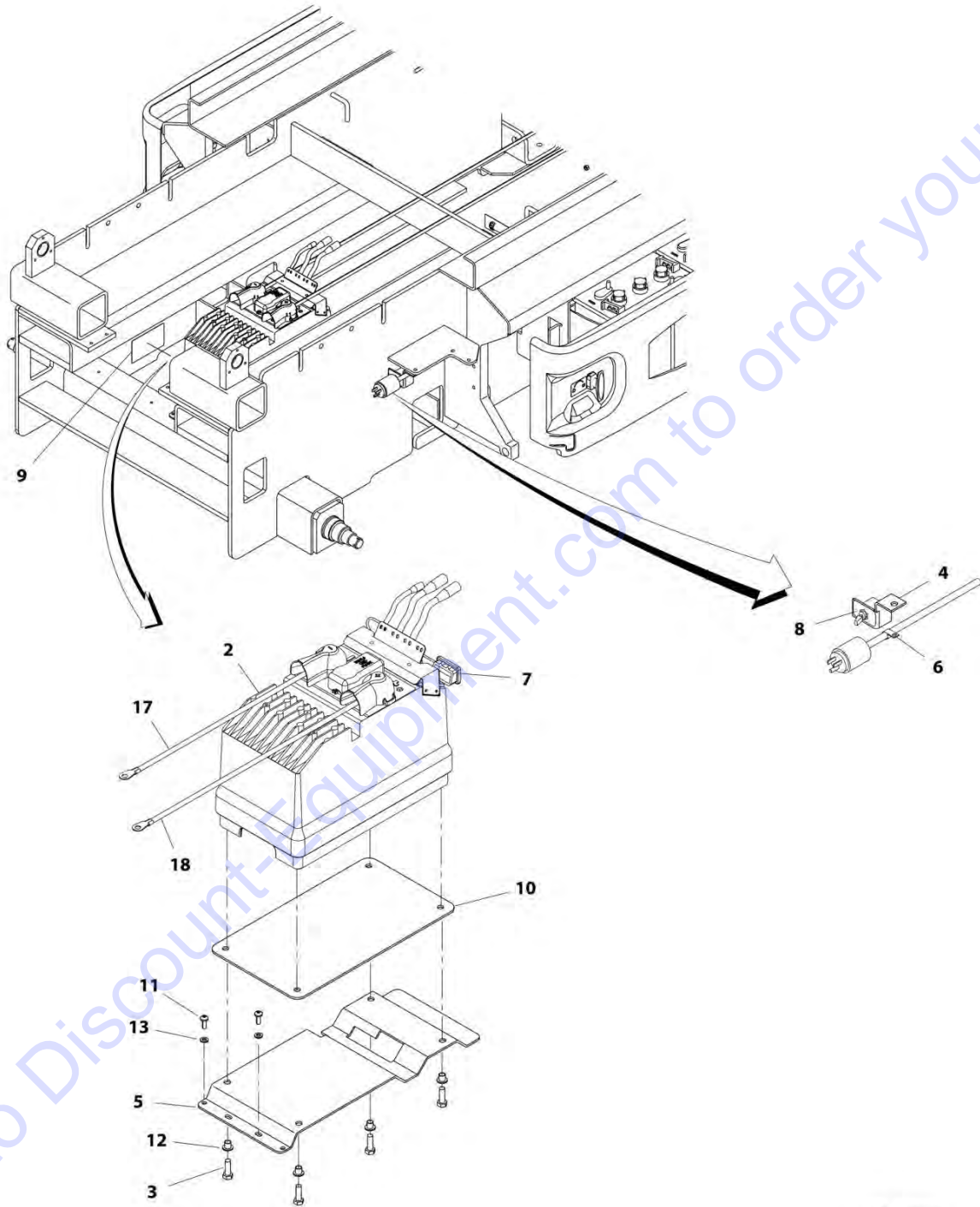
FIGURE 1-20. BATTERY CHARGER ASSEMBLY - EAGLE PERFORMANCE

ITEM	PART NUMBER	QTY	DESCRIPTION	REV
	1001177842	Ref	BATTERY CHARGER ASSEMBLY - EAGLE PERFORMANCE	A
1	Not Available	1	Harness with Plug	
2	Not Available	1	Plug, Battery Cable	
3	Not Available	1	Harness	
4	4460424	1	Connector, Female - 2 Position	
4	4460227	2	Pin, Male	
5	4460899	1	Connector, Female - 6 Position	
5	4460464	6	Pin, Male	
6	Not Available	1	Harness with Connector	

Go to Discount-Equipment.com to order your parts

SECTION 1 - FRAME

FIGURE 1-21. CHARGER (INVERTER) INSTALLATION (ANSI, ANSI EXPORT, CSA SPECS)



ART_0275105

SECTION 1 - FRAME

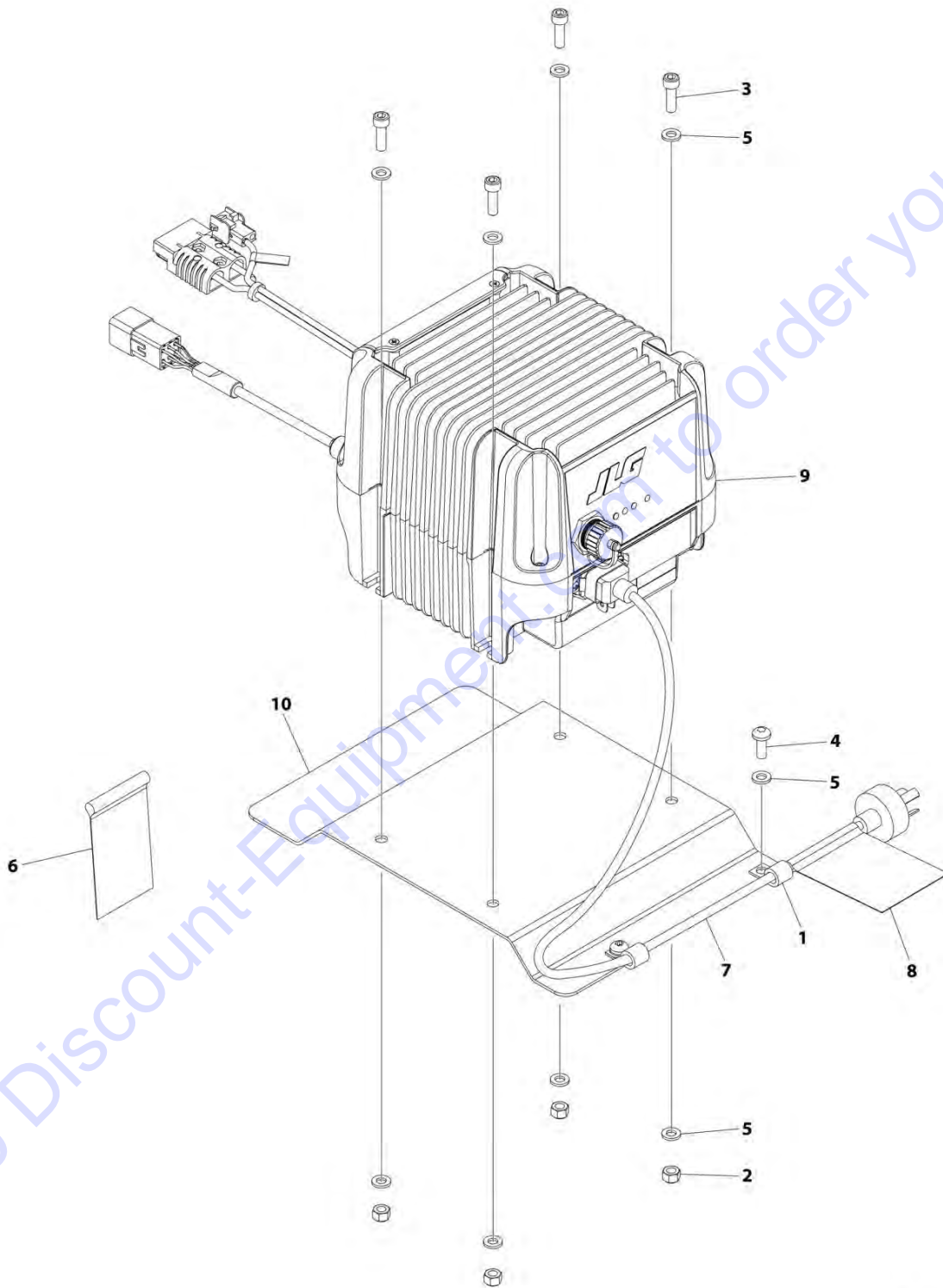
FIGURE 1-21. CHARGER (INVERTER) INSTALLATION (ANSI, ANSI EXPORT, CSA SPECS)

ITEM	PART NUMBER	QTY	DESCRIPTION	REV
	0275105	Ref	CHARGER (INVERTER) INSTALLATION	F
1	0100011	AR	Compound, Locking	
2	1001093839	1	Charger, Inverter	
3	0760812	4	Screw M8 x 25	
4	0902780	1	Bracket, Remote Switch	
5	0903319	1	Bracket, Inverter Mounting	
6	1320043	1	Clamp	
7	1671266	1	Cover	
8	1705052	1	Decal - Inverter On-Off	
9	1706749	1	Decal - Inverter	
10	2820239	1	Insulation	
11	4191707	2	Screw M6 x 16	
12	4740562	4	Washer Special	
13	4811700	2	Washer M6	
14	1001091479	1	Harness, AC Input (Not Shown)	
15	4923390	1	Harness, AC Output (Not Shown)	
16	4923391	1	Harness Data Interface (Not Shown)	
17	4923392	1	Cable, Inverter Positive	
18	4923393	1	Cable, Inverter Negative	

Go to Discount-Equipment.com to order your parts

SECTION 1 - FRAME

FIGURE 1-22. BATTERY CHARGER INSTALLATION - GREEN POWER (CHINESE PLUG) (CHINESE SPECS) (SN 0200238382 through 0200261035, SN B200020297 through B200036742, SN M200000100 through M200007339)



ART_1001186498

SECTION 1 - FRAME

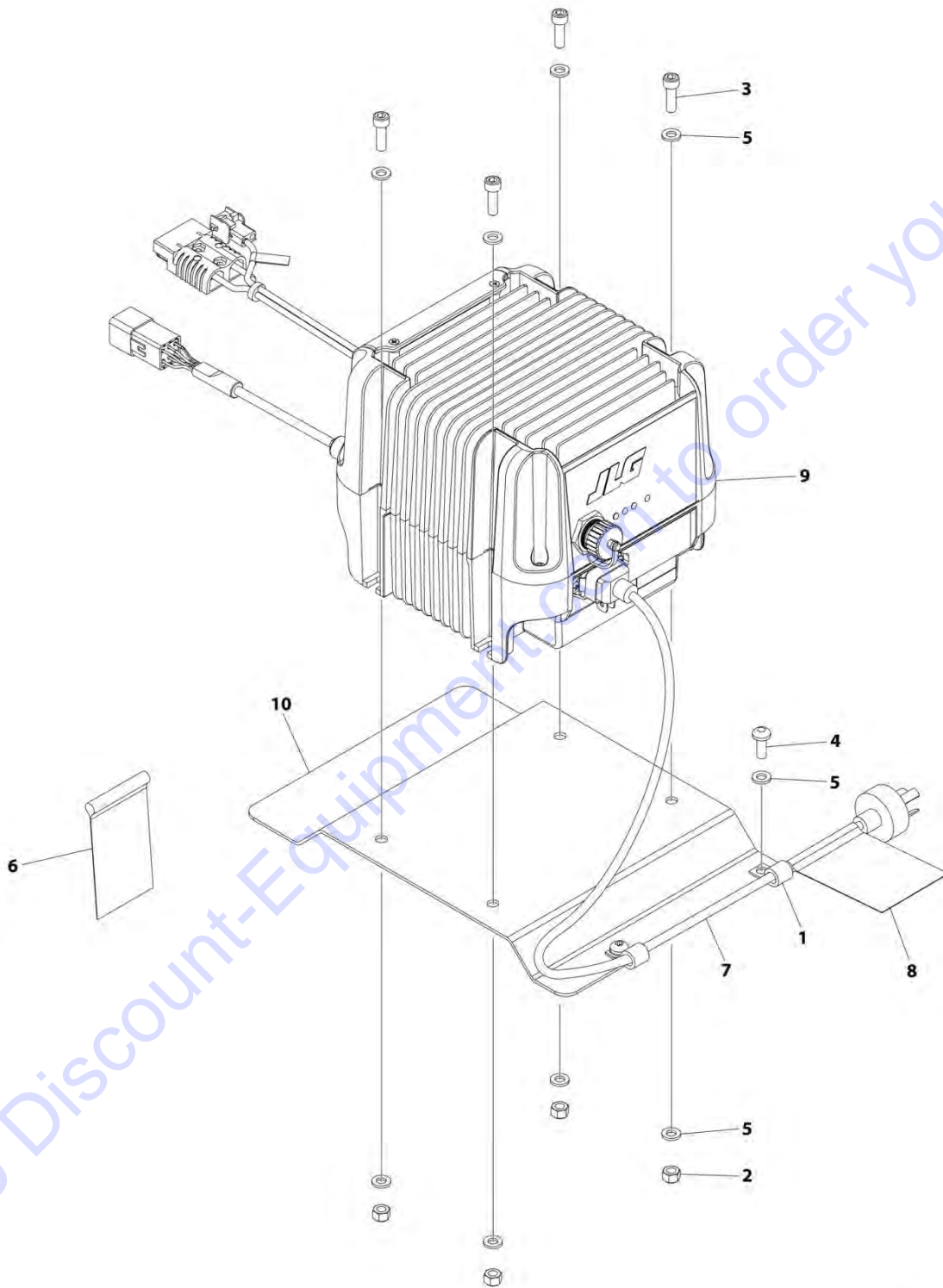
FIGURE 1-22. BATTERY CHARGER INSTALLATION - GREEN POWER (CHINESE PLUG) (CHINESE SPECS) (SN 0200238382 through 0200261035, SN B200020297 through B200036742, SN M200000100 through M200007339)

ITEM	PART NUMBER	QTY	DESCRIPTION	REV
	1001186498	Ref	BATTERY CHARGER INSTALLATION - GREEN POWER (CHINESE PLUG)	F
1	1321293	2	Clamp	
2	3290605	4	Nut M6	
3	4031708	4	Capscrew M6 x 20	
4	4191707	2	Screw M6 x 16	
5	4811700	10	Washer M6	
6	1001102258	1	Decal - AC to Platform	
7	1001172010	1	Cable, Charger (AC Input)	
8	1001215870	1	Decal - Charger Plug	
9	1001218595	1	Charger, Battery - Green Power	
10	1001218808	1	Bracket	
11	1001112113	1	Sensor, Temperature (Not Shown - Located on Negative Battery Terminal)	

Go to Discount-Equipment.com to order your parts

SECTION 1 - FRAME

FIGURE 1-23. BATTERY CHARGER INSTALLATION - GREEN POWER (CHINESE PLUG) (CHINESE SPECS)



ART_1001186498

SECTION 1 - FRAME

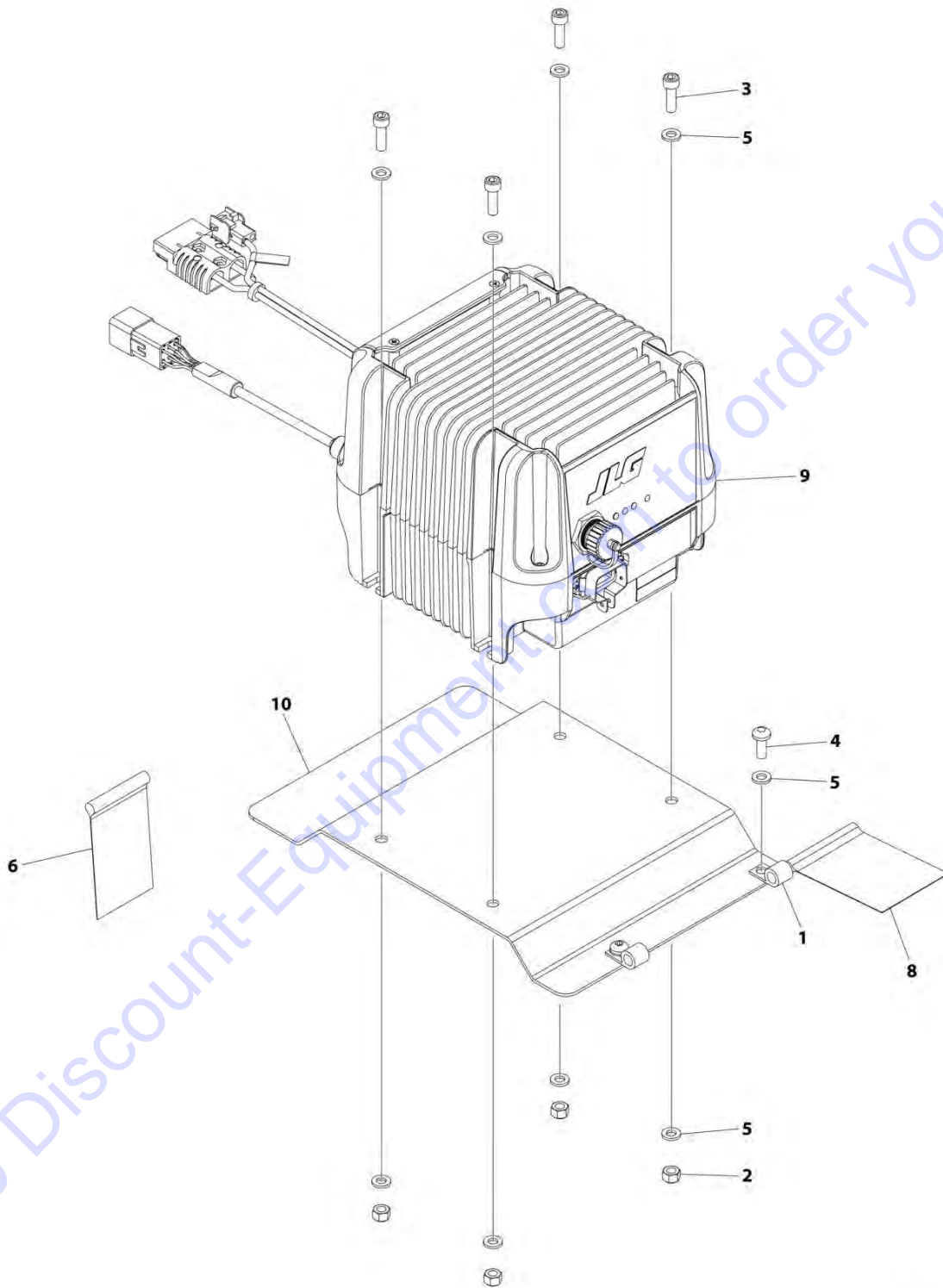
FIGURE 1-23. BATTERY CHARGER INSTALLATION - GREEN POWER (CHINESE PLUG) (CHINESE SPECS)

ITEM	PART NUMBER	QTY	DESCRIPTION	REV
	1001186498	Ref	BATTERY CHARGER INSTALLATION - GREEN POWER (CHINESE PLUG)	F
1	1321293	2	Clamp	
2	3290605	4	Nut M6	
3	4031708	4	Capscrew M6 x 20	
4	4191707	2	Screw M6 x 16	
5	4811700	10	Washer M6	
6	1001102258	1	Decal - AC to Platform	
7	1001172010	1	Cable, Charger (AC Input)	
8	1001215870	1	Decal - Charger Plug	
9	1001218595	1	Charger, Battery - Green Power	
10	1001218808	1	Bracket	
11	1001112113	1	Sensor, Temperature (Not Shown - Located on Negative Battery Terminal)	

Go to Discount-Equipment.com to order your parts

SECTION 1 - FRAME

FIGURE 1-24. BATTERY CHARGER INSTALLATION - GREEN POWER (LOCALLY SUPPLIED PLUG)
(KOREA SPECS)



ART_1001245319

SECTION 1 - FRAME

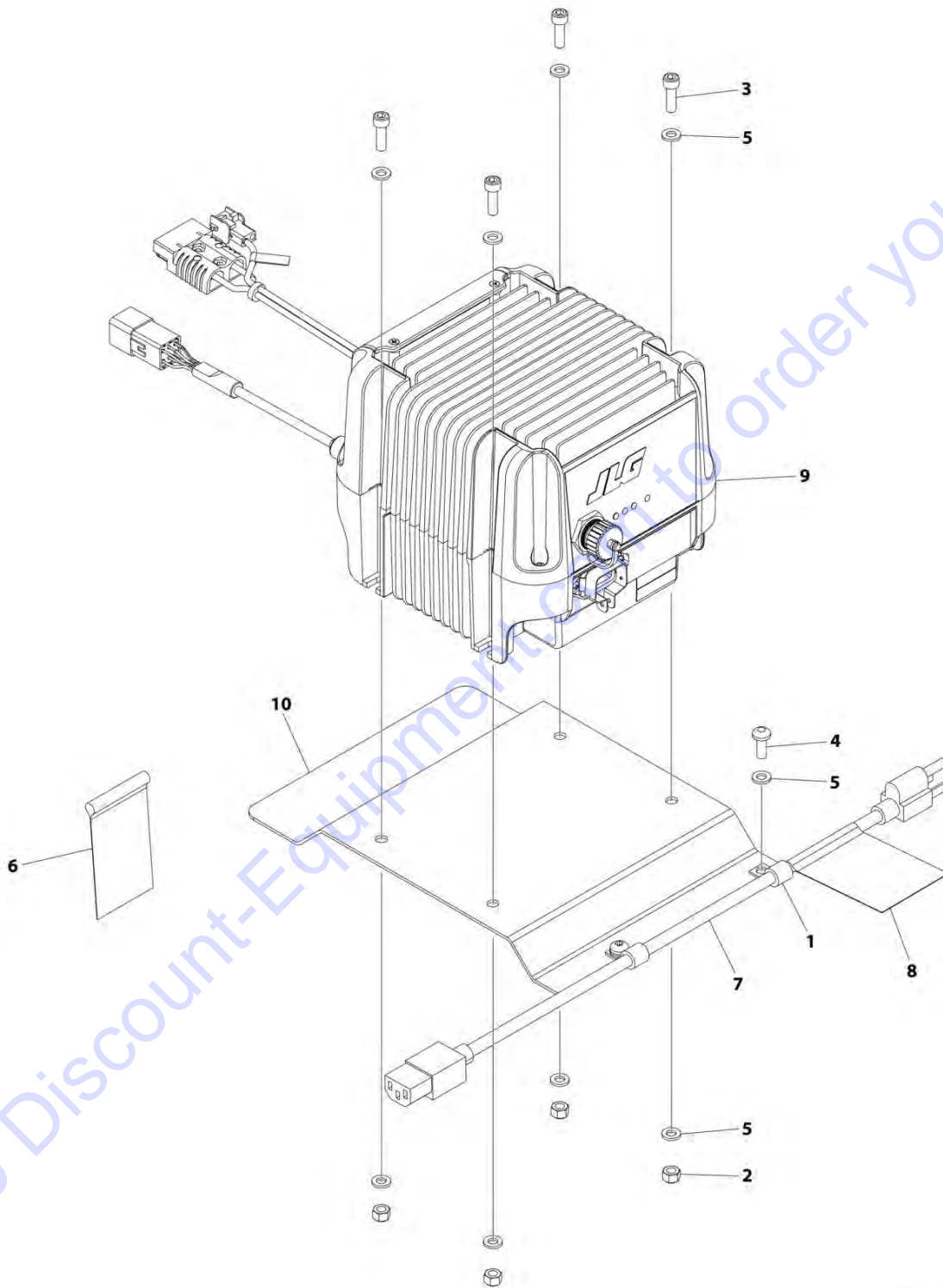
**FIGURE 1-24. BATTERY CHARGER INSTALLATION - GREEN POWER (LOCALLY SUPPLIED PLUG)
(KOREA SPECS)**

ITEM	PART NUMBER	QTY	DESCRIPTION	REV
	1001245319	Ref	BATTERY CHARGER INSTALLATION - GREEN POWER (LOCALLY SUPPLIED PLUG)	A
1	1321293	2	Clamp	
2	3290605	4	Nut M6	
3	4031708	4	Capscrew M6 x 20	
4	4191707	2	Screw M6 x 16	
5	4811700	10	Washer M6	
6	1001102258	1	Decal - AC to Platform	
7	1001112113	1	Sensor, Temperature (Not Shown - Located on Negative Battery Terminal)	
8	1001215870	1	Decal - Charger Plug	
9	1001218595	1	Charger, Battery - Green Power	
10	1001218808	1	Bracket	

Go to Discount-Equipment.com to order your parts

SECTION 1 - FRAME

FIGURE 1-25. BATTERY CHARGER INSTALLATION - GREEN POWER (110V PLUG) (JAPANESE SPECS)



ART_1001244948

SECTION 1 - FRAME

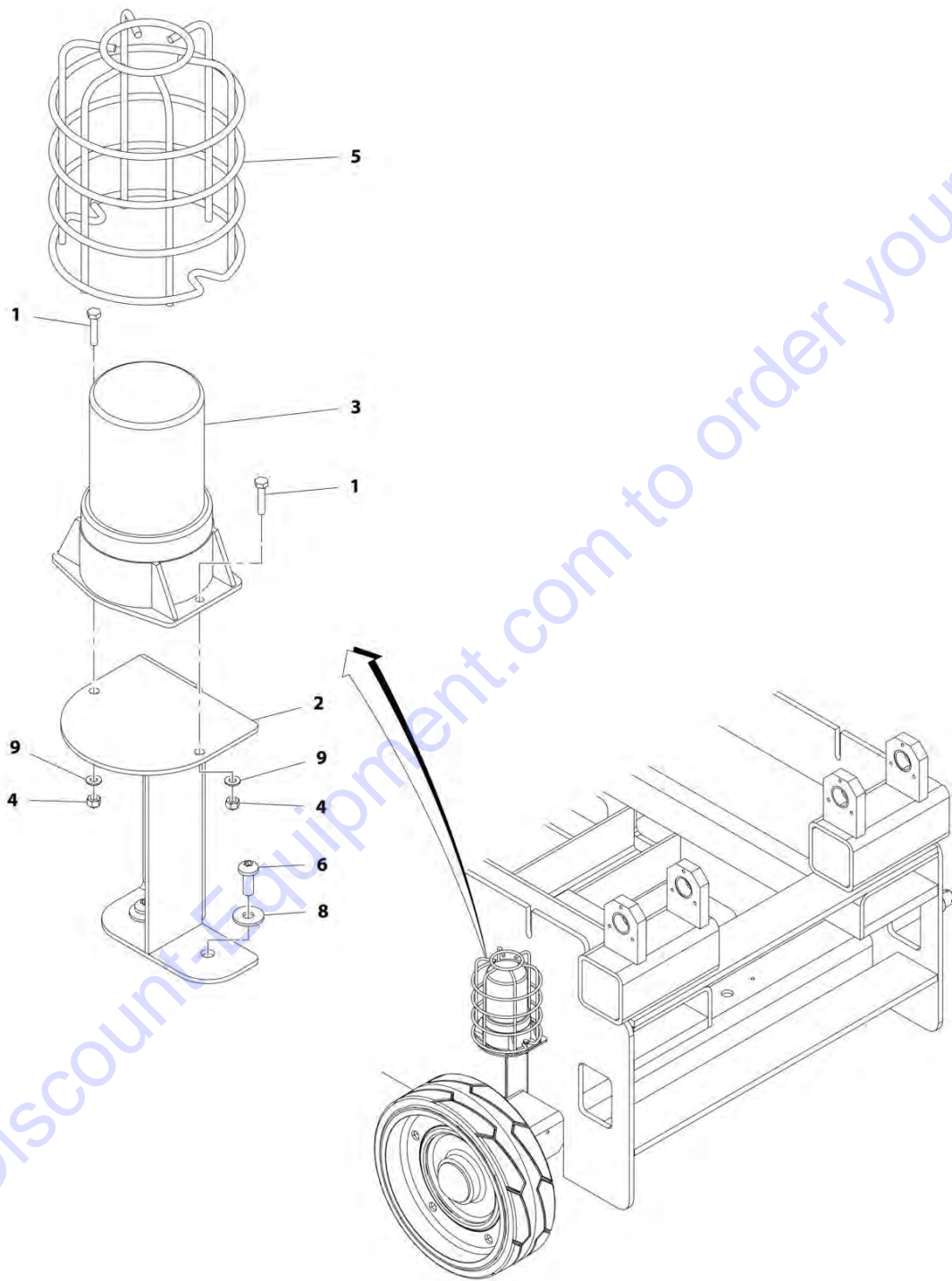
FIGURE 1-25. BATTERY CHARGER INSTALLATION - GREEN POWER (110V PLUG) (JAPANESE SPECS)

ITEM	PART NUMBER	QTY	DESCRIPTION	REV
	1001244948	Ref	BATTERY CHARGER INSTALLATION - GREEN POWER (110V PLUG)	A
1	1321293	2	Clamp	
2	3290605	4	Nut M6	
3	4031708	4	Capscrew M6 x 20	
4	4031707	2	Capscrew M6 x 16	
5	4811700	10	Washer M6	
6	1001102258	1	Decal - AC to Platform	
7	1001103257	1	Cable, Charger (AC Input)	
8	1001215870	1	Decal - Charger Plug	
9	1001218595	1	Charger, Battery - Green Power	
10	1001218808	1	Bracket	
11	1001112113	1	Sensor, Temperature (Not Shown - Located on Negative Battery Terminal)	

Go to Discount-Equipment.com to order your parts

SECTION 1 - FRAME

FIGURE 1-26. BEACON (AMBER) LIGHT INSTALLATION (OPTIONAL)



ART_0272980

SECTION 1 - FRAME

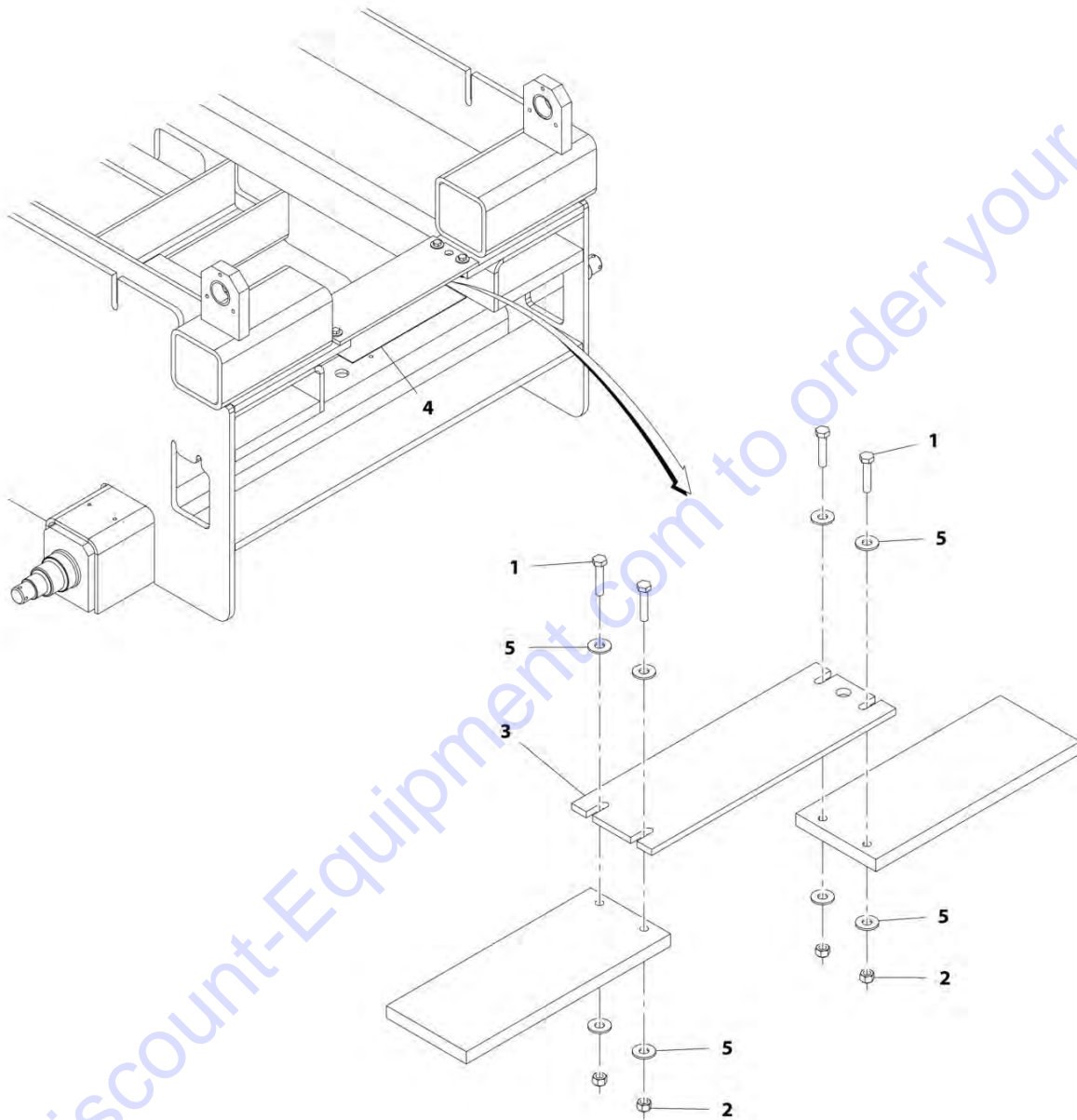
FIGURE 1-26. BEACON (AMBER) LIGHT INSTALLATION (OPTIONAL)

ITEM	PART NUMBER	QTY	DESCRIPTION	REV
	0272980	Ref	BEACON (AMBER) LIGHT INSTALLATION (OPTIONAL)	E
		Ref	Note: See SPECIAL OPTIONS SECTION for Machines with 2 Beacon Lights.	
1	0760410	2	Bolt M4 x 20	
2	0902906	1	Bracket, Beacon Mount	
3	2920161	1	Light, Beacon	
3	7016319	1	Bulb	
3	7016372	1	Lens	
4	3290405	2	Nut M4	
5	4060865	1	Guard	
6	4191707	2	Screw M6 x 16	
8	4811702	2	Washer M6	
9	4750800	2	Washer M8	

Go to Discount-Equipment.com to order your parts

SECTION 1 - FRAME

FIGURE 1-27. LADDER INSTALLATION



ART_1001177412

FIGURE 1-27. LADDER INSTALLATION

ITEM	PART NUMBER	QTY	DESCRIPTION	REV
	1001177412	Ref	LADDER INSTALLATION	B
1	0700614	4	Bolt M6 x 30	
2	3290605	4	Nut M6	
3	3576349	1	Bar, Step	
4	4420080	1	Tape, Anti-Skid	
5	4751400	8	Washer 1/4	

Go to Discount-Equipment.com to order your parts

PARTS FINDER

**Search Website
by Part Number**



**Search Manual
Library For Parts
Manual & Lookup Part
Numbers – Purchase
or Request Quote**

**Can't Find Part or
Manual? Request Help
by Manufacturer,
Model & Description**

Discount-Equipment.com is your online resource for quality parts & equipment.

Florida: **561-964-4949** Outside Florida TOLL FREE: **877-690-3101**

Need parts?

Click on this link: <http://www.discount-equipment.com/category/5443-parts/> and choose one of the options to help get the right parts and equipment you are looking for. Please have the machine model and serial number available in order to help us get you the correct parts. If you don't find the part on the website or on one of the online manuals, please fill out the request form and one of our experienced staff members will get back to you with a quote for the right part that your machine needs.

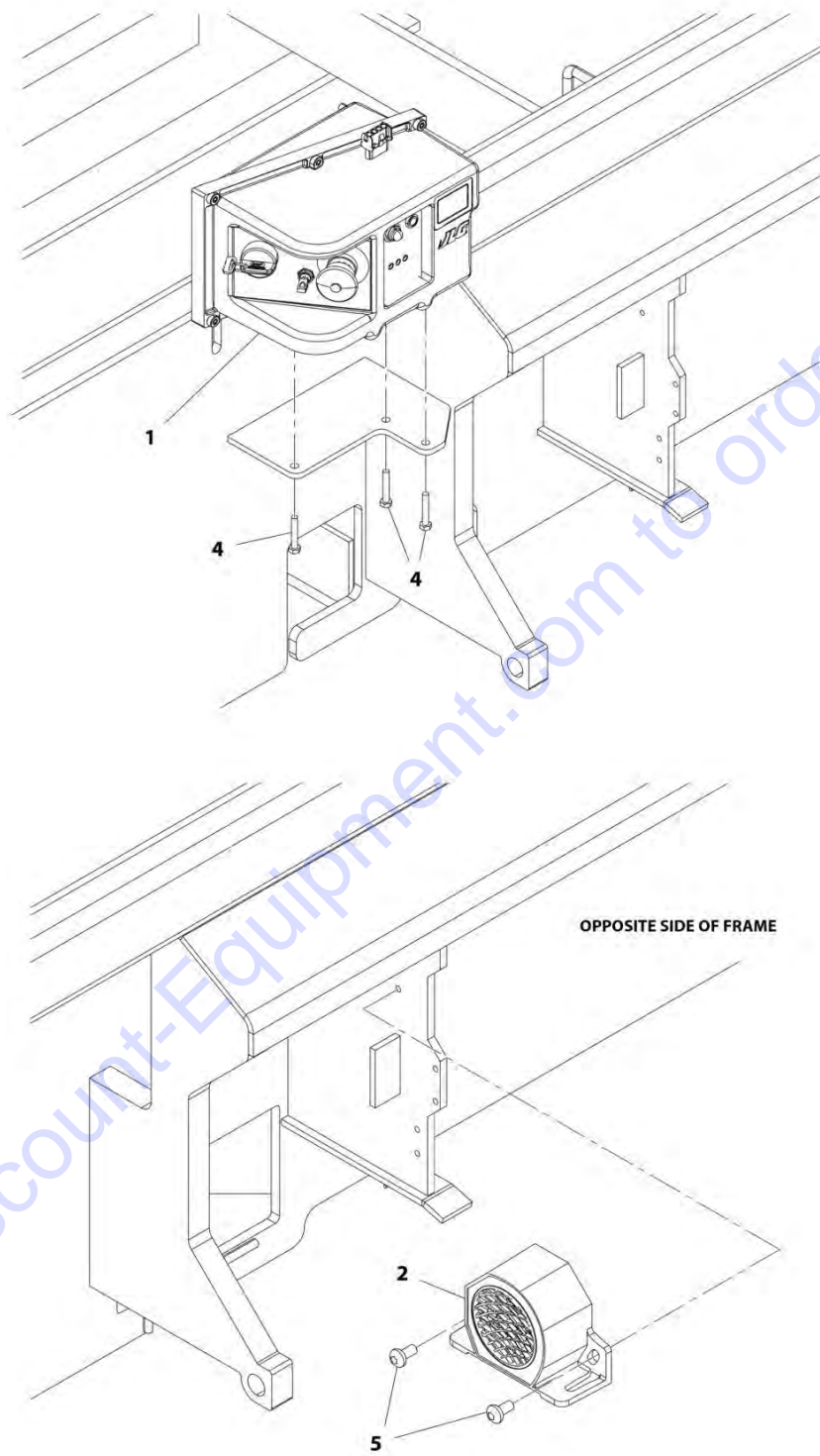
We sell worldwide for the brands: Genie, Terex, JLG, MultiQuip, Mikasa, Essick, Whiteman, Mayco, Toro Stone, Diamond Products, Generac Magnum, Airman, Haulotte, Barreto, Power Blanket, Nifty Lift, Atlas Copco, Chicago Pneumatic, Allmand, Miller Curber, Skyjack, Lull, Skytrak, Tsurumi, Husquvarna Target, Stow, Wacker, Sakai, Mi-T-M, Sullair, Basic, Dynapac, MBW, Weber, Bartell, Bennar Newman, Haulotte, Ditch Runner, Menegotti, Morrison, Contec, Buddy, Crown, Edco, Wyco, Bomag, Laymor, EZ Trench, Bil-Jax, F.S. Curtis, Gehl Pavers, Heli, Honda, ICS/PowerGrit, IHI, Partner, Imer, Clipper, MMD, Koshin, Rice, CH&E, General Equipment, Amida, Coleman, NAC, Gradall, Square Shooter, Kent, Stanley, Tamco, Toku, Hatz, Kohler, Robin, Wisconsin, Northrock, Oztec, Toker TK, Rol-Air, APT, Wylie, Ingersoll Rand / Doosan, Innovatech, Con X, Ammann, Mecalac, Makinex, Smith Surface Prep, Small Line, Wanco, Yanmar

SECTION 2 - GROUND COMPONENTS

Go to Discount-Equipment.com to order your parts

SECTION 2 - GROUND COMPONENTS

FIGURE 2-1. GROUND CONTROL BOX/ALARM INSTALLATION - NO LSS (SN 0200239382 to Present, SN B200023346 to Present, SN M200000100 to Present)



ART_1001166823

SECTION 2 - GROUND COMPONENTS

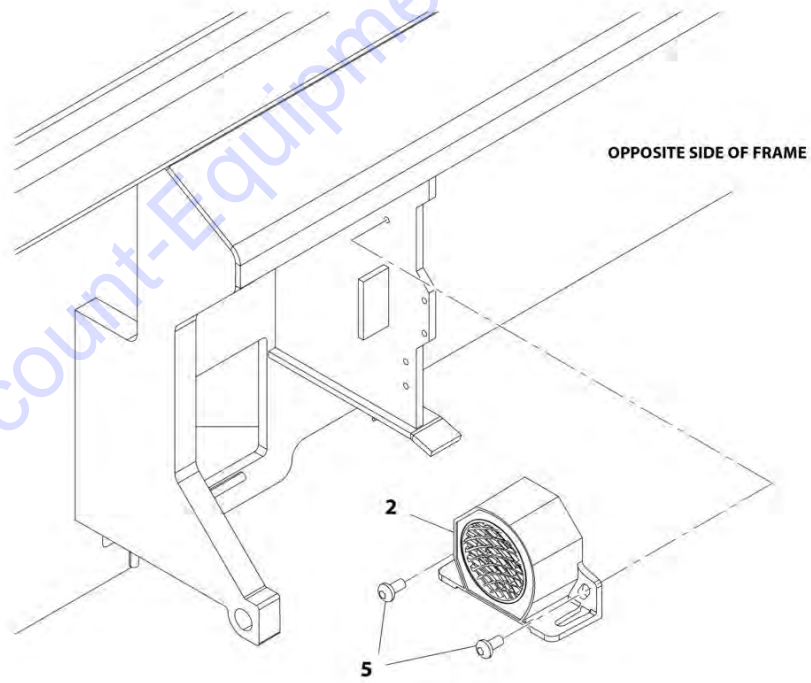
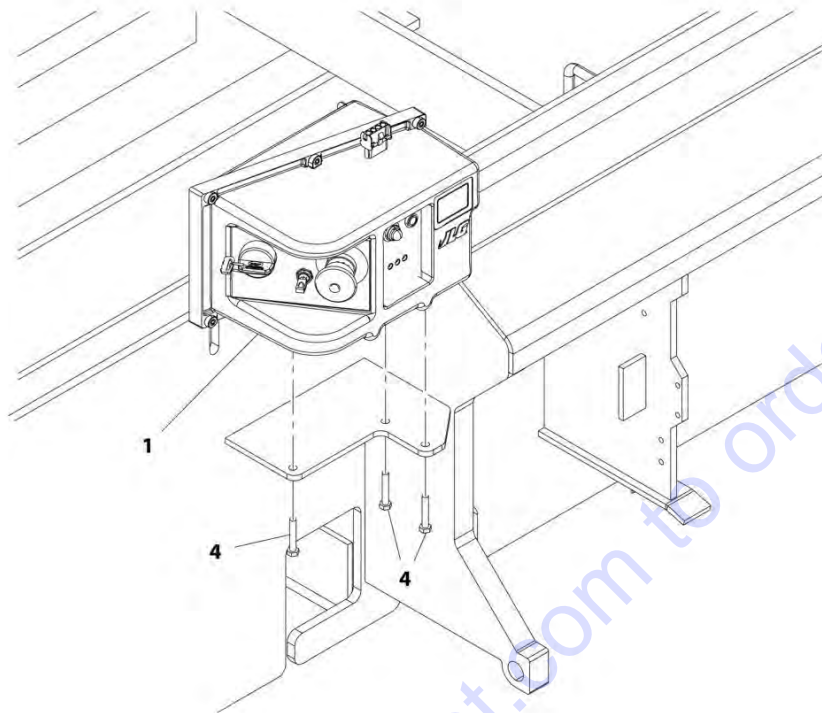
FIGURE 2-1. GROUND CONTROL BOX/ALARM INSTALLATION - NO LSS (SN 0200239382 to Present, SN B200023346 to Present, SN M200000100 to Present)

ITEM	PART NUMBER	QTY	DESCRIPTION	REV
	1001166823	Ref	GROUND CONTROL BOX/ALARM INSTALLATION - NO LSS Note: Standard Alarm located on LH side of operators position on machine. Optional Alarms are located on the RH Side of operators position on machines. For optional alarm components, See SPECIAL OPTIONS Section.	B
		Ref		
1	1001166194	1	Ground Control Box Assembly (See GROUND CONTROL BOX ASSEMBLY - NO LSS for Breakdown)	
2	0140043	1	Alarm	
2	4460536	1	Receptacle, Female - 3 Position	
2	4460464	3	Pin, Male	
4	0700615	3	Bolt M6 x 35	
5	4191706	2	Screw M6 x 12	

Go to Discount-Equipment.com to order your parts

SECTION 2 - GROUND COMPONENTS

FIGURE 2-2. GROUND CONTROL BOX/ALARM INSTALLATION - NO LSS (SN B200020297 through B200023345)



ART_1001114885

SECTION 2 - GROUND COMPONENTS

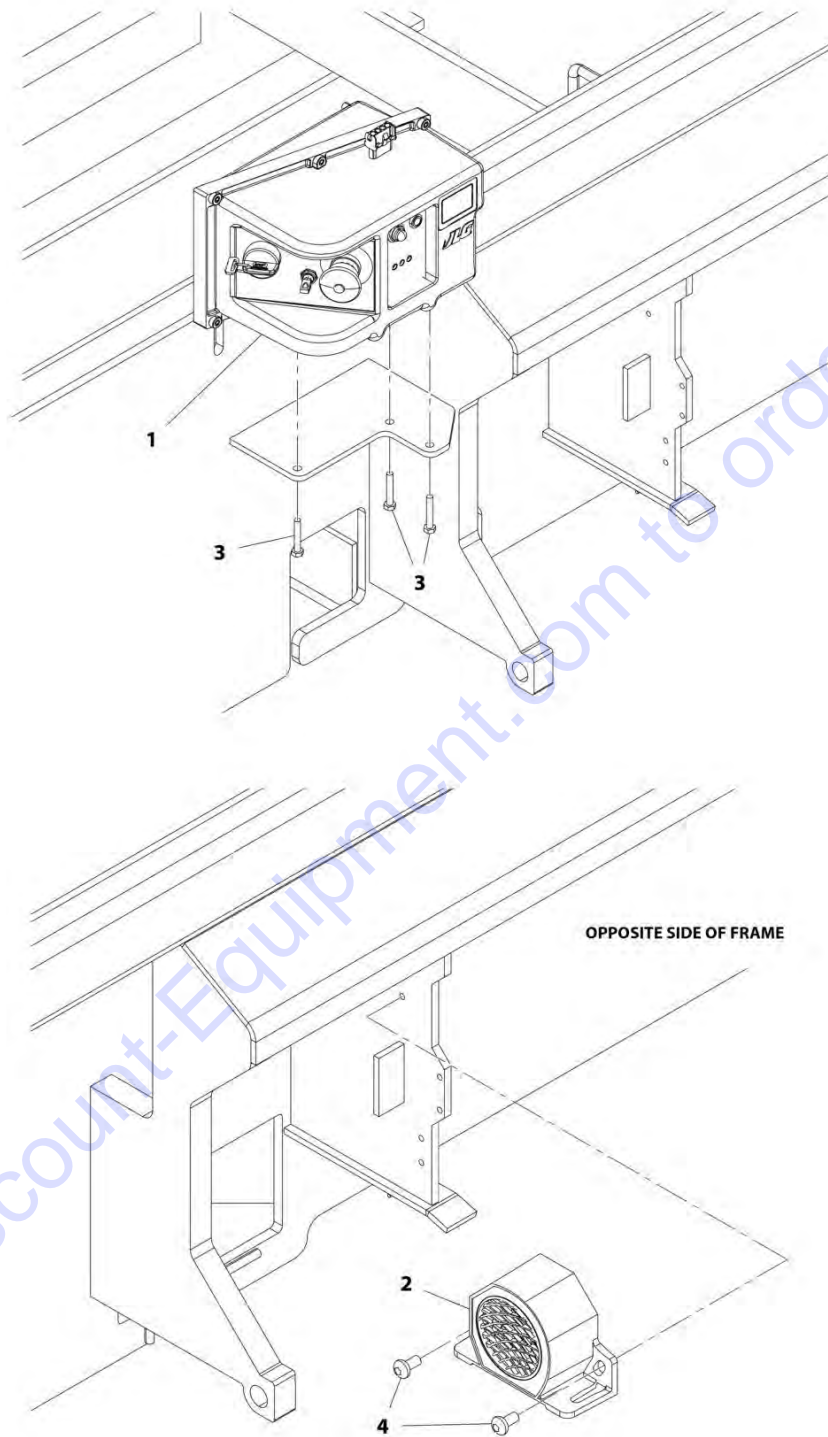
FIGURE 2-2. GROUND CONTROL BOX/ALARM INSTALLATION - NO LSS (SN B200020297 through B200023345)

ITEM	PART NUMBER	QTY	DESCRIPTION	REV
	1001114885	Ref	GROUND CONTROL BOX/ALARM INSTALLATION - NO LSS Note: Standard Alarm located on LH side of operators position on machine. Optional Alarms are located on the RH Side of operators position on machines. For optional alarm components, See SPECIAL OPTIONS Section.	A
		Ref		
1	1001114929	1	Ground Control Box Assembly (See GROUND CONTROL BOX ASSEMBLY - NO LSS for Breakdown)	
2	0140043	1	Alarm	
2	4460536	1	Receptacle, Female - 3 Position	
2	4460464	3	Pin, Male	
4	0700615	3	Bolt M6 x 35	
5	4191706	2	Screw M6 x 12	

Go to Discount-Equipment.com to order your parts

SECTION 2 - GROUND COMPONENTS

FIGURE 2-3. GROUND CONTROL BOX/ALARM INSTALLATION - LSS (ALL SPECS EXCEPT CE SPECS) (SN 0200239382 to Present, SN B200023346 to Present, SN M200000100 to Present)



ART_1001166828

SECTION 2 - GROUND COMPONENTS

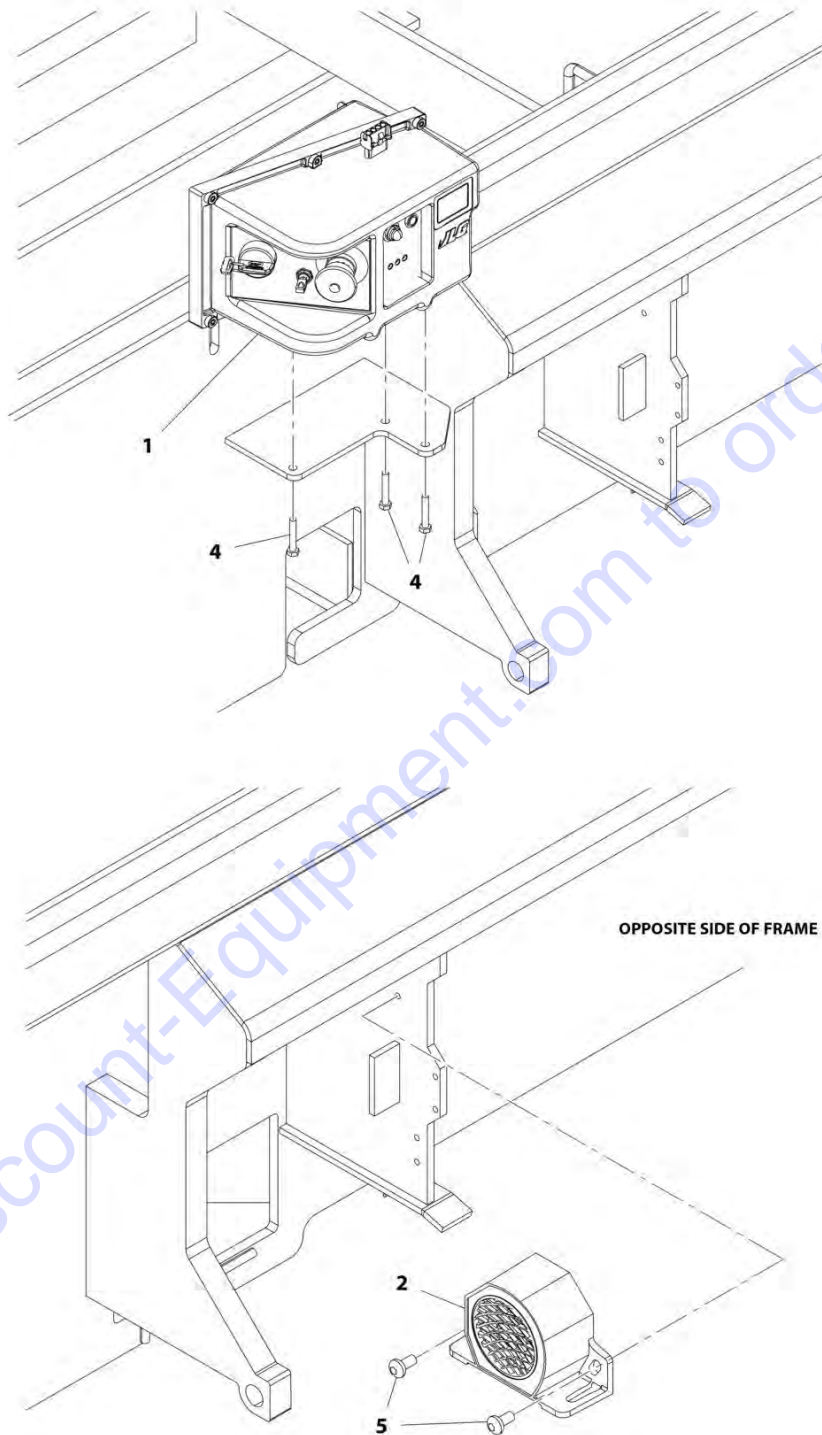
FIGURE 2-3. GROUND CONTROL BOX/ALARM INSTALLATION - LSS (ALL SPECS EXCEPT CE SPECS) (SN 0200239382 to Present, SN B200023346 to Present, SN M200000100 to Present)

ITEM	PART NUMBER	QTY	DESCRIPTION	REV
	1001166828	Ref	GROUND CONTROL BOX/ALARM INSTALLATION - LSS Note: Standard Alarm located on LH side of operators position on machine. Optional Alarms are located on the RH Side of operators position on machines. For optional alarm components, See SPECIAL OPTIONS Section.	B
		Ref		
1	1001166197	1	Ground Control Box Assembly (See GROUND CONTROL BOX ASSEMBLY - LSS for Breakdown)	
2	0140043	1	Alarm	
2	4460536	1	Receptacle, Female - 3 Position	
2	4460464	3	Pin, Male	
3	0700615	3	Bolt M6 x 35	
4	4191706	2	Screw M6 x 12	

Go to Discount-Equipment.com to order your parts

SECTION 2 - GROUND COMPONENTS

FIGURE 2-4. GROUND CONTROL BOX/ALARM INSTALLATION - LSS (ALL SPECS EXCEPT CE SPECS) (SN B200020297 through B200023345)



ART_1001114886

SECTION 2 - GROUND COMPONENTS

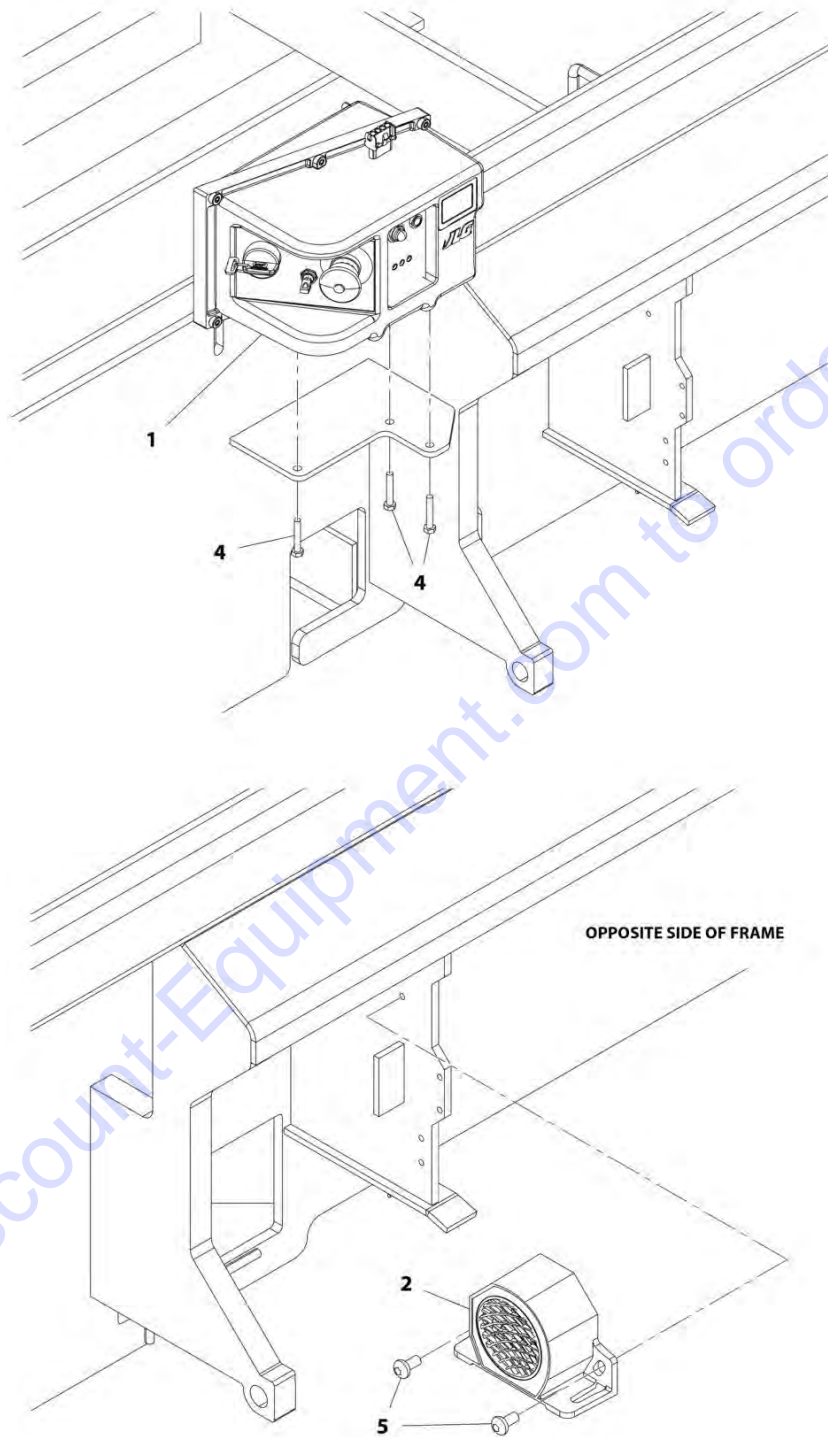
FIGURE 2-4. GROUND CONTROL BOX/ALARM INSTALLATION - LSS (ALL SPECS EXCEPT CE SPECS) (SN B200020297 through B200023345)

ITEM	PART NUMBER	QTY	DESCRIPTION	REV
	1001114886	Ref	GROUND CONTROL BOX/ALARM INSTALLATION - LSS Note: Standard Alarm located on LH side of operators position on machine. Optional Alarms are located on the RH Side of operators position on machines. For optional alarm components, See SPECIAL OPTIONS Section.	1
		Ref		
1	1001114932	1	Ground Control Box Assembly (See GROUND CONTROL BOX ASSEMBLY - LSS (ALL SPECS EXCEPT CE SPECS) for Breakdown)	
2	0140043	1	Alarm	
2	4460536	1	Receptacle, Female - 3 Position	
2	4460464	3	Pin, Male	
4	0700615	3	Bolt M6 x 35	
5	4191706	2	Screw M6 x 12	

Go to Discount-Equipment.com to order your parts

SECTION 2 - GROUND COMPONENTS

FIGURE 2-5. GROUND CONTROL BOX/ALARM INSTALLATION - LSS (CE SPEC) (SN 0200239382 through 0200241828)



ART_1001166825

SECTION 2 - GROUND COMPONENTS

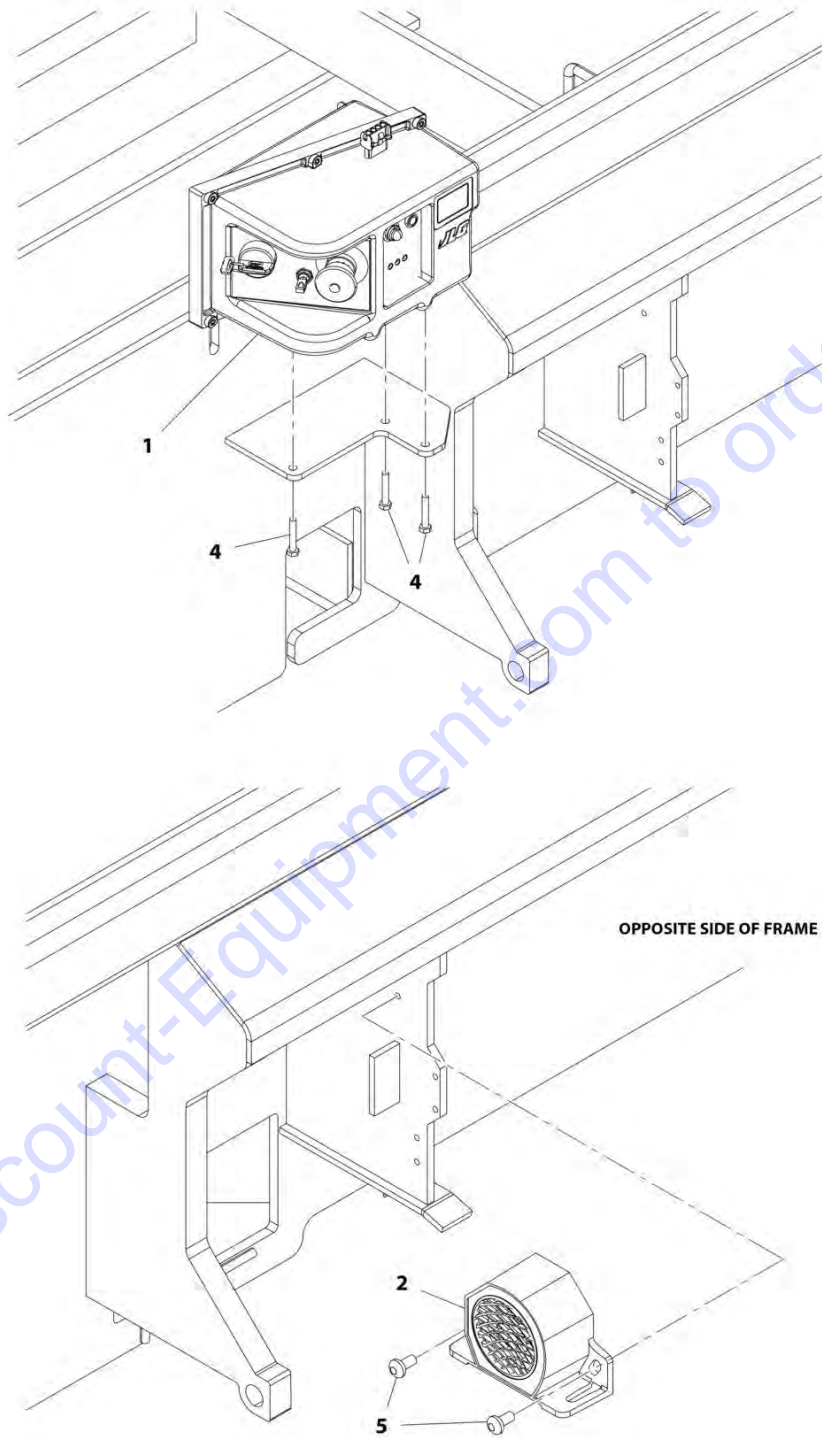
FIGURE 2-5. GROUND CONTROL BOX/ALARM INSTALLATION - LSS (CE SPEC) (SN 0200239382 through 0200241828)

ITEM	PART NUMBER	QTY	DESCRIPTION	REV
	1001166825	Ref	GROUND CONTROL BOX/ALARM INSTALLATION - LSS	B
		Ref	Note: Standard Alarm located on LH side of operators position on machine. Optional Alarms are located on the RH Side of operators position on machines. For optional alarm components, See SPECIAL OPTIONS Section.	
1	1001166195	1	Ground Control Box Assembly (See GROUND CONTROL BOX ASSEMBLY - LSS (CE SPECS) for Breakdown)	
2	0140043	1	Alarm	
2	4460536	1	Receptacle, Female - 3 Position	
2	4460464	3	Pin, Male	
4	0700615	3	Bolt M6 x 35	
5	4191706	2	Screw M6 x 12	

Go to Discount-Equipment.com to order your parts

SECTION 2 - GROUND COMPONENTS

FIGURE 2-6. GROUND CONTROL BOX/ALARM INSTALLATION - LSS (CE SPEC) (SN B200020297 through B200021650)



ART_1001114925

SECTION 2 - GROUND COMPONENTS

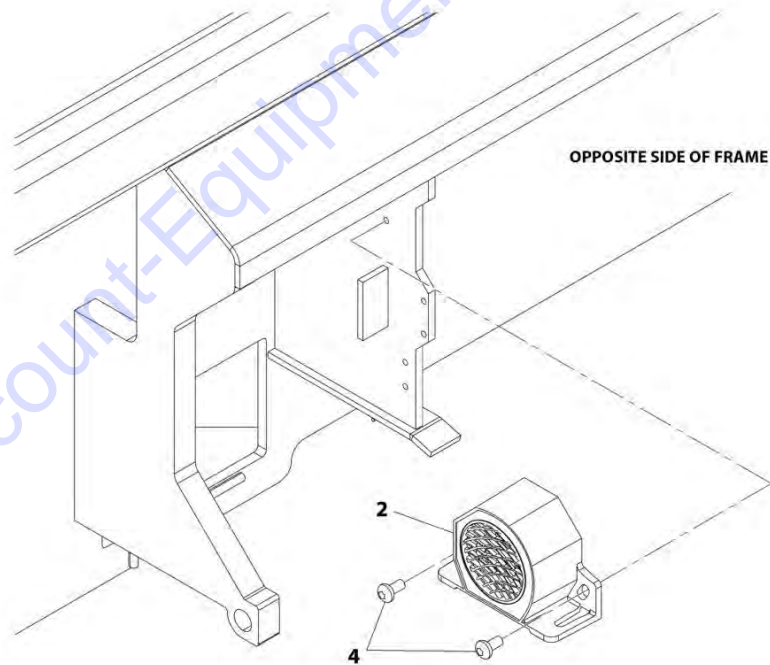
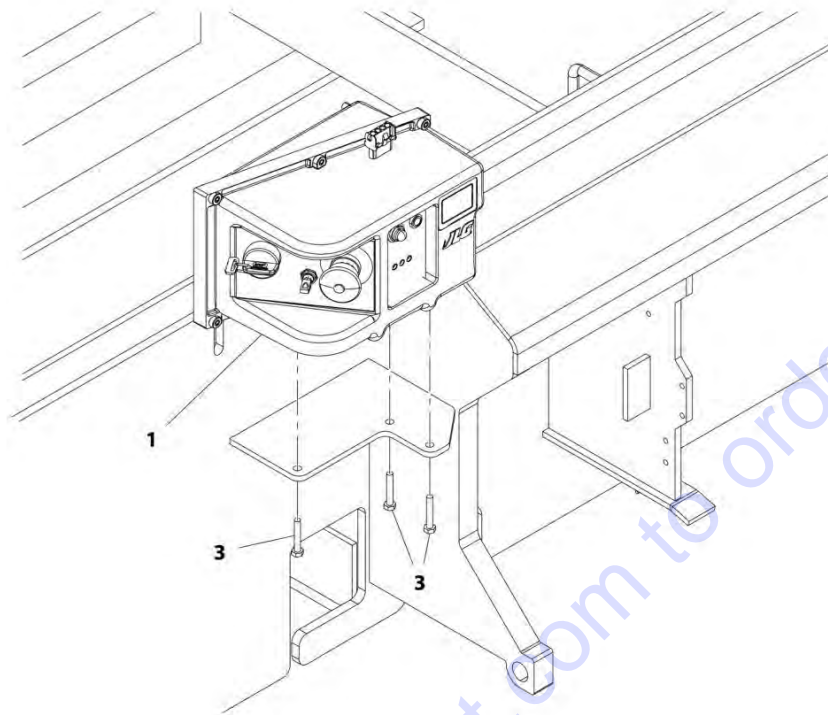
FIGURE 2-6. GROUND CONTROL BOX/ALARM INSTALLATION - LSS (CE SPEC) (SN B200020297 through B200021650)

ITEM	PART NUMBER	QTY	DESCRIPTION	REV
	1001114925	Ref	GROUND CONTROL BOX/ALARM INSTALLATION - LSS Note: Standard Alarm located on LH side of operators position on machine. Optional Alarms are located on the RH Side of operators position on machines. For optional alarm components, See SPECIAL OPTIONS Section.	A
		Ref		
1	1001114930	1	Ground Control Box Assembly (See GROUND CONTROL BOX ASSEMBLY - LSS (CE SPECS) for Breakdown)	
2	0140043	1	Alarm	
2	4460536	1	Receptacle, Female - 3 Position	
2	4460464	3	Pin, Male	
4	0700615	3	Bolt M6 x 35	
5	4191706	2	Screw M6 x 12	

Go to Discount-Equipment.com to order your parts

SECTION 2 - GROUND COMPONENTS

FIGURE 2-7. GROUND CONTROL BOX/ALARM INSTALLATION - LSS (CE SPECS) (SN 0200241829 to Present, SN B200021651 to Present, SN M200000100 to Present)



ART_1001166828

SECTION 2 - GROUND COMPONENTS

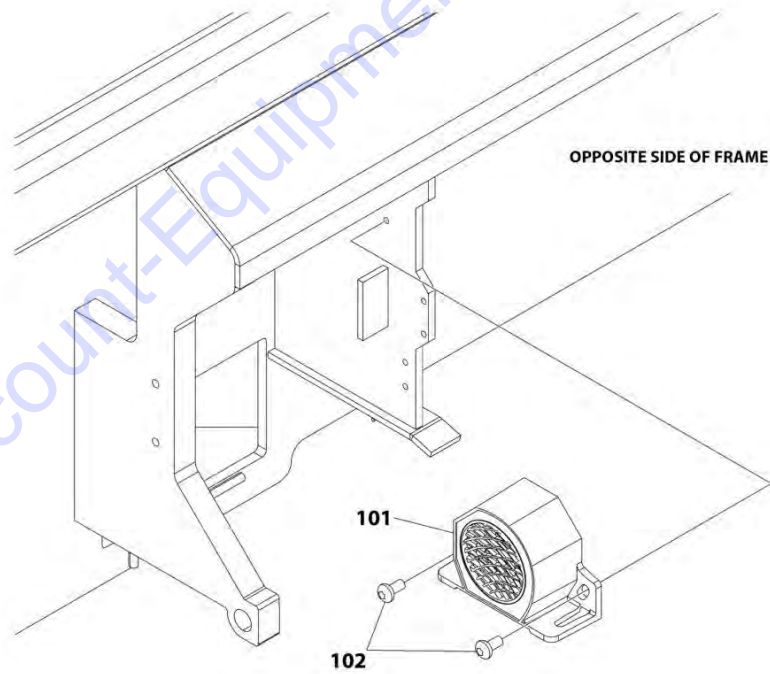
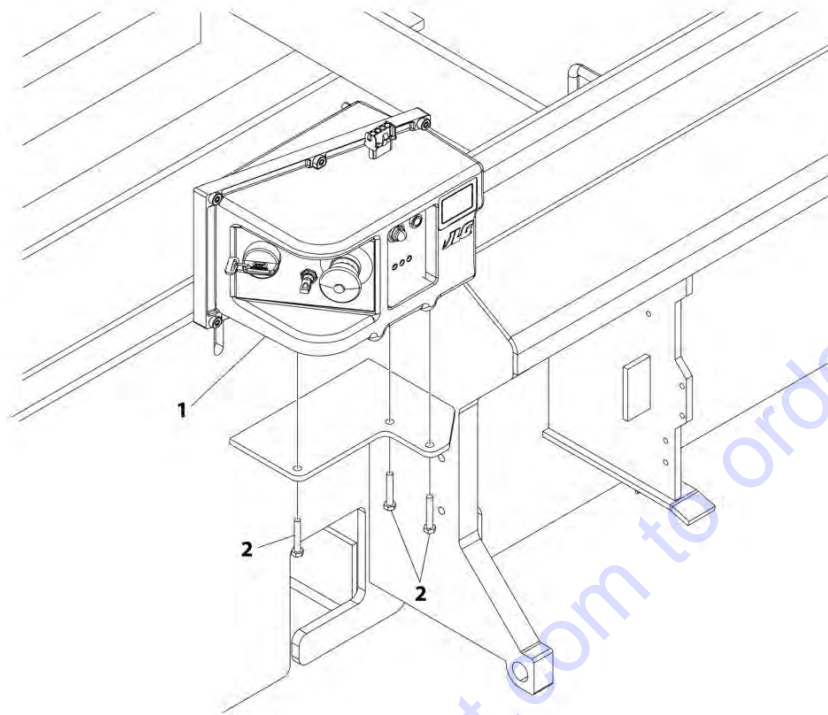
FIGURE 2-7. GROUND CONTROL BOX/ALARM INSTALLATION - LSS (CE SPECS) (SN 0200241829 to Present, SN B200021651 to Present, SN M200000100 to Present)

ITEM	PART NUMBER	QTY	DESCRIPTION	REV
	1001166828	Ref	GROUND CONTROL BOX/ALARM INSTALLATION - LSS Note: Standard Alarm located on LH Side of operators position on machine. Optional Alarms are located on the RH Side of operators position on machines. For optional alarm components, See SPECIAL OPTIONS Section.	B
		Ref		
1	1001166197	1	Ground Control Box Assembly (See GROUND CONTROL BOX ASSEMBLY - LSS for Breakdown)	
2	0140043	1	Alarm	
2	4460536	1	Receptacle, Female - 3 Position	
2	4460464	3	Pin, Male	
3	0700615	3	Bolt M6 x 35	
4	4191706	2	Screw M6 x 12	

Go to Discount-Equipment.com to order your parts

SECTION 2 - GROUND COMPONENTS

FIGURE 2-8. GROUND CONTROL BOX/ALARM INSTALLATION - LSS (CE SPECS) (SN 1200025021 to Present)



ART_1001215247

SECTION 2 - GROUND COMPONENTS

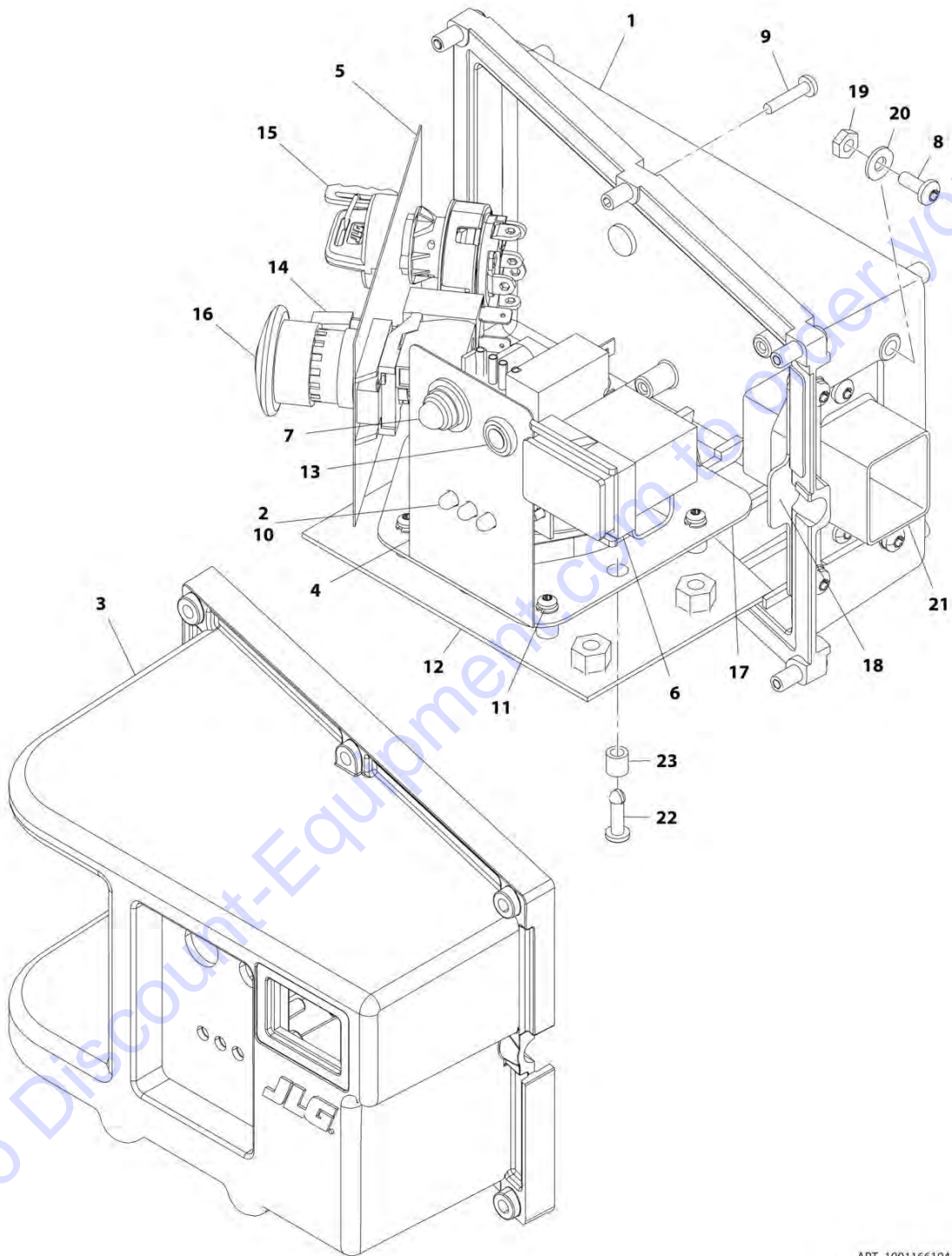
FIGURE 2-8. GROUND CONTROL BOX/ALARM INSTALLATION - LSS (CE SPECS) (SN 1200025021 to Present)

ITEM	PART NUMBER	QTY	DESCRIPTION	REV
1	1001215247	Ref	GROUND CONTROL BOX/ALARM INSTALLATION - LSS	A
	1001166197	1	Ground Control Box Assembly (See GROUND CONTROL BOX ASSEMBLY - LSS (CE SPECS) for Breakdown)	
2	0700615	3	Bolt M6 x 35	A
	1001215248	Ref	Alarm Installation (SN 1200025021 to Present)	
101	0140043	1	Alarm	
101	4460536	1	Receptacle, Female - 3 Position	
101	4460464	3	Pin, Male	
102	4191706	2	Screw M6 x 12	

Go to Discount-Equipment.com to order your parts

SECTION 2 - GROUND COMPONENTS

FIGURE 2-9. GROUND CONTROL BOX ASSEMBLY - NO LSS (SN 0200239382 to Present, SN B200023346 to Present, SN M200000100 to Present)



ART_1001166194

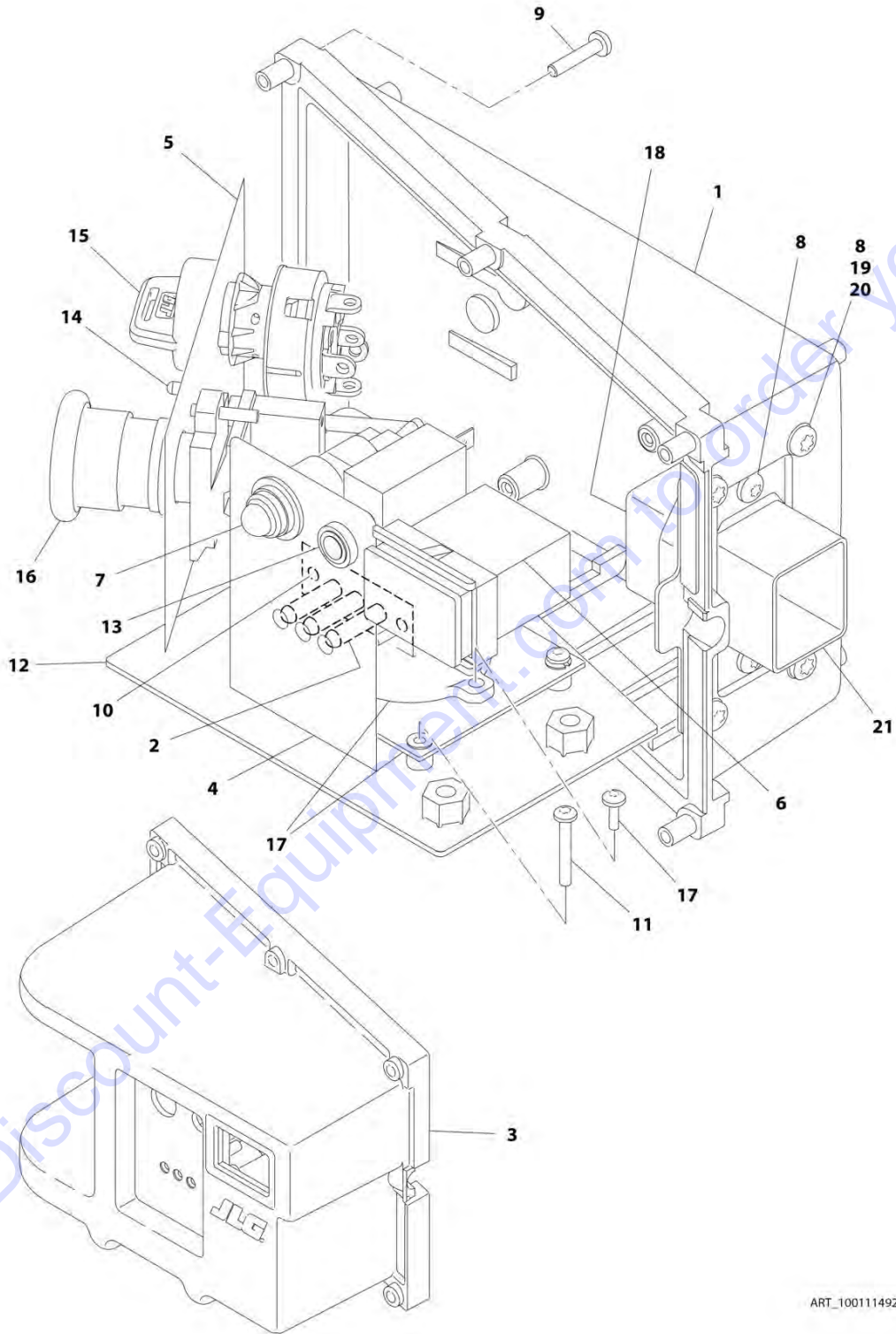
SECTION 2 - GROUND COMPONENTS

FIGURE 2-9. GROUND CONTROL BOX ASSEMBLY - NO LSS (SN 0200239382 to Present, SN B200023346 to Present, SN M200000100 to Present)

ITEM	PART NUMBER	QTY	DESCRIPTION	REV
	1001166194	Ref	GROUND CONTROL BOX ASSEMBLY - NO LSS (SN 0200239382 to Present, SN B200023346 to Present, SN M200000100 to Present)	I
1	0380025	1	Base, Box	
2	0610161	1	PC Board, Charger LED	
2	4460321	1	Plug, Male - 4 Position	
2	4460268	3	Socket, Female	
3	1671105	1	Cover	
4	1705696	1	Decal	
5	1705698	1	Decal	
6	2420172	1	Hourmeter	
7	3520193	1	Plug	
8	3900336	6	Screw	
9	3900338	6	Screw	
10	3900339	2	Screw	
11	1001180090	4	Screw M3.5 x 20	
12	1001165315	1	Support	
13	4360069	1	Breaker, Circuit 10Amp	
14	4360328	1	Switch, Toggle	
15	4360469	1	Switch, Key	
15	2860030	1	Key, Replacement	
16	4360475	1	Switch, Emergency Stop	
16	7020175	1	Cap	
16	7020176	1	Block, Contact	
17	1001166255	1	Sensor, Tilt (Includes Sensor, Mounting Plate and Hardware)	
17	3931412	3	Screw 1/4 x 3/4	
17	1001163095	1	Sensor	
17	1001165316	1	Mount, Sensor	
17	1001166776	4	Mount, Standoff	
18	1001114937	1	Mount, Harness	
19	3321005	4	Nut #10	
20	4751000	4	Washer #10	
21	1001167256	1	Harness, Ground Control Box (See ELECTRICAL SECTION for Breakdown) (SN 0200239382 through 0200266379, SN B200020297 through B200043103, SN M200000100 through M200012170)	
21	1001208641	1	Harness, Ground Control Box (See ELECTRICAL SECTION for Breakdown) (SN 0200266380 to Present, SN B200043104 to Present, SN M200012171 to Present)	
22	1001165284	1	Fastener	
23	1001165286	1	Spacer	

SECTION 2 - GROUND COMPONENTS

FIGURE 2-10. GROUND CONTROL BOX ASSEMBLY - NO LSS (SN B200020297 through B200023345)



ART_1001114929

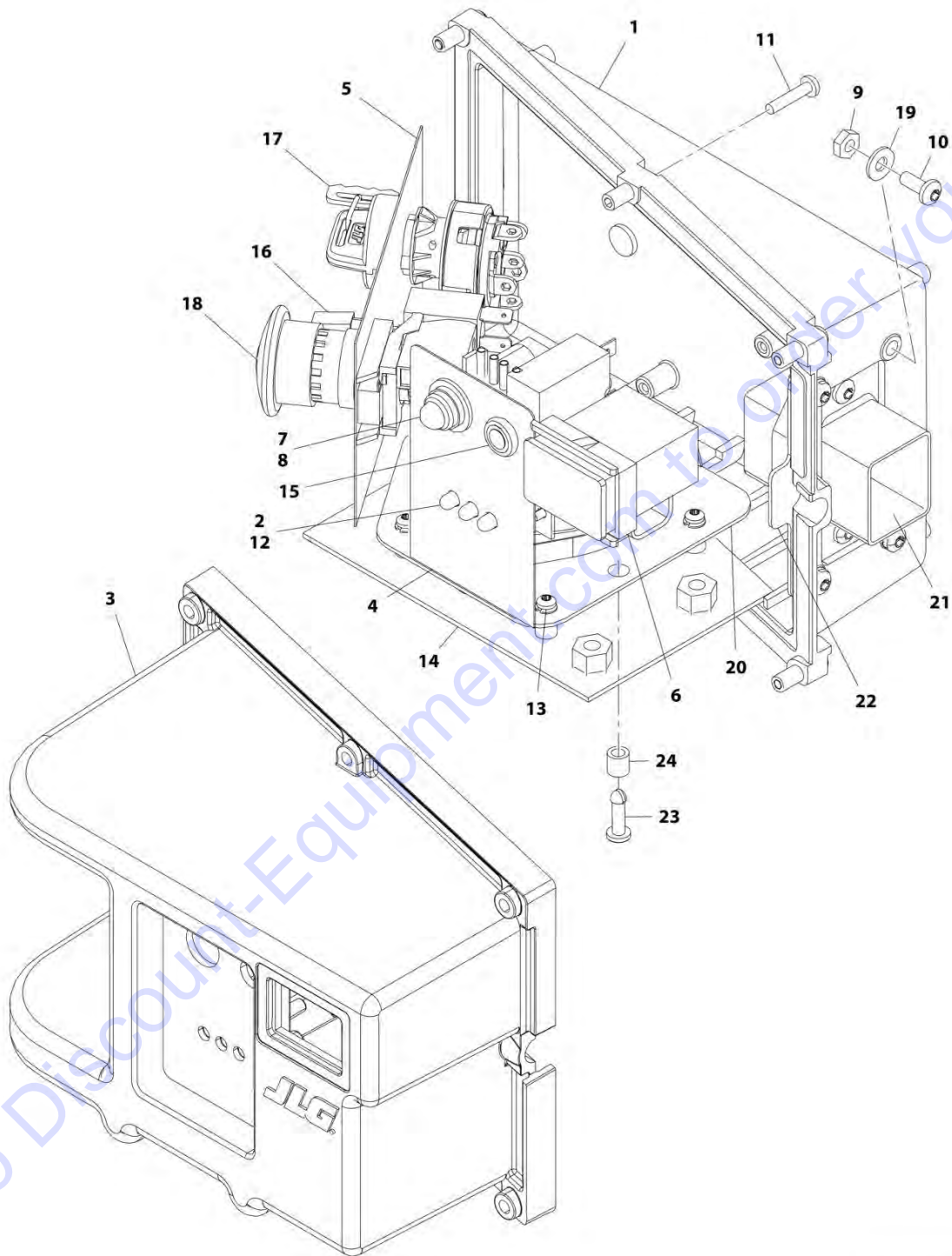
SECTION 2 - GROUND COMPONENTS

FIGURE 2-10. GROUND CONTROL BOX ASSEMBLY - NO LSS (SN B200020297 through B200023345)

ITEM	PART NUMBER	QTY	DESCRIPTION	REV
	1001114929	Ref	GROUND CONTROL BOX ASSEMBLY - NO LSS	B
1	0380025	1	Box, Ground Control	
2	0610161	1	Board, PC (Battery Charger LED)	
3	1671105	1	Cover, Front	
4	1705696	1	Decal - LED	
5	1705698	1	Decal - Function	
6	2420172	1	Hourmeter	
7	3520193	1	Plug	
8	3900336	6	Screw #10-32 x 1/2	
9	3900338	6	Screw M4 x 20	
10	3900339	2	Screw #6 x 1/2	
11	3900356	4	Screw M3.5 x 16	
12	4340739	1	Plate, Mounting	
13	4360069	1	Breaker, Circuit - 10Amp	
14	4360328	1	Switch, Toggle	
15	4360469	1	Switch, Key	
15	2860030	1	Key, Replacement (Fits All Specs)	
16	4360475	1	Switch, Emergency Stop	
16	7020175	1	Cap	
16	7020176	1	Block, Contact	
17	1001114933	NLA	Module, Tilt (Includes Module, Mounting Plate and Hardware) (Use p/n 1001169392)	
18	1001114937	1	Mount, Harness Bulkhead (Ground Control)	
19	3321005	4	Nut #10	
20	4751000	4	Washer #10	
21	1001114935	1	Harness, Control Box (See ELECTRICAL SECTION for Breakdown)	

SECTION 2 - GROUND COMPONENTS

FIGURE 2-11. GROUND CONTROL BOX ASSEMBLY - LSS (ALL SPECS EXCEPT CE SPECS) (SN 0200239382 to Present, SN B200023346 to Present, SN M200000100 to Present)



ART_1001166197

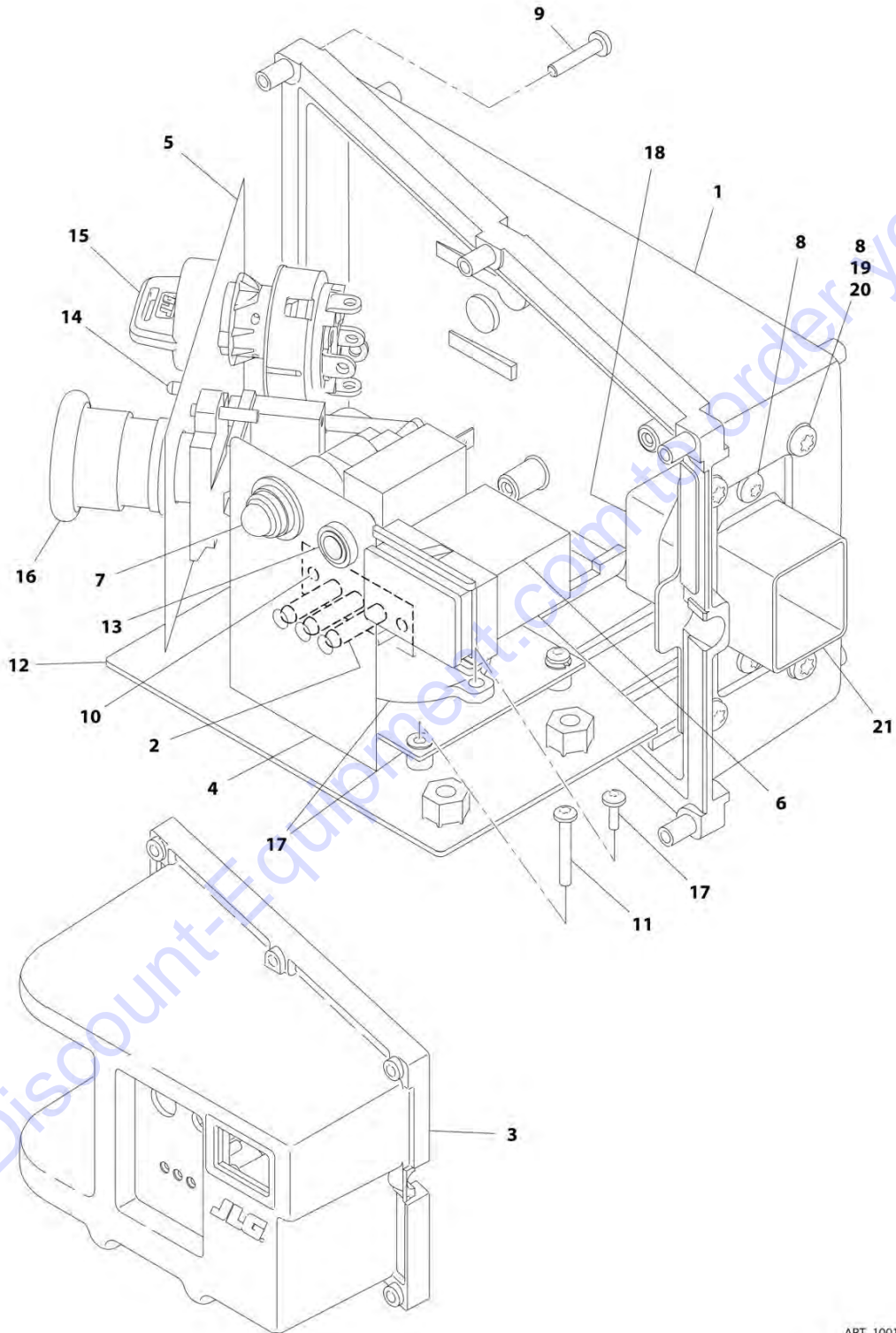
SECTION 2 - GROUND COMPONENTS

FIGURE 2-11. GROUND CONTROL BOX ASSEMBLY - LSS (ALL SPECS EXCEPT CE SPECS) (SN 0200239382 to Present, SN B200023346 to Present, SN M200000100 to Present)

ITEM	PART NUMBER	QTY	DESCRIPTION	REV
	1001166197	Ref	GROUND CONTROL BOX ASSEMBLY - LSS	E
1	0380025	1	Base, Box	
2	0610161	1	PC Board, Charger LED	
2	4460321	1	Plug, Male - 4 Position	
2	4460268	3	Socket, Female	
3	1671105	1	Cover	
4	1705697	1	Decal	
5	1705698	1	Decal	
6	2420172	1	Hourmeter	
7	2920026	1	Lamp	
8	2920094	1	Bulb	
9	3321005	4	Nut #10	
10	3900336	6	Screw	
11	3900338	6	Screw	
12	3900339	2	Screw	
13	1001180090	4	Screw M3.5 x 20	
14	1001165315	1	Support	
15	4360069	1	Breaker, Circuit 10Amp	
16	4360328	1	Switch, Toggle	
17	4360469	1	Switch, Key	
17	2860030	1	Key, Replacement	
18	4360475	1	Switch, Emergency Stop	
18	7020175	1	Cap	
18	7020176	1	Block, Contact	
19	4751000	4	Washer #10	
20	1001166255	1	Sensor, Tilt (Includes Sensor, Mounting Plate and Hardware)	
20	3931412	3	Screw 1/4 x 3/4	
20	1001163095	1	Sensor	
20	1001165316	1	Mount, Sensor	
20	1001166776	4	Mount, Standoff	
21	1001167256	1	Harness, Ground Control Box (See ELECTRICAL SECTION for Breakdown)	
22	1001114937	1	Mount, Harness	
23	1001165284	1	Fastener	
24	1001165286	1	Spacer	

SECTION 2 - GROUND COMPONENTS

FIGURE 2-12. GROUND CONTROL BOX ASSEMBLY - LSS (ALL SPECS EXCEPT CE SPECS) (SN B200020297 through B200023345)



ART_1001114932

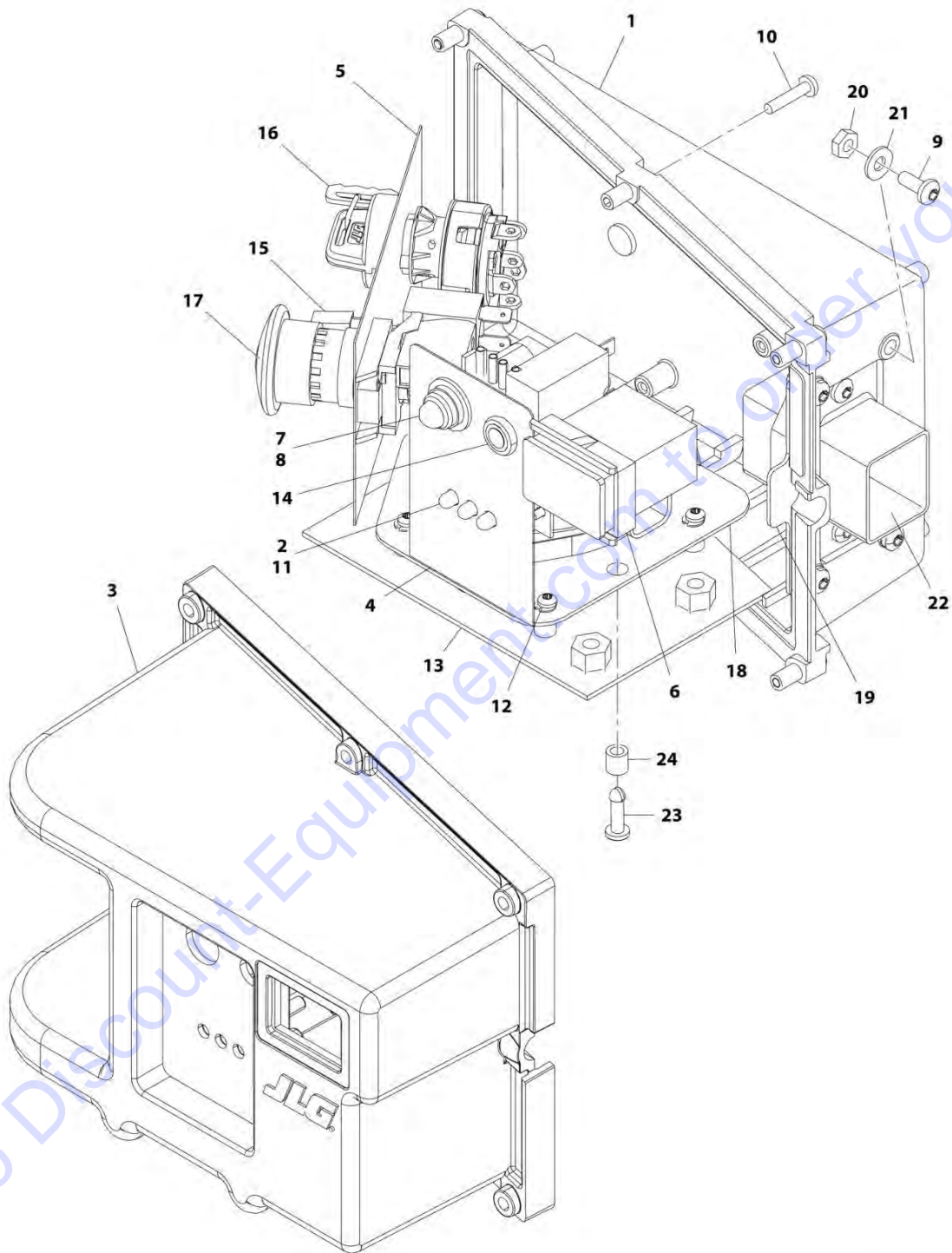
SECTION 2 - GROUND COMPONENTS

FIGURE 2-12. GROUND CONTROL BOX ASSEMBLY - LSS (ALL SPECS EXCEPT CE SPECS) (SN B200020297 through B200023345)

ITEM	PART NUMBER	QTY	DESCRIPTION	REV
	1001114932	Ref	GROUND CONTROL BOX ASSEMBLY - LSS	B
1	0380025	1	Box, Ground Control	
2	0610161	1	Board, PC (Battery Charger LED)	
3	1671105	1	Cover, Front	
4	1705697	1	Decal - LED	
5	1705698	1	Decal - Function	
6	2420172	1	Hourmeter	
7	2920026	1	Lamp	
7	2920094	AR	Bulb	
8	3900336	6	Screw #10-32NF x 1/2	
9	3900338	6	Screw M4 x 20	
10	3900339	2	Screw #6 x 1/2	
11	3900356	4	Screw M3.5 x 16	
12	4340739	1	Plate, Mounting	
13	4360069	1	Breaker, Circuit - 10 Amp	
14	4360328	1	Switch, Toggle	
15	4360469	1	Switch, Key	
15	2860030	1	Key, Replacement (Fits All Specs)	
16	4360475	1	Switch, Emergency Stop	
16	7020175	1	Cap	
16	7020176	1	Block, Contact	
17	1001114933	NLA	Module, Tilt (Includes Module, Mounting Plate and Hardware) (Use p/n 1001169392)	
18	1001114937	1	Mount, Harness Bulkhead (Ground Control)	
19	3321005	4	Nut #10-32NF	
20	4751000	4	Washer #10	
21	1001114935	1	Harness, Control Box (See ELECTRICAL SECTION for Breakdown)	

SECTION 2 - GROUND COMPONENTS

FIGURE 2-13. GROUND CONTROL BOX ASSEMBLY - LSS (CE SPECS) (SN 0200239382 through 0200241828)



ART_1001166195

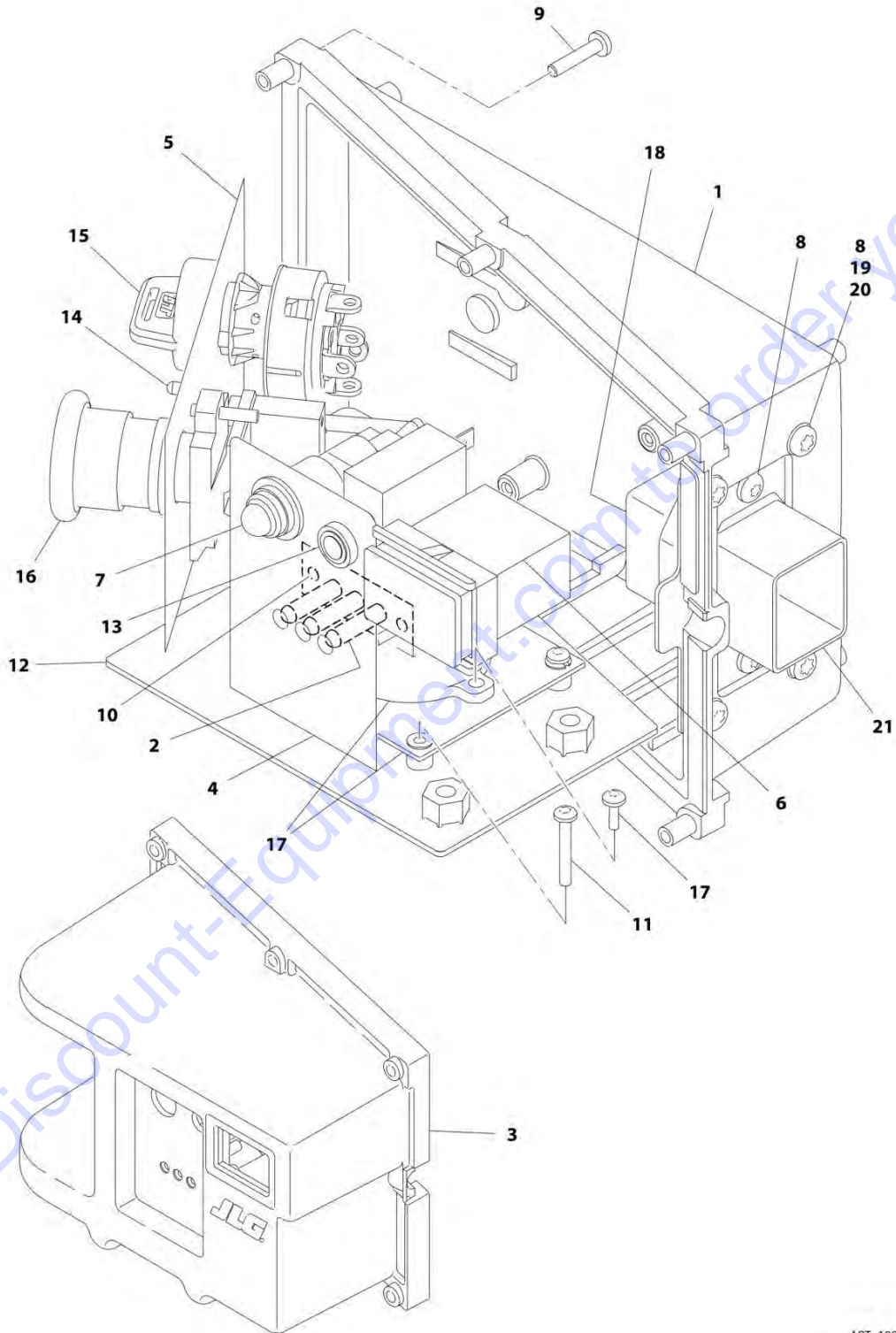
SECTION 2 - GROUND COMPONENTS

FIGURE 2-13. GROUND CONTROL BOX ASSEMBLY - LSS (CE SPECS) (SN 0200239382 through 0200241828)

ITEM	PART NUMBER	QTY	DESCRIPTION	REV
	1001166195	Ref	GROUND CONTROL BOX ASSEMBLY - LSS	G
1	0380025	1	Base, Box	
2	0610161	1	PC Board, Charger LED	
2	4460321	1	Plug, Male - 4 Position	
2	4460268	3	Socket, Female	
3	1671105	1	Cover	
4	1705697	1	Decal	
5	1705698	1	Decal	
6	2420172	1	Hourmeter	
7	2920026	1	Lamp	
8	2920094	1	Bulb	
9	3900336	6	Screw	
10	3900338	6	Screw	
11	3900339	2	Screw	
12	1001180090	4	Screw M3.5 x 20	
13	1001165315	1	Support	
14	4360069	1	Breaker, Circuit 10Amp	
15	4360328	1	Switch, Toggle	
16	4360470	1	Switch, Key	
16	2860030	1	Key, Replacement	
17	4360475	1	Switch, Emergency Stop	
17	7020175	1	Cap	
17	7020176	1	Block, Contact	
18	1001166255	1	Sensor, Tilt (Includes Sensor, Mounting Plate and Hardware)	
18	3931412	3	Screw 1/4 x 3/4	
18	1001163095	1	Sensor	
18	1001165316	1	Mount, Sensor	
18	1001166776	4	Mount, Standoff	
19	1001114937	1	Mount, Harness	
20	3321005	4	Nut #10-32	
21	4751000	4	Washer #10	
22	1001167256	1	Harness, Ground Control Box (See ELECTRICAL SECTION for Breakdown)	
23	1001165284	1	Fastener	
24	1001165286	1	Spacer	

SECTION 2 - GROUND COMPONENTS

FIGURE 2-14. GROUND CONTROL BOX ASSEMBLY - LSS (CE SPECS) (SN B200020297 through B200021650)



ART_1001114930

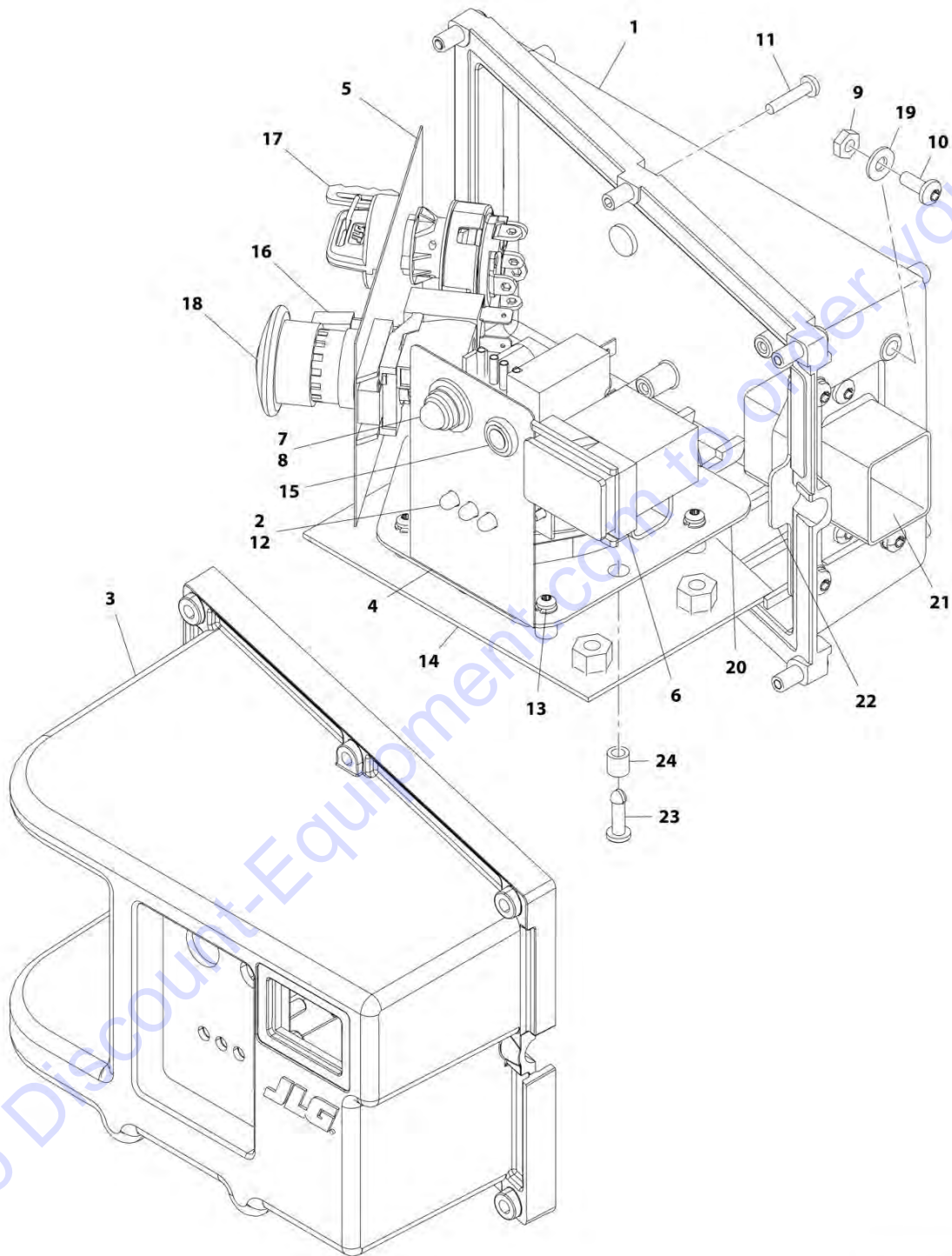
SECTION 2 - GROUND COMPONENTS

FIGURE 2-14. GROUND CONTROL BOX ASSEMBLY - LSS (CE SPECS) (SN B200020297 through B200021650)

ITEM	PART NUMBER	QTY	DESCRIPTION	REV
	1001114930	Ref	GROUND CONTROL BOX ASSEMBLY - LSS	B
1	0380025	1	Box, Ground Control	
2	0610161	1	Board, PC (Battery Charger LED)	
3	1671105	1	Cover, Front	
4	1705697	1	Decal - LED	
5	1705698	1	Decal - Function	
6	2420172	1	Hourmeter	
7	2920026	1	Lamp	
7	2920094	AR	Bulb	
8	3900336	6	Screw #10-32 x 1/2	
9	3900338	6	Screw M4 x 20	
10	3900339	2	Screw #6 x 1/2	
11	3900356	4	Screw M3.5 x 16	
12	4340739	1	Plate, Mounting	
13	4360069	1	Breaker, Circuit - 10 Amp	
14	4360328	1	Switch, Toggle	
15	4360470	1	Switch, Key	
15	2860030	1	Key, Replacement (Fits All Specs)	
16	4360475	1	Switch, Emergency Stop	
16	7020175	1	Cap	
16	7020176	1	Block, Contact	
17	1001114933	NLA	Module, Tilt (Includes Module, Mounting Plate and Hardware) (Use p/n 1001169392)	
18	1001114937	1	Mount, Harness Bulkhead (Ground Control)	
19	3321005	4	Nut #10-32	
20	4751000	4	Washer #10	
21	1001114935	1	Harness, Control Box (See ELECTRICAL SECTION for Breakdown)	

SECTION 2 - GROUND COMPONENTS

FIGURE 2-15. GROUND CONTROL BOX ASSEMBLY - LSS (CE SPECS) (SN 0200241829 to Present, SN 1200025021 to Present, SN B200021651 to Present, SN M200000100 to Present)



ART_1001166197

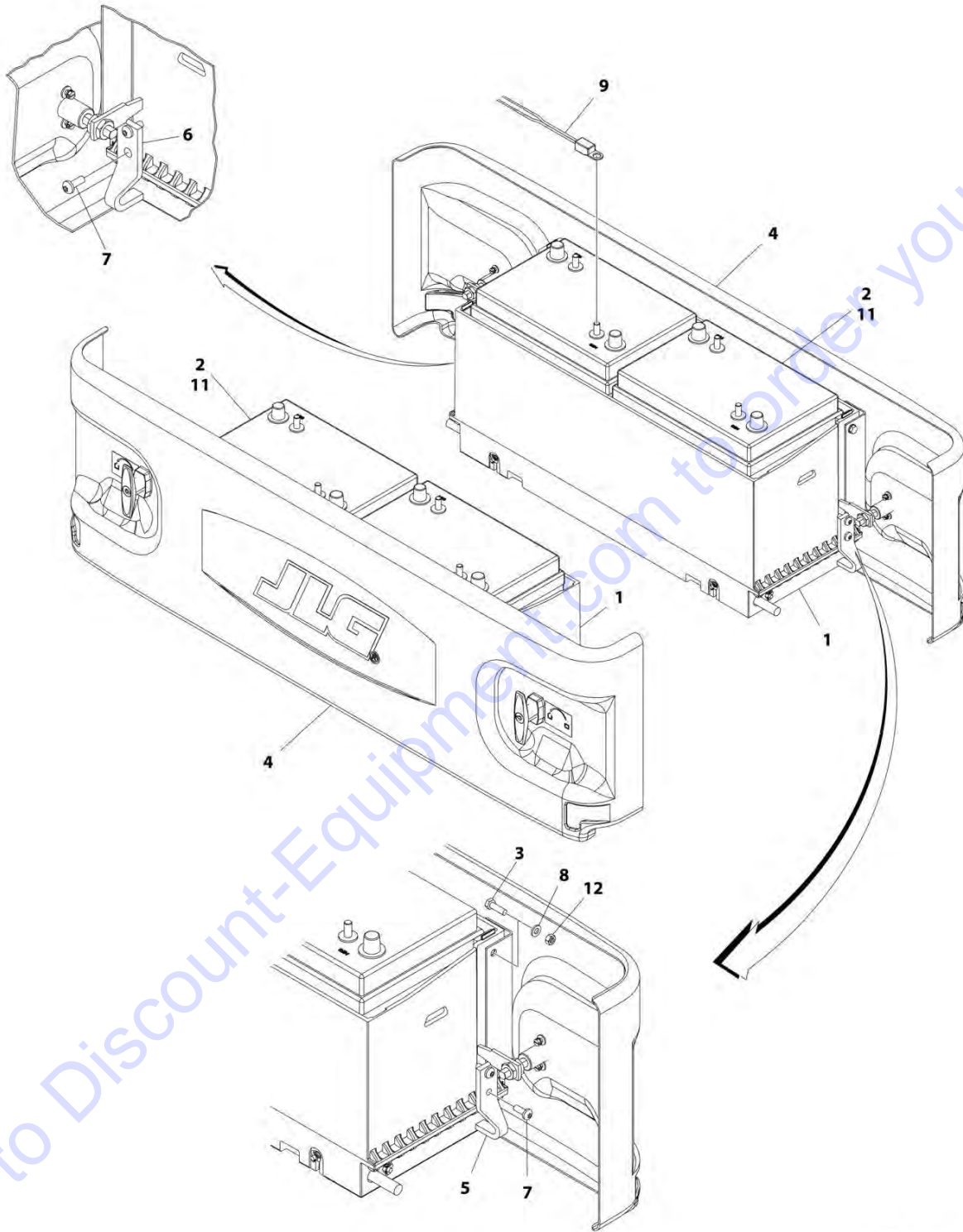
SECTION 2 - GROUND COMPONENTS

FIGURE 2-15. GROUND CONTROL BOX ASSEMBLY - LSS (CE SPECS) (SN 0200241829 to Present, SN 1200025021 to Present, SN B200021651 to Present, SN M200000100 to Present)

ITEM	PART NUMBER	QTY	DESCRIPTION	REV
	1001166197	Ref	GROUND CONTROL BOX ASSEMBLY - LSS	F
1	0380025	1	Base, Box	
2	0610161	1	PC Board, Charger LED	
2	4460321	1	Plug, Male - 4 Position	
2	4460268	3	Socket, Female	
3	1671105	1	Cover	
4	1705697	1	Decal	
5	1705698	1	Decal	
6	2420172	1	Hourmeter	
7	2920026	1	Lamp	
8	2920094	1	Bulb	
9	3321005	4	Nut #10	
10	3900336	6	Screw	
11	3900338	6	Screw	
12	3900339	2	Screw	
13	1001180090	4	Screw M3.5 x 20	
14	1001165315	1	Support	
15	4360069	1	Breaker, Circuit 10Amp	
16	4360328	1	Switch, Toggle	
17	4360469	1	Switch, Key	
17	2860030	1	Key, Replacement	
18	4360475	1	Switch, Emergency Stop	
18	7020175	1	Cap	
18	7020176	1	Block, Contact	
19	4751000	4	Washer #10	
20	1001166255	1	Sensor, Tilt (Includes Sensor, Mounting Plate and Hardware)	
20	3931412	3	Screw 1/4 x 3/4	
20	1001163095	1	Sensor	
20	1001165316	1	Mount, Sensor	
20	1001166776	4	Mount, Standoff	
21	1001167256	1	Harness, Ground Control Box (See ELECTRICAL SECTION for Breakdown)	
22	1001114937	1	Mount, Harness	
23	1001165284	1	Fastener	
24	1001165286	1	Spacer	

SECTION 2 - GROUND COMPONENTS

FIGURE 2-16. BATTERIES INSTALLATION - AGM AND EVG TYPE - 225 AH RATING (NON-LOCKING COVERS)



ART_0275401

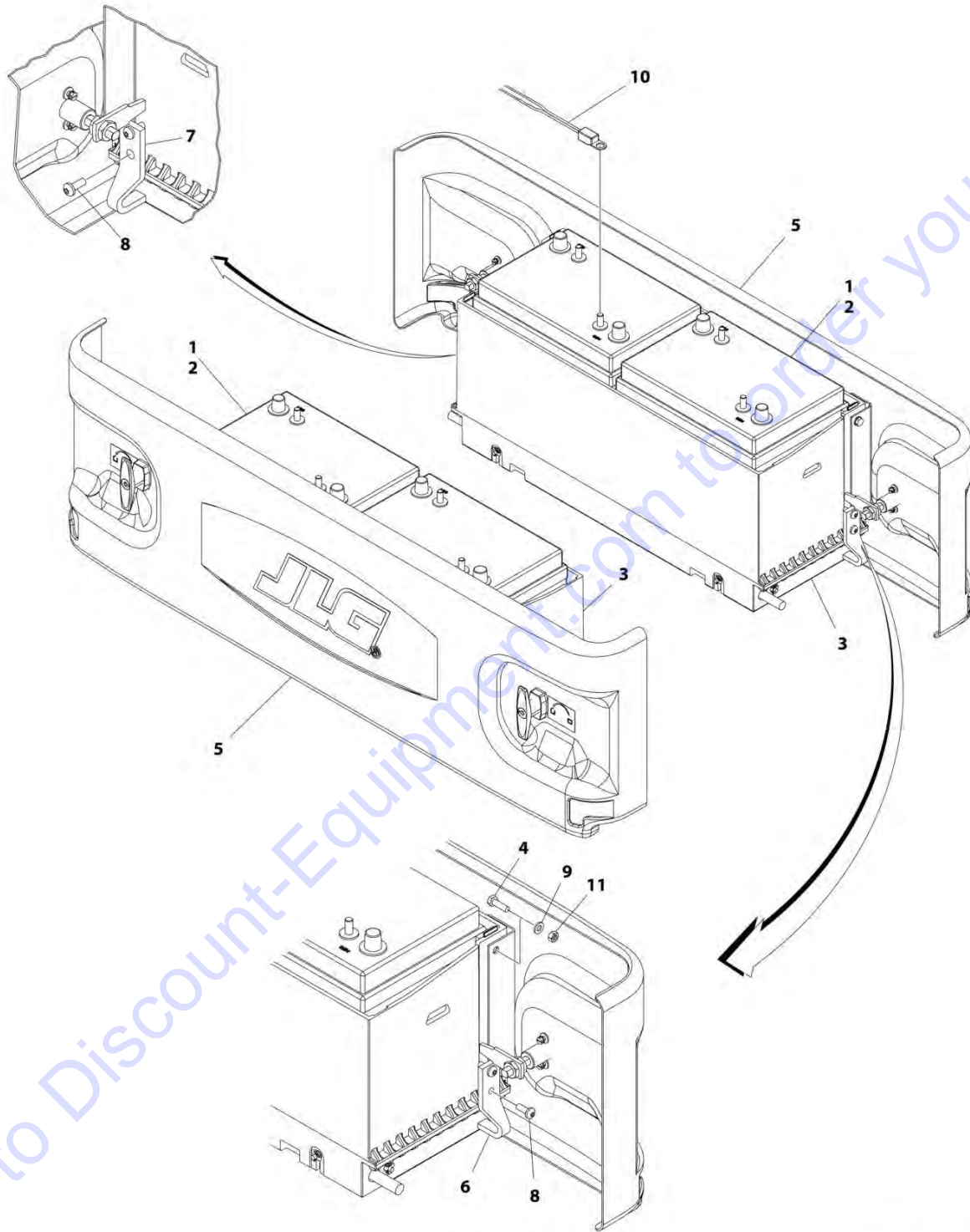
SECTION 2 - GROUND COMPONENTS

FIGURE 2-16. BATTERIES INSTALLATION - AGM AND EVG TYPE - 225 AH RATING (NON-LOCKING COVERS)

ITEM	PART NUMBER	QTY	DESCRIPTION	REV
	0275401	Ref	BATTERIES INSTALLATION - AGM AND EVG TYPE - 225 AH RATING (NON-LOCKING COVERS)	F
1	0273698	2	Tray Assembly (See BATTERY TRAY ASSEMBLY - NON UL for Breakdown)	
2	1001112112	4	Battery Type EVGC6A-A	
3	0760610	8	Bolt M6 x 20	
3	1001100451	8	Bolt M6 x 20	
4	1671202	2	Cover Assembly (See BATTERY COVER ASSEMBLY - NON-LOCKING for Breakdown)	
5	3574981	2	Plate, Slide Stop (LH)	
6	3574984	2	Plate, Slide Stop (RH)	
7	4191707	8	Screw M6 x 16	
8	4811700	8	Washer M6	
9	1001112113	1	Sensor, Temperature (SN 0200239382 through 0200266434, SN 1200025021 through 1200026952, SN B200020297 through B200045240, SN M200000100 through M200014363)	
11	0100051	AR	Grease, Terminal	
12	3290605	8	Nut M6	

SECTION 2 - GROUND COMPONENTS

FIGURE 2-17. BATTERIES INSTALLATION - AGM AND EVG TYPE - 225 AH RATING (NON-UL LOCKING COVERS)



ART_1001132233

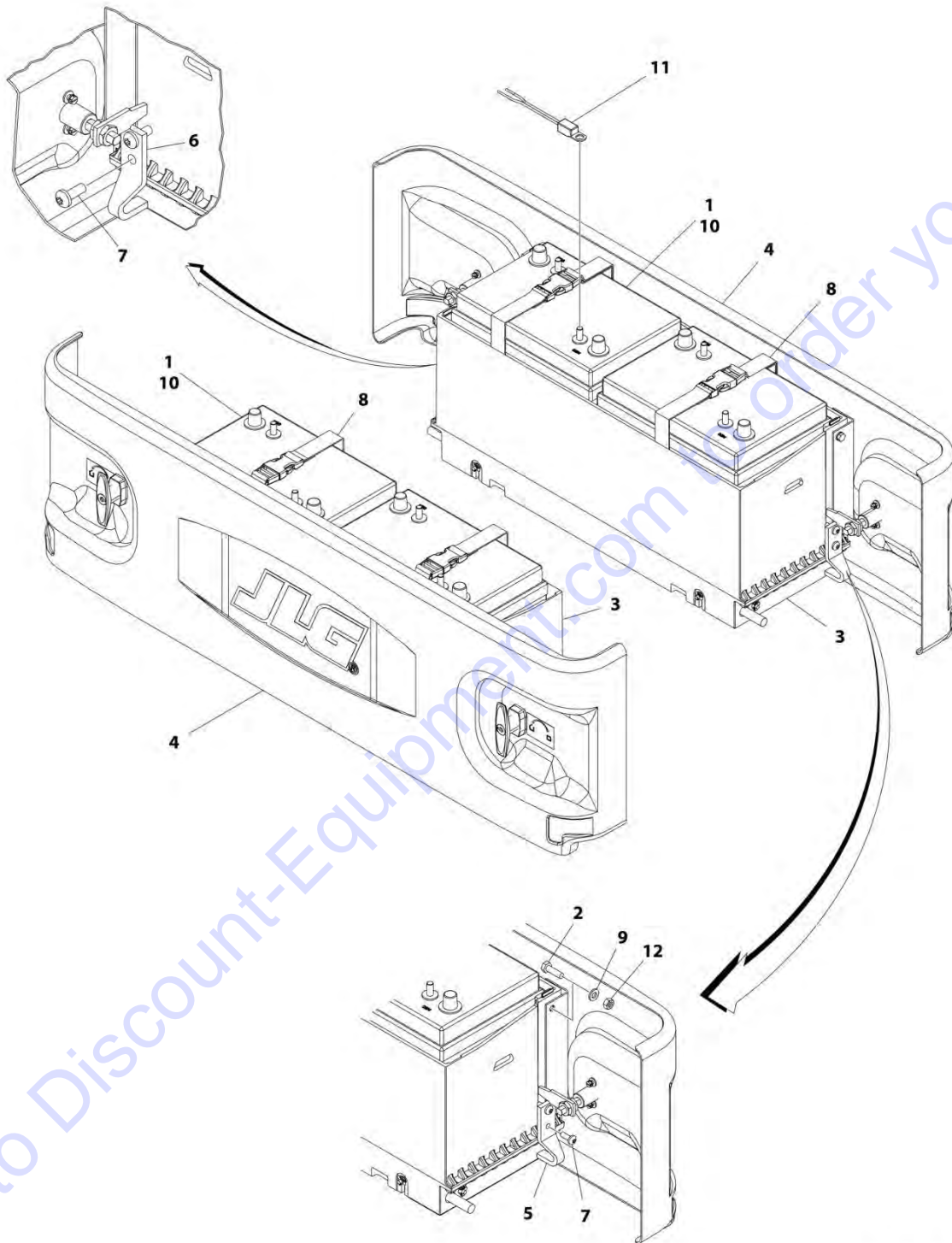
SECTION 2 - GROUND COMPONENTS

FIGURE 2-17. BATTERIES INSTALLATION - AGM AND EVG TYPE - 225 AH RATING (NON-UL LOCKING COVERS)

ITEM	PART NUMBER	QTY	DESCRIPTION	REV
	1001132233	Ref	BATTERIES INSTALLATION - AGM AND EVG TYPE - 225 AH RATING (NON-UL LOCKING COVERS)	D
1	0100051	AR	Grease, Terminal	
2	1001112112	4	Battery Type EVGC6A-A	
3	0273698	2	Tray Assembly (See BATTERY TRAY ASSEMBLY - NON UL for Breakdown)	
4	0760610	8	Bolt M6 x 20	
4	1001100451	8	Bolt M6 x 20	
5	1671204	2	Cover Assembly (See BATTERY COVER ASSEMBLY - LOCKING for Breakdown)	
6	3574981	2	Plate, Slide Stop (LH)	
7	3574984	2	Plate, Slide Stop (RH)	
8	4191707	8	Screw M6 x 16	
9	4811700	8	Washer M6	
10	1001112113	1	Sensor, Temperature (SN 0200239382 through 0200266434, SN 1200025021 through 1200026952, SN B200020297 through B200045240, SN M200000100 through M200014363)	
11	3290605	8	Nut M6	

SECTION 2 - GROUND COMPONENTS

FIGURE 2-18. BATTERIES INSTALLATION - AGM AND EVG TYPE - 225 AH RATING (UL LOCKING COVERS)



ART_1001159192

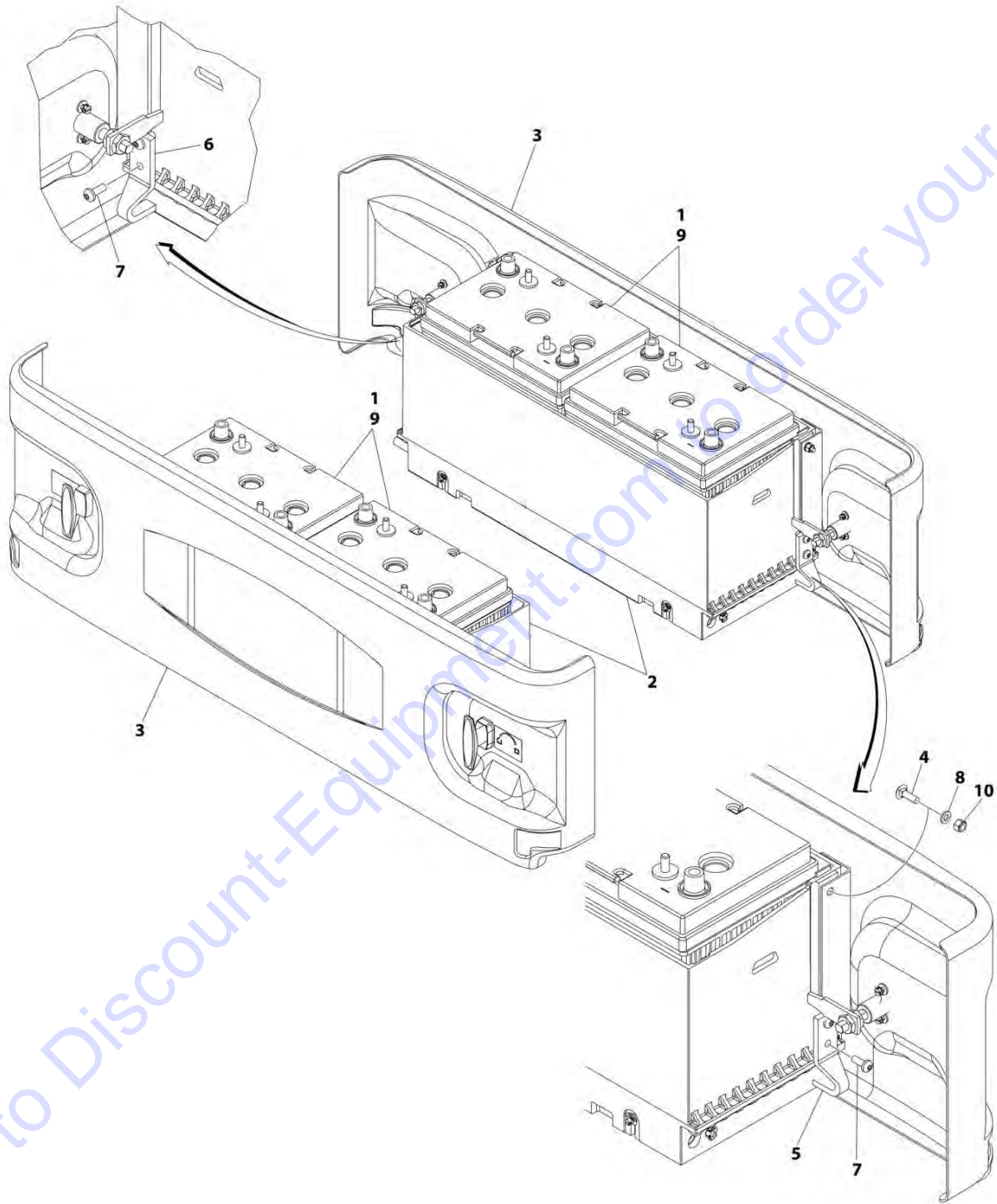
SECTION 2 - GROUND COMPONENTS

FIGURE 2-18. BATTERIES INSTALLATION - AGM AND EVG TYPE - 225 AH RATING (UL LOCKING COVERS)

ITEM	PART NUMBER	QTY	DESCRIPTION	REV
	1001159192	Ref	BATTERIES INSTALLATION - AGM AND EVG TYPE - 225 AH RATING (UL LOCKING COVERS)	D
1	0100051	AR	Grease, Terminal	
2	0760610	8	Bolt M6 x 20	
2	1001100451	8	Bolt M6 x 20	
3	0861678	2	Tray Assembly (See BATTERY TRAY ASSEMBLY - UL for Breakdown)	
4	1671204	2	Cover Assembly (See BATTERY COVER ASSEMBLY - LOCKING for Breakdown)	
5	3574981	2	Plate, Slide Stop (LH)	
6	3574984	2	Plate, Slide Stop (RH)	
7	4191707	8	Screw M6 x 16	
8	4240172	4	Strap, Battery	
9	4811700	8	Washer M6	
10	1001112112	4	Battery Type EVGC6A-A	
11	1001112113	1	Sensor, Temperature (SN 0200239382 through 0200266434, SN B200020297 through B200045240, SN M200000100 through M200014363)	
12	3290605	8	Nut M6	

SECTION 2 - GROUND COMPONENTS

FIGURE 2-19. BATTERIES INSTALLATION - AGM VISION AND EVG TYPE - 220 AH RATING (NON-LOCKING COVERS)



ART_1001248130

SECTION 2 - GROUND COMPONENTS

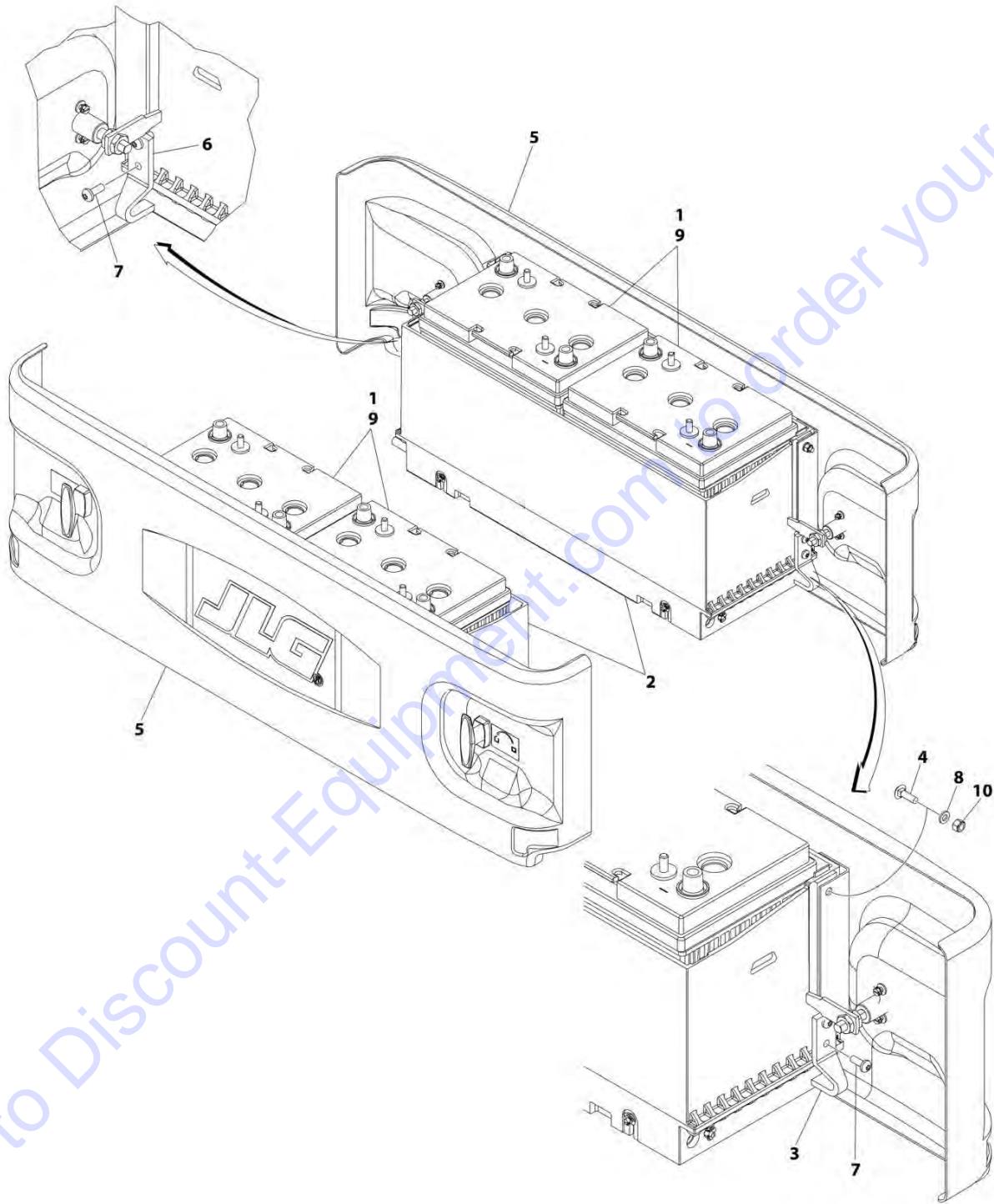
FIGURE 2-19. BATTERIES INSTALLATION - AGM VISION AND EVG TYPE - 220 AH RATING (NON-LOCKING COVERS)

ITEM	PART NUMBER	QTY	DESCRIPTION	REV
	1001248130	Ref	BATTERIES INSTALLATION - AGM VISION AND EVG TYPE - 220 AH RATING (UL LOCKING COVERS)	A
1	0100051	AR	Grease, Terminal	
2	0273698	2	Tray Assembly (See BATTERY TRAY ASSEMBLY - NON UL for Breakdown)	
3	1671202	2	Cover Assembly (See BATTERY COVER ASSEMBLY - NON-LOCKING for Breakdown)	
4	1001100451	8	Bolt M6 x 20	
5	3574981	2	Plate, Slide Stop (LH)	
6	3574984	2	Plate, Slide Stop (RH)	
7	4191707	8	Screw M6 x 16	
8	4811700	8	Washer M6	
9	1001214347	4	Battery Type EVGC-220A-AM	
10	3290605	8	Nut M6	

Go to Discount-Equipment.com to order your parts

SECTION 2 - GROUND COMPONENTS

FIGURE 2-20. BATTERIES INSTALLATION - AGM VISION AND EVG TYPE - 220 AH RATING (NON-UL LOCKING COVERS)



ART_1001248131

SECTION 2 - GROUND COMPONENTS

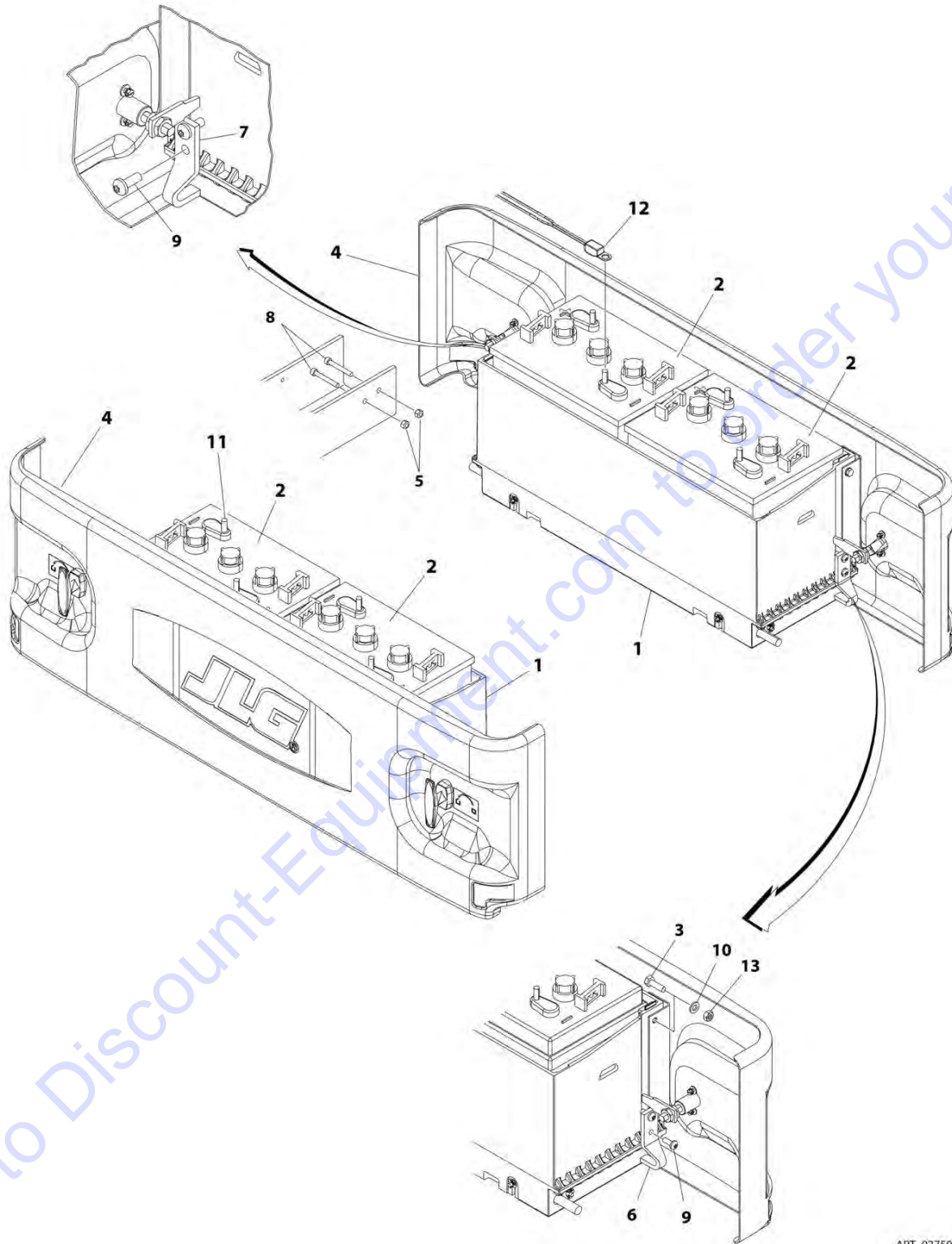
FIGURE 2-20. BATTERIES INSTALLATION - AGM VISION AND EVG TYPE - 220 AH RATING (NON-UL LOCKING COVERS)

ITEM	PART NUMBER	QTY	DESCRIPTION	REV
	1001248131	Ref	BATTERIES INSTALLATION - AGM VISION AND EVG TYPE - 220 AH RATING (NON-UL LOCKING COVERS)	A
1	0100051	AR	Grease, Terminal	
2	0273698	2	Tray Assembly (See BATTERY TRAY ASSEMBLY - NON UL for Breakdown)	
3	3574981	2	Plate, Slide Stop (LH)	
4	1001100451	8	Bolt M6 x 20	
5	1671204	2	Cover Assembly (See BATTERY COVER ASSEMBLY - LOCKING for Breakdown)	
6	3574984	2	Plate, Slide Stop (RH)	
7	4191707	8	Screw M6 x 16	
8	4811700	8	Washer M6	
9	1001214347	4	Battery Type EVGC-220A-AM	
10	3290605	8	Nut M6	

Go to Discount-Equipment.com to order your parts

SECTION 2 - GROUND COMPONENTS

FIGURE 2-21. BATTERIES INSTALLATION - EV TYPE - 244 AH RATING (NON-LOCKING COVERS)



ART_0275042

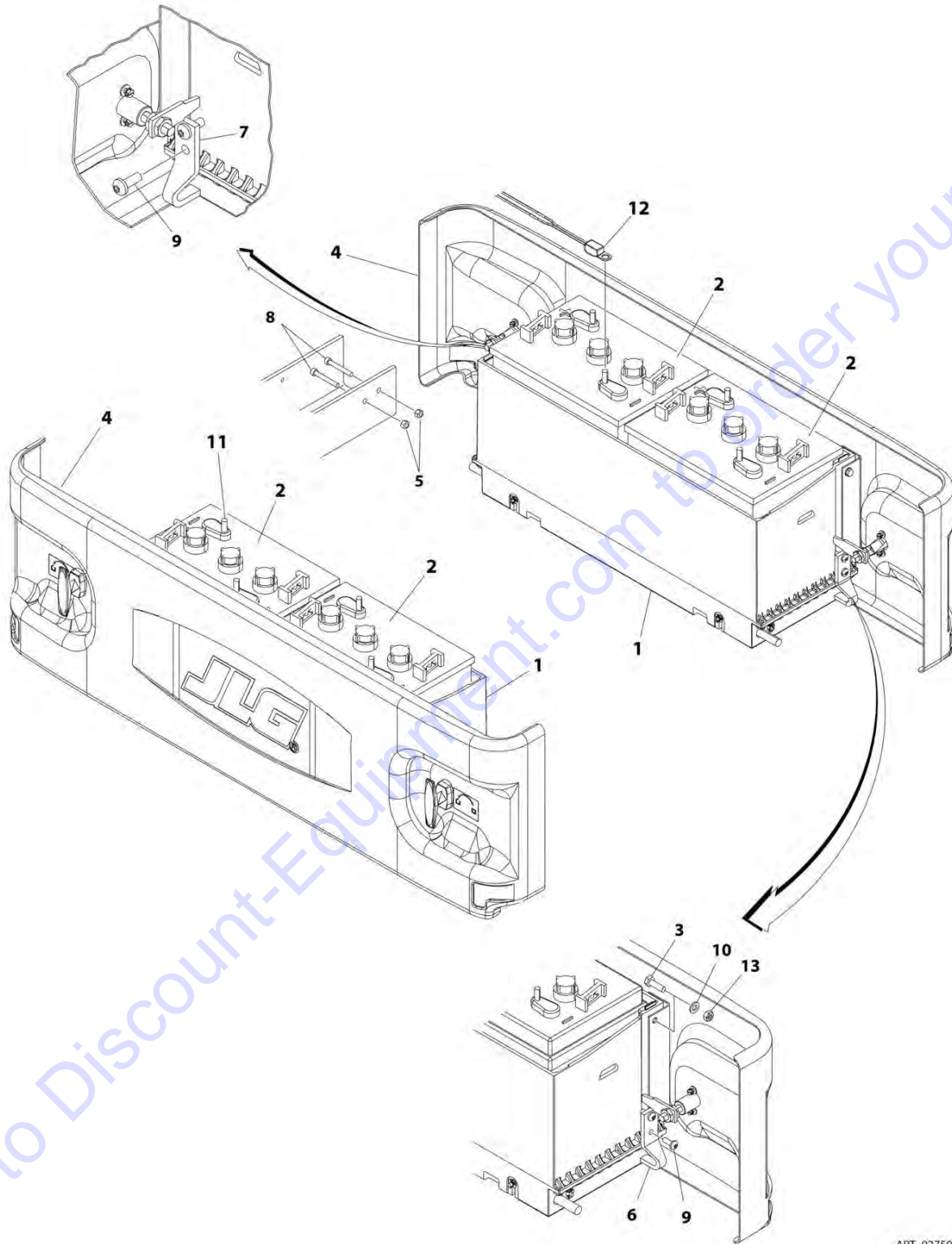
SECTION 2 - GROUND COMPONENTS

FIGURE 2-21. BATTERIES INSTALLATION - EV TYPE - 244 AH RATING (NON-LOCKING COVERS)

ITEM	PART NUMBER	QTY	DESCRIPTION	REV
	0275042	Ref	BATTERIES INSTALLATION - EV TYPE - 244 AH RATING (NON-LOCKING COVERS)	F
1	0273698	2	Tray Assembly (See BATTERY TRAY ASSEMBLY - NON UL for Breakdown)	
2	0400216	4	Battery Type EV-145-WNL	
3	0760610	8	Bolt M6 x 20	
3	1001100451	8	Bolt M6 x 20	
4	1671202	2	Cover Assembly (See BATTERY COVER ASSEMBLY - NON-LOCKING for Breakdown)	
5	3290605	2	Nut M6	
6	3574981	2	Plate, Slide Stop (LH)	
7	3574984	2	Plate, Slide Stop (RH)	
8	4031713	2	Capscrew M6 x 45	
9	4191707	8	Screw M6 x 16	
10	4811700	8	Washer M6	
11	0100051	AR	Grease, Terminal	
12	1001112113	1	Sensor, Temperature (SN 0200239382 through 0200266434, SN 1200025021 through 1200026952, SN B200020297 through B200045240, SN M200000100 through M200014363)	
13	3290605	8	Nut M6	

SECTION 2 - GROUND COMPONENTS

FIGURE 2-22. BATTERIES INSTALLATION - EV TYPE - 244 AH RATING (NON-UL LOCKING COVERS)



ART_0275044

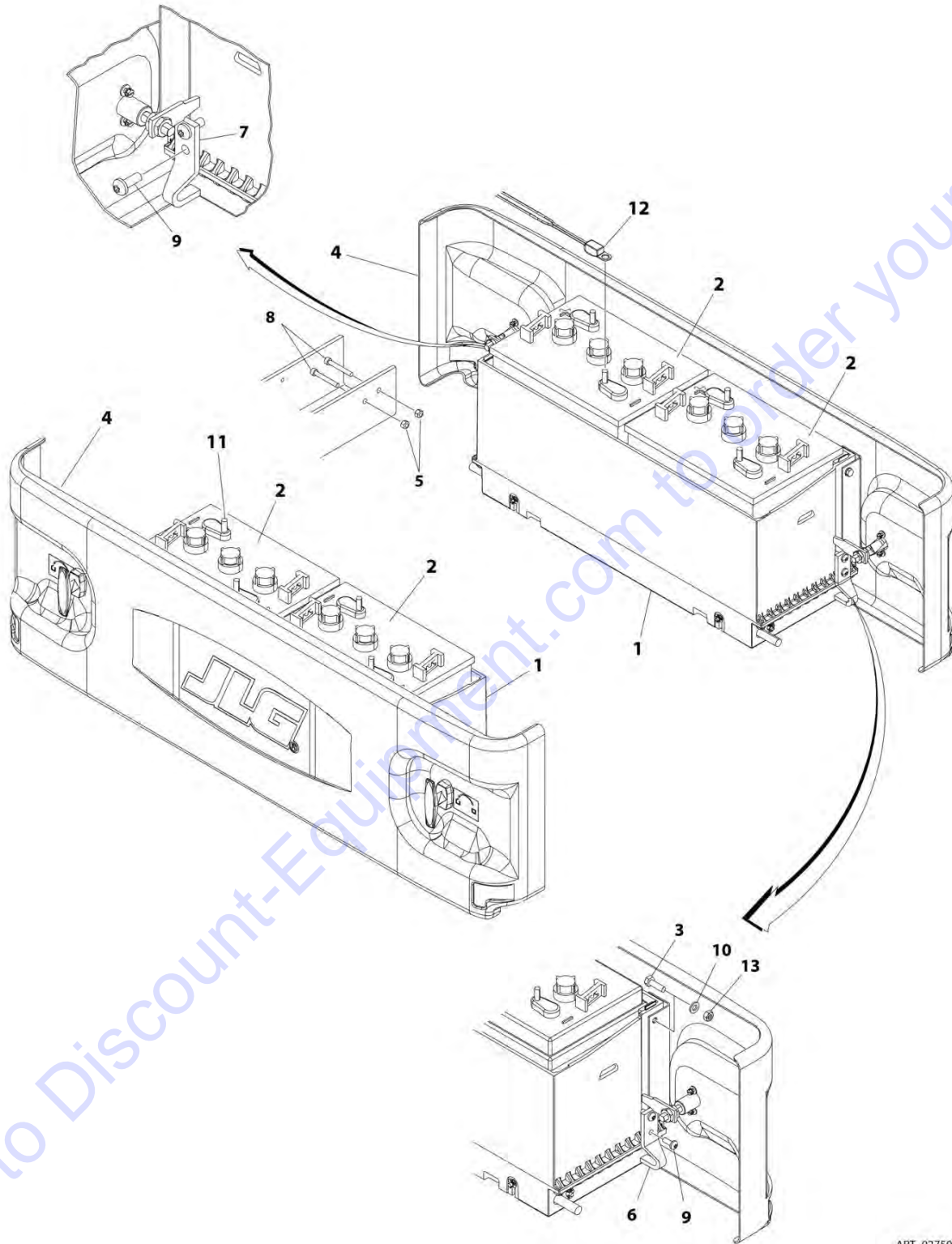
SECTION 2 - GROUND COMPONENTS

FIGURE 2-22. BATTERIES INSTALLATION - EV TYPE - 244 AH RATING (NON-UL LOCKING COVERS)

ITEM	PART NUMBER	QTY	DESCRIPTION	REV
	0275044	Ref	BATTERIES INSTALLATION - EV TYPE - 244 AH RATING (NON-UL LOCKING COVERS)	F
1	0273698	2	Tray Assembly (See BATTERY TRAY ASSEMBLY - NON UL for Breakdown)	
2	0400216	4	Battery Type EV-145-WNL	
3	0760610	8	Bolt M6 x 20	
3	1001100451	8	Bolt M6 x 20	
4	1671204	2	Cover Assembly (See BATTERY COVER ASSEMBLY - LOCKING for Breakdown)	
5	3290605	2	Nut M6	
6	3574981	2	Plate, Slide Stop (LH)	
7	3574984	2	Plate, Slide Stop (RH)	
8	4031713	2	Capscrew M6 x 45	
9	4191707	8	Screw M6 x 16	
10	4811700	8	Washer M6	
11	0100051	AR	Grease, Terminal	
12	1001112113	1	Sensor, Temperature (SN 0200239382 through 0200266434, SN 1200025021 through 1200026952, SN B200020297 through B200045240, SN M200000100 through M200014363)	
13	3290605	8	Nut M6	

SECTION 2 - GROUND COMPONENTS

FIGURE 2-23. BATTERIES INSTALLATION - EV TYPE - 244 AH RATING (UL LOCKING COVERS)



ART_0275043

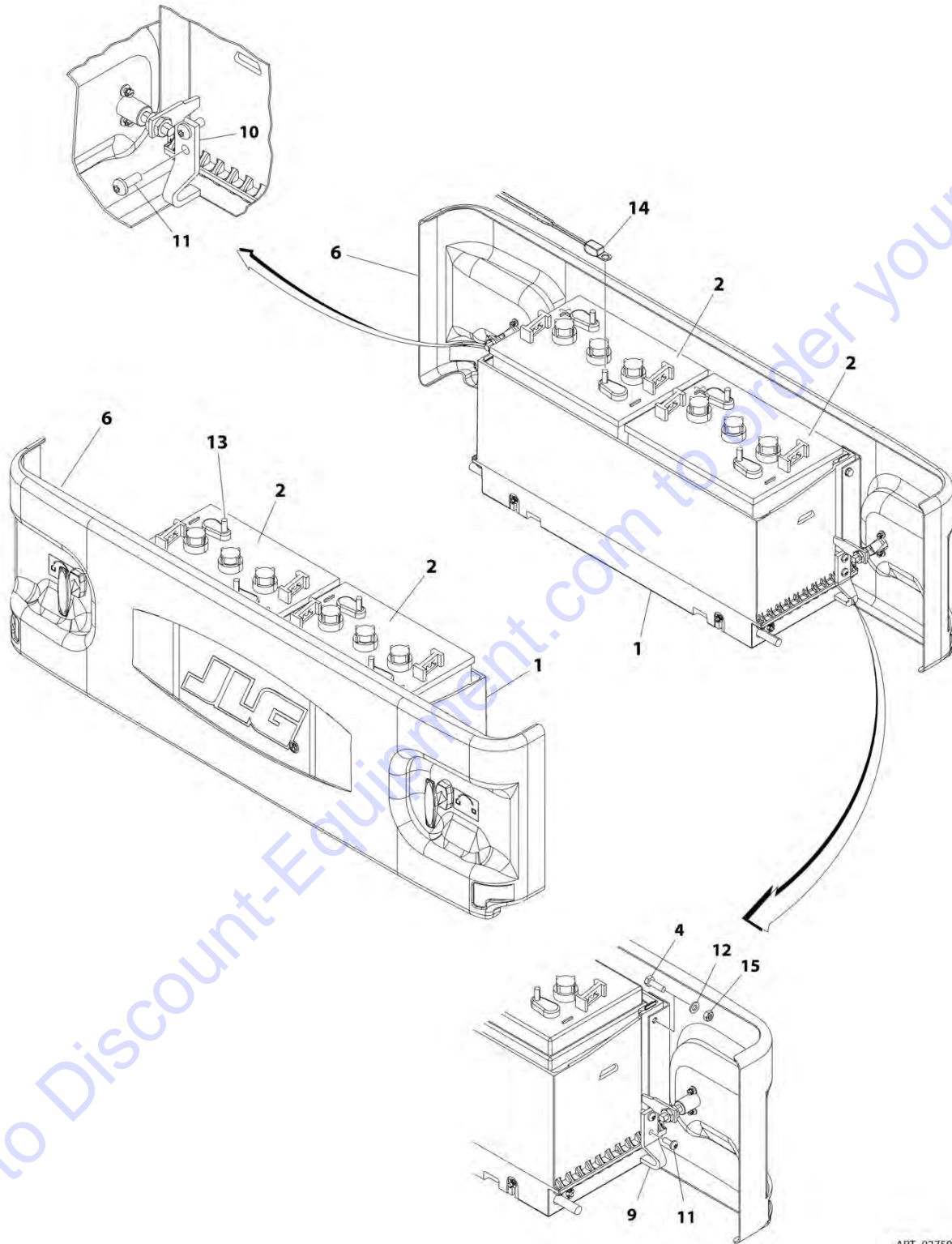
SECTION 2 - GROUND COMPONENTS

FIGURE 2-23. BATTERIES INSTALLATION - EV TYPE - 244 AH RATING (UL LOCKING COVERS)

ITEM	PART NUMBER	QTY	DESCRIPTION	REV
	0275043	Ref	BATTERIES INSTALLATION - EV TYPE - 244 AH RATING (UL LOCKING COVERS)	F
1	0861678	2	Tray Assembly (See BATTERY TRAY ASSEMBLY - UL for Breakdown)	
2	0400216	4	Battery Type EV-145-WNL	
3	0760610	8	Bolt M6 x 20	
3	1001100451	8	Bolt M6 x 20	
4	1671204	2	Cover Assembly (See BATTERY COVER ASSEMBLY - LOCKING for Breakdown)	
5	3290605	2	Nut M6	
6	3574981	2	Plate, Slide Stop (LH)	
7	3574984	2	Plate, Slide Stop (RH)	
8	4031713	2	Capscrew M6 x 45	
9	4191707	8	Screw M6 x 16	
10	4811700	8	Washer M6	
11	0100051	AR	Grease, Terminal	
12	1001112113	1	Sensor, Temperature (SN 0200239382 through 0200266434, SN B200020297 through B200045240, SN M200000100 through M200014363)	
13	3290605	8	Nut M6	

SECTION 2 - GROUND COMPONENTS

FIGURE 2-24. BATTERIES INSTALLATION - GC TYPE - 225 AH RATING (NON LOCKING COVERS)



ART_0275020

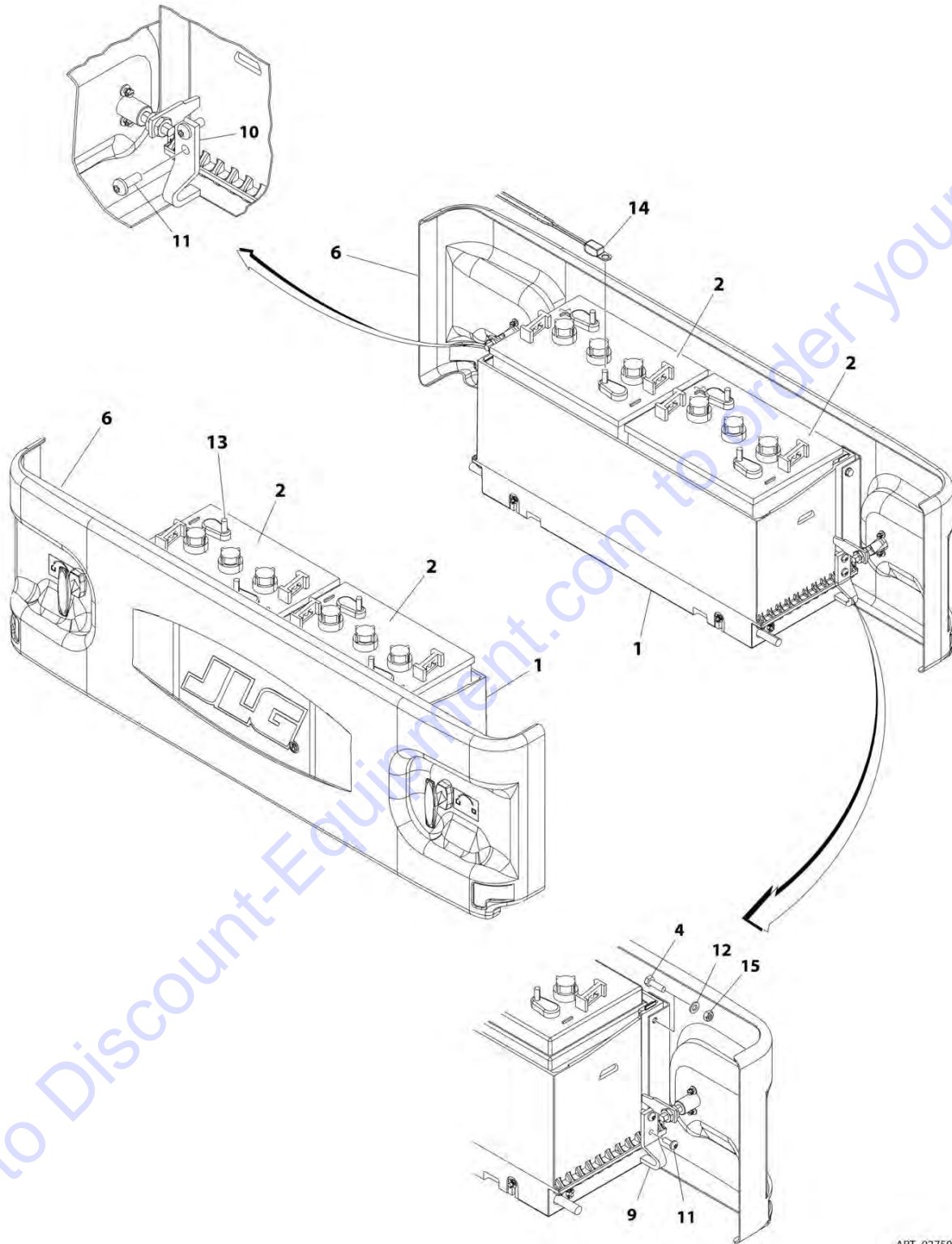
SECTION 2 - GROUND COMPONENTS

FIGURE 2-24. BATTERIES INSTALLATION - GC TYPE - 225 AH RATING (NON LOCKING COVERS)

ITEM	PART NUMBER	QTY	DESCRIPTION	REV
	0275020	Ref	BATTERIES INSTALLATION - GC TYPE - 225 AH RATING (NON LOCKING COVERS)	G
1	0273698	2	Tray Assembly (See BATTERY TRAY ASSEMBLY - NON UL for Breakdown)	
2	0400215	4	Battery Type GC-110-WNL	
4	0760610	8	Bolt M6 x 20	
4	1001100451	8	Bolt M6 x 20	
6	1671202	2	Cover Assembly (See BATTERY COVER ASSEMBLY - NON-LOCKING for Breakdown)	
9	3574981	2	Plate, Slide Stop (LH)	
10	3574984	2	Plate, Slide Stop (RH)	
11	4191707	8	Screw M6 x 16	
12	4811700	8	Washer M6	
13	0100051	AR	Grease, Terminal	
14	1001112113	1	Sensor, Temperature (SN 0200239382 through 0200266434, SN 1200025021 through 1200026952, SN B200020297 through B200045240, SN M200000100 through M200014363)	
15	3290605	8	Nut M6	

SECTION 2 - GROUND COMPONENTS

FIGURE 2-25. BATTERIES INSTALLATION - GC TYPE - 225 AH RATING (NON-UL LOCKING COVERS)



ART_0275022

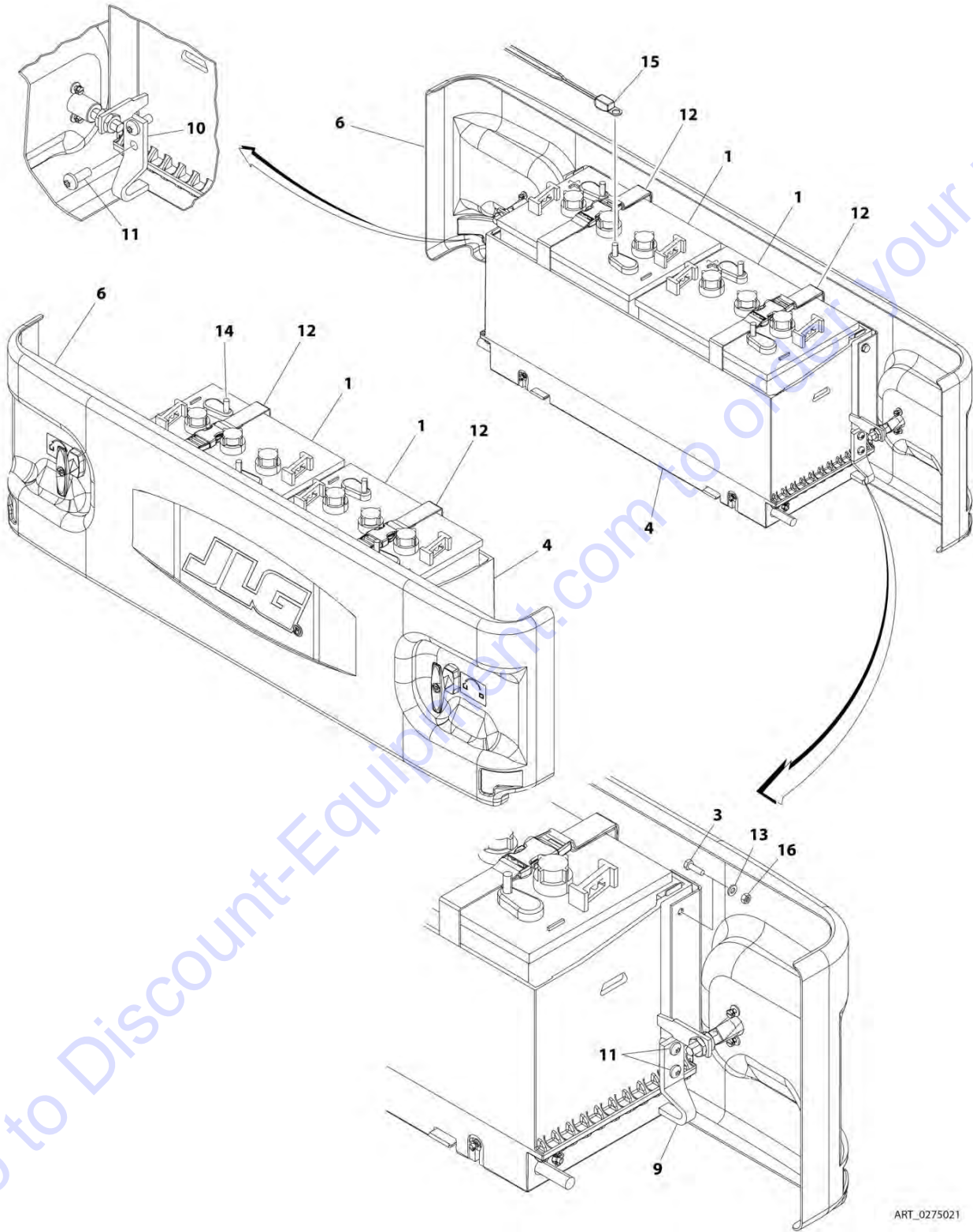
SECTION 2 - GROUND COMPONENTS

FIGURE 2-25. BATTERIES INSTALLATION - GC TYPE - 225 AH RATING (NON-UL LOCKING COVERS)

ITEM	PART NUMBER	QTY	DESCRIPTION	REV
	0275022	Ref	BATTERIES INSTALLATION - GC TYPE - 225 AH RATING (NON-UL LOCKING COVERS)	G
1	0273698	2	Tray Assembly (See BATTERY TRAY ASSEMBLY - NON UL for Breakdown)	
2	0400215	4	Battery Type GC-110-WNL	
4	0760610	8	Bolt M6 x 20	
4	1001100451	8	Bolt M6 x 20	
6	1671204	2	Cover Assembly (See BATTERY COVER ASSEMBLY - LOCKING for Breakdown)	
9	3574981	2	Plate, Slide Stop (LH)	
10	3574984	2	Plate, Slide Stop (RH)	
11	4191707	8	Screw M6 x 16	
12	4811700	8	Washer M6	
13	0100051	AR	Grease, Terminal	
14	1001112113	1	Sensor, Temperature (SN 0200239382 through 0200266434, SN 1200025021 through 1200026952, SN B200020297 through B200045240, SN M200000100 through M200014363)	
15	3290605	8	Nut M6	

SECTION 2 - GROUND COMPONENTS

FIGURE 2-26. BATTERIES INSTALLATION - GC TYPE - 225 AH RATING (UL LOCKING COVERS)



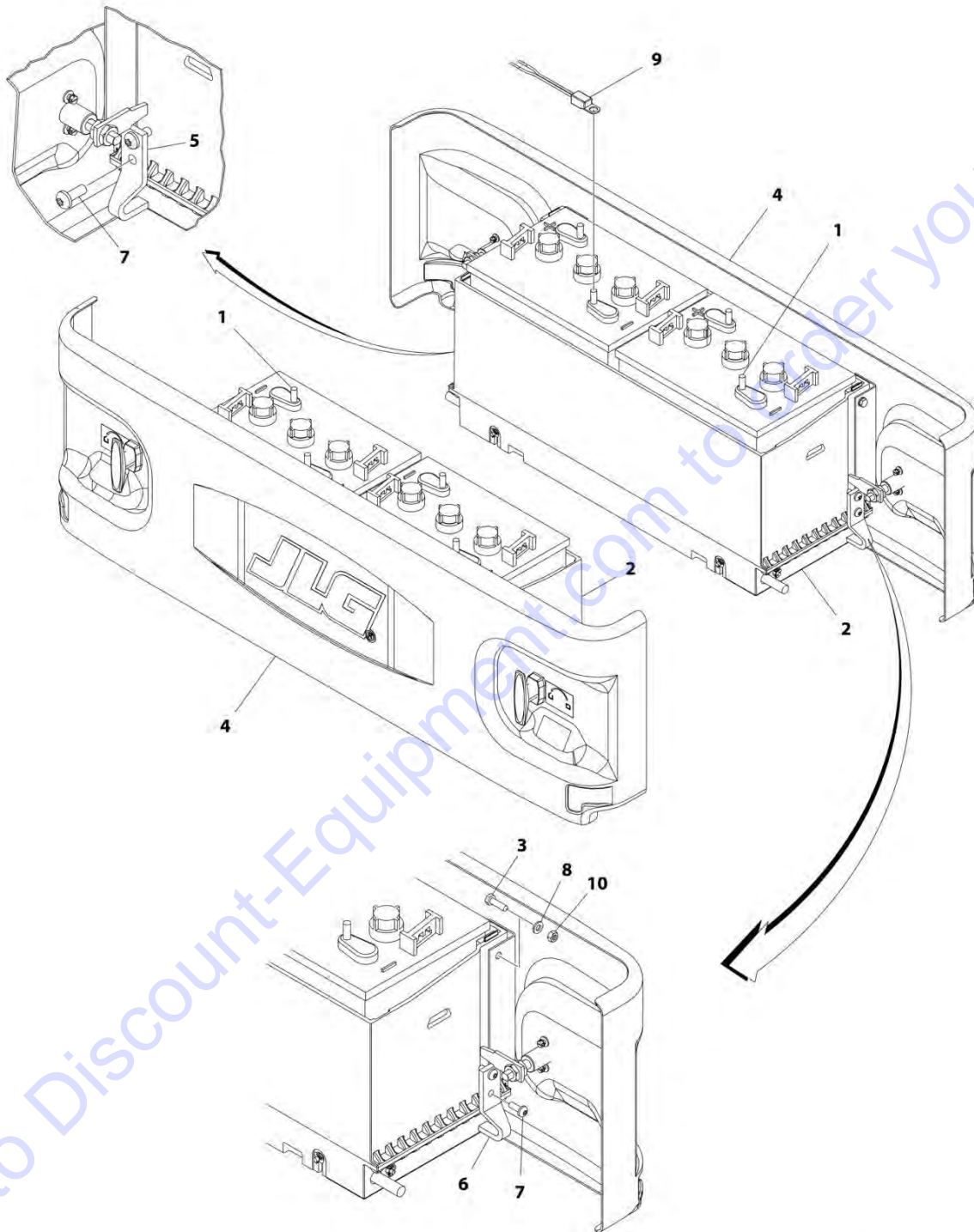
SECTION 2 - GROUND COMPONENTS

FIGURE 2-26. BATTERIES INSTALLATION - GC TYPE - 225 AH RATING (UL LOCKING COVERS)

ITEM	PART NUMBER	QTY	DESCRIPTION	REV
	0275021	Ref	BATTERIES INSTALLATION - GC TYPE - 225 AH RATING (UL LOCKING COVERS)	G
1	0400215	4	Battery Type GC-110-WNL	
3	0760610	8	Bolt M6 x 20	
3	1001100451	8	Bolt M6 x 20	
4	0861678	2	Tray Assembly (See BATTERY TRAY ASSEMBLY - UL for Breakdown)	
6	1671204	2	Cover Assembly (See BATTERY COVER ASSEMBLY - LOCKING for Breakdown)	
9	3574981	2	Plate, Slide Stop (LH)	
10	3574984	2	Plate, Slide Stop (RH)	
11	4191707	8	Screw M6 x 16	
12	4240172	2	Strap	
13	4811700	8	Washer M6	
14	0100051	AR	Grease, Terminal	
15	1001112113	1	Sensor, Temperature (SN 0200239382 through 0200266434, SN B200020297 through B200045240, SN M200000100 through M200014363)	
16	3290605	8	Nut M6	

SECTION 2 - GROUND COMPONENTS

FIGURE 2-27. BATTERIES INSTALLATION - 220 AH RATING WITHOUT BATTERIES (NON LOCKING COVERS)



ART_1001209104

SECTION 2 - GROUND COMPONENTS

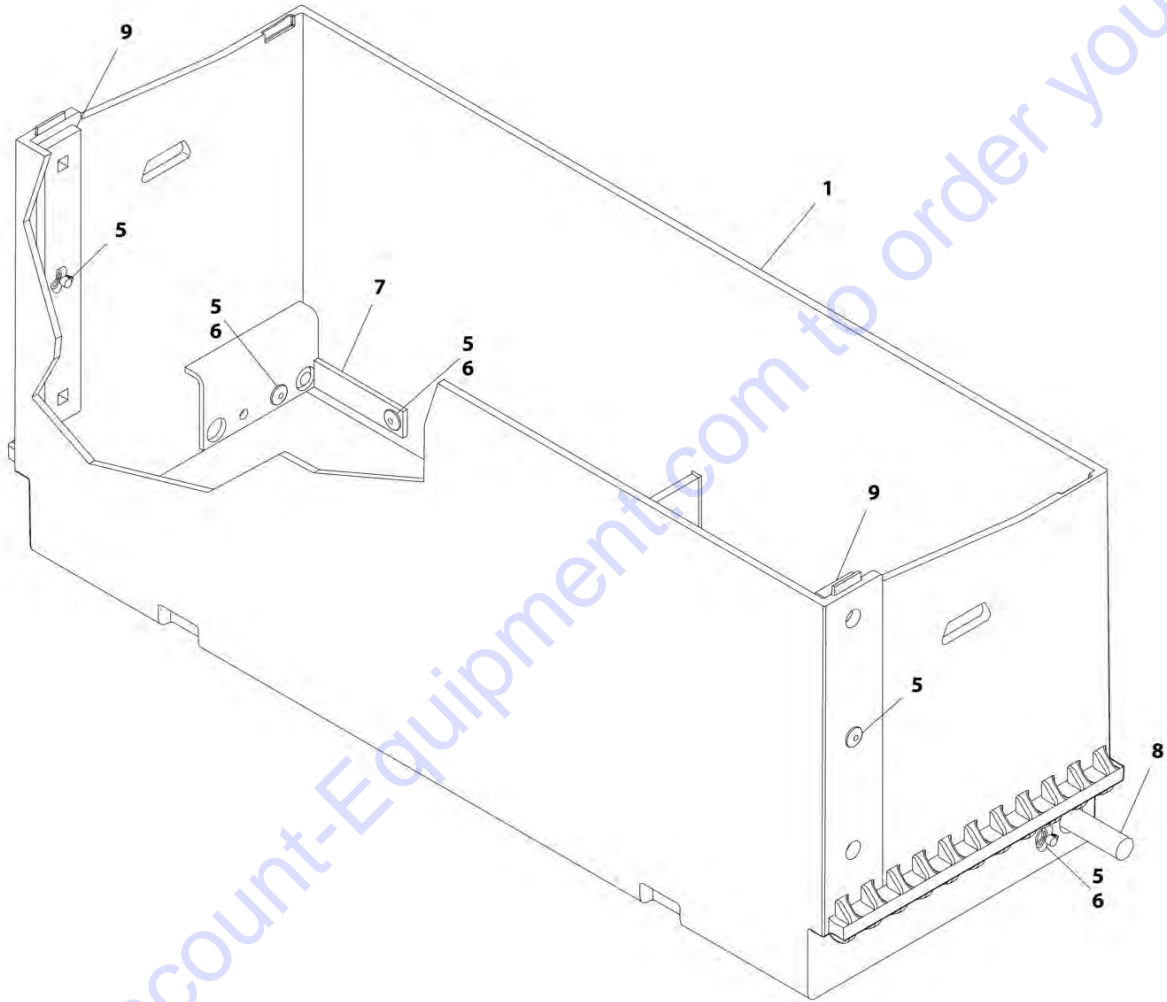
FIGURE 2-27. BATTERIES INSTALLATION - 220 AH RATING WITHOUT BATTERIES (NON LOCKING COVERS)

ITEM	PART NUMBER	QTY	DESCRIPTION	REV
	1001209104	Ref	BATTERIES INSTALLATION - 220 AH RATING WITHOUT BATTERIES (NON LOCKING COVERS)	C
1	0100051	AR	Grease, Terminal	
2	0273698	2	Tray Assembly (See BATTERY TRAY ASSEMBLY - NON UL for Breakdown)	
3	0760610	8	Bolt M6 x 20	
3	1001100451	8	Bolt M6 x 20	
4	1671202	1	Cover Assembly (See BATTERY COVER ASSEMBLY - NON-LOCKING for Breakdown)	
5	3574981	2	Plate, Slide Stop (LH)	
6	3574984	2	Plate, Slide Stop (RH)	
7	4191707	8	Screw M6 x 16	
8	4811700	8	Washer M6	
9	1001112113	1	Sensor, Temperature (SN B200020297 through B200045240)	
10	3290605	8	Nut M6	

Go to Discount-Equipment.com to order your parts

SECTION 2 - GROUND COMPONENTS

FIGURE 2-28. BATTERY TRAY ASSEMBLY - NON-UL



ART_0273698

SECTION 2 - GROUND COMPONENTS

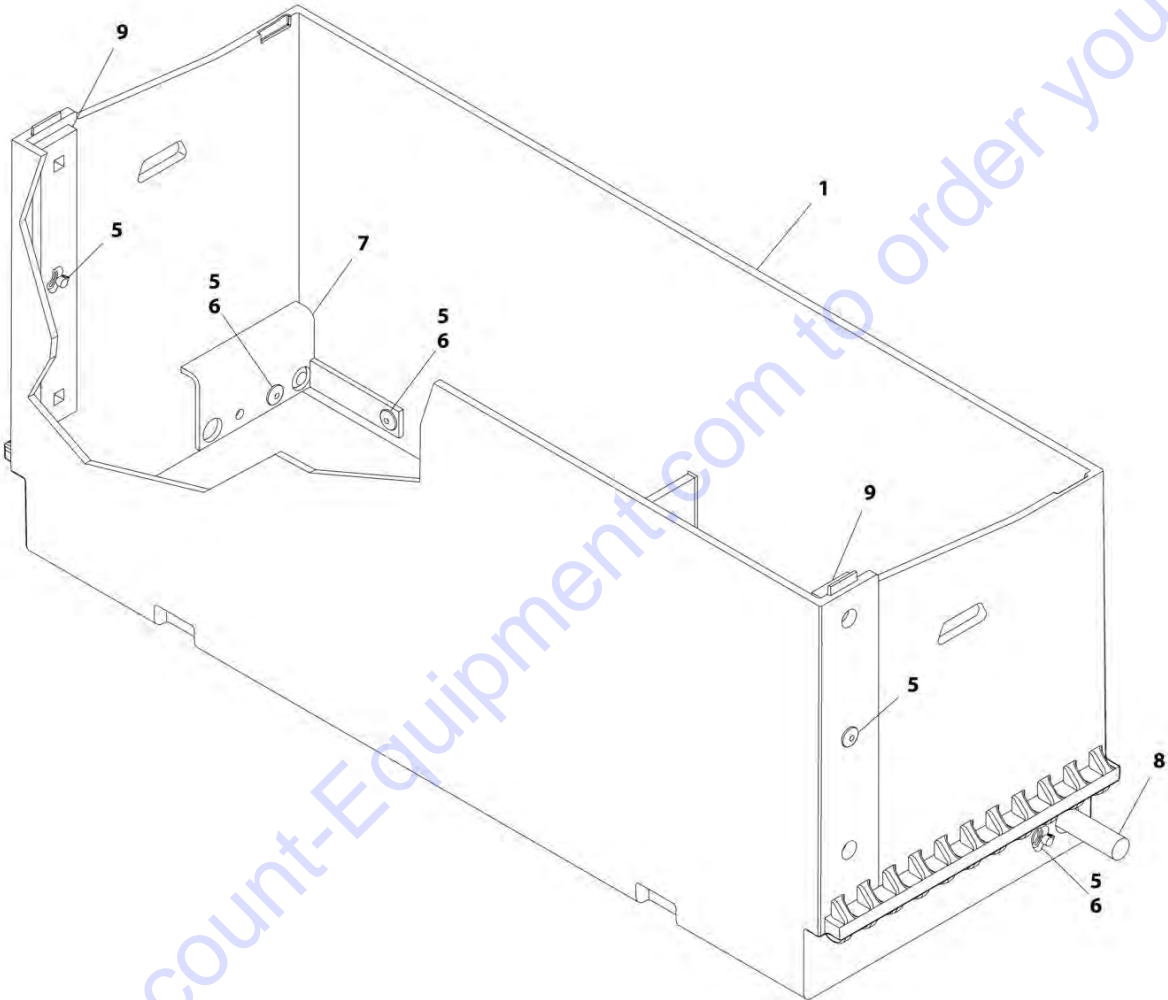
FIGURE 2-28. BATTERY TRAY ASSEMBLY - NON-UL

ITEM	PART NUMBER	QTY	DESCRIPTION	REV
	0273698	Ref	BATTERY TRAY ASSEMBLY - NON-UL	J
1	0861650	1	Tray, Battery	
5	3820032	6	Rivet	
6	4811600	4	Washer M5	
7	4220252	1	Stop (LH)	
8	4220253	1	Stop (RH)	
9	3577076	2	Bar (SN 0200239382 through 0200266381, SN 1200025021 through 1200030217, SN B200020297 through B200049756, SN M200000100 through M200026260)	
9	1001233888	2	Bar (SN 0200266382 to Present, SN 1200030218 to Present, SN B200049757 to Present, Including M200026261)	

Go to Discount-Equipment.com to order your parts

SECTION 2 - GROUND COMPONENTS

FIGURE 2-29. BATTERY TRAY ASSEMBLY - UL



ART_0861678

SECTION 2 - GROUND COMPONENTS

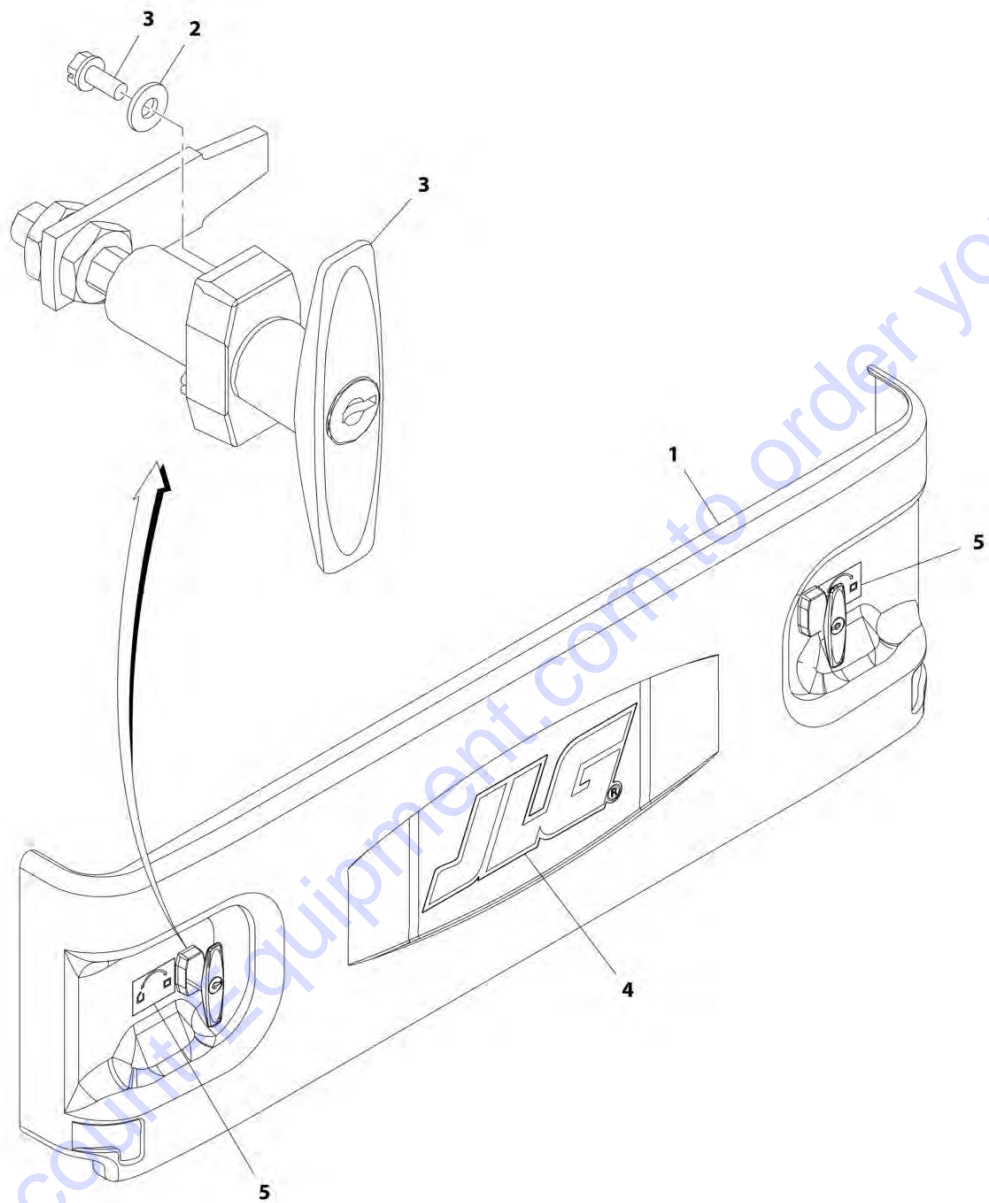
FIGURE 2-29. BATTERY TRAY ASSEMBLY - UL

ITEM	PART NUMBER	QTY	DESCRIPTION	REV
	0861678	Ref	BATTERY TRAY ASSEMBLY - UL	H
1	0861677	1	Tray, Battery	
5	3820032	6	Rivet	
6	4811600	4	Washer M5	
7	4220252	1	Stop (LH)	
8	4220253	1	Stop (RH)	
9	3577076	2	Bar (SN 0200239382 through 0200266381, SN 1200025021 through 1200030217, SN B200020297 through B200049756, SN M200000100 through M200026260)	
9	1001233888	2	Bar (SN 0200266382 to Present, SN 1200030218 to Present, SN B200049757 to Present, SN M200026261 to Present)	

Go to Discount-Equipment.com to order your parts

SECTION 2 - GROUND COMPONENTS

FIGURE 2-30. BATTERY COVER ASSEMBLY - NON-LOCKING



ART_1671202

SECTION 2 - GROUND COMPONENTS

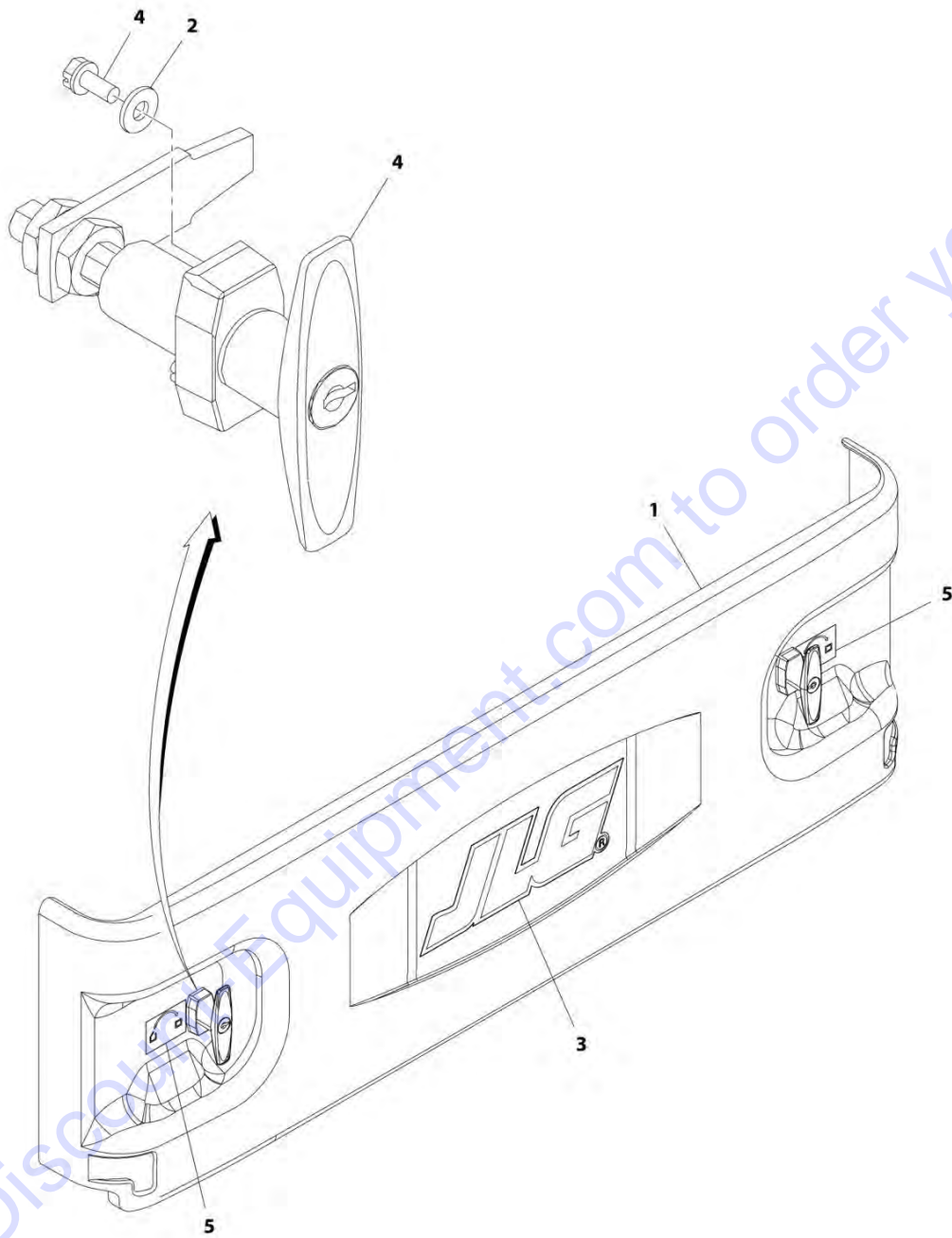
FIGURE 2-30. BATTERY COVER ASSEMBLY - NON-LOCKING

ITEM	PART NUMBER	QTY	DESCRIPTION	REV
	1671202	Ref	BATTERY COVER ASSEMBLY - NON-LOCKING	I
1	1671203	1	Cover, Battery Less Decals and Latches	
2	4750800	4	Washer #8	
3	2940174	2	Latch, T-Handle	
4	1705754	1	Decal - JLG (SN 0200239382 through 0200262285, SN B200020297 through B200038299, SN M200000100 through M200007989)	
5	1706350	2	Decal - Cover	

Go to Discount-Equipment.com to order your parts

SECTION 2 - GROUND COMPONENTS

FIGURE 2-31. BATTERY COVER ASSEMBLY - LOCKING



ART_1671204

SECTION 2 - GROUND COMPONENTS

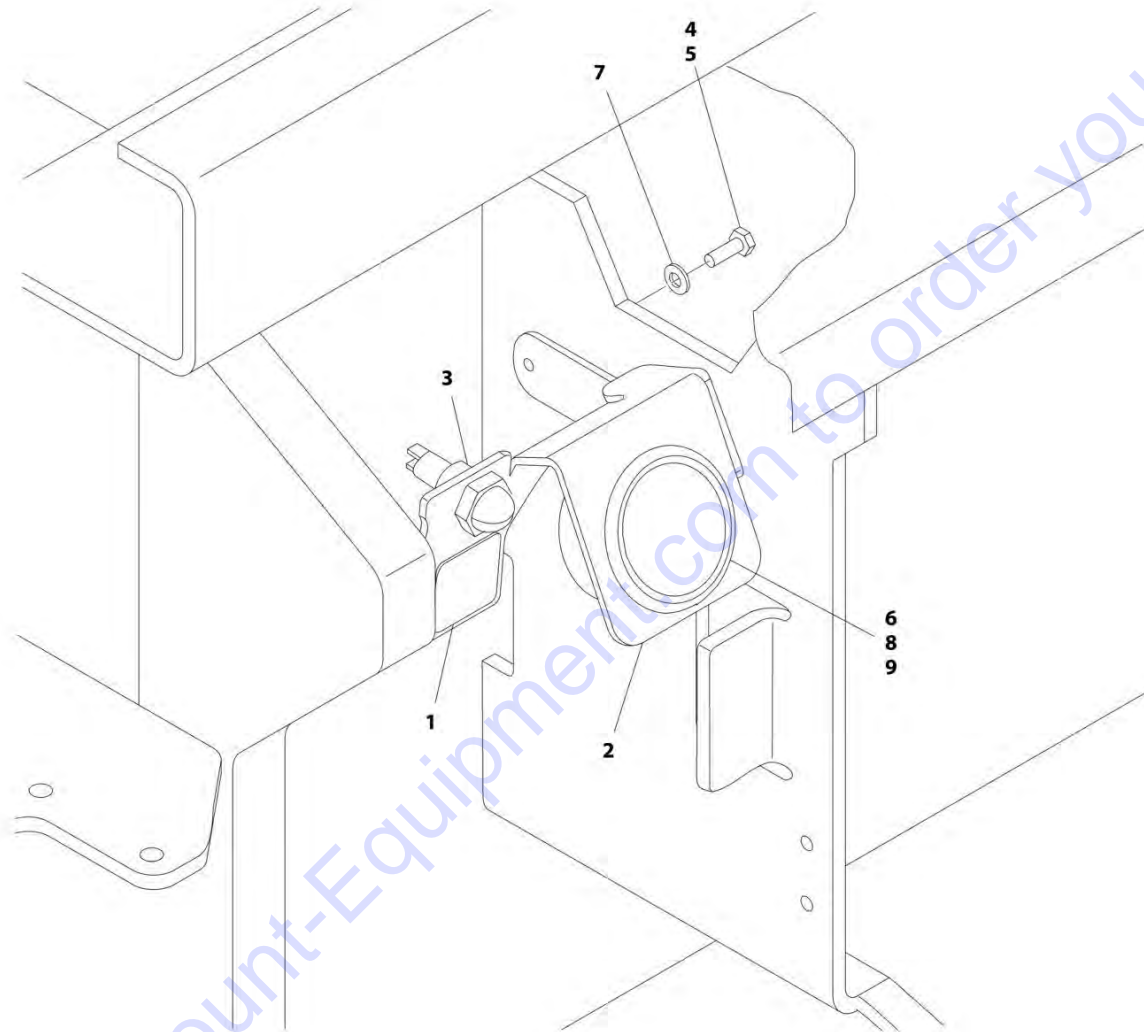
FIGURE 2-31. BATTERY COVER ASSEMBLY - LOCKING

ITEM	PART NUMBER	QTY	DESCRIPTION	REV
	1671204	Ref	BATTERY COVER ASSEMBLY - LOCKING	I
1	1671203	1	Cover, Battery Less Decals and Latches	
2	4750800	4	Washer #8	
3	1705754	1	Decal - JLG	
4	2940175	2	Latch, T-Handle (Locking)	
4	7027863	2	Key	
5	1706350	2	Decal - Cover	

Go to Discount-Equipment.com to order your parts

SECTION 2 - GROUND COMPONENTS

FIGURE 2-32. BRAKE DISCONNECT AND MDI (MULTIFUNCTION DIGITAL INDICATOR) GAUGE INSTALLATION



ART_0275530

SECTION 2 - GROUND COMPONENTS

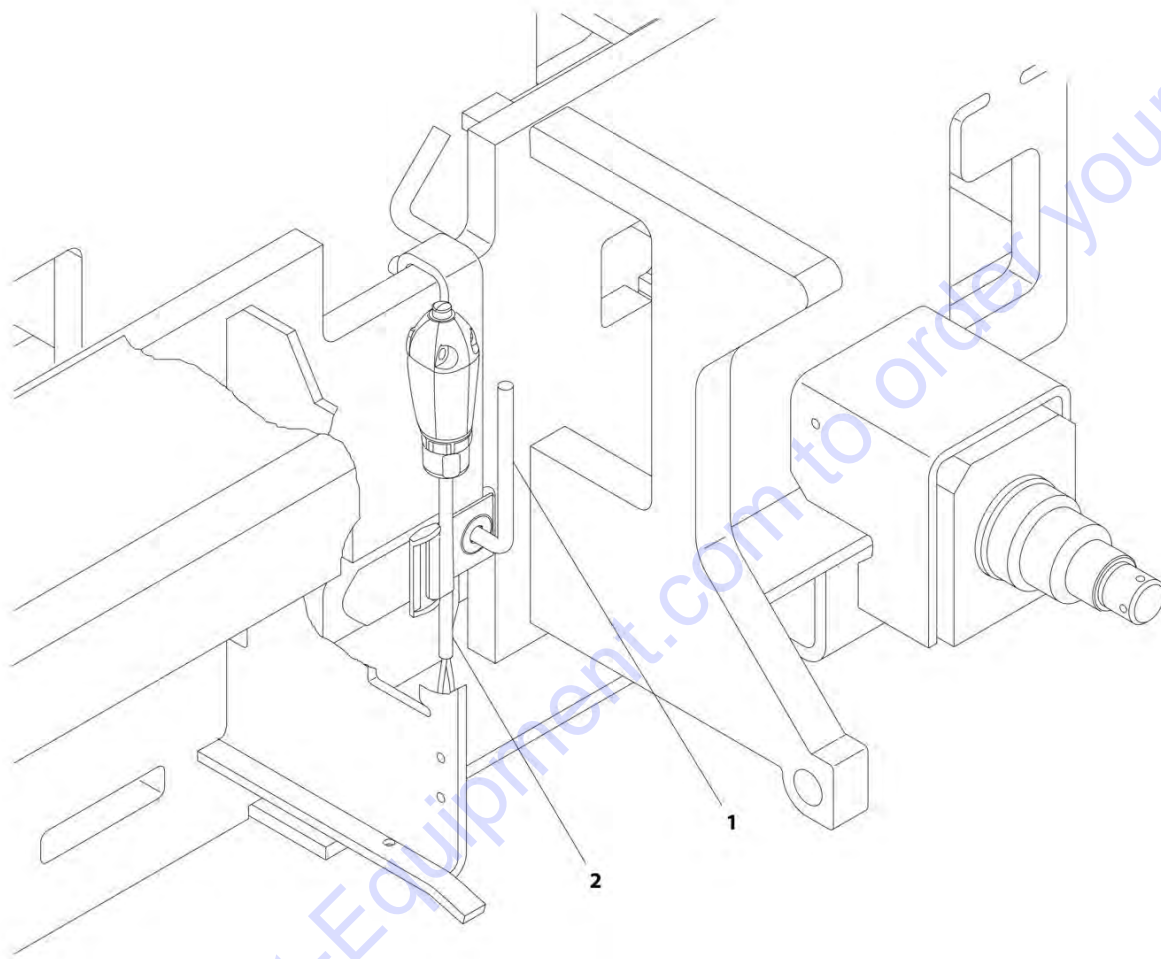
FIGURE 2-32. BRAKE DISCONNECT AND MDI (MULTIFUNCTION DIGITAL INDICATOR) GAUGE INSTALLATION

ITEM	PART NUMBER	QTY	DESCRIPTION	REV
	0275530	Ref	BRAKE DISCONNECT AND MDI (MULTIFUNCTION DIGITAL INDICATOR) GAUGE INSTALLATION	D
1	1706679	1	Decal - Brake Release	
2	1001094203	1	Bracket	
3	4360387	1	Switch, Push Button	
4	4031607	2	Capscrew M5 x 16	
5	0100011	AR	Compound, Locking	
6	0100048	AR	Grease, Dielectric	
7	4811600	2	Washer M5	
8	1001092454	1	Gauge, MDI (Multifunction Digital Indicator)	
9	1001093556	1	MDI Harness (Not Shown - See ELECTRICAL SECTION for Breakdown)	

Go to Discount-Equipment.com to order your parts

SECTION 2 - GROUND COMPONENTS

FIGURE 2-33. BRAKE CABLE INSTALLATION (OPTIONAL)



ART_0275432

SECTION 2 - GROUND COMPONENTS

FIGURE 2-33. BRAKE CABLE INSTALLATION (OPTIONAL)

ITEM	PART NUMBER	QTY	DESCRIPTION	REV
	0275432	Ref	BRAKE CABLE INSTALLATION (OPTIONAL)	B
1	2902331	1	Brake Release Mount Kit (Includes Mounting Bracket and Setscrew)	
1	3951608	1	Setscrew 3/8 x 1	
2	4922944	1	Brake Disconnect Harness (See ELECTRICAL SECTION for Breakdown)	

Go to Discount-Equipment.com to order your parts

PARTS FINDER

**Search Website
by Part Number**



**Search Manual
Library For Parts
Manual & Lookup Part
Numbers – Purchase
or Request Quote**

**Can't Find Part or
Manual? Request Help
by Manufacturer,
Model & Description**

Discount-Equipment.com is your online resource for quality parts & equipment.

Florida: **561-964-4949** Outside Florida TOLL FREE: **877-690-3101**

Need parts?

Click on this link: <http://www.discount-equipment.com/category/5443-parts/> and choose one of the options to help get the right parts and equipment you are looking for. Please have the machine model and serial number available in order to help us get you the correct parts. If you don't find the part on the website or on one of the online manuals, please fill out the request form and one of our experienced staff members will get back to you with a quote for the right part that your machine needs.

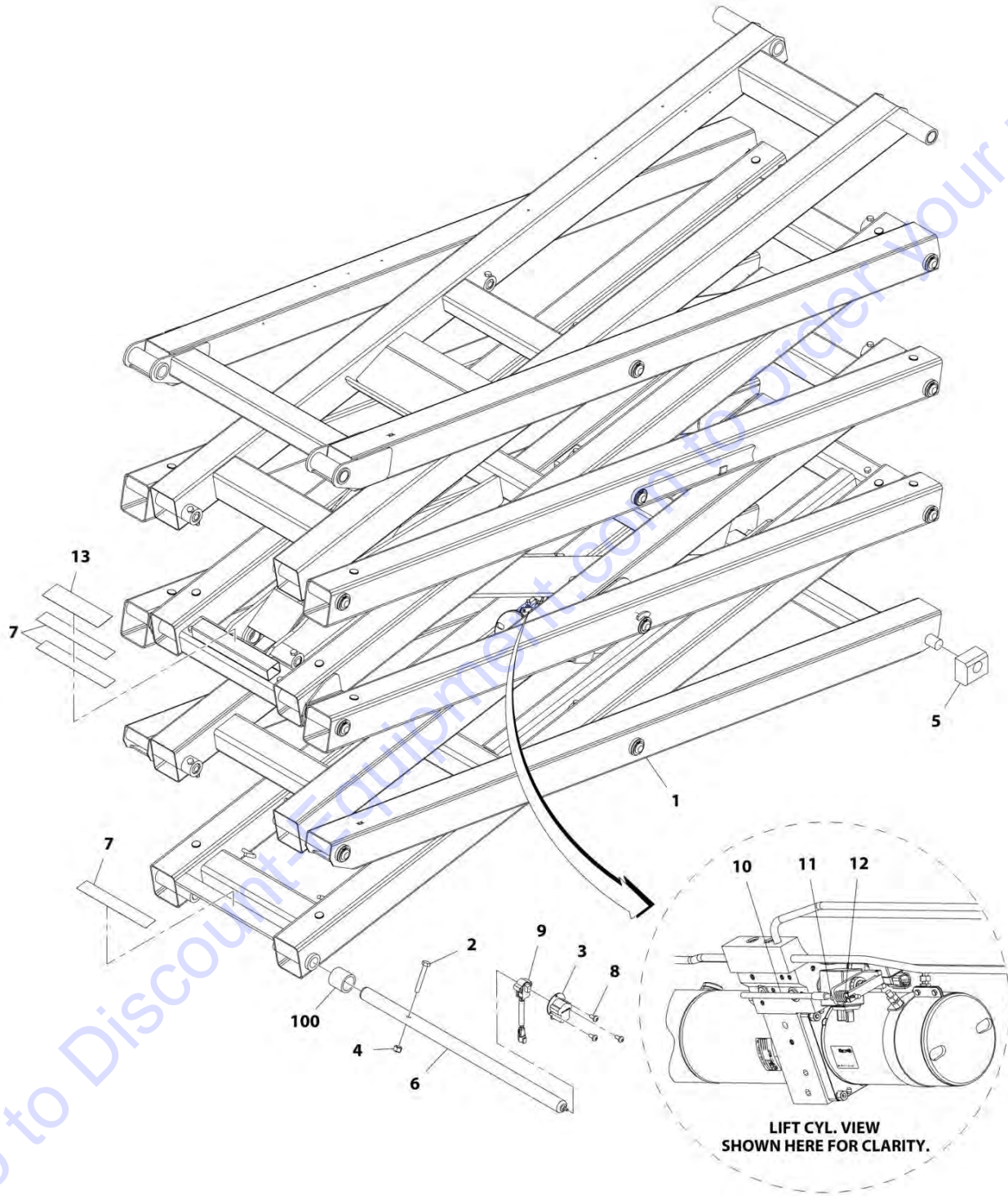
We sell worldwide for the brands: Genie, Terex, JLG, MultiQuip, Mikasa, Essick, Whiteman, Mayco, Toro Stone, Diamond Products, Generac Magnum, Airman, Haulotte, Barreto, Power Blanket, Nifty Lift, Atlas Copco, Chicago Pneumatic, Allmand, Miller Curber, Skyjack, Lull, Skytrak, Tsurumi, Husquvarna Target, Stow, Wacker, Sakai, Mi-T-M, Sullair, Basic, Dynapac, MBW, Weber, Bartell, Bennar Newman, Haulotte, Ditch Runner, Menegotti, Morrison, Contec, Buddy, Crown, Edco, Wyco, Bomag, Laymor, EZ Trench, Bil-Jax, F.S. Curtis, Gehl Pavers, Heli, Honda, ICS/PowerGrit, IHI, Partner, Imer, Clipper, MMD, Koshin, Rice, CH&E, General Equipment, Amida, Coleman, NAC, Gradall, Square Shooter, Kent, Stanley, Tamco, Toku, Hatz, Kohler, Robin, Wisconsin, Northrock, Oztec, Toker TK, Rol-Air, APT, Wylie, Ingersoll Rand / Doosan, Innovatech, Con X, Ammann, Mecalac, Makinex, Smith Surface Prep, Small Line, Wanco, Yanmar

SECTION 3 - SCISSOR ARMS

Go to Discount-Equipment.com to order your parts

SECTION 3 - SCISSOR ARMS

FIGURE 3-1. SCISSORS ARMS INSTALLATION - 2646ES STANDARD HYDRAULIC OIL (USA BUILT MACHINES) (SN 0200239382 through 0200241220)



ART_1001157324

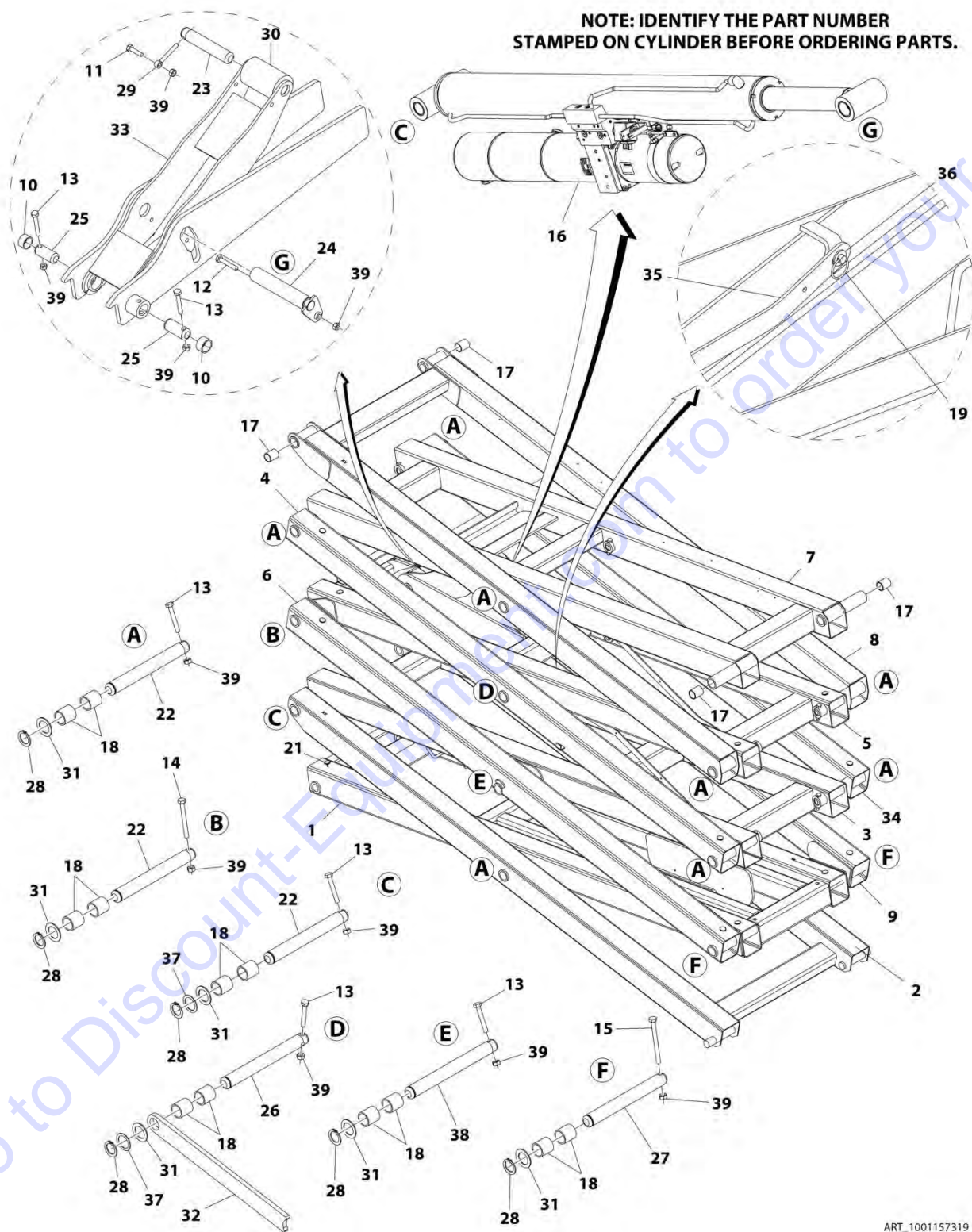
SECTION 3 - SCISSOR ARMS

FIGURE 3-1. SCISSORS ARMS INSTALLATION - 2646ES STANDARD HYDRAULIC OIL (USA BUILT MACHINES) (SN 0200239382 through 0200241220)

ITEM	PART NUMBER	QTY	DESCRIPTION	REV
	1001157324	Ref	SCISSORS ARMS INSTALLATION - 2646ES STANDARD HYDRAULIC OIL (USA BUILT MACHINES)	C
1	1001157319	1	Arms Assembly (See SCISSORS ARMS ASSEMBLY - 2646ES STANDARD HYDRAULIC OIL (USA BUILT MACHINES) for Breakdown)	
2	0701022	1	Bolt M10 x 70	
3	3200454	1	Mount, Switch	
4	3291005	1	Nut M10	
5	3340957	2	Pad, Slide	
6	3423255	1	Pin, Sensor	
7	4420070	3	Tape, Anti-Skid	
8	4191706	3	Screw M6 x 12	
9	1001092354	1	Switch, Rotary Angle Sensor	
9	4460536	1	Receptacle, Female - 3 Position	
9	4460464	3	Pin, Male	
10	1061034	1	Cable, Manual Descent	
10	7020218	1	T-Handle (With 1/4-20 Threads)	
10	70001878	1	T-Handle (With 5mm Threads)	
11	3321402	1	Nut 1/4-28	
12	4160078	1	Spring, Compression	
13	4420080	1	Tape, Safety Tread Step	
100	0440265	2	Bushing (Part of Frame Weldment)	

SECTION 3 - SCISSOR ARMS

FIGURE 3-2. SCISSORS ARMS ASSEMBLY - 2646ES STANDARD HYDRAULIC OIL (USA BUILT MACHINES) (SN 0200239382 through 0200241220)



ART_1001157319

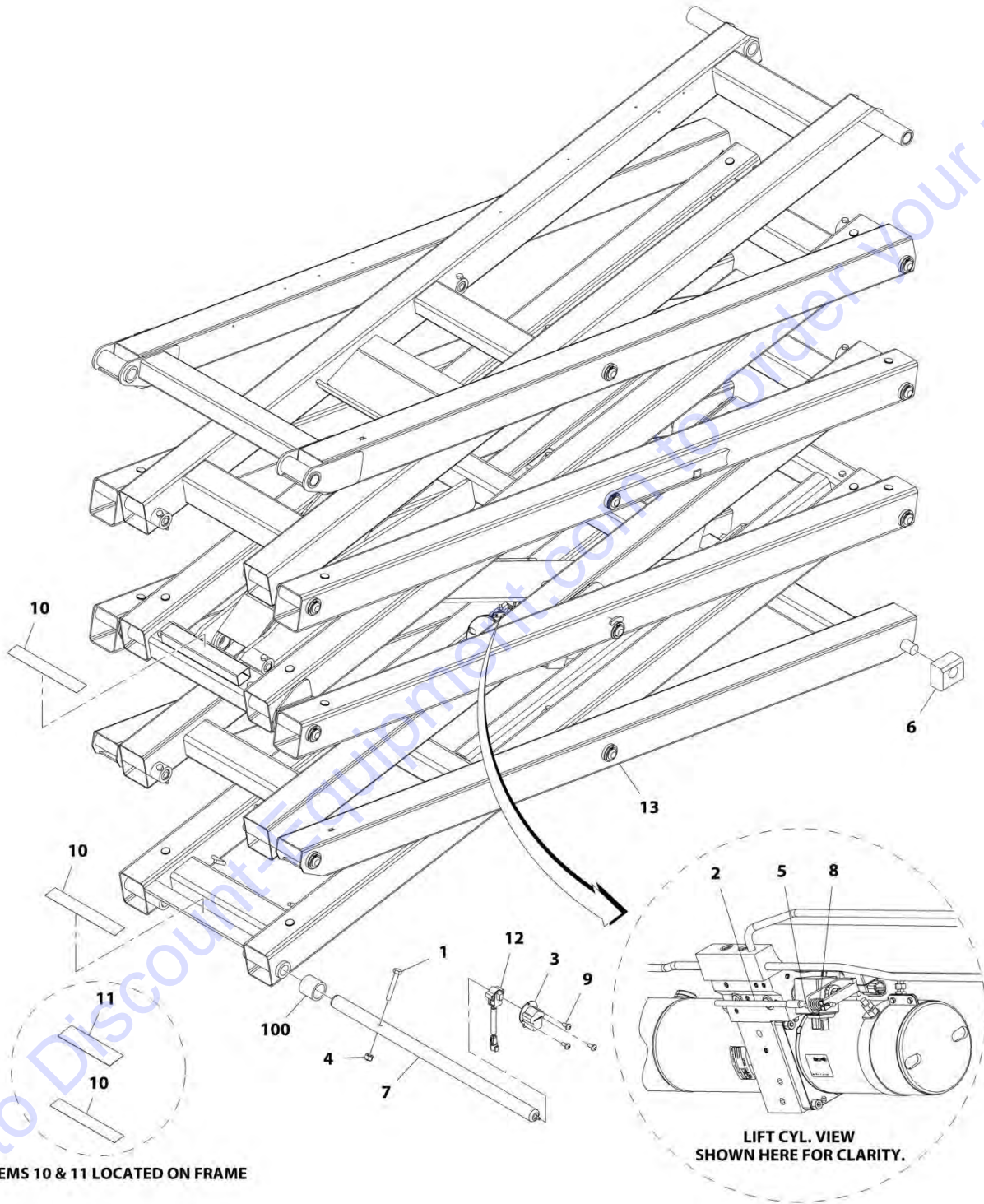
SECTION 3 - SCISSOR ARMS

FIGURE 3-2. SCISSORS ARMS ASSEMBLY - 2646ES STANDARD HYDRAULIC OIL (USA BUILT MACHINES) (SN 0200239382 through 0200241220)

ITEM	PART NUMBER	QTY	DESCRIPTION	REV
	1001157319	Ref	SCISSORS ARMS ASSEMBLY - 2646ES STANDARD HYDRAULIC OIL (USA BUILT MACHINES)	D
1	0200832	1	Arm - Lower Inboard	
2	0200783	1	Arm - Lower Outboard	
3	0200831	1	Arm - Lower Mid Inboard	
4	0200830	1	Arm - Upper Mid Outboard (Right Side)	
5	0200829	1	Arm - Upper Mid Inboard	
6	0200828	1	Arm - Lower Mid Outboard (Right Side)	
7	0200827	1	Arm - Upper Inboard	
8	0200789	1	Arm - Upper Outboard	
9	0200826	1	Arm - Lower Mid Outboard (Left Side)	
10	0440257	2	Bearing	
11	0701016	1	Bolt M10 x 40	
12	0701020	1	Bolt M10 x 60	
13	0701022	19	Bolt M10 x 70	
14	0701027	2	Bolt M10 x 100	
15	0701029	2	Bolt M10 x 120	
16	1001155843	1	Lift Cylinder Assembly - Standard Hydraulic Oil (See CYLINDER SECTION for Breakdown)	
17	0440266	4	Bearing	
18	0440267	40	Bearing	
19	3760170	4	Ring, Split	
21	3340962	24	Pad, Arm	
22	3422997	17	Pin	
23	3422998	1	Pin	
24	3423009	NLA	Pin (Use p/n 1001226707)	
25	3423011	2	Pin	
26	3423014	1	Pin	
27	3423026	2	Pin	
28	3760387	20	Ring, Retaining	
29	3841143	1	Keeper, Pin	
30	3860104	1	Roller, Arm Kicker	
31	4740438	20	Washer	
32	3574161	1	Bar, Prop Attach	
33	4846684	1	Weld, Kicker	
34	0200820	1	Arm - Upper Mid Outboard (Left Side)	
35	1180380	2	Carrier, Cable	
36	4812000	4	Washer M10	
37	4071094	AR	Shim, Spacer	
38	3423170	1	Pin	
39	3291007	25	Nut M10	

SECTION 3 - SCISSOR ARMS

FIGURE 3-3. SCISSORS ARMS INSTALLATION - 2646ES STANDARD HYDRAULIC OIL (USA AND MEXICO BUILT MACHINES) (SN 0200241221 to Present, SN M200000100 through M200022030)



ITEMS 10 & 11 LOCATED ON FRAME

LIFT CYL. VIEW
SHOWN HERE FOR CLARITY.

ART_1001191067

SECTION 3 - SCISSOR ARMS

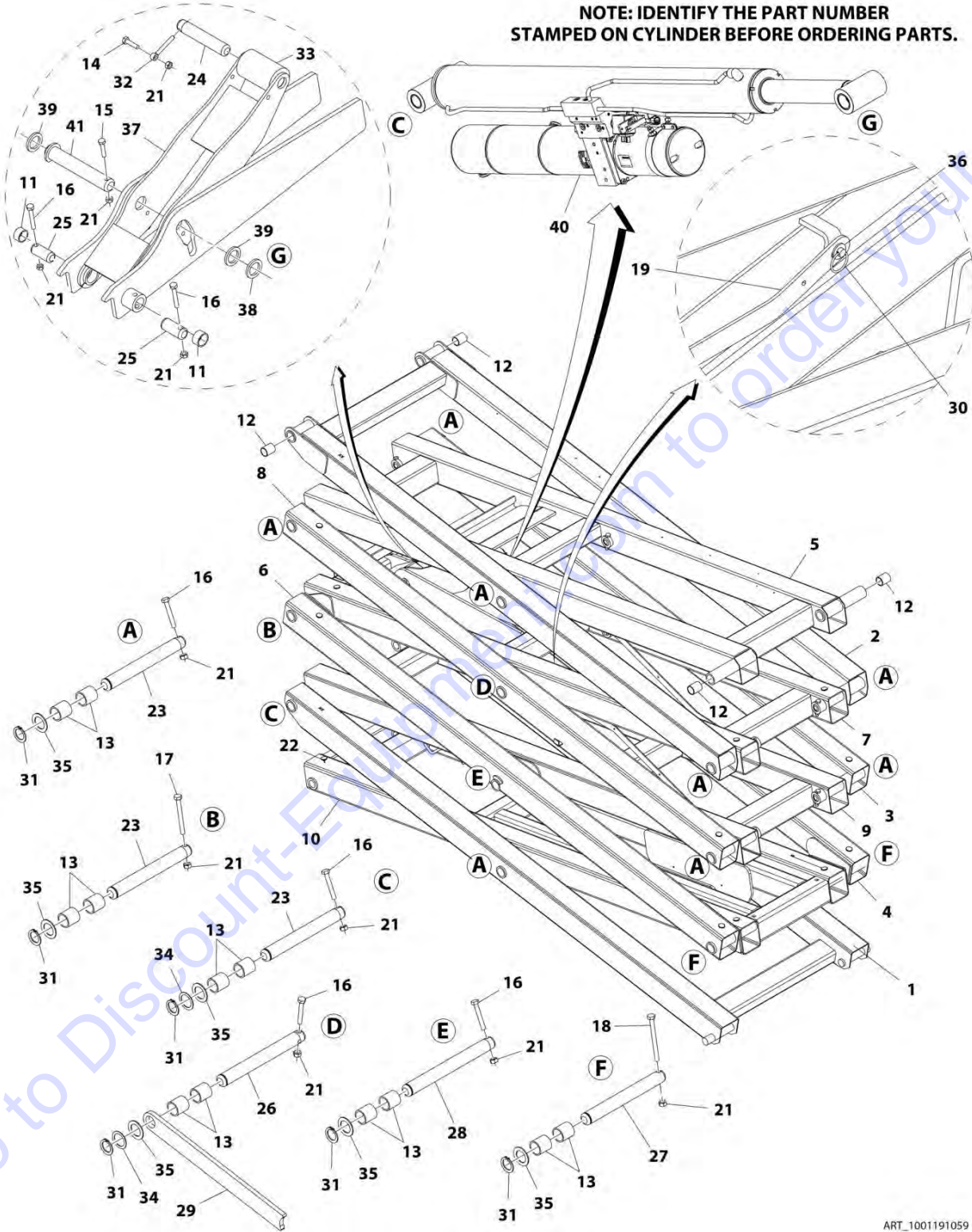
FIGURE 3-3. SCISSORS ARMS INSTALLATION - 2646ES STANDARD HYDRAULIC OIL (USA AND MEXICO BUILT MACHINES) (SN 0200241221 to Present, SN M200000100 through M200022030)

ITEM	PART NUMBER	QTY	DESCRIPTION	REV
	1001191067	Ref	SCISSORS ARMS INSTALLATION - 2646ES STANDARD HYDRAULIC OIL	B
1	0701022	1	Bolt M10 x 70	
2	1061034	1	Cable, Manual Descent	
2	7020218	1	T-Handle (With 1/4-20 Threads)	
2	70001878	1	T-Handle (With 5mm Threads)	
3	3200454	1	Mount, Switch	
4	3291005	1	Nut M10	
5	3321402	1	Nut 1/4-28	
6	3340957	2	Pad, Slide	
7	3423255	1	Pin, Sensor	
8	4160078	1	Spring, Compression	
9	4191706	3	Screw M6 x 12	
10	4420070	3	Tape, Anti-Skid	
11	4420080	1	Tape, Safety Tread Step	
12	1001092354	1	Switch, Rotary Angle Sensor	
12	4460536	1	Receptacle, Female - 3 Position	
12	4460464	3	Pin, Male	
13	1001191059	1	Arms Assembly (See SCISSORS ARMS ASSEMBLY - 2646ES STANDARD HYDRAULIC OIL (USA AND MEXICO BUILT MACHINES) for Breakdown)	
100	0440265	2	Bushing (Part of Frame Weldment)	

SECTION 3 - SCISSOR ARMS

FIGURE 3-4. SCISSORS ARMS ASSEMBLY - 2646ES STANDARD HYDRAULIC OIL (USA AND MEXICO BUILT MACHINES) (SN 0200241221 to Present, SN M200000100 to Present)

NOTE: IDENTIFY THE PART NUMBER STAMPED ON CYLINDER BEFORE ORDERING PARTS.



ART_1001191059

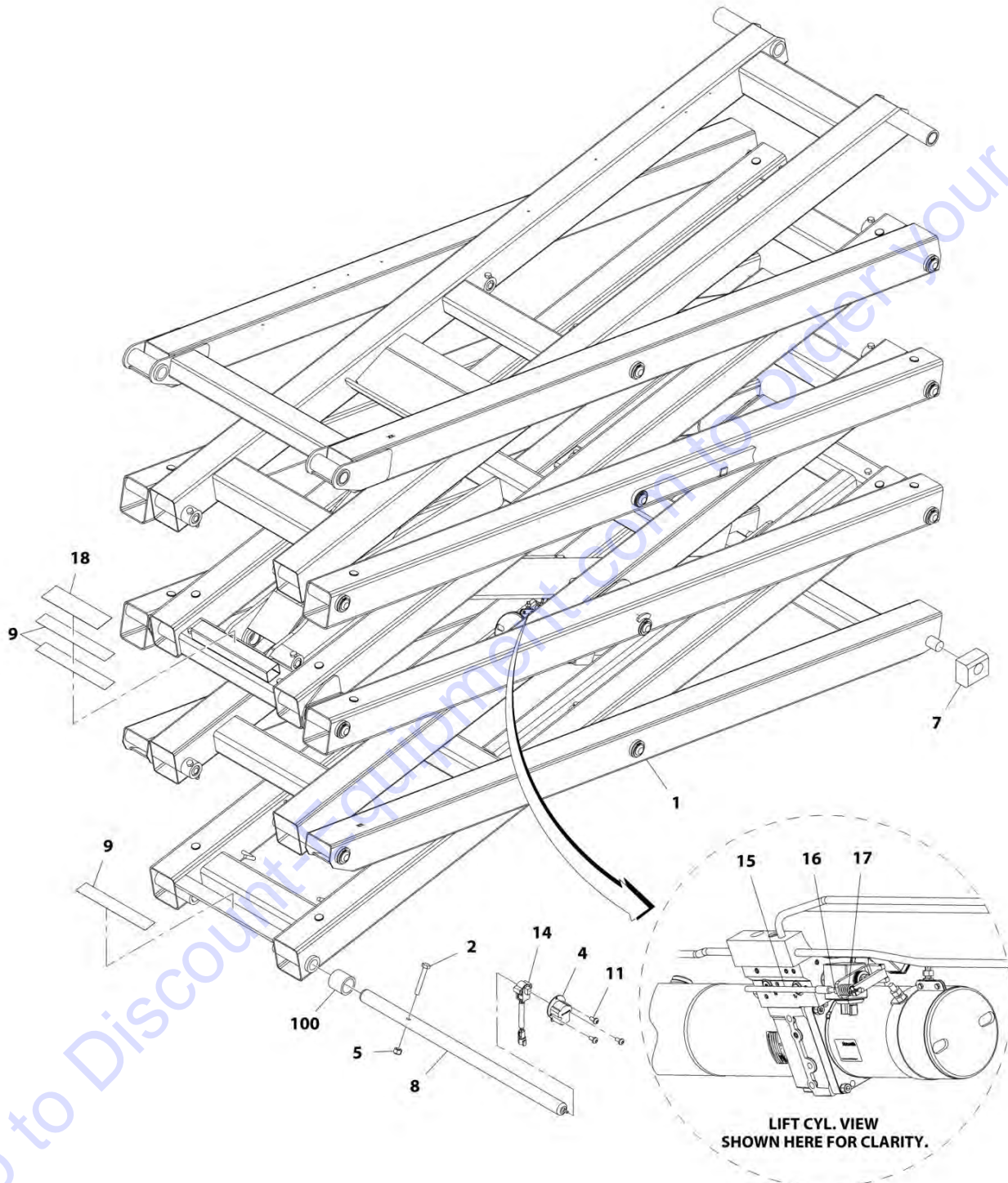
SECTION 3 - SCISSOR ARMS

FIGURE 3-4. SCISSORS ARMS ASSEMBLY - 2646ES STANDARD HYDRAULIC OIL (USA AND MEXICO BUILT MACHINES) (SN 0200241221 to Present, SN M200000100 to Present)

ITEM	PART NUMBER	QTY	DESCRIPTION	REV
	1001191059	Ref	SCISSORS ARMS ASSEMBLY - 2646ES STANDARD HYDRAULIC OIL (USA AND MEXICO BUILT MACHINES)	B
1	0200783	1	Arm - Lower Outboard (SN 0200241221 through 02000260978, SN M200000100 through M200006323)	
1	1001219386	1	Arm - Lower Outboard (SN 02000260979 to Present, SN M200006324 to Present)	
2	0200789	1	Arm - Upper Outboard	
3	0200820	1	Arm - Upper Mid Outboard (Left Side)	
4	0200826	1	Arm - Lower Mid Outboard (Left Side)	
5	0200827	1	Arm - Upper Inboard	
6	0200828	1	Arm - Lower Mid Outboard (Right Side)	
7	0200829	1	Arm - Upper Mid Inboard	
8	0200830	1	Arm - Upper Mid Outboard (Right Side)	
9	0200831	1	Arm - Lower Mid Inboard	
10	0200832	1	Arm - Lower Inboard	
11	0440257	2	Bearing	
12	0440266	4	Bearing	
13	0440267	40	Bearing	
14	0701016	1	Bolt M10 x 40	
15	0701018	1	Bolt M10 x 50	
16	0701022	19	Bolt M10 x 70	
17	0701027	2	Bolt M10 x 100	
18	0701029	2	Bolt M10 x 120	
19	1180380	2	Carrier, Cable	
21	3291007	25	Nut M10	
22	3340962	24	Pad, Arm	
23	3422997	17	Pin	
24	3422998	1	Pin	
25	3423011	2	Pin	
26	3423014	1	Pin	
27	3423026	2	Pin	
28	3423170	1	Pin	
29	3574161	1	Bar, Prop Attach	
30	3760170	4	Ring, Split	
31	3760387	20	Ring, Retaining	
32	3841143	1	Keeper, Pin	
33	3860104	1	Roller, Arm Kicker	
34	4071094	AR	Shim, Spacer	
35	4740438	20	Washer	
36	4812000	4	Washer M10	
37	4846684	1	Kicker Weldment	
38	1001139000	1	Plate	
39	1001139002	2	Washer	
40	1001155843	1	Lift Cylinder Assembly - Standard Hydraulic Oil (See CYLINDER SECTION for Breakdown)	
41	1001191121	1	Pin	

SECTION 3 - SCISSOR ARMS

FIGURE 3-5. SCISSORS ARMS INSTALLATION - 2646ES STANDARD HYDRAULIC OIL (CHINA BUILT MACHINES (SN B200020297 through B200020981)



LIFT CYL. VIEW SHOWN HERE FOR CLARITY.

ART_1001131007

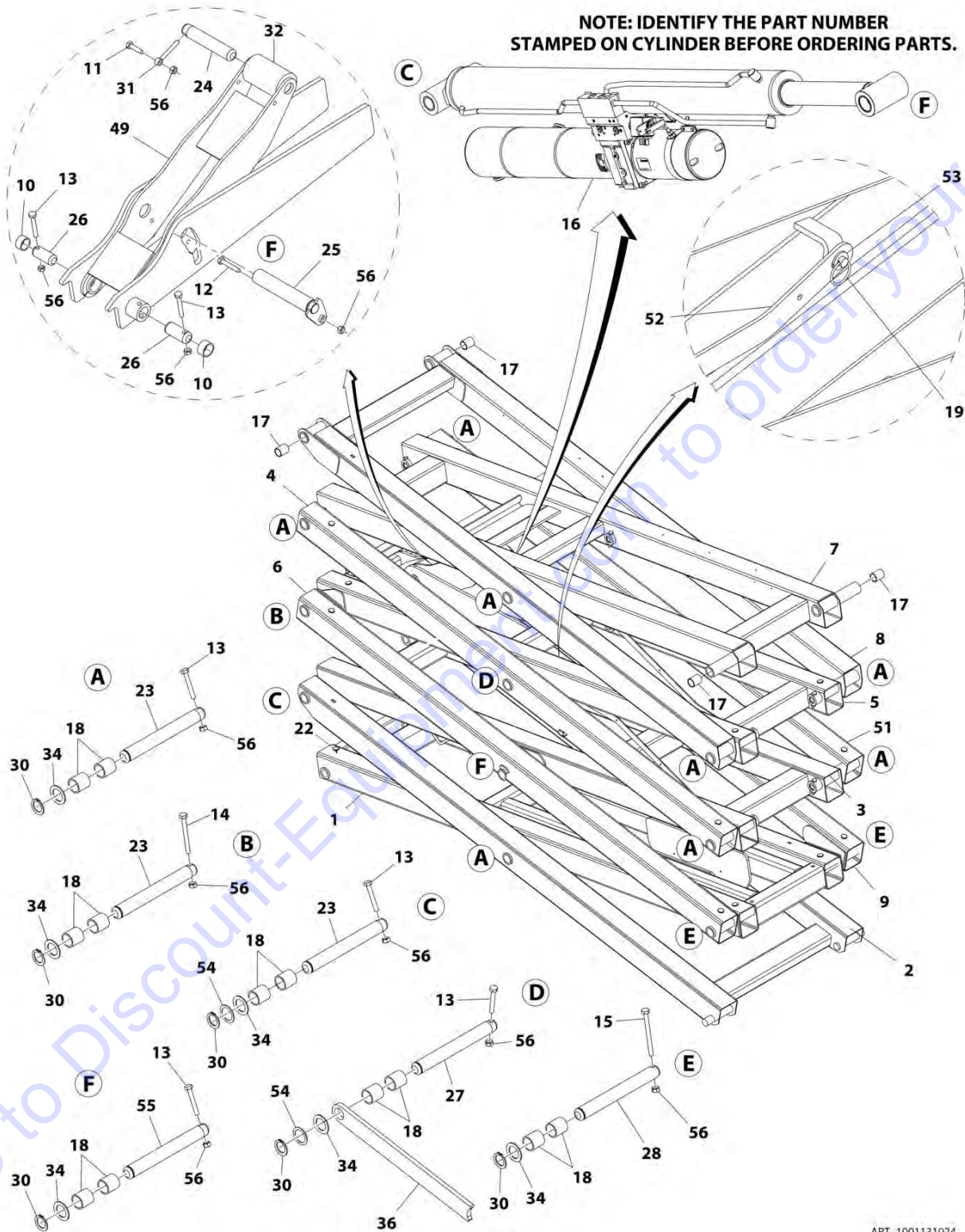
SECTION 3 - SCISSOR ARMS

FIGURE 3-5. SCISSORS ARMS INSTALLATION - 2646ES STANDARD HYDRAULIC OIL (CHINA BUILT MACHINES (SN B200020297 through B200020981)

ITEM	PART NUMBER	QTY	DESCRIPTION	REV
	1001131007	Ref	SCISSORS ARMS INSTALLATION - 2646ES STANDARD HYDRAULIC OIL (CHINA BUILT MACHINES)	F
1	1001131024	1	Arms Assembly (See SCISSORS ARMS ASSEMBLY - 2646ES STANDARD HYDRAULIC OIL (CHINA BUILT MACHINES) for Breakdown)	
2	0701022	1	Bolt M10 x 70	
4	3200454	1	Mount, Switch	
5	3291005	1	Nut M10	
7	3340957	2	Pad, Slide	
8	3423255	1	Pin, Sensor	
9	4420070	3	Tape, Anti-Skid	
11	4191706	3	Screw M6 x 12	
14	1001092354	1	Switch, Rotary Angle Sensor	
14	4460536	1	Receptacle, Female - 3 Position	
14	4460464	3	Pin, Male	
15	1061034	1	Cable, Manual Descent	
15	7020218	1	T-Handle (With 1/4-20 Threads)	
15	70001878	1	T-Handle (With 5mm Threads)	
16	3321402	1	Nut 1/4-28	
17	4160078	1	Spring, Compression	
18	4420080	1	Tape, Safety Tread Step	
100	0440265	2	Bushing (Part of Frame Weldment)	

SECTION 3 - SCISSOR ARMS

FIGURE 3-6. SCISSORS ARMS ASSEMBLY - 2646ES STANDARD HYDRAULIC OIL (CHINA BUILT MACHINES) (SN B200020297 through B200020981)



Go to Discount-Equipment.com to order your parts

ART_1001131024

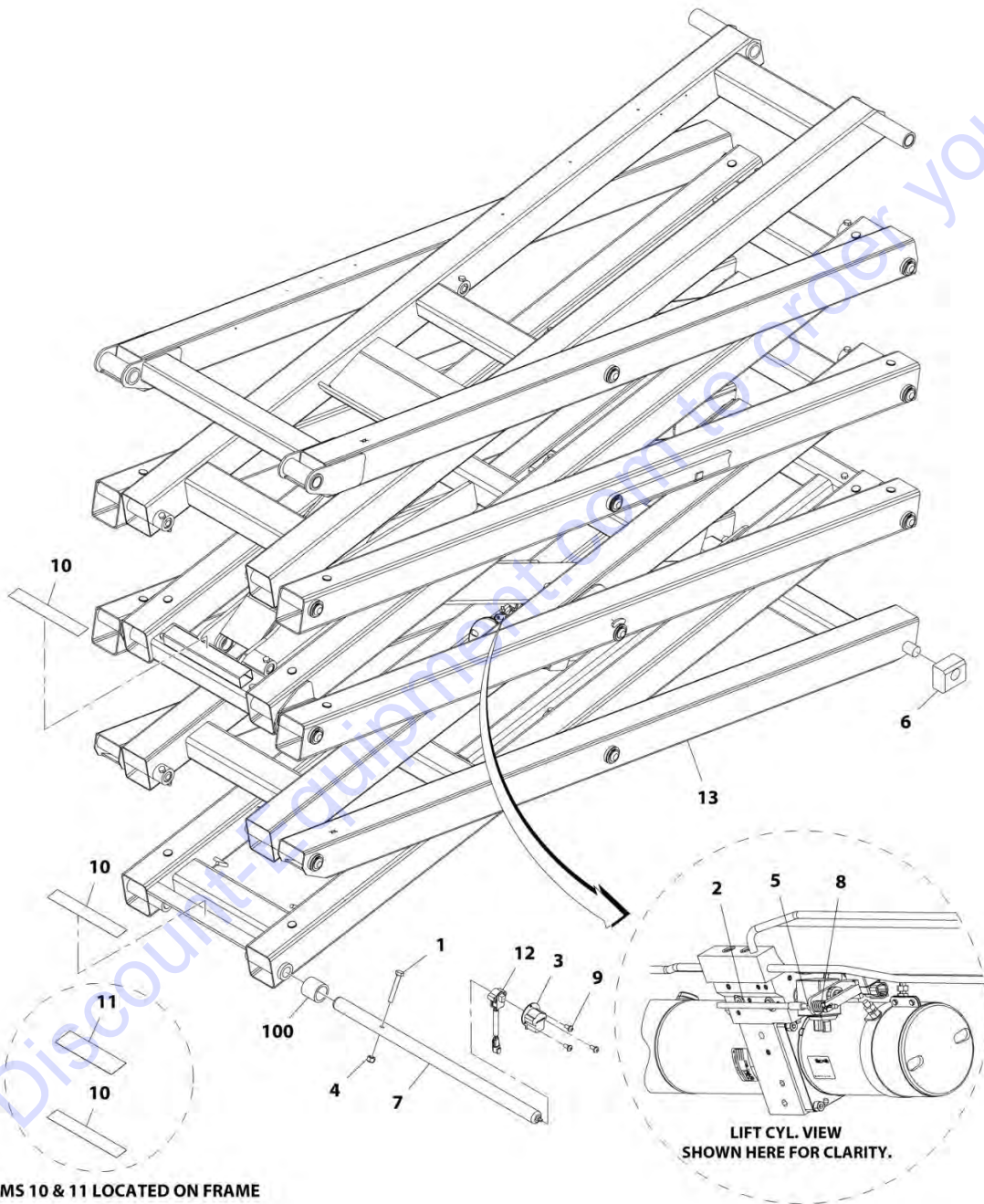
SECTION 3 - SCISSOR ARMS

FIGURE 3-6. SCISSORS ARMS ASSEMBLY - 2646ES STANDARD HYDRAULIC OIL (CHINA BUILT MACHINES) (SN B200020297 through B200020981)

ITEM	PART NUMBER	QTY	DESCRIPTION	REV
	1001131024	Ref	SCISSORS ARMS ASSEMBLY - 2646ES STANDARD HYDRAULIC OIL (CHINA BUILT MACHINES)	G
1	0200832	1	Arm - Lower Inboard	
2	0200783	1	Arm - Upper Outboard	
3	0200831	1	Arm - Lower Mid Inboard	
4	0200830	1	Arm - Upper Mid Outboard (Right Side)	
5	0200829	1	Arm - Upper Mid Inboard	
6	0200828	1	Arm - Lower Mid Outboard (Right Side)	
7	0200827	1	Arm - Upper Inboard	
8	0200789	1	Arm - Upper Outboard	
9	0200826	1	Arm - Lower Mid Outboard (Left Side)	
10	0440257	2	Bearing	
11	0701016	1	Bolt M10 x 40	
12	0701020	1	Bolt M10 x 60	
13	0701022	19	Bolt M10 x 70	
14	0701027	2	Bolt M10 x 100	
15	0701029	2	Bolt M10 x 120	
16	1001129291	1	Lift Cylinder Assembly - Standard Hydraulic Oil (See CYLINDER SECTION for Breakdown)	
17	0440266	1	Bearing	
18	0440267	40	Bearing	
19	3760170	4	Ring, Split	
22	3340962	24	Pad, Arm	
23	3422997	17	Pin	
24	3422998	1	Pin	
25	3423009	NLA	Pin (Use p/n 1001226707)	
26	3423011	2	Pin	
27	3423014	1	Pin	
28	3423026	2	Pin	
30	3760387	20	Ring, Retaining	
31	3841143	1	Keeper, Pin	
32	3860104	1	Roller, Arm Kicker	
34	4740438	20	Washer	
36	3574161	1	Bar, Prop Attach	
49	4846684	1	Weld, Kicker	
51	0200820	1	Arm - Upper Mid Outboard (Left Side)	
52	1180380	2	Carrier, Cable	
53	4812000	4	Washer M10	
54	4071094	1	Shim, Spacer	
55	3423170	1	Pin	
56	3291007	25	Nut M10	

SECTION 3 - SCISSOR ARMS

FIGURE 3-7. SCISSORS ARMS INSTALLATION - 2646ES STANDARD HYDRAULIC OIL (BELGIUM, CHINA AND MEXICO BUILT MACHINES) (SN 1200025021 to Present, SN B200020982 to Present, SN M200022031 to Present)



ART_1001191063

SECTION 3 - SCISSOR ARMS

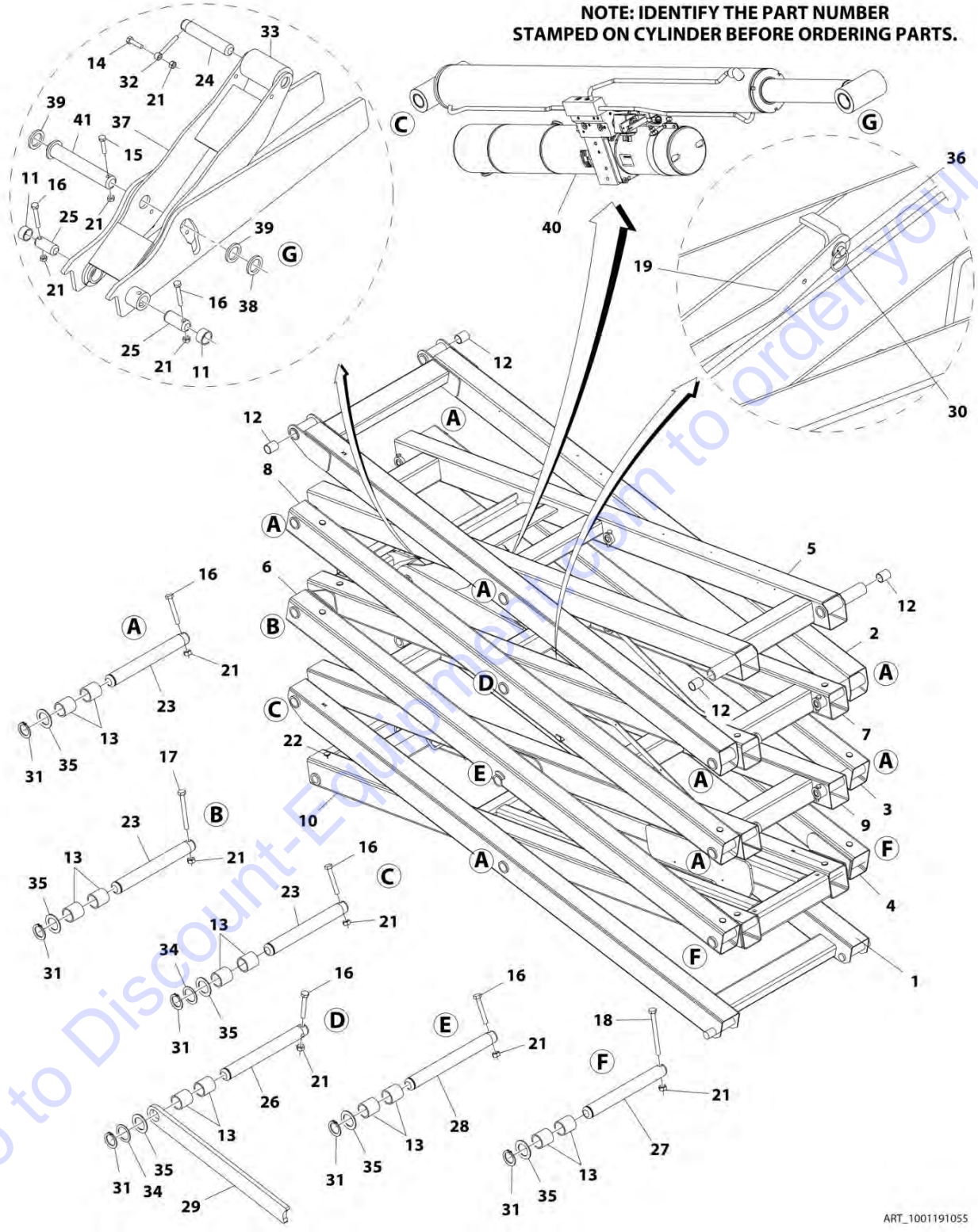
FIGURE 3-7. SCISSORS ARMS INSTALLATION - 2646ES STANDARD HYDRAULIC OIL (BELGIUM, CHINA AND MEXICO BUILT MACHINES) (SN 1200025021 to Present, SN B200020982 to Present, SN M200022031 to Present)

ITEM	PART NUMBER	QTY	DESCRIPTION	REV
	1001191063	Ref	SCISSORS ARMS INSTALLATION - 2646ES STANDARD HYDRAULIC OIL	B
1	0701022	1	Bolt M10 x 70	
2	1061034	1	Cable, Manual Descent	
2	7020218	1	T-Handle (With 1/4-20 Threads)	
2	70001878	1	T-Handle (With 5mm Threads)	
3	3200454	1	Mount, Switch	
4	3291005	1	Nut M10	
5	3321402	1	Nut 1/4	
6	3340957	2	Pad, Slide	
7	3423255	1	Pin, Sensor	
8	4160078	1	Spring, Compression	
9	4191706	3	Screw M6 x 12	
10	4420070	3	Tape, Anti-Skid	
11	4420080	1	Tape, Safety Tread Step	
12	1001092354	1	Switch, Rotary Angle Sensor	
12	4460536	1	Receptacle, Female - 3 Position	
12	4460464	3	Pin, Male	
13	1001191055	1	Arms Assembly (See SCISSORS ARMS ASSEMBLY - 2646ES STANDARD HYDRAULIC OIL for Breakdown)	
100	0440265	2	Bushing (Part of Frame Weldment)	

SECTION 3 - SCISSOR ARMS

FIGURE 3-8. SCISSORS ARMS ASSEMBLY - 2646ES STANDARD HYDRAULIC OIL (CHINA BUILT MACHINES) (SN B200020982 to Present)

NOTE: IDENTIFY THE PART NUMBER STAMPED ON CYLINDER BEFORE ORDERING PARTS.



ART_1001191055

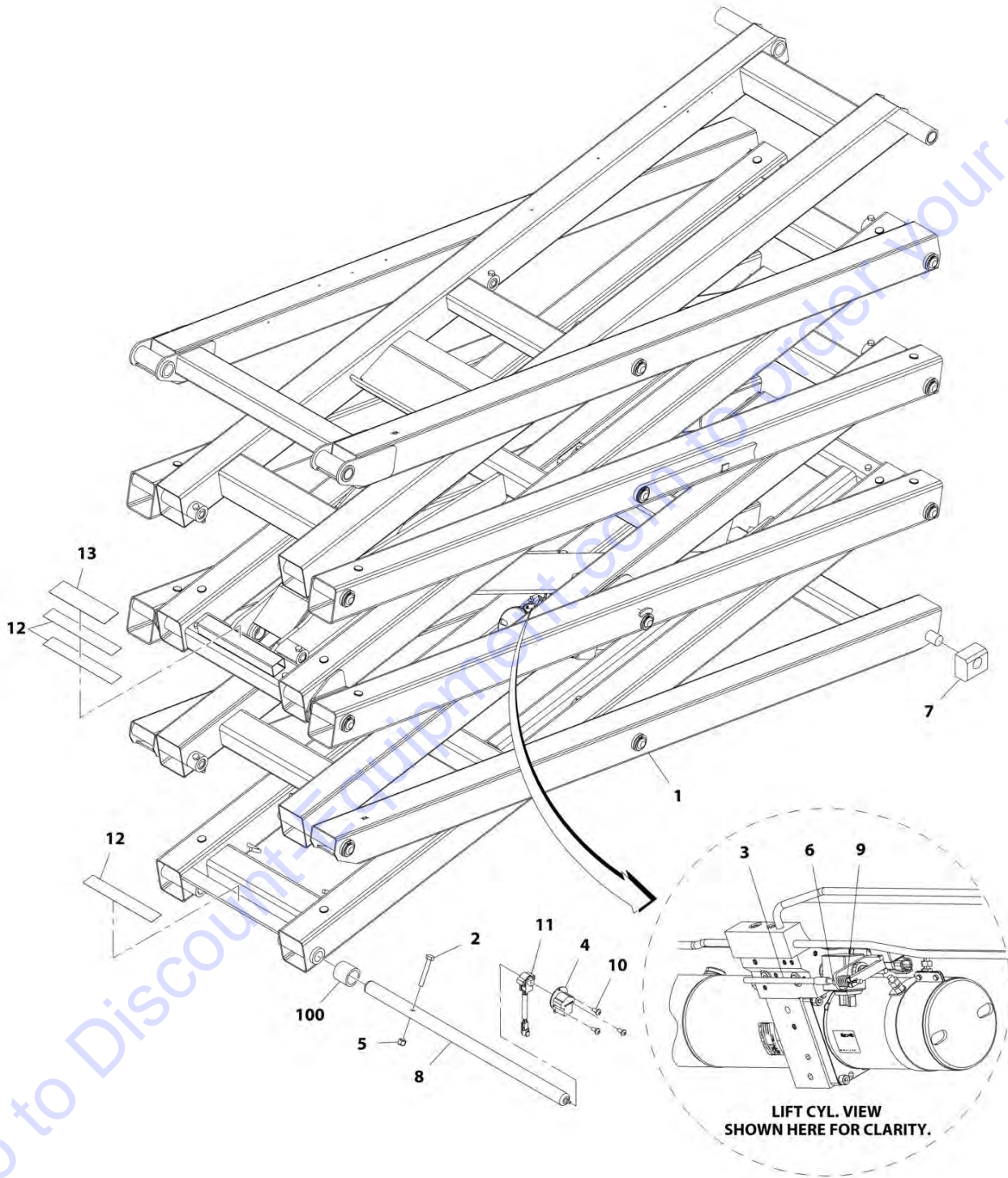
SECTION 3 - SCISSOR ARMS

FIGURE 3-8. SCISSORS ARMS ASSEMBLY - 2646ES STANDARD HYDRAULIC OIL (CHINA BUILT MACHINES) (SN B200020982 to Present)

ITEM	PART NUMBER	QTY	DESCRIPTION	REV
	1001191055	Ref	SCISSORS ARMS ASSEMBLY - 2646ES STANDARD HYDRAULIC OIL (CHINA BUILT MACHINES)	B
1	0200783	1	Arm - Lower Outboard (SN B200020982 through B200037621)	
1	1001219386	1	Arm - Lower Outboard (SN B200037622 to Present)	
2	0200789	1	Arm - Upper Outboard	
3	0200820	1	Arm - Upper Mid Outboard (Left Side)	
4	0200826	1	Arm - Lower Mid Outboard (Left Side)	
5	0200827	1	Arm - Upper Inboard	
6	0200828	1	Arm - Lower Mid Outboard (Right Side)	
7	0200829	1	Arm - Upper Mid Inboard	
8	0200830	1	Arm - Upper Mid Outboard (Right Side)	
9	0200831	1	Arm - Lower Mid Inboard	
10	0200832	1	Arm - Lower Inboard	
11	0440257	2	Bearing	
12	0440266	4	Bearing	
13	0440267	40	Bearing	
14	0701016	1	Bolt M10 x 40	
15	0701018	1	Bolt M10 x 50	
16	0701022	19	Bolt M10 x 70	
17	0701027	2	Bolt M10 x 100	
18	0701029	2	Bolt M10 x 120	
19	1180380	2	Carrier, Cable	
21	3291007	25	Nut M10	
22	3340962	24	Pad, Arm	
23	3422997	17	Pin	
24	3422998	1	Pin	
25	3423011	2	Pin	
26	3423014	1	Pin	
27	3423026	2	Pin	
28	3760170	1	Pin	
29	3574161	1	Bar, Prop Attach	
30	3423170	4	Right, Split	
31	3760387	20	Ring, Retaining	
32	3841143	1	Keeper, Pin	
33	3860104	1	Roller, Arm Kicker	
34	4071094	AR	Shim, Spacer	
35	4740438	20	Washer	
36	4812000	4	Washer M10	
37	4846684	1	Kicker Weldment	
38	1001139000	1	Plate	
39	1001139002	2	Washer	
40	1001129291	1	Life Cylinder Assembly - Standard Hydraulic Oil (See CYLINDER SECTION for Breakdown)	
41	1001191121	1	Pin	

SECTION 3 - SCISSOR ARMS

FIGURE 3-9. SCISSORS ARMS INSTALLATION - 2646ES BIODEGRADEABLE HYDRAULIC OIL (USA BUILT MACHINES) (SN 0200239382 through 0200241220)



ART_1001157342

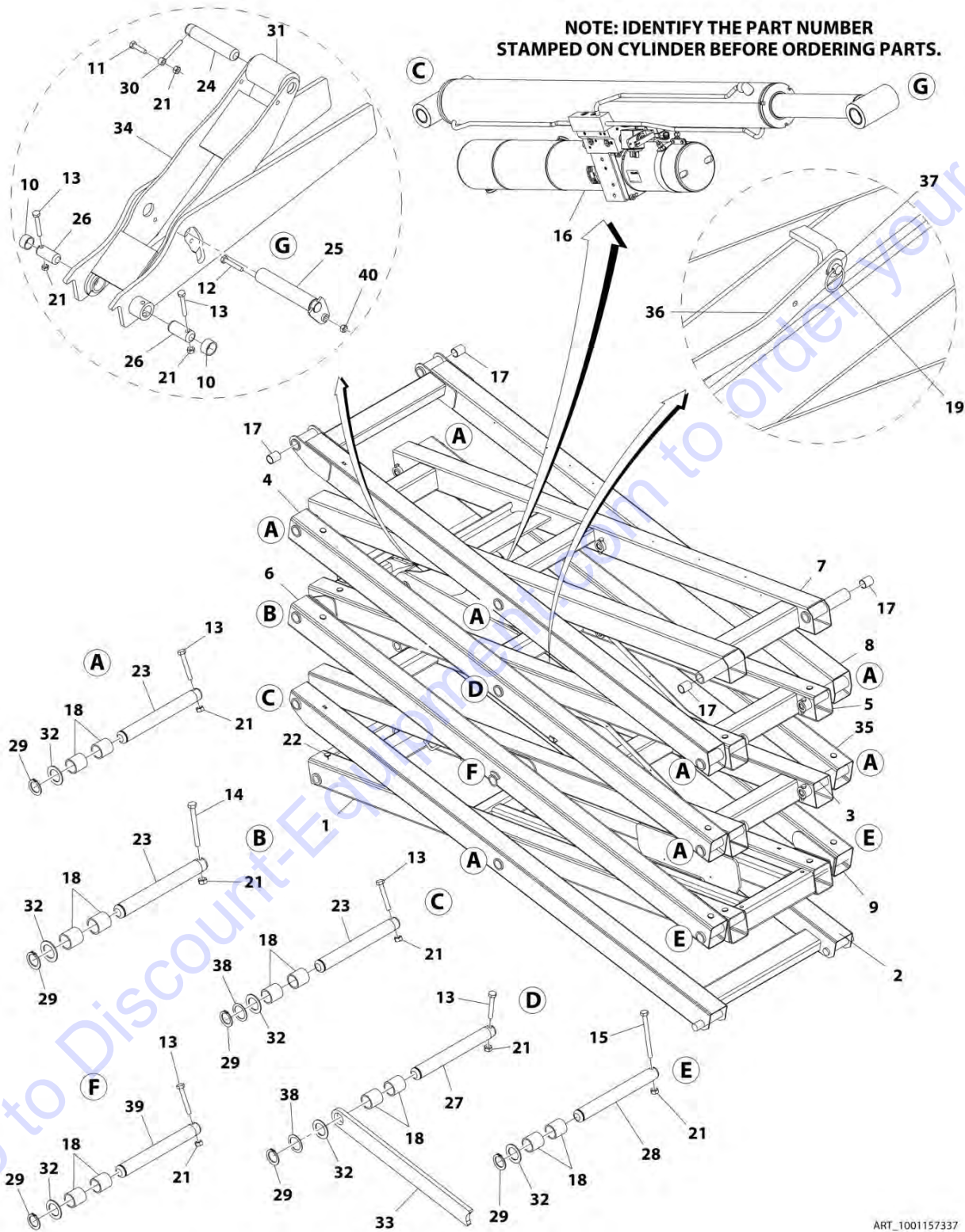
SECTION 3 - SCISSOR ARMS

FIGURE 3-9. SCISSORS ARMS INSTALLATION - 2646ES BIODEGRADEABLE HYDRAULIC OIL (USA BUILT MACHINES) (SN 0200239382 through 0200241220)

ITEM	PART NUMBER	QTY	DESCRIPTION	REV
	1001157342	Ref	SCISSORS ARMS INSTALLATION - 2646ES BIODEGRADEABLE HYDRAULIC OIL (USA BUILT MACHINES)	B
1	1001157337	1	Arm Assembly (See SCISSORS ARMS ASSEMBLY - 2646ES BIODEGRADEABLE HYDRAULIC OIL (USA BUILT MACHINES) for Breakdown)	
2	0701022	1	Bolt M10 x 70	
3	1061034	1	Cable, Manual Descent	
3	7020218	1	T-Handle (With 1/4-20 Threads)	
3	70001878	1	T-Handle (With 5mm Threads)	
4	3200454	1	Mount, Switch	
5	3291005	1	Nut M10	
6	3321402	1	Nut 1/4	
7	3340957	2	Pad, Slide	
8	3423255	1	Pin, Sensor	
9	4160078	1	Spring, Compression	
10	4191706	3	Screw M6 x 12	
11	1001092354	1	Switch, Rotary Angle Sensor	
11	4460536	1	Receptacle, Female - 3 Position	
11	4460464	3	Pin, Male	
12	4420070	3	Tape, Anti-Skid	
13	4420080	1	Tape, Safety Tread Step	
100	0440265	2	Bushing (Part of Frame Weldment)	

SECTION 3 - SCISSOR ARMS

FIGURE 3-10. SCISSOR ARMS ASSEMBLY - 2646ES BIODEGRADABLE HYDRAULIC OIL (USA BUILT MACHINES) (SN 0200239382 through 0200241220)



ART_1001157337

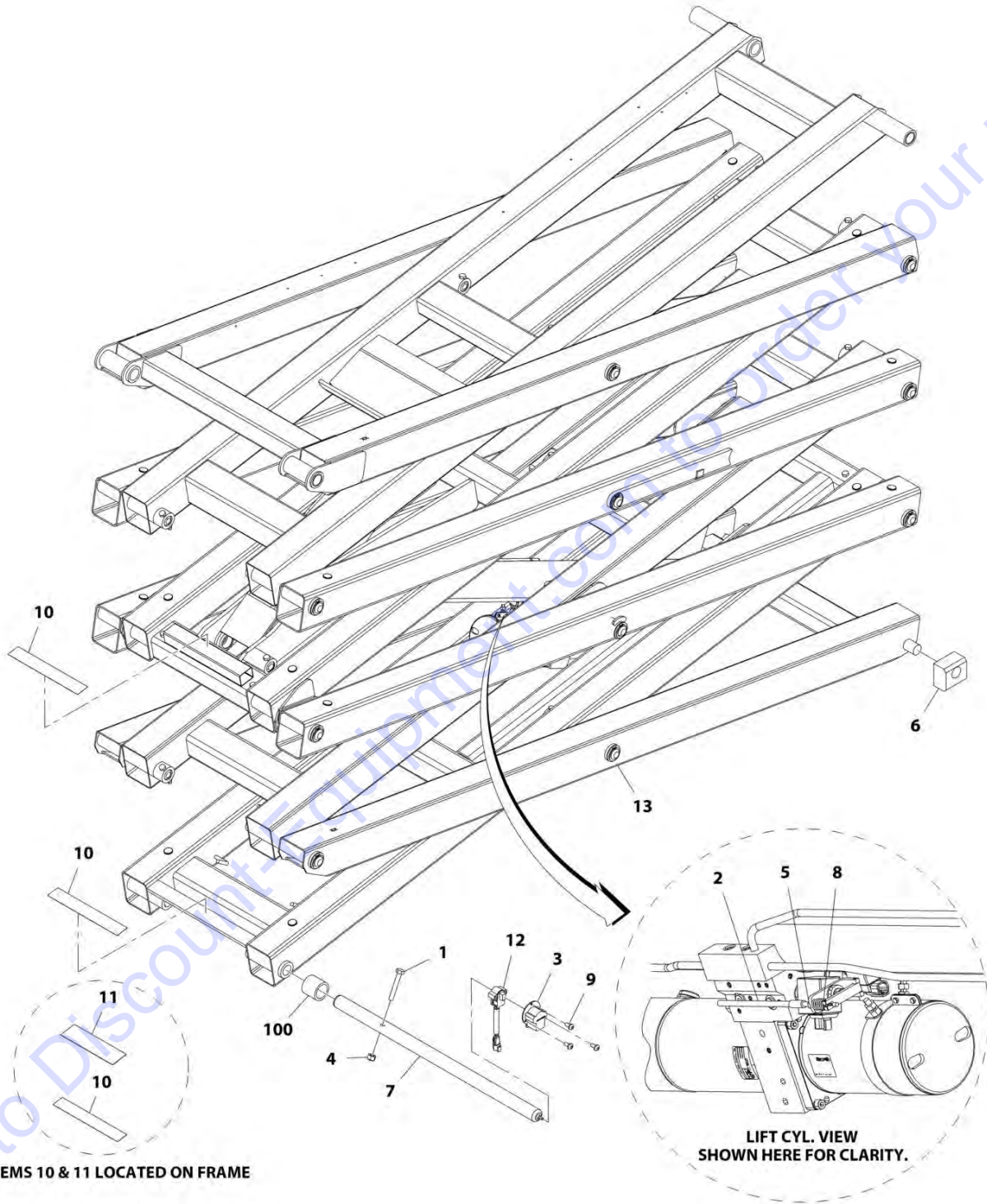
SECTION 3 - SCISSOR ARMS

FIGURE 3-10. SCISSORS ARMS ASSEMBLY - 2646ES BIODEGRADEABLE HYDRAULIC OIL (USA BUILT MACHINES) (SN 0200239382 through 0200241220)

ITEM	PART NUMBER	QTY	DESCRIPTION	REV
	1001157337	Ref	SCISSORS ARMS ASSEMBLY - 2646ES BIODEGRADEABLE HYDRAULIC OIL (USA BUILT MACHINES)	B
1	0200832	1	Arm - Lower Inboard	
2	0200783	1	Arm - Upper Outboard	
3	0200831	1	Arm - Lower Mid Inboard	
4	0200830	1	Arm - Upper Mid Outboard (Right Side)	
5	0200829	1	Arm - Upper Mid Inboard	
6	0200828	1	Arm - Lower Mid Outboard (Right Side)	
7	0200827	1	Arm - Upper Inboard	
8	0200789	1	Arm - Upper Outboard	
9	0200826	1	Arm - Lower Mid Outboard (Left Side)	
10	0440257	2	Bearing	
11	0701016	1	Bolt M10 x 40	
12	0701020	1	Bolt M10 x 60	
13	0701022	19	Bolt M10 x 70	
14	0701027	2	Bolt M10 x 100	
15	0701029	2	Bolt M10 x 120	
16	1001157332	1	Lift Cylinder Assembly - Biodegradeable Hydraulic Oil (See CYLINDER SECTION for Breakdown)	
17	0440266	4	Bearing	
18	0440267	40	Bearing	
19	3760170	4	Ring, Split	
21	3291005	24	Nut M10	
22	3340962	24	Pad, Arm	
23	3422997	17	Pin	
24	3422998	1	Pin	
25	3423009	NLA	Pin (Use p/n 1001226707)	
26	3423011	2	Pin	
27	3423014	1	Pin	
28	3423026	2	Pin	
29	3760387	20	Ring, Retaining	
30	3841143	1	Keeper, Pin	
31	3860104	1	Roller, Arm Kicker	
32	4740438	20	Washer	
33	3574161	1	Bar, Prop Attach	
34	4846684	1	Weld, Kicker	
35	0200820	1	Arm - Upper Mid Outboard (Left Side)	
36	1180380	2	Carrier, Cable	
37	4812000	4	Washer M10	
38	4071094	1	Shim, Spacer	
39	3423170	1	Pin	
40	3291007	1	Nut M10	

SECTION 3 - SCISSOR ARMS

FIGURE 3-11. SCISSORS ARMS INSTALLATION - 2646ES BIODEGRADABLE HYDRAULIC OIL (USA AND MEXICO BUILT MACHINES) (SN 0200241221 to Present, SN M200000100 to Present)



ITEMS 10 & 11 LOCATED ON FRAME

LIFT CYL. VIEW
SHOWN HERE FOR CLARITY.

ART_1001191069

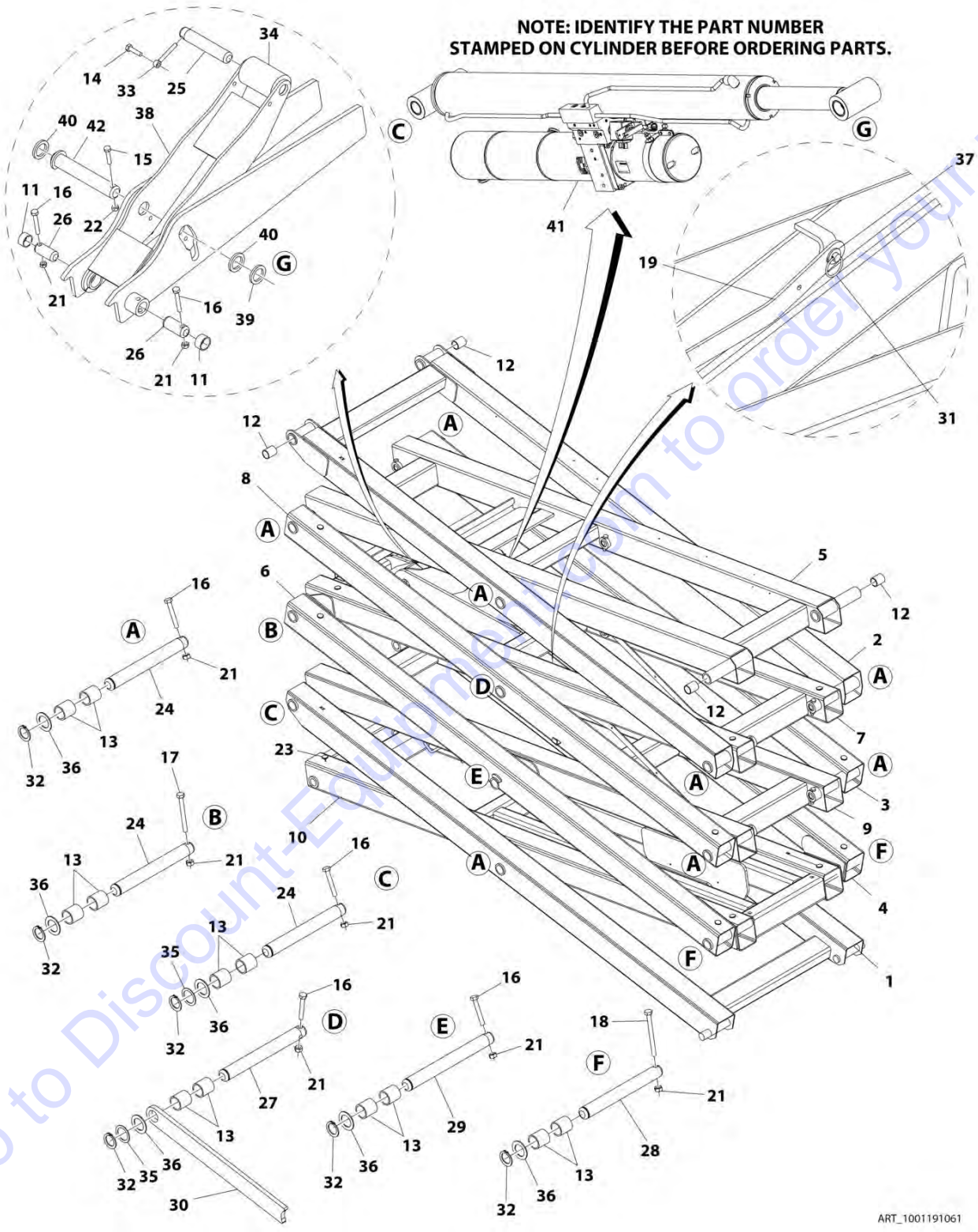
SECTION 3 - SCISSOR ARMS

FIGURE 3-11. SCISSORS ARMS INSTALLATION - 2646ES BIODEGRADEABLE HYDRAULIC OIL (USA AND MEXICO BUILT MACHINES) (SN 0200241221 to Present, SN M200000100 to Present)

ITEM	PART NUMBER	QTY	DESCRIPTION	REV
	1001191069	Ref	SCISSORS ARMS INSTALLATION - 2646ES BIODEGRADEABLE HYDRAULIC OIL	B
1	0701022	1	Bolt M10 x 70	
2	1061034	1	Cable, Manual Descent	
2	7020218	1	T-Handle (With 1/4-20 Threads)	
2	70001878	1	T-Handle (With 5mm Threads)	
3	3200454	1	Mount, Switch	
4	3291005	1	Nut M10	
5	3321402	1	Nut 1/4	
6	3340957	2	Pad, Slide	
7	3423255	1	Pin, Sensor	
8	4160078	1	Spring, Compression	
9	4191706	3	Screw M6 x 12	
10	4420070	3	Tape, Anti-Skid	
11	4420080	1	Tape, Safety Thread Step	
12	1001092354	1	Switch, Rotary Angle Sensor	
12	4460536	1	Receptacle, Female - 3 Position	
12	4460464	3	Pin, Male	
13	1001191061	1	Arms Assembly (See SCISSORS ARMS ASSEMBLY - 2646ES BIODEGRADEABLE HYDRAULIC OIL for Breakdown)	
100	0440265	2	Bushing (Part of Frame Weldment)	

SECTION 3 - SCISSOR ARMS

FIGURE 3-12. SCISSORS ARMS ASSEMBLY - 2646ES BIODEGRADABLE HYDRAULIC OIL (USA AND MEXICO BUILT MACHINES) (SN 0200241221 to Present, SN M200000100 to Present)



ART_1001191061

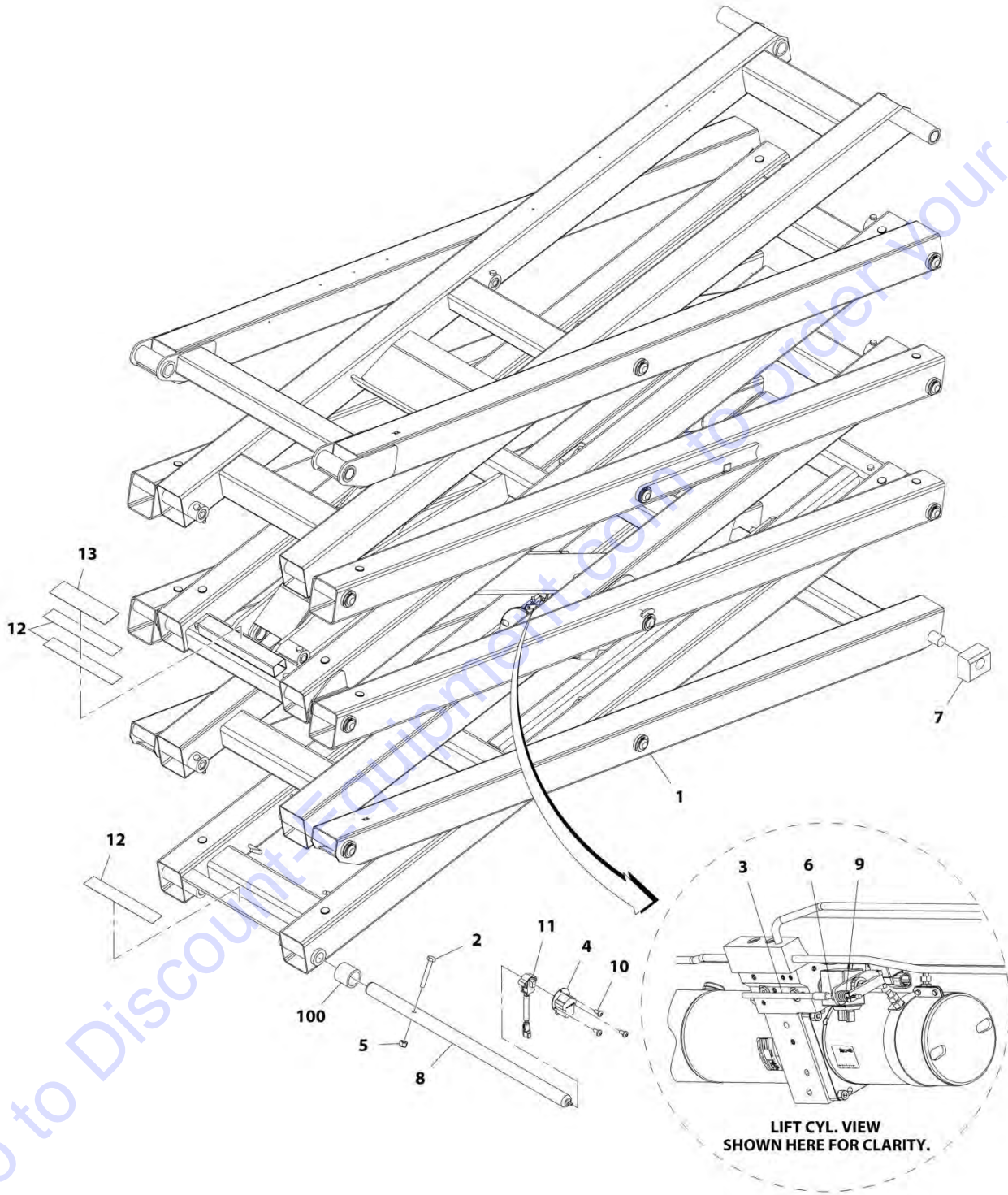
SECTION 3 - SCISSOR ARMS

FIGURE 3-12. SCISSORS ARMS ASSEMBLY - 2646ES BIODEGRADEABLE HYDRAULIC OIL (USA AND MEXICO BUILT MACHINES) (SN 0200241221 to Present, SN M200000100 to Present)

ITEM	PART NUMBER	QTY	DESCRIPTION	REV
	1001191061	Ref	SCISSORS ARMS ASSEMBLY - 2646ES BIODEGRADEABLE HYDRAULIC OIL (USA AND MEXICO BUILT MACHINES)	B
1	0200783	1	Arm - Lower Outboard (SN 0200241221 through 0200260973, SN M200000100 through M200006323)	
1	1001219386	1	Arm - Lower Outboard (SN 0200260974 to Present, SN M200006324 to Present)	
2	0200789	1	Arm - Upper Outboard	
3	0200820	1	Arm - Upper Mid Outboard (Left Side)	
4	0200826	1	Arm - Lower Mid Outboard (Left Side)	
5	0200827	1	Arm - Upper Inboard	
6	0200828	1	Arm - Lower Mid Outboard (Right Side)	
7	0200829	1	Arm - Upper Mid Inboard	
8	0200830	1	Arm - Upper Mid Outboard (Right Side)	
9	0200831	1	Arm - Lower Mid Inboard	
10	0200832	1	Arm - Lower Inboard	
11	0440257	2	Bearing	
12	0440266	4	Bearing	
13	0440267	40	Bearing	
14	0701016	1	Bolt M10 x 40	
15	0701018	1	Bolt M10 x 50	
16	0701022	19	Bolt M10 x 70	
17	0701027	2	Bolt M10 x 100	
18	0701029	2	Bolt M10 x 120	
19	1180380	2	Carrier, Cable	
21	3291005	24	Nut M10	
22	3291007	1	Nut M10	
23	3340962	24	Pad, Arm	
24	3422997	17	Pin	
25	3422998	1	Pin	
26	3423011	2	Pin	
27	3423014	1	Pin	
28	3423026	2	Pin	
29	3423170	1	Pin	
30	3574161	1	Bar, Prop Attach	
31	3760170	4	Ring, Split	
32	3760387	20	Ring, Retaining	
33	3841143	1	Keeper, Pin	
34	3860104	1	Roller, Arm Kicker	
35	4071094	AR	Shim, Spacer	
36	4740438	20	Washer	
37	4812000	4	Washer M10	
38	4846684	1	Kicker Weldment	
39	1001139000	1	Plate	
40	1001139002	2	Washer	
41	1001157332	1	Life Cylinder Assembly - Biodegradeable Hydraulic Oil (See CYLINDER SECTION for Breakdown)	
42	1001191121	1	PIN	

SECTION 3 - SCISSOR ARMS

FIGURE 3-13. SCISSORS ARMS INSTALLATION - 2646ES BIODEGRADABLE HYDRAULIC OIL (CHINA BUILT MACHINES) (SN B200020297 through B200020981)



ART_1001131012

SECTION 3 - SCISSOR ARMS

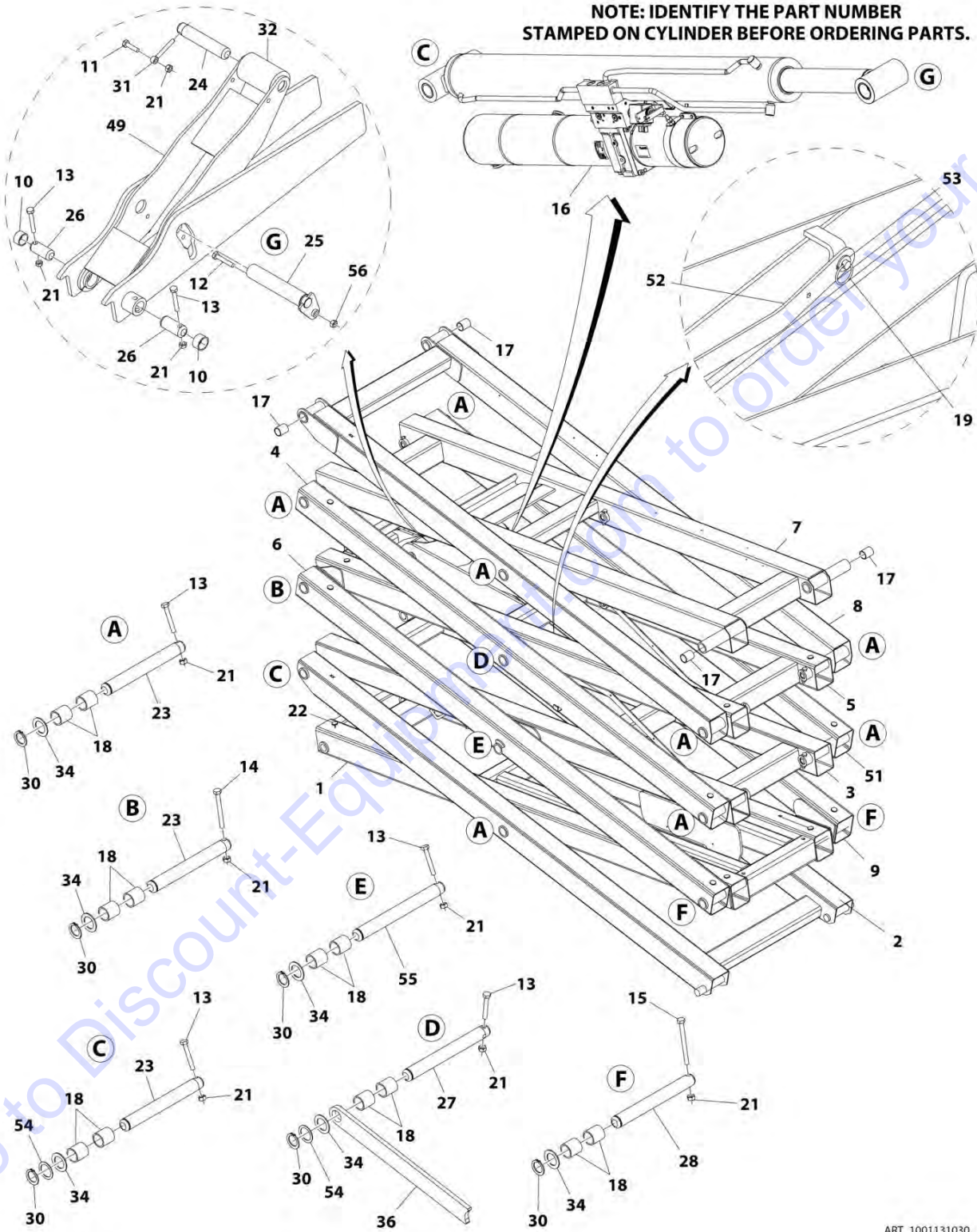
FIGURE 3-13. SCISSORS ARMS INSTALLATION - 2646ES BIODEGRADEABLE HYDRAULIC OIL (CHINA BUILT MACHINES) (SN B200020297 through B200020981)

ITEM	PART NUMBER	QTY	DESCRIPTION	REV
	1001131012	Ref	SCISSORS ARMS INSTALLATION - 2646ES BIODEGRADEABLE HYDRAULIC OIL (CHINA BUILT MACHINES)	D
1	1001131030	1	Arms Assembly (See SCISSORS ARMS ASSEMBLY - 2646ES BIODEGRADEABLE HYDRAULIC OIL (CHINA BUILT MACHINES) for Breakdown)	
2	0701022	1	Bolt M10 x 70	
3	1061034	1	Cable, Manual Descent	
3	7020218	1	T-Handle (With 1/4-20 Threads)	
3	70001878	1	T-Handle (With 5mm Threads)	
4	3200454	1	Mount, Switch	
5	3291005	1	Nut M10	
6	3321402	1	Nut 1/4	
7	3340957	2	Pad, Slide	
8	3423255	1	Pin, Sensor	
9	4160078	1	Spring, Compression	
10	4191706	3	Screw M6 x 12	
11	1001092354	1	Switch, Rotary Angle Sensor	
11	4460536	1	Receptacle, Female - 3 Position	
11	4460464	3	Pin, Male	
12	4420070	3	Tape, Anti-Skid	
13	4420080	1	Tape, Safety Tread Step	
100	0440265	2	Bushing (Part of Frame Weldment)	

SECTION 3 - SCISSOR ARMS

FIGURE 3-14. SCISSORS ARMS ASSEMBLY - 2646ES BIODEGRADABLE HYDRAULIC OIL (CHINA BUILT MACHINES) (SN B200020297 through B200020981)

NOTE: IDENTIFY THE PART NUMBER STAMPED ON CYLINDER BEFORE ORDERING PARTS.



ART_1001131030

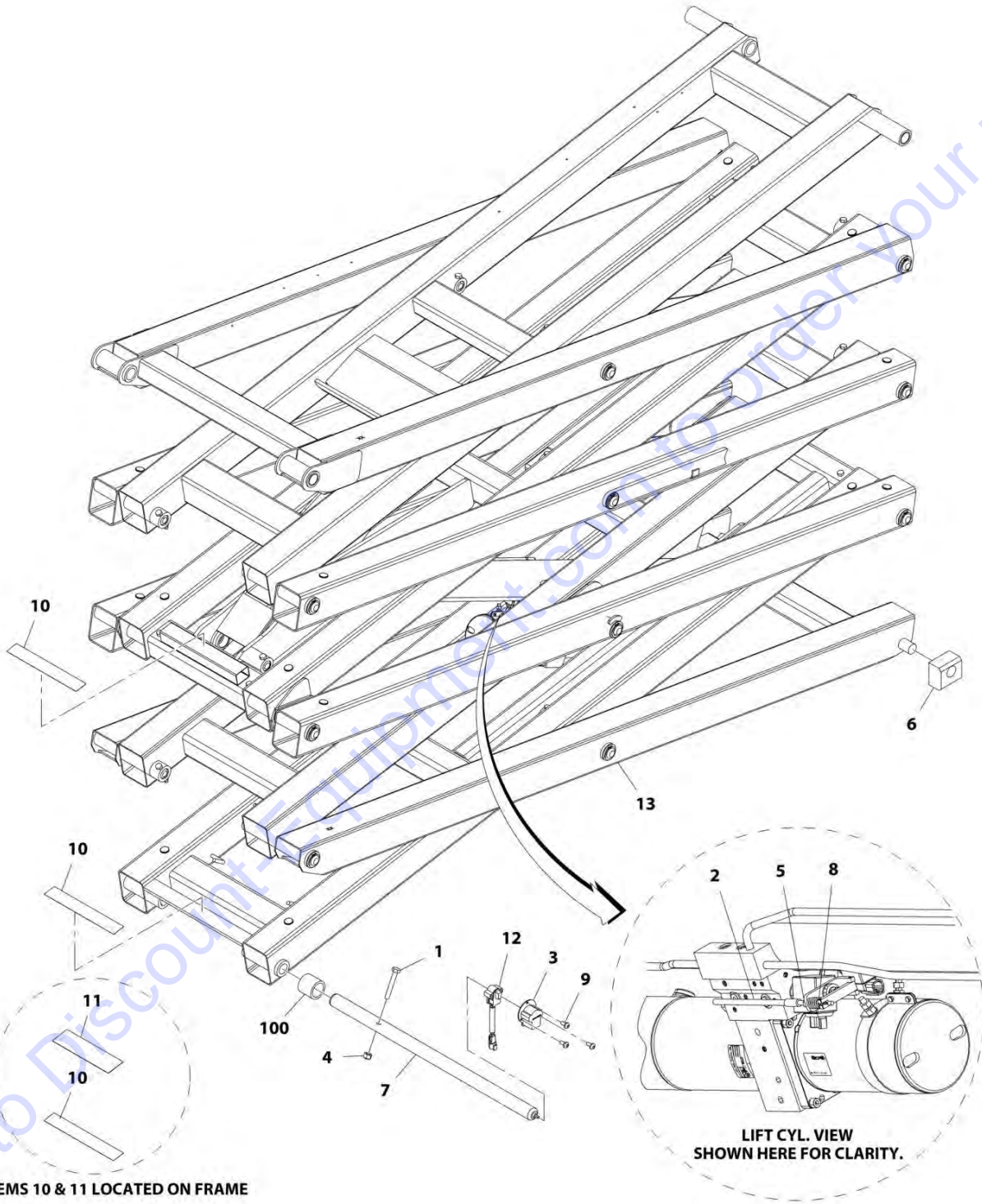
SECTION 3 - SCISSOR ARMS

FIGURE 3-14. SCISSORS ARMS ASSEMBLY - 2646ES BIODEGRADEABLE HYDRAULIC OIL (CHINA BUILT MACHINES) (SN B200020297 through B200020981)

ITEM	PART NUMBER	QTY	DESCRIPTION	REV
	1001131030	Ref	SCISSORS ARMS ASSEMBLY - 2646ES BIODEGRADEABLE HYDRAULIC OIL (CHINA BUILT MACHINES)	E
1	0200832	1	Arm - Lower Inboard	
2	0200783	1	Arm - Upper Outboard	
3	0200831	1	Arm - Lower Mid Inboard	
4	0200830	1	Arm - Upper Mid Outboard (Right Side)	
5	0200829	1	Arm - Upper Mid Inboard	
6	0200828	1	Arm - Lower Mid Outboard (Right Side)	
7	0200827	1	Arm - Upper Inboard	
8	0200789	1	Arm - Upper Outboard	
9	0200826	1	Arm - Lower Mid Outboard (Left Side)	
10	0440257	2	Bearing	
11	0701016	1	Bolt M10 x 40	
12	0701020	1	Bolt M10 x 60	
13	0701022	19	Bolt M10 x 70	
14	0701027	2	Bolt M10 x 100	
15	0701029	2	Bolt M10 x 120	
16	1001131036	1	Lift Cylinder Assembly - Biodegradeable Hydraulic Oil (See CYLINDER SECTION for Breakdown)	
17	0440266	4	Bearing	
18	0440267	40	Bearing	
19	3760170	4	Ring, Split	
21	3291005	24	Nut M10	
22	3340962	24	Pad, Arm	
23	3422997	17	Pin	
24	3422998	1	Pin	
25	3423009	NLA	Pin (Use p/n 1001226707)	
26	3423011	2	Pin	
27	3423014	1	Pin	
28	3423026	2	Pin	
30	3760387	20	Ring, Retaining	
31	3841143	1	Keeper, Pin	
32	3860104	1	Roller, Arm Kicker	
34	4740438	20	Washer	
36	3574161	1	Bar, Prop Attach	
49	4846684	1	Weld, Kicker	
51	0200820	1	Arm - Upper Mid Outboard (Left Side)	
52	1180380	2	Carrier, Cable	
53	4812000	4	Washer M10	
54	4071094	1	Shim, Spacer	
55	3423170	1	Pin	
56	3291007	1	Nut M10	

SECTION 3 - SCISSOR ARMS

FIGURE 3-15. SCISSORS ARMS INSTALLATION - 2646ES BIODEGRADABLE HYDRAULIC OIL (CHINA BUILT MACHINES) (SN B200020982 to Present)



ART_1001191065

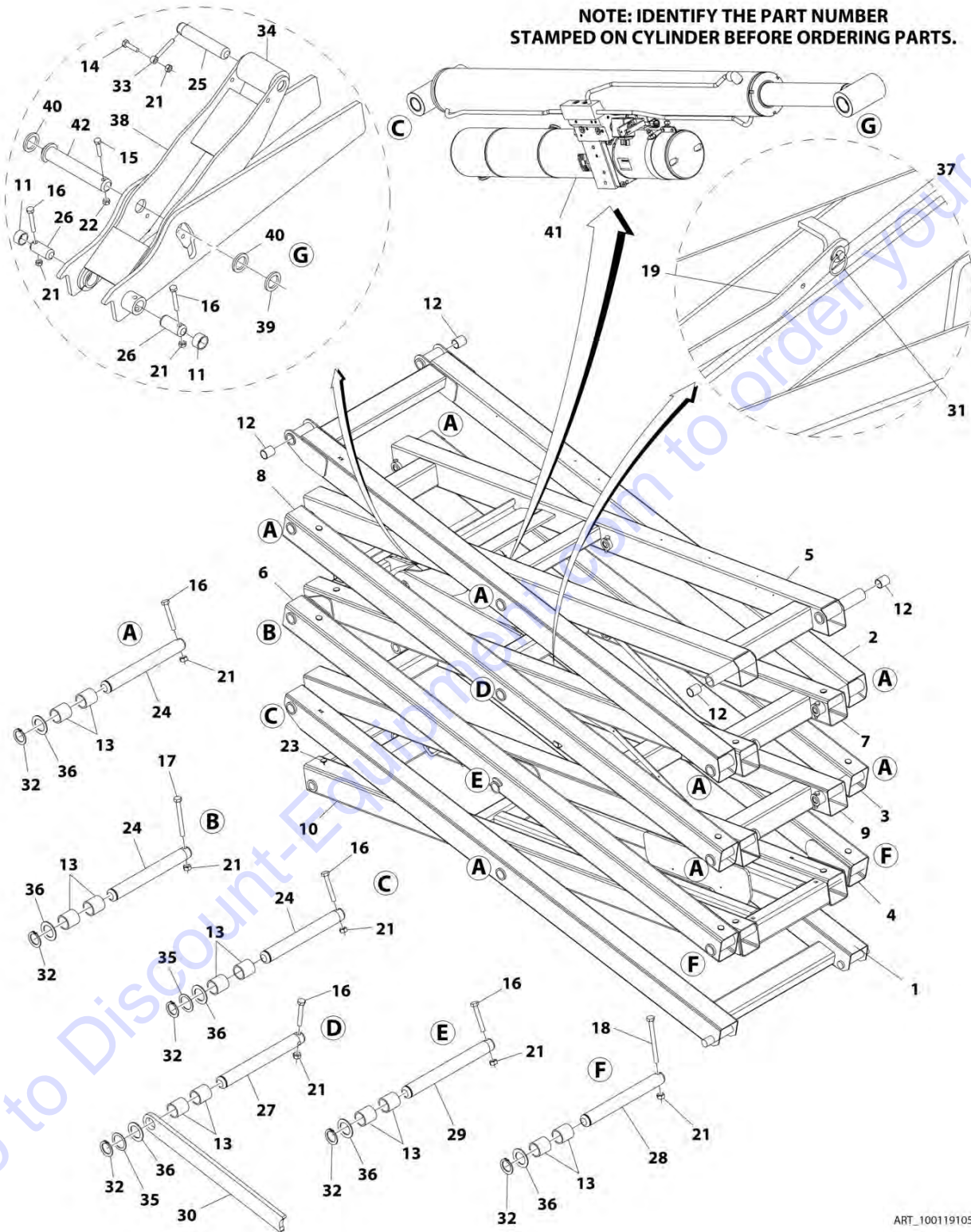
SECTION 3 - SCISSOR ARMS

**FIGURE 3-15. SCISSORS ARMS INSTALLATION - 2646ES BIODEGRADEABLE HYDRAULIC OIL
(CHINA BUILT MACHINES) (SN B200020982 to Present)**

ITEM	PART NUMBER	QTY	DESCRIPTION	REV
	1001191065	Ref	SCISSORS ARMS INSTALLATION - 2646ES BIODEGRADEABLE HYDRAULIC OIL (CHINA BUILT MACHINES)	B
1	0701022	1	Bolt M10 x 70	
2	1061034	1	Cable, Manual Descent	
2	7020218	1	T-Handle (With 1/4-20 Threads)	
2	70001878	1	T-Handle (With 5mm Threads)	
3	3200454	1	Mount, Switch	
4	3291005	1	Nut M10	
5	3321402	1	Nut 1/4	
6	3340957	2	Pad, Slide	
7	3423255	1	Pin, Sensor	
8	4160078	1	Spring, Compression	
9	4191706	3	Screw M6 x 12	
10	4420070	3	Tape, Anti-Skid	
11	4420080	1	Tape, Safety Tread Step	
12	1001092354	1	Switch, Rotary Angle Sensor	
12	4460536	1	Receptacle, Female - 3 Position	
12	4460464	3	Pin, Male	
13	1001191057	1	Arms Assembly (See SCISSORS ARMS ASSEMBLY - 2646ES BIODEGRADEABLE HYDRAULIC OIL for Breakdown)	
100	0440265	2	Bushing (Part of Frame Weldment)	

SECTION 3 - SCISSOR ARMS

FIGURE 3-16. SCISSORS ARMS ASSEMBLY - 2646ES BIODEGRADABLE HYDRAULIC OIL (CHINA BUILT MACHINES) (SN B200020982 to Present)



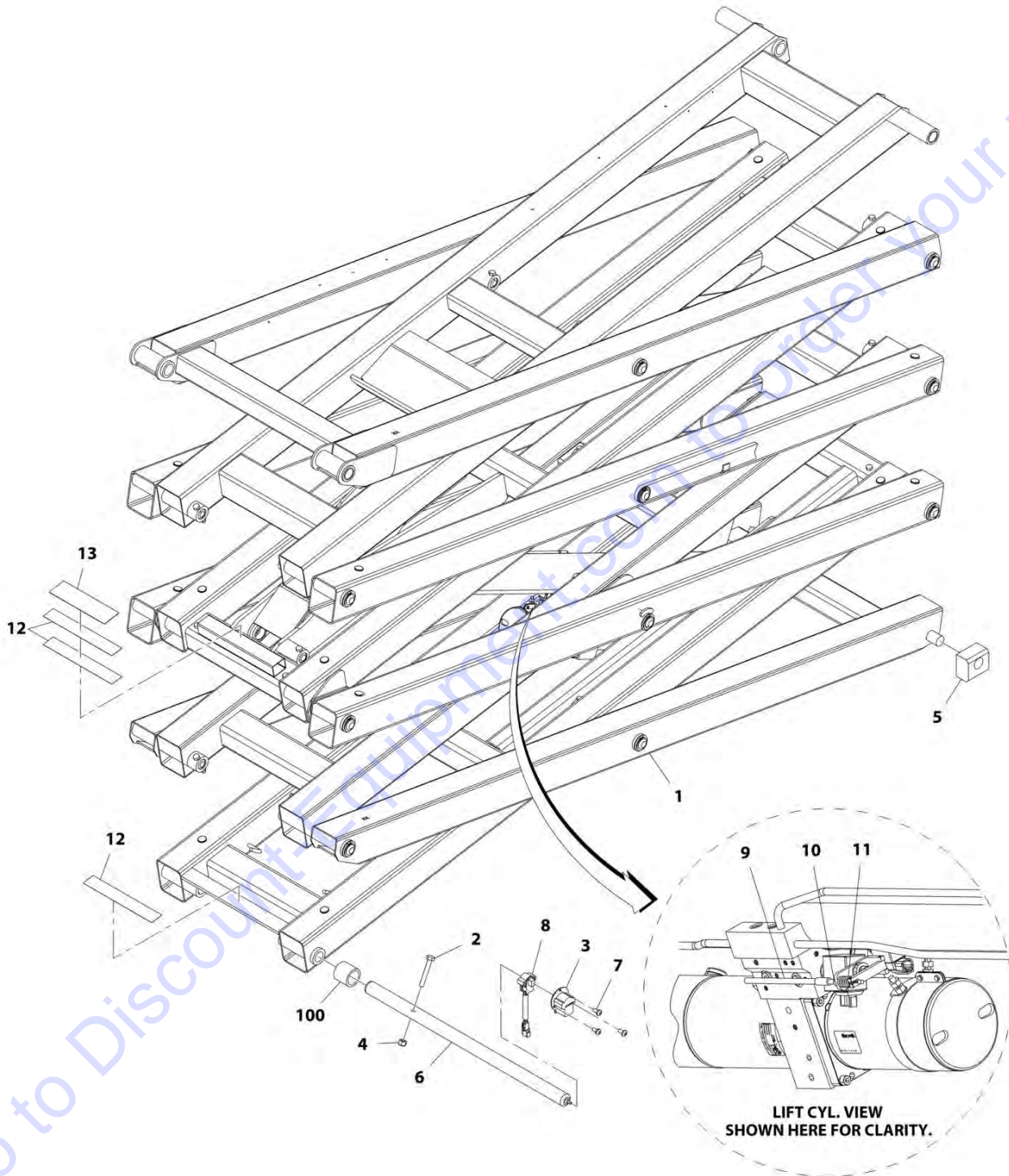
SECTION 3 - SCISSOR ARMS

FIGURE 3-16. SCISSORS ARMS ASSEMBLY - 2646ES BIODEGRADABLE HYDRAULIC OIL (CHINA BUILT MACHINES) (SN B200020982 to Present)

ITEM	PART NUMBER	QTY	DESCRIPTION	REV
	1001191057	Ref	SCISSORS ARMS ASSEMBLY - 2646ES BIODEGRADABLE HYDRAULIC OIL (CHINA BUILT MACHINES)	B
1	0200783	1	Arm - Lower Outboard (SN B200020982 through B200037621)	
1	1001219386	1	Arm - Lower Outboard (SN B200037622 to Present)	
2	0200789	1	Arm - Upper Outboard	
3	0200820	1	Arm - Upper Mid Outboard (Left Side)	
4	0200826	1	Arm - Lower Mid Outboard (Left Side)	
5	0200827	1	Arm - Upper Inboard	
6	0200828	1	Arm - Lower Mid Outboard (Right Side)	
7	0200829	1	Arm - Upper Mid Inboard	
8	0200830	1	Arm - Upper Mid Outboard (Right Side)	
9	0200831	1	Arm - Lower Mid Inboard	
10	0200832	1	Arm - Lower Inboard	
11	0440257	2	Bearing	
12	0440266	4	Bearing	
13	0440267	40	Bearing	
14	0701016	1	Bolt M10 x 40	
15	0701018	1	Bolt M10 x 50	
16	0701022	19	Bolt M10 x 70	
17	0701027	2	Bolt M10 x 100	
18	0701029	2	Bolt M10 x 120	
19	1180380	2	Carrier, Cable	
21	3291005	24	Nut M10	
22	3291007	1	Nut M10	
23	3340962	24	Pad, Arm	
24	3422997	17	Pin	
25	3422998	1	Pin	
26	3423011	2	Pin	
27	3423014	1	Pin	
28	3423026	2	Pin	
29	3423170	1	Pin	
30	3574161	1	Bar, Prop Attach	
31	3760170	4	Ring, Split	
32	3760387	20	Ring, Retaining	
33	3841143	1	Keeper, Pin	
34	3860104	1	Roller, Arm Kicker	
35	4071094	AR	Shim, Spacer	
36	4740438	20	Washer	
37	4812000	4	Washer M10	
38	4846684	1	Kicker Weldment	
39	1001139000	1	Plate	
40	1001139002	2	Washer	
41	1001131036	1	Life Cylinder Assembly - Biodegradeable Hydraulic Oil (See CYLINDER SECTION for Breakdown)	
42	1001191121	1	Pin	

SECTION 3 - SCISSOR ARMS

FIGURE 3-17. SCISSORS ARMS INSTALLATION - 3246ES STANDARD HYDRAULIC OIL (USA BUILT MACHINES) (SN 0200239382 through 0200241220)



ART_1001157325

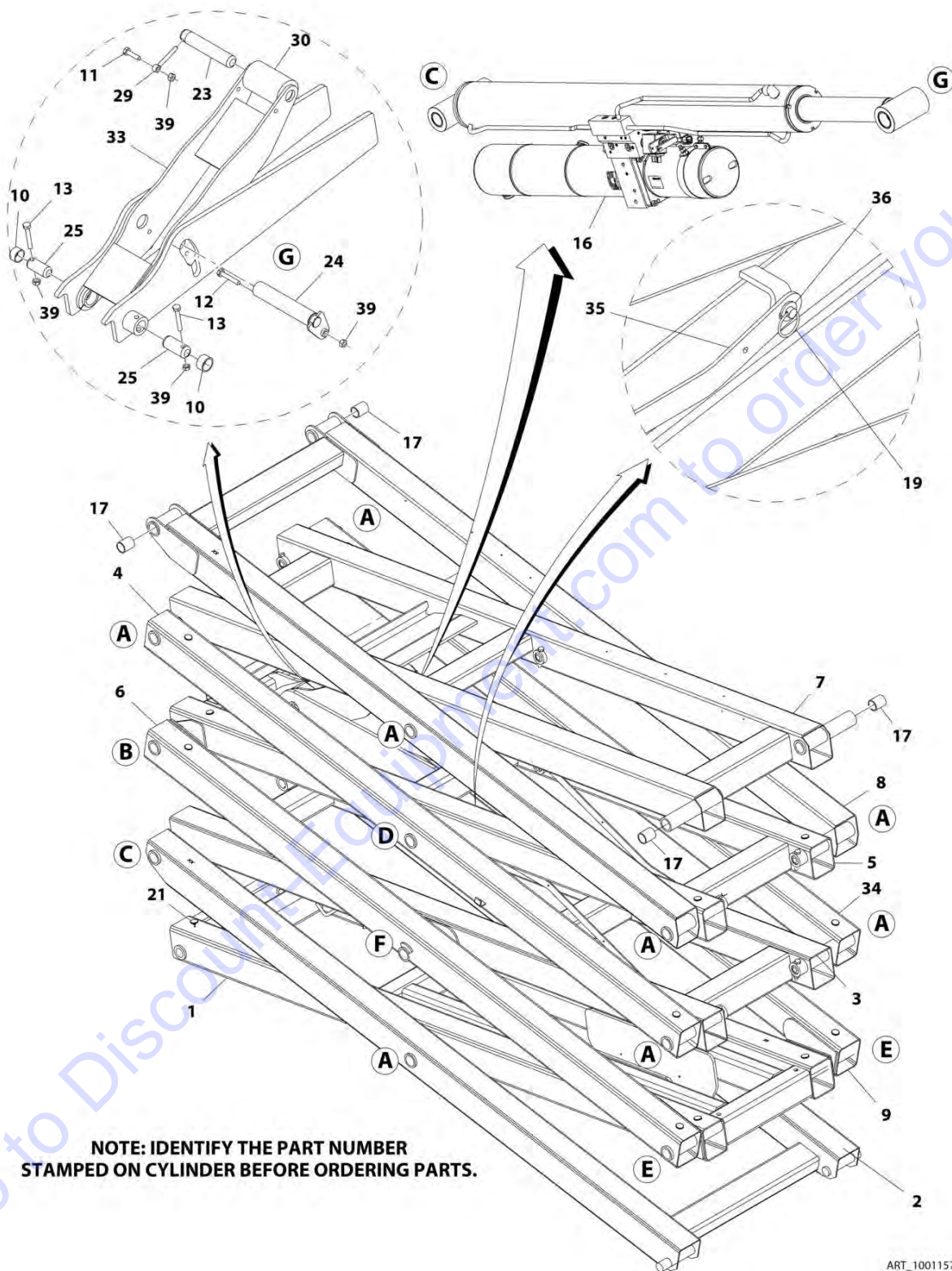
SECTION 3 - SCISSOR ARMS

FIGURE 3-17. SCISSORS ARMS INSTALLATION - 3246ES STANDARD HYDRAULIC OIL (USA BUILT MACHINES) (SN 0200239382 through 0200241220)

ITEM	PART NUMBER	QTY	DESCRIPTION	REV
	1001157325	Ref	SCISSORS ARMS INSTALLATION - 3246ES STANDARD HYDRAULIC OIL (USA BUILT MACHINES)	C
1	1001157320	1	Arms Assembly (See SCISSORS ARMS ASSEMBLY - 3246ES STANDARD HYDRAULIC OIL (USA BUILT MACHINES) for Breakdown)	
2	0701022	1	Bolt M10 x 70	
3	3200454	1	Mount, Switch	
4	3291005	1	Nut M10	
5	3340957	2	Pad, Slide	
6	3423255	1	Pin, Sensor	
7	4191706	3	Screw M6 x 12	
8	1001092354	1	Switch, Rotary Angle Sensor	
8	4460536	1	Receptacle, Female - 3 Position	
8	4460464	3	Pin, Male	
9	1061034	1	Cable, Manual Descent	
9	7020218	1	T-Handle (With 1/4-20 Threads)	
9	70001878	1	T-Handle (With 5mm Threads)	
10	3321402	1	Nut 1/4-28	
11	4160078	1	Spring, Compression	
12	4420070	3	Tape, Anti-Skid	
13	4420080	1	Tape, Safety Tread Step	
100	0440265	2	Bushing (Part of Frame Weldment)	

SECTION 3 - SCISSOR ARMS

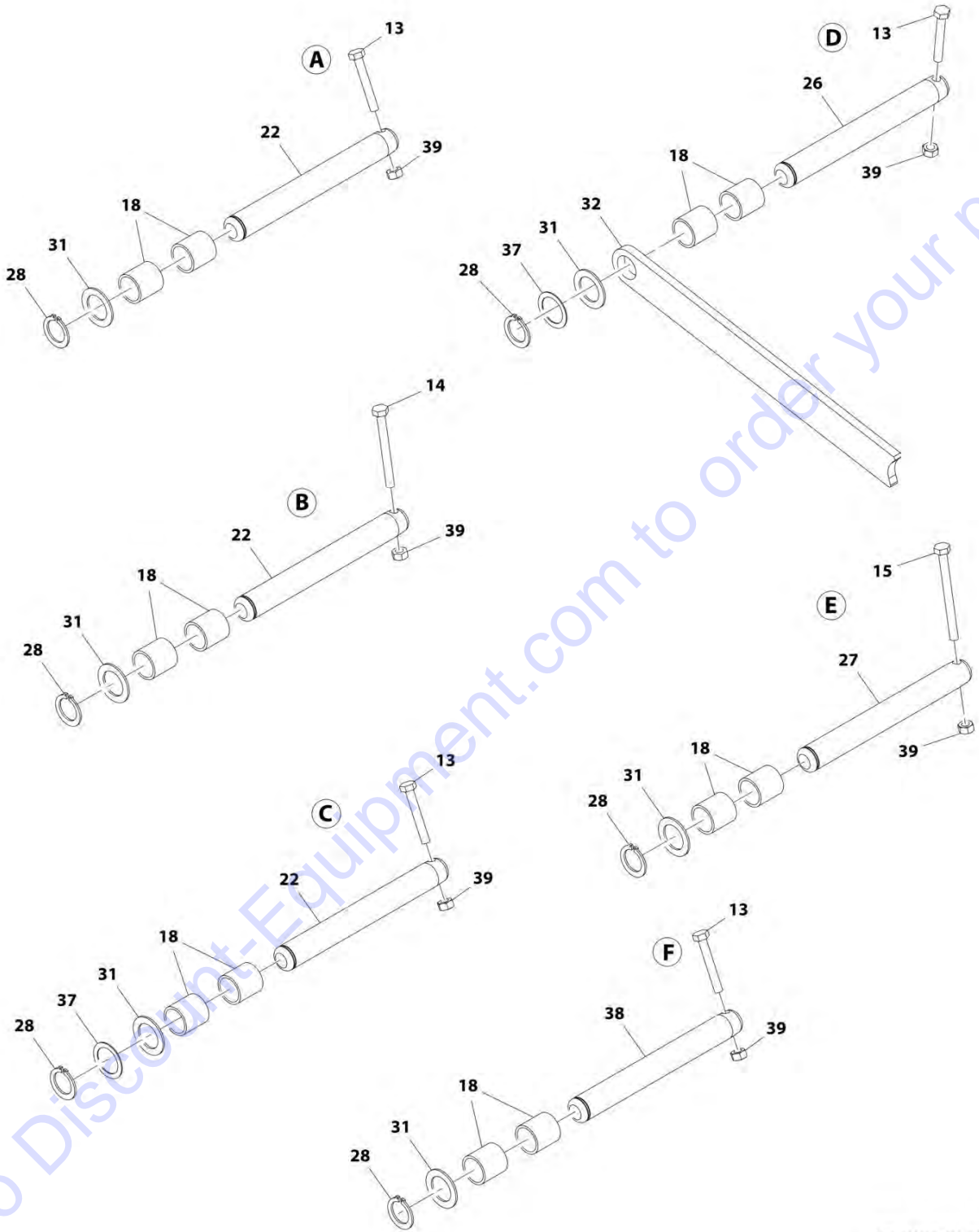
FIGURE 3-18. SCISSORS ARMS ASSEMBLY - 3246ES STANDARD HYDRAULIC OIL (USA BUILT MACHINES) (SN 0200239382 through 0200241220)



NOTE: IDENTIFY THE PART NUMBER STAMPED ON CYLINDER BEFORE ORDERING PARTS.

ART_1001157320_10F2

SECTION 3 - SCISSOR ARMS



ART_1001157320_20F2

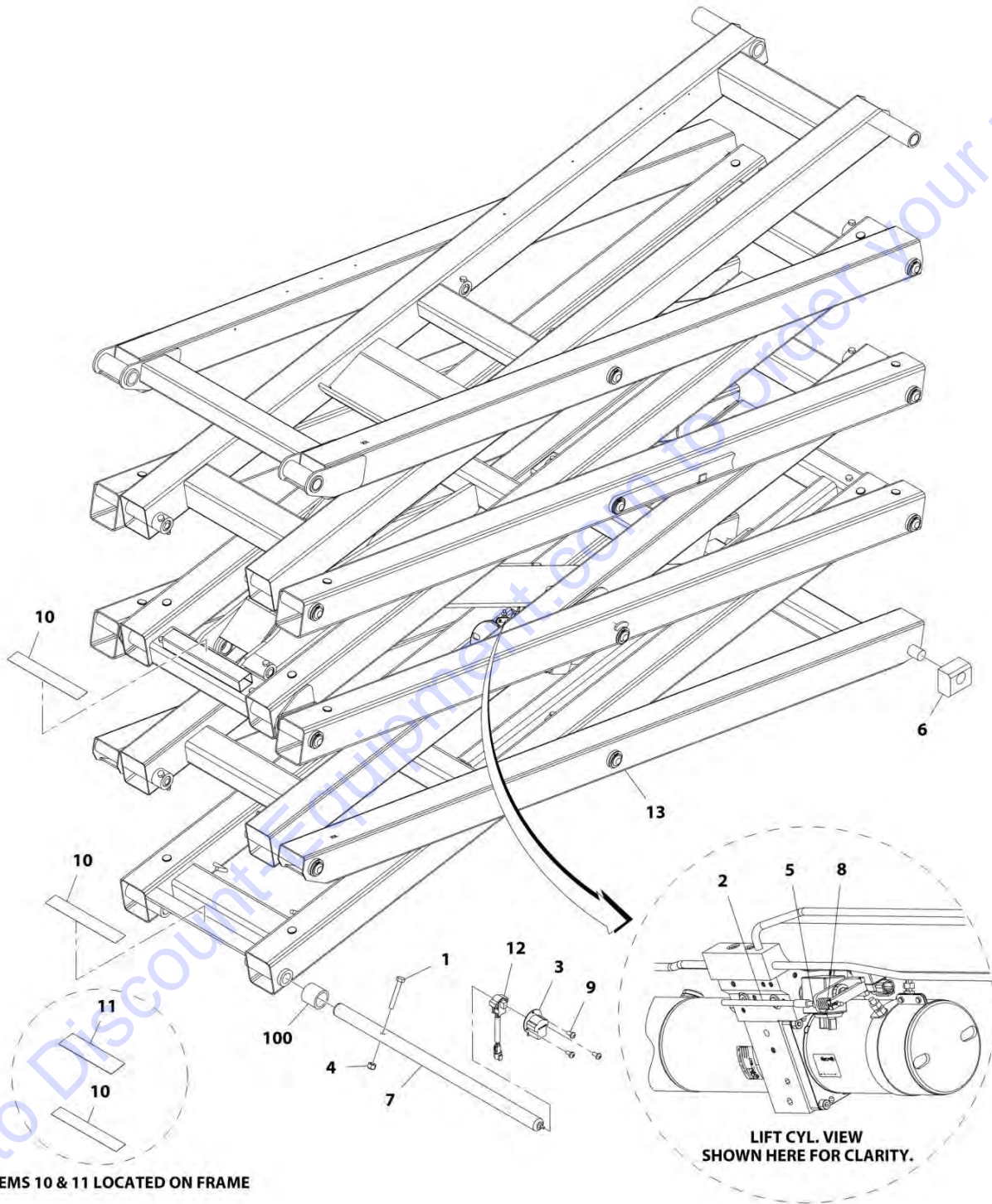
SECTION 3 - SCISSOR ARMS

FIGURE 3-18. SCISSORS ARMS ASSEMBLY - 3246ES STANDARD HYDRAULIC OIL (USA BUILT MACHINES) (SN 0200239382 through 0200241220)

ITEM	PART NUMBER	QTY	DESCRIPTION	REV
	1001157320	Ref	SCISSORS ARMS ASSEMBLY - 3246ES STANDARD HYDRAULIC OIL (USA BUILT MACHINES)	D
1	0200832	1	Arm - Lower Inboard	
2	0200783	1	Arm - Lower Outboard	
3	0200831	1	Arm - Lower Mid Inboard	
4	0200830	1	Arm - Upper Mid Outboard (Right Side)	
5	0200829	1	Arm - Upper Mid Inboard	
6	0200828	1	Arm - Lower Mid Outboard (Right Side)	
7	0200827	1	Arm - Upper Inboard	
8	0200789	1	Arm - Upper Outboard	
9	0200826	1	Arm - Lower Mid Outboard (Left Side)	
10	0440257	2	Bearing	
11	0701016	1	Bolt M10 x 40	
12	0701020	1	Bolt M10 x 60	
13	0701022	19	Bolt M10 x 70	
14	0701027	2	Bolt M10 x 100	
15	0701029	2	Bolt M10 x 120	
16	1001155844	1	Lift Cylinder Assembly - Standard Hydraulic Oil (See CYLINDER SECTION for Breakdown)	
17	0440266	4	Bearing	
18	0440267	40	Bearing	
19	3760170	4	Ring, Split	
21	3340962	24	Pad, Arm	
22	3422997	17	Pin	
23	3422998	1	Pin	
24	3423009	NLA	Pin (Use p/n 1001226707)	
25	3423011	2	Pin	
26	3423014	1	Pin	
27	3423026	2	Pin	
28	3760387	20	Ring, Retaining	
29	3841143	1	Keeper, Pin	
30	3860104	1	Roller, Arm Kicker	
31	4740438	20	Washer	
32	3574161	1	Bar, Prop Attach	
33	4846684	1	Weld, Kicker	
34	0200820	1	Arm - Upper Mid Outboard (Left Side)	
35	1180380	2	Carrier, Cable	
36	4812000	4	Washer M10	
37	4071094	1	Shim, Spacer	
38	3423170	1	Pin	
39	3291007	25	Nut M10	

SECTION 3 - SCISSOR ARMS

FIGURE 3-19. SCISSORS ARMS INSTALLATION - 3246ES STANDARD HYDRAULIC OIL (USA AND MEXICO BUILT MACHINES) (SN 0200241221 to Present, SN M200000100 through M200022032)



ART_1001191068

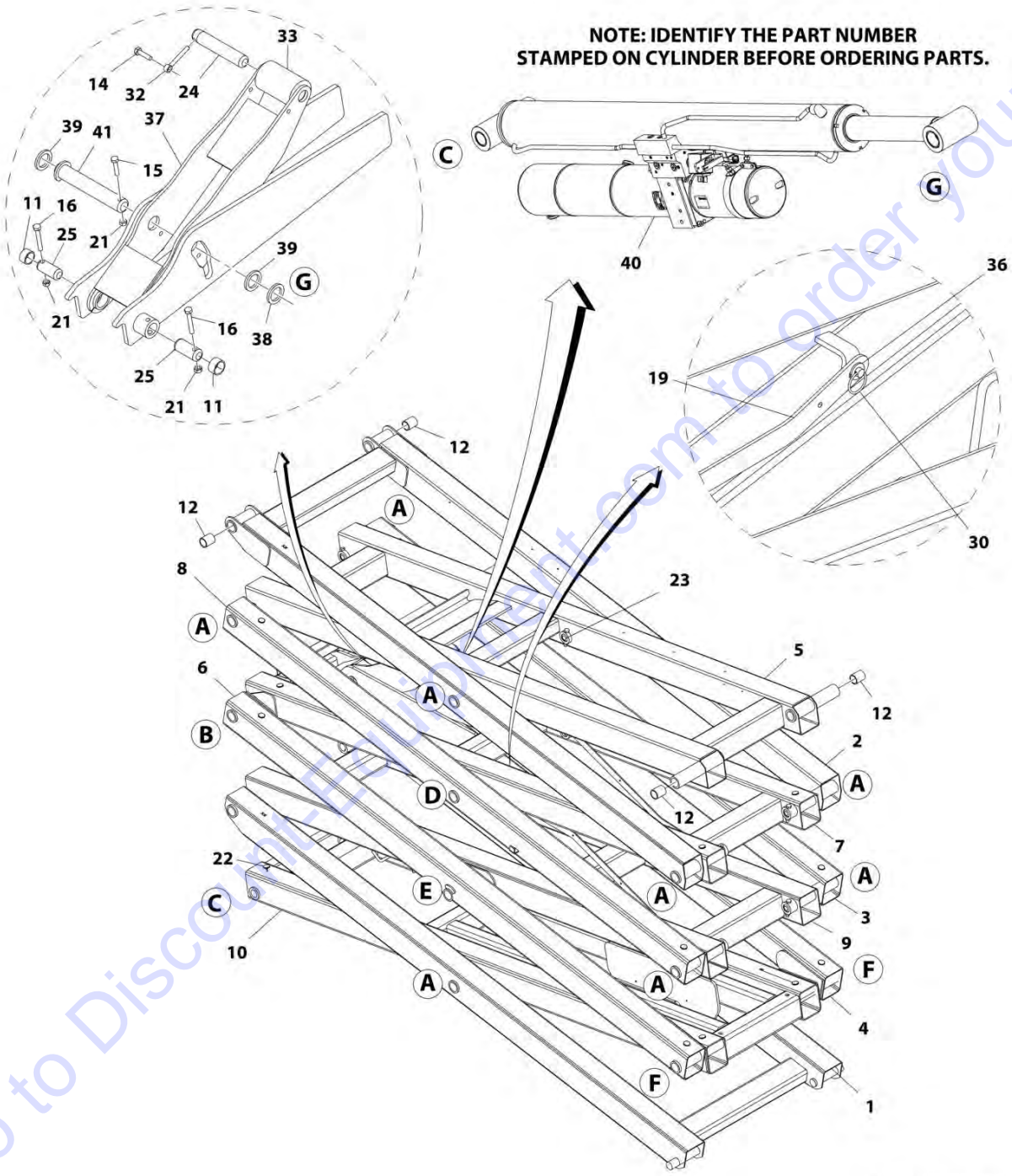
SECTION 3 - SCISSOR ARMS

FIGURE 3-19. SCISSORS ARMS INSTALLATION - 3246ES STANDARD HYDRAULIC OIL (USA AND MEXICO BUILT MACHINES) (SN 0200241221 to Present, SN M200000100 through M200022032)

ITEM	PART NUMBER	QTY	DESCRIPTION	REV
	1001191068	Ref	SCISSORS ARMS INSTALLATION - 3246ES STANDARD HYDRAULIC OIL	B
1	0701022	1	Bolt M10 x 70	
2	1061034	1	Cable, Manual Descent	
2	7020218	1	T-Handle (With 1/4-20 Threads)	
2	70001878	1	T-Handle (With 5mm Threads)	
3	3200454	1	Mount, Switch	
4	3291005	1	Nut M10	
5	3321402	1	Nut 1/4	
6	3340957	2	Pad, Slide	
7	3423255	1	Pin, Sensor	
8	4160078	1	Spring, Compression	
9	4191706	3	Screw M6 x 12	
10	4420070	3	Tape, Anti-Skid	
11	4420080	1	Tape, Safety Thread Step	
12	1001092354	1	Switch, Rotary Angle Sensor	
12	4460536	1	Receptacle, Female - 3 Position	
12	4460464	3	Pin, Male	
13	1001191060	1	Arms Assembly (See SCISSORS ARMS ASSEMBLY - 3246ES STANDARD HYDRAULIC OIL for Breakdown)	
100	0440265	2	Bushing (Part of Flame Weldment)	

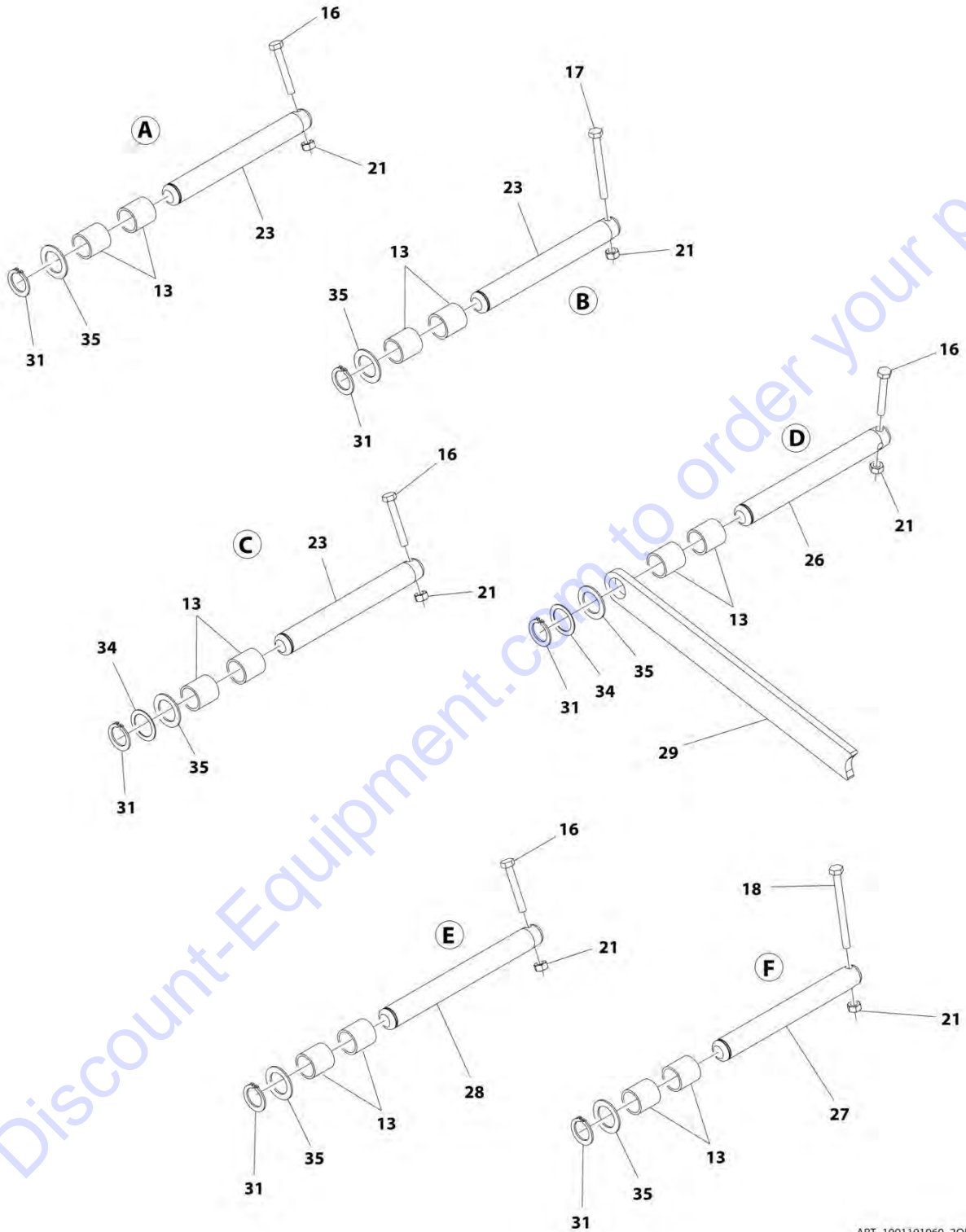
SECTION 3 - SCISSOR ARMS

FIGURE 3-20. SCISSORS ARMS ASSEMBLY - 3246ES STANDARD HYDRAULIC OIL (USA AND MEXICO BUILT MACHINES) (SN 0200241221 to Present, SN M200000100 to Present)



ART_1001191060_10F2

SECTION 3 - SCISSOR ARMS



ART_1001191060_2OF2

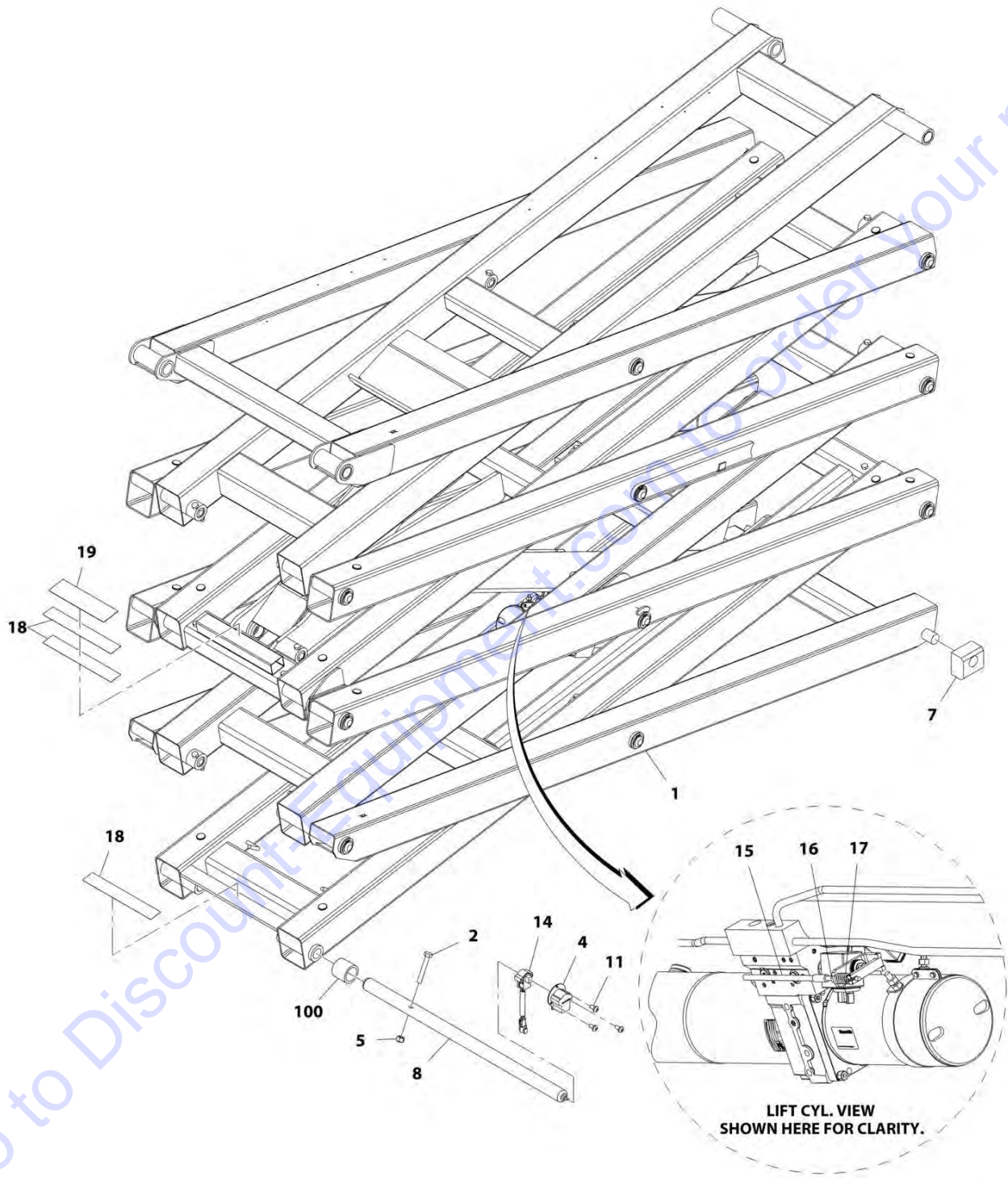
SECTION 3 - SCISSOR ARMS

FIGURE 3-20. SCISSORS ARMS ASSEMBLY - 3246ES STANDARD HYDRAULIC OIL (USA AND MEXICO BUILT MACHINES) (SN 0200241221 to Present, SN M200000100 to Present)

ITEM	PART NUMBER	QTY	DESCRIPTION	REV
	1001191060	Ref	SCISSORS ARMS ASSEMBLY - 3246ES STANDARD HYDRAULIC OIL (USA AND MEXICO BUILT MACHINES)	B
1	0200783	1	Arm - Lower Outboard (SN 0200241221 through 0200260988, SN M200000100 through M200006323)	
1	1001219386	1	Arm - Lower Outboard (SN 0200260989 to Present, SN M200006324 to Present)	
2	0200789	1	Arm - Upper Outboard	
3	0200820	1	Arm - Upper Mid Outboard (Left Side)	
4	0200826	1	Arm - Lower Mid Outboard (Left Side)	
5	0200827	1	Arm - Upper Inboard	
6	0200828	1	Arm - Lower Mid Outboard (Right Side)	
7	0200829	1	Arm - Upper Mid Inboard	
8	0200830	1	Arm - Upper Mid Outboard (Right Side)	
9	0200831	1	Arm - Lower Mid Inboard	
10	0200832	1	Arm - Lower Inboard	
11	0440257	2	Bearing	
12	0440266	4	Bearing	
13	0440267	40	Bearing	
14	0701016	1	Bolt M10 x 40	
15	0701018	1	Bolt M10 x 50	
16	0701022	19	Bolt M10 x 70	
17	0701027	2	Bolt M10 x 100	
18	0701029	2	Bolt M10 x 120	
19	1180380	2	Carrier, Cable	
21	3291007	25	Nut M10	
22	3340962	24	Pad, Arm	
23	3422997	17	Pin	
24	3422998	1	Pin	
25	3423011	2	Pin	
26	3423014	1	Pin	
27	3423026	2	Pin	
28	3423170	1	Pin	
29	3574161	1	Bar, Prop Attach	
30	3760170	4	Ring, Split	
31	3760387	20	Ring, Retaining	
32	3841143	1	Keeper, Pin	
33	3860104	1	Roller, Arm Kicker	
34	4071094	AR	Shim, Spacer	
35	4740438	20	Washer	
36	4812000	4	Washer M10	
37	4846684	1	Kicker, Weldment	
38	1001139000	1	Plate	
39	1001139002	2	Washer	
40	1001155844	1	Lift Cylinder Assembly - Standard Hydraulic Oil (See CYLINDER SECTION for Breakdown)	
41	1001191121	1	Pin	

SECTION 3 - SCISSOR ARMS

FIGURE 3-21. SCISSOR ARMS INSTALLATION - 3246ES STANDARD HYDRAULIC OIL (CHINA BUILT MACHINES) (SN B200020297 through B200020981)



ART_1001131008

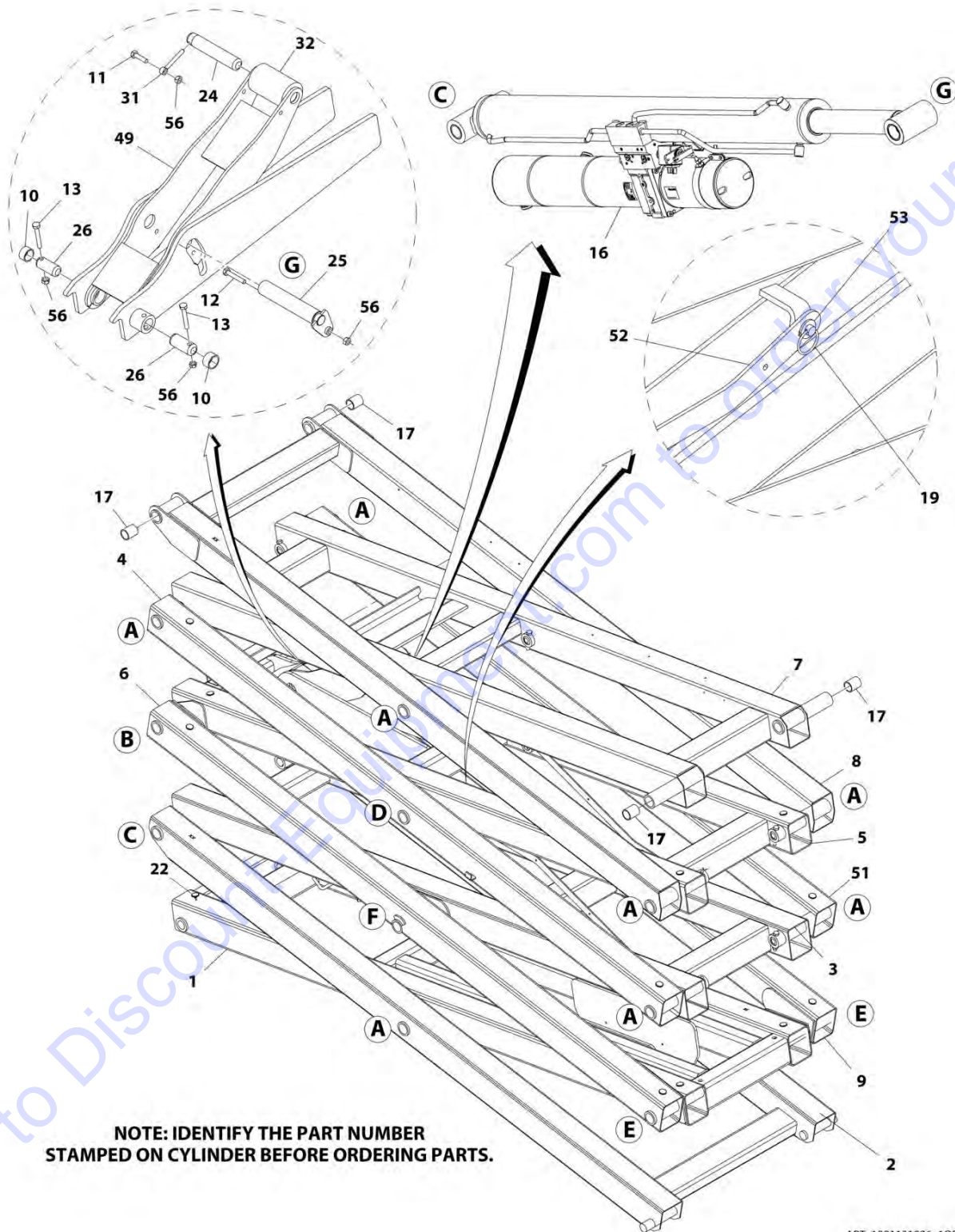
SECTION 3 - SCISSOR ARMS

FIGURE 3-21. SCISSORS ARMS INSTALLATION - 3246ES STANDARD HYDRAULIC OIL (CHINA BUILT MACHINES) (SN B200020297 through B200020981)

ITEM	PART NUMBER	QTY	DESCRIPTION	REV
	1001131008	Ref	SCISSORS ARMS INSTALLATION - 3246ES STANDARD HYDRAULIC OIL (CHINA BUILT MACHINES)	E
1	1001131026	1	Arms Assembly (See SCISSORS ARMS ASSEMBLY - 3246ES STANDARD HYDRAULIC OIL for Breakdown)	
2	0701022	1	Bolt M10 x 70	
4	3200454	1	Mount, Switch	
5	3291005	1	Nut M10	
7	3340957	2	Pad, Slide	
8	3423255	1	Pin, Sensor	
11	4191706	3	Screw M6 x 12	
14	1001092354	1	Switch, Rotary Angle Sensor	
14	4460536	1	Receptacle, Female - 3 Position	
14	4460464	3	Pin, Male	
15	1061034	1	Cable, Manual Descent	
15	7020218	1	T-Handle (With 1/4-20 Threads)	
15	70001878	1	T-Handle (With 5mm Threads)	
16	3321402	1	Nut 1/4-28	
17	4160078	1	Spring, Compression	
18	4420070	3	Tape, Anti-Skid	
19	4420080	1	Tape, Safety Tread Step	
100	0440265	2	Bushing (Part of Frame Weldment)	

SECTION 3 - SCISSOR ARMS

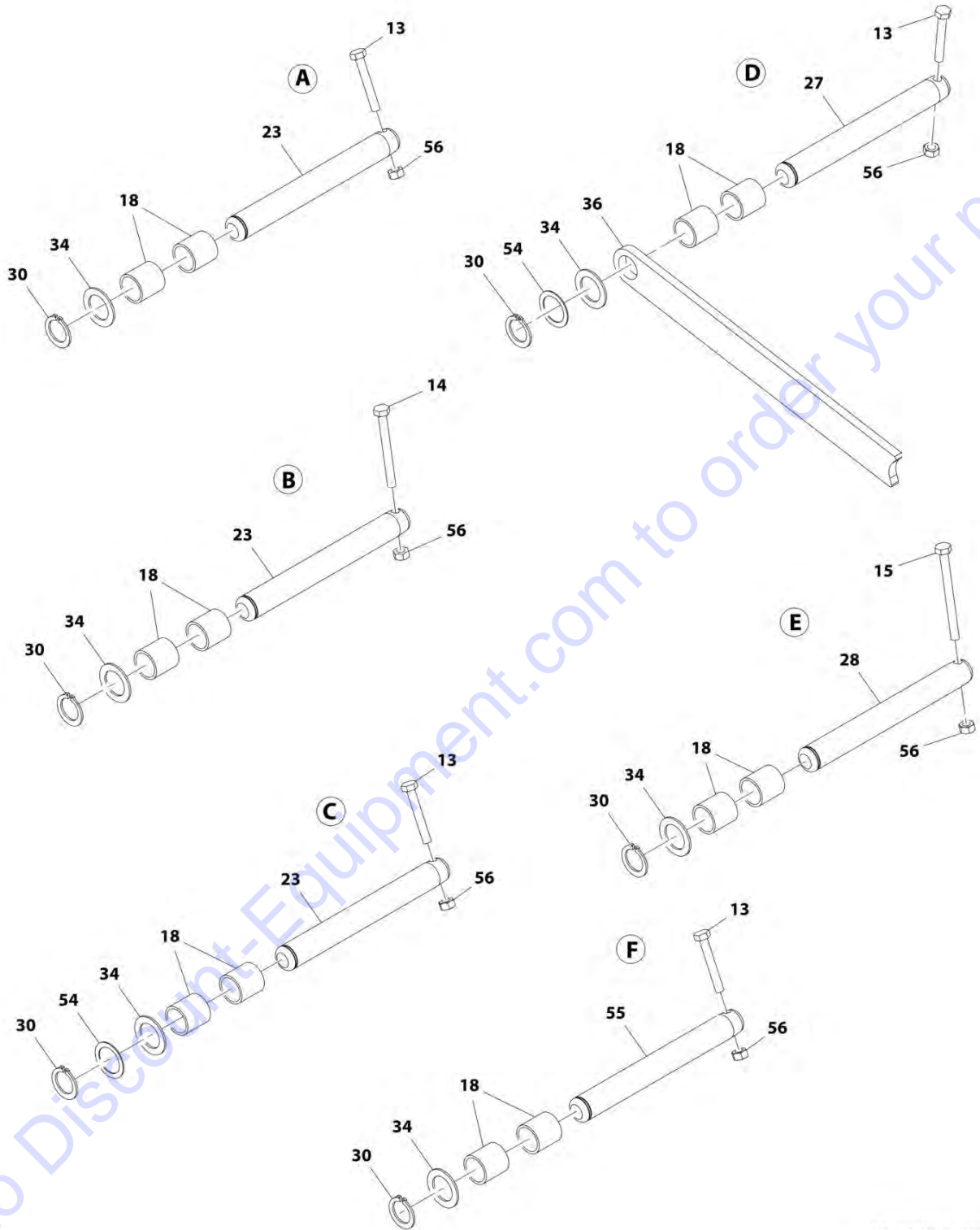
FIGURE 3-22. SCISSORS ARMS ASSEMBLY - 3246ES STANDARD HYDRAULIC OIL (CHINA BUILT MACHINES) (SN B200020297 through B200020981)



NOTE: IDENTIFY THE PART NUMBER STAMPED ON CYLINDER BEFORE ORDERING PARTS.

ART_1001131026_10F2

SECTION 3 - SCISSOR ARMS



ART_1001131026_2OF2

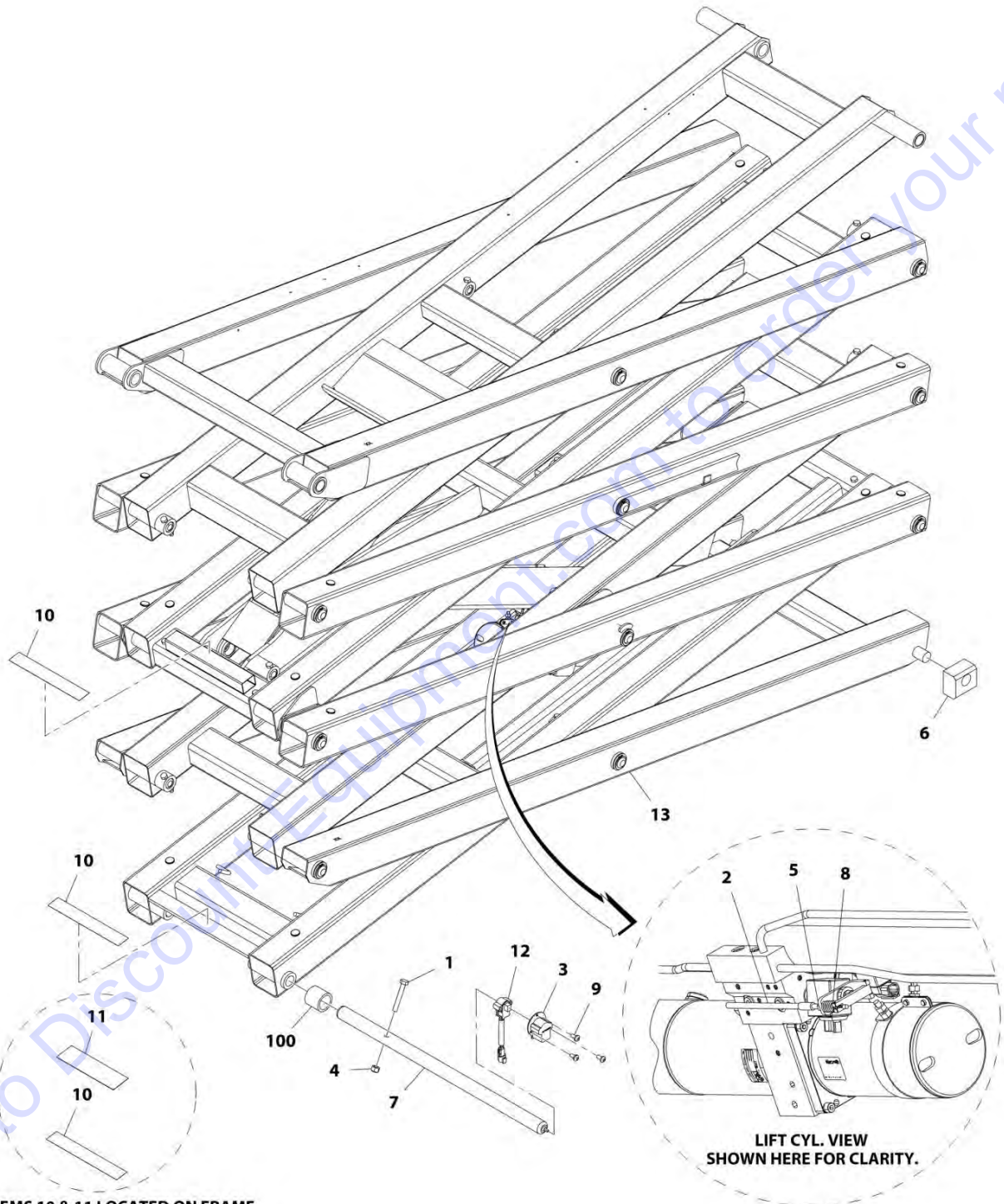
SECTION 3 - SCISSOR ARMS

FIGURE 3-22. SCISSORS ARMS ASSEMBLY - 3246ES STANDARD HYDRAULIC OIL (CHINA BUILT MACHINES) (SN B200020297 through B200020981)

ITEM	PART NUMBER	QTY	DESCRIPTION	REV
	1001131026	Ref	SCISSORS ARMS ASSEMBLY - 3246ES STANDARD HYDRAULIC OIL (CHINA BUILT MACHINES)	G
1	0200832	1	Arm - Lower Inboard	
2	0200783	1	Arm - Lower Outboard	
3	0200831	1	Arm - Lower Mid Inboard	
4	0200830	1	Arm - Upper Mid Outboard (Right Side)	
5	0200829	1	Arm - Upper Mid Inboard	
6	0200828	1	Arm - Lower Mid Outboard (Right Side)	
7	0200827	1	Arm - Upper Inboard	
8	0200789	1	Arm - Upper Outboard	
9	0200826	1	Arm - Lower Mid Outboard (Left Side)	
10	0440257	2	Bearing	
11	0701016	1	Bolt M10 x 40	
12	0701020	1	Bolt M10 x 60	
13	0701022	19	Bolt M10 x 70	
14	0701027	2	Bolt M10 x 100	
15	0701029	2	Bolt M10 x 120	
16	1001129292	1	Lift Cylinder Assembly - Standard Hydraulic Oil (See CYLINDER SECTION for Breakdown)	
17	0440266	4	Bearing	
18	0440267	40	Bearing	
19	3760170	4	Ring, Split	
22	3340962	24	Pad, Arm	
23	3422997	17	Pin	
24	3422998	1	Pin	
25	3423009	NLA	Pin (Use p/n 1001226707)	
26	3423011	2	Pin	
27	3423014	1	Pin	
28	3423026	2	Pin	
30	3760387	20	Ring, Retaining	
31	3841143	1	Keeper, Pin	
32	3860104	1	Roller, Arm Kicker	
34	4740438	20	Washer	
36	3574161	1	Bar, Prop Attach	
49	4846684	1	Weld, Kicker	
51	0200820	1	Arm - Upper Mid Outboard (Left Side)	
52	1180380	2	Carrier, Cable	
53	4812000	4	Washer M10	
54	4071094	1	Shim, Spacer	
55	3423170	1	Pin	
56	3291007	25	Nut M10	

SECTION 3 - SCISSOR ARMS

FIGURE 3-23. SCISSORS ARMS INSTALLATION - 3246ES STANDARD HYDRAULIC OIL (BELGIUM, CHINA AND MEXICO BUILT MACHINES) (SN 1200025021 to Present, SN B200020982 to Present, SN M200022033 to Present)



ITEMS 10 & 11 LOCATED ON FRAME

ART_1001191064

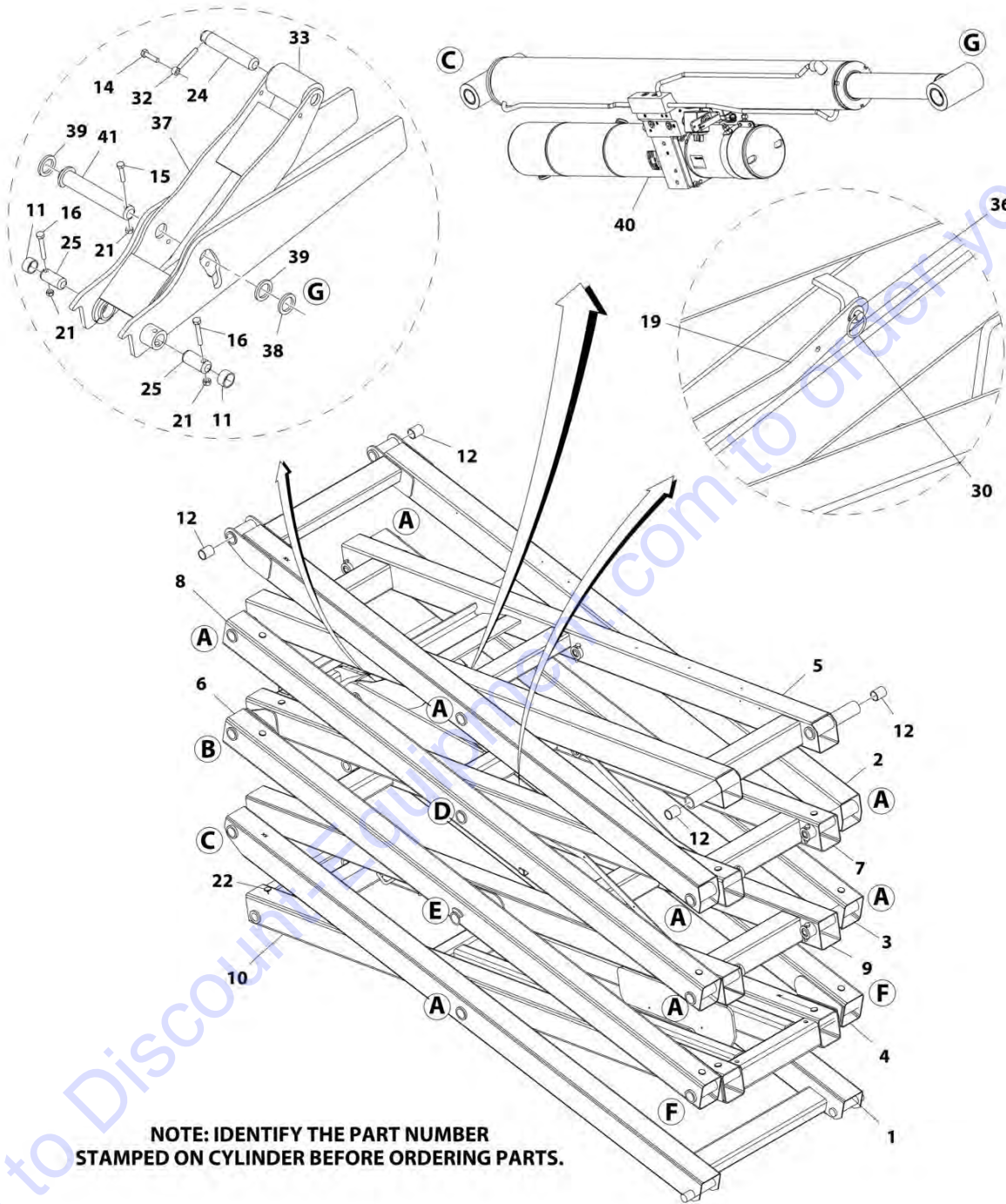
SECTION 3 - SCISSOR ARMS

FIGURE 3-23. SCISSORS ARMS INSTALLATION - 3246ES STANDARD HYDRAULIC OIL (BELGIUM, CHINA AND MEXICO BUILT MACHINES) (SN 1200025021 to Present, SN B200020982 to Present, SN M200022033 to Present)

ITEM	PART NUMBER	QTY	DESCRIPTION	REV
	1001191064	Ref	SCISSORS ARMS INSTALLATION - 3246ES STANDARD HYDRAULIC OIL	B
1	0701022	1	Bolt M10 x 70	
2	1061034	1	Cable, Manual Descent	
2	7020218	1	T-Handle (With 1/4-20 Threads)	
2	70001878	1	T-Handle (With 5mm Threads)	
3	3200454	1	Mount, Switch	
4	3291005	1	Nut M10	
5	3321402	1	Nut 1/4	
6	3340957	2	Pad, Slide	
7	3423255	1	Pin, Sensor	
8	4160078	1	Spring, Compression	
9	4191706	3	Screw M6 x 12	
10	4420070	3	Tape, Anti-Skid	
11	4420080	1	Tape, Safety Tread Step	
12	1001092354	1	Switch, Rotary Angle Sensor	
12	4460536	1	Receptacle, Female - 3 Position	
12	4460464	3	Pin, Male	
13	1001191056	1	Arms Assembly (See SCISSORS ARMS ASSEMBLY - 3246ES STANDARD HYDRAULIC OIL for Breakdown)	
100	0440265	2	Bushing (Part of Frame Weldment)	

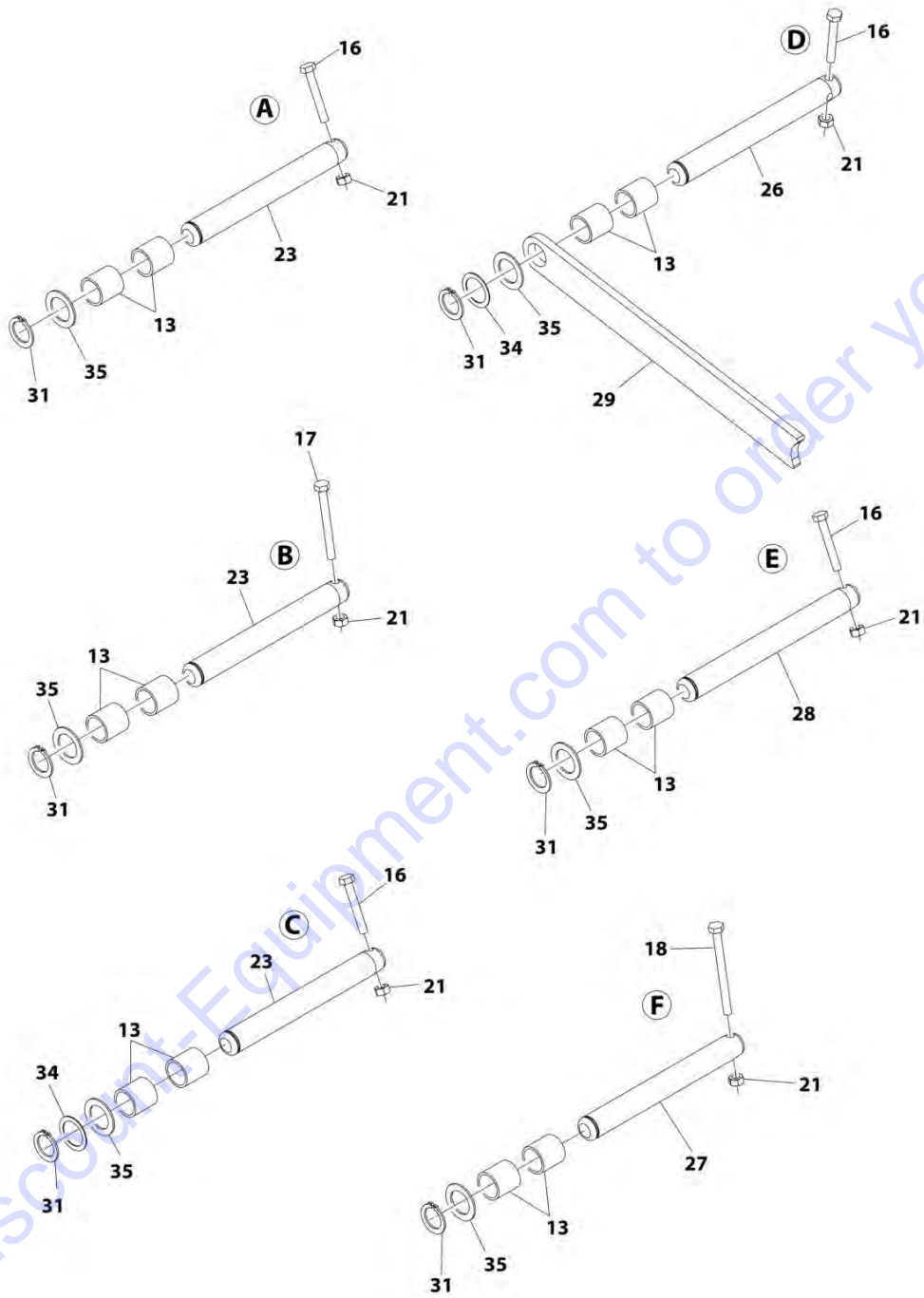
SECTION 3 - SCISSOR ARMS

FIGURE 3-24. SCISSORS ARMS INSTALLATION - 3246ES STANDARD HYDRAULIC OIL (CHINA BUILT MACHINES) (SN B200020982 to Present)



ART_1001191056_10F2

SECTION 3 - SCISSOR ARMS



ART_1001191056_20F2

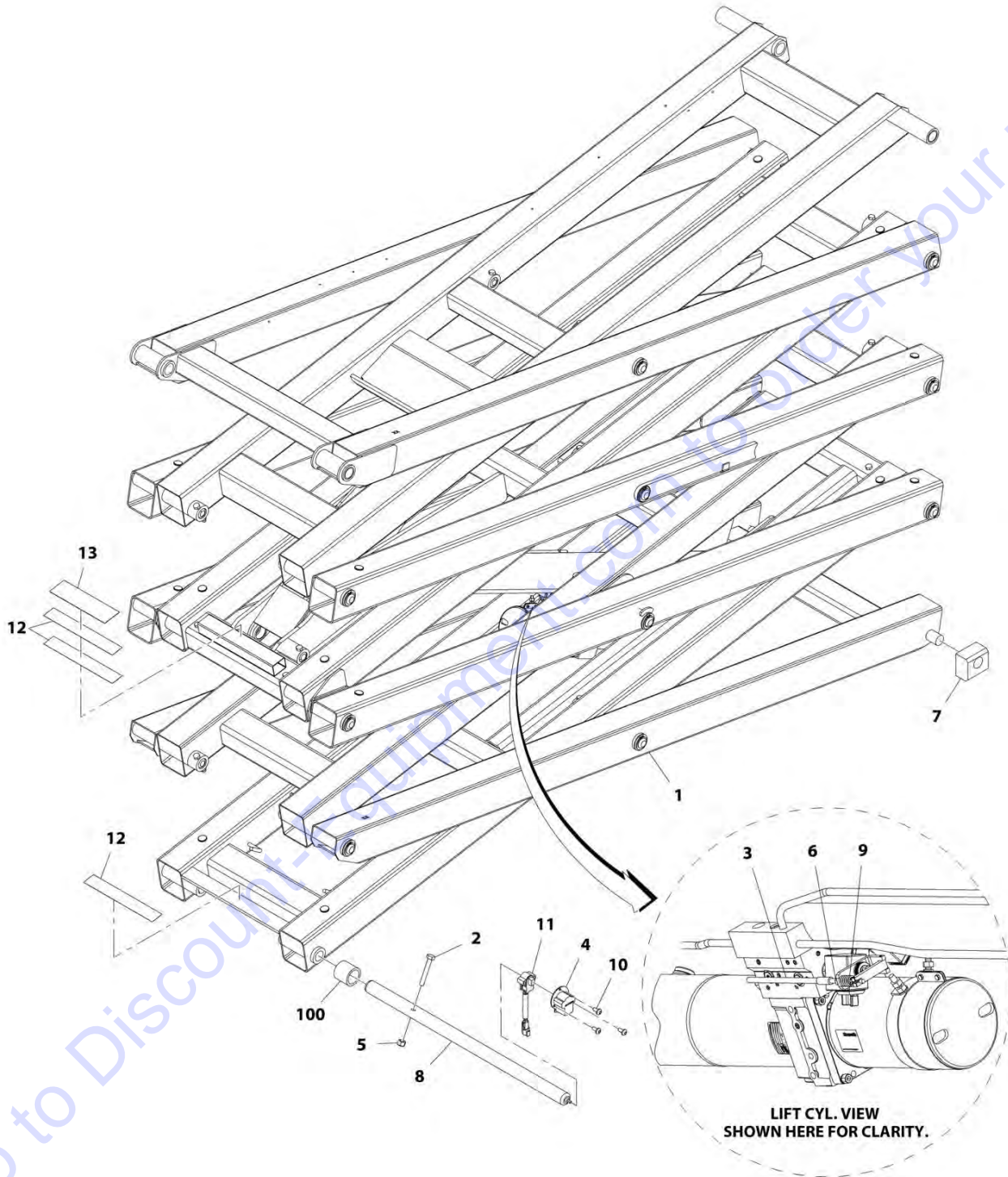
SECTION 3 - SCISSOR ARMS

FIGURE 3-24. SCISSORS ARMS ASSEMBLY - 3246ES STANDARD HYDRAULIC OIL (CHINA BUILT MACHINES) (SN B200020982 to Present)

ITEM	PART NUMBER	QTY	DESCRIPTION	REV
	1001191056	Ref	SCISSORS ARMS ASSEMBLY - 3246ES STANDARD HYDRAULIC OIL (CHINA BUILT MACHINES)	B
1	0200783	1	Arm - Lower Outboard (SN B200020982 through B200037413)	
1	1001219386	1	Arm - Lower Outboard (SN B200037414 to Present)	
2	0200789	1	Arm - Upper Outboard	
3	0200820	1	Arm - Upper Mid Outboard (Left Side)	
4	0200826	1	Arm - Lower Mid Outboard (Left Side)	
5	0200827	1	Arm - Upper Inboard	
6	0200828	1	Arm - Lower Mid Outboard (Right Side)	
7	0200829	1	Arm - Upper Mid Inboard	
8	0200830	1	Arm - Upper Mid Outboard (Right Side)	
9	0200831	1	Arm - Lower Mid Inboard	
10	0200832	1	Arm - Lower Inboard	
11	0440257	2	Bearing	
12	0440266	4	Bearing	
13	0440267	40	Bearing	
14	0701016	1	Bolt M10 x 40	
15	0701018	1	Bolt M10 x 50	
16	0701022	19	Bolt M10 x 70	
17	0701027	2	Bolt M10 x 100	
18	0701029	2	Bolt M10 x 120	
19	1180380	2	Carrier, Cable	
21	3291007	25	Nut M10	
22	3340962	24	Pad, Arm	
23	3422997	17	Pin	
24	3422998	1	Pin	
25	3423011	2	Pin	
26	3423014	1	Pin	
27	3423026	2	Pin	
28	3760170	1	Pin	
29	3574161	1	Bar, Prop Attach	
30	3423170	4	Right, Split	
31	3760387	20	Ring, Retaining	
32	3841143	1	Keeper, Pin	
33	3860104	1	Roller, Arm Kicker	
34	4071094	AR	Shim, Spacer	
35	4740438	20	Washer	
36	4812000	4	Washer M10	
37	4846684	1	Kicker Weldment	
38	1001139000	1	Plate	
39	1001139002	2	Washer	
40	1001129292	1	Life Cylinder Assembly - Standard Hydraulic Oil (See CYLINDER SECTION for Breakdown)	
41	1001191121	1	Pin	

SECTION 3 - SCISSOR ARMS

FIGURE 3-25. SCISSORS ARMS INSTALLATION - 3246ES BIODEGRADABLE HYDRAULIC OIL (USA BUILT MACHINES) (SN 0200239382 through 0200241220)



ART_1001157343

SECTION 3 - SCISSOR ARMS

FIGURE 3-25. SCISSORS ARMS INSTALLATION - 3246ES BIODEGRADEABLE HYDRAULIC OIL (USA BUILT MACHINES) (SN 0200239382 through 0200241220)

ITEM	PART NUMBER	QTY	DESCRIPTION	REV
	1001157343	Ref	SCISSORS ARMS INSTALLATION - 3246ES BIODEGRADEABLE HYDRAULIC OIL (USA BUILT MACHINES)	B
1	1001157338	1	Arms Assembly (See SCISSORS ARMS ASSEMBLY - 3246ES BIODEGRADEABLE HYDRAULIC OIL (USA BUILT MACHINES) for Breakdown)	
2	0701022	1	Bolt M10 x 70	
3	1061034	1	Cable, Manual Descent	
3	7020218	1	T-Handle (With 1/4-20 Threads)	
3	70001878	1	T-Handle (With 5mm Threads)	
4	3200454	1	Mount, Switch	
5	3291005	1	Nut M10	
6	3321402	1	Nut 1/4-28	
7	3340957	2	Pad, Slide	
8	3423255	1	Pin, Sensor	
9	4160078	1	Spring, Compression	
10	4191706	3	Screw M6 x 12	
11	1001092354	1	Switch, Rotary Angle Sensor	
11	4460536	1	Receptacle, Female - 3 Position	
11	4460464	3	Pin, Male	
12	4420070	3	Tape, Anti-Skid	
13	4420080	1	Tape, Safety Tread Step	
100	0440265	2	Bushing (Part of Frame Weldment)	

PARTS FINDER

**Search Website
by Part Number**



**Search Manual
Library For Parts
Manual & Lookup Part
Numbers – Purchase
or Request Quote**

**Can't Find Part or
Manual? Request Help
by Manufacturer,
Model & Description**

Discount-Equipment.com is your online resource for quality parts & equipment.

Florida: **561-964-4949** Outside Florida TOLL FREE: **877-690-3101**

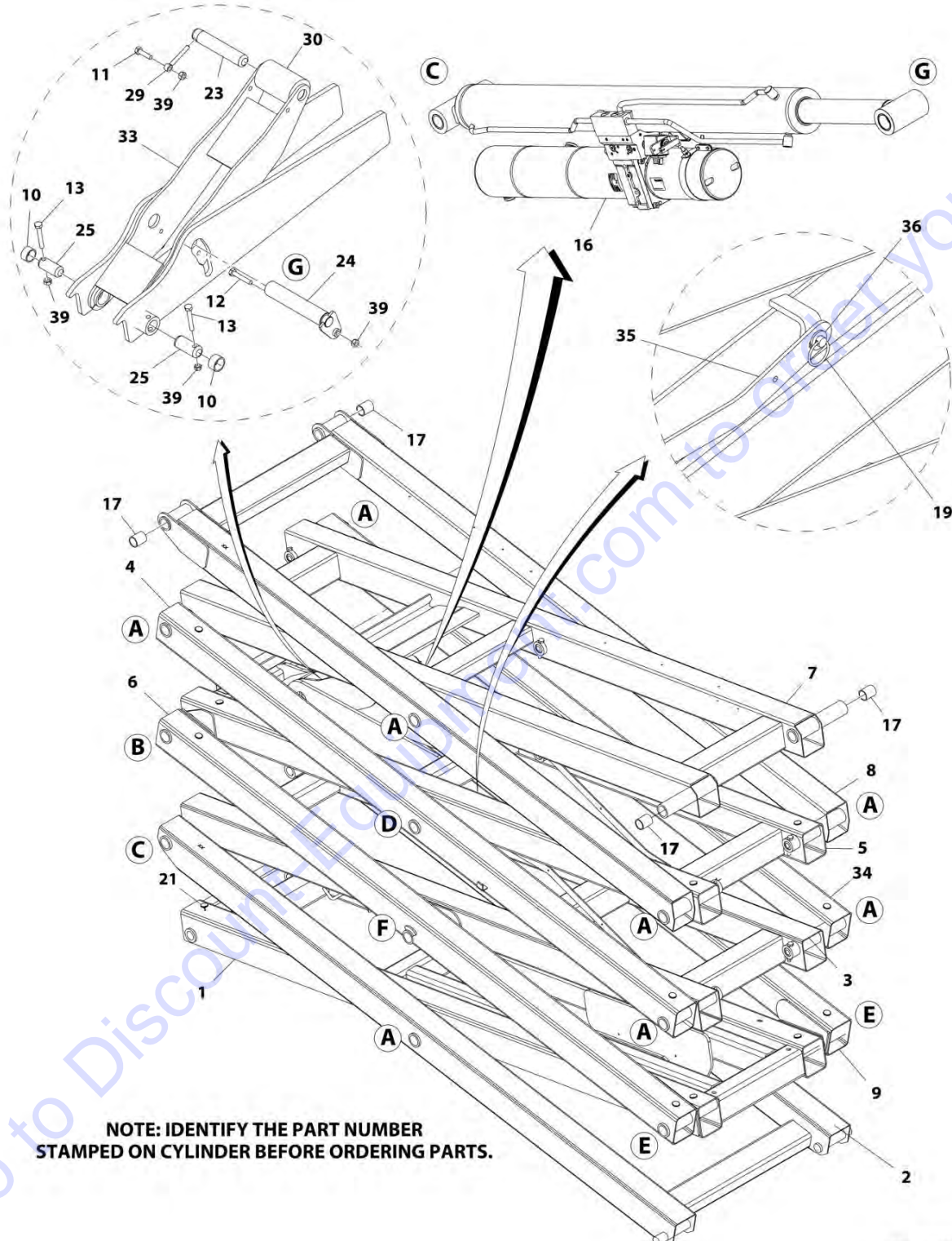
Need parts?

Click on this link: <http://www.discount-equipment.com/category/5443-parts/> and choose one of the options to help get the right parts and equipment you are looking for. Please have the machine model and serial number available in order to help us get you the correct parts. If you don't find the part on the website or on one of the online manuals, please fill out the request form and one of our experienced staff members will get back to you with a quote for the right part that your machine needs.

We sell worldwide for the brands: Genie, Terex, JLG, MultiQuip, Mikasa, Essick, Whiteman, Mayco, Toro Stone, Diamond Products, Generac Magnum, Airman, Haulotte, Barreto, Power Blanket, Nifty Lift, Atlas Copco, Chicago Pneumatic, Allmand, Miller Curber, Skyjack, Lull, Skytrak, Tsurumi, Husquvarna Target, Stow, Wacker, Sakai, Mi-T-M, Sullair, Basic, Dynapac, MBW, Weber, Bartell, Bennar Newman, Haulotte, Ditch Runner, Menegotti, Morrison, Contec, Buddy, Crown, Edco, Wyco, Bomag, Laymor, EZ Trench, Bil-Jax, F.S. Curtis, Gehl Pavers, Heli, Honda, ICS/PowerGrit, IHI, Partner, Imer, Clipper, MMD, Koshin, Rice, CH&E, General Equipment, Amida, Coleman, NAC, Gradall, Square Shooter, Kent, Stanley, Tamco, Toku, Hatz, Kohler, Robin, Wisconsin, Northrock, Oztec, Toker TK, Rol-Air, APT, Wylie, Ingersoll Rand / Doosan, Innovatech, Con X, Ammann, Mecalac, Makinex, Smith Surface Prep, Small Line, Wanco, Yanmar

SECTION 3 - SCISSOR ARMS

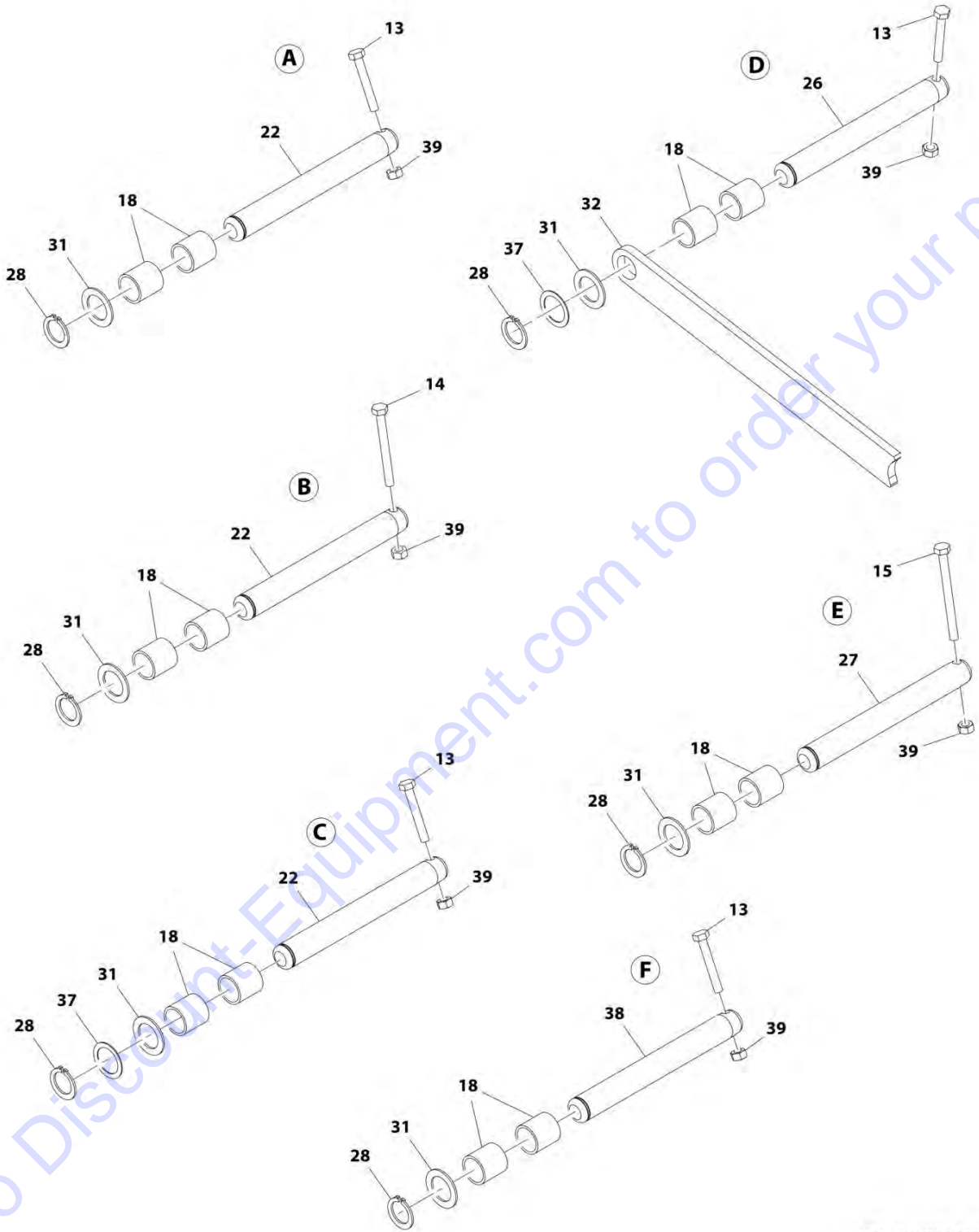
FIGURE 3-26. SCISSOR ARMS ASSEMBLY - 3246ES BIODEGRADABLE HYDRAULIC OIL (USA BUILT MACHINES) (SN 0200239382 through 0200241220)



NOTE: IDENTIFY THE PART NUMBER STAMPED ON CYLINDER BEFORE ORDERING PARTS.

ART_1001157338_1OF2

SECTION 3 - SCISSOR ARMS



ART_1001157338_20F2

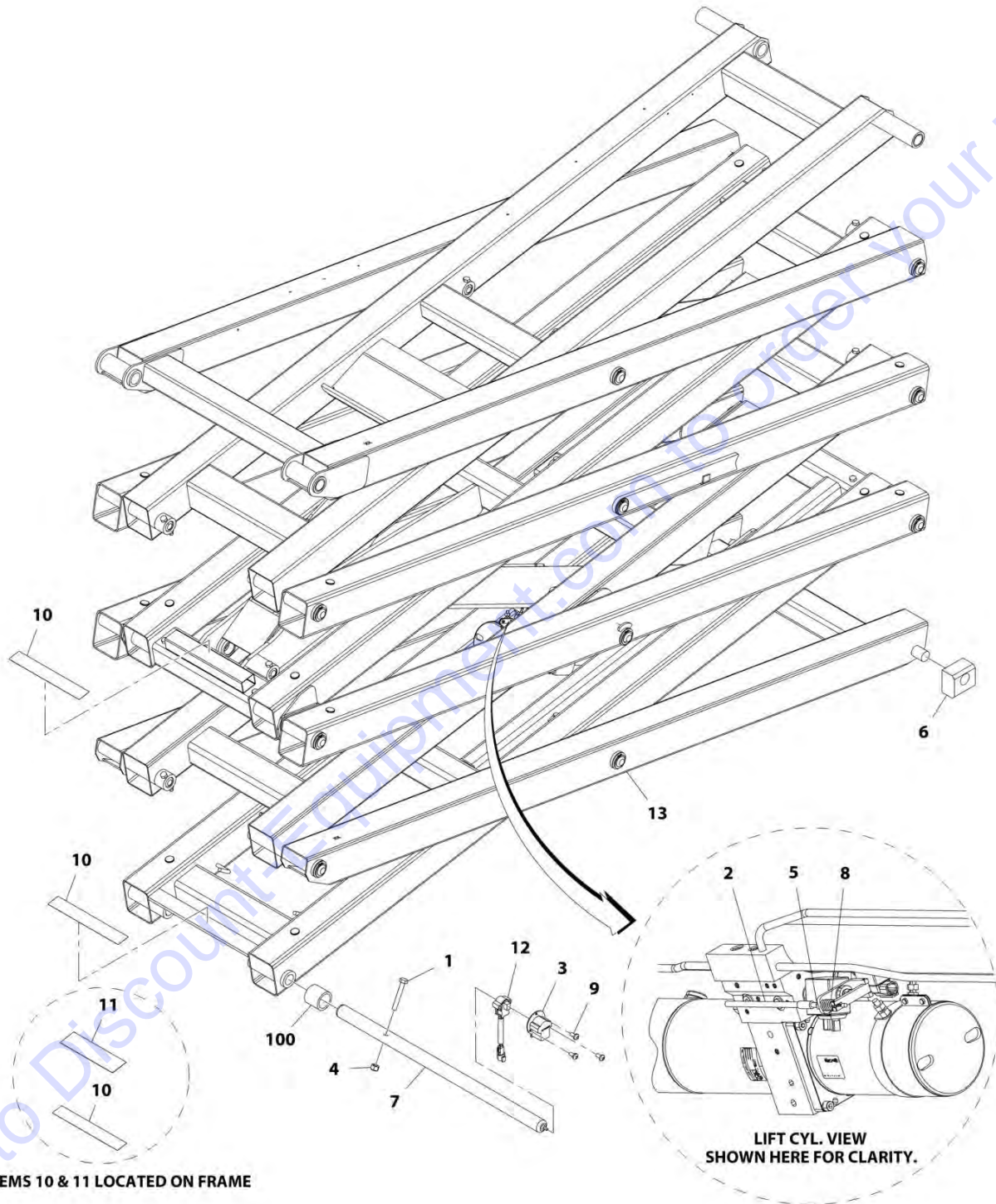
SECTION 3 - SCISSOR ARMS

FIGURE 3-26. SCISSORS ARMS ASSEMBLY - 3246ES BIODEGRADABLE HYDRAULIC OIL (USA BUILT MACHINES) (SN 0200239382 through 0200241220)

ITEM	PART NUMBER	QTY	DESCRIPTION	REV
	1001157338	Ref	SCISSORS ARMS ASSEMBLY - 3246ES BIODEGRADABLE HYDRAULIC OIL (USA BUILT MACHINES)	B
1	0200832	1	Arm - Lower Inboard	
2	0200783	1	Arm - Lower Outboard	
3	0200831	1	Arm - Lower Mid Inboard	
4	0200830	1	Arm - Upper Mid Outboard (Right Side)	
5	0200829	1	Arm - Upper Mid Inboard	
6	0200828	1	Arm - Lower Mid Outboard (Right Side)	
7	0200827	1	Arm - Upper Inboard	
8	0200789	1	Arm - Upper Outboard	
9	0200826	1	Arm - Lower Mid Outboard (Left Side)	
10	0440257	2	Bearing	
11	0701016	1	Bolt M10 x 40	
12	0701020	1	Bolt M10 x 60	
13	0701022	19	Bolt M10 x 70	
14	0701027	2	Bolt M10 x 100	
15	0701029	2	Bolt M10 x 120	
16	1001157333	1	Lift Cylinder Assembly - Biodegradeable Hydraulic Oil (See CYLINDER SECTION for Breakdown)	
17	0440266	4	Bearing	
18	0440267	40	Bearing	
19	3760170	4	Ring, Split	
21	3340962	24	Pad, Arm	
22	3422997	17	Pin	
23	3422998	1	Pin	
24	3423009	NLA	Pin (Use p/n 1001226707)	
25	3423011	2	Pin	
26	3423014	1	Pin	
27	3423026	2	Pin	
28	3760387	20	Ring, Retaining	
29	3841143	1	Keeper, Pin	
30	3860104	1	Roller, Arm Kicker	
31	4740438	20	Washer	
32	3574161	1	Bar, Prop Attach	
33	4846684	1	Weld, Kicker	
34	0200820	1	Arm - Upper Mid Outboard (Left Side)	
35	1180380	2	Carrier, Cable	
36	4812000	4	Washer M10	
37	4071094	1	Shim, Spacer	
38	3423170	1	Pin	
39	3291007	25	Nut M10	

SECTION 3 - SCISSOR ARMS

FIGURE 3-27. SCISSORS ARMS INSTALLATION - 3246ES BIODEGRADABLE HYDRAULIC OIL (USA AND MEXICO BUILT MACHINES) (SN 0200241221 to Present, SN M200000100 to Present)



ART_1001191070

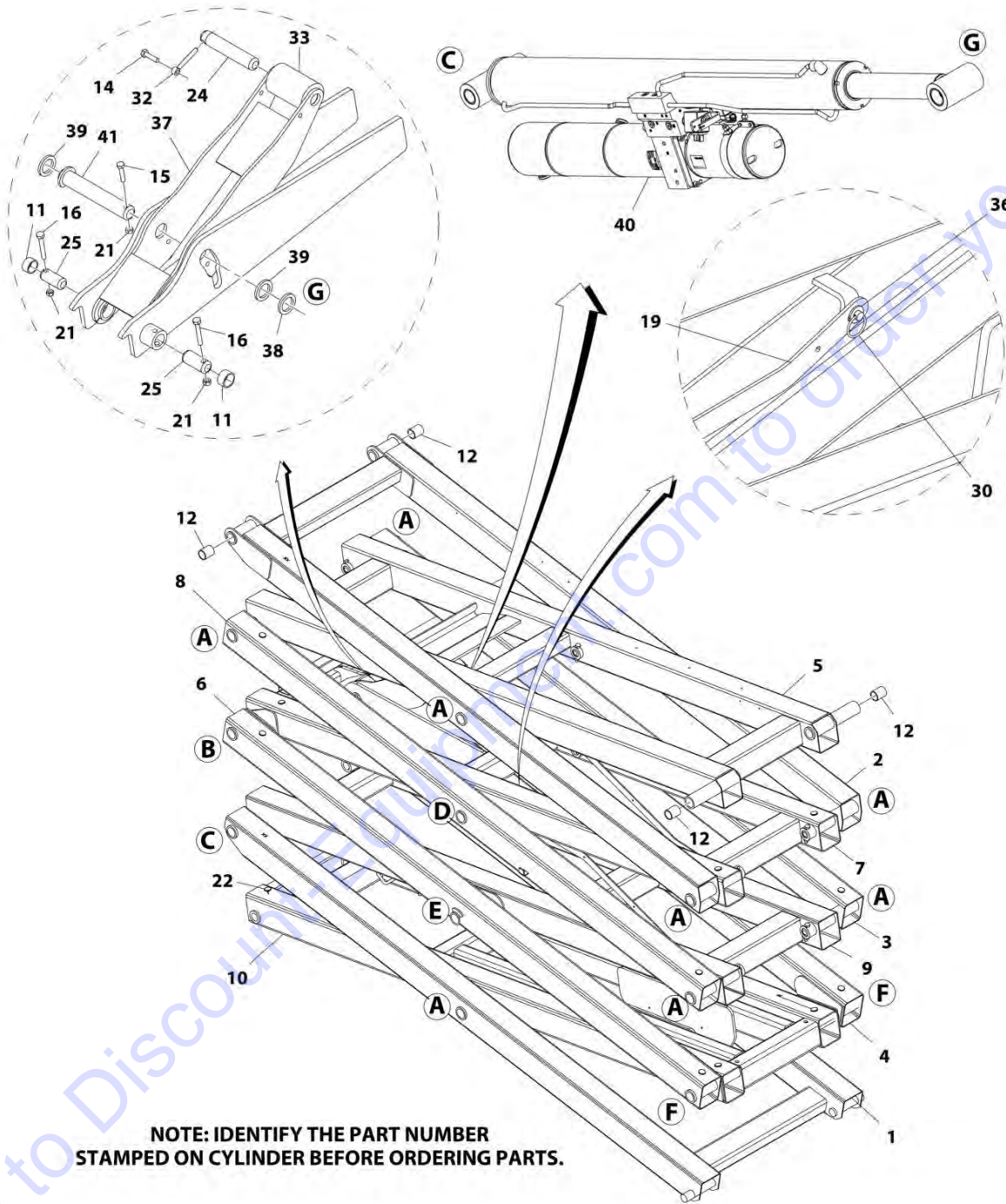
SECTION 3 - SCISSOR ARMS

FIGURE 3-27. SCISSORS ARMS INSTALLATION - 3246ES BIODEGRADEABLE HYDRAULIC OIL (USA AND MEXICO BUILT MACHINES) (SN 0200241221 to Present, SN M200000100 to Present)

ITEM	PART NUMBER	QTY	DESCRIPTION	REV
	1001191070	Ref	SCISSORS ARMS INSTALLATION - 3246ES BIODEGRADEABLE HYDRAULIC OIL	B
1	0701022	1	Bolt M10 x 70	
2	1061034	1	Cable, Manual Descent	
2	7020218	1	T-Handle (With 1/4-20 Threads)	
2	70001878	1	T-Handle (With 5mm Threads)	
3	3200454	1	Mount, Switch	
4	3291005	1	Nut M10	
5	3321402	1	Nut 1/4	
6	3340957	2	Pad, Slide	
7	3423255	1	Pin, Sensor	
8	4160078	1	Spring, Compression	
9	4191706	3	Screw M6 x 12	
10	4420070	3	Tape, Anti-Skid	
11	4420080	1	Tape, Safety Tread Step	
12	1001092354	1	Switch, Rotary Angle Sensor	
12	4460536	1	Receptacle, Female - 3 Position	
12	4460464	3	Pin, Male	
13	1001191062	1	Arms Assembly (See SCISSORS ARMS ASSEMBLY - 3246ES BIODEGRADEABLE HYDRAULIC OIL for Breakdown)	
100	0440265	2	Bushing (Part of Frame Weldment)	

SECTION 3 - SCISSOR ARMS

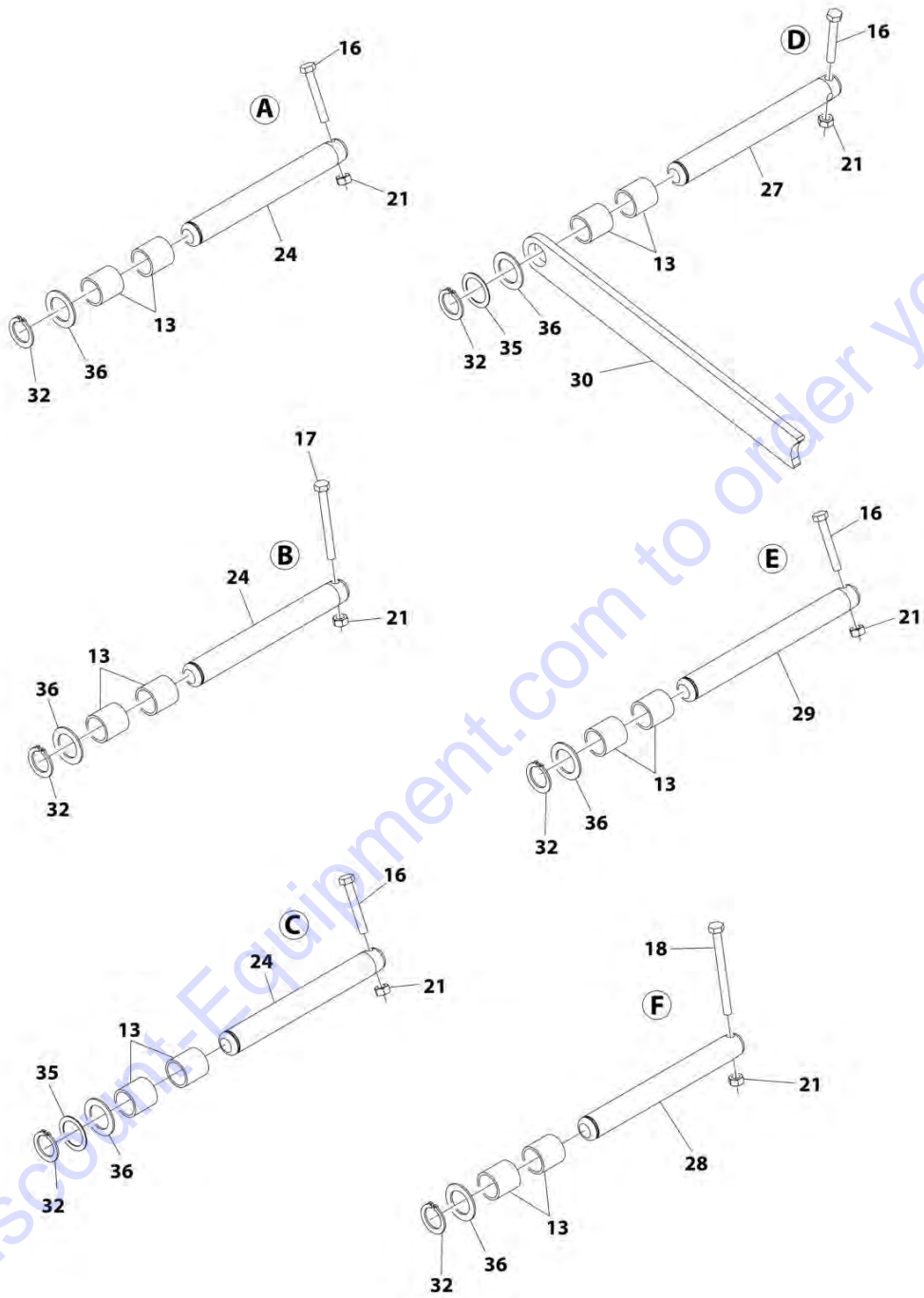
FIGURE 3-28. SCISSORS ARMS ASSEMBLY - 3246ES BIODEGRADABLE HYDRAULIC OIL (USA AND MEXICO BUILT MACHINES) (SN 0200241221 to Present, SN M200000100 to Present)



NOTE: IDENTIFY THE PART NUMBER STAMPED ON CYLINDER BEFORE ORDERING PARTS.

ART_1001191062_10F2

SECTION 3 - SCISSOR ARMS



ART_1001191062_20F2

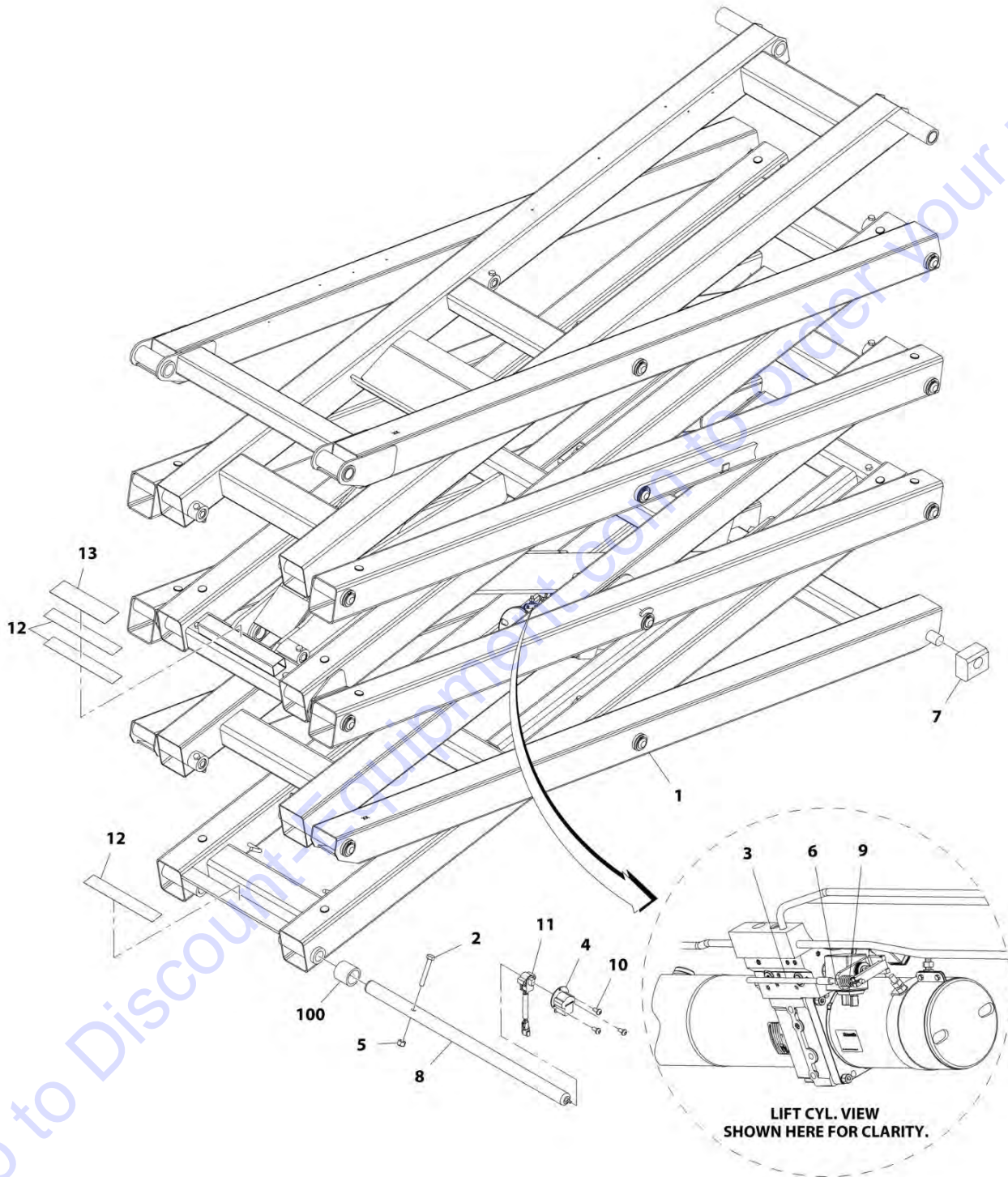
SECTION 3 - SCISSOR ARMS

FIGURE 3-28. SCISSORS ARMS ASSEMBLY - 3246ES BIODEGRADABLE HYDRAULIC OIL (USA AND MEXICO BUILT MACHINES) (SN 0200241221 to Present, SN M200000100 to Present)

ITEM	PART NUMBER	QTY	DESCRIPTION	REV
	1001191062	Ref	SCISSORS ARMS ASSEMBLY - 3246ES BIODEGRADABLE HYDRAULIC OIL (USA AND MEXICO BUILT MACHINES)	B
1	0200783	1	Arm - Lower Outboard (SN 0200241221 through 0200260988, SN M200000100 through M200006323)	
1	1001219386	1	Arm - Lower Outboard (SN 0200260989 to Present, SN M200006324 to Present)	
2	0200789	1	Arm - Upper Outboard	
3	0200820	1	Arm - Upper Mid Outboard (Left Side)	
4	0200826	1	Arm - Lower Mid Outboard (Left Side)	
5	0200827	1	Arm - Upper Inboard	
6	0200828	1	Arm - Lower Mid Outboard (Right Side)	
7	0200829	1	Arm - Upper Mid Inboard	
8	0200830	1	Arm - Upper Mid Outboard (Right Side)	
9	0200831	1	Arm - Lower Mid Inboard	
10	0200832	1	Arm - Lower Inboard	
11	0440257	2	Bearing	
12	0440266	4	Bearing	
13	0440267	40	Bearing	
14	0701016	1	Bolt M10 x 40	
15	0701018	1	Bolt M10 x 50	
16	0701022	19	Bolt M10 x 70	
17	0701027	2	Bolt M10 x 100	
18	0701029	2	Bolt M10 x 120	
19	1180380	2	Carrier, Cable	
21	3291007	25	Nut M10	
22	3340962	24	Pad, Arm	
23	3422997	17	Pin	
24	3422998	1	Pin	
25	3423011	2	Pin	
26	3423014	1	Pin	
27	3423026	2	Pin	
28	3760170	1	Pin	
29	3574161	1	Bar, Prop Attach	
30	3423170	4	Right, Split	
31	3760387	20	Ring, Retaining	
32	3841143	1	Keeper, Pin	
33	3860104	1	Roller, Arm Kicker	
34	4071094	AR	Shim, Spacer	
35	4740438	20	Washer	
36	4812000	4	Washer M10	
37	4846684	1	Kicker Weldment	
38	1001139000	1	Plate	
39	1001139002	2	Washer	
40	1001157333	1	Life Cylinder Assembly - Biodegradeable Hydraulic Oil (See CYLINDER SECTION for Breakdown)	
41	1001191121	1	Pin	

SECTION 3 - SCISSOR ARMS

FIGURE 3-29. SCISSORS ARMS INSTALLATION - 3246ES BIODEGRADABLE HYDRAULIC OIL (CHINA BUILT MACHINES) (SN B200020297 through B200020981)



ART_1001131013

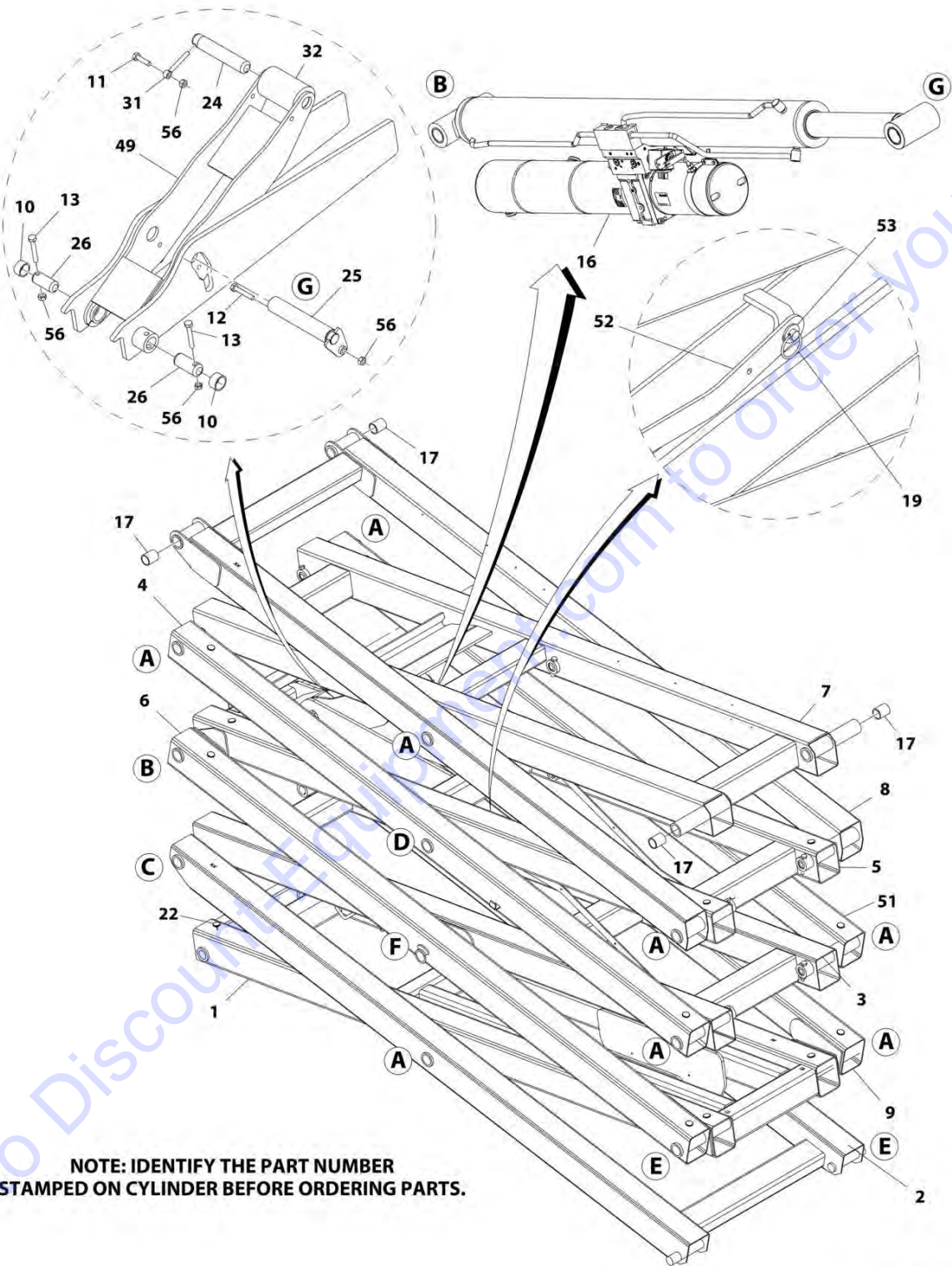
SECTION 3 - SCISSOR ARMS

FIGURE 3-29. SCISSORS ARMS INSTALLATION - 3246ES BIODEGRADEABLE HYDRAULIC OIL (CHINA BUILT MACHINES) (SN B200020297 through B200020981)

ITEM	PART NUMBER	QTY	DESCRIPTION	REV
	1001131013	Ref	SCISSORS ARMS INSTALLATION - 3246ES BIODEGRADEABLE HYDRAULIC OIL (CHINA BUILT MACHINES)	D
1	1001131031	1	Arms Assembly (See SCISSORS ARMS ASSEMBLY - 3246ES BIODEGRADEABLE HYDRAULIC OIL for Breakdown)	
2	0701022	1	Bolt M10 x 70	
3	1061034	1	Cable, Manual Descent	
3	7020218	1	T-Handle (With 1/4-20 Threads)	
3	70001878	1	T-Handle (With 5mm Threads)	
4	3200454	1	Mount, Switch	
5	3291005	1	Nut M10	
6	3321402	1	Nut 1/4-28	
7	3340957	2	Pad, Slide	
8	3423255	1	Pin, Sensor	
9	4160078	1	Spring, Compression	
10	4191706	3	Screw M6 x 12	
11	1001092354	1	Switch, Rotary Angle Sensor	
11	4460536	1	Receptacle, Female - 3 Position	
11	4460464	3	Pin, Male	
12	4420070	3	Tape, Anti-Skid	
13	4420080	1	Tape, Safety Tread Step	
100	0440265	2	Bushing (Part of Frame Weldment)	

SECTION 3 - SCISSOR ARMS

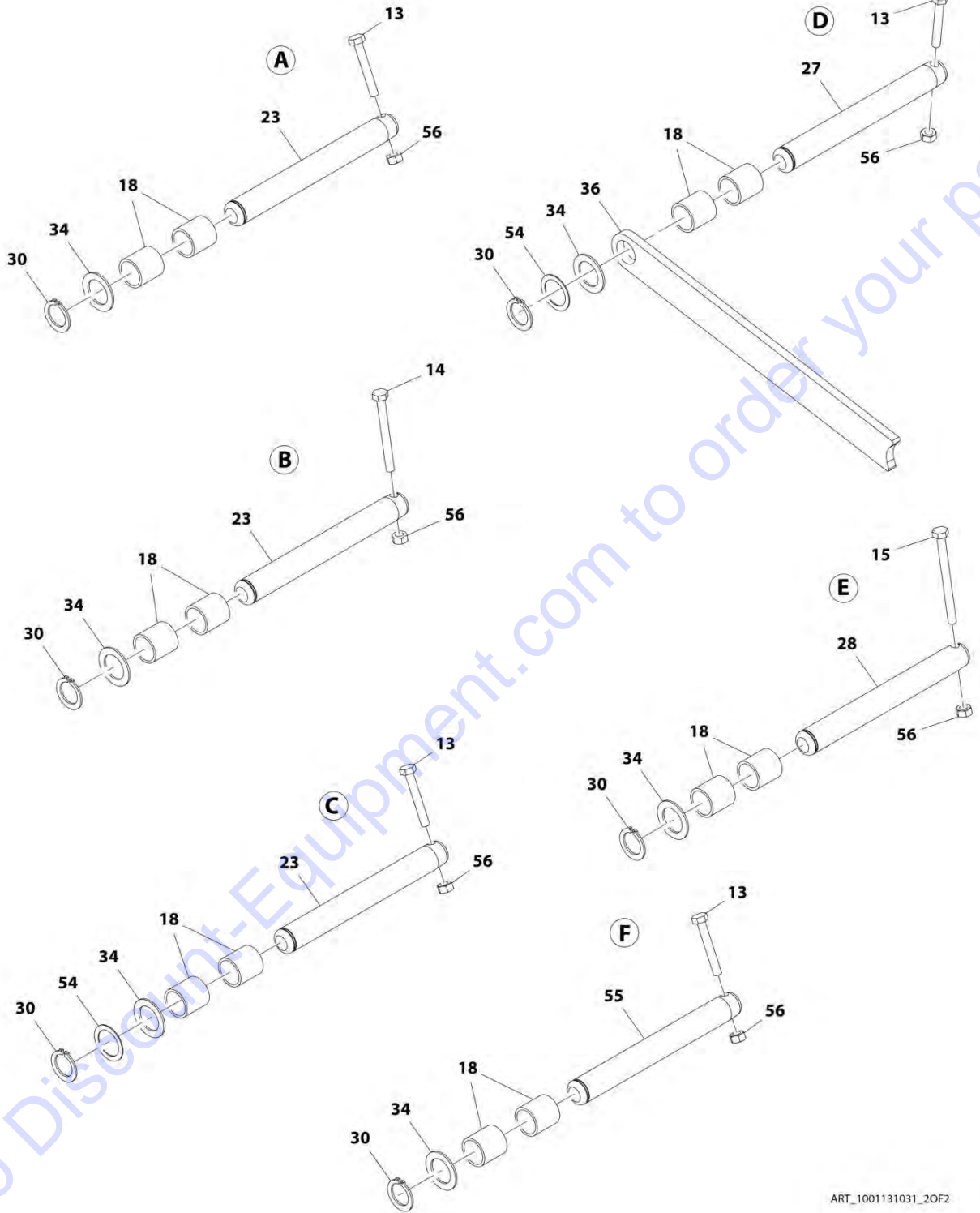
FIGURE 3-30. SCISSORS ARMS ASSEMBLY - 3246ES BIODEGRADABLE HYDRAULIC OIL (CHINA BUILT MACHINES) (SN B200020297 through B200020981)



NOTE: IDENTIFY THE PART NUMBER STAMPED ON CYLINDER BEFORE ORDERING PARTS.

ART_1001131031_10F2

SECTION 3 - SCISSOR ARMS



ART_1001131031_20F2

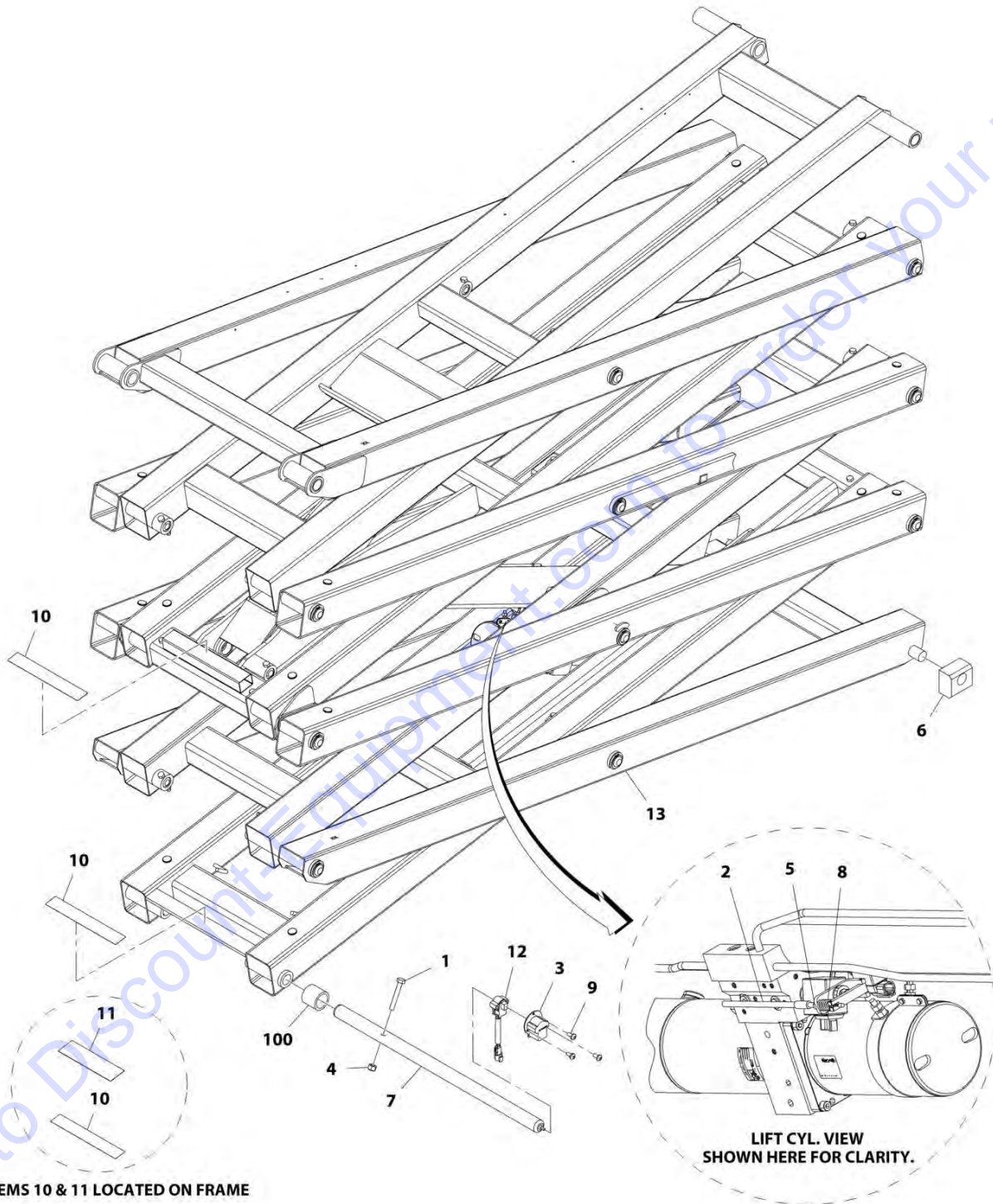
SECTION 3 - SCISSOR ARMS

FIGURE 3-30. SCISSORS ARMS ASSEMBLY - 3246ES BIODEGRADEABLE HYDRAULIC OIL (CHINA BUILT MACHINES) (SN B200020297 through B200020981)

ITEM	PART NUMBER	QTY	DESCRIPTION	REV
	1001131031	Ref	SCISSORS ARMS ASSEMBLY - 3246ES BIODEGRADEABLE HYDRAULIC OIL (CHINA BUILT MACHINES)	E
1	0200832	1	Arm - Lower Inboard	
2	0200783	1	Arm - Upper Outboard	
3	0200831	1	Arm - Lower Mid Inboard	
4	0200830	1	Arm - Upper Mid Outboard (Right Side)	
5	0200829	1	Arm - Upper Mid Inboard	
6	0200828	1	Arm - Lower Mid Outboard (Right Side)	
7	0200827	1	Arm - Upper Inboard	
8	0200789	1	Arm - Upper Outboard	
9	0200826	1	Arm - Lower Mid Outboard (Left Side)	
10	0440257	2	Bearing	
11	0701016	1	Bolt M10 x 40	
12	0701020	1	Bolt M10 x 60	
13	0701022	19	Bolt M10 x 70	
14	0701027	2	Bolt M10 x 100	
15	0701029	2	Bolt M10 x 120	
16	1001131037	1	Lift Cylinder Assembly - Biodegradeable Hydraulic Oil (See CYLINDER SECTION for Breakdown)	
17	0440266	4	Bearing	
18	0440267	40	Bearing	
19	3760170	4	Ring, Split	
22	3340962	24	Pad, Arm	
23	3422997	17	Pin	
24	3422998	1	Pin	
25	3423009	NLA	Pin (Use p/n 1001226707)	
26	3423011	2	Pin	
27	3423014	1	Pin	
28	3423026	2	Pin	
30	3760387	20	Ring, Retaining	
31	3841143	1	Keeper, Pin	
32	3860104	1	Roller, Arm Kicker	
34	4740438	20	Washer	
36	3574161	1	Bar, Prop Attach	
49	4846684	1	Weld, Kicker	
51	0200820	1	Arm - Upper Mid Outboard (Left Side)	
52	1180380	2	Carrier, Cable	
53	4812000	4	Washer M10	
54	4071094	1	Shim, Spacer	
55	3423170	1	Pin	
56	3291007	25	Nut M10	

SECTION 3 - SCISSOR ARMS

FIGURE 3-31. SCISSOR ARMS INSTALLATION - 3246ES BIODEGRADABLE HYDRAULIC OIL (CHINA BUILT MACHINES) (SN B200020982 to Present)



ART_1001191066

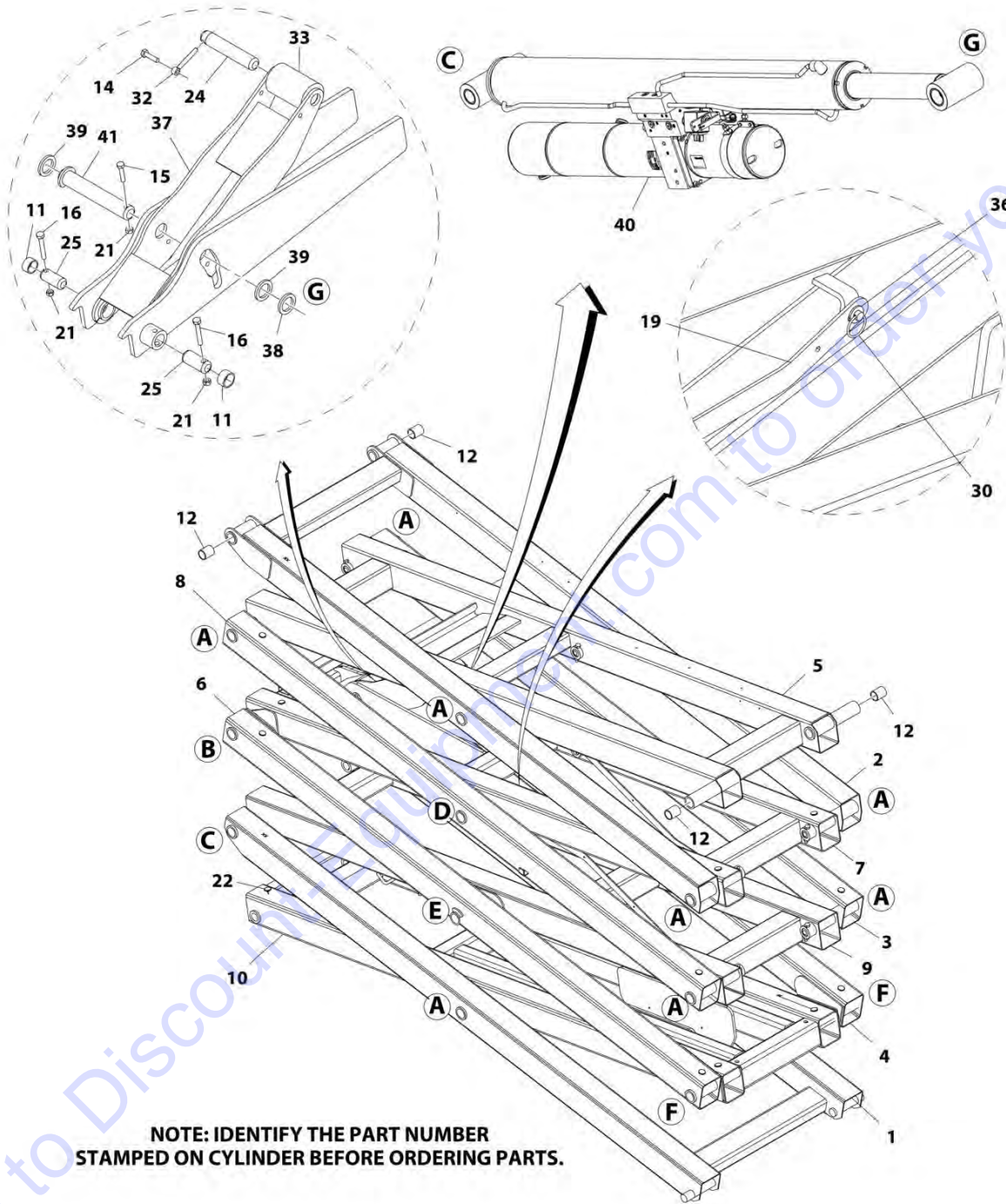
SECTION 3 - SCISSOR ARMS

**FIGURE 3-31. SCISSORS ARMS INSTALLATION - 3246ES BIODEGRADEABLE HYDRAULIC OIL
(CHINA BUILT MACHINES) (SN B200020982 to Present)**

ITEM	PART NUMBER	QTY	DESCRIPTION	REV
	1001191066	Ref	SCISSORS ARMS INSTALLATION - 3246ES BIODEGRADEABLE HYDRAULIC OIL	B
1	0701022	1	Bolt M10 x 70	
2	1061034	1	Cable, Manual Descent	
2	7020218	1	T-Handle (With 1/4-20 Threads)	
2	70001878	1	T-Handle (With 5mm Threads)	
3	3200454	1	Mount, Switch	
4	3291005	1	Nut M10	
5	3321402	1	Nut 1/4-28	
6	3340957	2	Pad, Slide	
7	3423255	1	Pin, Sensor	
8	4160078	1	Spring, Compression	
9	4191706	3	Screw M6 x 12	
10	4420070	3	Tape, Anti-Skid	
11	4420080	1	Tape, Safety Tread Step	
12	1001092354	1	Switch, Rotary Angle Sensor	
12	4460536	1	Receptacle, Female - 3 Position	
12	4460464	3	Pin, Male	
13	1001191058	1	Arms Assembly (See SCISSORS ARMS ASSEMBLY - 3246ES BIODEGRADEABLE HYDRAULIC OIL for Breakdown)	
100	0440265	2	Bushing (Part of Frame Weldment)	

SECTION 3 - SCISSOR ARMS

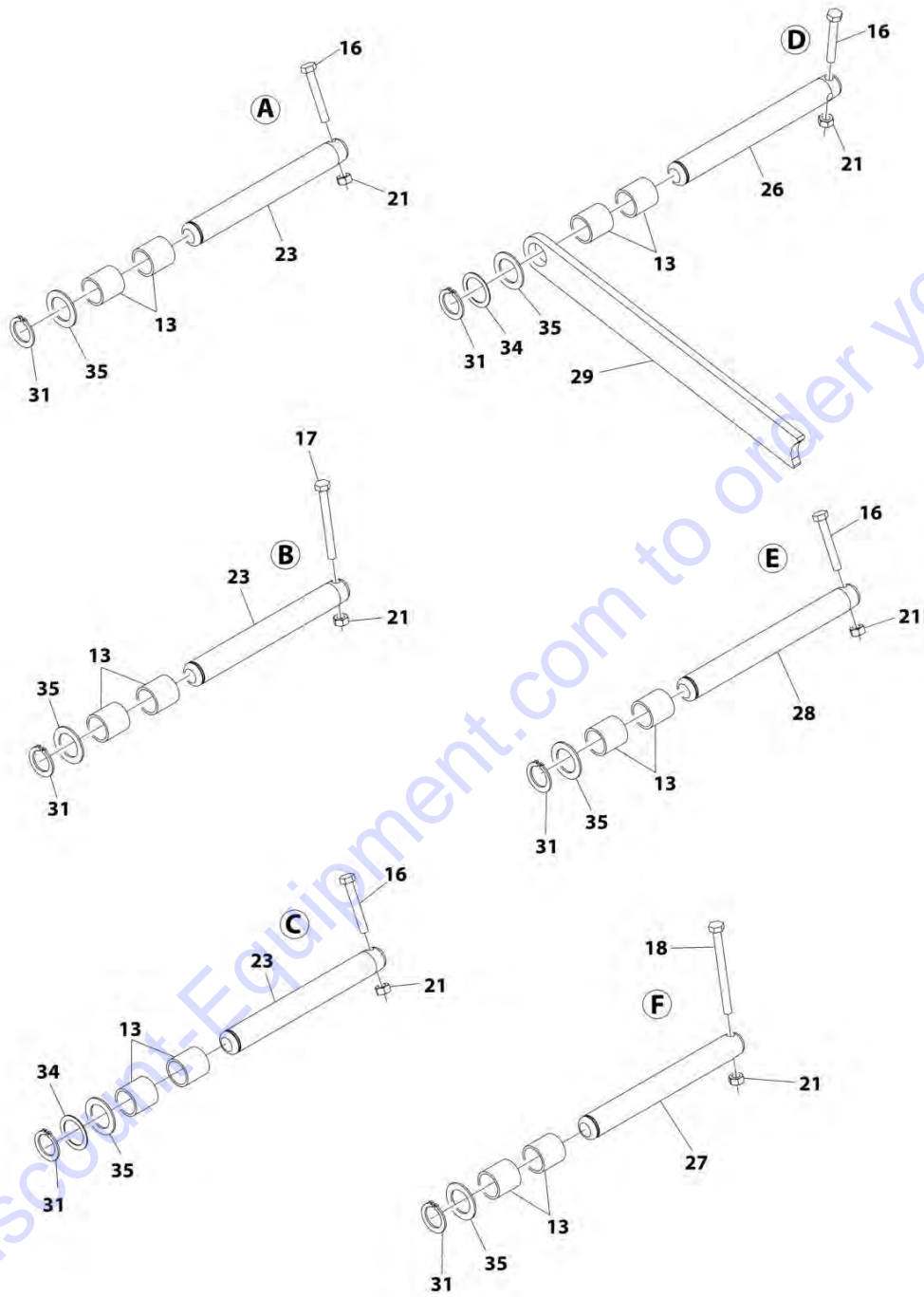
FIGURE 3-32. SCISSORS ARMS ASSEMBLY - 3246ES BIODEGRADABLE HYDRAULIC OIL (CHINA BUILT MACHINES) (SN B200020982 to Present)



NOTE: IDENTIFY THE PART NUMBER STAMPED ON CYLINDER BEFORE ORDERING PARTS.

ART_1001191058_10F2

SECTION 3 - SCISSOR ARMS



ART_1001191058_20F2

SECTION 3 - SCISSOR ARMS

FIGURE 3-32. SCISSORS ARMS ASSEMBLY - 3246ES BIODEGRADEABLE HYDRAULIC OIL (CHINA BUILT MACHINES) (SN B200020982 to Present)

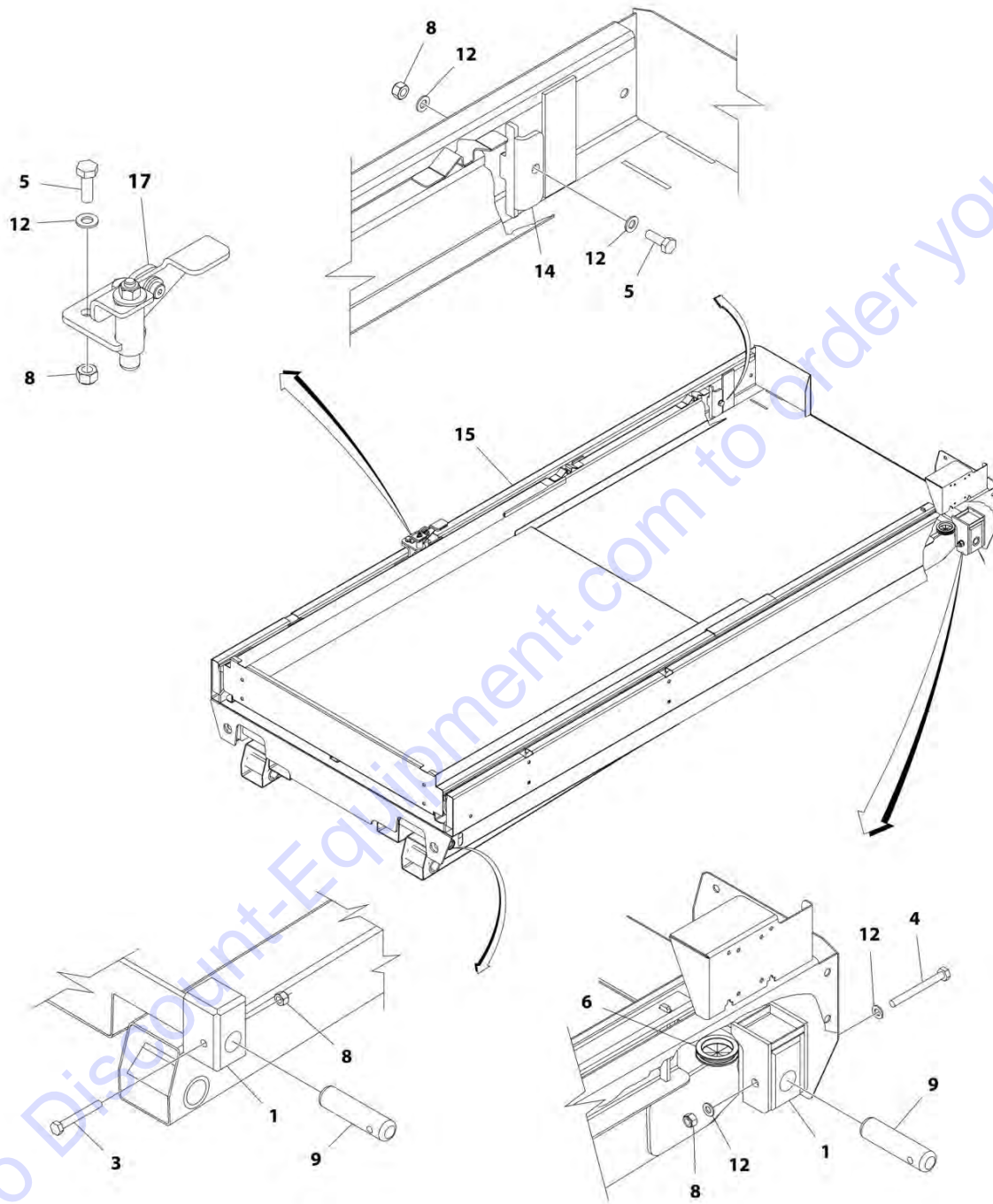
ITEM	PART NUMBER	QTY	DESCRIPTION	REV
	1001191058	Ref	SCISSORS ARMS ASSEMBLY - 3246ES BIODEGRADEABLE HYDRAULIC OIL (CHINA BUILT MACHINES)	B
1	0200783	1	Arm - Lower Outboard (SN B200020982 through B200037413)	
1	1001219386	1	Arm - Lower Outboard (SN B200037414 to Present)	
2	0200789	1	Arm - Upper Outboard	
3	0200820	1	Arm - Upper Mid Outboard (Left Side)	
4	0200826	1	Arm - Lower Mid Outboard (Left Side)	
5	0200827	1	Arm - Upper Inboard	
6	0200828	1	Arm - Lower Mid Outboard (Right Side)	
7	0200829	1	Arm - Upper Mid Inboard	
8	0200830	1	Arm - Upper Mid Outboard (Right Side)	
9	0200831	1	Arm - Lower Mid Inboard	
10	0200832	1	Arm - Lower Inboard	
11	0440257	2	Bearing	
12	0440266	4	Bearing	
13	0440267	40	Bearing	
14	0701016	1	Bolt M10 x 40	
15	0701018	1	Bolt M10 x 50	
16	0701022	19	Bolt M10 x 70	
17	0701027	2	Bolt M10 x 100	
18	0701029	2	Bolt M10 x 120	
19	1180380	2	Carrier, Cable	
21	3291007	25	Nut M10	
22	3340962	24	Pad, Arm	
23	3422997	17	Pin	
24	3422998	1	Pin	
25	3423011	2	Pin	
26	3423014	1	Pin	
27	3423026	2	Pin	
28	3423170	1	Pin	
29	3574161	1	Bar, Prop Attach	
30	3760170	4	Right, Split	
31	3760387	20	Ring, Retaining	
32	3841143	1	Keeper, Pin	
33	3860104	1	Roller, Arm Kicker	
34	4071094	AR	Shim, Spacer	
35	4740438	20	Washer	
36	4812000	4	Washer M10	
37	4846684	1	Kicker Weldment	
38	1001139000	1	Plate	
39	1001139002	2	Washer	
40	1001131037	1	Life Cylinder Assembly - Biodegradeable Hydraulic Oil (See CYLINDER SECTION for Breakdown)	
41	1001191121	1	Pin	

SECTION 4 - PLATFORM

Go to Discount-Equipment.com to order your parts

SECTION 4 - PLATFORM

FIGURE 4-1. PLATFORM INSTALLATION - WITH INSIDE EXTENSION RAILS AND WITHOUT LSS



ART_1001177180

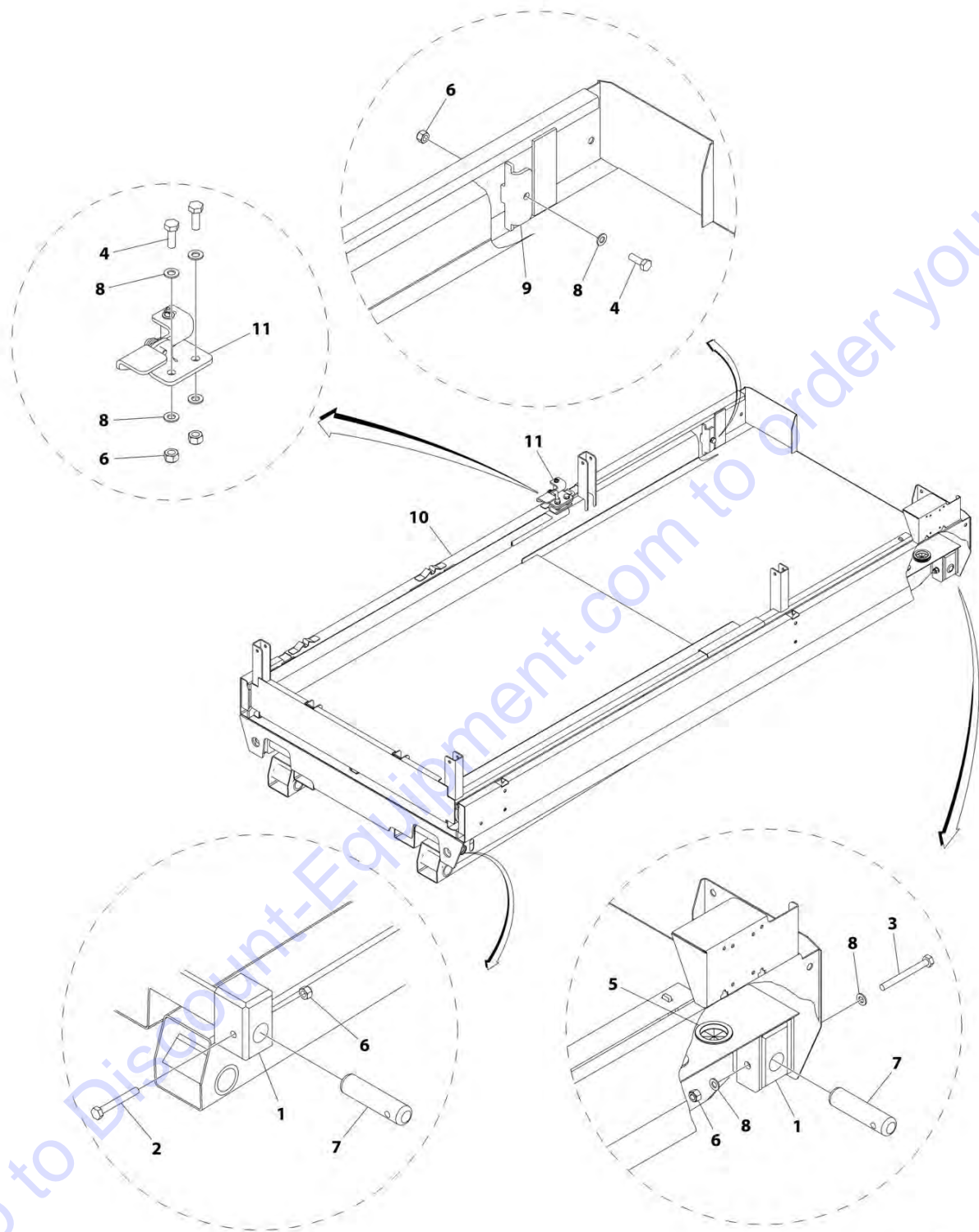
SECTION 4 - PLATFORM

FIGURE 4-1. PLATFORM INSTALLATION - WITH INSIDE EXTENSION RAILS AND WITHOUT LSS

ITEM	PART NUMBER	QTY	DESCRIPTION	REV
	1001177180	Ref	PLATFORM INSTALLATION - WITH INSIDE EXTENSION RAILS AND WITHOUT LSS	F
1	0561520	4	Block, Slide	
3	0701024	2	Bolt M10 x 80	
4	0701027	2	Bolt M10 x 100	
5	0761014	4	Bolt M10 x 30	
6	2540045	1	Grommet	
8	3291005	8	Nut M10	
9	3423049	4	Pin, Latch	
12	4812000	10	Washer M10	
14	1001175188	2	Bracket, Stop	
15	1001175461	1	Platform and Extension Assembly - With Inside Extension Rails (See PLATFORM AND EXTENSION ASSEMBLY - WITH INSIDE EXTENSION RAILS for Breakdown)	
17	1001182302	1	Latch Assembly - With Inside Extension Rails (See LATCH ASSEMBLY - WITH INSIDE EXTENSION RAILS for Breakdown) (SN 1200025021 through 1200030233, SN B200020297 through B200051184, SN M200000100 through M200021520)	
17	1001234398	1	Latch Assembly - With Inside Extension Rails (See LATCH ASSEMBLY - WITH INSIDE EXTENSION RAILS for Breakdown) (SN 1200030234 to Present, SN B200051185 to Present, SN M200021521 to Present)	

SECTION 4 - PLATFORM

FIGURE 4-2. PLATFORM INSTALLATION - WITH OUTSIDE EXTENSION RAILS AND WITHOUT LSS



ART_1001216200

SECTION 4 - PLATFORM

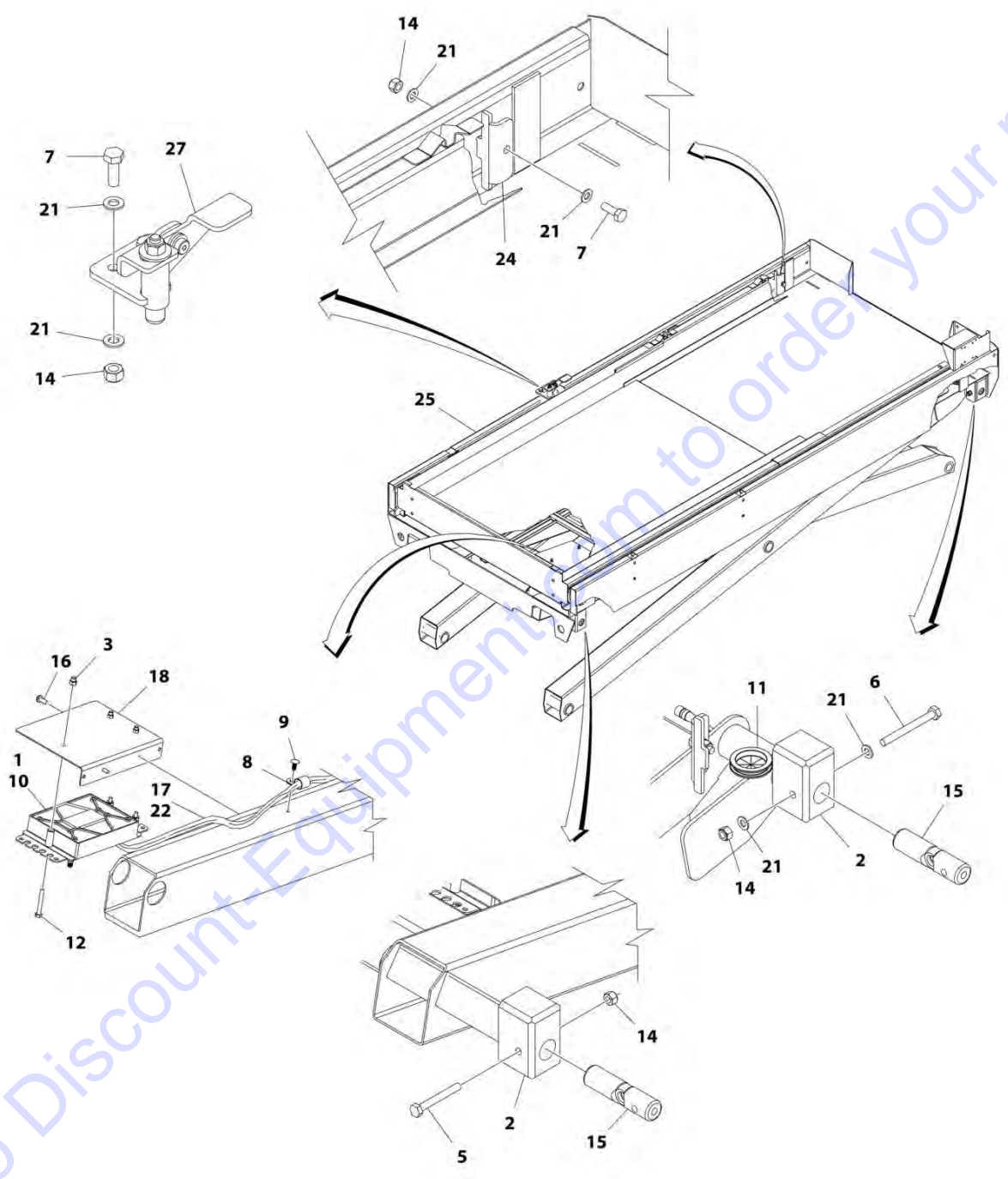
FIGURE 4-2. PLATFORM INSTALLATION - WITH OUTSIDE EXTENSION RAILS AND WITHOUT LSS

ITEM	PART NUMBER	QTY	DESCRIPTION	REV
	1001216200	Ref	PLATFORM INSTALLATION - WITH OUTSIDE EXTENSION RAILS AND WITHOUT LSS	A
1	0561520	4	Block, Slide	
2	0701024	2	Bolt M10 x 80	
3	0701027	2	Bolt M10 x 100	
4	0761014	4	Bolt M10 x 30	
5	2540045	1	Grommet	
6	3291005	8	Nut M10	
7	3423049	4	Pin, Latch	
8	4812000	10	Washer M10	
9	1001175188	2	Bracket, Stop	
10	1001209252	1	Platform and Extension Assembly - With Outside Extension Rails (See PLATFORM AND EXTENSION ASSEMBLY - WITH OUTSIDE EXTENSION RAILS for Breakdown)	
11	1001209256	1	Latch Assembly - With Outside Extension Rails (See LATCH ASSEMBLY - WITH OUTSIDE EXTENSION RAILS for Breakdown)	

Go to Discount-Equipment.com to find your parts

SECTION 4 - PLATFORM

FIGURE 4-3. PLATFORM INSTALLATION - WITH INSIDE EXTENSION RAILS AND WITH LSS



ART_1001177181

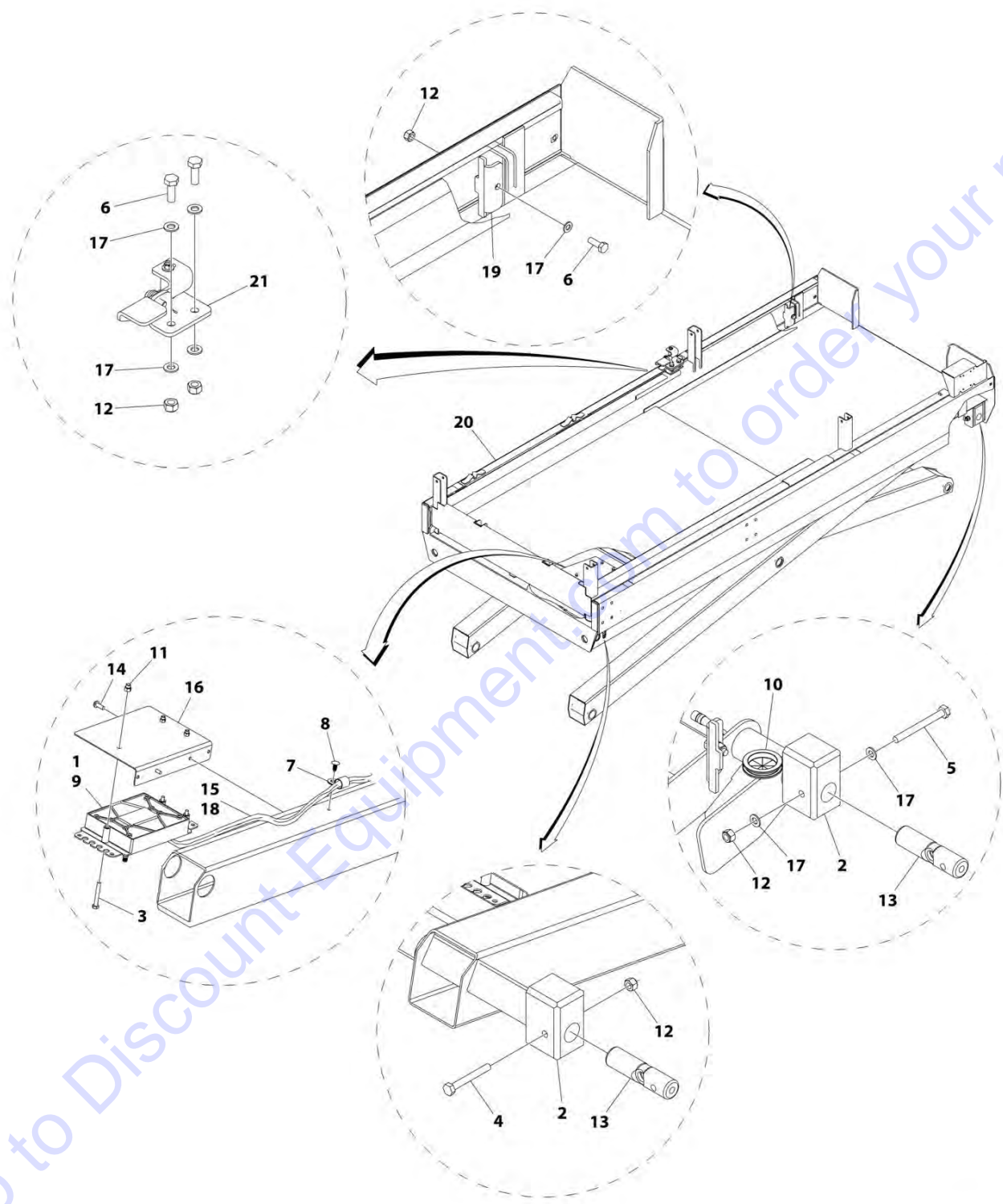
SECTION 4 - PLATFORM

FIGURE 4-3. PLATFORM INSTALLATION - WITH INSIDE EXTENSION RAILS AND WITH LSS

ITEM	PART NUMBER	QTY	DESCRIPTION	REV
	1001177181	Ref	PLATFORM INSTALLATION - WITH INSIDE EXTENSION RAILS AND WITH LSS	E
1	0100048	AR	Compound, Sealing	
2	0561520	4	Block, Slide	
3	0700617	3	Bolt M6 x 45	
5	0701024	2	Bolt M10 x 80	
6	0701027	2	Bolt M10 x 100	
7	0761014	4	Bolt M10 x 30	
8	1320318	3	Clamp	
9	1380158	3	Clip, Retainer	
10	1600387	1	Controller, Load Sense	
11	2540045	1	Grommet	
12	3290606	3	Nut M6	
14	3291005	8	Nut M10	
15	3422938	4	Pin, Load Management, 1.25	
16	4191707	2	Screw M6 x 16	
17	4240033	AR	Tie-Strap	
18	4340931	1	Mount, LSS Module	
21	4812000	10	Washer M10	
22	4923228	1	Harness, Load Sense	
24	1001175188	2	Bracket, Stop	
25	1001175461	1	Platform and Extension Assembly - With Inside Extension Rails (See PLATFORM AND EXTENSION ASSEMBLY - WITH INSIDE EXTENSION RAILS for Breakdown)	
27	1001182302	1	Latch Assembly - With Inside Extension Rails (See LATCH ASSEMBLY - WITH INSIDE EXTENSION RAILS for Breakdown) (SN 1200025021 through 1200030233, SN B200020297 through B200051184, SN M200000100 through M200021520)	
27	1001234398	1	Latch Assembly - With Inside Extension Rails (See LATCH ASSEMBLY - WITH INSIDE EXTENSION RAILS for Breakdown) (SN 1200030234 to Present, SN B200051185 to Present, SN M200021521 to Present)	

SECTION 4 - PLATFORM

FIGURE 4-4. PLATFORM INSTALLATION - WITH OUTSIDE EXTENSION RAILS AND WITH LSS



ART_1001209281

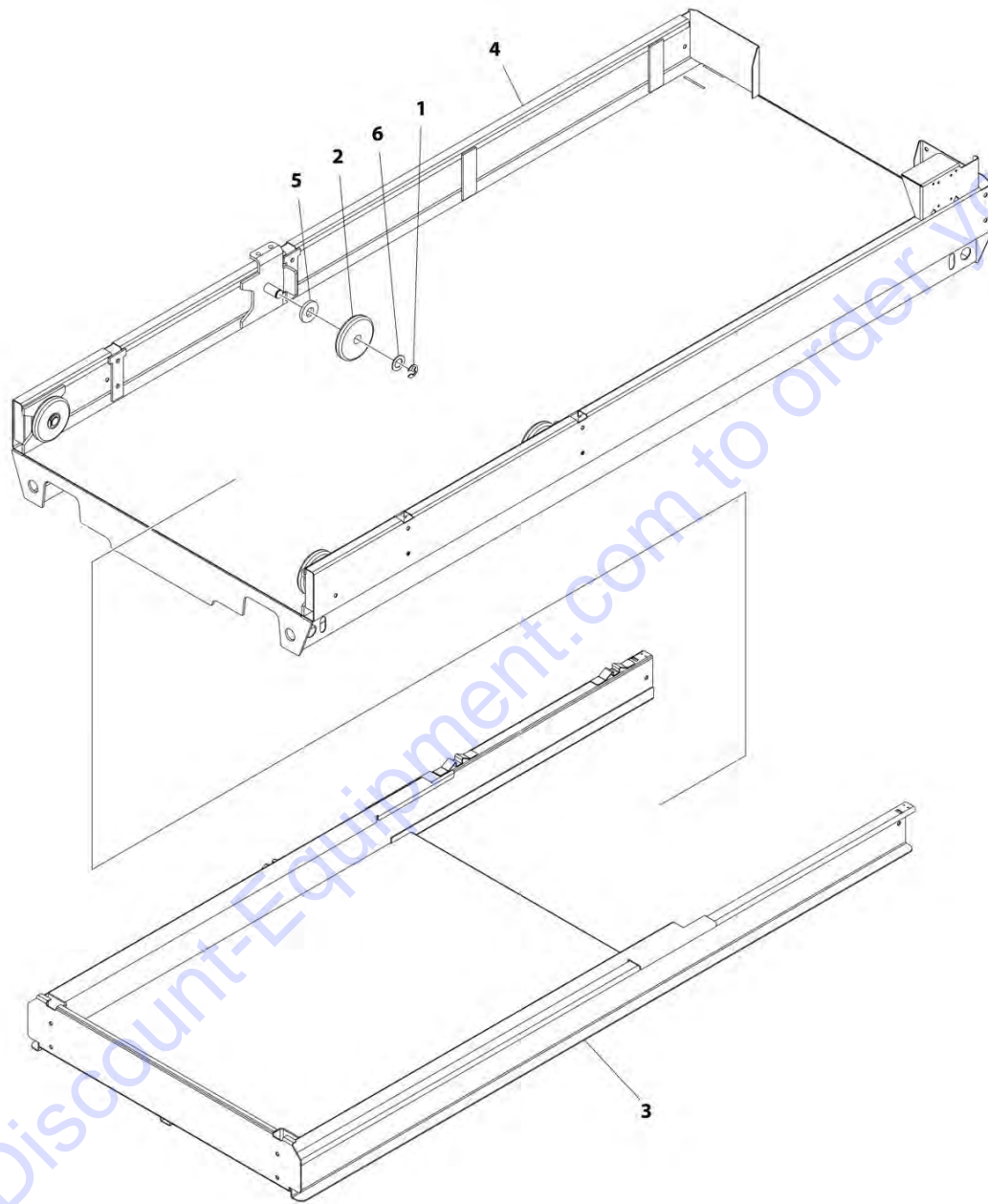
SECTION 4 - PLATFORM

FIGURE 4-4. PLATFORM INSTALLATION - WITH OUTSIDE EXTENSION RAILS AND WITH LSS

ITEM	PART NUMBER	QTY	DESCRIPTION	REV
	1001209281	Ref	PLATFORM INSTALLATION - WITH OUTSIDE EXTENSION RAILS AND WITH LSS	A
1	0100048	AR	Compound, Sealing	
2	0561520	4	Block, Slide	
3	0700617	3	Bolt M6 x 45	
4	0701024	2	Bolt M10 x 80	
5	0701027	2	Bolt M10 x 100	
6	0761014	4	Bolt M10 x 30	
7	1320318	3	Clamp	
8	1380158	3	Clip, Retainer	
9	1600387	1	Controller, Load Sense	
10	2540045	1	Grommet	
11	3290606	3	Nut M6	
12	3291005	8	Nut M10	
13	3422938	4	Pin, Load Management, 1.25	
14	4191707	2	Screw M6 x 16	
15	4240033	AR	Tie-Strap	
16	4340931	1	Mount, LSS Module	
17	4812000	10	Washer M10	
18	4923228	1	Harness, Load Sense	
19	1001175188	2	Bracket, Stop	
20	1001209252	1	Platform and Extension Assembly - With Outside Extension Rails (See PLATFORM AND EXTENSION ASSEMBLY - WITH OUTSIDE EXTENSION RAILS for Breakdown)	
21	1001209256	1	Latch Assembly - With Outside Extension Rails (See LATCH ASSEMBLY - WITH OUTSIDE EXTENSION RAILS for Breakdown)	

SECTION 4 - PLATFORM

FIGURE 4-5. PLATFORM AND EXTENSION ASSEMBLY - WITH INSIDE EXTENSION RAILS



ART_1001175461

SECTION 4 - PLATFORM

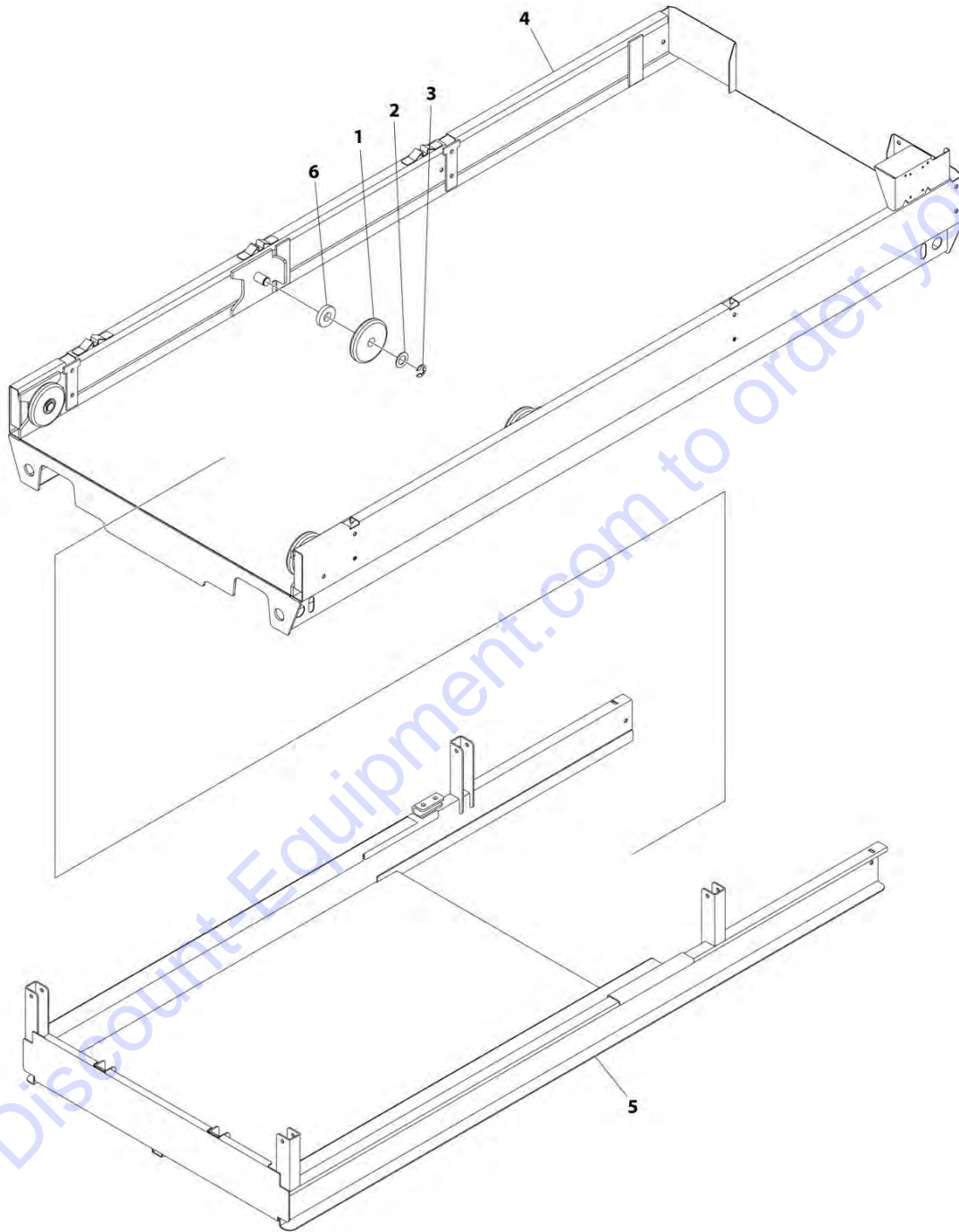
FIGURE 4-5. PLATFORM AND EXTENSION ASSEMBLY - WITH INSIDE EXTENSION RAILS

ITEM	PART NUMBER	QTY	DESCRIPTION	REV
	1001175461	Ref	PLATFORM AND EXTENSION ASSEMBLY - WITH INSIDE EXTENSION RAILS	O
1	1001182339	4	Clip	
2	3860118	4	Roller	
3	1001175191	1	Extension, Platform (SN 0200239382 to Present, SN 1200025021 through 1200030201, SN B200020297 through B200051184, SN M200000100 through M200019953)	
3	1001232146	1	Extension, Platform (SN 1200030202 to Present, SN B200051185 to Present, SN M200019954 to Present)	
4	1001175192	1	Platform	
5	1001182062	4	Tube, Spacer	
6	4740446	4	Washer, Thrust	

Go to Discount-Equipment.com to order your parts

SECTION 4 - PLATFORM

FIGURE 4-6. PLATFORM AND EXTENSION ASSEMBLY - WITH OUTSIDE EXTENSION RAILS



ART_1001209252

SECTION 4 - PLATFORM

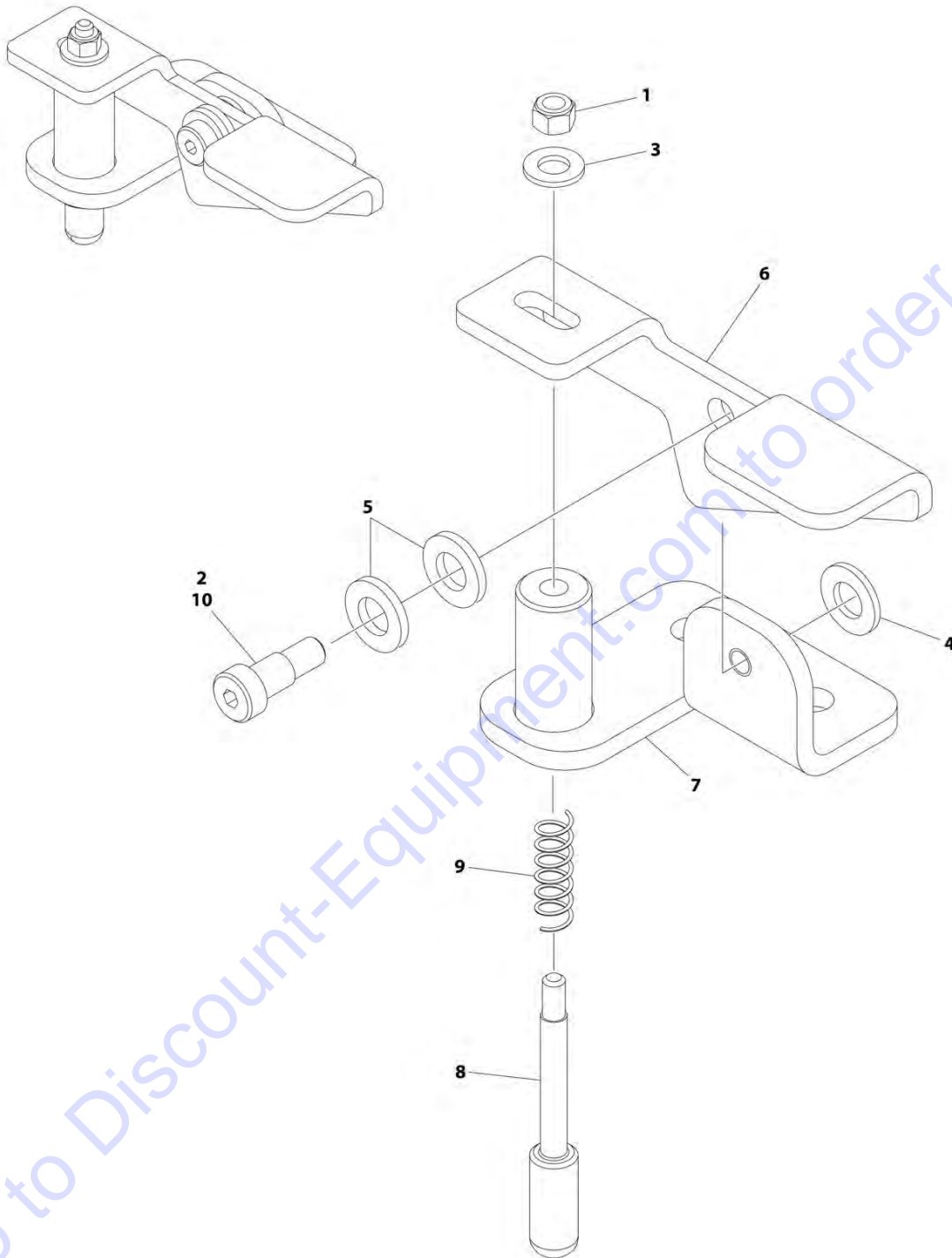
FIGURE 4-6. PLATFORM AND EXTENSION ASSEMBLY - WITH OUTSIDE EXTENSION RAILS

ITEM	PART NUMBER	QTY	DESCRIPTION	REV
	1001209252	Ref	PLATFORM AND EXTENSION ASSEMBLY - WITH OUTSIDE EXTENSION RAILS	C
1	3860118	4	Roller	
2	4740446	4	Washer, Thrust	
3	1001182339	4	Clip	
4	1001209257	1	Platform	
5	1001209262	1	Extension, Platform	
6	1001211892	4	Tube, Spacer	

Go to Discount-Equipment.com to order your parts

SECTION 4 - PLATFORM

FIGURE 4-7. LATCH ASSEMBLY - WITH INSIDE EXTENSION RAILS (SN 1200025021 through 1200030233, SN B200020297 through B200051184, SN M200000100 through M200021520)



ART_1001182302

SECTION 4 - PLATFORM

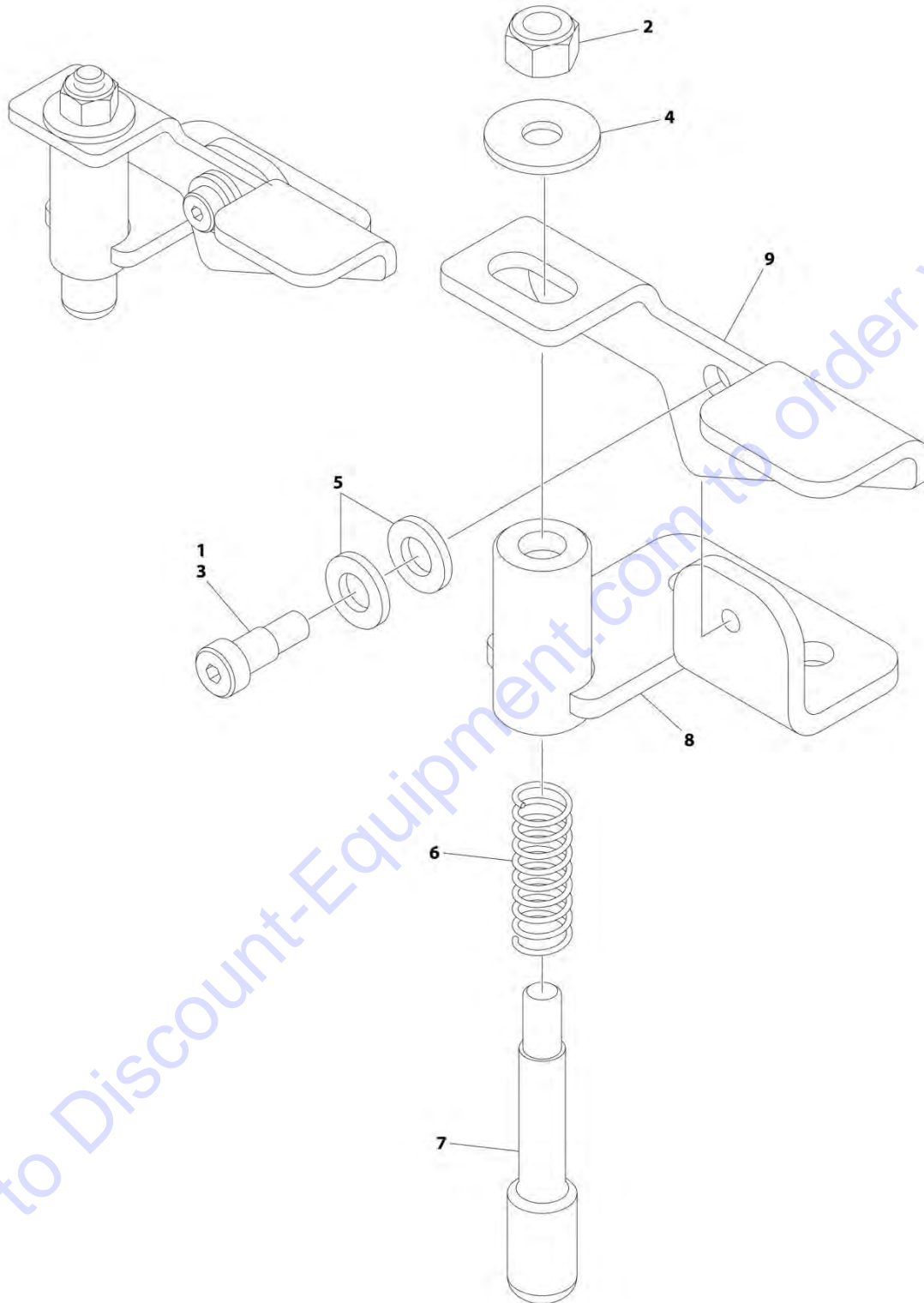
FIGURE 4-7. LATCH ASSEMBLY - WITH INSIDE EXTENSION RAILS (SN 1200025021 through 1200030233, SN B200020297 through B200051184, SN M200000100 through M200021520)

ITEM	PART NUMBER	QTY	DESCRIPTION	REV
	1001182302	Ref	LATCH ASSEMBLY - WITH INSIDE EXTENSION RAILS	G
1	3290605	1	Nut M6	
2	3900190	1	Screw	
3	4811900	1	Washer M8	
4	4812000	1	Washer M10	
5	5241000	2	Washer M10	
6	1001178323	1	Latch	
7	1001182304	1	Bracket	
8	1001182305	1	Rod, Threaded	
9	1001182338	1	Spring	
10	0100011	AR	Compound, Locking	

Go to Discount-Equipment.com to order your parts

SECTION 4 - PLATFORM

FIGURE 4-8. LATCH ASSEMBLY - WITH INSIDE EXTENSION RAILS (SN 1200030234 to Present, SN B200051185 to Present, SN M200021521 to Present)



ART_1001234398

SECTION 4 - PLATFORM

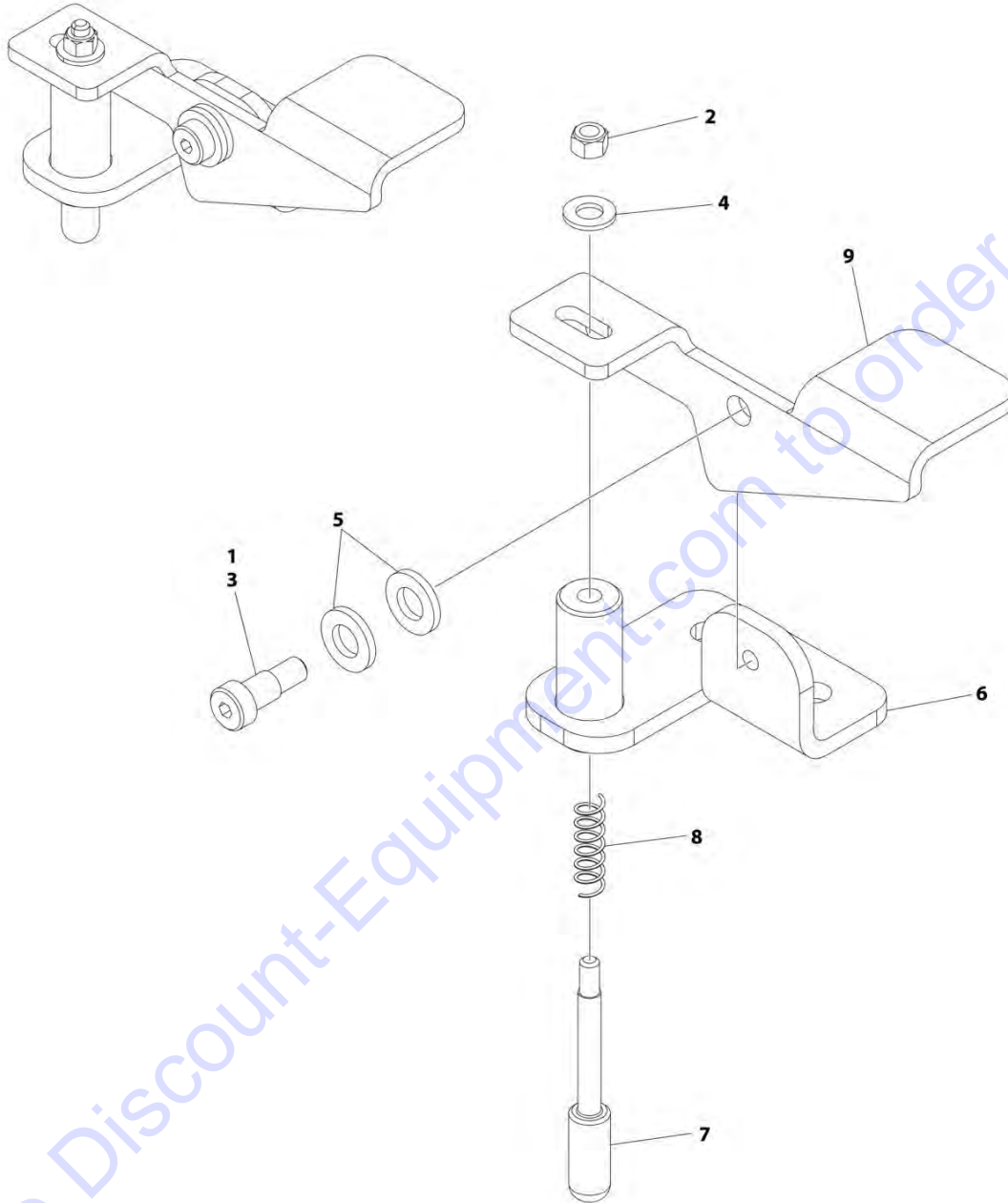
FIGURE 4-8. LATCH ASSEMBLY - WITH INSIDE EXTENSION RAILS (SN 1200030234 to Present, SN B200051185 to Present, SN M200021521 to Present)

ITEM	PART NUMBER	QTY	DESCRIPTION	REV
	1001234398	Ref	LATCH ASSEMBLY - WITH INSIDE EXTENSION RAILS	B
1	0100011	AR	Compound, Locking	
2	3291005	1	Nut M10	
3	3900190	1	Screw	
4	4812002	1	Washer M10	
5	5241000	2	Washer M10	
6	1001221475	1	Spring	
7	1001221476	1	Rod, Threaded	
8	1001234399	1	Bracket	
9	1001234401	1	Latch	

Go to Discount-Equipment.com to order your parts

SECTION 4 - PLATFORM

FIGURE 4-9. LATCH ASSEMBLY - WITH OUTSIDE EXTENSION RAILS



ART_1001209256

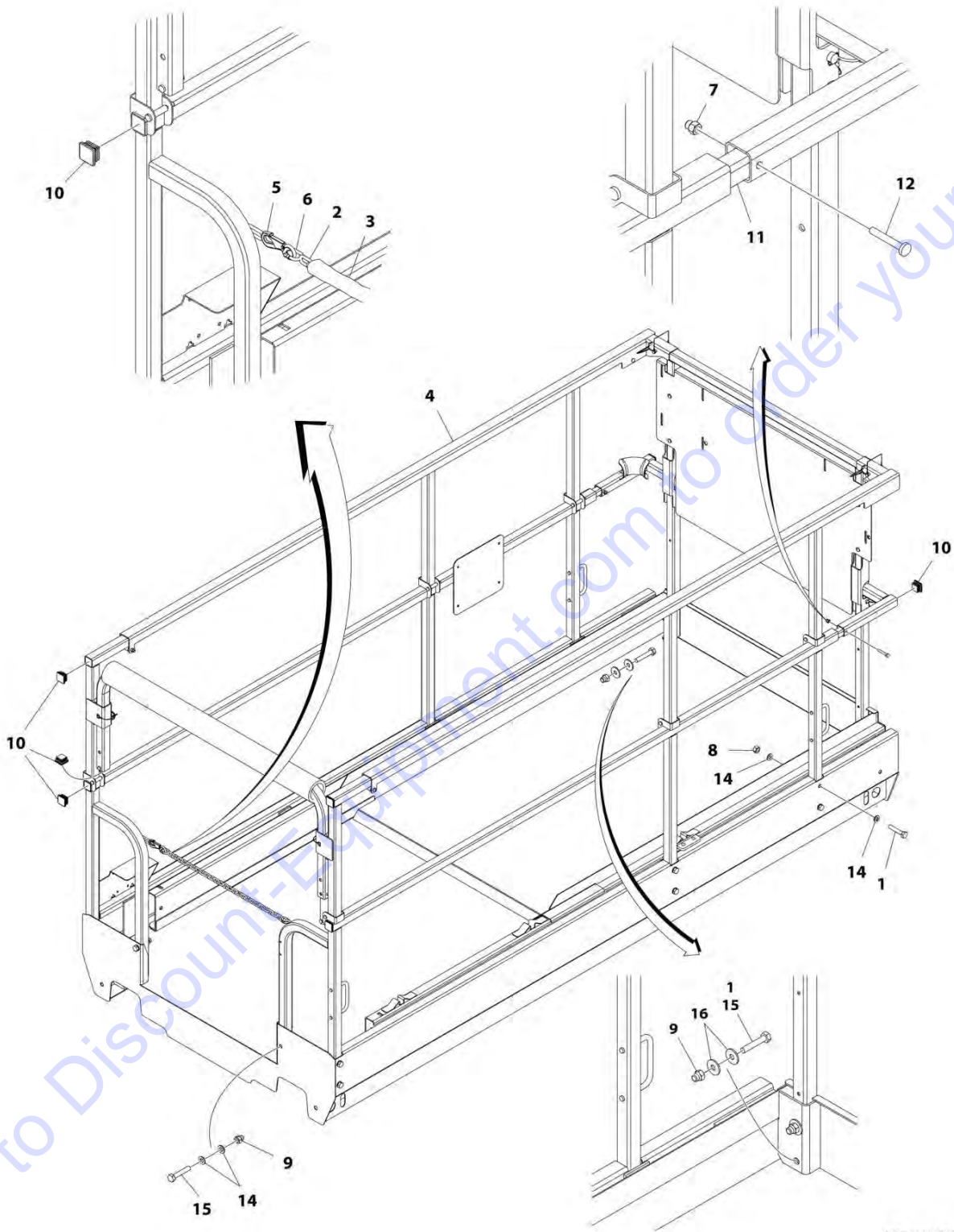
SECTION 4 - PLATFORM

FIGURE 4-9. LATCH ASSEMBLY - WITH OUTSIDE EXTENSION RAILS

ITEM	PART NUMBER	QTY	DESCRIPTION	REV
	1001209256	Ref	LATCH ASSEMBLY - WITH OUTSIDE EXTENSION RAILS	E
1	0100011	AR	Compound, Locking	
2	3290605	1	Nut M6	
2	3291005	1	Nut M10	
3	3900190	1	Screw	
4	4811900	1	Washer M8	
4	4812000	1	Washer M10	
4	4812002	1	Washer M10	
5	5241000	2	Washer M10	
6	1001182304	1	Bracket (SN 0200239382 through 0200266381, SN 1200025021 through 1200030068, SN B200020297 through B300049127, SN M200000100 through M200021508)	
6	1001234399	1	Bracket (SN 0200266382 to Present, SN 1200030069 to Present, SN B200049128 to Present, SN M200021509 to Present)	
7	1001182305	1	Rod, Threaded (SN 0200239382 through 0200266381, SN 1200025021 through 1200030068, SN B200020297 through B300049127, SN M200000100 through M200021508)	
7	1001221476	1	Rod, Threaded (SN 0200266382 to Present, SN 1200030069 to Present, SN B200049128 to Present, SN M200021509 to Present)	
8	1001182338	1	Spring (SN 0200239382 through 0200266381, SN 1200025021 through 1200030068, SN B200020297 through B300049127, SN M200000100 through M200021508)	
8	1001221475	1	Spring (SN 0200266382 to Present, SN 1200030069 to Present, SN B200049128 to Present, SN M200021509 to Present)	
9	1001209280	1	Latch	

SECTION 4 - PLATFORM

FIGURE 4-10. RAILS INSTALLATION - WITH INSIDE EXTENSION RAILS AND CHAIN GATE



ART_1001176742

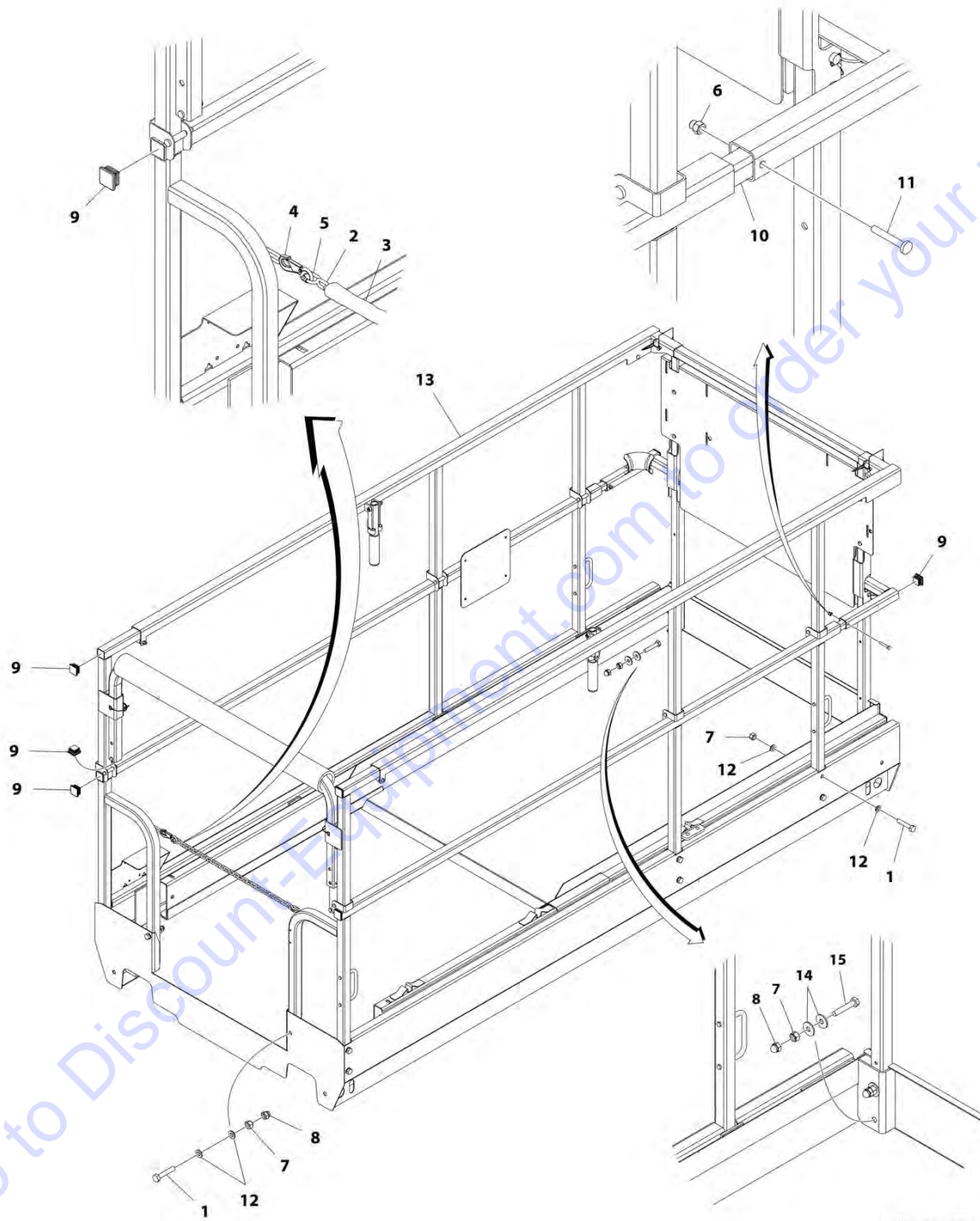
SECTION 4 - PLATFORM

FIGURE 4-10. RAILS INSTALLATION - WITH INSIDE EXTENSION RAILS AND CHAIN GATE

ITEM	PART NUMBER	QTY	DESCRIPTION	REV
	1001176742	Ref	RAILS INSTALLATION - WITH INSIDE EXTENSION RAILS AND CHAIN GATE	F
1	0701019	AR	Bolt M10 x 55	
2	1260136	20 in/.5m	Chain	
3	2820097	19 in/.5m	Cover, Chain	
4	1001179838	1	Rail Kit - With Inside Extension Rails and Chain Gate (See RAIL KIT - WITH INSIDE EXTENSION RAILS AND CHAIN GATE for Breakdown)	
5	2940064	1	Latch, Snap	
6	3010088	2	Link	
7	3290606	2	Nut M6	
8	3291005	AR	Nut M10	
9	3300477	6	Nut	
9	3291006	6	Nut M10	
10	3520072	6	Plug	
11	3841716	2	Rod, Fiberglass	
12	4010616	2	Screw M6 x 40	
14	4812000	AR	Washer M10	
15	0701019	6	Bolt M10 x 55	
15	0701018	6	Bolt M10 x 50	
16	4812000	8	Washer M10	
16	4812002	8	Washer M10	

SECTION 4 - PLATFORM

FIGURE 4-11. RAILS INSTALLATION - WITH INSIDE EXTENSION RAILS, HANDLE AND CHAIN GATE



ART_1001212852

SECTION 4 - PLATFORM

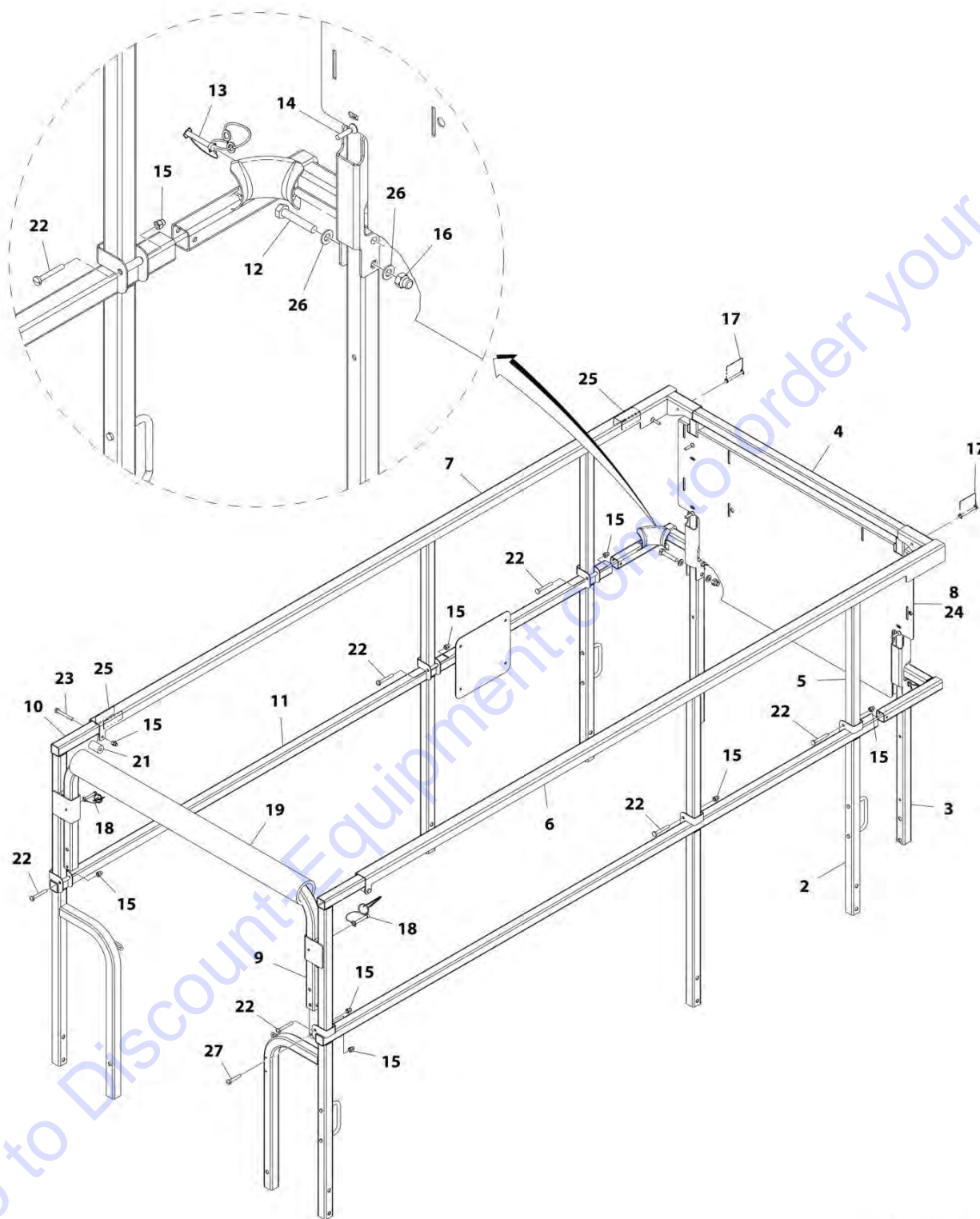
FIGURE 4-11. RAILS INSTALLATION - WITH INSIDE EXTENSION RAILS, HANDLE AND CHAIN GATE

ITEM	PART NUMBER	QTY	DESCRIPTION	REV
	1001212852	Ref	RAILS INSTALLATION - WITH INSIDE EXTENSION RAILS, HANDLE AND CHAIN GATE	B
1	0701019	AR	Bolt M10 x 55	
2	1260136	20 in/ .5m	Chain	
3	2820097	19 in/ .5m	Cover, Chain	
4	2940064	1	Latch, Snap	
5	3010088	2	Link	
6	3290606	2	Nut M6	
7	3291005	18	Nut M10	
8	3300477	6	Nut	
9	3520072	6	Plug	
10	3841716	2	Rod, Fiberglass	
11	4010616	2	Screw M6 x 40	
12	4812000	AR	Washer M10	
13	1001212877	1	Rail Kit - With Inside Extension Rails, Handle and Chain Gate (See RAIL KIT - WITH INSIDE EXTENSION RAILS, HANDLE AND CHAIN GATE for Breakdown)	
14	4812000	8	Washer M10	
14	4812002	8	Washer M10	
15	0701019	4	Bolt M10 x 55	
15	0701021	4	Bolt M10 x 65	

Go to Discount-Equipment.com to order your parts

SECTION 4 - PLATFORM

FIGURE 4-12. RAIL KIT - WITH INSIDE EXTENSION RAILS AND CHAIN GATE



ART_1001179838

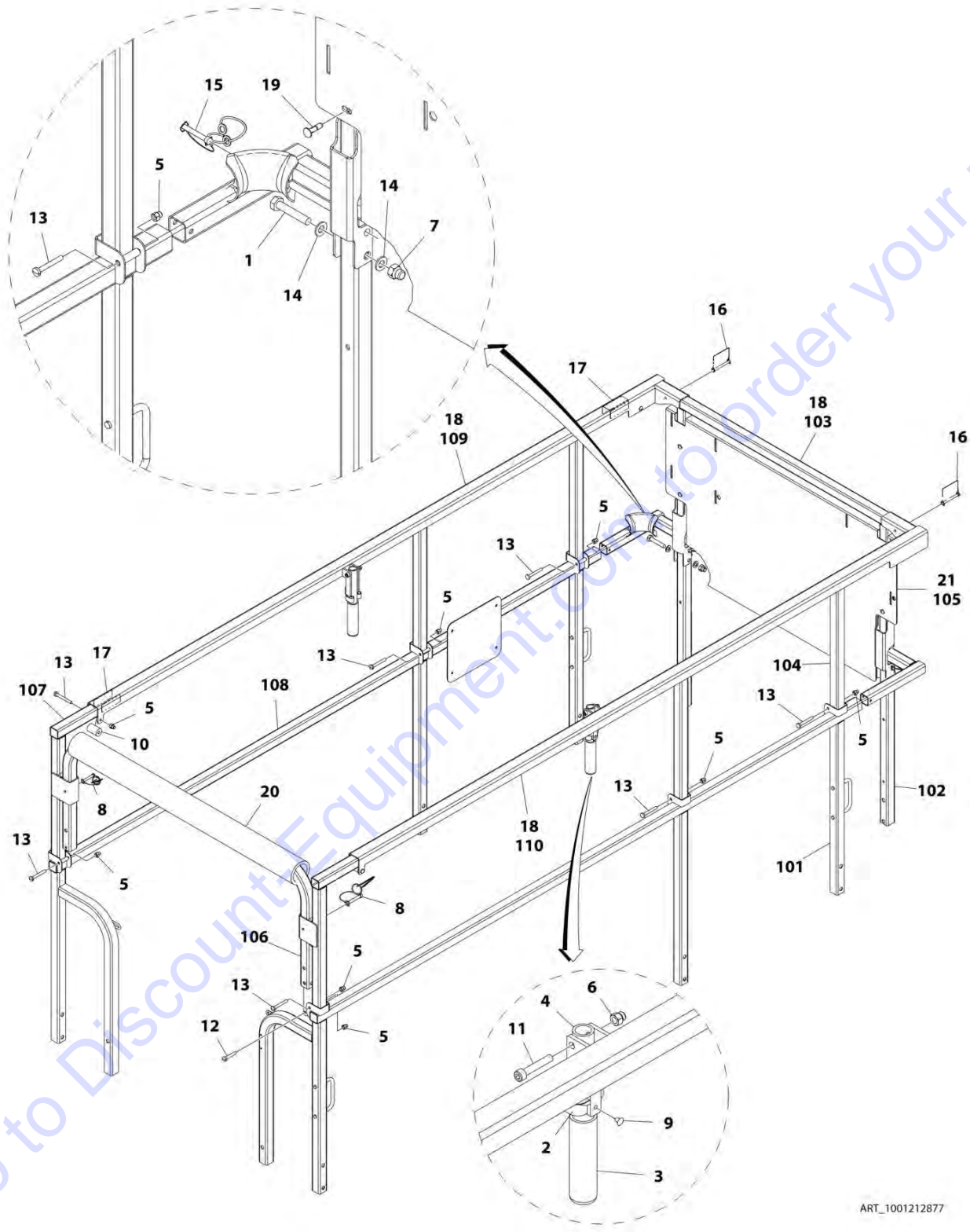
SECTION 4 - PLATFORM

FIGURE 4-12. RAIL KIT - WITH INSIDE EXTENSION RAILS AND CHAIN GATE

ITEM	PART NUMBER	QTY	DESCRIPTION	REV
	1001179838	Ref	RAIL KIT - WITH INSIDE EXTENSION RAILS AND CHAIN GATE	H
1	1001179441	1	Rail Kit Less Hardware (Not Shown - Includes Items 2-11)	H
2	1001179400	1	Rail, Bottom Rear RH	
3	1001179402	1	Rail, Bottom Front	
4	1001179409	1	Rail, Top Front	
5	1001179410	1	Rail, Top RH	
6	1001179411	1	Rail, Top RH Slide	
7	1001179414	1	Rail, Top LH Slide	
8	1001179415	1	Plate, Placard	
9	1001179417	1	Tube, Drywall Gate	
10	1001179437	1	Rail, Top LH	
11	1001179442	1	Rail, Bottom Rear LH	
12	0701019	2	Bolt M10 x 55	
13	1001187585	2	Lanyard	
14	2080040	8	Fastener, Huck	
15	3290606	9	Nut M6	
16	3291006	2	Nut M10 Grade 8	
17	1001187587	2	Pin, Snap	
18	3423278	2	Pin, Snap	
19	3340612	3 ft /91cm	Pad, Rail	
21	3860111	2	Roller	
22	4010617	6	Screw M6 x 45	
22	4010618	6	Screw M6 x 50	
23	4010618	2	Screw M6 x 50	
24	4420037	1	Tape, Insulation	
25	1001189762	AR	Tape	
26	4812000	4	Washer M10	
27	4010616	1	Screw M6 x 40	

SECTION 4 - PLATFORM

FIGURE 4-13. RAIL KIT - WITH INSIDE EXTENSION RAILS, HANDLE AND CHAIN GATE



ART_1001212877

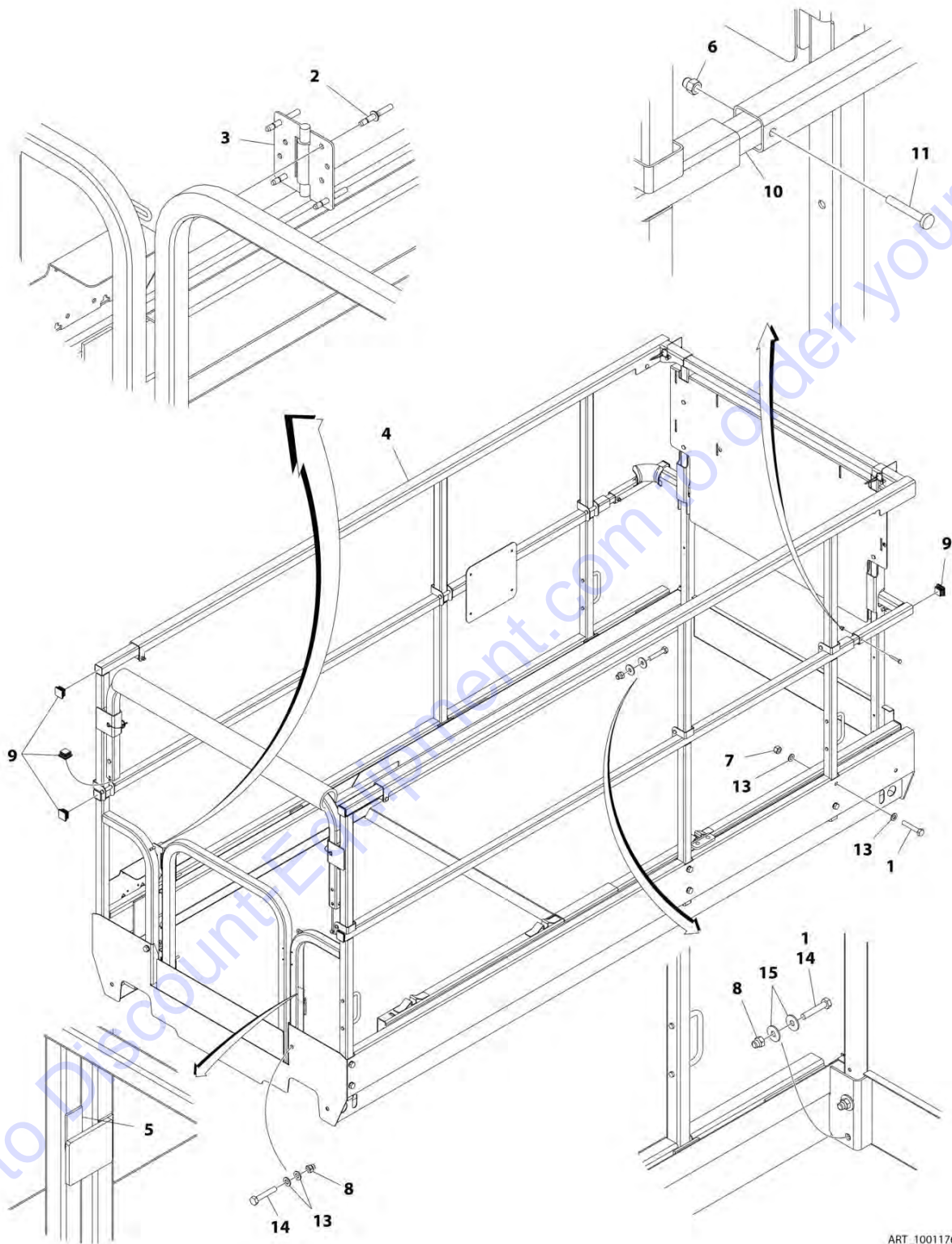
SECTION 4 - PLATFORM

FIGURE 4-13. RAIL KIT - WITH INSIDE EXTENSION RAILS, HANDLE AND CHAIN GATE

ITEM	PART NUMBER	QTY	DESCRIPTION	REV
	1001212877	Ref	RAIL KIT - WITH INSIDE EXTENSION RAILS, HANDLE AND CHAIN GATE	A
1	0701019	2	Bolt M10 x 55	
2	1380132	2	Clip, Gripper	
3	2560088	2	Handle	
4	2560190	2	Handle, Platform	
5	3290606	9	Nut M6	
6	3290806	2	Nut M8	
7	3291006	2	Nut M10 Grade 8	
8	3423278	2	Pin, Snap	
9	3820019	2	Rivet	
10	3860111	2	Roller	
11	3900345	2	Screw	
12	4010616	1	Screw M6 x 40	
13	4010618	8	Screw M6 x 50	
14	4812000	4	Washer M10	
15	1001187585	2	Pin, Snap	
16	1001187587	2	Pin, Snap	
17	1001189762	AR	Tape	
18	1001212874	1	Rail Kit (See Items 101-110 for Breakdown)	
19	2080040	8	Fastener, Huck	
20	3340612	3 ft/91cm	Pad, Rail	
21	4420037	1	Tape, Insulation	
	1001212874	Ref	RAIL KIT	C
101	1001179400	1	Rail, Bottom Rear RH	
102	1001179402	1	Rail, Bottom Front	
103	1001179409	1	Rail, Top Front	
104	1001179410	1	Rail, Top RH	
105	1001179415	1	Plate, Placard	
106	1001179417	1	Tube, Drywall Gate	
107	1001179437	1	Rail, Top LH	
108	1001179442	1	Rail, Bottom Rear LH	
109	1001212875	1	Rail, Top LH Slide	
110	1001212876	1	Rail, Top RH Slide	

SECTION 4 - PLATFORM

FIGURE 4-14. RAILS INSTALLATION - WITH INSIDE EXTENSION RAILS AND SELF CLOSING GATE



ART_1001176739

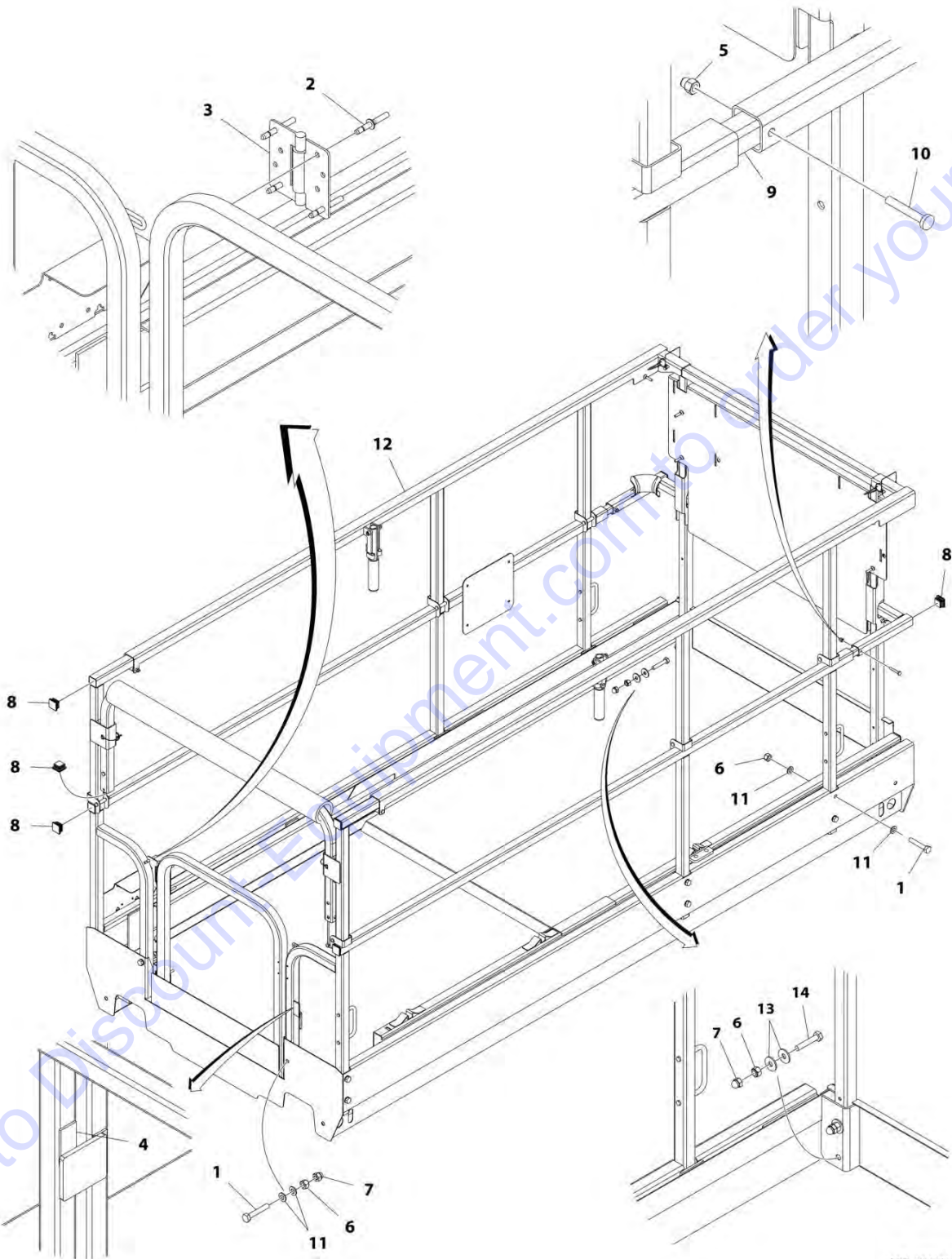
SECTION 4 - PLATFORM

FIGURE 4-14. RAILS INSTALLATION - WITH INSIDE EXTENSION RAILS AND SELF CLOSING GATE

ITEM	PART NUMBER	QTY	DESCRIPTION	REV
	1001176739	Ref	RAILS INSTALLATION - WITH INSIDE EXTENSION RAILS AND SELF CLOSING GATE	F
1	0701019	AR	Bolt M10 x 55	
2	2080040	8	Fastener, Huck	
3	2600281	2	Hinge	
4	1001179420	1	Rail Kit - With Inside Extension Rails and Self Closing Gate (See RAIL KIT - WITH INSIDE EXTENSION RAILS AND SELF CLOSING GATE for Breakdown)	
5	3080007	1	Magnet	
6	3290606	2	Nut M6	
7	3291005	AR	Nut M10	
8	3300477	6	Nut	
8	3291006	6	Nut M10	
9	3520072	6	Plug	
10	3841716	2	Rod, Fiberglass	
11	4010616	2	Screw M6 x 40	
13	4812000	AR	Washer M10	
14	0701019	6	Bolt M10 x 55	
14	0701018	6	Bolt M10 x 50	
15	4812000	8	Washer M10	
15	4812002	8	Washer M10	

SECTION 4 - PLATFORM

FIGURE 4-15. RAILS INSTALLATION - WITH INSIDE EXTENSION RAILS, HANDLE AND SELF CLOSING GATE



ART_1001212702

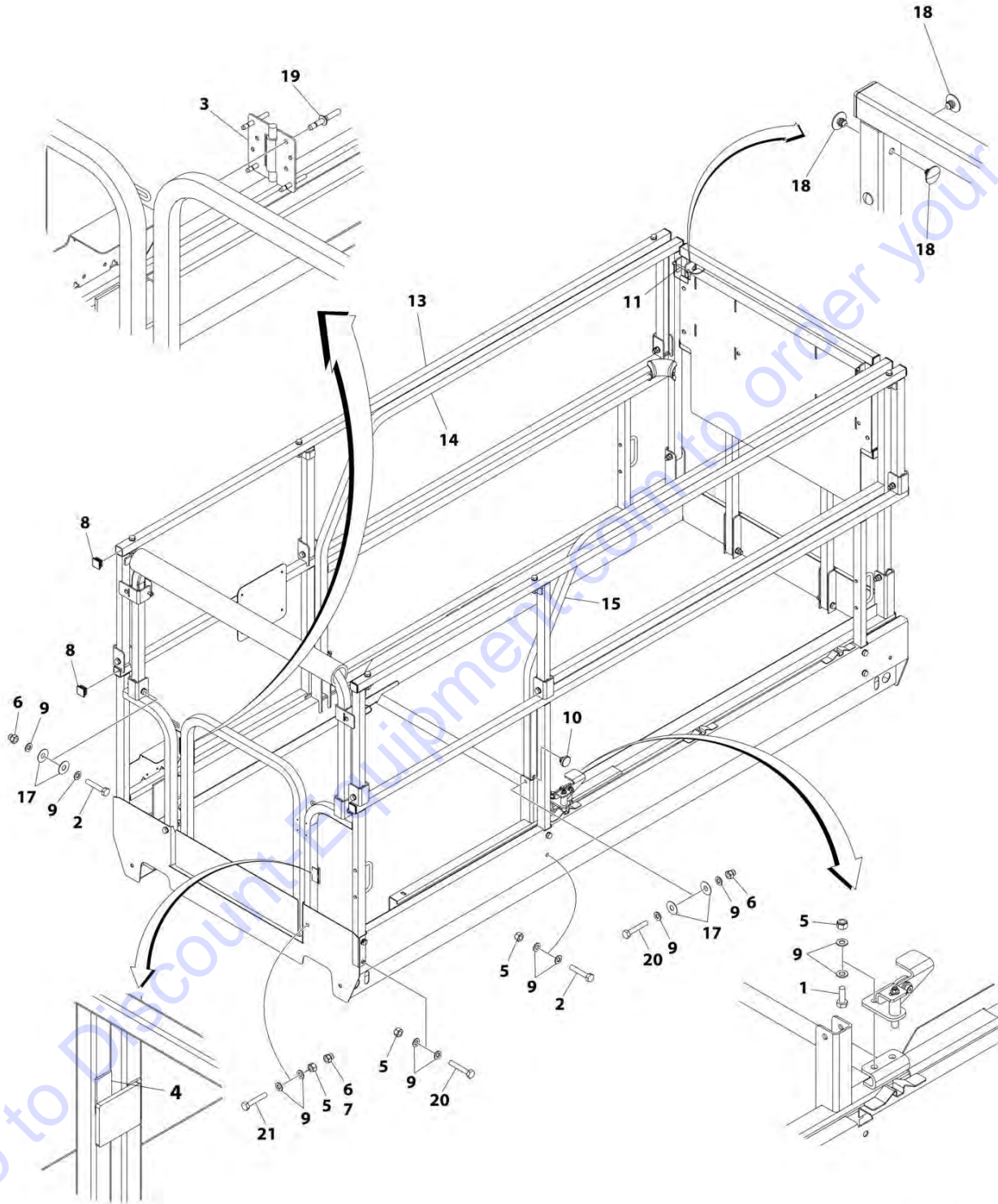
SECTION 4 - PLATFORM

FIGURE 4-15. RAILS INSTALLATION - WITH INSIDE EXTENSION RAILS, HANDLE AND SELF CLOSING GATE

ITEM	PART NUMBER	QTY	DESCRIPTION	REV
	1001212702	Ref	RAILS INSTALLATION - WITH INSIDE EXTENSION RAILS, HANDLE AND SELF CLOSING GATE	B
1	0701019	AR	Bolt M10 x 55	
2	2080040	8	Fastener, Huck	
3	2600281	2	Hinge	
4	3080007	1	Magnet	
5	3290606	2	Nut M6	
6	3291005	18	Nut M10	
7	3300477	6	Nut	
8	3520072	6	Plug	
9	3841716	2	Rod, Fiberglass	
10	4010616	2	Screw M6 x 40	
11	4812000	AR	Washer M10	
12	1001212873	1	Rail Kit - With Inside Extension Rails, Handle and Self Closing Gate (See RAIL KIT – WITH INSIDE EXTENSION RAILS, HANDLE AND SELF CLOSING GATE for Breakdown)	
13	4812000	8	Washer M10	
13	4812002	8	Washer M10	
14	0701019	4	Bolt M10 x 55	
14	0701021	4	Bolt M10 x 65	

SECTION 4 - PLATFORM

FIGURE 4-16. RAILS INSTALLATION - WITH OUTSIDE EXTENSION RAILS AND SELF CLOSING GATE



ART_1001209251

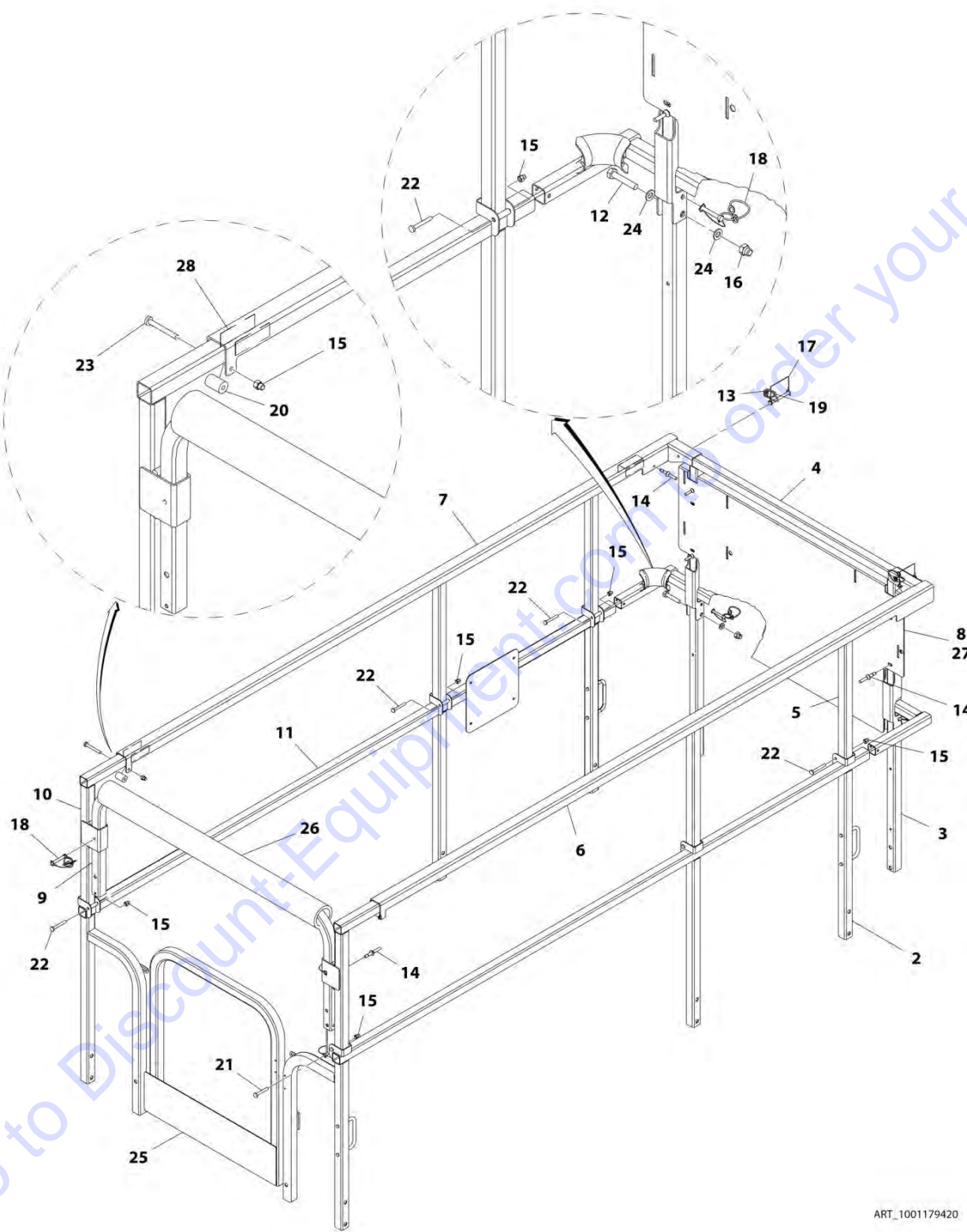
SECTION 4 - PLATFORM

FIGURE 4-16. RAILS INSTALLATION - WITH OUTSIDE EXTENSION RAILS AND SELF CLOSING GATE

ITEM	PART NUMBER	QTY	DESCRIPTION	REV
	1001209251	Ref	RAILS INSTALLATION - WITH OUTSIDE EXTENSION RAILS AND SELF CLOSING GATE	D
1	0701014	4	Bolt M10 x 30	
2	0701019	4	Bolt M10 x 55	
3	2600281	2	Hinge	
4	3080007	1	Magnet	
5	3291005	AR	Nut M10	
6	3291006	AR	Nut M10	
7	3300477	2	Nut	
7	3291006	2	Nut M10	
8	3520072	14	Plug	
9	4812000	44	Washer M10	
10	1001137675	4	Bumper	
11	1001187587	2	Pin, Snap	
13	1001209253	1	Rail Kit - With Outside Extension Rails and Self Closing Gate (See RAIL KIT - WITH OUTSIDE EXTENSION RAILS AND SELF CLOSING GATE for Breakdown) (SN 0200239382 through 0200264570, SN 1200025023 through 1200030201, SN B200020297 through B200041196)	
13	1001218388	1	Rail Kit - With Outside Extension Rails and Self Closing Gate (See RAIL KIT - WITH OUTSIDE EXTENSION RAILS AND SELF CLOSING GATE for Breakdown) (SN 0200264571 to Present, SN 1200030202 to Present, SN B200041197 to Present)	
14	1001209254	1	Rail, Left	
15	1001209255	1	Rail, Right	
17	1001211895	28	Plate, Washer	
18	1001211896	12	Bumper	
19	2080040	10	Fastener, Huck	
20	0701020	AR	Bolt M10 x 60	
21	0701020	2	Bolt M10 x 60	
21	0701018	2	Bolt M10 x 50	

SECTION 4 - PLATFORM

FIGURE 4-17. RAIL KIT - WITH INSIDE EXTENSION RAILS AND SELF CLOSING GATE



ART_1001179420

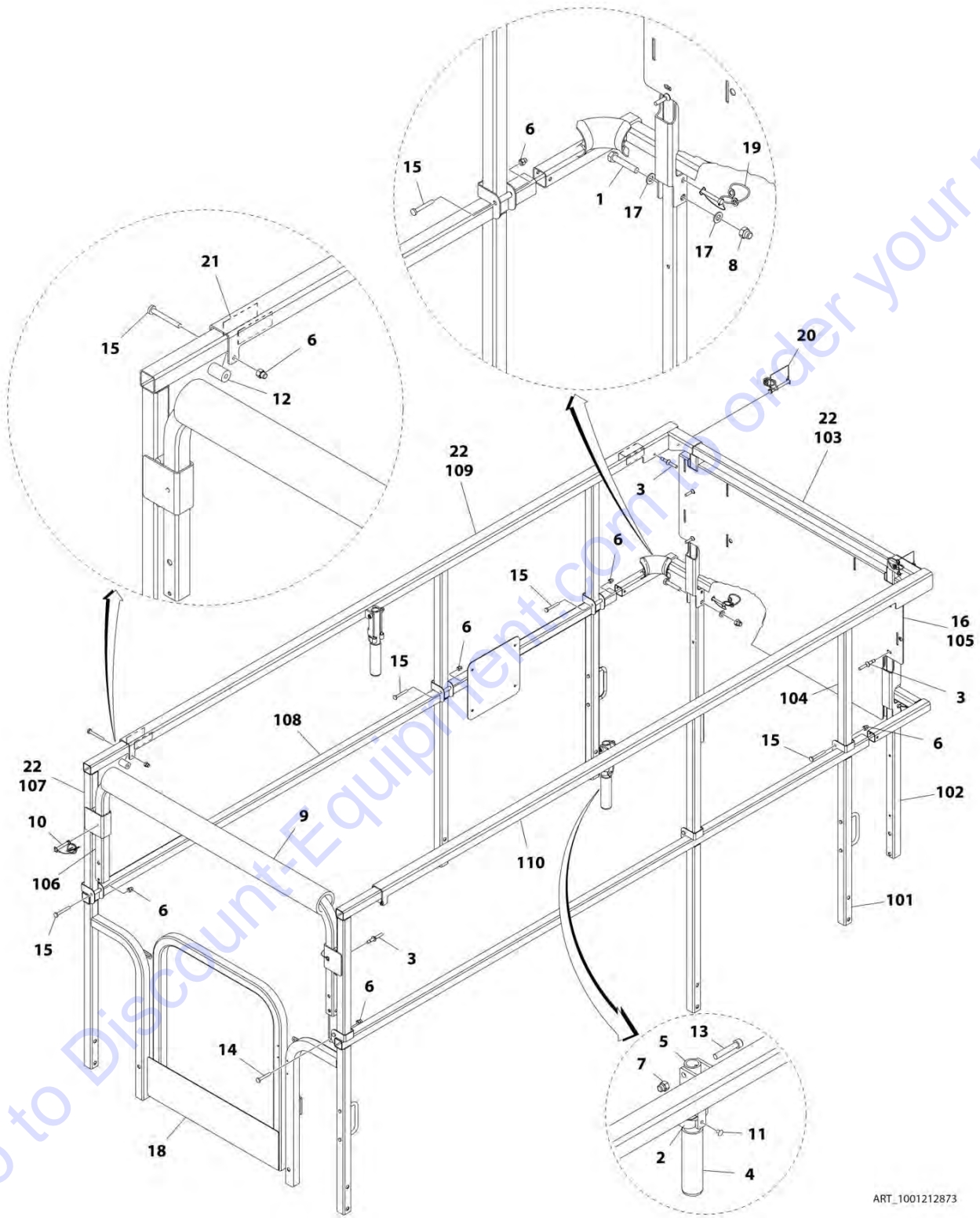
SECTION 4 - PLATFORM

FIGURE 4-17. RAIL KIT - WITH INSIDE EXTENSION RAILS AND SELF CLOSING GATE

ITEM	PART NUMBER	QTY	DESCRIPTION	REV
	1001179420	Ref	RAIL KIT - WITH INSIDE EXTENSION RAILS AND SELF CLOSING GATE	H
1	1001179441	1	Rail Kit Less Hardware (Not Shown - Includes Items 2-11)	H
2	1001179400	1	Rail, Right Bottom	
3	1001179402	1	Rail, Mid Bottom	
4	1001179409	1	Rail, Mid Top	
5	1001179410	1	Rail, Right Top	
6	1001179411	1	Rail, Top RH	
7	1001179414	1	Rail, Top LH	
8	1001179415	1	Plate, Placard	
9	1001179417	1	Tube, Drywall Gate	
10	1001179437	1	Rail, Left Top	
11	1001179442	1	Rail, Left Bottom	
12	0701019	2	Bolt M10 x 55	
13	1001187585	2	Lanyard	
14	2080040	8	Fastener, Huck	
15	3290606	9	Nut M6	
16	3291006	2	Nut M10 Grade 8	
17	1001187587	2	Pin, Snap	
18	3423278	2	Pin, Snap	
19	3760170	2	Ring	
20	3860111	2	Roller	
21	4010616	1	Screw M6 x 40	
22	4010617	6	Screw M6 x 45	
22	4010618	6	Screw M6 x 50	
23	4010618	2	Screw M6 x 50	
24	4812000	4	Washer M10	
25	4846723	1	Gate	
26	3340612	36 in /91cm	Pad, Black Nylon Cover	
27	4420037	1	Tape, Insulation	
28	1001189762	AR	Tape	

SECTION 4 - PLATFORM

FIGURE 4-18. RAIL KIT - WITH INSIDE EXTENSION RAILS, HANDLE AND SELF CLOSING GATE



ART_1001212873

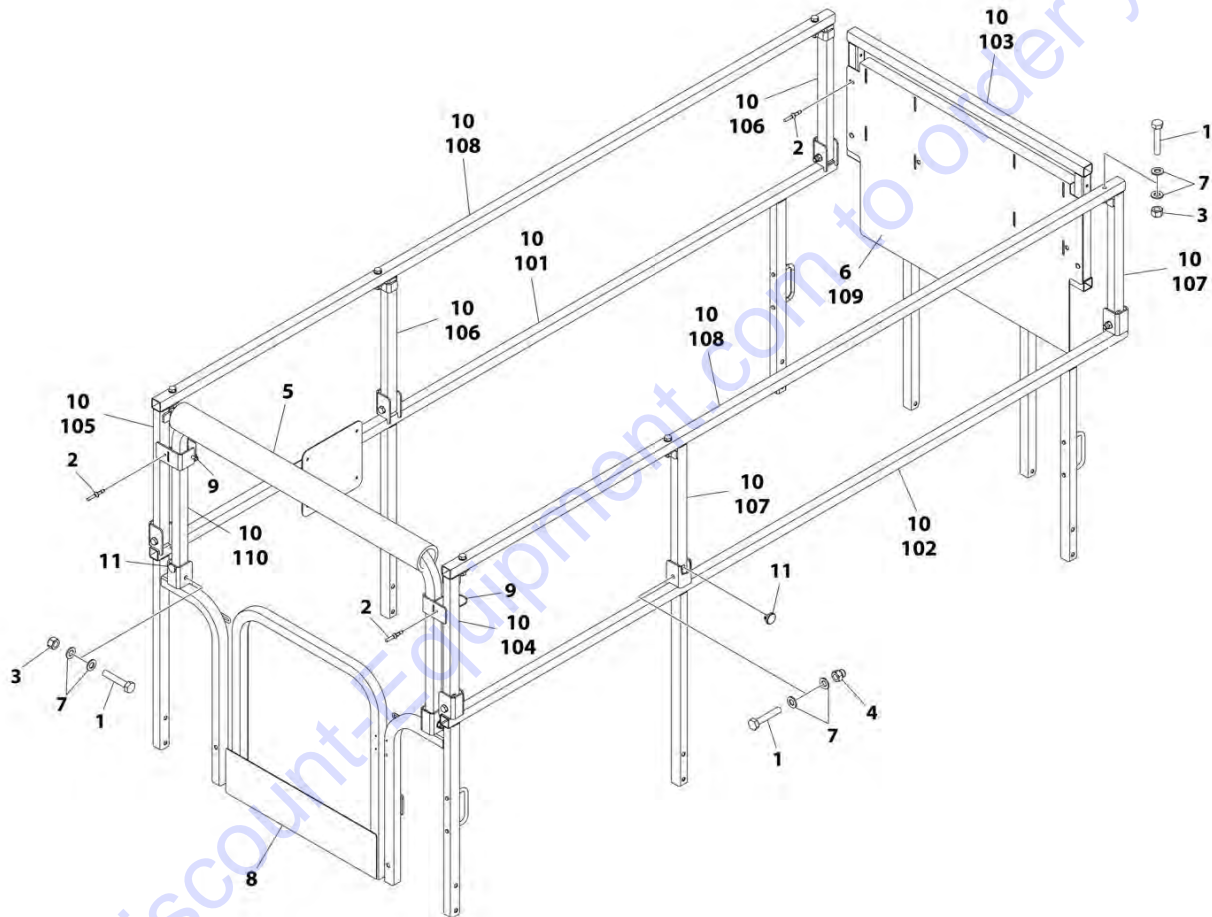
SECTION 4 - PLATFORM

FIGURE 4-18. RAIL KIT - WITH INSIDE EXTENSION RAILS, HANDLE AND SELF CLOSING GATE

ITEM	PART NUMBER	QTY	DESCRIPTION	REV
	1001212873	Ref	RAIL KIT - WITH INSIDE EXTENSION RAILS, HANDLE AND SELF CLOSING GATE	A
1	0701019	2	Bolt M10 x 55	
2	1380132	2	Clip, Gripper	
3	2080040	8	Fastener, Huck	
4	2560088	2	Handle	
5	2560190	2	Handle, Platform	
6	3290606	9	Nut M6	
7	3290806	2	Nut M8	
8	3291006	2	Nut M10 Grade 8	
9	3340612	3 ft/0.9m	Pad, Cover	
10	3423278	2	Pin, Snap	
11	3820019	2	Rivet	
12	3860111	2	Roller	
13	3900345	2	Screw	
14	4010616	1	Screw M6 x 40	
15	4010618	8	Screw M6 x 50	
16	4420037	1	Tape, Insulation	
17	4812000	4	Washer M10	
18	4846723	1	Gate	
19	1001187585	2	Pin, Snap	
20	1001187587	2	Pin, Snap	
21	1001189762	AR	Tape	
22	1001212874	1	Rail Kit (See Items 101-110 for Breakdown)	
	1001212874	Ref	RAIL KIT	C
101	1001179400	1	Rail, Right Bottom	
102	1001179402	1	Rail, Mid Bottom	
103	1001179409	1	Rail, Mid Top	
104	1001179410	1	Rail, Right Top	
105	1001179415	1	Plate, Placard	
106	1001179417	1	Tube, Drywall Gate	
107	1001179437	1	Rail, Left Top	
108	1001179442	1	Rail, Left Bottom	
109	1001212875	1	Rail, Top LH Slide	
110	1001212876	1	Rail, Top RH Slide	

SECTION 4 - PLATFORM

FIGURE 4-19. RAIL KIT - WITH OUTSIDE EXTENSION RAILS AND SELF CLOSING GATE (SN 0200239382 through 0200264570, SN 1200025023 through 1200030201, SN B200020297 through B200041196)



ART_1001209253

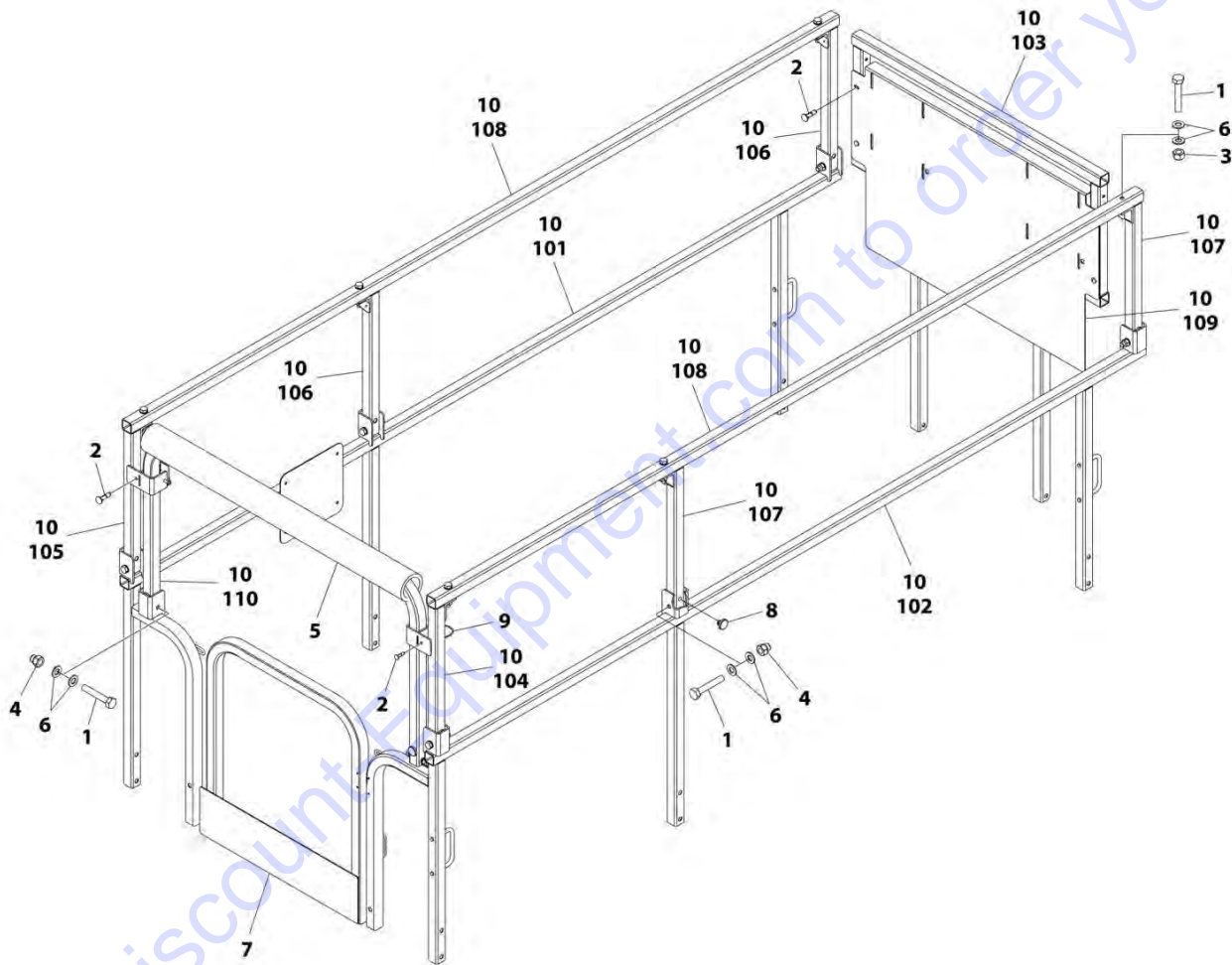
SECTION 4 - PLATFORM

FIGURE 4-19. RAIL KIT - WITH OUTSIDE EXTENSION RAILS AND SELF CLOSING GATE (SN 0200239382 through 0200264570, SN 1200025023 through 1200030201, SN B200020297 through B200041196)

ITEM	PART NUMBER	QTY	DESCRIPTION	REV
	1001209253	Ref	RAIL KIT - WITH OUTSIDE EXTENSION RAILS AND SELF CLOSING GATE	B
1	0701019	14	Bolt M10 x 55	
2	2080040	6	Fastener, Huck	
3	3291005	6	Nut M10	
4	3291006	8	Nut M10	
5	3340612	3 ft/0.9m	Pad, Cover	
6	4420037	1	Tape, Insulation	
7	4812000	28	Washer M10	
8	4846723	1	Gate	
9	1001187587	2	Pin, Snap	
10	1001209265	1	Rail Kit (See Items 101-110 for Breakdown)	
11	1001137675	8	Bumper	
	1001209265	Ref	RAIL KIT	C
101	1001209266	1	Rail, Left Bottom	
102	1001209267	1	Rail, Right Bottom	
103	1001209269	1	Rail, Mid Top	
104	1001209270	1	Rail, Right Entrance	
105	1001209271	1	Rail, Left Entrance	
106	1001209272	2	Rail, Support	
107	1001209273	2	Rail, Support	
108	1001209274	2	Rail, Top	
109	1001209275	1	Plate, Placard	
110	1001210378	1	Tube, Drywall Gate	

SECTION 4 - PLATFORM

FIGURE 4-20. RAIL KIT - WITH OUTSIDE EXTENSION RAILS AND SELF CLOSING GATE (SN 0200264571 to Present, SN 1200030202 to Present, SN B200041197 to Present)



ART_1001218388

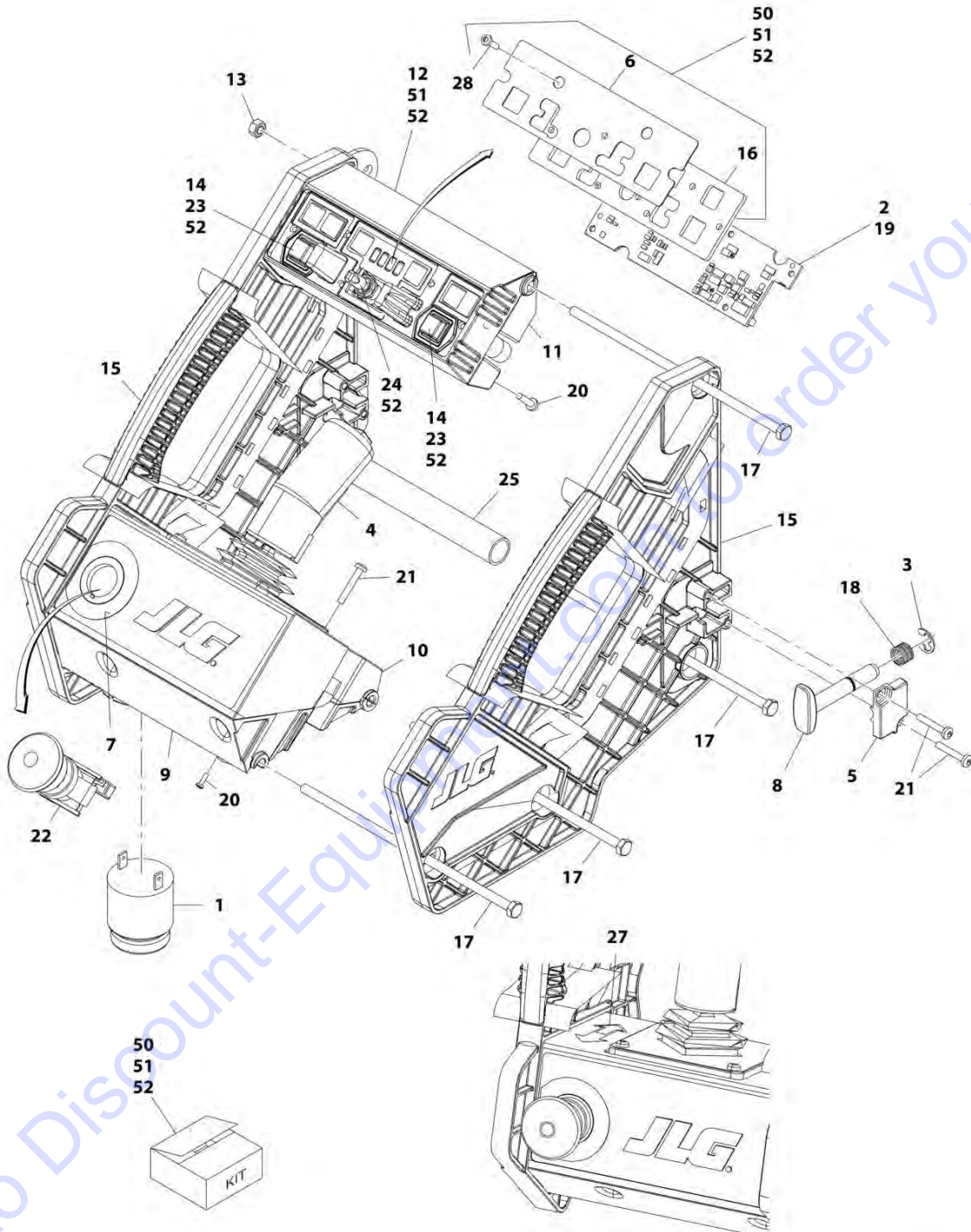
SECTION 4 - PLATFORM

FIGURE 4-20. RAIL KIT - WITH OUTSIDE EXTENSION RAILS AND SELF CLOSING GATE (SN 0200264571 to Present, SN 1200030202 to Present, SN B200041197 to Present)

ITEM	PART NUMBER	QTY	DESCRIPTION	REV
	1001218388	Ref	RAIL KIT - WITH OUTSIDE EXTENSION RAILS AND SELF CLOSING GATE	B
1	0701020	14	Bolt M10 x 60	
2	2080040	6	Fastener, Huck	
3	3291005	6	Nut M10	
4	3291006	8	Nut M10	
5	3340612	3 ft/0.9m	Pad, Cover	
6	4812000	28	Washer M10	
7	4846723	1	Gate	
8	1001137675	8	Bumper	
9	1001187587	2	Pin, Snap	
10	1001209265	1	Rail Kit (See Items 101-110 for Breakdown)	
	1001209265	Ref	RAIL KIT	C
101	1001209266	1	Rail, Left Bottom	
102	1001209267	1	Rail, Right Bottom	
103	1001209269	1	Rail, Mid Top	
104	1001209270	1	Rail, Right Entrance	
105	1001209271	1	Rail, Left Entrance	
106	1001209272	2	Rail, Support	
107	1001209273	2	Rail, Support	
108	1001209274	2	Rail, Top	
109	1001209275	1	Plate, Placard	
110	1001210378	1	Tube, Drywall Gate	

SECTION 4 - PLATFORM

FIGURE 4-21. PLATFORM CONSOLE ASSEMBLY



ART_1001091153

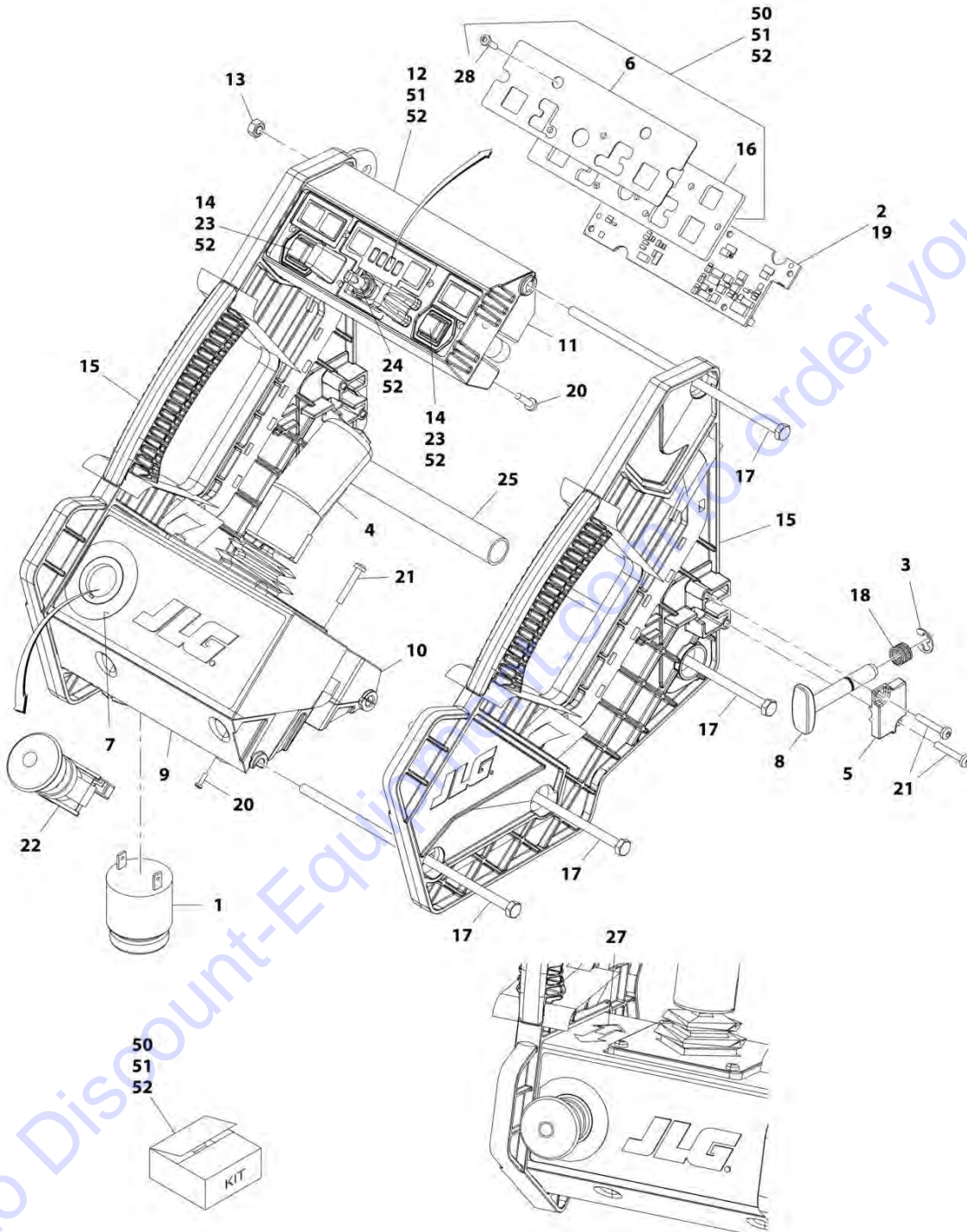
SECTION 4 - PLATFORM

FIGURE 4-21. PLATFORM CONSOLE ASSEMBLY

ITEM	PART NUMBER	QTY	DESCRIPTION	REV
	1001091153	Ref	PLATFORM CONSOLE ASSEMBLY	J
		Ref	Usage Chart	
		Ref	All Specs Except CE and Australian Specs	
		Ref	China Specs (SN B200020297 through B200028887)	
1	0140011	1	Alarm	
2	1600439	1	PC Board	
3	1380156	1	E-Clip	
4	1600402	1	Drive/Steer Controller Assembly (See DRIVE/STEER CONTROLLER ASSEMBLY for Breakdown)	
5	1671098	1	Latch	
6	1001091272	1	Decal - Icon	
7	1705676	1	Decal - Emergency Stop Ring	
8	2560179	1	Handle, Latch	
9	1001091277	1	Housing, Joystick (Lower)	
10	1001091278	1	Mount, Joystick	
11	1001091279	1	Housing, Module Mounting (Lower)	
12	1001091280	1	Housing, Module Mounting (Upper)	
13	3300473	4	Nut M6	
14	3340968	2	Button (Includes Black Button Only)	
15	3380475	2	Panel, Side	
16	1001091283	1	Plate, Decal	
17	3900333	4	Screw M6 x 190	
18	4160203	1	Spring, Compression	
19	4191306	5	Screw M3.5 x 12	
20	4191407	8	Screw M4 x 16	
21	4191409	6	Screw M4 x 25	
22	4360475	1	Switch, Emergency Stop	
22	7020175	1	Cap	
22	7020176	1	Block, Contact	
23	4360538	2	Strip, Switch and Membrane	
24	4360539	1	Switch, Toggle	
25	4568738	1	Tube, Spacer	
26	4922870	1	Harness, Platform Box (Not Shown - See ELECTRICAL SECTION for Breakdown)	
27	1703819	1	Decal - Directional Arrow	
28	1001091396	6	Screw M3.5 x 12	
29	See Note	NSS	Decal - Control Module (Not Shown) (Note: Not Available for Purchase) (SN 1200030202 to Present, SN B200051211 to Present, SN M200023870 to Present)	
50	1001091968	1	Decal Kit (Includes Items 6, 16 & 28) (Note: Two Item 6's are included in the kit - 1 for All Specs except CE/Australian Specs and 1 for CE/Australian Specs. Use decal required for applicable spec. Dispose of the decal not used)	A
51	1001091393	1	Decal and Housing Kit (Includes Items 6, 12, 16 & 28) (Note: Two Item 6's are included in the kit - 1 for All Specs except CE/Australian Specs and 1 for CE/Australian Specs. Use decal required for applicable spec. Dispose of the decal not used)	C
52	1001091965	1	Decal, Housing and PC Board Kit (Includes Items 2, 6, 12, 14, 16, 19, 23, 24 & 28) (Note: Two Item 6's are included in the kit - 1 for All Specs except CE/Australian Specs and 1 for CE/Australian Specs. Use decal required for applicable spec. Dispose of the decal not used)	C

SECTION 4 - PLATFORM

FIGURE 4-22. PLATFORM CONSOLE ASSEMBLY



ART_1001091154

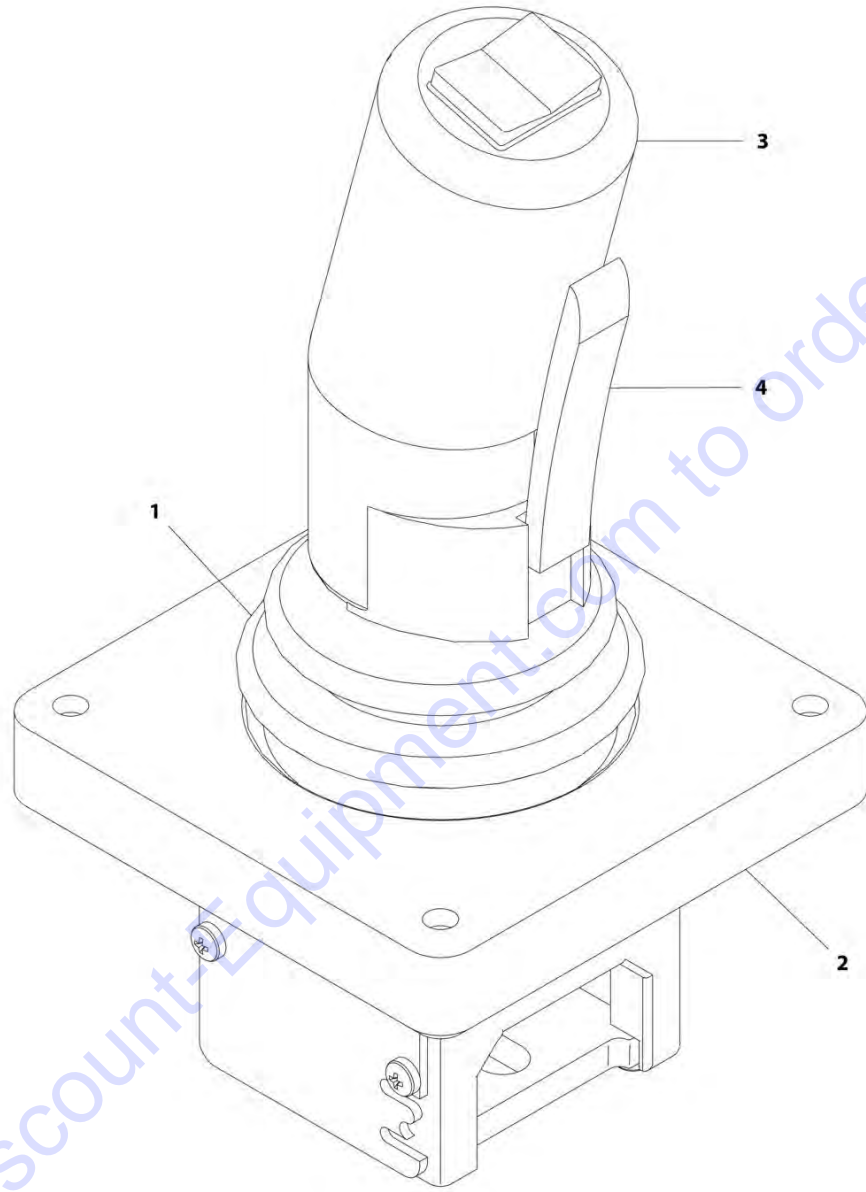
SECTION 4 - PLATFORM

FIGURE 4-22. PLATFORM CONSOLE ASSEMBLY

ITEM	PART NUMBER	QTY	DESCRIPTION	REV
	1001091154	Ref	PLATFORM CONSOLE ASSEMBLY	H
		Ref	Usage Chart	
		Ref	Australian Specs	
		Ref	CE Specs	
		Ref	China Specs (SN B200028888 to Present)	
1	0140011	1	Alarm	
2	1600439	1	PC Board	
3	1380156	1	E-Clip	
4	1600402	1	Drive/Steer Controller Assembly (See DRIVE/STEER CONTROLLER ASSEMBLY for Breakdown)	
5	1671098	1	Latch	
6	1001091275	1	Decal - Icon	
7	1705676	1	Decal - Emergency Stop Ring	
8	2560179	1	Handle, Latch	
9	1001091277	1	Housing, Joystick (Lower)	
10	1001091278	1	Mount, Joystick	
11	1001091279	1	Housing, Module Mounting (Lower)	
12	1001091280	1	Housing, Module Mounting (Upper)	
13	3300473	4	Nut M6	
14	3340968	2	Button (Includes Black Button Only)	
15	3380475	2	Panel, Side	
16	1001091283	1	Plate, Decal	
17	3900333	4	Screw M6 x 190	
18	4160203	1	Spring, Compression	
19	4191306	5	Screw M3.5 x 12	
20	4191407	8	Screw M4 x 16	
21	4191409	6	Screw M4 x 25	
22	4360475	1	Switch, Emergency Stop	
22	7020175	1	Cap	
22	7020176	1	Block, Contact	
23	4360538	2	Strip, Switch and Membrane	
24	4360539	1	Switch, Toggle	
25	4568738	1	Tube, Spacer	
26	4922870	1	Harness, Platform Box (Not Shown - See ELECTRICAL SECTION for Breakdown)	
27	1703819	1	Decal - Directional Arrow	
28	1001091396	6	Screw M3.5 x 12	
29	See Note	NSS	Decal - Control Module (Not Shown) (Note: Not Available for Purchase) (SN 1200030202 to Present, SN B200051211 to Present, SN M200023870 to Present)	
50	1001091968	1	Decal Kit (Includes Items 6, 16 & 28) (Note: Two Item 6's are included in the kit - 1 for All Specs except CE/Australian Specs and 1 for CE/Australian Specs. Use decal required for applicable spec. Dispose of the decal not used)	A
51	1001091393	1	Decal and Housing Kit (Includes Items 6, 12, 16 & 28) (Note: Two Item 6's are included in the kit - 1 for All Specs except CE/Australian Specs and 1 for CE/Australian Specs. Use decal required for applicable spec. Dispose of the decal not used)	C
52	1001091965	1	Decal, Housing and PC Board Kit (Includes Items 2, 6, 12, 14, 16, 19, 23, 24 & 28) (Note: Two Item 6's are included in the kit - 1 for All Specs except CE/Australian Specs and 1 for CE/Australian Specs. Use decal required for applicable spec. Dispose of the decal not used)	C

SECTION 4 - PLATFORM

FIGURE 4-23. DRIVE/STEER CONTROLLER ASSEMBLY



ART_1600402

SECTION 4 - PLATFORM

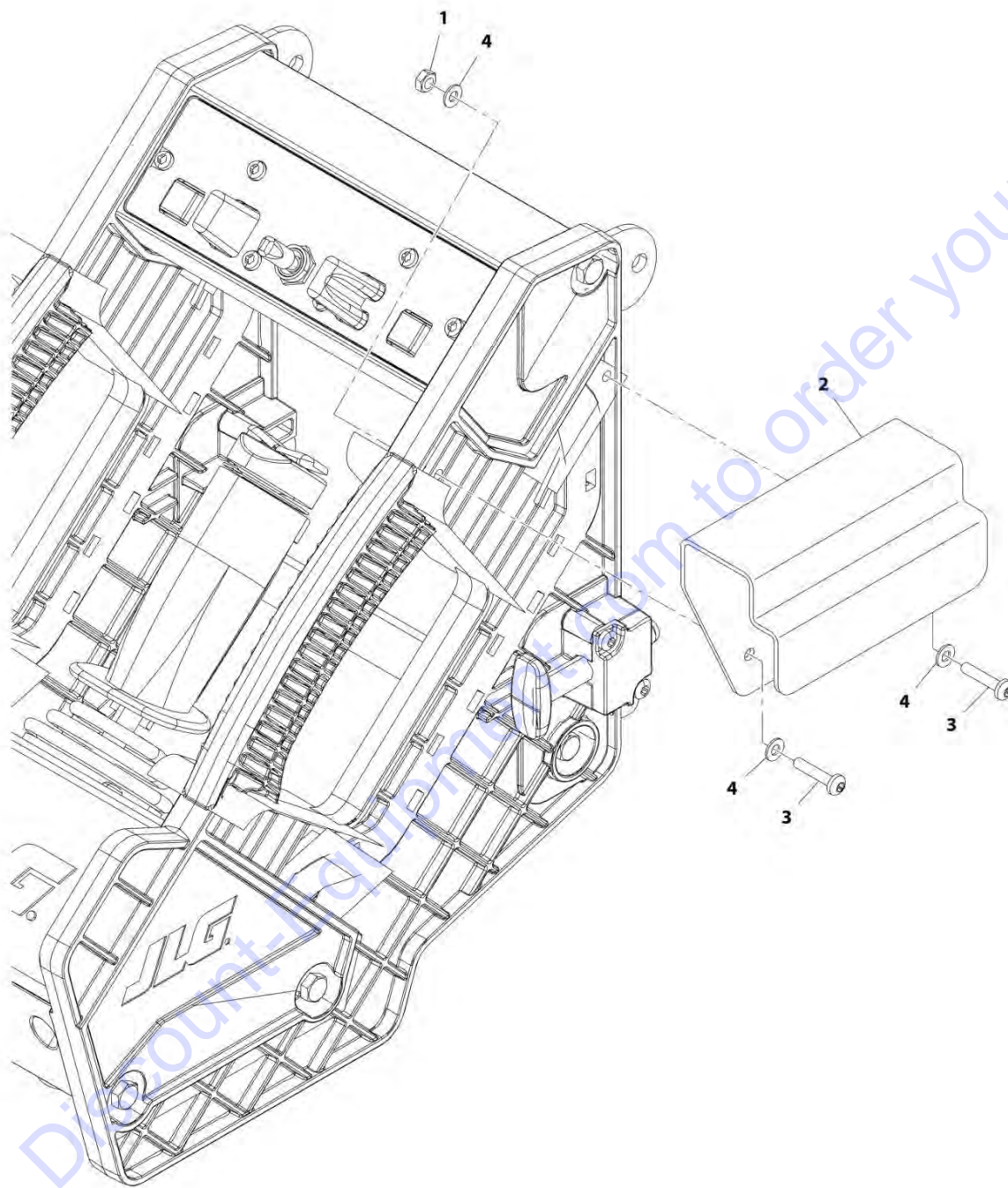
FIGURE 4-23. DRIVE/STEER CONTROLLER ASSEMBLY

ITEM	PART NUMBER	QTY	DESCRIPTION	REV
	1600402	Ref	DRIVE/STEER CONTROLLER ASSEMBLY	A
1	70001250	1	Boot, Panel	
2	70001252	1	Gasket, Mounting	
2	70001251	1	Bezel, Mounting	
3	70003650	1	Handle Repair Kit (Includes handle gasket, item#4 push button and item #4 lever installed in front handle half, back handle half, top actuator, boot and hardware.)	
3	70000084	1	Cap, Rubber	
3	70000082	1	Microswitch	
3	7027766	1	Ring, Retaining	
3	7027365	1	Actuator, Handle	
3	70001253	1	Gasket, Handle	
3	70000683	4	Washer, Neoprene	
3	70000685	2	Spacer, Plastic	
3	70000686	2	Screw (Top)	
3	70000684	2	Screw (Bottom)	
4	7027367	1	Switch, Push Button	
4	7027765	1	Lever, Enable	

Go to Discount-Equipment.com to order your parts

SECTION 4 - PLATFORM

FIGURE 4-24. PLATFORM CONSOLE HANGER INSTALLATION (OPTIONAL)



ART_0274386

PARTS FINDER

**Search Website
by Part Number**



**Search Manual
Library For Parts
Manual & Lookup Part
Numbers – Purchase
or Request Quote**

**Can't Find Part or
Manual? Request Help
by Manufacturer,
Model & Description**

Discount-Equipment.com is your online resource for quality parts & equipment.

Florida: **561-964-4949** Outside Florida TOLL FREE: **877-690-3101**

Need parts?

Click on this link: <http://www.discount-equipment.com/category/5443-parts/> and choose one of the options to help get the right parts and equipment you are looking for. Please have the machine model and serial number available in order to help us get you the correct parts. If you don't find the part on the website or on one of the online manuals, please fill out the request form and one of our experienced staff members will get back to you with a quote for the right part that your machine needs.

We sell worldwide for the brands: Genie, Terex, JLG, MultiQuip, Mikasa, Essick, Whiteman, Mayco, Toro Stone, Diamond Products, Generac Magnum, Airman, Haulotte, Barreto, Power Blanket, Nifty Lift, Atlas Copco, Chicago Pneumatic, Allmand, Miller Curber, Skyjack, Lull, Skytrak, Tsurumi, Husquvarna Target, Stow, Wacker, Sakai, Mi-T-M, Sullair, Basic, Dynapac, MBW, Weber, Bartell, Bennar Newman, Haulotte, Ditch Runner, Menegotti, Morrison, Contec, Buddy, Crown, Edco, Wyco, Bomag, Laymor, EZ Trench, Bil-Jax, F.S. Curtis, Gehl Pavers, Heli, Honda, ICS/PowerGrit, IHI, Partner, Imer, Clipper, MMD, Koshin, Rice, CH&E, General Equipment, Amida, Coleman, NAC, Gradall, Square Shooter, Kent, Stanley, Tamco, Toku, Hatz, Kohler, Robin, Wisconsin, Northrock, Oztec, Toker TK, Rol-Air, APT, Wylie, Ingersoll Rand / Doosan, Innovatech, Con X, Ammann, Mecalac, Makinex, Smith Surface Prep, Small Line, Wanco, Yanmar

SECTION 4 - PLATFORM

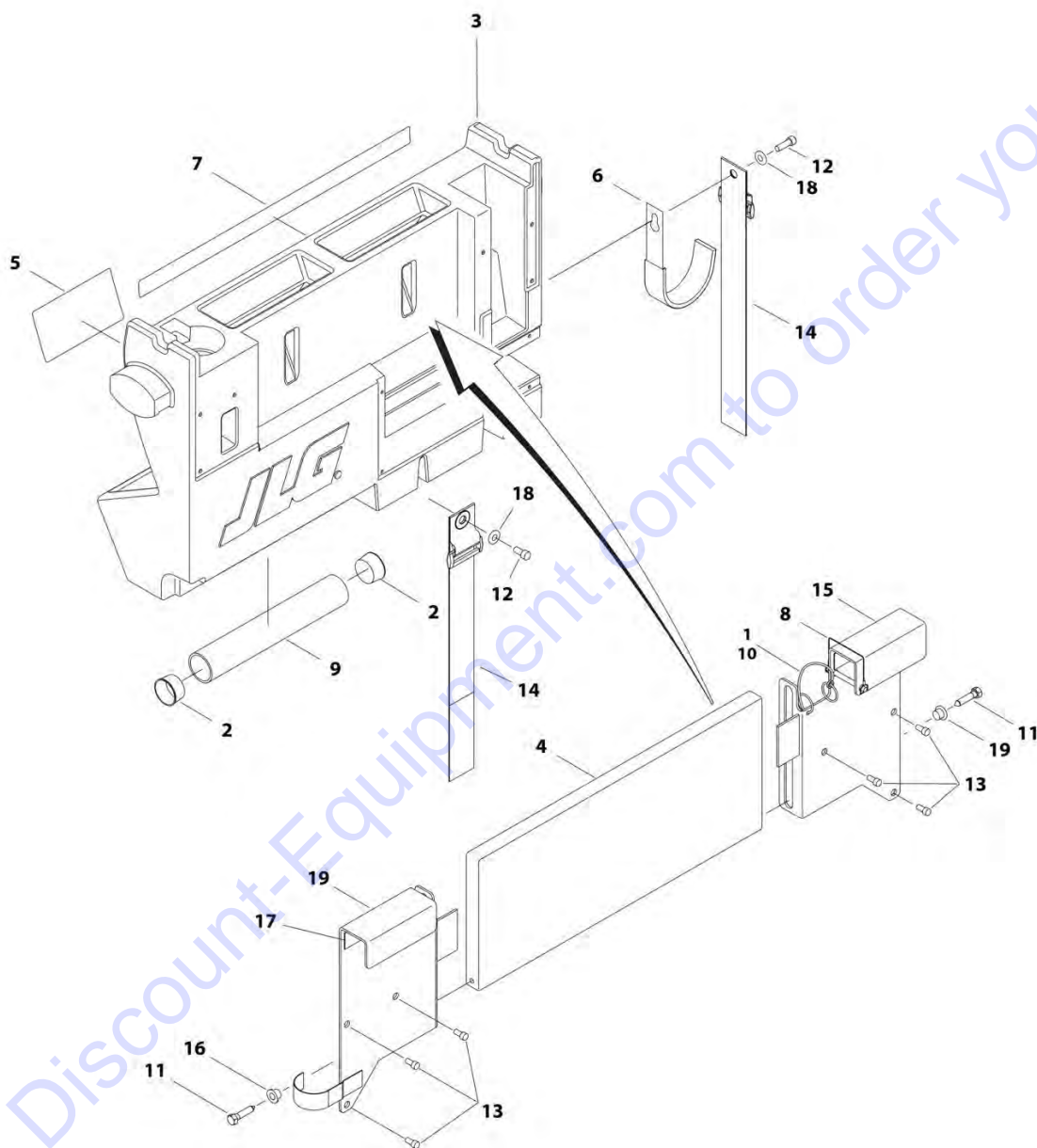
FIGURE 4-24. PLATFORM CONSOLE HANGER INSTALLATION (OPTIONAL)

ITEM	PART NUMBER	QTY	DESCRIPTION	REV
	0274386	Ref	PLATFORM CONSOLE HANGER INSTALLATION (OPTIONAL)	B
1	3290405	2	Nut M4	
2	3575794	1	Plate, Bracket	
3	3900338	2	Screw M4 x 20	
4	4811400	4	Washer M4	

Go to Discount-Equipment.com to order your parts

SECTION 4 - PLATFORM

FIGURE 4-25. WORKSTATION WITHOUT DC CONVERTER INSTALLATION



ART_0240087

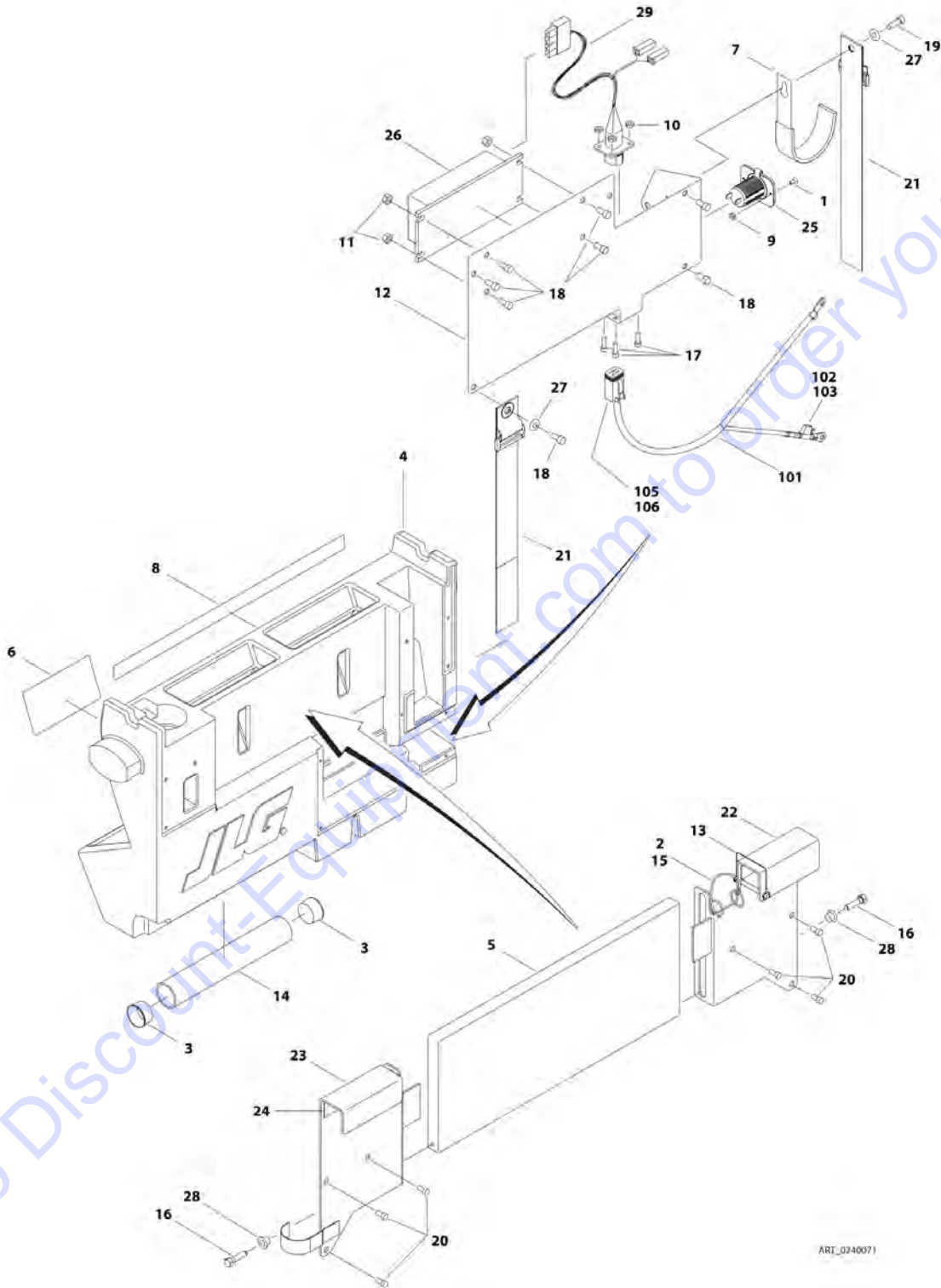
SECTION 4 - PLATFORM

FIGURE 4-25. WORKSTATION WITHOUT DC CONVERTER INSTALLATION

ITEM	PART NUMBER	QTY	DESCRIPTION	REV
	0273965	Ref	WORKSTATION INSTALLATION - REFERENCE CHART	B
	0240087	Ref	WORKSTATION WITHOUT DC CONVERTER INSTALLATION	C
1	1060379	1	Cable, Lanyard	
2	1120555	2	Cap, Manual Storage	
3	1580023	1	Container	
4	1580024	1	Tray	
5	1705997	1	Decal - Workstation	
6	2700100	1	Hook, Hanger	
7	2902348	1	Decal - Workstation Kit	
8	3422219	1	Pin	
9	3460334	1	PVC Pipe	
10	3760170	2	Ring	
11	3900355	2	Screw 5/16-9 x 1-1/2	
12	3931412	2	Bolt 1/4-20 x 3/4	
13	3931508	6	Bolt 5/16-18 x 1/2	
14	4240003	2	Strap	
15	4340853	1	Mount, RH Channel	
16	4340854	1	Mount, LH Channel	
17	4420062	3 ft/0.9m	Tape	
18	4711400	2	Washer 1/4	
19	4740480	2	Insert, Plastic	

SECTION 4 - PLATFORM

FIGURE 4-26. WORKSTATION WITH DC CONVERTER INSTALLATION



ARI_0240071

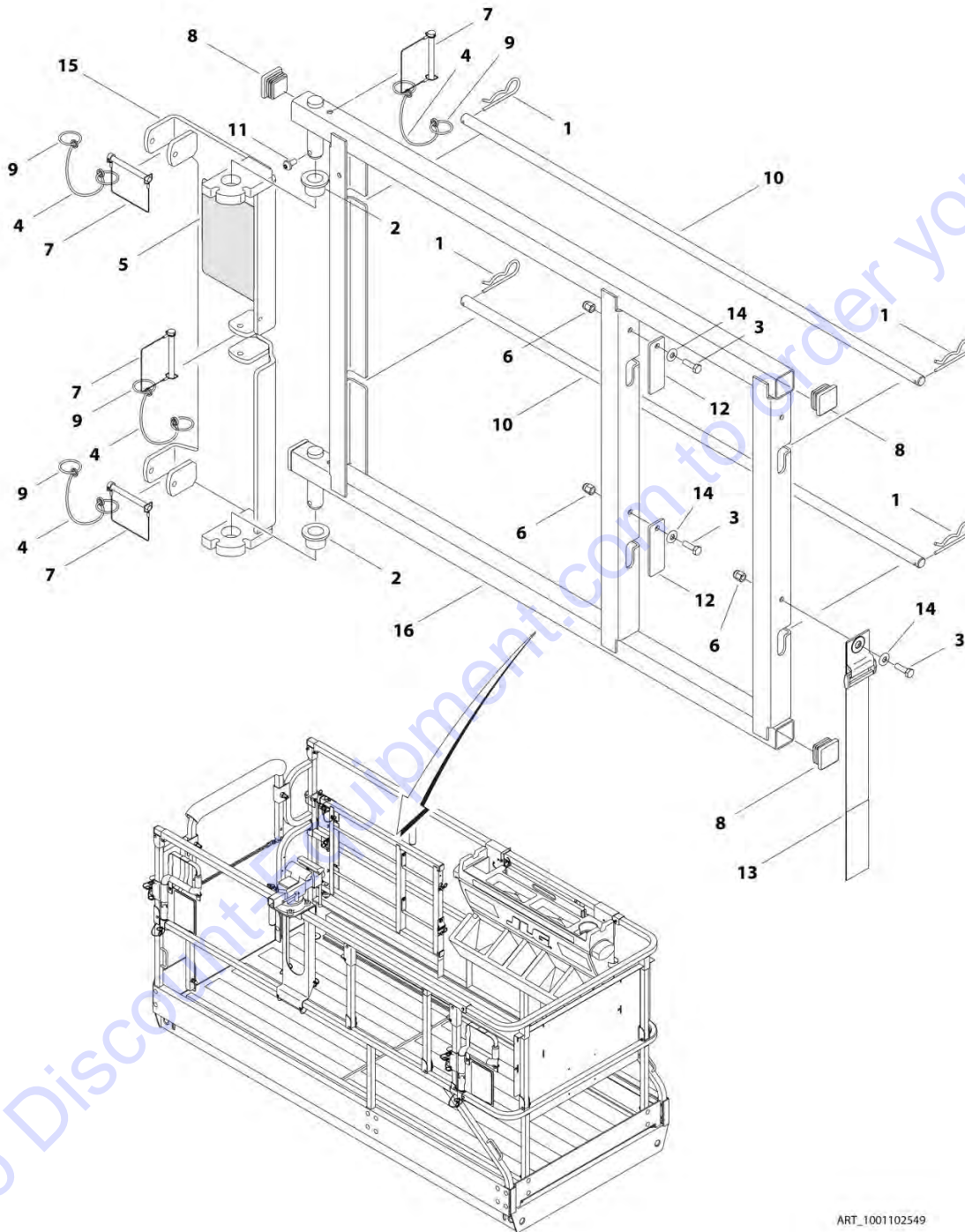
SECTION 4 - PLATFORM

FIGURE 4-26. WORKSTATION WITH DC CONVERTER INSTALLATION

ITEM	PART NUMBER	QTY	DESCRIPTION	REV
	0273956	Ref	WORKSTATION POWERED INSTALLATION – REFERENCE CHART	B
	0240071	Ref	WORKSTATION WITH DC CONVERTER INSTALLATION	D
1	0740603	2	Screw #6-32 x 3/4	
2	1060379	1	Cable, Lanyard	
3	1120555	2	Cap, Manual Storage	
4	1580023	1	Container	
5	1580024	1	Tray	
6	1705997	1	Decal - Workstation	
7	2700100	1	Hook, Hanger	
8	2902348	1	Decal - Workstation Kit	
9	3310601	2	Nut #6-32	
10	3311005	4	Nut #10-24	
11	3311405	4	Nut 1/4-20	
12	3380527	1	Panel, Converter/Receptacle	
13	3422219	1	Pin	
14	3460334	1	PVC Pipe	
15	3760170	2	Ring	
16	3900355	2	Screw 5/16-9 x 1-1/2	
17	3931010	4	Bolt #10-24 x 5/8	
18	3931408	9	Bolt 1/4-20 x 1/2	
19	3931412	1	Bolt 1/4-20 x 3/4	
20	3931508	6	Bolt 5/16-18 x 1/2	
21	4240003	2	Strap	
22	4340853	1	Mount, RH Channel	
23	4340854	1	Mount, LH Channel	
24	4420062	3 ft/0.9m	Tape	
25	4461012	1	Receptacle	
26	4530026	1	Transformer	
27	4711400	2	Washer 1/4	
28	4740480	2	Insert, Plastic	
29	4923121	1	Harness, Workstation Power (See ELECTRICAL SECTION for Breakdown)	
	4923115	1	WORKSTATION POWER CABLE INSTALLATIONS	B
101	1060331	70 ft /21.3m	Cable, 16/4	
102	2400061	1	Fuse - 10 Amp	
103	2400066	1	Holder, Fuse	
105	4460465	1	Socket, Female	
106	4460884	1	Connector - 4 Position	

SECTION 4 - PLATFORM

FIGURE 4-27. ELECTRICIAN'S TREE INSTALLATION



ART_1001102549

SECTION 4 - PLATFORM

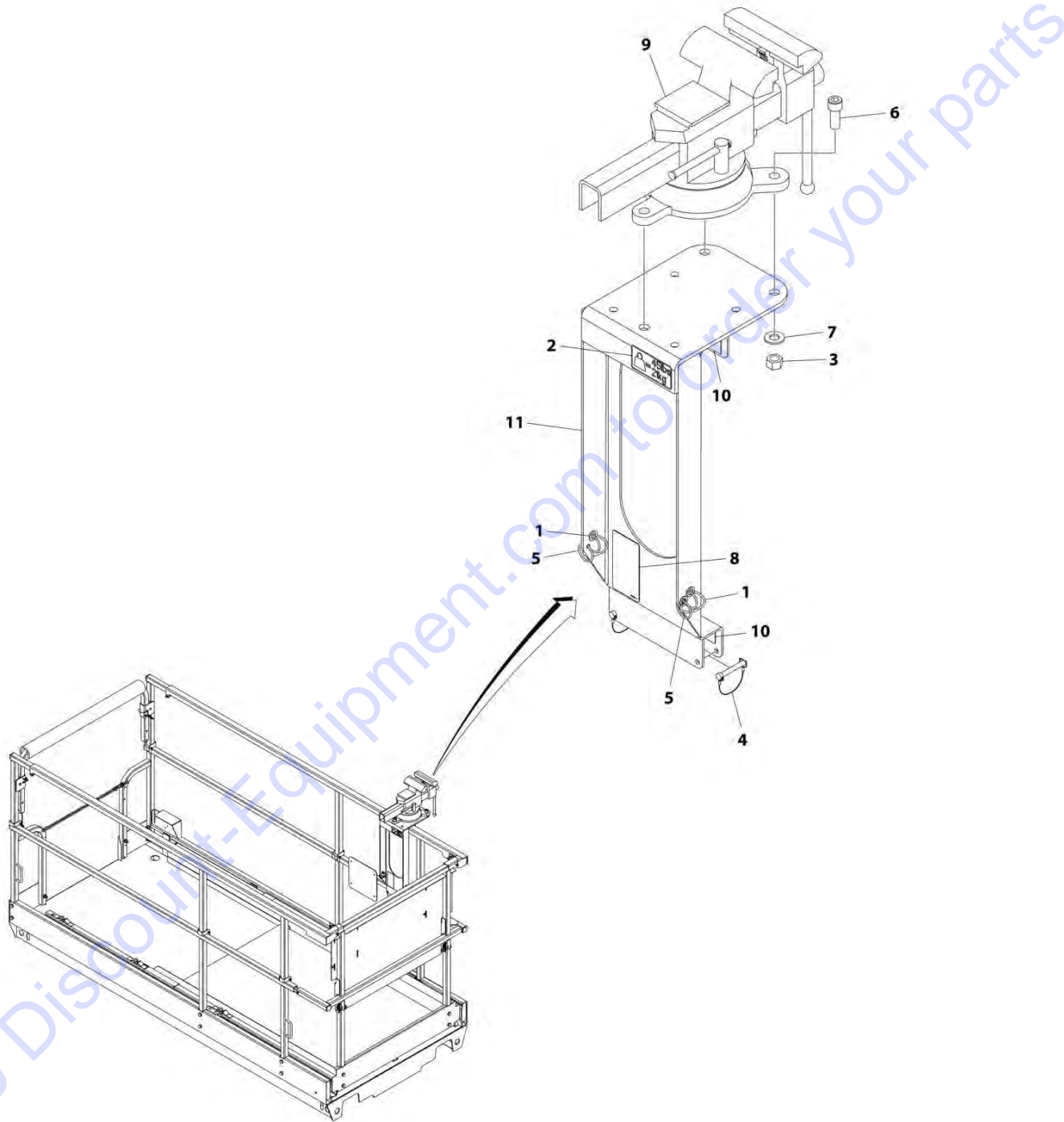
FIGURE 4-27. ELECTRICIAN'S TREE INSTALLATION

ITEM	PART NUMBER	QTY	DESCRIPTION	REV
	1001102549	Ref	ELECTRICIAN'S TREE INSTALLATION	B
1	80325	4	Hairpin, Cotter	
2	0440223	2	Bushing	
3	0700610	3	Bolt M6 x 20	
4	1060379	3	Cable, Lanyard	
5	2902347	1	Decal – Electrician's Tree Kit	
6	3290606	3	Nut M6	
7	3422219	4	Pin	
8	3520072	5	Plug	
9	3760170	8	Ring	
10	3841667	2	Rod, Spool	
11	4191706	1	Screw M6 x 12	
12	4220227	2	Stop, Spool Rod	
13	4240003	1	Strap	
14	4711400	3	Washer 1/4	
15	1001102516	1	Mount, Base Pivot	
16	1001102562	1	Mount, Spool Rack	

Go to Discount-Equipment.com to order your parts

SECTION 4 - PLATFORM

FIGURE 4-28. VISE INSTALLATION (ELECTRICAL, PLUMBERS AND PLANT PACKAGE)



ART_1001190138

SECTION 4 - PLATFORM

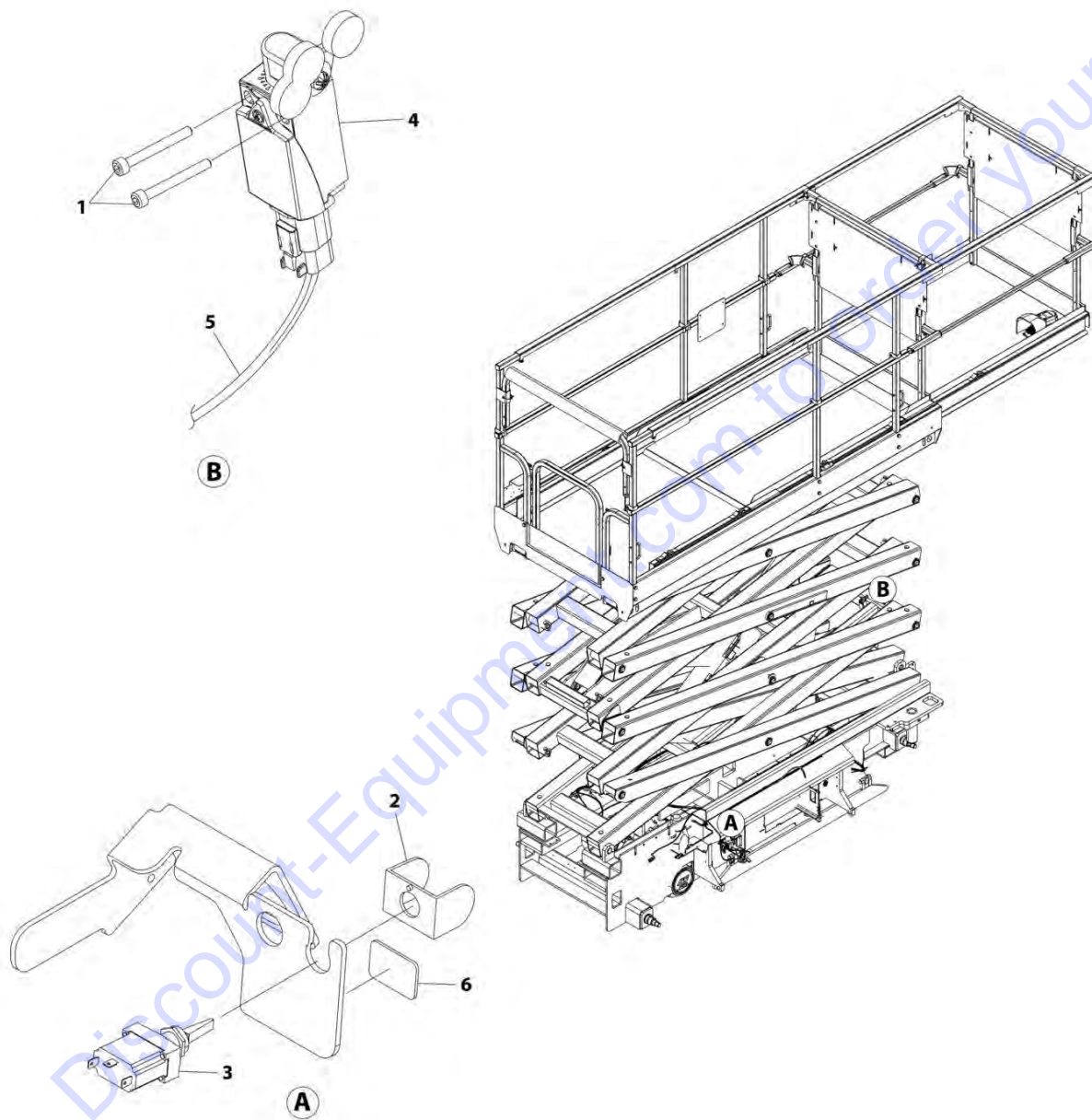
FIGURE 4-28. VISE INSTALLATION (ELECTRICAL, PLUMBERS AND PLANT PACKAGE)

ITEM	PART NUMBER	QTY	DESCRIPTION	REV
	1001190138	Ref	VISE INSTALLATION (ELECTRICAL, PLUMBERS AND PLANT PACKAGE)	B
1	1060379	2	Cable, Lanyard	
2	1705985	1	Decal - Weight	
3	3271805	3	Nut 1/2-13	
4	3421453	2	Pin	
5	3760170	4	Ring	
6	3931820	3	Bolt 1/2-13 x 1-1/4	
7	4711800	3	Washer 1/2	
8	8005670	1	Decal	
9	1001157050	1	Vise	
10	1001189762	6 in/ 15.2cm	Tape, UHMW	
11	1001190137	1	Mount, Vise	

Go to Discount-Equipment.com to order your parts

SECTION 4 - PLATFORM

FIGURE 4-29. LOW HEIGHT DRIVE CUTOUT (JAPANESE SPECS ONLY)



ART_1001230756

SECTION 4 - PLATFORM

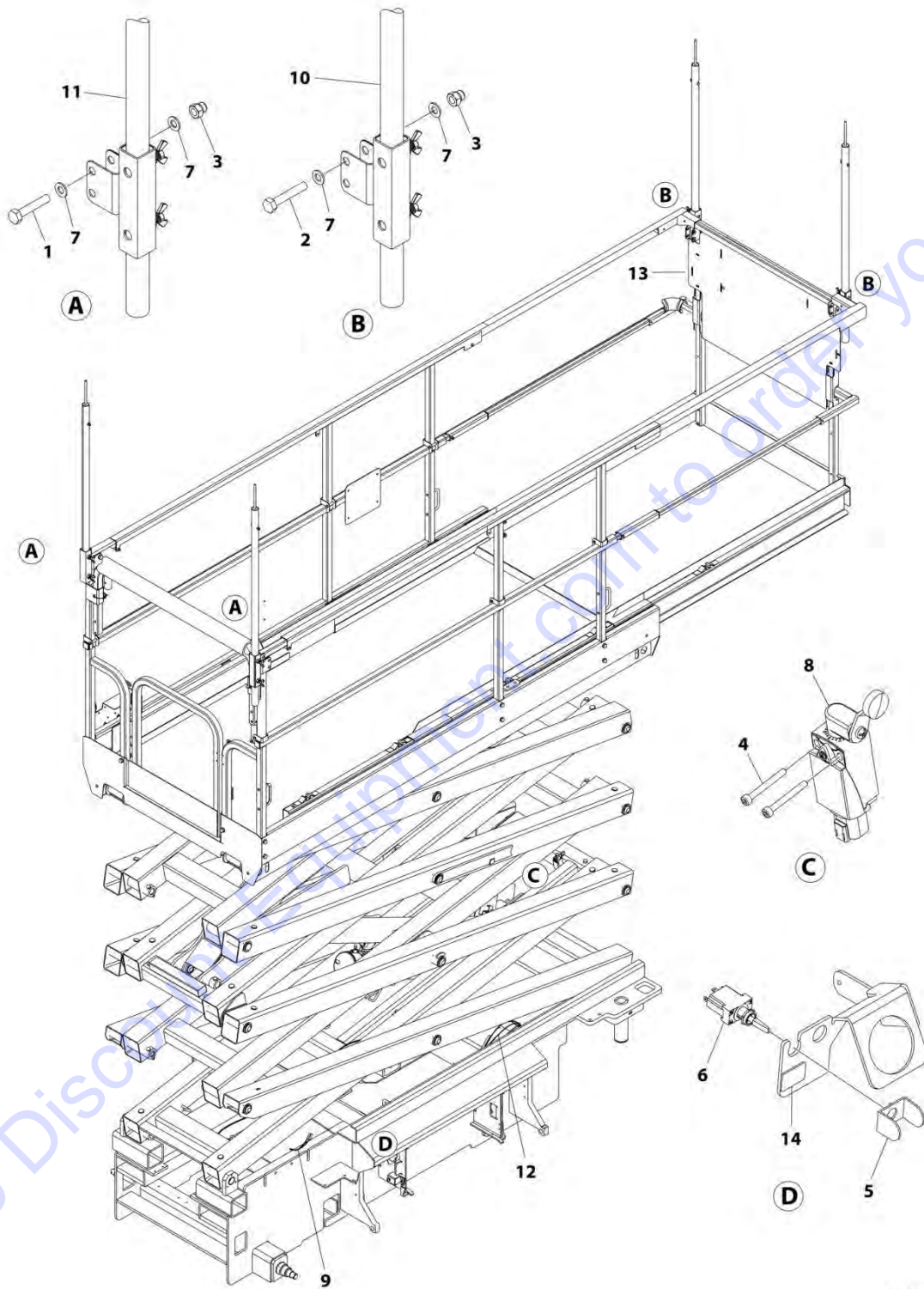
FIGURE 4-29. LOW HEIGHT DRIVE CUTOUT (JAPANESE SPECS ONLY)

ITEM	PART NUMBER	QTY	DESCRIPTION	REV
	1001230756	Ref	LOW HEIGHT DRIVE CUTOUT	A
1	4031511	2	Capscrew M4 x 35	
2	4060906	1	Guard, Switch	
3	4360345	1	Switch	
4	1001130614	1	Switch, Limit	
5	1001214339	1	Harness, Low Height	
5	4460884	3	Connector - 4 Position	
5	4460465	6	Socket, Female	
5	4460466	6	Seal	
5	4460932	2	Connector - 4 Position	
5	4460464	3	Pin, Male	
5	4460466	5	Seal	
5	4460418	1	Connector - 6 Position	
5	4460419	3	Terminal	
6	1001214409	1	Decal - Low Drive Cutout	

Go to Discount-Equipment.com to order your parts

SECTION 4 - PLATFORM

FIGURE 4-30. OVERHEAD PROTECTION AND LOW HEIGHT DRIVE CUTOUT (KOREA SPECS ONLY)



ART_1001214121

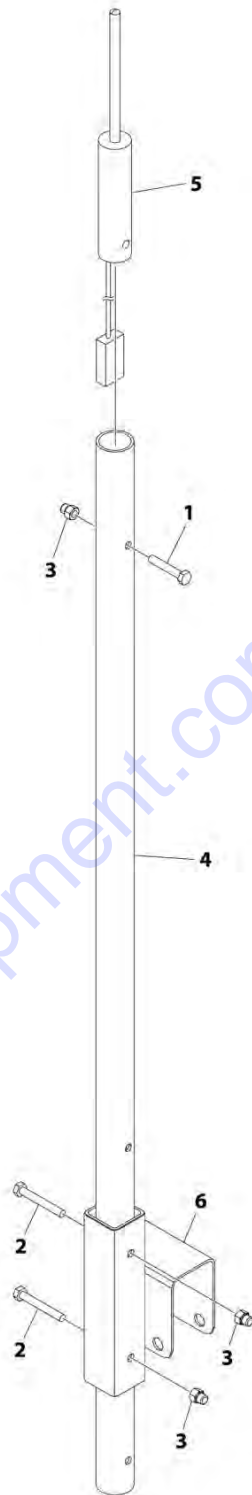
SECTION 4 - PLATFORM

FIGURE 4-30. OVERHEAD PROTECTION AND LOW HEIGHT DRIVE CUTOUT (KOREA SPECS ONLY)

ITEM	PART NUMBER	QTY	DESCRIPTION	REV
	1001214121	Ref	OVERHEAD PROTECTION AND LOW HEIGHT DRIVE CUTOUT (KOREA SPECS ONLY)	B
1	0701019	4	Bolt M10 x 55	
2	0701020	4	Bolt M10 x 60	
2	0701019	4	Bolt M10 x 55	
3	3291006	8	Nut M10	
4	4031511	2	Capscrew M4 x 35	
5	4060906	1	Guard, Switch	
6	4360345	1	Switch	
7	4812000	16	Washer #10	
8	1001130614	1	Switch, Limit	
9	1001213660	1	Harness, Overhead	
9	4460424	1	Connector, Female - 2 Position	
9	4460227	1	Pin, Male	
9	4460320	1	Plug, Male - 2 Position	
9	4460226	1	Socket, Female	
10	1001213818	2	Overhead Switch Kit (Front) (See OVERHEAD SWITCH KIT (FRONT) for Breakdown) (SN B200020297 through B200046829)	
10	1001214311	2	Overhead Switch Kit (Front) (See OVERHEAD SWITCH KIT (FRONT) for Breakdown) (SN B200046830 to Present)	
11	1001213858	2	Overhead Switch Kit (Rear) (See OVERHEAD SWITCH KIT (REAR) for Breakdown) (SN B200020297 through B200046829)	
11	1001214311	2	Overhead Switch Kit (Rear) (See OVERHEAD SWITCH KIT (REAR) for Breakdown) (SN B200046830 to Present)	
12	1001214339	1	Harness, Low Height	
12	4460884	3	Connector - 4 Position	
12	4460465	6	Socket, Female	
12	4460466	6	Seal	
12	4460932	2	Connector - 4 Position	
12	4460464	3	Pin, Male	
12	4460466	5	Seal	
12	4460418	1	Connector - 6 Position	
12	4460419	3	Terminal	
13	1001214342	1	Cable, Overhead Switches	
13	4460891	1	Connector - 2 Position	
13	4460465	8	Socket, Female	
14	1001214409	1	Decal - Low Drive Cutout	

SECTION 4 - PLATFORM

FIGURE 4-31. OVERHEAD SWITCH KIT (FRONT) (SN B200020297 through B200046829)



ART_1001213818

SECTION 4 - PLATFORM

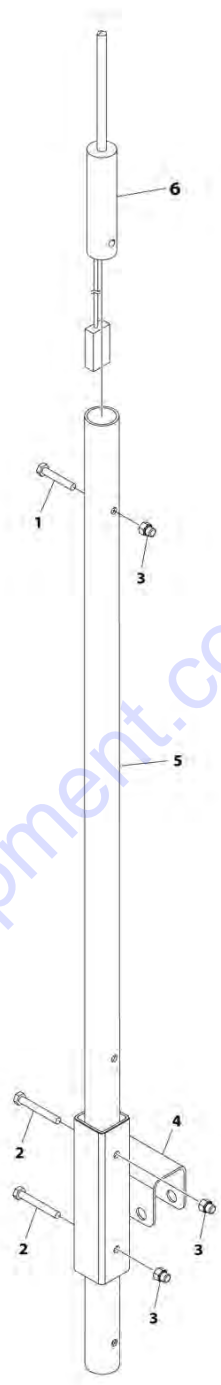
FIGURE 4-31. OVERHEAD SWITCH KIT (FRONT) (SN B200020297 through B200046829)

ITEM	PART NUMBER	QTY	DESCRIPTION	REV
	1001213818	Ref	OVERHEAD SWITCH KIT (FRONT)	A
1	0700615	1	Bolt M6 x 35	
2	0710617	2	Bolt M6 x 45	
3	3290606	3	Nut M6	
4	1001213821	1	Tube	
5	1001213822	1	Switch	
5	7028909	1	Connector - 2 Position	
5	77363228	2	Terminal	
6	1001213857	1	Bracket	

Go to Discount-Equipment.com to order your parts

SECTION 4 - PLATFORM

FIGURE 4-32. OVERHEAD SWITCH KIT (REAR) (SN B200020297 through B200046829)



ART_1001213858

SECTION 4 - PLATFORM

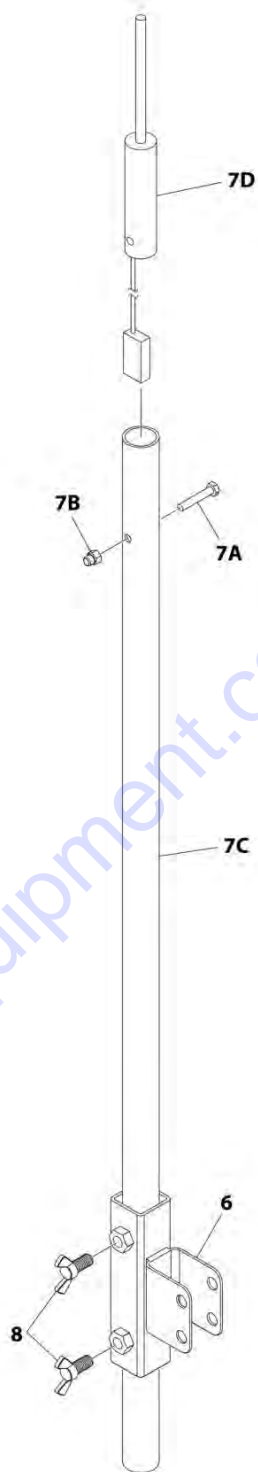
FIGURE 4-32. OVERHEAD SWITCH KIT (REAR) (SN B200020297 through B200046829)

ITEM	PART NUMBER	QTY	DESCRIPTION	REV
	1001213858	Ref	OVERHEAD SWITCH KIT (REAR)	A
1	0700615	1	Bolt M6 x 35	
2	0710617	2	Bolt M6 x 45	
3	3290606	3	Nut M6	
4	1001213820	1	Bracket	
5	1001213821	1	Tube	
6	1001213822	1	Switch	
6	7028909	1	Connector - 2 Position	
6	77363228	2	Terminal	

Go to Discount-Equipment.com to order your parts

SECTION 4 - PLATFORM

FIGURE 4-33. OVERHEAD SWITCH KIT (FRONT/REAR) (SN B200046830 to Present)



ART_1001214311

SECTION 4 - PLATFORM

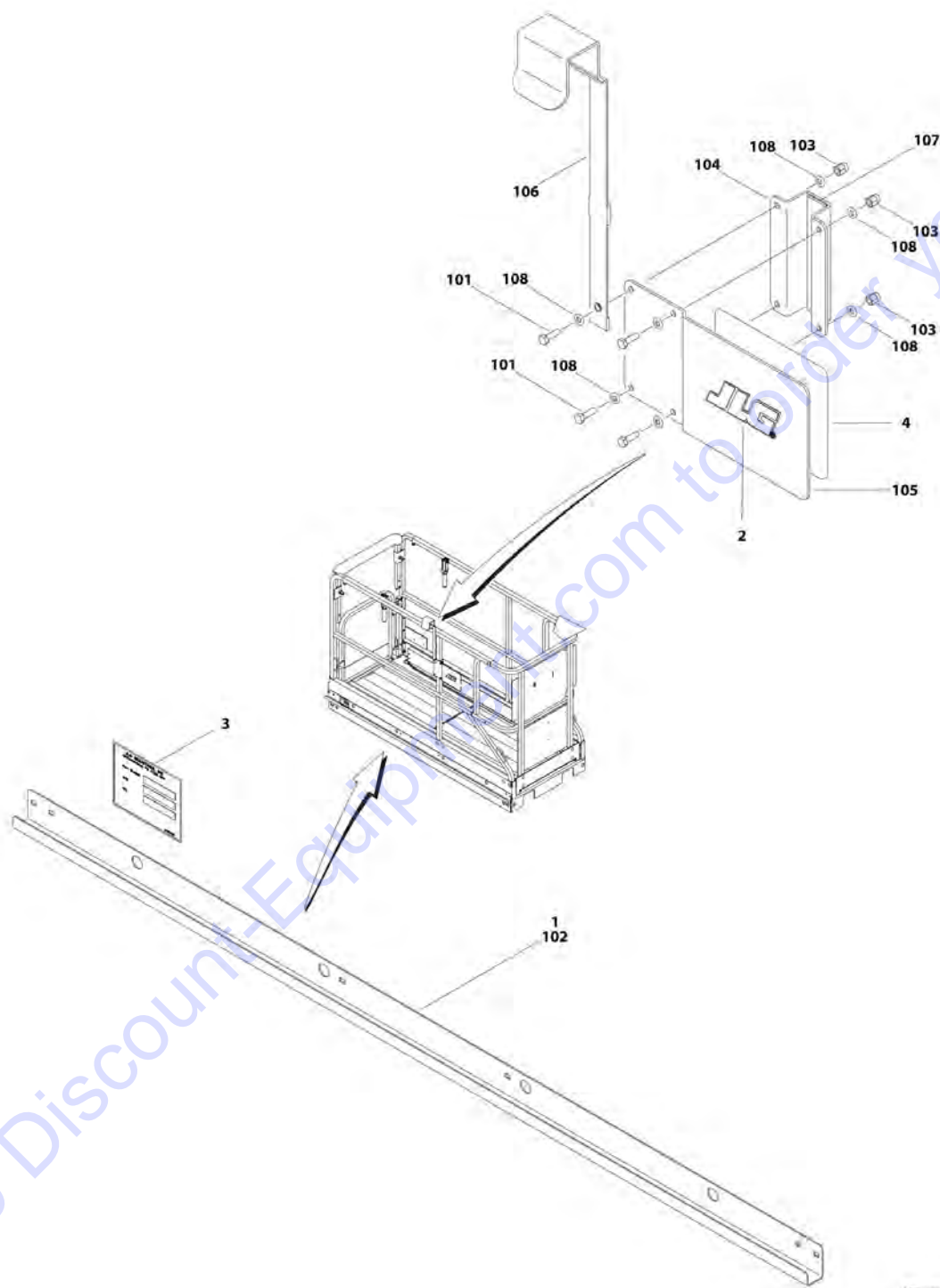
FIGURE 4-33. OVERHEAD SWITCH KIT (FRONT/REAR) (SN B200046830 to Present)

ITEM	PART NUMBER	QTY	DESCRIPTION	REV
	1001214311	Ref	OVERHEAD SWITCH KIT (FRONT/REAR)	C
6	1001214310	1	Bracket	
7	1001217666	1	Switch Kit (Includes Items 7A-7D)	
7A	0700615	1	Bolt M6 x 35	
7B	3290606	1	Nut M6	
7C	1001213821	1	Tube	
7D	1001213822	1	Switch	
7D	7028909	1	Connector - 2 Position	
7D	77363228	2	Terminal	
8	1001222914	2	Screw, Thumb	

Go to Discount-Equipment.com to order your parts

SECTION 4 - PLATFORM

FIGURE 4-34. PANEL INSTALLATION (ANSI, ANSI EXPORT, CHINESE, CSA AND KOREA SPECS)



ART_1001178164

SECTION 4 - PLATFORM

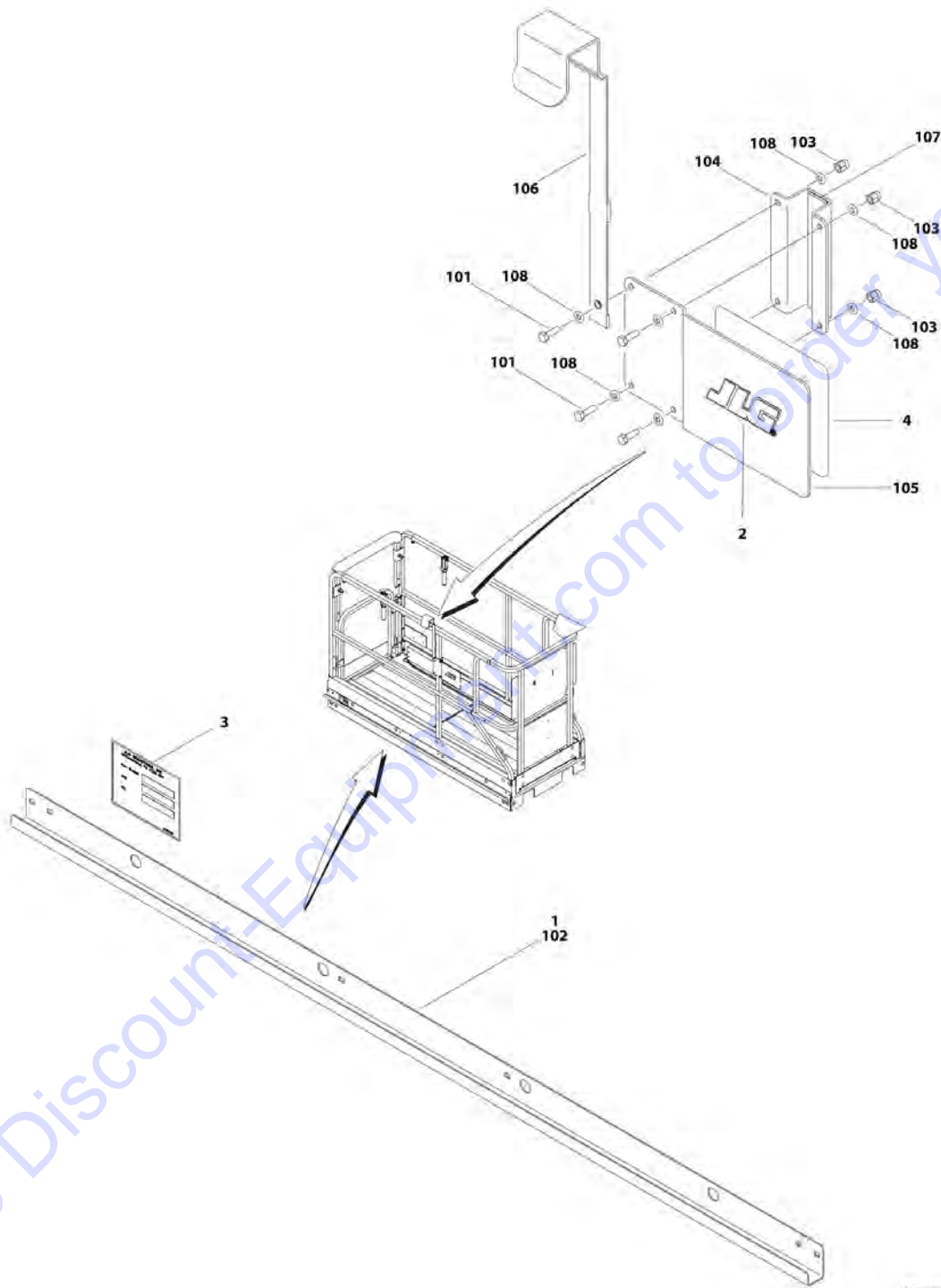
FIGURE 4-34. PANEL INSTALLATION (ANSI, ANSI EXPORT, CHINESE, CSA AND KOREA SPECS)

ITEM	PART NUMBER	QTY	DESCRIPTION	REV
	1001178164	Ref	PANEL INSTALLATION (ANSI, ANSI EXPORT, CHINESE, CSA AND KOREA SPECS)	C
1	0240142	1	Attach, Panel Carrier (See Item 101-108 for Breakdown)	
2	1702010	1	Decal - JLG	
3	See Note	1	Nameplate (Note: Not Available for Purchase)	
4	1705792	1	Decal - Capacity	
	0240142	Ref	PANEL CARRIER ATTACHMENT	C
101	0760610	4	Bolt M6 x 20	
102	1271630	1	Channel	
103	3290606	4	Nut M6	
104	3574505	1	Plate, Bracket	
105	3574506	1	Plate, Billboard	
106	4240165	1	Strap, Tie Down	
107	4420037	6	Tape, Insulation	
		in/15.2cm		
108	4811700	8	Washer M6	

Go to Discount-Equipment.com to order your parts

SECTION 4 - PLATFORM

FIGURE 4-35. PANEL INSTALLATION (AUSTRALIAN, CE AND JAPANESE SPECS)



ART_1001176756

SECTION 4 - PLATFORM

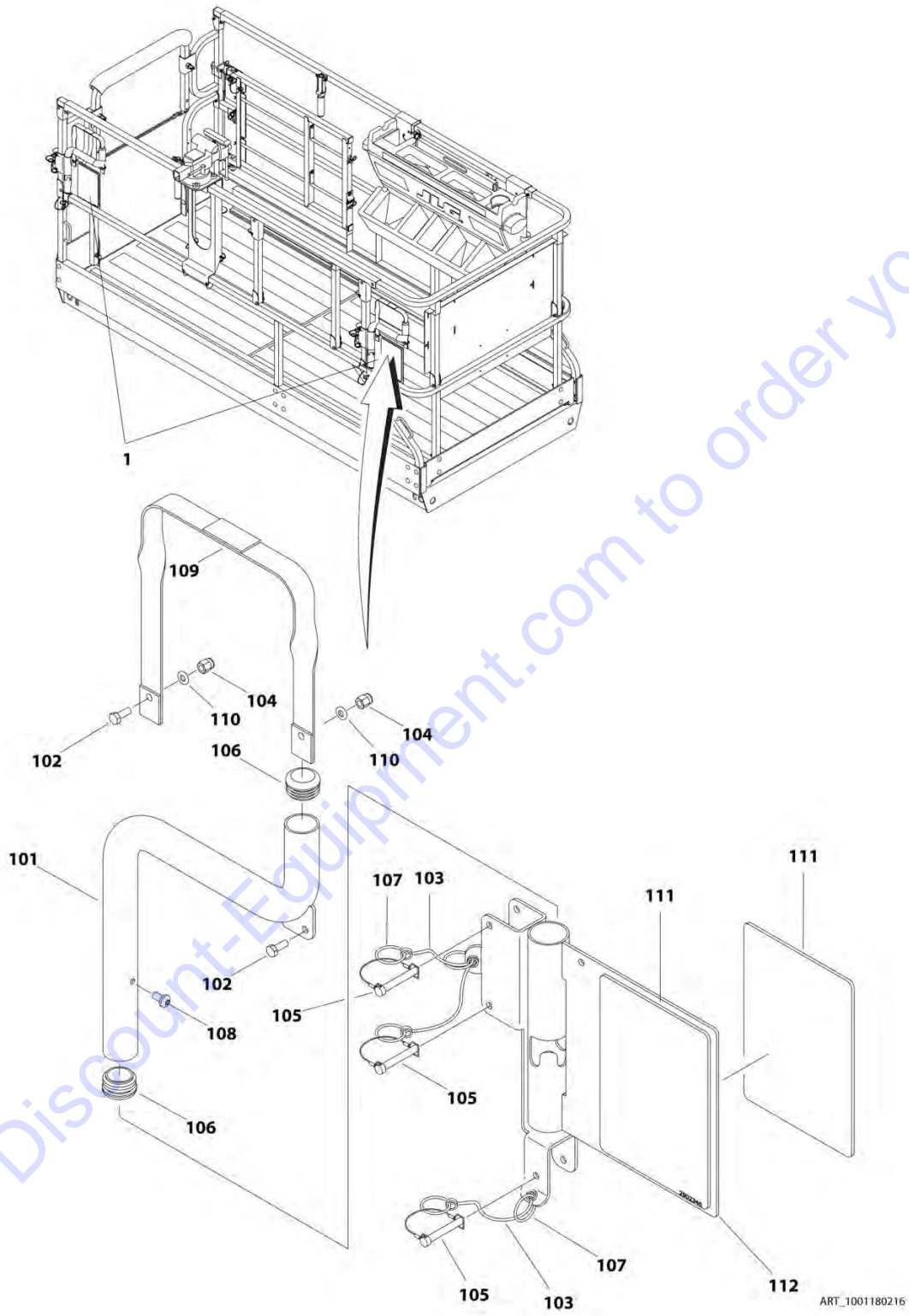
FIGURE 4-35. PANEL INSTALLATION (AUSTRALIAN, CE AND JAPANESE SPECS)

ITEM	PART NUMBER	QTY	DESCRIPTION	REV
	1001176756	Ref	PANEL INSTALLATION	C
1	0240142	1	Attach, Panel Carrier (See Item 101-108 for Breakdown)	
2	1702010	1	Decal - JLG	
3	See Note	1	Nameplate (Note: Not Available for Purchase)	
4	1705793	1	Decal - Capacity	
	0240142	Ref	PANEL CARRIER ATTACHMENT	C
101	0760610	4	Bolt M6 x 20	
102	1271630	1	Channel	
103	3290606	4	Nut M6	
104	3574505	1	Plate, Bracket	
105	3574506	1	Plate, Billboard	
106	4240165	1	Strap, Tie Down	
107	4420037	6 in /15.2cm	Tape, Insulation	
108	4811700	8	Washer M6	

Go to Discount-Equipment.com to order your parts

SECTION 4 - PLATFORM

FIGURE 4-36. PIPE RACKS INSTALLATION (FACTORY INSTALLED)



ART_1001180216

SECTION 4 - PLATFORM

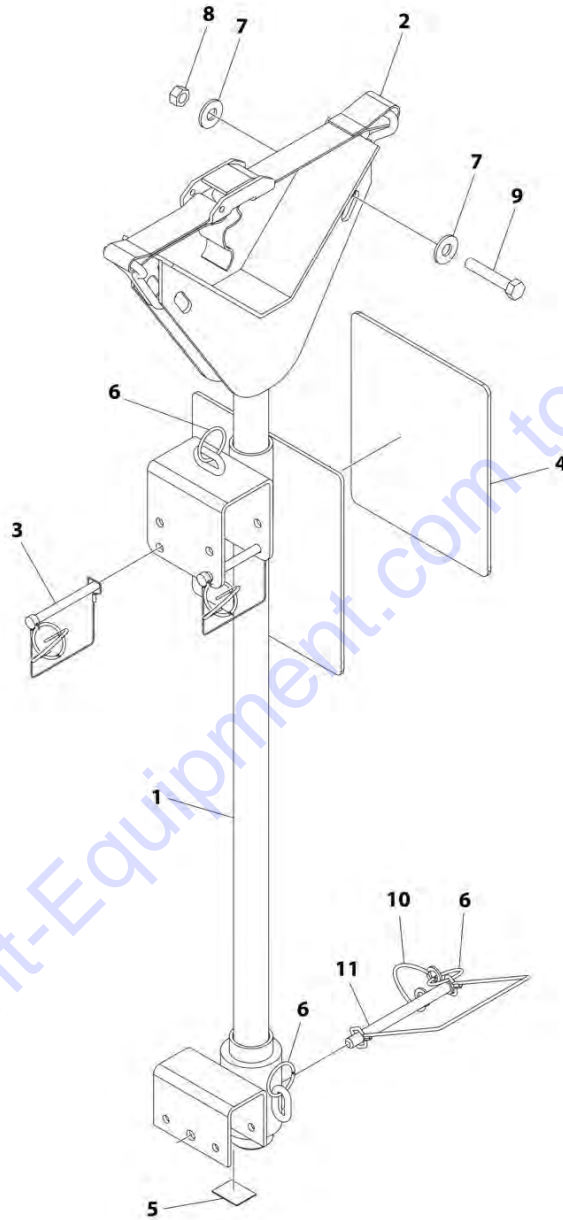
FIGURE 4-36. PIPE RACKS INSTALLATION (FACTORY INSTALLED)

ITEM	PART NUMBER	QTY	DESCRIPTION	REV
1	1001180216	Ref	PIPE RACKS INSTALLATION	B
	1001180197	2	Pipe Racks Assembly (See Items 101-112 for Breakdown)	
	1001180197	Ref	PIPE RACKS ASSEMBLY	D
101	0240054	1	Pipe Rack Tube	
102	0700608	2	Bolt M6 x 16	
103	1060379	3	Cable, Lanyard	
104	3290606	2	Nut M6	
105	3421453	3	Pin	
106	3520176	2	Plug	
107	3760170	5	Ring	
108	4191706	1	Screw M6 x 12	
109	4240164	1	Strap	
110	4811700	4	Washer M6	
111	1001182847	2	Decal – Capacity Pipe Rack Kit	
112	1001180205	1	Pipe Rack	

Go to Discount-Equipment.com to order your parts

SECTION 4 - PLATFORM

FIGURE 4-37. PIPE RACK INSTALLATION (FACTORY INSTALLED)



ART_1001229469

SECTION 4 - PLATFORM

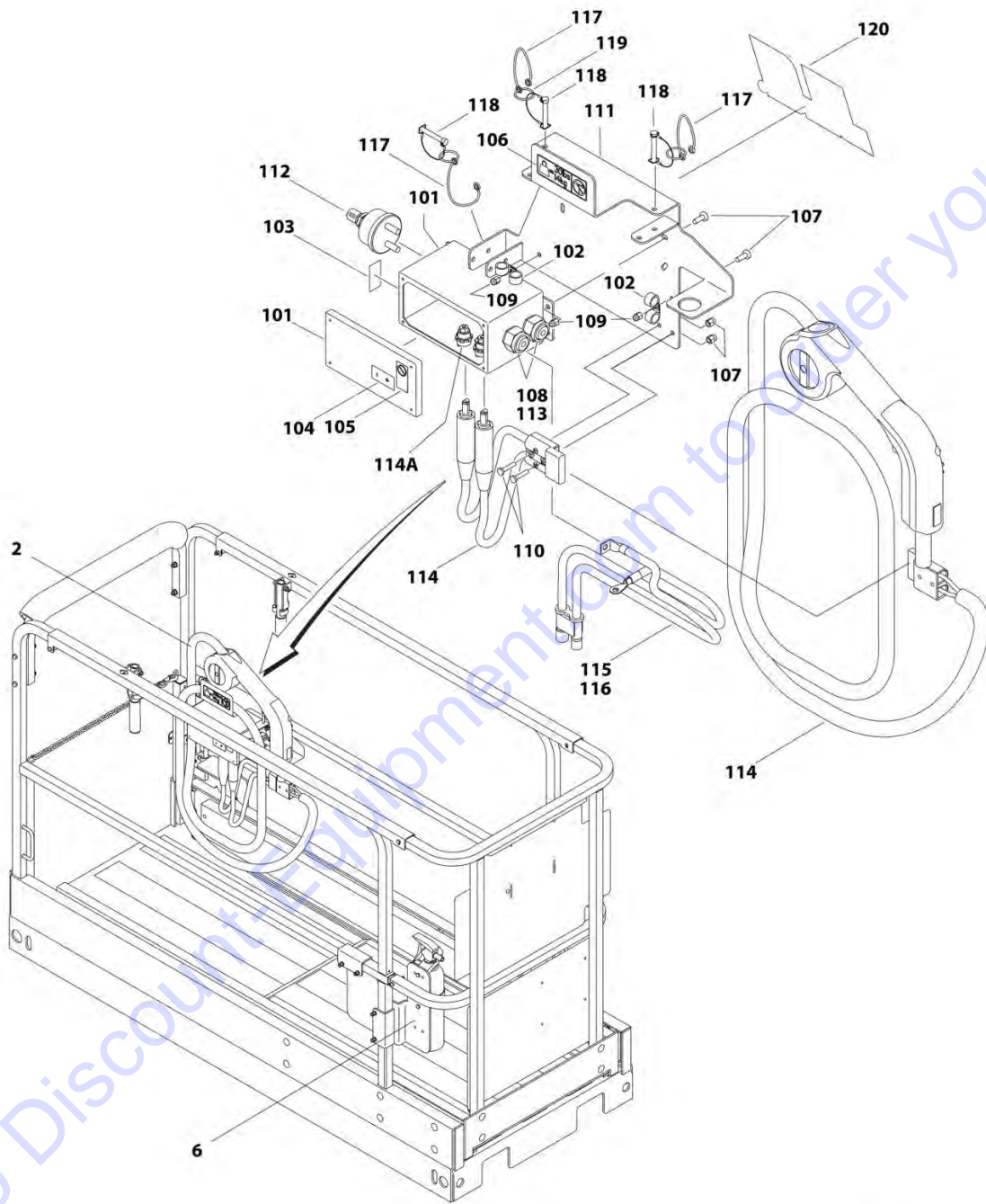
FIGURE 4-37. PIPE RACK INSTALLATION (FACTORY INSTALLED)

ITEM	PART NUMBER	QTY	DESCRIPTION	REV
	1001229469	Ref	PIPE RACK INSTALLATION	A
1	1001199189	2	Rack Pipe	
2	0480100	2	Tie-Strap	
3	1001187587	4	Pin	
4	1001229441	2	Decal - Pipe Rack Capacity	
5	4420062	3 ft/ 1m	Tape	
6	3760170	6	Ring	
7	4751500	8	Washer 5/16	
8	3311505	4	Nut 5/16	
9	0641514	4	Bolt 5/16 x 1-3/4	
10	1060379	2	Lanyard	
11	3421854	2	Pin	

Go to Discount-Equipment.com to order your parts

SECTION 4 - PLATFORM

FIGURE 4-38. QUIK WELDER INSTALLATION



ART_0272882

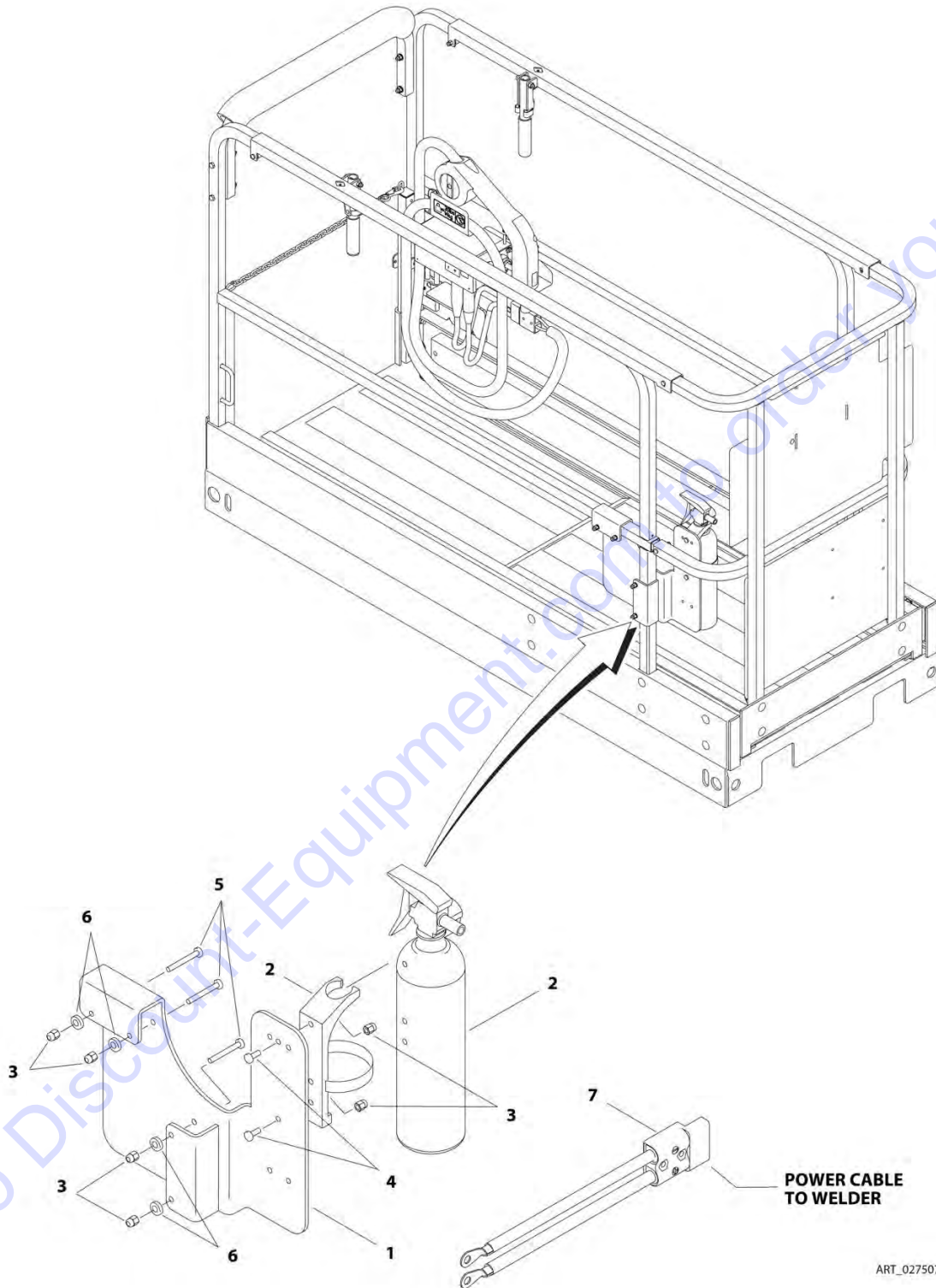
SECTION 4 - PLATFORM

FIGURE 4-38. QUIK WELDER INSTALLATION

ITEM	PART NUMBER	QTY	DESCRIPTION	REV
	0272882	Ref	QUIK WELDER INSTALLATION	D
2	2902334	1	Kit, Quik Welder (See Items 101-120 for Breakdown)	
6	0275075	1	Quik Welder Ready (See QUIK WELDER READY for Breakdown)	
	2902334	Ref	QUIK WELDER KIT	C
101	0861527	1	Box, Welder Disconnect	
102	1320224	4	Clamp	
103	1705213	1	Decal - On/Off	
104	1705214	1	Decal - Plus/Minus	
105	1705305	1	Decal - Weld Lead	
106	1705953	1	Decal - Weight	
107	3290606	8	Bolt M6 x 1	
108	3300048	2	Nut 3/4	
109	4010608	6	Screw M6 x 16	
110	4010614	2	Screw M6 x 30	
111	4340938	1	Mount, Quik Welder	
112	4360155	1	Switch, Master Disconnect	
113	4460328	2	Terminal, Connector	
114	4530021	1	Welder	
114A	7027303	2	Connector, Female	
115	4923048	1	Cable, Quik Welder Assembly	
116	1060957	1	Cable, Welder	
117	1060379	3	Cable, Lanyard	
118	3421453	3	Pin	
119	3760170	3	Ring	
120	1705754	1	Decal - JLG	

SECTION 4 - PLATFORM

FIGURE 4-39. QUIK WELDER READY INSTALLATION



ART_0275075

SECTION 4 - PLATFORM

FIGURE 4-39. QUIK WELDER READY INSTALLATION

ITEM	PART NUMBER	QTY	DESCRIPTION	REV
	0275075	Ref	QUIK WELDER READY INSTALLATION	B
1	0903416	1	Bracket, Fire Extinguisher Mount	
2	2030010	1	Extinguisher, Fire	
3	3290606	6	Nut M6 x 1	
4	4010608	2	Screw M6 x 16	
5	4010618	4	Screw M6 x 50	
6	4811700	4	Washer M6	
7	4923052	1	Cable, Quik Welder Power	

Go to Discount-Equipment.com to order your parts

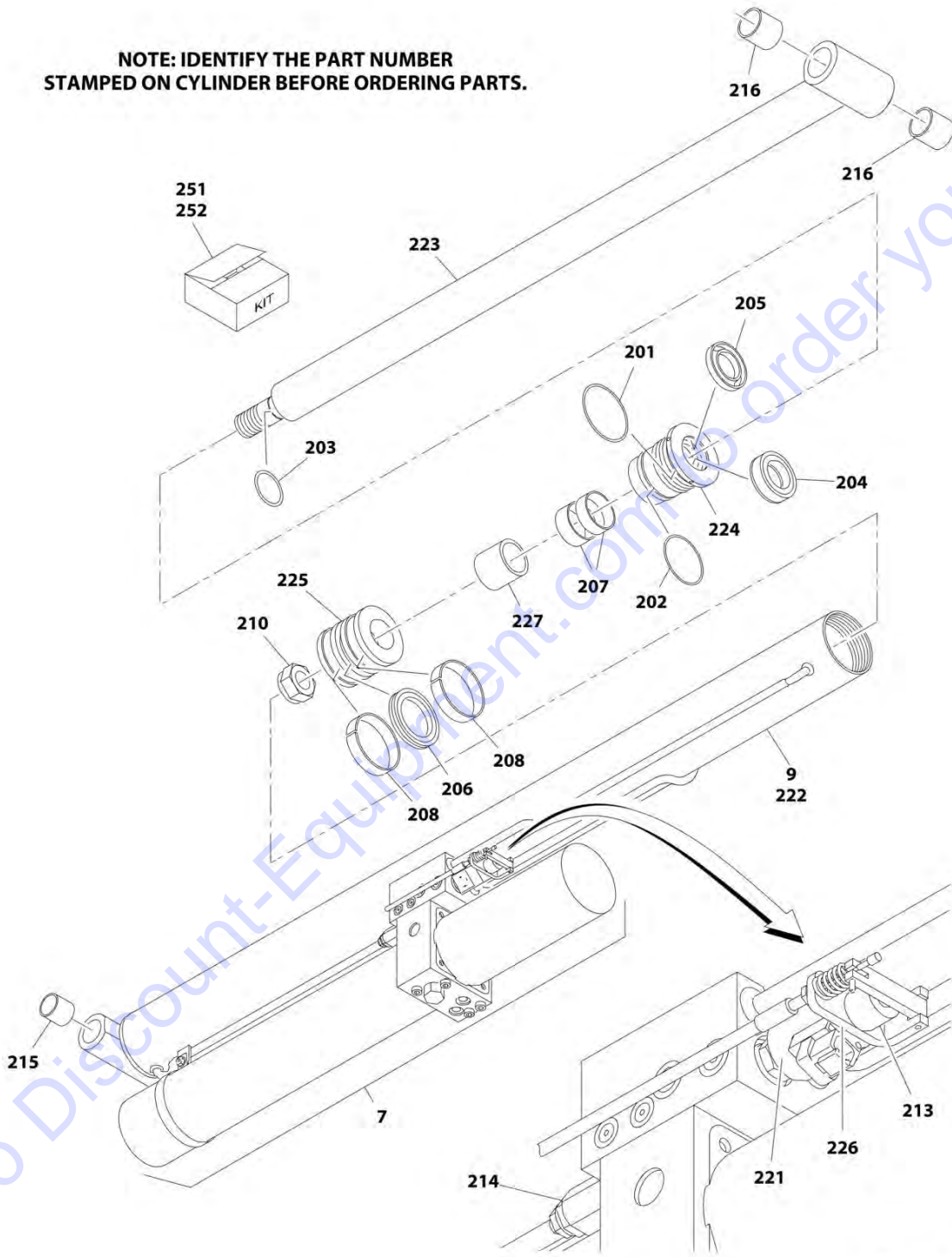
SECTION 5 - CYLINDER

Go to Discount-Equipment.com to order your parts

SECTION 5 - CYLINDER

FIGURE 5-1. LIFT CYLINDER ASSEMBLY - 2646ES WITH STANDARD HYDRAULIC OIL (TEXAS HYDRAULICS)

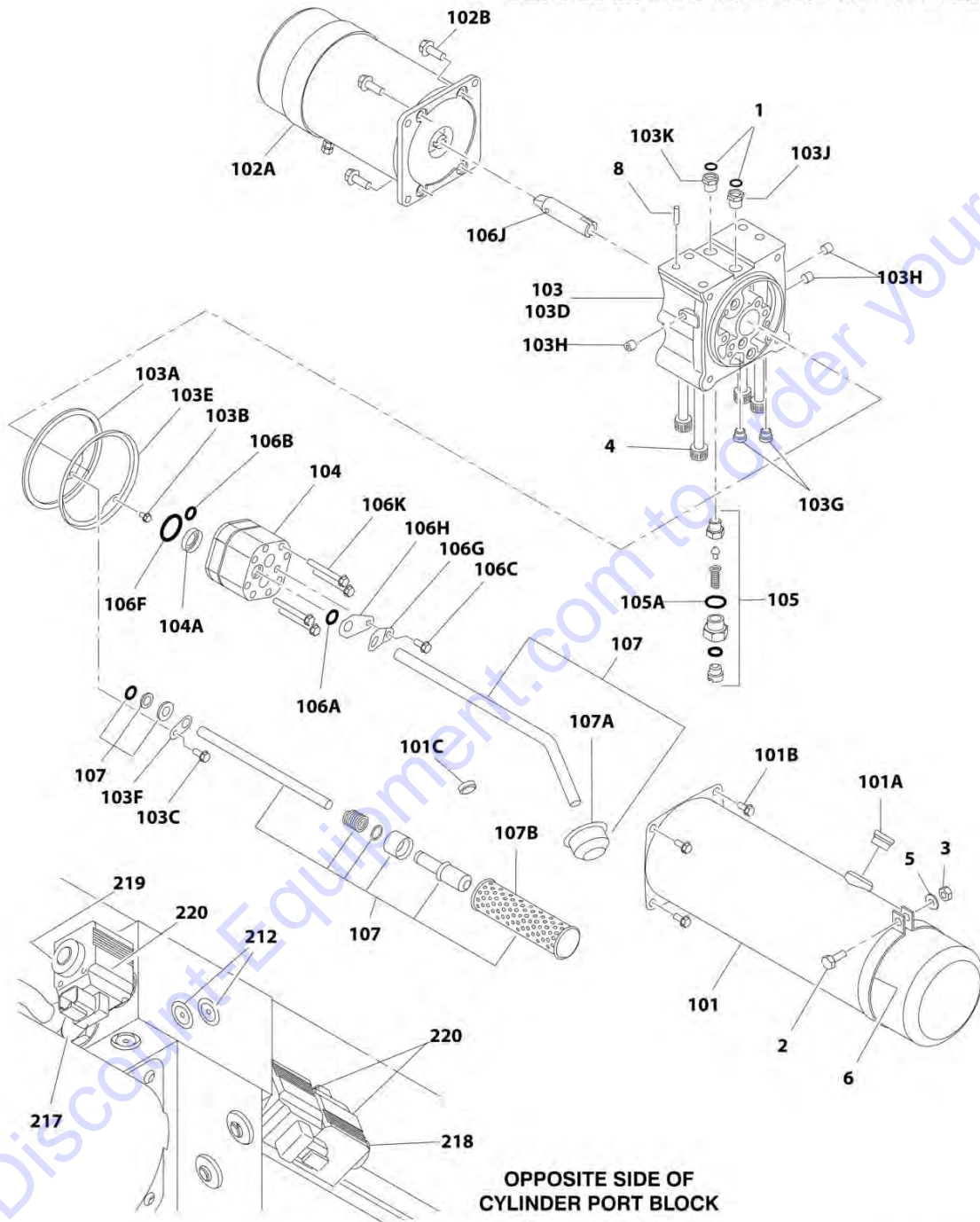
NOTE: IDENTIFY THE PART NUMBER STAMPED ON CYLINDER BEFORE ORDERING PARTS.



ART_1684489_10F2

SECTION 5 - CYLINDER

NOTE: IDENTIFY THE PART NUMBER
STAMPED ON CYLINDER BEFORE ORDERING PARTS.



OPPOSITE SIDE OF
CYLINDER PORT BLOCK

ART_1684489_2OF2

SECTION 5 - CYLINDER

FIGURE 5-1. LIFT CYLINDER ASSEMBLY - 2646ES WITH STANDARD HYDRAULIC OIL (TEXAS HYDRAULICS)

ITEM	PART NUMBER	QTY	DESCRIPTION	REV
	1684489	Ref	LIFT CYLINDER ASSEMBLY - 2646ES WITH STANDARD HYDRAULIC OIL (TEXAS HYDRAULICS)	H
		Ref	Note: Original Cylinder May Have Been Replaced with Service Replacement. Identify PN Stamped on Cylinder Before Ordering Parts.	
1	7023577	2	O-Ring	
2	See Note	NSS	Capscrew (Note: Purchase Locally)	
3	See Note	NSS	Locknut (Note: Purchase Locally)	
4	7023589	4	Capscrew	
5	See Note	NSS	Flatwasher (Note: Purchase Locally)	
6	7023539	1	Clamp	
7	7023557	1	Power Pack Assembly - Complete (See Items 101-107B for Breakdown)	
8	70003646	2	Pin, Dowel	
8	70003645	2	Roll Pin	
9	See Note	NSS	Cylinder Assembly Only (Note: See Items 201-227 for Breakdown)	
		Ref	POWER PACK ASSEMBLY - COMPLETE	
	7023557	Ref	Power Pack Assembly - Complete (1684489/1684529 Cylinders)	
101	7023578	1	Tank Kit (Note: Includes Tank and Items 101A-101C)	
101A	7023593	1	Plug, Fill	
101B	See Note	NSS	Screw (Note: Use Item 101)	
101C	See Note	NSS	Magnet (Note: Use Item 101)	
102A	7023579	1	Motor	
102A	70000659	1	Brush Kit - 7023579 Motor	
102B	See Note	NSS	Screw (Note: Use Item 102A Motor)	
102B	See Note	NSS	Washer (Note: Use Item 102A Motor)	
103	7023571	1	Adapter Kit	
103A	70000335	1	O-Ring (Note: Use Item 252)	
103B	See Note	NSS	Screw (Note: Use Item 103)	
103C	See Note	NSS	Screw (Note: Use Item 103)	
103D	See Note	NSS	Adapter (Note: Use Item 103)	
103E	See Note	1	Seal (Note: Use Item 252)	
103F	See Note	NSS	Retainer (Note: Use Item 103)	
103G	2220883	2	Plug	
103H	See Note	NSS	Plug (Note: Use Item 103)	
103J	See Note	NSS	Breather 9/16 - 12UNC (Note: Use Item 103)	
103K	See Note	NSS	Breather 9/16 - 18SAE (Note: Use Item 103)	
104	7023580	1	Pump (Note: Shaft Seal is only Repair Part Available. No Other Service Parts Available - Replace Complete Pump.)	
104A	See Note	1	Seal, Shaft (Note: Use Item 252)	
105	7023573	1	Relief Valve Assembly	
105A	7023591	1	Sealing Washer	
106		Ref	Power Pack Miscellaneous Service Parts	
106A	See Note	NSS	Seal (Note: Use Item 7)	
106B	See Note	1	Seal (Note: Use Item 252)	
106C	See Note	NSS	Screw (Note: Use Item 7)	
106F	See Note	1	Seal (Note: Use Item 252)	
106G	See Note	NSS	Tab, Locking (Note: Use Item 7)	
106H	See Note	NSS	Retainer, Tube (Note: Use Item 7)	

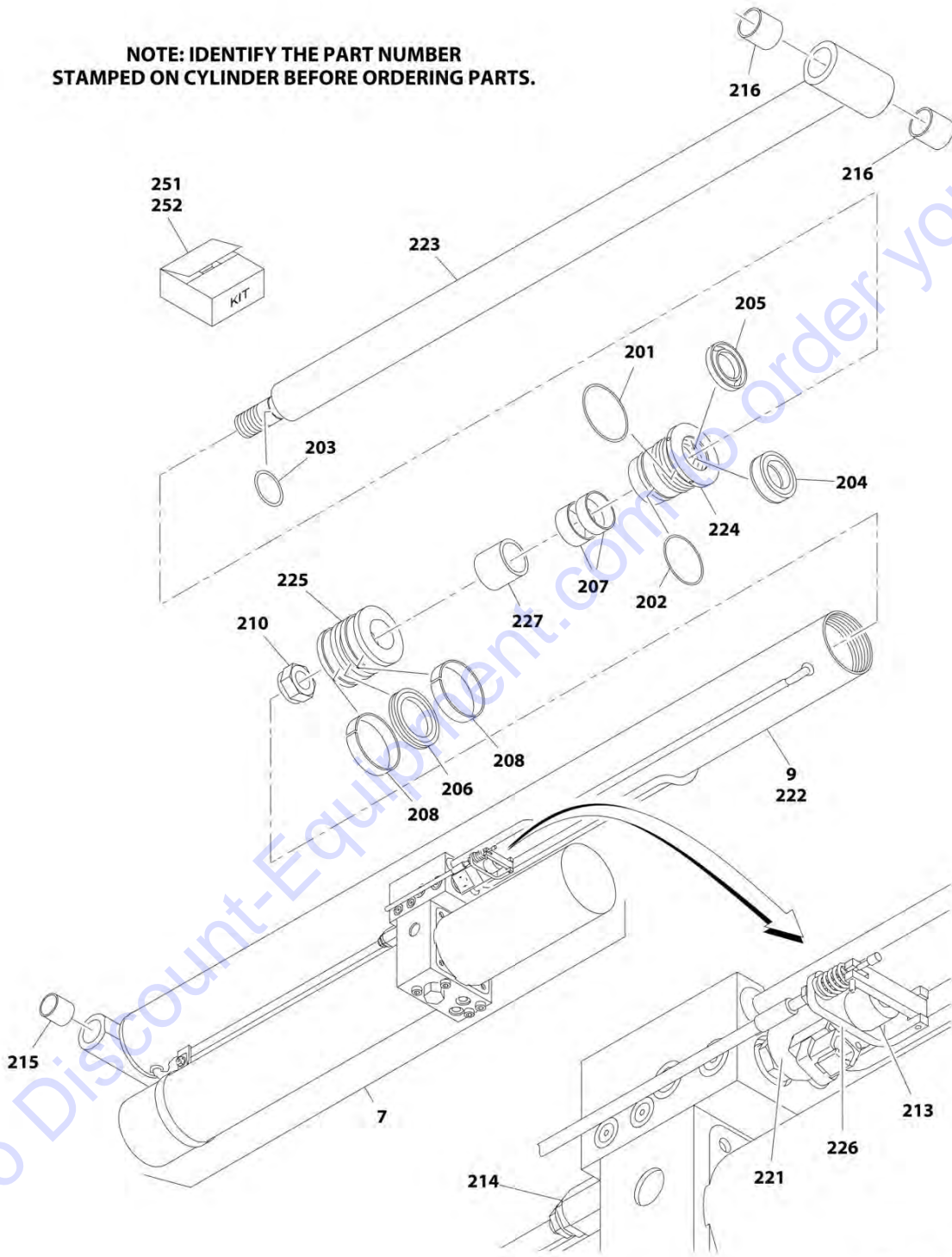
SECTION 5 - CYLINDER

ITEM	PART NUMBER	QTY	DESCRIPTION	REV
106J	7023581	1	Coupler Kit	
106K	See Note	NSS	Screw (Note: Use Item 7)	
107	7023582	1	Tube Kit	
107A	See Note	NSS	Strainer (Note: Use Item 107)	
107B	7023576	1	Filter Element (Includes Seal)	
		Ref	CYLINDER ASSEMBLY ONLY COMPONENTS	
201	See Note	1	O-Ring (Note: Use Item 251)	
202	See Note	1	O-Ring (Note: Use Item 251)	
203	See Note	2	O-Ring (Note: Use Item 251)	
204	See Note	1	Seal (Note: Use Item 251)	
205	See Note	1	Wiper (Note: Use Item 251)	
206	See Note	1	Seal (Note: Use Item 251) (Note: This is a 3 piece seal. Assembly may be required)	
207	See Note	2	Ring, Wear (Note: Use Item 251)	
208	See Note	2	Ring, Wear (Note: Use Item 251)	
210	See Note	NSS	Locknut (Note: Purchase Complete Assembly)	
211	2220883	4	Plug, Steel (SAE #4) (Not Shown)	
212	2220882	8	Plug, Steel (SAE #3)	
213	7023543	1	Valve, Proportional (Lift Down)	
214	7023542	1	Valve, Relief (Steer)	
215	0962006	2	Bushing	
216	0962181	2	Bushing	
217	7023538	1	Valve, Check	
218	7023537	1	Directional Control Valve (Steer)	
219	7023536	1	Directional Control Valve (Lift Up)	
220	70000798	3	Coil (Steer and Lift Up)	
221	70000799	1	Coil (Lift Down)	
222	7023556	1	Barrel	
223	7023533	1	Rod	
224	7023532	1	Head	
225	7023531	1	Piston	
226	7023530	1	Emergency Release Assembly	
227	Not Required	0	Spacer	
		Ref	SEAL KIT OPTIONS	
251	7023528	1	Seal Kit - Cylinder (Includes Items 201-208)	
252	70001982	1	Seal Kit - Reservoir/Pump (Includes Items 103A, 103E, 104A, 106B & 106F)	

SECTION 5 - CYLINDER

FIGURE 5-2. LIFT CYLINDER ASSEMBLY - 2646ES WITH BIODEGRADABLE HYDRAULIC OIL (TEXAS HYDRAULICS)

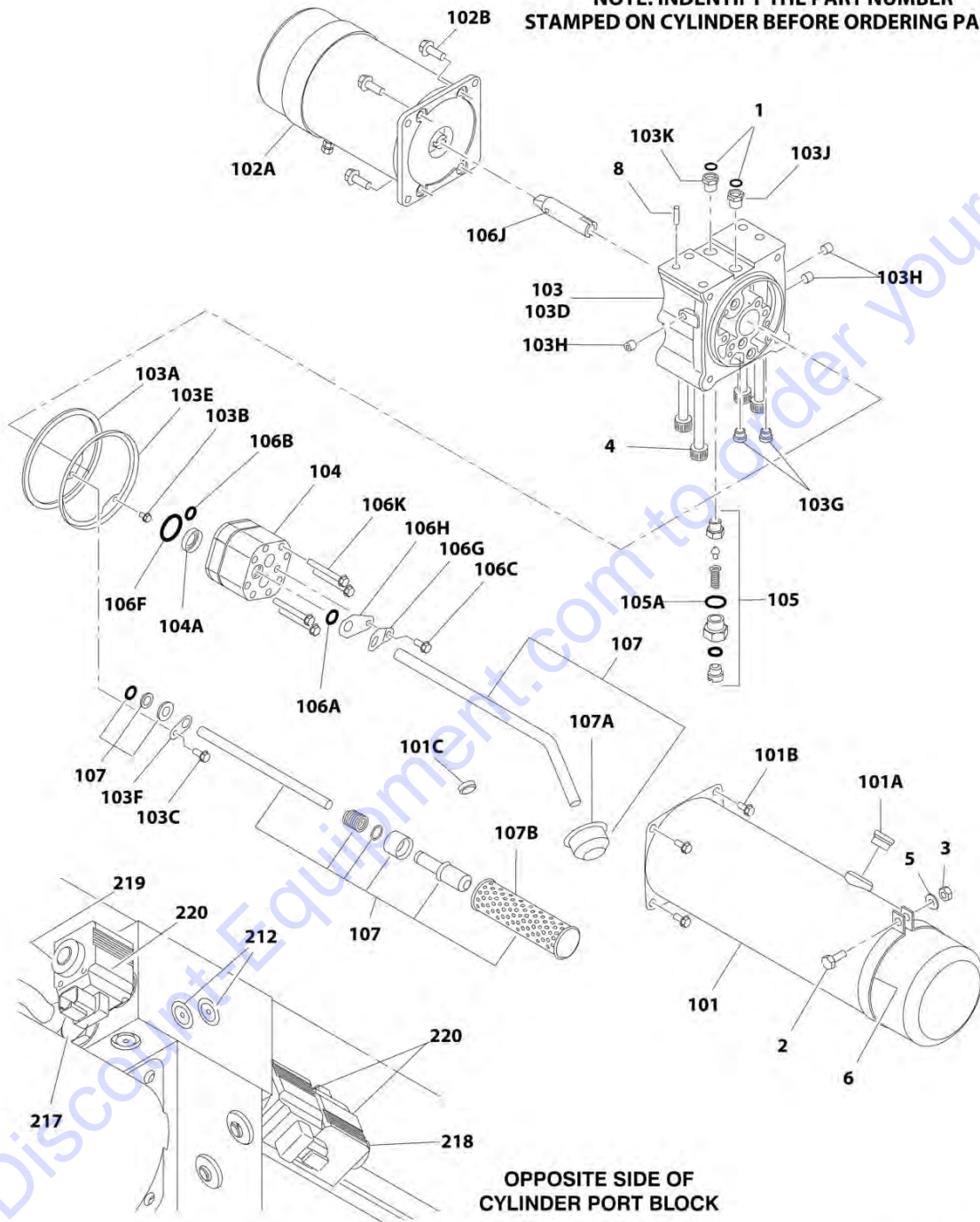
NOTE: IDENTIFY THE PART NUMBER STAMPED ON CYLINDER BEFORE ORDERING PARTS.



ART_1684529_10F2

SECTION 5 - CYLINDER

NOTE: IDENTIFY THE PART NUMBER STAMPED ON CYLINDER BEFORE ORDERING PARTS.



OPPOSITE SIDE OF CYLINDER PORT BLOCK

ART_1684529_20F2

SECTION 5 - CYLINDER

FIGURE 5-2. LIFT CYLINDER ASSEMBLY - 2646ES WITH BIODEGRADEABLE HYDRAULIC OIL (TEXAS HYDRAULICS)

ITEM	PART NUMBER	QTY	DESCRIPTION	REV
	1684529	Ref	LIFT CYLINDER ASSEMBLY - 2646ES WITH BIODEGRADEABLE HYDRAULIC OIL (TEXAS HYDRAULICS)	G
		Ref	Note: Original Cylinder May Have Been Replaced with Service Replacement. Identify PN Stamped on Cylinder Before Ordering Parts.	
1	7023577	2	O-Ring	
2	See Note	NSS	Capscrew (Note: Purchase Locally)	
3	See Note	NSS	Locknut (Note: Purchase Locally)	
4	7023589	4	Capscrew	
5	See Note	NSS	Flatwasher (Note: Purchase Locally)	
6	7023539	1	Clamp	
7	7023557	1	Power Pack Assembly - Complete (See Items 101-107B for Breakdown)	
8	70003646	2	Pin, Dowel	
8	70003645	2	Roll Pin	
9	See Note	NSS	Cylinder Assembly Only (Note: See Items 201-227 for Breakdown)	
		Ref	POWER PACK ASSEMBLY - COMPLETE	
	7023557	Ref	Power Pack Assembly - Complete (1684489/1684529 Cylinders)	
101	7023578	1	Tank Kit (Note: Includes Tank and Items 101A-101C)	
101A	7023593	1	Plug, Fill	
101B	See Note	NSS	Screw (Note: Use Item 101)	
101C	See Note	NSS	Magnet (Note: Use Item 101)	
102A	7023579	1	Motor	
102A	7000659	1	Brush Kit - 7023579 Motor	
102B	See Note	NSS	Screw (Note: Use Item 102A Motor)	
102B	See Note	NSS	Washer (Note: Use Item 102A Motor)	
103	7023571	1	Adapter Kit	
103A	70000335	1	O-Ring (Note: Use Item 252)	
103B	See Note	NSS	Screw (Note: Use Item 103)	
103C	See Note	NSS	Screw (Note: Use Item 103)	
103D	See Note	NSS	Adapter (Note: Use Item 103)	
103E	See Note	1	Seal (Note: Use Item 252)	
103F	See Note	NSS	Retainer (Note: Use Item 103)	
103G	2220883	2	Plug	
103H	See Note	NSS	Plug (Note: Use Item 103)	
103J	See Note	NSS	Breather 9/16 - 12UNC (Note: Use Item 103)	
103K	See Note	NSS	Breather 9/16 - 18SAE (Note: Use Item 103)	
104	7023580	1	Pump (Note: Shaft Seal is only Repair Part Available. No Other Service Parts Available - Replace Complete Pump.)	
104A	See Note	1	Seal, Shaft (Note: Use Item 252)	
105	7023573	1	Relief Valve Assembly	
105A	7023591	1	Sealing Washer	
106		Ref	Power Pack Miscellaneous Service Parts	
106A	See Note	NSS	Seal (Note: Use Item 7)	
106B	See Note	1	Seal (Note: Use Item 252)	
106C	See Note	NSS	Screw (Note: Use Item 7)	
106F	See Note	1	Seal (Note: Use Item 252)	
106G	See Note	NSS	Tab, Locking (Note: Use Item 7)	
106H	See Note	NSS	Retainer, Tube (Note: Use Item 7)	

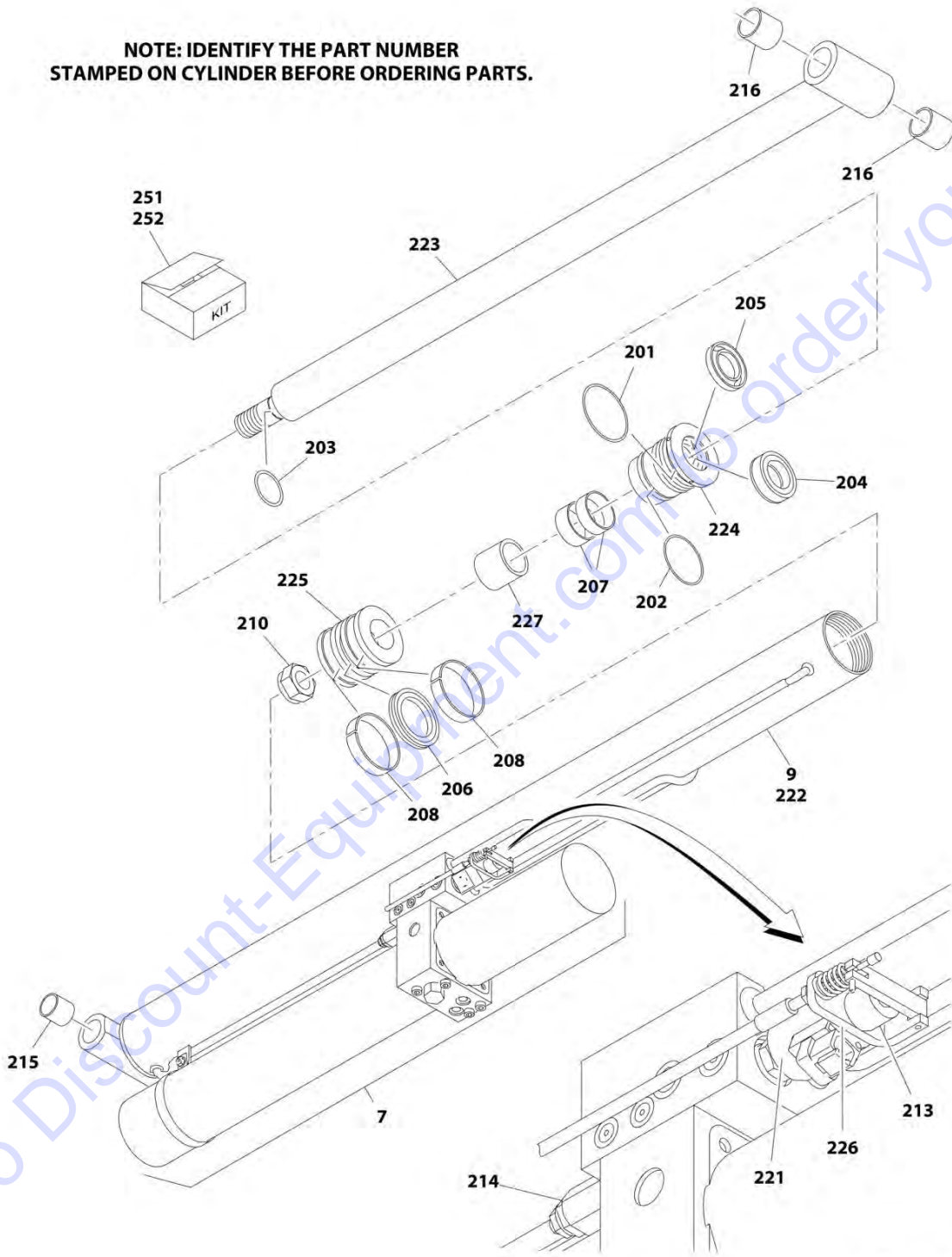
SECTION 5 - CYLINDER

ITEM	PART NUMBER	QTY	DESCRIPTION	REV
106J	7023581	1	Coupler Kit	
106K	See Note	NSS	Screw (Note: Use Item 7)	
107	7023582	1	Tube Kit	
107A	See Note	NSS	Strainer (Note: Use Item 107)	
107B	7023576	1	Filter Element (Includes Seal)	
		Ref	CYLINDER ASSEMBLY ONLY COMPONENTS	
201	See Note	1	O-Ring (Note: Use Item 251)	
202	See Note	1	O-Ring (Note: Use Item 251)	
203	See Note	2	O-Ring (Note: Use Item 251)	
204	See Note	1	Seal (Note: Use Item 251)	
205	See Note	1	Wiper (Note: Use Item 251)	
206	See Note	1	Seal (Note: Use Item 251) (Note: This is a 3 piece seal. Assembly may be required)	
207	See Note	2	Ring, Wear (Note: Use Item 251)	
208	See Note	2	Ring, Wear (Note: Use Item 251)	
210	See Note	NSS	Locknut (Note: Purchase Complete Assembly)	
211	2220883	4	Plug, Steel (SAE #4) (Not Shown)	
212	2220882	8	Plug, Steel (SAE #3)	
213	7023543	1	Valve, Proportional (Lift Down)	
214	7023542	1	Valve, Relief (Steer)	
215	0962006	2	Bushing	
216	0962181	2	Bushing	
217	7023538	1	Valve, Check	
218	7023537	1	Directional Control Valve (Steer)	
219	7023536	1	Directional Control Valve (Lift Up)	
220	70000798	3	Coil (Steer and Lift Up)	
221	70000799	1	Coil (Lift Down)	
222	7023556	1	Barrel	
223	7023533	1	Rod	
224	7023532	1	Head	
225	7023531	1	Piston	
226	7023530	1	Emergency Release Assembly	
227	Not Required	0	Spacer	
		Ref	SEAL KIT OPTIONS	
251	7023528	1	Seal Kit - Cylinder (Includes Items 201-208)	
252	70001982	1	Seal Kit - Reservoir/Pump (Includes Items 103A, 103E, 104A, 106B & 106F)	

SECTION 5 - CYLINDER

FIGURE 5-3. LIFT CYLINDER ASSEMBLY - 3246ES WITH STANDARD HYDRAULIC OIL (TEXAS HYDRAULICS)

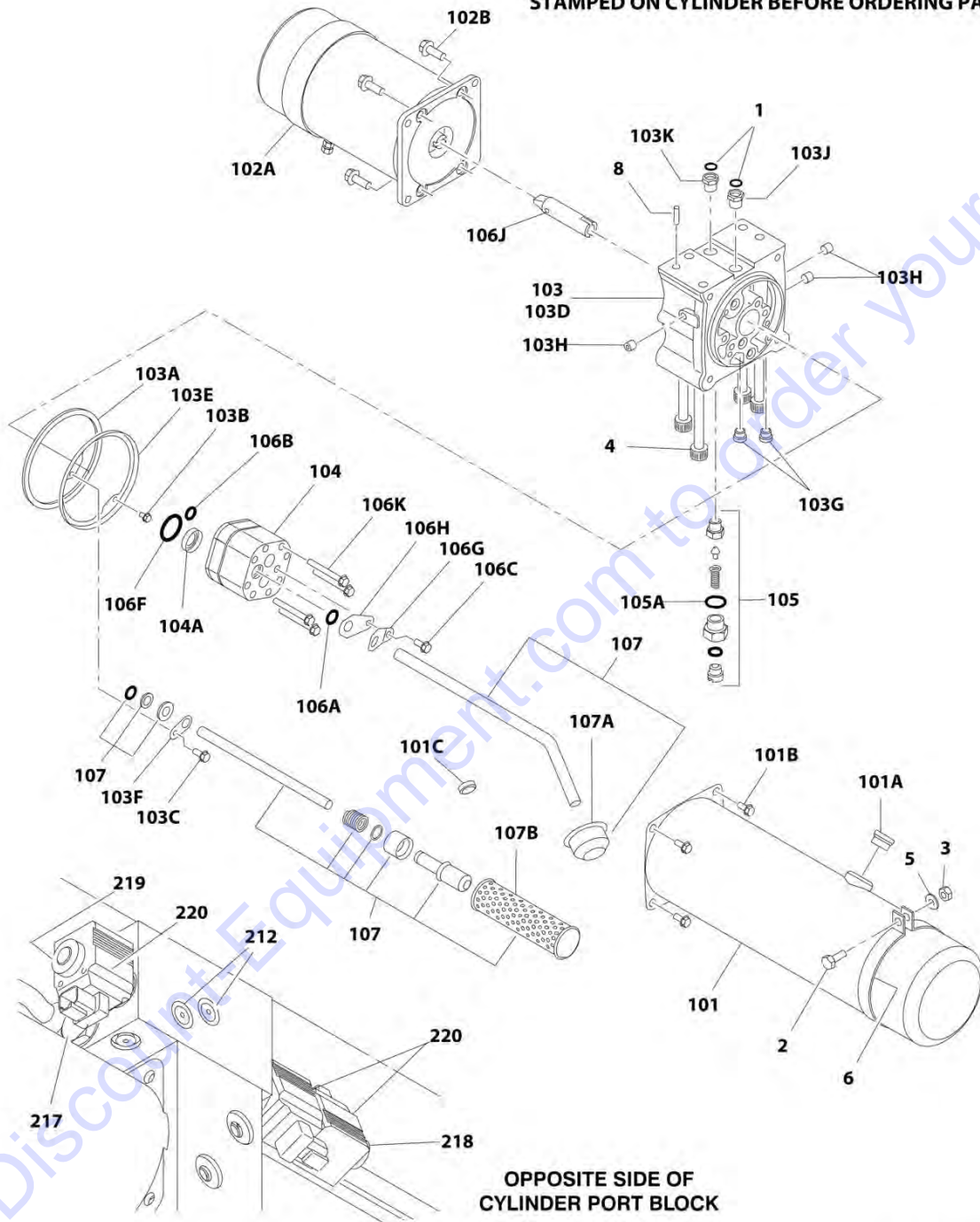
NOTE: IDENTIFY THE PART NUMBER STAMPED ON CYLINDER BEFORE ORDERING PARTS.



ART_1684490_10F2

SECTION 5 - CYLINDER

NOTE: IDENTIFY THE PART NUMBER STAMPED ON CYLINDER BEFORE ORDERING PARTS.



OPPOSITE SIDE OF CYLINDER PORT BLOCK

ART_1684490_2OF2

SECTION 5 - CYLINDER

FIGURE 5-3. LIFT CYLINDER ASSEMBLY - 3246ES WITH STANDARD HYDRAULIC OIL (TEXAS HYDRAULICS)

ITEM	PART NUMBER	QTY	DESCRIPTION	REV
	1684490	Ref	LIFT CYLINDER ASSEMBLY - 3246ES WITH STANDARD HYDRAULIC OIL (TEXAS HYDRAULICS)	H
		Ref	Note: Original Cylinder May Have Been Replaced with Service Replacement. Identify PN Stamped on Cylinder Before Ordering Parts.	
1	7023577	2	O-Ring	
2	See Note	NSS	Capscrew (Note: Purchase Locally)	
3	See Note	NSS	Locknut (Note: Purchase Locally)	
4	7023589	4	Capscrew	
5	See Note	NSS	Flatwasher (Note: Purchase Locally)	
6	7023539	1	Clamp	
7	7023535	1	Power Pack Assembly - Complete (See Items 101-107B for Breakdown)	
8	70003646	2	Pin, Dowel	
8	70003645	2	Roll Pin	
9	See Note	NSS	Cylinder Assembly Only (Note: See Items 201-227 for Breakdown)	
		Ref	POWER PACK ASSEMBLY - COMPLETE	
	7023535	Ref	Power Pack Assembly - Complete (1684490/1684530 Cylinders)	
101	7023583	1	Tank Kit (Note: Includes Tank and Items 101A-101C)	
101A	7023593	1	Plug, Fill	
101B	See Note	NSS	Screw (Note: Use Item 101)	
101C	See Note	NSS	Magnet (Note: Use Item 101)	
102A	7023579	1	Motor	
102A	70000659	1	Brush Kit - 7023579 Motor	
102B	See Note	NSS	Screw (Note: Use Item 102A Motor)	
102B	See Note	NSS	Washer (Note: Use Item 102A Motor)	
103	7023571	1	Adapter Kit	
103A	70000335	1	O-Ring (Note: Use Item 252)	
103B	See Note	NSS	Screw (Note: Use Item 103)	
103C	See Note	NSS	Screw (Note: Use Item 103)	
103D	See Note	NSS	Adapter (Note: Use Item 103)	
103E	See Note	1	Seal (Note: Use Item 252)	
103F	See Note	NSS	Retainer (Note: Use Item 103)	
103G	2220883	2	Plug	
103H	See Note	NSS	Plug (Note: Use Item 103)	
103J	See Note	NSS	Breather 9/16 - 12UNC (Note: Use Item 103)	
103K	See Note	NSS	Breather 9/16 - 18SAE (Note: Use Item 103)	
104	7023580	1	Pump (Note: Shaft Seal is only Repair Part Available. No Other Service Parts Available - Replace Complete Pump.)	
104A	See Note	1	Seal, Shaft (Note: Use Item 252)	
105	7023573	1	Relief Valve Assembly	
105A	7023591	1	Sealing Washer	
106		Ref	Power Pack Miscellaneous Service Parts	
106A	See Note	NSS	Seal (Note: Use Item 7)	
106B	See Note	1	Seal (Note: Use Item 252)	
106C	See Note	NSS	Screw (Note: Use Item 7)	
106F	See Note	1	Seal (Note: Use Item 252)	
106G	See Note	NSS	Tab, Locking (Note: Use Item 7)	
106H	See Note	NSS	Retainer, Tube (Note: Use Item 7)	

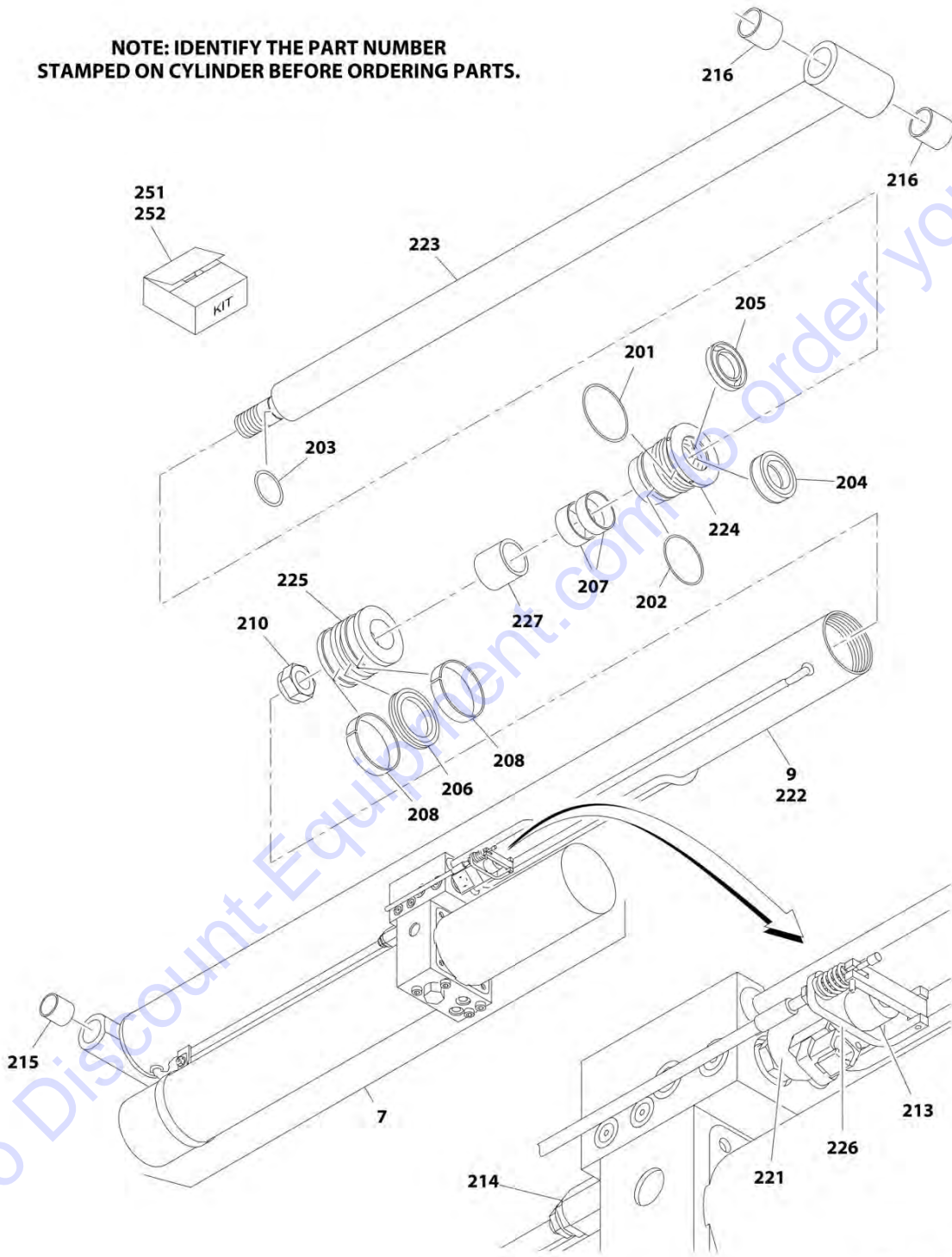
SECTION 5 - CYLINDER

ITEM	PART NUMBER	QTY	DESCRIPTION	REV
106J	7023581	1	Coupler Kit	
106K	See Note	NSS	Screw (Note: Use Item 7)	
107	7023584	1	Tube Kit	
107A	See Note	NSS	Strainer (Note: Use Item 107)	
107B	7023576	1	Filter Element (Includes Seal)	
		Ref	CYLINDER ASSEMBLY ONLY COMPONENTS	
201	See Note	1	O-Ring (Note: Use Item 251)	
202	See Note	1	O-Ring (Note: Use Item 251)	
203	See Note	2	O-Ring (Note: Use Item 251)	
204	See Note	1	Seal (Note: Use Item 251)	
205	See Note	1	Wiper (Note: Use Item 251)	
206	See Note	1	Seal (Note: Use Item 251) (Note: This is a 3 piece seal. Assembly may be required)	
207	See Note	2	Ring, Wear (Note: Use Item 251)	
208	See Note	2	Ring, Wear (Note: Use Item 251)	
210	See Note	NSS	Locknut (Note: Purchase Complete Assembly)	
211	2220883	4	Plug, Steel (SAE #4) (Not Shown)	
212	2220882	8	Plug, Steel (SAE #3)	
213	7023543	1	Valve, Proportional (Lift Down)	
214	7023542	1	Valve, Relief (Steer)	
215	0962006	2	Bushing	
216	0962181	2	Bushing	
217	7023538	1	Valve, Check	
218	7023537	1	Directional Control Valve (Steer)	
219	7023536	1	Directional Control Valve (Lift Up)	
220	70000798	3	Coil (Steer and Lift Up)	
221	70000799	1	Coil (Lift Down)	
222	7023534	1	Barrel	
223	7023533	1	Rod	
224	7023532	1	Head	
225	7023531	1	Piston	
226	7023530	1	Emergency Release Assembly	
227	7023529	1	Spacer	
		Ref	SEAL KIT OPTIONS	
251	7023528	1	Seal Kit - Cylinder (Includes Items 201-208)	
252	70001982	1	Seal Kit - Reservoir/Pump (Includes Items 103A, 103E, 104A, 106B & 106F)	

SECTION 5 - CYLINDER

FIGURE 5-4. LIFT CYLINDER ASSEMBLY - 3246ES WITH BIODEGRADABLE HYDRAULIC OIL (TEXAS HYDRAULICS)

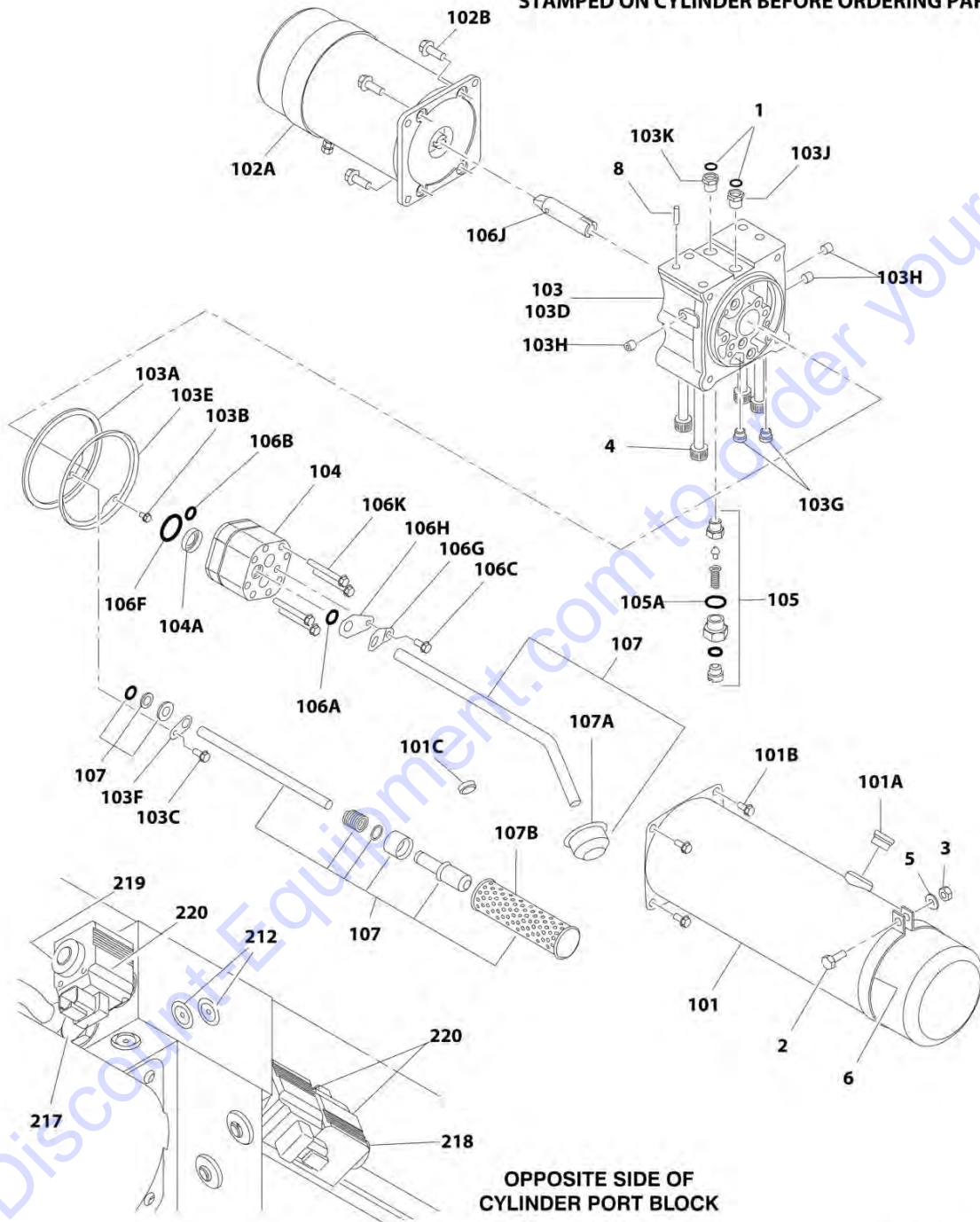
NOTE: IDENTIFY THE PART NUMBER STAMPED ON CYLINDER BEFORE ORDERING PARTS.



ART_1684530_10F2

SECTION 5 - CYLINDER

NOTE: IDENTIFY THE PART NUMBER STAMPED ON CYLINDER BEFORE ORDERING PARTS.



ART_1684530_20F2

SECTION 5 - CYLINDER

FIGURE 5-4. LIFT CYLINDER ASSEMBLY - 3246ES WITH BIODEGRADEABLE HYDRAULIC OIL (TEXAS HYDRAULICS)

ITEM	PART NUMBER	QTY	DESCRIPTION	REV
	1684530	Ref	LIFT CYLINDER ASSEMBLY - 3246ES WITH BIODEGRADEABLE HYDRAULIC OIL (TEXAS HYDRAULICS)	G
		Ref	Note: Original Cylinder May Have Been Replaced with Service Replacement. Identify PN Stamped on Cylinder Before Ordering Parts.	
1	7023577	2	O-Ring	
2	See Note	NSS	Capscrew (Note: Purchase Locally)	
3	See Note	NSS	Locknut (Note: Purchase Locally)	
4	7023589	4	Capscrew	
5	See Note	NSS	Flatwasher (Note: Purchase Locally)	
6	7023539	1	Clamp	
7	7023535	1	Power Pack Assembly - Complete (See Items 101-107B for Breakdown)	
8	70003646	2	Pin, Dowel	
8	70003645	2	Roll Pin	
9	See Note	NSS	Cylinder Assembly Only (Note: See Items 201-227 for Breakdown)	
		Ref	POWER PACK ASSEMBLY - COMPLETE	
	7023535	Ref	Power Pack Assembly - Complete (1684490/1684530 Cylinders)	
101	7023583	1	Tank Kit (Note: Includes Tank and Items 101A-101C)	
101A	7023593	1	Plug, Fill	
101B	See Note	NSS	Screw (Note: Use Item 101)	
101C	See Note	NSS	Magnet (Note: Use Item 101)	
102A	7023579	1	Motor	
102A	70000659	1	Brush Kit - 7023579 Motor	
102B	See Note	NSS	Screw (Note: Use Item 102A Motor)	
102B	See Note	NSS	Washer (Note: Use Item 102A Motor)	
103	7023571	1	Adapter Kit	
103A	70000335	1	O-Ring (Note: Use Item 252)	
103B	See Note	NSS	Screw (Note: Use Item 103)	
103C	See Note	NSS	Screw (Note: Use Item 103)	
103D	See Note	NSS	Adapter (Note: Use Item 103)	
103E	See Note	1	Seal (Note: Use Item 252)	
103F	See Note	NSS	Retainer (Note: Use Item 103)	
103G	2220883	2	Plug	
103H	See Note	NSS	Plug (Note: Use Item 103)	
103J	See Note	NSS	Breather 9/16in - 12UNC (Note: Use Item 103)	
103K	See Note	NSS	Breather 9/16in - 18SAE (Note: Use Item 103)	
104	7023580	1	Pump (Note: Shaft Seal is only Repair Part Available. No Other Service Parts Available - Replace Complete Pump.)	
104A	See Note	1	Seal, Shaft (Note: Use Item 252)	
105	7023573	1	Relief Valve Assembly	
105A	7023591	1	Sealing Washer	
106		Ref	Power Pack Miscellaneous Service Parts	
106A	See Note	NSS	Seal (Note: Use Item 7)	
106B	See Note	1	Seal (Note: Use Item 252)	
106C	See Note	NSS	Screw (Note: Use Item 7)	
106F	See Note	1	Seal (Note: Use Item 252)	
106G	See Note	NSS	Tab, Locking (Note: Use Item 7)	
106H	See Note	NSS	Retainer, Tube (Note: Use Item 7)	

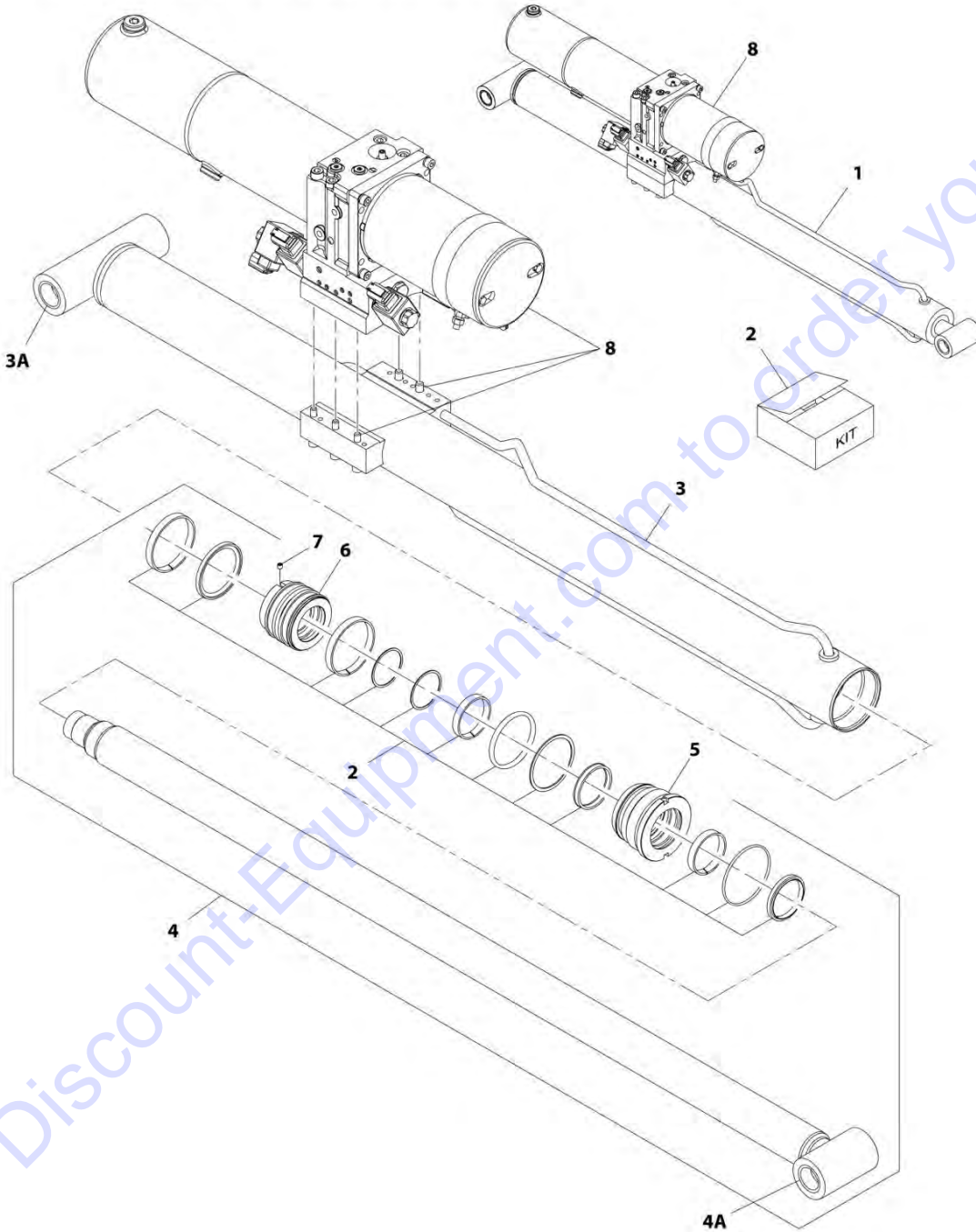
SECTION 5 - CYLINDER

ITEM	PART NUMBER	QTY	DESCRIPTION	REV
106J	7023581	1	Coupler Kit	
106K	See Note	NSS	Screw (Note: Use Item 7)	
107	7023584	1	Tube Kit	
107A	See Note	NSS	Strainer (Note: Use Item 107)	
107B	7023576	1	Filter Element (Includes Seal)	
		Ref	CYLINDER ASSEMBLY ONLY COMPONENTS	
201	See Note	1	O-Ring (Note: Use Item 251)	
202	See Note	1	O-Ring (Note: Use Item 251)	
203	See Note	2	O-Ring (Note: Use Item 251)	
204	See Note	1	Seal (Note: Use Item 251)	
205	See Note	1	Wiper (Note: Use Item 251)	
206	See Note	1	Seal (Note: Use Item 251) (Note: This is a 3 piece seal. Assembly may be required)	
207	See Note	2	Ring, Wear (Note: Use Item 251)	
208	See Note	2	Ring, Wear (Note: Use Item 251)	
210	See Note	NSS	Locknut (Note: Purchase Complete Assembly)	
211	2220883	4	Plug, Steel (SAE #4) (Not Shown)	
212	2220882	8	Plug, Steel (SAE #3)	
213	7023543	1	Valve, Proportional (Lift Down)	
214	7023542	1	Valve, Relief (Steer)	
215	0962006	2	Bushing	
216	0962181	2	Bushing	
217	7023538	1	Valve, Check	
218	7023537	1	Directional Control Valve (Steer)	
219	7023536	1	Directional Control Valve (Lift Up)	
220	70000798	3	Coil (Steer and Lift Up)	
221	70000799	1	Coil (Lift Down)	
222	7023534	1	Barrel	
223	7023533	1	Rod	
224	7023532	1	Head	
225	7023531	1	Piston	
226	7023530	1	Emergency Release Assembly	
227	7023529	1	Spacer	
		Ref	SEAL KIT OPTIONS	
251	7023528	1	Seal Kit - Cylinder (Includes Items 201-208)	
252	70001982	1	Seal Kit - Reservoir/Pump (Includes Items 103A, 103E, 104A, 106B & 106F)	

SECTION 5 - CYLINDER

FIGURE 5-5. LIFT CYLINDER ASSEMBLY - 2646ES WITH STANDARD HYDRAULIC OIL (SERTA)

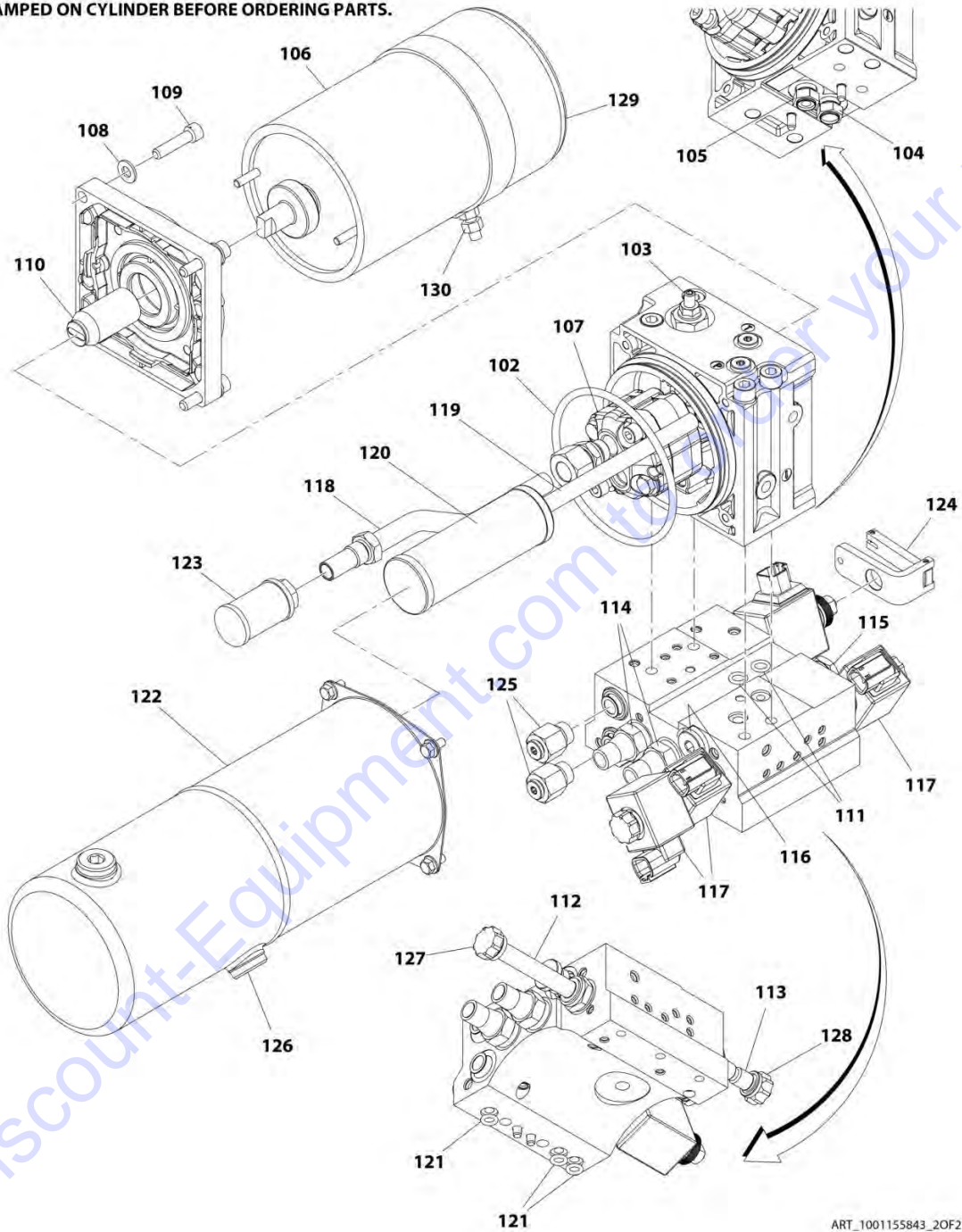
NOTE: IDENTIFY THE PART NUMBER STAMPED ON CYLINDER BEFORE ORDERING PARTS.



ART_1001155843_1OF2

SECTION 5 - CYLINDER

NOTE: IDENTIFY THE PART NUMBER
STAMPED ON CYLINDER BEFORE ORDERING PARTS.



SECTION 5 - CYLINDER

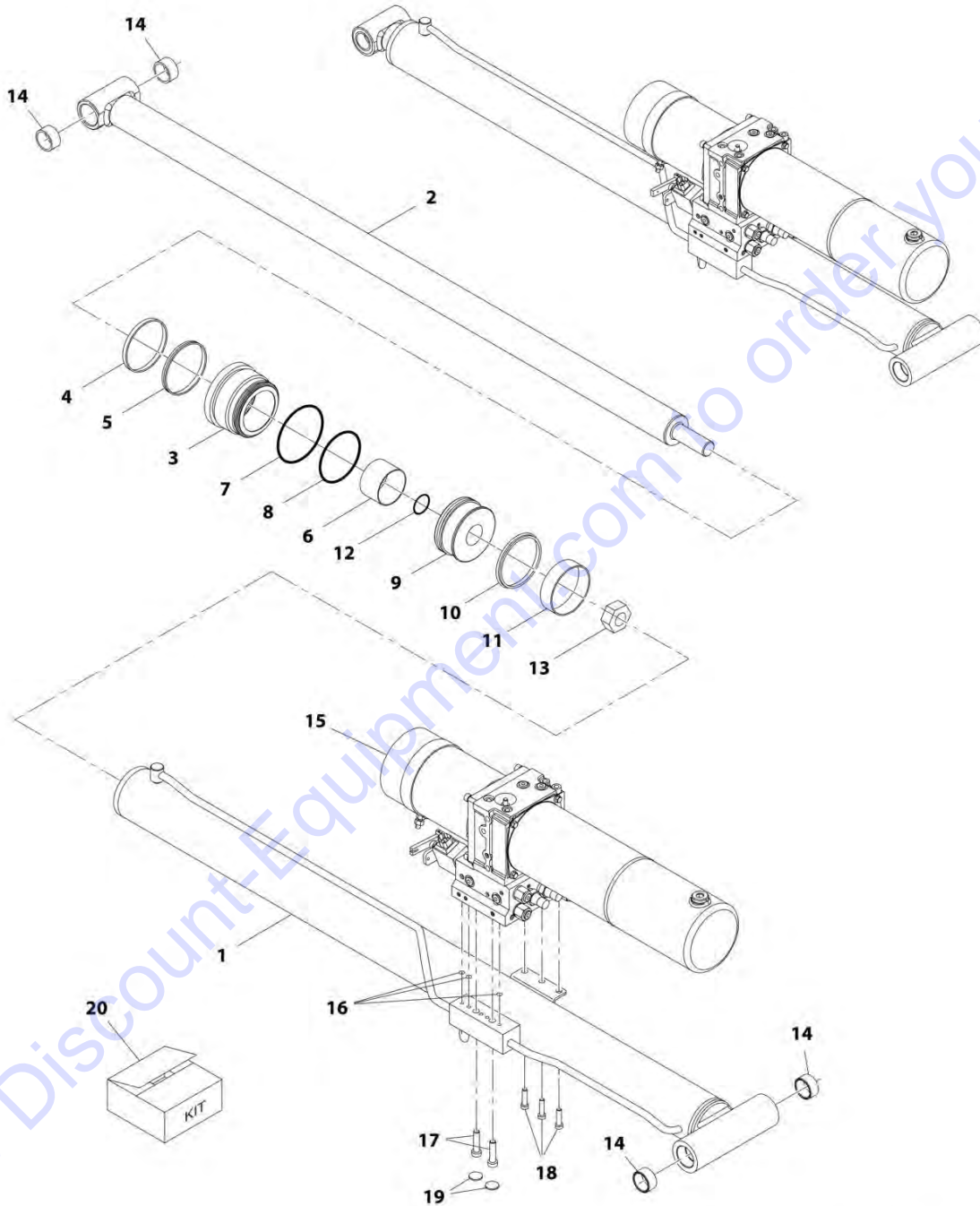
FIGURE 5-5. LIFT CYLINDER ASSEMBLY - 2646ES WITH STANDARD HYDRAULIC OIL (SERTA)

ITEM	PART NUMBER	QTY	DESCRIPTION	REV
	1001155843	Ref	LIFT CYLINDER ASSEMBLY - 2646ES WITH STANDARD HYDRAULIC OIL (SERTA)	D
		Ref	Note: Original Cylinder May Have Been Replaced with Service Replacement. Identify PN Stamped on Cylinder Before Ordering Parts.	
1	70004733	1	Cylinder Assembly Less Powerpack	
2	70004736	1	Seal Kit	
3	70004731	1	Barrel (Includes Item 3A)	
3A	0962006	2	Bushing	
4	70004734	1	Rod (Includes Items 2, 4A, 5, 6 & 7)	
4A	0962181	2	Bushing	
5	70006092	1	Head, Cylinder	
6	70006091	1	Piston	
7	70020438	1	Screw	
8	70004949	1	Motor/Pump/Tank Assembly (See Items 102-121 for Breakdown)	
		Ref	MOTOR/PUMP/TANK ASSEMBLIES	
	70004949	Ref	Motor/Pump/Tank Assembly	
102	70004914	1	O-Ring	
103	70004915	1	Cartridge, Valve (Main Relief)	
104	70004916	1	Cartridge, Valve (Breather Vacuum Check)	
105	70004917	1	Cartridge, Valve (Breather Pressure Check)	
106	70004980	1	Kit, Motor (Includes motor, flange and ring)	
107	70005233	1	Kit, Pump (Includes pump and hardware)	
108	70004974	4	Washer M8	
109	70004975	4	Capscrew M8 x 60	
110	70004973	1	Shaft Coupling	
111	70004925	2	O-Ring	
112	70003028	1	Cartridge, Solenoid Valve Less Coil (Steer)	
113	70004926	1	Cartridge, Solenoid Valve Less Coil (Lift)	
114	70004927	2	Cartridge, Valve (Steer Relief)	
115	70004585	1	Cartridge, Valve (Lift Check)	
116	70004928	1	Filter 300 micron	
117	70003704	3	Coil	
118	70004947	1	Pipe, Suction	
119	70004948	1	Pipe, Return	
120	70004935	1	Filter, Bypass	
121	70004936	3	O-Ring	
122	70005241	1	Kit, Tank (Includes tank, plug, "o"-ring and screws)	
123	70005235	1	Kit, Filter (Includes strainer and seal ring)	
124	70005236	1	Kit, Solenoid Valve (Includes solenoid, coil and lever)	
125	70005237	2	Kit, Fitting (Includes adapter, seal washer and plug)	
126	70004921	1	Plug	
127	70004654	1	Nut, Coil (for Item #112)	
128	70005238	1	Nut, Retaining (for Item #113)	
129	70004971	1	Kit, Brush	
130	70004972	1	Nut M8	

SECTION 5 - CYLINDER

FIGURE 5-6. LIFT CYLINDER ASSEMBLY - 2646ES WITH STANDARD HYDRAULIC OIL (SH-PAC)

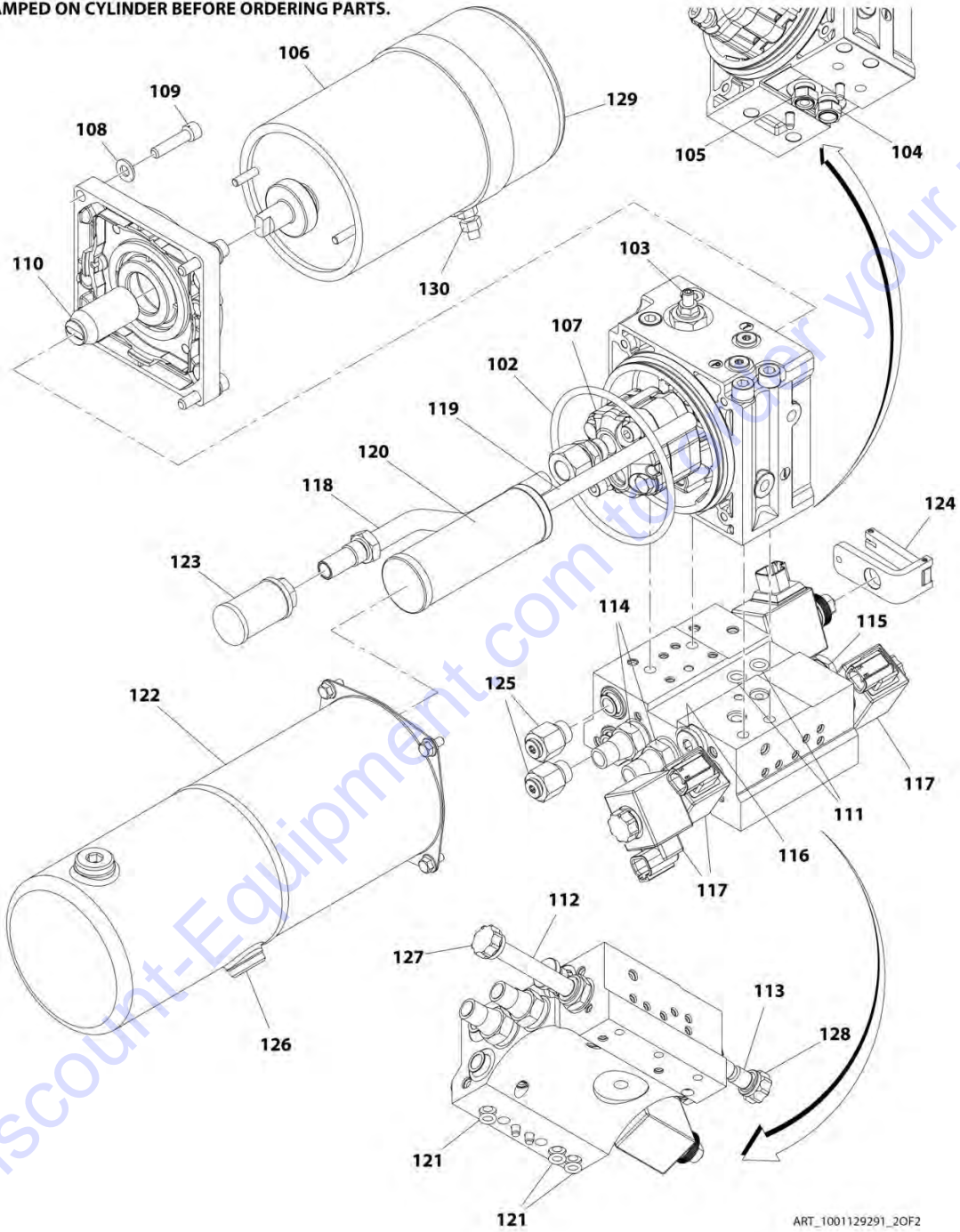
NOTE: IDENTIFY THE PART NUMBER STAMPED ON CYLINDER BEFORE ORDERING PARTS.



ART_1001129291_10F2

SECTION 5 - CYLINDER

NOTE: IDENTIFY THE PART NUMBER
STAMPED ON CYLINDER BEFORE ORDERING PARTS.



ART_1001129291_20F2

SECTION 5 - CYLINDER

FIGURE 5-6. LIFT CYLINDER ASSEMBLY - 2646ES WITH STANDARD HYDRAULIC OIL (SH-PAC)

ITEM	PART NUMBER	QTY	DESCRIPTION	REV
	1001129291	Ref	LIFT CYLINDER ASSEMBLY - 2646ES WITH STANDARD HYDRAULIC OIL (SH-PAC)	E
		Ref	Note: Original Cylinder May Have Been Replaced with Service Replacement. Identify PN Stamped on Cylinder Before Ordering Parts.	
1	70004634	1	Barrel	
2	70004635	1	Rod	
3	70004636	1	Head, Cylinder	
4	See Note	NSS	Seal, Dust (Note: Use Item 20)	
5	See Note	NSS	Seal (Note: Use Item 20)	
6	70004637	1	Bearing	
7	See Note	1	O-Ring (Note: Use Item 20)	
8	See Note	1	O-Ring (Note: Use Item 20)	
9	70004638	1	Piston	
10	See Note	NSS	Seal (Note: Use Item 20)	
11	See Note	NSS	Ring, Wear (Note: Use Item 20)	
12	See Note	NSS	O-Ring (Note: Use Item 20)	
13	70003663	1	Nut	
14	0962181	2	Bushing (Rod End)	
14	0962006	2	Bushing (Barrel End)	
15	70004949	1	Motor/Pump/Tank Assembly (See Items 102-121 for Breakdown)	
16	See Note	1	O-Ring (Note: Use Item 20)	
17	70004639	2	Capscrew M10 x 50	
18	70004625	3	Capscrew M8 x 20	
19	70004626	2	Plug, Extension	
20	70004640	1	Seal Kit - Cylinder (Includes Items 4, 5, 7, 8, 10, 11, 12 & 16)	
		Ref	MOTOR/PUMP/TANK ASSEMBLIES	
	70004949	1	Motor/Pump/Tank Assembly	
102	70004914	1	O-Ring	
103	70004915	1	Cartridge, Valve (Main Relief)	
104	70004916	1	Cartridge, Valve (Breather Vacuum Check)	
105	70004917	1	Cartridge, Valve (Breather Pressure Check)	
106	70004980	1	Kit, Motor (Includes motor, flange and ring)	
107	70005233	1	Kit, Pump (Includes pump and hardware)	
108	70004974	4	Washer M8	
109	70004975	4	Capscrew M8 x 60	
110	70004973	1	Shaft Coupling	
111	70004925	2	O-Ring	
112	70003028	1	Cartridge, Solenoid Valve Less Coil (Steer)	
113	70004926	1	Cartridge, Solenoid Valve Less Coil (Lift)	
114	70004927	2	Cartridge, Valve (Steer Relief)	
115	70004585	1	Cartridge, Valve (Lift Check)	
116	70004928	1	Filter 300 micron	
117	70003707	3	Coil	
118	70004947	1	Pipe, Suction	
119	70004948	1	Pipe, Return	
120	70004935	1	Filter, Bypass	
121	70004936	3	O-Ring	
122	70005241	1	Kit, Tank (Includes tank, plug, "o"-ring and screws)	
123	70005235	1	Kit, Filter (Includes strainer and seal ring)	

SECTION 5 - CYLINDER

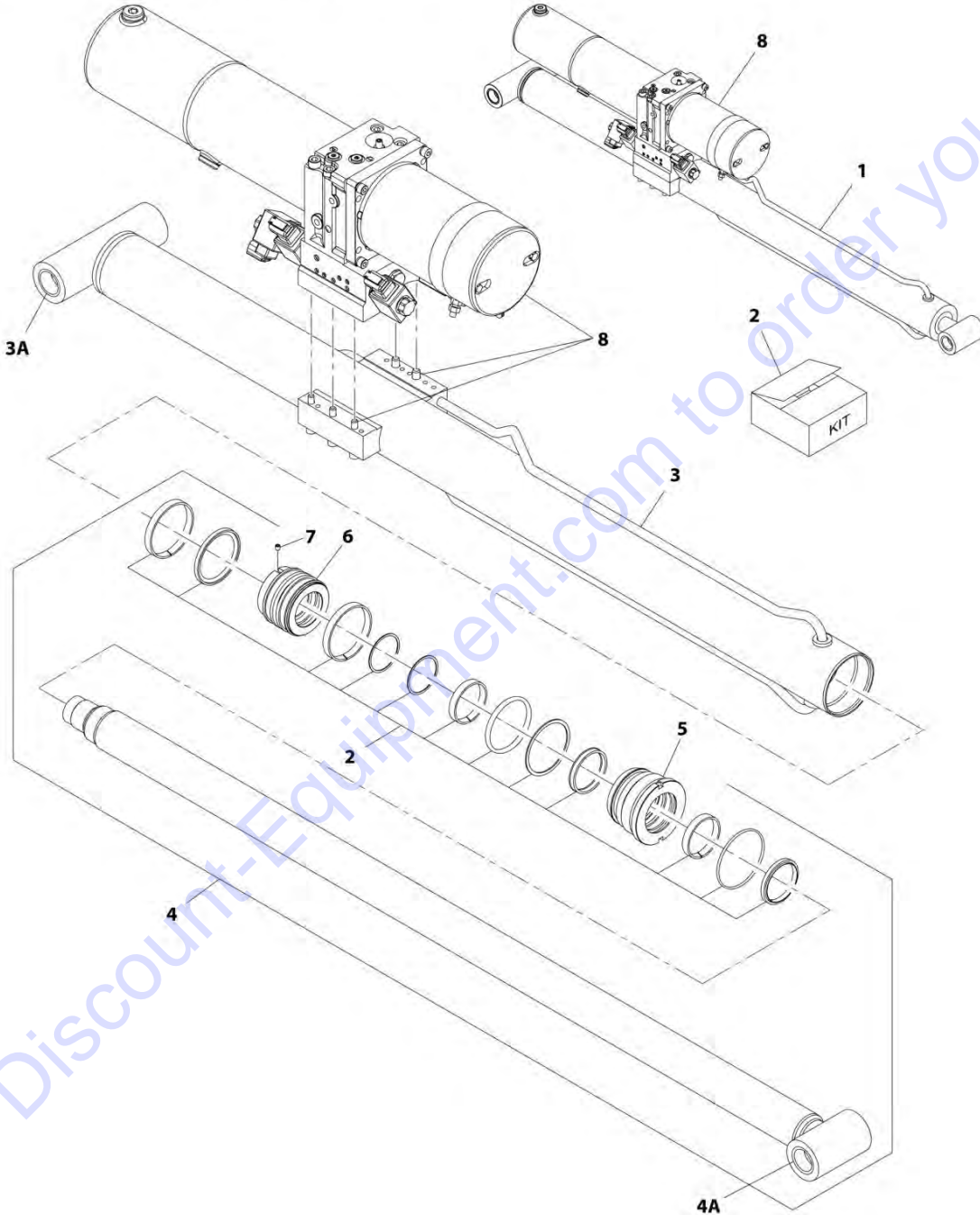
ITEM	PART NUMBER	QTY	DESCRIPTION	REV
124	70005236	1	Kit, Solenoid Valve (Includes solenoid, coil and lever)	
125	70005237	2	Kit, Fitting (Includes adapter, seal washer and plug)	
126	70004921	1	Plug	
127	70004654	1	Nut, Coil (for Item #112)	
128	70005238	1	Nut, Retaining (for Item #113)	
129	70004971	1	Kit, Brush	
130	70004972	1	Nut M8	

Go to Discount-Equipment.com to order your parts

SECTION 5 - CYLINDER

FIGURE 5-7. LIFT CYLINDER ASSEMBLY - 2646ES WITH BIODEGRADABLE HYDRAULIC OIL (SERTA)

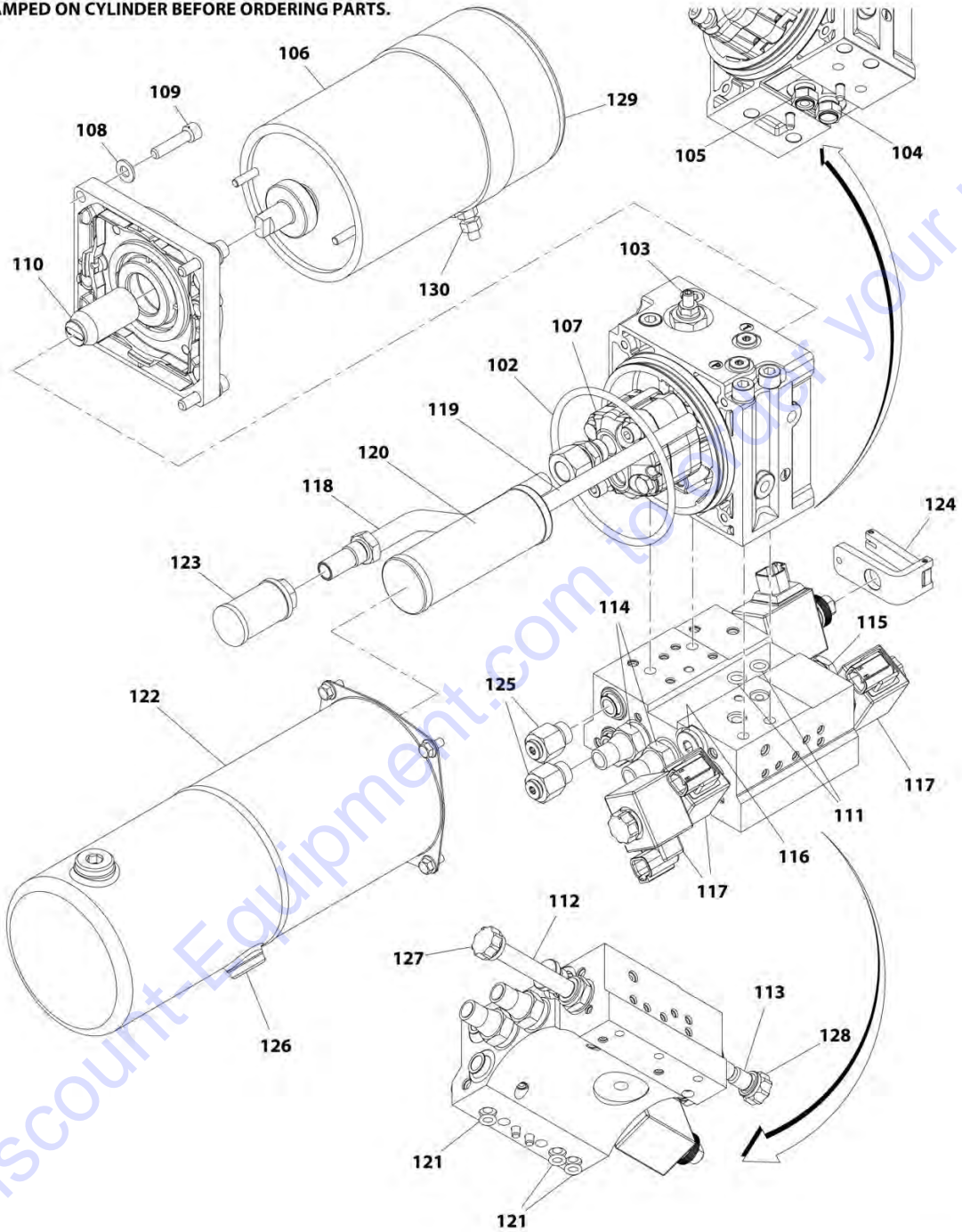
NOTE: IDENTIFY THE PART NUMBER STAMPED ON CYLINDER BEFORE ORDERING PARTS.



ART_1001157332_10F2

SECTION 5 - CYLINDER

NOTE: IDENTIFY THE PART NUMBER
STAMPED ON CYLINDER BEFORE ORDERING PARTS.



ART_1001157332_20F2

SECTION 5 - CYLINDER

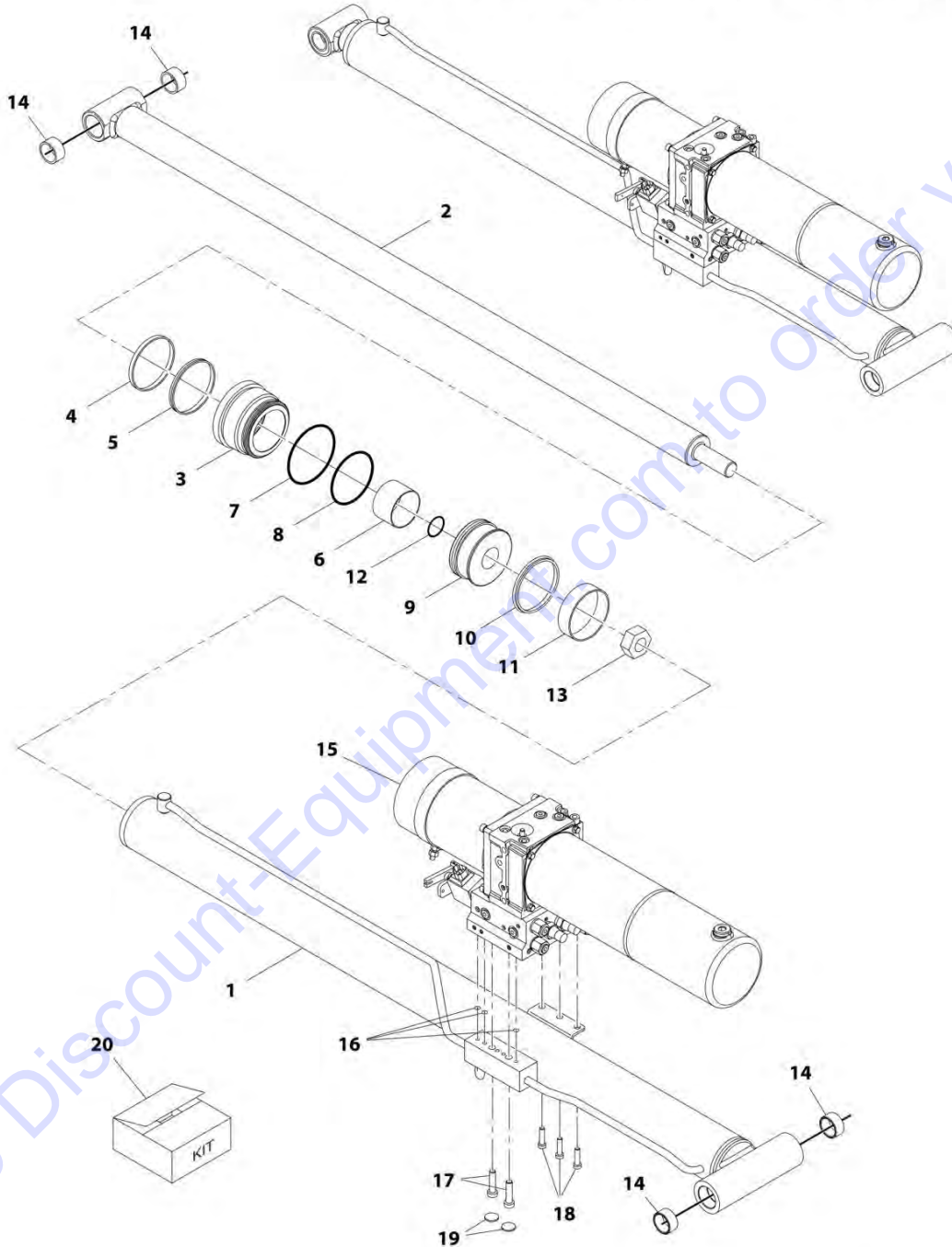
FIGURE 5-7. LIFT CYLINDER ASSEMBLY - 2646ES WITH BIODEGRADEABLE HYDRAULIC OIL (SERTA)

ITEM	PART NUMBER	QTY	DESCRIPTION	REV
	1001157332	Ref	LIFT CYLINDER ASSEMBLY - 2646ES WITH BIODEGRADEABLE HYDRAULIC OIL (SERTA)	C
		Ref	Note: Original Cylinder May Have Been Replaced with Service Replacement. Identify PN Stamped on Cylinder Before Ordering Parts.	
1	70004733	1	Cylinder Assembly Less Powerpack	
2	70004736	1	Seal Kit	
3	70004731	1	Barrel (Includes Item 3A)	
3A	0962006	2	Bushing	
4	70004734	1	Rod (Includes Items 2, 4A, 5, 6 & 7)	
4A	0962181	2	Bushing	
5	70006092	1	Head, Cylinder	
6	70006091	1	Piston	
7	70020438	1	Screw	
8	70004949	1	Motor/Pump/Tank Assembly (See Items 102-121 for Breakdown)	
		Ref	MOTOR/PUMP/TANK ASSEMBLIES	
	70004949	Ref	Motor/Pump/Tank Assembly	
102	70004914	1	O-Ring	
103	70004915	1	Cartridge, Valve (Main Relief)	
104	70004916	1	Cartridge, Valve (Breather Vacuum Check)	
105	70004917	1	Cartridge, Valve (Breather Pressure Check)	
106	70004980	1	Kit, Motor (Includes motor, flange and ring)	
107	70005233	1	Kit, Pump (Includes pump and hardware)	
108	70004974	4	Washer M8	
109	70004975	4	Capscrew M8 x 60	
110	70004973	1	Shaft Coupling	
111	70004925	2	O-Ring	
112	70003028	1	Cartridge, Solenoid Valve Less Coil (Steer)	
113	70004926	1	Cartridge, Solenoid Valve Less Coil (Lift)	
114	70004927	2	Cartridge, Valve (Steer Relief)	
115	70004585	1	Cartridge, Valve (Lift Check)	
116	70004928	1	Filter 300 micron	
117	70003707	3	Coil	
118	70004947	1	Pipe, Suction	
119	70004948	1	Pipe, Return	
120	70004935	1	Filter, Bypass	
121	70004936	3	O-Ring	
122	70005241	1	Kit, Tank (Includes tank, plug, "o"-ring and screws)	
123	70005235	1	Kit, Filter (Includes strainer and seal ring)	
124	70005236	1	Kit, Solenoid Valve (Includes solenoid, coil and lever)	
125	70005237	2	Kit, Fitting (Includes adapter, seal washer and plug)	
126	70004921	1	Plug	
127	70004654	1	Nut, Coil (for Item #112)	
128	70005238	1	Nut, Retaining (for Item #113)	
129	70004971	1	Kit, Brush	
130	70004972	1	Nut M8	

SECTION 5 - CYLINDER

FIGURE 5-8. LIFT CYLINDER ASSEMBLY - 2646ES WITH BIODEGRADABLE HYDRAULIC OIL (SH-PAC)

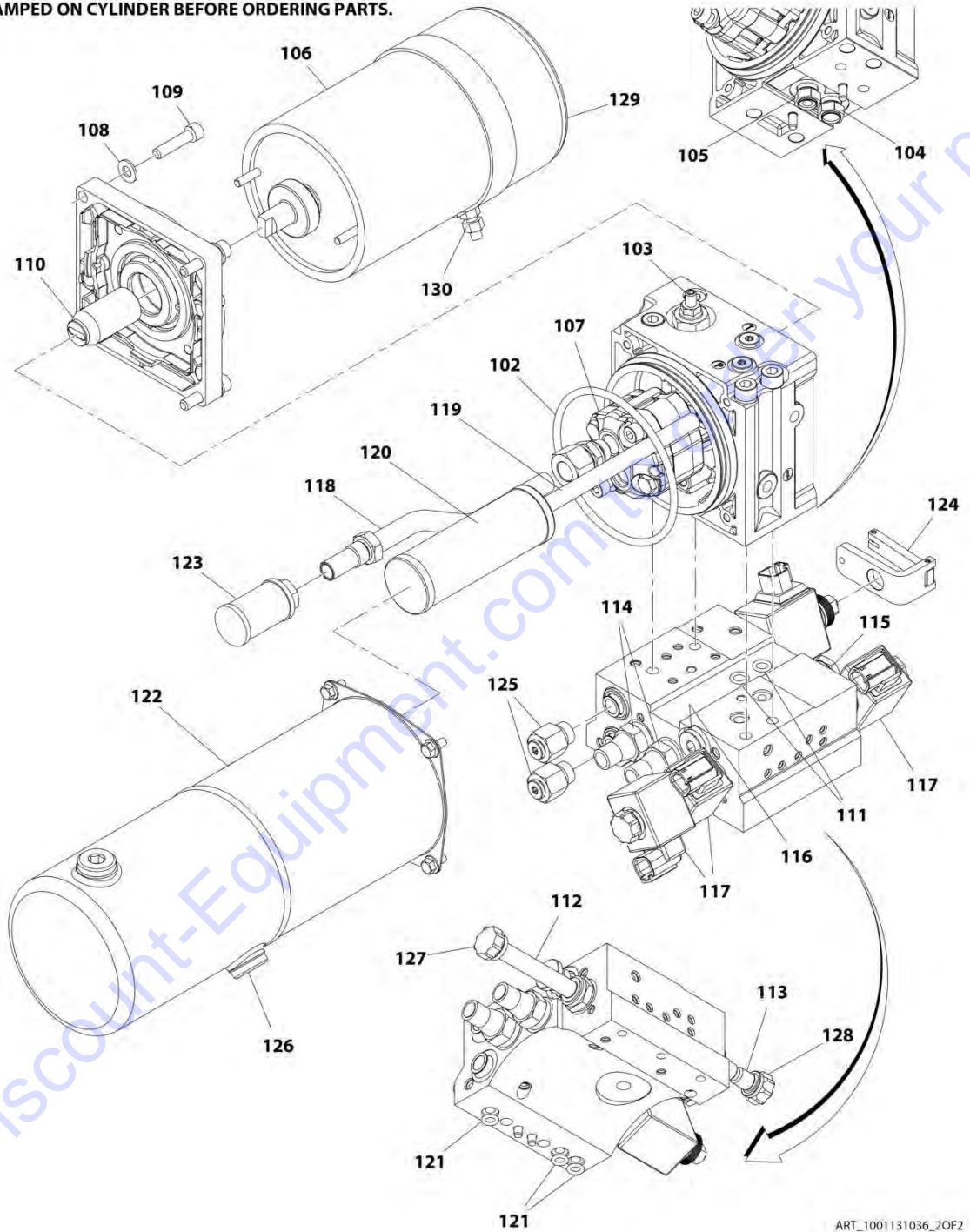
NOTE: IDENTIFY THE PART NUMBER STAMPED ON CYLINDER BEFORE ORDERING PARTS.



ART_1001131036_10F2

SECTION 5 - CYLINDER

NOTE: IDENTIFY THE PART NUMBER
STAMPED ON CYLINDER BEFORE ORDERING PARTS.



ART_1001131036_20F2

SECTION 5 - CYLINDER

FIGURE 5-8. LIFT CYLINDER ASSEMBLY - 2646ES WITH BIODEGRADEABLE HYDRAULIC OIL (SH-PAC)

ITEM	PART NUMBER	QTY	DESCRIPTION	REV
	1001131036	Ref	LIFT CYLINDER ASSEMBLY - 2646ES WITH BIODEGRADEABLE HYDRAULIC OIL (SH-PAC)	F
		Ref	Note: Original Cylinder May Have Been Replaced with Service Replacement. Identify PN Stamped on Cylinder Before Ordering Parts.	
1	70004634	1	Barrel	
2	70004635	1	Rod	
3	70004636	1	Head, Cylinder	
4	See Note	NSS	Seal, Dust (Note: Use Item 20)	
5	See Note	NSS	Seal (Note: Use Item 20)	
6	70004637	1	Bearing	
7	See Note	NSS	O-Ring (Note: Use Item 20)	
8	See Note	NSS	O-Ring (Note: Use Item 20)	
9	70004638	1	Piston	
10	See Note	NSS	Seal (Note: Use Item 20)	
11	See Note	NSS	Ring, Wear (Note: Use Item 20)	
12	See Note	NSS	O-Ring (Note: Use Item 20)	
13	70003663	1	Nut	
14	0962181	2	Bushing (Rod End)	
14	0962006	2	Bushing (Barrel End)	
15	70004949	1	Motor/Pump/Tank Assembly (See Items 102-121 for Breakdown)	
16	See Note	1	O-Ring (Note: Use Item 20)	
17	70004639	2	Capscrew M10 x 50	
18	70004625	3	Capscrew M8 x 20	
19	70004626	2	Plug, Extension	
20	70004640	1	Seal Kit - Cylinder (Includes Items 4, 5, 7, 8, 10, 11, 12 & 16)	
		Ref	MOTOR/PUMP/TANK ASSEMBLIES	
	70004949	1	Motor/Pump/Tank Assembly	
102	70004914	1	O-Ring	
103	70004915	1	Cartridge, Valve (Main Relief)	
104	70004916	1	Cartridge, Valve (Breather Vacuum Check)	
105	70004917	1	Cartridge, Valve (Breather Pressure Check)	
106	70004980	1	Kit, Motor (Includes motor, flange and ring)	
107	70005233	1	Kit, Pump (Includes pump and hardware)	
108	70004974	4	Washer M8	
109	70004975	4	Capscrew M8 x 60	
110	70004973	1	Shaft Coupling	
111	70004925	2	O-Ring	
112	70003028	1	Cartridge, Solenoid Valve Less Coil (Steer)	
113	70004926	1	Cartridge, Solenoid Valve Less Coil (Lift)	
114	70004927	2	Cartridge, Valve (Steer Relief)	
115	70004585	1	Cartridge, Valve (Lift Check)	
116	70004928	1	Filter 300 micron	
117	70003707	3	Coil	
118	70004947	1	Pipe, Suction	
119	70004948	1	Pipe, Return	
120	70004935	1	Filter, Bypass	
121	70004936	3	O-Ring	
122	70005241	1	Kit, Tank (Includes tank, plug, "o"-ring and screws)	

SECTION 5 - CYLINDER

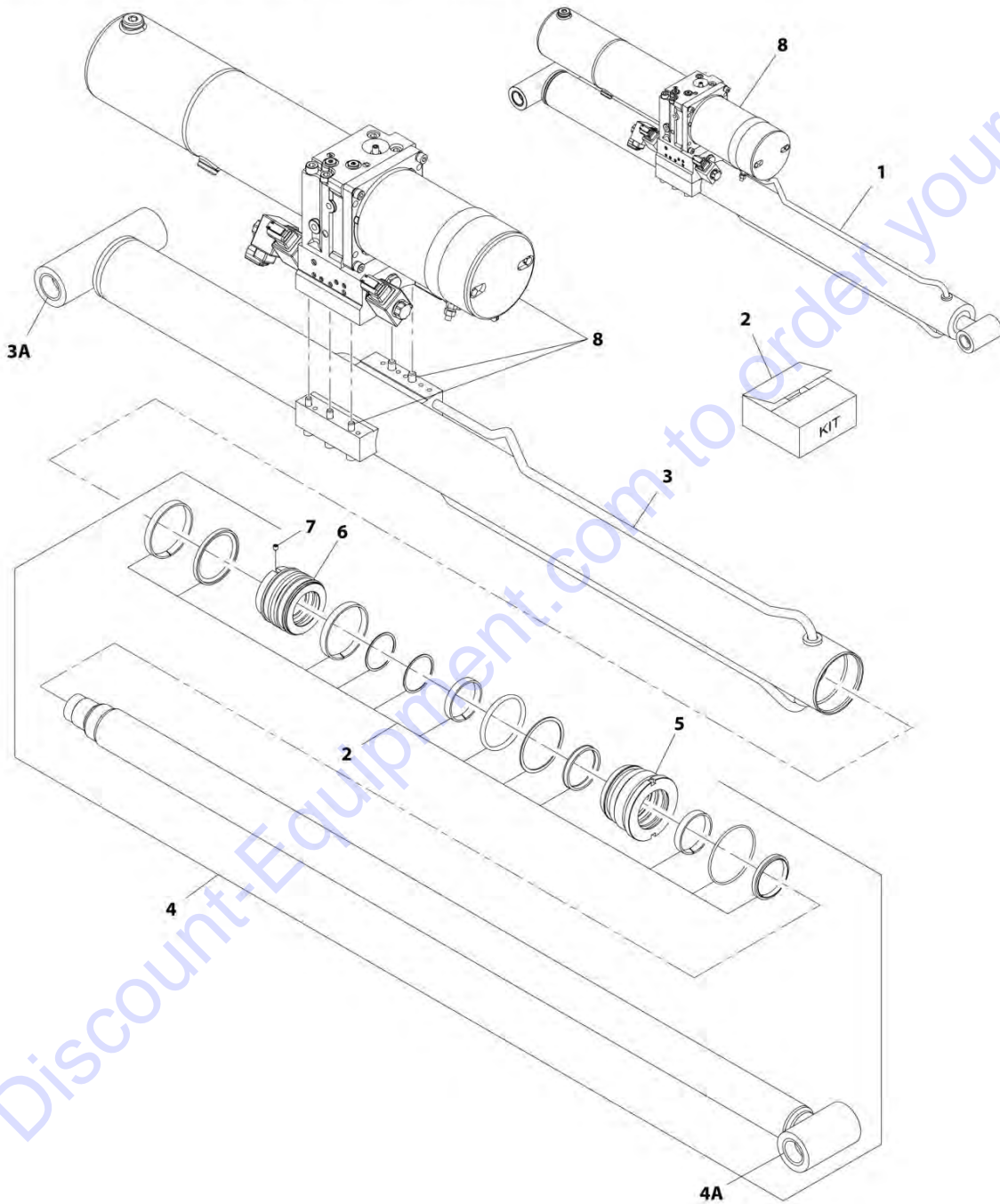
ITEM	PART NUMBER	QTY	DESCRIPTION	REV
123	70005235	1	Kit, Filter (Includes strainer and seal ring)	
124	70005236	1	Kit, Solenoid Valve (Includes solenoid, coil and lever)	
125	70005237	2	Kit, Fitting (Includes adapter, seal washer and plug)	
126	70004921	1	Plug	
127	70004654	1	Nut, Coil (for Item #112)	
128	70005238	1	Nut, Retaining (for Item #113)	
129	70004971	1	Kit, Brush	
130	70004972	1	Nut M8	

Go to Discount-Equipment.com to order your parts

SECTION 5 - CYLINDER

FIGURE 5-9. LIFT CYLINDER ASSEMBLY - 3246ES WITH STANDARD HYDRAULIC OIL (SERTA)

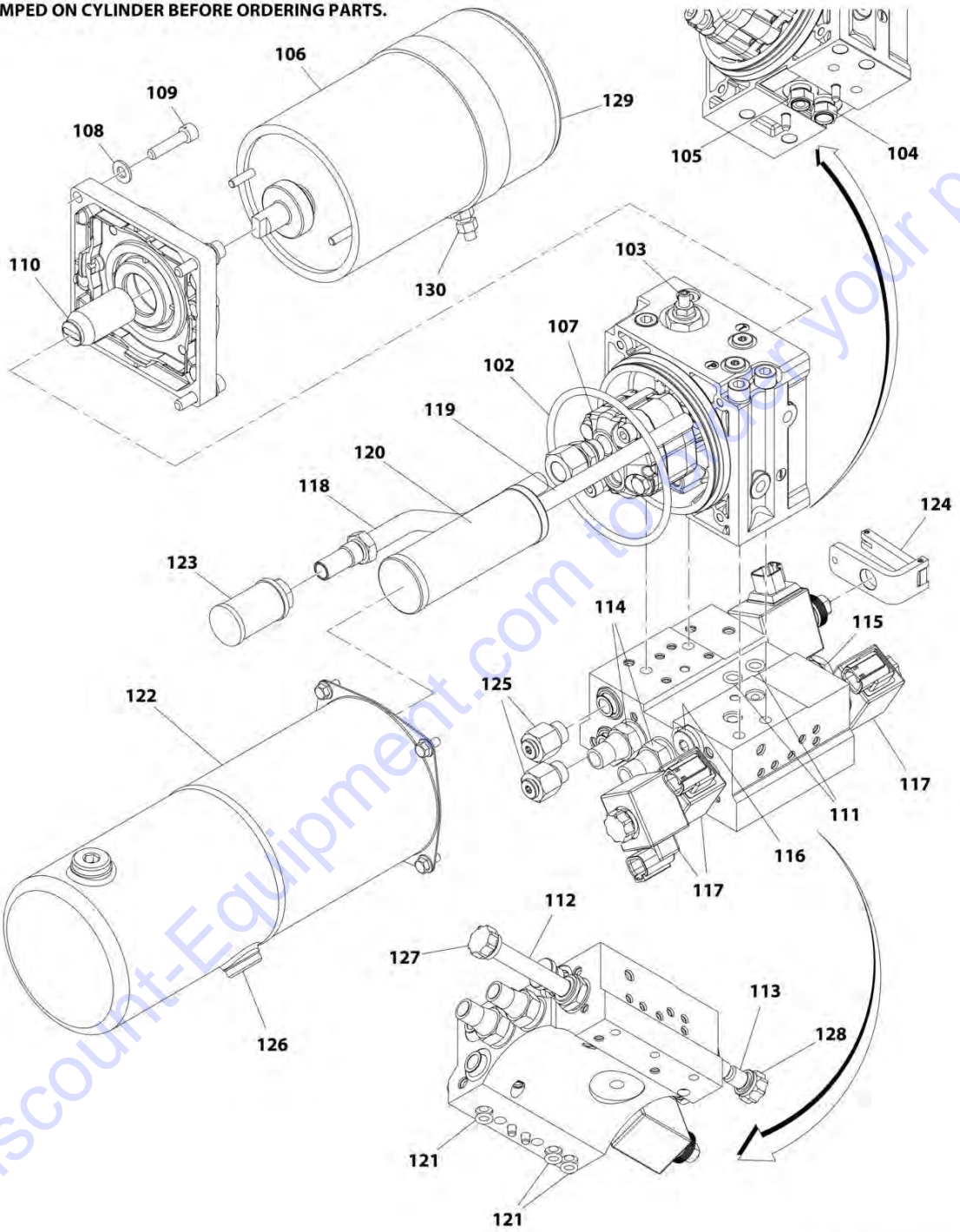
NOTE: IDENTIFY THE PART NUMBER
STAMPED ON CYLINDER BEFORE ORDERING PARTS.



ART_1001155844_1OF2

SECTION 5 - CYLINDER

NOTE: IDENTIFY THE PART NUMBER
STAMPED ON CYLINDER BEFORE ORDERING PARTS.



ART_1001155844_20F2

SECTION 5 - CYLINDER

FIGURE 5-9. LIFT CYLINDER ASSEMBLY - 3246ES WITH STANDARD HYDRAULIC OIL (SERTA)

ITEM	PART NUMBER	QTY	DESCRIPTION	REV
	1001155844	Ref	LIFT CYLINDER ASSEMBLY - 3246ES WITH STANDARD HYDRAULIC OIL (SERTA)	D
		Ref	Note: Original Cylinder May Have Been Replaced with Service Replacement. Identify PN Stamped on Cylinder Before Ordering Parts.	
1	70004737	1	Cylinder Assembly Less Powerpack	
2	70004736	1	Seal Kit	
3	70004735	1	Barrel (Includes Item 3A)	
3A	0962006	2	Bushing	
4	70004734	1	Rod (Includes Items 2, 4A, 5, 6 & 7)	
4A	0962181	2	Bushing	
5	70006092	1	Head, Cylinder	
6	70006091	1	Piston	
7	70020438	1	Screw	
8	70004953	1	Motor/Pump/Tank Assembly (See Items 102-121 for Breakdown)	
		Ref	MOTOR/PUMP/TANK ASSEMBLIES	
	70004953	Ref	Motor/Pump/Tank Assembly	
102	70004914	1	O-Ring	
103	70004915	1	Cartridge, Valve (Main Relief)	
104	70004916	1	Cartridge, Valve (Breather Vacuum Check)	
105	70004917	1	Cartridge, Valve (Breather Pressure Check)	
106	70004980	1	Kit, Motor (Includes motor, flange and ring)	
107	70005233	1	Kit, Pump (Includes pump and hardware)	
108	70004974	4	Washer M8	
109	70004975	4	Capscrew M8 x 60	
110	70004973	1	Shaft Coupling	
111	70004925	2	O-Ring	
112	70003028	1	Cartridge, Solenoid Valve Less Coil (Steer)	
113	70004926	1	Cartridge, Solenoid Valve Less Coil (Lift)	
114	70004927	2	Cartridge, Valve (Steer Relief)	
115	70004585	1	Cartridge, Valve (Lift Check)	
116	70004928	1	Filter 300 micron	
117	70003707	3	Coil	
118	70004951	1	Pipe, Suction	
119	70004952	1	Pipe, Return	
120	70004935	1	Filter, Bypass	
121	70004936	3	O-Ring	
122	70005242	1	Kit, Tank (Includes tank, plug, "o"-ring and screws)	
123	70005235	1	Kit, Filter (Includes strainer and seal ring)	
124	70005236	1	Kit, Solenoid Valve (Includes solenoid, coil and lever)	
125	70005237	2	Kit, Fitting (Includes adapter, seal washer and plug)	
126	70004921	1	Plug	
127	70004654	1	Nut, Coil (for Item #112)	
128	70005238	1	Nut, Retaining (for Item #113)	
129	70004971	1	Kit, Brush	
130	70004972	1	Nut M8	

PARTS FINDER

**Search Website
by Part Number**



**Search Manual
Library For Parts
Manual & Lookup Part
Numbers – Purchase
or Request Quote**

**Can't Find Part or
Manual? Request Help
by Manufacturer,
Model & Description**

Discount-Equipment.com is your online resource for quality parts & equipment.

Florida: **561-964-4949** Outside Florida TOLL FREE: **877-690-3101**

Need parts?

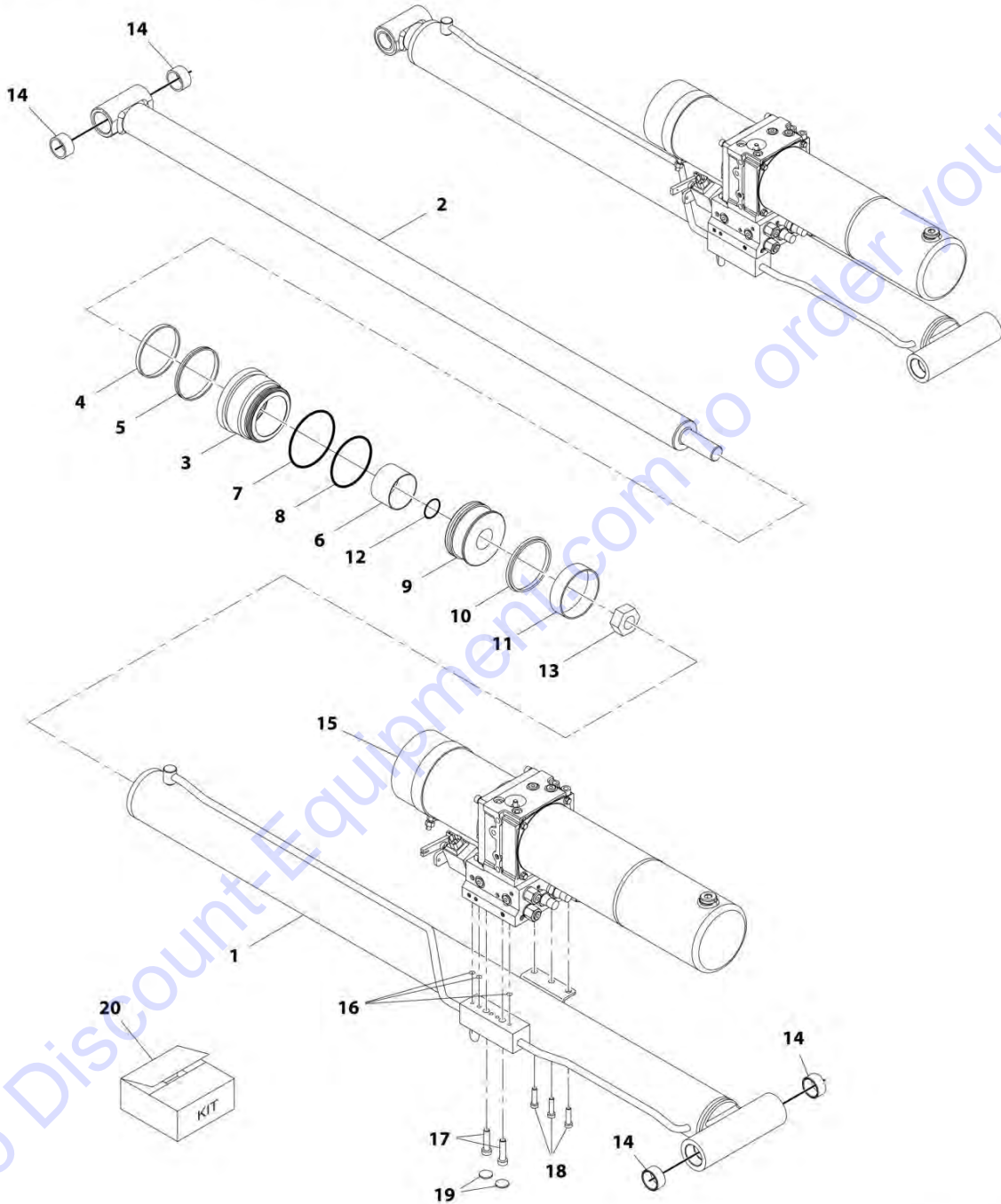
Click on this link: <http://www.discount-equipment.com/category/5443-parts/> and choose one of the options to help get the right parts and equipment you are looking for. Please have the machine model and serial number available in order to help us get you the correct parts. If you don't find the part on the website or on one of the online manuals, please fill out the request form and one of our experienced staff members will get back to you with a quote for the right part that your machine needs.

We sell worldwide for the brands: Genie, Terex, JLG, MultiQuip, Mikasa, Essick, Whiteman, Mayco, Toro Stone, Diamond Products, Generac Magnum, Airman, Haulotte, Barreto, Power Blanket, Nifty Lift, Atlas Copco, Chicago Pneumatic, Allmand, Miller Curber, Skyjack, Lull, Skytrak, Tsurumi, Husquvarna Target, Stow, Wacker, Sakai, Mi-T-M, Sullair, Basic, Dynapac, MBW, Weber, Bartell, Bennar Newman, Haulotte, Ditch Runner, Menegotti, Morrison, Contec, Buddy, Crown, Edco, Wyco, Bomag, Laymor, EZ Trench, Bil-Jax, F.S. Curtis, Gehl Pavers, Heli, Honda, ICS/PowerGrit, IHI, Partner, Imer, Clipper, MMD, Koshin, Rice, CH&E, General Equipment, Amida, Coleman, NAC, Gradall, Square Shooter, Kent, Stanley, Tamco, Toku, Hatz, Kohler, Robin, Wisconsin, Northrock, Oztec, Toker TK, Rol-Air, APT, Wylie, Ingersoll Rand / Doosan, Innovatech, Con X, Ammann, Mecalac, Makinex, Smith Surface Prep, Small Line, Wanco, Yanmar

SECTION 5 - CYLINDER

FIGURE 5-10. LIFT CYLINDER ASSEMBLY - 3246ES WITH STANDARD HYDRAULIC OIL (SH-PAC)

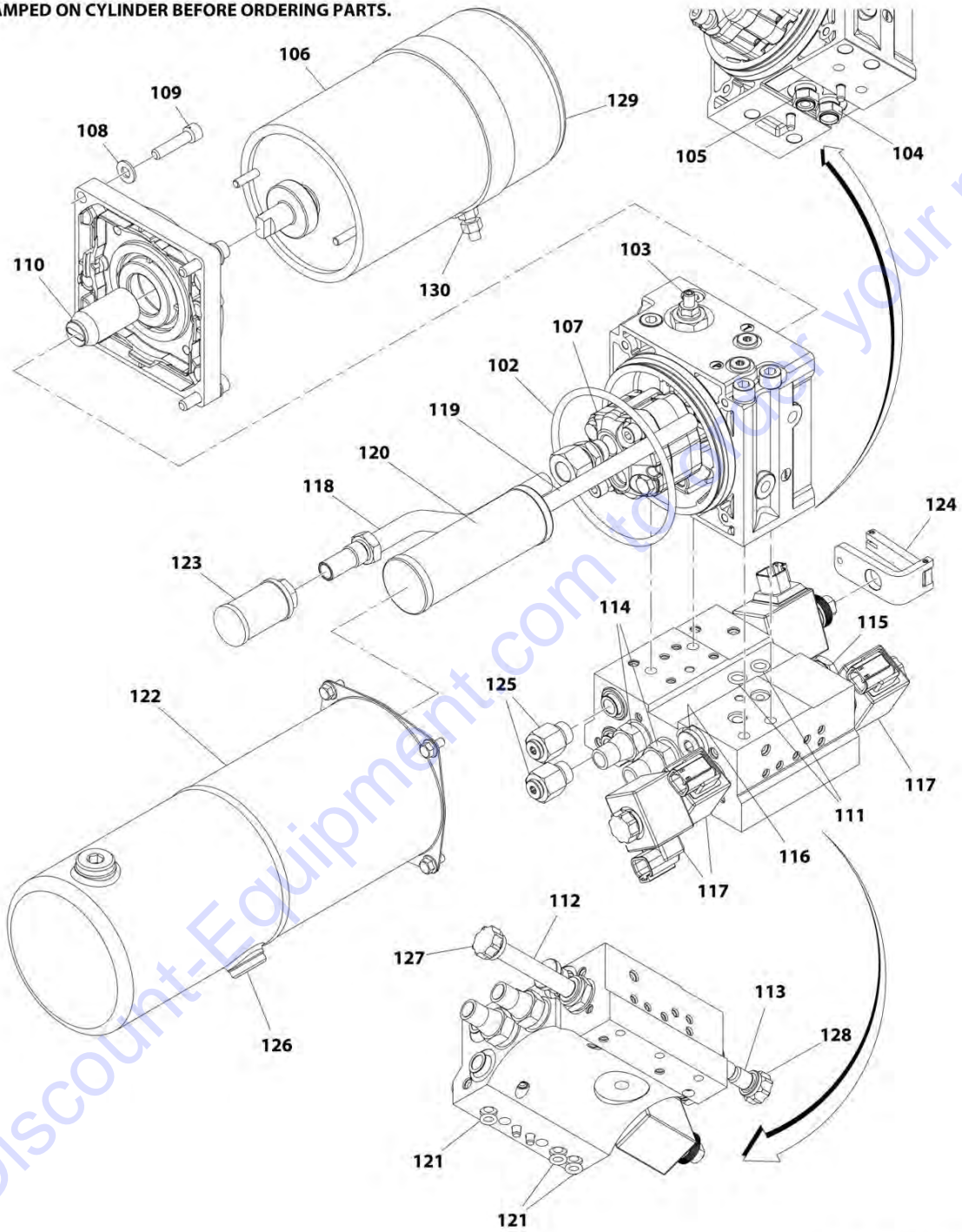
NOTE: IDENTIFY THE PART NUMBER STAMPED ON CYLINDER BEFORE ORDERING PARTS.



ART_1001129292_10F2

SECTION 5 - CYLINDER

NOTE: IDENTIFY THE PART NUMBER
STAMPED ON CYLINDER BEFORE ORDERING PARTS.



ART_1001129292_20F2

SECTION 5 - CYLINDER

FIGURE 5-10. LIFT CYLINDER ASSEMBLY - 3246ES WITH STANDARD HYDRAULIC OIL (SH-PAC)

ITEM	PART NUMBER	QTY	DESCRIPTION	REV
	1001129292	Ref	LIFT CYLINDER ASSEMBLY - 3246ES WITH STANDARD HYDRAULIC OIL (SH-PAC)	F
		Ref	Note: Original Cylinder May Have Been Replaced with Service Replacement. Identify PN Stamped on Cylinder Before Ordering Parts.	
1	70004641	1	Barrel	
2	70004635	1	Rod	
3	70004636	1	Head, Cylinder	
4	See Note	NSS	Seal, Dust (Note: Use Item 20)	
5	See Note	NSS	Seal (Note: Use Item 20)	
6	70004637	1	Bearing	
7	See Note	NSS	O-Ring (Note: Use Item 20)	
8	See Note	NSS	O-Ring (Note: Use Item 20)	
9	70004638	1	Piston	
10	See Note	NSS	Seal (Note: Use Item 20)	
11	See Note	NSS	Ring, Wear (Note: Use Item 20)	
12	See Note	NSS	O-Ring (Note: Use Item 20)	
13	70003663	1	Nut	
14	0962181	2	Bushing (Rod End)	
14	0962006	2	Bushing (Barrel End)	
15	70004953	1	Motor/Pump/Tank Assembly (See Items 102-121 for Breakdown)	
16	See Note	1	O-Ring (Note: Use Item 20)	
17	70004639	2	Capscrew M10 x 50	
18	70004625	3	Capscrew M8 x 20	
19	70004626	2	Plug, Extension	
20	70004640	1	Seal Kit - Cylinder (Includes Items 4, 5, 7, 8, 10, 11, 12 & 16)	
		Ref	MOTOR/PUMP/TANK ASSEMBLIES	
	70004953	1	Motor/Pump/Tank Assembly	
102	70004914	1	O-Ring	
103	70004915	1	Cartridge, Valve (Main Relief)	
104	70004916	1	Cartridge, Valve (Breather Vacuum Check)	
105	70001917	1	Cartridge, Valve (Breather Pressure Check)	
106	70004980	1	Kit, Motor (Includes motor, flange and ring)	
107	70005233	1	Kit, Pump (Includes pump and hardware)	
108	70004974	4	Washer M8	
109	70004975	4	Capscrew M8 x 60	
110	70004973	1	Shaft Coupling	
111	70004925	2	O-Ring	
112	70003028	1	Cartridge, Solenoid Valve Less Coil (Steer)	
113	70004926	1	Cartridge, Solenoid Valve Less Coil (Lift)	
114	70004927	2	Cartridge, Valve (Steer Relief)	
115	70004585	1	Cartridge, Valve (Lift Check)	
116	70004928	1	Filter 300 micron	
117	70003707	3	Coil	
118	70004951	1	Pipe, Suction	
119	70004952	1	Pipe, Return	
120	70004935	1	Filter, Bypass	
121	70004936	3	O-Ring	
122	70005242	1	Kit, Tank (Includes tank, plug, "o"-ring and screws)	
123	70005235	1	Kit, Filter (Includes strainer and seal ring)	

SECTION 5 - CYLINDER

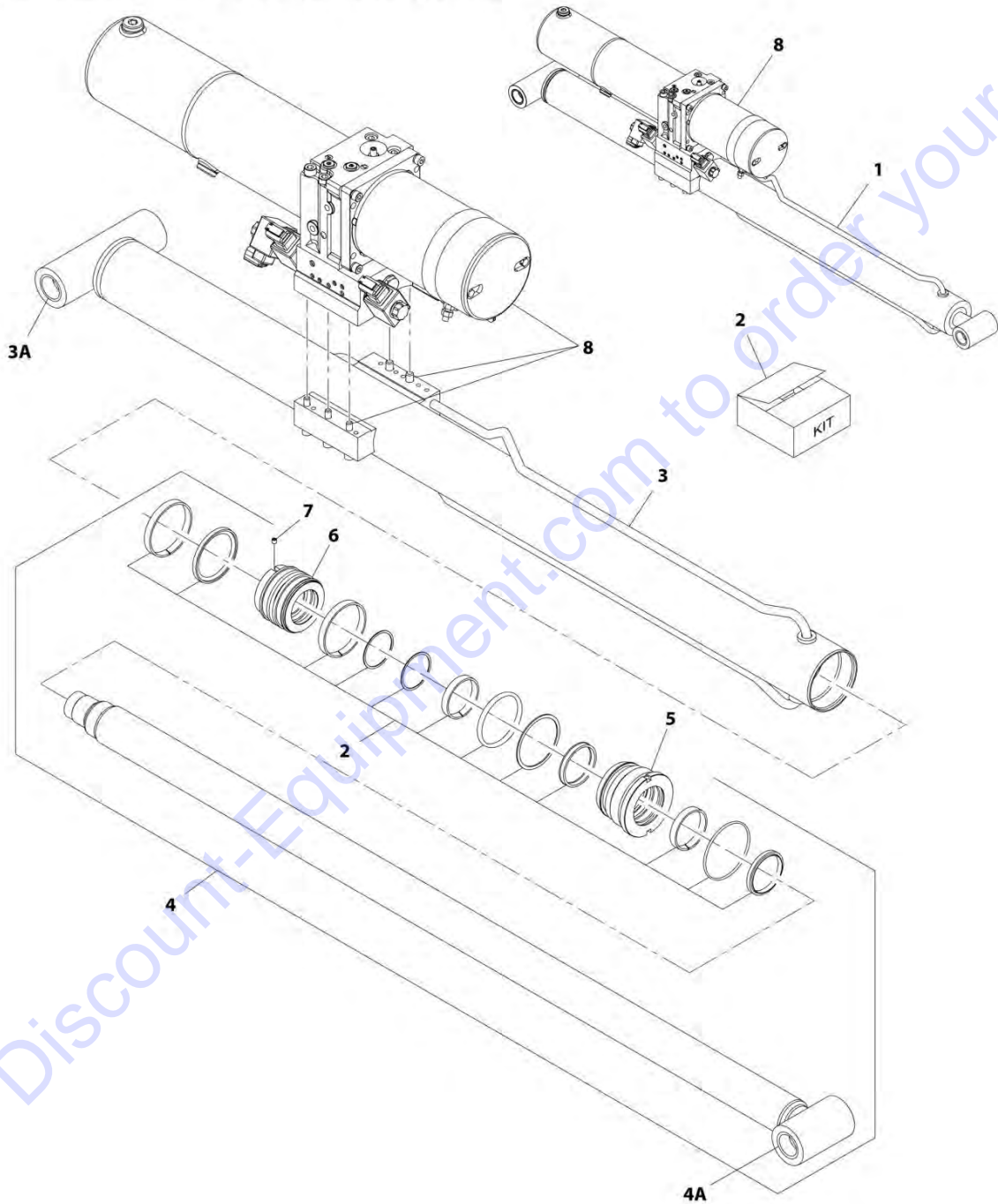
ITEM	PART NUMBER	QTY	DESCRIPTION	REV
124	70005236	1	Kit, Solenoid Valve (Includes solenoid, coil and lever)	
125	70005237	2	Kit, Fitting (Includes adapter, seal washer and plug)	
126	70004921	1	Plug	
127	70004654	1	Nut, Coil (for Item #112)	
128	70005238	1	Nut, Retaining (for Item #113)	
129	70004971	1	Kit, Brush	
130	70004972	1	Nut M8	

Go to Discount-Equipment.com to order your parts

SECTION 5 - CYLINDER

FIGURE 5-11. LIFT CYLINDER ASSEMBLY - 3246ES WITH BIODEGRADEABLE HYDRAULIC OIL (SERTA)

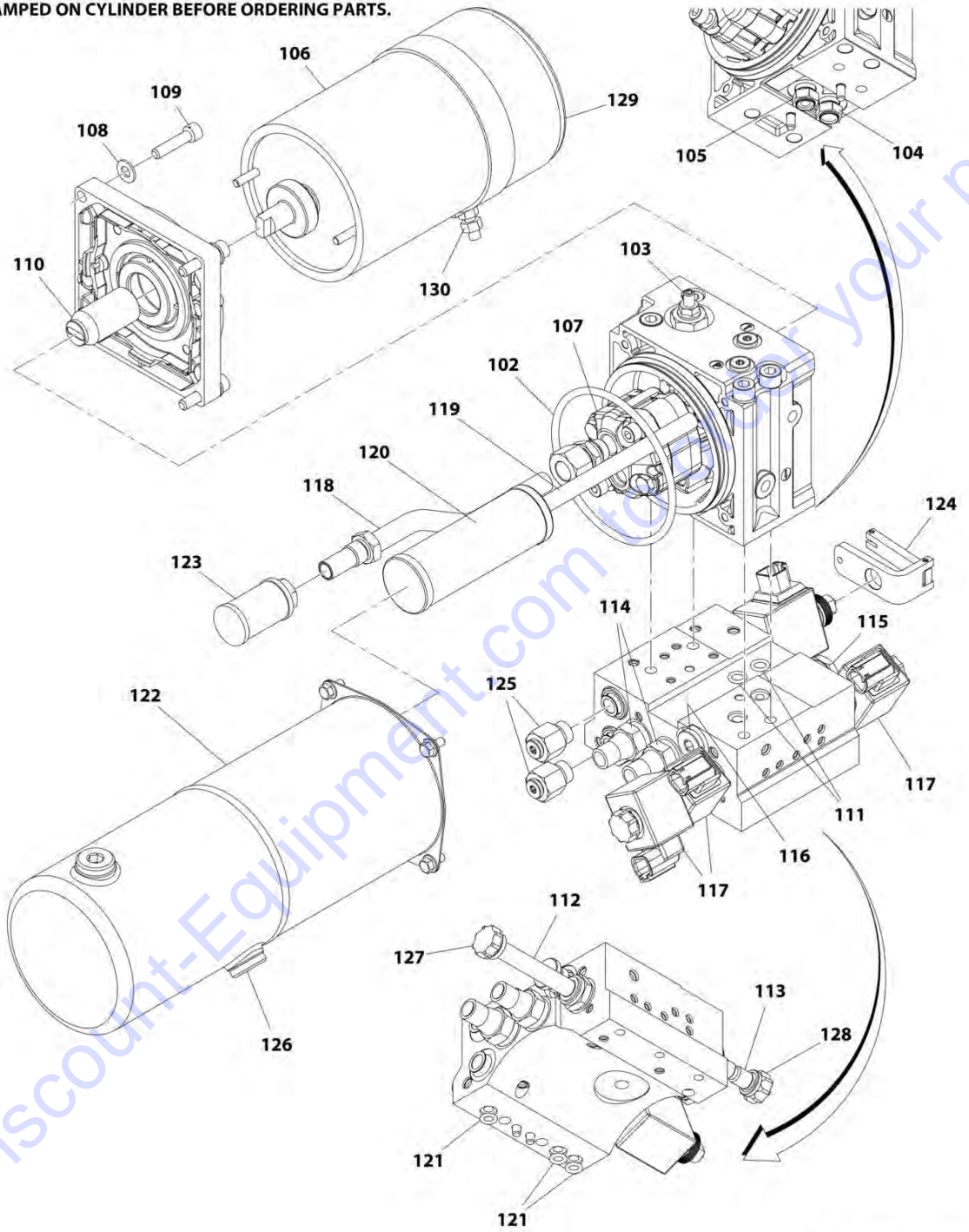
NOTE: IDENTIFY THE PART NUMBER STAMPED ON CYLINDER BEFORE ORDERING PARTS.



ART_1001157333_10F2

SECTION 5 - CYLINDER

NOTE: IDENTIFY THE PART NUMBER
STAMPED ON CYLINDER BEFORE ORDERING PARTS.



ART_1001157333_20F2

SECTION 5 - CYLINDER

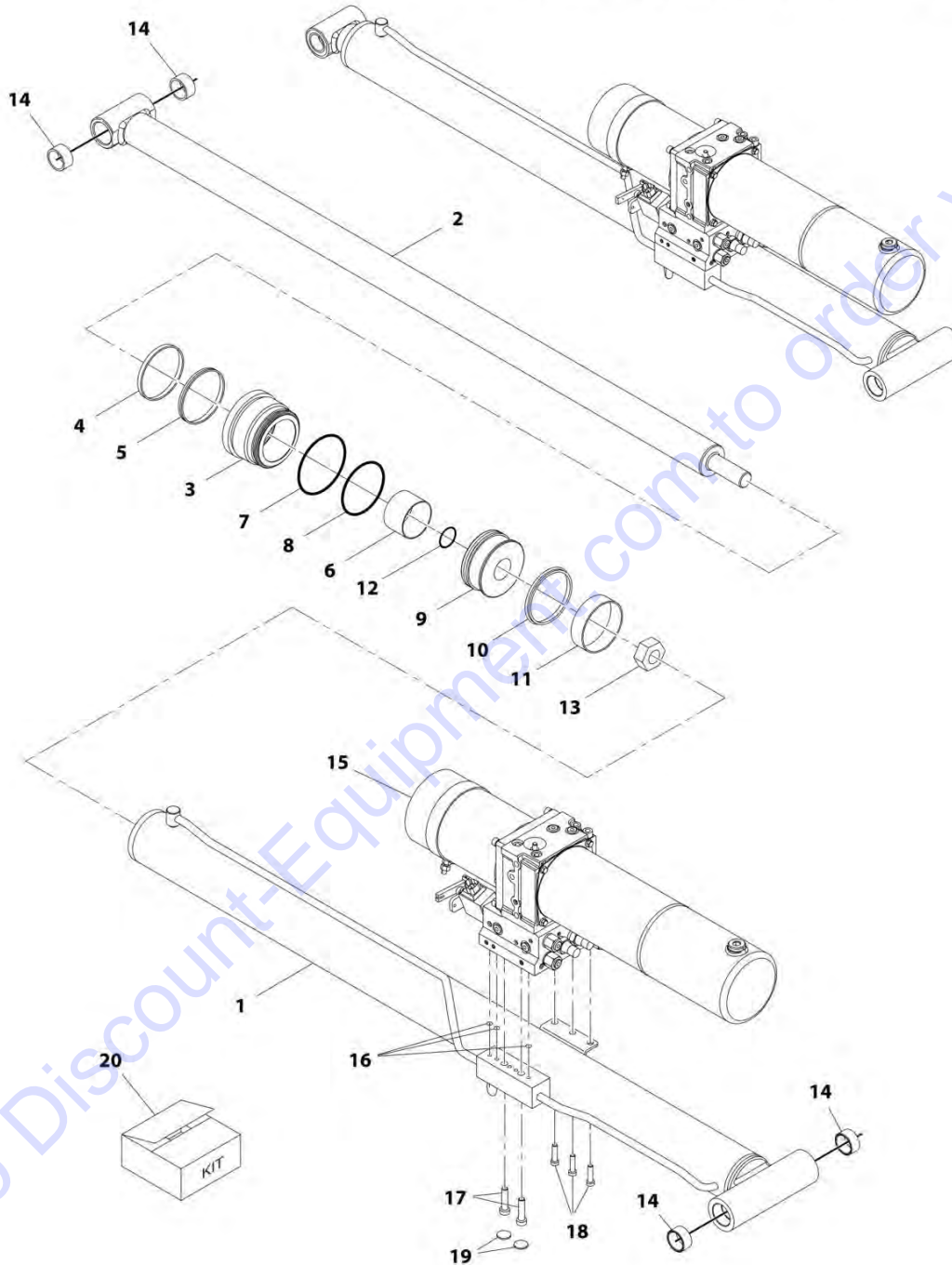
FIGURE 5-11. LIFT CYLINDER ASSEMBLY - 3246ES WITH BIODEGRADEABLE HYDRAULIC OIL (SERTA)

ITEM	PART NUMBER	QTY	DESCRIPTION	REV
	1001157333	Ref	LIFT CYLINDER ASSEMBLY - 3246ES WITH BIODEGRADEABLE HYDRAULIC OIL (SERTA)	C
		Ref	Note: Original Cylinder May Have Been Replaced with Service Replacement. Identify PN Stamped on Cylinder Before Ordering Parts.	
1	70004737	1	Cylinder Assembly Less Powerpack	
2	70004736	1	Seal Kit	
3	70004735	1	Barrel (Includes Item 3A)	
3A	0962006	2	Bushing	
4	70004734	1	Rod (Includes Items 2, 4A, 5, 6 & 7)	
4A	0962181	2	Bushing	
5	70006092	1	Head, Cylinder	
6	70006091	1	Piston	
7	70020438	1	Screw	
8	70004953	1	Motor/Pump/Tank Assembly (See Items 102-121 for Breakdown)	
		Ref	MOTOR/PUMP/TANK ASSEMBLIES	
	70004953	Ref	Motor/Pump/Tank Assembly	
102	70004914	1	O-Ring	
103	70004915	1	Cartridge, Valve (Main Relief)	
104	70004916	1	Cartridge, Valve (Breather Vacuum Check)	
105	70004917	1	Cartridge, Valve (Breather Pressure Check)	
106	70004980	1	Kit, Motor (Includes motor, flange and ring)	
107	70005233	1	Kit, Pump (Includes pump and hardware)	
108	70004974	4	Washer M8	
109	70004975	4	Capscrew M8 x 60	
110	70004973	1	Shaft Coupling	
111	70004925	2	O-Ring	
112	70003028	1	Cartridge, Solenoid Valve Less Coil (Steer)	
113	70004926	1	Cartridge, Solenoid Valve Less Coil (Lift)	
114	70004927	2	Cartridge, Valve (Steer Relief)	
115	70004585	1	Cartridge, Valve (Lift Check)	
116	70004928	1	Filter 300 micron	
117	70003707	3	Coil	
118	70004951	1	Pipe, Suction	
119	70004952	1	Pipe, Return	
120	70004935	1	Filter, Bypass	
121	70004936	3	O-Ring	
122	70005242	1	Kit, Tank (Includes tank, plug, "o"-ring and screws)	
123	70005235	1	Kit, Filter (Includes strainer and seal ring)	
124	70005236	1	Kit, Solenoid Valve (Includes solenoid, coil and lever)	
125	70005237	2	Kit, Fitting (Includes adapter, seal washer and plug)	
126	70004921	1	Plug	
127	70004654	1	Nut, Coil (for Item #112)	
128	70005238	1	Nut, Retaining (for Item #113)	
129	70004971	1	Kit, Brush	
130	70004972	1	Nut M8	

SECTION 5 - CYLINDER

FIGURE 5-12. LIFT CYLINDER ASSEMBLY - 3246ES WITH BIODEGRADABLE HYDRAULIC OIL (SH-PAC)

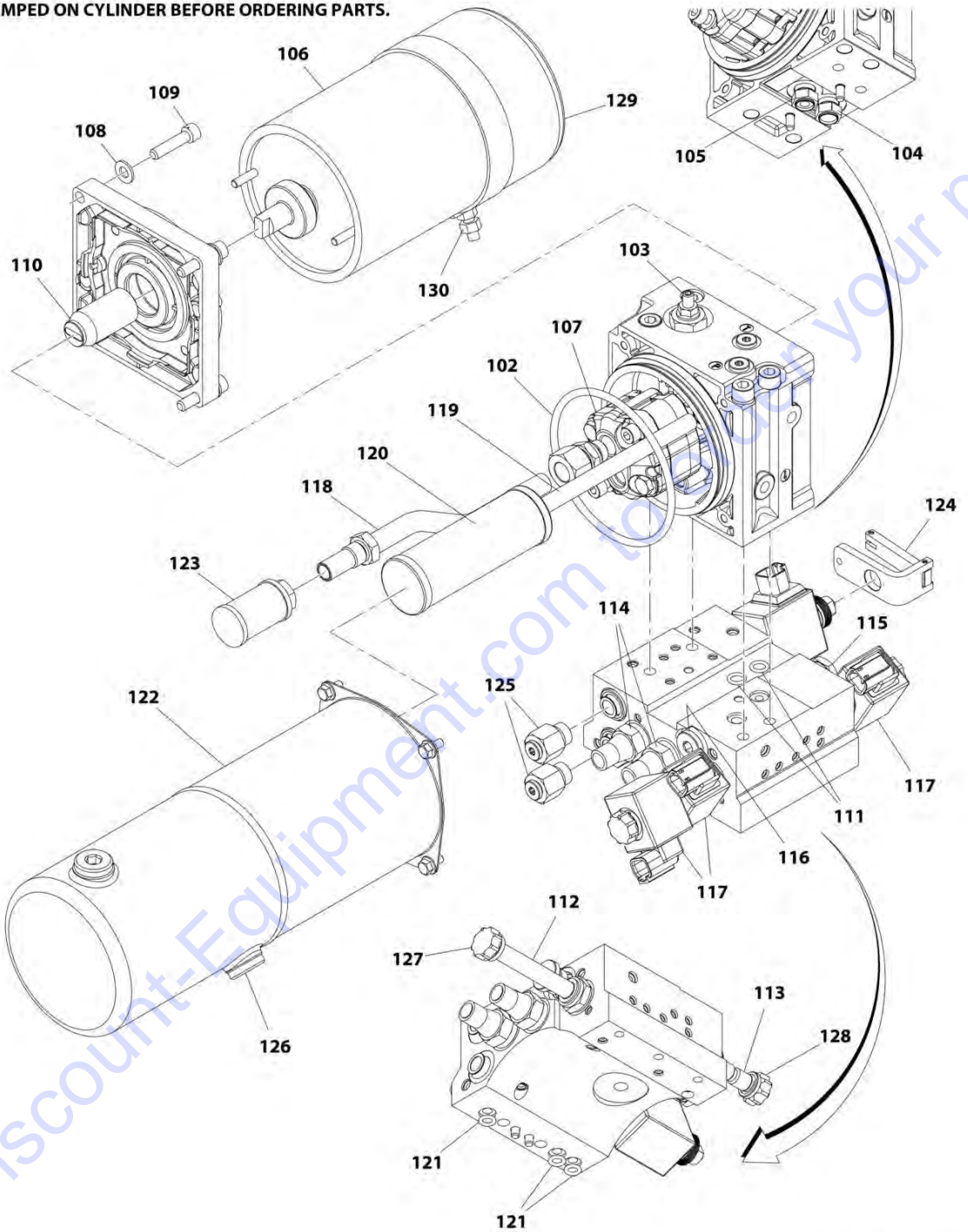
NOTE: IDENTIFY THE PART NUMBER STAMPED ON CYLINDER BEFORE ORDERING PARTS.



ART_1001131037_10F2

SECTION 5 - CYLINDER

NOTE: IDENTIFY THE PART NUMBER
STAMPED ON CYLINDER BEFORE ORDERING PARTS.



ART_1001131037_20F2

SECTION 5 - CYLINDER

FIGURE 5-12. LIFT CYLINDER ASSEMBLY - 3246ES WITH BIODEGRADEABLE HYDRAULIC OIL (SH-PAC)

ITEM	PART NUMBER	QTY	DESCRIPTION	REV
	1001131037	Ref	LIFT CYLINDER ASSEMBLY - 3246ES WITH BIODEGRADEABLE HYDRAULIC OIL (SH-PAC)	F
		Ref	Note: Original Cylinder May Have Been Replaced with Service Replacement. Identify PN Stamped on Cylinder Before Ordering Parts.	
1	70004641	1	Barrel	
2	70004635	1	Rod	
3	70004636	1	Head, Cylinder	
4	See Note	NSS	Seal, Dust (Note: Use Item 20)	
5	See Note	NSS	Seal (Note: Use Item 20)	
6	70004637	1	Bearing	
7	See Note	NSS	O-Ring (Note: Use Item 20)	
8	See Note	NSS	O-Ring (Note: Use Item 20)	
9	70004638	1	Piston	
10	See Note	NSS	Seal (Note: Use Item 20)	
11	See Note	NSS	Ring, Wear (Note: Use Item 20)	
12	See Note	NSS	O-Ring (Note: Use Item 20)	
13	70003663	1	Nut	
14	0962181	2	Bushing (Rod End)	
14	0962006	2	Bushing (Barrel End)	
15	70004953	1	Motor/Pump/Tank Assembly (See Items 102-121 for Breakdown)	
16	See Note	1	O-Ring (Note: Use Item 20)	
17	70004639	2	Capscrew M10 x 50	
18	70004625	3	Capscrew M8 x 20	
19	70004626	2	Plug, Extension	
20	70004640	1	Seal Kit - Cylinder (Includes Items 4, 5, 7, 8, 10, 11, 12 & 16)	
		Ref	MOTOR/PUMP/TANK ASSEMBLIES	
	70004953	1	Motor/Pump/Tank Assembly	
102	70004914	1	O-Ring	
103	70004915	1	Cartridge, Valve (Main Relief)	
104	70004916	1	Cartridge, Valve (Breather Vacuum Check)	
105	70004917	1	Cartridge, Valve (Breather Pressure Check)	
106	70004980	1	Kit, Motor (Includes motor, flange and ring)	
107	70005233	1	Kit, Pump (Includes pump and hardware)	
108	70004974	4	Washer M8	
109	70004975	4	Capscrew M8 x 60	
110	70004973	1	Shaft Coupling	
111	70004925	2	O-Ring	
112	70003028	1	Cartridge, Solenoid Valve Less Coil (Steer)	
113	70004926	1	Cartridge, Solenoid Valve Less Coil (Lift)	
114	70004927	2	Cartridge, Valve (Steer Relief)	
115	70004585	1	Cartridge, Valve (Lift Check)	
116	70004928	1	Filter 300 micron	
117	70003707	3	Coil	
118	70004951	1	Pipe, Suction	
119	70004952	1	Pipe, Return	
120	70004935	1	Filter, Bypass	
121	70004936	3	O-Ring	
122	70005242	1	Kit, Tank (Includes tank, plug, "o"-ring and screws)	

SECTION 5 - CYLINDER

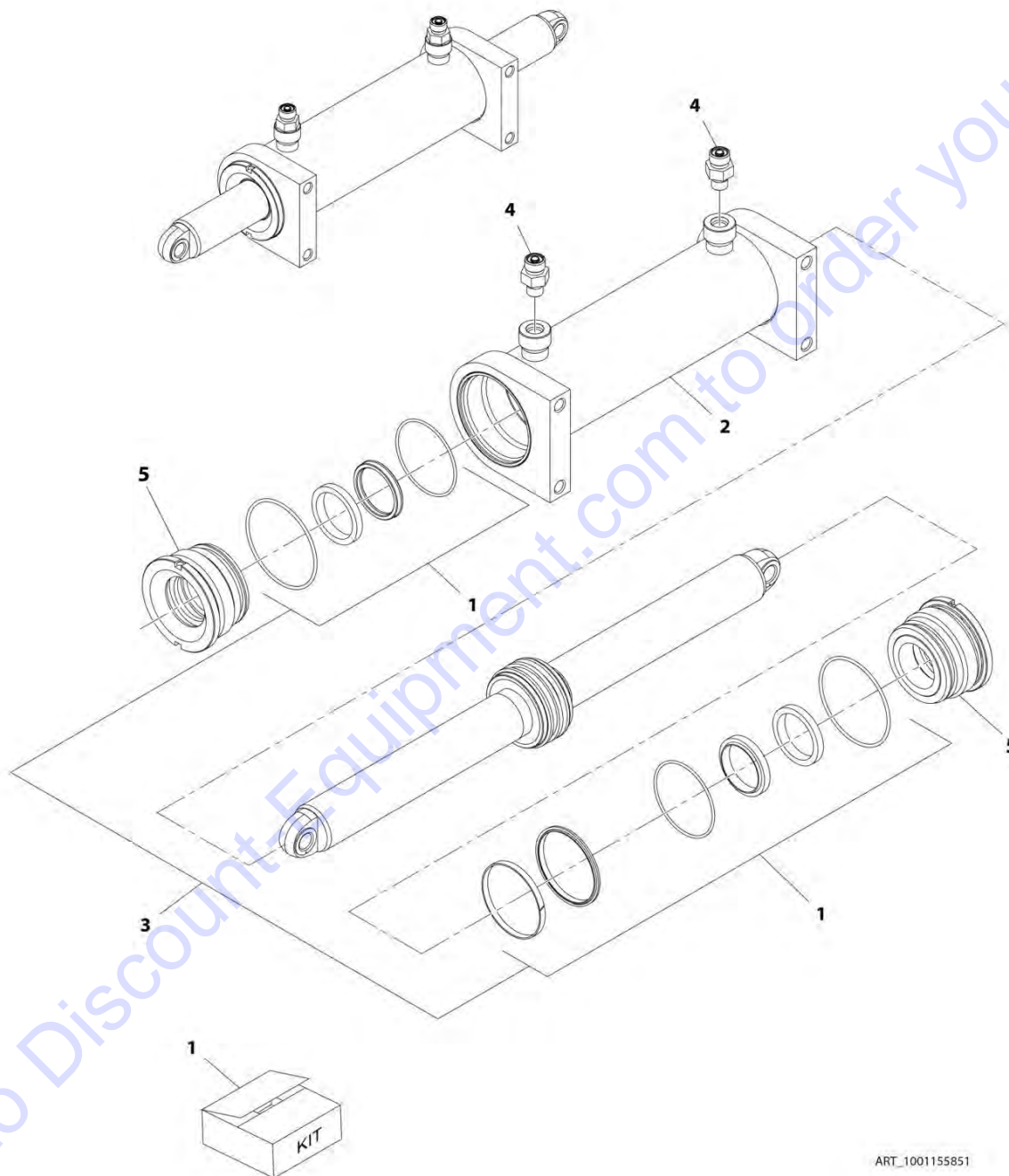
ITEM	PART NUMBER	QTY	DESCRIPTION	REV
123	70005235	1	Kit, Filter (Includes strainer and seal ring)	
124	70005236	1	Kit, Solenoid Valve (Includes solenoid, coil and lever)	
125	70005237	2	Kit, Fitting (Includes adapter, seal washer and plug)	
126	70004921	1	Plug	
127	70004654	1	Nut, Coil (for Item #112)	
128	70005238	1	Nut, Retaining (for Item #113)	
129	70004971	1	Kit, Brush	
130	70004972	1	Nut M8	

Go to Discount-Equipment.com to order your parts

SECTION 5 - CYLINDER

FIGURE 5-13. STEER CYLINDER ASSEMBLY (SERTA)

NOTE: IDENTIFY THE PART NUMBER STAMPED ON CYLINDER BEFORE ORDERING PARTS.



ART_1001155851

SECTION 5 - CYLINDER

FIGURE 5-13. STEER CYLINDER ASSEMBLY (SERTA)

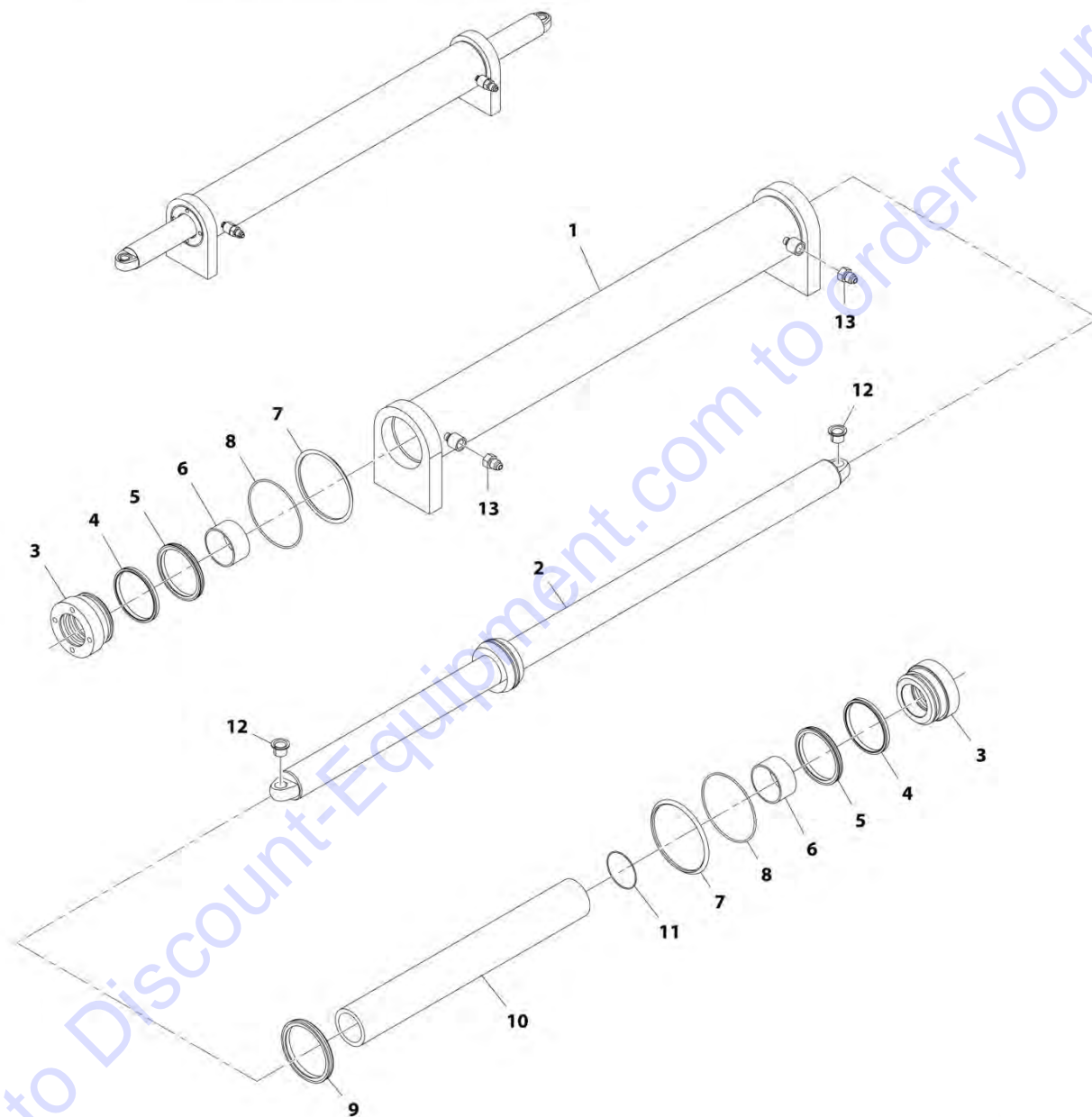
ITEM	PART NUMBER	QTY	DESCRIPTION	REV
	1001155851	Ref	STEER CYLINDER ASSEMBLY (SERTA)	B
		Ref	Note: Original Cylinder May Have Been Replaced with Service Replacement. Identify PN Stamped on Cylinder Before Ordering Parts.	
1	70004784	1	Seal Kit - Cylinder	
2	70004783	1	Barrel, Cylinder	
3	70004782	1	Rod, Cylinder	
4	2110404	2	Fitting, Straight ORFS/ORB	
5	70006342	2	Head	

Go to Discount-Equipment.com to order your parts

SECTION 5 - CYLINDER

FIGURE 5-14. STEER CYLINDER ASSEMBLY (SH-PAC)

NOTE: IDENTIFY THE PART NUMBER STAMPED ON CYLINDER BEFORE ORDERING PARTS.



ART_1001129268

SECTION 5 - CYLINDER

FIGURE 5-14. STEER CYLINDER ASSEMBLY (SH-PAC)

ITEM	PART NUMBER	QTY	DESCRIPTION	REV
	1001129268	Ref	STEER CYLINDER ASSEMBLY (SH-PAC)	D
		Ref	Note: Original Cylinder May Have Been Replaced with Service Replacement. Identify PN Stamped on Cylinder Before Ordering Parts.	
1	70004243	1	Barrel, Cylinder	
2	70004242	1	Rod, Cylinder	
3	70004241	2	Head, Cylinder	
4	See Note	NSS	Seal, Dust (Note: Use Item 12)	
5	See Note	NSS	Seal (Note: Use Item 12)	
6	See Note	NSS	Bearing (Note: Use Item 12)	
7	See Note	NSS	O-Ring (Note: Use Item 12)	
8	See Note	NSS	O-Ring (Note: Use Item 12)	
9	See Note	NSS	Seal (Note: Use Item 12)	
10	0440259	2	Bearing	
11	2110404	2	Fitting, Straight ORFS/ORB	
12	70004239	1	Seal Kit (Includes Items 4-9)	
13	70004240	1	Spacer	

Go to Discount-Equipment.com to order your parts

SECTION 6 - HYDRAULIC

Go to Discount-Equipment.com to order your parts

SECTION 6 - HYDRAULIC

FIGURE 6-1. HYDRAULIC DIAGRAM LIST

ITEM	PART NUMBER	QTY	DESCRIPTION	REV
		Ref	HYDRAULIC DIAGRAM LIST	
		Ref	Note: For hoses and fittings associated with steering, see Steering Installation.	
	2792599	Ref	Hydraulic Schematic - USA Built Machines (Not Shown - See Service Manual)	
	1001143663	Ref	Hydraulic Schematic - China Built Machines (Not Shown - See Service Manual)	

SECTION 7 - ELECTRICAL

Go to Discount-Equipment.com to order your parts

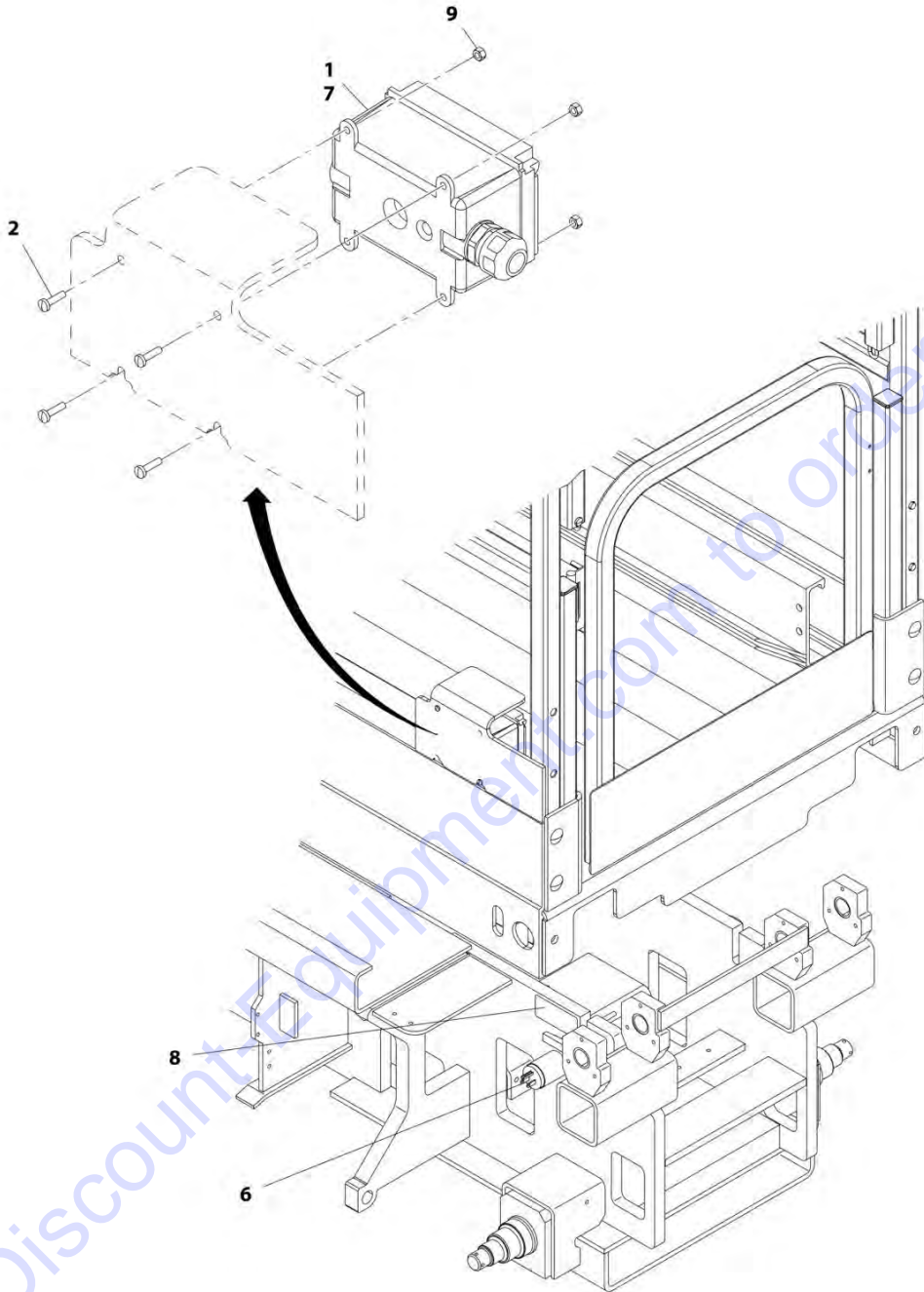
SECTION 7 - ELECTRICAL

FIGURE 7-1. ELECTRICAL DIAGRAM LIST

ITEM	PART NUMBER	QTY	DESCRIPTION	REV
		Ref	ELECTRICAL DIAGRAM LIST	
		Ref	Note: See Service Manual for schematic. For information on diagrams, go to Discount-equipment.com	
	0272839	Ref	AC Box at Platform Installation - 110V GFI	
	0275487	Ref	AC to Platform Electrical Diagram - 110 IEC Yellow (CE Spec Only)	
	0275488	Ref	AC to Platform Electrical Diagram - 220V IEC Blue (CE Spec Only)	
	0275486	Ref	AC to Platform Electrical Diagram - 220V AFSINT107 (CE Spec Only)	
	1001162447	Ref	AC to Platform Electrical Diagram - 220V CEE7 Side Ground (CE Spec Only)	
	1001162449	Ref	AC to Platform Electrical Diagram - 220V CEE7 Post Ground (CE Spec Only)	
	1001096628	Ref	AC to Platform Electrical Diagram - (Dual) 220V CEE7 Side Ground (CE Spec Only) - 2646ES	
	1001166759	Ref	Electrical Schematic (Not Shown - See Service Manual)	

SECTION 7 - ELECTRICAL

FIGURE 7-2. AC BOX AT PLATFORM INSTALLATION - 110V GFI



ART_0272839

SECTION 7 - ELECTRICAL

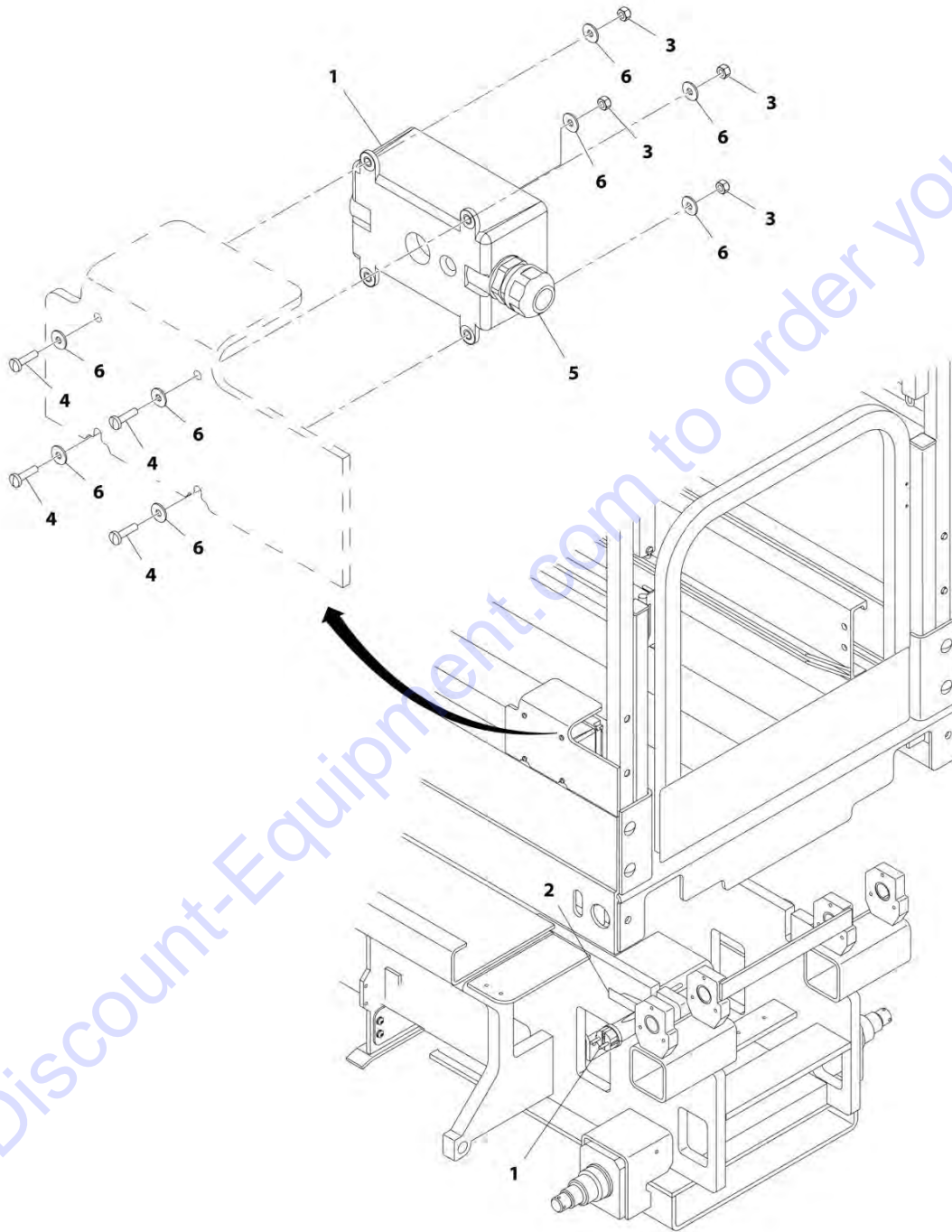
FIGURE 7-2. AC BOX AT PLATFORM INSTALLATION - 110V GFI

ITEM	PART NUMBER	QTY	DESCRIPTION	REV
	0272839	Ref	AC BOX AT PLATFORM INSTALLATION - 110V GFI	I
1	2902431	1	Receptacle Box Kit - 110V GFI (See RECEPTACLE BOX KIT - 110V GFI for Breakdown)	
2	4010408	4	Screw M4 x 16	
6	4460138	1	Plug, Male	
7	4460315	3	Terminal	
8	1703464	1	Decal - 120V-60Hz AC Power to Platform	
9	3290405	4	Nut M4	

Go to Discount-Equipment.com to order your parts

SECTION 7 - ELECTRICAL

FIGURE 7-3. AC BOX AT PLATFORM INSTALLATION - 220V CEE7 SIDE GRD (ANSI EXPORT SPEC ONLY)



ART_1001162447

SECTION 7 - ELECTRICAL

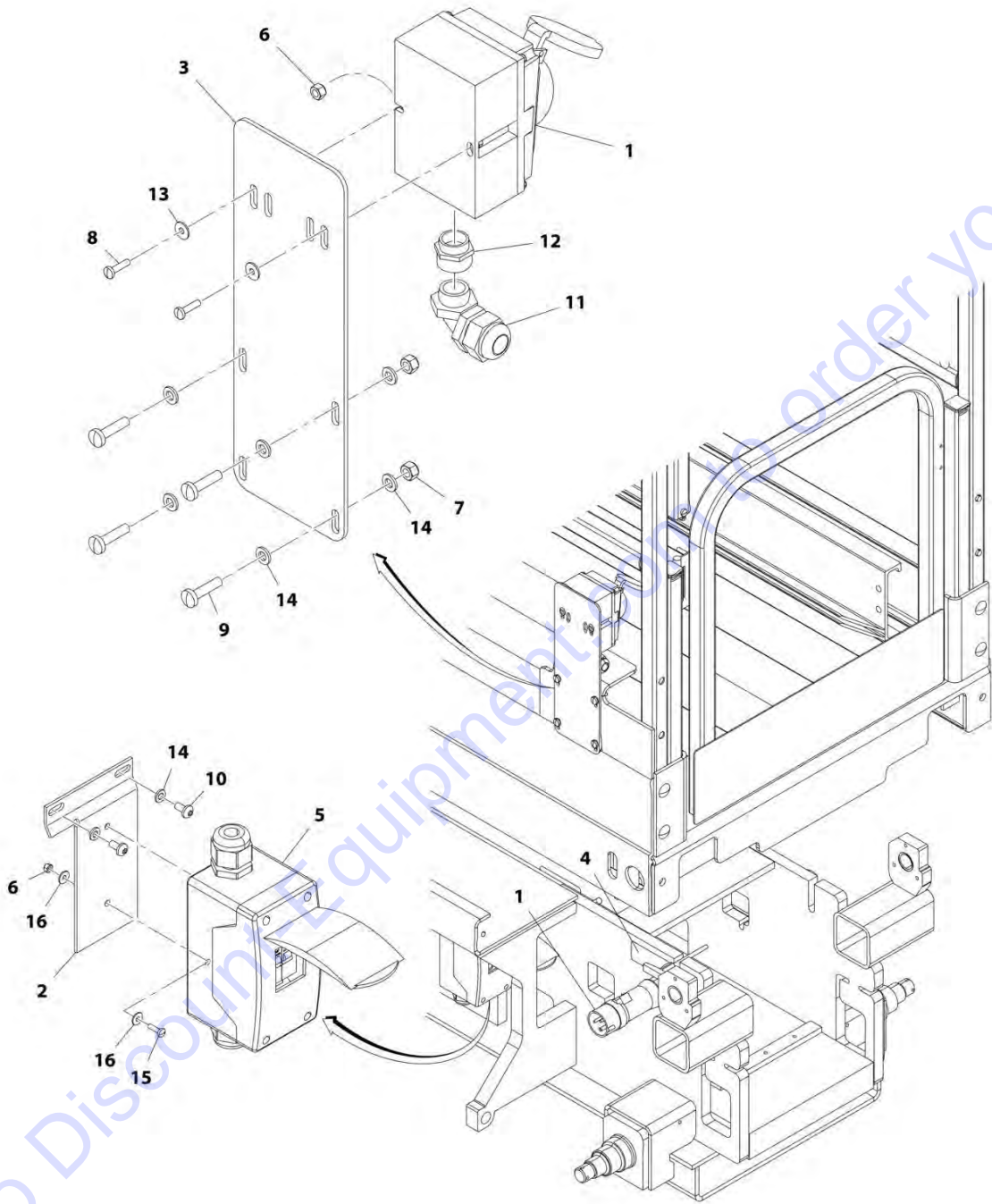
FIGURE 7-3. AC BOX AT PLATFORM INSTALLATION - 220V CEE7 SIDE GRD (ANSI EXPORT SPEC ONLY)

ITEM	PART NUMBER	QTY	DESCRIPTION	REV
	1001211593	Ref	AC BOX AT PLATFORM INSTALLATION - 220V CEE7 SIDE GRD	A
1	0275453	1	Receptacle Box Kit - 220V CEE7 Side Ground (See RECEPTACLE BOX KIT - 220V CEE7 SIDE GROUND for Breakdown)	
2	3252507	1	Decal - 220V-50/60Hz	
3	3290405	4	Nut M4	
4	4010408	4	Screw M4 x 16	
5	4460662	1	Connector, Strain Relief	
6	1001091102	8	Washer M4	

Go to Discount-Equipment.com to order your parts

SECTION 7 - ELECTRICAL

FIGURE 7-4. AC BOX AT PLATFORM INSTALLATION - 110V IEC YELLOW (CE SPEC ONLY)



ART_0275487

SECTION 7 - ELECTRICAL

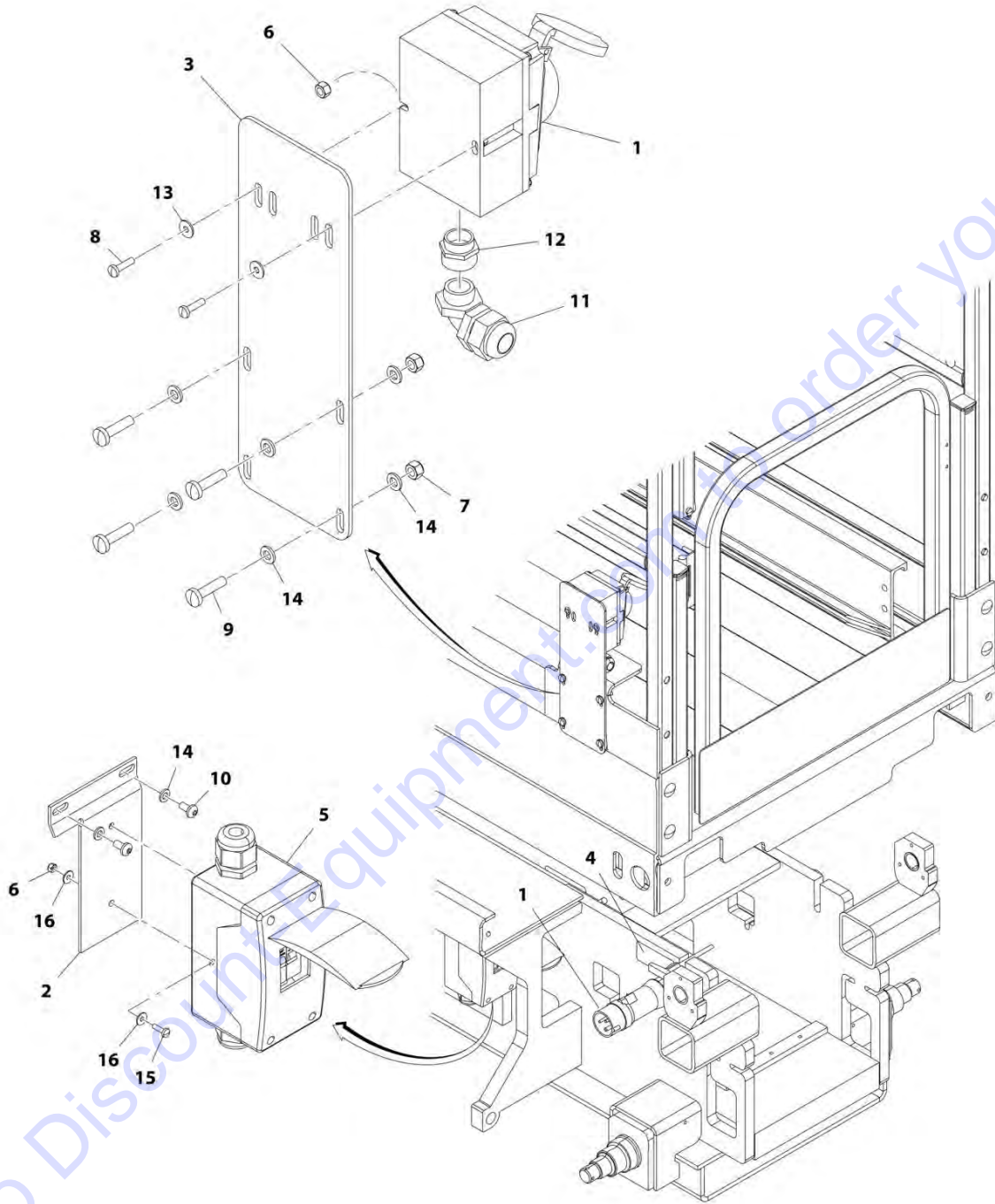
FIGURE 7-4. AC BOX AT PLATFORM INSTALLATION - 110V IEC YELLOW (CE SPEC ONLY)

ITEM	PART NUMBER	QTY	DESCRIPTION	REV
	0275487	Ref	AC BOX AT PLATFORM INSTALLATION - 110V IEC YELLOW	E
1	0275216	1	Receptacle Box Kit - 110V IEC Yellow (See RECEPTACLE BOX KIT - 110V IEC YELLOW for Breakdown)	
2	0903566	1	Bracket	
3	0903569	1	Bracket	
4	1703464	1	Decal - 120V-60Hz	
5	2902541	1	Breaker Box Kit (See BREAKER BOX KIT WITH TWO BREAKERS for Breakdown)	
6	3290405	4	Nut M4	
7	3290605	4	Nut M6	
8	4010408	2	Screw M4 x 16	
9	4010612	4	Screw M6 x 25	
10	4191706	2	Screw M6 x 12	
11	4461257	1	Connector, Strain Relief	
12	4461258	1	Adapter	
13	4811400	2	Washer M4	
14	4811700	10	Washer M6	
15	1001101540	2	Screw M4 x 14	
16	1001091102	4	Washer M4	

Go to Discount-Equipment.com to order your parts

SECTION 7 - ELECTRICAL

FIGURE 7-5. AC BOX AT PLATFORM INSTALLATION - 220V IEC BLUE (CE SPEC ONLY)



ART_0275488

SECTION 7 - ELECTRICAL

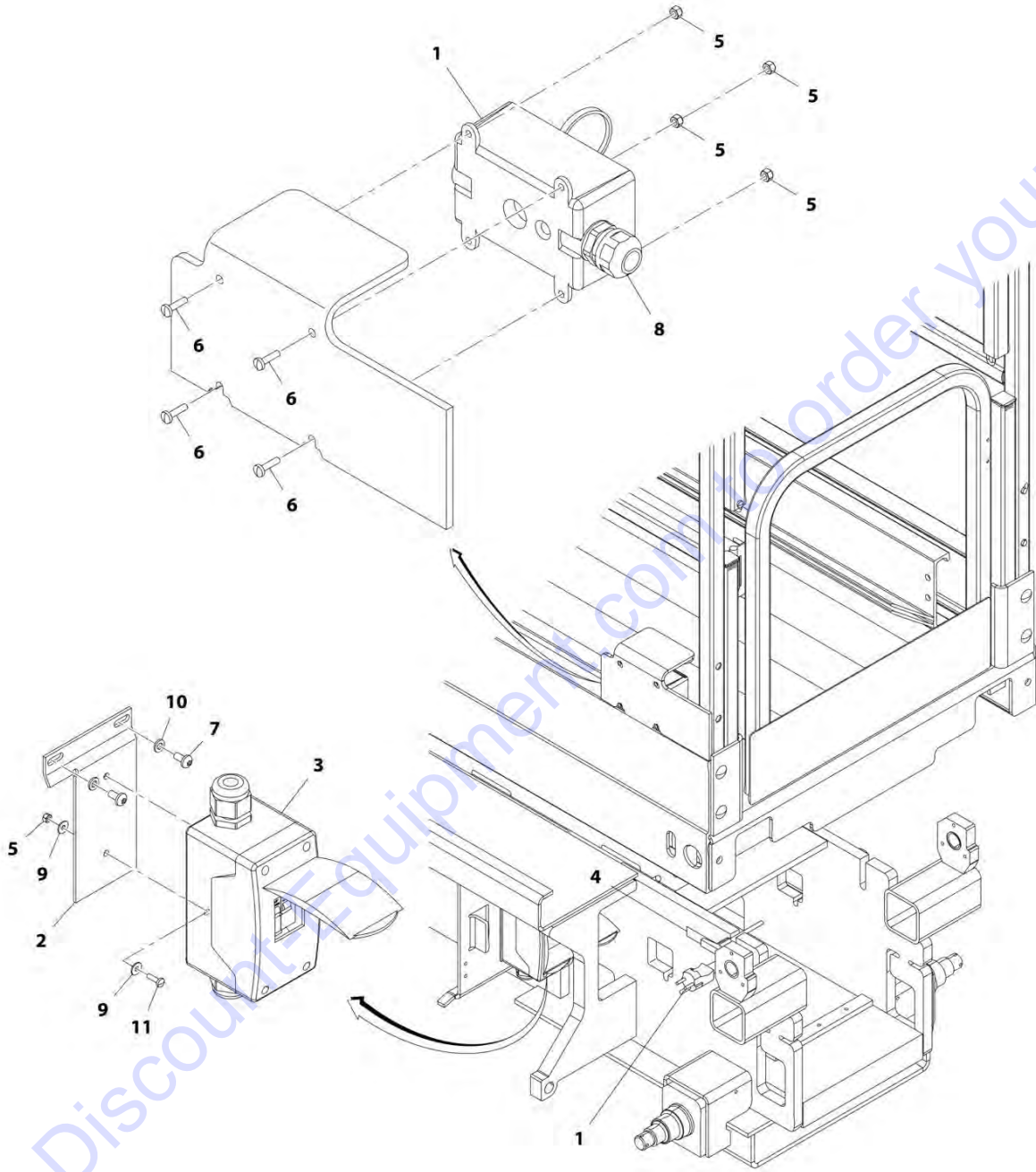
FIGURE 7-5. AC BOX AT PLATFORM INSTALLATION - 220V IEC BLUE (CE SPEC ONLY)

ITEM	PART NUMBER	QTY	DESCRIPTION	REV
	0275488	Ref	AC BOX AT PLATFORM INSTALLATION - 220V IEC BLUE	E
1	0275217	1	Receptacle Box Kit - 220V IEC Blue (See RECEPTACLE BOX KIT - 220V IEC BLUE for Breakdown)	
2	0903566	1	Bracket	
3	0903569	1	Bracket	
4	3252507	1	Decal - 220V-50/60Hz	
5	2902541	1	Breaker Box Kit (See BREAKER BOX KIT WITH TWO BREAKERS for Breakdown)	
6	3290405	4	Nut M4	
7	3290605	4	Nut M6	
8	4010408	2	Screw M4 x 16	
9	4010612	4	Screw M6 x 25	
10	4191706	2	Screw M6 x 12	
11	4461257	1	Connector, Strain Relief	
12	4461258	1	Adapter	
13	4811400	2	Washer M4	
14	4811700	10	Washer M6	
15	1001101540	2	Screw M4 x 14	
16	1001091102	4	Washer M4	

Go to Discount-Equipment.com to order your parts

SECTION 7 - ELECTRICAL

FIGURE 7-6. AC BOX AT PLATFORM INSTALLATION - 220V AFSINT107 (CE SPEC ONLY)



ART_0275486

SECTION 7 - ELECTRICAL

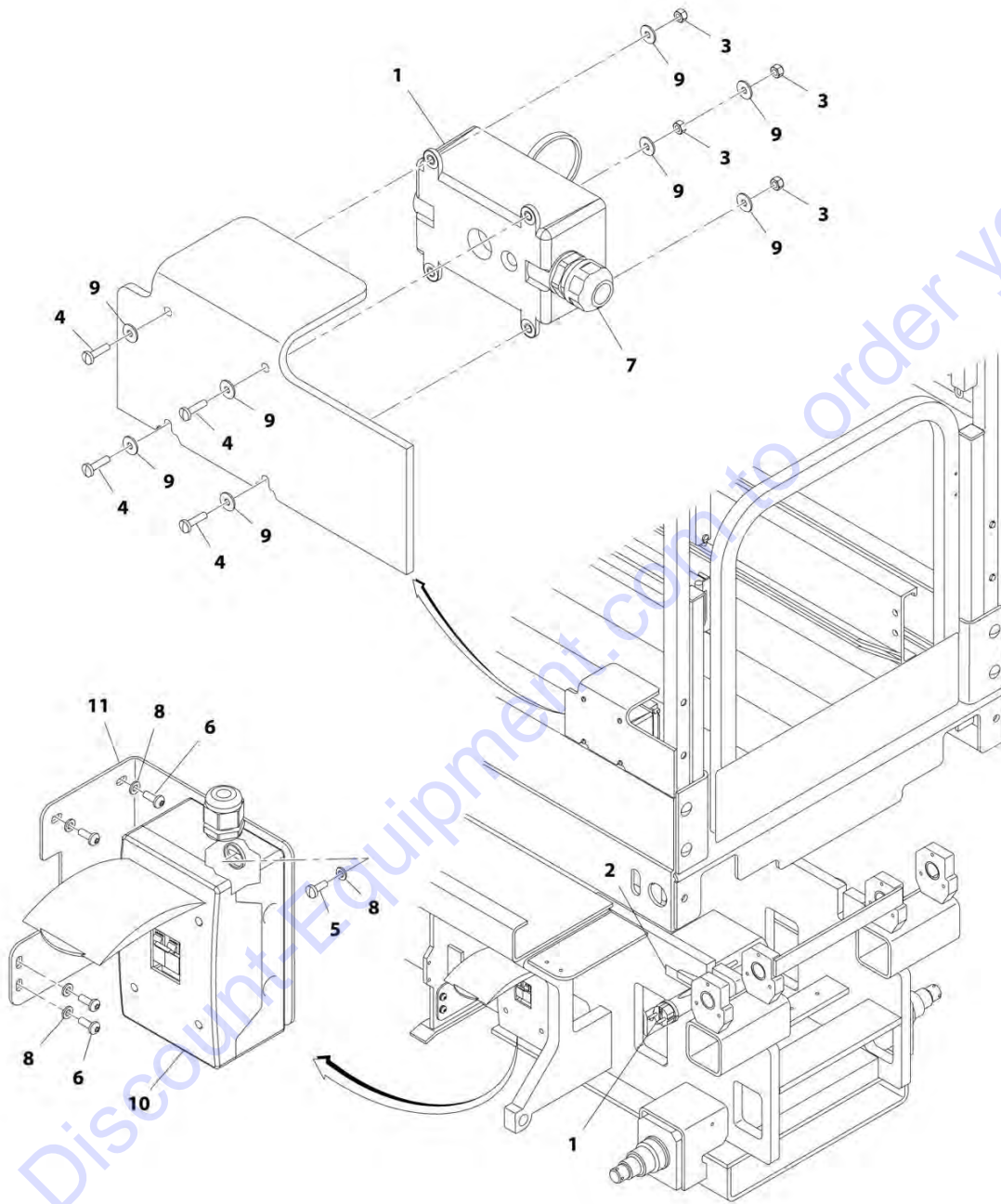
FIGURE 7-6. AC BOX AT PLATFORM INSTALLATION - 220V AFSINT107 (CE SPEC ONLY)

ITEM	PART NUMBER	QTY	DESCRIPTION	REV
	0275486	Ref	AC BOX AT PLATFORM INSTALLATION - 220V AFSINT107	E
1	0275454	1	Receptacle Box Kit - 220V AFSINT107 (See RECEPTACLE BOX KIT - 220V AFSINT for Breakdown)	
2	0903566	1	Bracket	
3	2902541	1	Breaker Box Kit (See BREAKER BOX KIT WITH TWO BREAKERS for Breakdown)	
4	3252507	1	Decal - 220V/50-60Hz	
5	3290405	6	Nut M4	
6	4010408	4	Screw M4 x 16	
7	4191706	2	Screw M6 x 12	
8	4460662	1	Connector, Strain Relief	
9	1001091102	2	Washer M4	
10	4811700	2	Washer M6	
11	1001101540	2	Screw M4 x 14	

Go to Discount-Equipment.com to order your parts

SECTION 7 - ELECTRICAL

FIGURE 7-7. AC BOX AT PLATFORM INSTALLATION - 220V CEE7 SIDE GRD (CE SPEC ONLY)



ART_1001162447

SECTION 7 - ELECTRICAL

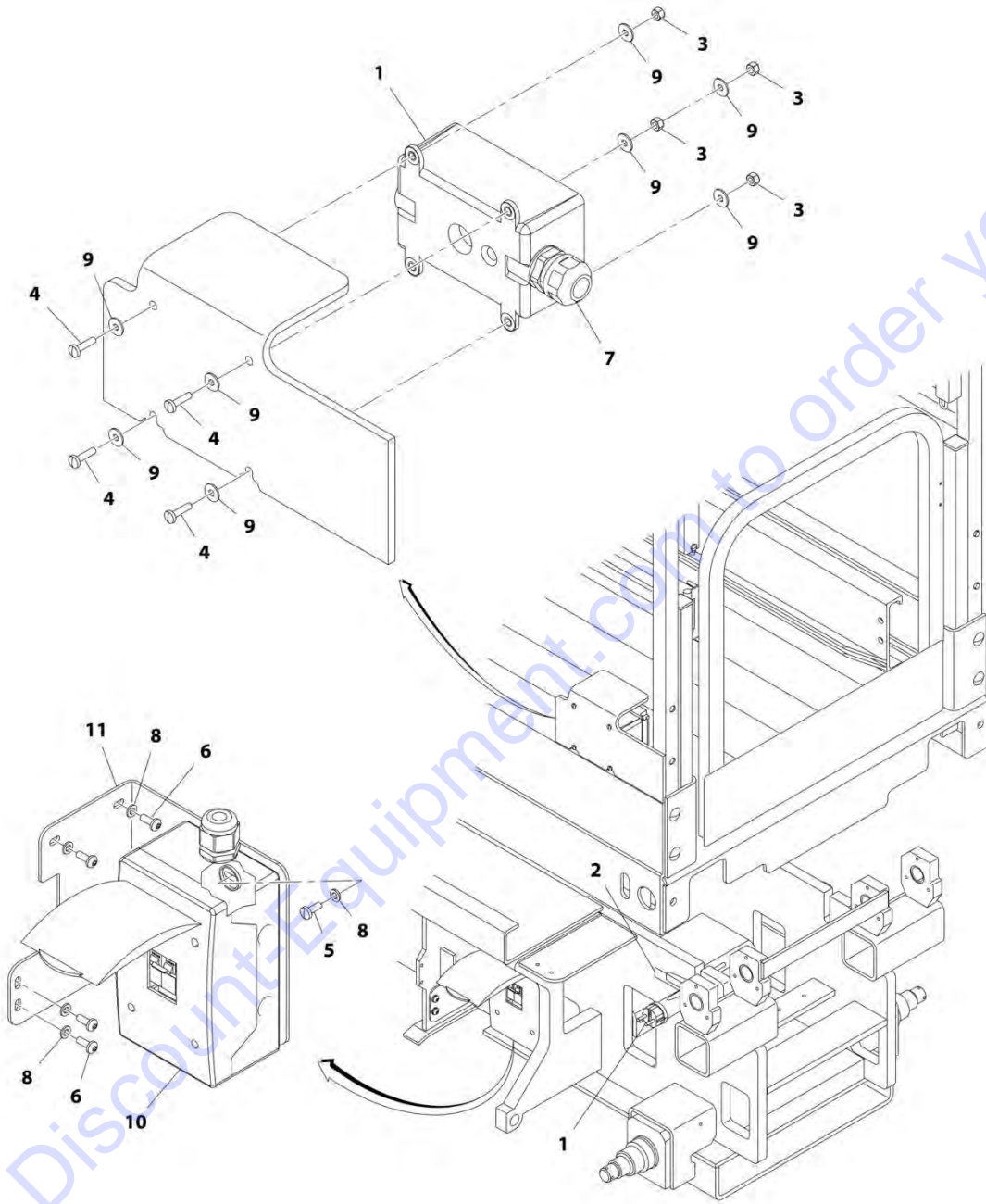
FIGURE 7-7. AC BOX AT PLATFORM INSTALLATION - 220V CEE7 SIDE GRD (CE SPEC ONLY)

ITEM	PART NUMBER	QTY	DESCRIPTION	REV
	1001162447	Ref	AC BOX AT PLATFORM INSTALLATION - 220V CEE7 SIDE GRD	A
1	0275453	1	Receptacle Box Kit - 220V CEE7 Side Ground (See RECEPTACLE BOX KIT - 220V CEE7 SIDE GROUND for Breakdown)	
2	3252507	1	Decal - 220V-50/60Hz	
3	3290405	4	Nut M4	
4	4010408	4	Screw M4 x 16	
5	4010608	2	Screw M6 x 16	
6	4191707	4	Screw M6 x 16	
7	4460662	1	Connector, Strain Relief	
8	4811700	10	Washer M6	
9	1001091102	8	Washer M4	
10	1001152485	1	Breaker Box Kit (See BREAKER BOX KIT WITH THREE BREAKERS for Breakdown)	
11	1001162362	1	Bracket	

Go to Discount-Equipment.com to order your parts

SECTION 7 - ELECTRICAL

FIGURE 7-8. AC BOX AT PLATFORM INSTALLATION - 220V CEE7 POST GRD (CE SPEC ONLY)



ART_1001162449

SECTION 7 - ELECTRICAL

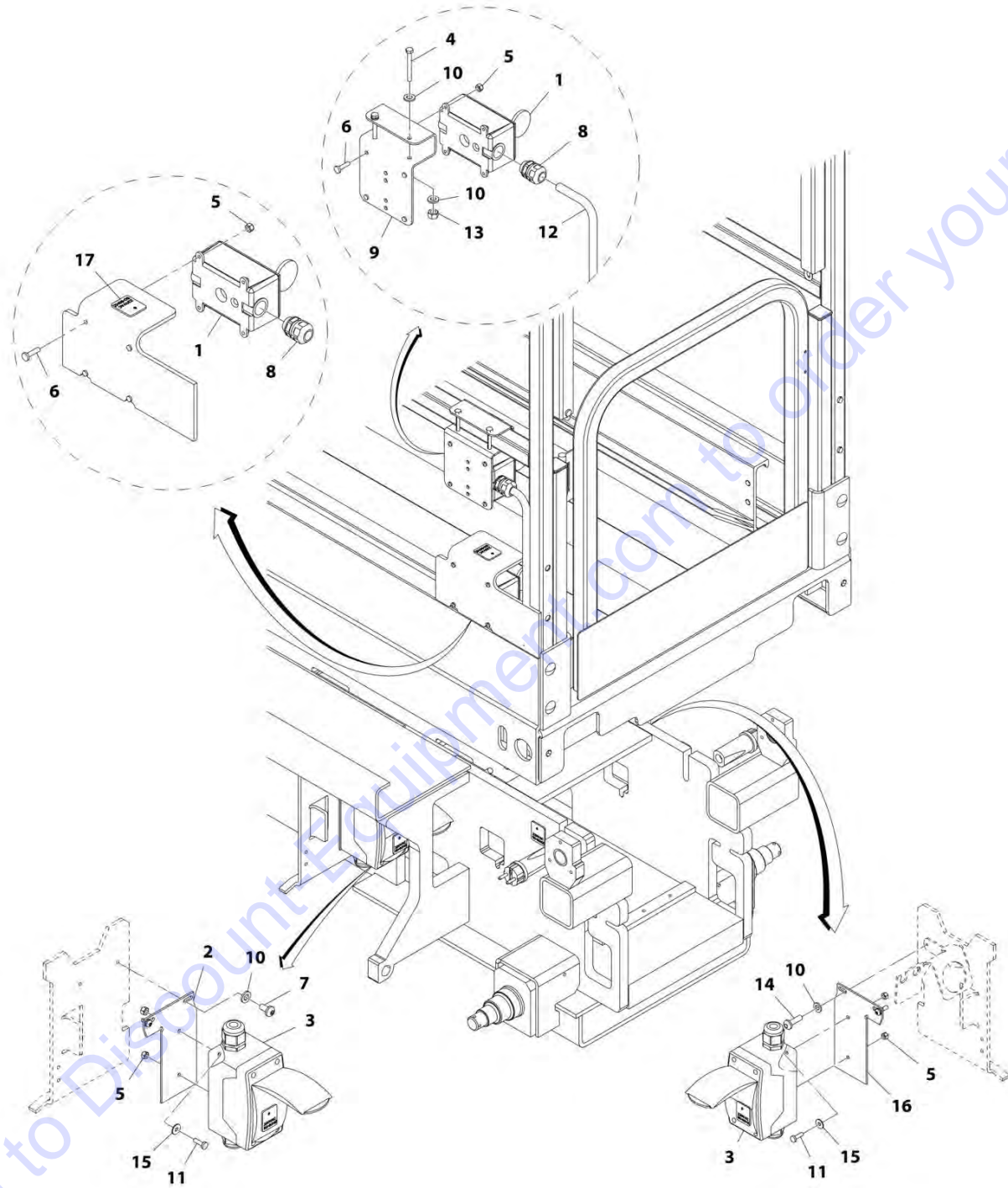
FIGURE 7-8. AC BOX AT PLATFORM INSTALLATION - 220V CEE7 POST GRD (CE SPEC ONLY)

ITEM	PART NUMBER	QTY	DESCRIPTION	REV
	1001162449	Ref	AC BOX AT PLATFORM INSTALLATION - 220V CEE7 POST GRD	A
1	0275452	1	Receptacle Box Kit - 220V CEE7 Post Ground (See RECEPTACLE BOX KIT - 220V CEE7 POST GROUND for Breakdown)	
2	3252507	1	Decal - 220V-50/60Hz	
3	3290405	4	Nut M4	
4	4010408	4	Screw M4 x 16	
5	4010608	2	Screw M6 x 16	
6	4191706	4	Screw M6 x 12	
7	4460662	1	Connector, Strain Relief	
8	4811700	6	Washer M6	
9	1001091102	8	Washer M4	
10	1001152485	1	Breaker Box Kit (See BREAKER BOX KIT WITH THREE BREAKERS for Breakdown)	
11	1001162362	1	Bracket	

Go to Discount-Equipment.com to order your parts

SECTION 7 - ELECTRICAL

FIGURE 7-9. AC BOX AT PLATFORM INSTALLATION - 220V CEE7 SIDE GRD - DUAL OUTLET (CE SPEC - 2646ES ONLY)



ART_1001096628

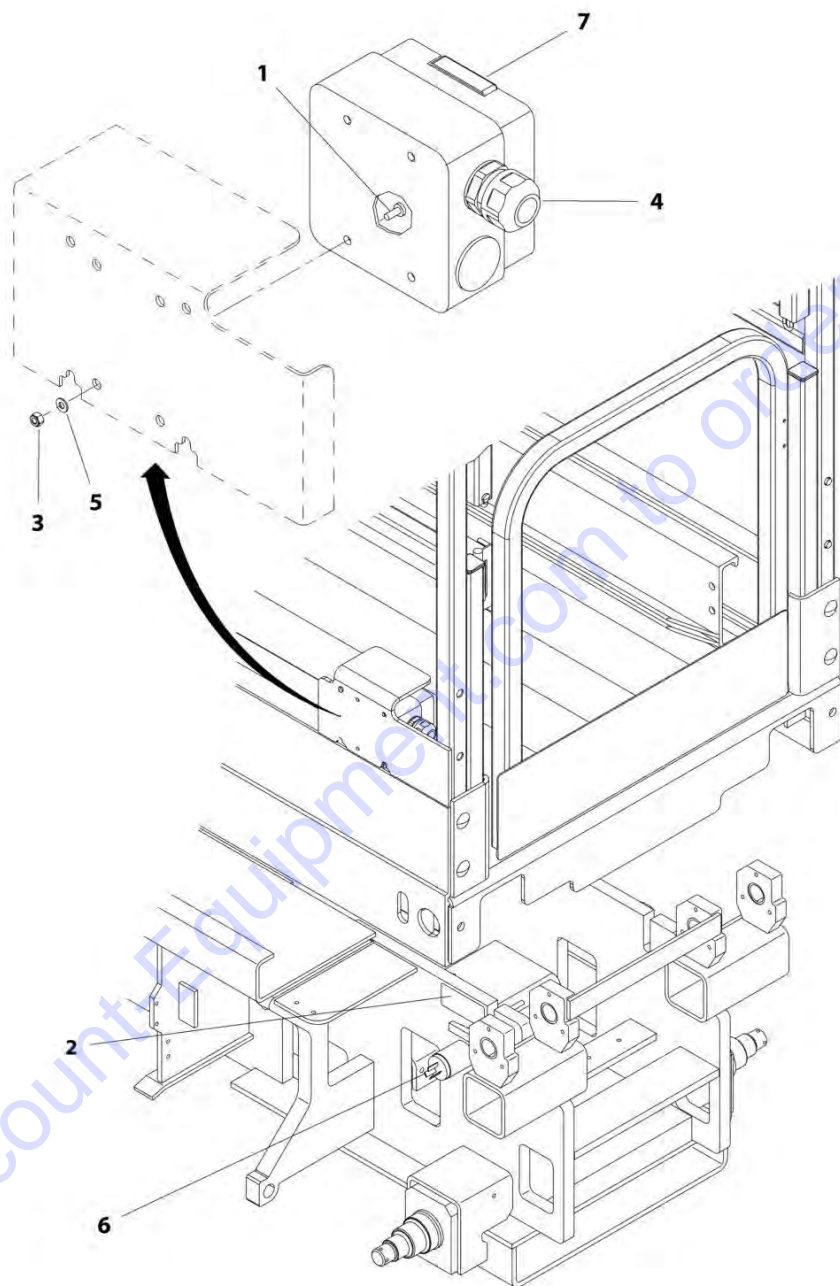
SECTION 7 - ELECTRICAL

FIGURE 7-9. AC BOX AT PLATFORM INSTALLATION - 220V CEE7 SIDE GRD - DUAL OUTLET (CE SPEC - 2646ES ONLY)

ITEM	PART NUMBER	QTY	DESCRIPTION	REV
	1001096628	Ref	AC BOX AT PLATFORM INSTALLATION - 220V CEE7 SIDE GRD - DUAL OUTLET	C
1	0275453	2	Receptacle Box Kit - 220V CEE7 Side Ground (See RECEPTACLE BOX KIT - 220V CEE7 SIDE GROUND for Breakdown)	
2	0903566	1	Bracket	
3	2902541	2	Breaker Box Kit (See BREAKER BOX KIT WITH TWO BREAKERS for Breakdown)	
4	0760619	2	Bolt M6 x 55	
5	3290405	12	Nut M4	
6	4010408	8	Screw M4 x 16	
7	4191706	2	Screw M6 x 12	
8	4460662	2	Connector, Strain Relief	
9	0903484	1	Bracket	
10	4811700	8	Washer M6	
11	1001101540	4	Screw M4 x 14	
12	1060908	46 ft/14m	Cable, 12/3	
13	3290607	2	Nut M6	
14	4191708	2	Screw M6 x 20	
15	1001091102	4	Washer M4	
16	1001096627	1	Bracket	
17	1001096926	3	Decal - 220V-50/60Hz	

SECTION 7 - ELECTRICAL

FIGURE 7-10. AC BOX AT PLATFORM INSTALLATION - 220V (ANSI EXPORT AND CHINESE SPECS ONLY)



ART_1001198711

SECTION 7 - ELECTRICAL

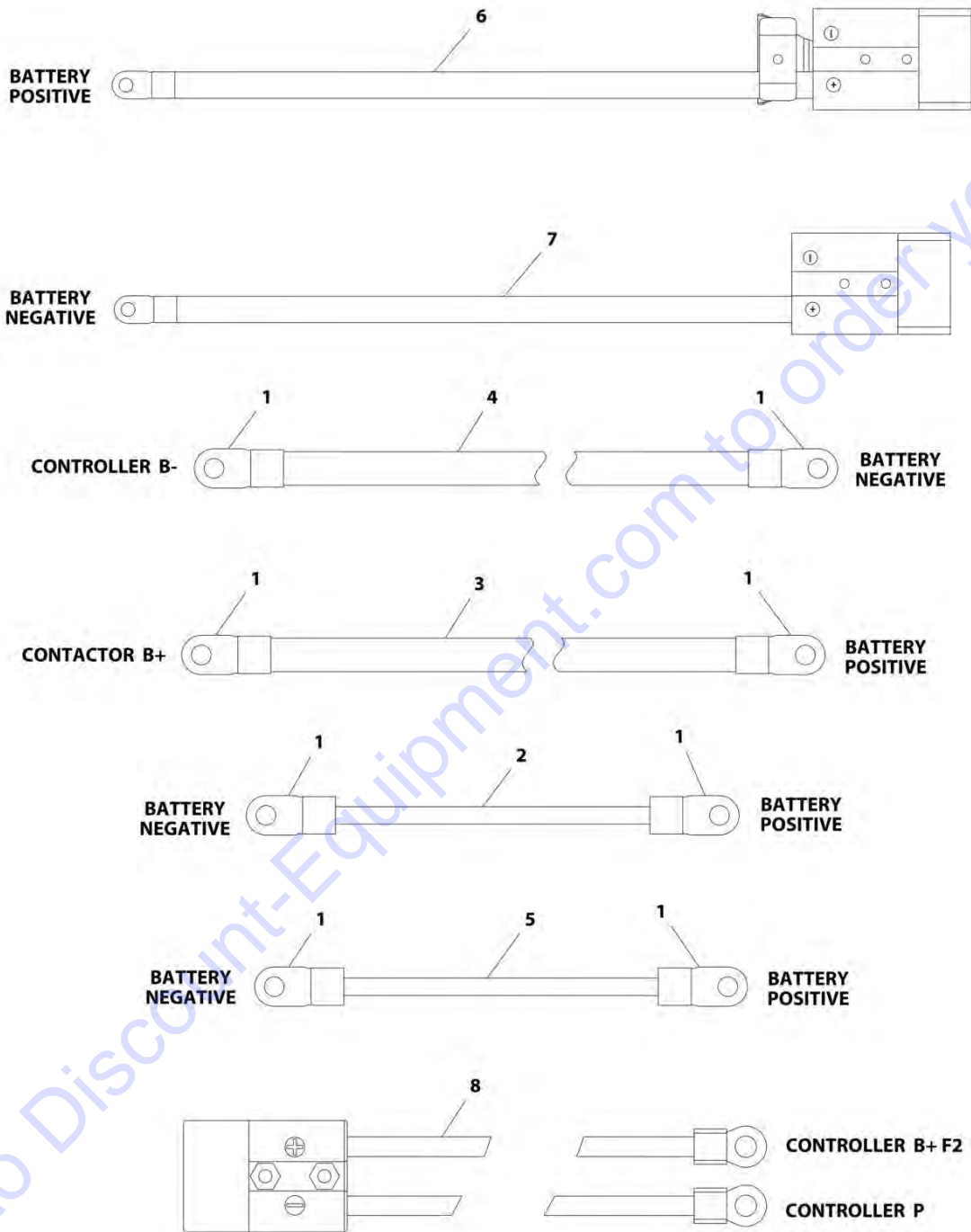
FIGURE 7-10. AC BOX AT PLATFORM INSTALLATION - 220V (ANSI EXPORT AND CHINESE SPECS ONLY)

ITEM	PART NUMBER	QTY	DESCRIPTION	REV
	1001198711	Ref	AC BOX AT PLATFORM INSTALLATION - 220V	A
1	4010405	4	Screw M4 X 10	
2	3252507	1	Decal - 220V-50/60Hz	
3	3290405	4	Nut M4	
4	4460968	1	Connector, Strain Relief	
5	4811400	4	Washer M4	
6	1001187816	1	Plug	
7	1001188116	1	Box, Receptacle	

Go to Discount-Equipment.com to order your parts

SECTION 7 - ELECTRICAL

FIGURE 7-11. BATTERY CABLE KIT



ART_1001178539

SECTION 7 - ELECTRICAL

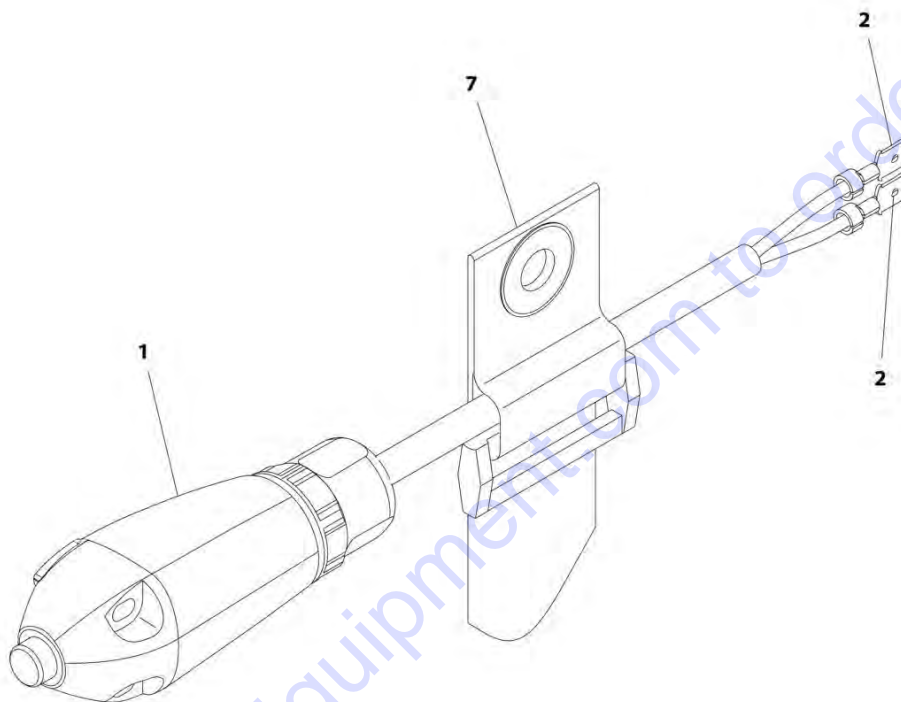
FIGURE 7-11. BATTERY CABLE KIT

ITEM	PART NUMBER	QTY	DESCRIPTION	REV
	1001178539	Ref	BATTERY CABLE KIT	D
1	0840060	8	Boot, Terminal	
2	1060998	2	Cable, Battery	
3	4923406	1	Cable, Positive to Contactor	
4	4923409	1	Cable, Negative to Controller	
5	1001114992	1	Cable, Battery	
6	1001178540	1	Cable, Battery	
7	1001178541	1	Cable, Battery	
8	1001178542	1	Cable, Pump Power	

Go to Discount-Equipment.com to order your parts

SECTION 7 - ELECTRICAL

FIGURE 7-12. BRAKE DISCONNECT HARNESS



ART_4922944

SECTION 7 - ELECTRICAL

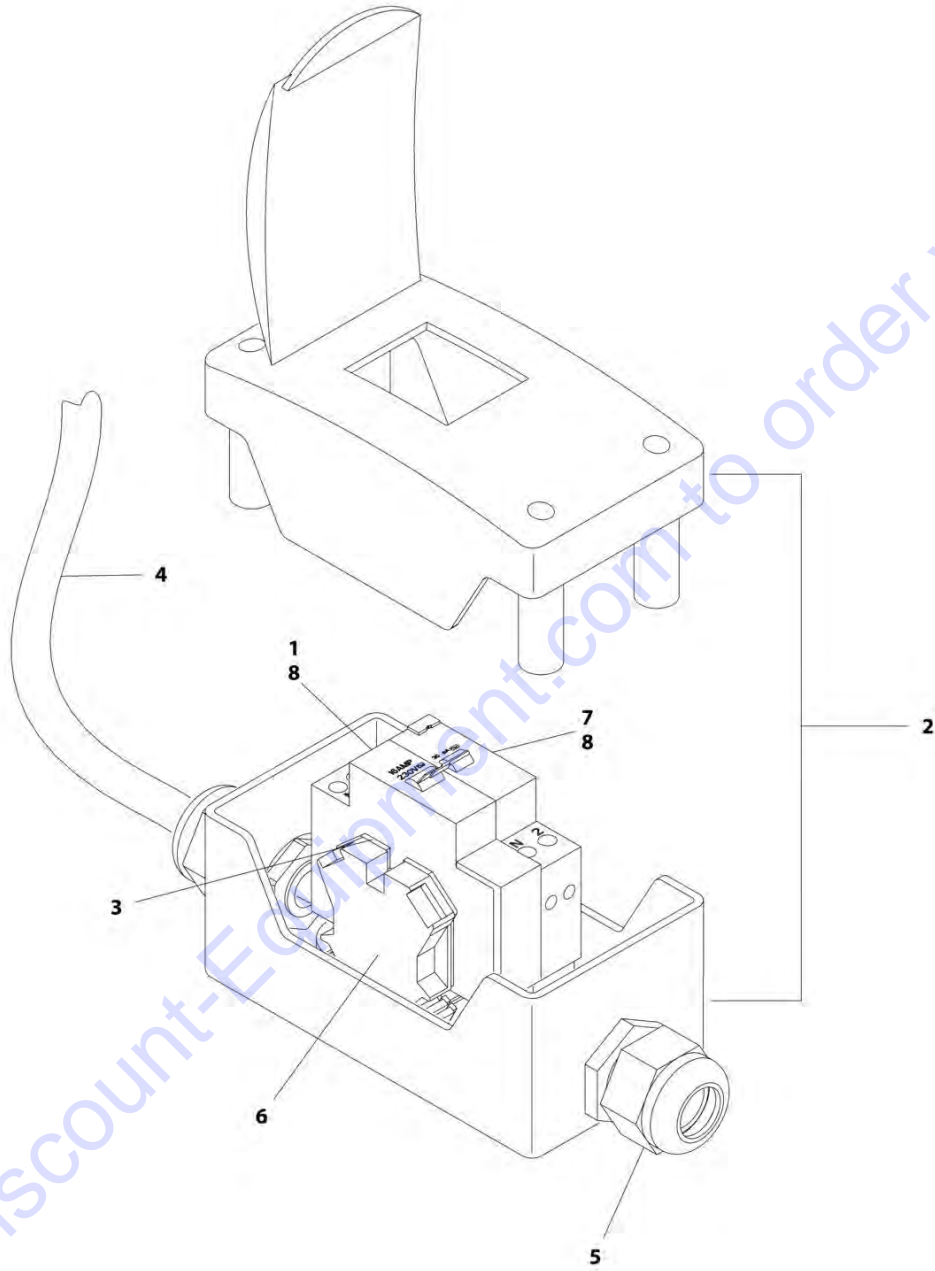
FIGURE 7-12. BRAKE DISCONNECT HARNESS

ITEM	PART NUMBER	QTY	DESCRIPTION	REV
	4922944	Ref	BRAKE DISCONNECT HARNESS	F
1	4360613	1	Switch, Push Button Limit	
2	4461002	2	Terminal	
7	4240003	1	Strap, Cinch	

Go to Discount-Equipment.com to order your parts

SECTION 7 - ELECTRICAL

FIGURE 7-13. BREAKER BOX KIT WITH TWO BREAKERS (CE SPEC ONLY)



ART_2902541

SECTION 7 - ELECTRICAL

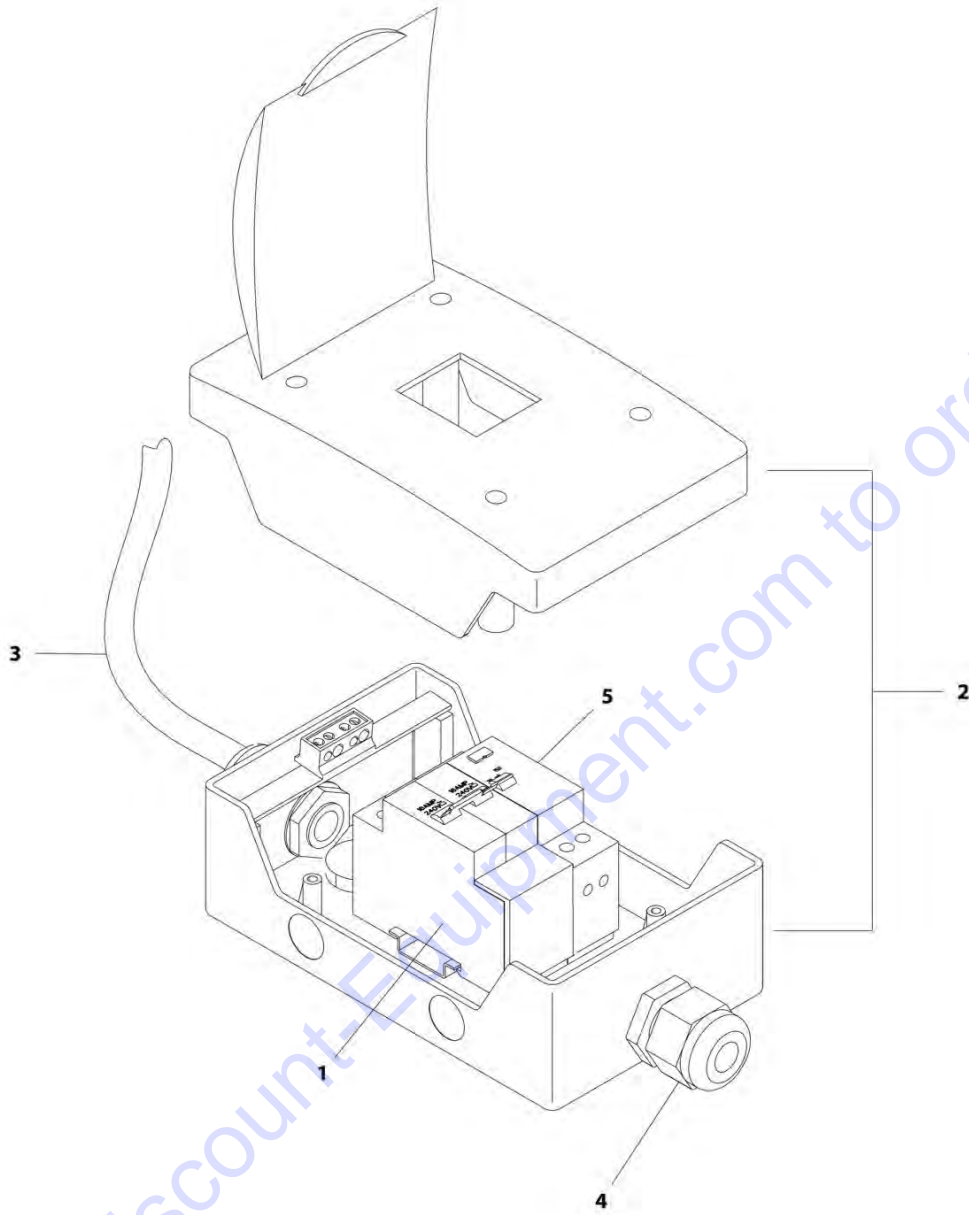
FIGURE 7-13. BREAKER BOX KIT WITH TWO BREAKERS (CE SPEC ONLY)

ITEM	PART NUMBER	QTY	DESCRIPTION	REV
	2902541	Ref	BREAKER BOX KIT WITH TWO BREAKERS (CE SPEC ONLY)	G
1	1001109475	NLA	Breaker, 16Amp (Use p/n 1001181045) (SN 0200239382 through 0200245768, SN B200020297 through B200022928)	
2	0861880	1	Box	
3	4460956	1	Barrier, Terminal	
4	1060908	4.6 ft /1.4m	Cable, 12/3	
5	1001097150	2	Connector, Strain Relief	
6	4460957	1	Block, Terminal	
7	1001109482	NLA	Breaker, 30mA (Use p/n 1001181045) (SN 0200239382 through 0200245768, SN B200020297 through B200022928)	
8	1001181045	1	Breaker, 16A/30mAmp Combination (SN 0200245769 to Present, SN 1200025021 to Present, SN B200022929 to Present, SN M200000100 to Present)	

Go to Discount-Equipment.com to order your parts

SECTION 7 - ELECTRICAL

FIGURE 7-14. BREAKER BOX KIT WITH THREE BREAKERS (CE SPEC ONLY)



ART_1001152485

SECTION 7 - ELECTRICAL

FIGURE 7-14. BREAKER BOX KIT WITH THREE BREAKERS (CE SPEC ONLY)

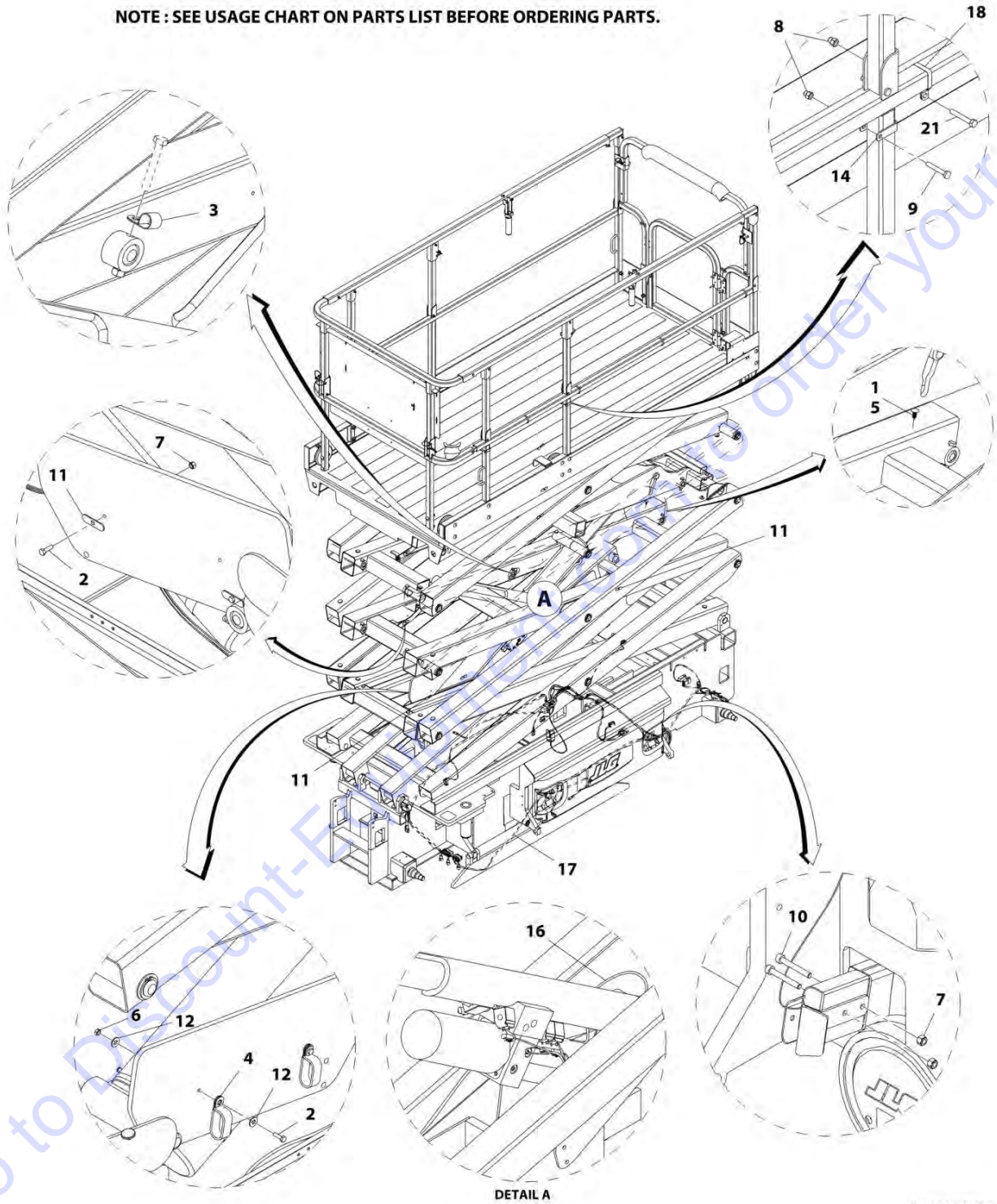
ITEM	PART NUMBER	QTY	DESCRIPTION	REV
1	1001152485	Ref	BREAKER BOX KIT WITH THREE BREAKERS (CE SPEC ONLY) Breaker 16Amp Double (Use p/n 1001189172) (SN 0200239382 through 0200248240, SN B200020297 through B200024263, SN M200000100 through M200000139)	D
	1001152479	NLA		
1	1001189172	1	Breaker 16Amp Double (SN 0200248241 to Present, SN 1200025021 to Present, SN B200024264 to Present, SN M200000140 to Present)	
2	1001152483	1	Box	
3	1060908	6 ft/1.8m	Cable, 12/3	
4	1001097150	2	Connector, Strain Relief	
5	1001152482	NLA	Breaker, 30mA (Use p/n 1001189171) (SN 0200239382 through 0200248240, SN B200020297 through B200024263, SN M200000100 through M200000139)	
5	1001189171	1		Breaker, 30mA (SN 0200248241 to Present, SN 1200025021 to Present, SN B200024264 to Present, SN M200000140 to Present)

Go to Discount-Equipment.com to order your parts

SECTION 7 - ELECTRICAL

FIGURE 7-15. CABLES INSTALLATION

NOTE : SEE USAGE CHART ON PARTS LIST BEFORE ORDERING PARTS.



ART_1001178537

SECTION 7 - ELECTRICAL

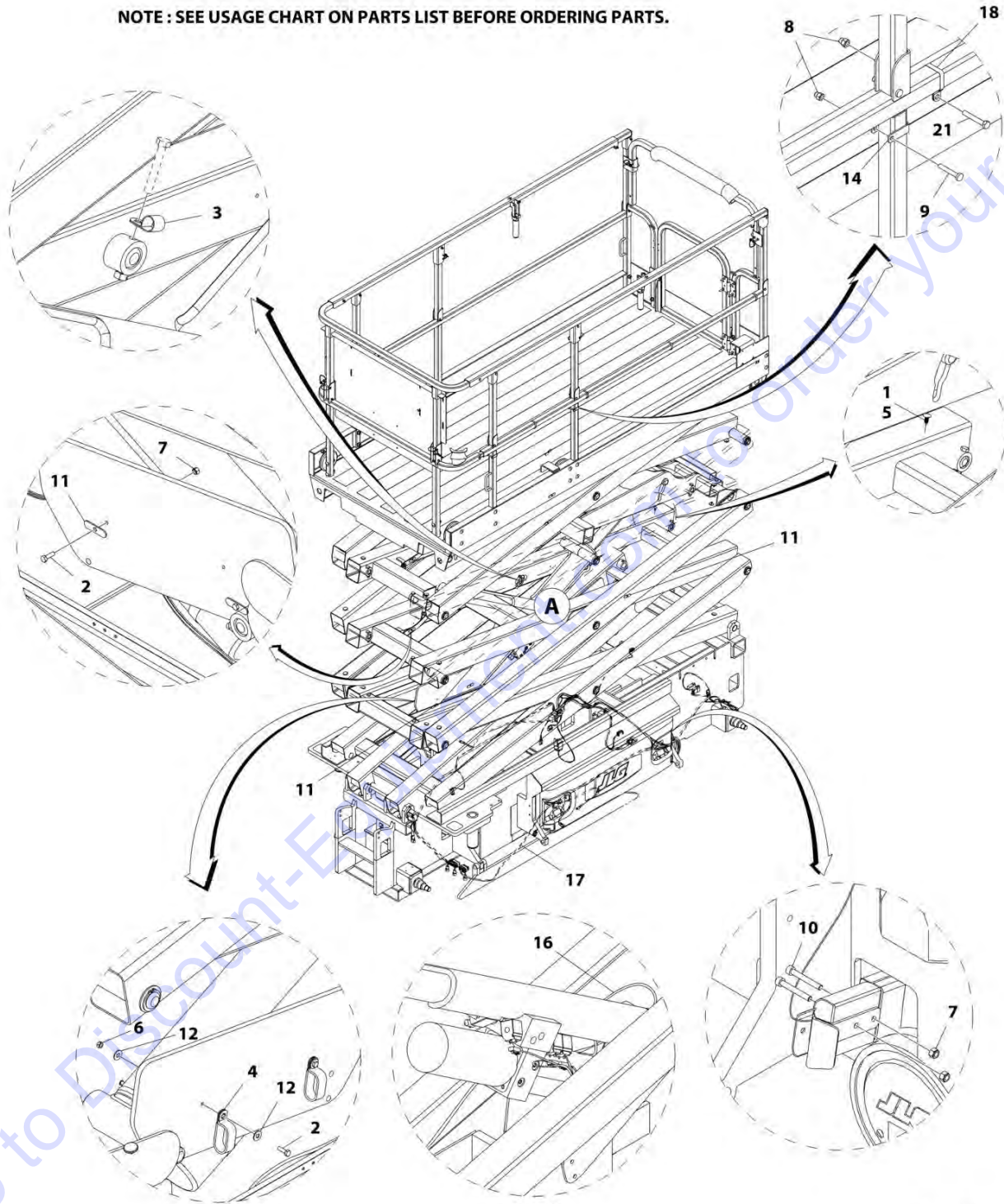
FIGURE 7-15. CABLES INSTALLATION

ITEM	PART NUMBER	QTY	DESCRIPTION	REV
	1001178537	Ref	CABLES INSTALLATION	E
		Ref	Usage Chart	
		Ref	China Built Machines (SN B200020297 through B200035317)	
		Ref	Mexico Built Machines	
		Ref	USA Built Machines	
		Ref	ANSI and CSA Specs (All Machines)	
		Ref	Japanese Specs (SN 0200239382 through 0200258069)	
		Ref	ANSI Export and China Specs (SN 0200239382 through 0200248240)	
1	0100048	AR	Compound, Sealing	
2	0760610	4	Bolt M6 x 20	
3	1320318	1	Clamp	
4	1321716	2	Clamp	
5	1380158	21	Clip, Retainer	
6	3290601	2	Nut M6	
7	3290605	4	Nut M6	
8	3290606	6	Nut M6	
9	4010616	2	Screw M6 x 40	
10	4031713	2	Capscrew M6 x 45	
11	4740545	8	Washer	
12	4751400	4	Washer 1/4	
13	1001178686	1	Ground to Platform Harness (Not Shown - See GROUND TO PLATFORM HARNESS for Breakdown)	
14	1001094175	2	Clamp	
15	1001096707	1	Platform Harness (Includes Item 18) (Not Shown - See PLATFORM HARNESS for Breakdown) (SN 0200239382 through 0200262555, SN B200020297 through B200035317, SN M200000100 through M200010214)	
15	1001201244	1	Platform Harness (Includes Item 18) (Not Shown - See PLATFORM HARNESS for Breakdown) (SN 0200262556 to Present, SN M200010215 to Present)	
16	1001115002	1	Cylinder Harness (See CYLINDER HARNESS for Breakdown)	
17	1001187231	1	Chassis Harness (See CHASSIS HARNESS for Breakdown)	
18	1001094180	NLA	Clamp (Use p/n 1001210760) (SN 0200239382 through 0200257625, SN B200020297 through B200035317, SN M200000100 through M200002832)	
18	1001210433	NLA	Clamp (Use p/n 1001210760) (SN 0200257626 to Present, SN M200002833 to Present)	
19	1001178539	1	Battery Cable Kit (Not Shown - See BATTERY CABLE KIT for Breakdown)	
20	1001178543	1	Pump Power Harness (Not Shown - See PUMP POWER HARNESS for Breakdown)	
21	0760606	4	Bolt M6 x 12	

SECTION 7 - ELECTRICAL

FIGURE 7-16. CABLES INSTALLATION

NOTE : SEE USAGE CHART ON PARTS LIST BEFORE ORDERING PARTS.



DETAIL A

ART_1001219355

SECTION 7 - ELECTRICAL

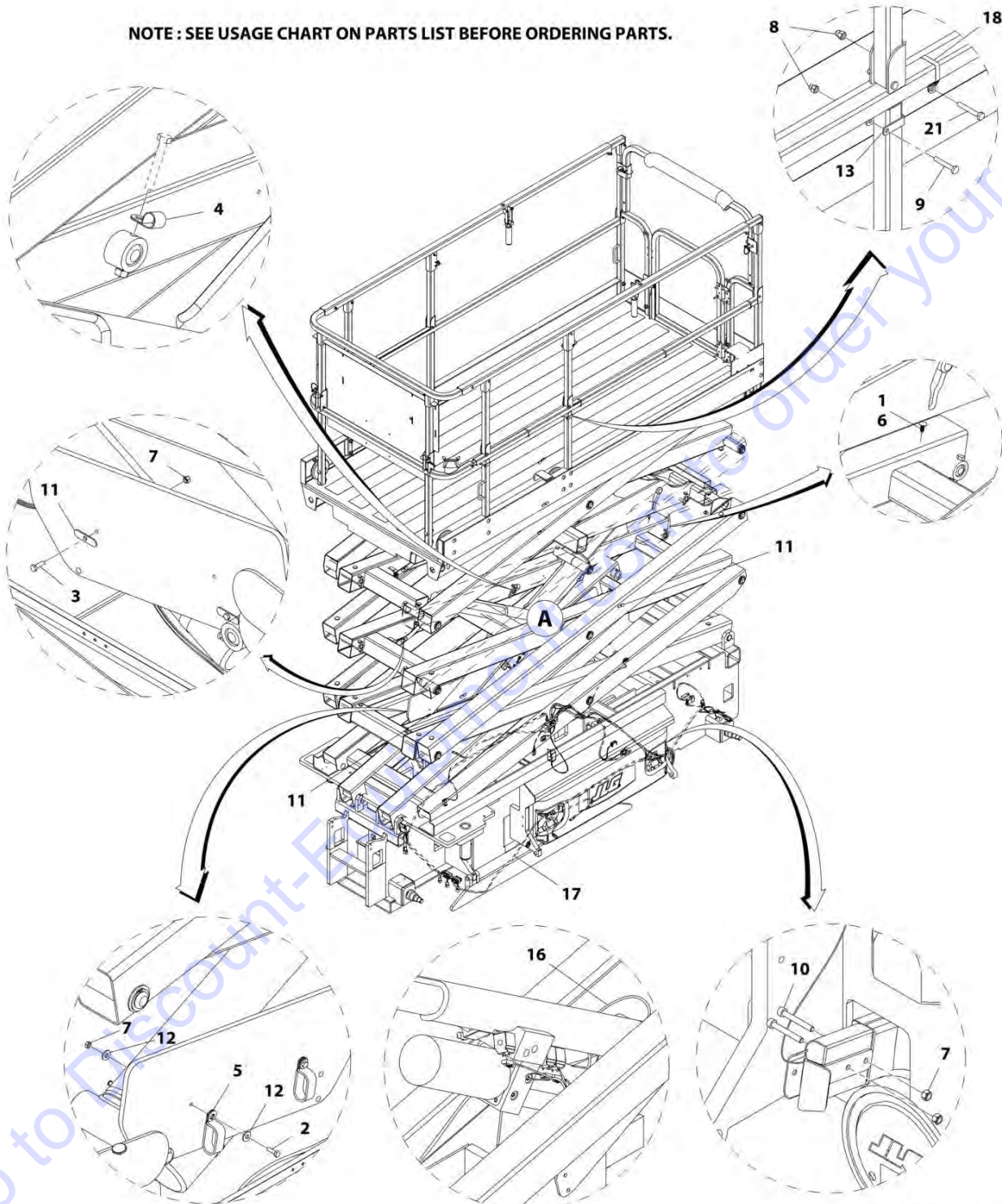
FIGURE 7-16. CABLES INSTALLATION

ITEM	PART NUMBER	QTY	DESCRIPTION	REV
	1001219355	Ref	CABLES INSTALLATION	B
		Ref	Usage Chart	
		Ref	China Built Machines (SN B200035318 to Present)	
		Ref	ANSI and CSA Specs	
1	0100048	AR	Compound, Sealing	
2	0760610	4	Bolt M6 x 20	
3	1320318	1	Clamp	
4	1321716	2	Clamp	
5	1380158	21	Clip, Retainer	
6	3290601	2	Nut M6	
7	3290605	4	Nut M6	
8	3290606	6	Nut M6	
9	4010616	2	Screw M6 x 40	
10	4031713	2	Capscrew M6 x 45	
11	4740545	8	Washer	
12	4751400	4	Washer 1/4	
13	1001178686	1	Ground to Platform Harness (Not Shown - See GROUND TO PLATFORM HARNESS for Breakdown)	
14	1001094175	2	Clamp	
15	1001096707	1	Platform Harness (Includes Item 18) (Not Shown - See PLATFORM HARNESS for Breakdown)	
16	1001115002	1	Cylinder Harness (See CYLINDER HARNESS for Breakdown)	
17	1001187231	1	Chassis Harness (See CHASSIS HARNESS for Breakdown)	
18	1001220668	4	Clamp	
19	1001178539	1	Battery Cable Kit (Not Shown - See BATTERY CABLE KIT for Breakdown)	
20	1001178543	1	Pump Power Harness (Not Shown - See PUMP POWER HARNESS for Breakdown)	
21	0760606	4	Bolt M6 x 12	
21	0760605	4	Bolt M6 x 10	

SECTION 7 - ELECTRICAL

FIGURE 7-17. CABLES INSTALLATION

NOTE : SEE USAGE CHART ON PARTS LIST BEFORE ORDERING PARTS.



DETAIL A

ART_1001178538

SECTION 7 - ELECTRICAL

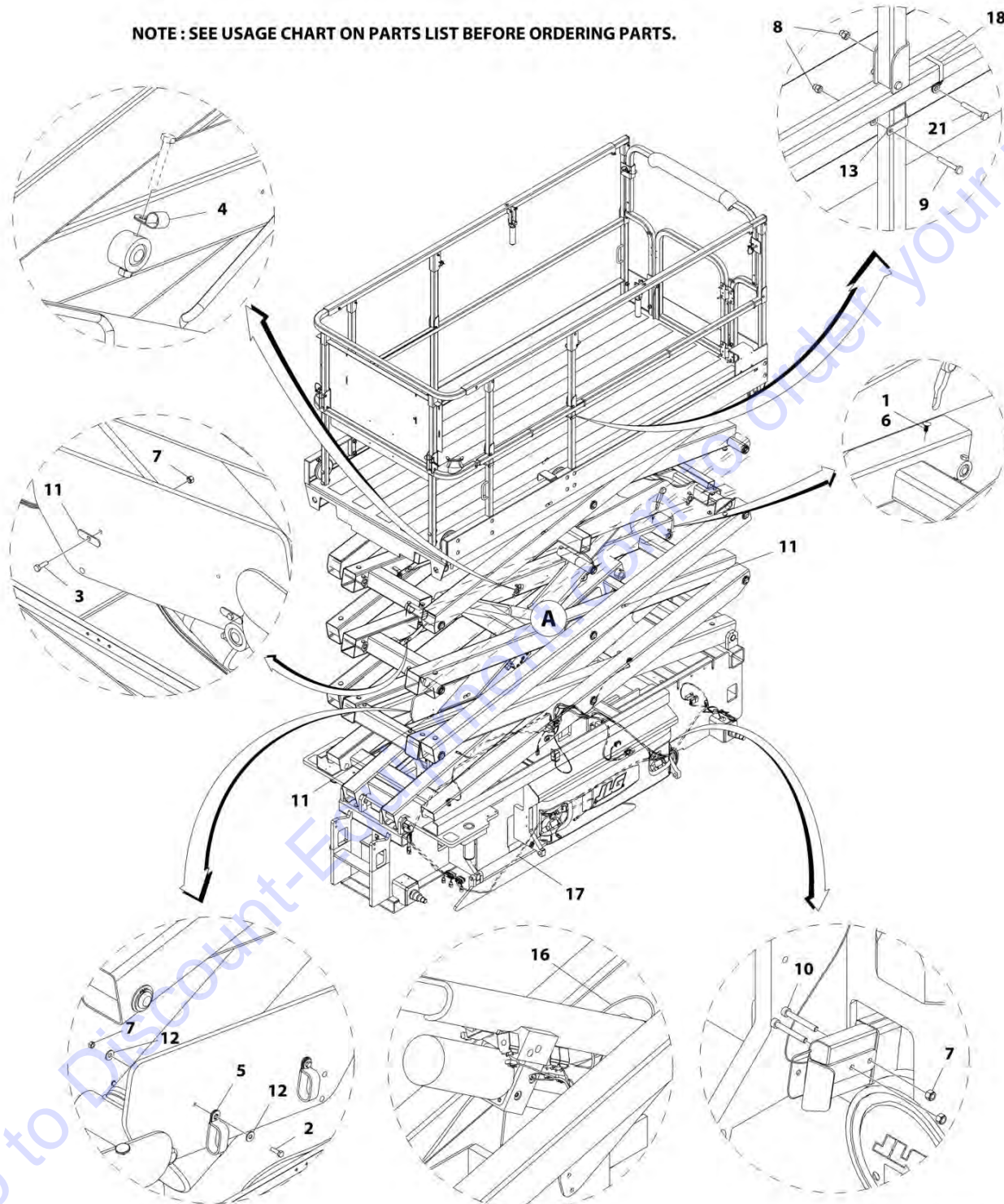
FIGURE 7-17. CABLES INSTALLATION

ITEM	PART NUMBER	QTY	DESCRIPTION	REV
	1001178538	Ref	CABLE INSTALLATION	E
		Ref	Usage Chart	
		Ref	Belgium Built Machines (SN 1200025024 through 1200025120)	
		Ref	China Built Machines (SN B200020297 through B200035317)	
		Ref	Mexico Built Machines	
		Ref	Korea Specs (SN M200017748 to Present)	
		Ref	USA Built Machines	
		Ref	ANSI Export and China Specs (SN 0200248241 to Present)	
		Ref	Japanese Specs (SN 0200258070 to Present)	
		Ref	Australian and CE Specs (All Machines)	
1	0100048	AR	Compound, Sealing	
2	0700614	2	Bolt, M6 x 30	
3	0760610	2	Bolt M6 x 20	
4	1320318	1	Clamp	
5	1321716	2	Clamp	
6	1380158	21	Clip, Retainer	
7	3290605	6	Nut M6	
8	3290606	6	Nut M6	
9	4010616	2	Screw M6 x 40	
10	4031713	2	Capscrew M6 x 45	
11	4740545	8	Washer	
12	4751400	4	Washer 1/4	
13	1001094175	2	Clamp	
14	1001178684	1	Ground to Platform Harness (Not Shown - See GROUND TO PLATFORM HARNESS for Breakdown)	
15	1001096707	1	Platform Harness (Includes Item 18) (Not Shown - See PLATFORM HARNESS for Breakdown) (SN 0200239382 through 0200262556, SN 1200025024 through 1200025120, SN B200020297 through B200035317, SN M200000100 through M200010214)	
15	1001201244	1	Platform Harness (Includes Item 18) (Not Shown - See PLATFORM HARNESS for Breakdown) (SN 0200262556 to Present, SN M200010215 to Present)	
16	1001115002	1	Cylinder Harness (See CYLINDER HARNESS for Breakdown)	
17	1001187231	1	Chassis Harness (See CHASSIS HARNESS for Breakdown)	
18	1001094180	NLA	Clamp (Use p/n 1001210760) (SN 0200239382 through 0200257625, SN 1200025024 through 1200025120, SN B200020297 through B200035317, SN M200000100 through M200002833)	
18	1001210433	NLA	Clamp (Use p/n 1001210760) (SN 0200257626 to Present, SN M200002833 to Present)	
19	1001178539	1	Battery Cable Kit (Not Shown - See BATTERY CABLE KIT for Breakdown)	
20	1001178543	1	Pump Power Harness (Not Shown - See PUMP POWER HARNESS for Breakdown)	
21	0760606	4	Bolt M6 x 12	

SECTION 7 - ELECTRICAL

FIGURE 7-18. CABLES INSTALLATION

NOTE : SEE USAGE CHART ON PARTS LIST BEFORE ORDERING PARTS.



DETAIL A

ART_1001219356

SECTION 7 - ELECTRICAL

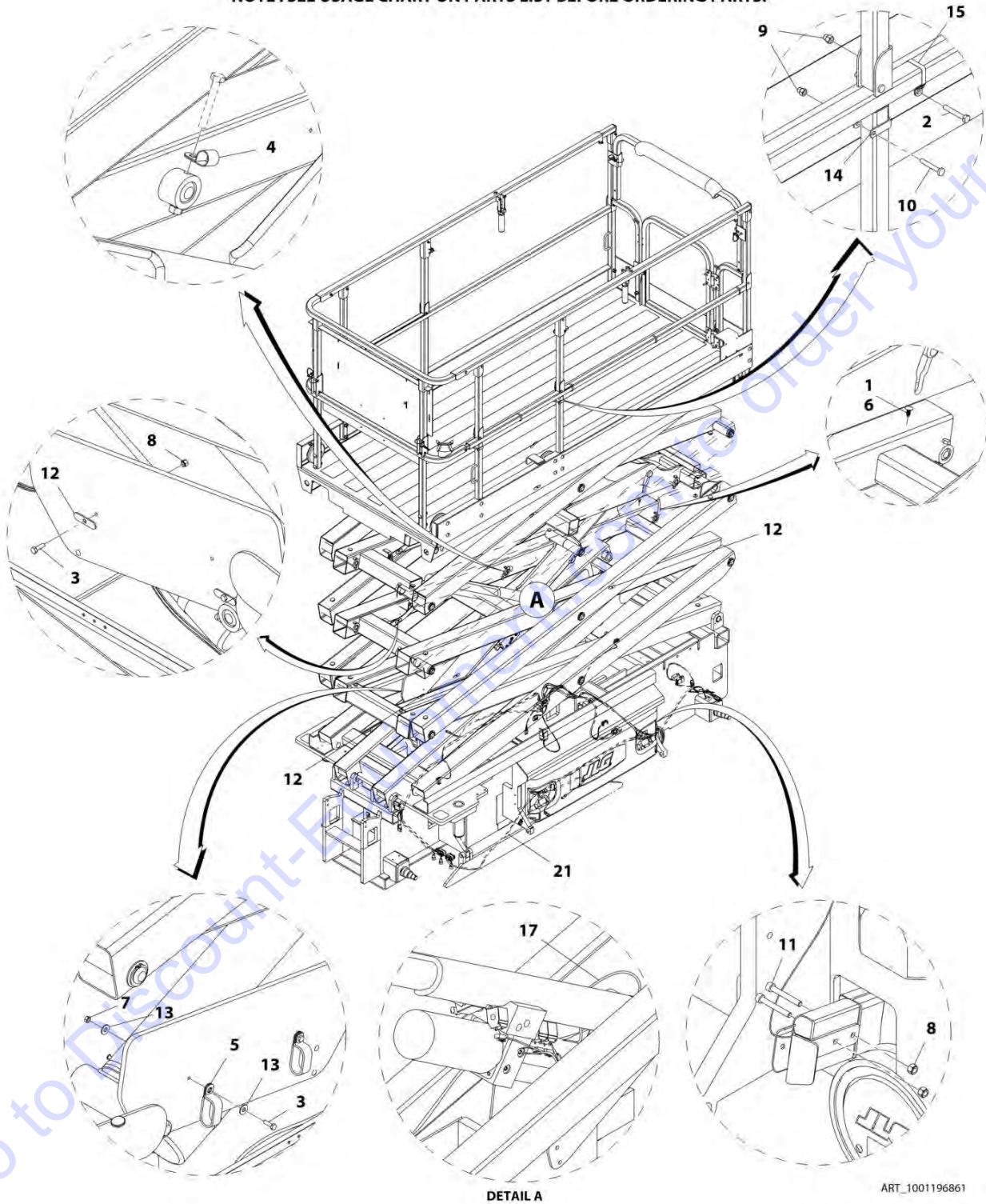
FIGURE 7-18. CABLES INSTALLATION

ITEM	PART NUMBER	QTY	DESCRIPTION	REV
	1001219356	Ref	CABLE INSTALLATION	B
		Ref	Usage Chart	
		Ref	Belgium Built Machines (SN 1200025121 to Present)	
		Ref	China Built Machines (SN B200035318 to Present)	
		Ref	ANSI Export, Australian, CE, Japanese, Korea and China Specs	
1	0100048	AR	Compound, Sealing	
2	0700614	2	Bolt, M6 x 30	
3	0760610	2	Bolt M6 x 20	
4	1320318	1	Clamp	
5	1321716	2	Clamp	
6	1380158	21	Clip, Retainer	
7	3290605	6	Nut M6	
8	3290606	6	Nut M6	
9	4010616	2	Screw M6 x 40	
10	4031713	2	Capscrew M6 x 45	
11	4740545	8	Washer	
12	4751400	4	Washer 1/4	
13	1001094175	2	Clamp	
14	1001178684	1	Ground to Platform Harness (Not Shown - See GROUND TO PLATFORM HARNESS for Breakdown)	
15	1001096707	1	Platform Harness (Includes Item 18) (Not Shown - See PLATFORM HARNESS for Breakdown)	
16	1001115002	1	Cylinder Harness (See CYLINDER HARNESS for Breakdown)	
17	1001187231	1	Chassis Harness (See CHASSIS HARNESS for Breakdown)	
18	1001220668	4	Clamp	
19	1001178539	1	Battery Cable Kit (Not Shown - See BATTERY CABLE KIT for Breakdown)	
20	1001178543	1	Pump Power Harness (Not Shown - See PUMP POWER HARNESS for Breakdown)	
21	0760606	4	Bolt M6 x 12	
21	0760605	4	Bolt M6 x 10	

SECTION 7 - ELECTRICAL

FIGURE 7-19. CABLES INSTALLATION

NOTE : SEE USAGE CHART ON PARTS LIST BEFORE ORDERING PARTS.



SECTION 7 - ELECTRICAL

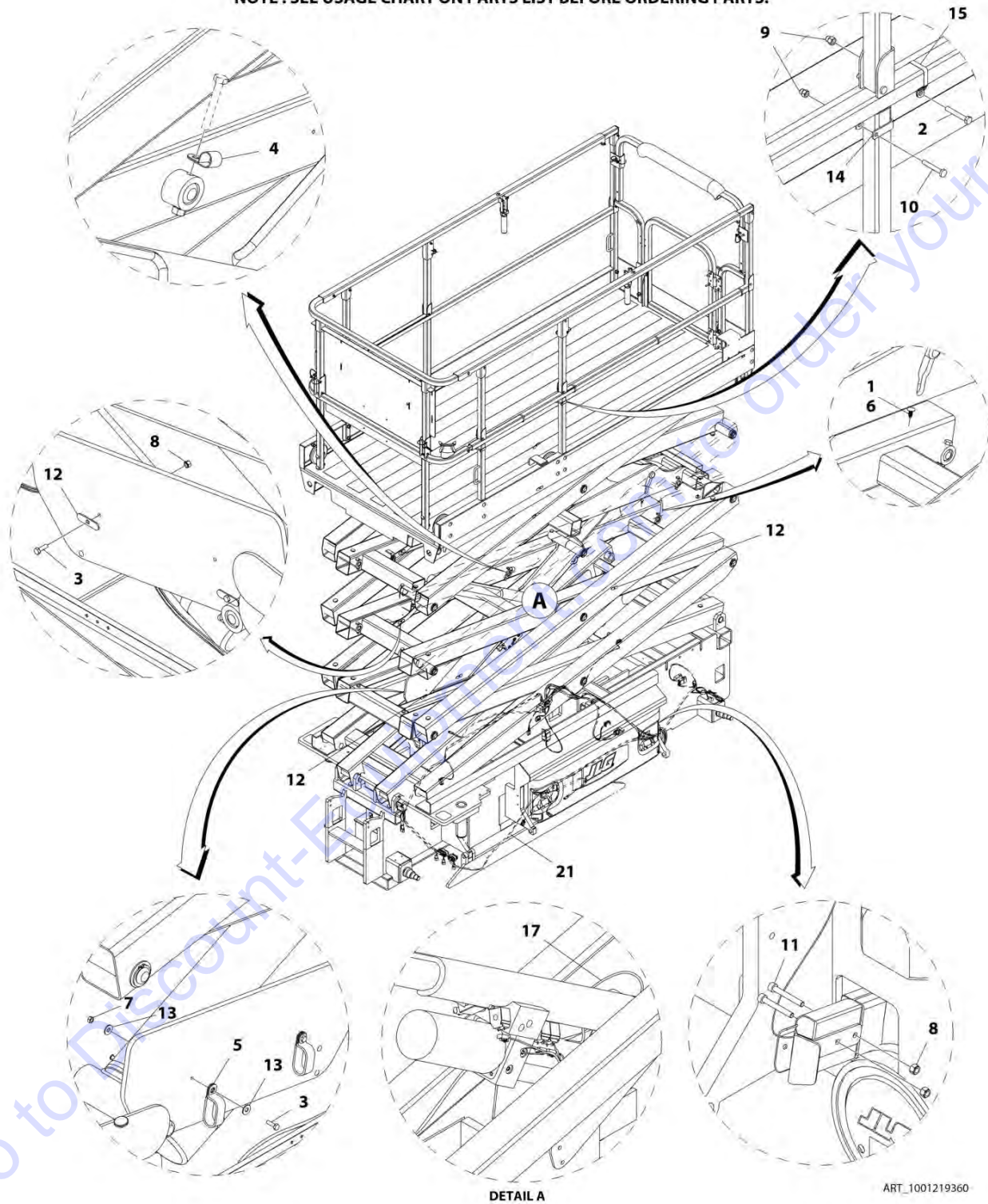
FIGURE 7-19. CABLES INSTALLATION

ITEM	PART NUMBER	QTY	DESCRIPTION	REV
	1001196861	Ref	CABLE INSTALLATION	B
		Ref	Usage Chart	
		Ref	China Built Machines (SN B200020297 through B200035317)	
		Ref	Mexico Built Machines	
		Ref	USA Built Machines	
		Ref	UL Machines (All Machines)	
1	0100048	1	Compound, Sealing	
2	0760606	4	Bolt M6 x 12	
3	0760610	4	Bolt M6 x 20	
4	1320318	1	Clamp	
5	1321716	2	Clamp	
6	1380158	21	Clip, Retainer	
7	3290601	2	Nut M6	
8	3290605	4	Nut M6	
9	3290606	6	Nut M6	
10	4010616	2	Screw M6 x 40	
11	4031713	2	Capscrew M6 x 45	
12	4740545	8	Washer	
13	4751400	4	Washer 1/4	
14	1001094175	2	Clamp	
15	1001194180	NLA	Clamp (Use p/n 1001210760) (SN 0200239382 through 0200257625, SN B200020297 through B200035317, SN M200000100 through M200002832)	
15	1001210433	NLA	Clamp (Use p/n 1001210760) (SN 0200257626 to Present, SN M200002833 to Present)	
16	1001096707	1	Platform Harness (Includes Item 15) (Not Shown - See PLATFORM HARNESS for Breakdown) (SN 0200239382 through 0200262555, SN B200020297 through B200035317, SN M200000100 through M200010214)	
16	1001201244	1	Platform Harness (Includes Item 15) (Not Shown - See PLATFORM HARNESS for Breakdown) (SN 0200262556 to Present, SN M200010215 to Present)	
17	1001115002	1	Cylinder Harness (See CYLINDER HARNESS for Breakdown)	
18	1001178539	1	Battery Cable Kit (Not Shown - See BATTERY CABLE KIT for Breakdown)	
19	1001178543	1	Pump Power Harness (Not Shown - See Pump Power Harness for Breakdown)	
20	1001178686	1	Ground to Platform Harness (Not Shown - See GROUND TO PLATFORM HARNESS for Breakdown)	
21	1001196837	1	Chassis Harness (See CHASSIS HARNESS for Breakdown)	

SECTION 7 - ELECTRICAL

FIGURE 7-20. CABLES INSTALLATION

NOTE : SEE USAGE CHART ON PARTS LIST BEFORE ORDERING PARTS.



PARTS FINDER

**Search Website
by Part Number**



**Search Manual
Library For Parts
Manual & Lookup Part
Numbers – Purchase
or Request Quote**

**Can't Find Part or
Manual? Request Help
by Manufacturer,
Model & Description**

Discount-Equipment.com is your online resource for quality parts & equipment.

Florida: **561-964-4949** Outside Florida TOLL FREE: **877-690-3101**

Need parts?

Click on this link: <http://www.discount-equipment.com/category/5443-parts/> and choose one of the options to help get the right parts and equipment you are looking for. Please have the machine model and serial number available in order to help us get you the correct parts. If you don't find the part on the website or on one of the online manuals, please fill out the request form and one of our experienced staff members will get back to you with a quote for the right part that your machine needs.

We sell worldwide for the brands: Genie, Terex, JLG, MultiQuip, Mikasa, Essick, Whiteman, Mayco, Toro Stone, Diamond Products, Generac Magnum, Airman, Haulotte, Barreto, Power Blanket, Nifty Lift, Atlas Copco, Chicago Pneumatic, Allmand, Miller Curber, Skyjack, Lull, Skytrak, Tsurumi, Husquvarna Target, Stow, Wacker, Sakai, Mi-T-M, Sullair, Basic, Dynapac, MBW, Weber, Bartell, Bennar Newman, Haulotte, Ditch Runner, Menegotti, Morrison, Contec, Buddy, Crown, Edco, Wyco, Bomag, Laymor, EZ Trench, Bil-Jax, F.S. Curtis, Gehl Pavers, Heli, Honda, ICS/PowerGrit, IHI, Partner, Imer, Clipper, MMD, Koshin, Rice, CH&E, General Equipment, Amida, Coleman, NAC, Gradall, Square Shooter, Kent, Stanley, Tamco, Toku, Hatz, Kohler, Robin, Wisconsin, Northrock, Oztec, Toker TK, Rol-Air, APT, Wylie, Ingersoll Rand / Doosan, Innovatech, Con X, Ammann, Mecalac, Makinex, Smith Surface Prep, Small Line, Wanco, Yanmar

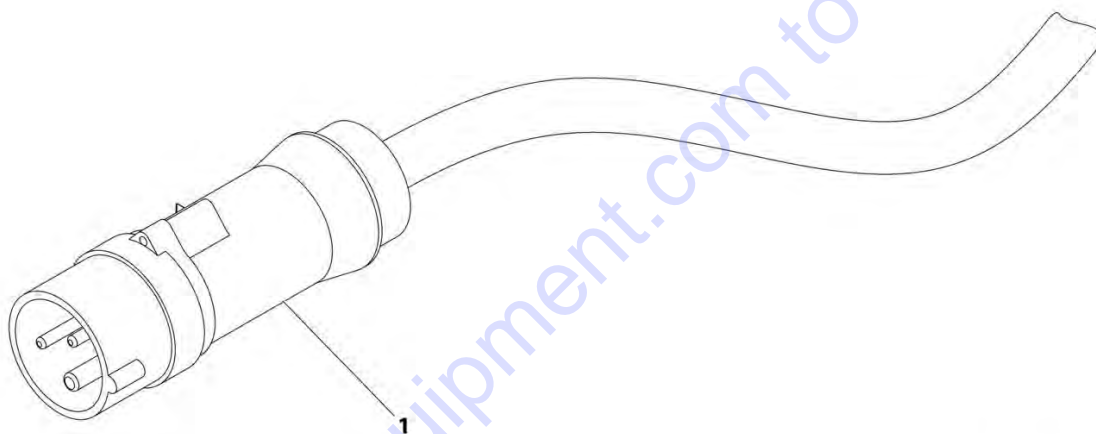
SECTION 7 - ELECTRICAL

FIGURE 7-20. CABLES INSTALLATION

ITEM	PART NUMBER	QTY	DESCRIPTION	REV
	1001219360	Ref	CABLE INSTALLATION	C
		Ref	Usage Chart	
		Ref	China Built Machines (SN B200035318 to Present)	
		Ref	UL Machines	
1	0100048	AR	Compound, Sealing	
2	0760606	4	Bolt M6 x 12	
2	0760605	4	Bolt M6 x 10	
3	0760610	4	Bolt M6 x 20	
4	1320318	1	Clamp	
5	1321716	2	Clamp	
6	1380158	21	Clip, Retainer	
7	3290601	2	Nut M6	
8	3290605	4	Nut M6	
9	3290606	6	Nut M6	
10	4010616	2	Screw M6 x 40	
11	4031713	2	Capscrew M6 x 45	
12	4740545	8	Washer	
13	4751400	4	Washer 1/4	
14	1001094175	2	Clamp	
15	1001220668	4	Clamp	
16	1001096707	1	Platform Harness (Includes Item 15) (Not Shown - See PLATFORM HARNESS for Breakdown)	
17	1001115002	1	Cylinder Harness (See CYLINDER HARNESS for Breakdown)	
18	1001178539	1	Battery Cable Kit (Not Shown - See BATTERY CABLE KIT for Breakdown)	
19	1001178543	1	Pump Power Harness (Not Shown - See Pump Power Harness for Breakdown)	
20	1001178686	1	Ground to Platform Harness (Not Shown - See GROUND TO PLATFORM HARNESS for Breakdown)	
21	1001196837	1	Chassis Harness (See CHASSIS HARNESS for Breakdown)	

SECTION 7 - ELECTRICAL

FIGURE 7-21. CHARGER CORD PLUG INSTALLATION - 110V IEC YELLOW (CE SPEC ONLY)



ART_0275666

SECTION 7 - ELECTRICAL

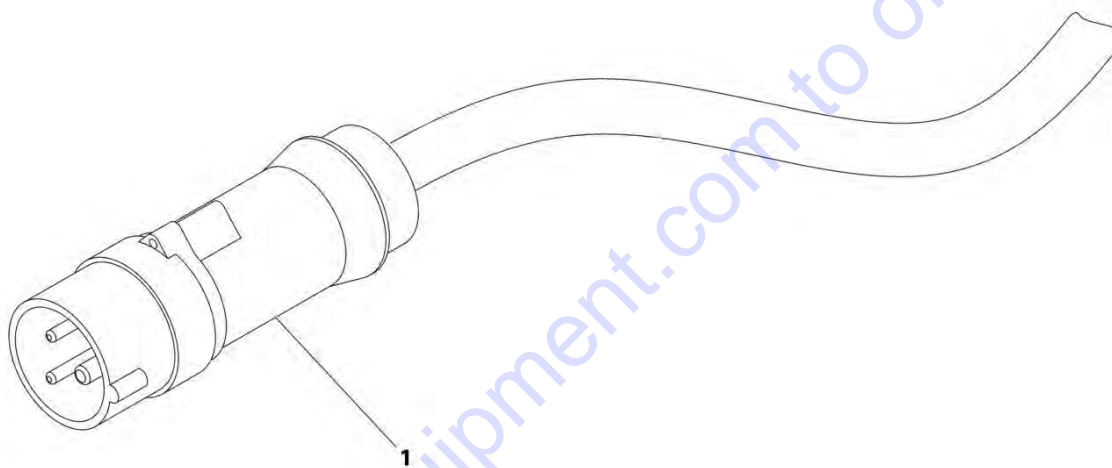
FIGURE 7-21. CHARGER CORD PLUG INSTALLATION - 110V IEC YELLOW (CE SPEC ONLY)

ITEM	PART NUMBER	QTY	DESCRIPTION	REV
	0275666	Ref	CHARGER CORD PLUG INSTALLATION - 110V IEC YELLOW	A
1	4461196	1	PLUG Plug	

Go to Discount-Equipment.com to order your parts

SECTION 7 - ELECTRICAL

FIGURE 7-22. CHARGER CORD PLUG INSTALLATION - 220V IEC BLUE (CE SPEC)



ART_0275667

SECTION 7 - ELECTRICAL

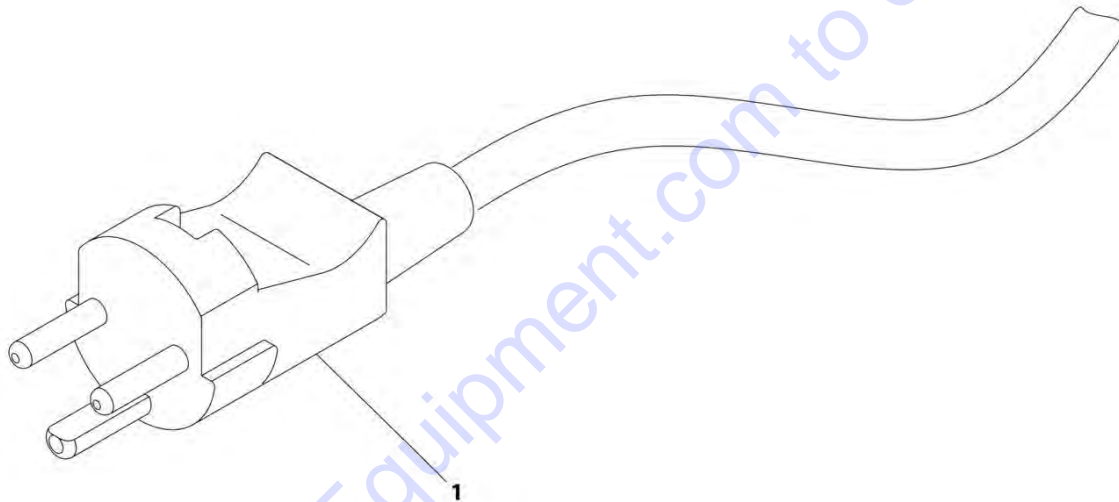
FIGURE 7-22. CHARGER CORD PLUG INSTALLATION - 220V IEC BLUE (CE SPEC)

ITEM	PART NUMBER	QTY	DESCRIPTION	REV
1	0275667 4461199	Ref 1	CHARGER CORD PLUG INSTALLATION - 220V IEC BLUE PLUG Plug	A

Go to Discount-Equipment.com to order your parts

SECTION 7 - ELECTRICAL

FIGURE 7-23. CHARGER CORD PLUG INSTALLATION - 220V AFSINT 107 (CE SPEC)



ART_0275665

SECTION 7 - ELECTRICAL

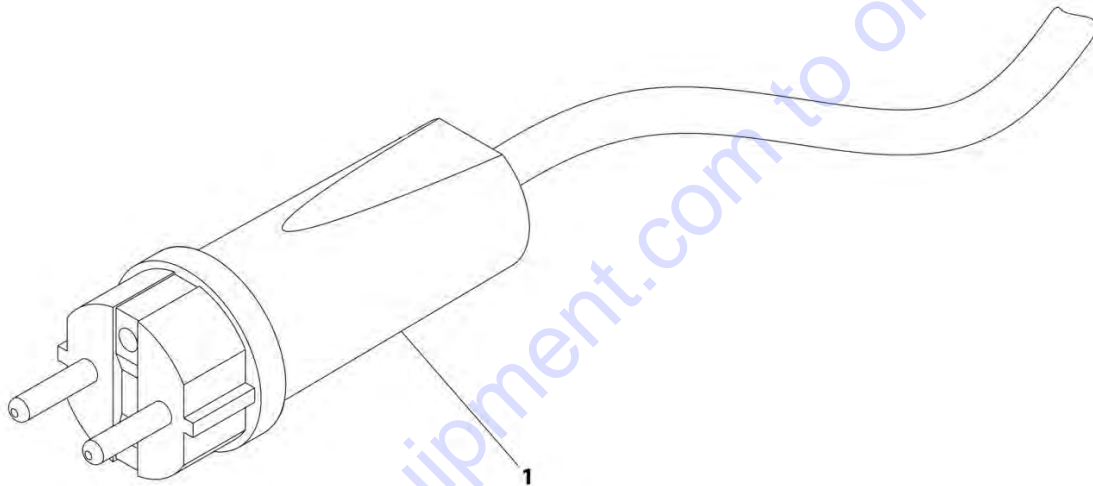
FIGURE 7-23. CHARGER CORD PLUG INSTALLATION - 220V AFSINT 107 (CE SPEC)

ITEM	PART NUMBER	QTY	DESCRIPTION	REV
	0275665	Ref	CHARGER CORD PLUG INSTALLATION - 220V AFSINT 107 KEYED GROUND	A
1	4461249	1	Plug	

Go to Discount-Equipment.com to order your parts

SECTION 7 - ELECTRICAL

FIGURE 7-24. CHARGER CORD PLUG INSTALLATION - 220V CEE7 POST GROUND (CE SPEC)



ART_0275664

SECTION 7 - ELECTRICAL

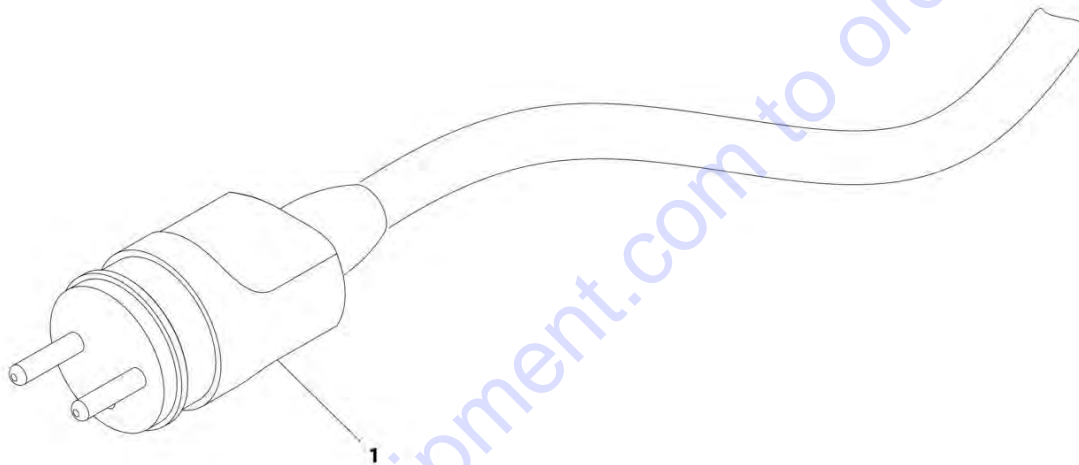
FIGURE 7-24. CHARGER CORD PLUG INSTALLATION - 220V CEE7 POST GROUND (CE SPEC)

ITEM	PART NUMBER	QTY	DESCRIPTION	REV
	0275664	Ref	CHARGER CORD PLUG INSTALLATION - 220V CEE7 SIDE GROUND	A
1	4461205	1	Plug	

Go to Discount-Equipment.com to order your parts

SECTION 7 - ELECTRICAL

FIGURE 7-25. CHARGER CORD PLUG INSTALLATION - 220V POST GROUND (CE SPEC)



ART_0275663

SECTION 7 - ELECTRICAL

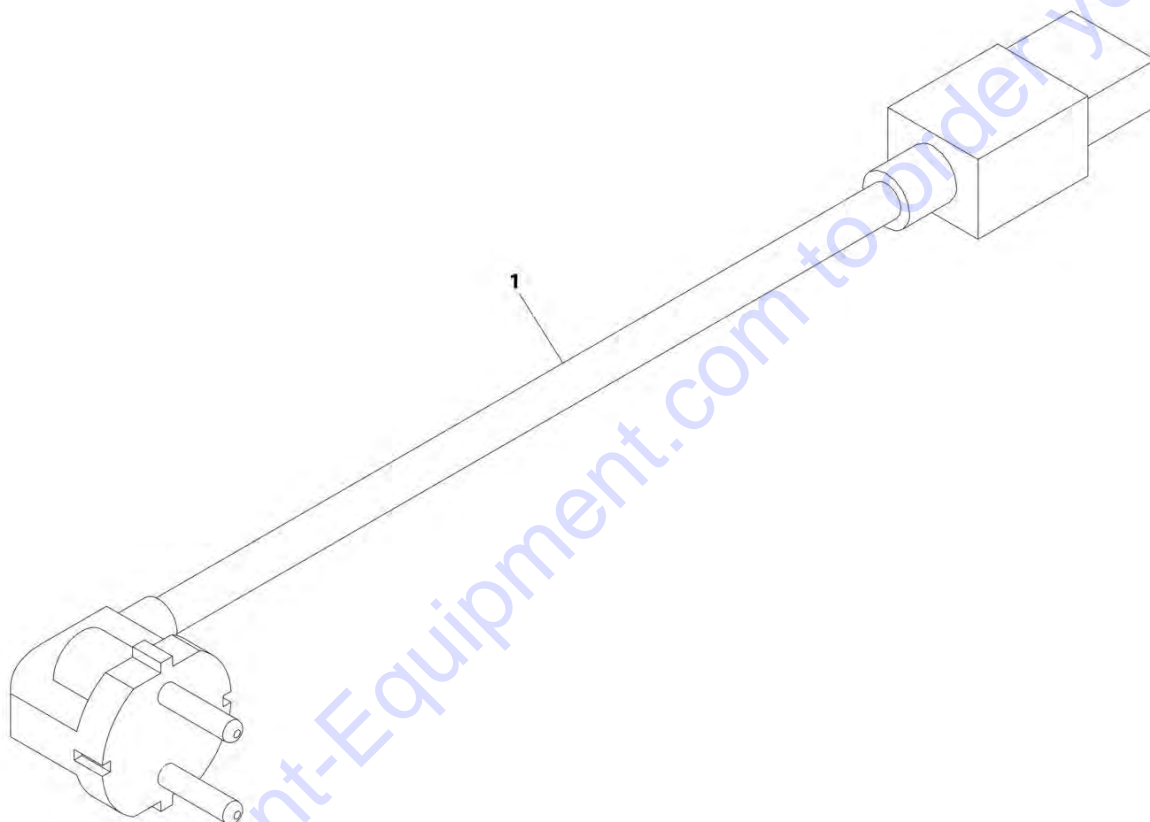
FIGURE 7-25. CHARGER CORD PLUG INSTALLATION - 220V POST GROUND (CE SPEC)

ITEM	PART NUMBER	QTY	DESCRIPTION	REV
	0275663	Ref	CHARGER CORD PLUG INSTALLATION - 220V POST GROUND (CE SPEC)	C
1	4461202	NLA	Plug (Use p/n 44601205) (SN 0200239382 through 0200256617, SN B200020297 through B200037371, SN M200000100 through M200002249)	
1	4461205	1	Plug (SN 0200256618 to Present, SN 1200025021 to Present, SN B200037372 to Present, SN M200002250 to Present)	

Go to Discount-Equipment.com to order your parts

SECTION 7 - ELECTRICAL

FIGURE 7-26. CHARGER CORD PLUG INSTALLATION (KOREA SPEC)



ART_1001221984

SECTION 7 - ELECTRICAL

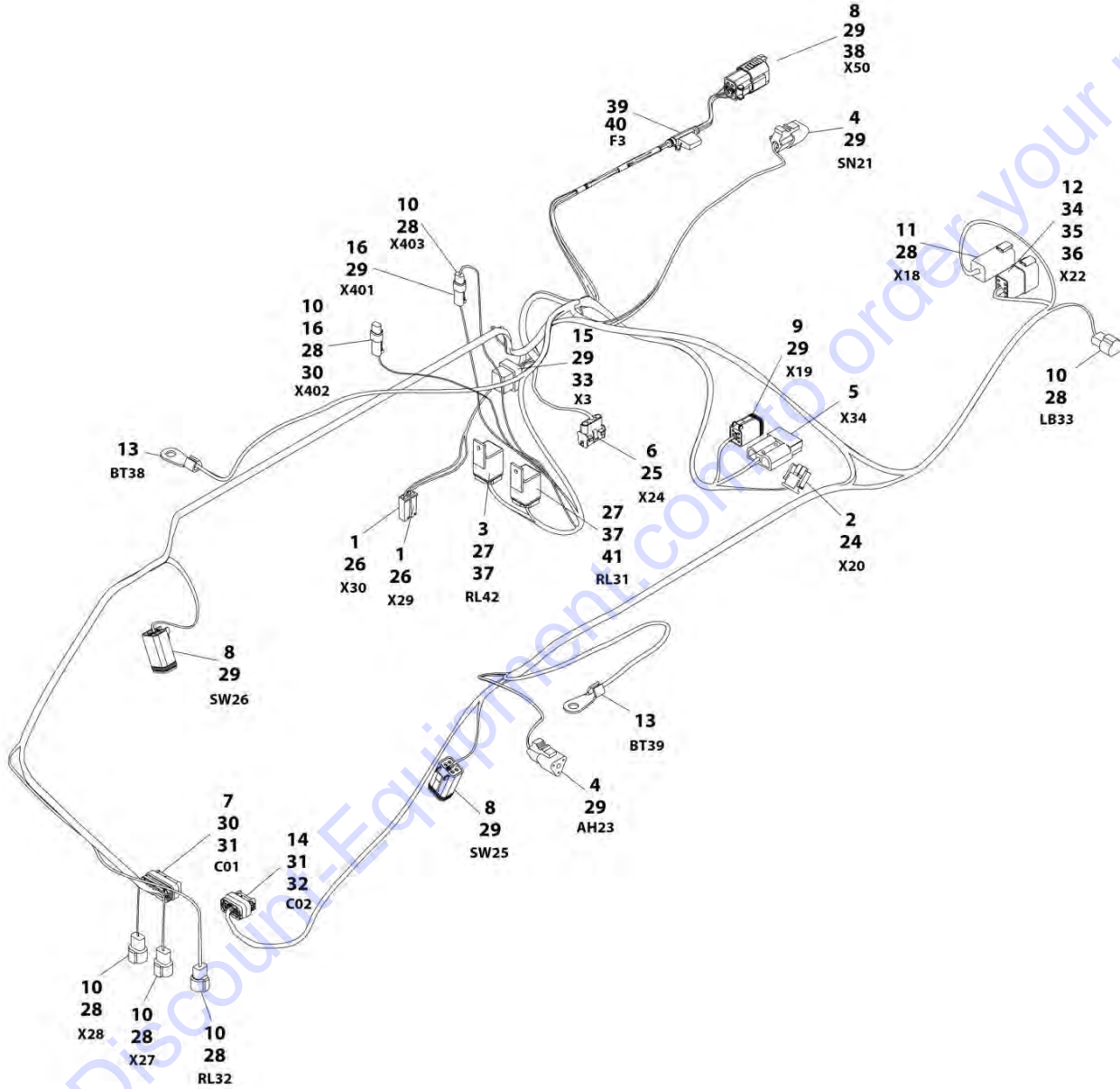
FIGURE 7-26. CHARGER CORD PLUG INSTALLATION (KOREA SPEC)

ITEM	PART NUMBER	QTY	DESCRIPTION	REV
1	1001221984 1001221949	Ref 1	CHARGER CORD PLUG INSTALLATION AC Input Cord and Plug	A

Go to Discount-Equipment.com to order your parts

SECTION 7 - ELECTRICAL

FIGURE 7-27. CHASSIS HARNESS



ART_1001187231

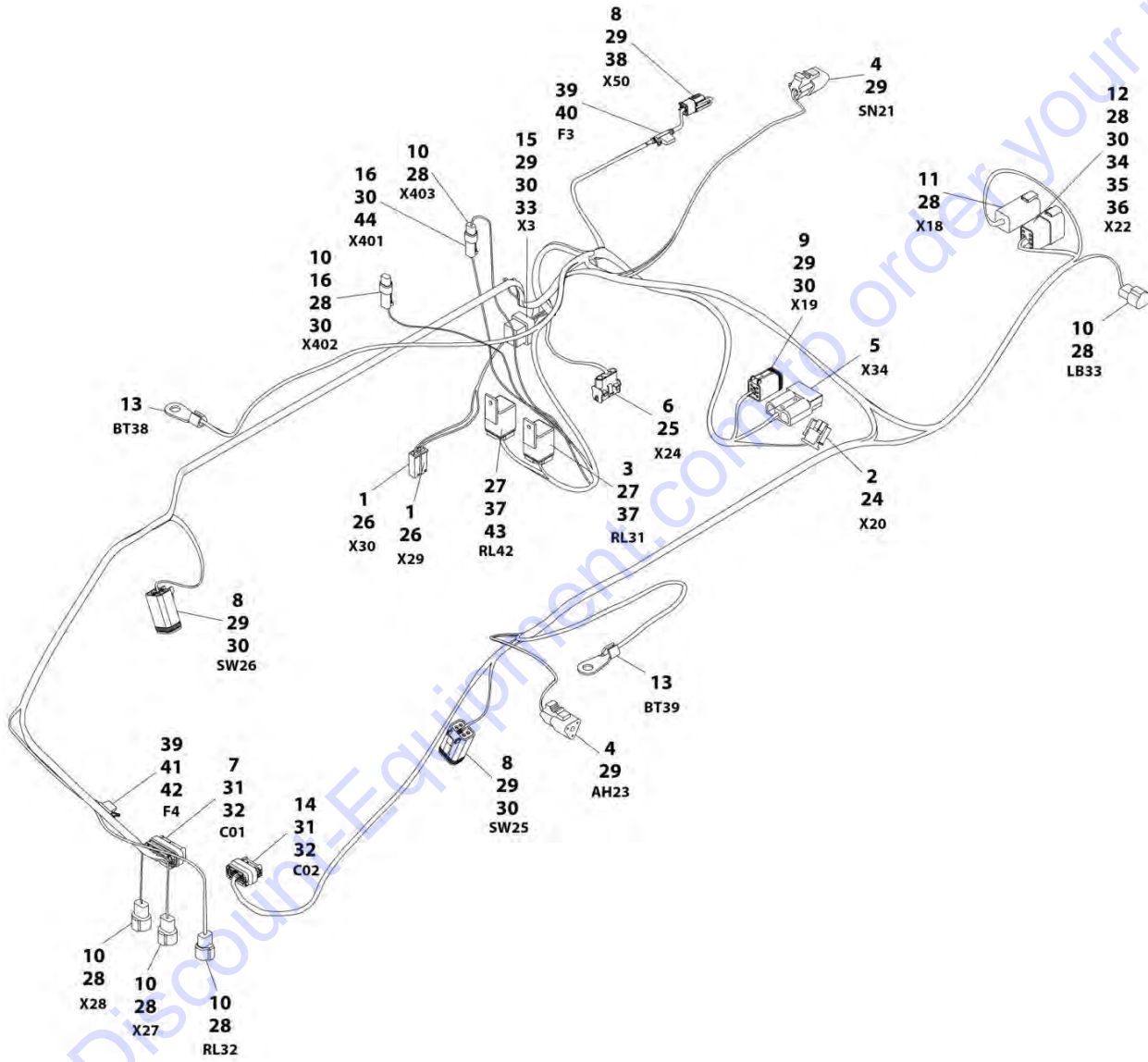
SECTION 7 - ELECTRICAL

FIGURE 7-27. CHASSIS HARNESS

ITEM	PART NUMBER	QTY	DESCRIPTION	REV
	1001187231	Ref	CHASSIS HARNESS	H
1	4460260	2	Housing, Terminal	
2	4460320	1	Plug, Male - 2 Position	
3	4460374	1	Plug, Relay	
4	4460539	2	Plug, Male - 3 Position	
5	4460648	1	Connector, Anderson	
6	4460761	1	Receptacle, Female - 4 Position	
7	4460873	1	Connector - 35 Position (Black)	
8	4460884	AR	Plug, Male - 4 Position	
9	4460894	1	Plug, Male - 6 Position	
10	4460897	5	Receptacle, Female - 2 Position	
11	4460899	1	Receptacle, Female - 6 Position	
12	4460931	1	Receptacle, Female - 8 Position	
13	4460986	2	Terminal, Ring	
14	1001096138	1	Connector - 23 Position	
15	1001115076	1	Connector - 18 Position	
16	4460891	2	Plug, Male - 2 Position	
24	4460226	2	Socket, Female	
25	4460227	4	Pin, Male	
26	4460259	2	Terminal	
27	4460375	8	Terminal	
28	4460464	18	Pin, Male	
29	4460465	AR	Socket, Female	
30	4460466	9	Seal	
31	4460871	39	Socket, Female	
32	4460905	20	Seal	
33	4460942	2	Socket, Female	
34	4460943	3	Pin, Male	
35	0840058	1	Boot	
36	2820028	3 ft/0.9m	Heat Shrink	
37	1001097347	2	Relay	
38	1001192401	1	Cap, Dust (SN 0200248842 to Present, SN 1200025021 to Present, SN B200025575 to Present, SN M200000140 to Present)	
39	2400060	1	Fuseholder with Cover (SN 0200248842 to Present, SN 1200025021 to Present, SN B200025575 to Present, SN M200000140 to Present)	
40	8229242	1	Fuse 5Amp (SN 0200248842 to Present, SN 1200025021 to Present, SN B200025575 to Present, SN M200000140 to Present)	
41	4460374	1	Plug, Relay (SN 0200239382 through 0200253043, SN B200020297 through B200028157, SN M200000100 through M200000687)	
41	1001117057	1	Plug, Relay (SN 0200253044 to Present, SN 1200025021 to Present, SN B2000281158 to Present, SN M200000688 to Present)	

SECTION 7 - ELECTRICAL

FIGURE 7-28. CHASSIS HARNESS - UL SPEC



ART_1001196837

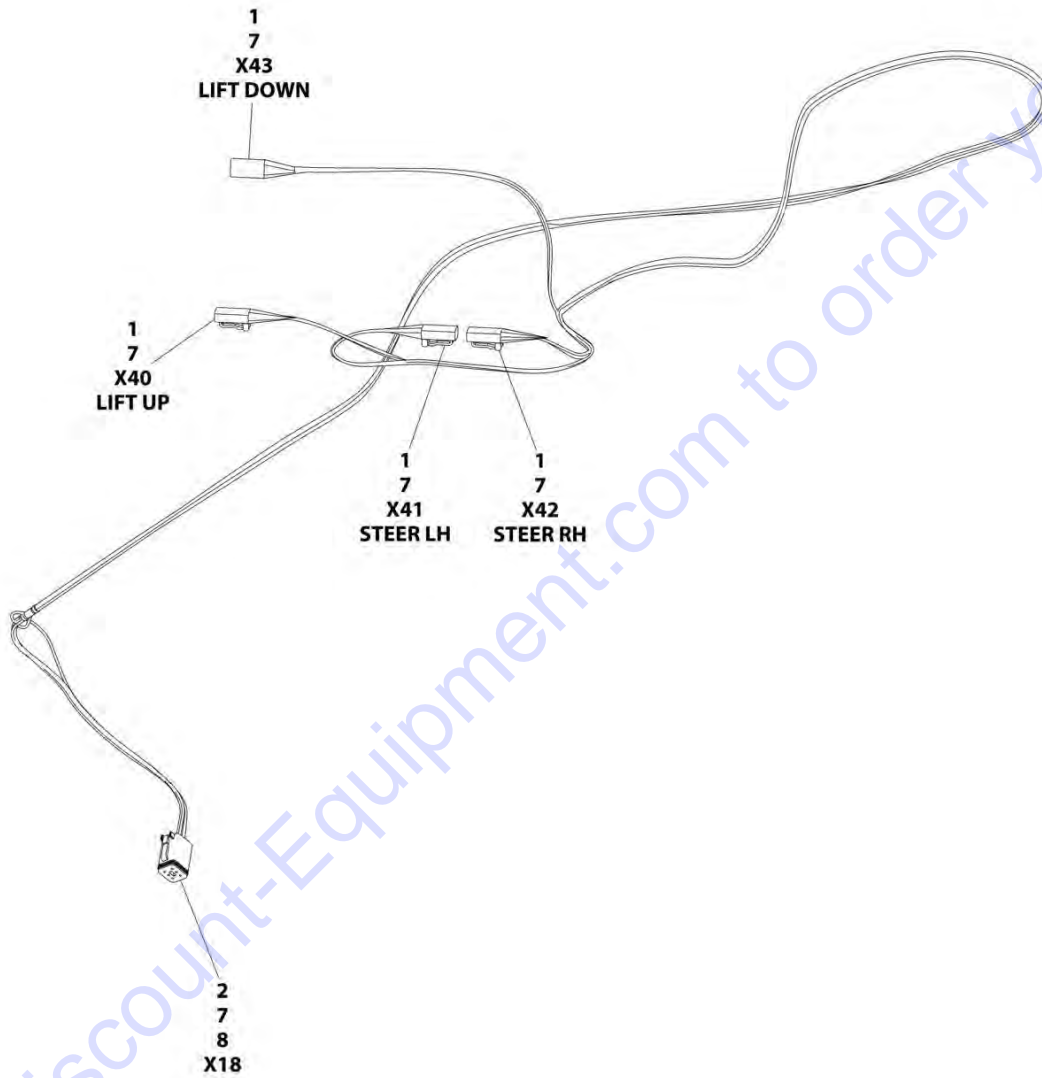
SECTION 7 - ELECTRICAL

FIGURE 7-28. CHASSIS HARNESS - UL SPEC

ITEM	PART NUMBER	QTY	DESCRIPTION	REV
	1001196837	Ref	CHASSIS HARNESS - UL SPEC	D
1	4460260	2	Housing, Terminal	
2	4460320	1	Plug, Male - 2 Position	
3	4460374	1	Plug, Relay	
4	4460539	2	Plug, Male - 3 Position	
5	4460648	1	Connector, Anderson	
6	4460761	1	Receptacle, Female - 4 Position	
7	4460873	1	Connector - 35 Position (Black)	
8	4460884	3	Plug, Male - 4 Position	
9	4460894	1	Plug, Male - 6 Position	
10	4460897	6	Receptacle, Female - 2 Position	
11	4460899	1	Receptacle, Female - 6 Position	
12	4460931	1	Receptacle, Female - 8 Position	
13	4460986	2	Terminal, Ring	
14	1001096138	1	Connector - 23 Position	
15	1001115076	1	Connector - 18 Position	
16	4460891	2	Plug, Male - 2 Position	
24	4460226	2	Socket, Female	
25	4460227	4	Pin, Male	
26	4460259	2	Terminal	
27	4460375	AR	Terminal	
28	4460464	AR	Pin, Male	
29	4460465	AR	Socket, Female	
30	4460466	AR	Seal	
31	4460871	39	Socket, Female	
32	4460905	AR	Seal	
33	4460942	2	Socket, Female	
34	4460943	3	Pin, Male	
35	0840058	1	Boot	
36	2820028	3 ft/0.9m	Heat Shrink	
37	1001097347	2	Relay	
38	1001192401	1	Cap, Dust	
39	2400060	2	Fuse Holder with Cover	
40	8229242	1	Fuse 5Amp	
41	1001196838	1	Fuse 3Amp	
42	2820152	AR	Heat Shrink	
43	4460374	1	Plug, Relay (SN 0200239382 through 0200260033, SN B200020297 through B200034609, SN M200000100 through M200005829)	
43	1001117057	1	Plug, Relay (SN 0200260033 to Present, SN B200034609 to Present, SN M200005829 to Present)	
44	1001157890	1	Terminal (SN 0200260033 to Present, SN B200034609 to Present, SN M200005829 to Present)	

SECTION 7 - ELECTRICAL

FIGURE 7-29. CYLINDER HARNESS



ART_1001115002

SECTION 7 - ELECTRICAL

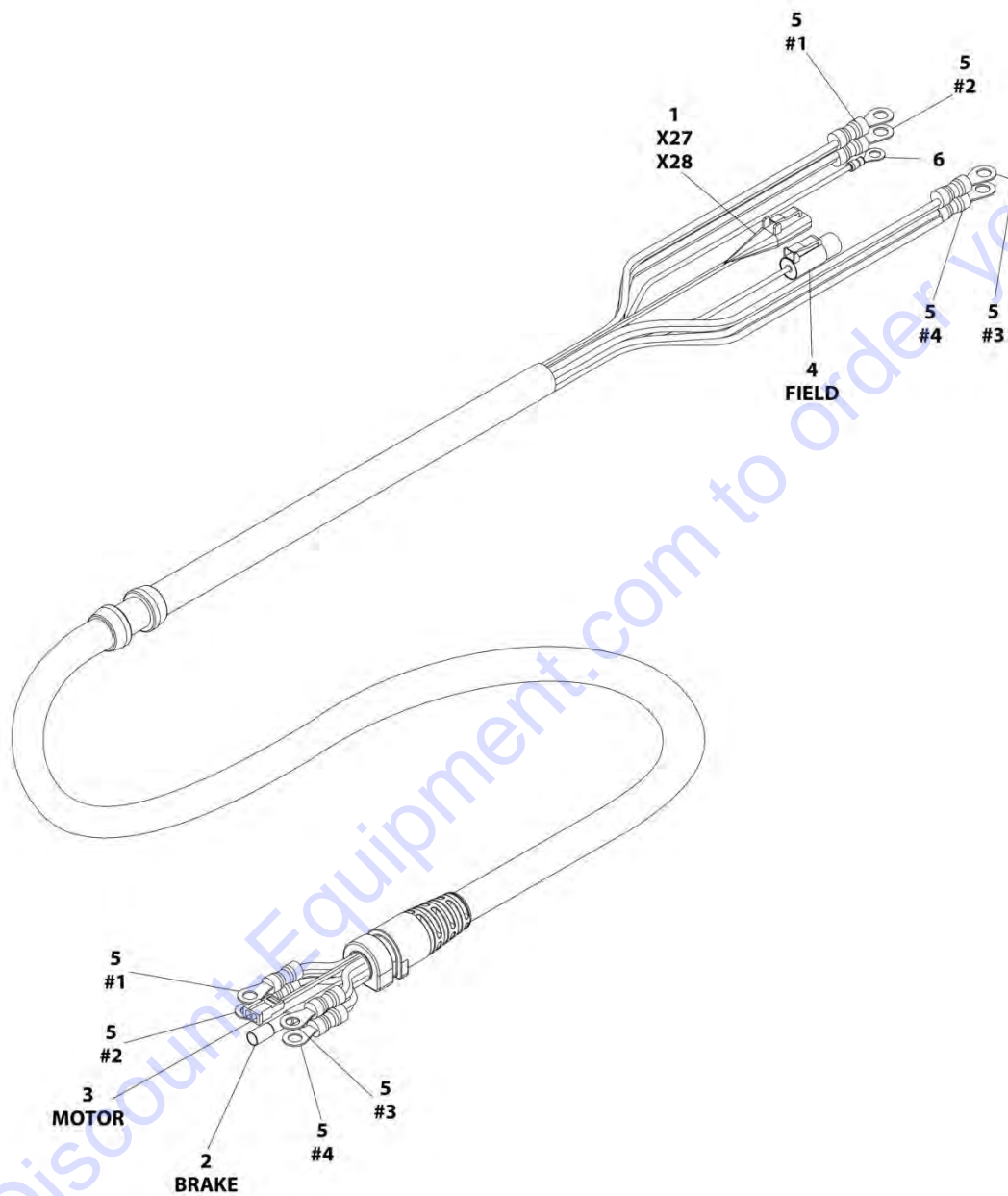
FIGURE 7-29. CYLINDER HARNESS

ITEM	PART NUMBER	QTY	DESCRIPTION	REV
	1001115002	Ref	CYLINDER HARNESS	C
1	4460891	4	Plug, Male - 2 Position	
2	4460894	1	Plug, Male - 6 Position	
7	4460465	14	Socket, Female	
8	0840059	1	Boot	

Go to Discount-Equipment.com to order your parts

SECTION 7 - ELECTRICAL

FIGURE 7-30. DRIVE CABLE ASSEMBLY



ART_1001132439

SECTION 7 - ELECTRICAL

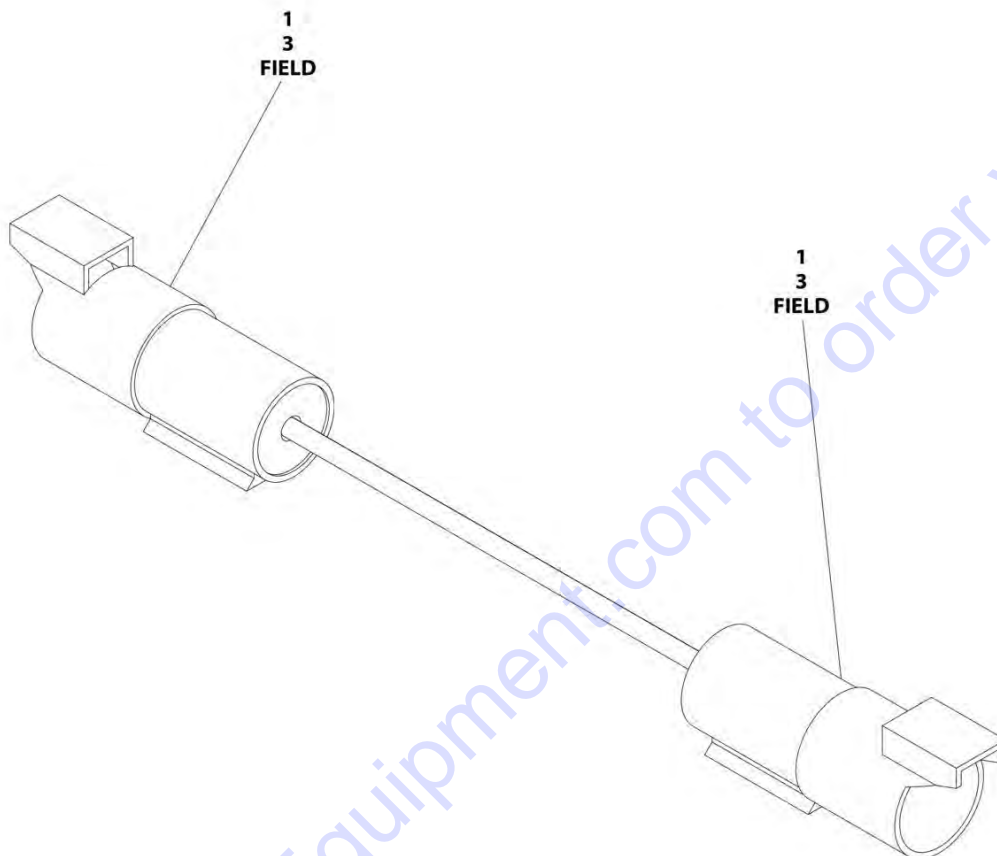
FIGURE 7-30. DRIVE CABLE ASSEMBLY

ITEM	PART NUMBER	QTY	DESCRIPTION	REV
	1001132439	Ref	DRIVE CABLE ASSEMBLY	B
1	4460891	1	Plug, Male - 2 Position	
1	4460465	2	Socket, Female	
2	70001442	1	Plug, Male - 2 Position	
2	See Note	NSS	Socket, Female (Note: Not Available for Purchase)	
3	70001443	1	Plug, Male - 2 Position	
3	70001444	2	Socket, Female	
4	4461261	1	Plug, Male - 1 Position	
4	4460509	1	Terminal	
5	See Note	NSS	Terminal, Ring (Note: Not Available for Purchase)	
6	See Note	NSS	Terminal, Ring (Note: Not Available for Purchase)	

Go to Discount-Equipment.com to order your parts

SECTION 7 - ELECTRICAL

FIGURE 7-31. DRIVE FIELD CONNECTION HARNESS



ART_4923602

SECTION 7 - ELECTRICAL

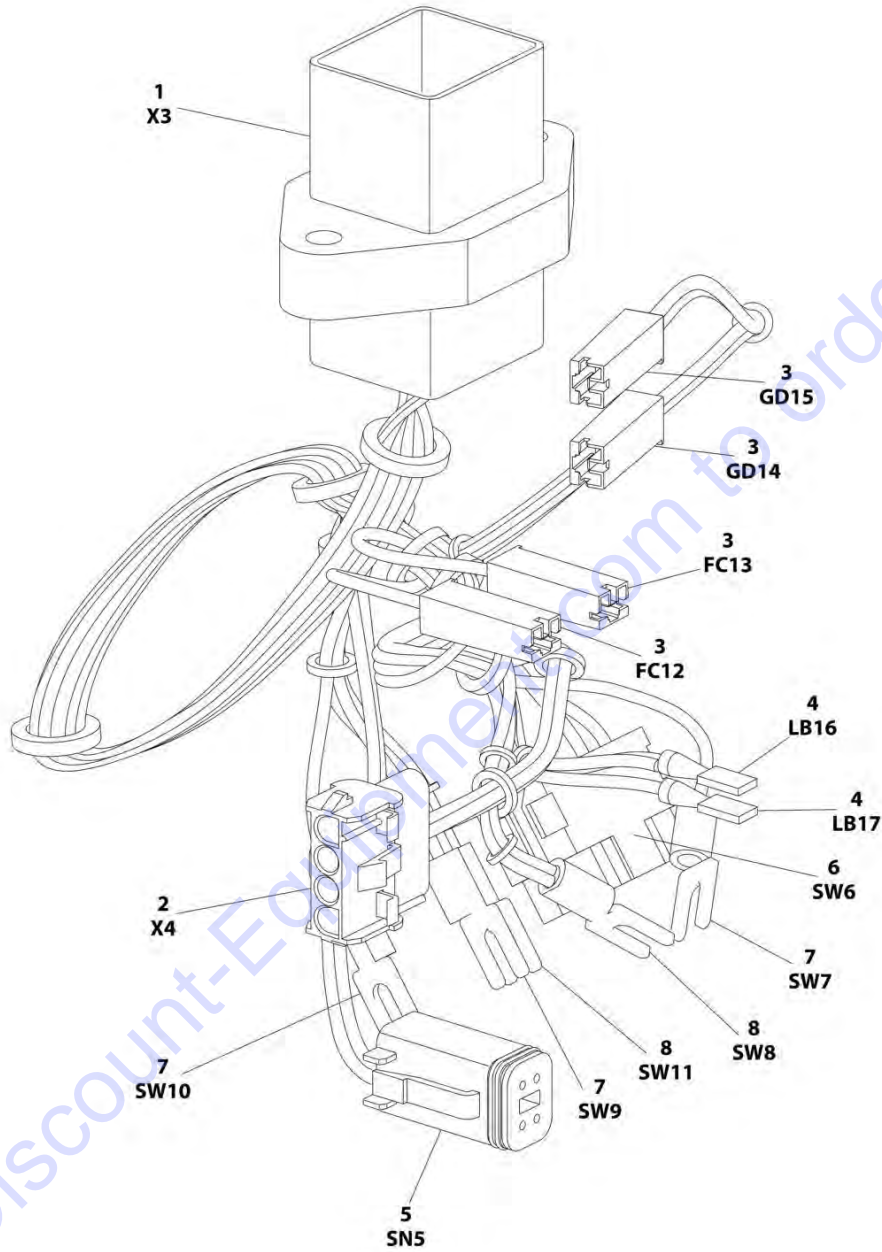
FIGURE 7-31. DRIVE FIELD CONNECTION HARNESS

ITEM	PART NUMBER	QTY	DESCRIPTION	REV
	4923602	Ref	DRIVE FIELD CONNECTION HARNESS	C
1	4461260	2	Receptacle, Female - 1 Position	
3	4460508	2	Pin, Male	

Go to Discount-Equipment.com to order your parts

SECTION 7 - ELECTRICAL

FIGURE 7-32. GROUND CONTROL BOX HARNESS (SN B200020297 through B200023345)



ART_1001114935

SECTION 7 - ELECTRICAL

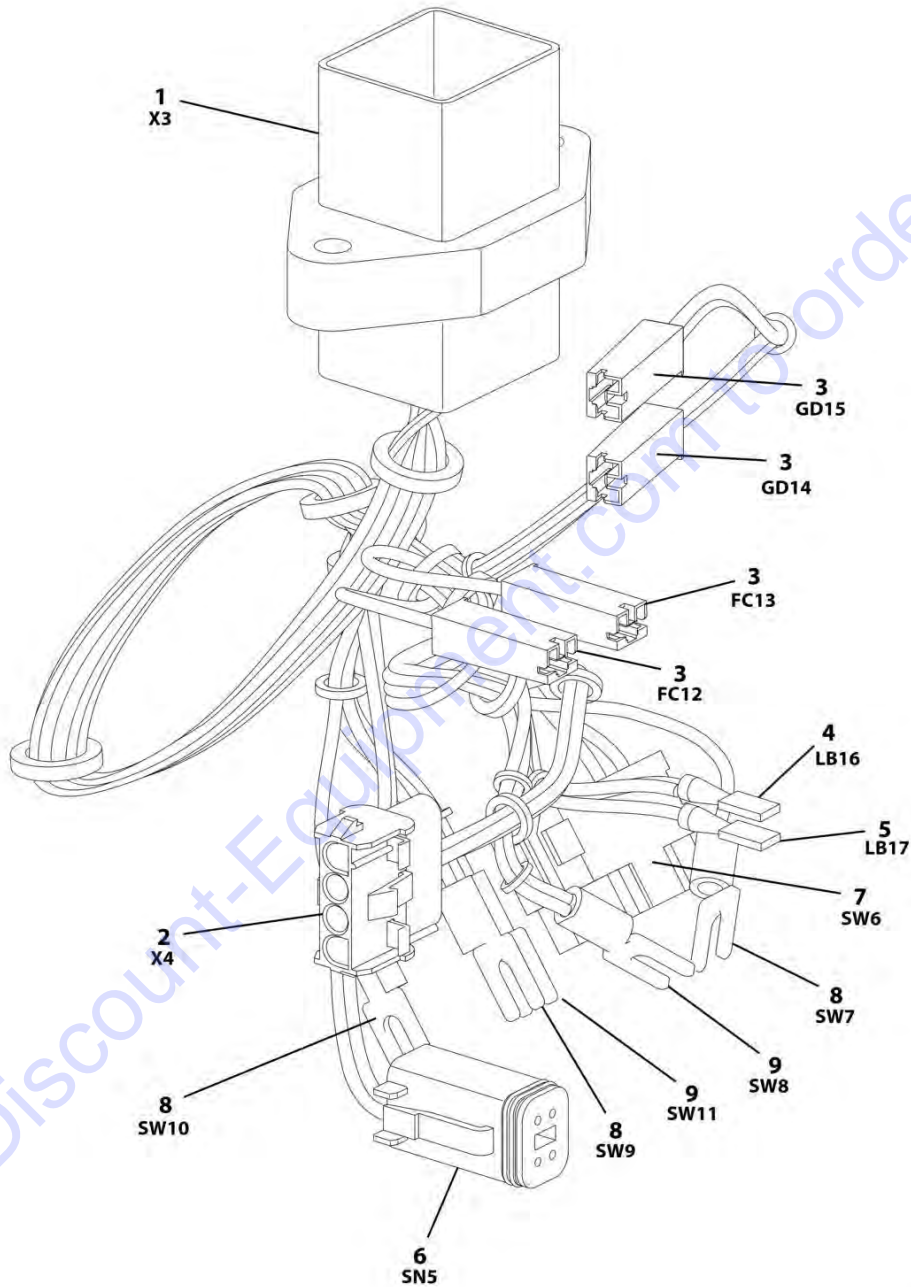
FIGURE 7-32. GROUND CONTROL BOX HARNESS (SN B200020297 through B200023345)

ITEM	PART NUMBER	QTY	DESCRIPTION	REV
	1001114935	Ref	GROUND CONTROL BOX HARNESS	B
1	See Note	NSS	Connector - 18 Position (Note: Not Available for Purchase)	
1	See Note	NSS	Terminal (Note: Not Available for Purchase)	
2	4460961	1	Receptacle, Female - 4 Position	
2	4460267	4	Pin, Male	
3	4460260	4	Housing, Terminal	
3	4460259	4	Terminal	
4	See Note	NSS	Terminal	
5	4461077	1	Plug, Male - 4 Position	
5	4460944	4	Socket, Female	
6	4460418	1	Connector - 6 Position	
6	4460419	3	Terminal	
7	See Note	NSS	Terminal, Fork (Note: Not Available for Purchase)	
8	See Note	NSS	Terminal, Fork (Note: Not Available for Purchase)	

Go to Discount-Equipment.com to order your parts

SECTION 7 - ELECTRICAL

FIGURE 7-33. GROUND CONTROL BOX HARNESS (SN 0200239382 to Present, SN 1200025021 to Present, SN B200023346 to Present, SN M200000100 to Present)



ART_1001167256

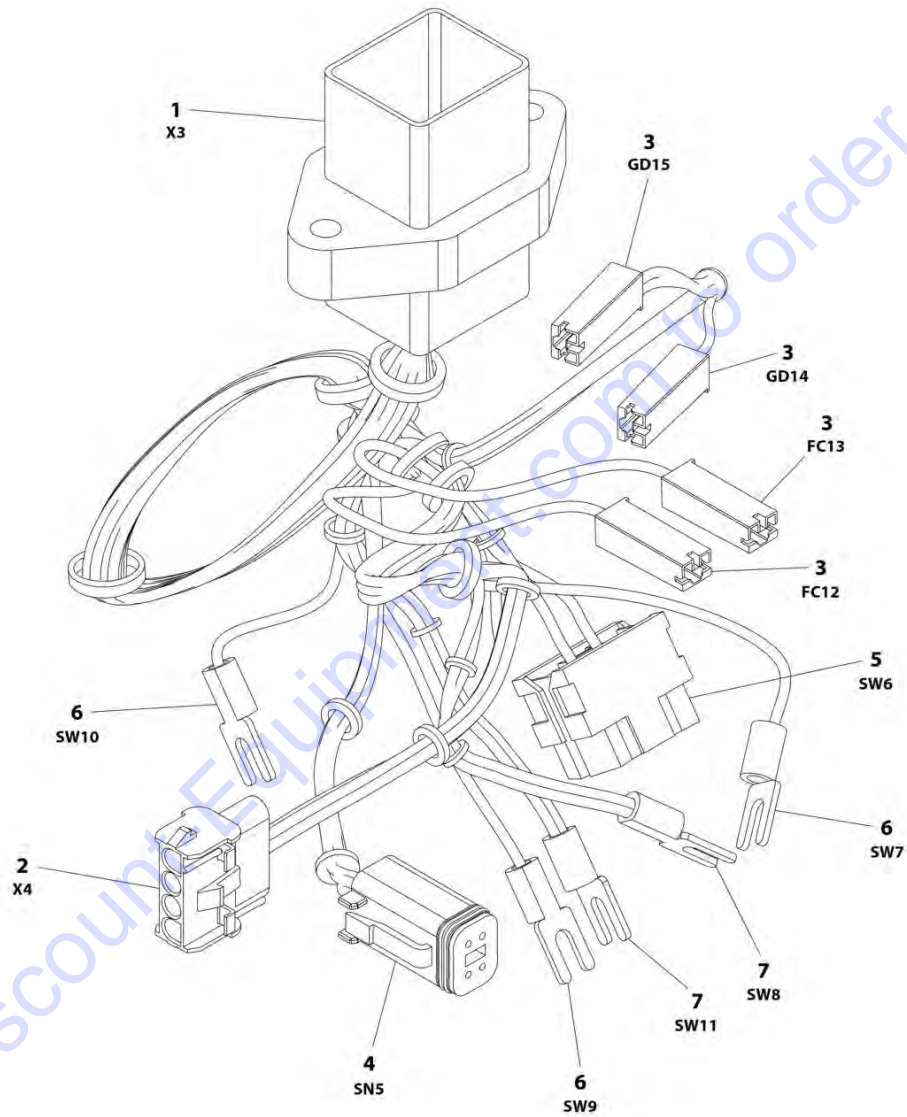
SECTION 7 - ELECTRICAL

FIGURE 7-33. GROUND CONTROL BOX HARNESS (SN 0200239382 to Present, SN 1200025021 to Present, SN B200023346 to Present, SN M200000100 to Present)

ITEM	PART NUMBER	QTY	DESCRIPTION	REV
	1001167256	Ref	GROUND CONTROL BOX HARNESS (SN 0200239382 to Present, SN 1200025021 to Present, SN B200023346 to Present, SN M200000100 to Present)	E
1	1001115077	1	Connector - 18 Position	
1	4460464	14	Pin, Male	
1	4460943	2	Pin, Male	
1	4460466	2	Seal	
2	1001119032	1	Connector - 4 Position	
2	4460268	4	Socket, Female	
3	4460260	4	Housing, Terminal	
3	4460259	4	Terminal	
4	1001202618	1	Terminal	
5	1001202619	1	Terminal	
6	4461077	1	Connector - 4 Position (SN 0200239382 through 0200261547, SN B200023346 through B200038259, SN M200000100 through M200007511)	
6	4460884	1	Connector - 4 Position (SN 0200261548 to Present, SN 1200025021 to Present, SN B200038260 to Present, SN M200007512 to Present)	
6	4460944	4	Socket, Female	
7	4460418	1	Connector - 6 Position	
7	1001159186	3	Terminal	
8	4460183	3	Terminal, Fork	
9	4460115	2	Terminal, Fork	

SECTION 7 - ELECTRICAL

FIGURE 7-34. GROUND CONTROL BOX HARNESS - NO LSS (SN 0200266380 to Present, SN B200043104 to Present, SN M200012171 to Present)



ART_1001208641

SECTION 7 - ELECTRICAL

FIGURE 7-34. GROUND CONTROL BOX HARNESS - NO LSS (SN 0200266380 to Present, SN B200043104 to Present, SN M200012171 to Present)

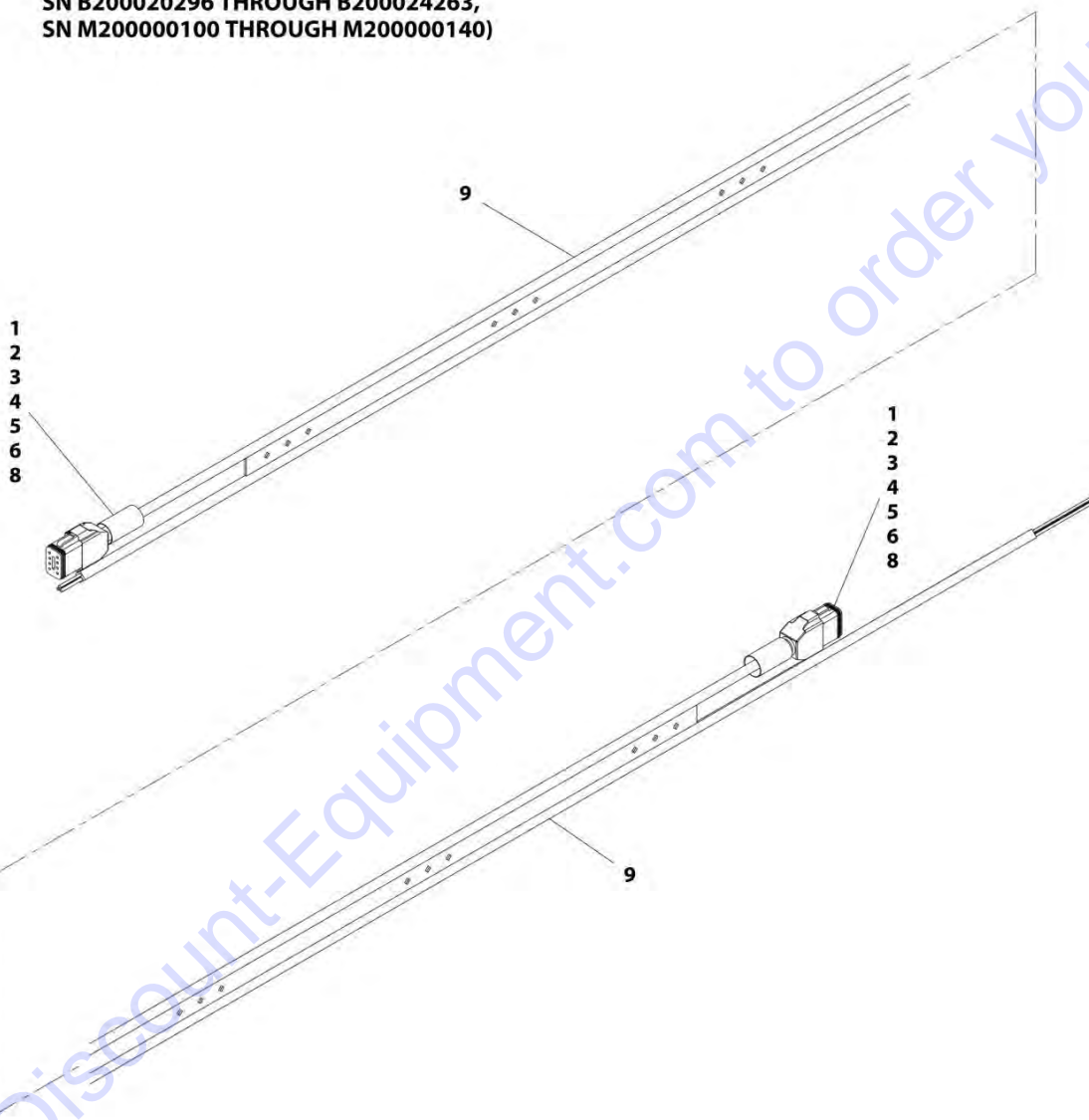
ITEM	PART NUMBER	QTY	DESCRIPTION	REV
	1001208641	Ref	GROUND CONTROL BOX HARNESS - NO LSS	A
1	1001115077	1	Connector - 18 Position	
1	4460464	13	Pin, Male	
1	4460943	2	Pin, Male	
1	4460466	3	Seal	
2	1001119032	1	Connector - 4 Position	
2	4460268	4	Socket, Female	
3	4460260	4	Housing, Terminal	
3	4460259	4	Terminal	
4	4460884	1	Connector - 4 Position	
4	4460918	4	Socket, Female	
5	4460418	1	Connector - 6 Position	
5	1001159186	3	Terminal	
6	4460183	3	Terminal, Fork	
7	4460115	2	Terminal, Fork	

Go to Discount-Equipment.com to order your parts

SECTION 7 - ELECTRICAL

FIGURE 7-35. GROUND TO PLATFORM HARNESS

USAGE CHART :
ANSI, CSA, JAPANESE AND UL SPECS (ALL MACHINES)
ANSI EXPORT AND CHINA SPEC
(SN 0200239382 THROUGH 0200248240,
SN B200020296 THROUGH B200024263,
SN M200000100 THROUGH M200000140)



ART_1001178686

SECTION 7 - ELECTRICAL

FIGURE 7-35. GROUND TO PLATFORM HARNESS

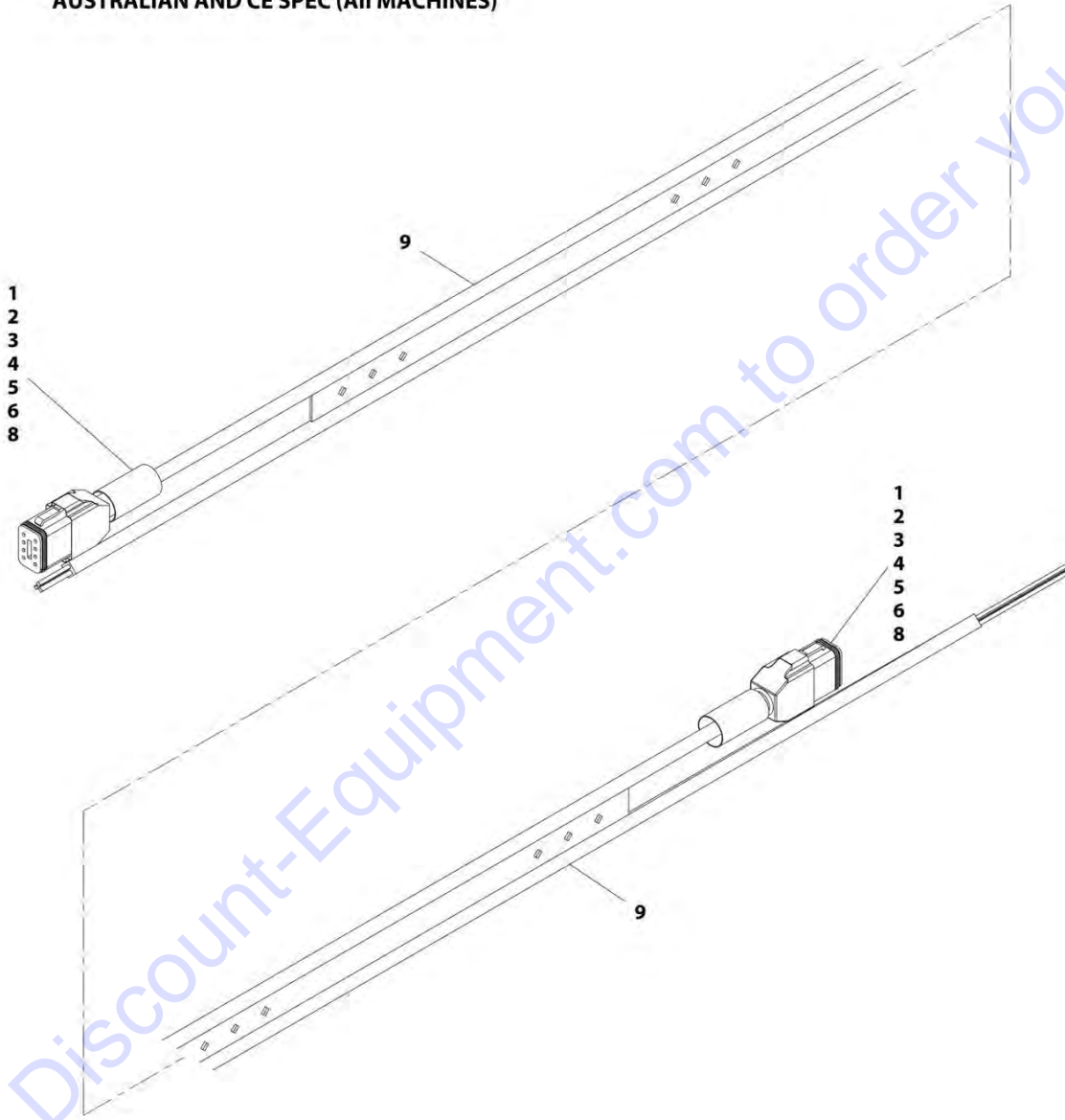
ITEM	PART NUMBER	QTY	DESCRIPTION	REV
	1001178686	Ref	GROUND TO PLATFORM HARNESS	E
		Ref	Usage Chart	
		Ref	ANSI, CSA, Japanese and UL Specs (All Machines)	
		Ref	ANSI, Export and China Spec (SN 0200239382 through 0200248240, SN B200020296 through B200024263, SN M200000100 through M200000140)	
1	0840061	2	Boot	
2	2820026	AR	Insulator, Clear Tubing	
3	2820028	AR	Heat Shrink	
4	4460465	8	Socket, Female	
5	4460466	2	Plug, Terminal	
6	4460930	2	Plug, Male - 8 Position	
7	4460943	3	Pin, Male (Not Shown)	
8	4460944	6	Socket, Female (Gold)	
9	1001178682	1	Cable	

Go to Discount-Equipment.com to order your parts

SECTION 7 - ELECTRICAL

FIGURE 7-36. GROUND TO PLATFORM HARNESS

USAGE CHART :
ANSI EXPORT AND CHINA SPEC
(SN 0200248241 TO PRESENT,
SN B200024264 TO PRESENT
SN M200000141 TO PRESENT)
AUSTRALIAN AND CE SPEC (ALL MACHINES)



ART_1001178684

SECTION 7 - ELECTRICAL

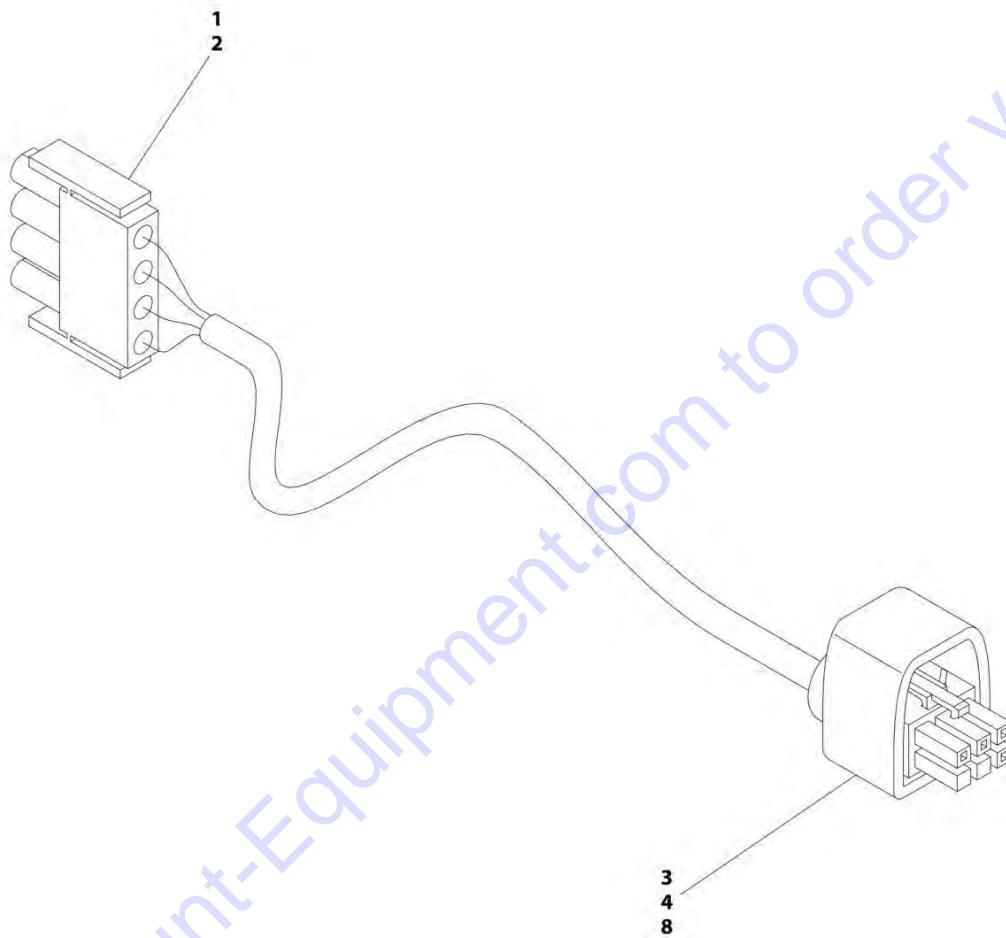
FIGURE 7-36. GROUND TO PLATFORM HARNESS

ITEM	PART NUMBER	QTY	DESCRIPTION	REV
	1001178684	Ref	GROUND TO PLATFORM HARNESS	D
		Ref	Usage Chart	
		Ref	ANSI Export and China Spec (SN 0200248241 to Present, SN 1200025021 to Present, SN B200024264 to Present, SN M200000141 to Present)	
		Ref	Australian and CE Spec (All Machines)	
1	0840061	2	Boot	
2	2820026	AR	Insulator, Clear Tubing	
3	2820028	AR	Heat Shrink	
4	4460465	8	Socket, Female	
5	4460466	2	Plug, Terminal	
6	4460930	2	Plug, Male - 8 Position	
7	4460943	3	Pin, Male (Not Shown)	
8	4460944	6	Socket, Female (Gold)	
9	1001178682	1	Cable	

Go to Discount-Equipment.com to order your parts

SECTION 7 - ELECTRICAL

FIGURE 7-37. MDI (MULTIFUNCTION DIGITAL INDICATOR) HARNESS



ART_1001093556

SECTION 7 - ELECTRICAL

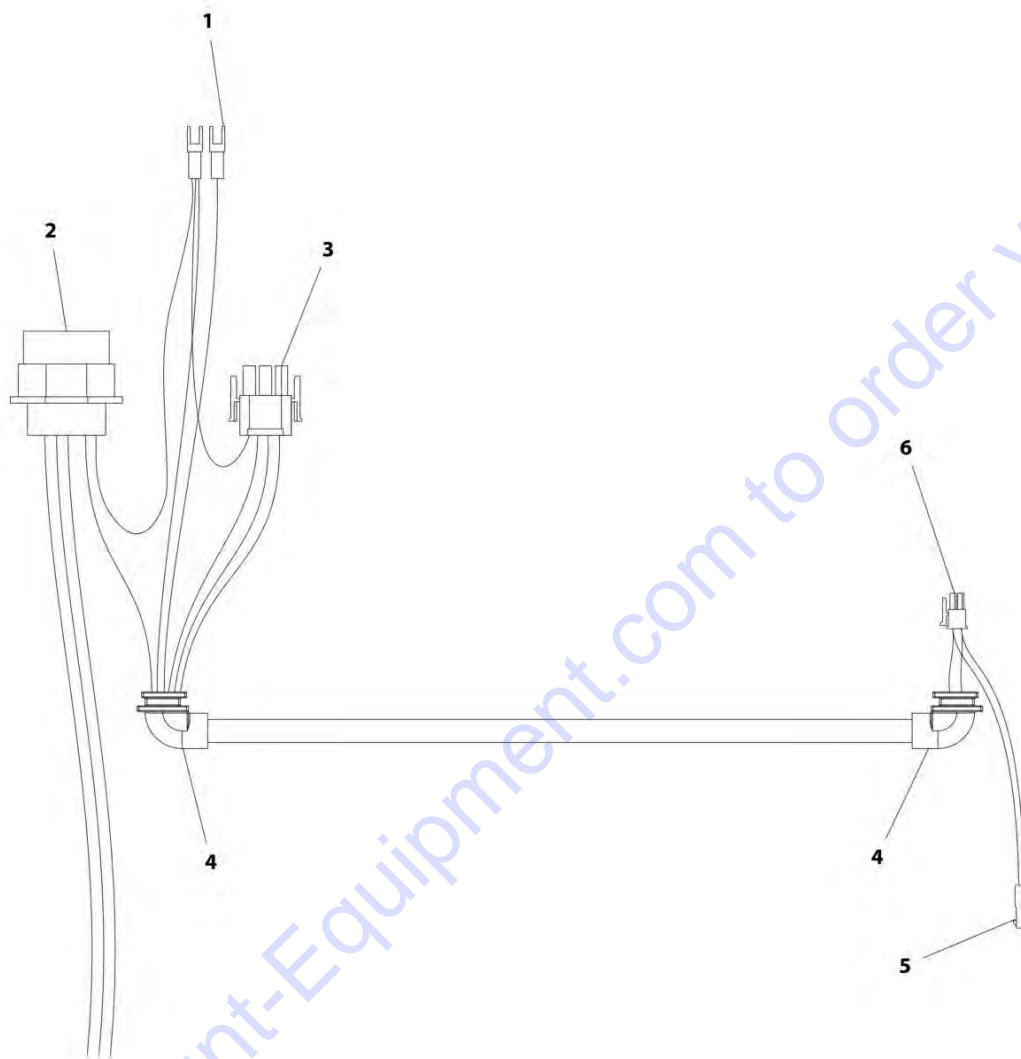
FIGURE 7-37. MDI (MULTIFUNCTION DIGITAL INDICATOR) HARNESS

ITEM	PART NUMBER	QTY	DESCRIPTION	REV
	1001093556	Ref	MDI (MULTIFUNCTION DIGITAL INDICATOR) HARNESS	C
1	4460226	4	Socket, Female	
2	4460321	1	Plug, Male - 4 Position	
3	4460868	1	Plug, Male - 6 Position	
4	4460877	4	Terminal	
8	1001094105	1	Boot	

Go to Discount-Equipment.com to order your parts

SECTION 7 - ELECTRICAL

FIGURE 7-38. PLATFORM BOX HARNESS



ART_4922870

SECTION 7 - ELECTRICAL

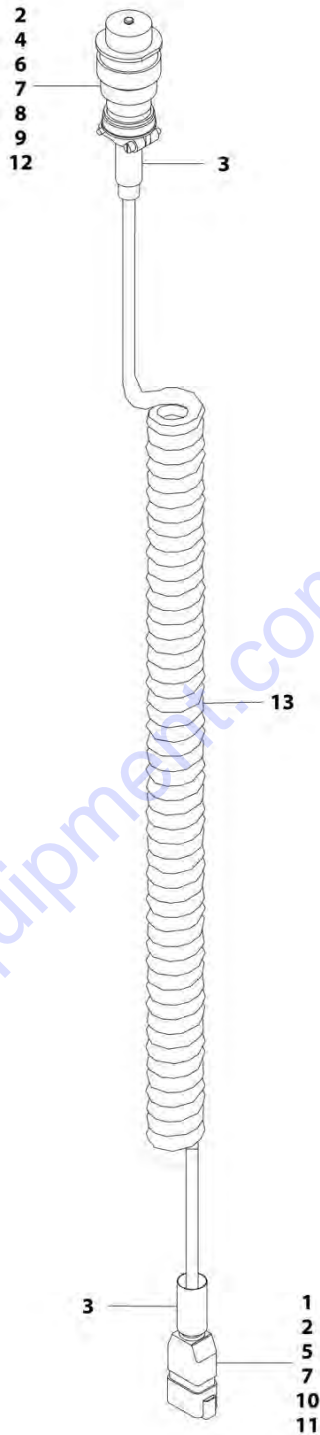
FIGURE 7-38. PLATFORM BOX HARNESS

ITEM	PART NUMBER	QTY	DESCRIPTION	REV
	4922870	Ref	PLATFORM BOX HARNESS	D
1	4461016	1	Connector - 14 Position	
2	4460464	6	Pin, Male	
2	4460466	8	Plug, Sealing	
2	4460496	1	Lockwasher	
2	4460497	1	Nut, Panel	
3	4460265	1	Plug, Male - 9 Position	
3	4460267	8	Pin, Male	
4	2540042	2	Grommet 90	
5	See Note	NSS	Receptacle, Female - 3 Position (Note: Not Available for Purchase)	
6	4461057	1	Plug, Male - 16 Position	

Go to Discount-Equipment.com to order your parts

SECTION 7 - ELECTRICAL

FIGURE 7-39. PLATFORM CABLE ASSEMBLY (SN 0200239382 through 0200262555, SN 1200025024 to Present, SN B200020297 to Present, SN M200000100 through M200010214)



ART_1001096707

SECTION 7 - ELECTRICAL

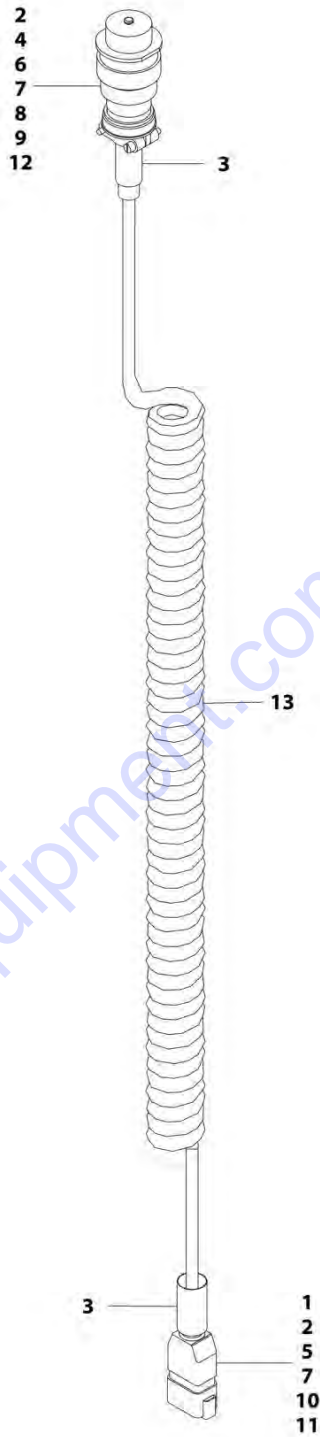
FIGURE 7-39. PLATFORM CABLE ASSEMBLY (SN 0200239382 through 0200262555, SN 1200025024 to Present, SN B200020297 to Present, SN M200000100 through M200010214)

ITEM	PART NUMBER	QTY	DESCRIPTION	REV
	1001096707	Ref	PLATFORM CABLE ASSEMBLY	F
1	0840058	1	Boot, 8 Position Receptacle	
2	2820026	AR	Insulation, Clear Tubing	
3	2820028	AR	Heat Shrink	
4	3730119	1	Resistor	
5	4460464	4	Pin, Male	
6	4460465	4	Socket, Female	
7	4460466	5	Plug, Sealing	
8	4460493	1	Cap, Dust	
9	4460754	1	Connector -14 Position	
10	4460931	1	Receptacle, Female - 8 Position	
11	4460943	3	Pin, Male (Gold)	
12	4460944	3	Socket, Female	
13	1001094169	1	Cable	

Go to Discount-Equipment.com to order your parts

SECTION 7 - ELECTRICAL

FIGURE 7-40. PLATFORM CABLE ASSEMBLY (SN 0200262556 to Present, SN M200010215 to Present)



ART_1001201244

SECTION 7 - ELECTRICAL

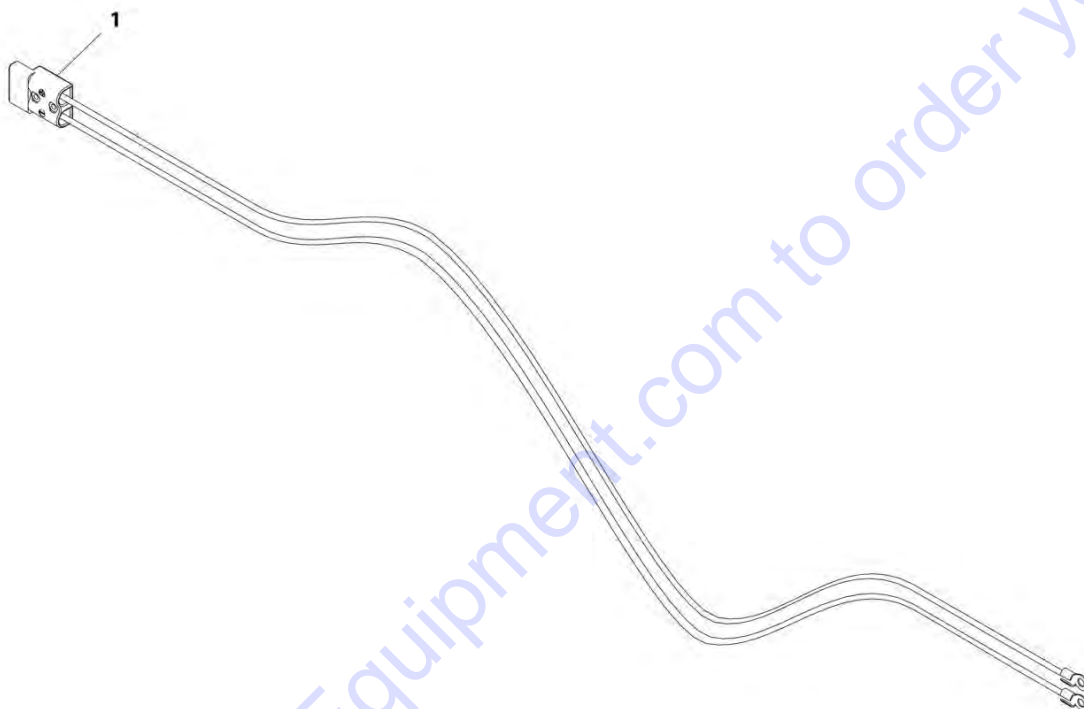
FIGURE 7-40. PLATFORM CABLE ASSEMBLY (SN 0200262556 to Present, SN M200010215 to Present)

ITEM	PART NUMBER	QTY	DESCRIPTION	REV
	1001201244	Ref	PLATFORM CABLE ASSEMBLY (SN 0200262556 to Present, SN M200010215 to Present)	B
1	0840058	1	Boot, 8 Position Receptacle	
2	2820026	AR	Insulation, Clear Tubing	
3	2820028	AR	Heat Shrink	
4	3730119	1	Resistor	
5	4460464	4	Pin, Male	
6	4460465	4	Socket, Female	
7	4460466	5	Plug, Sealing	
8	4460493	1	Cap, Dust	
9	4460754	1	Connector -14 Position	
10	4460931	1	Receptacle, Female - 8 Position	
11	4460943	3	Pin, Male (Gold)	
12	4460944	3	Socket, Female	
13	1001201241	1	Cable	

Go to Discount-Equipment.com to order your parts

SECTION 7 - ELECTRICAL

FIGURE 7-41. PUMP POWER CABLE ASSEMBLY



ART_1001178543

SECTION 7 - ELECTRICAL

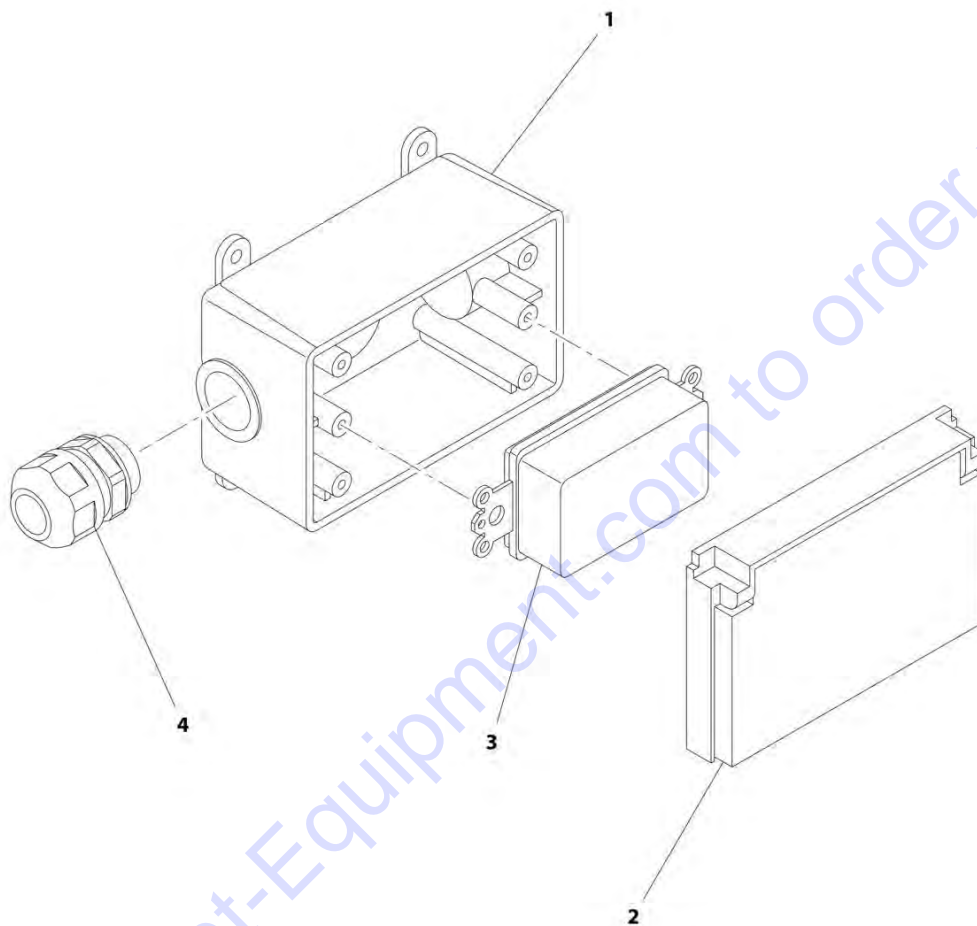
FIGURE 7-41. PUMP POWER CABLE ASSEMBLY

ITEM	PART NUMBER	QTY	DESCRIPTION	REV
1	1001178543 4460778	Ref 1	PUMP POWER CABLE ASSEMBLY Connector, Anderson	B

Go to Discount-Equipment.com to order your parts

SECTION 7 - ELECTRICAL

FIGURE 7-42. RECEPTACLE BOX KIT - 110V GFI



ART_2902431

SECTION 7 - ELECTRICAL

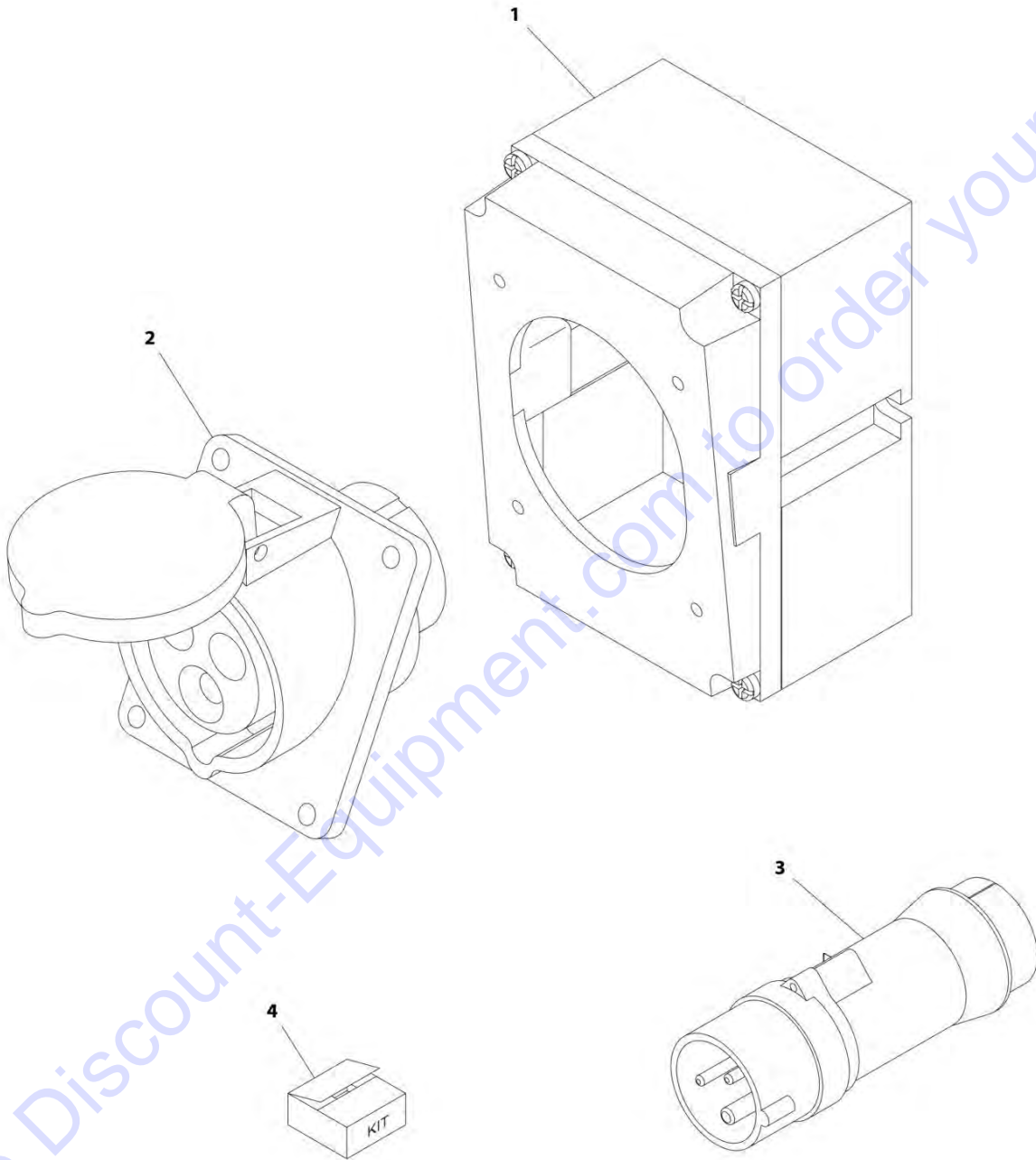
FIGURE 7-42. RECEPTACLE BOX KIT - 110V GFI

ITEM	PART NUMBER	QTY	DESCRIPTION	REV
	2902431	Ref	RECEPTACLE BOX KIT - 110V GFI	C
1	0861731	1	Box, Receptacle	
2	1671207	1	Cover, Receptacle	
3	4460346	1	Receptacle	
4	4460662	1	Connector, Strain Relief	

Go to Discount-Equipment.com to order your parts

SECTION 7 - ELECTRICAL

FIGURE 7-43. RECEPTACLE BOX KIT - 110V IEC YELLOW (CE SPEC)



ART_0275216

SECTION 7 - ELECTRICAL

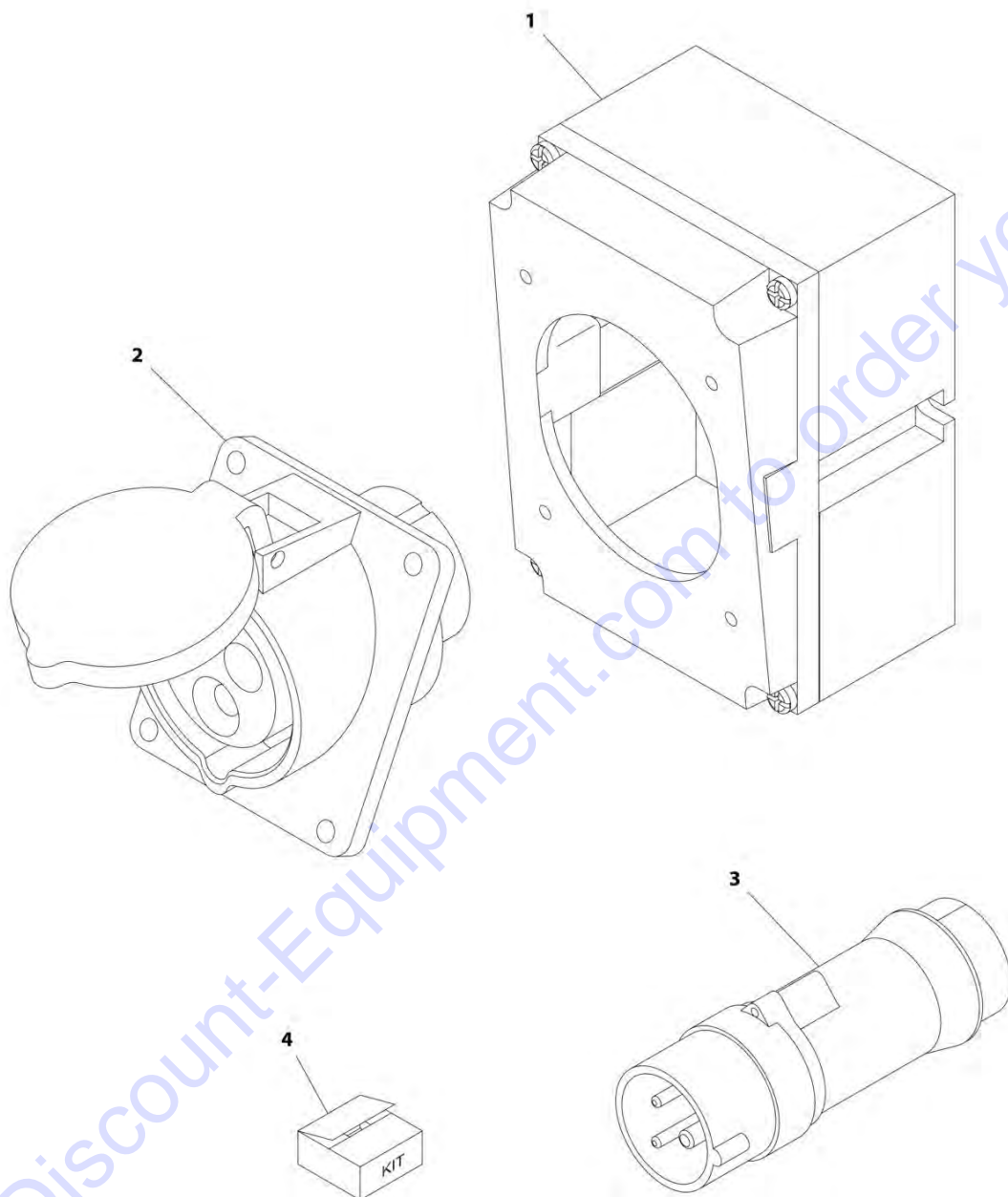
FIGURE 7-43. RECEPTACLE BOX KIT - 110V IEC YELLOW (CE SPEC)

ITEM	PART NUMBER	QTY	DESCRIPTION	REV
	0275216	Ref	RECEPTACLE BOX KIT - 110V IEC YELLOW (CE SPEC)	1
1	0861781	1	Box, Switch	
2	4461198	1	Receptacle	
3	4461196	1	Plug, Male	
4	1001100341	1	Plug and Socket Kit (Includes Items 1-3 and Female Plug p/n 4461197)	

Go to Discount-Equipment.com to order your parts

SECTION 7 - ELECTRICAL

FIGURE 7-44. RECEPTACLE BOX KIT - 220V IEC BLUE (CE SPEC)



ART_0275217

SECTION 7 - ELECTRICAL

FIGURE 7-44. RECEPTACLE BOX KIT - 220V IEC BLUE (CE SPEC)

ITEM	PART NUMBER	QTY	DESCRIPTION	REV
	0275217	Ref	RECEPTACLE BOX KIT - 220V IEC BLUE (CE SPEC)	1
1	0861781	1	Box, Switch	
2	4461201	1	Receptacle	
3	4461199	1	Plug, Male	
4	1001100342	1	Plug and Socket Kit (Includes Items 1-3 and Female Plug p/n 4461200)	

Go to Discount-Equipment.com to order your parts

PARTS FINDER

**Search Website
by Part Number**



**Search Manual
Library For Parts
Manual & Lookup Part
Numbers – Purchase
or Request Quote**

Search Manuals

Part Number:

Serial Number:

Make:

Find:

Submit:

Send:

**Can't Find Part or
Manual? Request Help
by Manufacturer,
Model & Description**

Parts Order Form

Manufacturer:

Model:

Description:

Quantity:

Part Number:

Part Name:

Part Description:

Part Location:

Part Status:

Part Date:

Part Time:

Part Cost:

Part Price:

Part Tax:

Part Total:

Part Notes:

Part Comments:

Part Information:

Discount-Equipment.com is your online resource for quality parts & equipment.

Florida: **561-964-4949** Outside Florida TOLL FREE: **877-690-3101**

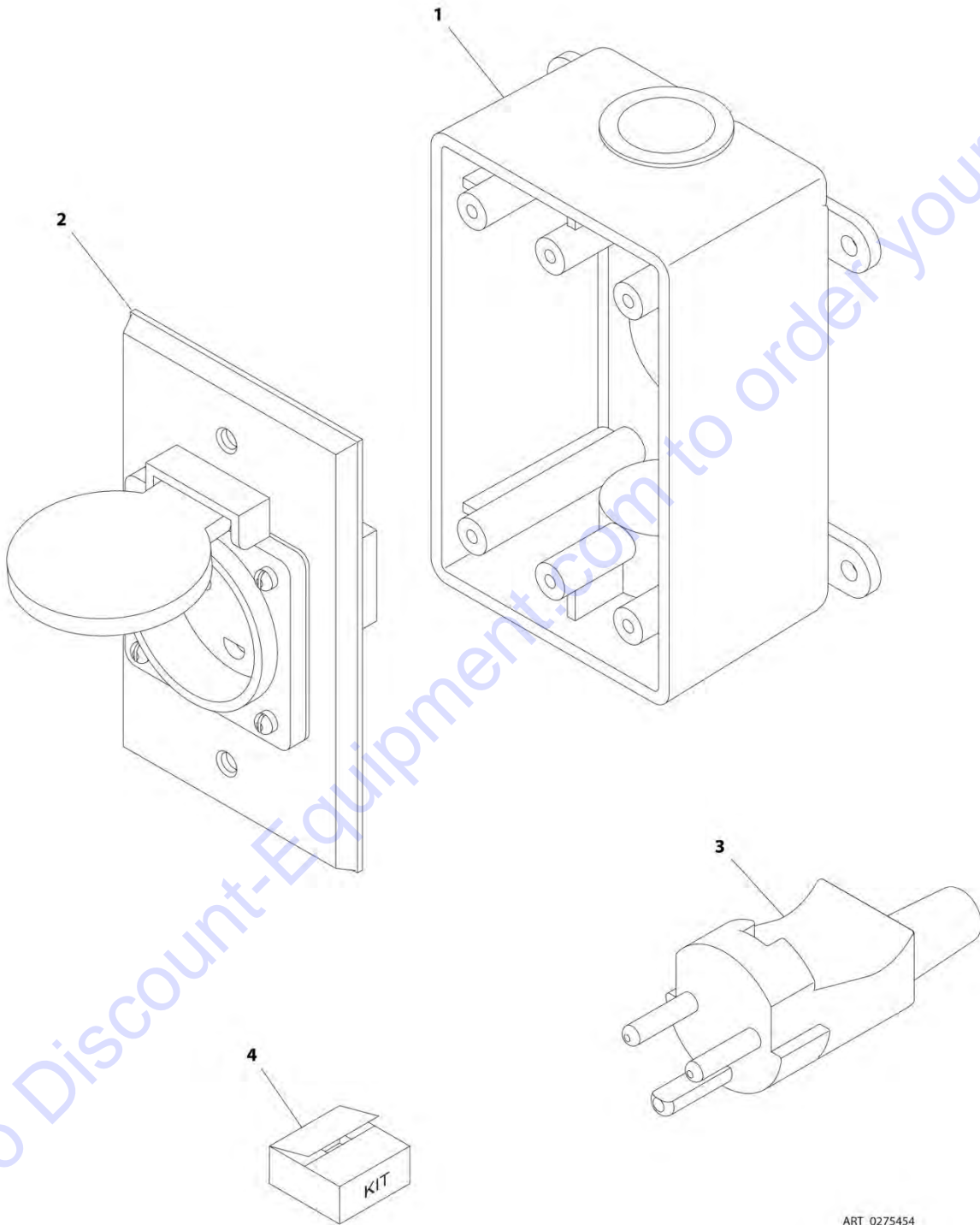
Need parts?

Click on this link: <http://www.discount-equipment.com/category/5443-parts/> and choose one of the options to help get the right parts and equipment you are looking for. Please have the machine model and serial number available in order to help us get you the correct parts. If you don't find the part on the website or on one of the online manuals, please fill out the request form and one of our experienced staff members will get back to you with a quote for the right part that your machine needs.

We sell worldwide for the brands: Genie, Terex, JLG, MultiQuip, Mikasa, Essick, Whiteman, Mayco, Toro Stone, Diamond Products, Generac Magnum, Airman, Haulotte, Barreto, Power Blanket, Nifty Lift, Atlas Copco, Chicago Pneumatic, Allmand, Miller Curber, Skyjack, Lull, Skytrak, Tsurumi, Husquvarna Target, Stow, Wacker, Sakai, Mi-T-M, Sullair, Basic, Dynapac, MBW, Weber, Bartell, Bennar Newman, Haulotte, Ditch Runner, Menegotti, Morrison, Contec, Buddy, Crown, Edco, Wyco, Bomag, Laymor, EZ Trench, Bil-Jax, F.S. Curtis, Gehl Pavers, Heli, Honda, ICS/PowerGrit, IHI, Partner, Imer, Clipper, MMD, Koshin, Rice, CH&E, General Equipment, Amida, Coleman, NAC, Gradall, Square Shooter, Kent, Stanley, Tamco, Toku, Hatz, Kohler, Robin, Wisconsin, Northrock, Oztec, Toker TK, Rol-Air, APT, Wylie, Ingersoll Rand / Doosan, Innovatech, Con X, Ammann, Mecalac, Makinex, Smith Surface Prep, Small Line, Wanco, Yanmar

SECTION 7 - ELECTRICAL

FIGURE 7-45. RECEPTACLE BOX KIT - 220V AFSINT 107 (CE SPEC)



ART_0275454

SECTION 7 - ELECTRICAL

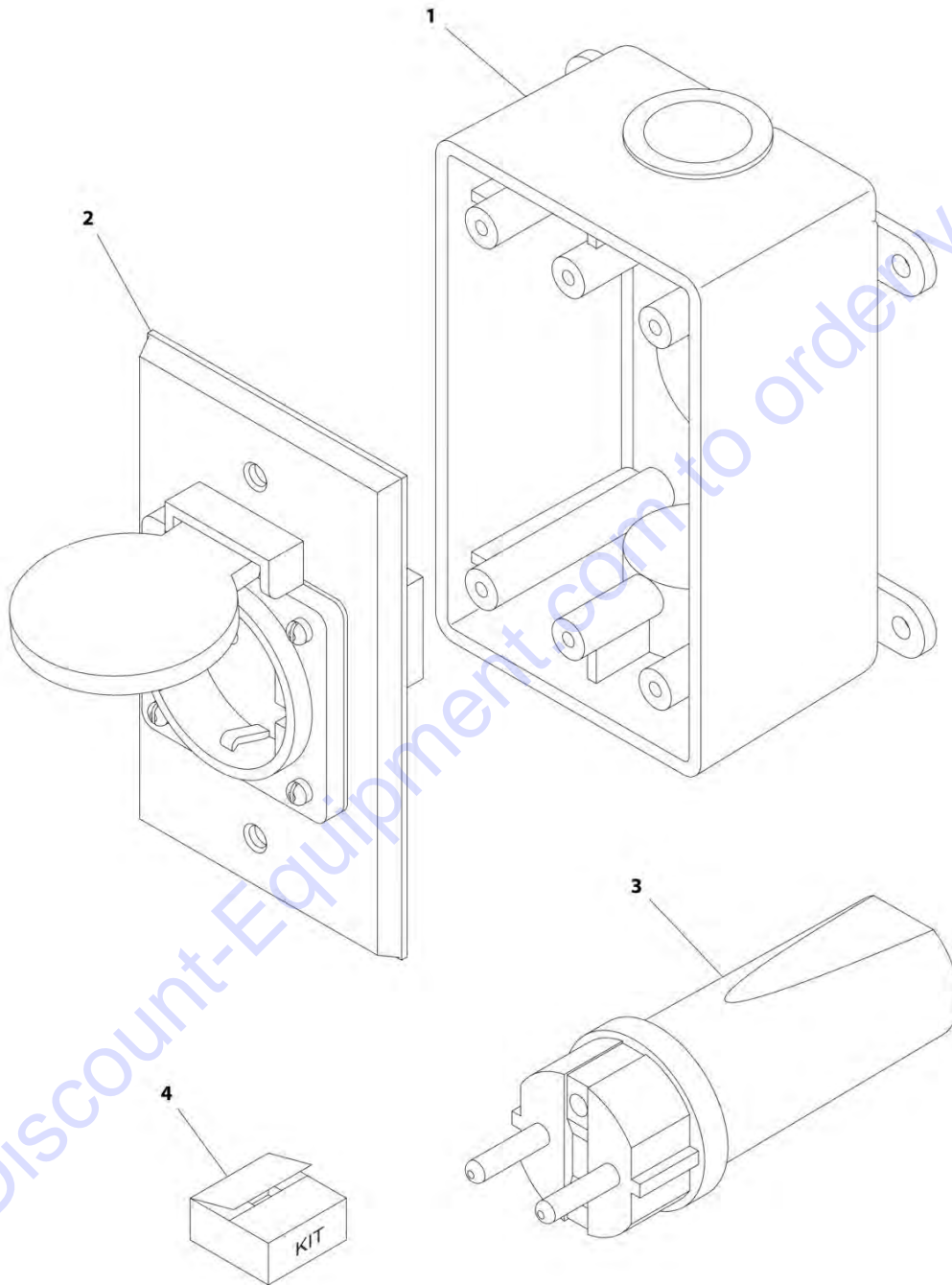
FIGURE 7-45. RECEPTACLE BOX KIT - 220V AFSINT 107 (CE SPEC)

ITEM	PART NUMBER	QTY	DESCRIPTION	REV
	0275454	Ref	RECEPTACLE BOX KIT - 220V AFSINT 107 (CE SPEC)	1
1	0861731	1	Box, Switch	
2	4461246	1	Receptacle	
3	4461249	1	Plug, Male	
4	1001100346	1	Plug and Socket Kit (Includes Items 1-3 and Female Plug p/n 4461250)	

Go to Discount-Equipment.com to order your parts

SECTION 7 - ELECTRICAL

FIGURE 7-46. RECEPTACLE BOX KIT - 220V CEE7 SIDE GROUND (CE SPEC) AND DUAL OUTLET (CE SPEC - 2646ES)



ART_0275453

SECTION 7 - ELECTRICAL

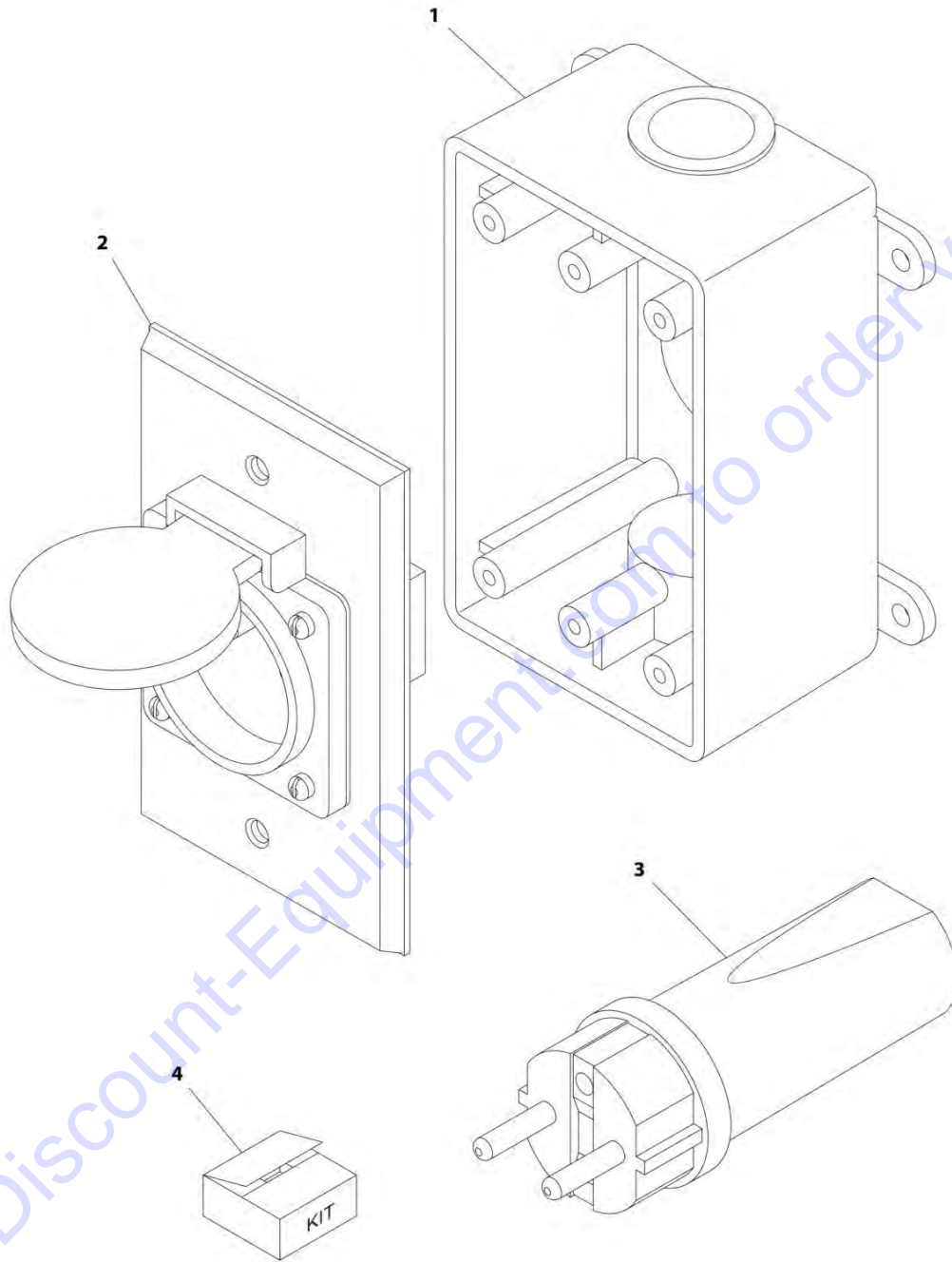
FIGURE 7-46. RECEPTACLE BOX KIT - 220V CEE7 SIDE GROUND (CE SPEC) AND DUAL OUTLET (CE SPEC - 2646ES)

ITEM	PART NUMBER	QTY	DESCRIPTION	REV
	0275453	Ref	RECEPTACLE BOX KIT - 220V CEE7 SIDE GROUND (CE SPEC) AND DUAL OUTLET (CE SPEC - 2646ES)	1
1	0861731	1	Box, Switch	
2	4461245	1	Receptacle	
3	4461205	1	Plug, Male	
4	1001100347	1	Plug and Socket Kit (Includes Items 1-3 and Female Plug p/n 4461206)	

Go to Discount-Equipment.com to order your parts

SECTION 7 - ELECTRICAL

FIGURE 7-47. RECEPTACLE BOX KIT - 220V CEE7 POST GROUND (CE SPEC)



ART_0275452

SECTION 7 - ELECTRICAL

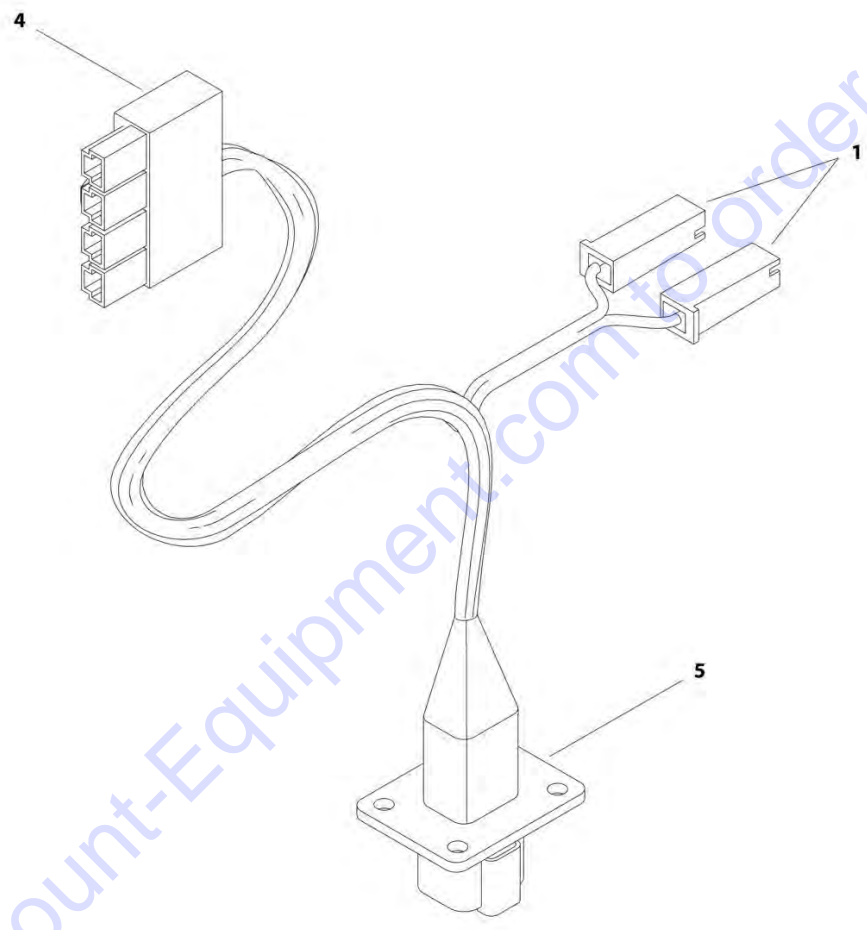
FIGURE 7-47. RECEPTACLE BOX KIT - 220V CEE7 POST GROUND (CE SPEC)

ITEM	PART NUMBER	QTY	DESCRIPTION	REV
	0275452	Ref	RECEPTACLE BOX KIT - 220V CEE7 POST GROUND (CE SPEC)	1
1	0861731	1	Box, Switch	
2	4461244	1	Receptacle	
3	4461202	NLA	Plug, Male (Use p/n 4461205) (SN 0200239382 through 0200256617, SN B200020297 through B200037371, SN M200000100 through M200002249)	
3	4461205	1	Plug, Male (SN 0200256618 to Present, SN B200037372 to Present, SN M200002250 to Present)	
4	1001100345	1	Plug and Socket Kit (Includes Items 1-3 and Female Plug p/n 4461206)	

Go to Discount-Equipment.com to order your parts

SECTION 7 - ELECTRICAL

FIGURE 7-48. WORKSTATION POWER HARNESS



ART_4923121

SECTION 7 - ELECTRICAL

FIGURE 7-48. WORKSTATION POWER HARNESS

ITEM	PART NUMBER	QTY	DESCRIPTION	REV
	4923121	Ref	WORKSTATION POWER HARNESS	B
1	4460260	2	Housing, Terminal	
1	4460297	2	Terminal	
4	4460878	1	Connector - 4 Position	
4	4460887	4	Terminal	
5	4460885	1	Connector - 4 Position	
5	4460464	4	Pin, Male	

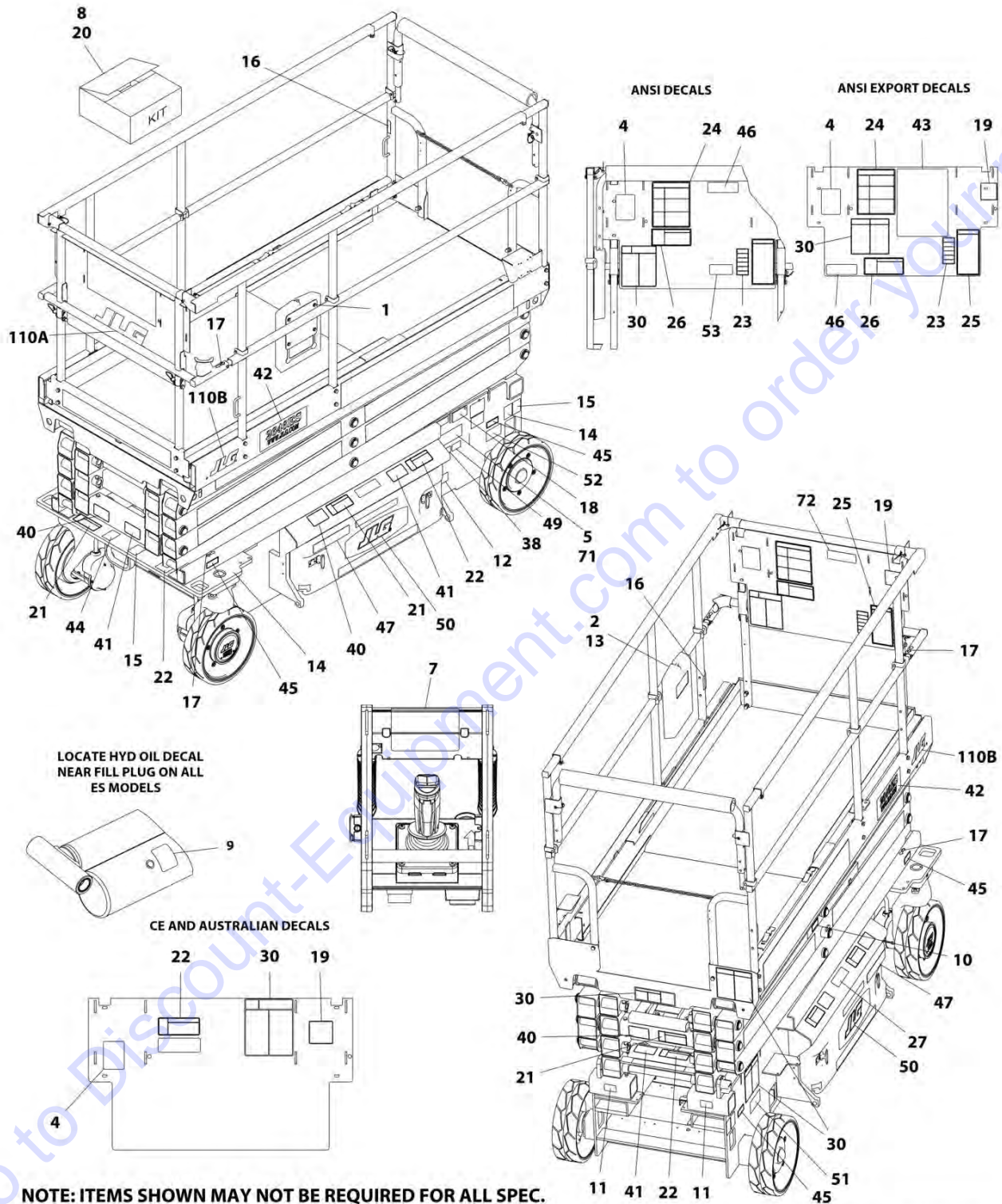
Go to Discount-Equipment.com to order your parts

SECTION 8 - DECALS

Go to Discount-Equipment.com to order your parts

SECTION 8 - DECALS

FIGURE 8-1. DECAL INSTALLATION - ANSI SPEC (ENGLISH)



ART_1001181268

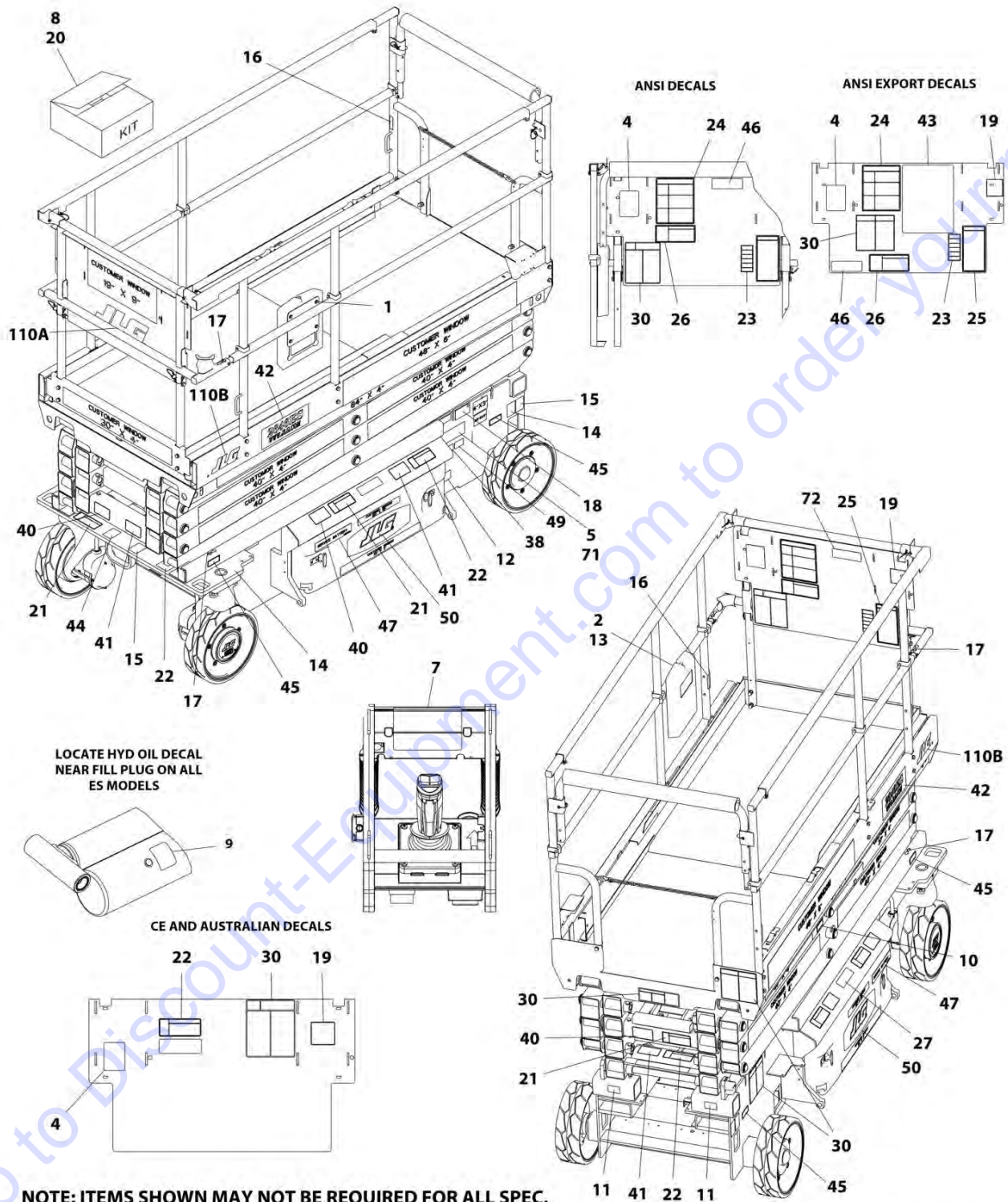
SECTION 8 - DECALS

FIGURE 8-1. DECAL INSTALLATION - ANSI SPEC (ENGLISH)

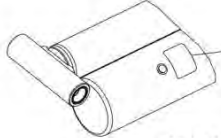
ITEM	PART NUMBER	QTY	DESCRIPTION	REV
	1001181268	Ref	DECAL INSTALLATION - ANSI SPEC (ENGLISH)	G
		Ref	Note: See DECAL INSTALLATION - OPTIONS for additional decals.	
1	2080040	4	Fastener	
2	0860520	1	Box, Manual Storage	
4	1001131270	1	Decal - Patent	
5	2080057	4	Fastener	
7	See Note	1	Decal - Bar Code (Note: Not Available for Purchase)	
8	2902267	1	Decal Kit - Master (Standard Decals) (Includes Items 9-19 & 44)	B
9	1704412	1	Decal - Hydraulic Oil	
10	1705693	1	Decal - Safety Prop	
11	1704016	2	Decal - Forklift	
12	1702155	1	Decal - Battery Disconnect	
13	1701509	1	Decal - Manual Reference	
14	1703811	4	Decal - Lifting Lugs	
15	1703814	3	Decal - Tie Down	
16	1704277	3	Decal - Lanyard Attach	
17	1703819	4	Decal - Directional Arrow	
18	1703822	1	Decal - Manual Descent Instructions	
19	1705692	1	Decal - Control Box Location	
20	2902522	1	Decal Kit - ANSI Spec (Includes Items 21-27)	B
21	1705694	4	Decal - Crushing	
22	1705695	4	Decal - Danger Electrocution	
23	1705686	1	Decal - Legend	
24	1705680	1	Decal - Danger/Warning	
25	1705679	1	Decal - Inspection	
26	1705681	1	Decal - Electrocution	
27	1703813	2	Decal - Warning Battery Ventilation	
44	1701499	1	Decal - No Lift (Part of Item 8)	
46	1001094359	1	Decal - Troubleshooting	
47	1001146794	2	Decal - See Manual	
49	1001216313	1	Decal - 24 Volts (SN 0200257823 to Present, SN B200037385 to Present, SN M200002935 to Present)	
50	1705754	2	Decal - JLG (SN 0200262285 to Present, SN B200038299 to Present, SN M200007989 to Present)	
51	1001223055	1	Decal - Yearly Inspection (SN B200045808 to Present, SN M200015195 to Present)	
52	1001228370	1	Decal - CSA Ices (SN B200045808 to Present, SN M200015195 to Present)	
53	1001231801	1	Decal - Prop 65 (SN B200051668 to Present, SN M200025412 to Present)	

SECTION 8 - DECALS

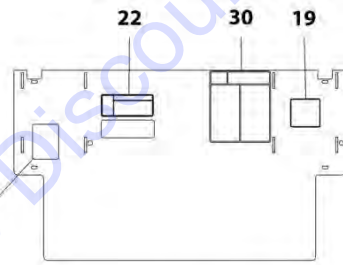
FIGURE 8-2. DECAL INSTALLATION - AUSTRALIAN SPEC (ENGLISH)



LOCATE HYD OIL DECAL NEAR FILL PLUG ON ALL ES MODELS



CE AND AUSTRALIAN DECALS



NOTE: ITEMS SHOWN MAY NOT BE REQUIRED FOR ALL SPEC. REFER TO PARTS LISTS FOR USAGE.

ART_1001181270

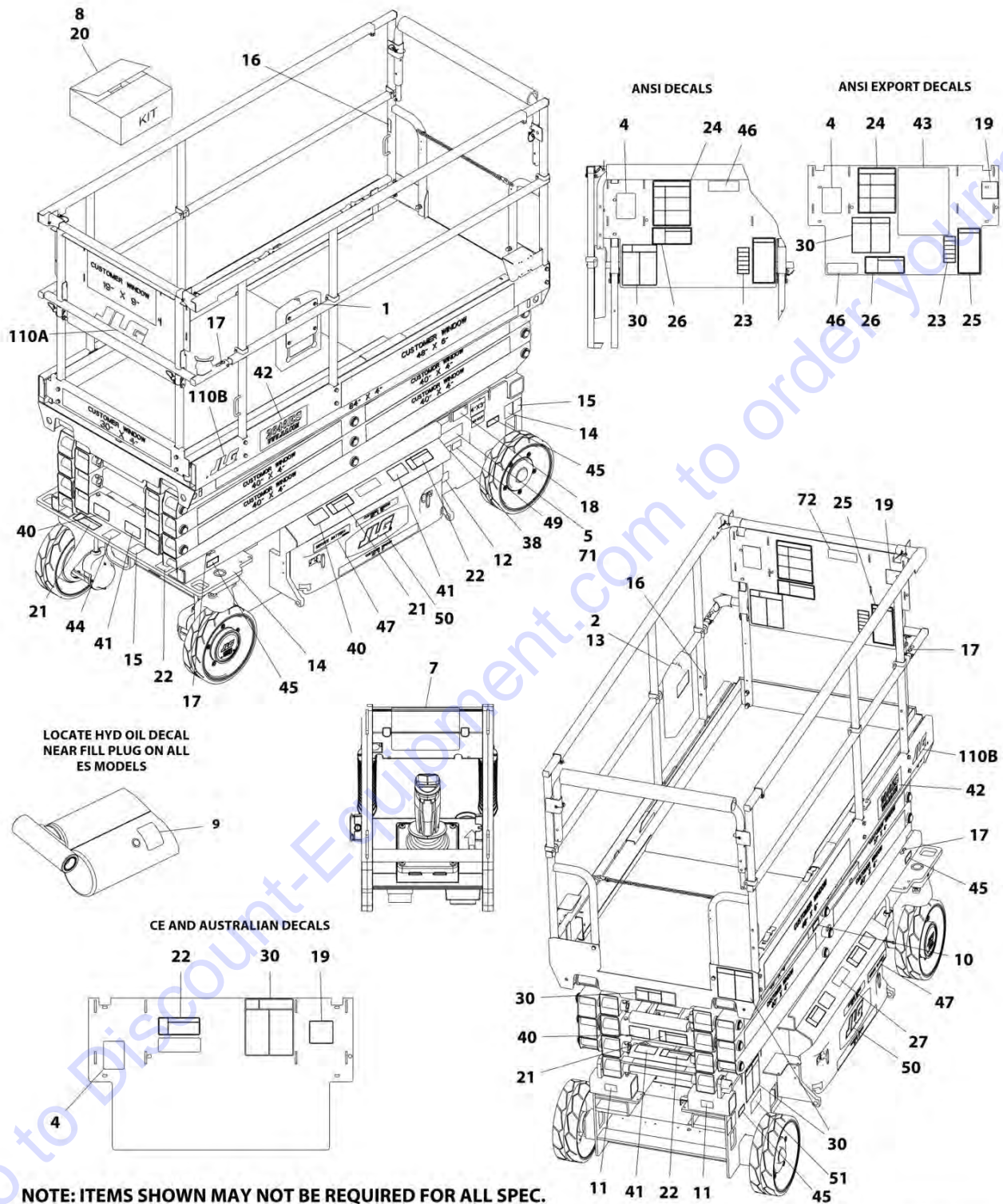
SECTION 8 - DECALS

FIGURE 8-2. DECAL INSTALLATION - AUSTRALIAN SPEC (ENGLISH)

ITEM	PART NUMBER	QTY	DESCRIPTION	REV
	1001181270	Ref	DECAL INSTALLATION - AUSTRALIAN SPEC (ENGLISH)	H
		Ref	Note: See DECAL INSTALLATION - OPTIONS for additional decals.	
1	2080040	4	Fastener	
2	0860520	1	Box, Manual Storage	
5	2080057	4	Fastener	
7	See Note	1	Decal - Bar Code (Note: Not Available for Purchase)	
8	2902267	1	Decal Kit - Master (Standard Decals) (Includes Items 9-19 & 44)	B
9	1704412	1	Decal - Hydraulic Oil	
10	1705693	1	Decal - Safety Prop	
11	1704016	2	Decal - Forklift	
12	1702155	1	Decal - Battery Disconnect	
13	1701509	1	Decal - Manual Reference	
14	1703811	4	Decal - Lifting Lugs	
15	1703814	3	Decal - Tie Down	
16	1704277	3	Decal - Lanyard Attach	
17	1703819	4	Decal - Directional Arrow	
18	1703822	1	Decal - Manual Descent Instructions	
19	1705692	1	Decal - Control Box Location	
20	2902523	1	Decal Kit - Australian Spec (Includes Items 21, 22 & 27)	2
21	1705673	4	Decal - Crushing	
22	1705671	5	Decal - Electrocution	
27	1705670	2	Decal - Warning Battery Ventilation/Fire Hazard	
44	1701499	1	Decal - No Lift (Part of Item 8)	
46	1001094359	1	Decal - Troubleshooting	
47	1001146794	2	Decal - See Manual	
49	1001216313	1	Decal - 24 Volts (SN 0200257823 to Present, SN B200037385 to Present, SN M200002935 to Present)	
50	1705754	2	Decal - JLG (SN 0200262285 to Present, SN B200038299 to Present, SN M200007989 to Present)	

SECTION 8 - DECALS

FIGURE 8-3. DECAL INSTALLATION - BRAZIL SPEC (PORTUGUESE/SPANISH)



ART_1001181273

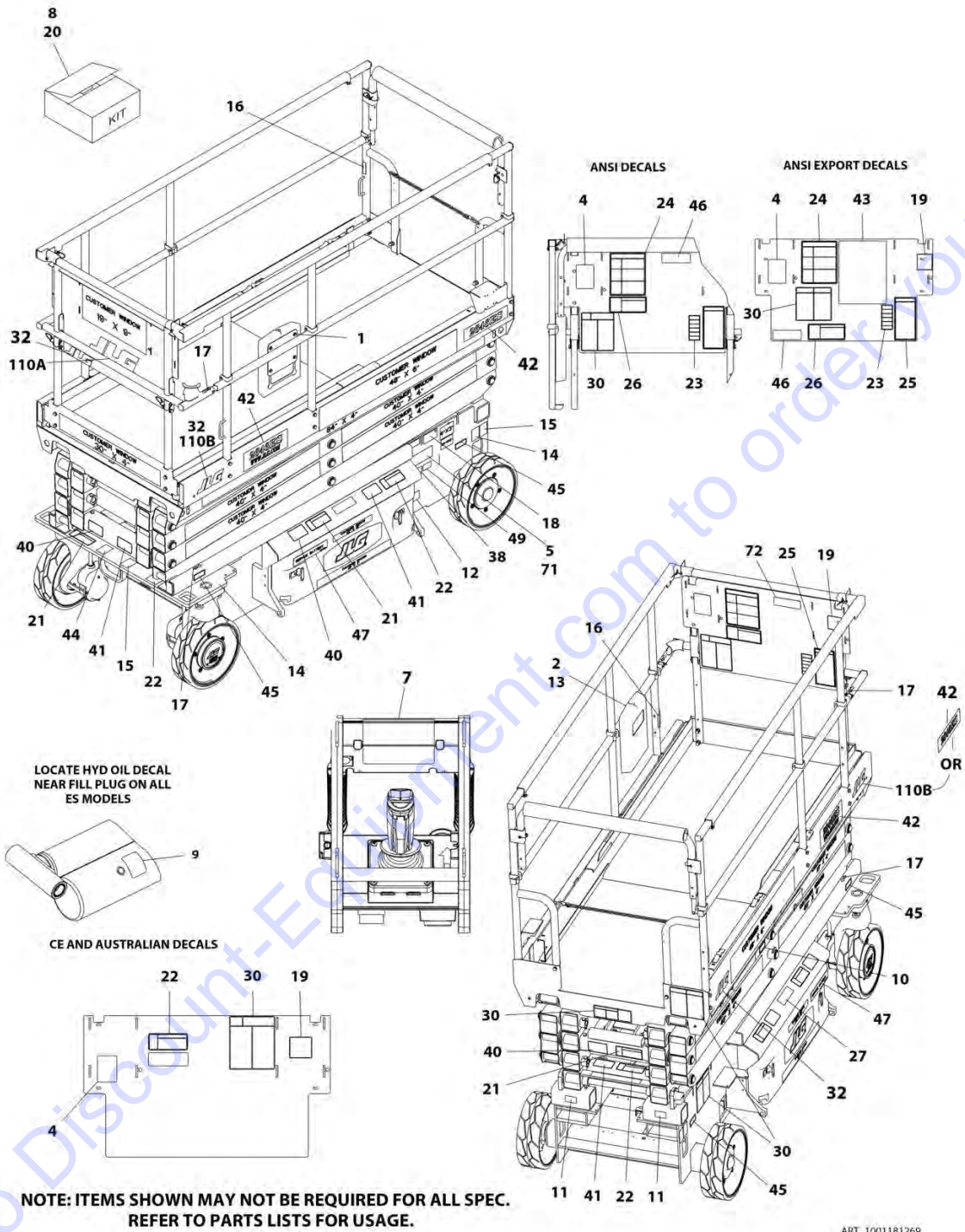
SECTION 8 - DECALS

FIGURE 8-3. DECAL INSTALLATION - BRAZIL SPEC (PORTUGUESE/SPANISH)

ITEM	PART NUMBER	QTY	DESCRIPTION	REV
	1001181273	Ref	DECAL INSTALLATION - BRAZIL SPEC (PORTUGUESE/SPANISH)	H
		Ref	Note: See DECAL INSTALLATION - OPTIONS for additional decals.	
1	2080040	4	Fastener	
2	0860520	1	Box, Manual Storage	
5	2080057	4	Fastener	
7	See Note	1	Decal - Bar Code (Note: Not Available for Purchase)	
8	2902267	1	Decal Kit - Master (Standard Decals) (Includes Items 9-19 & 44)	B
9	1704412	1	Decal - Hydraulic Oil	
10	1705693	1	Decal - Safety Prop	
11	1704016	2	Decal - Forklift	
12	1702155	1	Decal - Battery Disconnect	
13	1701509	1	Decal - Manual Reference	
14	1703811	4	Decal - Lifting Lugs	
15	1703814	3	Decal - Tie Down	
16	1704277	3	Decal - Lanyard Attach	
17	1703819	4	Decal - Directional Arrow	
18	1703822	1	Decal - Manual Descent Instructions	
19	1705692	1	Decal - Control Box Location	
20	2902526	1	Decal Kit - Brazil Spec (Includes Items 21-27, 40 & 41)	B
21	1705722	5	Decal - Warning Crushing Hazard	
22	1703834	4	Decal - Warning/Danger	
23	1705726	1	Decal - Legend	
24	1705894	1	Decal - Danger/Warning	
25	1705727	1	Decal - Inspection	
26	1705721	1	Decal - Electrocutation	
27	1704341	2	Decal - Warning Battery Ventilation	
40	1705725	4	Decal - Crushing Hazard	
41	1705724	4	Decal - Electrocutation	
43	1705719	1	Decal - Danger/Warning	
44	1701499	1	Decal - No Lift (Part of Item 8)	
46	1001094359	1	Decal - Troubleshooting	
47	1001146794	2	Decal - See Manual	
49	1001216313	1	Decal - 24 Volts (SN 0200257823 to Present, SN B200037385 to Present, SN M200002935 to Present)	
50	1705754	2	Decal - JLG (SN 0200262285 to Present, SN B200038299 to Present, SN M200007989 to Present)	
51	1001224052	1	Decal - Yearly Inspection (SN B200045808 to Present, SN M200015195 to Present)	

SECTION 8 - DECALS

FIGURE 8-4. DECAL INSTALLATION - CE SPEC (ENGLISH)



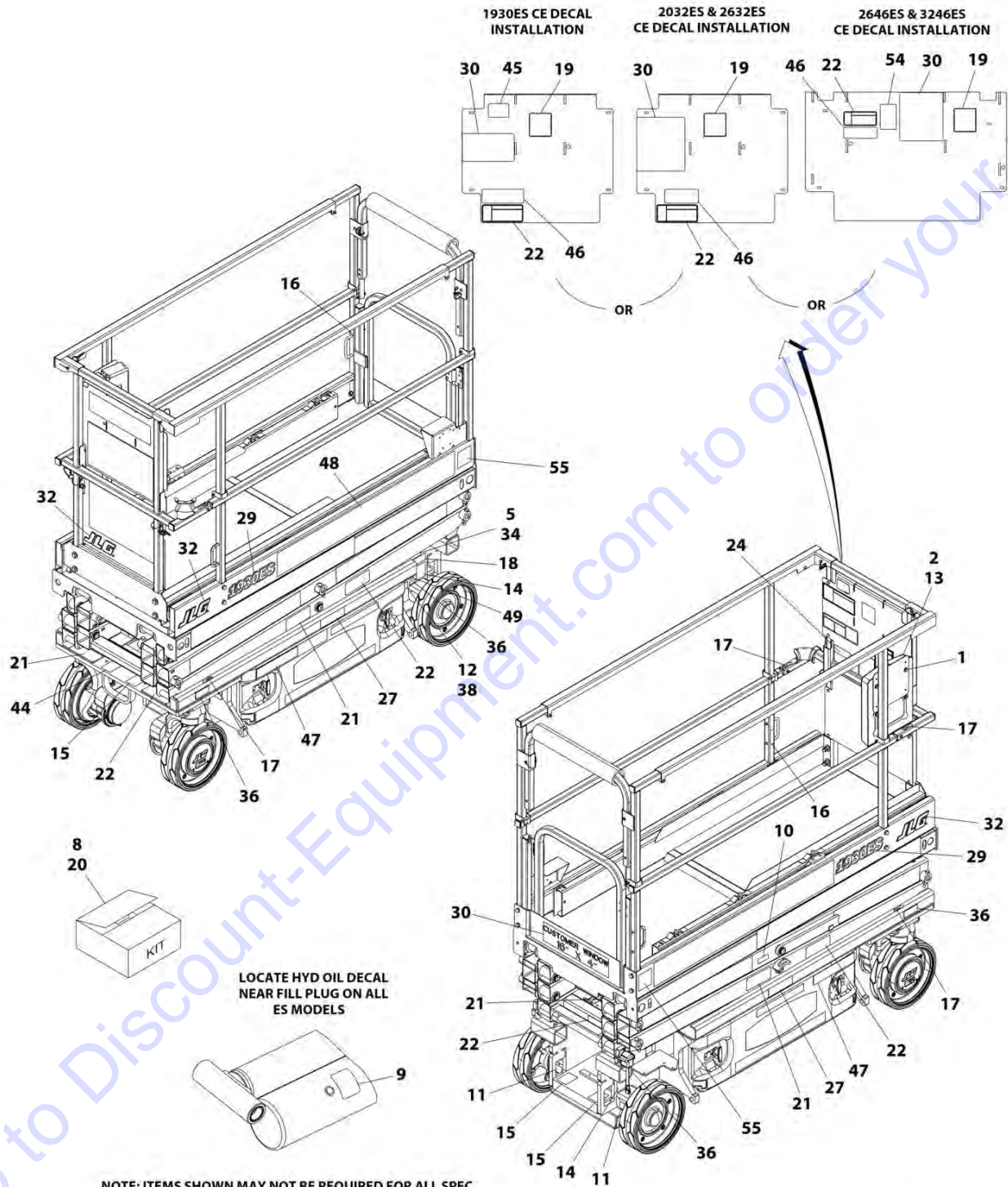
SECTION 8 - DECALS

FIGURE 8-4. DECAL INSTALLATION - CE SPEC (ENGLISH)

ITEM	PART NUMBER	QTY	DESCRIPTION	REV
	1001181267	Ref	DECAL INSTALLATION – REFERENCE (SN 0200239382 through 0200262222, SN B200020297 through B200038734, SN M200000100 through M200007980)	H
	1001217327	Ref	DECAL INSTALLATION – REFERENCE (SN 0200262223 to Present, SN 1200025021 to Present, SN B200037735 to Present, SN M200007981 to Present)	B
	1001181269	Ref	DECAL INSTALLATION - CE SPEC (ENGLISH)	G
		Ref	Note: See DECAL INSTALLATION - OPTIONS for additional decals.	
1	2080040	4	Fastener	
2	0860520	1	Box, Manual Storage	
5	2080057	4	Fastener	
7	See Note	1	Decal - Bar Code (Note: Not Available for Purchase)	
8	2902267	1	Decal Kit - Master (Standard Decals) (Includes Items 9-19 & 44)	B
9	1704412	1	Decal - Hydraulic Oil	
10	1705693	1	Decal - Safety Prop	
11	1704016	2	Decal - Forklift	
12	1702155	1	Decal - Battery Disconnect	
13	1701509	1	Decal - Manual Reference	
14	1703811	4	Decal - Lifting Lugs	
15	1703814	3	Decal - Tie Down	
16	1704277	3	Decal - Lanyard Attach	
17	1703819	4	Decal - Directional Arrow	
18	1703822	1	Decal - Manual Descent Instructions	
19	1705692	1	Decal - Control Box Location	
20	2902523	1	Decal Kit - CE Spec (Includes Items 21, 22 & 27)	2
21	1705673	4	Decal - Crushing	
22	1705671	5	Decal - Electrocutation	
27	1705670	2	Decal - Warning Battery Ventilation/Fire Hazard	
32	1705781	3	Decal - JLG (SN 0200262223 to Present, SN 1200025021 to Present, SN B200038735 to Present, SN M200007981 to Present)	
44	1701499	1	Decal - No Lift (Part of Item 8)	
46	1001094359	1	Decal - Troubleshooting	
47	1001146795	2	Decal - See Manual	
49	1001216313	1	Decal - 24 Volts (SN 0200257823 to Present, SN 1200025021 to Present, SN B200037385 to Present, SN M200002935 to Present)	

SECTION 8 - DECALS

FIGURE 8-5. DECAL INSTALLATION - CHINA SPEC (GB)



ART_1001232541

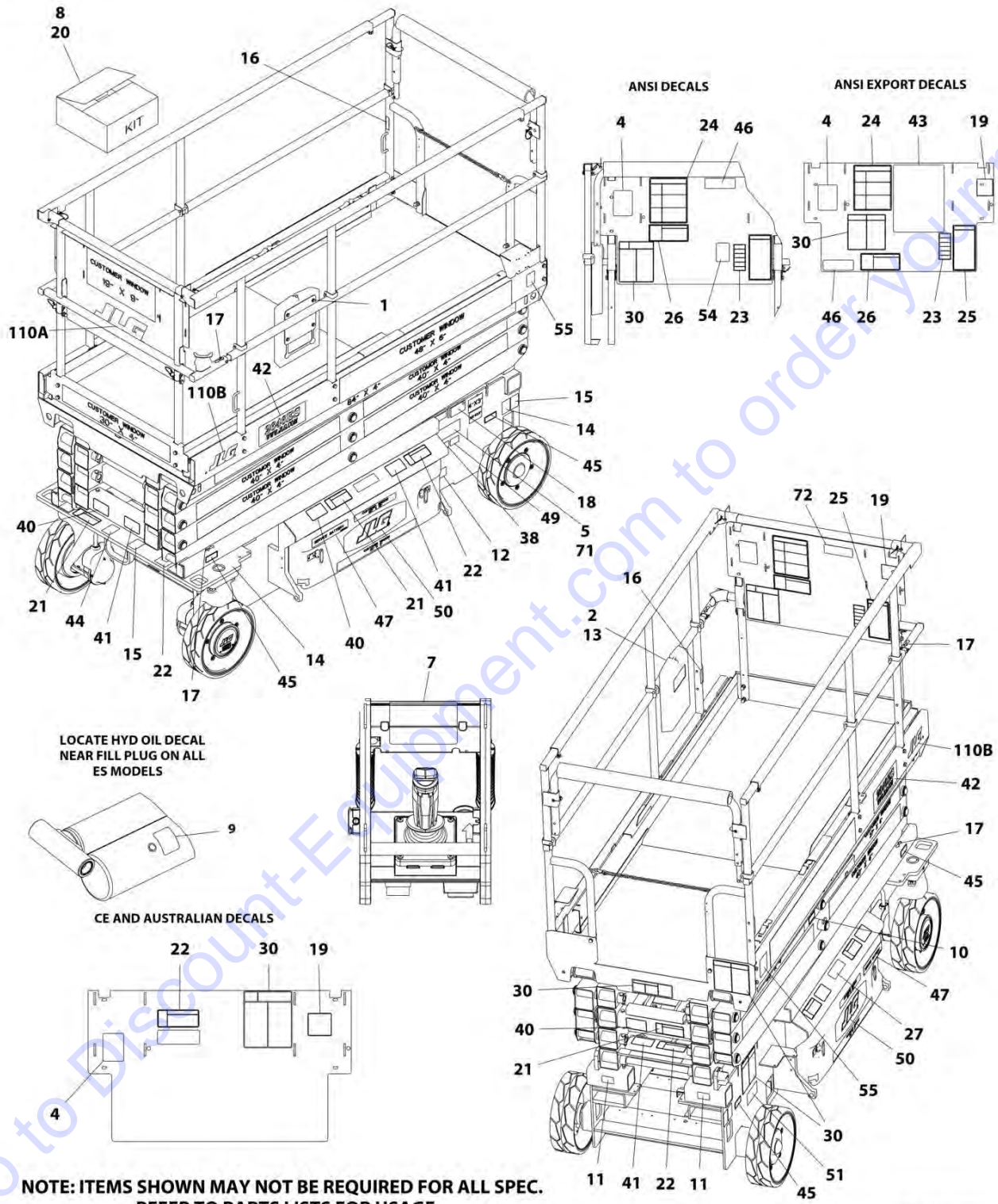
SECTION 8 - DECALS

FIGURE 8-5. DECAL INSTALLATION - CHINA SPEC (GB)

ITEM	PART NUMBER	QTY	DESCRIPTION	REV
	1001232541	Ref	DECAL INSTALLATION - CHINA SPEC (GB)	B
		Ref	Note: See DECAL INSTALLATION - OPTIONS for additional decals.	
1	2080040	4	Fastener	
2	0860520	1	Box, Manual Storage	
5	2080057	4	Fastener	
8	2902267	1	Decal Kit - Master (Standard Decals) (Includes Items 9-19 & 44)	B
9	1704412	1	Decal - Hydraulic Oil	
10	1705693	1	Decal - Safety Prop	
11	1704016	2	Decal - Forklift	
12	1702155	1	Decal - Battery Disconnect	
13	1701509	1	Decal - Manual Reference	
14	1703811	4	Decal - Lifting Lugs	
15	1703814	3	Decal - Tie Down	
16	1704277	3	Decal - Lanyard Attach	
17	1703819	4	Decal - Directional Arrow	
18	1703822	1	Decal - Manual Descent Instructions	
19	1705692	1	Decal - Control Box Location	
20	2902523	1	Decal Kit - CE Spec (Includes Items 21, 22 & 27)	2
21	1705673	4	Decal - Crushing	
22	1705671	5	Decal - Electrocution	
27	1705670	2	Decal - Warning Battery Ventilation/Fire Hazard	
32	1705781	3	Decal - JLG	
44	1701499	1	Decal - No Lift (Part of Item 8)	
46	1001094359	1	Decal - Troubleshooting	
47	1001146794	2	Decal - See Manual	
49	1001216313	1	Decal - 24 Volts	
54	1001244301	1	Decal - No Over the Rail to Ground (SN B200051668 to Present, SN M200025412 to Present)	
55	1001244298	1	Decal - Wechat (SN B200051668 to Present, SN M200025412 to Present)	

SECTION 8 - DECALS

FIGURE 8-6. DECAL INSTALLATION - CHINESE SPEC (CHINESE/ENGLISH)



ART_1001181274

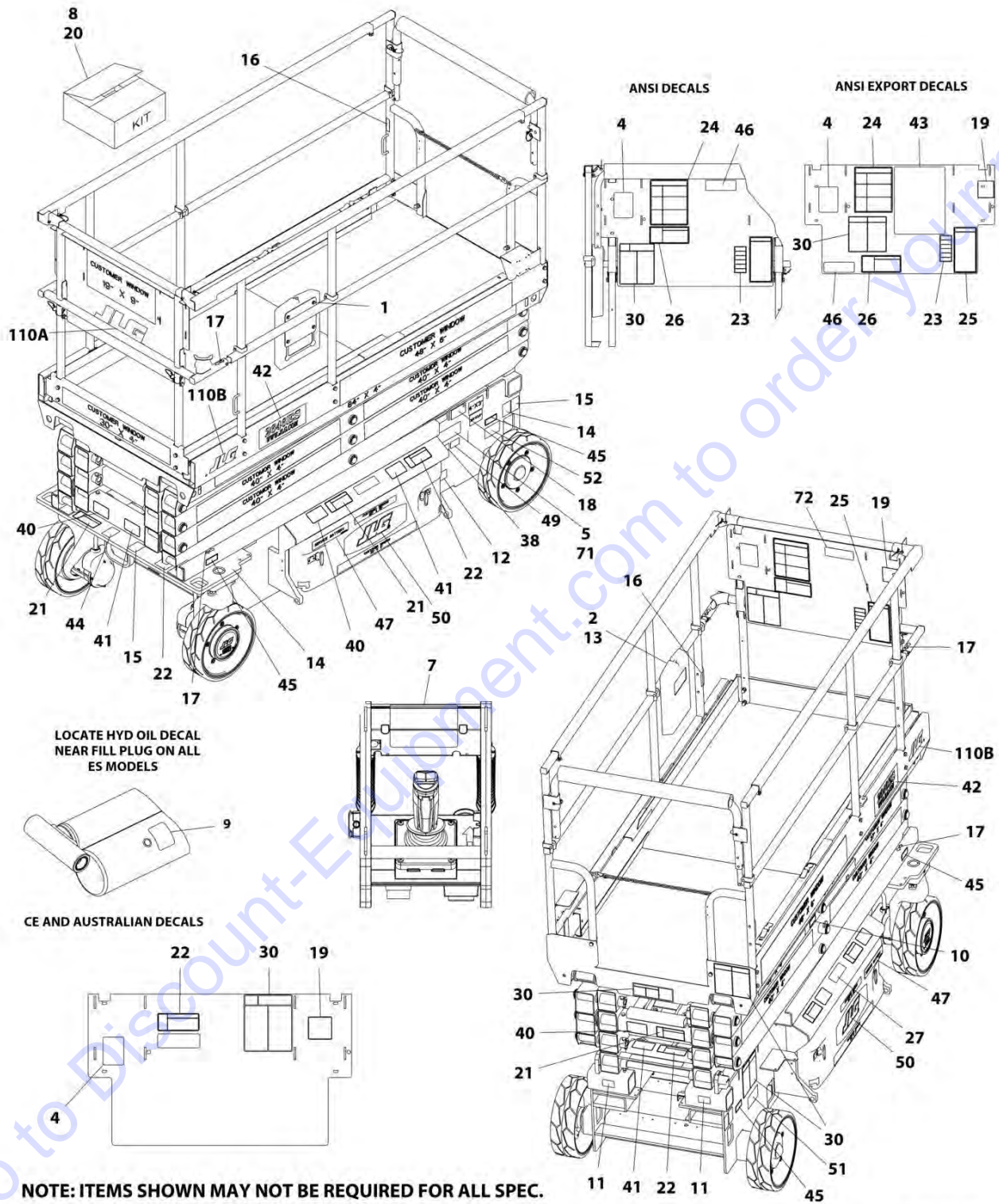
SECTION 8 - DECALS

FIGURE 8-6. DECAL INSTALLATION - CHINESE SPEC (CHINESE/ENGLISH)

ITEM	PART NUMBER	QTY	DESCRIPTION	REV
	1001181274	Ref	DECAL INSTALLATION - CHINESE SPEC (CHINESE/ENGLISH)	H
		Ref	Note: See DECAL INSTALLATION - OPTIONS for additional decals.	
1	2080040	4	Fastener	
2	0860520	1	Box, Manual Storage	
5	2080057	4	Fastener	
7	See Note	1	Decal - Bar Code (Note: Not Available for Purchase)	
8	2902267	1	Decal Kit - Master (Standard Decals) (Includes Items 9-19 & 44)	B
9	1704412	1	Decal - Hydraulic Oil	
10	1705693	1	Decal - Safety Prop	
11	1704016	2	Decal - Forklift	
12	1702155	1	Decal - Battery Disconnect	
13	1701509	1	Decal - Manual Reference	
14	1703811	4	Decal - Lifting Lugs	
15	1703814	3	Decal - Tie Down	
16	1704277	3	Decal - Lanyard Attach	
17	1703819	4	Decal - Directional Arrow	
18	1703822	1	Decal - Manual Descent Instructions	
19	1705692	1	Decal - Control Box Location	
20	2902528	1	Decal Kit - Chinese Spec (Includes Items 21-27, 40 & 41)	B
21	1705694	4	Decal - Crushing	
22	1705695	4	Decal - Danger	
23	1705946	1	Decal - Legend	
24	1705680	1	Decal - Danger/Warning	
25	1705679	1	Decal - Inspection	
26	1705681	1	Decal - Electrocutation	
27	1704344	2	Decal - Warning Battery Ventilation	
40	1705943	4	Decal - Crushing	
41	1705944	4	Decal - Electrocutation	
43	1705945	1	Decal - Danger/Warning	
44	1701499	1	Decal - No Lift (Part of Item 8)	
46	1001094359	1	Decal - Troubleshooting	
47	1001146794	2	Decal - See Manual	
49	1001216313	1	Decal - 24 Volts (SN 0200257823 to Present, SN B200037385 to Present, SN M200002935 to Present)	
50	1705754	2	Decal - JLG (SN 0200262285 to Present, SN B200038299 to Present, SN M200007989 to Present)	
51	1001224050	1	Decal - Yearly Inspection (SN B200045808 to Present, SN M200015195 to Present)	
54	1001244301	1	Decal - No Over the Rail to Ground (SN B200051668 to Present, SN M200025412 to Present)	
55	1001244298	1	Decal - Wechat (SN B200051668 to Present, SN M200025412 to Present)	

SECTION 8 - DECALS

FIGURE 8-7. DECAL INSTALLATION - CSA SPEC (ENGLISH/FRENCH)



ART_1001181271

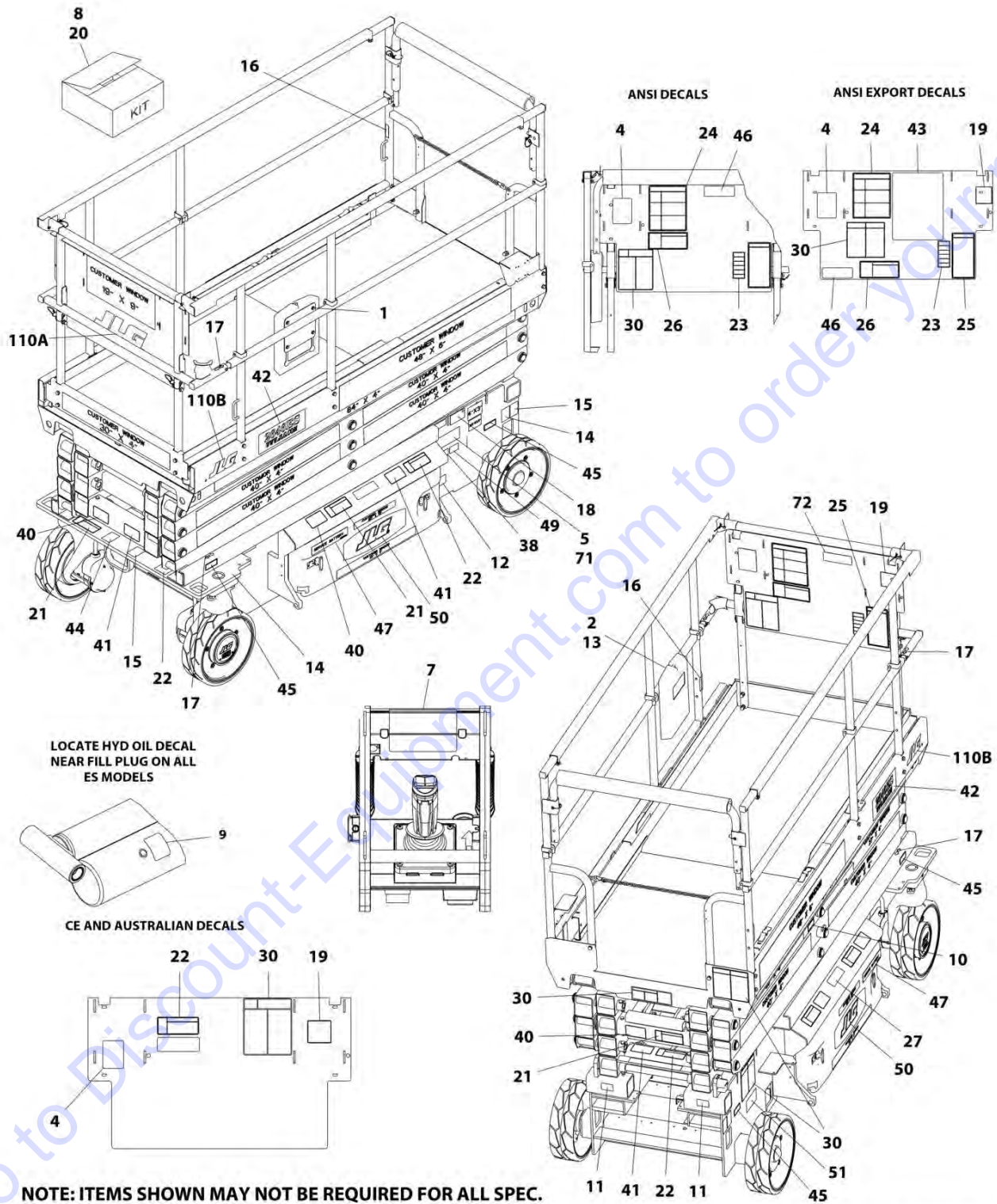
SECTION 8 - DECALS

FIGURE 8-7. DECAL INSTALLATION - CSA SPEC (ENGLISH/FRENCH)

ITEM	PART NUMBER	QTY	DESCRIPTION	REV
	1001181271	Ref	DECAL INSTALLATION - CSA SPEC (ENGLISH/FRENCH)	H
		Ref	Note: See DECAL INSTALLATION - OPTIONS for additional decals.	
1	2080040	4	Fastener	
2	0860520	1	Box, Manual Storage	
4	1001131270	1	Decal - Patent	
5	2080057	4	Fastener	
7	See Note	1	Decal - Bar Code (Note: Not Available for Purchase)	
8	2902267	1	Decal Kit - Master (Standard Decals) (Includes Items 9-19 & 44)	B
9	1704412	1	Decal - Hydraulic Oil	
10	1705693	1	Decal - Safety Prop	
11	1704016	2	Decal - Forklift	
12	1702155	1	Decal - Battery Disconnect	
13	1701509	1	Decal - Manual Reference	
14	1703811	4	Decal - Lifting Lugs	
15	1703814	3	Decal - Tie Down	
16	1704277	3	Decal - Lanyard Attach	
17	1703819	4	Decal - Directional Arrow	
18	1703822	1	Decal - Manual Descent Instructions	
19	1705692	1	Decal - Control Box Location	
20	2902524	1	Decal Kit - CSA Spec (Includes Items 21-27, 40 & 41)	B
21	1705694	4	Decal - Crushing	
22	1705695	4	Decal - Warning/Danger	
23	1705723	1	Decal - Legend	
24	1705680	1	Decal - Danger/Warning	
25	1705679	1	Decal - Inspection	
26	1705681	1	Decal - Electrocution	
27	1704340	2	Decal - Warning Battery Ventilation	
40	1705717	4	Decal - Crushing	
41	1705718	4	Decal - Electrocution	
43	3252098	1	Nameplate - Warning/Danger	
44	1701499	1	Decal - No Lift (Part of Item 8)	
46	1001094359	1	Decal - Troubleshooting	
47	1001146794	2	Decal - See Manual	
49	1001216313	1	Decal - 24 Volts (SN 0200257823 to Present, SN B200037385 to Present, SN M200002935 to Present)	
50	1705754	2	Decal - JLG (SN 0200262285 to Present, SN B200038299 to Present, SN M200007989 to Present)	
51	1001223971	1	Decal - Yearly Inspection (SN B200045808 to Present, SN M200015195 to Present)	
52	1001228370	1	Decal - CSA Ices (SN B200045808 to Present, SN M200015195 to Present)	

SECTION 8 - DECALS

FIGURE 8-8. DECAL INSTALLATION - KOREAN SPEC (KOREAN/ENGLISH)



ART_1001181275

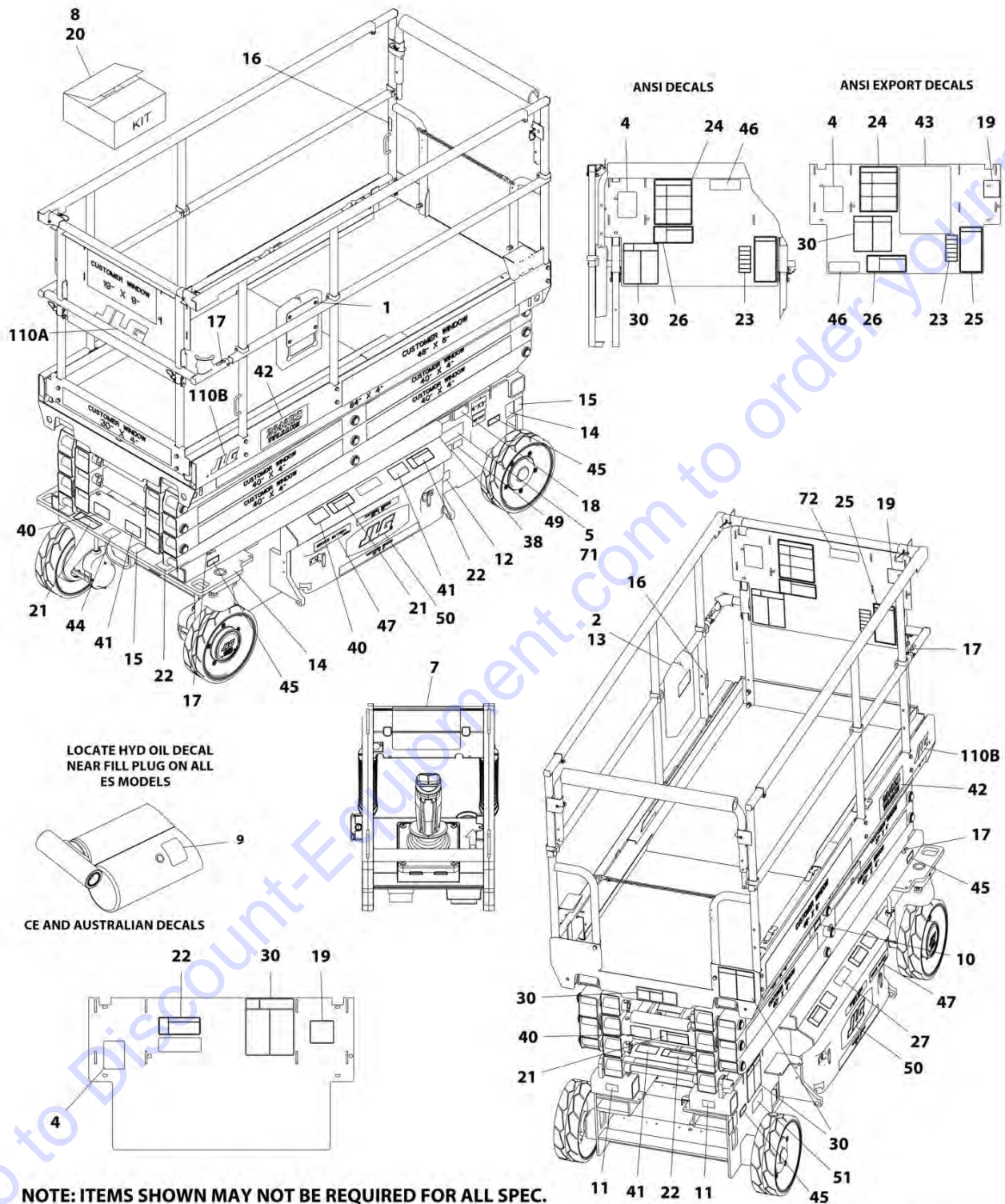
SECTION 8 - DECALS

FIGURE 8-8. DECAL INSTALLATION - KOREAN SPEC (KOREAN/ENGLISH)

ITEM	PART NUMBER	QTY	DESCRIPTION	REV
	1001181275	Ref	DECAL INSTALLATION - KOREAN SPEC (KOREAN/ENGLISH)	H
		Ref	Note: See DECAL INSTALLATION - OPTIONS for additional decals.	
1	2080040	4	Fastener	
2	0860520	1	Box, Manual Storage	
5	2080057	4	Fastener	
7	See Note	1	Decal - Bar Code (Note: Not Available for Purchase)	
8	2902267	1	Decal Kit - Master (Standard Decals) (Includes Items 9-19 & 44)	B
9	1704412	1	Decal - Hydraulic Oil	
10	1705693	1	Decal - Safety Prop	
11	1704016	2	Decal - Forklift	
12	1702155	1	Decal - Battery Disconnect	
13	1701509	1	Decal - Manual Reference	
14	1703811	4	Decal - Lifting Lugs	
15	1703814	3	Decal - Tie Down	
16	1704277	3	Decal - Lanyard Attach	
17	1703819	4	Decal - Directional Arrow	
18	1703822	1	Decal - Manual Descent Instructions	
19	1705692	1	Decal - Control Box Location	
20	2902532	1	Decal Kit - Korean Spec (Includes Items 21-27, 40 & 41)	2
21	1705694	4	Decal - Crushing	
22	1705695	4	Decal - Danger Electrocution	
23	1706057	1	Decal - Legend	
24	1705680	1	Decal - Danger/Warning	
25	1705679	1	Decal - Inspection	
26	1705681	1	Decal - Electrocution	
27	1707022	2	Decal - Warning Battery Ventilation	
40	1706052	4	Decal - Crushing Hazard	
41	1706056	4	Decal - Danger Electrocution	
43	1706053	1	Decal - Danger/Warning	
44	1701499	1	Decal - No Lift (Part of Item 8)	
46	1001094359	1	Decal - Troubleshooting	
47	1001146794	2	Decal - See Manual	
49	1001216313	1	Decal - 24 Volts (SN 0200257823 to Present, SN B200037385 to Present, SN M200002935 to Present)	
50	1705754	2	Decal - JLG (SN 0200262285 to Present, SN B200038299 to Present, SN M200007989 to Present)	
51	1001224048	1	Decal - Yearly Inspection (SN B200045808 to Present, SN M200015195 to Present)	

SECTION 8 - DECALS

FIGURE 8-9. DECAL INSTALLATION - LATIN AMERICAN SPEC (ENGLISH/SPANISH)



ART_1001181272

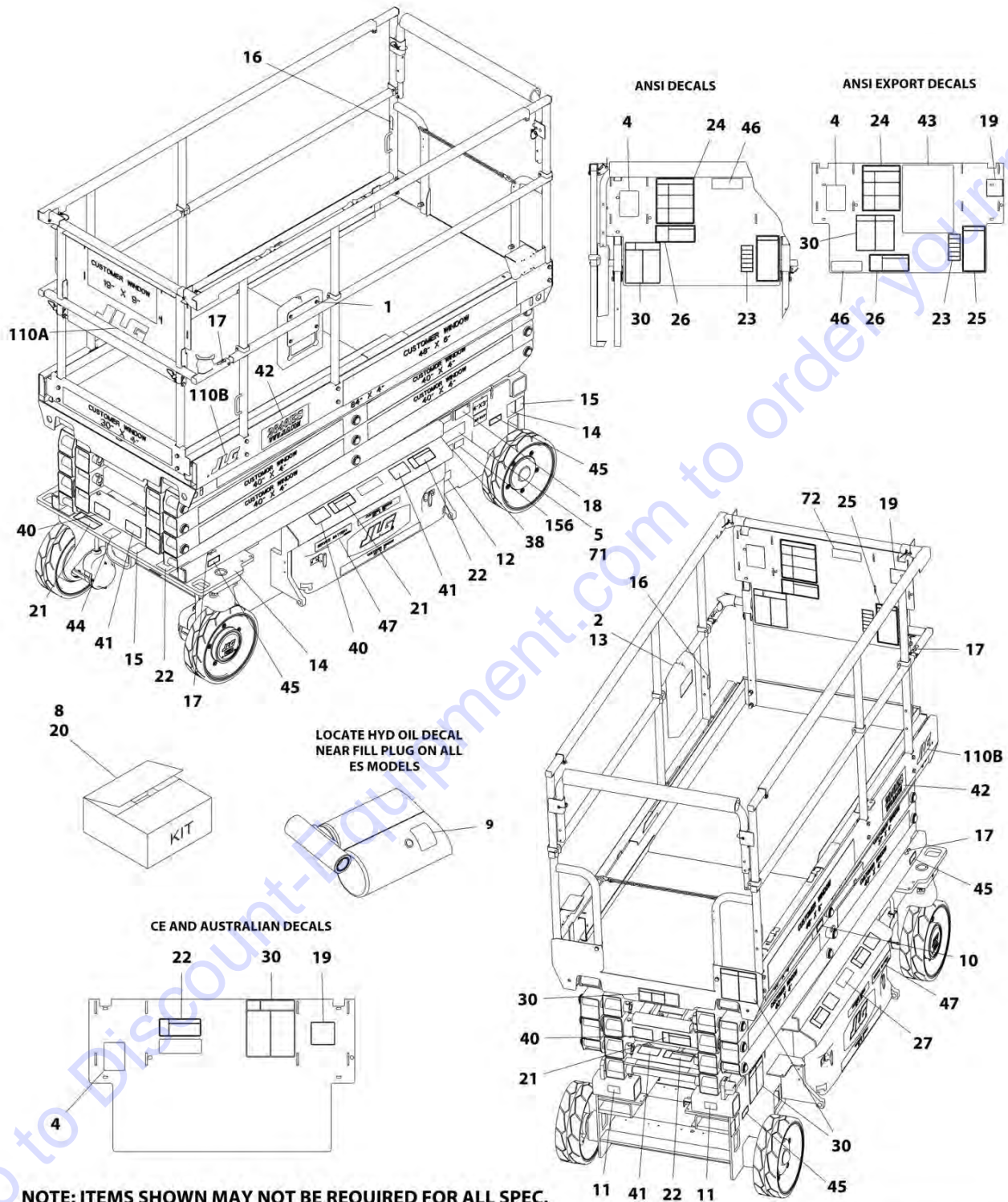
SECTION 8 - DECALS

FIGURE 8-9. DECAL INSTALLATION - LATIN AMERICAN SPEC (ENGLISH/SPANISH)

ITEM	PART NUMBER	QTY	DESCRIPTION	REV
	1001181272	Ref	DECAL INSTALLATION - LATIN AMERICAN SPEC (ENGLISH/SPANISH)	H
		Ref	Note: See DECAL INSTALLATION - OPTIONS for additional decals.	
1	2080040	4	Fastener	
2	0860520	1	Box, Manual Storage	
5	2080057	4	Fastener	
7	See Note	1	Decal - Bar Code (Note: Not Available for Purchase)	
8	2902267	1	Decal Kit - Master (Standard Decals) (Includes Items 9-19 & 44)	B
9	1704412	1	Decal - Hydraulic Oil	
10	1705693	1	Decal - Safety Prop	
11	1704016	2	Decal - Forklift	
12	1702155	1	Decal - Battery Disconnect	
13	1701509	1	Decal - Manual Reference	
14	1703811	4	Decal - Lifting Lugs	
15	1703814	3	Decal - Tie Down	
16	1704277	3	Decal - Lanyard Attach	
17	1703819	4	Decal - Directional Arrow	
18	1703822	1	Decal - Manual Descent Instructions	
19	1705692	1	Decal - Control Box Location	
20	2902525	1	Decal Kit - Latin American Spec (English/Spanish) (Includes Items 21-27, 40 & 41)	B
21	1705694	4	Decal - Crushing	
22	1705695	4	Decal - Danger Electrocutation	
23	1705720	1	Decal - Legend	
24	1705680	1	Decal - Danger/Warning	
25	1705679	1	Decal - Inspection	
26	1705681	1	Decal - Electrocutation	
27	1704339	2	Decal - Warning Battery Ventilation	
40	1705725	4	Decal - Crushing Hazard	
41	1705724	1	Decal - Danger Electrocutation	
43	1705719	1	Decal - Danger/Warning	
44	1701499	1	Decal - No Lift (Part of Item 8)	
46	1001094359	1	Decal - Troubleshooting	
47	1001146794	2	Decal - See Manual	
49	1001216313	1	Decal - 24 Volts (SN 0200257823 to Present, SN B200037385 to Present, SN M200002935 to Present)	
50	1705754	2	Decal - JLG (SN 0200262285 to Present, SN B200038299 to Present, SN M200007989 to Present)	
51	1001224049	1	Decal - Yearly Inspection (SN B200045808 to Present, SN M200015195 to Present)	

SECTION 8 - DECALS

FIGURE 8-10. DECAL INSTALLATION – OPTIONS



ART_OPTIONAL DECALS

SECTION 8 - DECALS

FIGURE 8-10. DECAL INSTALLATION – OPTIONS

ITEM	PART NUMBER	QTY	DESCRIPTION	REV
		Ref	DECAL INSTALLATION - OPTIONS	
25	0272862	Ref	Corner Safety Stripes Installation	C
25	4420051	51 in/1.3m	Tape, Safety (Not Shown - Located on Platform Extension)	
30	1705640	3	Decal - 1000LB Capacity (2646ES All Specs except Australian, CE and China Specs)	
30	1705668	1	Decal - 450KG (2646ES Australian/CE Specs)	
30	1705641	2	Decal - 1000LB/317KG Capacity (3246ES All Specs except Australian, CE and China Specs)	
30	1705704	1	Decal - 320KG Capacity (3246ES Australian/CE Specs)	
42	1001099922	2	Decal - 2646ES Model Designation	
42	1001099923	2	Decal - 3246ES Model Designation	
45	1706311	4	Decal - Maximum Tire Load (2646/3246ES All Specs except Australian, CE and China Specs)	
45	1706312	4	Decal - Maximum Tire Load (2646/3246ES Australian, CE and China Specs)	
71	See Note	1	Decal - Serial Number (Note: Not Available for Purchase)	
72	1705303	1	Decal - CSA (CSA Spec Only)	
74	3251813	1	Decal - USA (Not Shown) (SN 0200239382 through 0200243057)	
110	0272870	Ref	JLG Logo Installation (All Specs Except China Specs)	2
110	1001228965	Ref	JLG Logo Installation (China Specs)	A
110A	1702773	1	Decal - JLG (5 inch) (All Specs Except China Specs)	
110A	1705754	1	Decal - JLG (3.5 inch) (China Specs)	
110B	1705781	2	Decal - JLG (2.75 inch) (All Specs)	
156	1001214029	1	Decal Installation - EAC (Russian/CIS Specs)	A
156	1001173703	1	Decal - EAC (Russian/CIS Specs)	

SECTION 9 - RECOMMENDED SERVICE PARTS STOCK

SECTION 9 - RECOMMENDED SERVICE PARTS STOCK

Go to Discount-Equipment.com to order your parts

SECTION 9 - RECOMMENDED SERVICE PARTS STOCK

FIGURE 9-1. RECOMMENDED SERVICE PARTS STOCK

ITEM	PART NUMBER	QTY	DESCRIPTION	REV
		Ref	Note: The following list will service one machine (built to current production per date on the front cover) with emergency repair parts which can be installed in the field. Parts from the list should be replaced when inventory is depleted to keep service parts stock supplied. For further information, go to Discount-equipment.com	
		Ref	STANDARD PARTS	
	4360069	1	Breaker, Circuit - 10Amp	
	4360328	1	Switch, Toggle	
	2860030	1	Key, Replacement	
	4360475	1	Switch, Mushroom	
	4360387	1	Switch, Push Button	
	1001092354	1	Switch, Rotary Angle Sensor	
	1600402	1	Controller, Drive/Steer	
	4360538	1	Switch and Membrane	
	4360539	1	Switch, Toggle	
	1001097347	1	Relay	
	70004928	1	Filter - 300 Micron	
	70003706	1	Filter - 300 Micron	
	70003707	1	Coil	
		Ref	VARIABLE PARTS	
	1001092456	1	Module, Drive Control	
	1001109088	1	Switch, Limit (Non-UL Machines)	
	1001126905	1	Switch, Limit (UL Machines)	
	1001130614	1	Switch, Limit (Machines with Overhead Protection and Low Height Drive Cutout)	
	0610161	1	PC Board - Charger	
	4360469	1	Switch, Key (All Specs except CE Specs)	
	4360470	1	Switch, Key (CE Specs)	
	1001163095	1	Sensor, Tilt (USA Built Machines)	
	1001169392	1	Sensor, Tilt (China Built Machines)	
	2940064	1	Latch, Snap (Machines with Chain Gate)	
	1600439	1	PC Board, Console Box	
	4360613	1	Switch, Limit (Brake Disconnect)	
	1001109475	1	Breaker, Circuit - 16Amp (CE Spec Only)	
	1001109482	1	Breaker, Circuit - 30mA (CE Spec Only)	
	1001152479	1	Breaker, Circuit - Double 16Amp (CE Spec Only)	

SECTION 10 - SPECIAL OPTIONS

Go to Discount-Equipment.com to order your parts

SECTION 10 - SPECIAL OPTIONS

FIGURE 10-1. SPECIAL OPTIONS

ITEM	PART NUMBER	QTY	DESCRIPTION	REV
		Ref	Note: This list is to accommodate machines ordered with special equipment. Options may not be applicable to all models. For more specific parts information go to Discount-equipment.com	
		Ref	SPECIAL OPTIONS	
	0272843	Ref	AC Plug and Receptacle Installation (Customer Supplied Plug and Receptacle)	
	0274446	Ref	Airline Installation (2646/3246ES)	
	0272913	Ref	Alarm Installation - Motion (See GROUND CONTROL BOX /ALARM INSTALLATION for Components)	
	1001183458	Ref	Ambient Adjusting Motion Alarm Kit	
	0272878	Ref	Antivandalism Package (ANSI Export, CE, Australian, UL, China and Korea Specs Only)	
	1001213525	Ref	Antivandalism Package (ANSI Export, China and Korea Specs)	
	1001191850	Ref	Arm Guards Installation (China Built Machines)	
	1001190010	Ref	Beacon Light Installation with 2 Lights	
		Ref	ClearSky (Telematics) Installations (Dealer Installed)	
	1001243574	Ref	ClearSky Telematics Access Control Kit (Dealer Installed) (All Specs)	
	1001243185	Ref	ClearSky Telematics Access Control Kit – Single Can (Dealer Installed) (ANSI Specs)	
	1001243186	Ref	ClearSky Telematics Access Control Kit – Single Can (Dealer Installed) (CE Specs)	
		Ref	ClearSky (Telematics) Installations (Factory Installed)	
	1001229107	Ref	ClearSky Telematics (Factory Installed) (ANSI and CSA Specs)	
	1001233237	Ref	ClearSky Telematics (Factory Installed) (ANSI Export, CE and Korea Specs)	
	1001229696	Ref	Decals - ClearSky (ANSI, ANSI Export, CE, CSA and Korea Specs)	
	1706765	Ref	Decal - Hazardous Voltage (English Language) (Used with Inverter Installation) (ANSI and CSA Specs)	
	1001136847	Ref	Decal - Hazardous Voltage (English/Spanish Language) (Used with Inverter Installation) (ANSI Export, Chinese and Korea Specs)	
	1001230981	Ref	Decal - Quick Start Reference (Dutch Spec)	
	1001226419	Ref	Decal - Quick Start Reference (English Spec)	
	1001230979	Ref	Decal - Quick Start Reference (French Spec)	
	1001230975	Ref	Decal - Quick Start Reference (German Spec)	
	1001230980	Ref	Decal - Quick Start Reference (Italian Spec)	
	1001230983	Ref	Decal - Quick Start Reference (Russian Spec)	
	1001230982	Ref	Decal - Quick Start Reference (Spanish Spec)	
	1001230984	Ref	Decal - Quick Start Reference (Swedish Spec)	
	1706922	Ref	Decal - Service Support (24HR) (ANSI and CSA Specs)	
	1705304	Ref	Decal - Service Support (CSG Machines Only)	
	1001126013	Ref	Decals - UL (China Built Machines) (UL Specs)	
	1001200363	ref	Decals - UL (Mexico Built Machines) (UL Specs)	
	0274126	Ref	Decals - UL (USA Built Machines) (UL Specs)	
		Ref	Decal Kits	
	1001149798	Ref	Decal Kit - Complete (2646ES)	
	1001149799	Ref	Decal Kit - Complete (3246ES)	
	2902522	Ref	Decal Kit - Country Spec (ANSI)	
	2902523	Ref	Decal Kit - Country Spec (Australian/CE)	
	2902526	Ref	Decal Kit - Country Spec (Brazil)	

SECTION 10 - SPECIAL OPTIONS

ITEM	PART NUMBER	QTY	DESCRIPTION	REV
	2902528	Ref	Decal Kit - Country Spec (Chinese)	
	2902524	1	Decal Kit - Country Spec (CSA)	
	2902532	Ref	Decal Kit - Country Spec (Korean)	
	2902525	1	Decal Kit - Country Spec (Latin American)	
	2902267	Ref	Decal Kit - Master	
	1001091968	Ref	Decal Kit - Platform Box	
	1001091393	Ref	Decal and Housing Kit - Platform Box	
	1001091965	Ref	Decal, Housing and PC Board Kit - Platform Box	
	1001233087	Ref	INSTALL,MOTOR COVER,ES3246	
	2915043	Ref	Drive Motors Replacing Kit (Peerless Motors)	
		Ref	Electrical Connector Kits	
	1001148902	Ref	Amp/Tyco Electrical Connector Kit	
	1001148903	Ref	Deutsch DT Electrical Connector Kit	
	1001148904	Ref	Deutsch HD Electrical Connector Kit	
	1001148905	Ref	Packard Electrical Connector Kit	
	1001148906	Ref	Various Electrical Connectors Kit	
	1001184842	Ref	Electrician's Package without Power (Note: See PLATFORM SECTION)	
	1001184843	Ref	Electrician's Package with 12VDC Power (Note: See PLATFORM SECTION)	
	1001247037	Ref	Enhanced Detection System (EDS) Installation Kit - Level 1	
	1001247036	Ref	Enhanced Detection System (EDS) Installation Kit - Level 2	
	1001109345	Ref	ES Pothole Protection Switch Kit	
	0274849	Ref	Fire Extinguisher Installation (ANSI Spec Only) (SN 0200239382 through 0200245234)	
	1001189484	Ref	Fire Extinguisher Installation (ANSI Spec Only) (SN 0200245235 to Present)	
	0273762	Ref	Footswitch Installation with LSS (ANSI Export, Japanese and Korea Specs)	
	1001185669	Ref	Footswitch Installation without LSS (Factory Installed) (Japanese Spec Only)	
	1001192500	Ref	Footswitch Installation without LSS (Add-on Kit) (Japanese Spec Only)	
	1001219426	Ref	Frame Protective Cover (All Specs Except CE Specs)	
	2300028	Ref	Hydraulic Fluid - Mobil DTE 10 Excel 15 (Machines with Standard Oil)	
	2300042	Ref	Hydraulic Fluid - Mobil EAL H 32 (Machines with Biodegradeable Oil)	
	0273859	Ref	Hydraulic Pressure Checks Installation (All Specs except Australian and CE Specs)	
	1001154518	Ref	Inverter/Battery Charger (900W-60Hz) Installation (2646/3246ES ANSI Spec Only)	
	1001140336	Ref	Latch, Magnetic Gate (ANSI, ANSI Export, Australian, China, Japanese and Korea Specs)	
	0273454	Ref	Lifting Lugs Installation (Factory Installed) (All Specs except Australian Specs)	
	1001229207	Ref	Lifting Lug Add-On Kit (Customer Installed) (All Specs except Australian Specs)	
	1001215518	Ref	Machine Kit	C
	1001215522	1	2646ES Machine Sub-Assembly	B
	1001215524	1	3246ES Machine Sub-Assembly	B
	1001219125	1	Controller (ES System Module)	
	1001215241	1	Batteries Installation (220 A-HR) (Standard)	
	1001215242	1	Batteries Installation (245 A-HR) (No Lock)	

SECTION 10 - SPECIAL OPTIONS

ITEM	PART NUMBER	QTY	DESCRIPTION	REV
	1001215243	1	Batteries AGM Installation (220 A-HR) (No Lock)	
	2940175	1	Battery Cover Latch (Locking)	
	1001199182	Ref	Pipe Rack Installation Kit (Customer Installed)	
	1001184845	Ref	Plant Maintenance Package (Note: See PLATFORM SECTION)	
	1001238848	Ref	Platform Chain Entry Kit	
	1001118216	Ref	Platform Control Box Cover Installation (ANSI Export, CE, Chinese, Japanese, Korea and UL Specs)	
	1001104468	Ref	Platform Corner Hook Kit	
	1001231786	Ref	Platform Extension Block Installation	
	1001214536	Ref	Platform Extension Lock Replacement Kit	
	1001213818	Ref	Platform Overhead Switch Kit	
	1001213858	Ref	Platform Overhead Switch Kit	
	1001176745	Ref	Platform Rail Padding Installation (Available on All Specs)	
	1001176750	Ref	Platform Rail Padding with Limit Switches (ANSI and UL Specs)	
	1001176748	Ref	Platform Rail Padding with Limit Switches (ANSI, ANSI Export, Chinese and Korea Specs)	
	1001232572	Ref	Platform Soft Touch Kit (ANSI, ANSI Export and China Specs)	
	1001180073	Ref	Platform Worklights Installation (Note: Not Available on UL Machines)	
	1001182326	Ref	Platform Worklights Installation (Available on All Specs)	
	1001220688	Ref	Platform Worklights Installation - 24Volt (Dual) (ANSI Export, China and Korea Specs Only)	
	1001184844	Ref	Plumber's Package (Note: See PLATFORM SECTION)	
	1001176752	Ref	Rail Pads with Proximity Switch Installation (CE and Australian Specs)	
	1001176754	Ref	Rail Pads with Proximity Switch Installation - 2646ES (ANSI Export, Chinese and Korea Specs)	
	1001171015	Ref	RCD Box Installation (Brazil Spec Only)	
	3125053	Ref	Video, Operators (ANSI, ANSI Export and UL Specs)	
	1001185053	Ref	White Noise Motion Alarm Kit	
	1001193039	Ref	ZAPI Programming Harness	

PART NUMBER INDEX

Go to Discount-Equipment.com to order your parts

PART NUMBER INDEX

0060092.....31, 33	0272980.....67	0630580.....19, 21	0840059.....413
0060093.....31, 33	0273454.....479	0641514.....293	0840060.....377
0100011...15, 17, 57, 135, 233, 235, 237	0273698...103, 105, 109, 111, 113, 115, 119, 121, 125, 127	0700510.....45, 47, 49	0840061.....425, 427
0100048....135, 225, 227, 385, 387, 389, 391, 393, 395	0273762.....479	0700608.....291	0860520....455, 457, 459, 461, 463, 465, 467, 469, 471
0100051....103, 105, 107, 109, 111, 113, 115, 117, 119, 121, 123, 125	0273859.....479	0700610.....273	0861527.....295
0140011.....261, 263	0273956.....271	0700614 .31, 33, 69, 389, 391	0861650.....127
0140043....73, 75, 77, 79, 81, 83, 85, 87	0273965.....269	0700615 ...73, 75, 77, 79, 81, 83, 85, 87, 281, 283, 285	0861677.....129
0200783....143, 147, 151, 155, 159, 163, 167, 171, 176, 182, 188, 194, 200, 206, 212, 218	0274126.....478	0700616.....43	0861678....107, 117, 123, 129
0200789....143, 147, 151, 155, 159, 163, 167, 171, 176, 182, 188, 194, 200, 206, 212, 218	0274386.....267	0700617.....225, 227	0861731....439, 445, 447, 449
0200820....143, 147, 151, 155, 159, 163, 167, 171, 176, 182, 188, 194, 200, 206, 212, 218	0274446.....478	0700619.....19, 21	0861781.....441, 443
0200826....143, 147, 151, 155, 159, 163, 167, 171, 176, 182, 188, 194, 200, 206, 212, 218	0274849.....479	0701014.....251	0861880.....381
0200827....143, 147, 151, 155, 159, 163, 167, 171, 176, 182, 188, 194, 200, 206, 212, 218	0275020.....119	0701015.....31, 33	0902780.....57
0200828....143, 147, 151, 155, 159, 163, 167, 171, 176, 182, 188, 194, 200, 206, 212, 218	0275021.....123	0701016 15, 17, 143, 147, 151, 155, 159, 163, 167, 171, 176, 182, 188, 194, 200, 206, 212, 218	0902906.....67
0200829....143, 147, 151, 155, 159, 163, 167, 171, 176, 182, 188, 194, 200, 206, 212, 218	0275022.....121	0701018 ...147, 155, 163, 171, 182, 194, 206, 218, 239, 247, 251	0903319.....57
0200830....143, 147, 151, 155, 159, 163, 167, 171, 176, 182, 188, 194, 200, 206, 212, 218	0275042.....113	0701019 ...239, 241, 243, 245, 247, 249, 251, 253, 255, 257, 279	0903416.....297
0200831....143, 147, 151, 155, 159, 163, 167, 171, 176, 182, 188, 194, 200, 206, 212, 218	0275043.....117	0701020 ...143, 151, 159, 167, 176, 188, 200, 212, 251, 259, 279	0903484.....373
0200832....143, 147, 151, 155, 159, 163, 167, 171, 176, 182, 188, 194, 200, 206, 212, 218	0275044.....115	0701021.....241, 249	0903566....363, 365, 367, 373
0200833....143, 147, 151, 155, 159, 163, 167, 171, 176, 182, 188, 194, 200, 206, 212, 218	0275075.....295, 297	0701022 ...141, 143, 145, 147, 149, 151, 153, 155, 157, 159, 161, 163, 165, 167, 169, 171, 173, 176, 179, 182, 185, 188, 191, 194, 197, 200, 203, 206, 209, 212, 215, 218	0903569.....363, 365
0200834....143, 147, 151, 155, 159, 163, 167, 171, 176, 182, 188, 194, 200, 206, 212, 218	0275105.....57	0701024 ...221, 223, 225, 227	100109102....361, 363, 365, 367, 369, 371, 373
0200835....143, 147, 151, 155, 159, 163, 167, 171, 176, 182, 188, 194, 200, 206, 212, 218	0275106.....57	0701027 ...143, 147, 151, 155, 159, 163, 167, 171, 176, 182, 188, 194, 200, 206, 212, 218, 221, 223, 225, 227	1001091153.....261
0200836....143, 147, 151, 155, 159, 163, 167, 171, 176, 182, 188, 194, 200, 206, 212, 218	0275216.....363, 441	0701029 ...143, 147, 151, 155, 159, 163, 167, 171, 176, 182, 188, 194, 200, 206, 212, 218	1001091154.....263
0200837....143, 147, 151, 155, 159, 163, 167, 171, 176, 182, 188, 194, 200, 206, 212, 218	0275217.....365, 443	0710617.....281, 283	1001091272.....261
0200838....143, 147, 151, 155, 159, 163, 167, 171, 176, 182, 188, 194, 200, 206, 212, 218	0275401.....103	0740603.....271	1001091275.....263
0200839....143, 147, 151, 155, 159, 163, 167, 171, 176, 182, 188, 194, 200, 206, 212, 218	0275432.....137	0760410.....67	1001091277.....261, 263
0200840....143, 147, 151, 155, 159, 163, 167, 171, 176, 182, 188, 194, 200, 206, 212, 218	0275452.....371, 449	0760605387, 391, 395	1001091278.....261, 263
0200841....143, 147, 151, 155, 159, 163, 167, 171, 176, 182, 188, 194, 200, 206, 212, 218	0275453 ...361, 369, 373, 447	0760606 ...385, 387, 389, 391, 393, 395	1001091279.....261, 263
0200842....143, 147, 151, 155, 159, 163, 167, 171, 176, 182, 188, 194, 200, 206, 212, 218	0275454.....367, 445	0760610 ...103, 105, 107, 113, 115, 117, 119, 121, 123, 125, 287, 289, 385, 387, 389, 391, 393, 395	1001091280.....261, 263
0200843....143, 147, 151, 155, 159, 163, 167, 171, 176, 182, 188, 194, 200, 206, 212, 218	0275486.....356, 367	0760812.....57	1001091283.....261, 263
0200844....143, 147, 151, 155, 159, 163, 167, 171, 176, 182, 188, 194, 200, 206, 212, 218	0275487.....356, 363	0761014 ...221, 223, 225, 227	1001091393.....261, 263, 479
0200845....143, 147, 151, 155, 159, 163, 167, 171, 176, 182, 188, 194, 200, 206, 212, 218	0275488.....356, 365	0840058 ...409, 411, 433, 435	1001091396.....261, 263
0200846....143, 147, 151, 155, 159, 163, 167, 171, 176, 182, 188, 194, 200, 206, 212, 218	0275530.....135		1001091479.....57
0200847....143, 147, 151, 155, 159, 163, 167, 171, 176, 182, 188, 194, 200, 206, 212, 218	0275663.....405		1001091965.....261, 263, 479
0200848....143, 147, 151, 155, 159, 163, 167, 171, 176, 182, 188, 194, 200, 206, 212, 218	0275664.....403		1001092354.....141, 145, 149, 153, 157, 161, 165, 169, 173, 179, 185, 191, 197, 203, 209, 215, 476
0200849....143, 147, 151, 155, 159, 163, 167, 171, 176, 182, 188, 194, 200, 206, 212, 218	0275665.....401		1001092454.....135
0200850....143, 147, 151, 155, 159, 163, 167, 171, 176, 182, 188, 194, 200, 206, 212, 218	0275666.....397		1001092456...19, 21, 476
0200851....143, 147, 151, 155, 159, 163, 167, 171, 176, 182, 188, 194, 200, 206, 212, 218	0275667.....399		1001092738....19, 21, 24
0200852....143, 147, 151, 155, 159, 163, 167, 171, 176, 182, 188, 194, 200, 206, 212, 218	0275883.....17		1001093556.....135, 429
0200853....143, 147, 151, 155, 159, 163, 167, 171, 176, 182, 188, 194, 200, 206, 212, 218	0380025 ...89, 91, 93, 95, 97, 99, 101		1001093839.....57
0200854....143, 147, 151, 155, 159, 163, 167, 171, 176, 182, 188, 194, 200, 206, 212, 218	0400215 ...119, 121, 123		1001094105.....429
0200855....143, 147, 151, 155, 159, 163, 167, 171, 176, 182, 188, 194, 200, 206, 212, 218	0400216 ...113, 115, 117		1001094169.....433
0200856....143, 147, 151, 155, 159, 163, 167, 171, 176, 182, 188, 194, 200, 206, 212, 218	0440223.....273		1001094175.....385, 387, 389, 391, 393, 395
0200857....143, 147, 151, 155, 159, 163, 167, 171, 176, 182, 188, 194, 200, 206, 212, 218	0440257 ...143, 147, 151, 155, 159, 163, 167, 171, 176, 182, 188, 194, 200, 206, 212, 218		1001094180.....385, 389
0200858....143, 147, 151, 155, 159, 163, 167, 171, 176, 182, 188, 194, 200, 206, 212, 218	0440259.....15, 17, 351		1001094203.....135
0200859....143, 147, 151, 155, 159, 163, 167, 171, 176, 182, 188, 194, 200, 206, 212, 218	0440265 ...141, 145, 149, 153, 157, 161, 165, 169, 173, 179, 185, 191, 197, 203, 209, 215		1001094301.....19, 21
0200860....143, 147, 151, 155, 159, 163, 167, 171, 176, 182, 188, 194, 200, 206, 212, 218	0440266 ...143, 147, 151, 155, 159, 163, 167, 171, 176, 182, 188, 194, 200, 206, 212, 218		
0200861....143, 147, 151, 155, 159, 163, 167, 171, 176, 182, 188, 194, 200, 206, 212, 218	0440267 ...143, 147, 151, 155, 159, 163, 167, 171, 176, 182, 188, 194, 200, 206, 212, 218		
0200862....143, 147, 151, 155, 159, 163, 167, 171, 176, 182, 188, 194, 200, 206, 212, 218	0480100.....293		
0200863....143, 147, 151, 155, 159, 163, 167, 171, 176, 182, 188, 194, 200, 206, 212, 218	0561520 ...221, 223, 225, 227		
0200864....143, 147, 151, 155, 159, 163, 167, 171, 176, 182, 188, 194, 200, 206, 212, 218	0610161 ...89, 91, 93, 95, 97, 99, 101, 476		

PART NUMBER INDEX

1001094359 455, 457, 459, 461, 463, 465, 467, 469, 471	1001114937..... 89, 91, 93, 95, 97, 99, 101	1001155843..... 143, 147, 318	1001176754 480
1001096138 409, 411	1001114992..... 377	1001155844..... 176, 182, 334	1001176756 289
1001096627 373	1001115002..... 385, 387, 389, 391, 393, 395, 413	1001155851 15, 349	1001177180 221
1001096628 356, 373	1001115076..... 409, 411	1001157050 275	1001177181 225
1001096707 385, 387, 389, 391, 393, 395, 433	1001115077..... 421, 423	1001157319..... 141, 143	1001177412 69
1001096926 373	1001117033..... 19	1001157320..... 173, 176	1001178164 287
1001097150 381, 383	1001117057..... 409, 411	1001157324..... 141	1001178323 233
1001097347 409, 411, 476	1001117266..... 31	1001157325..... 173	1001178537 385
1001099922 473	1001118216..... 480	1001157328..... 15	1001178538 389
1001099923 473	1001119032..... 421, 423	1001157332..... 159, 163, 326	1001178539 377, 385, 387, 389, 391, 393, 395
1001100341 441	1001126013..... 478	1001157333..... 200, 206, 342	1001178540 377
1001100342 443	1001126903..... 33	1001157337 157, 159	1001178541 377
1001100345 449	1001126905..... 33, 476	1001157338..... 197, 200	1001178542 377
1001100346 445	1001129268..... 17, 351	1001157342..... 157	1001178543 385, 387, 389, 391, 393, 395, 437
1001100347 447	1001129291..... 151, 155, 322	1001157343..... 197	1001178682 425, 427
1001100451 103, 105, 107, 109, 111, 113, 115, 117, 119, 121, 123, 125	1001129292..... 188, 194, 338	1001157890 411	1001178684 389, 391, 427
1001101540 363, 365, 367, 373	1001130614..... 277, 279, 476	1001159186..... 421, 423	1001178686 385, 387, 393, 395, 425
1001102258 ... 35, 37, 39, 41, 43, 45, 47, 49, 51, 59, 61, 63, 65	1001131007..... 149	1001159192..... 107	1001179400 243, 245, 253, 255
1001102349 27	1001131008..... 185	1001162362..... 369, 371	1001179402 243, 245, 253, 255
1001102351 27	1001131012..... 165	1001162447..... 356, 369	1001179409 243, 245, 253, 255
1001102353 27	1001131013..... 209	1001162449..... 356, 371	1001179410 243, 245, 253, 255
1001102354 27	1001131024..... 149, 151	1001163095..... 89, 93, 97, 101, 476	1001179411 243, 253
1001102489 ... 35, 37, 39, 41, 43, 51	1001131026..... 185, 188	1001165284..... 89, 93, 97, 101	1001179414 243, 253
1001102516 273	1001131030..... 165, 167	1001165286..... 89, 93, 97, 101	1001179415 243, 245, 253, 255
1001102549 273	1001131031..... 209, 212	1001165315..... 89, 93, 97, 101	1001179417 243, 245, 253, 255
1001102562 273	1001131036..... 167, 171, 330	1001165316..... 89, 93, 97, 101	1001179420 247, 253
1001103257 ... 35, 37, 65	1001131037..... 212, 218, 346	1001166194..... 73, 89	1001179428 37
1001103258 39, 41, 45	1001131076..... 17	1001166195..... 81, 97	1001179437 243, 245, 253, 255
1001103471 43	1001132233..... 105	1001166197 77, 85, 87, 93, 101	1001179441 243, 253
1001104468 480	1001132439..... 24, 415	1001166255..... 89, 93, 97, 101	1001179442 243, 245, 253, 255
1001109088 31, 476	1001136847..... 478	1001166759 356	1001179838 239, 243
1001109232 31, 33	1001137675..... 251, 257, 259	1001166776..... 89, 93, 97, 101	1001180073 480
1001109233 31, 33	1001139000..... 147, 155, 163, 171, 182, 194, 206, 218	1001166823 73	1001180090 ... 89, 93, 97, 101
1001109345 479	1001139002..... 147, 155, 163, 171, 182, 194, 206, 218	1001166825 81	1001180197 291
1001109475 381, 476	1001140336..... 479	1001166828..... 77, 85	1001180205 291
1001109482 381, 476	1001143663..... 354	1001167256..... 89, 93, 97, 101, 421	1001180216 291
1001112111 ... 35, 39, 43, 45, 47, 49, 51, 53	1001146794..... 455, 457, 459, 463, 465, 467, 469, 471	1001169392..... 476	1001180312 41
1001112112 103, 105, 107	1001146795..... 461	1001171015..... 480	1001181045 381
1001112113 ... 35, 39, 43, 45, 47, 49, 51, 59, 61, 63, 65, 103, 105, 107, 113, 115, 117, 119, 121, 123, 125	1001148902..... 479	1001172008..... 47, 49, 51	1001181267 461
1001113576 43	1001148903..... 479	1001172010..... 47, 49, 51, 59, 61	1001181268 455
1001114466 29	1001148904..... 479	1001173703..... 473	1001181269 461
1001114885 75	1001148905..... 479	1001175188..... 221, 223, 225, 227	1001181270 457
1001114886 79	1001148906..... 479	1001175191 229	1001181271 467
1001114925 83	1001149798..... 478	1001175192 229	1001181272 471
1001114929 75, 91	1001149799..... 478	1001175461 221, 225, 229	1001181273 459
1001114930 83, 99	1001152479..... 383, 476	1001176739 247	1001181274 465
1001114932 79, 95	1001152482..... 383	1001176742 239	1001181275 469
1001114933 91, 95, 99	1001152483..... 383	1001176745 480	1001182062 229
1001114935 ... 91, 95, 99, 419	1001152485..... 369, 371, 383	1001176748 480	1001182302 221, 225, 233
	1001154518..... 479	1001176750 480	1001182304 233, 237
		1001176752 480	1001182305 233, 237
			1001182326 480

PART NUMBER INDEX

1001182338.....233, 237	1001201241.....435	1001215243.....480	1001232541.....463
1001182339.....229, 231	1001201244.....385, 389, 393, 435	1001215247.....87	1001232572.....480
1001182847.....291	1001202618.....421	1001215248.....87	1001233087.....479
1001183458.....478	1001202619.....421	1001215326...45, 47, 49	1001233237.....478
1001184842.....479	1001208641.....89, 423	1001215518.....479	1001233888.....127, 129
1001184843.....479	1001209104.....125	1001215522.....479	1001234398.....221, 225, 235
1001184844.....480	1001209251.....251	1001215524.....479	1001234399.....235, 237
1001184845.....480	1001209252.....223, 227, 231	1001215870...35, 39, 43, 45, 47, 49, 51, 59, 61, 63, 65	1001234401.....235
1001184947.....45, 47, 49	1001209253.....251, 257	1001216200.....223	1001238848.....480
1001185053.....480	1001209254.....251	1001216313.....455, 457, 459, 461, 463, 465, 467, 469, 471	1001243185.....478
1001185156.....45, 47, 49	1001209255.....251	1001217327.....461	1001243186.....478
1001185306.....45, 47, 49	1001209256.....223, 227, 237	1001217666.....285	1001243574.....478
1001185669.....479	1001209257.....231	1001218388.....251, 259	1001244298.....463, 465
1001185830.....45, 47, 49	1001209262.....231	1001218595...59, 61, 63, 65	1001244301.....463, 465
1001186497.....45, 47, 49	1001209265.....257, 259	1001218808...59, 61, 63, 65	1001244948.....65
1001186498.....59, 61	1001209266.....257, 259	1001219124.....21	1001245319.....63
1001187101.....45, 47, 49	1001209267.....257, 259	1001219125.....479	1001247036.....479
1001187231.....385, 387, 389, 391, 409	1001209269.....257, 259	1001219355.....387	1001247037.....479
1001187530.....45, 47, 49	1001209270.....257, 259	1001219356.....391	1001248130.....109
1001187585.....243, 245, 253, 255	1001209271.....257, 259	1001219360.....395	1001248131.....111
1001187587.....243, 245, 251, 253, 255, 257, 259, 293	1001209272.....257, 259	1001219386.....147, 155, 163, 171, 182, 194, 206, 218	1060331.....271
1001187816.....375	1001209273.....257, 259	1001219426.....479	1060379.....269, 271, 273, 275, 291, 293, 295
1001188116.....375	1001209274.....257, 259	1001220668.....480	1060689.....43
1001189171.....383	1001209275.....257, 259	1001221475.....235, 237	1060908.....373, 381, 383
1001189172.....383	1001209280.....237	1001221476.....235, 237	1060957.....295
1001189484.....479	1001209281.....227	1001221857.....47, 49	1060998.....377
1001189762.....243, 245, 253, 255, 275	1001210378.....257, 259	1001221949.....407	1061034...141, 145, 149, 153, 157, 161, 165, 169, 173, 179, 185, 191, 197, 203, 209, 215
1001190010.....478	1001210433.....385, 389, 393	1001221984.....407	1120555.....269, 271
1001190137.....275	1001211593.....361	1001222914.....285	1180380...143, 147, 151, 155, 159, 163, 167, 171, 176, 182, 188, 194, 200, 206, 212, 218
1001190138.....275	1001211892.....231	1001223055.....455	1260136.....239, 241
1001191055.....153, 155	1001211895.....251	1001223971.....467	1271630.....287, 289
1001191056.....191, 194	1001211896.....251	1001224048.....469	1320043.....57
1001191057.....169, 171	1001212459.....45	1001224049.....471	1320136...39, 41, 43, 45
1001191058.....215, 218	1001212702.....249	1001224050.....465	1320224.....295
1001191059.....145, 147	1001212852.....241	1001224052.....459	1320318...225, 227, 385, 387, 389, 391, 393, 395
1001191060.....179, 182	1001212873.....249, 255	1001226419.....478	1321293...35, 37, 39, 43, 45, 47, 49, 51, 59, 61, 63, 65
1001191061.....161, 163	1001212874.....245, 255	1001227213.....43	1321716...385, 387, 389, 391, 393, 395
1001191062.....203, 206	1001212875.....245, 255	1001227219.....43	1380132.....245, 255
1001191063.....153	1001212876.....245, 255	1001227267.....43	1380153.....15, 17
1001191064.....191	1001212877.....241, 245	1001228370.....455, 467	1380156.....261, 263
1001191065.....169	1001212878.....241, 245	1001228965.....473	1380158...225, 227, 385, 387, 389, 391, 393, 395
1001191066.....215	1001213525.....478	1001229107.....478	1580023.....269, 271
1001191067.....145	1001213660.....279	1001229207.....479	1580024.....269, 271
1001191068.....179	1001213818.....279, 281, 480	1001229441.....293	1600387.....225, 227
1001191069.....161	1001213820.....283	1001229469.....293	1600402...261, 263, 265, 476
1001191070.....203	1001213821.....281, 283, 285	1001229696.....478	1600439...261, 263, 476
1001191071.....147, 155, 163, 171, 182, 194, 206, 218	1001213822.....281, 283, 285	1001230756.....277	1671098.....261, 263
1001191850.....478	1001213857.....281	1001230975.....478	1671105...89, 91, 93, 95, 97, 99, 101
1001192401.....409, 411	1001213858.....279, 283, 480	1001230979.....478	1671133.....19, 21
1001192500.....479	1001214029.....473	1001230980.....478	1671202...103, 109, 113, 119, 125, 131
1001193039.....480	1001214121.....279	1001230981.....478	1671203.....131, 133
1001194180.....393	1001214310.....285	1001230982.....478	
1001196837.....393, 395, 411	1001214311.....279, 285	1001230983.....478	
1001196838.....411	1001214339.....277, 279	1001230984.....478	
1001196861.....393	1001214342.....279	1001231786.....480	
1001198711.....375	1001214347.....109, 111	1001231801.....455	
1001199182.....480	1001214409.....277, 279	1001232146.....229	
1001199189.....293	1001214536.....480		
1001200363.....478	1001215241.....479		
	1001215242.....479		

PART NUMBER INDEX

1671204 ... 105, 107, 111, 115, 117, 121, 123, 133	1705692 ... 455, 457, 459, 461, 463, 465, 467, 469, 471	2300028.....479	3252507 ... 361, 365, 367, 369, 371, 375
1671207 439	1705693 ... 455, 457, 459, 461, 463, 465, 467, 469, 471	2300042.....479	3271805 275
1671266 57	1705694 ... 455, 465, 467, 469, 471	2400060.....409, 411	3290405... 31, 33, 43, 45, 47, 49, 67, 267, 359, 361, 363, 365, 367, 369, 371, 373, 375
1684489 302	1705695 ... 455, 465, 467, 469, 471	2400061.....271	3290505 43, 45, 47, 49
1684490 310	1705696 89, 91	2400066.....271	3290601 ... 385, 387, 393, 395
1684529 306	1705697 ... 93, 95, 97, 99, 101	2420172.... 89, 91, 93, 95, 97, 99, 101	3290605 ... 19, 21, 31, 33, 43, 59, 61, 63, 65, 69, 103, 105, 107, 109, 111, 113, 115, 117, 119, 121, 123, 125, 233, 237, 363, 365, 385, 387, 389, 391, 393, 395
1684530 314	1705698 ... 89, 91, 93, 95, 97, 99, 101	2540042.....431	3290606 ... 225, 227, 239, 241, 243, 245, 247, 249, 253, 255, 273, 281, 283, 285, 287, 289, 291, 295, 297, 385, 387, 389, 391, 393, 395
1701499 ... 455, 457, 459, 461, 463, 465, 467, 469, 471	1705704 473	2540045....221, 223, 225, 227	3290607 373
1701509 ... 455, 457, 459, 461, 463, 465, 467, 469, 471	1705717 467	2560088.....245, 255	3290806 245, 255
1702010 287, 289	1705718 467	2560179.....261, 263	3291005 31, 33, 141, 145, 149, 153, 157, 159, 161, 163, 165, 167, 169, 171, 173, 179, 185, 191, 197, 203, 209, 215, 221, 223, 225, 227, 235, 237, 239, 241, 247, 249, 251, 257, 259
1702155 ... 455, 457, 459, 461, 463, 465, 467, 469, 471	1705719 459, 471	2560190.....245, 255	3291006 ... 239, 243, 245, 247, 251, 253, 255, 257, 259, 279
1702773 473	1705720 471	2600281.....247, 249, 251	3291007 ... 143, 147, 151, 155, 159, 163, 167, 171, 176, 182, 188, 194, 200, 206, 212, 218
1703464 359, 363	1705721 459	2700100.....269, 271	3300048 295
1703811 ... 455, 457, 459, 461, 463, 465, 467, 469, 471	1705722 459	2753883.....15	3300423 27
1703813 455	1705723 467	2780266..... 19, 21, 27	3300473 261, 263
1703814 ... 455, 457, 459, 461, 463, 465, 467, 469, 471	1705724 459, 471	2792599.....354	3300477 ... 239, 241, 247, 249, 251
1703819 ... 261, 263, 455, 457, 459, 461, 463, 465, 467, 469, 471	1705725 459, 471	2820026....425, 427, 433, 435	3310601 271
1703822 ... 455, 457, 459, 461, 463, 465, 467, 469, 471	1705726 459	2820028 ... 409, 411, 425, 427, 433, 435	3311005 271
1703834 459	1705727 459	2820097 239, 241	3311405 271
1704016 ... 455, 457, 459, 461, 463, 465, 467, 469, 471	1705754 ... 131, 133, 295, 455, 457, 459, 465, 467, 469, 471, 473	2820152 411	3311505 293
1704277 ... 455, 457, 459, 461, 463, 465, 467, 469, 471	1705781 ... 461, 463, 473	2820239 57	3321005 ... 89, 91, 93, 95, 97, 99, 101
1704339 471	1705792 287	2860030.... 89, 91, 93, 95, 97, 99, 101, 476	3321402 ... 141, 145, 149, 153, 157, 161, 165, 169, 173, 179, 185, 191, 197, 203, 209, 215
1704340 467	1705793 289	2902267 ... 455, 457, 459, 461, 463, 465, 467, 469, 471, 479	3340612 ... 243, 245, 253, 255, 257, 259
1704341 459	1705894 459	2902331 137	3340957 ... 141, 145, 149, 153, 157, 161, 165, 169, 173, 179, 185, 191, 197, 203, 209, 215
1704344 465	1705894 459	2902334 295	3340962 ... 143, 147, 151, 155, 159, 163, 167,
1704412 ... 455, 457, 459, 461, 463, 465, 467, 469, 471	1705943 465	2902347 273	
1705052 57	1705944 465	2902348 269, 271	
1705213 295	1705945 465	2902431 359, 439	
1705214 295	1705946 465	2902522 455, 478	
1705303 473	1705953 295	2902523....457, 461, 463, 478	
1705304 478	1705985 275	2902524 467, 479	
1705305 295	1705997 269, 271	2902525 471, 479	
1705640 473	1706052 469	2902526 459, 478	
1705641 473	1706053 469	2902528 465, 479	
1705668 473	1706056 469	2902532 469, 479	
1705670 457, 461, 463	1706057 469	2902541....363, 365, 367, 373, 381	
1705671 457, 461, 463	1706311 473	2915013 29	
1705673 457, 461, 463	1706312 473	2915043 479	
1705676 261, 263	1706350 131, 133	2915230 53	
1705679 ... 455, 465, 467, 469, 471	1706679 135	2920026.... 93, 95, 97, 99, 101	
1705680 ... 455, 465, 467, 469, 471	1706749 57	2920094.... 93, 95, 97, 99, 101	
1705681 ... 455, 465, 467, 469, 471	1706765 478	2920161 67	
1705686 455	1706922 478	2940064 239, 241, 476	
	1707022 469	2940174 131	
	2030010 297	2940175 133, 480	
	2080040 ... 243, 245, 247, 249, 251, 253, 255, 257, 259, 455, 457, 459, 461, 463, 465, 467, 469, 471	3010088 239, 241	
	2080057 ... 455, 457, 459, 461, 463, 465, 467, 469, 471	3010158 31, 33	
	2110404 15, 17, 349, 351	3080007 247, 249, 251	
	2220882 ... 303, 307, 311, 315	3125053 480	
	2220883 ... 302, 303, 306, 307, 310, 311, 314, 315	3200454 141, 145, 149, 153, 157, 161, 165, 169, 173, 179, 185, 191, 197, 203, 209, 215	
		3251813 473	
		3252098 467	

PART NUMBER INDEX

171, 176, 182, 188, 194, 200, 206, 212, 218	3576349 69	4010618 ... 243, 245, 253, 255, 297	4360469.... 89, 91, 93, 95, 101, 476
3340968.....261, 263	3577076 127, 129	4031510 45, 47, 49	4360470..... 97, 99, 476
3380475.....261, 263	3730119 433, 435	4031511 277, 279	4360475.... 89, 91, 93, 95, 97, 99, 101, 261, 263, 476
3380527 271	3740150 19, 21	4031512 31, 33	4360538.... 261, 263, 476
3421453.....275, 291, 295	3760115 31, 33	4031607 135	4360539.... 261, 263, 476
3421854 293	3760170 ... 143, 147, 151, 155, 159, 163, 167, 171, 176, 182, 188, 194, 200, 206, 212,	4031707 65	4360613..... 379, 476
3422219.....269, 271, 273	218, 253, 269, 271, 273, 275, 291, 293, 295	4031708 59, 61, 63, 65	4420037.... 243, 245, 253, 255, 257, 287, 289
3422938.....225, 227	3760348 31, 33	4031713 ... 113, 115, 117, 385, 387, 389, 391, 393, 395	4420051.....473
3422997.... 143, 147, 151, 155, 159, 163, 167, 171, 176, 182, 188, 194, 200, 206, 212, 218	3760387 ... 143, 147, 151, 155, 159, 163, 167, 171, 176, 182, 188, 194, 200, 206, 212, 218	4060865 67	4420062.... 269, 271, 293
3422998.... 143, 147, 151, 155, 159, 163, 167, 171, 176, 182, 188, 194, 200, 206, 212, 218	3760463 19, 21	4060906 277, 279	4420070.... 141, 145, 149, 153, 157, 161, 165, 169, 173, 179, 185, 191, 197, 203, 209, 215
3423009.... 143, 151, 159, 167, 176, 188, 200, 212	3820019 245, 255	4071094 ... 143, 147, 151, 155, 159, 163, 167, 171, 176, 182, 188, 194, 200, 206, 212, 218	4420080..... 69, 141, 145, 149, 153, 157, 161, 165, 169, 173, 179, 185, 191, 197, 203, 209, 215
3423011.... 143, 147, 151, 155, 159, 163, 167, 171, 176, 182, 188, 194, 200, 206, 212, 218	3820032 127, 129	4160078 ... 141, 145, 149, 153, 157, 161, 165, 169, 173, 179, 185, 191, 197, 203, 209, 215	4460007..... 45, 47, 49
3423014.... 143, 147, 151, 155, 159, 163, 167, 171, 176, 182, 188, 194, 200, 206, 212, 218	3841143 ... 143, 147, 151, 155, 159, 163, 167, 171, 176, 182, 188, 194, 200, 206, 212, 218	4160202 31, 33	4460115..... 421, 423
3423026.... 143, 147, 151, 155, 159, 163, 167, 171, 176, 182, 188, 194, 200, 206, 212, 218	3841667 273	4160203 261, 263	4460138..... 359
3423037..... 15, 17	3841716 ... 239, 241, 247, 249	4191306 261, 263	4460183..... 421, 423
3423045..... 31, 33	3860104 ... 143, 147, 151, 155, 159, 163, 167, 171, 176, 182, 188, 194, 200, 206, 212, 218	4191407 261, 263	4460226.... 279, 409, 411, 429
3423049..... 221, 223	3860111 ... 243, 245, 253, 255	4191409 261, 263	4460227 53, 55, 279, 409, 411
3423170.... 143, 147, 151, 155, 159, 163, 167, 171, 176, 182, 188, 194, 200, 206, 212, 218	3860118 229, 231	4191706 ... 73, 75, 77, 79, 81, 83, 85, 87, 141, 145, 149, 153, 157, 161, 165, 169, 173, 179, 185, 191, 197, 203, 209, 215, 273, 291, 363, 365, 367, 371, 373	4460259.... 409, 411, 419, 421, 423
3423189..... 31, 33	3900190 ... 233, 235, 237	4191707 ... 35, 37, 39, 41, 43, 45, 47, 49, 51, 57, 59, 61, 63, 67, 103, 105, 107, 109, 111, 113, 115, 117, 119, 121, 123, 125, 225, 227, 369	4460260.... 409, 411, 419, 421, 423, 451
3423255.... 141, 145, 149, 153, 157, 161, 165, 169, 173, 179, 185, 191, 197, 203, 209, 215	3900333 261, 263	4191708 19, 21, 373	4460265..... 431
3423267 31, 33	3900336 ... 89, 91, 93, 95, 97, 99, 101	4191709 19, 21	4460267..... 419, 431
3423278.... 243, 245, 253, 255	3900338 ... 89, 91, 93, 95, 97, 99, 101, 267	4220227 273	4460268.. 89, 93, 97, 101, 421, 423
3423289..... 31, 33	3900339 ... 89, 91, 93, 95, 97, 99, 101	4220252 127, 129	4460297..... 451
3450406..... 27	3900345 245, 255	4220253 127, 129	4460315..... 359
3460334..... 269, 271	3900355 269, 271	4220293 31, 33	4460320.... 279, 409, 411
3520072.... 239, 241, 247, 249, 251, 273	3900356 91, 95, 99	4240003 ... 269, 271, 273, 379	4460321.. 89, 93, 97, 101, 429
3520176 291	3900381 43	4240017 45, 47, 49	4460328..... 295
3520193 89, 91	3931010 271	4240033 43, 225, 227	4460346..... 439
3574161.... 143, 147, 151, 155, 159, 163, 167, 171, 176, 182, 188, 194, 200, 206, 212, 218	3931408 271	4240147 19, 21	4460374..... 409, 411
3574176..... 31, 33	3931412.. 89, 93, 97, 101, 269, 271	4240164 291	4460375..... 409, 411
3574505..... 287, 289	3931508 269, 271	4240165 287, 289	4460418.... 277, 279, 419, 421, 423
3574506..... 287, 289	3931820 275	4240172 107, 123	4460419.... 277, 279, 419
3574981.... 103, 105, 107, 109, 111, 113, 115, 117, 119, 121, 123, 125	3951608 137	4340739 91, 95, 99	4460424..... 53, 55, 279
3574984.... 103, 105, 107, 109, 111, 113, 115, 117, 119, 121, 123, 125	4010405 375	4340853 269, 271	4460464.... 53, 55, 73, 75, 77, 79, 81, 83, 85, 87, 141, 145, 149, 153, 157, 161, 165, 169, 173, 179, 185, 191, 197, 203, 209, 215, 277, 279, 409, 411, 421, 423, 431, 433, 435, 451
3575794..... 267	4010408.. 45, 47, 49, 359, 361, 363, 365, 367, 369, 371, 373	4340854 269, 271	4460465.... 271, 277, 279, 409, 411, 413, 415, 425, 427, 433, 435
	4010412 45, 47, 49	4340931 225, 227	4460466.... 277, 279, 409, 411, 421, 423, 425, 427, 431, 433, 435
	4010608 ... 295, 297, 369, 371	4340938 295	4460493..... 433, 435
	4010612 363, 365	4360069 ... 89, 91, 93, 95, 97, 99, 101, 476	
	4010614 295	4360155 295	
	4010616 ... 239, 241, 243, 245, 247, 249, 253, 255, 385, 387, 389, 391, 393, 395	4360328 ... 89, 91, 93, 95, 97, 99, 101, 476	
	4010617 243, 253	4360345 277, 279	
		4360387 135, 476	

PART NUMBER INDEX

4460496 431	4530021 295	4923228..... 225, 227	70004626 . 322, 330, 338, 346
4460497 431	4530026 271	4923390..... 57	70004634 322, 330
4460508 417	4568738 261, 263	4923391..... 57	70004635 . 322, 330, 338, 346
4460509 415	4711400 ... 269, 271, 273	4923392..... 57	70004636 . 322, 330, 338, 346
4460536 ... 73, 75, 77, 79, 81, 83, 85, 87, 141, 145, 149, 153, 157, 161, 165, 169, 173, 179, 185, 191, 197, 203, 209, 215	4711800 275	4923393..... 57	70004637 . 322, 330, 338, 346
4460539 409, 411	4740086 31, 33	4923406..... 377	70004638 . 322, 330, 338, 346
4460648 53, 409, 411	4740438 ... 143, 147, 151, 155, 159, 163, 167, 171, 176, 182, 188, 194, 200, 206, 212, 218	4923409..... 377	70004639 . 322, 330, 338, 346
4460662 ... 361, 367, 369, 371, 373, 439	4740446 229, 231	4923602..... 19, 21, 417	70004640 . 322, 330, 338, 346
4460754 433, 435	4740468 27	5241000..... 233, 235, 237	70004641 338, 346
4460761 409, 411	4740480 269, 271	7000082..... 265	70004654 . 318, 323, 326, 331, 334, 339, 342, 347
4460778 437	4740524 19, 21	7000084..... 265	70004731 318, 326
4460868 429	4740545 ... 385, 387, 389, 391, 393, 395	70000191..... 24	70004733 318, 326
4460871 409, 411	4740562 57	70000335.. 302, 306, 310, 314	70004734 . 318, 326, 334, 342
4460873 409, 411	4740564 19, 21	70000659.. 302, 306, 310, 314	70004735 334, 342
4460877 429	4750800 67, 131, 133	70000683..... 265	70004736 . 318, 326, 334, 342
4460878 451	4751000 ... 89, 91, 93, 95, 97, 99, 101	70000684..... 265	70004737 334, 342
4460884 ... 271, 277, 279, 409, 411, 421, 423	4751400 . 19, 21, 69, 385, 387, 389, 391, 393, 395	70000685..... 265	70004782 349
4460885 451	4751500 293	70000686..... 265	70004783 349
4460887 451	4811400 ... 43, 45, 47, 49, 267, 363, 365, 375	70000790..... 24	70004784 349
4460891 ... 279, 409, 411, 413, 415	4811600 . 45, 47, 49, 127, 129, 135	70000791..... 24	70004914 . 318, 322, 326, 330, 334, 338, 342, 346
4460894 ... 409, 411, 413	4811700 ... 19, 21, 31, 33, 35, 37, 39, 41, 43, 45, 47, 49, 51, 57, 59, 61, 63, 65, 103, 105, 107, 109, 111, 113, 115, 117, 119, 121, 123, 125, 287, 289, 291, 297, 363, 365, 367, 369, 371, 373	70000792..... 24	70004915 . 318, 322, 326, 330, 334, 338, 342, 346
4460897 409, 411	4811702 67	70000798.. 303, 307, 311, 315	70004916 . 318, 322, 326, 330, 334, 338, 342, 346
4460899 53, 55, 409, 411	4811900 233, 237	70000799.. 303, 307, 311, 315	70004917 . 318, 322, 326, 330, 334, 342, 346
4460905 409, 411	4812000 ... 15, 17, 31, 33, 143, 147, 151, 155, 159, 163, 167, 171, 176, 182, 188, 194, 200, 206, 212, 218, 221, 223, 225, 227, 233, 237, 239, 241, 243, 245, 247, 249, 251, 253, 255, 257, 259, 279	70001250..... 265	70004921 . 318, 323, 326, 331, 334, 339, 342, 347
4460918 423	4812002 ... 235, 237, 239, 241, 247, 249	70001251..... 265	70004925 . 318, 322, 326, 330, 334, 338, 342, 346
4460930 425, 427	4831600 43	70001252..... 265	70004926 . 318, 322, 326, 330, 334, 338, 342, 346
4460931 ... 409, 411, 433, 435	4846684 ... 143, 147, 151, 155, 159, 163, 167, 171, 176, 182, 188, 194, 200, 206, 212, 218	70001253..... 265	70004927 . 318, 322, 326, 330, 334, 338, 342, 346
4460932 277, 279	4846723 ... 253, 255, 257, 259	70001265..... 25	70004928 . 318, 322, 326, 330, 334, 338, 342, 346, 476
4460942 409, 411	4846757 15, 17	70001345..... 25	70004935 . 318, 322, 326, 330, 334, 338, 342, 346
4460943 ... 409, 411, 421, 423, 425, 427, 433, 435	4846811 31, 33	70001442..... 415	70004936 . 318, 322, 326, 330, 334, 338, 342, 346
4460944 ... 419, 421, 425, 427, 433, 435	4846862 31, 33	70001443..... 415	70004947 . 318, 322, 326, 330
4460956 381	4922870 ... 261, 263, 431	70001444..... 415	70004948 . 318, 322, 326, 330
4460957 381	4922944 137, 379	70001739..... 24	70004949 . 318, 322, 326, 330
4460961 419	4923048 295	70001878.. 141, 145, 149, 153, 157, 161, 165, 169, 173, 179, 185, 191, 197, 203, 209, 215	70004951 . 334, 338, 342, 346
4460968 .. 45, 47, 49, 375	4923052 297	70001917..... 338	70004952 . 334, 338, 342, 346
4460986 409, 411	4923115 271	70001949..... 24	70004953 . 334, 338, 342, 346
4461002 379	4923121 271, 451	70001982.. 303, 307, 311, 315	70004971 . 318, 323, 326, 331, 334, 339, 342, 347
4461012 271		70003028.. 318, 322, 326, 330, 334, 338, 342, 346	
4461016 431		70003645.. 302, 306, 310, 314	
4461057 431		70003646.. 302, 306, 310, 314	
4461077 419, 421		70003650..... 265	
4461196 397, 441		70003663.. 322, 330, 338, 346	
4461198 441		70003704..... 318	
4461199 399, 443		70003706..... 476	
4461201 443		70003707.. 322, 326, 330, 334, 338, 342, 346, 476	
4461202 405, 449		70004239..... 351	
4461205 ... 403, 405, 447, 449		70004240..... 351	
4461244 449		70004241..... 351	
4461245 447		70004242..... 351	
4461246 445		70004243..... 351	
4461249 401, 445		70004585.. 318, 322, 326, 330, 334, 338, 342, 346	
4461257 363, 365		70004625.. 322, 330, 338, 346	
4461258 363, 365			
4461260 417			
4461261 415			

PART NUMBER INDEX

70004972..318, 323, 326, 331, 334, 339, 342, 347	70020438 . 318, 326, 334, 342	7023538 ... 303, 307, 311, 315	7023591.... 302, 306, 310, 314
70004973..318, 322, 326, 330, 334, 338, 342, 346	7016319 67	7023539 ... 302, 306, 310, 314	7023593.... 302, 306, 310, 314
70004974..318, 322, 326, 330, 334, 338, 342, 346	7016372 67	7023542 ... 303, 307, 311, 315	7024747.....25
70004975..318, 322, 326, 330, 334, 338, 342, 346	7020175 ... 89, 91, 93, 95, 97, 99, 101, 261, 263	7023543 ... 303, 307, 311, 315	7024748.....25
70004980..318, 322, 326, 330, 334, 338, 342, 346	7020176 ... 89, 91, 93, 95, 97, 99, 101, 261, 263	7023556 303, 307	7024749.....25
70005233..318, 322, 326, 330, 334, 338, 342, 346	7020218 ... 141, 145, 149, 153, 157, 161, 165, 169, 173, 179, 185, 191, 197, 203, 209, 215	7023557 302, 306	7024750.....25
70005235..318, 322, 326, 331, 334, 338, 342, 347	7023528 ... 303, 307, 311, 315	7023571 ... 302, 306, 310, 314	7024755.....25
70005236..318, 323, 326, 331, 334, 339, 342, 347	7023529 311, 315	7023573 ... 302, 306, 310, 314	7024757.....24
70005237..318, 323, 326, 331, 334, 339, 342, 347	7023530 ... 303, 307, 311, 315	7023576 ... 303, 307, 311, 315	7024758.....25
70005238..318, 323, 326, 331, 334, 339, 342, 347	7023531 ... 303, 307, 311, 315	7023577 ... 302, 306, 310, 314	7024771.....25
70005241..318, 322, 326, 330	7023532 ... 303, 307, 311, 315	7023578 302, 306	7024772.....25
70005242..334, 338, 342, 346	7023533 ... 303, 307, 311, 315	7023579 ... 302, 306, 310, 314	7024776.....25
70006091..318, 326, 334, 342	7023534 311, 315	7023580 ... 302, 306, 310, 314	7024785.....24
70006092..318, 326, 334, 342	7023535 310, 314	7023581 ... 303, 307, 311, 315	7024786.....24
70006342.....349	7023536 ... 303, 307, 311, 315	7023582 303, 307	7027303.....295
70006426.....24	7023537 ... 303, 307, 311, 315	7023583 310, 314	7027365.....265
		7023584 311, 315	7027367.....265
		7023589 ... 302, 306, 310, 314	7027765.....265
			7027766.....265
			7027863.....133
			7028909.....281, 283, 285
			77363228...281, 283, 285
			8005670.....275
			80325.....273
			8229242.....409, 411

PARTS FINDER

**Search Website
by Part Number**



**Search Manual
Library For Parts
Manual & Lookup Part
Numbers – Purchase
or Request Quote**

**Can't Find Part or
Manual? Request Help
by Manufacturer,
Model & Description**

Discount-Equipment.com is your online resource for quality parts & equipment.

Florida: **561-964-4949** Outside Florida TOLL FREE: **877-690-3101**

Need parts?

Click on this link: <http://www.discount-equipment.com/category/5443-parts/> and choose one of the options to help get the right parts and equipment you are looking for. Please have the machine model and serial number available in order to help us get you the correct parts. If you don't find the part on the website or on one of the online manuals, please fill out the request form and one of our experienced staff members will get back to you with a quote for the right part that your machine needs.

We sell worldwide for the brands: Genie, Terex, JLG, MultiQuip, Mikasa, Essick, Whiteman, Mayco, Toro Stone, Diamond Products, Generac Magnum, Airman, Haulotte, Barreto, Power Blanket, Nifty Lift, Atlas Copco, Chicago Pneumatic, Allmand, Miller Curber, Skyjack, Lull, Skytrak, Tsurumi, Husquvarna Target, Stow, Wacker, Sakai, Mi-T-M, Sullair, Basic, Dynapac, MBW, Weber, Bartell, Bennar Newman, Haulotte, Ditch Runner, Menegotti, Morrison, Contec, Buddy, Crown, Edco, Wyco, Bomag, Laymor, EZ Trench, Bil-Jax, F.S. Curtis, Gehl Pavers, Heli, Honda, ICS/PowerGrit, IHI, Partner, Imer, Clipper, MMD, Koshin, Rice, CH&E, General Equipment, Amida, Coleman, NAC, Gradall, Square Shooter, Kent, Stanley, Tamco, Toku, Hatz, Kohler, Robin, Wisconsin, Northrock, Oztec, Toker TK, Rol-Air, APT, Wylie, Ingersoll Rand / Doosan, Innovatech, Con X, Ammann, Mecalac, Makinex, Smith Surface Prep, Small Line, Wanco, Yanmar