



---

# Illustrated Parts Manual

**Model**  
**2032ES**  
**2632ES**

**P/N**  
**3121682**

January 18, 2019 - Rev P

**ANSI**



**AS/NZS**



An Oshkosh Corporation Company

# PARTS FINDER

**Search Website  
by Part Number**



**Search Manual  
Library For Parts  
Manual & Lookup Part  
Numbers – Purchase  
or Request Quote**

**Can't Find Part or  
Manual? Request Help  
by Manufacturer,  
Model & Description**

Discount-Equipment.com is your online resource for quality parts & equipment.

Florida: **561-964-4949** Outside Florida TOLL FREE: **877-690-3101**

**Need parts?**

Click on this link: <http://www.discount-equipment.com/category/5443-parts/> and choose one of the options to help get the right parts and equipment you are looking for. Please have the machine model and serial number available in order to help us get you the correct parts. If you don't find the part on the website or on one of the online manuals, please fill out the request form and one of our experienced staff members will get back to you with a quote for the right part that your machine needs.

We sell worldwide for the brands: Genie, Terex, JLG, MultiQuip, Mikasa, Essick, Whiteman, Mayco, Toro Stone, Diamond Products, Generac Magnum, Airman, Haulotte, Barreto, Power Blanket, Nifty Lift, Atlas Copco, Chicago Pneumatic, Allmand, Miller Curber, Skyjack, Lull, Skytrak, Tsurumi, Husquvarna Target, Stow, Wacker, Sakai, Mi-T-M, Sullair, Basic, Dynapac, MBW, Weber, Bartell, Bennar Newman, Haulotte, Ditch Runner, Menegotti, Morrison, Contec, Buddy, Crown, Edco, Wyco, Bomag, Laymor, EZ Trench, Bil-Jax, F.S. Curtis, Gehl Pavers, Heli, Honda, ICS/PowerGrit, IHI, Partner, Imer, Clipper, MMD, Koshin, Rice, CH&E, General Equipment, Amida, Coleman, NAC, Gradall, Square Shooter, Kent, Stanley, Tamco, Toku, Hatz, Kohler, Robin, Wisconsin, Northrock, Oztec, Toker TK, Rol-Air, APT, Wylie, Ingersoll Rand / Doosan, Innovatech, Con X, Ammann, Mecalac, Makinex, Smith Surface Prep, Small Line, Wanco, Yanmar



## REVISION LOG

NOTE: Country of Manufacture - The ES Scissor Lifts are manufactured by JLG Industries in the following countries:

USA, Belgium, China or Mexico. Refer to the Serial Number Tag to identify the country of manufacture. ES Scissors manufactured in the USA will have a serial number prefix of 02 (i.e. 02XXXXXXXX), ES Scissors manufactured in Belgium will have a prefix of 12 (i.e. 12XXXXXXXX), ES Scissors manufactured in China will have a serial number prefix of B2 (i.e. B2XXXXXXXX) and ES Scissors manufactured in Mexico will have a serial number prefix of M2 (i.e. M2XXXXXXXX).

### MANUAL REVISION LOG:

November 4, 2014 - A - Original Issue Of Manual (Edit to B/M 1001180000 Revision G)  
September 15, 2015 - B - Revised Manual (Edit to B/M 1001180000 Revision W) (Revision 1)  
December 2, 2015 - C - Revised Manual (Edit to B/M 1001180000 Revision X) (Revision 3)  
March 21, 2016 - D - Revised Manual (Edit to B/M 1001180000 Revision AE) (Revision 2)  
June 30, 2016 - E - Revised Manual (Edit to B/M 1001180000 Revision AI) (Revision 2)  
September 9, 2016 - F - Revised Manual (Edit to B/M 1001180000 Revision AI) (Revision 2)  
December 14, 2016 - G - Revised Manual (Edit to B/M 1001180000 Revision AI) (Revision 2)  
March 15, 2017 - H - Revised Manual (Edited to B/M 1001180000 revision AU and 1001215518 Revision B) (Revision 2)  
June 2, 2017 - I - Revised Manual (Edited to B/M 1001180000 revision AW and 1001215518 Revision B) (Revision 2)  
August 4, 2017 - J - Revised Manual (Edited to B/M 1001180000 revision AW and 1001215518 Revision B) (Revision 2)  
November 10, 2017 - K - Revised Manual (Edited to B/M 1001180000 Revision AW and 1001215518 Revision B)  
December 8, 2017 - L - Revised Manual (Edited to B/M 1001180000 Revision BA and 1001215518 Revision C) (Revision 2)  
April 12, 2018 - M - Revised Manual (Edited to B/M 1001180000 Revision BF and 1001215518 Revision C) (Revision 1)  
June 8, 2018 - N - Revised Manual (Edited to B/M 1001180000 Revision BF and 1001215518 Revision D) (Revision 2)  
October 1, 2018 - O - Revised Manual (Edited to B/M 1001180000 Revision BL and 1001215518 Revision E) (Revision 1)  
January 18, 2019 - P - Revised Manual (Edited to B/M 1001180000 Revision BP and 1001215518 Revision F)

## GENERAL INFORMATION

**SECTION 6 CYLINDER**

**FIGURE 6-3. LIFT CYLINDER ASSEMBLY**

**SECTION 6 CYLINDER**

**FIGURE 6-3. LIFT CYLINDER ASSEMBLY**

ITEM #	PART NUMBER	QTY.	DESCRIPTION	REV.
	1001140104	Ref.	LIFT CYLINDER ASSEMBLY	B
1	0100011	AR	Compound, Locking	
2	0630535	3	Cap screw 1/4-20 x 1-1/8	
3	0791003	1	Screw #10-24 x 3/8	
4	0901997	1	Bushing, Tapered	
5	1301386	1	Clamp, Cable	
6	1683063	1	Head	
7	2220983	1	Plug, O-Ring	
8	2220985	2	Plug, O-Ring	
9	2220988	1	Plug, O-Ring	
10	3020039	AR	Lubricant	
11	3480292	1	Piston	
12	3760371	1	Ring, Washer	
13	3931420	8	Cap screw 1/4-20 x 1-1/4	
14	3931824	8	Cap screw 1/2-13 x 1-1/2	
15	3951003	1	Set screw #10-24 x 3/8	
16	4100099	1	Spacer	
17	4640999	1	Cartridge, Holding Valve (Non Vented)	
17	2900792	1	Kit, Seal - 4640999 Cartridge Valve	
18	4641248	1	Cartridge, Counterbalancing Valve (Non Vented)	
18	70004196	1	Kit, Seal - 4641248 Cartridge Valve	
19	1001117991	1	Sensor, Cylinder Length	
20	1001118070	1	Cap, Retainer	
21	1001118064	1	Barrel	
21A	0961950	2	Bushing	
22	1001118096	1	Rod	
22A	0961950	2	Bushing	
100	1001139996	1	Kit, Seal (Includes Items 101-109)	
101	See Note	2	Ring, Wear (Note: Use pin 1001139996)	
102	See Note	1	Ring, Back-Up (Note: Use pin 1001139996)	
103	See Note	2	Ring, Lock (Note: Use pin 1001139996)	
104	See Note	2	Ring, Back-Up (Note: Use pin 1001139996)	
105	See Note	2	O-Ring (Note: Use pin 1001139996)	
106	See Note	1	O-Ring (Note: Use pin 1001139996)	
107	See Note	1	Seal (Note: Use pin 1001139996)	
108	See Note	1	Wear, Rod (Note: Use pin 1001139996)	
109	See Note	2	Seal (Note: Use pin 1001139996)	
200	1001119105	1	Kit, Sensor Magnet (Includes Items 201-203)	
201	See Note	NSS	Sleeve, Spacer (Note: Use pin 1001119105)	
202	1001118068	1	Magnet, Sensor	
203	1001118069	1	Ring, Internal Retaining	

### 1) MACHINE IDENTIFICATION

Machines are identified by model and in some cases a combination of models, serial number (SN) or regional standard (i.e ANSI, CE, CSA). Components may also be identified by SN or manufacturer. Common components that may be identified by these characteristics are engines and hydraulic components.

### 2) PARTS MANUAL ORGANIZATION

Product information in this manual is organized under section titles. Frame, Cylinder, Hydraulic and Electrical are a few examples. Each section is organized by figure and page number. The information within the figure is then organized by item number, part number, description and corresponding illustration(s).

### 3) TABLE OF CONTENTS

A table of contents is found toward the beginning of the manual. Figure number, description and page number are provided for quick reference to the page containing the related information.

### 4) RECOMMENDED SPARE PARTS

The Recommended Spare Parts, located near the end of the manual, reference most frequently used maintenance parts.

### 5) PART NUMBER INDEX

A numerical index listing all part numbers and the corresponding page number(s) appears at the back of the manual.

## GENERAL INFORMATION

### 6) NON-SERVICED PARTS

In some instances, it is necessary to display non-serviced parts, assemblies or installations. In the case of assemblies and installations there will be a Ref in the Qty column. In case of parts that are not available for service within assemblies or components, there will be a NSS (Not Sold Separately) or NLA (No Longer Available) listed in the Qty. column of the manual.

### 7) PARTS LIST ITEM NUMBERS

Numbers shown in the item# column correspond to numbers used in the associated illustration (s). Item numbers which are missing from the sequence in the parts list are not used on that page

### 8) INDENTED PARTS DESCRIPTION

An indented part description is included in the item under which it is indented.

### 9) ABB REVIATION AND SYMBOLS

AC.....	.. Alternating Current	LCD.....	.. Liquid Crystal Display
ADE.....	..Advanced Design Electronics	LED.....	.. Light Emitting Diodes
ANSI.....	..American National Standards Institute	LH.....	.. Left Hand
AR.....	..As Required	LSS.....	..Load Sensing System
ASSY.....	.. Assembly	M(m).....	.. Metric/Meter
AUX.....	..Auxiliary	MM (mm).....	..Milimeter
AWG.....	..American WireGauge	mA.....	.. Miliamps
B/M.....	.. Bill of Material	NLA.....	..No Longer Available
CE.....	..European Conformity	NPT.....	.. National Pipe Threads
CCW.....	..Counter Clockwise	NSS.....	..Not Sold Separately
cm.....	.. Centimeter	OD.....	..Outside Diameter
CW.....	..Clockwise	ORB.....	.. O-Ring Boss
CSA.....	..Canadian Standards Association	ORFS.....	.. O-Ring Face Seal
CYL.....	..Cylinder	OZ (oz).....	..Ounces
DIA.....	.. Diameter	PG.....	..Page
DC.....	..Direct Current	P/N.....	..Part Number
EMS.....	.. Emergency Stop	qt.....	..Quarts
ENG.....	..Engine	QTY.....	..Quantity
FT (ft).....	.. Feet	REF.....	.. Reference
GA(Ga).....	..Gauge	REV.....	..Revision Level
HYD.....	..Hydraulic	RH.....	.. Right Hand
HZ.....	.. Hertz	SAE.....	.. Society of Automotive Engineers
ID.....	..Inside Diameter	SN.....	..Serial Number
in.....	..inches	SPEC(S).....	..Specifications
ISO.....	..International Organization for Standards	T/T.....	..Turntable
JIC.....	..Joint Industry Council	UGM.....	..Universal Ground Module
KG.....	..Kilogram	V.....	..Volts
L.....	..Liter	W.....	..Watts
LB.....	..Pounds	#.....	.. Number

### 10) ILLUSTRATION REFERENCE LETTERS

When necessary, illustrations may contain reference letters that are intended to track information (i. e. hoses, harnesses) from one point to another or to track visual enlargement of components to show details that may be located in another area on the illustration.

*Note: Due to continuous product improvements, JLG Industries, Inc. reserves the right to make specification changes without prior notification.*



# TABLE OF CONTENTS

SECTION 1 - FRAME.....	13
FIGURE 1-1. STEERING INSTALLATION (USA AND MEXICO BUILT MACHINES).....	14
FIGURE 1-2. STEERING INSTALLATION (BELGIUM AND CHINA BUILT MACHINES).....	16
FIGURE 1-3. DRIVE HUB AND MODULE INSTALLATION.....	18
FIGURE 1-4. DRIVE HUB AND MODULE INSTALLATION (BELGIUM BUILT MACHINES ONLY).....	20
FIGURE 1-5. DRIVE MOTOR/HUB ASSEMBLY.....	22
FIGURE 1-6. HUB ASSEMBLY - REAR.....	26
FIGURE 1-7. TIRE AND WHEEL ASSEMBLY.....	28
FIGURE 1-8. POTHOLE PROTECTION INSTALLATION - NON-UL.....	30
FIGURE 1-9. POTHOLE PROTECTION INSTALLATION - UL.....	32
FIGURE 1-10. BATTERY CHARGER INSTALLATION WITH 110V PLUG AND DELTA-Q CHARGER (ANSI, ANSI EXPORT, CSA, JAPANESE AND UL SPECS).....	34
FIGURE 1-11. BATTERY CHARGER INSTALLATION WITH 110V PLUG AND EAGLE PERFORMANCE CHARGER (ANSI AND CSA SPECS).....	36
FIGURE 1-12. BATTERY CHARGER INSTALLATION WITH LOCALLY SUPPLIED PLUG AND DELTA-Q CHARGER (ANSI, ANSI EXPORT, CSA AND CE SPECS).....	38
FIGURE 1-13. BATTERY CHARGER INSTALLATION WITH LOCALLY SUPPLIED PLUG AND EAGLE PERFORMANCE CHARGER (ANSI AND CSA SPECS).....	40
FIGURE 1-14. BATTERY CHARGER INSTALLATION WITH LOCALLY SUPPLIED PLUG (AUSTRALIAN SPEC).....	42
FIGURE 1-15. BATTERY CHARGER INSTALLATION – WITH VOLTAGE GUARD (LOCALLY SUPPLIED PLUG) (ANSI EXPORT AND KOREA SPECS).....	44
FIGURE 1-16. BATTERY CHARGER INSTALLATION – WITH VOLTAGE GUARD AND CHINESE PLUG (ANSI EXPORT AND KOREA SPECS).....	46
FIGURE 1-17. BATTERY CHARGER INSTALLATION – WITH VOLTAGE GUARD AND CHINESE PLUG (CHINESE SPECS) (Prior to SN B200046727).....	48
FIGURE 1-18. BATTERY CHARGER INSTALLATION WITH CHINESE PLUG (CHINESE SPEC).....	50
FIGURE 1-19. BATTERY CHARGER ASSEMBLY - DELTA-Q.....	52
FIGURE 1-20. BATTERY CHARGER ASSEMBLY - EAGLE PERFORMANCE.....	54
FIGURE 1-21. CHARGER (INVERTER) INSTALLATION (ANSI, ANSI EXPORT, CSA SPECS).....	56
FIGURE 1-22. BATTERY CHARGER INSTALLATION - GREEN POWER (CHINESE PLUG) (CHINESE SPECS) (Prior to SN 0200261035, Prior to SN B200036484, Prior to SN M200007339).....	58
FIGURE 1-23. BATTERY CHARGER INSTALLATION - GREEN POWER (CHINESE PLUG) (CHINESE SPECS).....	60
FIGURE 1-24. BATTERY CHARGER INSTALLATION - GREEN POWER (LOCALLY SUPPLIED PLUG) (KOREA SPECS).....	62
FIGURE 1-25. BATTERY CHARGER INSTALLATION - GREEN POWER (110V PLUG) (JAPANESE SPECS).....	64
FIGURE 1-26. BEACON (AMBER) LIGHT INSTALLATION (OPTIONAL).....	66
FIGURE 1-27. LADDER INSTALLATION - 2032ES.....	68
FIGURE 1-28. LADDER INSTALLATION - 2632ES.....	70
SECTION 2 - GROUND COMPONENTS.....	73
FIGURE 2-1. GROUND CONTROL BOX/ALARM INSTALLATION - NO LSS (SN 0200000001 to Present, SN B200023312 to Present, SN M200000100 to Present).....	74
FIGURE 2-2. GROUND CONTROL BOX/ALARM INSTALLATION - NO LSS (SN B200000100 through B200023311).....	76
FIGURE 2-3. GROUND CONTROL BOX/ALARM INSTALLATION - LSS (ALL SPECS EXCEPT CE SPEC) (SN 0200000001 to Present, SN B200023312 to Present, SN M200000100 to Present).....	78
FIGURE 2-4. GROUND CONTROL BOX/ALARM INSTALLATION - LSS (ALL SPECS EXCEPT CE SPEC) (SN B200000100 through B200023311).....	80
FIGURE 2-5. GROUND CONTROL BOX/ALARM INSTALLATION - LSS (CE SPEC) (SN 0200000001 through 0200241828).....	82
FIGURE 2-6. GROUND CONTROL BOX/ALARM INSTALLATION - LSS (CE SPEC) (SN B200000100 through B200021650).....	84
FIGURE 2-7. GROUND CONTROL BOX/ALARM INSTALLATION - LSS (CE SPECS) (SN 0200241829 to Present, SN B200021651 to Present, SN M200000100 to Present).....	86
FIGURE 2-8. GROUND CONTROL BOX/ALARM INSTALLATION - LSS (CE SPECS) (SN 1200025021 to Present).....	88
FIGURE 2-9. GROUND CONTROL BOX ASSEMBLY - NO LSS (SN 0200000001 to Present, SN B200023312 to Present, SN M200000100 to Present).....	90
FIGURE 2-10. GROUND CONTROL BOX ASSEMBLY - NO LSS (SN B200000100 through B200023311).....	92
FIGURE 2-11. GROUND CONTROL BOX ASSEMBLY - LSS (ALL SPECS EXCEPT CE SPEC) (SN 0200000001 to Present, SN B200023312 to Present, SN M200000100 to Present).....	94
FIGURE 2-12. GROUND CONTROL BOX ASSEMBLY - LSS (ALL SPECS EXCEPT CE SPEC) (SN B200000100 through B200023311).....	96
FIGURE 2-13. GROUND CONTROL BOX ASSEMBLY - LSS (CE SPECS) (SN 0200000001 through 0200241828).....	98
FIGURE 2-14. GROUND CONTROL BOX ASSEMBLY - LSS (CE SPECS) (SN B200000100 through B200021650).....	100
FIGURE 2-15. GROUND CONTROL BOX ASSEMBLY - LSS (CE SPECS) (SN 0200241829 to Present, SN B200021651 to Present, SN M200000100 to Present).....	102
FIGURE 2-16. BATTERIES INSTALLATION - AGM AND EVG TYPE - 225 AH RATING (NON-LOCKING COVERS).....	104
FIGURE 2-17. BATTERIES INSTALLATION - AGM AND EVG TYPE - 225 AH RATING (NON-UL LOCKING COVERS).....	106



# TABLE OF CONTENTS

FIGURE 2-18. BATTERIES INSTALLATION - AGM AND EVG TYPE - 225 AH RATING (UL LOCKING COVERS).....	108
FIGURE 2-19. BATTERIES INSTALLATION - AGM VISION AND EVG TYPE - 220 AH RATING (NON-LOCKING COVERS) ..	110
FIGURE 2-20. BATTERIES INSTALLATION - AGM VISION AND EVG TYPE - 220 AH RATING (NON-UL LOCKING COVERS) .....	112
FIGURE 2-21. BATTERIES INSTALLATION - EV TYPE - 244 AH RATING (NON-LOCKING COVERS).....	114
FIGURE 2-22. BATTERIES INSTALLATION - EV TYPE - 244 AH RATING (NON-UL LOCKING COVERS) .....	116
FIGURE 2-23. BATTERIES INSTALLATION - EV TYPE - 244 AH RATING (UL LOCKING COVERS) .....	118
FIGURE 2-24. BATTERIES INSTALLATION - GC TYPE - 225 AH RATING (NON-LOCKING COVERS) .....	120
FIGURE 2-25. BATTERIES INSTALLATION - GC TYPE - 225 AH RATING (NON-UL LOCKING COVERS).....	122
FIGURE 2-26. BATTERIES INSTALLATION - GC TYPE - 225 AH RATING (UL LOCKING COVERS).....	124
FIGURE 2-27. BATTERIES INSTALLATION - 220 AH RATING WITHOUT BATTERIES (NON LOCKING COVERS).....	126
FIGURE 2-28. BATTERY TRAY ASSEMBLY - NON-UL .....	128
FIGURE 2-29. BATTERY TRAY ASSEMBLY - UL .....	130
FIGURE 2-30. BATTERY COVER ASSEMBLY - NON-LOCKING.....	132
FIGURE 2-31. BATTERY COVER ASSEMBLY - LOCKING .....	134
FIGURE 2-32. BRAKE DISCONNECT AND MDI (MULTIFUNCTION DIGITAL INDICATOR) GAUGE INSTALLATION .....	136
FIGURE 2-33. BRAKE CABLE INSTALLATION (OPTIONAL).....	138
SECTION 3 - SCISSORS ARMS .....	141
FIGURE 3-1. SCISSORS ARMS INSTALLATION - 2032ES STANDARD HYDRAULIC OIL (USA AND MEXICO BUILT MACHINES).....	142
FIGURE 3-2. SCISSORS ARMS ASSEMBLY - 2032ES STANDARD HYDRAULIC OIL (USA AND MEXICO BUILT MACHINES) .....	144
FIGURE 3-3. SCISSORS ARMS INSTALLATION - 2032ES STANDARD HYDRAULIC OIL (BELGIUM AND CHINA BUILT MACHINES).....	146
FIGURE 3-4. SCISSORS ARMS ASSEMBLY - 2032ES STANDARD HYDRAULIC OIL (BELGIUM AND CHINA BUILT MACHINES).....	148
FIGURE 3-5. SCISSORS ARMS INSTALLATION - 2032ES BIODEGRADEABLE HYDRAULIC OIL (USA AND MEXICO BUILT MACHINES).....	150
FIGURE 3-6. SCISSORS ARMS ASSEMBLY - 2032ES BIODEGRADEABLE HYDRAULIC OIL (USA AND MEXICO BUILT MACHINES).....	152
FIGURE 3-7. SCISSORS ARMS INSTALLATION - 2032ES BIODEGRADEABLE HYDRAULIC OIL (CHINA BUILT MACHINES) .....	154
FIGURE 3-8. SCISSORS ARMS ASSEMBLY - 2032ES BIODEGRADEABLE HYDRAULIC OIL (CHINA BUILT MACHINES).....	156
FIGURE 3-9. SCISSORS ARMS INSTALLATION - 2632ES STANDARD HYDRAULIC OIL (USA BUILT MACHINES) (SN 0200000001 through 0200241220).....	158
FIGURE 3-10. SCISSORS ARMS ASSEMBLY - 2632ES STANDARD HYDRAULIC OIL (USA BUILT MACHINES) (SN 0200000001 through 0200241220) .....	160
FIGURE 3-11. SCISSORS ARMS INSTALLATION - 2632ES STANDARD HYDRAULIC OIL (USA AND MEXICO BUILT MACHINES) (SN 0200241221 to Present, SN M200000100 through M200022019).....	164
FIGURE 3-12. SCISSORS ARMS ASSEMBLY - 2632ES STANDARD HYDRAULIC OIL (USA AND MEXICO BUILT MACHINES) (SN 0200241221 to Present, SN M200000100 to Present).....	166
FIGURE 3-13. SCISSORS ARMS INSTALLATION - 2632ES STANDARD HYDRAULIC OIL (CHINA BUILT MACHINES) (SN B200000100 through B200020981) .....	170
FIGURE 3-14. SCISSORS ARMS ASSEMBLY - 2632ES STANDARD HYDRAULIC OIL (CHINA BUILT MACHINES) (SN B200000100 through B200020981) .....	172
FIGURE 3-15. SCISSORS ARMS INSTALLATION - 2632ES STANDARD HYDRAULIC OIL (BELGIUM, CHINA AND MEXICO BUILT MACHINES) (SN 1200025021 to Present, SN B200020982 to Present, SN M200022020 to Present).....	176
FIGURE 3-16. SCISSORS ARMS ASSEMBLY - 2632ES STANDARD HYDRAULIC OIL (BELGIUM AND CHINA BUILT MACHINES) (SN 1200025021 to Present, SN B200020982 to Present) .....	178
FIGURE 3-17. SCISSORS ARMS INSTALLATION - 2632ES BIODEGRADEABLE HYDRAULIC OIL (USA BUILT MACHINES) (SN 0200000001 through 0200241220).....	182
FIGURE 3-18. SCISSORS ARMS ASSEMBLY - 2632ES BIODEGRADEABLE HYDRAULIC OIL (USA BUILT MACHINES) (SN 0200000001 through 0200241220).....	184
FIGURE 3-19. SCISSORS ARMS INSTALLATION - 2632ES BIODEGRADEABLE HYDRAULIC OIL (USA AND MEXICO BUILT MACHINES) (SN 0200241221 to Present, SN M200000100 to Present).....	188
FIGURE 3-20. SCISSORS ARMS ASSEMBLY - 2632ES BIODEGRADEABLE HYDRAULIC OIL (USA AND MEXICO BUILT MACHINES) (SN 0200241221 to Present, SN M200000100 to Present).....	190
FIGURE 3-21. SCISSORS ARMS INSTALLATION - 2632ES BIODEGRADEABLE HYDRAULIC OIL (CHINA BUILT MACHINES) (SN B200000100 through B200020891) .....	194
FIGURE 3-22. SCISSORS ARMS ASSEMBLY - 2632ES BIODEGRADEABLE HYDRAULIC OIL (CHINA BUILT MACHINES) (SN B200000100 through B200020891) .....	196
FIGURE 3-23. SCISSORS ARMS INSTALLATION - 2632ES BIODEGRADEABLE HYDRAULIC OIL (CHINA BUILT MACHINES) (SN B200020982 to Present) .....	200
FIGURE 3-24. SCISSORS ARMS ASSEMBLY - 2632ES BIODEGRADEABLE HYDRAULIC OIL (CHINA BUILT MACHINES) (SN B200020982 to Present) .....	202

# TABLE OF CONTENTS

SECTION 4 - PLATFORM.....	205
FIGURE 4-1. PLATFORM INSTALLATION - WITH INSIDE EXTENSION RAILS AND WITHOUT LSS.....	206
FIGURE 4-2. PLATFORM INSTALLATION - WITH OUTSIDE EXTENSION RAILS AND WITHOUT LSS.....	208
FIGURE 4-3. PLATFORM INSTALLATION - WITH INSIDE EXTENSION RAILS AND WITH LSS.....	210
FIGURE 4-4. PLATFORM INSTALLATION - WITH OUTSIDE EXTENSION RAILS AND WITH LSS.....	212
FIGURE 4-5. PLATFORM AND EXTENSION ASSEMBLY - WITH INSIDE EXTENSION RAILS.....	214
FIGURE 4-6. PLATFORM AND EXTENSION ASSEMBLY - WITH OUTSIDE EXTENSION RAILS.....	216
FIGURE 4-7. LATCH ASSEMBLY - WITH INSIDE EXTENSION RAILS (SN 0200249260 to Present, SN 1200025023 through 1200030229, SN B200024834 through B200051215, Prior to SN M200021509).....	218
FIGURE 4-8. LATCH ASSEMBLY - WITH INSIDE EXTENSION RAILS (SN 1200030230 to Present, SN B200051216 to Present, SN M200021509 to Present).....	220
FIGURE 4-9. LATCH ASSEMBLY - WITH OUTSIDE EXTENSION RAILS.....	222
FIGURE 4-10. RAILS INSTALLATION - WITH INSIDE EXTENSION RAILS AND CHAIN GATE.....	224
FIGURE 4-11. RAILS INSTALLATION - WITH INSIDE EXTENSION RAILS, HANDLE AND CHAIN GATE.....	226
FIGURE 4-12. RAIL KIT - WITH INSIDE EXTENSION RAILS AND CHAIN GATE.....	228
FIGURE 4-13. RAIL KIT - WITH INSIDE EXTENSION RAILS, HANDLE AND CHAIN GATE.....	230
FIGURE 4-14. RAILS INSTALLATION - WITH INSIDE EXTENSION RAILS AND SELF CLOSING GATE.....	232
FIGURE 4-15. RAILS INSTALLATION - WITH INSIDE EXTENSION RAILS, HANDLE AND SELF CLOSING GATE.....	234
FIGURE 4-16. RAILS INSTALLATION - WITH OUTSIDE EXTENSION RAILS AND SELF CLOSING GATE.....	236
FIGURE 4-17. RAIL KIT - WITH INSIDE EXTENSION RAILS AND SELF CLOSING GATE.....	238
FIGURE 4-18. RAIL KIT - WITH INSIDE EXTENSION RAILS, HANDLE AND SELF CLOSING GATE.....	240
FIGURE 4-19. RAIL KIT - WITH OUTSIDE EXTENSION RAILS AND SELF CLOSING GATE.....	242
FIGURE 4-20. PLATFORM CONSOLE ASSEMBLY.....	244
FIGURE 4-21. PLATFORM CONSOLE ASSEMBLY.....	246
FIGURE 4-22. DRIVE/STEER CONTROLLER ASSEMBLY.....	248
FIGURE 4-23. PLATFORM CONSOLE HANGER INSTALLATION (OPTIONAL).....	250
FIGURE 4-24. WORKSTATION WITHOUT DC CONVERTER INSTALLATION - 2032ES/2632ES.....	252
FIGURE 4-25. WORKSTATION WITH DC CONVERTER INSTALLATION - 2032ES ONLY.....	254
FIGURE 4-26. WORKSTATION WITH DC CONVERTER INSTALLATION - 2632ES ONLY.....	256
FIGURE 4-27. ELECTRICIAN'S TREE INSTALLATION.....	258
FIGURE 4-28. LOW HEIGHT DRIVE CUTOUT - 2032ES (JAPANESE SPECS ONLY).....	260
FIGURE 4-29. LOW HEIGHT DRIVE CUTOUT - 2632ES (JAPANESE SPECS ONLY).....	262
FIGURE 4-30. OVERHEAD PROTECTION AND LOW HEIGHT DRIVE CUTOUT - 2032ES (KOREAN SPECS ONLY).....	264
FIGURE 4-31. OVERHEAD PROTECTION AND LOW HEIGHT DRIVE CUTOUT - 2632ES (KOREAN SPECS ONLY).....	266
FIGURE 4-32. OVERHEAD SWITCH KIT (FRONT) (Prior to SN B200046827).....	268
FIGURE 4-33. OVERHEAD SWITCH KIT (REAR) (Prior to SN B200046827).....	270
FIGURE 4-34. OVERHEAD SWITCH KIT (FRONT/REAR) (SN B200046827 to Present).....	272
FIGURE 4-35. PANEL INSTALLATION (ANSI, ANSI EXPORT, CHINESE, CSA AND KOREA SPECS).....	274
FIGURE 4-36. PANEL INSTALLATION (AUSTRALIAN, CE AND JAPANESES SPECS).....	276
FIGURE 4-37. PIPE RACKS INSTALLATION (FACTORY INSTALLED).....	278
FIGURE 4-38. PIPE RACK INSTALLATION (FACTORY INSTALLED).....	280
FIGURE 4-39. QUIK WELDER INSTALLATION (2032ES).....	282
FIGURE 4-40. QUIK WELDER INSTALLATION (2632ES).....	284
FIGURE 4-41. QUIK WELDER READY INSTALLATION (2032ES).....	286
FIGURE 4-42. QUIK WELDER READY INSTALLATION (2632ES).....	288
SECTION 5 - CYLINDER.....	291
FIGURE 5-1. LIFT CYLINDER ASSEMBLY - 2032ES (TEXAS HYDRAULICS).....	292
FIGURE 5-2. LIFT CYLINDER ASSEMBLY - 2032ES WITH STANDARD HYDRAULIC OIL (SERTA).....	296
FIGURE 5-3. LIFT CYLINDER ASSEMBLY - 2032ES WITH STANDARD HYDRAULIC OIL (SH-PAC).....	300
FIGURE 5-4. LIFT CYLINDER ASSEMBLY - 2032ES WITH BIODEGRADEABLE HYDRAULIC OIL (SERTA).....	304
FIGURE 5-5. LIFT CYLINDER ASSEMBLY - 2032ES WITH BIODEGRADEABLE HYDRAULIC OIL (SH-PAC).....	308
FIGURE 5-6. LIFT CYLINDER ASSEMBLY - 2632ES (TEXAS HYDRAULICS).....	312
FIGURE 5-7. LIFT CYLINDER ASSEMBLY - 2632ES WITH STANDARD HYDRAULIC OIL (SERTA).....	316
FIGURE 5-8. LIFT CYLINDER ASSEMBLY - 2632ES WITH STANDARD HYDRAULIC OIL (SH-PAC).....	320
FIGURE 5-9. LIFT CYLINDER ASSEMBLY - 2632ES WITH BIODEGRADEABLE HYDRAULIC OIL (SERTA).....	324
FIGURE 5-10. LIFT CYLINDER ASSEMBLY - 2632ES WITH BIODEGRADEABLE HYDRAULIC OIL (SH-PAC).....	328
FIGURE 5-11. STEER CYLINDER ASSEMBLY (SERTA).....	332
FIGURE 5-12. STEER CYLINDER ASSEMBLY (SH-PAC).....	334
SECTION 6 - HYDRAULIC.....	337
FIGURE 6-1. HYDRAULIC DIAGRAM LIST.....	338
SECTION 7 - ELECTRICAL.....	339

# TABLE OF CONTENTS

FIGURE 7-1. ELECTRICAL DIAGRAM LIST .....	340
FIGURE 7-2. AC BOX AT PLATFORM INSTALLATION - 110V GFI .....	342
FIGURE 7-3. AC BOX AT PLATFORM INSTALLATION - 220V CEE7 SIDE GRD (ANSI EXPORT SPEC ONLY).....	344
FIGURE 7-4. AC BOX AT PLATFORM INSTALLATION - 110V IEC YELLOW (CE SPEC ONLY) .....	346
FIGURE 7-5. AC BOX AT PLATFORM INSTALLATION - 220V IEC BLUE (CE SPEC ONLY).....	348
FIGURE 7-6. AC BOX AT PLATFORM INSTALLATION - 220V AFSINT107 (CE SPEC ONLY).....	350
FIGURE 7-7. AC BOX AT PLATFORM INSTALLATION - 220V CEE7 SIDE GRD (CE SPEC ONLY).....	352
FIGURE 7-8. AC BOX AT PLATFORM INSTALLATION - 220V CEE7 POST GRD (CE SPEC ONLY) .....	354
FIGURE 7-9. AC BOX AT PLATFORM INSTALLATION - 220V (ANSI EXPORT AND CHINESE SPEC ONLY).....	356
FIGURE 7-10. BATTERY CABLE KIT .....	358
FIGURE 7-11. BRAKE DISCONNECT HARNESS .....	360
FIGURE 7-12. BREAKER BOX KIT WITH TWO BREAKERS (CE SPEC ONLY).....	362
FIGURE 7-13. BREAKER BOX KIT WITH THREE BREAKERS (CE SPEC ONLY).....	364
FIGURE 7-14. CABLES INSTALLATION - 2032ES .....	366
FIGURE 7-15. CABLES INSTALLATION - 2032ES .....	368
FIGURE 7-16. CABLES INSTALLATION - 2032ES .....	370
FIGURE 7-17. CABLES INSTALLATION - 2032ES .....	372
FIGURE 7-18. CABLES INSTALLATION - 2032ES .....	374
FIGURE 7-19. CABLES INSTALLATION - 2032ES .....	376
FIGURE 7-20. CABLES INSTALLATION - 2632ES .....	378
FIGURE 7-21. CABLES INSTALLATION - 2632ES .....	380
FIGURE 7-22. CABLES INSTALLATION - 2632ES .....	382
FIGURE 7-23. CABLES INSTALLATION - 2632ES .....	384
FIGURE 7-24. CABLES INSTALLATION - 2632ES .....	386
FIGURE 7-25. CABLES INSTALLATION - 2632ES .....	388
FIGURE 7-26. CHARGER CORD PLUG INSTALLATION - 110V IEC YELLOW (CE SPEC ONLY).....	390
FIGURE 7-27. CHARGER CORD PLUG INSTALLATION - 220V IEC BLUE (CE SPEC) .....	392
FIGURE 7-28. CHARGER CORD PLUG INSTALLATION - 220V AFSINT 107 (CE SPEC).....	394
FIGURE 7-29. CHARGER CORD PLUG INSTALLATION - 220V CEE7 SIDE GROUND (CE SPEC).....	396
FIGURE 7-30. CHARGER CORD PLUG INSTALLATION - 220V POST GROUND (CE SPEC).....	398
FIGURE 7-31. CHARGER CORD PLUG INSTALLATION (KOREA SPEC) .....	400
FIGURE 7-32. CHASSIS HARNESS.....	402
FIGURE 7-33. CHASSIS HARNESS - UL SPEC .....	404
FIGURE 7-34. CYLINDER HARNESS .....	406
FIGURE 7-35. DRIVE CABLE ASSEMBLY.....	408
FIGURE 7-36. DRIVE FIELD CONNECTION HARNESS .....	410
FIGURE 7-37. GROUND CONTROL BOX HARNESS (SN B200000100 through B200023311) .....	412
FIGURE 7-38. GROUND CONTROL BOX HARNESS (SN 0200000001 to Present, SN 1200025021 to Present, SN B200023312 to Present, SN M200000100 to Present).....	414
FIGURE 7-39. GROUND CONTROL BOX HARNESS - NO LSS (SN 0200266380 to Present, SN B200042925 to Present, SN M200012165 to Present).....	416
FIGURE 7-40. GROUND TO PLATFORM HARNESS - 2032ES .....	418
FIGURE 7-41. GROUND TO PLATFORM HARNESS - 2032ES .....	420
FIGURE 7-42. GROUND TO PLATFORM HARNESS - 2632ES .....	422
FIGURE 7-43. GROUND TO PLATFORM HARNESS - 2632ES .....	424
FIGURE 7-44. LOAD SENSE HARNESS .....	426
FIGURE 7-45. MDI (MULTIFUNCTION DIGITAL INDICATOR) HARNESS.....	428
FIGURE 7-46. PLATFORM BOX HARNESS .....	430
FIGURE 7-47. PLATFORM CABLE ASSEMBLY (Prior to SN 0200262519, SN 1200025021 to Present, SN B200000100 to Present, Prior to SN M200010205) .....	432
FIGURE 7-48. PLATFORM CABLE ASSEMBLY (SN 0200262519 to Present, SN M20010205 to Present).....	434
FIGURE 7-49. PUMP POWER CABLE ASSEMBLY .....	436
FIGURE 7-50. RECEPTACLE BOX KIT - 110V GFI .....	438
FIGURE 7-51. RECEPTACLE BOX KIT - 110V IEC YELLOW (CE SPEC) .....	440
FIGURE 7-52. RECEPTACLE BOX KIT - 220V IEC BLUE (CE SPEC).....	442
FIGURE 7-53. RECEPTACLE BOX KIT - 220V AFSINT 107 (CE SPEC) .....	444
FIGURE 7-54. RECEPTACLE BOX KIT - 220V CEE7 SIDE GROUND (CE SPEC).....	446
FIGURE 7-55. RECEPTACLE BOX KIT - 220V CEE7 POST GROUND (CE SPEC) .....	448
FIGURE 7-56. WORKSTATION POWER HARNESS .....	450
SECTION 8 - DECALS .....	453
FIGURE 8-1. DECAL INSTALLATION - ANSI SPEC (ENGLISH).....	454
FIGURE 8-2. DECAL INSTALLATION - AUSTRALIAN SPEC (ENGLISH).....	456
FIGURE 8-3. DECAL INSTALLATION - BRAZIL SPEC (PORTUGUESE/SPANISH).....	458
FIGURE 8-4. DECAL INSTALLATION - CE SPEC (ENGLISH) .....	460
FIGURE 8-5. DECAL INSTALLATION - CHINA SPEC (GB).....	462

## TABLE OF CONTENTS

FIGURE 8-6. DECAL INSTALLATION - CHINESE SPEC (CHINESE/ENGLISH) .....	464
FIGURE 8-7. DECAL INSTALLATION - CSA SPEC (ENGLISH/FRENCH) .....	466
FIGURE 8-8. DECAL INSTALLATION - KOREAN SPEC (KOREAN/ENGLISH) .....	468
FIGURE 8-9. DECAL INSTALLATION - LATIN AMERICAN SPEC (ENGLISH/SPANISH) .....	470
FIGURE 8-10. DECAL INSTALLATION - OPTIONS .....	472
SECTION 9 - RECOMMENDED SERVICE PARTS STOCK .....	475
FIGURE 9-1. RECOMMENDED SERVICE PARTS STOCK .....	476
SECTION 10 - SPECIAL OPTIONS .....	477
FIGURE 10-1. SPECIAL OPTIONS .....	478
PART NUMBER INDEX .....	481

Go to [Discount-Equipment.com](http://Discount-Equipment.com) to order your parts

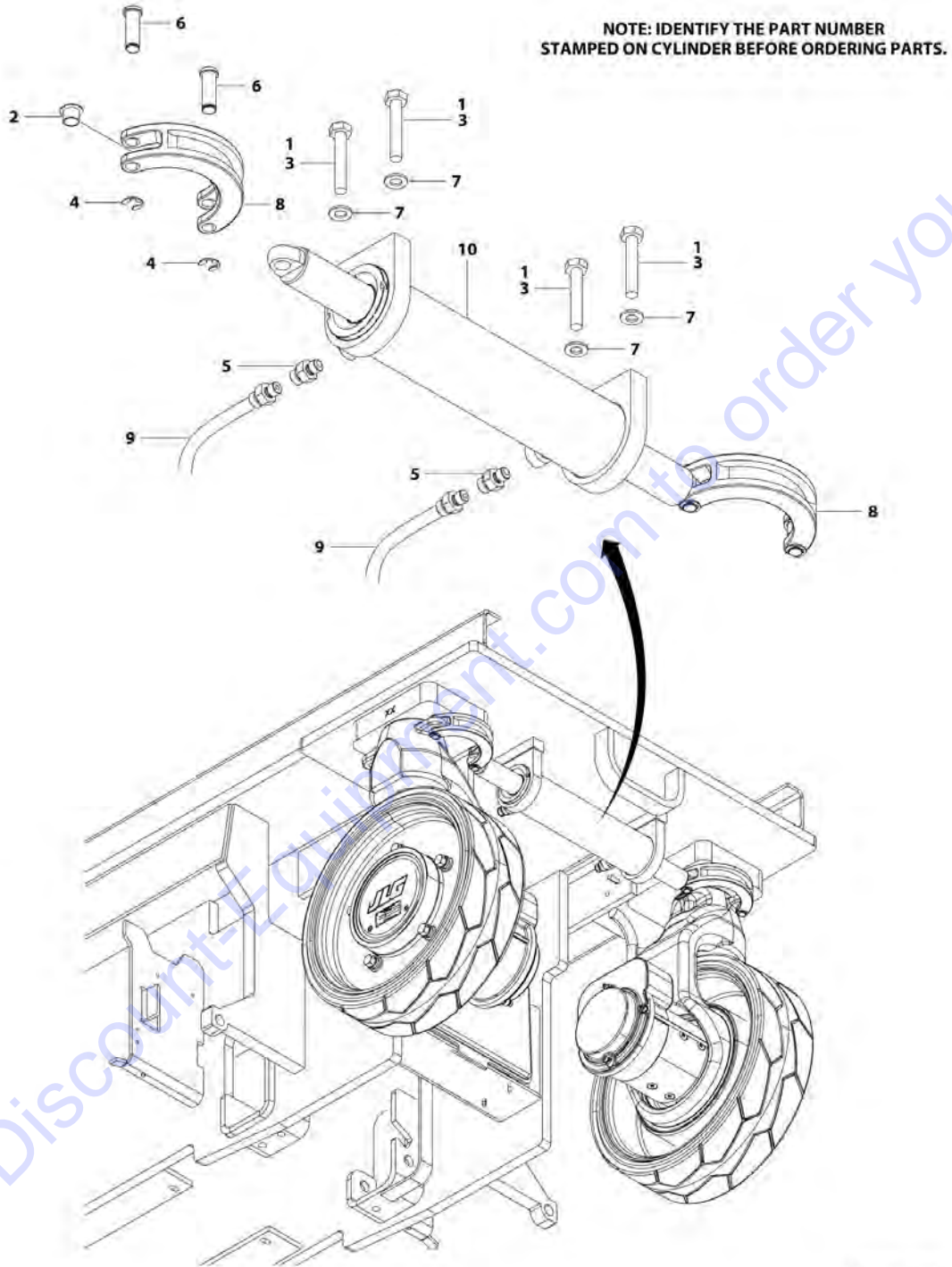


**SECTION 1 - FRAME**

Go to Discount-Equipment.com to order your parts

# SECTION 1 - FRAME

## FIGURE 1-1. STEERING INSTALLATION (USA AND MEXICO BUILT MACHINES)



## SECTION 1 - FRAME

**FIGURE 1-1. STEERING INSTALLATION (USA AND MEXICO BUILT MACHINES)**

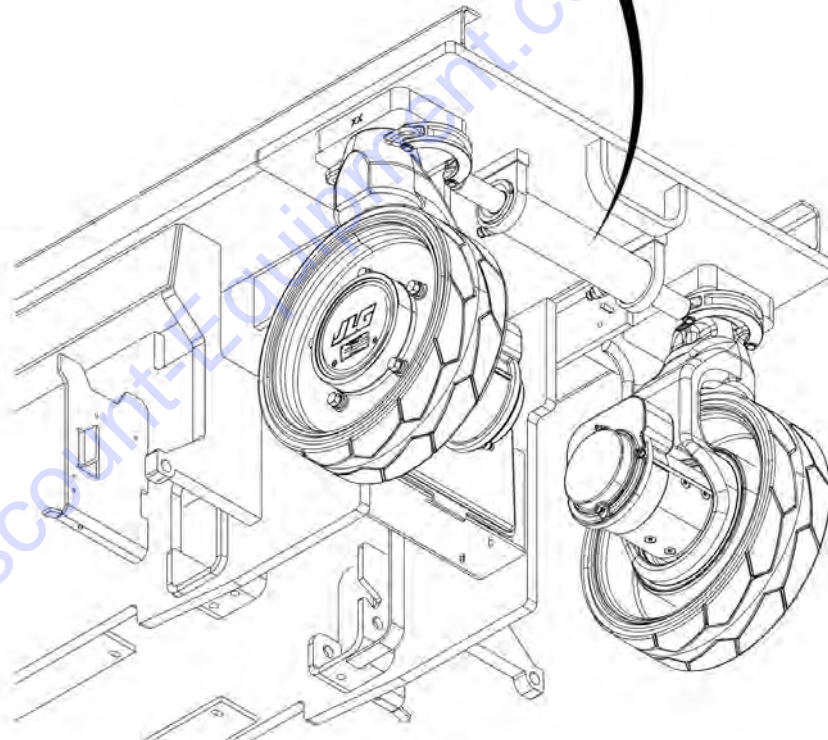
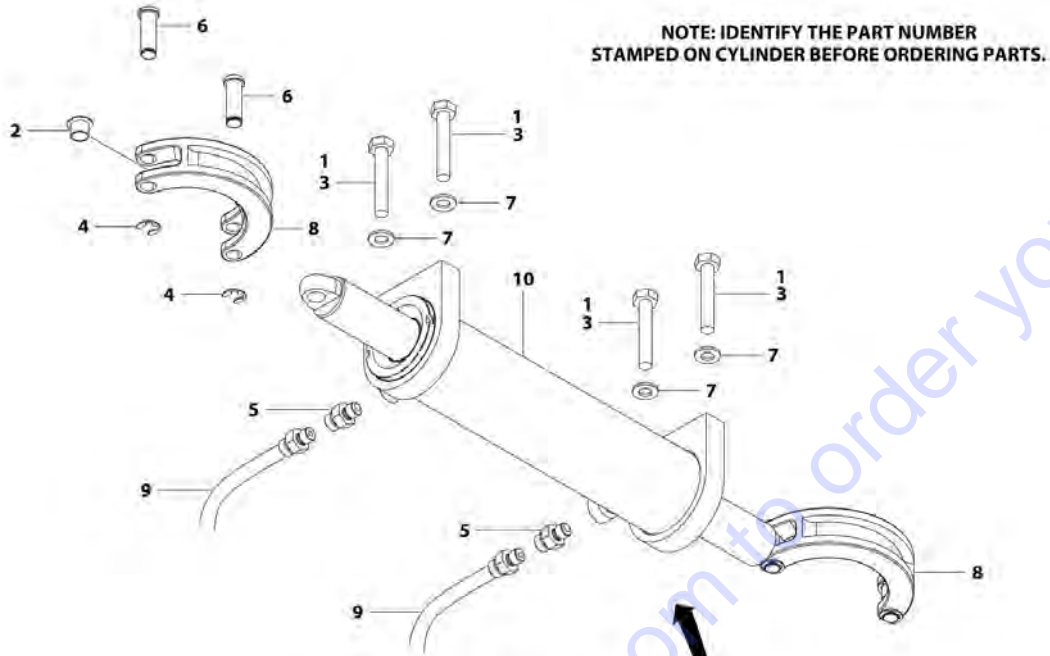
ITEM	PART NUMBER	QTY	DESCRIPTION	REV
	1001177966	Ref	STEERING INSTALLATION (USA AND MEXICO BUILT MACHINES)	B
1	0100011	AR	Compound, Locking	
2	0440259	2	Bearing	
3	0701020	4	Bolt M10 x 60	
4	1380153	4	Clip	
5	2110404	2	Fitting, Straight ORFS/ORB	
6	3423037	4	Pin, Clevis	
7	4812000	4	Washer M10	
8	4846757	2	Lug, Steer	
9	1001113888	2	Hose	
10	1001177435	1	Steer Cylinder Assembly (See CYLINDER SECTION for Breakdown)	

Go to Discount-Equipment.com to order your parts



# SECTION 1 - FRAME

## FIGURE 1-2. STEERING INSTALLATION (BELGIUM AND CHINA BUILT MACHINES)



ART\_1001179448

## SECTION 1 - FRAME

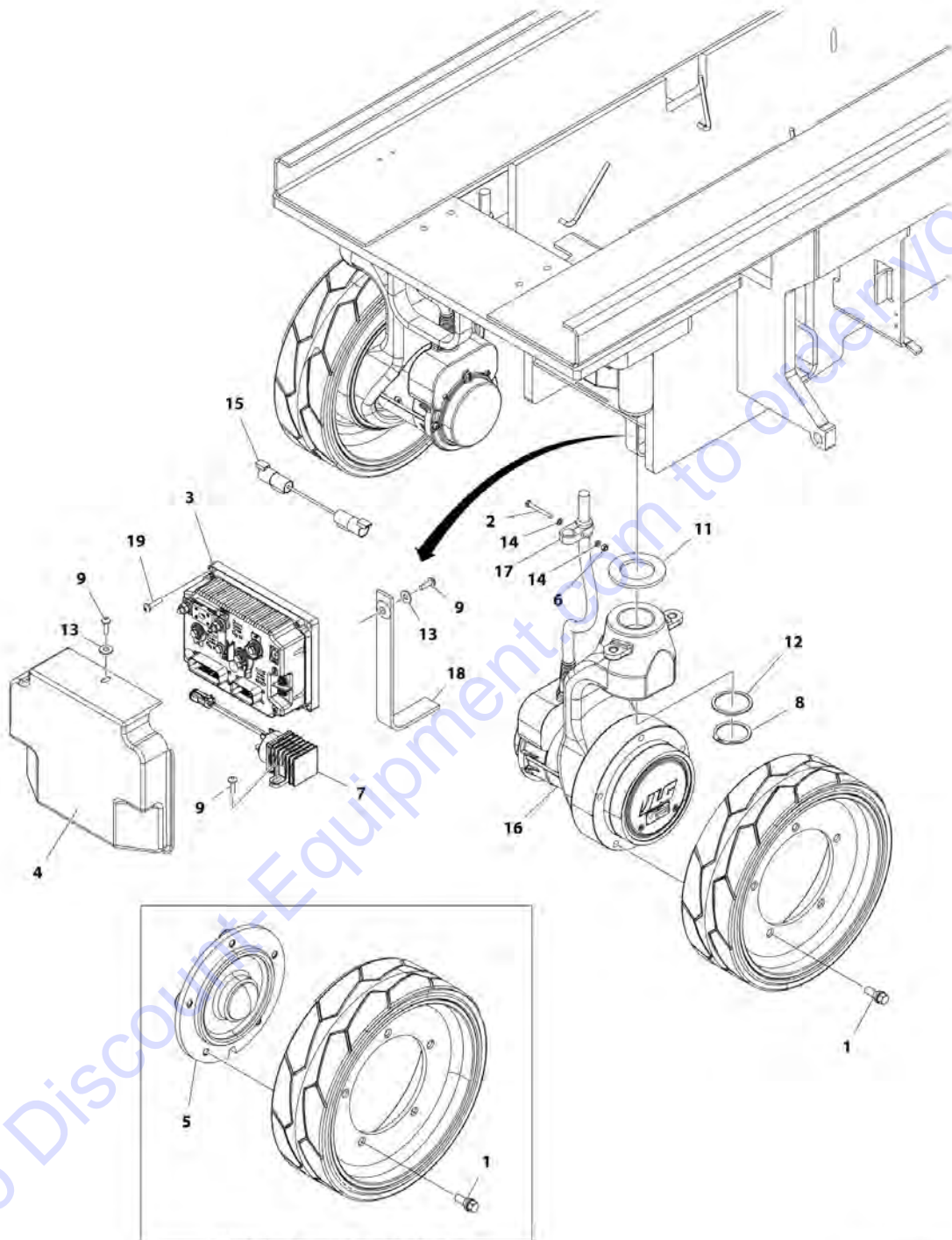
**FIGURE 1-2. STEERING INSTALLATION (BELGIUM AND CHINA BUILT MACHINES)**

ITEM	PART NUMBER	QTY	DESCRIPTION	REV
	1001179448	Ref	STEERING INSTALLATION (BELGIUM AND CHINA BUILT MACHINES)	B
1	0100011	AR	Compound, Locking	
2	0440259	2	Bearing	
3	0701020	4	Bolt M10 x 60	
4	1380153	4	Clip	
5	2110404	2	Fitting, Straight ORFS/ORB	
6	3423037	4	Pin, Clevis	
7	4812000	4	Washer M10	
8	4846757	2	Lug, Steer	
9	1001113888	2	Hose	
10	1001179447	1	Steer Cylinder Assembly (See CYLINDER SECTION for Breakdown)	

Go to Discount-Equipment.com to order your parts

# SECTION 1 - FRAME

## FIGURE 1-3. DRIVE HUB AND MODULE INSTALLATION



ART\_100114862

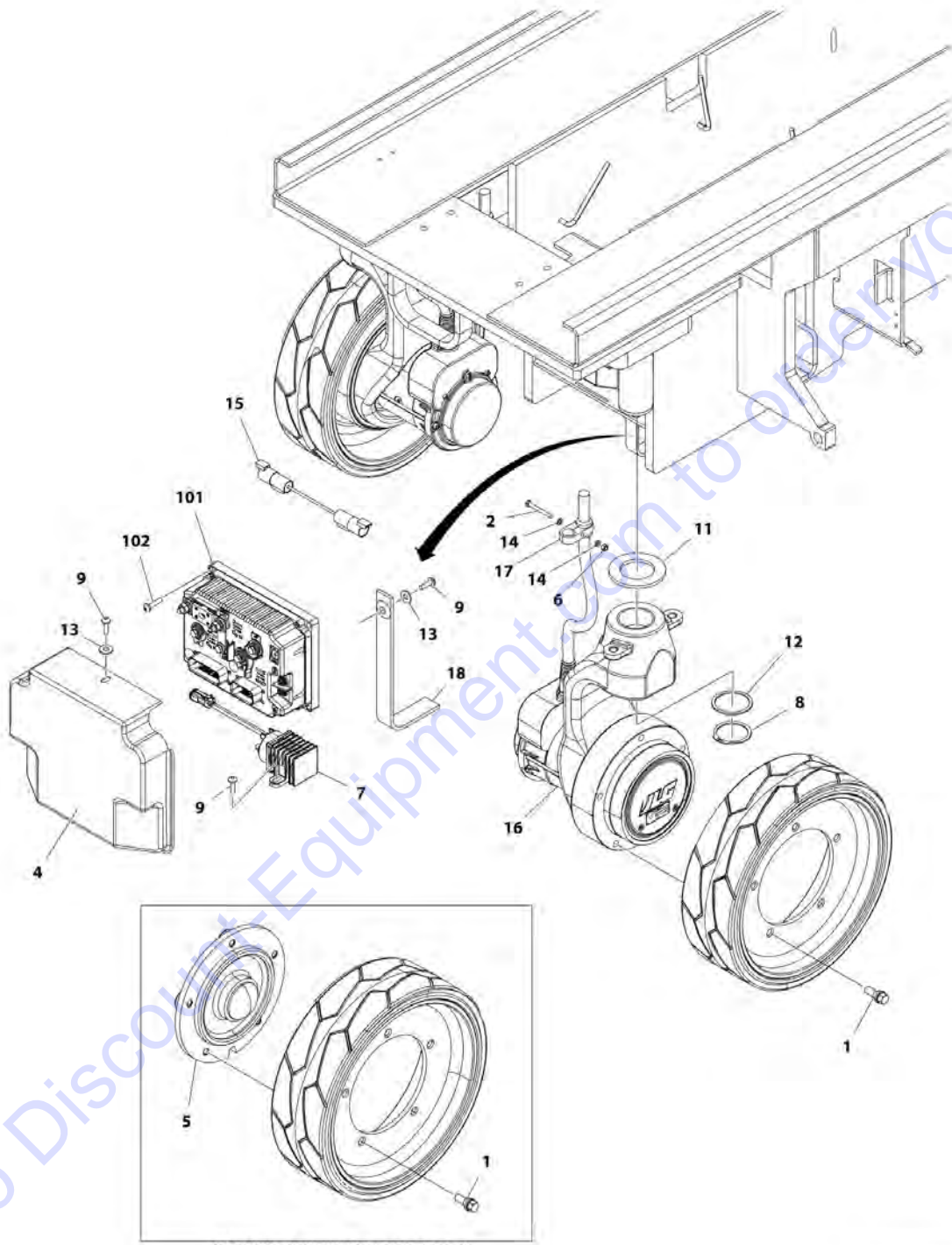
## SECTION 1 - FRAME

**FIGURE 1-3. DRIVE HUB AND MODULE INSTALLATION**

ITEM	PART NUMBER	QTY	DESCRIPTION	REV
	1001114882	Ref	DRIVE HUB AND MODULE INSTALLATION	D
1	0630580	20	Bolt, Wheel	
2	0700619	2	Bolt M6 x 55	
3	1001092456	1	Module, Control	
4	1001115170	1	Cover	
5	2780266	2	Hub Assembly - Rear (See HUB ASSEMBLY - REAR for Breakdown)	
6	3290605	2	Nut M6	
7	3740150	1	Relay	
8	3760463	2	Ring, Retaining	
9	4191708	4	Screw M6 x 20	
11	4740524	2	Washer, Thrust	
12	4740564	2	Washer	
13	4751400	2	Washer 1/4	
14	4811700	4	Washer M6	
15	4923602	1	Harness, Field Wire Connection (See ELECTRICAL SECTION for Breakdown)	
16	1001092738	2	Drive Motor Assembly (See DRIVE MOTOR/HUB ASSEMBLY for Breakdown)	
17	1001094301	2	Clamp	
18	4240147	1	Strap, Anti-Static	
19	4191709	4	Screw M6 x 25	

# SECTION 1 - FRAME

FIGURE 1-4. DRIVE HUB AND MODULE INSTALLATION (BELGIUM BUILT MACHINES ONLY)



ART\_1001219123

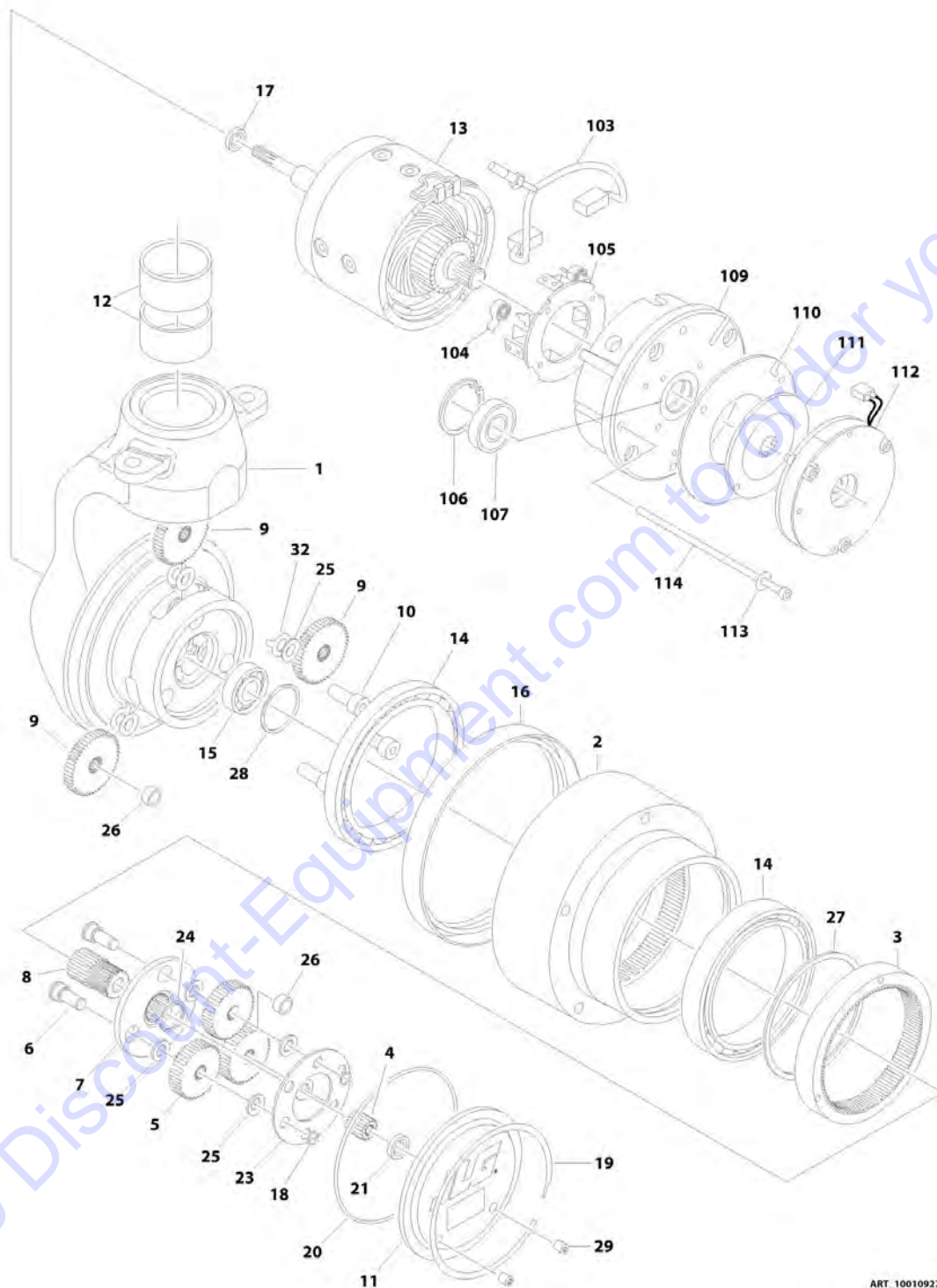
## SECTION 1 - FRAME

**FIGURE 1-4. DRIVE HUB AND MODULE INSTALLATION (BELGIUM BUILT MACHINES ONLY)**

ITEM	PART NUMBER	QTY	DESCRIPTION	REV
	1001219123	Ref	DRIVE HUB AND MODULE INSTALLATION (BELGIUM BUILT MACHINES ONLY)	A
1	0630580	20	Bolt, Wheel	
2	0700619	2	Bolt M6 x 55	
4	1001115170	1	Cover	
5	2780266	2	Hub Assembly - Rear (See HUB ASSEMBLY - REAR for Breakdown)	
6	3290605	2	Nut M6	
7	3740150	1	Relay	
8	3760463	2	Ring, Retaining	
9	4191708	4	Screw M6 x 20	
11	4740524	2	Washer, Thrust	
12	4740564	2	Washer	
13	4751400	2	Washer 1/4	
14	4811700	4	Washer M6	
15	4923602	1	Harness, Field Wire Connection (See ELECTRICAL SECTION for Breakdown)	
16	1001092738	2	Drive Motor Assembly (See DRIVE MOTOR/HUB ASSEMBLY for Breakdown)	
17	1001094301	2	Clamp	
18	4240147	1	Strap, Anti-Static	
		Ref	ADDITIONAL COMPONENTS ORDERED SEPARATE	
101	1001092456	1	Module, Control	
102	4191709	4	Screw M6 x 25	

# SECTION 1 - FRAME

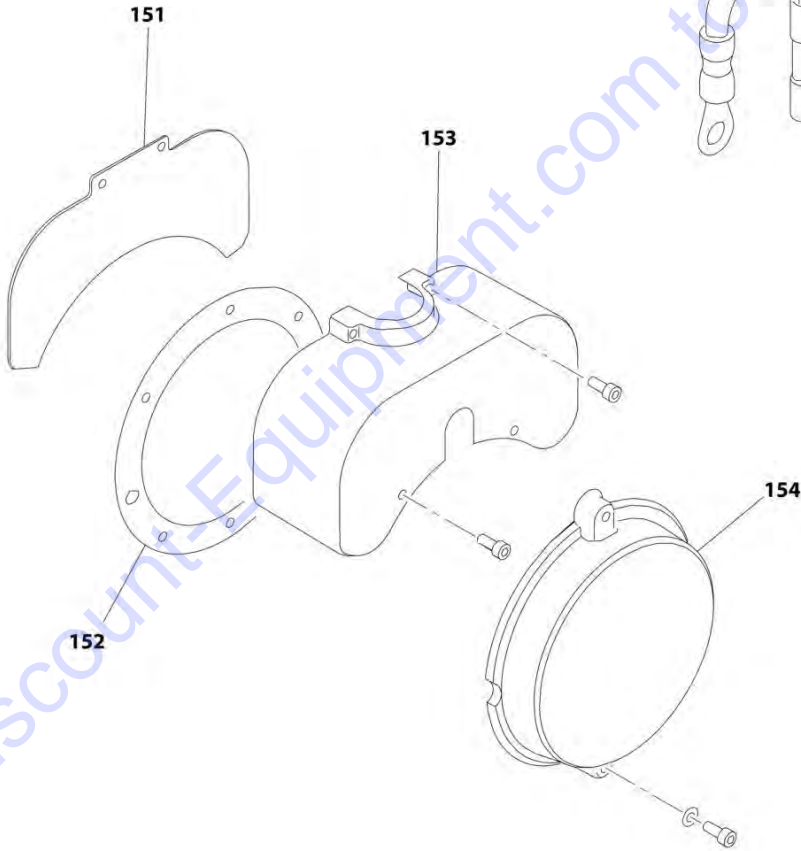
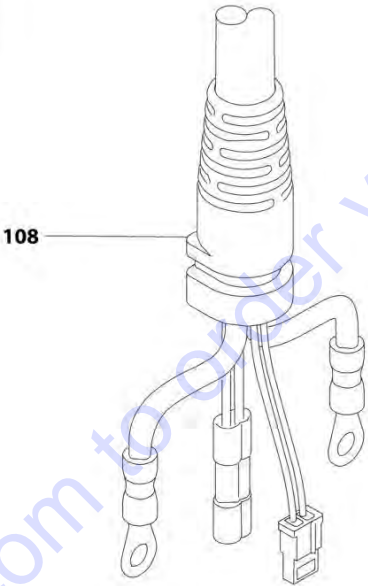
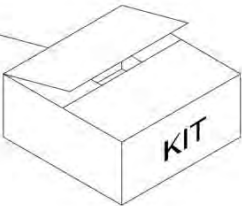
## FIGURE 1-5. DRIVE MOTOR/HUB ASSEMBLY



ART\_1001092738\_10F2

**SECTION 1 - FRAME**

- 201
- 202
- 203
- 204
- 205
- 206
- 207
- 208
- 209
- 210
- 211



ART\_1001092738\_20F2



# SECTION 1 - FRAME

## FIGURE 1-5. DRIVE MOTOR/HUB ASSEMBLY

ITEM	PART NUMBER	QTY	DESCRIPTION	REV
	1001092738	Ref	DRIVE MOTOR/HUB ASSEMBLY	K
		Ref	HUB ASSEMBLY	
1	See Note	NSS	Spindle (Note: Purchase Complete Assembly)	
2	See Note	NSS	Hub (Note: Use Item 206)	
3	See Note	NSS	Ring, Input (Note: Use Item 204)	
4	See Note	NSS	Gear, Input Sun (Note: Use Item 203)	
5	See Note	NSS	Gear, Input Planet (Note: Use Item 203)	
6	See Note	NSS	Pin, Planet Gear (Note: Use Item 203)	
7	See Note	NSS	Carrier (Note: Use Item 203)	
8	See Note	NSS	Gear, Output Sun (Note: Use Item 203)	
9	See Note	NSS	Gear, Output Planet (Note: Use Item 207)	
10	See Note	NSS	Pin, Output Planet (Note: Use Item 207)	
11	See Note	NSS	Cover (Note: Use Item 201)	
12	7024757	1	Bushing Kit, Kingpin (Includes 2 Bushings)	
13	See Note	NSS	Motor, Electric (Note: Use Item 205)	
14	See Note	NSS	Bearing, Main (Note: Use Item 202, 204, 206 or 207)	
15	See Note	NSS	Bearing, Shaft (Note: Use Item 207)	
16	70001739	1	Seal, Lip	
17	7024786	1	Seal, Lip	
18	See Note	NSS	Ring, Retaining (Note: Use Item 203)	
19	See Note	NSS	Ring, Retaining (Note: Use Item 201)	
20	70000191	1	O-Ring	
21	See Note	NSS	Washer, Thrust (Note: Use Item 201)	
23	See Note	NSS	Plate, Thrust (Note: Item 203)	
24	See Note	NSS	Ring, Retaining (Note: Use Item 203)	
25	See Note	NSS	Washer, Thrust (Note: Use Item 203 or 207)	
26	See Note	NSS	Bushing (Note: Use Item 203 or 207)	
27	See Note	NSS	Ring, Retaining (Note: Use Item 204, 206 or 207)	
28	See Note	NSS	Ring, Retaining (Note: Use Item 207)	
29	See Note	NSS	Plug (Note: Use Item 201)	
32	See Note	NSS	Washer, Tanged (Note: Use Item 207)	
		Ref	BRAKE AND MOTOR COMPONENTS	
103	See Note	NSS	Brush and Terminal Assembly (Note: Use Item 208)	
104	70000790	2	Spring, Brush	
105	70000791	1	Box, Brush	
106	See Note	NSS	Ring, Retaining (Note: Use Item 208)	
107	See Note	NSS	Bearing (Note: Use Item 208)	
108	1001132439	1	Harness, Drive Motor (See ELECTRICAL SECTION for Breakdown)	
109	70000792	1	Commutator	
110	See Note	NSS	Disc, Reaction (Note: Use Item 209)	
111	7024785	1	Disc, Friction	
112	See Note	NSS	Brake Assembly (Note: Use Item 209)	
113	See Note	NSS	Washer (Note: Use Item 210)	
114	See Note	NSS	Bolt (Note: Use Item 210)	
151	See Note	NSS	Plate, Cover (Note: Use Item 211)	
152	70001949	1	Gasket, Cover	
153	70006426	1	Cover, Top	
154	See Note	NSS	Cover, End (Note: Use Item 211)	
		Ref	KIT OPTIONS	

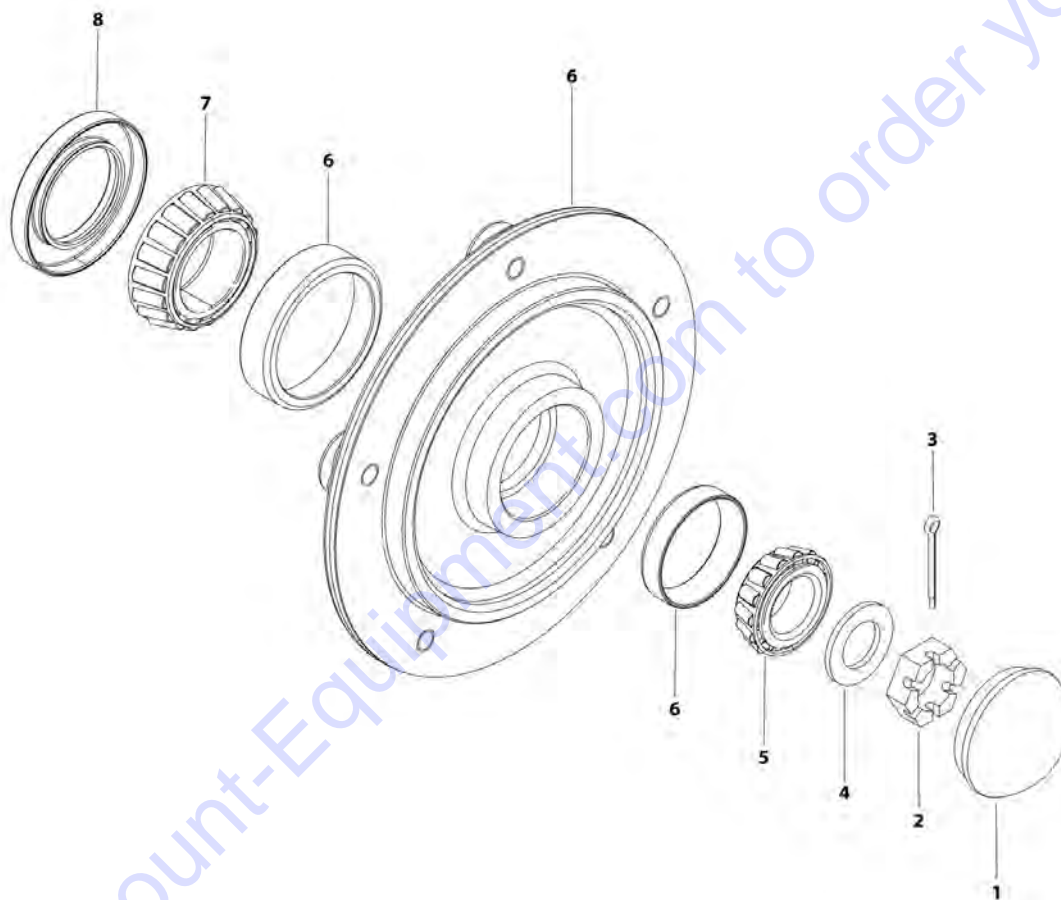
**SECTION 1 - FRAME**

<b>ITEM</b>	<b>PART NUMBER</b>	<b>QTY</b>	<b>DESCRIPTION</b>	<b>REV</b>
201	7024747	1	Cover Kit (Includes Items 11, 19, 20, 21 & 29)	
202	7024748	1	Main Seal Kit (Includes Qty 1 of Items 14, 16 & 20)	
203	7024749	1	Input Carrier Kit (Includes Items 4-8, 18, 20 & 23-26)	
204	7024758	1	Input Ring Kit (Includes Items 3, 20, 27 & Qty 1 of Item 14)	
205	70001345	1	Motor Kit (Includes Items 13,17,103-114, 151, 152 & 154)	
206	7024756	1	Hub Kit (Includes Items 2, 16, 20, 27 & Qty 1 of Item 14)	
207	7024750	1	Output Planet Kit (Includes Items 9, 10, 15, 20, 25-28, 32 & Qty 1 of Item 14)	
208	7024771	1	Motor Brush and Bearing Kit (Includes Items 103, 106 & 107)	
209	7024772	1	Brake Kit (Includes Items 110, 111 & 112)	
211	70001265	1	Brake Cover Kit (Includes Items 151, 152 & 154)	

Go to Discount-Equipment.com to order your parts

# SECTION 1 - FRAME

## FIGURE 1-6. HUB ASSEMBLY - REAR



ART\_2780266

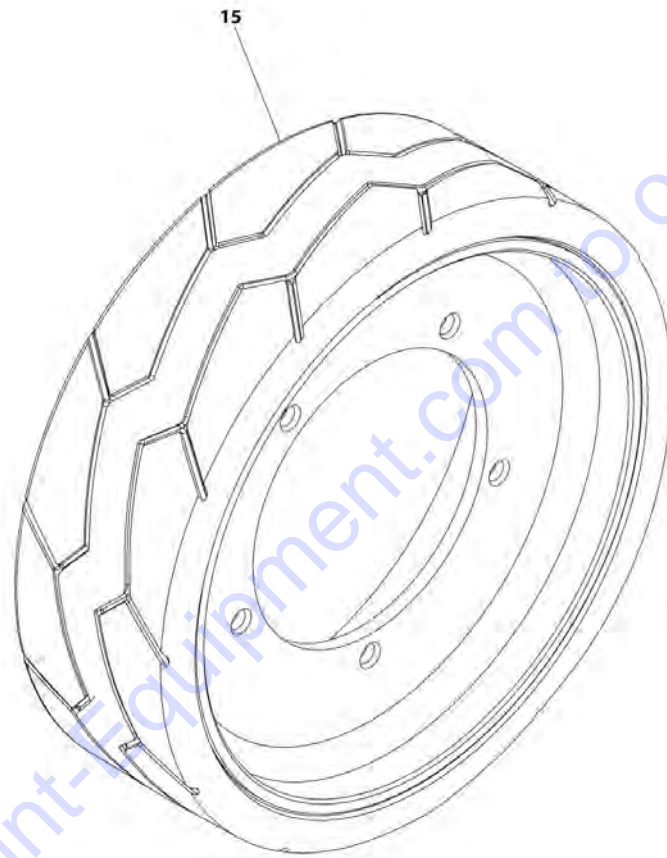
FIGURE 1-6. HUB ASSEMBLY - REAR

ITEM	PART NUMBER	QTY	DESCRIPTION	REV
	2780266	Ref	HUB ASSEMBLY	D
1	1001102354	1	Cap, Dust (was p/n 7012524)	
2	3300423	1	Nut, Slotted (was p/n 7010641)	
3	3450406	1	Pin, Cotter 2 x 3/16 (was p/n 7010642)	
4	4740468	1	Washer (was p/n 7019697)	
5	1001102351	1	Bearing, Cone - Outer (was p/n 7026185)	
6	See Note	NSS	Hub (Note: Purchase Complete Assembly p/n 2780266)	
7	1001102353	1	Bearing, Cone - Inner (was p/n 7026183)	
8	1001102349	1	Seal (was p/n 7026184)	

Go to Discount-Equipment.com to order your parts

# SECTION 1 - FRAME

## FIGURE 1-7. TIRE AND WHEEL ASSEMBLY



ART\_10011486

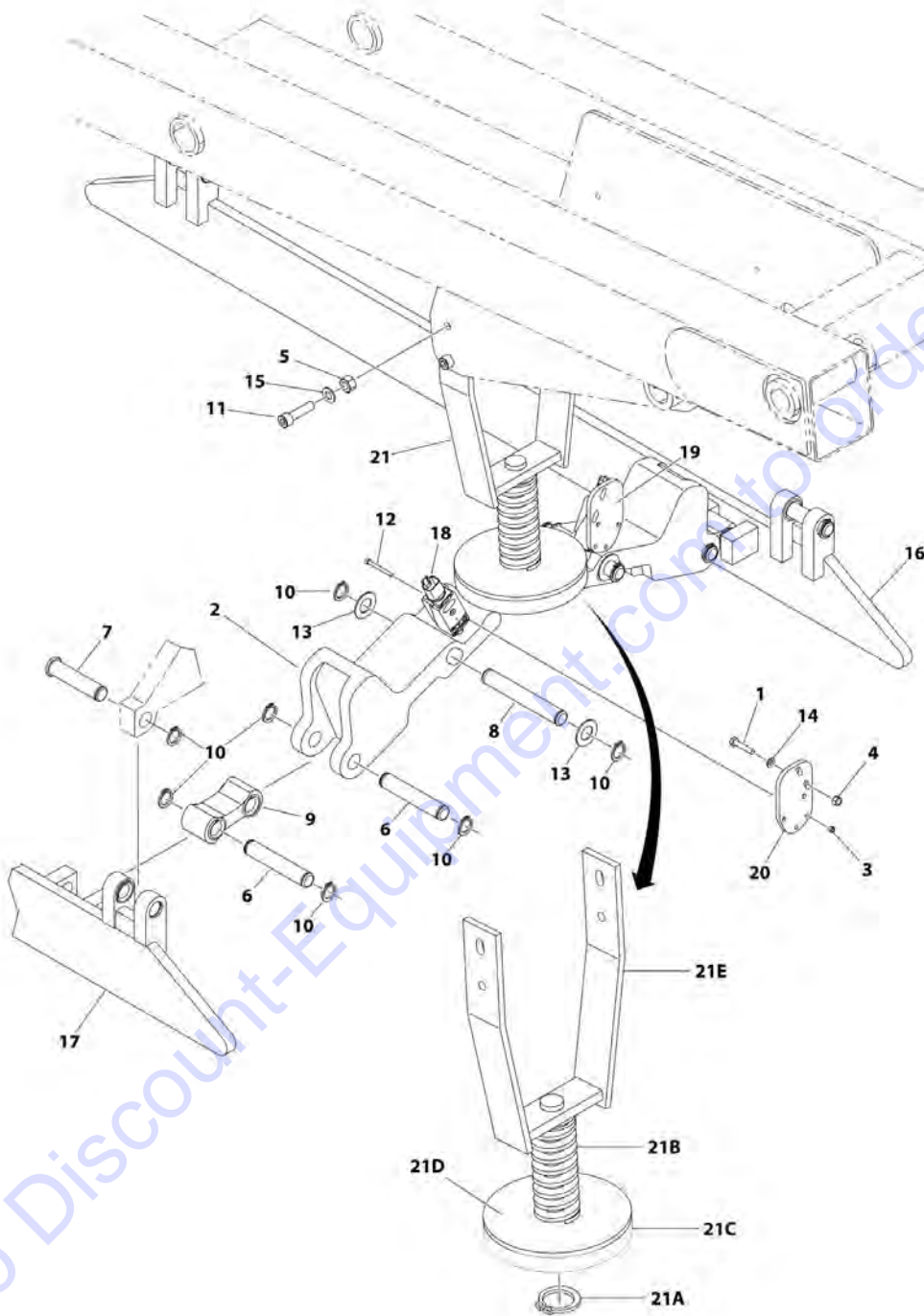
FIGURE 1-7. TIRE AND WHEEL ASSEMBLY

ITEM	PART NUMBER	QTY	DESCRIPTION	REV
15	1001114466 2915013	Ref	TIRE AND WHEEL ASSEMBLY	
		Ref	NOTE: MUST REPLACE TIRE AND WHEEL ASSEMBLIES IN PAIRS PER AXLE.	
		4	Tire and Wheel Assembly - Non-Marking	
		4	Tire and Wheel Kit (Includes Tire, Wheel and Bolts)	

Go to Discount-Equipment.com to order your parts

# SECTION 1 - FRAME

## FIGURE 1-8. POTHOLE PROTECTION INSTALLATION - NON-UL



ART. 1001178234

## SECTION 1 - FRAME

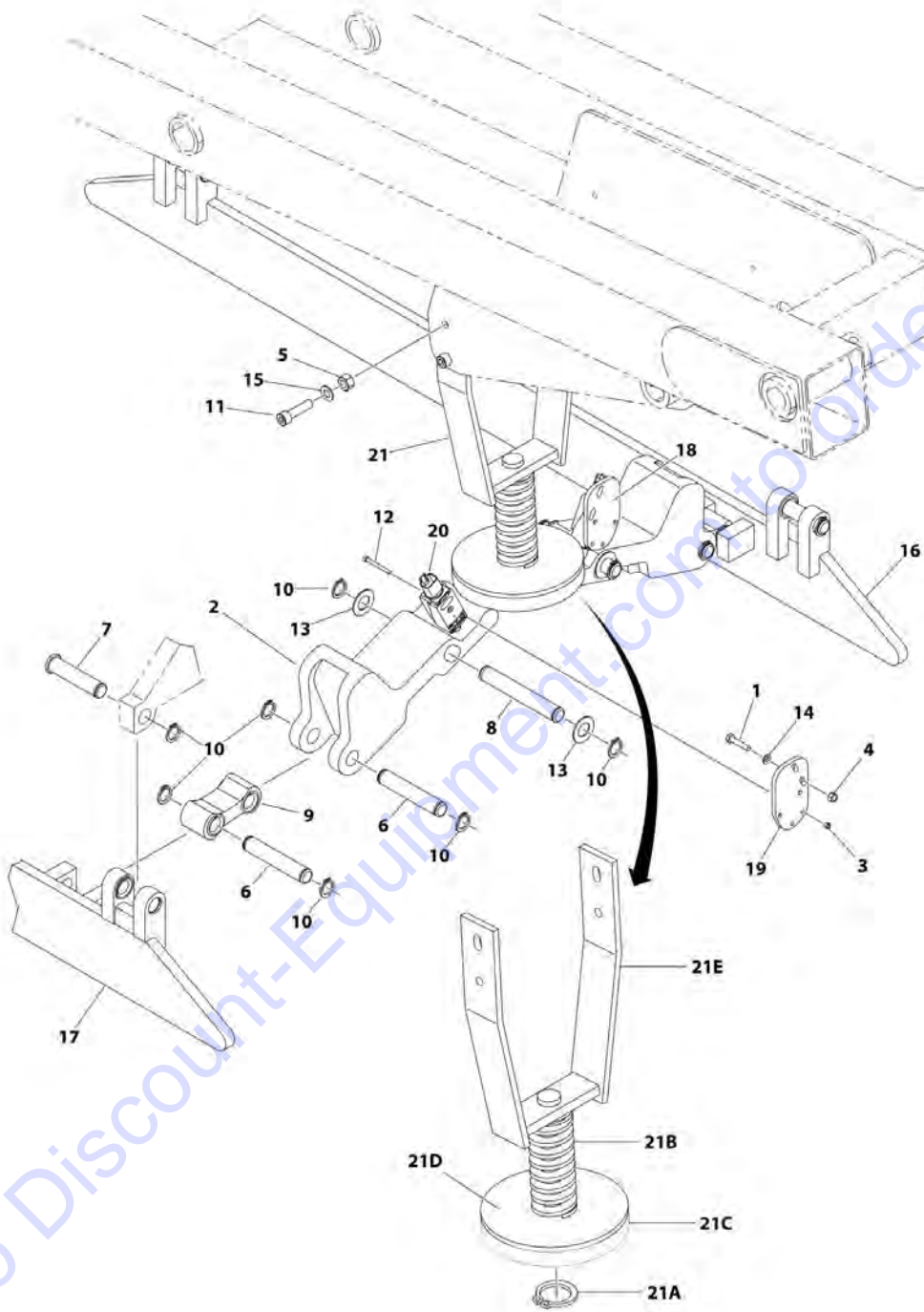
**FIGURE 1-8. POTHOLE PROTECTION INSTALLATION - NON-UL**

ITEM	PART NUMBER	QTY	DESCRIPTION	REV
	1001178234	Ref	POTHOLE PROTECTION INSTALLATION - NON-UL	D
1	0700614	4	Bolt M6 x 30	
2	3010158	2	Link	
3	3290405	4	Nut M4	
4	3290605	4	Nut M6	
5	3291005	4	Nut M10	
6	3423045	4	Pin, Pivot	
7	3423189	4	Pin, Pivot	
8	3423267	2	Pin	
9	3574176	2	Plate, Link	
10	3760348	16	Ring, Retaining	
11	5272012	4	Capscrew M10 x 40	
11	3900357	4	Screw M10 x 30	
12	4031512	4	Capscrew M4 x 40	
13	4740086	4	Washer, Thrust	
14	4811700	4	Washer M6	
15	4812000	4	Washer M10	
16	4846816	1	Support (RH)	
17	4846863	1	Support (LH)	
18	1001109088	2	Switch, Limit	
19	1001109232	1	Plate, Mounting	
20	1001109233	1	Plate, Mounting	
21	1001178239	1	Actuator Assembly (Includes Items 21A-21E)	D
21A	3760115	1	Ring, Retaining	
21B	4160202	1	Spring	
21C	1001178146	1	Pad	
21D	1001178147	1	Plate	
21E	0060091	1	Bracket, Actuator	



# SECTION 1 - FRAME

## FIGURE 1-9. POTHOLE PROTECTION INSTALLATION - UL



ART 1001178357

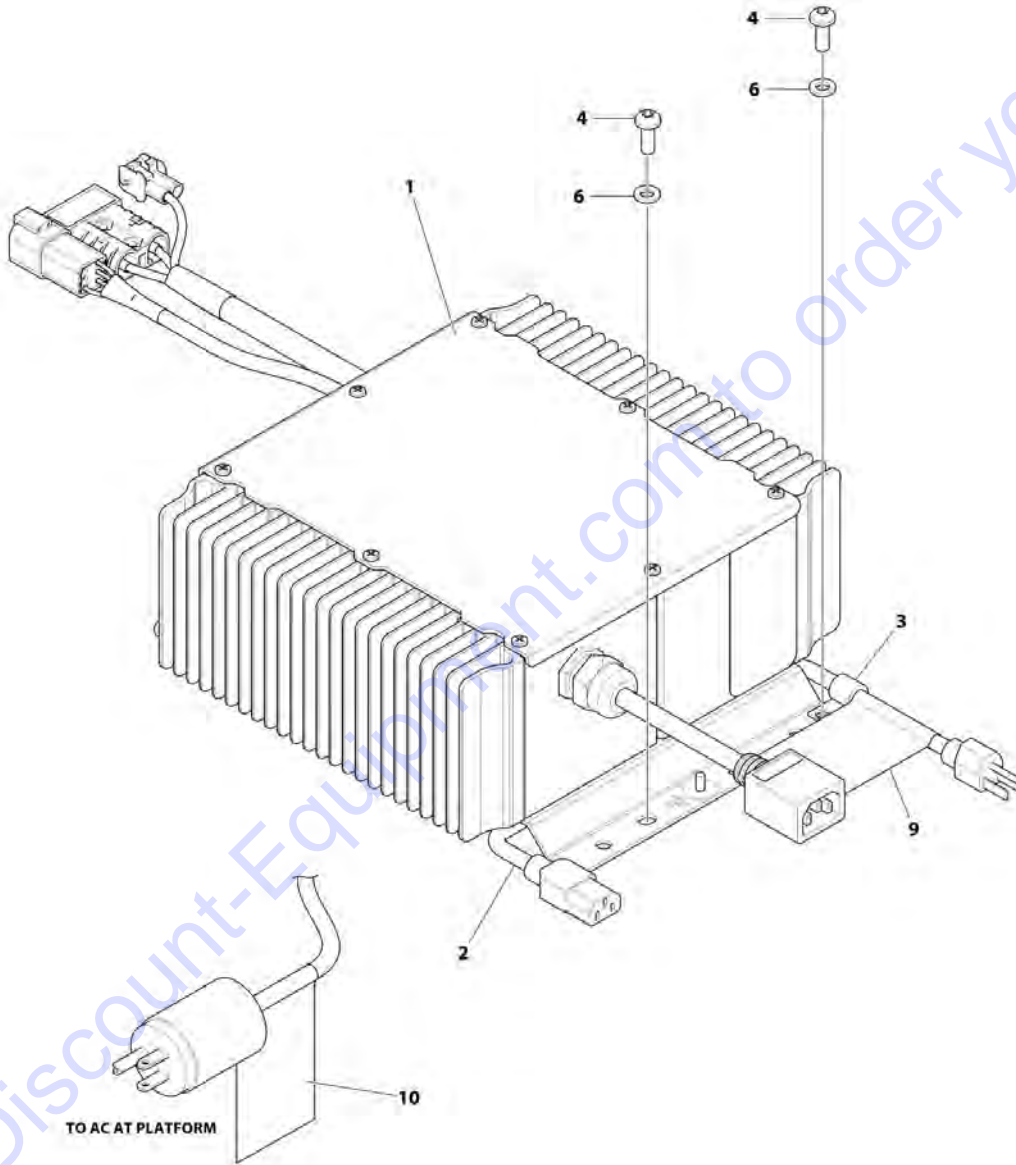
## SECTION 1 - FRAME

**FIGURE 1-9. POTHOLE PROTECTION INSTALLATION - UL**

ITEM	PART NUMBER	QTY	DESCRIPTION	REV
	1001178357	Ref	POTHOLE PROTECTION INSTALLATION - UL	C
1	0700614	4	Bolt M6 x 30	
2	3010158	2	Link	
3	3290405	4	Nut M4	
4	3290605	4	Nut M6	
5	3291005	4	Nut M10	
6	3423045	4	Pin, Pivot	
7	3423189	4	Pin, Pivot	
8	3423267	2	Pin	
9	3574176	2	Plate, Link	
10	3760348	16	Ring, Retaining	
11	5272012	4	Capscrew M10 x 40	
12	4031512	4	Capscrew M4 x 40	
13	4740086	4	Washer, Thrust	
14	4811700	4	Washer M6	
15	4812000	4	Washer M10	
16	4846816	1	Support (RH)	
17	4846863	1	Support (LH)	
18	1001109232	1	Plate, Mounting	
19	1001109233	1	Plate, Mounting	
20	1001126905	2	Switch, Limit	
20	4460535	2	Receptacle, Female - 4 Position (1 per Switch)	
20	4460464	8	Pin, Male (4 per Switch)	
21	1001178239	1	Actuator Assembly (Includes Items 21A-21E)	D
21A	3760115	1	Ring, Retaining	
21B	4160202	1	Spring	
21C	1001178146	1	Pad	
21D	1001178147	1	Plate	
21E	0060091	1	Bracket, Actuator	

## SECTION 1 - FRAME

FIGURE 1-10. BATTERY CHARGER INSTALLATION WITH 110V PLUG AND DELTA-Q CHARGER  
(ANSI, ANSI EXPORT, CSA, JAPANESE AND UL SPECS)



ART 0272874

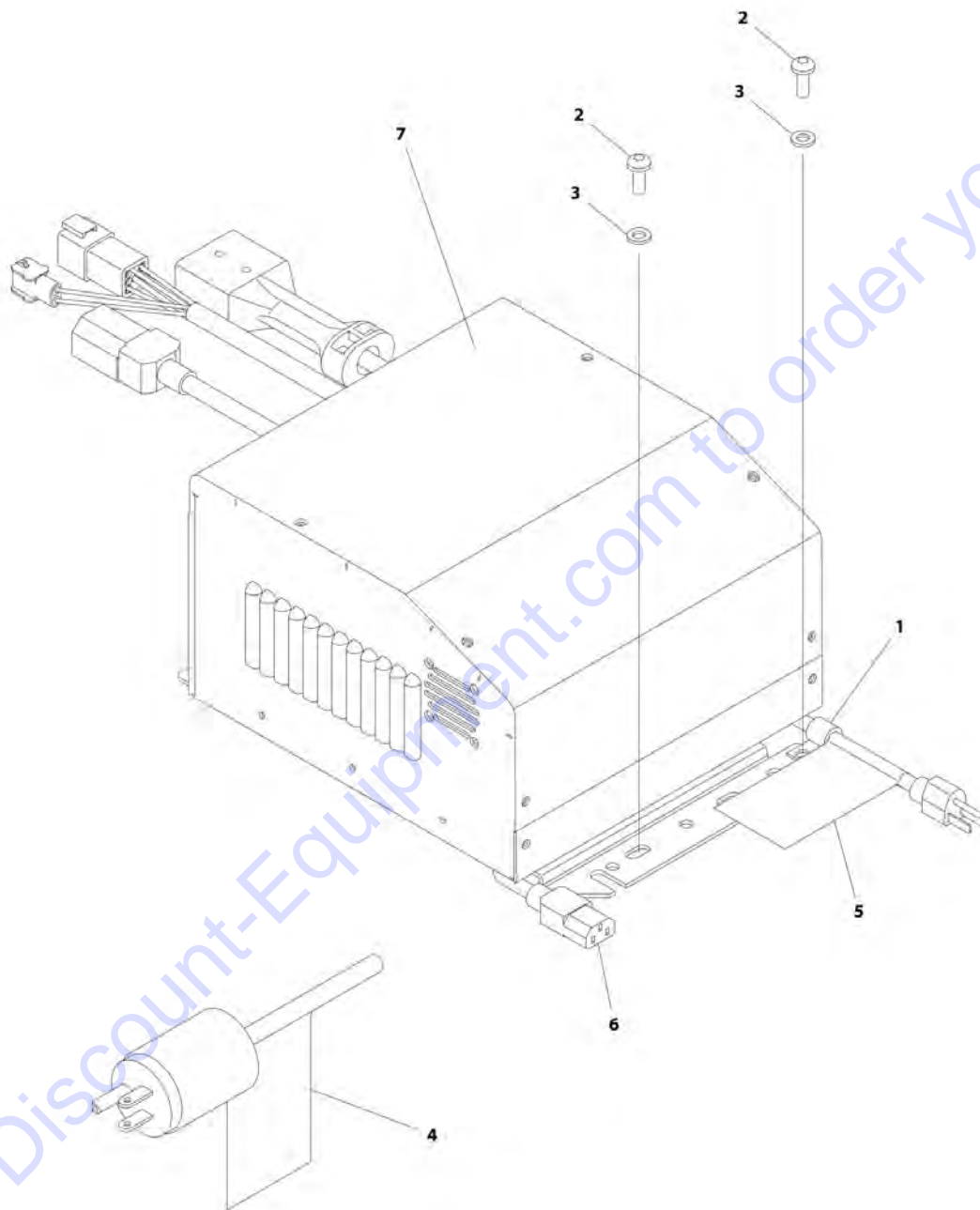
## SECTION 1 - FRAME

**FIGURE 1-10. BATTERY CHARGER INSTALLATION WITH 110V PLUG AND DELTA-Q CHARGER  
(ANSI, ANSI EXPORT, CSA, JAPANESE AND UL SPECS)**

ITEM	PART NUMBER	QTY	DESCRIPTION	REV
	0272874	Ref	BATTERY CHARGER INSTALLATION WITH 110V PLUG AND DELTA-Q CHARGER (ANSI, ANSI EXPORT, CSA, JAPANESE AND UL SPECS)	N
1	1001112111	1	Battery Charger Assembly (See BATTERY CHARGER ASSEMBLY - DELTA-Q for Breakdown)	
2	1001103257	1	Cable, Charger (AC Input)	
3	1321293	1	Clamp	
4	4191707	2	Screw M6 x 16	
6	4811700	2	Washer M6	
9	1001102489	1	Decal - Charger Plug ( <b>Prior to SN 0200257823, SN B200020297 to Present, Prior to SN M200002935</b> )	
9	1001215870	1	Decal - Charger Plug ( <b>SN 0200257823 to Present, SN M200002935 to Present</b> )	
10	1001102258	1	Decal - AC to Platform	
11	1001112113	1	Sensor, Temperature (Not Shown - Located on Negative Battery Terminal) ( <b>SN 0200266434 to Present, SN B200045242 to Present, SN M200014371 to Present</b> )	

## SECTION 1 - FRAME

FIGURE 1-11. BATTERY CHARGER INSTALLATION WITH 110V PLUG AND EAGLE PERFORMANCE CHARGER (ANSI AND CSA SPECS)



ART\_1001179428

## SECTION 1 - FRAME

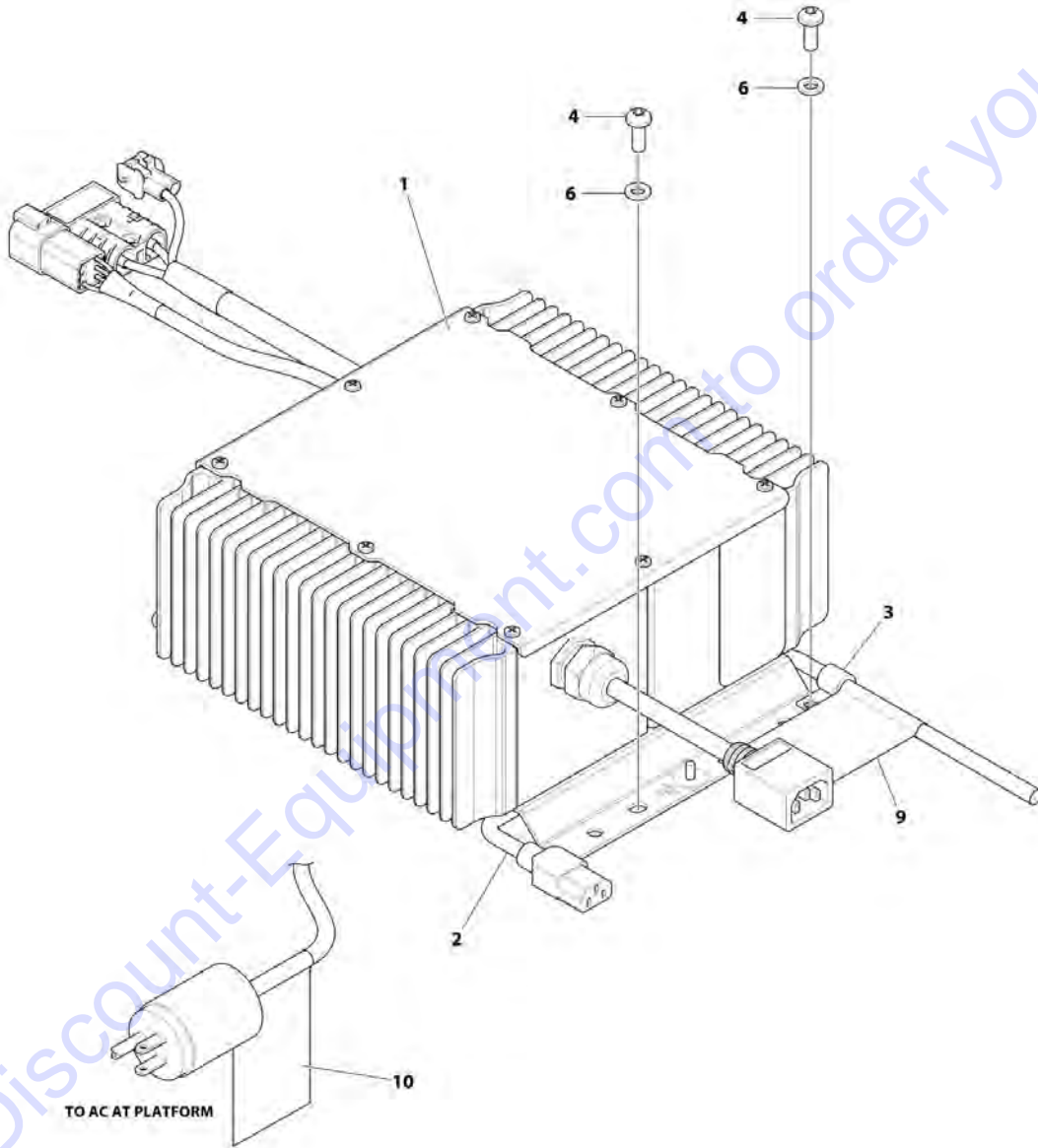
**FIGURE 1-11. BATTERY CHARGER INSTALLATION WITH 110V PLUG AND EAGLE PERFORMANCE CHARGER (ANSI AND CSA SPECS)**

ITEM	PART NUMBER	QTY	DESCRIPTION	REV
	1001179428	Ref	BATTERY CHARGER INSTALLATION WITH 110V PLUG AND EAGLE PERFORMANCE CHARGER (ANSI AND CSA SPECS)	A
1	1321293	1	Clamp	
2	4191707	2	Screw M6 x 16	
3	4811700	2	Washer M6	
4	1001102258	1	Decal - AC to Platform	
5	1001102489	1	Decal - Charger Plug	
6	1001103257	1	Cable, Charger (AC Input)	
7	1001177842	1	Battery Charger Assembly (See BATTERY CHARGER ASSEMBLY - EAGLE PERFORMANCE for Breakdown)	

Go to Discount-Equipment.com to order your parts

## SECTION 1 - FRAME

FIGURE 1-12. BATTERY CHARGER INSTALLATION WITH LOCALLY SUPPLIED PLUG AND DELTA-Q CHARGER (ANSI, ANSI EXPORT, CSA AND CE SPECS)



ART 0272875

## SECTION 1 - FRAME

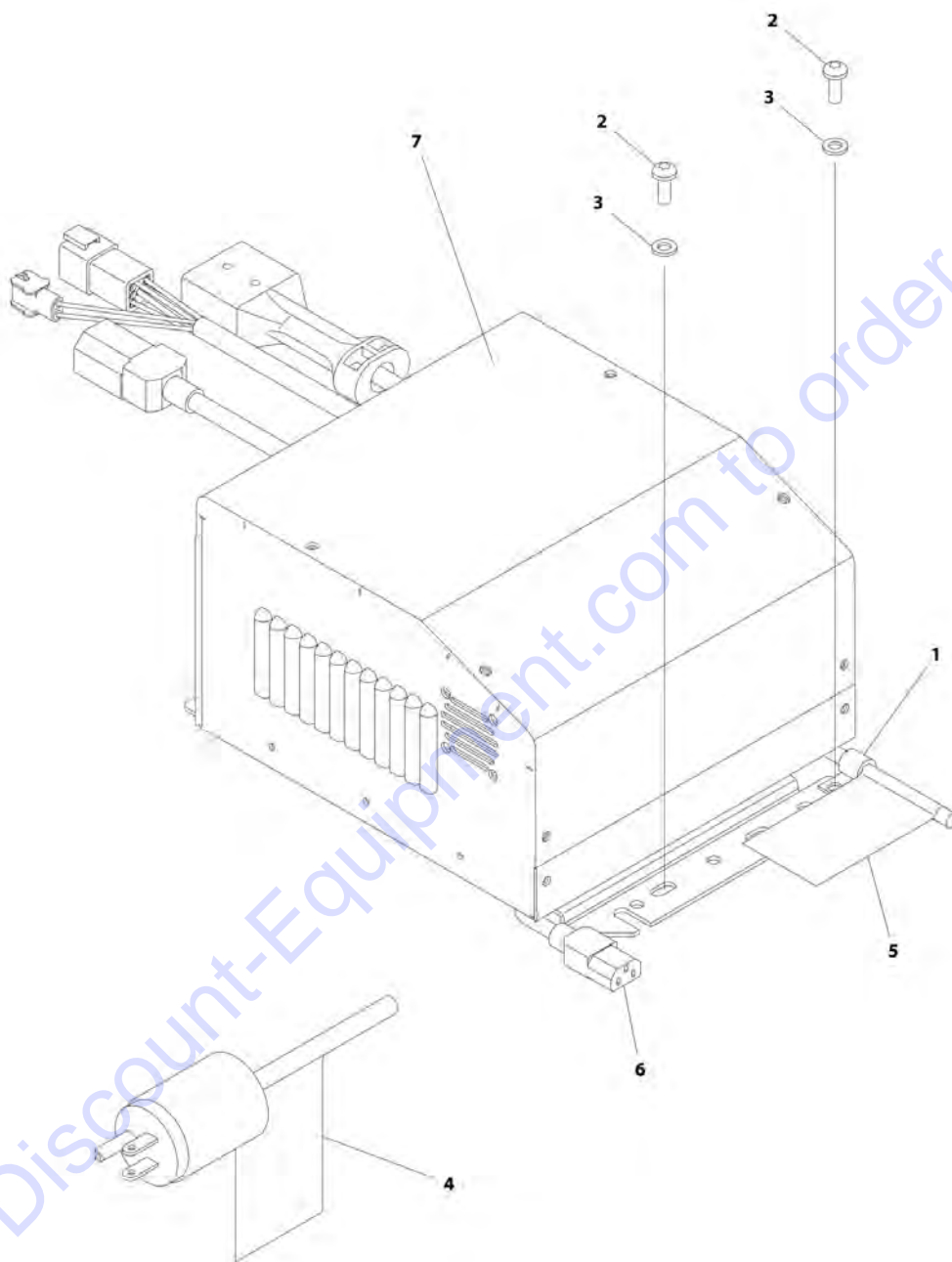
**FIGURE 1-12. BATTERY CHARGER INSTALLATION WITH LOCALLY SUPPLIED PLUG AND DELTA-Q CHARGER (ANSI, ANSI EXPORT, CSA AND CE SPECS)**

ITEM	PART NUMBER	QTY	DESCRIPTION	REV
	0272875	Ref	BATTERY CHARGER INSTALLATION WITH LOCALLY SUPPLIED PLUG AND DELTA-Q CHARGER (ANSI, ANSI EXPORT, CSA AND CE SPECS)	N
1	1001112111	1	Battery Charger Assembly (See BATTERY CHARGER ASSEMBLY - DELTA-Q for Breakdown)	
2	1001103258	1	Cable, Charger (AC Input)	
3	1320136	1	Clamp (USA Built Machines)	
3	1321293	1	Clamp	
4	4191707	2	Screw M6 x 16	
6	4811700	2	Washer M6	
9	1001102489	1	Decal - Charger Plug ( <b>Prior to SN 0200257823, SN B200000100 to Present, Prior to SN M200002935</b> )	
9	1001215870	1	Decal - Charger Plug ( <b>SN 0200257823 to Present, SN 1200025021 to Present, SN M200002935 to Present</b> )	
10	1001102258	1	Decal - AC to Platform	
11	1001112113	1	Sensor, Temperature (Not Shown - Located on Negative Battery Terminal) ( <b>SN 0200266434 to Present, SN 1200027658 to Present, SN B200045242 to Present, SN M200014371 to Present</b> )	



## SECTION 1 - FRAME

FIGURE 1-13. BATTERY CHARGER INSTALLATION WITH LOCALLY SUPPLIED PLUG AND EAGLE PERFORMANCE CHARGER (ANSI AND CSA SPECS)



ART\_1001180312

## SECTION 1 - FRAME

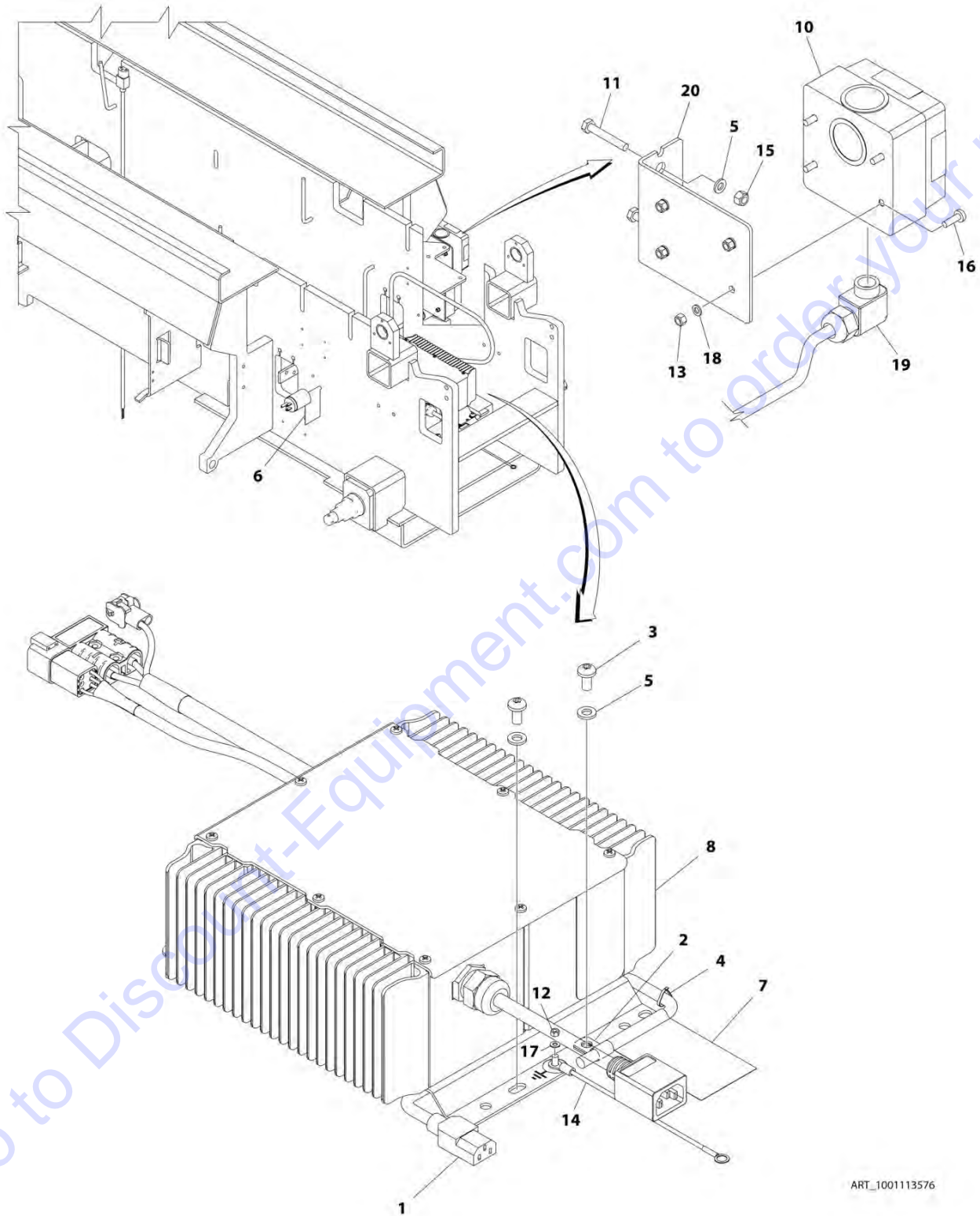
**FIGURE 1-13. BATTERY CHARGER INSTALLATION WITH LOCALLY SUPPLIED PLUG AND EAGLE PERFORMANCE CHARGER (ANSI AND CSA SPECS)**

ITEM	PART NUMBER	QTY	DESCRIPTION	REV
	1001180312	Ref	BATTERY CHARGER INSTALLATION WITH LOCALLY SUPPLIED PLUG AND EAGLE PERFORMANCE CHARGER (ANSI AND CSA SPECS)	A
1	1320136	1	Clamp	
2	4191707	2	Screw M6 x 16	
3	4811700	2	Washer M6	
4	1001102258	1	Decal - AC to Platform	
5	1001102489	1	Decal - Charger Plug	
6	1001103258	1	Cable, Charger (AC Input)	
7	1001177842	1	Battery Charger Assembly (See BATTERY CHARGER ASSEMBLY - EAGLE PERFORMANCE for Breakdown)	

Go to Discount-Equipment.com to order your parts

# SECTION 1 - FRAME

FIGURE 1-14. BATTERY CHARGER INSTALLATION WITH LOCALLY SUPPLIED PLUG (AUSTRALIAN SPEC)



ART\_1001113576

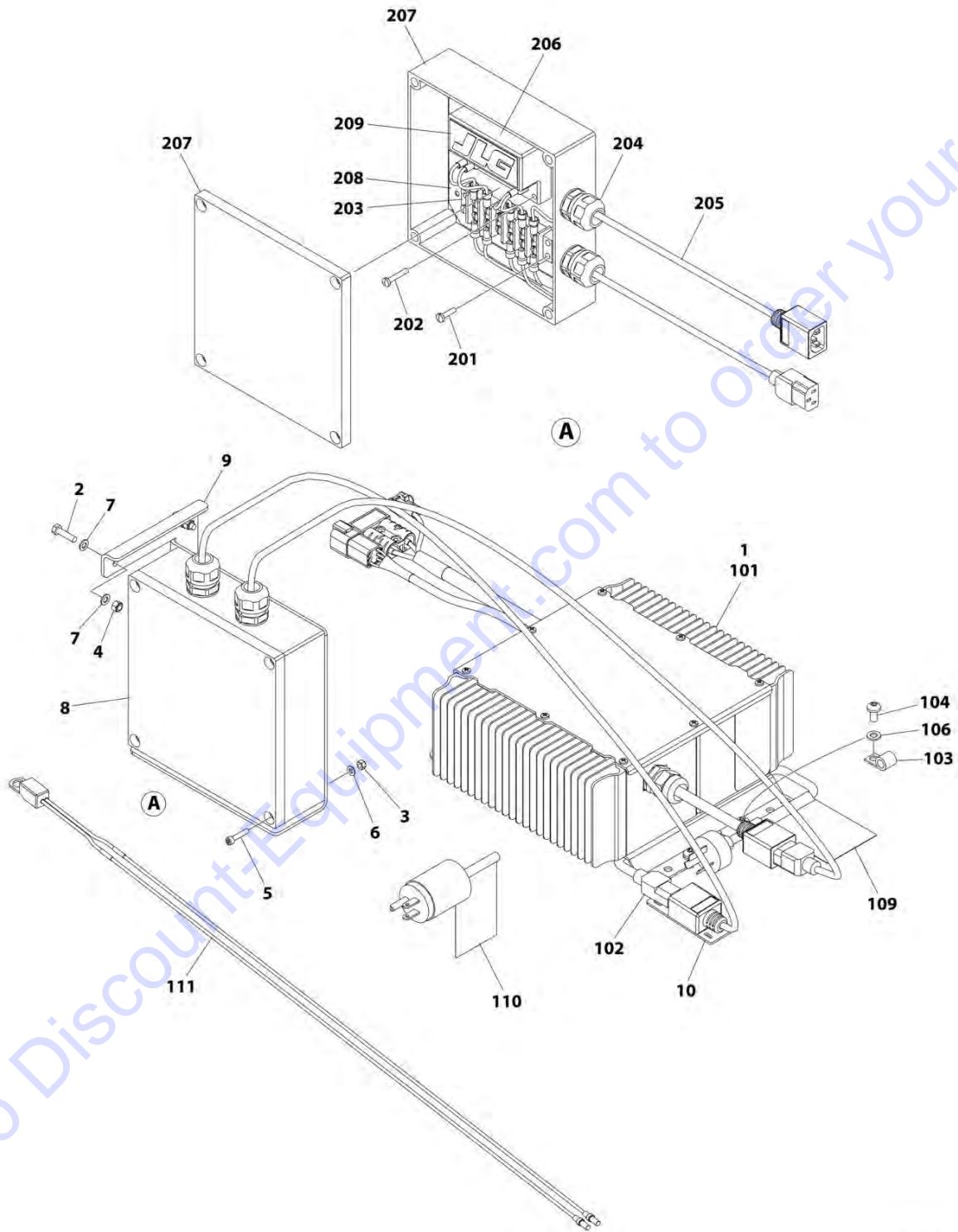
## SECTION 1 - FRAME

**FIGURE 1-14. BATTERY CHARGER INSTALLATION WITH LOCALLY SUPPLIED PLUG (AUSTRALIAN SPEC)**

ITEM	PART NUMBER	QTY	DESCRIPTION	REV
	1001113576	Ref	BATTERY CHARGER INSTALLATION WITH LOCALLY SUPPLIED PLUG (AUSTRALIAN SPEC)	G
1	1060689	1	Cable, Charger (AC Input)	
2	1320136	1	Clamp (USA Built Machines)	
2	1321293	1	Clamp	
3	4191707	2	Screw M6 x 16	
4	4240033	2	Tie-Strap	
5	4811700	AR	Washer M6	
6	1001102258	1	Decal - AC to Platform	
7	1001102489	1	Decal - Charger Plug (Prior to SN 0200257823, Prior to SN B200037115, Prior to SN M200002935)	
7	1001215870	1	Decal - Charger Plug (SN 0200257823 to Present, SN B200037115 to Present, SN M200002935 to Present)	
8	1001112111	1	Battery Charger Assembly (See BATTERY CHARGER ASSEMBLY - DELTA-Q for Breakdown)	
9	1001112113	1	Sensor, Temperature (Not Shown - Located on Negative Battery Terminal) (SN 0200266434 to Present, SN B200045242 to Present, SN M200014371 to Present)	
10	1001227267	1	Electric Assembly (SN B200053356 to Present, SN M200022360 to Present)	
11	0700616	4	Bolt M6 x 40	
12	3290405	1	Nut M4	
13	3290505	8	Nut M5	
14	1001227219	1	Earth/Ground Harness (SN B200053356 to Present, SN M200022360 to Present)	
15	3290605	4	Nut M6	
16	3900381	8	Screw M5 x 16	
17	4811400	1	Washer M4	
18	4831600	8	Washer M5	
19	1001103471	1	Connector, Strain Relief (SN B200053356 to Present, SN M200022360 to Present)	
20	1001227213	1	Bracket (SN B200053356 to Present, SN M200022360 to Present)	

# SECTION 1 - FRAME

FIGURE 1-15. BATTERY CHARGER INSTALLATION – WITH VOLTAGE GUARD (LOCALLY SUPPLIED PLUG) (ANSI EXPORT AND KOREA SPECS)



ART\_1001212459

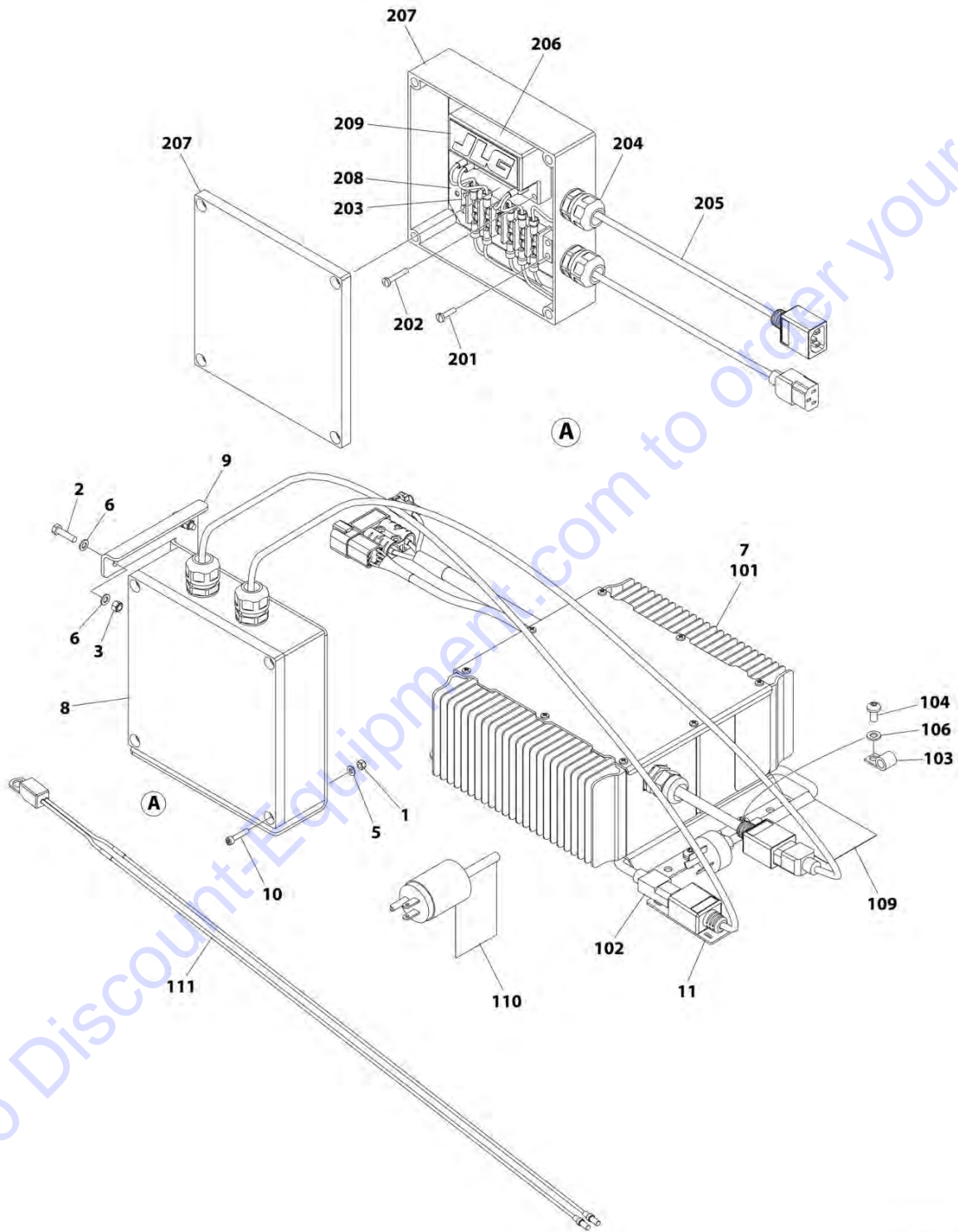
## SECTION 1 - FRAME

**FIGURE 1-15. BATTERY CHARGER INSTALLATION – WITH VOLTAGE GUARD (LOCALLY SUPPLIED PLUG) (ANSI EXPORT AND KOREA SPECS)**

ITEM	PART NUMBER	QTY	DESCRIPTION	REV
	1001212459	Ref	BATTERY CHARGER INSTALLATION - WITH VOLTAGE GUARD (LOCALLY SUPPLIED PLUG)	B
1	0272875	1	Charger Installation (See Items 101-111)	
2	0700510	2	Bolt M5 x 20	
3	3290405	4	Nut M4	
4	3290505	2	Nut M5	
5	4031510	4	Screw M4 x 30	
6	4811400	4	Washer M4	
7	4811600	4	Washer M5	
8	1001185306	1	Voltage Guard Installation (See Items 201-209)	
9	1001185830	1	Bracket	
10	1001215326	1	Support	
11	4240017	2	Tie Strap (Not Shown)	
	0272875	Ref	CHARGER INSTALLATION	N
101	1001112111	1	Battery Charger Assembly (See BATTERY CHARGER ASSEMBLY - DELTA-Q for Breakdown)	
102	1001103258	1	Cable, Charger (AC Input)	
103	1320136	1	Clamp (USA Built Machines)	
103	1321293	1	Clamp	
104	4191707	2	Screw M6 x 16	
106	4811700	2	Washer M6	
109	1001215870	1	Decal - Charger Plug	
110	1001102258	1	Decal - AC to Platform	
111	1001112113	1	Sensor, Temperature	
	1001185306	Ref	VOLTAGE GUARD INSTALLATION	C
201	4010408	2	Screw M4 x 16	
202	4010412	2	Screw M4 x 24	
203	4460007	1	Bus Bar	
204	4460968	2	Connector Strain Relief	
205	1001184947	1	Harness	
206	1001185156	1	Voltage Guard	
207	1001186497	1	Box	
208	1001187101	1	Plate	
209	1001187530	1	Decal - JLG	

# SECTION 1 - FRAME

FIGURE 1-16. BATTERY CHARGER INSTALLATION – WITH VOLTAGE GUARD AND CHINESE PLUG  
(ANSI EXPORT AND KOREA SPECS)



ART\_1001221857

## SECTION 1 - FRAME

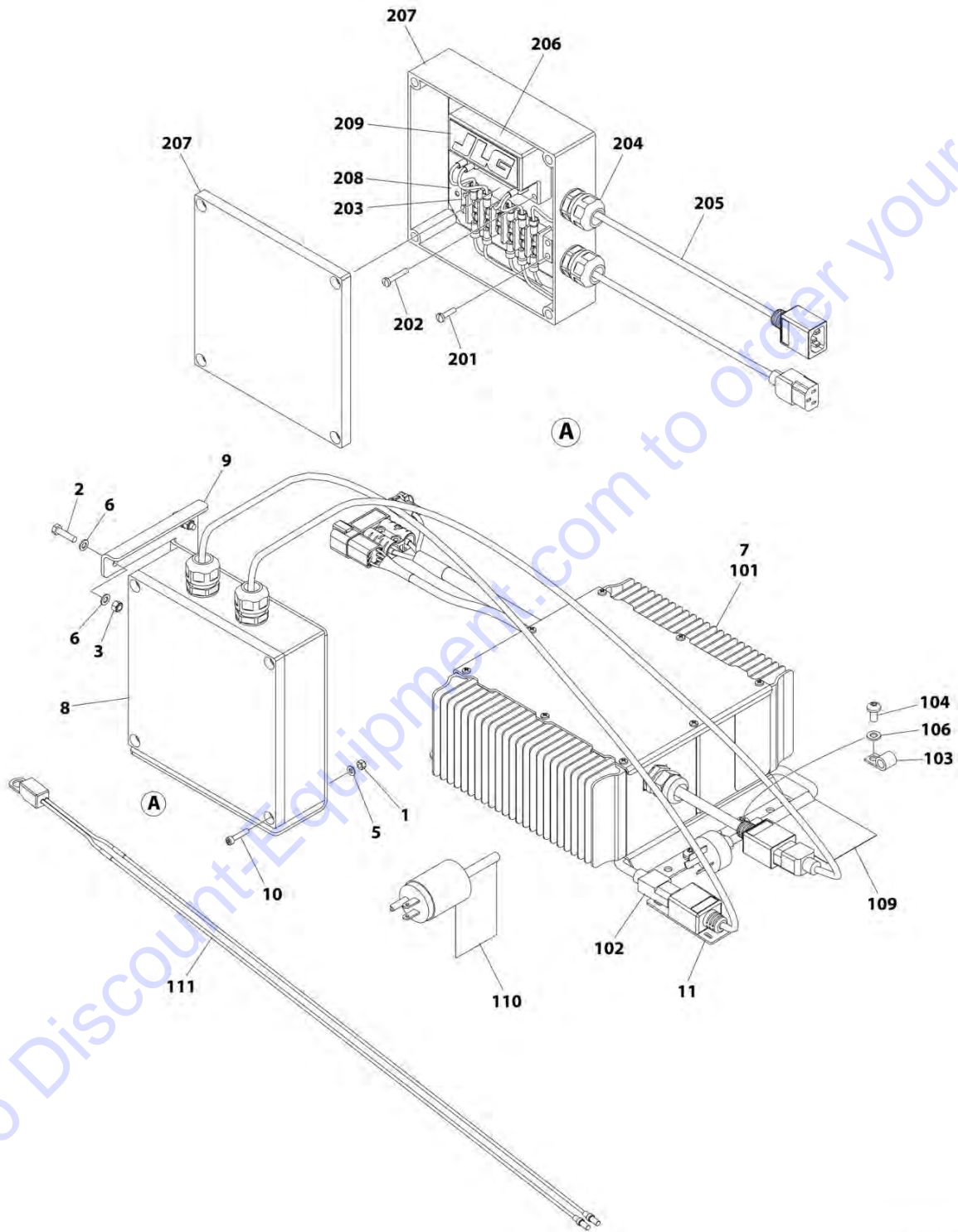
**FIGURE 1-16. BATTERY CHARGER INSTALLATION – WITH VOLTAGE GUARD AND CHINESE PLUG  
(ANSI EXPORT AND KOREA SPECS)**

ITEM	PART NUMBER	QTY	DESCRIPTION	REV
	1001221857	Ref	BATTERY CHARGER INSTALLATION - WITH VOLTAGE GUARD AND CHINESE PLUG	A
1	3290405	4	Nut M4	
2	0700510	2	Bolt M5 x 20	
3	3290505	2	Nut M5	
5	4811400	4	Washer M4	
6	4811600	4	Washer M5	
7	1001172008	1	Charger Installation (See Items 101-111)	
8	1001185306	1	Voltage Guard Installation (See Items 201-209)	
9	1001185830	1	Bracket	
10	4031510	4	Screw M4 x 30	
11	1001215326	1	Support	
12	4240017	2	Tie Strap (Not Shown)	
	1001172008	Ref	CHARGER INSTALLATION	E
101	1001112111	1	Battery Charger Assembly (See BATTERY CHARGER ASSEMBLY - DELTA-Q for Breakdown)	
102	1001172010	1	Cable, Charger (AC Input)	
103	1321293	1	Clamp	
104	4191707	2	Screw M6 x 16	
106	4811700	2	Washer M6	
109	1001215870	1	Decal - Charger Plug	
110	1001102258	1	Decal - AC to Platform	
111	1001112113	1	Sensor, Temperature	
	1001185306	Ref	VOLTAGE GUARD INSTALLATION	C
201	4010408	2	Screw M4 x 16	
202	4010412	2	Screw M4 x 24	
203	4460007	1	Bus Bar	
204	4460968	2	Connector Strain Relief	
205	1001184947	1	Harness	
206	1001185156	1	Voltage Guard	
207	1001186497	1	Box	
208	1001187101	1	Plate	
209	1001187530	1	Decal - JLG	



# SECTION 1 - FRAME

FIGURE 1-17. BATTERY CHARGER INSTALLATION – WITH VOLTAGE GUARD AND CHINESE PLUG  
(CHINESE SPECS) (Prior to SN B200046727)



ART\_1001221857

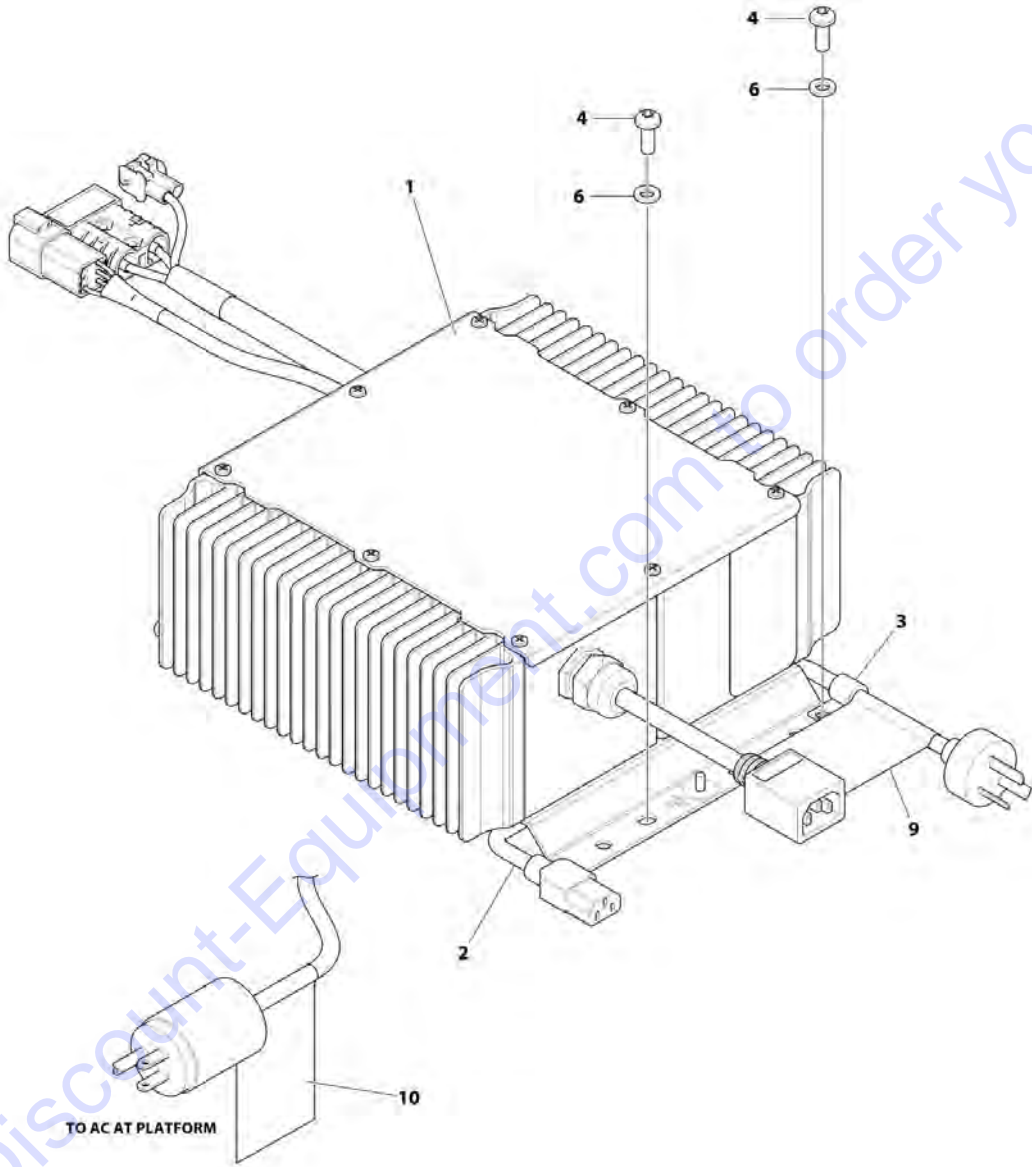
## SECTION 1 - FRAME

**FIGURE 1-17. BATTERY CHARGER INSTALLATION – WITH VOLTAGE GUARD AND CHINESE PLUG  
(CHINESE SPECS) (Prior to SN B200046727)**

ITEM	PART NUMBER	QTY	DESCRIPTION	REV
	1001221857	Ref	BATTERY CHARGER INSTALLATION - WITH VOLTAGE GUARD AND CHINESE PLUG	A
1	3290405	4	Nut M4	
2	0700510	2	Bolt M5 x 20	
3	3290505	2	Nut M5	
5	4811400	4	Washer M4	
6	4811600	4	Washer M5	
7	1001172008	1	Charger Installation (See Items 101-111)	
8	1001185306	1	Voltage Guard Installation (See Items 201-209)	
9	1001185830	1	Bracket	
10	4031510	4	Screw M4 x 30	
11	1001215326	1	Support	
12	4240017	2	Tie Strap (Not Shown)	
	1001172008	Ref	CHARGER INSTALLATION	E
101	1001112111	1	Battery Charger Assembly (See BATTERY CHARGER ASSEMBLY - DELTA-Q for Breakdown)	
102	1001172010	1	Cable, Charger (AC Input)	
103	1321293	1	Clamp	
104	4191707	2	Screw M6 x 16	
106	4811700	2	Washer M6	
109	1001215870	1	Decal - Charger Plug	
110	1001102258	1	Decal - AC to Platform	
111	1001112113	1	Sensor, Temperature	
	1001185306	Ref	VOLTAGE GUARD INSTALLATION	C
201	4010408	2	Screw M4 x 16	
202	4010412	2	Screw M4 x 24	
203	4460007	1	Bus Bar	
204	4460968	2	Connector Strain Relief	
205	1001184947	1	Harness	
206	1001185156	1	Voltage Guard	
207	1001186497	1	Box	
208	1001187101	1	Plate	
209	1001187530	1	Decal - JLG	

# SECTION 1 - FRAME

FIGURE 1-18. BATTERY CHARGER INSTALLATION WITH CHINESE PLUG (CHINESE SPEC)



ART 1001172008

## SECTION 1 - FRAME

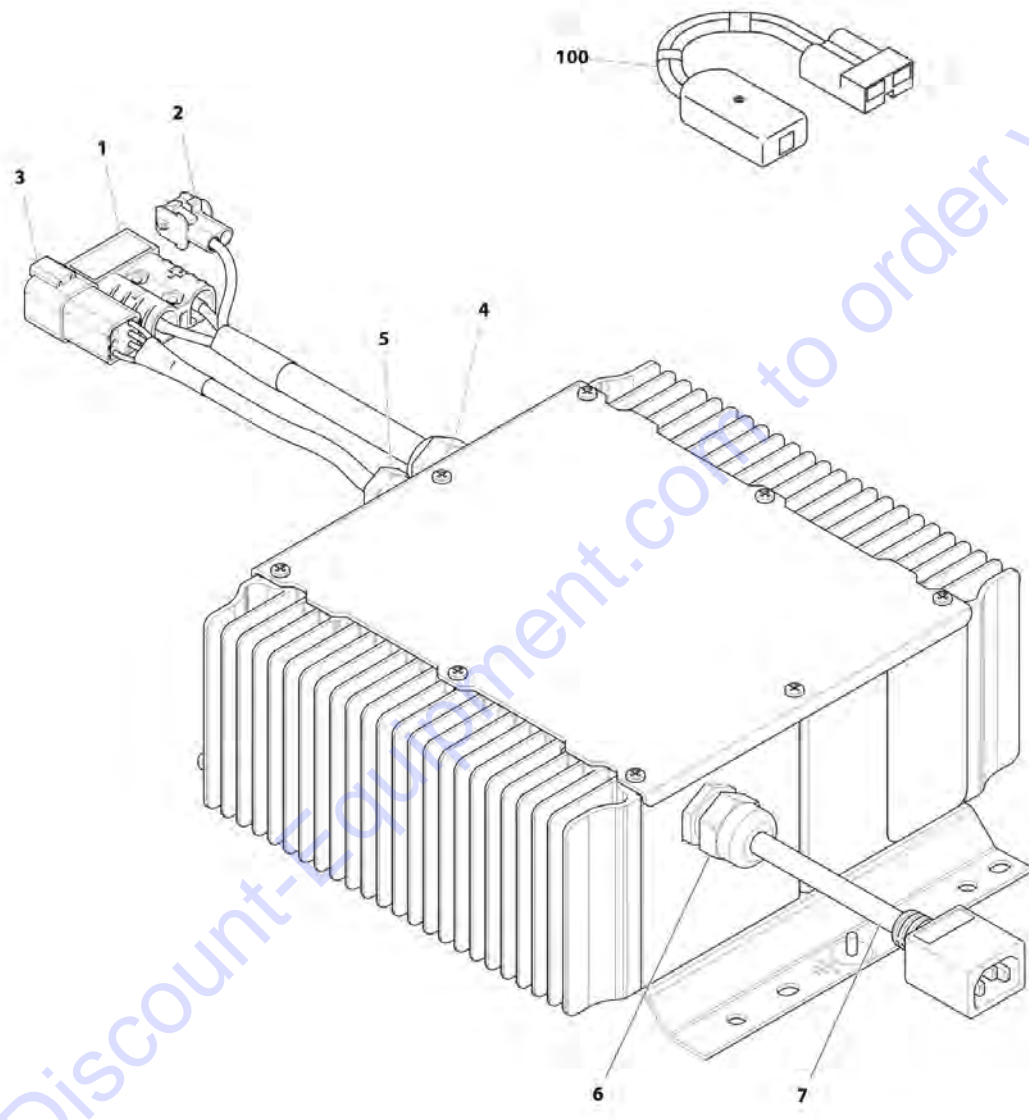
**FIGURE 1-18. BATTERY CHARGER INSTALLATION WITH CHINESE PLUG (CHINESE SPEC)**

ITEM	PART NUMBER	QTY	DESCRIPTION	REV
	1001172008	Ref	BATTERY CHARGER INSTALLATION WITH CHINESE PLUG (CHINESE SPEC)	E
1	1001112111	1	Battery Charger Assembly (See BATTERY CHARGER ASSEMBLY - DELTA-Q for Breakdown)	
2	1001172010	1	Cable, Charger (AC Input)	
3	1321293	1	Clamp	
4	4191707	2	Screw M6 x 16	
6	4811700	2	Washer M6	
9	1001102489	1	Decal - Charger Plug ( <b>Prior to SN 0200257823, SN B200000100 to Present, Prior to SN M200002935</b> )	
9	1001215870	1	Decal - Charger Plug ( <b>SN 0200257823 to Present, SN M200002935 to Present</b> )	
10	1001102258	1	Decal - AC to Platform	
11	1001112113	1	Sensor, Temperature (Not Shown - Located on Negative Battery Terminal) ( <b>SN 0200266434 to Present, SN 1200027658 to Present, SN B200045242 to Present, SN M200014371 to Present</b> )	

Go to Discount-Equipment.com to order your parts

# SECTION 1 - FRAME

## FIGURE 1-19. BATTERY CHARGER ASSEMBLY - DELTA-Q



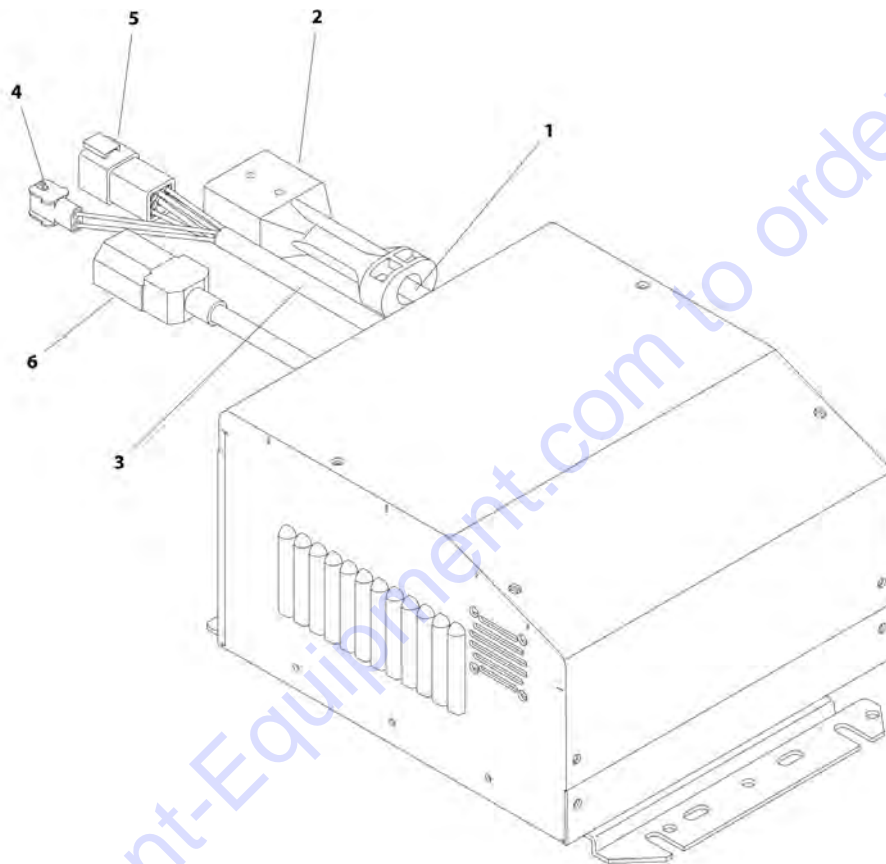
ART 100112111

FIGURE 1-19. BATTERY CHARGER ASSEMBLY - DELTA-Q

ITEM	PART NUMBER	QTY	DESCRIPTION	REV
	1001112111	Ref	BATTERY CHARGER ASSEMBLY - DELTA-Q	K
1	Not Available	1	Harness with Plug	
1	4460648	1	Plug, Anderson Battery Cable	
2	Not Available	1	Harness with Connector	
2	4460424	1	Connector, Female - 2 Position	
2	4460227	2	Pin, Male	
3	Not Available	1	Harness with Connector	
3	4460899	1	Connector, Female - 6 Position	
3	4460464	6	Pin, Male	
4	Not Available	1	Connector, Strain Relief	
5	Not Available	1	Connector, Strain Relief	
6	Not Available	1	Connector, Strain Relief	
7	Not Available	1	Harness with Connector	
100	2915230	1	BATTERY CHARGER REPROGRAM CONTROLLER KIT (Includes Controller, Software and Instructions)	

# SECTION 1 - FRAME

FIGURE 1-20. BATTERY CHARGER ASSEMBLY - EAGLE PERFORMANCE



ART\_100117842

**FIGURE 1-20. BATTERY CHARGER ASSEMBLY - EAGLE PERFORMANCE**

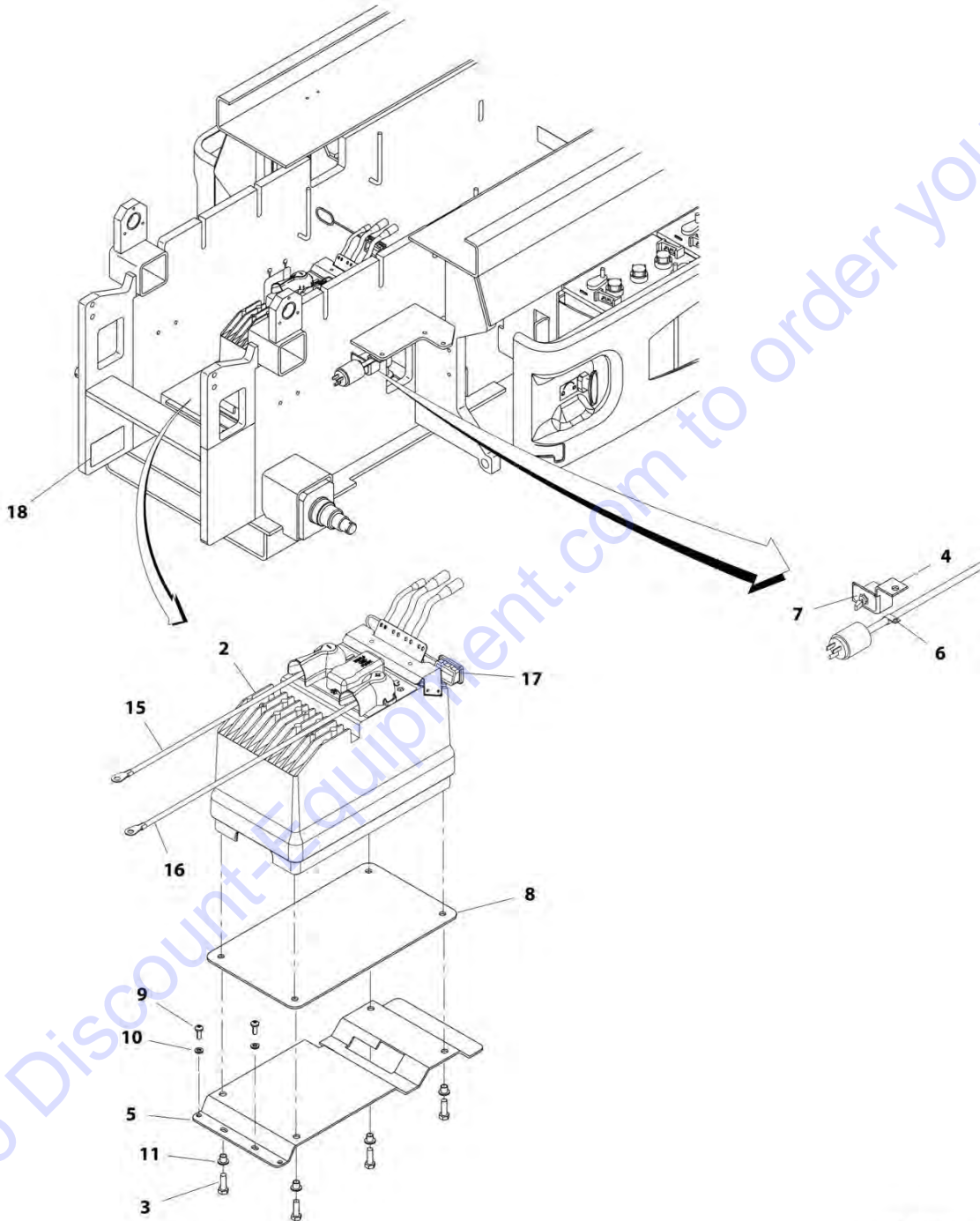
ITEM	PART NUMBER	QTY	DESCRIPTION	REV
	1001177842	Ref	BATTERY CHARGER ASSEMBLY - EAGLE PERFORMANCE	A
1	Not Available	1	Harness with Plug	
2	Not Available	1	Plug, Battery Cable	
3	Not Available	1	Harness	
4	4460424	1	Connector, Female - 2 Position	
4	4460227	2	Pin, Male	
5	4460899	1	Connector, Female - 6 Position	
5	4460464	6	Pin, Male	
6	Not Available	1	Harness with Connector	

Go to Discount-Equipment.com to order your parts



# SECTION 1 - FRAME

FIGURE 1-21. CHARGER (INVERTER) INSTALLATION (ANSI, ANSI EXPORT, CSA SPECS)



ART\_0275104

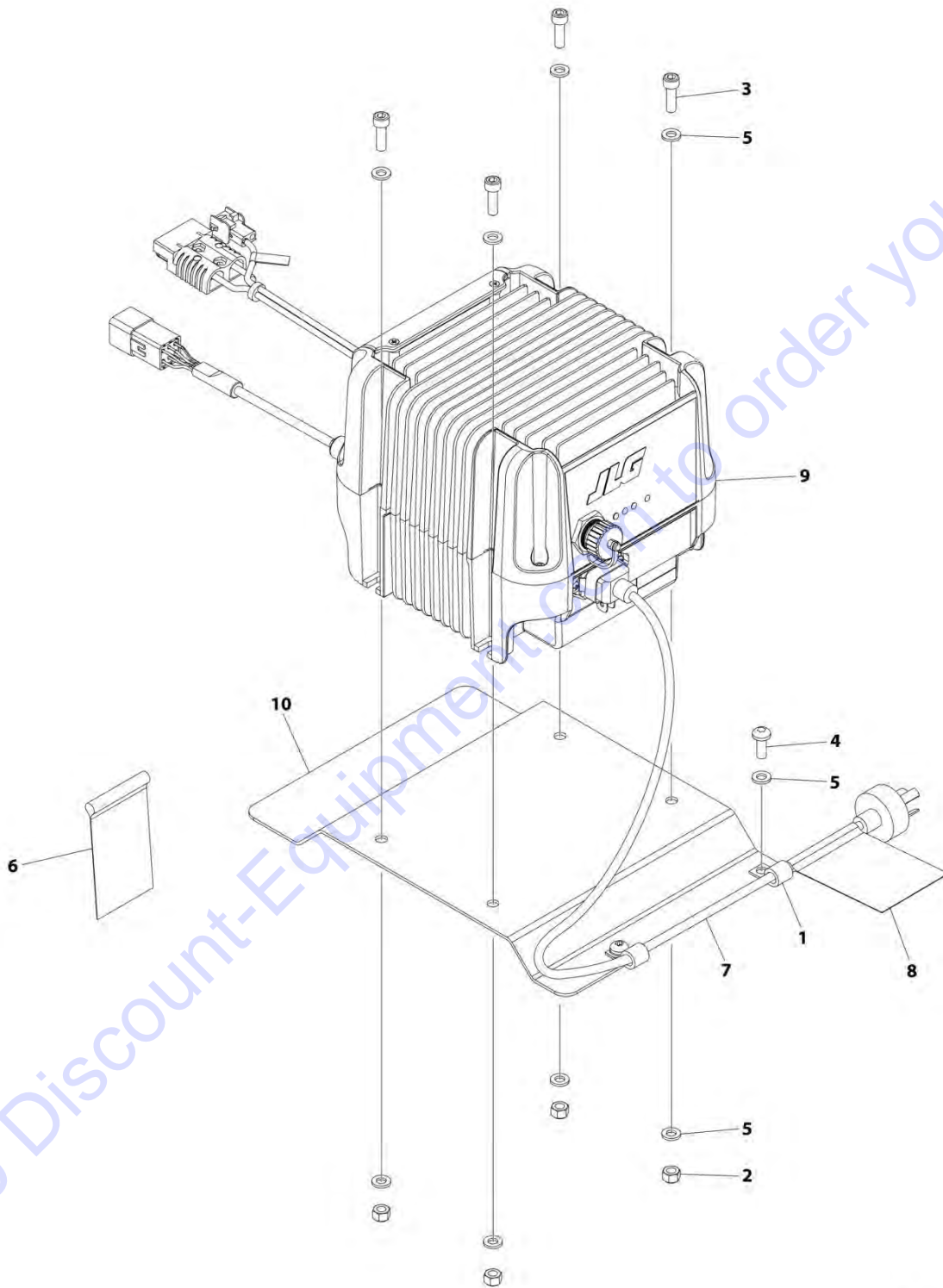
## SECTION 1 - FRAME

**FIGURE 1-21. CHARGER (INVERTER) INSTALLATION (ANSI, ANSI EXPORT, CSA SPECS)**

ITEM	PART NUMBER	QTY	DESCRIPTION	REV
	0275104	Ref	CHARGER (INVERTER) INSTALLATION (ANSI, ANSI EXPORT, CSA SPECS)	G
1	0100011	AR	Compound, Locking	
2	1001093839	1	Charger, Inverter	
3	0760812	4	Screw M8 x 25	
4	0902780	1	Bracket, Remote Switch	
5	0903319	1	Bracket, Inverter Mounting	
6	1320043	1	Clamp	
7	1705052	1	Decal - Inverter On-Off	
8	2820239	1	Insulation	
9	4191707	2	Screw M6 x 16	
10	4811700	2	Washer M6	
11	4740562	4	Washer Special	
12	1001091479	1	Harness, AC Input (Not Shown)	
13	4923390	1	Harness, AC Output (Not Shown)	
14	4923391	1	Harness Data Interface (Not Shown)	
15	4923392	1	Cable, Inverter Positive	
16	4923393	1	Cable, Inverter Negative	
17	1671266	1	Cover	
18	1706749	1	Decal - Inverter	

## SECTION 1 - FRAME

FIGURE 1-22. BATTERY CHARGER INSTALLATION - GREEN POWER (CHINESE PLUG) (CHINESE SPECS) (Prior to SN 0200261035, Prior to SN B200036484, Prior to SN M200007339)



ART\_1001186498

## SECTION 1 - FRAME

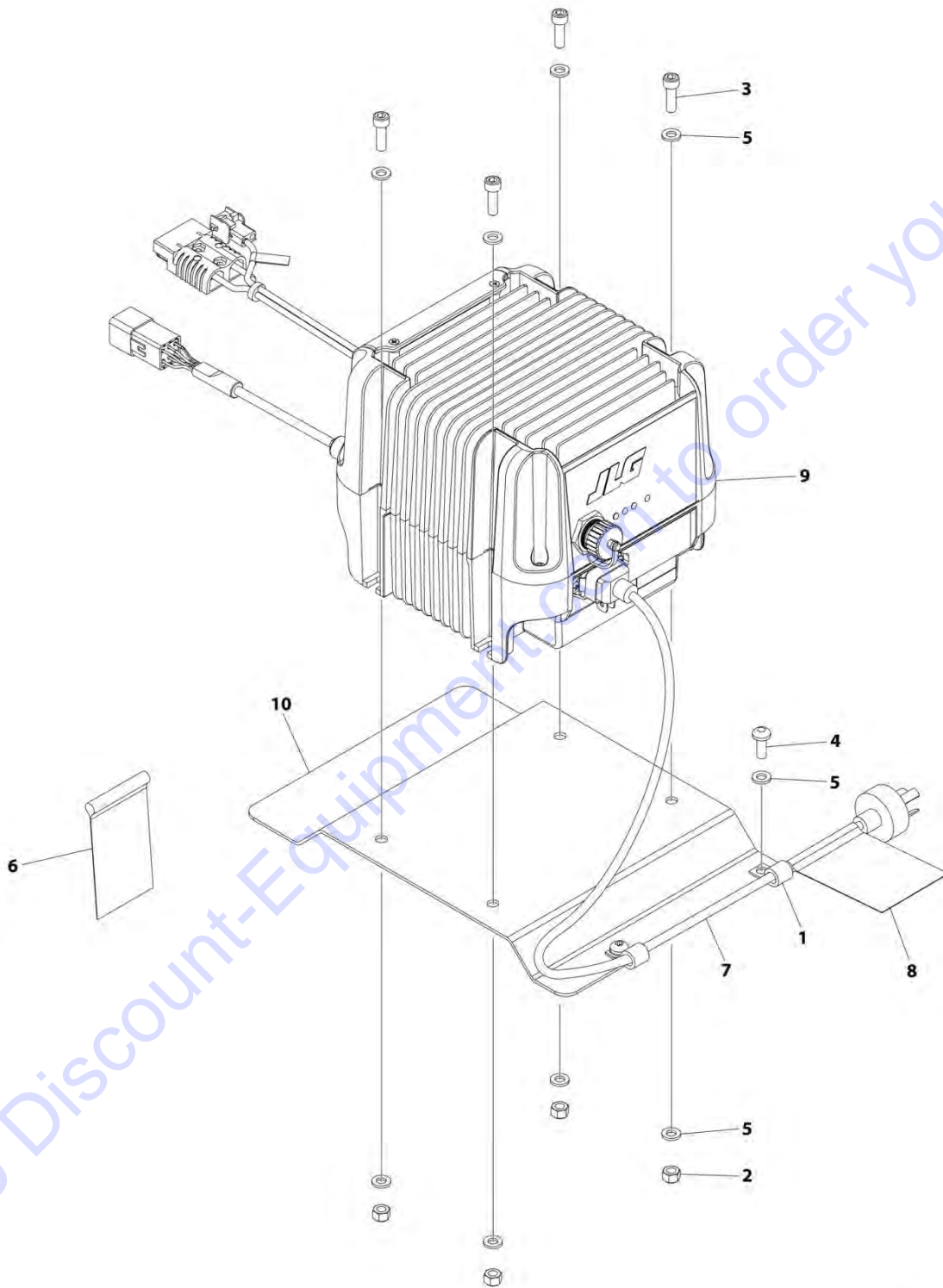
**FIGURE 1-22. BATTERY CHARGER INSTALLATION - GREEN POWER (CHINESE PLUG) (CHINESE SPECS) (Prior to SN 0200261035, Prior to SN B200036484, Prior to SN M200007339)**

ITEM	PART NUMBER	QTY	DESCRIPTION	REV
	1001186498	Ref	BATTERY CHARGER INSTALLATION - GREEN POWER (CHINESE PLUG)	F
1	1321293	2	Clamp	
2	3290605	4	Nut M6	
3	4031708	4	Capscrew M6 x 20	
4	4191707	2	Screw M6 x 16	
5	4811700	10	Washer M6	
6	1001102258	1	Decal - AC to Platform	
7	1001172010	1	Cable, Charger (AC Input)	
8	1001215870	1	Decal - Charger Plug	
9	1001218595	1	Charger, Battery - Green Power	
10	1001218808	1	Bracket	
11	1001112113	1	Sensor, Temperature (Not Shown - Located on Negative Battery Terminal)	

Go to Discount-Equipment.com to order your parts

# SECTION 1 - FRAME

FIGURE 1-23. BATTERY CHARGER INSTALLATION - GREEN POWER (CHINESE PLUG) (CHINESE SPECS)



ART\_1001186498

## SECTION 1 - FRAME

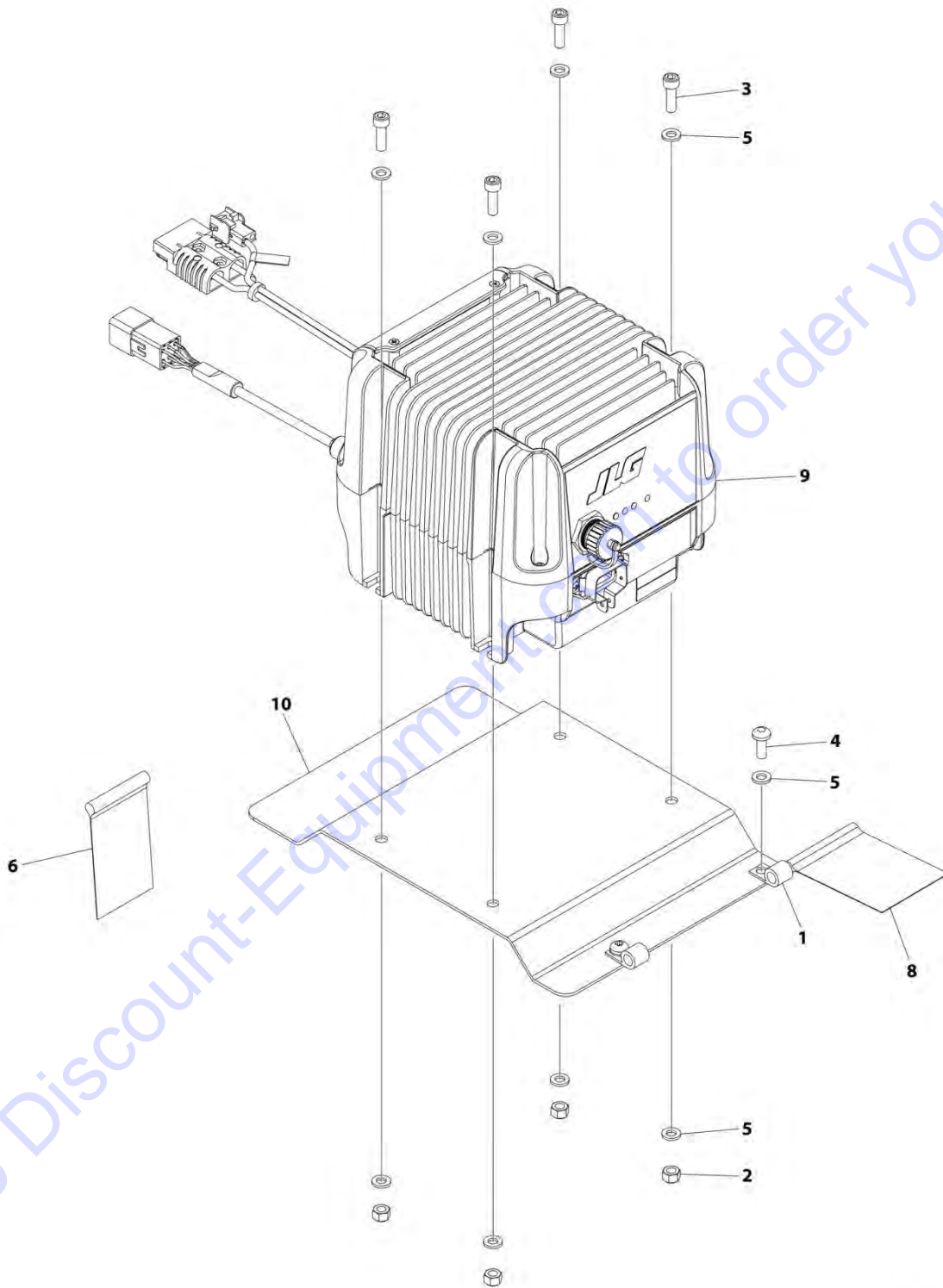
**FIGURE 1-23. BATTERY CHARGER INSTALLATION - GREEN POWER (CHINESE PLUG) (CHINESE SPECS)**

ITEM	PART NUMBER	QTY	DESCRIPTION	REV
	1001186498	Ref	BATTERY CHARGER INSTALLATION - GREEN POWER (CHINESE PLUG)	F
1	1321293	2	Clamp	
2	3290605	4	Nut M6	
3	4031708	4	Capscrew M6 x 20	
4	4191707	2	Screw M6 x 16	
5	4811700	10	Washer M6	
6	1001102258	1	Decal - AC to Platform	
7	1001172010	1	Cable, Charger (AC Input)	
8	1001215870	1	Decal - Charger Plug	
9	1001218595	1	Charger, Battery - Green Power	
10	1001218808	1	Bracket	
11	1001112113	1	Sensor, Temperature (Not Shown - Located on Negative Battery Terminal)	

Go to Discount-Equipment.com to order your parts

# SECTION 1 - FRAME

FIGURE 1-24. BATTERY CHARGER INSTALLATION - GREEN POWER (LOCALLY SUPPLIED PLUG)  
(KOREA SPECS)



ART\_1001245319

## SECTION 1 - FRAME

**FIGURE 1-24. BATTERY CHARGER INSTALLATION - GREEN POWER (LOCALLY SUPPLIED PLUG)  
(KOREA SPECS)**

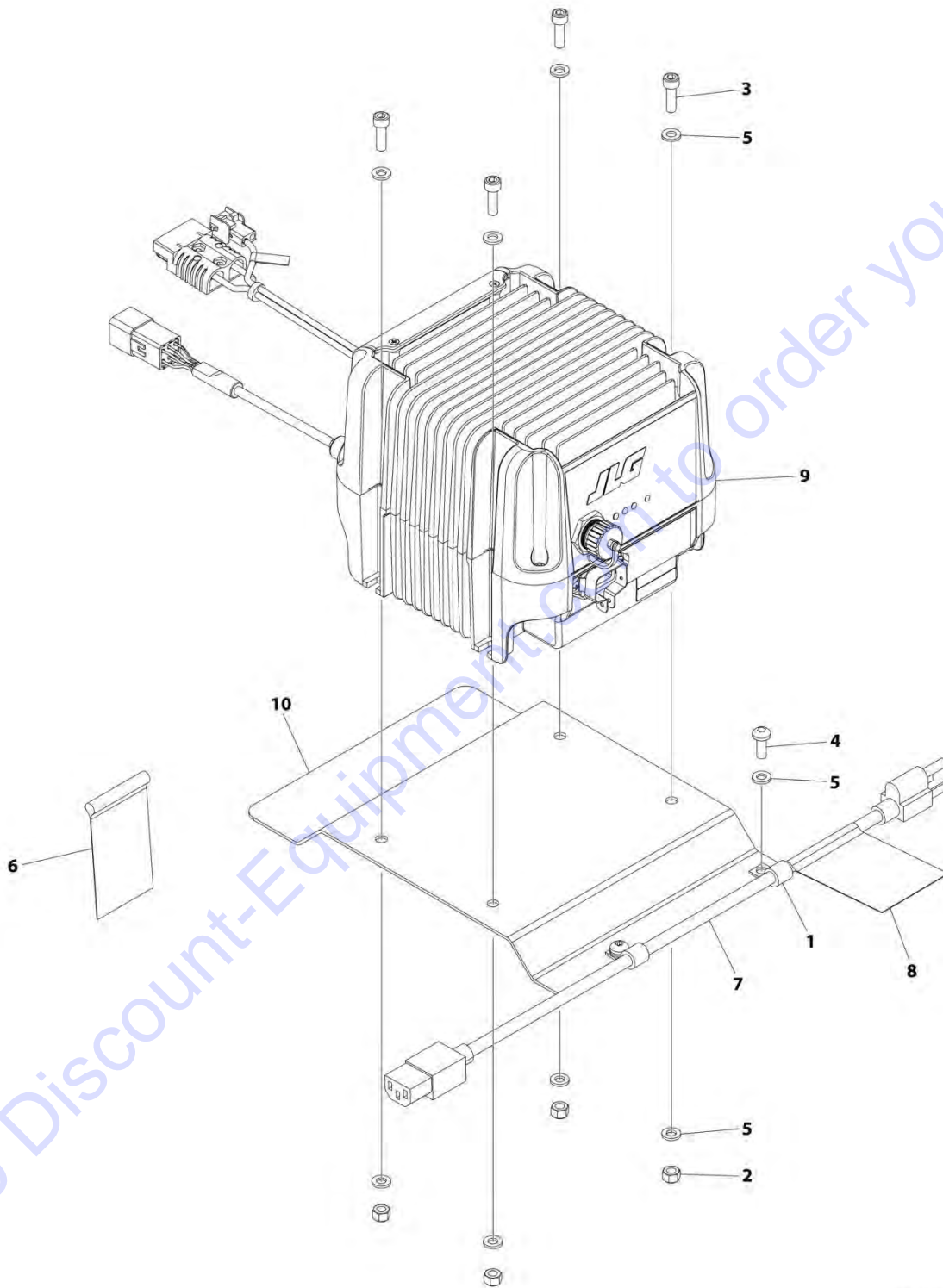
ITEM	PART NUMBER	QTY	DESCRIPTION	REV
	1001245319	Ref	BATTERY CHARGER INSTALLATION - GREEN POWER (LOCALLY SUPPLIED PLUG)	A
1	1321293	2	Clamp	
2	3290605	4	Nut M6	
3	4031708	4	Capscrew M6 x 20	
4	4191707	2	Screw M6 x 16	
5	4811700	10	Washer M6	
6	1001102258	1	Decal - AC to Platform	
7	1001112113	1	Sensor, Temperature (Not Shown - Located on Negative Battery Terminal)	
8	1001215870	1	Decal - Charger Plug	
9	1001218595	1	Charger, Battery - Green Power	
10	1001218808	1	Bracket	

Go to Discount-Equipment.com to order your parts



# SECTION 1 - FRAME

FIGURE 1-25. BATTERY CHARGER INSTALLATION - GREEN POWER (110V PLUG) (JAPANESE SPECS)



ART\_1001244948

## SECTION 1 - FRAME

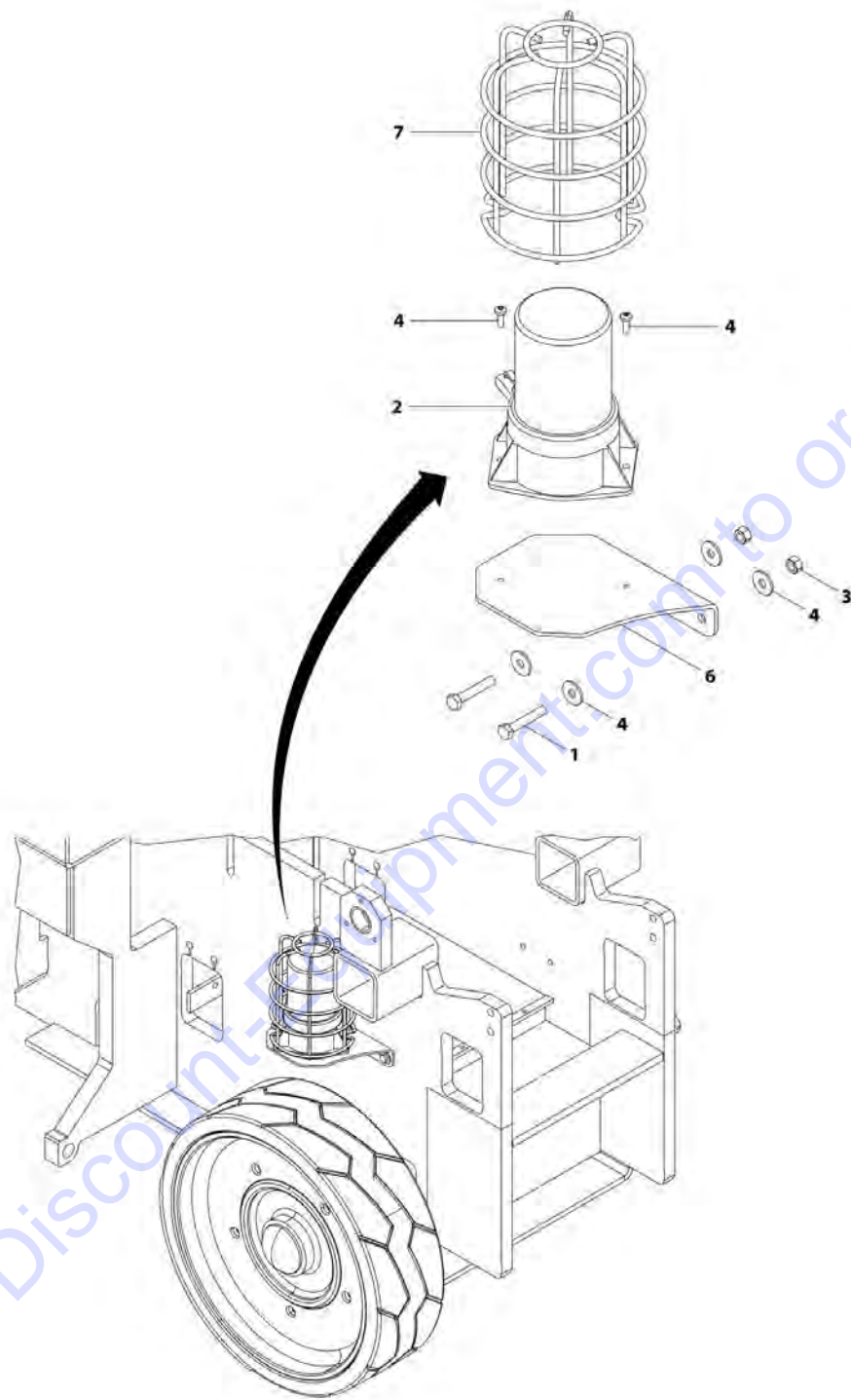
**FIGURE 1-25. BATTERY CHARGER INSTALLATION - GREEN POWER (110V PLUG) (JAPANESE SPECS)**

ITEM	PART NUMBER	QTY	DESCRIPTION	REV
	1001244948	Ref	BATTERY CHARGER INSTALLATION - GREEN POWER (110V PLUG)	A
1	1321293	2	Clamp	
2	3290605	4	Nut M6	
3	4031708	4	Capscrew M6 x 20	
4	4031707	2	Capscrew M6 x 16	
5	4811700	10	Washer M6	
6	1001102258	1	Decal - AC to Platform	
7	1001103257	1	Cable, Charger (AC Input)	
8	1001215870	1	Decal - Charger Plug	
9	1001218595	1	Charger, Battery - Green Power	
10	1001218808	1	Bracket	
11	1001112113	1	Sensor, Temperature (Not Shown - Located on Negative Battery Terminal)	

Go to Discount-Equipment.com to order your parts

# SECTION 1 - FRAME

FIGURE 1-26. BEACON (AMBER) LIGHT INSTALLATION (OPTIONAL)



ART. 1001175108

## SECTION 1 - FRAME

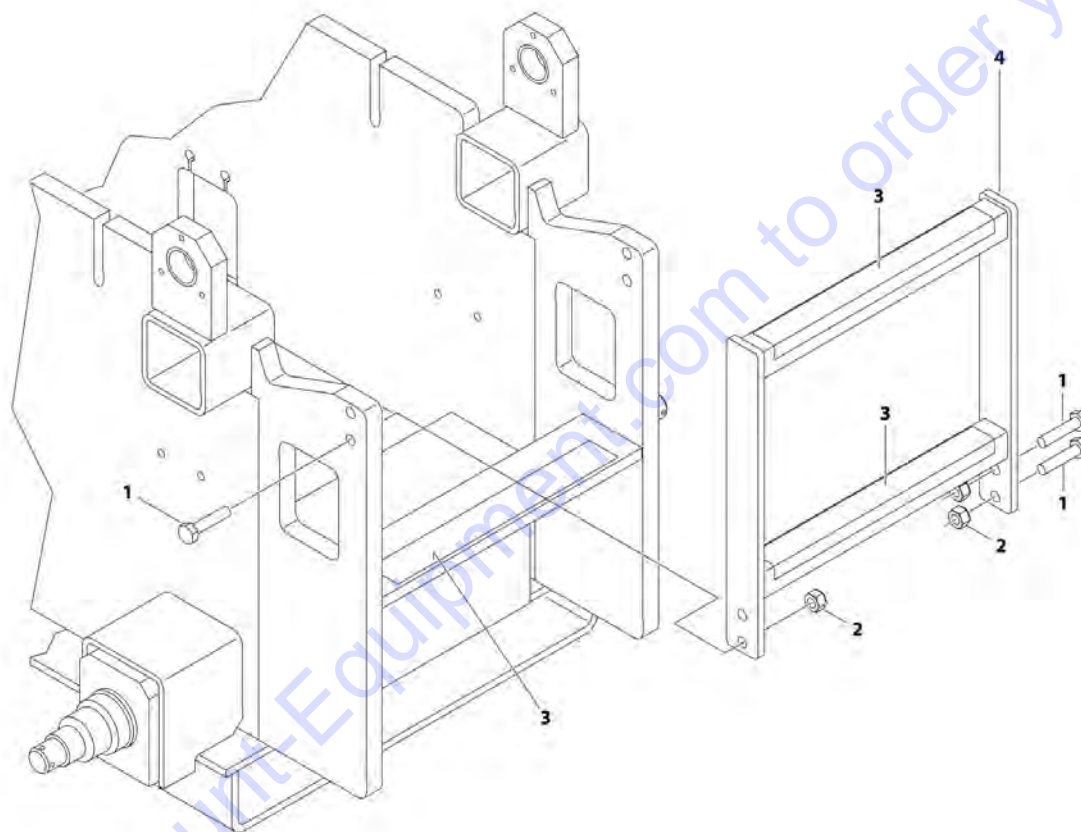
**FIGURE 1-26. BEACON (AMBER) LIGHT INSTALLATION (OPTIONAL)**

ITEM	PART NUMBER	QTY	DESCRIPTION	REV
	1001175198	Ref	BEACON (AMBER) LIGHT INSTALLATION (OPTIONAL)	A
		Ref	Note: See SPECIAL OPTIONS SECTION for Machines with 2 Beacon Lights.	
1	0700615	2	Bolt M6 x 35	
2	2920161	1	Light, Beacon	
2	7016319	1	Bulb	
2	7016372	1	Lens	
3	3290605	2	Nut M6	
4	4191406	2	Screw M4 x 12	
5	4811702	4	Washer M6	
6	1001175598	1	Mount	
7	4060865	1	Guard	

Go to Discount-Equipment.com to order your parts

# SECTION 1 - FRAME

## FIGURE 1-27. LADDER INSTALLATION - 2032ES



ART\_100177415

## SECTION 1 - FRAME

**FIGURE 1-27. LADDER INSTALLATION - 2032ES**

ITEM	PART NUMBER	QTY	DESCRIPTION	REV
	1001177415	Ref	LADDER INSTALLATION - 2032ES	D
1	0701017	4	Bolt M10 x 45	
2	3291005	4	Nut M10	
3	4420070	AR	Tape, Anti-Skid ( <b>Prior to SN 0200252837, Prior to SN B200027898, Prior to SN M200000819</b> )	
3	1001206758	3	Tape, Anti-Skid ( <b>SN 0200252837 to Present, SN 1200025021 to Present, SN B200027898 to Present, SN M200000819 to Present</b> )	
4	1001177465	1	Ladder	

Go to Discount-Equipment.com to order your parts

# PARTS FINDER

**Search Website  
by Part Number**



**Search Manual  
Library For Parts  
Manual & Lookup Part  
Numbers – Purchase  
or Request Quote**

**Can't Find Part or  
Manual? Request Help  
by Manufacturer,  
Model & Description**

Discount-Equipment.com is your online resource for quality parts & equipment.

Florida: **561-964-4949** Outside Florida TOLL FREE: **877-690-3101**

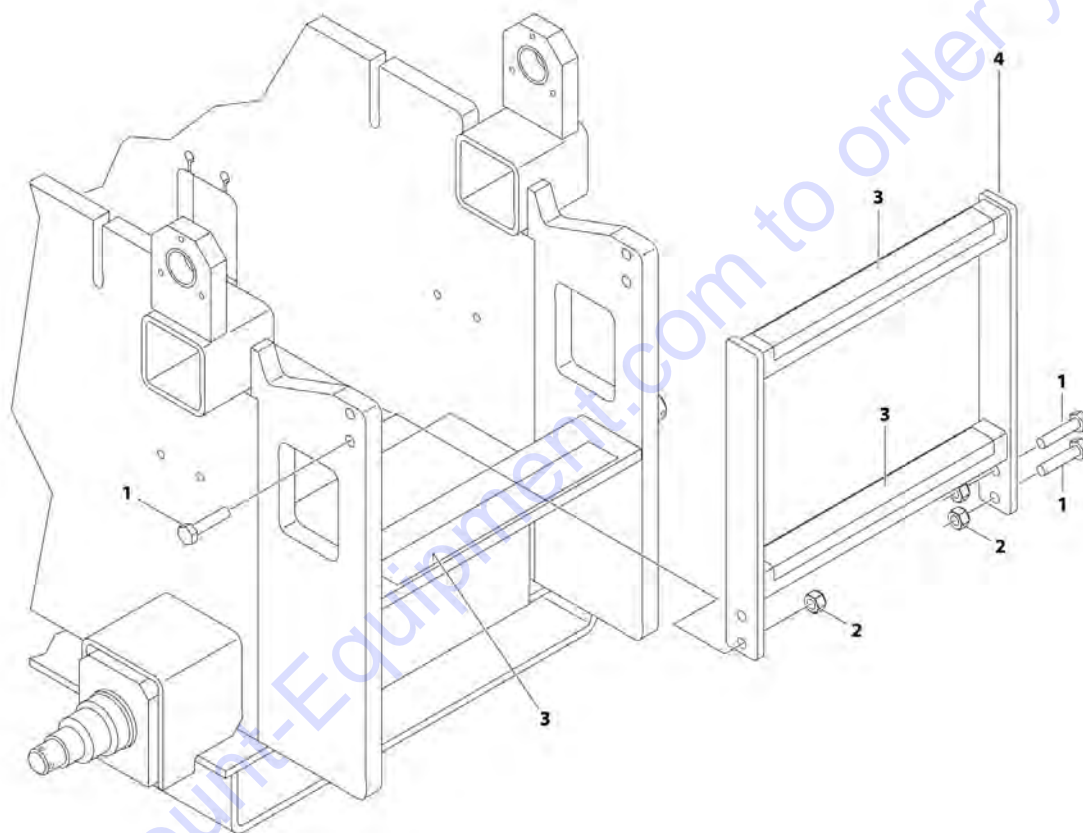
## Need parts?

Click on this link: <http://www.discount-equipment.com/category/5443-parts/> and choose one of the options to help get the right parts and equipment you are looking for. Please have the machine model and serial number available in order to help us get you the correct parts. If you don't find the part on the website or on one of the online manuals, please fill out the request form and one of our experienced staff members will get back to you with a quote for the right part that your machine needs.

We sell worldwide for the brands: Genie, Terex, JLG, MultiQuip, Mikasa, Essick, Whiteman, Mayco, Toro Stone, Diamond Products, Generac Magnum, Airman, Haulotte, Barreto, Power Blanket, Nifty Lift, Atlas Copco, Chicago Pneumatic, Allmand, Miller Curber, Skyjack, Lull, Skytrak, Tsurumi, Husquvarna Target, Stow, Wacker, Sakai, Mi-T-M, Sullair, Basic, Dynapac, MBW, Weber, Bartell, Bennar Newman, Haulotte, Ditch Runner, Menegotti, Morrison, Contec, Buddy, Crown, Edco, Wyco, Bomag, Laymor, EZ Trench, Bil-Jax, F.S. Curtis, Gehl Pavers, Heli, Honda, ICS/PowerGrit, IHI, Partner, Imer, Clipper, MMD, Koshin, Rice, CH&E, General Equipment, Amida, Coleman, NAC, Gradall, Square Shooter, Kent, Stanley, Tamco, Toku, Hatz, Kohler, Robin, Wisconsin, Northrock, Oztec, Toker TK, Rol-Air, APT, Wylie, Ingersoll Rand / Doosan, Innovatech, Con X, Ammann, Mecalac, Makinex, Smith Surface Prep, Small Line, Wanco, Yanmar

# SECTION 1 - FRAME

FIGURE 1-28. LADDER INSTALLATION - 2632ES



ART. 1001178028



## SECTION 1 - FRAME

**FIGURE 1-28. LADDER INSTALLATION - 2632ES**

ITEM	PART NUMBER	QTY	DESCRIPTION	REV
	1001178028	Ref	LADDER INSTALLATION - 2632ES	D
1	0701017	4	Bolt M10 x 45	
2	3291005	4	Nut M10	
3	4420070	AR	Tape, Anti-Skid ( <b>Prior to SN 0200252837, Prior to SN B200027898, Prior to SN M200000819</b> )	
3	1001206758	3	Tape, Anti-Skid ( <b>SN 0200252837 to Present, SN 1200025021 to Present, SN B200027898 to Present, SN M200000819 to Present</b> )	
4	1001178026	1	Ladder	

Go to Discount-Equipment.com to order your parts

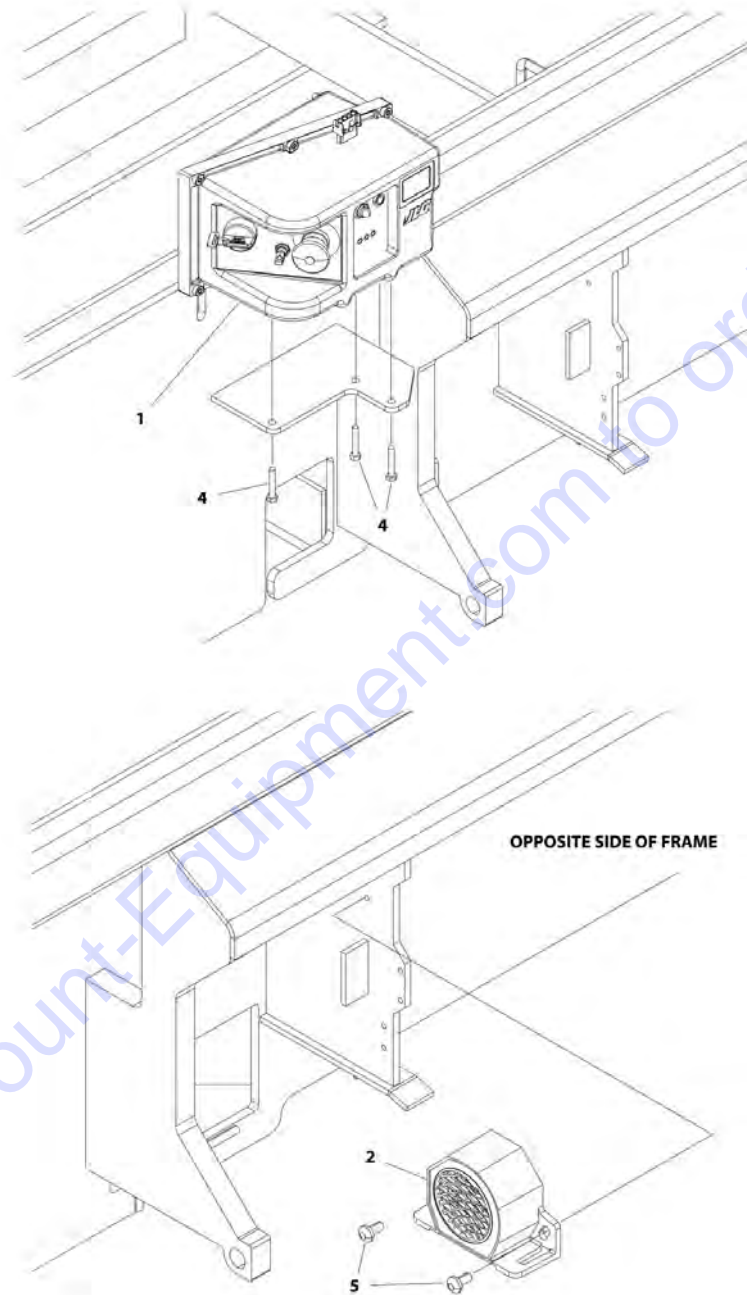


**SECTION 2 - GROUND COMPONENTS**

Go to Discount-Equipment.com to order your parts

## SECTION 2 - GROUND COMPONENTS

FIGURE 2-1. GROUND CONTROL BOX/ALARM INSTALLATION - NO LSS (SN 020000001 to Present, SN B200023312 to Present, SN M200000100 to Present)



ART\_1001166823

## SECTION 2 - GROUND COMPONENTS

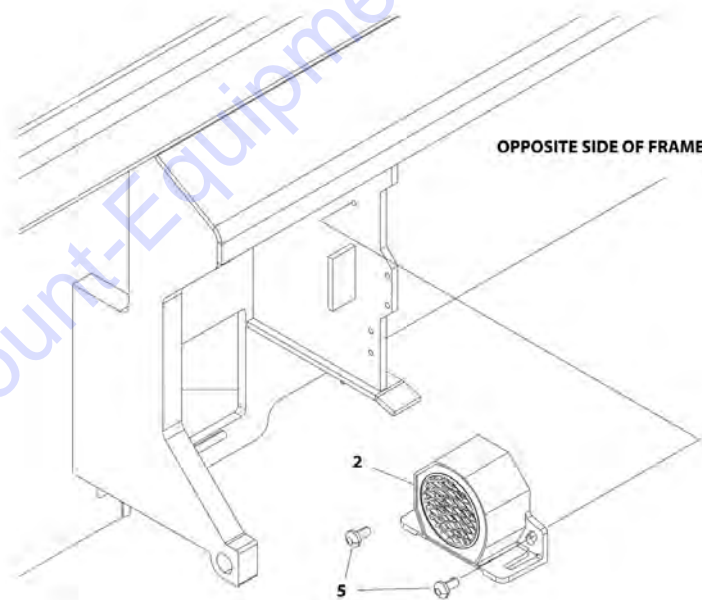
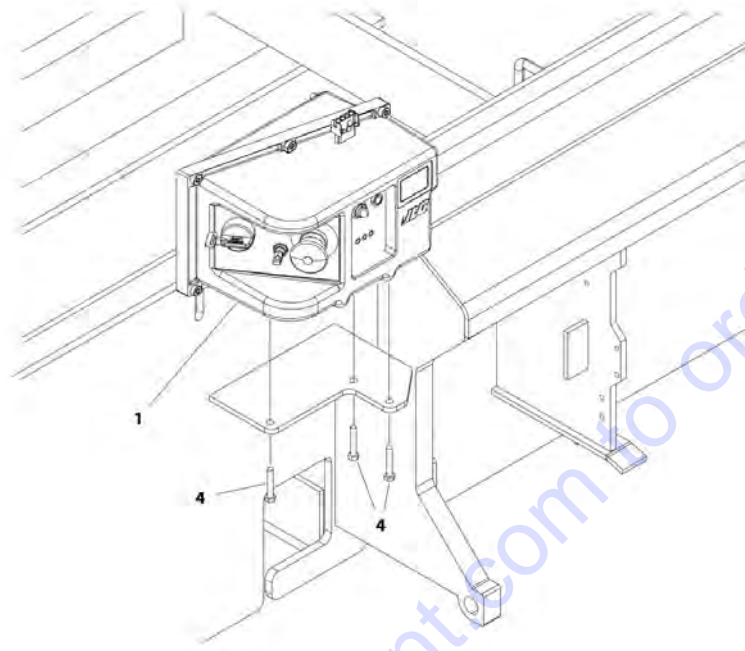
**FIGURE 2-1. GROUND CONTROL BOX/ALARM INSTALLATION - NO LSS (SN 020000001 to Present, SN B200023312 to Present, SN M200000100 to Present)**

ITEM	PART NUMBER	QTY	DESCRIPTION	REV
	1001166823	Ref	GROUND CONTROL BOX/ALARM INSTALLATION - NO LSS (SN 020000001 to Present, SN B200023312 to Present, SN M200000100 to Present)  Note: Standard Alarm located on LH side of operators position on machine. Optional Alarms are located on the RH side of operators position on machines. For optional alarm components, See SPECIAL OPTIONS Section.	B
		Ref		
1	1001166194	1	Ground Control Box Assembly (See GROUND CONTROL BOX ASSEMBLY - NO LSS for Breakdown)	
2	0140043	1	Alarm	
2	4460536	1	Receptacle, Female - 3 Position	
2	4460464	3	Pin, Male	
4	0700615	3	Bolt M6 x 35	
5	4191706	2	Screw M6 x 12	

Go to Discount-Equipment.com to order your parts

## SECTION 2 - GROUND COMPONENTS

FIGURE 2-2. GROUND CONTROL BOX/ALARM INSTALLATION - NO LSS (SN B200000100 through B200023311)



ART\_100114885

## SECTION 2 - GROUND COMPONENTS

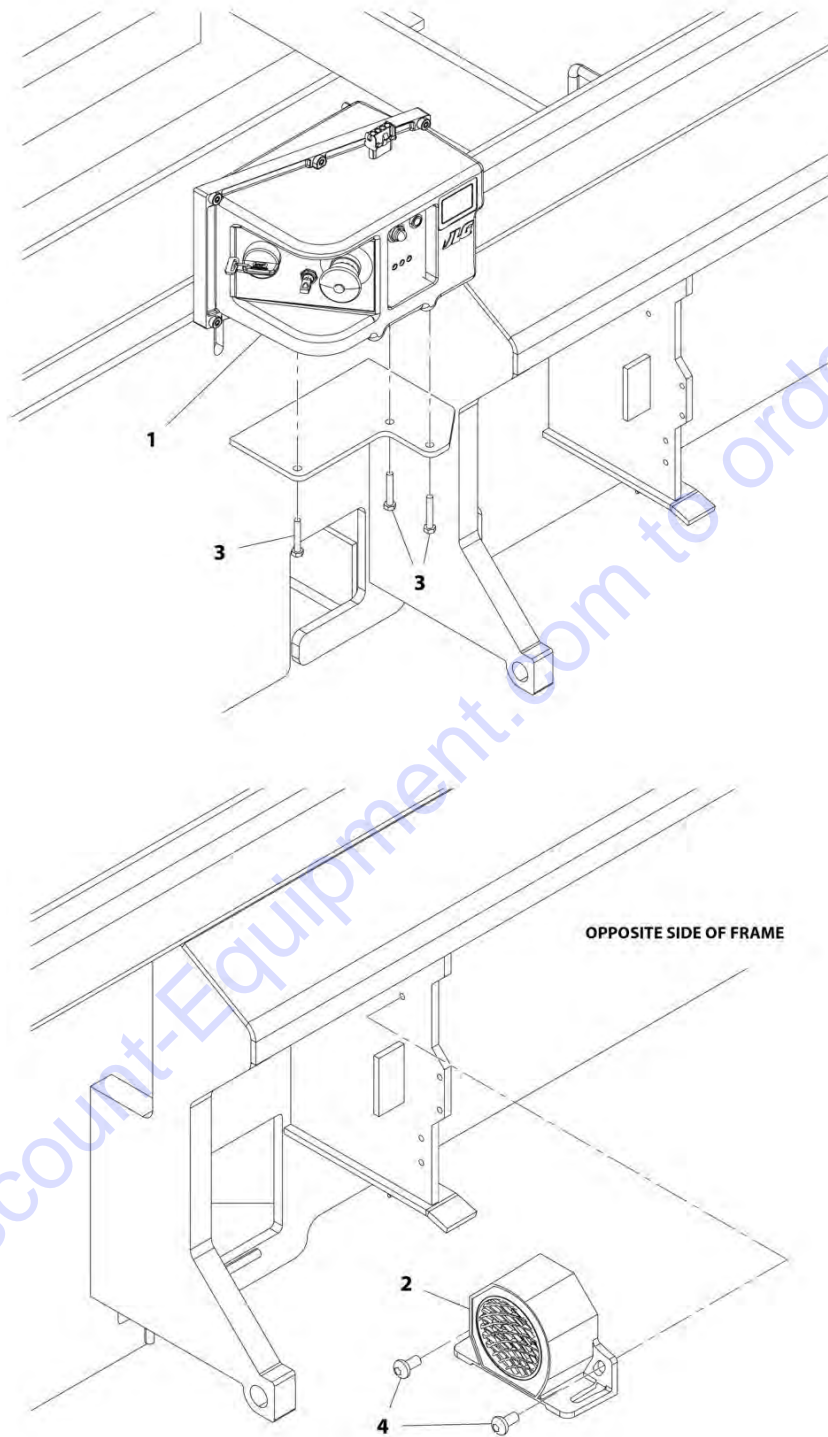
**FIGURE 2-2. GROUND CONTROL BOX/ALARM INSTALLATION - NO LSS (SN B200000100 through B200023311)**

ITEM	PART NUMBER	QTY	DESCRIPTION	REV
	1001114885	Ref	GROUND CONTROL BOX/ALARM INSTALLATION - NO LSS (SN <b>B200000100 through B200023311</b> )  Note: Standard Alarm located on LH side of operators position on machine. Optional Alarms are located on the RH side of operators position on machines. For optional alarm components, See SPECIAL OPTIONS Section.	A
		Ref		
1	1001114929	1	Ground Control Box Assembly (See GROUND CONTROL BOX ASSEMBLY - NO LSS for Breakdown)	
2	0140043	1	Alarm	
2	4460536	1	Receptacle, Female - 3 Position	
2	4460464	3	Pin, Male	
4	0700615	3	Bolt M6 x 35	
5	4191706	2	Screw M6 x 12	

Go to Discount-Equipment.com to order your parts

## SECTION 2 - GROUND COMPONENTS

FIGURE 2-3. GROUND CONTROL BOX/ALARM INSTALLATION - LSS (ALL SPECS EXCEPT CE SPEC) (SN 020000001 to Present, SN B200023312 to Present, SN M200000100 to Present)



ART\_1001166828



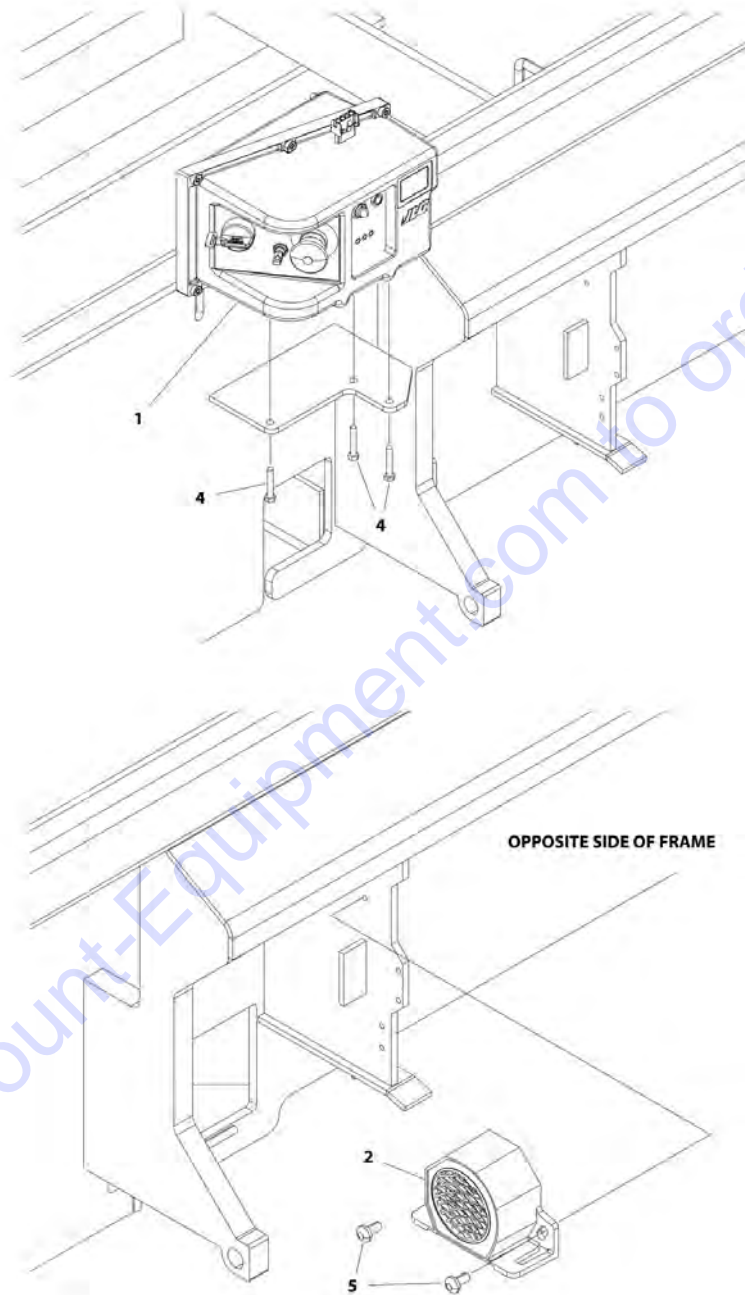
## SECTION 2 - GROUND COMPONENTS

**FIGURE 2-3. GROUND CONTROL BOX/ALARM INSTALLATION - LSS (ALL SPECS EXCEPT CE SPEC) (SN 0200000001 to Present, SN B200023312 to Present, SN M200000100 to Present)**

ITEM	PART NUMBER	QTY	DESCRIPTION	REV
	1001166828	Ref	GROUND CONTROL BOX/ALARM INSTALLATION - LSS (ALL SPECS EXCEPT CE SPEC) (SN 0200000001 to Present, SN B200023312 to Present, SN M200000100 to Present)  Note: Standard Alarm located on LH side of operators position on machine. Optional Alarms are located on the RH side of operators position on machines. For optional alarm components, See SPECIAL OPTIONS Section.	B
		Ref		
1	1001166197	1	Ground Control Box Assembly (See GROUND CONTROL BOX ASSEMBLY - LSS (ALL SPECS EXCEPT CE SPEC) for Breakdown)	
2	0140043	1	Alarm	
2	4460536	1	Receptacle - Female - 3 Position	
2	4460464	3	Pin, Male	
3	0700615	3	Bolt M6 x 35	
4	4191706	2	Screw M6 x 12	

## SECTION 2 - GROUND COMPONENTS

FIGURE 2-4. GROUND CONTROL BOX/ALARM INSTALLATION - LSS (ALL SPECS EXCEPT CE SPEC) (SN B200000100 through B200023311)



ART\_100114886

## SECTION 2 - GROUND COMPONENTS

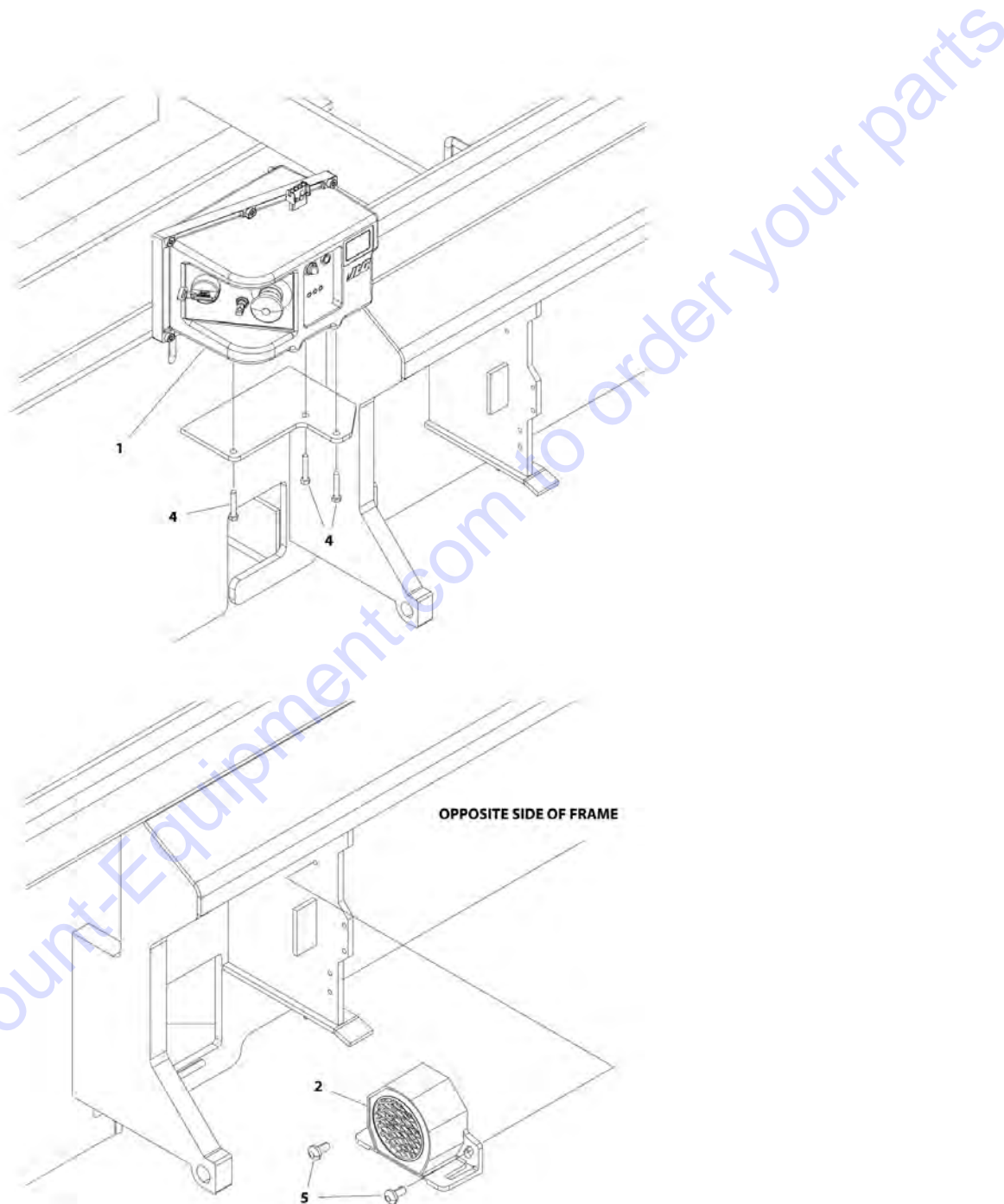
**FIGURE 2-4. GROUND CONTROL BOX/ALARM INSTALLATION - LSS (ALL SPECS EXCEPT CE SPEC) (SN B200000100 through B200023311)**

ITEM	PART NUMBER	QTY	DESCRIPTION	REV
	1001114886	Ref	GROUND CONTROL BOX/ALARM INSTALLATION - LSS (ALL SPECS EXCEPT CE SPEC) (SN B200000100 through B200023311)  Note: Standard Alarm located on LH side of operators position on machine. Optional Alarms are located on the RH side of operators position on machines. For optional alarm components, See SPECIAL OPTIONS Section.	A
		Ref		
1	1001114932	1	Ground Control Box Assembly (See GROUND CONTROL BOX ASSEMBLY - LSS (ALL SPECS EXCEPT CE SPEC) for Breakdown)	
2	0140043	1	Alarm	
2	4460536	1	Receptacle, Female - 3 Position	
2	4460464	3	Pin, Male	
4	0700615	3	Bolt M6 x 35	
5	4191706	2	Screw M6 x 12	

Go to Discount-Equipment.com to order your parts

## SECTION 2 - GROUND COMPONENTS

FIGURE 2-5. GROUND CONTROL BOX/ALARM INSTALLATION - LSS (CE SPEC) (SN 020000001 through 0200241828)



ART\_1001166825

## SECTION 2 - GROUND COMPONENTS

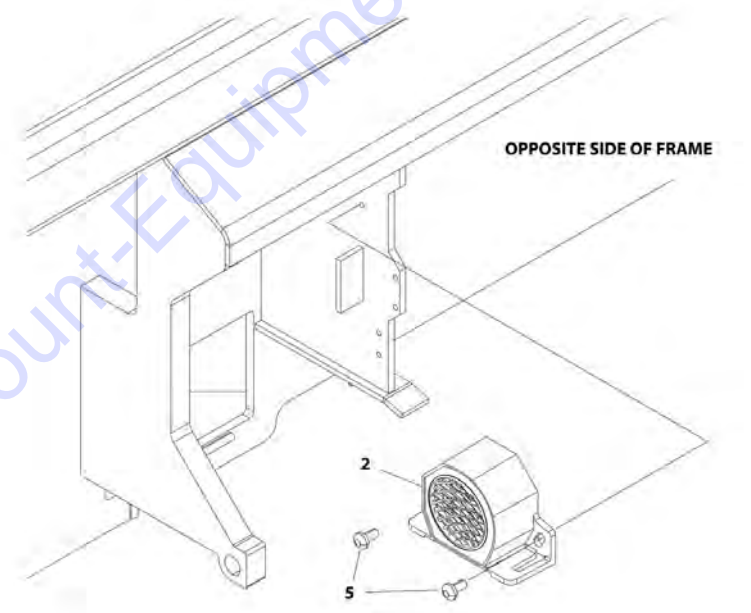
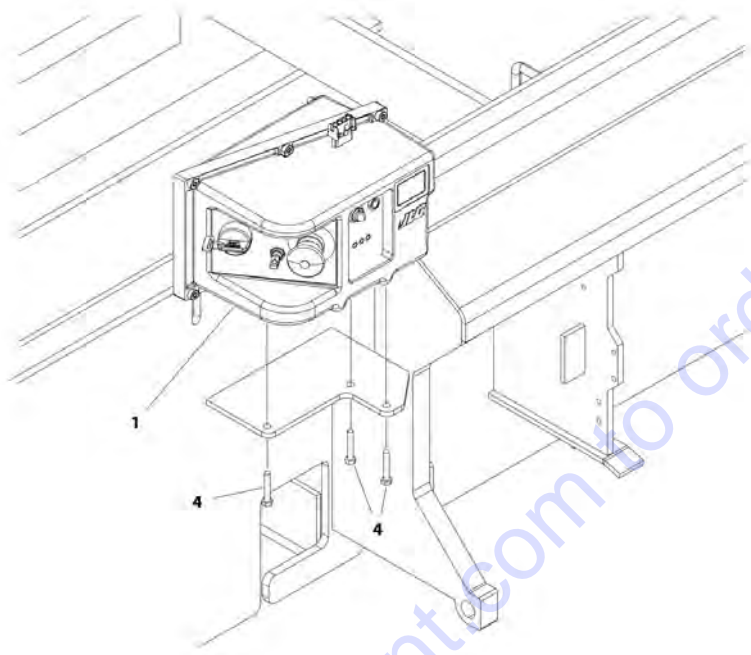
**FIGURE 2-5. GROUND CONTROL BOX/ALARM INSTALLATION - LSS (CE SPEC) (SN 0200000001 through 0200241828)**

ITEM	PART NUMBER	QTY	DESCRIPTION	REV
	1001166825	Ref	GROUND CONTROL BOX/ALARM INSTALLATION - LSS (CE SPEC) (SN 0200000001 through 0200241828)	B
		Ref	Note: Standard Alarm located on LH side of operators position on machine. Optional Alarms are located on the RH side of operators position on machines. For optional alarm components, See SPECIAL OPTIONS Section.	
1	1001166195	1	Ground Control Box Assembly (See GROUND CONTROL BOX ASSEMBLY - LSS (CE SPECS) for Breakdown)	
2	0140043	1	Alarm	
2	4460536	1	Receptacle, Female - 3 Position	
2	4460464	3	Pin, Male	
4	0700615	3	Bolt M6 x 35	
5	4191706	2	Screw M6 x 12	

Go to Discount-Equipment.com to order your parts

## SECTION 2 - GROUND COMPONENTS

FIGURE 2-6. GROUND CONTROL BOX/ALARM INSTALLATION - LSS (CE SPEC) (SN B200000100 through B200021650)



ART\_100114925

## SECTION 2 - GROUND COMPONENTS

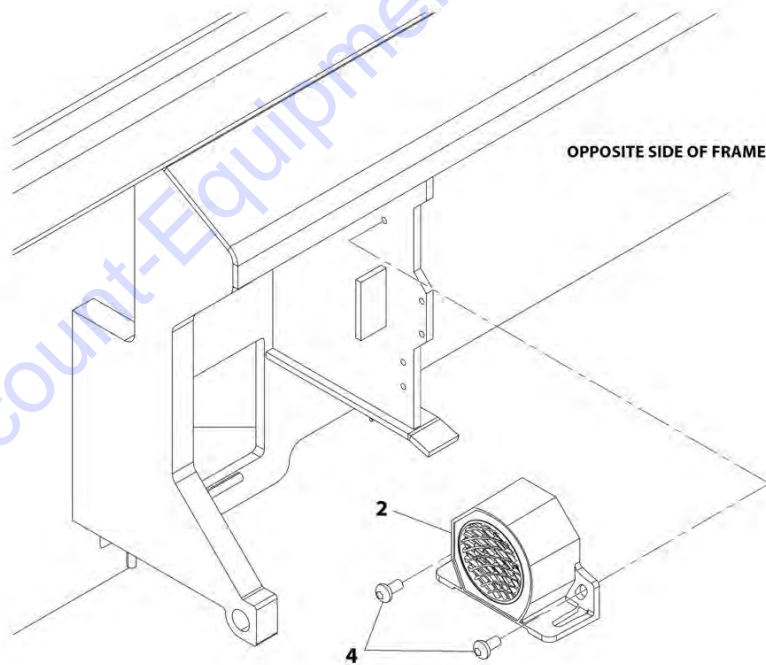
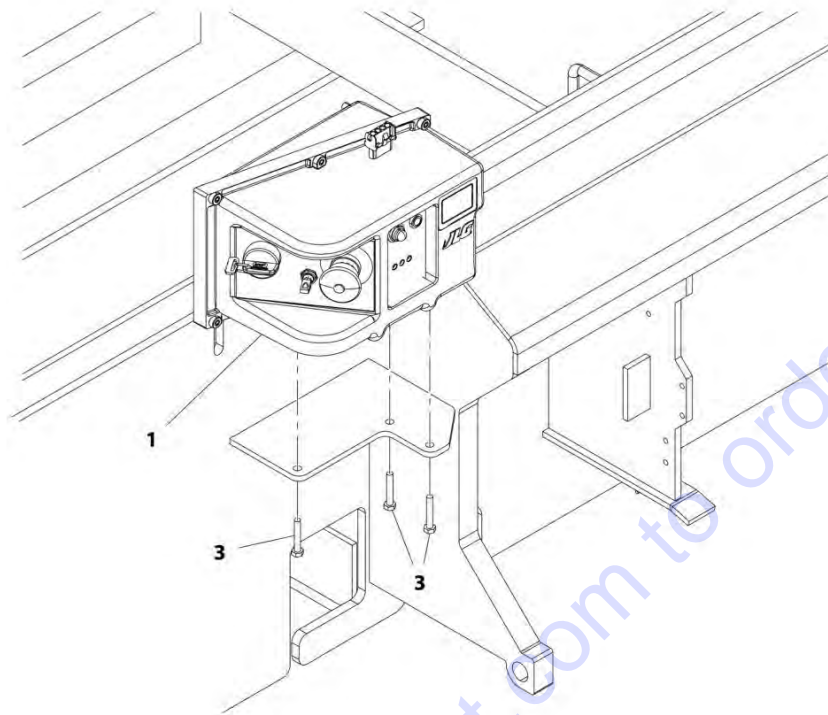
**FIGURE 2-6. GROUND CONTROL BOX/ALARM INSTALLATION - LSS (CE SPEC) (SN B200000100 through B200021650)**

ITEM	PART NUMBER	QTY	DESCRIPTION	REV
	1001114925	Ref	GROUND CONTROL BOX/ALARM INSTALLATION - LSS (CE SPEC) (SN B200000100 through B200021650)	A
		Ref	Note: Standard Alarm located on LH side of operators position on machine. Optional Alarms are located on the RH side of operators position on machines. For optional alarm components, See SPECIAL OPTIONS Section.	
1	1001114930	1	Ground Control Box Assembly (See GROUND CONTROL BOX ASSEMBLY - LSS (CE SPECS) for Breakdown)	
2	0140043	1	Alarm	
2	4460536	1	Receptacle, Female - 3 Position	
2	4460464	3	Pin, Male	
4	0700615	3	Bolt M6 x 35	
5	4191706	2	Screw M6 x 12	

Go to Discount-Equipment.com to order your parts

## SECTION 2 - GROUND COMPONENTS

FIGURE 2-7. GROUND CONTROL BOX/ALARM INSTALLATION - LSS (CE SPECS) (SN 0200241829 to Present, SN B200021651 to Present, SN M200000100 to Present)



ART\_1001166828



## SECTION 2 - GROUND COMPONENTS

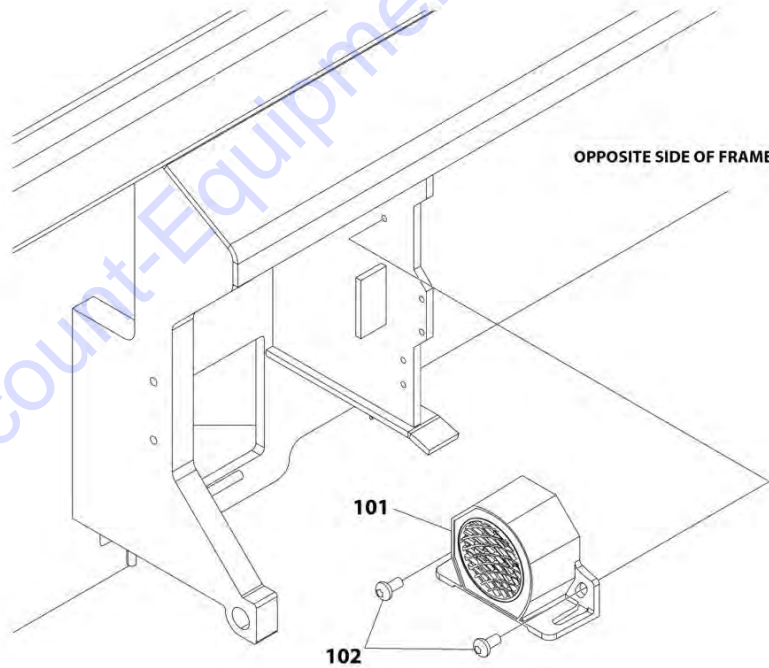
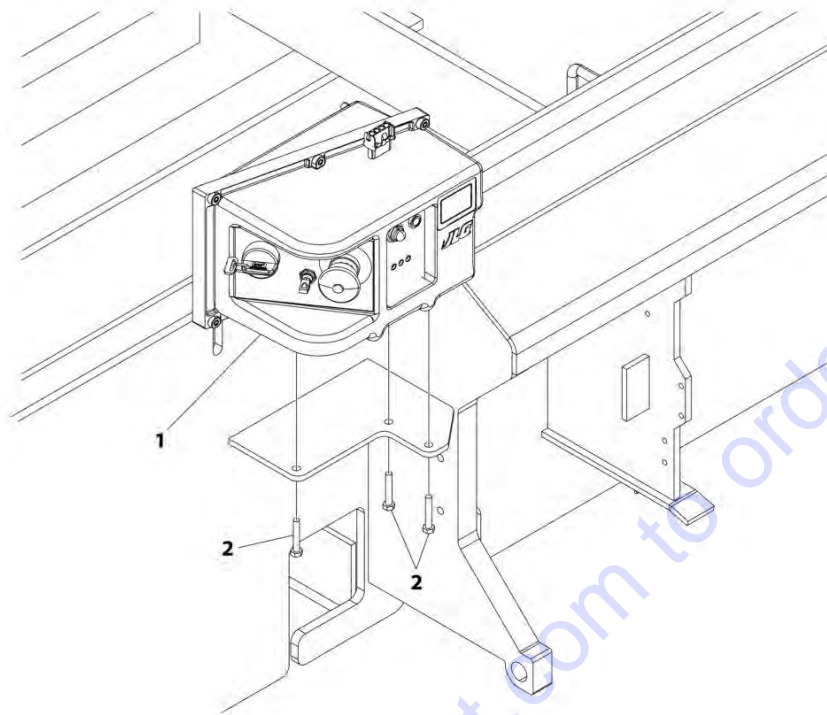
**FIGURE 2-7. GROUND CONTROL BOX/ALARM INSTALLATION - LSS (CE SPECS) (SN 0200241829 to Present, SN B200021651 to Present, SN M200000100 to Present)**

ITEM	PART NUMBER	QTY	DESCRIPTION	REV
	1001166828	Ref	GROUND CONTROL BOX/ALARM INSTALLATION - LSS (CE SPECS) (SN 0200241829 to Present, SN B200021651 to Present, SN M200000100 to Present)  Note: Standard Alarm located on LH side of operators position on machine. Optional Alarms are located on the RH side of operators position on machines. For optional alarm components, See SPECIAL OPTIONS Section.	B
		Ref		
1	1001166197	1	Ground Control Box Assembly (See GROUND CONTROL BOX ASSEMBLY - LSS (CE SPECS) for Breakdown)	
2	0140043	1	Alarm	
2	4460536	1	Receptacle, Female - 3 Position	
2	4460464	3	Pin, Male	
3	0700615	3	Bolt M6 x 35	
4	4191706	2	Screw M6 x 12	

Go to Discount-Equipment.com to order your parts

## SECTION 2 - GROUND COMPONENTS

FIGURE 2-8. GROUND CONTROL BOX/ALARM INSTALLATION - LSS (CE SPECS) (SN 1200025021 to Present)



ART\_1001215247

## SECTION 2 - GROUND COMPONENTS

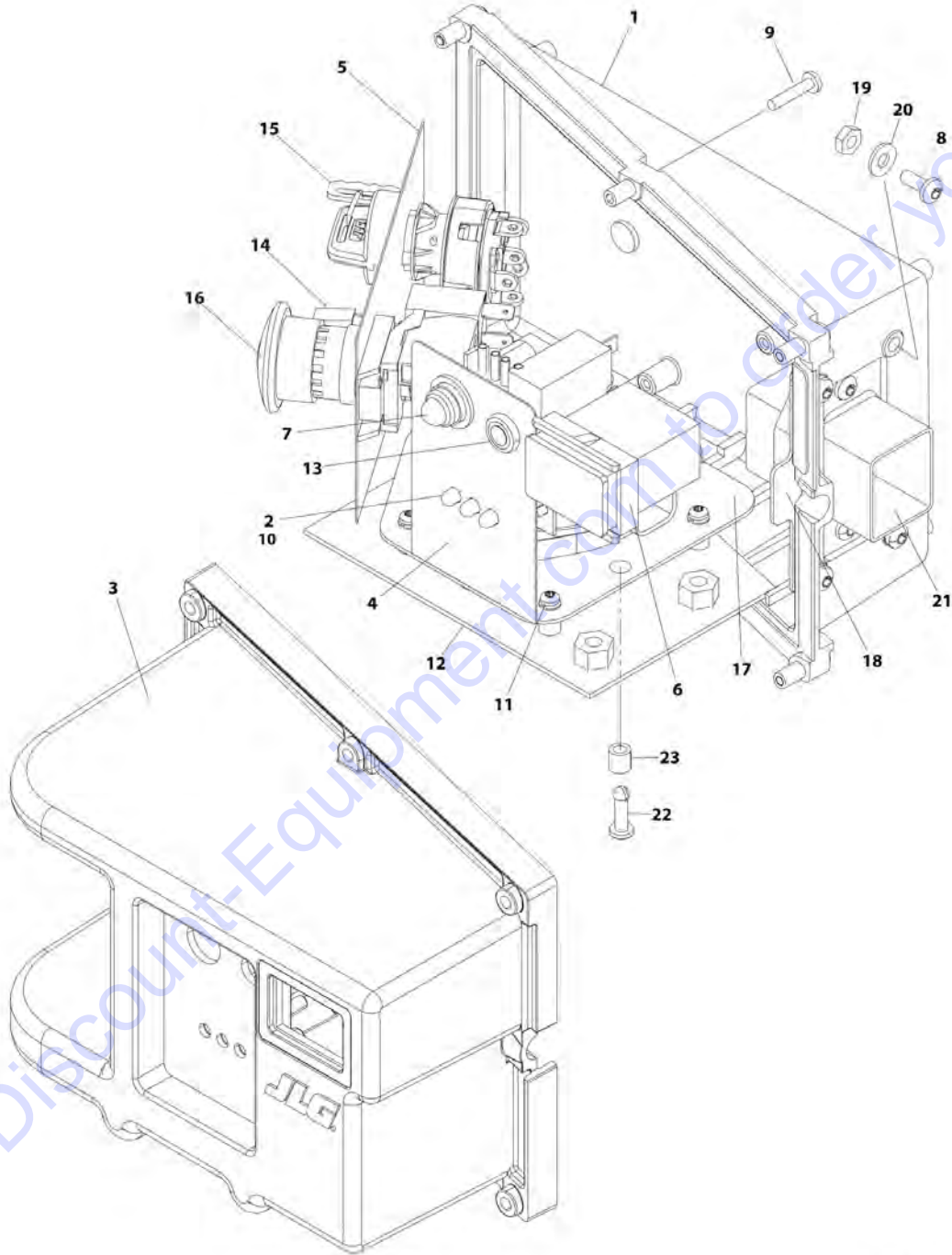
**FIGURE 2-8. GROUND CONTROL BOX/ALARM INSTALLATION - LSS (CE SPECS) (SN 1200025021 to Present)**

ITEM	PART NUMBER	QTY	DESCRIPTION	REV
	1001215247	Ref	GROUND CONTROL BOX/ALARM INSTALLATION - LSS (CE SPECS) <b>(SN 1200025021 to Present)</b>	A
1	1001166197	1	Ground Control Box Assembly (See GROUND CONTROL BOX ASSEMBLY - LSS (CE SPECS) for Breakdown)	
2	0700615	3	Bolt M6 x 35	
	1001215248	Ref	Alarm Installation <b>(SN 1200025021 to Present)</b>	A
101	0140043	1	Alarm	
101	4460536	1	Receptacle, Female - 3 Position	
101	4460464	3	Pin, Male	
102	4191706	2	Screw M6 x 12	

Go to Discount-Equipment.com to order your parts

## SECTION 2 - GROUND COMPONENTS

FIGURE 2-9. GROUND CONTROL BOX ASSEMBLY - NO LSS (SN 020000001 to Present, SN B200023312 to Present, SN M200000100 to Present)



ART. 1001166194

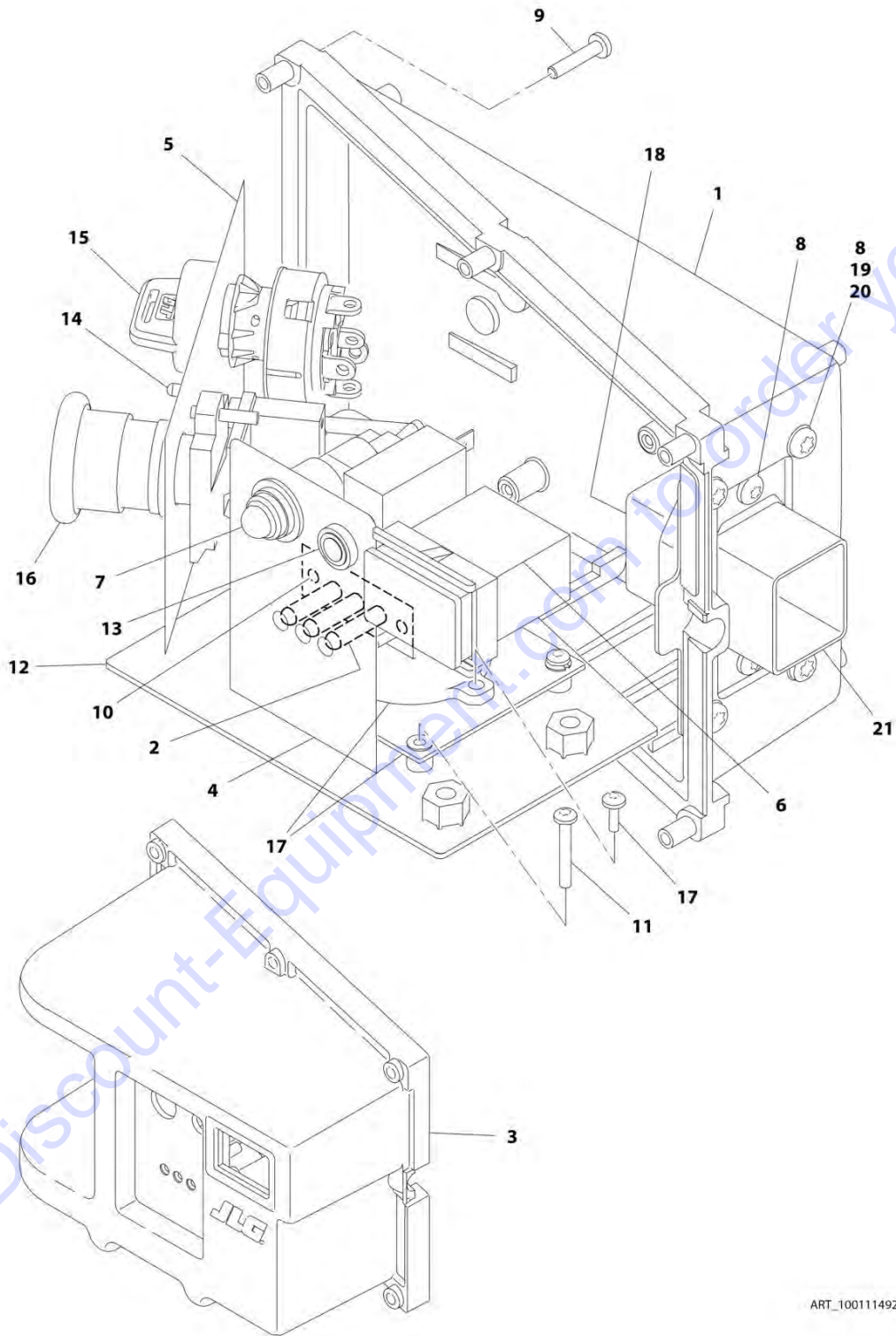
## SECTION 2 - GROUND COMPONENTS

**FIGURE 2-9. GROUND CONTROL BOX ASSEMBLY - NO LSS (SN 0200000001 to Present, SN B200023312 to Present, SN M200000100 to Present)**

ITEM	PART NUMBER	QTY	DESCRIPTION	REV
	1001166194	Ref	GROUND CONTROL BOX ASSEMBLY - NO LSS (SN 0200000001 to Present, SN B200023312 to Present, SN M200000100 to Present)	I
1	0380025	1	Base, Box	
2	0610161	1	PC Board, Charger LED	
2	4460321	1	Plug, Male - 4 Position	
2	4460268	3	Socket, Female	
3	1671105	1	Cover	
4	1705696	1	Decal	
5	1705698	1	Decal	
6	2420172	1	Hourmeter	
7	3520193	1	Plug	
8	3900336	6	Screw	
9	3900338	6	Screw	
10	3900339	2	Screw	
11	1001180090	4	Screw M3.5 x 20	
12	1001165315	1	Support	
13	4360069	1	Breaker, Circuit 10A	
14	4360328	1	Switch, Toggle	
15	4360469	1	Switch, Key	
15	2860030	1	Key, Replacement	
16	4360475	1	Switch, Emergency Stop	
16	7020175	1	Cap	
16	7020176	1	Block, Contact	
17	1001166255	1	Sensor, Tilt (Includes Sensor, Mounting Plate and Hardware)	
17	3931412	3	Screw 1/4 x 3/4	
17	1001163095	1	Sensor	
17	1001165316	1	Mount, Sensor	
17	1001166776	4	Mount, Standoff	
18	1001114937	1	Mount, Harness	
19	3321005	4	Nut #10-32	
20	4751000	4	Washer #10	
21	1001167256	1	Harness, Ground Control Box (See ELECTRICAL SECTION for Breakdown) (SN 0200239382 through 0200266379, SN B200020297 through B200042924, SN M200000100 through M200012164)	
21	1001208641	1	Harness, Ground Control Box (See ELECTRICAL SECTION for Breakdown) (SN 0200266380 to Present, SN B200042925 to Present, SN M200012165 to Present)	
22	1001165284	1	Fastener	
23	1001165286	1	Spacer	

## SECTION 2 - GROUND COMPONENTS

FIGURE 2-10. GROUND CONTROL BOX ASSEMBLY - NO LSS (SN B20000100 through B200023311)



ART\_1001114929

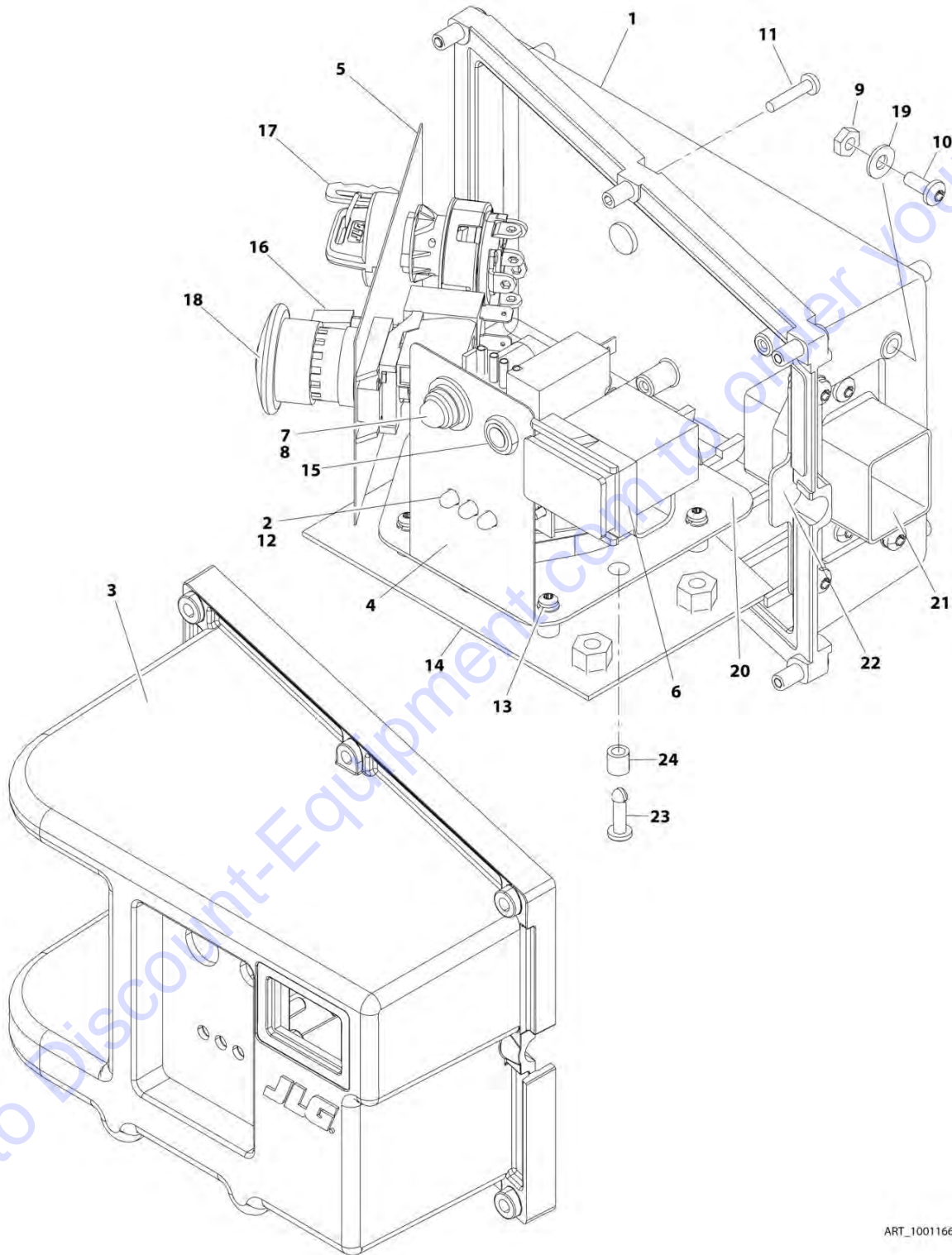
## SECTION 2 - GROUND COMPONENTS

**FIGURE 2-10. GROUND CONTROL BOX ASSEMBLY - NO LSS (SN B200000100 through B200023311)**

ITEM	PART NUMBER	QTY	DESCRIPTION	REV
	1001114929	Ref	<b>GROUND CONTROL BOX ASSEMBLY - NO LSS (SN B200000100 through B200023311)</b>	A
1	0380025	1	Box, Ground Control	
2	0610161	1	Board, PC (Battery Charger LED)	
3	1671105	1	Cover, Front	
4	1705696	1	Decal - LED	
5	1705698	1	Decal - Function	
6	2420172	1	Hourmeter	
7	3520193	1	Plug	
8	3900336	6	Screw #10-32 x 1/2	
9	3900338	6	Screw M4 x 20	
10	3900339	2	Screw #6 x 1/2	
11	3900356	4	Screw M3.5 x 16	
12	4340739	1	Plate, Mounting	
13	4360069	1	Breaker, Circuit - 10Amp	
14	4360328	1	Switch, Toggle	
15	4360469	1	Switch, Key	
15	2860030	1	Key, Replacement (Fits All Specs)	
16	4360475	1	Switch, Emergency Stop	
16	7020175	1	Cap	
16	7020176	1	Block, Contact	
17	1001114933	NLA	Module, Tilt (Includes Module, Mounting Plate and Hardware) (Use p/n 1001169392)	
18	1001114937	1	Mount, Harness Bulkhead (Ground Control)	
19	3321005	4	Nut #10-32	
20	4751000	4	Washer #10	
21	1001114935	1	Harness, Control Box (See ELECTRICAL SECTION for Breakdown)	

## SECTION 2 - GROUND COMPONENTS

FIGURE 2-11. GROUND CONTROL BOX ASSEMBLY - LSS (ALL SPECS EXCEPT CE SPEC) (SN 020000001 to Present, SN B200023312 to Present, SN M200000100 to Present)



ART\_1001166197



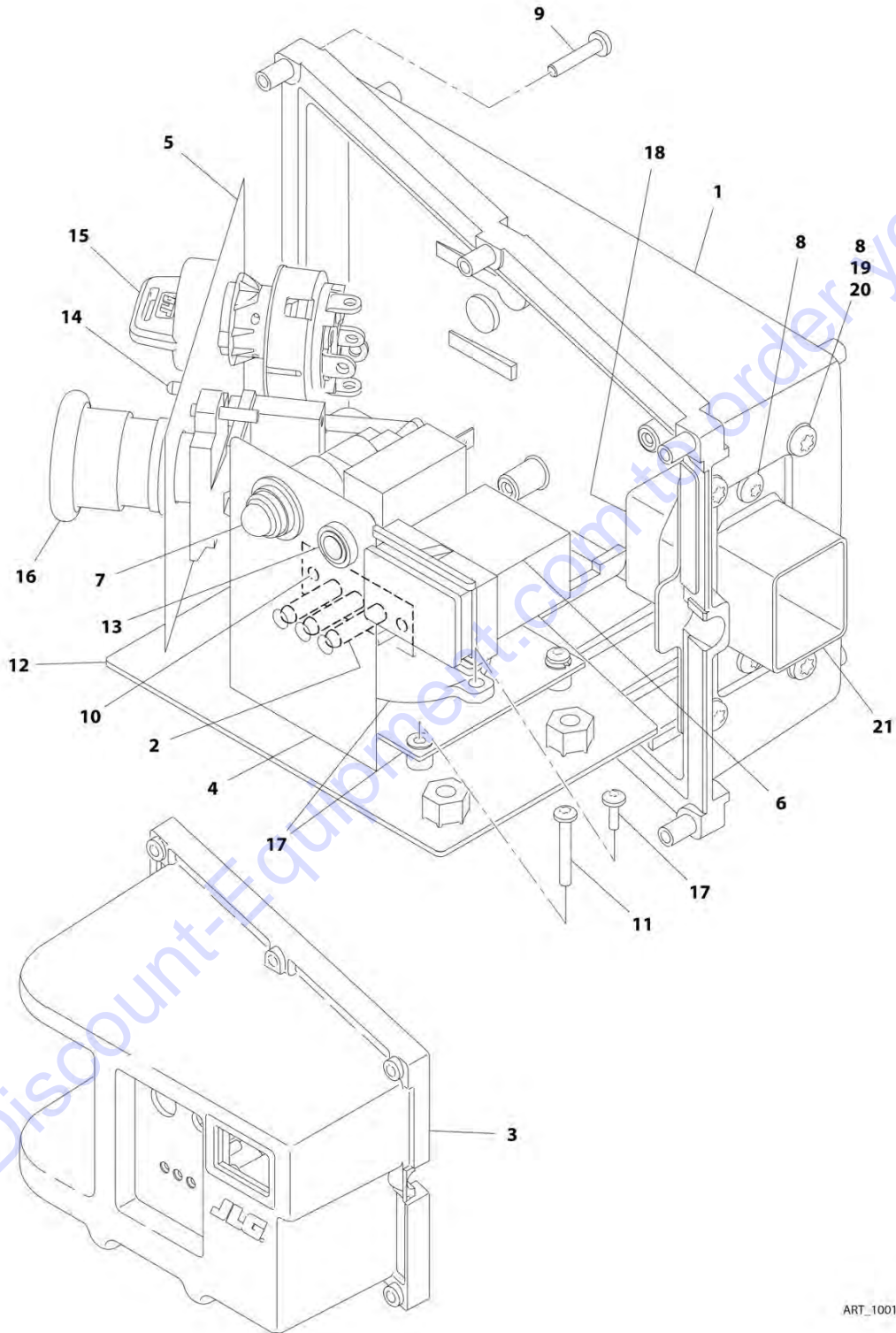
## SECTION 2 - GROUND COMPONENTS

**FIGURE 2-11. GROUND CONTROL BOX ASSEMBLY - LSS (ALL SPECS EXCEPT CE SPEC) (SN 020000001 to Present, SN B200023312 to Present, SN M200000100 to Present)**

ITEM	PART NUMBER	QTY	DESCRIPTION	REV
	1001166197	Ref	GROUND CONTROL BOX ASSEMBLY - LSS (CE SPEC) (SN 0200241829 to Present, SN 1200025021 to Present, SN B200021651 to Present, SN M200000100 to Present)	F
1	0380025	1	Base, Box	
2	0610161	1	PC Board, Charger LED	
2	4460321	1	Plug, Male - 4 Position	
2	4460268	3	Socket, Female	
3	1671105	1	Cover	
4	1705697	1	Decal	
5	1705698	1	Decal	
6	2420172	1	Hourmeter	
7	2920026	1	Lamp	
8	2920094	1	Bulb	
9	3321005	4	Nut #10-32	
10	3900336	6	Screw	
11	3900338	6	Screw	
12	3900339	2	Screw	
13	1001180090	4	Screw M3.5 x 20	
14	1001165315	1	Support	
15	4360069	1	Breaker, Circuit 10Amp	
16	4360328	1	Switch, Toggle	
17	4360469	1	Switch, Key	
17	2860030	1	Key, Replacement	
18	4360475	1	Switch, Emergency Stop	
18	7020175	1	Cap	
18	7020176	1	Block, Contact	
19	4751000	4	Washer #10	
20	1001166255	1	Sensor, Tilt (Includes Sensor, Mounting Plate and Hardware)	
20	3931412	3	Screw 1/4 x 3/4	
20	1001163095	1	Sensor	
20	1001165316	1	Mount, Sensor	
20	1001166776	4	Mount, Standoff	
21	1001167256	1	Harness, Ground Control Box (See ELECTRICAL SECTION for Breakdown)	
22	1001114937	1	Mount, Harness	
23	1001165284	1	Fastener	
24	1001165286	1	Spacer	

## SECTION 2 - GROUND COMPONENTS

FIGURE 2-12. GROUND CONTROL BOX ASSEMBLY - LSS (ALL SPECS EXCEPT CE SPEC) (SN B200000100 through B200023311)



ART\_1001114932

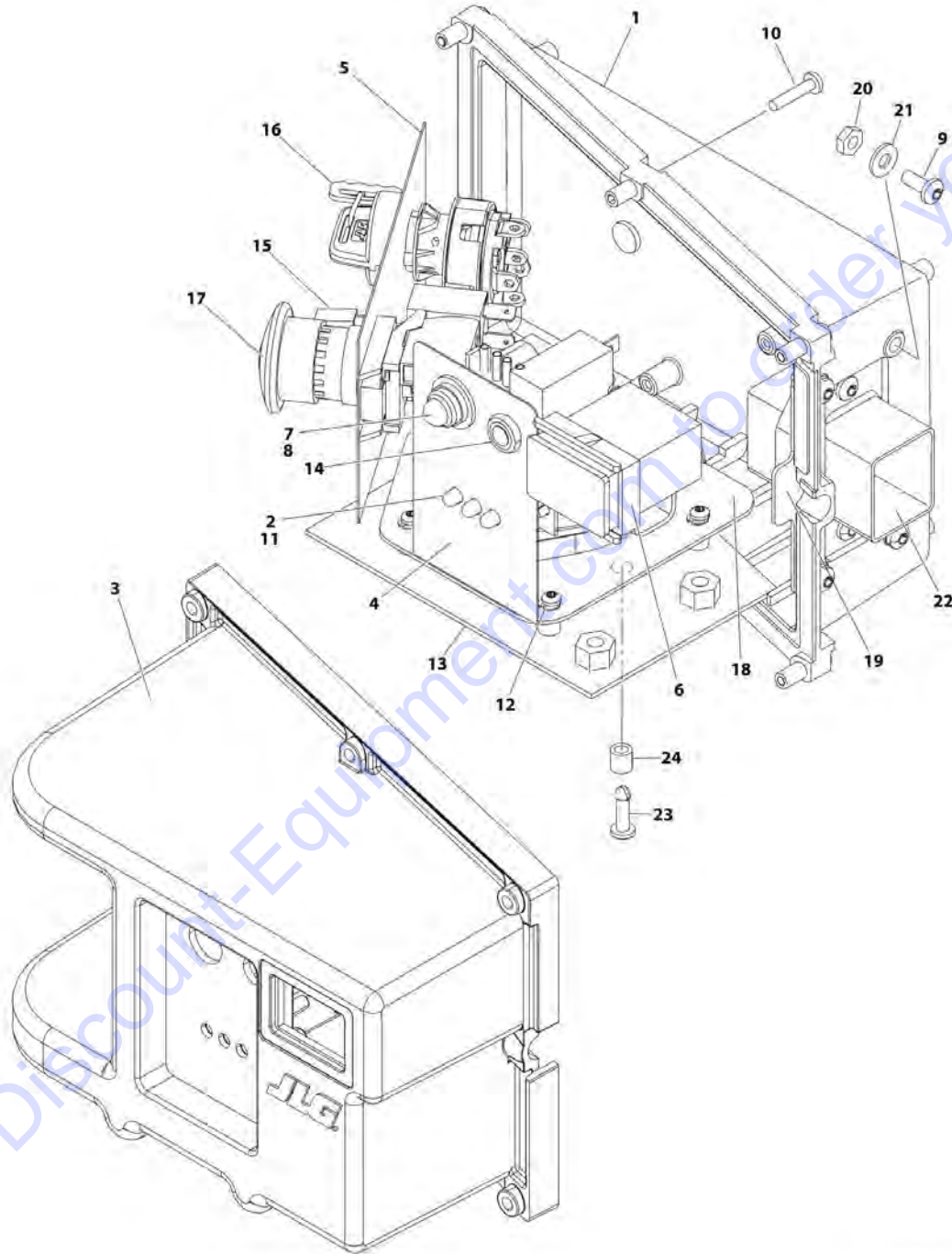
## SECTION 2 - GROUND COMPONENTS

**FIGURE 2-12. GROUND CONTROL BOX ASSEMBLY - LSS (ALL SPECS EXCEPT CE SPEC) (SN B200000100 through B200023311)**

ITEM	PART NUMBER	QTY	DESCRIPTION	REV
	1001114932	Ref	GROUND CONTROL BOX ASSEMBLY - LSS (ALL SPECS EXCEPT CE SPEC) (SN B200000100 through B200023311)	B
1	0380025	1	Box, Ground Control	
2	0610161	1	Board, PC (Battery Charger LED)	
3	1671105	1	Cover, Front	
4	1705697	1	Decal - LED	
5	1705698	1	Decal - Function	
6	2420172	1	Hourmeter	
7	2920026	1	Lamp	
7	2920094	AR	Bulb	
8	3900336	6	Screw #10-32NF x 1/2	
9	3900338	6	Screw M4 x 20	
10	3900339	2	Screw #6 x 1/2	
11	3900356	4	Screw M3.5 x 16	
12	4340739	1	Plate, Mounting	
13	4360069	1	Breaker, Circuit - 10Amp	
14	4360328	1	Switch, Toggle	
15	4360469	1	Switch, Key	
15	2860030	1	Key, Replacement (Fits All Specs)	
16	4360475	1	Switch, Emergency Stop	
16	7020175	1	Cap	
16	7020176	1	Block, Contact	
17	1001114933	NLA	Module, Tilt (Includes Module, Mounting Plate and Hardware) (Use p/n 1001169392)	
18	1001114937	1	Mount, Harness Bulkhead (Ground Control)	
19	3321005	4	Nut #10-32NF	
20	4751000	4	Washer #10	
21	1001114935	1	Harness, Control Box (See ELECTRICAL SECTION for Breakdown)	

## SECTION 2 - GROUND COMPONENTS

FIGURE 2-13. GROUND CONTROL BOX ASSEMBLY - LSS (CE SPECS) (SN 020000001 through 0200241828)



ART\_1001166195

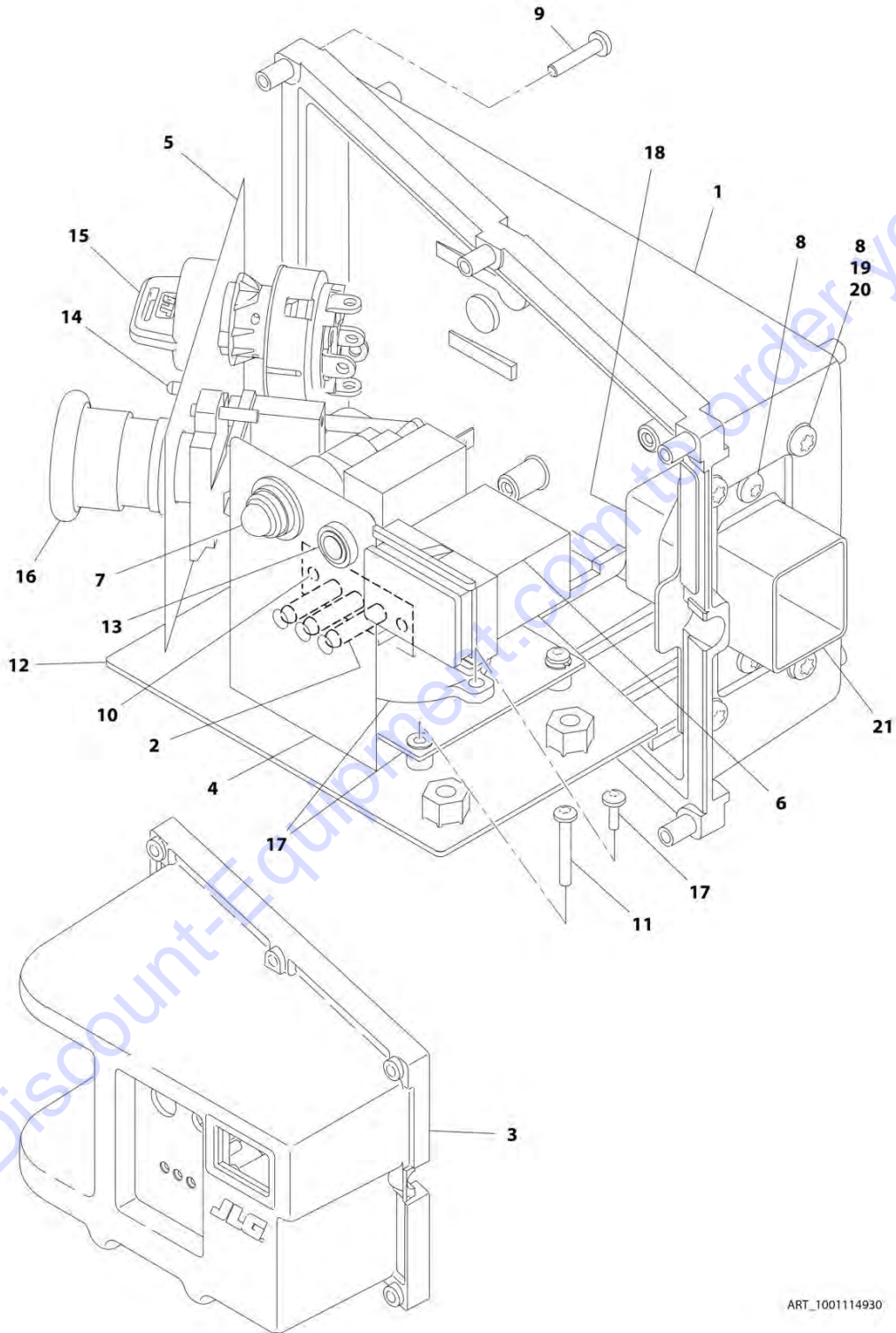
## SECTION 2 - GROUND COMPONENTS

**FIGURE 2-13. GROUND CONTROL BOX ASSEMBLY - LSS (CE SPECS) (SN 0200000001 through 0200241828)**

ITEM	PART NUMBER	QTY	DESCRIPTION	REV
	1001166195	Ref	GROUND CONTROL BOX ASSEMBLY - LSS (CE SPECS) (SN 0200000001 through 0200241828)	G
1	0380025	1	Base, Box	
2	0610161	1	PC Board, Charger LED	
2	4460321	1	Plug, Male - 4 Position	
2	4460268	3	Socket, Female	
3	1671105	1	Cover	
4	1705697	1	Decal	
5	1705698	1	Decal	
6	2420172	1	Hourmeter	
7	2920026	1	Lamp	
8	2920094	1	Bulb	
9	3900336	6	Screw	
10	3900338	6	Screw	
11	3900339	2	Screw	
12	1001180090	4	Screw M3.5 x 20	
13	1001165315	1	Support	
14	4360069	1	Breaker, Circuit 10Amp	
15	4360328	1	Switch, Toggle	
16	4360470	1	Switch, Key	
16	2860030	1	Key, Replacement	
17	4360475	1	Switch, Emergency Stop	
17	7020175	1	Cap	
17	7020176	1	Block, Contact	
18	1001166255	1	Sensor, Tilt (Includes Sensor, Mounting Plate and Hardware)	
18	3931412	3	Screw 1/4 x 3/4	
18	1001163095	1	Sensor	
18	1001165316	1	Mount, Sensor	
18	1001166776	4	Mount, Standoff	
19	1001114937	1	Mount, Harness	
20	3321005	4	Nut #10-32	
21	4751000	4	Washer #10	
22	1001167256	1	Harness, Ground Control Box (See ELECTRICAL SECTION for Breakdown)	
23	1001165284	1	Fastener	
24	1001165286	1	Spacer	

## SECTION 2 - GROUND COMPONENTS

FIGURE 2-14. GROUND CONTROL BOX ASSEMBLY - LSS (CE SPECS) (SN B20000100 through B200021650)



ART\_1001114930

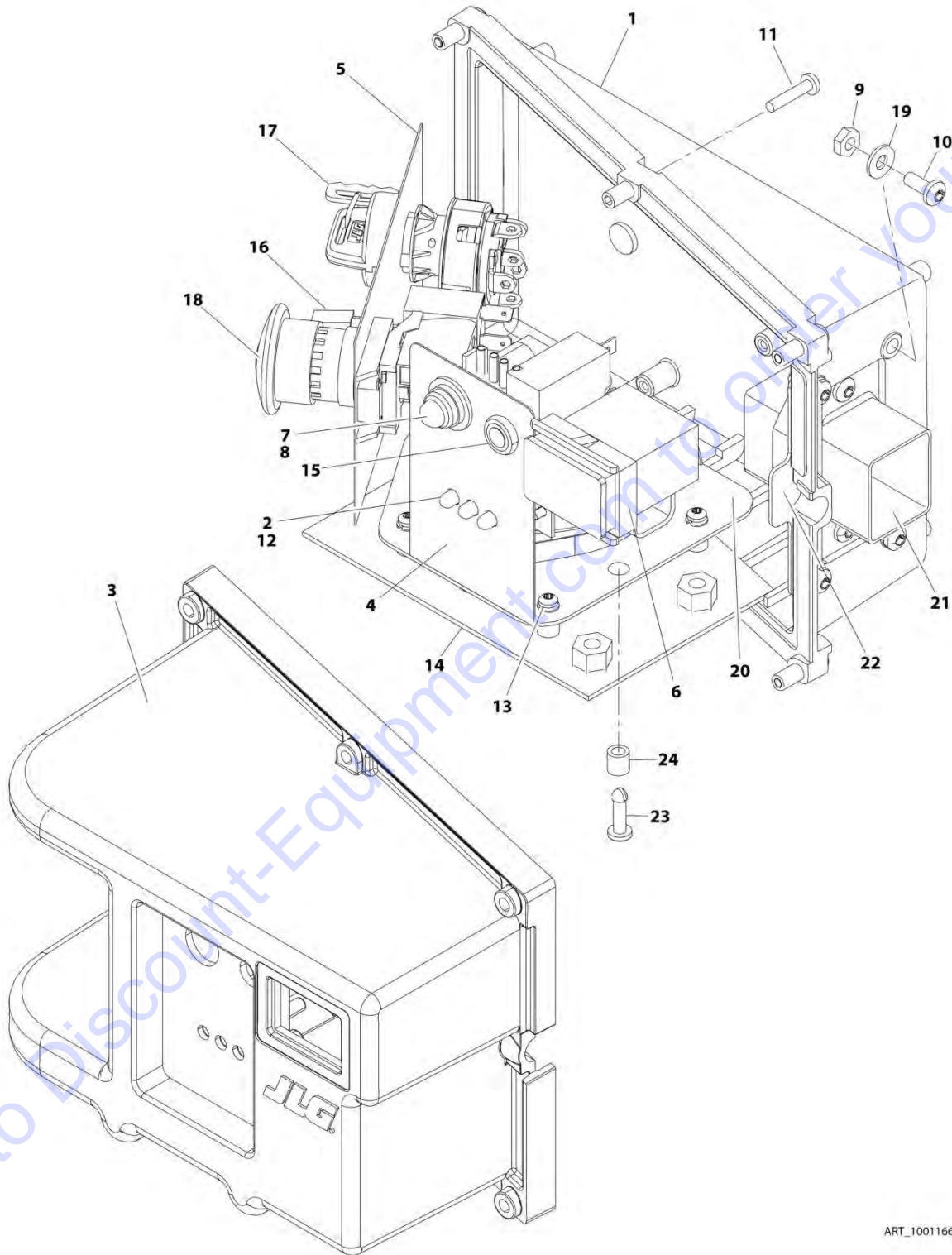
## SECTION 2 - GROUND COMPONENTS

**FIGURE 2-14. GROUND CONTROL BOX ASSEMBLY - LSS (CE SPECS) (SN B200000100 through B200021650)**

ITEM	PART NUMBER	QTY	DESCRIPTION	REV
	1001114930	Ref	GROUND CONTROL BOX ASSEMBLY - LSS (CE SPECS) (SN B200000100 through B200021650)	B
1	0380025	1	Box, Ground Control	
2	0610161	1	Board, PC (Battery Charger LED)	
3	1671105	1	Cover, Front	
4	1705697	1	Decal - LED	
5	1705698	1	Decal - Function	
6	2420172	1	Hourmeter	
7	2920026	1	Lamp	
7	2920094	AR	Bulb	
8	3900336	6	Screw #10-32 x 1/2	
9	3900338	6	Screw M4 x 20	
10	3900339	2	Screw #6 x 1/2	
11	3900356	4	Screw M3.5 x 16	
12	4340739	1	Plate, Mounting	
13	4360069	1	Breaker, Circuit - 10Amp	
14	4360328	1	Switch, Toggle	
15	4360470	1	Switch, Key	
15	2860030	1	Key, Replacement (Fits All Specs)	
16	4360475	1	Switch, Emergency Stop	
16	7020175	1	Cap	
16	7020176	1	Block, Contact	
17	1001114933	NLA	Module, Tilt (Includes Module, Mounting Plate and Hardware) (Use p/n 1001169392)	
18	1001114937	1	Mount, Harness Bulkhead (Ground Control)	
19	3321005	4	Nut #10-32	
20	4751000	4	Washer #10	
21	1001114935	1	Harness, Control Box (See ELECTRICAL SECTION for Breakdown)	

## SECTION 2 - GROUND COMPONENTS

FIGURE 2-15. GROUND CONTROL BOX ASSEMBLY - LSS (CE SPECS) (SN 0200241829 to Present, SN B200021651 to Present, SN M200000100 to Present)



ART\_1001166197



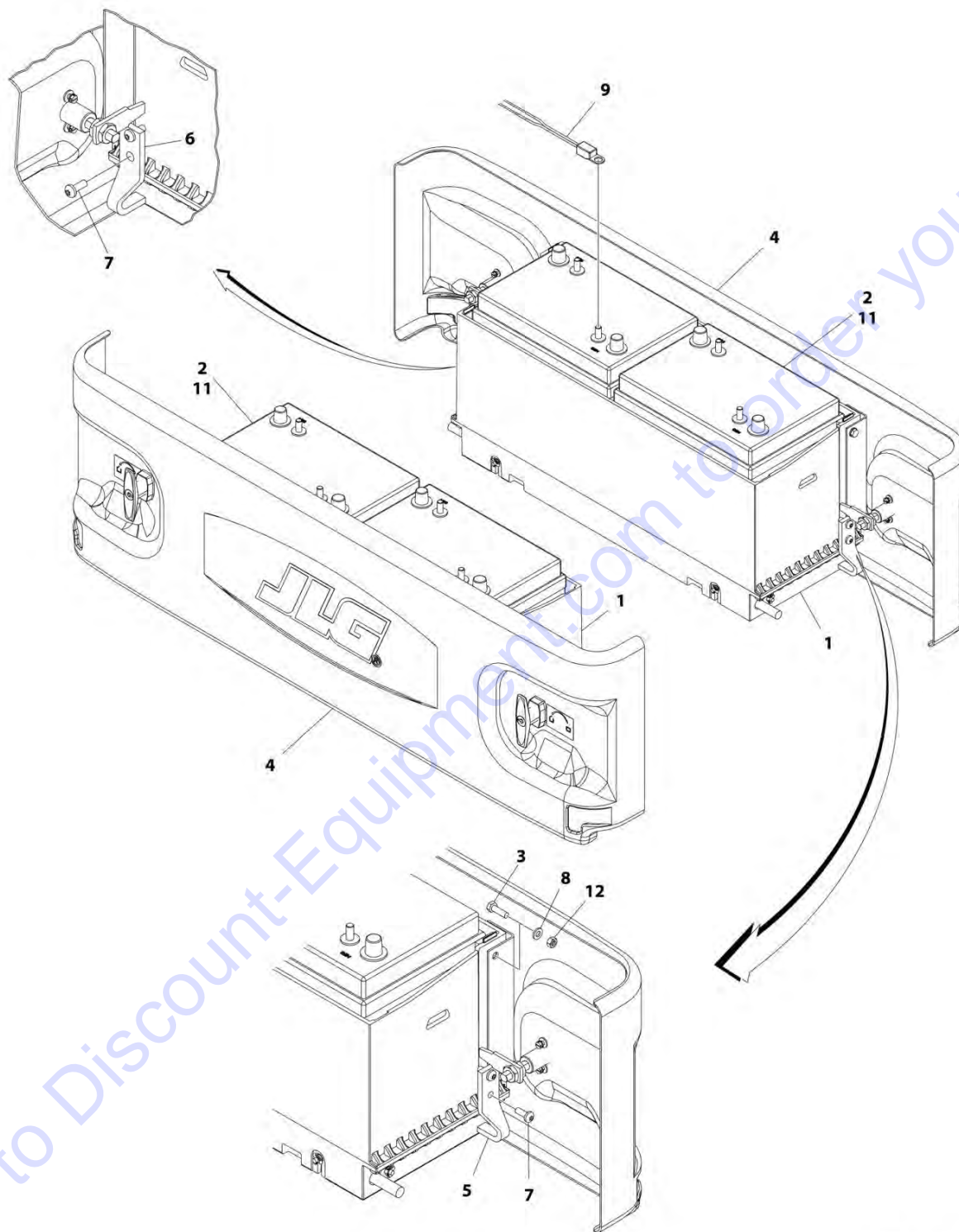
## SECTION 2 - GROUND COMPONENTS

**FIGURE 2-15. GROUND CONTROL BOX ASSEMBLY - LSS (CE SPECS) (SN 0200241829 to Present, SN B200021651 to Present, SN M200000100 to Present)**

ITEM	PART NUMBER	QTY	DESCRIPTION	REV
	1001166197	Ref	GROUND CONTROL BOX ASSEMBLY - LSS (CE SPECS) (SN 0200241829 to Present, SN B200021651 to Present, SN M200000100 to Present)	F
1	0380025	1	Base, Box	
2	0610161	1	PC Board, Charger LED	
2	4460321	1	Plug, Male - 4 Position	
2	4460268	3	Socket, Female	
3	1671105	1	Cover	
4	1705697	1	Decal	
5	1705698	1	Decal	
6	2420172	1	Hourmeter	
7	2920026	1	Lamp	
8	2920094	1	Bulb	
9	3321005	4	Nut #10-32	
10	3900336	6	Screw	
11	3900338	6	Screw	
12	3900339	2	Screw	
13	1001180090	4	Screw M3.5 x 20	
14	1001165315	1	Support	
15	4360069	1	Breaker, Circuit 10Amp	
16	4360328	1	Switch, Toggle	
17	4360469	1	Switch, Key	
17	2860030	1	Key, Replacement	
18	4360475	1	Switch, Emergency Stop	
18	7020175	1	Cap	
18	7020176	1	Block, Contact	
19	4751000	4	Washer #10	
20	1001166255	1	Sensor, Tilt (Includes Sensor, Mounting Plate and Hardware)	
20	3931412	3	Screw 1/4 x 3/4	
20	1001163095	1	Sensor	
20	1001165316	1	Mount, Sensor	
20	1001166776	4	Mount, Standoff	
21	1001167256	1	Harness, Ground Control Box (See ELECTRICAL SECTION for Breakdown)	
22	1001114937	1	Mount, Harness	
23	1001165284	1	Fastener	
24	1001165286	1	Spacer	

## SECTION 2 - GROUND COMPONENTS

FIGURE 2-16. BATTERIES INSTALLATION - AGM AND EVG TYPE - 225 AH RATING (NON-LOCKING COVERS)



ART\_0275401

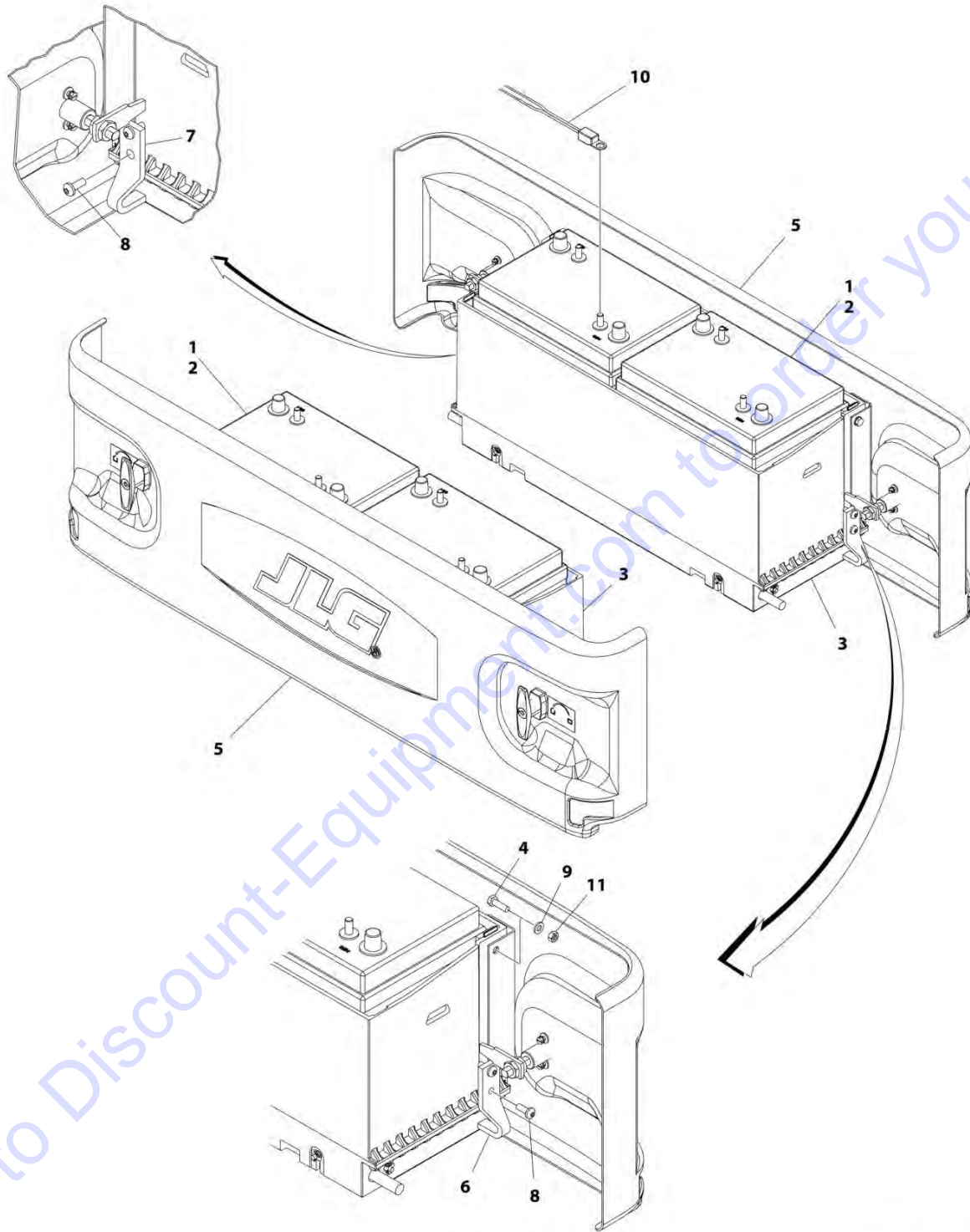
## SECTION 2 - GROUND COMPONENTS

**FIGURE 2-16. BATTERIES INSTALLATION - AGM AND EVG TYPE - 225 AH RATING (NON-LOCKING COVERS)**

ITEM	PART NUMBER	QTY	DESCRIPTION	REV
	0275401	Ref	BATTERIES INSTALLATION - AGM AND EVG TYPE - 225 AH RATING (NON-LOCKING COVERS)	F
1	0273698	2	Tray Assembly (See BATTERY TRAY ASSEMBLY - NON UL for Breakdown)	
2	1001112112	4	Battery Type EVGC6A-A	
3	0760610	8	Bolt M6 x 20	
3	1001100451	8	Bolt M6 x 20	
4	1671202	2	Cover Assembly (See BATTERY COVER ASSEMBLY - NON-LOCKING for Breakdown)	
5	3574981	2	Plate, Slide Stop (LH)	
6	3574984	2	Plate, Slide Stop (RH)	
7	4191707	8	Screw M6 x 16	
8	4811700	8	Washer M6	
9	1001112113	1	Sensor, Temperature (Prior to SN 0200266434, Prior to SN 1200027658, Prior to SN B200045242, Prior to SN M200014371)	
11	0100051	AR	Grease, Terminal	
12	3290605	8	Nut M6	

## SECTION 2 - GROUND COMPONENTS

FIGURE 2-17. BATTERIES INSTALLATION - AGM AND EVG TYPE - 225 AH RATING (NON-UL LOCKING COVERS)



ART\_1001132233

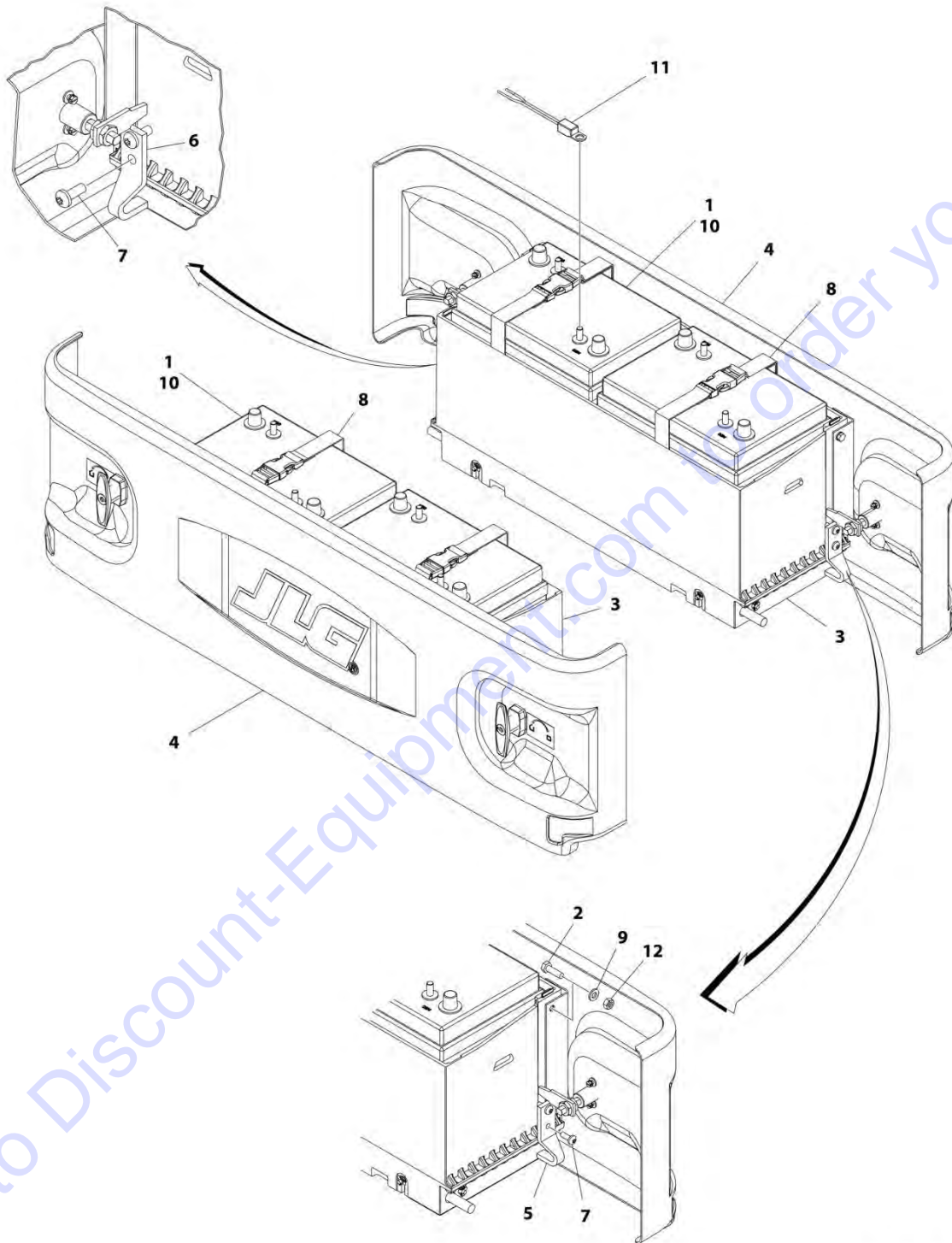
## SECTION 2 - GROUND COMPONENTS

**FIGURE 2-17. BATTERIES INSTALLATION - AGM AND EVG TYPE - 225 AH RATING (NON-UL LOCKING COVERS)**

ITEM	PART NUMBER	QTY	DESCRIPTION	REV
	1001132233	Ref	BATTERIES INSTALLATION - AGM AND EVG TYPE - 225 AH RATING (NON-UL LOCKING COVERS)	D
1	0100051	AR	Grease, Terminal	
2	1001112112	4	Battery Type EVGC6A-A	
3	0273698	2	Tray Assembly (See BATTERY TRAY ASSEMBLY - NON UL for Breakdown)	
4	0760610	8	Bolt M6 x 20	
4	1001100451	8	Bolt M6 x 20	
5	1671204	2	Cover Assembly (See BATTERY COVER ASSEMBLY - LOCKING for Breakdown)	
6	3574981	2	Plate, Slide Stop (LH)	
7	3574984	2	Plate, Slide Stop (RH)	
8	4191707	8	Screw M6 x 16	
9	4811700	8	Washer M6	
10	1001112113	1	Sensor, Temperature (Prior to SN 0200266434, Prior to SN 1200027658, Prior to SN B200045242, Prior to SN M200014371)	
11	3290605	8	Nut M6	

## SECTION 2 - GROUND COMPONENTS

FIGURE 2-18. BATTERIES INSTALLATION - AGM AND EVG TYPE - 225 AH RATING (UL LOCKING COVERS)



ART\_1001159192

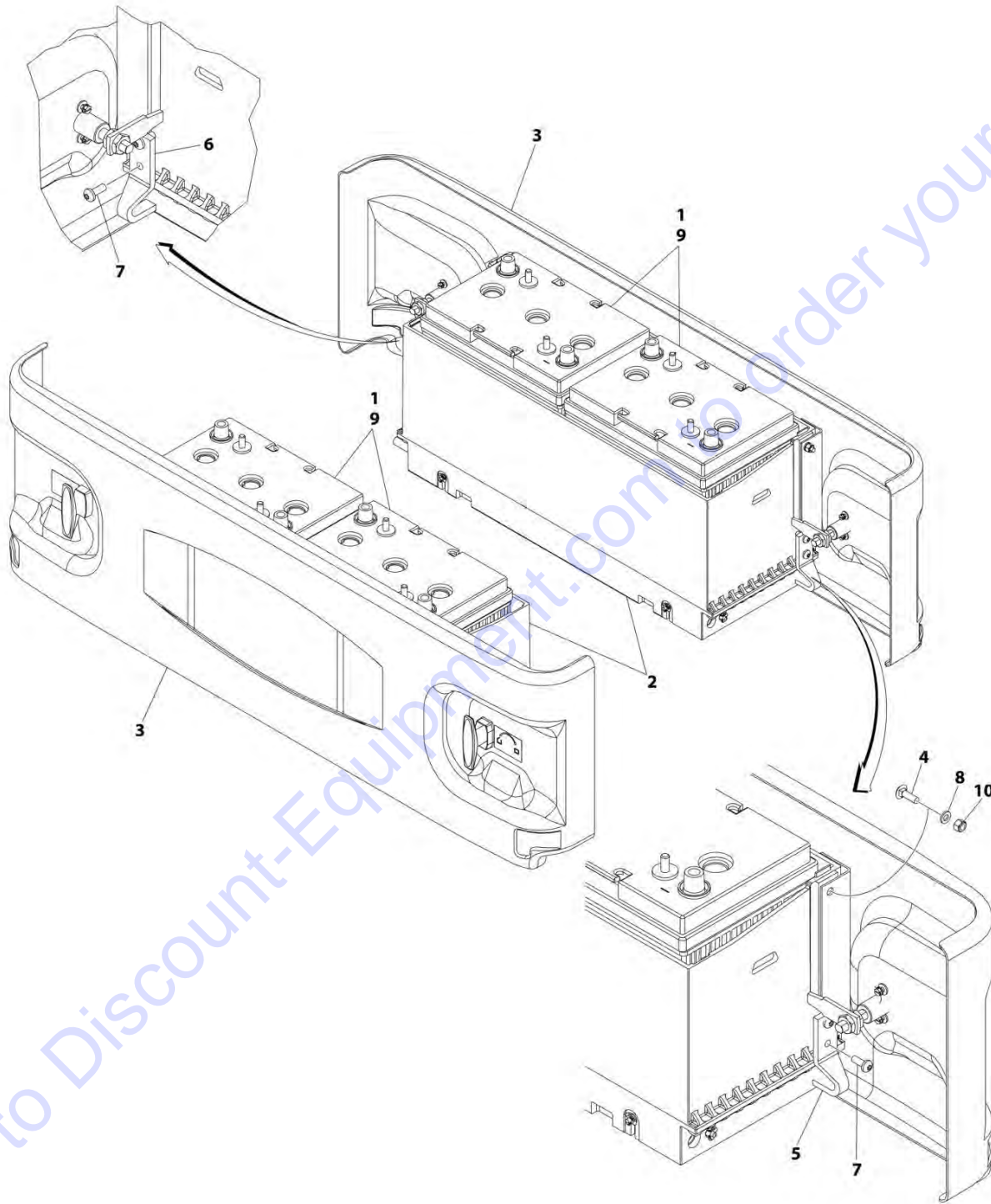
## SECTION 2 - GROUND COMPONENTS

**FIGURE 2-18. BATTERIES INSTALLATION - AGM AND EVG TYPE - 225 AH RATING (UL LOCKING COVERS)**

ITEM	PART NUMBER	QTY	DESCRIPTION	REV
	1001159192	Ref	BATTERIES INSTALLATION - AGM AND EVG TYPE - 225 AH RATING (UL LOCKING COVERS)	D
1	0100051	AR	Grease, Terminal	
2	0760610	8	Bolt M6 x 20	
2	1001100451	1	Bolt M6 x 20	
3	0861678	2	Tray Assembly (See BATTERY TRAY ASSEMBLY - UL for Breakdown)	
4	1671204	2	Cover Assembly (See BATTERY COVER ASSEMBLY - LOCKING for Breakdown)	
5	3574981	2	Plate, Slide Stop (LH)	
6	3574984	2	Plate, Slide Stop (RH)	
7	4191707	8	Screw M6 x 16	
8	4240172	4	Strap, Battery	
9	4811700	8	Washer M6	
10	1001112112	4	Battery Type EVGC6A-A	
11	1001112113	1	Sensor, Temperature ( <b>Prior to SN 0200266434, Prior to SN B200045242, Prior to SN M200014371</b> )	
12	3290605	8	Nut M6	

## SECTION 2 - GROUND COMPONENTS

FIGURE 2-19. BATTERIES INSTALLATION - AGM VISION AND EVG TYPE - 220 AH RATING (NON-LOCKING COVERS)



ART\_1001248130



## SECTION 2 - GROUND COMPONENTS

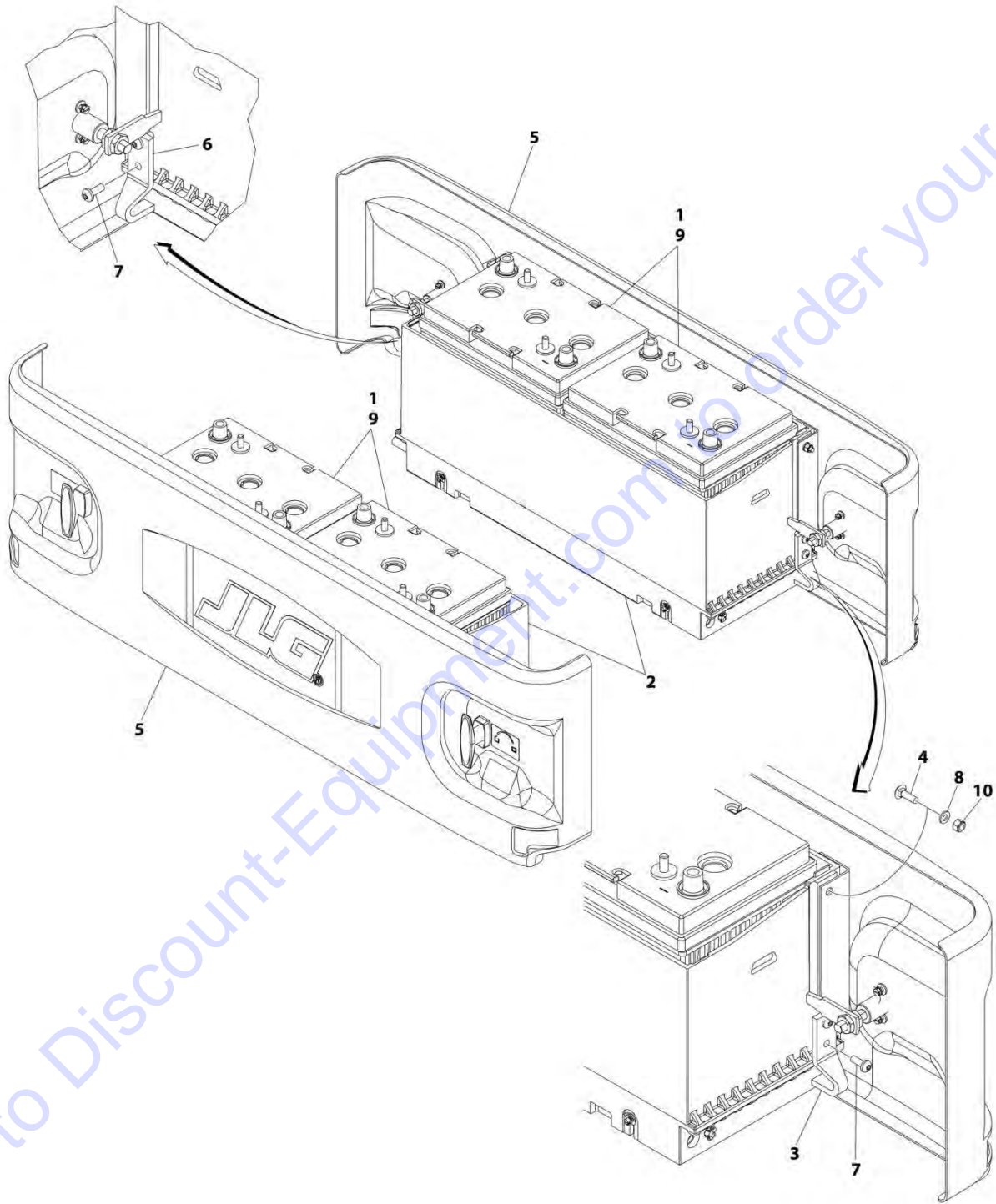
**FIGURE 2-19. BATTERIES INSTALLATION - AGM VISION AND EVG TYPE - 220 AH RATING (NON-LOCKING COVERS)**

ITEM	PART NUMBER	QTY	DESCRIPTION	REV
	1001248130	Ref	BATTERIES INSTALLATION - AGM VISION AND EVG TYPE - 220 AH RATING (UL LOCKING COVERS)	A
1	0100051	AR	Grease, Terminal	
2	0273698	2	Tray Assembly (See BATTERY TRAY ASSEMBLY - NON UL for Breakdown)	
3	1671202	2	Cover Assembly (See BATTERY COVER ASSEMBLY - NON-LOCKING for Breakdown)	
4	1001100451	8	Bolt M6 x 20	
5	3574981	2	Plate, Slide Stop (LH)	
6	3574984	2	Plate, Slide Stop (RH)	
7	4191707	8	Screw M6 x 16	
8	4811700	8	Washer M6	
9	1001214347	4	Battery Type EVGC-220A-AM	
10	3290605	8	Nut M6	

Go to Discount-Equipment.com to order your parts

## SECTION 2 - GROUND COMPONENTS

FIGURE 2-20. BATTERIES INSTALLATION - AGM VISION AND EVG TYPE - 220 AH RATING (NON-UL LOCKING COVERS)



ART\_1001248131

## SECTION 2 - GROUND COMPONENTS

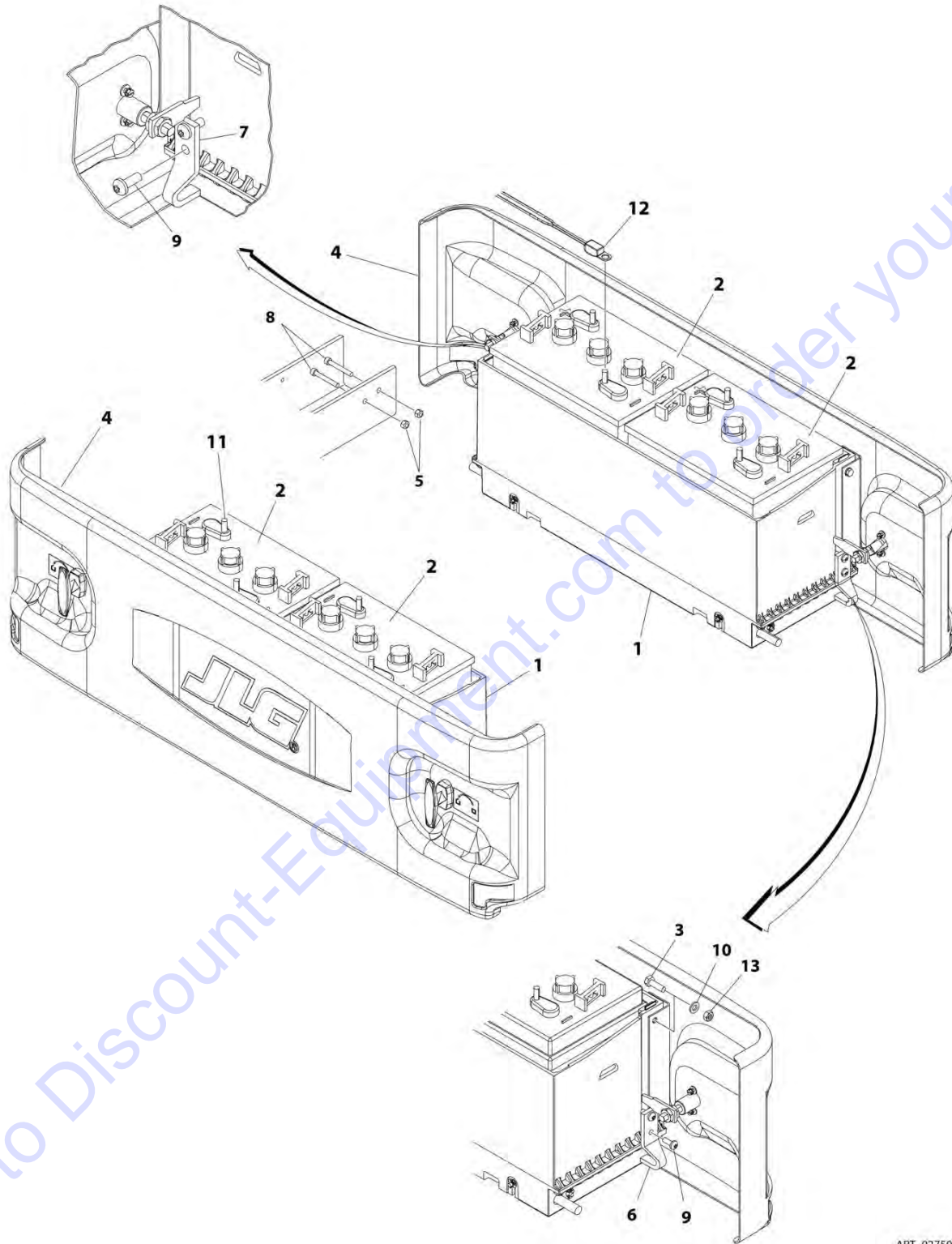
**FIGURE 2-20. BATTERIES INSTALLATION - AGM VISION AND EVG TYPE - 220 AH RATING (NON-UL LOCKING COVERS)**

ITEM	PART NUMBER	QTY	DESCRIPTION	REV
	1001248131	Ref	BATTERIES INSTALLATION - AGM VISION AND EVG TYPE - 220 AH RATING (NON-UL LOCKING COVERS)	A
1	0100051	AR	Grease, Terminal	
2	0273698	2	Tray Assembly (See BATTERY TRAY ASSEMBLY - NON UL for Breakdown)	
3	3574981	2	Plate, Slide Stop (LH)	
4	1001100451	8	Bolt M6 x 20	
5	1671204	2	Cover Assembly (See BATTERY COVER ASSEMBLY - LOCKING for Breakdown)	
6	3574984	2	Plate, Slide Stop (RH)	
7	4191707	8	Screw M6 x 16	
8	4811700	8	Washer M6	
9	1001214347	4	Battery Type EVGC-220A-AM	
10	3290605	8	Nut M6	

Go to Discount-Equipment.com to order your parts

## SECTION 2 - GROUND COMPONENTS

FIGURE 2-21. BATTERIES INSTALLATION - EV TYPE - 244 AH RATING (NON-LOCKING COVERS)



ART\_0275042

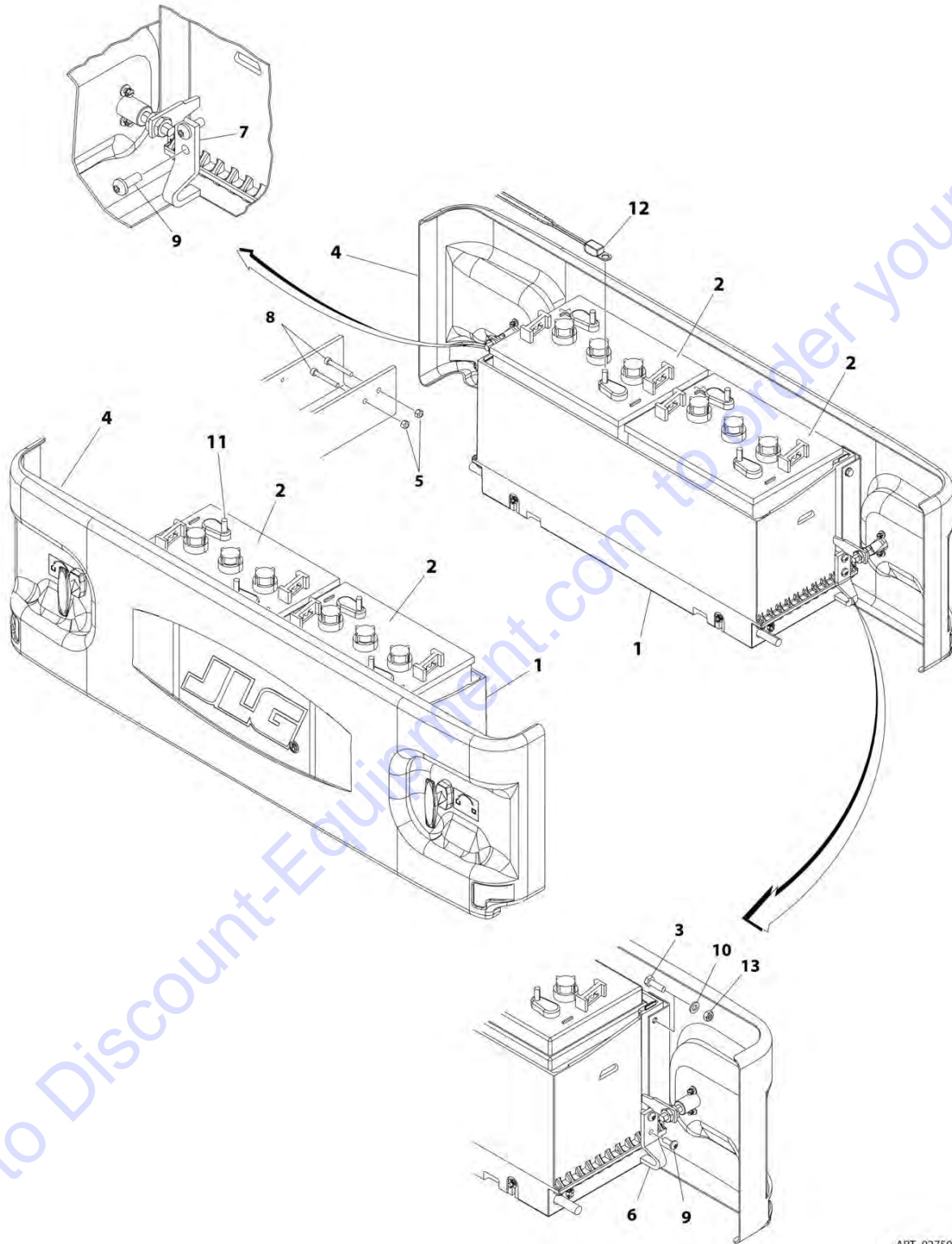
## SECTION 2 - GROUND COMPONENTS

**FIGURE 2-21. BATTERIES INSTALLATION - EV TYPE - 244 AH RATING (NON-LOCKING COVERS)**

ITEM	PART NUMBER	QTY	DESCRIPTION	REV
	0275042	Ref	BATTERIES INSTALLATION - EV TYPE - 244 AH RATING (NON-LOCKING COVERS)	F
1	0273698	2	Tray Assembly (See BATTERY TRAY ASSEMBLY - NON UL for Breakdown)	
2	0400216	4	Battery Type EV-145-WNL	
3	0760610	8	Bolt M6 x 20	
3	1001100451	8	Bolt M6 x 20	
4	1671202	2	Cover Assembly (See BATTERY COVER ASSEMBLY - NON-LOCKING for Breakdown)	
5	3290605	2	Nut M6	
6	3574981	2	Plate, Slide Stop (LH)	
7	3574984	2	Plate, Slide Stop (RH)	
8	4031713	2	Capscrew M6 x 45	
9	4191707	8	Screw M6 x 16	
10	4811700	8	Washer M6	
11	0100051	AR	Grease, Terminal	
12	1001112113	1	Sensor, Temperature (Prior to SN 0200266434, Prior to SN 1200027658, Prior to SN B200045242, Prior to SN M200014371)	
13	3290605	8	Nut M6	

## SECTION 2 - GROUND COMPONENTS

FIGURE 2-22. BATTERIES INSTALLATION - EV TYPE - 244 AH RATING (NON-UL LOCKING COVERS)



ART\_0275044

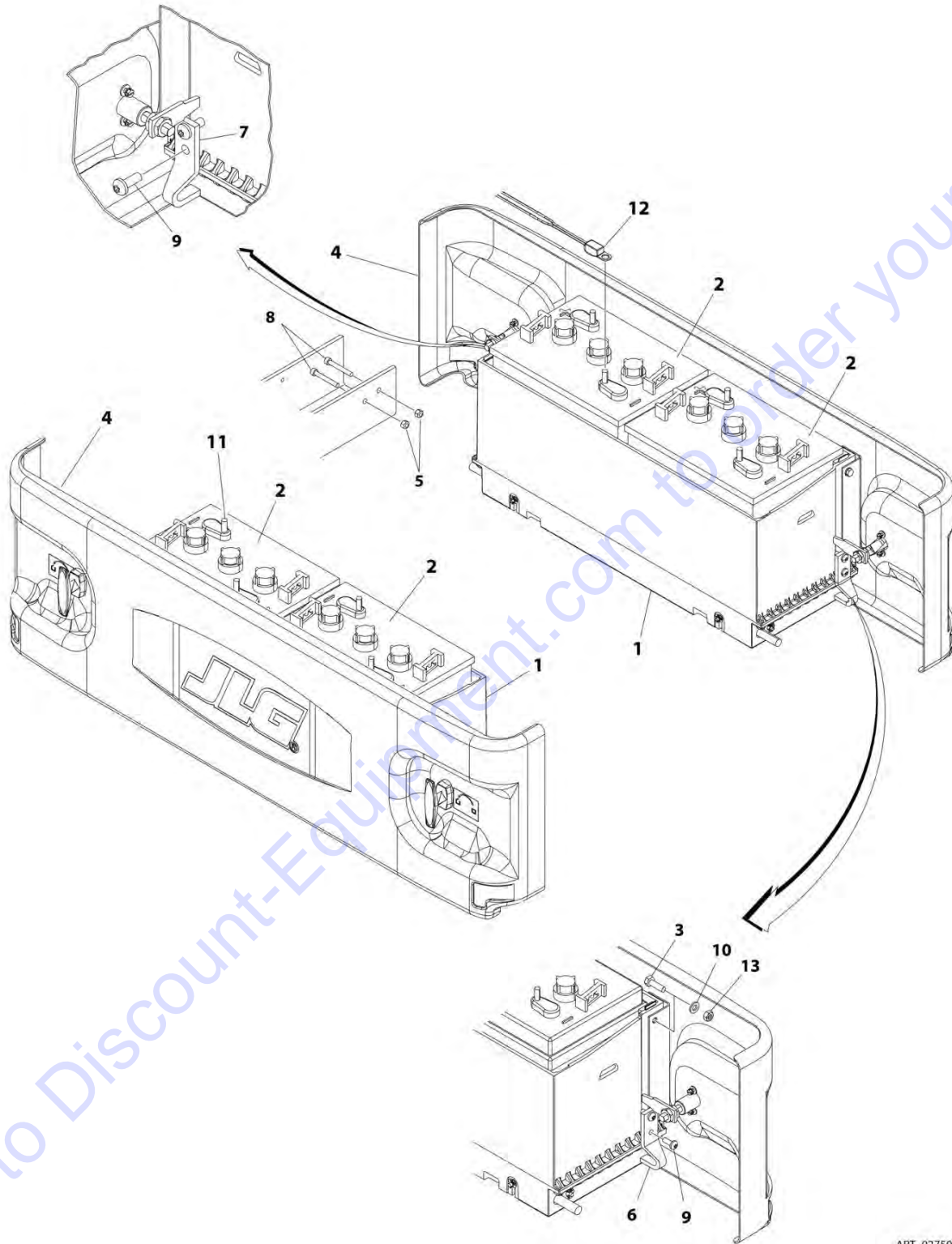
## SECTION 2 - GROUND COMPONENTS

**FIGURE 2-22. BATTERIES INSTALLATION - EV TYPE - 244 AH RATING (NON-UL LOCKING COVERS)**

ITEM	PART NUMBER	QTY	DESCRIPTION	REV
	0275044	Ref	BATTERIES INSTALLATION - EV TYPE - 244 AH RATING (NON-UL LOCKING COVERS)	F
1	0273698	2	Tray Assembly (See BATTERY TRAY ASSEMBLY - NON UL for Breakdown)	
2	0400216	4	Battery Type EV-145-WNL	
3	0760610	8	Bolt M6 x 20	
3	1001100451	1	Bolt M6 x 20	
4	1671204	2	Cover Assembly (See BATTERY COVER ASSEMBLY - LOCKING for Breakdown)	
5	3290605	2	Nut M6	
6	3574981	2	Plate, Slide Stop (LH)	
7	3574984	2	Plate, Slide Stop (RH)	
8	4031713	2	Capscrew M6 x 45	
9	4191707	8	Screw M6 x 16	
10	4811700	8	Washer M6	
11	0100051	AR	Grease, Terminal	
12	1001112113	1	Sensor, Temperature (Prior to SN 0200266434, Prior to SN 1200027658, Prior to SN B200045242, Prior to SN M200014371)	
13	3290605	8	Nut M6	

## SECTION 2 - GROUND COMPONENTS

FIGURE 2-23. BATTERIES INSTALLATION - EV TYPE - 244 AH RATING (UL LOCKING COVERS)



ART\_0275043



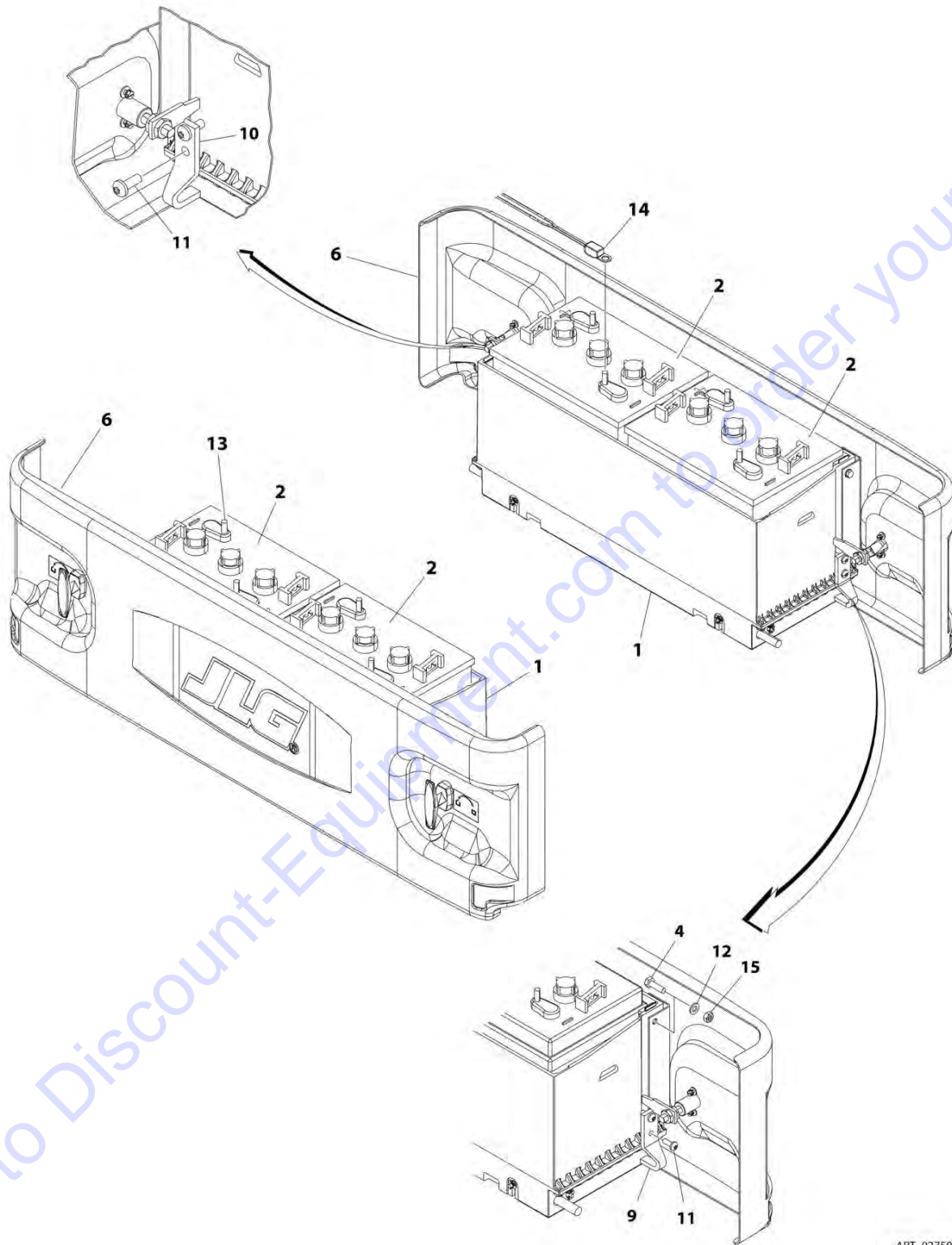
## SECTION 2 - GROUND COMPONENTS

**FIGURE 2-23. BATTERIES INSTALLATION - EV TYPE - 244 AH RATING (UL LOCKING COVERS)**

ITEM	PART NUMBER	QTY	DESCRIPTION	REV
	0275043	Ref	BATTERIES INSTALLATION - EV TYPE - 244 AH RATING (UL LOCKING COVERS)	F
1	0861678	2	Tray Assembly (See BATTERY TRAY ASSEMBLY - UL for Breakdown)	
2	0400216	4	Battery Type EV-145-WNL	
3	0760610	8	Bolt M6 x 20	
3	1001100451	8	Bolt M6 x 20	
4	1671204	2	Cover Assembly (See BATTERY COVER ASSEMBLY - LOCKING for Breakdown)	
5	3290605	2	Nut M6	
6	3574981	2	Plate, Slide Stop (LH)	
7	3574984	2	Plate, Slide Stop (RH)	
8	4031713	2	Capscrew M6 x 45	
9	4191707	8	Screw M6 x 16	
10	4811700	8	Washer M6	
11	0100051	AR	Grease, Terminal	
12	1001112113	1	Sensor, Temperature (Prior to SN 0200266434, Prior to SN B200045242, Prior to SN M200014371)	
13	3290605	1	Nut M6	

## SECTION 2 - GROUND COMPONENTS

FIGURE 2-24. BATTERIES INSTALLATION - GC TYPE - 225 AH RATING (NON-LOCKING COVERS)



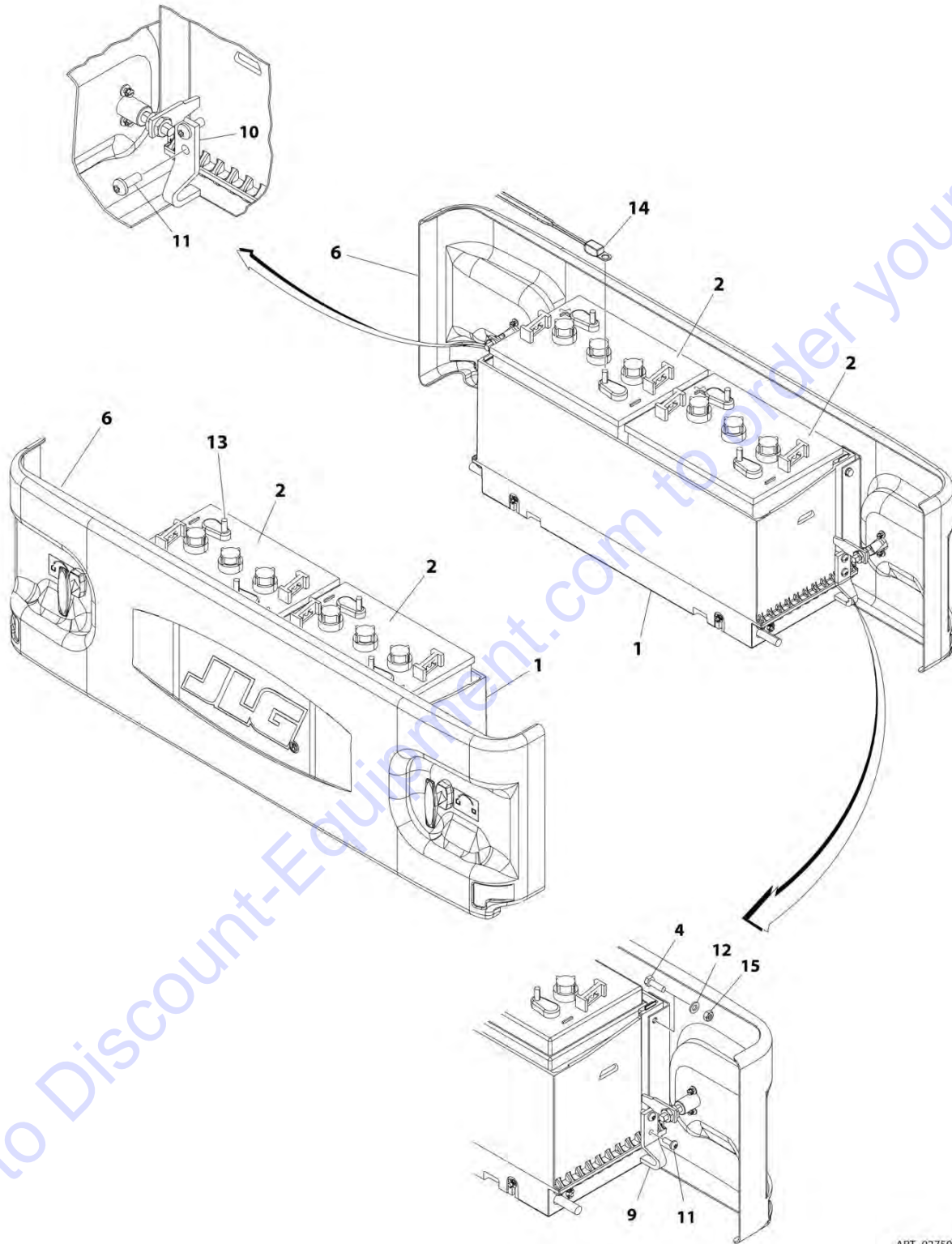
## SECTION 2 - GROUND COMPONENTS

**FIGURE 2-24. BATTERIES INSTALLATION - GC TYPE - 225 AH RATING (NON-LOCKING COVERS)**

ITEM	PART NUMBER	QTY	DESCRIPTION	REV
	0275020	Ref	BATTERIES INSTALLATION - GC TYPE - 225 AH RATING (NON LOCKING COVERS)	G
1	0273698	2	Tray Assembly (See BATTERY TRAY ASSEMBLY - NON UL for Breakdown)	
2	0400215	4	Battery Type GC-110-WNL	
4	0760610	8	Bolt M6 x 20	
4	1001100451	8	Bolt M6 x 20	
6	1671202	2	Cover Assembly (See BATTERY COVER ASSEMBLY - NON-LOCKING for Breakdown)	
9	3574981	2	Plate, Slide Stop (LH)	
10	3574984	2	Plate, Slide Stop (RH)	
11	4191707	8	Screw M6 x 16	
12	4811700	8	Washer M6	
13	0100051	AR	Grease, Terminal	
14	1001112113	1	Sensor, Temperature ( <b>Prior to SN 0200266434, Prior to SN 1200027658, Prior to SN B200045242, Prior to SN M200014371</b> )	
15	3290605	8	Nut M6	

## SECTION 2 - GROUND COMPONENTS

FIGURE 2-25. BATTERIES INSTALLATION - GC TYPE - 225 AH RATING (NON-UL LOCKING COVERS)



ART\_0275022

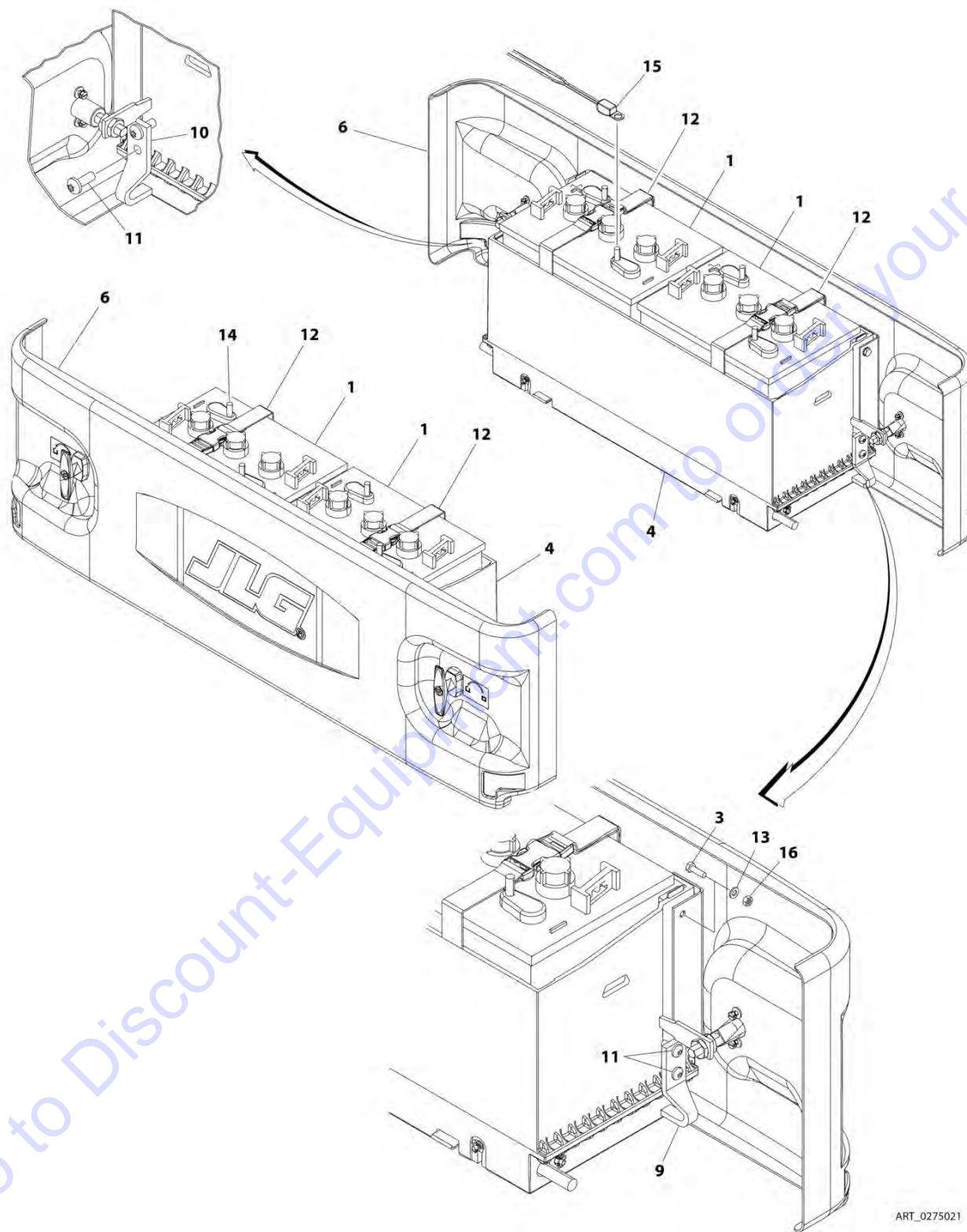
## SECTION 2 - GROUND COMPONENTS

**FIGURE 2-25. BATTERIES INSTALLATION - GC TYPE - 225 AH RATING (NON-UL LOCKING COVERS)**

ITEM	PART NUMBER	QTY	DESCRIPTION	REV
	0275022	Ref	BATTERIES INSTALLATION - GC TYPE - 225 AH RATING (NON-UL LOCKING COVERS)	G
1	0273698	2	Tray Assembly (See BATTERY TRAY ASSEMBLY - NON UL for Breakdown)	
2	0400215	4	Battery Type GC-110-WNL	
4	0760610	8	Bolt M6 x 20	
4	1001100451	8	Bolt M6 x 20	
6	1671204	2	Cover Assembly (See BATTERY COVER ASSEMBLY - LOCKING for Breakdown)	
9	3574981	2	Plate, Slide Stop (LH)	
10	3574984	2	Plate, Slide Stop (RH)	
11	4191707	8	Screw M6 x 16	
12	4811700	8	Washer M6	
13	0100051	AR	Grease, Terminal	
14	1001112113	1	Sensor, Temperature ( <b>Prior to SN 0300266434, Prior to SN 1200027658, Prior to SN B200045242, Prior to SN M200014371</b> )	
15	3290605	8	Nut M6	

## SECTION 2 - GROUND COMPONENTS

FIGURE 2-26. BATTERIES INSTALLATION - GC TYPE - 225 AH RATING (UL LOCKING COVERS)



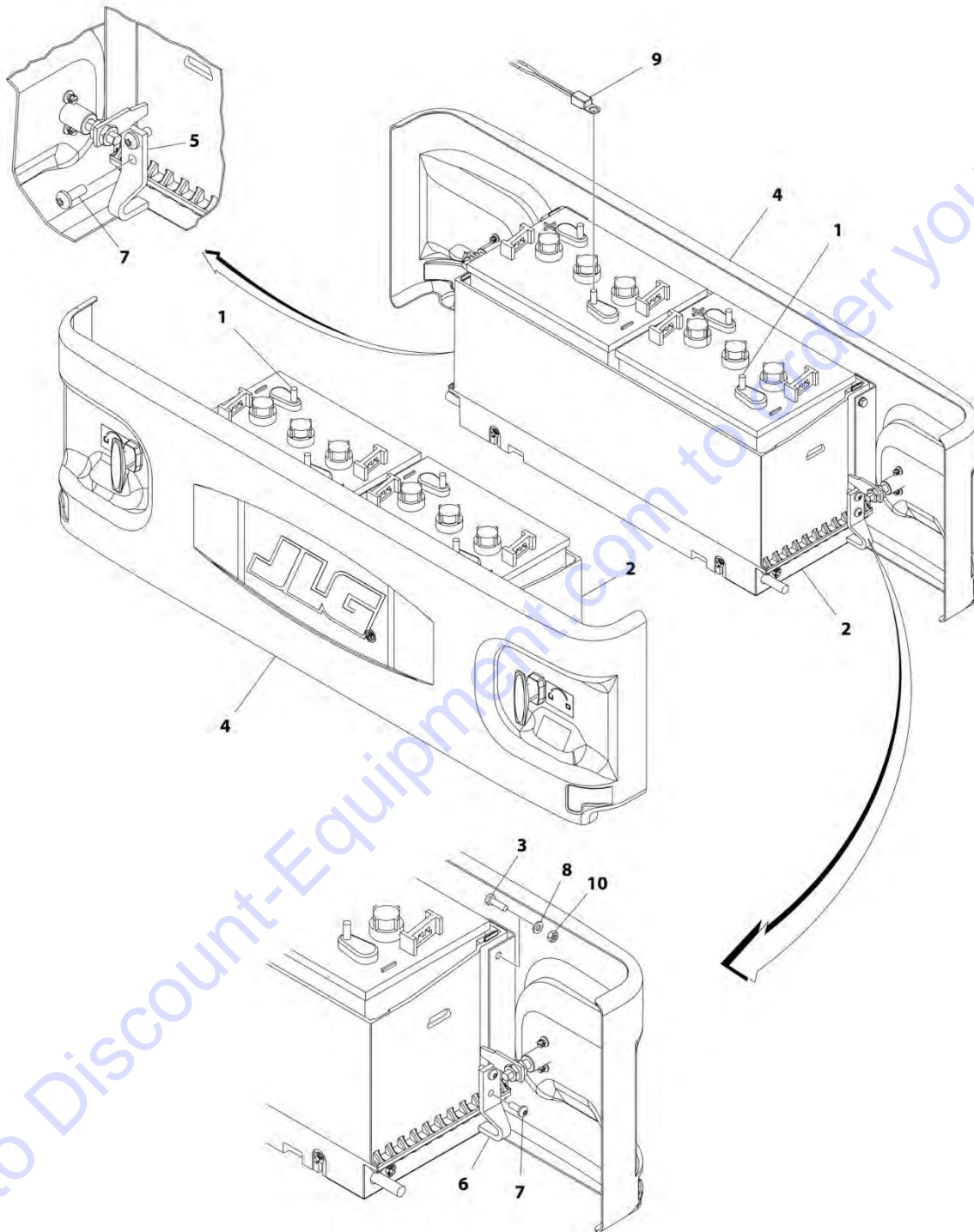
## SECTION 2 - GROUND COMPONENTS

**FIGURE 2-26. BATTERIES INSTALLATION - GC TYPE - 225 AH RATING (UL LOCKING COVERS)**

ITEM	PART NUMBER	QTY	DESCRIPTION	REV
	0275021	Ref	BATTERIES INSTALLATION - GC TYPE - 225 AH RATING (UL LOCKING COVERS)	G
1	0400215	4	Battery Type GC-110-WNL	
3	0760610	8	Bolt M6 x 20	
3	1001100451	8	Bolt M6 x 20	
4	0861678	2	Tray Assembly (See BATTERY TRAY ASSEMBLY - UL for Breakdown)	
6	1671204	2	Cover Assembly (See BATTERY COVER ASSEMBLY - LOCKING for Breakdown)	
9	3574981	2	Plate, Slide Stop (LH)	
10	3574984	2	Plate, Slide Stop (RH)	
11	4191707	8	Screw M6 x 16	
12	4240172	2	Strap	
13	4811700	8	Washer M6	
14	0100051	AR	Grease, Terminal	
15	1001112113	1	Sensor, Temperature ( <b>Prior to SN 0200266434, Prior to SN B200045242, Prior to SN M200014371</b> )	
16	3290605	8	Nut M6	

## SECTION 2 - GROUND COMPONENTS

FIGURE 2-27. BATTERIES INSTALLATION - 220 AH RATING WITHOUT BATTERIES (NON LOCKING COVERS)



ART\_1001209104



## SECTION 2 - GROUND COMPONENTS

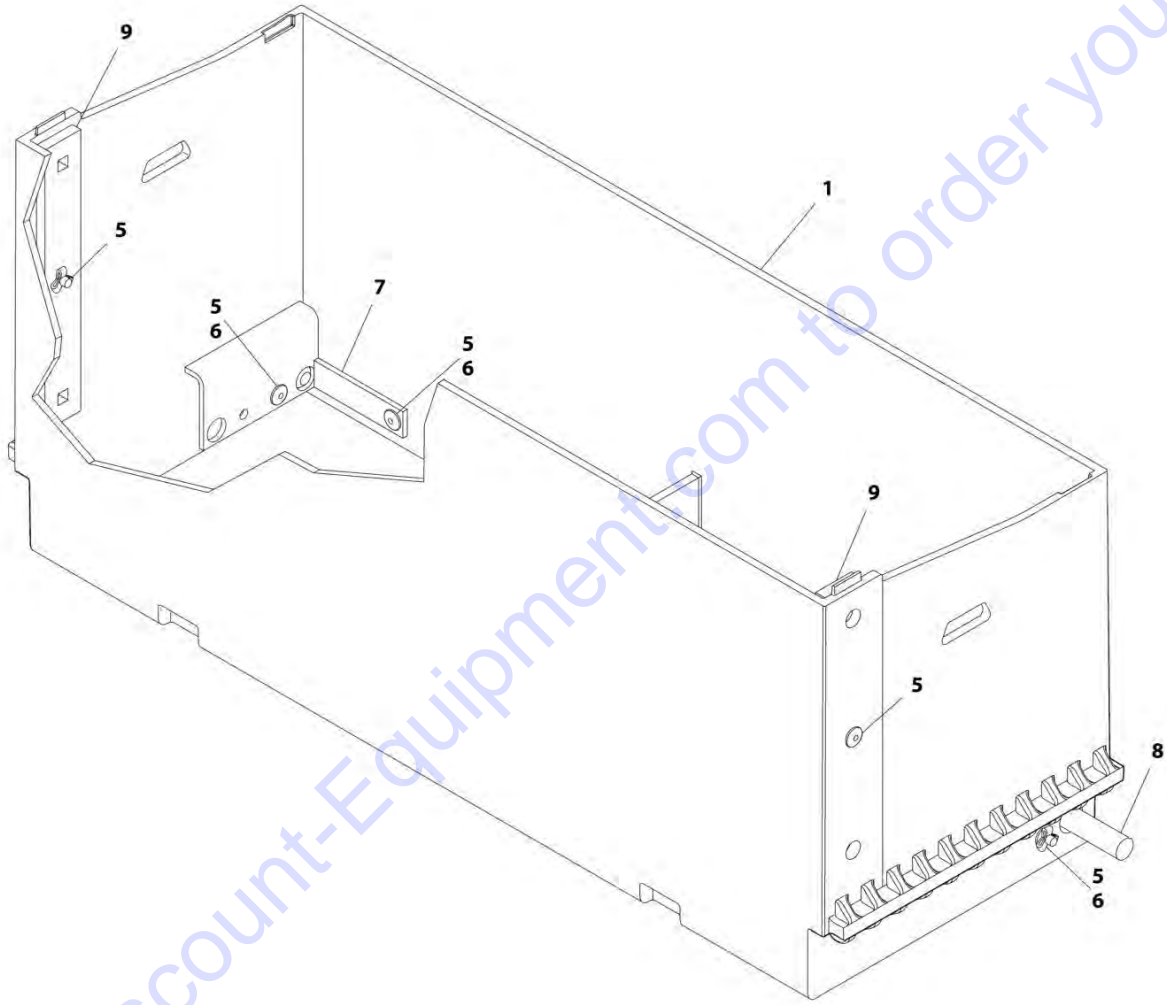
**FIGURE 2-27. BATTERIES INSTALLATION - 220 AH RATING WITHOUT BATTERIES (NON LOCKING COVERS)**

ITEM	PART NUMBER	QTY	DESCRIPTION	REV
	1001209104	Ref	BATTERIES INSTALLATION - 220 AH RATING WITHOUT BATTERIES (NON LOCKING COVERS)	C
1	0100051	AR	Grease, Terminal	
2	0273698	2	Tray Assembly (See BATTERY TRAY ASSEMBLY - NON UL for Breakdown)	
3	0760610	8	Bolt M6 x 20	
3	1001100451	8	Bolt M6 x 20	
4	1671202	1	Cover Assembly (See BATTERY COVER ASSEMBLY - NON-LOCKING for Breakdown)	
5	3574981	2	Plate, Slide Stop (LH)	
6	3574984	2	Plate, Slide Stop (RH)	
7	4191707	8	Screw M6 x 16	
8	4811700	8	Washer M6	
9	1001112113	1	Sensor, Temperature ( <b>Prior to SN B200045242</b> )	
10	3290605	8	Nut M6	

Go to Discount-Equipment.com to order your parts

## SECTION 2 - GROUND COMPONENTS

FIGURE 2-28. BATTERY TRAY ASSEMBLY - NON-UL



ART\_0273698

## SECTION 2 - GROUND COMPONENTS

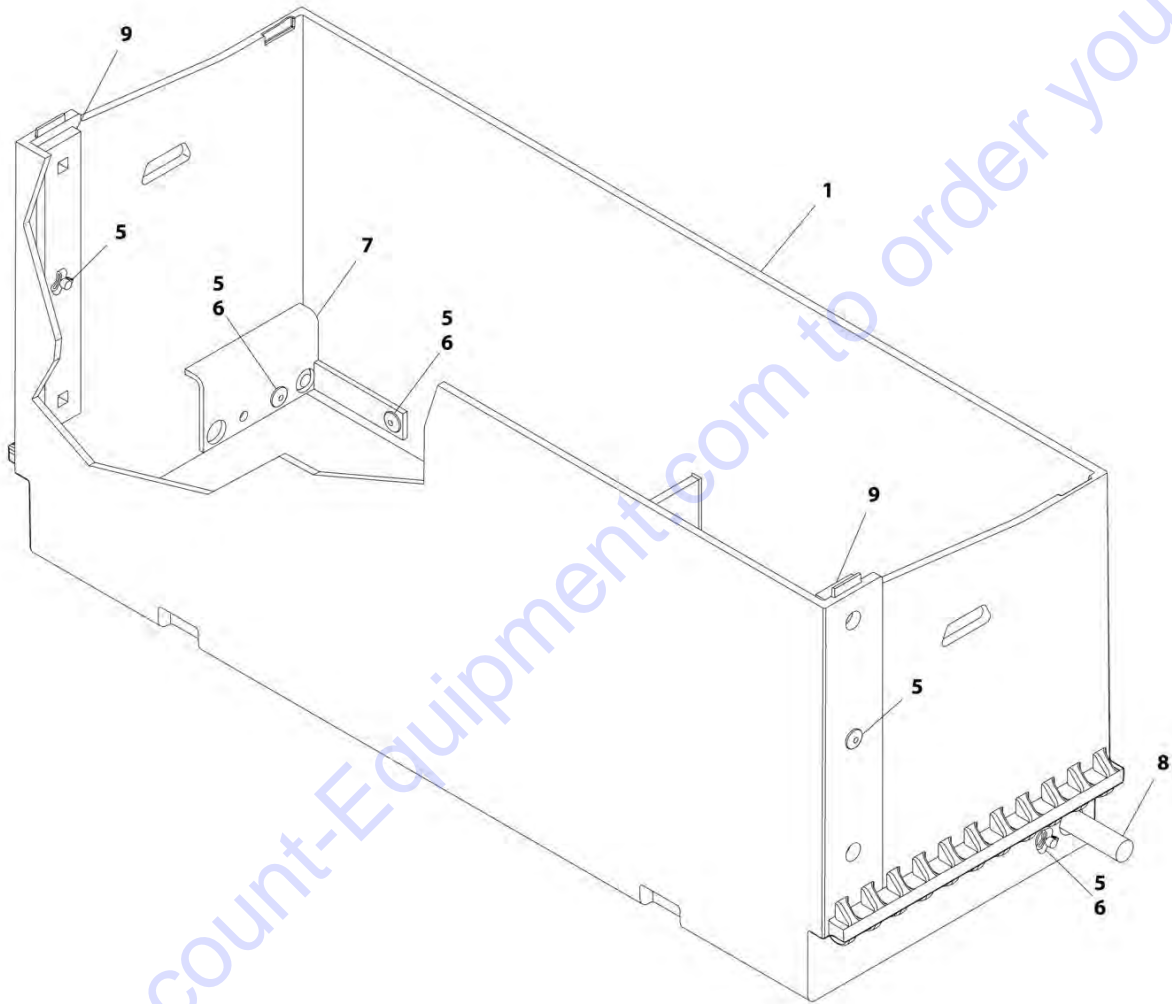
**FIGURE 2-28. BATTERY TRAY ASSEMBLY - NON-UL**

ITEM	PART NUMBER	QTY	DESCRIPTION	REV
	0273698	Ref	BATTERY TRAY ASSEMBLY - NON-UL	J
1	0861650	1	Tray, Battery	
5	3820032	6	Rivet	
6	4811600	4	Washer M5	
7	4220252	1	Stop (LH)	
8	4220253	1	Stop (RH)	
9	3577076	2	Bar (Prior to SN 0200266382, SN 1200025021 to Present, Prior to SN B200049128, Prior to SN M200026307)	
9	1001233888	2	Bar (SN 0200266382 to Present, SN B200049128 to Present, SN M200026307 to Present)	

Go to Discount-Equipment.com to order your parts

## SECTION 2 - GROUND COMPONENTS

FIGURE 2-29. BATTERY TRAY ASSEMBLY - UL



ART\_0861678

## SECTION 2 - GROUND COMPONENTS

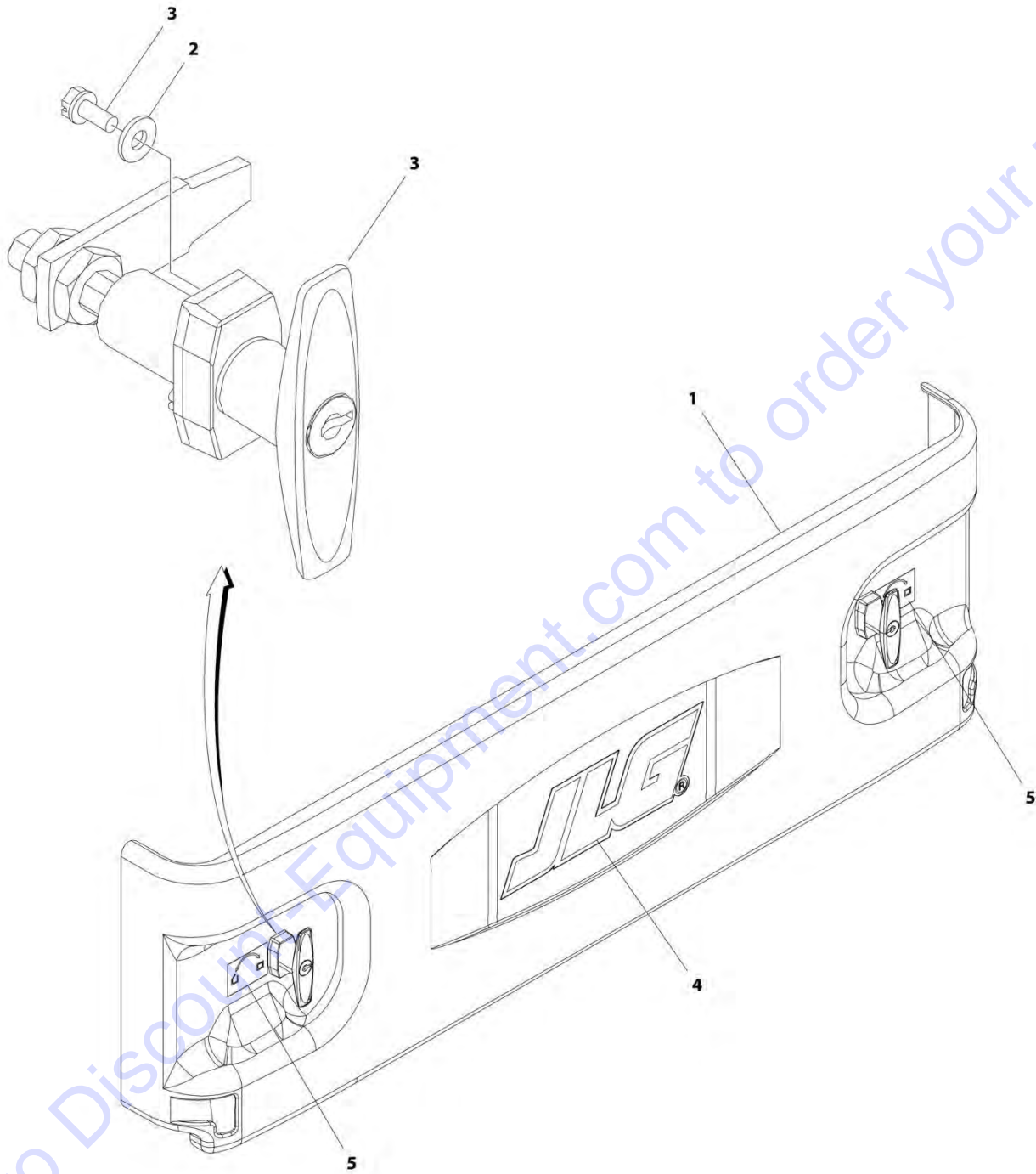
**FIGURE 2-29. BATTERY TRAY ASSEMBLY - UL**

ITEM	PART NUMBER	QTY	DESCRIPTION	REV
	0861678	Ref	BATTERY TRAY ASSEMBLY - UL	H
1	0861677	1	Tray, Battery	
5	3820032	6	Rivet	
6	4811600	4	Washer M5	
7	4220252	1	Stop (LH)	
8	4220253	1	Stop (RH)	
9	3577076	2	Bar (Prior to SN 0200266382, SN 1200025021 to Present, Prior to SN B200049128, Prior to SN M200026307)	
9	1001233888	2	Bar (SN 0200266382 to Present, SN B200049128 to Present, SN M200026307 to Present)	

Go to Discount-Equipment.com to order your parts

## SECTION 2 - GROUND COMPONENTS

FIGURE 2-30. BATTERY COVER ASSEMBLY - NON-LOCKING



ART\_1671202

## SECTION 2 - GROUND COMPONENTS

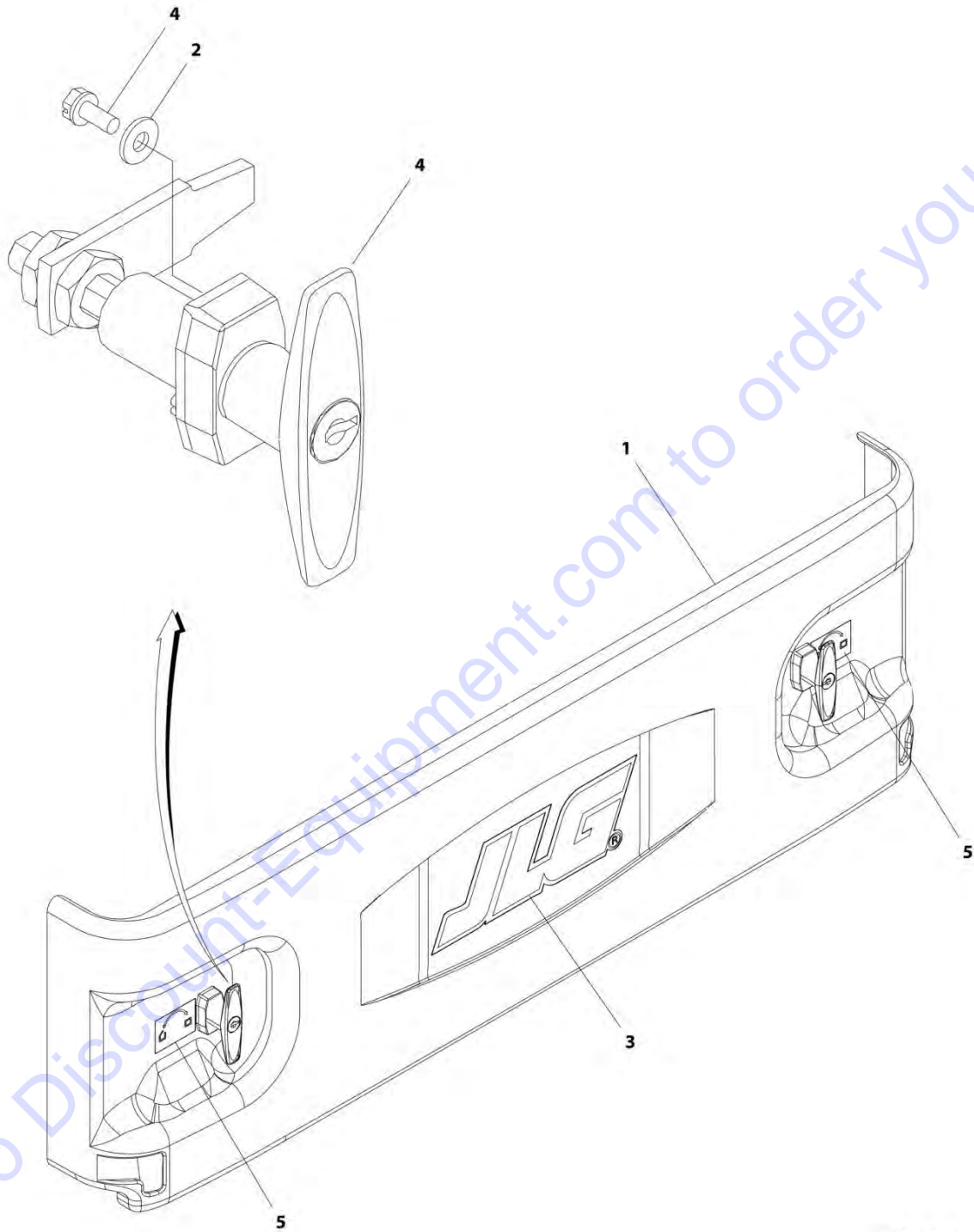
**FIGURE 2-30. BATTERY COVER ASSEMBLY - NON-LOCKING**

ITEM	PART NUMBER	QTY	DESCRIPTION	REV
	1671202	Ref	BATTERY COVER ASSEMBLY - NON-LOCKING	I
1	1671203	1	Cover, Battery Less Decals and Latches	
2	4750800	4	Washer #8	
3	2940174	2	Latch, T-Handle	
4	1705754	1	Decal - JLG ( <b>Prior to SN 0200262223, Prior to SN B200038735, Prior to SN M200007891</b> )	
5	1706350	2	Decal - Cover	

Go to Discount-Equipment.com to order your parts

## SECTION 2 - GROUND COMPONENTS

FIGURE 2-31. BATTERY COVER ASSEMBLY - LOCKING



ART\_1671204



## SECTION 2 - GROUND COMPONENTS

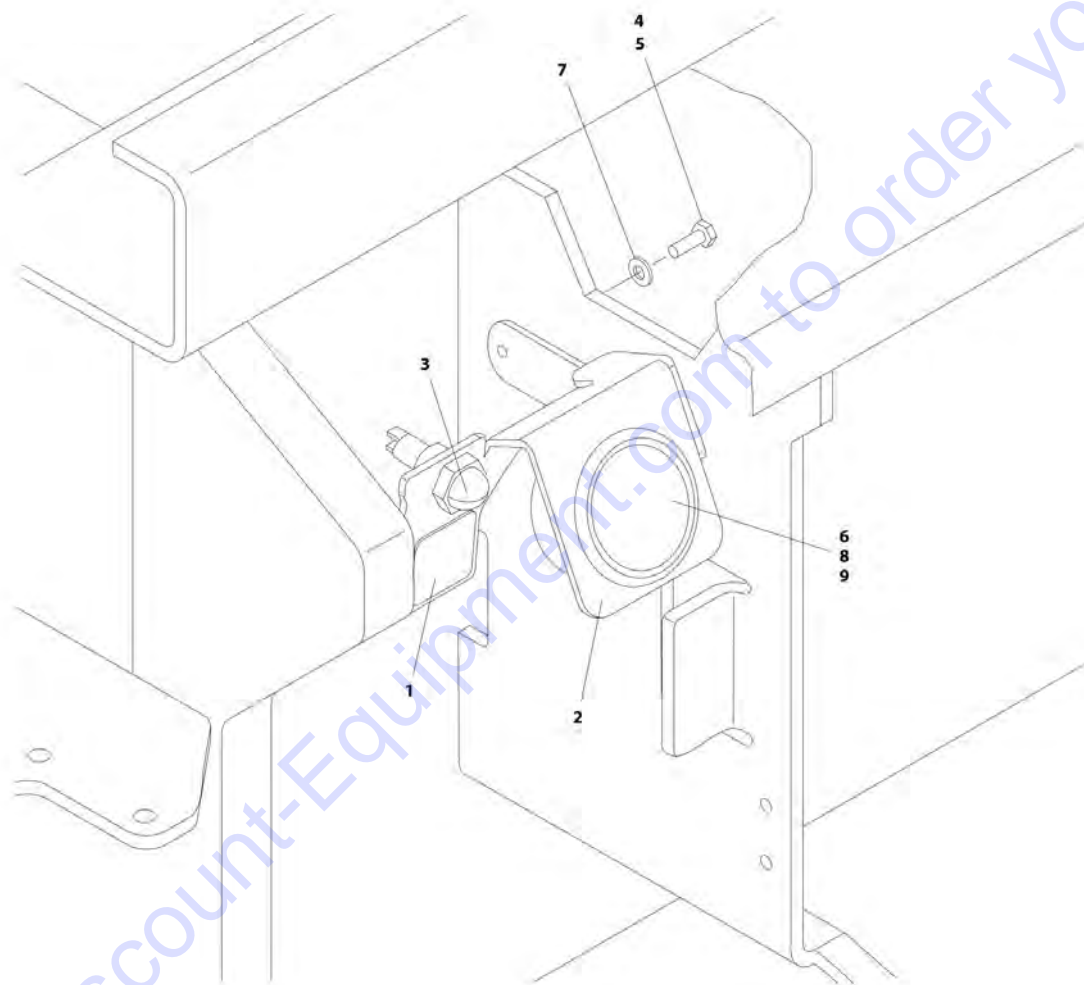
FIGURE 2-31. BATTERY COVER ASSEMBLY - LOCKING

ITEM	PART NUMBER	QTY	DESCRIPTION	REV
	1671204	Ref	BATTERY COVER ASSEMBLY - LOCKING	I
1	1671203	1	Cover, Battery Less Decals and Latches	
2	4750800	4	Washer #8	
3	1705754	1	Decal - JLG	
4	2940175	2	Locking	
4	7027863	2	Key	
5	1706350	2	Decal - Cover	

Go to Discount-Equipment.com to order your parts

## SECTION 2 - GROUND COMPONENTS

FIGURE 2-32. BRAKE DISCONNECT AND MDI (MULTIFUNCTION DIGITAL INDICATOR) GAUGE INSTALLATION



ART\_0275530

## SECTION 2 - GROUND COMPONENTS

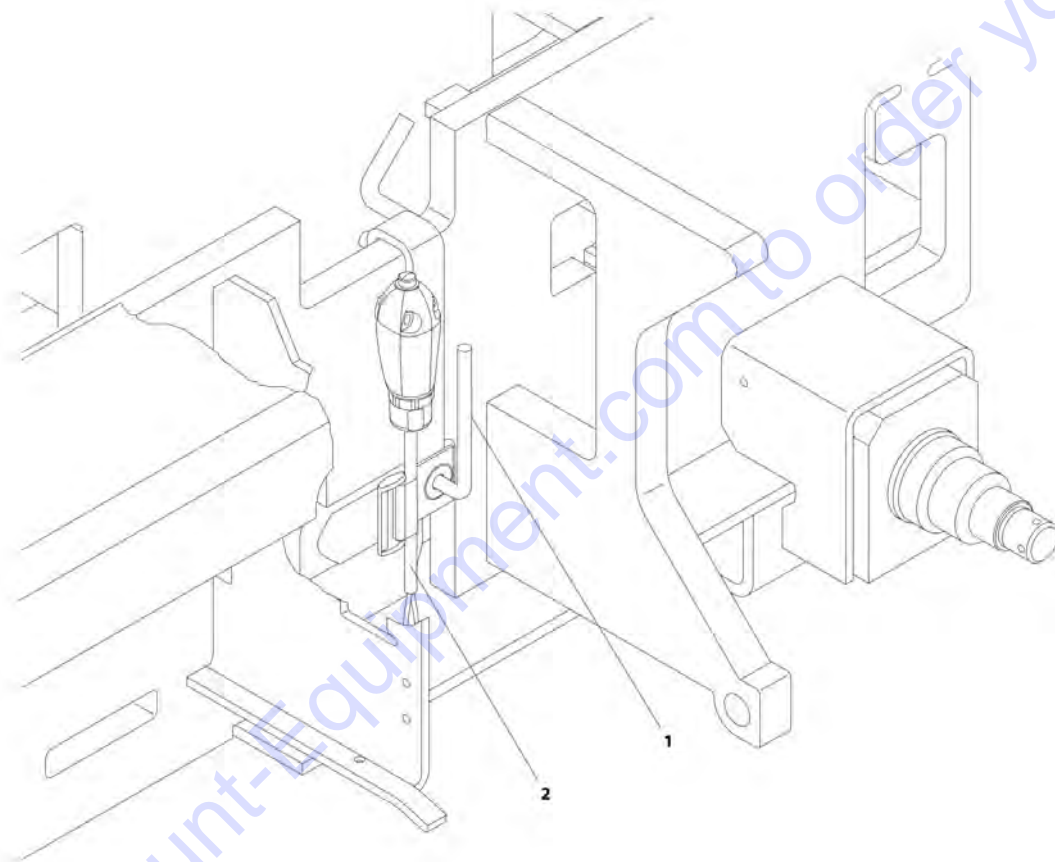
**FIGURE 2-32. BRAKE DISCONNECT AND MDI (MULTIFUNCTION DIGITAL INDICATOR) GAUGE INSTALLATION**

ITEM	PART NUMBER	QTY	DESCRIPTION	REV
	0275530	Ref	BRAKE DISCONNECT AND MDI (MULTIFUNCTION DIGITAL INDICATOR) GAUGE INSTALLATION	D
1	1706679	1	Decal - Brake Release	
2	1001094203	1	Bracket	
3	4360387	1	Switch, Push Button	
4	4031607	2	Capscrew M5 x 16	
5	0100011	AR	Compound, Locking	
6	0100048	AR	Grease, Dielectric	
7	4811600	2	Washer M5	
8	1001092454	1	Gauge, MDI (Multifunction Digital Indicator)	
9	1001093556	1	MDI Harness (Not Shown - See ELECTRICAL SECTION for Breakdown)	

Go to Discount-Equipment.com to order your parts

## SECTION 2 - GROUND COMPONENTS

FIGURE 2-33. BRAKE CABLE INSTALLATION (OPTIONAL)



ART\_0275432

# PARTS FINDER

**Search Website  
by Part Number**



**Search Manual  
Library For Parts  
Manual & Lookup Part  
Numbers – Purchase  
or Request Quote**

**Can't Find Part or  
Manual? Request Help  
by Manufacturer,  
Model & Description**

Discount-Equipment.com is your online resource for quality parts & equipment.

Florida: **561-964-4949** Outside Florida TOLL FREE: **877-690-3101**

## Need parts?

Click on this link: <http://www.discount-equipment.com/category/5443-parts/> and choose one of the options to help get the right parts and equipment you are looking for. Please have the machine model and serial number available in order to help us get you the correct parts. If you don't find the part on the website or on one of the online manuals, please fill out the request form and one of our experienced staff members will get back to you with a quote for the right part that your machine needs.

We sell worldwide for the brands: Genie, Terex, JLG, MultiQuip, Mikasa, Essick, Whiteman, Mayco, Toro Stone, Diamond Products, Generac Magnum, Airman, Haulotte, Barreto, Power Blanket, Nifty Lift, Atlas Copco, Chicago Pneumatic, Allmand, Miller Curber, Skyjack, Lull, Skytrak, Tsurumi, Husquvarna Target, Stow, Wacker, Sakai, Mi-T-M, Sullair, Basic, Dynapac, MBW, Weber, Bartell, Bennar Newman, Haulotte, Ditch Runner, Menegotti, Morrison, Contec, Buddy, Crown, Edco, Wyco, Bomag, Laymor, EZ Trench, Bil-Jax, F.S. Curtis, Gehl Pavers, Heli, Honda, ICS/PowerGrit, IHI, Partner, Imer, Clipper, MMD, Koshin, Rice, CH&E, General Equipment, Amida, Coleman, NAC, Gradall, Square Shooter, Kent, Stanley, Tamco, Toku, Hatz, Kohler, Robin, Wisconsin, Northrock, Oztec, Toker TK, Rol-Air, APT, Wylie, Ingersoll Rand / Doosan, Innovatech, Con X, Ammann, Mecalac, Makinex, Smith Surface Prep, Small Line, Wanco, Yanmar

## SECTION 2 - GROUND COMPONENTS

FIGURE 2-33. BRAKE CABLE INSTALLATION (OPTIONAL)

ITEM	PART NUMBER	QTY	DESCRIPTION	REV
	0275432	Ref	BRAKE CABLE INSTALLATION (OPTIONAL)	B
1	2902331	1	Brake Release Mount Kit (Includes Mounting Bracket and Setscrew)	
1	3951608	1	Setscrew 3/8 x 1	
2	4922944	1	Brake Disconnect Harness (See ELECTRICAL SECTION for Breakdown)	

Go to Discount-Equipment.com to order your parts



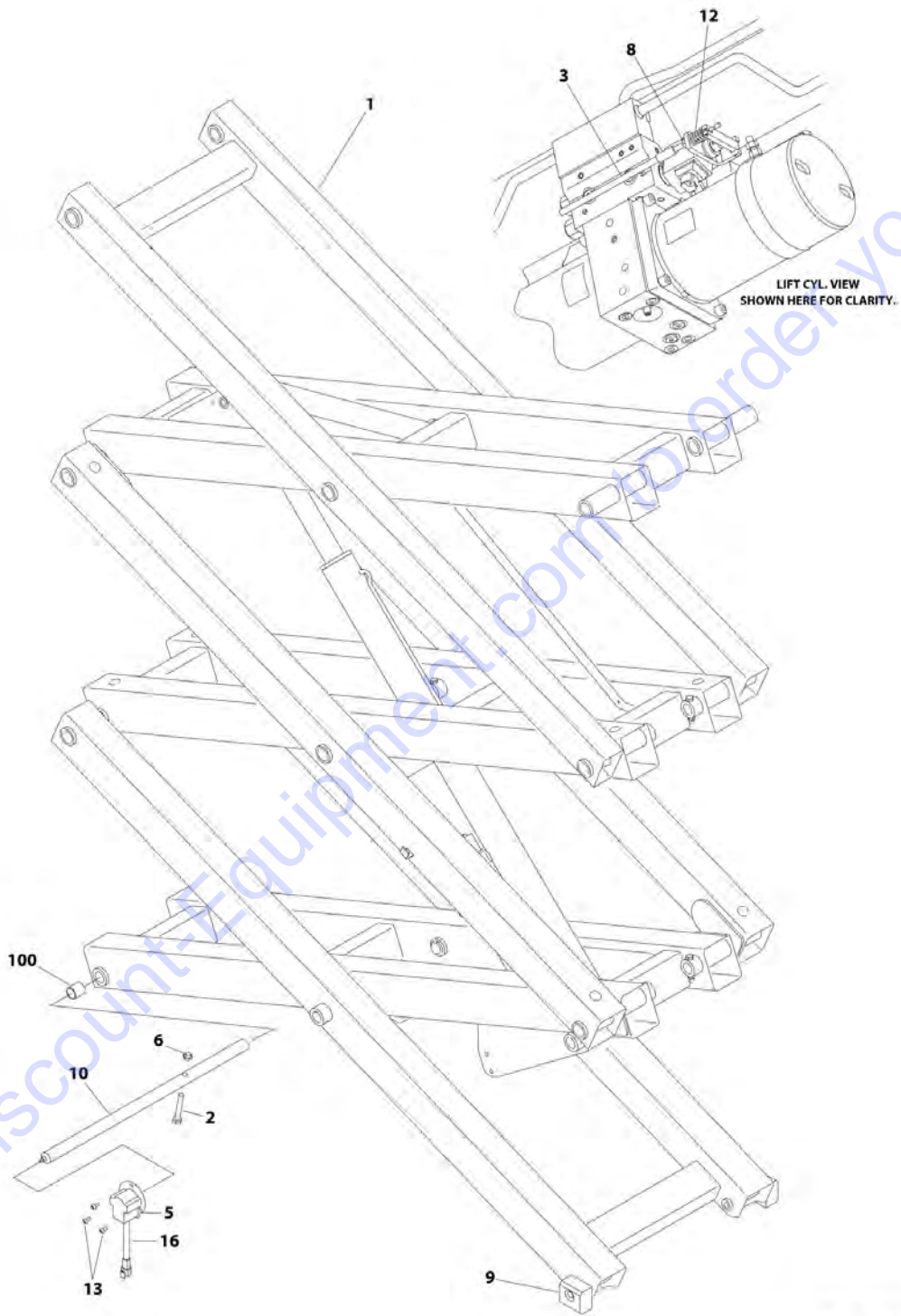
**SECTION 3 - SCISSORS ARMS**

Go to [Discount-Equipment.com](http://Discount-Equipment.com) to order your parts



# SECTION 3 - SCISSORS ARMS

FIGURE 3-1. SCISSORS ARMS INSTALLATION - 2032ES STANDARD HYDRAULIC OIL (USA AND MEXICO BUILT MACHINES)



ART\_1001157322

## SECTION 3 - SCISSORS ARMS

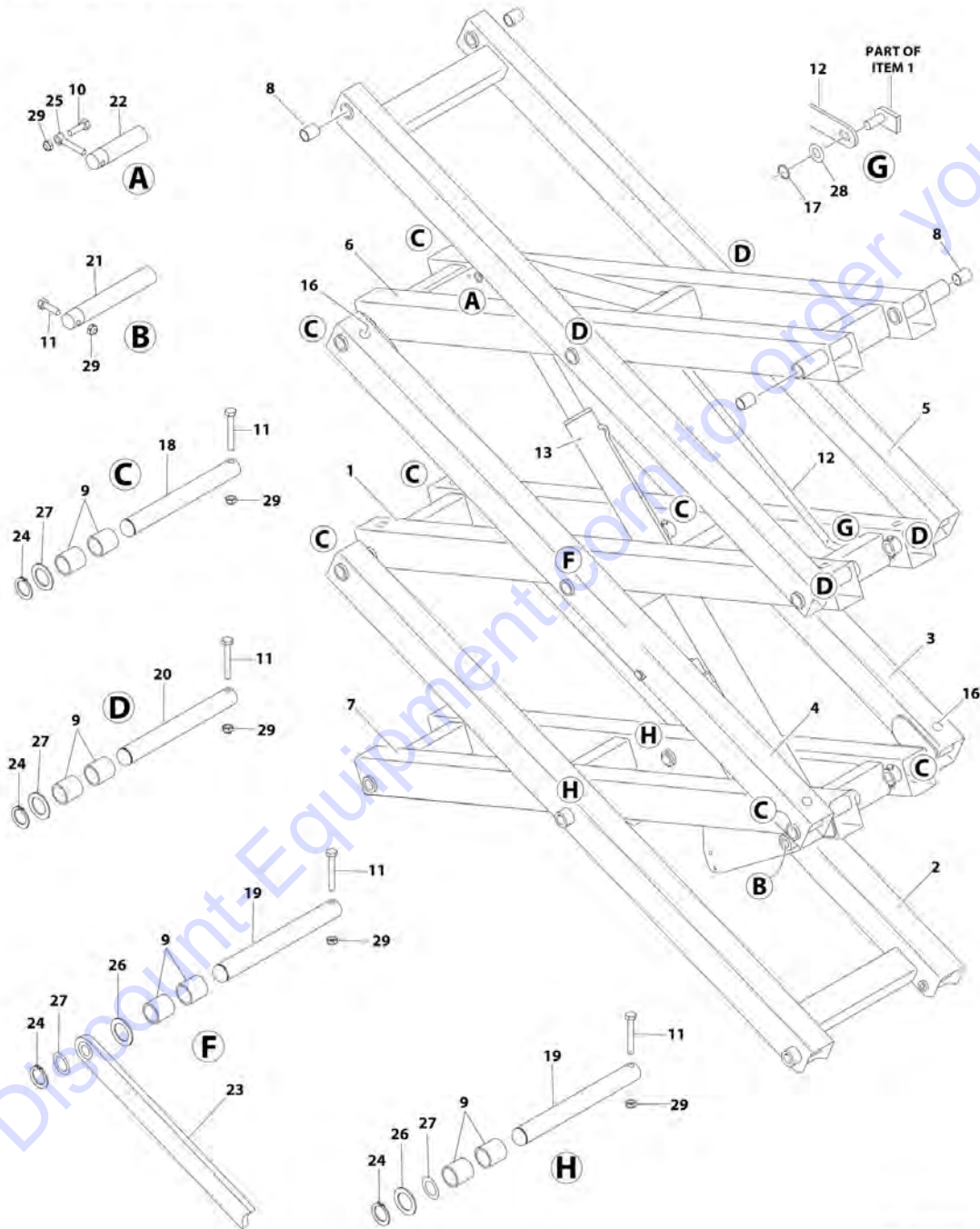
**FIGURE 3-1. SCISSORS ARMS INSTALLATION - 2032ES STANDARD HYDRAULIC OIL (USA AND MEXICO BUILT MACHINES)**

ITEM	PART NUMBER	QTY	DESCRIPTION	REV
	1001157322	Ref	SCISSORS ARMS INSTALLATION - 2032ES STANDARD HYDRAULIC OIL (USA AND MEXICO BUILT MACHINES)	A
1	1001157316	1	Arms Assembly (See SCISSORS ARMS ASSEMBLY - 2032ES STANDARD HYDRAULIC OIL (USA AND MEXICO BUILT MACHINES) for Breakdown)	
2	0701022	1	Bolt M10 x 70	
3	1061034	1	Cable, Manual Descent	
3	7020218	1	T-Handle (With 1/4-20 Threads)	
3	70001878	1	T-Handle (With 5mm Threads)	
5	3200454	1	Mount, Switch	
6	3291005	1	Nut M10	
8	3321402	1	Nut 1/4-28	
9	3340957	2	Pad, Slide	
10	3423259	1	Pin, Sensor	
12	4160078	1	Spring, Compression	
13	4191706	3	Screw M6 x 12	
16	1001092354	1	Switch, Rotary Angle Sensor	
16	4460536	1	Receptacle, Female - 3 Position	
16	4460464	3	Pin, Male	
100	0440265	2	Bushing (Part of Frame Weldment)	

# SECTION 3 - SCISSORS ARMS

## FIGURE 3-2. SCISSORS ARMS ASSEMBLY - 2032ES STANDARD HYDRAULIC OIL (USA AND MEXICO BUILT MACHINES)

NOTE: IDENTIFY THE PART NUMBER STAMPED ON CYLINDER BEFORE ORDERING PARTS.



ART\_1001157316

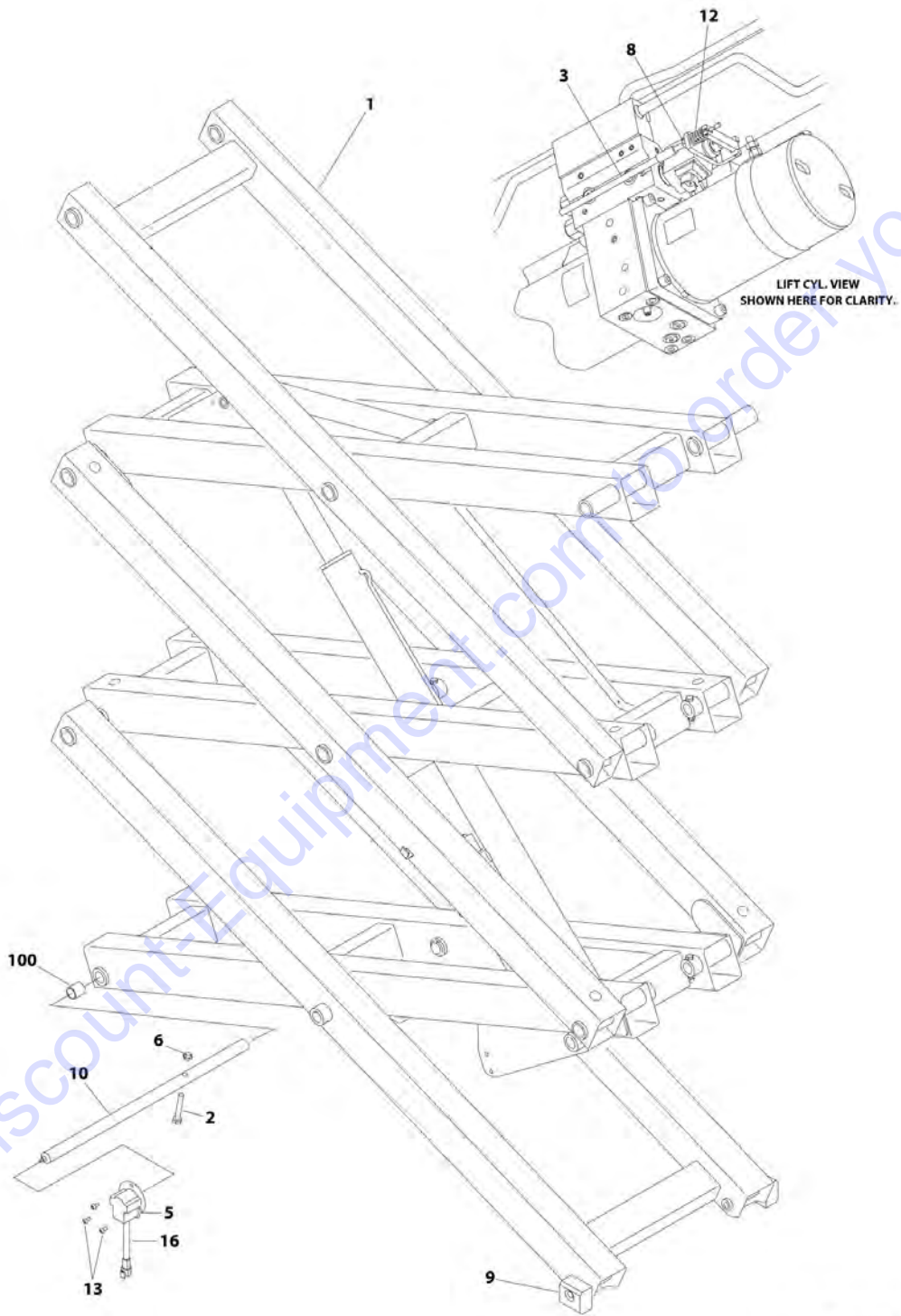
## SECTION 3 - SCISSORS ARMS

**FIGURE 3-2. SCISSORS ARMS ASSEMBLY - 2032ES STANDARD HYDRAULIC OIL (USA AND MEXICO BUILT MACHINES)**

ITEM	PART NUMBER	QTY	DESCRIPTION	REV
	1001157316	Ref	SCISSORS ARMS ASSEMBLY - 2032ES STANDARD HYDRAULIC OIL (USA AND MEXICO BUILT MACHINES)	A
1	0200799	1	Arm - Mid Inboard	
2	0200802	1	Arm - Lower Outboard	
3	0200803	1	Arm - Mid Outboard (Left Side)	
4	0200804	1	Arm - Mid Outboard (Right Side)	
5	0200807	1	Arm - Upper Outboard	
6	0200816	1	Arm - Upper Inboard	
7	0200834	1	Arm - Lower Inboard	
8	0440266	4	Bearing	
9	0440267	28	Bearing	
10	0701015	1	Bolt M10 x 35	
11	0701022	15	Bolt M10 x 70	
12	1180382	1	Carrier, Cable	
13	1001155841	1	Lift Cylinder Assembly - Standard Hydraulic Oil (See CYLINDER SECTION for Breakdown)	
16	3340962	16	Pad, Arm	
17	3760170	2	Ring, Split	
18	3422997	7	Pin	
19	3423014	3	Pin	
20	3423036	4	Pin	
21	3423038	1	Pin	
22	3423067	1	Pin	
23	3574161	1	Bar, Prop Attach	
24	3760387	14	Ring, Retaining	
25	3841143	1	Keeper, Pin	
26	4071094	AR	Shim, Spacer	
27	4740438	14	Washer	
28	4812000	2	Washer M10	
29	3291007	16	Nut M10	

## SECTION 3 - SCISSORS ARMS

FIGURE 3-3. SCISSORS ARMS INSTALLATION - 2032ES STANDARD HYDRAULIC OIL (BELGIUM AND CHINA BUILT MACHINES)



ART\_1001131005

## SECTION 3 - SCISSORS ARMS

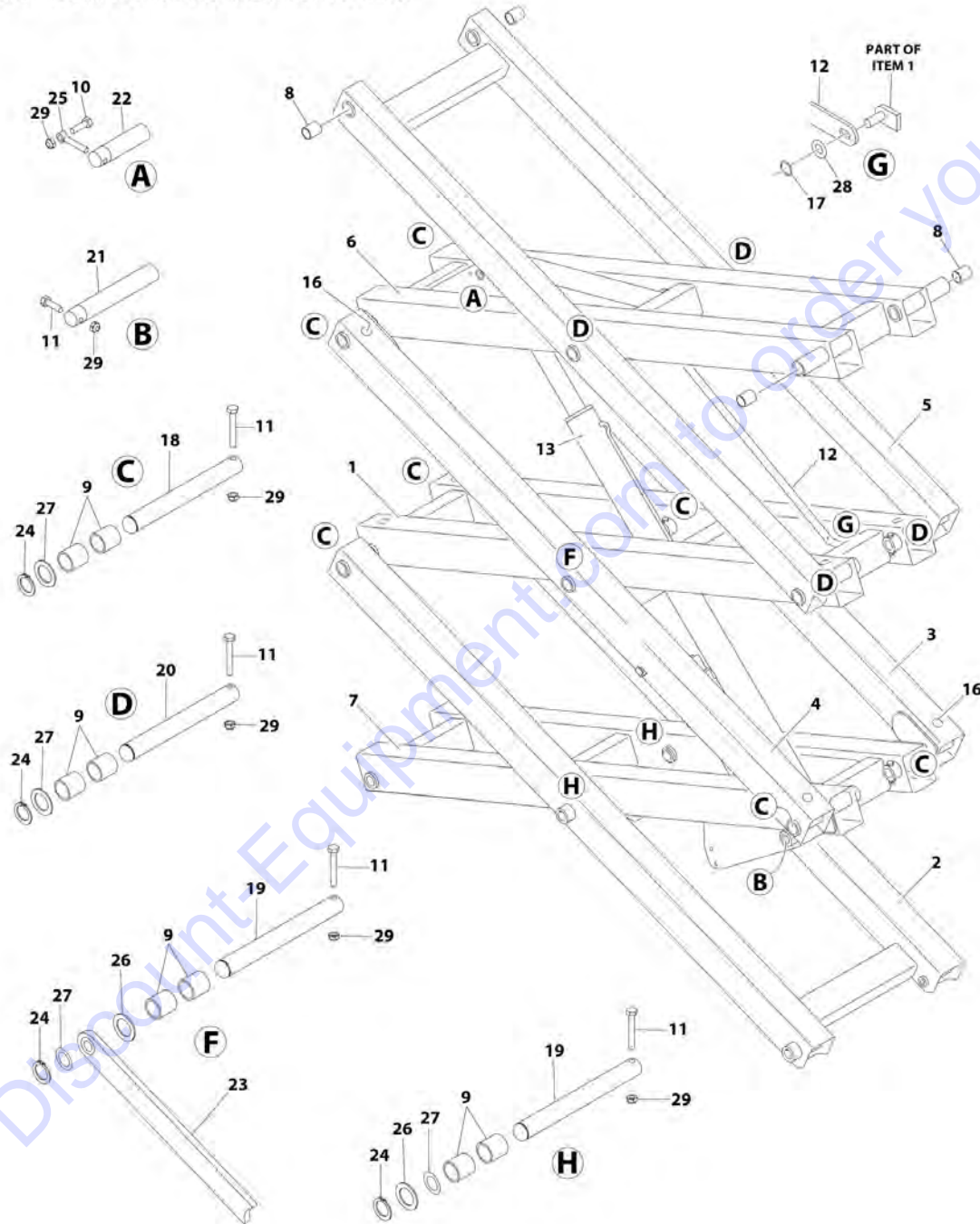
**FIGURE 3-3. SCISSORS ARMS INSTALLATION - 2032ES STANDARD HYDRAULIC OIL (BELGIUM AND CHINA BUILT MACHINES)**

ITEM	PART NUMBER	QTY	DESCRIPTION	REV
	1001131005	Ref	SCISSORS ARMS INSTALLATION - 2032ES STANDARD HYDRAULIC OIL (BELGIUM AND CHINA BUILT MACHINES)	D
1	1001131020	1	Arms Assembly (See SCISSORS ARMS ASSEMBLY - 2032ES STANDARD HYDRAULIC OIL (BELGIUM AND CHINA BUILT MACHINES) for Breakdown)	
2	0701022	1	Bolt M10 x 70	
3	1061034	1	Cable, Manual Descent	
3	7020218	1	T-Handle (With 1/4-20 Threads)	
3	70001878	1	T-Handle (With 5mm Threads)	
5	3200454	1	Mount, Switch	
6	3291005	1	Nut M10	
8	3321402	1	Nut 1/4-28	
9	3340957	2	Pad, Slide	
10	3423259	1	Pin, Sensor	
12	4160078	1	Spring, Compression	
13	4191706	3	Screw M6 x 12	
16	1001092354	1	Switch, Rotary Angle Sensor	
16	4460536	1	Receptacle, Female - 3 Position	
16	4460464	3	Pin, Male	
100	0440265	2	Bushing (Part of Frame Weldment)	

# SECTION 3 - SCISSORS ARMS

## FIGURE 3-4. SCISSORS ARMS ASSEMBLY - 2032ES STANDARD HYDRAULIC OIL (BELGIUM AND CHINA BUILT MACHINES)

NOTE: IDENTIFY THE PART NUMBER STAMPED ON CYLINDER BEFORE ORDERING PARTS.



ART\_1001131020

## SECTION 3 - SCISSORS ARMS

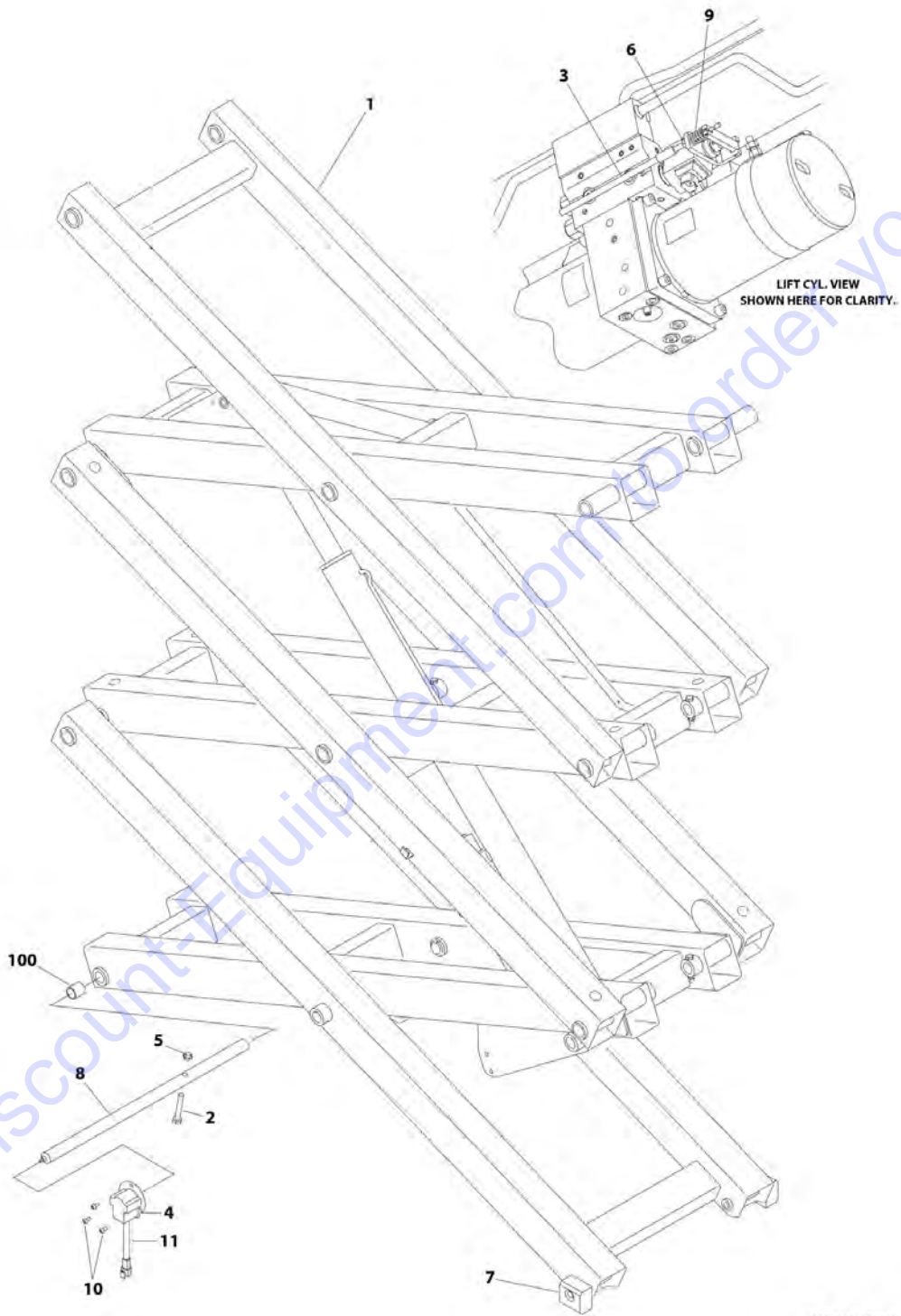
**FIGURE 3-4. SCISSORS ARMS ASSEMBLY - 2032ES STANDARD HYDRAULIC OIL (BELGIUM AND CHINA BUILT MACHINES)**

ITEM	PART NUMBER	QTY	DESCRIPTION	REV
	1001131020	Ref	SCISSORS ARMS ASSEMBLY - 2032ES STANDARD HYDRAULIC OIL (BELGIUM AND CHINA BUILT MACHINES)	D
1	0200799	1	Arm - Mid Inboard	
2	0200802	1	Arm - Lower Outboard	
3	0200803	1	Arm - Mid Outboard (Left Side)	
4	0200804	1	Arm - Mid Outboard (Right Side)	
5	0200807	1	Arm - Upper Outboard	
6	0200816	1	Arm - Upper Inboard	
7	0200834	1	Arm - Lower Inboard	
8	0440266	4	Bearing	
9	0440267	28	Bearing	
10	0701015	1	Bolt M10 x 35	
11	0701022	15	Bolt M10 x 70	
12	1180382	1	Carrier, Cable	
13	1001129289	1	Lift Cylinder Assembly - Standard Hydraulic Oil (See CYLINDER SECTION for Breakdown)	
16	3340962	16	Pad, Arm	
17	3760170	2	Ring, Split	
18	3422997	7	Pin	
19	3423014	3	Pin	
20	3423036	4	Pin	
21	3423038	1	Pin	
22	3423067	1	Pin	
23	3574161	1	Bar, Prop Attach	
24	3760387	14	Ring, Retaining	
25	3841143	1	Keeper, Pin	
26	4071094	AR	Shim, Spacer	
27	4740438	14	Washer	
28	4812000	2	Washer M10	
29	3291007	16	Nut M10	



# SECTION 3 - SCISSORS ARMS

FIGURE 3-5. SCISSORS ARMS INSTALLATION - 2032ES BIODEGRADABLE HYDRAULIC OIL (USA AND MEXICO BUILT MACHINES)



ART 1001157340

## SECTION 3 - SCISSORS ARMS

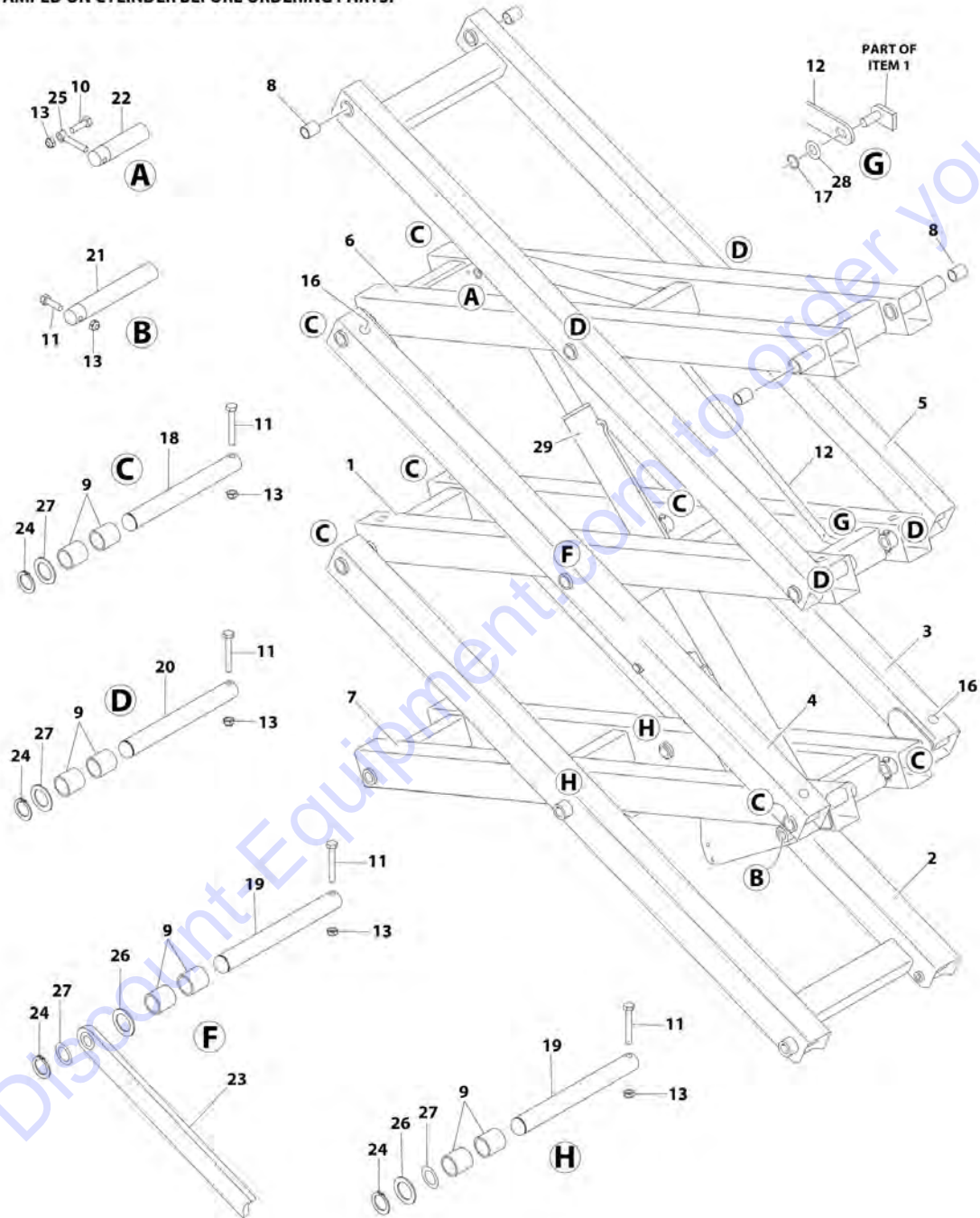
**FIGURE 3-5. SCISSORS ARMS INSTALLATION - 2032ES BIODEGRADEABLE HYDRAULIC OIL (USA AND MEXICO BUILT MACHINES)**

ITEM	PART NUMBER	QTY	DESCRIPTION	REV
	1001157340	Ref	SCISSORS ARMS INSTALLATION - 2032ES BIODEGRADEABLE HYDRAULIC OIL (USA AND MEXICO BUILT MACHINES)	A
1	1001157335	1	Arms Assembly (See SCISSORS ARMS ASSEMBLY - 2032ES BIODEGRADEABLE HYDRAULIC OIL (USA AND MEXICO BUILT MACHINES) for Breakdown)	
2	0701022	1	Bolt M10 x 70	
3	1061034	1	Cable, Manual Descent	
3	7020218	1	T-Handle (With 1/4-20 Threads)	
3	70001878	1	T-Handle (With 5mm Threads)	
4	3200454	1	Mount, Switch	
5	3291005	1	Nut M10	
6	3321402	1	Nut 1/4-28	
7	3340957	2	Pad, Slide	
8	3423259	1	Pin, Sensor	
9	4160078	1	Spring, Compression	
10	4191706	3	Screw M6 x 12	
11	1001092354	1	Switch, Rotary Angle Sensor	
11	4460536	1	Receptacle, Female - 3 Position	
11	4460464	3	Pin, Male	
100	0440265	2	Bushing (Part of Frame Weldment)	

# SECTION 3 - SCISSORS ARMS

FIGURE 3-6. SCISSORS ARMS ASSEMBLY - 2032ES BIODEGRADABLE HYDRAULIC OIL (USA AND MEXICO BUILT MACHINES)

NOTE: IDENTIFY THE PART NUMBER STAMPED ON CYLINDER BEFORE ORDERING PARTS.



ART\_1001157335

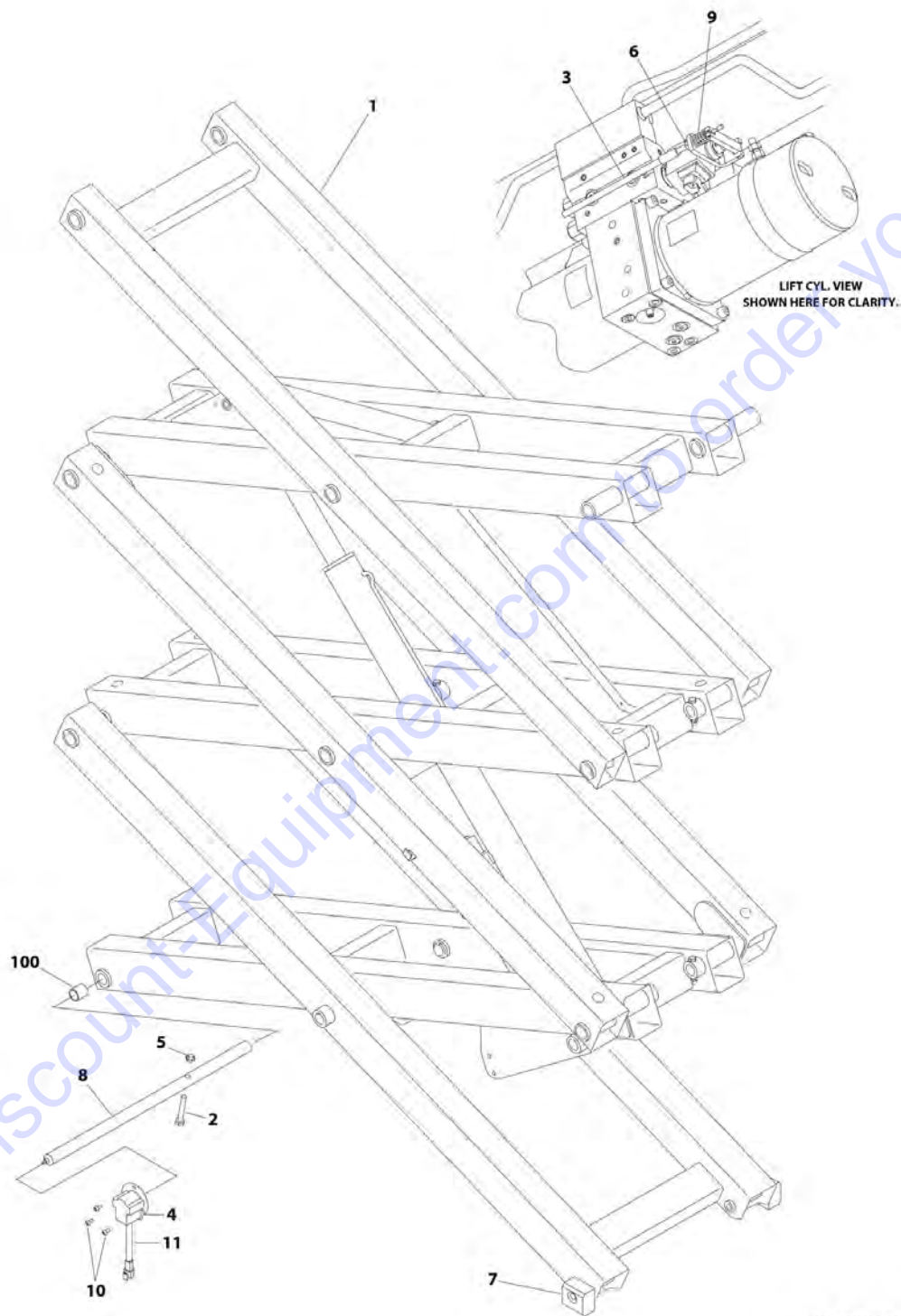
## SECTION 3 - SCISSORS ARMS

**FIGURE 3-6. SCISSORS ARMS ASSEMBLY - 2032ES BIODEGRADEABLE HYDRAULIC OIL (USA AND MEXICO BUILT MACHINES)**

ITEM	PART NUMBER	QTY	DESCRIPTION	REV
	1001157335	Ref	SCISSORS ARMS ASSEMBLY - 2032ES BIODEGRADEABLE HYDRAULIC OIL (USA AND MEXICO BUILT MACHINES)	A
1	0200799	1	Arm - Mid Inboard	
2	0200802	1	Arm - Lower Outboard	
3	0200803	1	Arm - Mid Outboard (Left Side)	
4	0200804	1	Arm - Mid Outboard (Right Side)	
5	0200807	1	Arm - Upper Outboard	
6	0200816	1	Arm - Upper Inboard	
7	0200834	1	Arm - Lower Inboard	
8	0440266	4	Bearing	
9	0440267	28	Bearing	
10	0701015	1	Bolt M10 x 35	
11	0701022	15	Bolt M10 x 70	
12	1180382	1	Carrier, Cable	
13	3291007	16	Nut M10	
16	3340962	16	Pad, Arm	
17	3760170	2	Ring, Split	
18	3422997	7	Pin	
19	3423014	3	Pin	
20	3423036	4	Pin	
21	3423038	1	Pin	
22	3423067	1	Pin	
23	3574161	1	Bar, Prop Attach	
24	3760387	14	Ring, Retaining	
25	3841143	1	Keeper, Pin	
26	4071094	AR	Shim, Spacer	
27	4740438	14	Washer	
28	4812000	2	Washer M10	
29	1001157330	1	Lift Cylinder Assembly - Biodegradeable Hydraulic Oil (See CYLINDER SECTION for Breakdown)	

## SECTION 3 - SCISSORS ARMS

FIGURE 3-7. SCISSORS ARMS INSTALLATION - 2032ES BIODEGRADABLE HYDRAULIC OIL  
(CHINA BUILT MACHINES)



ART\_1001131010

## SECTION 3 - SCISSORS ARMS

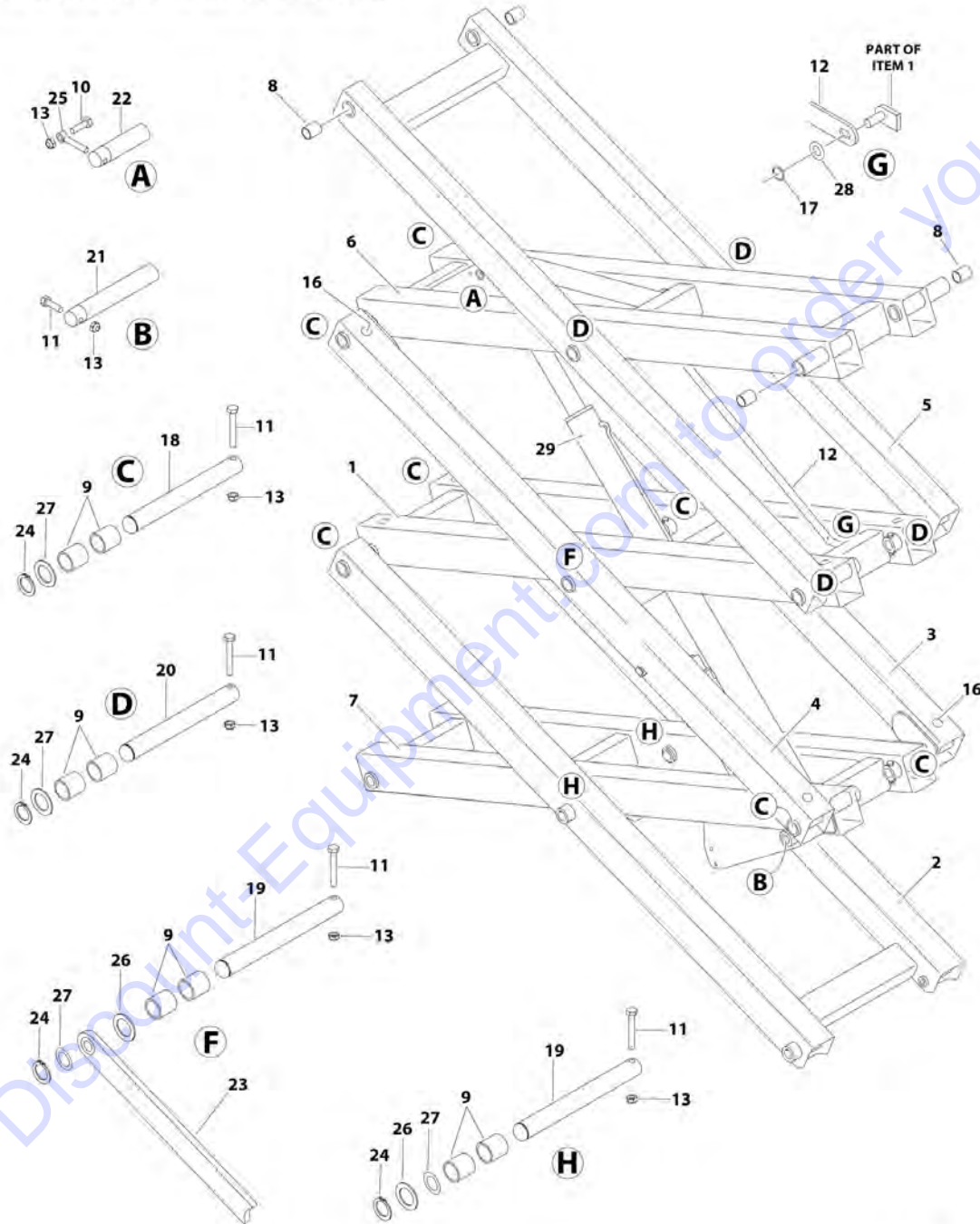
**FIGURE 3-7. SCISSORS ARMS INSTALLATION - 2032ES BIODEGRADEABLE HYDRAULIC OIL  
(CHINA BUILT MACHINES)**

ITEM	PART NUMBER	QTY	DESCRIPTION	REV
	1001131010	Ref	SCISSORS ARMS INSTALLATION - 2032ES BIODEGRADEABLE HYDRAULIC OIL (CHINA BUILT MACHINES)	C
1	1001131028	1	Arms Assembly (See SCISSORS ARMS ASSEMBLY - 2032ES BIODEGRADEABLE HYDRAULIC OIL (CHINA BUILT MACHINES) for Breakdown)	
2	0701022	1	Bolt M10 x 70	
3	1061034	1	Cable, Manual Descent	
3	7020218	1	T-Handle (With 1/4-20 Threads)	
3	70001878	1	T-Handle (With 5mm Threads)	
4	3200454	1	Mount, Switch	
5	3291005	1	Nut M10	
6	3321402	1	Nut 1/4-28	
7	3340957	2	Pad, Slide	
8	3423259	1	Pin, Sensor	
9	4160078	1	Spring, Compression	
10	4191706	3	Screw M6 x 12	
11	1001092354	1	Switch, Rotary Angle Sensor	
11	4460536	1	Receptacle, Female - 3 Position	
11	4460464	3	Pin, Male	
100	0440265	2	Bushing (Part of Frame Weldment)	

# SECTION 3 - SCISSORS ARMS

## FIGURE 3-8. SCISSORS ARMS ASSEMBLY - 2032ES BIODEGRADABLE HYDRAULIC OIL (CHINA BUILT MACHINES)

NOTE: IDENTIFY THE PART NUMBER STAMPED ON CYLINDER BEFORE ORDERING PARTS.



ART\_1001131028

## SECTION 3 - SCISSORS ARMS

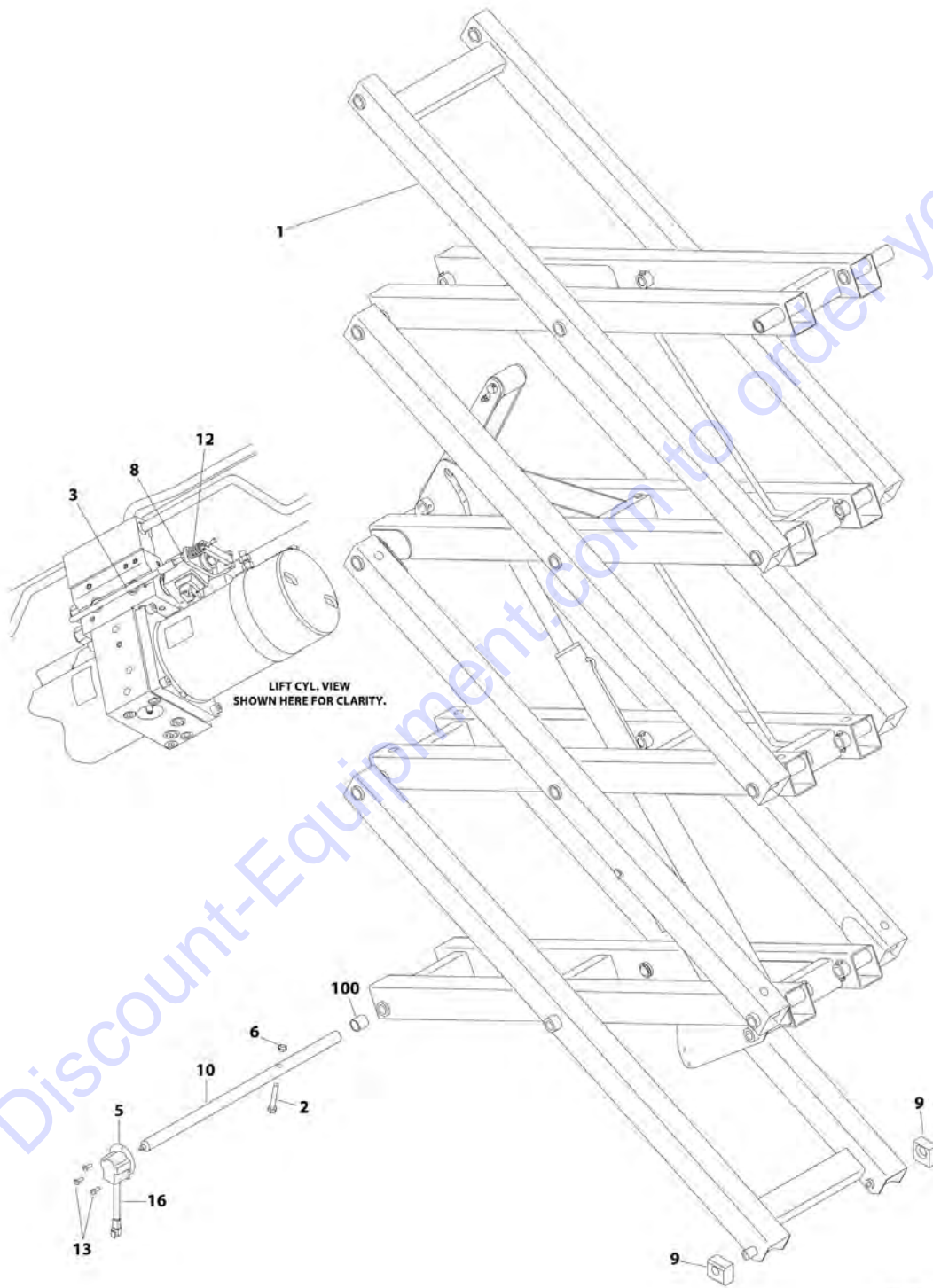
**FIGURE 3-8. SCISSORS ARMS ASSEMBLY - 2032ES BIODEGRADABLE HYDRAULIC OIL (CHINA BUILT MACHINES)**

ITEM	PART NUMBER	QTY	DESCRIPTION	REV
	1001131028	Ref	SCISSORS ARMS ASSEMBLY - 2032ES BIODEGRADABLE HYDRAULIC OIL (CHINA BUILT MACHINES)	D
1	0200799	1	Arm - Mid Inboard	
2	0200802	1	Arm - Lower Outboard	
3	0200803	1	Arm - Mid Outboard (Left Side)	
4	0200804	1	Arm - Mid Outboard (Right Side)	
5	0200807	1	Arm - Upper Outboard	
6	0200816	1	Arm - Upper Inboard	
7	0200834	1	Arm - Lower Inboard	
8	0440266	4	Bearing	
9	0440267	28	Bearing	
10	0701015	1	Bolt M10 x 35	
11	0701022	15	Bolt M10 x 70	
12	1180382	1	Carrier, Cable	
13	3291007	16	Nut M10	
16	3340962	16	Pad, Arm	
17	3760170	2	Ring, Split	
18	3422997	7	Pin	
19	3423014	3	Pin	
20	3423036	4	Pin	
21	3423038	1	Pin	
22	3423067	1	Pin	
23	3574161	1	Bar, Prop Attach	
24	3760387	14	Ring, Retaining	
25	3841143	1	Keeper, Pin	
26	4071094	AR	Shim, Spacer	
27	4740438	14	Washer	
28	4812000	2	Washer M10	
29	1001131034	1	Lift Cylinder Assembly - Biodegradable Hydraulic Oil (See CYLINDER SECTION for Breakdown)	



## SECTION 3 - SCISSORS ARMS

FIGURE 3-9. SCISSORS ARMS INSTALLATION - 2632ES STANDARD HYDRAULIC OIL (USA BUILT MACHINES) (SN 020000001 through 0200241220)



ART\_1001157323

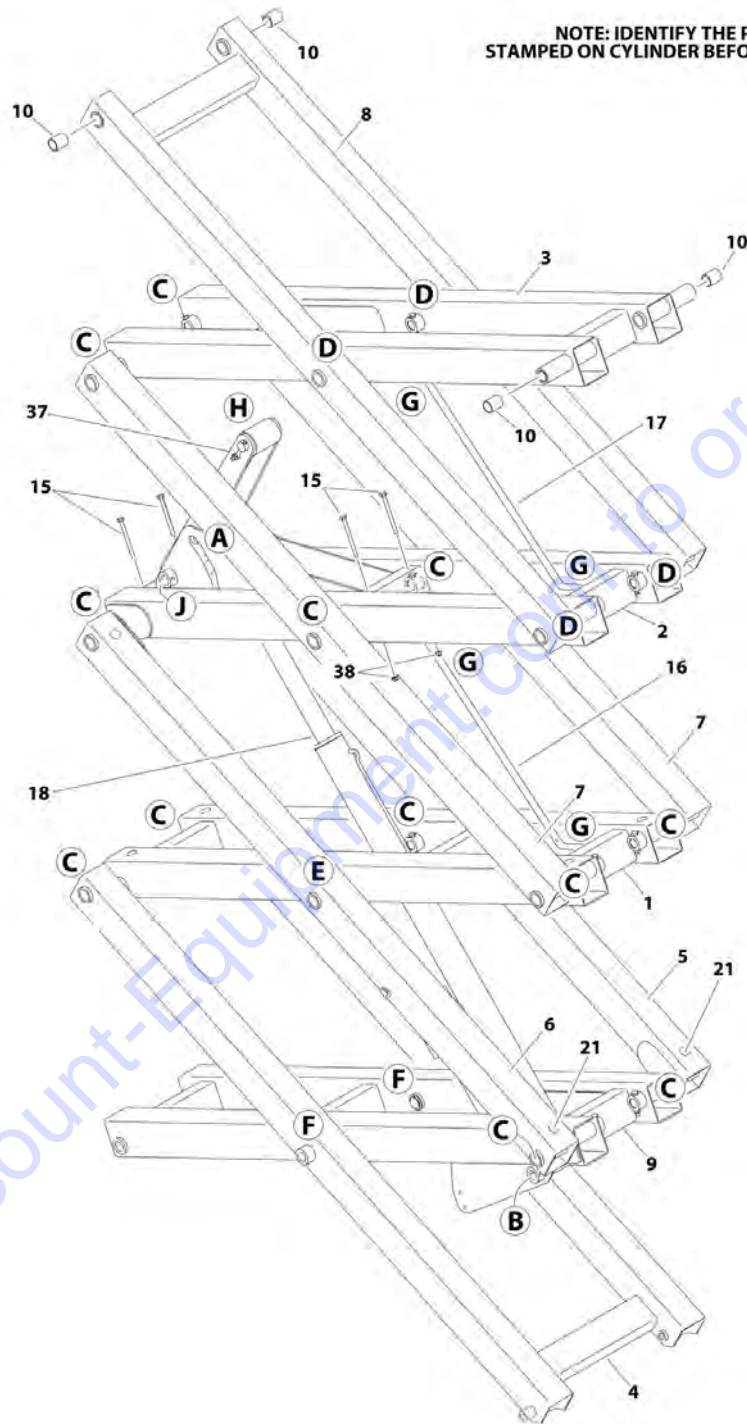
## SECTION 3 - SCISSORS ARMS

**FIGURE 3-9. SCISSORS ARMS INSTALLATION - 2632ES STANDARD HYDRAULIC OIL (USA BUILT MACHINES) (SN 0200000001 through 0200241220)**

ITEM	PART NUMBER	QTY	DESCRIPTION	REV
	1001157323	Ref	SCISSORS ARMS INSTALLATION - 2632ES STANDARD HYDRAULIC OIL (USA BUILT MACHINES) (SN 0200000001 through 0200241220)	B
1	1001157317	1	Arms Assembly (See SCISSORS ARMS ASSEMBLY - 2632ES STANDARD HYDRAULIC OIL (USA BUILT MACHINES) for Breakdown)	
2	0701022	1	Bolt M10 x 70	
3	1061034	1	Cable, Manual Descent	
3	7020218	1	T-Handle (With 1/4-20 Threads)	
3	70001878	1	T-Handle (With M5 Threads)	
5	3200454	1	Mount, Switch	
6	3291005	1	Nut M10	
8	3321402	1	Nut 1/4-28	
9	3340957	2	Pad, Slide	
10	3423259	1	Pin, Sensor	
12	4160078	1	Spring, Compression	
13	4191706	3	Screw M6 x 12	
16	1001092354	1	Switch, Rotary Angle Sensor	
16	4460536	1	Receptacle, Female - 3 Position	
16	4460464	3	Pin, Male	
100	0440265	1	Bushing (Part of Frame Weldment)	

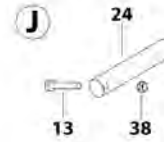
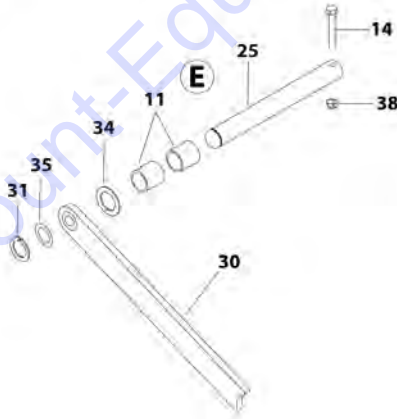
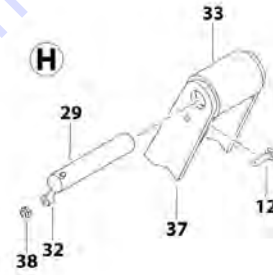
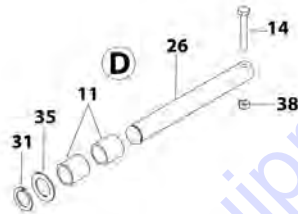
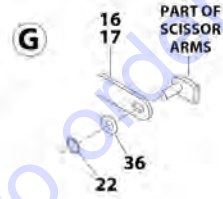
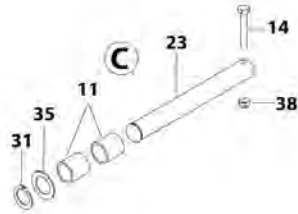
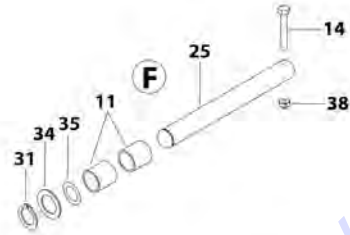
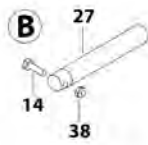
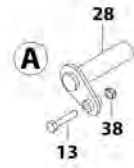
# SECTION 3 - SCISSORS ARMS

FIGURE 3-10. SCISSORS ARMS ASSEMBLY - 2632ES STANDARD HYDRAULIC OIL (USA BUILT MACHINES) (SN 020000001 through 0200241220)



ART\_1001157317\_10F2

# SECTION 3 - SCISSORS ARMS



AM100157317\_2012

## SECTION 3 - SCISSORS ARMS

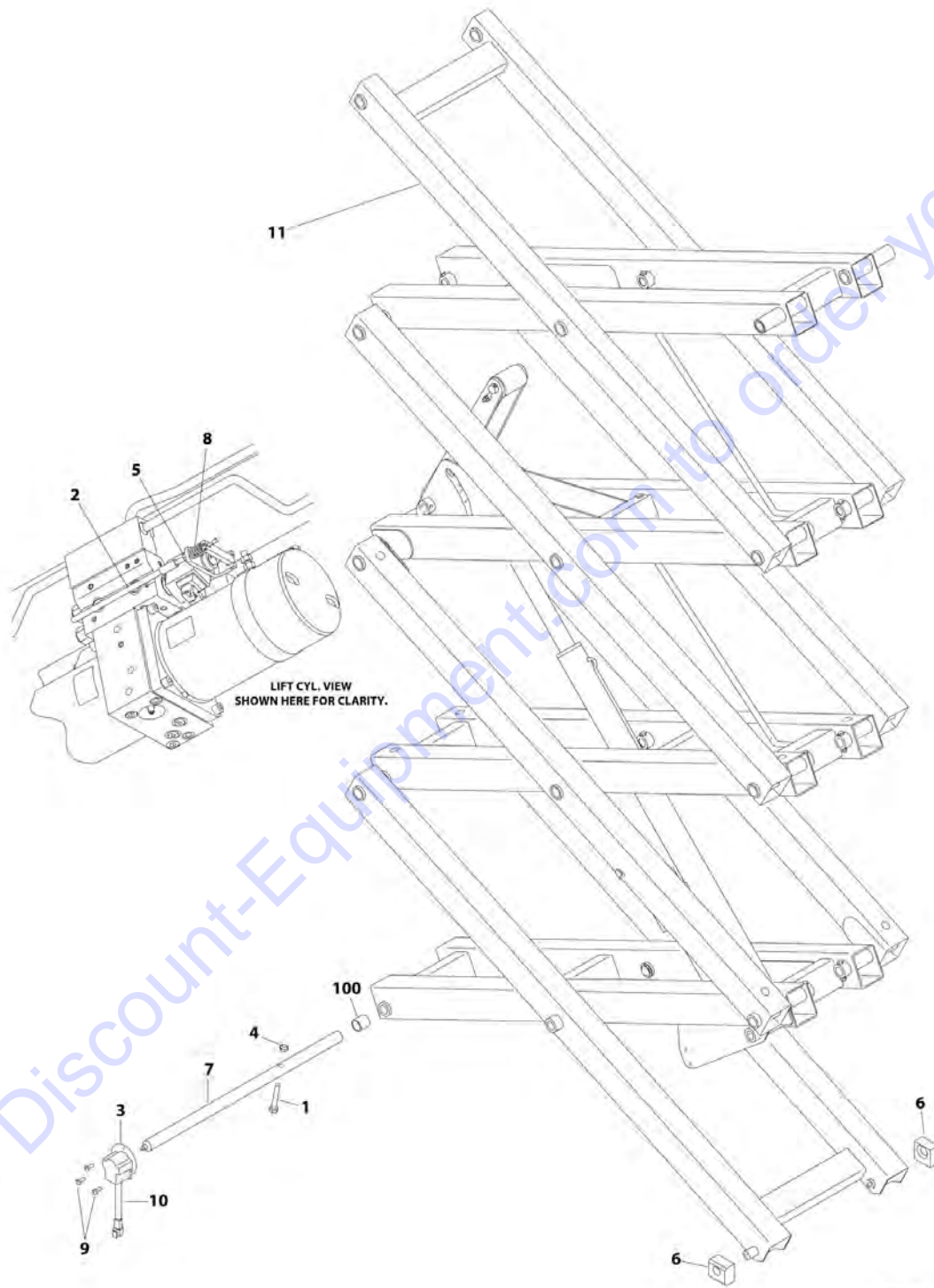
**FIGURE 3-10. SCISSORS ARMS ASSEMBLY - 2632ES STANDARD HYDRAULIC OIL (USA BUILT MACHINES) (SN 020000001 through 0200241220)**

ITEM	PART NUMBER	QTY	DESCRIPTION	REV
	1001157317	Ref	SCISSORS ARMS ASSEMBLY - 2632ES STANDARD HYDRAULIC OIL (USA BUILT MACHINES) (SN 020000001 through 0200241220)	B
1	0200799	1	Arm - Lower Mid Inboard	
2	0200800	1	Arm - Upper Mid Inboard	
3	0200801	1	Arm - Upper Inboard	
4	0200802	1	Arm - Lower Outboard	
5	0200803	1	Arm - Lower Mid Outboard (Left Side)	
6	0200804	1	Arm - Lower Mid Outboard (Right Side)	
7	0200805	2	Arm - Upper Mid Out board	
8	0200807	1	Arm - Upper Outboard	
9	0200834	1	Arm - Lower Inboard	
10	0440266	4	Bearing	
11	0440267	42	Bearing	
12	0701015	1	Bolt M10 x 35	
13	0701017	1	Bolt M10 x 45	
14	0701022	18	Bolt M10 x 70	
15	0701029	4	Bolt M10 x 120	
16	1180382	1	Carrier, Cable	
17	1180383	1	Carrier, Cable	
18	1001155842	1	Lift Cylinder Assembly - Standard Hydraulic Oil (See CYLINDER SECTION for Breakdown)	
21	3340962	24	Pad, Arm	
22	3760170	2	Ring, Split	
23	3422997	13	Pin	
24	3422998	1	Pin	
25	3423014	3	Pin	
26	3423036	4	Pin	
27	3423038	1	Pin	
28	3423039	1	Pin	
29	3423067	1	Pin	
30	3574161	1	Bar, Prop Attach	
31	3760387	20	Ring, Retaining	
32	3841143	1	Keeper, Pin	
33	3860107	1	Roller	
34	4071094	AR	Shim, Spacer	
35	4740438	20	Washer	
36	4812000	2	Washer M10	
37	4846752	1	Kicker, Arm	
38	3291007	24	Nut M10	



## SECTION 3 - SCISSORS ARMS

FIGURE 3-11. SCISSORS ARMS INSTALLATION - 2632ES STANDARD HYDRAULIC OIL (USA AND MEXICO BUILT MACHINES) (SN 0200241221 to Present, SN M200000100 through M200022019)



ART\_1001190908

## SECTION 3 - SCISSORS ARMS

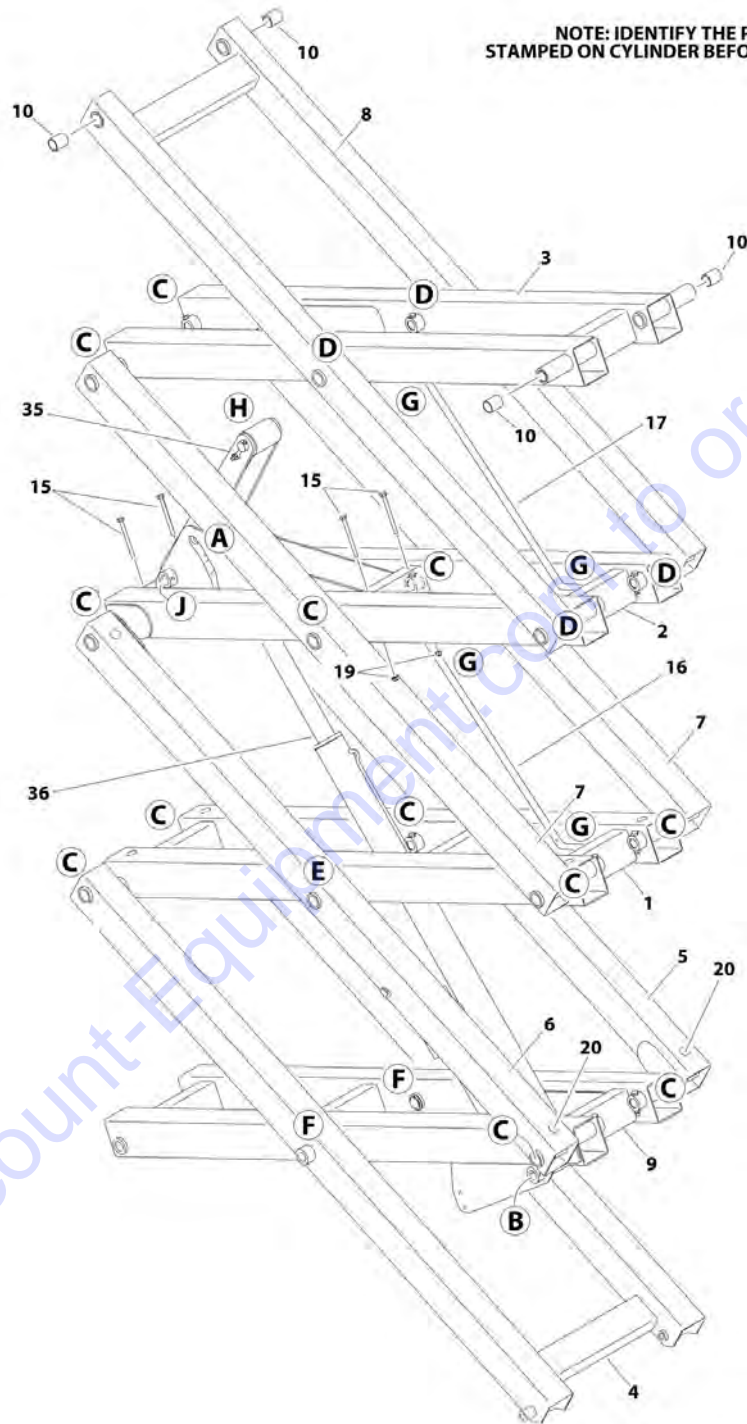
**FIGURE 3-11. SCISSORS ARMS INSTALLATION - 2632ES STANDARD HYDRAULIC OIL (USA AND MEXICO BUILT MACHINES) (SN 0200241221 to Present, SN M200000100 through M200022019)**

ITEM	PART NUMBER	QTY	DESCRIPTION	REV
	1001190908	Ref	SCISSORS ARMS INSTALLATION - 2632ES STANDARD HYDRAULIC OIL (USA AND MEXICO BUILT MACHINES) (SN 0200241221 to Present, SN M200000100 through M200022019)	A
1	0701022	1	Bolt M10 x 70	
2	1061034	1	Cable, Manual Descent	
2	7020218	1	T-Handle (With 1/4-20 Threads)	
2	70001878	1	T-Handle (With M5 Threads)	
3	3200454	1	Mount, Switch	
4	3291005	1	Nut M10	
5	3321402	1	Nut 1/4-28	
6	3340957	2	Pad, Slide	
7	3423259	1	Pin, Sensor	
8	4160078	1	Spring, Compression	
9	4191706	3	Screw M6 x 12	
10	1001092354	1	Switch, Rotary Angle Sensor	
10	4460536	1	Receptacle, Female - 3 Position	
10	4460464	3	Pin, Male	
11	1001190907	1	Arms Assembly (See SCISSORS ARMS ASSEMBLY - 2632ES STANDARD HYDRAULIC OIL (USA AND MEXICO BUILT MACHINES) for Breakdown)	
100	0440265	1	Bushing (Part of Frame Weldment)	



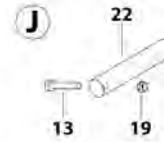
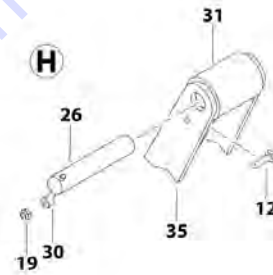
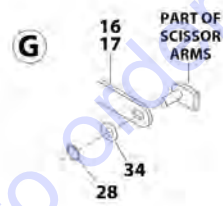
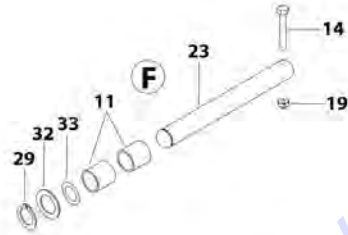
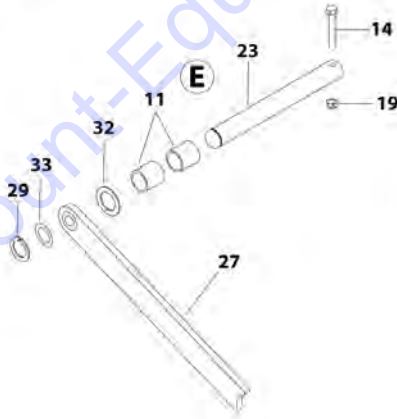
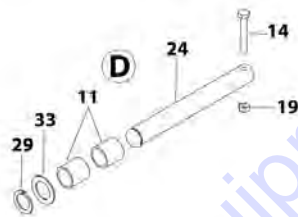
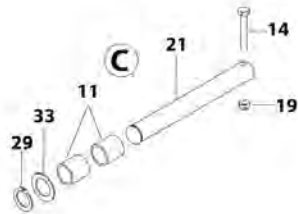
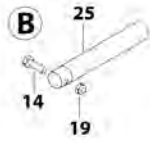
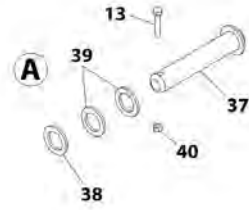
# SECTION 3 - SCISSORS ARMS

FIGURE 3-12. SCISSORS ARMS ASSEMBLY - 2632ES STANDARD HYDRAULIC OIL (USA AND MEXICO BUILT MACHINES) (SN 0200241221 to Present, SN M200000100 to Present)



ART\_100119090Z\_10F2

# SECTION 3 - SCISSORS ARMS



AM1\_1001100907\_2012

## SECTION 3 - SCISSORS ARMS

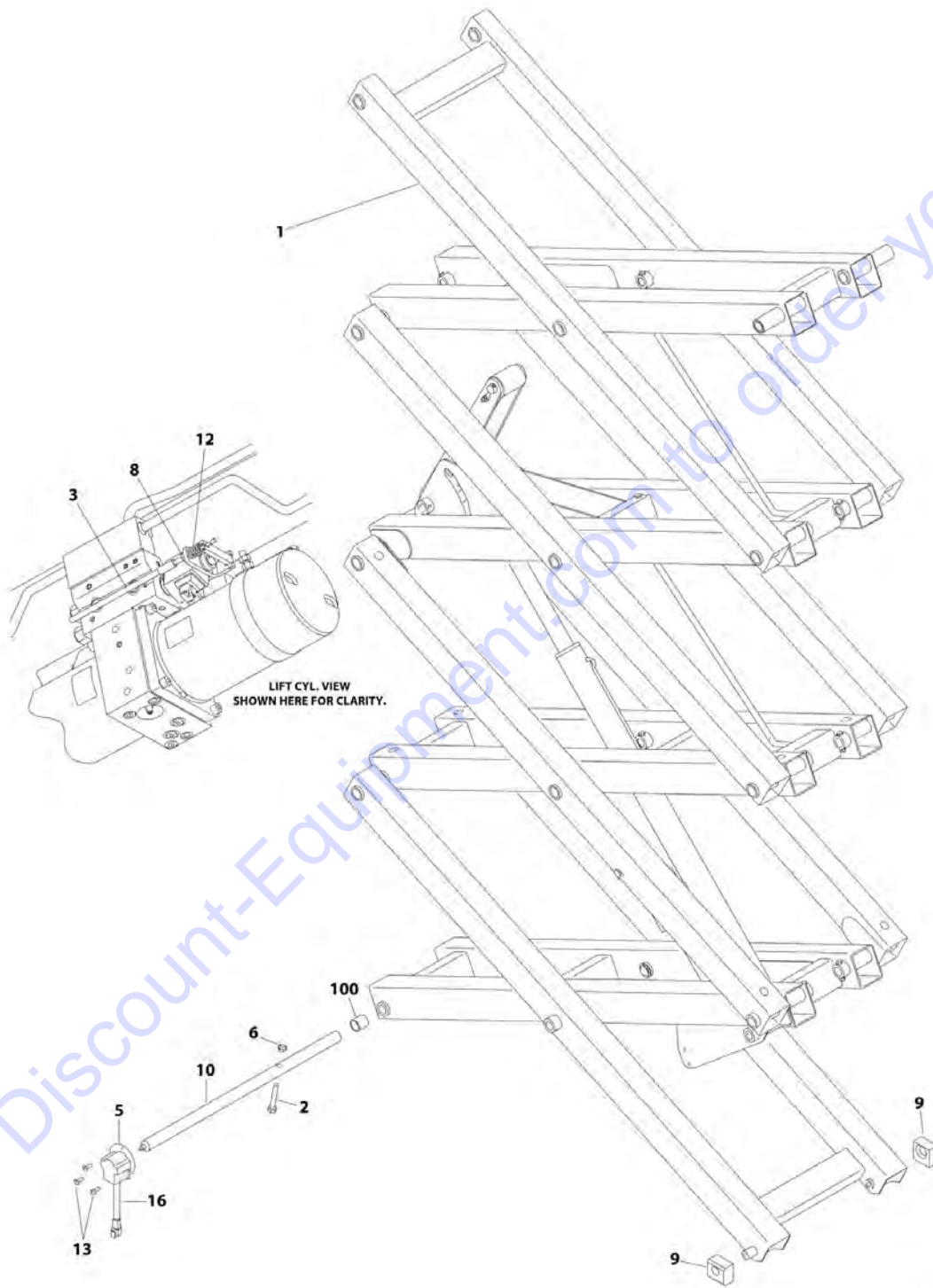
**FIGURE 3-12. SCISSORS ARMS ASSEMBLY - 2632ES STANDARD HYDRAULIC OIL (USA AND MEXICO BUILT MACHINES) (SN 0200241221 to Present, SN M200000100 to Present)**

ITEM	PART NUMBER	QTY	DESCRIPTION	REV
	1001190907	Ref	SCISSORS ARMS ASSEMBLY - 2632ES STANDARD HYDRAULIC OIL (USA AND MEXICO BUILT MACHINES) (SN 0200241221 to Present, SN M200000100 to Present)	B
1	0200799	1	Arm - Lower Mid Inboard	
2	0200800	1	Arm - Upper Mid Inboard	
3	0200801	1	Arm - Upper Inboard	
4	0200802	1	Arm - Lower Outboard	
5	0200803	1	Arm - Lower Mid Outboard (Left Side)	
6	0200804	1	Arm - Lower Mid Outboard (Right Side)	
7	0200805	2	Arm - Upper Mid Outboard	
8	0200807	1	Arm - Upper Outboard	
9	0200834	1	Arm - Lower Inboard	
10	0440266	4	Bearing	
11	0440267	42	Bearing	
12	0701015	1	Bolt M10 x 35	
13	0700817	1	Bolt M8 x 45	
14	0701022	18	Bolt M10 x 70	
15	0701029	4	Bolt M10 x 120	
16	1180382	1	Carrier, Cable	
17	1180383	1	Carrier, Cable	
19	3291007	23	Nut M10	
20	3340962	24	Pad, Arm	
21	3422997	13	Pin	
22	3422998	1	Pin	
23	3423014	3	Pin	
24	3423036	4	Pin	
25	3423038	1	Pin	
26	3423067	1	Pin	
27	3574161	1	Bar, Prop Attach	
28	3760170	4	Ring, Split	
29	3760387	20	Ring, Retaining	
30	3841143	1	Keeper, Pin	
31	3860107	1	Roller	
32	4071094	AR	Shim, Spacer	
33	4740438	20	Washer	
34	4812000	4	Washer M10	
35	4846752	1	Kicker, Arm	
36	1001155842	1	Lift Cylinder Assembly - Standard Hydraulic Oil (See CYLINDER SECTION for Breakdown)	
37	1001177911	1	Pin	
38	1001177913	1	Plate	
39	1001177914	2	Washer	
40	3290807	1	Nut M8	



## SECTION 3 - SCISSORS ARMS

FIGURE 3-13. SCISSORS ARMS INSTALLATION - 2632ES STANDARD HYDRAULIC OIL (CHINA BUILT MACHINES) (SN B200000100 through B200020981)



ART\_1001131006

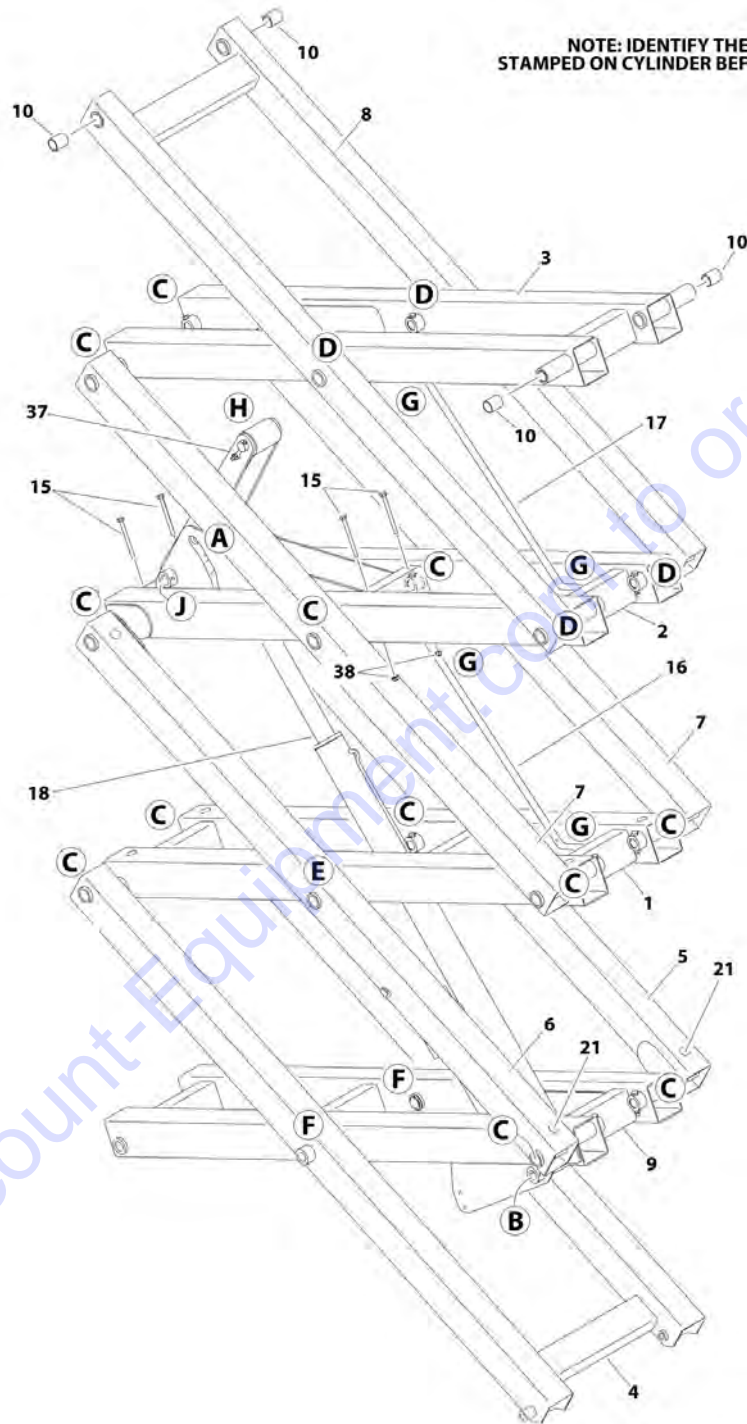
## SECTION 3 - SCISSORS ARMS

**FIGURE 3-13. SCISSORS ARMS INSTALLATION - 2632ES STANDARD HYDRAULIC OIL (CHINA BUILT MACHINES) (SN B200000100 through B200020981)**

ITEM	PART NUMBER	QTY	DESCRIPTION	REV
	1001131006	Ref	SCISSORS ARMS INSTALLATION - 2632ES STANDARD HYDRAULIC OIL (CHINA BUILT MACHINES) (SN B200000100 through B200020981)	D
1	1001131021	1	Arms Assembly (See SCISSORS ARMS ASSEMBLY - 2632ES STANDARD HYDRAULIC OIL for Breakdown)	
2	0701022	1	Bolt M10 x 70	
3	1061034	1	Cable, Manual Descent	
3	7020218	1	T-Handle (With 1/4-20 Threads)	
3	70001878	1	T-Handle (With M5 Threads)	
5	3200454	1	Mount, Switch	
6	3291005	1	Nut M10	
8	3321402	1	Nut 1/4-28	
9	3340957	2	Pad, Slide	
10	3423259	1	Pin, Sensor	
12	4160078	1	Spring, Compression	
13	4191706	3	Screw M6 x 12	
16	1001092354	1	Switch, Rotary Angle Sensor	
16	4460536	1	Receptacle, Female - 3 Position	
16	4460464	3	Pin, Male	
100	0440265	1	Bushing (Part of Frame Weldment)	

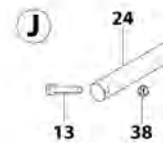
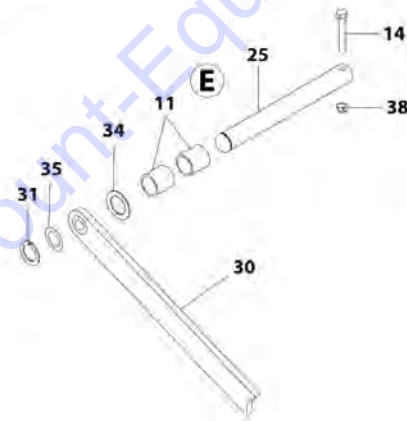
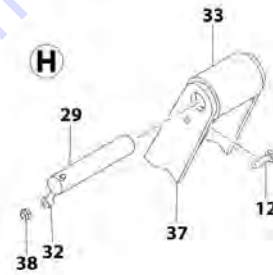
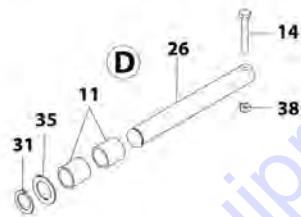
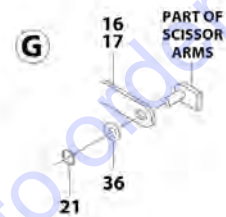
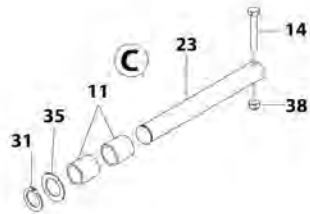
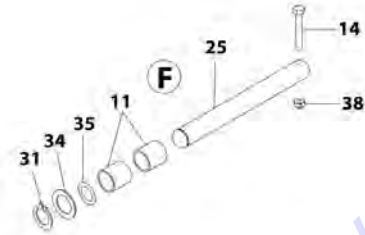
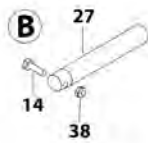
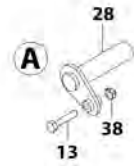
## SECTION 3 - SCISSORS ARMS

FIGURE 3-14. SCISSORS ARMS ASSEMBLY - 2632ES STANDARD HYDRAULIC OIL (CHINA BUILT MACHINES) (SN B200000100 through B200020981)



ART\_1001131021\_10F2

# SECTION 3 - SCISSORS ARMS



ART\_1001131021\_20F2



## SECTION 3 - SCISSORS ARMS

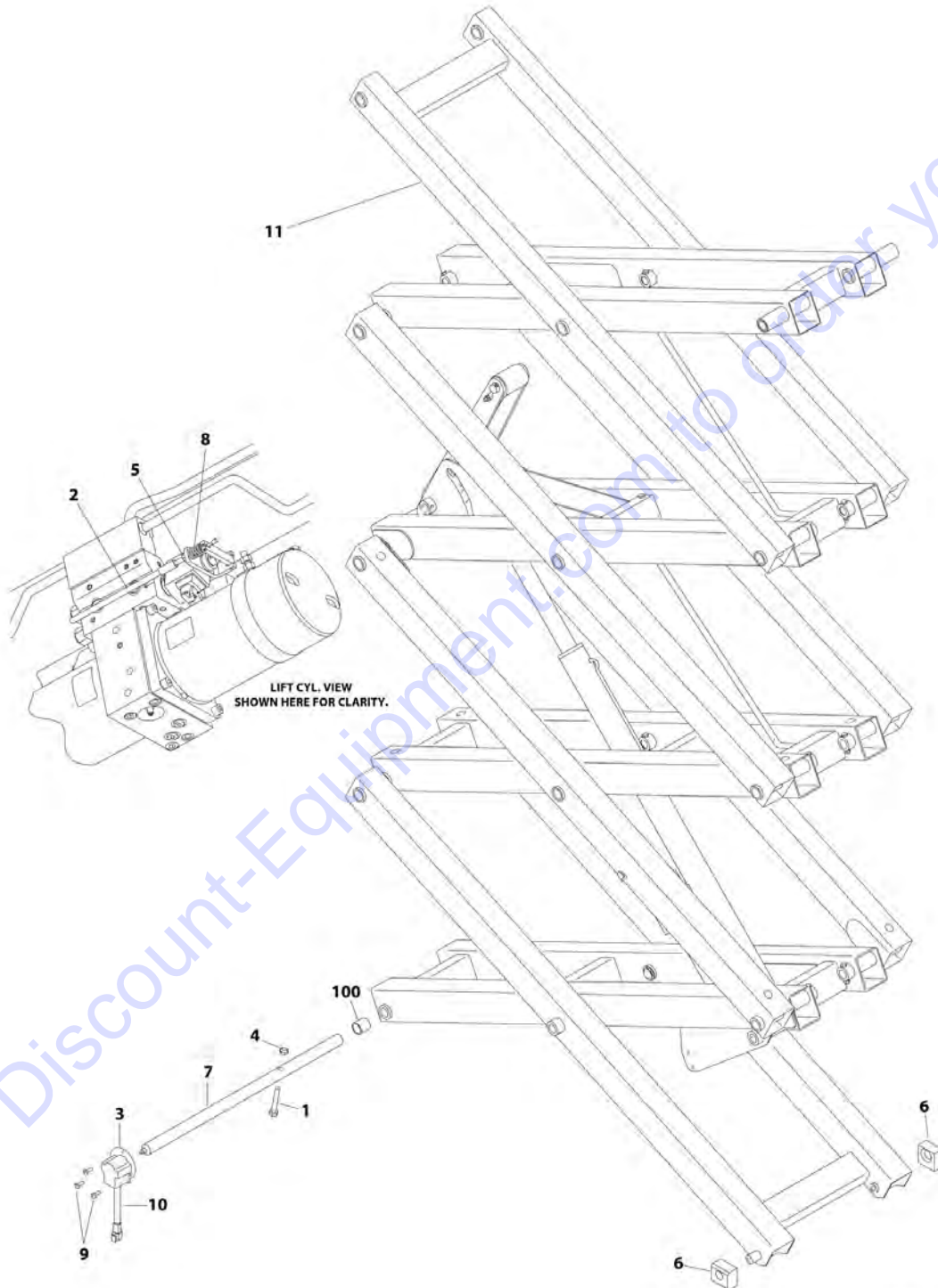
**FIGURE 3-14. SCISSORS ARMS ASSEMBLY - 2632ES STANDARD HYDRAULIC OIL (CHINA BUILT MACHINES) (SN B200000100 through B200020981)**

ITEM	PART NUMBER	QTY	DESCRIPTION	REV
	1001131021	Ref	SCISSORS ARMS ASSEMBLY - 2632ES STANDARD HYDRAULIC OIL (CHINA BUILT MACHINES) (SN B200000100 through B200020981)	E
1	0200799	1	Arm - Lower Mid Inboard	
2	0200800	1	Arm - Upper Mid Inboard	
3	0200801	1	Arm - Upper Inboard	
4	0200802	1	Arm - Lower Outboard	
5	0200803	1	Arm - Lower Mid Outboard (Left Side)	
6	0200804	1	Arm - Lower Mid Outboard (Right Side)	
7	0200805	2	Arm - Upper Mid Out board	
8	0200807	1	Arm - Upper Outboard	
9	0200834	1	Arm - Lower Inboard	
10	0440266	4	Bearing	
11	0440267	42	Bearing	
12	0701015	1	Bolt M10 x 35	
13	0701017	1	Bolt M10 x 45	
14	0701022	18	Bolt M10 x 70	
15	0701029	4	Bolt M10 x 120	
16	1180382	1	Carrier, Cable	
17	1180383	1	Carrier, Cable	
18	1001129290	1	Lift Cylinder Assembly - Standard Hydraulic Oil (See CYLINDER SECTION for Breakdown)	
21	3340962	24	Pad, Arm	
22	3760170	2	Ring, Split	
23	3422997	13	Pin	
24	3422998	1	Pin	
25	3423014	3	Pin	
26	3423036	4	Pin	
27	3423038	1	Pin	
28	3423039	1	Pin	
29	3423067	1	Pin	
30	3574161	1	Bar, Prop Attach	
31	3760387	20	Ring, Retaining	
32	3841143	1	Keeper, Pin	
33	3860107	1	Roller	
34	4071094	AR	Shim, Spacer	
35	4740438	20	Washer	
36	4812000	2	Washer M10	
37	4846752	1	Kicker, Arm	
38	3291007	24	Nut M10	



## SECTION 3 - SCISSORS ARMS

FIGURE 3-15. SCISSORS ARMS INSTALLATION - 2632ES STANDARD HYDRAULIC OIL (BELGIUM, CHINA AND MEXICO BUILT MACHINES) (SN 1200025021 to Present, SN B200020982 to Present, SN M200022020 to Present)



ART\_1001190904

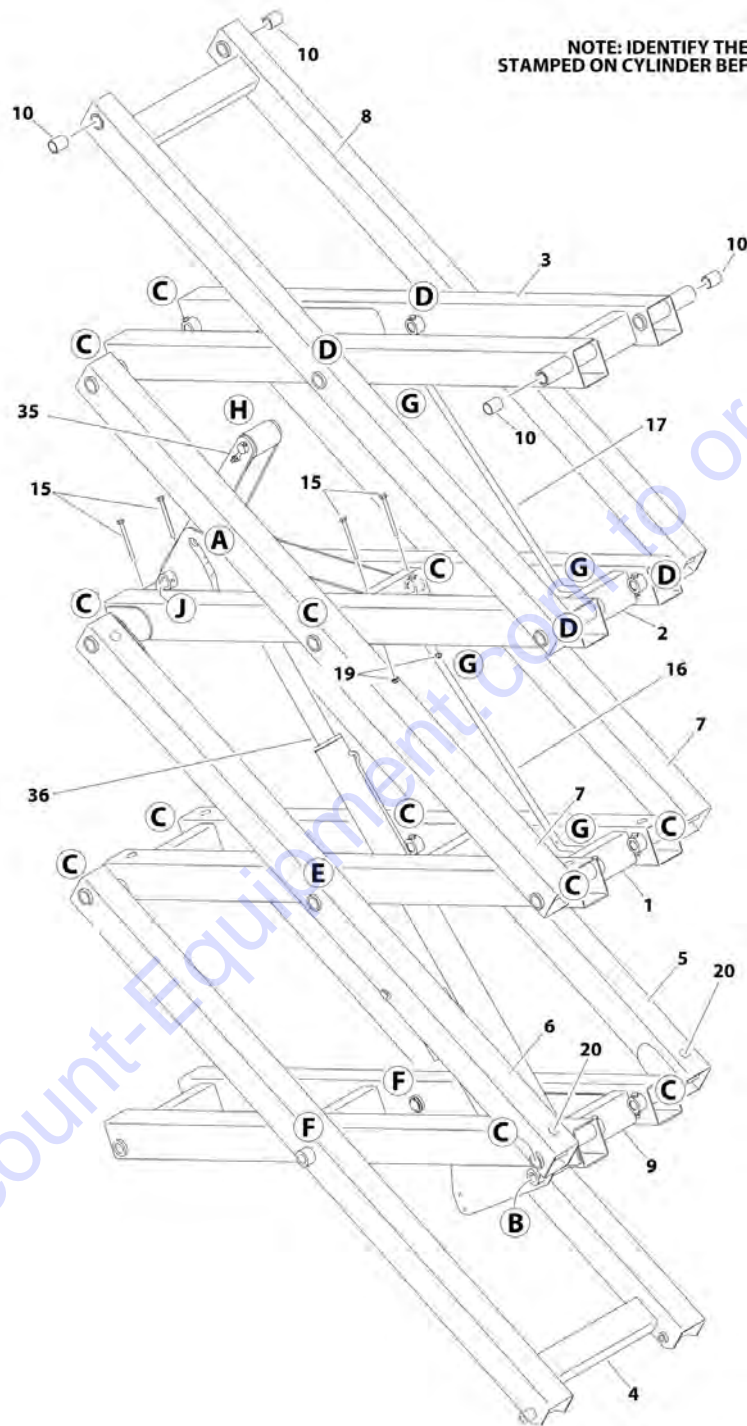
## SECTION 3 - SCISSORS ARMS

**FIGURE 3-15. SCISSORS ARMS INSTALLATION - 2632ES STANDARD HYDRAULIC OIL (BELGIUM, CHINA AND MEXICO BUILT MACHINES) (SN 1200025021 to Present, SN B200020982 to Present, SN M200022020 to Present)**

ITEM	PART NUMBER	QTY	DESCRIPTION	REV
	1001190904	Ref	SCISSORS ARMS INSTALLATION - 2632ES STANDARD HYDRAULIC OIL (BELGIUM, CHINA AND MEXICO BUILT MACHINES) (SN 1200025021 to Present, SN B200020982 to Present, SN M200022020 to Present)	A
1	0701022	1	Bolt M10 x 70	
2	1061034	1	Cable, Manual Descent	
2	7020218	1	T-Handle (With 1/4-20 Threads)	
2	70001878	1	T-Handle (With M5 Threads)	
3	3200454	1	Mount, Switch	
4	3291005	1	Nut M10	
5	3321402	1	Nut 1/4-28	
6	3340957	2	Pad, Slide	
7	3423259	1	Pin, Sensor	
8	4160078	1	Spring, Compression	
9	4191706	3	Screw M6 x 12	
10	1001092354	1	Switch, Rotary Angle Sensor	
10	4460536	1	Receptacle, Female - 3 Position	
10	4460464	3	Pin, Male	
11	1001190902	1	Arms Assembly (See SCISSORS ARMS ASSEMBLY - 2632ES STANDARD HYDRAULIC OIL for Breakdown)	
100	0440265	1	Bushing (Part of Frame Weldment)	

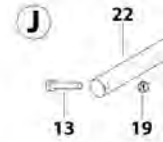
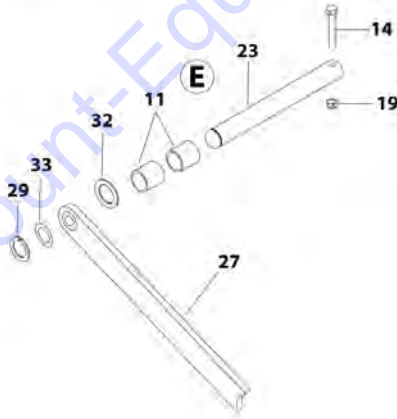
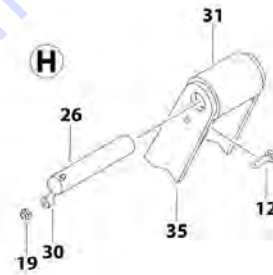
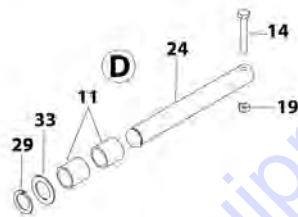
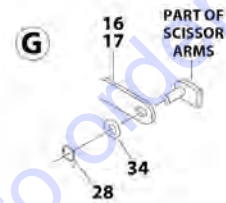
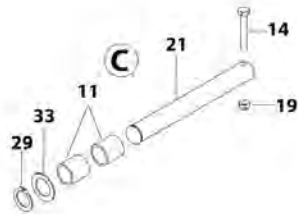
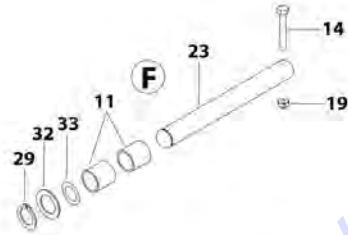
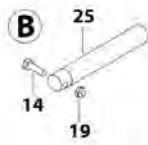
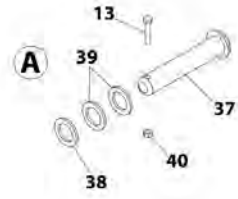
## SECTION 3 - SCISSORS ARMS

FIGURE 3-16. SCISSORS ARMS ASSEMBLY - 2632ES STANDARD HYDRAULIC OIL (BELGIUM AND CHINA BUILT MACHINES) (SN 1200025021 to Present, SN B200020982 to Present)



ART. 1001190902\_10F3

# SECTION 3 - SCISSORS ARMS



AM1001190902\_2012

## SECTION 3 - SCISSORS ARMS

**FIGURE 3-16. SCISSORS ARMS ASSEMBLY - 2632ES STANDARD HYDRAULIC OIL (BELGIUM AND CHINA BUILT MACHINES) (SN 1200025021 to Present, SN B200020982 to Present)**

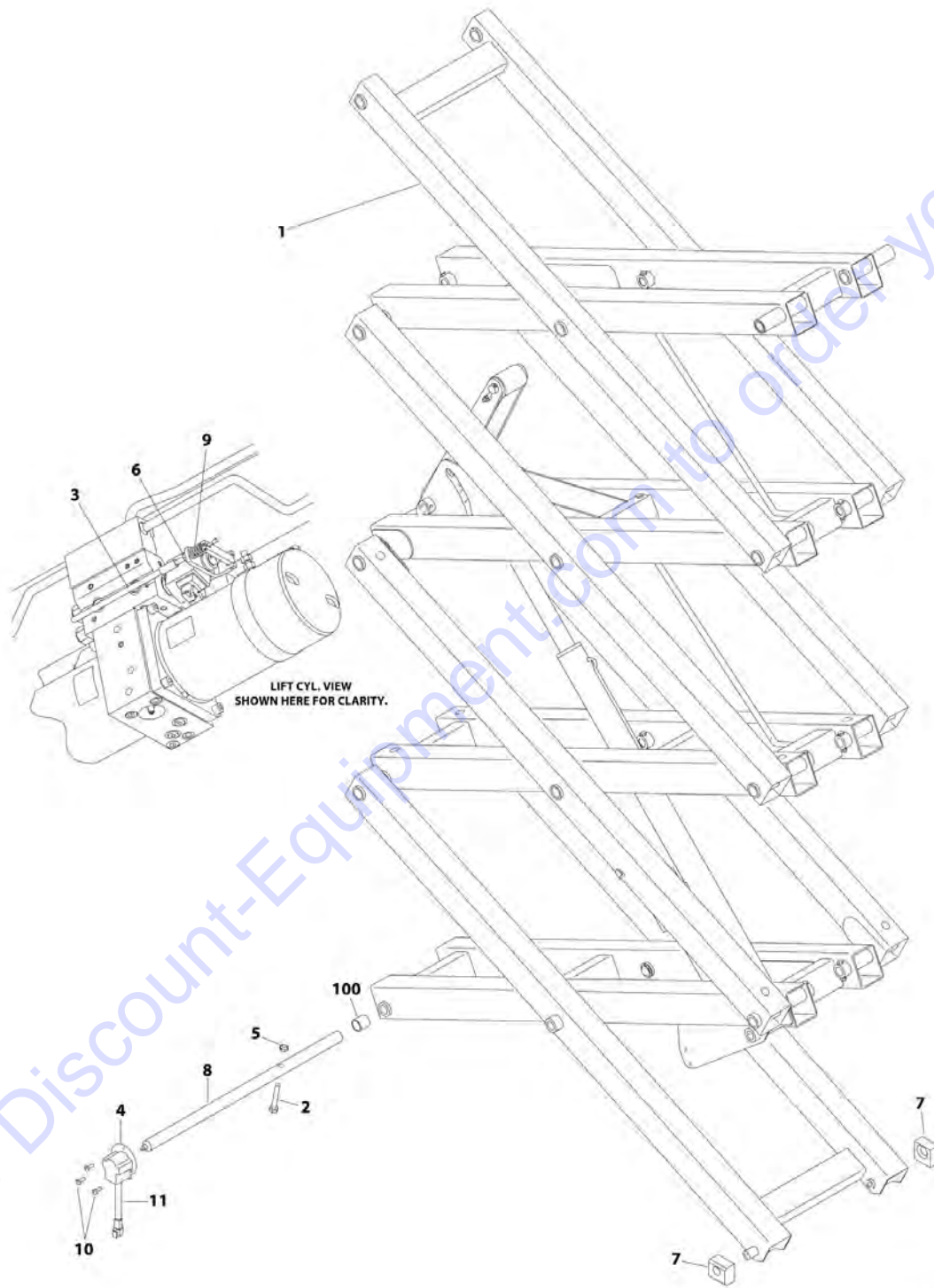
ITEM	PART NUMBER	QTY	DESCRIPTION	REV
	1001190902	Ref	SCISSORS ARMS ASSEMBLY - 2632ES STANDARD HYDRAULIC OIL (BELGIUM AND CHINA BUILT MACHINES) (SN 1200025021 to Present, SN B200020982 to Present)	B
1	0200799	1	Arm - Lower Mid Inboard	
2	0200800	1	Arm - Upper Mid Inboard	
3	0200801	1	Arm - Upper Inboard	
4	0200802	1	Arm - Lower Outboard	
5	0200803	1	Arm - Lower Mid Outboard (Left Side)	
6	0200804	1	Arm - Lower Mid Outboard (Right Side)	
7	0200805	2	Arm - Upper Mid Outboard	
8	0200807	1	Arm - Upper Outboard	
9	0200834	1	Arm - Lower Inboard	
10	0440266	4	Bearing	
11	0440267	42	Bearing	
12	0701015	1	Bolt M10 x 35	
13	0700817	1	Bolt M8 x 45	
14	0701022	18	Bolt M10 x 70	
15	0701029	4	Bolt M10 x 120	
16	1180382	1	Carrier, Cable	
17	1180383	1	Carrier, Cable	
19	3291007	23	Nut M8	
20	3340962	24	Pad, Arm	
21	3422997	13	Pin	
22	3422998	1	Pin	
23	3423014	3	Pin	
24	3423036	4	Pin	
25	3423038	1	Pin	
26	3423067	1	Pin	
27	3574161	1	Bar, Prop Attach	
28	3760170	4	Ring, Split	
29	3760387	20	Ring, Retaining	
30	3841143	1	Keeper, Pin	
31	3860107	1	Roller	
32	4071094	AR	Shim, Spacer	
33	4740438	20	Washer	
34	4812000	2	Washer M10	
35	4846752	1	Kicker, Arm	
36	1001129290	1	Lift Cylinder Assembly - Standard Hydraulic Oil (See CYLINDER SECTION for Breakdown)	
37	1001177911	1	Pin	
38	1001177913	1	Plate	
39	1001177914	2	Washer	
40	3290807	1	Nut M8	





## SECTION 3 - SCISSORS ARMS

FIGURE 3-17. SCISSORS ARMS INSTALLATION - 2632ES BIODEGRADEABLE HYDRAULIC OIL (USA BUILT MACHINES) (SN 020000001 through 0200241220)



ART\_1001157341

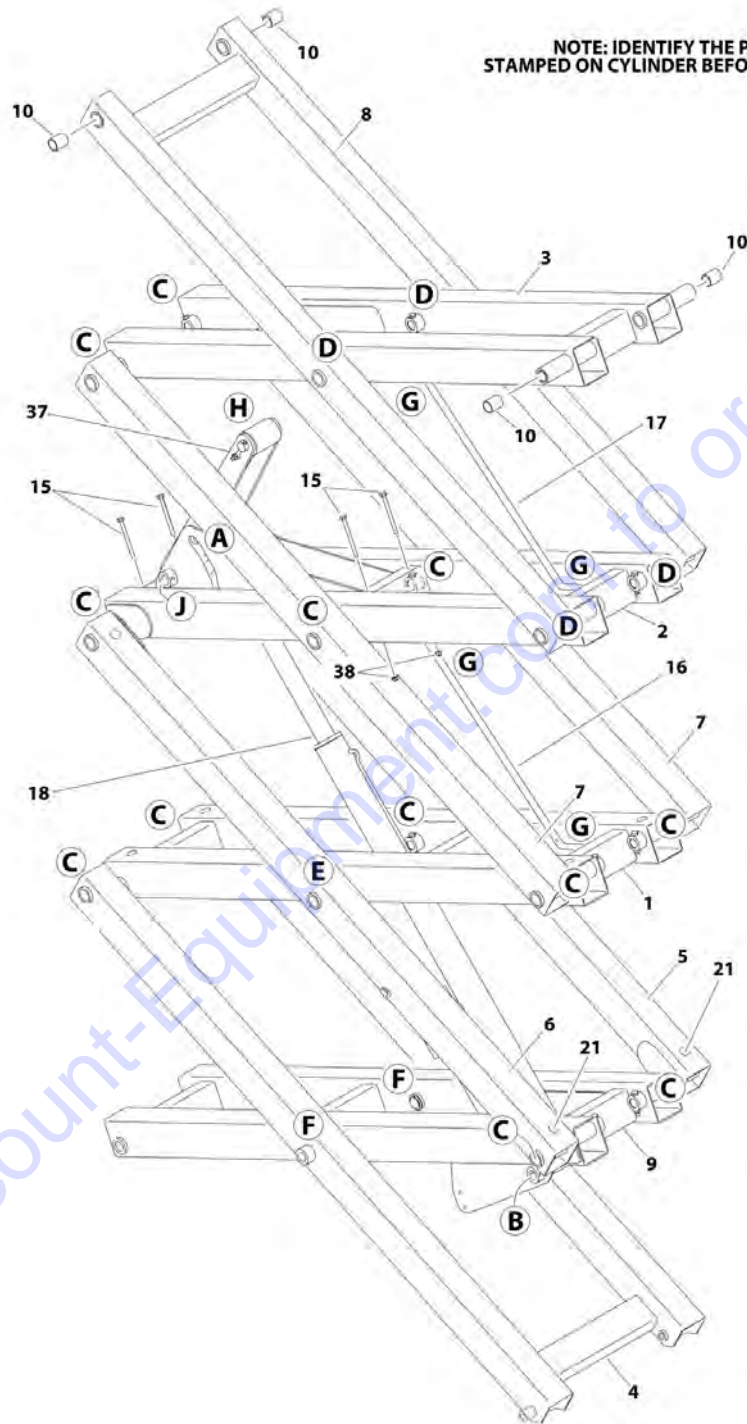
## SECTION 3 - SCISSORS ARMS

**FIGURE 3-17. SCISSORS ARMS INSTALLATION - 2632ES BIODEGRADEABLE HYDRAULIC OIL (USA BUILT MACHINES) (SN 020000001 through 0200241220)**

ITEM	PART NUMBER	QTY	DESCRIPTION	REV
	1001157341	Ref	SCISSORS ARMS INSTALLATION - 2632ES BIODEGRADEABLE HYDRAULIC OIL (USA BUILT MACHINES) (SN 020000001 through 0200241220)	B
1	1001157336	1	Arms Assembly (See SCISSORS ARMS ASSEMBLY - 2632ES BIODEGRADEABLE HYDRAULIC OIL (USA BUILT MACHINES) for Breakdown)	
2	0701022	1	Bolt M10 x 70	
3	1061034	1	Cable, Manual Descent	
3	7020218	1	T-Handle (With 1/4-20 Threads)	
3	70001878	1	T-Handle (With M5 Threads)	
4	3200454	1	Mount, Switch	
5	3291005	1	Nut M10	
6	3321402	1	Nut 1/4-28	
7	3340957	2	Pad, Slide	
8	3423259	1	Pin, Sensor	
9	4160078	1	Spring, Compression	
10	4191706	3	Screw M6 x 12	
11	1001092354	1	Switch, Rotary Angle Sensor	
11	4460536	1	Receptacle, Female - 3 Position	
11	4460464	3	Pin, Male	
100	0440265	1	Bushing (Part of Frame Weldment)	

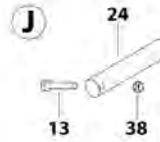
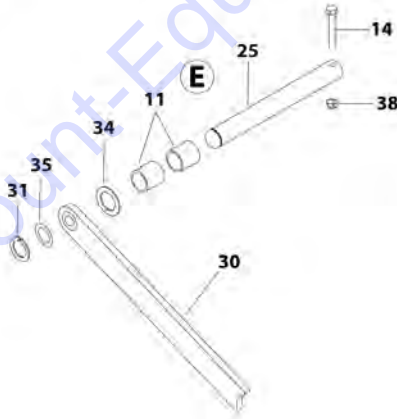
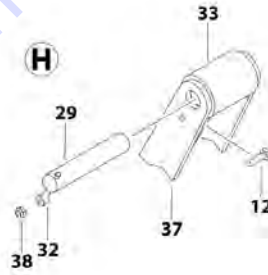
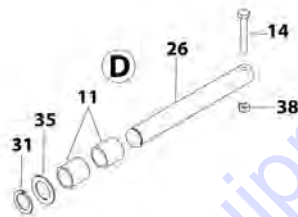
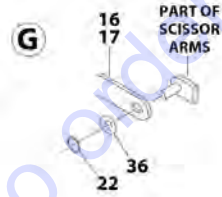
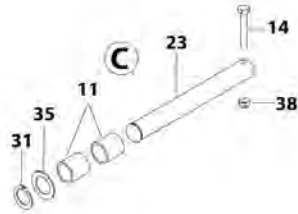
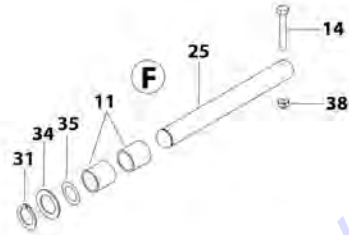
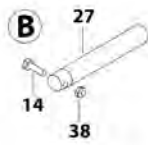
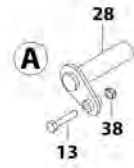
# SECTION 3 - SCISSORS ARMS

FIGURE 3-18. SCISSORS ARMS ASSEMBLY - 2632ES BIODEGRADABLE HYDRAULIC OIL (USA BUILT MACHINES) (SN 020000001 through 0200241220)



ART\_1001157336\_10F2

# SECTION 3 - SCISSORS ARMS



ALT: 1601157330 20F2

## SECTION 3 - SCISSORS ARMS

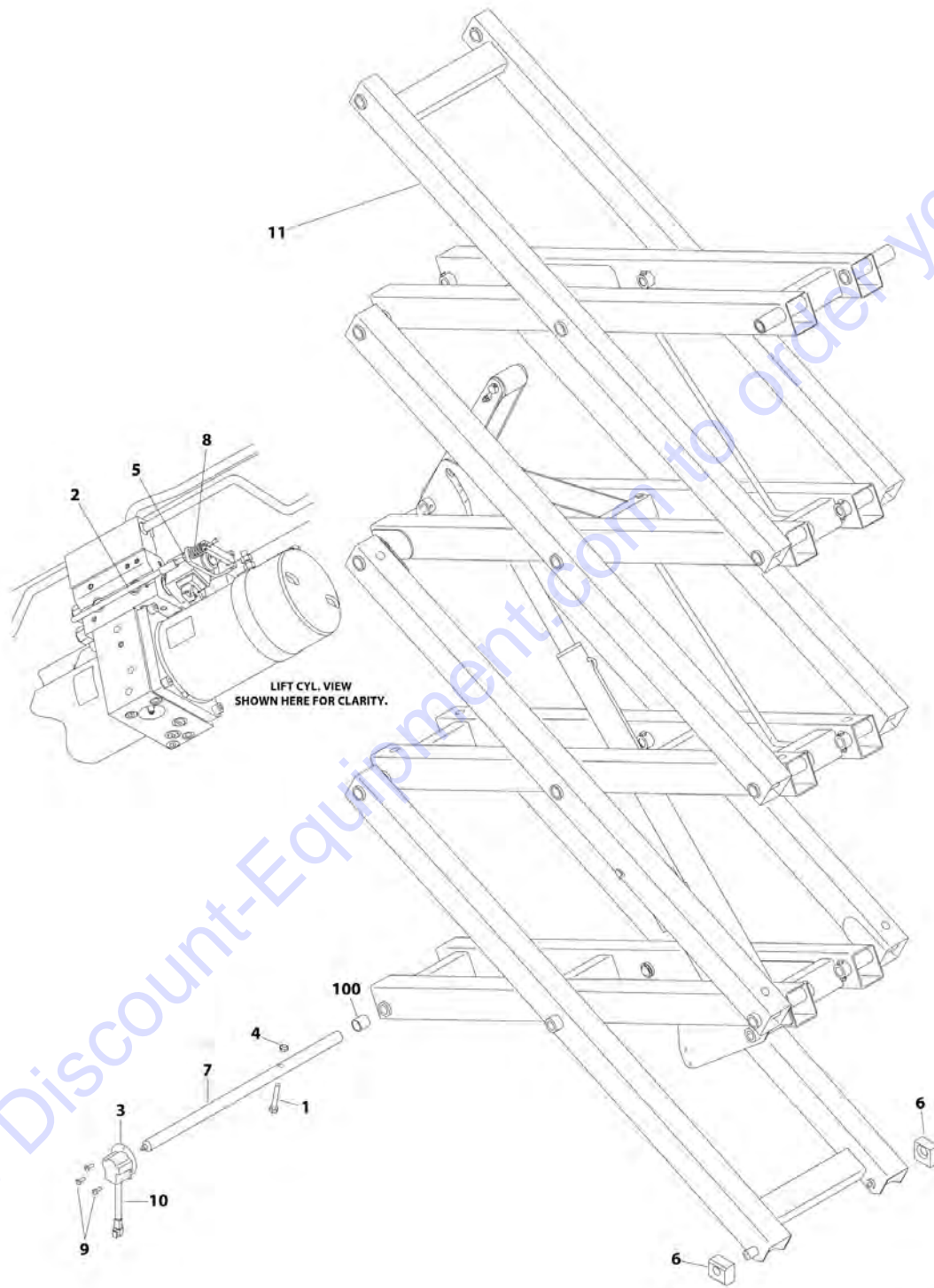
**FIGURE 3-18. SCISSORS ARMS ASSEMBLY - 2632ES BIODEGRADABLE HYDRAULIC OIL (USA BUILT MACHINES) (SN 020000001 through 0200241220)**

ITEM	PART NUMBER	QTY	DESCRIPTION	REV
	1001157336	Ref	SCISSORS ARMS ASSEMBLY - 2632ES BIODEGRADABLE HYDRAULIC OIL (USA BUILT MACHINES) (SN 020000001 through 0200241220)	B
1	0200799	1	Arm - Lower Mid Inboard	
2	0200800	1	Arm - Upper Mid Inboard	
3	0200801	1	Arm - Upper Inboard	
4	0200802	1	Arm - Lower Outboard	
5	0200803	1	Arm - Lower Mid Outboard (Left Side)	
6	0200804	1	Arm - Lower Mid Outboard (Right Side)	
7	0200805	2	Arm - Upper Mid Out board	
8	0200807	1	Arm - Upper Outboard	
9	0200834	1	Arm - Lower Inboard	
10	0440266	4	Bearing	
11	0440267	42	Bearing	
12	0701015	1	Bolt M10 x 35	
13	0701017	1	Bolt M10 x 45	
14	0701022	18	Bolt M10 x 70	
15	0701029	4	Bolt M10 x 120	
16	1180382	1	Carrier, Cable	
17	1180383	1	Carrier, Cable	
18	1001157331	1	Lift Cylinder Assembly - Biodegradeable Hydraulic Oil (See CYLINDER SECTION for Breakdown)	
21	3340962	24	Pad, Arm	
22	3760170	2	Ring, Split	
23	3422997	13	Pin	
24	3422998	1	Pin	
25	3423014	3	Pin	
26	3423036	4	Pin	
27	3423038	1	Pin	
28	3423039	1	Pin	
29	3423067	1	Pin	
30	3574161	1	Bar, Prop Attach	
31	3760387	20	Ring, Retaining	
32	3841143	1	Keeper, Pin	
33	3860107	1	Roller	
34	4071094	AR	Shim, Spacer	
35	4740438	20	Washer	
36	4812000	2	Washer M10	
37	4846752	1	Kicker, Arm	
38	3291007	24	Nut M10	



## SECTION 3 - SCISSORS ARMS

FIGURE 3-19. SCISSORS ARMS INSTALLATION - 2632ES BIODEGRADABLE HYDRAULIC OIL (USA AND MEXICO BUILT MACHINES) (SN 0200241221 to Present, SN M200000100 to Present)



ART\_100190910

## SECTION 3 - SCISSORS ARMS

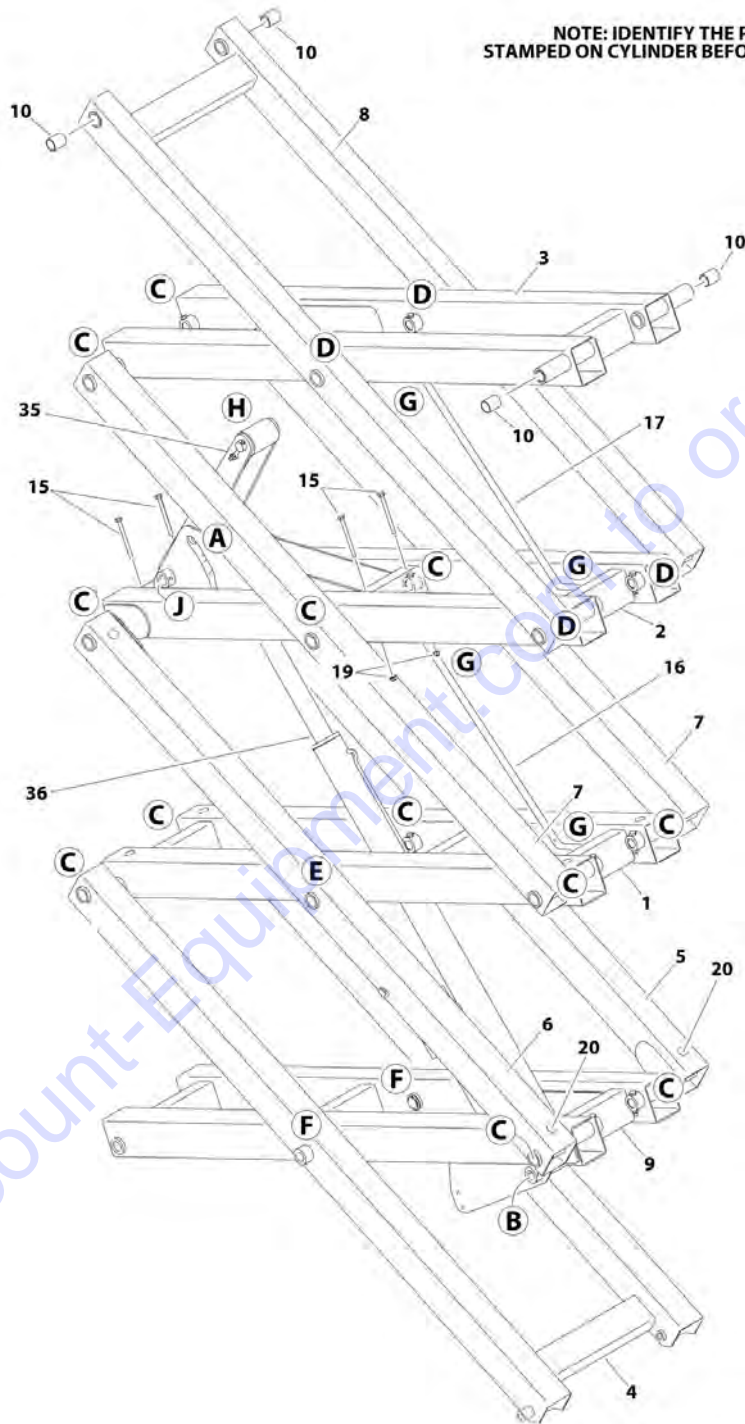
**FIGURE 3-19. SCISSORS ARMS INSTALLATION - 2632ES BIODEGRADEABLE HYDRAULIC OIL (USA AND MEXICO BUILT MACHINES) (SN 0200241221 to Present, SN M200000100 to Present)**

ITEM	PART NUMBER	QTY	DESCRIPTION	REV
	1001190910	Ref	SCISSORS ARMS INSTALLATION - 2632ES BIODEGRADEABLE HYDRAULIC OIL (USA AND MEXICO BUILT MACHINES) (SN 0200241221 to Present, SN M200000100 to Present)	A
1	0701022	1	Bolt M10 x 70	
2	1061034	1	Cable, Manual Descent	
2	7020218	1	T-Handle (With 1/4-20 Threads)	
2	70001878	1	T-Handle (With M5 Threads)	
3	3200454	1	Mount, Switch	
4	3291005	1	Nut M10	
5	3321402	1	Nut 1/4-28	
6	3340957	2	Pad, Slide	
7	3423259	1	Pin, Sensor	
8	4160078	1	Spring, Compression	
9	4191706	3	Screw M6 x 12	
10	1001092354	1	Switch, Rotary Angle Sensor	
10	4460536	1	Receptacle, Female - 3 Position	
10	4460464	3	Pin, Male	
11	1001190909	1	Arms Assembly (See SCISSORS ARMS ASSEMBLY - 2632ES BIODEGRADEABLE HYDRAULIC OIL (USA AND MEXICO BUILT MACHINES) for Breakdown)	
100	0440265	1	Bushing (Part of Frame Weldment)	



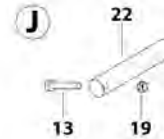
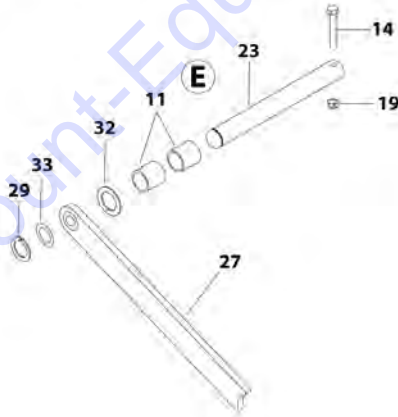
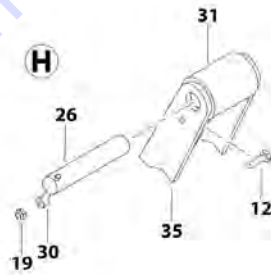
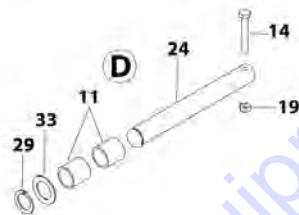
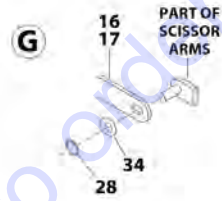
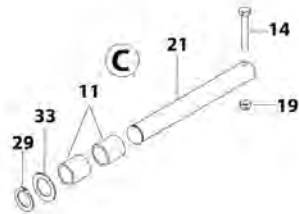
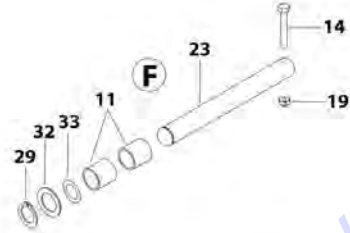
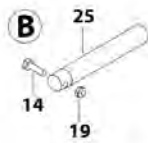
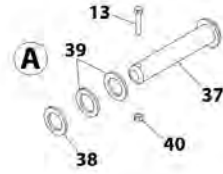
## SECTION 3 - SCISSORS ARMS

FIGURE 3-20. SCISSORS ARMS ASSEMBLY - 2632ES BIODEGRADABLE HYDRAULIC OIL (USA AND MEXICO BUILT MACHINES) (SN 0200241221 to Present, SN M200000100 to Present)



ART\_1001190909\_10F2

# SECTION 3 - SCISSORS ARMS



AM11001190909\_Z0F2

## SECTION 3 - SCISSORS ARMS

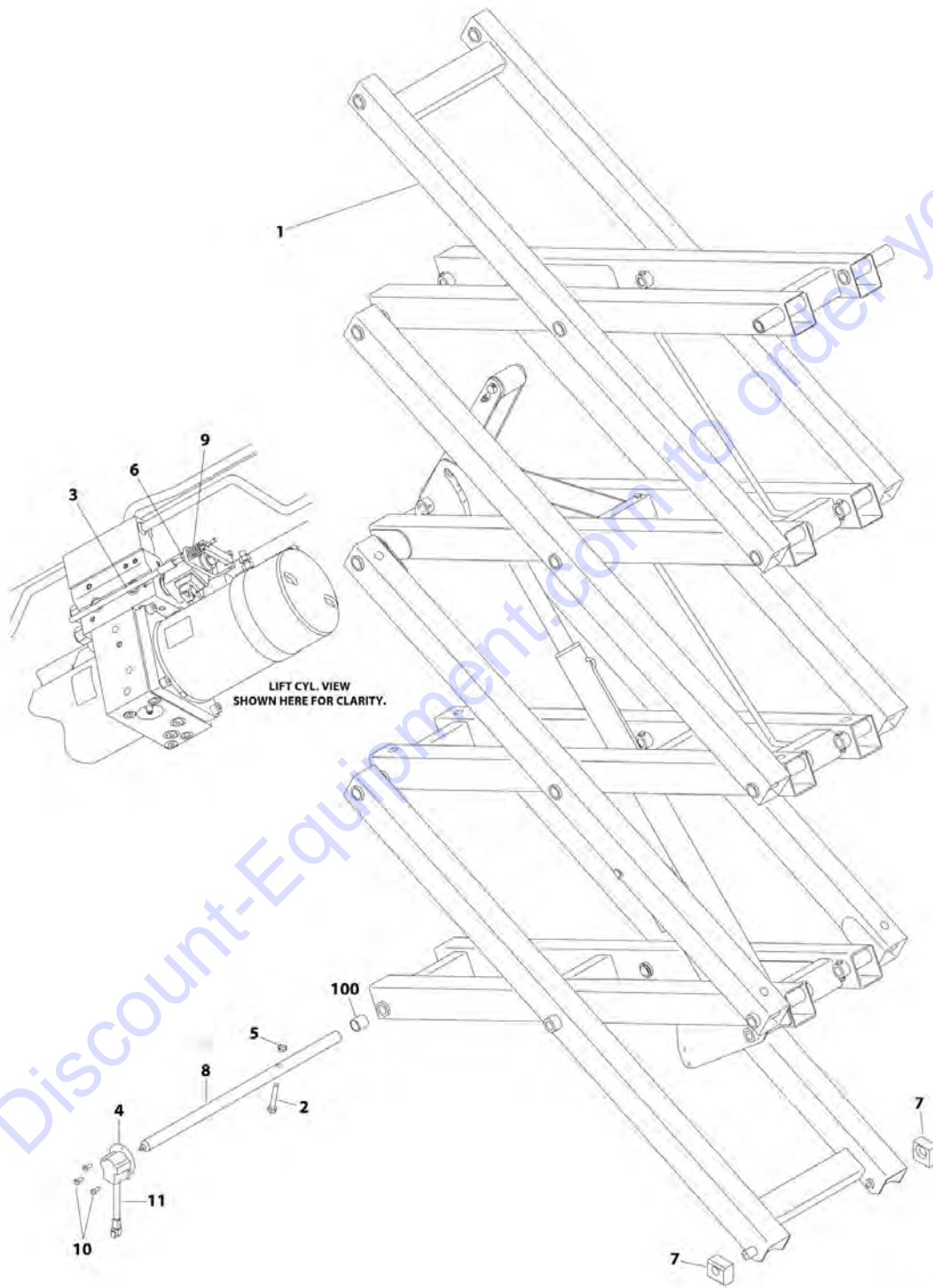
**FIGURE 3-20. SCISSORS ARMS ASSEMBLY - 2632ES BIODEGRADEABLE HYDRAULIC OIL (USA AND MEXICO BUILT MACHINES) (SN 0200241221 to Present, SN M200000100 to Present)**

ITEM	PART NUMBER	QTY	DESCRIPTION	REV
	1001190909	Ref	SCISSORS ARMS ASSEMBLY - 2632ES BIODEGRADEABLE HYDRAULIC OIL (USA AND MEXICO BUILT MACHINES) (SN 0200241221 to Present, SN M200000100 to Present)	B
1	0200799	1	Arm - Lower Mid Inboard	
2	0200800	1	Arm - Upper Mid Inboard	
3	0200801	1	Arm - Upper Inboard	
4	0200802	1	Arm - Lower Outboard	
5	0200803	1	Arm - Lower Mid Outboard (Left Side)	
6	0200804	1	Arm - Lower Mid Outboard (Right Side)	
7	0200805	2	Arm - Upper Mid Out board	
8	0200807	1	Arm - Upper Outboard	
9	0200834	1	Arm - Lower Inboard	
10	0440266	4	Bearing	
11	0440267	42	Bearing	
12	0701015	1	Bolt M10 x 35	
13	0700817	1	Bolt M8 x 45	
14	0701022	18	Bolt M10 x 70	
15	0701029	4	Bolt M10 x 120	
16	1180382	1	Carrier, Cable	
17	1180383	1	Carrier, Cable	
19	3291007	23	Nut M10	
20	3340962	24	Pad, Arm	
21	3422997	13	Pin	
22	3422998	1	Pin	
23	3423014	3	Pin	
24	3423036	4	Pin	
25	3423038	1	Pin	
26	3423067	1	Pin	
27	3574161	1	Bar, Prop Attach	
28	3760170	4	Ring, Split	
29	3760387	20	Ring, Retaining	
30	3841143	1	Keeper, Pin	
31	3860107	1	Roller	
32	4071094	AR	Shim, Spacer	
33	4740438	20	Washer	
34	4812000	4	Washer M10	
35	4846752	1	Kicker, Arm	
36	1001157331	1	Lift Cylinder Assembly - Biodegradeable Hydraulic Oil (See CYLINDER SECTION for Breakdown)	
37	1001177911	1	Pin	
38	1001177913	1	Plate	
39	1001177914	2	Washer	
40	3290807	1	Nut M8	



# SECTION 3 - SCISSORS ARMS

FIGURE 3-21. SCISSORS ARMS INSTALLATION - 2632ES BIODEGRADEABLE HYDRAULIC OIL (CHINA BUILT MACHINES) (SN B200000100 through B200020891)



ART\_1001131011

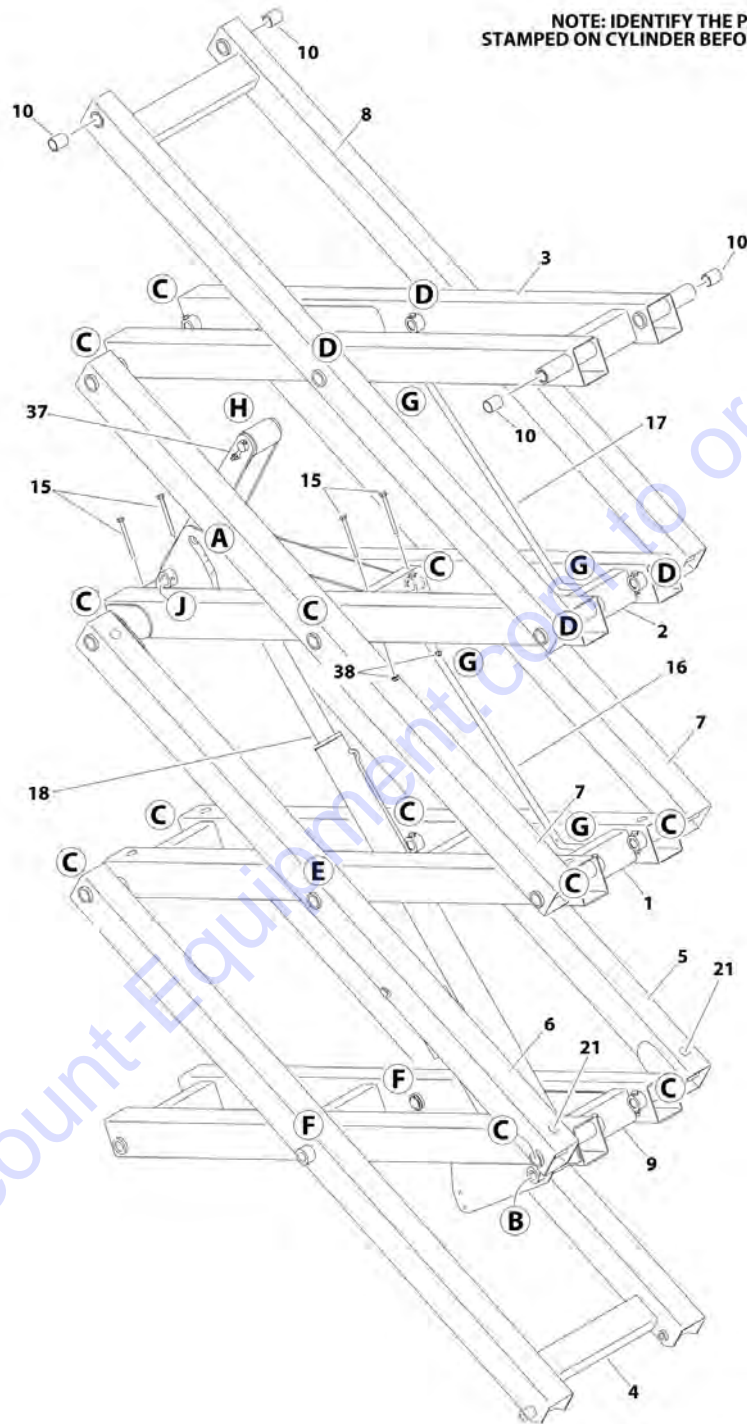
## SECTION 3 - SCISSORS ARMS

**FIGURE 3-21. SCISSORS ARMS INSTALLATION - 2632ES BIODEGRADEABLE HYDRAULIC OIL (CHINA BUILT MACHINES) (SN B200000100 through B200020891)**

ITEM	PART NUMBER	QTY	DESCRIPTION	REV
	1001131011	Ref	SCISSORS ARMS INSTALLATION - 2632ES BIODEGRADEABLE HYDRAULIC OIL (CHINA BUILT MACHINES) (SN <b>B200000100 through B200020891</b> )	D
1	1001131029	1	Arms Assembly (See SCISSORS ARMS ASSEMBLY - 2632ES BIODEGRADEABLE HYDRAULIC OIL for Breakdown)	
2	0701022	1	Bolt M10 x 70	
3	1061034	1	Cable, Manual Descent	
3	7020218	1	T-Handle (With 1/4-20 Threads)	
3	70001878	1	T-Handle (With M5 Threads)	
4	3200454	1	Mount, Switch	
5	3291005	1	Nut M10	
6	3321402	1	Nut 1/4-28	
7	3340957	2	Pad, Slide	
8	3423259	1	Pin, Sensor	
9	4160078	1	Spring, Compression	
10	4191706	3	Screw M6 x 12	
11	1001092354	1	Switch, Rotary Angle Sensor	
11	4460536	1	Receptacle, Female - 3 Position	
11	4460464	3	Pin, Male	
100	0440265	1	Bushing (Part of Frame Weldment)	

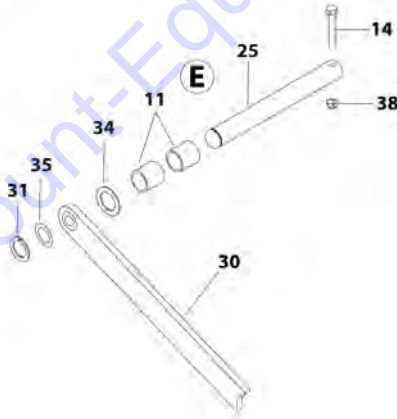
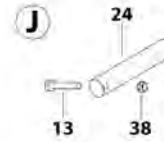
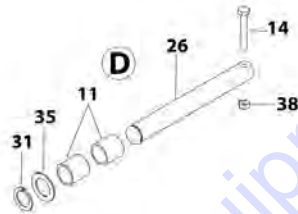
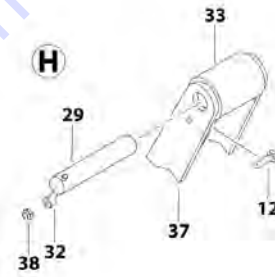
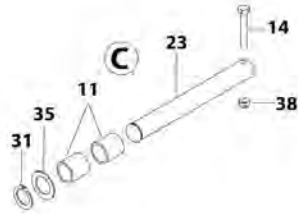
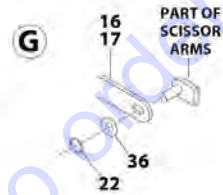
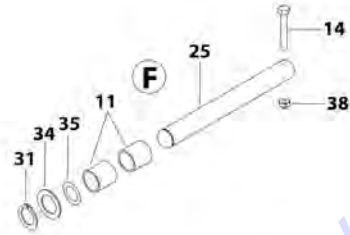
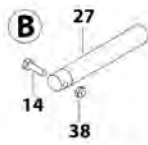
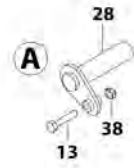
## SECTION 3 - SCISSORS ARMS

FIGURE 3-22. SCISSORS ARMS ASSEMBLY - 2632ES BIODEGRADABLE HYDRAULIC OIL (CHINA BUILT MACHINES) (SN B200000100 through B200020891)



ART\_1001131029\_10F2

# SECTION 3 - SCISSORS ARMS



AMF:IG01131029 20F2



# PARTS FINDER

**Search Website  
by Part Number**



**Search Manual  
Library For Parts  
Manual & Lookup Part  
Numbers – Purchase  
or Request Quote**

**Can't Find Part or  
Manual? Request Help  
by Manufacturer,  
Model & Description**

Discount-Equipment.com is your online resource for quality parts & equipment.

Florida: **561-964-4949** Outside Florida TOLL FREE: **877-690-3101**

## Need parts?

Click on this link: <http://www.discount-equipment.com/category/5443-parts/> and choose one of the options to help get the right parts and equipment you are looking for. Please have the machine model and serial number available in order to help us get you the correct parts. If you don't find the part on the website or on one of the online manuals, please fill out the request form and one of our experienced staff members will get back to you with a quote for the right part that your machine needs.

We sell worldwide for the brands: Genie, Terex, JLG, MultiQuip, Mikasa, Essick, Whiteman, Mayco, Toro Stone, Diamond Products, Generac Magnum, Airman, Haulotte, Barreto, Power Blanket, Nifty Lift, Atlas Copco, Chicago Pneumatic, Allmand, Miller Curber, Skyjack, Lull, Skytrak, Tsurumi, Husquvarna Target, Stow, Wacker, Sakai, Mi-T-M, Sullair, Basic, Dynapac, MBW, Weber, Bartell, Bennar Newman, Haulotte, Ditch Runner, Menegotti, Morrison, Contec, Buddy, Crown, Edco, Wyco, Bomag, Laymor, EZ Trench, Bil-Jax, F.S. Curtis, Gehl Pavers, Heli, Honda, ICS/PowerGrit, IHI, Partner, Imer, Clipper, MMD, Koshin, Rice, CH&E, General Equipment, Amida, Coleman, NAC, Gradall, Square Shooter, Kent, Stanley, Tamco, Toku, Hatz, Kohler, Robin, Wisconsin, Northrock, Oztec, Toker TK, Rol-Air, APT, Wylie, Ingersoll Rand / Doosan, Innovatech, Con X, Ammann, Mecalac, Makinex, Smith Surface Prep, Small Line, Wanco, Yanmar

## SECTION 3 - SCISSORS ARMS

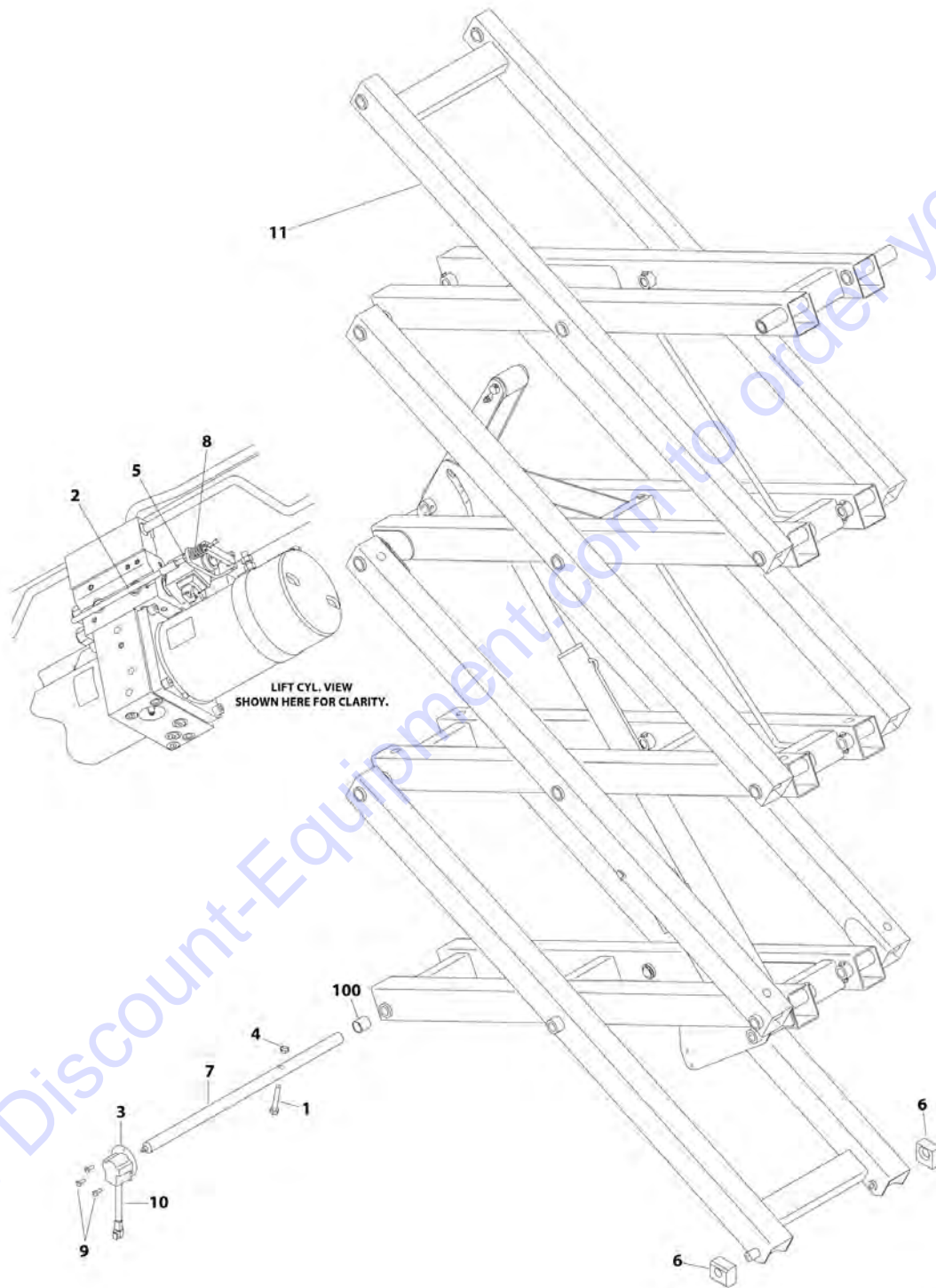
**FIGURE 3-22. SCISSORS ARMS ASSEMBLY - 2632ES BIODEGRADEABLE HYDRAULIC OIL (CHINA BUILT MACHINES) (SN B200000100 through B200020891)**

ITEM	PART NUMBER	QTY	DESCRIPTION	REV
	1001131029	Ref	SCISSORS ARMS ASSEMBLY - 2632ES BIODEGRADEABLE HYDRAULIC OIL (CHINA BUILT MACHINES) (SN B200000100 through B200020891)	D
1	0200799	1	Arm - Lower Mid Inboard	
2	0200800	1	Arm - Upper Mid Inboard	
3	0200801	1	Arm - Upper Inboard	
4	0200802	1	Arm - Lower Outboard	
5	0200803	1	Arm - Lower Mid Outboard (Left Side)	
6	0200804	1	Arm - Lower Mid Outboard (Right Side)	
7	0200805	2	Arm - Upper Mid Out board	
8	0200807	1	Arm - Upper Outboard	
9	0200834	1	Arm - Lower Inboard	
10	0440266	4	Bearing	
11	0440267	42	Bearing	
12	0701015	1	Bolt M10 x 35	
13	0701017	1	Bolt M10 x 45	
14	0701022	18	Bolt M10 x 70	
15	0701029	4	Bolt M10 x 120	
16	1180382	1	Carrier, Cable	
17	1180383	1	Carrier, Cable	
18	1001131035	1	Lift Cylinder Assembly - Biodegradeable Hydraulic Oil (See CYLINDER SECTION for Breakdown)	
21	3340962	24	Pad, Arm	
22	3760170	2	Ring, Split	
23	3422997	13	Pin	
24	3422998	1	Pin	
25	3423014	3	Pin	
26	3423036	4	Pin	
27	3423038	1	Pin	
28	3423039	1	Pin	
29	3423067	1	Pin	
30	3574161	1	Bar, Prop Attach	
31	3760387	20	Ring, Retaining	
32	3841143	1	Keeper, Pin	
33	3860107	1	Roller	
34	4071094	AR	Shim, Spacer	
35	4740438	20	Washer	
36	4812000	2	Washer M10	
37	4846752	1	Kicker, Arm	
38	3291007	24	Nut M10	



## SECTION 3 - SCISSORS ARMS

FIGURE 3-23. SCISSORS ARMS INSTALLATION - 2632ES BIODEGRADABLE HYDRAULIC OIL  
(CHINA BUILT MACHINES) (SN B200020982 to Present)



ART\_1001190906

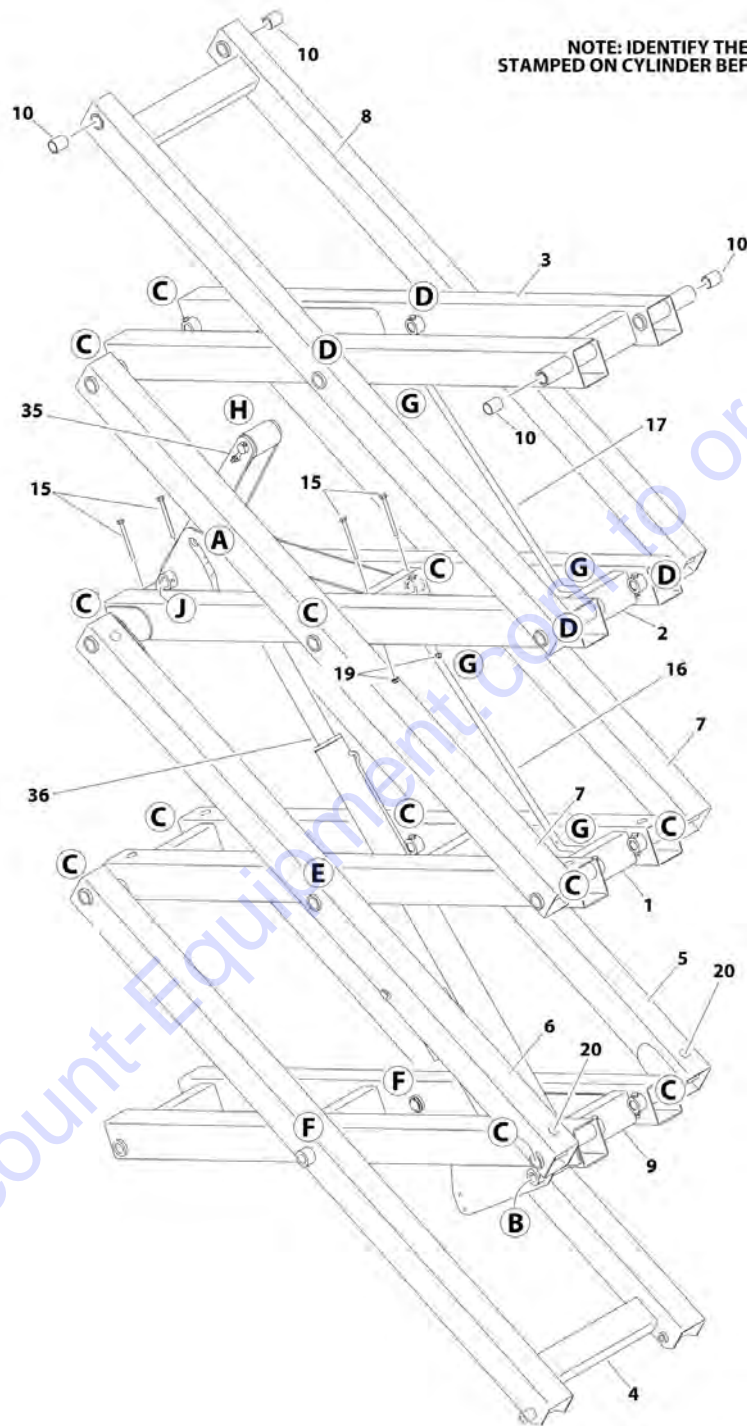
## SECTION 3 - SCISSORS ARMS

**FIGURE 3-23. SCISSORS ARMS INSTALLATION - 2632ES BIODEGRADEABLE HYDRAULIC OIL  
(CHINA BUILT MACHINES) (SN B200020982 to Present)**

ITEM	PART NUMBER	QTY	DESCRIPTION	REV
	1001190906	Ref	SCISSORS ARMS INSTALLATION - 2632ES BIODEGRADEABLE HYDRAULIC OIL (CHINA BUILT MACHINES) (SN B200020982 to Present)	A
1	0701022	1	Bolt M10 x 70	
2	1061034	1	Cable, Manual Descent	
2	7020218	1	T-Handle (With 1/4-20 Threads)	
2	70001878	1	T-Handle (With M5 Threads)	
3	3200454	1	Mount, Switch	
4	3291005	1	Nut M10	
5	3321402	1	Nut 1/4-28	
6	3340957	2	Pad, Slide	
7	3423259	1	Pin, Sensor	
8	4160078	1	Spring, Compression	
9	4191706	3	Screw M6 x 12	
10	1001092354	1	Switch, Rotary Angle Sensor	
10	4460536	1	Receptacle, Female - 3 Position	
10	4460464	3	Pin, Male	
11	1001190905	1	Arms Assembly (See SCISSORS ARMS ASSEMBLY - 2632ES BIODEGRADEABLE HYDRAULIC OIL for Breakdown)	
100	0440265	1	Bushing (Part of Frame Weldment)	

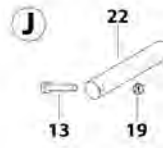
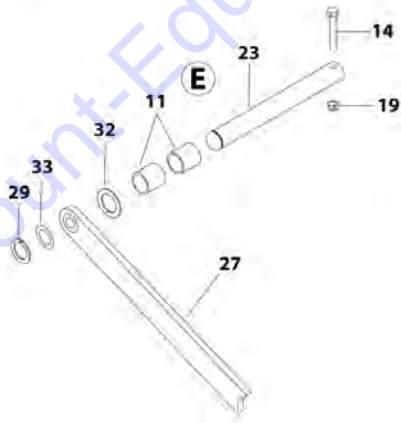
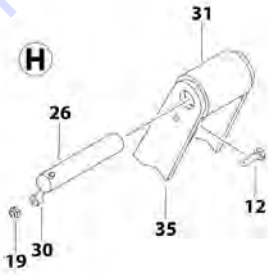
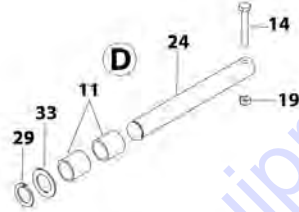
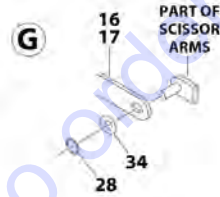
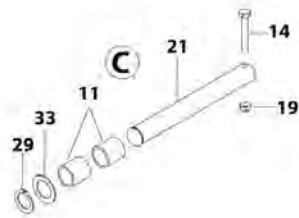
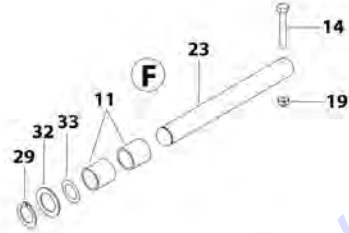
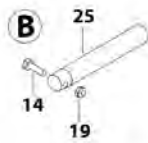
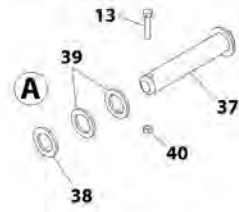
## SECTION 3 - SCISSORS ARMS

FIGURE 3-24. SCISSORS ARMS ASSEMBLY - 2632ES BIODEGRADABLE HYDRAULIC OIL (CHINA BUILT MACHINES) (SN B200020982 to Present)



ART\_1001190905\_10F2

# SECTION 3 - SCISSORS ARMS



AM1\_1001190905\_2012

## SECTION 3 - SCISSORS ARMS

**FIGURE 3-24. SCISSORS ARMS ASSEMBLY - 2632ES BIODEGRADABLE HYDRAULIC OIL (CHINA BUILT MACHINES) (SN B200020982 to Present)**

ITEM	PART NUMBER	QTY	DESCRIPTION	REV
	1001190905	Ref	SCISSORS ARMS ASSEMBLY - 2632ES BIODEGRADABLE HYDRAULIC OIL (CHINA BUILT MACHINES) (SN B200020982 to Present)	B
1	0200799	1	Arm - Lower Mid Inboard	
2	0200800	1	Arm - Upper Mid Inboard	
3	0200801	1	Arm - Upper Inboard	
4	0200802	1	Arm - Lower Outboard	
5	0200803	1	Arm - Lower Mid Outboard (Left Side)	
6	0200804	1	Arm - Lower Mid Outboard (Right Side)	
7	0200805	2	Arm - Upper Mid Out board	
8	0200807	1	Arm - Upper Outboard	
9	0200834	1	Arm - Lower Inboard	
10	0440266	4	Bearing	
11	0440267	42	Bearing	
12	0701015	1	Bolt M10 x 35	
13	0700817	1	Bolt M8 x 45	
14	0701022	18	Bolt M10 x 70	
15	0701029	4	Bolt M10 x 120	
16	1180382	1	Carrier, Cable	
17	1180383	1	Carrier, Cable	
19	3291007	23	Nut M8	
20	3340962	24	Pad, Arm	
21	3422997	13	Pin	
22	3422998	1	Pin	
23	3423014	3	Pin	
24	3423036	4	Pin	
25	3423038	1	Pin	
26	3423067	1	Pin	
27	3574161	1	Bar, Prop Attach	
28	3760170	4	Ring, Split	
29	3760387	20	Ring, Retaining	
30	3841143	1	Keeper, Pin	
31	3860107	1	Roller	
32	4071094	AR	Shim, Spacer	
33	4740438	20	Washer	
34	4812000	2	Washer M10	
35	4846752	1	Kicker, Arm	
36	1001131035	1	Lift Cylinder Assembly - Biodegradeable Hydraulic Oil (See CYLINDER SECTION for Breakdown)	
37	1001177911	1	Pin	
38	1001177913	1	Plate	
39	1001177914	2	Washer	
40	3290807	1	Nut M8	

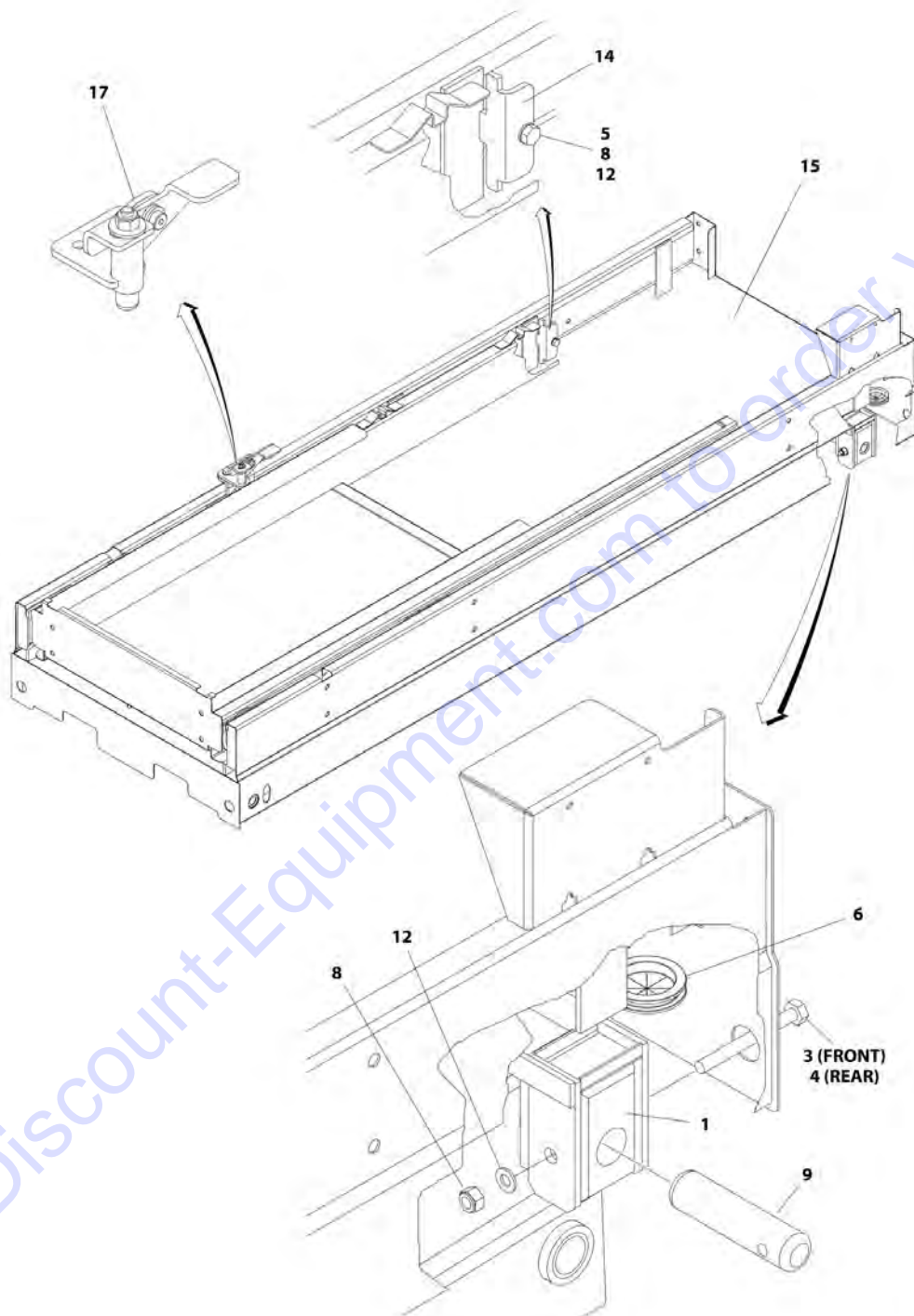


**SECTION 4 - PLATFORM**

Go to Discount-Equipment.com to order your parts

# SECTION 4 - PLATFORM

FIGURE 4-1. PLATFORM INSTALLATION - WITH INSIDE EXTENSION RAILS AND WITHOUT LSS



ART\_1001177177

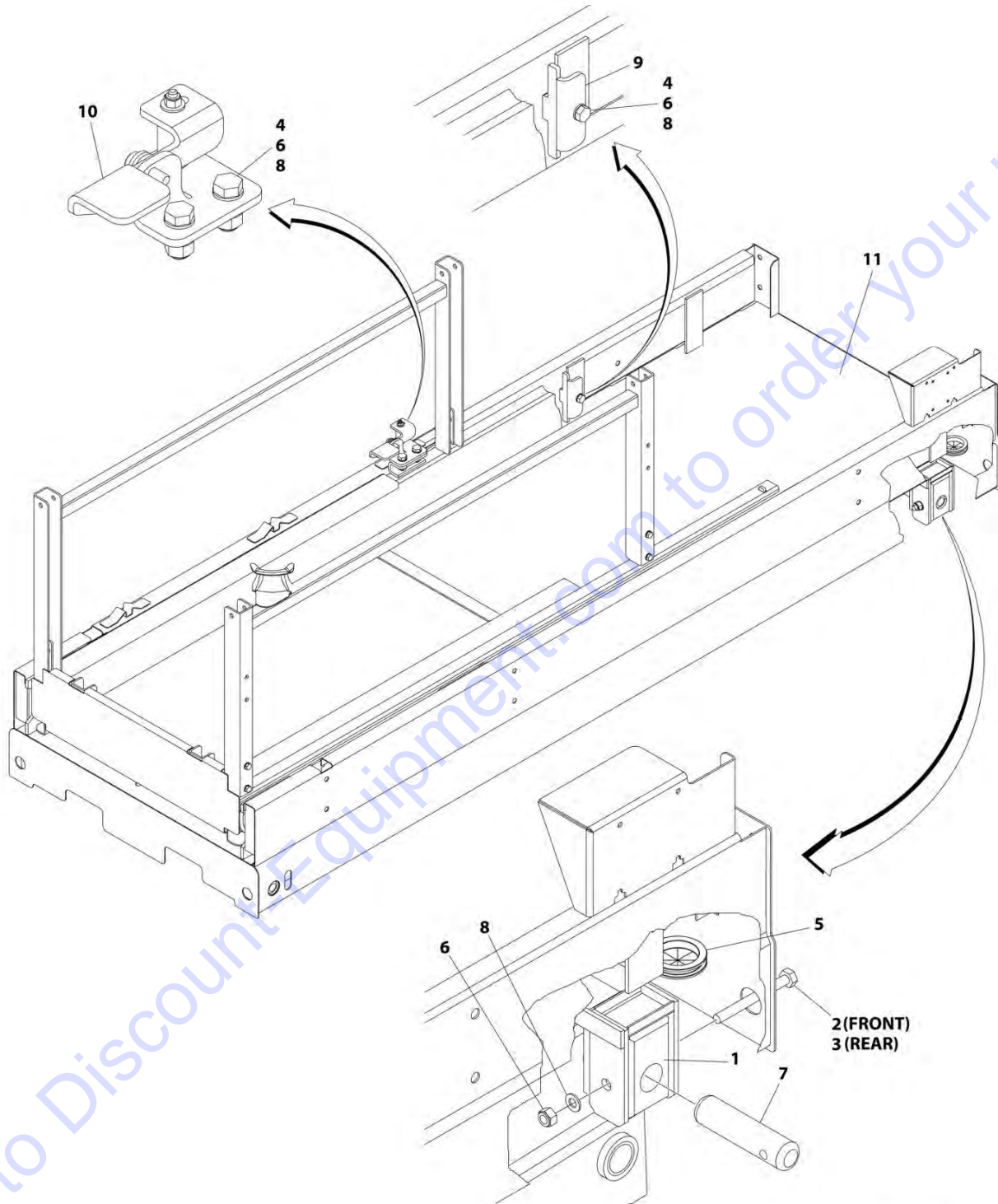
## SECTION 4 - PLATFORM

**FIGURE 4-1. PLATFORM INSTALLATION - WITH INSIDE EXTENSION RAILS AND WITHOUT LSS**

ITEM	PART NUMBER	QTY	DESCRIPTION	REV
	1001177177	Ref	PLATFORM INSTALLATION - WITH INSIDE EXTENSION RAILS AND WITHOUT LSS	F
1	0561520	4	Block, Slide	
3	0701024	2	Bolt M10 x 80	
4	0701027	2	Bolt M10 x 100	
5	0761014	4	Bolt M10 x 30	
6	2540045	1	Grommet	
8	3291005	8	Nut M10	
9	3423049	4	Pin, Latch	
12	4812000	10	Washer M10	
14	1001175188	2	Bracket, Stop	
15	1001175462	1	Platform and Extension Assembly - With Inside Extension Rails (See PLATFORM AND EXTENSION ASSEMBLY - WITH INSIDE EXTENSION RAILS for Breakdown)	
17	1001182302	1	Latch Assembly - With Inside Extension Rails (See LATCH ASSEMBLY - WITH INSIDE EXTENSION RAILS for Breakdown) <b>(SN 0200249260 to Present, SN 1200025023 through 1200030229, SN B200024834 through B200051215, Prior to SN M200021509)</b>	
17	1001234398	1	Latch Assembly - With Inside Extension Rails (See LATCH ASSEMBLY - WITH INSIDE EXTENSION RAILS for Breakdown) <b>(SN 1200030230 to Present, SN B200051216 to Present, SN M200021509 to Present)</b>	

# SECTION 4 - PLATFORM

FIGURE 4-2. PLATFORM INSTALLATION - WITH OUTSIDE EXTENSION RAILS AND WITHOUT LSS



ART\_1001216837

## SECTION 4 - PLATFORM

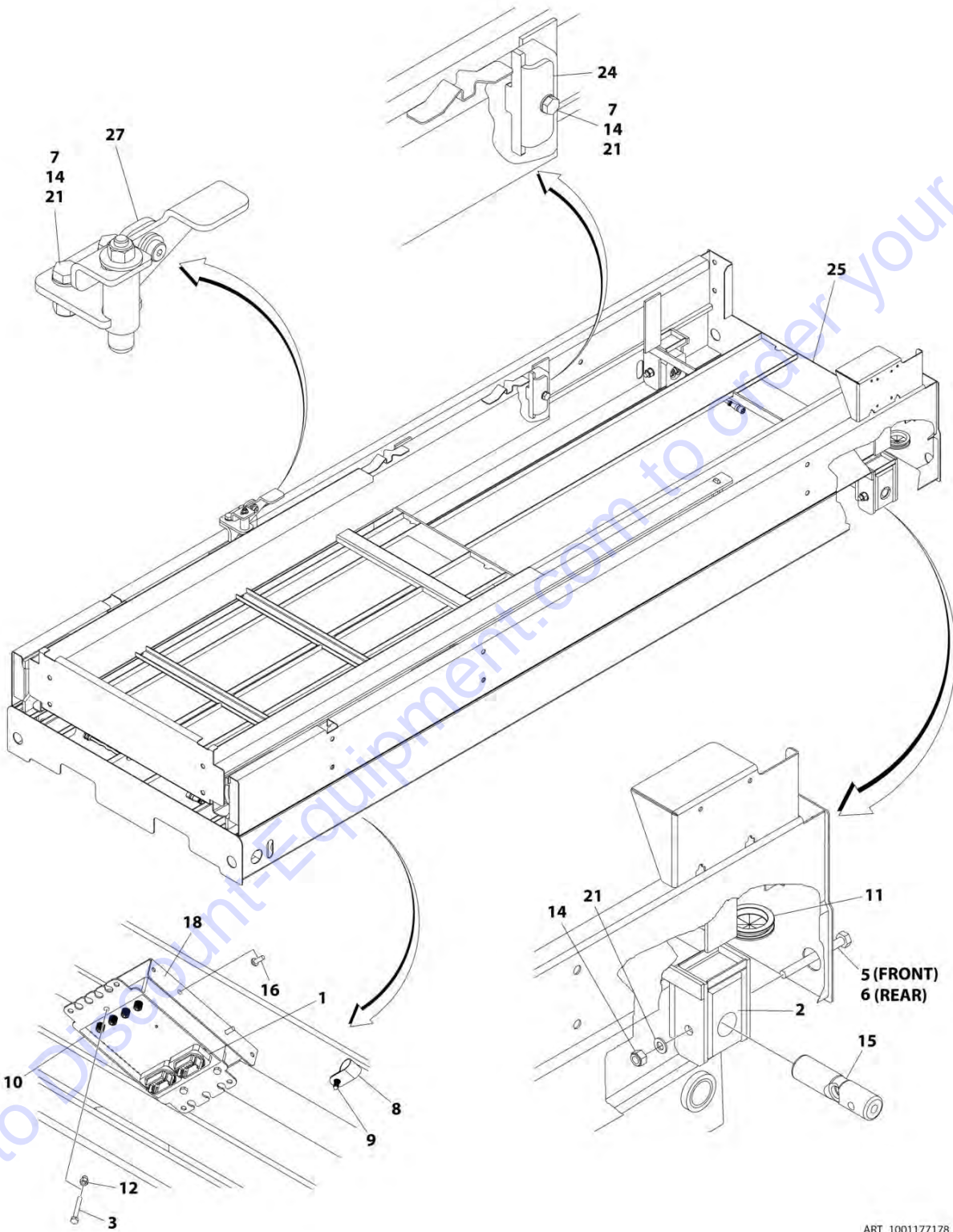
**FIGURE 4-2. PLATFORM INSTALLATION - WITH OUTSIDE EXTENSION RAILS AND WITHOUT LSS**

ITEM	PART NUMBER	QTY	DESCRIPTION	REV
	1001216837	Ref	PLATFORM INSTALLATION - WITH OUTSIDE EXTENSION RAILS AND WITHOUT LSS	A
1	0561520	4	Block, Slide	
2	0701024	2	Bolt M10 x 80	
3	0701027	2	Bolt M10 x 100	
4	0761014	4	Bolt M10 x 30	
5	2540045	1	Grommet	
6	3291005	8	Nut M10	
7	3423049	4	Pin, Latch	
8	4812000	10	Washer M10	
9	1001175188	2	Bracket, Stop	
10	1001209256	1	Latch Assembly - With Outside Extension Rails (See LATCH ASSEMBLY - WITH OUTSIDE EXTENSION RAILS for Breakdown)	
11	1001215165	1	Platform and Extension Assembly - With Outside Extension Rails (See PLATFORM AND EXTENSION ASSEMBLY - WITH OUTSIDE EXTENSION RAILS for Breakdown)	

Go to Discount-Equipment.com to find your parts

# SECTION 4 - PLATFORM

FIGURE 4-3. PLATFORM INSTALLATION - WITH INSIDE EXTENSION RAILS AND WITH LSS



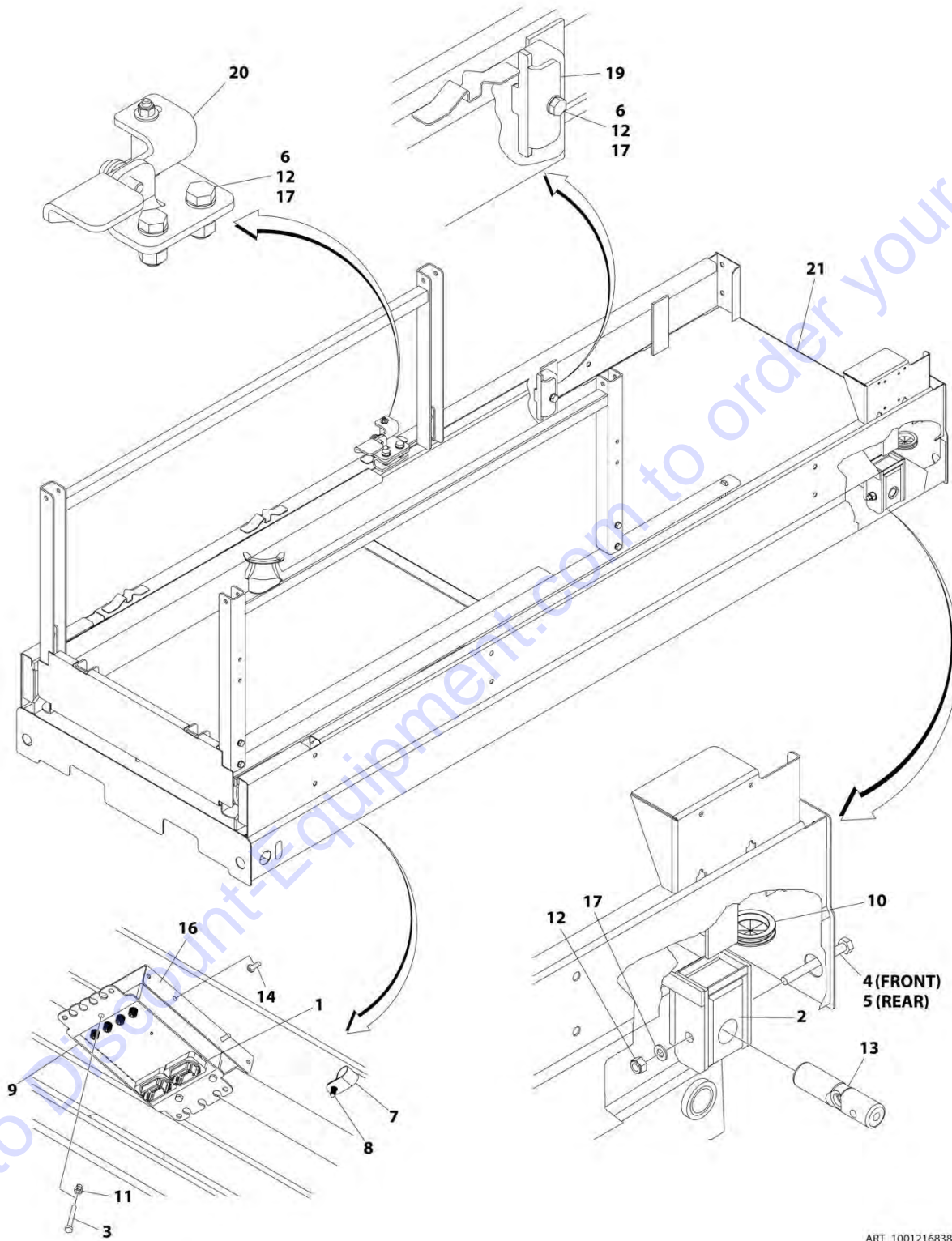
## SECTION 4 - PLATFORM

**FIGURE 4-3. PLATFORM INSTALLATION - WITH INSIDE EXTENSION RAILS AND WITH LSS**

ITEM	PART NUMBER	QTY	DESCRIPTION	REV
	1001177178	Ref	PLATFORM INSTALLATION - WITH INSIDE EXTENSION RAILS AND WITH LSS	E
1	0100048	AR	Grease, Dielectric	
2	0561520	4	Block, Slide	
3	0700617	3	Bolt M6 x 45	
5	0701024	2	Bolt M10 x 80	
6	0701027	2	Bolt M10 x 100	
7	0761014	4	Bolt M10 x 30	
8	1320318	2	Clamp	
9	1380158	2	Clip, Retainer	
10	1600387	1	Controller, Load Sense	
11	2540045	1	Grommet	
12	3290606	3	Nut M6	
14	3291005	8	Nut M10	
15	3422938	4	Pin	
16	4191707	2	Screw M6 x 16	
17	4240033	AR	Tie-Strap (Not Shown)	
18	4340931	1	Mount, LSS Module	
21	4812000	10	Washer M10	
22	4923228	1	Harness, Load Sense (Not Shown - See ELECTRICAL SECTION for Breakdown)	
24	1001175188	2	Bracket, Stop	
25	1001175462	1	Platform and Extension Assembly - With Inside Extension Rails (See PLATFORM AND EXTENSION ASSEMBLY - WITH INSIDE EXTENSION RAILS for Breakdown)	
27	1001182302	1	Latch Assembly - With Inside Extension Rails (See LATCH ASSEMBLY - WITH INSIDE EXTENSION RAILS for Breakdown) <b>(SN 0200249260 to Present, SN 1200025023 through 1200030229, SN B200024834 through B200051215, Prior to SN M200021509)</b>	
27	1001234398	1	Latch Assembly - With Inside Extension Rails (See LATCH ASSEMBLY - WITH INSIDE EXTENSION RAILS for Breakdown) <b>(SN 1200030230 to Present, SN B200051216 to Present, SN M200021509 to Present)</b>	

# SECTION 4 - PLATFORM

FIGURE 4-4. PLATFORM INSTALLATION - WITH OUTSIDE EXTENSION RAILS AND WITH LSS





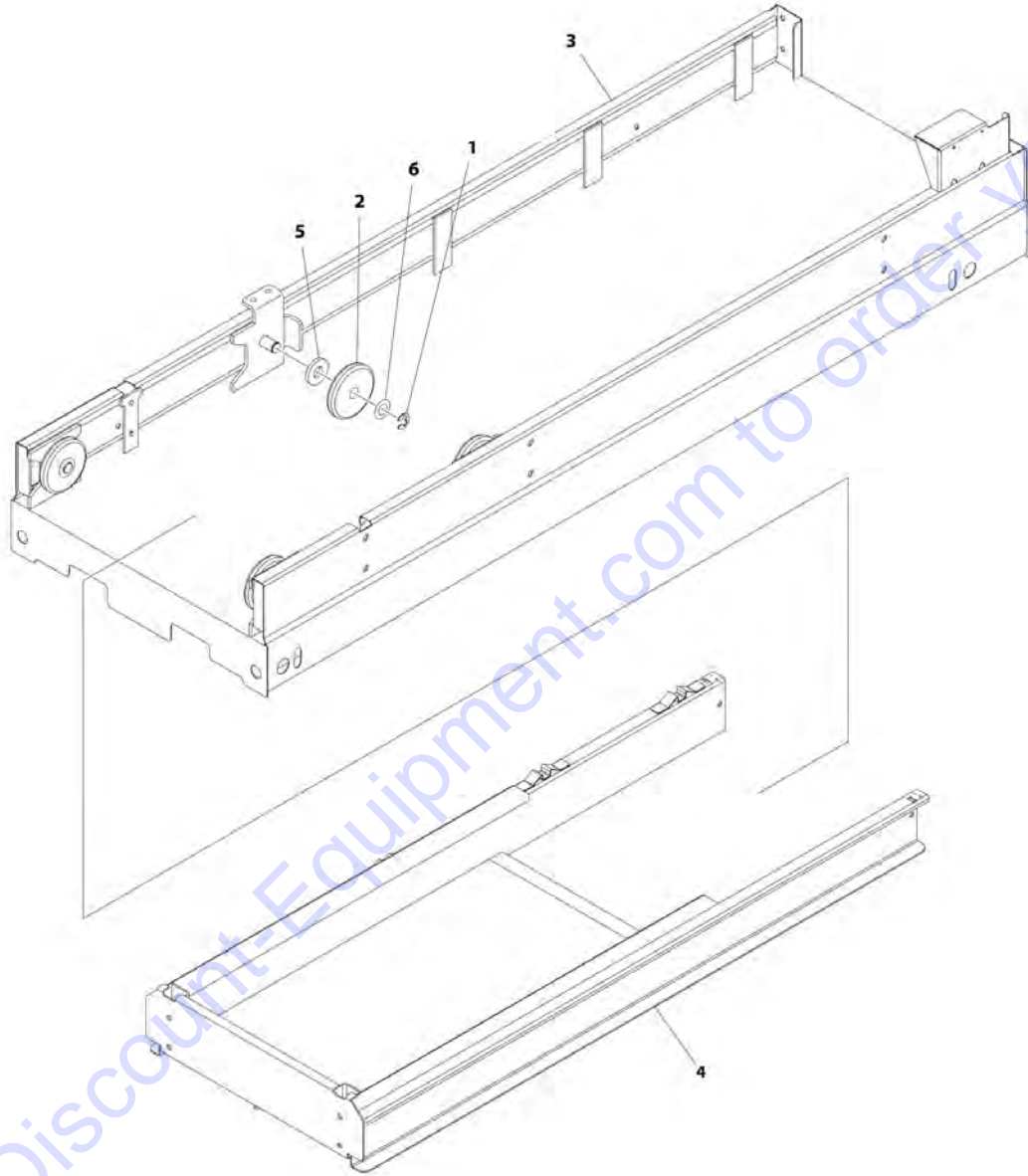
## SECTION 4 - PLATFORM

**FIGURE 4-4. PLATFORM INSTALLATION - WITH OUTSIDE EXTENSION RAILS AND WITH LSS**

ITEM	PART NUMBER	QTY	DESCRIPTION	REV
	1001216838	Ref	PLATFORM INSTALLATION - WITH OUTSIDE EXTENSION RAILS AND WITH LSS	A
1	0100048	AR	Grease, Dielectric	
2	0561520	4	Block, Slide	
3	0700617	3	Bolt M6 x 45	
4	0701024	2	Bolt M10 x 80	
5	0701027	2	Bolt M10 x 100	
6	0761014	4	Bolt M10 x 30	
7	1320318	2	Clamp	
8	1380158	2	Clip, Retainer	
9	1600387	1	Controller, Load Sense	
10	2540045	1	Grommet	
11	3290606	3	Nut M6	
12	3291005	8	Nut M10	
13	3422938	4	Pin	
14	4191707	2	Screw M6 x 16	
15	4240033	AR	Tie-Strap (Not Shown)	
16	4340931	1	Mount, LSS Module	
17	4812000	10	Washer M10	
18	4923228	1	Harness, Load Sense (Not Shown - See ELECTRICAL SECTION for Breakdown)	
19	1001175188	2	Bracket, Stop	
20	1001209256	1	Latch Assembly - With Outside Extension Rails (See LATCH ASSEMBLY - WITH OUTSIDE EXTENSION RAILS for Breakdown)	
21	1001215165	1	Platform and Extension Assembly - With Outside Extension Rails (See PLATFORM AND EXTENSION ASSEMBLY - WITH IUTSIDE EXTENSION RAILS for Breakdown)	

## SECTION 4 - PLATFORM

FIGURE 4-5. PLATFORM AND EXTENSION ASSEMBLY - WITH INSIDE EXTENSION RAILS



## SECTION 4 - PLATFORM

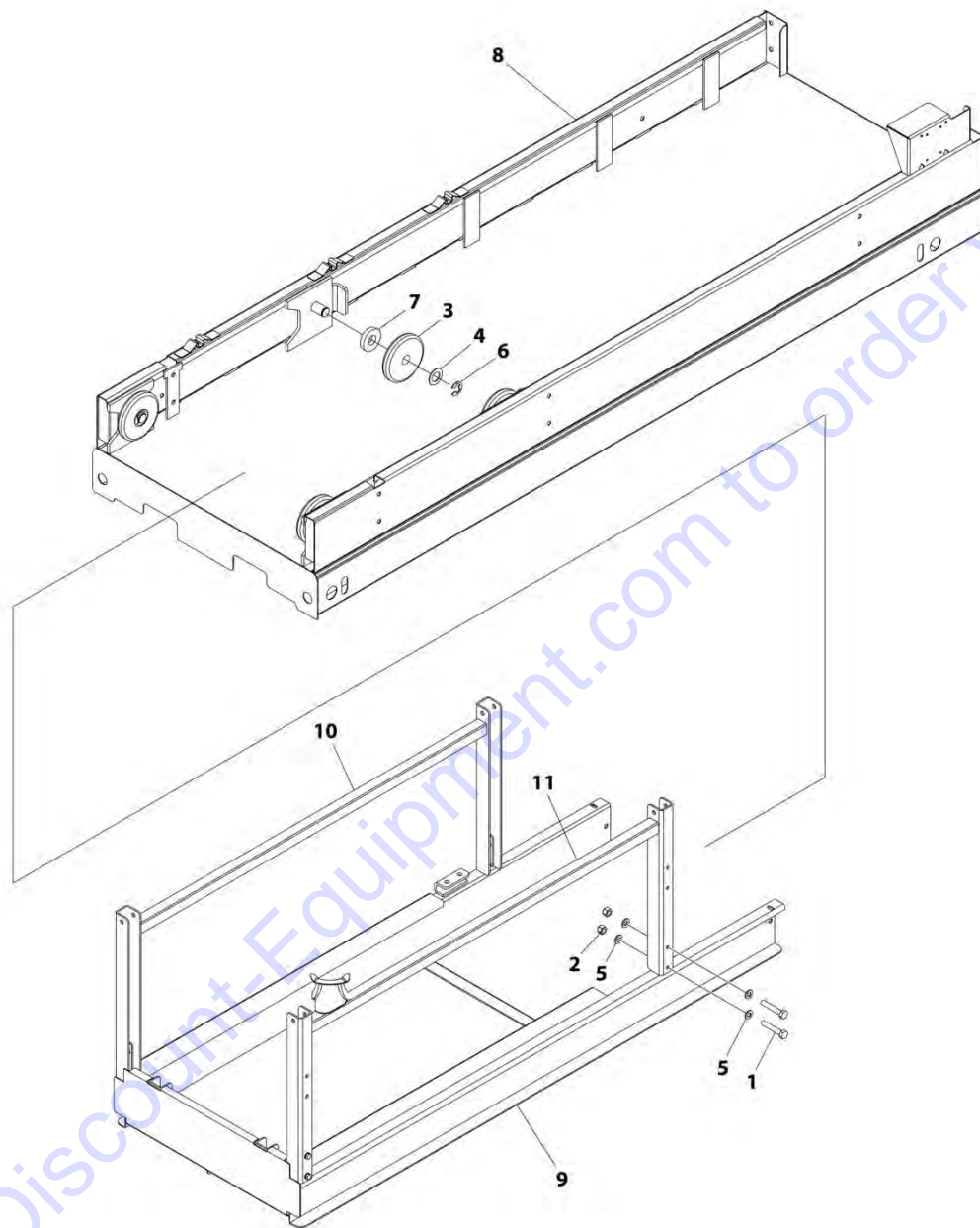
**FIGURE 4-5. PLATFORM AND EXTENSION ASSEMBLY - WITH INSIDE EXTENSION RAILS**

ITEM	PART NUMBER	QTY	DESCRIPTION	REV
	1001175462	Ref	PLATFORM AND EXTENSION ASSEMBLY - WITH INSIDE EXTENSION RAILS	L
1	1001182339	4	Clip	
2	3860118	4	Roller	
3	1001175274	1	Platform	
4	1001175290	1	Extension, Platform (SN 1200000100 through 1200030131, SN B200000100 through B200051215, Prior to SN M200019914)	
4	1001232145	1	Extension, Platform (SN 1200030132 to Present, SN B200051216 to Present, SN M200019914 to Present)	
5	1001182062	4	Tube, Spacer	
6	4740446	4	Washer, Thrust	

Go to Discount-Equipment.com to order your parts

## SECTION 4 - PLATFORM

FIGURE 4-6. PLATFORM AND EXTENSION ASSEMBLY - WITH OUTSIDE EXTENSION RAILS



ART\_1001215165

## SECTION 4 - PLATFORM

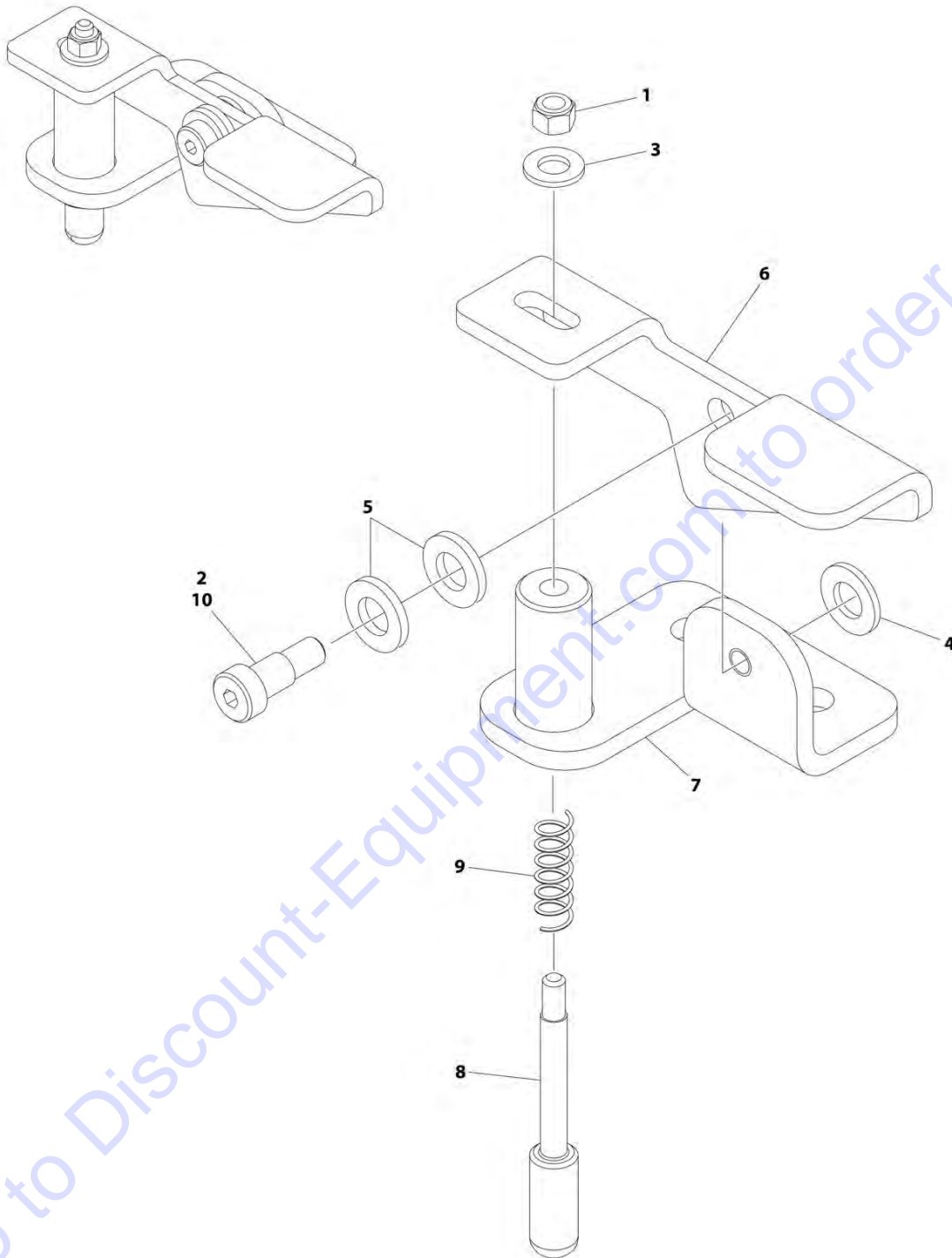
**FIGURE 4-6. PLATFORM AND EXTENSION ASSEMBLY - WITH OUTSIDE EXTENSION RAILS**

ITEM	PART NUMBER	QTY	DESCRIPTION	REV
	1001215165	Ref	PLATFORM AND EXTENSION ASSEMBLY - WITH OUTSIDE EXTENSION RAILS	B
1	0700814	8	Bolt M8 x 30	
1	0700817	8	Bolt M8 x 45	
2	3290805	8	Nut M8	
3	3860118	4	Roller	
4	4740446	4	Washer, Thrust	
5	4811900	16	Washer M8	
6	1001182339	4	Clip	
7	1001211892	4	Tube, Spacer	
8	1001217729	1	Platform	
9	1001217730	1	Extension, Platform	
10	1001217923	1	Rail, Mid	
11	1001217924	1	Rail, Mid	

Go to Discount-Equipment.com to order your parts

## SECTION 4 - PLATFORM

FIGURE 4-7. LATCH ASSEMBLY - WITH INSIDE EXTENSION RAILS (SN 0200249260 to Present, SN 1200025023 through 1200030229, SN B200024834 through B200051215, Prior to SN M200021509)



ART\_1001182302

## SECTION 4 - PLATFORM

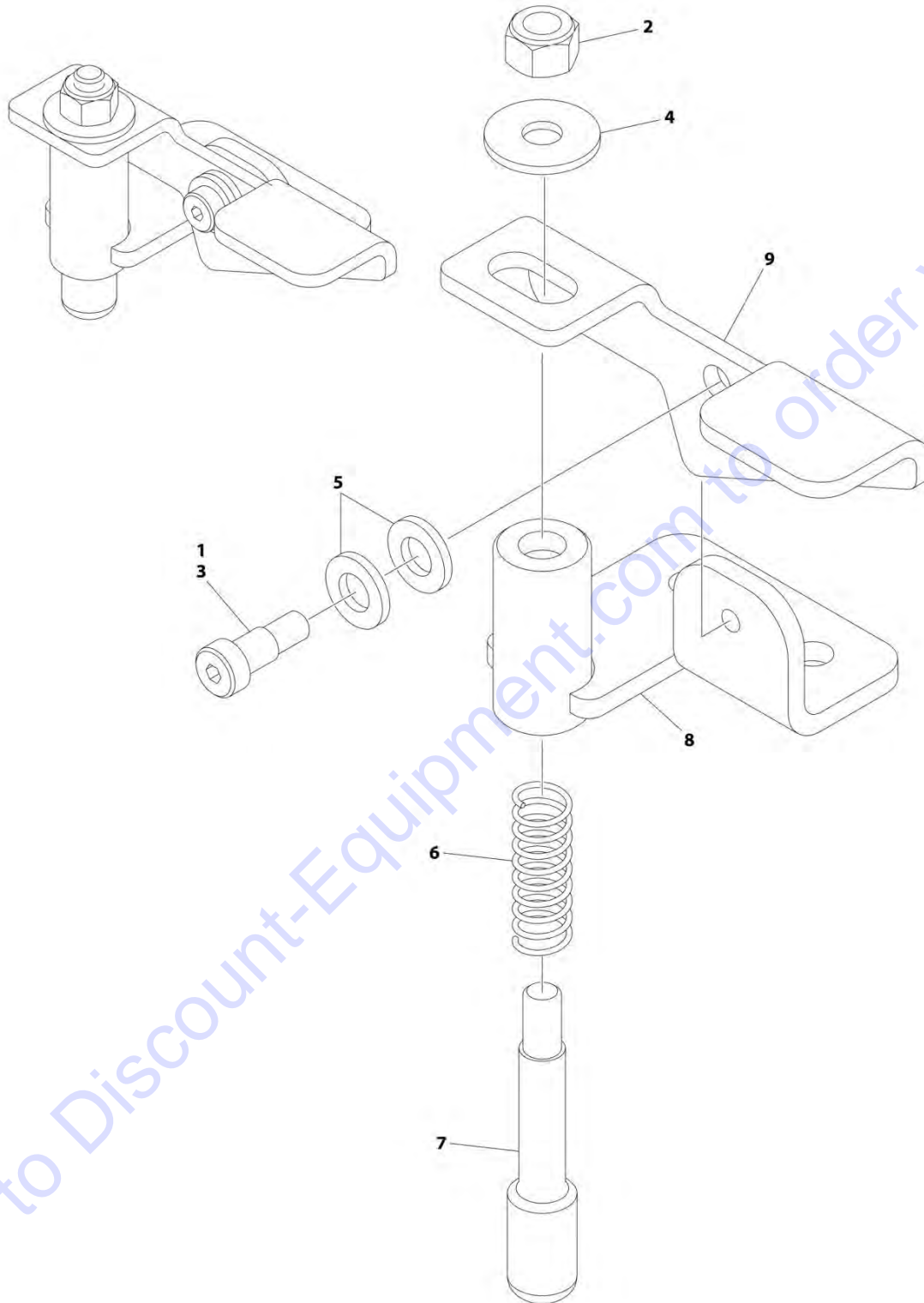
**FIGURE 4-7. LATCH ASSEMBLY - WITH INSIDE EXTENSION RAILS (SN 0200249260 to Present, SN 1200025023 through 1200030229, SN B200024834 through B200051215, Prior to SN M200021509)**

ITEM	PART NUMBER	QTY	DESCRIPTION	REV
	1001182302	Ref	LATCH ASSEMBLY - WITH INSIDE EXTENSION RAILS	G
1	3290605	1	Nut M6	
2	3900190	1	Screw	
3	4811900	1	Washer M8	
4	4812000	1	Washer M10	
5	5241000	2	Washer M10	
6	1001178323	1	Latch	
7	1001182304	1	Bracket	
8	1001182305	1	Rod, Threaded	
9	1001182338	1	Spring	
10	0100011	AR	Compound, Locking	

Go to Discount-Equipment.com to order your parts

## SECTION 4 - PLATFORM

FIGURE 4-8. LATCH ASSEMBLY - WITH INSIDE EXTENSION RAILS (SN 1200030230 to Present, SN B200051216 to Present, SN M200021509 to Present)



ART\_1001234398



## SECTION 4 - PLATFORM

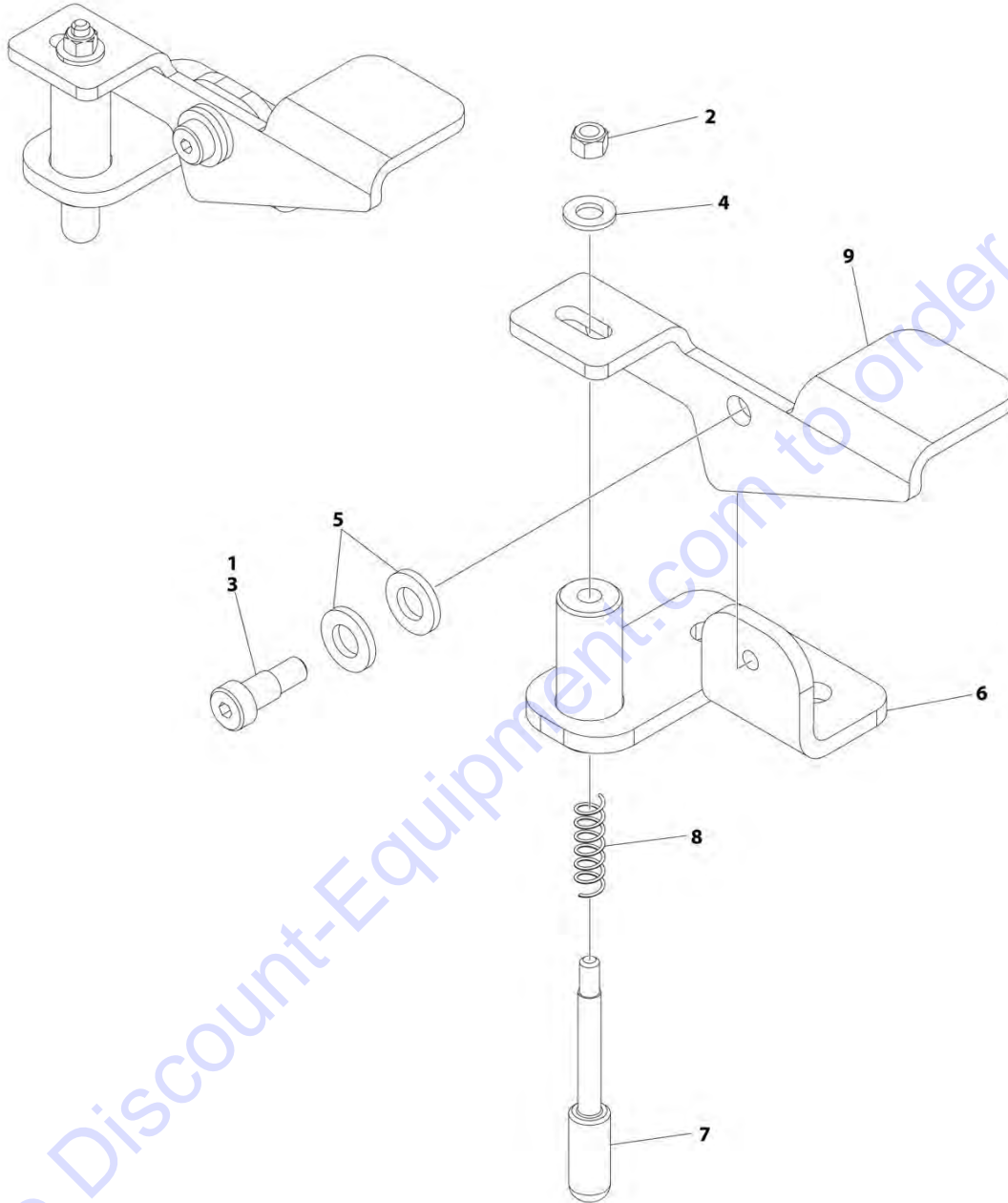
**FIGURE 4-8. LATCH ASSEMBLY - WITH INSIDE EXTENSION RAILS (SN 1200030230 to Present, SN B200051216 to Present, SN M200021509 to Present)**

ITEM	PART NUMBER	QTY	DESCRIPTION	REV
	1001234398	Ref	LATCH ASSEMBLY - WITH INSIDE EXTENSION RAILS	B
1	0100011	AR	Compound, Locking	
2	3291005	1	Nut M10	
3	3900190	1	Screw	
4	4812002	1	Washer M10	
5	5241000	2	Washer M10	
6	1001221475	1	Spring	
7	1001221476	1	Rod, Threaded	
8	1001234399	1	Bracket	
9	1001234401	1	Latch	

Go to Discount-Equipment.com to order your parts

# SECTION 4 - PLATFORM

## FIGURE 4-9. LATCH ASSEMBLY - WITH OUTSIDE EXTENSION RAILS



ART\_1001209256

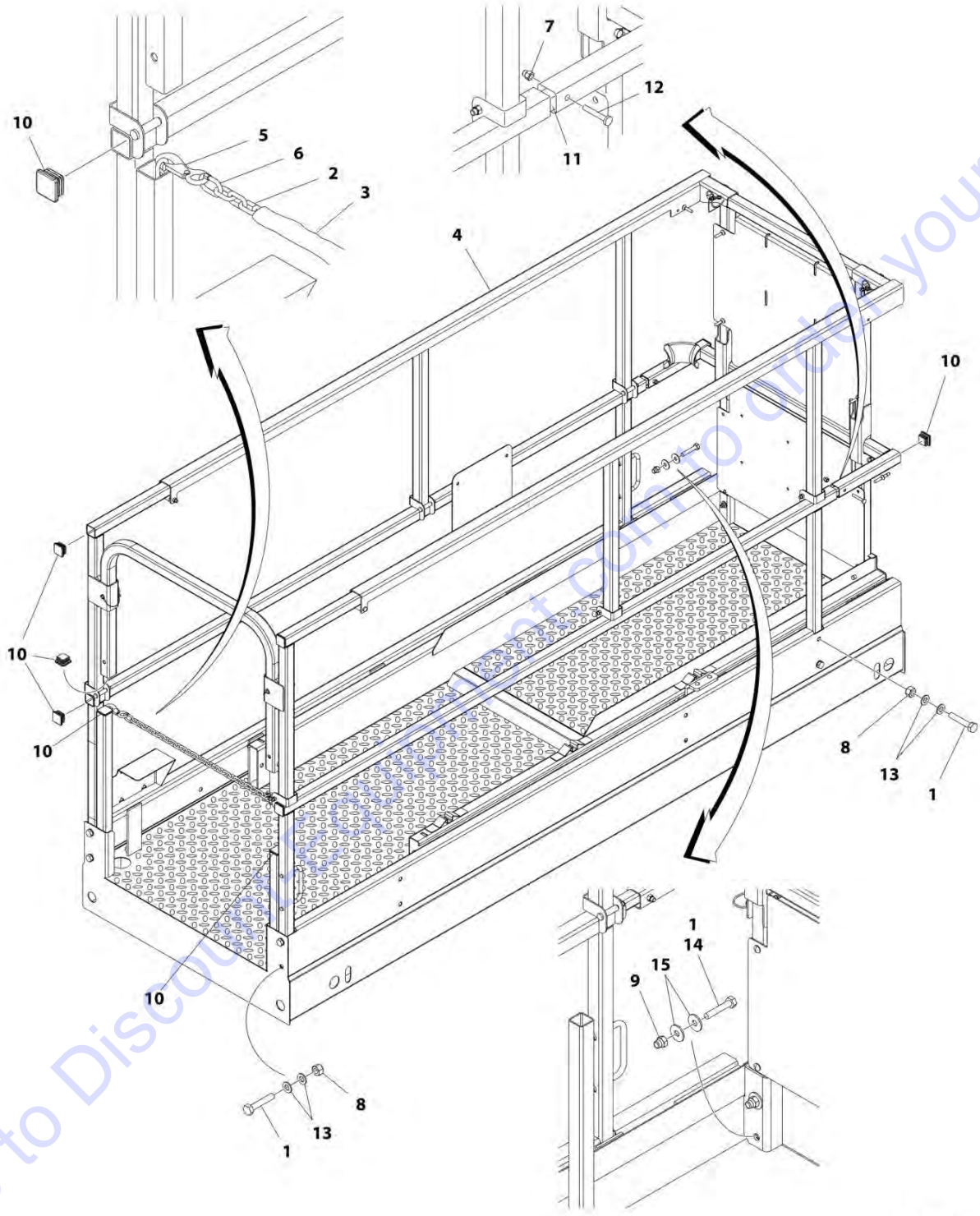
## SECTION 4 - PLATFORM

**FIGURE 4-9. LATCH ASSEMBLY - WITH OUTSIDE EXTENSION RAILS**

ITEM	PART NUMBER	QTY	DESCRIPTION	REV
	1001209256	Ref	LATCH ASSEMBLY - WITH OUTSIDE EXTENSION RAILS	E
1	0100011	AR	Compound, Locking	
2	3290605	1	Nut M6	
2	3291005	1	Nut M10	
3	3900190	1	Screw	
4	4811900	1	Washer M8	
4	4812000	1	Washer M10	
4	4812002	1	Washer M10	
5	5241000	2	Washer M10	
6	1001182304	1	Bracket (Prior to SN 0200260931, Prior to SN 1200026932, SN B200024834 to Present, SN M200000100 through M200021508)	
6	1001234399	1	Bracket (SN 0200260931 to Present, SN 1200026932 to Present, SN M200021509 to Present)	
7	1001182305	1	Rod, Threaded (Prior to SN 0200260931, Prior to SN 1200026932, SN B200024834 to Present, SN M200000100 through M200021508)	
7	1001221476	1	Rod, Threaded (SN 0200260931 to Present, SN 1200026932 to Present, SN M200021509 to Present)	
8	1001182338	1	Spring (Prior to SN 0200260931, Prior to SN 1200026932, SN B200024834 to Present, SN M200000100 through M200021508)	
8	1001221475	1	Spring (SN 0200260931 to Present, SN 1200026932 to Present, SN M200021509 to Present)	
9	1001209280	1	Latch	

# SECTION 4 - PLATFORM

FIGURE 4-10. RAILS INSTALLATION - WITH INSIDE EXTENSION RAILS AND CHAIN GATE



ART\_1001176741

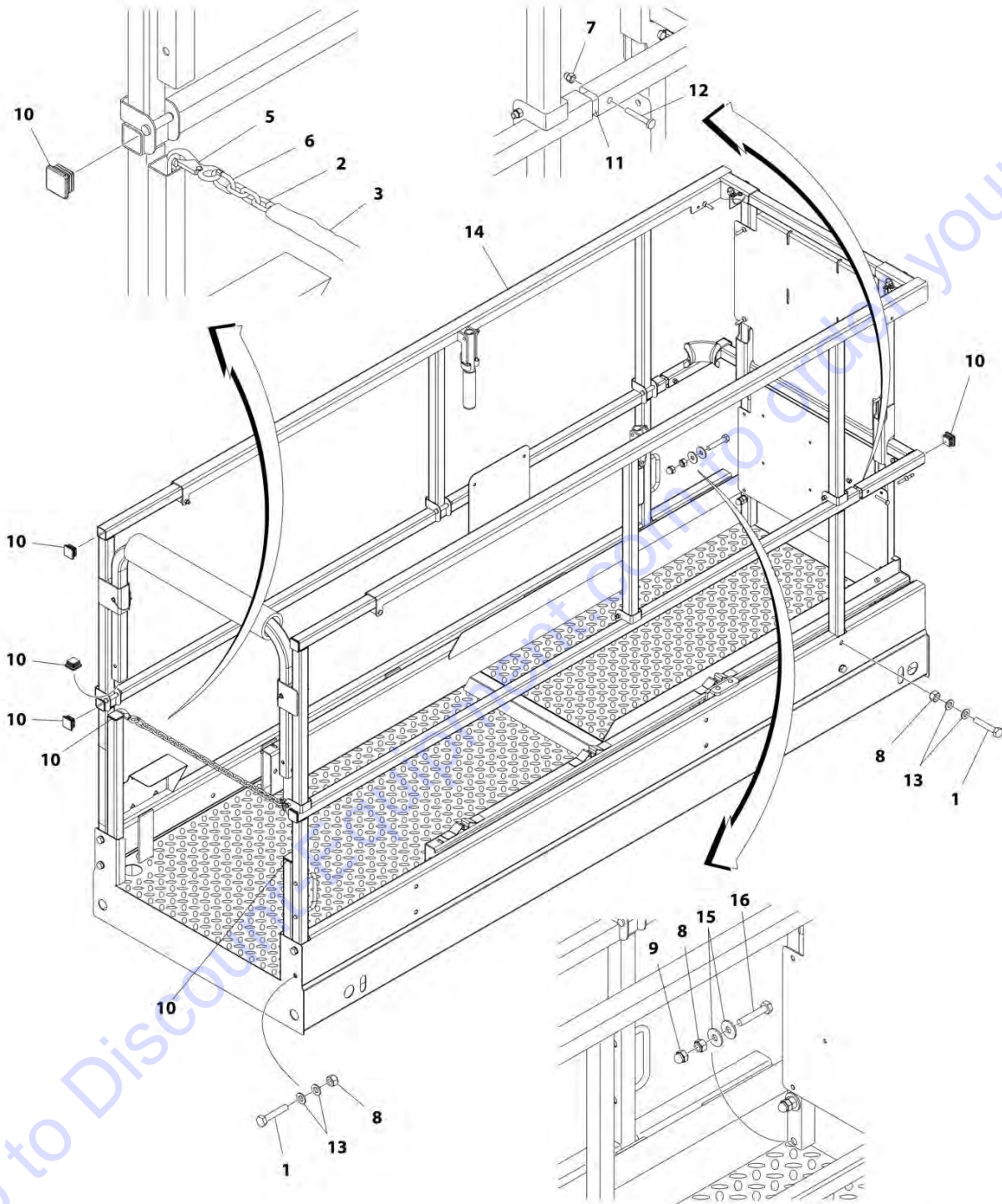
## SECTION 4 - PLATFORM

**FIGURE 4-10. RAILS INSTALLATION - WITH INSIDE EXTENSION RAILS AND CHAIN GATE**

ITEM	PART NUMBER	QTY	DESCRIPTION	REV
	1001176741	Ref	RAILS INSTALLATION - WITH INSIDE EXTENSION RAILS AND CHAIN GATE	F
1	0701019	AR	Bolt M10 x 55	
2	1260136	20 in/ .5m	Chain	
3	2820097	19 in/ .48m	Cover, Chain	
4	1001179839	1	Rail Kit - With Inside Extension Rails and Chain Gate (See RAIL KIT - WITH INSIDE EXTENSION RAILS AND CHAIN GATE for Breakdown)	
5	2940064	1	Latch, Snap	
6	3010088	2	Link	
7	3290606	2	Nut M6	
8	3291005	AR	Nut M10	
9	3300477	4	Nut	
9	3291006	4	Nut M10	
10	3520072	8	Plug	
11	3841716	2	Rod, Fiberglass	
12	4010616	2	Screw M6 x 40	
13	4812000	AR	Washer M10	
14	0701019	4	Bolt M10 x 55	
14	0701018	4	Bolt M10 x 50	
15	4812000	8	Washer M10	
15	4812002	8	Washer M10	

# SECTION 4 - PLATFORM

FIGURE 4-11. RAILS INSTALLATION - WITH INSIDE EXTENSION RAILS, HANDLE AND CHAIN GATE



ART\_1001212851

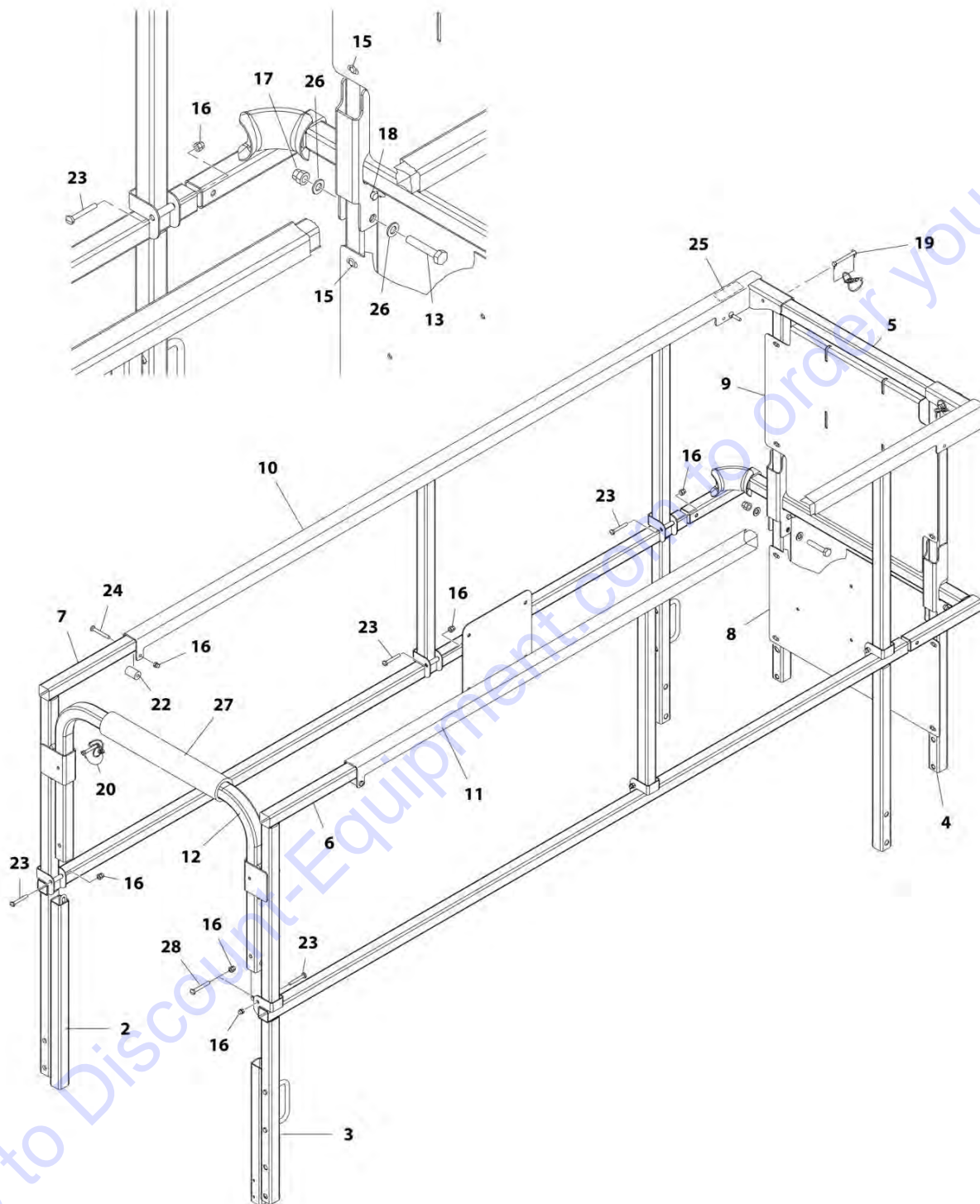
## SECTION 4 - PLATFORM

**FIGURE 4-11. RAILS INSTALLATION - WITH INSIDE EXTENSION RAILS, HANDLE AND CHAIN GATE**

ITEM	PART NUMBER	QTY	DESCRIPTION	REV
	1001212851	Ref	RAILS INSTALLATION - WITH INSIDE EXTENSION RAILS, HANDLE AND CHAIN GATE	B
1	0701019	AR	Bolt M10 x 55	
2	1260136	20 in/ .5m	Chain	
3	2820097	19 in/ .48m	Cover, Chain	
5	2940064	1	Latch, Snap	
6	3010088	2	Link	
7	3290606	2	Nut M6	
8	3291005	12	Nut M10	
9	3300477	4	Nut	
10	3520072	8	Plug	
11	3841716	2	Rod, Fiberglass	
12	4010616	2	Screw M6 x 40	
13	4812000	AR	Washer M10	
14	1001212872	1	Rail Kit - With Inside Extension Rails, Handle and Chain Gate (See RAIL KIT - WITH INSIDE EXTENSION RAILS, HANDLE AND CHAIN GATE for Breakdown)	
15	4812000	8	Washer M10	
15	4812002	8	Washer M10	
16	0701019	4	Bolt M10 x 55	
16	0701021	4	Bolt M10 x 65	

# SECTION 4 - PLATFORM

FIGURE 4-12. RAIL KIT - WITH INSIDE EXTENSION RAILS AND CHAIN GATE



ART\_1001179839



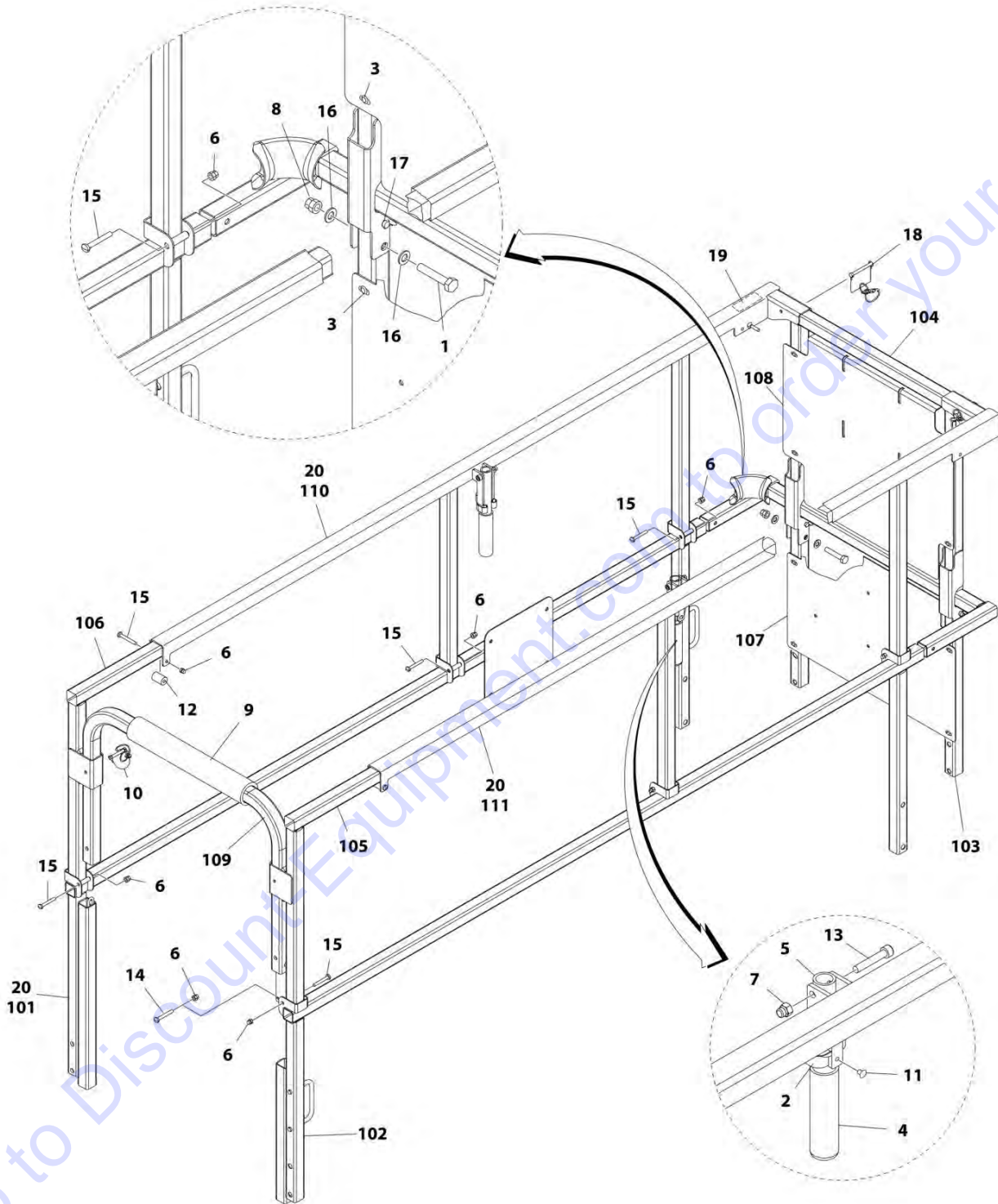
## SECTION 4 - PLATFORM

**FIGURE 4-12. RAIL KIT - WITH INSIDE EXTENSION RAILS AND CHAIN GATE**

ITEM	PART NUMBER	QTY	DESCRIPTION	REV
	1001179839	Ref	RAIL KIT - WITH INSIDE EXTENSION RAILS AND CHAIN GATE	I
1	1001179273	1	Rail Kit Less Hardware (Not Shown - Includes Items 2-12)	
2	1001179275	1	Rail, Bottom Rear LH	
3	1001179276	1	Rail, Bottom Rear RH	
4	1001179277	1	Rail, Bottom Front	
5	1001179287	1	Rail, Top Front	
6	1001179288	1	Rail, Top RH	
7	1001179296	1	Rail, Top LH	
8	1001179298	1	Billboard, Bottom	
9	1001179299	1	Billboard, Top	
10	1001179301	1	Rail, Top LH Slide	
11	1001179304	1	Rail, Top RH Slide	
12	1001179332	1	Rail, Top Rear Entry	
13	0701019	2	Bolt M10 x 55	
14	1060379	2	Lanyard	
15	2080040	12	Fastener, Huck	
16	3290606	9	Nut M6	
17	3291006	2	Nut M10 Grade 8	
18	1001187587	2	Pin, Snap	
19	1001187585	2	Pin, Snap	
20	3423278	2	Pin, Snap	
21	3760170	2	Ring	
22	3860111	2	Roller	
23	4010617	6	Screw M6 x 45	
23	4010618	6	Screw M6 x 50	
24	4010618	2	Screw M6 x 50	
25	1001189762	AR	Tape	
26	4812000	4	Washer M10	
27	3340612	18 in /45cm	Pad, Cover	
28	4010616	1	Screw M6 x 40	

# SECTION 4 - PLATFORM

FIGURE 4-13. RAIL KIT - WITH INSIDE EXTENSION RAILS, HANDLE AND CHAIN GATE



ART\_1001212872

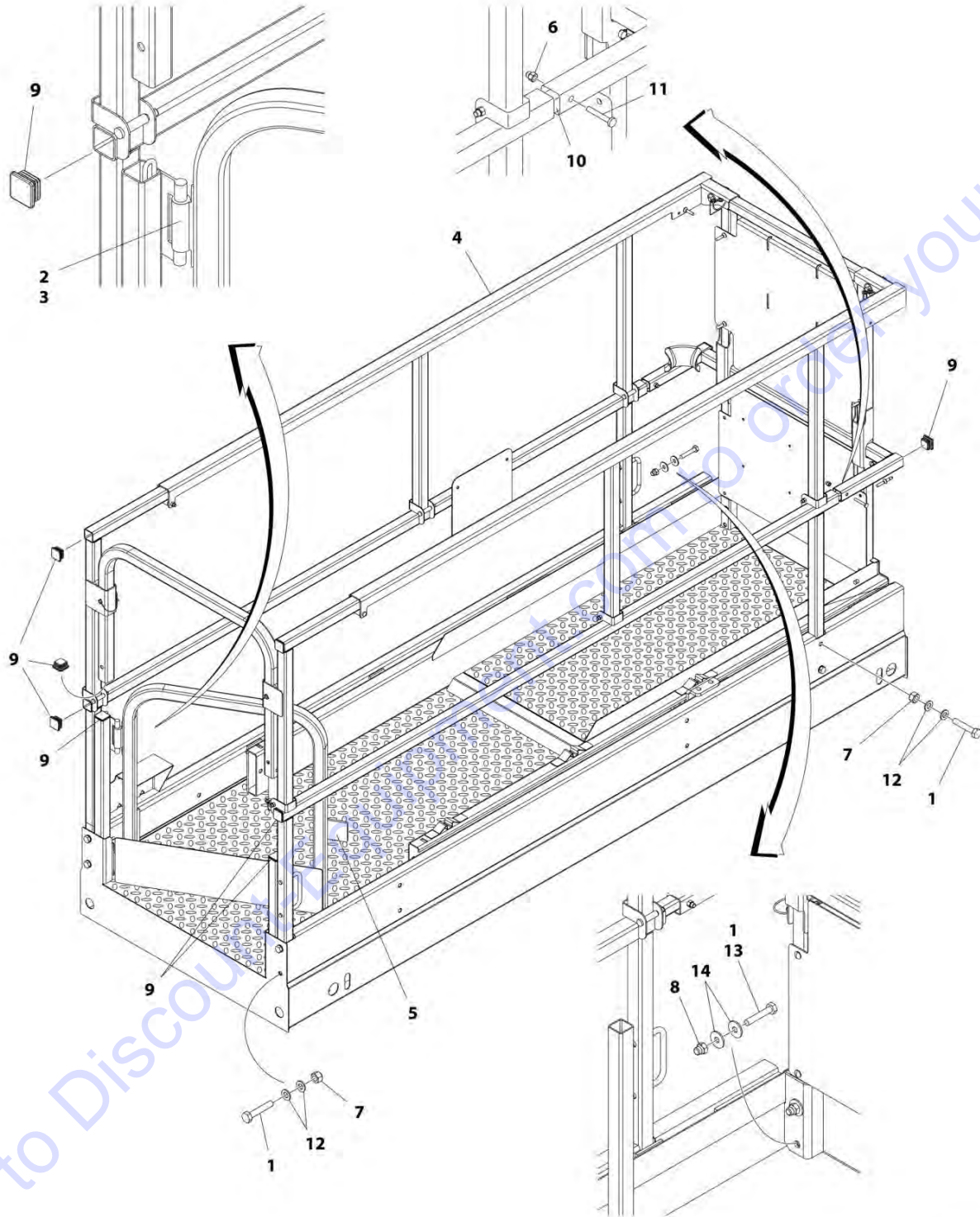
## SECTION 4 - PLATFORM

**FIGURE 4-13. RAIL KIT - WITH INSIDE EXTENSION RAILS, HANDLE AND CHAIN GATE**

ITEM	PART NUMBER	QTY	DESCRIPTION	REV
	1001212872	Ref	RAIL KIT - WITH INSIDE EXTENSION RAILS, HANDLE AND CHAIN GATE	A
1	0701019	2	Bolt M10 x 55	
2	1380132	2	Clip, Gripper	
3	2080040	12	Fastener, Huck	
4	2560088	2	Handle	
5	2560190	2	Handle, Platform	
6	3290606	9	Nut M6	
7	3290806	2	Nut M8	
8	3291006	2	Nut M10 Grade 8	
9	3340612	18 in /45cm	Pad, Cover	
10	3423278	2	Pin, Snap	
11	3820019	2	Rivet	
12	3860111	2	Roller	
13	3900345	2	Screw	
14	4010616	1	Screw M6 x 40	
15	4010618	8	Screw M6 x 50	
16	4812000	4	Washer M10	
17	1001187585	2	Pin, Snap	
18	1001187587	2	Pin, Snap	
19	1001189762	AR	Tape	
20	1001212869	1	Rail Kit (See 101-111 for Breakdown)	
	1001212869	Ref	RAIL KIT	A
101	1001179275	1	Rail, Bottom Rear LH	
102	1001179276	1	Rail, Bottom Rear RH	
103	1001179277	1	Rail, Bottom Front	
104	1001179287	1	Rail, Top Front	
105	1001179288	1	Rail, Top RH	
106	1001179296	1	Rail, Top LH	
107	1001179298	1	Billboard, Bottom	
108	1001179299	1	Billboard, Top	
109	1001179332	1	Rail, Top Rear Entry	
110	1001212870	1	Rail, Top LH Slide	
111	1001212871	1	Rail, Top RH Slide	

# SECTION 4 - PLATFORM

FIGURE 4-14. RAILS INSTALLATION - WITH INSIDE EXTENSION RAILS AND SELF CLOSING GATE



ART\_1001176738

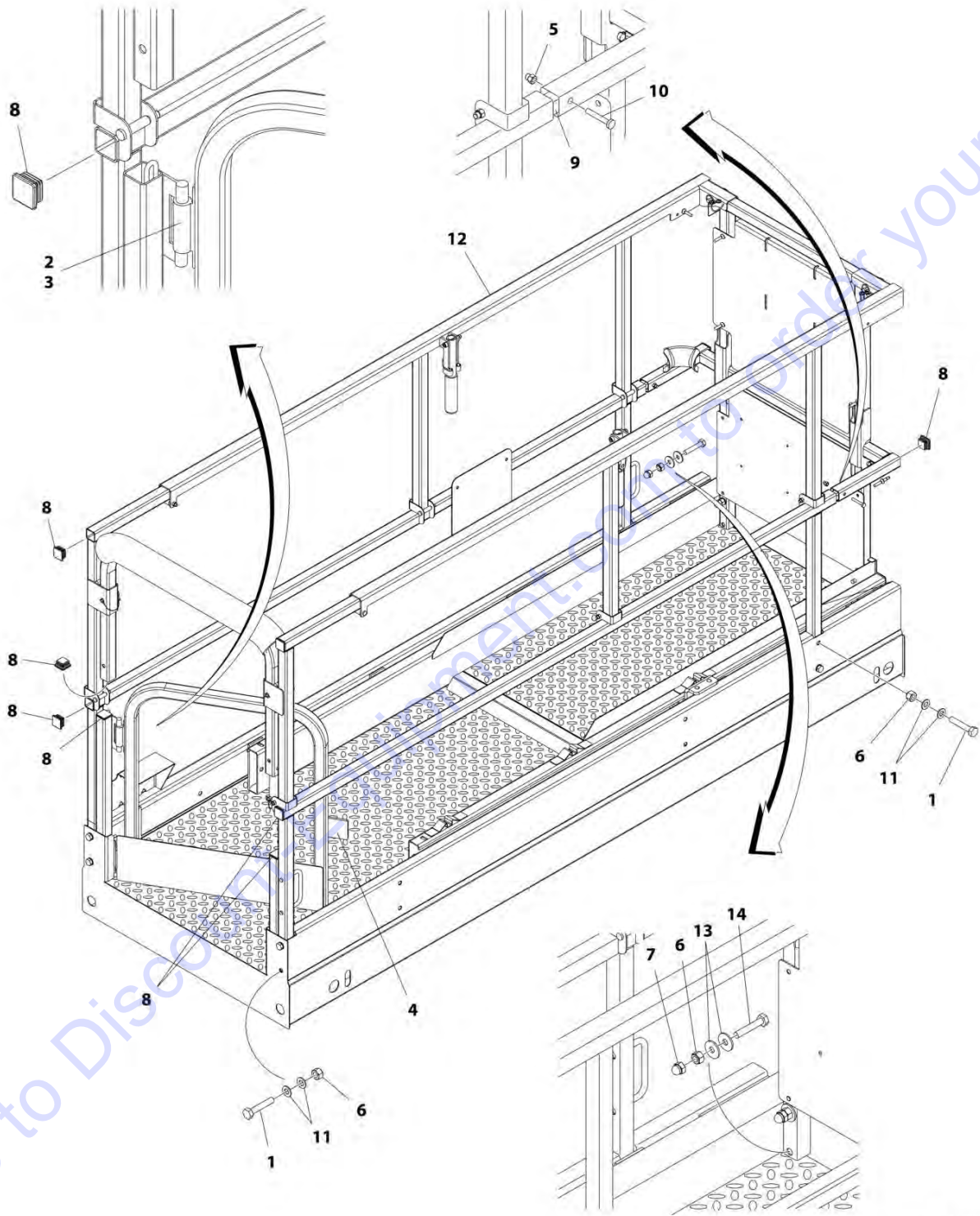
## SECTION 4 - PLATFORM

**FIGURE 4-14. RAILS INSTALLATION - WITH INSIDE EXTENSION RAILS AND SELF CLOSING GATE**

ITEM	PART NUMBER	QTY	DESCRIPTION	REV
	1001176738	Ref	RAILS INSTALLATION - WITH INSIDE EXTENSION RAILS AND SELF CLOSING GATE	G
1	0701019	AR	Bolt M10 x 55	
2	2080040	8	Fastener, Huck	
3	2600281	2	Hinge	
4	1001179272	1	Rail Kit - With Inside Extension Rails and Self Closing Gate (See RAIL KIT - WITH INSIDE EXTENSION RAILS AND SELF CLOSING GATE for Breakdown)	
5	3080007	1	Magnet	
6	3290606	2	Nut M6	
7	3291005	AR	Nut M10	
8	3300477	4	Nut	
8	3291006	4	Nut M10	
9	3520072	8	Plug	
10	3841716	2	Rod, Fiberglass	
11	4010616	2	Screw M6 x 40	
12	4812000	AR	Washer M10	
13	0701019	4	Bolt M10 x 55	
13	0701018	4	Bolt M10 x 50	
14	4812000	8	Washer M10	
14	4812002	8	Washer M10	

# SECTION 4 - PLATFORM

## FIGURE 4-15. RAILS INSTALLATION - WITH INSIDE EXTENSION RAILS, HANDLE AND SELF CLOSING GATE



ART\_1001212701

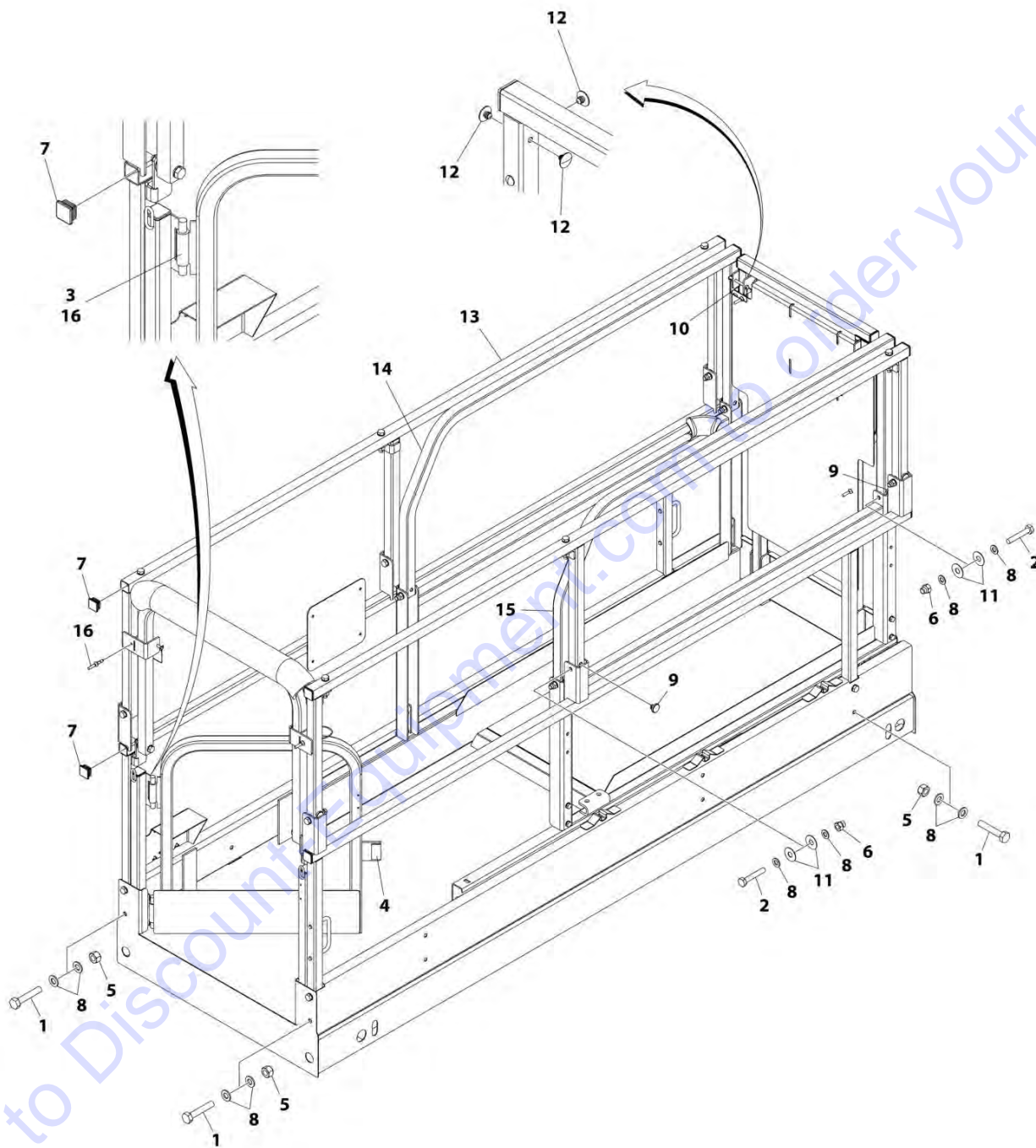
## SECTION 4 - PLATFORM

**FIGURE 4-15. RAILS INSTALLATION - WITH INSIDE EXTENSION RAILS, HANDLE AND SELF CLOSING GATE**

ITEM	PART NUMBER	QTY	DESCRIPTION	REV
	1001212701	Ref	RAILS INSTALLATION - WITH INSIDE EXTENSION RAILS, HANDLE AND SELF CLOSING GATE	B
1	0701019	AR	Bolt M10 x 55	
2	2080040	8	Fastener, Huck	
3	2600281	2	Hinge	
4	3080007	1	Magnet	
5	3290606	2	Nut M6	
6	3291005	12	Nut M10	
7	3300477	4	Nut	
8	3520072	8	Plug	
9	3841716	2	Rod, Fiberglass	
10	4010616	2	Screw M6 x 40	
11	4812000	AR	Washer M10	
12	1001212868	1	Rail Kit - With Inside Extension Rails, Handle and Self Closing Gate (See RAIL KIT - WITH INSIDE EXTENSION RAILS, HANDLE AND SELF CLOSING GATE for Breakdown)	
13	4812000	8	Washer M10	
13	4812002	8	Washer M10	
14	0701019	AR	Bolt M10 x 55	
14	0701021	AR	Bolt M10 x 65	

# SECTION 4 - PLATFORM

## FIGURE 4-16. RAILS INSTALLATION - WITH OUTSIDE EXTENSION RAILS AND SELF CLOSING GATE



ART\_10011215164



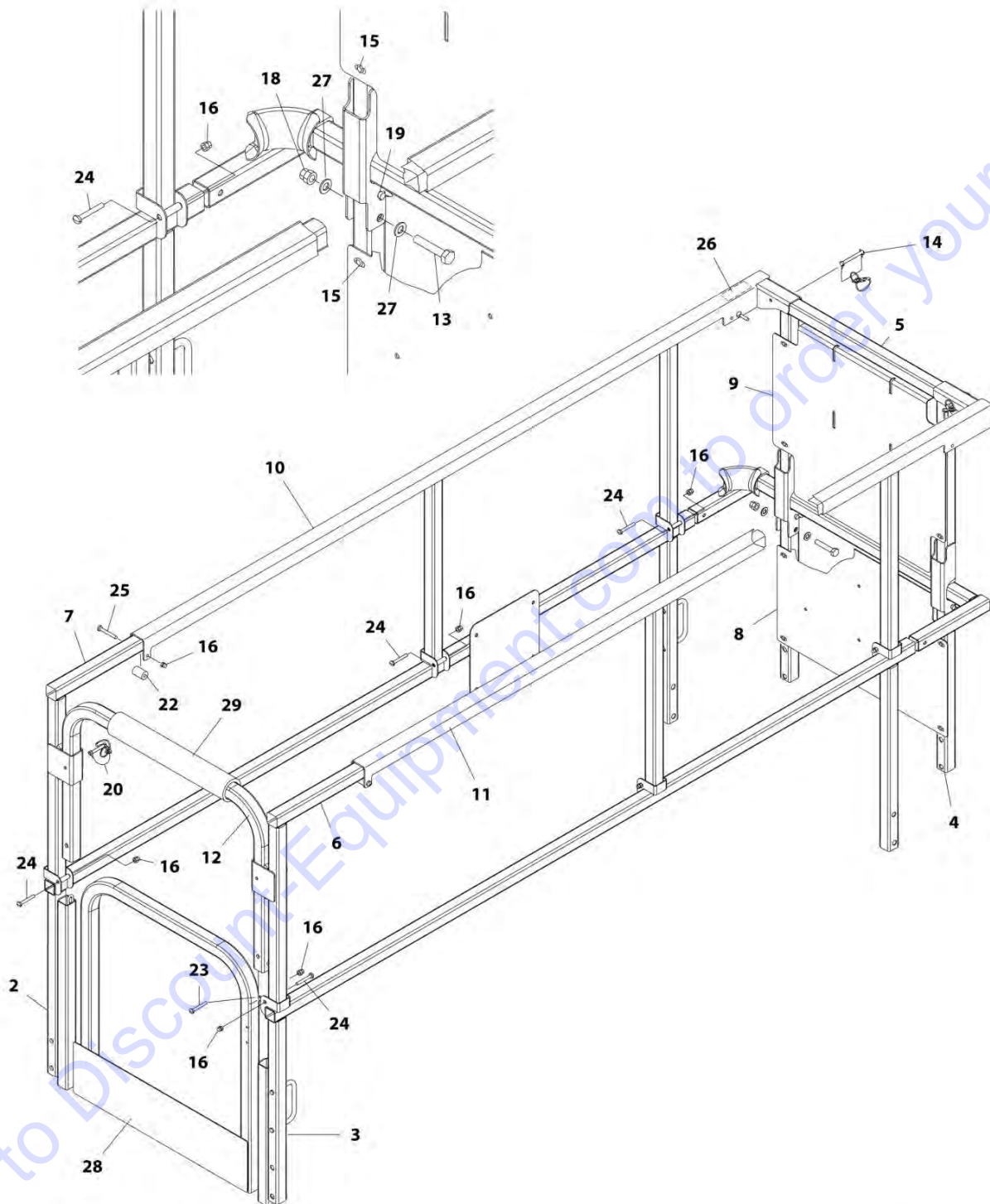
## SECTION 4 - PLATFORM

**FIGURE 4-16. RAILS INSTALLATION - WITH OUTSIDE EXTENSION RAILS AND SELF CLOSING GATE**

ITEM	PART NUMBER	QTY	DESCRIPTION	REV
	1001215164	Ref	RAILS INSTALLATION - WITH OUTSIDE EXTENSION RAILS AND SELF CLOSING GATE	A
1	0701019	8	Bolt M10 x 55	
2	0701020	6	Bolt M10 x 60	
3	2600281	2	Hinge	
4	3080007	1	Magnet	
5	3291005	8	Nut M10	
6	3291006	6	Nut M10	
7	3520072	16	Plug	
8	4812000	28	Washer M10	
9	1001137675	4	Bumper	
10	1001187587	2	Pin	
11	1001211895	12	Plate, Washer	
12	1001211896	6	Bumper	
13	1001217731	1	Rail Kit - With Outside Extension Rails and Self Closing Gate (See RAIL KIT - WITH OUTSIDE EXTENSION RAILS AND SELF CLOSING GATE for Breakdown)	
14	1001217739	1	Rail, Left	
15	1001217740	1	Rail, Right	
16	2080040	10	Fastener, Huck	

# SECTION 4 - PLATFORM

FIGURE 4-17. RAIL KIT - WITH INSIDE EXTENSION RAILS AND SELF CLOSING GATE



ART\_1001179272

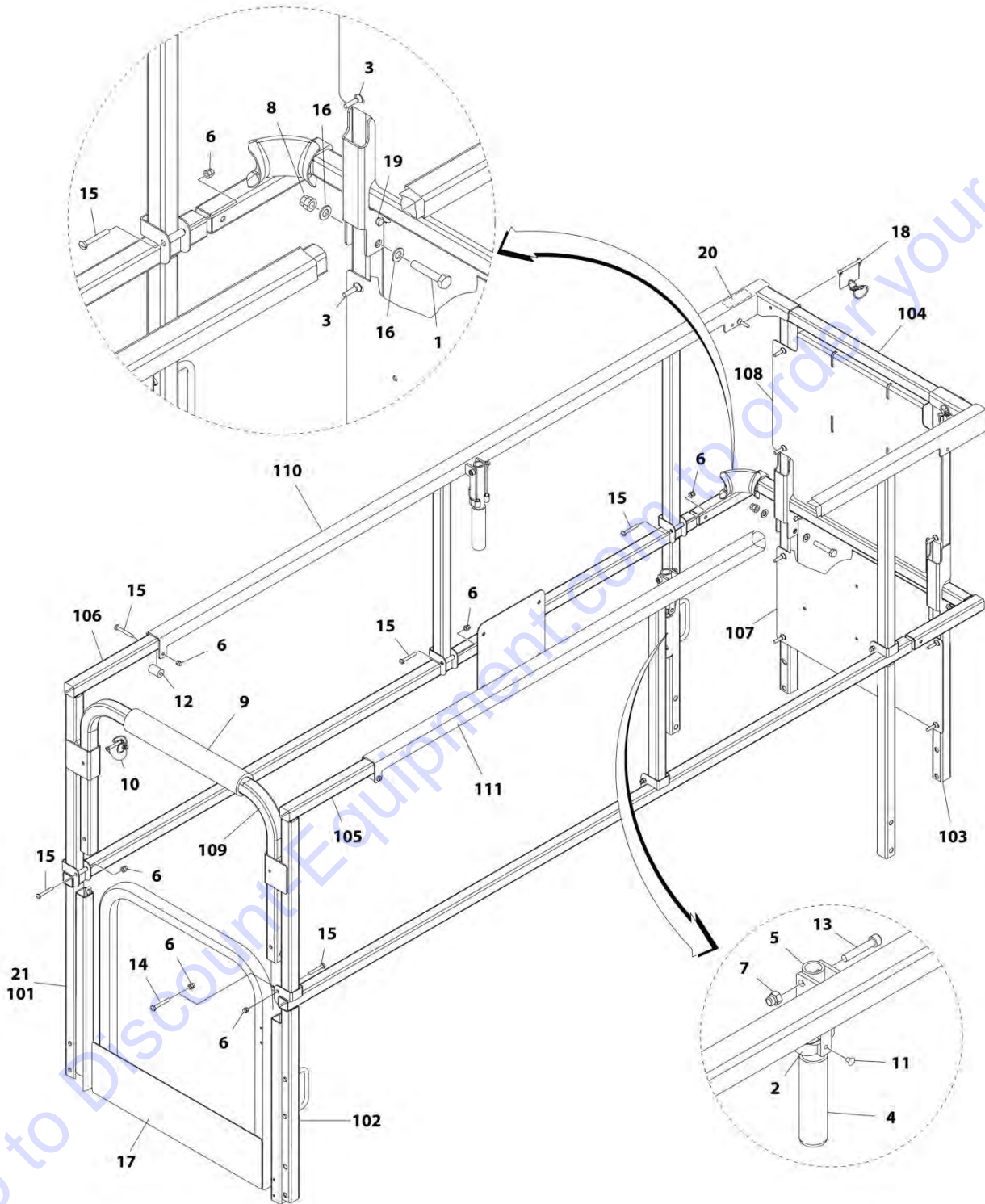
## SECTION 4 - PLATFORM

**FIGURE 4-17. RAIL KIT - WITH INSIDE EXTENSION RAILS AND SELF CLOSING GATE**

ITEM	PART NUMBER	QTY	DESCRIPTION	REV
	1001179272	Ref	RAIL KIT - WITH INSIDE EXTENSION RAILS AND SELF CLOSING GATE	H
1	1001179273	1	Rail Kit Less Hardware (Not Shown - Includes Items 2-12)	
2	1001179275	1	Rail, Bottom Rear LH	
3	1001179276	1	Rail, Bottom Rear RH	
4	1001179277	1	Rail, Bottom Front	
5	1001179287	1	Rail, Top Front	
6	1001179288	1	Rail, Top RH	
7	1001179296	1	Rail, Top LH	
8	1001179298	1	Billboard, Bottom	
9	1001179299	1	Billboard, Top	
10	1001179301	1	Rail, Top LH Slide	
11	1001179304	1	Rail, Top RH Slide	
12	1001179332	1	Rail, Top Rear Entry	
13	0701019	2	Bolt M10 x 55	
14	1001187585	2	Lanyard	
15	2080040	12	Fastener, Huck	
16	3290606	8	Nut M6	
18	3291006	2	Nut M10 Grade 8	
19	1001187587	2	Pin, Snap	
20	3423278	2	Pin, Snap	
22	3860111	2	Roller	
23	4010616	1	Screw M6 x 40	
24	4010617	6	Screw M6 x 45	
24	4010618	6	Screw M6 x 50	
25	4010618	2	Screw M6 x 50	
26	1001189762	AR	Tape	
27	4812000	4	Washer M10	
28	4846723	1	Gate	
29	3340612	18 in /45cm	Pad, Cover	

# SECTION 4 - PLATFORM

FIGURE 4-18. RAIL KIT - WITH INSIDE EXTENSION RAILS, HANDLE AND SELF CLOSING GATE



ART\_1001212868

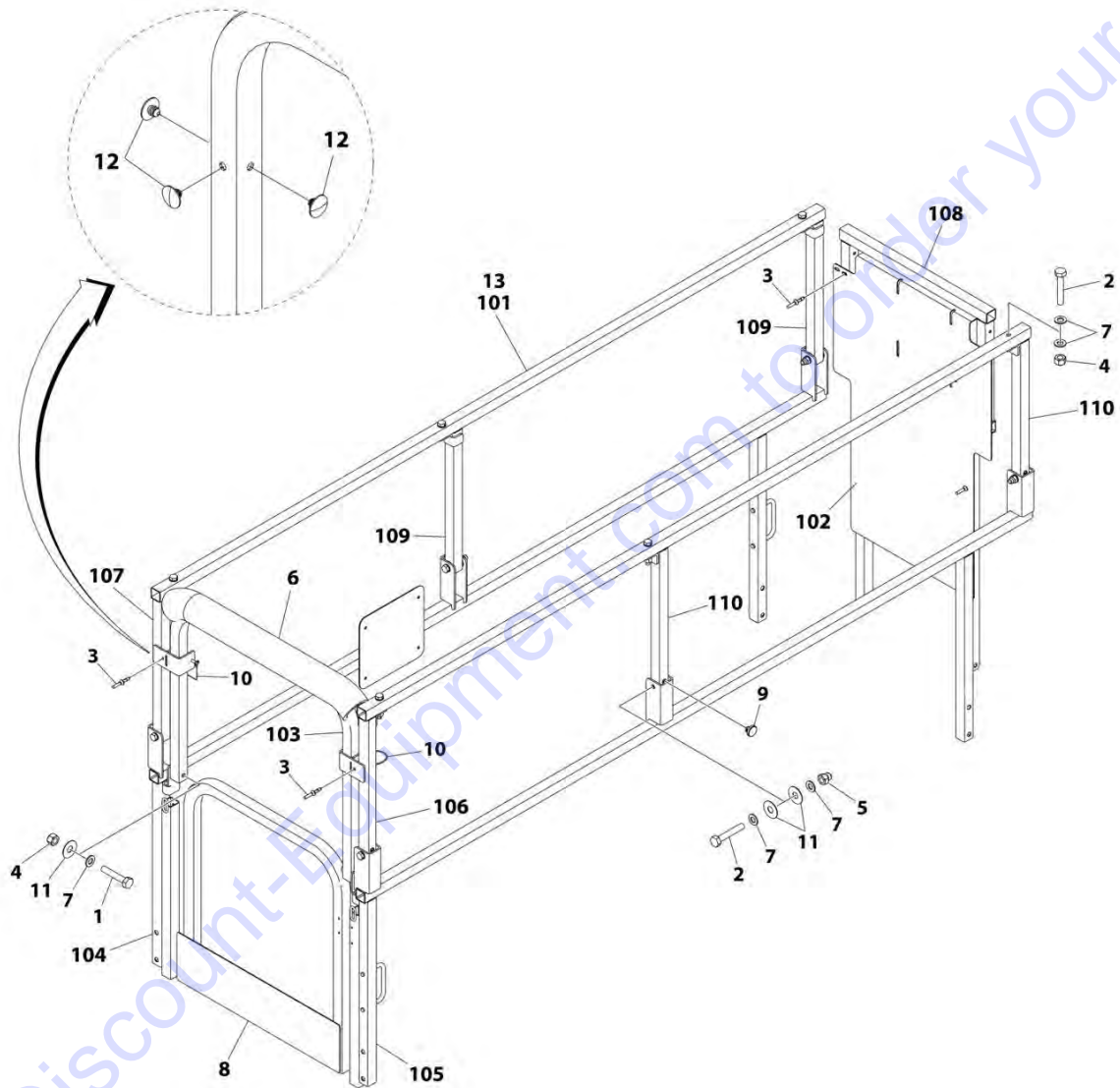
## SECTION 4 - PLATFORM

**FIGURE 4-18. RAIL KIT - WITH INSIDE EXTENSION RAILS, HANDLE AND SELF CLOSING GATE**

ITEM	PART NUMBER	QTY	DESCRIPTION	REV
	1001212868	Ref	RAIL KIT - WITH INSIDE EXTENSION RAILS, HANDLE AND SELF CLOSING GATE	A
1	0701019	2	Bolt M10 x 55	
2	1380132	2	Clip, Gripper	
3	2080040	12	Fastener, Huck	
4	2560088	2	Handle	
5	2560190	2	Handle, Platform	
6	3290606	9	Nut M6	
7	3290806	2	Nut M8	
8	3291006	2	Nut M10	
9	3340612	18 in /45cm	Pad, Cover	
10	3423278	2	Pin	
11	3820019	2	Rivet	
12	3860111	2	Roller	
13	3900345	2	Screw	
14	4010616	1	Screw M6 x 40	
15	4010618	8	Screw M6 x 50	
16	4812000	4	Washer	
17	4846723	1	Gate	
18	1001187585	2	Pin	
19	1001187587	2	Pin	
20	1001189762	AR	Tape	
21	1001212869	1	Rail Kit (See Items 101-111 for Breakdown)	
	1001212869	Ref	RAIL KIT	A
101	1001179275	1	Rail, Bottom Rear LH	
102	1001179276	1	Rail, Bottom Rear RH	
103	1001179277	1	Rail, Bottom Front	
104	1001179287	1	Rail, Top Front	
105	1001179288	1	Rail, Top RH	
106	1001179296	1	Rail, Top LH	
107	1001179298	1	Billboard, Bottom	
108	1001179299	1	Billboard, Top	
109	1001179332	1	Tube, Drywall Gate	
110	1001212870	1	Rail, Top LH Slide	
111	1001212871	1	Rail, Top RH Slide	

# SECTION 4 - PLATFORM

FIGURE 4-19. RAIL KIT - WITH OUTSIDE EXTENSION RAILS AND SELF CLOSING GATE



ART\_1001217731

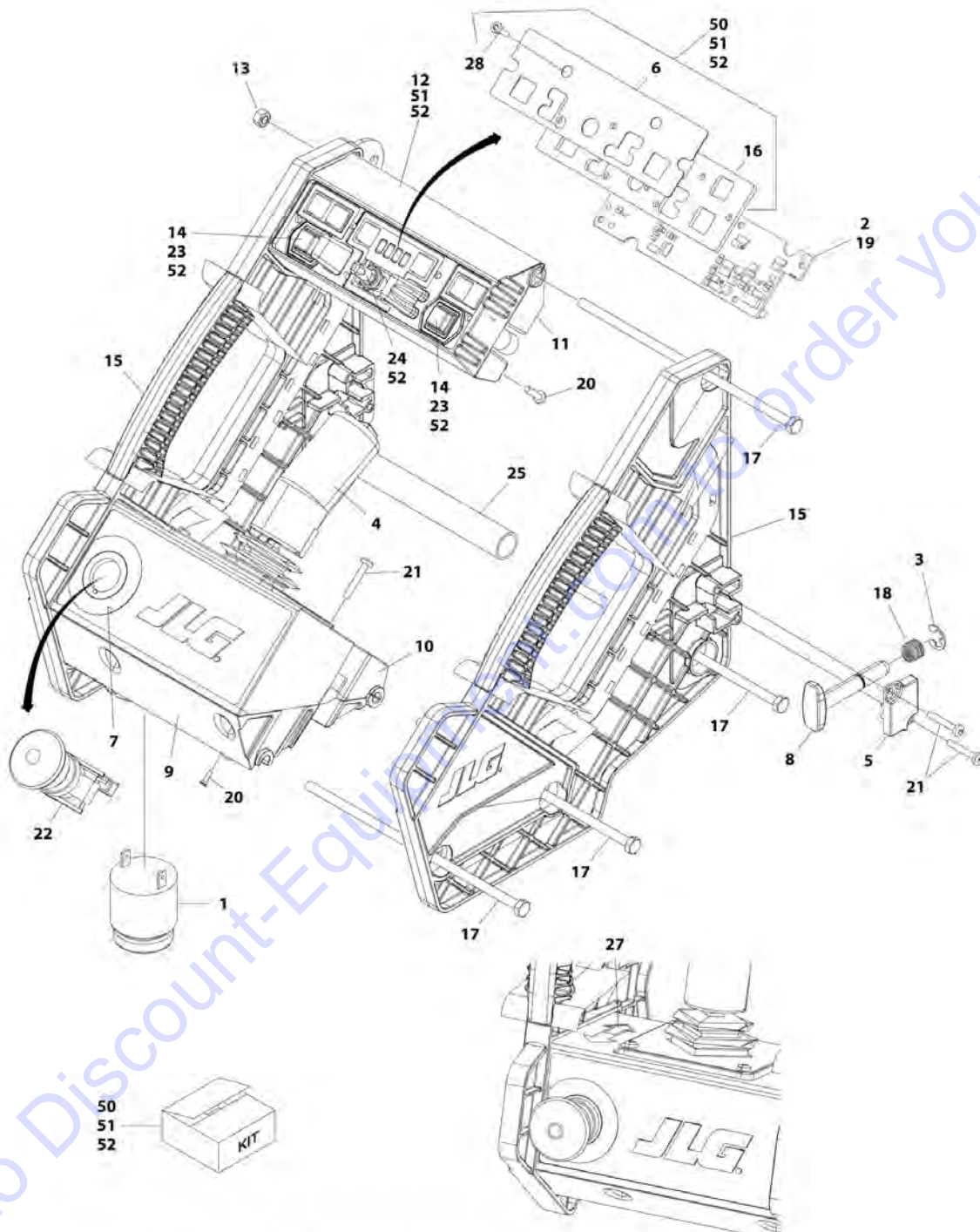
## SECTION 4 - PLATFORM

**FIGURE 4-19. RAIL KIT - WITH OUTSIDE EXTENSION RAILS AND SELF CLOSING GATE**

ITEM	PART NUMBER	QTY	DESCRIPTION	REV
	1001217731	Ref	RAIL KIT - WITH OUTSIDE EXTENSION RAILS AND SELF CLOSING GATE	B
1	0701019	2	Bolt M10 x 55	
2	0701020	12	Bolt M10 x 60	
3	2080040	6	Fastener, Huck	
4	3291005	8	Nut M10	
5	3291006	6	Nut M10	
6	3340612	18 in/ 45cm	Pad, Cover	
7	4812000	26	Washer	
8	4846723	1	Gate	
9	1001137675	6	Bumper	
10	1001187587	2	Pin	
11	1001211895	14	Plate, Washer	
12	1001211896	6	Bumper	
13	1001217732	1	Rail Kit (See Items 101 to 110 for Breakdown)	
	1001217732	Ref	RAIL KIT	A
101	1001215179	2	Rail, Top	
102	1001217118	1	Plate, Billboard	
103	1001217173	1	Gate	
104	1001217733	1	Rail, Bottom LH	
105	1001217734	1	Rail, Bottom RH	
106	1001217735	1	Rail, Right Entrance	
107	1001217736	1	Rail, Left Entrance	
108	1001217737	1	Rail, Front	
109	1001217746	2	Rail, Support	
110	1001217747	2	Rail, Support	

# SECTION 4 - PLATFORM

## FIGURE 4-20. PLATFORM CONSOLE ASSEMBLY



NOTE: SEE USAGE CHART ON PARTS LIST BEFORE ORDERING PARTS.

ART\_1001091153



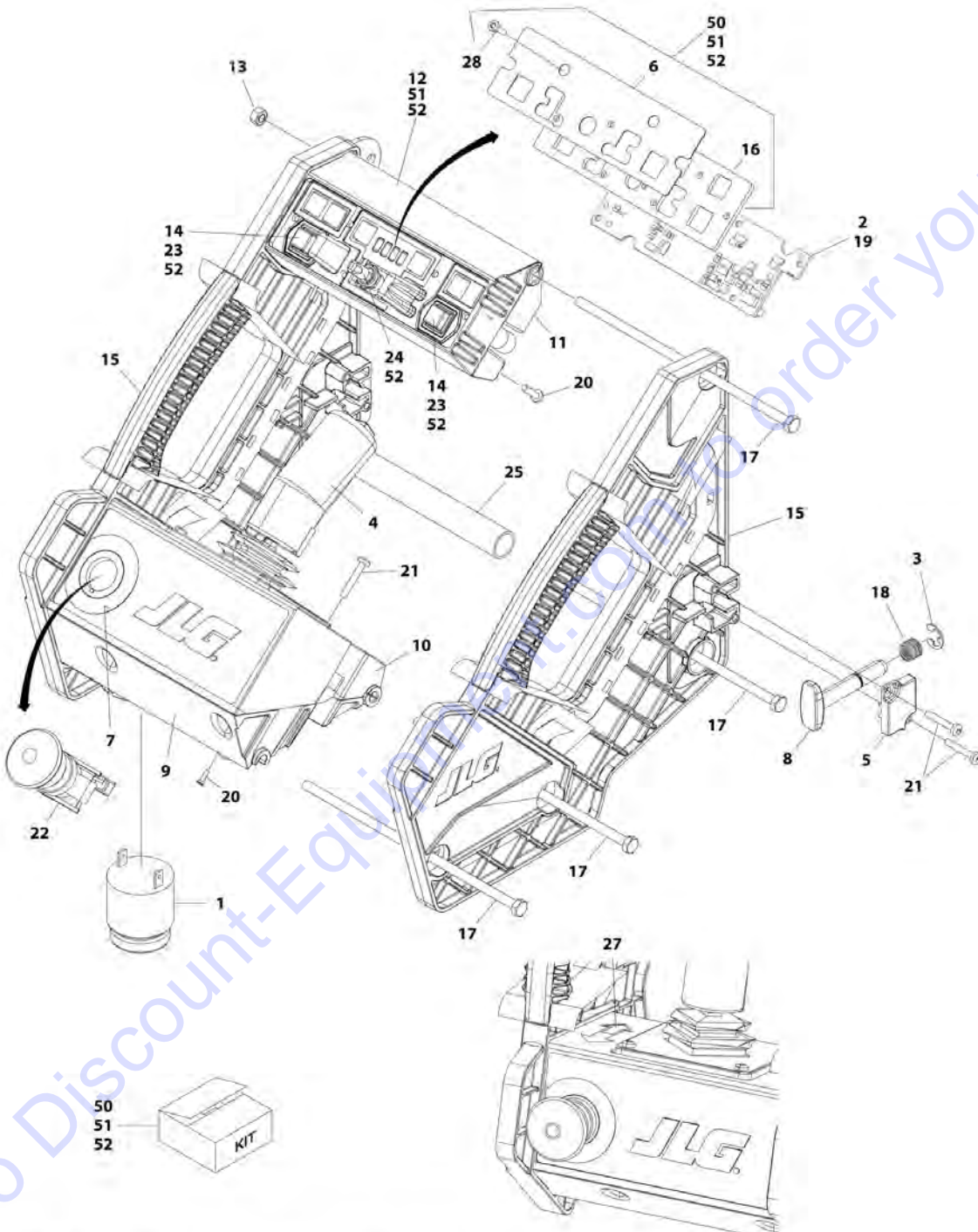
## SECTION 4 - PLATFORM

**FIGURE 4-20. PLATFORM CONSOLE ASSEMBLY**

ITEM	PART NUMBER	QTY	DESCRIPTION	REV
	1001091153	Ref	PLATFORM CONSOLE ASSEMBLY	J
		Ref	Usage Chart	
		Ref	All Specs Except CE and Australian Specs	
		Ref	China Specs ( <b>Prior to SN B200028902</b> )	
1	0140011	1	Alarm	
2	1600439	1	PC Board	
3	1380156	1	E-Clip	
4	1600402	1	Drive/Steer Controller Assembly (See DRIVE/STEER CONTROLLER ASSEMBLY for Breakdown)	
5	1671098	1	Latch	
6	1001091272	1	Decal - Icon	
7	1705676	1	Decal - Emergency Stop Ring	
8	2560179	1	Handle, Latch	
9	1001091277	1	Housing, Joystick (Lower)	
10	1001091278	1	Mount, Joystick	
11	1001091279	1	Housing, Module Mounting (Lower)	
12	1001091280	1	Housing, Module Mounting (Upper)	
13	3300473	4	Nut M6	
14	3340968	2	Button (Includes Black Button Only)	
15	3380475	2	Panel, Side	
16	1001091283	1	Plate, Decal	
17	3900333	4	Screw M6 x 190	
18	4160203	1	Spring, Compression	
19	4191306	5	Screw M3.5 x 12	
20	4191407	8	Screw M4 x 16	
21	4191409	6	Screw M4 x 25	
22	4360475	1	Switch, Emergency Stop	
22	7020175	1	Cap	
22	7020176	1	Block, Contact	
23	4360538	2	Strip, Switch and Membrane	
24	4360539	1	Switch, Toggle	
25	4568738	1	Tube, Spacer	
26	4922870	1	Harness, Platform Box (Not Shown - See ELECTRICAL SECTION for Breakdown)	
27	1703819	1	Decal - Directional Arrow	
28	1001091396	6	Screw M3.5 x 12	
29	See Note	NSS	Decal - Control Module (Not Shown) (Note: Not Available for Purchase) ( <b>SN 1200030132 to Present, SN B200051216 to Present, SN M200023869 to Present</b> )	
50	1001091968	1	Decal Kit (Includes Items 6, 16 & 28) (Note: Two Item 6's are included in the kit - 1 for All Specs except CE/Australian Specs and 1 for CE/Australian Specs. Use decal required for applicable spec. Dispose of the decal not used)	A
51	1001091393	1	Decal and Housing Kit (Includes Items 6, 12, 16 & 28) (Note: Two Item 6's are included in the kit - 1 for All Specs except CE/Australian Specs and 1 for CE/Australian Specs. Use decal required for applicable spec. Dispose of the decal not used)	C
52	1001091965	1	Decal, Housing and PC Board Kit (Includes Items 2, 6, 12, 14, 16, 19, 23, 24 & 28) (Note: Two Item 6's are included in the kit - 1 for All Specs except CE/Australian Specs and 1 for CE/Australian Specs. Use decal required for applicable spec. Dispose of the decal not used)	C

# SECTION 4 - PLATFORM

## FIGURE 4-21. PLATFORM CONSOLE ASSEMBLY



NOTE: SEE USAGE CHART ON PARTS LIST BEFORE ORDERING PARTS.

ART\_1001091154

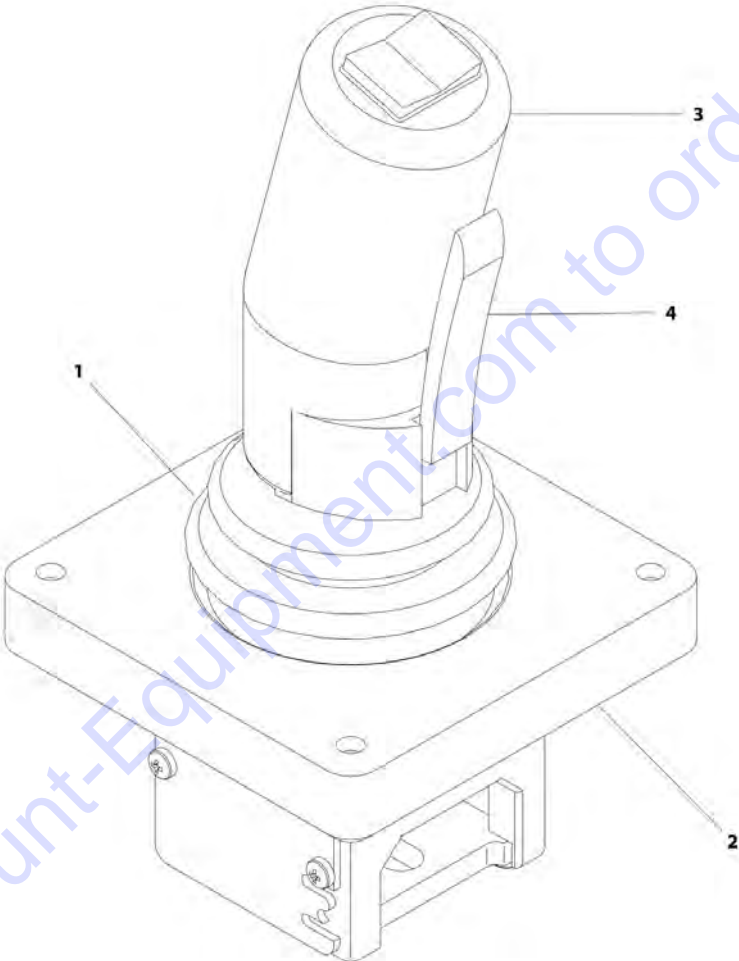
## SECTION 4 - PLATFORM

### FIGURE 4-21. PLATFORM CONSOLE ASSEMBLY

ITEM	PART NUMBER	QTY	DESCRIPTION	REV
	1001091154	Ref	PLATFORM CONSOLE ASSEMBLY	H
		Ref	Usage Chart	
		Ref	Australian Specs	
		Ref	CE Specs	
		Ref	China Specs ( <b>SN B200028902 to Present</b> )	
1	0140011	1	Alarm	
2	1600439	1	PC Board	
3	1380156	1	E-Clip	
4	1600402	1	Drive/Steer Controller Assembly (See DRIVE/STEER CONTROLLER ASSEMBLY for Breakdown)	
5	1671098	1	Latch	
6	1001091275	1	Decal - Icon	
7	1705676	1	Decal - Emergency Stop Ring	
8	2560179	1	Handle, Latch	
9	1001091277	1	Housing, Joystick (Lower)	
10	1001091278	1	Mount, Joystick	
11	1001091279	1	Housing, Module Mounting (Lower)	
12	1001091280	1	Housing, Module Mounting (Upper)	
13	3300473	4	Nut M6	
14	3340968	2	Button (Includes Black Button Only)	
15	3380475	2	Panel, Side	
16	1001091283	1	Plate, Decal	
17	3900333	4	Screw M6 x 190	
18	4160203	1	Spring, Compression	
19	4191306	5	Screw M3.5 x 12	
20	4191407	8	Screw M4 x 16	
21	4191409	6	Screw M4 x 25	
22	4360475	1	Switch, Emergency Stop	
22	7020175	1	Cap	
22	7020176	1	Block, Contact	
23	4360538	2	Strip, Switch and Membrane	
24	4360539	1	Switch, Toggle	
25	4568738	1	Tube, Spacer	
26	4922870	1	Harness, Platform Box (Not Shown - See ELECTRICAL SECTION for Breakdown)	
27	1703819	1	Decal - Directional Arrow	
28	1001091396	6	Screw M3.5 x 12	
29	See Note	NSS	Decal - Control Module (Not Shown) (Note: Not Available for Purchase) ( <b>SN 1200030132 to Present, SN B200051216 to Present, SN M200023869 to Present</b> )	
50	1001091968	1	Decal Kit (Includes Items 6, 16 & 28) (Note: Two Item 6's are included in the kit - 1 for All Specs except CE/Australian Specs and 1 for CE/Australian Specs. Use decal required for applicable spec. Dispose of the decal not used)	A
51	1001091393	1	Decal and Housing Kit (Includes Items 6, 12, 16 & 28) (Note: Two Item 6's are included in the kit - 1 for All Specs except CE/Australian Specs and 1 for CE/Australian Specs. Use decal required for applicable spec. Dispose of the decal not used)	C
52	1001091965	1	Decal, Housing and PC Board Kit (Includes Items 2, 6, 12, 14, 16, 19, 23, 24 & 28) (Note: Two Item 6's are included in the kit - 1 for All Specs except CE/Australian Specs and 1 for CE/Australian Specs. Use decal required for applicable spec. Dispose of the decal not used)	C

**SECTION 4 - PLATFORM**

**FIGURE 4-22. DRIVE/STEER CONTROLLER ASSEMBLY**



Go to Discount-Equipment.com to order your parts

ART\_1600402

## SECTION 4 - PLATFORM

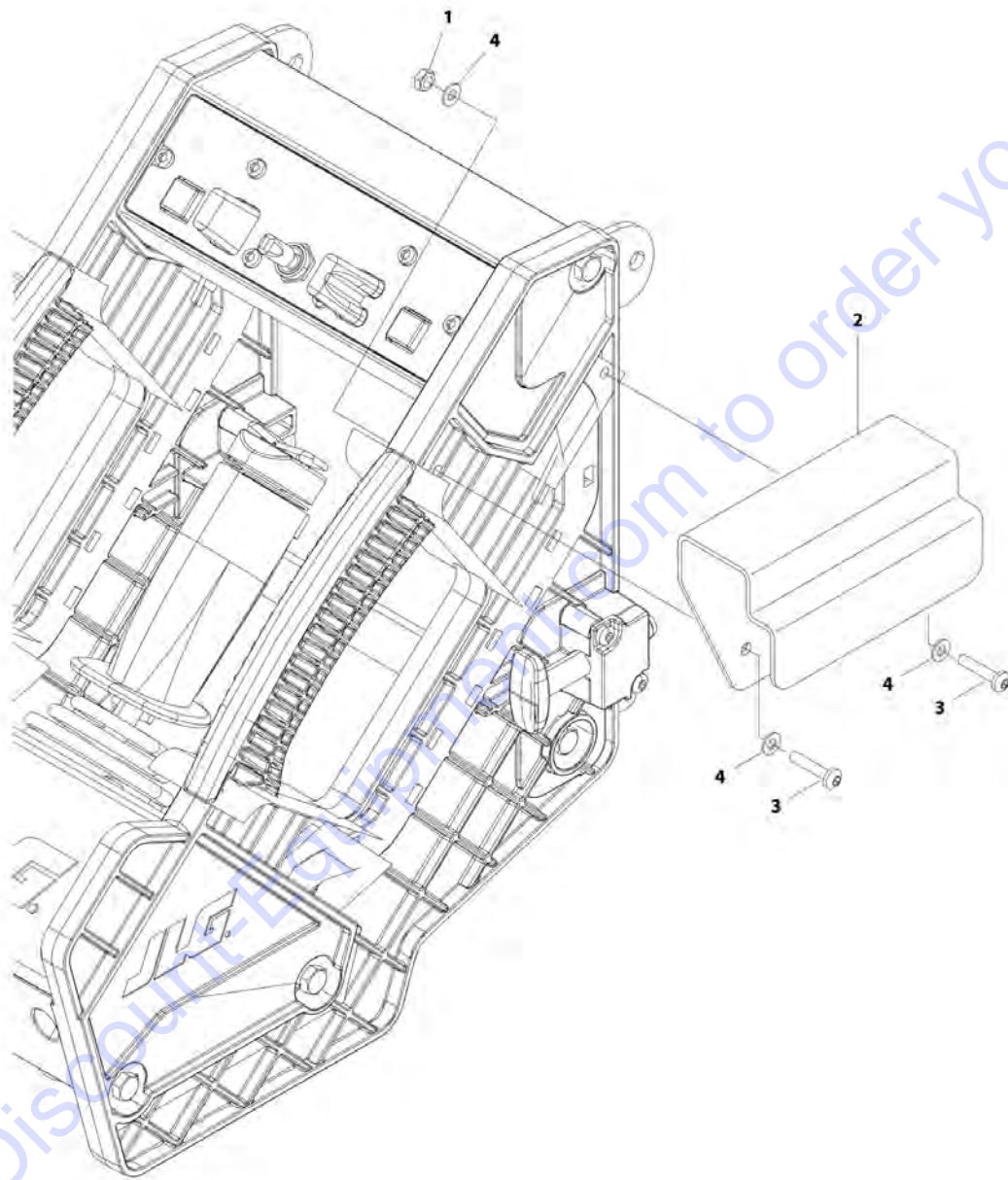
**FIGURE 4-22. DRIVE/STEER CONTROLLER ASSEMBLY**

ITEM	PART NUMBER	QTY	DESCRIPTION	REV
	1600402	Ref	DRIVE/STEER CONTROLLER ASSEMBLY	A
1	70001250	1	Boot, Panel	
2	70001252	1	Gasket, Mounting	
2	70001251	1	Bezel, Mounting	
3	70003650	1	Handle Repair Kit (Includes handle gasket, item#4 push button and item#4 lever installed in front handle half, back handle half, top actuator, boot and hardware)	
3	70000084	1	Cap, Rubber	
3	70000082	1	Microswitch	
3	7027766	1	Ring, Retaining	
3	7027365	1	Actuator, Handle	
3	70001253	1	Gasket, Handle	
3	70000683	4	Washer, Neoprene	
3	70000685	2	Spacer, Plastic	
3	70000686	2	Screw (Top)	
3	70000684	2	Screw (Bottom)	
4	7027367	1	Switch, Push Button	
4	7027765	1	Lever, Enable	

Go to Discount-Equipment.com to order your parts

## SECTION 4 - PLATFORM

FIGURE 4-23. PLATFORM CONSOLE HANGER INSTALLATION (OPTIONAL)



ART\_0274386

## SECTION 4 - PLATFORM

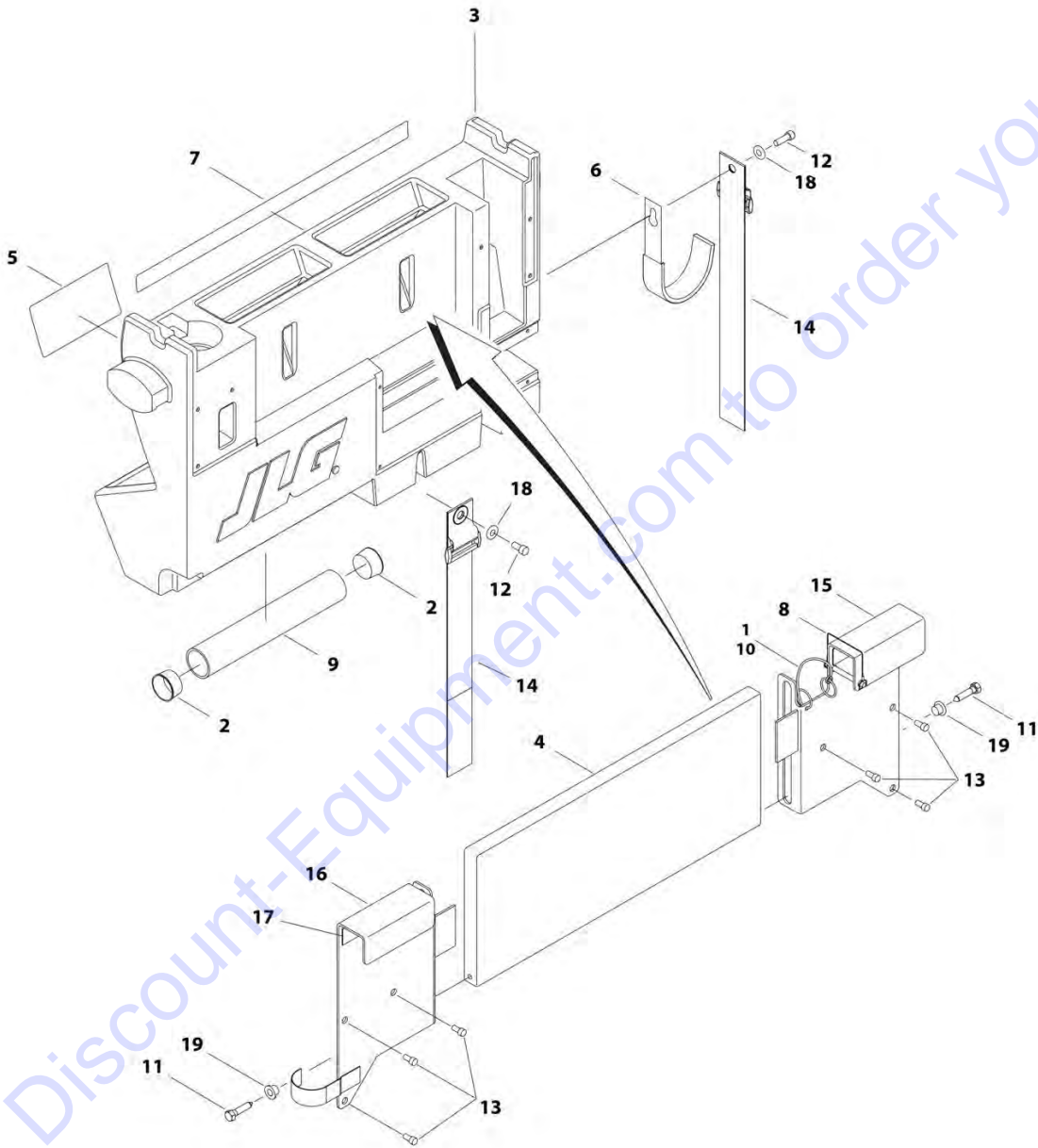
**FIGURE 4-23. PLATFORM CONSOLE HANGER INSTALLATION (OPTIONAL)**

ITEM	PART NUMBER	QTY	DESCRIPTION	REV
	0274386	Ref	PLATFORM CONSOLE HANGER INSTALLATION (OPTIONAL)	B
1	3290405	2	Nut M4	
2	3575794	1	Plate, Bracket	
3	3900338	2	Screw M4 x 20	
4	4811400	4	Washer M4	

Go to Discount-Equipment.com to order your parts

# SECTION 4 - PLATFORM

FIGURE 4-24. WORKSTATION WITHOUT DC CONVERTER INSTALLATION - 2032ES/2632ES



ART\_0240087



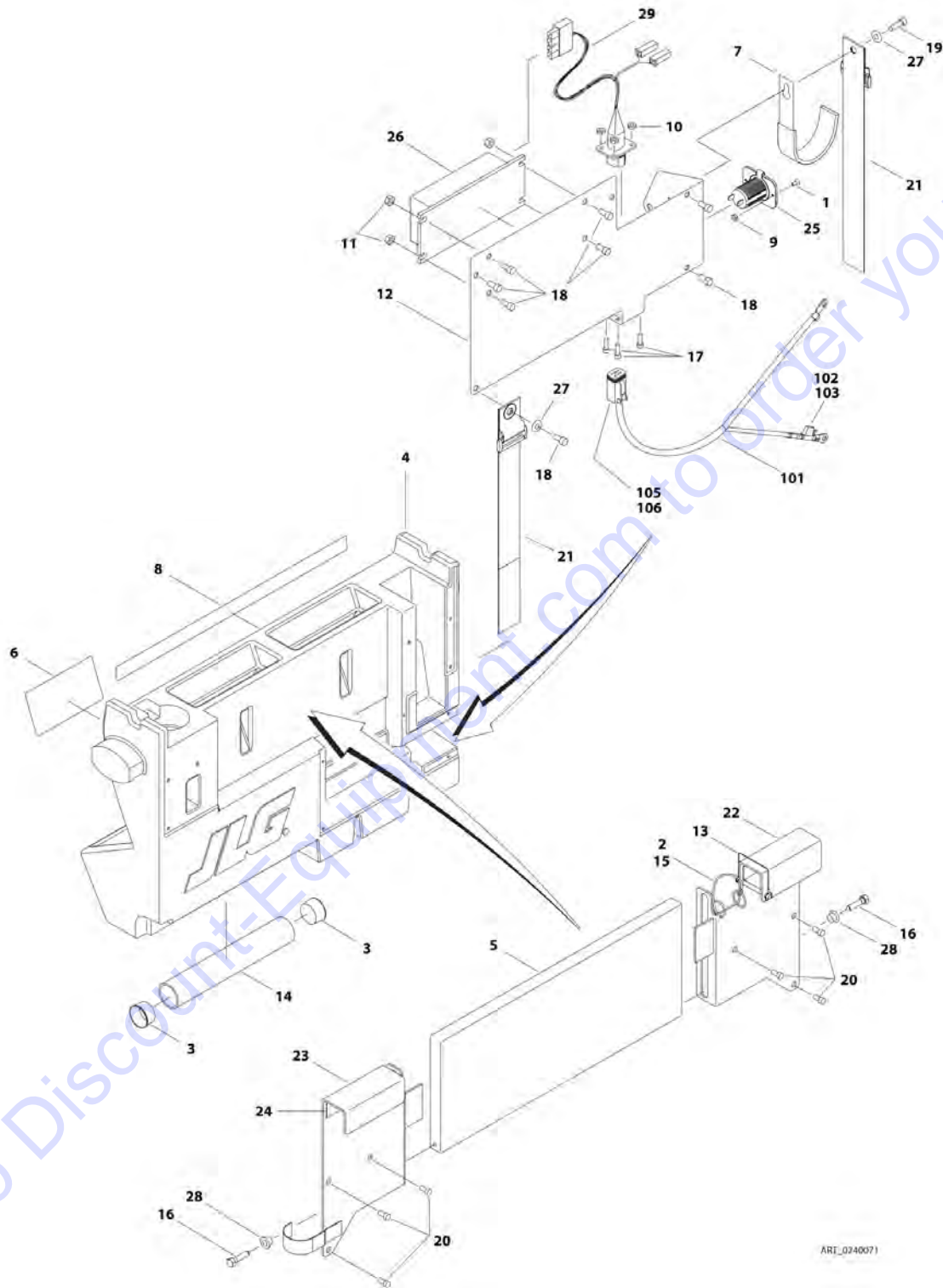
## SECTION 4 - PLATFORM

**FIGURE 4-24. WORKSTATION WITHOUT DC CONVERTER INSTALLATION - 2032ES/2632ES**

ITEM	PART NUMBER	QTY	DESCRIPTION	REV
	0273965	Ref	WORKSTATION INSTALLATION – REFERENCE CHART	B
	0240087	Ref	WORKSTATION WITHOUT DC CONVERTER INSTALLATION	C
1	1060379	1	Cable, Lanyard	
2	1120555	2	Cap, Manual Storage	
3	1580023	1	Container	
4	1580024	1	Tray	
5	1705997	1	Decal - Workstation	
6	2700100	1	Hook, Hanger	
7	2902348	1	Decal - Workstation Kit	
8	3422219	1	Pin	
9	3460334	1	PVC Pipe	
10	3760170	2	Ring	
11	3900355	2	Screw 5/16-9 x 1-1/2	
12	3931412	2	Bolt 1/4-20 x 3/4	
13	3931508	6	Bolt 5/16-18 x 1/2	
14	4240003	2	Strap	
15	4340853	1	Mount, RH Channel	
16	4340854	1	Mount, LH Channel	
17	4420062	3 ft/ 0.9m	Tape	
18	4711400	2	Washer 1/4	
19	4740480	2	Insert, Plastic	

# SECTION 4 - PLATFORM

## FIGURE 4-25. WORKSTATION WITH DC CONVERTER INSTALLATION - 2032ES ONLY



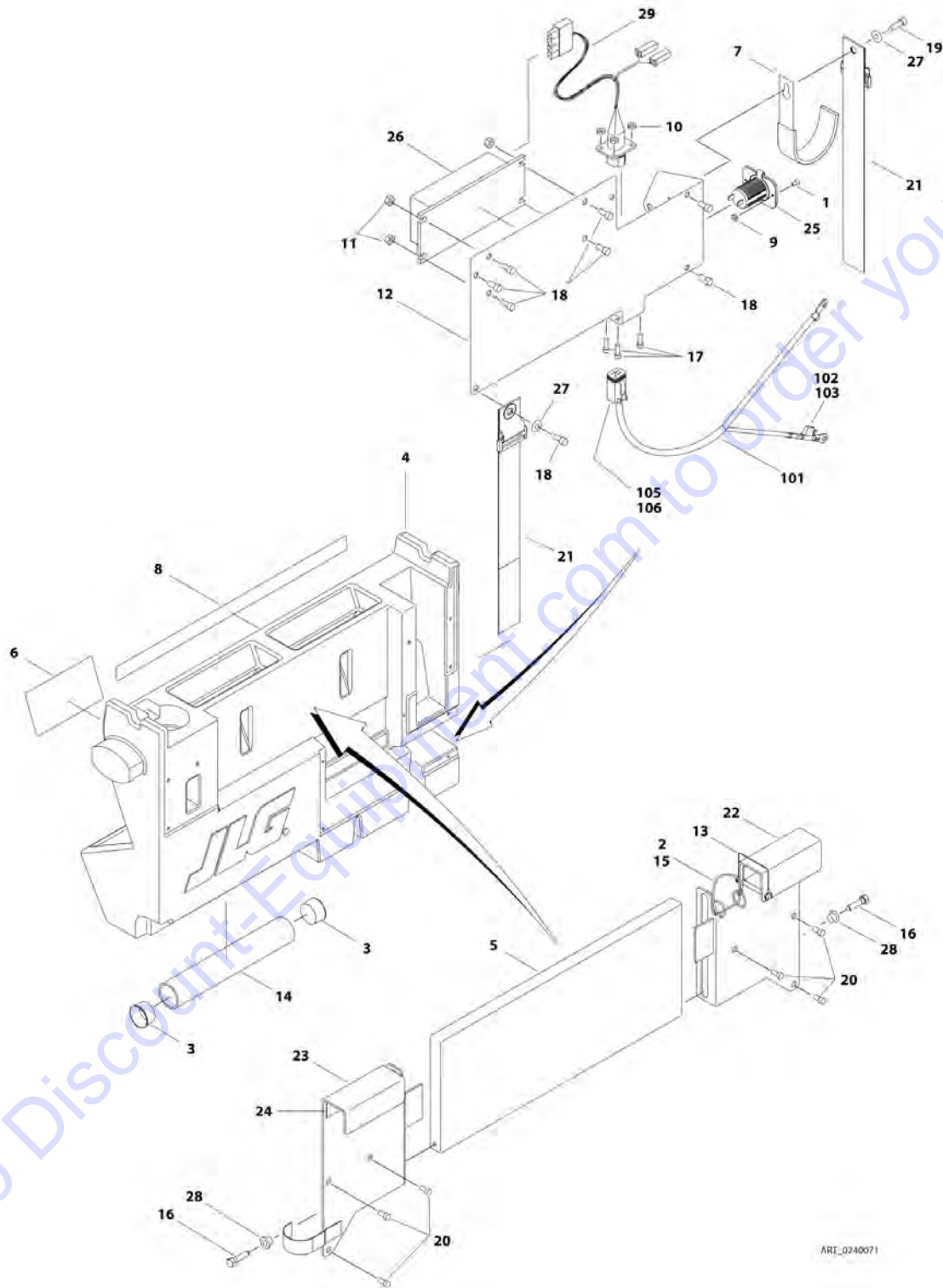
## SECTION 4 - PLATFORM

**FIGURE 4-25. WORKSTATION WITH DC CONVERTER INSTALLATION - 2032ES ONLY**

ITEM	PART NUMBER	QTY	DESCRIPTION	REV
	0273955	Ref	WORKSTATION POWERED INSTALLATION – REFERENCE CHART	B
	0240071	Ref	WORKSTATION WITH DC CONVERTER INSTALLATION	D
1	0740603	2	Screw #6-32 x 3/4	
2	1060379	1	Cable, Lanyard	
3	1120555	2	Cap, Manual Storage	
4	1580023	1	Container	
5	1580024	1	Tray	
6	1705997	1	Decal - Workstation	
7	2700100	1	Hook, Hanger	
8	2902348	1	Decal – Workstation Kit	
9	3310601	2	Nut #6-32	
10	3311005	4	Nut #10-24	
11	3311405	4	Nut 1/4-20	
12	3380527	1	Panel, Converter/Receptacle	
13	3422219	1	Pin	
14	3460334	1	PVC Pipe	
15	3760170	2	Ring	
16	3900355	2	Screw 5/16-9 x 1-1/2	
17	3931010	4	Bolt #10-24 x 5/8	
18	3931408	9	Bolt 1/4-20 x 1/2	
19	3931412	1	Bolt 1/4-20 x 3/4	
20	3931508	6	Bolt 5/16-18 x 1/2	
21	4240003	2	Strap	
22	4340853	1	Mount, RH Channel	
23	4340854	1	Mount, LH Channel	
24	4420062	3 ft/0.9m	Tape	
25	4461012	1	Receptacle	
26	4530026	1	Transformer	
27	4711400	2	Washer 1/4	
28	4740480	2	Insert, Plastic	
29	4923121	1	Harness, Workstation Power (See ELECTRICAL SECTION for Breakdown)	
		Ref	WORKSTATION POWER CABLE INSTALLATIONS	
	4923114	Ref	2030ES	B
	4923115	1	2632ES	B
101	1060331	60 ft /18.3m	Cable, 16/4 (2030ES)	
101	1060331	70 ft /21.3m	Cable, 16/4 (2632ES)	
102	2400061	1	Fuse - 10 Amp	
103	2400066	1	Holder, Fuse	
105	4460465	1	Socket, Female	
106	4460884	1	Connector - 4 Position	

# SECTION 4 - PLATFORM

FIGURE 4-26. WORKSTATION WITH DC CONVERTER INSTALLATION - 2632ES ONLY



ARI\_0240071

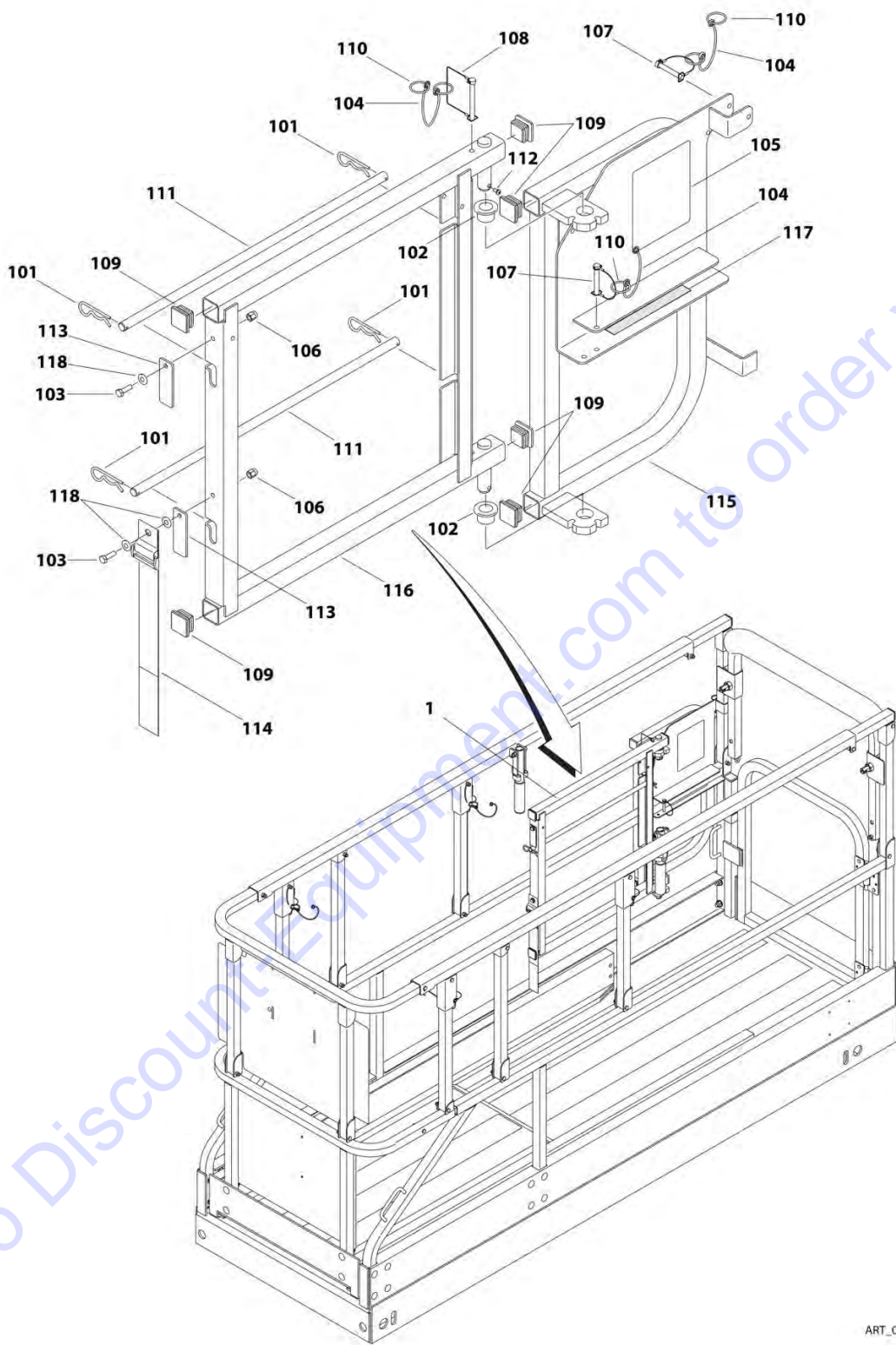
## SECTION 4 - PLATFORM

**FIGURE 4-26. WORKSTATION WITH DC CONVERTER INSTALLATION - 2632ES ONLY**

ITEM	PART NUMBER	QTY	DESCRIPTION	REV
	0273956	Ref	WORKSTATION POWERED INSTALLATION - REFERENCE CHART	B
	0240071	Ref	WORKSTATION WITH DC CONVERTER INSTALLATION	D
1	0740603	2	Screw #6-32 x 3/4	
2	1060379	1	Cable, Lanyard	
3	1120555	2	Cap, Manual Storage	
4	1580023	1	Container	
5	1580024	1	Tray	
6	1705997	1	Decal - Workstation	
7	2700100	1	Hook, Hanger	
8	2902348	1	Decal - Workstation Kit	
9	3310601	2	Nut #6-32	
10	3311005	4	Nut #10-24	
11	3311405	4	Nut 1/4-20	
12	3380527	1	Panel, Converter/Receptacle	
13	3422219	1	Pin	
14	3460334	1	PVC Pipe	
15	3760170	2	Ring	
16	3900355	2	Screw 5/16-9 x 1-1/2	
17	3931010	4	Bolt #10-24 x 5/8	
18	3931408	9	Bolt 1/4-20 x 1/2	
19	3931412	1	Bolt 1/4-20 x 3/4	
20	3931508	6	Bolt 5/16-18 x 1/2	
21	4240003	2	Strap	
22	4340853	1	Mount, RH Channel	
23	4340854	1	Mount, LH Channel	
24	4420062	3 ft/0.9m	Tape	
25	4461012	1	Receptacle	
26	4530026	1	Transformer	
27	4711400	2	Washer 1/4	
28	4740480	2	Insert, Plastic	
29	4923121	1	Harness, Workstation Power (See ELECTRICAL SECTION for Breakdown)	
	4923115	1	WORKSTATION POWER CABLE INSTALLATIONS	B
101	1060331	70 ft/ 21.3m	Cable, 16/4	
102	2400061	1	Fuse - 10 Amp	
103	2400066	1	Holder, Fuse	
105	4460465	1	Socket, Female	
106	4460884	1	Connector - 4 Position	

# SECTION 4 - PLATFORM

## FIGURE 4-27. ELECTRICIAN'S TREE INSTALLATION



ART\_0274153

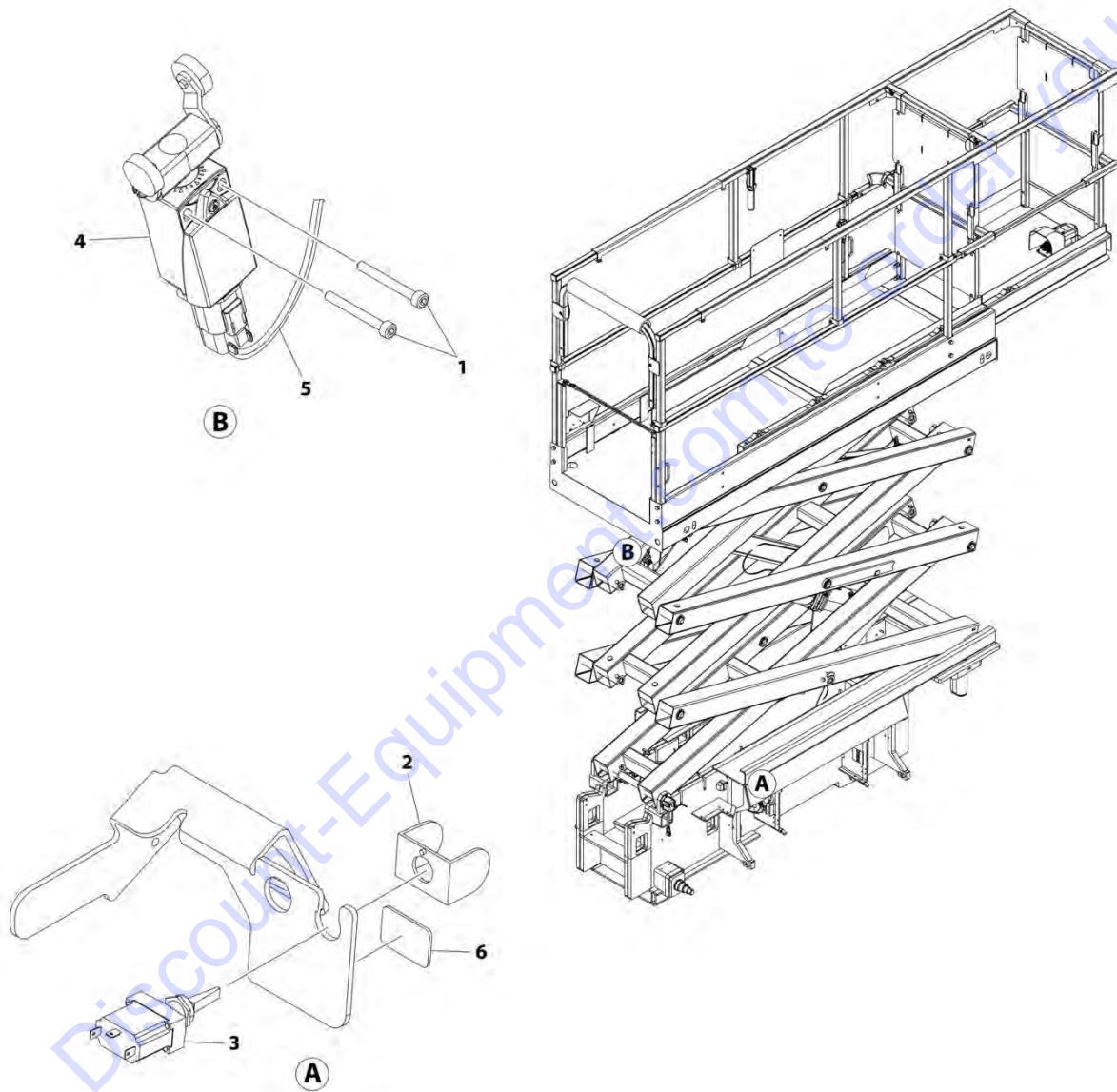
## SECTION 4 - PLATFORM

**FIGURE 4-27. ELECTRICIAN'S TREE INSTALLATION**

ITEM	PART NUMBER	QTY	DESCRIPTION	REV
	0274153	Ref	ELECTRICIAN'S TREE INSTALLATION	B
1	0240102	NLA	Electrician's Tree (Use p/n 1001234783) (See Items 101-118 for Breakdown)	
	0240102	Ref	ELECTRICIAN'S TREE	C
101	80325	4	Hairpin, Cotter	
102	0440223	2	Bushing	
103	0700610	3	Bolt M6 x 20	
104	1060379	3	Cable, Lanyard	
105	2902386	1	Decal – Electrician's Tree Kit	
106	3290606	3	Nut M6	
107	3421453	2	Pin	
108	3422219	1	Pin	
109	3520072	6	Plug	
110	3760170	5	Ring	
111	3841675	2	Rod, Spool	
112	4191706	1	Screw M6 x 12	
113	4220227	2	Stop, Spool Rod	
114	4240003	1	Strap	
115	4340946	1	Mount, Base Pivot	
116	4340947	1	Mount, Spool Rack	
117	4420062	AR	Tape, UHMW	
118	4711400	3	Washer 1/4	
200	1001234783	1	Electrician's Tree Kit (Not Shown - Includes Items 101-108)	

# SECTION 4 - PLATFORM

FIGURE 4-28. LOW HEIGHT DRIVE CUTOUT - 2032ES (JAPANESE SPECS ONLY)



ART\_1001230754



## SECTION 4 - PLATFORM

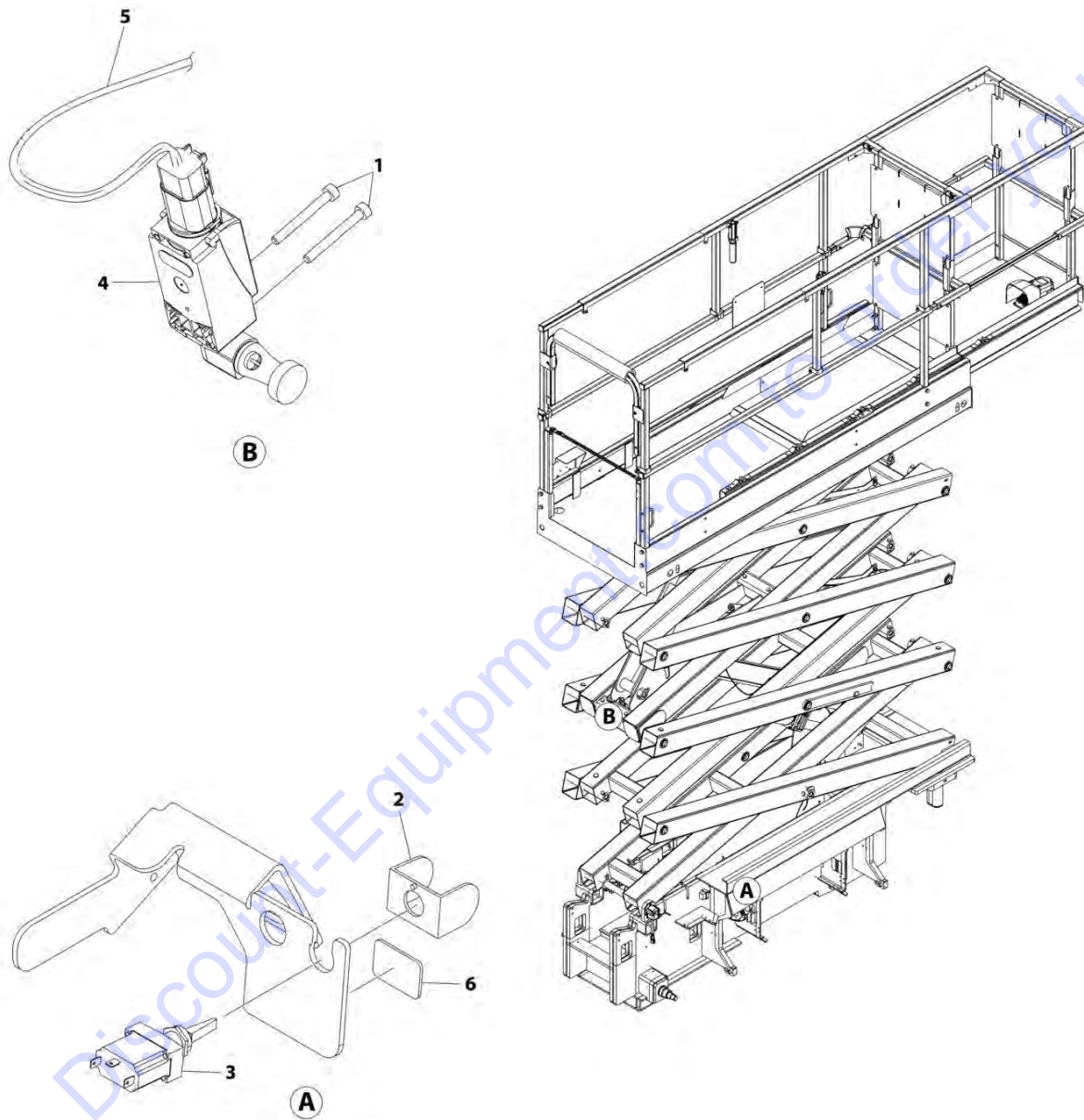
**FIGURE 4-28. LOW HEIGHT DRIVE CUTOUT - 2032ES (JAPANESE SPECS ONLY)**

ITEM	PART NUMBER	QTY	DESCRIPTION	REV
	1001230754	Ref	LOW HEIGHT DRIVE CUTOUT - 2032ES (JAPANESE SPECS ONLY)	A
1	4031511	2	Capscrew M4 x 35	
2	4060906	1	Guard, Switch	
3	4360345	1	Switch	
4	1001130614	1	Switch, Limit	
5	1001214384	1	Harness, Low Height	
5	4460884	3	Connector - 4 Position	
5	4460465	6	Socket, Female	
5	4460466	6	Seal	
5	4460932	2	Connector - 4 Position	
5	4460464	3	Pin, Male	
5	4460466	5	Seal	
5	4460418	1	Connector - 6 Position	
5	4460419	3	Terminal	
6	1001214409	1	Decal - Low Drive Cutout	

Go to Discount-Equipment.com to order your parts

# SECTION 4 - PLATFORM

FIGURE 4-29. LOW HEIGHT DRIVE CUTOUT - 2632ES (JAPANESE SPECS ONLY)



ART\_1001230755

## SECTION 4 - PLATFORM

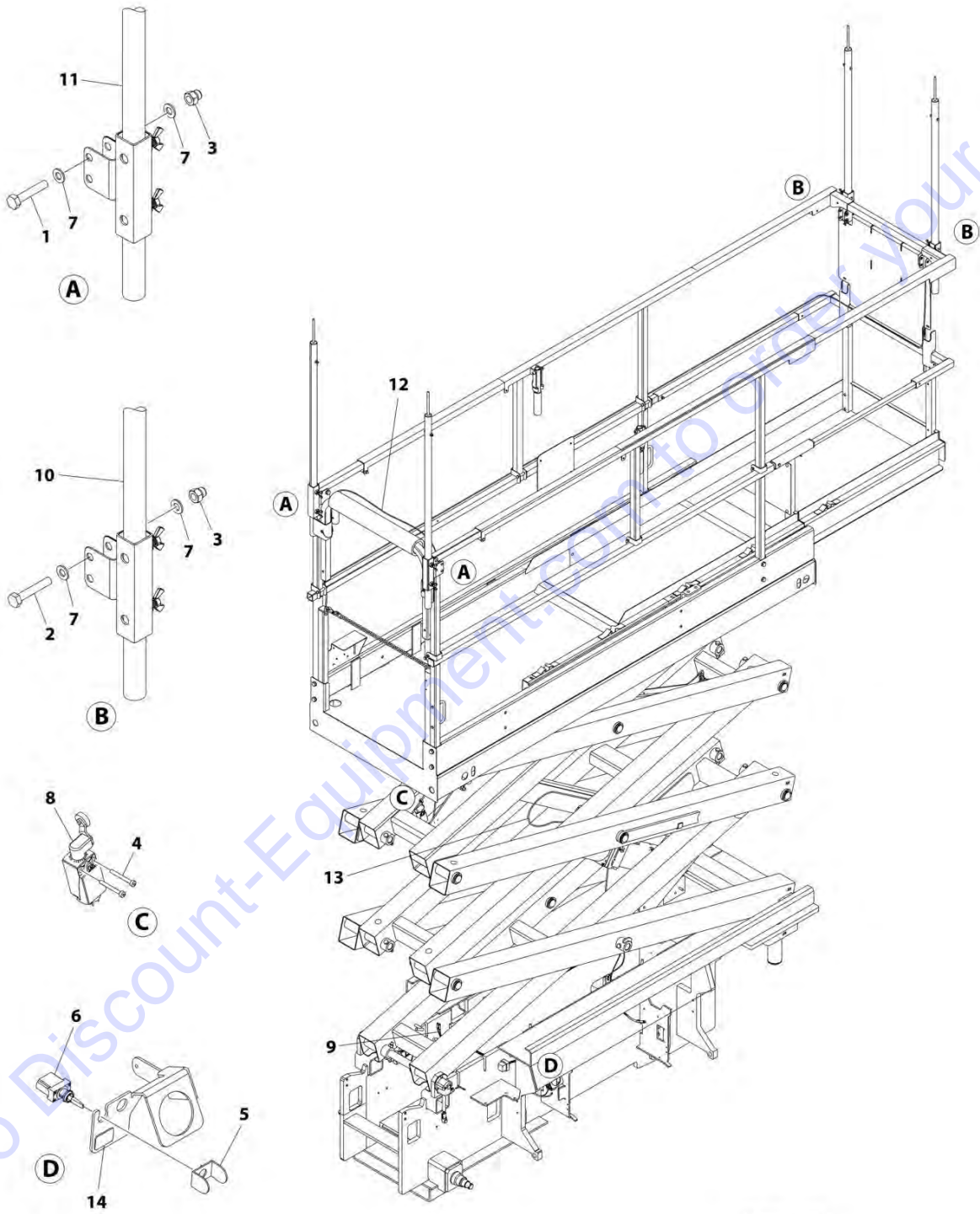
**FIGURE 4-29. LOW HEIGHT DRIVE CUTOUT - 2632ES (JAPANESE SPECS ONLY)**

ITEM	PART NUMBER	QTY	DESCRIPTION	REV
	1001230755	Ref	LOW HEIGHT DRIVE CUTOUT - 2632ES (JAPANESE SPECS ONLY)	A
1	4031511	2	Capscrew M4 x 35	
2	4060906	1	Guard, Switch	
3	4360345	1	Switch	
4	1001130614	1	Switch, Limit	
5	1001214338	1	Harness, Low Height	
5	4460884	3	Connector - 4 Position	
5	4460465	6	Socket, Female	
5	4460466	6	Seal	
5	4460932	2	Connector - 4 Position	
5	4460464	3	Pin, Male	
5	4460466	5	Seal	
5	4460418	1	Connector - 6 Position	
5	4460419	3	Terminal	
5	1001214341	1	Cable, Overhead Switches	
5	4460891	4	Connector - 2 Position	
5	4460465	8	Socket, Female	
6	1001214409	1	Decal - Low Drive Cutout	

Go to Discount-Equipment.com to order your parts

# SECTION 4 - PLATFORM

FIGURE 4-30. OVERHEAD PROTECTION AND LOW HEIGHT DRIVE CUTOUT - 2032ES (KOREAN SPECS ONLY)



ART\_1001214383

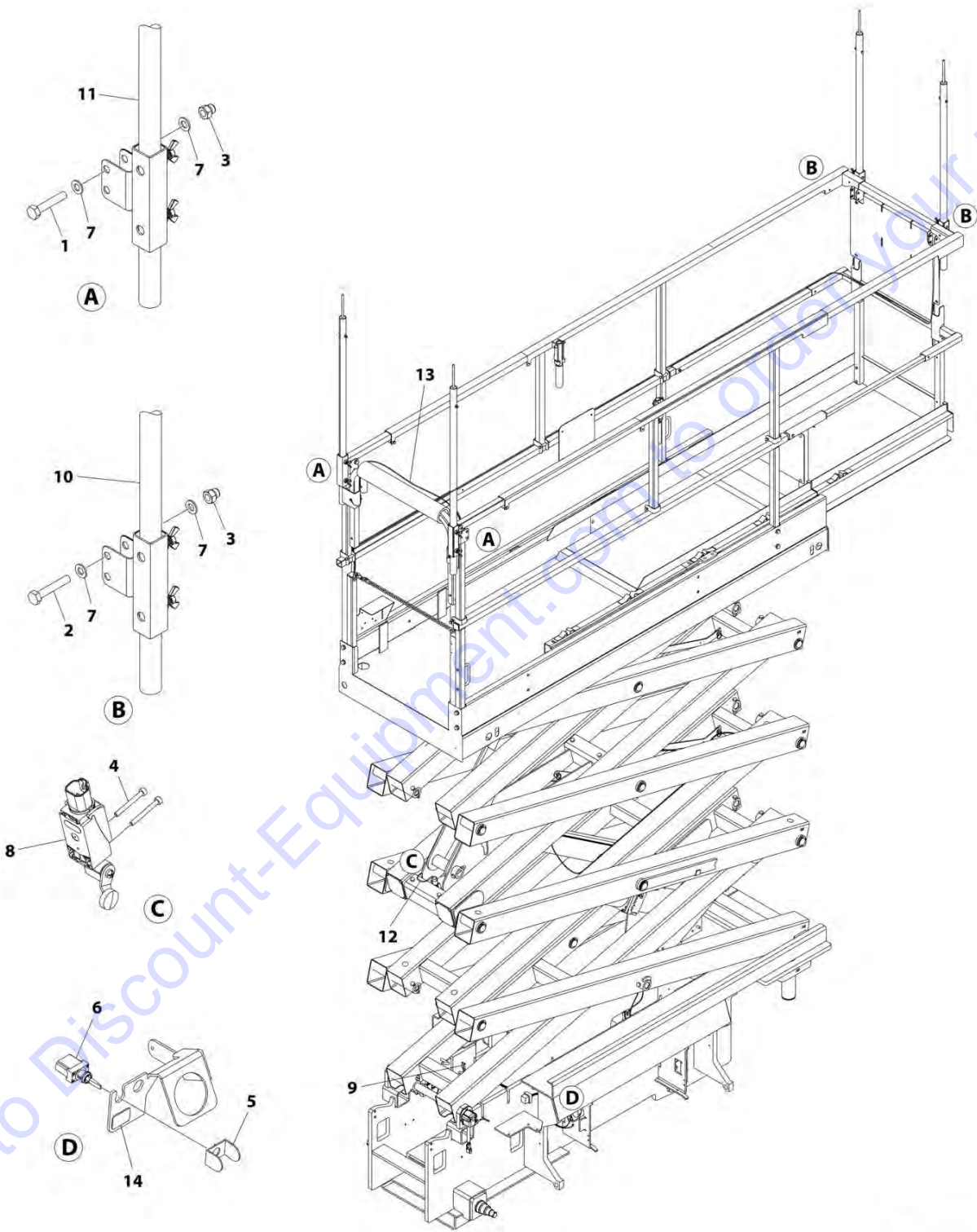
## SECTION 4 - PLATFORM

**FIGURE 4-30. OVERHEAD PROTECTION AND LOW HEIGHT DRIVE CUTOUT - 2032ES (KOREAN SPECS ONLY)**

ITEM	PART NUMBER	QTY	DESCRIPTION	REV
	1001214383	Ref	OVERHEAD PROTECTION AND LOW HEIGHT DRIVE CUTOUT - 2032ES (KOREAN SPECS ONLY)	B
1	0701019	4	Bolt M10 x 55	
2	0701020	4	Bolt M10 x 60	
2	0701019	4	Bolt M10 x 55	
3	3291006	8	Nut M10	
4	4031511	2	Capscrew M4 x 35	
5	4060906	1	Guard, Switch	
6	4360345	1	Switch	
7	4812000	16	Washer #10	
8	1001130614	1	Switch, Limit	
9	1001213660	1	Harness, Overhead	
9	4460424	1	Connector, Female - 2 Position	
9	4460227	1	Pin, Male	
9	4460320	1	Plug, Male - 2 Position	
9	4460226	1	Socket, Female	
10	1001213818	2	Overhead Switch Kit (Front) (See OVERHEAD SWITCH KIT (FRONT) for Breakdown) <b>(Prior to SN B200047512)</b>	
10	1001214311	2	Overhead Switch Kit (Front/Rear) (See OVERHEAD SWITCH KIT (FRONT/REAR) for Breakdown) <b>(SN B200047512 to Present)</b>	
11	1001213858	1	Overhead Switch Kit (Rear) (See OVERHEAD SWITCH KIT (REAR) for Breakdown) <b>(Prior to SN B200047512)</b>	
11	1001214311	2	Overhead Switch Kit (Front/Rear) (See OVERHEAD SWITCH KIT (FRONT/REAR) for Breakdown) <b>(SN B200047512 to Present)</b>	
12	1001214341	1	Cable, Overhead Switches	
12	4460891	4	Connector - 2 Position	
12	4460465	8	Socket, Female	
13	1001214384	1	Harness, Low Height	
13	4460884	3	Connector - 4 Position	
13	4460465	6	Socket, Female	
13	4460466	6	Seal	
13	4460932	2	Connector - 4 Position	
13	4460464	3	Pin, Male	
13	4460466	5	Seal	
13	4460418	1	Connector - 6 Position	
13	4460419	3	Terminal	
14	1001214409	1	Decal - Low Drive Cutout	

# SECTION 4 - PLATFORM

FIGURE 4-31. OVERHEAD PROTECTION AND LOW HEIGHT DRIVE CUTOUT - 2632ES (KOREAN SPECS ONLY)



ART\_1001214120

# PARTS FINDER

**Search Website  
by Part Number**



**Search Manual  
Library For Parts  
Manual & Lookup Part  
Numbers – Purchase  
or Request Quote**

A screenshot of the "Search Manuals" form. It includes a "Search Manuals" title, a "Find" dropdown menu, a "Serial Number" input field, a "Make" dropdown menu, a "Model" dropdown menu, a "Part Number" input field, and a "Submit" button at the bottom.

**Can't Find Part or  
Manual? Request Help  
by Manufacturer,  
Model & Description**

A screenshot of the "Parts Order Form". It features a title "Parts Order Form" and a "Manufacturer" dropdown menu. Below this, there are several input fields for "Model", "Description", "Part Number", "Quantity", "Unit of Measure", "Notes", and "Comments". A "Submit" button is located at the bottom right.

Discount-Equipment.com is your online resource for quality parts & equipment.

Florida: **561-964-4949** Outside Florida TOLL FREE: **877-690-3101**

**Need parts?**

Click on this link: <http://www.discount-equipment.com/category/5443-parts/> and choose one of the options to help get the right parts and equipment you are looking for. Please have the machine model and serial number available in order to help us get you the correct parts. If you don't find the part on the website or on one of the online manuals, please fill out the request form and one of our experienced staff members will get back to you with a quote for the right part that your machine needs.

We sell worldwide for the brands: Genie, Terex, JLG, MultiQuip, Mikasa, Essick, Whiteman, Mayco, Toro Stone, Diamond Products, Generac Magnum, Airman, Haulotte, Barreto, Power Blanket, Nifty Lift, Atlas Copco, Chicago Pneumatic, Allmand, Miller Curber, Skyjack, Lull, Skytrak, Tsurumi, Husquvarna Target, Stow, Wacker, Sakai, Mi-T-M, Sullair, Basic, Dynapac, MBW, Weber, Bartell, Bennar Newman, Haulotte, Ditch Runner, Menegotti, Morrison, Contec, Buddy, Crown, Edco, Wyco, Bomag, Laymor, EZ Trench, Bil-Jax, F.S. Curtis, Gehl Pavers, Heli, Honda, ICS/PowerGrit, IHI, Partner, Imer, Clipper, MMD, Koshin, Rice, CH&E, General Equipment, Amida, Coleman, NAC, Gradall, Square Shooter, Kent, Stanley, Tamco, Toku, Hatz, Kohler, Robin, Wisconsin, Northrock, Oztec, Toker TK, Rol-Air, APT, Wylie, Ingersoll Rand / Doosan, Innovatech, Con X, Ammann, Mecalac, Makinex, Smith Surface Prep, Small Line, Wanco, Yanmar

## SECTION 4 - PLATFORM

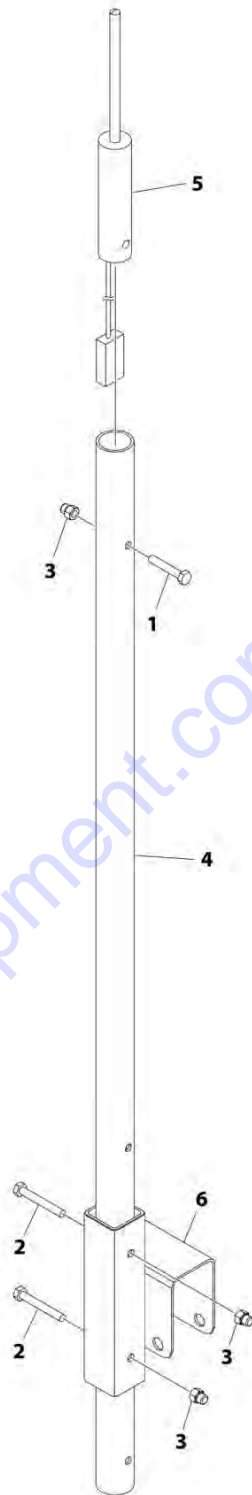
**FIGURE 4-31. OVERHEAD PROTECTION AND LOW HEIGHT DRIVE CUTOUT - 2632ES (KOREAN SPECS ONLY)**

ITEM	PART NUMBER	QTY	DESCRIPTION	REV
	1001214120	Ref	OVERHEAD PROTECTION AND LOW HEIGHT DRIVE CUTOUT - 2632ES (KOREAN SPECS ONLY)	B
1	0701019	4	Bolt M10 x 55	
2	0701020	4	Bolt M10 x 60	
2	0701019	4	Bolt M10 x 55	
3	3291006	8	Nut M10	
4	4031511	2	Capscrew M4 x 35	
5	4060906	1	Guard, Switch	
6	4360345	1	Switch	
7	4812000	16	Washer #10	
8	1001130614	1	Switch, Limit	
9	1001213660	1	Harness, Overhead	
9	4460424	1	Connector, Female - 2 Position	
9	4460227	1	Pin, Male	
9	4460320	1	Plug, Male - 2 Position	
9	4460226	1	Socket, Female	
10	1001213818	2	Overhead Switch Kit (Front) (See OVERHEAD SWITCH KIT (FRONT) for Breakdown) <b>(Prior to SN B200046827)</b>	
10	1001214311	2	Overhead Switch Kit (Front/Rear) (See OVERHEAD SWITCH KIT (FRONT/REAR) for Breakdown) <b>(SN B200046827 to Present)</b>	
11	1001213858	1	Overhead Switch Kit (Rear) (See OVERHEAD SWITCH KIT (REAR) for Breakdown) <b>(Prior to SN B200046827)</b>	
11	1001214311	2	Overhead Switch Kit (Front/Rear) (See OVERHEAD SWITCH KIT (FRONT/REAR) for Breakdown) <b>(SN B200046827 to Present)</b>	
12	1001214338	1	Harness, Low Height	
12	4460884	3	Connector - 4 Position	
12	4460465	6	Socket, Female	
12	4460466	6	Seal	
12	4460932	2	Connector - 4 Position	
12	4460464	3	Pin, Male	
12	4460466	5	Seal	
12	4460418	1	Connector - 6 Position	
12	4460419	3	Terminal	
13	1001214341	1	Cable, Overhead Switches	
13	4460891	4	Connector - 2 Position	
13	4460465	8	Socket, Female	
14	1001214409	1	Decal - Low Drive Cutout	



# SECTION 4 - PLATFORM

FIGURE 4-32. OVERHEAD SWITCH KIT (FRONT) (Prior to SN B200046827)



ART\_1001213818

## SECTION 4 - PLATFORM

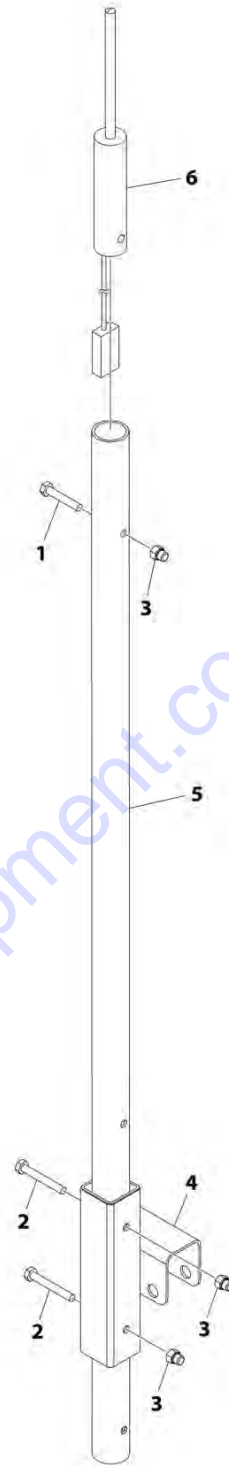
**FIGURE 4-32. OVERHEAD SWITCH KIT (FRONT) (Prior to SN B200046827)**

ITEM	PART NUMBER	QTY	DESCRIPTION	REV
	1001213818	Ref	OVERHEAD SWITCH KIT (FRONT)	A
1	0700615	1	Bolt M6 x 35	
2	0710617	2	Bolt M6 x 45	
3	3290606	3	Nut M6	
4	1001213821	1	Tube	
5	1001213822	1	Switch	
5	7028909	1	Connector - 2 Position	
5	77363228	2	Terminal	
6	1001213857	1	Bracket	

Go to Discount-Equipment.com to order your parts

# SECTION 4 - PLATFORM

FIGURE 4-33. OVERHEAD SWITCH KIT (REAR) (Prior to SN B200046827)



ART\_1001213858

## SECTION 4 - PLATFORM

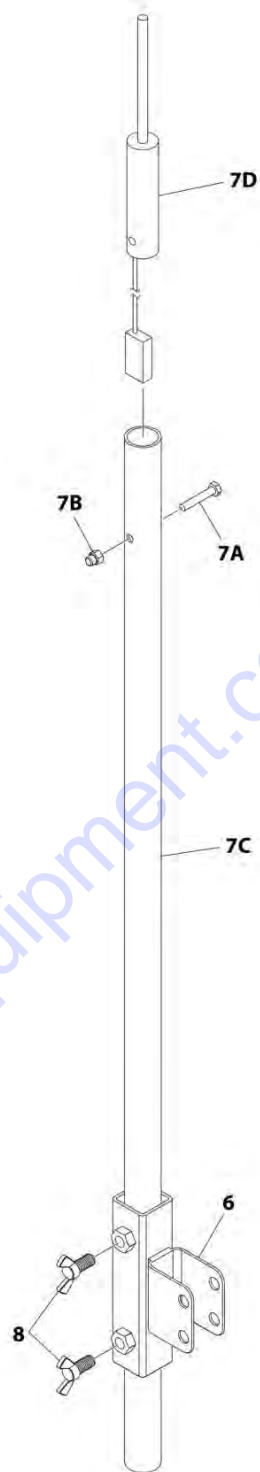
**FIGURE 4-33. OVERHEAD SWITCH KIT (REAR) (Prior to SN B200046827)**

ITEM	PART NUMBER	QTY	DESCRIPTION	REV
	1001213858	Ref	OVERHEAD SWITCH KIT (REAR)	A
1	0700615	1	Bolt M6 x 35	
2	0710617	2	Bolt M6 x 45	
3	3290606	3	Nut M6	
4	1001213820	1	Bracket	
5	1001213821	1	Tube	
6	1001213822	1	Switch	
6	7028909	1	Connector - 2 Position	
6	77363228	2	Terminal	

Go to Discount-Equipment.com to order your parts

## SECTION 4 - PLATFORM

FIGURE 4-34. OVERHEAD SWITCH KIT (FRONT/REAR) (SN B200046827 to Present)



ART\_1001214311

## SECTION 4 - PLATFORM

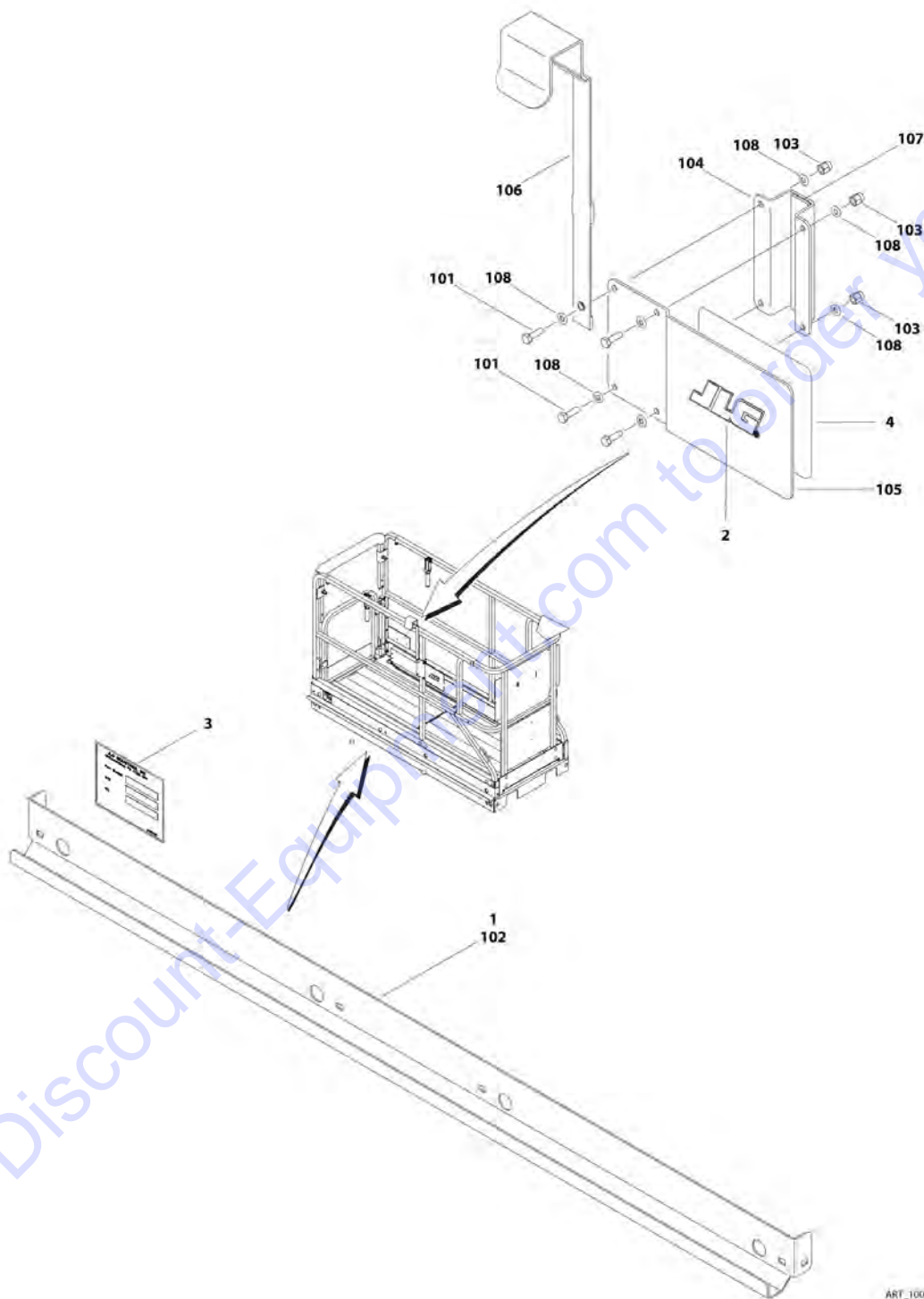
**FIGURE 4-34. OVERHEAD SWITCH KIT (FRONT/REAR) (SN B200046827 to Present)**

ITEM	PART NUMBER	QTY	DESCRIPTION	REV
	1001214311	Ref	OVERHEAD SWITCH KIT (FRONT/REAR)	C
6	1001214310	1	Bracket	
7	1001217666	1	Switch Kit (Includes Items 7A-7D)	
7A	0700615	1	Bolt M6 x 35	
7B	3290606	1	Nut M6	
7C	1001213821	1	Tube	
7D	1001213822	1	Switch	
7D	7028909	1	Connector - 2 Position	
7D	77363228	2	Terminal	
8	1001222914	2	Screw, Thumb	

Go to Discount-Equipment.com to order your parts

## SECTION 4 - PLATFORM

FIGURE 4-35. PANEL INSTALLATION (ANSI, ANSI EXPORT, CHINESE, CSA AND KOREA SPECS)



## SECTION 4 - PLATFORM

**FIGURE 4-35. PANEL INSTALLATION (ANSI, ANSI EXPORT, CHINESE, CSA AND KOREA SPECS)**

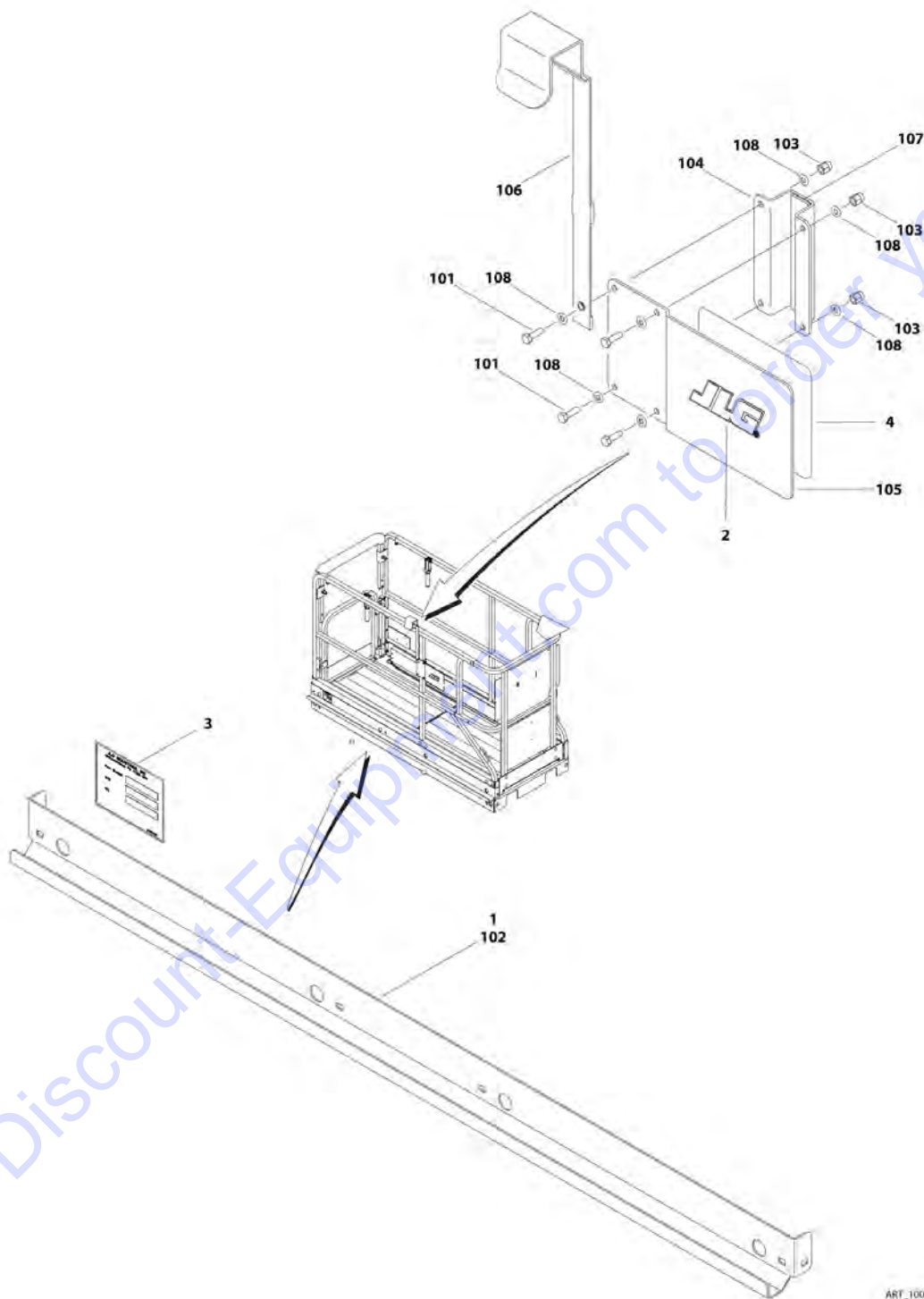
ITEM	PART NUMBER	QTY	DESCRIPTION	REV
	1001178163	Ref	PANEL INSTALLATION (ANSI, ANSI EXPORT, CHINESE, CSA AND KOREA SPECS)	C
1	0240144	1	Attach, Panel Carrier (See Item 101-108 for Breakdown)	
2	1702010	1	Decal - JLG	
3	See Note	NSS	Nameplate (Note: Not Available for Purchase)	
4	1001182848	1	Decal - Capacity	
	0240144	Ref	PANEL CARRIER ATTACHMENT	C
101	0760610	4	Bolt M6 x 20	
102	1271631	1	Channel	
103	3290606	4	Nut M6	
104	3574505	1	Plate, Bracket	
105	3574506	1	Plate, Billboard	
106	4240165	1	Strap, Tie Down	
107	4420037	6	Tape, Insulation	
		in/15.2cm		
108	4811700	8	Washer M6	

Go to Discount-Equipment.com to order your parts



# SECTION 4 - PLATFORM

FIGURE 4-36. PANEL INSTALLATION (AUSTRALIAN, CE AND JAPANESE SPECS)



ART\_1001176755

## SECTION 4 - PLATFORM

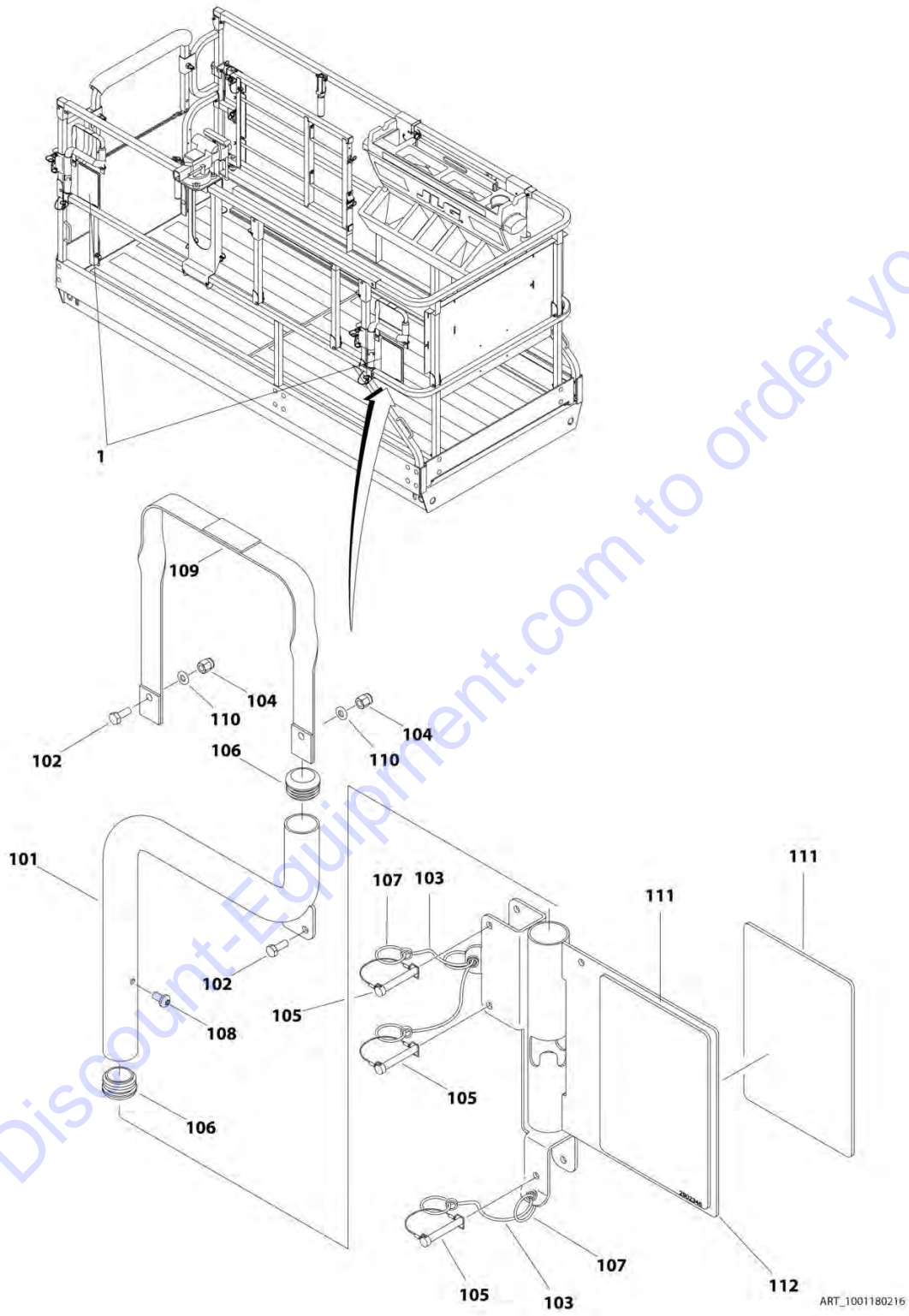
**FIGURE 4-36. PANEL INSTALLATION (AUSTRALIAN, CE AND JAPANESE SPECS)**

ITEM	PART NUMBER	QTY	DESCRIPTION	REV
	1001176755	Ref	PANEL INSTALLATION (AUSTRALIAN, CE AND JAPANESE SPECS)	C
1	0240144	1	Attach, Panel Carrier (See Item 101-108 for Breakdown)	
2	1702010	1	Decal - JLG	
3	See Note	NSS	Nameplate (Note: Not Available for Purchase)	
4	1001182849	1	Decal - Capacity	
	0240144	Ref	PANEL CARRIER ATTACHMENT	C
101	0760610	4	Bolt M6 x 20	
102	1271631	1	Channel	
103	3290606	4	Nut M6	
104	3574505	1	Plate, Bracket	
105	3574506	1	Plate, Billboard	
106	4240165	1	Strap, Tie Down	
107	4420037	6	Tape, Insulation	
		in/15.2cm		
108	4811700	8	Washer M6	

Go to Discount-Equipment.com to order your parts

# SECTION 4 - PLATFORM

## FIGURE 4-37. PIPE RACKS INSTALLATION (FACTORY INSTALLED)



## SECTION 4 - PLATFORM

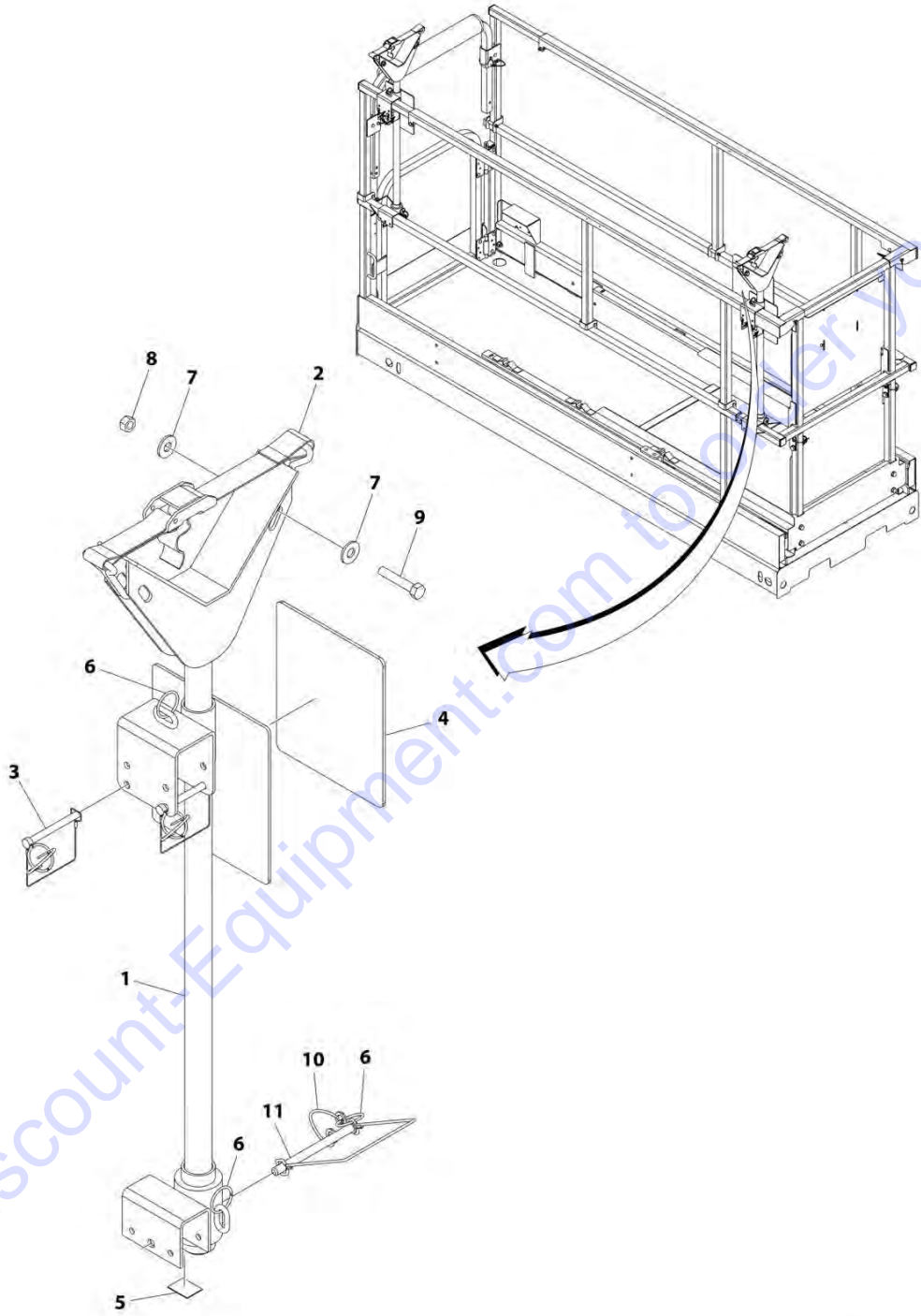
**FIGURE 4-37. PIPE RACKS INSTALLATION (FACTORY INSTALLED)**

ITEM	PART NUMBER	QTY	DESCRIPTION	REV
1	1001180216	Ref	PIPE RACKS INSTALLATION (FACTORY INSTALLED)	B
	1001180197	2	Pipe Racks Assembly (See Items 101-112 for Breakdown)	
	1001180197	Ref	PIPE RACKS ASSEMBLY	D
101	0240054	1	Pipe Rack Tube	
102	0700608	2	Bolt M6 x 16	
103	1060379	3	Cable, Lanyard	
104	3290606	2	Nut M6	
105	3421453	3	Pin	
106	3520176	2	Plug	
107	3760170	5	Ring	
108	4191706	1	Screw M6 x 12	
109	4240164	1	Strap	
110	4811700	4	Washer M6	
111	1001182847	2	Decal - Capacity Pipe Rack Kit	
112	1001180205	1	Pipe Rack	

Go to Discount-Equipment.com to order your parts

# SECTION 4 - PLATFORM

## FIGURE 4-38. PIPE RACK INSTALLATION (FACTORY INSTALLED)



ART\_1001229469

## SECTION 4 - PLATFORM

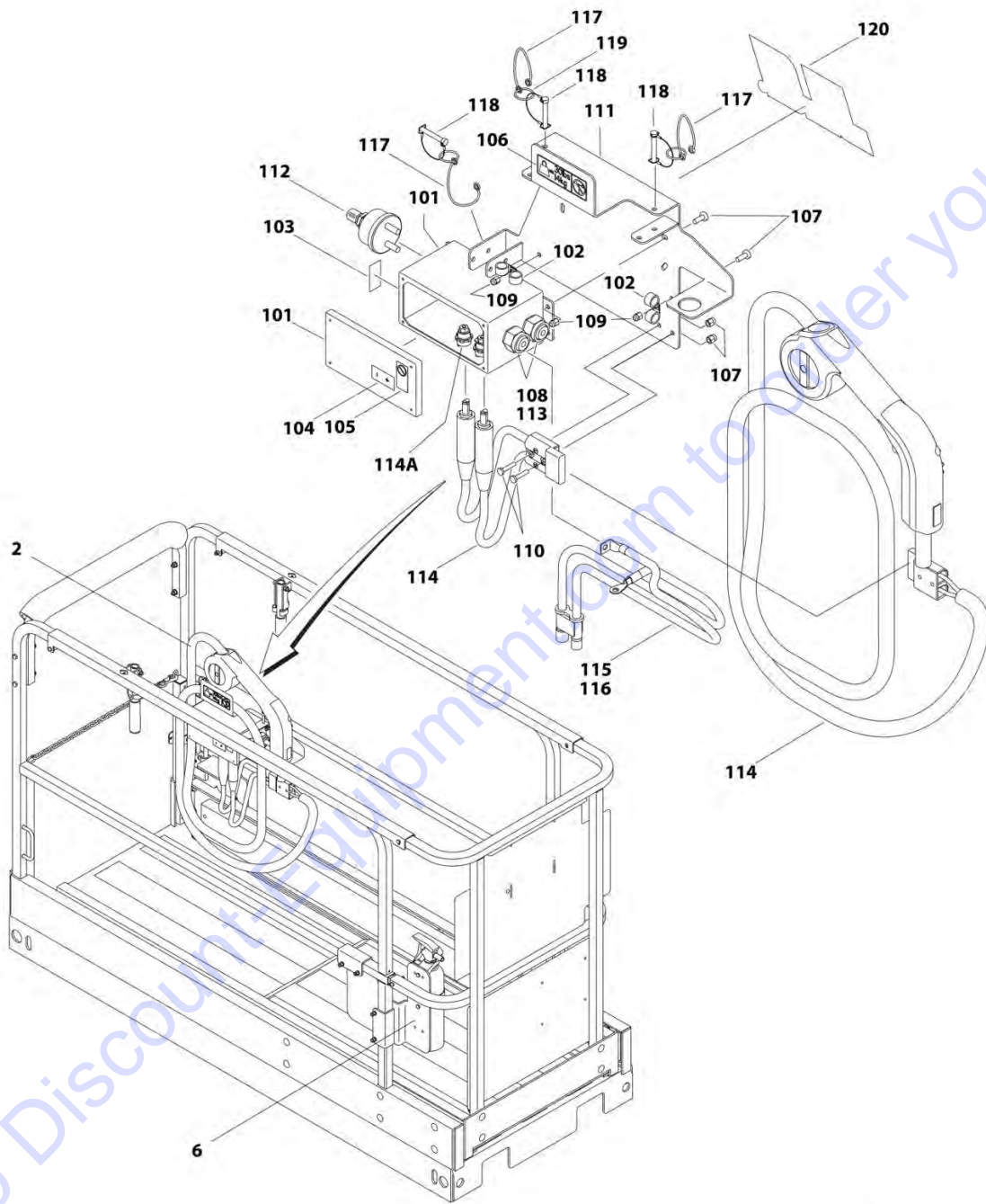
**FIGURE 4-38. PIPE RACK INSTALLATION (FACTORY INSTALLED)**

ITEM	PART NUMBER	QTY	DESCRIPTION	REV
	1001229469	Ref	PIPE RACK INSTALLATION	A
1	1001199189	2	Rack, Pipe	
2	0480100	2	Tie-Down	
3	1001187587	4	Pin, Lanyard	
4	1001229441	2	Decal - Capacity	
5	4420062	AR	Tape	
6	3760170	6	Ring	
7	4751500	8	Washer 5/16	
8	3311505	4	Nut 5/16	
9	0641514	4	Bolt 5/16 x 1-3/4	
10	1060379	2	Lanyard	
11	3421854	2	Pin	

Go to Discount-Equipment.com to order your parts

# SECTION 4 - PLATFORM

## FIGURE 4-39. QUIK WELDER INSTALLATION (2032ES)



ART\_0272880

## SECTION 4 - PLATFORM

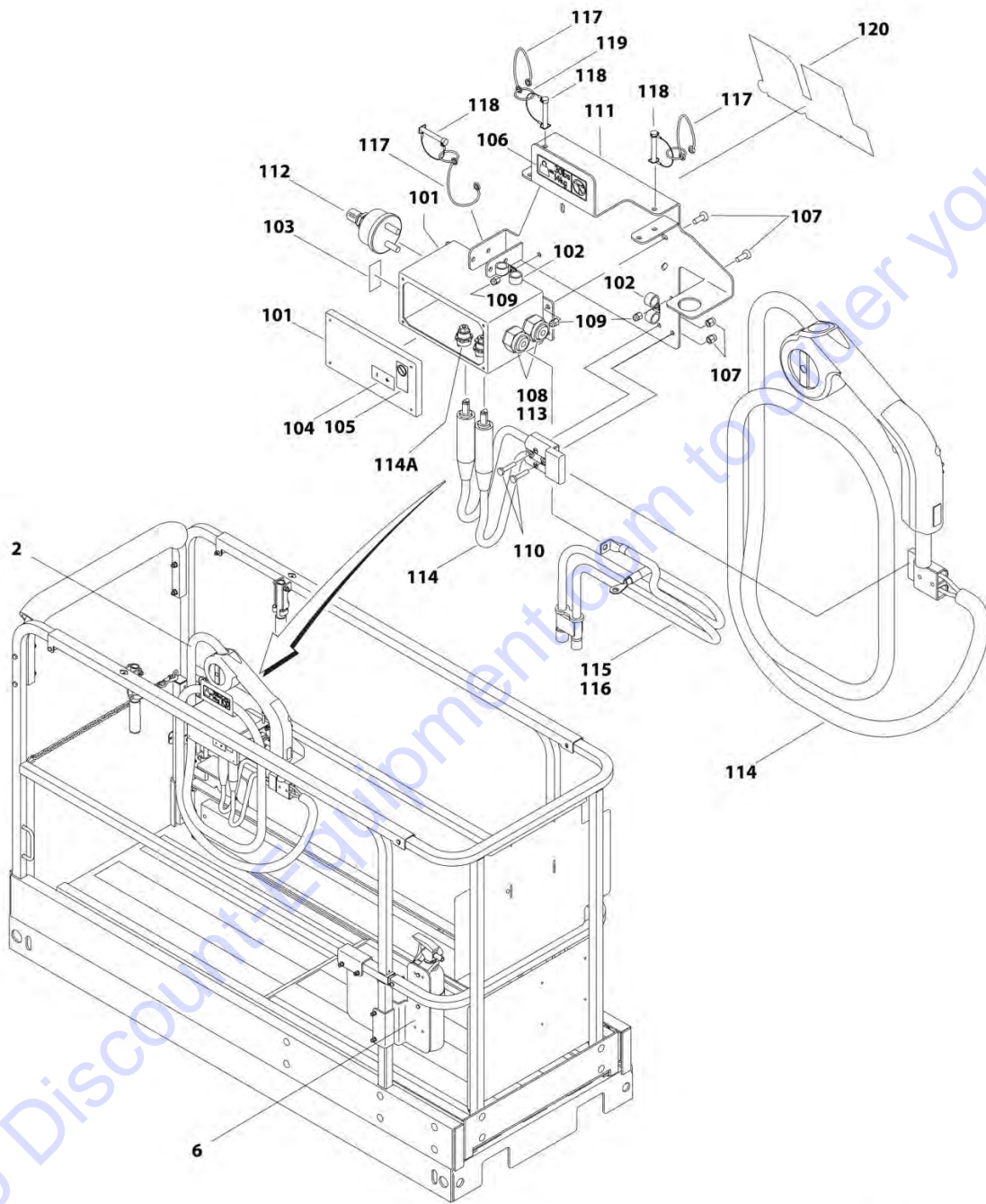
**FIGURE 4-39. QUIK WELDER INSTALLATION (2032ES)**

ITEM	PART NUMBER	QTY	DESCRIPTION	REV
	0272880	Ref	QUIK WELDER INSTALLATION	D
2	2902334	1	Kit, Quik Welder (See Items 101-120 for Breakdown)	
6	0275073	1	Quik Welder Ready (See QUIK WELDER READY for Breakdown)	
	2902334	Ref	QUIK WELDER KIT	C
101	0861527	1	Box, Welder Disconnect	
102	1320224	4	Clamp	
103	1705213	1	Decal - On/Off	
104	1705214	1	Decal - Plus/ Minus	
105	1705305	1	Decal - Weld Lead	
106	1705953	1	Decal - Weight	
107	3290606	8	Bolt M6 x 1	
108	3300048	2	Nut 3/4	
109	4010608	6	Screw M6 x 16	
110	4010614	2	Screw M6 x 30	
111	4340938	1	Mount, Quik Welder	
112	4360155	1	Switch, Master Disconnect	
113	4460328	2	Terminal, Connector	
114	4530021	1	Welder	
114A	7027303	2	Connector, Female	
115	4923048	1	Cable, Quik Welder Assembly	
116	1060957	1	Cable, Welder	
117	1060379	3	Cable, Lanyard	
118	3421453	3	Pin	
119	3760170	3	Ring	
120	1705754	1	Decal - JLG	



# SECTION 4 - PLATFORM

## FIGURE 4-40. QUIK WELDER INSTALLATION (2632ES)



ART\_0272881

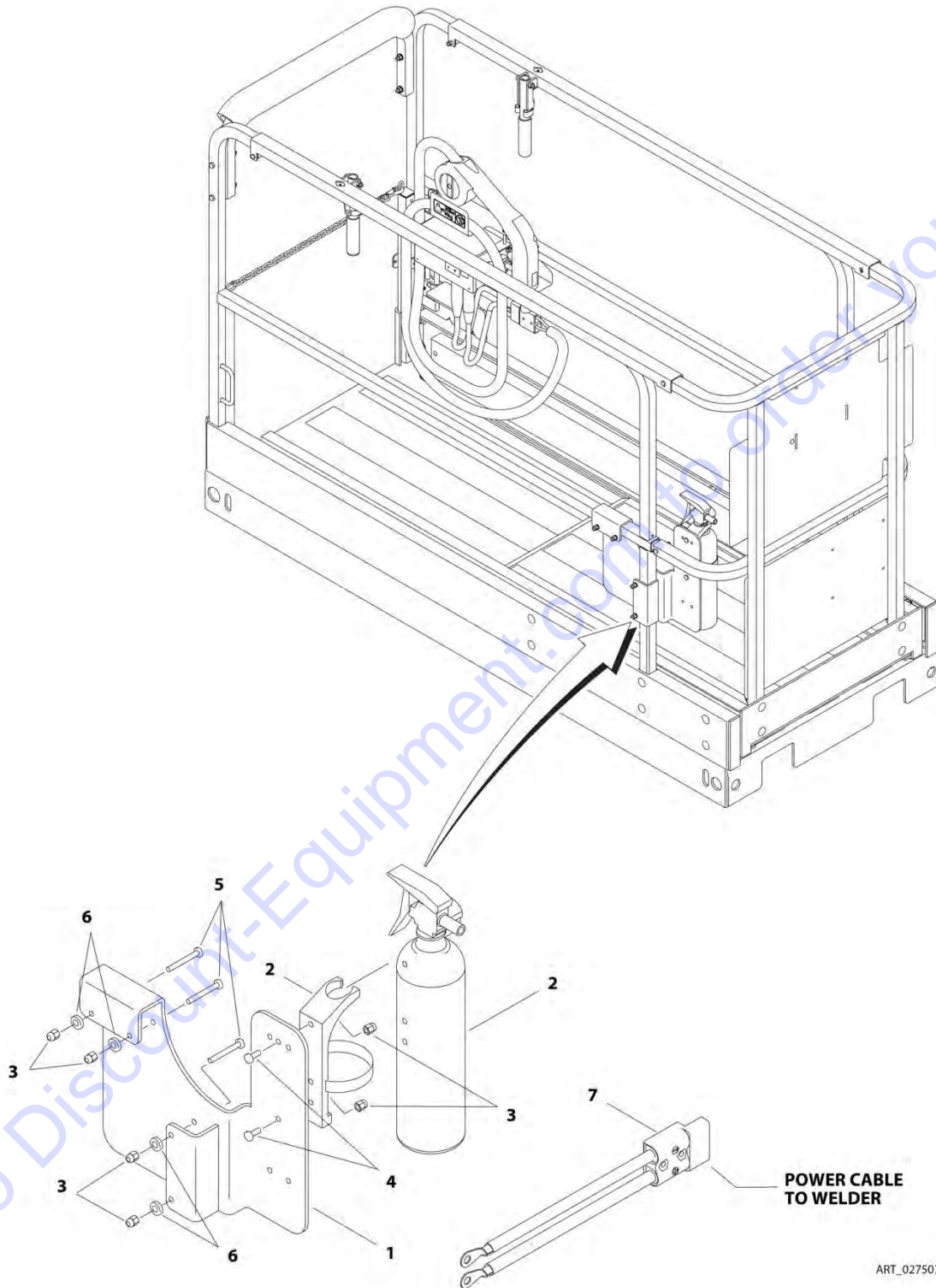
## SECTION 4 - PLATFORM

**FIGURE 4-40. QUIK WELDER INSTALLATION (2632ES)**

ITEM	PART NUMBER	QTY	DESCRIPTION	REV
	0272881	Ref	QUIK WELDER INSTALLATION	D
2	2902334	1	Kit, Quik Welder (See Items 101-120 for Breakdown)	
6	0275074	1	Quik Welder Ready (See QUIK WELDER READY for Breakdown)	
	2902334	Ref	QUIK WELDER KIT	C
101	0861527	1	Box, Welder Disconnect	
102	1320224	4	Clamp	
103	1705213	1	Decal - On/Off	
104	1705214	1	Decal - Plus/ Minus	
105	1705305	1	Decal - Weld Lead	
106	1705953	1	Decal - Weight	
107	3290606	8	Bolt M6 x 1	
108	3300048	2	Nut 3/4	
109	4010608	6	Screw M6 x 16	
110	4010614	2	Screw M6 x 30	
111	4340938	1	Mount, Quik Welder	
112	4360155	1	Switch, Master Disconnect	
113	4460328	2	Terminal, Connector	
114	4530021	1	Welder	
114A	7027303	2	Connector, Female	
115	4923048	1	Cable, Quik Welder Assembly	
116	1060957	1	Cable, Welder	
117	1060379	3	Cable, Lanyard	
118	3421453	3	Pin	
119	3760170	3	Ring	
120	1705754	1	Decal - JLG	

# SECTION 4 - PLATFORM

## FIGURE 4-41. QUIK WELDER READY INSTALLATION (2032ES)



ART\_0275073

## SECTION 4 - PLATFORM

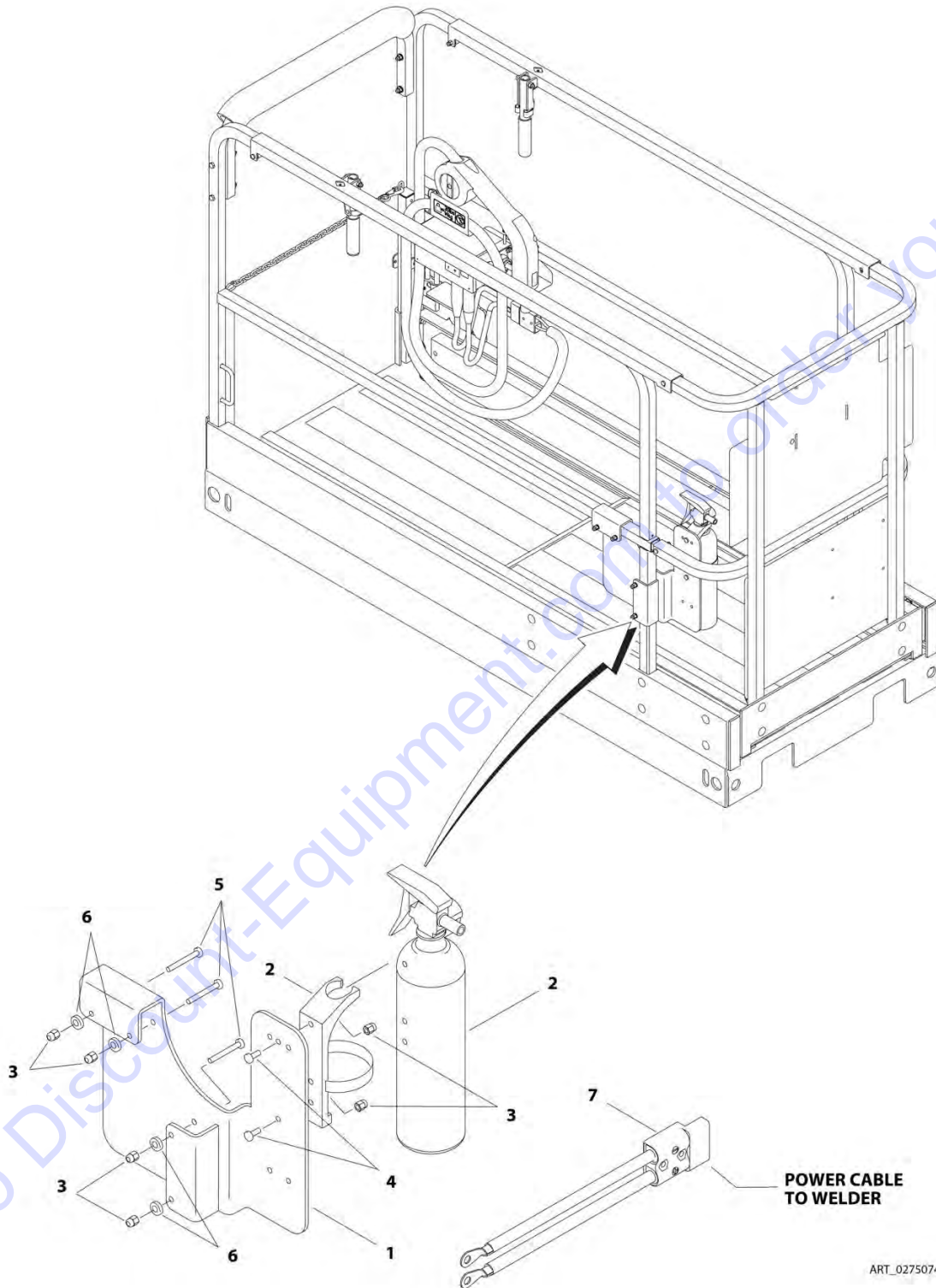
**FIGURE 4-41. QUIK WELDER READY INSTALLATION (2032ES)**

ITEM	PART NUMBER	QTY	DESCRIPTION	REV
	0275073	Ref	QUIK WELDER READY INSTALLATION (2032ES)	B
1	0903416	1	Bracket, Fire Extinguisher Mount	
2	2030010	1	Extinguisher, Fire	
3	3290606	6	Nut M6 x 1	
4	4010608	2	Screw M6 x 16	
5	4010618	4	Screw M6 x 50	
6	4811700	4	Washer M6	
7	4923050	1	Cable, Quik Welder Power	

Go to Discount-Equipment.com to order your parts

# SECTION 4 - PLATFORM

## FIGURE 4-42. QUIK WELDER READY INSTALLATION (2632ES)



## SECTION 4 - PLATFORM

**FIGURE 4-42. QUIK WELDER READY INSTALLATION (2632ES)**

ITEM	PART NUMBER	QTY	DESCRIPTION	REV
	0275074	Ref	QUIK WELDER READY INSTALLATION (2632ES)	B
1	0903416	1	Bracket, Fire Extinguisher Mount	
2	2030010	1	Extinguisher, Fire	
3	3290606	6	Nut M6 x 1	
4	4010608	2	Screw M6 x 16	
5	4010618	4	Screw M6 x 50	
6	4811700	4	Washer M6	
7	4923051	1	Cable, Quik Welder Power	

Go to Discount-Equipment.com to order your parts



**SECTION 5 - CYLINDER**

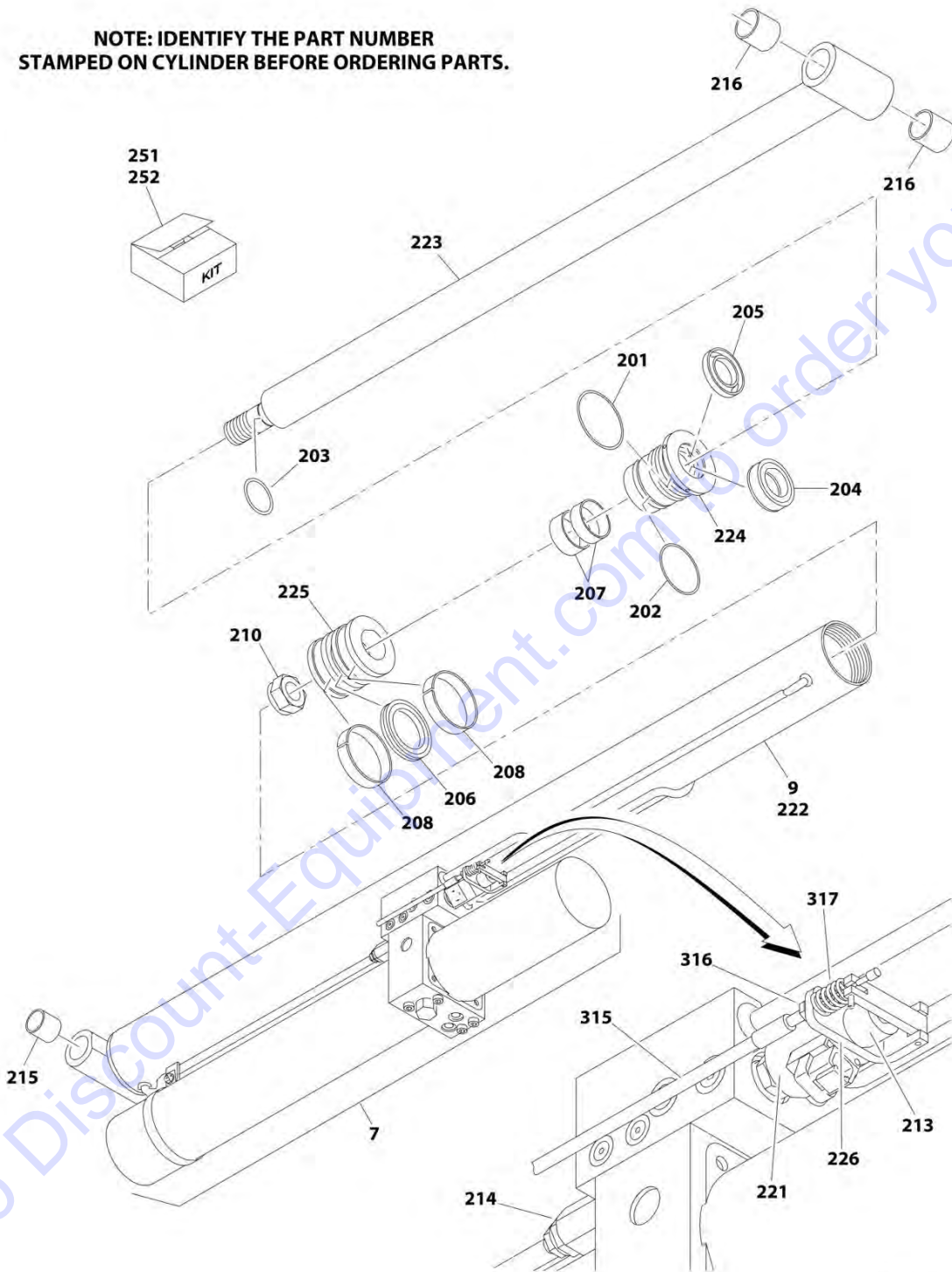
Go to Discount-Equipment.com to order your parts



# SECTION 5 - CYLINDER

## FIGURE 5-1. LIFT CYLINDER ASSEMBLY - 2032ES (TEXAS HYDRAULICS)

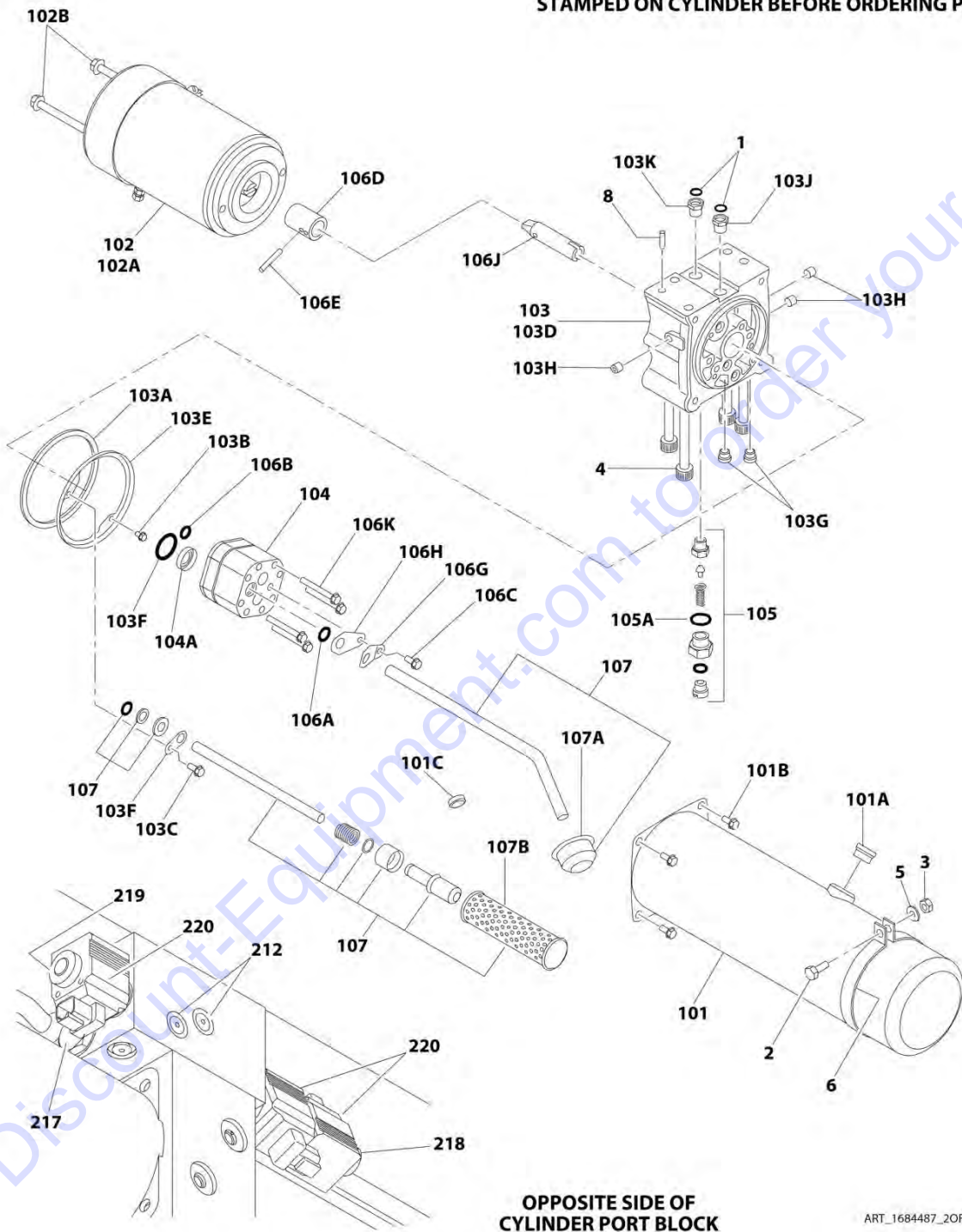
NOTE: IDENTIFY THE PART NUMBER STAMPED ON CYLINDER BEFORE ORDERING PARTS.



ART\_1684487\_10F2

# SECTION 5 - CYLINDER

**NOTE: IDENTIFY THE PART NUMBER STAMPED ON CYLINDER BEFORE ORDERING PARTS.**



ART\_1684487\_20F2

## SECTION 5 - CYLINDER

**FIGURE 5-1. LIFT CYLINDER ASSEMBLY - 2032ES (TEXAS HYDRAULICS)**

ITEM	PART NUMBER	QTY	DESCRIPTION	REV
		Ref	LIFT CYLINDER ASSEMBLY - 2032ES (TEXAS HYDRAULIC)	
	1684487	Ref	Lift Cylinder Assembly 2032ES with Standard Hydraulic Oil	H
	1684527	Ref	Lift Cylinder Assembly 2032ES with Biodegradeable Hydraulic Oil	G
		Ref	Note: Original Cylinder May Have Been Replaced with Service Replacement. Identify PN Stamped on Cylinder Before Ordering Parts.	
1	7023577	2	O-Ring	
2	See Note	NSS	Capscrew (Note: Purchase Locally)	
3	See Note	NSS	Locknut (Note: Purchase Locally)	
4	7023589	4	Capscrew	
5	See Note	NSS	Flatwasher (Note: Purchase Locally)	
6	7023539	1	Clamp	
7	7023549	1	Power Pack Assembly - Complete (See Items 101-107B for Breakdown)	
8	70003646	2	Pin, Dowel	
8	70003645	2	Roll Pin	
9	See Note	NSS	Cylinder Assembly Only (Note: See Items 201-227 for Breakdown)	
	7023549	Ref	POWER PACK ASSEMBLY - COMPLETE	
101	7023587	1	Tank Kit (Note: Includes Tank and Items 101A-101C)	
101A	7023593	1	Plug, Fill	
101B	See Note	NSS	Screw (Note: Use Item 101)	
101C	See Note	NSS	Magnet (Note: Use Item 101)	
102	7023570	1	Motor	
102A	70000658	1	Brush Kit - 7023570 Motor	
102B	See Note	NSS	Screw (Note: Purchase Locally)	
103	7023571	1	Adapter Kit	
103A	70000335	1	O-Ring	
103B	See Note	NSS	Screw (Note: Use Item 103)	
103C	See Note	NSS	Screw (Note: Use Item 103)	
103D	See Note	NSS	Adapter (Note: Use Item 103)	
103E	See Note	NSS	Seal (Note: Use Item 252A or 252B)	
103F	See Note	NSS	Retainer (Note: Use Item 103)	
103G	2220883	2	Plug	
103H	See Note	NSS	Plug (Note: Use Item 103)	
103J	See Note	NSS	Breather 9/16in-12UNC (Note: Use Item 103)	
103K	See Note	NSS	Breather 9/16in-18SAE (Note: Use Item 103)	
104	7023588	1	Pump Options: (Note: Shaft Seal is only Repair Part Available. No Other Service Parts Available - Replace Complete Pump)	
104A	See Note	1	Seal, Shaft (Note: Use Item 252)	
105	7023573	1	Relief Valve Assembly	
105A	7023591	1	Sealing Washer	
106		Ref	Power Pack Miscellaneous Service Parts	
106A	See Note	NSS	Seal (Note: Use Item 7)	
106B	See Note	NSS	Seal (Note: Use Item 252A or 252B)	
106C	See Note	NSS	Screw (Note: Use Item 7)	
106D	See Note	NSS	Sleeve (Note: Use Item 106J)	
106E	See Note	NSS	Roll Pin (Note: Use Item 106J)	
106F	See Note	NSS	Seal (Note: Use Item 252)	
106G	See Note	NSS	Tab, Locking (Note: Use Item 7)	
106H	See Note	NSS	Retainer, Tube (Note: Use Item 7)	

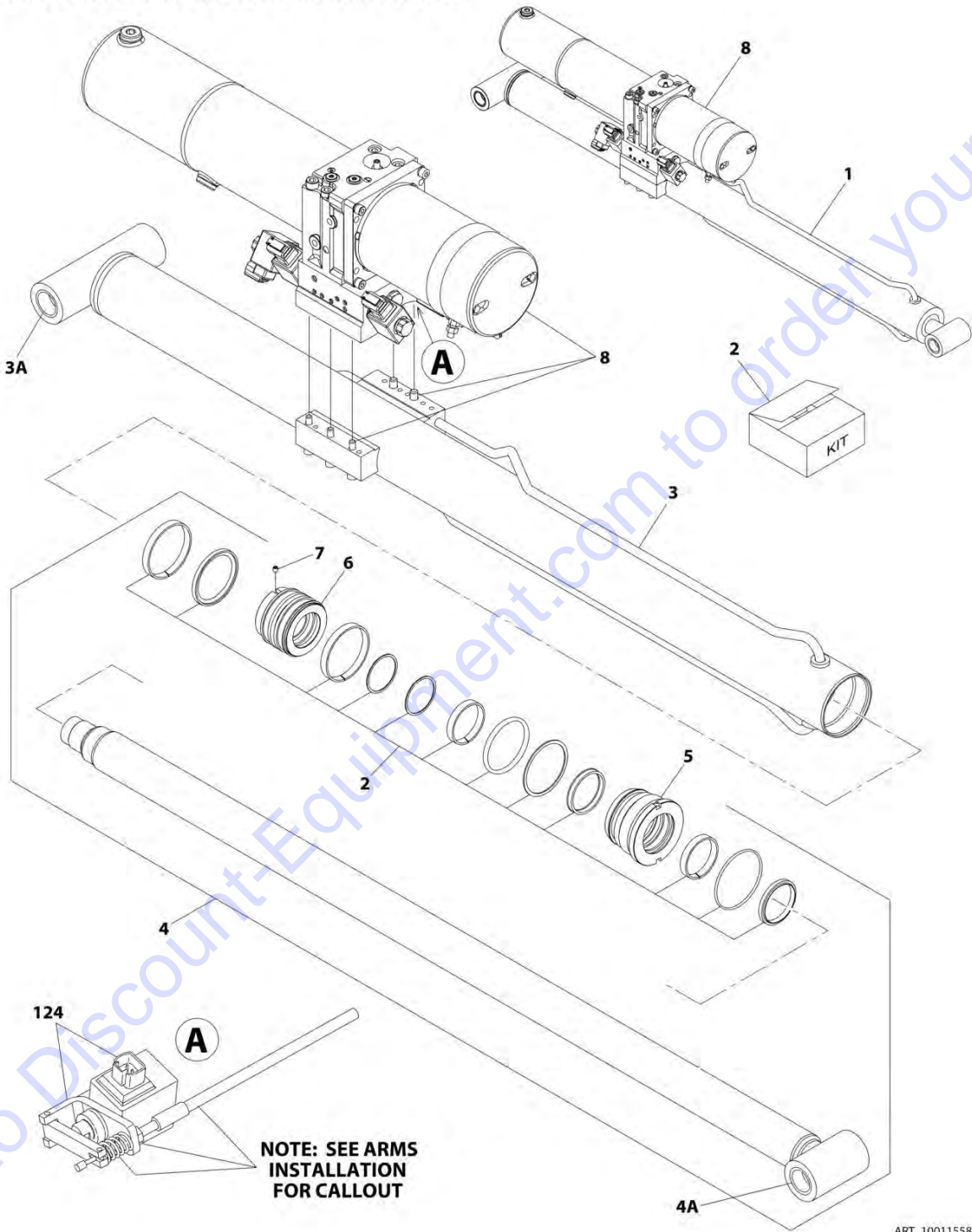
## SECTION 5 - CYLINDER

ITEM	PART NUMBER	QTY	DESCRIPTION	REV
106J	7023574	1	Coupler Kit (Includes Items 106D & 106E)	
106K	See Note	NSS	Screw (Note: Use Item 7)	
107	7023586	1	Tube Kit	
107A	See Note	NSS	Strainer (Note: Use Item 107)	
107B	7023576	1	Filter Element (Includes Seal)	
		Ref	CYLINDER ASSEMBLY ONLY COMPONENTS	
201	See Note	NSS	O-Ring (Note: Use Item 251)	
202	See Note	NSS	O-Ring (Note: Use Item 251)	
203	See Note	NSS	O-Ring (Note: Use Item 251)	
204	See Note	NSS	Seal (Note: Use Item 251)	
205	See Note	NSS	Wiper (Note: Use Item 251)	
206	See Note	NSS	Seal (Note: Use Item 251) (Note: This is a 3 piece seal. Assembly may be required)	
207	See Note	NSS	Ring, Wear (Note: Use Item 251)	
208	See Note	NSS	Ring, Wear (Note: Use Item 251)	
210	See Note	NSS	Locknut (Note: Purchase Complete Assembly)	
211	2220883	4	Plug, Steel (SAE #4) (Not Shown)	
212	2220882	8	Plug, Steel (SAE #3)	
213	7023543	1	Valve, Proportional (Lift Down)	
214	7023542	1	Valve, Relief (Steer)	
215	0962257	2	Bushing	
216	0962257	2	Bushing	
217	7023538	1	Valve, Check	
218	7023537	1	Directional Control Valve (Steer)	
219	7023536	1	Directional Control Valve (Lift Up)	
220	70000798	3	Coil (Steer and Lift Up)	
221	70000799	1	Coil (Lift Down)	
222	7023548	1	Barrel	
223	7023547	1	Rod	
224	7023546	1	Head	
225	7023545	Ref	Piston	
226	7023530	1	Emergency Release Assembly	
		Ref	SEAL KIT OPTIONS	
251	7023544	1	Seal Kit - Cylinder (Includes Items 201-208)	
252	70001709	1	Seal Kit - Reservoir/Pump (Includes 103A, 103E, 104A, 106B & 106F)	
		Ref	MANUAL DESCENT COMPONENTS	
315	1061034	Ref	Cable, Pull	
315	7020218	1	T-Handle (With 1/4-20 Threads)	
315	70001878	1	T-Handle (With 5mm Threads)	
316	3321402	1	Nut, Jam 1/4-18	
317	4160078	1	Spring	

# SECTION 5 - CYLINDER

FIGURE 5-2. LIFT CYLINDER ASSEMBLY - 2032ES WITH STANDARD HYDRAULIC OIL (SERTA)

**NOTE: IDENTIFY THE PART NUMBER STAMPED ON CYLINDER BEFORE ORDERING PARTS.**

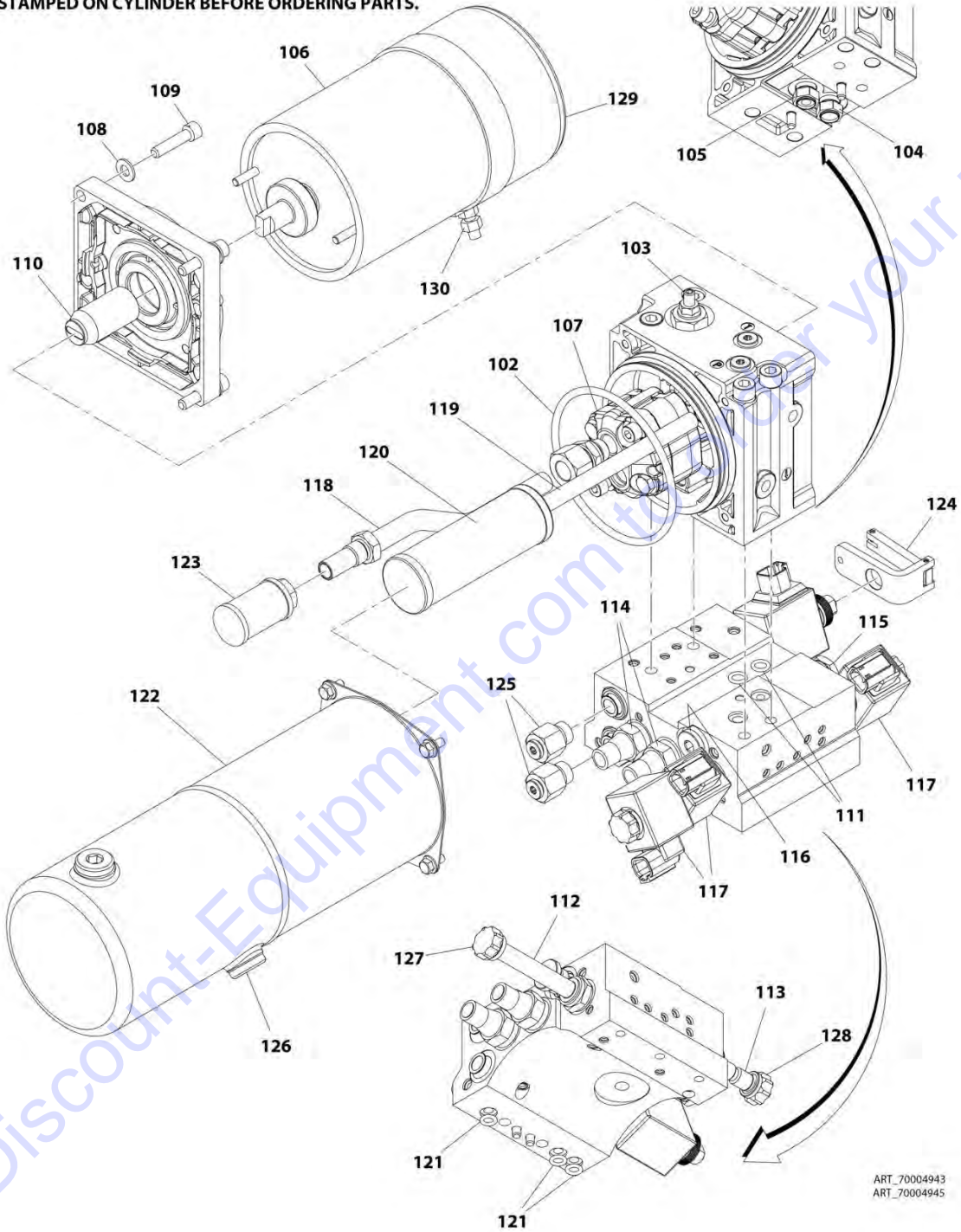


**NOTE: SEE ARMS INSTALLATION FOR CALLOUT**

ART\_1001155841

# SECTION 5 - CYLINDER

NOTE: IDENTIFY THE PART NUMBER  
STAMPED ON CYLINDER BEFORE ORDERING PARTS.



ART\_70004943  
ART\_70004945

Go to Discount-Equipment.com to order your parts

## SECTION 5 - CYLINDER

FIGURE 5-2. LIFT CYLINDER ASSEMBLY - 2032ES WITH STANDARD HYDRAULIC OIL (SERTA)

ITEM	PART NUMBER	QTY	DESCRIPTION	REV
	1001155841	Ref	LIFT CYLINDER ASSEMBLY - 2032ES WITH STANDARD HYDRAULIC OIL (SERTA)	D
		Ref	Note: Original Cylinder May Have Been Replaced with Service Replacement. Identify PN Stamped on Cylinder Before Ordering Parts.	
1	70004725	1	Cylinder Assembly Less Powerpack	
2	70004728	1	Seal Kit	
3	70004723	1	Barrel	
3A	0962257	2	Bushing	
4	70004722	1	Rod Assembly (Includes Items 2, 4A, 5, 6 & 7)	
4A	0962257	1	Bushing	
5	70006090	1	Head, Cylinder	
6	70025323	1	Piston	
7	70023915	1	Screw	
8	70004943	1	Motor/Pump/Tank Assembly (Includes Items 102-121)	
		Ref	MOTOR/PUMP/TANK ASSEMBLY	
	70004943	1	Motor/Pump/Tank Assembly	
102	70004914	1	O-Ring	
103	70004915	1	Cartridge, Valve (Main Relief)	
104	70004916	1	Cartridge, Valve (Breather Vacuum Check)	
105	70004917	1	Cartridge, Valve (Breather Pressure Check)	
106	70004970	1	Kit, Motor (Includes motor, flange and ring)	
107	70005233	1	Kit, Pump (Includes pump and hardware)	
108	70004974	4	Washer M8	
109	70004975	4	Capscrew M8 x 60	
110	70004973	1	Shaft Coupling	
111	70004925	2	O-Ring	
112	70003028	1	Cartridge, Solenoid Valve Less Coil (Steer)	
113	70004926	1	Cartridge, Solenoid Valve Less Coil (Lift)	
114	70004927	2	Cartridge, Valve (Steer Relief)	
115	70004585	1	Cartridge, Valve (Lift Check)	
116	70004928	1	Filter 300 micron	
117	70003707	3	Coil	
118	70004941	1	Pipe, Suction	
119	70004942	1	Pipe, Return	
120	70004935	1	Filter, Bypass	
121	70004936	3	O-Ring	
122	70005239	1	Kit, Tank (Includes tank, plug, "o"-ring and screws)	
123	70005235	1	Kit, Filter (Includes strainer and seal ring)	
124	70005236	1	Kit, Solenoid Valve (Includes solenoid, coil and lever)	
125	70005237	2	Kit, Fitting (Includes adapter, seal washer and plug)	
126	70004921	1	Plug	
127	70004654	1	Nut, Coil (for Item #112)	
128	70005238	1	Nut, Retaining (for Item #113)	
129	70004971	1	Kit, Brush	
130	70004972	1	Nut M8	

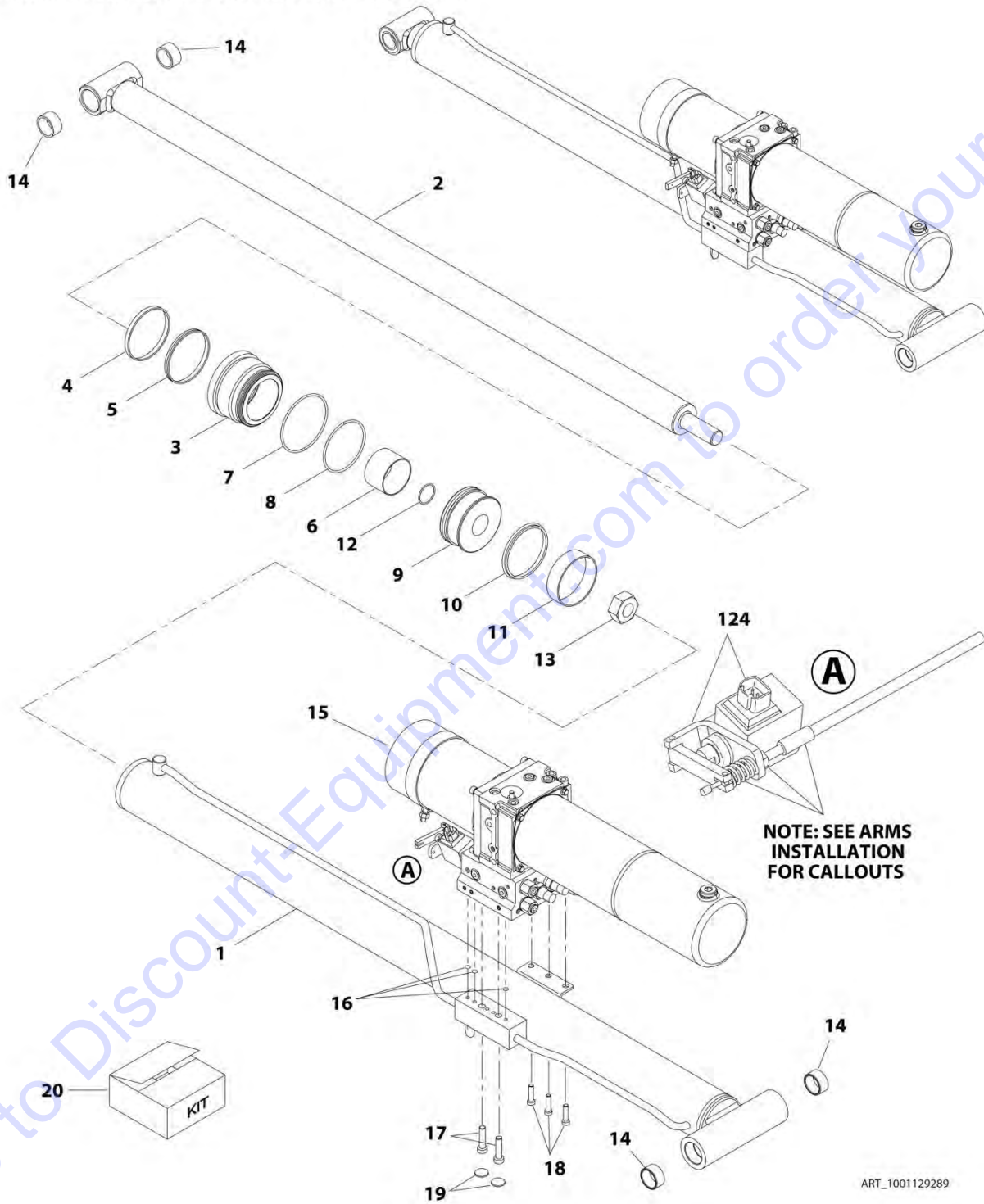




# SECTION 5 - CYLINDER

FIGURE 5-3. LIFT CYLINDER ASSEMBLY - 2032ES WITH STANDARD HYDRAULIC OIL (SH-PAC)

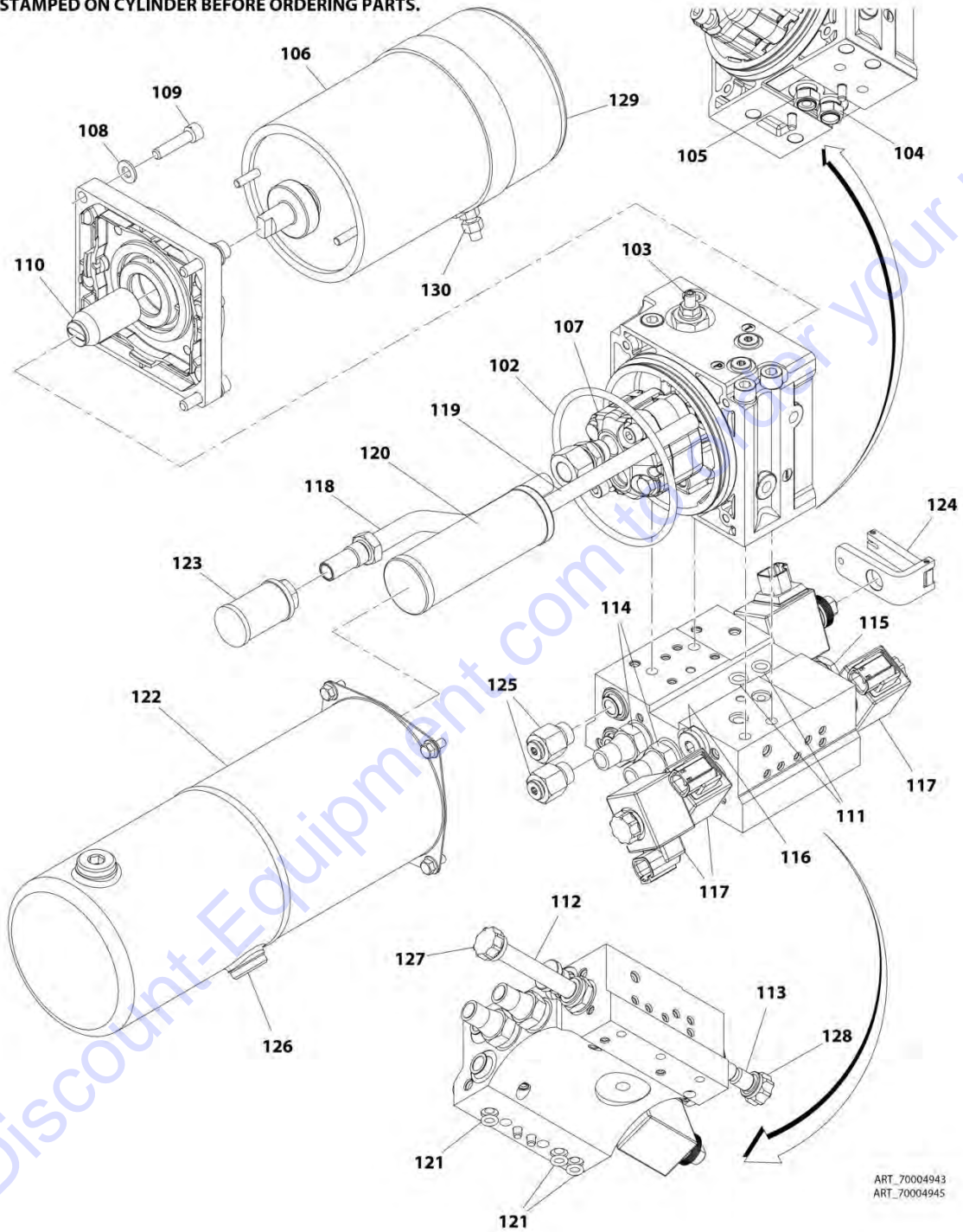
NOTE: IDENTIFY THE PART NUMBER STAMPED ON CYLINDER BEFORE ORDERING PARTS.



ART\_1001129289

# SECTION 5 - CYLINDER

NOTE: IDENTIFY THE PART NUMBER  
STAMPED ON CYLINDER BEFORE ORDERING PARTS.



## SECTION 5 - CYLINDER

**FIGURE 5-3. LIFT CYLINDER ASSEMBLY - 2032ES WITH STANDARD HYDRAULIC OIL (SH-PAC)**

ITEM	PART NUMBER	QTY	DESCRIPTION	REV
	1001129289	Ref	LIFT CYLINDER ASSEMBLY - 2032ES WITH STANDARD HYDRAULIC OIL (SH-PAC)	F
		Ref	Note: Original Cylinder May Have Been Replaced with Service Replacement. Identify PN Stamped on Cylinder Before Ordering Parts.	
1	70004628	1	Barrel	
2	70004629	1	Rod	
3	70004630	1	Head, Cylinder	
4	See Note	NSS	Seal, Dust (Note: Use Item 20)	
5	See Note	NSS	Seal (Note: Use Item 20)	
6	70004631	1	Bearing	
7	See Note	NSS	O-Ring (Note: Use Item 20)	
8	See Note	NSS	O-Ring (Note: Use Item 20)	
9	70004632	1	Piston	
10	See Note	NSS	Seal (Note: Use Item 20)	
11	See Note	NSS	Ring, Wear (Note: Use Item 20)	
12	See Note	NSS	O-Ring (Note: Use Item 20)	
13	70003663	1	Nut	
14	0962257	4	Bushing	
15	70004943	1	Motor/Pump/Tank Assembly (See Items 102-121 for Breakdown)	
16	See Note	NSS	O-Ring (Note: Use Item 20)	
17	70004624	2	Capscrew M10 x 40	
18	70004625	3	Capscrew M8 x 20	
19	70004626	2	Plug, Extension	
20	70004633	1	Seal Kit - Cylinder (Includes Items 4, 5, 7, 8, 10, 11, 12 & 16)	
		Ref	MOTOR/PUMP/TANK ASSEMBLY	
	70004943	1	Motor/Pump/Tank Assembly	
102	70004914	1	O-Ring	
103	70004915	1	Cartridge, Valve (Main Relief)	
104	70004916	1	Cartridge, Valve (Breather Vacuum Check)	
105	70004917	1	Cartridge, Valve (Breather Pressure Check)	
106	70004970	1	Kit, Motor (Includes motor, flange and ring)	
107	70005233	1	Kit, Pump (Includes pump and hardware)	
108	70004974	4	Washer M8	
109	70004975	4	Capscrew M8 x 60	
110	70004973	1	Shaft Coupling	
111	70004925	2	O-Ring	
112	70003028	1	Cartridge, Solenoid Valve Less Coil (Steer)	
113	70004926	1	Cartridge, Solenoid Valve Less Coil (Lift)	
114	70004927	2	Cartridge, Valve (Steer Relief)	
115	70004585	1	Cartridge, Valve (Lift Check)	
116	70004928	1	Filter 300 micron	
117	70003707	3	Coil	
118	70004941	1	Pipe, Suction	
119	70004942	1	Pipe, Return	
120	70004935	1	Filter, Bypass	
121	70004936	3	O-Ring	
122	70005239	1	Kit, Tank (Includes tank, plug, "o"-ring and screws)	
123	70005235	1	Kit, Filter (Includes strainer and seal ring)	
124	70005236	1	Kit, Solenoid Valve (Includes solenoid, coil and lever)	

## SECTION 5 - CYLINDER

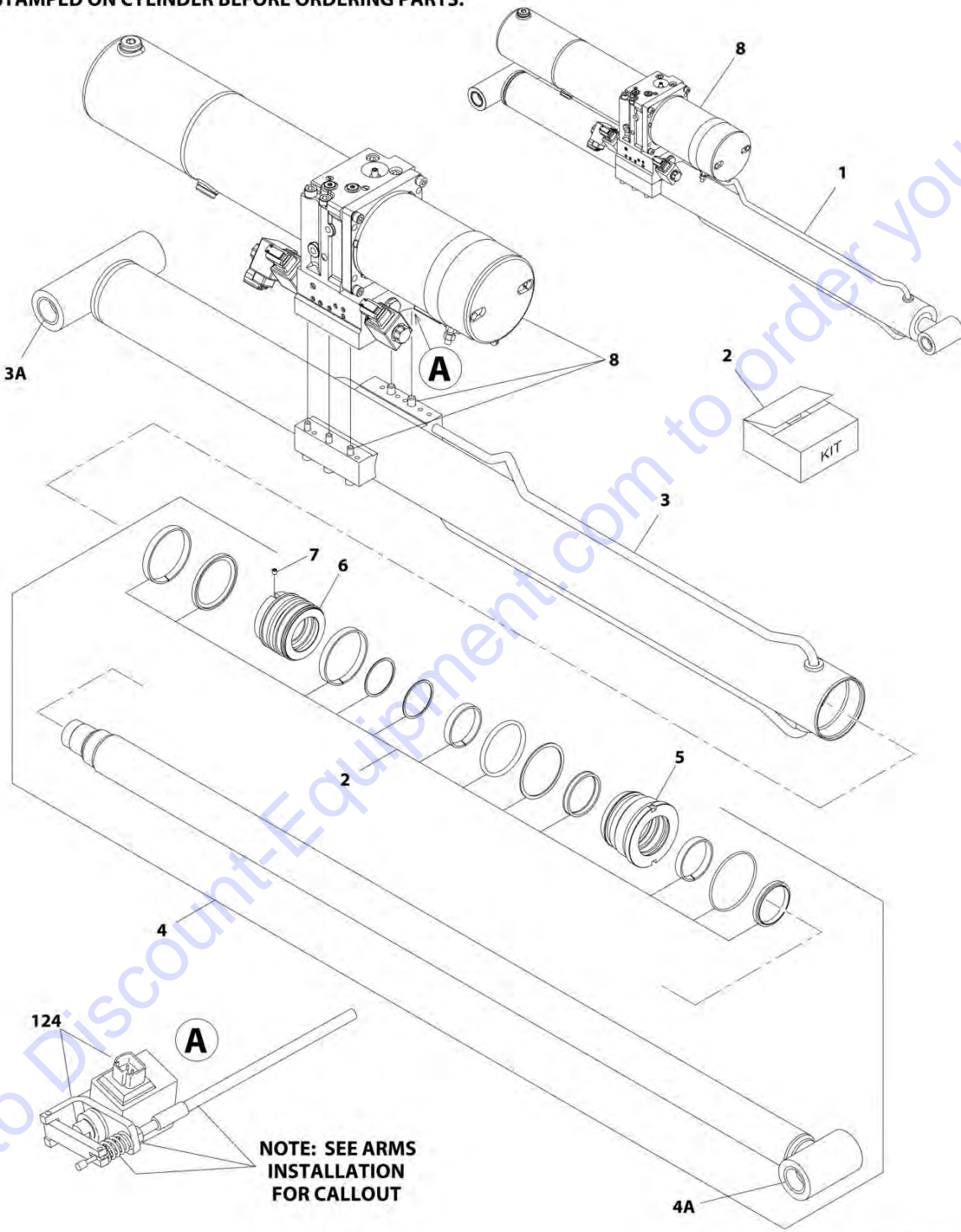
ITEM	PART NUMBER	QTY	DESCRIPTION	REV
125	70005237	2	Kit, Fitting (Includes adapter, seal washer and plug)	
126	70004921	1	Plug	
127	70004654	1	Nut, Coil (for Item #112)	
128	70005238	1	Nut, Retaining (for Item #113)	
129	70004971	1	Kit, Brush	
130	70004972	1	Nut M8	

Go to Discount-Equipment.com to order your parts

# SECTION 5 - CYLINDER

FIGURE 5-4. LIFT CYLINDER ASSEMBLY - 2032ES WITH BIODEGRADABLE HYDRAULIC OIL (SERTA)

NOTE: IDENTIFY THE PART NUMBER STAMPED ON CYLINDER BEFORE ORDERING PARTS.

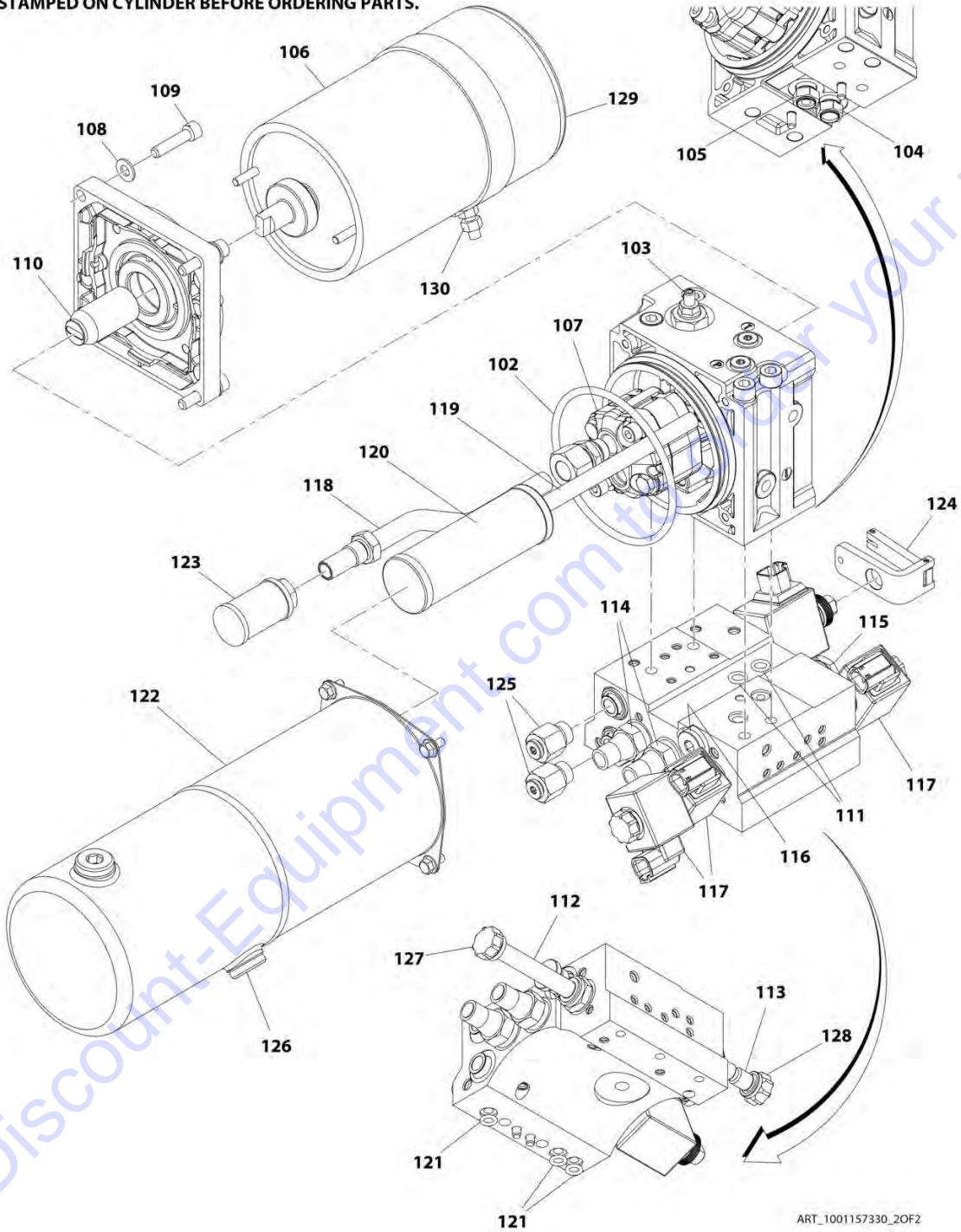


NOTE: SEE ARMS INSTALLATION FOR CALLOUT

ART\_1001157330\_10F2

# SECTION 5 - CYLINDER

NOTE: IDENTIFY THE PART NUMBER  
STAMPED ON CYLINDER BEFORE ORDERING PARTS.



ART\_1001157330\_2OF2

## SECTION 5 - CYLINDER

**FIGURE 5-4. LIFT CYLINDER ASSEMBLY - 2032ES WITH BIODEGRADEABLE HYDRAULIC OIL (SERTA)**

ITEM	PART NUMBER	QTY	DESCRIPTION	REV
	1001157330	Ref	LIFT CYLINDER ASSEMBLY - 2032ES WITH BIODEGRADEABLE HYDRAULIC OIL (SERTA)	C
		Ref	Note: Original Cylinder May Have Been Replaced with Service Replacement. Identify PN Stamped on Cylinder Before Ordering Parts.	
1	70004725	1	Cylinder Assembly Less Powerpack	
2	70004728	1	Seal Kit	
3	70004723	1	Barrel	
3A	0962257	2	Bushing	
4	70004722	1	Rod Assembly (Includes Items 2, 4A, 5, 6 & 7)	
4A	0962257	1	Bushing	
5	70006090	1	Head, Cylinder	
6	70025323	1	Piston	
7	70023915	1	Screw	
8	70004943	1	Motor/Pump/Tank Assembly (Includes Items 102-121)	
		Ref	MOTOR/PUMP/TANK ASSEMBLY	
	70004943	1	Motor/Pump/Tank Assembly	
102	70004914	1	O-Ring	
103	70004915	1	Cartridge, Valve (Main Relief)	
104	70004916	1	Cartridge, Valve (Breather Vacuum Check)	
105	70004917	1	Cartridge, Valve (Breather Pressure Check)	
106	70004970	1	Kit, Motor (Includes motor, flange and ring)	
107	70005233	1	Kit, Pump (Includes pump and hardware)	
108	70004974	4	Washer M8	
109	70004975	4	Capscrew M8 x 60	
110	70004973	1	Shaft Coupling	
111	70004925	2	O-Ring	
112	70003028	1	Cartridge, Solenoid Valve Less Coil (Steer)	
113	70004926	1	Cartridge, Solenoid Valve Less Coil (Lift)	
114	70004927	2	Cartridge, Valve (Steer Relief)	
115	70004585	1	Cartridge, Valve (Lift Check)	
116	70004928	1	Filter 300 micron	
117	70003707	3	Coil	
118	70004941	1	Pipe, Suction	
119	70004942	1	Pipe, Return	
120	70004935	1	Filter, Bypass	
121	70004936	3	O-Ring	
122	70005239	1	Kit, Tank (Includes tank, plug, "o"-ring and screws)	
123	70005235	1	Kit, Filter (Includes strainer and seal ring)	
124	70005236	1	Kit, Solenoid Valve (Includes solenoid, coil and lever)	
125	70005237	2	Kit, Fitting (Includes adapter, seal washer and plug)	
126	70004921	1	Plug	
127	70004654	1	Nut, Coil (for Item #112)	
128	70005238	1	Nut, Retaining (for Item #113)	
129	70004971	1	Kit, Brush	
130	70004972	1	Nut M8	

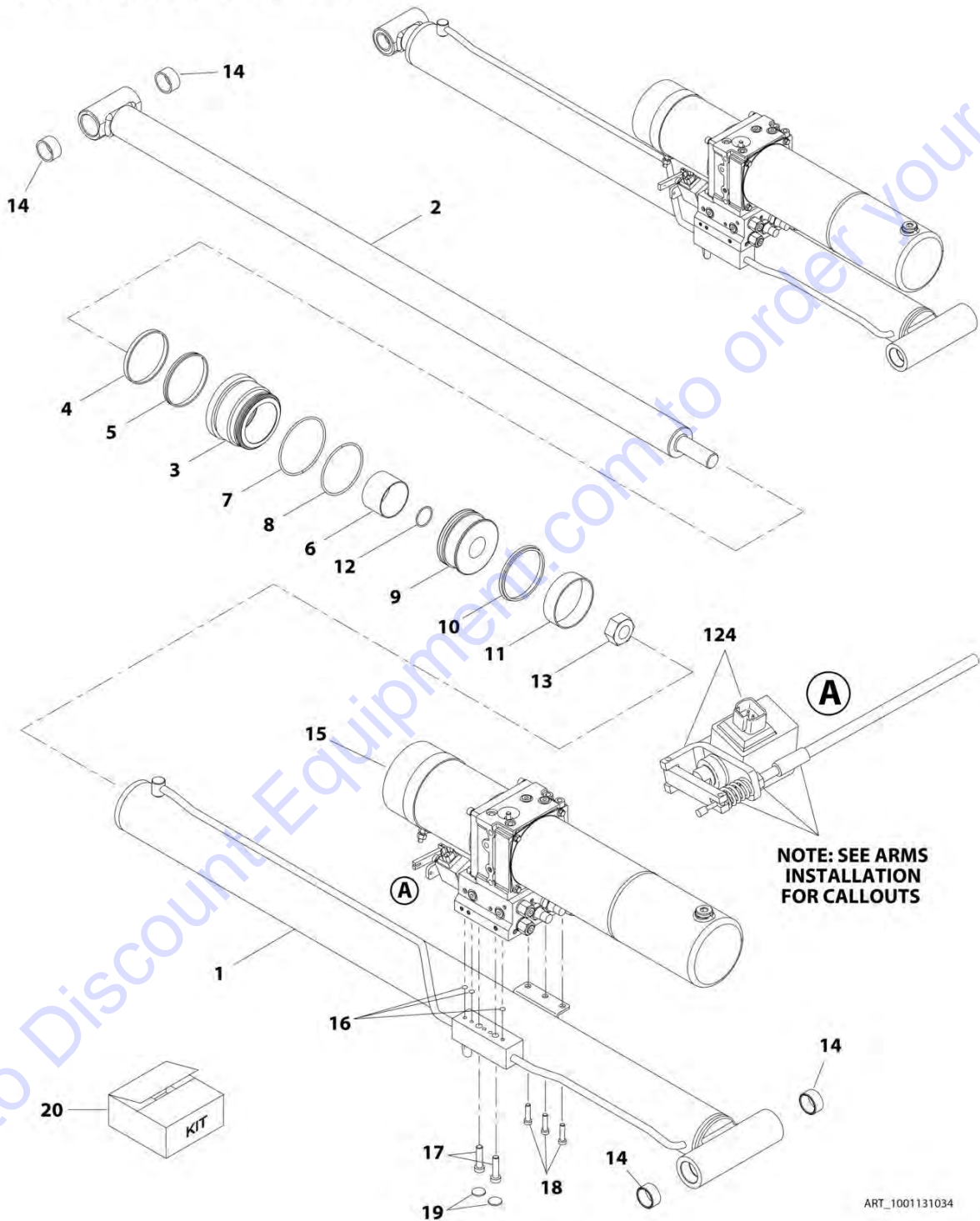




# SECTION 5 - CYLINDER

FIGURE 5-5. LIFT CYLINDER ASSEMBLY - 2032ES WITH BIODEGRADABLE HYDRAULIC OIL (SH-PAC)

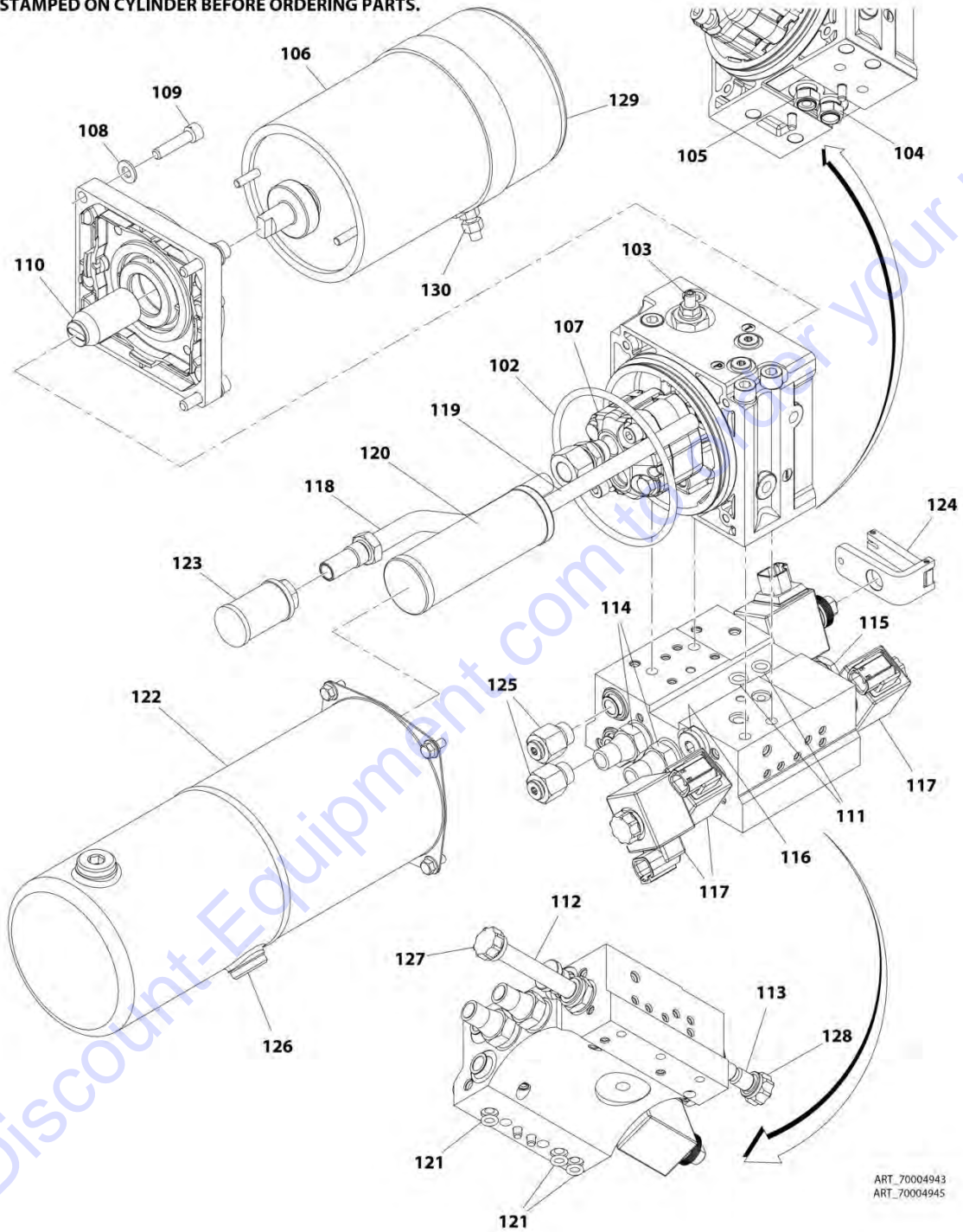
NOTE: IDENTIFY THE PART NUMBER STAMPED ON CYLINDER BEFORE ORDERING PARTS.



ART\_1001131034

# SECTION 5 - CYLINDER

NOTE: IDENTIFY THE PART NUMBER  
STAMPED ON CYLINDER BEFORE ORDERING PARTS.



## SECTION 5 - CYLINDER

**FIGURE 5-5. LIFT CYLINDER ASSEMBLY - 2032ES WITH BIODEGRADEABLE HYDRAULIC OIL (SH-PAC)**

ITEM	PART NUMBER	QTY	DESCRIPTION	REV
	1001131034	Ref	LIFT CYLINDER ASSEMBLY - 2032ES WITH BIODEGRADEABLE HYDRAULIC OIL (SH-PAC)	F
		Ref	Note: Original Cylinder May Have Been Replaced with Service Replacement. Identify PN Stamped on Cylinder Before Ordering Parts.	
1	70004628	1	Barrel	
2	70004629	1	Rod	
3	70004630	1	Head, Cylinder	
4	See Note	NSS	Seal, Dust (Note: Use Item 20)	
5	See Note	NSS	Seal (Note: Use Item 20)	
6	70004631	1	Bearing	
7	See Note	NSS	O-Ring (Note: Use Item 20)	
8	See Note	NSS	O-Ring (Note: Use Item 20)	
9	70004632	1	Piston	
10	See Note	NSS	Seal (Note: Use Item 20)	
11	See Note	NSS	Ring, Wear (Note: Use Item 20)	
12	See Note	NSS	O-Ring (Note: Use Item 20)	
13	70003663	1	Nut	
14	0962257	4	Bushing	
15	70004943	1	Motor/Pump/Tank Assembly (See Items 102-121 for Breakdown)	
16	See Note	NSS	O-Ring (Note: Use Item 20)	
17	70004624	2	Capscrew M10 x 40	
18	70004625	3	Capscrew M8 x 20	
19	70004626	2	Plug, Extension	
20	70004633	1	Seal Kit - Cylinder (Includes Items 4, 5, 7, 8, 10, 11, 12 & 16)	
		Ref	MOTOR/PUMP/TANK ASSEMBLY	
	70004943	1	Motor/Pump/Tank Assembly	
102	70004914	1	O-Ring	
103	70004915	1	Cartridge, Valve (Main Relief)	
104	70004916	1	Cartridge, Valve (Breather Vacuum Check)	
105	70004917	1	Cartridge, Valve (Breather Pressure Check)	
106	70004970	1	Kit, Motor (Includes motor, flange and ring)	
107	70005233	1	Kit, Pump (Includes pump and hardware)	
108	70004974	4	Washer M8	
109	70004975	4	Capscrew M8 x 60	
110	70004973	1	Shaft Coupling	
111	70004925	2	O-Ring	
112	70003028	1	Cartridge, Solenoid Valve Less Coil (Steer)	
113	70004926	1	Cartridge, Solenoid Valve Less Coil (Lift)	
114	70004927	2	Cartridge, Valve (Steer Relief)	
115	70004585	1	Cartridge, Valve (Lift Check)	
116	70004928	1	Filter 300 micron	
117	70003707	3	Coil	
118	70004941	1	Pipe, Suction	
119	70004942	1	Pipe, Return	
120	70004935	1	Filter, Bypass	
121	70004936	3	O-Ring	
122	70005239	1	Kit, Tank (Includes tank, plug, "o"-ring and screws)	
123	70005235	1	Kit, Filter (Includes strainer and seal ring)	

## SECTION 5 - CYLINDER

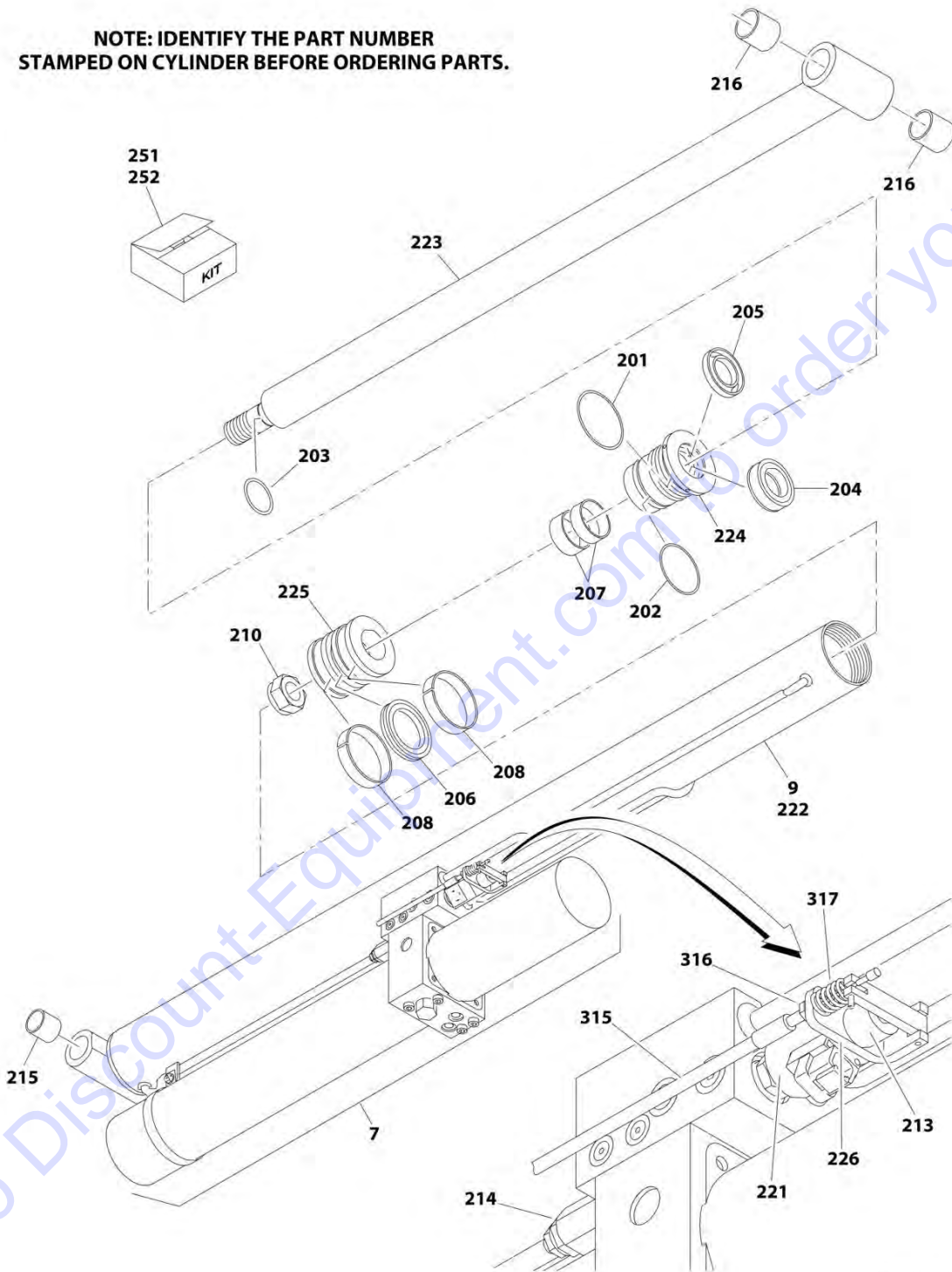
ITEM	PART NUMBER	QTY	DESCRIPTION	REV
124	70005236	1	Kit, Solenoid Valve (Includes solenoid, coil and lever)	
125	70005237	2	Kit, Fitting (Includes adapter, seal washer and plug)	
126	70004921	1	Plug	
127	70004654	1	Nut, Coil (for Item #112)	
128	70005238	1	Nut, Retaining (for Item #113)	
129	70004971	1	Kit, Brush	
130	70004972	1	Nut M8	

Go to Discount-Equipment.com to order your parts

# SECTION 5 - CYLINDER

## FIGURE 5-6. LIFT CYLINDER ASSEMBLY - 2632ES (TEXAS HYDRAULICS)

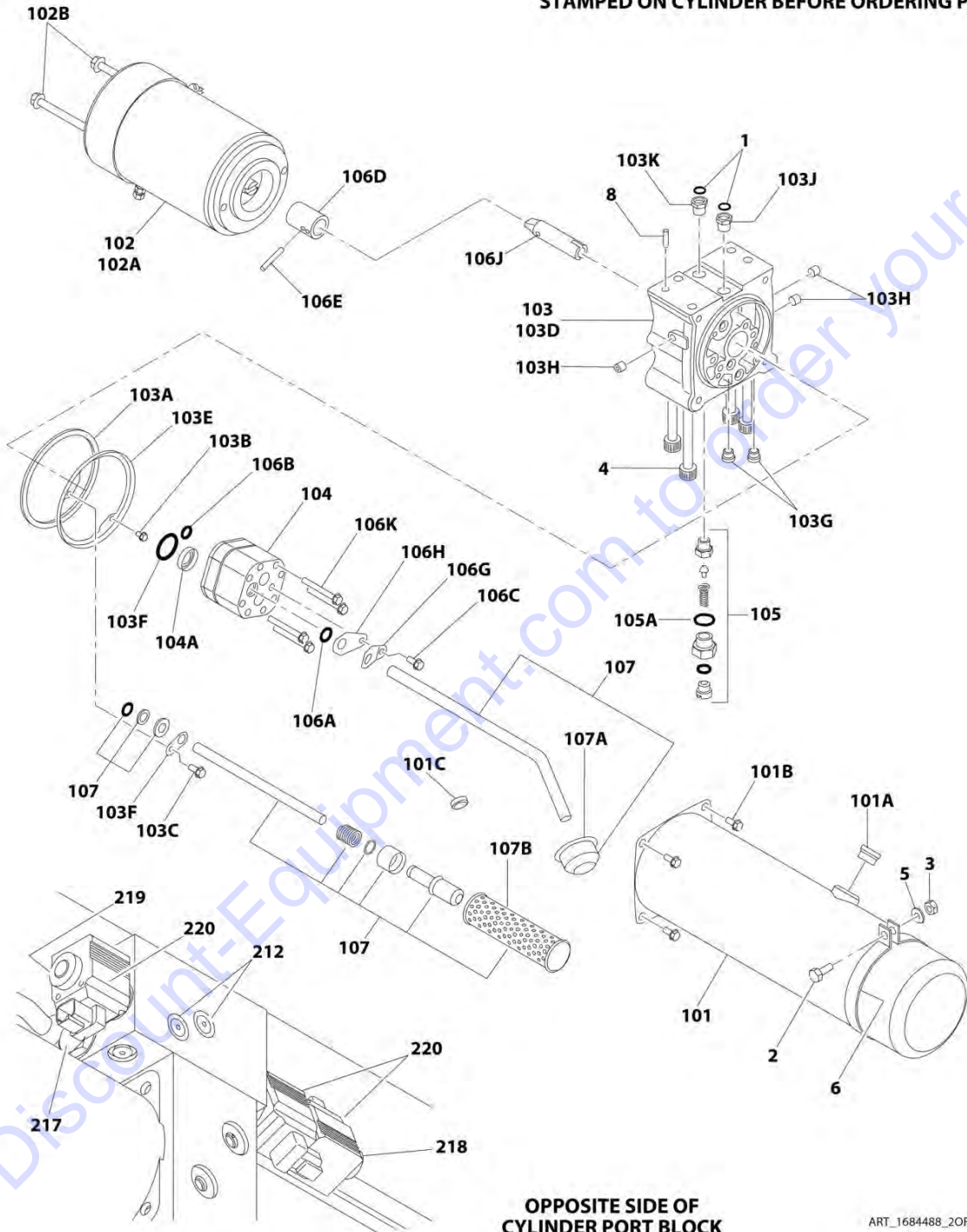
NOTE: IDENTIFY THE PART NUMBER STAMPED ON CYLINDER BEFORE ORDERING PARTS.



ART\_1684488\_10F2

# SECTION 5 - CYLINDER

**NOTE: IDENTIFY THE PART NUMBER STAMPED ON CYLINDER BEFORE ORDERING PARTS.**



**OPPOSITE SIDE OF CYLINDER PORT BLOCK**

ART\_1684488\_20F2

## SECTION 5 - CYLINDER

**FIGURE 5-6. LIFT CYLINDER ASSEMBLY - 2632ES (TEXAS HYDRAULICS)**

ITEM	PART NUMBER	QTY	DESCRIPTION	REV
		Ref	LIFT CYLINDER ASSEMBLY - 2632ES (TEXAS HYDRAULICS)	
	1684488	Ref	Lift Cylinder Assembly 2632ES with Standard Hydraulic Oil	H
	1684528	Ref	Lift Cylinder Assembly 2632ES with Biodegradeable Hydraulic Oil	G
		Ref	Note: Original Cylinder May Have Been Replaced with Service Replacement. Identify PN Stamped on Cylinder Before Ordering Parts.	
1	7023577	2	O-Ring	
2	See Note	NSS	Capscrew (Note: Purchase Locally)	
3	See Note	NSS	Locknut (Note: Purchase Locally)	
4	7023589	4	Capscrew	
5	See Note	NSS	Flatwasher (Note: Purchase Locally)	
6	7023539	1	Clamp	
7	7023568	1	Power Pack Assembly - Complete (See Items 101-107B for Breakdown)	
8	70003646	2	Pin, Dowel	
8	70003645	2	Roll Pin	
9	See Note	NSS	Cylinder Assembly Only (Note: See Items 201-227 for Breakdown)	
	7023568	Ref	POWER PACK ASSEMBLY - COMPLETE	
101	7023585	1	Tank Kit (Note: Includes Tank and Items 101A-101C)	
101A	7023593	1	Plug, Fill	
101B	See Note	NSS	Screw (Note: Use Item 101)	
101C	See Note	NSS	Magnet (Note: Use Item 101)	
102	7023570	1	Motor	
102A	70000658	1	Brush Kit - 7023570 Motor	
102B	See Note	NSS	Screw (Note: Purchase Locally)	
103	7023571	1	Adapter Kit	
103A	70000335	1	O-Ring	
103B	See Note	NSS	Screw (Note: Use Item 103)	
103C	See Note	NSS	Screw (Note: Use Item 103)	
103D	See Note	NSS	Adapter (Note: Use Item 103)	
103E	See Note	NSS	Seal (Note: Use Item 252A or 252B)	
103F	See Note	NSS	Retainer (Note: Use Item 103)	
103G	2220883	2	Plug	
103H	See Note	NSS	Plug (Note: Use Item 103)	
103J	See Note	NSS	Breather 9/16-12UNC (Note: Use Item 103)	
103K	See Note	NSS	Breather 9/16-18SAE (Note: Use Item 103)	
104	7023580	1	Pump (Note: Shaft Seal is only Repair Part Available. No Other Service Parts Available - Replace Complete Pump.)	
104A	See Note	NSS	Seal, Shaft (Note: Use Item 252)	
105	7023573	1	Relief Valve Assembly	
105A	7023591	1	Sealing Washer	
106		Ref	Power Pack Miscellaneous Service Parts	
106A	See Note	NSS	Seal (Note: Use Item 7)	
106B	See Note	NSS	Seal (Note: Use Item 252)	
106C	See Note	NSS	Screw (Note: Use Item 7)	
106D	See Note	NSS	Sleeve (Note: Use Item 106J)	
106E	See Note	NSS	Roll Pin (Note: Use Item 106J)	
106F	See Note	NSS	Seal (Note: Use Item 252)	
106G	See Note	NSS	Tab, Locking (Note: Use Item 7)	
106H	See Note	NSS	Retainer, Tube (Note: Use Item 7)	

## SECTION 5 - CYLINDER

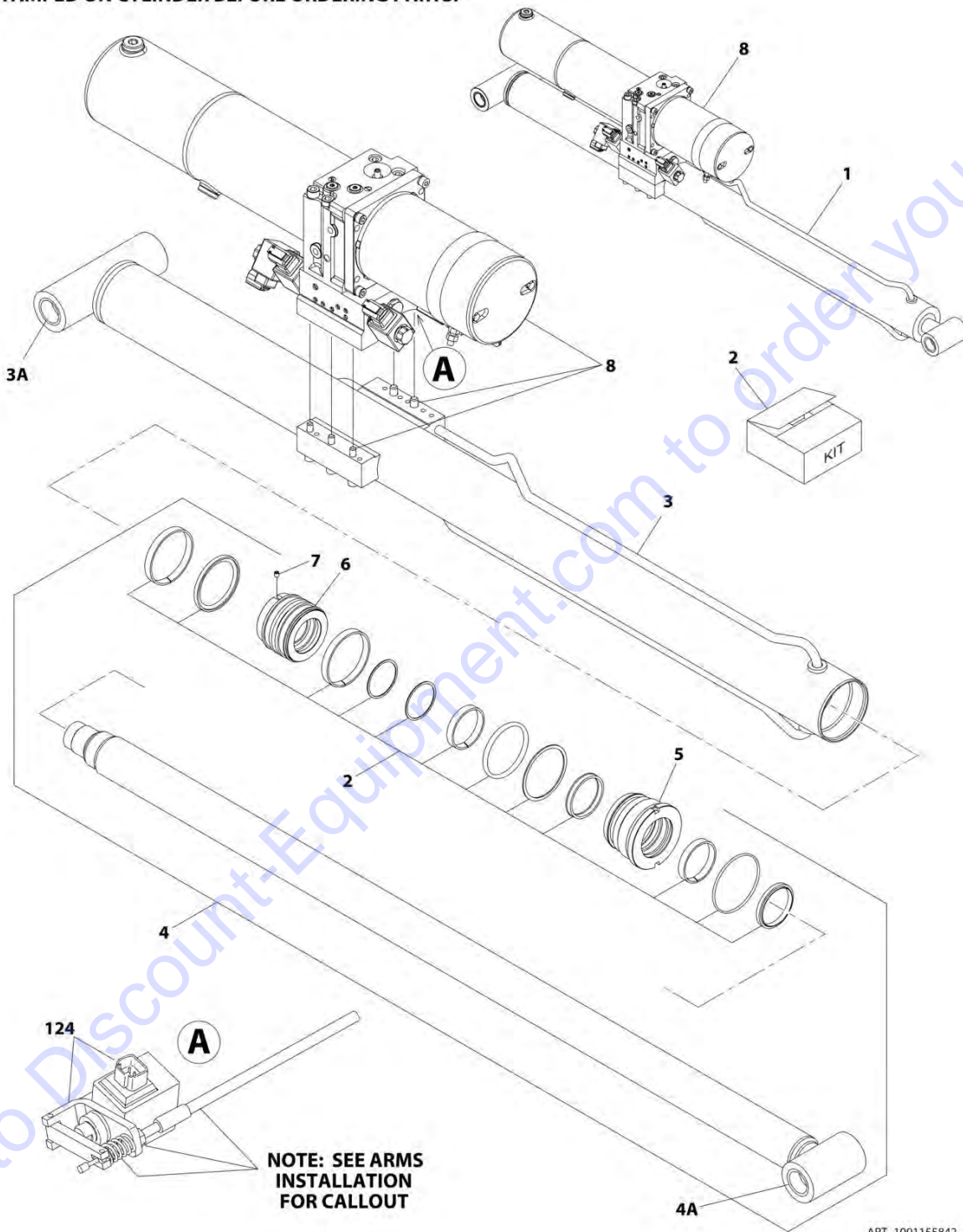
ITEM	PART NUMBER	QTY	DESCRIPTION	REV
106J	7023574	1	Coupler Kit (Includes Items 106D & 106E)	
106K	See Note	NSS	Screw (Note: Use Item 7)	
107	7023586	1	Tube Kit Options	
107A	See Note	NSS	Strainer (Note: Use Item 107)	
107B	7023576	1	Filter Element (Includes Seal)	
		Ref	CYLINDER ASSEMBLY ONLY COMPONENTS	
201	See Note	NSS	O-Ring (Note: Use Item 251)	
202	See Note	NSS	O-Ring (Note: Use Item 251)	
203	See Note	NSS	O-Ring (Note: Use Item 251)	
204	See Note	NSS	Seal (Note: Use Item 251)	
205	See Note	NSS	Wiper (Note: Use Item 251)	
206	See Note	NSS	Seal (Note: Use Item 251) (Note: This is a 3 piece seal. Assembly may be required)	
207	See Note	NSS	Ring, Wear (Note: Use Item 251)	
208	See Note	NSS	Ring, Wear (Note: Use Item 251)	
210	See Note	NSS	Locknut (Note: Purchase Complete Assembly)	
211	2220883	4	Plug, Steel (SAE #4) (Not Shown)	
212	2220882	8	Plug, Steel (SAE #3)	
213	7023543	1	Valve, Proportional (Lift Down)	
214	7023542	1	Valve, Relief (Steer)	
215	0962257	2	Bushing	
216	0962257	2	Bushing	
217	7023538	1	Valve, Check	
218	7023537	1	Directional Control Valve (Steer)	
219	7023536	1	Directional Control Valve (Lift Up)	
220	70000798	3	Coil (Steer and Lift Up)	
221	70000799	1	Coil (Lift Down)	
222	7023548	1	Barrel	
223	7023547	1	Rod	
224	7023546	1	Head	
225	7023545	1	Piston	
226	7023530		Emergency Release Assembly	
		Ref	SEAL KIT OPTIONS	
251	7023544	1	Seal Kit - Cylinder (Includes Items 201-208)	
252	70001709	1	Seal Kit - Reservoir/Pump (Includes 103A, 103E, 104A, 106B & 106F)	
		Ref	MANUAL DESCENT COMPONENTS	
315	1061034	1	Cable, Pull	
315	7020218	1	T-Handle (With 1/4-20 Threads)	
315	70001878	1	T-Handle (With 5mm Threads)	
316	3321402	1	Nut, Jam 1/4-18NF	
317	4160078	1	Spring	



# SECTION 5 - CYLINDER

FIGURE 5-7. LIFT CYLINDER ASSEMBLY - 2632ES WITH STANDARD HYDRAULIC OIL (SERTA)

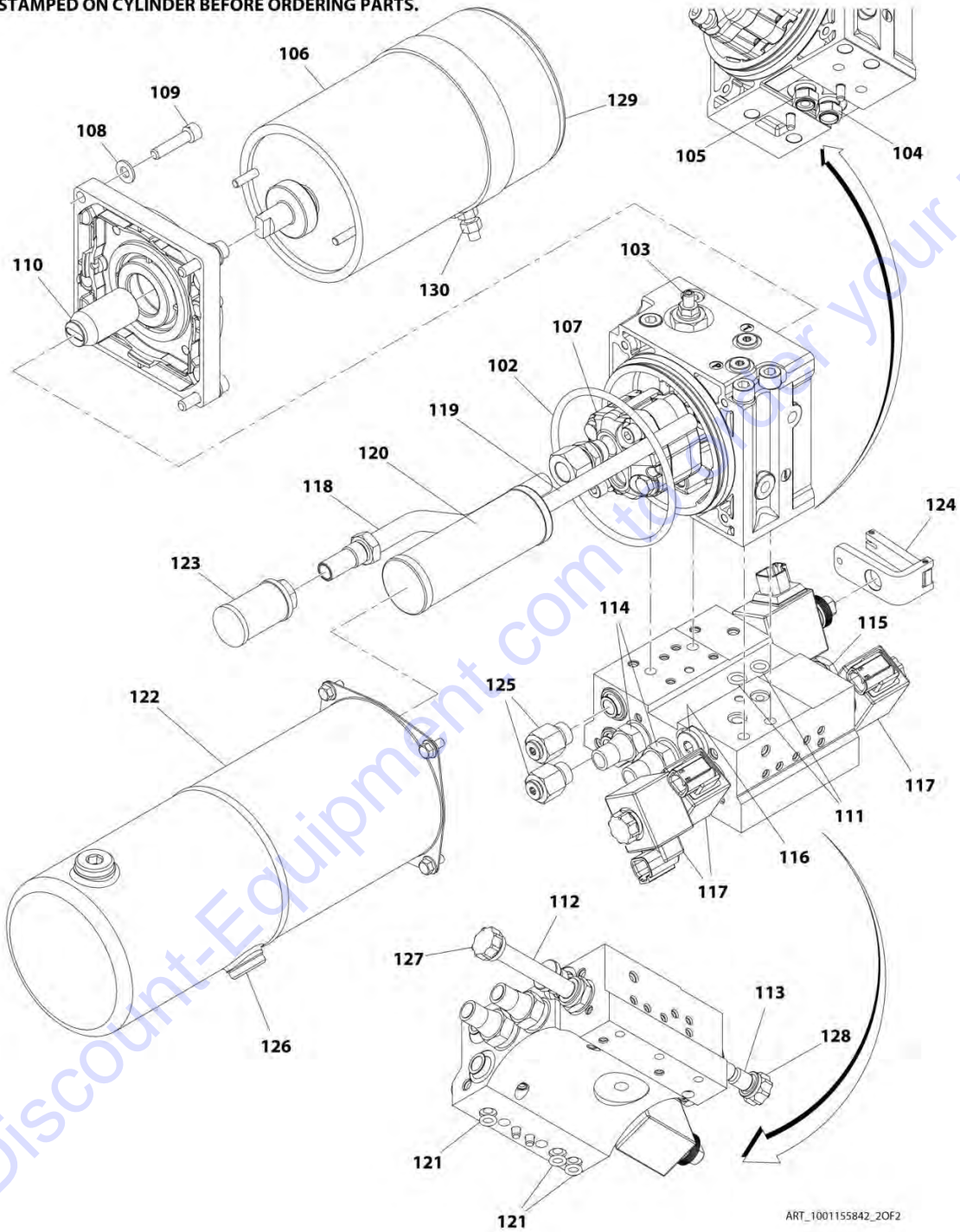
**NOTE: IDENTIFY THE PART NUMBER STAMPED ON CYLINDER BEFORE ORDERING PARTS.**



ART\_1001155842\_10F2

# SECTION 5 - CYLINDER

NOTE: IDENTIFY THE PART NUMBER  
STAMPED ON CYLINDER BEFORE ORDERING PARTS.



ART\_1001155842\_20F2

## SECTION 5 - CYLINDER

FIGURE 5-7. LIFT CYLINDER ASSEMBLY - 2632ES WITH STANDARD HYDRAULIC OIL (SERTA)

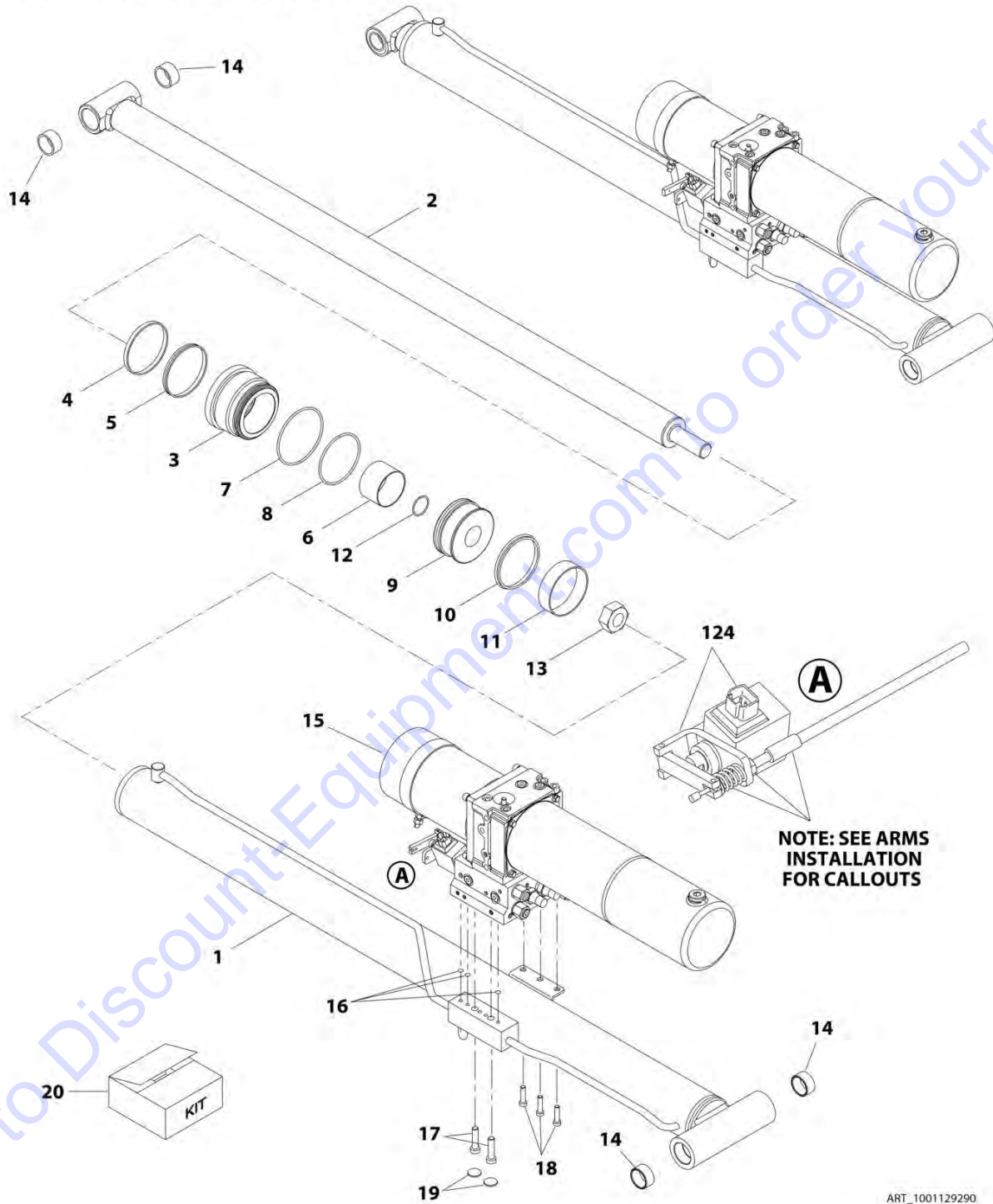
ITEM	PART NUMBER	QTY	DESCRIPTION	REV
	1001155842	Ref	LIFT CYLINDER ASSEMBLY - 2632ES WITH STANDARD HYDRAULIC OIL (SERTA)	D
		Ref	Note: Original Cylinder May Have Been Replaced with Service Replacement. Identify PN Stamped on Cylinder Before Ordering Parts.	
1	70004729	1	Cylinder Assembly Less Powerpack	
2	70004728	1	Seal Kit	
3	70004727	1	Barrel	
3A	0962257	2	Bushing	
4	70004722	1	Rod Assembly (Includes Items 2, 4A, 5, 6 & 7)	
4A	0962257	1	Bushing	
5	70006090	1	Head, Cylinder	
6	7005323	1	Piston	
7	70023915	1	Screw	
8	70004945	1	Motor/Pump/Tank Assembly (Includes Items 102-121)	
		Ref	MOTOR/PUMP/TANK ASSEMBLY	
	70004945	1	Motor/Pump/Tank Assembly	
102	70004914	1	O-Ring	
103	70004915	1	Cartridge, Valve (Main Relief)	
104	70004916	1	Cartridge, Valve (Breather Vacuum Check)	
105	70004917	1	Cartridge, Valve (Breather Pressure Check)	
106	70004970	1	Kit, Motor (Includes motor, flange and ring)	
107	70005233	1	Kit, Pump (Includes pump and hardware)	
108	70004974	4	Washer M8	
109	70004975	4	Capscrew M8 x 60	
110	70004973	1	Shaft Coupling	
111	70004925	2	O-Ring	
112	70003028	1	Cartridge, Solenoid Valve Less Coil (Steer)	
113	70004926	1	Cartridge, Solenoid Valve Less Coil (Lift)	
114	70004927	2	Cartridge, Valve (Steer Relief)	
115	70004585	1	Cartridge, Valve (Lift Check)	
116	70004928	1	Filter 300 micron	
117	70003707	3	Coil	
118	70004941	1	Pipe, Suction	
119	70004942	1	Pipe, Return	
120	70004935	1	Filter, Bypass	
121	70004936	3	O-Ring	
122	70005240	1	Kit, Tank (Includes tank, plug, "o"-ring and screws)	
123	70005235	1	Kit, Filter (Includes strainer and seal ring)	
124	70005236	1	Kit, Solenoid Valve (Includes solenoid, coil and lever)	
125	70005237	2	Kit, Fitting (Includes adapter, seal washer and plug)	
126	70004921	1	Plug	
127	70004654	1	Nut, Coil (for Item #112)	
128	70005238	1	Nut, Retaining (for Item #113)	
129	70004971	1	Kit, Brush	
130	70004972	1	Nut M8	



# SECTION 5 - CYLINDER

FIGURE 5-8. LIFT CYLINDER ASSEMBLY - 2632ES WITH STANDARD HYDRAULIC OIL (SH-PAC)

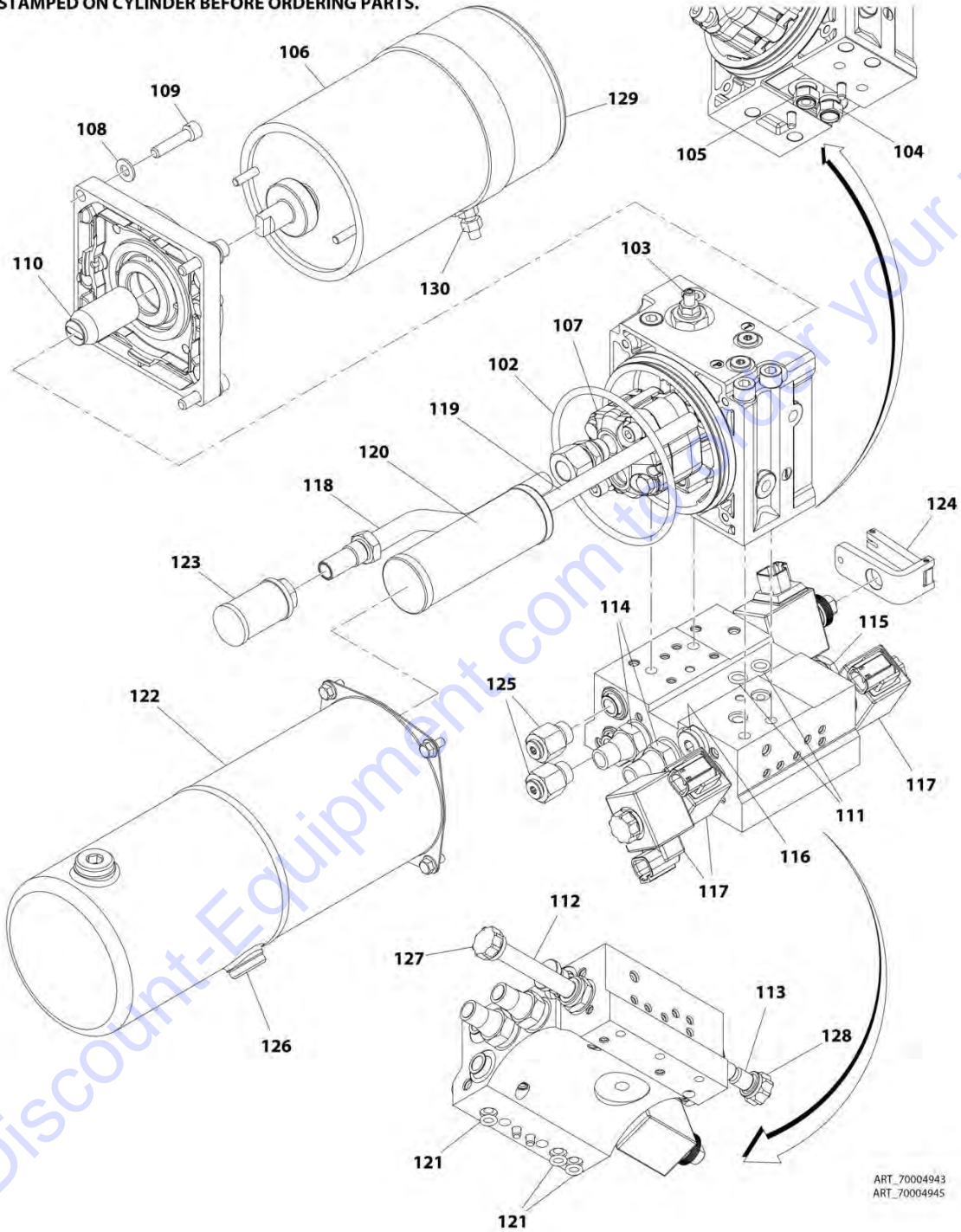
NOTE: IDENTIFY THE PART NUMBER STAMPED ON CYLINDER BEFORE ORDERING PARTS.



ART\_1001129290

# SECTION 5 - CYLINDER

NOTE: IDENTIFY THE PART NUMBER  
STAMPED ON CYLINDER BEFORE ORDERING PARTS.



## SECTION 5 - CYLINDER

**FIGURE 5-8. LIFT CYLINDER ASSEMBLY - 2632ES WITH STANDARD HYDRAULIC OIL (SH-PAC)**

ITEM	PART NUMBER	QTY	DESCRIPTION	REV
	1001129290	Ref	LIFT CYLINDER ASSEMBLY - 2632ES WITH STANDARD HYDRAULIC OIL (SH-PAC)	F
		Ref	Note: Original Cylinder May Have Been Replaced with Service Replacement. Identify PN Stamped on Cylinder Before Ordering Parts.	
1	70004628	1	Barrel	
2	70004629	1	Rod	
3	70004630	1	Head, Cylinder	
4	See Note	NSS	Seal, Dust (Note: Use Item 20)	
5	See Note	NSS	Seal (Note: Use Item 20)	
6	70004631	1	Bearing	
7	See Note	NSS	O-Ring (Note: Use Item 20)	
8	See Note	NSS	O-Ring (Note: Use Item 20)	
9	70004632	1	Piston	
10	See Note	NSS	Seal (Note: Use Item 20)	
11	See Note	NSS	Ring, Wear (Note: Use Item 20)	
12	See Note	NSS	O-Ring (Note: Use Item 20)	
13	70003663	1	Nut	
14	0962257	4	Bushing	
15	70004945	1	Motor/Pump/Tank Assembly (See Items 102-121 for Breakdown)	
16	See Note	NSS	O-Ring (Note: Use Item 20)	
17	70004624	2	Capscrew M10 x 40	
18	70004625	3	Capscrew M8 x 20	
19	70004626	2	Plug, Extension	
20	70004633	1	Seal Kit - Cylinder (Includes Items 4, 5, 7, 8, 10, 11, 12 & 16)	
		Ref	MOTOR/PUMP/TANK ASSEMBLY	
	70004945	1	Motor/Pump/Tank Assembly	
102	70004914	1	O-Ring	
103	70004915	1	Cartridge, Valve (Main Relief)	
104	70004916	1	Cartridge, Valve (Breather Vacuum Check)	
105	70004917	1	Cartridge, Valve (Breather Pressure Check)	
106	70004970	1	Kit, Motor (Includes motor, flange and ring)	
107	70005233	1	Kit, Pump (Includes pump and hardware)	
108	70004974	4	Washer M8	
109	70004975	4	Capscrew M8 x 60	
110	70004973	1	Shaft Coupling	
111	70004925	2	O-Ring	
112	70003028	1	Cartridge, Solenoid Valve Less Coil (Steer)	
113	70004926	1	Cartridge, Solenoid Valve Less Coil (Lift)	
114	70004927	2	Cartridge, Valve (Steer Relief)	
115	70004585	1	Cartridge, Valve (Lift Check)	
116	70004928	1	Filter 300 micron	
117	70003707	3	Coil	
118	70004941	1	Pipe, Suction	
119	70004942	1	Pipe, Return	
120	70004935	1	Filter, Bypass	
121	70004936	3	O-Ring	
122	70005240	1	Kit, Tank (Includes tank, plug, "o"-ring and screws)	
123	70005235	1	Kit, Filter (Includes strainer and seal ring)	
124	70005236	1	Kit, Solenoid Valve (Includes solenoid, coil and lever)	

## SECTION 5 - CYLINDER

ITEM	PART NUMBER	QTY	DESCRIPTION	REV
125	70005237	1	Kit, Fitting (Includes adapter, seal washer and plug)	
126	70004921	1	Plug	
127	70004654	1	Nut, Coil (for Item #112)	
128	70005238	1	Nut, Retaining (for Item #113)	
129	70004971	1	Kit, Brush	
130	70004972	1	Nut M8	

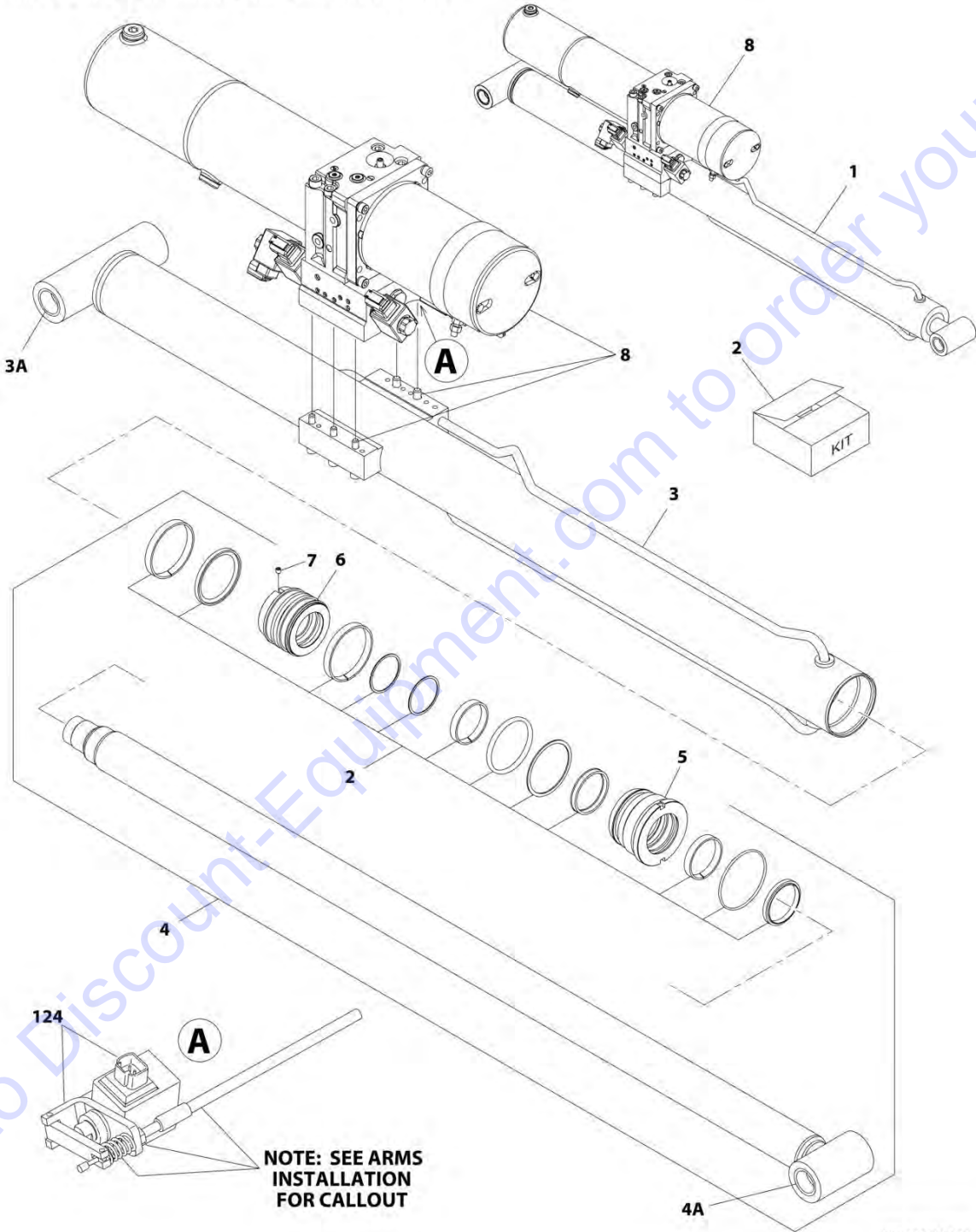
Go to Discount-Equipment.com to order your parts



# SECTION 5 - CYLINDER

FIGURE 5-9. LIFT CYLINDER ASSEMBLY - 2632ES WITH BIODEGRADABLE HYDRAULIC OIL (SERTA)

NOTE: IDENTIFY THE PART NUMBER STAMPED ON CYLINDER BEFORE ORDERING PARTS.

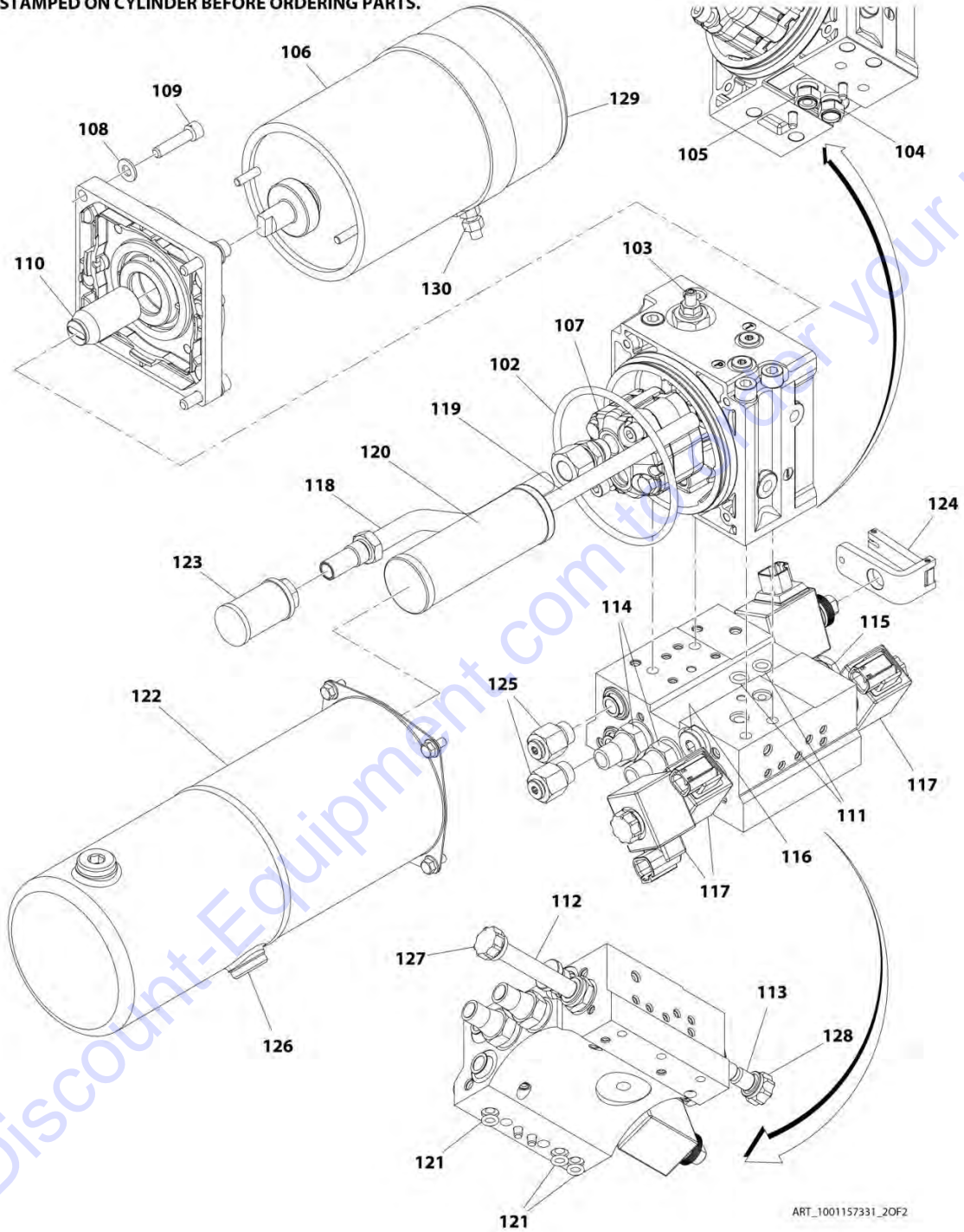


NOTE: SEE ARMS INSTALLATION FOR CALLOUT

ART\_1001157331\_10F2

# SECTION 5 - CYLINDER

NOTE: IDENTIFY THE PART NUMBER  
STAMPED ON CYLINDER BEFORE ORDERING PARTS.



## SECTION 5 - CYLINDER

**FIGURE 5-9. LIFT CYLINDER ASSEMBLY - 2632ES WITH BIODEGRADEABLE HYDRAULIC OIL (SERTA)**

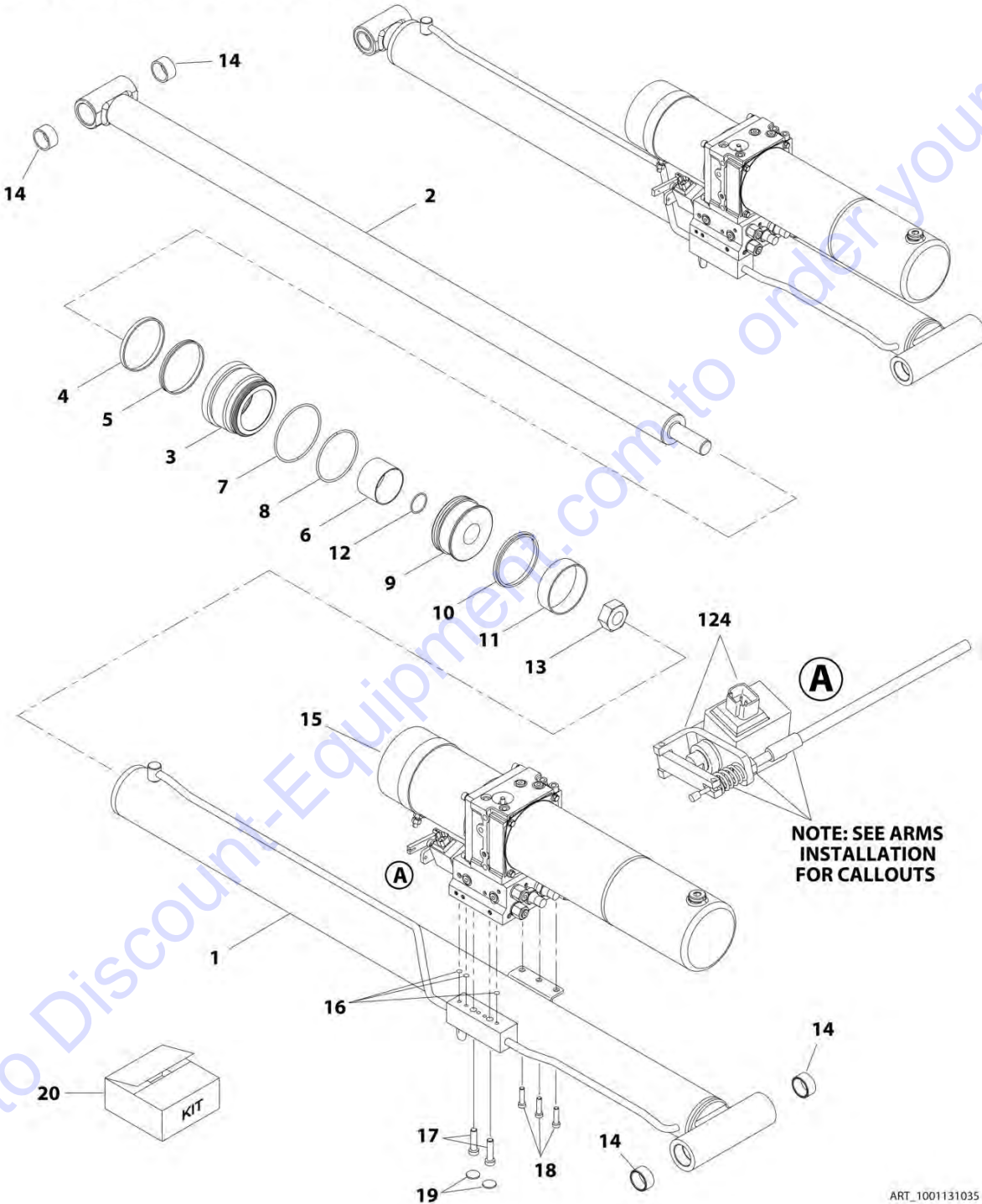
ITEM	PART NUMBER	QTY	DESCRIPTION	REV
	1001157331	Ref	LIFT CYLINDER ASSEMBLY - 2632ES WITH BIODEGRADEABLE HYDRAULIC OIL (SERTA)	C
		Ref	Note: Original Cylinder May Have Been Replaced with Service Replacement. Identify PN Stamped on Cylinder Before Ordering Parts.	
1	70004729	1	Cylinder Assembly Less Powerpack	
2	70004728	1	Seal Kit	
3	70004727	1	Barrel	
3A	0962257	2	Bushing	
4	70004722	1	Rod Assembly (Includes Items 2, 4A, 5, 6 & 7)	
4A	0962257	1	Bushing	
5	70006090	1	Head, Cylinder	
6	70025323	1	Piston	
7	70023915	1	Screw	
8	70004945	1	Motor/Pump/Tank Assembly (Includes Items 102-121)	
		Ref	MOTOR/PUMP/TANK ASSEMBLY	
	70004945	1	Motor/Pump/Tank Assembly	
102	70004914	1	O-Ring	
103	70004915	1	Cartridge, Valve (Main Relief)	
104	70004916	1	Cartridge, Valve (Breather Vacuum Check)	
105	70004917	1	Cartridge, Valve (Breather Pressure Check)	
106	70004970	1	Kit, Motor (Includes motor, flange and ring)	
107	70005233	1	Kit, Pump (Includes pump and hardware)	
108	70004974	4	Washer M8	
109	70004975	4	Capscrew M8 x 60	
110	70004973	1	Shaft Coupling	
111	70004925	2	O-Ring	
112	70003028	1	Cartridge, Solenoid Valve Less Coil (Steer)	
113	70004926	1	Cartridge, Solenoid Valve Less Coil (Lift)	
114	70004927	2	Cartridge, Valve (Steer Relief)	
115	70004585	1	Cartridge, Valve (Lift Check)	
116	70004928	1	Filter 300 micron	
117	70003707	3	Coil	
118	70004941	1	Pipe, Suction	
119	70004942	1	Pipe, Return	
120	70004935	1	Filter, Bypass	
121	70004936	3	O-Ring	
122	70005240	1	Kit, Tank (Includes tank, plug, "o"-ring and screws)	
123	70005235	1	Kit, Filter (Includes strainer and seal ring)	
124	70005236	1	Kit, Solenoid Valve (Includes solenoid, coil and lever)	
125	70005237	2	Kit, Fitting (Includes adapter, seal washer and plug)	
126	70004921	1	Plug	
127	70004654	1	Nut, Coil (for Item #112)	
128	70005238	1	Nut, Retaining (for Item #113)	
129	70004971	1	Kit, Brush	
130	70004972	1	Nut M8	



# SECTION 5 - CYLINDER

FIGURE 5-10. LIFT CYLINDER ASSEMBLY - 2632ES WITH BIODEGRADEABLE HYDRAULIC OIL (SH-PAC)

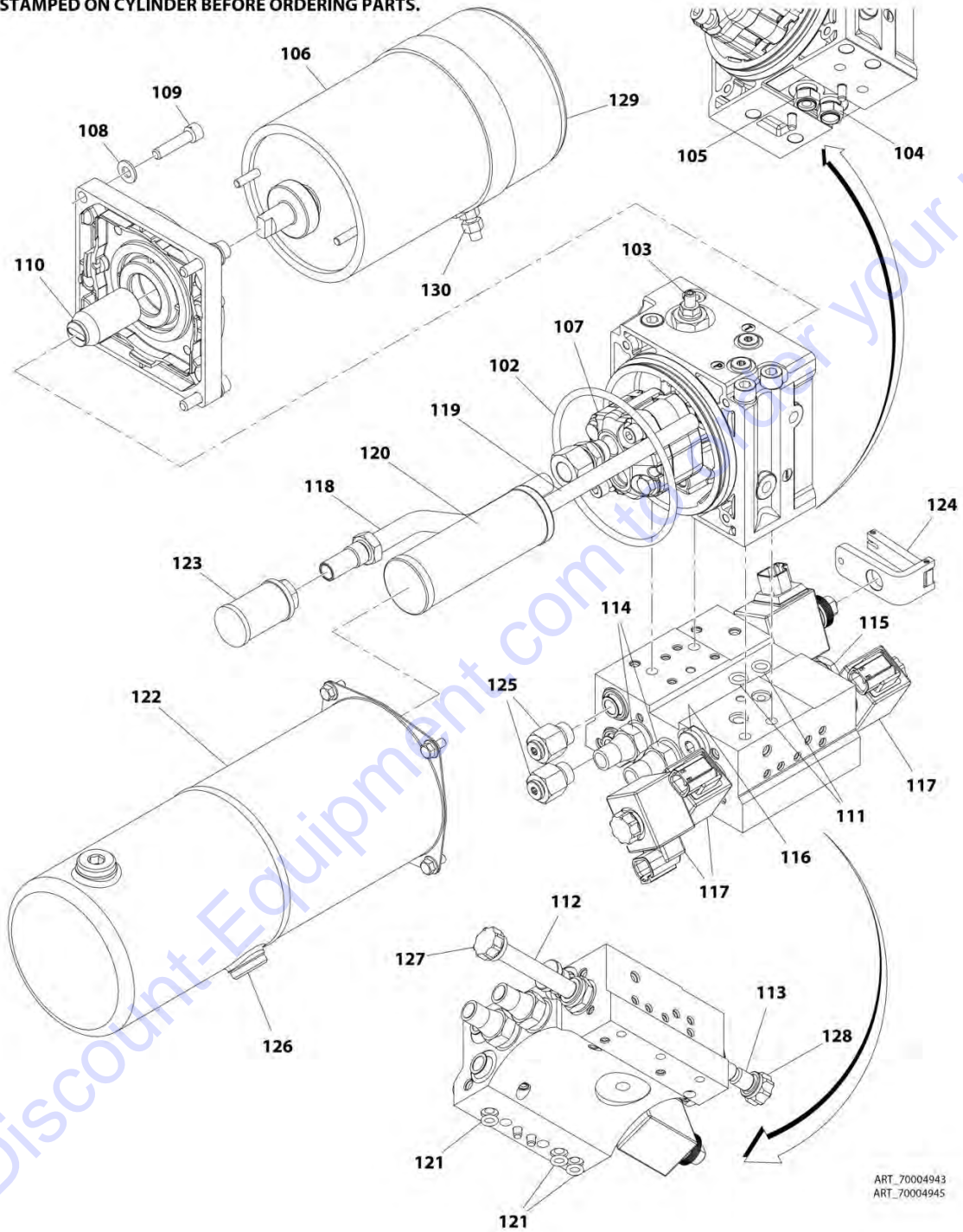
NOTE: IDENTIFY THE PART NUMBER STAMPED ON CYLINDER BEFORE ORDERING PARTS.



ART\_1001131035

# SECTION 5 - CYLINDER

NOTE: IDENTIFY THE PART NUMBER  
STAMPED ON CYLINDER BEFORE ORDERING PARTS.



## SECTION 5 - CYLINDER

**FIGURE 5-10. LIFT CYLINDER ASSEMBLY - 2632ES WITH BIODEGRADEABLE HYDRAULIC OIL (SH-PAC)**

ITEM	PART NUMBER	QTY	DESCRIPTION	REV
	1001131035	Ref	LIFT CYLINDER ASSEMBLY - 2632ES WITH BIODEGRADEABLE HYDRAULIC OIL (SH-PAC)	F
		Ref	Note: Original Cylinder May Have Been Replaced with Service Replacement. Identify PN Stamped on Cylinder Before Ordering Parts.	
1	70004628	1	Barrel	
2	70004629	1	Rod	
3	70004630	1	Head, Cylinder	
4	See Note	NSS	Seal, Dust (Note: Use Item 20)	
5	See Note	NSS	Seal (Note: Use Item 20)	
6	70004631	1	Bearing	
7	See Note	NSS	O-Ring (Note: Use Item 20)	
8	See Note	NSS	O-Ring (Note: Use Item 20)	
9	70004632	1	Piston	
10	See Note	NSS	Seal (Note: Use Item 20)	
11	See Note	NSS	Ring, Wear (Note: Use Item 20)	
12	See Note	NSS	O-Ring (Note: Use Item 20)	
13	70003663	1	Nut	
14	0962257	4	Bushing	
15	70004945	1	Motor/Pump/Tank Assembly (See Items 102-121 for Breakdown)	
16	See Note	NSS	O-Ring (Note: Use Item 20)	
17	70004624	2	Capscrew M10 x 40	
18	70004625	3	Capscrew M8 x 20	
19	70004626	2	Plug, Extension	
20	70004633	1	Seal Kit - Cylinder (Includes Items 4, 5, 7, 8, 10, 11, 12 & 16)	
		Ref	MOTOR/PUMP/TANK ASSEMBLY	
	70004945	1	Motor/Pump/Tank Assembly	
102	70004914	1	O-Ring	
103	70004915	1	Cartridge, Valve (Main Relief)	
104	70004916	1	Cartridge, Valve (Breather Vacuum Check)	
105	70004917	1	Cartridge, Valve (Breather Pressure Check)	
106	70004970	1	Kit, Motor (Includes motor, flange and ring)	
107	70005233	1	Kit, Pump (Includes pump and hardware)	
108	70004974	4	Washer M8	
109	70004975	4	Capscrew M8 x 60	
110	70004973	1	Shaft Coupling	
111	70004925	2	O-Ring	
112	70003028	1	Cartridge, Solenoid Valve Less Coil (Steer)	
113	70004926	1	Cartridge, Solenoid Valve Less Coil (Lift)	
114	70004927	2	Cartridge, Valve (Steer Relief)	
115	70004585	1	Cartridge, Valve (Lift Check)	
116	70004928	1	Filter 300 micron	
117	70003707	3	Coil	
118	70004941	1	Pipe, Suction	
119	70004942	1	Pipe, Return	
120	70004935	1	Filter, Bypass	
121	70004936	3	O-Ring	
122	70005240	1	Kit, Tank (Includes tank, plug, "o"-ring and screws)	
123	70005235	1	Kit, Filter (Includes strainer and seal ring)	

## SECTION 5 - CYLINDER

ITEM	PART NUMBER	QTY	DESCRIPTION	REV
124	70005236	1	Kit, Solenoid Valve (Includes solenoid, coil and lever)	
125	70005237	2	Kit, Fitting (Includes adapter, seal washer and plug)	
126	70004921	1	Plug	
127	70004654	1	Nut, Coil (for Item #112)	
128	70005238	1	Nut, Retaining (for Item #113)	
129	70004971	1	Kit, Brush	
130	70004972	1	Nut M8	

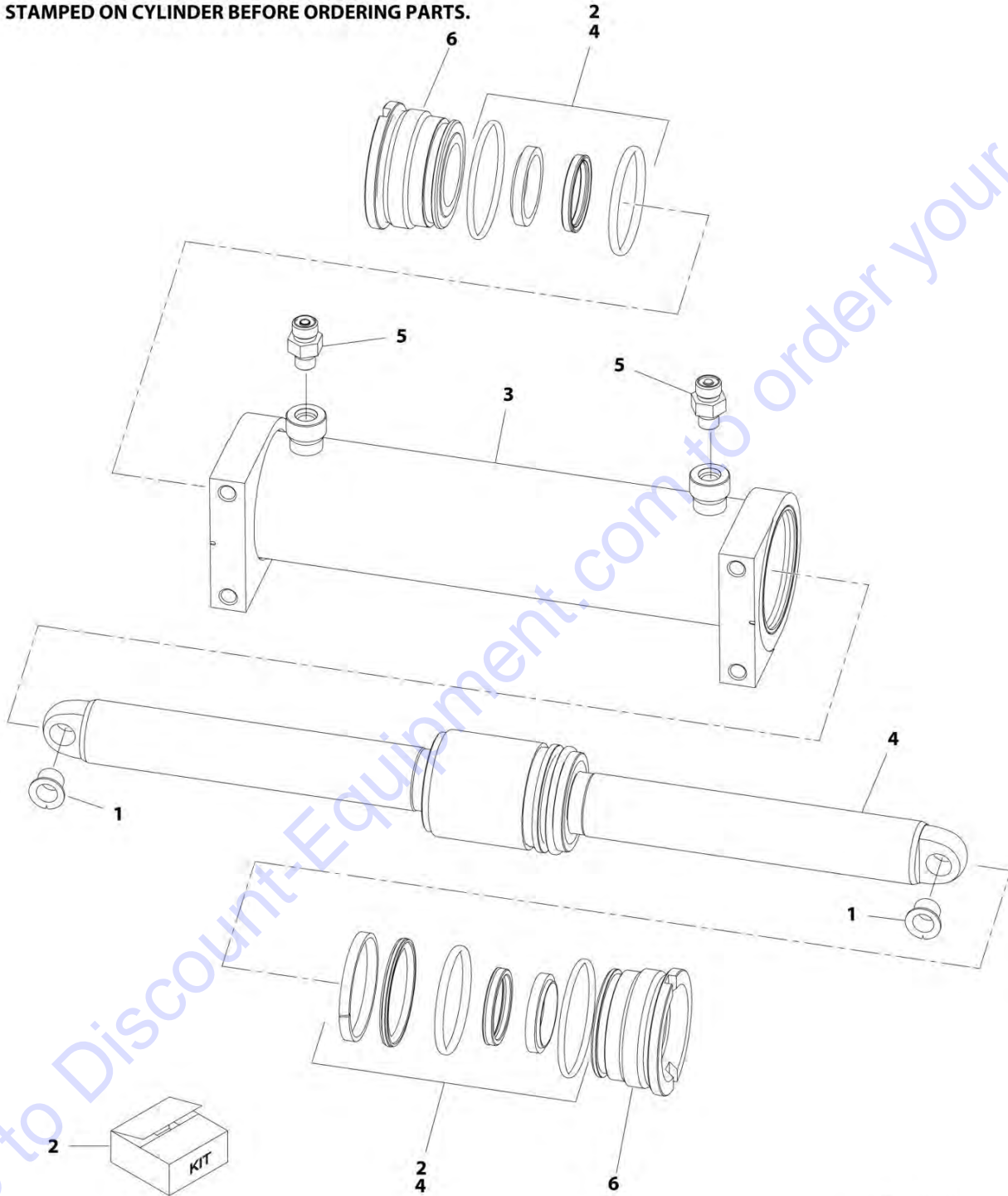
Go to Discount-Equipment.com to order your parts



# SECTION 5 - CYLINDER

## FIGURE 5-11. STEER CYLINDER ASSEMBLY (SERTA)

**NOTE: IDENTIFY THE PART NUMBER STAMPED ON CYLINDER BEFORE ORDERING PARTS.**



ART\_1001177435

## SECTION 5 - CYLINDER

**FIGURE 5-11. STEER CYLINDER ASSEMBLY (SERTA)**

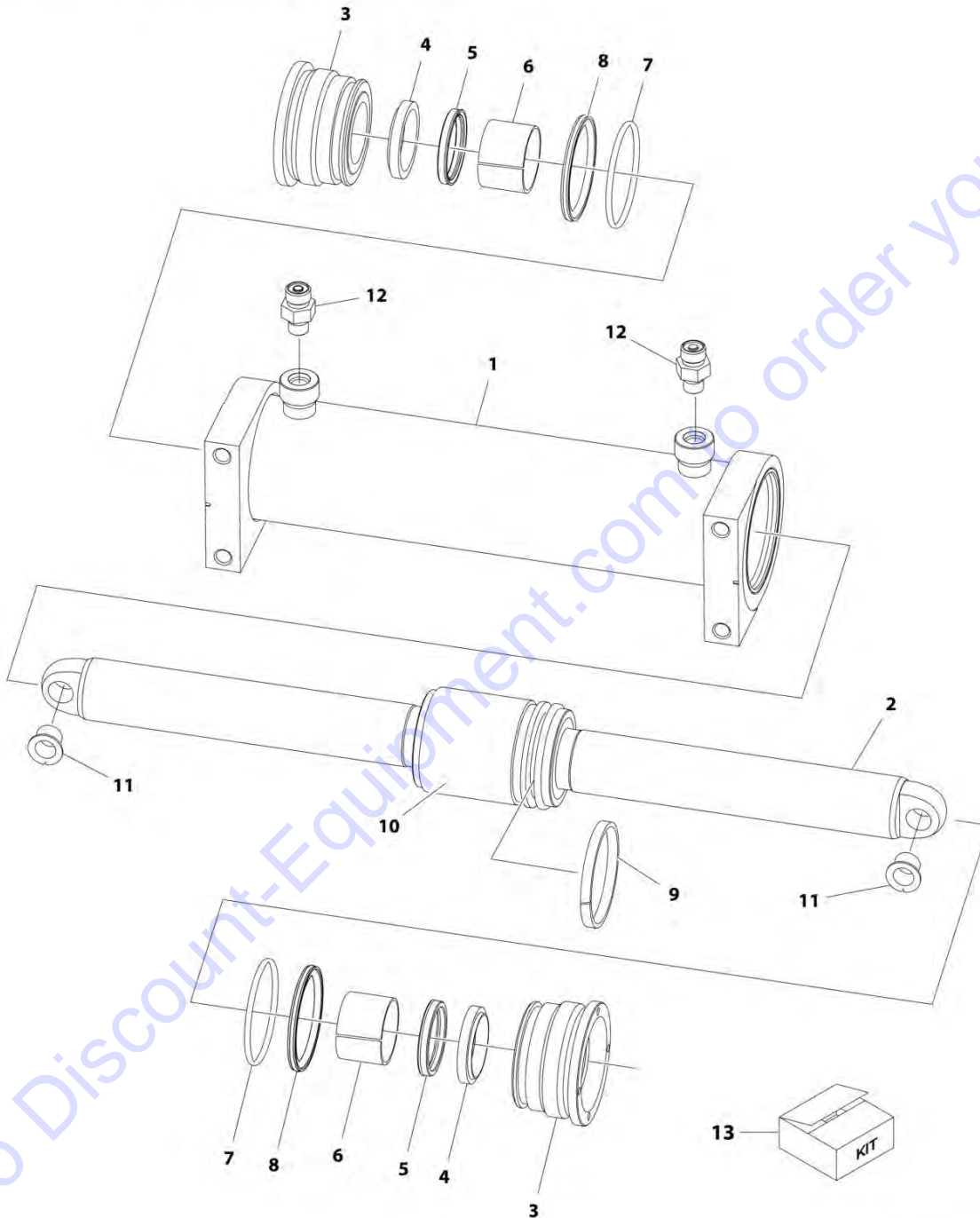
ITEM	PART NUMBER	QTY	DESCRIPTION	REV
	1001177435	Ref	STEER CYLINDER ASSEMBLY (SERTA)	B
		Ref	Note: Original Cylinder May Have Been Replaced with Service Replacement. Identify PN Stamped on Cylinder Before Ordering Parts.	
1	0440259	2	Bearing, Flange	
2	70004779	1	Seal Kit - Cylinder	
3	70004778	1	Barrel, Cylinder	
4	70004777	1	Rod, Cylinder	
5	2110404	2	Fitting, Straight ORFS/ORB	
6	70006342	2	Head	

Go to Discount-Equipment.com to order your parts

# SECTION 5 - CYLINDER

## FIGURE 5-12. STEER CYLINDER ASSEMBLY (SH-PAC)

NOTE: IDENTIFY THE PART NUMBER STAMPED ON CYLINDER BEFORE ORDERING PARTS.



ART\_1001179447

## SECTION 5 - CYLINDER

**FIGURE 5-12. STEER CYLINDER ASSEMBLY (SH-PAC)**

ITEM	PART NUMBER	QTY	DESCRIPTION	REV
	1001179447	Ref	STEER CYLINDER ASSEMBLY (SH-PAC)	A
		Ref	Note: Original Cylinder May Have Been Replaced with Service Replacement. Identify PN Stamped on Cylinder Before Ordering Parts.	
1	70005421	1	Barrel	
2	70005420	1	Rod	
3	70004241	2	Head	
4	See Note	NSS	Wiper (Note: Use Item 13)	
5	See Note	NSS	Seal, Rod (Note: Use Item 13)	
6	See Note	NSS	Ring, Wear (Note: Use Item 13)	
7	See Note	NSS	O-Ring (Note: Use Item 13)	
8	See Note	NSS	Ring, Back-up (Note: Use Item 13)	
9	See Note	NSS	Seal, Piston (Note: Use Item 13)	
10	70005419	1	Spacer	
11	0440259	2	Bearing, Flange	
12	2110404	2	Fitting, Straight ORFS/ORB	
13	70004239	1	Seal Kit - 1001179447 Cylinder (Includes Items 4-9)	

Go to Discount-Equipment.com to order your parts

# PARTS FINDER

**Search Website  
by Part Number**



**Search Manual  
Library For Parts  
Manual & Lookup Part  
Numbers – Purchase  
or Request Quote**

**Can't Find Part or  
Manual? Request Help  
by Manufacturer,  
Model & Description**

Discount-Equipment.com is your online resource for quality parts & equipment.

Florida: **561-964-4949** Outside Florida TOLL FREE: **877-690-3101**

## Need parts?

Click on this link: <http://www.discount-equipment.com/category/5443-parts/> and choose one of the options to help get the right parts and equipment you are looking for. Please have the machine model and serial number available in order to help us get you the correct parts. If you don't find the part on the website or on one of the online manuals, please fill out the request form and one of our experienced staff members will get back to you with a quote for the right part that your machine needs.

We sell worldwide for the brands: Genie, Terex, JLG, MultiQuip, Mikasa, Essick, Whiteman, Mayco, Toro Stone, Diamond Products, Generac Magnum, Airman, Haulotte, Barreto, Power Blanket, Nifty Lift, Atlas Copco, Chicago Pneumatic, Allmand, Miller Curber, Skyjack, Lull, Skytrak, Tsurumi, Husquvarna Target, Stow, Wacker, Sakai, Mi-T-M, Sullair, Basic, Dynapac, MBW, Weber, Bartell, Bennar Newman, Haulotte, Ditch Runner, Menegotti, Morrison, Contec, Buddy, Crown, Edco, Wyco, Bomag, Laymor, EZ Trench, Bil-Jax, F.S. Curtis, Gehl Pavers, Heli, Honda, ICS/PowerGrit, IHI, Partner, Imer, Clipper, MMD, Koshin, Rice, CH&E, General Equipment, Amida, Coleman, NAC, Gradall, Square Shooter, Kent, Stanley, Tamco, Toku, Hatz, Kohler, Robin, Wisconsin, Northrock, Oztec, Toker TK, Rol-Air, APT, Wylie, Ingersoll Rand / Doosan, Innovatech, Con X, Ammann, Mecalac, Makinex, Smith Surface Prep, Small Line, Wanco, Yanmar



**SECTION 6 - HYDRAULIC**

Go to [Discount-Equipment.com](http://Discount-Equipment.com) to order your parts

## SECTION 6 - HYDRAULIC

FIGURE 6-1. HYDRAULIC DIAGRAM LIST

ITEM	PART NUMBER	QTY	DESCRIPTION	REV
		Ref	HYDRAULIC DIAGRAM LIST	
		Ref	Note: For hoses and fittings associated with steering, see Steering Installation.	
	2792599	Ref	Hydraulic Schematic - USA Built Machines (Not Shown - See Service Manual)	
	1001143663	Ref	Hydraulic Schematic - China Built Machines (Not Shown - See Service Manual)	



**SECTION 7 - ELECTRICAL**

Go to Discount-Equipment.com to order your parts

## SECTION 7 - ELECTRICAL

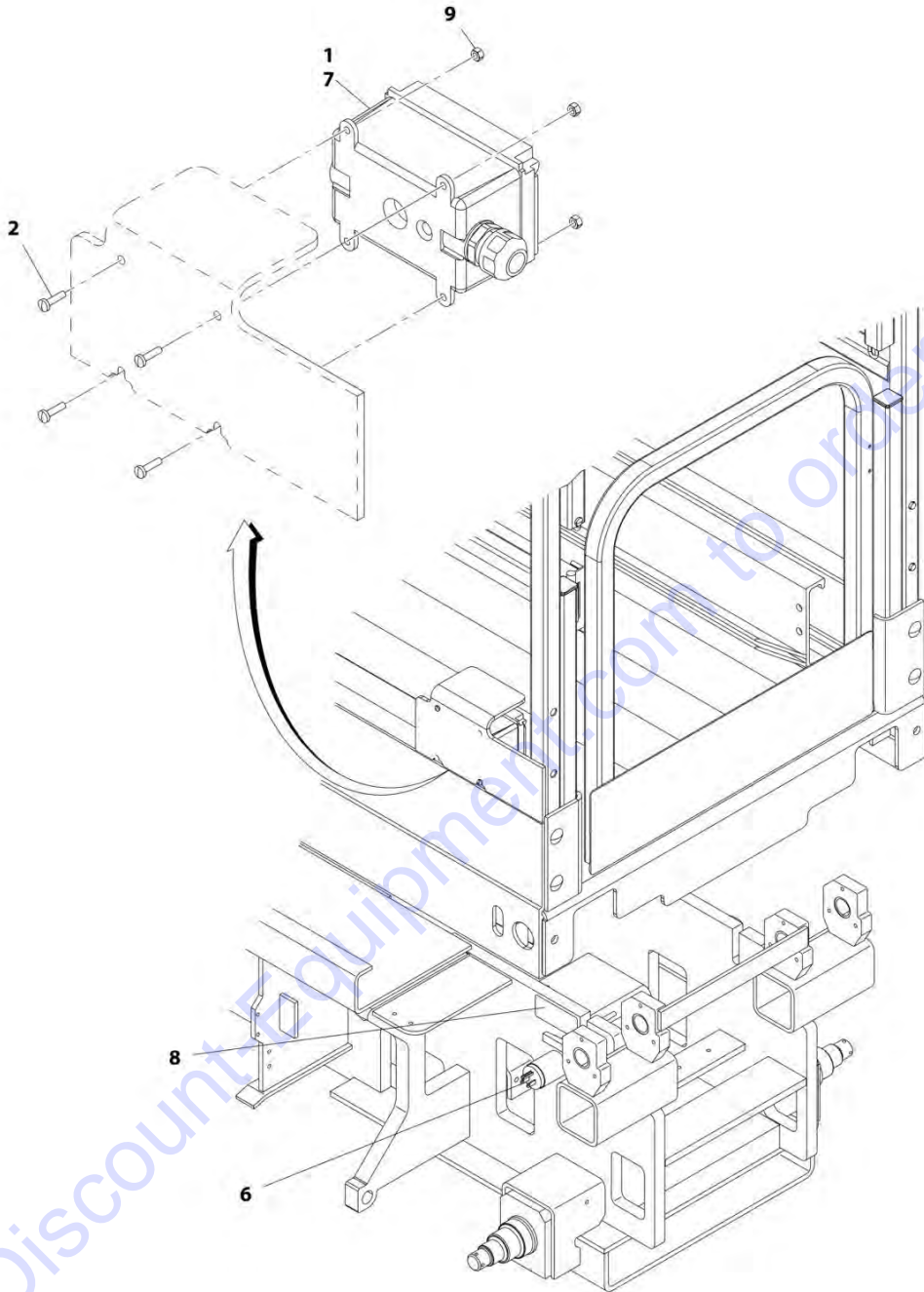
**FIGURE 7-1. ELECTRICAL DIAGRAM LIST**

ITEM	PART NUMBER	QTY	DESCRIPTION	REV
		Ref	ELECTRICAL DIAGRAM LIST	
		Ref	Note: See Service Manual for schematic. For information on diagrams, go to Discount-equipment.com	
	0275487	Ref	AC to Platform Electrical Diagram - 110 IEC Yellow (CE Spec Only)	
	0275488	Ref	AC to Platform Electrical Diagram - 220V IEC Blue (CE Spec Only)	
	0275486	Ref	AC to Platform Electrical Diagram - 220V AFSINT107 (CE Spec Only)	
	1001162447	Ref	AC to Platform Electrical Diagram - 220V CEE7 Side Ground (CE Spec Only)	
	1001162449	Ref	AC to Platform Electrical Diagram - 220V CEE7 Post Ground (CE Spec Only)	
	1001115126	Ref	Chassis Harness Electrical Diagram	
	1001166759	Ref	Electrical Schematic (Not Shown - See Service Manual)	



# SECTION 7 - ELECTRICAL

## FIGURE 7-2. AC BOX AT PLATFORM INSTALLATION - 110V GFI



ART\_0272839

## SECTION 7 - ELECTRICAL

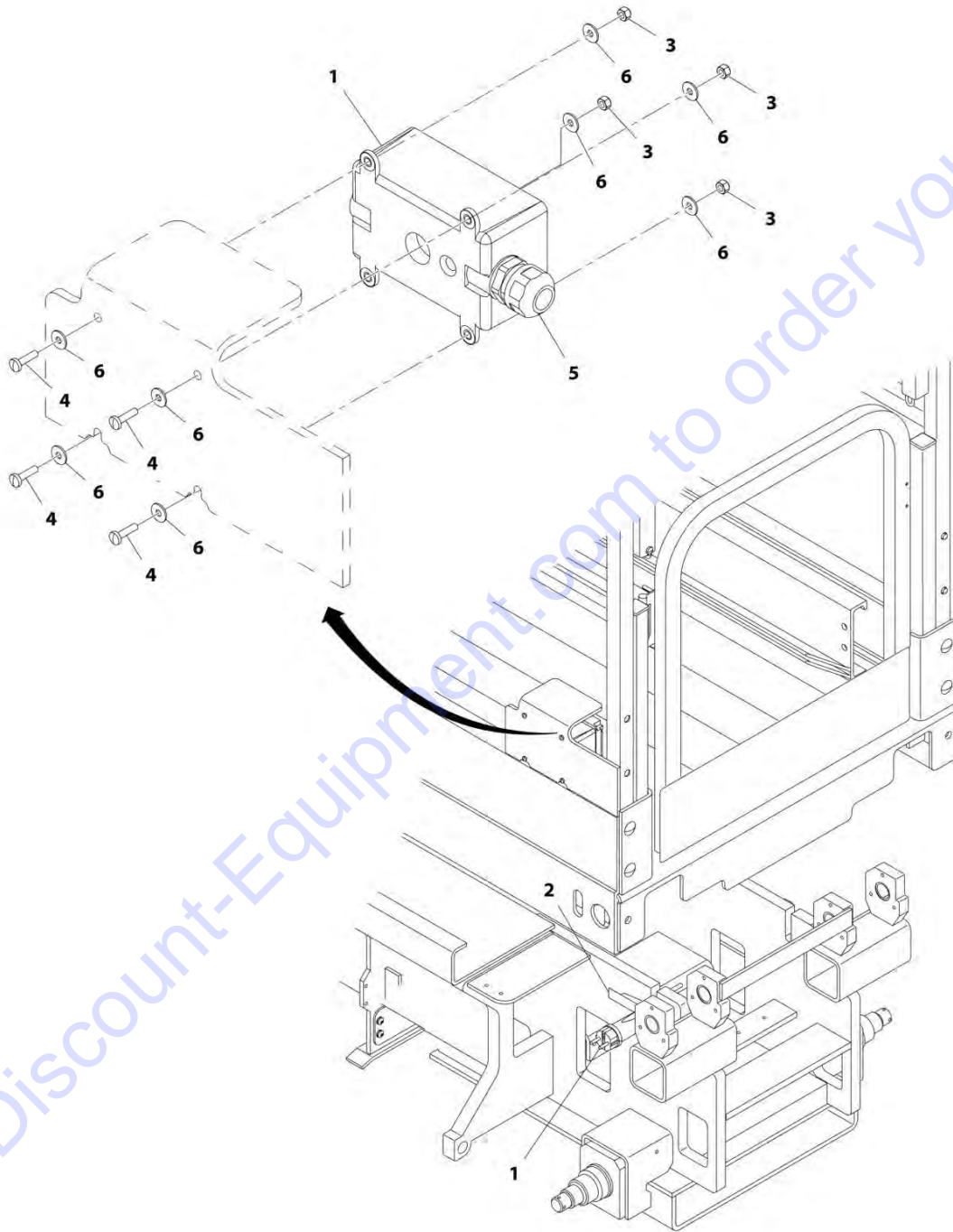
**FIGURE 7-2. AC BOX AT PLATFORM INSTALLATION - 110V GFI**

ITEM	PART NUMBER	QTY	DESCRIPTION	REV
	0272839	Ref	AC BOX AT PLATFORM INSTALLATION - 110V GFI	I
1	2902431	1	Receptacle Box Kit - 110V GFI (See RECEPTACLE BOX KIT - 110V GFI for Breakdown)	
2	4010408	4	Screw M4 x 16	
6	4460138	1	Plug, Male	
7	4460315	3	Terminal	
8	1703464	1	Decal - 120V-60Hz AC Power to Platform	
9	3290405	4	Nut M4	

Go to Discount-Equipment.com to order your parts

# SECTION 7 - ELECTRICAL

FIGURE 7-3. AC BOX AT PLATFORM INSTALLATION - 220V CEE7 SIDE GRD (ANSI EXPORT SPEC ONLY)



ART\_1001162447

## SECTION 7 - ELECTRICAL

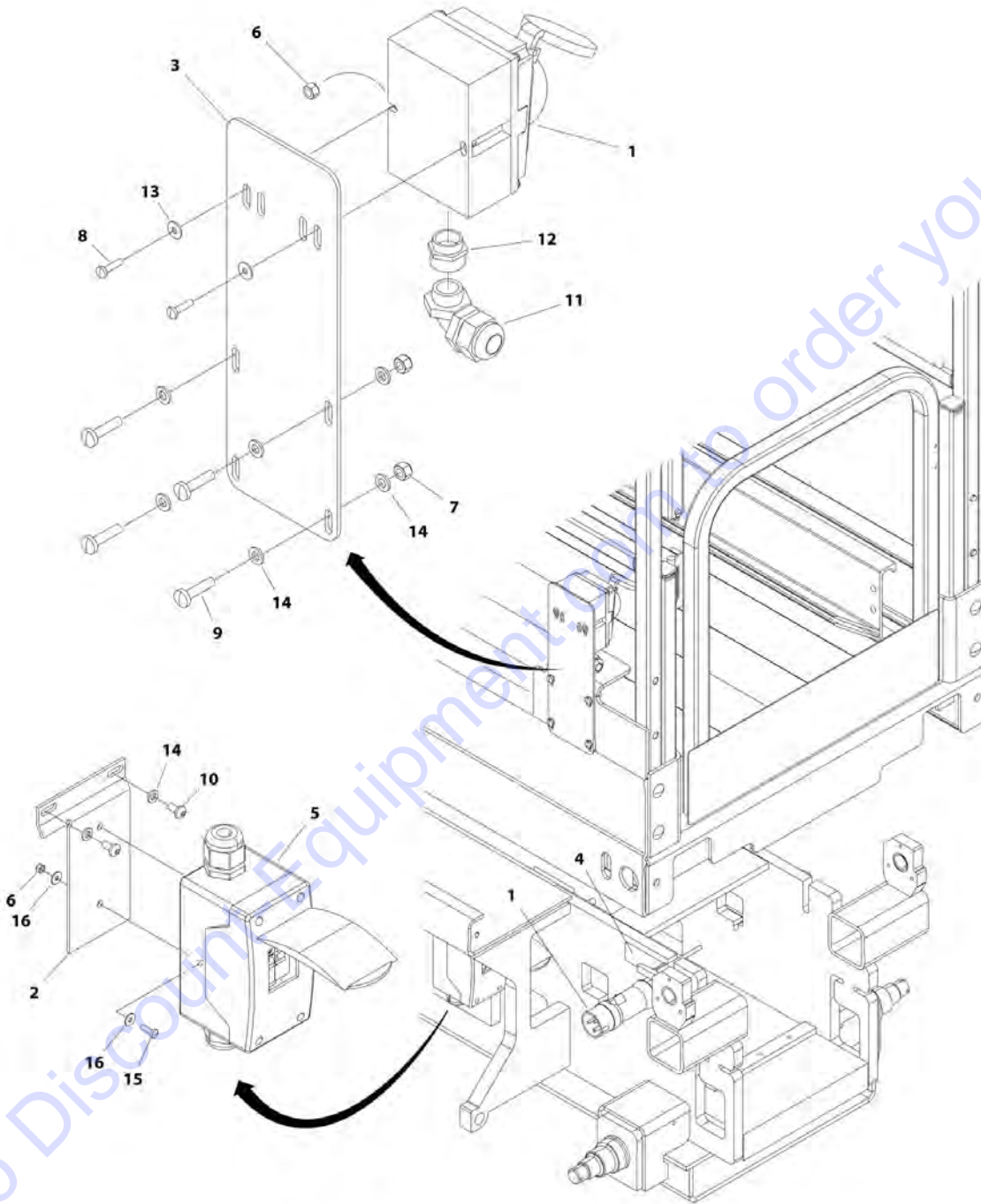
**FIGURE 7-3. AC BOX AT PLATFORM INSTALLATION - 220V CEE7 SIDE GRD (ANSI EXPORT SPEC ONLY)**

ITEM	PART NUMBER	QTY	DESCRIPTION	REV
	1001211593	Ref	AC BOX AT PLATFORM INSTALLATION - 220V CEE7 SIDE GRD (ANSI EXPORT SPEC ONLY)	A
1	0275453	1	Receptacle Box Kit - 220V CEE7 Side Ground (See RECEPTACLE BOX KIT - 220V CEE7 SIDE GROUND for Breakdown)	
2	3252507	1	Decal - 220V-50/60Hz	
3	3290405	4	Nut M4	
4	4010408	4	Screw M4 x 16	
5	4460662	1	Connector, Strain Relief	
6	1001091102	8	Washer M4	

Go to Discount-Equipment.com to order your parts

# SECTION 7 - ELECTRICAL

FIGURE 7-4. AC BOX AT PLATFORM INSTALLATION - 110V IEC YELLOW (CE SPEC ONLY)



ART\_0275487



## SECTION 7 - ELECTRICAL

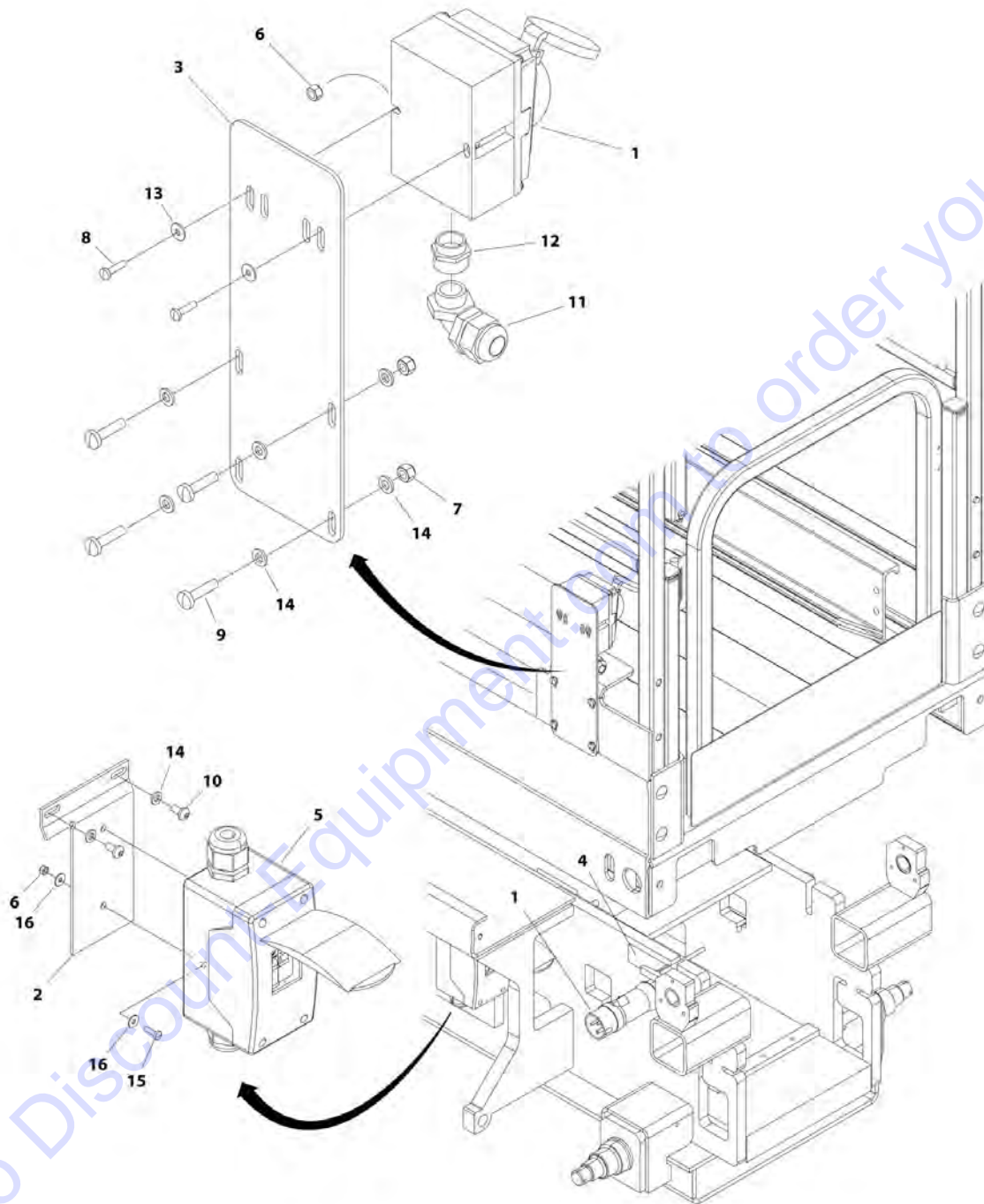
**FIGURE 7-4. AC BOX AT PLATFORM INSTALLATION - 110V IEC YELLOW (CE SPEC ONLY)**

ITEM	PART NUMBER	QTY	DESCRIPTION	REV
	0275487	Ref	AC BOX AT PLATFORM INSTALLATION - 110V IEC YELLOW (CE SPEC ONLY)	E
1	0275216	1	Receptacle Box Kit - 110V IEC Yellow (See RECEPTACLE BOX KIT - 110V IEC YELLOW for Breakdown)	
2	0903566	1	Bracket	
3	0903569	1	Bracket	
4	1703464	1	Decal - 120V-60Hz	
5	2902541	1	Breaker Box Kit (See BREAKER BOX KIT WITH TWO BREAKERS - CE SPEC ONLY for Breakdown)	
6	3290405	4	Nut M4	
7	3290605	4	Nut M6	
8	4010408	2	Screw M4 x 16	
9	4010612	4	Screw M6 x 25	
10	4191706	2	Screw M6 x 12	
11	4461257	1	Connector, Strain Relief	
12	4461258	1	Adapter	
13	4811400	2	Washer M4	
14	4811700	10	Washer M6	
15	1001101540	2	Screw M4 x 14	
16	1001091102	4	Washer M4	

Go to Discount-Equipment.com to order your parts

# SECTION 7 - ELECTRICAL

## FIGURE 7-5. AC BOX AT PLATFORM INSTALLATION - 220V IEC BLUE (CE SPEC ONLY)



ART\_0275488

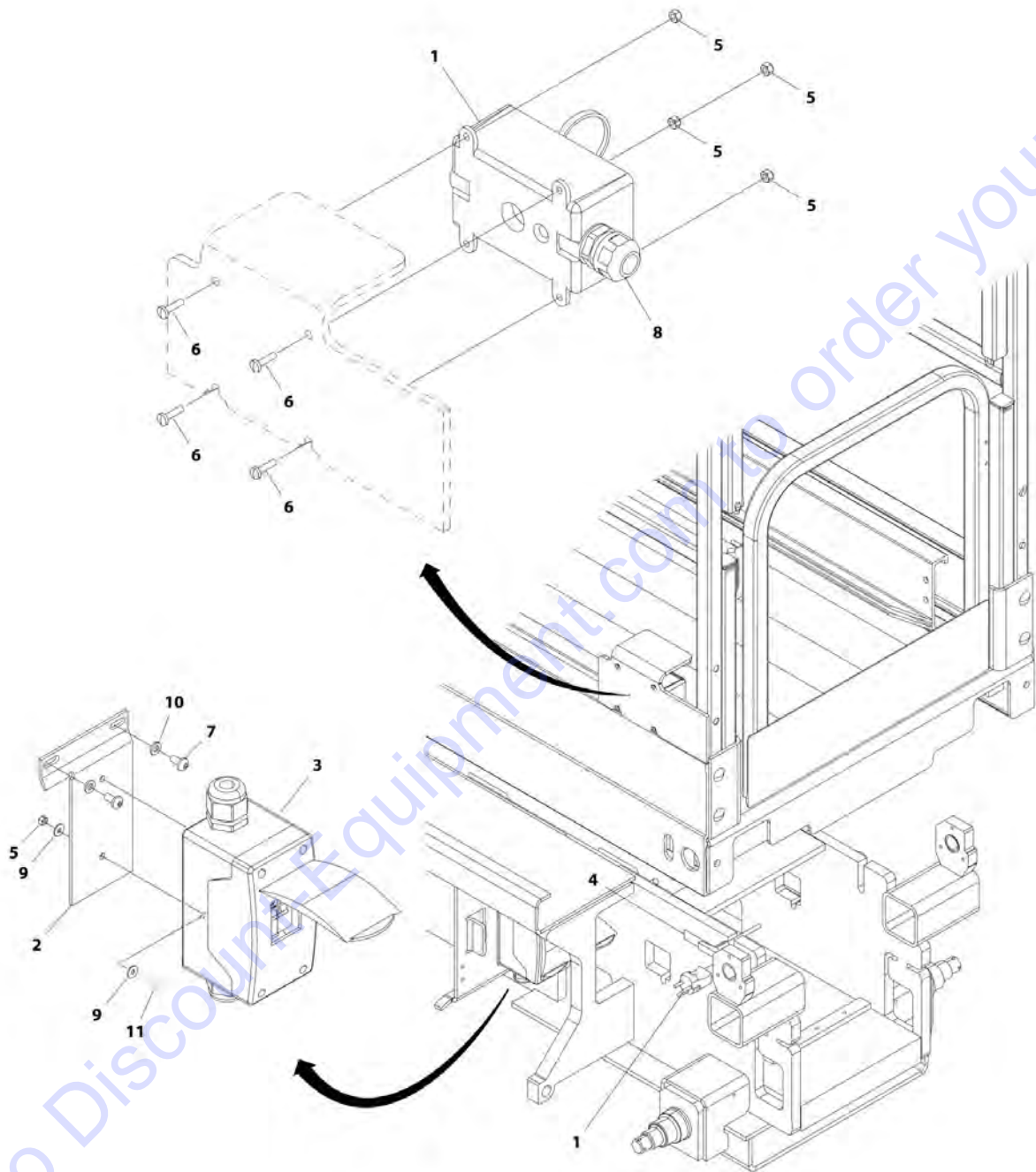
## SECTION 7 - ELECTRICAL

**FIGURE 7-5. AC BOX AT PLATFORM INSTALLATION - 220V IEC BLUE (CE SPEC ONLY)**

ITEM	PART NUMBER	QTY	DESCRIPTION	REV
	0275488	Ref	AC BOX AT PLATFORM INSTALLATION - 220V IEC BLUE (CE SPEC ONLY)	E
1	0275217	1	Receptacle Box Kit - 220V IEC Blue (See RECEPTACLE BOX KIT - 220V IEC BLUE for Breakdown)	
2	0903566	1	Bracket	
3	0903569	1	Bracket	
4	3252507	1	Decal - 220V-50/60Hz	
5	2902541	1	Breaker Box Kit (See BREAKER BOX KIT WITH TWO BREAKERS - CE SPEC ONLY for Breakdown)	
6	3290405	4	Nut M4	
7	3290605	4	Nut M6	
8	4010408	2	Screw M4 x 16	
9	4010612	4	Screw M6 x 25	
10	4191706	2	Screw M6 x 12	
11	4461257	1	Connector, Strain Relief	
12	4461258	1	Adapter	
13	4811400	2	Washer M4	
14	4811700	10	Washer M6	
15	1001101540	2	Screw M4 x 14	
16	1001091102	4	Washer M4	

# SECTION 7 - ELECTRICAL

FIGURE 7-6. AC BOX AT PLATFORM INSTALLATION - 220V AFSINT107 (CE SPEC ONLY)



ART\_0275486

## SECTION 7 - ELECTRICAL

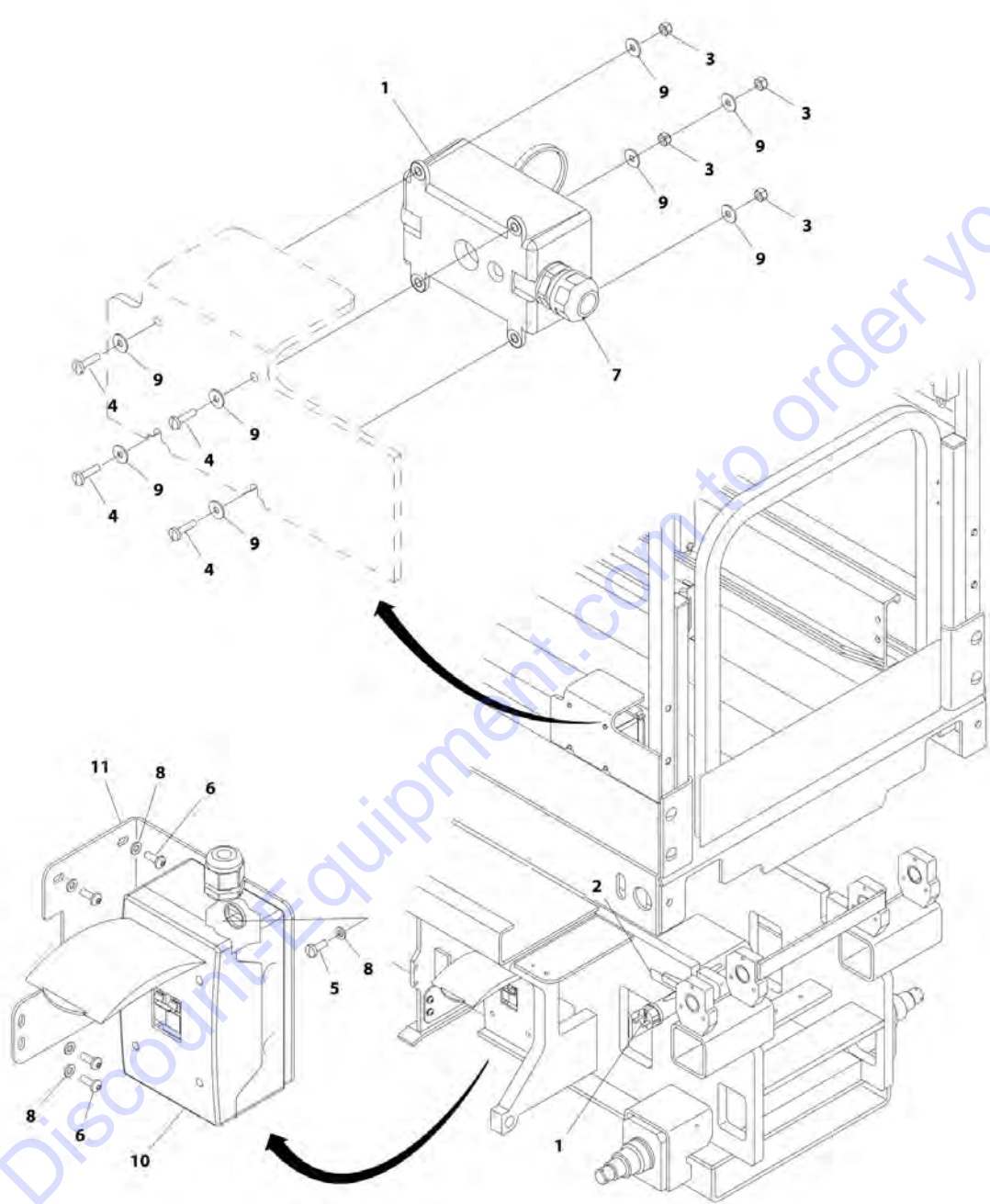
**FIGURE 7-6. AC BOX AT PLATFORM INSTALLATION - 220V AFSINT107 (CE SPEC ONLY)**

ITEM	PART NUMBER	QTY	DESCRIPTION	REV
	0275486	Ref	AC BOX AT PLATFORM INSTALLATION - 220V AFSINT107 (CE SPEC ONLY)	E
1	0275454	1	Receptacle Box Kit - 220V AFSINT107 (See RECEPTACLE BOX KIT - 220V AFSINT (CE SPEC) for Breakdown)	
2	0903566	1	Bracket	
3	2902541	1	Breaker Box Kit (See BREAKER BOX KIT WITH TWO BREAKERS - CE SPEC ONLY for Breakdown)	
4	3252507	1	Decal - 220V/50-60Hz	
5	3290405	6	Nut M4	
6	4010408	4	Screw M4 x 16	
7	4191706	2	Screw M6 x 12	
8	4460662	1	Connector, Strain Relief	
9	1001091102	2	Washer M4	
10	4811700	2	Washer M6	
11	1001101540	2	Screw M4 x 14	

Go to Discount-Equipment.com to order your parts

# SECTION 7 - ELECTRICAL

FIGURE 7-7. AC BOX AT PLATFORM INSTALLATION - 220V CEE7 SIDE GRD (CE SPEC ONLY)



Go to [DiscountEquipment.com](http://DiscountEquipment.com) to order your parts

ART\_1001162447

## SECTION 7 - ELECTRICAL

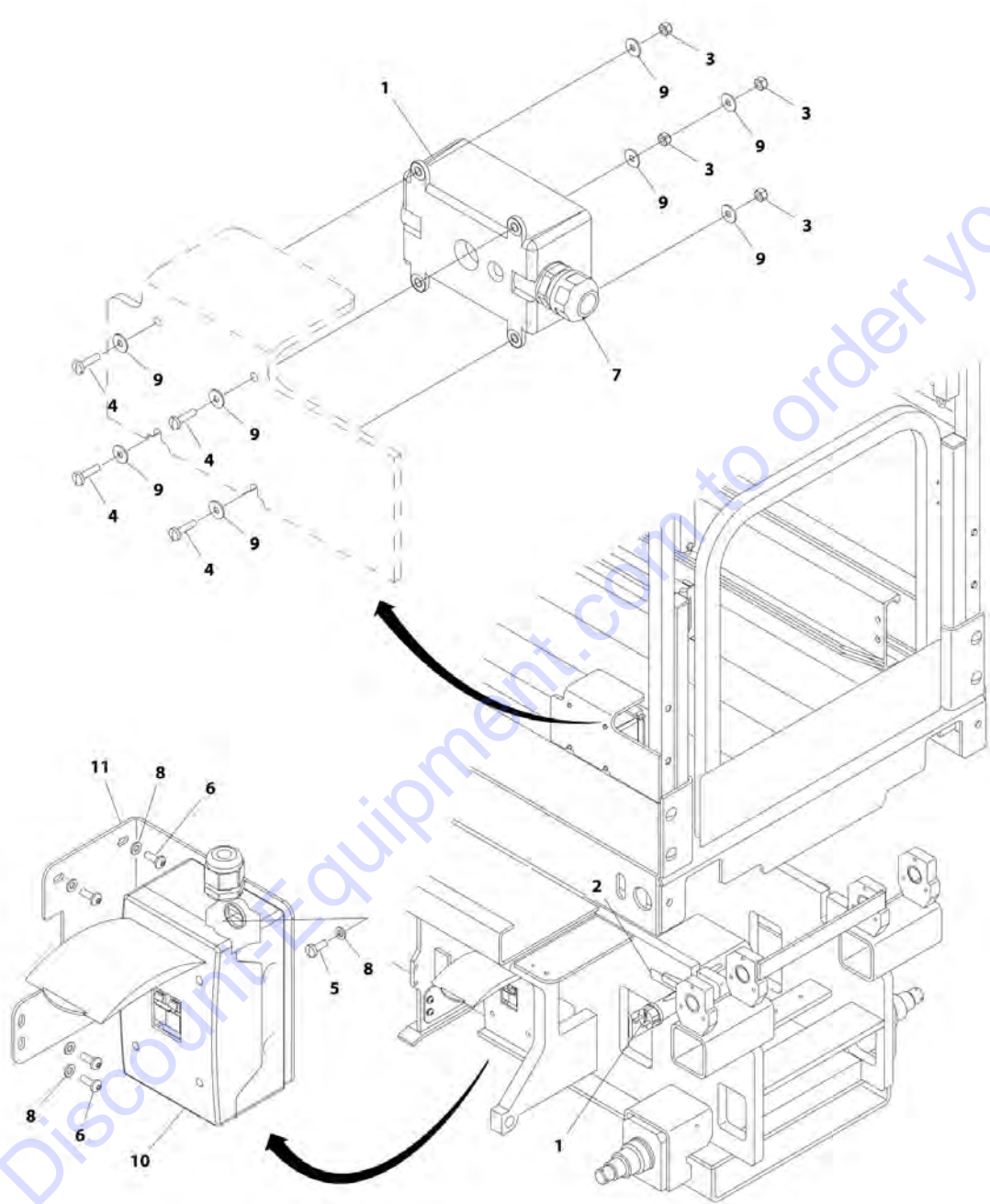
**FIGURE 7-7. AC BOX AT PLATFORM INSTALLATION - 220V CEE7 SIDE GRD (CE SPEC ONLY)**

ITEM	PART NUMBER	QTY	DESCRIPTION	REV
	1001162447	Ref	AC BOX AT PLATFORM INSTALLATION - 220V CEE7 SIDE GRD (CE SPEC ONLY)	A
1	0275453	1	Receptacle Box Kit - 220V CEE7 Side Ground (See RECEPTACLE BOX KIT - 220V CEE7 SIDE GROUND for Breakdown)	
2	3252507	1	Decal - 220V - 50/60Hz	
3	3290405	4	Nut M4	
4	4010408	4	Screw M4 x 16	
5	4010608	2	Screw M6 x 16	
6	4191707	4	Screw M6 x 16	
7	4460662	1	Connector, Strain Relief	
8	4811700	10	Washer M6	
9	1001091102	8	Washer M4	
10	1001152485	1	Breaker Box Kit (See BREAKER BOX KIT WITH THREE BREAKERS - CE SPEC ONLY for Breakdown)	
11	1001162362	1	Bracket	

Go to Discount-Equipment.com to order your parts

# SECTION 7 - ELECTRICAL

FIGURE 7-8. AC BOX AT PLATFORM INSTALLATION - 220V CEE7 POST GRD (CE SPEC ONLY)



ART\_1001162449



## SECTION 7 - ELECTRICAL

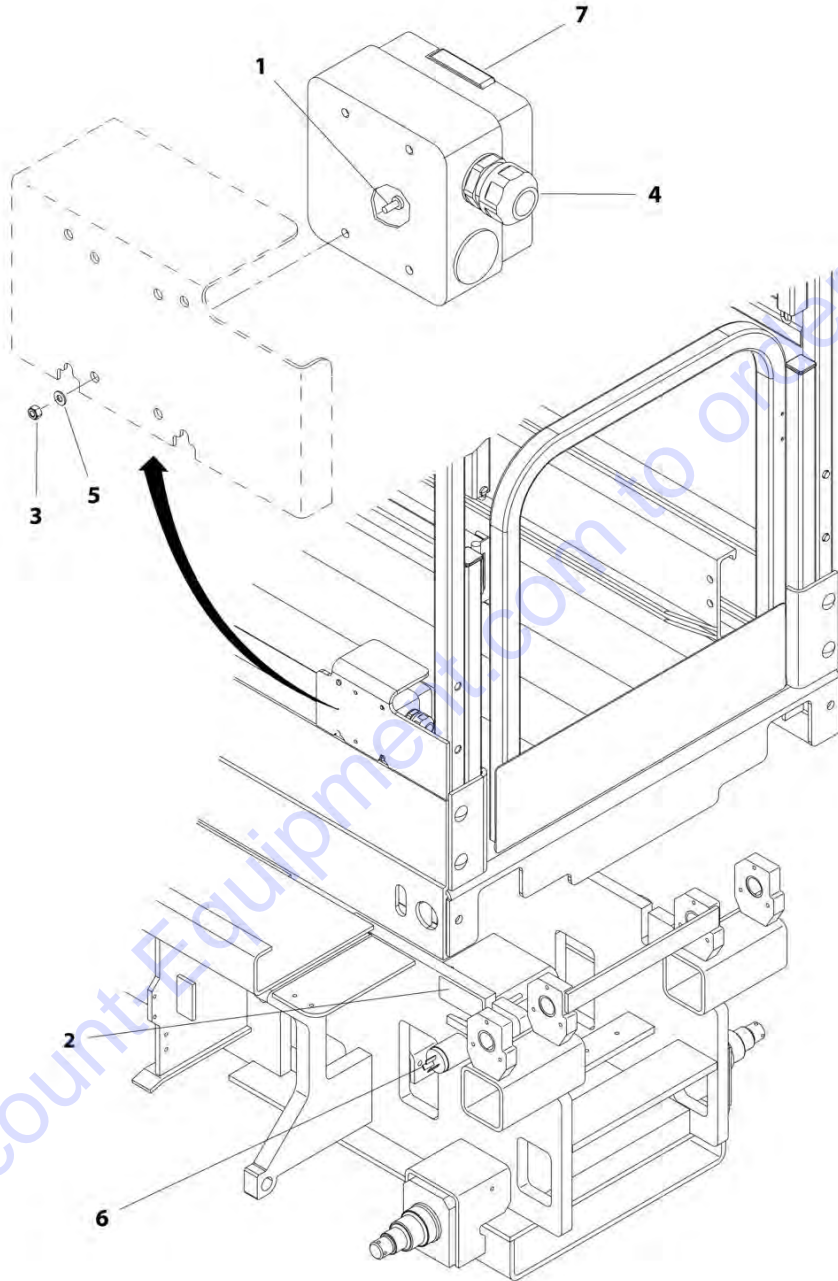
**FIGURE 7-8. AC BOX AT PLATFORM INSTALLATION - 220V CEE7 POST GRD (CE SPEC ONLY)**

ITEM	PART NUMBER	QTY	DESCRIPTION	REV
	1001162449	Ref	AC BOX AT PLATFORM INSTALLATION - 220V CEE7 POST GRD (CE SPEC ONLY)	A
1	0275452	1	Receptacle Box Kit - 220V CEE7 Post Ground (See RECEPTACLE BOX KIT - 220V CEE7 POST GROUND for Breakdown)	
2	3252507	1	Decal - 220V - 50/60Hz	
3	3290405	4	Nut M4	
4	4010408	4	Screw M4 x 16	
5	4010608	2	Screw M6 x 16	
6	4191706	4	Screw M6 x 12	
7	4460662	1	Connector, Strain Relief	
8	4811700	6	Washer M6	
9	1001091102	8	Washer M4	
10	1001152485	1	Breaker Box Kit (See BREAKER BOX KIT WITH THREE BREAKERS - CE SPEC ONLY for Breakdown)	
11	1001162362	1	Bracket	

Go to Discount-Equipment.com to order your parts

## SECTION 7 - ELECTRICAL

FIGURE 7-9. AC BOX AT PLATFORM INSTALLATION - 220V (ANSI EXPORT AND CHINESE SPEC ONLY)



ART\_1001198711

## SECTION 7 - ELECTRICAL

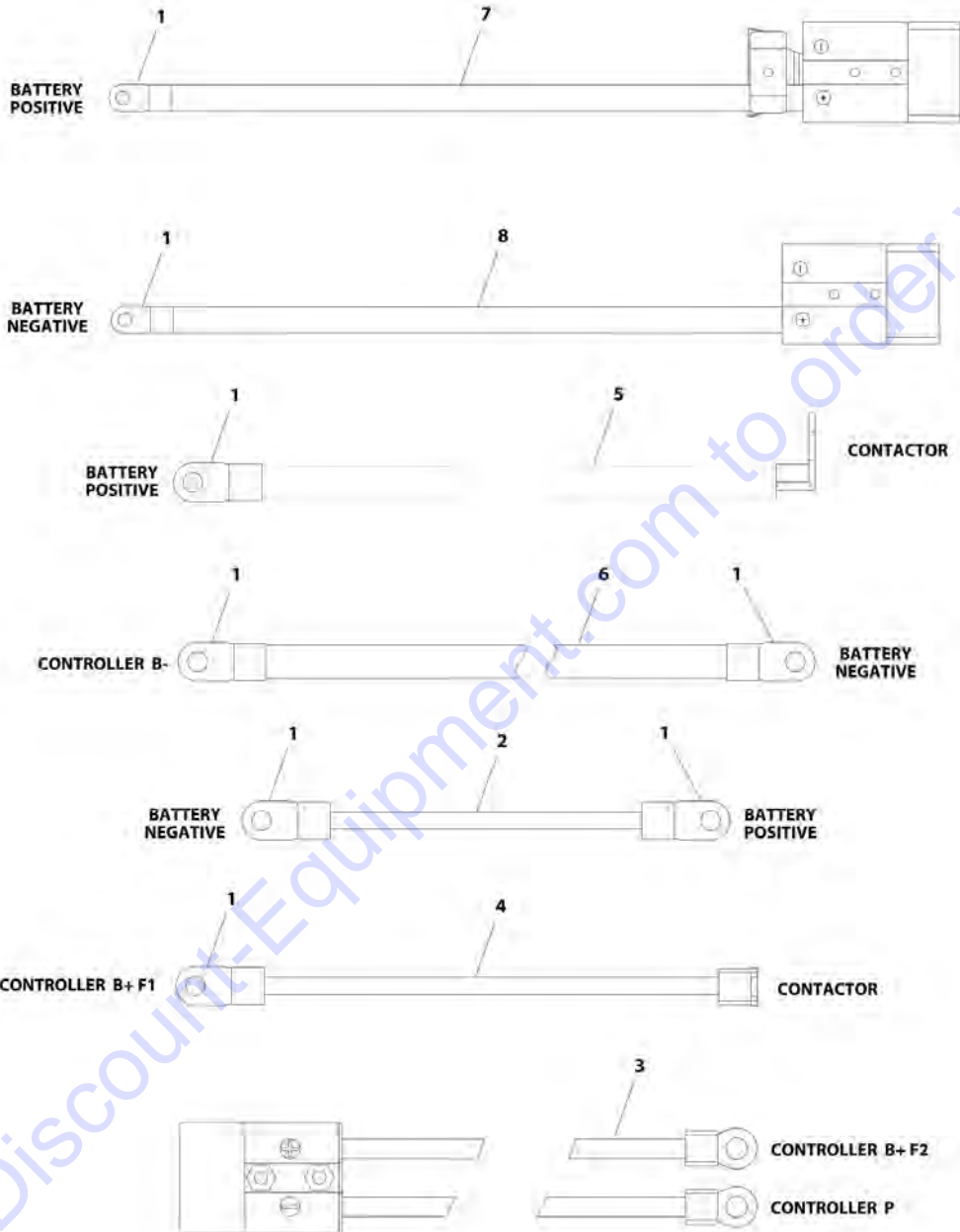
**FIGURE 7-9. AC BOX AT PLATFORM INSTALLATION - 220V (ANSI EXPORT AND CHINESE SPEC ONLY)**

ITEM	PART NUMBER	QTY	DESCRIPTION	REV
	1001198711	Ref	AC BOX AT PLATFORM INSTALLATION - 220V (ANSI EXPORT AND CHINESE SPECS ONLY)	A
1	4010405	4	Screw M4 X 10	
2	3252507	1	Decal - 220V-50/60Hz	
3	3290405	4	Nut M4	
4	4460968	1	Connector, Strain Relief	
5	4811400	4	Washer M4	
6	1001187816	1	Plug	
7	1001188116	1	Box, Receptacle	

Go to Discount-Equipment.com to order your parts

# SECTION 7 - ELECTRICAL

## FIGURE 7-10. BATTERY CABLE KIT



ART. 100178317

## SECTION 7 - ELECTRICAL

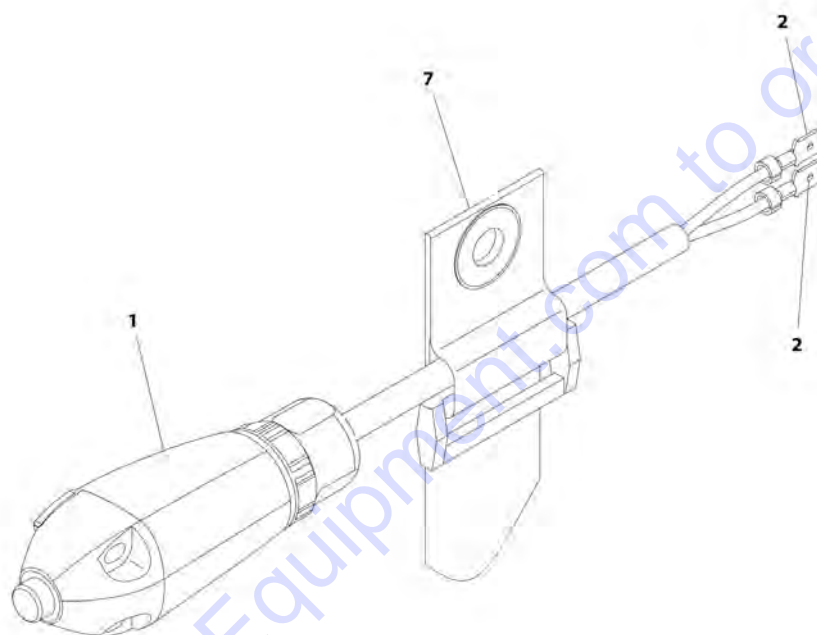
**FIGURE 7-10. BATTERY CABLE KIT**

ITEM	PART NUMBER	QTY	DESCRIPTION	REV
	1001178317	Ref	BATTERY CABLE KIT	D
1	0840060	8	Boot, Terminal	
2	1060998	2	Cable, Battery	
3	1001096795	1	Cable, Pump to Controller	
3	4460618	1	Connector, Anderson	
4	1001114992	1	Cable, Battery	
5	1001178315	1	Cable, Battery	
6	1001178316	1	Cable, Battery	
7	1001178493	1	Cable, Battery	
7	4460618	1	Connector, Anderson	
8	1001178528	1	Cable, Battery	
8	4460618	1	Connector, Anderson	

Go to Discount-Equipment.com to order your parts

# SECTION 7 - ELECTRICAL

## FIGURE 7-11. BRAKE DISCONNECT HARNESS



Go to Discount-Equipment.com to order your parts

ART\_4922944

## SECTION 7 - ELECTRICAL

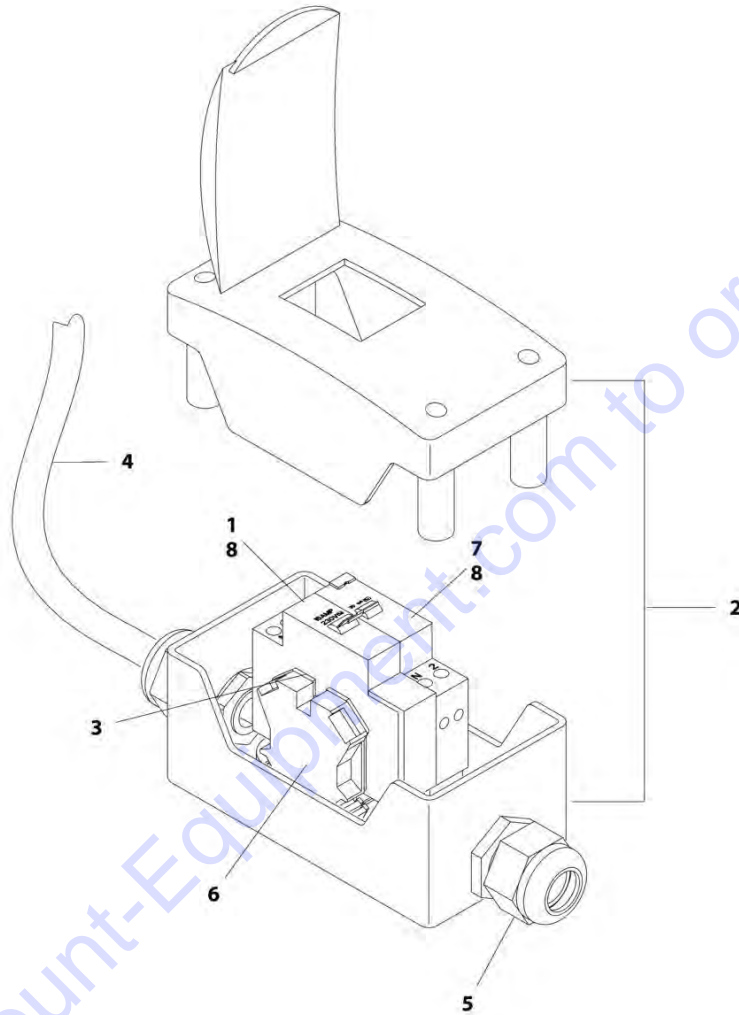
### FIGURE 7-11. BRAKE DISCONNECT HARNESS

ITEM	PART NUMBER	QTY	DESCRIPTION	REV
	4922944	Ref	BRAKE DISCONNECT HARNESS	F
1	4360613	1	Switch, Push Button Limit	
2	4461002	2	Terminal	
7	4240003	1	Strap, Cinch	

Go to Discount-Equipment.com to order your parts

# SECTION 7 - ELECTRICAL

FIGURE 7-12. BREAKER BOX KIT WITH TWO BREAKERS (CE SPEC ONLY)



ART\_2902541



## SECTION 7 - ELECTRICAL

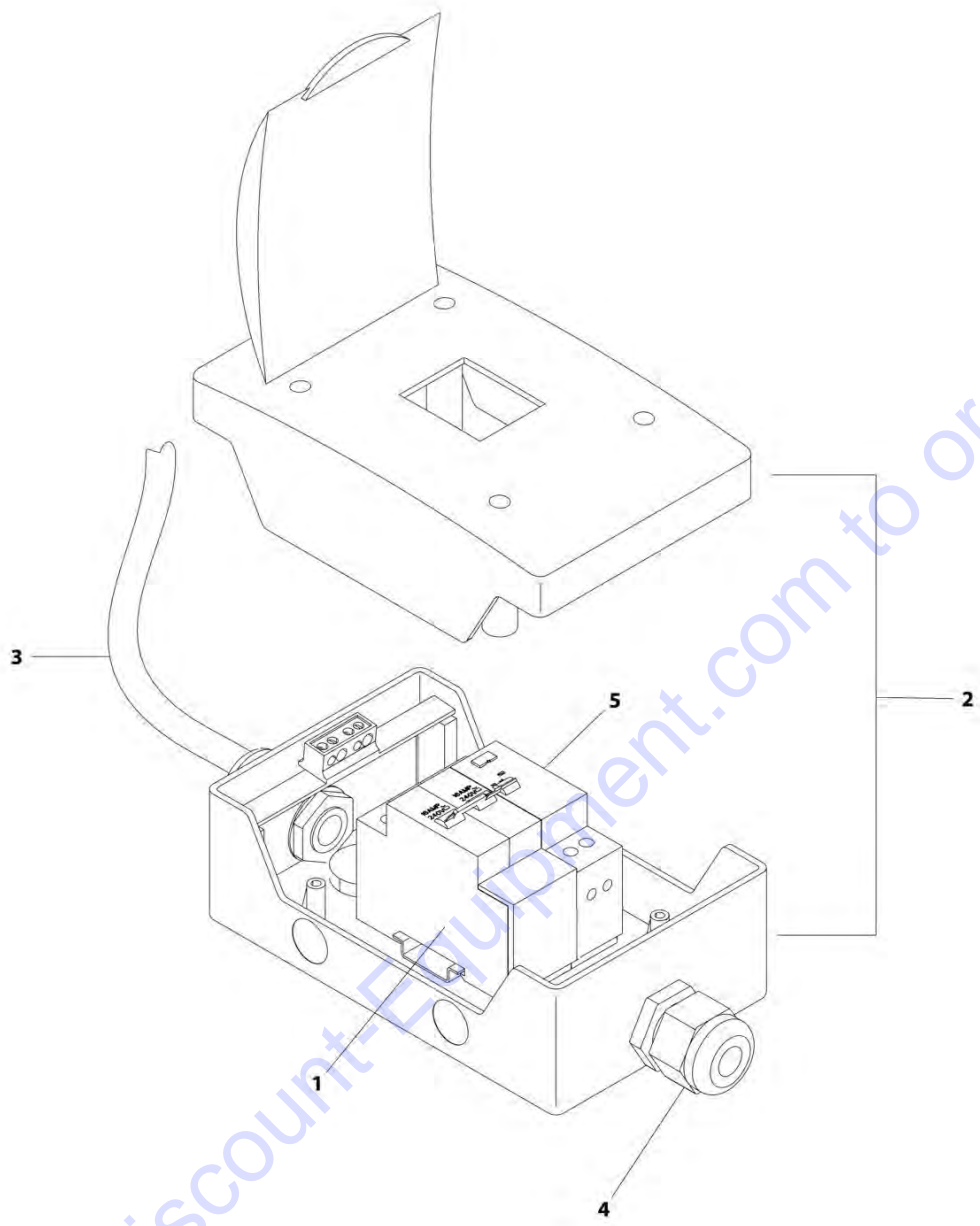
**FIGURE 7-12. BREAKER BOX KIT WITH TWO BREAKERS (CE SPEC ONLY)**

ITEM	PART NUMBER	QTY	DESCRIPTION	REV
	2902541	Ref	BREAKER BOX KIT WITH TWO BREAKERS - (CE SPEC ONLY)	G
1	1001109475	NLA	Breaker, 16Amp (Use p/n 1001181045) (SN 0200239382 through 0200245768, SN B200020297 through B200022928)	
2	0861880	1	Box	
3	4460956	1	Barrier, Terminal	
4	1060908	4.6 ft /1.4m	Cable, 12/3	
5	1001097150	2	Connector, Strain Relief	
6	4460957	1	Block, Terminal	
7	1001109482	NLA	Breaker, 30mA (Use p/n 1001181045) (SN 0200239382 through 0200245768, SN B200020297 through B200022928)	
8	1001181045	1	Breaker, 16A/30mAmp Combination (SN 0200245769 to Present, SN B200022929 to Present, SN M200000100 to Present)	

Go to Discount-Equipment.com to order your parts

## SECTION 7 - ELECTRICAL

FIGURE 7-13. BREAKER BOX KIT WITH THREE BREAKERS (CE SPEC ONLY)



ART\_1001152485

## SECTION 7 - ELECTRICAL

**FIGURE 7-13. BREAKER BOX KIT WITH THREE BREAKERS (CE SPEC ONLY)**

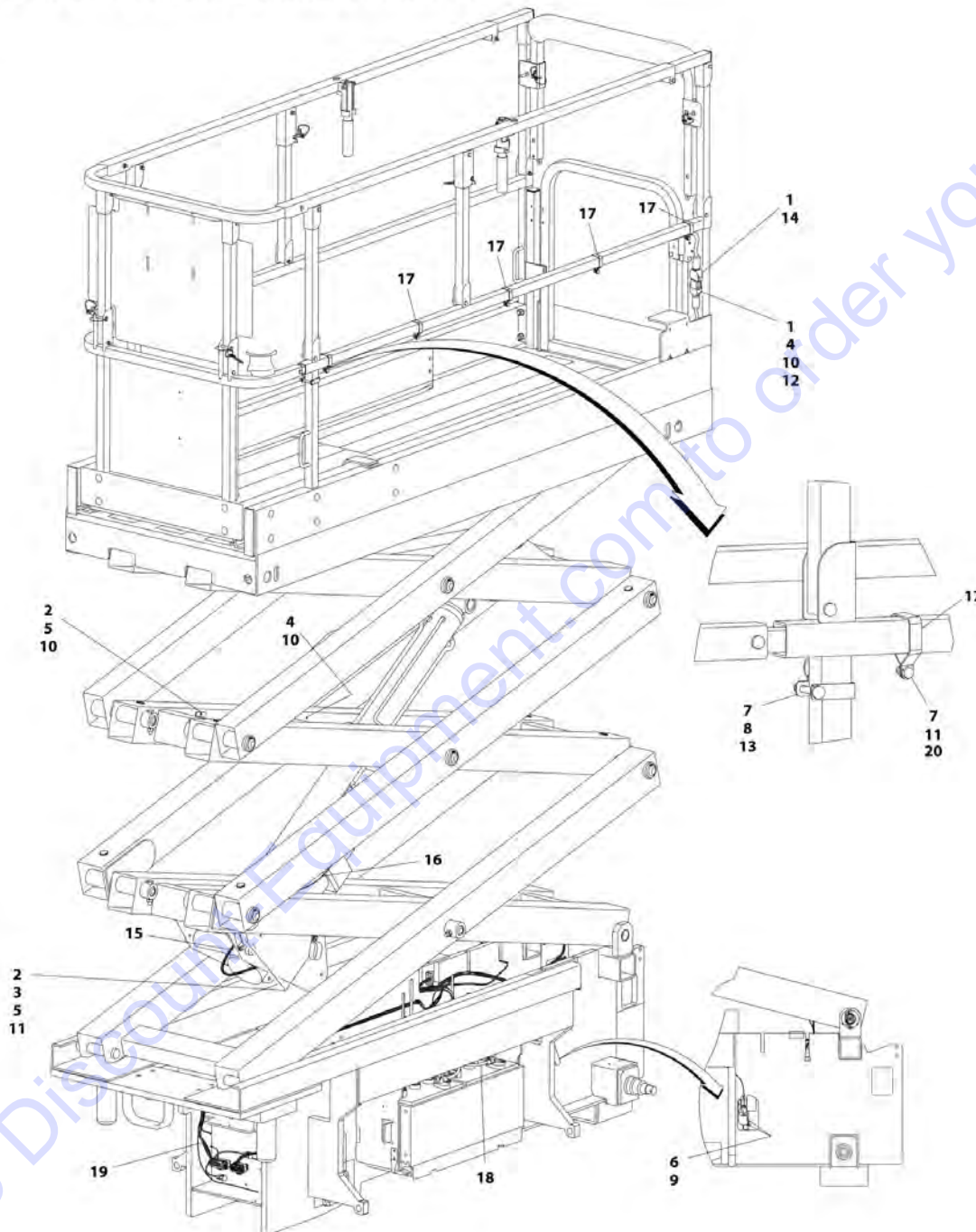
ITEM	PART NUMBER	QTY	DESCRIPTION	REV
	1001152485	Ref	BREAKER BOX KIT WITH THREE BREAKERS - (CE SPEC ONLY)	D
1	1001152479	NLA	Breaker, 16Amp Double (Use p/n 1001189172) (SN 0200239382 through 0200248240, SN B200020297 through B200024236, SN M200000100 through M200000139)	
1	1001189172	1	Breaker, 16Amp Double (SN 0200248241 to Present, SN 1200025021 to Present, SN B200024237 to Present, SN M200000140 to Present)	
2	1001152483	1	Box	
3	1060908	6 ft/1.8m	Cable, 12/3	
4	1001097150	2	Connector, Strain Relief	
5	1001152482	NLA	Breaker, 30mA (Use p/n 1001189171) (SN 0200239382 through 0200248240, SN B200020297 through B200024236, SN M200000100 through M200000139)	
5	1001189171	1	Breaker, 30mA (SN 0200248241 to Present, SN 1200025021 to Present, SN B200024237 to Present, SN M200000140 to Present)	

Go to Discount-Equipment.com to order your parts

# SECTION 7 - ELECTRICAL

## FIGURE 7-14. CABLES INSTALLATION - 2032ES

NOTE: SEE USAGE CHART ON PARTS LIST BEFORE ORDERING PARTS.



ART\_1001178318

## SECTION 7 - ELECTRICAL

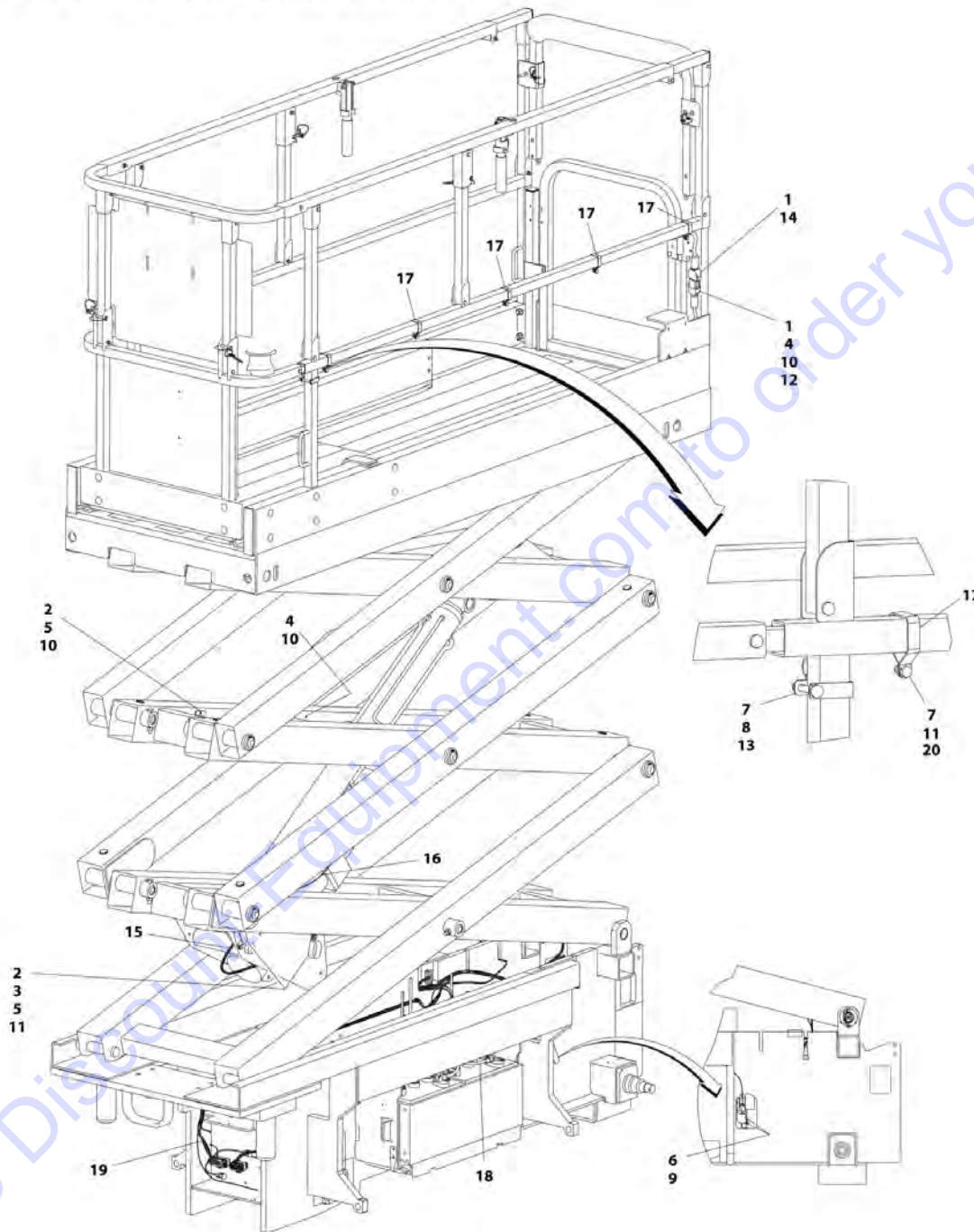
**FIGURE 7-14. CABLES INSTALLATION - 2032ES**

ITEM	PART NUMBER	QTY	DESCRIPTION	REV
	1001178318	Ref	CABLES INSTALLATION - 2032ES	F
		Ref	Usage Chart	
		Ref	China Built Machines ( <b>Prior to SN B200035089</b> )	
		Ref	Mexico Built Machines	
		Ref	USA Built Machines	
		Ref	ANSI and CSA Specs (All Machines)	
		Ref	Japanese Specs ( <b>Prior to SN 0200258070</b> )	
		Ref	ANSI Export and China Specs ( <b>SN 0200239382 through 0200248240</b> )	
1	0100048	AR	Compound, Sealing	
2	0760610	2	Bolt M6 x 20	
3	1321716	2	Clamp	
4	1380158	13	Clip, Retainer	
5	3290601	2	Nut M6	
6	3290605	2	Nut M6	
7	3290606	6	Nut M6	
8	4010616	1	Screw M6 x 40	
9	4031713	2	Capscrew M6 x 45	
10	4740545	5	Washer	
11	4751400	4	Washer 1/4	
12	1001178687	1	Ground to Platform Harness (See GROUND TO PLATFORM HARNESS - 2032ES for Breakdown)	
13	1001094175	1	Clamp	
14	1001096706	1	Platform Harness (Includes Item 17) (See PLATFORM HARNESS for Breakdown) ( <b>Prior to SN 0200262519, Prior to SN B200035089, Prior to SN M200010205</b> )	
14	1001201243	1	Platform Harness (Includes Item 17) (See PLATFORM HARNESS for Breakdown) ( <b>SN 0200262519 to Present, SN M200010205 to Present</b> )	
15	1001096794	1	Pump Power Harness (See PUMP POWER HARNESS for Breakdown)	
16	1001115002	1	Cylinder Harness (See CYLINDER HARNESS for Breakdown)	
17	1001094180	NLA	Clamp (Use p/n 1001210760) ( <b>Prior to SN 0200257626, Prior to SN B200035089, Prior to SN M200002833</b> )	
17	1001210433	NLA	Clamp (Use p/n 1001210760) ( <b>SN 0200257626 to Present, SN M200002833 to Present</b> )	
18	1001178317	1	Battery Cable Kit (See BATTERY CABLE KIT for Breakdown)	
19	1001187198	1	Chassis Harness (See CHASSIS HARNESS for Breakdown)	
20	0760606	5	Bolt M6 x 12	

# SECTION 7 - ELECTRICAL

## FIGURE 7-15. CABLES INSTALLATION - 2032ES

NOTE: SEE USAGE CHART ON PARTS LIST BEFORE ORDERING PARTS.



ART\_1001219349

## SECTION 7 - ELECTRICAL

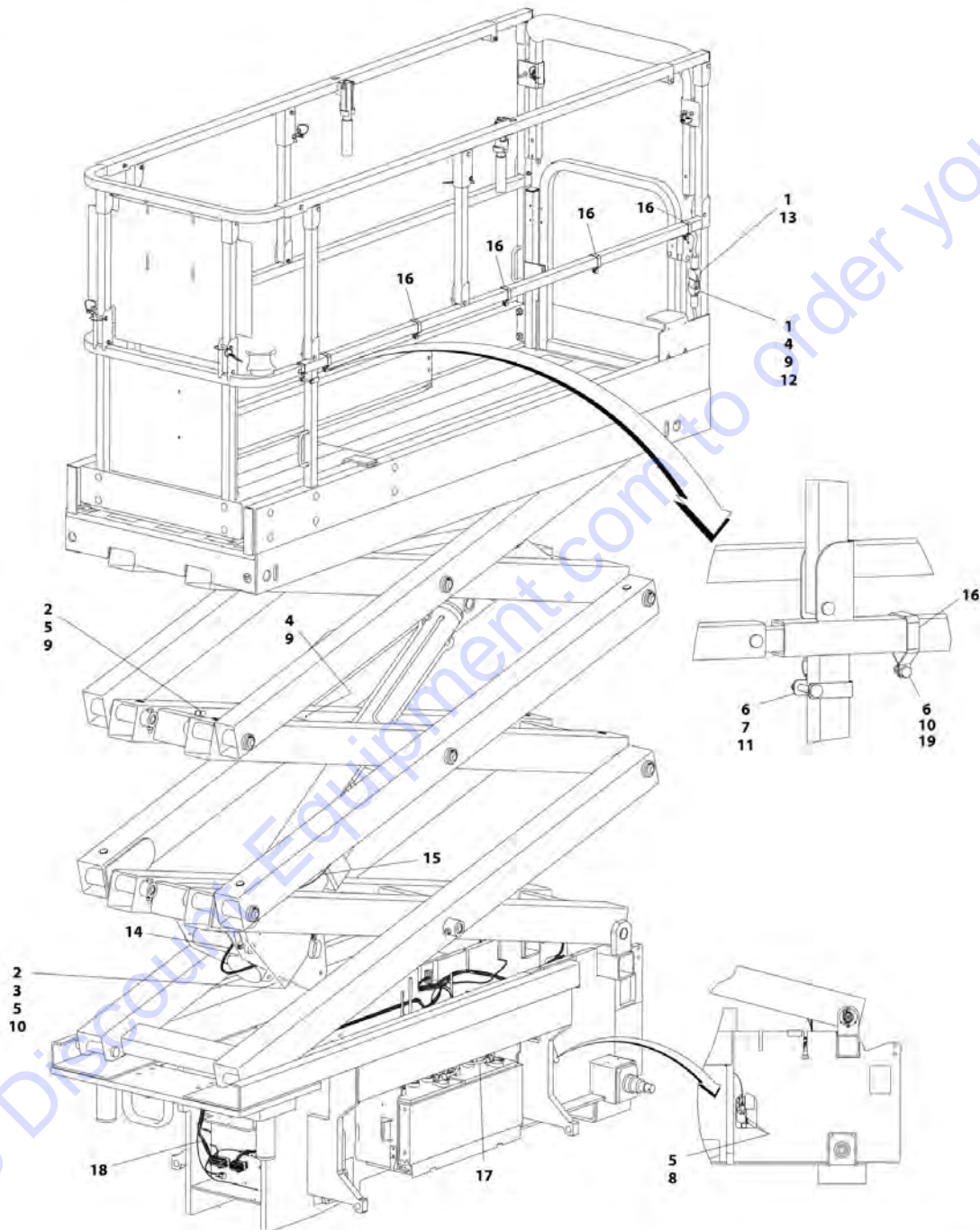
**FIGURE 7-15. CABLES INSTALLATION - 2032ES**

ITEM	PART NUMBER	QTY	DESCRIPTION	REV
	1001219349	Ref	CABLES INSTALLATION - 2032ES	B
		Ref	Usage Chart	
		Ref	China Built Machines ( <b>SN B200035089 to Present</b> )	
		Ref	ANSI and CSA Specs	
1	0100048	AR	Compound, Sealing	
2	0760610	2	Bolt M6 x 20	
3	1321716	2	Clamp	
4	1380158	13	Clip, Retainer	
5	3290601	2	Nut M6	
6	3290605	2	Nut M6	
7	3290606	6	Nut M6	
8	4010616	1	Screw M6 x 40	
9	4031713	2	Capscrew M6 x 45	
10	4740545	5	Washer	
11	4751400	4	Washer 1/4	
12	1001178687	1	Ground to Platform Harness (See GROUND TO PLATFORM HARNESS - 2032ES for Breakdown)	
13	1001094175	1	Clamp	
14	1001096706	1	Platform Harness (Includes Item 17) (See PLATFORM HARNESS for Breakdown)	
15	1001096794	1	Pump Power Harness (See PUMP POWER HARNESS for Breakdown)	
16	1001115002	1	Cylinder Harness (See CYLINDER HARNESS for Breakdown)	
17	1001220668	5	Clamp	
18	1001178317	1	Battery Cable Kit (See BATTERY CABLE KIT for Breakdown)	
19	1001187198	1	Chassis Harness (See CHASSIS HARNESS for Breakdown)	
20	0760606	5	Bolt M6 x 12	
20	0760605	5	Bolt M6 x 10	

# SECTION 7 - ELECTRICAL

## FIGURE 7-16. CABLES INSTALLATION - 2032ES

NOTE: SEE USAGE CHART ON PARTS LIST BEFORE ORDERING PARTS.



ART\_1001178320



## SECTION 7 - ELECTRICAL

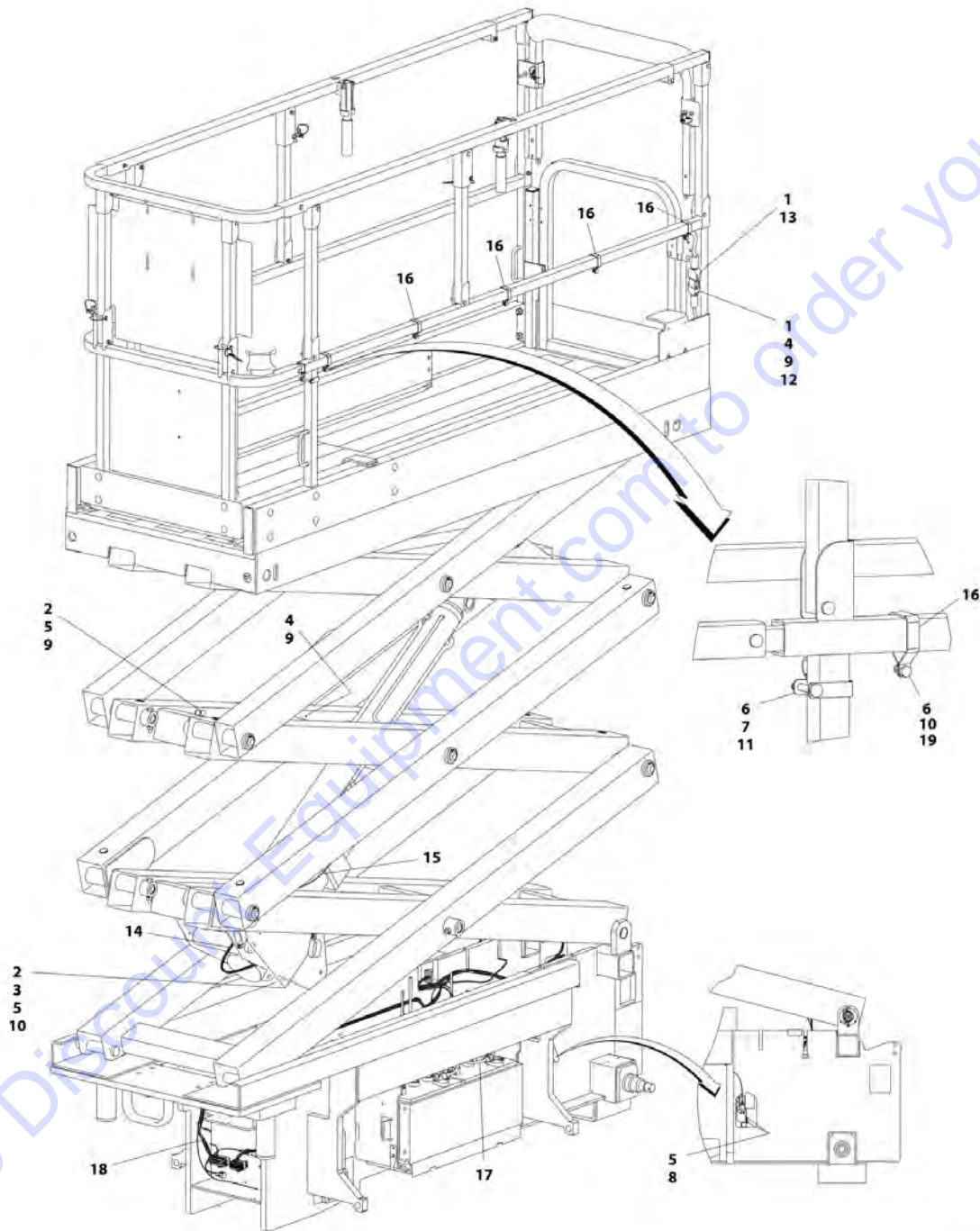
### FIGURE 7-16. CABLES INSTALLATION - 2032ES

ITEM	PART NUMBER	QTY	DESCRIPTION	REV
	1001178320	Ref	CABLES INSTALLATION - 2032ES	F
		Ref	Usage Chart	
		Ref	Belgium Built Machines ( <b>Prior to SN 1200025120</b> )	
		Ref	China Built Machines ( <b>Prior to SN B200035089</b> )	
		Ref	Mexico Built Machines	
		Ref	Korea Specs ( <b>SN M200017852 to Present</b> )	
		Ref	USA Built Machines	
		Ref	ANSI Export and China Spec ( <b>SN 0200248241 to Present</b> )	
		Ref	Japanese Specs ( <b>SN 0200258070 to Present</b> )	
		Ref	Australian and CE Spec (All Machines)	
1	0100048	AR	Compound, Sealing	
2	0760610	4	Bolt M6 x 20	
3	1321716	2	Clamp	
4	1380158	13	Clip, Retainer	
5	3290605	6	Nut M6	
6	3290606	6	Nut M6	
7	4010616	1	Screw M6 x 40	
8	4031713	2	Capscrew M6 x 45	
9	4740545	5	Washer	
10	4751400	4	Washer 1/4	
11	1001094175	1	Clamp	
12	1001178690	1	Ground to Platform Harness (See GROUND TO PLATFORM HARNESS - 2032ES for Breakdown)	
13	1001096706	1	Platform Harness (Includes Item 16) (See PLATFORM HARNESS for Breakdown) ( <b>Prior to SN 0200262519, Prior to SN 1200025120, Prior to SN B200035089, Prior to SN M200010205</b> )	
13	1001201243	1	Platform Harness (Includes Item 16) (See PLATFORM HARNESS for Breakdown) ( <b>SN 0200262519 to Present, SN M200010205 to Present</b> )	
14	1001096794	1	Pump Power Harness (See PUMP POWER HARNESS for Breakdown)	
15	1001115002	1	Cylinder Harness (See CYLINDER HARNESS for Breakdown)	
16	1001094180	NLA	Clamp (Use p/n 1001210760) ( <b>Prior to SN 0200257626, Prior to SN 1200025120, Prior to SN B200035089, Prior to SN M200002833</b> )	
16	1001210433	NLA	Clamp (Use p/n 1001210760) ( <b>SN 0200257626 to Present, SN M200002833 to Present</b> )	
17	1001178317	1	Battery Cable Kit (See BATTERY CABLE KIT for Breakdown)	
18	1001187198	1	Chassis Harness (See CHASSIS HARNESS for Breakdown)	
19	0760606	5	Bolt M6 x 12	

# SECTION 7 - ELECTRICAL

## FIGURE 7-17. CABLES INSTALLATION - 2032ES

NOTE: SEE USAGE CHART ON PARTS LIST BEFORE ORDERING PARTS.



ART\_1001219351

## SECTION 7 - ELECTRICAL

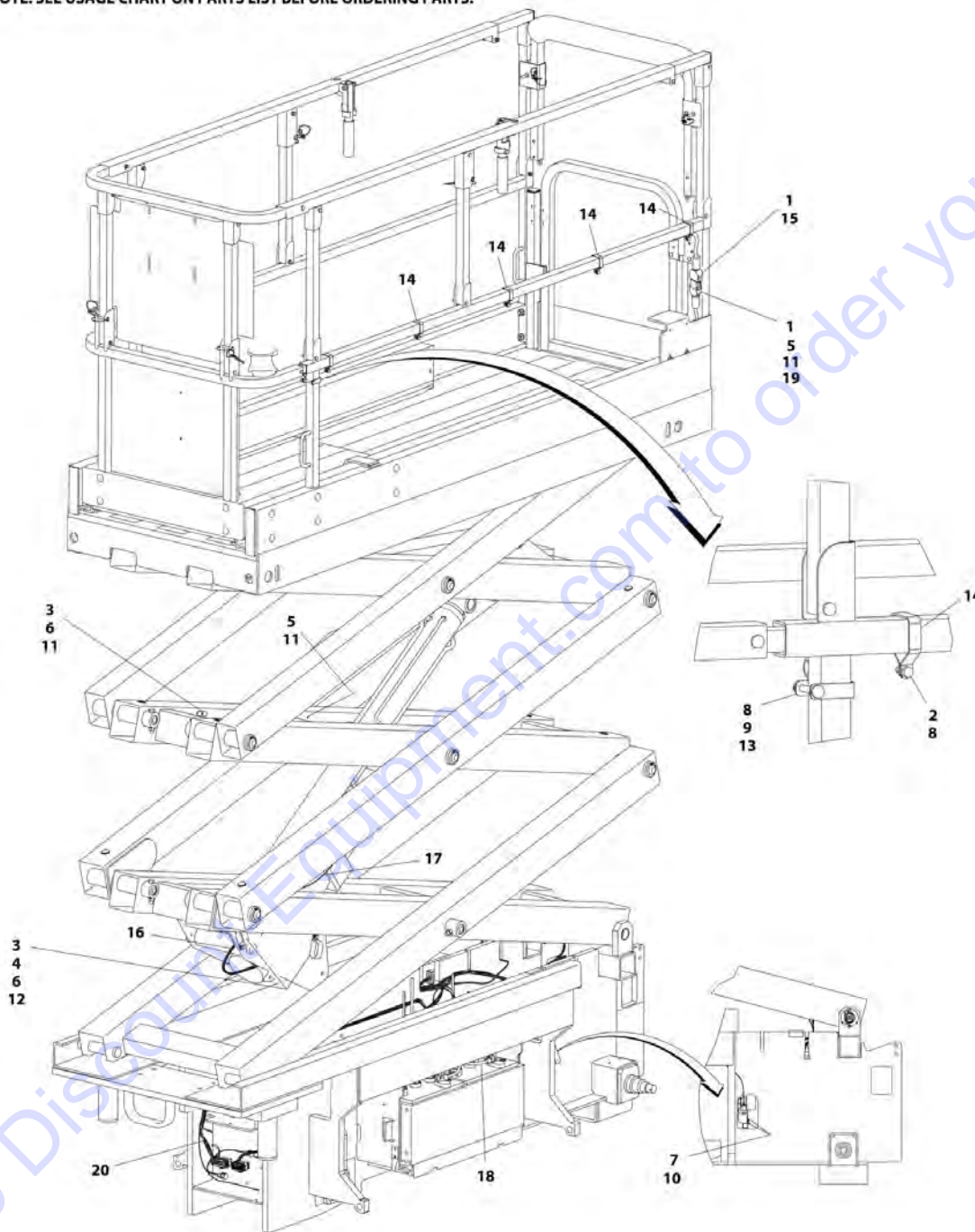
**FIGURE 7-17. CABLES INSTALLATION - 2032ES**

ITEM	PART NUMBER	QTY	DESCRIPTION	REV
	1001219351	Ref	CABLES INSTALLATION - 2032ES	B
		Ref	Usage Chart	
		Ref	Belgium Built Machines (SN 1200025121 to Present)	
		Ref	China Built Machines (SN B200035089 to Present)	
		Ref	ANSI Export, Australian, CE, Japanese, Korea and China Specs	
1	0100048	AR	Compound, Sealing	
2	0760610	4	Bolt M6 x 20	
3	1321716	2	Clamp	
4	1380158	13	Clip, Retainer	
5	3290605	6	Nut M6	
6	3290606	6	Nut M6	
7	4010616	1	Screw M6 x 40	
8	4031713	2	Capscrew M6 x 45	
9	4740545	5	Washer	
10	4751400	4	Washer 1/4	
11	1001094175	1	Clamp	
12	1001178690	1	Ground to Platform Harness (See GROUND TO PLATFORM HARNESS - 2032ES for Breakdown)	
13	1001096706	1	Platform Harness (Includes Item 16) (See PLATFORM HARNESS for Breakdown)	
14	1001096794	1	Pump Power Harness (See PUMP POWER HARNESS for Breakdown)	
15	1001115002	1	Cylinder Harness (See CYLINDER HARNESS for Breakdown)	
16	1001220668	5	Clamp	
17	1001178317	1	Battery Cable Kit (See BATTERY CABLE KIT for Breakdown)	
18	1001187198	1	Chassis Harness (See CHASSIS HARNESS for Breakdown)	
19	0760606	5	Bolt M6 x 12	
19	0760605	5	Bolt M6 x 10	

# SECTION 7 - ELECTRICAL

## FIGURE 7-18. CABLES INSTALLATION - 2032ES

NOTE: SEE USAGE CHART ON PARTS LIST BEFORE ORDERING PARTS.



ART\_1001196864

## SECTION 7 - ELECTRICAL

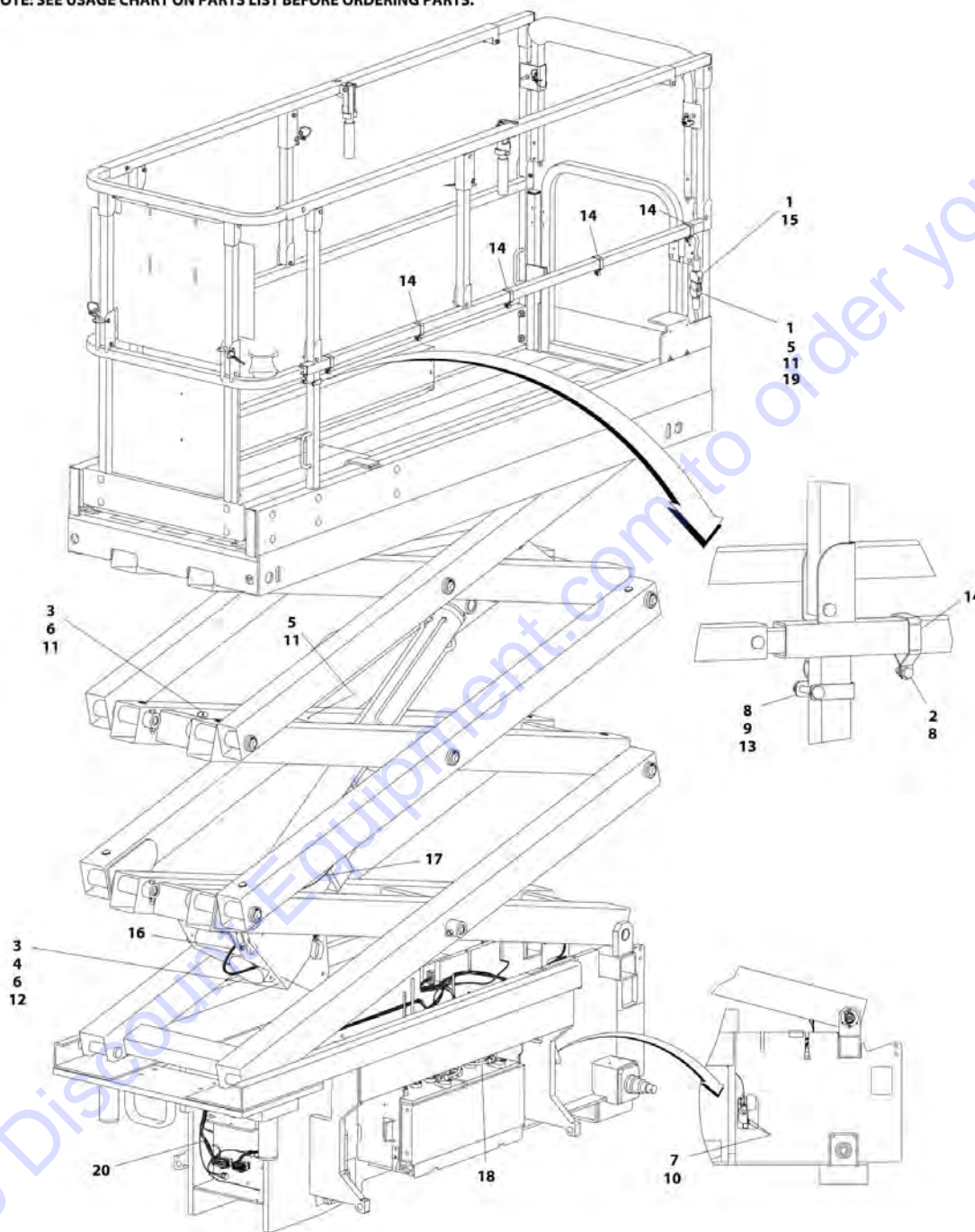
**FIGURE 7-18. CABLES INSTALLATION - 2032ES**

ITEM	PART NUMBER	QTY	DESCRIPTION	REV
	1001196864	Ref	CABLES INSTALLATION - 2032ES	B
		Ref	Usage Chart	
		Ref	China Built Machines ( <b>Prior to SN B200035089</b> )	
		Ref	Mexico Built Machines	
		Ref	USA Built Machines	
		Ref	UL Machines (All Machines)	
1	0100048	AR	Compound, Sealing	
2	0760606	5	Bolt M6 x 12	
3	0760610	2	Bolt M6 x 20	
4	1321716	2	Clamp	
5	1380158	13	Clip, Retainer	
6	3290601	2	Nut M6	
7	3290605	2	Nut M6	
8	3290606	1	Nut M6	
9	4010616	1	Screw M6 x 40	
10	4031713	2	Capscrew M6 x 45	
11	4740545	5	Washer	
12	4751400	2	Washer 1/4	
13	1001094175	1	Clamp	
14	1001094180	NLA	Clamp (Use p/n 1001210760) ( <b>Prior to SN 0200257626, Prior to SN B200035089, Prior to SN M200002833</b> )	
14	1001210433	NLA	Clamp (Use p/n 1001210760) ( <b>SN 0200257626 to Present, SN M200002833 to Present</b> )	
15	1001096706	1	Platform Harness (Includes Item 14) (See PLATFORM HARNESS for Breakdown) ( <b>Prior to SN 0200262519, Prior to SN B200035089, Prior to SN M200010205</b> )	
15	1001201243	1	Platform Harness (Includes Item 14) (See PLATFORM HARNESS for Breakdown) ( <b>SN 0200262519 to Present, SN M200010205 to Present</b> )	
16	1001096794	1	Pump Power Harness (See PUMP POWER HARNESS for Breakdown)	
17	1001115002	1	Cylinder Harness (See CYLINDER HARNESS for Breakdown)	
18	1001178317	1	Battery Cable Kit (See BATTERY CABLE KIT for Breakdown)	
19	1001178687	1	Ground to Platform Harness (See GROUND TO PLATFORM HARNESS - 2032ES for Breakdown)	
20	1001196835	1	Chassis Harness (See CHASSIS HARNESS for Breakdown)	

# SECTION 7 - ELECTRICAL

## FIGURE 7-19. CABLES INSTALLATION - 2032ES

NOTE: SEE USAGE CHART ON PARTS LIST BEFORE ORDERING PARTS.



ART\_1001219358

## SECTION 7 - ELECTRICAL

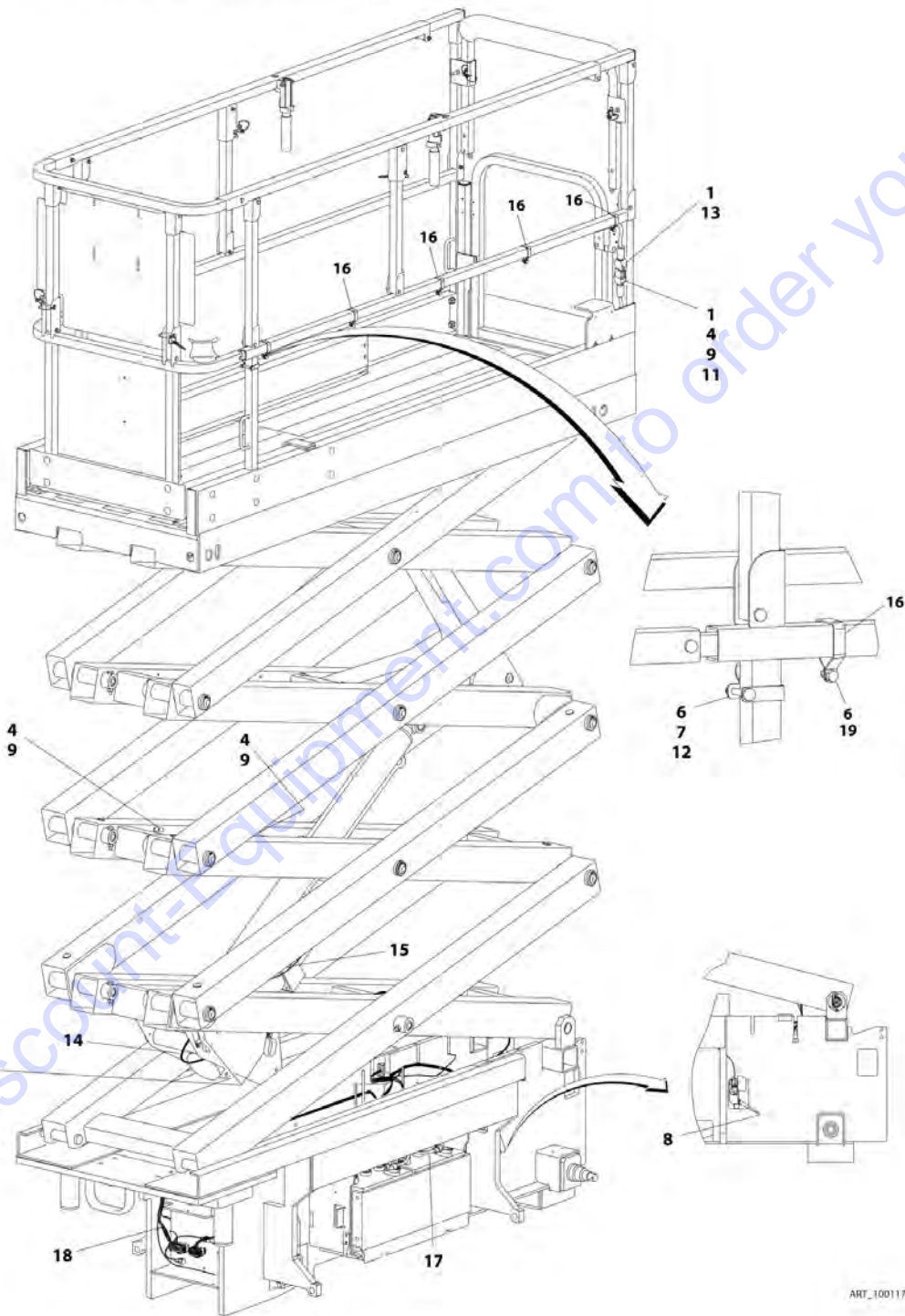
**FIGURE 7-19. CABLES INSTALLATION - 2032ES**

ITEM	PART NUMBER	QTY	DESCRIPTION	REV
	1001219358	Ref	CABLES INSTALLATION - 2032ES	B
		Ref	Usage Chart	
		Ref	China Built Machines (SN B200035089 to Present)	
		Ref	UL Machines	
1	0100048	AR	Compound, Sealing	
2	0760606	5	Bolt M6 x 12	
2	0760605	5	Bolt M6 x 10	
3	0760610	2	Bolt M6 x 20	
4	1321716	2	Clamp	
5	1380158	13	Clip, Retainer	
6	3290601	2	Nut M6	
7	3290605	2	Nut M6	
8	3290606	6	Nut M6	
9	4010616	1	Screw M6 x 40	
10	4031713	2	Capscrew M6 x 45	
11	4740545	5	Washer	
12	4751400	4	Washer 1/4	
13	1001094175	1	Clamp	
14	1001220668	5	Clamp	
15	1001096706	1	Platform Harness (Includes Item 14) (See PLATFORM HARNESS for Breakdown)	
16	1001096794	1	Pump Power Harness (See PUMP POWER HARNESS for Breakdown)	
17	1001115002	1	Cylinder Harness (See CYLINDER HARNESS for Breakdown)	
18	1001178317	1	Battery Cable Kit (See BATTERY CABLE KIT for Breakdown)	
19	1001178687	1	Ground to Platform Harness (See GROUND TO PLATFORM HARNESS - 2032ES for Breakdown)	
20	1001196835	1	Chassis Harness (See CHASSIS HARNESS for Breakdown)	

# SECTION 7 - ELECTRICAL

## FIGURE 7-20. CABLES INSTALLATION - 2632ES

NOTE: SEE USAGE CHART ON PARTS LIST BEFORE ORDERING PARTS.



ART\_1001178322



## SECTION 7 - ELECTRICAL

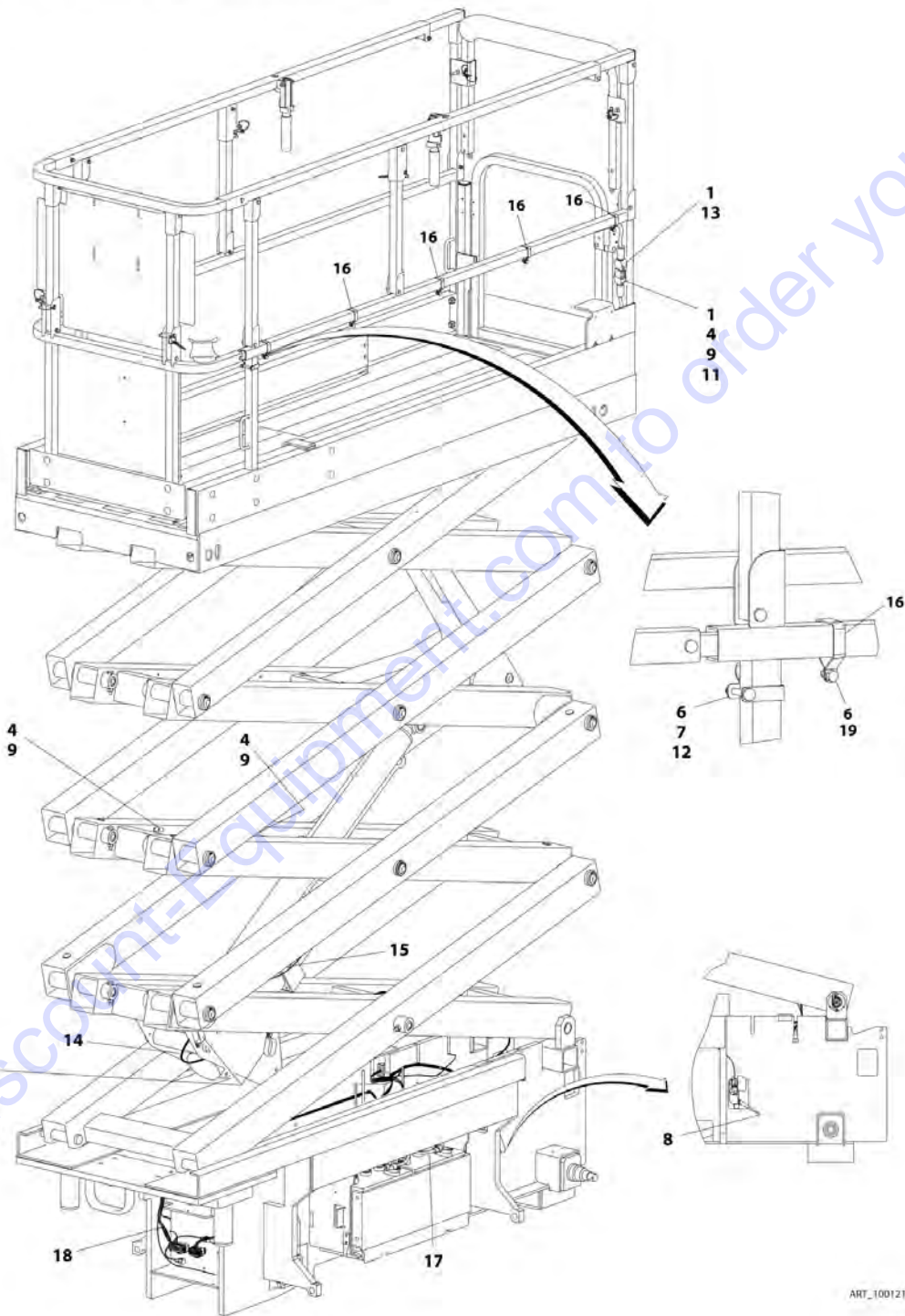
**FIGURE 7-20. CABLES INSTALLATION - 2632ES**

ITEM	PART NUMBER	QTY	DESCRIPTION	REV
	1001178322	Ref	CABLES INSTALLATION - 2632ES	F
		Ref	Usage Chart	
		Ref	China Built Machines ( <b>Prior to SN B200035089</b> )	
		Ref	Mexico Built Machines	
		Ref	USA Built Machines	
		Ref	ANSI and CSA Specs (All Machines)	
		Ref	Japanese Specs ( <b>Prior to SN 0200258070</b> )	
		Ref	ANSI Export and China Spec ( <b>SN 0200239382 through 0200248240</b> )	
1	0100048	AR	Compound, Sealing	
2	0760610	2	Bolt M6 x 20	
3	1321716	2	Clamp	
4	1380158	20	Clip, Retainer	
5	3290601	2	Nut M6	
6	3290606	6	Nut M6	
7	4010616	1	Screw M6 x 40	
8	4031713	2	Capscrew M6 x 45	
9	4740545	11	Washer	
10	4751400	4	Washer 1/4	
11	1001178688	1	Ground to Platform Harness (See GROUND TO PLATFORM HARNESS - 2632ES for Breakdown)	
12	1001094175	1	Clamp	
13	1001096706	1	Platform Harness (Includes Item 16) (See PLATFORM HARNESS for Breakdown) ( <b>Prior to SN 0200262519, Prior to SN B200035089, Prior to SN M200010205</b> )	
13	1001201243	1	Platform Harness (Includes Item 16) (See PLATFORM HARNESS for Breakdown) ( <b>SN 0200262519 to Present, SN M200010205 to Present</b> )	
14	1001096794	1	Pump Power Harness (See PUMP POWER HARNESS for Breakdown)	
15	1001115002	1	Cylinder Harness (See CYLINDER HARNESS for Breakdown)	
16	1001094180	NLA	Clamp (Use p/n 1001210760) ( <b>Prior to SN 0200257626, Prior to SN B200035089, Prior to SN M200002833</b> )	
16	1001210433	NLA	Clamp (Use p/n 1001210760) ( <b>SN 0200257626 to Present, SN M200002833 to Present</b> )	
17	1001178317	1	Battery Cable Kit (See BATTERY CABLE KIT for Breakdown)	
18	1001187198	1	Chassis Harness (See CHASSIS HARNESS for Breakdown)	
19	0760606	5	Bolt M6 x 12	

# SECTION 7 - ELECTRICAL

## FIGURE 7-21. CABLES INSTALLATION - 2632ES

NOTE: SEE USAGE CHART ON PARTS LIST BEFORE ORDERING PARTS.



ART\_1001219350

## SECTION 7 - ELECTRICAL

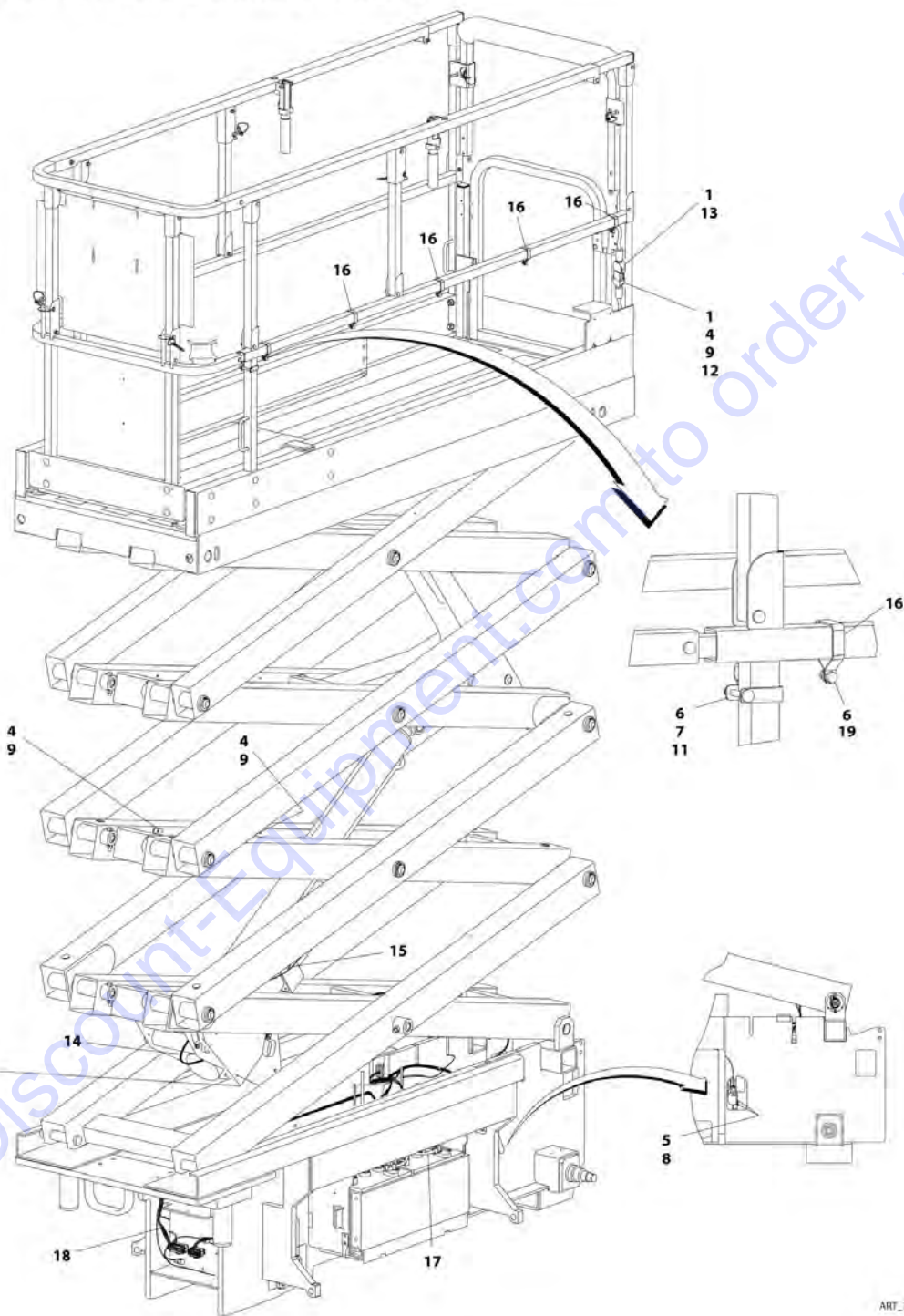
**FIGURE 7-21. CABLES INSTALLATION - 2632ES**

ITEM	PART NUMBER	QTY	DESCRIPTION	REV
	1001219350	Ref	CABLES INSTALLATION - 2632ES	B
		Ref	Usage Chart	
		Ref	China Built Machines ( <b>SN B200035089 to Present</b> )	
		Ref	ANSI and CSA Specs	
1	0100048	AR	Compound, Sealing	
2	0760610	2	Bolt M6 x 20	
3	1321716	2	Clamp	
4	1380158	20	Clip, Retainer	
5	3290601	2	Nut M6	
6	3290606	6	Nut M6	
7	4010616	1	Screw M6 x 40	
8	4031713	2	Capscrew M6 x 45	
9	4740545	11	Washer	
10	4751400	4	Washer 1/4	
11	1001178688	1	Ground to Platform Harness (See GROUND TO PLATFORM HARNESS - 2632ES for Breakdown)	
12	1001094175	1	Clamp	
13	1001096706	1	Platform Harness (Includes Item 16) (See PLATFORM HARNESS for Breakdown)	
14	1001096794	1	Pump Power Harness (See PUMP POWER HARNESS for Breakdown)	
15	1001115002	1	Cylinder Harness (See CYLINDER HARNESS for Breakdown)	
16	1001220668	5	Clamp	
17	1001178317	1	Battery Cable Kit (See BATTERY CABLE KIT for Breakdown)	
18	1001187198	1	Chassis Harness (See CHASSIS HARNESS for Breakdown)	
19	0760606	5	Bolt M6 x 12	
19	0760605	5	Bolt M6 x 10	

# SECTION 7 - ELECTRICAL

## FIGURE 7-22. CABLES INSTALLATION - 2632ES

NOTE: SEE USAGE CHART ON PARTS LIST BEFORE ORDERING PARTS.



ART\_1001178121

## SECTION 7 - ELECTRICAL

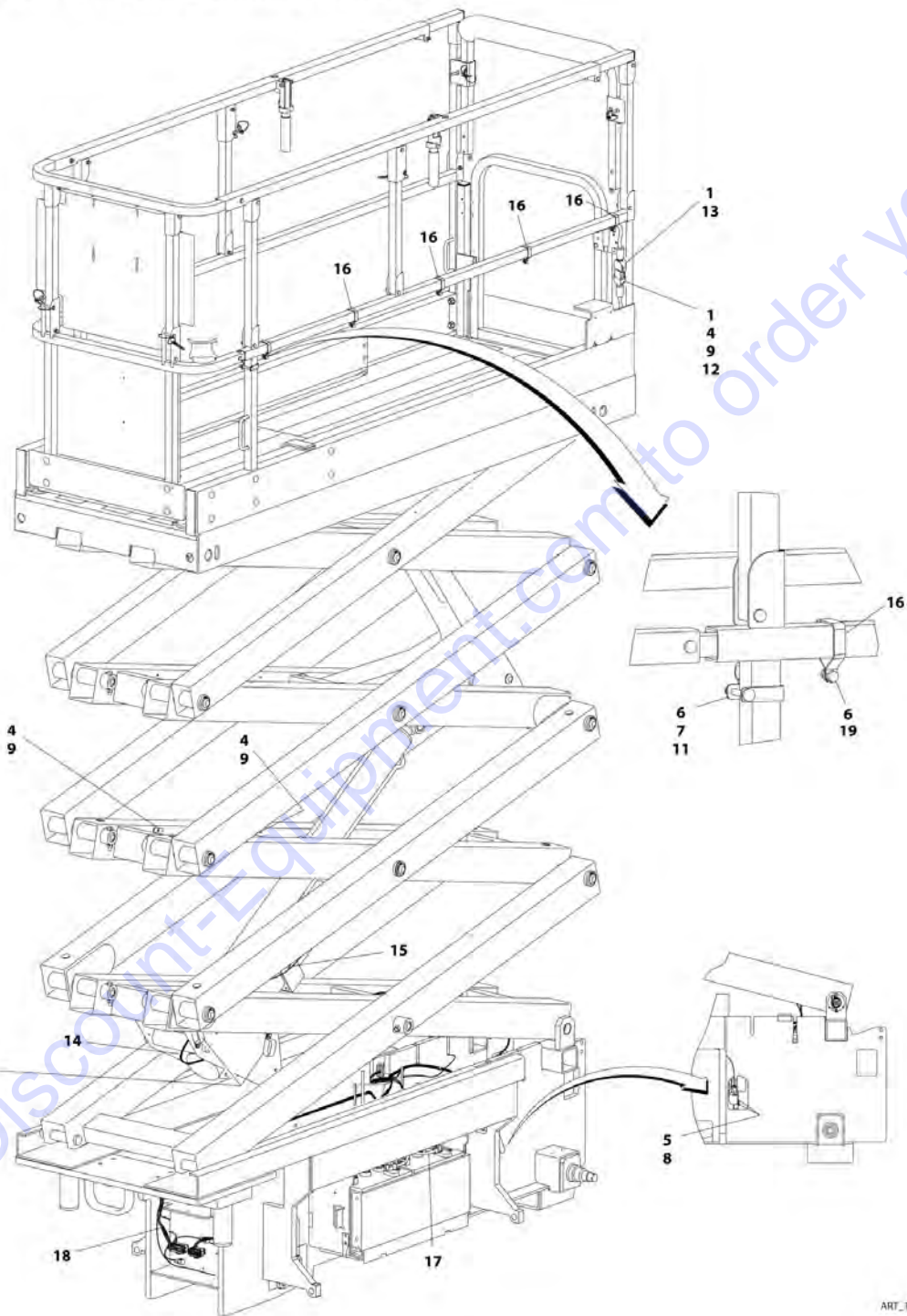
### FIGURE 7-22. CABLES INSTALLATION - 2632ES

ITEM	PART NUMBER	QTY	DESCRIPTION	REV
	1001178321	Ref	CABLES INSTALLATION - 2632ES	F
		Ref	Usage Chart	
		Ref	Belgium Built Machines ( <b>Prior to SN 1200025121</b> )	
		Ref	China Built Machines ( <b>Prior to SN B200035089</b> )	
		Ref	Mexico Built Machines	
		Ref	Korea Specs ( <b>SN M200017738 to Present</b> )	
		Ref	USA Built Machines	
		Ref	ANSI Export and China Spec ( <b>SN 0200248241 to Present</b> )	
		Ref	Japanese Specs ( <b>SN 0200258070 to Present</b> )	
		Ref	Australian and CE Spec (All Machines)	
1	0100048	AR	Compound, Sealing	
2	0760610	4	Bolt M6 x 20	
3	1321716	2	Clamp	
4	1380158	20	Clip, Retainer	
5	3290605	6	Nut M6	
6	3290606	6	Nut M6	
7	4010616	1	Screw M6 x 40	
8	4031713	2	Capscrew M6 x 45	
9	4740545	11	Washer	
10	4751400	4	Washer 1/4	
11	1001094175	1	Clamp	
12	1001178689	1	Ground to Platform Harness (See GROUND TO PLATFORM HARNESS - 2632ES for Breakdown)	
13	1001096706	1	Platform Harness (Includes Item 16) (See PLATFORM HARNESS for Breakdown) ( <b>Prior to SN 0200262519, Prior to SN 1200025121, Prior to SN B200035089, Prior to SN M200010205</b> )	
13	1001201243	1	Platform Harness (Includes Item 16) (See PLATFORM HARNESS for Breakdown) ( <b>SN 0200262519 to Present, SN M200010205 to Present</b> )	
14	1001096794	1	Pump Power Harness (See PUMP POWER HARNESS for Breakdown)	
15	1001115002	1	Cylinder Harness (See CYLINDER HARNESS for Breakdown)	
16	1001094180	NLA	Clamp (Use p/n 1001210760) ( <b>Prior to SN 0200257626, Prior to SN 1200025121, Prior to SN B200035089, Prior to SN M200002833</b> )	
16	1001210433	NLA	Clamp (Use p/n 1001210760) ( <b>SN 0200257626 to Present, SN M200002833 to Present</b> )	
17	1001178317	1	Battery Cable Kit (See BATTERY CABLE KIT for Breakdown)	
18	1001187198	1	Chassis Harness (See CHASSIS HARNESS for Breakdown)	
19	0760606	5	Bolt M6 x 12	

# SECTION 7 - ELECTRICAL

## FIGURE 7-23. CABLES INSTALLATION - 2632ES

NOTE: SEE USAGE CHART ON PARTS LIST BEFORE ORDERING PARTS.



ART\_1001219352

## SECTION 7 - ELECTRICAL

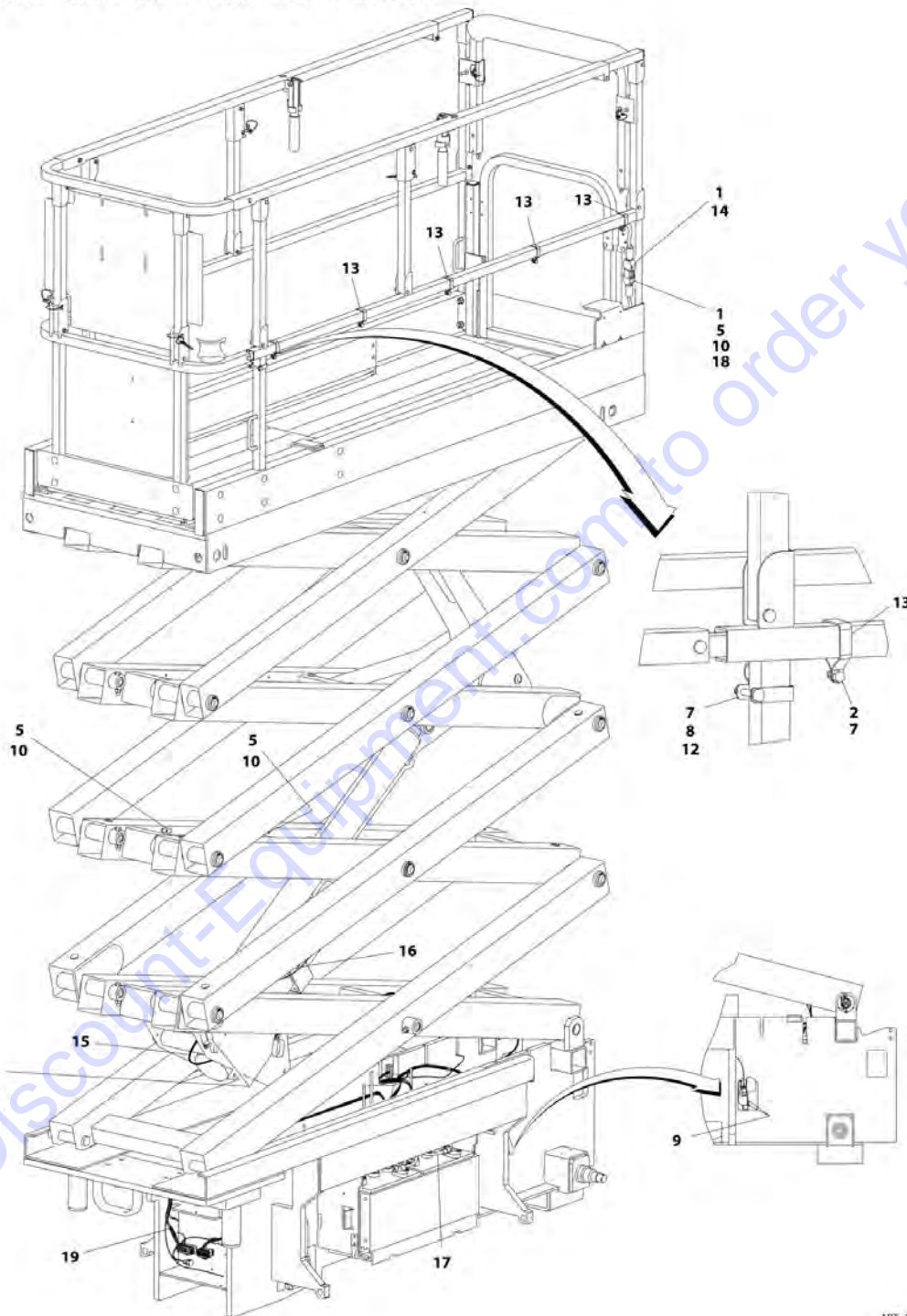
**FIGURE 7-23. CABLES INSTALLATION - 2632ES**

ITEM	PART NUMBER	QTY	DESCRIPTION	REV
	1001219352	Ref	CABLES INSTALLATION - 2632ES	B
		Ref	Usage Chart	
		Ref	Belgium Built Machines <b>(SN 1200025121 to Present)</b>	
		Ref	China Built Machines <b>(SN B200035089 to Present)</b>	
		Ref	ANSI Export, Australian, CE, Japanese, Korea and China Specs	
1	0100048	AR	Compound, Sealing	
2	0760610	4	Bolt M6 x 20	
3	1321716	2	Clamp	
4	1380158	20	Clip, Retainer	
5	3290605	6	Nut M6	
6	3290606	6	Nut M6	
7	4010616	1	Screw M6 x 40	
8	4031713	2	Capscrew M6 x 45	
9	4740545	11	Washer	
10	4751400	4	Washer 1/4	
11	1001094175	1	Clamp	
12	1001178689	1	Ground to Platform Harness (See GROUND TO PLATFORM HARNESS - 2632ES for Breakdown)	
13	1001096706	1	Platform Harness (Includes Item 16) (See PLATFORM HARNESS for Breakdown)	
14	1001096794	1	Pump Power Harness (See PUMP POWER HARNESS for Breakdown)	
15	1001115002	1	Cylinder Harness (See CYLINDER HARNESS for Breakdown)	
16	1001220668	5	Clamp	
17	1001178317	1	Battery Cable Kit (See BATTERY CABLE KIT for Breakdown)	
18	1001187198	1	Chassis Harness (See CHASSIS HARNESS for Breakdown)	
19	0760606	5	Bolt M6 x 12	
19	0760605	5	Bolt M6 x 10	

# SECTION 7 - ELECTRICAL

## FIGURE 7-24. CABLES INSTALLATION - 2632ES

NOTE: SEE USAGE CHART ON PARTS LIST BEFORE ORDERING PARTS.



ART\_1001196866



## SECTION 7 - ELECTRICAL

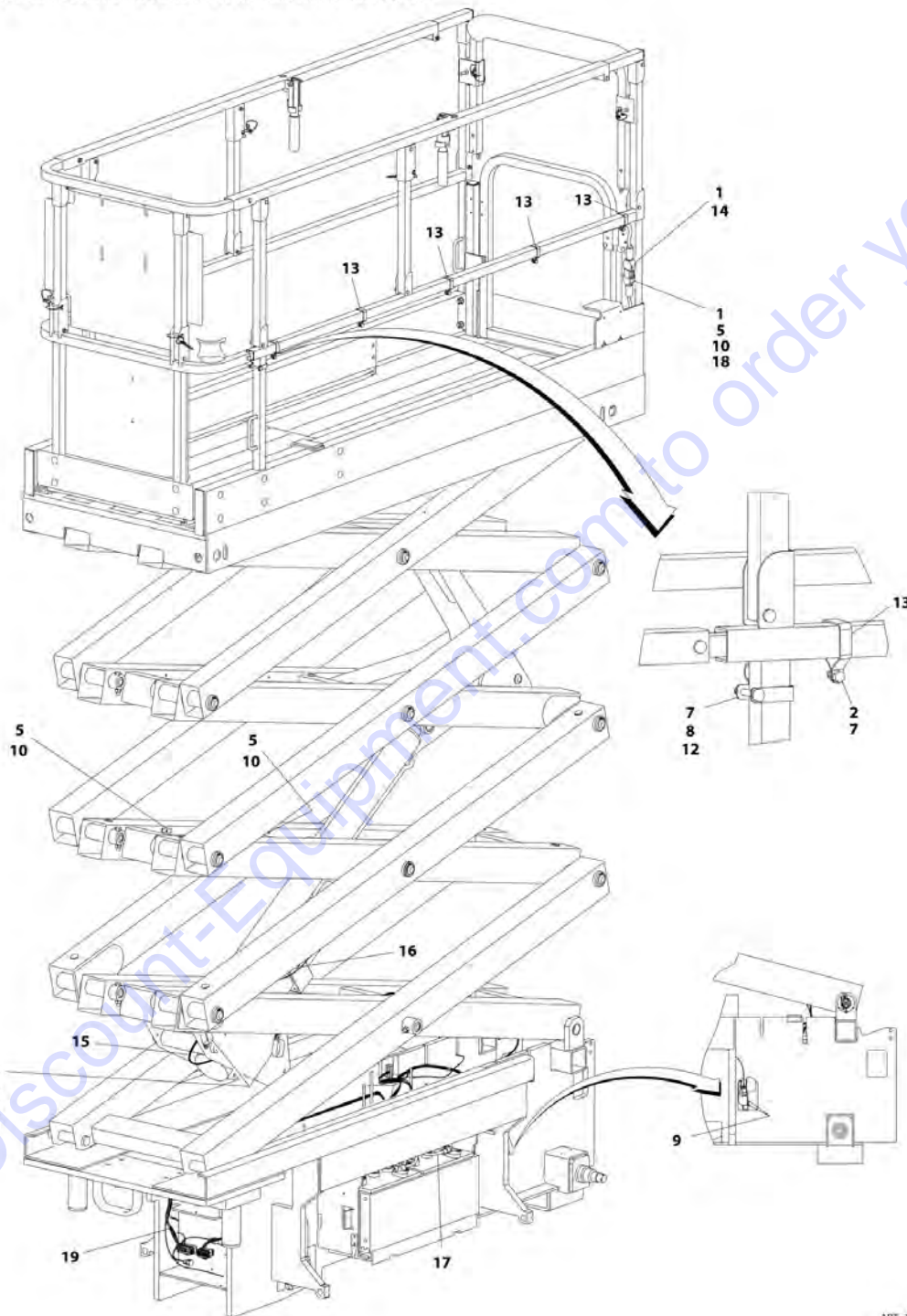
**FIGURE 7-24. CABLES INSTALLATION - 2632ES**

ITEM	PART NUMBER	QTY	DESCRIPTION	REV
	1001196866	Ref	CABLES INSTALLATION - 2632ES	B
		Ref	Usage Chart	
		Ref	China Built Machines ( <b>Prior to SN B200035089</b> )	
		Ref	Mexico Built Machines	
		Ref	USA Built Machines	
		Ref	UL Machines (All Machines)	
1	0100048	AR	Compound, Sealing	
2	0760606	5	Bolt M6 x 12	
3	0760610	2	Bolt M6 x 20	
4	1321716	2	Clamp	
5	1380158	20	Clip, Retainer	
6	3290601	2	Nut M6	
7	3290606	1	Nut M6	
8	4010616	1	Screw M6 x 40	
9	4031713	2	Capscrew M6 x 45	
10	4740545	11	Washer	
11	4751400	2	Washer 1/4	
12	1001094175	1	Clamp	
13	1001094180	NLA	Clamp (Use p/n 1001210760) ( <b>Prior to SN 0200257626, Prior to SN B200035089, Prior to SN M200002833</b> )	
13	1001210433	NLA	Clamp (Use p/n 1001210760) ( <b>SN 0200257626 to Present, SN M200002833 to Present</b> )	
14	1001096706	1	Platform Harness (Includes Item 13) (See PLATFORM HARNESS for Breakdown) ( <b>Prior to SN 0200262519, Prior to SN B200035089, Prior to SN M200010205</b> )	
14	1001201243	1	Platform Harness (Includes Item 13) (See PLATFORM HARNESS for Breakdown) ( <b>SN 0200262519 to Present, SN M200010205 to Present</b> )	
15	1001096794	1	Pump Power Harness (See PUMP POWER HARNESS for Breakdown)	
16	1001115002	1	Cylinder Harness (See CYLINDER HARNESS for Breakdown)	
17	1001178317	1	Battery Cable Kit (See BATTERY CABLE KIT for Breakdown)	
18	1001178688	1	Ground to Platform Harness (See GROUND TO PLATFORM HARNESS - 2632ES for Breakdown)	
19	1001196835	1	Chassis Harness (See CHASSIS HARNESS for Breakdown)	

# SECTION 7 - ELECTRICAL

## FIGURE 7-25. CABLES INSTALLATION - 2632ES

NOTE: SEE USAGE CHART ON PARTS LIST BEFORE ORDERING PARTS.



ART\_1001219359

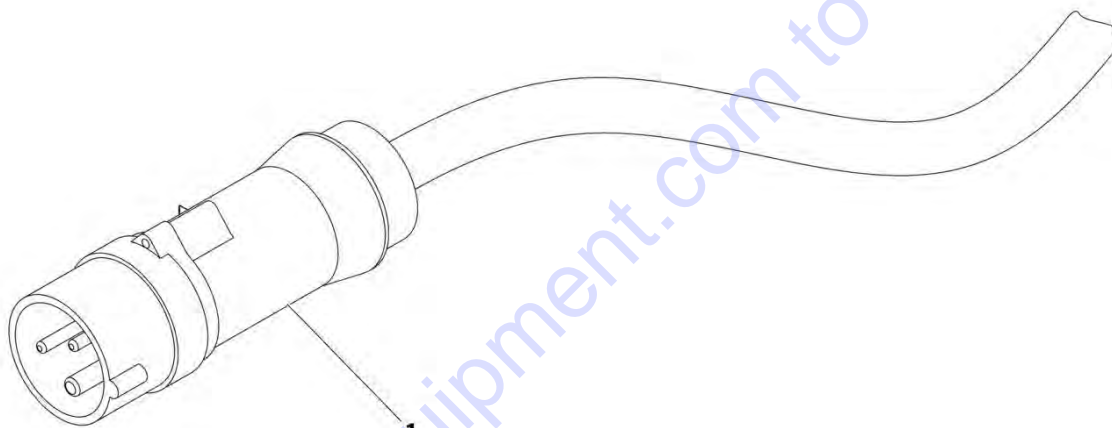
## SECTION 7 - ELECTRICAL

**FIGURE 7-25. CABLES INSTALLATION - 2632ES**

ITEM	PART NUMBER	QTY	DESCRIPTION	REV
	1001219359	Ref	CABLES INSTALLATION - 2632ES	B
		Ref	Usage Chart	
		Ref	China Built Machines ( <b>SN B200035089 to Present</b> )	
		Ref	UL Machines	
1	0100048	AR	Compound, Sealing	
2	0760606	5	Bolt M6 x 12	
2	0760605	5	Bolt M6 x 10	
3	0760610	2	Bolt M6 x 20	
4	1321716	1	Clamp	
5	1380158	20	Clip, Retainer	
6	3290601	2	Nut M6	
7	3290606	6	Nut M6	
8	4010616	1	Screw M6 x 40	
9	4031713	2	Capscrew M6 x 45	
10	4740545	11	Washer	
11	4751400	4	Washer 1/4	
12	1001094175	1	Clamp	
13	1001220668	5	Clamp	
14	1001096706	1	Platform Harness (Includes Item 13) (See PLATFORM HARNESS for Breakdown)	
15	1001096794	1	Pump Power Harness (See PUMP POWER HARNESS for Breakdown)	
16	1001115002	1	Cylinder Harness (See CYLINDER HARNESS for Breakdown)	
17	1001178317	1	Battery Cable Kit (See BATTERY CABLE KIT for Breakdown)	
18	1001178688	1	Ground to Platform Harness (See GROUND TO PLATFORM HARNESS - 2632ES for Breakdown)	
19	1001196835	1	Chassis Harness (See CHASSIS HARNESS for Breakdown)	

## SECTION 7 - ELECTRICAL

FIGURE 7-26. CHARGER CORD PLUG INSTALLATION - 110V IEC YELLOW (CE SPEC ONLY)



ART\_0275666

## SECTION 7 - ELECTRICAL

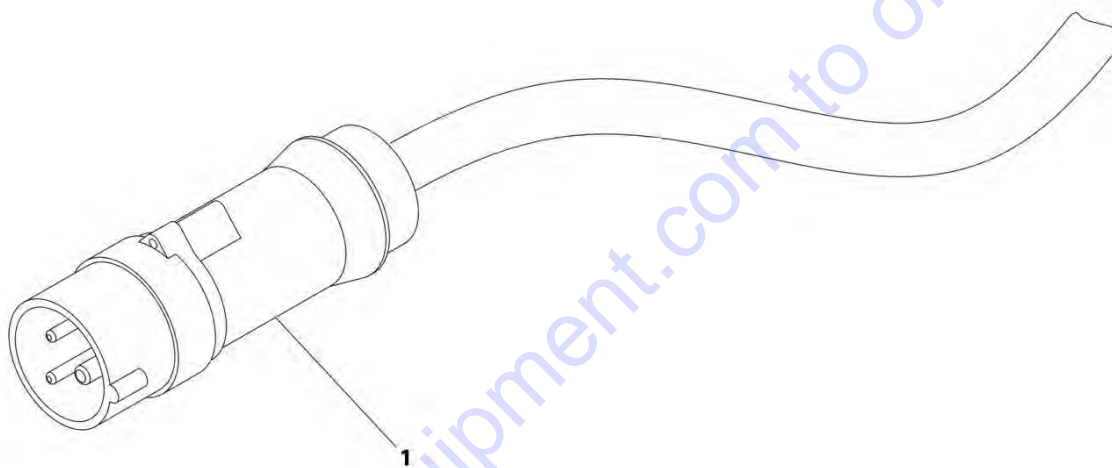
**FIGURE 7-26. CHARGER CORD PLUG INSTALLATION - 110V IEC YELLOW (CE SPEC ONLY)**

ITEM	PART NUMBER	QTY	DESCRIPTION	REV
	0275666	Ref	CHARGER CORD PLUG INSTALLATION - 110V IEC YELLOW (CE SPEC ONLY)	A
1	4461196	1	Plug	

Go to Discount-Equipment.com to order your parts

## SECTION 7 - ELECTRICAL

FIGURE 7-27. CHARGER CORD PLUG INSTALLATION - 220V IEC BLUE (CE SPEC)



ART\_0275667

## SECTION 7 - ELECTRICAL

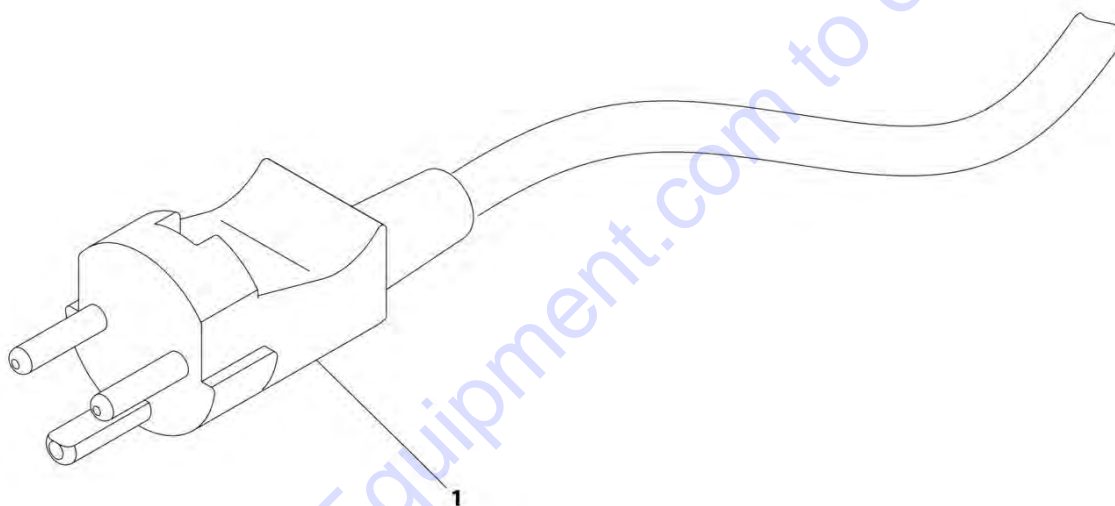
**FIGURE 7-27. CHARGER CORD PLUG INSTALLATION - 220V IEC BLUE (CE SPEC)**

ITEM	PART NUMBER	QTY	DESCRIPTION	REV
	0275667	Ref	CHARGER CORD PLUG INSTALLATION - 220V IEC BLUE (CE SPEC)	A
1	4461199	1	Plug	

Go to Discount-Equipment.com to order your parts

## SECTION 7 - ELECTRICAL

FIGURE 7-28. CHARGER CORD PLUG INSTALLATION - 220V AFSINT 107 (CE SPEC)



ART\_0275665



# PARTS FINDER

**Search Website  
by Part Number**



**Search Manual  
Library For Parts  
Manual & Lookup Part  
Numbers – Purchase  
or Request Quote**

A screenshot of the "Search Manuals" form. The form is titled "Search Manuals" and contains several input fields for "Find", "Serial Number", "Year", "Make", "Model", "Part Number", and "Category". There is a "Search" button at the bottom of the form.

**Can't Find Part or  
Manual? Request Help  
by Manufacturer,  
Model & Description**

A screenshot of the "Parts Order Form". The form is titled "Parts Order Form" and contains several input fields for "Manufacturer", "Model", "Description", "Part Number", "Quantity", "Price", and "Comments". There is a "Submit" button at the bottom of the form.

Discount-Equipment.com is your online resource for quality parts & equipment.

Florida: **561-964-4949** Outside Florida TOLL FREE: **877-690-3101**

**Need parts?**

Click on this link: <http://www.discount-equipment.com/category/5443-parts/> and choose one of the options to help get the right parts and equipment you are looking for. Please have the machine model and serial number available in order to help us get you the correct parts. If you don't find the part on the website or on one of the online manuals, please fill out the request form and one of our experienced staff members will get back to you with a quote for the right part that your machine needs.

We sell worldwide for the brands: Genie, Terex, JLG, MultiQuip, Mikasa, Essick, Whiteman, Mayco, Toro Stone, Diamond Products, Generac Magnum, Airman, Haulotte, Barreto, Power Blanket, Nifty Lift, Atlas Copco, Chicago Pneumatic, Allmand, Miller Curber, Skyjack, Lull, Skytrak, Tsurumi, Husquvarna Target, Stow, Wacker, Sakai, Mi-T-M, Sullair, Basic, Dynapac, MBW, Weber, Bartell, Bennar Newman, Haulotte, Ditch Runner, Menegotti, Morrison, Contec, Buddy, Crown, Edco, Wyco, Bomag, Laymor, EZ Trench, Bil-Jax, F.S. Curtis, Gehl Pavers, Heli, Honda, ICS/PowerGrit, IHI, Partner, Imer, Clipper, MMD, Koshin, Rice, CH&E, General Equipment, Amida, Coleman, NAC, Gradall, Square Shooter, Kent, Stanley, Tamco, Toku, Hatz, Kohler, Robin, Wisconsin, Northrock, Oztec, Toker TK, Rol-Air, APT, Wylie, Ingersoll Rand / Doosan, Innovatech, Con X, Ammann, Mecalac, Makinex, Smith Surface Prep, Small Line, Wanco, Yanmar

## SECTION 7 - ELECTRICAL

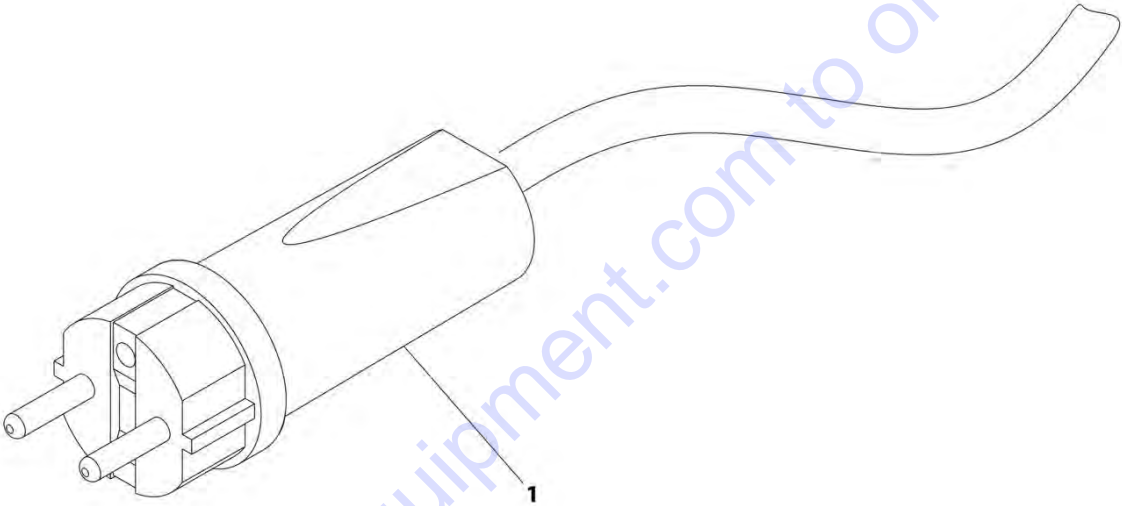
FIGURE 7-28. CHARGER CORD PLUG INSTALLATION - 220V AFSINT 107 (CE SPEC)

ITEM	PART NUMBER	QTY	DESCRIPTION	REV
	0275665	Ref	CHARGER CORD PLUG INSTALLATION - 220V AFSINT 107 (CE SPEC)	A
1	4461249	1	Plug	

Go to Discount-Equipment.com to order your parts

**SECTION 7 - ELECTRICAL**

**FIGURE 7-29. CHARGER CORD PLUG INSTALLATION - 220V CEE7 SIDE GROUND (CE SPEC)**



ART\_0275664

## SECTION 7 - ELECTRICAL

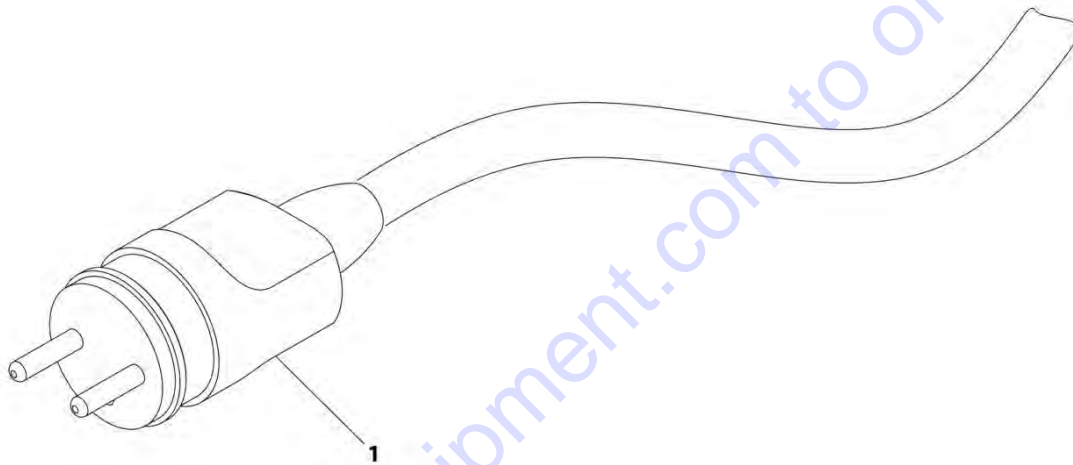
**FIGURE 7-29. CHARGER CORD PLUG INSTALLATION - 220V CEE7 SIDE GROUND (CE SPEC)**

ITEM	PART NUMBER	QTY	DESCRIPTION	REV
	0275664	Ref	CHARGER CORD PLUG INSTALLATION - 220V CEE7 SIDE GROUND (CE SPEC)	A
1	4461205	1	Plug	

Go to Discount-Equipment.com to order your parts

## SECTION 7 - ELECTRICAL

FIGURE 7-30. CHARGER CORD PLUG INSTALLATION - 220V POST GROUND (CE SPEC)



ART\_0275663

## SECTION 7 - ELECTRICAL

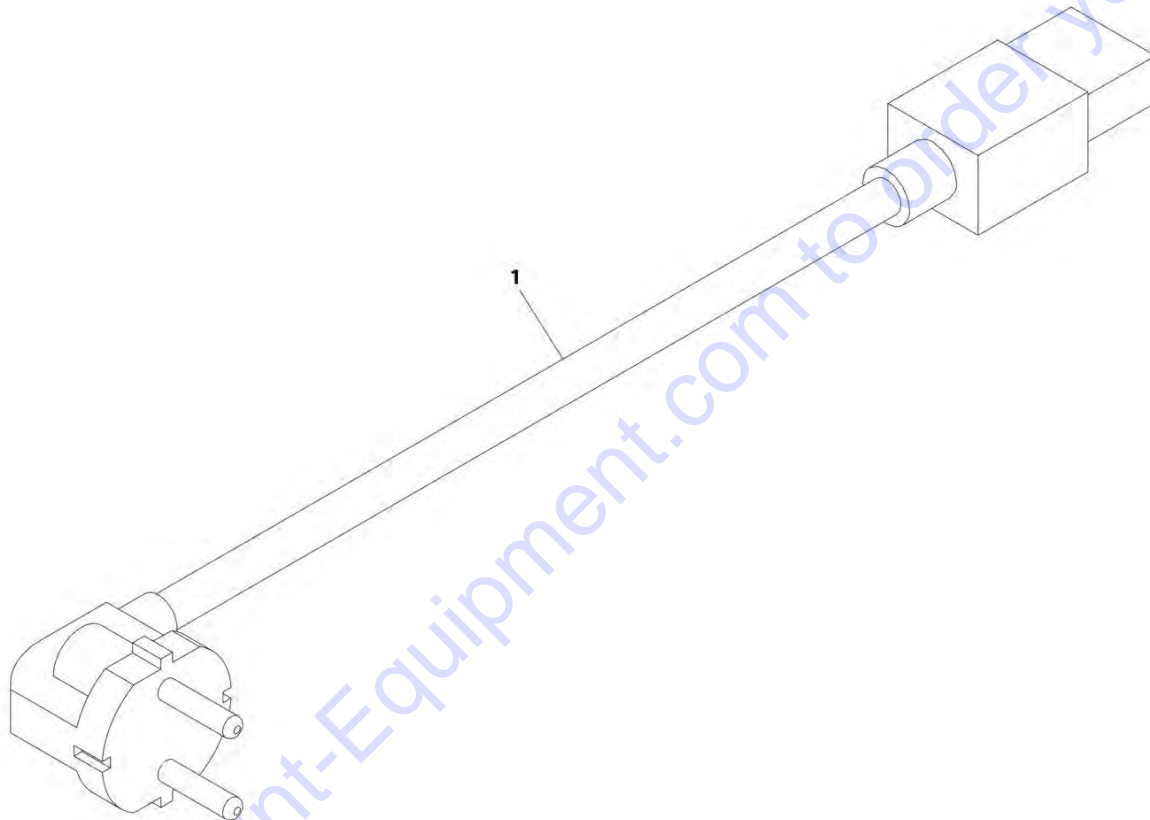
**FIGURE 7-30. CHARGER CORD PLUG INSTALLATION - 220V POST GROUND (CE SPEC)**

ITEM	PART NUMBER	QTY	DESCRIPTION	REV
	0275663	Ref	CHARGER CORD PLUG INSTALLATION - 220V POST GROUND (CE SPEC)	C
1	4461202	NLA	Plug (Use p/n 4461205) (SN 0200239382 through 0200256617, SN B200020297 through B200037114, SN M200000100 through M200002249)	
1	4461205	1	Plug (SN 0200256618 to Present, SN B200037115 to Present, SN M200002250 to Present)	

Go to Discount-Equipment.com to order your parts

## SECTION 7 - ELECTRICAL

FIGURE 7-31. CHARGER CORD PLUG INSTALLATION (KOREA SPEC)



ART\_1001221984

## SECTION 7 - ELECTRICAL

**FIGURE 7-31. CHARGER CORD PLUG INSTALLATION (KOREA SPEC)**

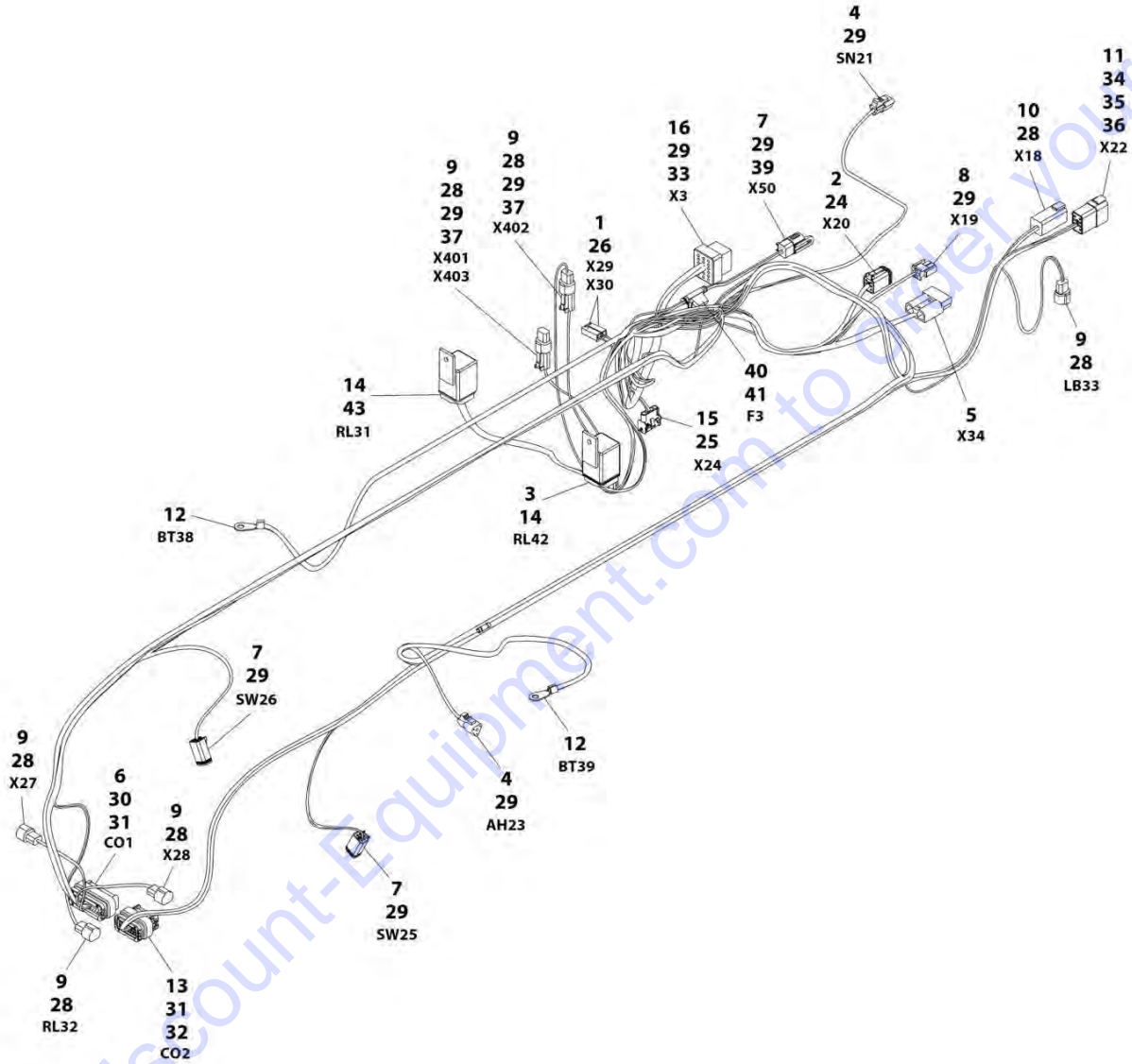
ITEM	PART NUMBER	QTY	DESCRIPTION	REV
1	1001221984	Ref	CHARGER CORD PLUG INSTALLATION (KOREA SPEC)	A
	1001221949	1	AC Input Cord and Plug	

Go to Discount-Equipment.com to order your parts



# SECTION 7 - ELECTRICAL

## FIGURE 7-32. CHASSIS HARNESS



ART\_1001187198

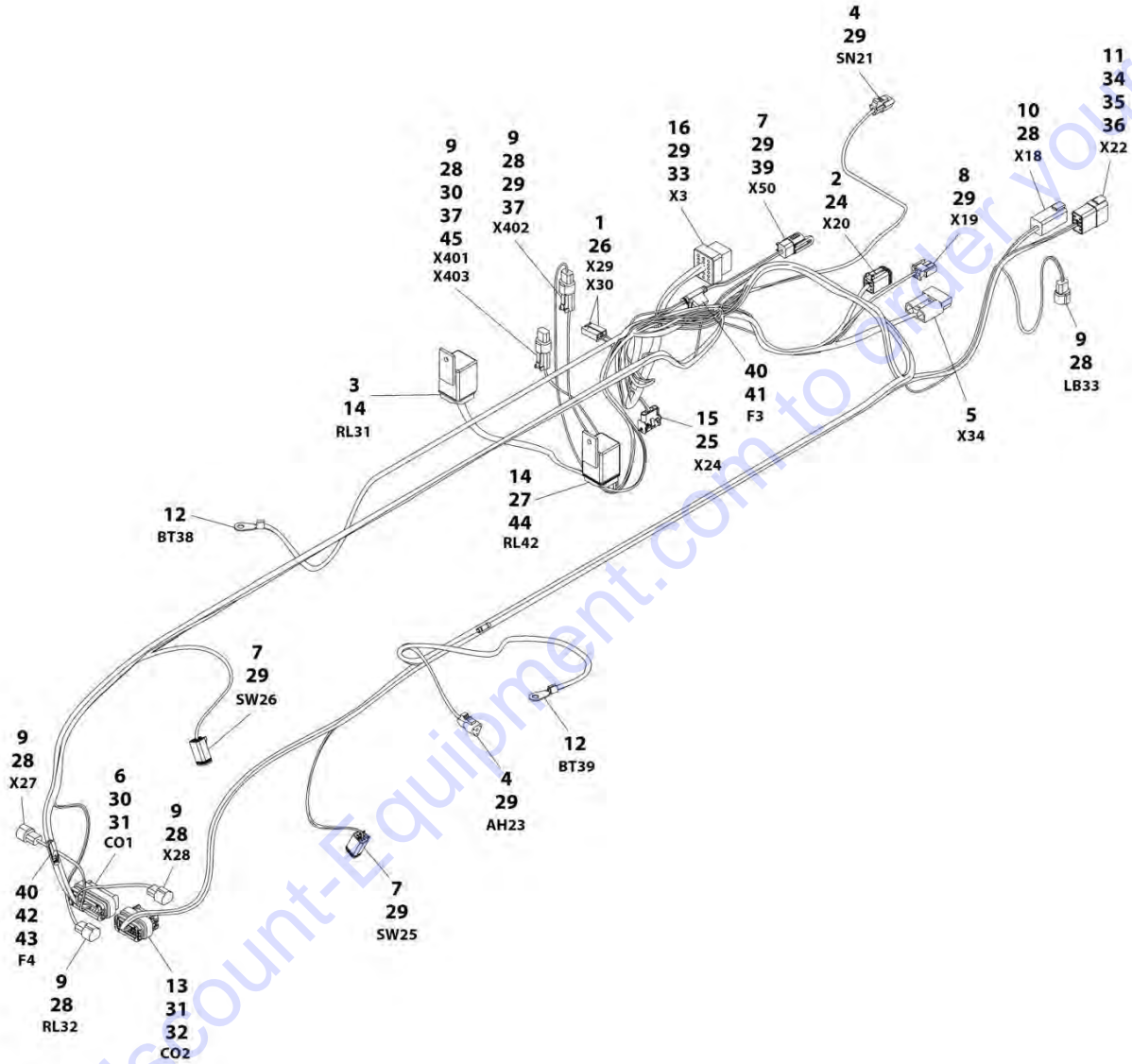
## SECTION 7 - ELECTRICAL

### FIGURE 7-32. CHASSIS HARNESS

ITEM	PART NUMBER	QTY	DESCRIPTION	REV
	1001187198	Ref	CHASSIS HARNESS	E
1	4460260	2	Housing, Terminal	
2	4460320	1	Plug, Male - 2 Position	
3	4460374	1	Plug, Relay	
4	4460539	2	Plug, Male - 3 Position	
5	4460648	1	Connector, Anderson	
6	4460873	1	Connector - 35 Position (Black)	
7	4460884	3	Plug, Male - 4 Position	
8	4460894	1	Plug, Male - 6 Position	
9	4460897	6	Receptacle, Female - 2 Position	
10	4460899	1	Receptacle, Female - 6 Position	
11	4460931	1	Receptacle, Female - 8 Position	
12	4460986	2	Terminal, Ring	
13	1001096138	1	Connector - 23 Position	
14	1001097347	1	Relay	
15	4460761	1	Receptacle, Female - 4 Position	
16	1001115076	1	Connector - 18 Position	
24	4460226	2	Socket, Female	
25	4460227	4	Pin, Male	
26	4460259	2	Terminal	
27	4460375	8	Terminal	
28	4460464	18	Pin, Male	
29	4460465	32	Socket, Female	
30	4460466	9	Seal	
31	4460871	39	Socket, Female	
32	4460905	20	Seal	
33	4460942	2	Socket, Female	
34	4460943	3	Pin, Male	
35	0840058	1	Boot	
36	2820028	AR	Heat Shrink	
37	4460891	2	Plug, Male - 2 Position	
39	1001192401	1	Cap, Dust	
40	2400060	1	Fuseholder with Cover	
41	8229242	1	Fuse 5Amp	
43	1001117057	1	Connector - 4 Position	

# SECTION 7 - ELECTRICAL

## FIGURE 7-33. CHASSIS HARNESS - UL SPEC



ART\_1001196835

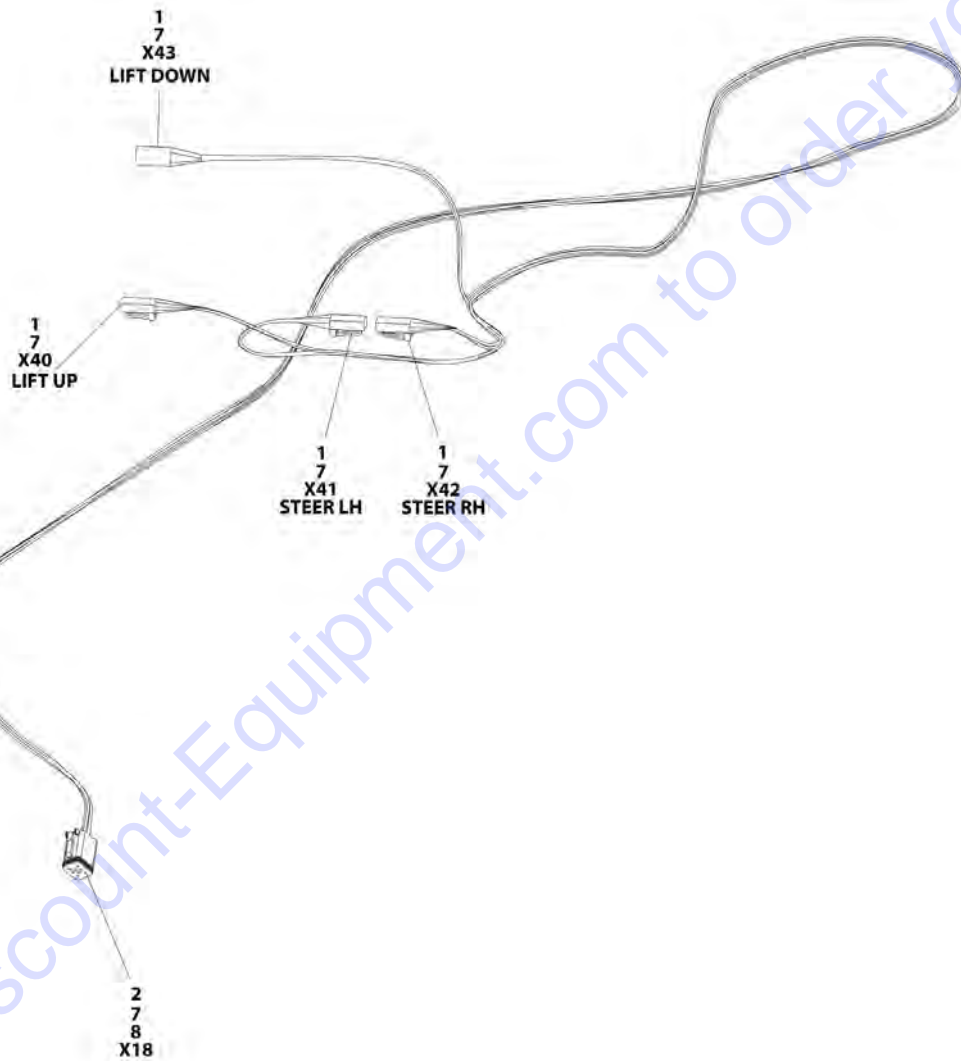
## SECTION 7 - ELECTRICAL

### FIGURE 7-33. CHASSIS HARNESS - UL SPEC

ITEM	PART NUMBER	QTY	DESCRIPTION	REV
	1001196835	Ref	CHASSIS HARNESS - UL SPEC	D
1	4460260	2	Housing, Terminal	
2	4460320	1	Plug, Male - 2 Position	
3	4460374	1	Plug, Relay	
4	4460539	2	Plug, Male - 3 Position	
5	4460648	1	Connector, Anderson	
6	4460873	1	Connector - 35 Position (Black)	
7	4460884	3	Plug, Male - 4 Position	
8	4460894	1	Plug, Male - 6 Position	
9	4460897	6	Receptacle, Female - 2 Position	
10	4460899	1	Receptacle, Female - 6 Position	
11	4460931	1	Receptacle, Female - 8 Position	
12	4460986	2	Terminal, Ring	
13	1001096138	1	Connector - 23 Position	
14	1001097347	1	Relay	
15	4460761	1	Receptacle, Female - 4 Position	
16	1001116076	1	Connector - 18 Position	
24	4460226	2	Socket, Female	
25	4460227	4	Pin, Male	
26	4460259	2	Terminal	
27	4460375	AR	Terminal	
28	4460464	AR	Pin, Male	
29	4460465	AR	Socket, Female	
30	4460466	AR	Seal	
31	4460871	39	Socket, Female	
32	4460905	AR	Seal	
33	4460942	2	Socket, Female	
34	4460943	3	Pin, Male	
35	0840058	1	Boot	
36	2820028	AR	Heat Shrink	
37	4460891	2	Plug, Male - 2 Position	
39	1001192401	1	Cap, Dust	
40	2400060	2	Fuseholder with Cover	
41	8229242	1	Fuse 5Amp	
42	1001196838	1	Fuse 3Amp	
43	2820152	AR	Heat Shrink	
44	4460374	1	Plug, Relay (Prior to SN 0200260033, Prior to SN B200034850, Prior to SN M200005829)	
44	1001117057	1	Plug, Relay (SN 0200260033 to Present, SN B200034850 to Present, SN M200005829 to Present)	
45	1001157890	1	Terminal (SN 0200260033 to Present, SN B200034850 to Present, SN M200005829 to Present)	

# SECTION 7 - ELECTRICAL

## FIGURE 7-34. CYLINDER HARNESS



ART 100115002

## SECTION 7 - ELECTRICAL

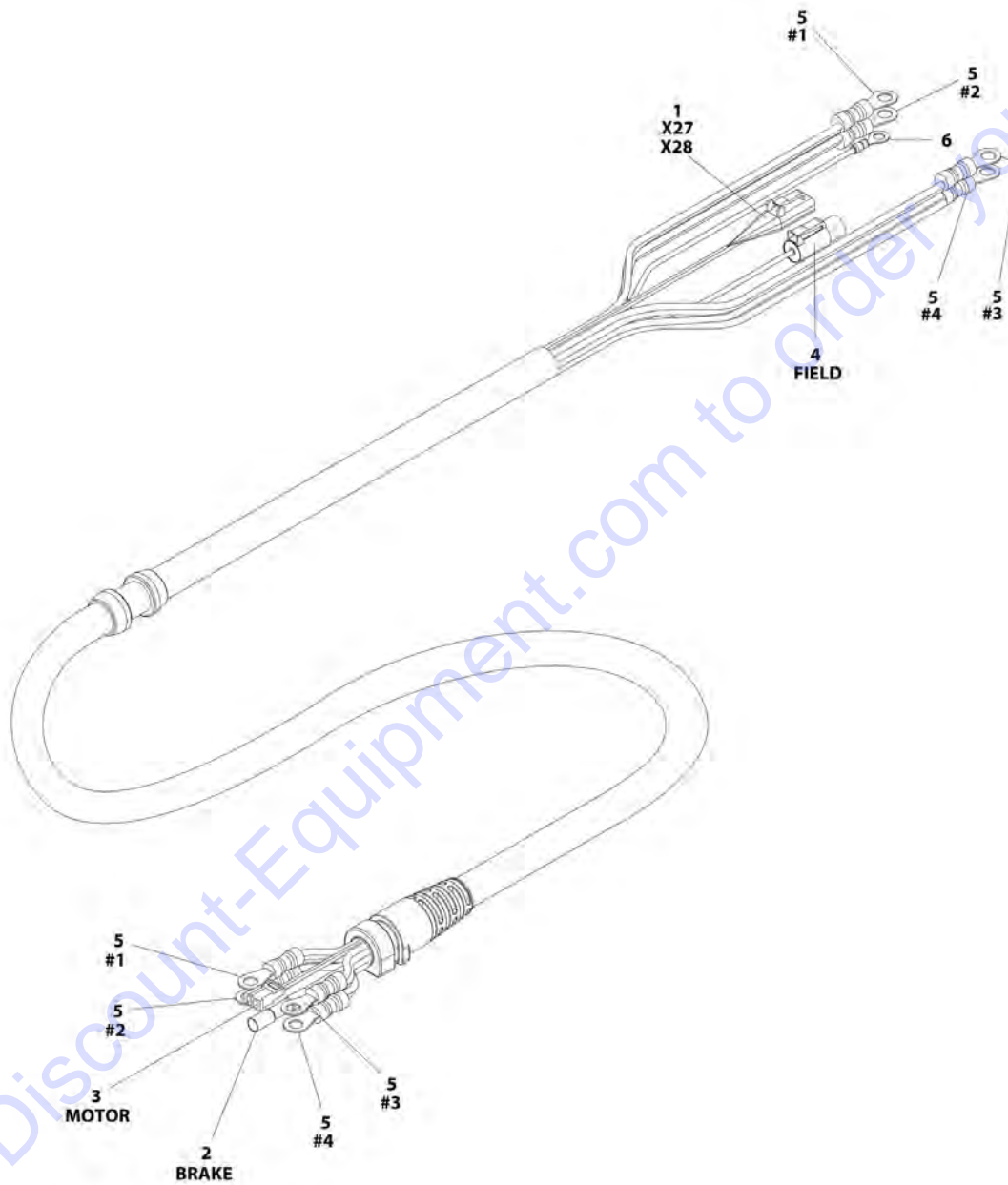
### FIGURE 7-34. CYLINDER HARNESS

ITEM	PART NUMBER	QTY	DESCRIPTION	REV
	1001115002	Ref	CYLINDER HARNESS	C
1	4460891	4	Plug, Male - 2 Position	
2	4460894	1	Plug, Male - 6 Position	
7	4460465	14	Socket, Female	
8	0840059	1	Boot	

Go to Discount-Equipment.com to order your parts

# SECTION 7 - ELECTRICAL

## FIGURE 7-35. DRIVE CABLE ASSEMBLY



ART\_1001132439

## SECTION 7 - ELECTRICAL

**FIGURE 7-35. DRIVE CABLE ASSEMBLY**

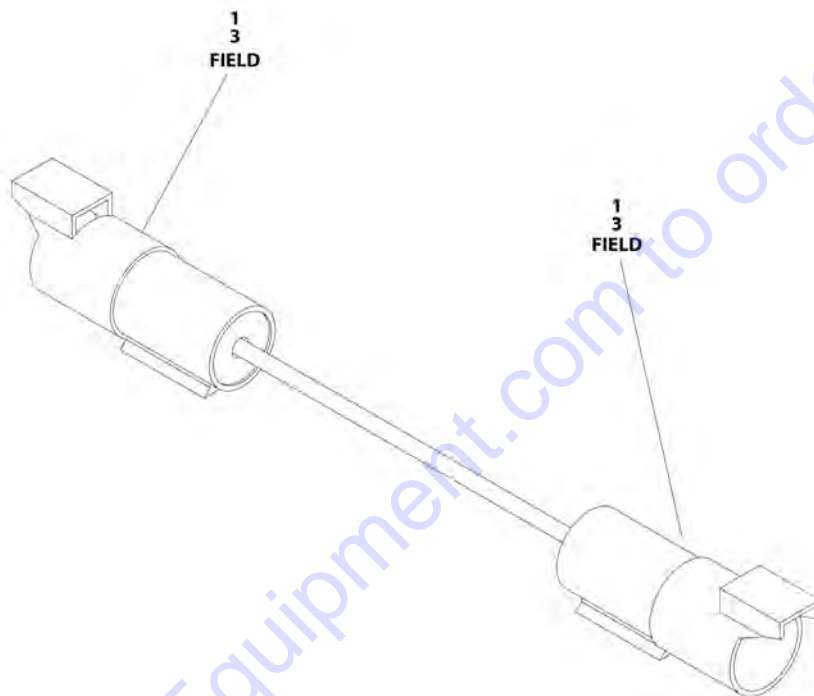
ITEM	PART NUMBER	QTY	DESCRIPTION	REV
	1001132439	Ref	DRIVE CABLE ASSEMBLY	B
1	4460891	1	Plug, Male - 2 Position	
1	4460465	2	Socket, Female	
2	70001442	1	Plug, Male - 2 Position	
2	See Note	NSS	Socket, Female (Note: Not Available for Purchase)	
3	70001443	1	Plug, Male - 2 Position	
3	70001444	2	Socket, Female	
4	4461261	1	Plug, Male - 1 Position	
4	4460509	1	Terminal	
5	See Note	NSS	Terminal, Ring (Note: Not Available for Purchase)	
6	See Note	NSS	Terminal, Ring (Note: Not Available for Purchase)	

Go to Discount-Equipment.com to order your parts



## SECTION 7 - ELECTRICAL

FIGURE 7-36. DRIVE FIELD CONNECTION HARNESS



ART\_4923602

## SECTION 7 - ELECTRICAL

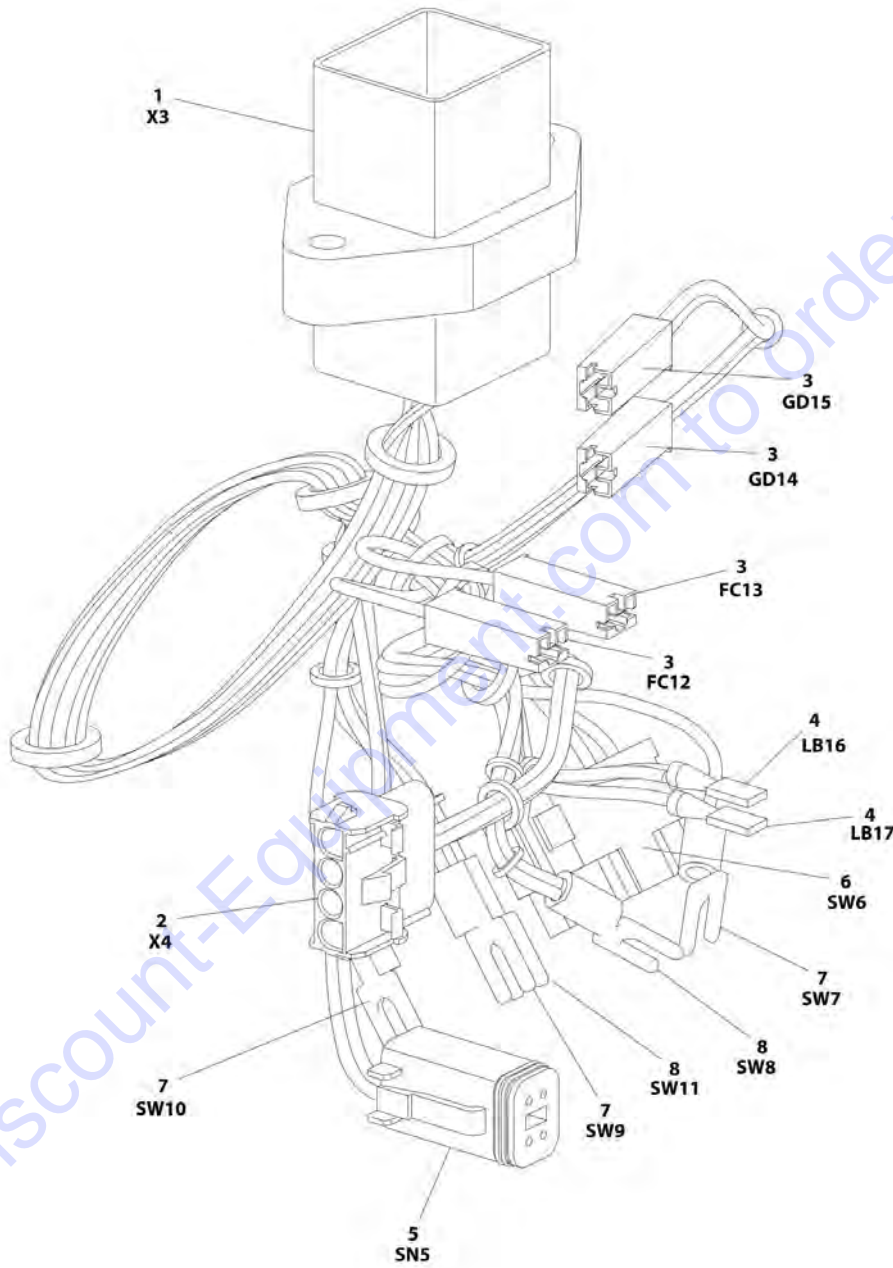
### FIGURE 7-36. DRIVE FIELD CONNECTION HARNESS

ITEM	PART NUMBER	QTY	DESCRIPTION	REV
	4923602	Ref	DRIVE FIELD CONNECTION HARNESS	C
1	4461260	2	Receptacle, Female - 1 Position	
3	4460508	2	Pin, Male	

Go to Discount-Equipment.com to order your parts

# SECTION 7 - ELECTRICAL

FIGURE 7-37. GROUND CONTROL BOX HARNESS (SN B200000100 through B200023311)



ART\_1001114935

## SECTION 7 - ELECTRICAL

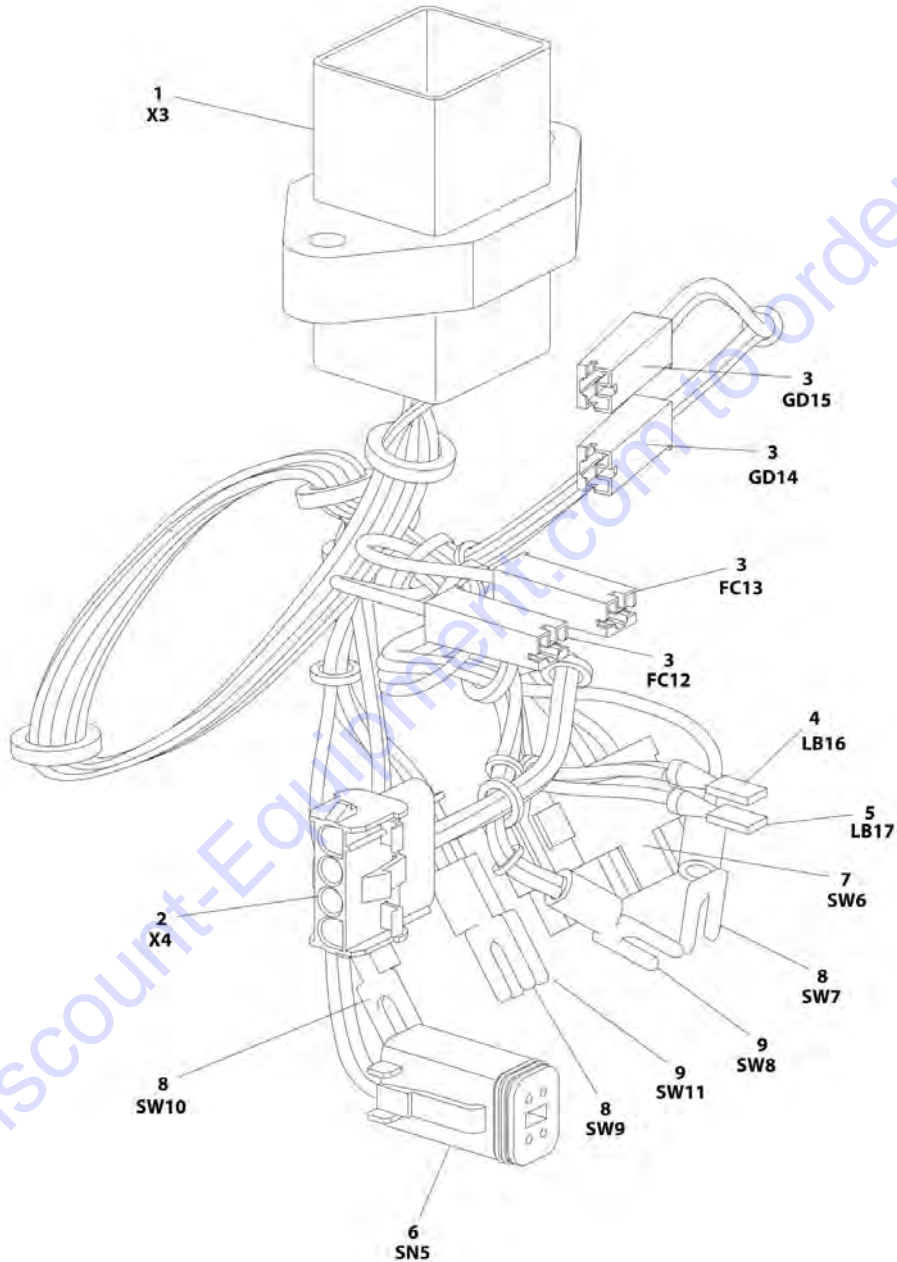
**FIGURE 7-37. GROUND CONTROL BOX HARNESS (SN B200000100 through B200023311)**

ITEM	PART NUMBER	QTY	DESCRIPTION	REV
	1001114935	Ref	GROUND CONTROL BOX HARNESS (SN B200000100 through B200023311)	B
1	See Note	NSS	Connector - 18 Position (Note: Not Available for Purchase)	
1	See Note	NSS	Terminal (Note: Not Available for Purchase)	
2	4460961	1	Receptacle, Female - 4 Position	
2	4460267	4	Pin, Male	
3	4460260	4	Housing, Terminal	
3	4460259	4	Terminal	
4	See Note	NSS	Terminal	
5	4461077	1	Plug, Male - 4 Position	
5	4460944	4	Socket, Female	
6	4460418	1	Connector - 6 Position	
6	4460419	3	Terminal	
7	See Note	NSS	Terminal, Fork (Note: Not Available for Purchase)	
8	See Note	NSS	Terminal, Fork (Note: Not Available for Purchase)	

Go to Discount-Equipment.com to order your parts

## SECTION 7 - ELECTRICAL

FIGURE 7-38. GROUND CONTROL BOX HARNESS (SN 020000001 to Present, SN 1200025021 to Present, SN B200023312 to Present, SN M200000100 to Present)



ART\_1001167256

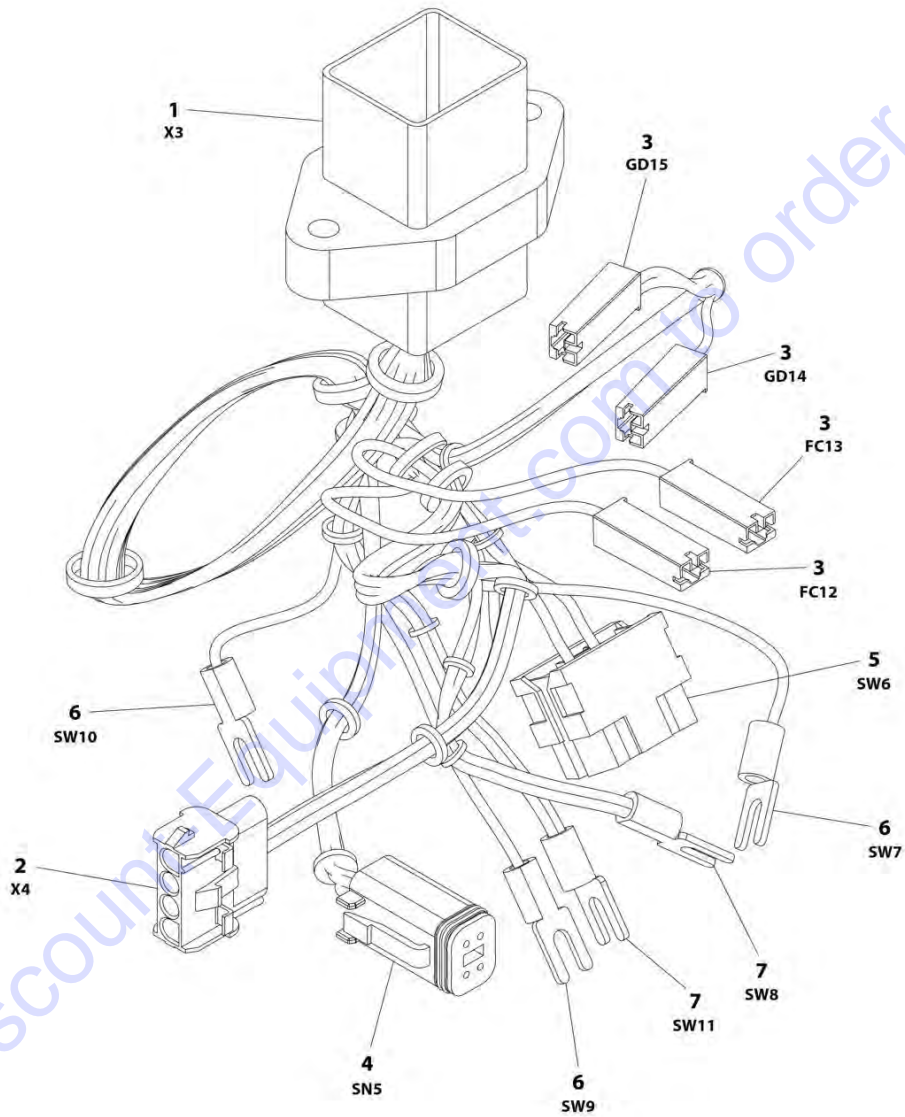
## SECTION 7 - ELECTRICAL

**FIGURE 7-38. GROUND CONTROL BOX HARNESS (SN 020000001 to Present, SN 1200025021 to Present, SN B200023312 to Present, SN M200000100 to Present)**

ITEM	PART NUMBER	QTY	DESCRIPTION	REV
	1001167256	Ref	GROUND CONTROL BOX HARNESS (SN 020000001 to Present, SN 1200025021 to Present, SN B200023312 to Present, SN M200000100 to Present)	E
1	1001115077	1	Connector - 18 Position	
1	4460464	14	Pin, Male	
1	4460943	2	Pin, Male	
1	4460466	2	Seal	
2	1001119032	1	Connector - 4 Position	
2	4460268	4	Socket, Female	
3	4460260	4	Housing, Terminal	
3	4460259	4	Terminal	
4	1001202618	1	Terminal	
5	1001202619	1	Terminal	
6	4461077	1	Connector - 4 Position (SN 020000001 through 0200261519, SN B200023312 through B200037637, SN M200000100 through M200007496)	
6	4460884	1	Connector - 4 Position (SN 0200261520 to Present, SN 1200025021 to Present, SN B200037638 to Present, SN M200007497 to Present)	
6	4460918	4	Socket, Female	
7	4460418	1	Connector - 6 Position	
7	1001159186	3	Terminal	
8	4460183	3	Terminal, Fork	
9	4460115	2	Terminal, Fork	

## SECTION 7 - ELECTRICAL

FIGURE 7-39. GROUND CONTROL BOX HARNESS - NO LSS (SN 0200266380 to Present, SN B200042925 to Present, SN M200012165 to Present)



ART\_1001208641

## SECTION 7 - ELECTRICAL

**FIGURE 7-39. GROUND CONTROL BOX HARNESS - NO LSS (SN 0200266380 to Present, SN B200042925 to Present, SN M200012165 to Present)**

ITEM	PART NUMBER	QTY	DESCRIPTION	REV
	1001208641	Ref	GROUND CONTROL BOX HARNESS - NO LSS (SN 0200266380 to Present, SN B200042925 to Present, SN M200012165 to Present)	A
1	1001115077	1	Connector - 18 Position	
1	4460464	13	Pin, Male	
1	4460943	2	Pin, Male	
1	4460466	3	Seal	
2	1001119032	1	Connector - 4 Position	
2	4460268	4	Socket, Female	
3	4460260	4	Housing, Terminal	
3	4460259	4	Terminal	
4	4460884	1	Connector - 4 Position	
4	4460918	4	Socket, Female	
5	4460418	1	Connector - 6 Position	
5	1001159186	3	Terminal	
6	4460183	3	Terminal, Fork	
7	4460115	2	Terminal, Fork	

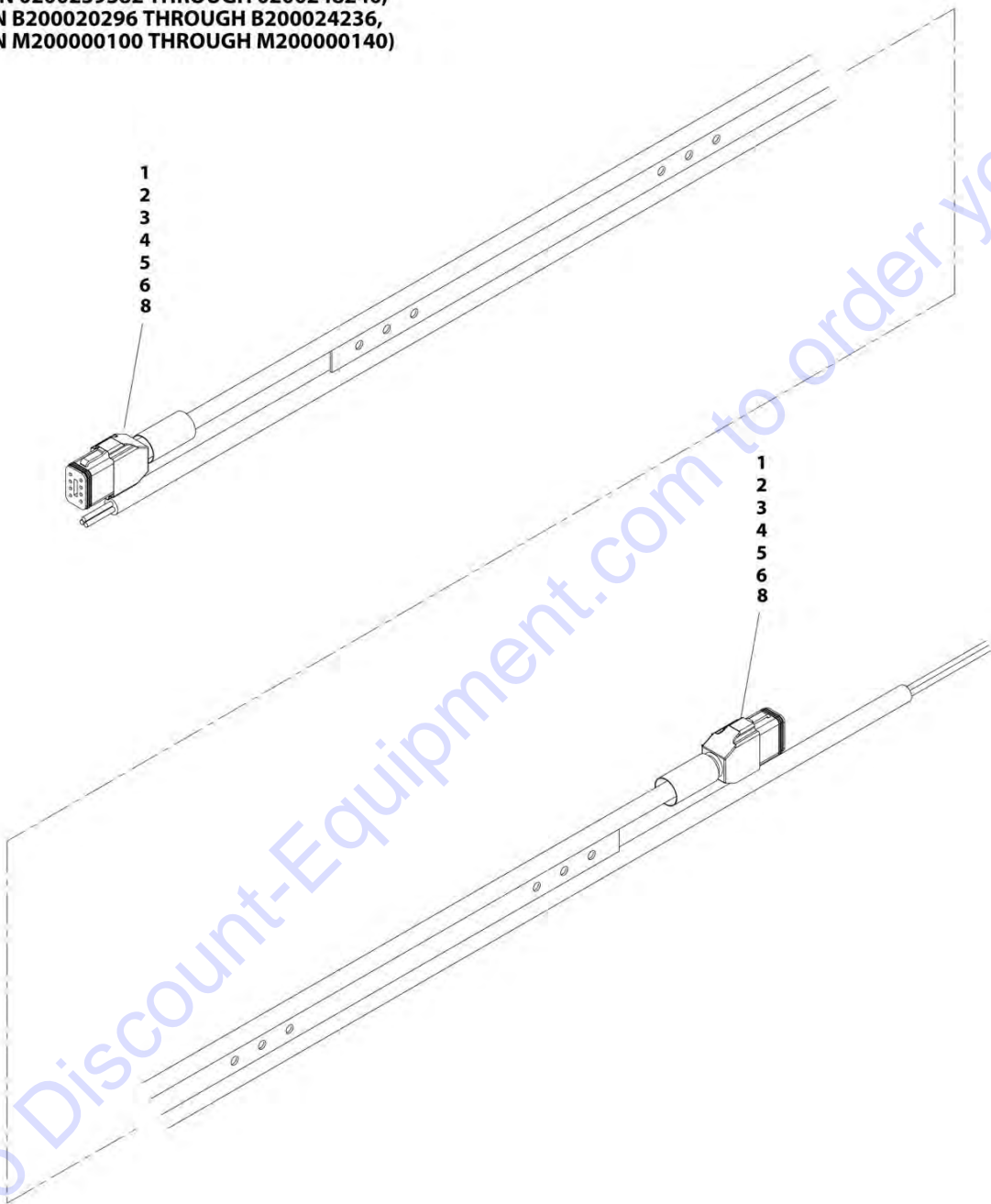
Go to Discount-Equipment.com to order your parts



# SECTION 7 - ELECTRICAL

## FIGURE 7-40. GROUND TO PLATFORM HARNESS - 2032ES

**USAGE CHART :**  
ANSI, CSA, JAPANESE AND UL SPECS (ALL MACHINES)  
ANSI EXPORT AND CHINA SPECS  
(SN 0200239382 THROUGH 0200248240,  
SN B200020296 THROUGH B200024236,  
SN M200000100 THROUGH M200000140)



ART\_1001178687

## SECTION 7 - ELECTRICAL

**FIGURE 7-40. GROUND TO PLATFORM HARNESS - 2032ES**

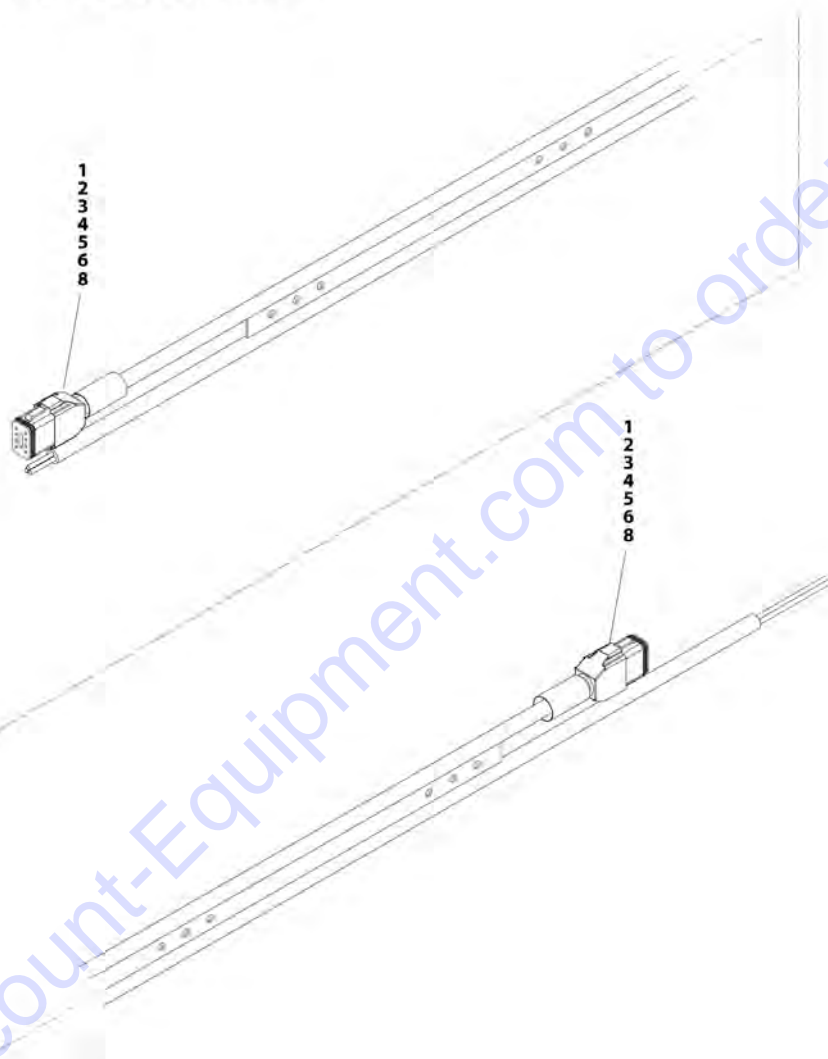
ITEM	PART NUMBER	QTY	DESCRIPTION	REV
	1001178687	Ref	GROUND TO PLATFORM HARNESS - 2032ES	D
		Ref	Usage Chart	
		Ref	ANSI, CSA, Japanese and UL Specs (All Machines)	
		Ref	ANSI Export and China Spec ( <b>SN 0200239382 through 0200248240, SN B200020296 through B200024236, SN M200000100 through M200000140</b> )	
1	0840061	2	Boot	
2	2820026	AR	Insulator, Clear Tubing	
3	2820028	AR	Heat Shrink	
4	4460465	8	Socket, Female	
5	4460466	2	Plug, Terminal	
6	4460930	2	Plug, Male - 8 Position	
7	4460943	3	Pin, Male (Not Shown)	
8	4460944	6	Socket, Female (Gold)	

Go to Discount-Equipment.com to order your parts

# SECTION 7 - ELECTRICAL

## FIGURE 7-41. GROUND TO PLATFORM HARNESS - 2032ES

USAGE CHART:  
ANSI EXPORT AND CHINA SPEC  
(SN 0200248241 TO PRESENT,  
SN 1200025023 TO PRESENT,  
SN B200024237 TO PRESENT,  
SN M200000141 TO PRESENT)  
AUSTRALIAN AND CE SPEC (ALL MACHINES)



ART\_100178690

## SECTION 7 - ELECTRICAL

**FIGURE 7-41. GROUND TO PLATFORM HARNESS - 2032ES**

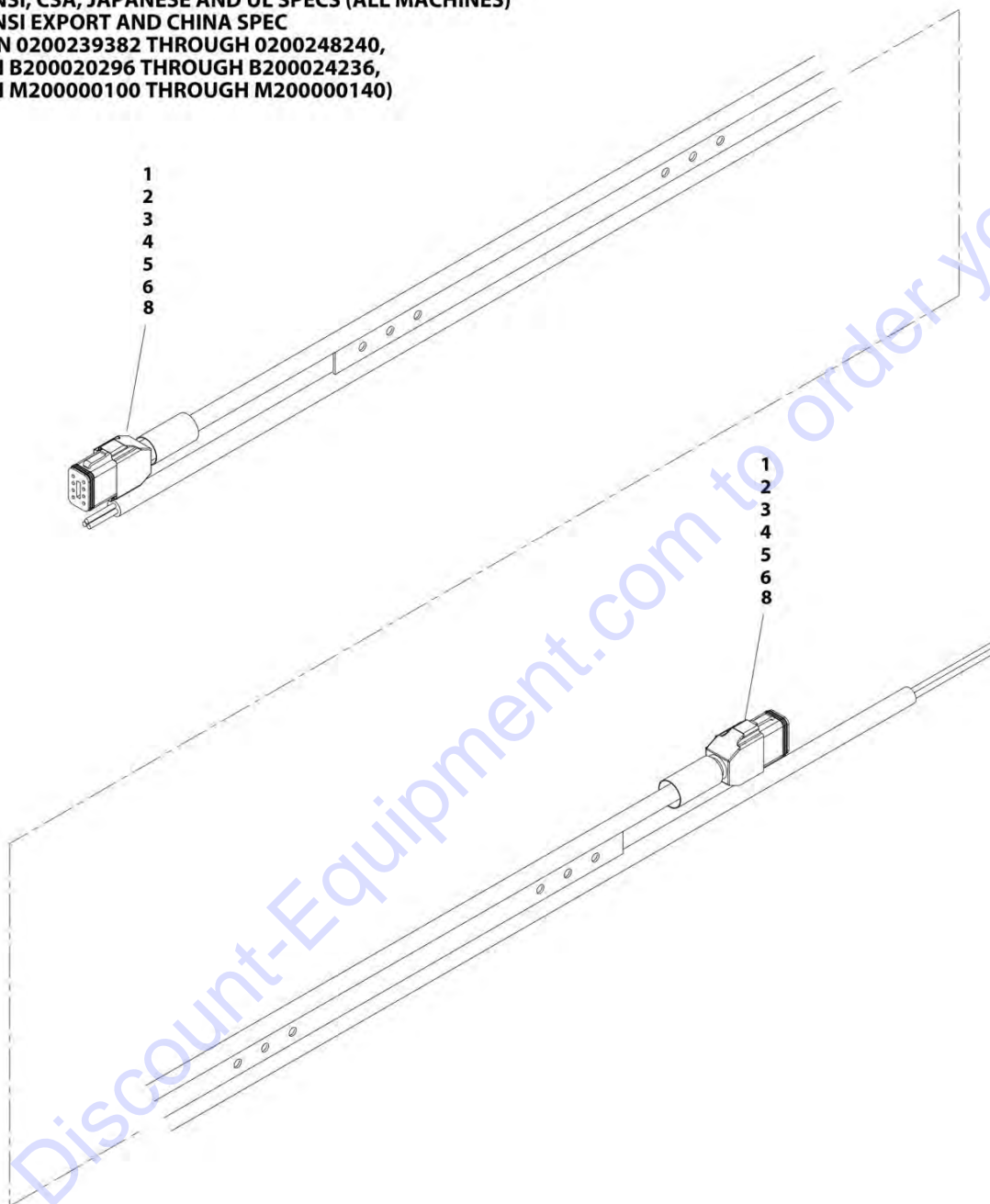
ITEM	PART NUMBER	QTY	DESCRIPTION	REV
	1001178690	Ref	GROUND TO PLATFORM HARNESS - 2032ES	D
		Ref	Usage Chart	
		Ref	ANSI Export and China Spec ( <b>SN 0200248241 to Present, SN 1200025021 to Present, SN B200024237 to Present, SN M200000141 to Present</b> )	
		Ref	Australian and CE Spec (All Machines)	
1	0840061	2	Boot	
2	2820026	AR	Insulator, Clear Tubing	
3	2820028	AR	Heat Shrink	
4	4460465	8	Socket, Female	
5	4460466	2	Plug, Terminal	
6	4460930	2	Plug, Male - 8 Position	
7	4460943	3	Pin, Male (Not Shown)	
8	4460944	6	Socket, Female (Gold)	

Go to Discount-Equipment.com to order your parts

# SECTION 7 - ELECTRICAL

## FIGURE 7-42. GROUND TO PLATFORM HARNESS - 2632ES

**USAGE CHART :**  
ANSI, CSA, JAPANESE AND UL SPECS (ALL MACHINES)  
ANSI EXPORT AND CHINA SPEC  
(SN 0200239382 THROUGH 0200248240,  
SN B200020296 THROUGH B200024236,  
SN M200000100 THROUGH M200000140)



ART\_1001178688

## SECTION 7 - ELECTRICAL

**FIGURE 7-42. GROUND TO PLATFORM HARNESS - 2632ES**

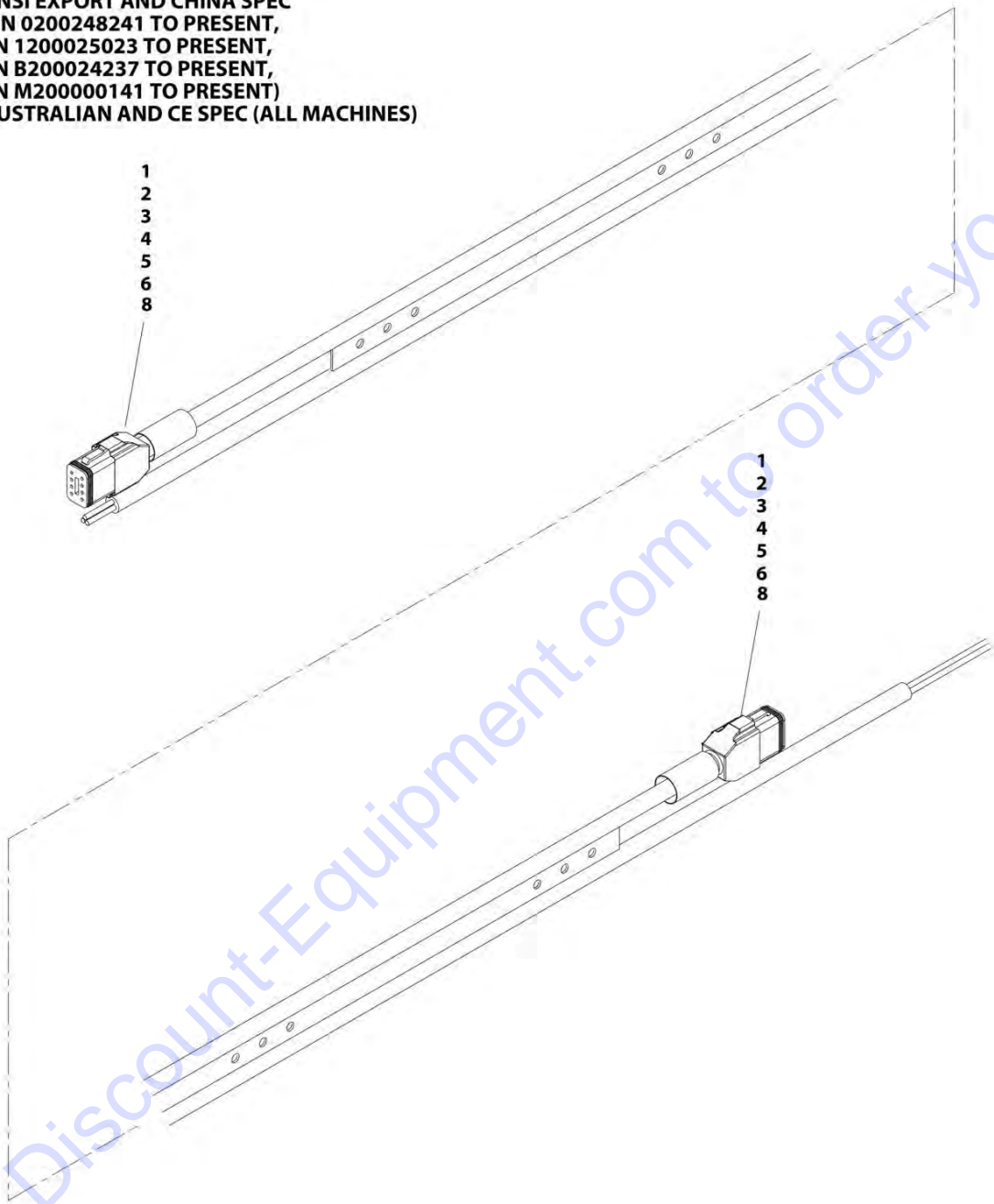
ITEM	PART NUMBER	QTY	DESCRIPTION	REV
	1001178688	Ref	GROUND TO PLATFORM HARNESS - 2632ES	D
		Ref	Usage Chart	
		Ref	ANSI, CSA, Japanese and UL Specs (All Machines)	
		Ref	ANSI Export and China Spec ( <b>SN 0200239382 through 0200248240, SN B200020296 through B200024236, SN M200000100 through M200000140</b> )	
1	0840061	2	Boot	
2	2820026	AR	Insulator, Clear Tubing	
3	2820028	AR	Heat Shrink	
4	4460465	8	Socket, Female	
5	4460466	2	Plug, Terminal	
6	4460930	2	Plug, Male - 8 Position	
7	4460943	3	Pin, Male (Not Shown)	
8	4460944	6	Socket, Female (Gold)	

Go to Discount-Equipment.com to order your parts

# SECTION 7 - ELECTRICAL

## FIGURE 7-43. GROUND TO PLATFORM HARNESS - 2632ES

**USAGE CHART :**  
ANSI EXPORT AND CHINA SPEC  
(SN 0200248241 TO PRESENT,  
SN 1200025023 TO PRESENT,  
SN B200024237 TO PRESENT,  
SN M200000141 TO PRESENT)  
AUSTRALIAN AND CE SPEC (ALL MACHINES)



ART\_1001178689

## SECTION 7 - ELECTRICAL

**FIGURE 7-43. GROUND TO PLATFORM HARNESS - 2632ES**

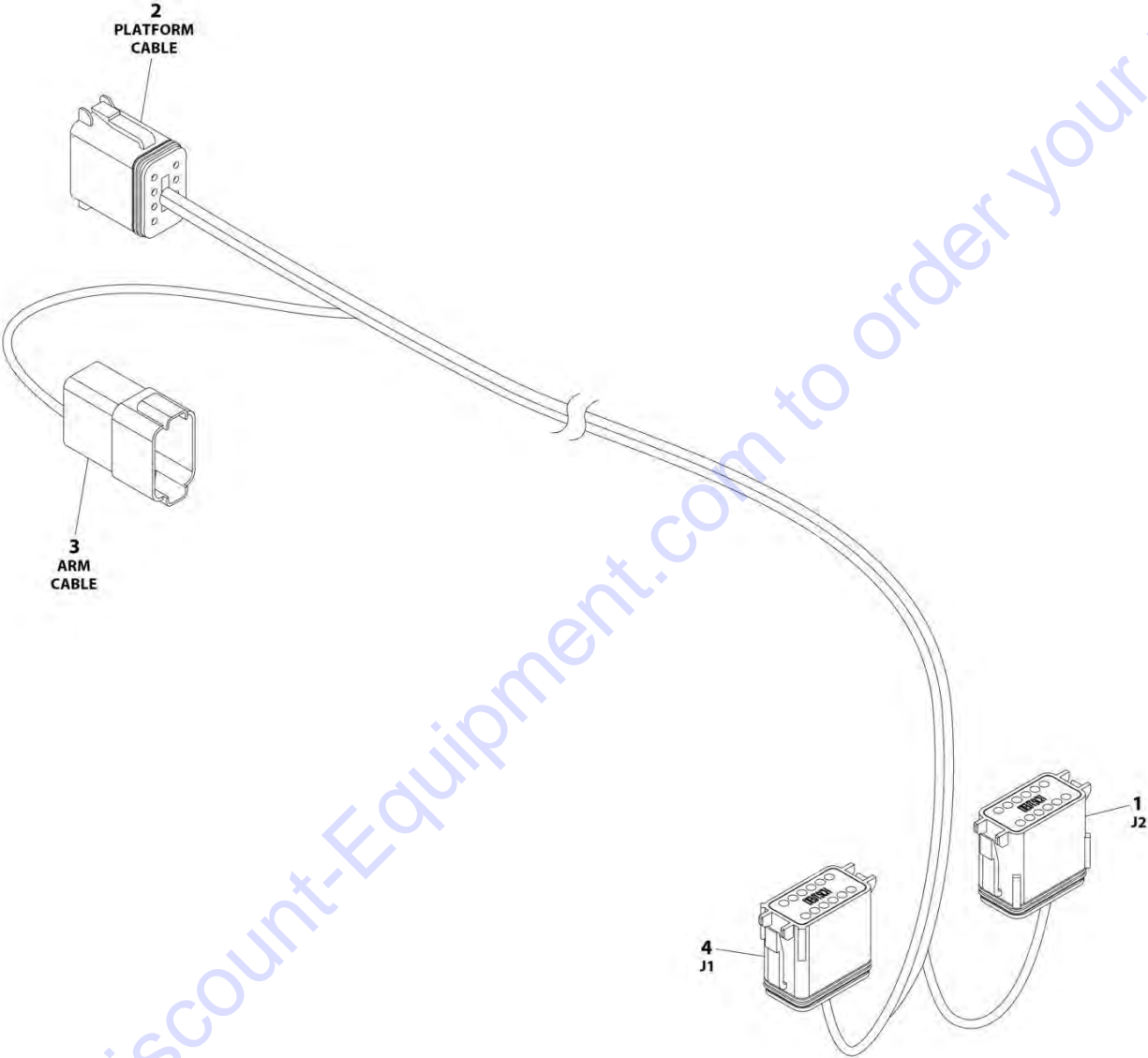
ITEM	PART NUMBER	QTY	DESCRIPTION	REV
	1001178689	Ref	GROUND TO PLATFORM HARNESS - 2632ES	D
		Ref	Usage Chart	
		Ref	ANSI Export and China Spec ( <b>SN 0200248241 to Present, SN 1200025021 to Present, SN B200024237 to Present, SN M200000141 to Present</b> )	
		Ref	Australian and CE Spec (All Machines)	
1	0840061	2	Boot	
2	2820026	AR	Insulator, Clear Tubing	
3	2820028	AR	Heat Shrink	
4	4460465	8	Socket, Female	
5	4460466	2	Plug, Terminal	
6	4460930	2	Plug, Male - 8 Position	
7	4460943	3	Pin, Male (Not Shown)	
8	4460944	6	Socket, Female (Gold)	

Go to Discount-Equipment.com to order your parts



**SECTION 7 - ELECTRICAL**

**FIGURE 7-44. LOAD SENSE HARNESS**



ART\_4923228

## SECTION 7 - ELECTRICAL

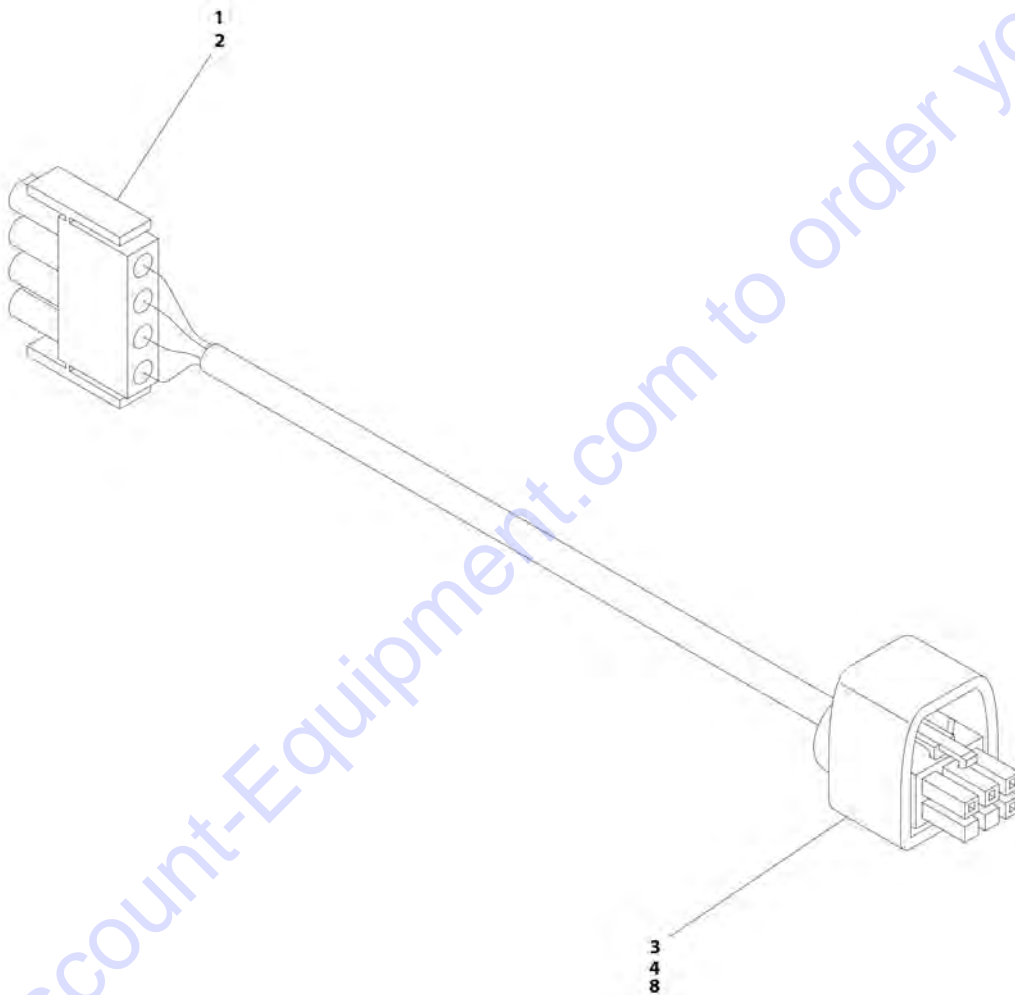
### FIGURE 7-44. LOAD SENSE HARNESS

ITEM	PART NUMBER	QTY	DESCRIPTION	REV
	4923228	Ref	LOAD SENSE HARNESS	D
1	4460836	1	Connector - 12 Position	
1	4460466	6	Plug, Sealing	
1	4460944	6	Socket, Female (Gold)	
1	0840055	1	Boot	
2	4460930	1	Connector - 8 Position	
2	4460465	4	Socket, Female	
2	4460466	1	Plug, Sealing	
2	4460944	3	Socket, Female (Gold)	
2	0840061	1	Boot	
3	4460931	1	Connector - 8 Position	
3	4460464	4	Pin, Male	
3	4460466	1	Plug, Sealing	
3	4460943	3	Pin, Male	
3	0840058	1	Boot	
4	4460933	1	Connector - 12 Position	
4	4460465	4	Socket, Female	
4	4460466	8	Plug, Sealing	
4	0840055	1	Boot	

Go to Discount-Equipment.com to order your parts

# SECTION 7 - ELECTRICAL

## FIGURE 7-45. MDI (MULTIFUNCTION DIGITAL INDICATOR) HARNESS



ART\_1001093556

## SECTION 7 - ELECTRICAL

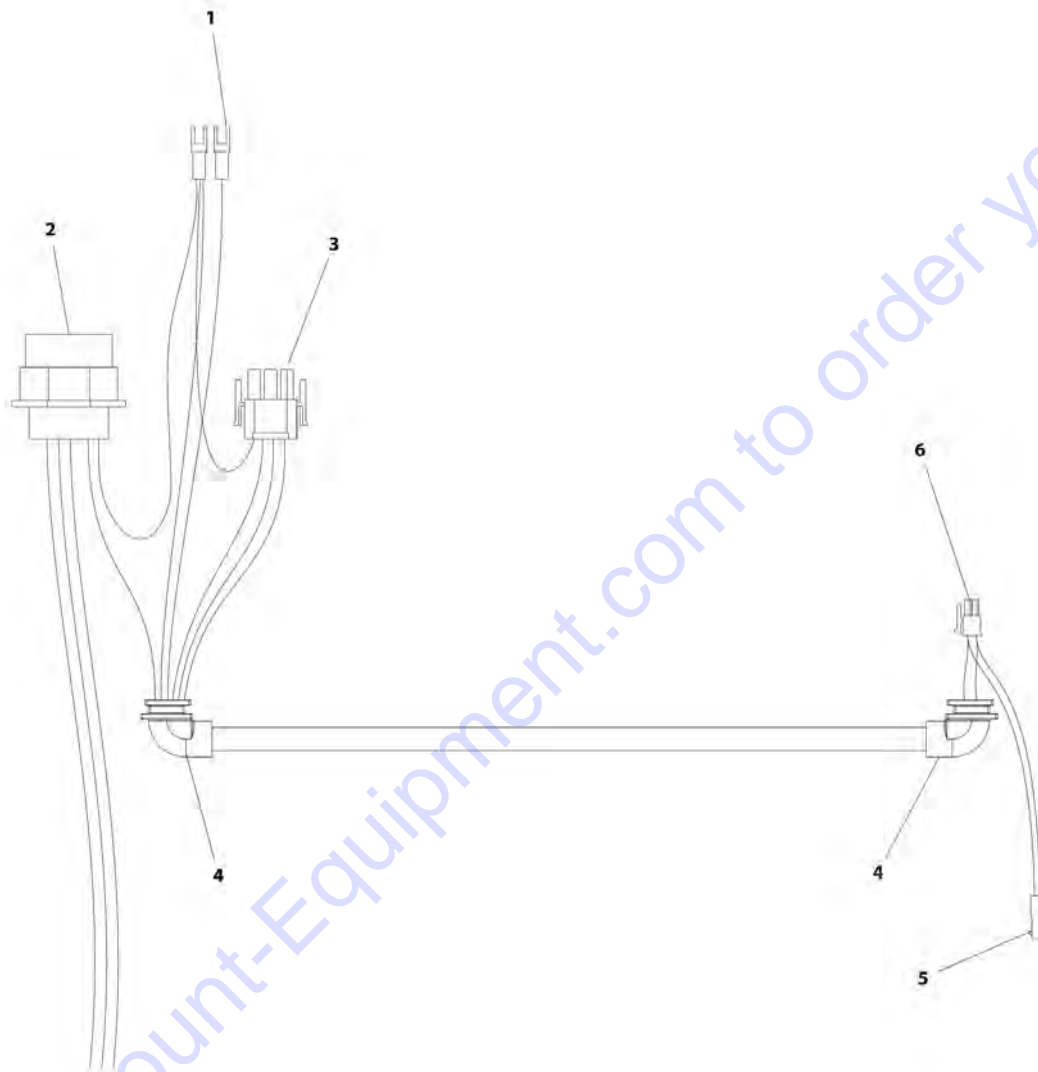
**FIGURE 7-45. MDI (MULTIFUNCTION DIGITAL INDICATOR) HARNESS**

ITEM	PART NUMBER	QTY	DESCRIPTION	REV
	1001093556	Ref	MDI (MULTIFUNCTION DIGITAL INDICATOR) HARNESS	C
1	4460226	4	Socket, Female	
2	4460321	1	Plug, Male - 4 Position	
3	4460868	1	Plug, Male - 6 Position	
4	4460877	4	Terminal	
8	1001094105	1	Boot	

Go to Discount-Equipment.com to order your parts

# SECTION 7 - ELECTRICAL

## FIGURE 7-46. PLATFORM BOX HARNESS



ART\_4922870

## SECTION 7 - ELECTRICAL

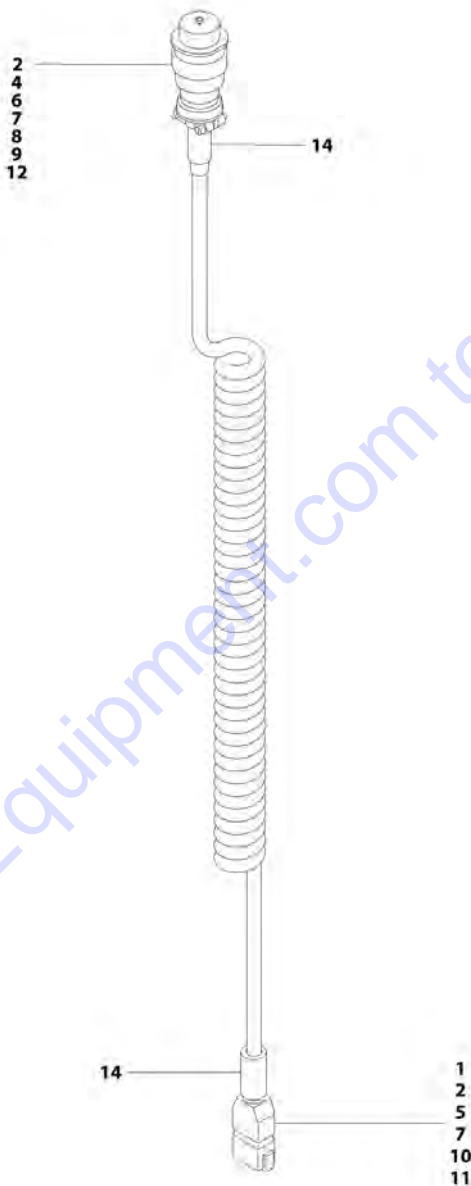
**FIGURE 7-46. PLATFORM BOX HARNESS**

ITEM	PART NUMBER	QTY	DESCRIPTION	REV
1	4922870	Ref	PLATFORM BOX HARNESS	D
2	4461016	1	Connector - 14 Position	
2	4460464	6	Pin, Male	
2	4460466	8	Plug, Sealing	
2	4460496	1	Lockwasher	
2	4460497	1	Nut, Panel	
3	4460265	1	Plug, Male - 9 Position	
3	4460267	8	Pin, Male	
4	2540042	2	Grommet 90	
5	See Note	NSS	Receptacle, Female - 3 Position (Note: Not Available for Purchase)	
6	4461057	1	Plug, Male - 16 Position	

Go to Discount-Equipment.com to order your parts

## SECTION 7 - ELECTRICAL

FIGURE 7-47. PLATFORM CABLE ASSEMBLY (Prior to SN 0200262519, SN 1200025021 to Present, SN B200000100 to Present, Prior to SN M200010205)



ART 1001096706

## SECTION 7 - ELECTRICAL

**FIGURE 7-47. PLATFORM CABLE ASSEMBLY (Prior to SN 0200262519, SN 1200025021 to Present, SN B200000100 to Present, Prior to SN M200010205)**

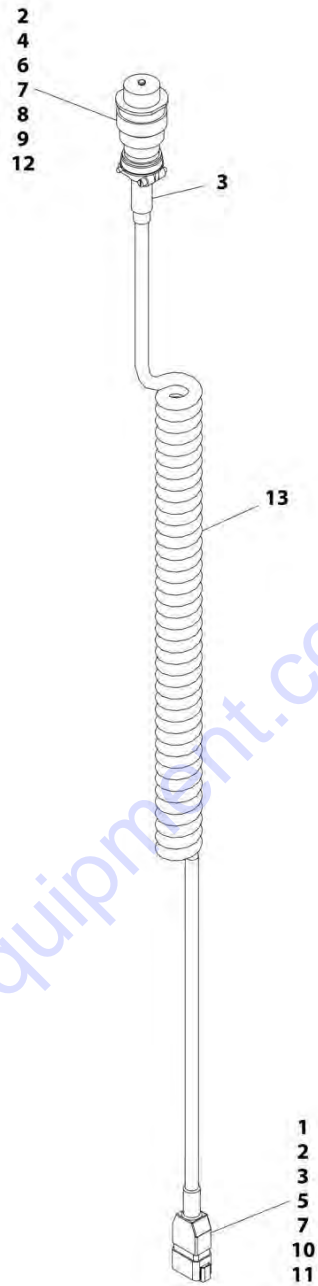
ITEM	PART NUMBER	QTY	DESCRIPTION	REV
	1001096706	Ref	PLATFORM CABLE ASSEMBLY (Prior to SN 0200262519, SN 1200025021 to Present, SN B200000100 to Present, Prior to SN M200010205)	G
1	0840058	1	Boot, 8 Position Receptacle	
2	2820026	AR	Insulation, Clear Tubing	
4	3730119	1	Resistor	
5	4460464	4	Pin, Male	
6	4460465	4	Socket, Female	
7	4460466	8	Plug, Sealing	
8	4460493	1	Cap, Dust	
9	4460754	1	Connector -14 Position	
10	4460931	1	Receptacle, Female - 8 Position	
11	4460943	3	Pin, Male (Gold)	
12	4460944	3	Socket, Female	
14	2820028	AR	Heat Shrink	

Go to Discount-Equipment.com to order your parts



# SECTION 7 - ELECTRICAL

FIGURE 7-48. PLATFORM CABLE ASSEMBLY (SN 0200262519 to Present, SN M20010205 to Present)



ART\_1001201243

## SECTION 7 - ELECTRICAL

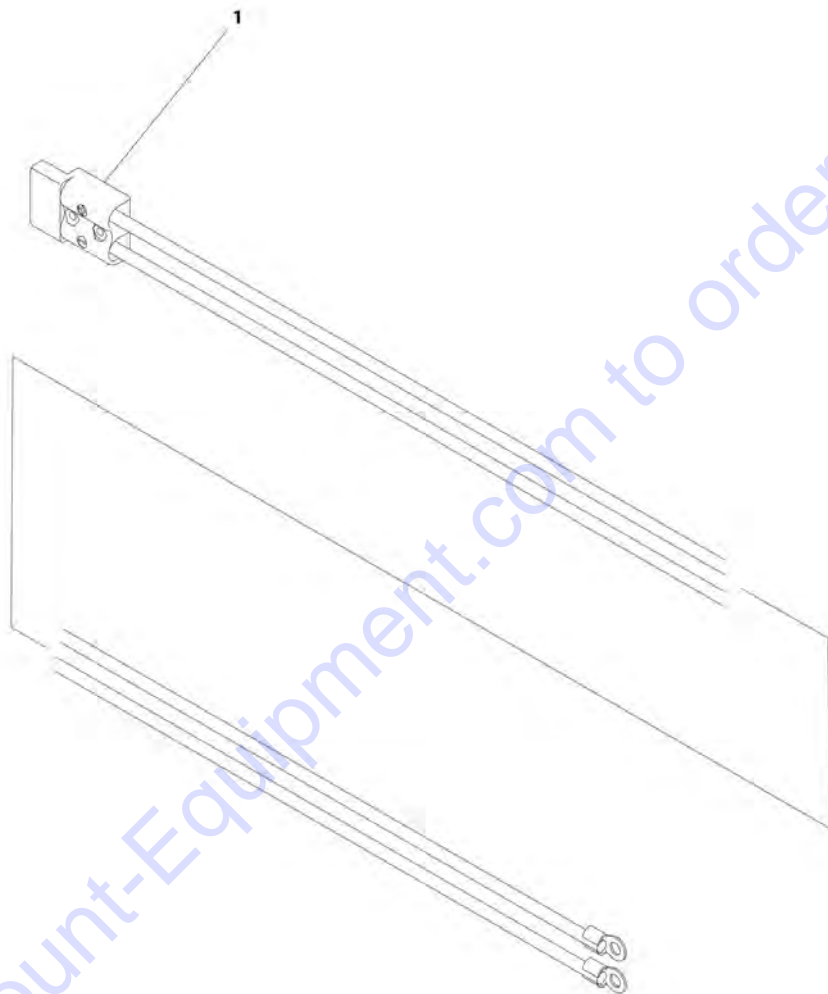
**FIGURE 7-48. PLATFORM CABLE ASSEMBLY (SN 0200262519 to Present, SN M20010205 to Present)**

ITEM	PART NUMBER	QTY	DESCRIPTION	REV
	1001201243	Ref	PLATFORM CABLE ASSEMBLY (SN 0200262519 to Present, SN M200010205 to Present)	B
1	0840058	1	Boot, 8 Position Receptacle	
2	2820026	AR	Insulation, Clear Tubing	
3	2820028	AR	Heat Shrink	
4	3730119	1	Resistor	
5	4460464	4	Pin, Male	
6	4460465	4	Socket, Female	
7	4460466	8	Plug, Sealing	
8	4460493	1	Cap, Dust	
9	4460754	1	Connector -14 Position	
10	4460931	1	Receptacle, Female - 8 Position	
11	4460943	3	Pin, Male (Gold)	
12	4460944	3	Socket, Female	
13	1001201240	1	Cable, Platform Coil	

Go to Discount-Equipment.com to order your parts

# SECTION 7 - ELECTRICAL

## FIGURE 7-49. PUMP POWER CABLE ASSEMBLY



ART\_1001096794

## SECTION 7 - ELECTRICAL

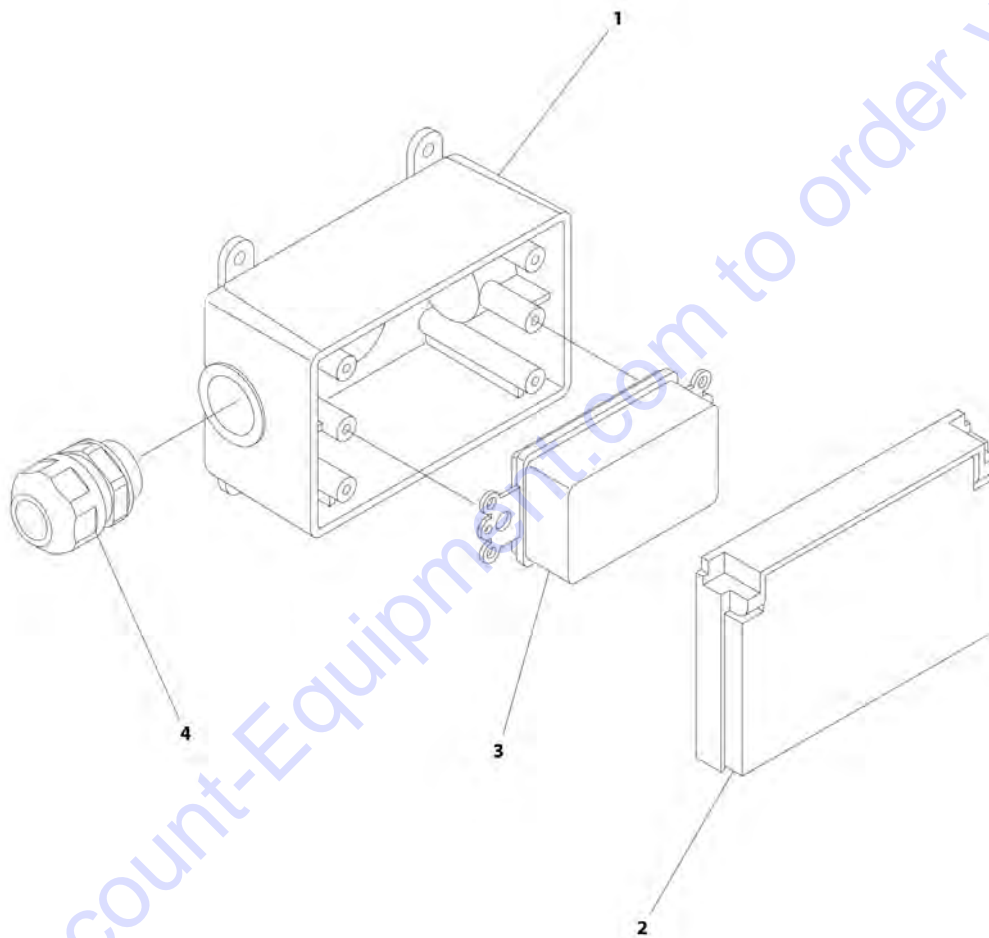
### FIGURE 7-49. PUMP POWER CABLE ASSEMBLY

ITEM	PART NUMBER	QTY	DESCRIPTION	REV
1	1001096794 4460778	Ref 1	PUMP POWER CABLE ASSEMBLY Connector, Anderson	C

Go to Discount-Equipment.com to order your parts

# SECTION 7 - ELECTRICAL

## FIGURE 7-50. RECEPTACLE BOX KIT - 110V GFI



ART\_2902431

## SECTION 7 - ELECTRICAL

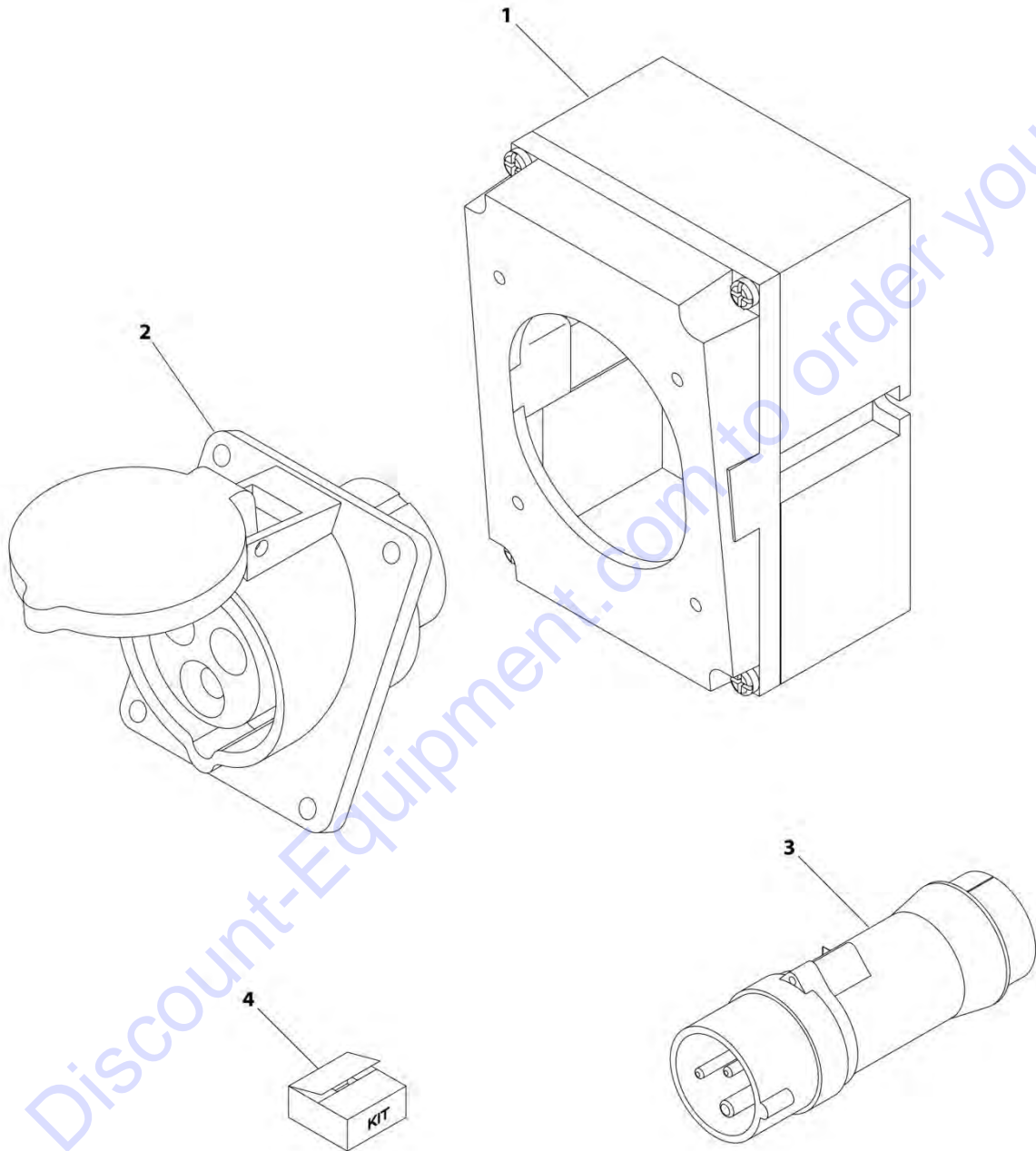
### FIGURE 7-50. RECEPTACLE BOX KIT - 110V GFI

ITEM	PART NUMBER	QTY	DESCRIPTION	REV
	2902431	Ref	RECEPTACLE BOX KIT - 110V GFI	C
1	0861731	1	Box, Receptacle	
2	1671207	1	Cover, Receptacle	
3	4460346	1	Receptacle	
4	4460662	1	Connector, Strain Relief	

Go to Discount-Equipment.com to order your parts

# SECTION 7 - ELECTRICAL

FIGURE 7-51. RECEPTACLE BOX KIT - 110V IEC YELLOW (CE SPEC)



ART. 0275216

## SECTION 7 - ELECTRICAL

**FIGURE 7-51. RECEPTACLE BOX KIT - 110V IEC YELLOW (CE SPEC)**

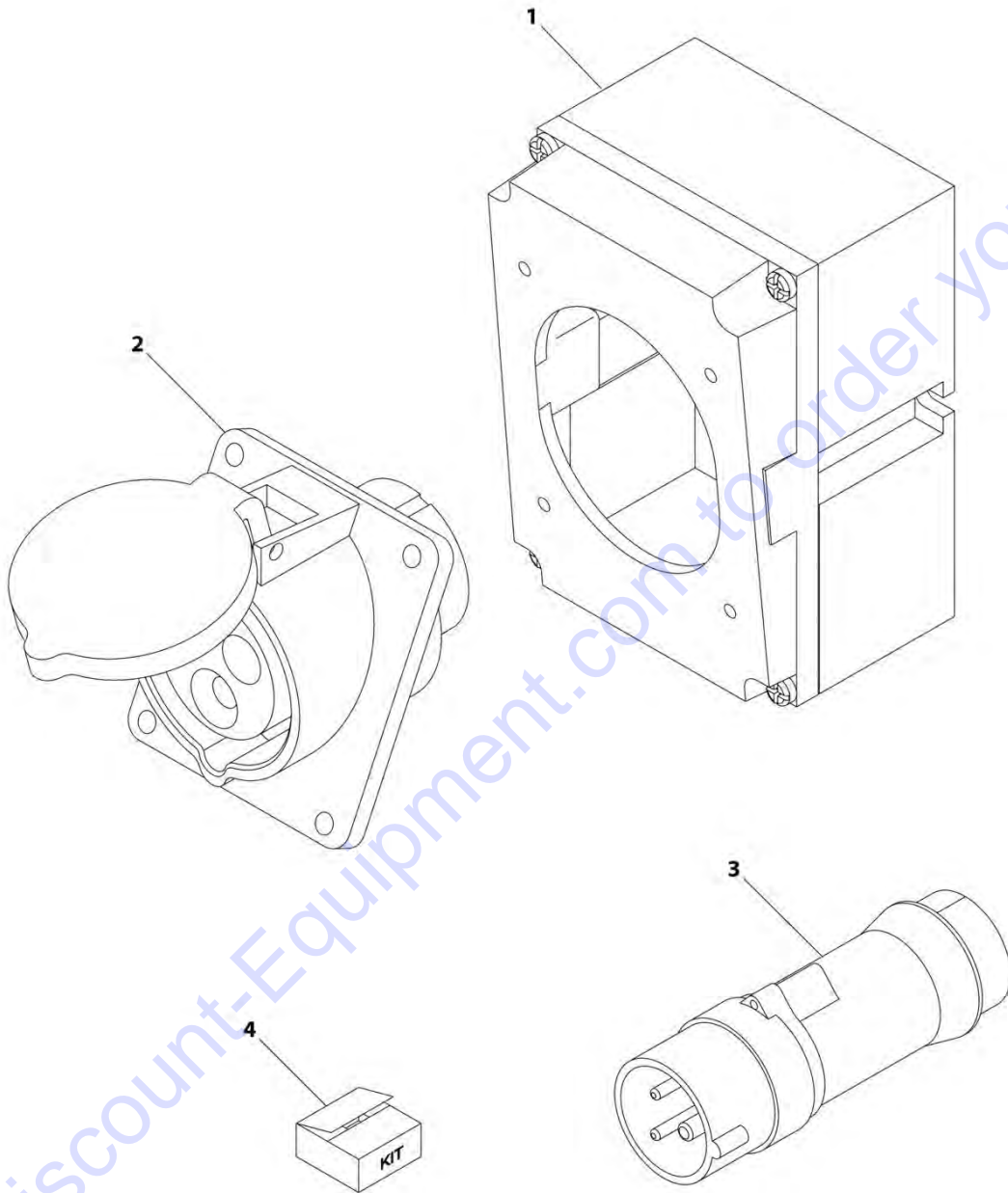
ITEM	PART NUMBER	QTY	DESCRIPTION	REV
	0275216	Ref	RECEPTACLE BOX KIT - 110V IEC YELLOW (CE SPEC)	1
1	0861781	1	Box, Switch	
2	4461198	1	Receptacle	
3	4461196	1	Plug, Male	
4	1001100341	1	Plug and Socket Kit (Includes Items 1-3 and Female Plug p/n 4461197)	

Go to Discount-Equipment.com to order your parts



# SECTION 7 - ELECTRICAL

FIGURE 7-52. RECEPTACLE BOX KIT - 220V IEC BLUE (CE SPEC)



ART\_0275217

## SECTION 7 - ELECTRICAL

**FIGURE 7-52. RECEPTACLE BOX KIT - 220V IEC BLUE (CE SPEC)**

ITEM	PART NUMBER	QTY	DESCRIPTION	REV
	0275217	Ref	RECEPTACLE BOX KIT - 220V IEC BLUE (CE SPEC)	1
1	0861781	1	Box, Switch	
2	4461201	1	Receptacle	
3	4461199	1	Plug, Male	
4	1001100342	1	Plug and Socket Kit (Includes Items 1-3 and Female Plug p/n 4461200)	

Go to Discount-Equipment.com to order your parts

# PARTS FINDER

**Search Website  
by Part Number**



**Search Manual  
Library For Parts  
Manual & Lookup Part  
Numbers – Purchase  
or Request Quote**

**Can't Find Part or  
Manual? Request Help  
by Manufacturer,  
Model & Description**

Discount-Equipment.com is your online resource for quality parts & equipment.

Florida: **561-964-4949** Outside Florida TOLL FREE: **877-690-3101**

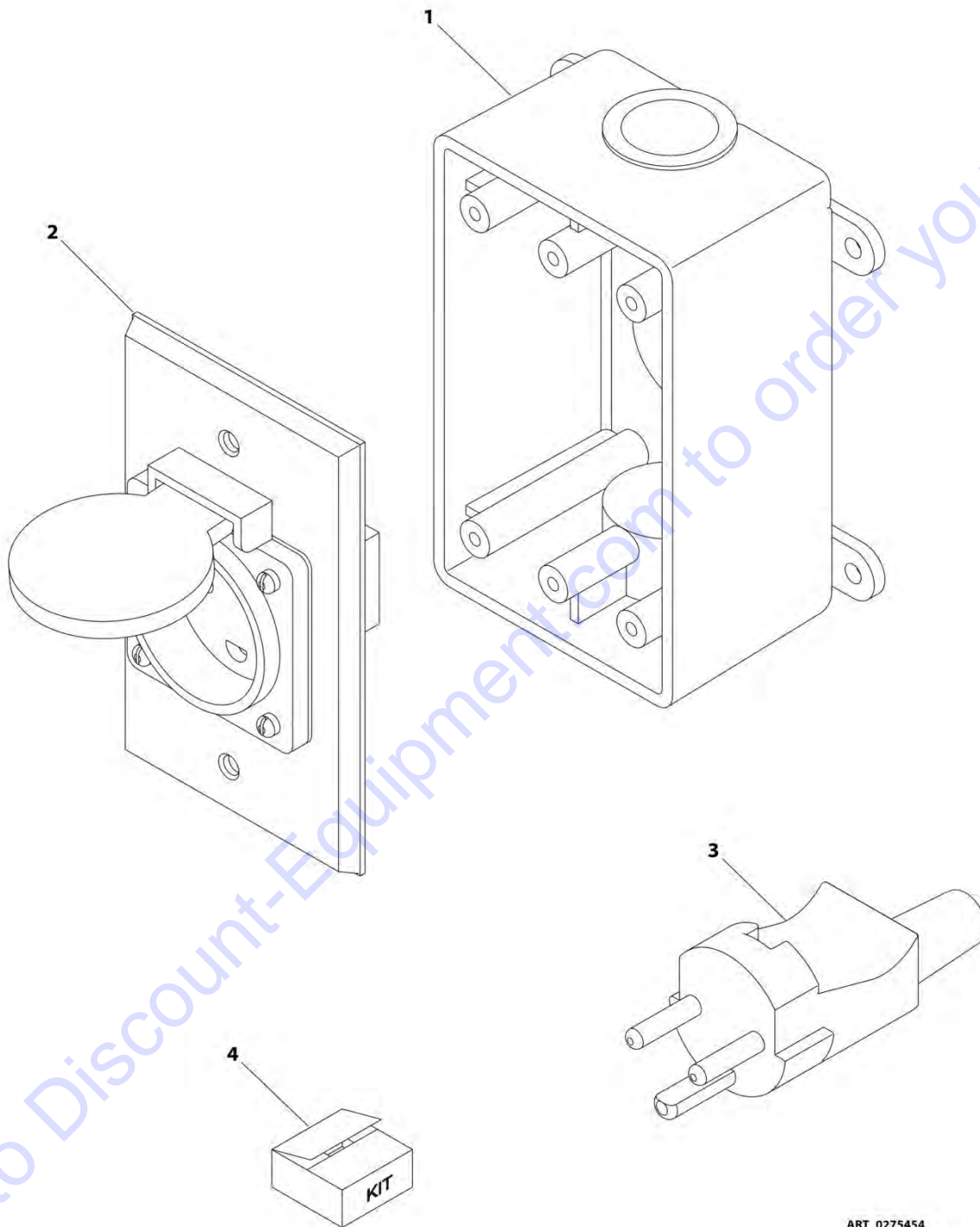
## Need parts?

Click on this link: <http://www.discount-equipment.com/category/5443-parts/> and choose one of the options to help get the right parts and equipment you are looking for. Please have the machine model and serial number available in order to help us get you the correct parts. If you don't find the part on the website or on one of the online manuals, please fill out the request form and one of our experienced staff members will get back to you with a quote for the right part that your machine needs.

We sell worldwide for the brands: Genie, Terex, JLG, MultiQuip, Mikasa, Essick, Whiteman, Mayco, Toro Stone, Diamond Products, Generac Magnum, Airman, Haulotte, Barreto, Power Blanket, Nifty Lift, Atlas Copco, Chicago Pneumatic, Allmand, Miller Curber, Skyjack, Lull, Skytrak, Tsurumi, Husquvarna Target, Stow, Wacker, Sakai, Mi-T-M, Sullair, Basic, Dynapac, MBW, Weber, Bartell, Bennar Newman, Haulotte, Ditch Runner, Menegotti, Morrison, Contec, Buddy, Crown, Edco, Wyco, Bomag, Laymor, EZ Trench, Bil-Jax, F.S. Curtis, Gehl Pavers, Heli, Honda, ICS/PowerGrit, IHI, Partner, Imer, Clipper, MMD, Koshin, Rice, CH&E, General Equipment, Amida, Coleman, NAC, Gradall, Square Shooter, Kent, Stanley, Tamco, Toku, Hatz, Kohler, Robin, Wisconsin, Northrock, Oztec, Toker TK, Rol-Air, APT, Wylie, Ingersoll Rand / Doosan, Innovatech, Con X, Ammann, Mecalac, Makinex, Smith Surface Prep, Small Line, Wanco, Yanmar

# SECTION 7 - ELECTRICAL

FIGURE 7-53. RECEPTACLE BOX KIT - 220V AFSINT 107 (CE SPEC)



ART\_0275454

## SECTION 7 - ELECTRICAL

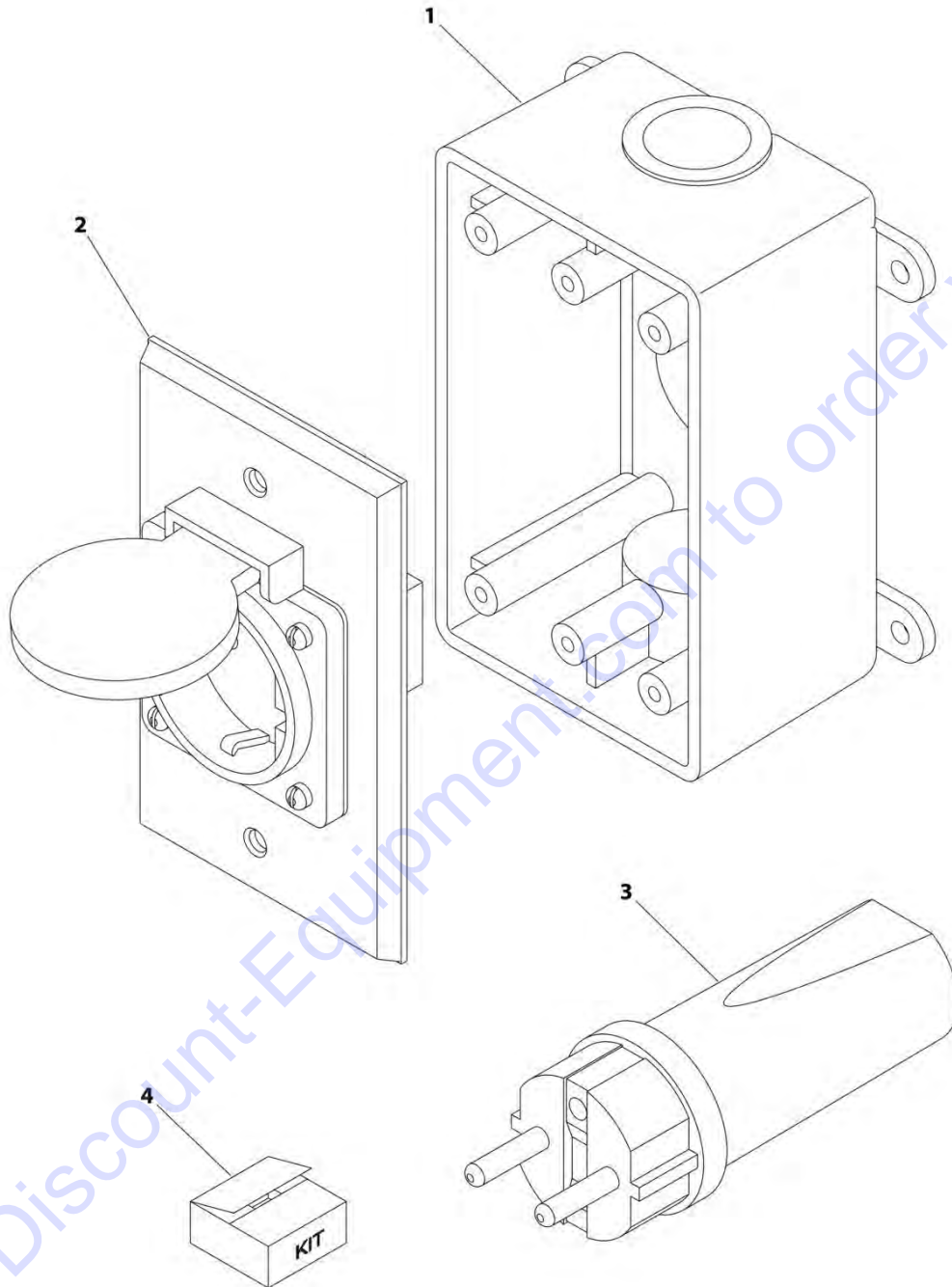
**FIGURE 7-53. RECEPTACLE BOX KIT - 220V AFSINT 107 (CE SPEC)**

ITEM	PART NUMBER	QTY	DESCRIPTION	REV
	0275454	Ref	RECEPTACLE BOX KIT - 220V AFSINT 107 (CE SPEC)	1
1	0861731	1	Box, Switch	
2	4461246	1	Receptacle	
3	4461249	1	Plug, Male	
4	1001100346	1	Plug and Socket Kit (Includes Items 1-3 and Female Plug p/n 4461250)	

Go to Discount-Equipment.com to order your parts

# SECTION 7 - ELECTRICAL

FIGURE 7-54. RECEPTACLE BOX KIT - 220V CEE7 SIDE GROUND (CE SPEC)



ART\_0275453

## SECTION 7 - ELECTRICAL

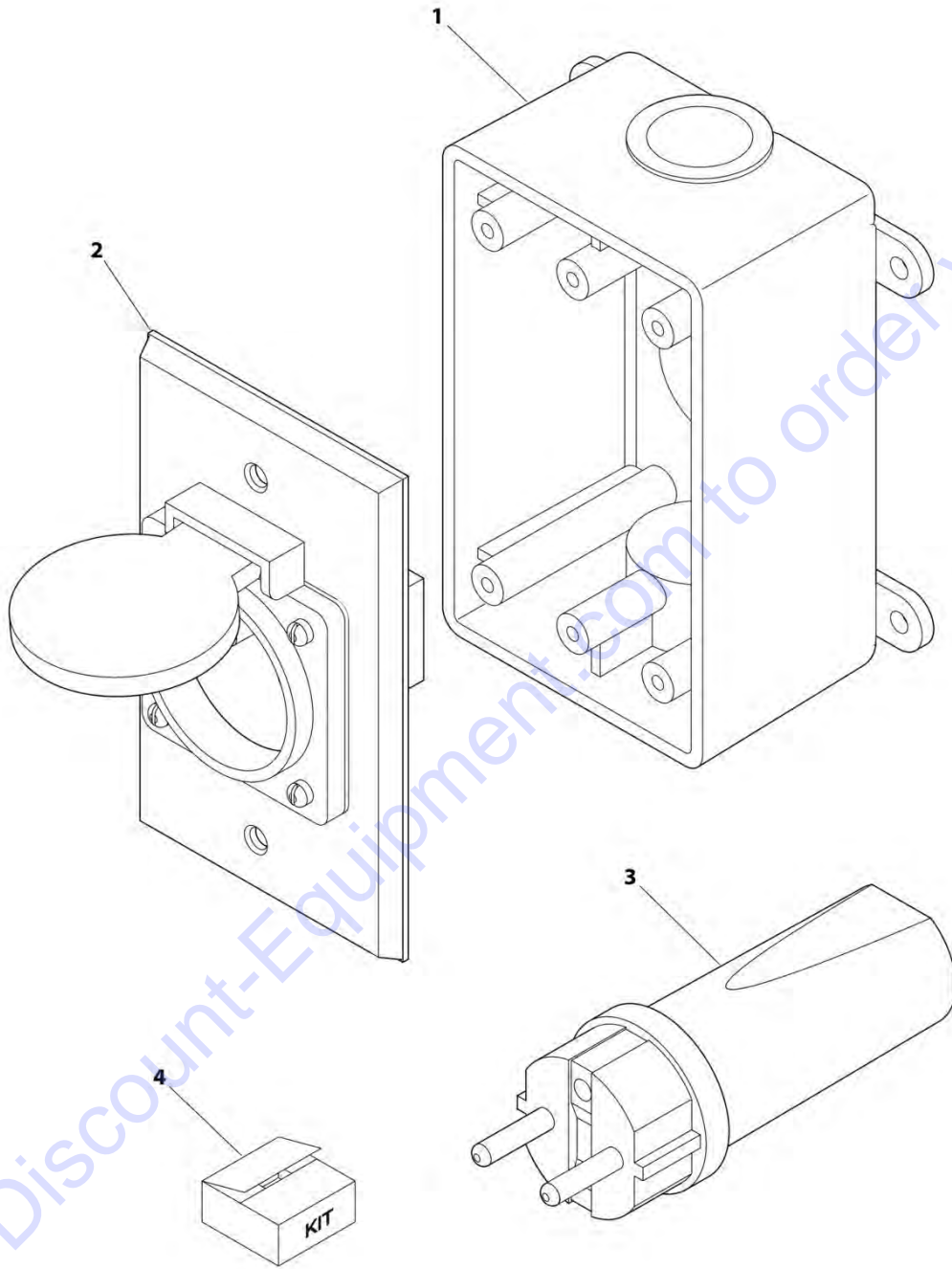
**FIGURE 7-54. RECEPTACLE BOX KIT - 220V CEE7 SIDE GROUND (CE SPEC)**

ITEM	PART NUMBER	QTY	DESCRIPTION	REV
	0275453	Ref	RECEPTACLE BOX KIT - 220V CEE7 SIDE GROUND (CE SPEC)	1
1	0861731	1	Box, Switch	
2	4461245	1	Receptacle	
3	4461205	1	Plug, Male	
4	1001100347	1	Plug and Socket Kit (Includes Items 1-3 and Female Plug p/n 4461206)	

Go to Discount-Equipment.com to order your parts

# SECTION 7 - ELECTRICAL

FIGURE 7-55. RECEPTACLE BOX KIT - 220V CEE7 POST GROUND (CE SPEC)



ART\_0275452



## SECTION 7 - ELECTRICAL

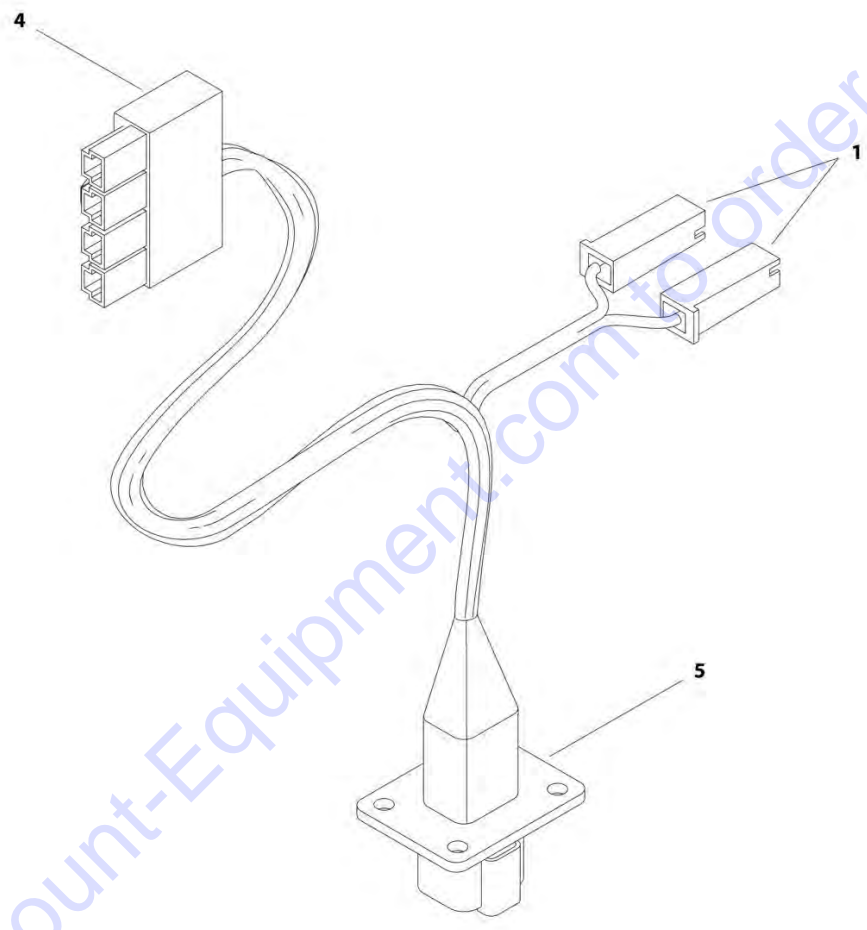
**FIGURE 7-55. RECEPTACLE BOX KIT - 220V CEE7 POST GROUND (CE SPEC)**

ITEM	PART NUMBER	QTY	DESCRIPTION	REV
	0275452	Ref	RECEPTACLE BOX KIT - 220V CEE7 POST GROUND (CE SPEC)	C
1	0861731	1	Box, Switch	
2	4461244	1	Receptacle	
3	4461202	NLA	Plug, Male (Use p/n 4461205) <b>(SN 0200239382 through 0200256617, SN B200020297 through B200037114, SN M200000100 through M200002249)</b>	
3	4461205	1	Plug, Male <b>(SN 0200256618 to Present, SN B200037115 to Present, SN M200002250 to Present)</b>	
4	1001100345	1	Plug and Socket Kit (Includes Items 1-3 and Female Plug p/n 4461206)	

Go to Discount-Equipment.com to order your parts

# SECTION 7 - ELECTRICAL

## FIGURE 7-56. WORKSTATION POWER HARNESS



ART\_4923121

## SECTION 7 - ELECTRICAL

### FIGURE 7-56. WORKSTATION POWER HARNESS

ITEM	PART NUMBER	QTY	DESCRIPTION	REV
	4923121	Ref	WORKSTATION POWER HARNESS	B
1	4460260	2	Housing, Terminal	
1	4460297	2	Terminal	
4	4460878	1	Connector - 4 Position	
4	4460887	4	Terminal	
5	4460885	1	Connector - 4 Position	
5	4460464	4	Pin, Male	

Go to Discount-Equipment.com to order your parts

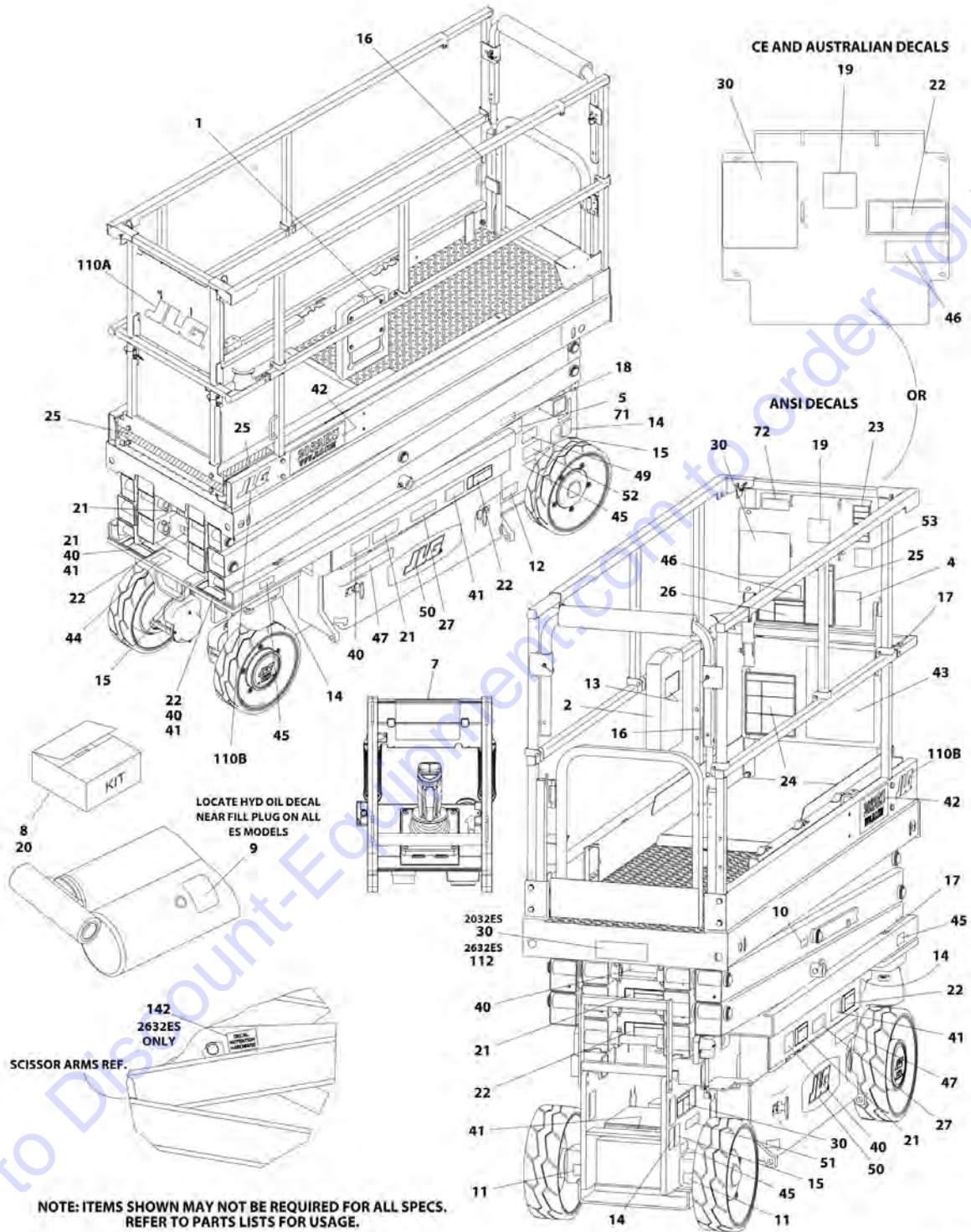


**SECTION 8 - DECALS**

Go to Discount-Equipment.com to order your parts

# SECTION 8 - DECALS

## FIGURE 8-1. DECAL INSTALLATION - ANSI SPEC (ENGLISH)



MTF 1001181268

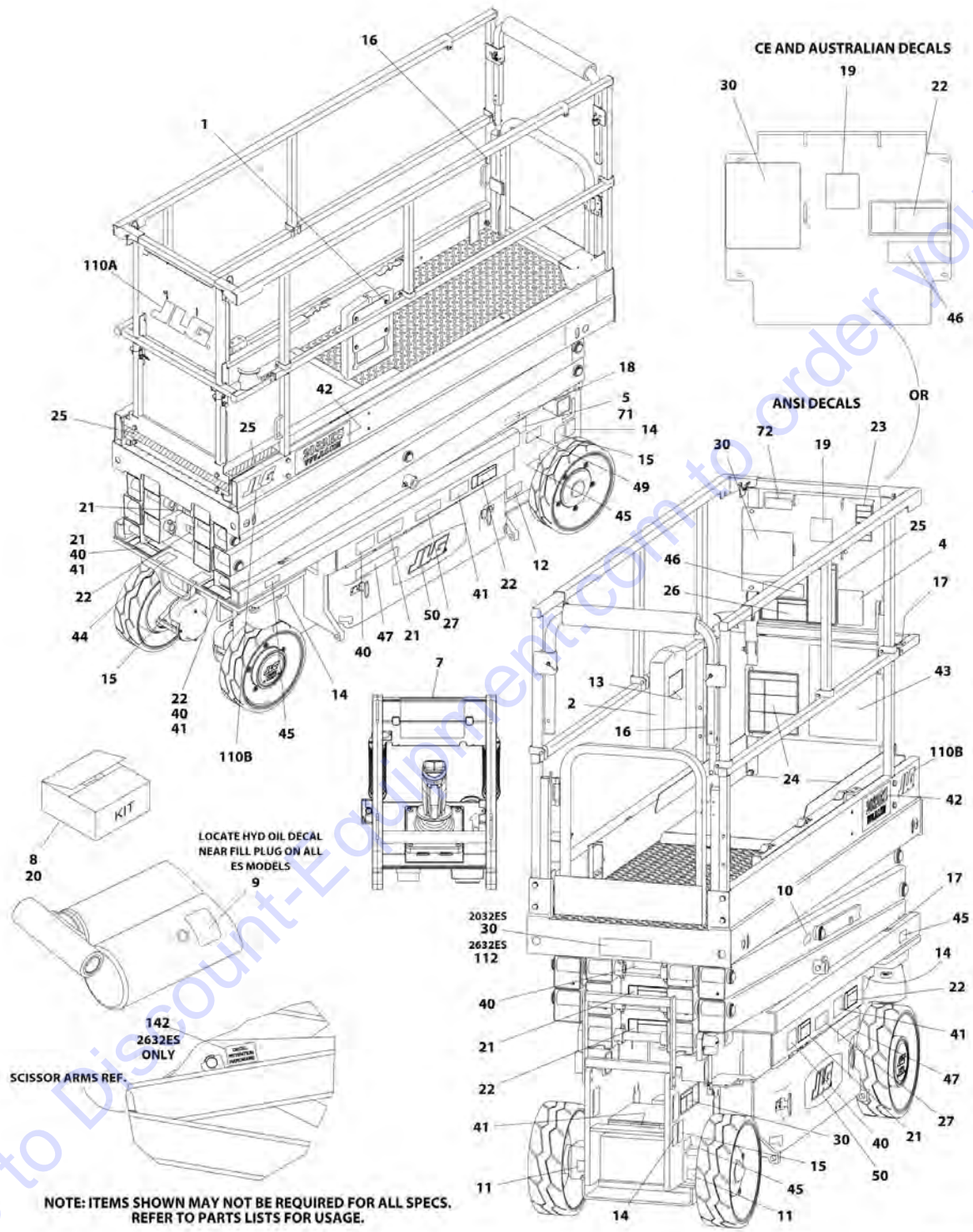
## SECTION 8 - DECALS

**FIGURE 8-1. DECAL INSTALLATION - ANSI SPEC (ENGLISH)**

ITEM	PART NUMBER	QTY	DESCRIPTION	REV
	1001181268	Ref	DECAL INSTALLATION - ANSI SPEC (ENGLISH)	G
		Ref	Note: See DECAL INSTALLATION - OPTIONS for additional decals.	
1	2080040	4	Fastener	
2	0860520	1	Box, Manual Storage	
4	1001131270	1	Decal - Patent	
5	2080057	4	Fastener	
7	See Note	1	Decal - Bar Code (Note: Not Available for Purchase)	
8	2902267	1	Decal Kit - Master (Standard Decals) (Includes Items 9-19 & 44)	B
9	1704412	1	Decal - Hydraulic Oil	
10	1705693	1	Decal - Safety Prop	
11	1704016	2	Decal - Forklift	
12	1702155	1	Decal - Battery Disconnect	
13	1701509	1	Decal - Manual Reference	
14	1703811	4	Decal - Lifting Lugs	
15	1703814	3	Decal - Tie Down	
16	1704277	3	Decal - Lanyard Attach	
17	1703819	4	Decal - Directional Arrow	
18	1703822	1	Decal - Manual Descent Instructions	
19	1705692	1	Decal - Control Box Location	
20	2902522	1	Decal Kit - ANSI Spec (Includes Items 21-27)	B
21	1705694	4	Decal - Crushing	
22	1705695	4	Decal - Danger Electrocution	
23	1705686	1	Decal - Legend	
24	1705680	1	Decal - Danger/Warning	
25	1705679	1	Decal - Inspection	
26	1705681	1	Decal - Electrocution	
27	1703813	2	Decal - Warning Battery Ventilation	
44	1701499	1	Decal - No Lift (Part of Item 8)	
46	1001094359	1	Decal - Troubleshooting	
47	1001146794	2	Decal - See Manual	
49	1001216313	1	Decal - 24 Volts (SN 0200257823 to Present, SN B200037115 to Present, SN M200002935 to Present)	
50	1705754	2	Decal - JLG (SN 0200262223 to Present, SN B200038735 to Present, SN M200007881 to Present)	
51	1001223055	1	Decal - Yearly Inspection (SN B200045810 to Present, SN M200015222 to Present)	
52	1001228370	1	Decal - CSA Ices (SN B200045810 to Present, SN M200015222 to Present)	
53	1001231801	1	Decal - Prop 65 (SN B200051661 to Present, SN M200025381 to Present)	

# SECTION 8 - DECALS

## FIGURE 8-2. DECAL INSTALLATION - AUSTRALIAN SPEC (ENGLISH)



AWT 1001381270



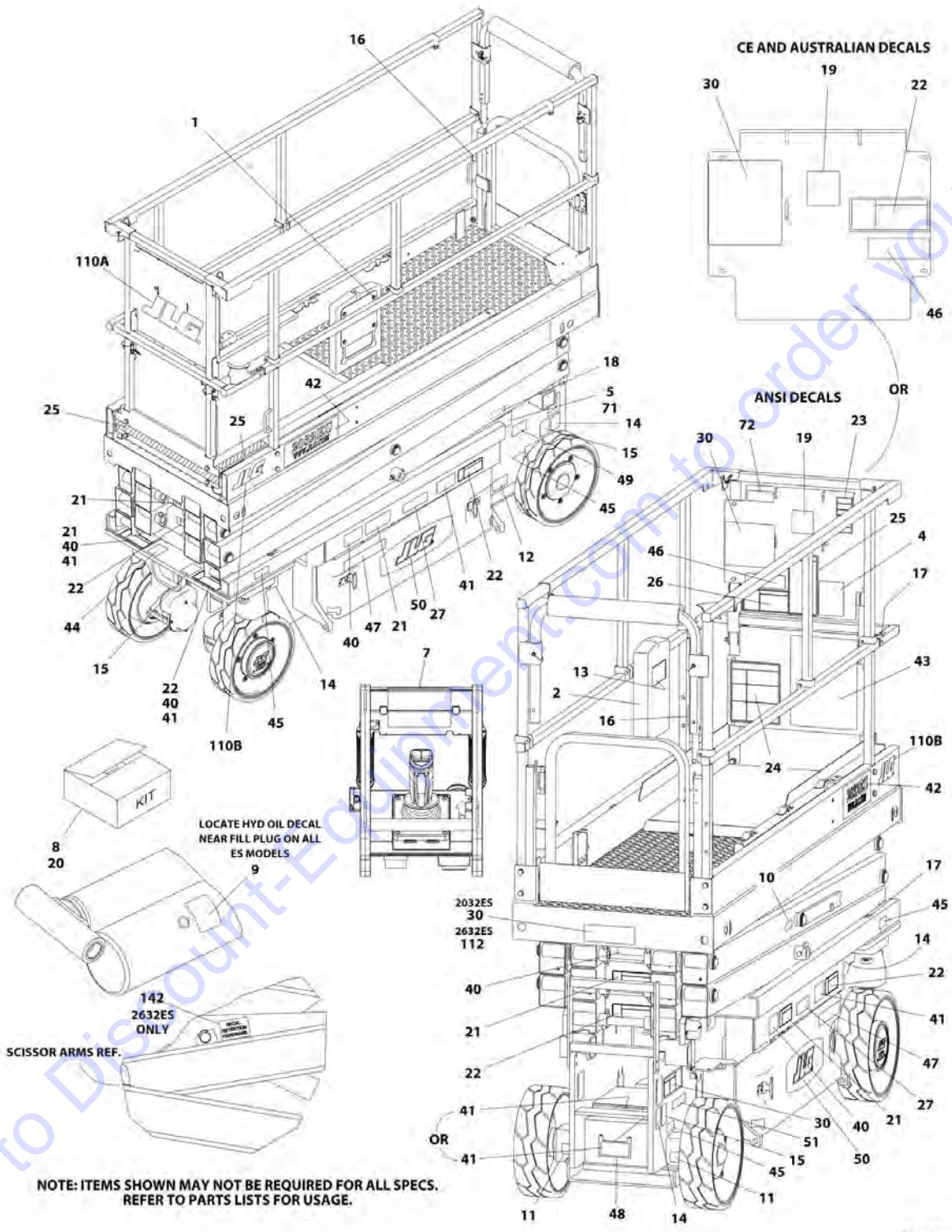
## SECTION 8 - DECALS

**FIGURE 8-2. DECAL INSTALLATION - AUSTRALIAN SPEC (ENGLISH)**

ITEM	PART NUMBER	QTY	DESCRIPTION	REV
	1001181270	Ref	DECAL INSTALLATION - AUSTRALIAN SPEC (ENGLISH)	H
		Ref	Note: See DECAL INSTALLATION - OPTIONS for additional decals	
1	2080040	4	Fastener	
2	0860520	1	Box, Manual Storage	
5	2080057	4	Fastener	
7	See Note	1	Decal - Bar Code (Note: Not Available for Purchase)	
8	2902267	1	Decal Kit - Master (Standard Decals) (Includes Items 9-19 & 44)	B
9	1704412	1	Decal - Hydraulic Oil	
10	1705693	1	Decal - Safety Prop	
11	1704016	2	Decal - Forklift	
12	1702155	1	Decal - Battery Disconnect	
13	1701509	1	Decal - Manual Reference	
14	1703811	4	Decal - Lifting Lugs	
15	1703814	3	Decal - Tie Down	
16	1704277	3	Decal - Lanyard Attach	
17	1703819	4	Decal - Directional Arrow	
18	1703822	1	Decal - Manual Descent Instructions	
19	1705692	1	Decal - Control Box Location	
20	2902523	1	Decal Kit - Australian Spec (Includes Items 21, 22 & 27)	2
21	1705673	4	Decal - Crushing	
22	1705671	5	Decal - Electrocution	
27	1705670	2	Decal - Warning Battery Ventilation/Fire Hazard	
44	1701499	1	Decal - No Lift (Part of Item 8)	
46	1001094359	1	Decal - Troubleshooting	
47	1001146794	2	Decal - See Manual	
49	1001216313	1	Decal - 24 Volts (SN 0200257823 to Present, SN B200037115 to Present, SN M200002935 to Present)	
50	1705754	2	Decal - JLG (SN 0200262223 to Present, SN B200038735 to Present, SN M200007981 to Present)	

# SECTION 8 - DECALS

## FIGURE 8-3. DECAL INSTALLATION - BRAZIL SPEC (PORTUGUESE/SPANISH)



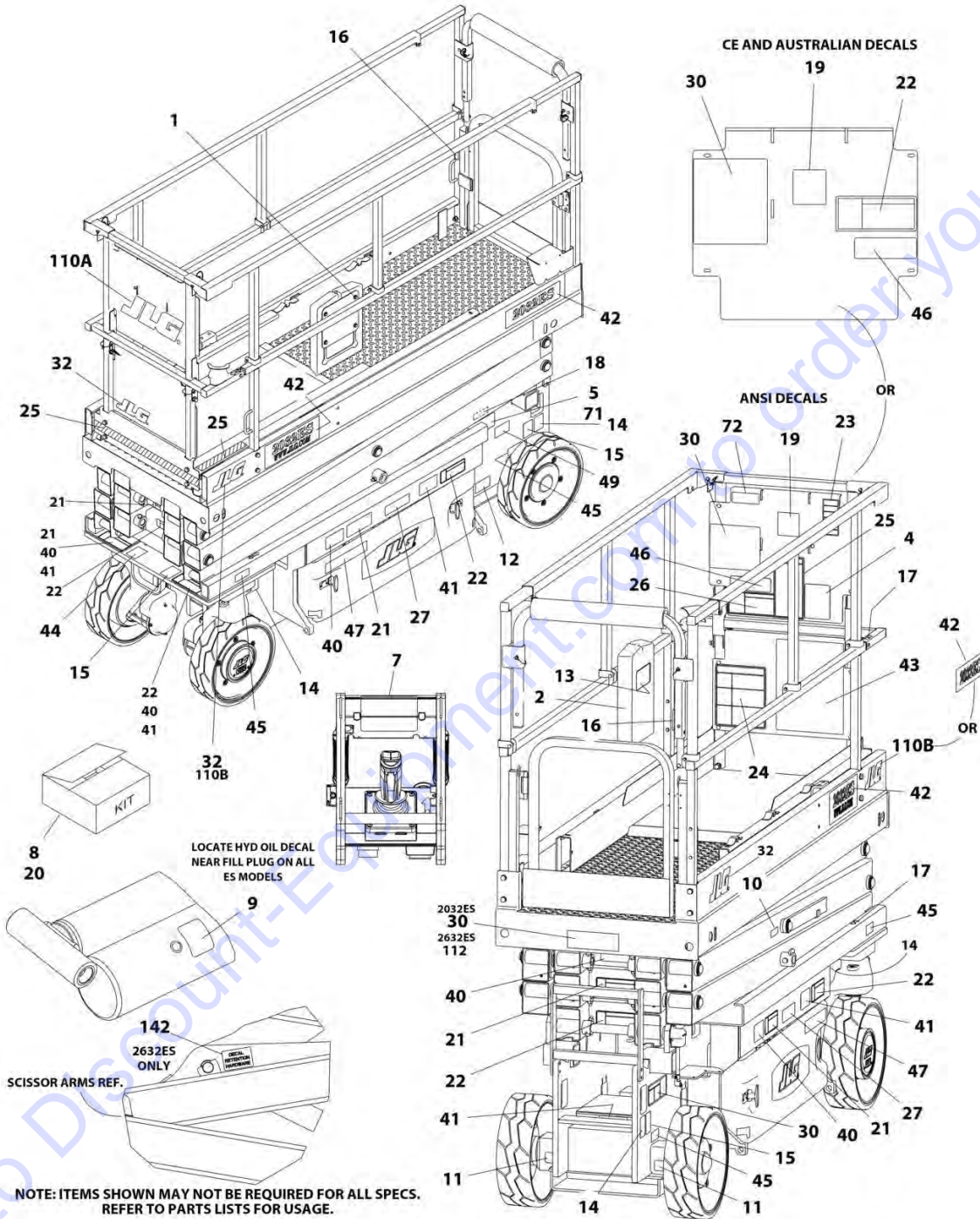
## SECTION 8 - DECALS

**FIGURE 8-3. DECAL INSTALLATION - BRAZIL SPEC (PORTUGUESE/SPANISH)**

ITEM	PART NUMBER	QTY	DESCRIPTION	REV
	1001181273	Ref	DECAL INSTALLATION - BRAZIL SPEC (PORTUGUESE/SPANISH)	H
		Ref	Note: See DECAL INSTALLATION - OPTIONS for additional decals.	
1	2080040	4	Fastener	
2	0860520	1	Box, Manual Storage	
5	2080057	4	Fastener	
7	See Note	1	Decal - Bar Code (Note: Not Available for Purchase)	
8	2902267	1	Decal Kit - Master (Standard Decals) (Includes Items 9-19 & 44)	B
9	1704412	1	Decal - Hydraulic Oil	
10	1705693	1	Decal - Safety Prop	
11	1704016	2	Decal - Forklift	
12	1702155	1	Decal - Battery Disconnect	
13	1701509	1	Decal - Manual Reference	
14	1703811	4	Decal - Lifting Lugs	
15	1703814	3	Decal - Tie Down	
16	1704277	3	Decal - Lanyard Attach	
17	1703819	4	Decal - Directional Arrow	
18	1703822	1	Decal - Manual Descent Instructions	
19	1705692	1	Decal - Control Box Location	
20	2902526	1	Decal Kit - Brazil Spec (Includes Items 21-27, 40 & 41)	B
21	1705722	5	Decal - Warning Crushing Hazard	
22	1703834	4	Decal - Warning/Danger	
23	1705726	1	Decal - Legend	
24	1705894	1	Decal - Danger/Warning	
25	1705727	1	Decal - Inspection	
26	1705721	1	Decal - Electrocutation	
27	1704341	2	Decal - Warning Battery Ventilation	
40	1705725	4	Decal - Crushing Hazard	
41	1705724	4	Decal - Electrocutation	
43	1705719	1	Decal - Danger/Warning	
44	1701499	1	Decal - No Lift (Part of Item 8)	
46	1001094359	1	Decal - Troubleshooting	
47	1001146794	2	Decal - See Manual	
48	1001210849	1	Bracket, Decal (SN 0200253961 to Present, SN B200031076 to Present, SN M200001405 to Present)	
49	1001216313	1	Decal - 24 Volts (SN 0200257823 to Present, SN B200037115 to Present, SN M200002935 to Present)	
50	1705754	2	Decal - JLG (SN 0200262223 to Present, SN B200038735 to Present, SN M200007981 to Present)	
51	1001224052	1	Decal - Yearly Inspection (SN B200045810 to Present, SN M200015222 to Present)	

# SECTION 8 - DECALS

## FIGURE 8-4. DECAL INSTALLATION - CE SPEC (ENGLISH)



ART\_1001181269

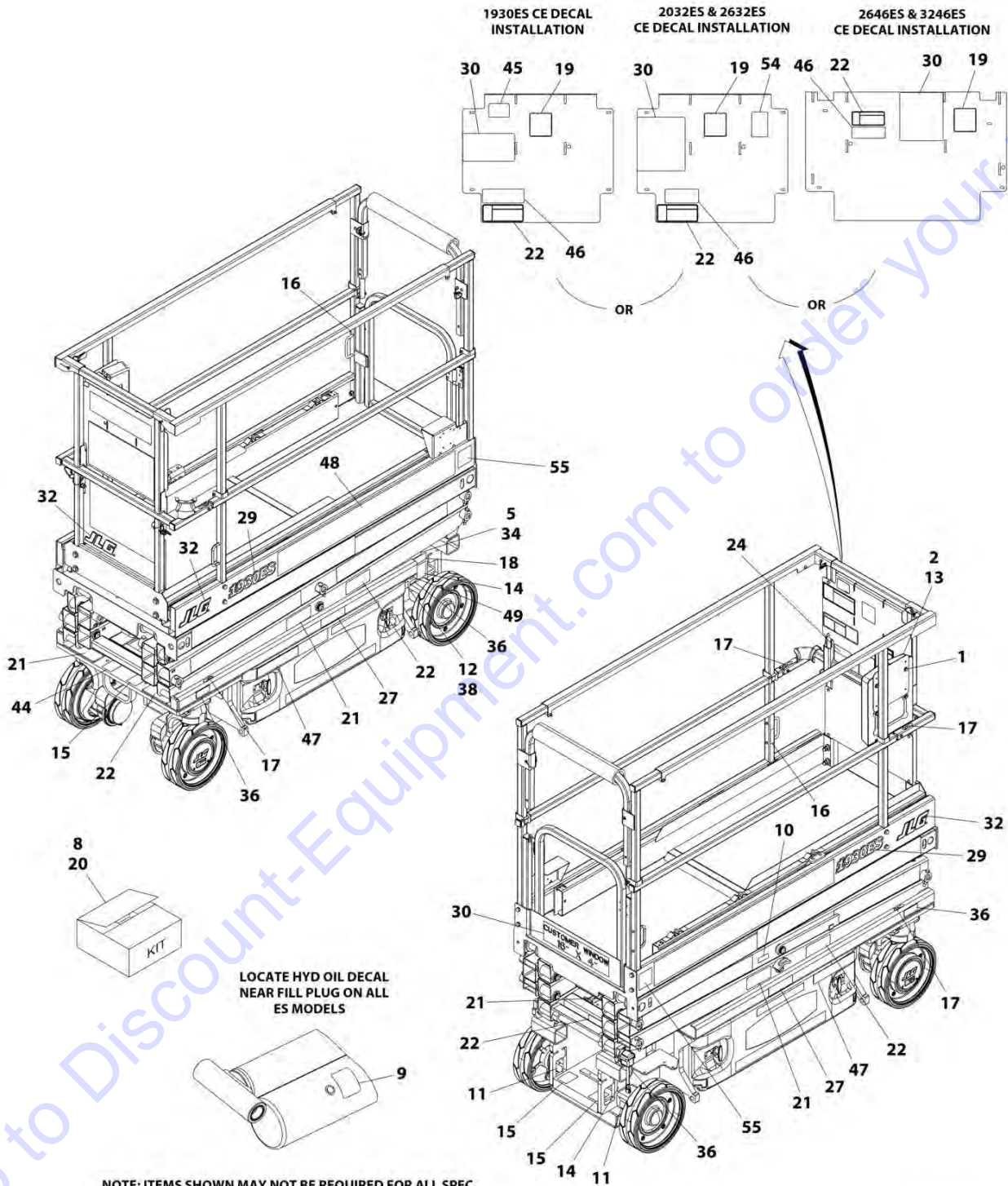
## SECTION 8 - DECALS

**FIGURE 8-4. DECAL INSTALLATION - CE SPEC (ENGLISH)**

ITEM	PART NUMBER	QTY	DESCRIPTION	REV
	1001181267	Ref	DECAL INSTALLATION - REFERENCE CHART (Prior to SN 0200262223, Prior to SN B200038735, Prior to SN M200007981)	H
	1001217327	Ref	DECAL INSTALLATION - REFERENCE CHART (SN 0200262223 to Present, SN 1200025021 to Present, SN B200038735 to Present, SN M200007981 to Present)	B
	1001181269	Ref	DECAL INSTALLATION - CE SPEC (ENGLISH)	G
		Ref	Note: See DECAL INSTALLATION - OPTIONS for additional decals.	
1	2080040	4	Fastener	
2	0860520	1	Box, Manual Storage	
5	2080057	4	Fastener	
7	See Note	1	Decal - Bar Code (Note: Not Available for Purchase)	
8	2902267	1	Decal Kit - Master (Standard Decals) (Includes Items 9-19 & 44)	B
9	1704412	1	Decal - Hydraulic Oil	
10	1705693	1	Decal - Safety Prop	
11	1704016	2	Decal - Forklift	
12	1702155	1	Decal - Battery Disconnect	
13	1701509	1	Decal - Manual Reference	
14	1703811	4	Decal - Lifting Lugs	
15	1703814	3	Decal - Tie Down	
16	1704277	3	Decal - Lanyard Attach	
17	1703819	4	Decal - Directional Arrow	
18	1703822	1	Decal - Manual Descent Instructions	
19	1705692	1	Decal - Control Box Location	
20	2902523	1	Decal Kit - CE Spec (Includes Items 21, 22 & 27)	2
21	1705673	4	Decal - Crushing	
22	1705671	5	Decal - Electrocution	
27	1705670	2	Decal - Warning Battery Ventilation/Fire Hazard	
32	1705781	3	Decal - JLG (SN 0200262223 to Present, SN 1200025021 to Present, SN B200038735 to Present, SN M200007981 to Present)	
44	1701499	1	Decal - No Lift (Part of Item 8)	
46	1001094359	1	Decal - Troubleshooting	
47	1001146795	2	Decal - See Manual	
49	1001216313	1	Decal - 24 Volts (SN 0200257823 to Present, SN 1200025021 to Present, SN B200037115 to Present, SN M200002935 to Present)	

# SECTION 8 - DECALS

## FIGURE 8-5. DECAL INSTALLATION - CHINA SPEC (GB)



ART\_1001232541

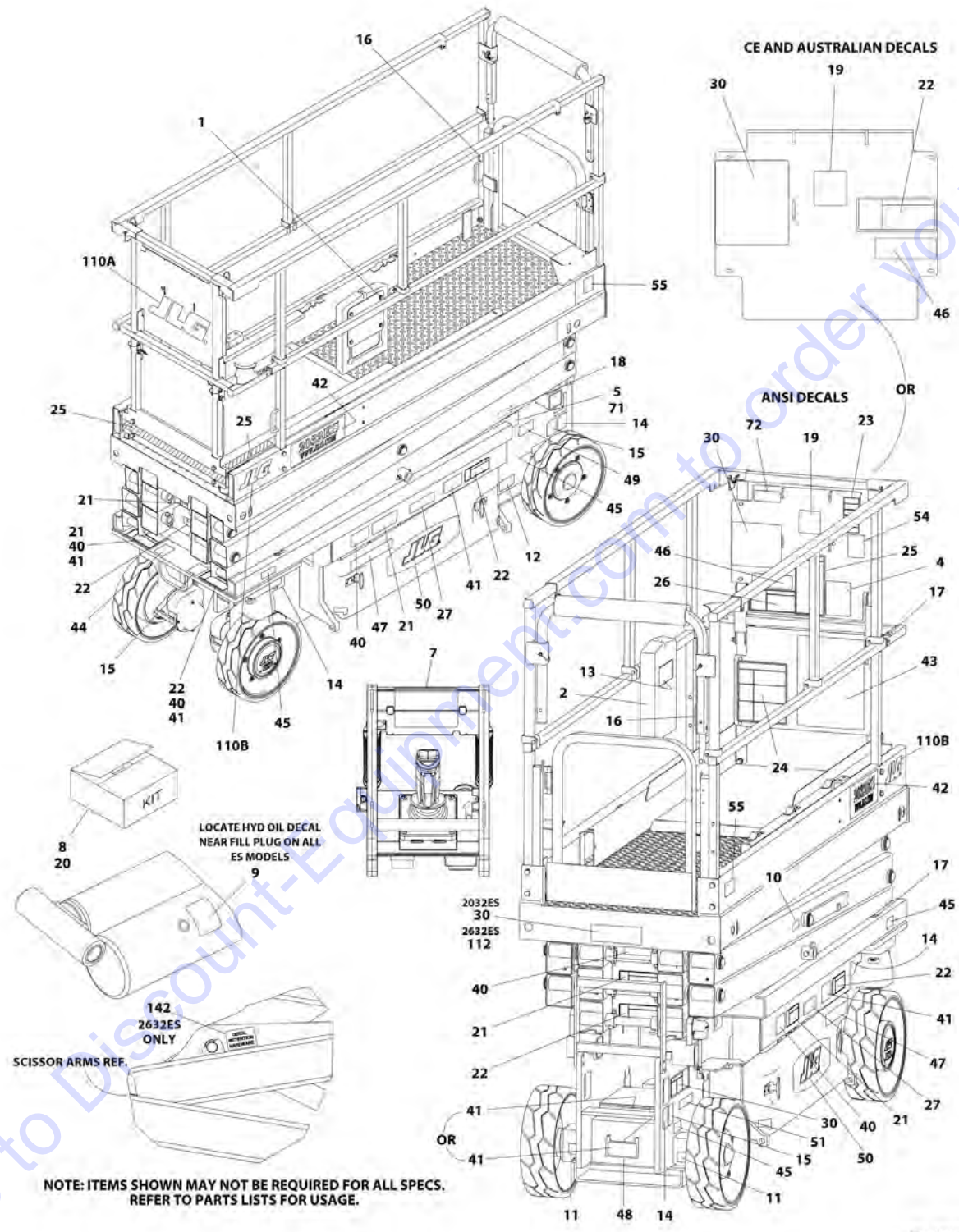
## SECTION 8 - DECALS

**FIGURE 8-5. DECAL INSTALLATION - CHINA SPEC (GB)**

ITEM	PART NUMBER	QTY	DESCRIPTION	REV
	1001232541	Ref	DECAL INSTALLATION - CHINA SPEC (GB)	B
		Ref	Note: See DECAL INSTALLATION - OPTIONS for additional decals.	
1	2080040	4	Fastener	
2	0860520	1	Box, Manual Storage	
5	2080057	4	Fastener	
8	2902267	1	Decal Kit - Master (Standard Decals) (Includes Items 9-19 & 44)	B
9	1704412	1	Decal - Hydraulic Oil	
10	1705693	1	Decal - Safety Prop	
11	1704016	2	Decal - Forklift	
12	1702155	1	Decal - Battery Disconnect	
13	1701509	1	Decal - Manual Reference	
14	1703811	4	Decal - Lifting Lugs	
15	1703814	3	Decal - Tie Down	
16	1704277	3	Decal - Lanyard Attach	
17	1703819	4	Decal - Directional Arrow	
18	1703822	1	Decal - Manual Descent Instructions	
19	1705692	1	Decal - Control Box Location	
20	2902523	1	Decal Kit - CE Spec (Includes Items 21, 22 & 27)	2
21	1705673	4	Decal - Crushing	
22	1705671	5	Decal - Electrocution	
27	1705670	2	Decal - Warning Battery Ventilation/Fire Hazard	
32	1705781	3	Decal - JLG	
44	1701499	1	Decal - No Lift (Part of Item 8)	
46	1001094359	1	Decal - Troubleshooting	
47	1001146794	2	Decal - See Manual	
49	1001216313	1	Decal - 24 Volts	
54	1001244301	1	Decal - No Over the Rail to Ground ( <b>SN B200051661 to Present, SN M200025381 to Present</b> )	
55	1001244298	1	Decal - Wechat ( <b>SN B200051661 to Present, SN M200025381 to Present</b> )	

# SECTION 8 - DECALS

FIGURE 8-6. DECAL INSTALLATION - CHINESE SPEC (CHINESE/ENGLISH)



AWT 1001181274



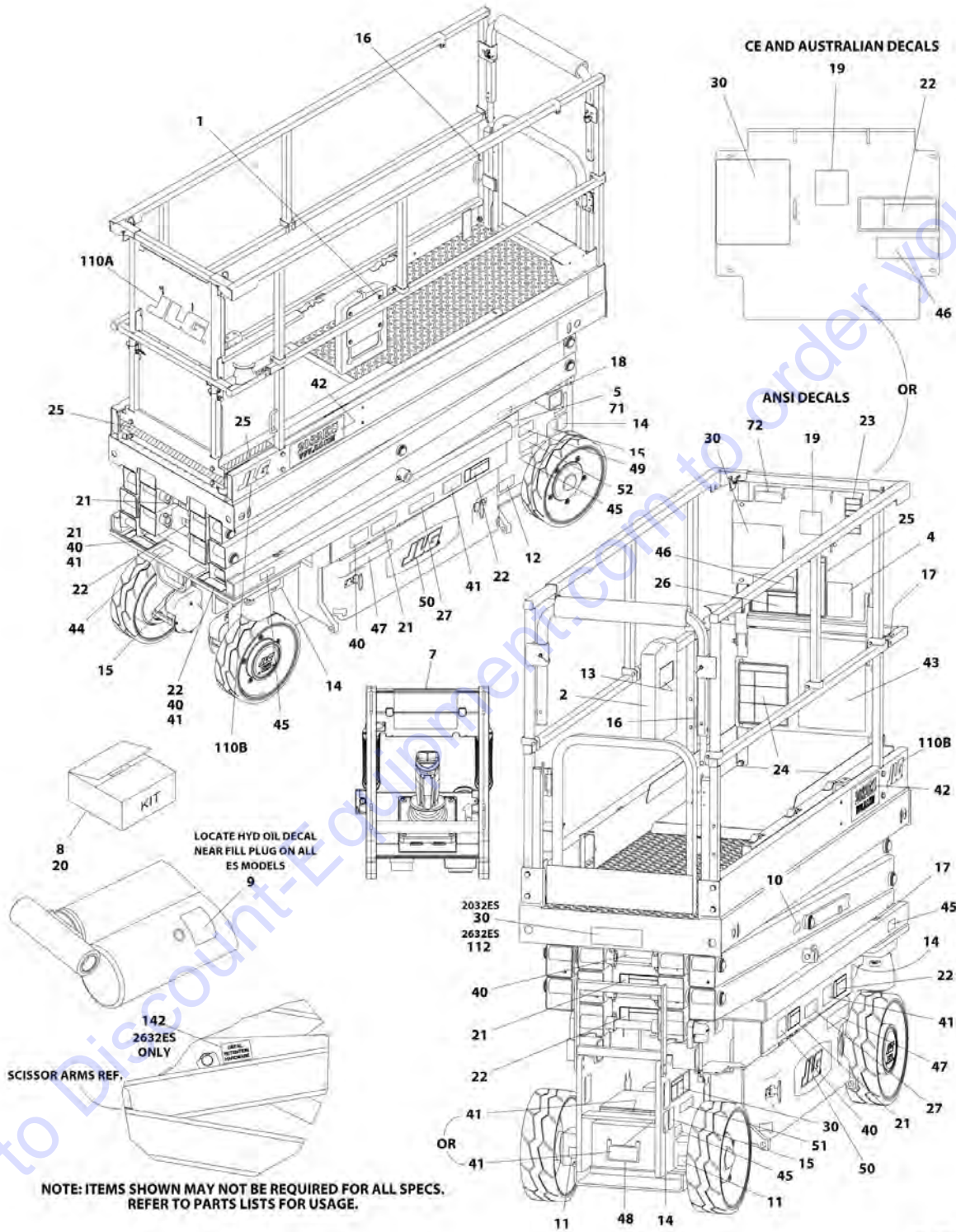
## SECTION 8 - DECALS

**FIGURE 8-6. DECAL INSTALLATION - CHINESE SPEC (CHINESE/ENGLISH)**

ITEM	PART NUMBER	QTY	DESCRIPTION	REV
	1001181274	Ref	DECAL INSTALLATION - CHINESE SPEC (CHINESE/ENGLISH)	H
		Ref	Note: See DECAL INSTALLATION - OPTIONS for additional decals.	
1	2080040	4	Fastener	
2	0860520	1	Box, Manual Storage	
5	2080057	4	Fastener	
7	See Note	1	Decal - Bar Code (Note: Not Available for Purchase)	
8	2902267	1	Decal Kit - Master (Standard Decals) (Includes Items 9-19 & 44)	B
9	1704412	1	Decal - Hydraulic Oil	
10	1705693	1	Decal - Safety Prop	
11	1704016	2	Decal - Forklift	
12	1702155	1	Decal - Battery Disconnect	
13	1701509	1	Decal - Manual Reference	
14	1703811	4	Decal - Lifting Lugs	
15	1703814	3	Decal - Tie Down	
16	1704277	3	Decal - Lanyard Attach	
17	1703819	4	Decal - Directional Arrow	
18	1703822	1	Decal - Manual Descent Instructions	
19	1705692	1	Decal - Control Box Location	
20	2902528	1	Decal Kit - Chinese Spec (Includes Items 21-27, 40 & 41)	B
21	1705694	4	Decal - Crushing	
22	1705695	4	Decal - Danger	
23	1705946	1	Decal - Legend	
24	1705680	1	Decal - Danger/Warning	
25	1705679	1	Decal - Inspection	
26	1705681	1	Decal - Electrocution	
27	1704344	2	Decal - Warning Battery Ventilation	
40	1705943	4	Decal - Crushing	
41	1705944	4	Decal - Electrocution	
43	1705945	1	Decal - Danger/Warning	
44	1701499	1	Decal - No Lift (Part of Item 8)	
46	1001094359	1	Decal - Troubleshooting	
47	1001146794	2	Decal - See Manual	
48	1001210849	1	Bracket, Decal (SN 0200253961 to Present, SN B200031076 to Present, SN M200001405 to Present)	
49	1001216313	1	Decal - 24 Volts (SN 0200257823 to Present, SN B200037115 to Present, SN M200002935 to Present)	
50	1705754	2	Decal - JLG (SN 0200262223 to Present, SN B200038735 to Present, SN M200007981 to Present)	
51	1001224050	1	Decal - Yearly Inspection (SN B200045810 to Present, SN M200015222 to Present)	
54	1001244301	1	Decal - No Over the Rail to Ground (SN B200051661 to Present, SN M200025381 to Present)	
55	1001244298	1	Decal - Wechat (SN B200051661 to Present, SN M200025381 to Present)	

# SECTION 8 - DECALS

## FIGURE 8-7. DECAL INSTALLATION - CSA SPEC (ENGLISH/FRENCH)



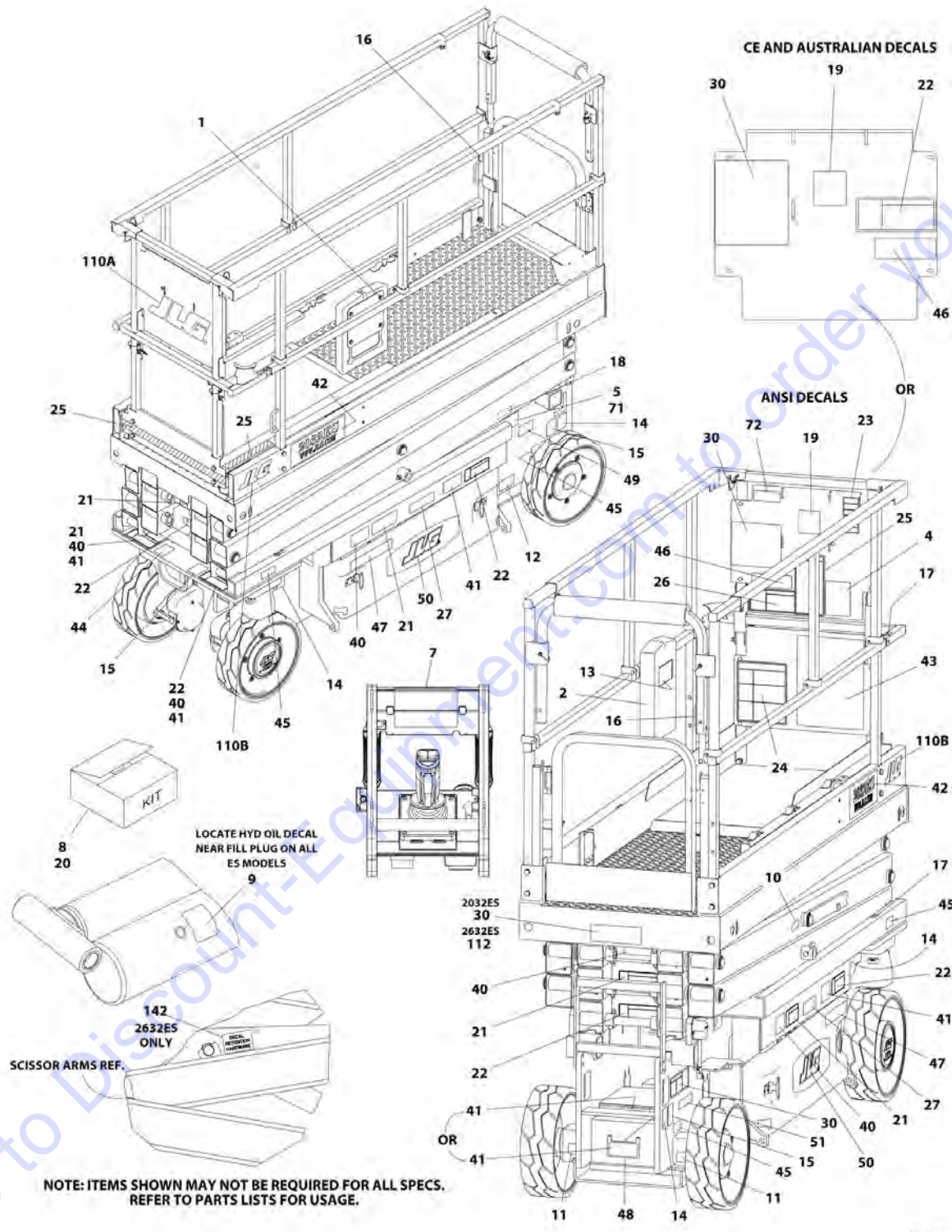
## SECTION 8 - DECALS

**FIGURE 8-7. DECAL INSTALLATION - CSA SPEC (ENGLISH/FRENCH)**

ITEM	PART NUMBER	QTY	DESCRIPTION	REV
	1001181271	Ref	DECAL INSTALLATION - CSA SPEC (ENGLISH/FRENCH)	H
		Ref	Note: See DECAL INSTALLATION - OPTIONS for additional decals.	
1	2080040	4	Fastener	
2	0860520	1	Box, Manual Storage	
4	1001131270	1	Decal - Patent	
5	2080057	4	Fastener	
7	See Note	1	Decal - Bar Code (Note: Not Available for Purchase)	
8	2902267	1	Decal Kit - Master (Standard Decals) (Includes Items 9-19 & 44)	B
9	1704412	1	Decal - Hydraulic Oil	
10	1705693	1	Decal - Safety Prop	
11	1704016	2	Decal - Forklift	
12	1702155	1	Decal - Battery Disconnect	
13	1701509	1	Decal - Manual Reference	
14	1703811	4	Decal - Lifting Lugs	
15	1703814	3	Decal - Tie Down	
16	1704277	3	Decal - Lanyard Attach	
17	1703819	4	Decal - Directional Arrow	
18	1703822	1	Decal - Manual Descent Instructions	
19	1705692	1	Decal - Control Box Location	
20	2902524	1	Decal Kit - CSA Spec (Includes Items 21-27, 40 & 41)	B
21	1705694	4	Decal - Crushing	
22	1705695	4	Decal - Warning/Danger	
23	1705723	1	Decal - Legend	
24	1705680	1	Decal - Danger/Warning	
25	1705679	1	Decal - Inspection	
26	1705681	1	Decal - Electrocutation	
27	1704340	2	Decal - Warning Battery Ventilation	
40	1705717	4	Decal - Crushing	
41	1705718	4	Decal - Electrocutation	
43	3252098	1	Nameplate - Warning/Danger	
44	1701499	1	Decal - No Lift (Part of Item 8)	
46	1001094359	1	Decal - Troubleshooting	
47	1001146794	2	Decal - See Manual	
48	1001210849	1	Bracket, Decal (SN 0200253961 to Present, SN B200031076 to Present, SN M200001405 to Present)	
49	1001216313	1	Decal - 24 Volts (SN 0200257823 to Present, SN B200037115 to Present, SN M200002935 to Present)	
50	1705754	2	Decal - JLG (SN 0200262223 to Present, SN B200038735 to Present, SN M200007981 to Present)	
51	1001223971	1	Decal - Yearly Inspection (SN B200045810 to Present, SN M200015222 to Present)	
52	1001228370	1	Decal - CSA Ices (SN B200045810 to Present, SN M200015222 to Present)	

# SECTION 8 - DECALS

## FIGURE 8-8. DECAL INSTALLATION - KOREAN SPEC (KOREAN/ENGLISH)



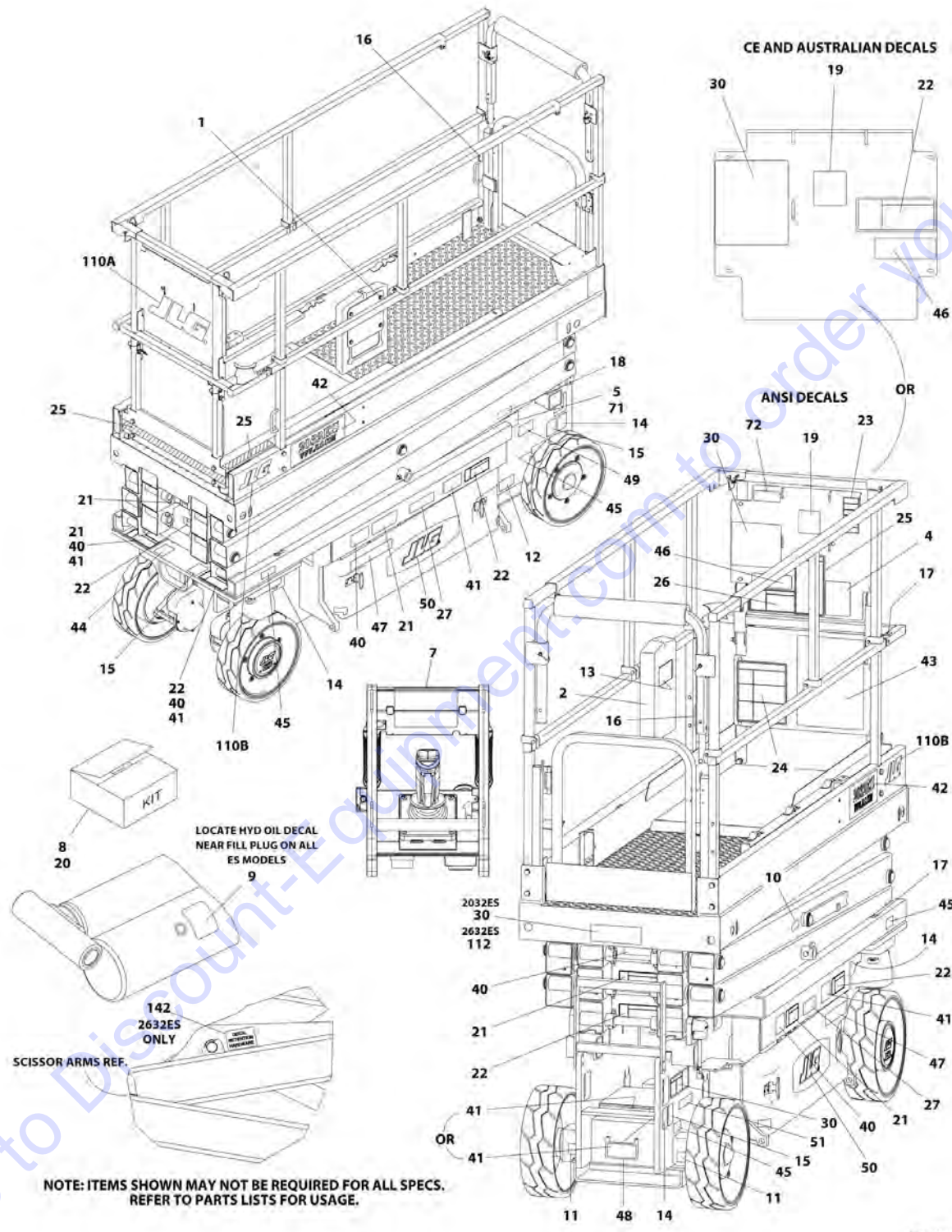
## SECTION 8 - DECALS

**FIGURE 8-8. DECAL INSTALLATION - KOREAN SPEC (KOREAN/ENGLISH)**

ITEM	PART NUMBER	QTY	DESCRIPTION	REV
	1001181275	Ref	DECAL INSTALLATION - KOREAN SPEC (KOREAN/ENGLISH)	H
		Ref	Note: See DECAL INSTALLATION - OPTIONS for additional decals.	
1	2080040	4	Fastener	
2	0860520	1	Box, Manual Storage	
5	2080057	4	Fastener	
7	See Note	1	Decal - Bar Code (Note: Not Available for Purchase)	
8	2902267	1	Decal Kit - Master (Standard Decals) (Includes Items 9-19 & 44)	B
9	1704412	1	Decal - Hydraulic Oil	
10	1705693	1	Decal - Safety Prop	
11	1704016	2	Decal - Forklift	
12	1702155	1	Decal - Battery Disconnect	
13	1701509	1	Decal - Manual Reference	
14	1703811	4	Decal - Lifting Lugs	
15	1703814	3	Decal - Tie Down	
16	1704277	3	Decal - Lanyard Attach	
17	1703819	4	Decal - Directional Arrow	
18	1703822	1	Decal - Manual Descent Instructions	
19	1705692	1	Decal - Control Box Location	
20	2902532	1	Decal Kit - Korean Spec (Includes Items 21-27, 40 & 41)	2
21	1705694	4	Decal - Crushing	
22	1705695	4	Decal - Danger Electrocution	
23	1706057	1	Decal - Legend	
24	1705680	1	Decal - Danger/Warning	
25	1705679	1	Decal - Inspection	
26	1705681	1	Decal - Electrocution	
27	1707022	2	Decal - Warning Battery Ventilation	
40	1706052	4	Decal - Crushing Hazard	
41	1706056	4	Decal - Danger Electrocution	
43	1706053	1	Decal - Danger/Warning	
44	1701499	1	Decal - No Lift (Part of Item 8)	
46	1001094359	1	Decal - Troubleshooting	
47	1001146794	2	Decal - See Manual	
48	1001210849	1	Bracket, Decal (SN 0200253961 to Present, SN B200031076 to Present, SN M200001405 to Present)	
49	1001216313	1	Decal - 24 Volts (SN 0200257823 to Present, SN B200037115 to Present, SN M200002935 to Present)	
50	1705754	2	Decal - JLG (SN 0200262223 to Present, SN B200038735 to Present, SN M200007981 to Present)	
51	1001224048	1	Decal - Yearly Inspection (SN B200045810 to Present, SN M200015222 to Present)	

# SECTION 8 - DECALS

## FIGURE 8-9. DECAL INSTALLATION - LATIN AMERICAN SPEC (ENGLISH/SPANISH)



ART. 1001181272

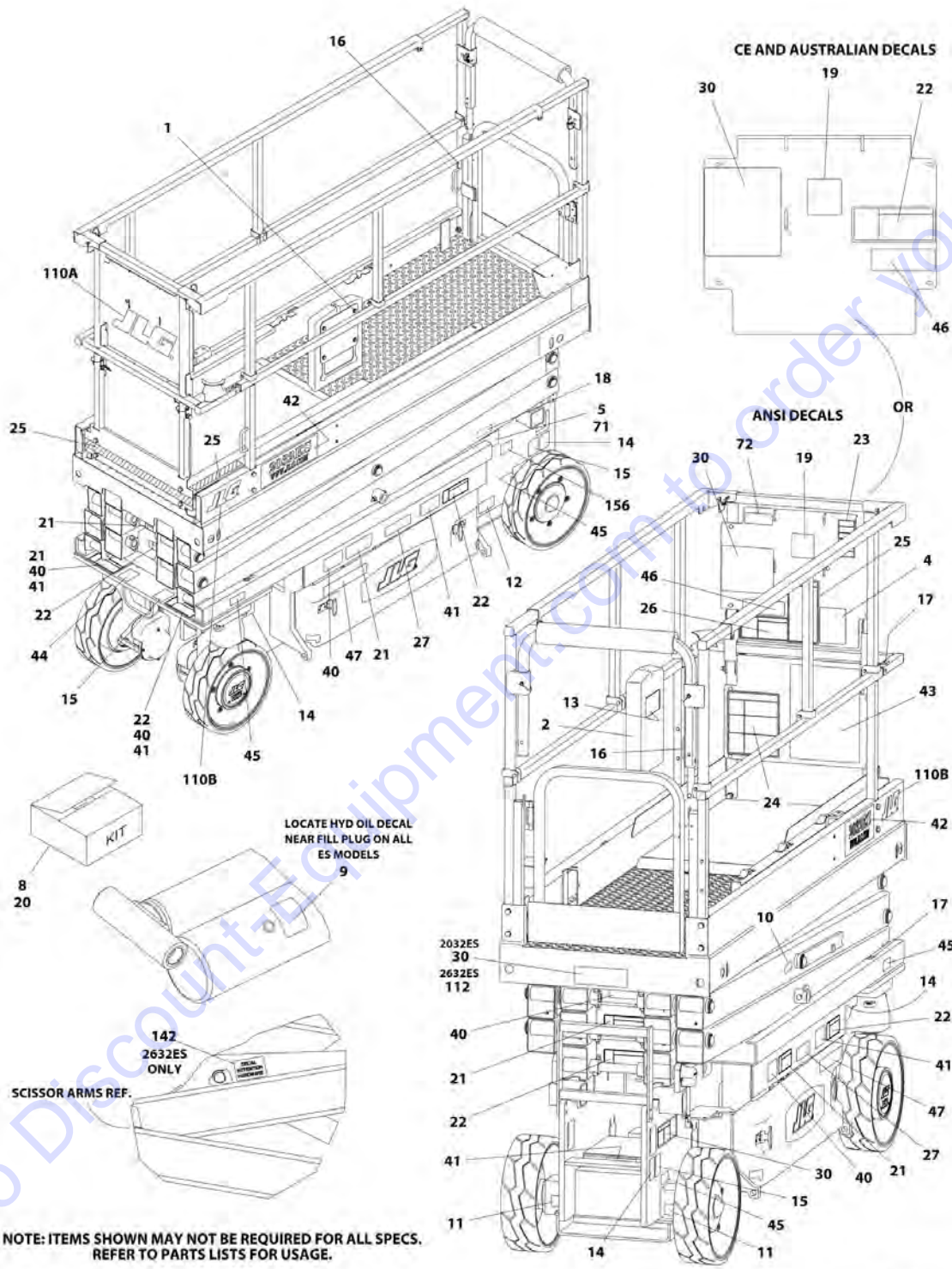
## SECTION 8 - DECALS

**FIGURE 8-9. DECAL INSTALLATION - LATIN AMERICAN SPEC (ENGLISH/SPANISH)**

ITEM	PART NUMBER	QTY	DESCRIPTION	REV
	1001181272	Ref	DECAL INSTALLATION - LATIN AMERICAN SPEC (ENGLISH/SPANISH)	H
		Ref	Note: See DECAL INSTALLATION - OPTIONS for additional decals.	
1	2080040	4	Fastener	
2	0860520	1	Box, Manual Storage	
5	2080057	4	Fastener	
7	See Note	1	Decal - Bar Code (Note: Not Available for Purchase)	
8	2902267	1	Decal Kit - Master (Standard Decals) (Includes Items 9-19 & 44)	B
9	1704412	1	Decal - Hydraulic Oil	
10	1705693	1	Decal - Safety Prop	
11	1704016	2	Decal - Forklift	
12	1702155	1	Decal - Battery Disconnect	
13	1701509	1	Decal - Manual Reference	
14	1703811	4	Decal - Lifting Lugs	
15	1703814	3	Decal - Tie Down	
16	1704277	3	Decal - Lanyard Attach	
17	1703819	4	Decal - Directional Arrow	
18	1703822	1	Decal - Manual Descent Instructions	
19	1705692	1	Decal - Control Box Location	
20	2902525	1	Decal Kit - Latin American Spec (English/Spanish) (Includes Items 21-27, 40 & 41)	B
21	1705694	4	Decal - Crushing	
22	1705695	4	Decal - Danger Electrocutation	
23	1705720	1	Decal - Legend	
24	1705680	1	Decal - Danger/Warning	
25	1705679	1	Decal - Inspection	
26	1705681	1	Decal - Electrocutation	
27	1704339	2	Decal - Warning Battery Ventilation	
40	1705725	4	Decal - Crushing Hazard	
41	1705724	1	Decal - Danger Electrocutation	
43	1705719	1	Decal - Danger/Warning	
44	1701499	1	Decal - No Lift (Part of Item 8)	
46	1001094359	1	Decal - Troubleshooting	
47	1001146794	2	Decal - See Manual	
48	1001210849	1	Bracket, Decal (SN 0200253961 to Present, SN B200031076 to Present, SN M200001405 to Present)	
49	1001216313	1	Decal - 24 Volts (SN 0200257823 to Present, SN B200037115 to Present, SN M200002935 to Present)	
50	1705754	2	Decal - JLG (SN 0200262223 to Present, SN B200038735 to Present, SN M200007981 to Present)	
51	1001224049	1	Decal - Yearly Inspection (SN B200045810 to Present, SN M200015222 to Present)	

# SECTION 8 - DECALS

## FIGURE 8-10. DECAL INSTALLATION - OPTIONS





## SECTION 8 - DECALS

**FIGURE 8-10. DECAL INSTALLATION - OPTIONS**

ITEM	PART NUMBER	QTY	DESCRIPTION	REV
		Ref	DECAL INSTALLATION - OPTIONS	
25	0272721	Ref	Corner Safety Stripes Installation	C
25	4420051	51 in /1.3m	Tape, Safety	
30	1705639	3	Decal - 500LB Capacity (2032ES All Specs except Australian/CE Specs)	
30	1705667	1	Decal - 360KG (2032ES Australian/CE Specs)	
30	1705941	2	Decal - 500LB/227KG - 800LB/360KG Capacity (2632ES All Specs except Australian/CE Specs)	
30	1705942	1	Decal - 230KG/360KG Capacity (2632ES Australian/CE Specs)	
42	1001178302	2	Decal - 2032ES Model Designation	
42	1001216998	1	Decal - 2032ES Model Designation (Dual Language)	
42	1001178304	2	Decal - 2632ES Model Designation	
42	1001216999	1	Decal - 2632ES Model Designation (Dual Language)	
45	1704134	4	Decal - Maximum Tire Load (2032ES All Specs except Australian/CE Specs)	
45	1706310	4	Decal - Maximum Tire Load (2032ES Australian, CE and China Specs)	
45	1706310	4	Decal - Maximum Tire Load (2632ES)	
71	See Note	1	Decal - Serial Number (Note: Not Available for Purchase)	
72	1705303	1	Decal - CSA (CSA Spec Only)	
74	3251813	1	Decal - USA (Not Shown) <b>(SN 0200239382 through 0200243057)</b>	
110	0272870	Ref	JLG Logo Installation (All Specs Except China Specs)	2
110	1001228965	Ref	JLG Logo Installation (China Specs)	A
110A	1702773	1	Decal - JLG (5 inch) (All Specs Except China Specs)	
110A	1705754	1	Decal - JLG (3.5 inch) (China Specs)	
110B	1705781	2	Decal - JLG (2.75 inch) (All Specs)	
112	1705880	1	Decal - 800LB/500LB Capacity (2632ES All Specs except Australian/CE Specs)	
142	1001116928	Ref	Hardware Retention Decal Installation (2632ES Only)	A
142	1001116915	1	Decal, Hardware Retention	
156	1001214029	1	Decal Installation - EAC (Russian/CIS Specs)	A
156	1001173703	1	Decal - EAC (Russian/CIS Specs)	



**SECTION 9 - RECOMMENDED SERVICE PARTS STOCK**

**SECTION 9 - RECOMMENDED SERVICE PARTS STOCK**

Go to [Discount-Equipment.com](http://Discount-Equipment.com) to order your parts

## SECTION 9 - RECOMMENDED SERVICE PARTS STOCK

FIGURE 9-1. RECOMMENDED SERVICE PARTS STOCK

ITEM	PART NUMBER	QTY	DESCRIPTION	REV
		Ref	Note: The following list will service one machine (built to current production per date on the front cover) with emergency repair parts which can be installed in the field. Parts from the list should be replaced when inventory is depleted to keep service parts stock supplied. For further information, go to Discount-equipment.com	
		Ref	STANDARD PARTS	
	4360069	1	Breaker, Circuit - 10Amp	
	4360328	1	Switch, Toggle	
	2860030	1	Key, Replacement	
	4360475	1	Switch, Mushroom	
	4360387	1	Switch, Push Button	
	1001092354	1	Switch, Rotary Angle Sensor	
	1600402	1	Controller, Drive/Steer	
	4360538	1	Switch and Membrane	
	4360539	1	Switch, Toggle	
	1001097347	1	Relay	
	70004928	1	Filter - 300 Micron	
	70003706	1	Filter - 300 Micron	
	70003707	1	Coil	
		Ref	VARIABLE PARTS	
	1001092456	1	Module, Drive Control	
	1001109088	1	Switch, Limit (Non-UL Machines)	
	1001126905	1	Switch, Limit (UL Machines)	
	1001130614	1	Switch, Limit (Machines with Overhead Protection and Low Height Drive Cutout)	
	0610161	1	PC Board - Charger	
	4360469	1	Switch, Key (All Specs except CE Specs)	
	4360470	1	Switch, Key (CE Specs)	
	1001163095	1	Sensor, Tilt (USA Built Machines)	
	1001169392	1	Sensor, Tilt (China Built Machines)	
	2940064	1	Latch, Snap (Machines with Chain Gate)	
	1600439	1	PC Board, Console Box	
	4360613	1	Switch, Limit (Brake Disconnect)	
	1001109475	1	Breaker, Circuit - 16Amp (CE Spec Only)	
	1001109482	1	Breaker, Circuit - 30mA (CE Spec Only)	
	1001152479	1	Breaker, Circuit - Double 16Amp (CE Spec Only)	

**SECTION 10 - SPECIAL OPTIONS**

Go to Discount-Equipment.com to order your parts

## SECTION 10 - SPECIAL OPTIONS

FIGURE 10-1. SPECIAL OPTIONS

ITEM	PART NUMBER	QTY	DESCRIPTION	REV
		Ref	Note: This list is to accommodate machines ordered with special equipment. Options may not be applicable to all models. For more specific parts information go to Discount-equipment.com	
		Ref	SPECIAL OPTIONS	
	0272843	Ref	AC Plug and Receptacle Installation (Customer Supplied Plug and Receptacle)	
	0274370	Ref	Airline Installation (2032ES)	
	0274517	Ref	Airline Installation (2632ES)	
	1001183458	Ref	Alarm Installation - Ambient Adjusting (Available on All Specs except UL Spec)	
	0272913	Ref	Alarm Installation - Motion (See Ground Control Box /Alarm installation for Components)	
	1001185053	Ref	Alarm Installation - White Noise (Available on All Specs except UL Spec)	
	1001183458	Ref	Ambient Adjusting Motion Alarm Kit	
	0272878	Ref	Antivandalism Package (ANSI Export, CE, Australian, UL, China and Korea Specs Only)	
	1001213525	Ref	Antivandalism Package (ANSI Export, China and Korea Specs)	
	1001230525	Ref	Arm Spacer Kit	
	1001190011	Ref	Beacon Light Installation with 2 Lights	
		Ref	ClearSky (Telematics) Installations (Dealer Installed)	
	1001243574	Ref	ClearSky Telematics Access Control Kit (Dealer Installed) (All Specs)	
	1001243185	Ref	ClearSky Telematics Access Control Kit – Single Can (Dealer Installed) (ANSI Specs)	
	1001243186	Ref	ClearSky Telematics Access Control Kit – Single Can (Dealer Installed) (CE Specs)	
		Ref	ClearSky (Telematics) Installations (Factory Installed)	
	1001229107	Ref	ClearSky Telematics (Factory Installed) (ANSI and CSA Specs)	
	1001233237	Ref	ClearSky Telematics (Factory Installed) (ANSI Export, CE and Korea Specs)	
	1001229696	Ref	Decals - ClearSky (ANSI, ANSI Export, CE, CSA and Korea Specs)	
	1706765	Ref	Decal - Hazardous Voltage (English Language) (Used with Inverter Installation) (ANSI and CSA Specs)	
	1001136847	Ref	Decal - Hazardous Voltage (English/Spanish Language) (Used with Inverter Installation) (ANSI Export, Chinese and Korea Specs)	
	1001230981	Ref	Decal - Quick Start Reference (Dutch Spec)	
	1001226419	Ref	Decal - Quick Start Reference (English Spec)	
	1001230979	Ref	Decal - Quick Start Reference (French Spec)	
	1001230975	Ref	Decal - Quick Start Reference (German Spec)	
	1001230980	Ref	Decal - Quick Start Reference (Italian Spec)	
	1001230983	Ref	Decal - Quick Start Reference (Russian Spec)	
	1001230982	Ref	Decal - Quick Start Reference (Spanish Spec)	
	1001230984	Ref	Decal - Quick Start Reference (Swedish Spec)	
	1706922	Ref	Decal - Service Support (24HR) (ANSI and CSA Specs)	
	1705304	Ref	Decal - Service Support (CSG Machines Only)	
	1001126013	Ref	Decals - UL (China Built Machines) (UL Specs)	
	1001200363	Ref	Decals - UL (Mexico Built Machines) (UL Specs)	
	0274126	Ref	Decals - UL (USA Built Machines) (UL Specs)	
		Ref	Decal Kits	
	2902522	Ref	Decal Kit - Country Spec (ANSI)	

## SECTION 10 - SPECIAL OPTIONS

ITEM	PART NUMBER	QTY	DESCRIPTION	REV
	2902523	Ref	Decal Kit - Country Spec (Australian/CE)	
	2902526	Ref	Decal Kit - Country Spec (Brazil)	
	2902528	Ref	Decal Kit - Country Spec (Chinese)	
	2902524	Ref	Decal Kit - Country Spec (CSA)	
	2902532	Ref	Decal Kit - Country Spec (Korean)	
	2902525	Ref	Decal Kit - Country Spec (Latin American)	
	2902267	Ref	Decal Kit - Master	
	1001091968	Ref	Decal Kit - Platform Box	
	1001091393	Ref	Decal and Housing Kit - Platform Box	
	1001091965	Ref	Decal, Housing and PC Board Kit - Platform Box	
	1001212665	Ref	Decal Kit - 2032ES	
	1001212666	Ref	Decal Kit - 2632ES	
	1001233087	Ref	Drive Motor Covers	
		Ref	Electrical Connector Kits	
	1001148902	Ref	Amp/Tyco Electrical Connector Kit	
	1001148903	Ref	Deutsch DT Electrical Connector Kit	
	1001148904	Ref	Deutsch HD Electrical Connector Kit	
	1001148905	Ref	Packard Electrical Connector Kit	
	1001148906	Ref	Various Electrical Connectors Kit	
	1001247037	Ref	Enhanced Detection System (EDS) Installation Kit - Level 1	
	1001247036	Ref	Enhanced Detection System (EDS) Installation Kit - Level 2	
	1001232485	Ref	ES Lift Pin Kit (2632ES)	
	1001109345	Ref	ES Pothole Protection Switch Kit	
	0274849	Ref	Fire Extinguisher Installation (ANSI Spec Only) <b>(SN 0200239382 through 0200245234)</b>	
	1001189484	Ref	Fire Extinguisher Installation (ANSI Spec Only) <b>(SN 0200245235 to Present)</b>	
	0273762	Ref	Footswitch Installation with LSS (ANSI Export, Japanese and Korea Specs)	
	1001185666	Ref	Footswitch Installation without LSS (Factory Installed) (Japanese Spec Only) (2032ES)	
	1001192498	Ref	Footswitch Installation without LSS (Add-on Kit) (Japanese Spec Only) (2032ES)	
	1001185668	Ref	Footswitch Installation without LSS (Factory Installed) (Japanese Spec Only) (2632ES)	
	1001192499	Ref	Footswitch Installation without LSS (Add-on Kit) (Japanese Spec Only) (2632ES)	
	1001219424	Ref	Frame Protective Cover (All Specs Except CE Specs)	
	2300028	Ref	Hydraulic Fluid - Mobil DTE 10 Excel 15 (Machines with Standard Oil)	
	2300042	Ref	Hydraulic Fluid - Mobil EAL H 32 (Machines with Biodegradeable Oil)	
	0273859	Ref	Hydraulic Pressure Checks Installation (All Specs except Australian and CE Specs)	
	1001154516	Ref	Inverter/Battery Charger (900W-60Hz) Installation (2032ES ANSI Spec Only)	
	1001228900	Ref	Inverter/Battery Charger (900W-60Hz) Installation (2632ES ANSI Spec Only)	
	1001140336	Ref	Latch, Magnetic Gate (ANSI, ANSI Export, Australian, Chinese, Japanese and Korea Specs)	
	0273454	Ref	Lifting Lugs Installation (Factory Installed) ( All Specs except Australian Specs)	
	1001229207	Ref	Lifting Lug Add-On Kit (Customer Installed) (All Specs except Australian Specs)	
	1001135753	Ref	Lifting Lugs Installation (Australian Specs Only)	

## SECTION 10 - SPECIAL OPTIONS

ITEM	PART NUMBER	QTY	DESCRIPTION	REV
	1001215518	Ref	Machine Kit	C
	1001215520	1	2032ES Machine Sub-Assembly	C
	1001215521	1	2632ES Machine Sub-Assembly	C
	1001219125	1	Controller (ES System Module)	
	1001215241	1	Batteries Installation (220 A-HR) (Standard)	
	1001215242	1	Batteries Installation (245 A-HR) (No Lock)	
	1001215243	1	Batteries AGM Installation (220 A-HR) (No Lock)	
	2940175	1	Battery Cover Latch (Locking)	
	1001214383	Ref	Overhead Protection and Low Height Drive Cutout - 2032ES (Korea Specs Only)	
	1001214120	Ref	Overhead Protection and Low Height Drive Cutout - 2632ES (Korea Specs Only)	
	1001199182	Ref	Pipe Rack Installation Kit (Customer Installed)	
	1001238849	Ref	Platform Chain Entry Kit	
	1001118216	Ref	Platform Control Box Cover Installation (ANSI Export, CE, Chinese, Japanese, Korea and UL Specs)	
	1001231786	Ref	Platform Extension Block Installation	
	1001214536	Ref	Platform Extension Lock Replacement Kit	
	1001213818	Ref	Platform Overhead Switch Kit	
	1001213858	Ref	Platform Overhead Switch Kit	
	1001176746	Ref	Platform Rail Padding Installation (Available on All Spec)	
	1001176751	Ref	Platform Rail Padding with Limit Switches (ANSI and UL Specs)	
	1001176747	Ref	Platform Rail Padding with Limit Switches (ANSI, ANSI Export, Chinese and Korea Specs)	
	1001232563	Ref	Platform Soft Touch Kit (ANSI, ANSI Export and China Specs)	
	1001180072	Ref	Platform Worklights Installation (Note: Not Available on UL Machines)	
	1001220689	Ref	Platform Worklights Installation 24 Volt (Dual) (ANSI Export, China and Korea Specs Only)	
	1001171015	Ref	RCD Box Installation (Brazil Spec Only)	
	3125053	Ref	Video, Operators (ANSI, ANSI Export and UL Specs)	
	1001185053	Ref	White Noise Motion Alarm Kit	
	1001193039	Ref	ZAPI Programming Harness	



**PART NUMBER INDEX**

Go to [Discount-Equipment.com](http://Discount-Equipment.com) to order your parts

# PART NUMBER INDEX

0060091.....31, 33	0274386.....251	070101769, 71, 162, 174, 186, 198	1001091153.....245
0100011...15, 17, 57, 137, 219, 221, 223	0274517.....478	0701018.....225, 233	1001091154.....247
0100048....137, 211, 213, 367, 369, 371, 373, 375, 377, 379, 381, 383, 385, 387, 389	0274849.....479	0701019...225, 227, 229, 231, 233, 235, 237, 239, 241, 243, 265, 267	1001091272.....245
0100051....105, 107, 109, 111, 113, 115, 117, 119, 121, 123, 125, 127	0275020.....121	0701020 15, 17, 237, 243, 265, 267	1001091275.....247
0140011.....245, 247	0275021.....125	0701021.....227, 235	1001091277.....245, 247
0140043....75, 77, 79, 81, 83, 85, 87, 89	0275022.....123	0701022...143, 145, 147, 149, 151, 153, 155, 157, 159, 162, 165, 168, 171, 174, 177, 180, 183, 186, 189, 192, 195, 198, 201, 204	1001091278.....245, 247
0200799....145, 149, 153, 157, 162, 168, 174, 180, 186, 192, 198, 204	0275042.....115	0701024...207, 209, 211, 213	1001091279.....245, 247
0200800....162, 168, 174, 180, 186, 192, 198, 204	0275043.....119	0701027...207, 209, 211, 213	1001091280.....245, 247
0200801....162, 168, 174, 180, 186, 192, 198, 204	0275044.....117	0701029...162, 168, 174, 180, 186, 192, 198, 204	1001091283.....245, 247
0200802....145, 149, 153, 157, 162, 168, 174, 180, 186, 192, 198, 204	0275073.....283, 287	0710617.....269, 271	1001091393.....245, 247, 479
0200803....145, 149, 153, 157, 162, 168, 174, 180, 186, 192, 198, 204	0275074.....285, 289	0740603.....255, 257	1001091396.....245, 247
0200804....145, 149, 153, 157, 162, 168, 174, 180, 186, 192, 198, 204	0275104.....57	0760605...369, 373, 377, 381, 385, 389	1001091479.....57
0200805....162, 168, 174, 180, 186, 192, 198, 204	0275216.....347, 441	0760606...367, 369, 371, 373, 375, 377, 379, 381, 383, 385, 387, 389	1001091965.....245, 247, 479
0200807....145, 149, 153, 157, 162, 168, 174, 180, 186, 192, 198, 204	0275217.....349, 443	0760610...105, 107, 109, 115, 117, 119, 121, 123, 125, 127, 275, 277, 367, 369, 371, 373, 375, 377, 379, 381, 383, 385, 387, 389	1001091968.....245, 247, 479
0200816....145, 149, 153, 157	0275401.....105	0760812.....57	1001092354.....143, 147, 151, 155, 159, 165, 171, 177, 183, 189, 195, 201, 476
0200834....145, 149, 153, 157, 162, 168, 174, 180, 186, 192, 198, 204	0275432.....139	0761014...207, 209, 211, 213	1001092454.....137
0240054.....279	0275452.....355, 449	0840055.....427	1001092456...19, 21, 476
0240071.....255, 257	0275453...345, 353, 447	0840058...403, 405, 427, 433, 435	1001092738...19, 21, 24
0240087.....253	0275454.....351, 445	0840059.....407	1001093556.....137, 429
0240102.....259	0275486.....340, 351	0840060.....359	1001093839.....57
0240144.....275, 277	0275487.....340, 347	0840061...419, 421, 423, 425, 427	1001094105.....429
0272721.....473	0275488.....340, 349	0860520...455, 457, 459, 461, 463, 465, 467, 469, 471	1001094175.....367, 369, 371, 373, 375, 377, 379, 381, 383, 385, 387, 389
0272839.....343	0275530.....137	0861527.....283, 285	1001094180.....367, 371, 375, 379, 383, 387
0272843.....478	0275663.....399	0861650.....129	1001094203.....137
0272870.....473	0275664.....397	0861677.....131	1001094301.....19, 21
0272874.....35	0275665.....395	0861678...109, 119, 125, 131	1001094359.....455, 457, 467, 469, 471
0272875.....39, 45	0275666.....391	0861731...439, 445, 447, 449	1001096138.....403, 405
0272878.....478	0275667.....393	0861781.....441, 443	1001096706.....367, 369, 371, 373, 375, 377, 379, 381, 383, 385, 387, 389, 433
0272880.....283	0275667.....393	0861880.....363	1001096794.....367, 369, 371, 373, 375, 377, 379, 381, 383, 385, 387, 389, 437
0272881.....285	0275667.....393	0902780.....57	1001096795.....359
0272913.....478	0275667.....393	0903319.....57	1001097150.....363, 365
0273454.....479	0275667.....393	0903416.....287, 289	1001097347.....403, 405, 476
0273698....105, 107, 111, 113, 115, 117, 121, 123, 127, 129	0275667.....393	0903566...347, 349, 351	1001100341.....441
0273762.....479	0275667.....393	0903569.....347, 349	1001100342.....443
0273859.....479	0275667.....393	0962257...295, 298, 302, 306, 310, 315, 318, 322, 326, 330	1001100345.....449
0273955.....255	0380025...91, 93, 95, 97, 99, 101, 103	1001091102....345, 347, 349, 351, 353, 355	1001100346.....445
0273956.....257	0400215...121, 123, 125		1001100347.....447
0273965.....253	0400216...115, 117, 119		1001100451.....105, 107, 109, 111, 113, 115, 117, 119, 121, 123, 125, 127
0274126.....478	0440223.....259		1001101540.....347, 349, 351
0274153.....259	0440259...15, 17, 333, 335		1001102258...35, 37, 39, 41, 43, 45, 47, 49, 51, 59, 61, 63, 65
0274370.....478	0440265...143, 147, 151, 155, 159, 165, 171, 177, 183, 189, 195, 201		1001102349.....27

## PART NUMBER INDEX

1001102351 ..... 27	1001131029..... 195, 198	1001166825.....83	1001178690 ..... 371, 373, 421
1001102353 ..... 27	1001131034..... 157, 310	1001166828.....79, 87	1001179272 ..... 233, 239
1001102354 ..... 27	1001131035..... 198, 204, 330	1001167256.....91, 95, 99, 103, 415	1001179273 ..... 229, 239
1001102489 ... 35, 37, 39, 41, 43, 51	1001131270..... 455, 467	1001169392.....476	1001179275 ..... 229, 231, 239, 241
1001103257 .... 35, 37, 65	1001132233..... 107	1001171015.....480	1001179276 ..... 229, 231, 239, 241
1001103258 .... 39, 41, 45	1001132439..... 24, 409	1001172008.....47, 49, 51	1001179277 ..... 229, 231, 239, 241
1001103471 ..... 43	1001135753.....479	1001172010.....47, 49, 51, 59, 61	1001179287 ..... 229, 231, 239, 241
1001109088 ..... 31, 476	1001136847.....478	1001173703.....473	1001179288 ..... 229, 231, 239, 241
1001109232 ..... 31, 33	1001137675..... 237, 243	1001175188.....207, 209, 211, 213	1001179296 ..... 229, 231, 239, 241
1001109233 ..... 31, 33	1001140336.....479	1001175198.....67	1001179298 ..... 229, 231, 239, 241
1001109345 ..... 479	1001143663..... 338	1001175274.....215	1001179299 ..... 229, 231, 239, 241
1001109475 ..... 363, 476	1001146794..... 455, 457, 459, 463, 465, 467, 469, 471	1001175290.....215	1001179301 ..... 229, 239
1001109482 ..... 363, 476	1001146795.....461	1001175462.....207, 211, 215	1001179304 ..... 229, 239
1001112111 ... 35, 39, 43, 45, 47, 49, 51, 53	1001148902.....479	1001175598.....67	1001179332 ..... 229, 231, 239, 241
1001112112 ..... 105, 107, 109	1001148903.....479	1001176738.....233	1001179428 ..... 37
1001112113 ... 35, 39, 43, 45, 47, 49, 51, 59, 61, 63, 65, 105, 107, 109, 115, 117, 119, 121, 123, 125, 127	1001148904.....479	1001176741.....225	1001179447 ..... 17, 335
1001113576 ..... 43	1001148905.....479	1001176746.....480	1001179448 ..... 17
1001113888 ..... 15, 17	1001148906.....479	1001176747.....480	1001179839 ..... 225, 229
1001114466 ..... 29	1001152479..... 365, 476	1001176751.....480	1001180072 ..... 480
1001114882 ..... 19	1001152482.....365	1001176755.....277	1001180090 ... 91, 95, 99, 103
1001114885 ..... 77	1001152485..... 353, 355, 365	1001177177.....207	1001180197 ..... 279
1001114886 ..... 81	1001154516.....479	1001177178.....211	1001180205 ..... 279
1001114925 ..... 85	1001155841..... 145, 298	1001177415.....69	1001180216 ..... 279
1001114929 ..... 77, 93	1001155842..... 162, 168, 318	1001177435..... 15, 333	1001180312 ..... 41
1001114930 ..... 85, 101	1001157316..... 143, 145	1001177465.....69	1001181045 ..... 363
1001114932 ..... 81, 97	1001157317..... 159, 162	1001177842.....37, 41, 55	1001181267 ..... 461
1001114933 .. 93, 97, 101	1001157322..... 143	1001177911 ..... 168, 180, 192, 204	1001181268 ..... 455
1001114935 .. 93, 97, 101, 413	1001157323..... 159	1001177913..... 168, 180, 192, 204	1001181269 ..... 461
1001114937 ... 91, 93, 95, 97, 99, 101, 103	1001157330..... 153, 306	1001177914..... 168, 180, 192, 204	1001181270 ..... 457
1001114992 ..... 359	1001157331..... 186, 192, 326	1001177966.....15	1001181271 ..... 467
1001115002 .... 367, 369, 371, 373, 375, 377, 379, 381, 383, 385, 387, 389, 407	1001157335..... 151, 153	1001178026.....71	1001181272 ..... 471
1001115076 ..... 403	1001157336..... 183, 186	1001178028.....71	1001181273 ..... 459
1001115126 ..... 340	1001157340..... 151	1001178146.....31, 33	1001181274 ..... 465
1001115170 ..... 19, 21	1001157341..... 183	1001178147.....31, 33	1001181275 ..... 469
1001116076 ..... 405	1001157890.....405	1001178163.....275	1001182062 ..... 215
1001116915 ..... 473	1001159186..... 415, 417	1001178234.....31	1001182302 ..... 207, 211, 219
1001116928 ..... 473	1001159192..... 109	1001178239.....31, 33	1001182304 ..... 219, 223
1001117057 ..... 403, 405	1001162362..... 353, 355	1001178302.....473	1001182305 ..... 219, 223
1001118216 ..... 480	1001162447..... 340, 353	1001178304.....473	1001182338 ..... 219, 223
1001119032 ..... 415, 417	1001162449..... 340, 355	1001178315.....359	1001182339 ..... 215, 217
1001126013 ..... 478	1001163095.....91, 95, 99, 103, 476	1001178316.....359	1001182847 ..... 279
1001126905 ..... 33, 476	1001165284.....91, 95, 99, 103	1001178317..... 359, 367, 369, 371, 373, 375, 377, 379, 381, 383, 385, 387, 389	1001182848 ..... 275
1001129289 ..... 149, 302	1001165286.....91, 95, 99, 103	1001178318.....367	1001182849 ..... 277
1001129290 ..... 174, 180, 322	1001165315.....91, 95, 99, 103	1001178320.....371	1001183458 ..... 478
1001130614 ..... 261, 263, 265, 267, 476	1001165316.....91, 95, 99, 103	1001178321.....383	1001184947 ... 45, 47, 49
1001131005 ..... 147	1001166194..... 75, 91	1001178322.....379	1001185053 ..... 478, 480
1001131006 ..... 171	1001166195..... 83, 99	1001178323.....219	1001185156 ... 45, 47, 49
1001131010 ..... 155	1001166197..... 79, 87, 89, 95, 103	1001178357.....33	1001185306 ... 45, 47, 49
1001131011 ..... 195	1001166255.....91, 95, 99, 103	1001178493.....359	1001185666 ..... 479
1001131020 ..... 147, 149	1001166759.....340	1001178528.....359	1001185668 ..... 479
1001131021 ..... 171, 174	1001166776.....91, 95, 99, 103	1001178687.....367, 369, 375, 377, 419	1001185830 ... 45, 47, 49
1001131028 ..... 155, 157	1001166823..... 75	1001178688.....379, 381, 387, 389, 423	1001186497 ... 45, 47, 49
		1001178689.....383, 385, 425	1001186498 ..... 59, 61
			1001187101 ... 45, 47, 49

# PART NUMBER INDEX

1001187198.....367, 369, 371, 373, 379, 381, 383, 385, 403	1001213660 ..... 265, 267	1001218595 ... 59, 61, 63, 65	1001243574.....478
1001187530.....45, 47, 49	1001213818 ..... 265, 267, 269, 480	1001218808 ... 59, 61, 63, 65	1001244298.....463, 465
1001187585.....229, 231, 239, 241	1001213820 ..... 271	1001219123 ..... 21	1001244301.....463, 465
1001187587.....229, 231, 237, 239, 241, 243, 281	1001213821 ..... 269, 271, 273	1001219125 ..... 480	1001244948.....65
1001187816.....357	1001213822 ..... 269, 271, 273	1001219349 ..... 369	1001245319.....63
1001188116.....357	1001213857 ..... 269	1001219350 ..... 381	1001247036.....479
1001189171.....365	1001213858 ..... 265, 267, 271, 480	1001219351 ..... 373	1001247037.....479
1001189172.....365	1001214029 ..... 473	1001219352 ..... 385	1001248130.....111
1001189484.....479	1001214120 ..... 267, 480	1001219358 ..... 377	1001248131.....113
1001189762.....229, 231, 239, 241	1001214310 ..... 273	1001219359 ..... 389	1060331.....255, 257
1001190011.....478	1001214311 ..... 265, 267, 273	1001219424 ..... 479	1060379.....229, 253, 255, 257, 259, 279, 281, 283, 285
1001190902.....177, 180	1001214338 ..... 263, 267	1001220668 ..... 369, 373, 377, 381, 385, 389	1060689.....43
1001190904.....177	1001214341 ..... 263, 265, 267	1001220689 ..... 480	1060908.....363, 365
1001190905.....201, 204	1001214347 ..... 111, 113	1001221475 ..... 221, 223	1060957.....283, 285
1001190906.....201	1001214373 ..... 265, 480	1001221476 ..... 221, 223	1060998.....359
1001190907.....165, 168	1001214383 ..... 261, 265	1001221857 ..... 47, 49	1061034.....143, 147, 151, 155, 159, 165, 171, 177, 183, 189, 195, 201, 295, 315
1001190908.....165	1001214409 ..... 261, 263, 265, 267	1001221949 ..... 401	1120555.....253, 255, 257
1001190909.....189, 192	1001214536 ..... 480	1001221984 ..... 401	1180382.....145, 149, 153, 157, 162, 168, 174, 180, 186, 192, 198, 204
1001190910.....189	1001215164 ..... 237	1001222914 ..... 273	1180383.....162, 168, 174, 180, 186, 192, 198, 204
1001192401.....403, 405	1001215165 ..... 209, 213, 217	1001223055 ..... 455	1260136.....225, 227
1001192498.....479	1001215179 ..... 243	1001223071 ..... 467	1271631.....275, 277
1001192499.....479	1001215241 ..... 480	1001224048 ..... 469	1320043.....57
1001193039.....480	1001215242 ..... 480	1001224049 ..... 471	1320136.....39, 41, 43, 45
1001196835.....375, 377, 387, 389, 405	1001215243 ..... 480	1001224050 ..... 465	1320224.....283, 285
1001196838.....405	1001215247 ..... 89	1001224052 ..... 459	1320318.....211, 213
1001196864.....375	1001215248 ..... 89	1001226419 ..... 478	1321293.....35, 37, 39, 43, 45, 47, 49, 51, 59, 61, 63, 65
1001196866.....387	1001215326 ..... 45, 47, 49	1001227213 ..... 43	1321716.....367, 369, 371, 373, 375, 377, 379, 381, 383, 385, 387, 389
1001198711.....357	1001215518 ..... 480	1001227219 ..... 43	1380132.....231, 241
1001199182.....480	1001215520 ..... 480	1001228370 ..... 455, 467	1380153.....15, 17
1001199189.....281	1001215870 ... 35, 39, 43, 45, 47, 49, 51, 59, 61, 63, 65	1001228900 ..... 479	1380156.....245, 247
1001200363.....478	1001216313 ..... 455, 457, 459, 461, 463, 465, 467, 469, 471	1001228965 ..... 473	1380158.....211, 213, 367, 369, 371, 373, 375, 377, 379, 381, 383, 385, 387, 389
1001200363.....478	1001216837 ..... 209	1001229107 ..... 478	1580023.....253, 255, 257
1001201240.....435	1001216838 ..... 213	1001229207 ..... 479	1580024.....253, 255, 257
1001201243.....367, 371, 375, 379, 383, 387, 435	1001216998 ..... 473	1001229441 ..... 281	1600387.....211, 213
1001202618.....415	1001216999 ..... 473	1001229469 ..... 281	1600402.....245, 247, 249, 476
1001202619.....415	1001217118 ..... 243	1001229696 ..... 478	1600439.....245, 247, 476
1001206758.....69, 71	1001217173 ..... 243	1001230525 ..... 478	1671098.....245, 247
1001208641.....91, 417	1001217327 ..... 461	1001230754 ..... 261	1671105.....91, 93, 95, 97, 99, 101, 103
1001209104.....127	1001217666 ..... 273	1001230755 ..... 263	1671202.....105, 111, 115, 121, 127, 133
1001209256.....209, 213, 223	1001217729 ..... 217	1001230975 ..... 478	1671203.....133, 135
1001209280.....223	1001217730 ..... 217	1001230979 ..... 478	1671204.....107, 109, 113, 117, 119, 123, 125, 135
1001210433.....367, 371, 375, 379, 383, 387	1001217731 ..... 237, 243	1001230980 ..... 478	1671207.....439
1001210849.....459, 465, 467, 469, 471	1001217732 ..... 243	1001230981 ..... 478	1671266.....57
1001211593.....345	1001217733 ..... 243	1001230982 ..... 478	1684487.....294
1001211892.....217	1001217734 ..... 243	1001230983 ..... 478	1684488.....314
1001211895.....237, 243	1001217735 ..... 243	1001230984 ..... 478	1684527.....294
1001211896.....237, 243	1001217736 ..... 243	1001231786 ..... 480	1684528.....314
1001212459.....45	1001217737 ..... 243	1001231801 ..... 455	
1001212665.....479	1001217739 ..... 237	1001232145 ..... 215	
1001212666.....479	1001217740 ..... 237	1001232485 ..... 479	
1001212701.....235	1001217746 ..... 243	1001232541 ..... 463	
1001212851.....227	1001217747 ..... 243	1001232563 ..... 480	
1001212868.....235, 241	1001217923 ..... 217	1001233087 ..... 479	
1001212869.....231, 241	1001217924 ..... 217	1001233237 ..... 478	
1001212870.....231, 241		1001233888 ..... 129, 131	
1001212871.....231, 241		1001234398 ..... 207, 211, 221	
1001212872.....227, 231		1001234399 ..... 221, 223	
1001213525.....478		1001234401 ..... 221	
		1001234783 ..... 259	
		1001238849 ..... 480	
		1001243185 ..... 478	
		1001243186 ..... 478	

# PART NUMBER INDEX

1701499 ... 455, 457, 459, 461, 463, 465, 467, 469, 471	1705695 ... 455, 465, 467, 469, 471	2560179 ..... 245, 247	367, 369, 371, 373, 375, 377, 383, 385
1701509 ... 455, 457, 459, 461, 463, 465, 467, 469, 471	1705696 ..... 91, 93	2560190 ..... 231, 241	3290606 ... 211, 213, 225, 227, 229, 231, 233, 235, 239, 241, 259, 269, 271, 273, 275, 277, 279, 283, 285, 287, 289, 367, 369, 371, 373, 375, 377, 379, 381, 383, 385, 387, 389
1702010 ..... 275, 277	1705697 .95, 97, 99, 101, 103	2600281 ..... 233, 235, 237	3290805 ..... 217
1702155 ... 455, 457, 459, 461, 463, 465, 467, 469, 471	1705698 ... 91, 93, 95, 97, 99, 101, 103	2700100 ..... 253, 255, 257	3290806 ..... 231, 241
1702773 ..... 473	1705717 ..... 467	2780266 ..... 19, 21, 27	3290807 ... 168, 180, 192, 204
1703464 ..... 343, 347	1705718 ..... 467	2792599 ..... 338	3291005 ... 31, 33, 69, 71, 143, 147, 151, 155, 159, 165, 171, 177, 183, 189, 195, 201, 207, 209, 211, 213, 221, 223, 225, 227, 233, 235, 237, 243
1703811 ... 455, 457, 459, 461, 463, 465, 467, 469, 471	1705719 ..... 459, 471	2820026 ..... 419, 421, 423, 425, 433, 435	3291006 ... 225, 229, 231, 233, 237, 239, 241, 243, 265, 267
1703813 ..... 455	1705720 ..... 471	2820028 ..... 403, 405, 419, 421, 423, 425, 433, 435	3291007 ... 145, 149, 153, 157, 162, 168, 174, 180, 186, 192, 198, 204
1703814 ... 455, 457, 459, 461, 463, 465, 467, 469, 471	1705721 ..... 459	2820097 ..... 225, 227	3300048 ..... 283, 285
1703819 ... 245, 247, 455, 457, 459, 461, 463, 465, 467, 469, 471	1705722 ..... 459	2820152 ..... 405	3300423 ..... 27
1703822 ... 455, 457, 459, 461, 463, 465, 467, 469, 471	1705723 ..... 467	2820239 ..... 57	3300473 ..... 245, 247
1703834 ..... 459	1705724 ..... 459, 471	2860030 ..... 91, 93, 95, 97, 99, 101, 103, 476	3300477 ... 225, 227, 233, 235
1704016 ... 455, 457, 459, 461, 463, 465, 467, 469, 471	1705725 ..... 459, 471	2902267 ..... 455, 457, 459, 461, 463, 465, 467, 469, 471, 479	3310601 ..... 255, 257
1704134 ..... 473	1705726 ..... 459	2902331 ..... 139	3311005 ..... 255, 257
1704277 ... 455, 457, 459, 461, 463, 465, 467, 469, 471	1705727 ..... 459	2902334 ..... 283, 285	3311405 ..... 255, 257
1704339 ..... 471	1705754 ... 133, 135, 283, 285, 455, 457, 459, 465, 467, 469, 471, 473	2902348 ..... 253, 255, 257	3311505 ..... 281
1704340 ..... 467	1705781 ... 461, 463, 473	2902386 ..... 259	3321005 ... 91, 93, 95, 97, 99, 101, 103
1704341 ..... 459	1705880 ..... 473	2902431 ..... 343, 439	3321402 ... 143, 147, 151, 155, 159, 165, 171, 177, 183, 189, 195, 201, 295, 315
1704344 ..... 465	1705894 ..... 459	2902522 ..... 455, 478	3340612 ... 229, 231, 239, 241, 243
1704412 ... 455, 457, 459, 461, 463, 465, 467, 469, 471	1705941 ..... 473	2902523 ..... 457, 461, 463, 479	3340957 ... 143, 147, 151, 155, 159, 165, 171, 177, 183, 189, 195, 201
1705052 ..... 57	1705942 ..... 473	2902524 ..... 467, 479	3340962 ... 145, 149, 153, 157, 162, 168, 174, 180, 186, 192, 198, 204
1705213 ..... 283, 285	1705943 ..... 465	2902525 ..... 471, 479	3340968 ..... 245, 247
1705214 ..... 283, 285	1705944 ..... 465	2902526 ..... 459, 479	3380475 ..... 245, 247
1705303 ..... 473	1705945 ..... 465	2902528 ..... 465, 479	3380527 ..... 255, 257
1705304 ..... 478	1705946 ..... 465	2902532 ..... 469, 479	3421453 ... 259, 279, 283, 285
1705305 ..... 283, 285	1705953 ..... 283, 285	2902541 ... 347, 349, 351, 363	3421854 ..... 281
1705639 ..... 473	1705997 ... 253, 255, 257	2915013 ..... 29	3422219 ... 253, 255, 257, 259
1705667 ..... 473	1706052 ..... 469	2915230 ..... 53	3422938 ..... 211, 213
1705670 ... 457, 461, 463	1706053 ..... 469	2920026 ... 95, 97, 99, 101, 103	3422997 ... 145, 149, 153, 157, 162, 168, 174, 180, 186, 192, 198, 204
1705671 ... 457, 461, 463	1706056 ..... 469	2920094 ... 95, 97, 99, 101, 103	3422998 ... 162, 168, 174, 180, 186, 192, 198, 204
1705673 ... 457, 461, 463	1706057 ..... 469	2920161 ..... 67	
1705676 ..... 245, 247	1706310 ..... 473	2940064 ..... 225, 227, 476	
1705679 ... 455, 465, 467, 469, 471	1706350 ..... 133, 135	2940174 ..... 133	
1705680 ... 455, 465, 467, 469, 471	1706679 ..... 137	2940175 ..... 135, 480	
1705681 ... 455, 465, 467, 469, 471	1706749 ..... 57	3010088 ..... 225, 227	
1705686 ..... 455	1706765 ..... 478	3010158 ..... 31, 33	
1705692 ... 455, 457, 459, 461, 463, 465, 467, 469, 471	1706922 ..... 478	3080007 ..... 233, 235, 237	
1705693 ... 455, 457, 459, 461, 463, 465, 467, 469, 471	1707022 ..... 469	3125053 ..... 480	
1705694 ... 455, 465, 467, 469, 471	2030010 ..... 287, 289	3200454 ... 143, 147, 151, 155, 159, 165, 171, 177, 183, 189, 195, 201	
	2080040 ... 229, 231, 233, 235, 237, 239, 241, 243, 455, 457, 459, 461, 463, 465, 467, 469, 471	3251813 ..... 473	
	2080057 ... 455, 457, 459, 461, 463, 465, 467, 469, 471	3252098 ..... 467	
	2110404 15, 17, 333, 335	3252507 ... 345, 349, 351, 353, 355, 357	
	2220882 ..... 295, 315	3290405 ... 31, 33, 43, 45, 47, 49, 251, 343, 345, 347, 349, 351, 353, 355, 357	
	2220883 ... 294, 295, 314, 315	3290505 ... 43, 45, 47, 49	
	2300028 ..... 479	3290601 ... 367, 369, 375, 377, 379, 381, 387, 389	
	2300042 ..... 479	3290605 ... 19, 21, 31, 33, 43, 59, 61, 63, 65, 67, 105, 107, 109, 111, 113, 115, 117, 119, 121, 123, 125, 127, 219, 223, 347, 349,	
	2400060 ..... 403, 405		
	2400061 ..... 255, 257		
	2400066 ..... 255, 257		
	2420172 ... 91, 93, 95, 97, 99, 101, 103		
	2540042 ..... 431		
	2540045 ... 207, 209, 211, 213		
	2560088 ..... 231, 241		

# PART NUMBER INDEX

3423014.....145, 149, 153, 157, 162, 168, 174, 180, 186, 192, 198, 204	3860107 ... 162, 168, 174, 180, 186, 192, 198, 204	4191409 ..... 245, 247	4460265.....431
3423036.....145, 149, 153, 157, 162, 168, 174, 180, 186, 192, 198, 204	3860111 ... 229, 231, 239, 241	4191706 ... 75, 77, 79, 81, 83, 85, 87, 89, 143, 147, 151, 155, 159, 165, 171, 177, 183, 189, 195, 201, 259, 279, 347, 349, 351, 355	4460267.....413, 431
3423037 ..... 15, 17	3860118 ..... 215, 217	4191707 ... 35, 37, 39, 41, 43, 45, 47, 49, 51, 57, 59, 61, 63, 105, 107, 109, 111, 113, 115, 117, 119, 121, 123, 125, 127, 211, 213, 353	4460268..91, 95, 99, 103, 415, 417
3423038.....145, 149, 153, 157, 162, 168, 174, 180, 186, 192, 198, 204	3900190.... 219, 221, 223	4191708 ..... 19, 21	4460297.....451
3423039.....162, 174, 186, 198	3900333 ..... 245, 247	4191709 ..... 19, 21	4460315.....343
3423045..... 31, 33	3900336 ... 91, 93, 95, 97, 99, 101, 103	4220227 ..... 259	4460320.....265, 267, 403, 405
3423049.....207, 209	3900338 ... 91, 93, 95, 97, 99, 101, 103, 251	4220252 ..... 129, 131	4460321..91, 95, 99, 103, 429
3423067.....145, 149, 153, 157, 162, 168, 174, 180, 186, 192, 198, 204	3900339 ... 91, 93, 95, 97, 99, 101, 103	4220253 ..... 129, 131	4460328.....283, 285
3423189.....31, 33	3900345 ..... 231, 241	4240003 ... 253, 255, 257, 259, 361	4460346.....439
3423259.....143, 147, 151, 155, 159, 165, 171, 177, 183, 189, 195, 201	3900355 .... 253, 255, 257	4240017 ..... 45, 47, 49	4460374.....403, 405
3423267.....31, 33	3900356 ..... 93, 97, 101	4240033 ..... 43, 211, 213	4460375.....403, 405
3423278.....229, 231, 239, 241	3900357 ..... 31	4240147 ..... 19, 21	4460418....261, 263, 265, 267, 413, 415, 417
3450406.....27	3900381 ..... 43	4240164 ..... 279	4460419....261, 263, 265, 267, 413
3460334.....253, 255, 257	3931010 ..... 255, 257	4240165 ..... 275, 277	4460424.53, 55, 265, 267
3520072.....225, 227, 233, 235, 237, 259	3931408 ..... 255, 257	4240172 ..... 109, 125	4460464....33, 53, 55, 75, 77, 79, 81, 83, 85, 87, 89, 143, 147, 151, 155, 159, 165, 171, 177, 183, 189, 195, 201, 261, 263, 265, 267, 403, 405, 415, 417, 427, 431, 433, 435, 451
3520176.....279	3931412. 91, 95, 99, 103, 253, 255, 257	4340739 ..... 93, 97, 101	4460465....255, 257, 261, 263, 265, 267, 403, 405, 407, 409, 419, 421, 423, 425, 427, 433, 435
3520193.....91, 93	3931508 ... 253, 255, 257	4340853 .... 253, 255, 257	4460466....261, 263, 265, 267, 403, 405, 415, 417, 419, 421, 423, 425, 427, 431, 433, 435
3574161....145, 149, 153, 157, 162, 168, 174, 180, 186, 192, 198, 204	3951608 ..... 139	4340854 .... 253, 255, 257	4460493.....433, 435
3574176.....31, 33	4010405 ..... 357	4340931 ..... 211, 213	4460496.....431
3574505.....275, 277	4010408. 45, 47, 49, 343, 345, 347, 349, 351, 353, 355	4340938 ..... 283, 285	4460497.....431
3574506.....275, 277	4010412 ..... 45, 47, 49	4340946 ..... 259	4460508.....411
3574981....105, 107, 109, 111, 113, 115, 117, 119, 121, 123, 125, 127	4010608 ... 283, 285, 287, 289, 353, 355	4360069 ... 91, 93, 95, 97, 99, 101, 103, 476	4460509.....409
3574984....105, 107, 109, 111, 113, 115, 117, 119, 121, 123, 125, 127	4010612 ..... 347, 349	4360155 ..... 283, 285	4460535.....33
3575794.....251	4010614 ..... 283, 285	4360328 ... 91, 93, 95, 97, 99, 101, 103, 476	4460536....75, 77, 79, 81, 83, 85, 87, 89, 143, 147, 151, 155, 159, 165, 171, 177, 183, 189, 195, 201
3577076.....129, 131	4010616 ... 225, 227, 229, 231, 233, 235, 239, 241, 367, 369, 371, 373, 375, 377, 379, 381, 383, 385, 387, 389	4360345 ... 261, 263, 265, 267	4460539.....403, 405
3730119.....433, 435	4010617 ..... 229, 239	4360387 ..... 137, 476	4460618.....359
3740150.....19, 21	4010618 ... 229, 231, 239, 241, 287, 289	4360469 ... 91, 93, 95, 97, 103, 476	4460648.....53, 403, 405
3760115.....31, 33	4031510 ..... 45, 47, 49	4360470 ..... 99, 101, 476	4460662....345, 351, 353, 355, 439
3760170....145, 149, 153, 157, 162, 168, 174, 180, 186, 192, 198, 204, 229, 253, 255, 257, 259, 279, 281, 283, 285	4031511 ... 261, 263, 265, 267	4360475 ... 91, 93, 95, 97, 99, 101, 103, 245, 247, 476	4460754.....433, 435
3760348.....31, 33	4031512 ..... 31, 33	4360538 .... 245, 247, 476	4460761.....403, 405
3760387....145, 149, 153, 157, 162, 168, 174, 180, 186, 192, 198, 204	4031607 ..... 137	4360539 .... 245, 247, 476	4460778.....437
3760463.....19, 21	4031707 ..... 65	4360613 ..... 361, 476	4460836.....427
3820019.....231, 241	4031708 .... 59, 61, 63, 65	4420037 ..... 275, 277	4460868.....429
3820032.....129, 131	4031713 ... 115, 117, 119, 367, 369, 371, 373, 375, 377, 379, 381, 383, 385, 387, 389	4420051 ..... 473	4460871.....403, 405
3841143....145, 149, 153, 157, 162, 168, 174, 180, 186, 192, 198, 204	4060865 ..... 67	4420062 ... 253, 255, 257, 259, 281	4460873.....403, 405
3841675.....259	4060906 ... 261, 263, 265, 267	4420070 ..... 69, 71	4460877.....429
3841716....225, 227, 233, 235	4071094 ... 145, 149, 153, 157, 162, 168, 174, 180, 186, 192, 198, 204	4460007 ..... 45, 47, 49	4460878.....451
	4160078 ... 143, 147, 151, 155, 159, 165, 171, 177, 183, 189, 195, 201, 295, 315	4460115 ..... 415, 417	4460884....255, 257, 261, 263, 265, 267, 403, 405, 415, 417
	4160202 ..... 31, 33	4460138 ..... 343	4460885.....451
	4160203 ..... 245, 247	4460183 ..... 415, 417	4460887.....451
	4191306 ..... 245, 247	4460226 ... 265, 267, 403, 405, 429	
	4191406 ..... 67	4460227.53, 55, 265, 267, 403, 405	
	4191407 ..... 245, 247	4460259 ... 403, 405, 413, 415, 417	
		4460260 ... 403, 405, 413, 415, 417, 451	

# PART NUMBER INDEX

4460891 ... 263, 265, 267, 403, 405, 407, 409	4751400 19, 21, 367, 369, 371, 373, 375, 377, 379, 381, 383, 385, 387, 389	70000799.....295, 315	70004916. 298, 302, 306, 310, 318, 322, 326, 330
4460894 .... 403, 405, 407	4751500 .....281	70001250.....249	70004917. 298, 302, 306, 310, 318, 322, 326, 330
4460897 ..... 403, 405	4811400 ... 43, 45, 47, 49, 251, 347, 349, 357	70001251.....249	70004921. 298, 303, 306, 311, 318, 323, 326, 331
4460899 53, 55, 403, 405	4811600 .45, 47, 49, 129, 131, 137	70001252.....249	70004925. 298, 302, 306, 310, 318, 322, 326, 330
4460905 ..... 403, 405	4811700 ... 19, 21, 31, 33, 35, 37, 39, 41, 43, 45, 47, 49, 51, 57, 59, 61, 63, 65, 105, 107, 109, 111, 113, 115, 117, 119, 121, 123, 125, 127, 275, 277, 279, 287, 289, 347, 349, 351, 353, 355	70001253.....249	70004926. 298, 302, 306, 310, 318, 322, 326, 330
4460918 ..... 415, 417	4811900 .... 217, 219, 223	70001265.....25	70004927. 298, 302, 306, 310, 318, 322, 326, 330
4460930 ... 419, 421, 423, 425, 427	4812000 ... 15, 17, 31, 33, 145, 149, 153, 157, 162, 168, 174, 180, 186, 192, 198, 204, 207, 209, 211, 213, 219, 223, 225, 227, 229, 231, 233, 235, 237, 239, 241, 243, 265, 267	70001345.....25	70004928. 298, 302, 306, 310, 318, 322, 326, 330, 476
4460931 ... 403, 405, 427, 433, 435	4831600 ..... 43	70001442.....409	70004935. 298, 302, 306, 310, 318, 322, 326, 330
4460932 ... 261, 263, 265, 267	4846723 ... 239, 241, 243	70001443.....409	70004936. 298, 302, 306, 310, 318, 322, 326, 330
4460933 ..... 427	4846752 ... 162, 168, 174, 180, 186, 192, 198, 204	70001444.....409	70004941. 298, 302, 306, 310, 318, 322, 326, 330
4460942 ..... 403, 405	4846757 ..... 15, 17	70001709.....295, 315	70004942. 298, 302, 306, 310, 318, 322, 326, 330
4460943 ... 403, 405, 415, 417, 419, 421, 423, 425, 427, 433, 435	4846816 ..... 31, 33	70001739.....24	70004943. 298, 302, 306, 310
4460944 ... 413, 419, 421, 423, 425, 427, 433, 435	4846863 ..... 31, 33	70001878.. 143, 147, 151, 155, 159, 165, 171, 177, 183, 189, 195, 201, 295, 315	70004945. 318, 322, 326, 330
4460956 ..... 363	4922870 ... 245, 247, 431	70001949.....24	70004970. 298, 302, 306, 310, 318, 322, 326, 330
4460957 ..... 363	4922944 ..... 139, 361	70003028..298, 302, 306, 310, 318, 322, 326, 330	70004971. 298, 303, 306, 311, 318, 323, 326, 331
4460961 ..... 413	4923048 ..... 283, 285	70003645.....294, 314	70004972. 298, 303, 306, 311, 318, 323, 326, 331
4460968 .. 45, 47, 49, 357	4923050 ..... 287	70003646.....294, 314	70004973. 298, 302, 306, 310, 318, 322, 326, 330
4460986 ..... 403, 405	4923051 ..... 289	70003650.....249	70004974. 298, 302, 306, 310, 318, 322, 326, 330
4461002 ..... 361	4923114 ..... 255	70003663.. 302, 310, 322, 330	70004975. 298, 302, 306, 310, 318, 322, 326, 330
4461012 ..... 255, 257	4923115 ..... 255, 257	70003706.....476	70005233. 298, 302, 306, 310, 318, 322, 326, 330
4461016 ..... 431	4923121 ... 255, 257, 451	70003707..298, 302, 306, 310, 318, 322, 326, 330, 476	70005235. 298, 302, 306, 310, 318, 322, 326, 330
4461057 ..... 431	4923228 ... 211, 213, 427	70004239.....335	70005236. 298, 302, 306, 311, 318, 322, 326, 331
4461077 ..... 413, 415	4923390 ..... 57	70004241.....335	70005237. 298, 303, 306, 311, 318, 323, 326, 331
4461196 ..... 391, 441	4923391 ..... 57	70004585..298, 302, 306, 310, 318, 322, 326, 330	70005238. 298, 303, 306, 311, 318, 323, 326, 331
4461198 ..... 441	4923392 ..... 57	70004624..302, 310, 322, 330	70005239. 298, 302, 306, 310
4461199 ..... 393, 443	4923393 ..... 57	70004625..302, 310, 322, 330	70005240. 318, 322, 326, 330
4461201 ..... 443	4923602 ..... 19, 21, 411	70004626..302, 310, 322, 330	70005419..... 335
4461202 ..... 399, 449	5241000 .... 219, 221, 223	70004628..302, 310, 322, 330	70005420..... 335
4461205 ... 397, 399, 447, 449	5272012 ..... 31, 33	70004629..302, 310, 322, 330	70005421..... 335
4461244 ..... 449	70000082 ..... 249	70004630..302, 310, 322, 330	70006090. 298, 306, 318, 326
4461245 ..... 447	70000084 ..... 249	70004631..302, 310, 322, 330	70006342..... 333
4461246 ..... 445	70000191 ..... 24	70004632..302, 310, 322, 330	70006426..... 24
4461249 ..... 395, 445	70000335 ..... 294, 314	70004633..302, 310, 322, 330	70023915. 298, 306, 318, 326
4461257 ..... 347, 349	70000658 ..... 294, 314	70004654.. 298, 303, 306, 311, 318, 323, 326, 331	70025323.. 298, 306, 326
4461258 ..... 347, 349	70000683 ..... 249	70004722..298, 306, 318, 326	7005323 ..... 318
4461260 ..... 411	70000684 ..... 249	70004723.....298, 306	7016319 ..... 67
4461261 ..... 409	70000685 ..... 249	70004725.....298, 306	7016372 ..... 67
4530021 ..... 283, 285	70000686 ..... 249	70004727.....318, 326	
4530026 ..... 255, 257	70000790 ..... 24	70004728..298, 306, 318, 326	
4568738 ..... 245, 247	70000791 ..... 24	70004729.....318, 326	
4711400 ... 253, 255, 257, 259	70000792 ..... 24	70004777.....333	
4740086 ..... 31, 33	70000798 ..... 295, 315	70004778.....333	
4740438 ... 145, 149, 153, 157, 162, 168, 174, 180, 186, 192, 198, 204		70004779.....333	
4740446 ..... 215, 217		70004914. 298, 302, 306, 310, 318, 322, 326, 330	
4740468 ..... 27		70004915..298, 302, 306, 310, 318, 322, 326, 330	
4740480 .... 253, 255, 257		70004916. 298, 302, 306, 310, 318, 322, 326, 330	
4740524 ..... 19, 21		70004917. 298, 302, 306, 310, 318, 322, 326, 330	
4740545 ... 367, 369, 371, 373, 375, 377, 379, 381, 383, 385, 387, 389		70004918. 298, 302, 306, 310, 318, 322, 326, 330	
4740562 ..... 57		70004919. 298, 302, 306, 310, 318, 322, 326, 330	
4740564 ..... 19, 21		70004920. 298, 302, 306, 310, 318, 322, 326, 330	
4750800 ..... 133, 135		70004921. 298, 303, 306, 311, 318, 323, 326, 331	
4751000 ... 91, 93, 95, 97, 99, 101, 103		70004922. 298, 302, 306, 310, 318, 322, 326, 330	

## PART NUMBER INDEX

7020175.....91, 93, 95, 97, 99, 101, 103, 245, 247	7023544 ..... 295, 315	7023586 ..... 295, 315	7024785.....24
7020176.....91, 93, 95, 97, 99, 101, 103, 245, 247	7023545 ..... 295, 315	7023587 ..... 294	7024786.....24
7020218....143, 147, 151, 155, 159, 165, 171, 177, 183, 189, 195, 201, 295, 315	7023546 ..... 295, 315	7023588 ..... 294	7027303.....283, 285
7023530.....295, 315	7023547 ..... 295, 315	7023589 ..... 294, 314	7027365.....249
7023536.....295, 315	7023548 ..... 295, 315	7023591 ..... 294, 314	7027367.....249
7023537.....295, 315	7023549 ..... 294	7023593 ..... 294, 314	7027765.....249
7023538.....295, 315	7023568 ..... 314	7024747 ..... 25	7027766.....249
7023539.....294, 314	7023570 ..... 294, 314	7024748 ..... 25	7027863.....135
7023542.....295, 315	7023571 ..... 294, 314	7024749 ..... 25	7028909....269, 271, 273
7023543.....295, 315	7023573 ..... 294, 314	7024750 ..... 25	77363228...269, 271, 273
	7023574 ..... 295, 315	7024756 ..... 25	80325.....259
	7023576 ..... 295, 315	7024757 ..... 24	8229242.....403, 405
	7023577 ..... 294, 314	7024758 ..... 25	
	7023580 ..... 314	7024771 ..... 25	
	7023585 ..... 314	7024772 ..... 25	



# PARTS FINDER

**Search Website  
by Part Number**



**Search Manual  
Library For Parts  
Manual & Lookup Part  
Numbers – Purchase  
or Request Quote**

**Can't Find Part or  
Manual? Request Help  
by Manufacturer,  
Model & Description**

Discount-Equipment.com is your online resource for quality parts & equipment.

Florida: **561-964-4949** Outside Florida TOLL FREE: **877-690-3101**

## Need parts?

Click on this link: <http://www.discount-equipment.com/category/5443-parts/> and choose one of the options to help get the right parts and equipment you are looking for. Please have the machine model and serial number available in order to help us get you the correct parts. If you don't find the part on the website or on one of the online manuals, please fill out the request form and one of our experienced staff members will get back to you with a quote for the right part that your machine needs.

We sell worldwide for the brands: Genie, Terex, JLG, MultiQuip, Mikasa, Essick, Whiteman, Mayco, Toro Stone, Diamond Products, Generac Magnum, Airman, Haulotte, Barreto, Power Blanket, Nifty Lift, Atlas Copco, Chicago Pneumatic, Allmand, Miller Curber, Skyjack, Lull, Skytrak, Tsurumi, Husquvarna Target, Stow, Wacker, Sakai, Mi-T-M, Sullair, Basic, Dynapac, MBW, Weber, Bartell, Bennar Newman, Haulotte, Ditch Runner, Menegotti, Morrison, Contec, Buddy, Crown, Edco, Wyco, Bomag, Laymor, EZ Trench, Bil-Jax, F.S. Curtis, Gehl Pavers, Heli, Honda, ICS/PowerGrit, IHI, Partner, Imer, Clipper, MMD, Koshin, Rice, CH&E, General Equipment, Amida, Coleman, NAC, Gradall, Square Shooter, Kent, Stanley, Tamco, Toku, Hatz, Kohler, Robin, Wisconsin, Northrock, Oztec, Toker TK, Rol-Air, APT, Wylie, Ingersoll Rand / Doosan, Innovatech, Con X, Ammann, Mecalac, Makinex, Smith Surface Prep, Small Line, Wanco, Yanmar