



Illustrated Parts Manual

Model
1930ES

SN 0200239382 to Present
SN B200020297 to Present
SN M200000100 to Present
SN 1200025021 to Present

P/N
3121681

January 18, 2019 - Rev P

ANSI

CE



AS/NZS



An Oshkosh Corporation Company

PARTS FINDER

**Search Website
by Part Number**



**Search Manual
Library For Parts
Manual & Lookup Part
Numbers – Purchase
or Request Quote**

**Can't Find Part or
Manual? Request Help
by Manufacturer,
Model & Description**

Discount-Equipment.com is your online resource for quality parts & equipment.

Florida: **561-964-4949** Outside Florida TOLL FREE: **877-690-3101**

Need parts?

Click on this link: <http://www.discount-equipment.com/category/5443-parts/> and choose one of the options to help get the right parts and equipment you are looking for. Please have the machine model and serial number available in order to help us get you the correct parts. If you don't find the part on the website or on one of the online manuals, please fill out the request form and one of our experienced staff members will get back to you with a quote for the right part that your machine needs.

We sell worldwide for the brands: Genie, Terex, JLG, MultiQuip, Mikasa, Essick, Whiteman, Mayco, Toro Stone, Diamond Products, Generac Magnum, Airman, Haulotte, Barreto, Power Blanket, Nifty Lift, Atlas Copco, Chicago Pneumatic, Allmand, Miller Curber, Skyjack, Lull, Skytrak, Tsurumi, Husquvarna Target, Stow, Wacker, Sakai, Mi-T-M, Sullair, Basic, Dynapac, MBW, Weber, Bartell, Bennar Newman, Haulotte, Ditch Runner, Menegotti, Morrison, Contec, Buddy, Crown, Edco, Wyco, Bomag, Laymor, EZ Trench, Bil-Jax, F.S. Curtis, Gehl Pavers, Heli, Honda, ICS/PowerGrit, IHI, Partner, Imer, Clipper, MMD, Koshin, Rice, CH&E, General Equipment, Amida, Coleman, NAC, Gradall, Square Shooter, Kent, Stanley, Tamco, Toku, Hatz, Kohler, Robin, Wisconsin, Northrock, Oztec, Toker TK, Rol-Air, APT, Wylie, Ingersoll Rand / Doosan, Innovatech, Con X, Ammann, Mecalac, Makinex, Smith Surface Prep, Small Line, Wanco, Yanmar

REVISION LOG

NOTES:

NOTE: Country of Manufacture - The ES Scissor Lifts are manufactured by JLG Industries in the following countries: USA, Belgium, China or Mexico. Refer to the Serial Number Tag to identify the country of manufacture. ES Scissors manufactured in the USA will have a serial number prefix of 02 (i.e. 02XXXXXXXX), ES Scissors manufactured in Belgium will have a prefix of 12 (i.e. 12XXXXXXXX), ES Scissors manufactured in China will have a serial number prefix of B2 (i.e. B2XXXXXXXX) and ES Scissors manufactured in Mexico will have a serial number prefix of M2 (i.e. M2XXXXXXXX).

NOTE: 1930ES Global Illustrated Parts Manual P/N 3121167 has been replaced by multiple manuals. Review machine SN and use the Global Illustrated Parts Manual for the correct serial number range: USA Built Machines Prior to SN 0200135154 - Use manual p/n 3121246.

USA Built Machines SN 0200135154 to SN 0200152824 - Use manual p/n 3121247.

USA Built Machines SN 0200152825 to SN 0200198013 - Use manual p/n 3121248.

USA Built Machines SN 0200198014 to SN 0200239381 - Use manual p/n 3121275.

USA Built Machines SN 0200239382 to Present - Use manual p/n 3121681

Belgium Built Machines Prior to SN 1200004293 - Use manual p/n 3121246.

Belgium Built Machines SN 1200004293 to SN 1200008480 - Use manual p/n 3121247.

Belgium Built Machines SN 1200008481 through SN 1200025020 - Use manual p/n 3121248.

Belgium Built Machines SN 1200025021 to Present - Use manual p/n 3121681.

China Built Machines SN B200000100 to SN B200020296 - Use manual p/n 3121275.

China Built Machines SN B200020297 to Present - Use manual p/n 3121681

Mexico Built Machines SN M200000100 to Present - Use manual p/n 3121681

MANUAL REVISION LOG:

July 1, 2015 - A - Original Issue of Manual (Edited to B/M 1001180000 Revision G)

September 15, 2015 - B - Revised Manual (Edited to B/M 1001180000 Revision W) (Revision 1)

December 2, 2015 - C - Revised Manual (Edited to B/M 1001180000 Revision X) (Revision 3)

March 21, 2016 - D - Revised Manual (Edited to B/M 1001180000 Revision AE) (Revision 2)

June 30, 2016 - E - Revised Manual (Edited to B/M 1001180000 Revision AI) (Revision 2)

September 9, 2016 - F - Revised Manual (Edited to B/M 1001180000 Revision AI) (Revision 2)

December 14, 2016 - G - Revised Manual (Edited to B/M 1001180000 Revision AI) (Revision 2)

March 15, 2017 - H - Revised Manual (Edited to B/M 1001180000 Revision AU and 1001215518 Revision B) (Revision 2)

June 2, 2017 - I - Revised Manual (Edited to B/M 1001180000 Revision AW and 1001215518 Revision B) (Revision 2)

August 4, 2017 - J - Revised Manual (Edited to B/M 1001180000 Revision AW and 1001215518 Revision B) (Revision 2)

November 10, 2017 - K - Revised Manual (Edited to B/M 1001180000 Revision AW and 1001215518 Revision B)

December 8, 2017 - L - Revised Manual (Edited to B/M 1001180000 Revision BA and 1001215518 Revision C) (Revision 2)

REVISION LOG

MANUAL REVISION LOG:

April 12, 2018 - M - Revised Manual (Edited to B/M 1001180000 Revision BF and 1001215518 Revision C) (Revision 1)

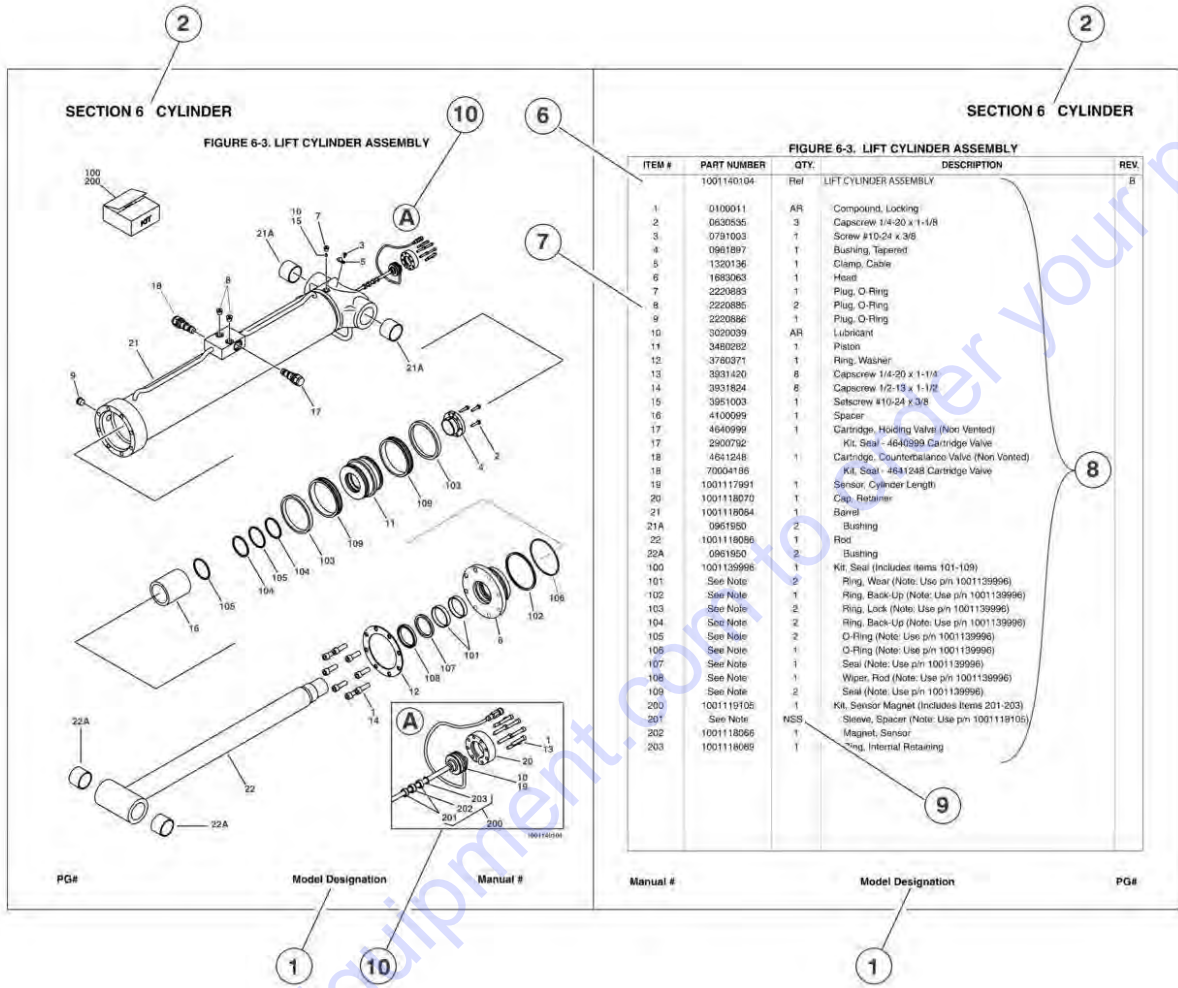
June 8, 2018 - N - Revised Manual (Edited to B/M 1001180000 Revision BF and 1001215518 Revision D) (Revision 2)

October 1, 2018 - O - Revised Manual (Edited to B/M 1001180000 Revision BL and 1001215518 Revision E) (Revision 1)

January 18, 2019 - P - Revised Manual (Edited to B/M 1001180000 Revision BP and 1001215518 Revision F)

Go to Discount-Equipment.com to order your parts

GENERAL INFORMATION



1) MACHINE IDENTIFICATION

Machines are identified by model and in some cases a combination of models, serial number (SN) or regional standard (i.e. ANSI, CE, CSA). Components may also be identified by SN or manufacturer. Common components that may be identified by these characteristics are engines and hydraulic components.

2) PARTS MANUAL ORGANIZATION

Product information in this manual is organized under section titles. Frame, Cylinder, Hydraulic and Electrical are a few examples. Each section is organized by figure and page number. The information within the figure is then organized by item number, part number, description and corresponding illustration (s).

3) TABLE OF CONTENTS

A table of contents is found toward the beginning of the manual. Figure number, description and page number are provided for quick reference to the page containing the related information.

4) RECOMMENDED SPARE PARTS

The Recommended Spare Parts, located near the end of the manual, reference most frequently used maintenance parts.

5) PART NUMBER INDEX

A numerical index listing all part numbers and the corresponding page number(s) appears at the back of the manual.

GENERAL INFORMATION

6) NON-SERVICED PARTS

In some instances, it is necessary to display non-serviced parts, assemblies or installations. In the case of assemblies and installations there will be a Ref in the Qty column. In case of parts that are not available for service within assemblies or components, there will be a NSS (Not Sold Separately) or NLA (No Longer Available) listed in the Qty. column of the manual.

7) PARTS LIST ITEM NUMBERS

Numbers shown in the item# column correspond to numbers used in the associated illustration (s). Item numbers which are missing from the sequence in the parts list are not used on that page

8) INDENTED PARTS DESCRIPTION

An indented part description is included in the item under which it is indented.

9) ABBREVIATION AND SYMBOLS

AC.....	Alternating Current	LCD.....	Liquid Crystal Display
ADE.....	Advanced Design Electronics	LED.....	Light Emitting Diodes
ANSI.....	American National Standards Institute	LH.....	Left Hand
AR.....	As Required	LSS.....	Load Sensing System
ASSY.....	Assembly	M(m).....	Metric/Meter
AUX.....	Auxiliary	MM (mm).....	Milimeter
AWG.....	American Wire Gauge	mA.....	Miliamps
B/M.....	Bill of Material	NLA.....	No Longer Available
CE.....	European Conformity	NPT.....	National Pipe Threads
CCW.....	Counter Clockwise	NSS.....	Not Sold Separately
cm.....	Centimeter	OD.....	Outside Diameter
CW.....	Clockwise	ORB.....	O-Ring Boss
CSA.....	Canadian Standards Association	ORFS.....	O-Ring Face Seal
CYL.....	Cylinder	OZ (oz).....	Ounces
DIA.....	Diameter	PG.....	Page
DC.....	Direct Current	P/N.....	Part Number
EMS.....	Emergency Stop	qt.....	Quarts
ENG.....	Engine	QTY.....	Quantity
FT (ft).....	Feet	REF.....	Reference
GA (Ga).....	Gauge	REV.....	Revision Level
HYD.....	Hydraulic	RH.....	Right Hand
Hz.....	Hertz	SAE.....	Society of Automotive Engineers
ID.....	Inside Diameter	SN.....	Serial Number
in.....	inches	SPEC(S).....	Specifications
ISO.....	International Organization for Standards	T/T.....	Turntable
JIC.....	Joint Industry Council	UGM.....	Universal Ground Module
KG.....	Kilogram	V.....	Volts
L.....	Liter	W.....	Watts
LB.....	Pounds	#.....	Number

10) ILLUSTRATION REFERENCE LETTERS

When necessary, illustrations may contain reference letters that are intended to track information (i. e. hoses, harnesses) from one point to another or to track visual enlargement of components to show details that may be located in another area on the illustration.

Note: Due to continuous product improvements, JLG Industries, Inc. reserves the right to make specification changes without prior notification.

TABLE OF CONTENTS

SECTION 1 - FRAME.....	11
FIGURE 1-1. STEERING INSTALLATION (USA AND MEXICO BUILT MACHINES).....	12
FIGURE 1-2. STEERING INSTALLATION (BELGIUM AND CHINA BUILT MACHINES).....	14
FIGURE 1-3. DRIVE HUB AND MODULE INSTALLATION.....	16
FIGURE 1-4. DRIVE HUB AND MODULE INSTALLATION (BELGIUM BUILT MACHINES ONLY).....	18
FIGURE 1-5. DRIVE MOTOR/HUB ASSEMBLY.....	20
FIGURE 1-6. HUB ASSEMBLY - REAR.....	24
FIGURE 1-7. TIRE AND WHEEL ASSEMBLY (SOLIDEAL).....	26
FIGURE 1-8. TIRE AND WHEEL ASSEMBLY (EXMILE).....	28
FIGURE 1-9. POTHOLE PROTECTION INSTALLATION - NON-UL.....	30
FIGURE 1-10. POTHOLE PROTECTION INSTALLATION - UL.....	32
FIGURE 1-11. BATTERY CHARGER INSTALLATION WITH 110V PLUG AND DELTA-Q CHARGER (ANSI, ANSI EXPORT, CSA, JAPANESE AND UL SPECS).....	34
FIGURE 1-12. BATTERY CHARGER INSTALLATION WITH DELTA-Q CHARGER (ANSI, ANSI EXPORT, CSA AND CE SPECS).....	36
FIGURE 1-13. CHARGER (INVERTER) INSTALLATION (ANSI, ANSI EXPORT AND CSA SPECS) BATTERY CHARGER INSTALLATION WITH LOCALLY SUPPLIED PLUG (AUSTRALIAN SPEC).....	38
FIGURE 1-14. BATTERY CHARGER INSTALLATION WITH LOCALLY SUPPLIED PLUG (AUSTRALIAN SPEC).....	40
FIGURE 1-15. BATTERY CHARGER INSTALLATION WITH LOCALLY SUPPLIED PLUG (CHINESE SPEC).....	42
FIGURE 1-16. BATTERY CHARGER INSTALLATION – WITH VOLTAGE GUARD (LOCALLY SUPPLIED PLUG) (ANSI EXPORT AND KOREA SPECS).....	44
FIGURE 1-17. BATTERY CHARGER INSTALLATION – WITH VOLTAGE GUARD AND CHINESE PLUG (ANSI EXPORT, CHINESE AND KOREA SPECS).....	46
FIGURE 1-18. BATTERY CHARGER INSTALLATION - EAGLE PERFORMANCE (ANSI AND CSA SPEC).....	48
FIGURE 1-19. BATTERY CHARGER INSTALLATION WITH LOCALLY SUPPLIED - EAGLE PERFORMANCE (ANSI AND CSA SPEC).....	50
FIGURE 1-20. BATTERY CHARGER ASSEMBLY - DELTA-Q.....	52
FIGURE 1-21. BATTERY CHARGER ASSEMBLY EAGLE PERFORMANCE.....	54
FIGURE 1-22. BATTERY CHARGER INSTALLATION - GREEN POWER (CHINESE PLUG) (CHINESE SPECS).....	56
FIGURE 1-23. BEACON (AMBER) LIGHT INSTALLATION (OPTIONAL).....	58
FIGURE 1-24. LADDER INSTALLATION - 1930ES.....	60
SECTION 2 - GROUND COMPONENTS.....	63
FIGURE 2-1. GROUND CONTROL BOX/ALARM INSTALLATION - NO LSS (SN 0200239382 to Present, SN B200023285 to Present, SN M200000100 to Present).....	64
FIGURE 2-2. GROUND CONTROL BOX/ALARM INSTALLATION - NO LSS (SN B200020297 through B200023284).....	66
FIGURE 2-3. GROUND CONTROL BOX/ALARM INSTALLATION - LSS (ALL SPECS EXCEPT CE SPECS) (SN 0200239382 to Present, SN B200023285 to Present, SN M200000100 to Present).....	68
FIGURE 2-4. GROUND CONTROL BOX/ALARM INSTALLATION - LSS (ALL SPECS EXCEPT CE SPECS) (SN B200020297 through B200023284).....	70
FIGURE 2-5. GROUND CONTROL BOX/ALARM INSTALLATION - LSS (CE SPEC) (SN 0200239382 through 0200241828) ..	72
FIGURE 2-6. GROUND CONTROL BOX/ALARM INSTALLATION - LSS (CE SPEC) (SN B200020297 through B200021650) ..	74
FIGURE 2-7. GROUND CONTROL BOX/ALARM INSTALLATION - LSS (CE SPECS) (SN 0200241829 to Present, SN B200021651 to Present, SN M200000100 to Present).....	76
FIGURE 2-8. GROUND CONTROL BOX/ALARM INSTALLATION - LSS (CE SPECS) (SN 1200025022 to Present).....	78
FIGURE 2-9. GROUND CONTROL BOX ASSEMBLY - NO LSS (SN 0200239382 to Present, SN B200023285 to Present, SN M200000100 to Present).....	80
FIGURE 2-10. GROUND CONTROL BOX ASSEMBLY - NO LSS (SN B200020297 through B200023284).....	82
FIGURE 2-11. GROUND CONTROL BOX ASSEMBLY - LSS (ALL SPECS EXCEPT CE) (SN 0200239382 to Present, SN B200023285 to Present, SN M200000100 to Present).....	84
FIGURE 2-12. GROUND CONTROL BOX ASSEMBLY - LSS (ALL SPECS EXCEPT CE) (SN B200020297 through B200023284).....	86
FIGURE 2-13. GROUND CONTROL BOX ASSEMBLY - LSS (CE SPECS) (SN 0200239382 through 0200241828).....	88
FIGURE 2-14. GROUND CONTROL BOX ASSEMBLY - LSS (CE SPECS) (SN B200020297 through B200021650).....	90
FIGURE 2-15. GROUND CONTROL BOX ASSEMBLY - LSS (CE SPECS) (SN 0200241829 to Present, SN 1200025021 to Present, SN B200021651 to Present, SN M200000100 to Present).....	92
FIGURE 2-16. BATTERIES INSTALLATION - AGM AND EVG TYPE - 225 AH RATING (NON-LOCKING COVERS).....	94
FIGURE 2-17. BATTERIES INSTALLATION - AGM AND EVG TYPE - 225 AH RATING (NON-UL LOCKING COVERS).....	96
FIGURE 2-18. BATTERIES INSTALLATION - AGM AND EVG TYPE - 225 AH RATING (UL LOCKING COVERS).....	98
FIGURE 2-19. BATTERIES INSTALLATION - AGM VISION AND EVG TYPE - 220 AH RATING (NON-LOCKING COVERS)..	100
FIGURE 2-20. BATTERIES INSTALLATION - AGM VISION AND EVG TYPE - 220 AH RATING (NON-UL LOCKING COVERS).....	102
FIGURE 2-21. BATTERIES INSTALLATION - GC TYPE - 225 AH RATING (NON-LOCKING COVERS).....	104
FIGURE 2-22. BATTERIES INSTALLATION - GC TYPE - 225 AH RATING (NON-UL LOCKING COVERS).....	106

TABLE OF CONTENTS

FIGURE 2-23. BATTERIES INSTALLATION - GC TYPE - 225 AH RATING (UL LOCKING COVERS).....	108
FIGURE 2-24. BATTERIES INSTALLATION - 220 AH RATING WITHOUT BATTERIES (NON LOCKING COVERS).....	110
FIGURE 2-25. BATTERY TRAY ASSEMBLY - NON-UL	112
FIGURE 2-26. BATTERY TRAY ASSEMBLY - UL	114
FIGURE 2-27. BATTERY COVER ASSEMBLY - NON-LOCKING.....	116
FIGURE 2-28. BATTERY COVER ASSEMBLY - LOCKING.....	118
FIGURE 2-29. BRAKE DISCONNECT AND MDI (MULTIFUNCTION DIGITAL INDICATOR) GAUGE INSTALLATION	120
FIGURE 2-30. BRAKE CABLE INSTALLATION (OPTIONAL).....	122
 SECTION 3 - SCISSOR ARMS	 125
FIGURE 3-1. SCISSORS ARMS INSTALLATION - 1930ES STANDARD HYDRAULIC OIL (USA AND MEXICO BUILT MACHINES).....	126
FIGURE 3-2. SCISSORS ARMS ASSEMBLY - 1930ES STANDARD HYDRAULIC OIL (USA AND MEXICO BUILT MACHINES).....	128
FIGURE 3-3. SCISSORS ARMS INSTALLATION - 1930ES STANDARD HYDRAULIC OIL (BELGIUM AND CHINA BUILT MACHINES).....	130
FIGURE 3-4. SCISSORS ARMS ASSEMBLY - 1930ES STANDARD HYDRAULIC OIL (BELGIUM AND CHINA BUILT MACHINES).....	132
FIGURE 3-5. SCISSORS ARMS INSTALLATION - 1930ES BIODEGRADABLE HYDRAULIC OIL (CHINA BUILT MACHINES).....	134
FIGURE 3-6. SCISSORS ARMS ASSEMBLY - 1930ES BIODEGRADABLE HYDRAULIC OIL (CHINA BUILT MACHINES).....	136
FIGURE 3-7. SCISSORS ARMS INSTALLATION - 1930ES BIODEGRADABLE HYDRAULIC OIL (USA BUILT MACHINES).....	138
FIGURE 3-8. SCISSORS ARMS ASSEMBLY - 1930ES BIODEGRADABLE HYDRAULIC OIL (USA BUILT MACHINES).....	140
 SECTION 4 - PLATFORM	 143
FIGURE 4-1. PLATFORM INSTALLATION - WITH INSIDE EXTENSION RAILS AND WITHOUT LSS	144
FIGURE 4-2. PLATFORM INSTALLATION - WITH OUTSIDE EXTENSION RAILS AND WITHOUT LSS.....	146
FIGURE 4-3. PLATFORM INSTALLATION - WITH INSIDE EXTENSION RAILS AND WITH LSS	148
FIGURE 4-4. PLATFORM INSTALLATION - WITH OUTSIDE EXTENSION RAILS AND WITH LSS	150
FIGURE 4-5. PLATFORM AND EXTENSION ASSEMBLY - WITH INSIDE EXTENSION RAILS	152
FIGURE 4-6. PLATFORM AND EXTENSION ASSEMBLY - WITH OUTSIDE EXTENSION RAILS	154
FIGURE 4-7. LATCH ASSEMBLY - WITH INSIDE EXTENSION RAILS (SN 1200025021 through 1200030223, SN B200020297 through B200051193, SN M200000100 through M200021475).....	156
FIGURE 4-8. LATCH ASSEMBLY - WITH INSIDE EXTENSION RAILS (SN 1200030224 to Present, SN B200051194 to Present, SN M200021476 to Present).....	158
FIGURE 4-9. LATCH ASSEMBLY - WITH OUTSIDE EXTENSION RAILS	160
FIGURE 4-10. RAILS INSTALLATION - WITH INSIDE EXTENSION RAILS AND CHAIN GATE	162
FIGURE 4-11. RAILS INSTALLATION - WITH INSIDE EXTENSION RAILS, HANDLE AND CHAIN GATE	164
FIGURE 4-12. RAIL KIT - WITH INSIDE EXTENSION RAILS AND CHAIN GATE.....	166
FIGURE 4-13. RAIL KIT - WITH INSIDE EXTENSION RAILS, HANDLE AND CHAIN GATE	168
FIGURE 4-14. RAILS INSTALLATION - WITH INSIDE EXTENSION RAILS AND SELF CLOSING GATE	170
FIGURE 4-15. RAILS INSTALLATION - WITH INSIDE EXTENSION RAILS, HANDLE AND SELF CLOSING GATE	172
FIGURE 4-16. RAILS INSTALLATION - WITH OUTSIDE EXTENSION RAILS AND SELF CLOSING GATE	174
FIGURE 4-17. RAIL KIT - WITH INSIDE EXTENSION RAILS AND SELF CLOSING GATE.....	176
FIGURE 4-18. RAIL KIT - WITH INSIDE EXTENSION RAILS, HANDLE AND SELF CLOSING GATE	178
FIGURE 4-19. RAIL KIT - WITH OUTSIDE EXTENSION RAILS AND SELF CLOSING GATE.....	180
FIGURE 4-20. RAILS INSTALLATION - WITH INSIDE EXTENSION RAILS AND SELF CLOSING GATE	182
FIGURE 4-21. RAILS INSTALLATION - WITH INSIDE EXTENSION RAILS, HANDLE AND SELF CLOSING GATE	184
FIGURE 4-22. RAILS INSTALLATION - WITH OUTSIDE EXTENSION RAILS AND SELF CLOSING GATE	186
FIGURE 4-23. RAIL KIT - WITH INSIDE EXTENSION RAILS AND SELF CLOSING GATE.....	188
FIGURE 4-24. RAIL KIT - WITH INSIDE EXTENSION RAILS, HANDLE AND SELF CLOSING GATE	190
FIGURE 4-25. RAIL KIT - WITH OUTSIDE EXTENSION RAILS AND SELF CLOSING GATE.....	192
FIGURE 4-26. PLATFORM CONSOLE ASSEMBLY	194
FIGURE 4-27. PLATFORM CONSOLE ASSEMBLY	196
FIGURE 4-28. DRIVE/STEER CONTROLLER ASSEMBLY	198
FIGURE 4-29. PLATFORM CONSOLE HANGER INSTALLATION (OPTIONAL)	200
FIGURE 4-30. WORKSTATION WITHOUT DC CONVERTER INSTALLATION	202
FIGURE 4-31. WORKSTATION WITH DC CONVERTER INSTALLATION	204
FIGURE 4-32. ELECTRICIAN'S TREE INSTALLATION	206
FIGURE 4-33. LOW HEIGHT DRIVE CUTOUT (JAPANESE SPECS ONLY)	208
FIGURE 4-34. OVERHEAD PROTECTION AND LOW HEIGHT DRIVE CUTOUT (KOREA SPECS ONLY)	210
FIGURE 4-35. OVERHEAD SWITCH KIT (FRONT)	212
FIGURE 4-36. PANEL INSTALLATION (AUSTRALIAN AND CE SPECS).....	214
FIGURE 4-37. PIPE RACK INSTALLATION (AUSTRALIAN AND CE SPECS).....	216
FIGURE 4-38. QUIK WELDER INSTALLATION	218

TABLE OF CONTENTS

FIGURE 4-39. QUIK WELDER READY INSTALLATION	220
SECTION 5 - CYLINDER.....	223
FIGURE 5-1. LIFT CYLINDER ASSEMBLY- 1930ES (TEXAS HYDRAULICS)	224
FIGURE 5-2. LIFT CYLINDER ASSEMBLY - 1930ES WITH STANDARD HYDRAULIC OIL (SERTA) (SN 0200239382 through 0200258871, SN B200020297 through B200032100, SN M200000100 through M200003501)	228
FIGURE 5-3. LIFT CYLINDER ASSEMBLY - 1930ES WITH STANDARD HYDRAULIC OIL (SERTA) (SN 0200258872 to Present, SN B200032101 to Present, SN M200003501 to Present).....	232
FIGURE 5-4. LIFT CYLINDER ASSEMBLY - 1930ES WITH STANDARD HYDRAULIC OIL (SH-PAC) (SN 0200239382 through 0200258871, SN B200020297 through B200032100, SN M200000100 through M200003501)	236
FIGURE 5-5. LIFT CYLINDER ASSEMBLY - 1930ES WITH STANDARD HYDRAULIC OIL (SH-PAC) (SN 0200258872 to Present, SN 1200025021 to Present, SN B200032101 to Present, SN M200003502 to Present)	240
FIGURE 5-6. LIFT CYLINDER ASSEMBLY - 1930ES WITH BIODEGRADABLE HYDRAULIC OIL (SERTA).....	244
FIGURE 5-7. LIFT CYLINDER ASSEMBLY - 1930ES WITH BIODEGRADABLE HYDRAULIC OIL (SH-PAC).....	248
FIGURE 5-8. STEER CYLINDER ASSEMBLY (SERTA).....	252
FIGURE 5-9. STEER CYLINDER ASSEMBLY (SH-PAC).....	254
SECTION 6 - HYDRAULIC	257
FIGURE 6-1. HYDRAULIC DIAGRAM LIST	258
SECTION 7 - ELECTRICAL	259
FIGURE 7-1. ELECTRICAL DIAGRAM LIST.....	260
FIGURE 7-2. AC BOX AT PLATFORM INSTALLATION - 110V GFI.....	262
FIGURE 7-3. AC BOX AT PLATFORM INSTALLATION - 220V CEE7 SIDE (ANSI EXPORT SPEC ONLY).....	264
FIGURE 7-4. AC BOX AT PLATFORM INSTALLATION - 110V IEC YELLOW (CE SPEC ONLY).....	266
FIGURE 7-5. AC BOX AT PLATFORM INSTALLATION - 220V IEC BLUE (CE SPEC ONLY)	268
FIGURE 7-6. AC BOX AT PLATFORM INSTALLATION - 220V AFSINT107 (CE SPEC ONLY)	270
FIGURE 7-7. AC BOX AT PLATFORM INSTALLATION - 220V CEE7 SIDE GRD (CE SPEC ONLY)	272
FIGURE 7-8. AC BOX AT PLATFORM INSTALLATION - 220V CEE7 POST GRD (CE SPEC ONLY).....	274
FIGURE 7-9. AC BOX AT PLATFORM INSTALLATION - 220V (CHINESE SPEC ONLY).....	276
FIGURE 7-10. BATTERY CABLE KIT	278
FIGURE 7-11. BRAKE DISCONNECT HARNESS.....	280
FIGURE 7-12. BREAKER BOX KIT WITH TWO BREAKERS (CE SPEC ONLY)	282
FIGURE 7-13. BREAKER BOX KIT WITH THREE BREAKERS (CE SPEC ONLY)	284
FIGURE 7-14. CABLES INSTALLATION	286
FIGURE 7-15. CABLES INSTALLATION	288
FIGURE 7-16. CABLES INSTALLATION	290
FIGURE 7-17. CABLES INSTALLATION	292
FIGURE 7-18. CABLES INSTALLATION	294
FIGURE 7-19. CABLES INSTALLATION	296
FIGURE 7-20. CHARGER CORD PLUG INSTALLATION - 110V IEC YELLOW (CE SPEC ONLY)	298
FIGURE 7-21. CHARGER CORD PLUG INSTALLATION - 220V IEC BLUE (CE SPEC).....	300
FIGURE 7-22. CHARGER CORD PLUG INSTALLATION - 220V AFSINT 107 (CE SPEC)	302
FIGURE 7-23. CHARGER CORD PLUG INSTALLATION - 220V CEE7 POST GROUND (CE SPEC).....	304
FIGURE 7-24. CHARGER CORD PLUG INSTALLATION - 220V POST GROUND (CE SPEC)	306
FIGURE 7-25. CHARGER CORD PLUG INSTALLATION (KOREA SPEC).....	308
FIGURE 7-26. CHASSIS HARNESS	310
FIGURE 7-27. CHASSIS HARNESS - UL MACHINES	312
FIGURE 7-28. CYLINDER HARNESS.....	314
FIGURE 7-29. DRIVE CABLE ASSEMBLY	316
FIGURE 7-30. DRIVE FIELD CONNECTION HARNESS.....	318
FIGURE 7-31. GROUND CONTROL BOX HARNESS (SN B200020297 through B200023284).....	320
FIGURE 7-32. GROUND CONTROL BOX HARNESS (SN 0200239382 to Present, SN 1200025021 to Present, SN B200023285 to Present, SN M200000100 to Present)	322
FIGURE 7-33. GROUND CONTROL BOX HARNESS - NO LSS (SN 0200266380 to Present, SN B200042931 to Present, SN M200012180 to Present)	324
FIGURE 7-34. GROUND TO PLATFORM HARNESS	326
FIGURE 7-35. GROUND TO PLATFORM HARNESS	328
FIGURE 7-36. LOAD SENSE HARNESS	330
FIGURE 7-37. MDI (MULTIFUNCTION DIGITAL INDICATOR) HARNESS	332
FIGURE 7-38. PLATFORM BOX HARNESS.....	334
FIGURE 7-39. PLATFORM CABLE ASSEMBLY (SN 0200239382 through 0200262428, SN 1200025021 to Present, SN B200020297 to Present, SN M200000100 through M200010194)	336
FIGURE 7-40. PLATFORM CABLE ASSEMBLY (SN 0200262429 to Present, SN M200010195 to Present).....	338

TABLE OF CONTENTS

FIGURE 7-41. PUMP POWER CABLE ASSEMBLY.....	340
FIGURE 7-42. RECEPTACLE BOX KIT – 110V GFI.....	342
FIGURE 7-43. RECEPTACLE BOX KIT – 110V IEC YELLOW (CE SPEC).....	344
FIGURE 7-44. RECEPTACLE BOX KIT – 220V IEC BLUE (CE SPEC).....	346
FIGURE 7-45. RECEPTACLE BOX KIT – 220V AFSINT 107 (CE SPEC).....	348
FIGURE 7-46. RECEPTACLE BOX KIT – 220V CEE7 SIDE GROUND (CE SPEC).....	350
FIGURE 7-47. RECEPTACLE BOX KIT – 220V CEE7 POST GROUND (CE SPEC).....	352
FIGURE 7-48. WORKSTATION POWER HARNESS.....	354
SECTION 8 - DECALS.....	357
FIGURE 8-1. DECAL INSTALLATION - ANSI SPEC (ENGLISH).....	358
FIGURE 8-2. DECAL INSTALLATION - AUSTRALIAN SPEC (ENGLISH).....	360
FIGURE 8-3. DECAL INSTALLATION - BRAZIL SPEC (PORTUGUESE/SPANISH).....	362
FIGURE 8-4. DECAL INSTALLATION - CE SPEC (ENGLISH).....	364
FIGURE 8-5. DECAL INSTALLATION - CHINA SPEC (GB).....	366
FIGURE 8-6. DECAL INSTALLATION - CHINESE SPEC (CHINESE/ENGLISH).....	368
FIGURE 8-7. DECAL INSTALLATION - CSA SPEC (ENGLISH/FRENCH).....	370
FIGURE 8-8. DECAL INSTALLATION - KOREAN SPEC (KOREAN/ENGLISH).....	372
FIGURE 8-9. DECAL INSTALLATION - LATIN AMERICAN SPEC (ENGLISH/SPANISH).....	374
FIGURE 8-10. DECAL INSTALLATION - OPTIONS.....	376
SECTION 9 - RECOMMENDED SERVICE PARTS STOCK.....	379
FIGURE 9-1. RECOMMENDED SERVICE PARTS STOCK.....	380
SECTION 10 - SPECIAL OPTIONS.....	381
FIGURE 10-1. SPECIAL OPTIONS.....	382
PART NUMBER INDEX.....	385

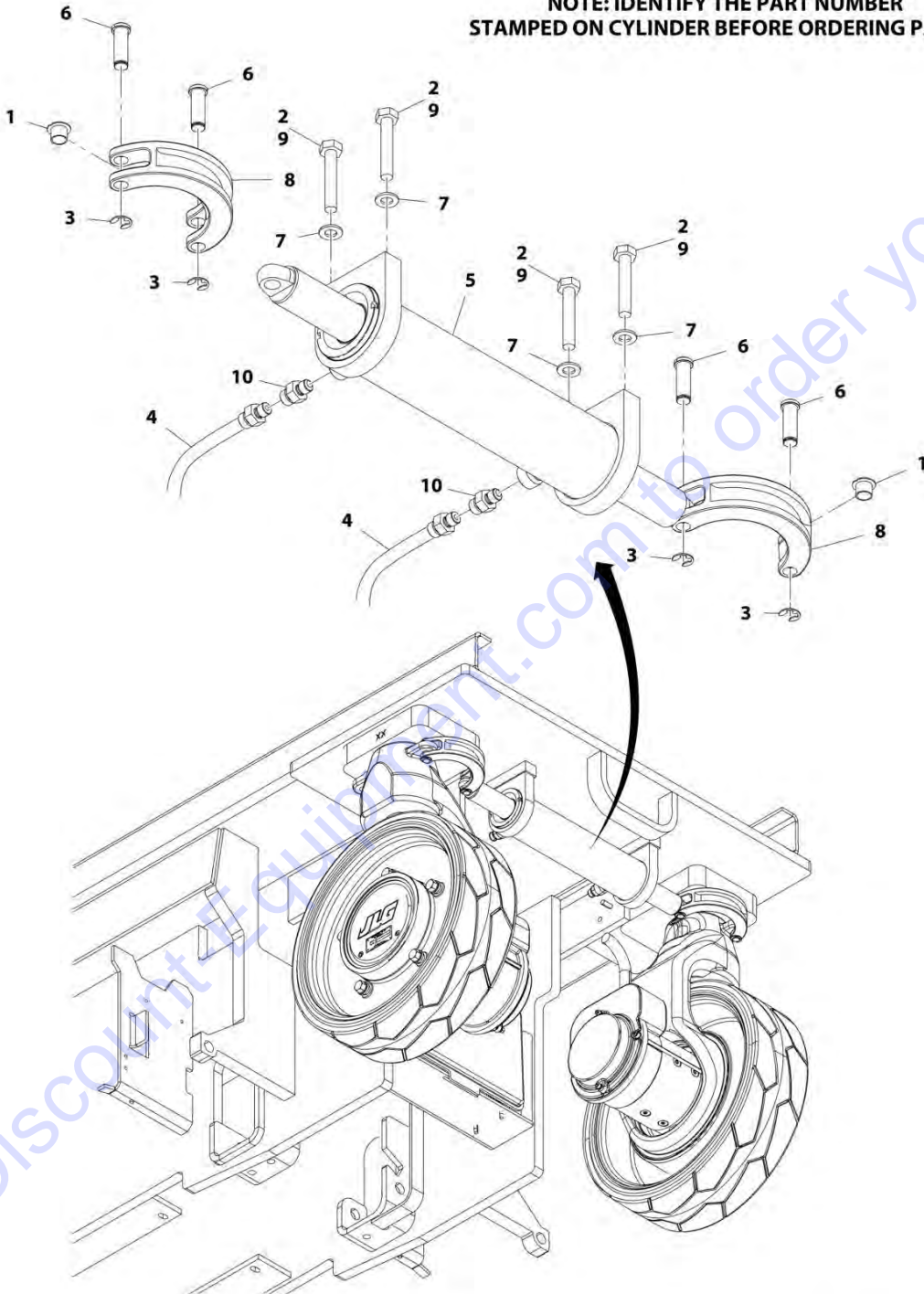
SECTION 1 - FRAME

Go to Discount-Equipment.com to order your parts

SECTION 1 - FRAME

FIGURE 1-1. STEERING INSTALLATION (USA AND MEXICO BUILT MACHINES)

NOTE: IDENTIFY THE PART NUMBER STAMPED ON CYLINDER BEFORE ORDERING PARTS.



ART_1001157326

SECTION 1 - FRAME

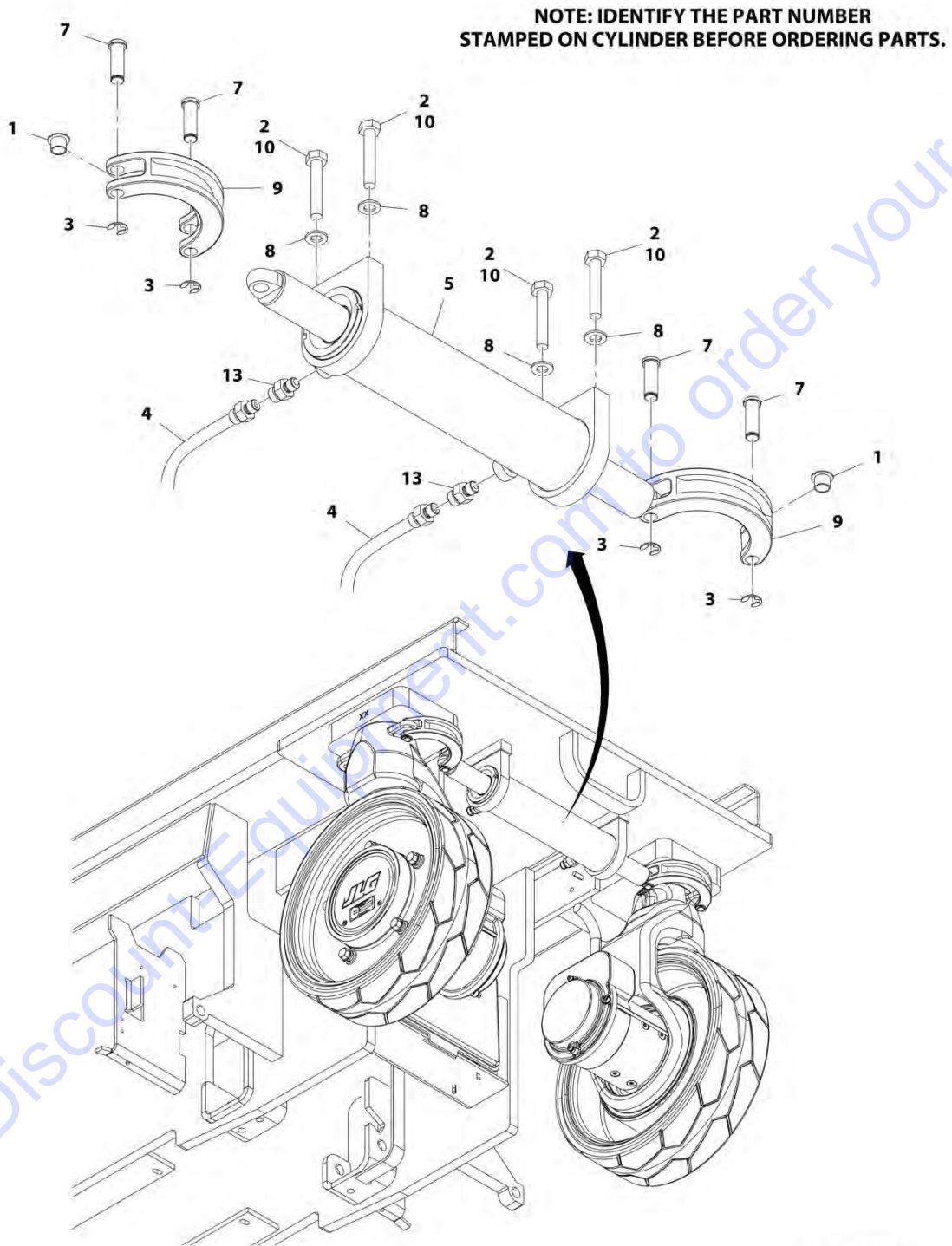
FIGURE 1-1. STEERING INSTALLATION (USA AND MEXICO BUILT MACHINES)

ITEM	PART NUMBER	QTY	DESCRIPTION	REV
	1001157326	Ref	STEERING INSTALLATION	B
1	0440259	2	Bearing	
2	0701016	4	Bolt M10 x 40	
3	1380153	4	Clip	
4	2755056	2	Hose Assembly	
5	1001155850	1	Steer Cylinder Assembly (See CYLINDER SECTION for Breakdown)	
6	3423037	4	Pin, Clevis	
7	4812000	4	Washer M10	
8	4846757	2	Lug, Steer	
9	0100011	AR	Compound, Locking	
10	2110404	2	Fitting, Straight ORFS/ORB	

Go to Discount-Equipment.com to order your parts

SECTION 1 - FRAME

FIGURE 1-2. STEERING INSTALLATION (BELGIUM AND CHINA BUILT MACHINES)



ART_1001131074

SECTION 1 - FRAME

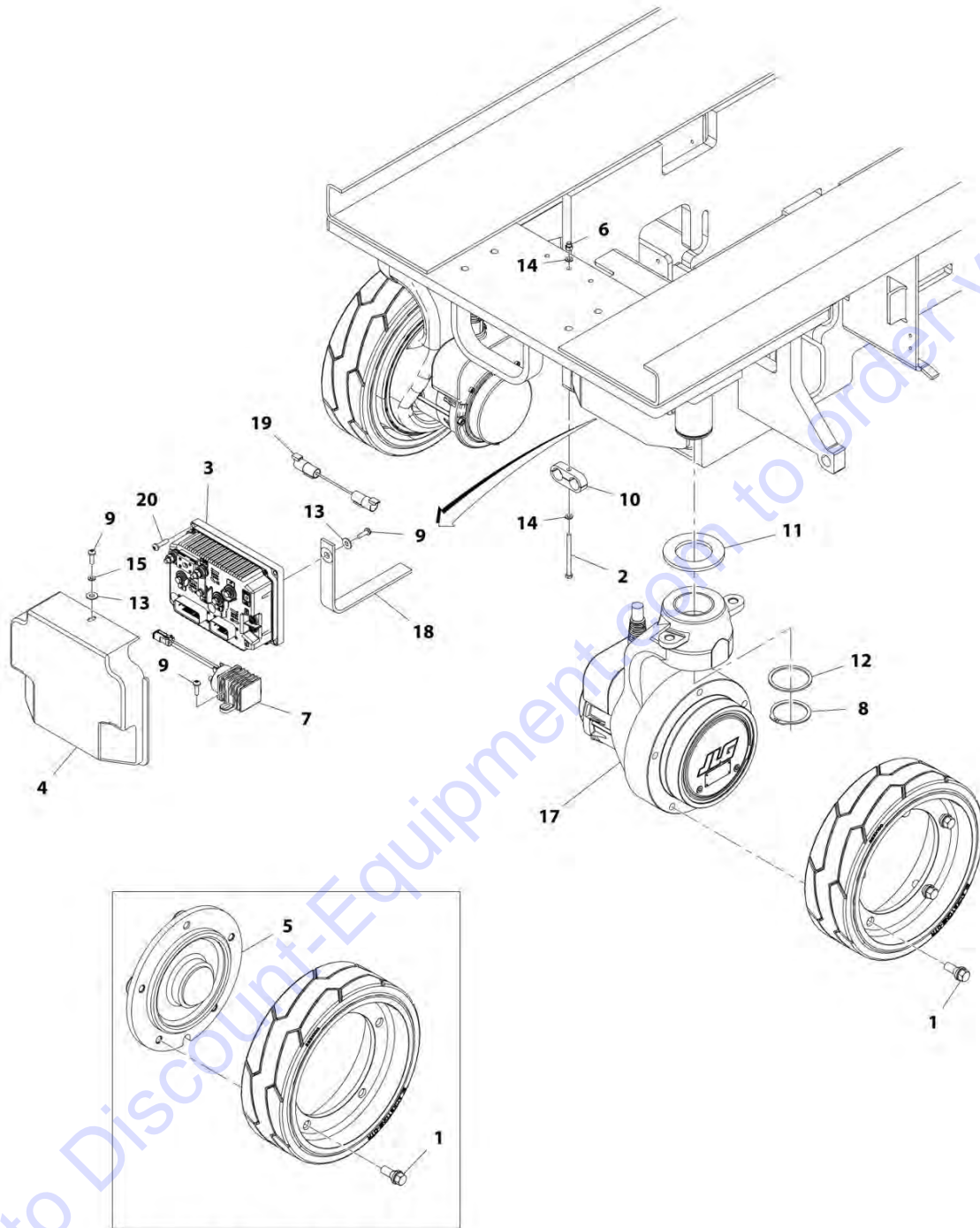
FIGURE 1-2. STEERING INSTALLATION (BELGIUM AND CHINA BUILT MACHINES)

ITEM	PART NUMBER	QTY	DESCRIPTION	REV
	1001131074	Ref	STEERING INSTALLATION	B
1	0440259	2	Bearing, Flange	
2	0701016	4	Bolt M10 x 40	
3	1380153	4	Clip	
4	2755056	2	Hose Assembly	
5	1001129267	1	Steer Cylinder Assembly (See CYLINDER SECTION for Breakdown)	
7	3423037	4	Pin, Clevis	
8	4812000	4	Washer M10	
9	4846757	2	Lug, Steer	
10	0100011	AR	Compound, Locking	
13	2110404	2	Fitting, Straight ORFS/ORB	

Go to Discount-Equipment.com to order your parts

SECTION 1 - FRAME

FIGURE 1-3. DRIVE HUB AND MODULE INSTALLATION



REAR WHEEL SHOWN HERE FOR CLARITY

ART_1001117032

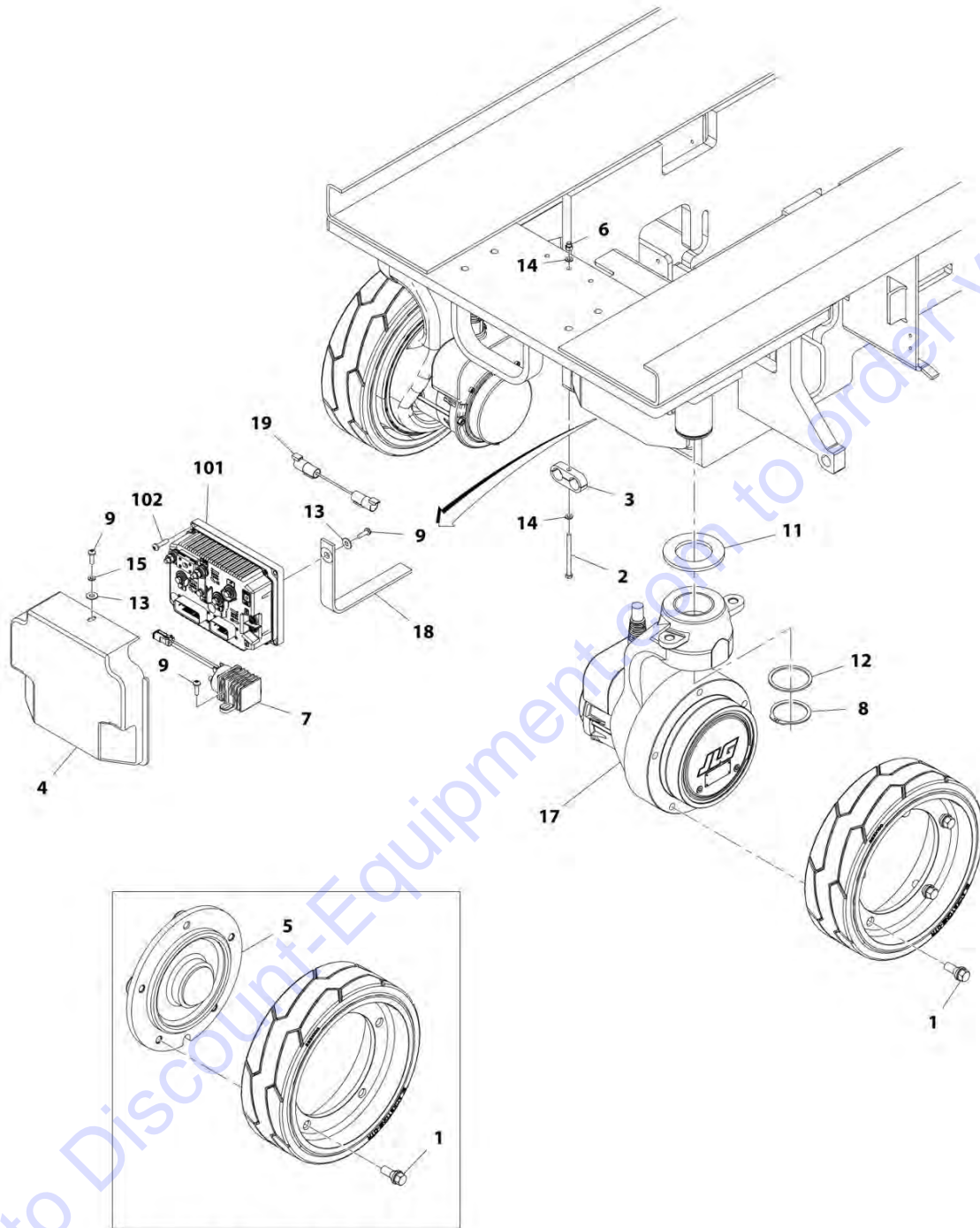
SECTION 1 - FRAME

FIGURE 1-3. DRIVE HUB AND MODULE INSTALLATION

ITEM	PART NUMBER	QTY	DESCRIPTION	REV
	1001117032	Ref	DRIVE HUB AND MODULE INSTALLATION	B
1	0630580	20	Bolt, Wheel	
2	0700624	1	Bolt M6 x 80	
3	1001092456	1	Module, Control	
4	1001115170	1	Cover	
5	2780266	2	Hub Assembly - Rear (See HUB ASSEMBLY - REAR for Breakdown)	
6	3290606	1	Nut M6	
7	3740150	1	Relay	
7	4460891	1	Connector - 2 Position	
8	3760463	2	Ring, Retaining	
9	4191708	4	Screw M6 x 20	
10	1001094301	1	Clamp	
11	4740524	2	Washer, Thrust	
12	4740564	2	Washer	
13	4751400	2	Washer 1/4	
14	4811700	2	Washer M6	
15	4831700	1	Lockwasher, M6	
17	1001092737	2	Drive Motor Assembly (See DRIVE MOTOR/HUB ASSEMBLY for Breakdown)	
18	4240147	1	Strap, Anti-Static	
19	4923602	1	Harness, Field Wire Connection (See ELECTRICAL SECTION for Breakdown)	
20	4191709	4	Screw M6 x 25	

SECTION 1 - FRAME

FIGURE 1-4. DRIVE HUB AND MODULE INSTALLATION (BELGIUM BUILT MACHINES ONLY)



REAR WHEEL SHOWN HERE FOR CLARITY

ART_1001219122

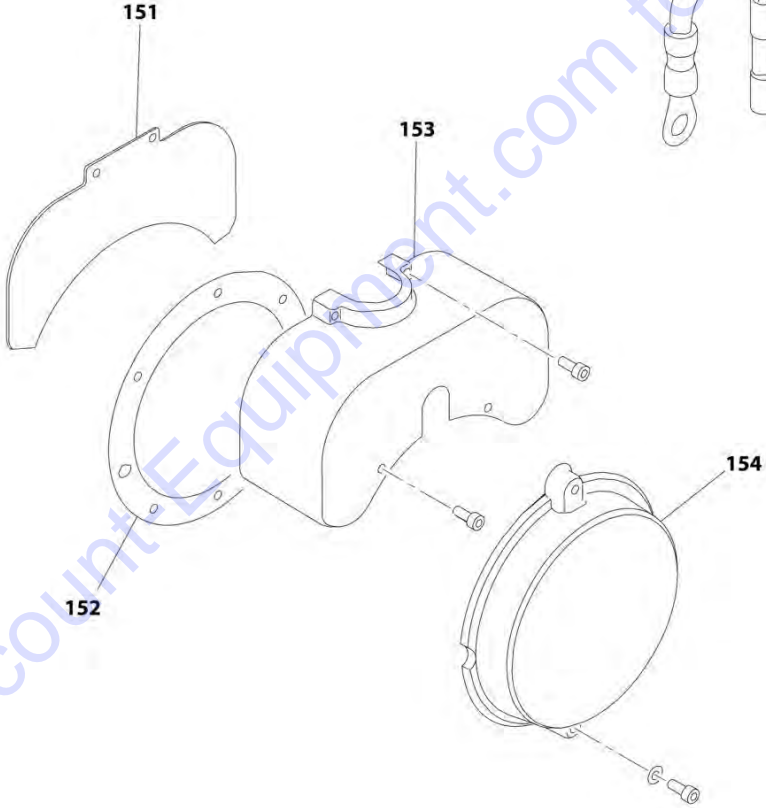
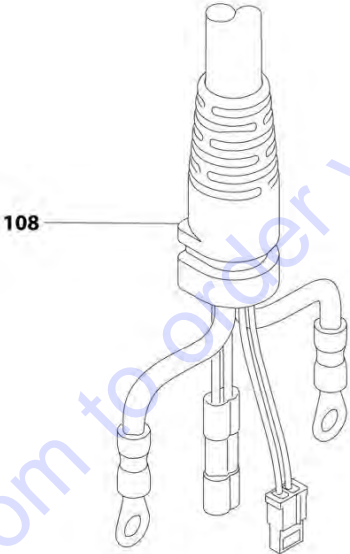
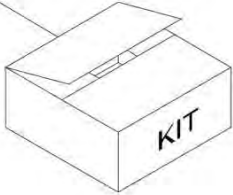
SECTION 1 - FRAME

FIGURE 1-4. DRIVE HUB AND MODULE INSTALLATION (BELGIUM BUILT MACHINES ONLY)

ITEM	PART NUMBER	QTY	DESCRIPTION	REV
	1001219122	Ref	DRIVE HUB AND MODULE INSTALLATION	A
1	0630580	20	Bolt, Wheel	
2	0700624	1	Bolt M6 x 80	
3	1001094301	1	Clamp	
4	1001115170	1	Cover	
5	2780266	2	Hub Assembly - Rear (See HUB ASSEMBLY - REAR for Breakdown)	
6	3290606	1	Nut M6	
7	3740150	1	Relay	
7	4460891	1	Connector - 2 Position	
8	3760463	2	Ring, Retaining	
9	4191708	4	Screw M6 x 20	
11	4740524	2	Washer, Thrust	
12	4740564	2	Washer	
13	4751400	2	Washer 1/4	
14	4811700	2	Washer M6	
15	4831700	1	Lockwasher, M6	
17	1001092737	2	Drive Motor Assembly (See DRIVE MOTOR/HUB ASSEMBLY for Breakdown)	
18	4240147	1	Strap, Anti-Static	
19	4923602	1	Harness, Field Wire Connection (See ELECTRICAL SECTION for Breakdown)	
		Ref	ADDITIONAL COMPONENTS ORDERED SEPARATE	
101	1001092456	1	Module, Control	
102	4191709	4	Screw M6 x 25	

SECTION 1 - FRAME

- 201
- 202
- 203
- 204
- 205
- 206
- 207
- 208
- 209
- 210
- 211



ART_1001092737_20F2

SECTION 1 - FRAME

FIGURE 1-5. DRIVE MOTOR/HUB ASSEMBLY

ITEM	PART NUMBER	QTY	DESCRIPTION	REV
	1001092737	Ref	DRIVE MOTOR/HUB ASSEMBLY	I
		Ref	HUB ASSEMBLY	
1	See Note	NSS	Spindle (Note: Purchase Complete Assembly)	
2	See Note	NSS	Hub (Note: Use Item 206)	
3	See Note	NSS	Ring, Input (Note: Use Item 204)	
4	See Note	NSS	Gear, Input Sun (Note: Use Item 203)	
5	See Note	NSS	Gear, Input Planet (Note: Use Item 203)	
6	See Note	NSS	Pin, Planet Gear (Note: Use Item 203)	
7	See Note	NSS	Carrier (Note: Use Item 203)	
8	See Note	NSS	Gear, Output Sun (Note: Use Item 203)	
9	See Note	NSS	Gear, Output Planet (Note: Use Item 207)	
10	See Note	NSS	Pin, Output Planet (Note: Use Item 207)	
11	See Note	NSS	Cover (Note: Use Item 201)	
12	7024757	1	Bushing Kit, Kingpin (Includes 2 Bushings)	
13	See Note	NSS	Motor, Electric (Note: Use Item 205)	
14	See Note	NSS	Bearing, Main (Note: Use Item 202, 204, 206 or 207)	
15	See Note	NSS	Bearing, Shaft (Note: Use Item 207)	
16	70001739	1	Seal, Lip	
17	7024786	1	Seal, Lip	
18	See Note	NSS	Ring, Retaining (Note: Use Item 203)	
19	See Note	NSS	Ring, Retaining (Note: Use Item 201)	
20	70000191	1	O-Ring	
21	See Note	NSS	Washer, Thrust (Note: Use Item 201)	
23	See Note	NSS	Plate, Thrust (Note: Use Item 203)	
24	See Note	NSS	Ring, Retaining (Note: Use Item 203)	
25	See Note	NSS	Washer, Thrust (Note: Use Item 203 or 207)	
26	See Note	NSS	Bushing (Note: Use Item 203 or 207)	
27	See Note	NSS	Ring, Retaining (Note: Use Item 204, 206 or 207)	
28	See Note	NSS	Ring, Retaining (Note: Use Item 207)	
29	See Note	NSS	Plug (Note: Use Item 201)	
32	See Note	NSS	Washer, Tanged (Note: Use Item 207)	
		Ref	BRAKE AND MOTOR COMPONENTS	
103	See Note	NSS	Brush and Terminal Assembly (Note: Use Item 208)	
104	70000790	2	Spring, Brush	
105	70000791	1	Box, Brush	
106	See Note	NSS	Ring, Retaining (Note: Use Item 208)	
107	See Note	NSS	Bearing (Note: Use Item 208)	
108	1001091502	1	Harness, Drive Motor (See ELECTRICAL SECTION for Breakdown)	
109	70000792	1	Commutator	
110	See Note	NSS	Disc, Reaction (Note: Use Item 209)	
111	7024785	1	Disc, Friction	
112	See Note	NSS	Brake Assembly (Note: Use Item 209)	
113	See Note	NSS	Washer (Note: Use Item 210)	
114	See Note	NSS	Bolt (Note: Use Item 210)	
151	See Note	NSS	Plate, Cover (Note: Use Item 211)	
152	70001949	1	Gasket, Cover	
153	70006426	1	Cover, Top	
154	See Note	NSS	Cover, End (Note: Use Item 211)	
		Ref	KIT OPTIONS	

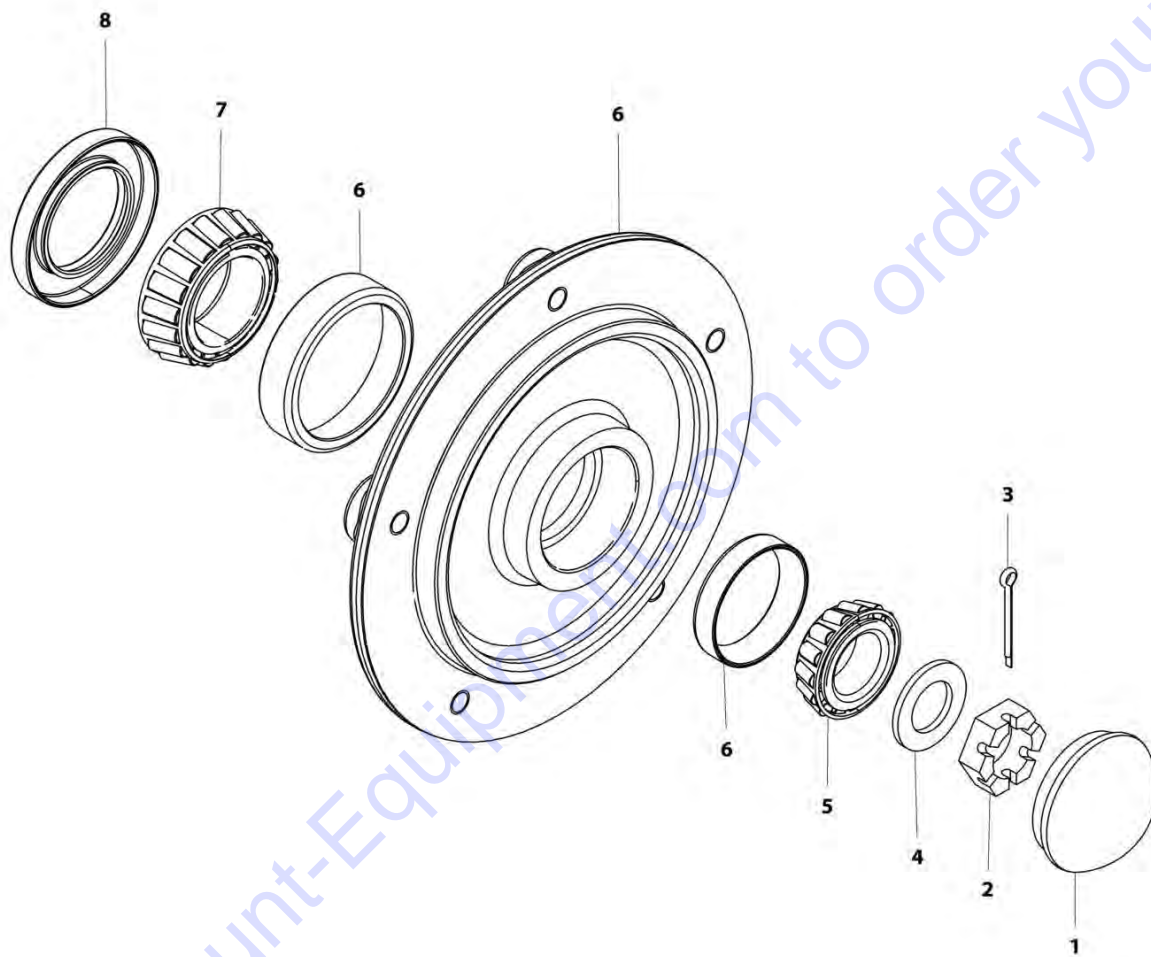
SECTION 1 - FRAME

ITEM	PART NUMBER	QTY	DESCRIPTION	REV
201	7024747	1	Cover Kit (Includes Items 11, 19, 20, 21 & 29)	
202	7024748	1	Main Seal Kit (Includes Qty 1 of Items 14, 16 & 20)	
203	7024749	1	Input Carrier Kit (Includes Items 4-8, 18, 20 & 23-26)	
204	7024758	1	Input Ring Kit (Includes Items 3, 20, 27 & Qty 1 of Item 14)	
205	70001263	1	Motor Kit (Includes Items 13,17,103-114, 151, 152 & 154)	
206	7024756	1	Hub Kit (Includes Items 2, 16, 20, 27 & Qty 1 of Item 14)	
207	7024750	1	Output Planet Kit (Includes Items 9, 10, 15, 20, 25-28, 32 & Qty 1 of Item 14)	
208	7024771	1	Motor Brush and Bearing Kit (Includes Items 103, 106 & 107)	
209	7024772	1	Brake Kit (Includes Items 110, 111 & 112)	
210	7024773	1	Motor Hardware Kit (Includes Items 113 & 114)	
211	70001265	1	Brake Cover Kit (Includes Items 151, 152 & 154)	

Go to Discount-Equipment.com to order your parts

SECTION 1 - FRAME

FIGURE 1-6. HUB ASSEMBLY - REAR



ART_2780266

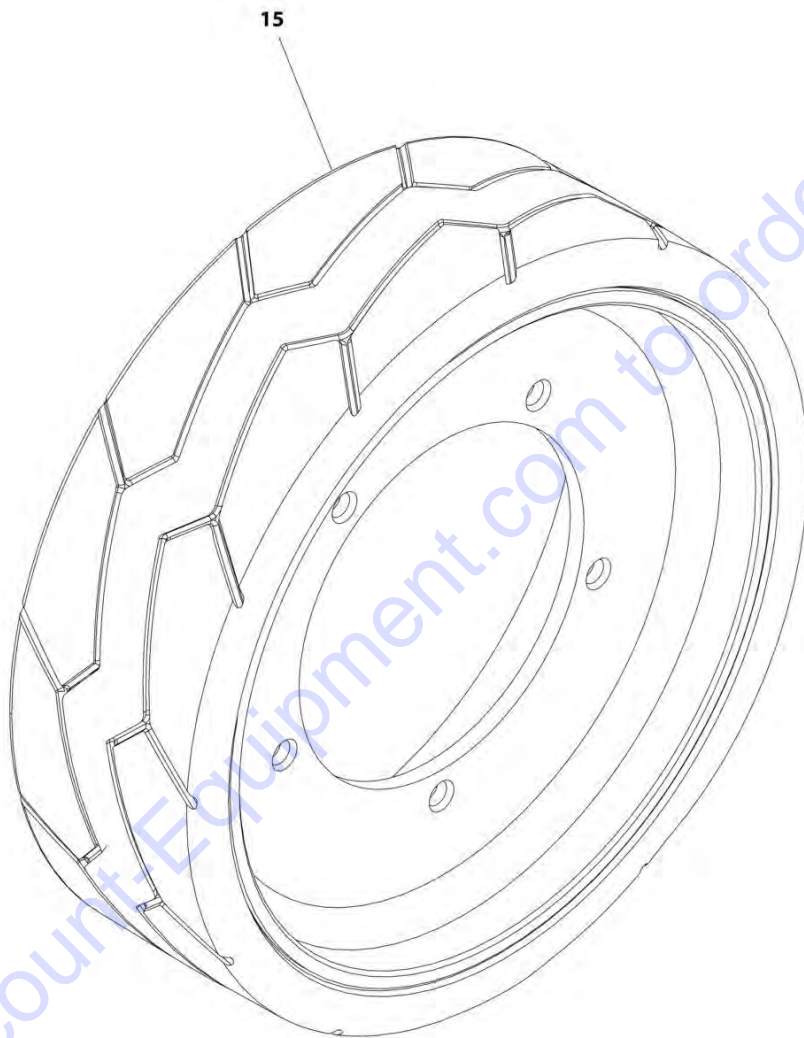
FIGURE 1-6. HUB ASSEMBLY - REAR

ITEM	PART NUMBER	QTY	DESCRIPTION	REV
	2780266	Ref	HUB ASSEMBLY - REAR	D
1	1001102354	1	Cap, Dust (was p/n 7012524)	
2	3300423	1	Nut, Slotted (was p/n 7010641)	
3	3450406	1	Pin, Cotter 2 x 3/16 (was p/n 7010642)	
4	4740468	1	Washer (was p/n 7019697)	
5	1001102351	1	Bearing, Cone - Outer (was p/n 7026185)	
6	See Note	NSS	Hub (Note: Purchase Complete Assembly p/n 2780266)	
7	1001102353	1	Bearing, Cone - Inner (was p/n 7026183)	
8	1001102349	1	Seal (was p/n 7026184)	

Go to Discount-Equipment.com to order your parts

SECTION 1 - FRAME

FIGURE 1-7. TIRE AND WHEEL ASSEMBLY (SOLIDEAL)



ART_100114467

SECTION 1 - FRAME

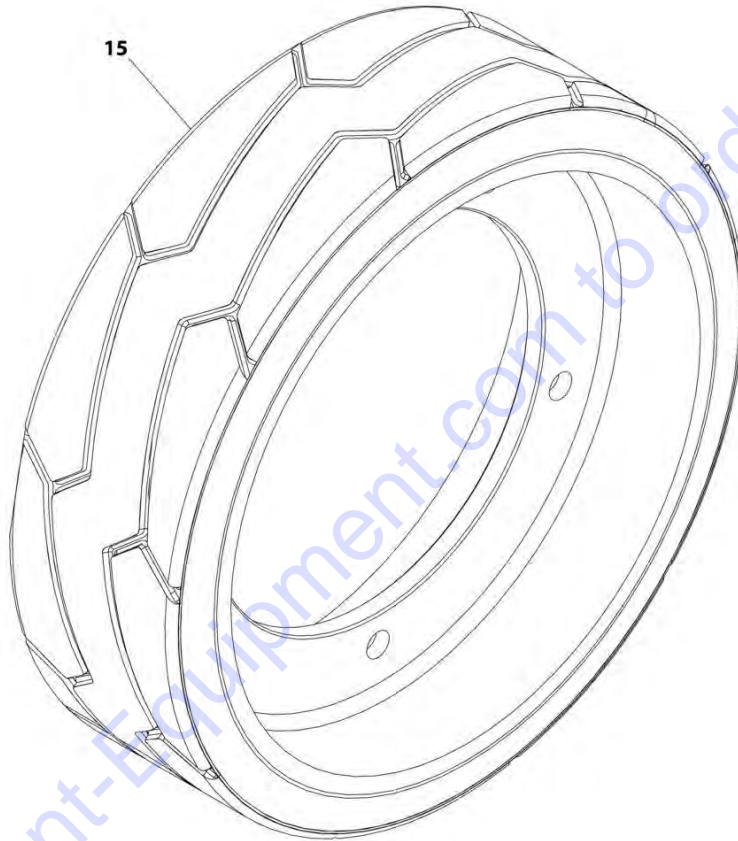
FIGURE 1-7. TIRE AND WHEEL ASSEMBLY (SOLIDEAL)

ITEM	PART NUMBER	QTY	DESCRIPTION	REV
15	1001114467 2915012	Ref	TIRE AND WHEEL ASSEMBLY (SOLIDEAL)	
		Ref	NOTE: MUST REPLACE TIRE AND WHEEL ASSEMBLIES IN PAIRS PER AXLE.	
		4	Tire and Wheel Assembly - Non-Marking	
		4	Tire and Wheel Kit (Includes Tire, Wheel and Bolts)	

Go to Discount-Equipment.com to order your parts

SECTION 1 - FRAME

FIGURE 1-8. TIRE AND WHEEL ASSEMBLY (EXMILE)



ART_1001219582

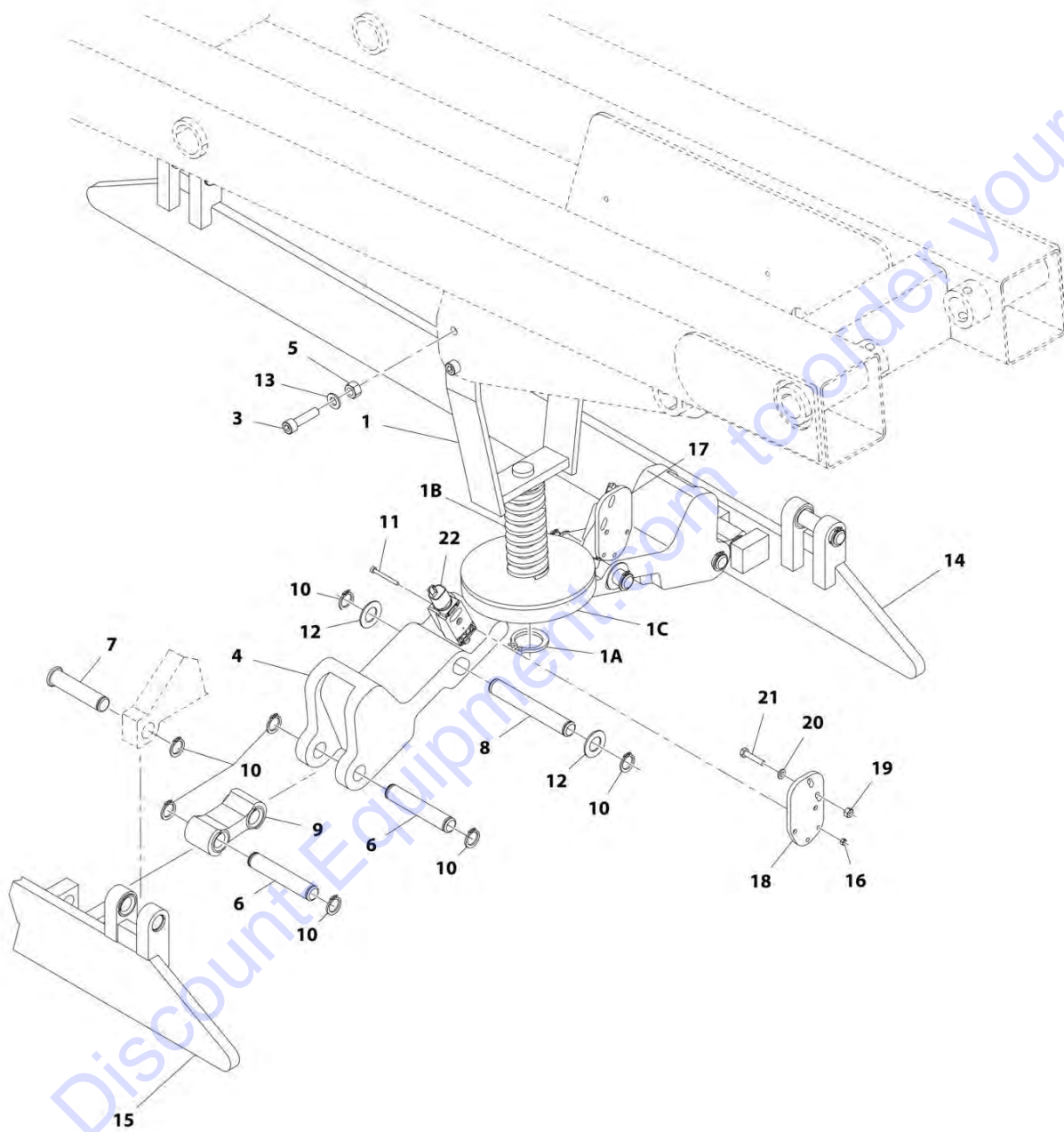
FIGURE 1-8. TIRE AND WHEEL ASSEMBLY (EXMILE)

ITEM	PART NUMBER	QTY	DESCRIPTION	REV
15	1001219582	4	TIRE AND WHEEL ASSEMBLY (EXMILE) NOTE: MUST REPLACE TIRE AND WHEEL ASSEMBLIES IN PAIRS PER AXLE. Tire and Wheel Assembly - Non-Marking	

Go to Discount-Equipment.com to order your parts

SECTION 1 - FRAME

FIGURE 1-9. POTHOLE PROTECTION INSTALLATION - NON-UL



ART_1001117265

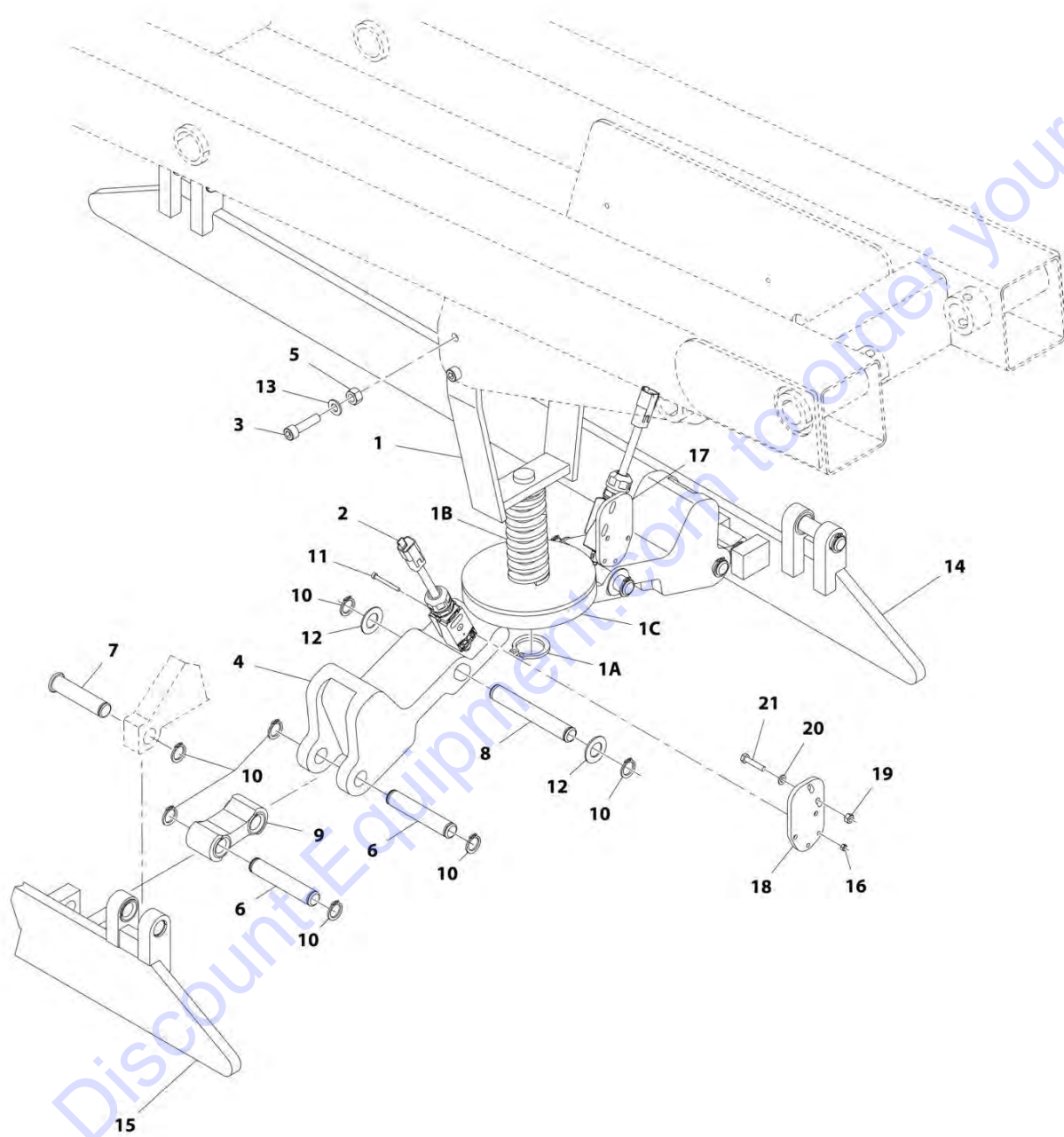
SECTION 1 - FRAME

FIGURE 1-9. POTHOLE PROTECTION INSTALLATION - NON-UL

ITEM	PART NUMBER	QTY	DESCRIPTION	REV
	1001117265	Ref	POTHOLE PROTECTION INSTALLATION - NON-UL	B
1	0060090	1	Actuator Pothole	F
1A	3760115	1	Ring, Retaining	
1B	4160202	1	Spring	
1C	4220287	1	Pad	
3	3900351	4	Capscrew M10 x 30	
4	3010158	2	Link	
5	3291005	4	Nut M10	
6	3423045	4	Pin, Pivot	
7	3423189	4	Pin, Pivot	
8	3423267	2	Pin	
9	3574176	2	Plate, Link	
10	3760348	16	Ring, Retaining	
11	4031512	4	Capscrew M4 x 40	
12	4740086	4	Washer, Thrust	
13	4812000	4	Washer M10	
14	4846775	1	Support (RH)	
15	4846861	1	Support (LH)	
16	3290405	4	Nut M4	
17	1001109232	1	Plate, Mounting	
18	1001109233	1	Plate, Mounting	
19	3290605	4	Nut M6	
20	4811700	4	Washer M6	
21	0700614	4	Bolt M6 x 30	
22	1001109088	2	Switch, Limit	

SECTION 1 - FRAME

FIGURE 1-10. POTHOLE PROTECTION INSTALLATION - UL



ART_1001126898

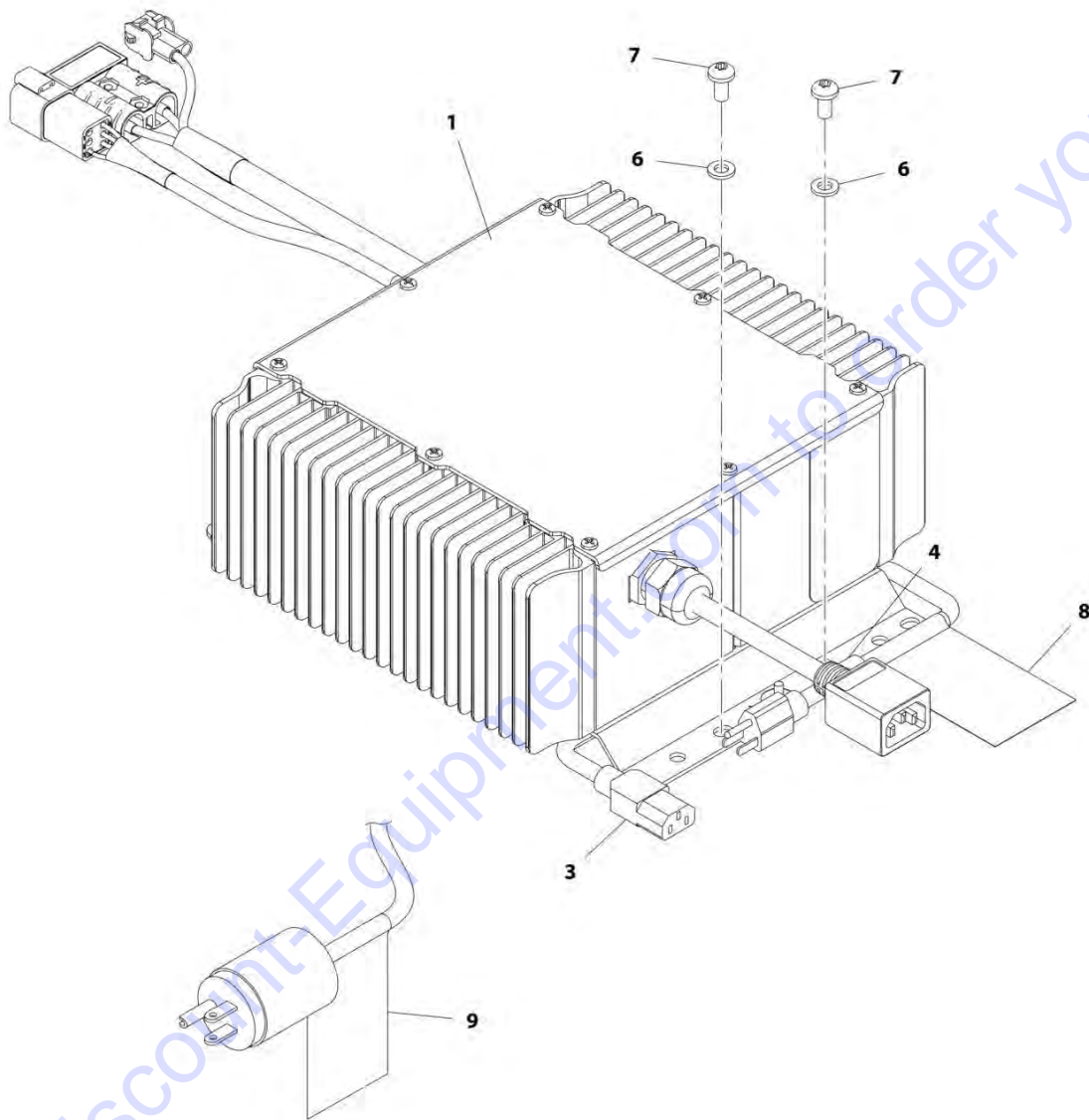
SECTION 1 - FRAME

FIGURE 1-10. POTHOLE PROTECTION INSTALLATION - UL

ITEM	PART NUMBER	QTY	DESCRIPTION	REV
	1001126898	Ref	POTHOLE PROTECTION INSTALLATION - UL	B
1	0060090	1	Actuator Pothole	F
1A	3760115	1	Ring, Retaining	
1B	4160202	1	Spring	
1C	4220287	1	Pad	
2	1001126905	2	Switch, Limit	
2	4460535	2	Receptacle, Female - 4 Position (1 per Switch)	
2	4460464	8	Pin, Male (4 per Switch)	
3	3900351	4	Capscrew M10 x 30	
4	3010158	2	Link	
5	3291005	4	Nut M10	
6	3423045	4	Pin, Pivot	
7	3423189	4	Pin, Pivot	
8	3423267	2	Pin	
9	3574176	2	Plate, Link	
10	3760348	16	Ring, Retaining	
11	4031512	4	Capscrew M4 x 40	
12	4740086	4	Washer, Thrust	
13	4812000	4	Washer M10	
14	4846775	1	Support (RH)	
15	4846861	1	Support (LH)	
16	3290405	4	Nut M4	
17	1001109232	1	Plate, Mounting	
18	1001109233	1	Plate, Mounting	
19	3290605	4	Nut M6	
20	4811700	4	Washer M6	
21	0700614	4	Bolt M6 x 30	

SECTION 1 - FRAME

FIGURE 1-11. BATTERY CHARGER INSTALLATION WITH 110V PLUG AND DELTA-Q CHARGER
(ANSI, ANSI EXPORT, CSA, JAPANESE AND UL SPECS)



ART_0275079

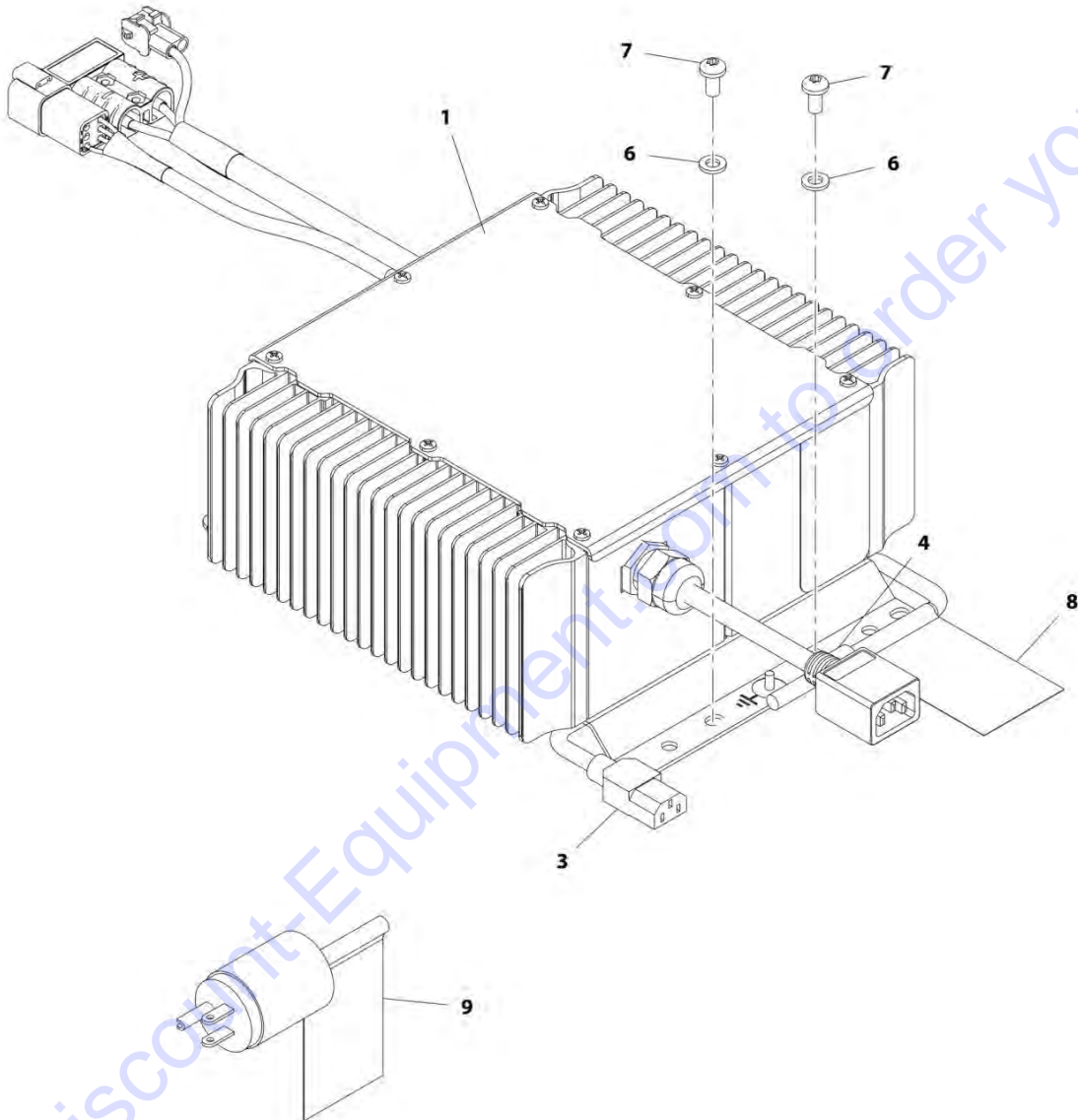
SECTION 1 - FRAME

**FIGURE 1-11. BATTERY CHARGER INSTALLATION WITH 110V PLUG AND DELTA-Q CHARGER
(ANSI, ANSI EXPORT, CSA, JAPANESE AND UL SPECS)**

ITEM	PART NUMBER	QTY	DESCRIPTION	REV
	0275079	Ref	BATTERY CHARGER INSTALLATION WITH 110V PLUG AND DELTA-Q CHARGER	G
1	1001112111	1	Battery Charger Assembly - DELTA-Q (See BATTERY CHARGER ASSEMBLY for Breakdown) (ANSI, ANSI EXPORT, CSA, JAPANESE AND UL SPECS)	
3	1001103257	1	Cable, Charger (AC INPUT)	
4	1321293	1	Clamp	
6	4811700	2	Washer M6	
7	4191706	2	Screw M6 x 12	
8	1001102489	1	Decal - Charger Label (SN 0200239382 through 0200257823, SN B200020279 to Present, SN M200000100 through M200002934)	
8	1001215870	1	Decal - Charger Label (SN 0200257823 to Present, SN M200002935 to Present)	
9	1001102258	1	Decal - AC Label	
10	1001112113	1	Sensor, Temperature (Not Shown - Located on Negative Battery Terminal) (SN 0200266434 to Present, SN M200014366 to Present)	

SECTION 1 - FRAME

FIGURE 1-12. BATTERY CHARGER INSTALLATION WITH DELTA-Q CHARGER (ANSI, ANSI EXPORT, CSA AND CE SPECS)



ART_0275088

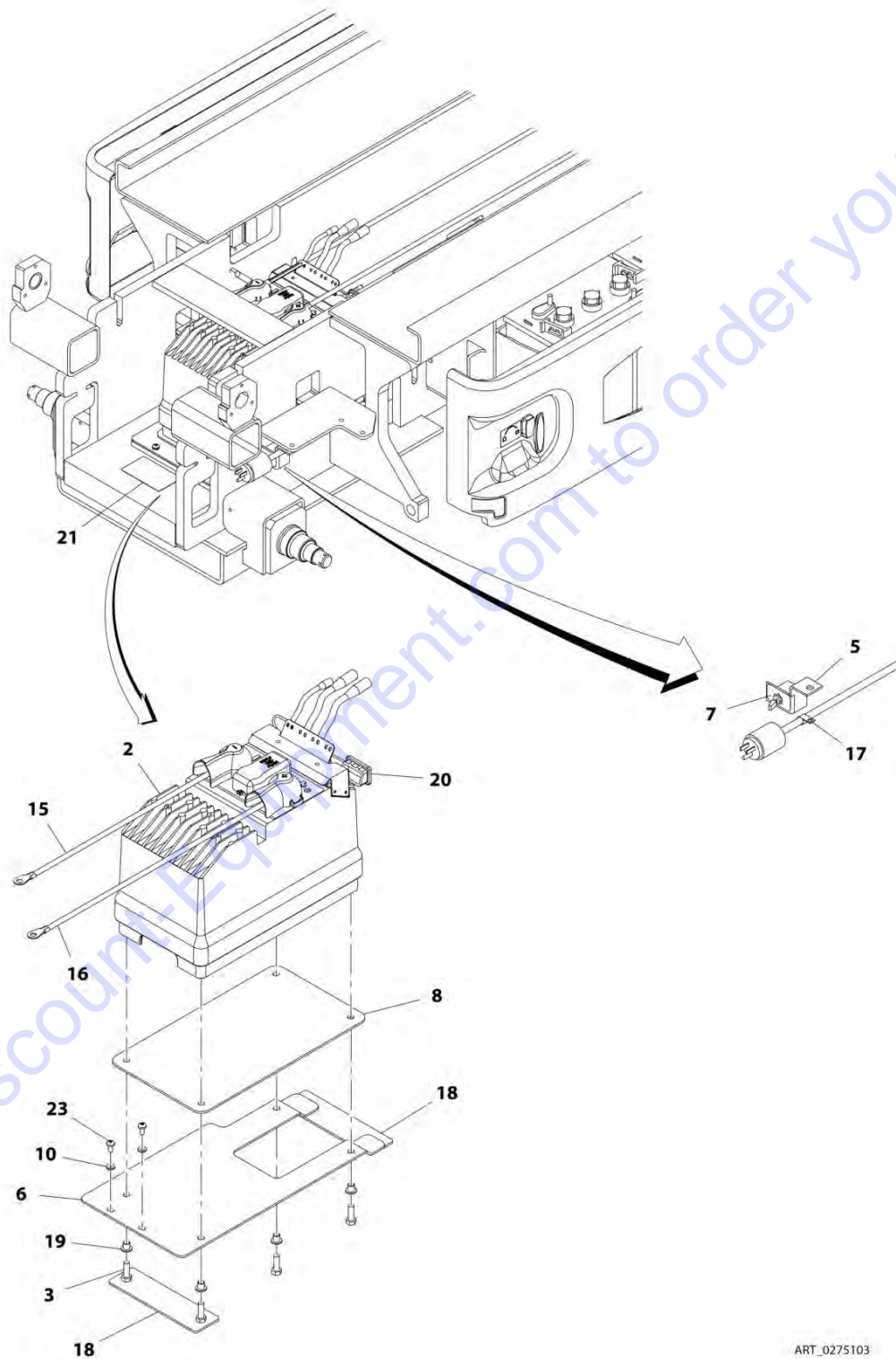
SECTION 1 - FRAME

FIGURE 1-12. BATTERY CHARGER INSTALLATION WITH DELTA-Q CHARGER (ANSI, ANSI EXPORT, CSA AND CE SPECS)

ITEM	PART NUMBER	QTY	DESCRIPTION	REV
	0275088	Ref	BATTERY CHARGER INSTALLATION WITH DELTA-Q CHARGER	H
1	1001112111	1	Battery Charger Assembly - DELTA-Q (See BATTERY CHARGER ASSEMBLY for Breakdown) (ANSI, ANSI EXPORT, CSA AND CE SPECS)	
3	1001103258	1	Cable, Charger (AC Input) No Plug	
4	1320136	1	Clamp (USA Built Machines)	
4	1321293	1	Clamp	
6	4811700	2	Washer M6	
7	4191706	2	Screw M6 x 12	
8	1001102489	1	Decal - Charger Label (SN 0200239382 through 0200257822, SN B200020297 to Present, SN M200000100 through M200002934)	
8	1001215870	1	Decal - Charger Label (SN 0200257823 to Present, SN M200002935 to Present)	
9	1001102258	1	Decal - AC Label	
10	1001112113	1	Sensor, Temperature (Not Shown - Located on Negative Battery Terminal) (SN 0200266434 to Present, SN 1200026477 to Present, SN B200045248 to Present, SN M200014366 to Present)	

SECTION 1 - FRAME

FIGURE 1-13. CHARGER (INVERTER) INSTALLATION (ANSI, ANSI EXPORT AND CSA SPECS) BATTERY CHARGER INSTALLATION WITH LOCALLY SUPPLIED PLUG (AUSTRALIAN SPEC)



ART_0275103

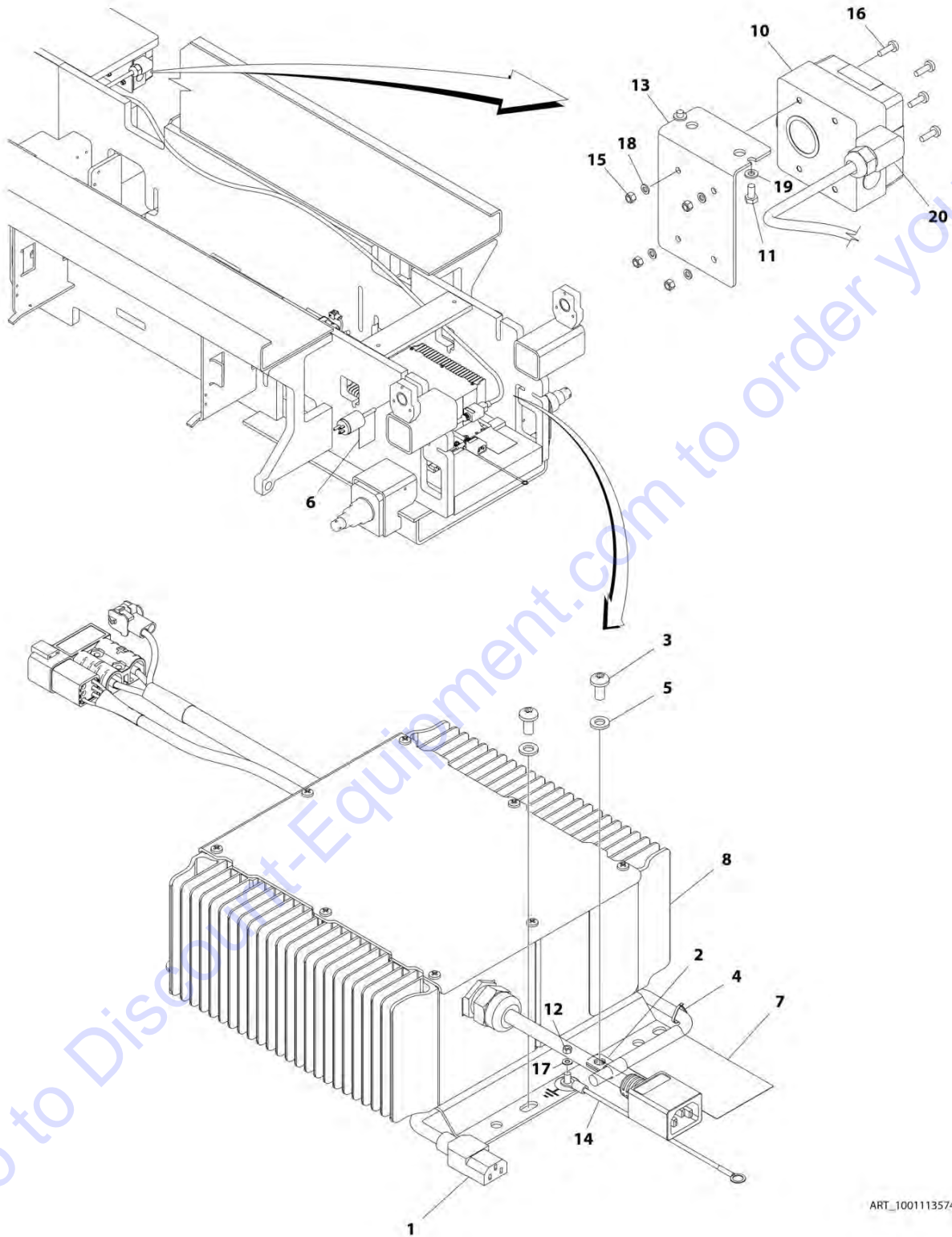
SECTION 1 - FRAME

FIGURE 1-13. CHARGER (INVERTER) INSTALLATION (ANSI, ANSI EXPORT AND CSA SPECS) BATTERY CHARGER INSTALLATION WITH LOCALLY SUPPLIED PLUG (AUSTRALIAN SPEC)

ITEM	PART NUMBER	QTY	DESCRIPTION	REV
	0275103	Ref	CHARGER (INVERTER) INSTALLATION	G
1	0100011	AR	Compound, Locking	
2	1001093839	1	Charger, Inverter	
3	0760812	4	Screw M8 x 25	
5	0902780	1	Bracket, Remote Switch	
6	0903444	1	Bracket, Inverter Mounting	
7	1705052	1	Decal - Inverter On-Off	
8	2820239	1	Insulation	
10	4811700	2	Washer M6	
12	1001091479	1	Harness, AC Input (Not Shown)	
13	4923390	1	Harness, AC Output (Not Shown)	
14	4923391	1	Harness Data Interface (Not Shown)	
15	4923392	1	Cable, Inverter Positive	
16	4923393	1	Cable, Inverter Negative	
17	1320043	1	Clamp	
18	2820240	2	Insulation	
19	4740562	4	Washer Special	
20	1671266	1	Cover	
21	1706749	1	Decal - Inverter	
23	4191706	2	Screw M6 x 12	

SECTION 1 - FRAME

FIGURE 1-14. BATTERY CHARGER INSTALLATION WITH LOCALLY SUPPLIED PLUG (AUSTRALIAN SPEC)



ART_1001113574

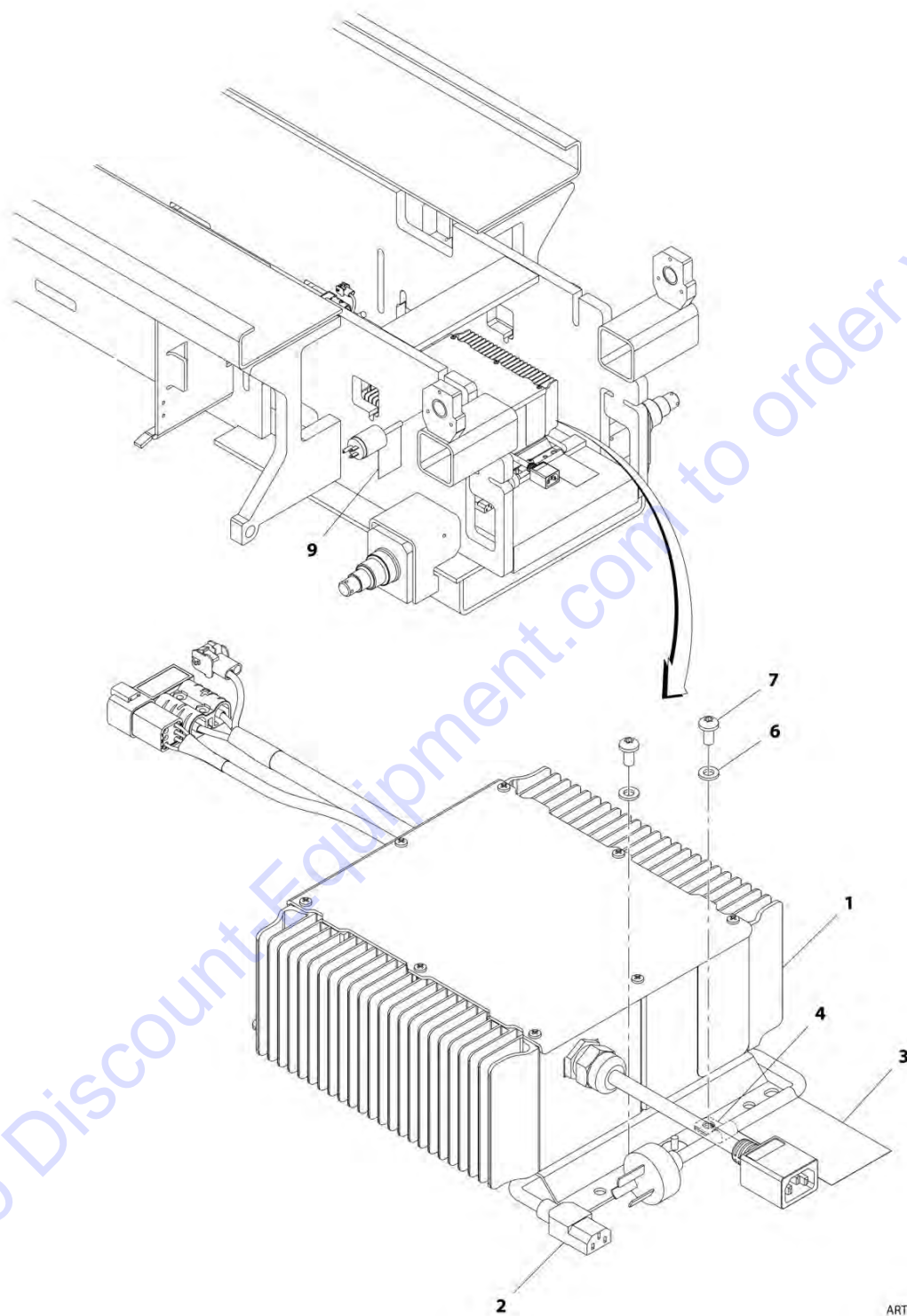
SECTION 1 - FRAME

FIGURE 1-14. BATTERY CHARGER INSTALLATION WITH LOCALLY SUPPLIED PLUG (AUSTRALIAN SPEC)

ITEM	PART NUMBER	QTY	DESCRIPTION	REV
	1001113574	Ref	BATTERY CHARGER INSTALLATION WITH LOCALLY SUPPLIED PLUG	G
1	1060689	1	Cable, AC Cord	
2	1320136	1	Clamp (USA Built Machines)	
2	1321293	1	Clamp	
3	4191706	2	Screw M6 x 12	
4	4240033	2	Tie-Strap	
5	4811700	2	Washer M6	
6	1001102258	1	Decal - AC to Platform	
7	1001102489	1	Decal - Charger Plug (SN 0200239382 through 0200257822, SN B200020297 through B200037245, SN M200000100 through M200002934)	
7	1001215870	1	Decal - Charger Plug (SN 0200257823 to Present, SN B200037246 to Present, SN M200002935 to Present)	
8	1001112111	1	Battery Charger Assembly (See BATTERY CHARGER ASSEMBLY - DELTA-Q for Breakdown)	
9	1001112113	1	Sensor, Temperature (Not Shown - Located on Negative Battery Terminal) (SN 0200266434 to Present, SN B200045248 to Present, SN M200014366 to Present)	
10	1001227267	1	Electric Assembly (SN B200052311 to Present, SN M200022327 to Present)	
11	0760606	2	Bolt M6 x 12	
12	3290405	1	Nut M4	
13	1001227213	1	Bracket (SN B200052311 to Present, SN M200022327 to Present)	
14	1001227219	1	Earth/Ground Harness (SN B200052311 to Present, SN M200022327 to Present)	
15	3290505	4	Nut M5	
16	3900381	4	Screw M5 x 16	
17	4811400	1	Washer M4	
18	4831600	4	Washer M5	
19	4841700	2	Washer M6	
20	1001103471	1	Connector, Strain Relief (SN B200052311 to Present, SN M200022327 to Present)	

SECTION 1 - FRAME

FIGURE 1-15. BATTERY CHARGER INSTALLATION WITH LOCALLY SUPPLIED PLUG (CHINESE SPEC)



ART_1001172007

SECTION 1 - FRAME

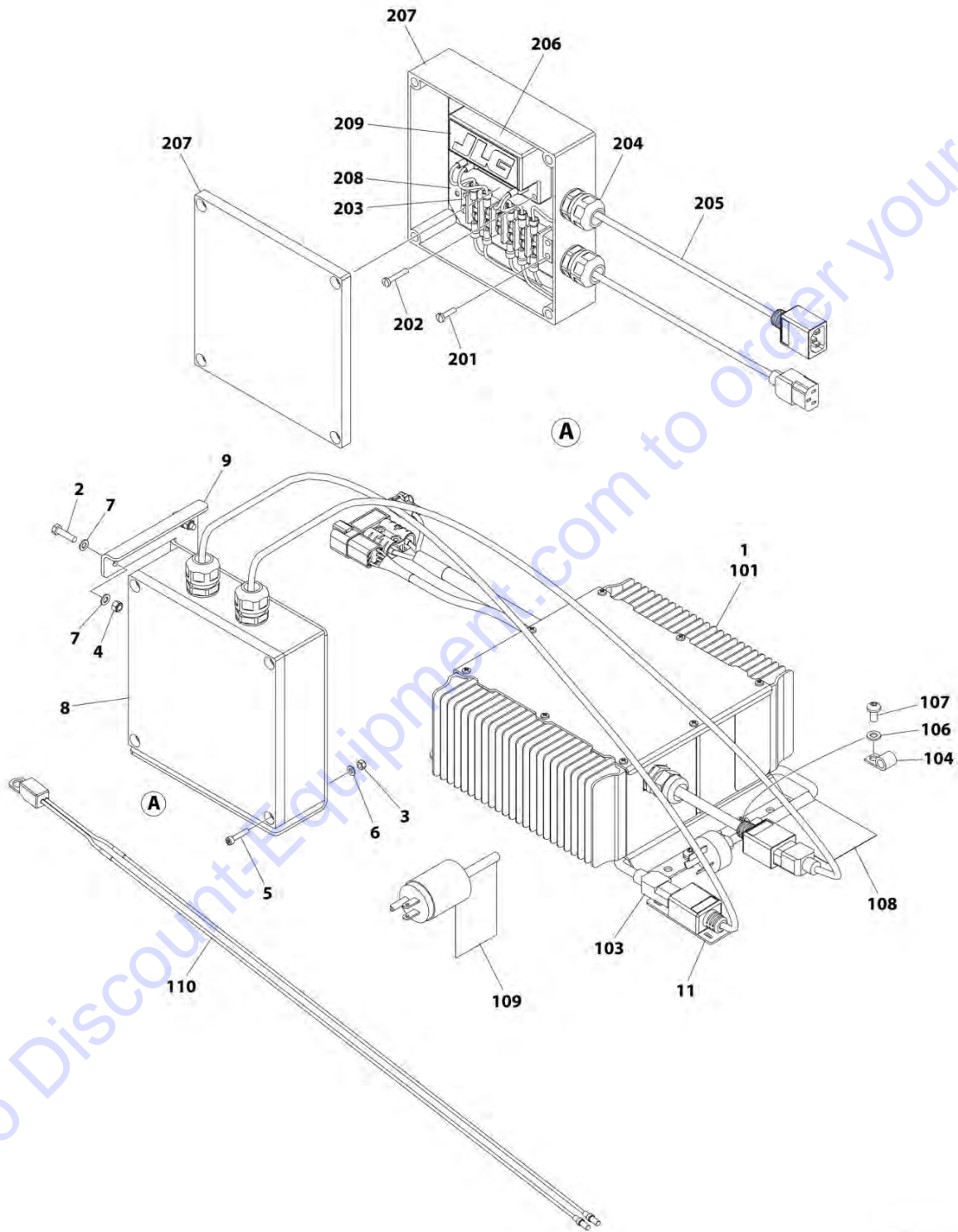
FIGURE 1-15. BATTERY CHARGER INSTALLATION WITH LOCALLY SUPPLIED PLUG (CHINESE SPEC)

ITEM	PART NUMBER	QTY	DESCRIPTION	REV
	1001172007	Ref	BATTERY CHARGER INSTALLATION WITH LOCALLY SUPPLIED PLUG (CHINESE SPEC)	D
1	1001112111	1	Battery Charger Assembly (See BATTERY CHARGER ASSEMBLY - DELTA-Q for Breakdown)	
2	1001172010	1	Cable, Charger (AC Input)	
3	1001102489	1	Decal - Charger Plug (SN 0200239382 through 0200257822, SN B200020297 to Present, SN M200000100 through M200002934)	
3	1001215870	1	Decal - Charger Plug (SN 0200257823 to Present, SN M200002935 to Present)	
4	1321293	1	Clamp	
6	4811700	2	Washer M6	
7	4191706	2	Screw M6 x 12	
9	1001102258	1	Decal - AC to Platform	

Go to Discount-Equipment.com to order your parts

SECTION 1 - FRAME

FIGURE 1-16. BATTERY CHARGER INSTALLATION – WITH VOLTAGE GUARD (LOCALLY SUPPLIED PLUG) (ANSI EXPORT AND KOREA SPECS)



ART_1001212460

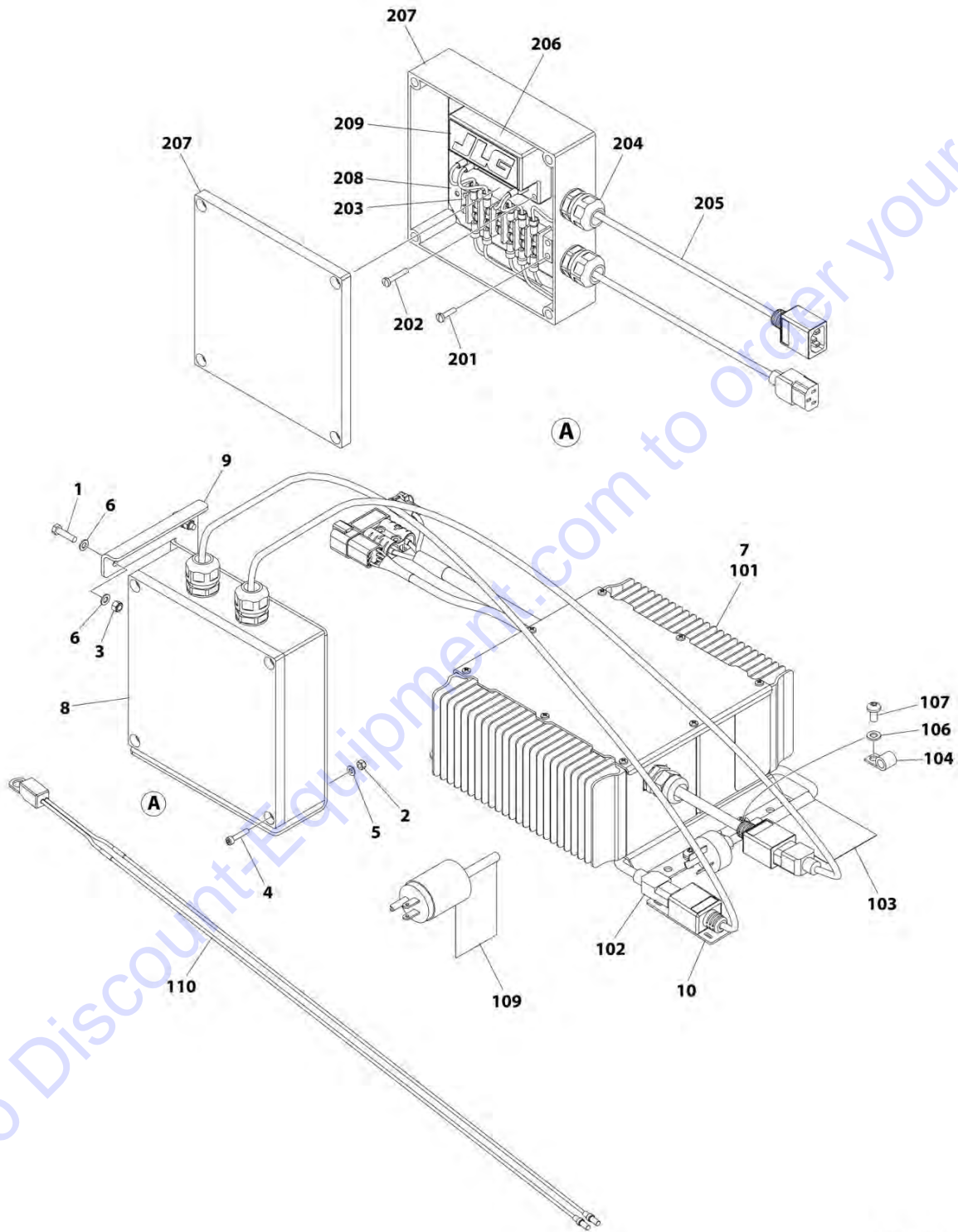
SECTION 1 - FRAME

FIGURE 1-16. BATTERY CHARGER INSTALLATION – WITH VOLTAGE GUARD (LOCALLY SUPPLIED PLUG) (ANSI EXPORT AND KOREA SPECS)

ITEM	PART NUMBER	QTY	DESCRIPTION	REV
	1001212460	Ref	BATTERY CHARGER INSTALLATION - WITH VOLTAGE GUARD (LOCALLY SUPPLIED PLUG)	B
1	0275088	1	Charger Installation (See Items 101-110)	
2	0700510	2	Bolt M5 x 20	
3	3290405	4	Nut M4	
4	3290505	2	Nut M5	
5	4031508	4	Screw M4 x 20	
6	4811400	4	Washer M4	
7	4811600	4	Washer M5	
8	1001185306	1	Voltage Guard Installation (See Items 201-209)	
9	1001185830	1	Bracket	
10	4240017	2	Tie Strap (Not Shown)	
11	1001215326	1	Support	
	0275088	Ref	CHARGER INSTALLATION	H
101	1001112111	1	Battery Charger Assembly (See BATTERY CHARGER ASSEMBLY - DELTA-Q for Breakdown)	
103	1001103258	1	Cable, Charger (AC Input)	
104	1321293	1	Clamp	
106	4811700	2	Washer M6	
107	4191706	2	Screw M6 x 12	
108	1001215870	1	Decal - Charger Plug	
109	1001102258	1	Decal - AC to Platform	
110	1001112113	1	Sensor, Temperature	
	1001185306	Ref	VOLTAGE GUARD INSTALLATION	C
201	4010408	2	Screw M4 x 16	
202	4010412	2	Screw M4 x 24	
203	4460007	1	Bus Bar	
204	4460968	2	Connector Strain Relief	
205	1001184947	1	Harness	
206	1001185156	1	Voltage Guard	
207	1001186497	1	Box	
208	1001187101	1	Plate	
209	1001187530	1	Decal - JLG	

SECTION 1 - FRAME

FIGURE 1-17. BATTERY CHARGER INSTALLATION – WITH VOLTAGE GUARD AND CHINESE PLUG
(ANSI EXPORT, CHINESE AND KOREA SPECS)



ART_1001196958

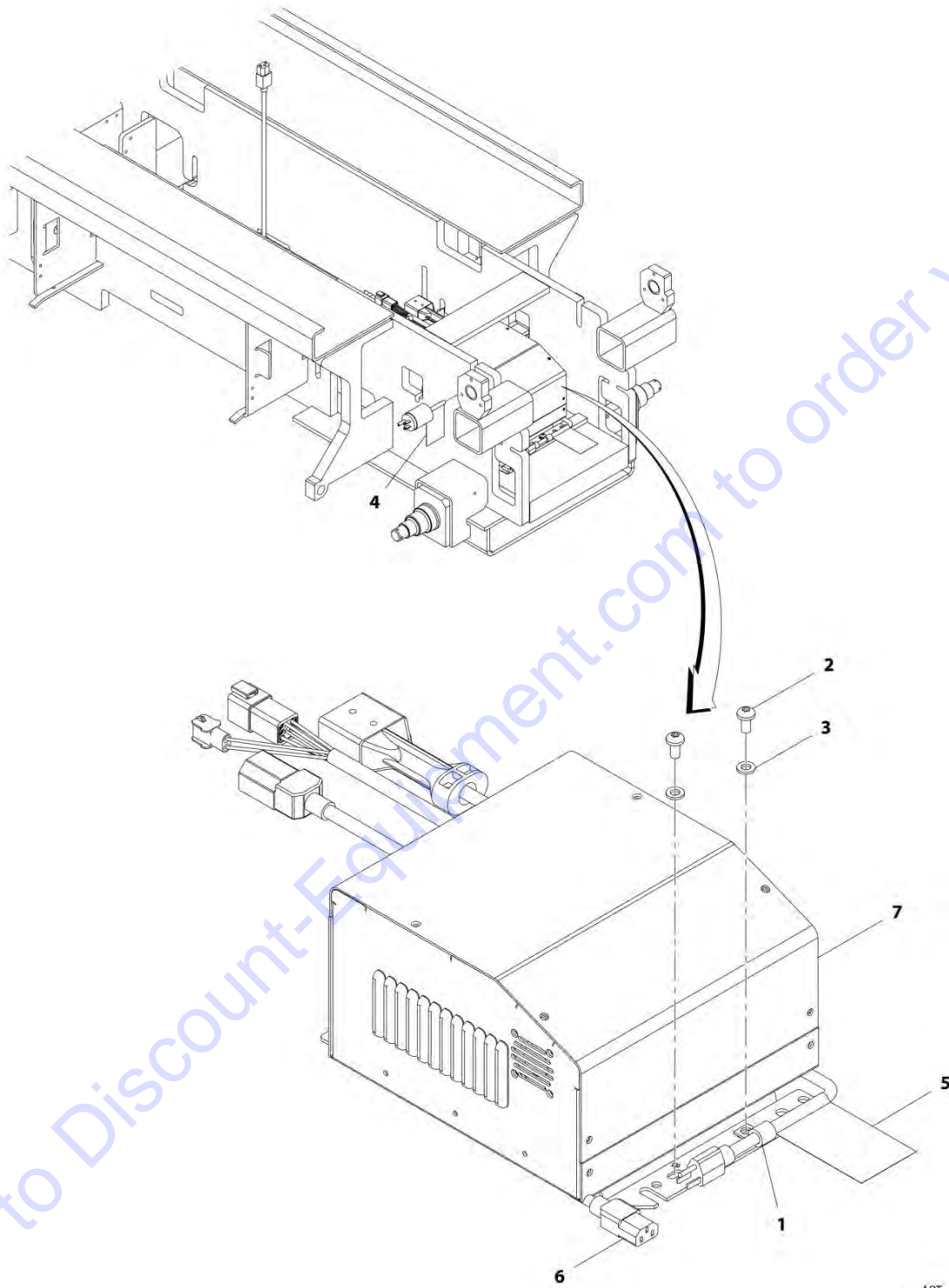
SECTION 1 - FRAME

**FIGURE 1-17. BATTERY CHARGER INSTALLATION – WITH VOLTAGE GUARD AND CHINESE PLUG
(ANSI EXPORT, CHINESE AND KOREA SPECS)**

ITEM	PART NUMBER	QTY	DESCRIPTION	REV
	1001196958	Ref	BATTERY CHARGER INSTALLATION - WITH VOLTAGE GUARD AND CHINESE PLUG	B
1	0700510	2	Bolt M5 x 20	
2	3290405	4	Nut M4	
3	3290505	2	Nut M5	
4	4031508	4	Bolt M4 x 20	
5	4811400	4	Washer M4	
6	4811600	4	Washer M5	
7	1001172007	1	Charger Installation (See Items 101-110)	
8	1001185306	1	Voltage Guard Installation (See Items 201-209)	
9	1001185830	1	Bracket	
10	1001215326	1	Support	
11	4240017	2	Tie Strap (Not Shown)	
	1001172007	Ref	CHARGER INSTALLATION	E
101	1001112111	1	Battery Charger Assembly (See BATTERY CHARGER ASSEMBLY - DELTA-Q for Breakdown)	
102	1001172010	1	Cable, Charger (AC Input)	
103	1001215870	1	Decal - Charger Plug	
104	1321293	1	Clamp	
106	4811700	2	Washer M6	
107	4191706	2	Screw M6 x 12	
109	1001102258	1	Decal - AC to Platform	
110	1001112113	1	Sensor, Temperature	
	1001185306	Ref	VOLTAGE GUARD INSTALLATION	C
201	4010408	2	Screw M4 x 16	
202	4010412	2	Screw M4 x 24	
203	4460007	1	Bus Bar	
204	4460968	2	Connector Strain Relief	
205	1001184947	1	Harness	
206	1001185156	1	Voltage Guard	
207	1001186497	1	Box	
208	1001187101	1	Plate	
209	1001187530	1	Decal - JLG	

SECTION 1 - FRAME

FIGURE 1-18. BATTERY CHARGER INSTALLATION - EAGLE PERFORMANCE (ANSI AND CSA SPEC)



ART_1001179427

SECTION 1 - FRAME

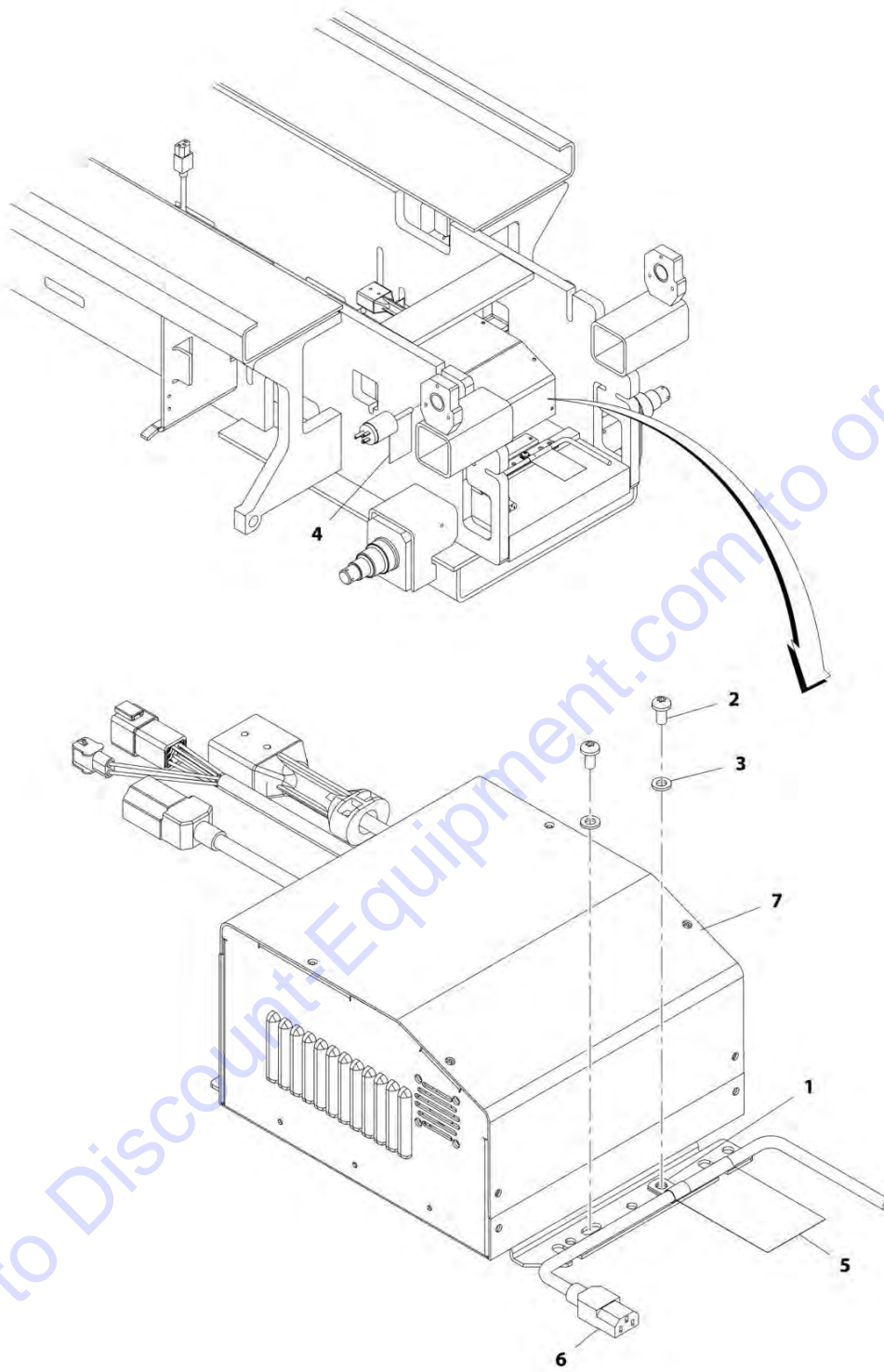
FIGURE 1-18. BATTERY CHARGER INSTALLATION - EAGLE PERFORMANCE (ANSI AND CSA SPEC)

ITEM	PART NUMBER	QTY	DESCRIPTION	REV
	1001179427	Ref	BATTERY CHARGER INSTALLATION - EAGLE PERFORMANCE	A
1	1321293	1	Clamp	
2	4191706	2	Screw M6 x 12	
3	4811700	2	Washer M6	
4	1001102258	1	Decal - AC to Platform	
5	1001102489	1	Decal - Charger Plug	
6	1001103257	1	Cable, Charger (AC Input)	
7	1001177842	1	Battery Charger Assembly (See BATTERY CHARGER ASSEMBLY - EAGLE PERFORMANCE for Breakdown)	

Go to Discount-Equipment.com to order your parts

SECTION 1 - FRAME

FIGURE 1-19. BATTERY CHARGER INSTALLATION WITH LOCALLY SUPPLIED - EAGLE PERFORMANCE (ANSI AND CSA SPEC)



ART_1001180313

SECTION 1 - FRAME

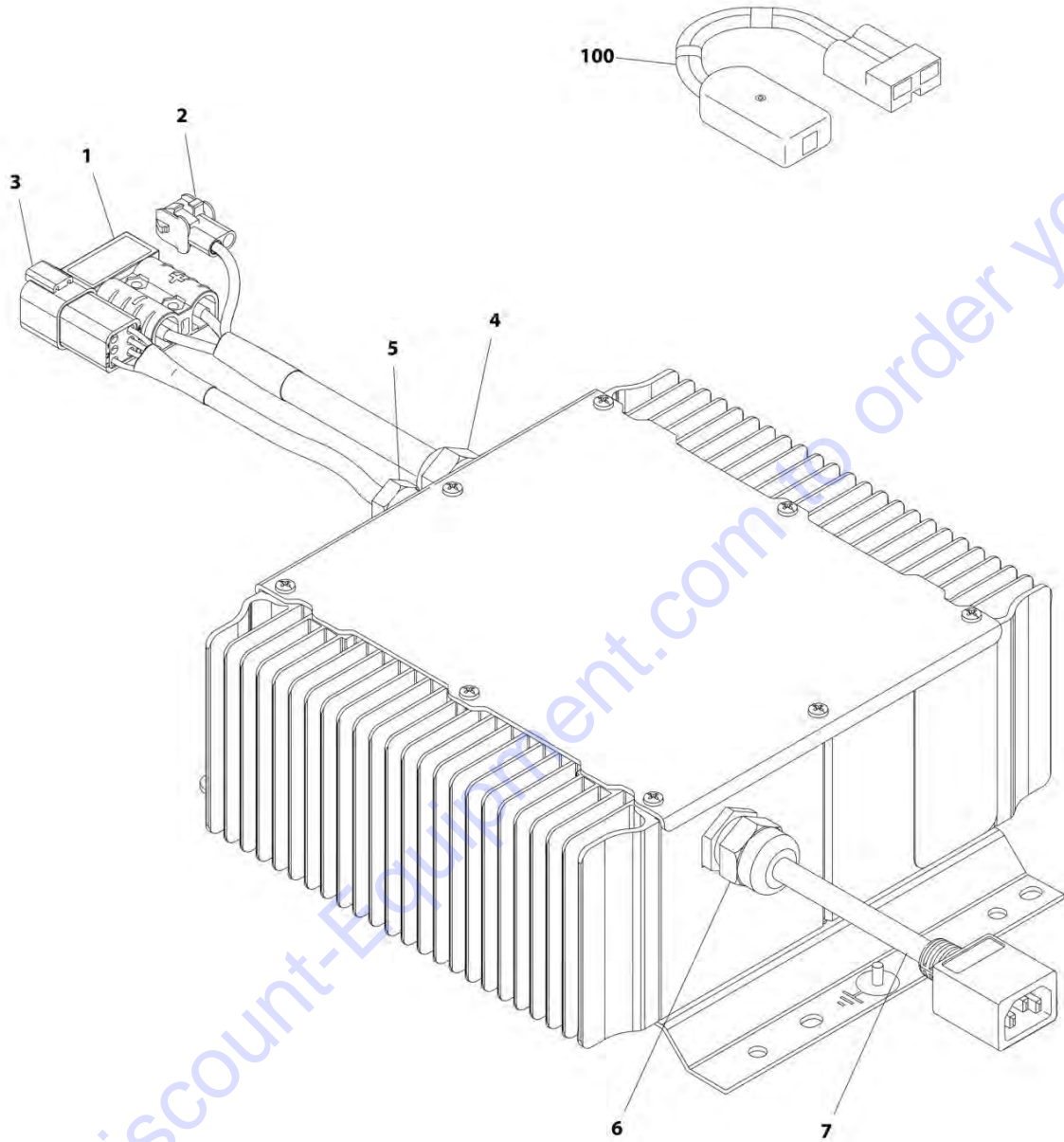
FIGURE 1-19. BATTERY CHARGER INSTALLATION WITH LOCALLY SUPPLIED - EAGLE PERFORMANCE (ANSI AND CSA SPEC)

ITEM	PART NUMBER	QTY	DESCRIPTION	REV
	1001180313	Ref	BATTERY CHARGER INSTALLATION WITH LOCALLY SUPPLIED PLUG - EAGLE PERFORMANCE	A
1	1320136	1	Clamp	
2	4191706	2	Screw M6 x 12	
3	4811700	2	Washer M6	
4	1001102258	1	Decal - AC to Platform	
5	1001102489	1	Decal - Charger Plug	
6	1001103258	1	Cable, Charger (AC Input)	
7	1001177842	1	Battery Charger Assembly (See BATTERY CHARGER ASSEMBLY - EAGLE PERFORMANCE for Breakdown)	

Go to Discount-Equipment.com to order your parts

SECTION 1 - FRAME

FIGURE 1-20. BATTERY CHARGER ASSEMBLY - DELTA-Q



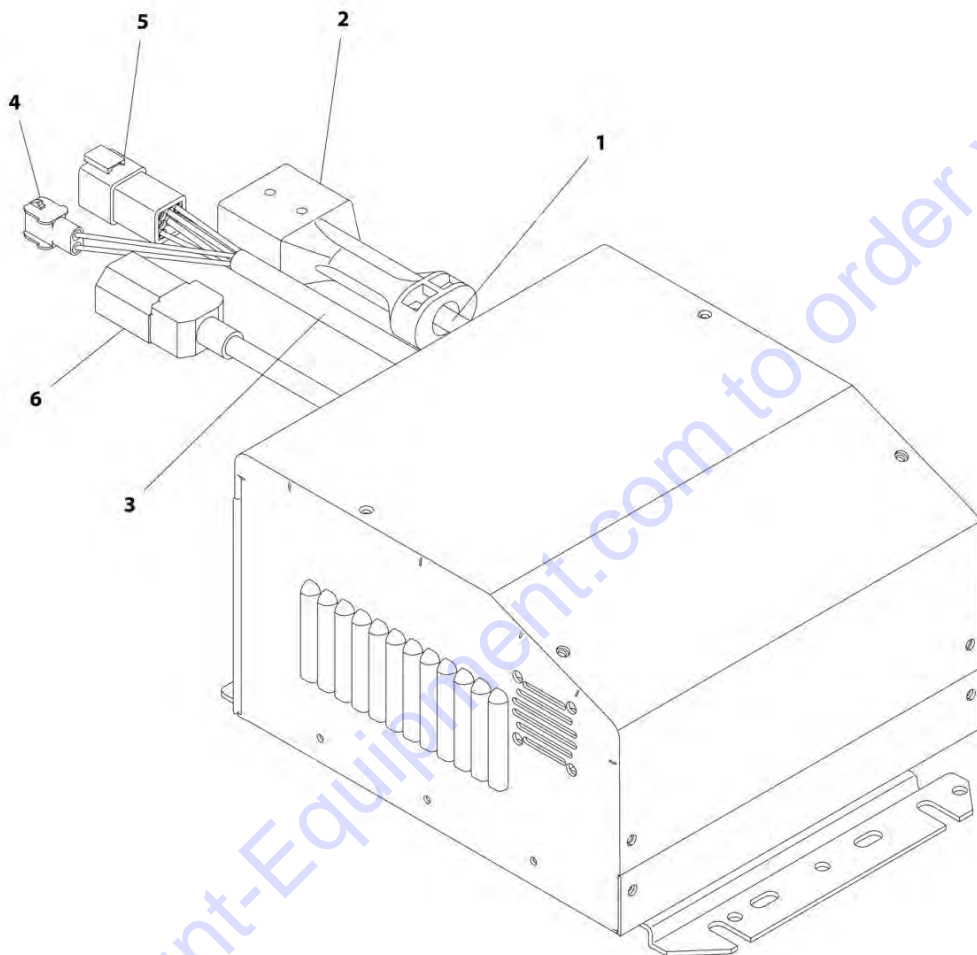
ART_1001112111

FIGURE 1-20. BATTERY CHARGER ASSEMBLY - DELTA-Q

ITEM	PART NUMBER	QTY	DESCRIPTION	REV
	1001112111	Ref	BATTERY CHARGER ASSEMBLY - DELTA-Q	K
1	Not Available	1	Harness with Plug	
1	4460648	1	Plug, Anderson Battery Cable	
2	Not Available	1	Harness with Connector	
2	4460424	1	Connector, Female - 2 Position	
2	4460227	2	Pin, Male	
3	Not Available	1	Harness with Connector	
3	4460899	1	Connector, Female - 6 Position	
3	4460464	6	Pin, Male	
4	Not Available	1	Connector, Strain Relief	
5	Not Available	1	Connector, Strain Relief	
6	Not Available	1	Connector, Strain Relief	
7	Not Available	1	Harness with Connector	
100	2915230	1	BATTERY CHARGER REPROGRAM CONTROLLER KIT (Includes Controller, Software and Instructions)	

SECTION 1 - FRAME

FIGURE 1-21. BATTERY CHARGER ASSEMBLY EAGLE PERFORMANCE



ART_1001177842

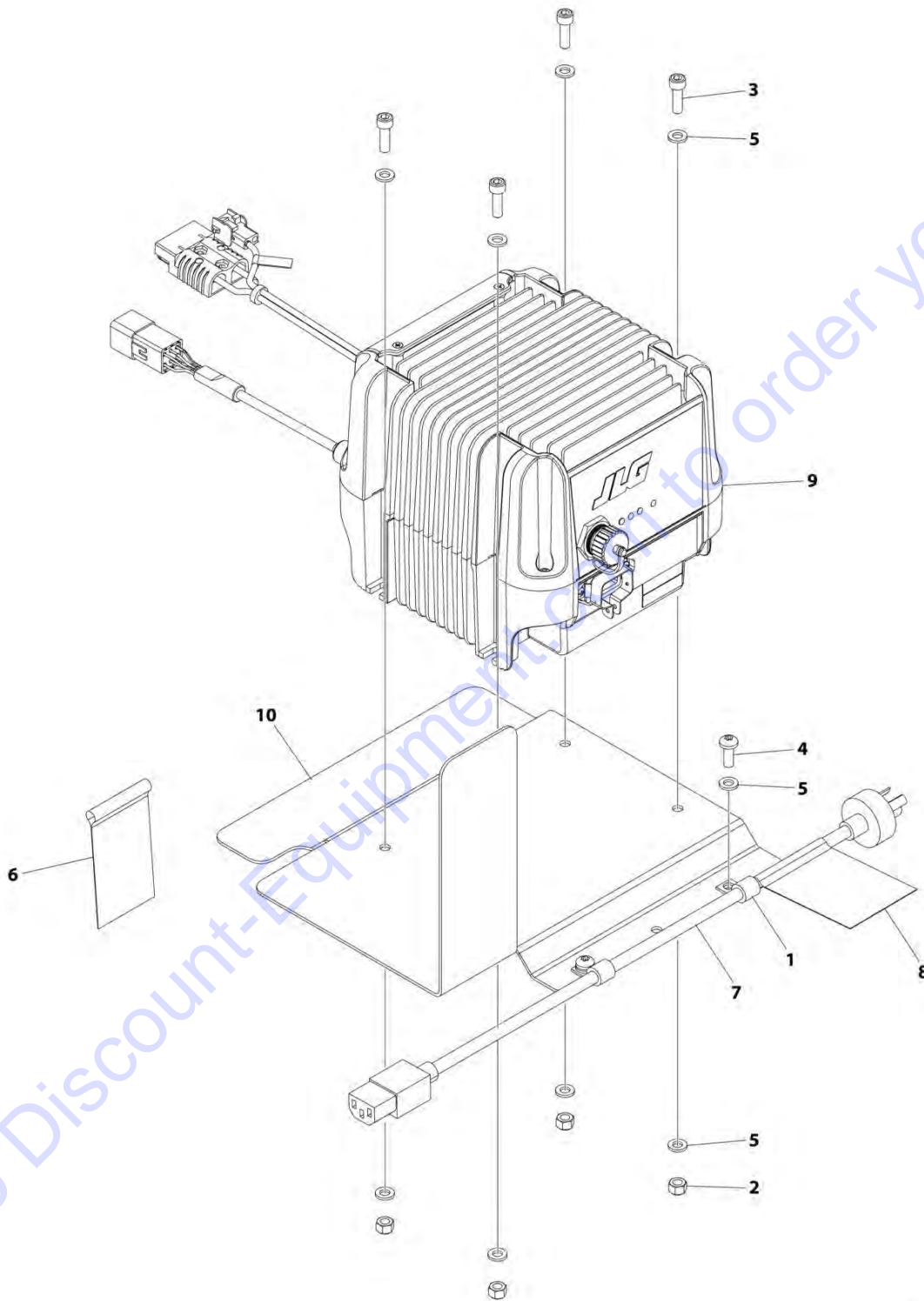
FIGURE 1-21. BATTERY CHARGER ASSEMBLY EAGLE PERFORMANCE

ITEM	PART NUMBER	QTY	DESCRIPTION	REV
	1001177842	Ref	BATTERY CHARGER ASSEMBLY - EAGLE PERFORMANCE	A
1	Not Available	1	Harness with Plug	
2	Not Available	1	Plug, Battery Cable	
3	Not Available	1	Harness	
4	4460424	1	Connector, Female - 2 Position	
4	4460227	2	Pin, Male	
5	4460899	1	Connector, Female - 6 Position	
5	4460464	6	Pin, Male	
6	Not Available	1	Harness with Connector	

Go to Discount-Equipment.com to order your parts

SECTION 1 - FRAME

FIGURE 1-22. BATTERY CHARGER INSTALLATION - GREEN POWER (CHINESE PLUG) (CHINESE SPECS)



ART_1001242757

SECTION 1 - FRAME

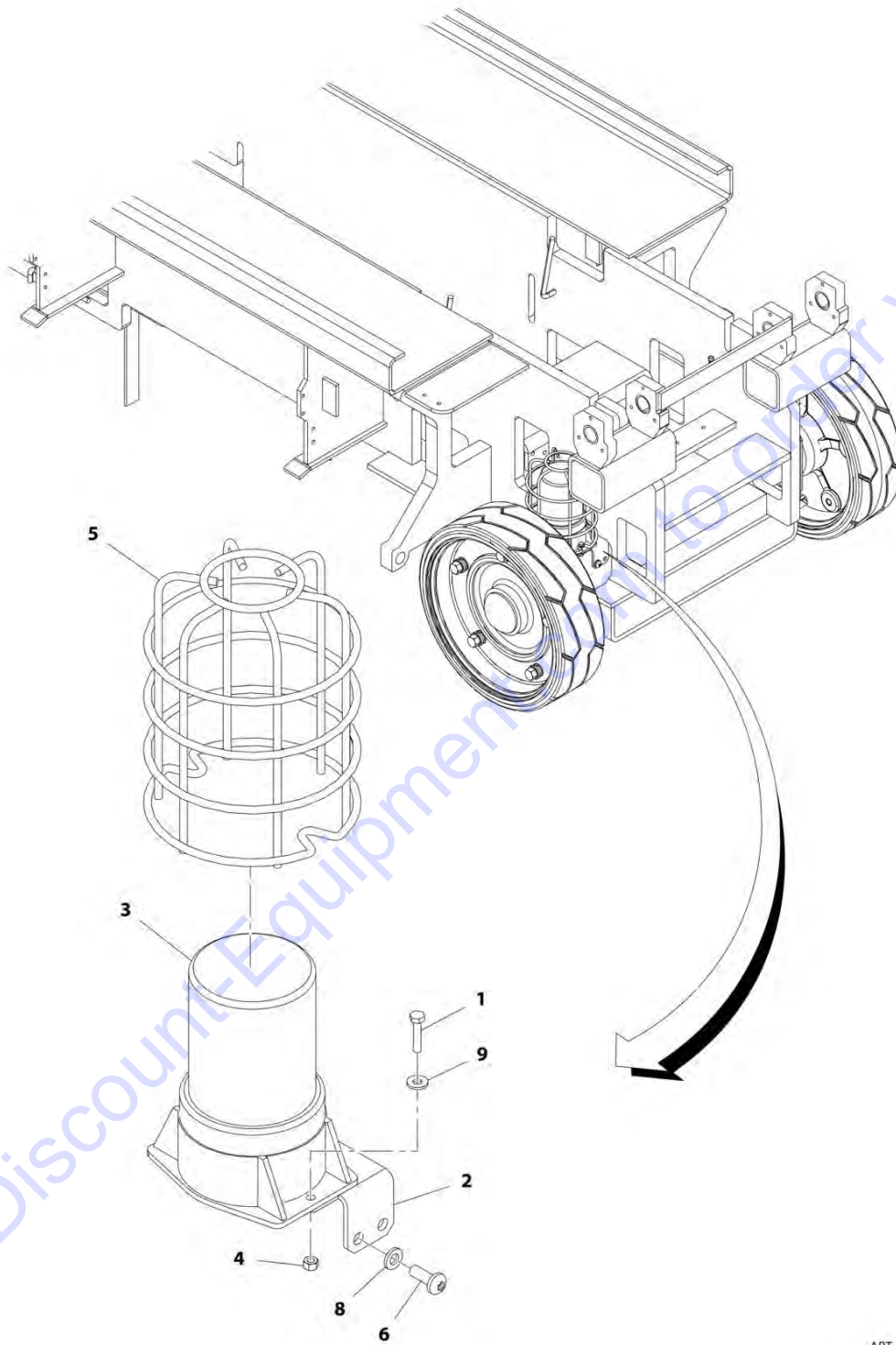
FIGURE 1-22. BATTERY CHARGER INSTALLATION - GREEN POWER (CHINESE PLUG) (CHINESE SPECS)

ITEM	PART NUMBER	QTY	DESCRIPTION	REV
	1001242757	Ref	BATTERY CHARGER INSTALLATION - GREEN POWER (CHINESE PLUG)	A
1	1321293	2	Clamp	
2	3290605	4	Nut M6	
3	4031708	4	Capscrew M6 x 20	
4	4191707	2	Screw M6 x 16	
5	4811700	10	Washer M6	
6	1001102258	1	Decal - AC to Platform	
7	1001172010	1	Cable, Charger (AC Input)	
8	1001215870	1	Decal - Charger Plug	
9	1001218595	1	Charger, Battery - Green Power	
10	1001242542	1	Bracket	
11	1001112113	1	Sensor, Temperature (Not Shown - Located on Negative Battery Terminal)	

Go to Discount-Equipment.com to order your parts

SECTION 1 - FRAME

FIGURE 1-23. BEACON (AMBER) LIGHT INSTALLATION (OPTIONAL)



ART_0272309

SECTION 1 - FRAME

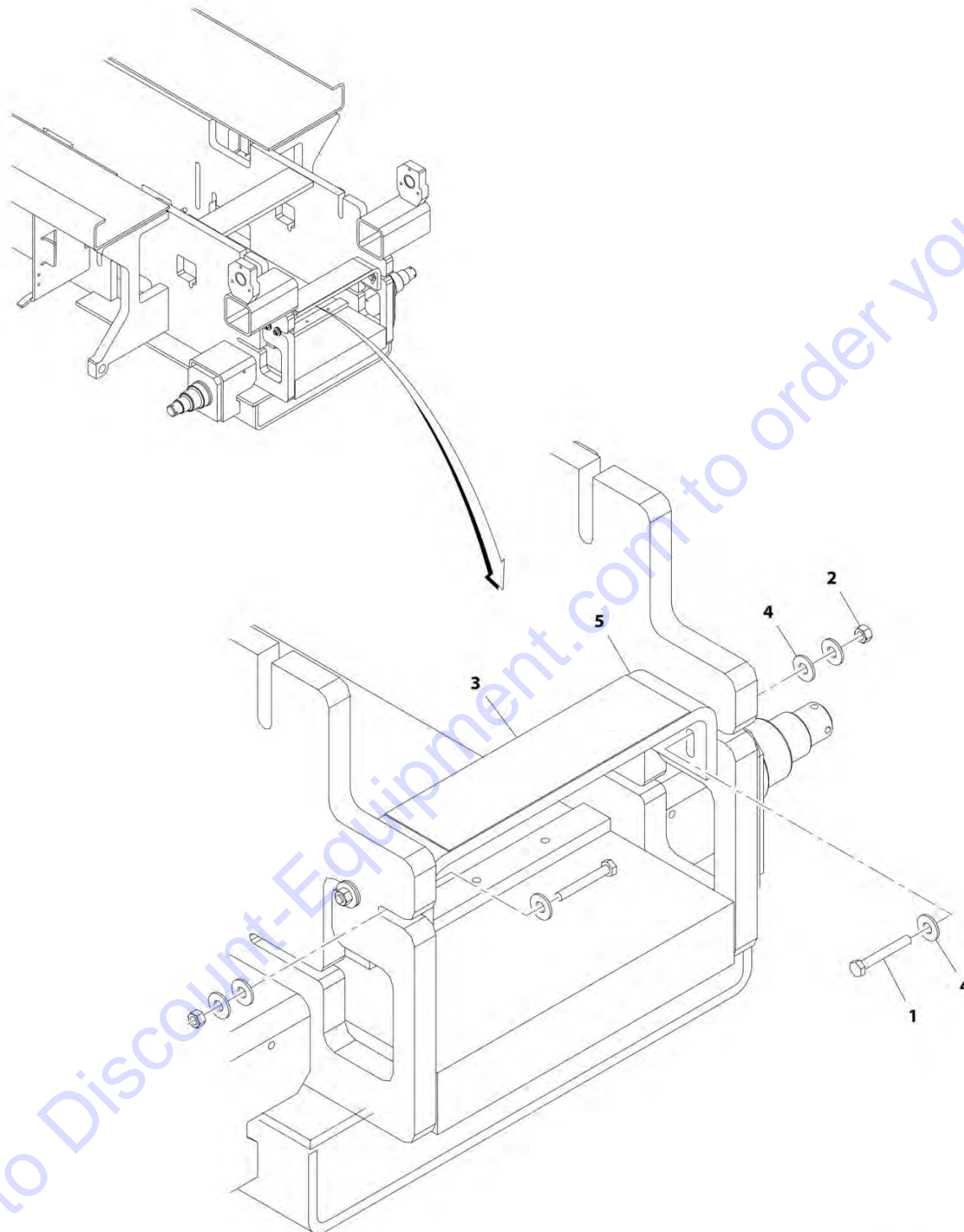
FIGURE 1-23. BEACON (AMBER) LIGHT INSTALLATION (OPTIONAL)

ITEM	PART NUMBER	QTY	DESCRIPTION	REV
	0272309	Ref	BEACON (AMBER) LIGHT INSTALLATION (OPTIONAL)	E
		Ref	Note: See SPECIAL OPTIONS SECTION for Machines with 2 Beacon Lights.	
1	0760410	2	Screw M4 x 20	
2	0902905	1	Bracket	
3	2920161	1	Light, Beacon	
4	3290405	2	Nut M4	
5	4060865	1	Guard	
6	4191707	2	Screw M6 x 16	
8	4811700	2	Washer M6	
9	4750800	2	Washer #8	

Go to Discount-Equipment.com to order your parts

SECTION 1 - FRAME

FIGURE 1-24. LADDER INSTALLATION - 1930ES



ART_1001177410

FIGURE 1-24. LADDER INSTALLATION - 1930ES

ITEM	PART NUMBER	QTY	DESCRIPTION	REV
	1001177410	Ref	LADDER INSTALLATION	B
1	0700617	4	Bolt M6 x 45	
2	3290607	4	Nut M6	
3	4420080	1	Tape, Anti - Skid	
4	4751400	12	Washer 1/4	
5	1001177418	1	Ladder	

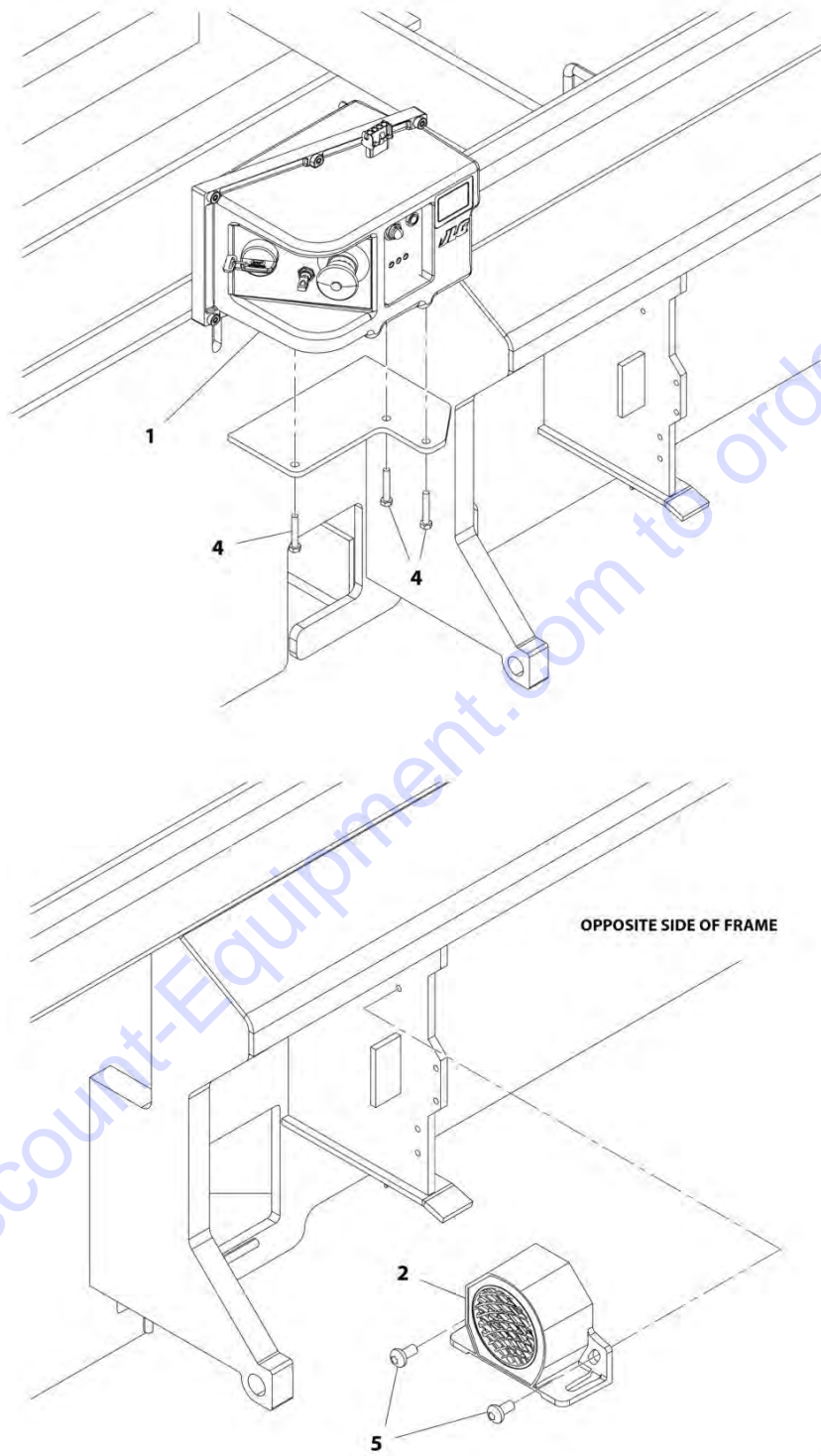
Go to Discount-Equipment.com to order your parts

SECTION 2 - GROUND COMPONENTS

Go to Discount-Equipment.com to order your parts

SECTION 2 - GROUND COMPONENTS

FIGURE 2-1. GROUND CONTROL BOX/ALARM INSTALLATION - NO LSS (SN 0200239382 to Present, SN B200023285 to Present, SN M200000100 to Present)



SECTION 2 - GROUND COMPONENTS

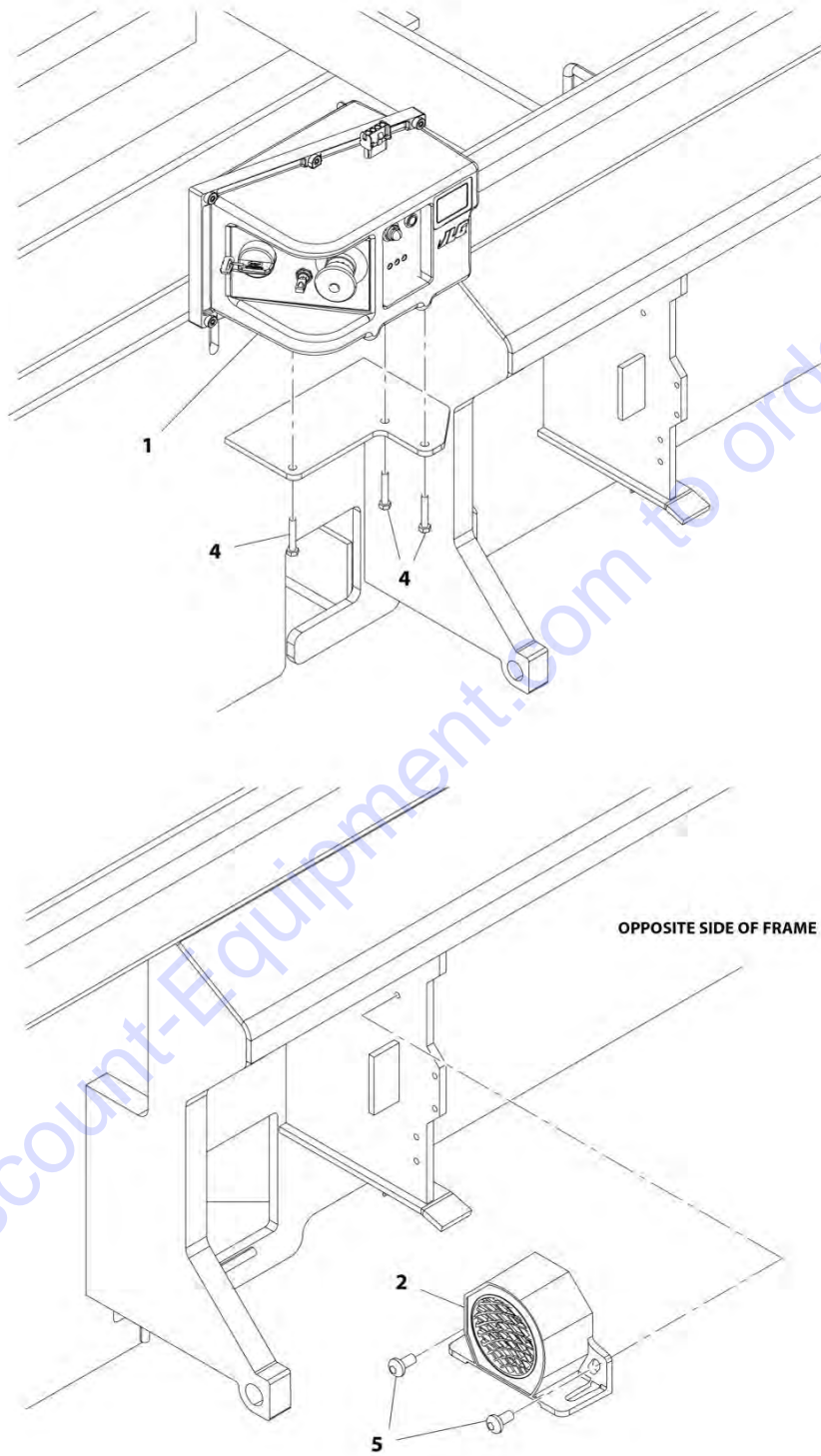
FIGURE 2-1. GROUND CONTROL BOX/ALARM INSTALLATION - NO LSS (SN 0200239382 to Present, SN B200023285 to Present, SN M200000100 to Present)

ITEM	PART NUMBER	QTY	DESCRIPTION	REV
	1001166823	Ref	GROUND CONTROL BOX/ALARM INSTALLATION - NO LSS Note: Standard Alarm located on LH side of operators position on machine. Optional Alarms are located on the RH Side of operators position on machines. For optional alarm components, See SPECIAL OPTIONS Section.	B
		Ref		
1	1001166194	1	Ground Control Box Assembly (See GROUND CONTROL BOX ASSEMBLY - NO LSS for Breakdown)	
2	0140043	1	Alarm	
2	4460536	1	Receptacle, Female - 3 Position	
2	4460464	3	Pin, Male	
4	0700615	3	Bolt M6 x 35	
5	4191706	2	Screw M6 x 12	

Go to Discount-Equipment.com to order your parts

SECTION 2 - GROUND COMPONENTS

FIGURE 2-2. GROUND CONTROL BOX/ALARM INSTALLATION - NO LSS (SN B200020297 through B200023284)



ART_1001114885

SECTION 2 - GROUND COMPONENTS

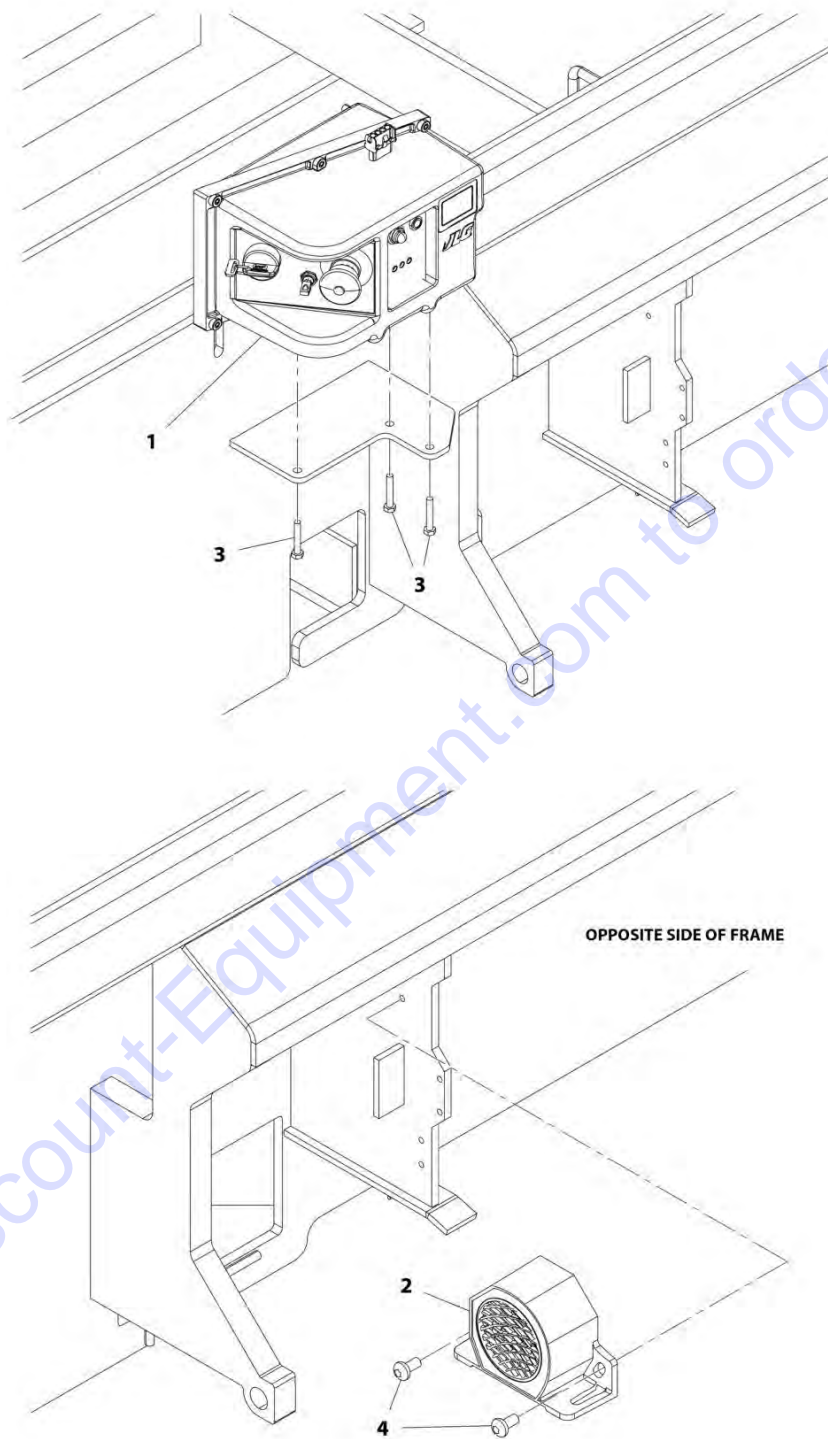
FIGURE 2-2. GROUND CONTROL BOX/ALARM INSTALLATION - NO LSS (SN B200020297 through B200023284)

ITEM	PART NUMBER	QTY	DESCRIPTION	REV
	1001114885	Ref	GROUND CONTROL BOX/ALARM INSTALLATION - NO LSS Note: Standard Alarm located on LH side of operators position on machine. Optional Alarms are located on the RH Side of operators position on machines. For optional alarm components, See SPECIAL OPTIONS Section.	A
		Ref		
1	1001114929	1	Ground Control Box Assembly (See GROUND CONTROL BOX ASSEMBLY - NO LSS for Breakdown)	
2	0140043	1	Alarm	
2	4460536	1	Receptacle, Female - 3 Position	
2	4460464	3	Pin, Male	
4	0700615	3	Bolt M6 x 35	
5	4191706	2	Screw M6 x 12	

Go to Discount-Equipment.com to order your parts

SECTION 2 - GROUND COMPONENTS

FIGURE 2-3. GROUND CONTROL BOX/ALARM INSTALLATION - LSS (ALL SPECS EXCEPT CE SPECS) (SN 0200239382 to Present, SN B200023285 to Present, SN M200000100 to Present)



ART_1001166828

SECTION 2 - GROUND COMPONENTS

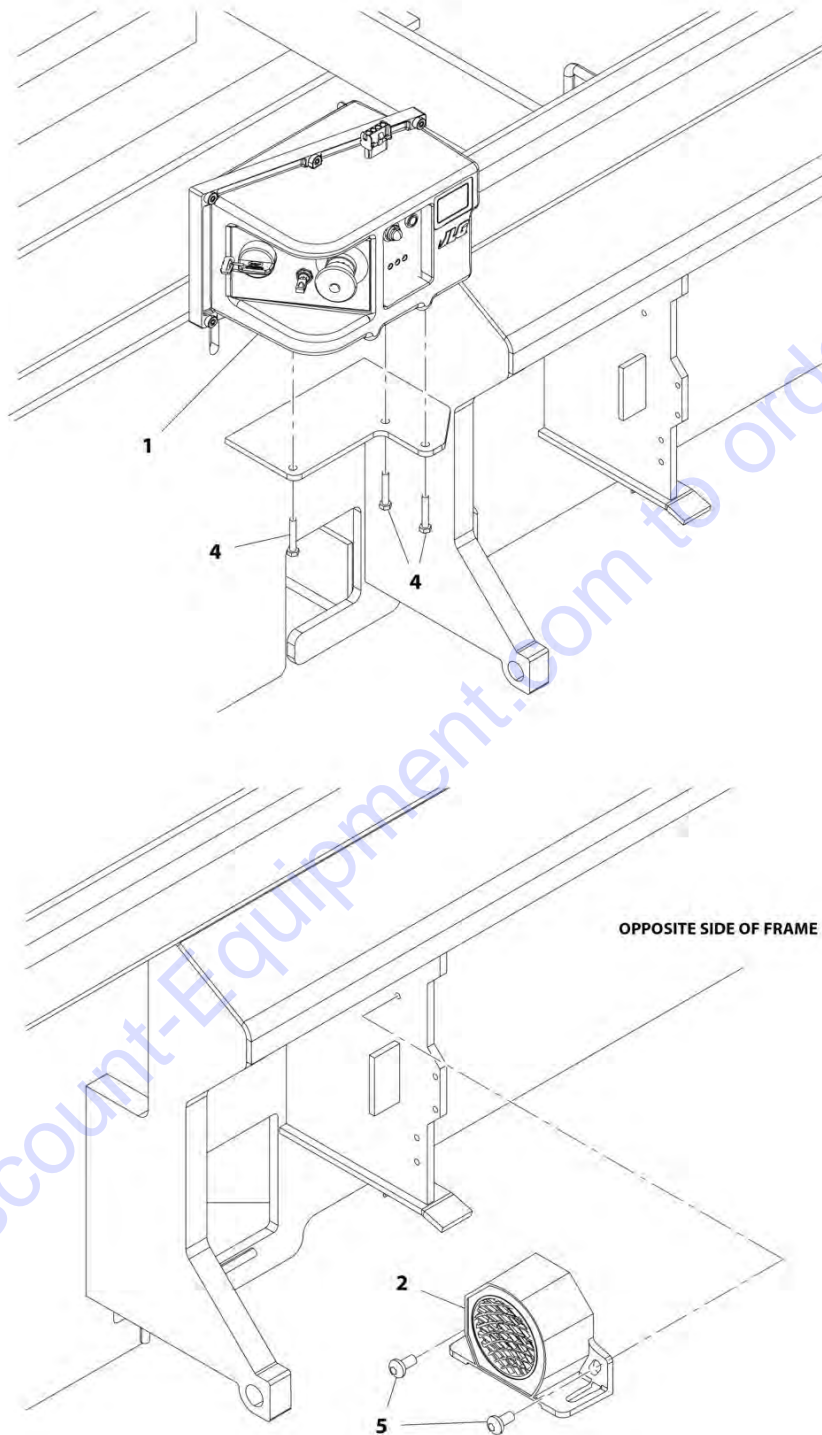
FIGURE 2-3. GROUND CONTROL BOX/ALARM INSTALLATION - LSS (ALL SPECS EXCEPT CE SPECS) (SN 0200239382 to Present, SN B200023285 to Present, SN M200000100 to Present)

ITEM	PART NUMBER	QTY	DESCRIPTION	REV
	1001166828	Ref	GROUND CONTROL BOX/ALARM INSTALLATION - LSS Note: Standard Alarm located on LH side of operators position on machine. Optional Alarms are located on the RH Side of operators position on machines. For optional alarm components, See SPECIAL OPTIONS Section.	B
		Ref		
1	1001166197	1	Ground Control Box Assembly (See GROUND CONTROL BOX ASSEMBLY - LSS for Breakdown)	
2	0140043	1	Alarm	
2	4460536	1	Receptacle, Female - 3 Position	
2	4460464	3	Pin, Male	
3	0700615	3	Bolt M6 x 35	
4	4191706	2	Screw M6 x 12	

Go to Discount-Equipment.com to order your parts

SECTION 2 - GROUND COMPONENTS

FIGURE 2-4. GROUND CONTROL BOX/ALARM INSTALLATION - LSS (ALL SPECS EXCEPT CE SPECS) (SN B200020297 through B200023284)



ART_1001114886

SECTION 2 - GROUND COMPONENTS

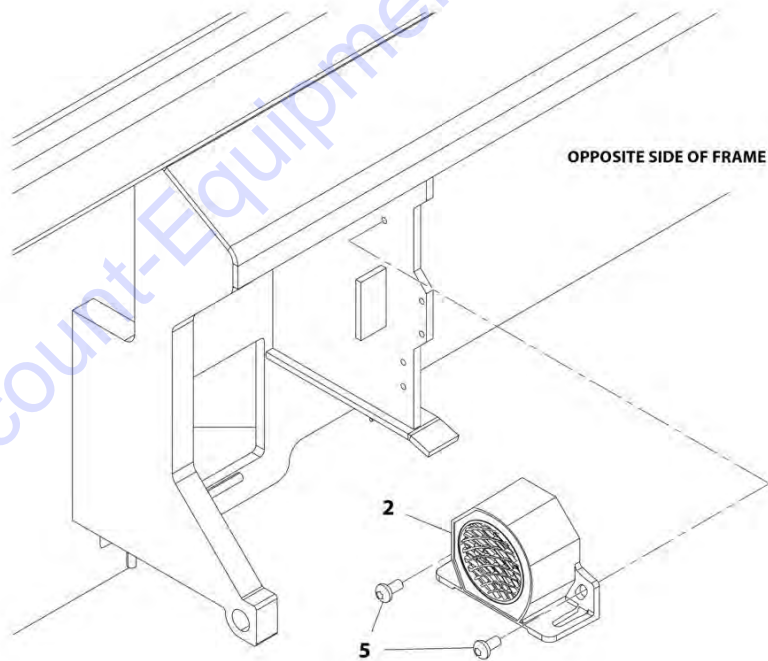
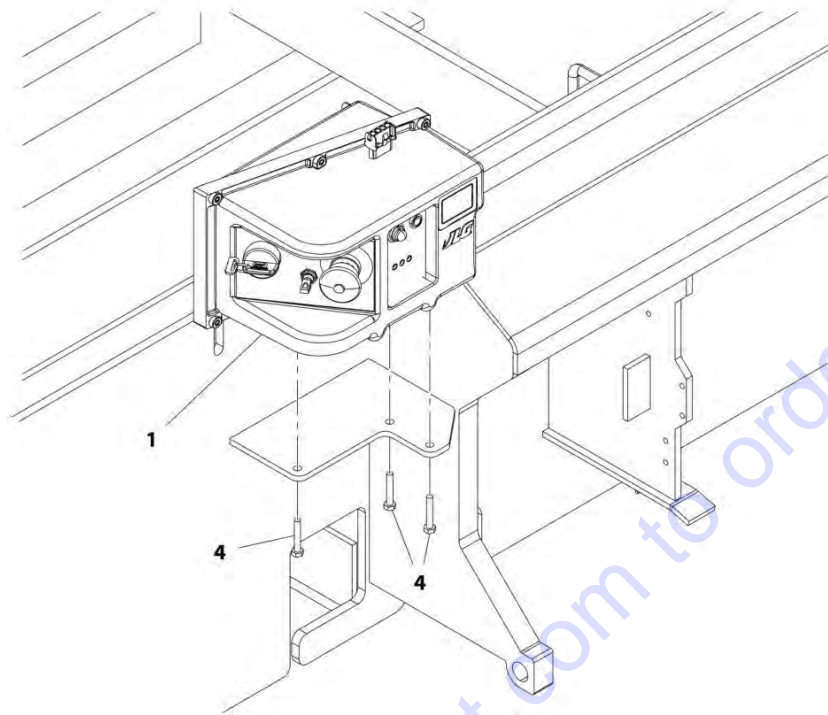
FIGURE 2-4. GROUND CONTROL BOX/ALARM INSTALLATION - LSS (ALL SPECS EXCEPT CE SPECS) (SN B200020297 through B200023284)

ITEM	PART NUMBER	QTY	DESCRIPTION	REV
	1001114886	Ref	GROUND CONTROL BOX/ALARM INSTALLATION - LSS Note: Standard Alarm located on LH side of operators position on machine. Optional Alarms are located on the RH Side of operators position on machines. For optional alarm components, See SPECIAL OPTIONS Section.	A
		Ref		
1	1001114932	1	Ground Control Box Assembly (See GROUND CONTROL BOX ASSEMBLY - LSS (ALL SPECS EXCEPT CE SPECS) for Breakdown)	
2	0140043	1	Alarm	
2	4460536	1	Receptacle, Female - 3 Position	
2	4460464	3	Pin, Male	
4	0700615	3	Bolt M6 x 35	
5	4191706	2	Screw M6 x 12	

Go to Discount-Equipment.com to order your parts

SECTION 2 - GROUND COMPONENTS

FIGURE 2-5. GROUND CONTROL BOX/ALARM INSTALLATION - LSS (CE SPEC) (SN 0200239382 through 0200241828)



ART_1001166825

SECTION 2 - GROUND COMPONENTS

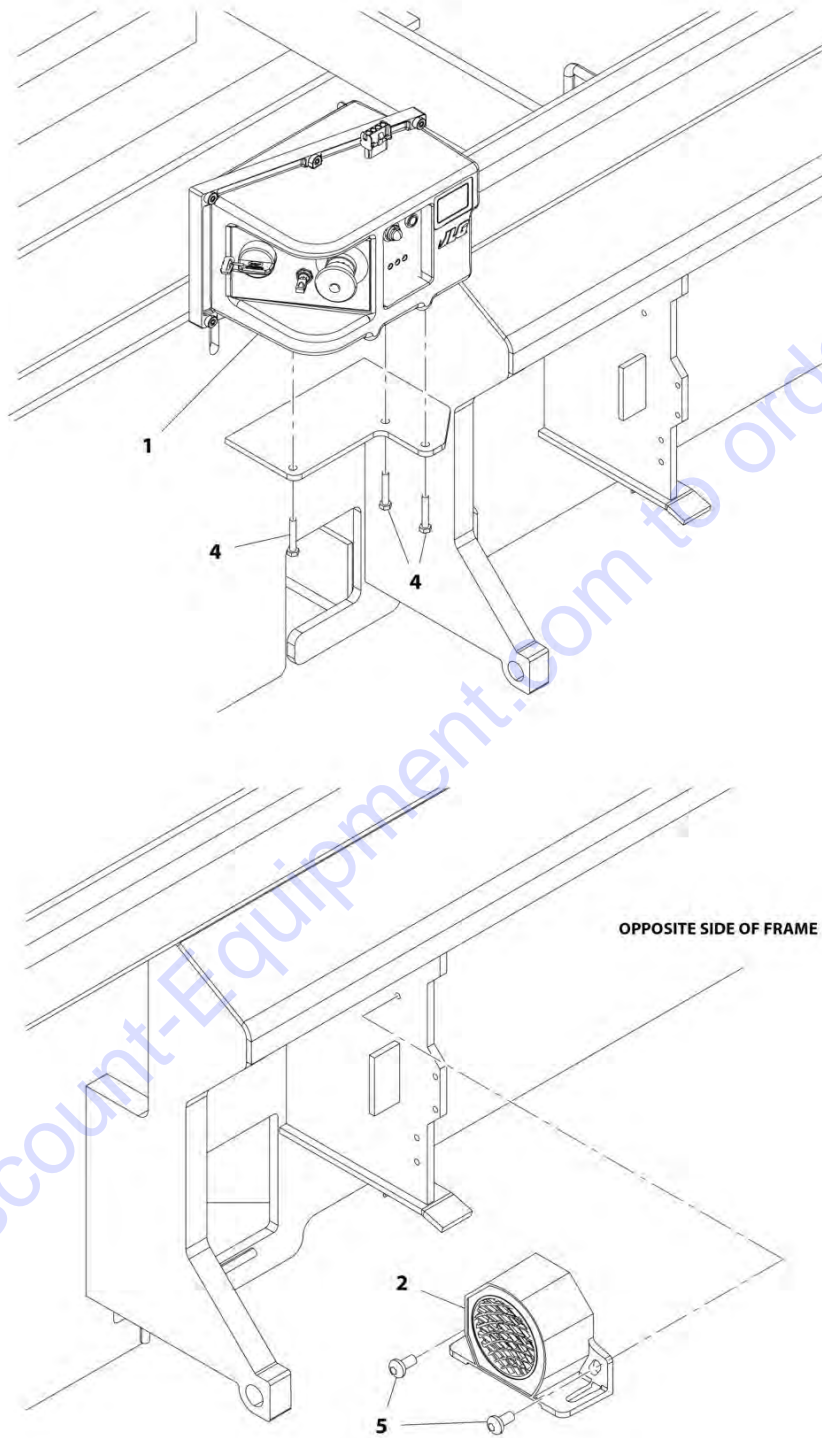
FIGURE 2-5. GROUND CONTROL BOX/ALARM INSTALLATION - LSS (CE SPEC) (SN 0200239382 through 0200241828)

ITEM	PART NUMBER	QTY	DESCRIPTION	REV
	1001166825	Ref	GROUND CONTROL BOX/ALARM INSTALLATION - LSS Note: Standard Alarm located on LH side of operators position on machine. Optional Alarms are located on the RH Side of operators position on machines. For optional alarm components, See SPECIAL OPTIONS Section.	B
		Ref		
1	1001166195	1	Ground Control Box Assembly (See GROUND CONTROL BOX ASSEMBLY - LSS (CE SPECS) for Breakdown)	
2	0140043	1	Alarm	
2	4460536	1	Receptacle, Female - 3 Position	
2	4460464	3	Pin, Male	
4	0700615	3	Bolt M6 x 35	
5	4191706	2	Screw M6 x 12	

Go to Discount-Equipment.com to order your parts

SECTION 2 - GROUND COMPONENTS

FIGURE 2-6. GROUND CONTROL BOX/ALARM INSTALLATION - LSS (CE SPEC) (SN B200020297 through B200021650)



ART_1001114925

SECTION 2 - GROUND COMPONENTS

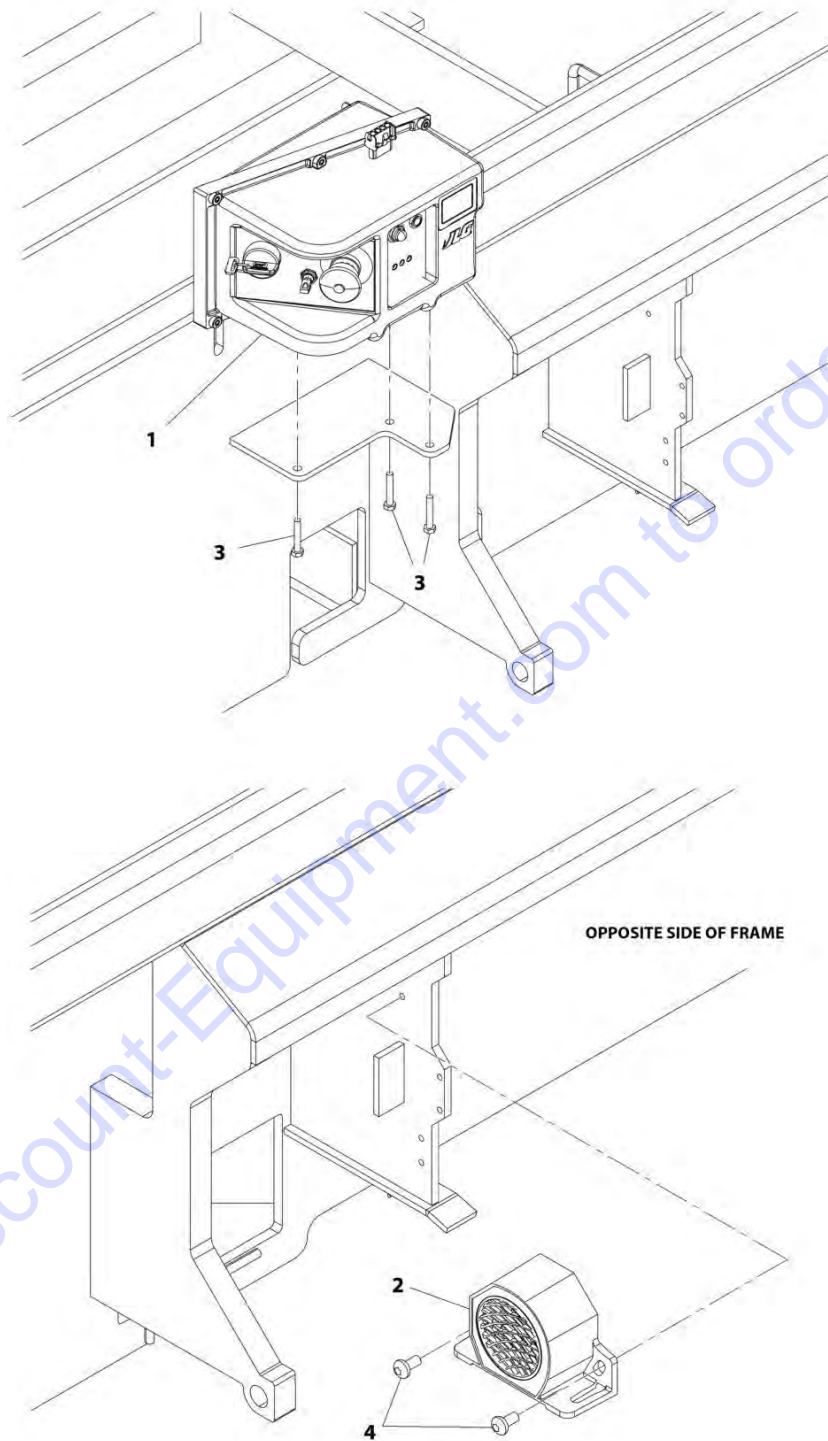
FIGURE 2-6. GROUND CONTROL BOX/ALARM INSTALLATION - LSS (CE SPEC) (SN B200020297 through B200021650)

ITEM	PART NUMBER	QTY	DESCRIPTION	REV
	1001114925	Ref	GROUND CONTROL BOX/ALARM INSTALLATION - LSS Note: Standard Alarm located on LH side of operators position on machine. Optional Alarms are located on the RH Side of operators position on machines. For optional alarm components, See SPECIAL OPTIONS Section.	A
		Ref		
1	1001114930	1	Ground Control Box Assembly (See GROUND CONTROL BOX ASSEMBLY - LSS (CE SPECS) for Breakdown)	
2	0140043	1	Alarm	
2	4460536	1	Receptacle, Female - 3 Position	
2	4460464	3	Pin, Male	
4	0700615	3	Bolt M6 x 35	
5	4191706	2	Screw M6 x 12	

Go to Discount-Equipment.com to order your parts

SECTION 2 - GROUND COMPONENTS

FIGURE 2-7. GROUND CONTROL BOX/ALARM INSTALLATION - LSS (CE SPECS) (SN 0200241829 to Present, SN B200021651 to Present, SN M200000100 to Present)



ART_1001166828

SECTION 2 - GROUND COMPONENTS

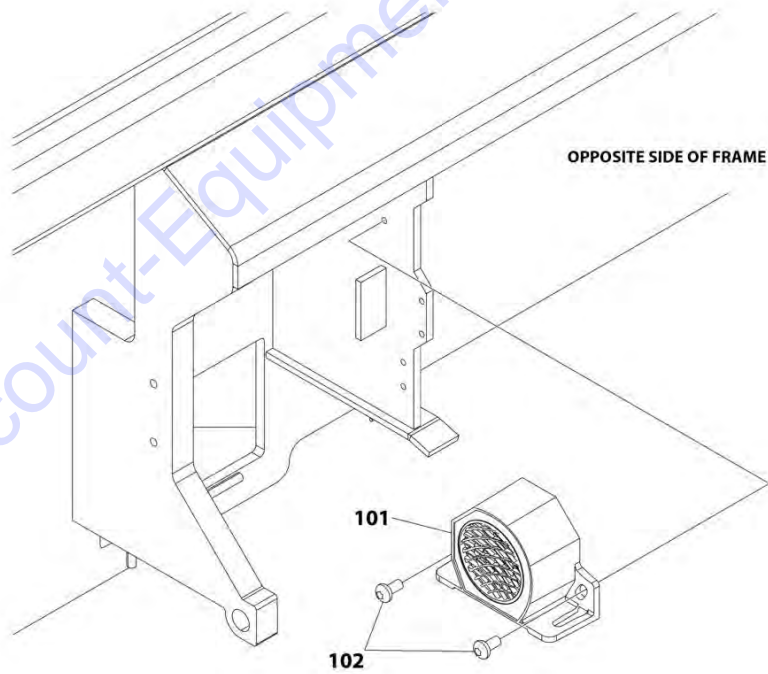
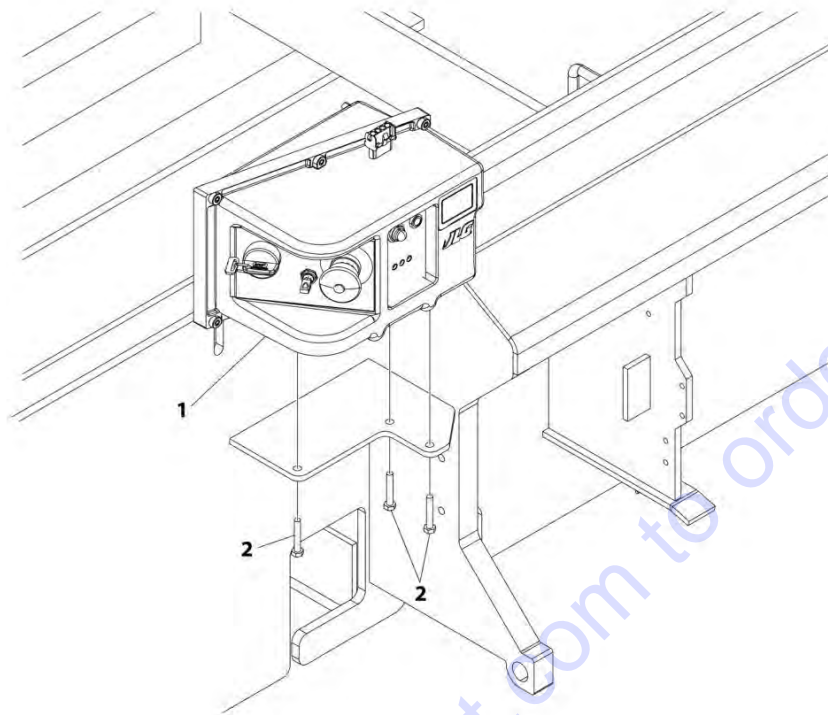
FIGURE 2-7. GROUND CONTROL BOX/ALARM INSTALLATION - LSS (CE SPECS) (SN 0200241829 to Present, SN B200021651 to Present, SN M200000100 to Present)

ITEM	PART NUMBER	QTY	DESCRIPTION	REV
	1001166828	Ref	GROUND CONTROL BOX/ALARM INSTALLATION - LSS Note: Standard Alarm located on LH Side of operators position on machine. Optional Alarms are located on the RH Side of operators position on machines. For optional alarm components, See SPECIAL OPTIONS Section.	B
		Ref		
1	1001166197	1	Ground Control Box Assembly (See GROUND CONTROL BOX ASSEMBLY - LSS for Breakdown)	
2	0140043	1	Alarm	
2	4460536	1	Receptacle, Female - 3 Position	
2	4460464	3	Pin, Male	
3	0700615	3	Bolt M6 x 35	
4	4191706	2	Screw M6 x 12	

Go to Discount-Equipment.com to order your parts

SECTION 2 - GROUND COMPONENTS

FIGURE 2-8. GROUND CONTROL BOX/ALARM INSTALLATION - LSS (CE SPECS) (SN 1200025022 to Present)



ART_1001215247

SECTION 2 - GROUND COMPONENTS

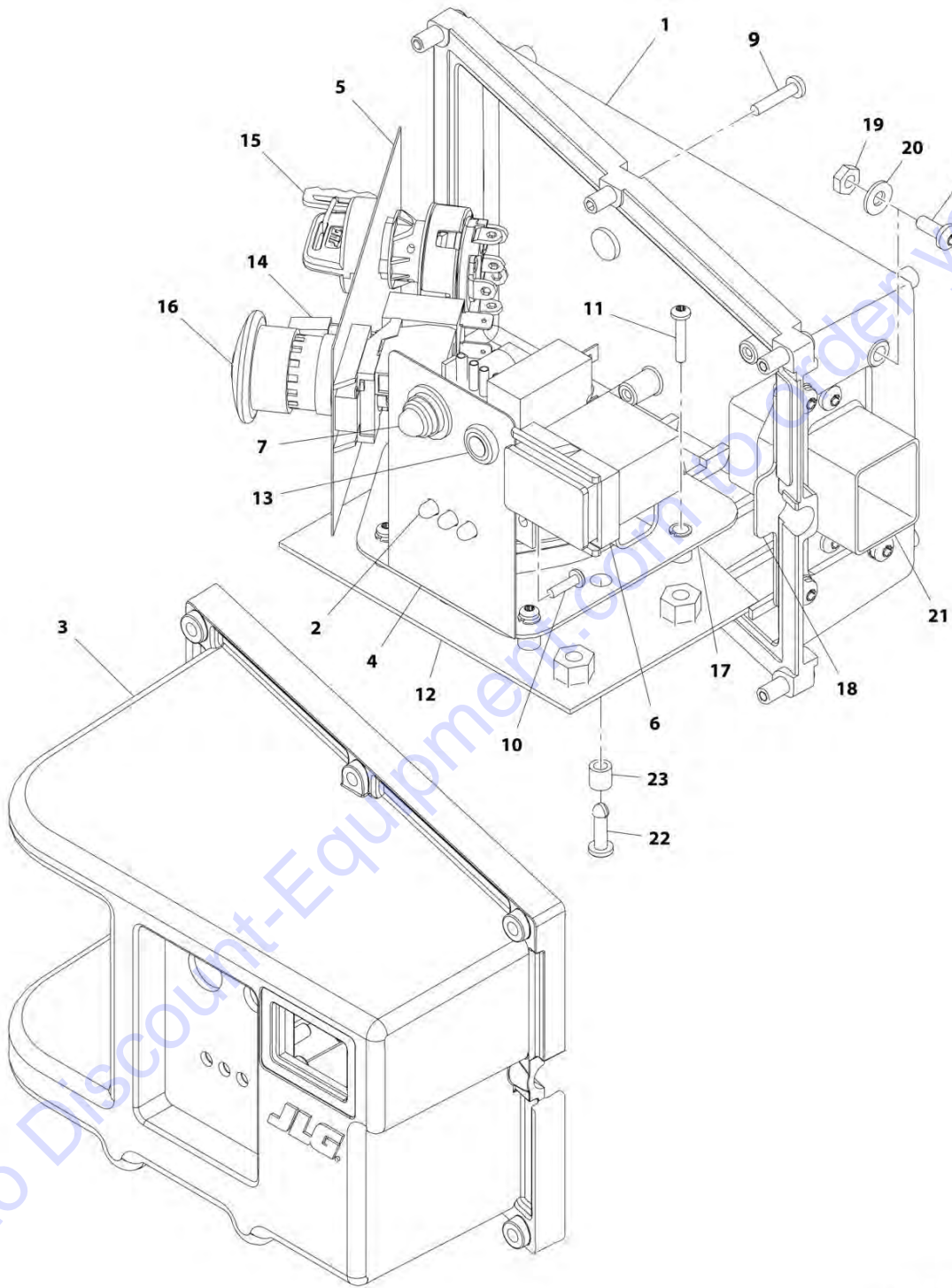
FIGURE 2-8. GROUND CONTROL BOX/ALARM INSTALLATION - LSS (CE SPECS) (SN 1200025022 to Present)

ITEM	PART NUMBER	QTY	DESCRIPTION	REV
1	1001215247	Ref	GROUND CONTROL BOX/ALARM INSTALLATION - LSS	A
	1001166197	1	Ground Control Box Assembly (See GROUND CONTROL BOX ASSEMBLY - LSS (CE SPECS) for Breakdown)	
2	0700615	3	Bolt M6 x 35	A
	1001215248	Ref	Alarm Installation (SN 1200025022 to Present)	
101	0140043	1	Alarm	
101	4460536	1	Receptacle, Female - 3 Position	
101	4460464	3	Pin, Male	
102	4191706	2	Screw M6 x 12	

Go to Discount-Equipment.com to order your parts

SECTION 2 - GROUND COMPONENTS

FIGURE 2-9. GROUND CONTROL BOX ASSEMBLY - NO LSS (SN 0200239382 to Present, SN B200023285 to Present, SN M200000100 to Present)



ART_1001166194

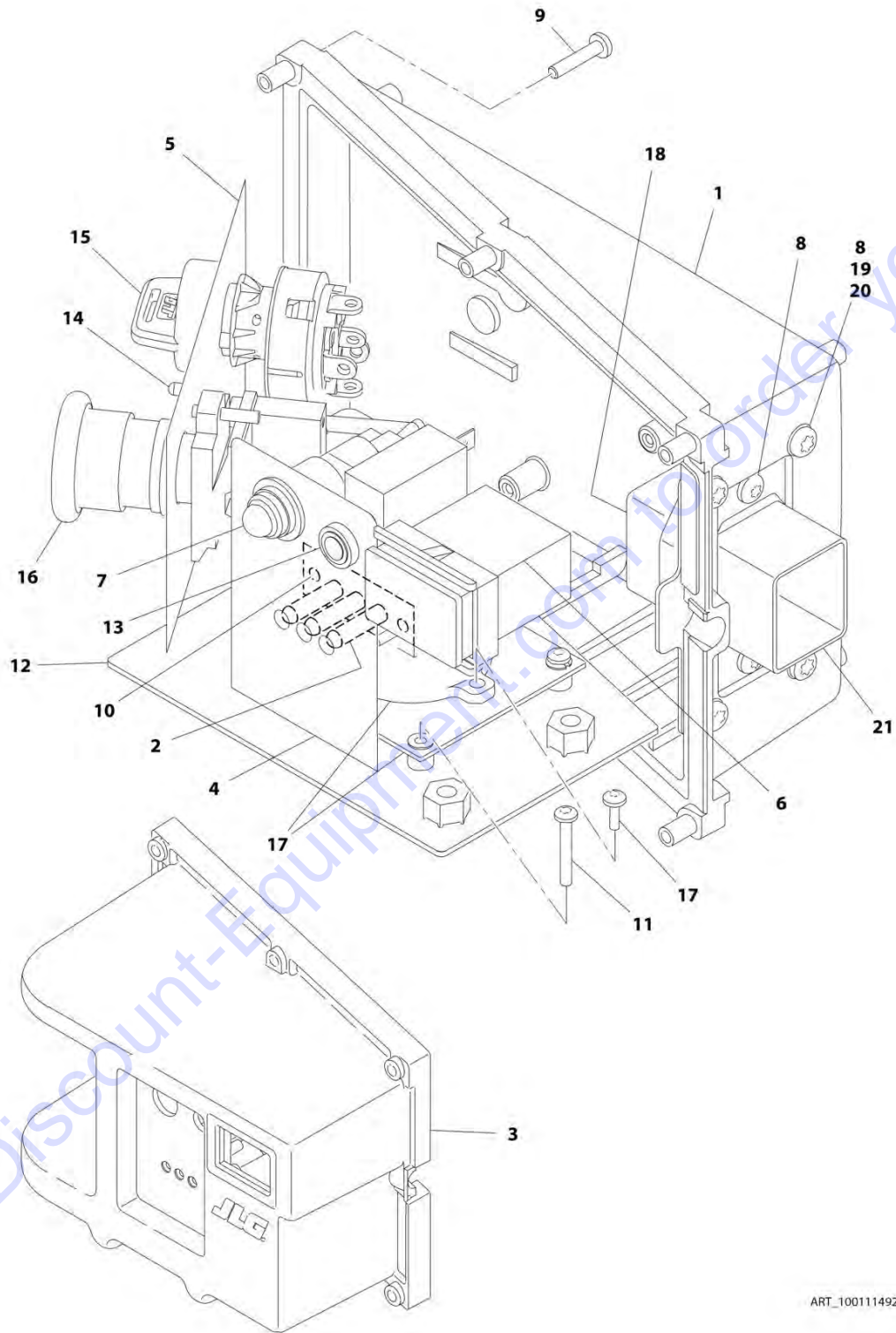
SECTION 2 - GROUND COMPONENTS

FIGURE 2-9. GROUND CONTROL BOX ASSEMBLY - NO LSS (SN 0200239382 to Present, SN B200023285 to Present, SN M200000100 to Present)

ITEM	PART NUMBER	QTY	DESCRIPTION	REV
	1001166194	Ref	GROUND CONTROL BOX ASSEMBLY - NO LSS (SN 0200239382 to Present, SN B200023285 to Present, SN M200000100 to Present)	I
1	0380025	1	Base, Box	
2	0610161	1	PC Board, Charger LED	
2	4460321	1	Plug, Male - 4 Position	
2	4460268	3	Socket, Female	
3	1671105	1	Cover	
4	1705696	1	Decal	
5	1705698	1	Decal	
6	2420172	1	Hourmeter	
7	3520193	1	Plug	
8	3900336	6	Screw	
9	3900338	6	Screw	
10	3900339	2	Screw	
11	1001180090	4	Screw M3.5 x 20	
12	1001165315	1	Support	
13	4360069	1	Breaker, Circuit 10A	
14	4360328	1	Switch, Toggle	
15	4360469	1	Switch, Key	
15	2860030	1	Key, Replacement	
16	4360475	1	Switch, Emergency Stop	
16	7020175	1	Cap	
16	7020176	1	Block, Contact	
17	1001166255	1	Sensor, Tilt (Includes Sensor, Mounting Plate and Hardware)	
17	3931412	3	Screw 1/4 x 3/4	
17	1001163095	1	Sensor	
17	1001165316	1	Mount, Sensor	
17	1001166776	4	Mount, Standoff	
18	1001114937	1	Mount, Harness	
19	3321005	4	Nut #10-32	
20	4751000	4	Washer #10	
21	1001167256	1	Harness, Ground Control Box (See ELECTRICAL SECTION for Breakdown) (SN 0200239382 through 0200266379, SN B200020297 through B200042930, SN M200000100 through M200012179)	
21	1001208641	1	Harness, Ground Control Box (See ELECTRICAL SECTION for Breakdown) (SN 0200266380 to Present, SN B200042931 to Present, SN M200012180 to Present)	
22	1001165284	1	Fastener	
23	1001165286	1	Spacer	

SECTION 2 - GROUND COMPONENTS

FIGURE 2-10. GROUND CONTROL BOX ASSEMBLY - NO LSS (SN B200020297 through B200023284)



ART_1001114929

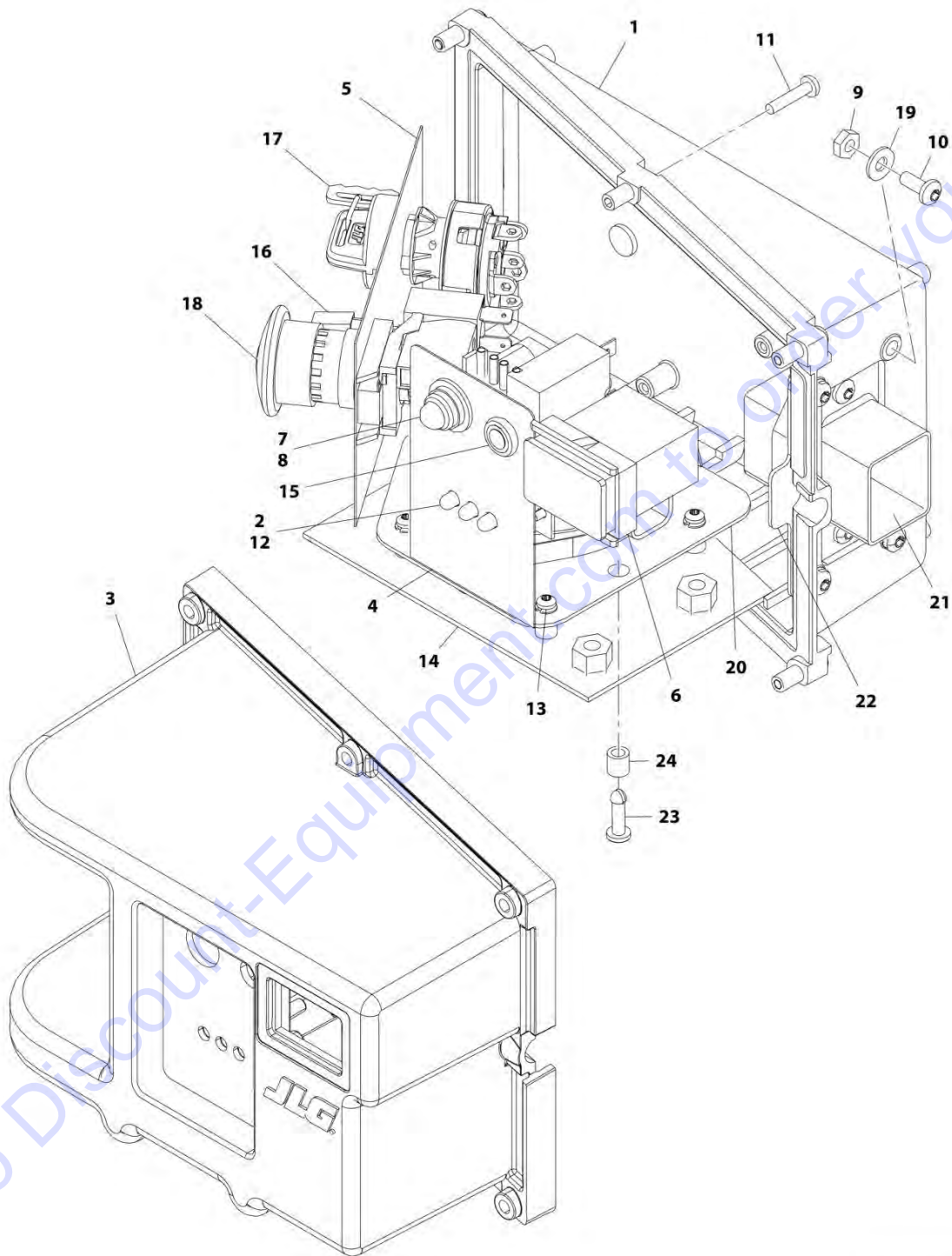
SECTION 2 - GROUND COMPONENTS

FIGURE 2-10. GROUND CONTROL BOX ASSEMBLY - NO LSS (SN B200020297 through B200023284)

ITEM	PART NUMBER	QTY	DESCRIPTION	REV
	1001114929	Ref	GROUND CONTROL BOX ASSEMBLY - NO LSS	B
1	0380025	1	Box, Ground Control	
2	0610161	1	Board, PC (Battery Charger LED)	
3	1671105	1	Cover, Front	
4	1705696	1	Decal - LED	
5	1705698	1	Decal - Function	
6	2420172	1	Hourmeter	
7	3520193	1	Plug	
8	3900336	6	Screw #10-32 x 1/2	
9	3900338	6	Screw M4 x 20	
10	3900339	2	Screw #6 x 1/2	
11	3900356	4	Screw M3.5 x 16	
12	4340739	1	Plate, Mounting	
13	4360069	1	Breaker, Circuit - 10Amp	
14	4360328	1	Switch, Toggle	
15	4360469	1	Switch, Key	
15	2860030	1	Key, Replacement (Fits All Specs)	
16	4360475	1	Switch, Emergency Stop	
16	7020175	1	Cap	
16	7020176	1	Block, Contact	
17	1001114933	NLA	Module, Tilt (Includes Module, Mounting Plate and Hardware) (Use p/n 1001169392)	
18	1001114937	1	Mount, Harness Bulkhead (Ground Control)	
19	3321005	4	Nut #10	
20	4751000	4	Washer #10	
21	1001114935	1	Harness, Control Box (See ELECTRICAL SECTION for Breakdown)	

SECTION 2 - GROUND COMPONENTS

FIGURE 2-11. GROUND CONTROL BOX ASSEMBLY - LSS (ALL SPECS EXCEPT CE) (SN 0200239382 to Present, SN B200023285 to Present, SN M200000100 to Present)



ART_1001166197

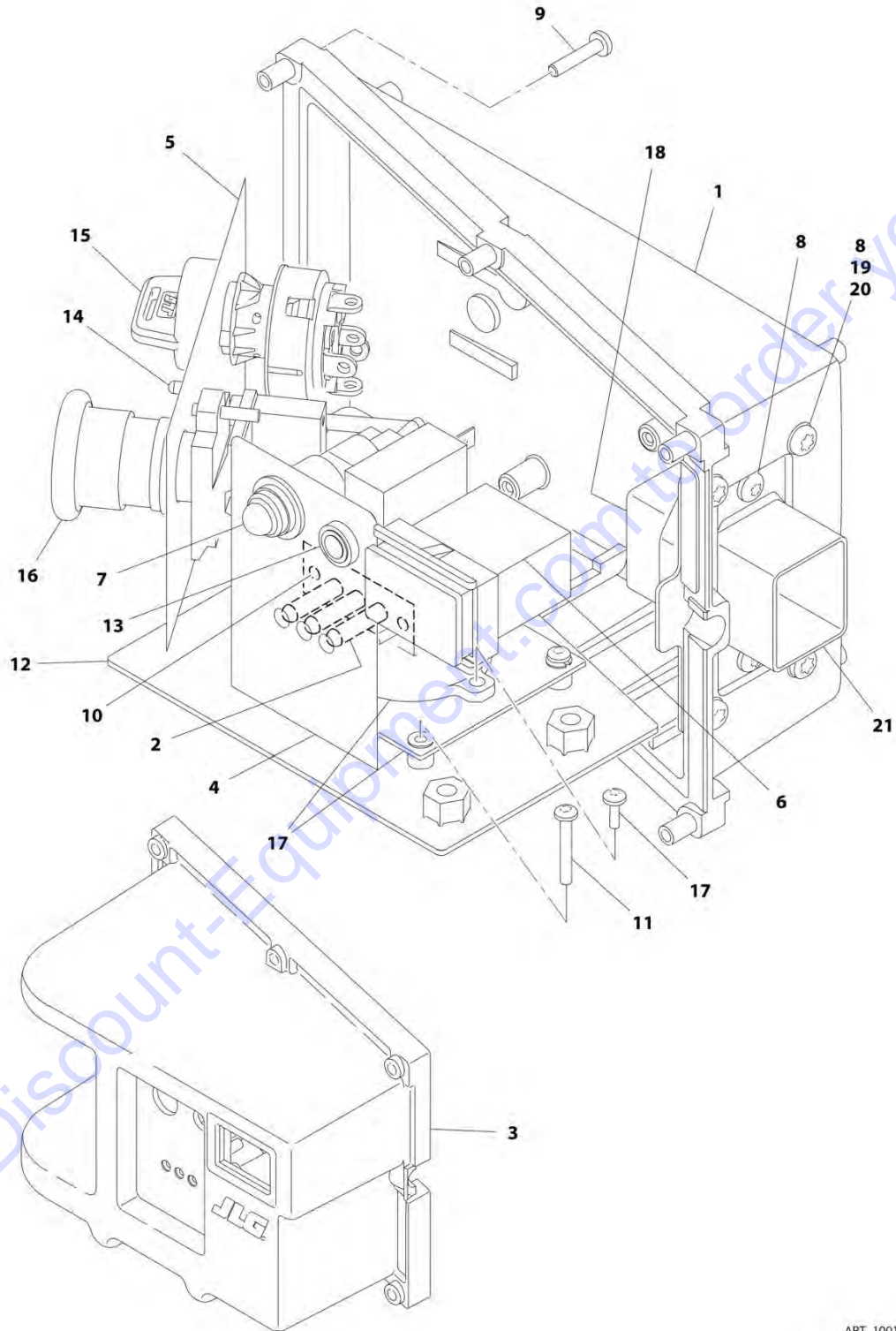
SECTION 2 - GROUND COMPONENTS

FIGURE 2-11. GROUND CONTROL BOX ASSEMBLY - LSS (ALL SPECS EXCEPT CE) (SN 0200239382 to Present, SN B200023285 to Present, SN M200000100 to Present)

ITEM	PART NUMBER	QTY	DESCRIPTION	REV
	1001166197	Ref	GROUND CONTROL BOX ASSEMBLY - LSS	E
1	0380025	1	Base, Box	
2	0610161	1	PC Board, Charger LED	
2	4460321	1	Plug, Male - 4 Position	
2	4460268	3	Socket, Female	
3	1671105	1	Cover	
4	1705697	1	Decal	
5	1705698	1	Decal	
6	2420172	1	Hourmeter	
7	2920026	1	Lamp	
8	2920094	1	Bulb	
9	3321005	4	Nut #10	
10	3900336	6	Screw	
11	3900338	6	Screw	
12	3900339	2	Screw	
13	1001180090	4	Screw M3.5 x 20	
14	1001165315	1	Support	
15	4360069	1	Breaker, Circuit 10Amp	
16	4360328	1	Switch, Toggle	
17	4360469	1	Switch, Key	
17	2860030	1	Key, Replacement	
18	4360475	1	Switch, Emergency Stop	
18	7020175	1	Cap	
18	7020176	1	Block, Contact	
19	4751000	4	Washer #10	
20	1001166255	1	Sensor, Tilt (Includes Sensor, Mounting Plate and Hardware)	
20	3931412	3	Screw 1/4 x 3/4	
20	1001163095	1	Sensor	
20	1001165316	1	Mount, Sensor	
20	1001166776	4	Mount, Standoff	
21	1001167256	1	Harness, Ground Control Box (See ELECTRICAL SECTION for Breakdown)	
22	1001114937	1	Mount, Harness	
23	1001165284	1	Fastener	
24	1001165286	1	Spacer	

SECTION 2 - GROUND COMPONENTS

FIGURE 2-12. GROUND CONTROL BOX ASSEMBLY - LSS (ALL SPECS EXCEPT CE) (SN B200020297 through B200023284)



ART_1001114932

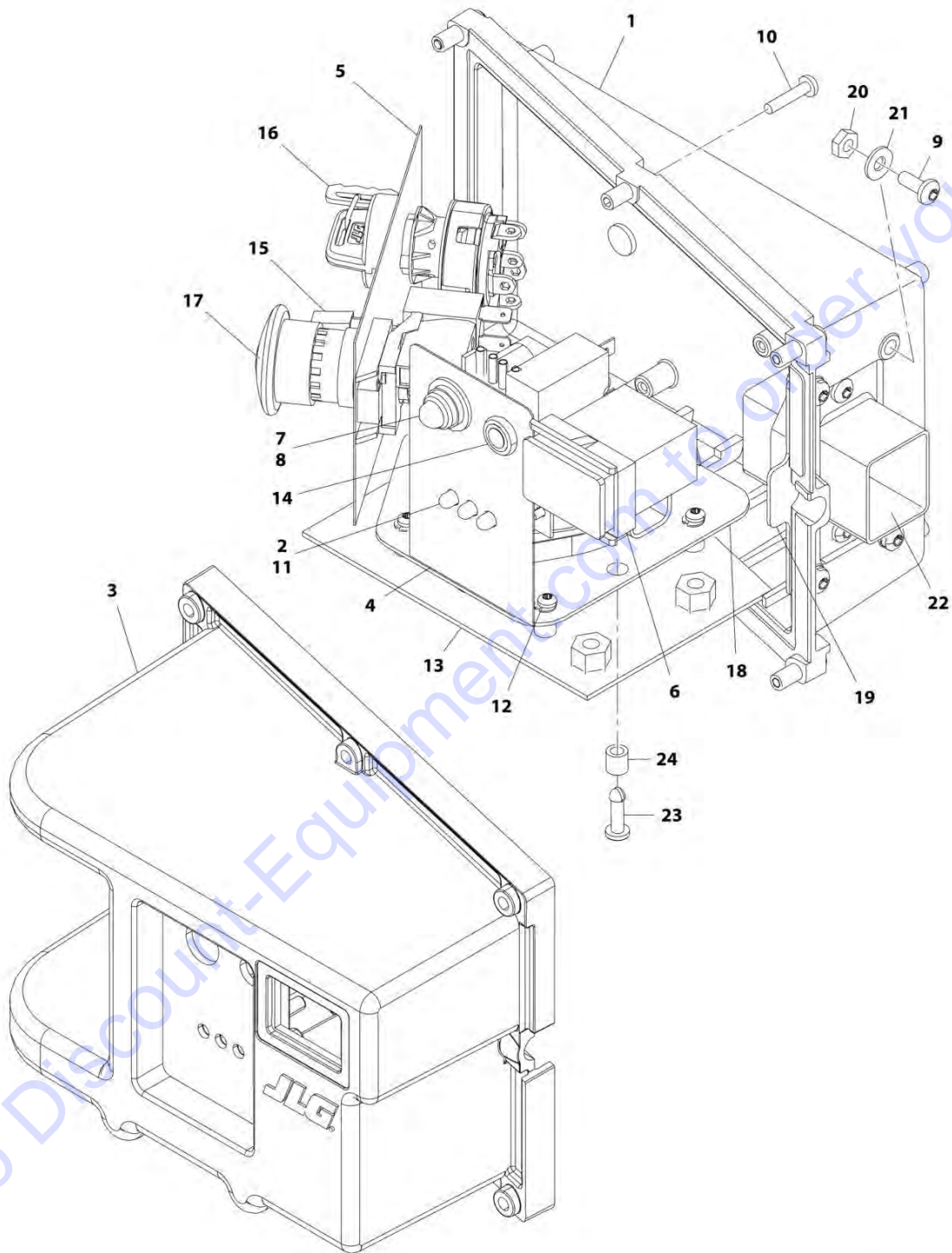
SECTION 2 - GROUND COMPONENTS

FIGURE 2-12. GROUND CONTROL BOX ASSEMBLY - LSS (ALL SPECS EXCEPT CE) (SN B200020297 through B200023284)

ITEM	PART NUMBER	QTY	DESCRIPTION	REV
	1001114932	Ref	GROUND CONTROL BOX ASSEMBLY - LSS	B
1	0380025	1	Box, Ground Control	
2	0610161	1	Board, PC (Battery Charger LED)	
3	1671105	1	Cover, Front	
4	1705697	1	Decal - LED	
5	1705698	1	Decal - Function	
6	2420172	1	Hourmeter	
7	2920026	1	Lamp	
7	2920094	AR	Bulb	
8	3900336	6	Screw #10-32NF x 1/2	
9	3900338	6	Screw M4 x 20	
10	3900339	2	Screw #6 x 1/2	
11	3900356	4	Screw M3.5 x 16	
12	4340739	1	Plate, Mounting	
13	4360069	1	Breaker, Circuit - 10 Amp	
14	4360328	1	Switch, Toggle	
15	4360469	1	Switch, Key	
15	2860030	1	Key, Replacement (Fits All Specs)	
16	4360475	1	Switch, Emergency Stop	
16	7020175	1	Cap	
16	7020176	1	Block, Contact	
17	1001114933	NLA	Module, Tilt (Includes Module, Mounting Plate and Hardware) (Use p/n 1001169392)	
18	1001114937	1	Mount, Harness Bulkhead (Ground Control)	
19	3321005	4	Nut #10-32NF	
20	4751000	4	Washer #10	
21	1001114935	1	Harness, Control Box (See ELECTRICAL SECTION for Breakdown)	

SECTION 2 - GROUND COMPONENTS

FIGURE 2-13. GROUND CONTROL BOX ASSEMBLY - LSS (CE SPECS) (SN 0200239382 through 0200241828)



ART_1001166195

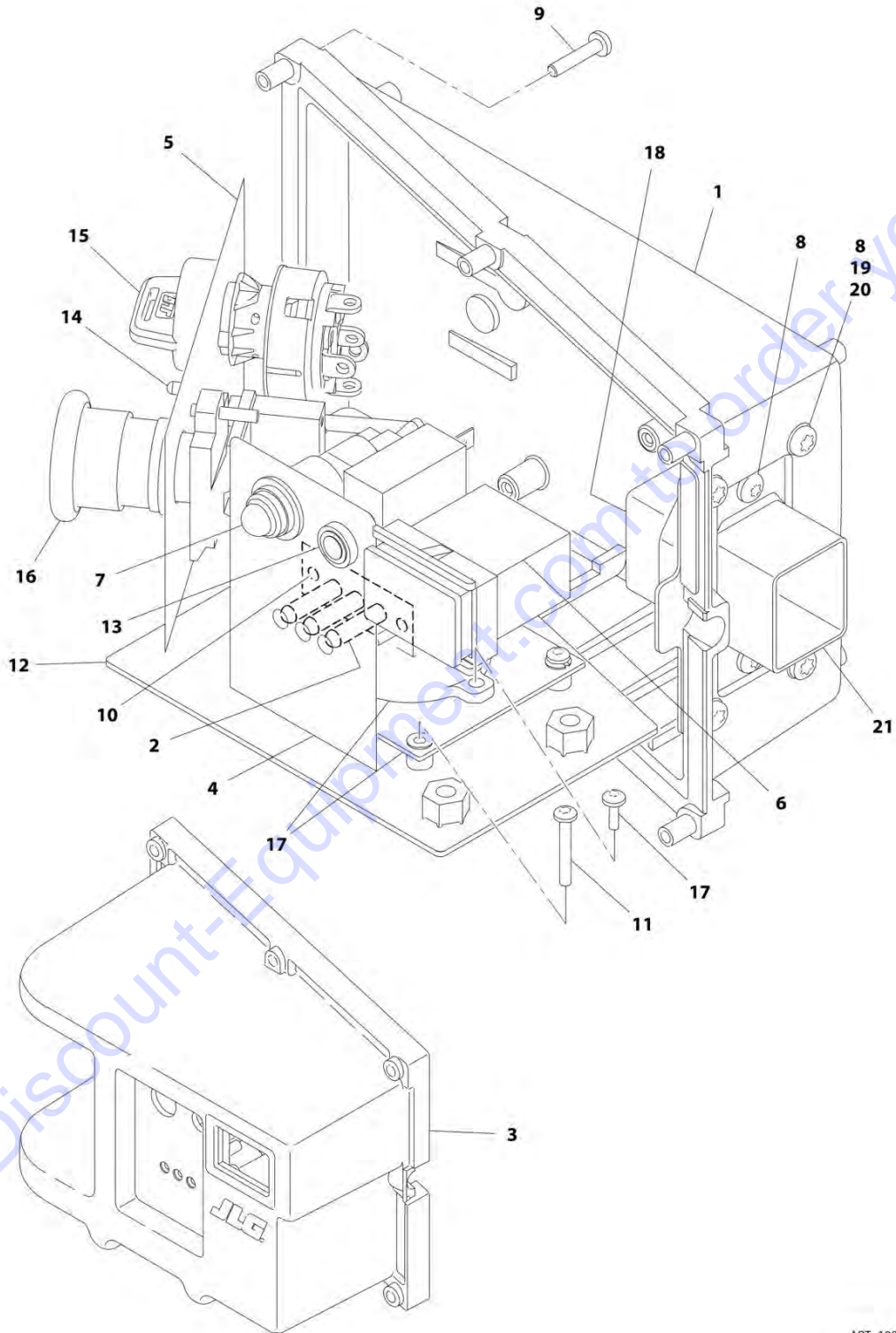
SECTION 2 - GROUND COMPONENTS

FIGURE 2-13. GROUND CONTROL BOX ASSEMBLY - LSS (CE SPECS) (SN 0200239382 through 0200241828)

ITEM	PART NUMBER	QTY	DESCRIPTION	REV
	1001166195	Ref	GROUND CONTROL BOX ASSEMBLY - LSS	G
1	0380025	1	Base, Box	
2	0610161	1	PC Board, Charger LED	
2	4460321	1	Plug, Male - 4 Position	
2	4460268	3	Socket, Female	
3	1671105	1	Cover	
4	1705697	1	Decal	
5	1705698	1	Decal	
6	2420172	1	Hourmeter	
7	2920026	1	Lamp	
8	2920094	1	Bulb	
9	3900336	6	Screw	
10	3900338	6	Screw	
11	3900339	2	Screw	
12	1001180090	4	Screw M3.5 x 20	
13	1001165315	1	Support	
14	4360069	1	Breaker, Circuit 10Amp	
15	4360328	1	Switch, Toggle	
16	4360470	1	Switch, Key	
16	2860030	1	Key, Replacement	
17	4360475	1	Switch, Emergency Stop	
17	7020175	1	Cap	
17	7020176	1	Block, Contact	
18	1001166255	1	Sensor, Tilt (Includes Sensor, Mounting Plate and Hardware)	
18	3931412	3	Screw 1/4 x 3/4	
18	1001163095	1	Sensor	
18	1001165316	1	Mount, Sensor	
18	1001166776	4	Mount, Standoff	
19	1001114937	1	Mount, Harness	
20	3321005	4	Nut #10-32	
21	4751000	4	Washer #10	
22	1001167256	1	Harness, Ground Control Box (See ELECTRICAL SECTION for Breakdown)	
23	1001165284	1	Fastener	
24	1001165286	1	Spacer	

SECTION 2 - GROUND COMPONENTS

FIGURE 2-14. GROUND CONTROL BOX ASSEMBLY - LSS (CE SPECS) (SN B200020297 through B200021650)



ART_1001114930

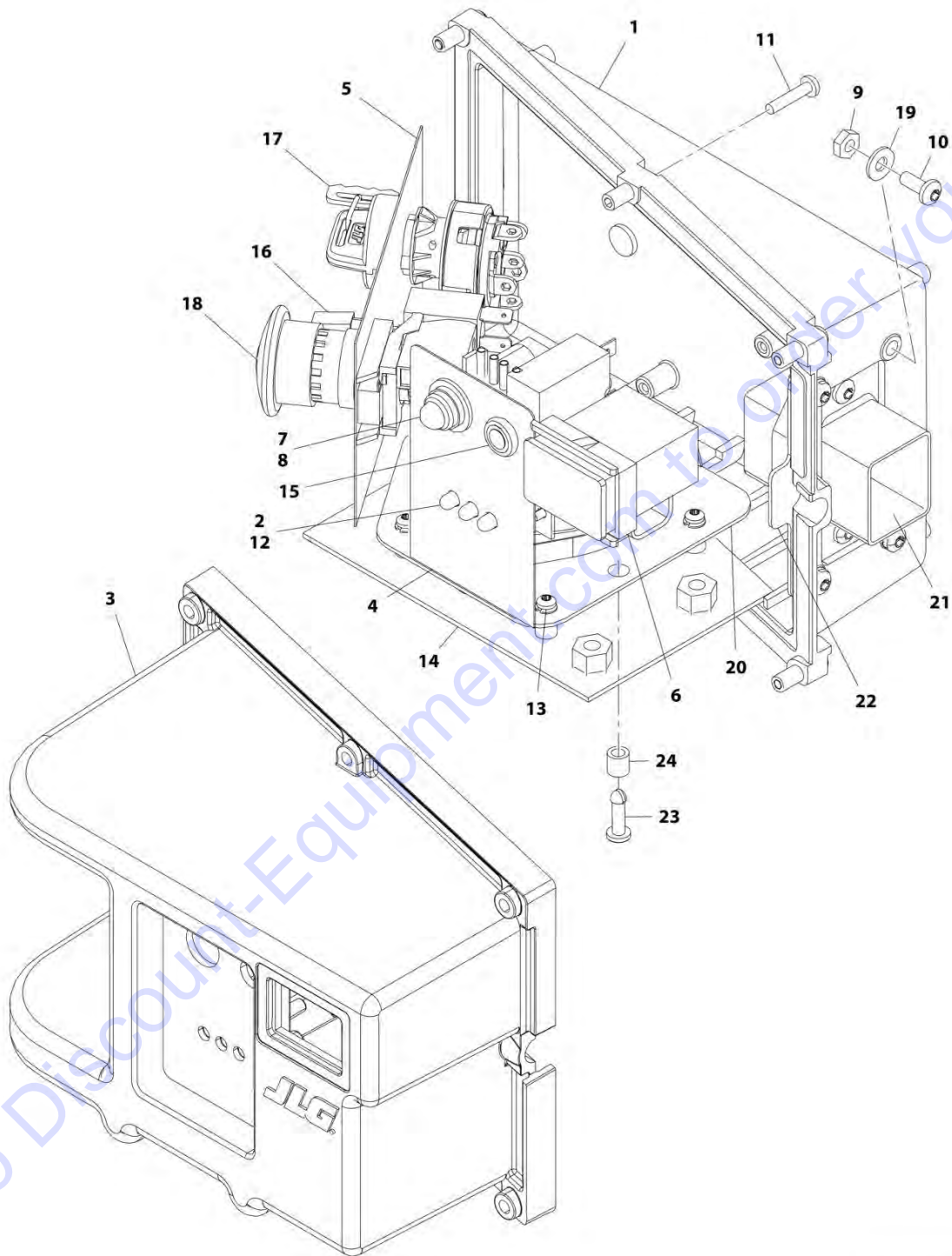
SECTION 2 - GROUND COMPONENTS

FIGURE 2-14. GROUND CONTROL BOX ASSEMBLY - LSS (CE SPECS) (SN B200020297 through B200021650)

ITEM	PART NUMBER	QTY	DESCRIPTION	REV
	1001114930	Ref	GROUND CONTROL BOX ASSEMBLY - LSS	B
1	0380025	1	Box, Ground Control	
2	0610161	1	Board, PC (Battery Charger LED)	
3	1671105	1	Cover, Front	
4	1705697	1	Decal - LED	
5	1705698	1	Decal - Function	
6	2420172	1	Hourmeter	
7	2920026	1	Lamp	
7	2920094	AR	Bulb	
8	3900336	6	Screw #10-32 x 1/2	
9	3900338	6	Screw M4 x 20	
10	3900339	2	Screw #6 x 1/2	
11	3900356	4	Screw M3.5 x 16	
12	4340739	1	Plate, Mounting	
13	4360069	1	Breaker, Circuit - 10 Amp	
14	4360328	1	Switch, Toggle	
15	4360470	1	Switch, Key	
15	2860030	1	Key, Replacement (Fits All Specs)	
16	4360475	1	Switch, Emergency Stop	
16	7020175	1	Cap	
16	7020176	1	Block, Contact	
17	1001114933	NLA	Module, Tilt (Includes Module, Mounting Plate and Hardware) (Use p/n 1001169392)	
18	1001114937	1	Mount, Harness Bulkhead (Ground Control)	
19	3321005	4	Nut #10-32	
20	4751000	4	Washer #10	
21	1001114935	1	Harness, Control Box (See ELECTRICAL SECTION for Breakdown)	

SECTION 2 - GROUND COMPONENTS

FIGURE 2-15. GROUND CONTROL BOX ASSEMBLY - LSS (CE SPECS) (SN 0200241829 to Present, SN 1200025021 to Present, SN B200021651 to Present, SN M200000100 to Present)



ART_1001166197

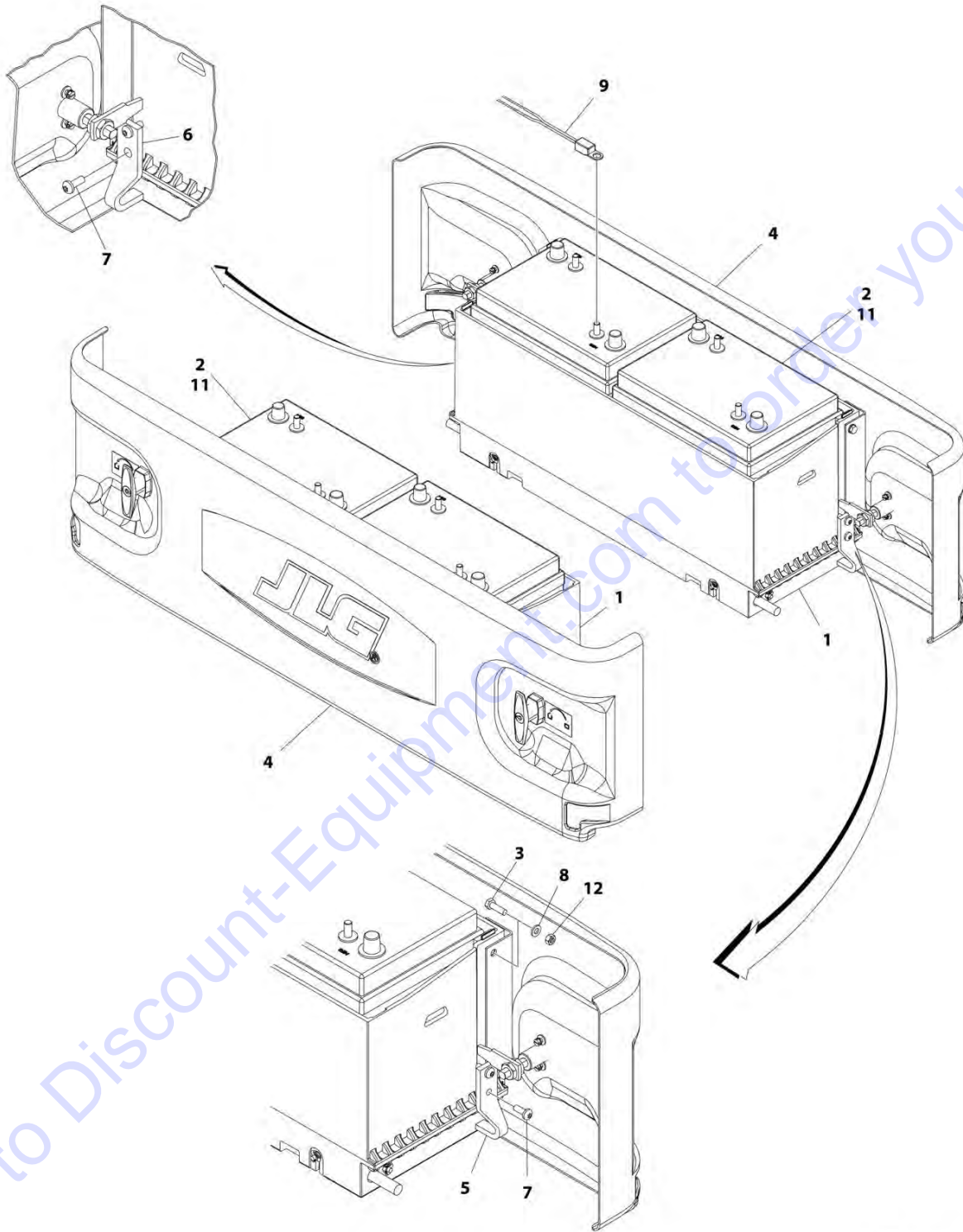
SECTION 2 - GROUND COMPONENTS

FIGURE 2-15. GROUND CONTROL BOX ASSEMBLY - LSS (CE SPECS) (SN 0200241829 to Present, SN 1200025021 to Present, SN B200021651 to Present, SN M200000100 to Present)

ITEM	PART NUMBER	QTY	DESCRIPTION	REV
	1001166197	Ref	GROUND CONTROL BOX ASSEMBLY - LSS	F
1	0380025	1	Base, Box	
2	0610161	1	PC Board, Charger LED	
2	4460321	1	Plug, Male - 4 Position	
2	4460268	3	Socket, Female	
3	1671105	1	Cover	
4	1705697	1	Decal	
5	1705698	1	Decal	
6	2420172	1	Hourmeter	
7	2920026	1	Lamp	
8	2920094	1	Bulb	
9	3321005	4	Nut #10	
10	3900336	6	Screw	
11	3900338	6	Screw	
12	3900339	2	Screw	
13	1001180090	4	Screw M3.5 x 20	
14	1001165315	1	Support	
15	4360069	1	Breaker, Circuit 10Amp	
16	4360328	1	Switch, Toggle	
17	4360469	1	Switch, Key	
17	2860030	1	Key, Replacement	
18	4360475	1	Switch, Emergency Stop	
18	7020175	1	Cap	
18	7020176	1	Block, Contact	
19	4751000	4	Washer #10	
20	1001166255	1	Sensor, Tilt (Includes Sensor, Mounting Plate and Hardware)	
20	3931412	3	Screw 1/4 x 3/4	
20	1001163095	1	Sensor	
20	1001165316	1	Mount, Sensor	
20	1001166776	4	Mount, Standoff	
21	1001167256	1	Harness, Ground Control Box (See ELECTRICAL SECTION for Breakdown)	
22	1001114937	1	Mount, Harness	
23	1001165284	1	Fastener	
24	1001165286	1	Spacer	

SECTION 2 - GROUND COMPONENTS

FIGURE 2-16. BATTERIES INSTALLATION - AGM AND EVG TYPE - 225 AH RATING (NON-LOCKING COVERS)



ART_0275401

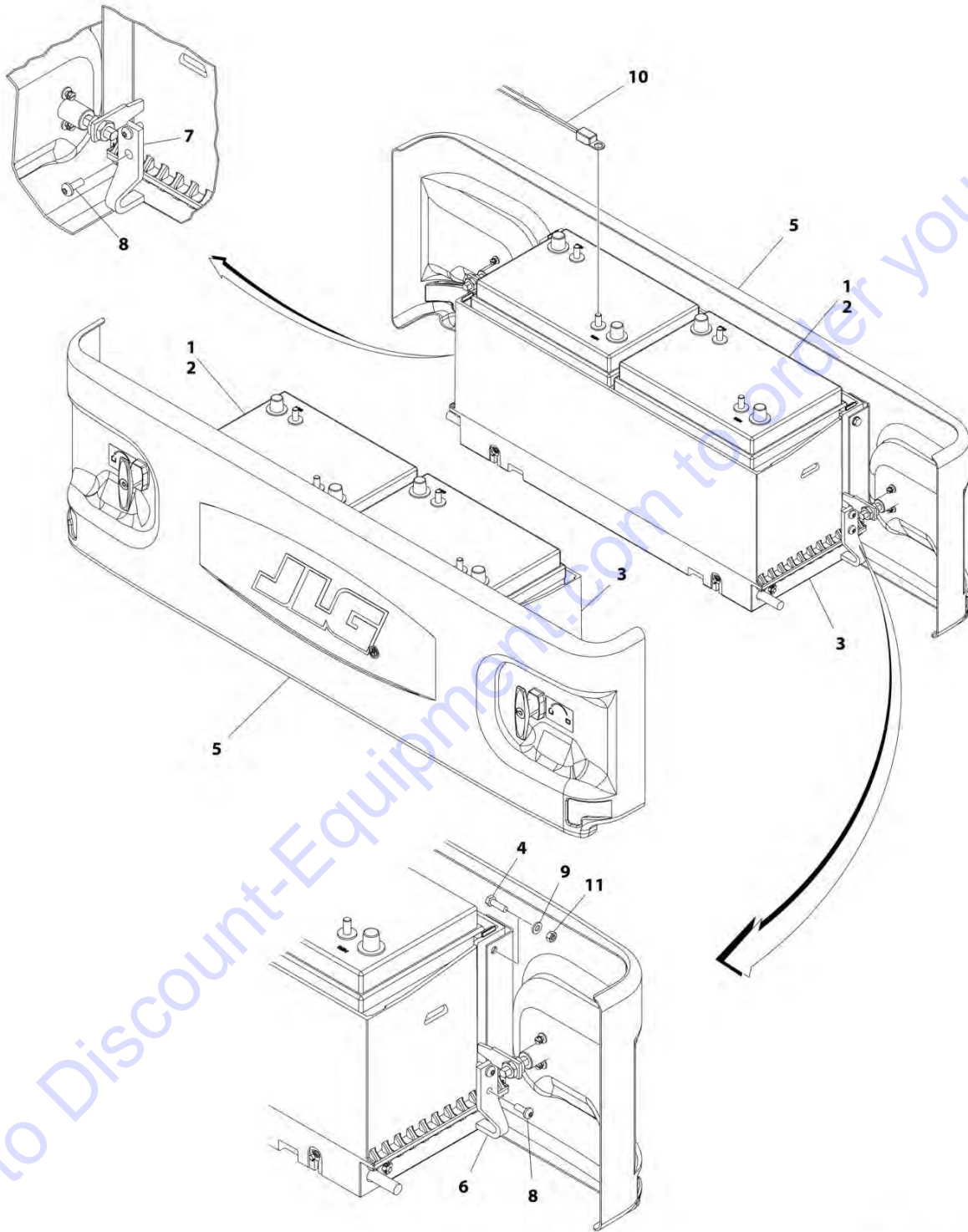
SECTION 2 - GROUND COMPONENTS

FIGURE 2-16. BATTERIES INSTALLATION - AGM AND EVG TYPE - 225 AH RATING (NON-LOCKING COVERS)

ITEM	PART NUMBER	QTY	DESCRIPTION	REV
	0275401	Ref	BATTERIES INSTALLATION - AGM AND EVG TYPE - 225 AH RATING (NON-LOCKING COVERS)	F
1	0273698	2	Tray Assembly (See BATTERY TRAY ASSEMBLY - NON UL for Breakdown)	
2	1001112112	4	Battery Type EVGC6A-A	
3	0760610	8	Bolt M6 x 20	
3	1001100451	8	Bolt M6 x 20	
4	1671202	2	Cover Assembly (See BATTERY COVER ASSEMBLY - NON-LOCKING for Breakdown)	
5	3574981	2	Plate, Slide Stop (LH)	
6	3574984	2	Plate, Slide Stop (RH)	
7	4191707	8	Screw M6 x 16	
8	4811700	8	Washer M6	
9	1001112113	1	Sensor, Temperature (SN 0200239382 through 0200266434, SN 1200025021 through 1200026477, SN B200020297 through B200045248, SN M200000100 through M200014366)	
11	0100051	AR	Grease, Terminal	
12	3290605	8	Nut M6	

SECTION 2 - GROUND COMPONENTS

FIGURE 2-17. BATTERIES INSTALLATION - AGM AND EVG TYPE - 225 AH RATING (NON-UL LOCKING COVERS)



ART_1001132233

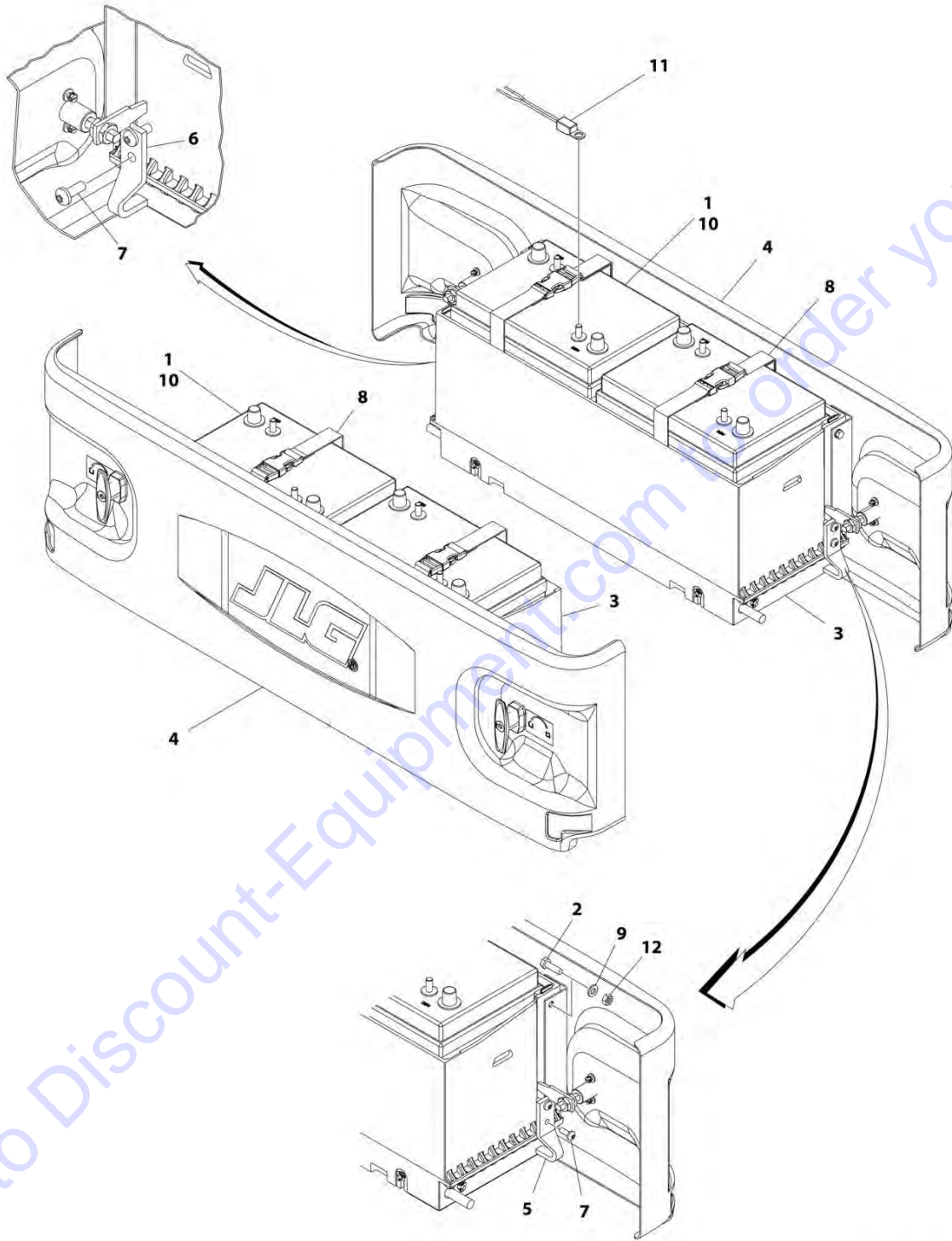
SECTION 2 - GROUND COMPONENTS

FIGURE 2-17. BATTERIES INSTALLATION - AGM AND EVG TYPE - 225 AH RATING (NON-UL LOCKING COVERS)

ITEM	PART NUMBER	QTY	DESCRIPTION	REV
	1001132233	Ref	BATTERIES INSTALLATION - AGM AND EVG TYPE - 225 AH RATING (NON-UL LOCKING COVERS)	D
1	0100051	AR	Grease, Terminal	
2	1001112112	4	Battery Type EVGC6A-A	
3	0273698	2	Tray Assembly (See BATTERY TRAY ASSEMBLY - NON UL for Breakdown)	
4	0760610	8	Bolt M6 x 20	
4	1001100451	8	Bolt M6 x 20	
5	1671204	2	Cover Assembly (See BATTERY COVER ASSEMBLY - LOCKING for Breakdown)	
6	3574981	2	Plate, Slide Stop (LH)	
7	3574984	2	Plate, Slide Stop (RH)	
8	4191707	8	Screw M6 x 16	
9	4811700	8	Washer M6	
10	1001112113	1	Sensor, Temperature (SN 0200239382 through 0200266434, SN 1200025021 through 1200026477, SN B200020297 through B200045248, SN M200000100 through M200014366)	
11	3290605	8	Nut M6	

SECTION 2 - GROUND COMPONENTS

FIGURE 2-18. BATTERIES INSTALLATION - AGM AND EVG TYPE - 225 AH RATING (UL LOCKING COVERS)



ART_1001159192

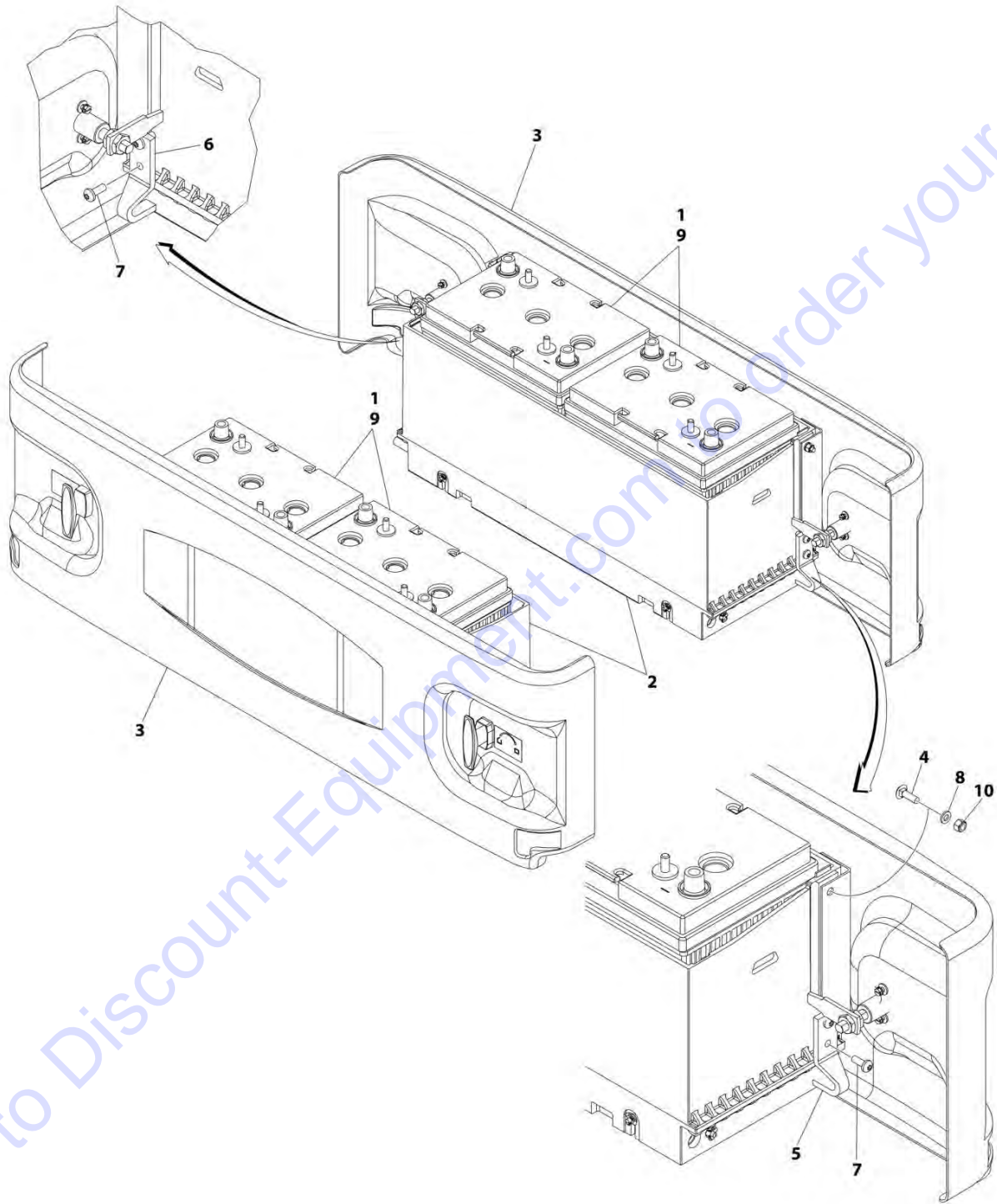
SECTION 2 - GROUND COMPONENTS

FIGURE 2-18. BATTERIES INSTALLATION - AGM AND EVG TYPE - 225 AH RATING (UL LOCKING COVERS)

ITEM	PART NUMBER	QTY	DESCRIPTION	REV
	1001159192	Ref	BATTERIES INSTALLATION - AGM AND EVG TYPE - 225 AH RATING (UL LOCKING COVERS)	D
1	0100051	AR	Grease, Terminal	
2	0760610	8	Bolt M6 x 20	
2	1001100451	8	Bolt M6 x 20	
3	0861678	2	Tray Assembly (See BATTERY TRAY ASSEMBLY - UL for Breakdown)	
4	1671204	2	Cover Assembly (See BATTERY COVER ASSEMBLY - LOCKING for Breakdown)	
5	3574981	2	Plate, Slide Stop (LH)	
6	3574984	2	Plate, Slide Stop (RH)	
7	4191707	8	Screw M6 x 16	
8	4240172	4	Strap, Battery	
9	4811700	8	Washer M6	
10	1001112112	4	Battery Type EVGC6A-A	
11	1001112113	1	Sensor, Temperature (SN 0200239382 through 0200266434, SN B200020297 through B200045248, SN M200000100 through M200014366)	
12	3290605	8	Nut M6	

SECTION 2 - GROUND COMPONENTS

FIGURE 2-19. BATTERIES INSTALLATION - AGM VISION AND EVG TYPE - 220 AH RATING (NON-LOCKING COVERS)



ART_1001248130

SECTION 2 - GROUND COMPONENTS

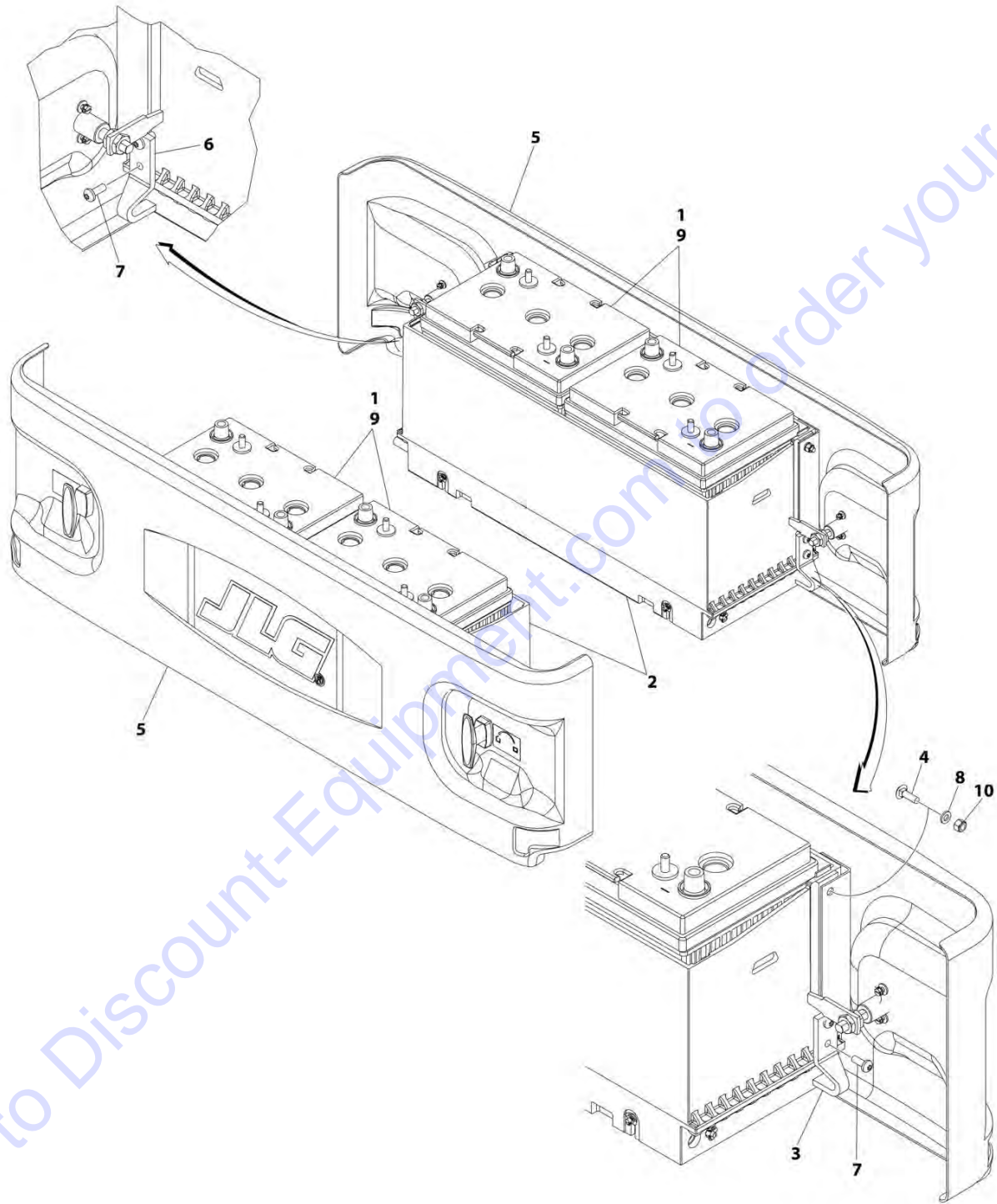
FIGURE 2-19. BATTERIES INSTALLATION - AGM VISION AND EVG TYPE - 220 AH RATING (NON-LOCKING COVERS)

ITEM	PART NUMBER	QTY	DESCRIPTION	REV
	1001248130	Ref	BATTERIES INSTALLATION - AGM VISION AND EVG TYPE - 220 AH RATING (UL LOCKING COVERS)	A
1	0100051	AR	Grease, Terminal	
2	0273698	2	Tray Assembly (See BATTERY TRAY ASSEMBLY - NON UL for Breakdown)	
3	1671202	2	Cover Assembly (See BATTERY COVER ASSEMBLY - NON-LOCKING for Breakdown)	
4	1001100451	8	Bolt M6 x 20	
5	3574981	2	Plate, Slide Stop (LH)	
6	3574984	2	Plate, Slide Stop (RH)	
7	4191707	8	Screw M6 x 16	
8	4811700	8	Washer M6	
9	1001214347	4	Battery Type EVGC-220A-AM	
10	3290605	8	Nut M6	

Go to Discount-Equipment.com to order your parts

SECTION 2 - GROUND COMPONENTS

FIGURE 2-20. BATTERIES INSTALLATION - AGM VISION AND EVG TYPE - 220 AH RATING (NON-UL LOCKING COVERS)



ART_1001248131

SECTION 2 - GROUND COMPONENTS

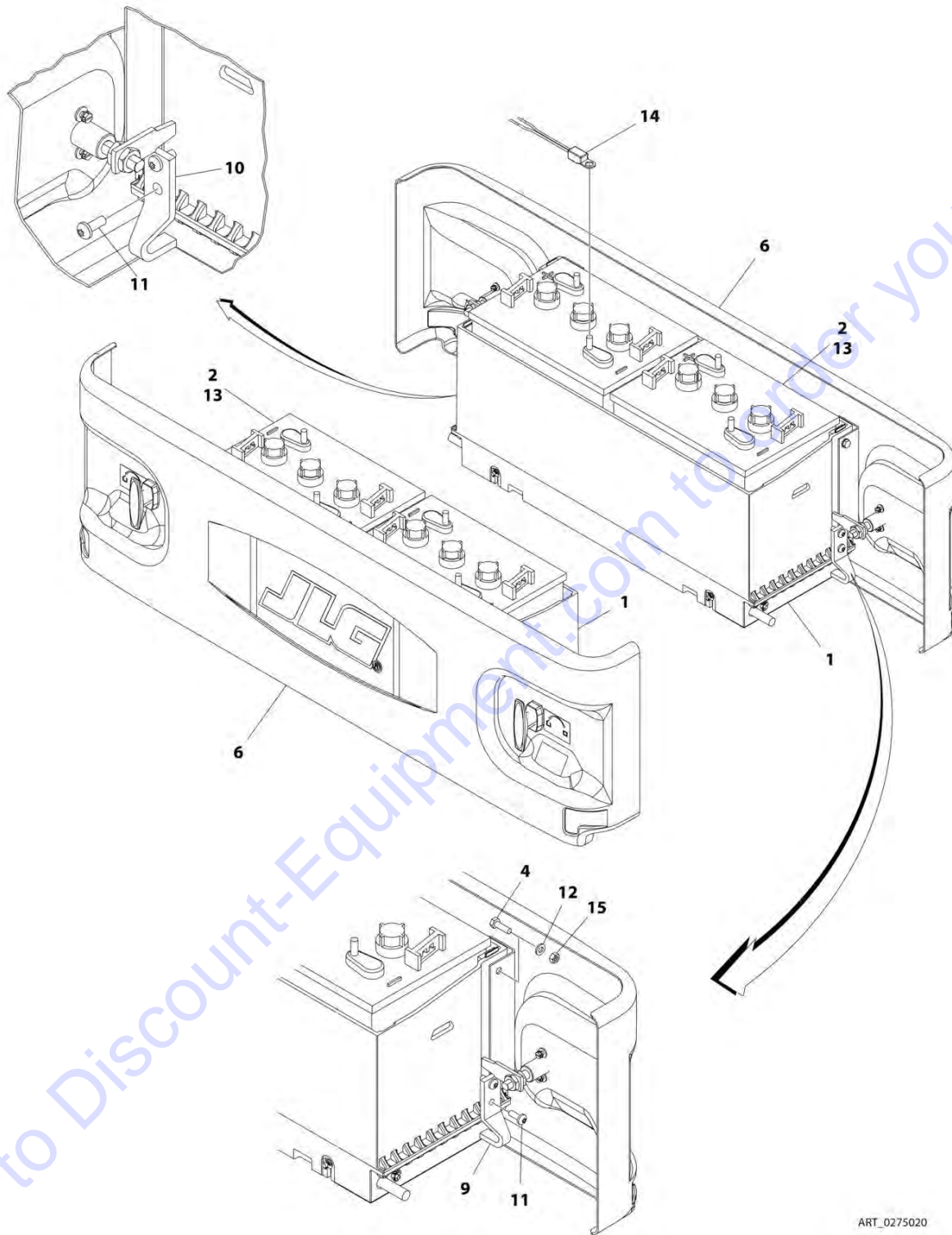
FIGURE 2-20. BATTERIES INSTALLATION - AGM VISION AND EVG TYPE - 220 AH RATING (NON-UL LOCKING COVERS)

ITEM	PART NUMBER	QTY	DESCRIPTION	REV
	1001248131	Ref	BATTERIES INSTALLATION - AGM VISION AND EVG TYPE - 220 AH RATING (NON-UL LOCKING COVERS)	A
1	0100051	AR	Grease, Terminal	
2	0273698	2	Tray Assembly (See BATTERY TRAY ASSEMBLY - NON UL for Breakdown)	
3	3574981	2	Plate, Slide Stop (LH)	
4	1001100451	8	Bolt M6 x 20	
5	1671204	2	Cover Assembly (See BATTERY COVER ASSEMBLY - LOCKING for Breakdown)	
6	3574984	2	Plate, Slide Stop (RH)	
7	4191707	8	Screw M6 x 16	
8	4811700	8	Washer M6	
9	1001214347	4	Battery Type EVGC-220A-AM	
10	3290605	8	Nut M6	

Go to Discount-Equipment.com to order your parts

SECTION 2 - GROUND COMPONENTS

FIGURE 2-21. BATTERIES INSTALLATION - GC TYPE - 225 AH RATING (NON-LOCKING COVERS)



ART_0275020

SECTION 2 - GROUND COMPONENTS

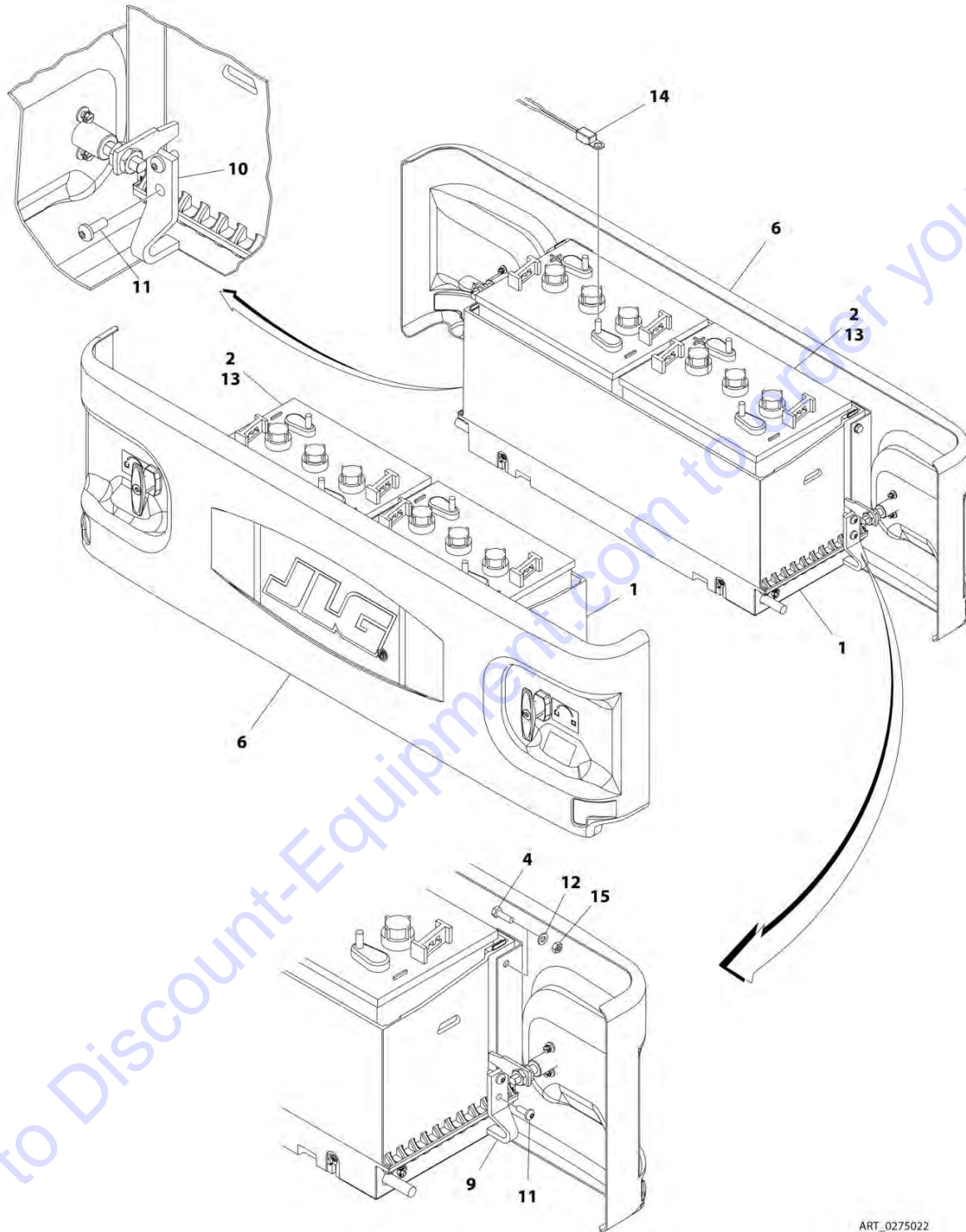
FIGURE 2-21. BATTERIES INSTALLATION - GC TYPE - 225 AH RATING (NON-LOCKING COVERS)

ITEM	PART NUMBER	QTY	DESCRIPTION	REV
	0275020	Ref	BATTERIES INSTALLATION - GC TYPE - 225 AH RATING (NON LOCKING COVERS)	G
1	0273698	2	Tray Assembly (See BATTERY TRAY ASSEMBLY - NON UL for Breakdown)	
2	0400215	4	Battery Type GC-110-WNL	
4	0760610	8	Bolt M6 x 20	
4	1001100451	8	Bolt M6 x 20	
6	1671202	2	Cover Assembly (See BATTERY COVER ASSEMBLY - NON-LOCKING for Breakdown)	
9	3574981	2	Plate, Slide Stop (LH)	
10	3574984	2	Plate, Slide Stop (RH)	
11	4191707	8	Screw M6 x 16	
12	4811700	8	Washer M6	
13	0100051	AR	Grease, Terminal	
14	1001112113	1	Sensor, Temperature (SN 0200239382 through 0200266434, SN 1200025021 through 1200026477, SN B200020297 through B200045248, SN M200000100 through M200014366)	
15	3290605	8	Nut M6	

Go to Discount-Equipment.com to order your parts

SECTION 2 - GROUND COMPONENTS

FIGURE 2-22. BATTERIES INSTALLATION - GC TYPE - 225 AH RATING (NON-UL LOCKING COVERS)



ART_0275022

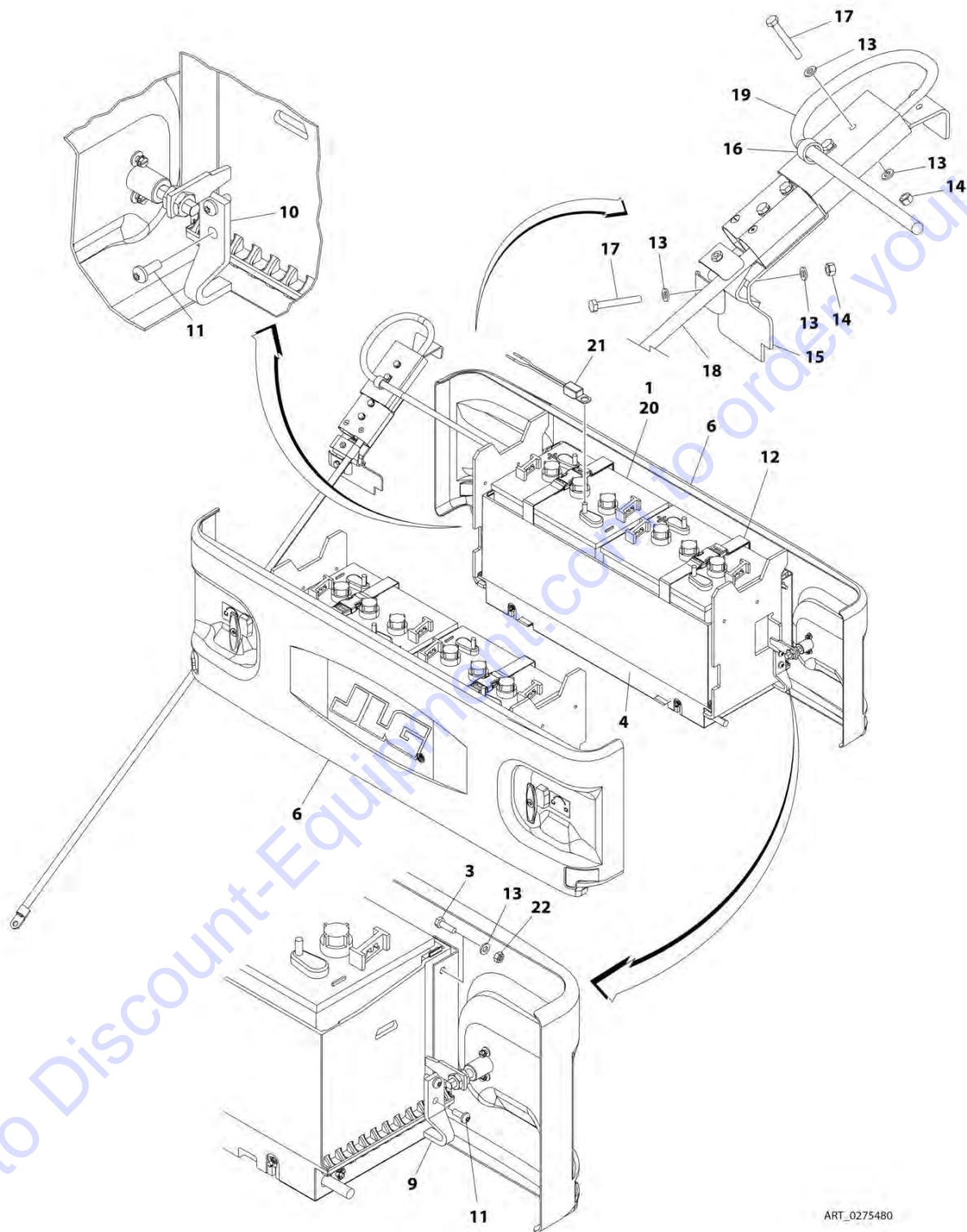
SECTION 2 - GROUND COMPONENTS

FIGURE 2-22. BATTERIES INSTALLATION - GC TYPE - 225 AH RATING (NON-UL LOCKING COVERS)

ITEM	PART NUMBER	QTY	DESCRIPTION	REV
	0275022	Ref	BATTERIES INSTALLATION - GC TYPE - 225 AH RATING (NON-UL LOCKING COVERS)	G
1	0273698	2	Tray Assembly (See BATTERY TRAY ASSEMBLY - NON UL for Breakdown)	
2	0400215	4	Battery Type GC-110-WNL	
4	0760610	8	Bolt M6 x 20	
4	1001100451	8	Bolt M6 x 20	
6	1671204	2	Cover Assembly (See BATTERY COVER ASSEMBLY - LOCKING for Breakdown)	
9	3574981	2	Plate, Slide Stop (LH)	
10	3574984	2	Plate, Slide Stop (RH)	
11	4191707	8	Screw M6 x 16	
12	4811700	8	Washer M6	
13	0100051	AR	Grease, Terminal	
14	1001112113	1	Sensor, Temperature (SN 0200239382 through 0200266434, SN 1200025021 through 1200026477, SN B200020297 through B200045248, SN M200000100 through M200014366)	
15	3290605	8	Nut M6	

SECTION 2 - GROUND COMPONENTS

FIGURE 2-23. BATTERIES INSTALLATION - GC TYPE - 225 AH RATING (UL LOCKING COVERS)



ART_0275480

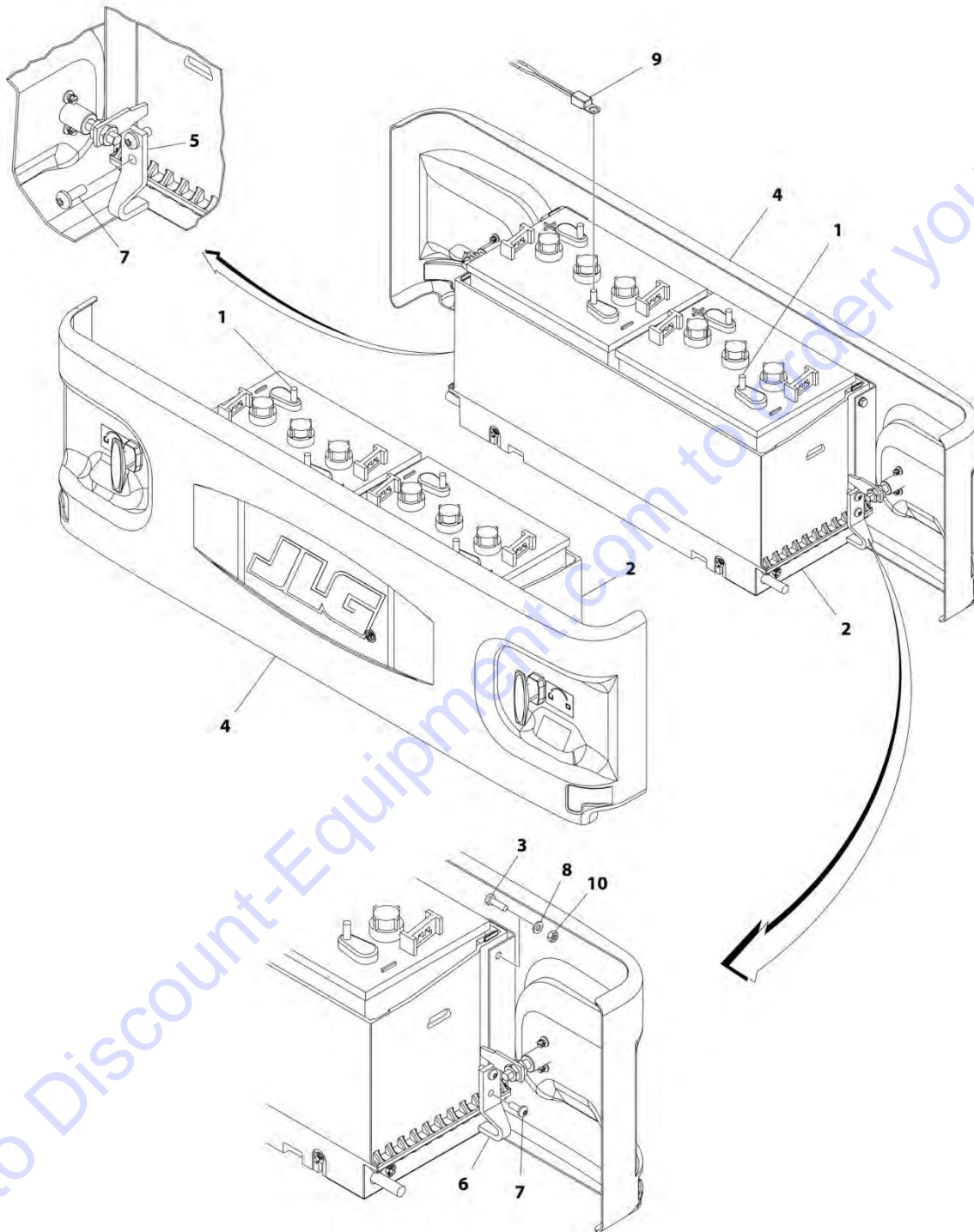
SECTION 2 - GROUND COMPONENTS

FIGURE 2-23. BATTERIES INSTALLATION - GC TYPE - 225 AH RATING (UL LOCKING COVERS)

ITEM	PART NUMBER	QTY	DESCRIPTION	REV
	0275480	Ref	BATTERIES INSTALLATION - GC TYPE - 225 AH RATING (UL LOCKING COVERS)	H
1	0400215	4	Battery Type GC-110-WNL	
3	0760610	8	Bolt M6 x 20	
3	1001100451	8	Bolt M6 x 20	
4	0861678	2	Tray Assembly (See BATTERY TRAY ASSEMBLY - UL for Breakdown)	
6	1671204	2	Cover Assembly (See BATTERY COVER ASSEMBLY - LOCKING for Breakdown)	
9	3574981	2	Plate, Slide Stop (LH)	
10	3574984	2	Plate, Slide Stop (RH)	
11	4191707	8	Screw M6 x 16	
12	4240172	4	Strap, Battery	
13	4811700	17	Washer M6	
14	3290607	5	Nut M6	
15	1001110826	1	Bracket	
16	1320224	1	Clamp	
17	0700617	5	Bolt M6 x 45	
18	1001127523	1	Cable, Battery	
19	4923414	1	Cable, Battery	
20	0100051	AR	Grease, Terminal	
21	1001112113	1	Sensor, Temperature (SN 0200239382 through 0200266434, SN B200020297 through B200045248, SN M200000100 through M200014366)	
22	3290605	8	Nut M6	

SECTION 2 - GROUND COMPONENTS

FIGURE 2-24. BATTERIES INSTALLATION - 220 AH RATING WITHOUT BATTERIES (NON LOCKING COVERS)



ART_1001209104

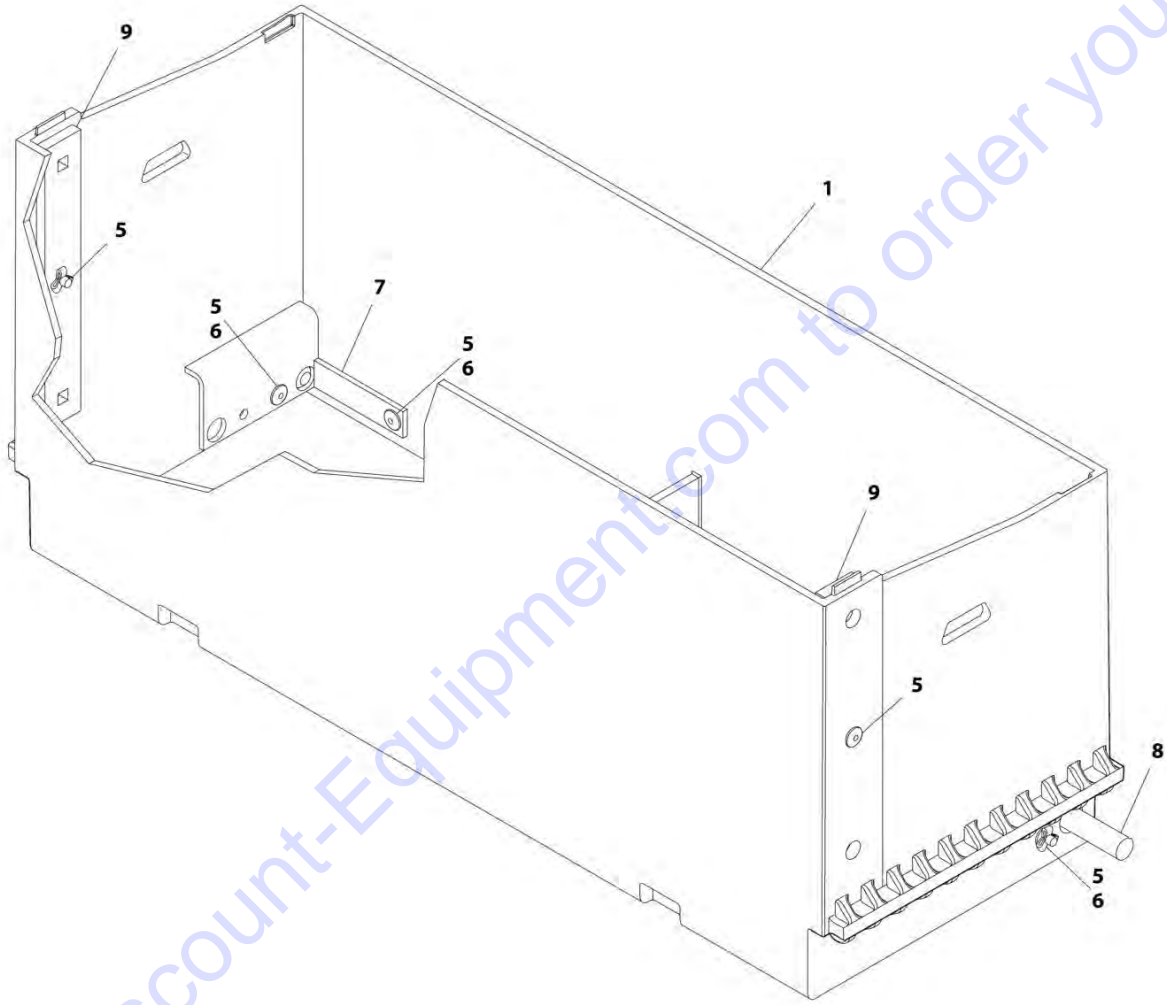
SECTION 2 - GROUND COMPONENTS

FIGURE 2-24. BATTERIES INSTALLATION - 220 AH RATING WITHOUT BATTERIES (NON LOCKING COVERS)

ITEM	PART NUMBER	QTY	DESCRIPTION	REV
	1001209104	Ref	BATTERIES INSTALLATION - 220 AH RATING WITHOUT BATTERIES (NON LOCKING COVERS)	C
1	0100051	AR	Grease, Terminal	
2	0273698	2	Tray Assembly (See BATTERY TRAY ASSEMBLY - NON UL for Breakdown)	
3	0760610	8	Bolt M6 x 20	
3	1001100451	8	Bolt M6 x 20	
4	1671202	1	Cover Assembly (See BATTERY COVER ASSEMBLY - NON-LOCKING for Breakdown)	
5	3574981	2	Plate, Slide Stop (LH)	
6	3574984	2	Plate, Slide Stop (RH)	
7	4191707	8	Screw M6 x 16	
8	4811700	8	Washer M6	
9	1001112113	1	Sensor, Temperature (SN 1200025021 through 12000264477, SN B200020297 through B2000452248)	
10	3290605	8	Nut M6	

SECTION 2 - GROUND COMPONENTS

FIGURE 2-25. BATTERY TRAY ASSEMBLY - NON-UL



ART_0273698

SECTION 2 - GROUND COMPONENTS

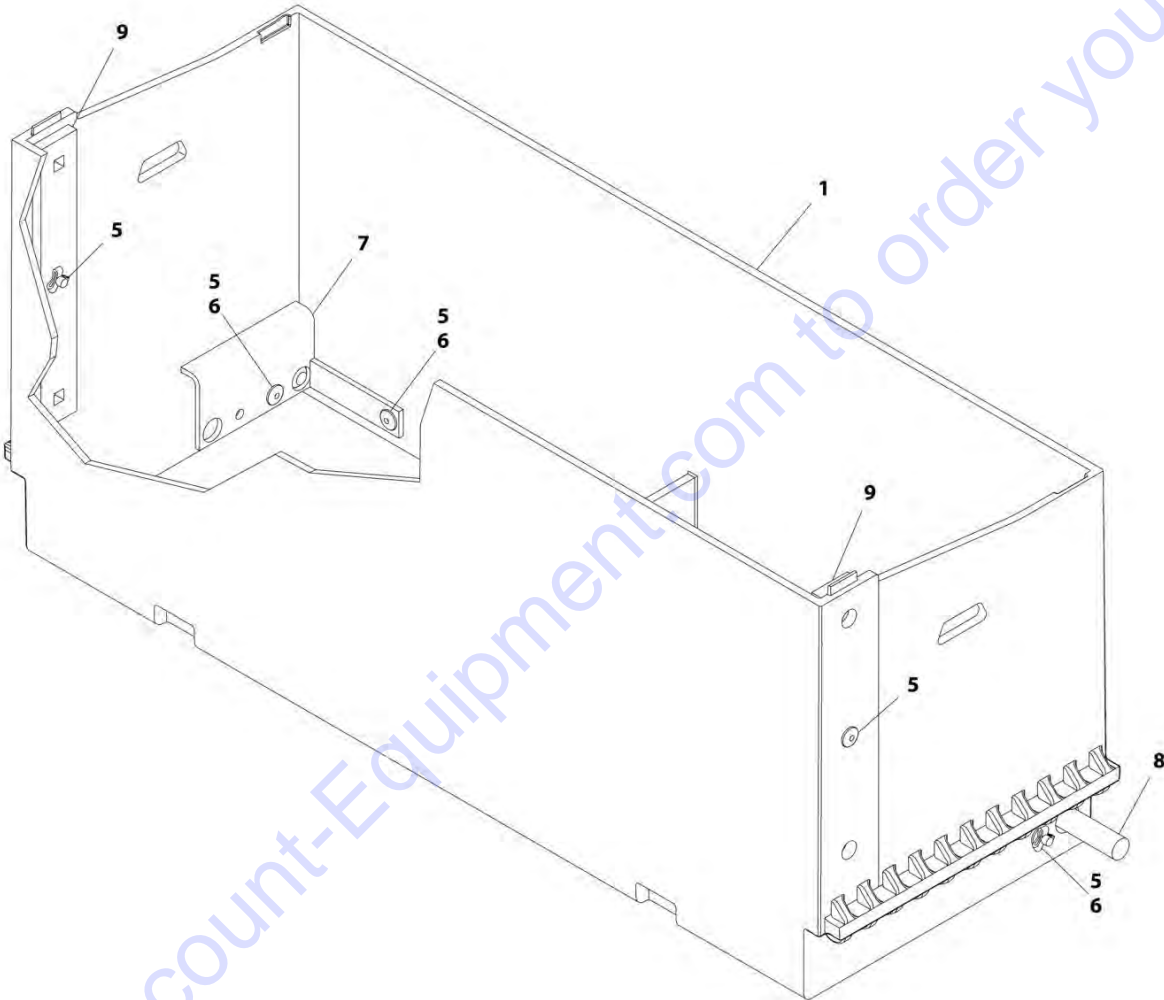
FIGURE 2-25. BATTERY TRAY ASSEMBLY - NON-UL

ITEM	PART NUMBER	QTY	DESCRIPTION	REV
	0273698	Ref	BATTERY TRAY ASSEMBLY - NON-UL	J
1	0861650	1	Tray, Battery	
5	3820032	6	Rivet	
6	4811600	4	Washer M5	
7	4220252	1	Stop (LH)	
8	4220253	1	Stop (RH)	
9	3577076	2	Bar (SN 0200239382 through 0200266381, SN 1200025021 through 1200030068, SN B200020297 through B200049082, SN M200000100 through M200026235)	
9	1001233888	2	Bar (SN 0200266382 to Present, SN 1200030069 to Present, SN B200049083 to Present, SN M200026236 to Present)	

Go to Discount-Equipment.com to order your parts

SECTION 2 - GROUND COMPONENTS

FIGURE 2-26. BATTERY TRAY ASSEMBLY - UL



ART_0861678

SECTION 2 - GROUND COMPONENTS

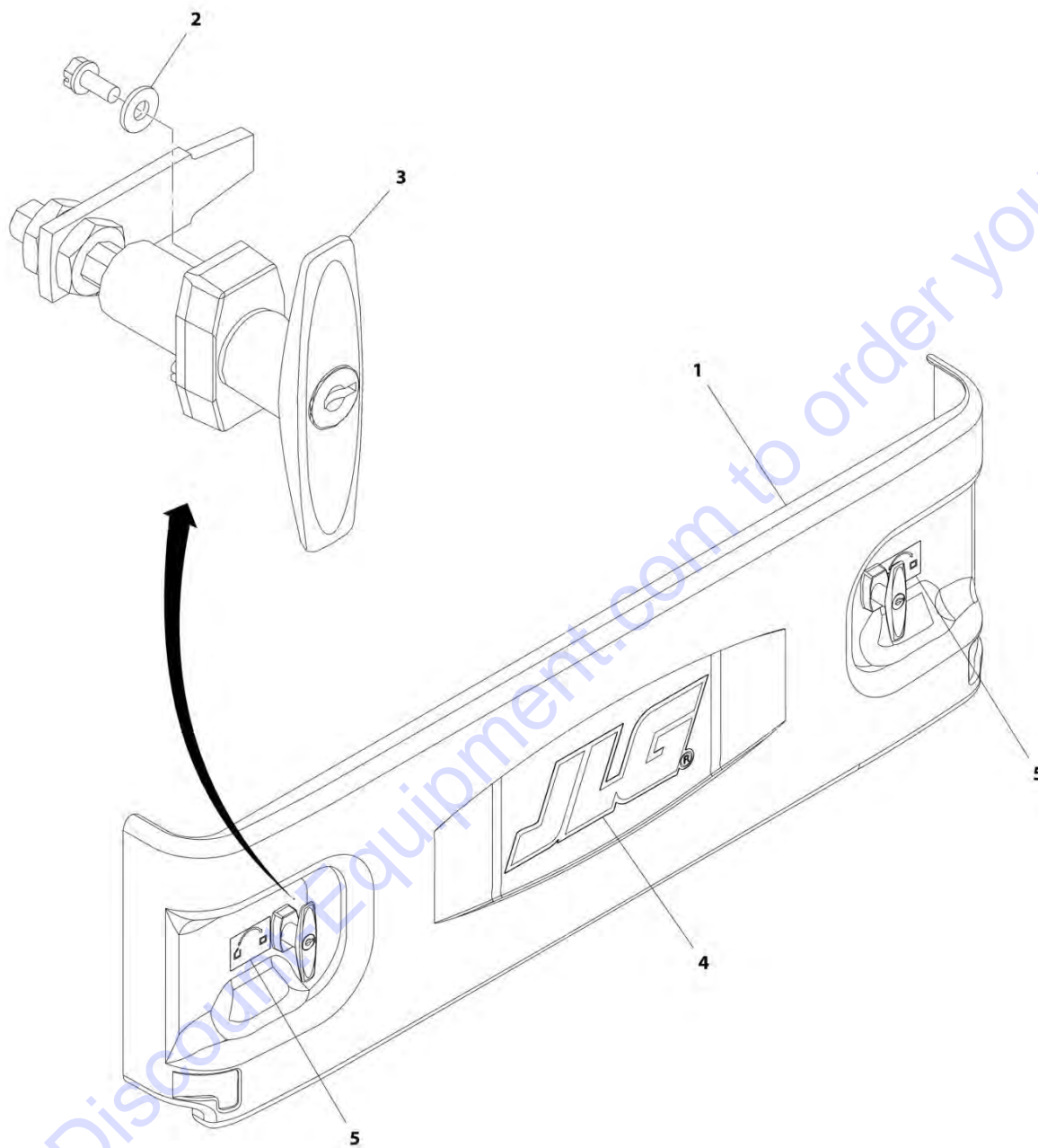
FIGURE 2-26. BATTERY TRAY ASSEMBLY - UL

ITEM	PART NUMBER	QTY	DESCRIPTION	REV
	0861678	Ref	BATTERY TRAY ASSEMBLY - UL	H
1	0861677	1	Tray, Battery	
5	3820032	6	Rivet	
6	4811600	4	Washer M5	
7	4220252	1	Stop (LH)	
8	4220253	1	Stop (RH)	
9	3577076	2	Bar (SN 0200239382 through 0200266381, SN 1200025021 through 1200030068, SN B200020297 through B200049082, SN M200000100 through M200026235)	
9	1001233888	2	Bar (SN 0200266382 to Present, SN 1200030069 to Present, SN B200049083 to Present, SN M200026236 to Present)	

Go to Discount-Equipment.com to order your parts

SECTION 2 - GROUND COMPONENTS

FIGURE 2-27. BATTERY COVER ASSEMBLY - NON-LOCKING



ART_1671202

SECTION 2 - GROUND COMPONENTS

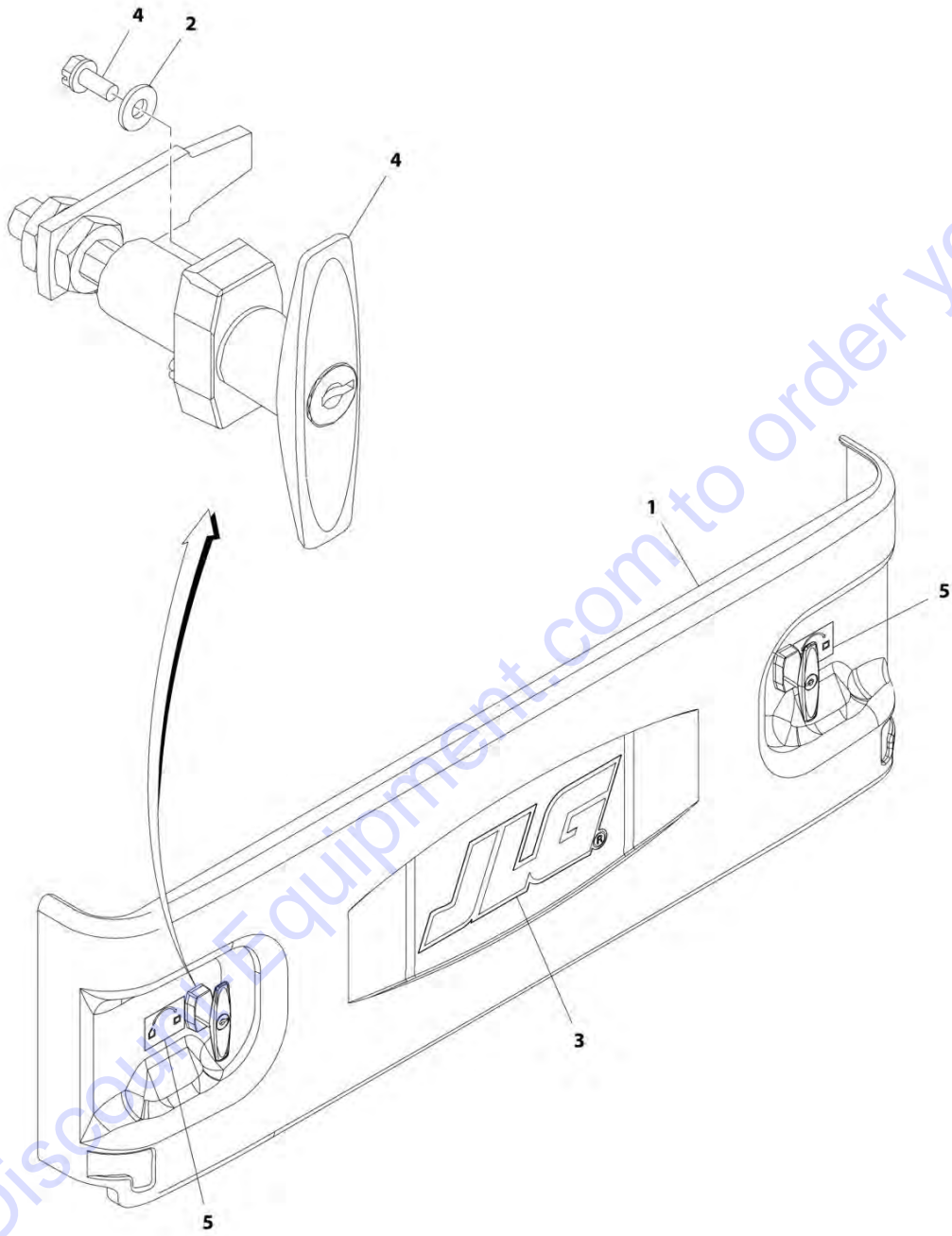
FIGURE 2-27. BATTERY COVER ASSEMBLY - NON-LOCKING

ITEM	PART NUMBER	QTY	DESCRIPTION	REV
	1671202	Ref	BATTERY COVER ASSEMBLY - NON-LOCKING	I
1	1671203	1	Cover, Battery Less Decals and Latches	
2	4750800	4	Washer #8	
3	2940174	2	Standard	
4	1705754	1	Decal - JLG (SN 0200239382 through 0200262152, SN B200020297 through B200038195, SN M200000100 through M200007968)	
5	1706350	2	Decal - Cover	

Go to Discount-Equipment.com to order your parts

SECTION 2 - GROUND COMPONENTS

FIGURE 2-28. BATTERY COVER ASSEMBLY - LOCKING



ART_1671204

SECTION 2 - GROUND COMPONENTS

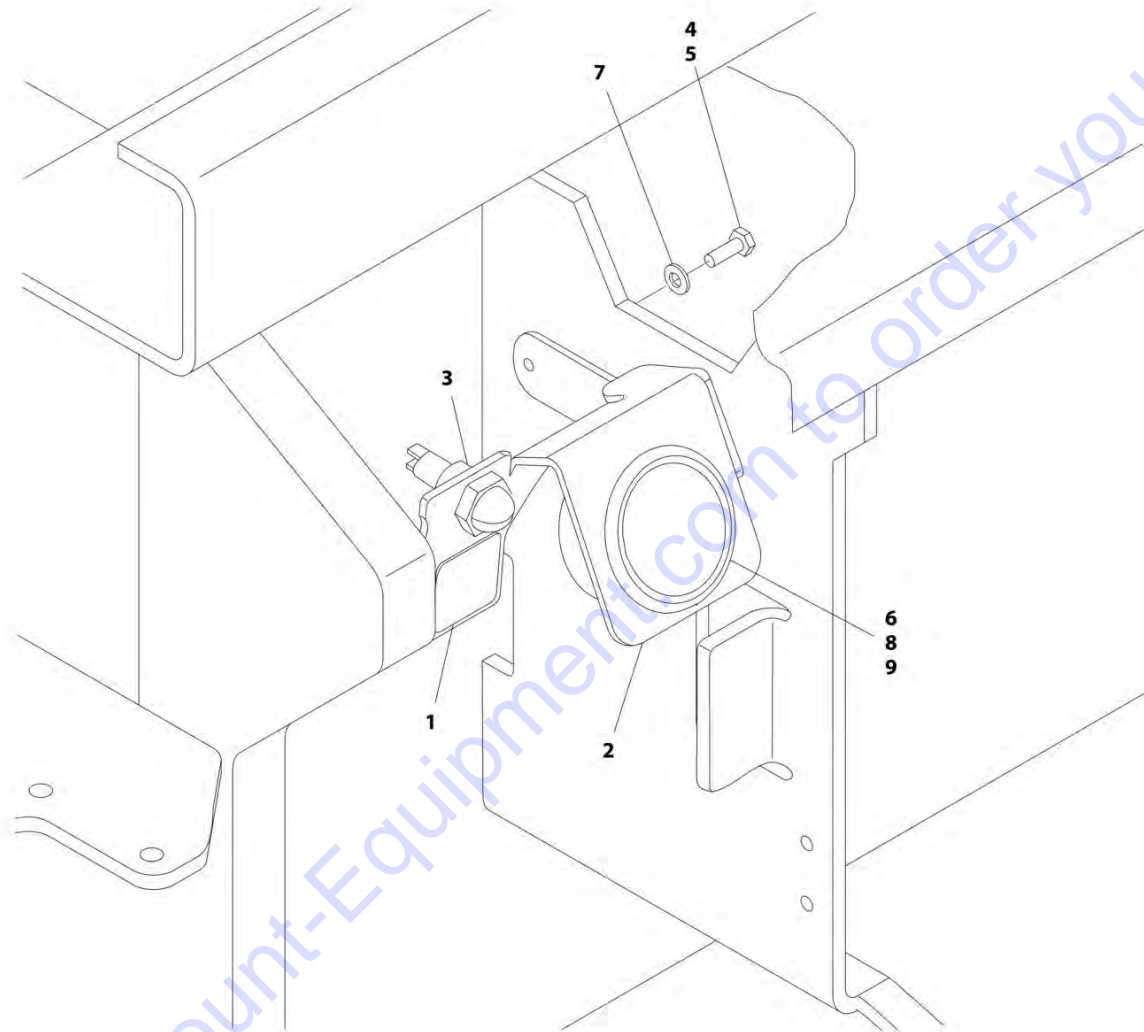
FIGURE 2-28. BATTERY COVER ASSEMBLY - LOCKING

ITEM	PART NUMBER	QTY	DESCRIPTION	REV
	1671204	Ref	BATTERY COVER ASSEMBLY - LOCKING	I
1	1671203	1	Cover, Battery Less Decals and Latches	
2	4750800	4	Washer #8	
3	1705754	1	Decal - JLG	
4	2940175	2	Latch, T-Handle (Locking)	
4	7027863	2	Key	
5	1706350	2	Decal - Cover	

Go to Discount-Equipment.com to order your parts

SECTION 2 - GROUND COMPONENTS

FIGURE 2-29. BRAKE DISCONNECT AND MDI (MULTIFUNCTION DIGITAL INDICATOR) GAUGE INSTALLATION



ART_0275530

SECTION 2 - GROUND COMPONENTS

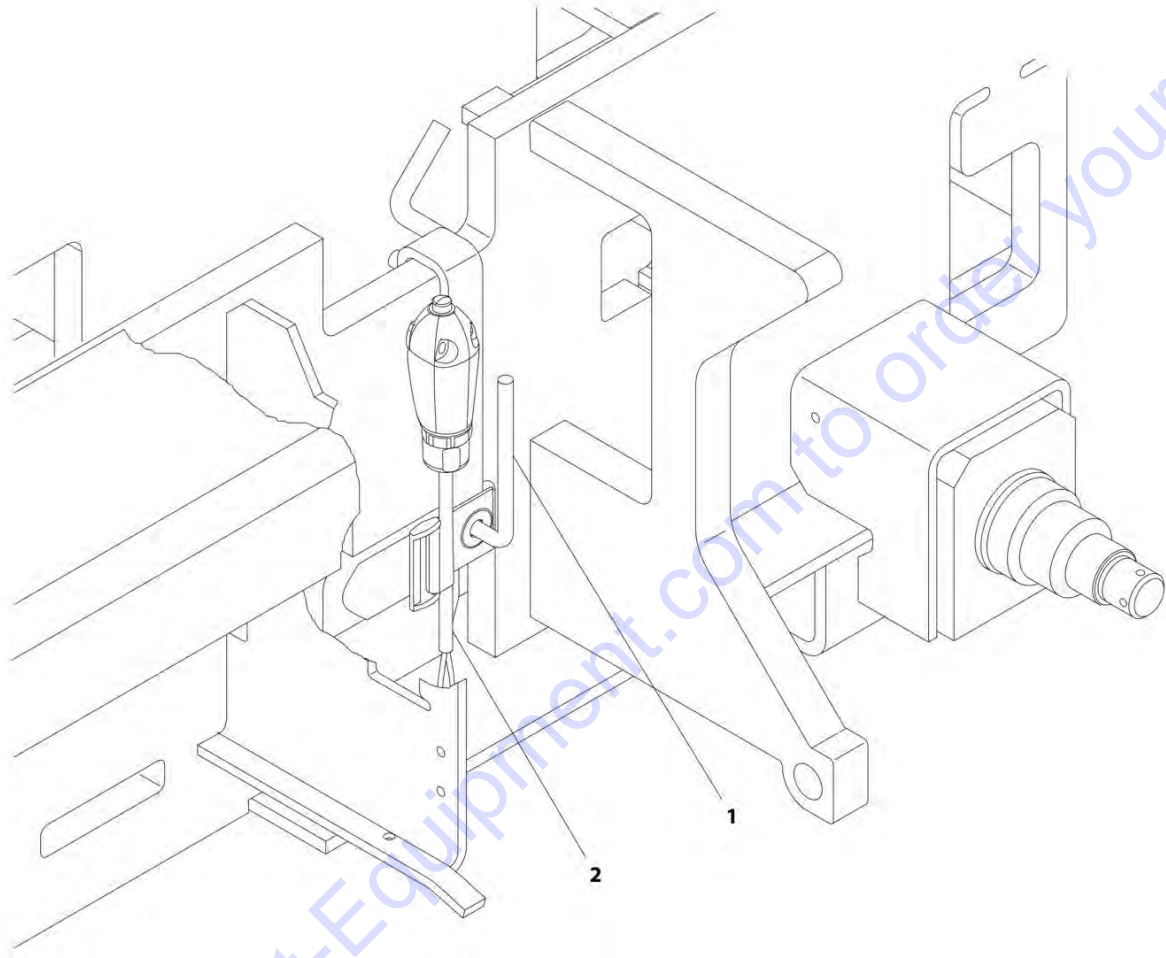
FIGURE 2-29. BRAKE DISCONNECT AND MDI (MULTIFUNCTION DIGITAL INDICATOR) GAUGE INSTALLATION

ITEM	PART NUMBER	QTY	DESCRIPTION	REV
	0275530	Ref	BRAKE DISCONNECT AND MDI (MULTIFUNCTION DIGITAL INDICATOR) GAUGE INSTALLATION	D
1	1706679	1	Decal - Brake Release	
2	1001094203	1	Bracket	
3	4360387	1	Switch, Push Button	
4	4031607	2	Capscrew M5 x 16	
5	0100011	AR	Compound, Locking	
6	0100048	AR	Grease, Dielectric	
7	4811600	2	Washer M5	
8	1001092454	1	Gauge, MDI (Multifunction Digital Indicator)	
9	1001093556	1	MDI Harness (Not Shown - See ELECTRICAL SECTION for Breakdown)	

Go to Discount-Equipment.com to order your parts

SECTION 2 - GROUND COMPONENTS

FIGURE 2-30. BRAKE CABLE INSTALLATION (OPTIONAL)



ART_0275432

SECTION 2 - GROUND COMPONENTS

FIGURE 2-30. BRAKE CABLE INSTALLATION (OPTIONAL)

ITEM	PART NUMBER	QTY	DESCRIPTION	REV
	0275432	Ref	BRAKE CABLE INSTALLATION (OPTIONAL)	B
1	2902331	1	Brake Release Mount Kit (Includes Mounting Bracket and Setscrew)	
1	3951608	1	Setscrew 3/8 x 1	
2	4922944	1	Brake Disconnect Harness (See ELECTRICAL SECTION for Breakdown)	

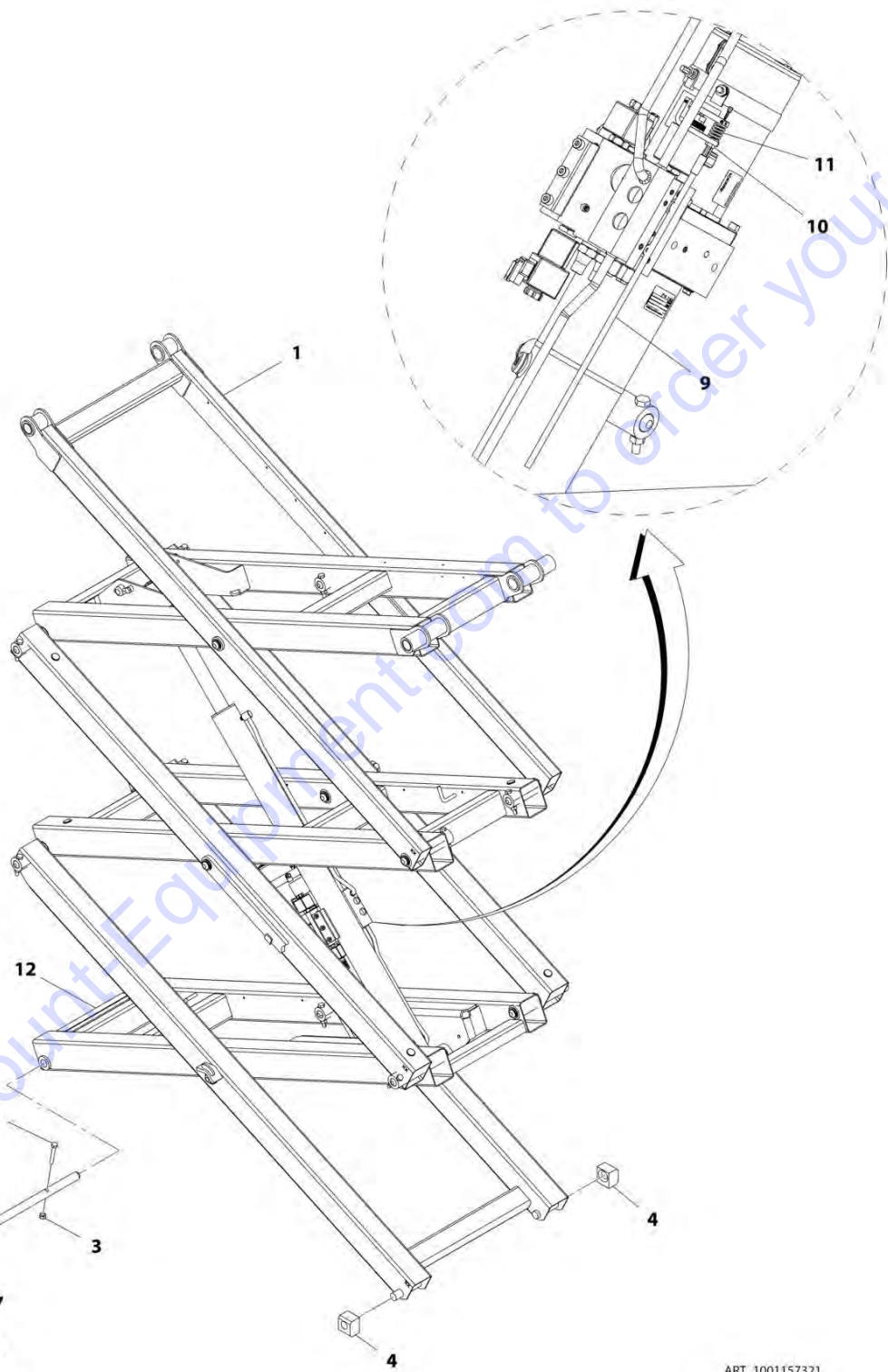
Go to Discount-Equipment.com to order your parts

SECTION 3 - SCISSOR ARMS

Go to Discount-Equipment.com to order your parts

SECTION 3 - SCISSOR ARMS

FIGURE 3-1. SCISSORS ARMS INSTALLATION - 1930ES STANDARD HYDRAULIC OIL (USA AND MEXICO BUILT MACHINES)



ART_1001157321

SECTION 3 - SCISSOR ARMS

FIGURE 3-1. SCISSORS ARMS INSTALLATION - 1930ES STANDARD HYDRAULIC OIL (USA AND MEXICO BUILT MACHINES)

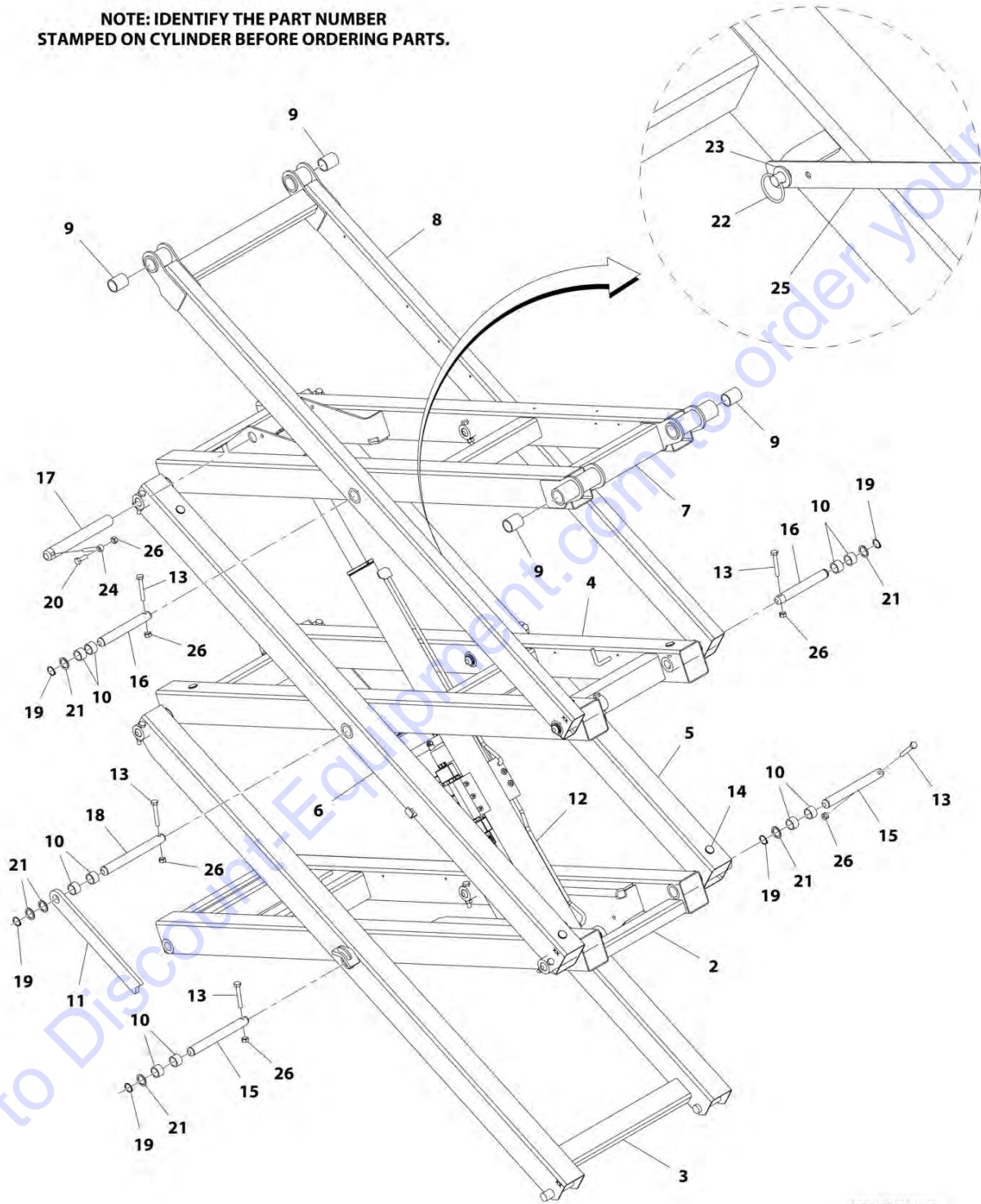
ITEM	PART NUMBER	QTY	DESCRIPTION	REV
	1001157321	Ref	SCISSOR ARMS INSTALLATION - 1930ES STANDARD HYDRAULIC OIL	A
1	1001157315	1	Arms Assembly (See SCISSORS ARMS ASSEMBLY - 1930ES STANDARD HYDRAULIC OIL for Breakdown)	
2	0701022	1	Bolt M10 x 70	
3	3291005	1	Nut M10	
4	3340964	2	Pad, Slide	
5	3423239	1	Pin, Sensor	
6	1001092354	1	Switch, Rotary Angle Sensor	
7	3200454	1	Mount, Switch	
8	4191706	3	Screw M6 x 12	
9	1061036	1	Cable, Manual Descent	
9	7020218	1	T-Handle (1/4)	
9	70001878	1	T-Handle (M5)	
10	3321402	1	Nut 1/4 - 28	
11	4160078	1	Spring, Compression	
12	4420070	1	Tape, Anti-Skid	

Go to Discount-Equipment.com to order your parts

SECTION 3 - SCISSOR ARMS

FIGURE 3-2. SCISSORS ARMS ASSEMBLY - 1930ES STANDARD HYDRAULIC OIL (USA AND MEXICO BUILT MACHINES)

NOTE: IDENTIFY THE PART NUMBER STAMPED ON CYLINDER BEFORE ORDERING PARTS.



ART_1001157315

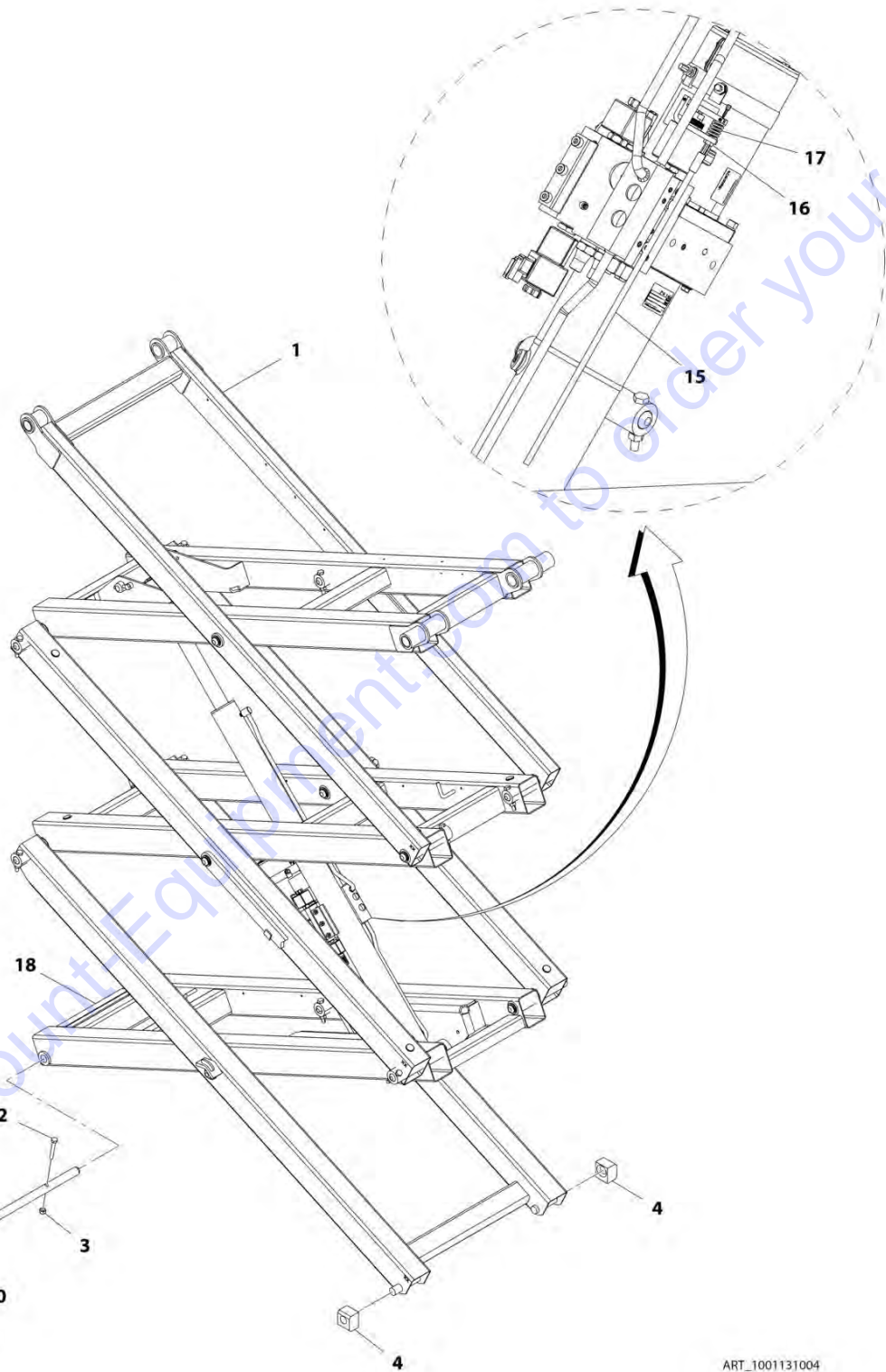
SECTION 3 - SCISSOR ARMS

FIGURE 3-2. SCISSORS ARMS ASSEMBLY - 1930ES STANDARD HYDRAULIC OIL (USA AND MEXICO BUILT MACHINES)

ITEM	PART NUMBER	QTY	DESCRIPTION	REV
	1001157315	Ref	SCISSOR ARMS ASSEMBLY - 1930ES STANDARD HYDRAULIC OIL	B
2	0200825	1	Arm - Lower Inboard	
3	0200810	1	Arm - Lower Outboard	
4	0200824	1	Arm - Mid Inboard	
5	0200823	1	Arms - Mid Outboard	
6	0200822	1	Arm - Mid Outboard	
7	0200821	1	Arm - Top Inboard	
8	0200815	1	Arm - Top Outboard	
9	0440266	4	Bearing	
10	0440264	28	Bearing	
11	3574159	1	Bar, Prop Attach	
12		Ref	Lift Cylinder Assembly - Standard Hydraulic Oil (See CYLINDER SECTION for Breakdown)	
12	1684484	1	Lift Cylinder Assembly - Texas Hydraulics	
12	1001155840	NLA	Lift Cylinder Assembly - Serta (Use p/n 1001214271) (SN 0200239382 through 0200258871, SN B200020297 through B200032100, SN M200000100 through M200003501)	
12	1001214271	1	Lift Cylinder Assembly - Serta (SN 0200258872 to Present, SN B200032101 to Present, SN M200003502 to Present)	
13	0701022	14	Bolt M10 x 70	
14	3340962	16	Pad, Arm Rest	
15	3423031	9	Pin	
16	3423032	4	Pin	
17	3423038	2	Pin	
18	3423042	1	Pin	
19	3760115	14	Ring, Retaining	
20	0761014	2	Screw M10 x 30	
21	4740531	15	Washer	
22	3760170	2	Ring, Split	
23	4812000	2	Washer M10	
24	3841143	2	Keeper, Pin	
25	3576093	1	Bar, Cable Carrier	
26	3291007	16	Nut M10	
27	2902455	1	Kit, 1930 Arm Weldments (Includes Items 2 - 11) (Not Shown)	

SECTION 3 - SCISSOR ARMS

FIGURE 3-3. SCISSORS ARMS INSTALLATION - 1930ES STANDARD HYDRAULIC OIL (BELGIUM AND CHINA BUILT MACHINES)



SECTION 3 - SCISSOR ARMS

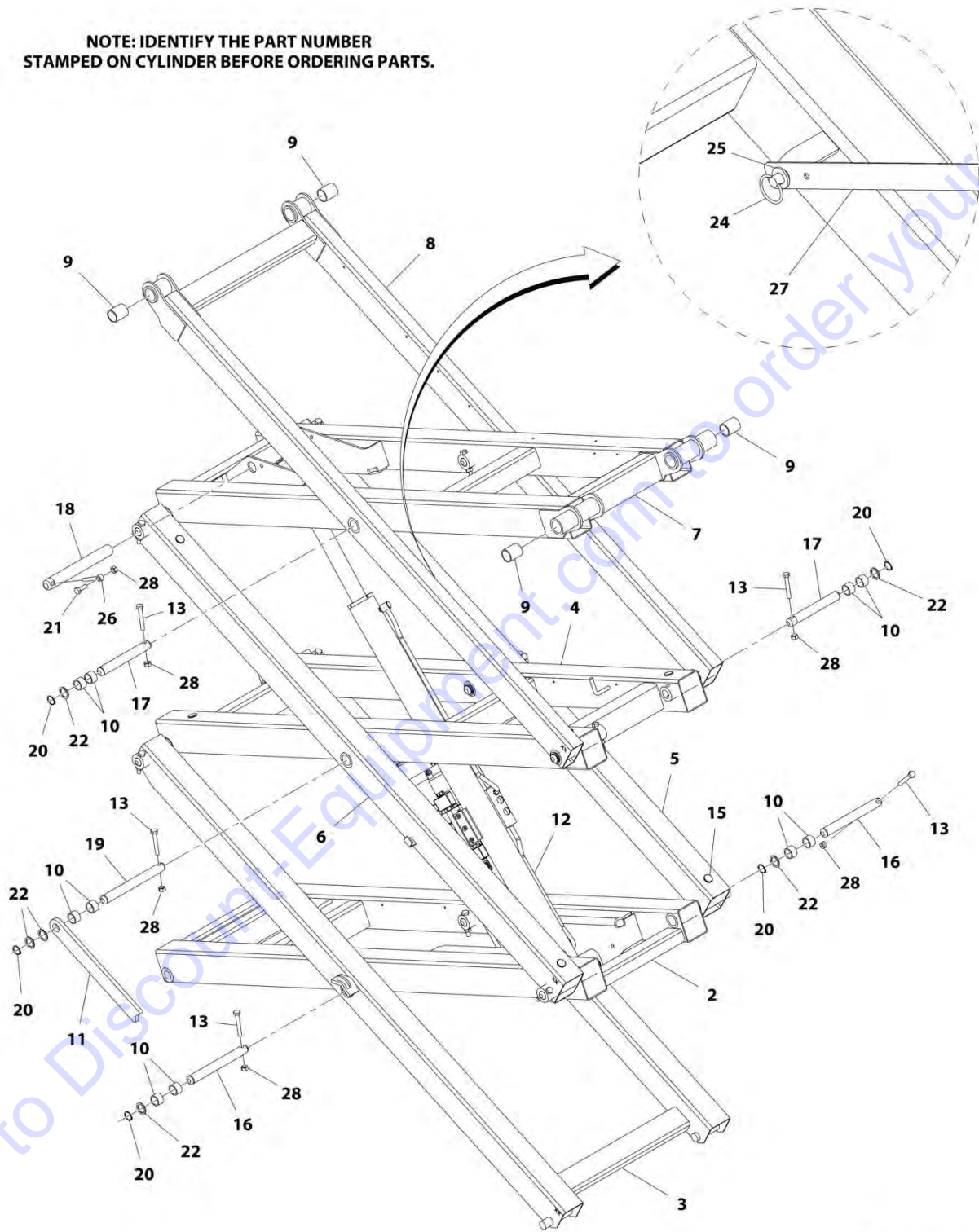
FIGURE 3-3. SCISSORS ARMS INSTALLATION - 1930ES STANDARD HYDRAULIC OIL (BELGIUM AND CHINA BUILT MACHINES)

ITEM	PART NUMBER	QTY	DESCRIPTION	REV
	1001131004	Ref	SCISSOR ARMS INSTALLATION - 1930ES STANDARD HYDRAULIC OIL	B
1	1001131019	1	Arms Assembly (See SCISSOR ARMS ASSEMBLY - 1930ES STANDARD HYDRAULIC OIL for Breakdown)	
2	0701022	1	Bolt M10 x 70	
3	3291005	1	Nut M10	
4	3340964	2	Pad, Slide	
5	3423239	1	Pin, Sensor	
8	1001092354	1	Switch, Rotary Angle Sensor	
10	3200454	1	Mount, Rotary Angle Sensor	
13	4191706	3	Screw M6 x 12	
15	1061036	1	Cable, Manual Descent	
15	7020218	1	T-Handle (1/4)	
15	70001878	1	T-Handle (M5)	
16	3321402	1	Nut 1/4 - 28	
17	4160078	1	Spring, Compression	
18	4420070	1	Tape - Anti Skid	

SECTION 3 - SCISSOR ARMS

FIGURE 3-4. SCISSORS ARMS ASSEMBLY - 1930ES STANDARD HYDRAULIC OIL (BELGIUM AND CHINA BUILT MACHINES)

NOTE: IDENTIFY THE PART NUMBER STAMPED ON CYLINDER BEFORE ORDERING PARTS.



ART_1001131019

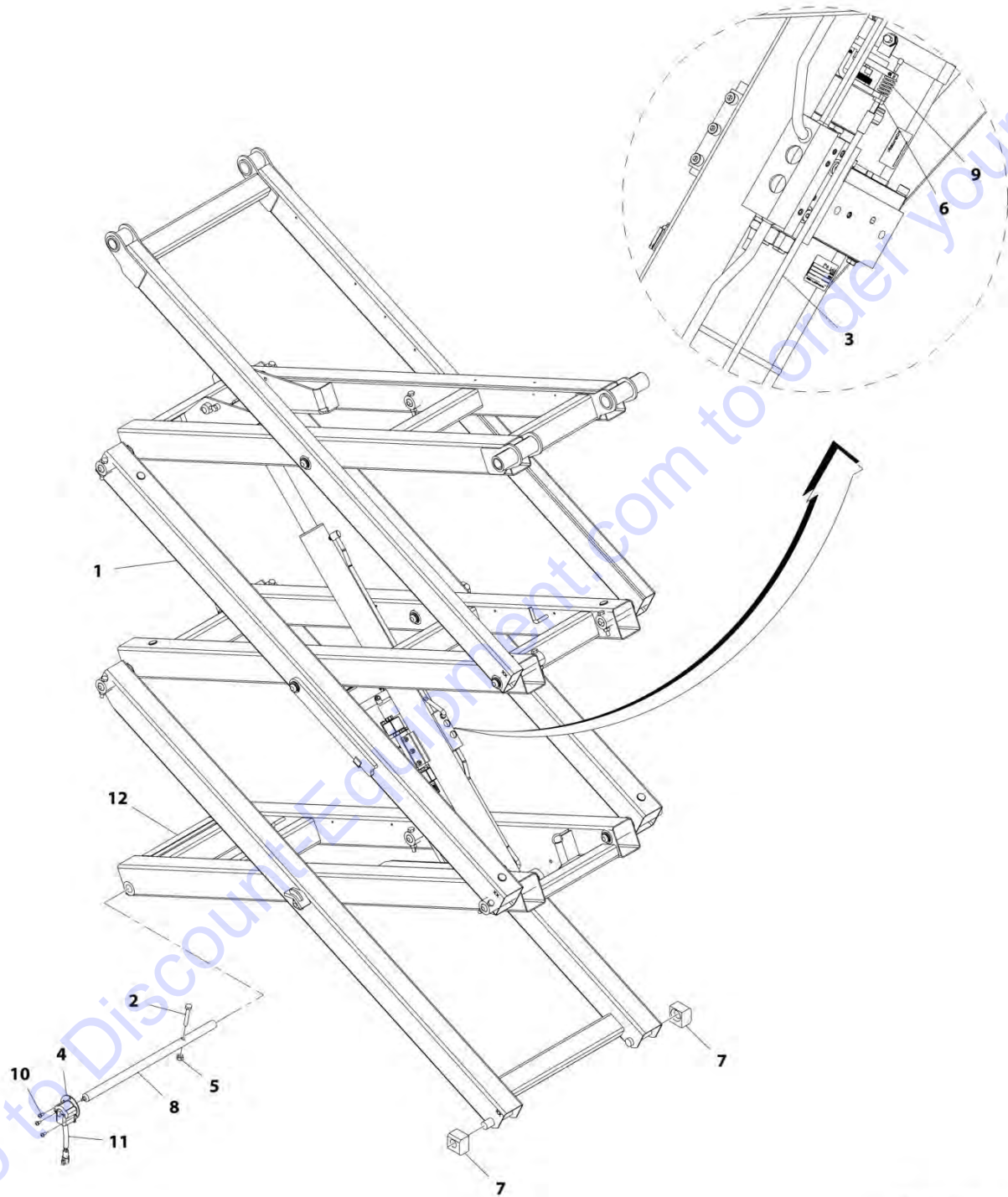
SECTION 3 - SCISSOR ARMS

FIGURE 3-4. SCISSORS ARMS ASSEMBLY - 1930ES STANDARD HYDRAULIC OIL (BELGIUM AND CHINA BUILT MACHINES)

ITEM	PART NUMBER	QTY	DESCRIPTION	REV
	1001131019	Ref	SCISSOR ARMS ASSEMBLY - 1930ES STANDARD HYDRAULIC OIL	C
2	0200825	1	Arm - Lower Inboard	
3	0200810	1	Arm - Lower Outboard	
4	0200824	1	Arm - Mid Inboard	
5	0200823	1	Arms - Mid Outboard	
6	0200822	1	Arm - Mid Outboard	
7	0200821	1	Arm - Top Inboard	
8	0200815	1	Arm - Top Outboard	
9	0440266	4	Bearing	
10	0440264	28	Bearing	
11	3574159	1	Plate, Safety Prop	
12	1001129288	NLA	Lift Cylinder Assembly - 1930ES Standard Hydraulic Oil (SH-PAC) (Use p/n 1001214270 (See CYLINDER SECTION for Breakdown) (SN 0200239382 through 0200258871, SN B200020297 through B200032100, SN M200000100 through M200003501)	
12	1001214270	1	Lift Cylinder Assembly - 1930ES Standard Hydraulic Oil (SH-PAC) (SN 0200258872 to Present, SN 1200025021 to Present, SN B200032101 to Present, SN M200003502 to Present)	
13	0701022	14	Bolt M10 x 70	
15	3340962	16	Pad, Arm	
16	3423031	9	Pin	
17	3423032	4	Pin	
18	3423038	2	Pin	
19	3423042	1	Pin	
20	3760115	14	Ring, Retaining	
21	0761014	2	Bolt M10 x 30	
22	4740531	15	Washer	
24	3760170	2	Ring, Split	
25	4812000	2	Washer M10	
26	3841143	2	Keeper, Pin	
27	3576093	1	Bar, Cable Carrier	
28	3291007	16	Nut M10	
29	2902455	1	Kit, 1930ES Arm Weldments (Includes Items 2 - 11) (Not Shown)	

SECTION 3 - SCISSOR ARMS

FIGURE 3-5. SCISSORS ARMS INSTALLATION - 1930ES BIODEGRADABLE HYDRAULIC OIL (CHINA BUILT MACHINES)



ART_1001131009

SECTION 3 - SCISSOR ARMS

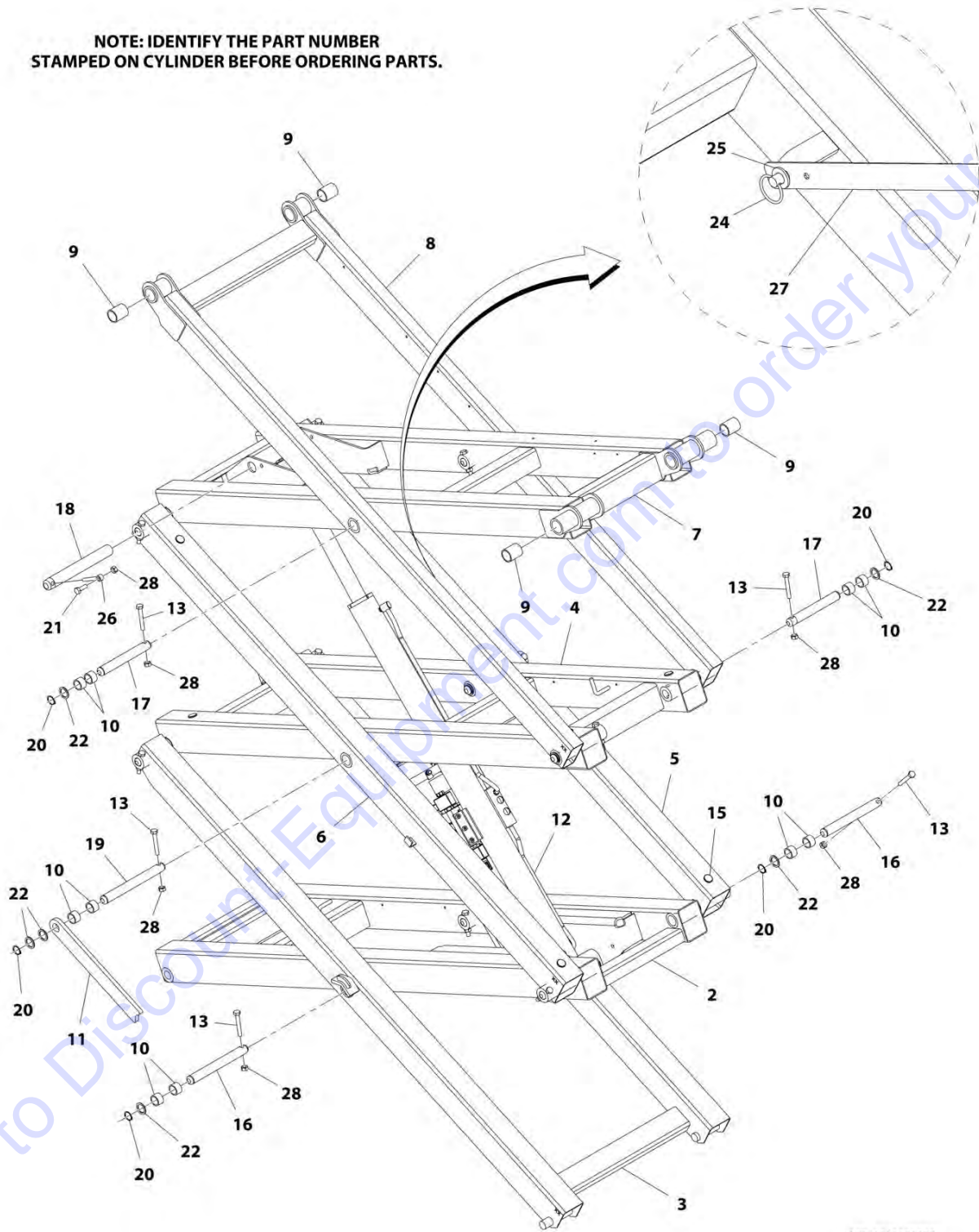
**FIGURE 3-5. SCISSORS ARMS INSTALLATION - 1930ES BIODEGRADEABLE HYDRAULIC OIL
(CHINA BUILT MACHINES)**

ITEM	PART NUMBER	QTY	DESCRIPTION	REV
	1001131009	Ref	SCISSOR ARMS INSTALLATION - 1930ES BIODEGRADEABLE HYDRAULIC OIL	B
1	1001131027	1	See SCISSORS ARMS ASSEMBLY - 1930ES BIODEGRADEABLE HYDRAULIC OIL for Breakdown)	
2	0701022	1	Bolt M10 x 70	
3	1061036	1	Cable, Manual Descent	
3	7020218	1	T-Handle (1/4)	
3	70001878	1	T-Handle (M5)	
4	3200454	1	Mount, Switch	
5	3291005	1	Nut M10	
6	3321402	1	Nut 1/4 - 28	
7	3340964	2	Pad, Slide	
8	3423239	1	Pin, Sensor	
9	4160078	1	Spring, Compression	
10	4191706	3	Screw M6 x 12	
11	1001092354	1	Switch, Rotary Angle Sensor	
12	4420070	1	Tape, Anti - Skid	

SECTION 3 - SCISSOR ARMS

FIGURE 3-6. SCISSORS ARMS ASSEMBLY - 1930ES BIODEGRADABLE HYDRAULIC OIL (CHINA BUILT MACHINES)

NOTE: IDENTIFY THE PART NUMBER STAMPED ON CYLINDER BEFORE ORDERING PARTS.



ART_1001131027

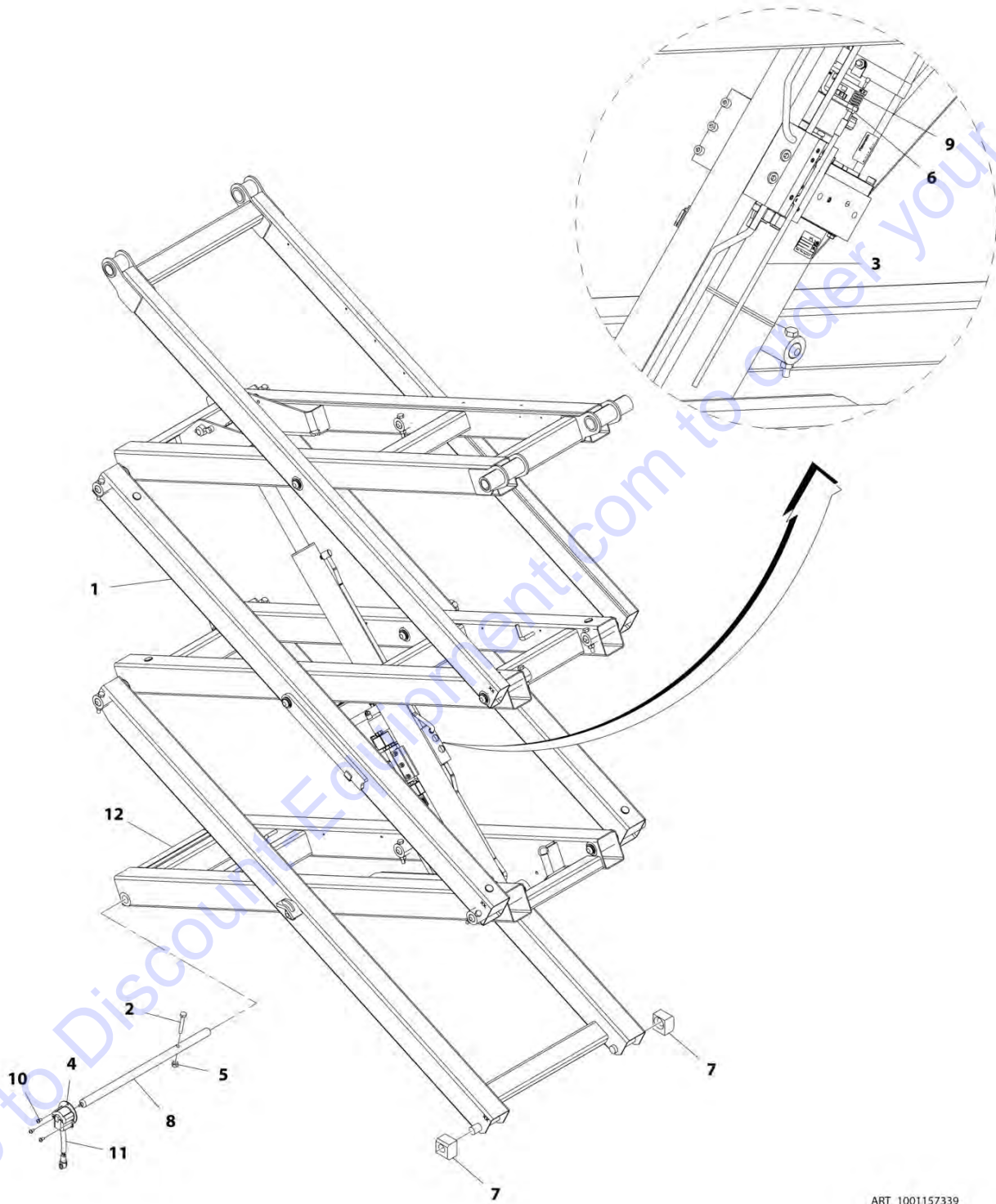
SECTION 3 - SCISSOR ARMS

FIGURE 3-6. SCISSORS ARMS ASSEMBLY - 1930ES BIODEGRADABLE HYDRAULIC OIL (CHINA BUILT MACHINES)

ITEM	PART NUMBER	QTY	DESCRIPTION	REV
	1001131027	Ref	SCISSOR ARMS ASSEMBLY - 1930ES BIODEGRADABLE HYDRAULIC OIL	D
2	0200825	1	Arm - Lower Inboard	
3	0200810	1	Arm - Lower Outboard	
4	0200824	1	Arm - Mid Inboard	
5	0200823	1	Arms - Mid Outboard	
6	0200822	1	Arm - Mid Outboard	
7	0200821	1	Arm - Top Inboard	
8	0200815	1	Arm - Top Outboard	
9	0440266	9	Bearing	
10	0440264	28	Bearing	
11	3574159	1	Plate, Safety Prop	
12	1001131033	1	Lift Cylinder Assembly - 1930ES Biodegradable Hydraulic Oil (SH-PAC) (See CYLINDER SECTION for Breakdown)	
13	0701022	14	Screw M10 x 70	
15	3340962	16	Pad, Arm	
16	3423031	9	Pin	
17	3423032	4	Pin	
18	3423038	2	Pin	
19	3423042	1	Pin	
20	3760115	14	Ring, Retaining	
21	0761014	2	Screw M10 x 30	
22	4740531	15	Washer	
24	3760170	2	Ring, Split	
25	4812000	2	Washer M10	
26	3841143	2	Keeper, Pin	
27	3576093	1	Bar, Prop Attach	
28	3291007	16	Nut, M10	
29	2902455	1	Kit, 1930 Arm Weldments (Includes Items 2 - 11) (Not Shown)	

SECTION 3 - SCISSOR ARMS

FIGURE 3-7. SCISSORS ARMS INSTALLATION - 1930ES BIODEGRADEABLE HYDRAULIC OIL (USA BUILT MACHINES)



ART_1001157339

PARTS FINDER

**Search Website
by Part Number**



**Search Manual
Library For Parts
Manual & Lookup Part
Numbers – Purchase
or Request Quote**

**Can't Find Part or
Manual? Request Help
by Manufacturer,
Model & Description**

Discount-Equipment.com is your online resource for quality parts & equipment.

Florida: **561-964-4949** Outside Florida TOLL FREE: **877-690-3101**

Need parts?

Click on this link: <http://www.discount-equipment.com/category/5443-parts/> and choose one of the options to help get the right parts and equipment you are looking for. Please have the machine model and serial number available in order to help us get you the correct parts. If you don't find the part on the website or on one of the online manuals, please fill out the request form and one of our experienced staff members will get back to you with a quote for the right part that your machine needs.

We sell worldwide for the brands: Genie, Terex, JLG, MultiQuip, Mikasa, Essick, Whiteman, Mayco, Toro Stone, Diamond Products, Generac Magnum, Airman, Haulotte, Barreto, Power Blanket, Nifty Lift, Atlas Copco, Chicago Pneumatic, Allmand, Miller Curber, Skyjack, Lull, Skytrak, Tsurumi, Husquvarna Target, Stow, Wacker, Sakai, Mi-T-M, Sullair, Basic, Dynapac, MBW, Weber, Bartell, Bennar Newman, Haulotte, Ditch Runner, Menegotti, Morrison, Contec, Buddy, Crown, Edco, Wyco, Bomag, Laymor, EZ Trench, Bil-Jax, F.S. Curtis, Gehl Pavers, Heli, Honda, ICS/PowerGrit, IHI, Partner, Imer, Clipper, MMD, Koshin, Rice, CH&E, General Equipment, Amida, Coleman, NAC, Gradall, Square Shooter, Kent, Stanley, Tamco, Toku, Hatz, Kohler, Robin, Wisconsin, Northrock, Oztec, Toker TK, Rol-Air, APT, Wylie, Ingersoll Rand / Doosan, Innovatech, Con X, Ammann, Mecalac, Makinex, Smith Surface Prep, Small Line, Wanco, Yanmar

SECTION 3 - SCISSOR ARMS

FIGURE 3-7. SCISSORS ARMS INSTALLATION - 1930ES BIODEGRADEABLE HYDRAULIC OIL (USA BUILT MACHINES)

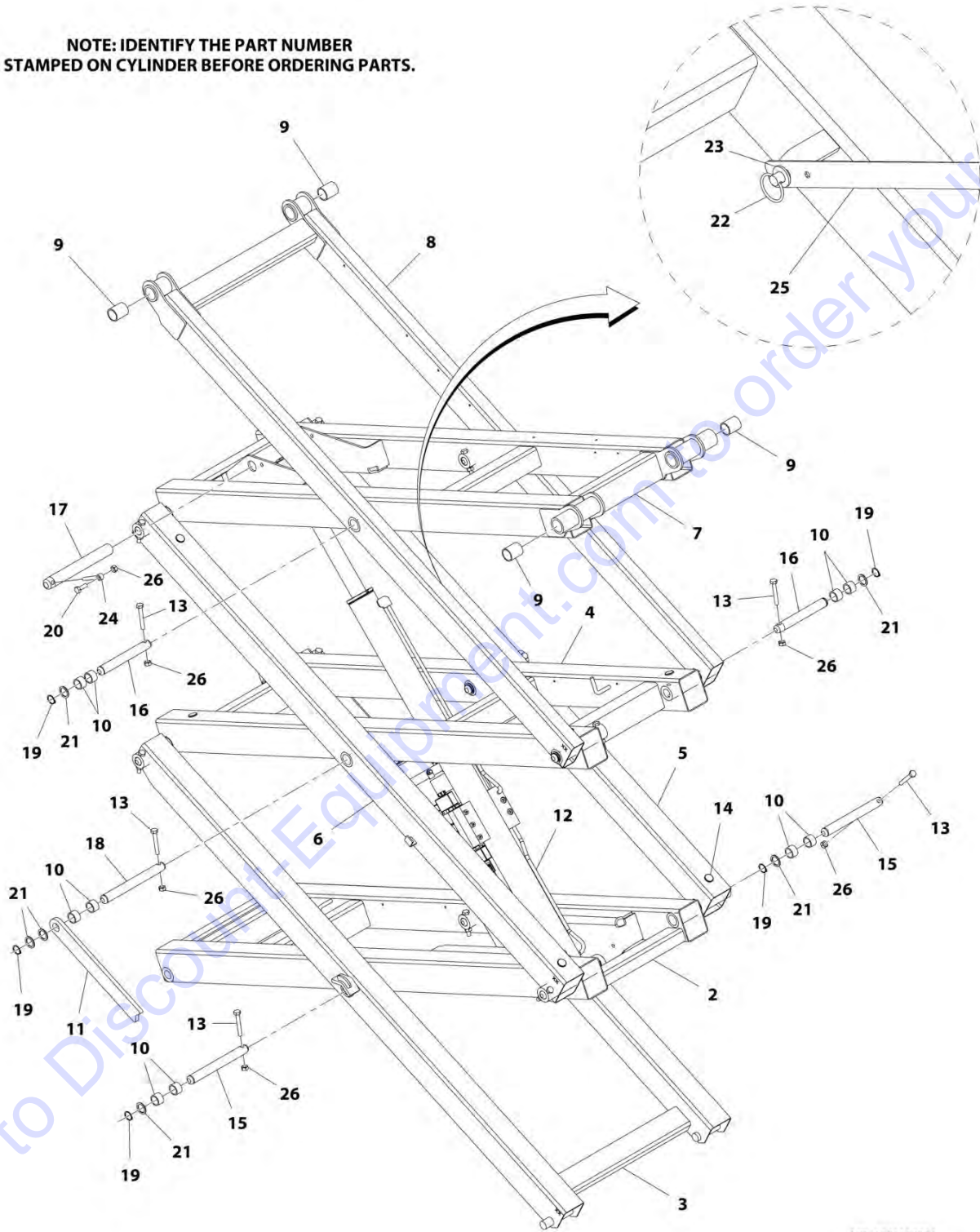
ITEM	PART NUMBER	QTY	DESCRIPTION	REV
	1001157339	Ref	SCISSOR ARMS INSTALLATION - 1930ES BIODEGRADEABLE HYDRAULIC OIL	A
1	1001157334	1	Arms Assembly (See SCISSOR ARMS ASSEMBLY - 1930ES BIODEGRADEABLE HYDRAULIC OIL for Breakdown)	
2	0701022	1	Screw M10 x 70	
3	1061036	1	Cable, Manual Descent	
3	7020218	1	T-Handle (1/4)	
3	70001878	1	T-Handle (M5)	
4	3200454	1	Mount, Switch	
5	3291005	1	Nut M10	
6	3321402	1	Nut 1/4 - 28	
7	3340964	2	Pad, Slide	
8	3423239	1	Pin, Sensor	
9	4160078	1	Spring, Compression	
10	4191706	3	Screw M5 x 12	
11	1001092354	1	Switch, Rotary Angle Sensor	
12	4420070	1	Tape, Anti - Skid	

Go to Discount-Equipment.com to order your parts

SECTION 3 - SCISSOR ARMS

FIGURE 3-8. SCISSORS ARMS ASSEMBLY - 1930ES BIODEGRADABLE HYDRAULIC OIL (USA BUILT MACHINES)

NOTE: IDENTIFY THE PART NUMBER STAMPED ON CYLINDER BEFORE ORDERING PARTS.



ART_1001157334

SECTION 3 - SCISSOR ARMS

FIGURE 3-8. SCISSORS ARMS ASSEMBLY - 1930ES BIODEGRADABLE HYDRAULIC OIL (USA BUILT MACHINES)

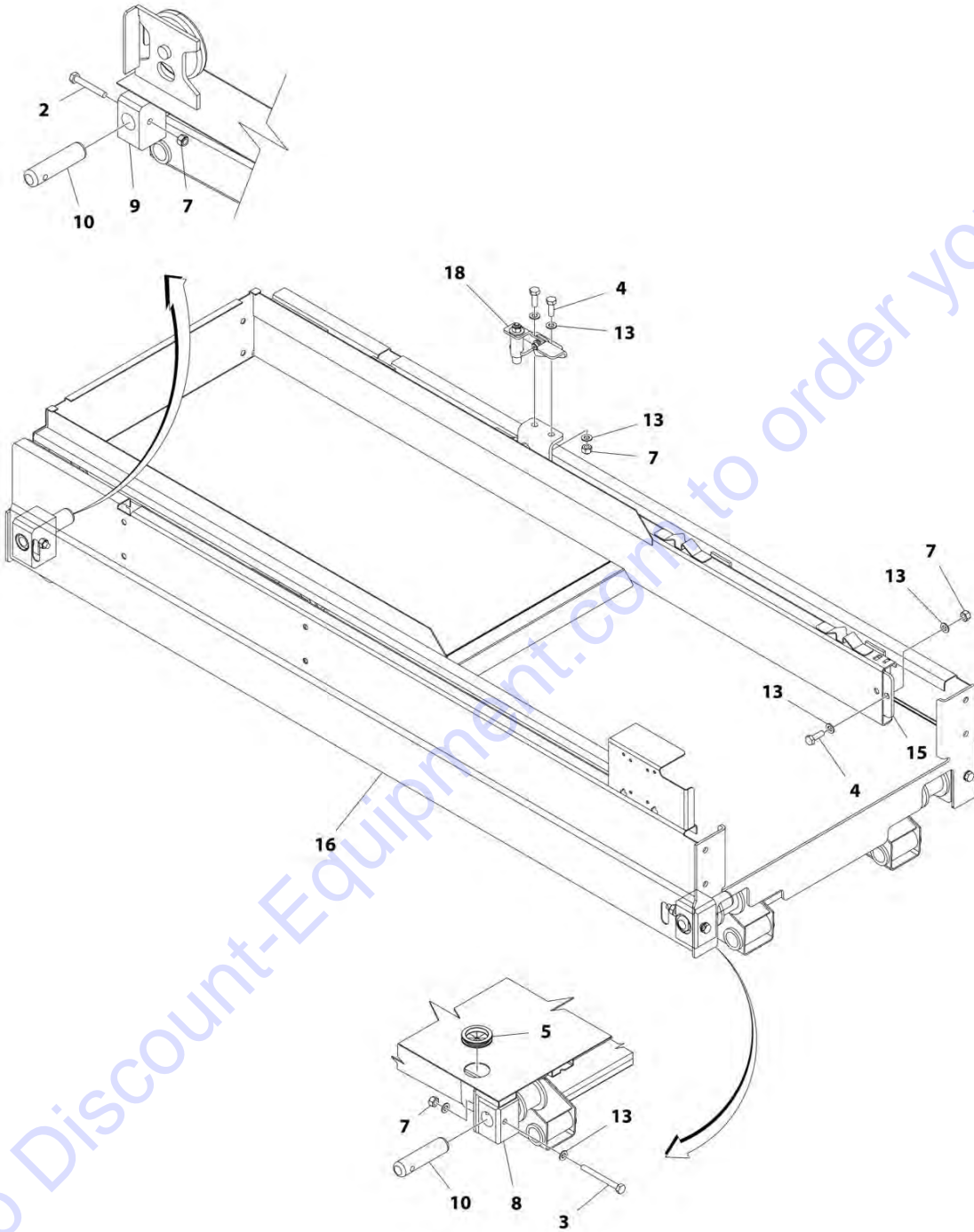
ITEM	PART NUMBER	QTY	DESCRIPTION	REV
	1001157334	Ref	SCISSOR ARMS ASSEMBLY - 1930ES BIODEGRADABLE HYDRAULIC OIL	A
2	0200825	1	Arm - Lower Inboard	
3	0200810	1	Arm - Lower Outboard	
4	0200824	1	Arm - Mid Inboard	
5	0200823	1	Arms - Mid Outboard	
6	0200822	1	Arm - Mid Outboard	
7	0200821	1	Arm - Top Inboard	
8	0200815	1	Arm - Top Outboard	
9	0440266	4	Bearing	
10	0440264	28	Bearing	
11	3574159	1	Plate, Safety Prop	
12		Ref	Lift Cylinder Assembly - Biodegradeable Hydraulic Oil (See CYLINDER SECTION for Breakdown)	
	1684526	1	Lift Cylinder Assembly - Texas Hydraulics	
	1001157329	1	Lift Cylinder Assembly - Serta	
13	0701022	14	Screw M10 x 70	
14	3340962	16	Pad, Arm	
15	3423031	9	Pin	
16	3423032	4	Pin	
17	3423038	2	Pin	
18	3423042	1	Pin	
19	3760115	14	Ring, Retaining	
20	0761014	2	Screw M10 x 30	
21	4740531	15	Washer	
22	3760170	2	Ring, Split	
23	4812000	2	Washer M10	
24	3841143	2	Keeper, Pin	
25	3576093	1	Bar, Prop Attach	
26	3291007	16	Nut M10	
27	2902455	1	Kit, 1930 Arm Weldments (Includes Items 2 - 11) (Not Shown)	

SECTION 4 - PLATFORM

Go to Discount-Equipment.com to order your parts

SECTION 4 - PLATFORM

FIGURE 4-1. PLATFORM INSTALLATION - WITH INSIDE EXTENSION RAILS AND WITHOUT LSS



ART_1001177175

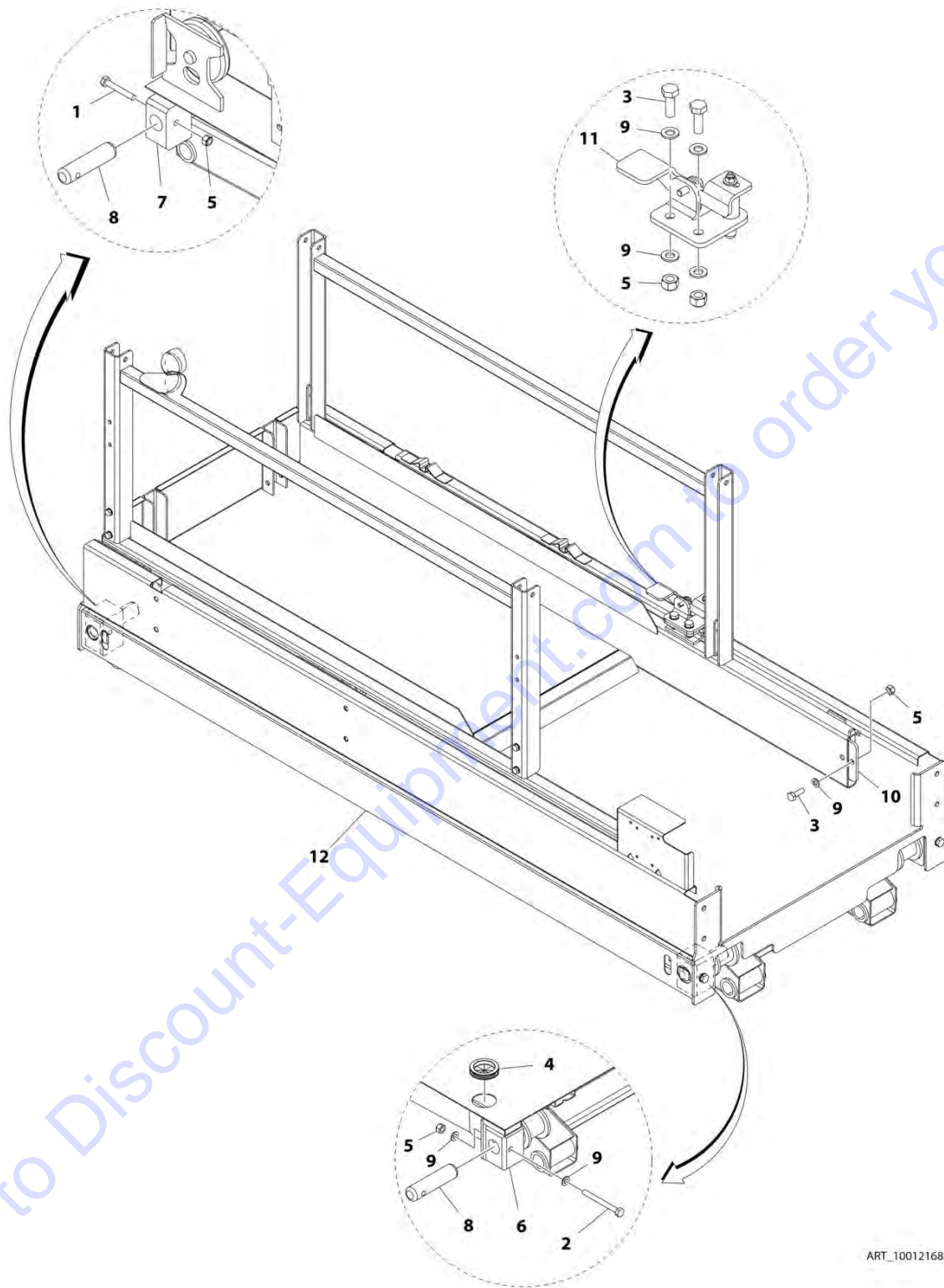
SECTION 4 - PLATFORM

FIGURE 4-1. PLATFORM INSTALLATION - WITH INSIDE EXTENSION RAILS AND WITHOUT LSS

ITEM	PART NUMBER	QTY	DESCRIPTION	REV
	1001177175	Ref	PLATFORM INSTALLATION - WITH INSIDE EXTENSION RAILS AND WITHOUT LSS	F
2	0701022	2	Bolt M10 x 70	
3	0701027	2	Bolt M10 x 100	
4	0761014	4	Bolt M10 x 30	
5	2540045	1	Grommet	
7	3291005	8	Nut M10	
8	3340965	2	Block, Slide	
9	3340976	2	Block, Slide	
10	3423049	4	Pin, Latch	
13	4812000	10	Washer M10	
15	1001175188	2	Bracket, Stop	
16	1001175463	1	Platform and Extension Assembly - With Inside Extension Rails (See PLATFORM AND EXTENSION ASSEMBLY - WITH INSIDE EXTENSION RAIL for Breakdown)	
18	1001182302	1	Latch Assembly - With Inside Extension Rails (See LATCH ASSEMBLY - WITH INSIDE EXTENSION RAIL for Breakdown) (SN 1200025021 through 1200030223, SN B200020297 through B200051193, SN M200000100 through M200021475)	
18	1001234398	1	Latch Assembly - With Inside Extension Rails (See LATCH ASSEMBLY - WITH INSIDE EXTENSION RAIL for Breakdown) (SN 1200030224 to Present, SN B200051194 to Present, SN M200021476 to Present)	

SECTION 4 - PLATFORM

FIGURE 4-2. PLATFORM INSTALLATION - WITH OUTSIDE EXTENSION RAILS AND WITHOUT LSS



ART_1001216829

SECTION 4 - PLATFORM

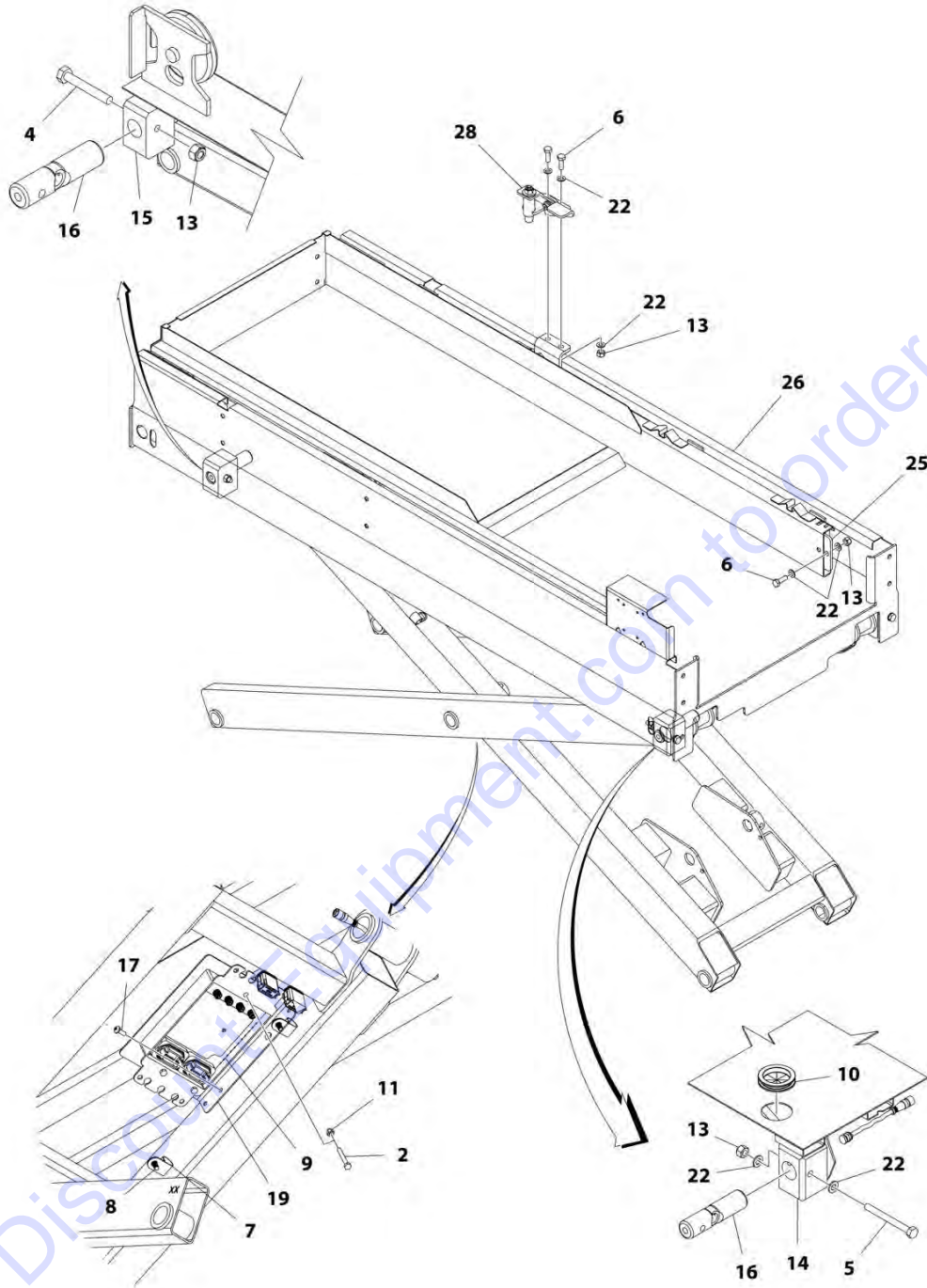
FIGURE 4-2. PLATFORM INSTALLATION - WITH OUTSIDE EXTENSION RAILS AND WITHOUT LSS

ITEM	PART NUMBER	QTY	DESCRIPTION	REV
	1001216829	Ref	PLATFORM INSTALLATION - WITH OUTSIDE EXTENSION RAILS AND WITHOUT LSS	A
1	0701022	2	Bolt M10 x 70	
2	0701027	2	Bolt M10 x 100	
3	0761014	4	Bolt M10 x 30	
4	2540045	1	Grommet	
5	3291005	8	Nut M10	
6	0561513	2	Block, Upper Slide	
7	3340976	2	Block, Upper Slide	
8	3423049	4	Pin, Latch	
9	4812000	10	Washer M10	
10	1001175188	2	Bracket, Stop	
11	1001209256	1	Latch Assembly - With Outside Extension Rails (See LATCH ASSEMBLY - WITH OUTSIDE EXTENSION RAILS for Breakdown)	
12	1001215239	1	Platform and Extension Assembly - With Outside Extension Rails (See PLATFORM AND EXTENSION ASSEMBLY - WITH OUTSIDE EXTENSION RAILS for Breakdown)	

Go to Discount-Equipment.com to purchase your parts

SECTION 4 - PLATFORM

FIGURE 4-3. PLATFORM INSTALLATION - WITH INSIDE EXTENSION RAILS AND WITH LSS



ART_1001177176

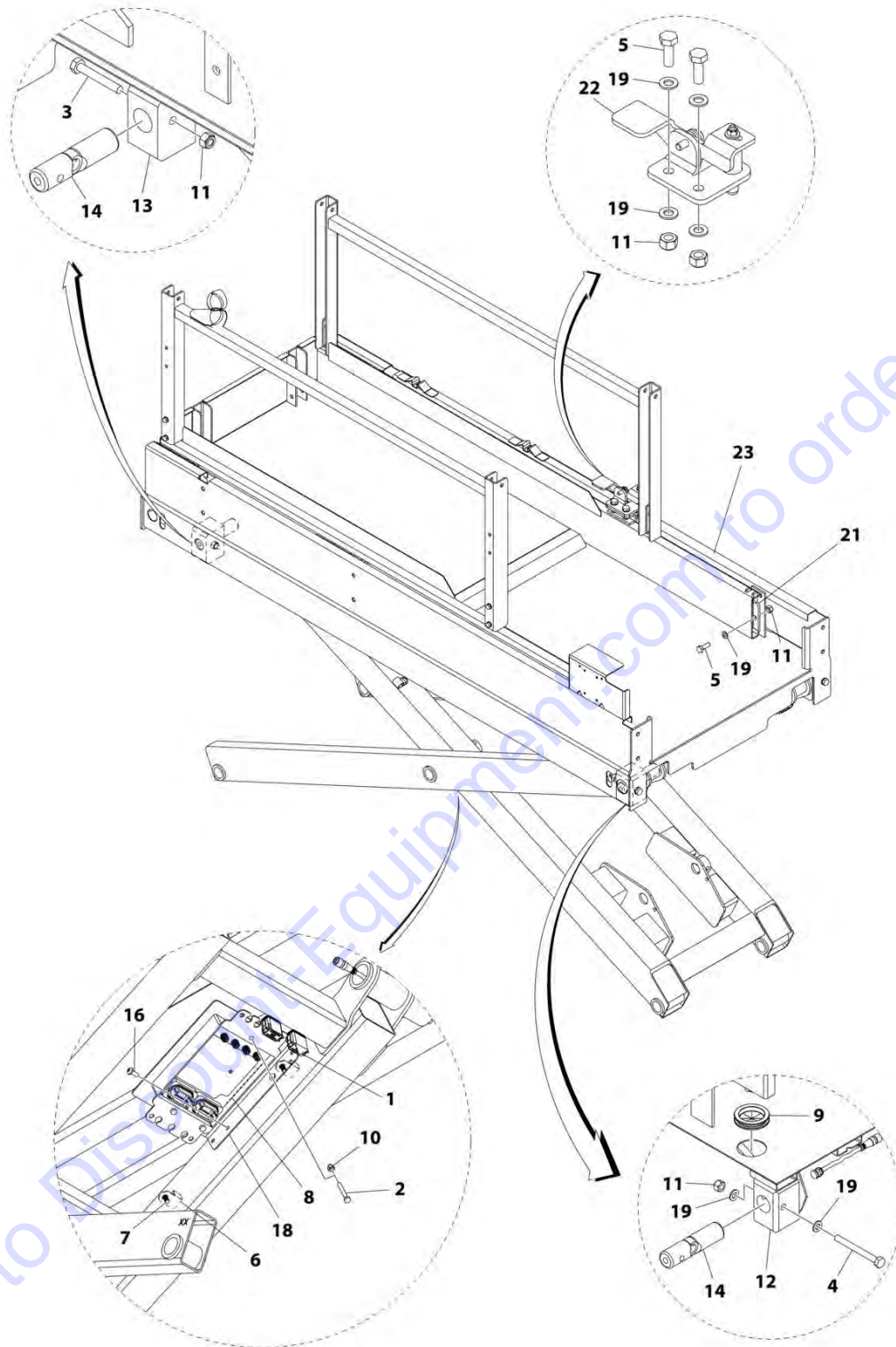
SECTION 4 - PLATFORM

FIGURE 4-3. PLATFORM INSTALLATION - WITH INSIDE EXTENSION RAILS AND WITH LSS

ITEM	PART NUMBER	QTY	DESCRIPTION	REV
	1001177176	Ref	PLATFORM INSTALLATION - WITH INSIDE EXTENSION RAILS AND WITH LSS	E
1	0100048	AR	Grease, Dielectric	
2	0700617	3	Bolt M6 x 45	
4	0701022	2	Bolt M10 x 70	
5	0701027	2	Bolt M10 x 100	
6	0761014	4	Bolt M10 x 30	
7	1320318	2	Clamp	
8	1380158	2	Clip	
9	1600387	1	Controller, Load Sense	
10	2540045	1	Grommet	
11	3290606	3	Nut M6	
13	3291005	8	Nut M10	
14	3340965	2	Block, Slide	
15	3340976	2	Block, Slide	
16	3422938	4	Pin	
17	4191707	2	Screw M6 x 16	
18	4240033	AR	Tie-Strap (Not Shown)	
19	4340931	1	Mount, LSS Module	
22	4812000	10	Washer M10	
23	4923228	1	Harness, Load Sense (Not Shown - See ELECTRICAL SECTION for Breakdown)	
25	1001175188	2	Bracket, Stop	
26	1001175463	1	Platform and Extension Assembly - With Inside Extension Rails (See PLATFORM AND EXTENSION ASSEMBLY - WITH INSIDE EXTENSION RAIL for Breakdown)	
28	1001182302	1	Latch Assembly - With Inside Extension Rails (See LATCH ASSEMBLY - WITH INSIDE EXTENSION RAIL for Breakdown) (SN 1200025021 through 1200030223, SN B200020297 through B200051193, SN M200000100 through M200021475)	
28	1001234398	1	Latch Assembly - With Inside Extension Rails (See LATCH ASSEMBLY - WITH INSIDE EXTENSION RAIL for Breakdown) (SN 1200030224 to Present, SN B200051194 to Present, SN M200021476 to Present)	

SECTION 4 - PLATFORM

FIGURE 4-4. PLATFORM INSTALLATION - WITH OUTSIDE EXTENSION RAILS AND WITH LSS



ART_1001216831

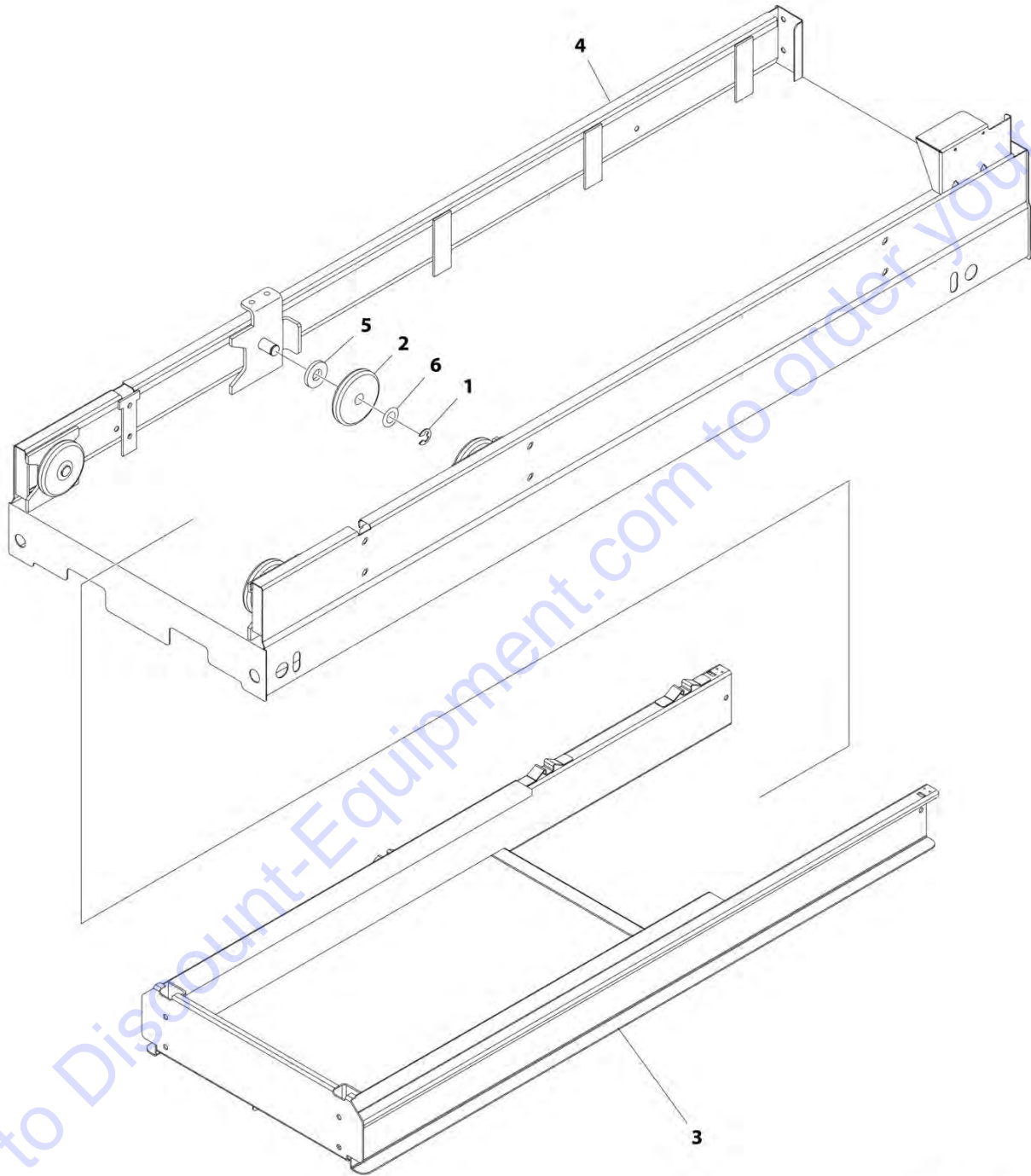
SECTION 4 - PLATFORM

FIGURE 4-4. PLATFORM INSTALLATION - WITH OUTSIDE EXTENSION RAILS AND WITH LSS

ITEM	PART NUMBER	QTY	DESCRIPTION	REV
	1001216831	Ref	PLATFORM INSTALLATION - WITH OUTSIDE EXTENSION RAILS AND WITH LSS	A
1	0100048	AR	Grease, Dielectric	
2	0700617	3	Bolt M6 x 45	
3	0701022	2	Bolt M10 x 70	
4	0701027	2	Bolt M10 x 100	
5	0761014	4	Bolt M10 x 30	
6	1320318	2	Clamp	
7	1380158	2	Clip	
8	1600387	1	Controller, Load Sense	
9	2540045	1	Grommet	
10	3290606	3	Nut M6	
11	3291005	8	Nut M10	
12	0561513	2	Block, Upper Slide	
13	3340976	2	Block, Upper Slide	
14	3422938	4	Pin	
16	4191707	2	Screw M6 x 16	
17	4240033	AR	Tie-Strap (Not Shown)	
18	3200456	1	Mount, Module	
19	4812000	10	Washer M10	
20	4923228	1	Harness, Load Sense (Not Shown - See ELECTRICAL SECTION for Breakdown)	
21	1001175188	2	Bracket, Stop	
22	1001209256	1	Latch Assembly - With Outside Extension Rails (See LATCH ASSEMBLY - WITH OUTSIDE EXTENSION RAILS for Breakdown)	
23	1001215239	1	Platform and Extension Assembly - With Outside Extension Rails (See PLATFORM AND EXTENSION ASSEMBLY - WITH OUTSIDE EXTENSION RAILS for Breakdown)	

SECTION 4 - PLATFORM

FIGURE 4-5. PLATFORM AND EXTENSION ASSEMBLY - WITH INSIDE EXTENSION RAILS



ART_1001175463

SECTION 4 - PLATFORM

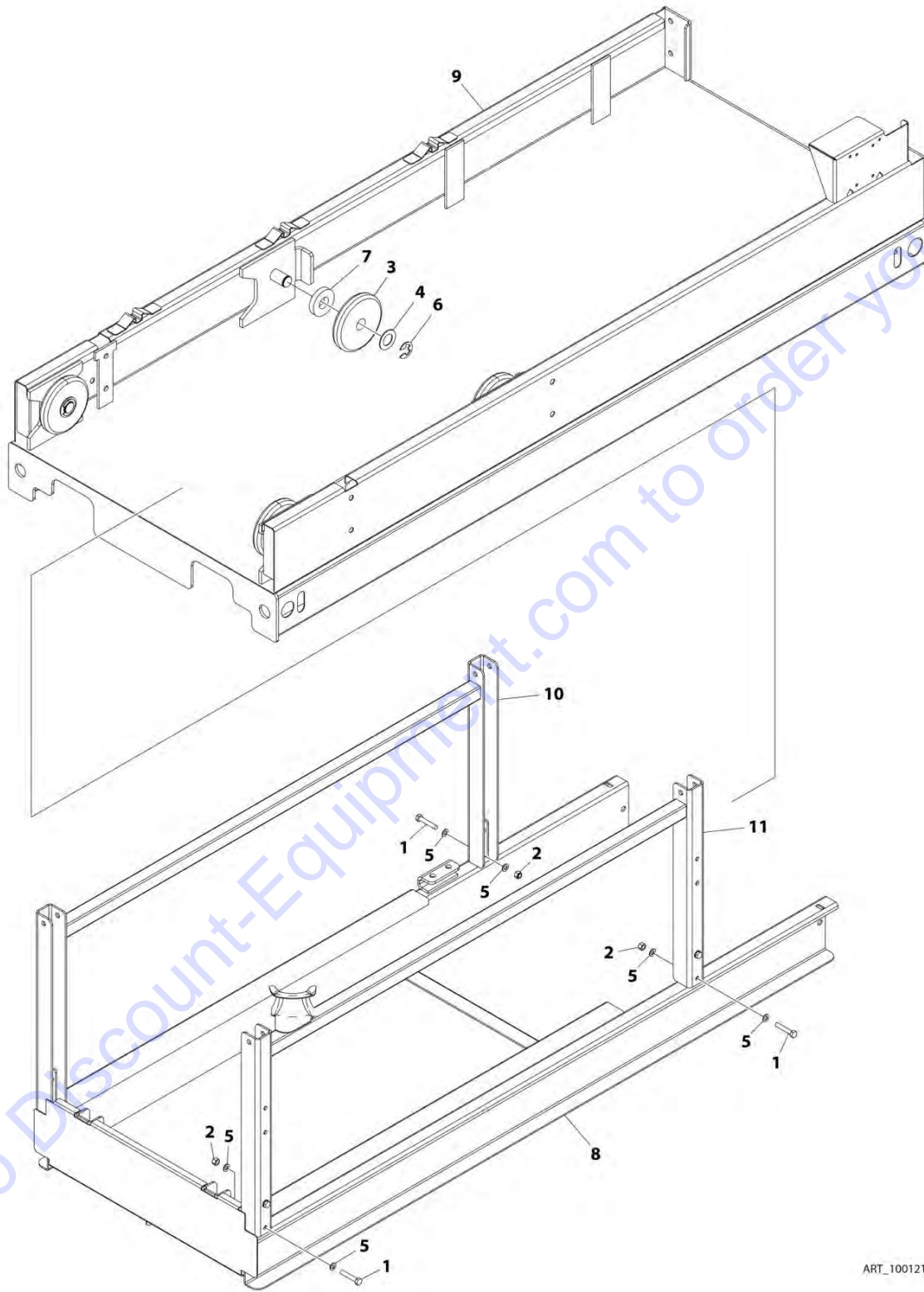
FIGURE 4-5. PLATFORM AND EXTENSION ASSEMBLY - WITH INSIDE EXTENSION RAILS

ITEM	PART NUMBER	QTY	DESCRIPTION	REV
	1001175463	Ref	PLATFORM AND EXTENSION ASSEMBLY - WITH INSIDE EXTENSION RAILS	M
1	1001182339	4	Clip	
2	3860118	4	Roller	
3	1001175290	1	Extension, Platform (SN 0200239382 to Present, SN 1200025021 through 1200030105, SN B200020297 through B200051292, SN M200000100 through M200019914)	
3	1001232145	1	Extension, Platform (SN 1200030106 to Present, SN B200051293 to Present, SN M200019915 to Present)	
4	1001175402	1	Platform	
5	1001182062	4	Tube, Spacer	
6	4740446	4	Washer, Thrust	

Go to Discount-Equipment.com to order your parts

SECTION 4 - PLATFORM

FIGURE 4-6. PLATFORM AND EXTENSION ASSEMBLY - WITH OUTSIDE EXTENSION RAILS



ART_1001215239

SECTION 4 - PLATFORM

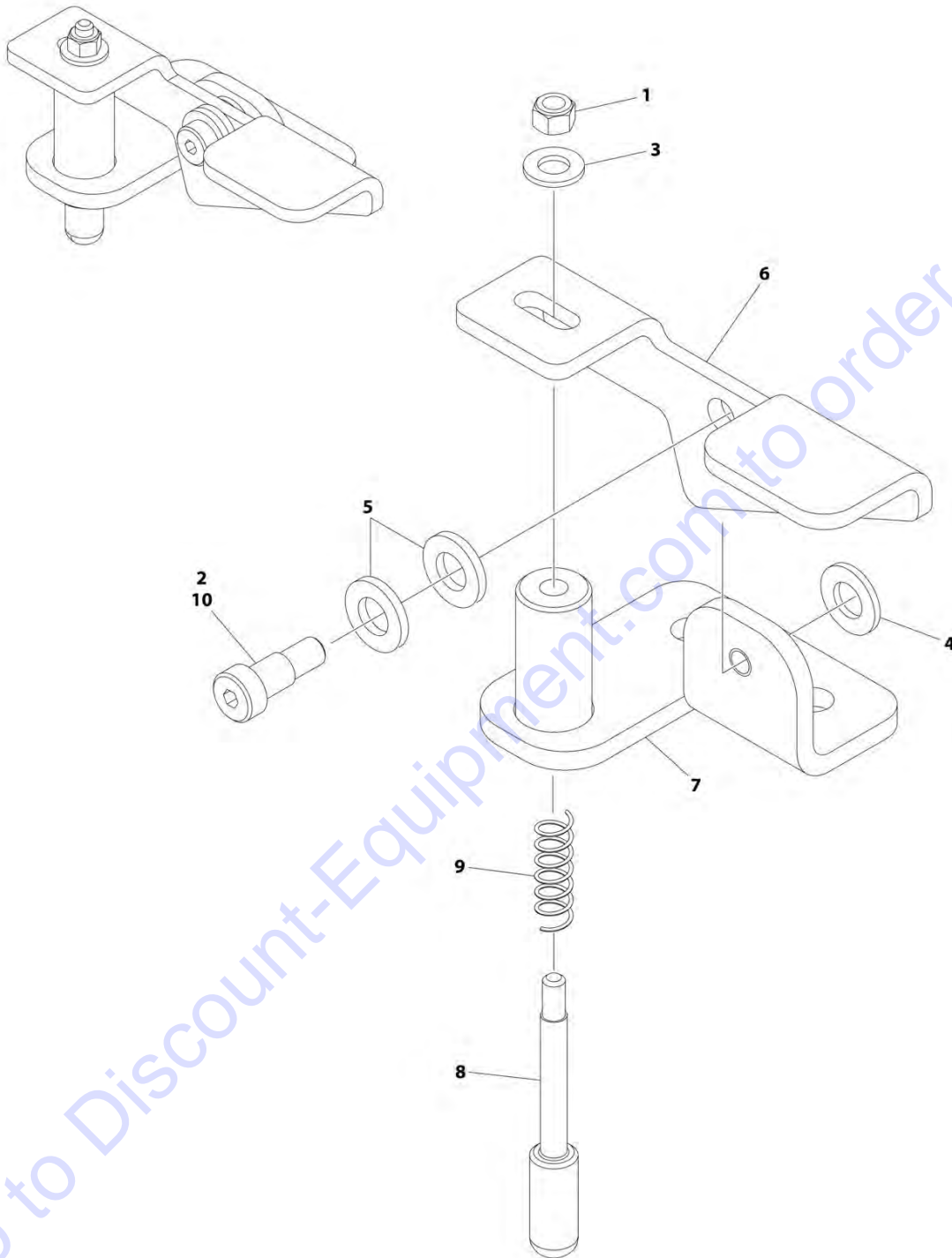
FIGURE 4-6. PLATFORM AND EXTENSION ASSEMBLY - WITH OUTSIDE EXTENSION RAILS

ITEM	PART NUMBER	QTY	DESCRIPTION	REV
	1001215239	Ref	PLATFORM AND EXTENSION ASSEMBLY - WITH OUTSIDE EXTENSION RAILS	B
1	0700814	8	Bolt M8 x 30	
1	0700817	8	Bolt M8 x 45	
2	3290805	8	Nut M8	
3	3860118	4	Roller	
4	4740446	4	Washer, Thrust	
5	4811900	16	Washer M8	
6	1001182339	4	Clip	
7	1001211892	4	Tube, Spacer	
8	1001217730	1	Extension, Platform	
9	1001217745	1	Platform	
10	1001217923	1	Rail, Mid	
11	1001217924	1	Rail, Mid	

Go to Discount-Equipment.com to order your parts

SECTION 4 - PLATFORM

FIGURE 4-7. LATCH ASSEMBLY - WITH INSIDE EXTENSION RAILS (SN 120025021 through 1200030223, SN B200020297 through B200051193, SN M200000100 through M200021475)



ART_1001182302

SECTION 4 - PLATFORM

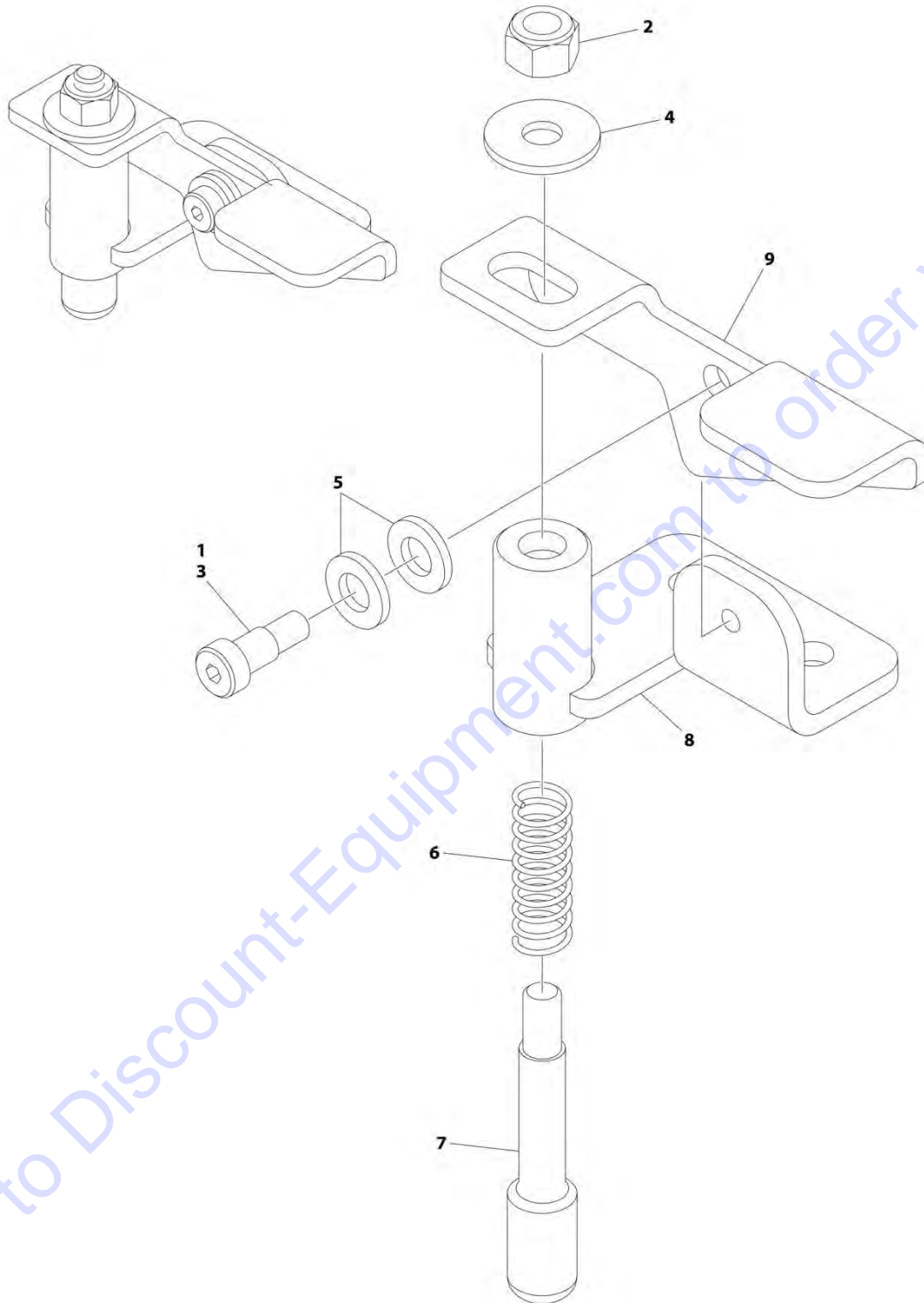
FIGURE 4-7. LATCH ASSEMBLY - WITH INSIDE EXTENSION RAILS (SN 1200025021 through 1200030223, SN B200020297 through B200051193, SN M200000100 through M200021475)

ITEM	PART NUMBER	QTY	DESCRIPTION	REV
	1001182302	Ref	LATCH ASSEMBLY - WITH INSIDE EXTENSION RAILS	G
1	3290605	1	Nut M6	
2	3900190	1	Screw	
3	4811900	1	Washer M8	
4	4812000	1	Washer M10	
5	5241000	2	Washer M10	
6	1001178323	1	Latch	
7	1001182304	1	Bracket	
8	1001182305	1	Rod, Threaded	
9	1001182338	1	Spring	
10	0100011	AR	Compound, Locking	

Go to Discount-Equipment.com to order your parts

SECTION 4 - PLATFORM

FIGURE 4-8. LATCH ASSEMBLY - WITH INSIDE EXTENSION RAILS (SN 1200030224 to Present, SN B200051194 to Present, SN M200021476 to Present)



ART_1001234398

SECTION 4 - PLATFORM

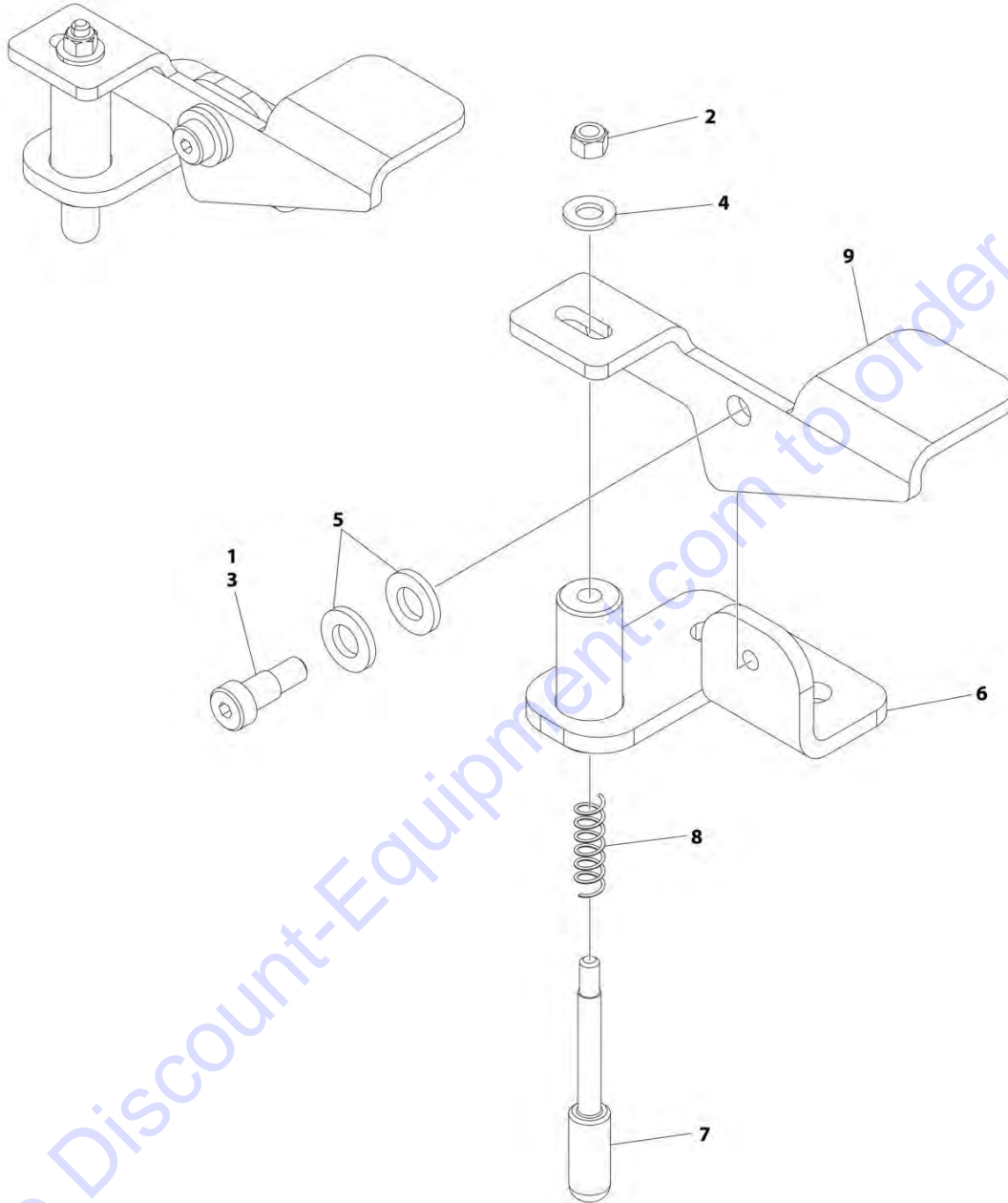
FIGURE 4-8. LATCH ASSEMBLY - WITH INSIDE EXTENSION RAILS (SN 1200030224 to Present, SN B200051194 to Present, SN M200021476 to Present)

ITEM	PART NUMBER	QTY	DESCRIPTION	REV
	1001234398	Ref	LATCH ASSEMBLY - WITH INSIDE EXTENSION RAILS	B
1	0100011	AR	Compound, Locking	
2	3291005	1	Nut M10	
3	3900190	1	Screw	
4	4812002	1	Washer M10	
5	5241000	2	Washer M10	
6	1001221475	1	Spring	
7	1001221476	1	Rod, Threaded	
8	1001234399	1	Bracket	
9	1001234401	1	Latch	

Go to Discount-Equipment.com to order your parts

SECTION 4 - PLATFORM

FIGURE 4-9. LATCH ASSEMBLY - WITH OUTSIDE EXTENSION RAILS



ART_1001209256

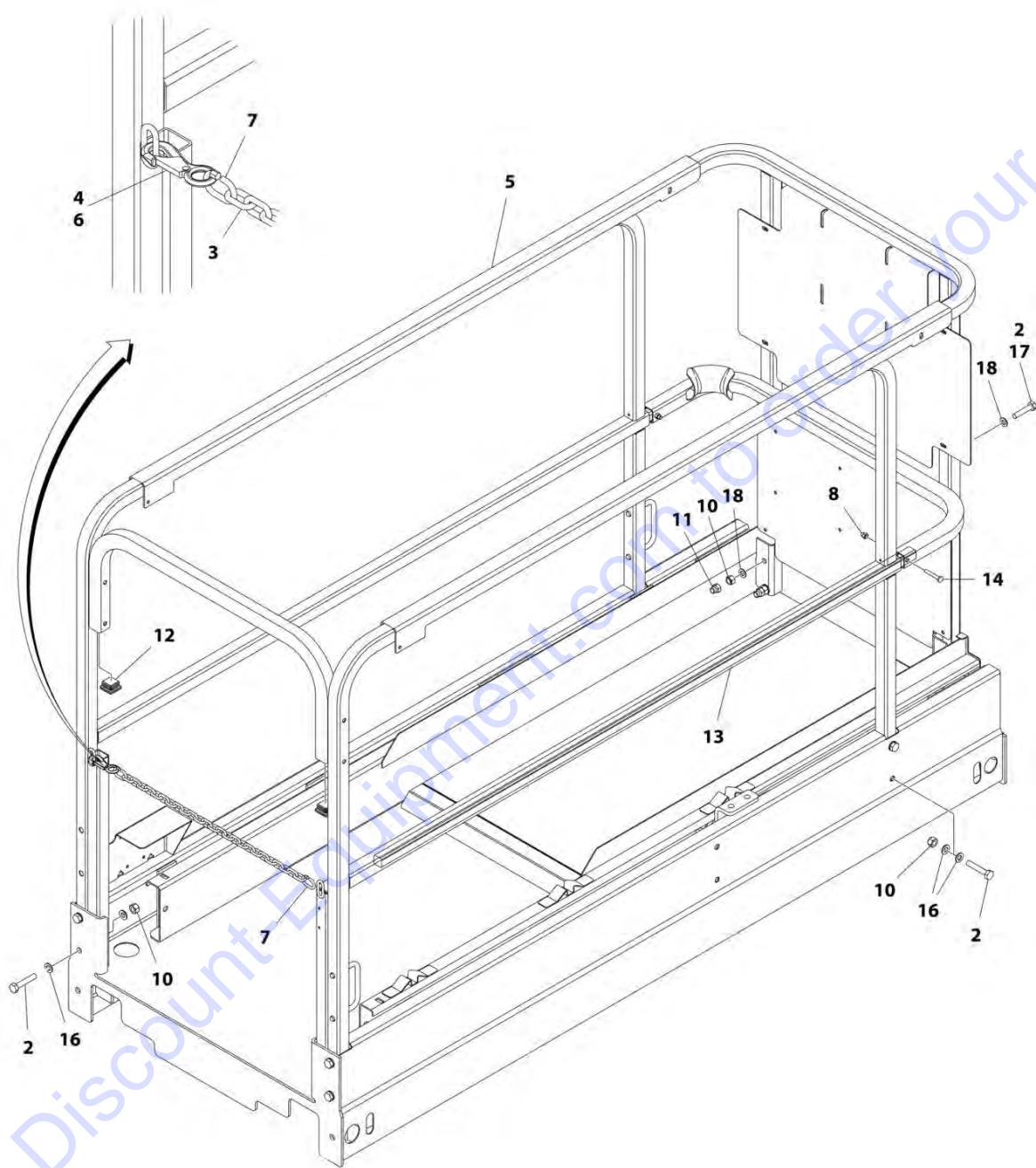
SECTION 4 - PLATFORM

FIGURE 4-9. LATCH ASSEMBLY - WITH OUTSIDE EXTENSION RAILS

ITEM	PART NUMBER	QTY	DESCRIPTION	REV
	1001209256	Ref	LATCH ASSEMBLY - WITH OUTSIDE EXTENSION RAILS	E
1	0100011	AR	Compound, Locking	
2	3290605	1	Nut M6	
2	3291005	1	Nut M10	
3	3900190	1	Screw	
4	4811900	1	Washer M8	
4	4812000	1	Washer M10	
4	4812002	1	Washer M10	
5	5241000	2	Washer M10	
6	1001182304	1	Bracket (SN 0200239382 through 0200266381, SN 1200025021 through 1200030068, SN B200020297 through B300049127, SN M200000100 through M200021508)	
6	1001234399	1	Bracket (SN 0200266382 to Present, SN 1200030069 to Present, SN B200049128 to Present, SN M200021509 to Present)	
7	1001182305	1	Rod, Threaded (SN 0200239382 through 0200266381, SN 1200025021 through 1200030068, SN 0200239382 through 0200264493, SN B200020297 through B300049127)	
7	1001221476	1	Rod, Threaded (SN 0200266382 to Present, SN 1200030069 to Present, SN 0200264494 to Present, SN B200041198 to Present, SN M200000100 to Present)	
8	1001182338	1	Spring (SN 0200239382 through 0200266381, SN 1200025021 through 1200030068, SN 0200239382 through 0200264493, SN B200020297 through B300049127)	
8	1001221475	1	Spring (SN 0200266382 to Present, SN 1200030069 to Present, SN 0200264494 to Present, SN B200041198 to Present, SN M200000100 to Present)	
9	1001209280	1	Latch	

SECTION 4 - PLATFORM

FIGURE 4-10. RAILS INSTALLATION - WITH INSIDE EXTENSION RAILS AND CHAIN GATE



ART_1001176740

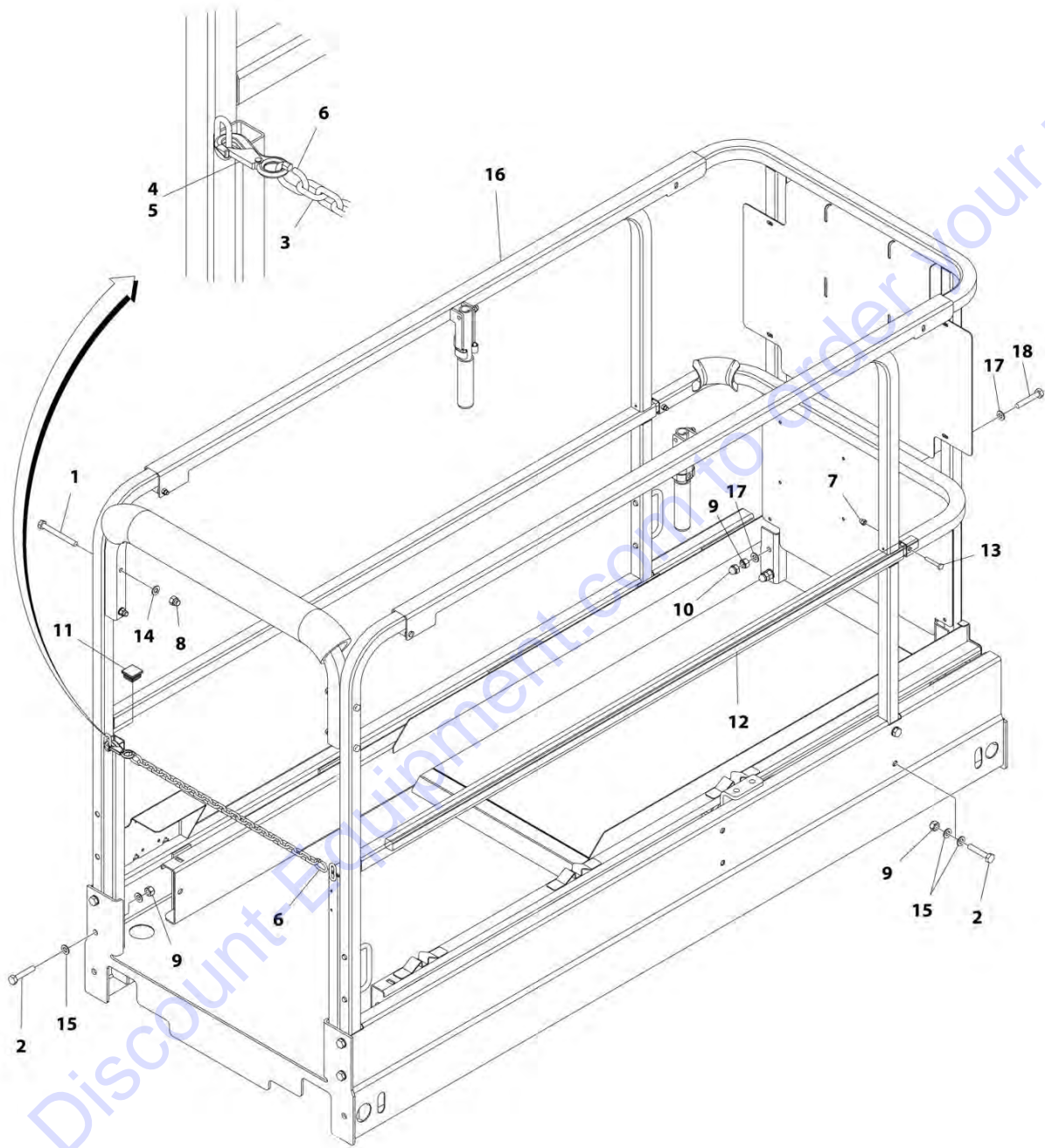
SECTION 4 - PLATFORM

FIGURE 4-10. RAILS INSTALLATION - WITH INSIDE EXTENSION RAILS AND CHAIN GATE

ITEM	PART NUMBER	QTY	DESCRIPTION	REV
	1001176740	Ref	RAILS INSTALLATION - WITH INSIDE EXTENSION RAILS AND CHAIN GATE	G
2	0701019	AR	Bolt M10 x 55	
3	1260136	21 in/ .53m	Chain	
4	2820097	20 in/ .5m	Cover, Chain	
5	1001188882	1	Rail Kit - Chain Gate (See RAIL KIT - CHAIN GATE for Breakdown)	
6	2940064	1	Latch, Snap	
7	3010088	2	Link	
8	3290606	2	Nut M6	
10	3291005	AR	Nut M10	
11	3300477	4	Nut	
11	3291006	4	Nut M10	
12	3520072	3	Plug	
13	3841716	2	Rod, Fiberglass	
14	4010616	2	Screw M6 x 40	
16	4812000	AR	Washer M10	
17	0701019	4	Bolt M10 x 55	
17	0701018	4	Bolt M10 x 50	
18	4812000	8	Washer M10	
18	4812002	8	Washer M10	

SECTION 4 - PLATFORM

FIGURE 4-11. RAILS INSTALLATION - WITH INSIDE EXTENSION RAILS, HANDLE AND CHAIN GATE



ART_1001212850

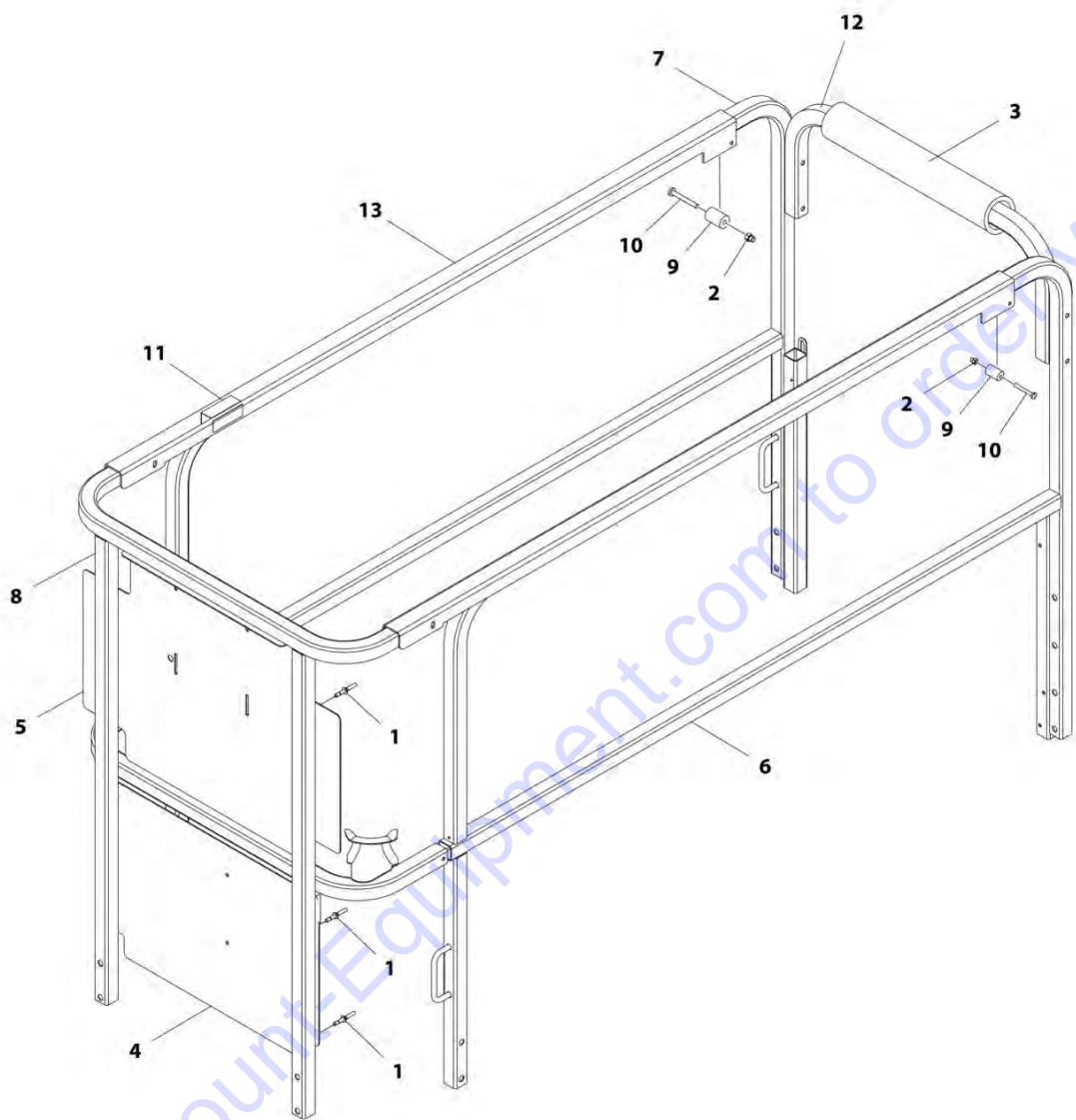
SECTION 4 - PLATFORM

FIGURE 4-11. RAILS INSTALLATION - WITH INSIDE EXTENSION RAILS, HANDLE AND CHAIN GATE

ITEM	PART NUMBER	QTY	DESCRIPTION	REV
	1001212850	Ref	RAILS INSTALLATION - WITH INSIDE EXTENSION RAILS, HANDLE AND CHAIN GATE	B
1	0700823	4	Bolt M8 x 75	
2	0701019	AR	Bolt M10 x 55	
3	1260136	21 in/ .53m	Chain	
4	2820097	20 in/ .5m	Cover, Chain	
5	2940064	1	Latch, Snap	
6	3010088	2	Link	
7	3290606	2	Nut M6	
8	3290806	4	Nut M8	
9	3291005	12	Nut M10	
10	3300477	4	Nut	
11	3520072	2	Cap	
12	3841716	2	Rod	
13	4010616	2	Screw M6 x 40	
14	4811900	4	Washer M8	
15	4812000	AR	Washer M10	
16	1001212863	1	Rail Kit - With Handle and Chain Gate (See RAIL KIT - WITH INSIDE EXTENSION RAILS, HANDLE AND CHAIN GATE for Breakdown)	
17	4812000	8	Washer M10	
17	4812002	8	Washer M10	
18	0701019	4	Bolt M10 x 55	
18	0701021	4	Bolt M10 x 65	

SECTION 4 - PLATFORM

FIGURE 4-12. RAIL KIT - WITH INSIDE EXTENSION RAILS AND CHAIN GATE



ART_1001188882

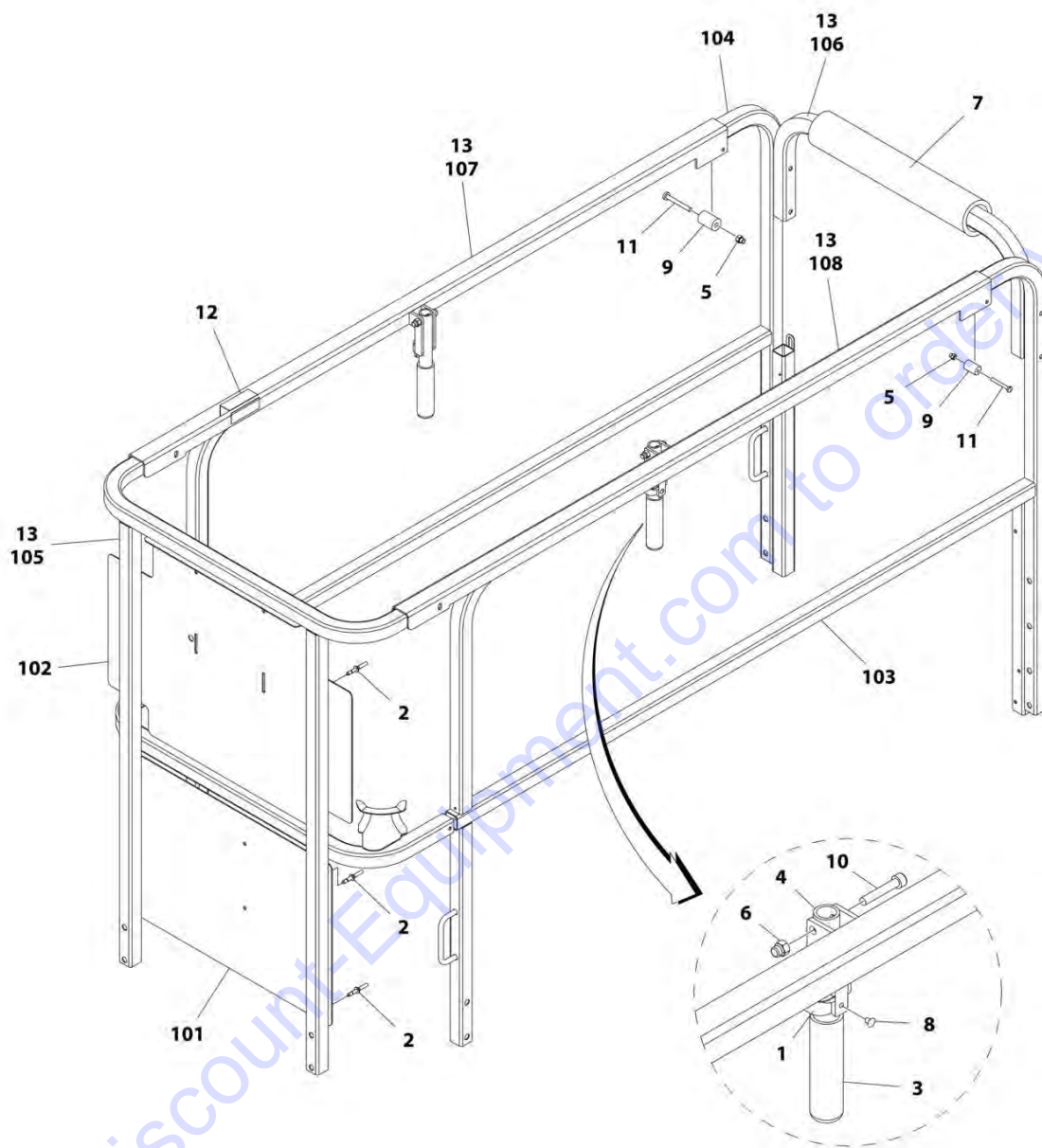
SECTION 4 - PLATFORM

FIGURE 4-12. RAIL KIT - WITH INSIDE EXTENSION RAILS AND CHAIN GATE

ITEM	PART NUMBER	QTY	DESCRIPTION	REV
	1001188882	Ref	RAIL KIT - WITH INSIDE EXTENSION RAILS AND CHAIN GATE	F
1	2080040	8	Fastener	
2	3290606	2	Nut M6	
3	3340612	18 in/ 46cm	Pad, Cover	
4	3574184	1	Plate, Lower Billboard (SN 0200239382 to Present, SN 120025021 through 1200030105, SN B200020297 through B200051292, SN M200000100 through M200019914)	
4	1001232637	1	Plate, Lower Billboard (SN 1200030106 to Present, SN M200051293 to Present, SN M200019915 to Present)	
5	3576645	1	Plate, Upper Billboard	
6	3641604	1	Rail, Left Side	
7	3641605	1	Rail, Right Side	
8	3641606	1	Rail, Extension	
9	3860111	2	Roller	
10	4010618	2	Screw M6 x 50	
11	1001189762	AR	Tape	
12	4569305	1	Tube, Drywall Gate	
13	1001182096	2	Channel, Top Rail Slide	
14	1001182099	1	Rail Kit - 1930ES Chain Gate (Includes Items 4-8 & 12-13) (Not Shown)	

SECTION 4 - PLATFORM

FIGURE 4-13. RAIL KIT - WITH INSIDE EXTENSION RAILS, HANDLE AND CHAIN GATE



ART_1001212863

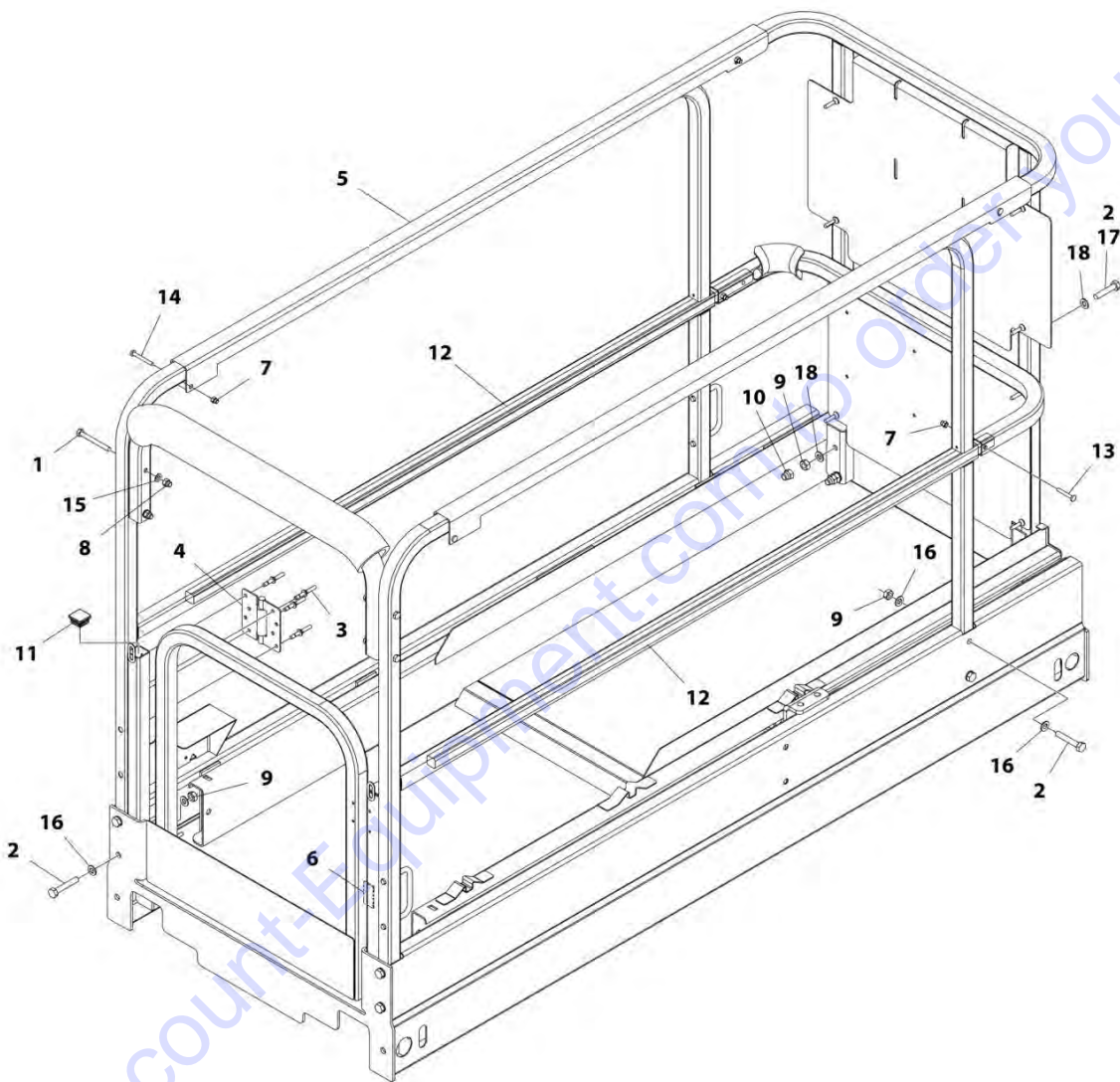
SECTION 4 - PLATFORM

FIGURE 4-13. RAIL KIT - WITH INSIDE EXTENSION RAILS, HANDLE AND CHAIN GATE

ITEM	PART NUMBER	QTY	DESCRIPTION	REV
	1001212863	Ref	RAIL KIT - WITH INSIDE EXTENSION RAILS, HANDLE AND CHAIN GATE	C
1	1380132	2	Clip, Gripper	
2	2080040	8	Fastener, Huck	
3	2560088	2	Handle	
4	2560190	2	Handle, Platform	
5	3290606	2	Nut M6	
6	3290806	2	Nut M8	
7	3340612	18 in /45cm	Pad, Cover	
8	3820019	2	Rivet	
9	3860111	2	Roller	
10	3900345	2	Screw	
11	4010618	2	Screw M6 x 50	
12	1001189762	AR	Tape	
13	1001212860	1	Rail Kit (See 101-108 for Breakdown)	
	1001212860	Ref	RAIL KIT	D
101	3574184	1	Plate, Lower Billboard (SN 0200239382 to Present, SN 120025021 through 1200030105, SN B200020297 through B200051292, SN M200000100 through M200019914)	
101	1001232637	1	Plate, Lower Billboard (SN 1200030106 through B200051293, SN M200019915 to Present)	
102	3576645	1	Plate, Upper Billboard	
103	3641604	1	Rail, Left Side (SN B200020297 through B200052394, SN M200000100 through M200027027)	
103	1001241857	1	Rail, Left Side (SN B200052395 to Present, SN M200027028 to Present)	
104	3641605	1	Rail, Right Side (SN B200020297 through B200052394, SN M200000100 through M200027027)	
104	1001241858	1	Rail, Right Side (SN B200052395 to Present, SN M200027028 to Present)	
105	3641606	1	Rail, Extension Platform	
106	4569305	1	Tube, Drywall Gate	
107	1001212861	1	Rail, Top Left Side	
108	1001212862	1	Rail, Top Right Side	

SECTION 4 - PLATFORM

FIGURE 4-14. RAILS INSTALLATION - WITH INSIDE EXTENSION RAILS AND SELF CLOSING GATE



ART_1001176737

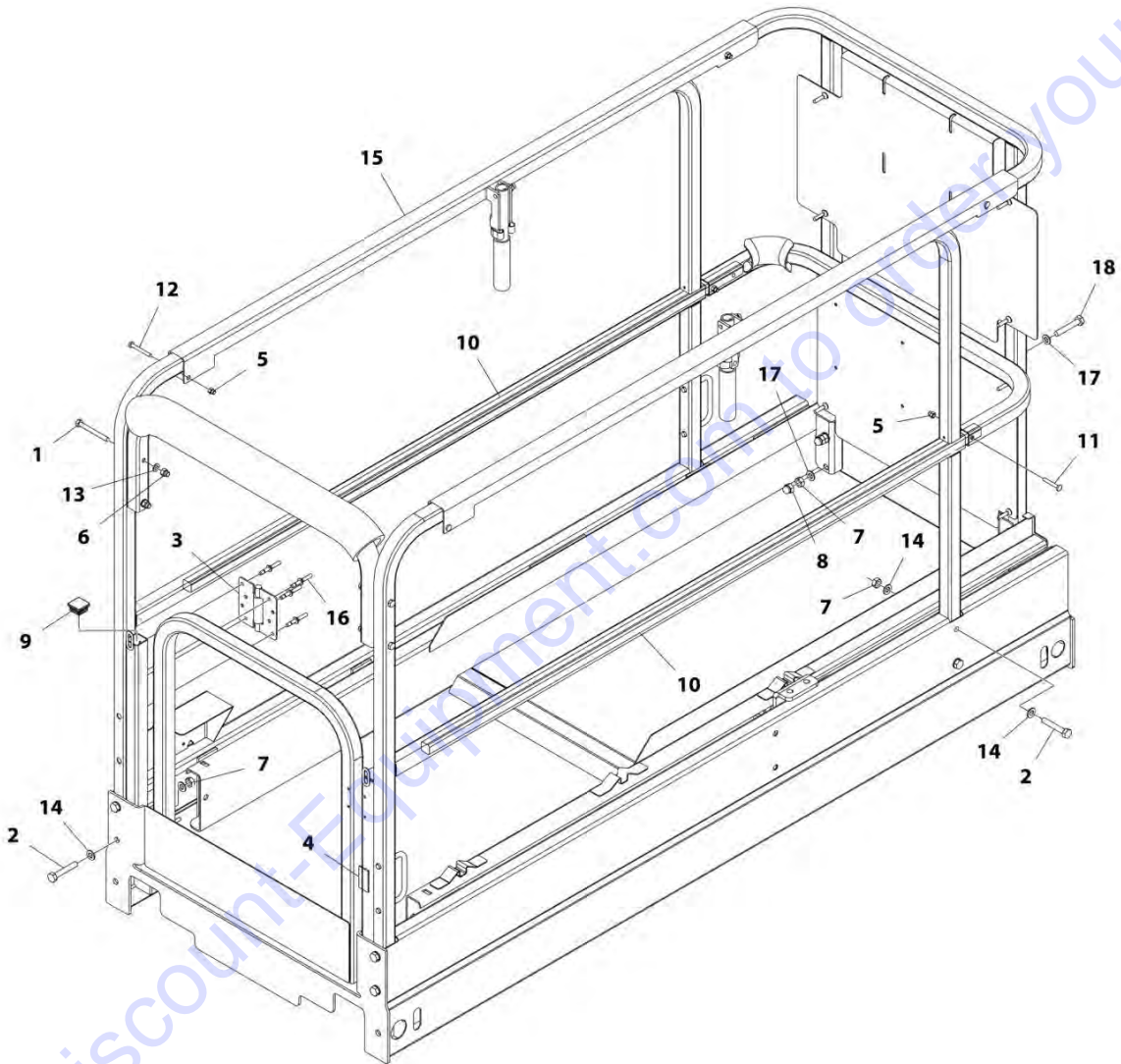
SECTION 4 - PLATFORM

FIGURE 4-14. RAILS INSTALLATION - WITH INSIDE EXTENSION RAILS AND SELF CLOSING GATE

ITEM	PART NUMBER	QTY	DESCRIPTION	REV
	1001176737	Ref	RAILS INSTALLATION - WITH INSIDE EXTENSION RAILS AND SELF CLOSING GATE	F
1	0700823	4	Bolt M8 x 75	
2	0701019	AR	Bolt M10 x 55	
3	2080040	8	Fastener, Huck	
4	2600281	2	Hinge	
5	1001182100	1	Rail Kit - Self Closing Gate (See RAIL KIT - WITH INSIDE EXTENSION RAILS AND SELF CLOSING GATE for Breakdown)	
6	3080007	1	Magnet	
7	3290606	4	Nut M6	
8	3290806	4	Nut M8	
9	3291001	AR	Nut M10	
10	3300477	4	Nut	
10	3291006	4	Nut M10	
11	3520072	2	Cap	
12	3841716	2	Rod	
13	4010616	2	Screw M6 x 40	
14	4010618	2	Screw M6 x 50	
15	4811900	4	Washer M8	
16	4812000	AR	Washer M10	
17	0701019	4	Bolt M10 x 55	
17	0701018	4	Bolt M10 x 50	
18	4812000	8	Washer M10	
18	4812002	8	Washer M10	

SECTION 4 - PLATFORM

FIGURE 4-15. RAILS INSTALLATION - WITH INSIDE EXTENSION RAILS, HANDLE AND SELF CLOSING GATE



ART_1001212700

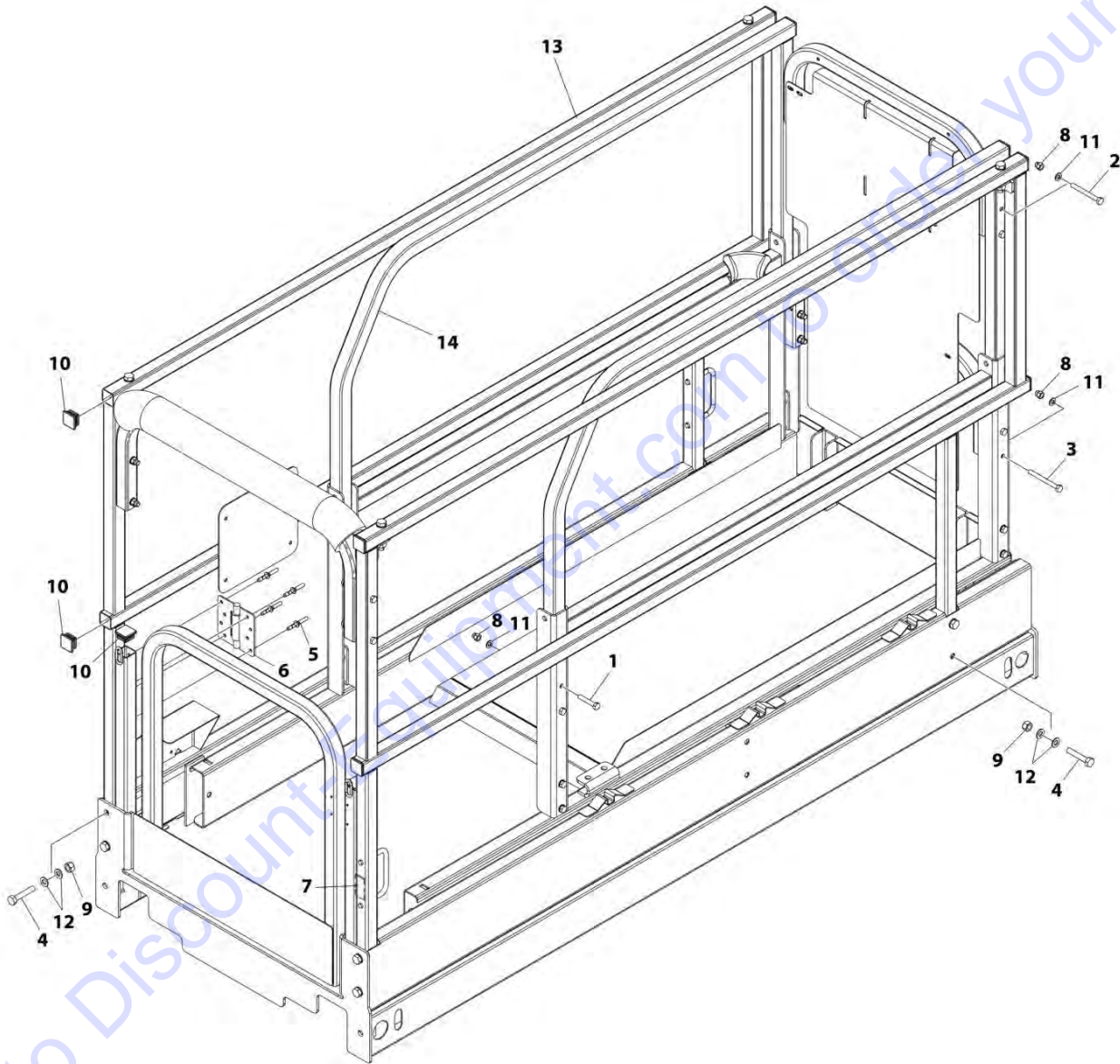
SECTION 4 - PLATFORM

FIGURE 4-15. RAILS INSTALLATION - WITH INSIDE EXTENSION RAILS, HANDLE AND SELF CLOSING GATE

ITEM	PART NUMBER	QTY	DESCRIPTION	REV
	1001212700	Ref	RAILS INSTALLATION - WITH INSIDE EXTENSION RAILS, HANDLE AND SELF CLOSING GATE	B
1	0700823	4	Bolt M8 x 75	
2	0701019	AR	Bolt M10 x 55	
3	2600281	2	Hinge	
4	3080007	1	Magnet	
5	3290606	4	Nut M6	
6	3290806	4	Nut M8	
7	3291001	12	Nut M10	
8	3300477	4	Nut	
9	3520072	2	Cap	
10	3841716	2	Rod	
11	4010616	2	Screw M6 x 40	
12	4010618	2	Screw M6 x 50	
13	4811900	4	Washer M8	
14	4812000	AR	Washer M10	
15	1001212859	1	Rail Kit - With Inside Extension rails, Handle and Self Closing Gate (See RAIL KIT - WITH INSIDE EXTENSION RAILS, HANDLE AND SELF CLOSING GATE for Breakdown)	
16	2080040	8	Fastener, Huck	
17	4812000	8	Washer M10	
17	4812002	8	Washer M10	
18	0701019	2	Bolt M10 x 55	
18	0701021	4	Bolt M10 x 65	

SECTION 4 - PLATFORM

FIGURE 4-16. RAILS INSTALLATION - WITH OUTSIDE EXTENSION RAILS AND SELF CLOSING GATE



ART_1001217111

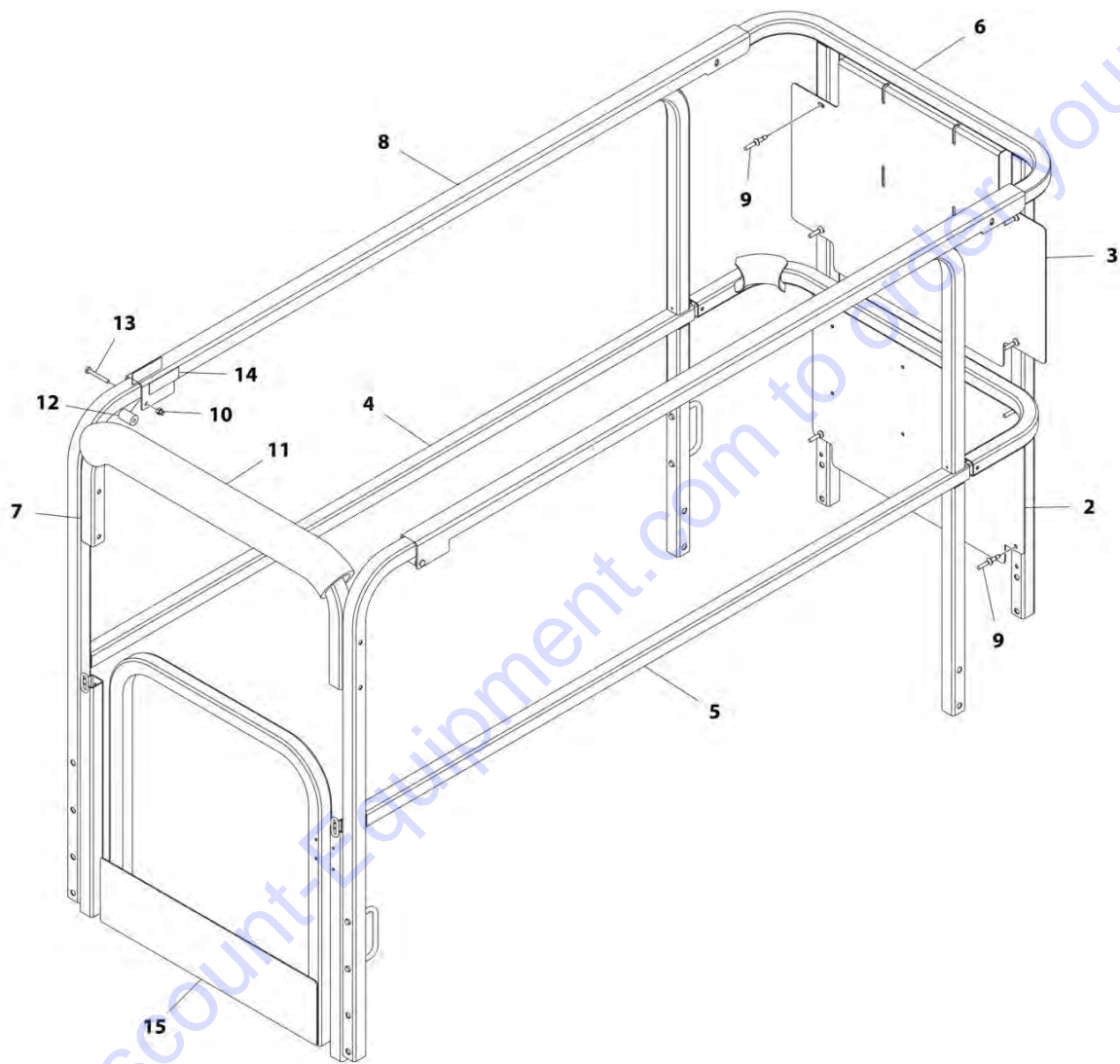
SECTION 4 - PLATFORM

FIGURE 4-16. RAILS INSTALLATION - WITH OUTSIDE EXTENSION RAILS AND SELF CLOSING GATE

ITEM	PART NUMBER	QTY	DESCRIPTION	REV
	1001217111	Ref	RAILS INSTALLATION - WITH OUTSIDE EXTENSION RAILS AND SELF CLOSING GATE	A
1	0700817	4	Bolt M8 x 45	
2	0700823	4	Bolt M8 x 75	
3	0700824	4	Bolt M8 x 80	
4	0701019	8	Bolt M10 x 55	
5	2080040	8	Fastener, Huck	
6	2600281	2	Hinge	
7	3080007	1	Magnet	
8	3290806	12	Nut M8	
9	3291005	8	Nut M10	
10	3520072	12	Cap	
11	4811900	12	Washer M8	
12	4812000	16	Washer M10	
13	1001217748	1	Rail Kit - With Outside Extension Rails and Self Closing Gate (See RAIL KIT - WITH OUTSIDE EXTENSION RAILS AND SELF CLOSING GATE for Breakdown)	
14	1001217749	2	Rail	

SECTION 4 - PLATFORM

FIGURE 4-17. RAIL KIT - WITH INSIDE EXTENSION RAILS AND SELF CLOSING GATE



ART_1001182100

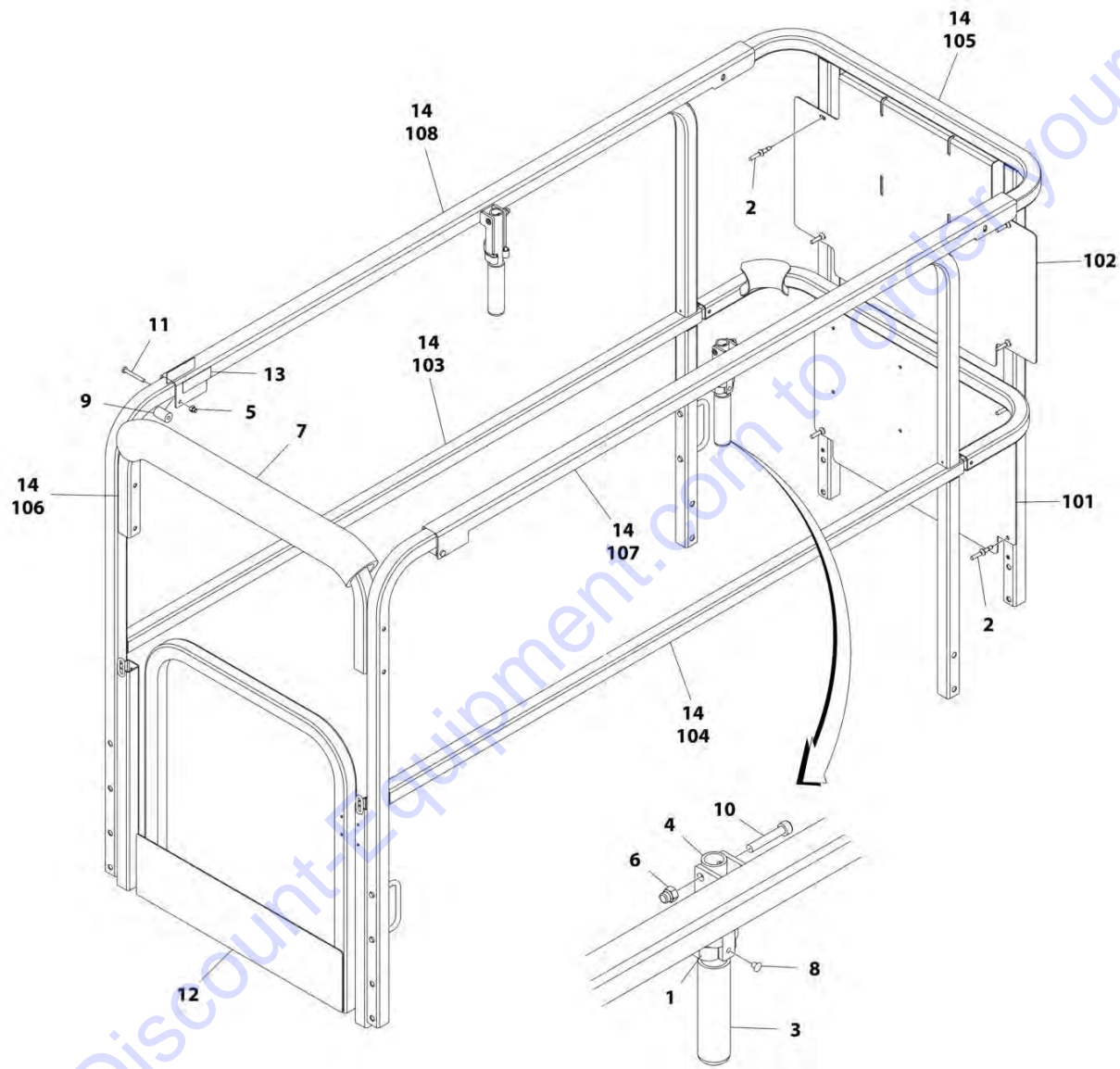
SECTION 4 - PLATFORM

FIGURE 4-17. RAIL KIT - WITH INSIDE EXTENSION RAILS AND SELF CLOSING GATE

ITEM	PART NUMBER	QTY	DESCRIPTION	REV
	1001182100	Ref	RAIL KIT - WITH INSIDE EXTENSION RAILS AND SELF CLOSING GATE	G
2	3574184	1	Plate, Lower Billboard (SN 0200239382 to Present, SN 120025021 through 1200030105, SN B200020297 through B200051292, SN M200000100 through M200019914)	
2	1001232637	1	Plate, Lower Billboard (SN 1200030106 to Present, SN B200051293 to Present, SN M200019915 to Present)	
3	3576645	1	Plate, Upper Billboard	
4	3641604	1	Rail, Left Side	
5	3641605	1	Rail, Right Side	
6	3641606	1	Rail, Extension Platform	
7	4569305	1	Tube, Drywall Gate	
8	1001182096	1	Channel, Top Rail Slide	
9	2080040	8	Fastener, Huck	
10	3290606	2	Nut M6	
11	3340612	1	Pad	
12	3860111	2	Roller	
13	4010618	2	Screw M6 x 50	
14	1001189762	AR	Tape	
15	4846723	1	Weldment, Gate	
16	1001182099	1	Rail Kit (Includes Items 2-8) (Not Shown)	

SECTION 4 - PLATFORM

FIGURE 4-18. RAIL KIT - WITH INSIDE EXTENSION RAILS, HANDLE AND SELF CLOSING GATE



ART_1001212859

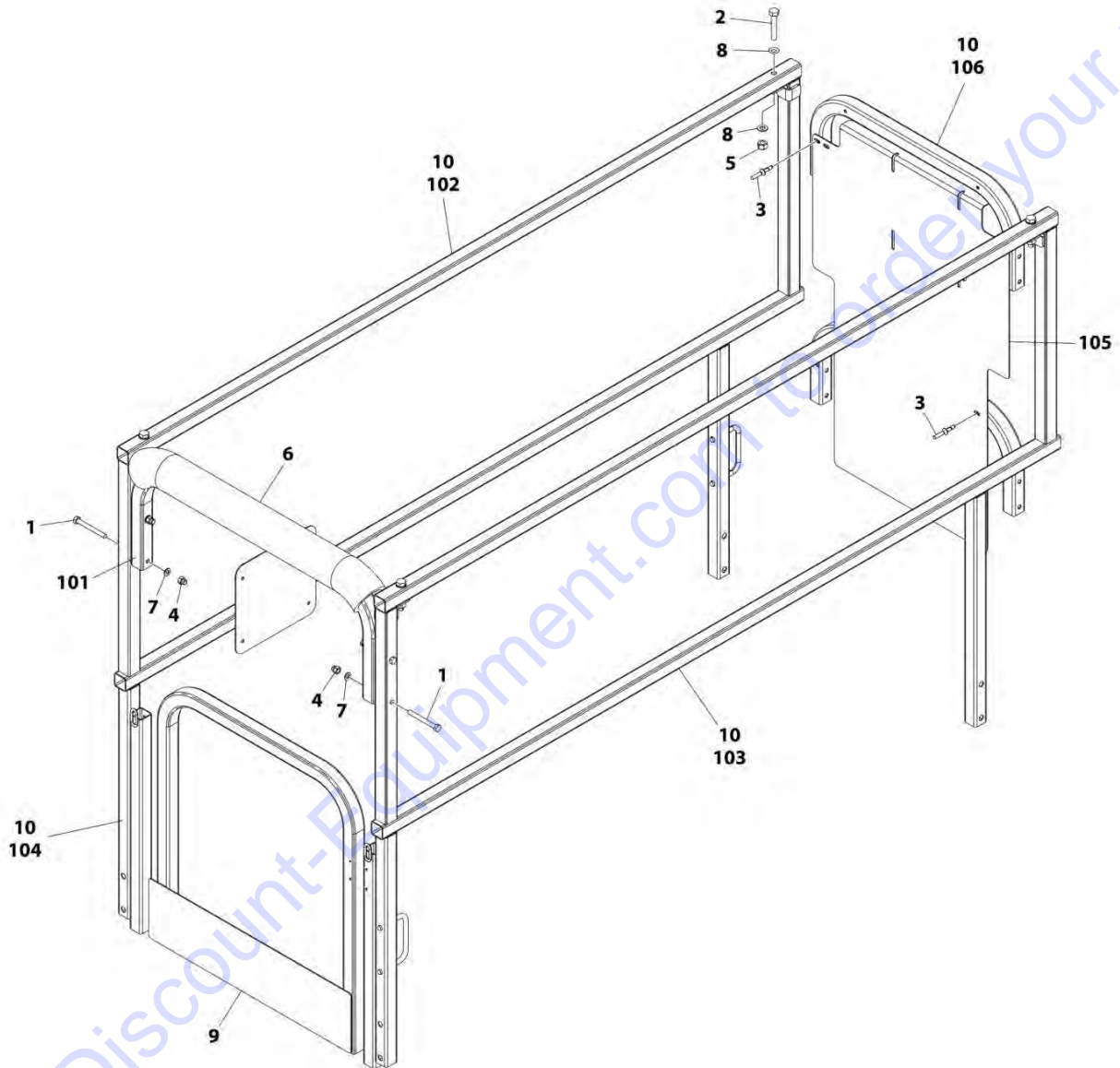
SECTION 4 - PLATFORM

FIGURE 4-18. RAIL KIT - WITH INSIDE EXTENSION RAILS, HANDLE AND SELF CLOSING GATE

ITEM	PART NUMBER	QTY	DESCRIPTION	REV
	1001212859	Ref	RAIL KIT - WITH INSIDE EXTENSION RAILS, HANDLE AND SELF CLOSING GATE	C
1	1380132	2	Clip, Gripper	
2	2080040	8	Fastener, Huck	
3	2560088	2	Handle	
4	2560190	2	Handle, Platform	
5	3290606	2	Nut M6	
6	3290806	2	Nut M8	
7	3340612	18 in /45cm	Pad, Cover	
8	3820019	2	Rivet	
9	3860111	2	Roller	
10	3900345	2	Screw	
11	4010618	2	Screw M6 x 50	
12	4846723	1	Gate	
13	1001189762	AR	Tape	
14	1001212860	1	Rail Kit (See 101-108 for Breakdown)	
	1001212860	Ref	RAIL KIT	D
101	3574184	1	Plate, Lower Billboard (SN 0200239382 to Present, SN 120025021 through 1200030105, SN B200020297 through B200051292, SN M200000100 through M200019914)	
101	1001232637	1	Plate, Lower Billboard (SN 1200030106 to Present, SN B200051293 to Present, SN M200019915 to Present)	
102	3576645	1	Plate, Upper Billboard	
103	3641604	1	Rail, Left Side (SN B200020297 through B200052394, SN M200000100 through M200027027)	
103	1001241857	1	Rail, Left Side (SN B200052395 to Present, SN M200027028 to Present)	
104	3641605	1	Rail, Right Side (SN B200020297 through B200052394, SN M200000100 through M200027027)	
104	1001241858	1	Rail, Right Side (SN B200052395 to Present, SN M200027028 to Present)	
105	3641606	1	Rail, Extension Platform	
106	4569305	1	Tube, Drywall Gate	
107	1001212861	1	Rail, Top Left Side	
108	1001212862	1	Rail, Top Right Side	

SECTION 4 - PLATFORM

FIGURE 4-19. RAIL KIT - WITH OUTSIDE EXTENSION RAILS AND SELF CLOSING GATE



ART_1001217748

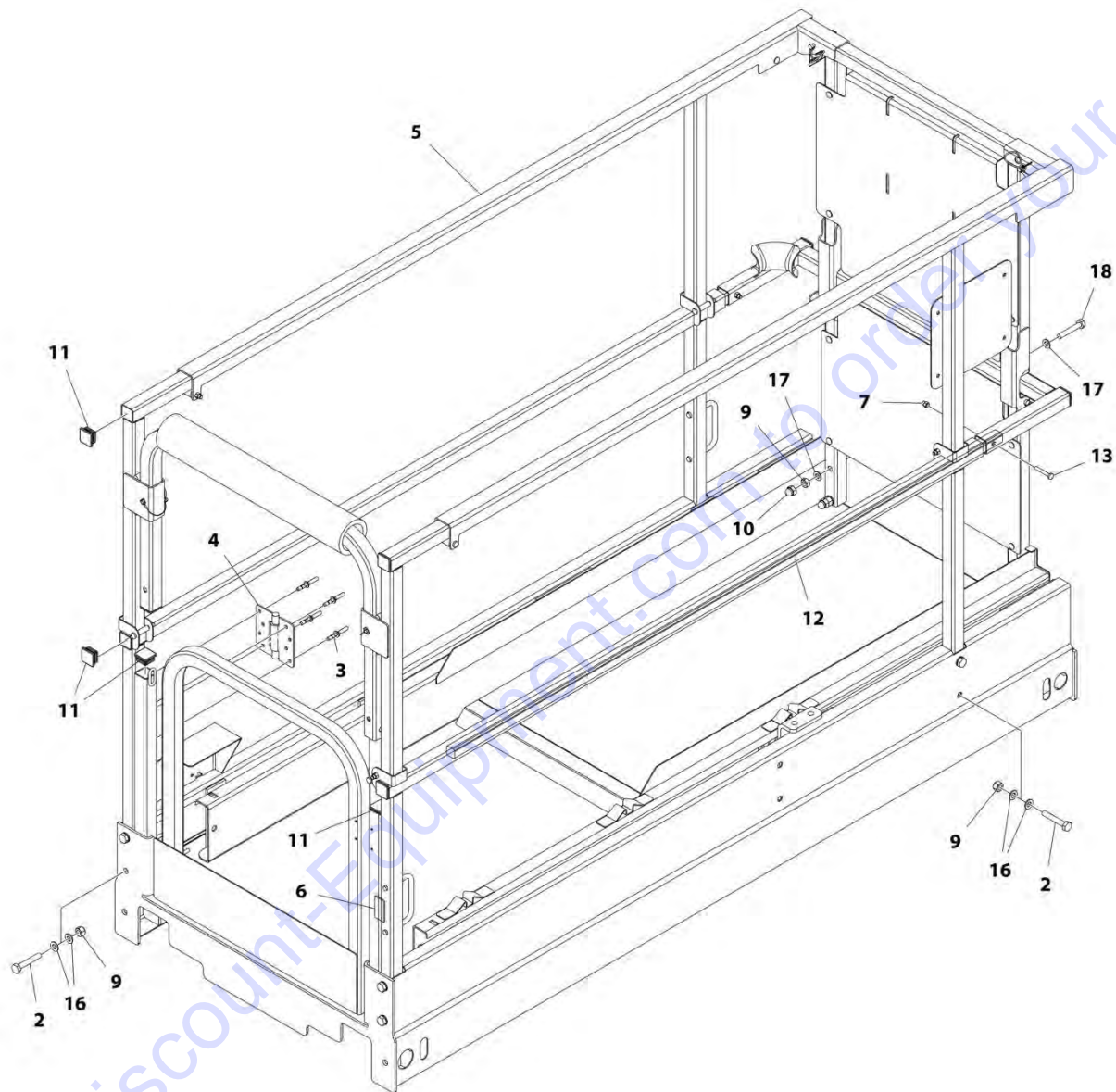
SECTION 4 - PLATFORM

FIGURE 4-19. RAIL KIT - WITH OUTSIDE EXTENSION RAILS AND SELF CLOSING GATE

ITEM	PART NUMBER	QTY	DESCRIPTION	REV
	1001217748	Ref	RAIL KIT - WITH OUTSIDE EXTENSION RAILS AND SELF CLOSING GATE	B
1	0700823	4	Bolt M8 x 75	
2	0701020	4	Bolt M10 x 60	
3	2080040	4	Fastener, Huck	
4	3290806	4	Nut M8	
5	3291005	4	Nut M10	
6	3340612	1	Pad, Cover	
7	4811900	4	Washer M8	
8	4812000	8	Washer M10	
9	4846723	1	Gate	
10	1001217113	1	Rail Kit (See 101-108 for Breakdown)	
	1001217113	Ref	RAIL KIT	A
101	4569305	1	Tube, Drywall Gate	
102	1001215237	2	Rail, Mid	
103	1001217114	1	Rail, Right Side	
104	1001217115	1	Rail, Left Side	
105	1001217118	1	Plate, Lower Billboard	
106	1001217119	2	Tube	

SECTION 4 - PLATFORM

FIGURE 4-20. RAILS INSTALLATION - WITH INSIDE EXTENSION RAILS AND SELF CLOSING GATE



ART_1001176743

SECTION 4 - PLATFORM

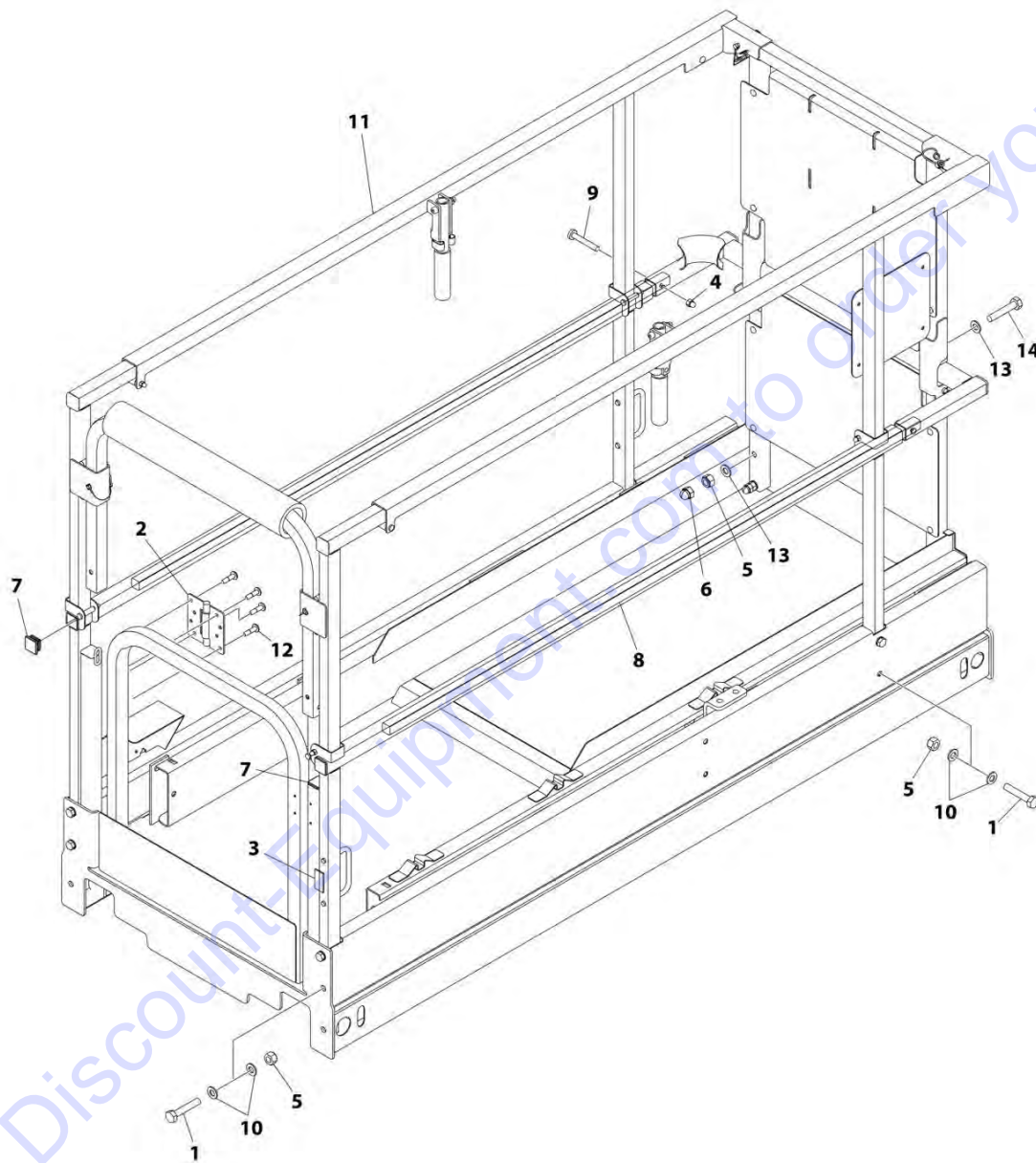
FIGURE 4-20. RAILS INSTALLATION - WITH INSIDE EXTENSION RAILS AND SELF CLOSING GATE

ITEM	PART NUMBER	QTY	DESCRIPTION	REV
	1001176743	Ref	RAILS INSTALLATION - WITH INSIDE EXTENSION RAILS AND SELF CLOSING GATE	E
2	0701019	AR	Bolt M10 x 55	
3	2080040	8	Fastener, Huck	
4	2600281	2	Hinge	
5	1001179382	1	Rail Kit - Self Closing Gate (See RAIL KIT - SELF CLOSING GATE for Breakdown)	
6	3080007	1	Magnet	
7	3290606	2	Nut M6	
9	3291005	12	Nut M10	
10	3300477	4	Nut	
11	3520072	8	Cap	
12	3841716	2	Rod	
13	4010616	2	Screw M6 x 40	
16	4812000	AR	Washer M10	
17	4812000	8	Washer M10	
17	4812002	8	Washer M10	
18	0701019	4	Bolt M10 x 55	
18	0701021	4	Bolt M10 x 65	

Go to Discount-Equipment.com to order your parts

SECTION 4 - PLATFORM

FIGURE 4-21. RAILS INSTALLATION - WITH INSIDE EXTENSION RAILS, HANDLE AND SELF CLOSING GATE



ART_1001212853

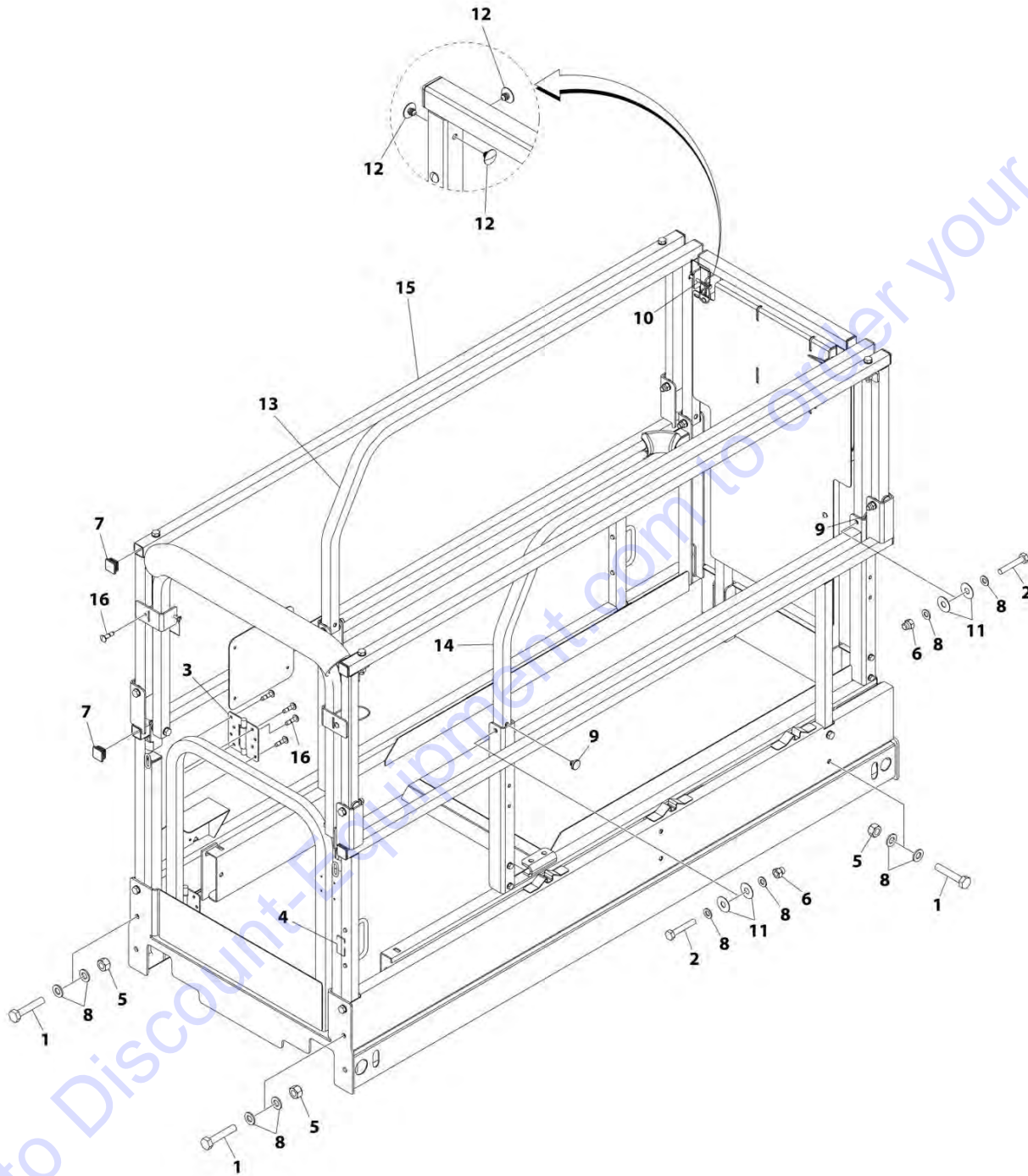
SECTION 4 - PLATFORM

FIGURE 4-21. RAILS INSTALLATION - WITH INSIDE EXTENSION RAILS, HANDLE AND SELF CLOSING GATE

ITEM	PART NUMBER	QTY	DESCRIPTION	REV
	1001212853	Ref	RAILS INSTALLATION - WITH INSIDE EXTENSION RAILS, HANDLE AND SELF CLOSING GATE	B
1	0701019	AR	Screw M10 x 55	
2	2600281	2	Hinge	
3	3080007	1	Magnet	
4	3290606	2	Nut M6	
5	3291005	12	Nut M10	
6	3300477	4	Nut	
7	3520072	8	Cap	
8	3841716	2	Rod	
9	4010616	2	Screw M6 x 40	
10	4812000	AR	Washer M10	
11	1001212864	1	Rail Kit - With Inside Extension Rails, Handle and Self Closing Gate (See RAIL KIT - WITH INSIDE EXTENSION RAILS, HANDLE AND SELF CLOSING GATE for Breakdown)	
12	2080040	8	Fastener, Huck	
13	4812000	8	Washer M10	
13	4812002	8	Washer M10	
14	0701019	4	Bolt M10 x 55	
14	0701021	4	Bolt M10 x 65	

SECTION 4 - PLATFORM

FIGURE 4-22. RAILS INSTALLATION - WITH OUTSIDE EXTENSION RAILS AND SELF CLOSING GATE



ART_1001215230

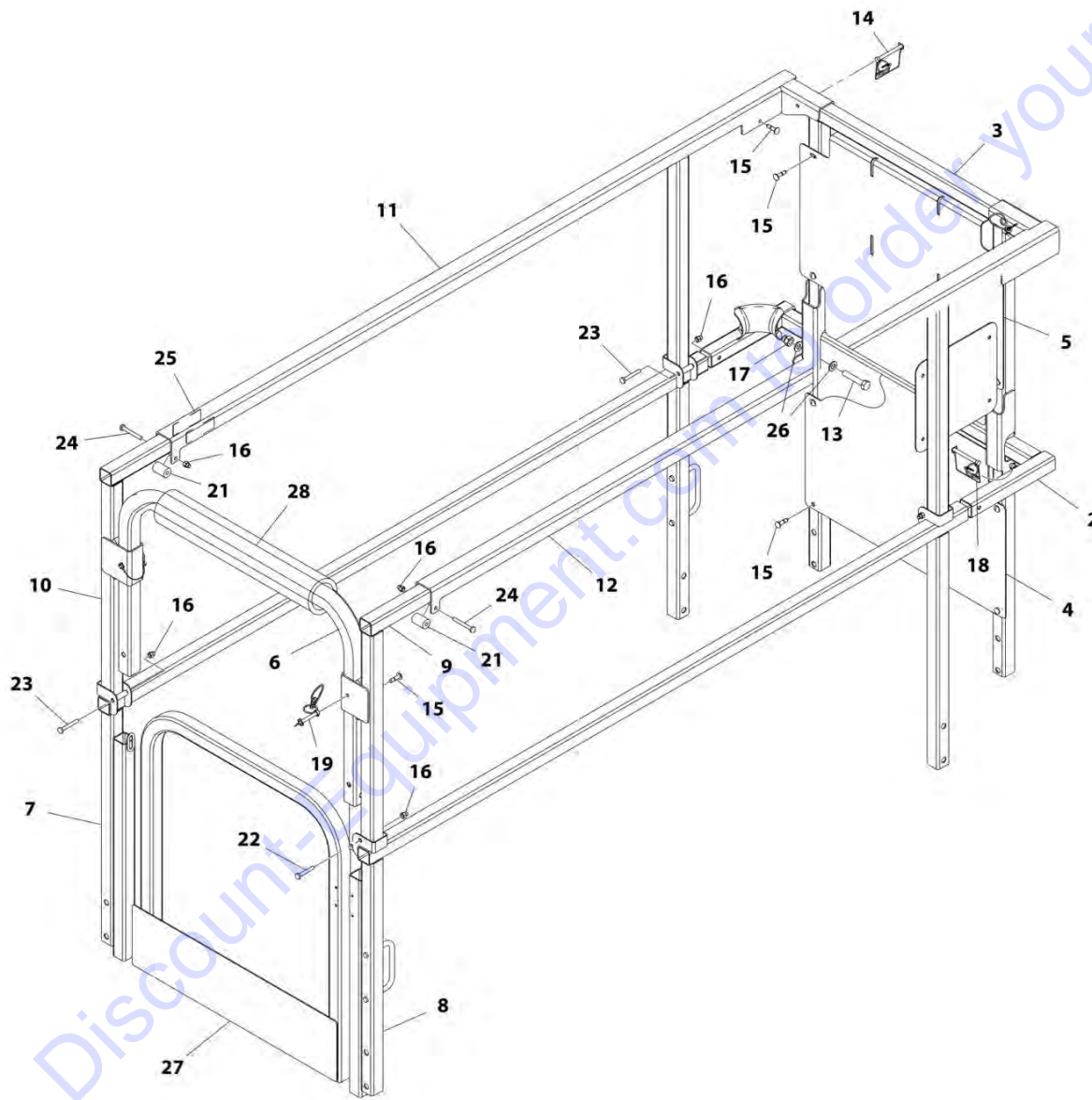
SECTION 4 - PLATFORM

FIGURE 4-22. RAILS INSTALLATION - WITH OUTSIDE EXTENSION RAILS AND SELF CLOSING GATE

ITEM	PART NUMBER	QTY	DESCRIPTION	REV
	1001215230	Ref	RAILS INSTALLATION - WITH OUTSIDE EXTENSION RAILS AND SELF CLOSING GATE	A
1	0701019	8	Screw M10 x 55	
2	0701020	4	Bolt M10 x 60	
3	2600281	2	Hinge	
4	3080007	1	Magnet	
5	3291005	8	Nut M10	
6	3291006	4	Nut M10	
7	3520072	16	Cap	
8	4812000	26	Washer M10	
9	1001137675	4	Bumper	
10	1001187587	2	Pin	
11	1001211895	8	Plate, Washer	
12	1001211896	6	Bumper	
13	1001217739	1	Rail, Left	
14	1001217740	1	Rail, Right	
15	1001217741	1	Rail Kit - With Outside Extension Rails and Self Closing Gate (See RAIL KIT - WITH OUTSIDE EXTENSION RAILS AND SELF CLOSING GATE for Breakdown)	
16	2080040	10	Fastener, Huck	

SECTION 4 - PLATFORM

FIGURE 4-23. RAIL KIT - WITH INSIDE EXTENSION RAILS AND SELF CLOSING GATE



ART_1001179382

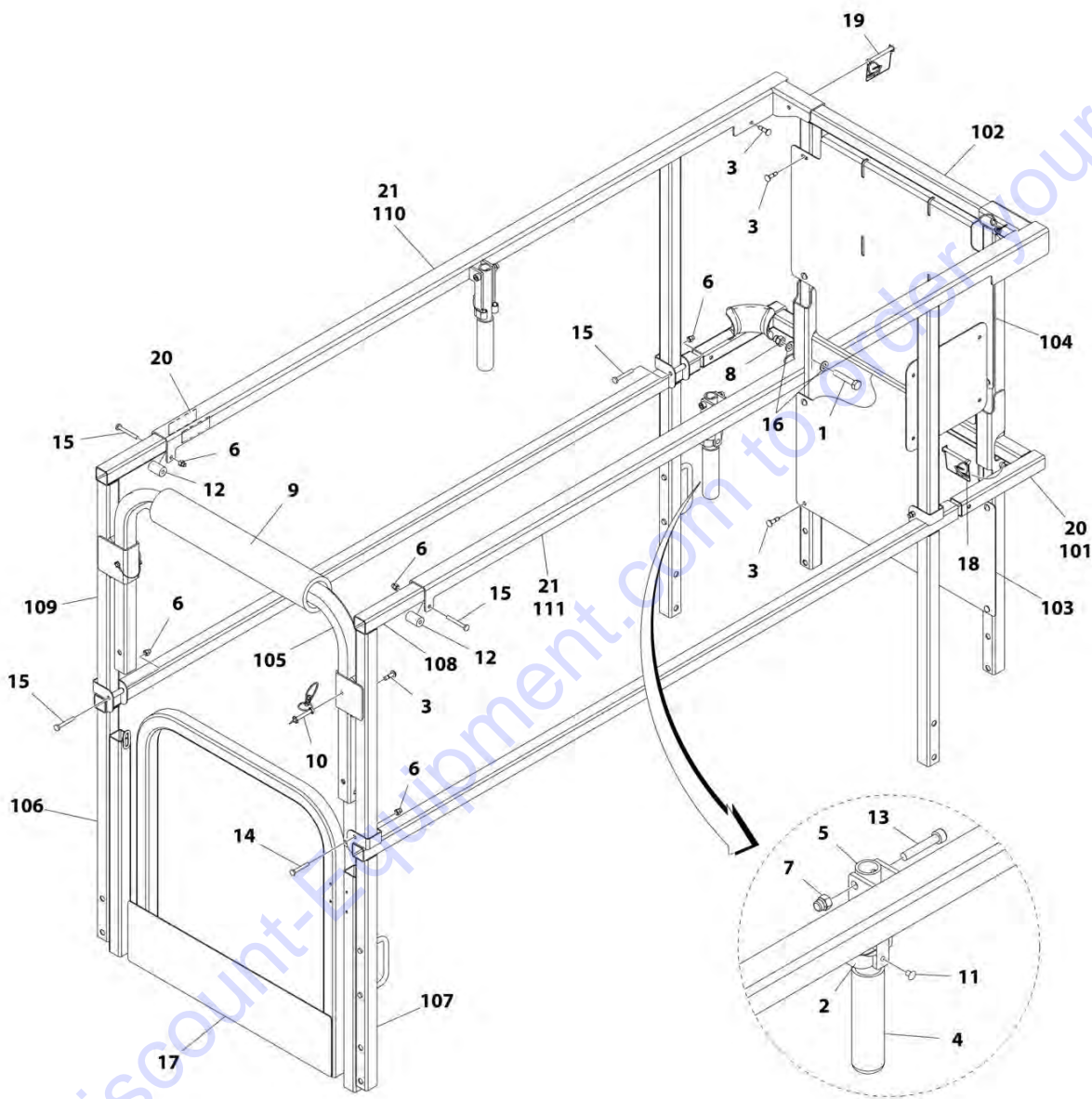
SECTION 4 - PLATFORM

FIGURE 4-23. RAIL KIT - WITH INSIDE EXTENSION RAILS AND SELF CLOSING GATE

ITEM	PART NUMBER	QTY	DESCRIPTION	REV
	1001179382	Ref	RAIL KIT - WITH INSIDE EXTENSION RAILS AND SELF CLOSING GATE	H
2	1001179277	1	Rail, Mid Bottom	
3	1001179287	1	Rail, Mid Top	
4	1001179298	1	Plate, Lower Billboard	
5	1001179299	1	Plate, Upper Billboard	
6	1001179332	1	Tube, Drywall Gate	
7	1001179384	1	Rail, Left Bottom	
8	1001179386	1	Rail, Right Bottom	
9	1001179387	1	Rail, Right Top	
10	1001179389	1	Rail, Left Top	
11	1001179390	1	Rail, Top Left Side	
12	1001179393	1	Rail, Top Right Side	
13	0701019	2	Screw M10 x 55	
14	1001187587	2	Lanyard	
15	2080040	12	Fastener, Huck	
16	3290606	7	Nut M6	
17	3291006	2	Nut M10	
18	1001187585	2	Pin	
19	3423278	2	Pin	
21	3860111	2	Roller	
22	4010616	1	Screw M6 x 40	
23	4010617	4	Screw M6 x 45	
23	4010618	4	Screw M6 x 50	
24	4010618	2	Screw M6 x 50	
25	1001189762	AR	Tape	
26	4812000	4	Washer	
27	4846723	1	Weldment, Gate	
28	3340612	18 in /45cm	Pad, Cover	
29	1001179383	1	Rail Kit (Includes Items 2-12) (Not Shown)	

SECTION 4 - PLATFORM

FIGURE 4-24. RAIL KIT - WITH INSIDE EXTENSION RAILS, HANDLE AND SELF CLOSING GATE



ART_1001212864

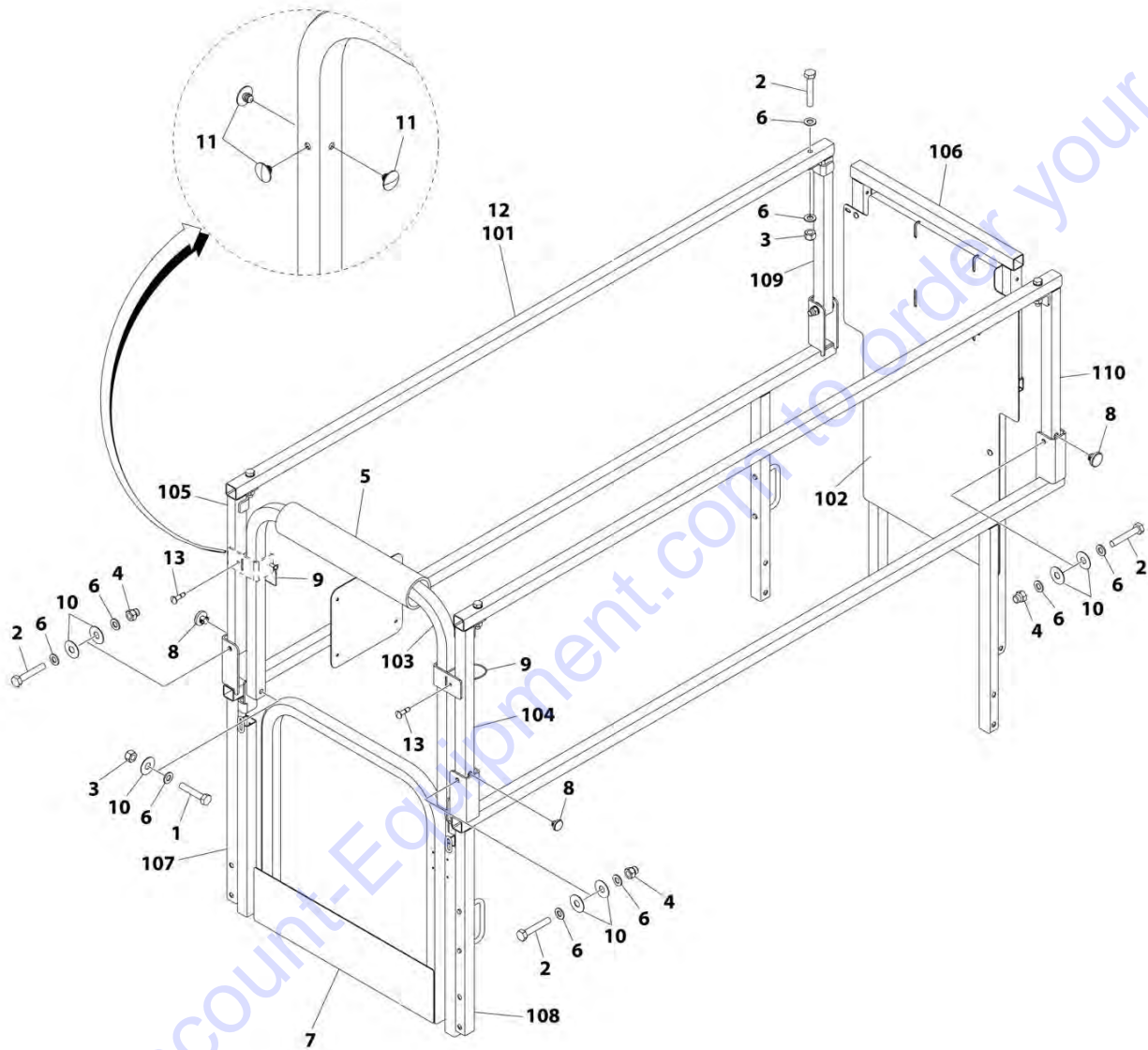
SECTION 4 - PLATFORM

FIGURE 4-24. RAIL KIT - WITH INSIDE EXTENSION RAILS, HANDLE AND SELF CLOSING GATE

ITEM	PART NUMBER	QTY	DESCRIPTION	REV
	1001212864	Ref	RAIL KIT - WITH INSIDE EXTENSION RAILS, HANDLE AND SELF CLOSING GATE	A
1	0701019	2	Screw M10 x 55	
2	1380132	2	Clip, Gripper	
3	2080040	12	Fastener, Huck	
4	2560088	2	Handle	
5	2560190	2	Handle, Platform	
6	3290606	7	Nut M6	
7	3290806	2	Nut M8	
8	3291006	2	Nut M10	
9	3340612	18 in /45cm	Pad, Cover	
10	3423278	2	Pin	
11	3820019	2	Rivet	
12	3860111	2	Roller	
13	3900345	2	Screw	
14	4010616	1	Screw M6 x 40	
15	4010618	6	Screw M6 x 50	
16	4812000	4	Washer	
17	4846723	1	Gate	
18	1001187585	2	Pin	
19	1001187587	2	Pin	
20	1001189762	AR	Tape	
21	1001212865	1	Rail Kit (See Items 101-111 for Breakdown)	
	1001212865	Ref	RAIL KIT	A
101	1001179277	1	Rail, Mid Bottom	
102	1001179287	1	Rail, Mid Top	
103	1001179298	1	Plate, Lower Billboard	
104	1001179299	1	Plate, Upper Billboard	
105	1001179332	1	Tube, Drywall Gate	
106	1001179384	1	Rail, Left Bottom	
107	1001179386	1	Rail, Right Bottom	
108	1001179387	1	Rail, Right Top	
109	1001179389	1	Rail, Left Top	
110	1001212866	1	Rail, Top Left Side	
111	1001212867	1	Rail, Top Right Side	

SECTION 4 - PLATFORM

FIGURE 4-25. RAIL KIT - WITH OUTSIDE EXTENSION RAILS AND SELF CLOSING GATE



ART_1001217741

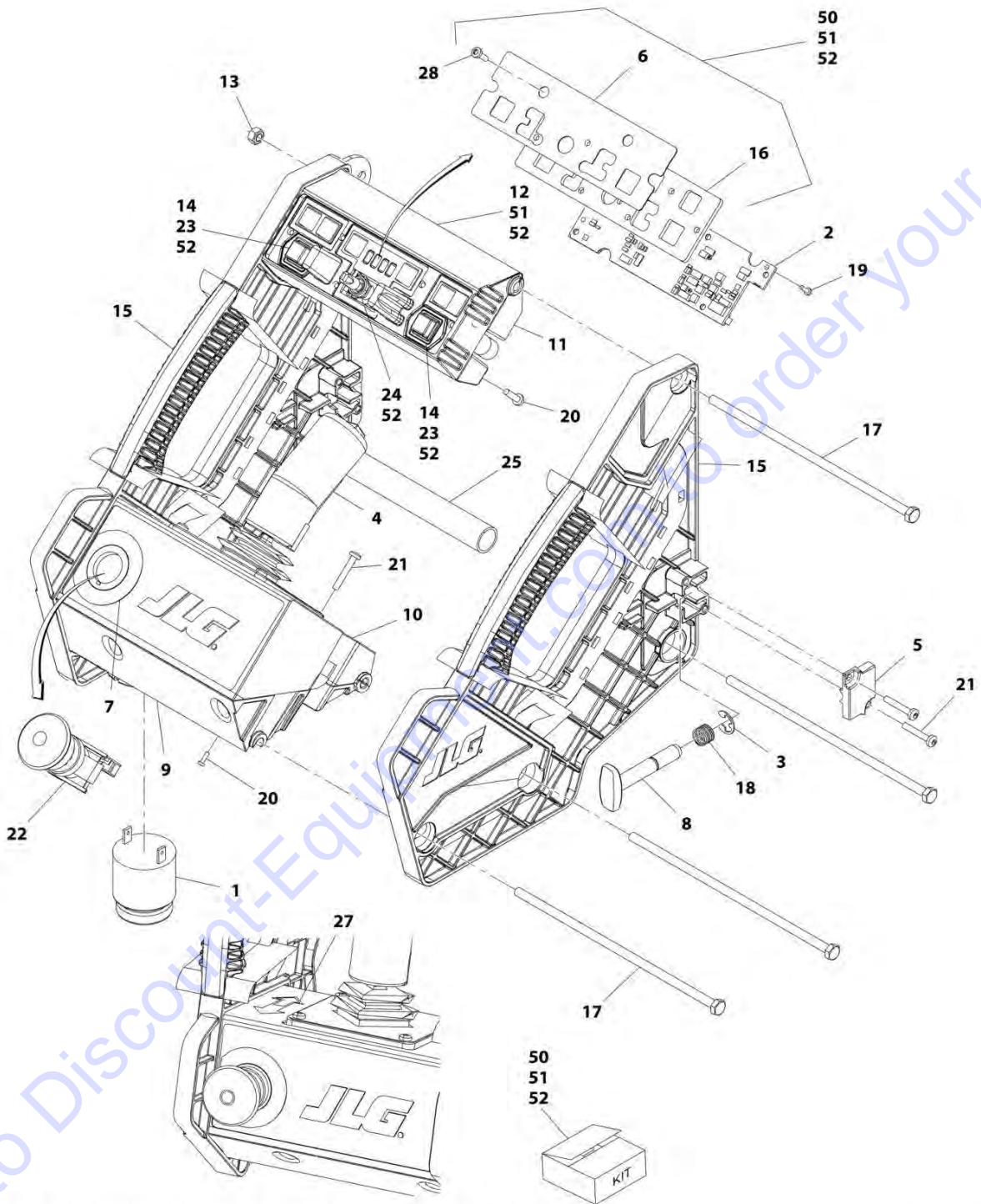
SECTION 4 - PLATFORM

FIGURE 4-25. RAIL KIT - WITH OUTSIDE EXTENSION RAILS AND SELF CLOSING GATE

ITEM	PART NUMBER	QTY	DESCRIPTION	REV
	1001217741	Ref	RAIL KIT - WITH OUTSIDE EXTENSION RAILS AND SELF CLOSING GATE	B
1	0701019	2	Screw M10 x 55	
2	0701020	8	Bolt M10 x 60	
3	3291005	6	Nut M10	
4	3291006	4	Nut M10	
5	3340612	18 in/ 45cm	Pad, Cover	
6	4812000	18	Washer #10	
7	4846723	1	Gate	
8	1001137675	4	Bumper	
9	1001187587	2	Pin	
10	1001211895	10	Plate, Washer	
11	1001211896	6	Bumper	
12	1001217742	1	Rail Kit (See Items 101-110 for Breakdown)	
13	2080040	6	Fastener, Huck	
	1001217742	Ref	RAIL KIT	B
101	1001215237	2	Rail, Mid	
102	1001217118	1	Plate, Billboard	
103	1001217173	1	Tube, Drywall Gate	
104	1001217735	1	Rail, Right Entrance	
105	1001217736	1	Rail, Left Entrance	
106	1001217737	1	Rail, Front	
107	1001217743	1	Rail, Left Bottom	
108	1001217744	1	Rail, Right Bottom	
109	1001217746	1	Rail, Support	
110	1001217747	1	Rail, Support	

SECTION 4 - PLATFORM

FIGURE 4-26. PLATFORM CONSOLE ASSEMBLY



NOTE: SEE USAGE CHART ON PARTS LIST BEFORE ORDERING PARTS.

ART_1001091153

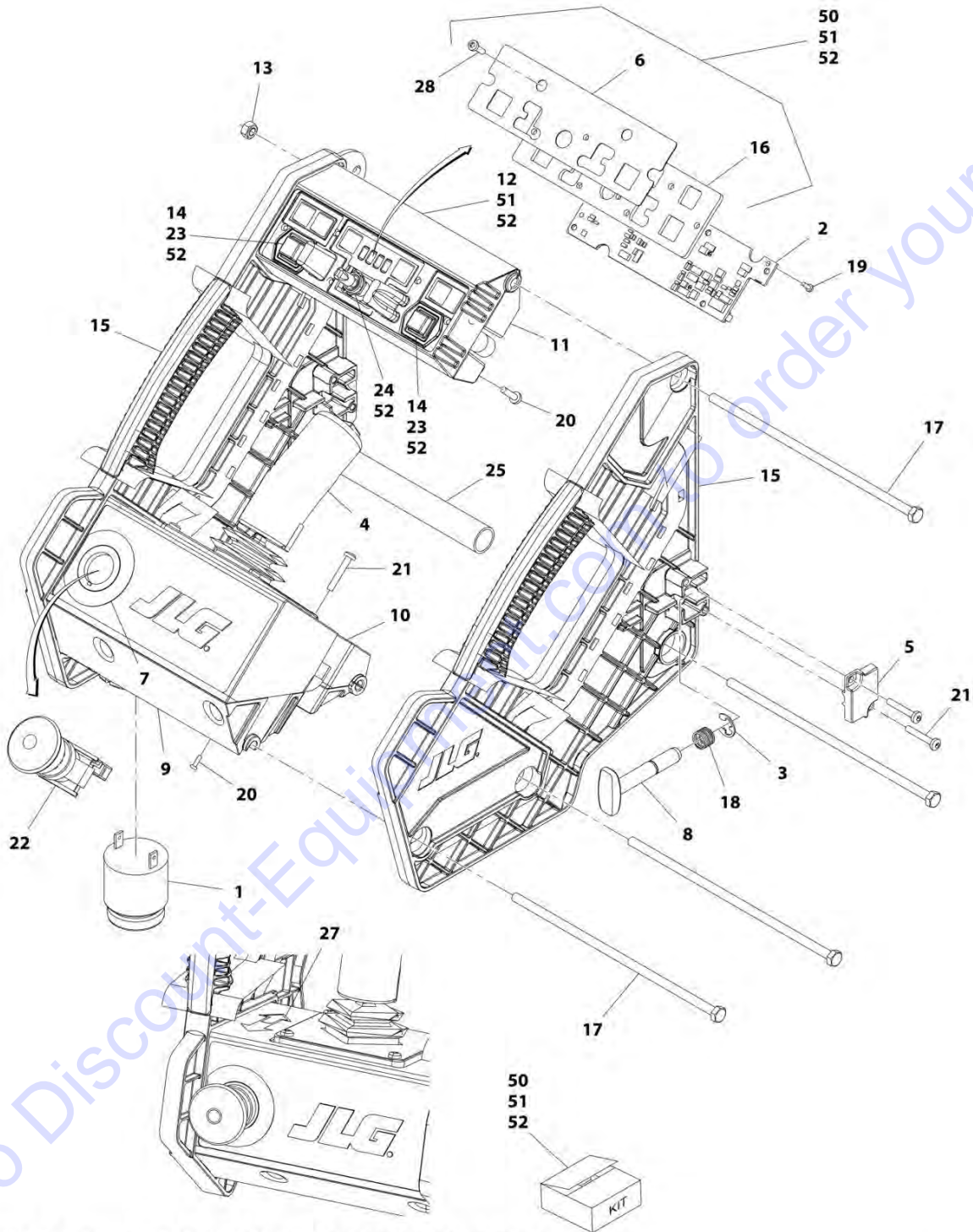
SECTION 4 - PLATFORM

FIGURE 4-26. PLATFORM CONSOLE ASSEMBLY

ITEM	PART NUMBER	QTY	DESCRIPTION	REV
	1001091153	Ref	PLATFORM CONSOLE ASSEMBLY	J
		Ref	Usage Chart	
		Ref	All Specs Except CE and Australian Specs	
		Ref	China Specs (SN B200020297 through B200028908)	
1	0140011	1	Alarm	
2	1600439	1	PC Board	
3	1380156	1	E-Clip	
4	1600402	1	Drive/Steer Controller Assembly (See DRIVE/STEER CONTROLLER ASSEMBLY for Breakdown)	
5	1671098	1	Latch	
6	1001091272	1	Decal - Icon	
7	1705676	1	Decal - Emergency Stop Ring	
8	2560179	1	Handle, Latch	
9	1001091277	1	Housing, Joystick (Lower)	
10	1001091278	1	Mount, Joystick	
11	1001091279	1	Housing, Module Mounting (Lower)	
12	1001091280	1	Housing, Module Mounting (Upper)	
13	3300473	4	Nut M6	
14	3340968	2	Button (Includes Black Button Only)	
15	3380475	2	Panel, Side	
16	1001091283	1	Plate, Decal	
17	3900333	4	Screw M6 x 190	
18	4160203	1	Spring, Compression	
19	4191306	5	Screw M3.5 x 12	
20	4191407	8	Screw M4 x 16	
21	4191409	6	Screw M4 x 25	
22	4360475	1	Switch, Emergency Stop	
22	7020175	1	Cap	
22	7020176	1	Block, Contact	
23	4360538	2	Strip, Switch and Membrane	
24	4360539	1	Switch, Toggle	
25	4568738	1	Tube, Spacer	
26	4922870	1	Harness, Platform Box (Not Shown - See ELECTRICAL SECTION for Breakdown)	
27	1703819	1	Decal - Directional Arrow	
28	1001091396	6	Screw M3.5 x 12	
29	See Note	NSS	Decal - Control Module (Not Shown) (Note: Not Available for Purchase) (SN 1200030106 to Present, SN B200051293 to Present, SN M200023836 to Present)	
50	1001091968	1	Decal Kit (Includes Items 6, 16 & 28) (Note: Two Item 6's are included in the kit - 1 for All Specs except CE/Australian Specs and 1 for CE/Australian Specs. Use decal required for applicable spec. Dispose of the decal not used)	A
51	1001091393	1	Decal and Housing Kit (Includes Items 6, 12, 16 & 28) (Note: Two Item 6's are included in the kit - 1 for All Specs except CE/Australian Specs and 1 for CE/Australian Specs. Use decal required for applicable spec. Dispose of the decal not used)	C
52	1001091965	1	Decal, Housing and PC Board Kit (Includes Items 2, 6, 12, 14, 16, 19, 23, 24 & 28) (Note: Two Item 6's are included in the kit - 1 for All Specs except CE/Australian Specs and 1 for CE/Australian Specs. Use decal required for applicable spec. Dispose of the decal not used)	C

SECTION 4 - PLATFORM

FIGURE 4-27. PLATFORM CONSOLE ASSEMBLY



NOTE: SEE USAGE CHART ON PARTS LIST BEFORE ORDERING PARTS.

ART_1001091154

SECTION 4 - PLATFORM

FIGURE 4-27. PLATFORM CONSOLE ASSEMBLY

ITEM	PART NUMBER	QTY	DESCRIPTION	REV
	1001091154	Ref	PLATFORM CONSOLE ASSEMBLY	H
		Ref	Usage Chart	
		Ref	Australian Specs	
		Ref	CE Specs	
		Ref	China Specs (SN B200028909 to Present)	
1	0140011	1	Alarm	
2	1600439	1	PC Board	
3	1380156	1	E-Clip	
4	1600402	1	Drive/Steer Controller Assembly (See DRIVE/STEER CONTROLLER ASSEMBLY for Breakdown)	
5	1671098	1	Latch	
6	1001091275	1	Decal - Icon	
7	1705676	1	Decal - Emergency Stop Ring	
8	2560179	1	Handle, Latch	
9	1001091277	1	Housing, Joystick (Lower)	
10	1001091278	1	Mount, Joystick	
11	1001091279	1	Housing, Module Mounting (Lower)	
12	1001091280	1	Housing, Module Mounting (Upper)	
13	3300473	4	Nut M6	
14	3340968	2	Button (Includes Black Button Only)	
15	3380475	2	Panel, Side	
16	1001091283	1	Plate, Decal	
17	3900333	4	Screw M6 x 190	
18	4160203	1	Spring, Compression	
19	4191306	5	Screw M3.5 x 12	
20	4191407	8	Screw M4 x 16	
21	4191409	6	Screw M4 x 25	
22	4360475	1	Switch, Emergency Stop	
22	7020175	1	Cap	
22	7020176	1	Block, Contact	
23	4360538	2	Strip, Switch and Membrane	
24	4360539	1	Switch, Toggle	
25	4568738	1	Tube, Spacer	
26	4922870	1	Harness, Platform Box (Not Shown - See ELECTRICAL SECTION for Breakdown)	
27	1703819	1	Decal - Directional Arrow	
28	1001091396	6	Screw M3.5 x 12	
29	See Note	NSS	Decal - Control Module (Not Shown) (Note: Not Available for Purchase) (SN 1200030106 to Present, SN B200051293 to Present, SN M200023836 to Present)	
50	1001091968	1	Decal Kit (Includes Items 6, 16 & 28) (Note: Two Item 6's are included in the kit - 1 for All Specs except CE/Australian Specs and 1 for CE/Australian Specs. Use decal required for applicable spec. Dispose of the decal not used)	A
51	1001091393	1	Decal and Housing Kit (Includes Items 6, 12, 16 & 28) (Note: Two Item 6's are included in the kit - 1 for All Specs except CE/Australian Specs and 1 for CE/Australian Specs. Use decal required for applicable spec. Dispose of the decal not used)	C
52	1001091965	1	Decal, Housing and PC Board Kit (Includes Items 2, 6, 12, 14, 16, 19, 23, 24 & 28) (Note: Two Item 6's are included in the kit - 1 for All Specs except CE/Australian Specs and 1 for CE/Australian Specs. Use decal required for applicable spec. Dispose of the decal not used)	C

PARTS FINDER

**Search Website
by Part Number**



**Search Manual
Library For Parts
Manual & Lookup Part
Numbers – Purchase
or Request Quote**

**Can't Find Part or
Manual? Request Help
by Manufacturer,
Model & Description**

Discount-Equipment.com is your online resource for quality parts & equipment.

Florida: **561-964-4949** Outside Florida TOLL FREE: **877-690-3101**

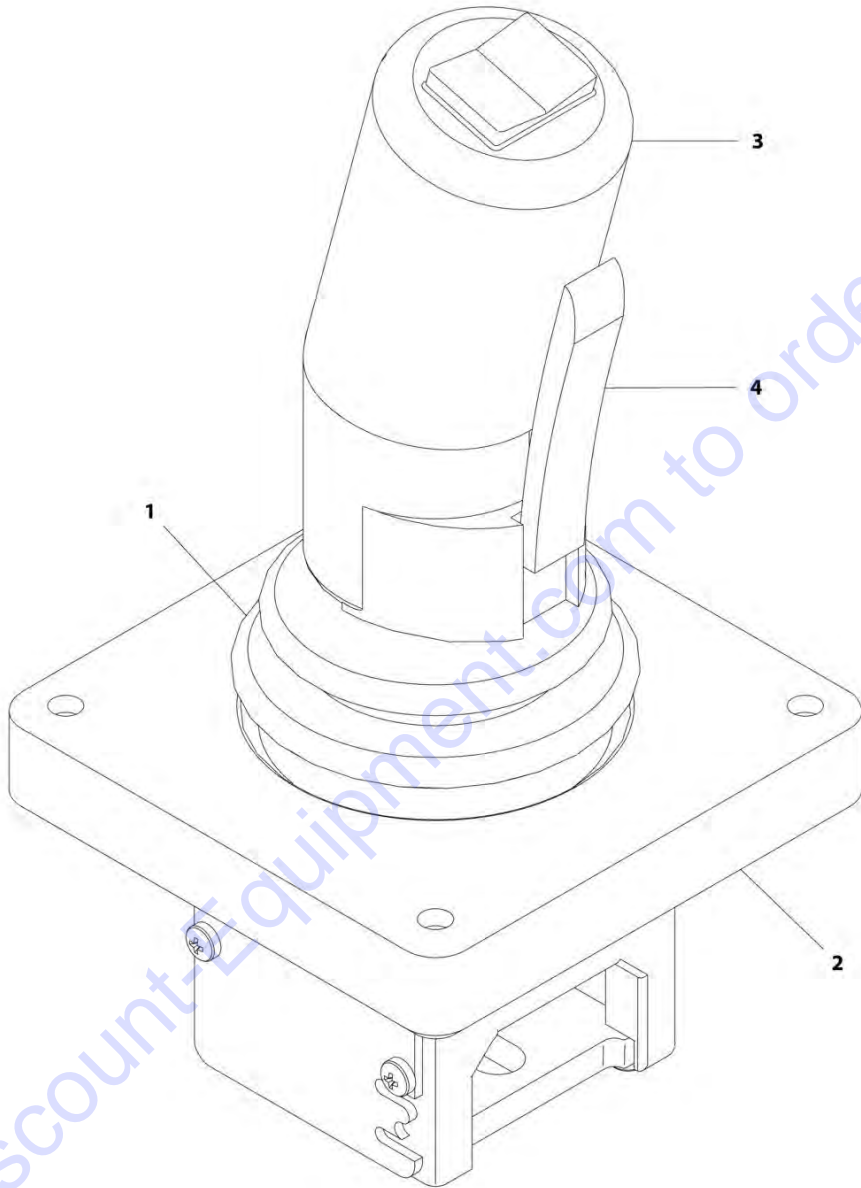
Need parts?

Click on this link: <http://www.discount-equipment.com/category/5443-parts/> and choose one of the options to help get the right parts and equipment you are looking for. Please have the machine model and serial number available in order to help us get you the correct parts. If you don't find the part on the website or on one of the online manuals, please fill out the request form and one of our experienced staff members will get back to you with a quote for the right part that your machine needs.

We sell worldwide for the brands: Genie, Terex, JLG, MultiQuip, Mikasa, Essick, Whiteman, Mayco, Toro Stone, Diamond Products, Generac Magnum, Airman, Haulotte, Barreto, Power Blanket, Nifty Lift, Atlas Copco, Chicago Pneumatic, Allmand, Miller Curber, Skyjack, Lull, Skytrak, Tsurumi, Husquvarna Target, Stow, Wacker, Sakai, Mi-T-M, Sullair, Basic, Dynapac, MBW, Weber, Bartell, Bennar Newman, Haulotte, Ditch Runner, Menegotti, Morrison, Contec, Buddy, Crown, Edco, Wyco, Bomag, Laymor, EZ Trench, Bil-Jax, F.S. Curtis, Gehl Pavers, Heli, Honda, ICS/PowerGrit, IHI, Partner, Imer, Clipper, MMD, Koshin, Rice, CH&E, General Equipment, Amida, Coleman, NAC, Gradall, Square Shooter, Kent, Stanley, Tamco, Toku, Hatz, Kohler, Robin, Wisconsin, Northrock, Oztec, Toker TK, Rol-Air, APT, Wylie, Ingersoll Rand / Doosan, Innovatech, Con X, Ammann, Mecalac, Makinex, Smith Surface Prep, Small Line, Wanco, Yanmar

SECTION 4 - PLATFORM

FIGURE 4-28. DRIVE/STEER CONTROLLER ASSEMBLY



ART_1600402

SECTION 4 - PLATFORM

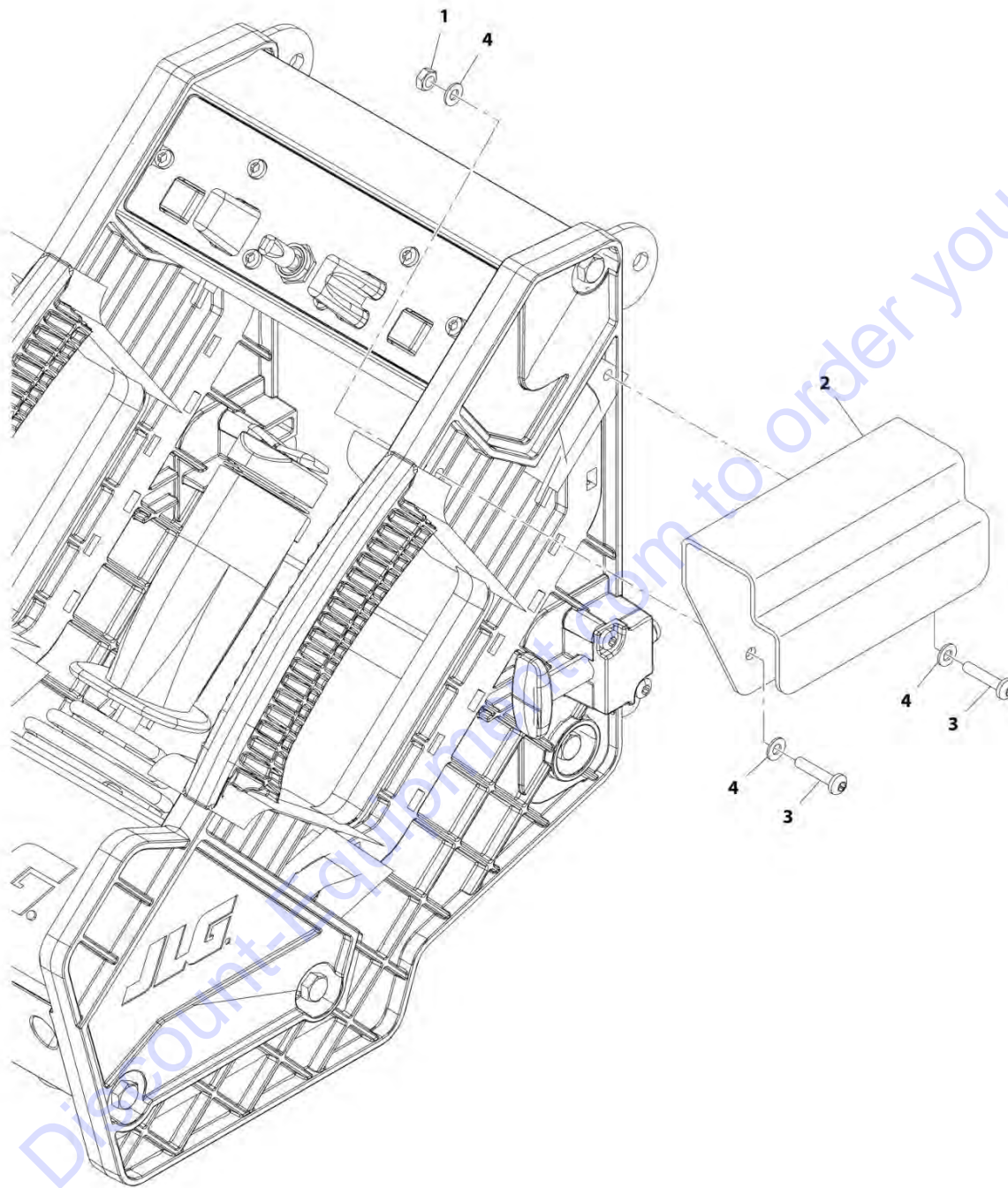
FIGURE 4-28. DRIVE/STEER CONTROLLER ASSEMBLY

ITEM	PART NUMBER	QTY	DESCRIPTION	REV
	1600402	Ref	DRIVE/STEER CONTROLLER ASSEMBLY	A
1	70001250	1	Boot, Panel	
2	70001252	1	Gasket, Mounting	
2	70001251	1	Bezel, Mounting	
3	70003650	1	Handle Repair Kit (Includes handle gasket, item#4 push button and item #4 lever installed in front handle half, back handle half, top actuator, boot and hardware.)	
3	70000084	1	Cap, Rubber	
3	70000082	1	Microswitch	
3	7027766	1	Ring, Retaining	
3	7027365	1	Actuator, Handle	
3	70001253	1	Gasket, Handle	
3	70000683	4	Washer, Neoprene	
3	70000685	2	Spacer, Plastic	
3	70000686	2	Screw (Top)	
3	70000684	2	Screw (Bottom)	
4	7027367	1	Switch, Push Button	
4	7027765	1	Lever, Enable	

Go to Discount-Equipment.com to order your parts

SECTION 4 - PLATFORM

FIGURE 4-29. PLATFORM CONSOLE HANGER INSTALLATION (OPTIONAL)



ART_0274386

SECTION 4 - PLATFORM

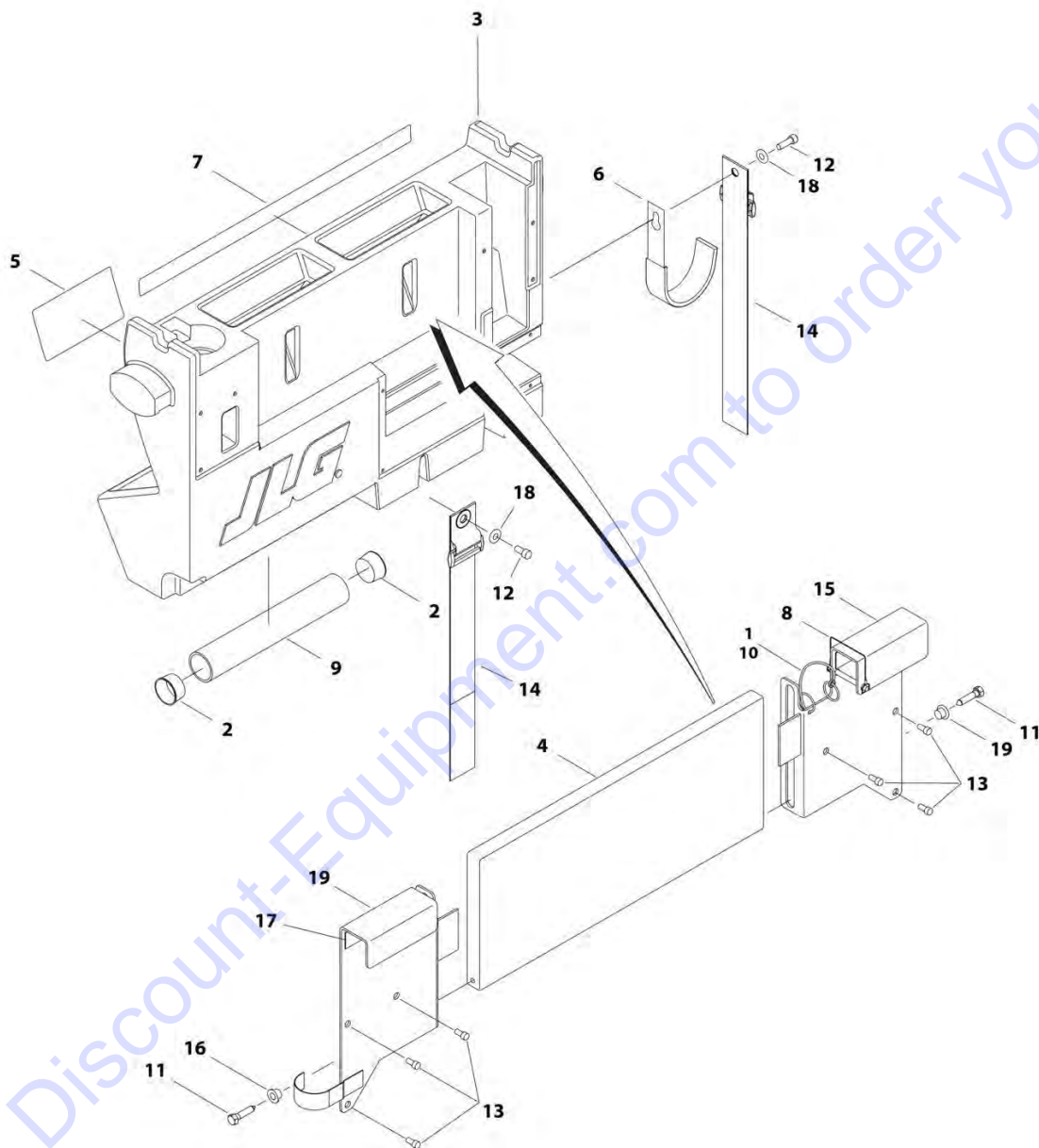
FIGURE 4-29. PLATFORM CONSOLE HANGER INSTALLATION (OPTIONAL)

ITEM	PART NUMBER	QTY	DESCRIPTION	REV
	0274386	Ref	PLATFORM CONSOLE HANGER INSTALLATION (OPTIONAL)	B
1	3290405	2	Nut M4	
2	3575794	1	Plate, Bracket	
3	3900338	2	Screw M4 x 20	
4	4811400	4	Washer M4	

Go to Discount-Equipment.com to order your parts

SECTION 4 - PLATFORM

FIGURE 4-30. WORKSTATION WITHOUT DC CONVERTER INSTALLATION



ART_0240087

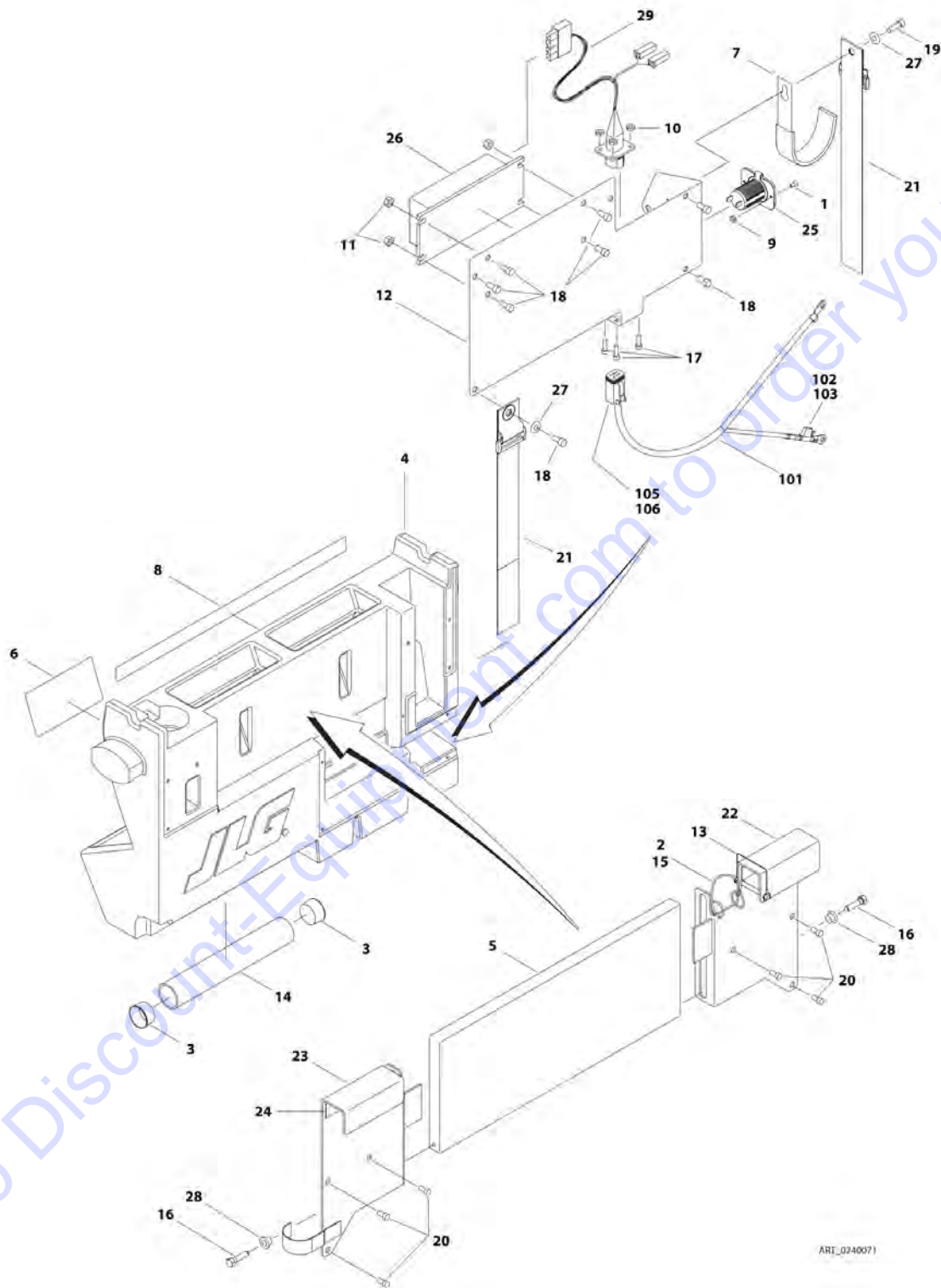
SECTION 4 - PLATFORM

FIGURE 4-30. WORKSTATION WITHOUT DC CONVERTER INSTALLATION

ITEM	PART NUMBER	QTY	DESCRIPTION	REV
	0273965	Ref	WORKSTATION INSTALLATION - REFERENCE CHART	B
	0240087	Ref	WORKSTATION WITHOUT DC CONVERTER INSTALLATION	C
1	1060379	1	Cable, Lanyard	
2	1120555	2	Cap, Manual Storage	
3	1580023	1	Container	
4	1580024	1	Tray	
5	1705997	1	Decal - Workstation	
6	2700100	1	Hook, Hanger	
7	2902348	1	Decal - Workstation Kit	
8	3422219	1	Pin	
9	3460334	1	PVC Pipe	
10	3760170	2	Ring	
11	3900355	2	Screw 5/16-9 x 1-1/2	
12	3931412	2	Bolt 1/4-20 x 3/4	
13	3931508	6	Bolt 5/16-18 x 1/2	
14	4240003	2	Strap	
15	4340853	1	Mount, RH Channel	
16	4340854	1	Mount, LH Channel	
17	4420062	3 ft/0.9m	Tape	
18	4711400	2	Washer 1/4	
19	4740480	2	Insert, Plastic	

SECTION 4 - PLATFORM

FIGURE 4-31. WORKSTATION WITH DC CONVERTER INSTALLATION



ARI_0240071

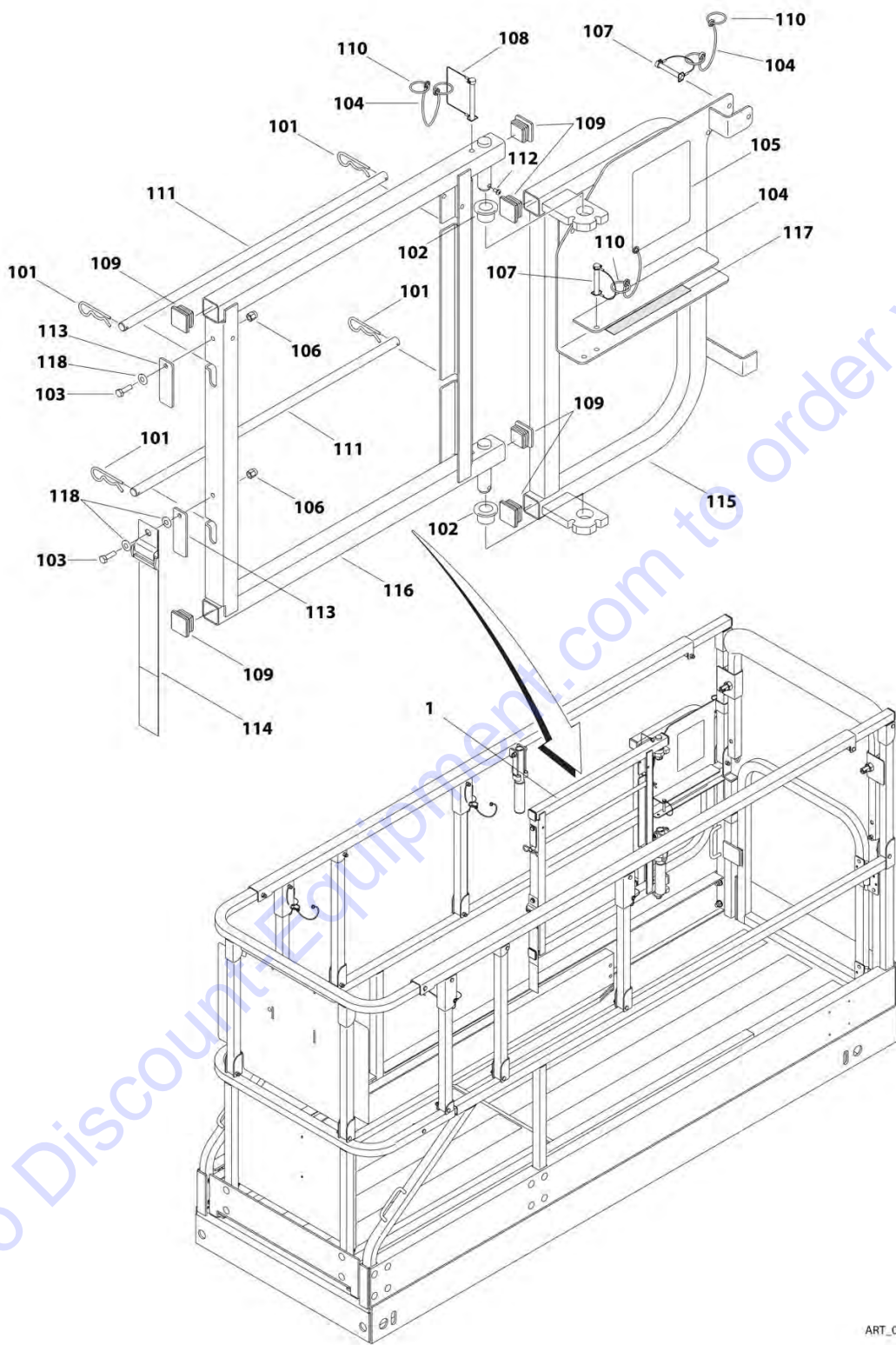
SECTION 4 - PLATFORM

FIGURE 4-31. WORKSTATION WITH DC CONVERTER INSTALLATION

ITEM	PART NUMBER	QTY	DESCRIPTION	REV
	0273955	Ref	WORKSTATION POWERED INSTALLATION - REFERENCE CHART	B
	0240071	Ref	WORKSTATION WITH DC CONVERTER INSTALLATION	D
1	0740603	2	Screw #6-32 x 3/4	
2	1060379	1	Cable, Lanyard	
3	1120555	2	Cap, Manual Storage	
4	1580023	1	Container	
5	1580024	1	Tray	
6	1705997	1	Decal - Workstation	
7	2700100	1	Hook, Hanger	
8	2902348	1	Decal - Workstation Kit	
9	3310601	2	Nut #6-32	
10	3311005	4	Nut #10-24	
11	3311405	4	Nut 1/4-20	
12	3380527	1	Panel, Converter/Receptacle	
13	3422219	1	Pin	
14	3460334	1	PVC Pipe	
15	3760170	2	Ring	
16	3900355	2	Screw 5/16-9 x 1-1/2	
17	3931010	4	Bolt #10-24 x 5/8	
18	3931408	9	Bolt 1/4-20 x 1/2	
19	3931412	1	Bolt 1/4-20 x 3/4	
20	3931508	6	Bolt 5/16-18 x 1/2	
21	4240003	2	Strap	
22	4340853	1	Mount, RH Channel	
23	4340854	1	Mount, LH Channel	
24	4420062	3 ft/0.9m	Tape	
25	4461012	1	Receptacle	
26	4530026	1	Transformer	
27	4711400	2	Washer 1/4	
28	4740480	2	Insert, Plastic	
29	4923121	1	Harness, Workstation Power (See ELECTRICAL SECTION for Breakdown)	
	4923114	Ref	WORKSTATION POWER CABLE INSTALLATION	B
101	1060331	60 ft /18.3m	Cable, 16/4	
102	2400061	1	Fuse - 10 Amp	
103	2400066	1	Holder, Fuse	
105	4460465	1	Socket, Female	
106	4460884	1	Connector - 4 Position	

SECTION 4 - PLATFORM

FIGURE 4-32. ELECTRICIAN'S TREE INSTALLATION



ART_0274153

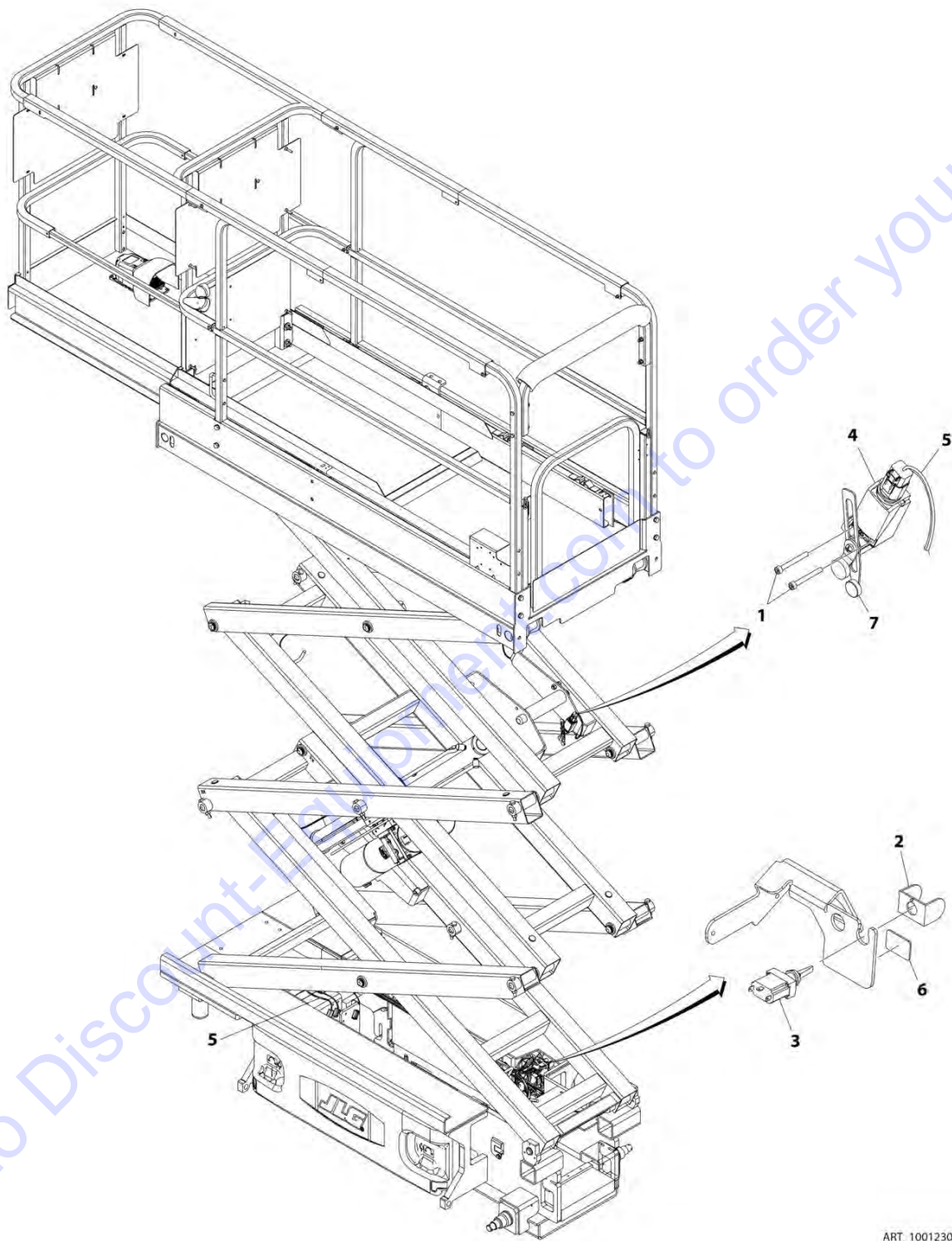
SECTION 4 - PLATFORM

FIGURE 4-32. ELECTRICIAN'S TREE INSTALLATION

ITEM	PART NUMBER	QTY	DESCRIPTION	REV
	0274153	Ref	ELECTRICIAN'S TREE INSTALLATION	B
1	0240102	NLA	Electrician's Tree (Use p/n 1001234783) (See Items 101-118 for Breakdown)	
	0240102	Ref	ELECTRICIAN'S TREE	C
101	80325	4	Hairpin, Cotter	
102	0440223	2	Bushing	
103	0700610	3	Bolt M6 x 20	
104	1060379	3	Cable, Lanyard	
105	2902386	1	Decal - Electrician's Tree Kit	
106	3290606	3	Nut M6	
107	3421453	2	Pin	
108	3422219	1	Pin	
109	3520072	6	Plug	
110	3760170	5	Ring	
111	3841675	2	Rod, Spool	
112	4191706	1	Screw M6 x 12	
113	4220227	2	Stop, Spool Rod	
114	4240003	1	Strap	
115	4340946	1	Mount, Base Pivot	
116	4340947	1	Mount, Spool Rack	
117	4420062	AR	Tape, UHMW	
118	4711400	3	Washer 1/4	
200	1001234783	1	Electrician's Tree Kit (Not Shown - Includes Items 101-108)	

SECTION 4 - PLATFORM

FIGURE 4-33. LOW HEIGHT DRIVE CUTOUT (JAPANESE SPECS ONLY)



ART_1001230753

SECTION 4 - PLATFORM

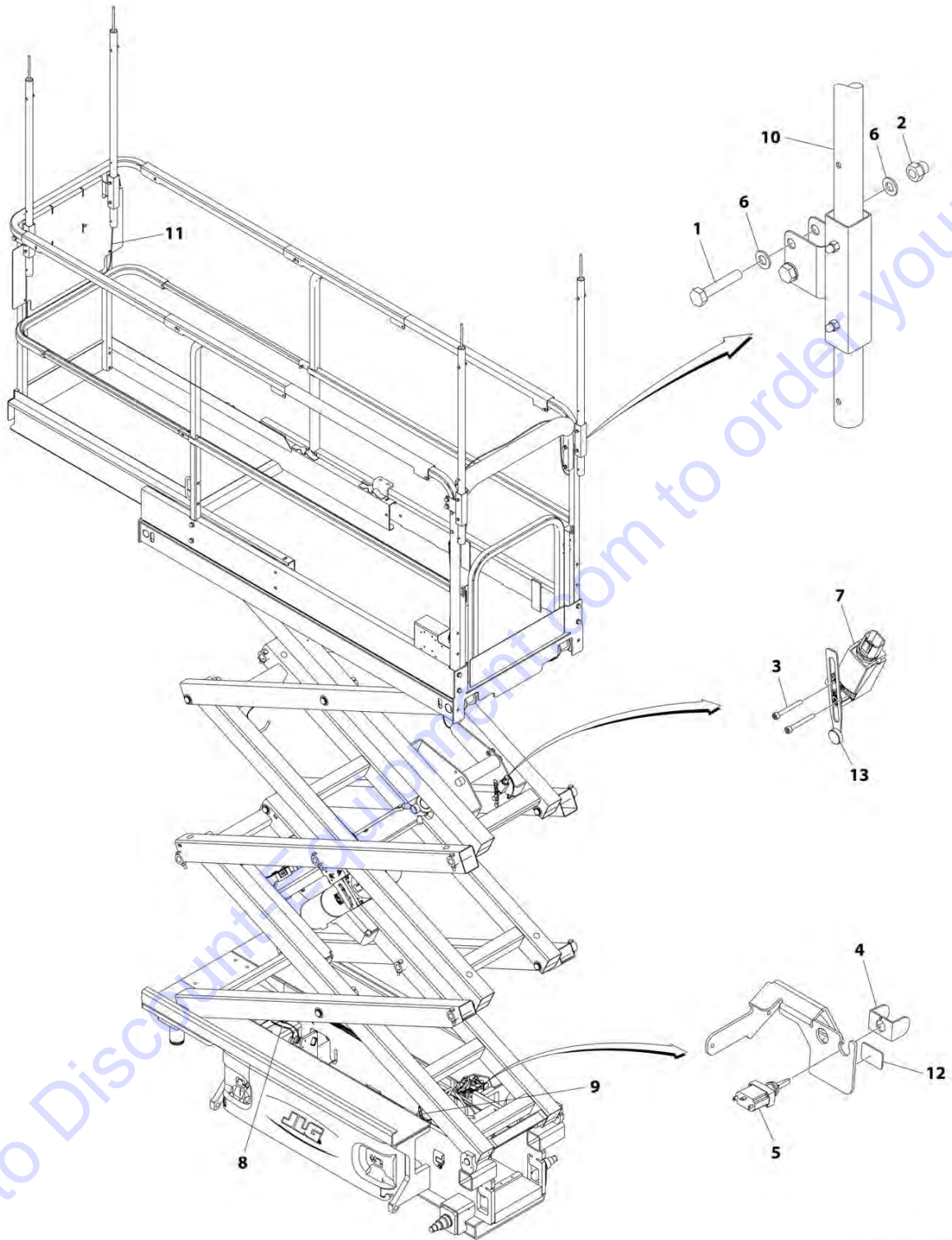
FIGURE 4-33. LOW HEIGHT DRIVE CUTOUT (JAPANESE SPECS ONLY)

ITEM	PART NUMBER	QTY	DESCRIPTION	REV
	1001230753	Ref	LOW HEIGHT DRIVE CUTOUT	A
1	4031511	2	Capscrew M4 x 35	
2	4060906	1	Guard, Switch	
3	4360345	1	Switch	
4	1001130614	1	Switch, Limit	
5	1001213391	1	Harness, Low Height	
5	4460418	1	Connector - 6 Position	
5	4460419	3	Terminal	
5	4460884	2	Connector - 4 Position	
5	4460465	4	Socket, Female	
5	4460466	4	Seal	
5	4460932	2	Connector - 4 Position	
5	4460464	3	Pin, Male	
5	4460466	5	Seal	
6	1001214409	1	Decal - Low Drive Cutout	
7	1001231234	1	Lever, Switch	

Go to Discount-Equipment.com to order your parts

SECTION 4 - PLATFORM

FIGURE 4-34. OVERHEAD PROTECTION AND LOW HEIGHT DRIVE CUTOUT (KOREA SPECS ONLY)



ART_1001214119

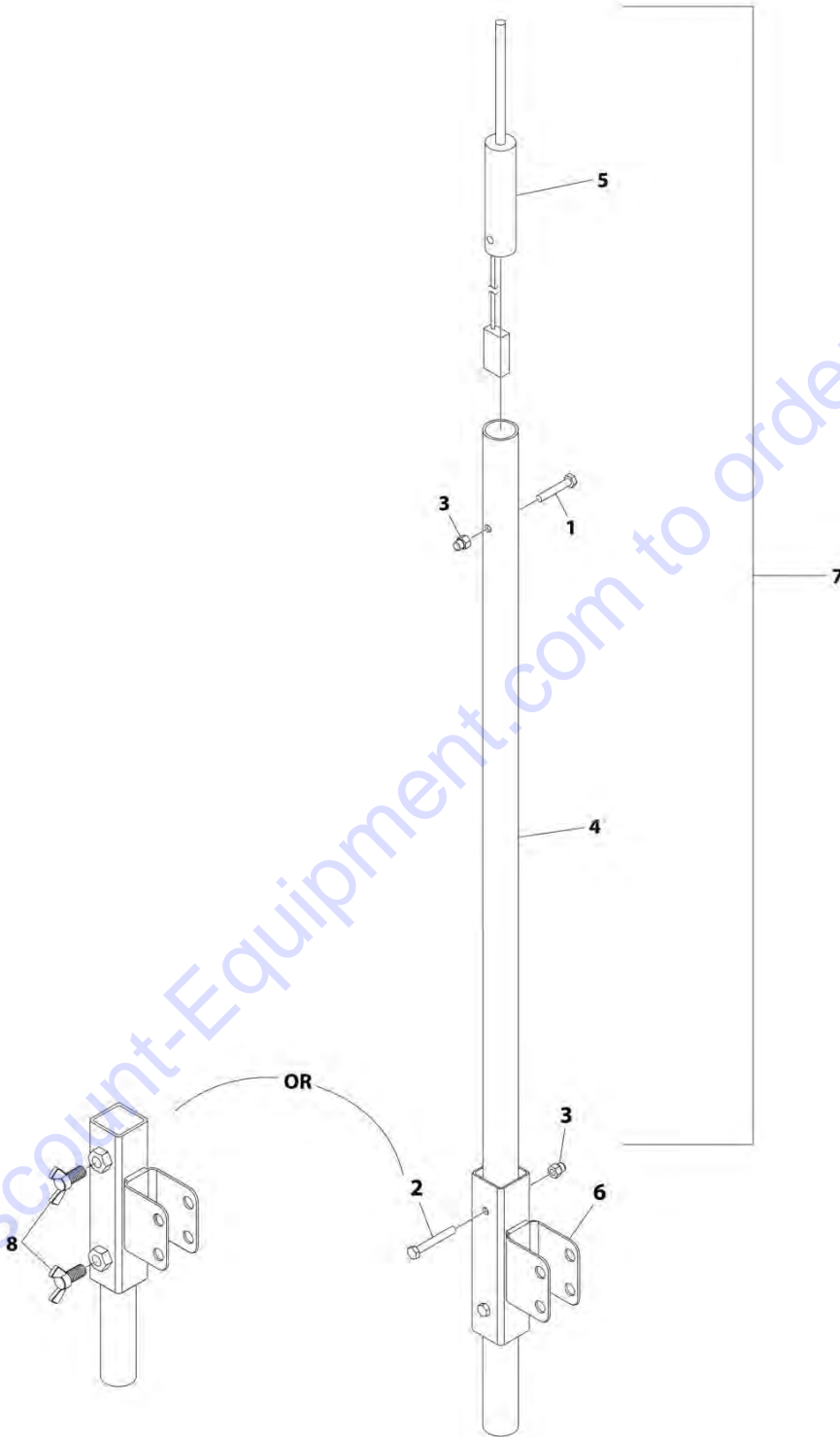
SECTION 4 - PLATFORM

FIGURE 4-34. OVERHEAD PROTECTION AND LOW HEIGHT DRIVE CUTOUT (KOREA SPECS ONLY)

ITEM	PART NUMBER	QTY	DESCRIPTION	REV
	1001214119	Ref	OVERHEAD PROTECTION AND LOW HEIGHT DRIVE CUTOUT	B
1	0701019	8	Bolt M10 x 55	
2	3291006	8	Nut M10	
3	4031511	2	Capscrew M4 x 35	
4	4060906	1	Guard, Switch	
5	4360345	1	Switch	
6	4812000	16	Washer #10	
7	1001130614	1	Switch, Limit	
8	1001213391	1	Harness, Low Height	
8	4460418	1	Connector - 6 Position	
8	4460419	3	Terminal	
8	4460884	2	Connector - 4 Position	
8	4460465	4	Socket, Female	
8	4460466	4	Seal	
8	4460932	2	Connector - 4 Position	
8	4460464	3	Pin, Male	
8	4460466	5	Seal	
9	1001213660	1	Harness, Overhead	
9	4460424	1	Connector, Female - 2 Position	
9	4460227	1	Pin, Male	
9	4460320	1	Plug, Male - 2 Position	
9	4460226	1	Socket, Female	
10	1001214311	4	Overhead Switch Kit (See OVERHEAD SWITCH KIT (FRONT) for Breakdown)	
11	1001214340	1	Cable, Overhead Switches	
11	4460891	4	Connector - 2 Position	
11	4460465	8	Socket, Female	
12	1001214409	1	Decal - Low Drive Cutout	
13	1001231234	1	Lever, Switch (SN B200046649 to Present)	

SECTION 4 - PLATFORM

FIGURE 4-35. OVERHEAD SWITCH KIT (FRONT)



ART_1001214311

SECTION 4 - PLATFORM

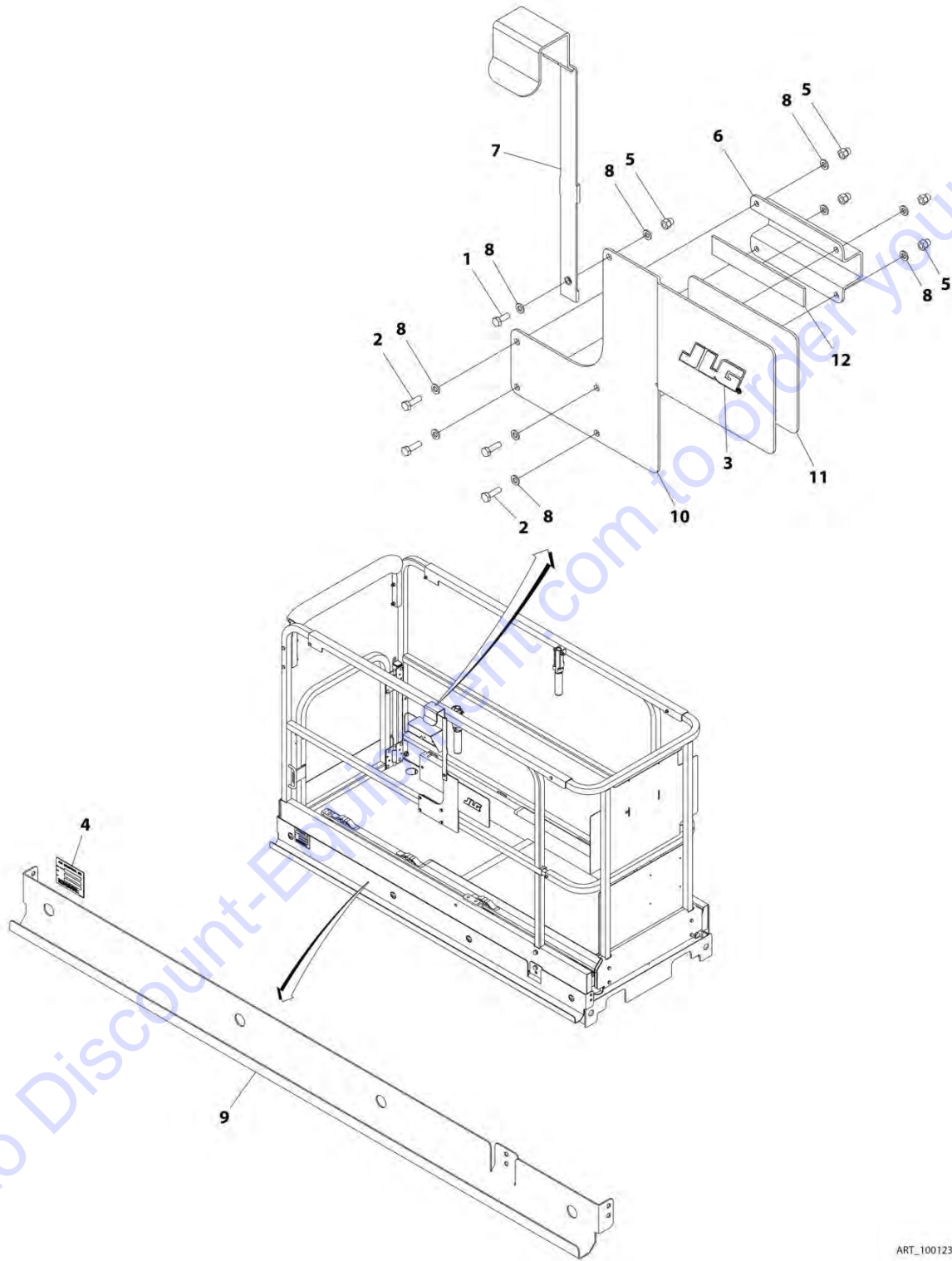
FIGURE 4-35. OVERHEAD SWITCH KIT (FRONT)

ITEM	PART NUMBER	QTY	DESCRIPTION	REV
	1001214311	Ref	OVERHEAD SWITCH KIT (FRONT)	C
1	0700615	1	Bolt M6 x 35	
2	0710617	2	Bolt M6 x 45 (SN B200020297 through B200046648)	
3	3290606	AR	Nut M6	
4	1001213821	1	Tube	
5	1001213822	1	Switch	
5	7028909	1	Connector - 2 Position	
5	77363228	2	Terminal	
6	1001214310	1	Bracket	
7	1001217666	1	Switch Kit (Includes Items 1, 3, 4 & 5)	
8	1001222914	1	Screw, Thumb (SN B200046649 to Present)	

Go to Discount-Equipment.com to order your parts

SECTION 4 - PLATFORM

FIGURE 4-36. PANEL INSTALLATION (AUSTRALIAN AND CE SPECS)



ART_1001235923

SECTION 4 - PLATFORM

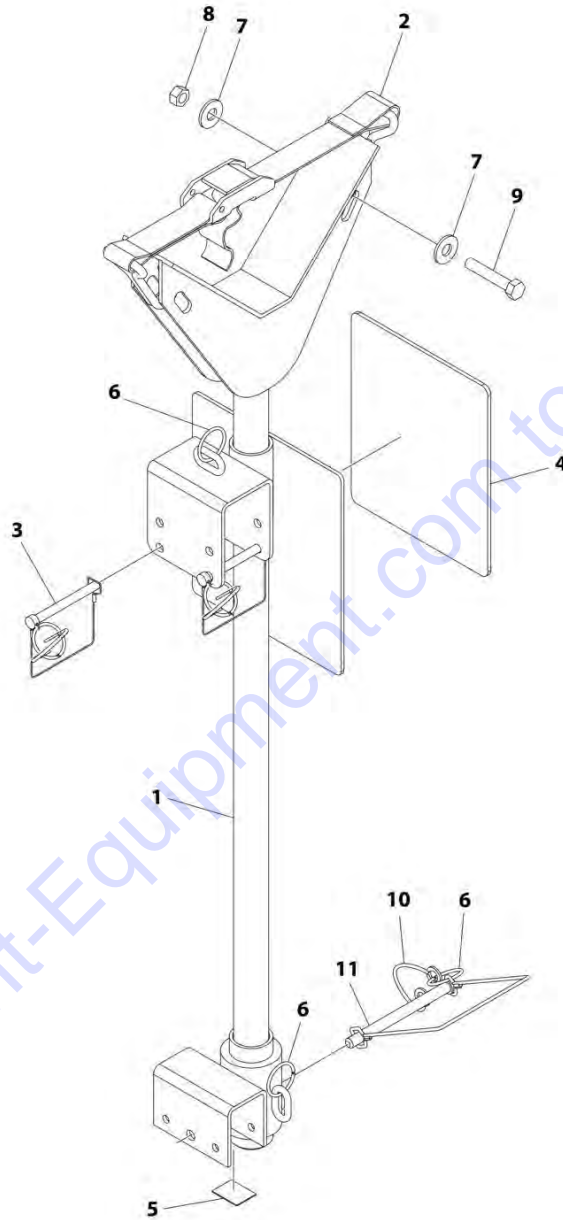
FIGURE 4-36. PANEL INSTALLATION (AUSTRALIAN AND CE SPECS)

ITEM	PART NUMBER	QTY	DESCRIPTION	REV
	1001235923	Ref	PANEL INSTALLATION (AUSTRALIAN AND CE SPECS)	B
1	0760608	1	Bolt M6 x 16	
2	0760610	4	Bolt M6 x 20	
3	1702010	1	Decal - JLG	
4	See Note	NSS	Nameplate (Note: Not Available for Purchase)	
5	3290606	5	Nut M6	
6	3574505	1	Plate, Bracket	
7	4240165	1	Strap, Tie Down	
8	4811700	10	Washer M6	
9	1001235514	1	Channel	
10	1001235863	1	Plate, Billboard	
11	1001236508	1	Decal - Capacity	
12	4420037	6 in /15.2cm	Tape, Insulation	

Go to Discount-Equipment.com to order your parts

SECTION 4 - PLATFORM

FIGURE 4-37. PIPE RACK INSTALLATION (AUSTRALIAN AND CE SPECS)



ART_1001229469

SECTION 4 - PLATFORM

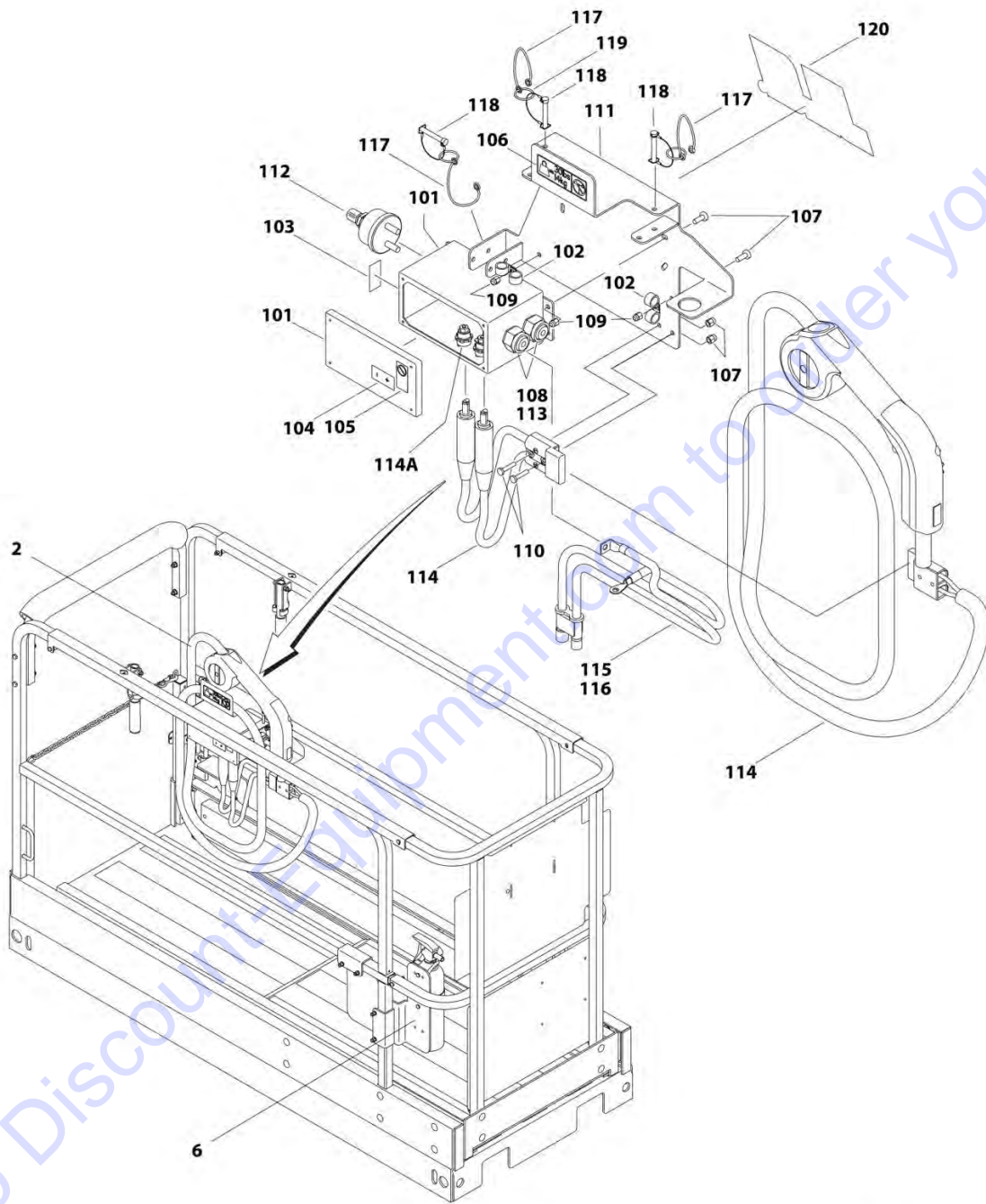
FIGURE 4-37. PIPE RACK INSTALLATION (AUSTRALIAN AND CE SPECS)

ITEM	PART NUMBER	QTY	DESCRIPTION	REV
	1001229469	Ref	PIPE RACK INSTALLATION	A
1	1001199189	2	Rack Pipe	
2	0480100	2	Tie-Strap	
3	1001187587	4	Pin	
4	1001229441	2	Decal - Pipe Rack Capacity	
5	4420062	3 ft/ 1m	Tape	
6	3760170	6	Ring	
7	4751500	8	Washer 5/16	
8	3311505	4	Nut 5/16	
9	0641514	4	Bolt 5/16 x 1-3/4	
10	1060379	2	Lanyard	
11	3421854	2	Pin	

Go to Discount-Equipment.com to order your parts

SECTION 4 - PLATFORM

FIGURE 4-38. QUIK WELDER INSTALLATION



ART_0272879

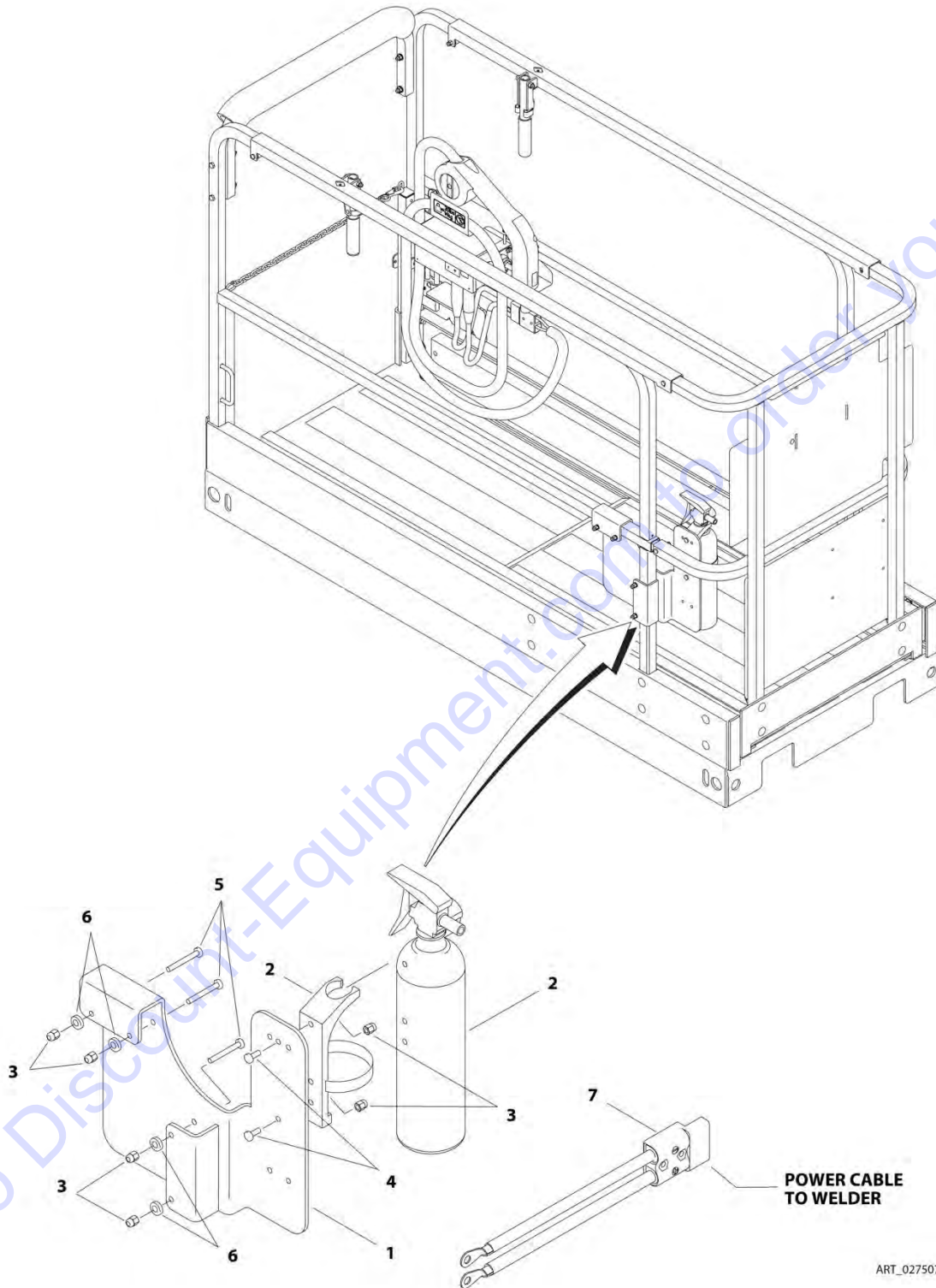
SECTION 4 - PLATFORM

FIGURE 4-38. QUIK WELDER INSTALLATION

ITEM	PART NUMBER	QTY	DESCRIPTION	REV
	0272879	Ref	QUIK WELDER INSTALLATION	D
2	2902334	1	Kit, Quik Welder (See Items 101-120 for Breakdown)	
6	0275072	1	Quik Welder Ready (See QUIK WELDER READY for Breakdown)	
	2902334	Ref	QUIK WELDER KIT	C
101	0861527	1	Box, Welder Disconnect	
102	1320224	4	Clamp	
103	1705213	1	Decal - On/Off	
104	1705214	1	Decal - Plus/ Minus	
105	1705305	1	Decal - Weld Lead	
106	1705953	1	Decal - Weight	
107	3290606	8	Bolt M6 x 1	
108	3300048	2	Nut 3/4	
109	4010608	6	Screw M6 x 16	
110	4010614	2	Screw M6 x 30	
111	4340938	1	Mount, Quik Welder	
112	4360155	1	Switch, Master Disconnect	
113	4460328	2	Terminal, Connector	
114	4530021	1	Welder	
114A	7027303	2	Connector, Female	
115	4923048	1	Cable, Quik Welder Assembly	
116	1060957	1	Cable, Welder	
117	1060379	3	Cable, Lanyard	
118	3421453	3	Pin	
119	3760170	3	Ring	
120	1705754	1	Decal - JLG	

SECTION 4 - PLATFORM

FIGURE 4-39. QUIK WELDER READY INSTALLATION



ART_0275072

SECTION 4 - PLATFORM

FIGURE 4-39. QUIK WELDER READY INSTALLATION

ITEM	PART NUMBER	QTY	DESCRIPTION	REV
	0275072	Ref	QUIK WELDER READY INSTALLATION	B
1	0903416	1	Bracket, Fire Extinguisher Mount	
2	2030010	1	Extinguisher, Fire	
3	3290606	6	Nut M6 x 1	
4	4010608	2	Screw M6 x 16	
5	4010618	4	Screw M6 x 50	
6	4811700	4	Washer M6	
7	4923049	1	Cable, Quik Welder Power	

Go to Discount-Equipment.com to order your parts

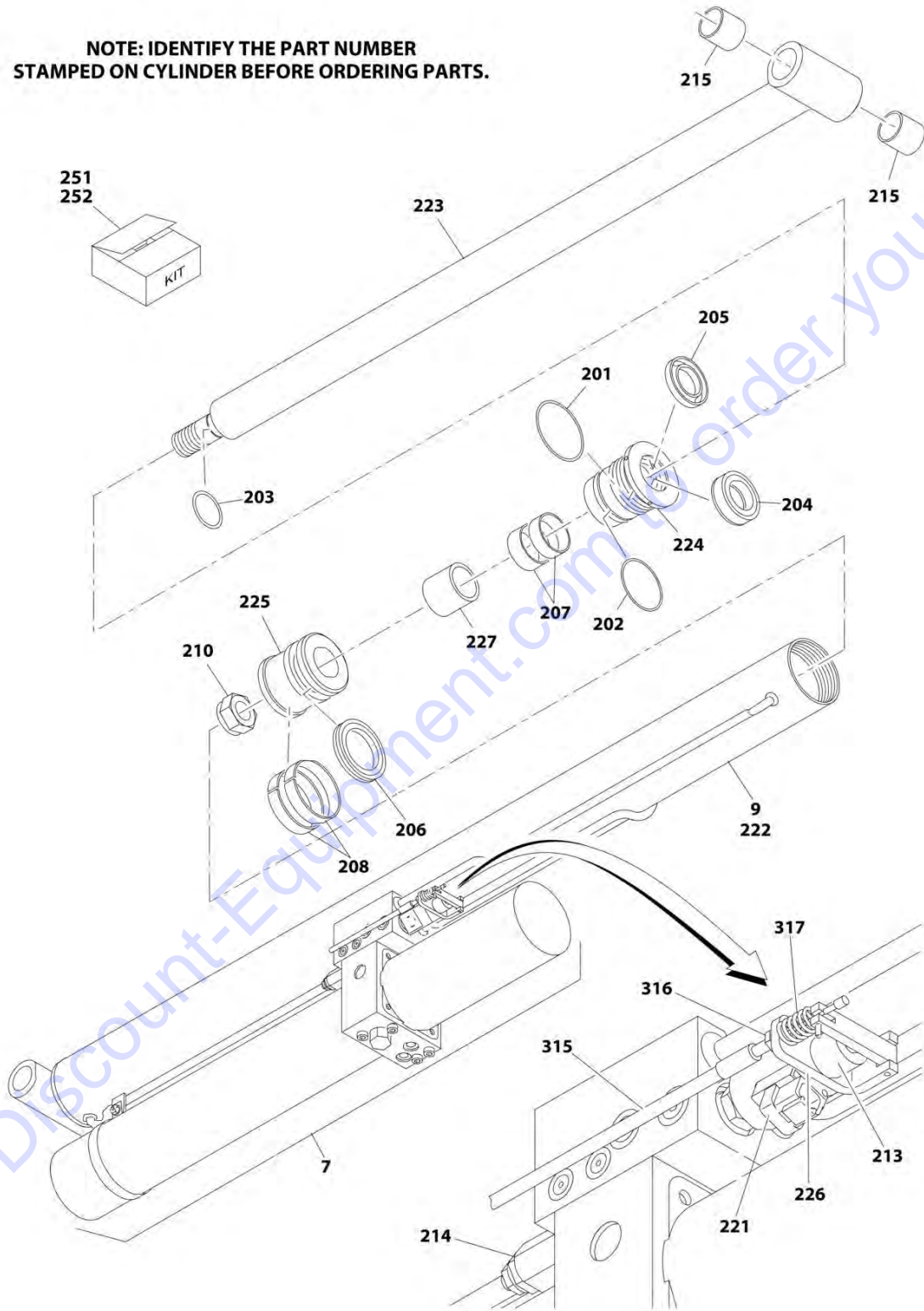
SECTION 5 - CYLINDER

Go to Discount-Equipment.com to order your parts

SECTION 5 - CYLINDER

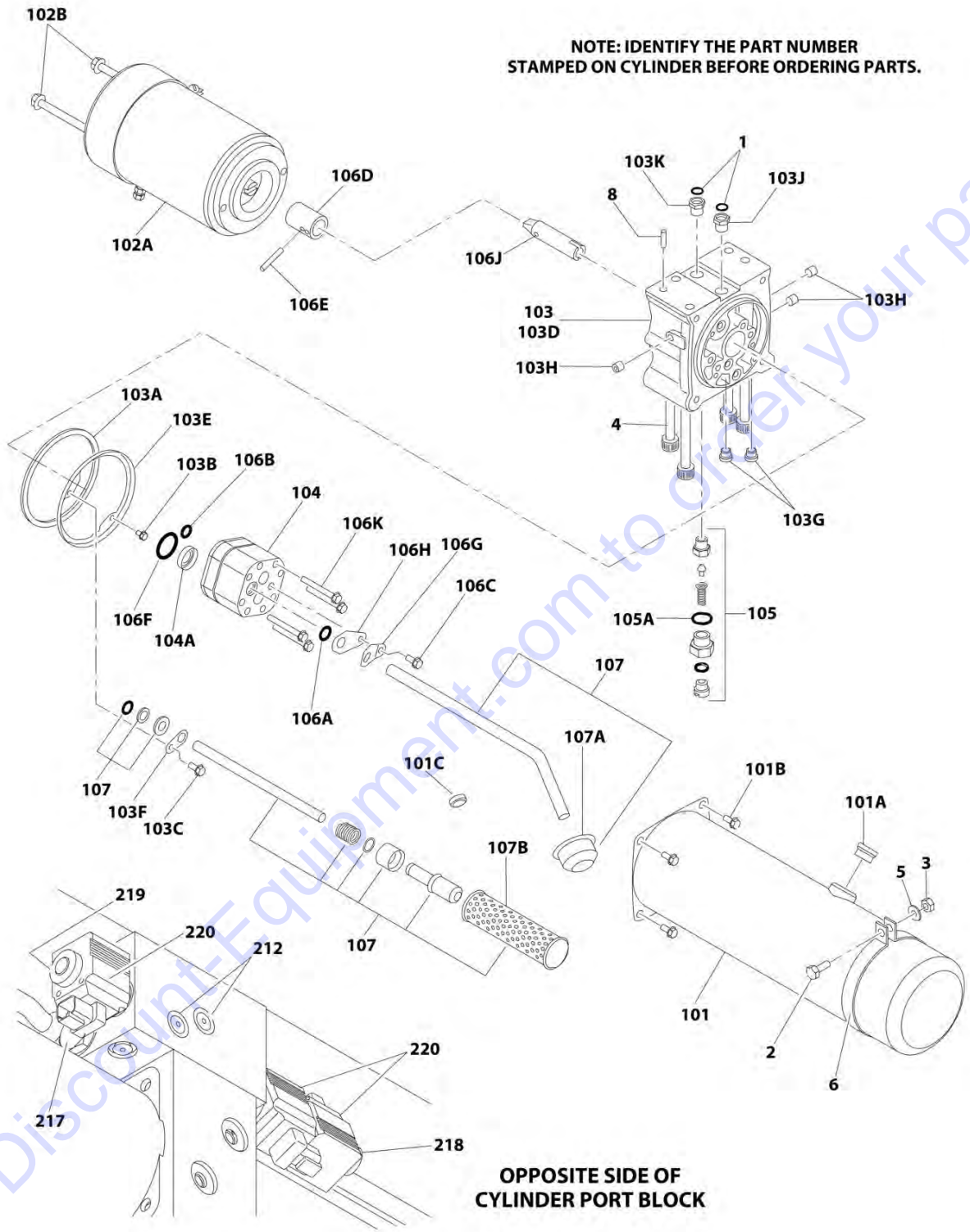
FIGURE 5-1. LIFT CYLINDER ASSEMBLY- 1930ES (TEXAS HYDRAULICS)

NOTE: IDENTIFY THE PART NUMBER
STAMPED ON CYLINDER BEFORE ORDERING PARTS.



SECTION 5 - CYLINDER

NOTE: IDENTIFY THE PART NUMBER STAMPED ON CYLINDER BEFORE ORDERING PARTS.



OPPOSITE SIDE OF
CYLINDER PORT BLOCK

SECTION 5 - CYLINDER

FIGURE 5-1. LIFT CYLINDER ASSEMBLY- 1930ES (TEXAS HYDRAULICS)

ITEM	PART NUMBER	QTY	DESCRIPTION	REV
		Ref	LIFT CYLINDER ASSEMBLY - 1930ES (TEXAS HYDRAULICS)	
	1684484	Ref	Lift Cylinder Assembly 1930ES with Standard Hydraulic Oil	H
	1684526	Ref	Lift Cylinder Assembly 1930ES with Biodegradeable Hydraulic Oil	G
		Ref	Note: Original Cylinder May Have Been Replaced with Service Replacement. Identify PN Stamped on Cylinder Before Ordering Parts.	
1	7023577	2	O-Ring	
2	See Note	NSS	Capscrew (Note: Purchase Locally)	
3	See Note	NSS	Locknut (Note: Purchase Locally)	
4	7023589	4	Capscrew	
5	See Note	NSS	Flatwasher (Note: Purchase Locally)	
6	See Note	NLA	Clamp (Note: Not Available)	
7		Ref	Power Pack Assembly - Complete Options (See Items 101-107B for Breakdown):	
7	7023558	1	Power Pack Assembly - Complete	
8	70003646	2	Pin, Dowel	
8	70003645	2	Roll Pin	
9	See Note	NSS	Cylinder Assembly Only (Note: See Items 201-227 for Breakdown)	
		Ref	POWER PACK ASSEMBLY - COMPLETE	
	7023558	Ref	Power Pack Assembly - Complete (1684484/1684526 Cylinders)	
101		Ref	Tank Kit Options (Note: Includes Tank and Items 101A-101C):	
101	7023569	1	Tank Kit	
101A	7023593	1	Plug, Fill	
101B	See Note	NSS	Screw (Note: Use Item 101)	
101C	See Note	NSS	Magnet (Note: Use Item 101)	
102		Ref	Motor Options:	
102A	7023570	1	Motor	
102A	70000658	1	Brush Kit - 7023570 Motor	
102B	See Note	NSS	Screw (Note: Use Item 102A Motor)	
103	7023571	1	Adapter Kit	
103A	70000335	1	O-Ring	
103B	See Note	NSS	Screw (Note: Use Item 103)	
103C	See Note	NSS	Screw (Note: Use Item 103)	
103D	See Note	NSS	Adapter (Note: Use Item 103)	
103E	See Note	1	Seal (Note: Use Item 252)	
103F	See Note	NSS	Retainer (Note: Use Item 103)	
103G	2220883	2	Plug	
103H	See Note	NSS	Plug (Note: Use Item 103)	
103J	See Note	NSS	Breather 9/16 - 12UNC (Note: Use Item 103)	
103K	See Note	NSS	Breather 9/16 - 18SAE (Note: Use Item 103)	
104		Ref	Pump Options: (Note: Shaft Seal is only Repair Part Available. No Other Service Parts Available - Replace Complete Pump)	
104	7023572	1	Pump	
104A	See Note	1	Seal, Shaft (Note: Use Item 252)	
105	7023573	1	Relief Valve Assembly	
105A	7023591	1	Sealing Washer	
106		Ref	Power Pack Miscellaneous Service Parts	
106A	See Note	NSS	Seal (Note: Use Item 7)	
106B	See Note	1	Seal (Note: Use Item 252)	
106C	See Note	NSS	Seal (Note: Use Item 7)	

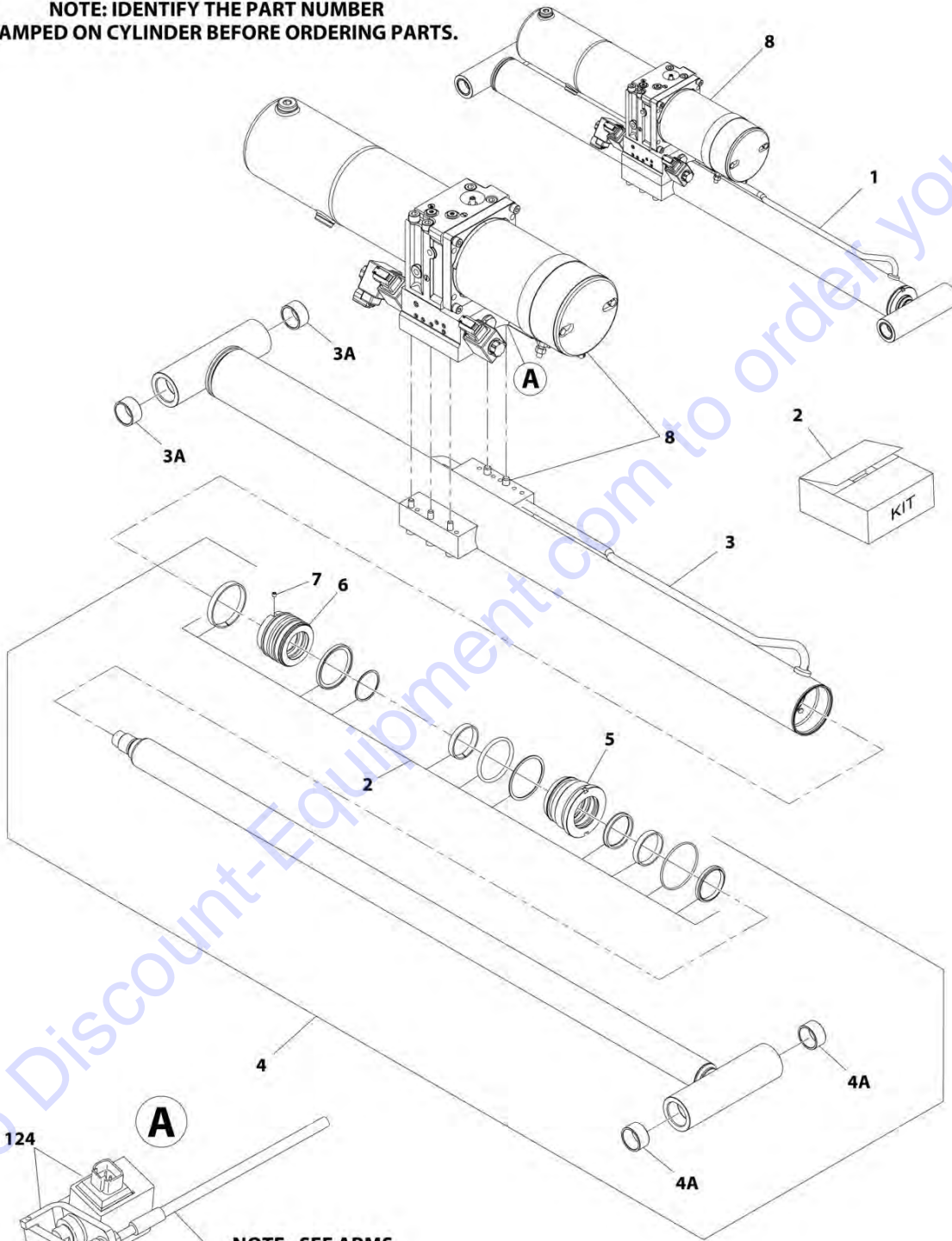
SECTION 5 - CYLINDER

ITEM	PART NUMBER	QTY	DESCRIPTION	REV
106D	See Note	NSS	Sleeve (Note: Use Item 106J)	
106E	See Note	NSS	Roll Pin (Note: Use Item 106J)	
106F	See Note	1	Seal (Note: Use Item 252)	
106G	See Note	NSS	Tab, Locking (Note: Use Item 7)	
106H	See Note	NSS	Retainer, Tube (Note: Use Item 7)	
106J	7023574	1	Coupler Kit (Includes Items 106D & 106E)	
106K	See Note	NSS	Screw (Note: Use Item 7)	
107	7023575	1	Tube Kit	
107A	See Note	NSS	Strainer (Note: Use Item 107)	
107B	7023576	1	Filter Element (Includes Seal)	
		Ref	CYLINDER ASSEMBLY ONLY COMPONENTS	
201	See Note	1	O-Ring (Note: Use Item 251)	
202	See Note	1	O-Ring (Note: Use Item 251)	
203	See Note	2	O-Ring (Note: Use Item 251)	
204	See Note	1	Seal (Note: Use Item 251)	
205	See Note	1	Wiper (Note: Use Item 251)	
206	See Note	1	Seal (Note: Use Item 251) (Note: This is a 3 piece seal. Assembly may be required)	
207	See Note	2	Ring, Wear (Note: Use Item 251)	
208	See Note	2	Ring, Wear (Note: Use Item 251)	
210	See Note	NSS	Locknut (Note: Purchase Complete Assembly)	
211	2220883	4	Plug, Steel (SAE #4) (Not Shown)	
212	2220882	8	Plug, Steel (SAE #3)	
213	7023543	1	Valve, Proportional (Lift Down)	
214	7023542	1	Valve, Relief (Steer)	
215	0962257	2	Bushing	
217	7023538	1	Valve, Check	
218	7023537	1	Directional Control Valve (Steer)	
219	7023536	1	Directional Control Valve (Lift Up)	
220	70000798	3	Coil (Steer and Lift Up)	
221	70000799	1	Coil (Lift Down)	
222	7023553	1	Barrel	
223	7023552	1	Rod	
224	7023551	1	Head	
225	7023550	1	Piston	
226	7023530	1	Emergency Release Assembly	
227	Not Required	0	Spacer	
		Ref	SEAL KIT OPTIONS	
251	7023554	1	Seal Kit - Cylinder (Includes Items 201-208)	
252	70001709	Ref	Seal Kit - Reservoir/Pump Options (Includes 103A, 103E, 104A, 106B & 106F)	
		Ref	MANUAL DESCENT COMPONENTS	
	0274874	Ref	Manual Descent Components with Standard Hydraulic Oil	G
	0275692	Ref	Manual Descent Components with Biodegradeable Hydraulic Oil	E
315		Ref	Cable, Pull Options:	
315	1061036	1	Cable, Pull - 9ft/2.74m Length	
315	7020218	1	T-Handle (With 1/4in-20 Threads)	
315	70001878	1	T-Handle (With 5mm Threads)	
316	3321402	1	Nut, Jam 1/4in-18NF	
317	4160078	1	Spring	

SECTION 5 - CYLINDER

FIGURE 5-2. LIFT CYLINDER ASSEMBLY - 1930ES WITH STANDARD HYDRAULIC OIL (SERTA) (SN 0200239382 through 0200258871, SN B200020297 through B200032100, SN M200000100 through M200003501)

NOTE: IDENTIFY THE PART NUMBER STAMPED ON CYLINDER BEFORE ORDERING PARTS.

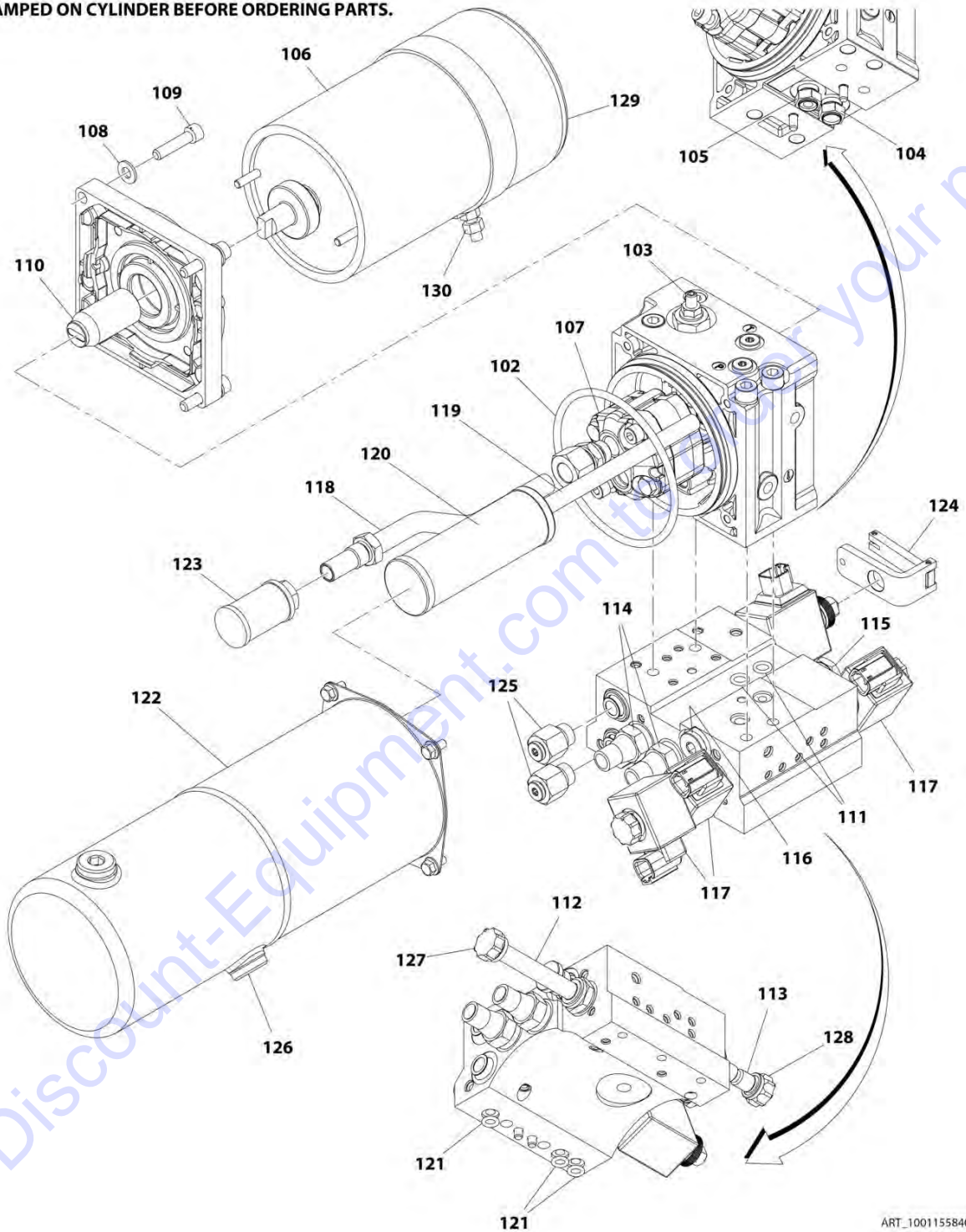


NOTE: SEE ARMS INSTALLATION FOR CALLOUT

ART_1001155840_1

SECTION 5 - CYLINDER

NOTE: IDENTIFY THE PART NUMBER STAMPED ON CYLINDER BEFORE ORDERING PARTS.



ART_1001155840_2

SECTION 5 - CYLINDER

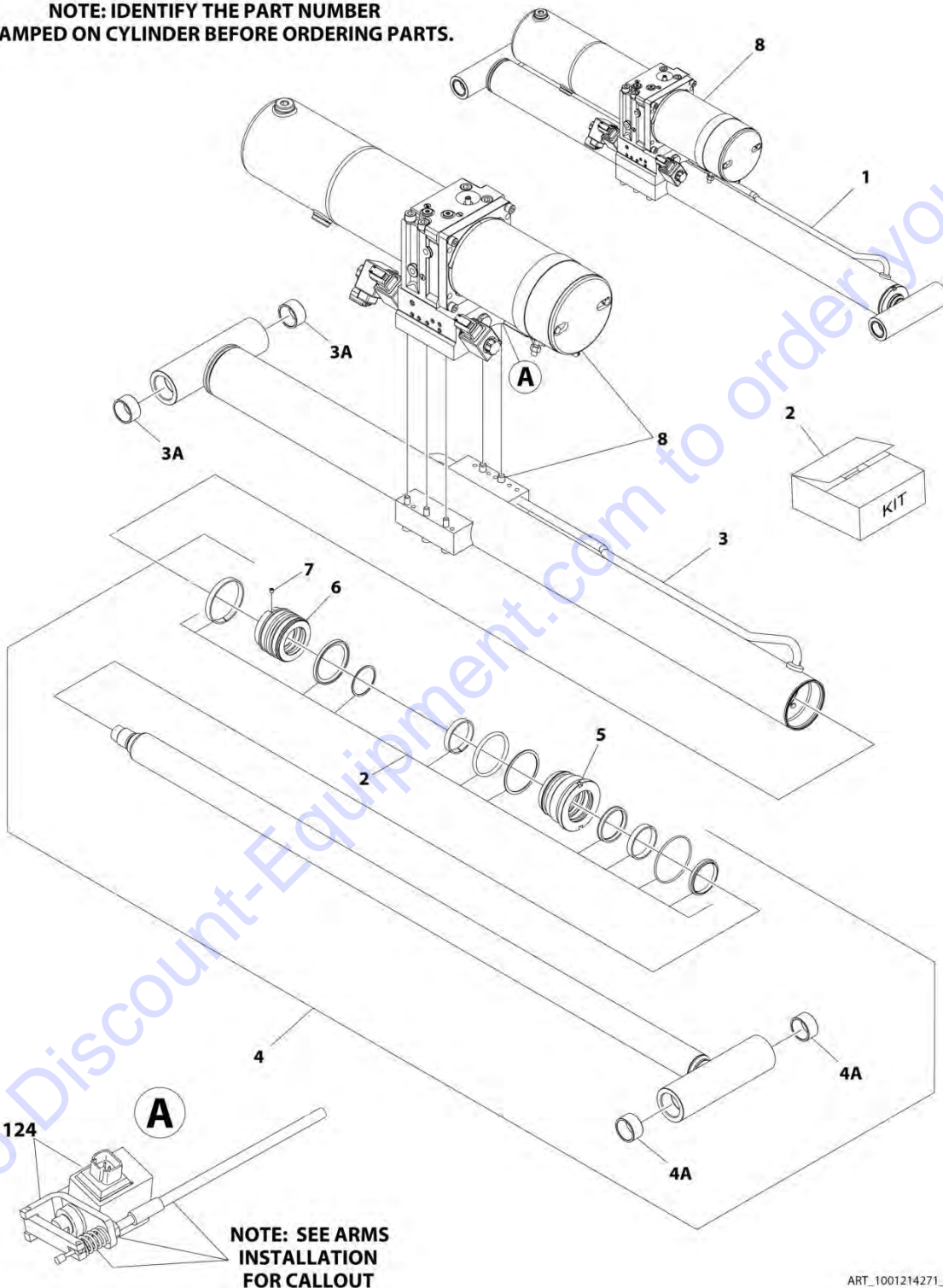
FIGURE 5-2. LIFT CYLINDER ASSEMBLY - 1930ES WITH STANDARD HYDRAULIC OIL (SERTA) (SN 0200239382 through 0200258871, SN B200020297 through B200032100, SN M200000100 through M200003501)

ITEM	PART NUMBER	QTY	DESCRIPTION	REV
	100115840	Ref	LIFT CYLINDER ASSEMBLY - 1930ES WITH STANDARD HYDRAULIC OIL (SERTA)	E
		Ref	Note: Original Cylinder May Have Been Replaced with Service Replacement. Identify PN Stamped on Cylinder Before Ordering Parts.	
1	70004721	1	Cylinder Assembly Less Powerpack	
2	70004720	1	Seal Kit	
3	70004719	1	Barrel	
3A	0962257	2	Bushing	
4	70004718	1	Rod Assembly (Includes Items 2, 4A, 5, 6 & 7)	
4A	0962257	1	Bushing	
5	70006083	1	Head, Cylinder	
6	70006082	1	Piston	
7	70023915	1	Screw	
8	70004938	1	Motor/Pump/Tank Assembly(Includes Items 102-121)	
		Ref	MOTOR/PUMP/TANK ASSEMBLY	
	70004938	1	Motor/Pump/Tank Assembly	
102	70004914	1	O-Ring	
103	70004915	1	Cartridge, Valve (Main Relief)	
104	70004916	1	Cartridge, Valve (Breather Vacuum Check)	
105	70004917	1	Cartridge, Valve (Breather Pressure Check)	
106	70004970	1	Kit, Motor (Includes motor, flange and ring)	
107	70005233	1	Kit, Pump (Includes pump and hardware)	
108	70004974	4	Washer M8	
109	70004975	4	Capscrew M8 x 60	
110	70004973	1	Shaft Coupling	
111	70004925	2	O-Ring	
112	70003028	1	Cartridge, Solenoid Valve Less Coil (Steer)	
113	70004926	1	Cartridge, Solenoid Valve Less Coil (Lift)	
114	70004927	2	Cartridge, Valve (Steer Relief)	
115	70004585	1	Cartridge, Valve (Lift Check)	
116	70004928	1	Filter 300 micron	
117	70003707	3	Coil	
118	70004932	1	Pipe, Suction	
119	70004934	1	Pipe, Return	
120	70004935	1	Filter, Bypass	
121	70004936	3	O-Ring	
122	70005234	1	Kit, Tank (Includes tank, plug, "o"-ring and screws)	
123	70005235	1	Kit, Filter (Includes strainer and seal ring)	
124	70005236	1	Kit, Solenoid Valve (Includes solenoid, coil and lever)	
125	70005237	2	Kit, Fitting (Includes adapter, seal washer and plug)	
126	70004921	1	Plug	
127	70004654	1	Nut, Coil (for Item #112)	
128	70005238	1	Nut, Retaining (for Item #113)	
129	70004971	1	Kit, Brush	
130	70004972	1	Nut M8	

SECTION 5 - CYLINDER

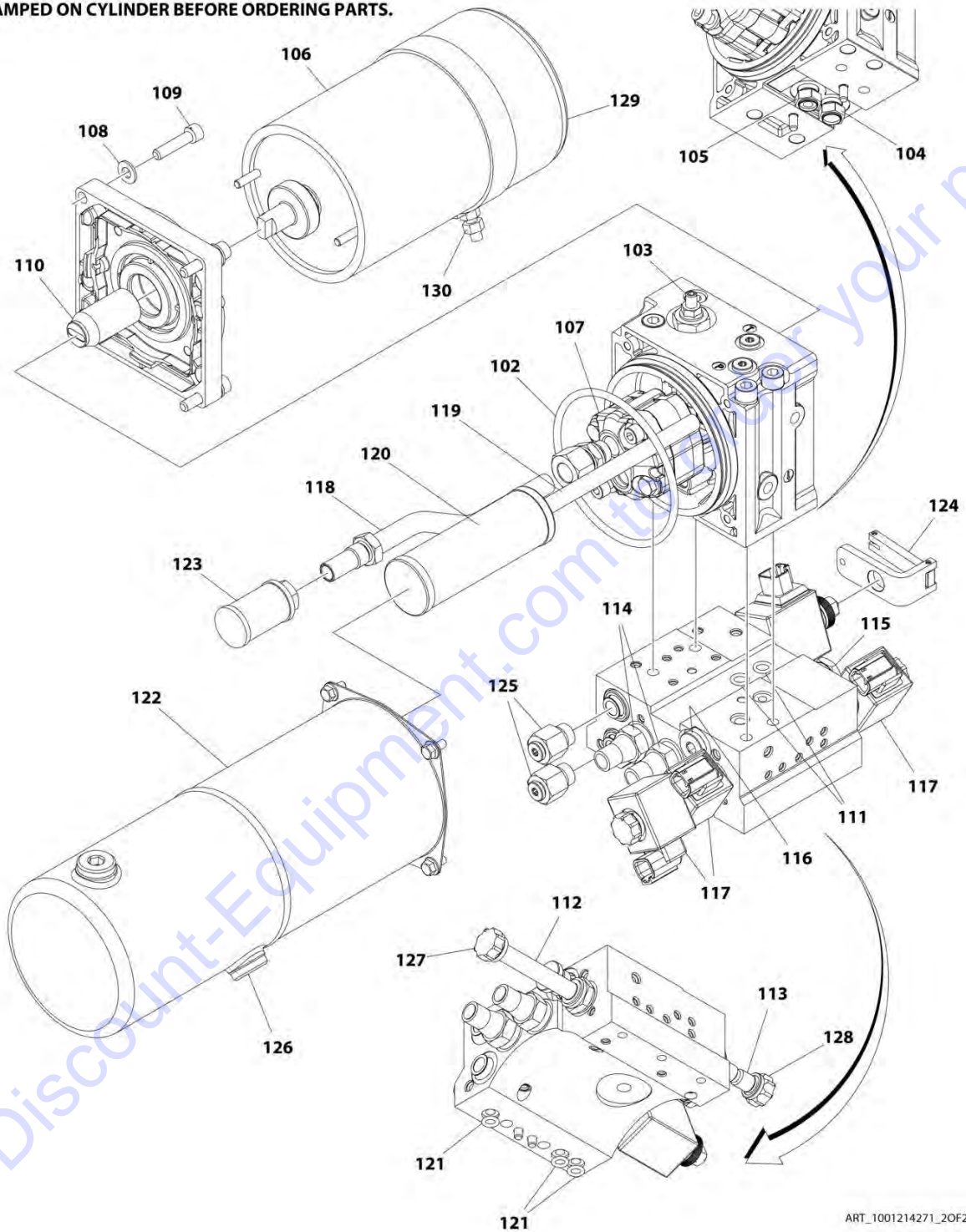
FIGURE 5-3. LIFT CYLINDER ASSEMBLY - 1930ES WITH STANDARD HYDRAULIC OIL (SERTA) (SN 0200258872 to Present, SN B200032101 to Present, SN M200003501 to Present)

NOTE: IDENTIFY THE PART NUMBER STAMPED ON CYLINDER BEFORE ORDERING PARTS.



SECTION 5 - CYLINDER

NOTE: IDENTIFY THE PART NUMBER STAMPED ON CYLINDER BEFORE ORDERING PARTS.



ART_1001214271_20F2-A

SECTION 5 - CYLINDER

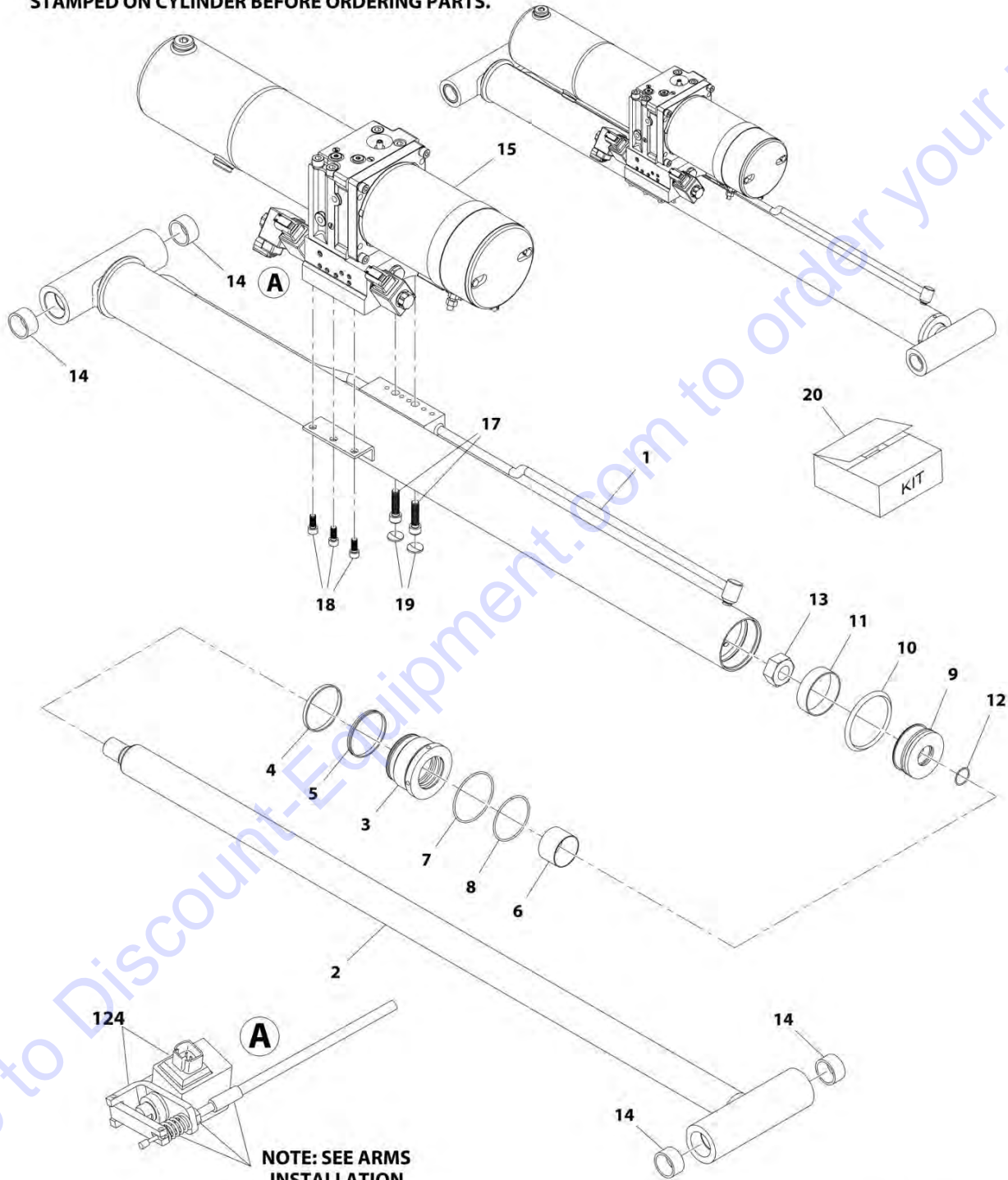
FIGURE 5-3. LIFT CYLINDER ASSEMBLY - 1930ES WITH STANDARD HYDRAULIC OIL (SERTA) (SN 0200258872 to Present, SN B200032101 to Present, SN M200003501 to Present)

ITEM	PART NUMBER	QTY	DESCRIPTION	REV
	1001214271	Ref	LIFT CYLINDER ASSEMBLY - 1930ES WITH STANDARD HYDRAULIC OIL (SERTA)	A
		Ref	Note: Original Cylinder May Have Been Replaced with Service Replacement. Identify PN Stamped on Cylinder Before Ordering Parts.	
1	70005969	1	Cylinder Assembly Less Powerpack	
2	70004720	1	Seal Kit	
3	70005968	1	Barrel	
3A	0962257	2	Bushing	
4	70004718	1	Rod Assembly (Includes Items 2, 4A, 5, 6 & 7)	
4A	0962257	1	Bushing	
5	70006083	1	Head, Cylinder	
6	70006082	1	Piston	
7	70023915	1	Screw	
8	70004938	1	Motor/Pump/Tank Assembly (Includes Items 102-121)	
8	70005970	1	Screw, Mounting	
8	70005971	1	Screw, Mounting	
		Ref	MOTOR/PUMP/TANK ASSEMBLY	
	70004938	1	Motor/Pump/Tank Assembly	
102	70004914	1	O-Ring	
103	70004915	1	Cartridge, Valve (Main Relief)	
104	70004916	1	Cartridge, Valve (Breather Vacuum Check)	
105	70004917	1	Cartridge, Valve (Breather Pressure Check)	
106	70004970	1	Kit, Motor (Includes motor, flange and ring)	
107	70005233	1	Kit, Pump (Includes pump and hardware)	
108	70004974	4	Washer M8	
109	70004975	4	Capscrew M8 x 60	
110	70004973	1	Shaft Coupling	
111	70004925	2	O-Ring	
112	70003028	1	Cartridge, Solenoid Valve Less Coil (Steer)	
113	70004926	1	Cartridge, Solenoid Valve Less Coil (Lift)	
114	70004927	2	Cartridge, Valve (Steer Relief)	
115	70004585	1	Cartridge, Valve (Lift Check)	
116	70004928	1	Filter 300 micron	
117	70003707	3	Coil	
118	70004932	1	Pipe, Suction	
119	70004934	1	Pipe, Return	
120	70004935	1	Filter, Bypass	
121	70004936	3	O-Ring	
122	70005234	1	Kit, Tank (Includes tank, plug, "o"-ring and screws)	
123	70005235	1	Kit, Filter (Includes strainer and seal ring)	
124	70005236	1	Kit, Solenoid Valve (Includes solenoid, coil and lever)	
125	70005237	2	Kit, Fitting (Includes adapter, seal washer and plug)	
126	70004921	1	Plug	
127	70004654	1	Nut, Coil (for Item #112)	
128	70005238	1	Nut, Retaining (for Item #113)	
129	70004971	1	Kit, Brush	
130	70004972	1	Nut M8	

SECTION 5 - CYLINDER

FIGURE 5-4. LIFT CYLINDER ASSEMBLY - 1930ES WITH STANDARD HYDRAULIC OIL (SH-PAC) (SN 0200239382 through 0200258871, SN B200020297 through B200032100, SN M200000100 through M200003501)

NOTE: IDENTIFY THE PART NUMBER STAMPED ON CYLINDER BEFORE ORDERING PARTS.

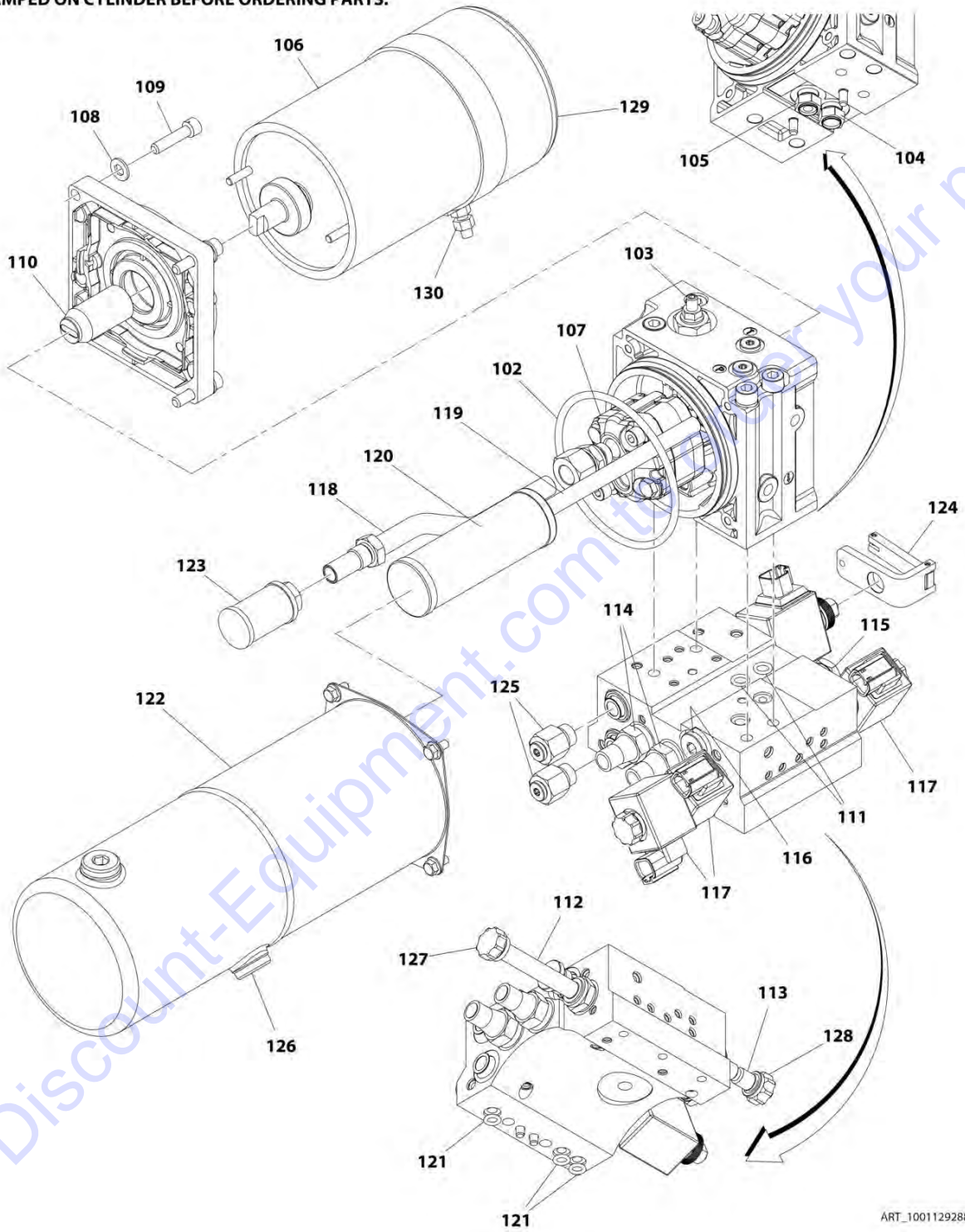


NOTE: SEE ARMS INSTALLATION FOR CALLOUTS

ART_1001129288_1

SECTION 5 - CYLINDER

NOTE: IDENTIFY THE PART NUMBER
STAMPED ON CYLINDER BEFORE ORDERING PARTS.



Go to Discount-Equipment.com for your parts

ART_1001129288_2

SECTION 5 - CYLINDER

FIGURE 5-4. LIFT CYLINDER ASSEMBLY - 1930ES WITH STANDARD HYDRAULIC OIL (SH-PAC) (SN 0200239382 through 0200258871, SN B200020297 through B200032100, SN M200000100 through M200003501)

ITEM	PART NUMBER	QTY	DESCRIPTION	REV
	1001129288	Ref	LIFT CYLINDER ASSEMBLY - 1930ES WITH STANDARD HYDRAULIC OIL (SH-PAC)	E
		Ref	Note: Original Cylinder May Have Been Replaced with Service Replacement. Identify PN Stamped on Cylinder Before Ordering Parts.	
1	70004620	1	Barrel	
2	70004621	1	Rod	
3	70004622	1	Head, Cylinder	
4	See Note	NSS	Seal, Dust (Note: Use Item 20)	
5	See Note	NSS	Seal (Note: Use Item 20)	
6	70004237	1	Bearing	
7	See Note	NSS	O-Ring (Note: Use Item 20)	
8	See Note	NSS	O-Ring (Note: Use Item 20)	
9	70004623	1	Piston	
10	See Note	NSS	Seal (Note: Use Item 20)	
11	See Note	NSS	Ring, Wear (Note: Use Item 20)	
12	See Note	NSS	O-Ring (Note: Use Item 20)	
13	70003663	1	Nut	
14	0962257	4	Bushing	
15	70004938	1	Motor/Pump/Tank Assembly (See Items 102-121 for Breakdown)	
16	See Note	1	O-Ring (Note: Use Item 20)	
17	70004624	2	Capscrew M10 x 40	
18	70004625	3	Capscrew M8 x 20	
19	70004626	2	Plug, Extension	
20	70004627	1	Seal Kit - Cylinder (Includes Items 4, 5, 7, 8, 10, 11, 12 & 16)	
		Ref	MOTOR/PUMP/TANK ASSEMBLY	
	70004938	1	Motor/Pump/Tank Assembly	
102	70004914	1	O-Ring	
103	70004915	1	Cartridge, Valve (Main Relief)	
104	70004916	1	Cartridge, Valve (Breather Vacuum Check)	
105	70004917	1	Cartridge, Valve (Breather Pressure Check)	
106	70004970	1	Kit, Motor (Includes motor, flange and ring)	
107	70005233	1	Kit, Pump (Includes pump and hardware)	
108	70004974	4	Washer M8	
109	70004975	4	Capscrew M8 x 60	
110	70004973	1	Shaft Coupling	
111	70004925	2	O-Ring	
112	70003028	1	Cartridge, Solenoid Valve Less Coil (Steer)	
113	70004926	1	Cartridge, Solenoid Valve Less Coil (Lift)	
114	70004927	2	Cartridge, Valve (Steer Relief)	
115	70004585	1	Cartridge, Valve (Lift Check)	
116	70004928	1	Filter 300 micron	
117	70003707	3	Coil	
118	70004932	1	Pipe, Suction	
119	70004934	1	Pipe, Return	
120	70004935	1	Filter, Bypass	
121	70004936	3	O-Ring	
122	70005234	1	Kit, Tank (Includes tank, plug, "o"-ring and screws)	

SECTION 5 - CYLINDER

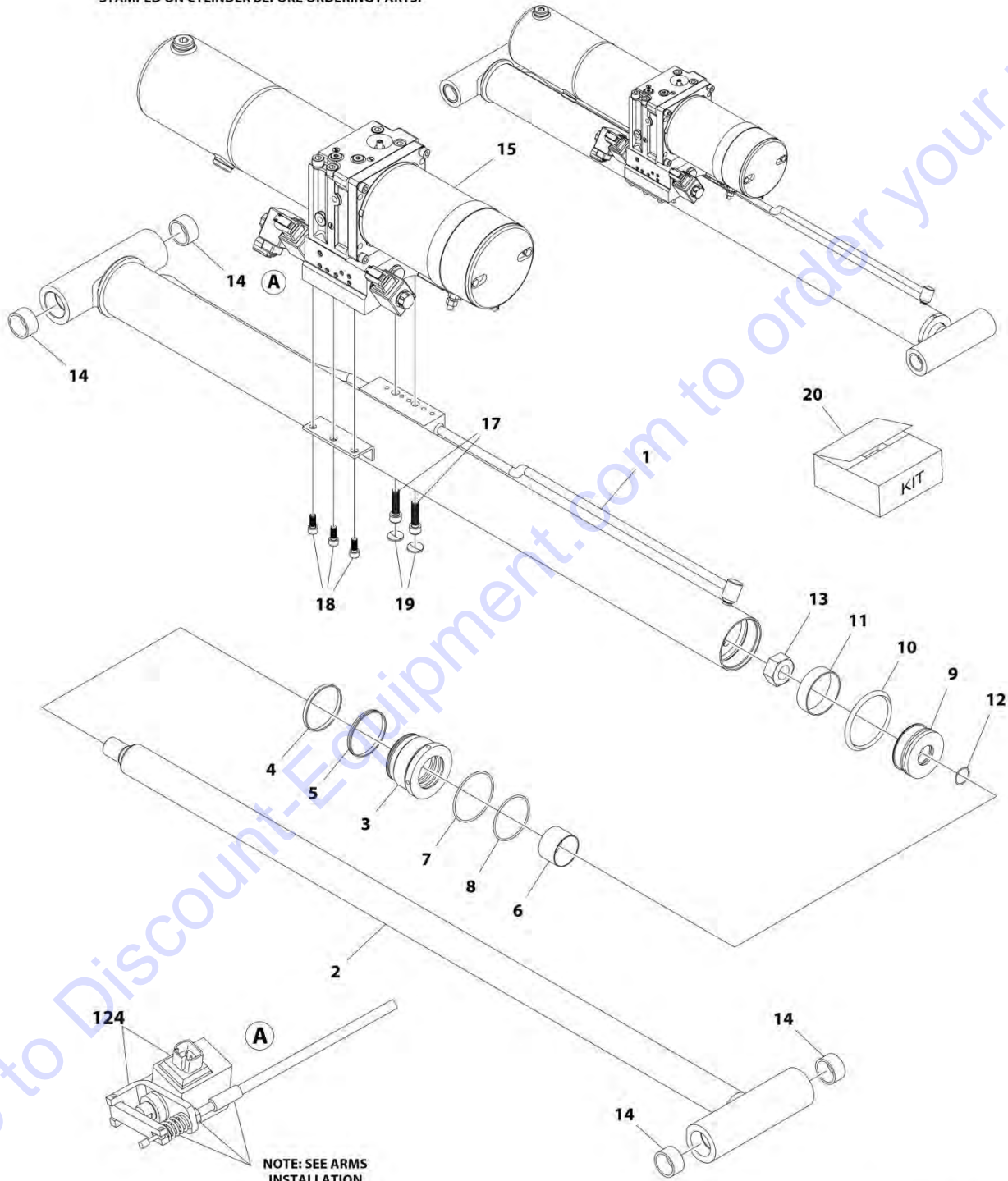
ITEM	PART NUMBER	QTY	DESCRIPTION	REV
123	70005235	1	Kit, Filter (Includes strainer and seal ring)	
124	70005236	1	Kit, Solenoid Valve (Includes solenoid, coil and lever)	
125	70005237	2	Kit, Fitting (Includes adapter, seal washer and plug)	
126	70004921	1	Plug	
127	70004654	1	Nut, Coil (for Item #112)	
128	70005238	1	Nut, Retaining (for Item #113)	
129	70004971	1	Kit, Brush	
130	70004972	1	Nut	

Go to Discount-Equipment.com to order your parts

SECTION 5 - CYLINDER

FIGURE 5-5. LIFT CYLINDER ASSEMBLY - 1930ES WITH STANDARD HYDRAULIC OIL (SH-PAC) (SN 0200258872 to Present, SN 1200025021 to Present, SN B200032101 to Present, SN M200003502 to Present)

NOTE: IDENTIFY THE PART NUMBER STAMPED ON CYLINDER BEFORE ORDERING PARTS.

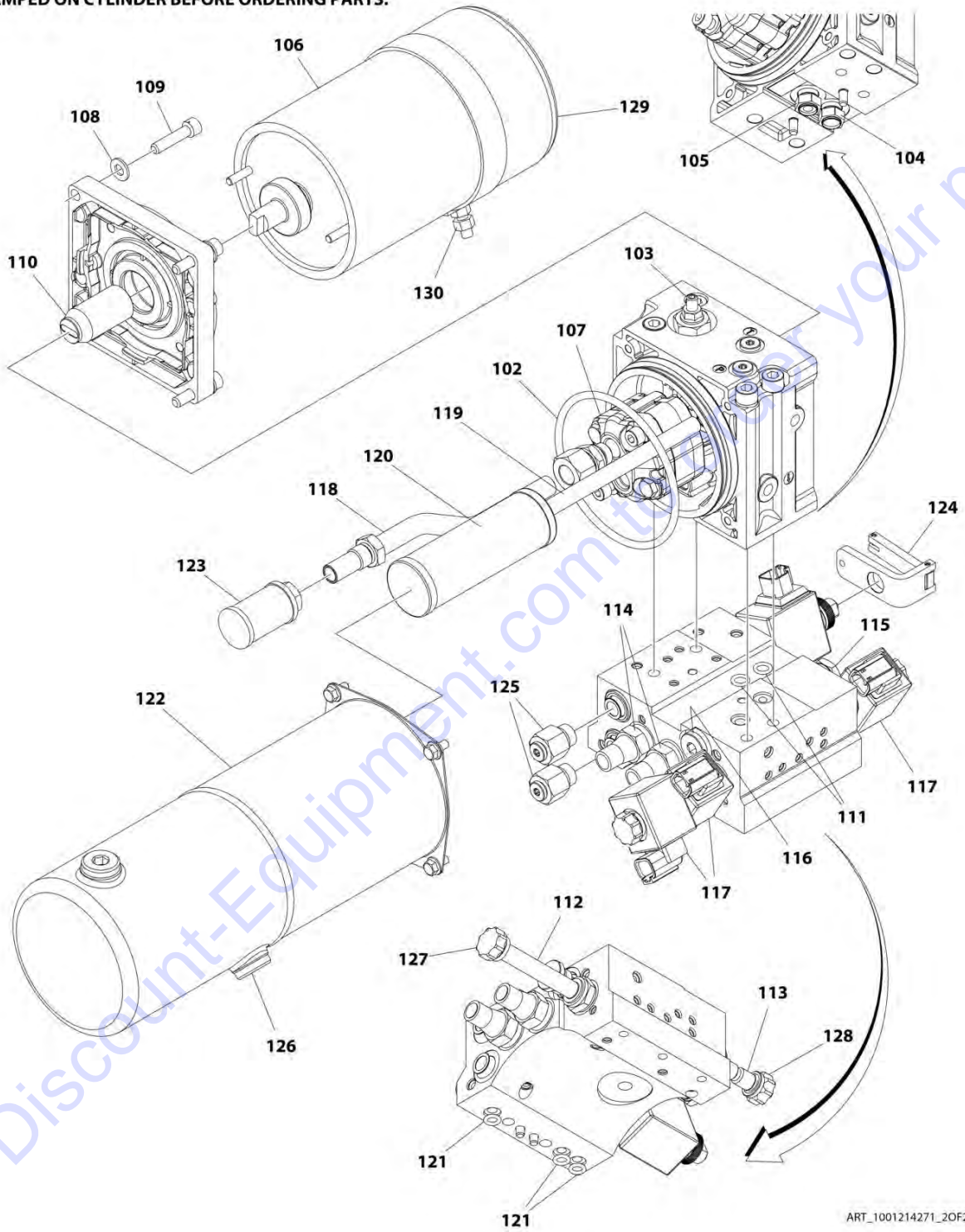


NOTE: SEE ARMS INSTALLATION FOR CALLOUTS

ART_1001214270_10F2-A

SECTION 5 - CYLINDER

NOTE: IDENTIFY THE PART NUMBER STAMPED ON CYLINDER BEFORE ORDERING PARTS.



ART_1001214271_20F2-A

SECTION 5 - CYLINDER

FIGURE 5-5. LIFT CYLINDER ASSEMBLY - 1930ES WITH STANDARD HYDRAULIC OIL (SH-PAC) (SN 0200258872 to Present, SN 1200025021 to Present, SN B200032101 to Present, SN M200003502 to Present)

ITEM	PART NUMBER	QTY	DESCRIPTION	REV
	1001214270	Ref	LIFT CYLINDER ASSEMBLY - 1930ES WITH STANDARD HYDRAULIC OIL (SH-PAC)	A
		Ref	Note: Original Cylinder May Have Been Replaced with Service Replacement. Identify PN Stamped on Cylinder Before Ordering Parts.	
1	70005975	1	Barrel	
2	70004621	1	Rod	
3	70004622	1	Head, Cylinder	
4	See Note	NSS	Seal, Dust (Note: Use Item 20)	
5	See Note	NSS	Seal (Note: Use Item 20)	
6	70004237	1	Bearing	
7	See Note	NSS	O-Ring (Note: Use Item 20)	
8	See Note	NSS	O-Ring (Note: Use Item 20)	
9	70004623	1	Piston	
10	See Note	NSS	Seal (Note: Use Item 20)	
11	See Note	NSS	Ring, Wear (Note: Use Item 20)	
12	See Note	NSS	O-Ring (Note: Use Item 20)	
13	70003663	1	Nut	
14	0962257	1	Bushing	
15	70004938	1	Motor/Pump/Tank Assembly (See Items 102-121 for Breakdown)	
16	See Note	1	O-Ring (Note: Use Item 20)	
17	70004624	2	Capscrew M10 x 40	
18	70004625	3	Capscrew M8 x 20	
19	70004626	2	Plug, Extension	
20	See Note	1	Seal Kit - Cylinder (Includes Items 4, 5, 7, 8, 10, 11, 12 & 16)	
		Ref	MOTOR/PUMP/TANK ASSEMBLY	
	70004938	1	Motor/Pump/Tank Assembly	
102	70004914	1	O-Ring	
103	70004915	1	Cartridge, Valve (Main Relief)	
104	70004916	1	Cartridge, Valve (Breather Vacuum Check)	
105	70004917	1	Cartridge, Valve (Breather Pressure Check)	
106	70004970	1	Kit, Motor (Includes motor, flange and ring)	
107	70005233	1	Kit, Pump (Includes pump and hardware)	
108	70004974	4	Washer M8	
109	70004975	4	Capscrew M8 x 60	
110	70004973	1	Shaft Coupling	
111	70004925	2	O-Ring	
112	70003028	1	Cartridge, Solenoid Valve Less Coil (Steer)	
113	70004926	1	Cartridge, Solenoid Valve Less Coil (Lift)	
114	70004927	2	Cartridge, Valve (Steer Relief)	
115	70004585	1	Cartridge, Valve (Lift Check)	
116	70004928	1	Filter 300 micron	
117	70003707	3	Coil	
118	70004932	1	Pipe, Suction	
119	70004934	1	Pipe, Return	
120	70004935	1	Filter, Bypass	
121	70004936	3	O-Ring	
122	70005234	1	Kit, Tank (Includes tank, plug, "o"-ring and screws)	

SECTION 5 - CYLINDER

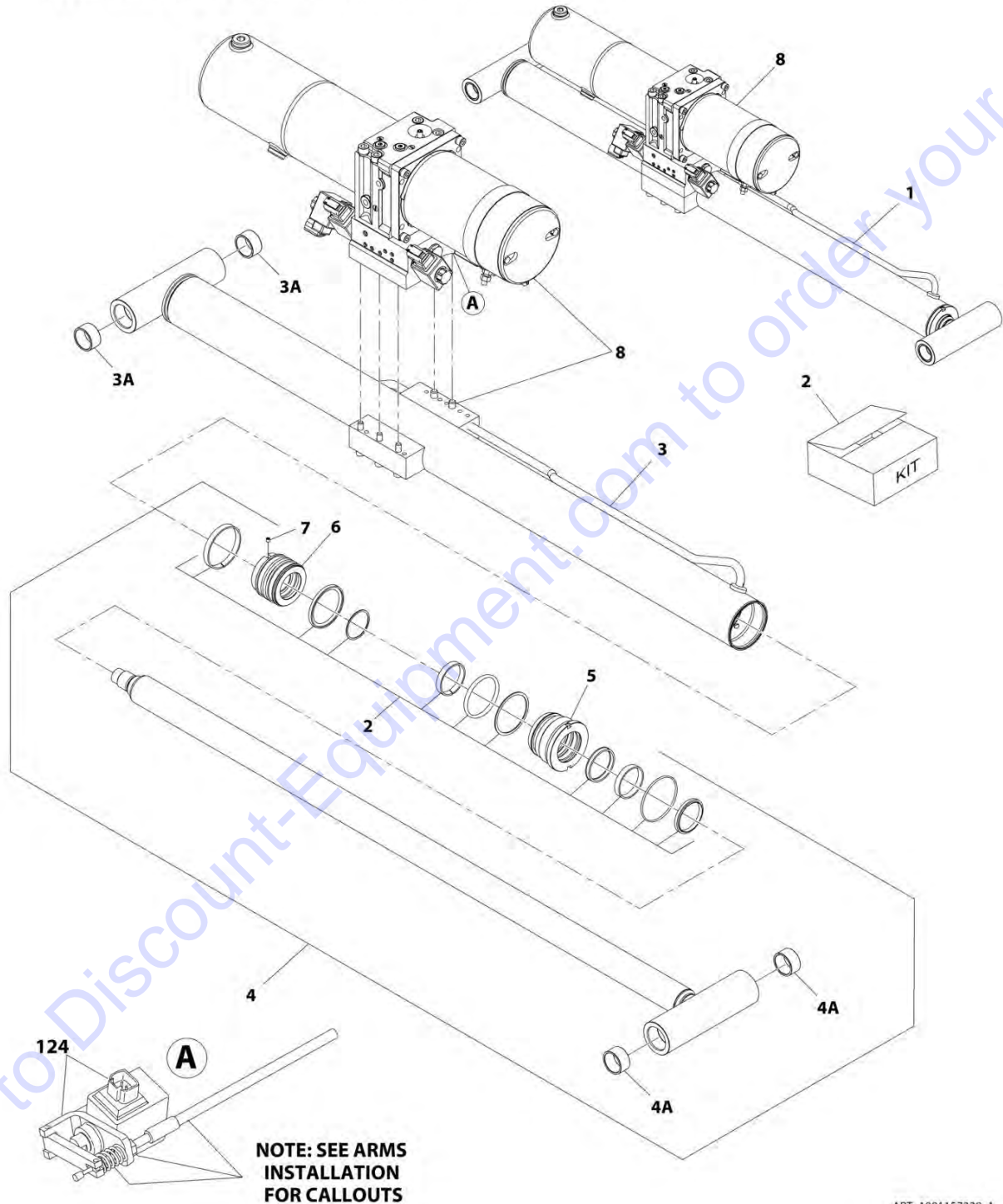
ITEM	PART NUMBER	QTY	DESCRIPTION	REV
123	70005235	1	Kit, Filter (Includes strainer and seal ring)	
124	70005236	1	Kit, Solenoid Valve (Includes solenoid, coil and lever)	
125	70005237	2	Kit, Fitting (Includes adapter, seal washer and plug)	
126	70004921	1	Plug	
127	70004654	1	Nut, Coil (for Item #112)	
128	70005238	1	Nut, Retaining (for Item #113)	
129	70004971	1	Kit, Brush	
130	70004972	1	Nut	

Go to Discount-Equipment.com to order your parts

SECTION 5 - CYLINDER

FIGURE 5-6. LIFT CYLINDER ASSEMBLY - 1930ES WITH BIODEGRADEABLE HYDRAULIC OIL (SERTA)

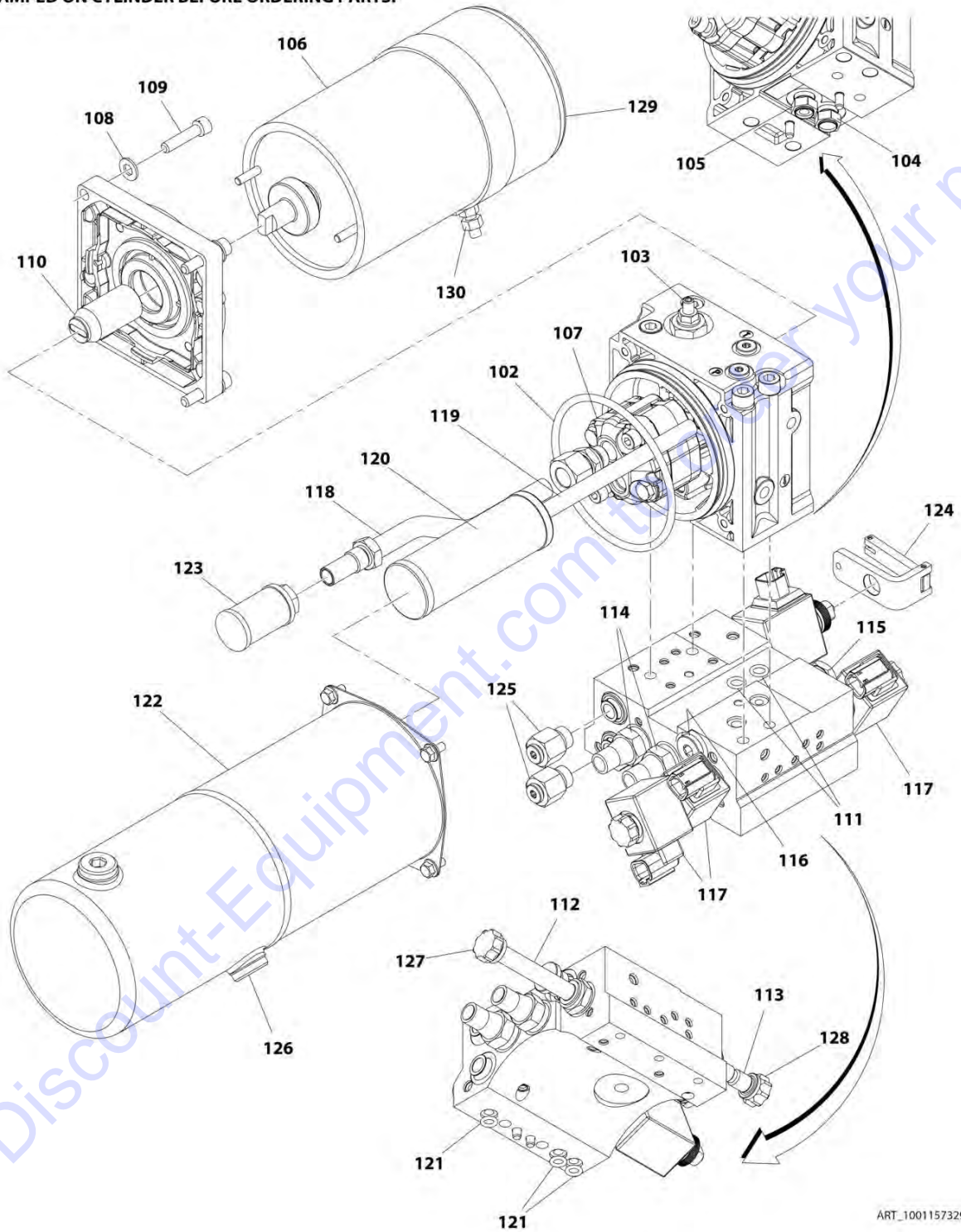
NOTE: IDENTIFY THE PART NUMBER STAMPED ON CYLINDER BEFORE ORDERING PARTS.



ART_1001157329_1

SECTION 5 - CYLINDER

NOTE: IDENTIFY THE PART NUMBER
STAMPED ON CYLINDER BEFORE ORDERING PARTS.



Go to Discount-Equipment.com for your parts

ART_1001157329_2

SECTION 5 - CYLINDER

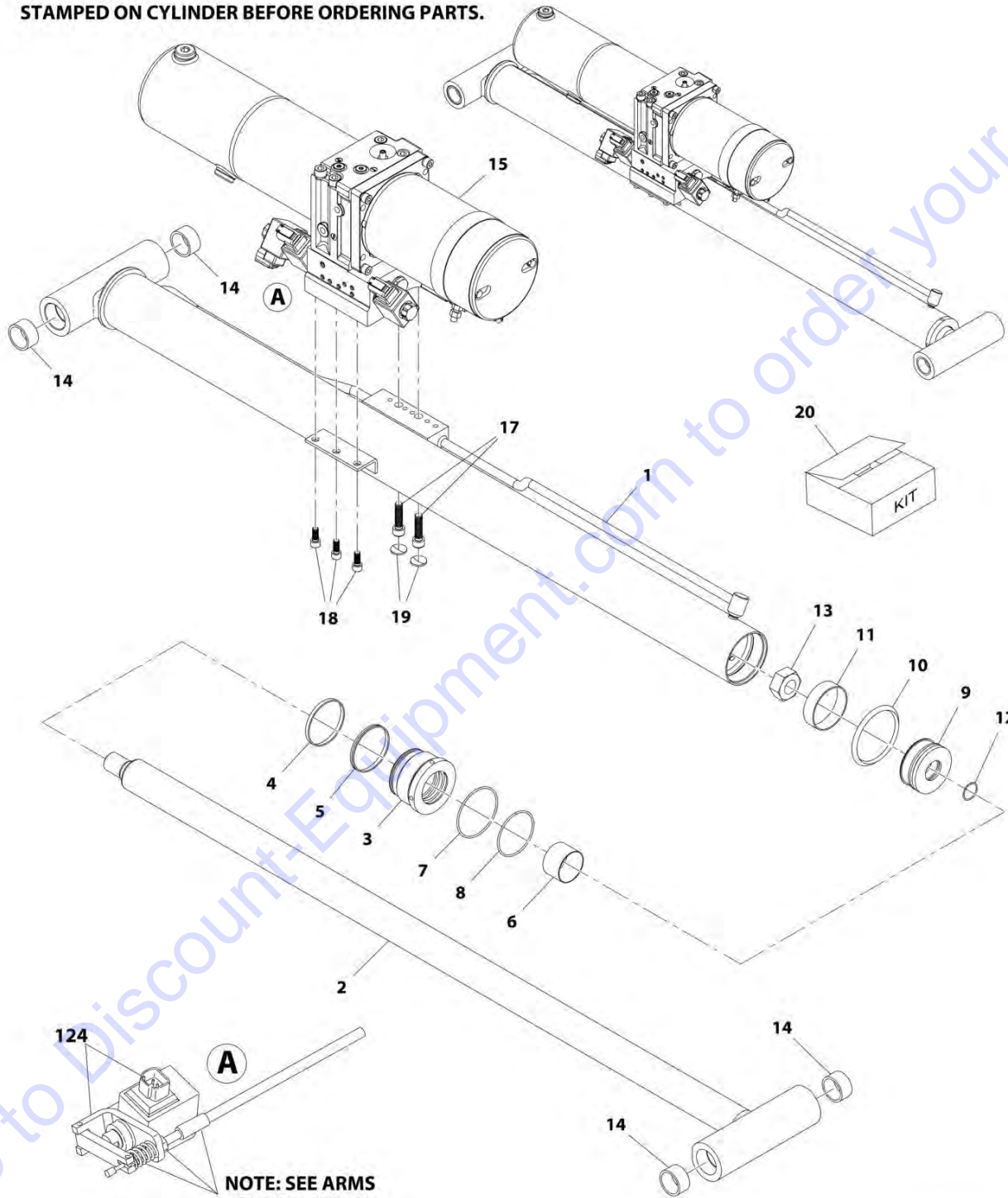
FIGURE 5-6. LIFT CYLINDER ASSEMBLY - 1930ES WITH BIODEGRADEABLE HYDRAULIC OIL (SERTA)

ITEM	PART NUMBER	QTY	DESCRIPTION	REV
	1001157329	Ref	LIFT CYLINDER ASSEMBLY - 1930ES WITH BIODEGRADEABLE HYDRAULIC OIL (SERTA)	C
		Ref	Note: Original Cylinder May Have Been Replaced with Service Replacement. Identify PN Stamped on Cylinder Before Ordering Parts.	
1	70004721	1	Cylinder Assembly Less Powerpack	
2	70004720	1	Seal Kit	
3	70004719	1	Barrel	
3A	0962257	2	Bushing	
4	70004718	1	Rod Assembly (Includes Items 2, 4A, 5, 6 & 7)	
4A	0962257	1	Bushing	
5	70006083	1	Head, Cylinder	
6	70006082	1	Piston	
7	70023915	1	Screw	
8	70004938	1	Motor/Pump/Tank Assembly (Includes Items 102-121)	
		Ref	MOTOR/PUMP/TANK ASSEMBLY	
	70004938	1	Motor/Pump/Tank Assembly	
102	70004914	1	O-Ring	
103	70004915	1	Cartridge, Valve (Main Relief)	
104	70004916	1	Cartridge, Valve (Breather Vacuum Check)	
105	70004917	1	Cartridge, Valve (Breather Pressure Check)	
106	70004970	1	Kit, Motor (Includes motor, flange and ring)	
107	70005233	1	Kit, Pump (Includes pump and hardware)	
108	70004974	4	Washer M8	
109	70004975	4	Capscrew M8 x 60	
110	70004973	1	Shaft Coupling	
111	70004925	2	O-Ring	
112	70003028	1	Cartridge, Solenoid Valve Less Coil (Steer)	
113	70004926	1	Cartridge, Solenoid Valve Less Coil (Lift)	
114	70004927	2	Cartridge, Valve (Steer Relief)	
115	70004585	1	Cartridge, Valve (Lift Check)	
116	70004928	1	Filter 300 micron	
117	70003707	3	Coil	
118	70004932	1	Pipe, Suction	
119	70004934	1	Pipe, Return	
120	70004935	1	Filter, Bypass	
121	70004936	3	O-Ring	
122	70005234	1	Kit, Tank (Includes tank, plug, "o"-ring and screws)	
123	70005235	1	Kit, Filter (Includes strainer and seal ring)	
124	70005236	1	Kit, Solenoid Valve (Includes solenoid, coil and lever)	
125	70005237	2	Kit, Fitting (Includes adapter, seal washer and plug)	
126	70004921	1	Plug	
127	70004654	1	Nut, Coil (for Item #112)	
128	70005238	1	Nut, Retaining (for Item #113)	
129	70004971	1	Kit, Brush	
130	70004972	1	Nut M8	

SECTION 5 - CYLINDER

FIGURE 5-7. LIFT CYLINDER ASSEMBLY - 1930ES WITH BIODEGRADABLE HYDRAULIC OIL (SH-PAC)

NOTE: IDENTIFY THE PART NUMBER STAMPED ON CYLINDER BEFORE ORDERING PARTS.

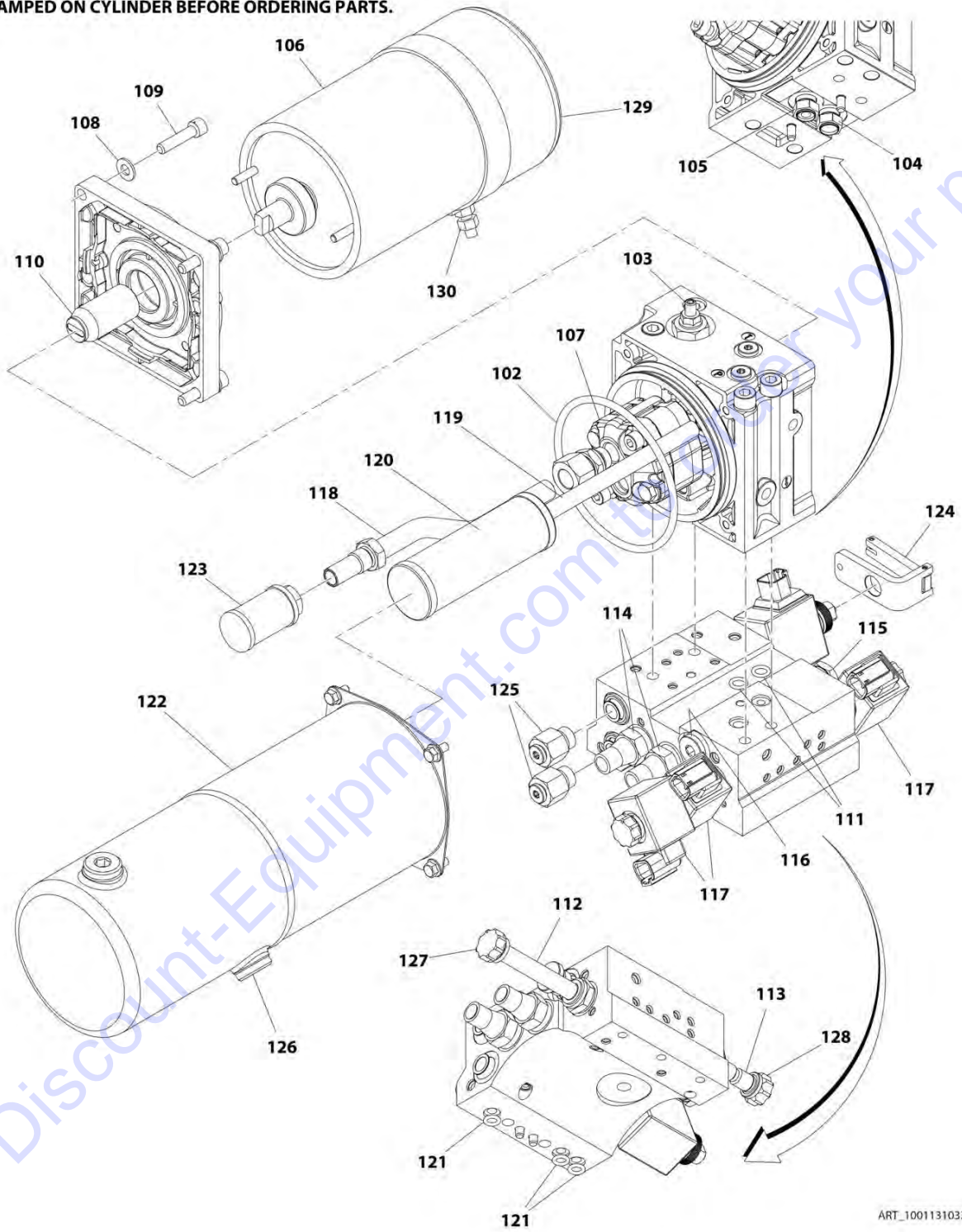


NOTE: SEE ARMS INSTALLATION FOR CALLOUTS

ART_1001131033_1

SECTION 5 - CYLINDER

NOTE: IDENTIFY THE PART NUMBER STAMPED ON CYLINDER BEFORE ORDERING PARTS.



ART_1001131033_2

SECTION 5 - CYLINDER

FIGURE 5-7. LIFT CYLINDER ASSEMBLY - 1930ES WITH BIODEGRADEABLE HYDRAULIC OIL (SH-PAC)

ITEM	PART NUMBER	QTY	DESCRIPTION	REV
	1001131033	Ref	LIFT CYLINDER ASSEMBLY - 1930ES WITH BIODEGRADEABLE HYDRAULIC OIL (SH-PAC)	F
		Ref	Note: Original Cylinder May Have Been Replaced with Service Replacement. Identify PN Stamped on Cylinder Before Ordering Parts.	
1	70004620	1	Barrel	
2	70004621	1	Rod	
3	70004622	1	Head, Cylinder	
4	See Note	NSS	Seal, Dust (Note: Use Item 20)	
5	See Note	NSS	Seal (Note: Use Item 20)	
6	70004237	1	Bearing	
7	See Note	NSS	O-Ring (Note: Use Item 20)	
8	See Note	NSS	O-Ring (Note: Use Item 20)	
9	70004623	1	Piston	
10	See Note	NSS	Seal (Note: Use Item 20)	
11	See Note	NSS	Ring, Wear (Note: Use Item 20)	
12	See Note	NSS	O-Ring (Note: Use Item 20)	
13	70003663	1	Nut	
14	0962257	4	Bushing	
15	70004938	1	Motor/Pump/Tank Assembly (See Items 102-121 for Breakdown)	
16	See Note	1	O-Ring (Note: Use Item 20)	
17	70004624	2	Capscrew M10 x 40	
18	70004625	3	Capscrew M8 x 20	
19	70004626	2	Plug, Extension	
20	70004627	1	Seal Kit - Cylinder (Includes Items 4, 5, 7, 8, 10, 11, 12 & 16)	
		Ref	MOTOR/PUMP/TANK ASSEMBLY	
	70004938	1	Motor/Pump/Tank Assembly	
102	70004914	1	O-Ring	
103	70004915	1	Cartridge, Valve (Main Relief)	
104	70004916	1	Cartridge, Valve (Breather Vacuum Check)	
105	70004917	1	Cartridge, Valve (Breather Pressure Check)	
106	70004970	1	Kit, Motor (Includes motor, flange and ring)	
107	70005233	1	Kit, Pump (Includes pump and hardware)	
108	70004974	4	Washer M8	
109	70004975	4	Capscrew M8 x 60	
110	70004973	1	Shaft Coupling	
111	70004925	2	O-Ring	
112	70003028	1	Cartridge, Solenoid Valve Less Coil (Steer)	
113	70004926	1	Cartridge, Solenoid Valve Less Coil (Lift)	
114	70004927	2	Cartridge, Valve (Steer Relief)	
115	70004585	1	Cartridge, Valve (Lift Check)	
116	70004928	1	Filter 300 micron	
117	70003707	3	Coil	
118	70004932	1	Pipe, Suction	
119	70004934	1	Pipe, Return	
120	70004935	1	Filter, Bypass	
121	70004936	3	O-Ring	
122	70005234	1	Kit, Tank (Includes tank, plug, "o"-ring and screws)	
123	70005235	1	Kit, Filter (Includes strainer and seal ring)	

SECTION 5 - CYLINDER

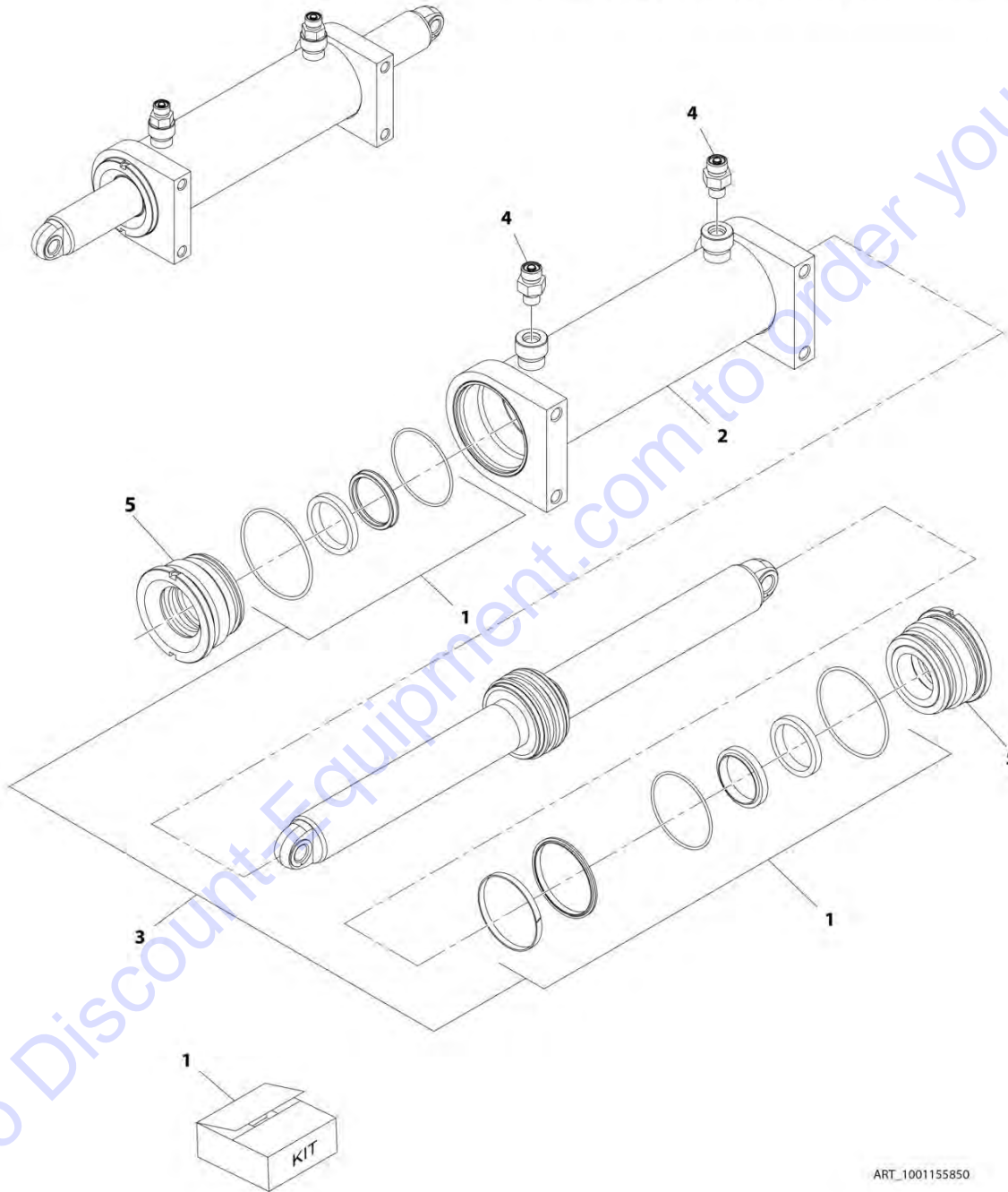
ITEM	PART NUMBER	QTY	DESCRIPTION	REV
124	70005236	1	Kit, Solenoid Valve (Includes solenoid, coil and lever)	
125	70005237	2	Kit, Fitting (Includes adapter, seal washer and plug)	
126	70004921	1	Plug	
127	70004654	1	Nut, Coil (for Item #112)	
128	70005238	1	Nut, Retaining (for Item #113)	
129	70004971	1	Kit, Brush	
130	70004972	1	Nut	

Go to Discount-Equipment.com to order your parts

SECTION 5 - CYLINDER

FIGURE 5-8. STEER CYLINDER ASSEMBLY (SERTA)

NOTE: IDENTIFY THE PART NUMBER STAMPED ON CYLINDER BEFORE ORDERING PARTS.



ART_1001155850

SECTION 5 - CYLINDER

FIGURE 5-8. STEER CYLINDER ASSEMBLY (SERTA)

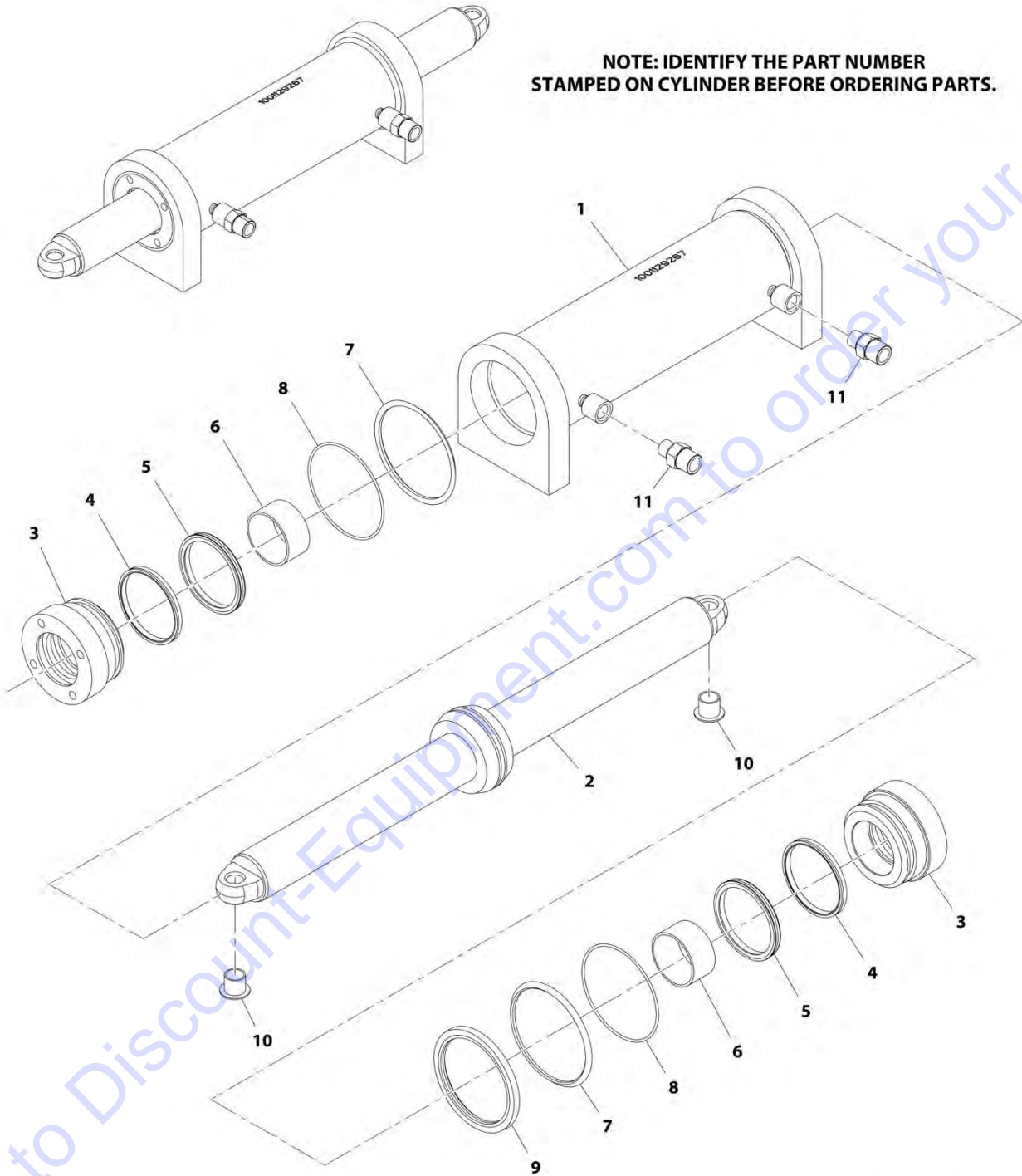
ITEM	PART NUMBER	QTY	DESCRIPTION	REV
	1001155850	Ref	STEER CYLINDER ASSEMBLY (SERTA)	B
		Ref	Note: Original Cylinder May Have Been Replaced with Service Replacement. Identify PN Stamped on Cylinder Before Ordering Parts.	
1	70004779	1	Seal Kit - Cylinder	
2	70004781	1	Barrel, Cylinder	
3	70004780	1	Rod, Cylinder	
4	2110404	2	Fitting, Straight ORFS/ORB	
5	70006342	2	Head, Cylinder	

Go to Discount-Equipment.com to order your parts

SECTION 5 - CYLINDER

FIGURE 5-9. STEER CYLINDER ASSEMBLY (SH-PAC)

NOTE: IDENTIFY THE PART NUMBER STAMPED ON CYLINDER BEFORE ORDERING PARTS.



ART_1001129267

SECTION 5 - CYLINDER

FIGURE 5-9. STEER CYLINDER ASSEMBLY (SH-PAC)

ITEM	PART NUMBER	QTY	DESCRIPTION	REV
	1001129267	Ref	STEER CYLINDER ASSEMBLY (SH-PAC)	C
		Ref	Note: Original Cylinder May Have Been Replaced with Service Replacement. Identify PN Stamped on Cylinder Before Ordering Parts.	
1	70004245	1	Barrel, Cylinder	
2	70004244	1	Rod, Cylinder	
3	70004241	2	Head, Cylinder	
4	See Note	NSS	Seal, Dust (Note: Use Item 12)	
5	See Note	NSS	Seal (Note: Use Item 12)	
6	See Note	NSS	Bearing (Note: Use Item 12)	
7	See Note	NSS	O-Ring (Note: Use Item 12)	
8	See Note	NSS	O-Ring (Note: Use Item 12)	
9	See Note	NSS	Seal (Note: Use Item 12)	
10	0440259	2	Bearing	
11	2110404	2	Fitting, Straight ORFS/ORB	
12	70004239	1	Seal Kit (Includes Items 4-9)	

Go to Discount-Equipment.com to order your parts

SECTION 6 - HYDRAULIC

Go to Discount-Equipment.com to order your parts

SECTION 6 - HYDRAULIC

FIGURE 6-1. HYDRAULIC DIAGRAM LIST

ITEM	PART NUMBER	QTY	DESCRIPTION	REV
		Ref	HYDRAULIC DIAGRAM LIST	
		Ref	Note: For hoses and fittings associated with steering, see Steering Installation.	
	2792599	Ref	Hydraulic Schematic - USA Built Machines (Not Shown - See Service Manual)	
	1001143663	Ref	Hydraulic Schematic - China Built Machines (Not Shown - See Service Manual)	

SECTION 7 - ELECTRICAL

Go to Discount-Equipment.com to order your parts

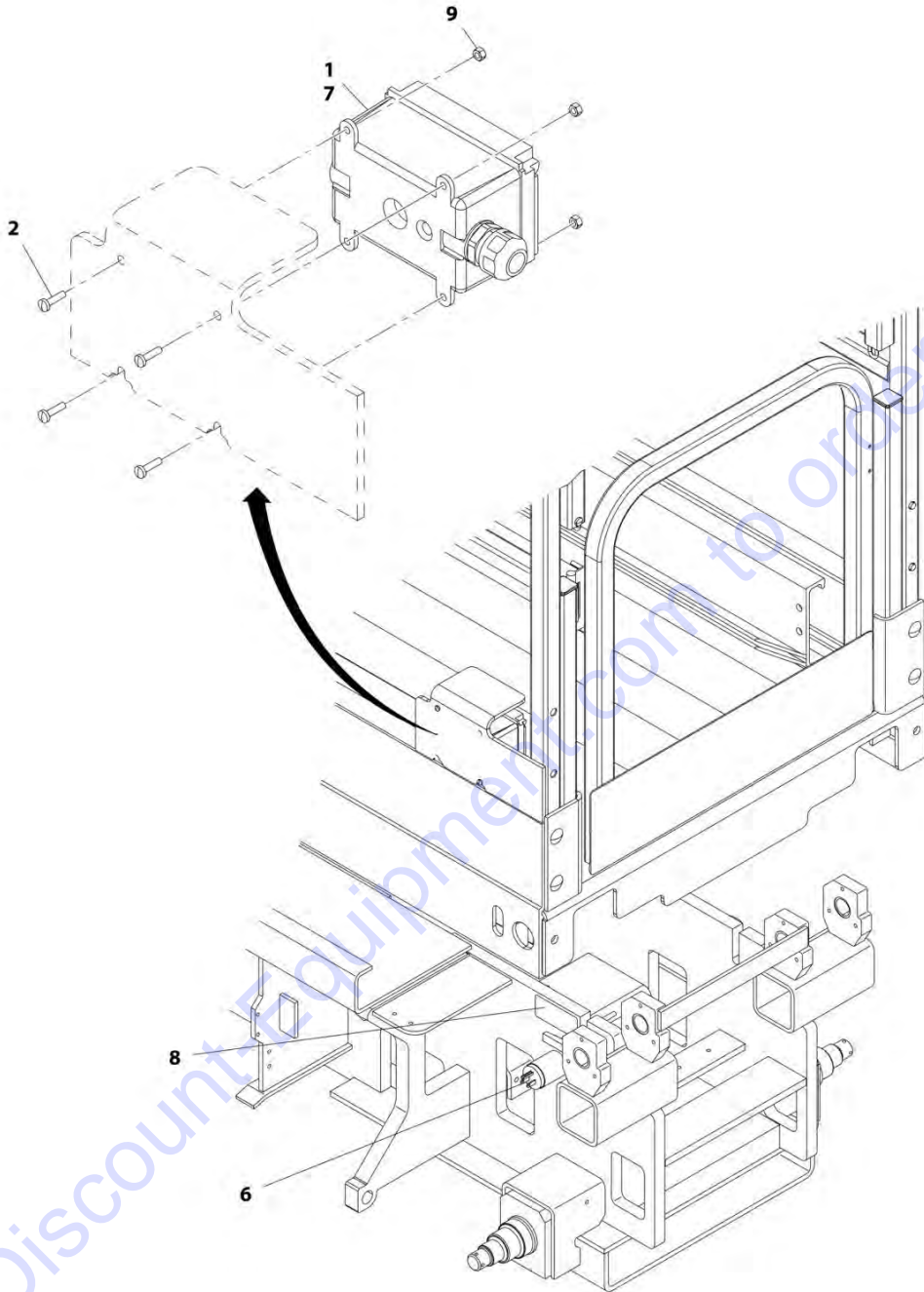
SECTION 7 - ELECTRICAL

FIGURE 7-1. ELECTRICAL DIAGRAM LIST

ITEM	PART NUMBER	QTY	DESCRIPTION	REV
		Ref	ELECTRICAL DIAGRAM LIST	
		Ref	Note: See Service Manual for schematic. For information on diagrams, go to Discount-equipment.com	
	0272839	Ref	AC Box at Platform Installation - 110V GFI	
	0275487	Ref	AC to Platform Electrical Diagram - 110 IEC Yellow (CE Spec Only)	
	0275488	Ref	AC to Platform Electrical Diagram - 220V IEC Blue (CE Spec Only)	
	0275486	Ref	AC to Platform Electrical Diagram - 220V AFSINT107 (CE Spec Only)	
	1001162447	Ref	AC to Platform Electrical Diagram - 220V CEE7 Side Ground (CE Spec Only)	
	1001162449	Ref	AC to Platform Electrical Diagram - 220V CEE7 Post Ground (CE Spec Only)	
	1001166759	Ref	Electrical Schematic (Not Shown - See Service Manual)	

SECTION 7 - ELECTRICAL

FIGURE 7-2. AC BOX AT PLATFORM INSTALLATION - 110V GFI



ART_0272839

SECTION 7 - ELECTRICAL

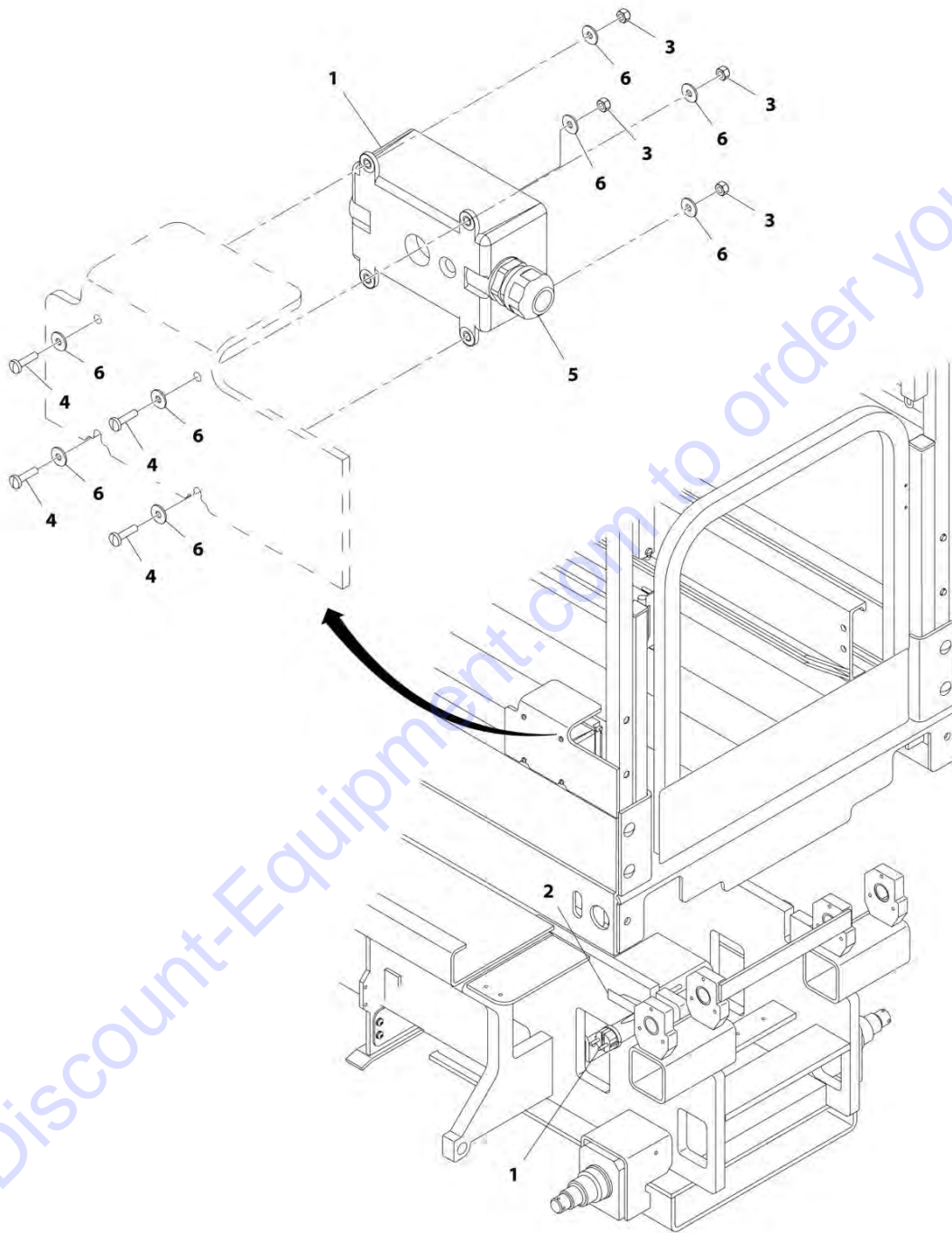
FIGURE 7-2. AC BOX AT PLATFORM INSTALLATION - 110V GFI

ITEM	PART NUMBER	QTY	DESCRIPTION	REV
	0272839	Ref	AC BOX AT PLATFORM INSTALLATION - 110V GFI	I
1	2902431	1	Receptacle Box Kit - 110V GFI (See RECEPTACLE BOX KIT - 110V GFI for Breakdown)	
2	4010408	4	Screw M4 x 16	
6	4460138	1	Plug, Male	
7	4460315	3	Terminal	
8	1703464	1	Decal - 120V-60Hz AC Power to Platform	
9	3290405	4	Nut M4	

Go to Discount-Equipment.com to order your parts

SECTION 7 - ELECTRICAL

FIGURE 7-3. AC BOX AT PLATFORM INSTALLATION - 220V CEE7 SIDE (ANSI EXPORT SPEC ONLY)



ART_1001162447

SECTION 7 - ELECTRICAL

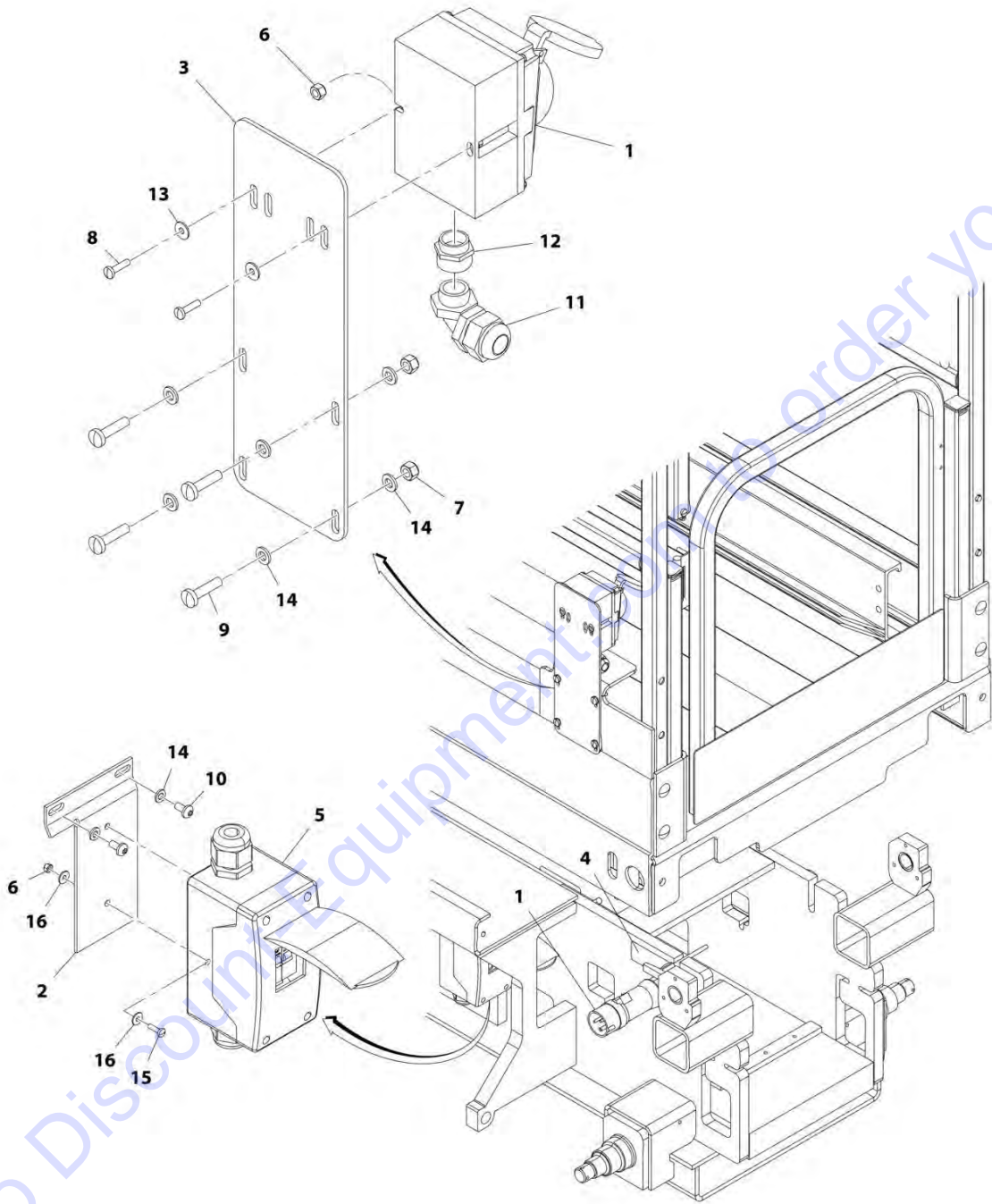
FIGURE 7-3. AC BOX AT PLATFORM INSTALLATION - 220V CEE7 SIDE (ANSI EXPORT SPEC ONLY)

ITEM	PART NUMBER	QTY	DESCRIPTION	REV
	1001211593	Ref	AC BOX AT PLATFORM INSTALLATION - 220V CEE7 SIDE GRD	A
1	0275453	1	Receptacle Box Kit - 220V CEE7 Side Ground (See RECEPTACLE BOX KIT - 220V CEE7 SIDE GROUND for Breakdown)	
2	3252507	1	Decal - 220V-50/60Hz	
3	3290405	4	Nut M4	
4	4010408	4	Screw M4 x 16	
5	4460662	1	Connector, Strain Relief	
6	1001091102	8	Washer M4	

Go to Discount-Equipment.com to order your parts

SECTION 7 - ELECTRICAL

FIGURE 7-4. AC BOX AT PLATFORM INSTALLATION - 110V IEC YELLOW (CE SPEC ONLY)



ART_0275487

PARTS FINDER

**Search Website
by Part Number**



**Search Manual
Library For Parts
Manual & Lookup Part
Numbers – Purchase
or Request Quote**

A screenshot of the "Search Manuals" form. The form is titled "Search Manuals" and includes a search bar, a "Search" button, and a "Print" button. Below the search bar, there are several input fields for "Find", "Serial Number", "Part Number", "Brand", "Model", "Year", "Make", "Part Name", "Part Number", "Part Description", and "Part Category". A "Search" button is located at the bottom of the form.

**Can't Find Part or
Manual? Request Help
by Manufacturer,
Model & Description**

A screenshot of the "Parts Order Form". The form is titled "Parts Order Form" and includes a "Print" button. Below the title, there are several input fields for "Manufacturer", "Model", "Year", "Make", "Part Name", "Part Number", "Part Description", and "Part Category". A "Print" button is located at the bottom of the form.

Discount-Equipment.com is your online resource for quality parts & equipment.

Florida: **561-964-4949** Outside Florida TOLL FREE: **877-690-3101**

Need parts?

Click on this link: <http://www.discount-equipment.com/category/5443-parts/> and choose one of the options to help get the right parts and equipment you are looking for. Please have the machine model and serial number available in order to help us get you the correct parts. If you don't find the part on the website or on one of the online manuals, please fill out the request form and one of our experienced staff members will get back to you with a quote for the right part that your machine needs.

We sell worldwide for the brands: Genie, Terex, JLG, MultiQuip, Mikasa, Essick, Whiteman, Mayco, Toro Stone, Diamond Products, Generac Magnum, Airman, Haulotte, Barreto, Power Blanket, Nifty Lift, Atlas Copco, Chicago Pneumatic, Allmand, Miller Curber, Skyjack, Lull, Skytrak, Tsurumi, Husquvarna Target, Stow, Wacker, Sakai, Mi-T-M, Sullair, Basic, Dynapac, MBW, Weber, Bartell, Bennar Newman, Haulotte, Ditch Runner, Menegotti, Morrison, Contec, Buddy, Crown, Edco, Wyco, Bomag, Laymor, EZ Trench, Bil-Jax, F.S. Curtis, Gehl Pavers, Heli, Honda, ICS/PowerGrit, IHI, Partner, Imer, Clipper, MMD, Koshin, Rice, CH&E, General Equipment, Amida, Coleman, NAC, Gradall, Square Shooter, Kent, Stanley, Tamco, Toku, Hatz, Kohler, Robin, Wisconsin, Northrock, Oztec, Toker TK, Rol-Air, APT, Wylie, Ingersoll Rand / Doosan, Innovatech, Con X, Ammann, Mecalac, Makinex, Smith Surface Prep, Small Line, Wanco, Yanmar

SECTION 7 - ELECTRICAL

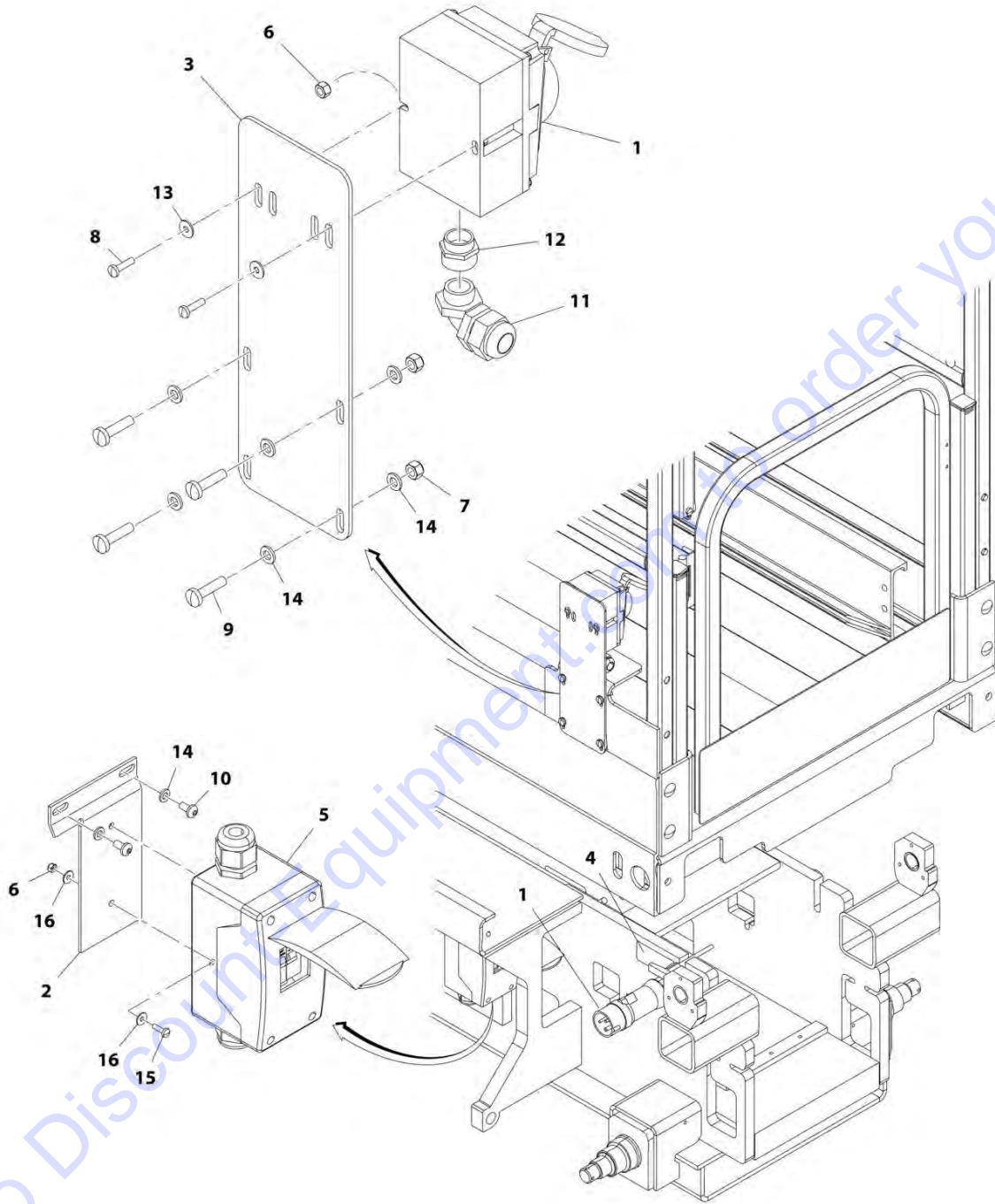
FIGURE 7-4. AC BOX AT PLATFORM INSTALLATION - 110V IEC YELLOW (CE SPEC ONLY)

ITEM	PART NUMBER	QTY	DESCRIPTION	REV
	0275487	Ref	AC BOX AT PLATFORM INSTALLATION - 110V IEC YELLOW	E
1	0275216	1	Receptacle Box Kit - 110V IEC Yellow (See RECEPTACLE BOX KIT - 110V IEC YELLOW for Breakdown)	
2	0903566	1	Bracket	
3	0903569	1	Bracket	
4	1703464	1	Decal - 120V-60Hz	
5	2902541	1	Breaker Box Kit (See BREAKER BOX KIT WITH TWO BREAKERS for Breakdown)	
6	3290405	4	Nut M4	
7	3290605	4	Nut M6	
8	4010408	2	Screw M4 x 16	
9	4010612	4	Screw M6 x 25	
10	4191706	2	Screw M6 x 12	
11	4461257	1	Connector, Strain Relief	
12	4461258	1	Adapter	
13	4811400	2	Washer M4	
14	4811700	10	Washer M6	
15	1001101540	2	Screw M4 x 14	
16	1001091102	4	Washer M4	

Go to Discount-Equipment.com to order your parts

SECTION 7 - ELECTRICAL

FIGURE 7-5. AC BOX AT PLATFORM INSTALLATION - 220V IEC BLUE (CE SPEC ONLY)



ART_0275488

SECTION 7 - ELECTRICAL

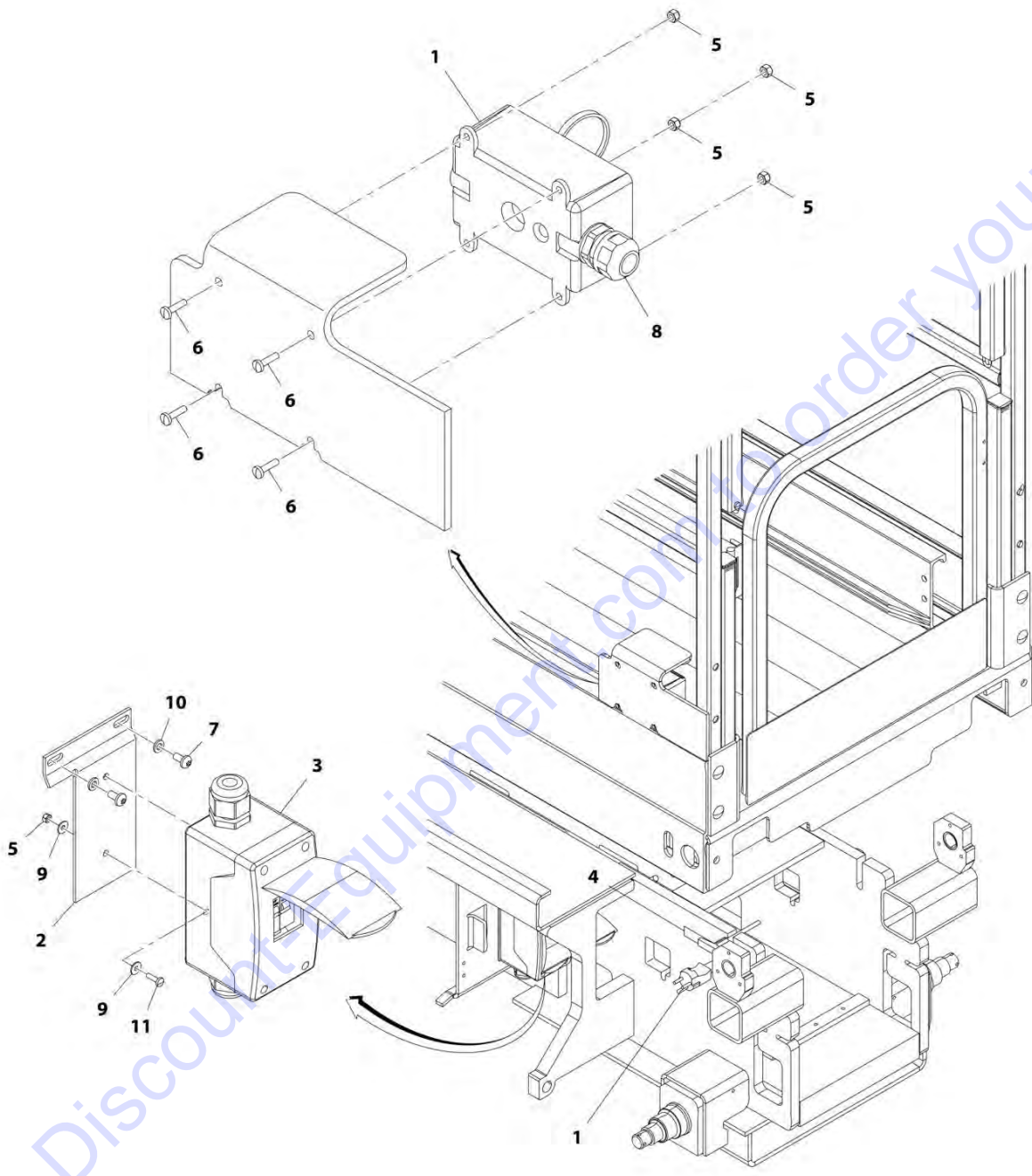
FIGURE 7-5. AC BOX AT PLATFORM INSTALLATION - 220V IEC BLUE (CE SPEC ONLY)

ITEM	PART NUMBER	QTY	DESCRIPTION	REV
	0275488	Ref	AC BOX AT PLATFORM INSTALLATION - 220V IEC BLUE	E
1	0275217	1	Receptacle Box Kit - 220V IEC Blue (See RECEPTACLE BOX KIT - 220V IEC BLUE for Breakdown)	
2	0903566	1	Bracket	
3	0903569	1	Bracket	
4	3252507	1	Decal - 220V-50/60Hz	
5	2902541	1	Breaker Box Kit (See BREAKER BOX KIT WITH TWO BREAKERS for Breakdown)	
6	3290405	4	Nut M4	
7	3290605	4	Nut M6	
8	4010408	2	Screw M4 x 16	
9	4010612	4	Screw M6 x 25	
10	4191706	2	Screw M6 x 12	
11	4461257	1	Connector, Strain Relief	
12	4461258	1	Adapter	
13	4811400	2	Washer M4	
14	4811700	10	Washer M6	
15	1001101540	2	Screw M4 x 14	
16	1001091102	4	Washer M4	

Go to Discount-Equipment.com to order your parts

SECTION 7 - ELECTRICAL

FIGURE 7-6. AC BOX AT PLATFORM INSTALLATION - 220V AFSINT107 (CE SPEC ONLY)



ART_0275486

SECTION 7 - ELECTRICAL

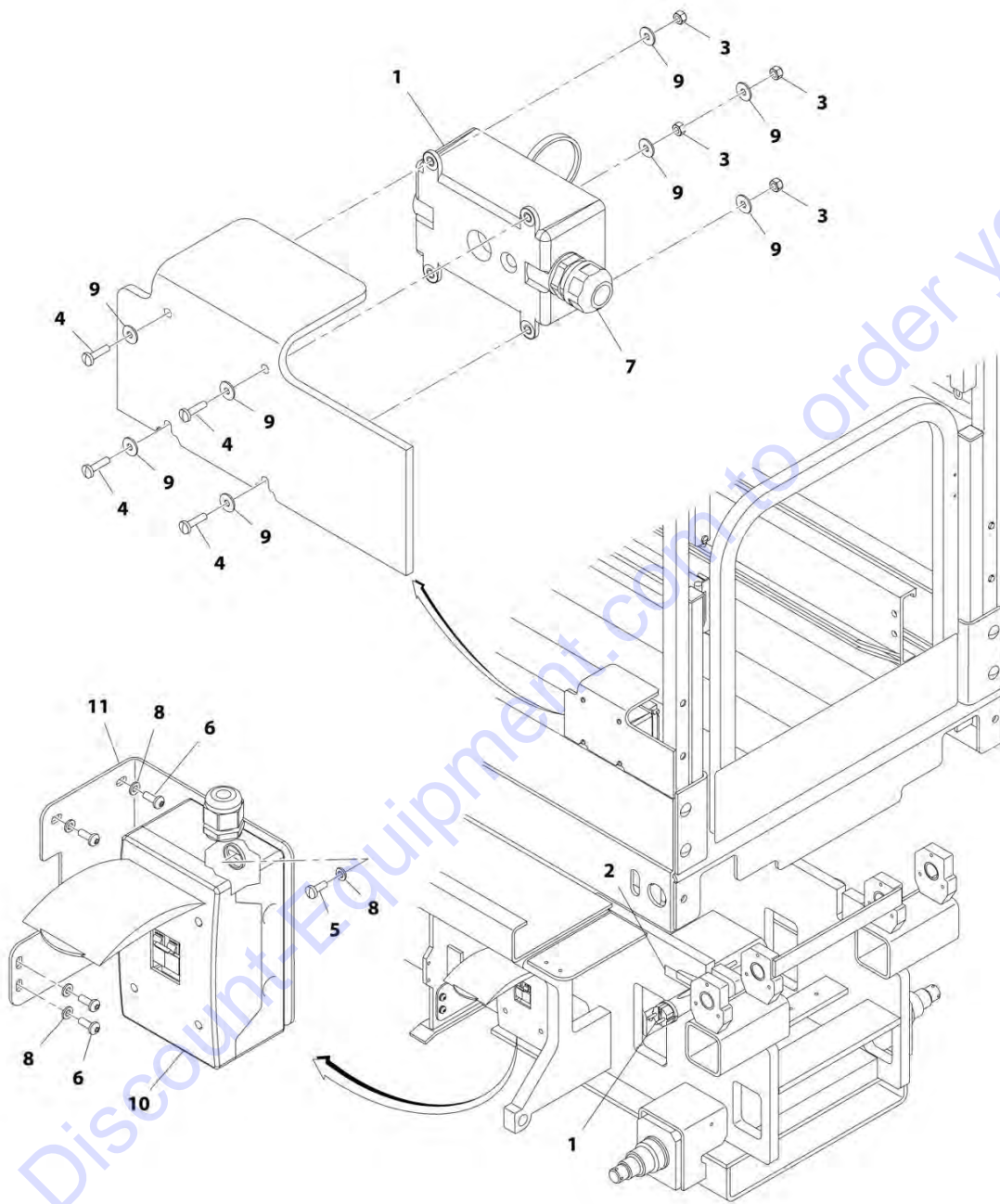
FIGURE 7-6. AC BOX AT PLATFORM INSTALLATION - 220V AFSINT107 (CE SPEC ONLY)

ITEM	PART NUMBER	QTY	DESCRIPTION	REV
	0275486	Ref	AC BOX AT PLATFORM INSTALLATION - 220V AFSINT107	E
1	0275454	1	Receptacle Box Kit - 220V AFSINT107 (See RECEPTACLE BOX KIT - 220V AFSINT for Breakdown)	
2	0903566	1	Bracket	
3	2902541	1	Breaker Box Kit (See BREAKER BOX KIT WITH TWO BREAKERS for Breakdown)	
4	3252507	1	Decal - 220V/50-60Hz	
5	3290405	6	Nut M4	
6	4010408	4	Screw M4 x 16	
7	4191706	2	Screw M6 x 12	
8	4460662	1	Connector, Strain Relief	
9	1001091102	2	Washer M4	
10	4811700	2	Washer M6	
11	1001101540	2	Screw M4 x 14	

Go to Discount-Equipment.com to order your parts

SECTION 7 - ELECTRICAL

FIGURE 7-7. AC BOX AT PLATFORM INSTALLATION - 220V CEE7 SIDE GRD (CE SPEC ONLY)



ART_1001162447

SECTION 7 - ELECTRICAL

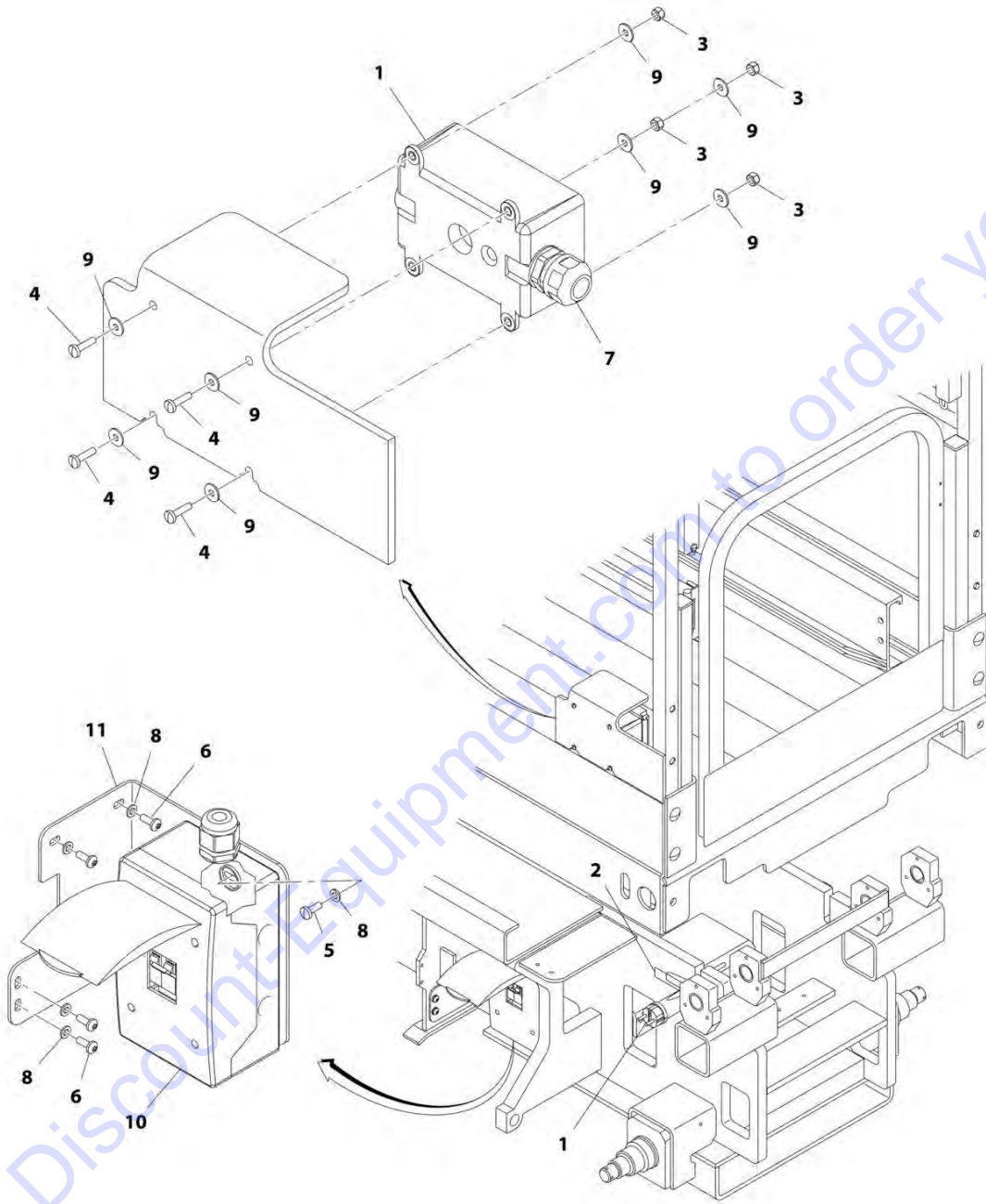
FIGURE 7-7. AC BOX AT PLATFORM INSTALLATION - 220V CEE7 SIDE GRD (CE SPEC ONLY)

ITEM	PART NUMBER	QTY	DESCRIPTION	REV
	1001162447	Ref	AC BOX AT PLATFORM INSTALLATION - 220V CEE7 SIDE GRD	A
1	0275453	1	Receptacle Box Kit - 220V CEE7 Side Ground (See RECEPTACLE BOX KIT - 220V CEE7 SIDE GROUND for Breakdown)	
2	3252507	1	Decal - 220V-50/60Hz	
3	3290405	4	Nut M4	
4	4010408	4	Screw M4 x 16	
5	4010608	2	Screw M6 x 16	
6	4191707	4	Screw M6 x 16	
7	4460662	1	Connector, Strain Relief	
8	4811700	10	Washer M6	
9	1001091102	8	Washer M4	
10	1001152485	1	Breaker Box Kit (See BREAKER BOX KIT WITH THREE BREAKERS for Breakdown)	
11	1001162362	1	Bracket	

Go to Discount-Equipment.com to order your parts

SECTION 7 - ELECTRICAL

FIGURE 7-8. AC BOX AT PLATFORM INSTALLATION - 220V CEE7 POST GRD (CE SPEC ONLY)



ART_1001162449

SECTION 7 - ELECTRICAL

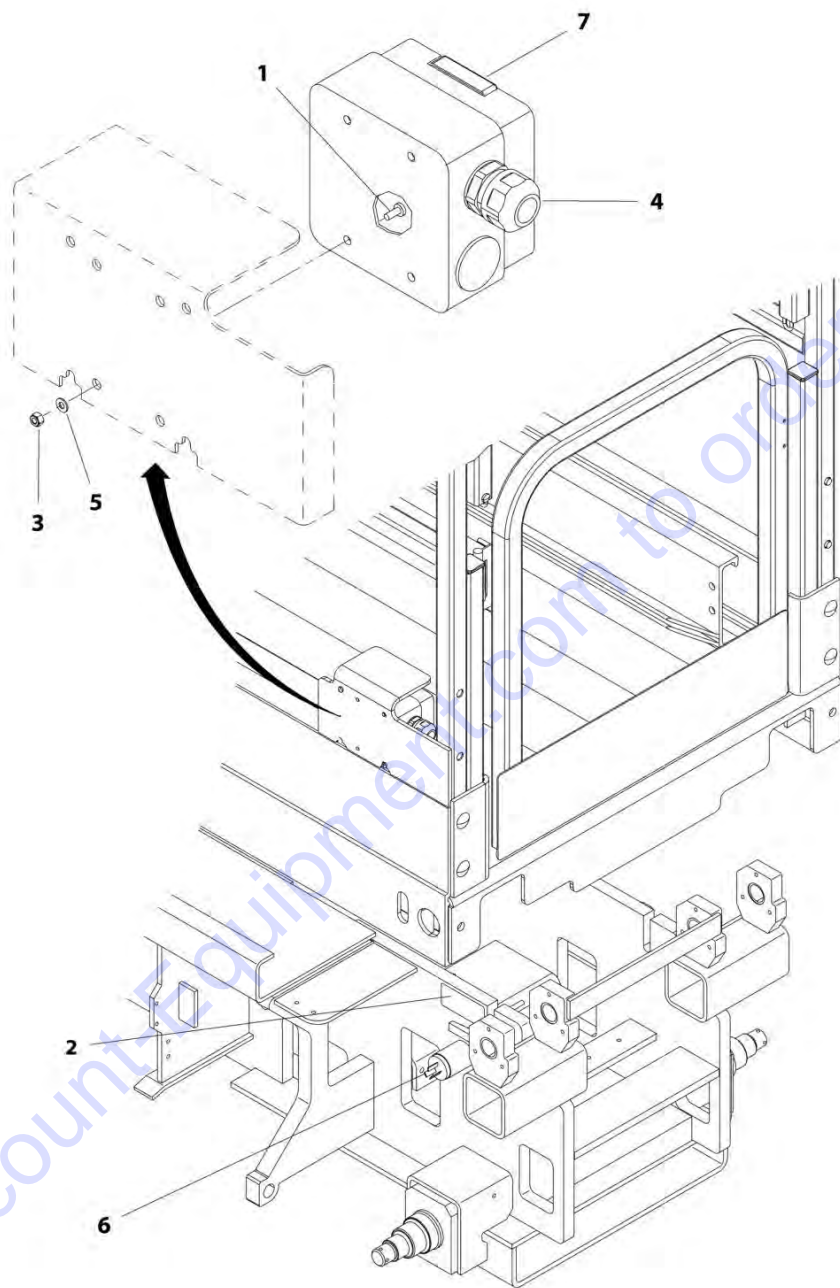
FIGURE 7-8. AC BOX AT PLATFORM INSTALLATION - 220V CEE7 POST GRD (CE SPEC ONLY)

ITEM	PART NUMBER	QTY	DESCRIPTION	REV
	1001162449	Ref	AC BOX AT PLATFORM INSTALLATION - 220V CEE7 POST GRD	A
1	0275452	1	Receptacle Box Kit - 220V CEE7 Post Ground (See RECEPTACLE BOX KIT - 220V CEE7 POST GROUND for Breakdown)	
2	3252507	1	Decal - 220V-50/60Hz	
3	3290405	4	Nut M4	
4	4010408	4	Screw M4 x 16	
5	4010608	2	Screw M6 x 16	
6	4191706	4	Screw M6 x 12	
7	4460662	1	Connector, Strain Relief	
8	4811700	6	Washer M6	
9	1001091102	8	Washer M4	
10	1001152485	1	Breaker Box Kit (See BREAKER BOX KIT WITH THREE BREAKERS for Breakdown)	
11	1001162362	1	Bracket	

Go to Discount-Equipment.com to order your parts

SECTION 7 - ELECTRICAL

FIGURE 7-9. AC BOX AT PLATFORM INSTALLATION - 220V (CHINESE SPEC ONLY)



ART_1001198711

SECTION 7 - ELECTRICAL

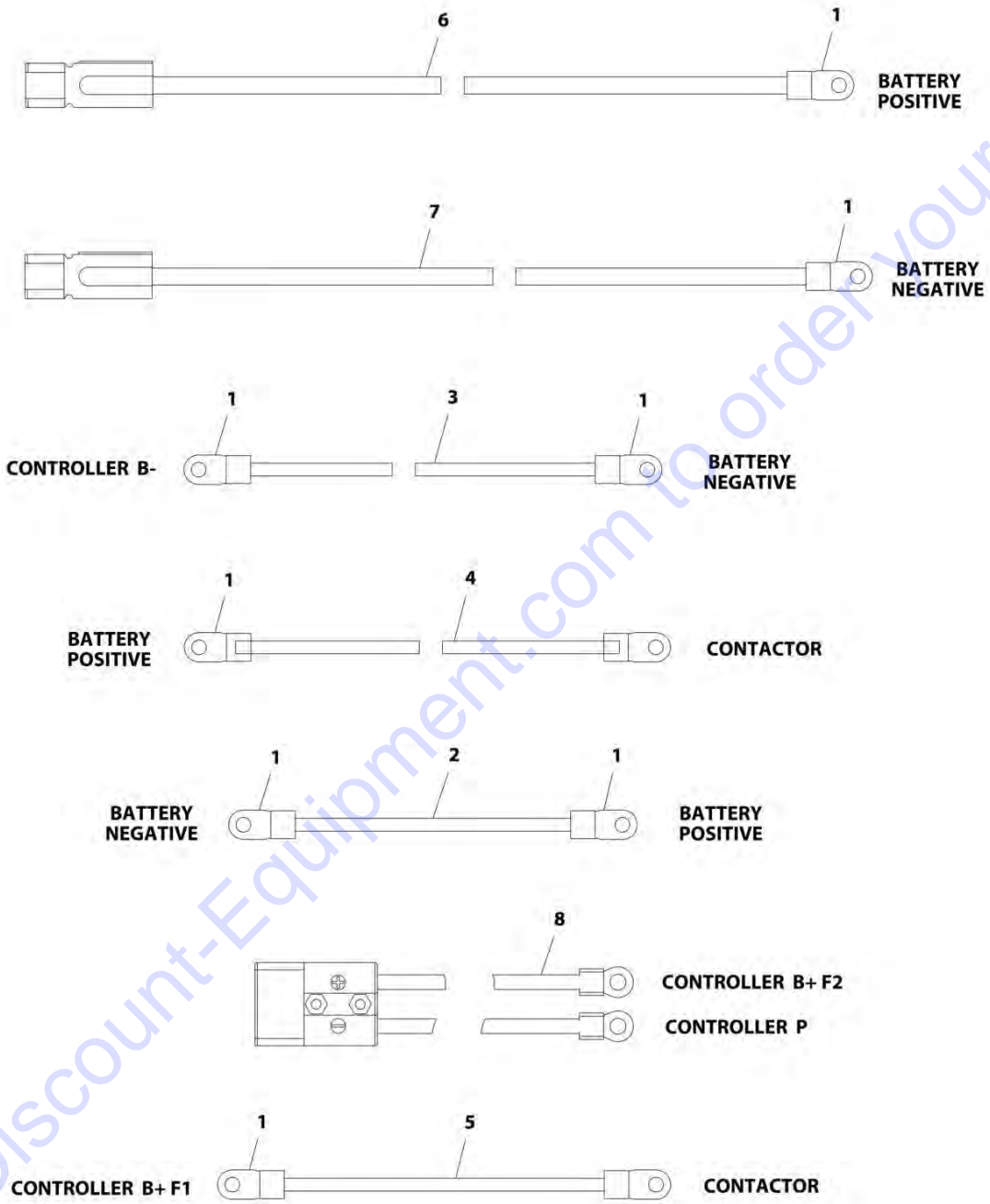
FIGURE 7-9. AC BOX AT PLATFORM INSTALLATION - 220V (CHINESE SPEC ONLY)

ITEM	PART NUMBER	QTY	DESCRIPTION	REV
	1001198711	Ref	AC BOX AT PLATFORM INSTALLATION - 220V	A
1	4010405	4	Screw M4 X 10	
2	3252507	1	Decal - 220V-50/60Hz	
3	3290405	4	Nut M4	
4	4460968	1	Connector, Strain Relief	
5	4811400	4	Washer M4	
6	1001187816	1	Plug	
7	1001188116	1	Box, Receptacle	

Go to Discount-Equipment.com to order your parts

SECTION 7 - ELECTRICAL

FIGURE 7-10. BATTERY CABLE KIT



ART_1001178535

SECTION 7 - ELECTRICAL

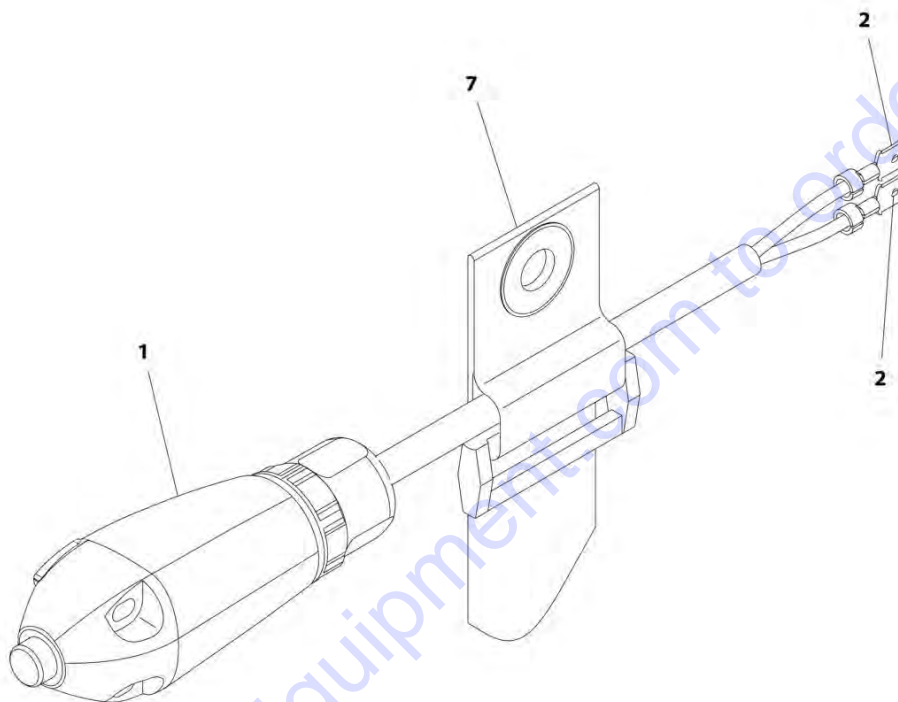
FIGURE 7-10. BATTERY CABLE KIT

ITEM	PART NUMBER	QTY	DESCRIPTION	REV
	1001178535	Ref	BATTERY CABLE KIT	E
1	0840060	8	Boot, Terminal	
2	1060998	2	Cable, Battery	
3	4923367	1	Cable, Negative to Controller	
4	4923374	1	Cable, B Positive to Contactor	
5	1001114992	1	Cable, Battery	
6	1001178532	1	Cable, Battery	
7	1001178533	1	Cable, Battery	
8	1001178534	1	Cable, Pump Power	

Go to Discount-Equipment.com to order your parts

SECTION 7 - ELECTRICAL

FIGURE 7-11. BRAKE DISCONNECT HARNESS



ART_4922944

SECTION 7 - ELECTRICAL

FIGURE 7-11. BRAKE DISCONNECT HARNESS

ITEM	PART NUMBER	QTY	DESCRIPTION	REV
	4922944	Ref	BRAKE DISCONNECT HARNESS	F
1	4360613	1	Switch, Push Button Limit	
2	4461002	2	Terminal	
7	4240003	1	Strap, Cinch	

Go to Discount-Equipment.com to order your parts

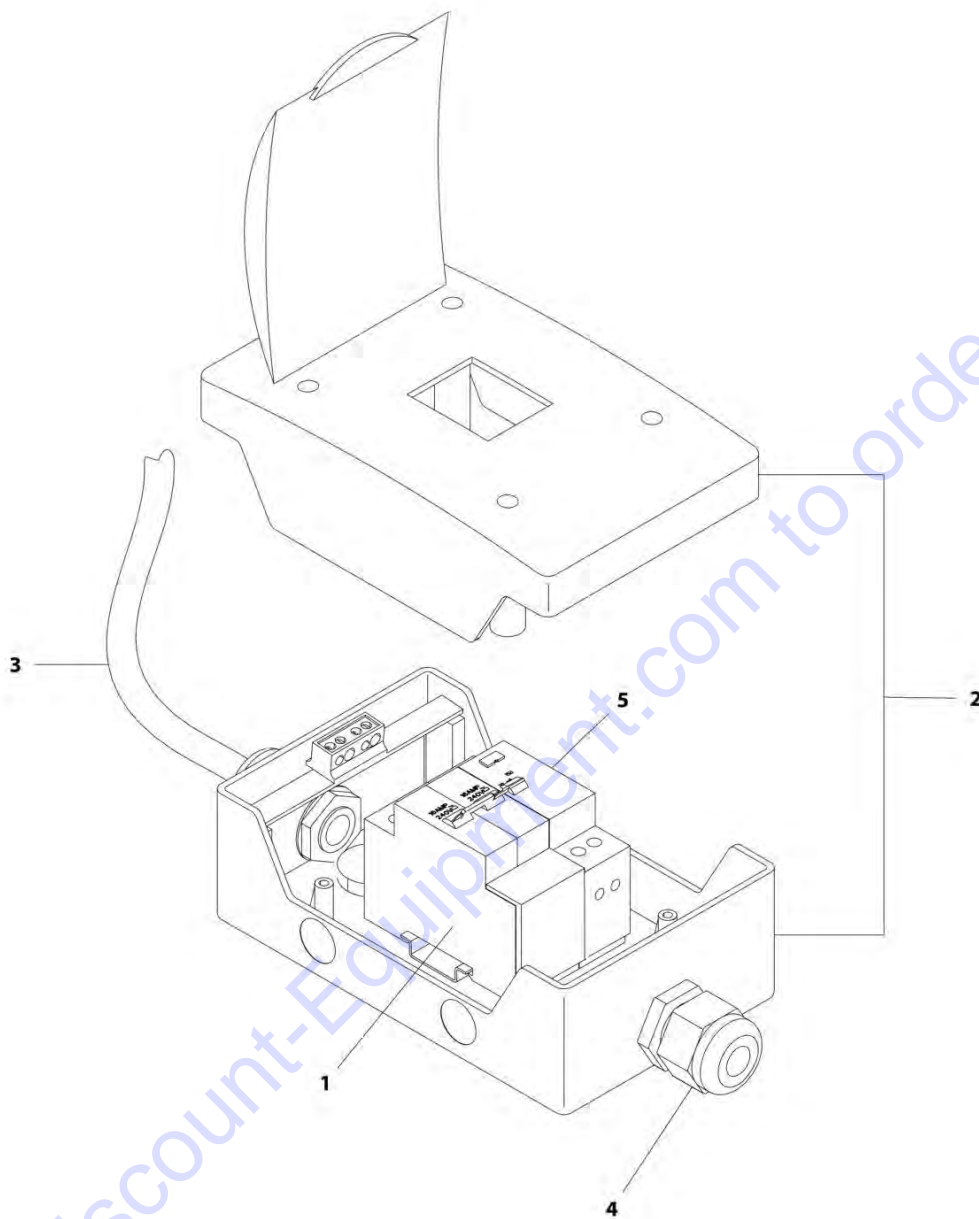
SECTION 7 - ELECTRICAL

FIGURE 7-12. BREAKER BOX KIT WITH TWO BREAKERS (CE SPEC ONLY)

ITEM	PART NUMBER	QTY	DESCRIPTION	REV
	2902541	Ref	BREAKER BOX KIT WITH TWO BREAKERS - CE SPEC ONLY	G
1	1001109475	NLA	Breaker, 16 Amp (Use p/n 1001181045) (SN 0200239382 through 0200245768)	
1	1001109475	NLA	Breaker, 16 Amp (Use p/n 1001181045) (SN B200020297 through B200022928)	
2	0861880	1	Box	
3	4460956	1	Barrier, Terminal	
4	1060908	4.6 ft /1.4m	Cable, 12/3	
5	1001097150	2	Connector, Strain Relief	
6	4460957	1	Block, Terminal	
7	1001109482	NLA	Breaker, 30mA (Use p/n 1001181045) (SN 0200239382 through 0200245768)	
7	1001109482	NLA	Breaker, 30mA (Use p/n 1001181045) (SN B200020297 through B200022928)	
8	1001181045	1	Breaker, 16A/30mA Combination (SN 0200245769 to Present, SN 1200025021 to Present, SN B200022929 to Present, SN M200000100 to Present)	

SECTION 7 - ELECTRICAL

FIGURE 7-13. BREAKER BOX KIT WITH THREE BREAKERS (CE SPEC ONLY)



ART_1001152485

SECTION 7 - ELECTRICAL

FIGURE 7-13. BREAKER BOX KIT WITH THREE BREAKERS (CE SPEC ONLY)

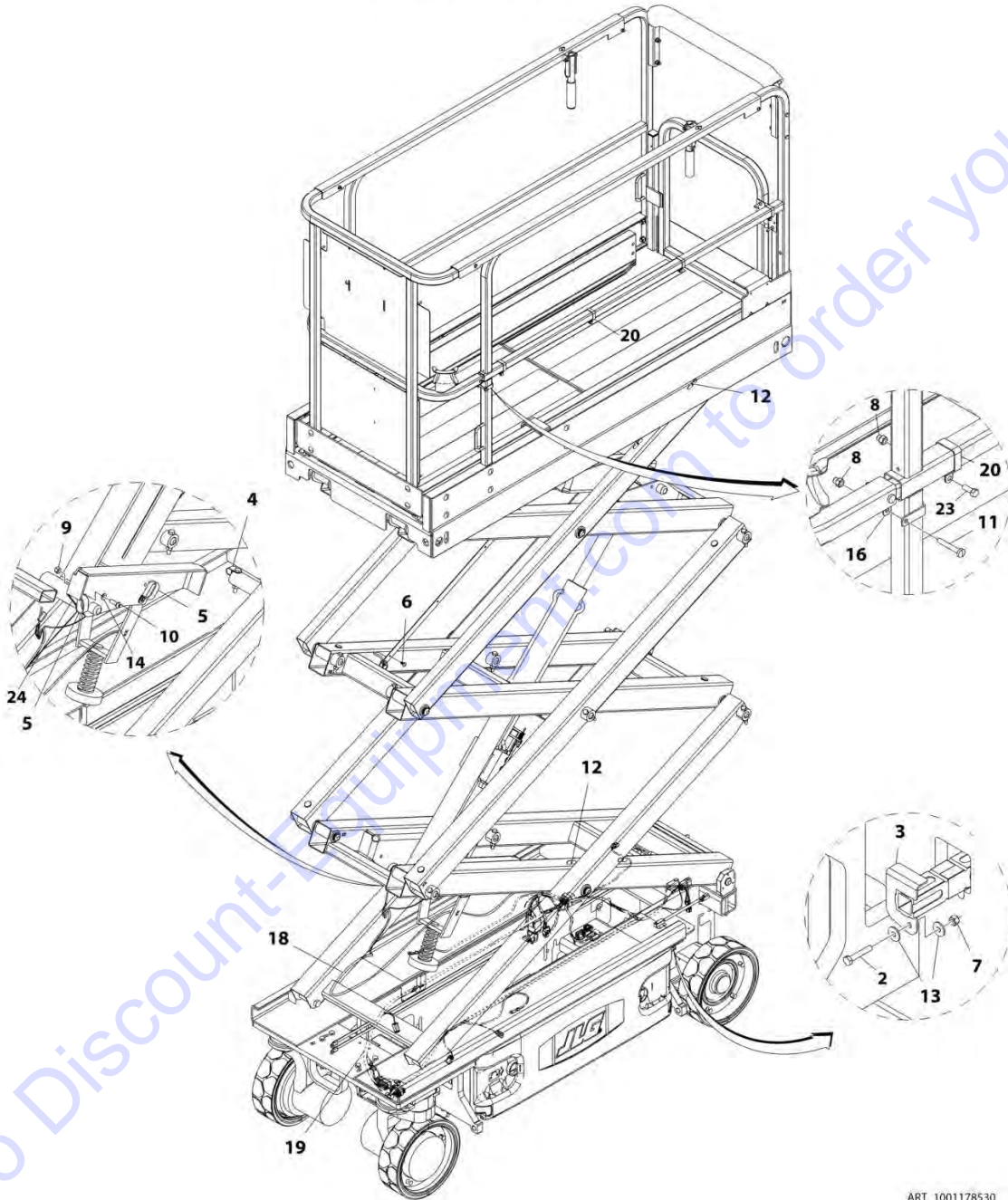
ITEM	PART NUMBER	QTY	DESCRIPTION	REV
1	1001152485	Ref	BREAKER BOX KIT WITH THREE BREAKERS - CE SPEC ONLY	D
	1001152479	NLA		
1	1001189172	1	Breaker 16 Amp Double (Use p/n 1001189172) (SN 0200239382 through 0200248240, SN B200020297 through B200024248, SN M200000100 through M200000139)	
2	1001152483	1	Box	
3	1060908	6 ft/1.8m	Cable, 12/3	
4	1001097150	2	Connector, Strain Relief	
5	1001152482	NLA	Breaker, 30mA (Use p/n 1001189171) (SN 0200239382 through 0200248240, SN B200020297 through B200024248, SN M200000100 through M200000139)	
5	1001189171	1	Breaker, 30mA (SN 0200248241 to Present, SN 1200025021 to Present, SN B200024249 to Present, SN M200000140 to Present)	

Go to Discount-Equipment.com to order your parts

SECTION 7 - ELECTRICAL

FIGURE 7-14. CABLES INSTALLATION

NOTE : SEE USAGE CHART ON PARTS LIST BEFORE ORDERING PARTS.



ART_1001178530

SECTION 7 - ELECTRICAL

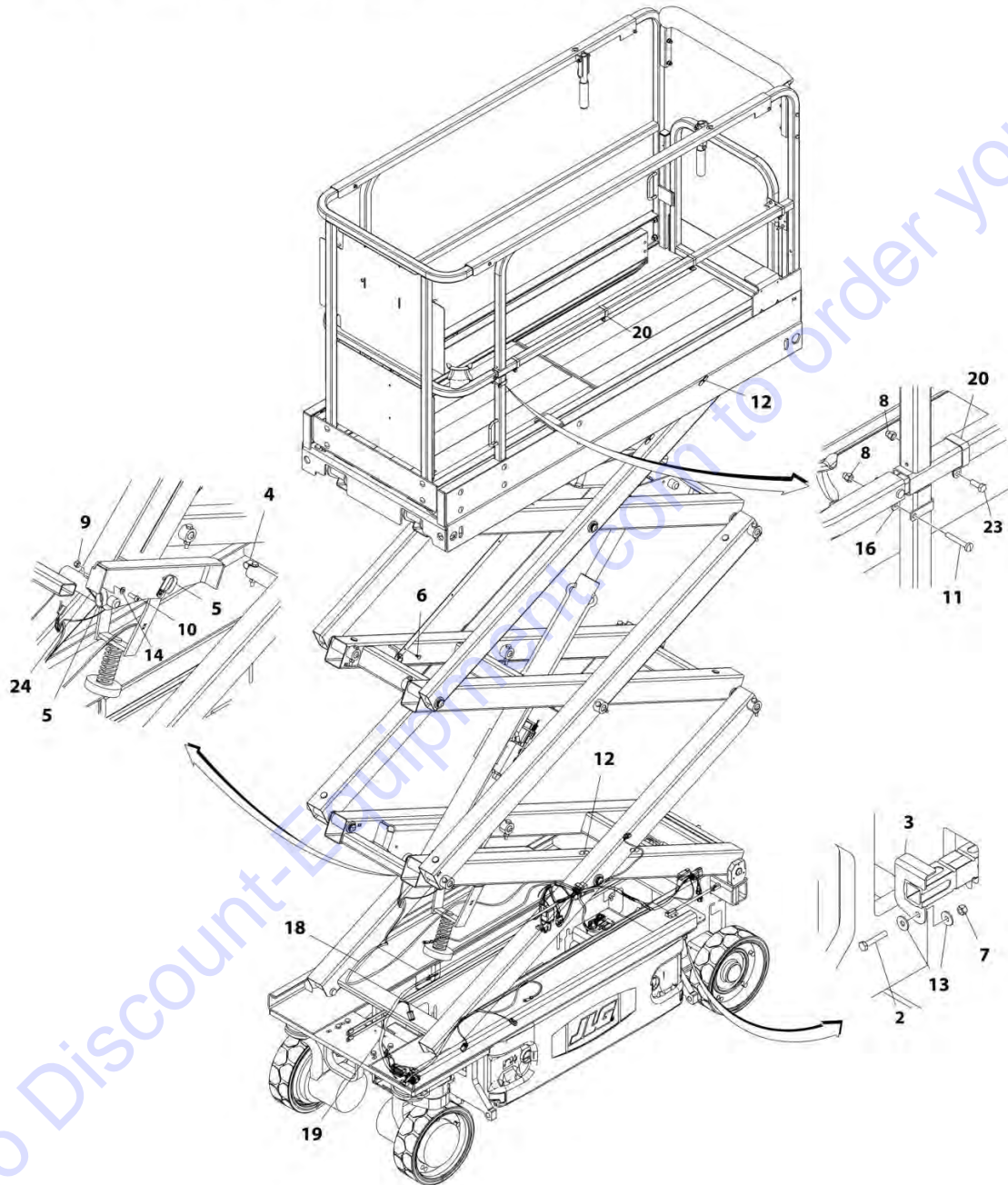
FIGURE 7-14. CABLES INSTALLATION

ITEM	PART NUMBER	QTY	DESCRIPTION	REV
	1001178530	Ref	CABLES INSTALLATION	F
		Ref	Usage Chart	
		Ref	China Built Machines (SN B200020297 through B200035278)	
		Ref	Mexico Built Machines	
		Ref	USA Built Machines	
		Ref	ANSI and CSA Specs (All Machines)	
		Ref	Japanese Specs (SN 0200239382 through 0200258069)	
		Ref	ANSI Export and China Specs (SN 0200239382 through 0200248240)	
1	0100048	AR	Grease, Dielectric (Not Shown)	
2	0700615	1	Screw, M6 x 35	
3	0903339	1	Bracket, Battery	
4	1320318	1	Clamp	
5	1321716	2	Clamp	
6	1380158	11	Clip	
7	3290605	1	Nut M6	
8	3290606	5	Cap Nut, M6	
9	3291005	1	Nut, M10	
10	3900351	1	Screw, M10 x 30	
11	4010616	1	Screw, M6 x 40	
12	4740545	4	Washer	
13	4811702	2	Washer M6	
14	4812000	1	Washer M10	
15	1001178685	1	Ground to Platform Harness (Not Shown - See GROUND TO PLATFORM HARNESS for Breakdown)	
16	1001094175	1	Clamp	
17	1001096705	1	Platform Harness (Includes Item 20) (Not Shown - See PLATFORM HARNESS for Breakdown) (SN 0200239382 through 0200262428, SN B200020297 through B200035278, SN M200000100 through M200010194)	
17	1001201242	1	Platform Harness (Includes Item 20) (Not Shown - See PLATFORM HARNESS for Breakdown) (SN 0200262429 to Present, SN M200010195 to Present)	
18	1001115002	1	Cylinder Harness (See CYLINDER HARNESS for Breakdown)	
19	1001187203	1	Chassis Harness (See CHASSIS HARNESS for Breakdown)	
20	1001094180	NLA	Clamp (Use p/n 1001210760) (SN 0200239382 through 0200257625, SN B200020297 through B200035278, SN M200000100 through M200002832)	
20	1001210433	NLA	Clamp (Use p/n 1001210760) (SN 0200257626 to Present, SN M200002833 to Present)	
21	1001178535	1	Battery Cable Kit (Not Shown - See BATTERY CABLE KIT for Breakdown)	
22	1001178536	1	Cable, Pump Power (Not Shown - See PUMP POWER CABLE ASSEMBLY for Breakdown)	
23	0760606	4	Bolt M6 x 12	
24	4060805	8 in/20cm	Flex-Trim (SN 0200259948 to Present, SN M200002805 to Present)	

SECTION 7 - ELECTRICAL

FIGURE 7-15. CABLES INSTALLATION

NOTE : SEE USAGE CHART ON PARTS LIST BEFORE ORDERING PARTS.



ART_1001219353

SECTION 7 - ELECTRICAL

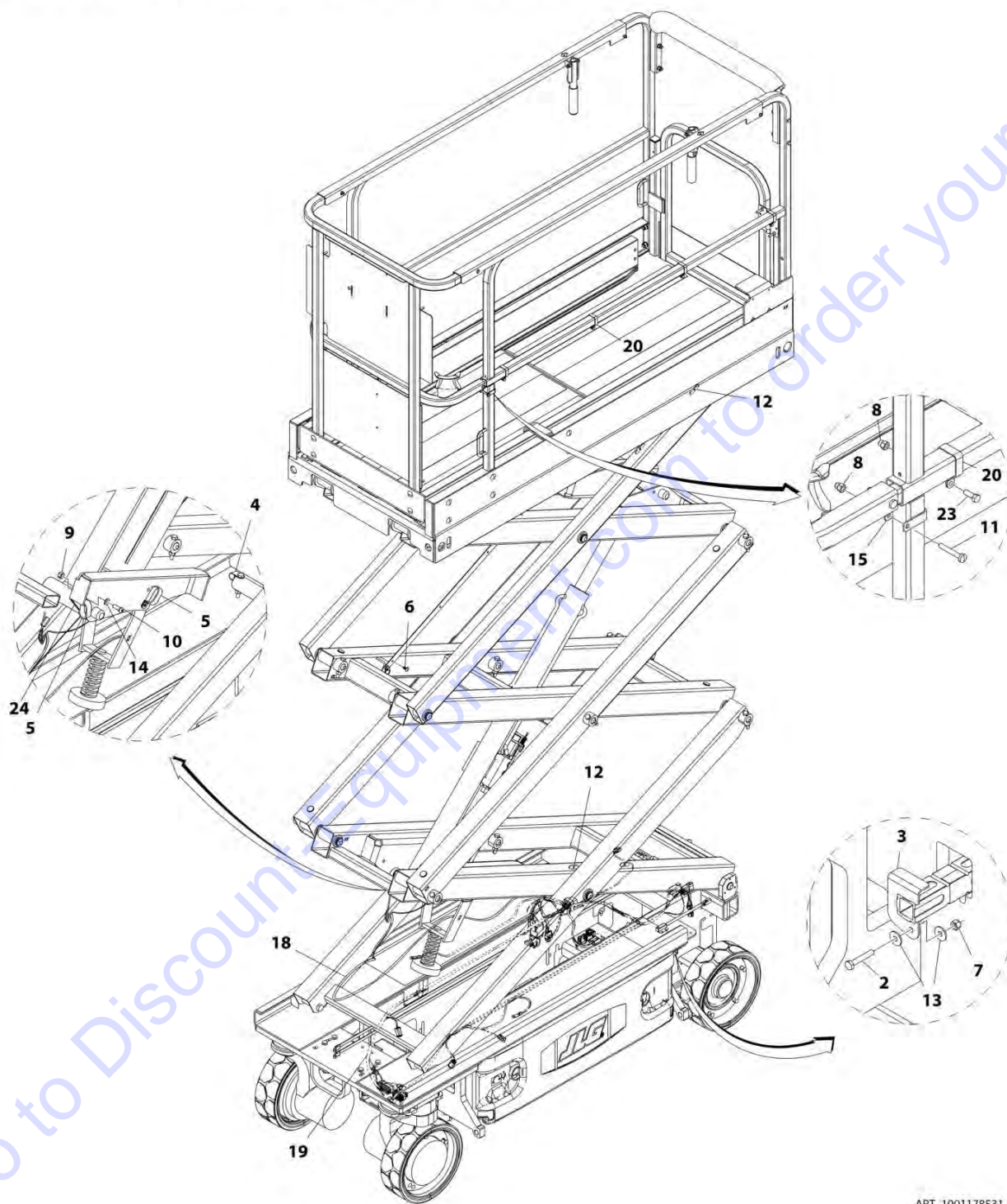
FIGURE 7-15. CABLES INSTALLATION

ITEM	PART NUMBER	QTY	DESCRIPTION	REV
	1001219353	Ref	CABLES INSTALLATION	C
		Ref	Usage Chart (Remove)	
		Ref	China Built Machines (SN B200035279 to Present)	
		Ref	USA Built Machines (ANSI and CSA Specs)	
1	0100048	AR	Grease, Dielectric (Not Shown)	
2	0700615	1	Screw, M6 x 35	
3	0903339	1	Bracket, Battery	
4	1320318	1	Clamp	
5	1321716	2	Clamp	
6	1380158	11	Clip	
7	3290605	1	Nut M6	
8	3290606	5	Cap Nut, M6	
9	3291005	1	Nut, M10	
10	3900351	1	Screw, M10 x 30	
11	4010616	1	Screw, M6 x 40	
12	4740545	4	Washer	
13	4811702	2	Washer M6	
14	4812000	1	Washer M10	
15	1001178685	1	Ground to Platform Harness (Not Shown - See GROUND TO PLATFORM HARNESS for Breakdown)	
16	1001094175	1	Clamp	
17	1001096705	1	Platform Harness (Includes Item 20) (Not Shown - See PLATFORM HARNESS for Breakdown)	
18	1001115002	1	Cylinder Harness (See CYLINDER HARNESS for Breakdown)	
19	1001187203	1	Chassis Harness (See CHASSIS HARNESS for Breakdown)	
20	1001220668	4	Clamp	
21	1001178535	1	Battery Cable Kit (Not Shown - See BATTERY CABLE KIT for Breakdown)	
22	1001178536	1	Cable, Pump Power (Not Shown - See PUMP POWER CABLE ASSEMBLY for Breakdown)	
23	0760606	4	Bolt M6 x 12	
23	0760605	4	Bolt M6 x 10	
24	4060805	8 in/20cm	Flex-Trim (SN B200038196 to Present)	

SECTION 7 - ELECTRICAL

FIGURE 7-16. CABLES INSTALLATION

NOTE : SEE USAGE CHART ON PARTS LIST BEFORE ORDERING PARTS.



ART_1001178531

SECTION 7 - ELECTRICAL

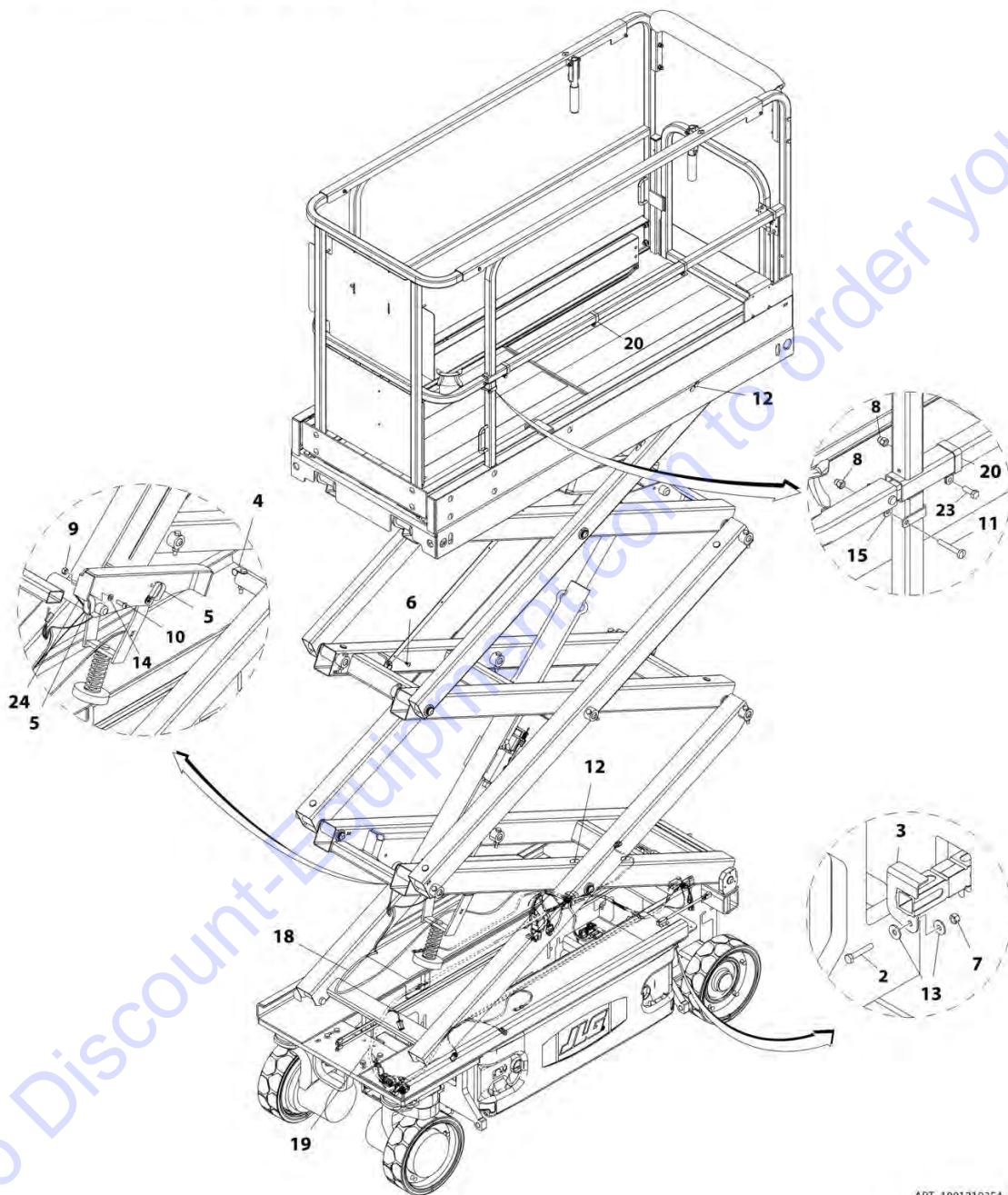
FIGURE 7-16. CABLES INSTALLATION

ITEM	PART NUMBER	QTY	DESCRIPTION	REV
15	1001178685	1	Ground to Platform Harness (Not Shown - See GROUND TO PLATFORM HARNESS for Breakdown)	F
	1001178531	Ref	CABLES INSTALLATION	
		Ref	Usage Chart	
		Ref	Belgium Built Machines (SN 1200025021 through 1200025120)	
		Ref	China Built Machines (SN B200020297 through B200035278)	
		Ref	Mexico Built Machines	
		Ref	Korea Specs (SN M200017711 to Present)	
		Ref	USA Built Machines	
		Ref	ANSI Export and China Specs (SN 0200248241 to Present)	
		Ref	Japanese Specs (Including 0200258070)	
		Ref	Australian and CE Specs	
1	0100048	AR	Grease, Dielectric (Not Shown)	
2	0700615	1	Screw, M6 x 35	
3	0903339	1	Bracket, Battery	
4	1320318	1	Clamp	
5	1321716	2	Clamp	
6	1380158	11	Clip	
7	3290605	1	Nut M6	
8	3290606	5	Cap Nut, M6	
9	3291005	1	Nut, M10	
10	3900351	1	Screw, M10 x 30	
11	4010616	1	Screw, M6 x 40	
12	4740545	4	Washer	
13	4811702	2	Washer M6	
14	4812000	1	Washer M10	
15	1001094175	1	Clamp	
16	1001178683	1	Ground to Platform Harness (Not Shown - See GROUND TO PLATFORM HARNESS for Breakdown)	
17	1001096705	1	Platform Harness (Includes Item 20) (Not Shown - See PLATFORM HARNESS for Breakdown) (SN 0200239382 through 0200262428, SN 1200025021 through 1200025120, SN B200020297 through B200035278, SN M200000100 through M200010194)	
17	1001201242	1	Platform Harness (Includes Item 20) (Not Shown - See PLATFORM HARNESS for Breakdown) (SN 0200262429 to Present, SN M200010195 to Present)	
18	1001115002	1	Cylinder Harness (See CYLINDER HARNESS for Breakdown)	
19	1001187203	1	Chassis Harness (See CHASSIS HARNESS for Breakdown)	
20	1001094180	NLA	Clamp (Use p/n 1001210760) (SN 0200239382 through 0200257625, SN 1200025021 through 1200025120, SN B200020297 through B200035278, SN M200000100 through M200002832)	
20	1001210433	4	Clamp (SN 0200257626 to Present, SN M200002833 to Present)	
21	1001178535	1	Battery Cable Kit (Not Shown - See BATTERY CABLE KIT for Breakdown)	
22	1001178536	1	Cable, Pump Power (Not Shown - See PUMP POWER CABLE ASSEMBLY for Breakdown)	
23	0760606	4	Bolt M6 x 12	
24	4060805	8 in/20cm	Flex-Trim (SN 0200259948 to Present, SN 1200026043 to Present, SN M200002805 to Present)	

SECTION 7 - ELECTRICAL

FIGURE 7-17. CABLES INSTALLATION

NOTE : SEE USAGE CHART ON PARTS LIST BEFORE ORDERING PARTS.



ART_1001219354

SECTION 7 - ELECTRICAL

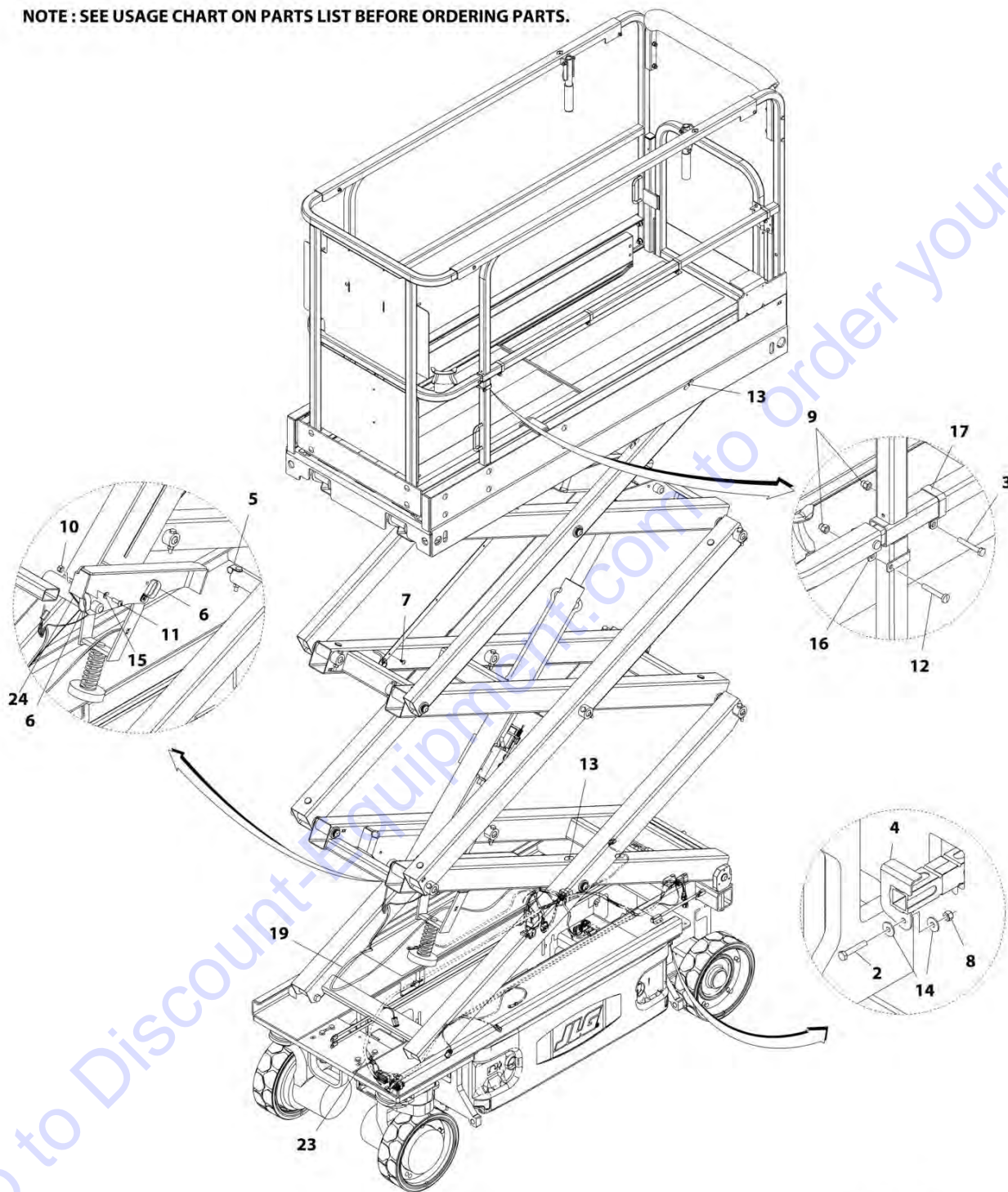
FIGURE 7-17. CABLES INSTALLATION

ITEM	PART NUMBER	QTY	DESCRIPTION	REV
	1001219354	Ref	CABLES INSTALLATION	C
		Ref	Usage Chart	
		Ref	Belgium Built Machines (SN 1200025121 to Present)	
		Ref	China Built Machines (SN B200035279 to Present)	
		Ref	ANSI Export, Australian, CE, Japanese, Korea and China Specs	
1	0100048	AR	Grease, Dielectric (Not Shown)	
2	0700615	1	Screw, M6 x 35	
3	0903339	1	Bracket, Battery	
4	1320318	1	Clamp	
5	1321716	2	Clamp	
6	1380158	11	Clip	
7	3290605	1	Nut M6	
8	3290606	5	Cap Nut, M6	
9	3291005	1	Nut M10	
10	3900351	1	Screw, M10 x 30	
11	4010616	1	Screw, M6 x 40	
12	4740545	4	Washer	
13	4811702	2	Washer M6	
14	4812000	1	Washer M10	
15	1001094175	1	Clamp	
16	1001178683	1	Ground to Platform Harness (Not Shown - See GROUND TO PLATFORM HARNESS for Breakdown)	
17	1001096705	1	Platform Harness (Includes Item 20) (Not Shown - See PLATFORM HARNESS for Breakdown)	
18	1001115002	1	Cylinder Harness (See CYLINDER HARNESS for Breakdown)	
19	1001187203	1	Chassis Harness (See CHASSIS HARNESS for Breakdown)	
20	1001220668	4	Clamp	
21	1001178535	1	Battery Cable Kit (Not Shown - See BATTERY CABLE KIT for Breakdown)	
22	1001178536	1	Cable, Pump Power (Not Shown - See PUMP POWER CABLE ASSEMBLY for Breakdown)	
23	0760606	4	Bolt M6 x 12	
23	0760605	4	Bolt M6 x 10	
24	4060805	8 in/20cm	Flex-Trim (SN B200038196 to Present, SN 1200025121 to Present)	

SECTION 7 - ELECTRICAL

FIGURE 7-18. CABLES INSTALLATION

NOTE : SEE USAGE CHART ON PARTS LIST BEFORE ORDERING PARTS.



ART_1001196865

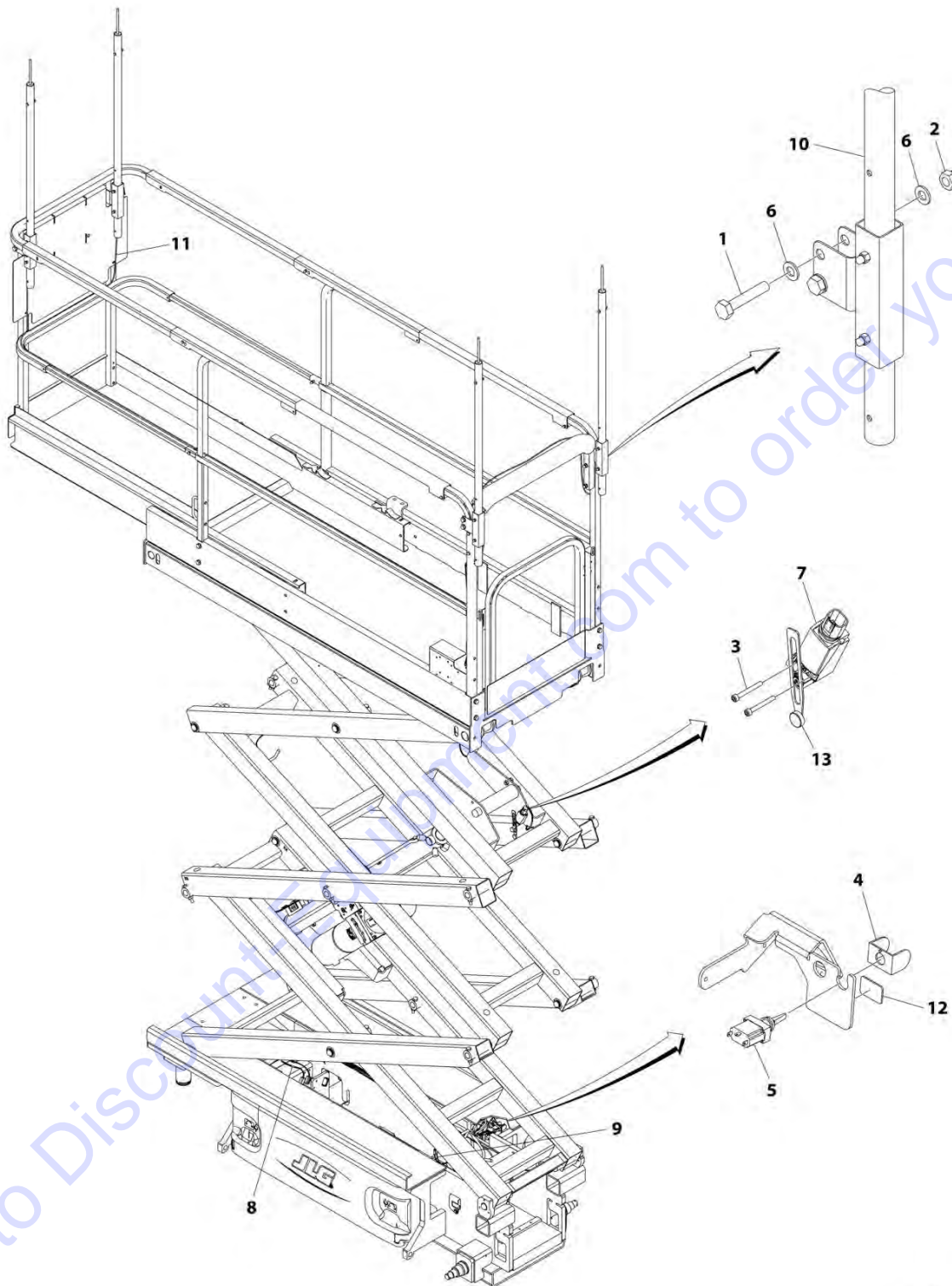
SECTION 7 - ELECTRICAL

FIGURE 7-18. CABLES INSTALLATION

ITEM	PART NUMBER	QTY	DESCRIPTION	REV
	1001196865	Ref	CABLES INSTALLATION	C
		Ref	Usage Chart	
		Ref	China Built Machines (SN B200020297 through B200035278)	
		Ref	Mexico Built Machines	
		Ref	USA Built Machines	
		Ref	UL Machines (All Machines)	
1	0100048	AR	Grease, Dielectric (Not Shown)	
2	0700615	1	Screw M6 x 35	
3	0760606	4	Screw M6 x 12	
4	0903339	1	Bracket, Battery	
5	1320318	1	Clamp	
6	1321716	2	Clamp	
7	1380158	11	Clip	
8	3290605	1	Nut M6	
9	3290606	5	Cap Nut, M6	
10	3291005	1	Nut M10	
11	3900351	1	Screw M10 x 30	
12	4010616	1	Screw M6 x 40	
13	4740545	4	Washer	
14	4811702	2	Washer M6	
15	4812000	1	Washer M10	
16	1001094175	1	Clamp	
17	1001094180	NLA	Clamp (Use p/n 1001210760) (SN 0200239382 through 0200257625, SN B200020297 through B200035278, SN M200000100 through M200002832)	
17	1001210433	NLA	Clamp (Use p/n 1001210760) (SN 0200257626 to Present, SN M200002833 to Present)	
18	1001096705	1	Platform Harness (Includes Item 17) (Not Shown - See PLATFORM HARNESS for Breakdown) (SN 0200239382 through 0200262428, SN B200020297 through B200035278, SN M200000100 through M200010194)	
18	1001201242	1	Platform Harness (Includes Item 17) (Not Shown - See PLATFORM HARNESS for Breakdown) (SN 0200262429 to Present, SN M200010195 to Present)	
19	1001115002	1	Cylinder Harness (See CYLINDER HARNESS for Breakdown)	
20	1001178535	1	Battery Cable Kit (Not Shown - See BATTERY CABLE KIT for Breakdown)	
21	1001178536	1	Cable, Pump Power (Not Shown - See PUMP POWER CABLE ASSEMBLY for Breakdown)	
22	1001178685	1	Ground to Platform Harness (Not Shown - See GROUND TO PLATFORM HARNESS for Breakdown)	
23	1001196836	1	Chassis Harness (See CHASSIS HARNESS for Breakdown)	
24	4060805	8 in/20cm	Flex-Trim (SN 0200259948 to Present, SN M200002805 to Present)	

SECTION 7 - ELECTRICAL

FIGURE 7-19. CABLES INSTALLATION



ART_1001214119

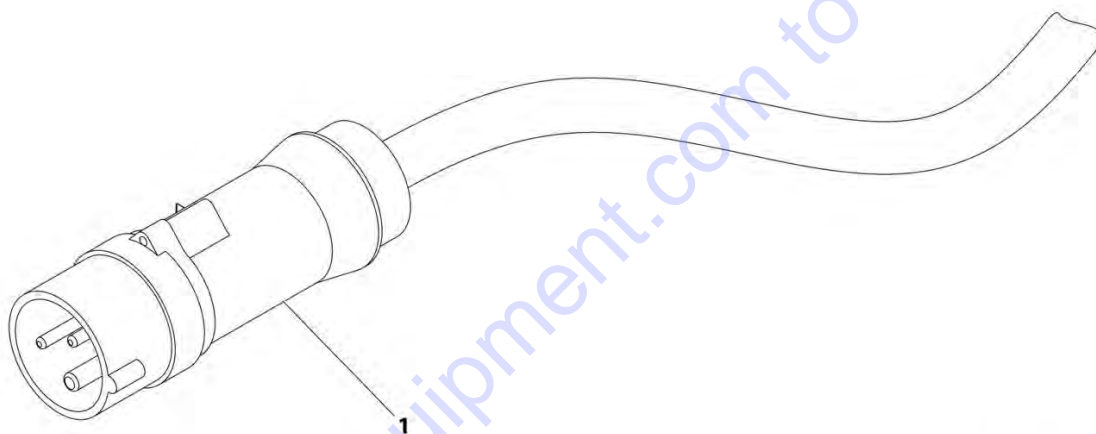
SECTION 7 - ELECTRICAL

FIGURE 7-19. CABLES INSTALLATION

ITEM	PART NUMBER	QTY	DESCRIPTION	REV
	1001219357	Ref	CABLES INSTALLATION	C
		Ref	Usage Chart	
		Ref	China Built Machines (SN B200035279 to Present)	
		Ref	UL Machines	
1	0100048	AR	Grease, Dielectric (Not Shown)	
2	0700615	1	Screw M6 x 35	
3	0760606	4	Screw M6 x 12	
3	0760605	4	Bolt M6 x 10	
4	0903339	1	Bracket, Battery	
5	1320318	1	Clamp	
6	1321716	2	Clamp	
7	1380158	11	Clip	
8	3290605	1	Nut M6	
9	3290606	5	Cap Nut, M6	
10	3291005	1	Nut M10	
11	3900351	1	Screw M10 x 30	
12	4010616	1	Screw M6 x 40	
13	4740545	4	Washer	
14	4811702	2	Washer M6	
15	4812000	1	Washer M10	
16	1001094175	1	Clamp	
17	1001220668	4	Clamp	
18	1001096705	1	Platform Harness (Includes Item 17) (Not Shown - See PLATFORM HARNESS for Breakdown)	
19	1001115002	1	Cylinder Harness (See CYLINDER HARNESS for Breakdown)	
20	1001178535	1	Battery Cable Kit (Not Shown - See BATTERY CABLE KIT for Breakdown)	
21	1001178536	1	Cable, Pump Power (Not Shown - See PUMP POWER CABLE ASSEMBLY for Breakdown)	
22	1001178685	1	Ground to Platform Harness (Not Shown - See GROUND TO PLATFORM HARNESS for Breakdown)	
23	1001196836	1	Chassis Harness (See CHASSIS HARNESS for Breakdown)	
24	4060805	8 in/20cm	Flex-Trim (SN B200038196 to Present)	

SECTION 7 - ELECTRICAL

FIGURE 7-20. CHARGER CORD PLUG INSTALLATION - 110V IEC YELLOW (CE SPEC ONLY)



ART_0275666

SECTION 7 - ELECTRICAL

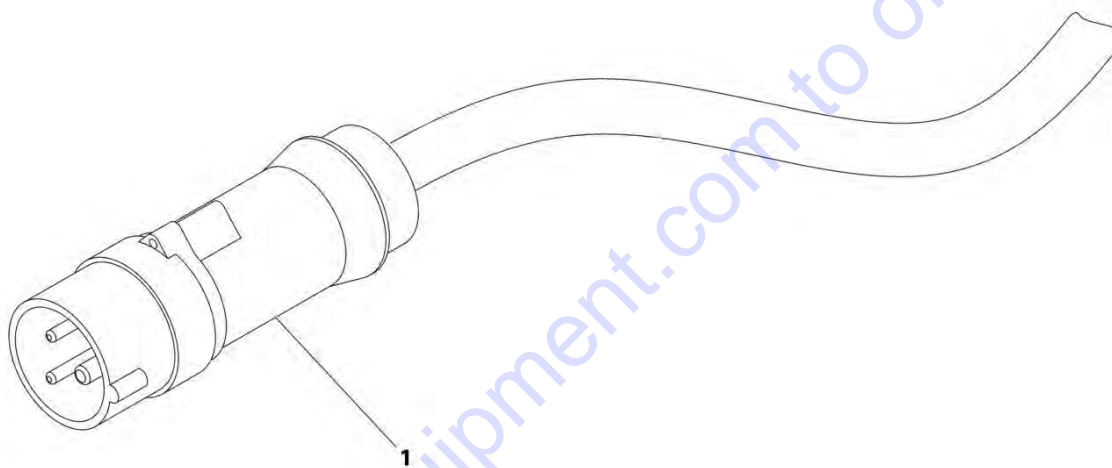
FIGURE 7-20. CHARGER CORD PLUG INSTALLATION - 110V IEC YELLOW (CE SPEC ONLY)

ITEM	PART NUMBER	QTY	DESCRIPTION	REV
	0275666	Ref	CHARGER CORD PLUG INSTALLATION - 110V IEC YELLOW	A
1	4461196	1	PLUG Plug	

Go to Discount-Equipment.com to order your parts

SECTION 7 - ELECTRICAL

FIGURE 7-21. CHARGER CORD PLUG INSTALLATION - 220V IEC BLUE (CE SPEC)



ART_0275667

SECTION 7 - ELECTRICAL

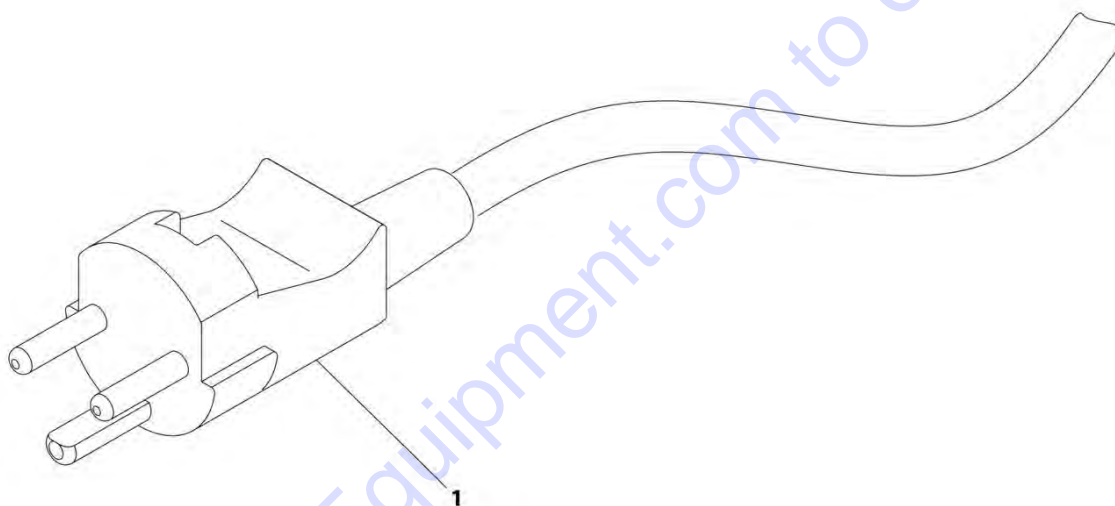
FIGURE 7-21. CHARGER CORD PLUG INSTALLATION - 220V IEC BLUE (CE SPEC)

ITEM	PART NUMBER	QTY	DESCRIPTION	REV
1	0275667 4461199	Ref 1	CHARGER CORD PLUG INSTALLATION - 220V IEC BLUE PLUG Plug	A

Go to Discount-Equipment.com to order your parts

SECTION 7 - ELECTRICAL

FIGURE 7-22. CHARGER CORD PLUG INSTALLATION - 220V AFSINT 107 (CE SPEC)



ART_0275665

SECTION 7 - ELECTRICAL

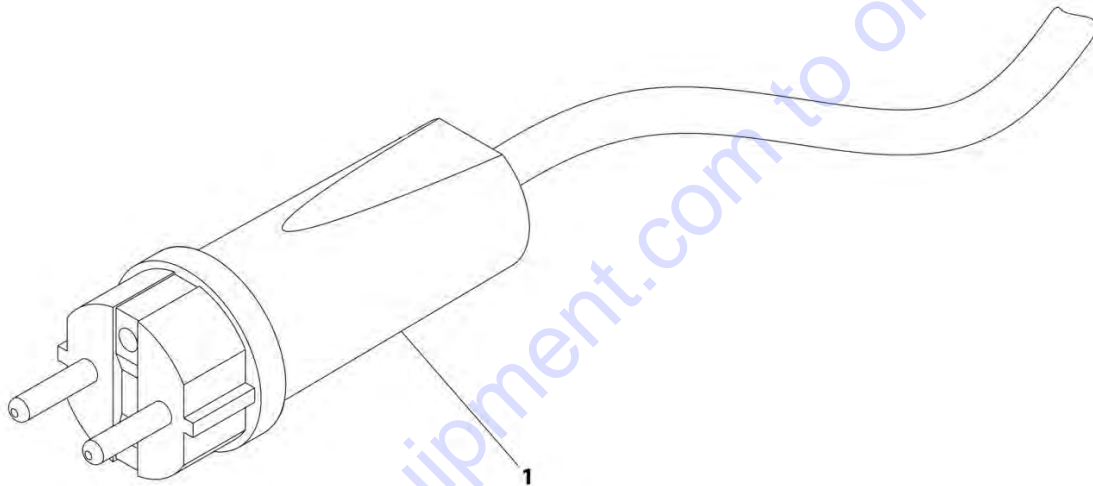
FIGURE 7-22. CHARGER CORD PLUG INSTALLATION - 220V AFSINT 107 (CE SPEC)

ITEM	PART NUMBER	QTY	DESCRIPTION	REV
	0275665	Ref	CHARGER CORD PLUG INSTALLATION - 220V AFSINT 107 KEYED GROUND	A
1	4461249	1	Plug	

Go to Discount-Equipment.com to order your parts

SECTION 7 - ELECTRICAL

FIGURE 7-23. CHARGER CORD PLUG INSTALLATION - 220V CEE7 POST GROUND (CE SPEC)



ART_0275664

SECTION 7 - ELECTRICAL

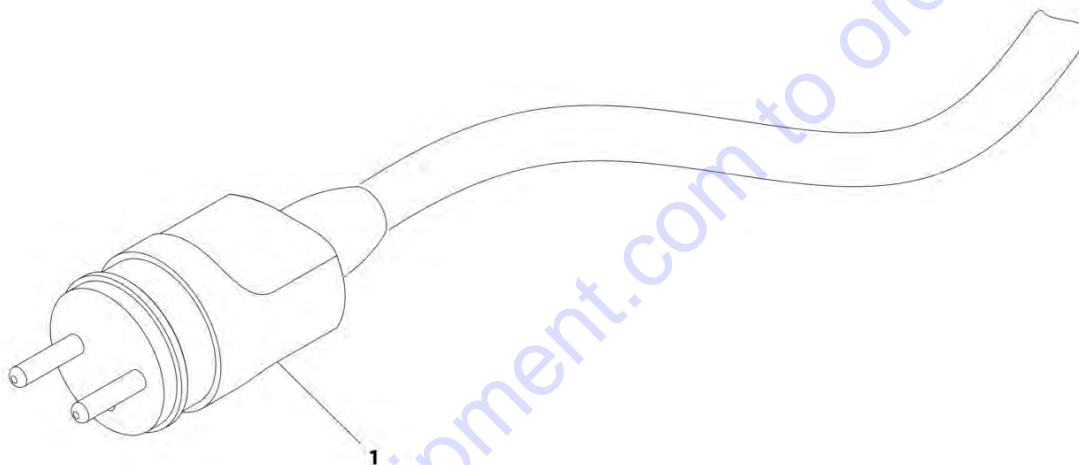
FIGURE 7-23. CHARGER CORD PLUG INSTALLATION - 220V CEE7 POST GROUND (CE SPEC)

ITEM	PART NUMBER	QTY	DESCRIPTION	REV
	0275664	Ref	CHARGER CORD PLUG INSTALLATION - 220V CEE7 SIDE GROUND	A
1	4461205	1	Plug	

Go to Discount-Equipment.com to order your parts

SECTION 7 - ELECTRICAL

FIGURE 7-24. CHARGER CORD PLUG INSTALLATION - 220V POST GROUND (CE SPEC)



ART_0275663

SECTION 7 - ELECTRICAL

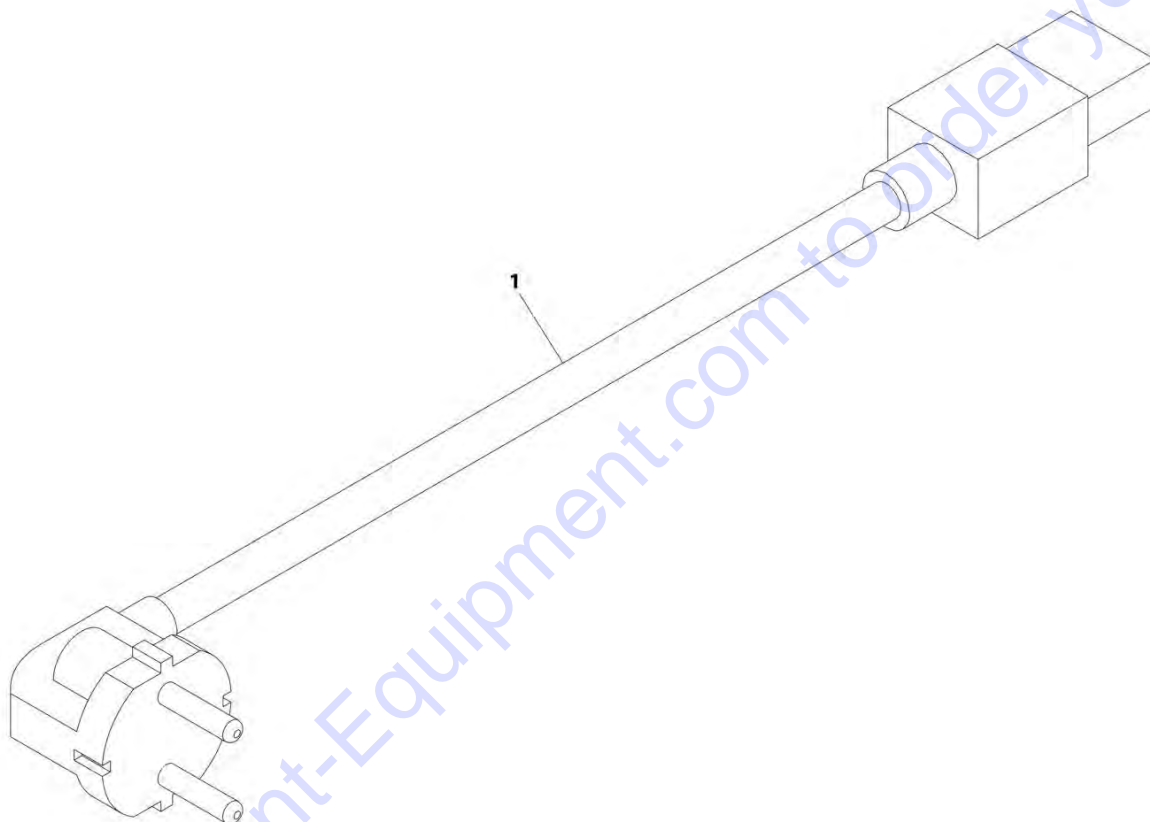
FIGURE 7-24. CHARGER CORD PLUG INSTALLATION - 220V POST GROUND (CE SPEC)

ITEM	PART NUMBER	QTY	DESCRIPTION	REV
	0275663	Ref	CHARGER CORD PLUG INSTALLATION - 220V POST GROUND (CE SPEC)	C
1	4461202	NLA	Plug (Use p/n 4461205) (SN 0200239382 through 0200256617, SN B200020297 through B200037242, SN M200000100 through M200002249)	
1	4461205	1	Plug (SN 0200256618 to Present, SN 1200025021 to Present, SN B2000037243 to Present, SN M200002250 to Present)	

Go to Discount-Equipment.com to order your parts

SECTION 7 - ELECTRICAL

FIGURE 7-25. CHARGER CORD PLUG INSTALLATION (KOREA SPEC)



ART_1001221984

SECTION 7 - ELECTRICAL

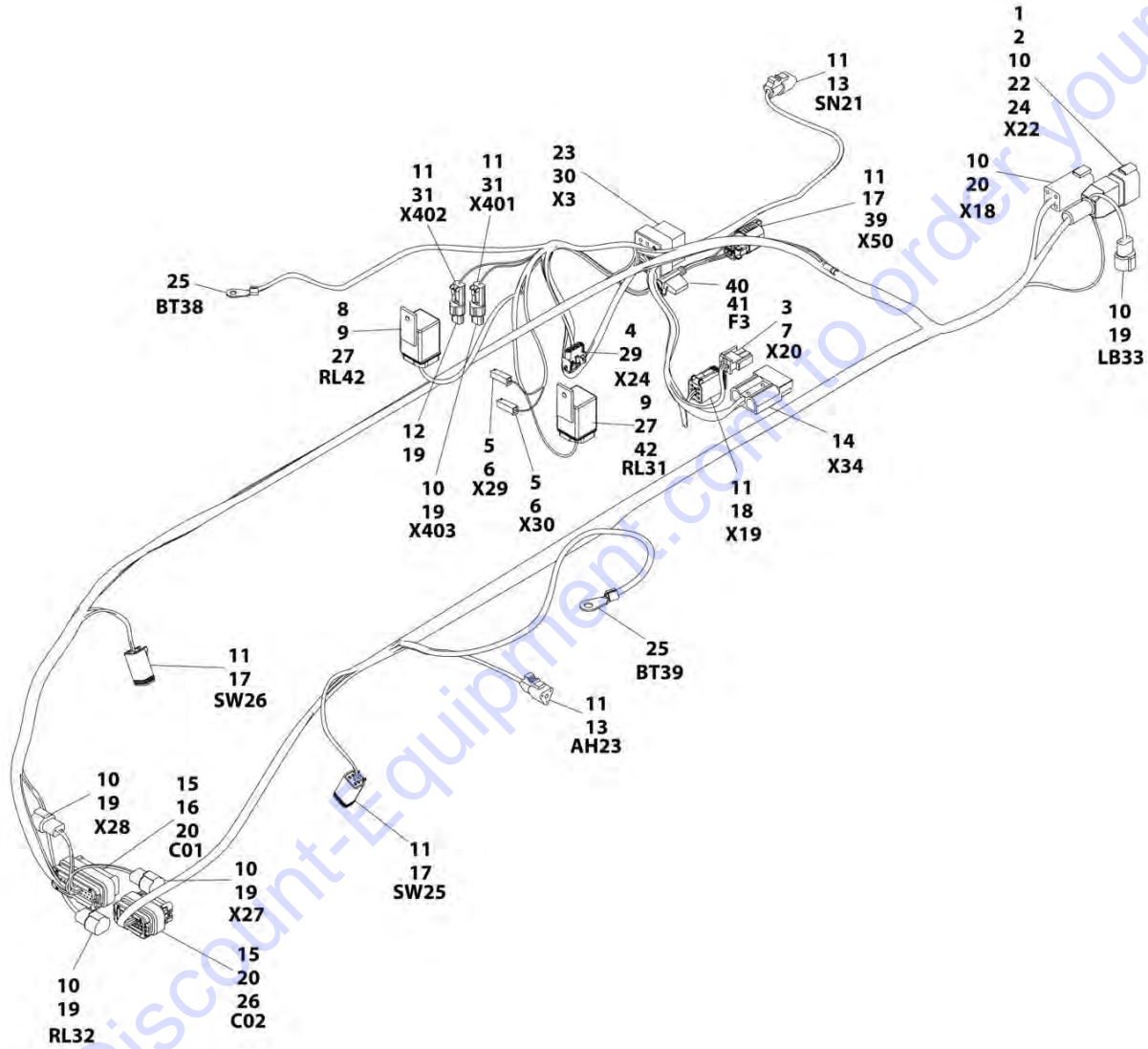
FIGURE 7-25. CHARGER CORD PLUG INSTALLATION (KOREA SPEC)

ITEM	PART NUMBER	QTY	DESCRIPTION	REV
1	1001221984 1001221949	Ref 1	CHARGER CORD PLUG INSTALLATION AC Input Cord and Plug	A

Go to Discount-Equipment.com to order your parts

SECTION 7 - ELECTRICAL

FIGURE 7-26. CHASSIS HARNESS



ART_1001187203

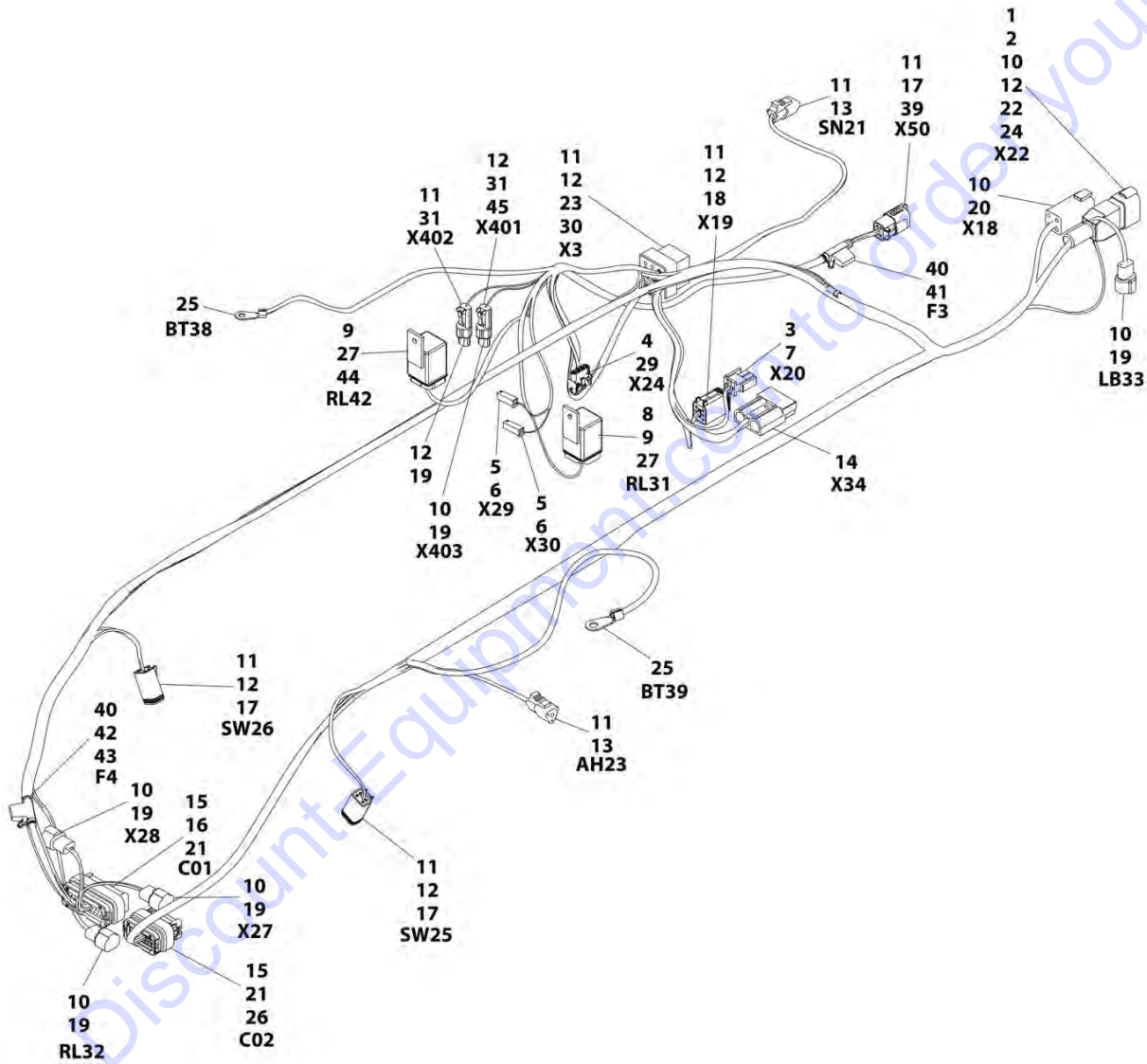
SECTION 7 - ELECTRICAL

FIGURE 7-26. CHASSIS HARNESS

ITEM	PART NUMBER	QTY	DESCRIPTION	REV
	1001187203	Ref	CHASSIS HARNESS	F
1	0840058	1	Boot	
2	2820028	1	Heat Shrink	
3	4460226	2	Socket, Female	
4	4460227	4	Pin, Male	
5	4460259	2	Terminal	
6	4460260	2	Terminal	
7	4460320	1	Terminal	
8	4460374	1	Plug, Relay	
9	4460375	8	Terminal	
10	4460464	18	Pin, Male	
11	4460465	AR	Socket, Female	
12	4460466	11	Seal	
13	4460539	2	Plug, Male - 3 Position	
14	4460648	1	Connector, Anderson	
15	4460871	39	Socket, Female	
16	4460873	1	Connector - 35 Position (Black)	
17	4460884	AR	Plug, Male - 4 Position	
18	4460894	1	Plug, Male - 6 Position	
19	4460897	6	Receptacle, Female - 2 Position	
20	4460899	1	Receptacle, Female - 6 Position	
21	4460905	20	Seal	
22	4460931	1	Receptacle, Female - 8 Position	
23	4460942	2	Socket, Female	
24	4460943	2	Pin, Male	
25	4460986	2	Terminal, Ring	
26	1001096138	1	Connector, 23 Position	
27	1001097347	2	Relay	
29	4460761	1	Receptacle, Female - 4 Position	
30	1001115076	1	Connector, 18 Position	
31	4460891	2	Plug, Male - 2 Position	
39	1001192401	1	Cap, Dust (SN 0200248842 to Present, SN 1200025021 to Present, SN M200000140 to Present, SN B200024964 to Present)	
40	2400060	1	Fuseholder with Cover (SN 0200248842 to Present, SN 1200025021 to Present, SN M200000140 to Present, SN B200024964 to Present)	
41	8229242	1	Fuse 5Amp (SN 0200248842 to Present, SN 1200025021 to Present, SN M200000140 to Present, SN B200024964 to Present)	
42	4460374	1	Plug, Relay (SN 0200239382 through 0200253043, SN B200020297 through B200028157, SN M200000100 through M200000687)	
42	1001117057	1	Plug, Relay (SN 0200253044 to Present, SN 1200025021 to Present, SN B200028158 to Present, SN M200000688 to Present)	

SECTION 7 - ELECTRICAL

FIGURE 7-27. CHASSIS HARNESS - UL MACHINES



ART_1001196836

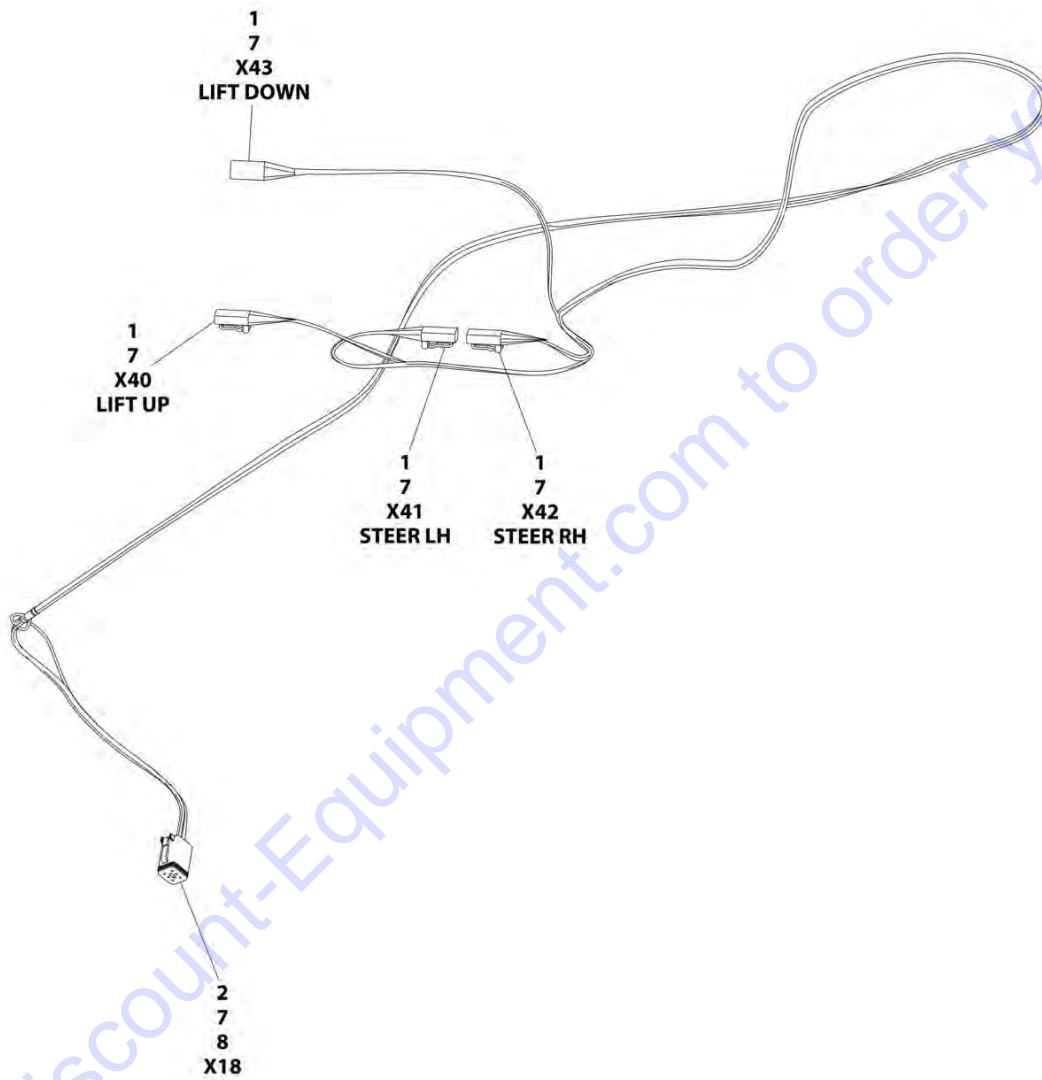
SECTION 7 - ELECTRICAL

FIGURE 7-27. CHASSIS HARNESS - UL MACHINES

ITEM	PART NUMBER	QTY	DESCRIPTION	REV
	1001196836	Ref	CHASSIS HARNESS - UL MACHINES	E
1	0840058	1	Boot	
2	2820028	1	Heat Shrink	
3	4460226	2	Socket, Female	
4	4460227	4	Terminal	
5	4460259	2	Terminal	
6	4460260	2	Terminal	
7	4460320	1	Terminal	
8	4460374	1	Plug, Relay	
9	4460375	AR	Terminal	
10	4460464	AR	Pin, Male	
11	4460465	AR	Socket, Female	
12	4460466	AR	Seal	
13	4460539	2	Plug, Male - 3 Position	
14	4460648	1	Connector, Anderson	
15	4460871	39	Socket, Female	
16	4460873	1	Connector - 35 Position (Black)	
17	4460884	3	Plug, Male - 4 position	
18	4460894	1	Plug, Male - 6 Position	
19	4460897	6	Receptacle, Female - 2 Position	
20	4460899	1	Receptacle, Female - 6 Position	
21	4460905	AR	Seal	
22	4460931	1	Receptacle, Female - 8 Position	
23	4460942	2	Socket, Female	
24	4460943	AR	Pin, Male	
25	4460986	2	Terminal, Ring	
26	1001096138	1	Connector - 23 Position	
27	1001197347	2	Relay	
29	4460761	1	Receptacle, Female - 4 Position	
30	1001115076	1	Connector - 18 Position	
31	4460891	2	Plug, Male - 2 Position	
39	1001192401	1	Cap, Dust	
40	2400060	2	Fuseholder	
41	8229242	1	Fuse - 5 Amp	
42	1001196838	1	Fuse - 3 Amp	
43	2820152	AR	Heat Shrink	
44	1001117057	1	Connector - 4 Position	
45	1001157890	1	Terminal	

SECTION 7 - ELECTRICAL

FIGURE 7-28. CYLINDER HARNESS



ART_1001115002

SECTION 7 - ELECTRICAL

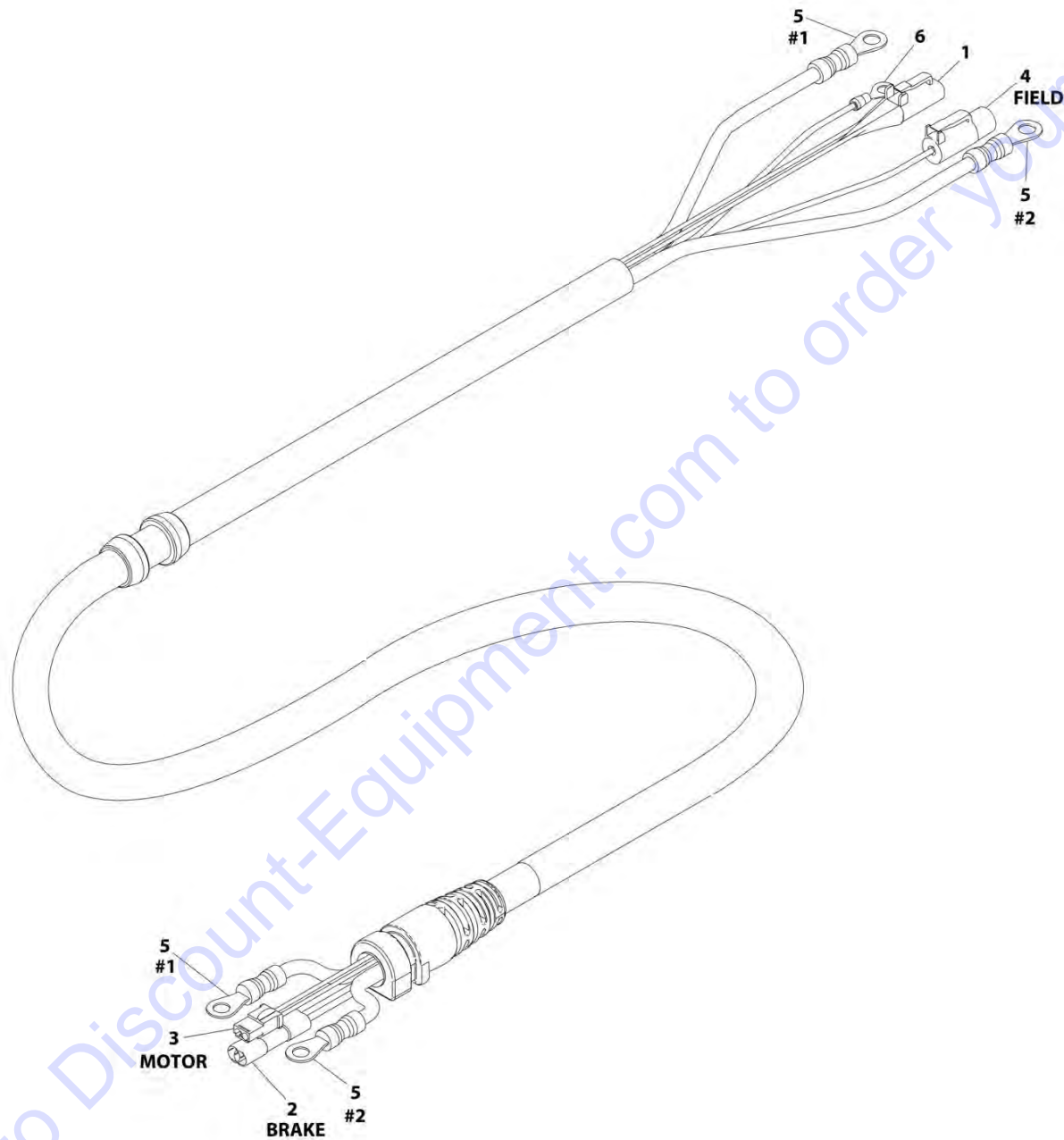
FIGURE 7-28. CYLINDER HARNESS

ITEM	PART NUMBER	QTY	DESCRIPTION	REV
	1001115002	Ref	CYLINDER HARNESS	C
1	4460891	4	Plug, Male - 2 Position	
2	4460894	1	Plug, Male - 6 Position	
7	4460465	14	Socket, Female	
8	0840059	1	Boot	

Go to Discount-Equipment.com to order your parts

SECTION 7 - ELECTRICAL

FIGURE 7-29. DRIVE CABLE ASSEMBLY



ART_1001091502

SECTION 7 - ELECTRICAL

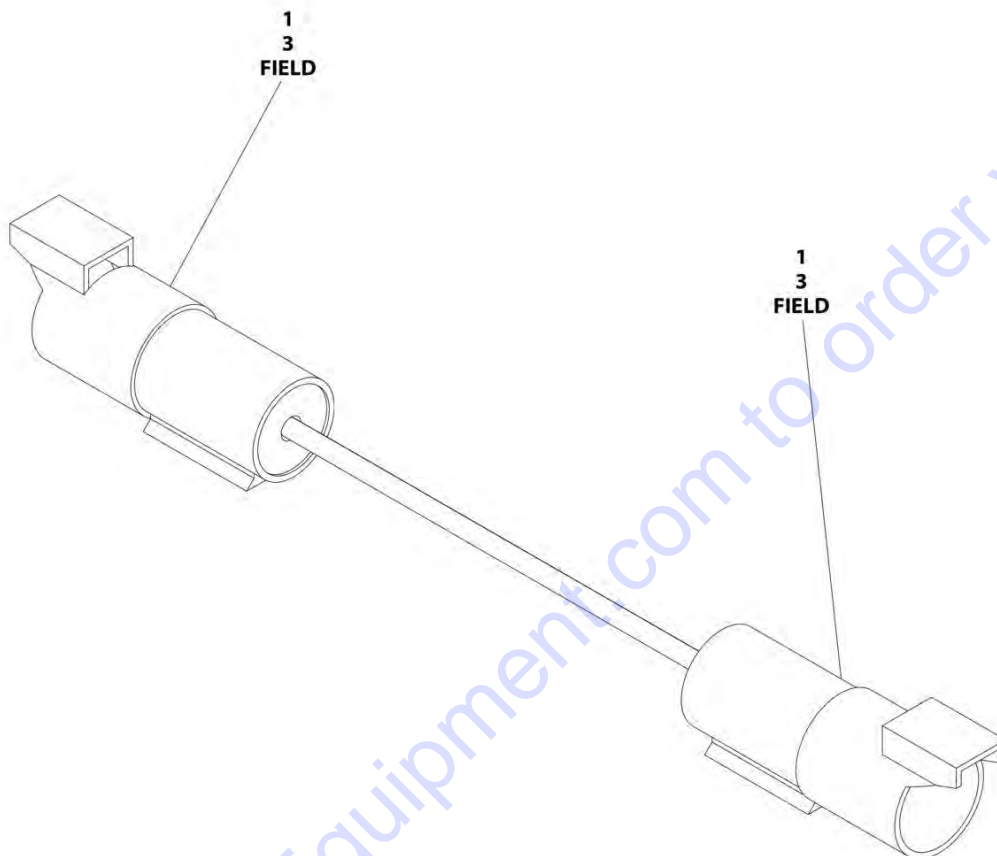
FIGURE 7-29. DRIVE CABLE ASSEMBLY

ITEM	PART NUMBER	QTY	DESCRIPTION	REV
	1001091502	Ref	DRIVE CABLE ASSEMBLY	F
1	4460891	1	Plug, Male - 2 Position	
1	4460465	2	Socket, Female	
2	70001442	1	Plug, Male - 2 Position	
2	See Note	NSS	Socket, Female (Note: Not Available for Purchase)	
3	70001443	1	Plug, Male - 2 Position	
4	4461261	1	Plug, Male - 1 Position	
4	4460509	1	Terminal	
5	See Note	NSS	Terminal, Ring (Note: Not Available for Purchase)	
6	See Note	NSS	Terminal, Ring (Note: Not Available for Purchase)	

Go to Discount-Equipment.com to order your parts

SECTION 7 - ELECTRICAL

FIGURE 7-30. DRIVE FIELD CONNECTION HARNESS



ART_4923602

SECTION 7 - ELECTRICAL

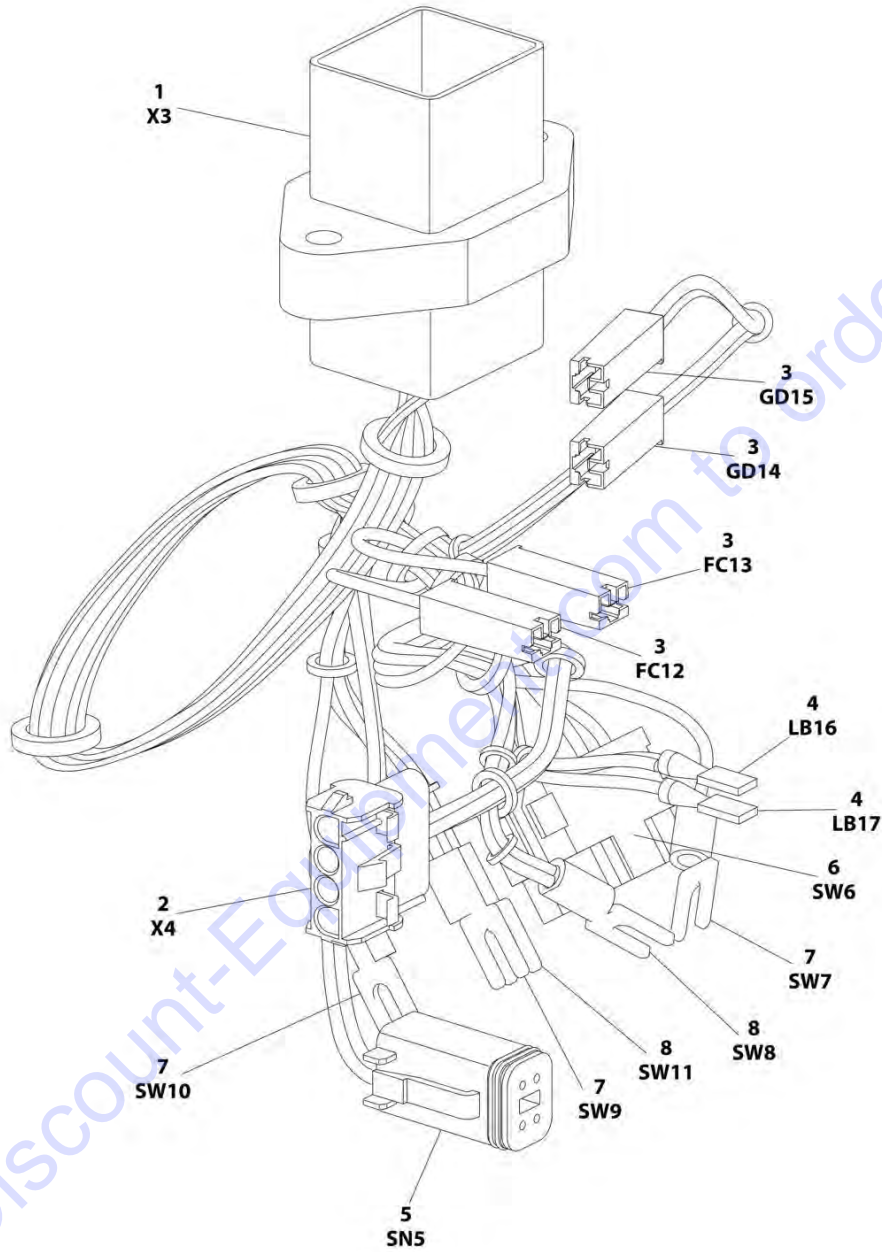
FIGURE 7-30. DRIVE FIELD CONNECTION HARNESS

ITEM	PART NUMBER	QTY	DESCRIPTION	REV
	4923602	Ref	DRIVE FIELD CONNECTION HARNESS	C
1	4461260	2	Receptacle, Female - 1 Position	
3	4460508	2	Pin, Male	

Go to Discount-Equipment.com to order your parts

SECTION 7 - ELECTRICAL

FIGURE 7-31. GROUND CONTROL BOX HARNESS (SN B200020297 through B200023284)



ART_1001114935

SECTION 7 - ELECTRICAL

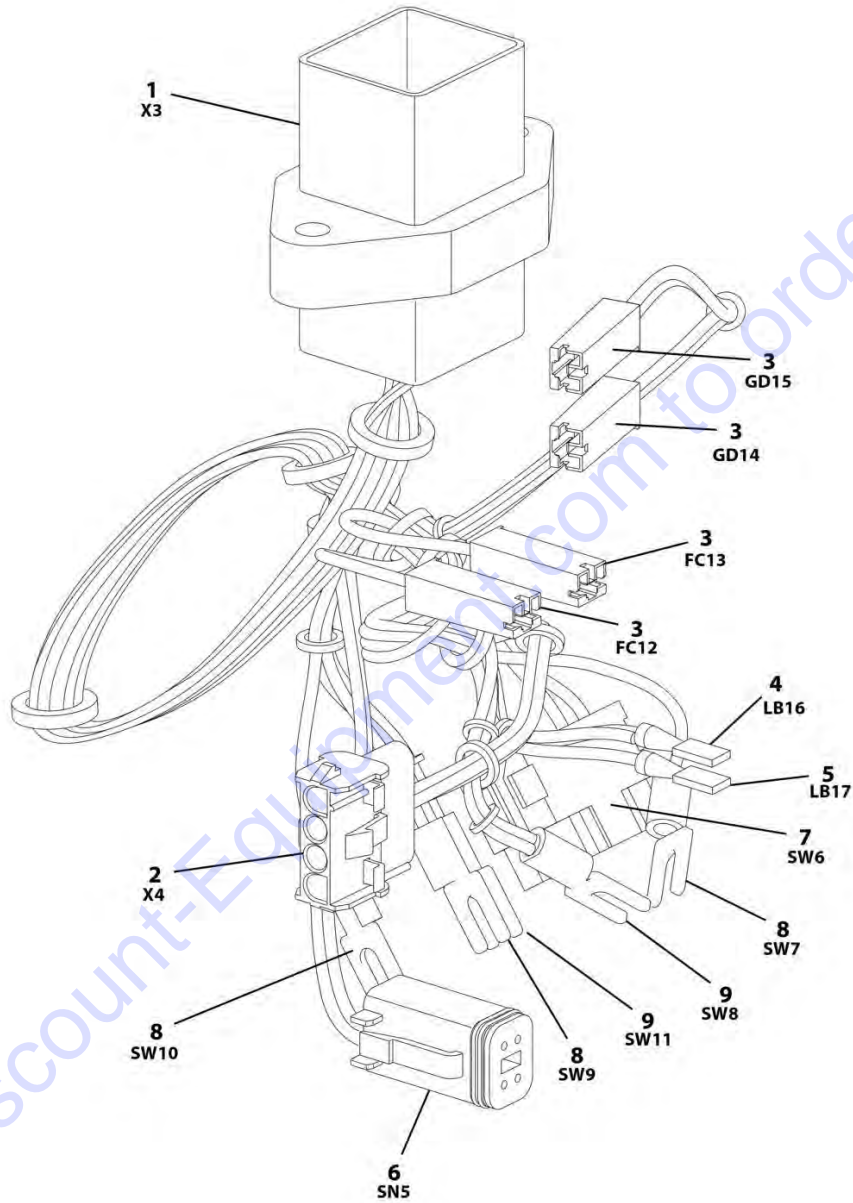
FIGURE 7-31. GROUND CONTROL BOX HARNESS (SN B200020297 through B200023284)

ITEM	PART NUMBER	QTY	DESCRIPTION	REV
	1001114935	Ref	GROUND CONTROL BOX HARNESS	B
1	See Note	NSS	Connector - 18 Position (Note: Not Available for Purchase)	
1	See Note	NSS	Terminal (Note: Not Available for Purchase)	
2	4460961	1	Receptacle, Female - 4 Position	
2	4460267	4	Pin, Male	
3	4460260	4	Housing, Terminal	
3	4460259	4	Terminal	
4	See Note	NSS	Terminal	
5	4461077	1	Plug, Male - 4 Position	
5	4460944	4	Socket, Female	
6	4460418	1	Connector - 6 Position	
6	4460419	3	Terminal	
7	See Note	NSS	Terminal, Fork (Note: Not Available for Purchase)	
8	See Note	NSS	Terminal, Fork (Note: Not Available for Purchase)	

Go to Discount-Equipment.com to order your parts

SECTION 7 - ELECTRICAL

FIGURE 7-32. GROUND CONTROL BOX HARNESS (SN 0200239382 to Present, SN 1200025021 to Present, SN B200023285 to Present, SN M200000100 to Present)



ART_1001167256

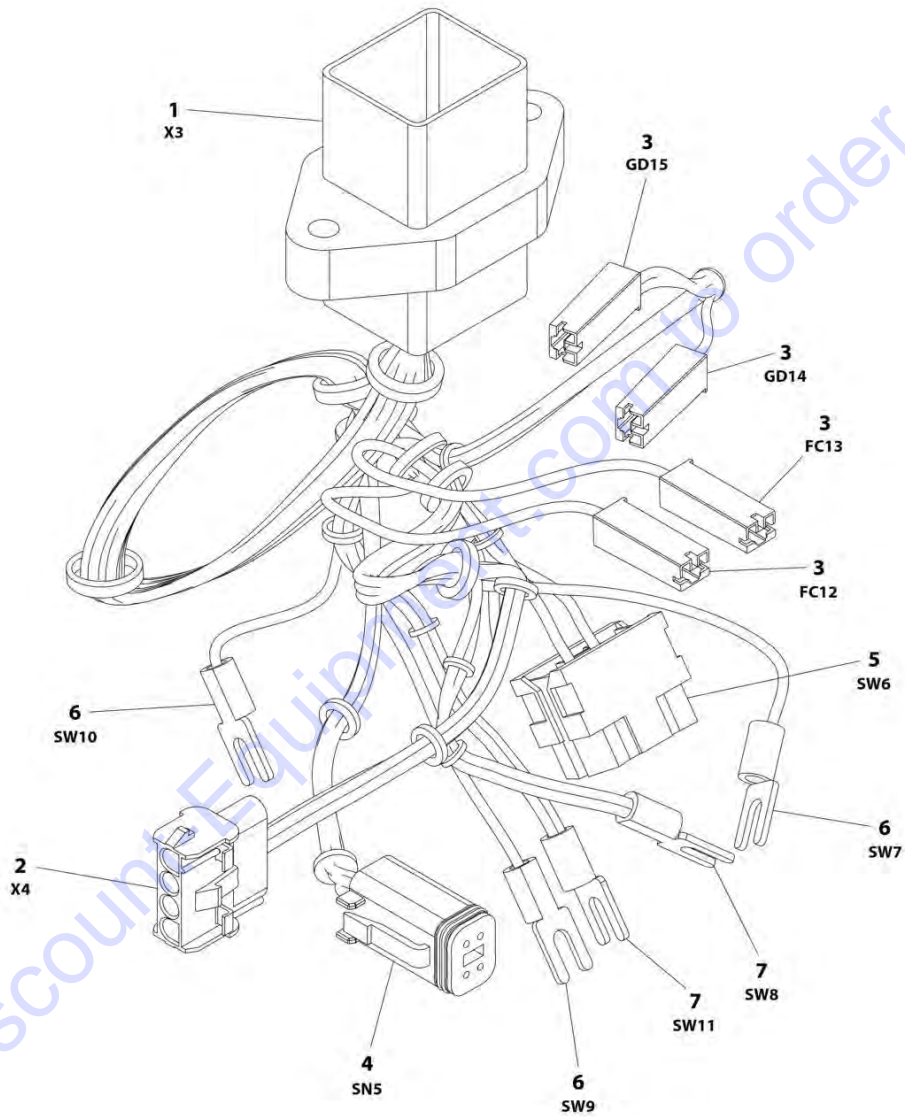
SECTION 7 - ELECTRICAL

FIGURE 7-32. GROUND CONTROL BOX HARNESS (SN 0200239382 to Present, SN 1200025021 to Present, SN B200023285 to Present, SN M200000100 to Present)

ITEM	PART NUMBER	QTY	DESCRIPTION	REV
	1001167256	Ref	GROUND CONTROL BOX HARNESS (SN 0200239382 to Present, SN 1200025021 to Present, SN B200023285 to Present, SN M200000100 to Present)	E
1	1001115077	1	Connector - 18 Position	
1	4460464	14	Pin, Male	
1	4460943	2	Pin, Male	
1	4460466	2	Seal	
2	1001119032	1	Connector - 4 Position	
2	4460268	4	Socket, Female	
3	4460260	4	Housing, Terminal	
3	4460259	4	Terminal	
4	1001202618	1	Terminal	
5	1001202619	1	Terminal	
6	4461077	1	Connector - 4 Position (SN 0200239382 through 0200261430, SN B200023285 through B200038041, SN M200000100 through M200007496)	
6	4460884	1	Connector - 4 Position (SN 0200261430 to Present, SN 1200025021 to Present, SN B200038042 to Present, SN M200007497 to Present)	
6	4460918	4	Socket, Female	
7	4460418	1	Connector - 6 Position	
7	1001159186	3	Terminal	
8	4460183	3	Terminal, Fork	
9	4460115	2	Terminal, Fork	

SECTION 7 - ELECTRICAL

FIGURE 7-33. GROUND CONTROL BOX HARNESS - NO LSS (SN 0200266380 to Present, SN B200042931 to Present, SN M200012180 to Present)



ART_1001208641

SECTION 7 - ELECTRICAL

FIGURE 7-33. GROUND CONTROL BOX HARNESS - NO LSS (SN 0200266380 to Present, SN B200042931 to Present, SN M200012180 to Present)

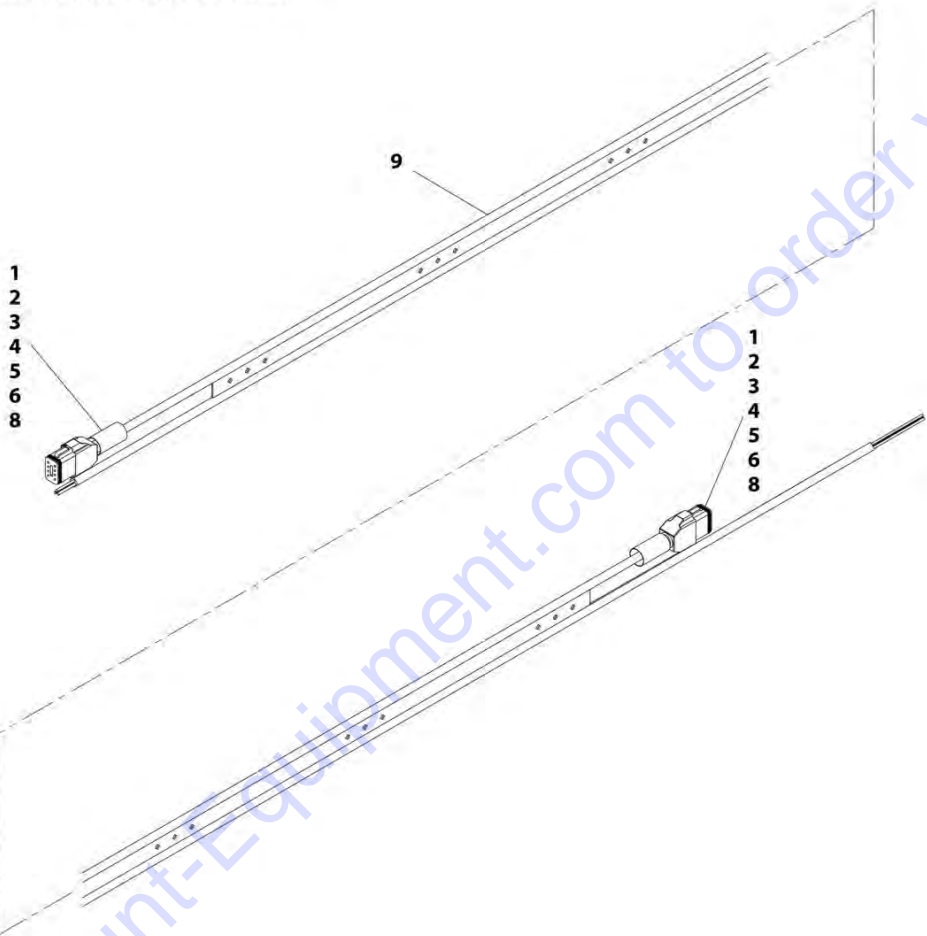
ITEM	PART NUMBER	QTY	DESCRIPTION	REV
	1001208641	Ref	GROUND CONTROL BOX HARNESS - NO LSS	A
1	1001115077	1	Connector - 18 Position	
1	4460464	13	Pin, Male	
1	4460943	2	Pin, Male	
1	4460466	3	Seal	
2	1001119032	1	Connector - 4 Position	
2	4460268	4	Socket, Female	
3	4460260	4	Housing, Terminal	
3	4460259	4	Terminal	
4	4460884	1	Connector - 4 Position	
4	4460918	4	Socket, Female	
5	4460418	1	Connector - 6 Position	
5	1001159186	3	Terminal	
6	4460183	3	Terminal, Fork	
7	4460115	2	Terminal, Fork	

Go to Discount-Equipment.com to order your parts

SECTION 7 - ELECTRICAL

FIGURE 7-34. GROUND TO PLATFORM HARNESS

USAGE CHART:
ANSI, CSA, JAPANESE AND UL SPECS (ALL MACHINES)
ANSI EXPORT AND CHINA SPECS
(SN 0200239382 THROUGH 0200248240,
SN B200020296 THROUGH B200024249,
SN M200000100 THROUGH M200000140)



ART_1001178685

SECTION 7 - ELECTRICAL

FIGURE 7-34. GROUND TO PLATFORM HARNESS

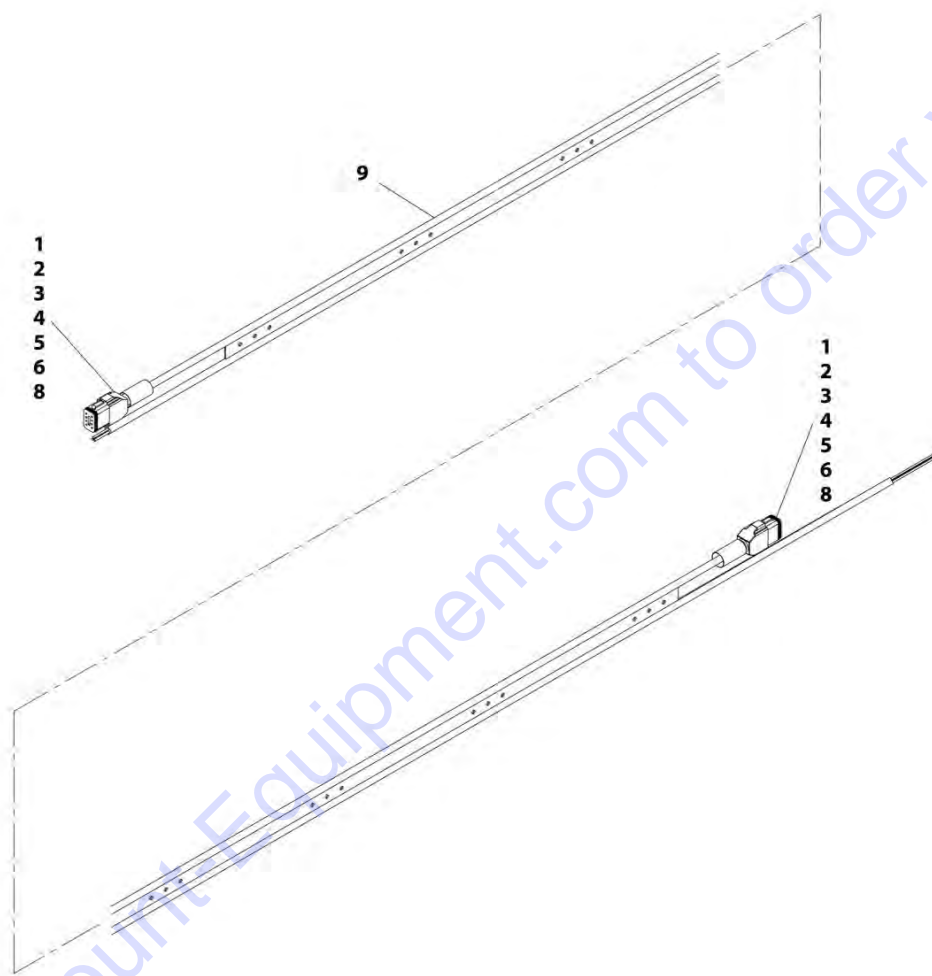
ITEM	PART NUMBER	QTY	DESCRIPTION	REV
	1001178685	Ref	GROUND TO PLATFORM HARNESS	D
		Ref	Usage Chart	
		Ref	ANSI, CSA, Japanese and UL Specs (All Machines)	
		Ref	ANSI Export and China Spec (SN 0200239382 through 0200248240, SN B200020296 through B200024249, SN M200000100 through M200000140)	
1	0840061	2	Boot	
2	2820026	AR	Insulator, Clear Tubing	
3	2820028	AR	Heat Shrink	
4	4460465	8	Socket, Female	
5	4460466	2	Plug, Terminal	
6	4460930	2	Plug, Male - 8 Position	
7	4460943	3	Pin, Male (Not Shown)	
8	4460944	6	Socket, Female (Gold)	
9	1001178682	AR	Cable	

Go to Discount-Equipment.com to order your parts

SECTION 7 - ELECTRICAL

FIGURE 7-35. GROUND TO PLATFORM HARNESS

USAGE CHART:
ANSI EXPORT AND CHINA SPECS
(SN 0200248241 TO PRESENT,
SN B200024250 TO PRESENT,
SN M200000141 TO PRESENT)
AUSTRALIAN AND CE SPECS (ALL MACHINES)



ART_1001178683

SECTION 7 - ELECTRICAL

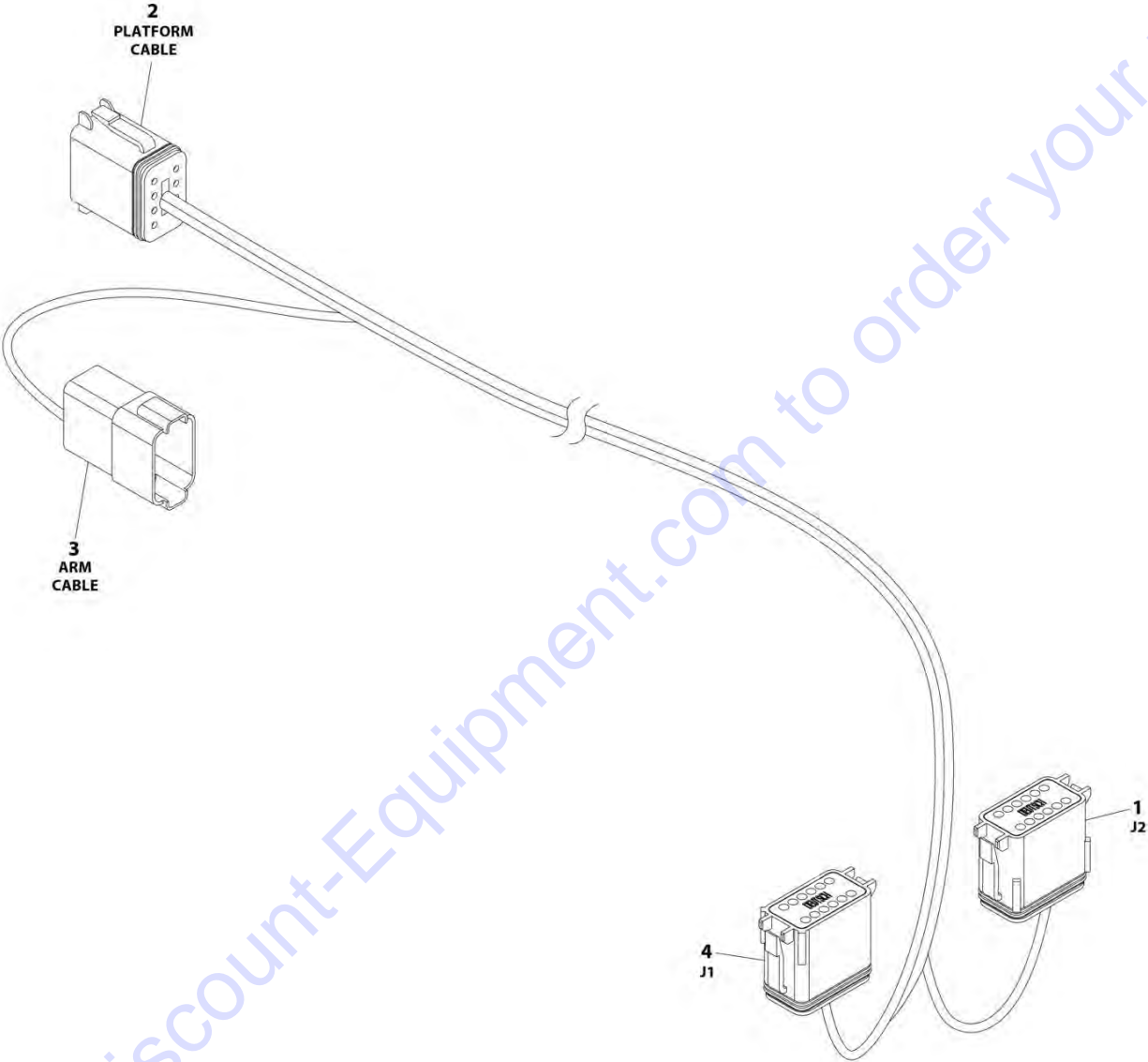
FIGURE 7-35. GROUND TO PLATFORM HARNESS

ITEM	PART NUMBER	QTY	DESCRIPTION	REV
	1001178683	Ref	GROUND TO PLATFORM HARNESS	C
		Ref	Usage Chart	
		Ref	ANSI Export and China Specs (SN 0200248241 to Present, SN B200024250 to Present, SN M200000141 to Present)	
		Ref	Australian and CE Spec (All Machines)	
1	0840061	2	Boot	
2	2820026	AR	Insulator, Clear Tubing	
3	2820028	AR	Heat Shrink	
4	4460465	8	Socket, Female	
5	4460466	2	Plug, Terminal	
6	4460930	2	Plug, Male - 8 Position	
7	4460943	3	Pin, Male (Not Shown)	
8	4460944	6	Socket, Female (Gold)	
9	1001178682	AR	Cable	

Go to Discount-Equipment.com to order your parts

SECTION 7 - ELECTRICAL

FIGURE 7-36. LOAD SENSE HARNESS



ART_4923228

SECTION 7 - ELECTRICAL

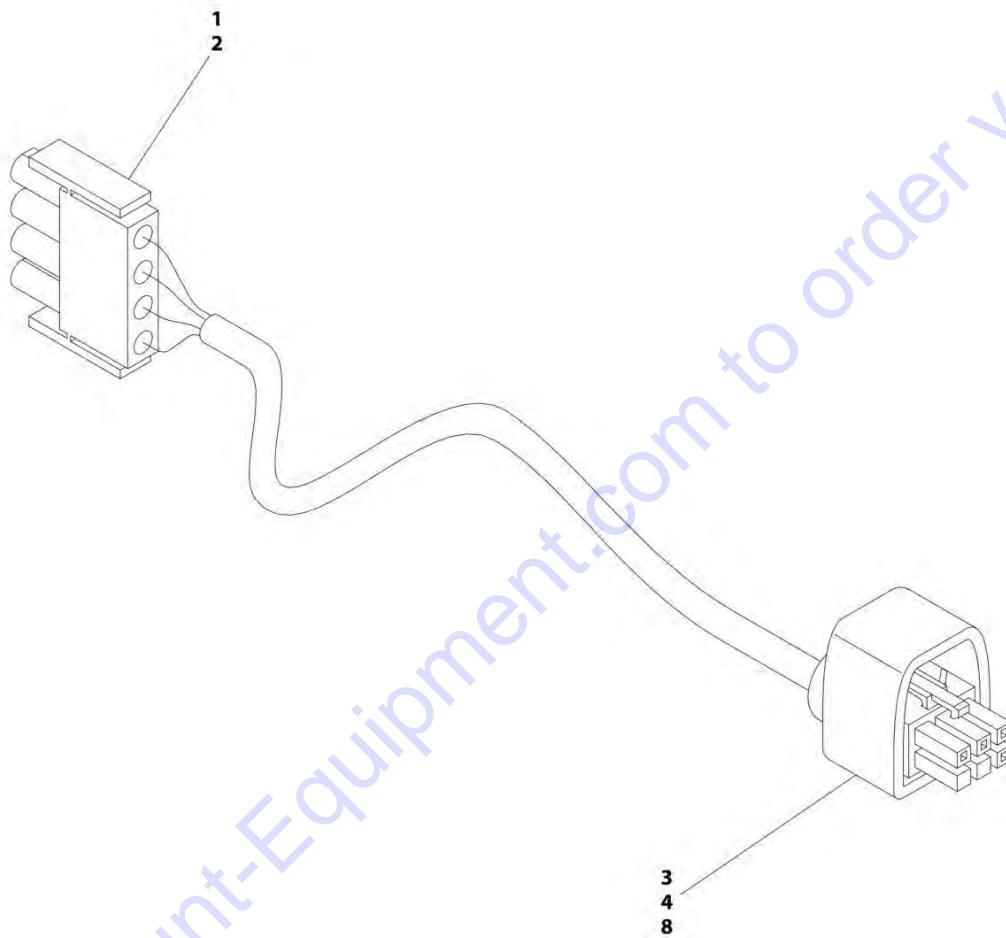
FIGURE 7-36. LOAD SENSE HARNESS

ITEM	PART NUMBER	QTY	DESCRIPTION	REV
	4923228	Ref	LOAD SENSE HARNESS	D
1	4460836	1	Connector - 12 Position	
1	4460466	6	Plug, Sealing	
1	4460944	6	Socket, Female (Gold)	
1	0840055	1	Boot	
2	4460930	1	Connector - 8 Position	
2	4460465	4	Socket, Female	
2	4460466	1	Plug, Sealing	
2	4460944	3	Socket, Female (Gold)	
2	0840061	1	Boot	
3	4460931	1	Connector - 8 Position	
3	4460464	4	Pin, Male	
3	4460466	1	Plug, Sealing	
3	4460943	3	Pin, Male	
3	0840058	1	Boot	
4	4460933	1	Connector - 12 Position	
4	4460465	4	Socket, Female	
4	4460466	8	Plug, Sealing	
4	0840055	1	Boot	

Go to Discount-Equipment.com to order your parts

SECTION 7 - ELECTRICAL

FIGURE 7-37. MDI (MULTIFUNCTION DIGITAL INDICATOR) HARNESS



ART_1001093556

SECTION 7 - ELECTRICAL

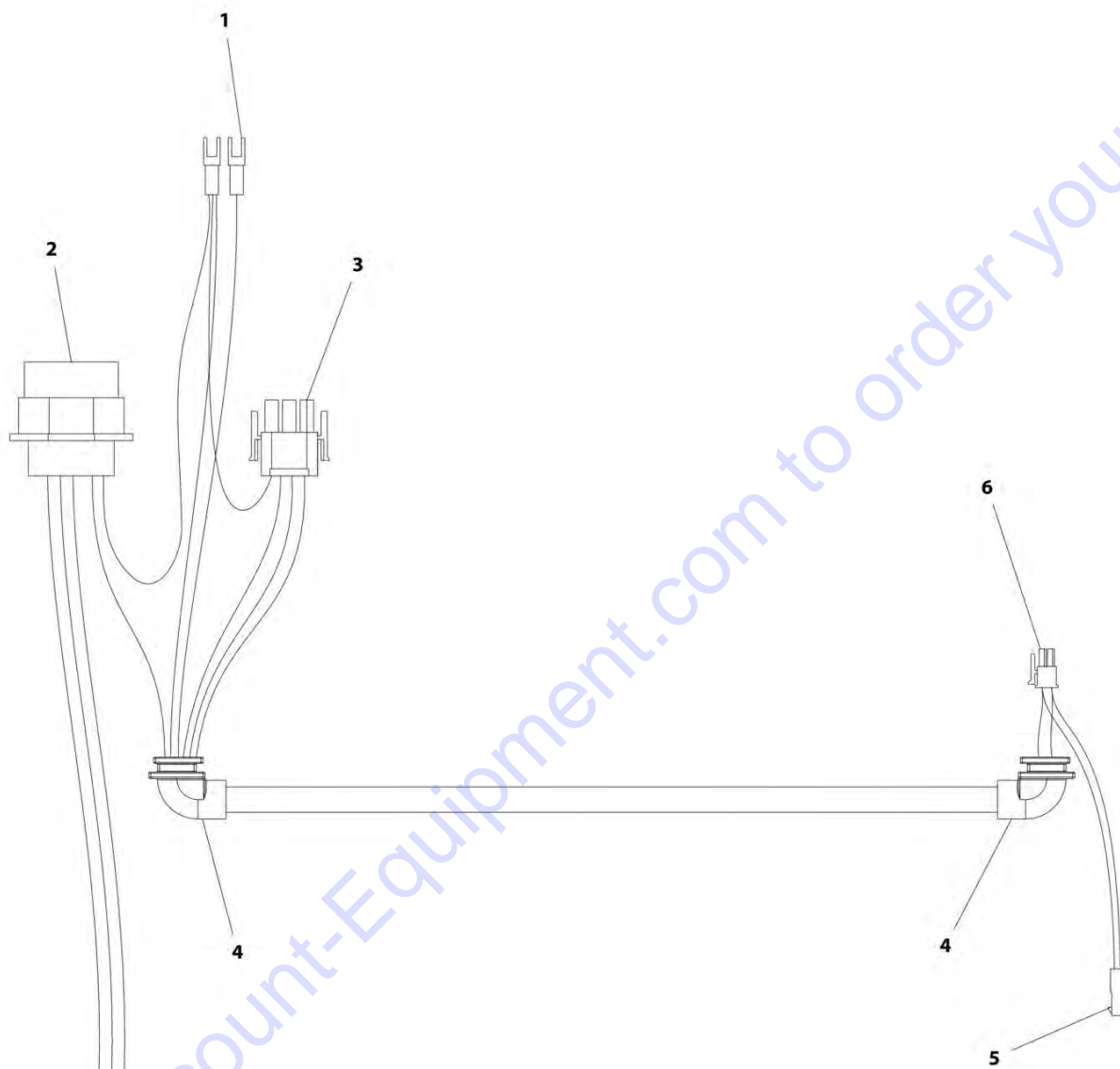
FIGURE 7-37. MDI (MULTIFUNCTION DIGITAL INDICATOR) HARNESS

ITEM	PART NUMBER	QTY	DESCRIPTION	REV
	1001093556	Ref	MDI (MULTIFUNCTION DIGITAL INDICATOR) HARNESS	C
1	4460226	4	Socket, Female	
2	4460321	1	Plug, Male - 4 Position	
3	4460868	1	Plug, Male - 6 Position	
4	4460877	4	Terminal	
8	1001094105	1	Boot	

Go to Discount-Equipment.com to order your parts

SECTION 7 - ELECTRICAL

FIGURE 7-38. PLATFORM BOX HARNESS



ART_4922870

SECTION 7 - ELECTRICAL

FIGURE 7-38. PLATFORM BOX HARNESS

ITEM	PART NUMBER	QTY	DESCRIPTION	REV
	4922870	Ref	PLATFORM BOX HARNESS	D
1	4461016	1	Connector - 14 Position	
2	4460464	6	Pin, Male	
2	4460466	8	Plug, Sealing	
2	4460496	1	Lockwasher	
2	4460497	1	Nut, Panel	
3	4460265	1	Plug, Male - 9 Position	
3	4460267	8	Pin, Male	
4	2540042	2	Grommet 90	
5	See Note	NSS	Receptacle, Female - Position (Note: Not Available for Purchase)	
6	4461057	1	Plug, Male - 16 Position	

Go to Discount-Equipment.com to order your parts

PARTS FINDER

**Search Website
by Part Number**



**Search Manual
Library For Parts
Manual & Lookup Part
Numbers – Purchase
or Request Quote**

A screenshot of the "Search Manuals" form. The form has a white background with a blue header. It contains several input fields for "Find", "Serial Number", "Year", "Make", "Model", "Part Number", and "Category". There is a "Search" button at the bottom of the form.

**Can't Find Part or
Manual? Request Help
by Manufacturer,
Model & Description**

A screenshot of the "Parts Order Form". The form has a white background with a blue header. It contains several input fields for "Manufacturer", "Model", "Description", "Part Number", "Quantity", "Price", "Tax", and "Comments". There is a "Submit" button at the bottom of the form.

Discount-Equipment.com is your online resource for quality parts & equipment.

Florida: [561-964-4949](tel:561-964-4949) Outside Florida TOLL FREE: [877-690-3101](tel:877-690-3101)

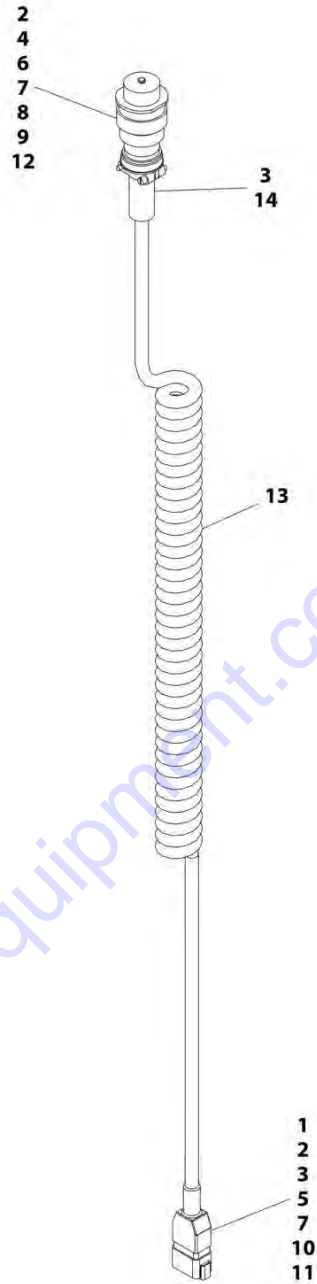
Need parts?

Click on this link: <http://www.discount-equipment.com/category/5443-parts/> and choose one of the options to help get the right parts and equipment you are looking for. Please have the machine model and serial number available in order to help us get you the correct parts. If you don't find the part on the website or on one of the online manuals, please fill out the request form and one of our experienced staff members will get back to you with a quote for the right part that your machine needs.

We sell worldwide for the brands: Genie, Terex, JLG, MultiQuip, Mikasa, Essick, Whiteman, Mayco, Toro Stone, Diamond Products, Generac Magnum, Airman, Haulotte, Barreto, Power Blanket, Nifty Lift, Atlas Copco, Chicago Pneumatic, Allmand, Miller Curber, Skyjack, Lull, Skytrak, Tsurumi, Husquvarna Target, Stow, Wacker, Sakai, Mi-T-M, Sullair, Basic, Dynapac, MBW, Weber, Bartell, Bennar Newman, Haulotte, Ditch Runner, Menegotti, Morrison, Contec, Buddy, Crown, Edco, Wyco, Bomag, Laymor, EZ Trench, Bil-Jax, F.S. Curtis, Gehl Pavers, Heli, Honda, ICS/PowerGrit, IHI, Partner, Imer, Clipper, MMD, Koshin, Rice, CH&E, General Equipment, Amida, Coleman, NAC, Gradall, Square Shooter, Kent, Stanley, Tamco, Toku, Hatz, Kohler, Robin, Wisconsin, Northrock, Oztec, Toker TK, Rol-Air, APT, Wylie, Ingersoll Rand / Doosan, Innovatech, Con X, Ammann, Mecalac, Makinex, Smith Surface Prep, Small Line, Wanco, Yanmar

SECTION 7 - ELECTRICAL

FIGURE 7-39. PLATFORM CABLE ASSEMBLY (SN 0200239382 through 0200262428, SN 1200025021 to Present, SN B200020297 to Present, SN M200000100 through M200010194)



ART_1001096705

SECTION 7 - ELECTRICAL

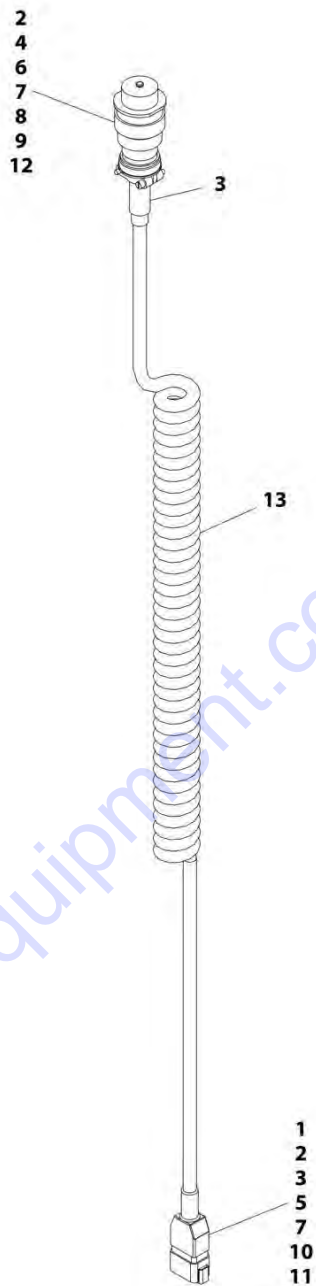
FIGURE 7-39. PLATFORM CABLE ASSEMBLY (SN 0200239382 through 0200262428, SN 1200025021 to Present, SN B200020297 to Present, SN M200000100 through M200010194)

ITEM	PART NUMBER	QTY	DESCRIPTION	REV
	1001096705	Ref	PLATFORM CABLE ASSEMBLY	G
1	0840058	1	Boot, 8 Position Receptacle	
2	2820026	AR	Insulation, Clear Tubing	
3	2820028	AR	Heat Shrink	
4	3730119	1	Resistor	
5	4460464	4	Pin, Male	
6	4460465	4	Socket, Female	
7	4460466	5	Plug, Sealing	
8	4460493	1	Cap, Dust	
9	4460754	1	Connector - 14 Position	
10	4460931	1	Receptacle, Female - 8 Position	
11	4460943	3	Pin, Male (Gold)	
12	4460944	3	Socket, Female	
13	1001094167	1	Cable, Platform Coil	
14	1001226400	1	Insulate, Heat Shrink	

Go to Discount-Equipment.com to order your parts

SECTION 7 - ELECTRICAL

FIGURE 7-40. PLATFORM CABLE ASSEMBLY (SN 0200262429 to Present, SN M200010195 to Present)



ART_1001201242

SECTION 7 - ELECTRICAL

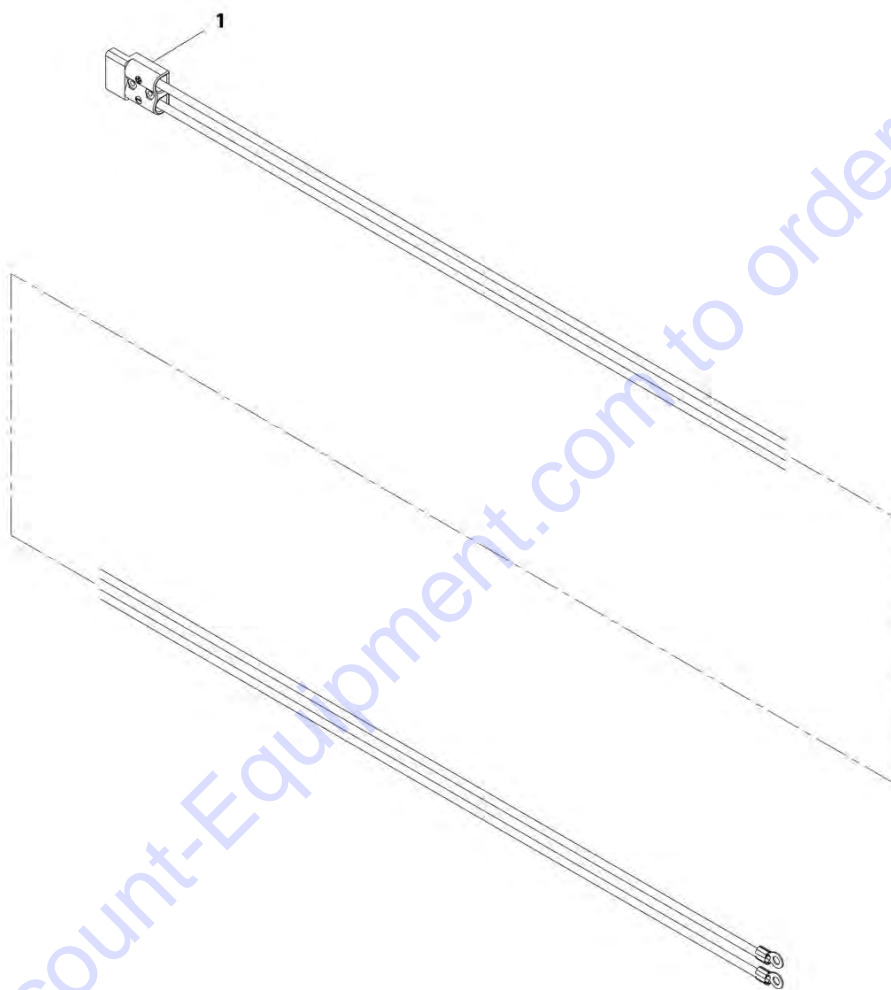
FIGURE 7-40. PLATFORM CABLE ASSEMBLY (SN 0200262429 to Present, SN M200010195 to Present)

ITEM	PART NUMBER	QTY	DESCRIPTION	REV
	1001201242	Ref	PLATFORM CABLE ASSEMBLY	B
1	0840058	1	Boot, 8 Position Receptacle	
2	2820026	AR	Insulation, Clear Tubing	
3	2820028	AR	Heat Shrink	
4	3730119	1	Resistor	
5	4460464	4	Pin, Male	
6	4460465	4	Socket, Female	
7	4460466	5	Plug, Sealing	
8	4460493	1	Cap, Dust	
9	4460754	1	Connector - 14 Position	
10	4460931	1	Receptacle, Female - 8 Position	
11	4460943	3	Pin, Male (Gold)	
12	4460944	3	Socket, Female	
13	1001201239	1	Cable, Platform Coil	

Go to Discount-Equipment.com to order your parts

SECTION 7 - ELECTRICAL

FIGURE 7-41. PUMP POWER CABLE ASSEMBLY



ART_1001178536

SECTION 7 - ELECTRICAL

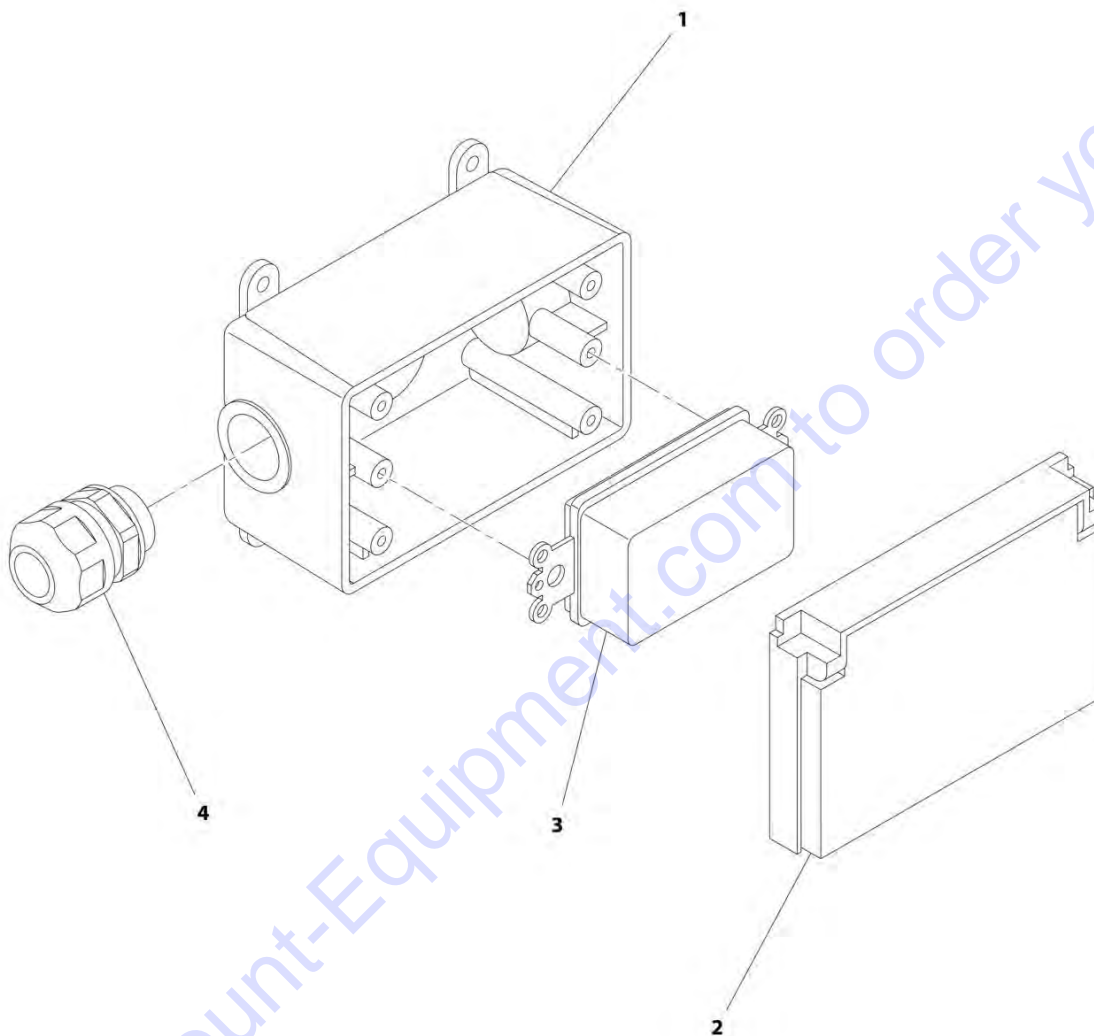
FIGURE 7-41. PUMP POWER CABLE ASSEMBLY

ITEM	PART NUMBER	QTY	DESCRIPTION	REV
1	1001178536 4460778	Ref 1	PUMP POWER CABLE ASSEMBLY Connector, Anderson	B

Go to Discount-Equipment.com to order your parts

SECTION 7 - ELECTRICAL

FIGURE 7-42. RECEPTACLE BOX KIT – 110V GFI



ART_2902431

SECTION 7 - ELECTRICAL

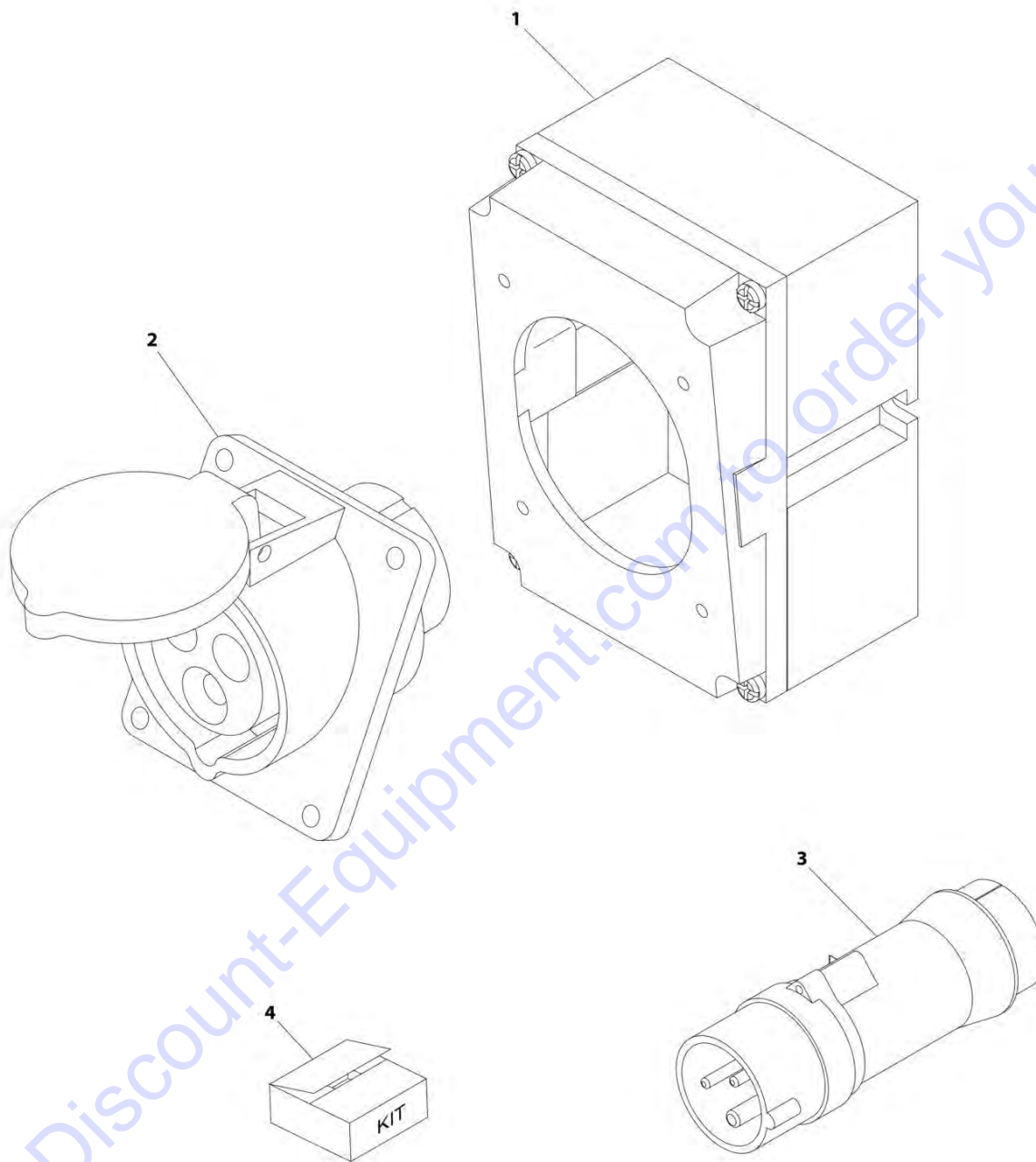
FIGURE 7-42. RECEPTACLE BOX KIT – 110V GFI

ITEM	PART NUMBER	QTY	DESCRIPTION	REV
	2902431	Ref	RECEPTACLE BOX KIT - 110V GFI	C
1	0861731	1	Box, Receptacle	
2	1671207	1	Cover, Receptacle	
3	4460346	1	Receptacle	
4	4460662	1	Connector, Strain Relief	

Go to Discount-Equipment.com to order your parts

SECTION 7 - ELECTRICAL

FIGURE 7-43. RECEPTACLE BOX KIT – 110V IEC YELLOW (CE SPEC)



ART_0275216

SECTION 7 - ELECTRICAL

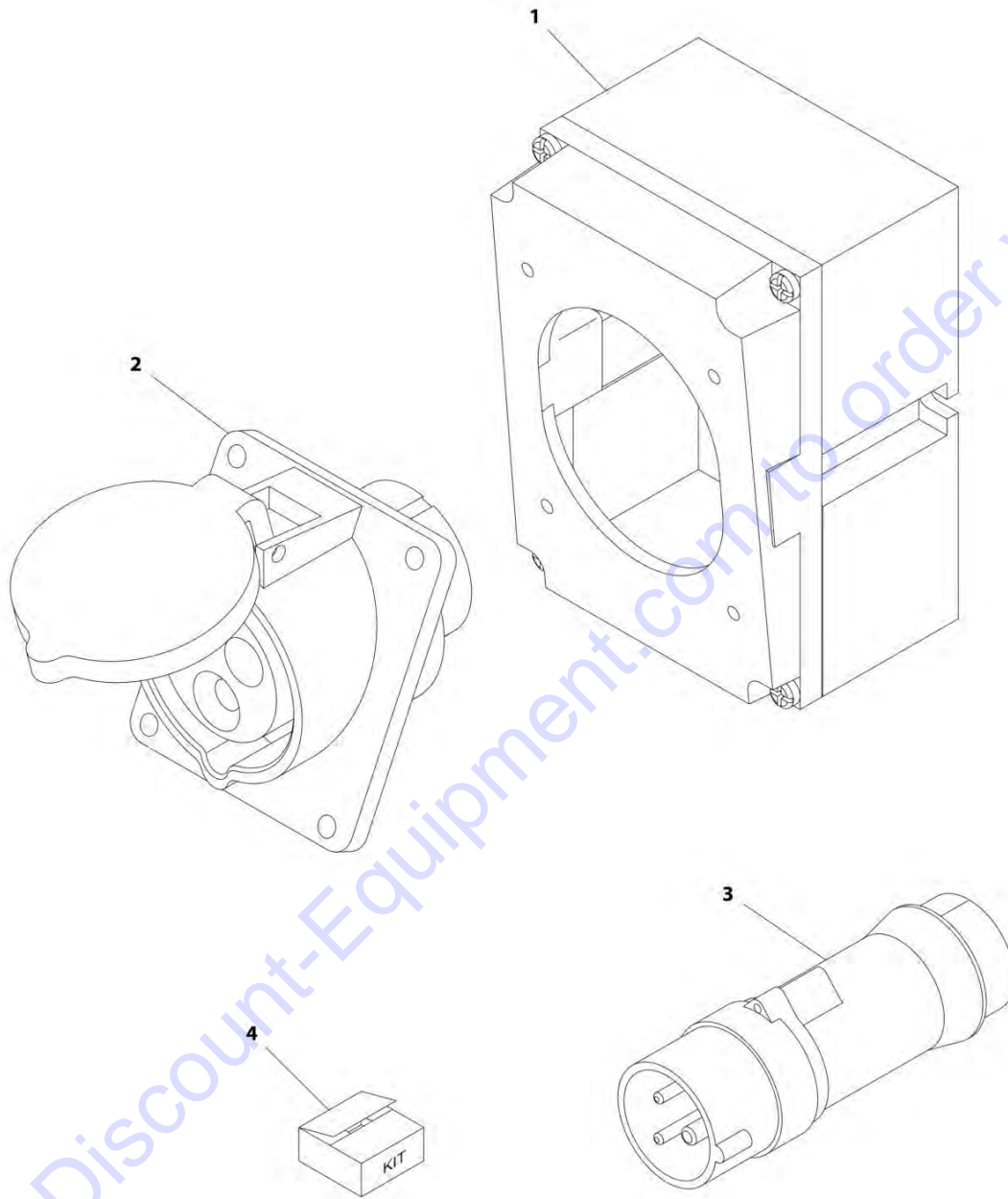
FIGURE 7-43. RECEPTACLE BOX KIT – 110V IEC YELLOW (CE SPEC)

ITEM	PART NUMBER	QTY	DESCRIPTION	REV
	0275216	Ref	RECEPTACLE BOX KIT - 110V IEC YELLOW	B
1	0861781	1	Box, Switch	
2	4461198	1	Receptacle	
3	4461196	1	Plug, Male	
4	1001100341	1	Plug and Socket Kit (Includes Items 1-3 and Female Plug p/n 4461197)	

Go to Discount-Equipment.com to order your parts

SECTION 7 - ELECTRICAL

FIGURE 7-44. RECEPTACLE BOX KIT – 220V IEC BLUE (CE SPEC)



Go to Discount-Equipment.com to order your parts

ART_0275217

SECTION 7 - ELECTRICAL

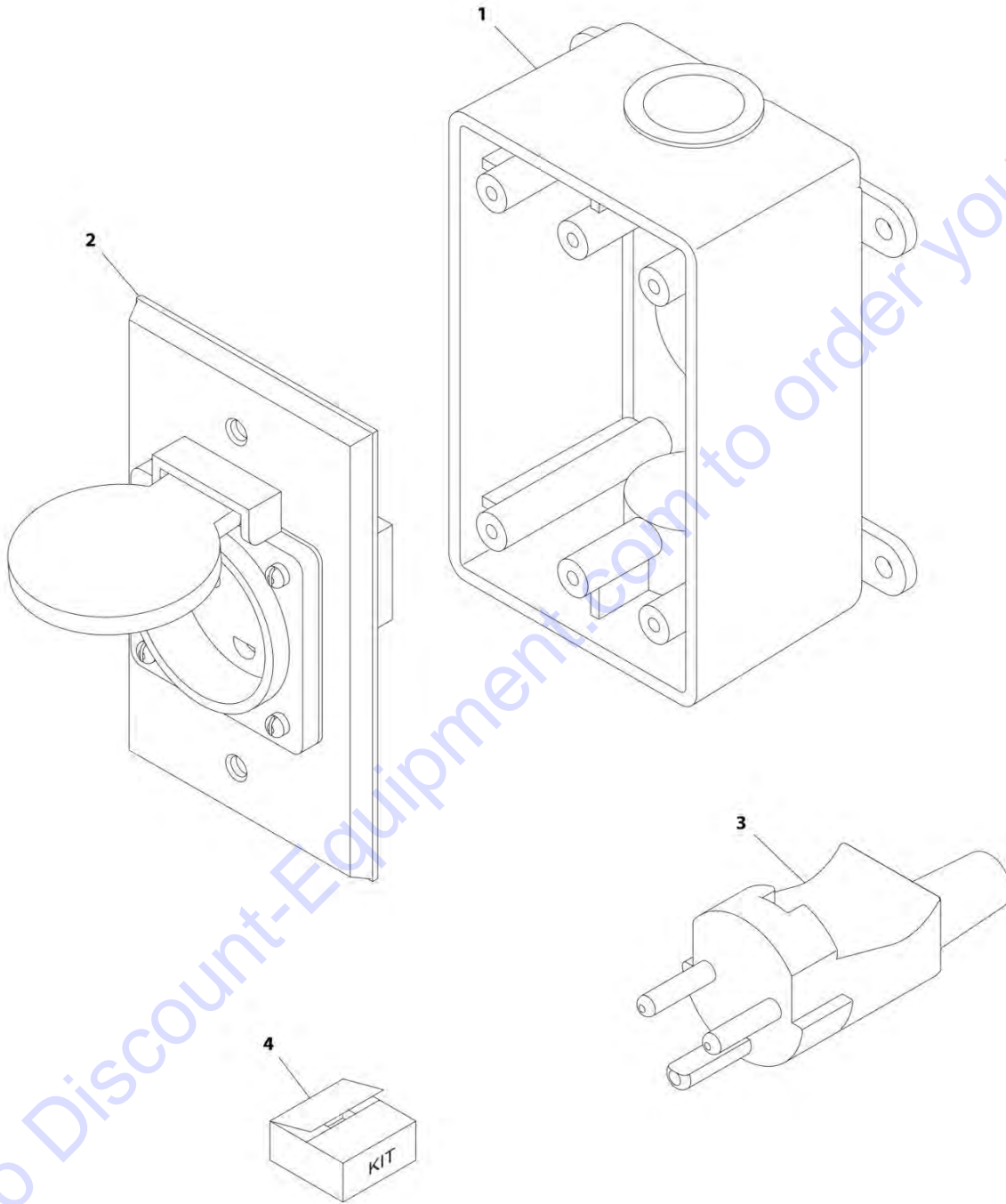
FIGURE 7-44. RECEPTACLE BOX KIT – 220V IEC BLUE (CE SPEC)

ITEM	PART NUMBER	QTY	DESCRIPTION	REV
	0275217	Ref	RECEPTACLE BOX KIT - 220V IEC BLUE	B
1	0861781	1	Box, Switch	
2	4461201	1	Receptacle	
3	4461199	1	Plug, Male	
4	1001100342	1	Plug and Socket Kit (Includes Items 1-3 and Female Plug p/n 4461200)	

Go to Discount-Equipment.com to order your parts

SECTION 7 - ELECTRICAL

FIGURE 7-45. RECEPTACLE BOX KIT – 220V AFSINT 107 (CE SPEC)



ART_0275454

SECTION 7 - ELECTRICAL

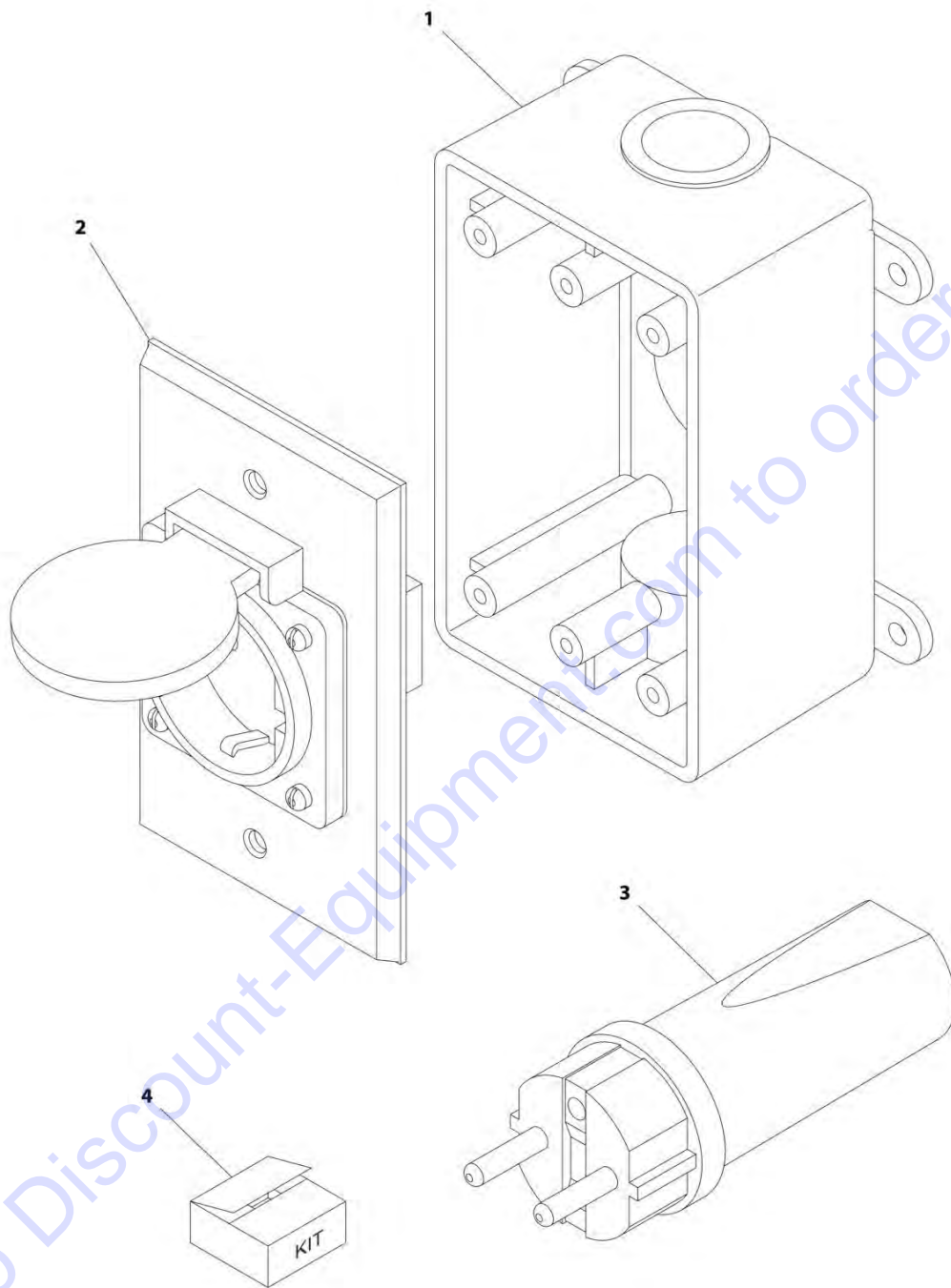
FIGURE 7-45. RECEPTACLE BOX KIT – 220V AFSINT 107 (CE SPEC)

ITEM	PART NUMBER	QTY	DESCRIPTION	REV
	0275454	Ref	RECEPTACLE BOX KIT - 220V AFSINT 107	B
1	0861731	1	Box, Switch	
2	4461246	1	Receptacle	
3	4461249	1	Plug, Male	
4	1001100346	1	Plug and Socket Kit (Includes Items 1-3 and Female Plug p/n 4461250)	

Go to Discount-Equipment.com to order your parts

SECTION 7 - ELECTRICAL

FIGURE 7-46. RECEPTACLE BOX KIT – 220V CEE7 SIDE GROUND (CE SPEC)



ART_0275453

SECTION 7 - ELECTRICAL

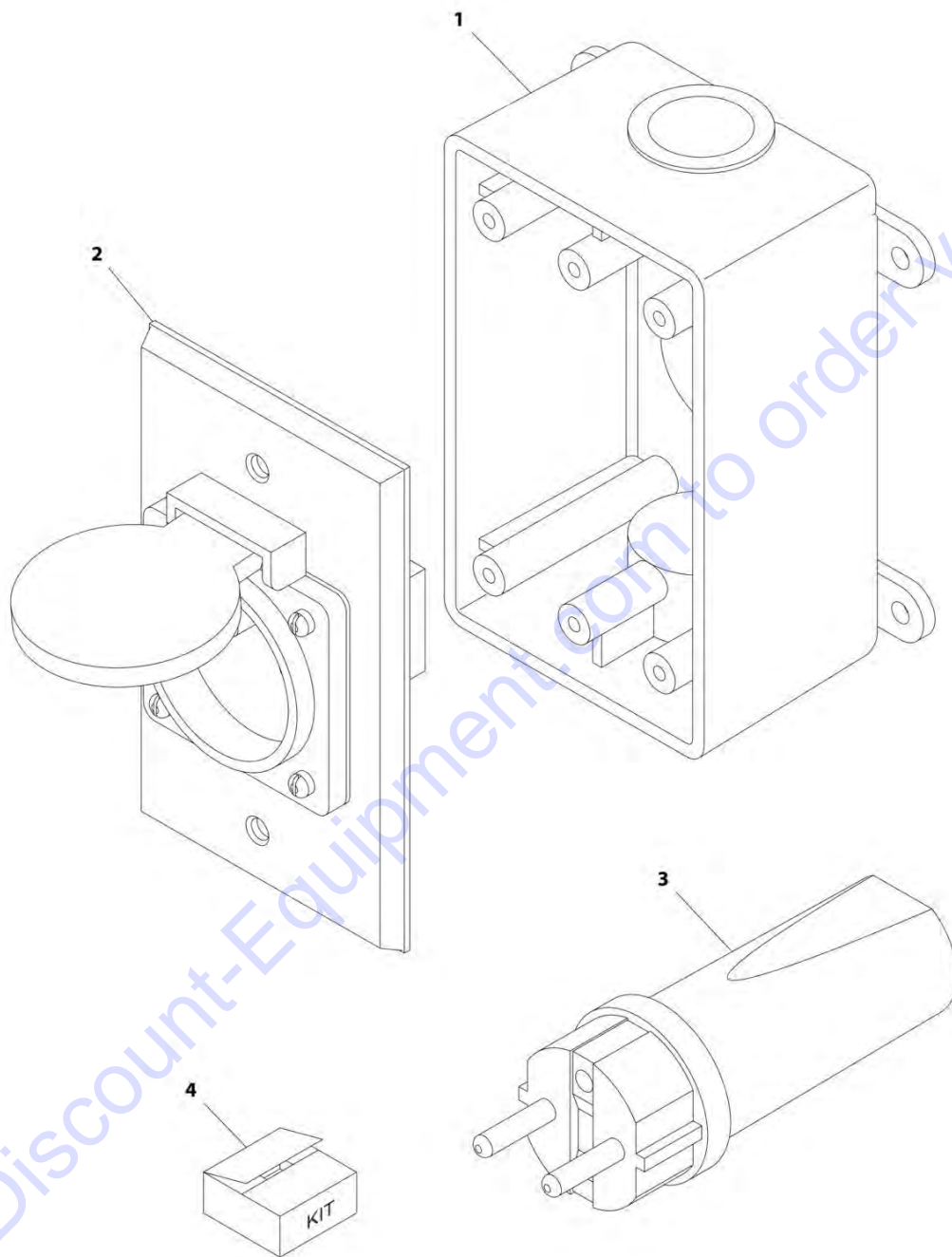
FIGURE 7-46. RECEPTACLE BOX KIT – 220V CEE7 SIDE GROUND (CE SPEC)

ITEM	PART NUMBER	QTY	DESCRIPTION	REV
	0275453	Ref	RECEPTACLE BOX KIT - 220V CEE7 SIDE GROUND	B
1	0861731	1	Box, Switch	
2	4461245	1	Receptacle	
3	4461205	1	Plug, Male	
4	1001100347	1	Plug and Socket Kit (Includes Items 1-3 and Female Plug p/n 4461206)	

Go to Discount-Equipment.com to order your parts

SECTION 7 - ELECTRICAL

FIGURE 7-47. RECEPTACLE BOX KIT – 220V CEE7 POST GROUND (CE SPEC)



ART_0275452

SECTION 7 - ELECTRICAL

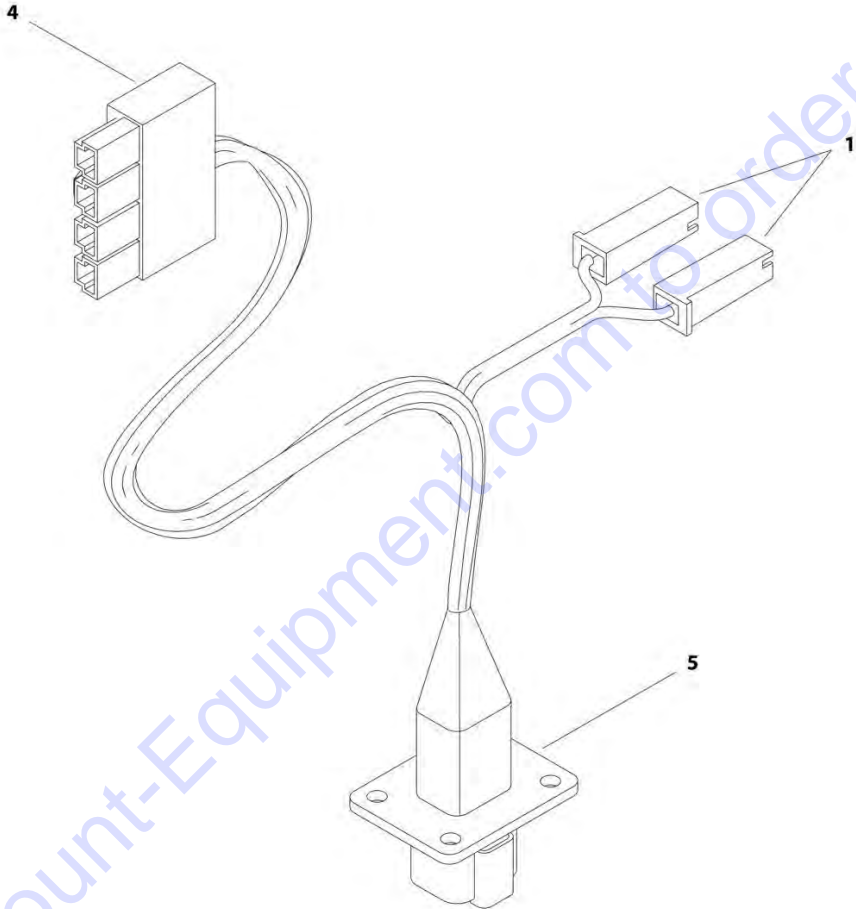
FIGURE 7-47. RECEPTACLE BOX KIT – 220V CEE7 POST GROUND (CE SPEC)

ITEM	PART NUMBER	QTY	DESCRIPTION	REV
	0275452	Ref	RECEPTACLE BOX KIT - 220V CEE7 POST GROUND (CE SPEC)	C
1	0861731	1	Box, Switch	
2	4461244	1	Receptacle	
3	4461202	1	Plug, Male (Use p/n 4461205) (SN 0200239382 through 0200256617, SN B200020297 through B200037242, SN M200000100 through M200002249)	
3	4461205	1	Plug, Male (SN 0200256618 to Present, SN B200037243 to Present, SN M200002250 to Present)	
4	1001100345	1	Plug and Socket Kit (Includes Items 1-3 and Female Plug p/n 4461206)	

Go to Discount-Equipment.com to order your parts

SECTION 7 - ELECTRICAL

FIGURE 7-48. WORKSTATION POWER HARNESS



ART_4923121

SECTION 7 - ELECTRICAL

FIGURE 7-48. WORKSTATION POWER HARNESS

ITEM	PART NUMBER	QTY	DESCRIPTION	REV
	4923121	Ref	WORKSTATION POWER HARNESS	B
1	4460260	2	Housing, Terminal	
1	4460297	2	Terminal	
4	4460878	1	Connector - 4 Position	
4	4460887	4	Terminal	
5	4460885	1	Connector - 4 Position	
5	4460464	4	Pin, Male	

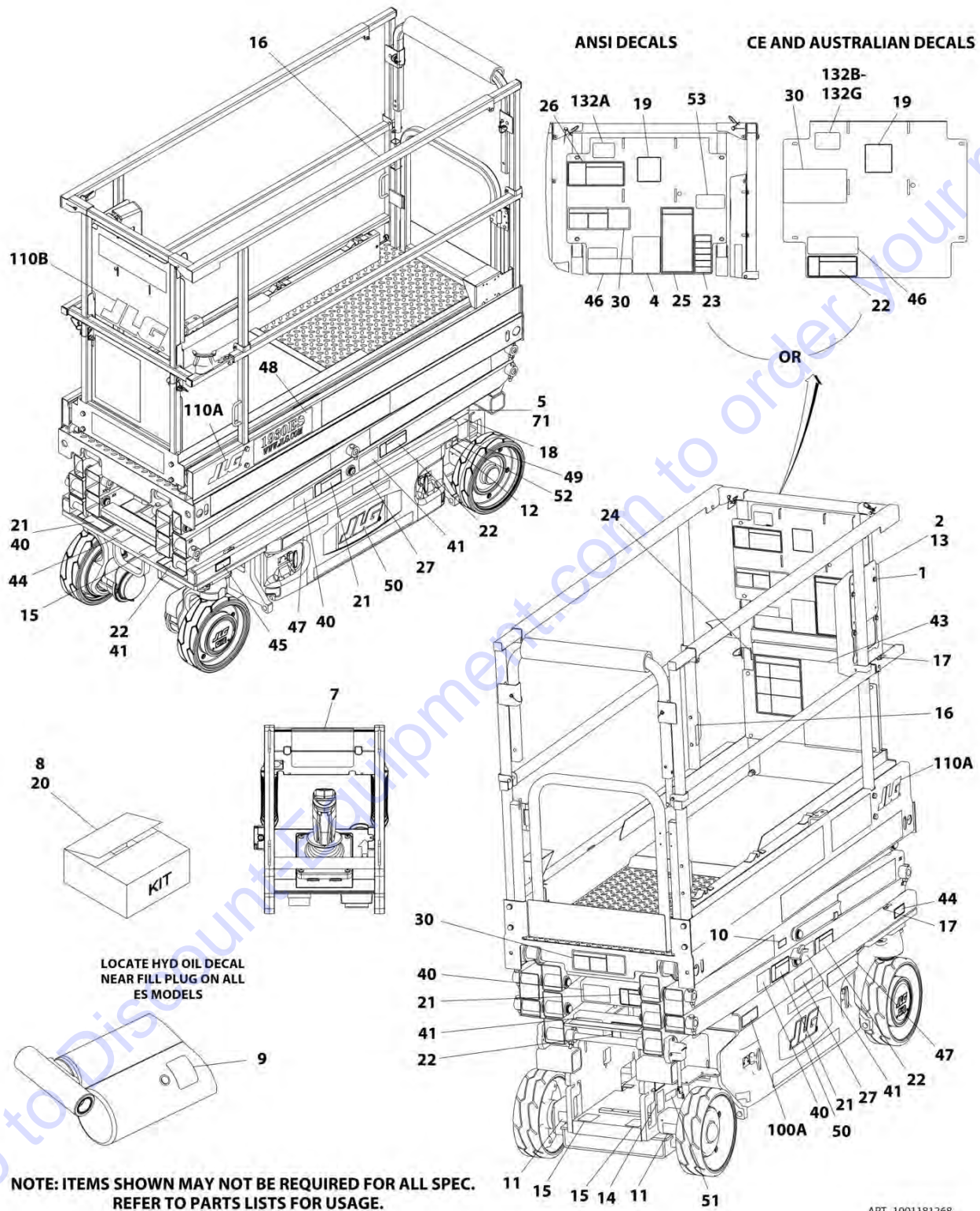
Go to Discount-Equipment.com to order your parts

SECTION 8 - DECALS

Go to Discount-Equipment.com to order your parts

SECTION 8 - DECALS

FIGURE 8-1. DECAL INSTALLATION - ANSI SPEC (ENGLISH)



ART_1001181268

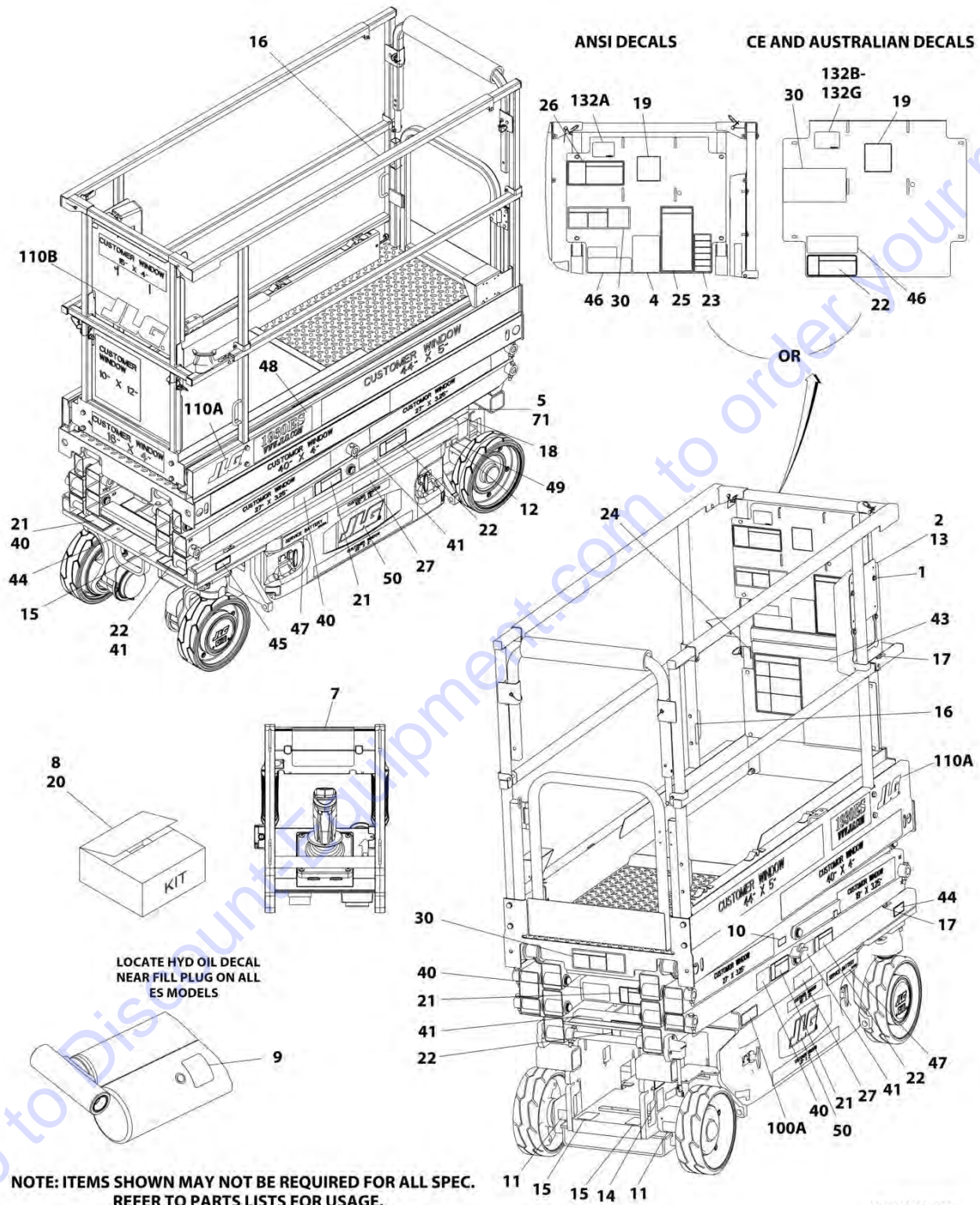
SECTION 8 - DECALS

FIGURE 8-1. DECAL INSTALLATION - ANSI SPEC (ENGLISH)

ITEM	PART NUMBER	QTY	DESCRIPTION	REV
	1001181268	Ref	DECAL INSTALLATION - ANSI SPEC (ENGLISH)	G
		Ref	Note: See DECAL INSTALLATION - OPTIONS for additional decals.	
1	2080040	4	Fastener	
2	0860520	1	Box, Manual Storage	
4	1001131270	1	Decal - Patent	
5	2080057	4	Fastener	
7	See Note	1	Decal - Bar Code (Note: Not Available for Purchase)	
8	2902267	1	Decal Kit - Master (Standard Decals) (Includes Items 9-19 & 44)	B
9	1704412	1	Decal - Hydraulic Oil	
10	1705693	1	Decal - Safety Prop	
11	1704016	2	Decal - Forklift	
12	1702155	1	Decal - Battery Disconnect	
13	1701509	1	Decal - Manual Reference	
14	1703811	4	Decal - Lifting Lugs	
15	1703814	3	Decal - Tie Down	
16	1704277	3	Decal - Lanyard Attach	
17	1703819	4	Decal - Directional Arrow	
18	1703822	1	Decal - Manual Descent Instructions	
19	1705692	1	Decal - Control Box Location	
20	2902522	1	Decal Kit - ANSI Spec (Includes Items 21-27)	B
21	1705694	4	Decal - Crushing	
22	1705695	4	Decal - Danger Electrocution	
23	1705686	1	Decal - Legend	
24	1705680	1	Decal - Danger/Warning	
25	1705679	1	Decal - Inspection	
26	1705681	1	Decal - Electrocution	
27	1703813	2	Decal - Warning Battery Ventilation	
44	1701499	1	Decal - No Lift (Part of Item 8)	
46	1001094359	1	Decal - Troubleshooting	
47	1001146794	2	Decal - See Manual	
49	1001216313	1	Decal - 24 Volts (SN 0200257823 to Present, SN B200037273 to Present, SN M200002935 to Present)	
50	1705754	2	Decal - JLG (SN 0200262153 to Present, SN B200038196 to Present, SN M200007969 to Present)	
51	1001223055	1	Decal - Yearly Inspection (SN B200045817 to Present, SN M2000151192 to Present)	
52	1001228370	1	Decal - CSA Ices (SN B200045817 to Present, SN M2000151192 to Present)	
53	1001231801	1	Decal - Prop 65 (SN B200051677 to Present, SN M200025388 to Present)	

SECTION 8 - DECALS

FIGURE 8-2. DECAL INSTALLATION - AUSTRALIAN SPEC (ENGLISH)



ART_1001181270

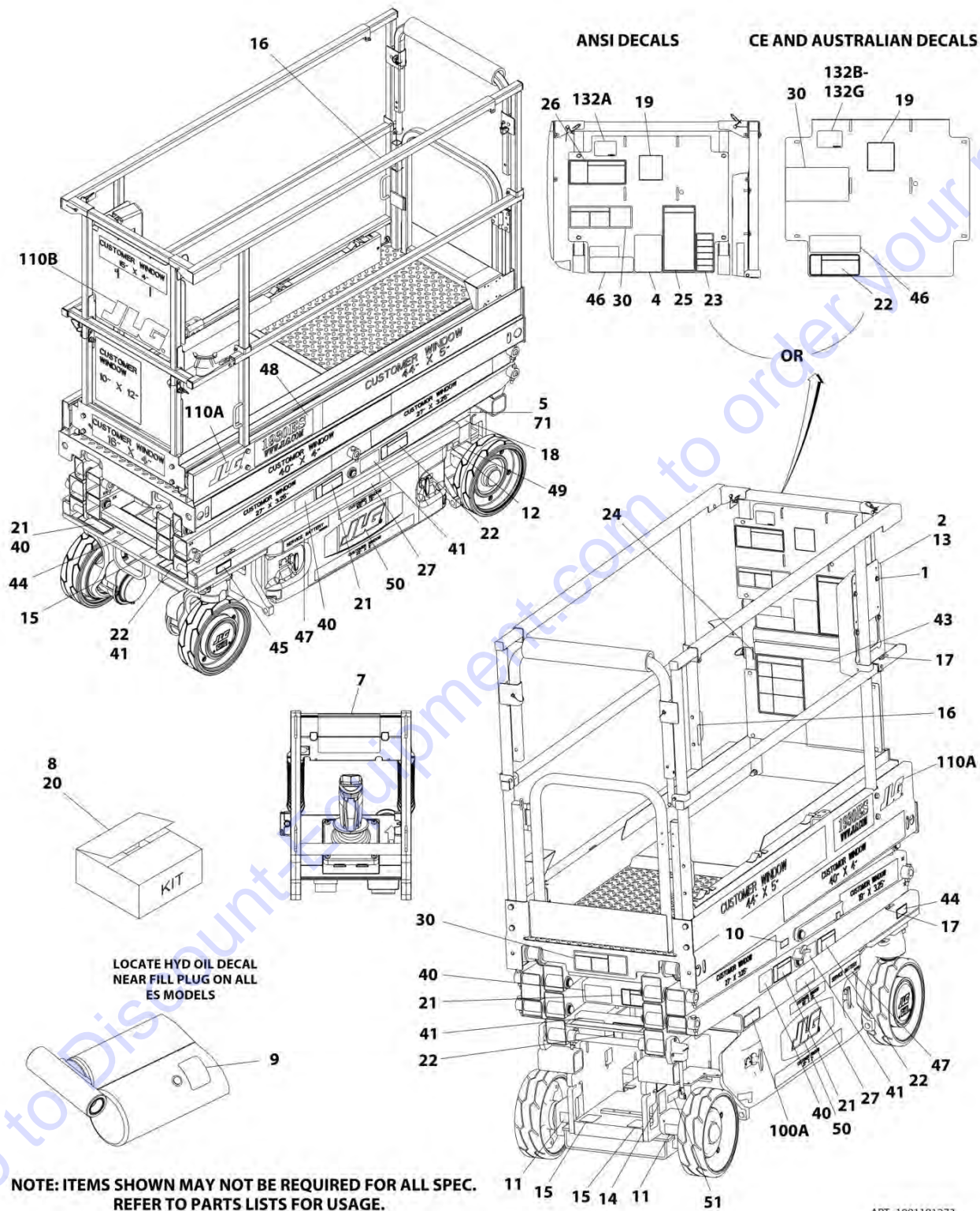
SECTION 8 - DECALS

FIGURE 8-2. DECAL INSTALLATION - AUSTRALIAN SPEC (ENGLISH)

ITEM	PART NUMBER	QTY	DESCRIPTION	REV
	1001181270	Ref	DECAL INSTALLATION - AUSTRALIAN SPEC (ENGLISH)	H
		Ref	Note: See DECAL INSTALLATION - OPTIONS for additional decals.	
1	2080040	8	Fastener	
2	0860520	1	Box, Manual Storage	
5	2080057	4	Fastener	
7	See Note	1	Decal - Bar Code (Note: Not Available for Purchase)	
8	2902267	1	Decal Kit - Master (Standard Decals) (Includes Items 9-19 & 44)	B
9	1704412	1	Decal - Hydraulic Oil	
10	1705693	1	Decal - Safety Prop	
11	1704016	2	Decal - Fork Lift	
12	1702155	1	Decal - Battery Disconnect	
13	1701509	1	Decal - Manual Reference	
14	1703811	4	Decal - Lifting Lugs	
15	1703814	3	Decal - Tie Down	
16	1704277	3	Decal - Lanyard Attach	
17	1703819	4	Decal - Directional Arrow	
18	1703822	1	Decal - Manual Descent Instructions	
19	1705692	1	Decal - Control Box Location	
20	2902523	1	Decal Kit - Australian Spec (Includes Items 21, 22 & 27)	2
21	1705673	4	Decal - Crushing	
22	1705671	5	Decal - Electrocution	
27	1705670	2	Decal - Warning Battery Ventilation/Fire Hazard	
44	1701499	1	Decal - No Lift (Part of Item 8)	
46	1001094359	1	Decal - Troubleshooting	
47	1001146794	2	Decal - See Manual	
49	1001216313	1	Decal - 24 Volts (SN 0200257823 to Present, SN B200037273 to Present, SN M200002935 to Present)	
50	1705754	2	Decal - JLG (SN 0200262153 to Present, SN B200038196 to Present, SN M200007969 to Present)	

SECTION 8 - DECALS

FIGURE 8-3. DECAL INSTALLATION - BRAZIL SPEC (PORTUGUESE/SPANISH)



ART_1001181273

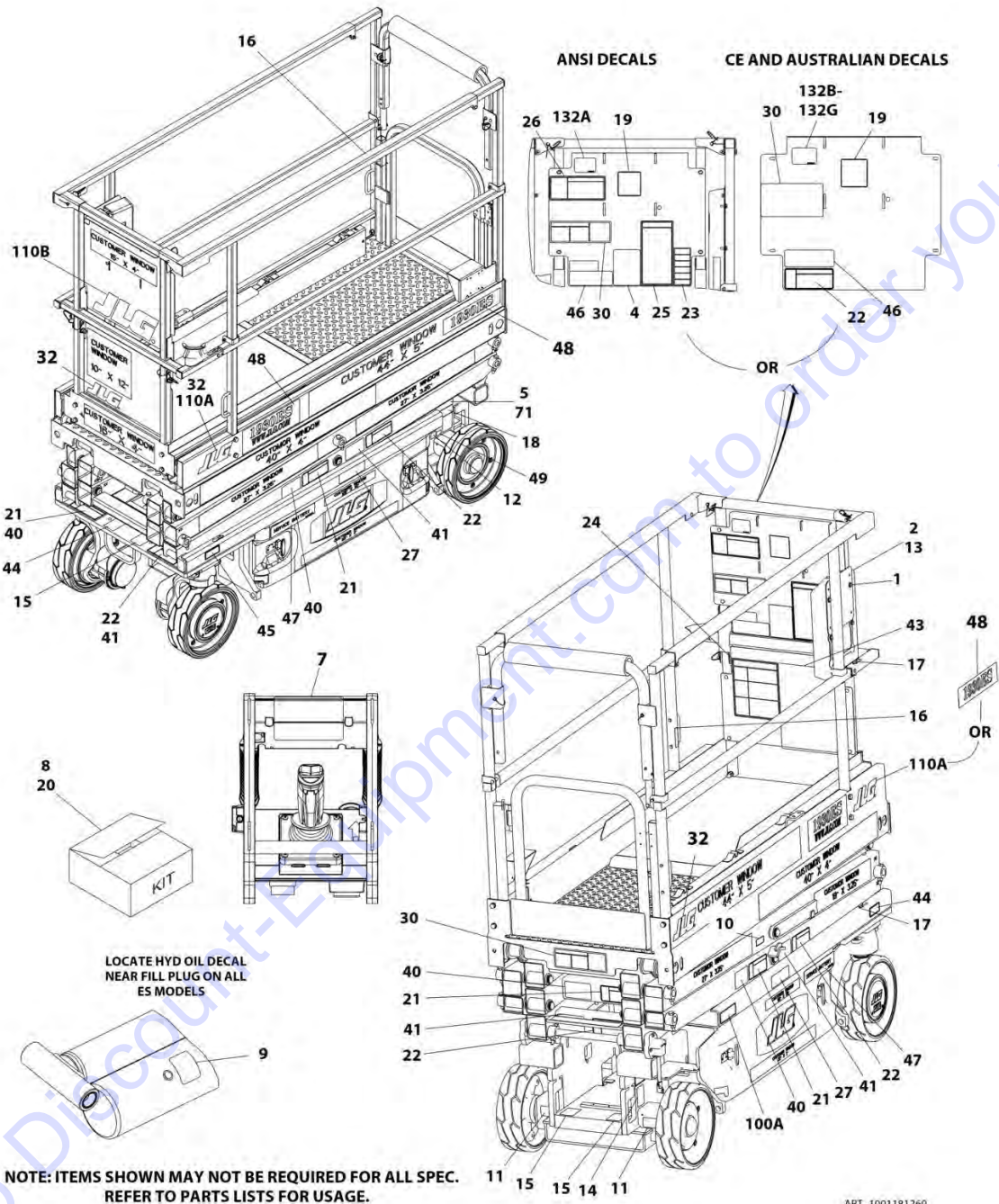
SECTION 8 - DECALS

FIGURE 8-3. DECAL INSTALLATION - BRAZIL SPEC (PORTUGUESE/SPANISH)

ITEM	PART NUMBER	QTY	DESCRIPTION	REV
	1001181273	Ref	DECAL INSTALLATION - BRAZIL SPEC (PORTUGUESE/SPANISH)	H
		Ref	Note: See DECAL INSTALLATION - OPTIONS for additional decals.	
1	2080040	4	Fastener	
2	0860520	1	Box, Manual Storage	
5	2080057	4	Fastener	
7	See Note	1	Decal - Bar Code (Note: Not Available for Purchase)	
8	2902267	1	Decal Kit - Master (Standard Decals) (Includes Items 9-19 & 44)	B
9	1704412	1	Decal - Hydraulic Oil	
10	1705693	1	Decal - Safety Prop	
11	1704016	2	Decal - Forklift	
12	1702155	1	Decal - Battery Disconnect	
13	1701509	1	Decal - Manual Reference	
14	1703811	4	Decal - Lifting Lugs	
15	1703814	3	Decal - Tie Down	
16	1704277	3	Decal - Lanyard Attach	
17	1703819	4	Decal - Directional Arrow	
18	1703822	1	Decal - Manual Descent Instructions	
19	1705692	1	Decal - Control Box Location	
20	2902526	1	Decal Kit - Brazil Spec (Includes Items 21-27, 40 & 41)	B
21	1705722	5	Decal - Warning Crushing Hazard	
22	1703834	4	Decal - Warning/Danger	
23	1705726	1	Decal - Legend	
24	1705894	1	Decal - Danger/Warning	
25	1705727	1	Decal - Inspection	
26	1705721	1	Decal - Electrocutation	
27	1704341	2	Decal - Warning Battery Ventilation	
40	1705725	4	Decal - Crushing Hazard	
41	1705724	4	Decal - Electrocutation	
43	1705719	1	Decal - Danger/Warning	
44	1701499	1	Decal - No Lift (Part of Item 8)	
46	1001094359	1	Decal - Troubleshooting	
47	1001146794	2	Decal - See Manual	
49	1001216313	1	Decal - 24 Volts (SN 0200257823 to Present, SN B200037273 to Present, SN M200002935 to Present)	
50	1705754	2	Decal - JLG (SN 0200262153 to Present, SN B200038196 to Present, SN M200007969 to Present)	
51	1001224052	1	Decal - Yearly Inspection (SN B200045817 to Present, SN M2000151192 to Present)	

SECTION 8 - DECALS

FIGURE 8-4. DECAL INSTALLATION - CE SPEC (ENGLISH)



NOTE: ITEMS SHOWN MAY NOT BE REQUIRED FOR ALL SPEC. REFER TO PARTS LISTS FOR USAGE.

ART_1001181269

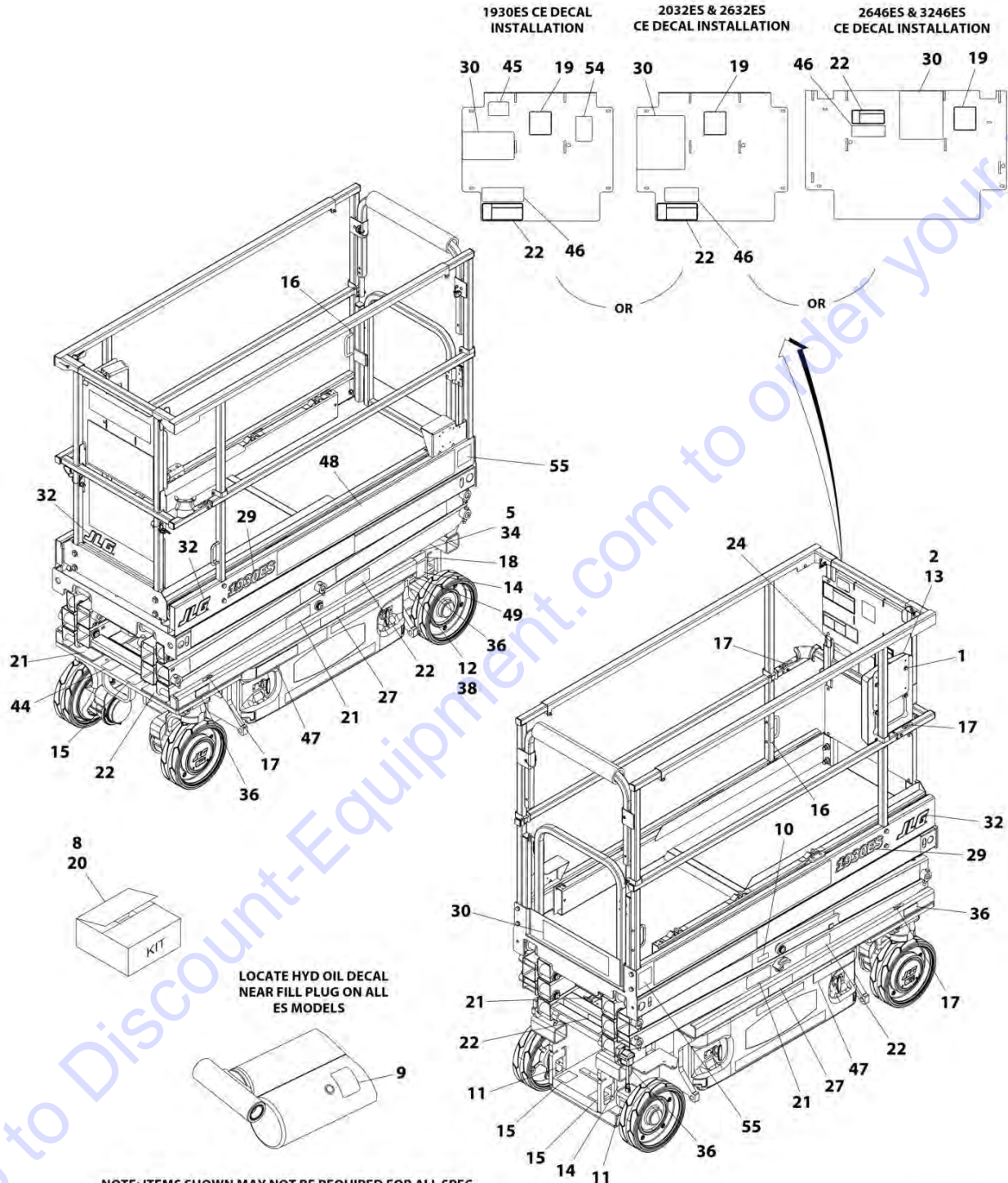
SECTION 8 - DECALS

FIGURE 8-4. DECAL INSTALLATION - CE SPEC (ENGLISH)

ITEM	PART NUMBER	QTY	DESCRIPTION	REV
	1001181267	Ref	DECAL INSTALLATION – REFERENCE (SN 0200239382 through 0200262152, SN B200020297 through B200038195, SN M200000100 through M200007968)	H
	1001217327	Ref	DECAL INSTALLATION - REFERENCE (SN 0200262153 to Present, SN 1200025121 to Present, SN B200038196 to Present, SN M200007969 to Present)	B
	1001181269	Ref	DECAL INSTALLATION - CE SPEC (ENGLISH)	G
		Ref	Note: See DECAL INSTALLATION - OPTIONS for additional decals.	
1	2080040	4	Fastener	
2	0860520	1	Box, Manual Storage	
5	2080057	4	Fastener	
7	See Note	1	Decal - Bar Code (Note: Not Available for Purchase)	
8	2902267	1	Decal Kit - Master (Standard Decals) (Includes Items 9-19 & 44)	B
9	1704412	1	Decal - Hydraulic Oil	
10	1705693	1	Decal - Safety Prop	
11	1704016	2	Decal - Forklift	
12	1702155	1	Decal - Battery Disconnect	
13	1701509	1	Decal - Manual Reference	
14	1703811	4	Decal - Lifting Lugs	
15	1703814	3	Decal - Tie Down	
16	1704277	3	Decal - Lanyard Attach	
17	1703819	4	Decal - Directional Arrow	
18	1703822	1	Decal - Manual Descent Instructions	
19	1705692	1	Decal - Control Box Location	
20	2902523	1	Decal Kit - CE Spec (Includes Items 21, 22 & 27)	2
21	1705673	4	Decal - Crushing	
22	1705671	5	Decal - Electrocutation	
27	1705670	2	Decal - Warning Battery Ventilation/Fire Hazard	
32	1705781	3	Decal - JLG (SN 0200262153 to Present, SN 1200025121 to Present, SN B200038196 to Present, SN M200007969 to Present)	
44	1701499	1	Decal - No Lift (Part of Item 8)	
46	1001094359	1	Decal - Troubleshooting	
47	1001146795	2	Decal - See Manual	
49	1001216313	1	Decal - 24 Volts (SN 0200257823 to Present, SN 1200025121 to Present, SN B200037273 to Present, SN M200002935 to Present)	

SECTION 8 - DECALS

FIGURE 8-5. DECAL INSTALLATION - CHINA SPEC (GB)



ART_1001232541

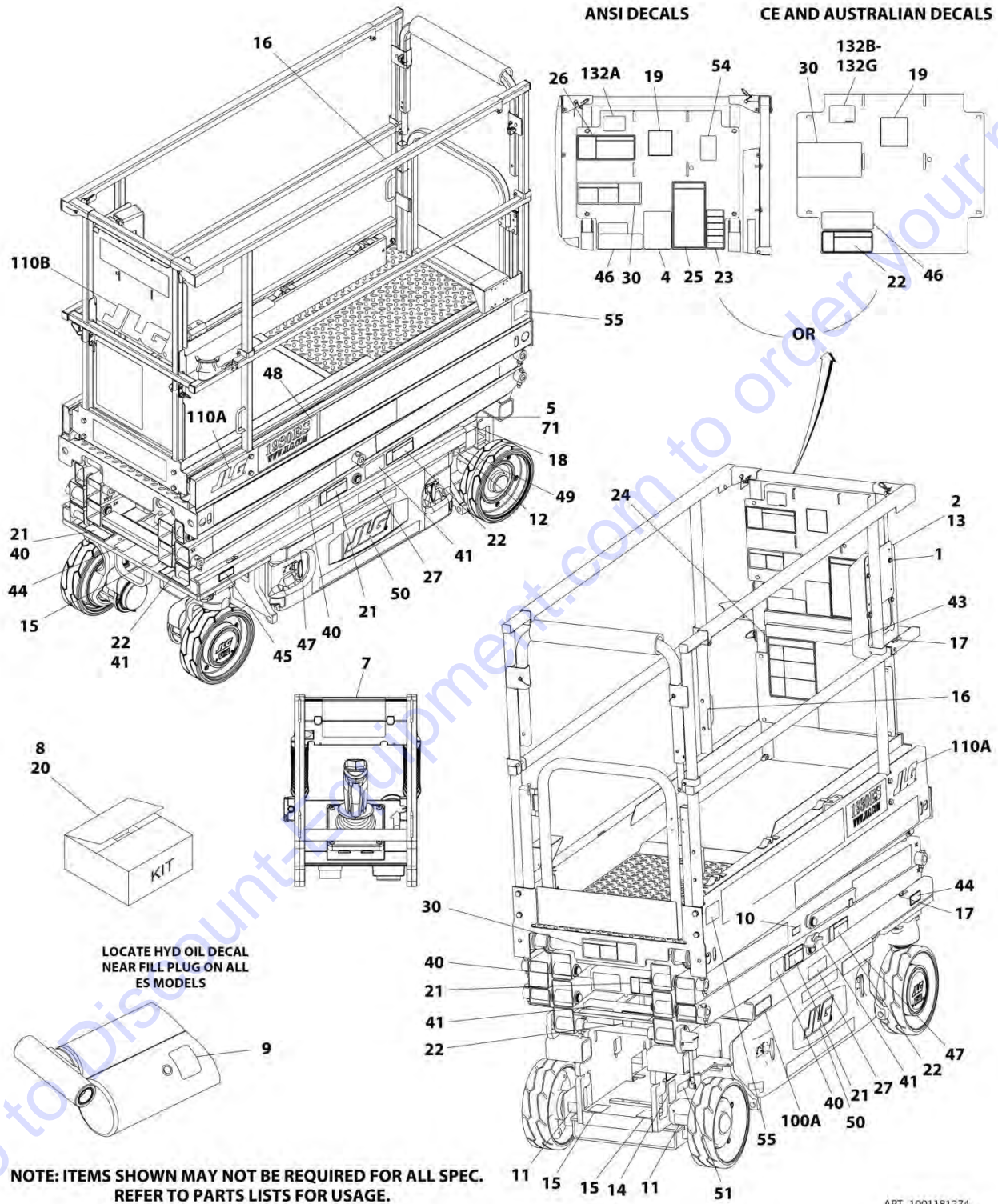
SECTION 8 - DECALS

FIGURE 8-5. DECAL INSTALLATION - CHINA SPEC (GB)

ITEM	PART NUMBER	QTY	DESCRIPTION	REV
	1001232541	Ref	DECAL INSTALLATION - CHINA SPEC (GB)	B
		Ref	Note: See DECAL INSTALLATION - OPTIONS for additional decals.	
1	2080040	4	Fastener	
2	0860520	1	Box, Manual Storage	
5	2080057	4	Fastener	
8	2902267	1	Decal Kit - Master (Standard Decals) (Includes Items 9-19 & 44)	B
9	1704412	1	Decal - Hydraulic Oil	
10	1705693	1	Decal - Safety Prop	
11	1704016	2	Decal - Forklift	
12	1702155	1	Decal - Battery Disconnect	
13	1701509	1	Decal - Manual Reference	
14	1703811	4	Decal - Lifting Lugs	
15	1703814	3	Decal - Tie Down	
16	1704277	3	Decal - Lanyard Attach	
17	1703819	4	Decal - Directional Arrow	
18	1703822	1	Decal - Manual Descent Instructions	
19	1705692	1	Decal - Control Box Location	
20	2902523	1	Decal Kit - CE Spec (Includes Items 21, 22 & 27)	2
21	1705673	4	Decal - Crushing	
22	1705671	5	Decal - Electrocution	
27	1705670	2	Decal - Warning Battery Ventilation/Fire Hazard	
32	1705781	3	Decal - JLG	
44	1701499	1	Decal - No Lift (Part of Item 8)	
46	1001094359	1	Decal - Troubleshooting	
47	1001146794	2	Decal - See Manual	
49	1001216313	1	Decal - 24 Volts	
54	1001244301	1	Decal - No Over the Rail to Ground (SN B200051677 to Present, SN M200025388 to Present)	
55	1001244298	2	Decal - Wechat (SN B200051677 to Present, SN M200025388 to Present)	

SECTION 8 - DECALS

FIGURE 8-6. DECAL INSTALLATION - CHINESE SPEC (CHINESE/ENGLISH)



ART_1001181274

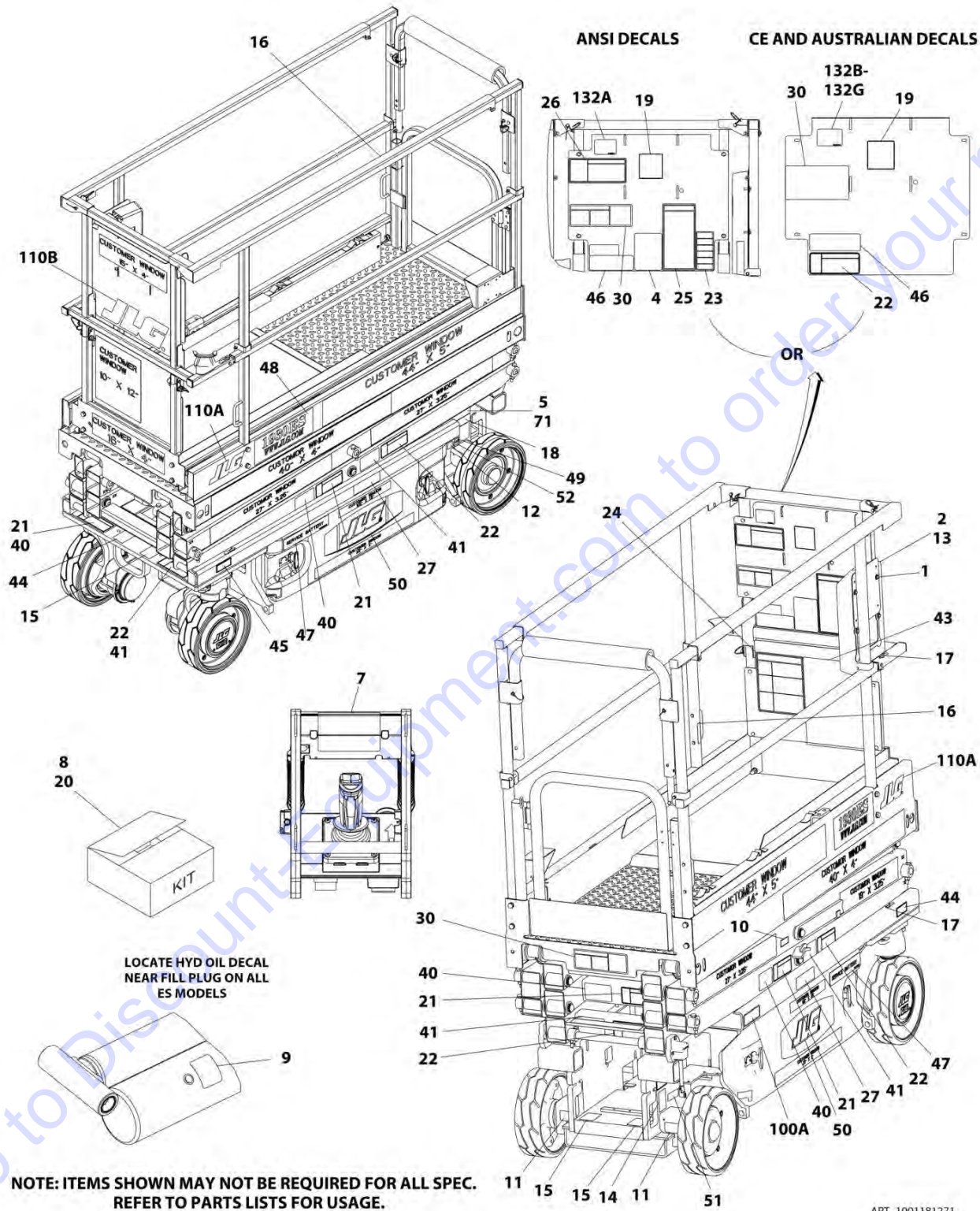
SECTION 8 - DECALS

FIGURE 8-6. DECAL INSTALLATION - CHINESE SPEC (CHINESE/ENGLISH)

ITEM	PART NUMBER	QTY	DESCRIPTION	REV
	1001181274	Ref	DECAL INSTALLATION - CHINESE SPEC (CHINESE/ENGLISH)	H
		Ref	Note: See DECAL INSTALLATION - OPTIONS for additional decals.	
1	2080040	4	Fastener	
2	0860520	1	Box, Manual Storage	
5	2080057	4	Fastener	
7	See Note	1	Decal - Bar Code (Note: Not Available for Purchase)	
8	2902267	1	Decal Kit - Master (Standard Decals) (Includes Items 9-19 & 44)	B
9	1704412	1	Decal - Hydraulic Oil	
10	1705693	1	Decal - Safety Prop	
11	1704016	2	Decal - Forklift	
12	1702155	1	Decal - Battery Disconnect	
13	1701509	1	Decal - Manual Reference	
14	1703811	4	Decal - Lifting Lugs	
15	1703814	3	Decal - Tie Down	
16	1704277	3	Decal - Lanyard Attach	
17	1703819	4	Decal - Directional Arrow	
18	1703822	1	Decal - Manual Descent Instructions	
19	1705692	1	Decal - Control Box Location	
20	2902528	1	Decal Kit - Chinese Spec (Includes Items 21-27, 40 & 41)	B
21	1705694	4	Decal - Crushing	
22	1705695	4	Decal - Danger	
23	1705946	1	Decal - Legend	
24	1705680	1	Decal - Danger/Warning	
25	1705679	1	Decal - Inspection	
26	1705681	1	Decal - Electrocutation	
27	1704344	2	Decal - Warning Battery Ventilation	
40	1705943	4	Decal - Crushing	
41	1705944	4	Decal - Electrocutation	
43	1705945	1	Decal - Danger/Warning	
44	1701499	1	Decal - No Lift (Part of Item 8)	
46	1001094359	1	Decal - Troubleshooting	
47	1001146794	2	Decal - See Manual	
49	1001216313	1	Decal - 24 Volts (SN 0200257823 to Present, SN B200037273 to Present, SN M200002935 to Present)	
50	1705754	2	Decal - JLG (SN 0200262153 to Present, SN B200038196 to Present, SN M200007969 to Present)	
51	1001224050	1	Decal - Yearly Inspection (SN B200045817 to Present, SN M2000151192 to Present)	
54	1001244301	1	Decal - No Over the Rail to Ground (SN B200051677 to Present, SN M200025388 to Present)	
55	1001244298	2	Decal - Wechat (SN B200051677 to Present, SN M200025388 to Present)	

SECTION 8 - DECALS

FIGURE 8-7. DECAL INSTALLATION - CSA SPEC (ENGLISH/FRENCH)



ART_1001181271

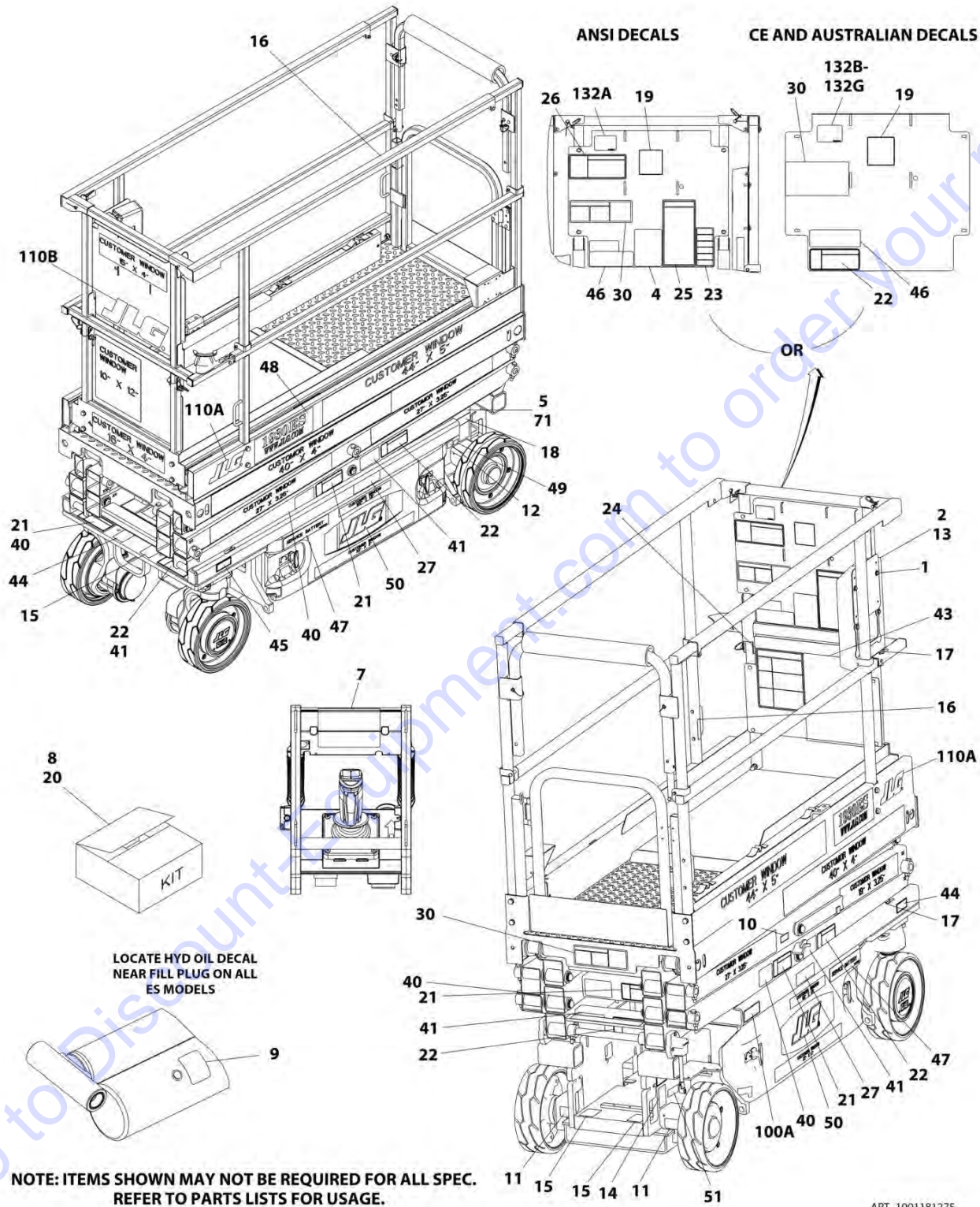
SECTION 8 - DECALS

FIGURE 8-7. DECAL INSTALLATION - CSA SPEC (ENGLISH/FRENCH)

ITEM	PART NUMBER	QTY	DESCRIPTION	REV
	1001181271	Ref	DECAL INSTALLATION - CSA SPEC (ENGLISH/FRENCH)	H
		Ref	Note: See DECAL INSTALLATION - OPTIONS for additional decals.	
1	2080040	4	Fastener	
2	0860520	1	Box, Manual Storage	
4	1001191270	1	Decal - Patent	
5	2080057	4	Fastener	
7	See Note	1	Decal - Bar Code (Note: Not Available for Purchase)	
8	2902267	1	Decal Kit - Master (Standard Decals) (Includes Items 9-19 & 44)	B
9	1704412	1	Decal - Hydraulic Oil	
10	1705693	1	Decal - Safety Prop	
11	1704016	2	Decal - Forklift	
12	1702155	1	Decal - Battery Disconnect	
13	1701509	1	Decal - Manual Reference	
14	1703811	4	Decal - Lifting Lugs	
15	1703814	3	Decal - Tie Down	
16	1704277	3	Decal - Lanyard Attach	
17	1703819	4	Decal - Directional Arrow	
18	1703822	1	Decal - Manual Descent Instructions	
19	1705692	1	Decal - Control Box Location	
20	2902524	1	Decal Kit - CSA Spec (Includes Items 21-27, 40 & 41)	B
21	1705694	4	Decal - Crushing	
22	1705695	4	Decal - Warning/Danger	
23	1705723	1	Decal - Legend	
24	1705680	1	Decal - Danger/Warning	
25	1705679	1	Decal - Inspection	
26	1705681	1	Decal - Electrocutation	
27	1704340	2	Decal - Warning Battery Ventilation	
40	1705717	4	Decal - Crushing	
41	1705718	4	Decal - Electrocutation	
43	3252098	1	Nameplate - Warning/Danger	
44	1701499	1	Decal - No Lift (Part of Item 8)	
46	1001094359	1	Decal - Troubleshooting	
47	1001146794	2	Decal - See Manual	
49	1001216313	1	Decal - 24 Volts (SN 0200257823 to Present, SN B200037273 to Present, SN M200002935 to Present)	
50	1705754	2	Decal - JLG (SN 0200262153 to Present, SN B200038196 to Present, SN M200007969 to Present)	
51	1001223971	1	Decal - Yearly Inspection (SN B200045817 to Present, SN M2000151192 to Present)	
52	1001228370	1	Decal - CSA Ices (SN B200045817 to Present, SN M2000151192 to Present)	

SECTION 8 - DECALS

FIGURE 8-8. DECAL INSTALLATION - KOREAN SPEC (KOREAN/ENGLISH)



NOTE: ITEMS SHOWN MAY NOT BE REQUIRED FOR ALL SPEC. REFER TO PARTS LISTS FOR USAGE.

ART_1001181275

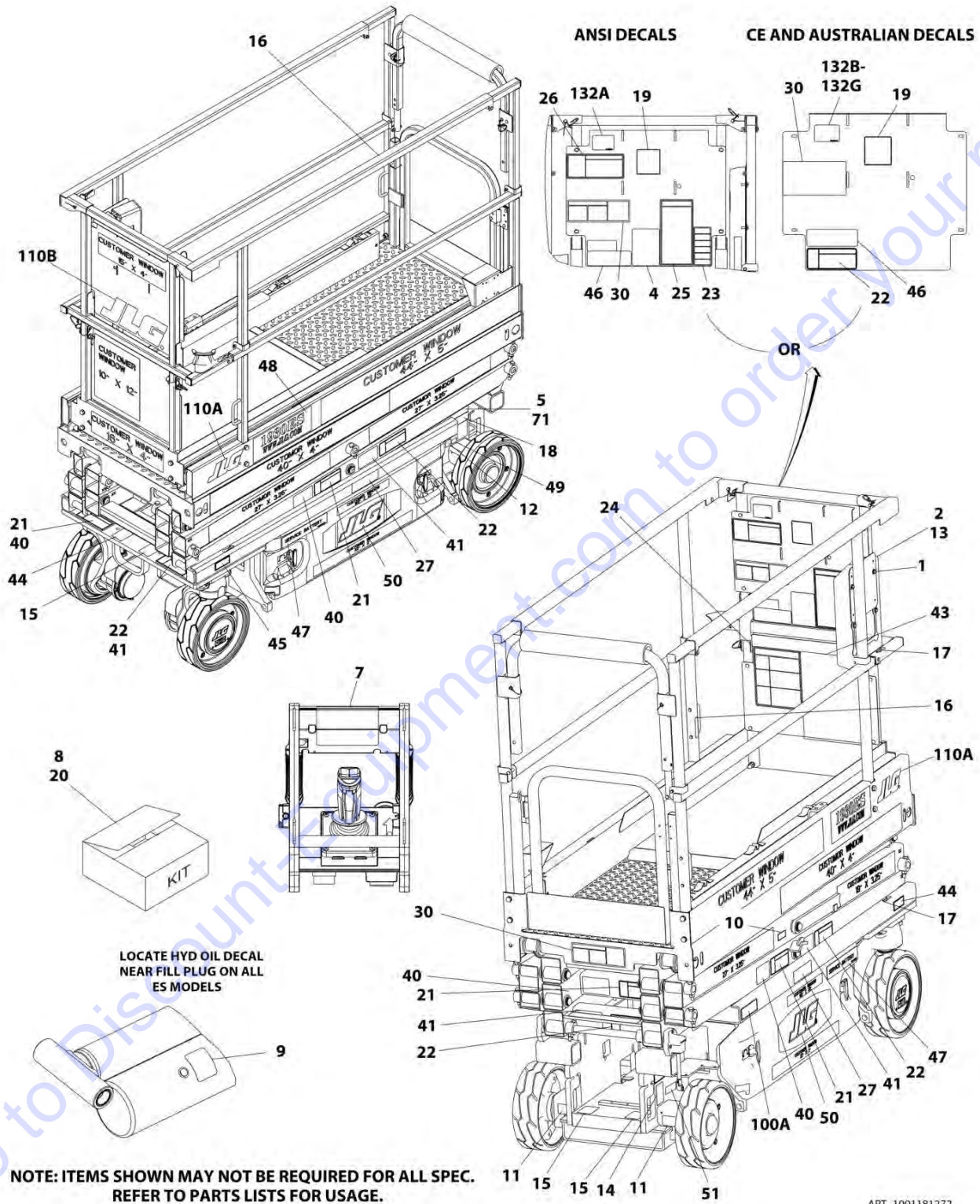
SECTION 8 - DECALS

FIGURE 8-8. DECAL INSTALLATION - KOREAN SPEC (KOREAN/ENGLISH)

ITEM	PART NUMBER	QTY	DESCRIPTION	REV
	1001181275	Ref	DECAL INSTALLATION - KOREAN SPEC (KOREAN/ENGLISH)	H
		Ref	Note: See DECAL INSTALLATION - OPTIONS for additional decals.	
1	2080040	4	Fastener	
2	0860520	1	Box, Manual Storage	
5	2080057	4	Fastener	
7	See Note	1	Decal - Bar Code (Note: Not Available for Purchase)	
8	2902267	1	Decal Kit - Master (Standard Decal) (Includes Items 9-19 & 44)	B
9	1704412	1	Decal - Hydraulic Oil	
10	1705693	1	Decal - Safety Prop	
11	1704016	2	Decal - Forklift	
12	1702155	1	Decal - Battery Disconnect	
13	1701509	1	Decal - Manual Reference	
14	1703811	4	Decal - Lifting Lugs	
15	1703814	3	Decal - Tie Down	
16	1704277	3	Decal - Lanyard Attach	
17	1703819	4	Decal - Directional Arrow	
18	1703822	1	Decal - Manual Descent Instructions	
19	1705692	1	Decal - Control Box Location	
20	2902532	1	Decal Kit - Korean Spec (Includes Items 21-27, 40 & 41)	2
21	1705694	4	Decal - Crushing	
22	1705695	4	Decal - Danger Electrocution	
23	1706057	1	Decal - Legend	
24	1705680	1	Decal - Danger/Warning	
25	1705679	1	Decal - Inspection	
26	1705681	1	Decal - Electrocution	
27	1707022	2	Decal - Warning Battery Ventilation	
40	1706052	4	Decal - Crushing Hazard	
41	1706056	4	Decal - Danger Electrocution	
43	1706053	1	Decal - Danger/Warning	
44	1701499	1	Decal - No Lift (Part of Item 8)	
46	1001094359	1	Decal - Troubleshooting	
47	1001146794	2	Decal - See Manual	
49	1001216313	1	Decal - 24 Volts (SN 0200257823 to Present, SN B20037273 to Present, SN M200002935 to Present)	
50	1705754	2	Decal - JLG (SN 0200262153 to Present, SN B200038196 to Present, SN M200007969 to Present)	
51	1001224048	1	Decal - Yearly Inspection (SN B200045817 to Present, SN M2000151192 to Present)	

SECTION 8 - DECALS

FIGURE 8-9. DECAL INSTALLATION - LATIN AMERICAN SPEC (ENGLISH/SPANISH)



ART_1001181272

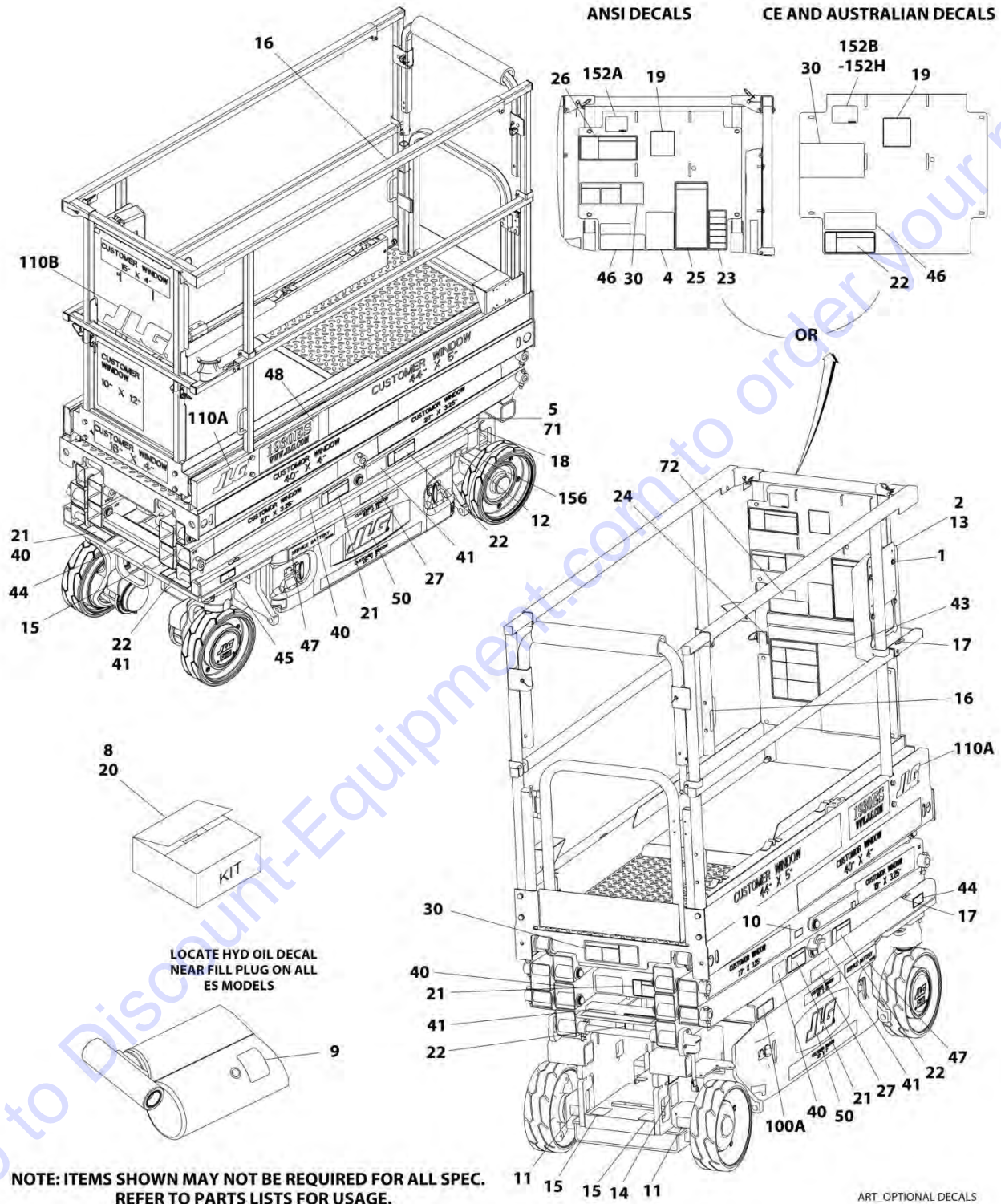
SECTION 8 - DECALS

FIGURE 8-9. DECAL INSTALLATION - LATIN AMERICAN SPEC (ENGLISH/SPANISH)

ITEM	PART NUMBER	QTY	DESCRIPTION	REV
	1001181272	Ref	DECAL INSTALLATION - LATIN AMERICAN SPEC (ENGLISH/SPANISH)	H
		Ref	Note: See DECAL INSTALLATION - OPTIONS for additional decals.	
1	2080040	4	Fastener	
2	0860520	1	Box, Manual Storage	
5	2080057	4	Fastener	
7	See Note	1	Decal - Bar Code (Note: Not Available for Purchase)	
8	2902267	1	Decal Kit - Master (Standard Decals) (Includes Items 9-19 & 44)	B
9	1704412	1	Decal - Hydraulic Oil	
10	1705693	1	Decal - Safety Prop	
11	1704016	2	Decal - Forklift	
12	1702155	1	Decal - Battery Disconnect	
13	1701509	1	Decal - Manual Reference	
14	1703811	4	Decal - Lifting Lugs	
15	1703814	3	Decal - Tie Down	
16	1704277	3	Decal - Lanyard Attach	
17	1703819	4	Decal - Directional Arrow	
18	1703822	1	Decal - Manual Descent Instructions	
19	1705692	1	Decal - Control Box Location	
20	2902525	1	Decal Kit - Latin American Spec (English/Spanish) (Includes Items 21-27, 40 & 41)	B
21	1705694	4	Decal - Crushing	
22	1705695	4	Decal - Danger Electrocutation	
23	1705720	1	Decal - Legend	
24	1705680	1	Decal - Danger/Warning	
25	1705679	1	Decal - Inspection	
26	1705681	1	Decal - Electrocutation	
27	1704339	2	Decal - Warning Battery Ventilation	
40	1705725	4	Decal - Crushing Hazard	
41	1705724	1	Decal - Danger Electrocutation	
43	1705719	1	Decal - Danger/Warning	
44	1701499	1	Decal - No Lift (Part of Item 8)	
46	1001094359	1	Decal - Troubleshooting	
47	1001146794	2	Decal - See Manual	
49	1001216313	1	Decal - 24 Volts (SN 0200257823 to Present, SN B200037273 to Present, SN M200002935 to Present)	
50	1705754	2	Decal - JLG (SN 0200262153 to Present, SN B200038196 to Present, SN M200007969 to Present)	
51	1001224049	1	Decal - Yearly Inspection (SN B200045817 to Present, SN M2000151192 to Present)	

SECTION 8 - DECALS

FIGURE 8-10. DECAL INSTALLATION - OPTIONS



ART_OPTIONAL DECALS

SECTION 8 - DECALS

FIGURE 8-10. DECAL INSTALLATION - OPTIONS

ITEM	PART NUMBER	QTY	DESCRIPTION	REV
		Ref	DECAL INSTALLATION - OPTIONS	
25	0272721	Ref	Corner Safety Stripes Installation	C
25	4420051	51 in/1.3m	Tape, Safety (Not Shown - Located on Platform Extension)	
30	1705638	3	Decal - 500LB Capacity (All Specs except Australian, CE and China Specs)	
30	1705666	1	Decal - 360KG (Australian/CE Specs)	
45	1705647	4	Decal - Maximum Tire Load (All Specs except Australian, CE and China Specs)	
45	1705648	4	Decal - Maximum Tire Load (Australian, CE and China Specs)	
48	1001099919	2	Decal - Model Designation	
71	See Note	1	Decal - Serial Number (Note: Not Available for Purchase)	
72	1705303	1	Decal - CSA (CSA Spec Only)	
74	3251813	1	Decal - USA (Not Shown) (SN 0200239382 through 0200243057)	
100A	1705699	1	Decal - 500LB Capacity MTB (All Specs except Australian/CE Specs)	
110	0272870	Ref	JLG Logo Installation	2
110	1001228965	Ref	JLG Logo Installation (China Specs)	A
110A	1705781	2	Decal - JLG (2.75 inch)	
110B	1702773	1	Decal - JLG (5 inch)	
110B	1705754	1	Decal - JLG (3.5 inch) (China Specs)	
		Ref	Decal - No Pipe Racks Allowed Options:	A
152A	1001092071	1	Decal - No Pipe Racks Allowed - English (ANSI/ANSI Export/UL/China Specs)	
152B	1001092497	1	Decal - No Pipe Racks Allowed (CE/Australian/Japanese Specs)	
152C	1001092580	1	Decal - No Pipe Racks Allowed (CSA Specs)	
152D	1001120621	1	Decal - No Pipe Racks Allowed - English/Korean (ANSI Export, China and Korea Specs)	
152E	1001120622	1	Decal - No Pipe Racks Allowed - English/Chinese (ANSI Export/China/CE Specs)	
152F	1001120623	1	Decal - No Pipe Racks Allowed - Portuguese/Spanish (ANSI Export/China Specs)	
152G	1001120629	1	Decal - No Pipe Racks Allowed - English/Spanish (ANSI Export/China Specs)	
152H	1001231066	1	Decal - No Panel Carrier Allowed (Australian and CE Specs)	
156	1001214029	1	Decal Installation - EAC (Russian/CIS Specs)	A
156	1001173703	1	Decal - EAC (Russian/CIS Specs)	

SECTION 9 - RECOMMENDED SERVICE PARTS STOCK

SECTION 9 - RECOMMENDED SERVICE PARTS STOCK

Go to Discount-Equipment.com to order your parts

SECTION 9 - RECOMMENDED SERVICE PARTS STOCK

FIGURE 9-1. RECOMMENDED SERVICE PARTS STOCK

ITEM	PART NUMBER	QTY	DESCRIPTION	REV
		Ref	Note: The following list will service one machine (built to current production per date on the front cover) with emergency repair parts which can be installed in the field. Parts from the list should be replaced when inventory is depleted to keep service parts stock supplied. For further information, go to Discount-equipment.com	
		Ref	STANDARD PARTS	
	4360069	1	Breaker, Circuit - 10 Amp	
	4360328	1	Switch, Toggle	
	2860030	1	Key, Replacement	
	4360475	1	Switch, Mushroom	
	4360387	1	Switch, Push Button	
	1001092354	1	Switch, Rotary Angle Sensor	
	1600402	1	Controller, Drive/Steer	
	4360538	1	Switch and Membrane	
	4360539	1	Switch, Toggle	
	1001097347	1	Relay	
	70004928	1	Filter - 300 Micron	
	70003706	1	Filter - 300 Micron	
	70003707	1	Coil	
		Ref	VARIABLE PARTS	
	1001092456	1	Module, Drive Control	
	1001109088	1	Switch, Limit (Non-UL Machines)	
	1001126905	1	Switch, Limit (UL Machines)	
	1001130614	1	Switch, Limit (Machines with Overhead Protection and Low Height Drive Cutout)	
	0610161	1	PC Board - Charger	
	4360469	1	Switch, Key (All Specs except CE Specs)	
	4360470	1	Switch, Key (CE Specs)	
	1001163095	1	Sensor, Tilt (USA Built Machines)	
	1001169392	1	Sensor, Tilt (China Built Machines)	
	2940064	1	Latch, Snap (Machines with Chain Gate)	
	1600439	1	PC Board, Console Box	
	4360613	1	Switch, Limit (Brake Disconnect)	
	1001109475	1	Breaker, Circuit - 16 Amp (CE Spec Only)	
	1001109482	1	Breaker, Circuit - 30mA (CE Spec Only)	
	1001152479	1	Breaker, Circuit - Double 16 Amp (CE Spec Only)	

SECTION 10 - SPECIAL OPTIONS

Go to Discount-Equipment.com to order your parts

SECTION 10 - SPECIAL OPTIONS

FIGURE 10-1. SPECIAL OPTIONS

ITEM	PART NUMBER	QTY	DESCRIPTION	REV
		Ref	Note: This list is to accommodate machines ordered with special equipment. Options may not be applicable to all models. For more specific parts information go to Discount-equipment.com	
		Ref	SPECIAL OPTIONS	
	0272843	Ref	AC Plug and Receptacle Installation (Customer Supplied Plug and Receptacle)	
	0274516	Ref	Airline Installation	
	1001183458	Ref	Alarm Installation - Ambient Adjusting (Available on All Specs except UL Spec)	
	0272913	Ref	Alarm Installation - Motion (See Ground Control Box /Alarm Installation for Components)	
	1001185053	Ref	Alarm Installation - White Noise (Available on All Specs except UL Spec)	
	1001183458	Ref	Ambient Adjusting Motion Alarm Kit	
	0272878	Ref	Antivandalism Package (ANSI Export, CE, Australian, UL, China and Korea Specs Only)	
	1001213525	Ref	Antivandalism Package (ANSI Export, China and Korea Specs)	
	1001188716	Ref	Arm Guards Installation (China Built Machines)	
	1001190009	Ref	Beacon Light Installation with 2 Lights	
		Ref	ClearSky (Telematics) Installations (Dealer Installed)	
	1001243574	Ref	ClearSky Telematics Access Control Kit (Dealer Installed) (All Specs)	
	1001243185	Ref	ClearSky Telematics Access Control Kit – Single Can (Dealer Installed) (ANSI Specs)	
	1001243186	Ref	ClearSky Telematics Access Control Kit – Single Can (Dealer Installed) (CE Specs)	
		Ref	ClearSky (Telematics) Installations (Factory Installed)	
	1001229107	Ref	ClearSky Telematics (Factory Installed) (ANSI and CSA Specs)	
	1001233237	Ref	ClearSky Telematics (Factory Installed) (ANSI Export, CE and Korea Specs)	
	1001229696	Ref	Decals - ClearSky (ANSI, ANSI Export, CE, CSA and Korea Specs)	
	1706765	Ref	Decal - Hazardous Voltage (English Language) (Used with Inverter Installation) (ANSI AND CSA Specs)	
	1001136847	Ref	Decal - Hazardous Voltage (English/Spanish Language) (Used with Inverter Installation) (ANSI Export, Chinese and Korea Specs)	
	1001230981	Ref	Decal - Quick Start Reference (Dutch Spec)	
	1001226419	Ref	Decal - Quick Start Reference (English Spec)	
	1001230979	Ref	Decal - Quick Start Reference (French Spec)	
	1001230975	Ref	Decal - Quick Start Reference (German Spec)	
	1001230980	Ref	Decal - Quick Start Reference (Italian Spec)	
	1001230983	Ref	Decal - Quick Start Reference (Russian Spec)	
	1001230982	Ref	Decal - Quick Start Reference (Spanish Spec)	
	1001230984	Ref	Decal - Quick Start Reference (Swedish Spec)	
	1706922	Ref	Decal - Service Support (24HR) (ANSI AND CSA Specs)	
	1705304	Ref	Decal - Service Support (CSG Machines Only)	
	1001126013	Ref	Decals - UL (China Built Machines) (UL Specs)	
	1001200363	Ref	Decals - UL (Mexico Built Machines) (UL Specs)	
	0274126	Ref	Decals - UL (USA Built Machines) (UL Specs)	
		Ref	Decal Kits	
	1001149795	Ref	Decal Kit - Complete 1930ES	

SECTION 10 - SPECIAL OPTIONS

ITEM	PART NUMBER	QTY	DESCRIPTION	REV
	2902522	1	Decal Kit - Country Spec (ANSI)	
	2902523	Ref	Decal Kit - Country Spec (Australian/CE)	
	2902526	Ref	Decal Kit - Country Spec (Brazil)	
	2902528	1	Decal Kit - Country Spec (Chinese)	
	2902524	Ref	Decal Kit - Country Spec (CSA)	
	2902532	1	Decal Kit - Country Spec (Korean)	
	2902525	Ref	Decal Kit - Country Spec (Latin American)	
	2902267	1	Decal Kit - Master	
	1001091968	Ref	Decal Kit - Platform Box	
	1001091393	Ref	Decal and Housing Kit - Platform Box	
	1001091965	Ref	Decal, Housing and PC Board Kit - Platform Box	
	1001233512	Ref	Drive Motor Covers	
	2915042	Ref	Drive Motors Replacing Kit (Peerless Motors)	
		Ref	Electrical Connector Kits	
	1001148902	Ref	Amp/Tyco Electrical Connector Kit	
	1001148903	Ref	Deutsch DT Electrical Connector Kit	
	1001148904	Ref	Deutsch HD Electrical Connector Kit	
	1001148905	Ref	Packard Electrical Connector Kit	
	1001148906	Ref	Various Electrical Connectors Kit	
	1001247037	Ref	Enhanced Detection System (EDS) Installation Kit – Level 1	
	1001099628	Ref	ES Drive Cable Upgrade	
	1001109345	Ref	ES Pothole Protection Switch Kit	
	1001109218	Ref	ES Pothole Protection Switch and Harness Kit	
	0274849	Ref	Fire Extinguisher Installation (ANSI Spec Only) (SN 0200239382 through 0200245234)	
	1001189484	Ref	Fire Extinguisher Installation (ANSI Spec Only) (SN 0200245235 to Present)	
	0273761	Ref	Footswitch Installation with LSS (ANSI Export, Japanese and Korea Specs)	
	1001185661	Ref	Footswitch Installation without LSS (Factory Installed) (Japanese Spec Only)	
	1001192497	Ref	Footswitch Installation without LSS (Add-on Kit)/(Japanese Spec Only)	
	1001219169	Ref	Frame Protective Cover (All Specs Except CE Specs)	
	2300028	Ref	Hydraulic Fluid - Mobil DTE 10 Excel 15 (Machines with Standard Oil)	
	2300042	Ref	Hydraulic Fluid - Mobil EAL H 32 (Machines with Biodegradeable Oil)	
	0273859	Ref	Hydraulic Pressure Checks Installation (All Specs except Australian AND CE Specs)	
	1001154515	Ref	Inverter/Battery Charger (900W-60Hz) Installation (ANSI Spec Only)	
	1001140336	Ref	Latch, Magnetic Gate (ANSI, ANSI Export, Australian, China, Japanese and Korea Specs)	
	0273454	Ref	Lifting Lugs Installation (Factory Installed) (All Specs except Australian Specs)	
	1001229207	Ref	Lifting Lug Add-On Kit (Customer Installed) (All Specs except Australian Specs)	
	1001135753	Ref	Lifting Lugs Installation (Australian Specs Only)	
	1001215518	Ref	Machine Kit	C
	1001215519	1	1930ES Machine Sub-Assembly	C
	1001219125	1	Controller (ES System Module)	
	1001215241	1	Batteries Installation (220 A-HR) (Standard)	
	1001215242	1	Batteries Installation (245 A-HR) (No Lock)	

SECTION 10 - SPECIAL OPTIONS

ITEM	PART NUMBER	QTY	DESCRIPTION	REV
	1001215243	1	Batteries AGM Installation (220 A-HR) (No Lock)	
	2940175	1	Battery Cover Latch (Locking)	
	1001214119	Ref	Overhead Protection and Low Height Drive Cutout (Korea Specs Only)	
	1001238848	Ref	Platform Chain Entry Kit	
	1001118216	Ref	Platform Control Box Cover Installation (ANSI Export, CE, Chinese, Japanese, Korea AND UL Specs)	
	1001104466	Ref	Platform Corner Hook Kit	
	1001231786	Ref	Platform Extension Block Installation	
	1001214536	Ref	Platform Extension Lock Replacement Kit	
	1001214311	Ref	Platform Overhead Switch Kit	
	1001204094	Ref	Platform Pad Guide Kit	
	1001176744	Ref	Platform Rail Padding Installation (Available on All Specs)	
	1001176753	Ref	Platform Rail Padding with Limit Switches (ANSI AND UL Specs)	
	1001176749	Ref	Platform Rail Padding with Limit Switches (ANSI, ANSI Export, Chinese and Korea Specs)	
	1001232571	Ref	Platform Soft Touch Kit (ANSI, ANSI Export and China Specs)	
	1001180071	Ref	Platform Worklights Installation (Note: Not Available on UL Machines)	
	1001220687	Ref	Platform Worklights Installation 24 Volt (Fixed) (Available on All Specs Except UL Specs)	
	1001171015	Ref	RCD Box Installation (Brazil Spec Only)	
	3125053	Ref	Video, Operators (ANSI, ANSI Export AND UL Specs)	
	1001185053	Ref	White Noise Motion Alarm Kit	
	1001193039	Ref	Zapi Programming Harness	

PART NUMBER INDEX

Go to Discount-Equipment.com to order your parts

PART NUMBER INDEX

0060090.....29, 31	0275530..... 119	0840060 277	1001096705.....285, 287,
0100011...11, 13, 37, 119,	0275663..... 305	0840061 325, 327, 329	289, 291, 293, 295, 335
155, 157, 159	0275664..... 303	0860520 ... 357, 359, 361,	1001097150.....281, 283
0100048....119, 147, 149,	0275665..... 301	363, 365, 367, 369,	1001097347.....309, 378
285, 287, 289, 291,	0275666..... 297	371, 373	1001099628.....381
293, 295	0275667..... 299	0861527 217	1001099919.....375
0100051....93, 95, 97, 99,	0275692..... 225	0861650 111	1001100341.....343
101, 103, 105, 107, 109	0380025 ... 79, 81, 83, 85,	0861677 113	1001100342.....345
0140011.....193, 195	87, 89, 91	0861678 97, 107, 113	1001100345.....351
0140043....63, 65, 67, 69,	0400215 103, 105, 107	0861731 ... 341, 347, 349,	1001100346.....347
71, 73, 75, 77	0440223 205	351	1001100347.....349
0200810....127, 131, 135,	0440259 11, 13, 253	0861781 343, 345	1001100451...93, 95, 97,
139	0440264 ... 127, 131, 135,	0861880 281	99, 101, 103, 105, 107,
0200815....127, 131, 135,	139	0902780 37	109
139	0440266 ... 127, 131, 135,	0902905 57	1001101540.....265, 267,
0200821....127, 131, 135,	139	0903339 ... 285, 287, 289,	269
139	0480100 215	291, 293, 295	1001102258....33, 35, 39,
0200822....127, 131, 135,	0561513 145, 149	0903416 219	41, 43, 45, 47, 49, 55
139	0610161 ... 79, 81, 83, 85,	0903444 37	1001102349.....23
0200823....127, 131, 135,	87, 89, 91, 378	0903566 265, 267, 269	1001102351.....23
139	0630580 15, 17	0903569 265, 267	1001102353.....23
0200824....127, 131, 135,	0641514 215	0962257 ... 225, 228, 232,	1001102354.....23
139	0700510 43, 45	236, 240, 244, 248	1001102489...33, 35, 39,
0200825....127, 131, 135,	0700610 205	1001091102 263, 265,	41, 47, 49
139	0700614 29, 31	267, 269, 271, 273	1001103257.....33, 47
0240071.....203	0700615 ... 63, 65, 67, 69,	1001091153 193	1001103258....35, 43, 49
0240087.....201	71, 73, 75, 77, 211,	1001091154 195	1001103471.....39
0240102.....205	285, 287, 289, 291,	1001091272 193	1001104466.....382
0272309.....57	293, 295	1001091275 195	1001109088.....29, 378
0272721.....375	0700617 59, 107, 147,	1001091277 193, 195	1001109218.....381
0272839.....258, 261	149	1001091278 193, 195	1001109232.....29, 31
0272843.....380	0700624 15, 17	1001091279 193, 195	1001109233.....29, 31
0272870.....375	0700814 153	1001091280 193, 195	1001109345.....381
0272878.....380	0700817 153, 173	1001091283 193, 195	1001109475.....281, 378
0272879.....217	0700823 ... 163, 169, 171,	1001091393 193, 195,	1001109482.....281, 378
0272913.....380	173, 179	381	1001110826.....107
0273454.....381	0700824 173	1001091396 193, 195	1001112111...33, 35, 39,
0273698...93, 95, 99, 101,	0701016 11, 13	1001091479 37	41, 43, 45, 51
103, 105, 109, 111	0701018 161, 169	1001091502 20, 315	1001112112....93, 95, 97
0273761.....381	0701019 ... 161, 163, 169,	1001091965 193, 195,	1001112113...33, 35, 39,
0273859.....381	171, 173, 181, 183,	381	43, 45, 55, 93, 95, 97,
0273955.....203	185, 187, 189, 191, 209	1001091968 193, 195,	103, 105, 107, 109
0273965.....201	0701020 179, 185, 191	381	1001113574.....39
0274126.....380	0701021 ... 163, 171, 181,	1001092071 375	1001114467.....25
0274153.....205	183	1001092354 125, 129,	1001114885.....65
0274386.....199	0701022 ... 125, 127, 129,	133, 137, 378	1001114886.....69
0274516.....380	131, 133, 135, 137,	1001092454 119	1001114925.....73
0274849.....381	139, 143, 145, 147, 149	1001092456 .. 15, 17, 378	1001114929.....65, 81
0274874.....225	0701027 ... 143, 145, 147,	1001092497 375	1001114930.....73, 89
0275020.....103	149	1001092580 375	1001114932.....69, 85
0275022.....105	0710617 211	1001092737 15, 17, 20	1001114933....81, 85, 89
0275072.....217, 219	0740603 203	1001093556 119, 331	1001114935...81, 85, 89,
0275079.....33	0760410 57	1001093839 37	319
0275088.....35, 43	0760605 287, 291, 295	1001094105 331	1001114937...79, 81, 83,
0275103.....37	0760606 39, 285, 287,	1001094167 335	85, 87, 89, 91
0275216.....265, 343	289, 291, 293, 295	1001094175 285, 287,	1001114992.....277
0275217.....267, 345	0760608 213	289, 291, 293, 295	1001115002.....285, 287,
0275401.....93	0760610. 93, 95, 97, 103,	1001094180 285, 289,	289, 291, 293, 295, 313
0275432.....121	105, 107, 109, 213	293	1001115076.....309, 311
0275452.....273, 351	0760812 37	1001094203 119	1001115077.....321, 323
0275453....263, 271, 349	0761014 ... 127, 131, 135,	1001094301 15, 17	1001115170.....15, 17
0275454.....269, 347	139, 143, 145, 147, 149	1001094359 357, 359,	1001117032.....15
0275480.....107	0840055 329	361, 363, 365, 367,	1001117057.....309, 311
0275486.....258, 269	0840058 ... 309, 311, 329,	369, 371, 373	1001117265.....29
0275487.....258, 265	335, 337	1001096138 309, 311	1001118216.....382
0275488.....258, 267	0840059 313		1001119032.....321, 323

PART NUMBER INDEX

1001120621 375	1001166197.... 67, 75, 77, 83, 91	1001181045.....281	1001209256..... 145, 149, 159
1001120622 375	1001166255.... 79, 83, 87, 91	1001181267.....363	1001209280 159
1001120623 375	1001166759.....258	1001181268.....357	1001210433 285, 289, 293
1001120629 375	1001166776.... 79, 83, 87, 91	1001181269.....363	1001211593 263
1001126013 380	1001166823.....63	1001181270.....359	1001211892 153
1001126898 31	1001166825.....71	1001181271.....369	1001211895 185, 191
1001126905 31, 378	1001166828.....67, 75	1001181272.....373	1001211896 185, 191
1001127523 107	1001167256.... 79, 83, 87, 91, 321	1001181273.....361	1001212460 43
1001129267 13, 253	1001169392.....378	1001181274.....367	1001212700 171
1001129288 131, 236	1001171015.....382	1001181275.....371	1001212850 163
1001130614 207, 209, 378	1001172007.....41, 45	1001182062.....151	1001212853 183
1001131004 129	1001172010.... 41, 45, 55	1001182096.....165, 175	1001212859 171, 177
1001131009 133	1001173703.....375	1001182099.....165, 175	1001212860 167, 177
1001131019 129, 131	1001175188.... 143, 145, 147, 149	1001182100.....169, 175	1001212861 167, 177
1001131027 133, 135	1001175290.....151	1001182302.....143, 147, 155	1001212862 167, 177
1001131033 135, 248	1001175402.....151	1001182303.....155, 159	1001212863 163, 167
1001131074 13	1001175463.... 143, 147, 151	1001182338.....155, 159	1001212864 183, 189
1001131270 357	1001176737.....169	1001182339.....151, 153	1001212865 189
1001132233 95	1001176740.....161	1001183458.....380	1001212866 189
1001135753 381	1001176743.....181	1001184947.....43, 45	1001212867 189
1001136847 380	1001176744.....382	1001185053.....380, 382	1001213391 207, 209
1001137675 185, 191	1001176749.....382	1001185156.....43, 45	1001213525 380
1001140336 381	1001176753.....382	1001185306.....43, 45	1001213660 209
1001143663 256	1001177175.....143	1001185661.....381	1001213821 211
1001146794 357, 359, 361, 365, 367, 369, 371, 373	1001177176.....147	1001185830.....43, 45	1001213822 211
1001146795 363	1001177410.....59	1001186497.....43, 45	1001214029 375
1001148902 381	1001177418.....59	1001187101.....43, 45	1001214119 209, 382
1001148903 381	1001177842.... 47, 49, 53	1001187203.....285, 287, 289, 291, 309	1001214270 131, 240
1001148904 381	1001178323.....155	1001187530.....43, 45	1001214271 127, 232
1001148905 381	1001178530.....285	1001187585.....187, 189	1001214310 211
1001148906 381	1001178531.....289	1001187587.....185, 187, 189, 191, 215	1001214311 209, 211, 382
1001149795 380	1001178532.....277	1001187816.....275	1001214340 209
1001152479 283, 378	1001178533.....277	1001188116.....275	1001214347 99, 101
1001152482 283	1001178534.....277	1001188716.....380	1001214409 207, 209
1001152483 283	1001178535.....277, 285, 287, 289, 291, 293, 295	1001188882.....161, 165	1001214536 382
1001152485 271, 273, 283	1001178536.....285, 287, 289, 291, 293, 295, 339	1001189171.....283	1001215230 185
1001154515 381	1001178682.....325, 327	1001189172.....283	1001215237 179, 191
1001155840 127, 228	1001178683.....289, 291, 327	1001189484.....381	1001215239 145, 149, 153
1001155850 11, 251	1001178685.....285, 287, 289, 293, 295, 325	1001189762.....165, 167, 175, 177, 187, 189	1001215241 381
1001157315 125, 127	1001179277.....187, 189	1001190009.....380	1001215242 381
1001157321 125	1001179287.....187, 189	1001191270.....369	1001215243 382
1001157326 11	1001179298.....187, 189	1001192401.....309, 311	1001215247 77
1001157329 139, 244	1001179299.....187, 189	1001192497.....381	1001215248 77
1001157334 137, 139	1001179332.....187, 189	1001193039.....382	1001215326 43, 45
1001157339 137	1001179382.....181, 187	1001196836.....293, 295, 311	1001215518 381
1001157890 311	1001179383.....187	1001196838.....311	1001215519 381
1001159186 321, 323	1001179384.....187, 189	1001196865.....293	1001215870 ... 33, 35, 39, 41, 43, 45, 55
1001159192 97	1001179386.....187, 189	1001196958.....45	1001216313 357, 359, 361, 363, 365, 367, 369, 371, 373
1001162362 271, 273	1001179387.....187, 189	1001197347.....311	1001216829 145
1001162447 258, 271	1001179388.....187, 189	1001198711.....275	1001216831 149
1001162449 258, 273	1001179389.....187, 189	1001199189.....215	1001217111 173
1001163095 ... 79, 83, 87, 91, 378	1001179390.....187	1001200363.....380	1001217113 179
1001165284 ... 79, 83, 87, 91	1001179393.....187	1001201239.....337	1001217114 179
1001165286 ... 79, 83, 87, 91	1001179427.....47	1001201242.....285, 289, 293, 337	1001217115 179
1001165315 ... 79, 83, 87, 91	1001180071.....382	1001202618.....321	1001217118 179, 191
1001165316 ... 79, 83, 87, 91	1001180090.... 79, 83, 87, 91	1001202619.....321	1001217119 179
1001166194 63, 79	1001180313.....49	1001204094.....382	1001217173 191
1001166195 71, 87		1001208641.....79, 323	1001217327 363
		1001209104.....109	1001217666 211
			1001217730 153

PART NUMBER INDEX

1001217735.....	191	1001233237.....	380	1684526.....	139, 224	1705694.....	357, 367, 369,
1001217736.....	191	1001233512.....	381	1701499 ...	357, 359, 361,	371, 373	
1001217737.....	191	1001233888.....	111, 113	363, 365, 367, 369,		1705695.....	357, 367, 369,
1001217739.....	185	1001234398.....	143, 147,	371, 373		371, 373	
1001217740.....	185	157		1701509 ...	357, 359, 361,	1705696.....	79, 81
1001217741.....	185, 191	1001234399.....	157, 159	363, 365, 367, 369,		1705697.....	83, 85, 87, 89,
1001217742.....	191	1001234401.....	157	371, 373		91	
1001217743.....	191	1001234783.....	205	1702010.....	213	1705698.....	79, 81, 83, 85,
1001217744.....	191	1001235514.....	213	1702155 ...	357, 359, 361,	87, 89, 91	
1001217745.....	153	1001235863.....	213	363, 365, 367, 369,		1705699.....	375
1001217746.....	191	1001235923.....	213	371, 373		1705717.....	369
1001217747.....	191	1001236508.....	213	1702773.....	375	1705718.....	369
1001217748.....	173, 179	1001238848.....	382	1703464.....	261, 265	1705719.....	361, 373
1001217749.....	173	1001241857.....	167, 177	1703811 ...	357, 359, 361,	1705720.....	373
1001217923.....	153	1001241858.....	167, 177	363, 365, 367, 369,		1705721.....	361
1001217924.....	153	1001242542.....	55	371, 373		1705722.....	361
1001218595.....	55	1001242757.....	55	1703813.....	357	1705723.....	369
1001219122.....	17	1001243185.....	380	1703814 ...	357, 359, 361,	1705724.....	361, 373
1001219125.....	381	1001243186.....	380	363, 365, 367, 369,		1705725.....	361, 373
1001219169.....	381	1001243574.....	380	371, 373		1705726.....	361
1001219353.....	287	1001244298.....	365, 367	1703819 ...	193, 195, 357,	1705727.....	361
1001219354.....	291	1001244301.....	365, 367	359, 361, 363, 365,		1705754.....	115, 117, 217,
1001219357.....	295	1001247037.....	381	367, 369, 371, 373		357, 359, 361, 367,	
1001219582.....	27	1001248130.....	99	1703822 ...	357, 359, 361,	369, 371, 373, 375	
1001220668.....	287, 291,	1001248131.....	101	363, 365, 367, 369,		1705781.....	363, 365, 375
295		1060331.....	203	371, 373		1705894.....	361
1001220687.....	382	1060379 ...	201, 203, 205,	1703834.....	361	1705943.....	367
1001221475.....	157, 159	215, 217		1704016 ...	357, 359, 361,	1705944.....	367
1001221476.....	157, 159	1060689.....	39	363, 365, 367, 369,		1705945.....	367
1001221949.....	307	1060908.....	281, 283	371, 373		1705946.....	367
1001221984.....	307	1060957.....	217	1704277 ...	357, 359, 361,	1705953.....	217
1001222914.....	211	1060998.....	277	363, 365, 367, 369,		1705997.....	201, 203
1001223055.....	357	1061036 ...	125, 129, 133,	371, 373		1706052.....	371
1001223971.....	369	137, 225		1704339.....	373	1706053.....	371
1001224048.....	371	1120555.....	201, 203	1704340.....	369	1706056.....	371
1001224049.....	373	1260136.....	161, 163	1704341.....	361	1706057.....	371
1001224050.....	367	1320043.....	37	1704344.....	367	1706350.....	115, 117
1001224052.....	361	1320136.....	35, 39, 49	1704412 ...	357, 359, 361,	1706679.....	119
1001226400.....	335	1320224.....	107, 217	363, 365, 367, 369,		1706749.....	37
1001226419.....	380	1320318 ...	147, 149, 285,	371, 373		1706765.....	380
1001227213.....	39	287, 289, 291, 293, 295		1705052.....	37	1706922.....	380
1001227219.....	39	1321293 ...	33, 35, 39, 41,	1705213.....	217	1707022.....	371
1001227267.....	39	43, 45, 47, 55		1705214.....	217	2030010.....	219
1001228370.....	357, 369	1321716 ...	285, 287, 289,	1705303.....	375	2080040.....	165, 167, 169,
1001228965.....	375	291, 293, 295		1705304.....	380	171, 173, 175, 177,	
1001229107.....	380	1380132.....	167, 177, 189	1705305.....	217	179, 181, 183, 185,	
1001229207.....	381	1380153.....	11, 13	1705638.....	375	187, 189, 191, 357,	
1001229441.....	215	1380156.....	193, 195	1705647.....	375	359, 361, 363, 365,	
1001229469.....	215	1380158 ...	147, 149, 285,	1705648.....	375	367, 369, 371, 373	
1001229696.....	380	287, 289, 291, 293, 295		1705666.....	375	2080057.....	357, 359, 361,
1001230753.....	207	1580023.....	201, 203	1705670	359, 363, 365	363, 365, 367, 369,	
1001230975.....	380	1580024.....	201, 203	1705671	359, 363, 365	371, 373	
1001230979.....	380	1600387.....	147, 149	1705673	359, 363, 365	2110404. 11, 13, 251, 253	
1001230980.....	380	1600402 ...	193, 195, 197,	1705676.....	193, 195	2220882.....	225
1001230981.....	380	378		1705679 ...	357, 367, 369,	2220883.....	224, 225
1001230982.....	380	1600439 ...	193, 195, 378	371, 373		2300028.....	381
1001230983.....	380	1671098.....	193, 195	1705680 ...	357, 367, 369,	2300042.....	381
1001230984.....	380	1671105 ...	79, 81, 83, 85,	371, 373		2400060.....	309, 311
1001231066.....	375	87, 89, 91		1705681 ...	357, 367, 369,	2400061.....	203
1001231234.....	207, 209	167120293, 99, 103, 109,		371, 373		2400066.....	203
1001231786.....	382	115		1705686.....	357	2420172... 79, 81, 83, 85,	
1001231801.....	357	1671203.....	115, 117	1705692 ...	357, 359, 361,	87, 89, 91	
1001232145.....	151	167120495, 97, 101, 105,		363, 365, 367, 369,		2540042.....	333
1001232541.....	365	107, 117		371, 373		2540045... 143, 145, 147,	
1001232571.....	382	1671207.....	341	1705693 ...	357, 359, 361,	149	
1001232637.....	165, 167,	1671266.....	37	363, 365, 367, 369,		2560088.....	167, 177, 189
175, 177		1684484.....	127, 224	371, 373		2560179.....	193, 195

PART NUMBER INDEX

2560190 167, 177, 189	105, 107, 109, 155,	3423239.... 125, 129, 133,	3931412... 79, 83, 87, 91,
2600281 ... 169, 171, 173,	159, 265, 267, 285,	137	201, 203
181, 183, 185	287, 289, 291, 293, 295	3423267.....29, 31	3931508..... 201, 203
2700100 201, 203	3290606 15, 17, 147, 149,	3423278..... 187, 189	3951608 121
2755056 11, 13	161, 163, 165, 167,	3450406.....23	4010405 275
2780266 15, 17, 23	169, 171, 175, 177,	3460334.....201, 203	4010408 43, 45, 261, 263,
2792599 256	181, 183, 187, 189,	3520072.... 161, 163, 169,	265, 267, 269, 271, 273
2820026 ... 325, 327, 335,	205, 211, 213, 217,	171, 173, 181, 183,	4010412 43, 45
337	219, 285, 287, 289,	185, 205	4010608 ... 217, 219, 271,
2820028 ... 309, 311, 325,	291, 293, 295	3520193.....79, 81	273
327, 335, 337	3290607 59, 107	3574159.... 127, 131, 135,	4010612 265, 267
2820097 161, 163	3290805 153	139	4010614 217
2820152 311	3290806 ... 163, 167, 169,	3574176.....29, 31	4010616... 161, 163, 169,
2820239 37	171, 173, 177, 179, 189	3574184.... 165, 167, 175,	171, 181, 183, 187,
2820240 37	3291001 169, 171	177	189, 285, 287, 289,
2860030 ... 79, 81, 83, 85,	3291005 29, 31, 125, 129,	3574505.....213	291, 293, 295
87, 89, 91, 378	133, 137, 143, 145,	3574981....93, 95, 97, 99,	4010617 187
2902267 ... 357, 359, 361,	147, 149, 157, 159,	101, 103, 105, 107, 109	4010618... 165, 167, 169,
363, 365, 367, 369,	161, 163, 173, 179,	3574984....93, 95, 97, 99,	171, 175, 177, 187,
371, 373, 381	181, 183, 185, 191,	101, 103, 105, 107, 109	189, 219
2902331 121	285, 287, 289, 291,	3575794 199	4031508 43, 45
2902334 217	293, 295	3576093.... 127, 131, 135,	4031511 207, 209
2902348 201, 203	3291006 ... 161, 169, 185,	139	4031512 29, 31
2902386 205	187, 189, 191, 209	3576645.... 165, 167, 175,	4031607 119
2902431 261, 341	3291007 ... 127, 131, 135,	177	4031708 55
2902455 ... 127, 131, 135,	139	3577076 111, 113	4060805 ... 285, 287, 289,
139	3300048 217	3641604.... 165, 167, 175,	291, 293, 295
2902522 357, 381	3300423 23	177	4060865 57
2902523 ... 359, 363, 365,	3300473 193, 195	3641605.... 165, 167, 175,	4060906 207, 209
381	3300477 ... 161, 163, 169,	177	4160078 ... 125, 129, 133,
2902524 369, 381	171, 181, 183	3641606.... 165, 167, 175,	137, 225
2902525 373, 381	3310601 203	177	4160202 29, 31
2902526 361, 381	3311005 203	3730119..... 335, 337	4160203 193, 195
2902528 367, 381	3311405 203	3740150..... 15, 17	4191306 193, 195
2902532 371, 381	3311505 215	3760115 29, 31, 127, 131,	4191407 193, 195
2902541 ... 265, 267, 269,	3321005 ... 79, 81, 83, 85,	135, 139	4191409 193, 195
281	87, 89, 91	3760170.... 127, 131, 135,	4191706 ... 33, 35, 37, 39,
2915012 25	3321402 ... 125, 129, 133,	139, 201, 203, 205,	41, 43, 45, 47, 49, 63,
2915042 381	137, 225	215, 217	65, 67, 69, 71, 73, 75,
2915230 51	3340612 ... 165, 167, 175,	3760348.....29, 31	77, 125, 129, 133, 137,
2920026 ... 83, 85, 87, 89,	177, 179, 187, 189, 191	3760463..... 15, 17	205, 265, 267, 269, 273
91	3340962 ... 127, 131, 135,	3820019.... 167, 177, 189	4191707 ... 55, 57, 93, 95,
2920094 ... 83, 85, 87, 89,	139	3820032..... 111, 113	97, 99, 101, 103, 105,
91	3340964 ... 125, 129, 133,	3841143.... 127, 131, 135,	107, 109, 147, 149, 271
2920161 57	137	139	4191708 15, 17
2940064 161, 163, 378	3340965 143, 147	3841675.....205	4191709 15, 17
2940174 115	3340968 193, 195	3841716.... 161, 163, 169,	4220227 205
2940175 117, 382	3340976 ... 143, 145, 147,	171, 181, 183	4220252 111, 113
3010088 161, 163	149	3860111.... 165, 167, 175,	4220253 111, 113
3010158 29, 31	3380475 193, 195	177, 187, 189	4220287 29, 31
3080007 ... 169, 171, 173,	3380527 203	3860118..... 151, 153	4240003... 201, 203, 205,
181, 183, 185	3421453 205, 217	3900190.... 155, 157, 159	279
3125053 382	3421854 215	3900333..... 193, 195	4240017 43, 45
3200454 ... 125, 129, 133,	3422219 201, 203, 205	3900336.... 79, 81, 83, 85,	4240033 39, 147, 149
137	3422938 147, 149	87, 89, 91	4240147 15, 17
3200456 149	3423031 ... 127, 131, 135,	3900338.... 79, 81, 83, 85,	4240165 213
3251813 375	139	87, 89, 91, 199	4240172 97, 107
3252098 369	3423032 ... 127, 131, 135,	3900339.... 79, 81, 83, 85,	4340739 81, 85, 89
3252507 ... 263, 267, 269,	139	87, 89, 91	4340853 201, 203
271, 273, 275	3423037 11, 13	3900345.... 167, 177, 189	4340854 201, 203
3290405 ... 29, 31, 39, 43,	3423038 ... 127, 131, 135,	3900351 29, 31, 285, 287,	4340931 147
45, 57, 199, 261, 263,	139	289, 291, 293, 295	4340938 217
265, 267, 269, 271,	3423042 ... 127, 131, 135,	3900355.....201, 203	4340946 205
273, 275	139	3900356..... 81, 85, 89	4340947 205
3290505 39, 43, 45	3423045 29, 31	3900381 39	4360069 ... 79, 81, 83, 85,
3290605 ... 29, 31, 55, 93,	3423049 143, 145	3931010.....203	87, 89, 91, 378
95, 97, 99, 101, 103,	3423189 29, 31	3931408.....203	4360155 217

PART NUMBER INDEX

4360328.....79, 81, 83, 85, 87, 89, 91, 378	4460536 ... 63, 65, 67, 69, 71, 73, 75, 77	4711400 201, 203, 205	70000084.....197
4360345.....207, 209	4460539..... 309, 311	4740086 29, 31	70000191.....20
4360387..... 119, 378	4460648 51, 309, 311	4740446 151, 153	70000335.....224
4360469.....79, 81, 83, 85, 91, 378	4460662 ... 263, 269, 271, 273, 341	4740468 23	70000658.....224
4360470..... 87, 89, 378	4460754 335, 337	4740480 201, 203	70000683.....197
4360475.....79, 81, 83, 85, 87, 89, 91, 193, 195, 378	4460761 309, 311	4740524 15, 17	70000684.....197
4360538..... 193, 195, 378	4460778 339	4740531 ... 127, 131, 135, 139	70000685.....197
4360539..... 193, 195, 378	4460836 329	4740545 ... 285, 287, 289, 291, 293, 295	70000686.....197
4360613.....279, 378	4460868 331	4740562 37	70000790.....20
4420037.....213	4460871 309, 311	4740564 15, 17	70000791.....20
4420051.....375	4460873 309, 311	4750800 57, 115, 117	70000792.....20
4420062....201, 203, 205, 215	4460877 331	4751000 ... 79, 81, 83, 85, 87, 89, 91	70000798.....225
4420070.... 125, 129, 133, 137	4460878 353	4751400 15, 17, 59	70000799.....225
4420080.....59	4460884 ... 203, 207, 209, 309, 311, 321, 323	4751500 215	70001250.....197
4460007.....43, 45	4460885 353	4811400 . 39, 43, 45, 199, 265, 267, 275	70001251.....197
4460115.....321, 323	4460887 353	4811600 43, 45, 111, 113, 119	70001252.....197
4460138.....261	4460891 15, 17, 209, 309, 311, 313, 315	4811700 ... 15, 17, 29, 31, 33, 35, 37, 39, 41, 43, 45, 47, 49, 55, 57, 93, 95, 97, 99, 101, 103, 105, 107, 109, 213, 219, 265, 267, 269, 271, 273	70001253.....197
4460183.....321, 323	4460894 ... 309, 311, 313	4811702 ... 285, 287, 289, 291, 293, 295	70001263.....21
4460226....209, 309, 311, 331	4460897 309, 311	4811900 ... 153, 155, 159, 163, 169, 171, 173, 179	70001265.....21
4460227 51, 53, 209, 309, 311	4460899 51, 53, 309, 311	4812000 ... 11, 13, 29, 31, 127, 131, 135, 139, 143, 145, 147, 149, 155, 159, 161, 163, 169, 171, 173, 179, 181, 183, 185, 187, 189, 191, 209, 285, 287, 289, 291, 293, 295	70001442.....315
4460259....309, 311, 319, 321, 323	4460905 309, 311	4812002 ... 157, 159, 161, 163, 169, 171, 181, 183	70001443.....315
4460260....309, 311, 319, 321, 323, 353	4460918 321, 323	4831600 39	70001709.....225
4460265.....333	4460930 ... 325, 327, 329	4831700 15, 17	70001739.....20
4460267.....319, 333	4460931 ... 309, 311, 329, 335, 337	4841700 39	70001878.. 125, 129, 133, 137, 225
4460268....79, 83, 87, 91, 321, 323	4460932 207, 209	4846723 ... 175, 177, 179, 187, 189, 191	70001949.....20
4460297.....353	4460933 329	4846757 11, 13	70003028.. 228, 232, 236, 240, 244, 248
4460315.....261	4460942 309, 311	4846775 29, 31	70003645.....224
4460320....209, 309, 311	4460943 ... 309, 311, 321, 323, 325, 327, 329, 335, 337	4846861 29, 31	70003646.....224
4460321....79, 83, 87, 91, 331	4460944 ... 319, 325, 327, 329, 335, 337	4922870 193, 195, 333	70003650.....197
4460328.....217	4460956 281	4922944 121, 279	70003663... 236, 240, 248
4460346.....341	4460957 281	4923048 217	70003706.....378
4460374.....309, 311	4460961 319	4923049 219	70003707.. 228, 232, 236, 240, 244, 248, 378
4460375.....309, 311	4460968 43, 45, 275	4923114 203	70004237... 236, 240, 248
4460418....207, 209, 319, 321, 323	4460986 309, 311	4923121 203, 353	70004239.....253
4460419....207, 209, 319	4461002 279	4923228 147, 149, 329	70004241.....253
4460424..... 51, 53, 209	4461012 203	4923367 277	70004244.....253
4460464....31, 51, 53, 63, 65, 67, 69, 71, 73, 75, 77, 207, 209, 309, 311, 321, 323, 329, 333, 335, 337, 353	4461016 333	4923374 277	70004245.....253
4460465....203, 207, 209, 309, 311, 313, 315, 325, 327, 329, 335, 337	4461057 333	4923390 37	70004585.. 228, 232, 236, 240, 244, 248
4460466....207, 209, 309, 311, 321, 323, 325, 327, 329, 333, 335, 337	4461077 319, 321	4923391 37	70004620..... 236, 248
4460493.....335, 337	4461096 297, 343	4923392 37	70004621... 236, 240, 248
4460496.....333	4461196 297, 343	4923393 37	70004622... 236, 240, 248
4460497.....333	4461198 343	4923414 107	70004623... 236, 240, 248
4460508.....317	4461199 299, 345	4923602 15, 17, 317	70004624... 236, 240, 248
4460509.....315	4461201 345	5241000 155, 157, 159	70004625... 236, 240, 248
4460535.....31	4461202 305, 351	70000082 197	70004626... 236, 240, 248
	4461205 ... 303, 305, 349, 351		70004627..... 236, 248
	4461244 351		70004654.. 228, 232, 237, 241, 244, 249
	4461245 349		70004718.. 228, 232, 244
	4461246 347		70004719..... 228, 244
	4461249 301, 347		70004720... 228, 232, 244
	4461257 265, 267		70004721..... 228, 244
	4461258 265, 267		70004779.....251
	4461260 317		70004780.....251
	4461261 315		70004781.....251
	4530021 217		70004914.. 228, 232, 236, 240, 244, 248
	4530026 203		70004915.. 228, 232, 236, 240, 244, 248
	4568738 193, 195		70004916.. 228, 232, 236, 240, 244, 248
	4569305 ... 165, 167, 175, 177, 179		70004917.. 228, 232, 236, 240, 244, 248

PART NUMBER INDEX

70004921 . 228, 232, 237, 241, 244, 249	70004973 . 228, 232, 236, 240, 244, 248	70023915...228, 232, 244	7023577 224
70004925 . 228, 232, 236, 240, 244, 248	70004974 . 228, 232, 236, 240, 244, 248	7020175....79, 81, 83, 85, 87, 89, 91, 193, 195	7023589 224
70004926 . 228, 232, 236, 240, 244, 248	70004975 . 228, 232, 236, 240, 244, 248	7020176....79, 81, 83, 85, 87, 89, 91, 193, 195	7023591 224
70004927 . 228, 232, 236, 240, 244, 248	70005233 . 228, 232, 236, 240, 244, 248	7020218.... 125, 129, 133, 137, 225	7023593 224
70004928 . 228, 232, 236, 240, 244, 248, 378	70005234 . 228, 232, 236, 240, 244, 248	7023530.....225	7024747 21
70004932 . 228, 232, 236, 240, 244, 248	70005235 . 228, 232, 237, 241, 244, 248	7023536.....225	7024748 21
70004934 . 228, 232, 236, 240, 244, 248	70005236 . 228, 232, 237, 241, 244, 249	7023537225	7024749 21
70004935 . 228, 232, 236, 240, 244, 248	70005237 . 228, 232, 237, 241, 244, 249	7023538.....225	7024750 21
70004936 . 228, 232, 236, 240, 244, 248	70005238 . 228, 232, 237, 241, 244, 249	7023542.....225	7024756 21
70004938 . 228, 232, 236, 240, 244, 248	70005968 232	7023543.....225	7024757 20
70004970 . 228, 232, 236, 240, 244, 248	70005969 232	7023544.....225	7024758 21
70004971 . 228, 232, 237, 241, 244, 249	70005970 232	7023550.....225	7024771 21
70004972 . 228, 232, 237, 241, 244, 249	70005971 232	7023551.....225	7024772 21
	70005975 240	7023552.....225	7024773 21
	70006082 . 228, 232, 244	7023553.....225	7024785 20
	70006083 . 228, 232, 244	7023554.....225	7024786 20
	70006342 251	7023555.....225	7027303 217
	70006426 20	7023556.....224	7027365 197
		7023557.....224	7027367 197
		7023569.....224	7027765 197
		7023570.....224	7027766 197
		7023571.....224	7027863 117
		7023572.....224	7028909 211
		7023573.....224	77363228 211
		7023574.....225	80325 205
		7023575.....225	8229242 309, 311
		7023576.....225	

PARTS FINDER

**Search Website
by Part Number**



**Search Manual
Library For Parts
Manual & Lookup Part
Numbers – Purchase
or Request Quote**

**Can't Find Part or
Manual? Request Help
by Manufacturer,
Model & Description**

Discount-Equipment.com is your online resource for quality parts & equipment.

Florida: **561-964-4949** Outside Florida TOLL FREE: **877-690-3101**

Need parts?

Click on this link: <http://www.discount-equipment.com/category/5443-parts/> and choose one of the options to help get the right parts and equipment you are looking for. Please have the machine model and serial number available in order to help us get you the correct parts. If you don't find the part on the website or on one of the online manuals, please fill out the request form and one of our experienced staff members will get back to you with a quote for the right part that your machine needs.

We sell worldwide for the brands: Genie, Terex, JLG, MultiQuip, Mikasa, Essick, Whiteman, Mayco, Toro Stone, Diamond Products, Generac Magnum, Airman, Haulotte, Barreto, Power Blanket, Nifty Lift, Atlas Copco, Chicago Pneumatic, Allmand, Miller Curber, Skyjack, Lull, Skytrak, Tsurumi, Husquvarna Target, Stow, Wacker, Sakai, Mi-T-M, Sullair, Basic, Dynapac, MBW, Weber, Bartell, Bennar Newman, Haulotte, Ditch Runner, Menegotti, Morrison, Contec, Buddy, Crown, Edco, Wyco, Bomag, Laymor, EZ Trench, Bil-Jax, F.S. Curtis, Gehl Pavers, Heli, Honda, ICS/PowerGrit, IHI, Partner, Imer, Clipper, MMD, Koshin, Rice, CH&E, General Equipment, Amida, Coleman, NAC, Gradall, Square Shooter, Kent, Stanley, Tamco, Toku, Hatz, Kohler, Robin, Wisconsin, Northrock, Oztec, Toker TK, Rol-Air, APT, Wylie, Ingersoll Rand / Doosan, Innovatech, Con X, Ammann, Mecalac, Makinex, Smith Surface Prep, Small Line, Wanco, Yanmar