



Illustrated Parts Manual

Models
1532R
1932R

P/N
3121750

January 10, 2019 - Rev L

ANSI

CE



AS/NZS



An Oshkosh Corporation Company

PARTS FINDER

**Search Website
by Part Number**



**Search Manual
Library For Parts
Manual & Lookup Part
Numbers – Purchase
or Request Quote**

**Can't Find Part or
Manual? Request Help
by Manufacturer,
Model & Description**

Discount-Equipment.com is your online resource for quality parts & equipment.

Florida: **561-964-4949** Outside Florida TOLL FREE: **877-690-3101**

Need parts?

Click on this link: <http://www.discount-equipment.com/category/5443-parts/> and choose one of the options to help get the right parts and equipment you are looking for. Please have the machine model and serial number available in order to help us get you the correct parts. If you don't find the part on the website or on one of the online manuals, please fill out the request form and one of our experienced staff members will get back to you with a quote for the right part that your machine needs.

We sell worldwide for the brands: Genie, Terex, JLG, MultiQuip, Mikasa, Essick, Whiteman, Mayco, Toro Stone, Diamond Products, Generac Magnum, Airman, Haulotte, Barreto, Power Blanket, Nifty Lift, Atlas Copco, Chicago Pneumatic, Allmand, Miller Curber, Skyjack, Lull, Skytrak, Tsurumi, Husquvarna Target, Stow, Wacker, Sakai, Mi-T-M, Sullair, Basic, Dynapac, MBW, Weber, Bartell, Bennar Newman, Haulotte, Ditch Runner, Menegotti, Morrison, Contec, Buddy, Crown, Edco, Wyco, Bomag, Laymor, EZ Trench, Bil-Jax, F.S. Curtis, Gehl Pavers, Heli, Honda, ICS/PowerGrit, IHI, Partner, Imer, Clipper, MMD, Koshin, Rice, CH&E, General Equipment, Amida, Coleman, NAC, Gradall, Square Shooter, Kent, Stanley, Tamco, Toku, Hatz, Kohler, Robin, Wisconsin, Northrock, Oztec, Toker TK, Rol-Air, APT, Wylie, Ingersoll Rand / Doosan, Innovatech, Con X, Ammann, Mecalac, Makinex, Smith Surface Prep, Small Line, Wanco, Yanmar

REVISION LOG

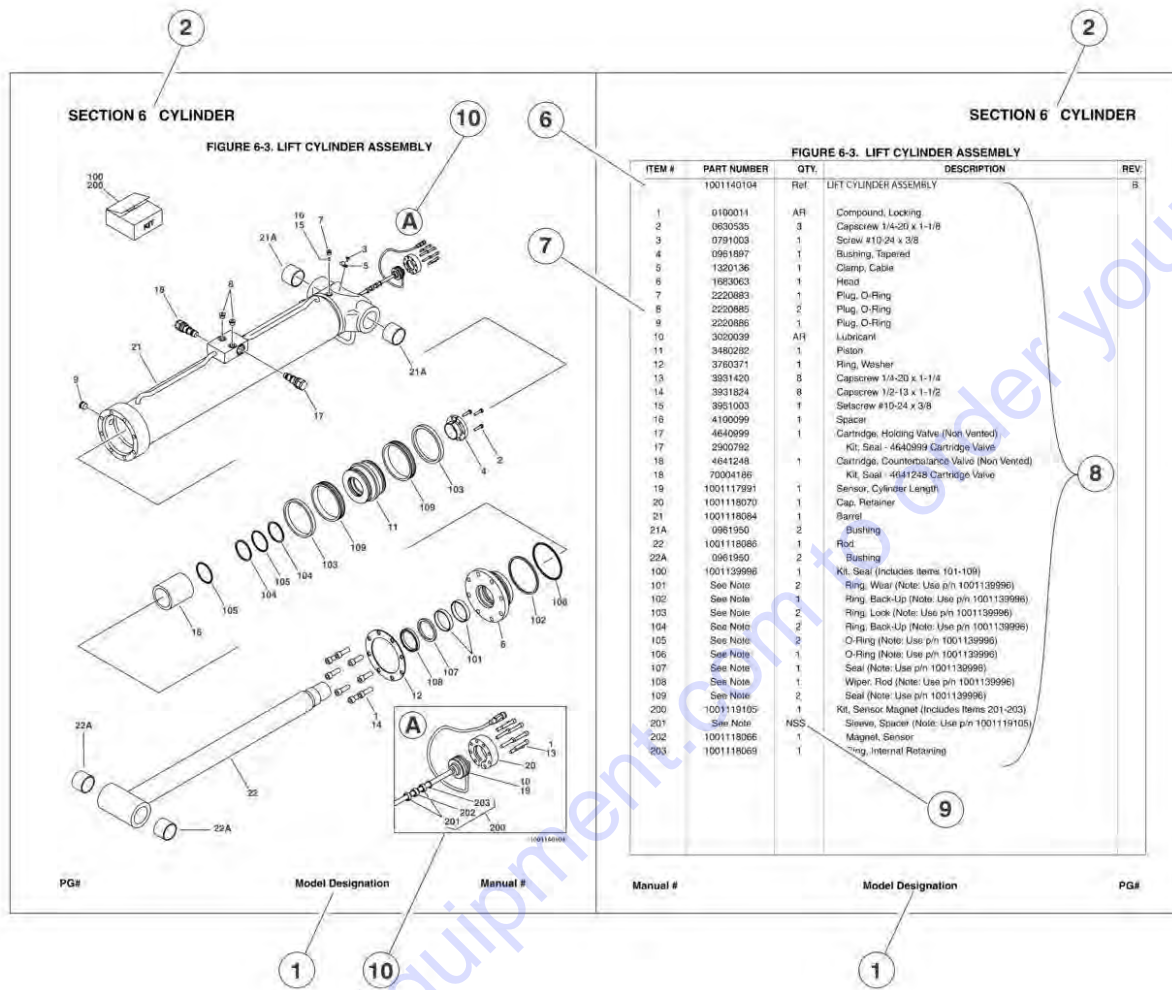
NOTES:

NOTE: Country of Assembly - The R Scissor Lifts are assembled by JLG Industries in the following countries: Mexico or China. Refer to the Serial Number Tag to identify the country of assembly. R Scissors assembled in Mexico will have a serial number prefix of M2 (i.e. M2XXXXXXXX) and R Scissors manufactured in China will have a serial number prefix of B2 (i.e. B2XXXXXXXX).

REVISION LOG:

July 6, 2016 - A -Original Issue of Manual (1001200000 Rev E)
September 16, 2016 - B - Revised Manual (1001200000 Rev E) (Revision 1)
November 28, 2016 - C - Revised Manual (1001200000 Rev F)
January 23, 2017 - D - Revised Manual (1001200000 Rev F) (Revision 1)
April 30, 2017 - E - Revised Manual (1001200000 Rev J & 1001230000 Rev D) (Revision 1)
July 13, 2017 - F - Revised Manual (1001200000 Rev K & 1001230000 Rev E) (Revision 1)
November 6, 2017 - G - Revised Manual (1001200000 Rev M & 1001230000 Rev G) (Revision 2)
January 20, 2018 - H - Revised Manual (1001200000 Rev O & 1001230000 Rev H) (Revision 1)
April 10, 2018 - I - Revised Manual (1001200000 Rev P & 1001230000 Rev I) (Revision 1)
July 23, 2018 - J - Revised Manual (1001200000 Rev P & 1001230000 Rev J) (Revision 2)
November 9, 2018 - K - Revised Manual (1001200000 Rev P & 1001230000 Rev L)
January 10, 2019 - L - Revised Manual (1001200000 Rev S & 1001230000 Rev N) (Revision 1)

GENERAL INFORMATION



1) MACHINE IDENTIFICATION

Machines are identified by model and in some cases a combination of models, serial number (SN) or regional standard (i.e. ANSI, CE, CSA). Components may also be identified by SN or manufacturer. Common components that may be identified by these characteristics are engines and hydraulic components.

2) PARTS MANUAL ORGANIZATION

Product information in this manual is organized under section titles. Frame, Cylinder, Hydraulic and Electrical are a few examples. Each section is organized by figure and page number. The information within the Figure is then organized by item number, part number, description and corresponding illustration (s).

3) TABLE OF CONTENTS

A table of contents is found toward the beginning of the manual. Figure number, description and page number are provided for quick reference to the page containing the related information.

4) RECOMMENDED SPARE PARTS

The Recommended Spare Parts, located near the end of the manual, reference most frequently used maintenance parts.

5) PART NUMBER INDEX

A numerical index listing all part numbers and the corresponding page number(s) appears at the back of the manual.

GENERAL INFORMATION

6) NON-SERVICED PARTS

In some instances, it is necessary to display non-serviced parts, assemblies or installations. In the case of assemblies and installations there will be a Ref in the Qty column. In case of parts that are not available for service within assemblies or components, there will be a NSS (Not Sold Separately) or NLA (No Longer Available) listed in the Qty. column of the manual.

7) PARTS LIST ITEM NUMBERS

Numbers shown in the item# column correspond to numbers used in the associated illustration (s). Item numbers which are missing from the sequence in the parts list are not used on that page

8) INDENTED PARTS DESCRIPTION

An indented part description is included in the item under which it is indented.

9) ABB REVIATION AND SYMBOLS

AC.....	Alternating Current	LCD.....	Liquid Crystal Display
ADE.....	Advanced Design Electronics	LED.....	Light Emitting Diodes
ANSI.....	American National Standards Institute	LH.....	Left Hand
AR.....	As Required	LSS.....	Load Sensing System
ASSY.....	Assembly	M(m).....	Metric/Meter
AUX.....	Auxiliary	MM (mm).....	Millimeter
AWG.....	American WireGauge	mA.....	Miliamps
B/M.....	Bill of Material	NLA.....	No Longer Available
CE.....	European Conformity	NPT.....	National Pipe Threads
CCW.....	Counter Clockwise	NSS.....	Not So Id Separately
cm.....	Centimeter	OD.....	Outside Diameter
CW.....	Clockwise	ORB.....	O-Ring Boss
CSA.....	Canadian Standards Association	ORFS.....	O-Ring Face Seal
CYL.....	Cylinder	OZ (oz).....	Ounces
DIA.....	Diameter	PG.....	Page
DC.....	Direct Current	P/N.....	Part Number
EMS.....	Emergency Stop	qt.....	Quarts
ENG.....	Engine	QTY.....	Quantity
FT (ft).....	Feet	REF.....	Reference
GA (Ga).....	Gauge	REV.....	Revision Level
HYD.....	Hydraulic	RH.....	Right Hand
HZ.....	Hertz	SAE.....	Society of Automotive Engineers
ID.....	Inside Diameter	SN.....	Serial Number
in.....	inches	SPEC(S).....	Specifications
ISO.....	International Organization for Standards	T/T.....	Turntable
JIC.....	Joint Industry Council	UGM.....	Universal Ground Module
KG.....	Kilogram	V.....	Volts
L.....	Liter	W.....	Watts
LB.....	Pounds	#.....	Number

10) ILLUSTRATION REFERENCE LETTERS

When necessary, illustrations may contain reference letters that are intended to track information (i. e. hoses, harnesses) from one point to another or to track visual enlargement of components to show details that may be located in another area on the illustration.

Note: Due to continuous product improvements, JLG Industries, Inc. reserves the right to make specification changes without prior notification.

TABLE OF CONTENTS

SECTION 1 - FRAME.....	11
FIGURE 1-1. STEER INSTALLATION.....	12
FIGURE 1-2. DRIVE/BRAKE INSTALLATION	14
FIGURE 1-3. DRIVE MOTOR ASSEMBLY	16
FIGURE 1-4. TIRE AND WHEEL INSTALLATION	18
FIGURE 1-5. POTHOLE PROTECTION SYSTEM INSTALLATION	20
FIGURE 1-6. TILT SENSOR INSTALLATION	22
FIGURE 1-7. BATTERY CHARGER INSTALLATION - DELTA-Q (LOCALLY SUPPLIED PLUG).....	24
FIGURE 1-8. BATTERY CHARGER INSTALLATION - DELTA-Q (110V PLUG).....	26
FIGURE 1-9. BATTERY CHARGER INSTALLATION - DELTA-Q (KOREAN PLUG)	28
FIGURE 1-10. BATTERY CHARGER INSTALLATION - EAGLE PERFORMANCE (110V PLUG).....	30
FIGURE 1-11. BATTERY CHARGER INSTALLATION - GREEN POWER (LOCALLY SUPPLIED PLUG).....	32
FIGURE 1-12. BATTERY CHARGER INSTALLATION - GREEN POWER (220V PLUG)	34
FIGURE 1-13. STROBE LIGHT INSTALLATION - SINGLE ECCO BRAND (AMBER) (WITHOUT GUARD).....	36
FIGURE 1-14. STROBE LIGHT INSTALLATION - SINGLE SAMMOON BRAND (WITHOUT GUARD).....	38
FIGURE 1-15. STROBE LIGHT INSTALLATION - SINGLE ECCO BRAND (AMBER) (WITH GUARD).....	40
FIGURE 1-16. STROBE LIGHT INSTALLATION - SINGLE SAMMOON BRAND (WITH GUARD).....	42
FIGURE 1-17. STROBE LIGHT INSTALLATION - DUAL ECCO BRAND (AMBER) (WITHOUT GUARD).....	44
FIGURE 1-18. STROBE LIGHT INSTALLATION - DUAL SAMMOON BRAND (WITHOUT GUARD)	46
FIGURE 1-19. STROBE LIGHT INSTALLATION - DUAL ECCO BRAND (AMBER) (WITH GUARD)	48
FIGURE 1-20. STROBE LIGHT INSTALLATION - DUAL SAMMOON BRAND (WITH GUARD).....	50
FIGURE 1-21. STROBE LIGHT INSTALLATION – SINGLE SANMAK BRAND (AMBER) (WITHOUT GUARD).....	52
FIGURE 1-22. STROBE LIGHT INSTALLATION – SINGLE SANMAK BRAND (AMBER) (WITH GUARD)	54
FIGURE 1-23. STROBE LIGHT INSTALLATION – DAUL SANMAK BRAND (AMBER) (WITHOUT GUARD)	56
FIGURE 1-24. STROBE LIGHT INSTALLATION – DAUL SANMAK BRAND (AMBER) (WITH GUARD).....	58
FIGURE 1-25. ALARM INSTALLATION (AMBIENT/WHITE NOISE) (OPTIONAL).....	60
FIGURE 1-26. LADDER INSTALLATION	62
FIGURE 1-27. FRAME COVERS INSTALLATION - DELTA-Q AND GREEN POWER BATTERY CHARGERS (ANSI, ANSI EXPORT, CSA, JAPANESE AND KOREA SPECS).....	64
FIGURE 1-28. FRAME COVERS INSTALLATION - DELTA-Q AND GREEN POWER BATTERY CHARGERS (AUSTRALIAN, CHINA AND CE SPECS).....	66
FIGURE 1-29. FRAME COVERS INSTALLATION - EAGLE PERFORMANCE BATTERY CHARGERS (ANSI AND CSA SPECS).....	68
SECTION 2 - GROUND CONTROLS	71
FIGURE 2-1. HYDRAULIC COMPONENTS INSTALLATION	72
FIGURE 2-2. VALVE ASSEMBLY	74
FIGURE 2-3. ELECTRICAL COMPONENTS INSTALLATION (WITHOUT LSS).....	76
FIGURE 2-4. ELECTRICAL COMPONENTS INSTALLATION (WITH LSS).....	78
FIGURE 2-5. MDI INSTALLATION.....	80
FIGURE 2-6. BATTERIES INSTALLATION - STANDARD BATTERIES WITHOUT DISCONNECT.....	82
FIGURE 2-7. BATTERIES INSTALLATION - STANDARD BATTERIES WITH DISCONNECT	84
FIGURE 2-8. BATTERIES INSTALLATION - AGM BATTERIES WITHOUT DISCONNECT (MEXICO BUILT MACHINES).....	86
FIGURE 2-9. BATTERIES INSTALLATION - AGM BATTERIES WITH DISCONNECT (MEXICO BUILT MACHINES)	88
FIGURE 2-10. BATTERIES INSTALLATION - AGM EVCG BATTERIES WITHOUT DISCONNECT (CHINA BUILT MACHINES).....	90
FIGURE 2-11. BATTERIES INSTALLATION - AGM EVCG BATTERIES WITH DISCONNECT (CHINA BUILT MACHINES)	92
FIGURE 2-12. BATTERIES INSTALLATION - TROJAN BATTERIES WITHOUT DISCONNECT (CHINA BUILT MACHINES).....	94
FIGURE 2-13. BATTERIES INSTALLATION - TROJAN BATTERIES WITH DISCONNECT (CHINA BUILT MACHINES)	96
FIGURE 2-14. INVERTER INSTALLATION (OPTIONAL)	98
FIGURE 2-15. DOORS INSTALLATION (1532R).....	100
FIGURE 2-16. DOORS INSTALLATION (1932R).....	102
SECTION 3 - SCISSORS ARMS	105
FIGURE 3-1. SCISSORS ARMS INSTALLATION - 1532R WITHOUT LSS.....	106
FIGURE 3-2. SCISSORS ARMS INSTALLATION - 1532R WITH LSS	110
FIGURE 3-3. SCISSORS ARMS INSTALLATION - 1532R WITH LSS (KOREA SPECS)	114
FIGURE 3-4. SCISSORS ARMS KIT - 1532R.....	118
FIGURE 3-5. SCISSORS ARMS KIT - 1532R (KOREA SPECS).....	120
FIGURE 3-6. SCISSORS ARMS INSTALLATION - 1932R WITHOUT LSS.....	122
FIGURE 3-7. SCISSORS ARMS INSTALLATION - 1932R WITH LSS	126
FIGURE 3-8. SCISSORS ARMS KIT - 1932R.....	130
FIGURE 3-9. ARM GUARD INSTALLATION.....	132

TABLE OF CONTENTS

SECTION 4 - PLATFORM	135
FIGURE 4-1. PLATFORM INSTALLATION - 1532R	136
FIGURE 4-2. PLATFORM INSTALLATION - 1532R (KOREA SPECS)	138
FIGURE 4-3. PLATFORM INSTALLATION - 1932R	140
FIGURE 4-4. PLATFORM EXTENSION INSTALLATION	142
FIGURE 4-5. RAILS INSTALLATION - FIXED RAILS/CHAIN ENTRY (INSIDE TUBE SLIDER)	144
FIGURE 4-6. RAILS INSTALLATION - FIXED RAILS/GATE ENTRY (INSIDE TUBE SLIDER)	146
FIGURE 4-7. RAIL KIT - FIXED RAILS (INSIDE TUBE SLIDER)	148
FIGURE 4-8. RAILS INSTALLATION - FIXED RAILS/CHAIN ENTRY (OUTSIDE TUBE SLIDER)	150
FIGURE 4-9. RAILS INSTALLATION - FIXED RAILS/GATE ENTRY (OUTSIDE TUBE SLIDER)	152
FIGURE 4-10. RAILS INSTALLATION - FOLD-DOWN RAILS/GATE ENTRY (INSIDE TUBE SLIDER)	154
FIGURE 4-11. RAIL KIT - FOLD-DOWN RAILS (INSIDE TUBE SLIDER)	156
FIGURE 4-12. RAILS INSTALLATION - FOLD-DOWN RAILS/GATE ENTRY (OUTSIDE TUBE SLIDER)	158
FIGURE 4-13. HANDLE EXTENSION INSTALLATION (OPTIONAL)	160
FIGURE 4-14. PLATFORM CONTROL BOX INSTALLATION (ANSI, ANSI EXPORT AND JAPAN SPECS) (Prior to SN B200038482, Prior to SN M200015692)	162
FIGURE 4-15. PLATFORM CONTROL BOX INSTALLATION (AUSTRALIAN, CE, CHINA AND CSA SPECS) (Prior to SN B200038482, Prior to SN M200015692)	164
FIGURE 4-16. PLATFORM CONTROL BOX ASSEMBLY (ANSI, ANSI EXPORT AND JAPAN SPECS) (Prior to SN B200038482, SN M200000100 to Present)	166
FIGURE 4-17. PLATFORM CONTROL BOX ASSEMBLY (AUSTRALIAN, CE, CHINA AND CSA SPECS) (Prior to SN B200038482, SN M200000100 to Present)	168
FIGURE 4-18. PLATFORM CONTROL BOX INSTALLATION (ANSI, ANSI EXPORT, CSA AND JAPANESE SPECS) (SN B200038482 to Present, SN M200015692 to Present)	170
FIGURE 4-19. PLATFORM CONTROL BOX INSTALLATION (AUSTRALIAN, CE AND CHINESE SPECS) (SN B200038482 through B200054176)	172
FIGURE 4-20. PLATFORM CONTROL BOX INSTALLATION (AUSTRALIAN, CE AND CHINESE SPECS) (SN B200054177 to Present)	174
FIGURE 4-21. DRIVE/STEER CONTROLLER ASSEMBLY (1932R AUSTRALIAN & CE SPECS) (SN B200038482 to Present, SN M200015692 to Present)	176
FIGURE 4-22. GATE LATCH INSTALLATION - OPTIONAL (ALL SPECS EXCEPT KOREAN SPECS)	178
FIGURE 4-23. GATE LATCH AND FOOTSWITCH INSTALLATION (KOREAN SPECS)	180
FIGURE 4-24. OVERHEAD PROTECTION INSTALLATION (KOREAN SPECS)	182
FIGURE 4-25. PANEL CARRIER INSTALLATION (1932R AUSTRALIAN & CE SPECS)	184
FIGURE 4-26. PIPE RACK INSTALLATION (1932R AUSTRALIAN & CE SPECS)	186
SECTION 5 - CYLINDER	189
FIGURE 5-1. LIFT CYLINDER ASSEMBLY	190
FIGURE 5-2. STEER CYLINDER ASSEMBLY	192
FIGURE 5-3. STEER CYLINDER ASSEMBLY	194
SECTION 6 - HYDRAULIC	197
FIGURE 6-1. HYDRAULIC DIAGRAM	198
SECTION 7 - ELECTRICAL	201
FIGURE 7-1. AC BOX AT PLATFORM INSTALLATION - 110V GFI (ANSI, ANSI EXPORT, CHINA AND JAPANESE SPECS)	202
FIGURE 7-2. AC BOX AT PLATFORM INSTALLATION - 110V IEC YELLOW (CE SPECS)	204
FIGURE 7-3. AC BOX AT PLATFORM INSTALLATION - 220V IEC BLUE (CE SPECS)	206
FIGURE 7-4. AC BOX AT PLATFORM INSTALLATION - 220V CEE7 POST GROUND (CE SPECS)	208
FIGURE 7-5. AC BOX AT PLATFORM INSTALLATION - 220V CEE7 SIDE GROUND (CE SPECS)	210
FIGURE 7-6. AC BOX AT PLATFORM INSTALLATION - 220V AFSINT 107 (CE SPECS)	212
FIGURE 7-7. AC BOX AT PLATFORM INSTALLATION - 220V CHINA PLUG (CHINA SPECS)	214
FIGURE 7-8. AC BOX AT PLATFORM INSTALLATION - 220V LOCALLY SUPPLIED COMPONENTS (ALL SPECS)	216
FIGURE 7-9. BREAKER BOX KIT WITH 1 DOUBLE BREAKER	218
FIGURE 7-10. BREAKER BOX KIT WITH 3 BREAKERS	220
FIGURE 7-11. CHASSIS HARNESS (WITHOUT LSS)	222
FIGURE 7-12. CHASSIS HARNESS (WITH LSS)	226
FIGURE 7-13. GROUND TO PLATFORM CABLE INSTALLATION - 1532R WITHOUT PLATFORM COIL CABLE	230
FIGURE 7-14. GROUND TO PLATFORM CABLE INSTALLATION - 1532R WITH PLATFORM COIL CABLE	232
FIGURE 7-15. GROUND TO PLATFORM CABLE INSTALLATION - 1532R WITHOUT PLATFORM COIL CABLE AND WITH FOOTSWITCH	234
FIGURE 7-16. GROUND TO PLATFORM CABLE INSTALLATION - 1532R WITH PLATFORM COIL CABLE AND FOOTSWITCH	236

TABLE OF CONTENTS

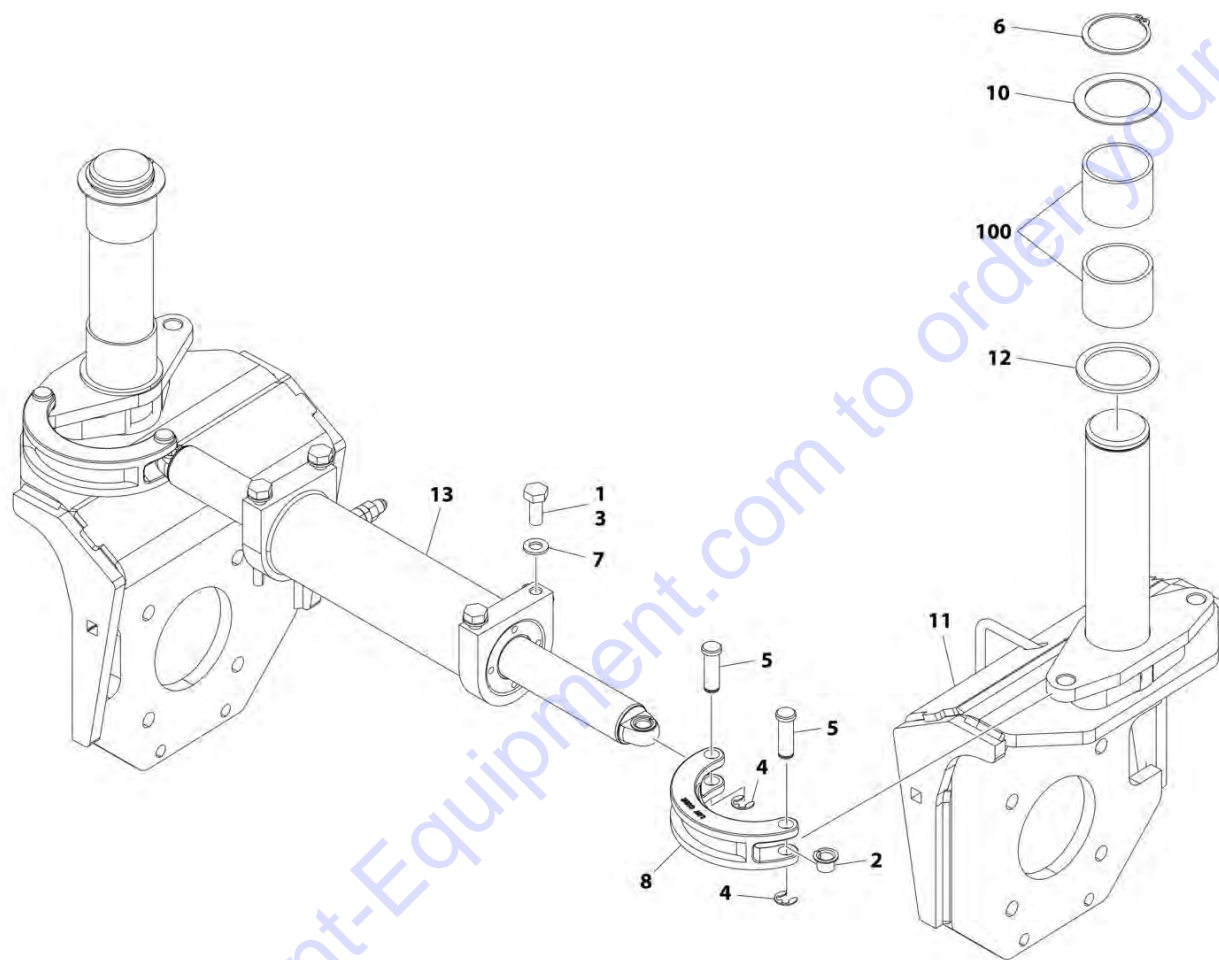
FIGURE 7-17. GROUND TO PLATFORM CABLE INSTALLATION - 1932R WITHOUT PLATFORM COIL CABLE (ALL SPECS EXCEPT AUSTRALIAN SPECS).....	238
FIGURE 7-18. GROUND TO PLATFORM CABLE INSTALLATION - 1932R WITHOUT PLATFORM COIL CABLE (AUSTRALIAN SPECS)	240
FIGURE 7-19. GROUND TO PLATFORM CABLE INSTALLATION - 1932R WITH PLATFORM COIL CABLE (ALL SPECS EXCEPT AUSTRALIAN SPECS).....	242
FIGURE 7-20. GROUND TO PLATFORM CABLE INSTALLATION - 1932R WITH PLATFORM COIL CABLE (AUSTRALIAN SPECS)	244
FIGURE 7-21. GROUND TO PLATFORM CABLE INSTALLATION - 1932R WITHOUT PLATFORM COIL CABLE AND WITH FOOTSWITCH.....	246
FIGURE 7-22. GROUND TO PLATFORM CABLE INSTALLATION - 1932R WITH PLATFORM COIL CABLE AND FOOTSWITCH	248
FIGURE 7-23. LIFT DOWN HARNESS - WITHOUT LSS	250
FIGURE 7-24. LIFT DOWN HARNESS - WITH LSS (Prior to SN B200038482, Prior to SN M200007595).....	252
FIGURE 7-25. LIFT DOWN HARNESS - WITH LSS (SN B200038482 to Present, SN M200007595 to Present)	254
FIGURE 7-26. PLATFORM BOX HARNESS (Prior to SN B200038482, SN M200000100 to Present).....	256
FIGURE 7-27. PLATFORM BOX HARNESS (SN B200038482 to Present).....	258
FIGURE 7-28. RECEPTACLE BOX KIT - 110V GFI.....	260
FIGURE 7-29. RECEPTACLE BOX KIT - 110V IEC YELLOW (CE SPEC).....	262
FIGURE 7-30. RECEPTACLE BOX KIT - 220V IEC BLUE (CE SPEC)	264
FIGURE 7-31. RECEPTACLE BOX KIT - 220V CEE7 POST GROUND (CE SPEC).....	266
FIGURE 7-32. RECEPTACLE BOX KIT - 220V CEE7 SIDE GROUND (CE SPEC)	268
FIGURE 7-33. RECEPTACLE BOX KIT - 220V AFSINT 107 (CE SPEC).....	270
SECTION 8 - DECALS.....	273
FIGURE 8-1. DECAL INSTALLATION (ANSI SPEC)	274
FIGURE 8-2. DECAL INSTALLATION (AUSTRALIAN SPECS).....	276
FIGURE 8-3. DECAL INSTALLATION (BRAZIL SPECS).....	278
FIGURE 8-4. DECAL INSTALLATION (CE SPECS)	280
FIGURE 8-5. DECAL INSTALLATION (CHINA/ANSI EXPORT SPECS).....	282
FIGURE 8-6. DECAL INSTALLATION (CHINA/GB SPECS).....	284
FIGURE 8-7. DECAL INSTALLATION (CSA SPECS).....	286
FIGURE 8-8. DECAL INSTALLATION (KOREAN SPECS).....	288
FIGURE 8-9. DECAL INSTALLATION (LATIN AMERICAN SPECS)	290
FIGURE 8-10. DECAL INSTALLATION - OPTIONS	292
SECTION 9 - RECOMMENDED SERVICE PARTS STOCK	295
FIGURE 9-1. RECOMMENDED SERVICE PARTS STOCK	296
SECTION 10 - SPECIAL OPTIONS.....	297
FIGURE 10-1. SPECIAL OPTIONS.....	298
PART NUMBER INDEX	301

SECTION 1 - FRAME

Go to Discount-Equipment.com to order your parts

SECTION 1 - FRAME

FIGURE 1-1. STEER INSTALLATION



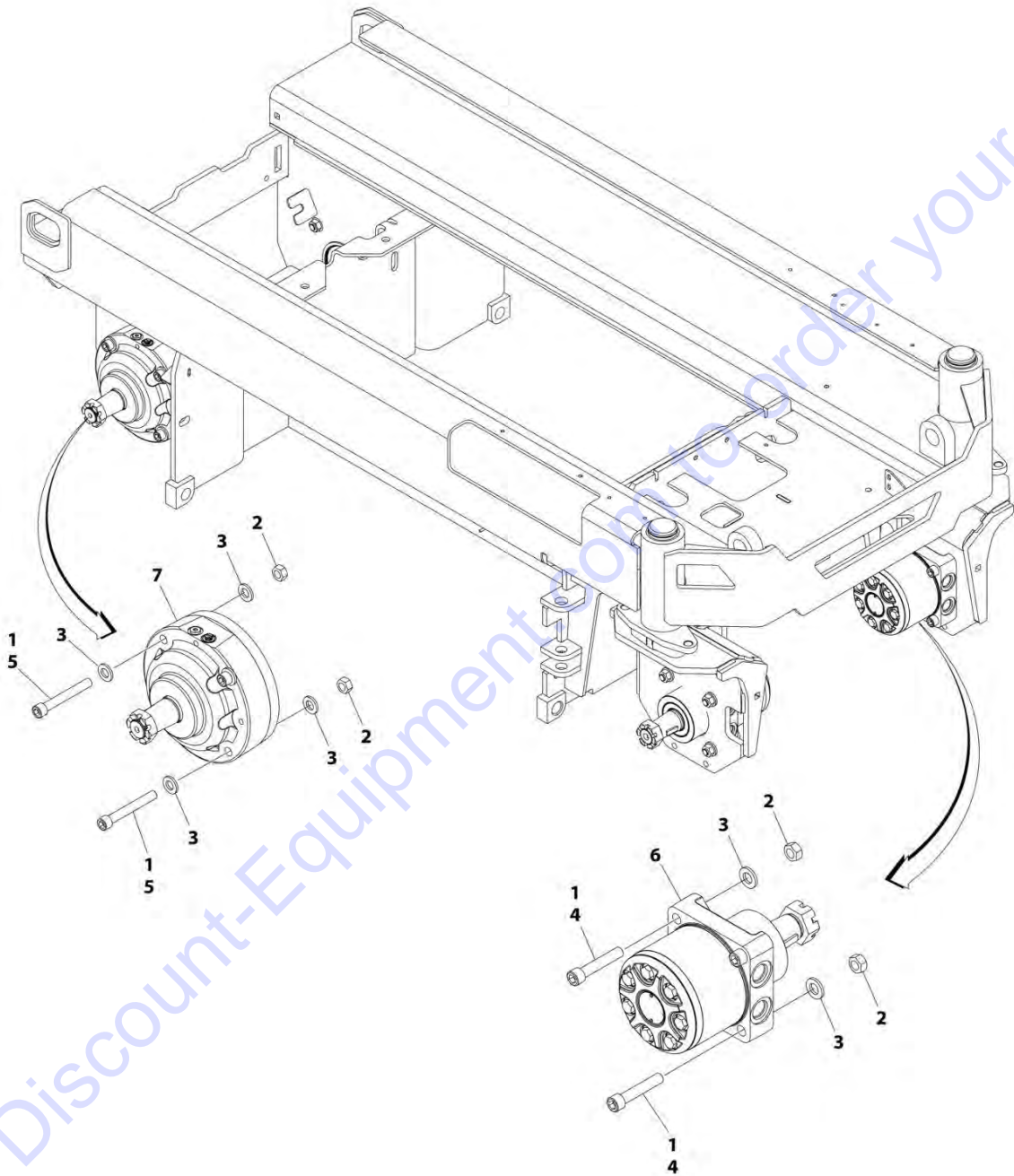
ART_1001202300

FIGURE 1-1. STEER INSTALLATION

ITEM	PART NUMBER	QTY	DESCRIPTION	REV
	1001202300	Ref	STEER INSTALLATION	C
1	0100011	AR	Compound, Locking	
2	0440259	2	Bearing	
3	0761012	4	Bolt M10 x 25	
4	1380153	4	Clip	
5	3423037	4	Pin	
6	3760217	2	Ring, Retaining	
7	4812000	4	Washer M10	
8	4846757	2	Lug, Steering	
10	1001197396	2	Washer	
11	1001201248	2	Spindle	
12	1001205751	2	Washer	
13	1001206493	NLA	Steer Cylinder Assembly (Note: Use p/n 1001220570) (See Separate Breakdown in CYLINDER SECTION) (Mexico Built Machines) (SN M200000100 through M200006678)	
13	1001220570	1	Steer Cylinder Assembly (See Separate Breakdown in CYLINDER SECTION) (Mexico Built Machines) (SN M200006679 to Present)	
13	1001220570	1	Steer Cylinder Assembly (See Separate Breakdown in CYLINDER SECTION) (China Built Machines) (SN B200035940 to Present)	
100	1001153785	4	Bearing (Part of Frame)	

SECTION 1 - FRAME

FIGURE 1-2. DRIVE/BRAKE INSTALLATION



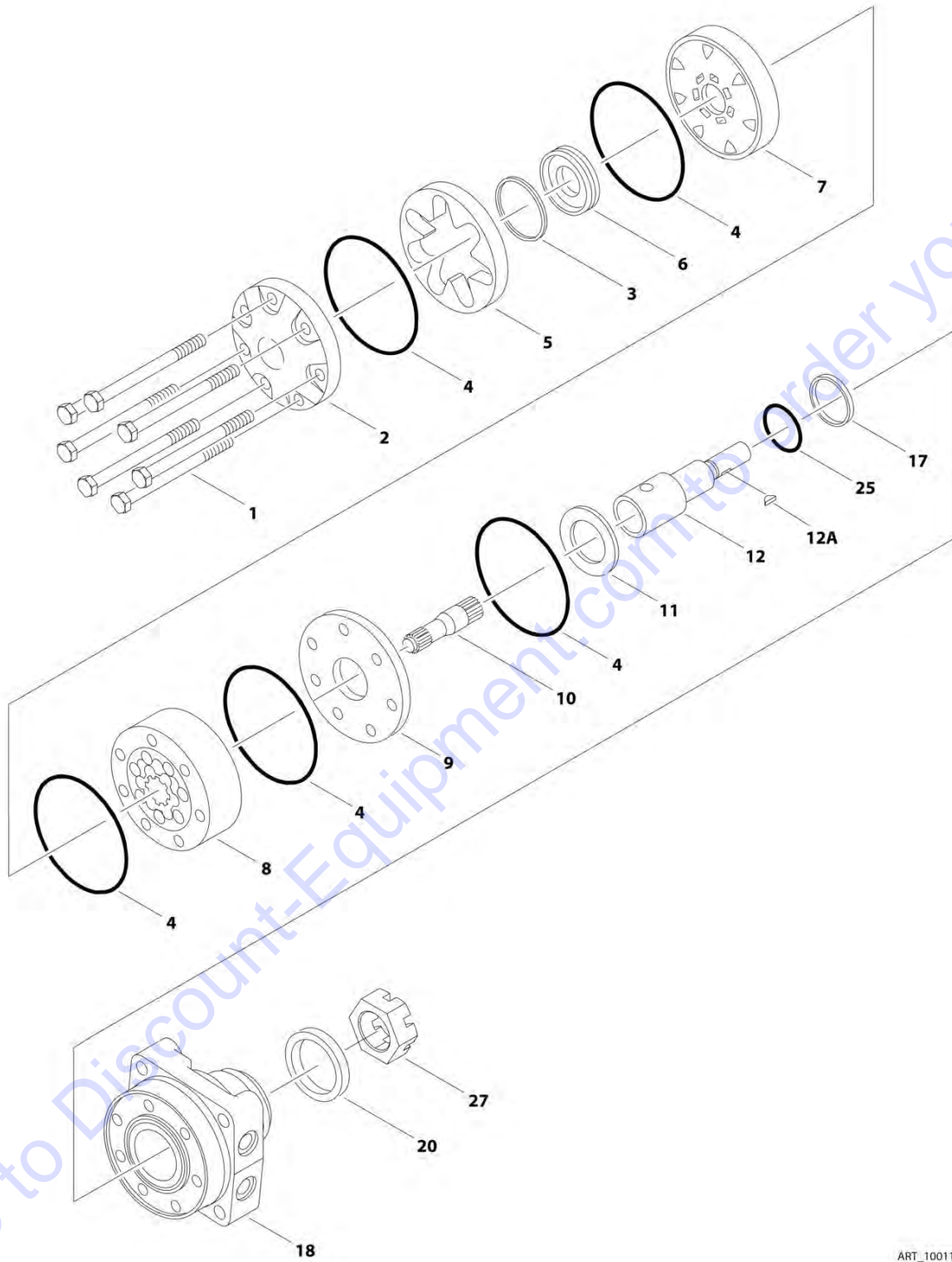
ART_1001202689

FIGURE 1-2. DRIVE/BRAKE INSTALLATION

ITEM	PART NUMBER	QTY	DESCRIPTION	REV
	1001202689	Ref	DRIVE/BRAKE INSTALLATION	B
1	0100011	AR	Compound, Locking	
2	3331211	16	Nut M12	
3	5241200	24	Washer M12	
4	5272117	8	Capscrew M12 x 65	
5	5272122	8	Capscrew M12 x 90	
6	1001199937	2	Drive Motor Assembly (See Separate Breakdown in this Section)	
7	1001202773	2	Drive Brake Assembly (Note: No Internal Service Parts Available.)	
7	70005918	1	Key, Shaft	
7	70005919	1	Nut 1-1/8	

SECTION 1 - FRAME

FIGURE 1-3. DRIVE MOTOR ASSEMBLY



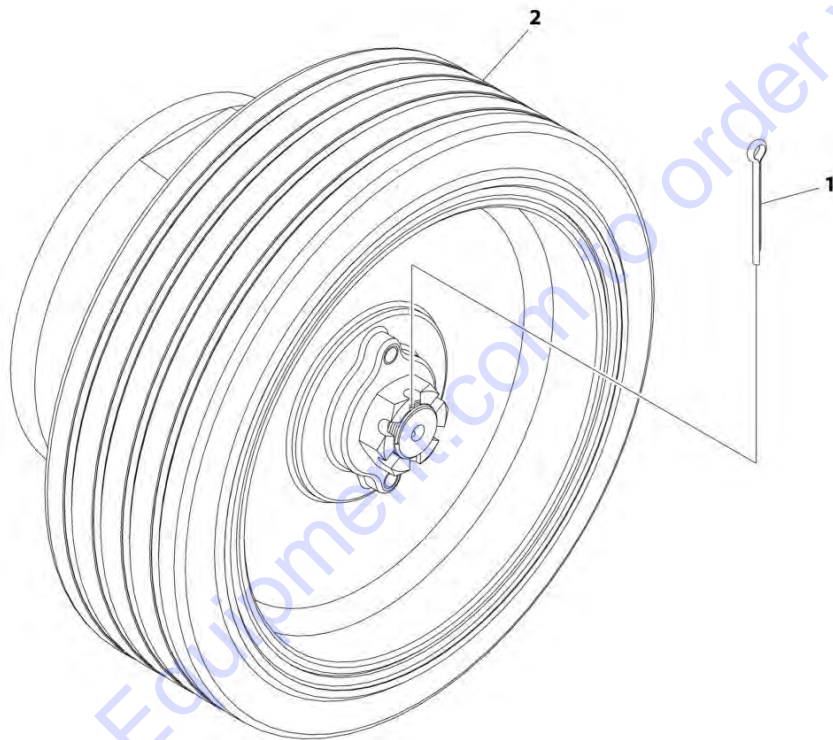
ART_1001199937

FIGURE 1-3. DRIVE MOTOR ASSEMBLY

ITEM	PART NUMBER	QTY	DESCRIPTION	REV
	1001199937	Ref	DRIVE MOTOR ASSEMBLY	D
1	70005806	7	Bolt	
2	7023328	1	Cover	
3	7023318	1	Seal, Commutator	
4	7023310	5	Ring, Seal	
5	7023315	1	Commutator (Includes Item 6)	
6	See Note	NSS	Ring, Commutator (Use p/n 7023315)	
7	70005812	1	Manifold	
8	70000278	1	Rotor Set	
9	7023311	1	Plate, Wear	
10	70005814	1	Link, Drive	
11	7023308	1	Bearing, Thrust	
12	70005813	1	Shaft	
12A	7023324	1	Key, Shaft	
17	70005809	1	Washer, Backup	
18	See Note	NSS	Housing Assembly (Use p/n 1001199937)	
20	70005811	1	Seal, Dirt and Water	
25	70005808	1	Ring, Backup	
27	70005807	1	Nut	

SECTION 1 - FRAME

FIGURE 1-4. TIRE AND WHEEL INSTALLATION



ART_1001202731

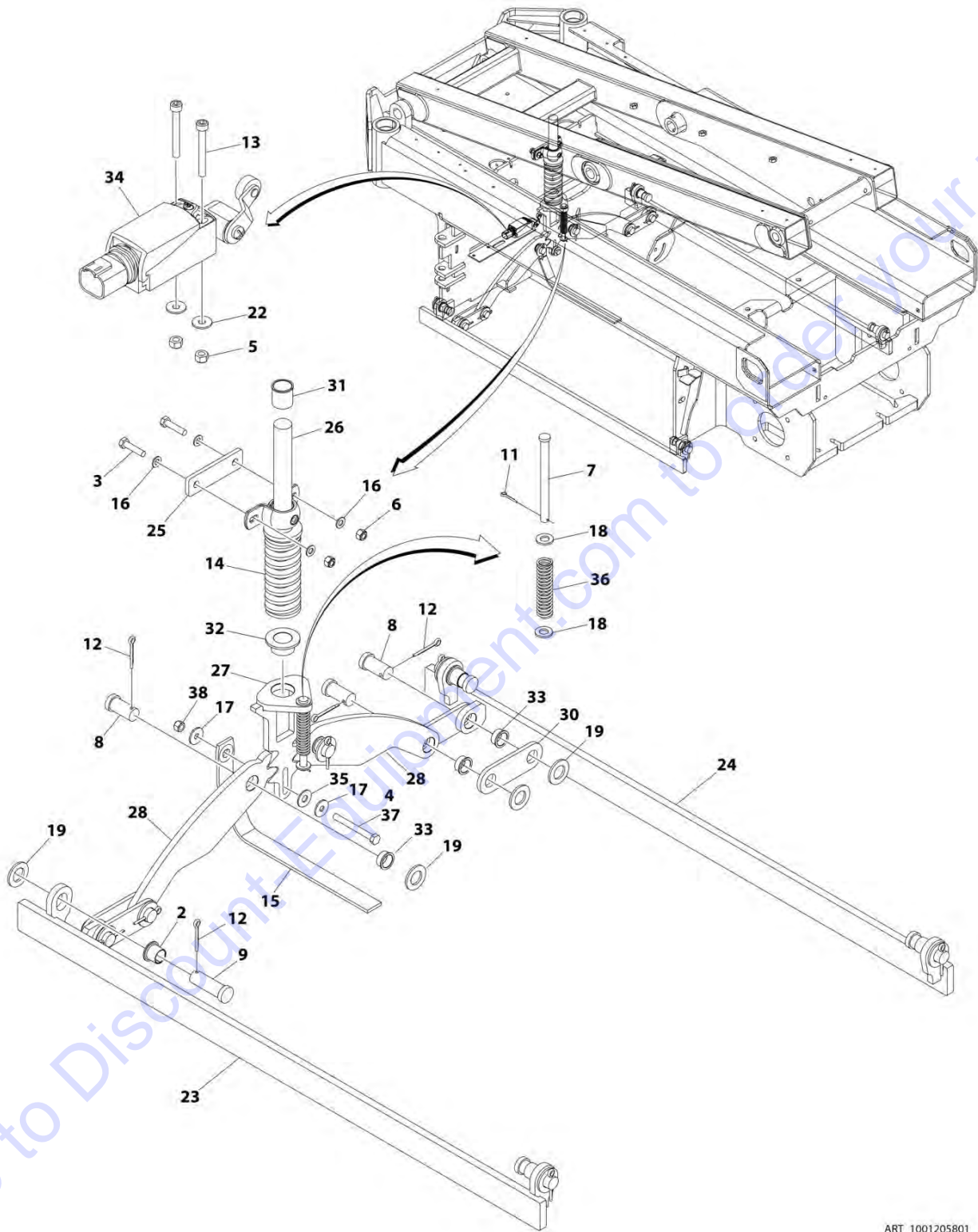
FIGURE 1-4. TIRE AND WHEEL INSTALLATION

ITEM	PART NUMBER	QTY	DESCRIPTION	REV
	1001202731	Ref	TIRE AND WHEEL INSTALLATION	B
		Ref	Note: Must Replace Tire and Wheel Assemblies in pairs per axle.	
1	3450508	4	Pin, Cotter 5/32 x 2	
2	1001200441	4	Tire and Wheel	

Go to Discount-Equipment.com to order your parts

SECTION 1 - FRAME

FIGURE 1-5. POTHOLE PROTECTION SYSTEM INSTALLATION



ART_1001205801

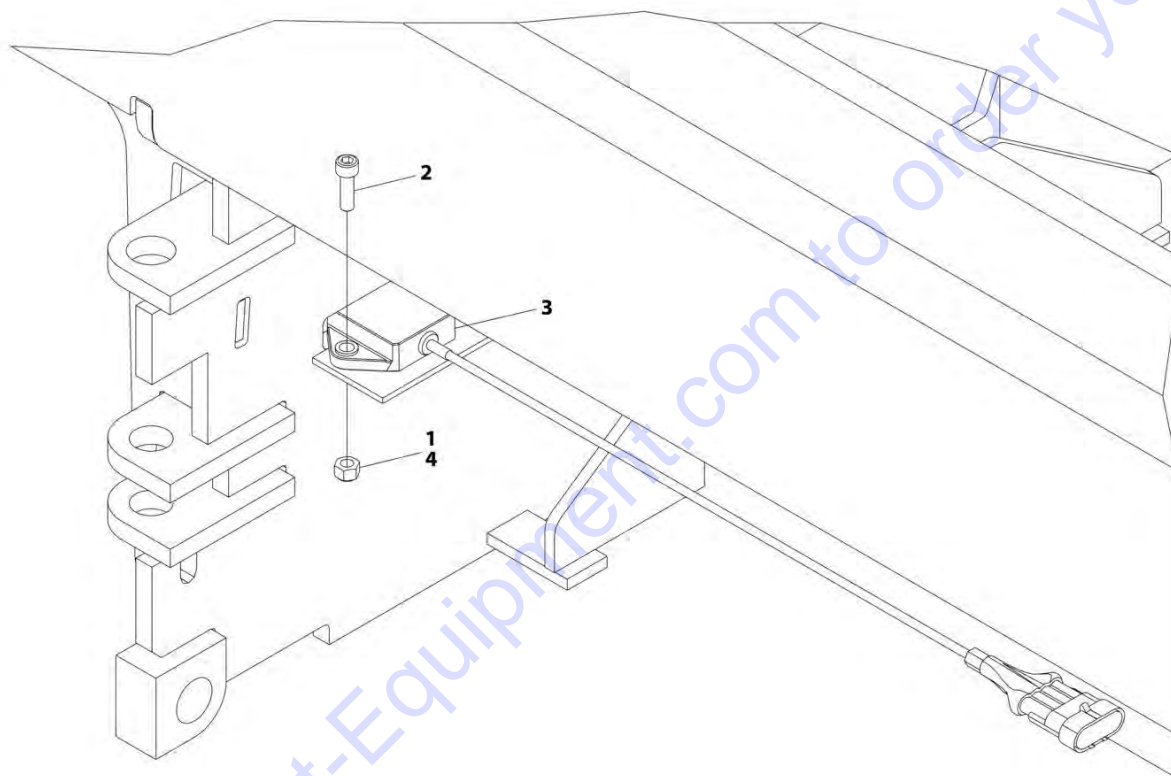
SECTION 1 - FRAME

FIGURE 1-5. POTHOLE PROTECTION SYSTEM INSTALLATION

ITEM	PART NUMBER	QTY	DESCRIPTION	REV
	1001205801	Ref	POTHOLE PROTECTION SYSTEM INSTALLATION	G
2	0440263	4	Bearing	
3	0700815	2	Bolt M8 x 35	
4	0700823	1	Bolt M8 x 75	
5	3290405	2	Nut M4	
6	3290805	2	Nut M8	
7	3430636	1	Pin	
8	3431212	6	Pin	
9	3431218	4	Pin	
11	3450302	1	Pin, Cotter 7/8 x 1/2	
12	3450505	10	Pin, Cotter 5/32 x 1/2	
13	4031511	2	Capscrew M4 x 35	
14	4160202	1	Spring	
15	4240147	1	Strap, Anti-Static	
16	4811900	4	Washer M8	
17	4811902	2	Washer M8	
18	4812000	2	Washer M10	
19	4812500	10	Washer M20	
22	1001091102	2	Washer M4	
23	1001201757	1	Bar (LH)	
24	1001201758	1	Bar (RH)	
25	1001202987	1	Plate, Mounting	
26	1001202988	1	Actuator (Upper)	
27	1001202991	1	Actuator (Lower)	
28	1001202994	2	Plate, Pinion	
30	1001202999	4	Link	
31	1001215953	1	Bearing	
32	1001203869	1	Bearing	
33	1001203870	6	Bearing	
34	1001203871	1	Switch, Limit	
35	1001203872	1	Washer 3/8	
36	1001212068	1	Spring	
37	0100011	AR	Compound, Locking	
38	3290801	1	Nut M8	

SECTION 1 - FRAME

FIGURE 1-6. TILT SENSOR INSTALLATION



ART_1001207142

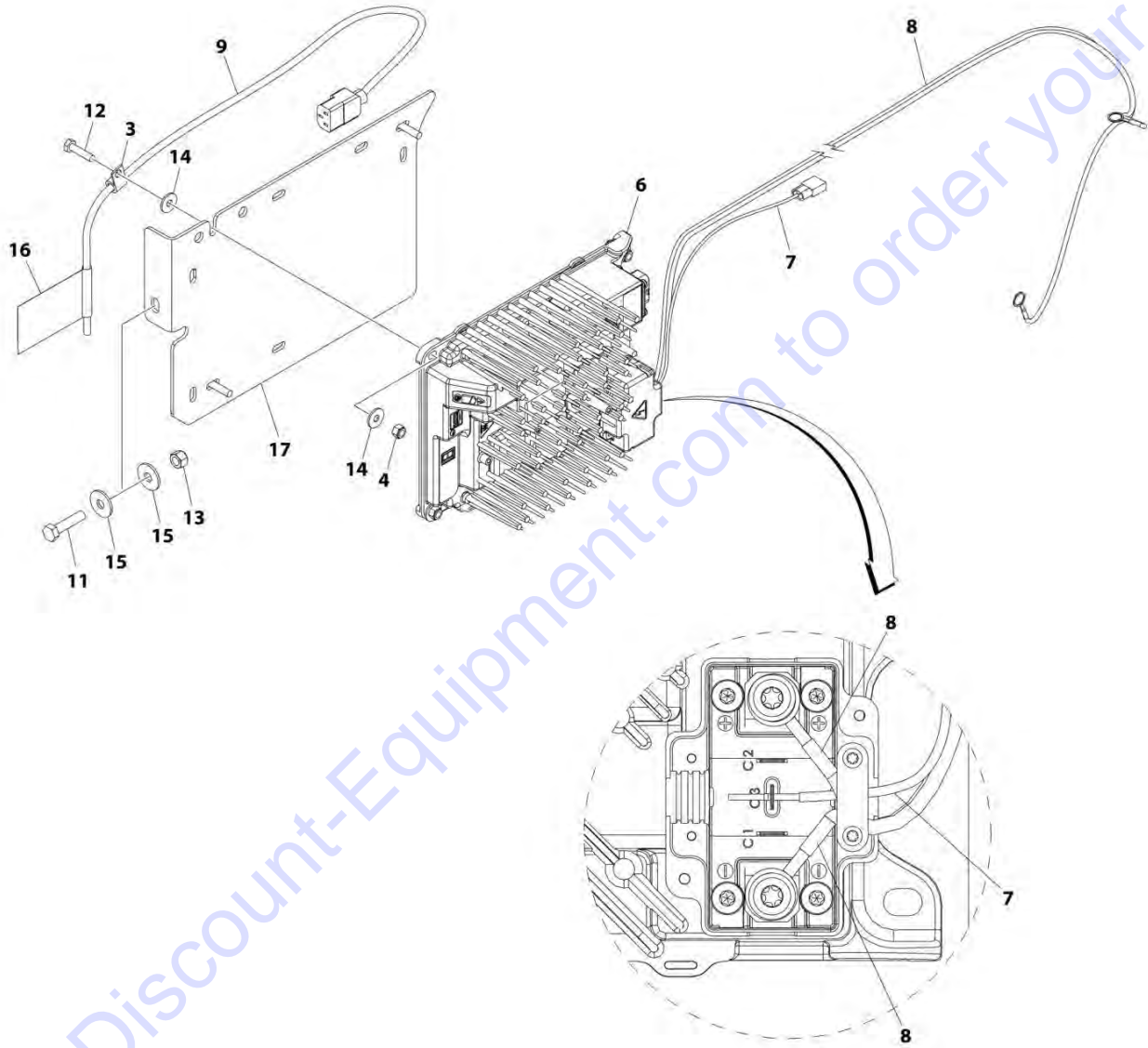
FIGURE 1-6. TILT SENSOR INSTALLATION

ITEM	PART NUMBER	QTY	DESCRIPTION	REV
	1001207142	Ref	TILT SENSOR INSTALLATION	C
1	3290605	2	Nut M6	
1	3290601	1	Nut M6	
2	4031708	2	Capscrew M6 x 20	
3	1001186466	1	Sensor, Tilt	
4	0100011	AR	Compound, Locking	

Go to Discount-Equipment.com to order your parts

SECTION 1 - FRAME

FIGURE 1-7. BATTERY CHARGER INSTALLATION - DELTA-Q (LOCALLY SUPPLIED PLUG)



ART_1001208767

SECTION 1 - FRAME

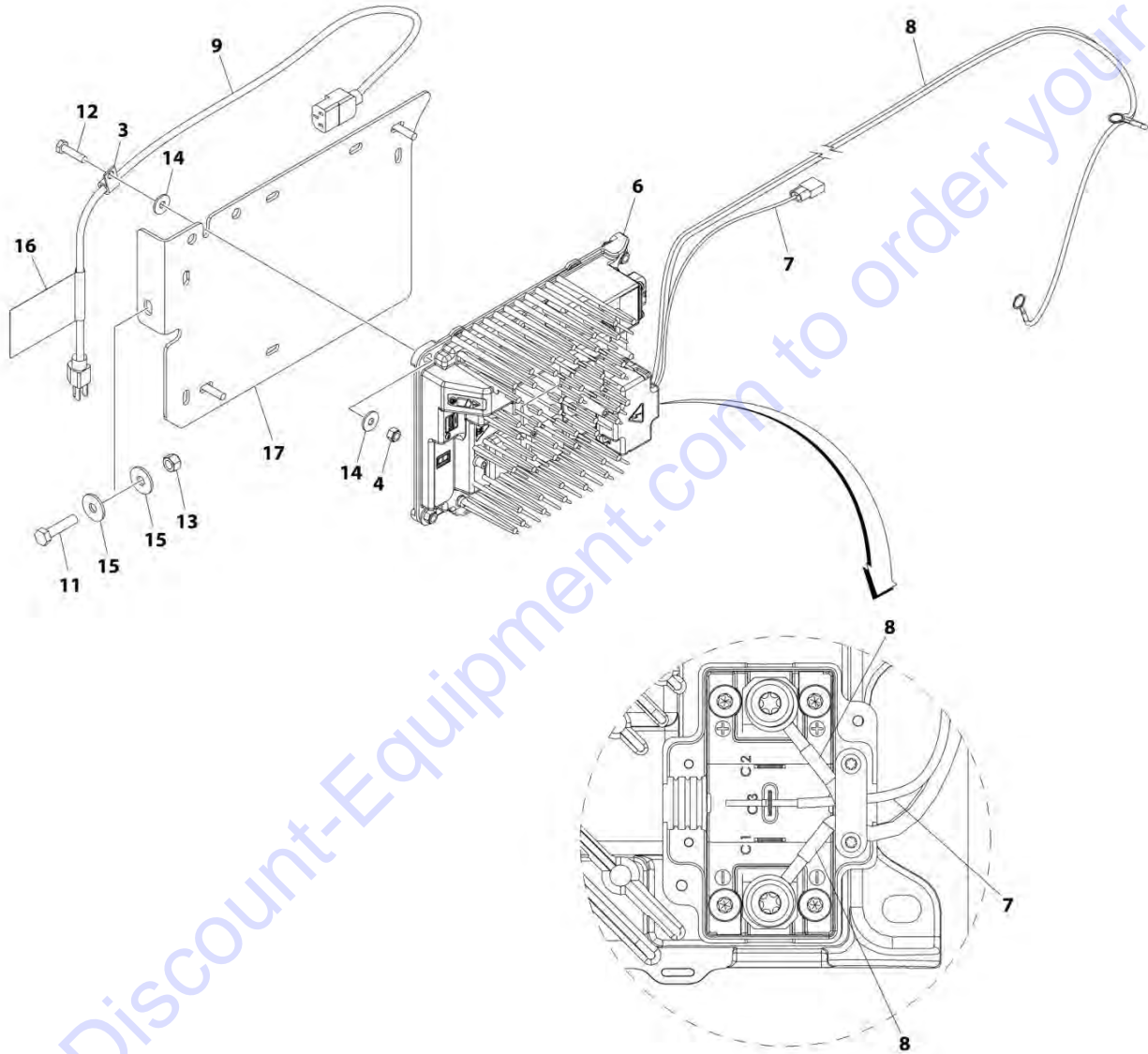
FIGURE 1-7. BATTERY CHARGER INSTALLATION - DELTA-Q (LOCALLY SUPPLIED PLUG)

ITEM	PART NUMBER	QTY	DESCRIPTION	REV
	1001208767	Ref	BATTERY CHARGER INSTALLATION - DELTA-Q (LOCALLY SUPPLIED PLUG)	D
3	1321293	1	Clamp	
4	3290605	3	Nut M6	
6	1001200561	1	Charger, Battery - Delta-Q	
7	1001207009	1	Charger Interlock Harness	
7	4460424	1	Receptacle, Female - 2 Position	
7	4460227	1	Pin, Male	
8	1001207010	1	Battery DC Connection Harness	
9	1001207974	1	Battery Charger to AC Connection Cable	
10	4240017	AR	Tie-Strap (Not Shown)	
11	0700815	1	Bolt M8 x 35	
12	0760612	3	Bolt M6 x 25	
13	3290805	1	Nut M6	
14	4811702	6	Washer M6	
15	4811902	2	Washer M8	
16	1001102489	1	Decal - Charger Label	
17	1001216682	1	Bracket	

Go to Discount-Equipment.com to order your parts

SECTION 1 - FRAME

FIGURE 1-8. BATTERY CHARGER INSTALLATION - DELTA-Q (110V PLUG)



ART_1001201005

SECTION 1 - FRAME

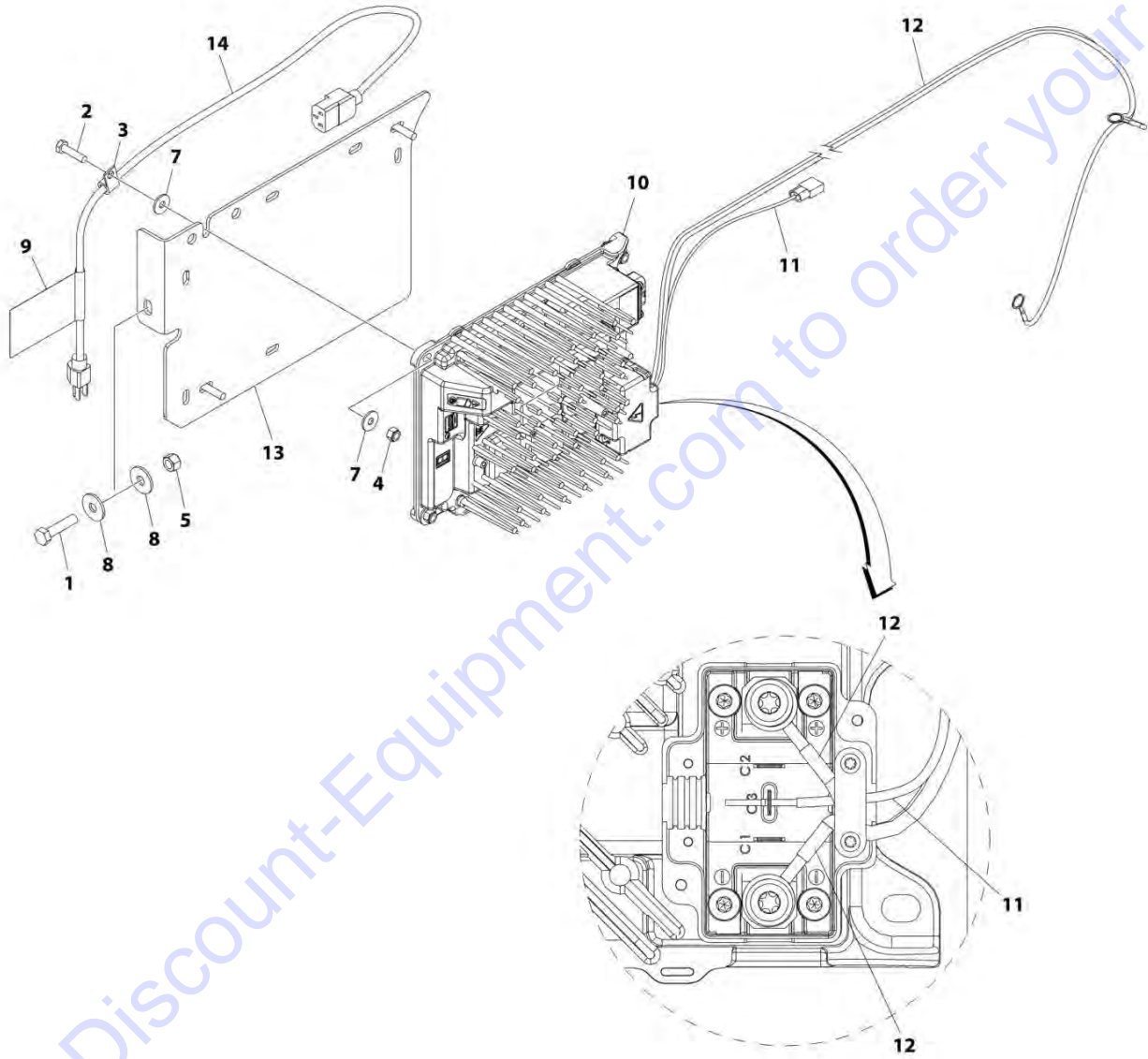
FIGURE 1-8. BATTERY CHARGER INSTALLATION - DELTA-Q (110V PLUG)

ITEM	PART NUMBER	QTY	DESCRIPTION	REV
	1001201005	Ref	BATTERY CHARGER INSTALLATION - DELTA-Q (110V PLUG)	D
3	1321293	1	Clamp	
4	3290605	3	Nut M6	
6	1001200561	1	Charger, Battery - Delta-Q	
7	1001207009	1	Charger Interlock Harness	
7	4460424	1	Receptacle, Female - 2 Position	
7	4460227	1	Pin, Male	
8	1001207010	1	Battery DC Connection Harness	
9	1001207970	1	Battery Charger to AC Connection Cable	
10	4240017	AR	Tie-Strap (Not Shown)	
11	0700815	1	Bolt M8 x 35	
12	0760612	3	Bolt M6 x 25	
13	3290805	1	Nut M6	
14	4811702	6	Washer M6	
15	4811902	2	Washer M8	
16	1001102489	1	Decal - Charger Label	
17	1001216682	1	Bracket	

Go to Discount-Equipment.com to order your parts

SECTION 1 - FRAME

FIGURE 1-9. BATTERY CHARGER INSTALLATION - DELTA-Q (KOREAN PLUG)



ART_1001223278

SECTION 1 - FRAME

FIGURE 1-9. BATTERY CHARGER INSTALLATION - DELTA-Q (KOREAN PLUG)

ITEM	PART NUMBER	QTY	DESCRIPTION	REV
	1001223278	Ref	BATTERY CHARGER INSTALLATION - DELTA-Q (KOREAN PLUG)	B
1	0700815	1	Bolt M8 x 35	
2	0760612	3	Bolt M6 x 25	
3	1321293	1	Clamp	
4	3290605	3	Nut M6	
5	3290805	1	Nut M8	
6	4240017	AR	Tie-Strap (Not Shown)	
7	4811702	6	Washer M6	
8	4811902	2	Washer M8	
9	1001102489	1	Decal - Charger Label	
10	1001200561	1	Charger, Battery - Delta-Q	
11	1001207009	1	Charger Interlock Harness	
11	4460424	1	Receptacle, Female - 2 Position	
11	4460227	1	Pin, Male	
12	1001207010	1	Battery DC Connection Harness	
13	1001216682	1	Bracket	
14	1001221949	1	Battery Charger to AC Connection Cable	

Go to Discount-Equipment.com to order your parts

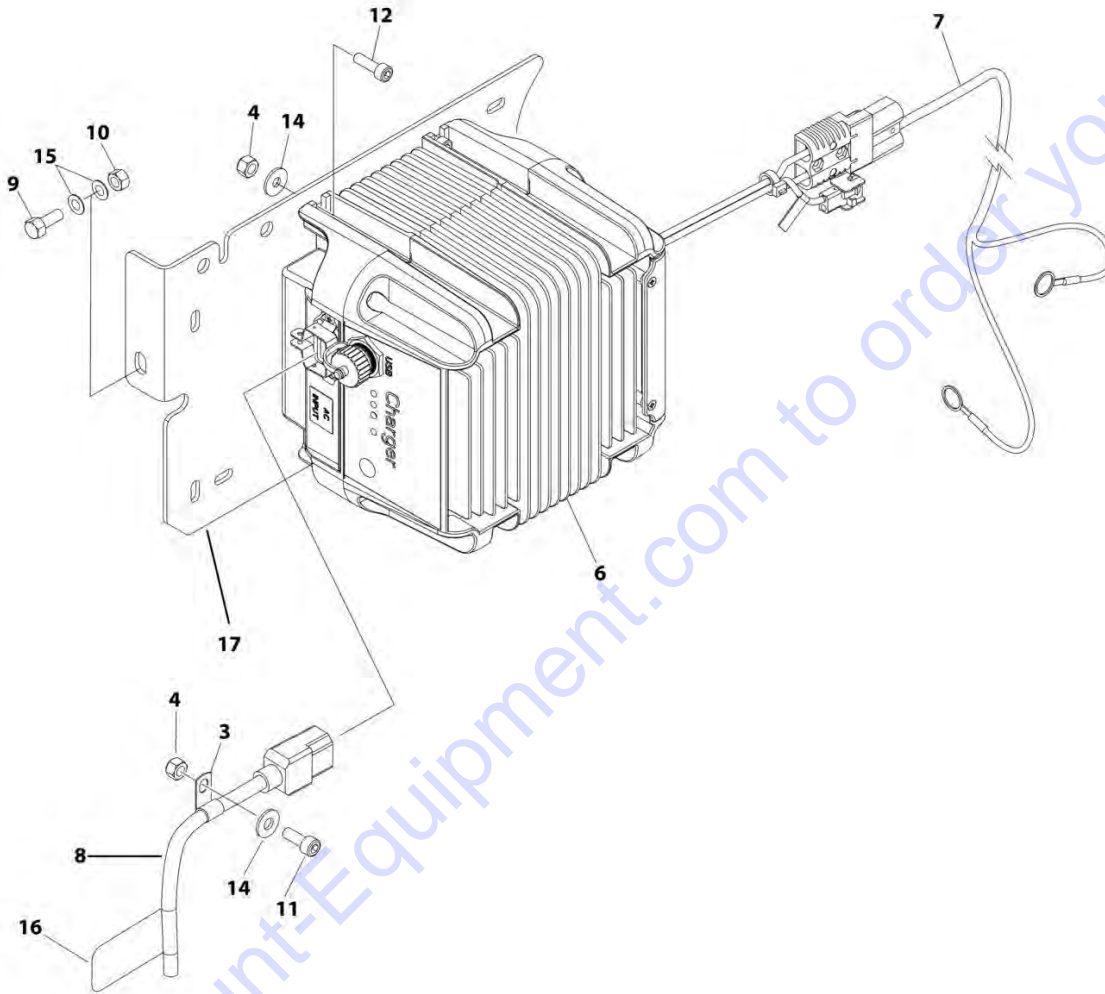
SECTION 1 - FRAME

FIGURE 1-10. BATTERY CHARGER INSTALLATION - EAGLE PERFORMANCE (110V PLUG)

ITEM	PART NUMBER	QTY	DESCRIPTION	REV
	1001204238	Ref	BATTERY CHARGER INSTALLATION - EAGLE PERFORMANCE (110V PLUG)	E
2	0760610	3	Bolt M6 x 20	
3	1321293	1	Clamp	
4	3290605	3	Nut M6	
5	4240017	AR	Tie-Strap (Not Shown)	
7	1001206995	1	Charger, Battery - Eagle Performance	
8	1001207735	1	Battery DC Connection Harness	
8	4460648	1	Connector, Anderson	
9	1001207970	1	Battery Charger to AC Connection Cable	
10	0700815	1	Bolt M8 x 35	
11	0760608	2	Bolt M6 x 16	
12	3290805	1	Nut M6	
13	4811702	8	Washer M6	
14	4811902	2	Washer M8	
15	1001102489	1	Decal - Charger Label	
16	1001130220	2	Nut, Tinnerman M6	
17	1001216682	1	Bracket	
18	1001216683	1	Shield	
19	0100011	AR	Compound, Locking	

SECTION 1 - FRAME

FIGURE 1-11. BATTERY CHARGER INSTALLATION - GREEN POWER (LOCALLY SUPPLIED PLUG)



ART_1001208839

SECTION 1 - FRAME

FIGURE 1-11. BATTERY CHARGER INSTALLATION - GREEN POWER (LOCALLY SUPPLIED PLUG)

ITEM	PART NUMBER	QTY	DESCRIPTION	REV
	1001208839	Ref	BATTERY CHARGER INSTALLATION - GREEN POWER (LOCALLY SUPPLIED PLUG)	C
3	1321293	1	Clamp	
4	3290605	4	Nut M6	
6	1001205598	1	Charger, Battery - Green Power	
7	1001207735	1	Battery DC Connection Harness	
7	4460648	1	Connector, Anderson	
8	1001207974	1	Battery Charger to AC Connection Cable	
9	0700815	1	Bolt M8 x 35	
10	3290805	1	Nut M8	
11	4031707	1	Capscrew M8 x 16	
12	4031708	3	Capscrew M8 x 20	
13	4240017	AR	Tie-Strap (Not Shown)	
14	4811702	4	Washer M6	
15	4811902	2	Washer M8	
16	1001102489	1	Decal - Charger	
17	1001216682	1	Bracket	

Go to Discount-Equipment.com to order your parts

SECTION 1 - FRAME

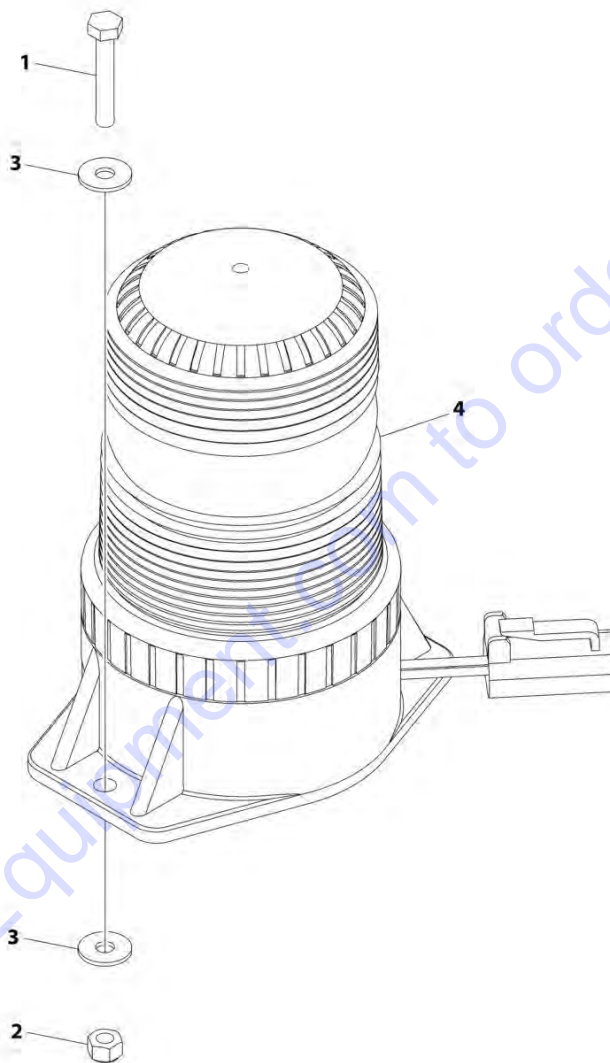
FIGURE 1-12. BATTERY CHARGER INSTALLATION - GREEN POWER (220V PLUG)

ITEM	PART NUMBER	QTY	DESCRIPTION	REV
	1001204562	Ref	BATTERY CHARGER INSTALLATION - GREEN POWER (220V PLUG)	C
3	1321293	1	Clamp	
4	3290605	4	Nut M6	
6	1001205598	1	Charger, Battery - Green Power	
7	1001207735	1	Battery DC Connection Harness	
7	4460648	1	Connector, Anderson	
8	1001207973	1	Battery Charger to AC Connection Cable	
9	0700815	1	Bolt M8 x 35	
10	3290805	1	Nut M8	
11	4031707	1	Capscrew M6 x 16	
12	4031708	3	Capscrew M6 x 20	
13	4240017	AR	Tie-Strap (Not Shown)	
14	4811702	4	Washer M6	
15	4811902	2	Washer M8	
16	1001102489	1	Decal - Charger	
17	1001216682	1	Bracket	

Go to Discount-Equipment.com to order your parts

SECTION 1 - FRAME

FIGURE 1-13. STROBE LIGHT INSTALLATION - SINGLE ECCO BRAND (AMBER) (WITHOUT GUARD)



ART_1001201250

SECTION 1 - FRAME

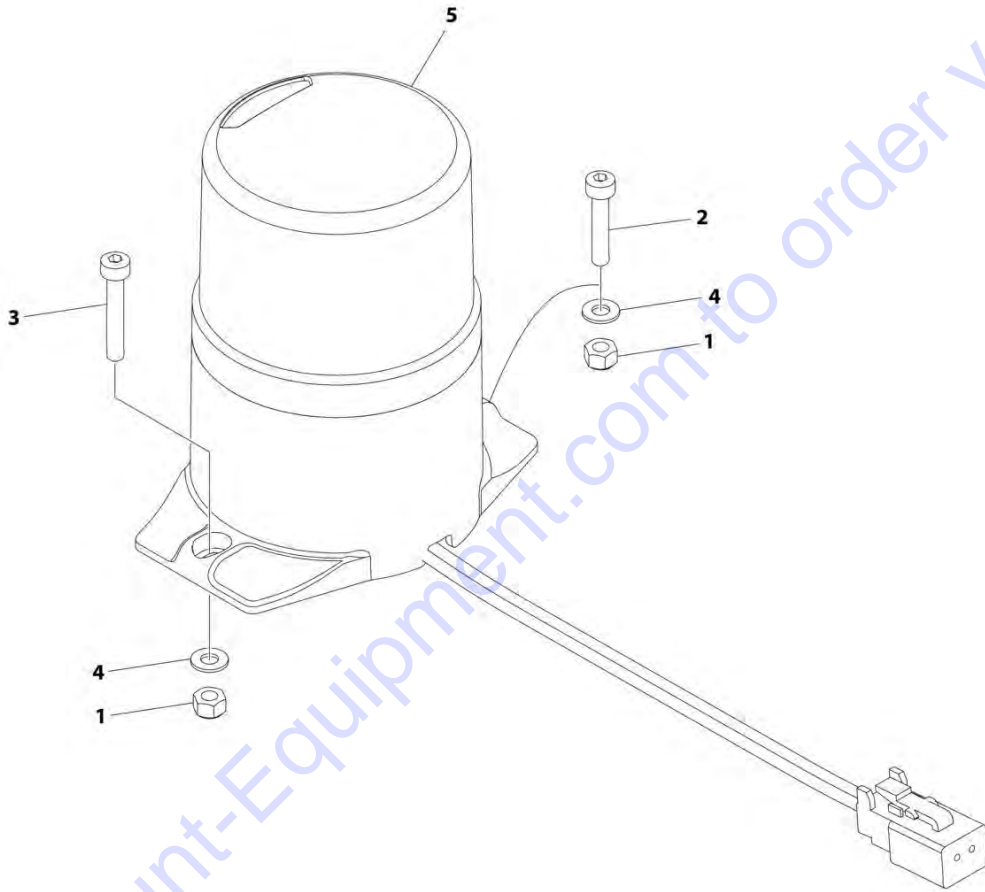
FIGURE 1-13. STROBE LIGHT INSTALLATION - SINGLE ECCO BRAND (AMBER) (WITHOUT GUARD)

ITEM	PART NUMBER	QTY	DESCRIPTION	REV
	1001201250	Ref	STROBE LIGHT INSTALLATION - SINGLE (AMBER) (WITHOUT GUARD)	C
1	0700412	1	Bolt M4 x 25	
2	3290405	1	Nut M4	
3	1001091102	2	Washer M4	
4	1001191139	1	Light, Strobe (Amber)	
4	4460891	1	Plug, Male - 2 Position	
4	4460465	2	Socket, Female	
4	4060865	1	Guard (Must be Purchased Separately) (Not Shown)	

Go to Discount-Equipment.com to order your parts

SECTION 1 - FRAME

FIGURE 1-14. STROBE LIGHT INSTALLATION - SINGLE SAMMOON BRAND (WITHOUT GUARD)



ART_1001238970

SECTION 1 - FRAME

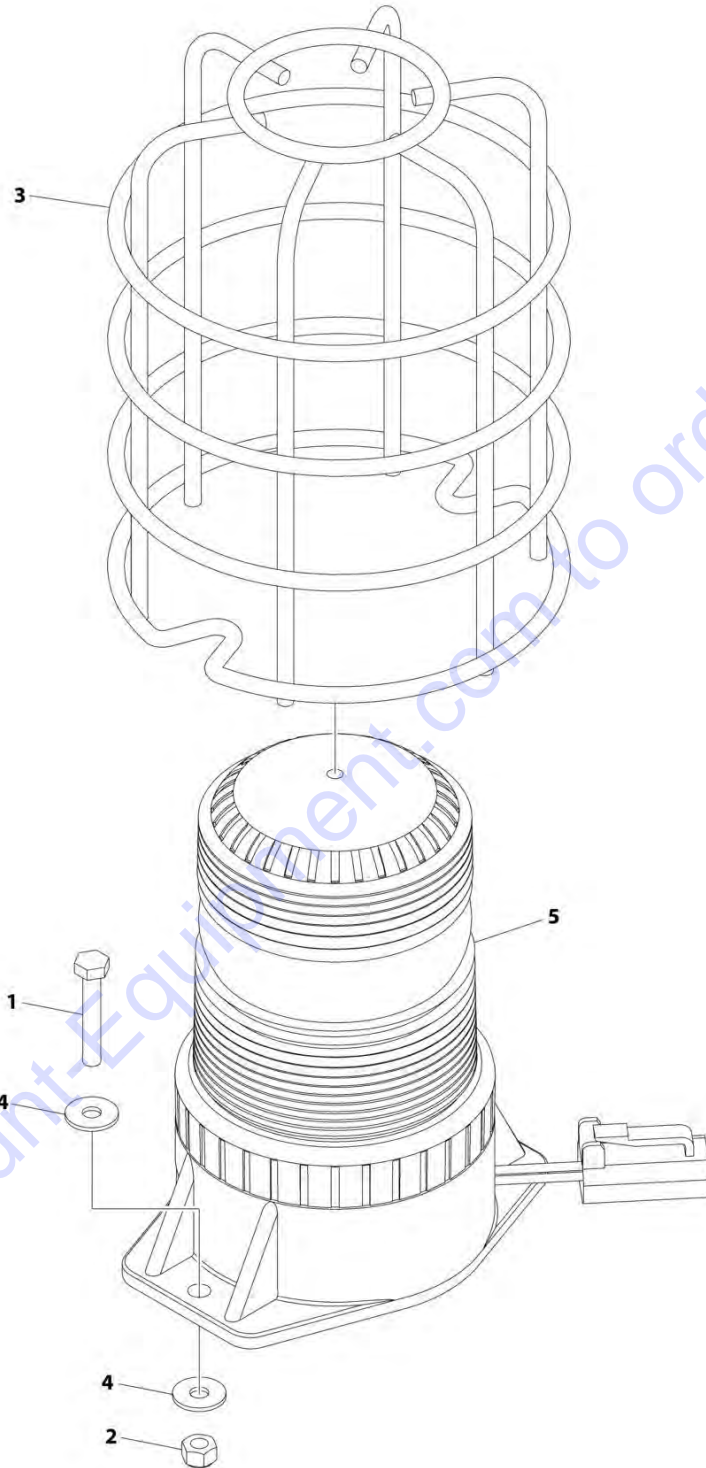
FIGURE 1-14. STROBE LIGHT INSTALLATION - SINGLE SAMMOON BRAND (WITHOUT GUARD)

ITEM	PART NUMBER	QTY	DESCRIPTION	REV
	1001238970	Ref	STROBE LIGHT INSTALLATION - SINGLE (WITHOUT GUARD)	A
1	3290405	2	Nut M4	
2	4031507	1	Capscrew M4 x 16	
3	4031509	1	Capscrew M4 x 25	
4	4811400	2	Washer M4	
5	1001233479	1	Light, Strobe	
5	4460891	1	Plug, Male - 2 Position	
5	4460465	2	Socket, Female	

Go to Discount-Equipment.com to order your parts

SECTION 1 - FRAME

FIGURE 1-15. STROBE LIGHT INSTALLATION - SINGLE ECCO BRAND (AMBER) (WITH GUARD)



ART_1001217912

SECTION 1 - FRAME

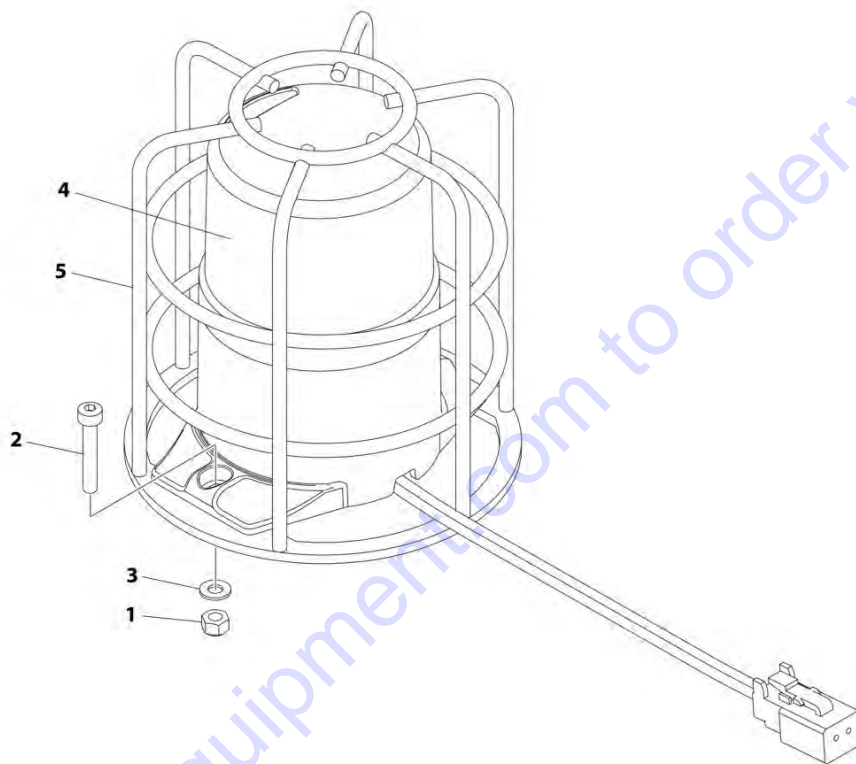
FIGURE 1-15. STROBE LIGHT INSTALLATION - SINGLE ECCO BRAND (AMBER) (WITH GUARD)

ITEM	PART NUMBER	QTY	DESCRIPTION	REV
	1001217912	Ref	STROBE LIGHT INSTALLATION - SINGLE (AMBER) (WITH GUARD)	A
1	0700412	1	Bolt M4 x 25	
2	3290405	1	Nut M4	
3	4060865	1	Guard	
4	1001091102	2	Washer M4	
5	1001191139	1	Light, Strobe (Amber)	
5	4460891	1	Plug, Male - 2 Position	
5	4460465	2	Socket, Female	

Go to Discount-Equipment.com to order your parts

SECTION 1 - FRAME

FIGURE 1-16. STROBE LIGHT INSTALLATION - SINGLE SAMMOON BRAND (WITH GUARD)



ART_1001238972

SECTION 1 - FRAME

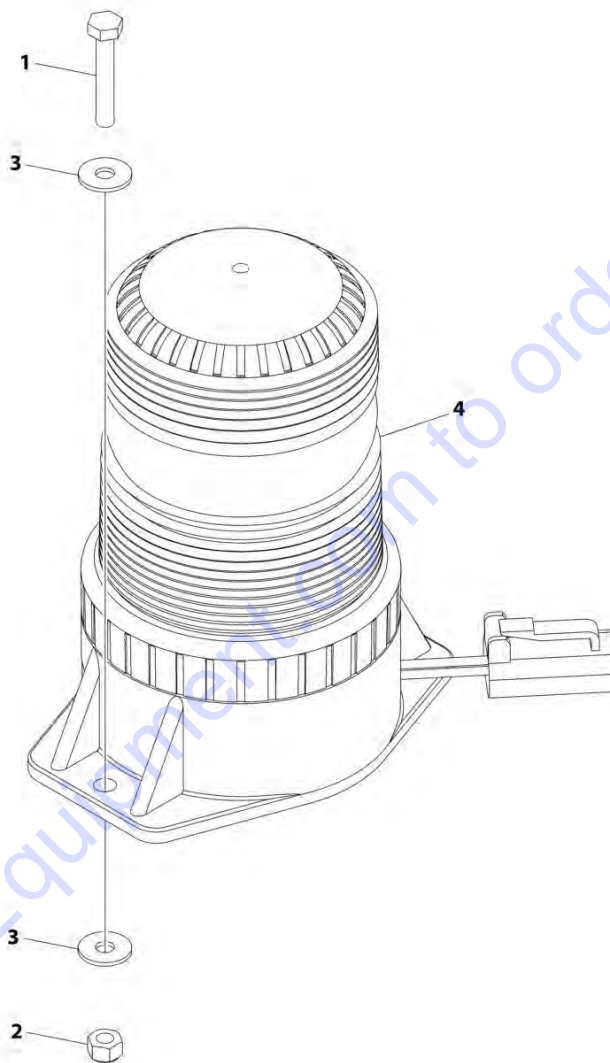
FIGURE 1-16. STROBE LIGHT INSTALLATION - SINGLE SAMMOON BRAND (WITH GUARD)

ITEM	PART NUMBER	QTY	DESCRIPTION	REV
	1001238972	Ref	STROBE LIGHT INSTALLATION - SINGLE (WITH GUARD)	A
1	3290405	2	Nut M4	
2	4031509	2	Capscrew M4 x 25	
3	4811400	2	Washer M4	
4	1001233479	1	Light, Strobe	
4	4460891	1	Plug, Male - 2 Position	
4	4460465	2	Socket, Female	
5	1001233998	1	Guard	

Go to Discount-Equipment.com to order your parts

SECTION 1 - FRAME

FIGURE 1-17. STROBE LIGHT INSTALLATION - DUAL ECCO BRAND (AMBER) (WITHOUT GUARD)



ART_1001205014

SECTION 1 - FRAME

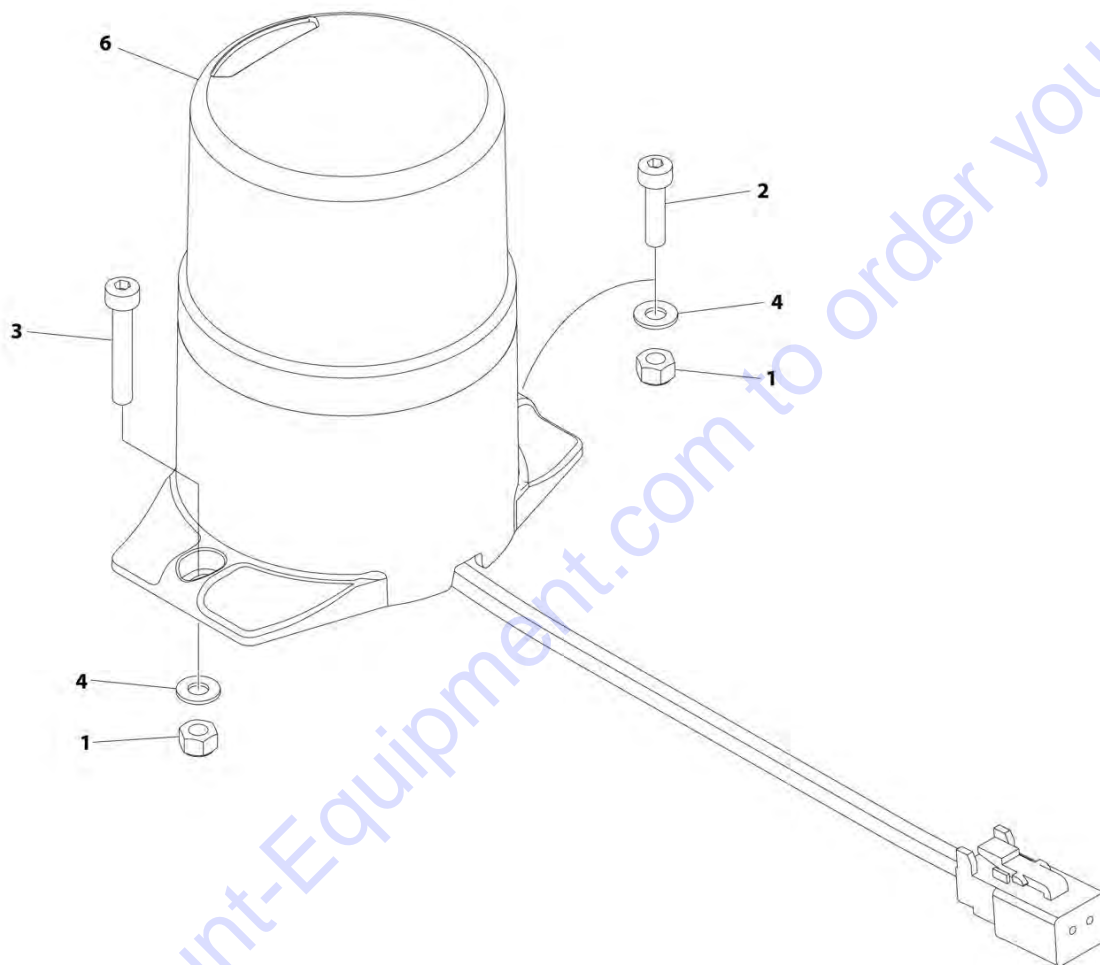
FIGURE 1-17. STROBE LIGHT INSTALLATION - DUAL ECCO BRAND (AMBER) (WITHOUT GUARD)

ITEM	PART NUMBER	QTY	DESCRIPTION	REV
	1001205014	Ref	STROBE LIGHT INSTALLATION - DUAL (AMBER) (WITHOUT GUARD)	C
1	0700412	3	Bolt M4 x 25	
2	3290405	3	Nut M4	
3	1001091102	6	Washer M4	
4	1001191139	2	Light, Strobe (Amber)	
4	4460891	1	Plug, Male - 2 Position	
4	4460465	2	Socket, Female	
4	4060865	1	Guard (Must be Purchased Separately) (Not Shown)	
5	1001201707	1	Strobe Light Jumper Harness (Not Shown)	
5	4460897	2	Receptacle, Female - 2 Position	
5	4460464	4	Pin, Male	
5	4460891	1	Plug, Male - 2 Position	
5	4460465	2	Socket, Female	

Go to Discount-Equipment.com to order your parts

SECTION 1 - FRAME

FIGURE 1-18. STROBE LIGHT INSTALLATION - DUAL SAMMOON BRAND (WITHOUT GUARD)



ART_1001238971

SECTION 1 - FRAME

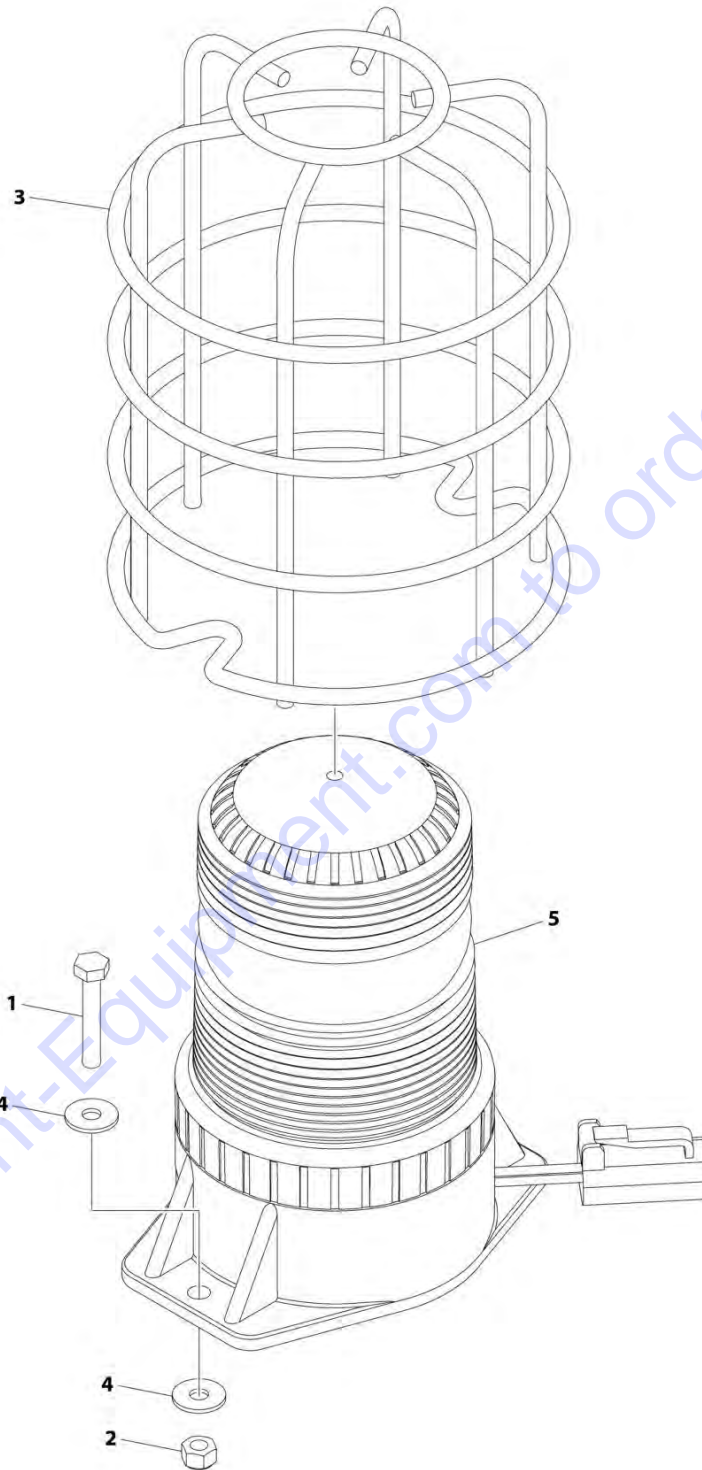
FIGURE 1-18. STROBE LIGHT INSTALLATION - DUAL SAMMOON BRAND (WITHOUT GUARD)

ITEM	PART NUMBER	QTY	DESCRIPTION	REV
	1001238971	Ref	STROBE LIGHT INSTALLATION - DUAL (WITHOUT GUARD)	A
1	3290405	4	Nut M4	
2	4031507	3	Capscrew M4 x 16	
3	4031509	1	Bolt M4 x 25	
4	4811400	4	Washer M4	
5	1001201707	1	Strobe Light Jumper Harness (Not Shown)	
5	4460897	2	Receptacle, Female - 2 Position	
5	4460464	4	Pin, Male	
5	4460891	1	Plug, Male - 2 Position	
5	4460465	2	Socket, Female	
6	1001233479	2	Light, Strobe	
6	4460891	1	Plug, Male - 2 Position	
6	4460465	2	Socket, Female	

Go to Discount-Equipment.com to order your parts

SECTION 1 - FRAME

FIGURE 1-19. STROBE LIGHT INSTALLATION - DUAL ECCO BRAND (AMBER) (WITH GUARD)



ART_1001217914

SECTION 1 - FRAME

FIGURE 1-19. STROBE LIGHT INSTALLATION - DUAL ECCO BRAND (AMBER) (WITH GUARD)

ITEM	PART NUMBER	QTY	DESCRIPTION	REV
	1001217914	Ref	STROBE LIGHT INSTALLATION - DUAL (AMBER) (WITH GUARD)	A
1	0700412	3	Bolt M4 x 25	
2	3290405	3	Nut M4	
3	4060865	2	Guard	
4	1001091102	6	Washer M4	
5	1001191139	2	Light, Strobe (Amber)	
5	4460891	1	Plug, Male - 2 Position	
5	4460465	2	Socket, Female	
6	1001201707	1	Strobe Light Jumper Harness (Not Shown)	
6	4460897	2	Receptacle, Female - 2 Position	
6	4460464	4	Pin, Male	
6	4460891	1	Plug, Male - 2 Position	
6	4460465	2	Socket, Female	

Go to Discount-Equipment.com to order your parts

PARTS FINDER

**Search Website
by Part Number**



**Search Manual
Library For Parts
Manual & Lookup Part
Numbers – Purchase
or Request Quote**

**Can't Find Part or
Manual? Request Help
by Manufacturer,
Model & Description**

Discount-Equipment.com is your online resource for quality parts & equipment.

Florida: **561-964-4949** Outside Florida TOLL FREE: **877-690-3101**

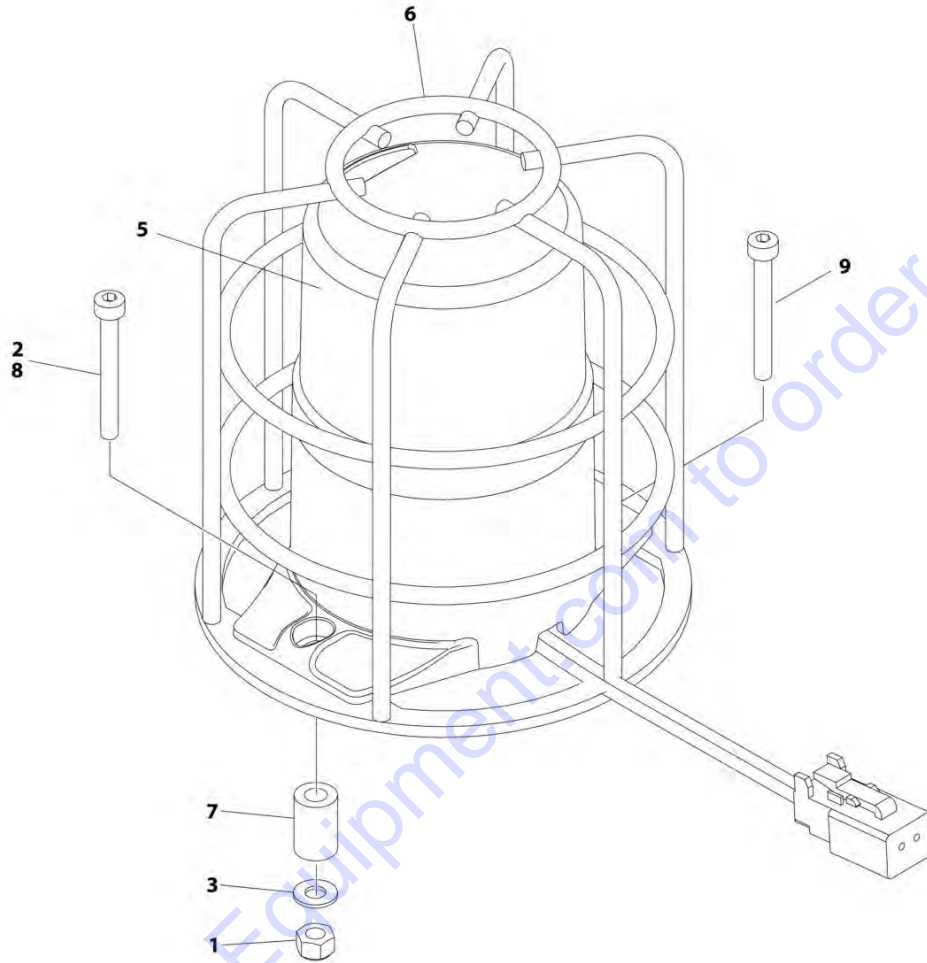
Need parts?

Click on this link: <http://www.discount-equipment.com/category/5443-parts/> and choose one of the options to help get the right parts and equipment you are looking for. Please have the machine model and serial number available in order to help us get you the correct parts. If you don't find the part on the website or on one of the online manuals, please fill out the request form and one of our experienced staff members will get back to you with a quote for the right part that your machine needs.

We sell worldwide for the brands: Genie, Terex, JLG, MultiQuip, Mikasa, Essick, Whiteman, Mayco, Toro Stone, Diamond Products, Generac Magnum, Airman, Haulotte, Barreto, Power Blanket, Nifty Lift, Atlas Copco, Chicago Pneumatic, Allmand, Miller Curber, Skyjack, Lull, Skytrak, Tsurumi, Husquvarna Target, Stow, Wacker, Sakai, Mi-T-M, Sullair, Basic, Dynapac, MBW, Weber, Bartell, Bennar Newman, Haulotte, Ditch Runner, Menegotti, Morrison, Contec, Buddy, Crown, Edco, Wyco, Bomag, Laymor, EZ Trench, Bil-Jax, F.S. Curtis, Gehl Pavers, Heli, Honda, ICS/PowerGrit, IHI, Partner, Imer, Clipper, MMD, Koshin, Rice, CH&E, General Equipment, Amida, Coleman, NAC, Gradall, Square Shooter, Kent, Stanley, Tamco, Toku, Hatz, Kohler, Robin, Wisconsin, Northrock, Oztec, Toker TK, Rol-Air, APT, Wylie, Ingersoll Rand / Doosan, Innovatech, Con X, Ammann, Mecalac, Makinex, Smith Surface Prep, Small Line, Wanco, Yanmar

SECTION 1 - FRAME

FIGURE 1-20. STROBE LIGHT INSTALLATION - DUAL SAMMOON BRAND (WITH GUARD)



ART_1001238973

SECTION 1 - FRAME

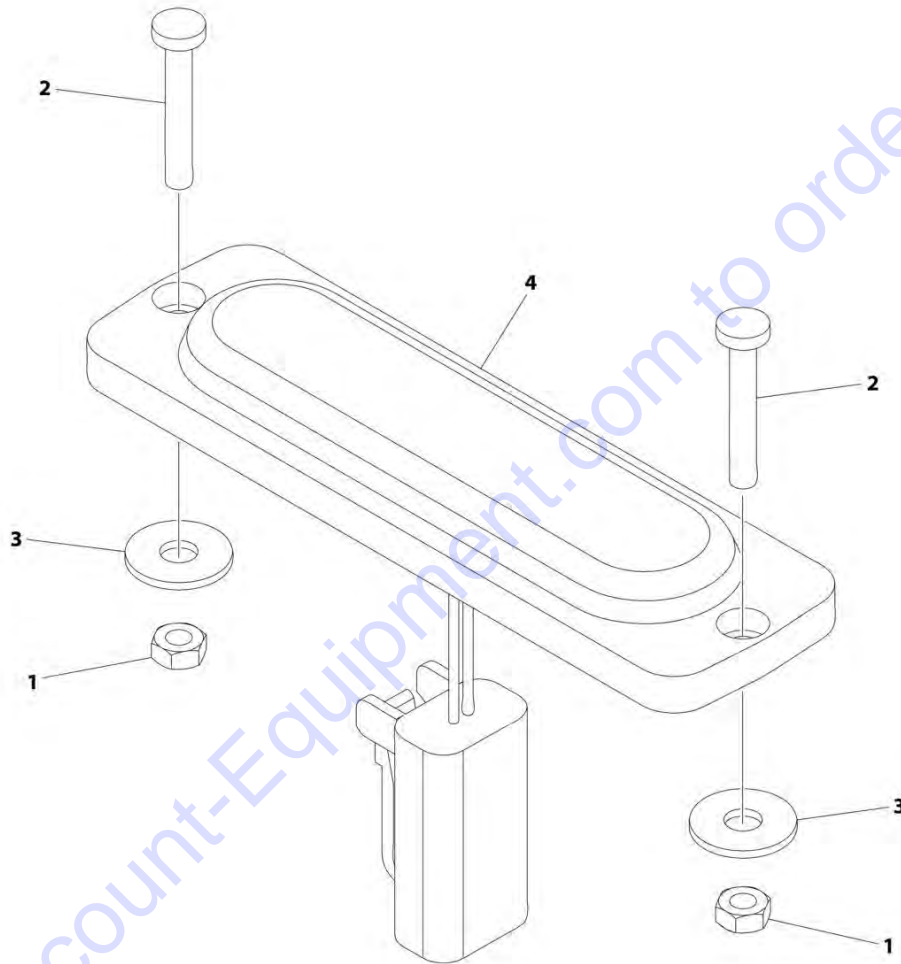
FIGURE 1-20. STROBE LIGHT INSTALLATION - DUAL SAMMOON BRAND (WITH GUARD)

ITEM	PART NUMBER	QTY	DESCRIPTION	REV
	1001238973	Ref	STROBE LIGHT INSTALLATION - DUAL (WITH GUARD)	B
1	3290405	4	Nut M4	
2	4031511	4	Bolt M4 x 35	
3	4811400	4	Washer M4	
4	1001201707	1	Strobe Light Jumper Harness (Not Shown)	
4	4460897	2	Receptacle, Female - 2 Position	
4	4460464	4	Pin, Male	
4	4460891	1	Plug, Male - 2 Position	
4	4460465	2	Socket, Female	
5	1001233479	2	Light, Strobe	
5	4460891	1	Plug, Male - 2 Position	
5	4460465	2	Socket, Female	
6	1001233998	2	Guard	
7	1001220766	4	Sleeve (Prior to SN B200055421)	
8	4031508	3	Bolt M4 x 20	
9	4031509	1	Bolt M4 x 25	

Go to Discount-Equipment.com to order your parts

SECTION 1 - FRAME

FIGURE 1-21. STROBE LIGHT INSTALLATION – SINGLE SANMAK BRAND (AMBER) (WITHOUT GUARD)



ART_1001242988

SECTION 1 - FRAME

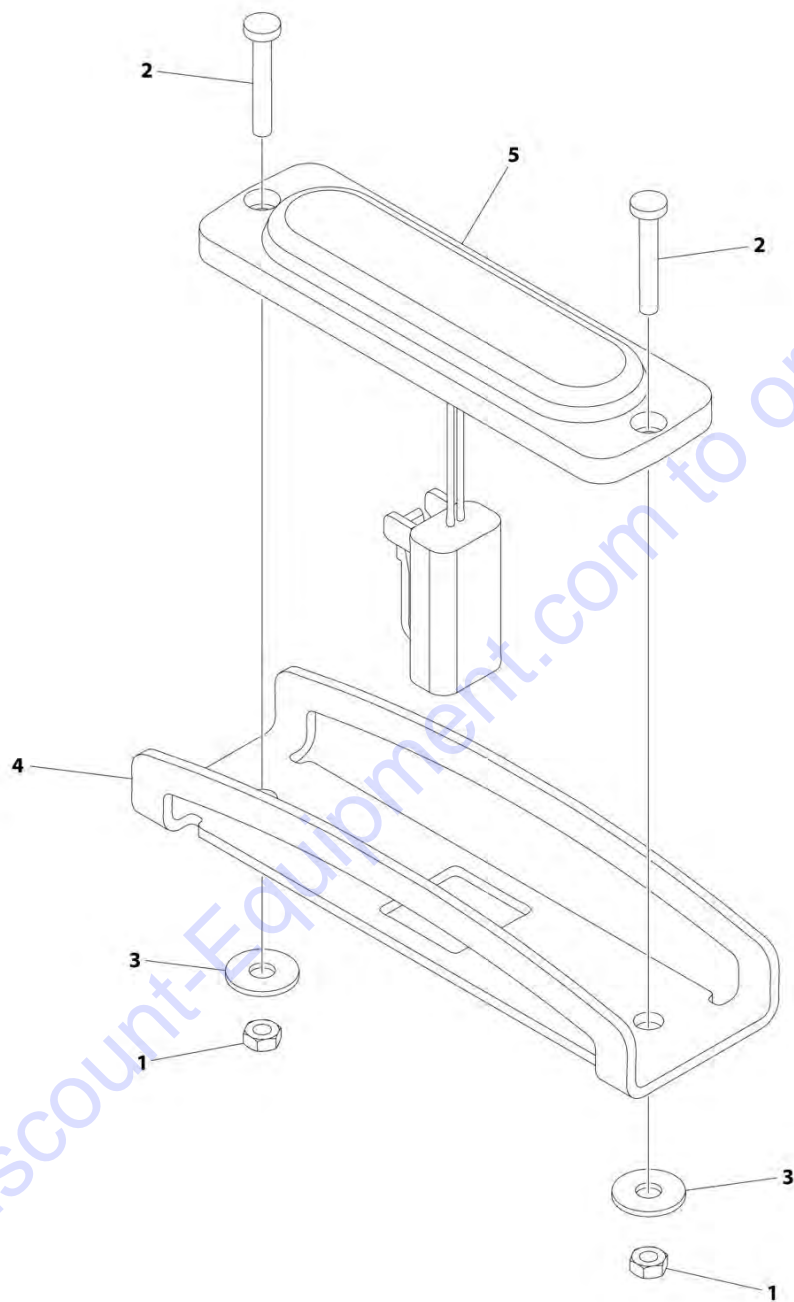
FIGURE 1-21. STROBE LIGHT INSTALLATION – SINGLE SANMAK BRAND (AMBER) (WITHOUT GUARD)

ITEM	PART NUMBER	QTY	DESCRIPTION	REV
	1001242988	Ref	STROBE LIGHT INSTALLATION - SINGLE (AMBER) (WITHOUT GUARD)	C
1	3290305	2	Nut M3	
2	4010310	2	Screw M3 x 20	
3	1001091102	2	Washer M4	
4	1001239224	1	Light, Strobe	
4	4460891	1	Plug, Male - 2 Position	
4	4460465	2	Socket, Female	

Go to Discount-Equipment.com to order your parts

SECTION 1 - FRAME

FIGURE 1-22. STROBE LIGHT INSTALLATION – SINGLE SANMAK BRAND (AMBER) (WITH GUARD)



ART_1001242697

SECTION 1 - FRAME

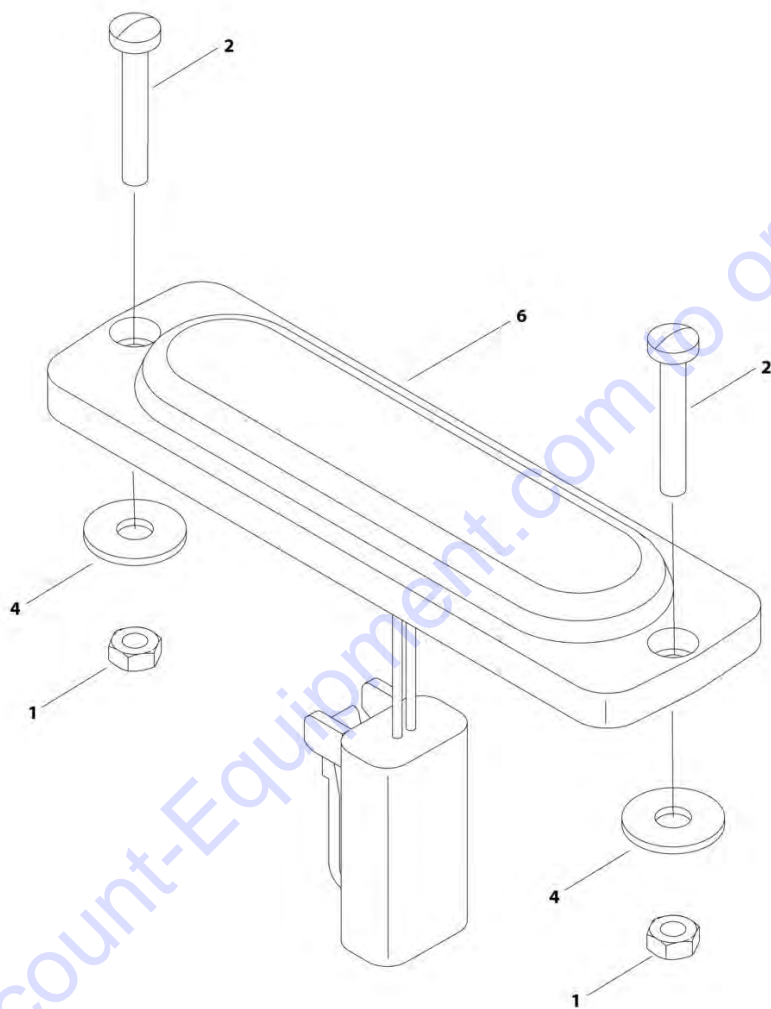
FIGURE 1-22. STROBE LIGHT INSTALLATION – SINGLE SANMAK BRAND (AMBER) (WITH GUARD)

ITEM	PART NUMBER	QTY	DESCRIPTION	REV
	1001242697	Ref	STROBE LIGHT INSTALLATION - SINGLE (AMBER) (WITH GUARD)	C
1	3290305	2	Nut M3	
2	4010310	2	Screw M3 x 20	
3	1001091102	2	Washer M4	
4	1001242539	1	Guard	
5	1001239224	1	Light, Strobe	
5	4460891	1	Plug, Male - 2 Position	
5	4460465	2	Socket, Female	

Go to Discount-Equipment.com to order your parts

SECTION 1 - FRAME

FIGURE 1-23. STROBE LIGHT INSTALLATION – DAUL SANMAK BRAND (AMBER) (WITHOUT GUARD)



ART_1001247861

SECTION 1 - FRAME

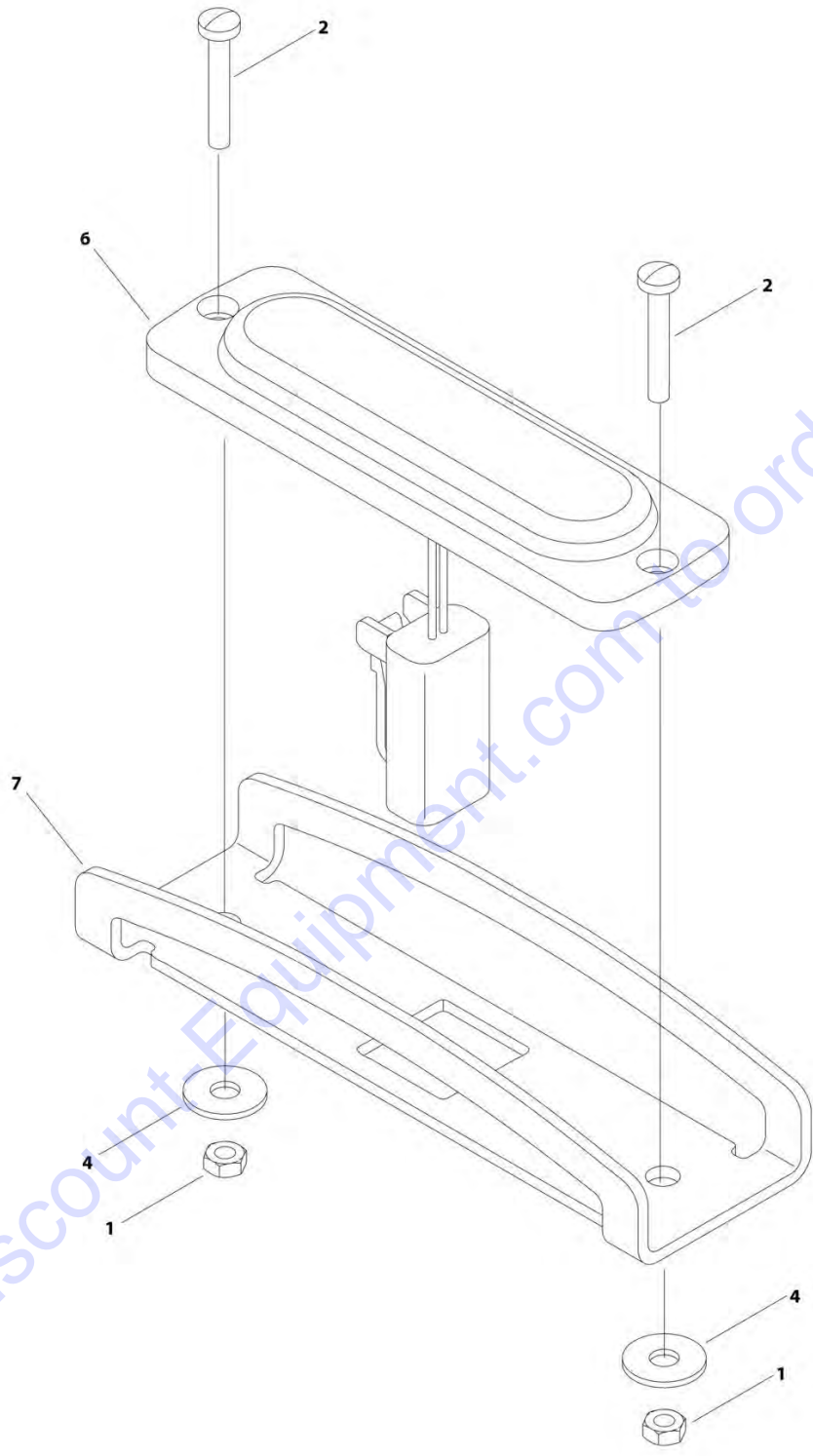
FIGURE 1-23. STROBE LIGHT INSTALLATION – DAUL SANMAK BRAND (AMBER) (WITHOUT GUARD)

ITEM	PART NUMBER	QTY	DESCRIPTION	REV
	1001247861	Ref	STROBE LIGHT INSTALLATION - DAUL (AMBER) (WITHOUT GUARD)	A
1	3290305	4	Nut M3	
2	4010310	4	Screw M3 x 20	
3	4240018	AR	Tie-Strap (Not Shown)	
4	1001091102	4	Washer M4	
5	1001201707	1	Strobe Light Jumper Harness (Not Shown)	
6	1001239224	1	Light, Strobe	
6	4460891	1	Plug, Male - 2 Position	
6	4460465	2	Socket, Female	

Go to Discount-Equipment.com to order your parts

SECTION 1 - FRAME

FIGURE 1-24. STROBE LIGHT INSTALLATION – DAUL SANMAK BRAND (AMBER) (WITH GUARD)



ART_1001247862

SECTION 1 - FRAME

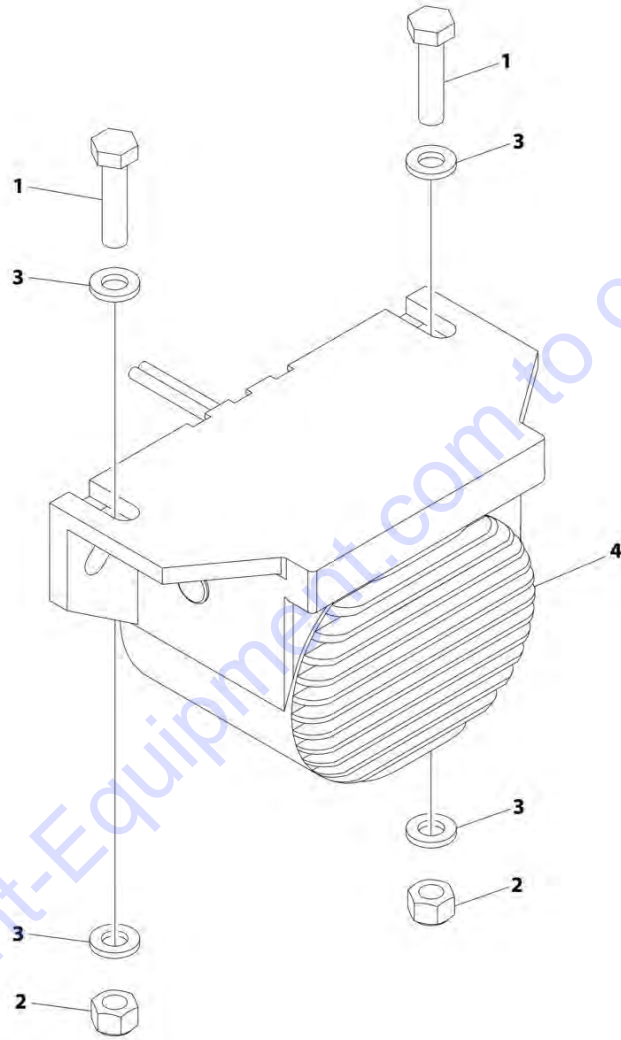
FIGURE 1-24. STROBE LIGHT INSTALLATION – DAUL SANMAK BRAND (AMBER) (WITH GUARD)

ITEM	PART NUMBER	QTY	DESCRIPTION	REV
	1001247862	Ref	STROBE LIGHT INSTALLATION - DUAL (AMBER) (WITH GUARD)	B
1	3290305	4	Nut M3	
2	4010310	4	Screw M3 x 20	
3	4240018	AR	Tie-Strap (Not Shown)	
4	1001091102	4	Washer M4	
5	1001201707	1	Strobe Light Jumper Harness (Not Shown)	
6	1001239224	1	Light, Strobe	
6	4460891	1	Plug, Male - 2 Position	
6	4460465	2	Socket, Female	
7	1001242539	1	Guard	

Go to Discount-Equipment.com to order your parts

SECTION 1 - FRAME

FIGURE 1-25. ALARM INSTALLATION (AMBIENT/WHITE NOISE) (OPTIONAL)



ART_1001204495

SECTION 1 - FRAME

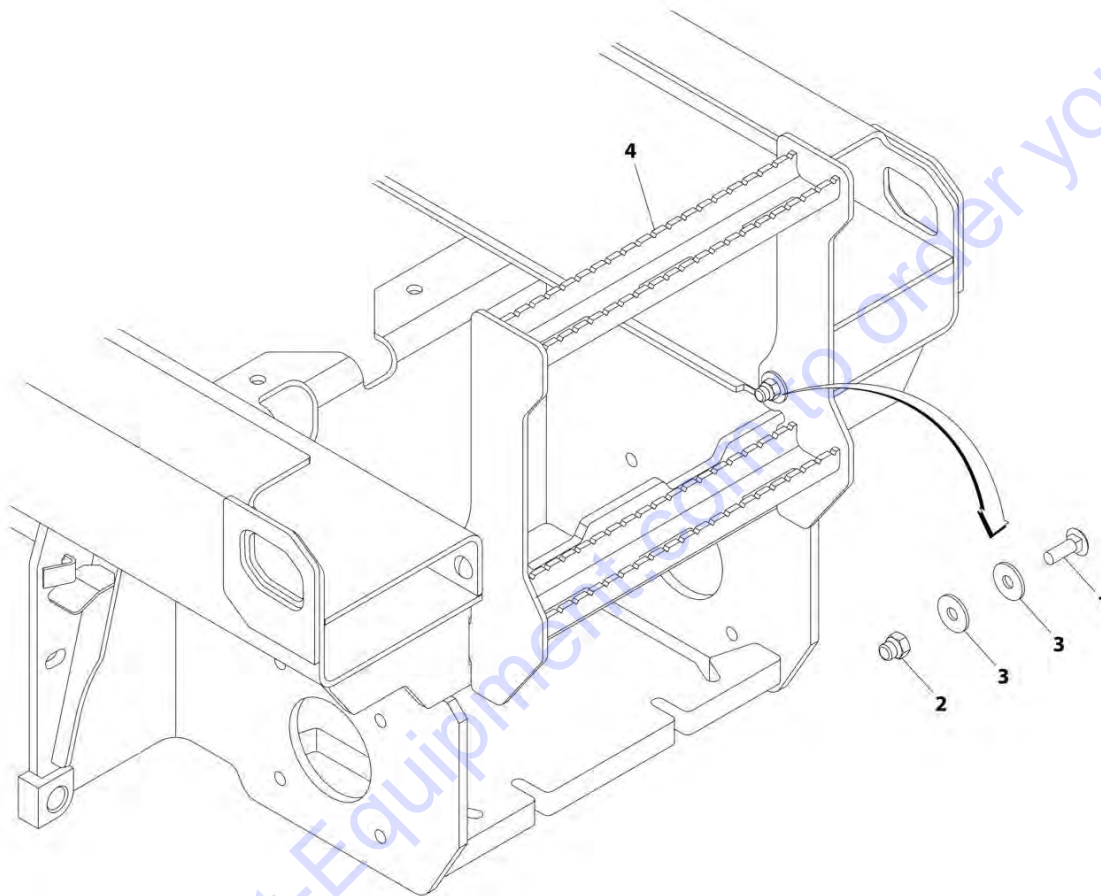
FIGURE 1-25. ALARM INSTALLATION (AMBIENT/WHITE NOISE) (OPTIONAL)

ITEM	PART NUMBER	QTY	DESCRIPTION	REV
	1001204495	Ref	ALARM INSTALLATION (AMBIENT/WHITE NOISE)	B
1	0760612	2	Bolt M6 x 25	
2	3290605	2	Nut M6	
3	4811700	4	Washer M6	
4	1001182806	1	Alarm	
4	4460897	1	Receptacle, Female - 2 Position	
4	4460464	2	Pin, Male	

Go to Discount-Equipment.com to order your parts

SECTION 1 - FRAME

FIGURE 1-26. LADDER INSTALLATION



ART_1001203453

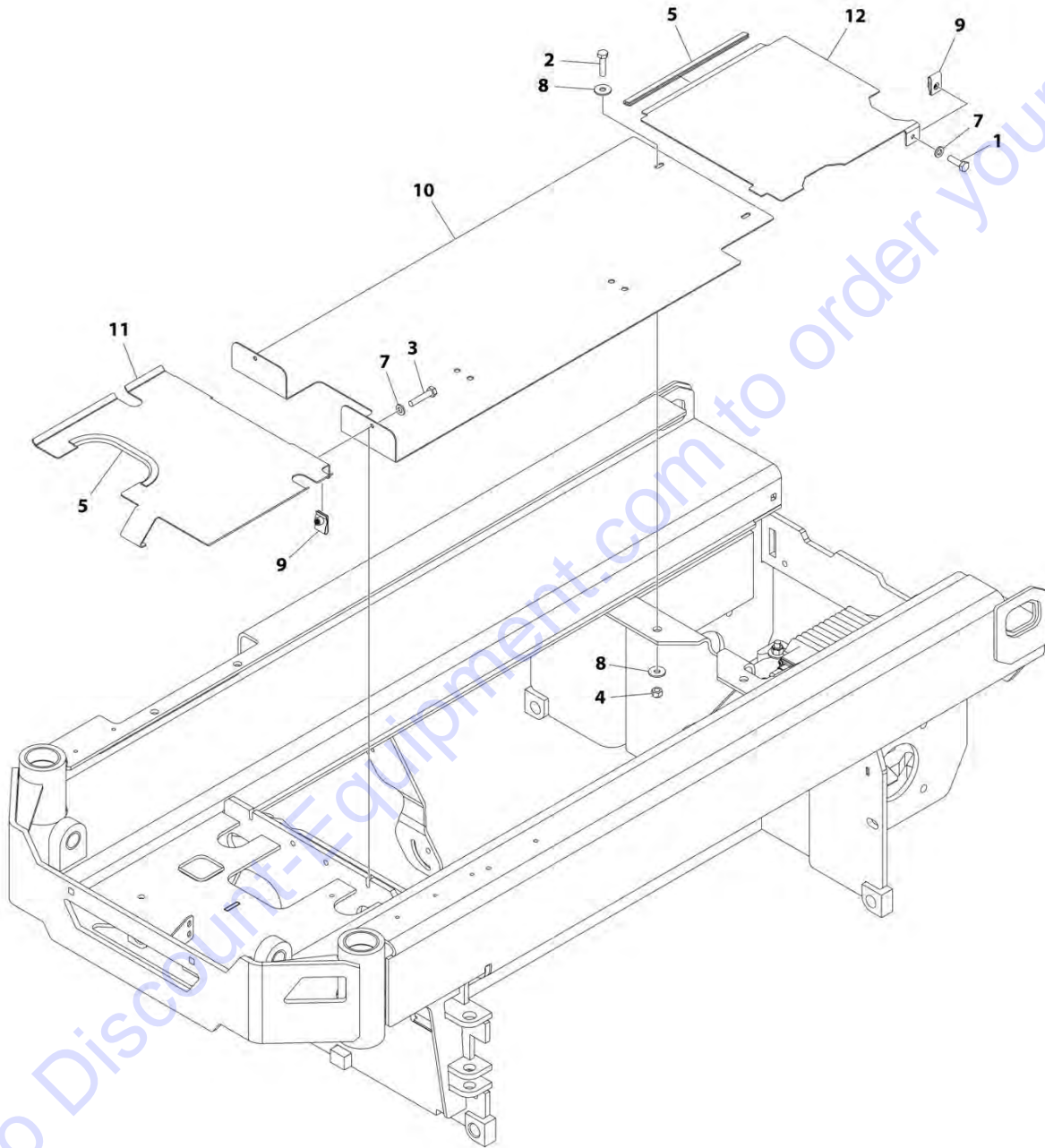
FIGURE 1-26. LADDER INSTALLATION

ITEM	PART NUMBER	QTY	DESCRIPTION	REV
	1001203453	Ref	LADDER INSTALLATION	C
1	0630613	2	Bolt M10 x 30	
2	3291006	2	Nut M10	
3	4812002	AR	Washer M10	
4	1001203457	1	Ladder	

Go to Discount-Equipment.com to order your parts

SECTION 1 - FRAME

FIGURE 1-27. FRAME COVERS INSTALLATION - DELTA-Q AND GREEN POWER BATTERY CHARGERS (ANSI, ANSI EXPORT, CSA, JAPANESE AND KOREA SPECS)



ART_1001228832

SECTION 1 - FRAME

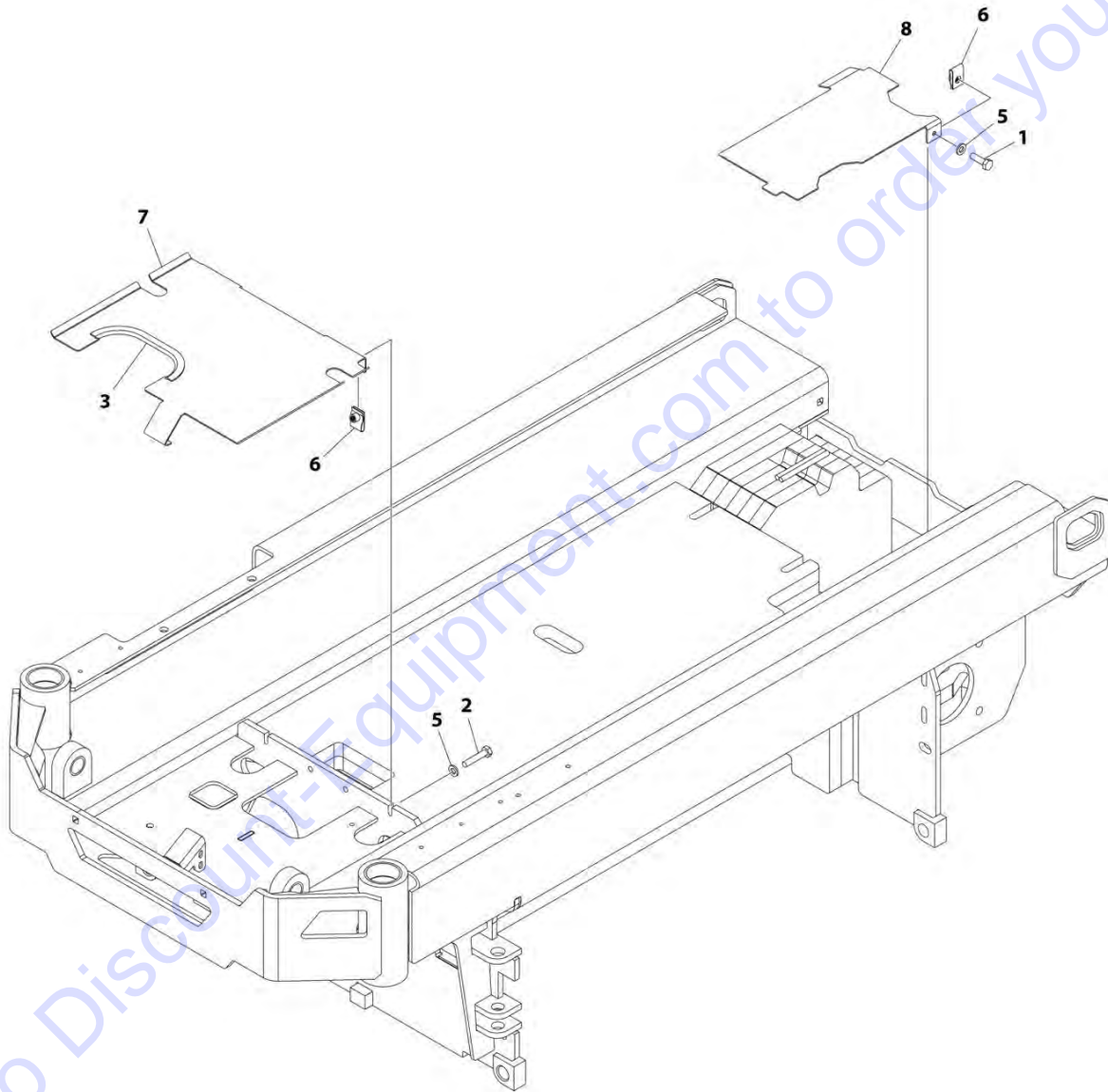
FIGURE 1-27. FRAME COVERS INSTALLATION - DELTA-Q AND GREEN POWER BATTERY CHARGERS (ANSI, ANSI EXPORT, CSA, JAPANESE AND KOREA SPECS)

ITEM	PART NUMBER	QTY	DESCRIPTION	REV
	1001228832	Ref	FRAME COVERS INSTALLATION - DELTA-Q AND GREEN POWER BATTERY CHARGERS (ANSI, ANSI EXPORT, CSA, JAPANESE AND KOREA SPECS)	A
1	0760610	1	Bolt M6 x 20	
2	0760612	2	Bolt M6 x 25	
3	0760614	2	Bolt M6 x 30	
4	3290605	2	Nut M6	
5	4060803	2 ft/60cm	Flex-Trim	
6	4240018	AR	Tie-Strap (Not Shown)	
7	4811700	3	Washer M6	
8	4811702	4	Washer M6	
9	1001130220	3	Nut, Tinnerman M6	
10	1001207492	1	Cover	
11	1001227966	1	Cover	
12	1001228237	1	Shield	

Go to Discount-Equipment.com to order your parts

SECTION 1 - FRAME

FIGURE 1-28. FRAME COVERS INSTALLATION - DELTA-Q AND GREEN POWER BATTERY CHARGERS (AUSTRALIAN, CHINA AND CE SPECS)



ART_1001228830

SECTION 1 - FRAME

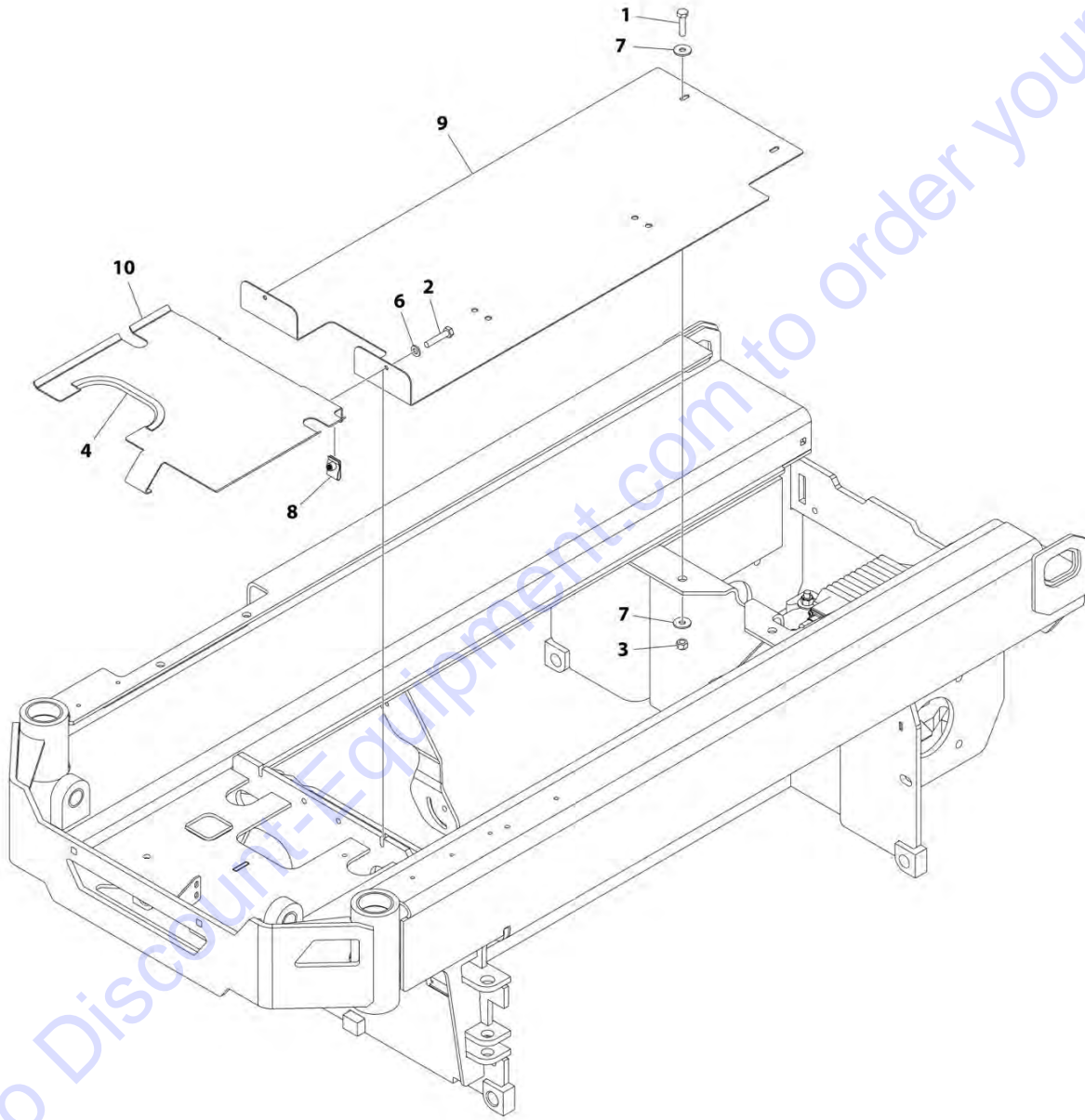
FIGURE 1-28. FRAME COVERS INSTALLATION - DELTA-Q AND GREEN POWER BATTERY CHARGERS (AUSTRALIAN, CHINA AND CE SPECS)

ITEM	PART NUMBER	QTY	DESCRIPTION	REV
	1001228830	Ref	FRAME COVERS INSTALLATION - DELTA-Q AND GREEN POWER BATTERY CHARGERS (AUSTRALIAN, CHINA AND CE SPECS)	A
1	0760610	1	Bolt M6 x 20	
2	0760614	2	Bolt M6 x 30	
3	4060803	13 in/ 33cm	Flex-Trim	
4	4240017	AR	Tie-Strap (Not Shown)	
5	4811700	3	Washer M6	
6	1001130220	3	Nut, Tinnerman M6	
7	1001227966	1	Cover	
8	1001228238	1	Shield	

Go to Discount-Equipment.com to order your parts

SECTION 1 - FRAME

FIGURE 1-29. FRAME COVERS INSTALLATION - EAGLE PERFORMANCE BATTERY CHARGERS (ANSI AND CSA SPECS)



ART_1001228833

SECTION 1 - FRAME

**FIGURE 1-29. FRAME COVERS INSTALLATION - EAGLE PERFORMANCE BATTERY CHARGERS
(ANSI AND CSA SPECS)**

ITEM	PART NUMBER	QTY	DESCRIPTION	REV
	1001228833	Ref	FRAME COVERS INSTALLATION - EAGLE PERFORMANCE BATTERY CHARGERS (ANSI AND CSA SPECS)	A
1	0760612	2	Bolt M6 x 25	
2	0760614	2	Bolt M6 x 30	
3	3290605	2	Nut M6	
4	4060803	13 in/ 33cm	Flex-Trim	
5	4240018	AR	Tie-Strap (Not Shown)	
6	4811700	2	Washer M6	
7	4811702	4	Washer M6	
8	1001130220	2	Nut, Tinnerman M6	
9	1001207492	1	Cover	
10	1001227966	1	Cover	

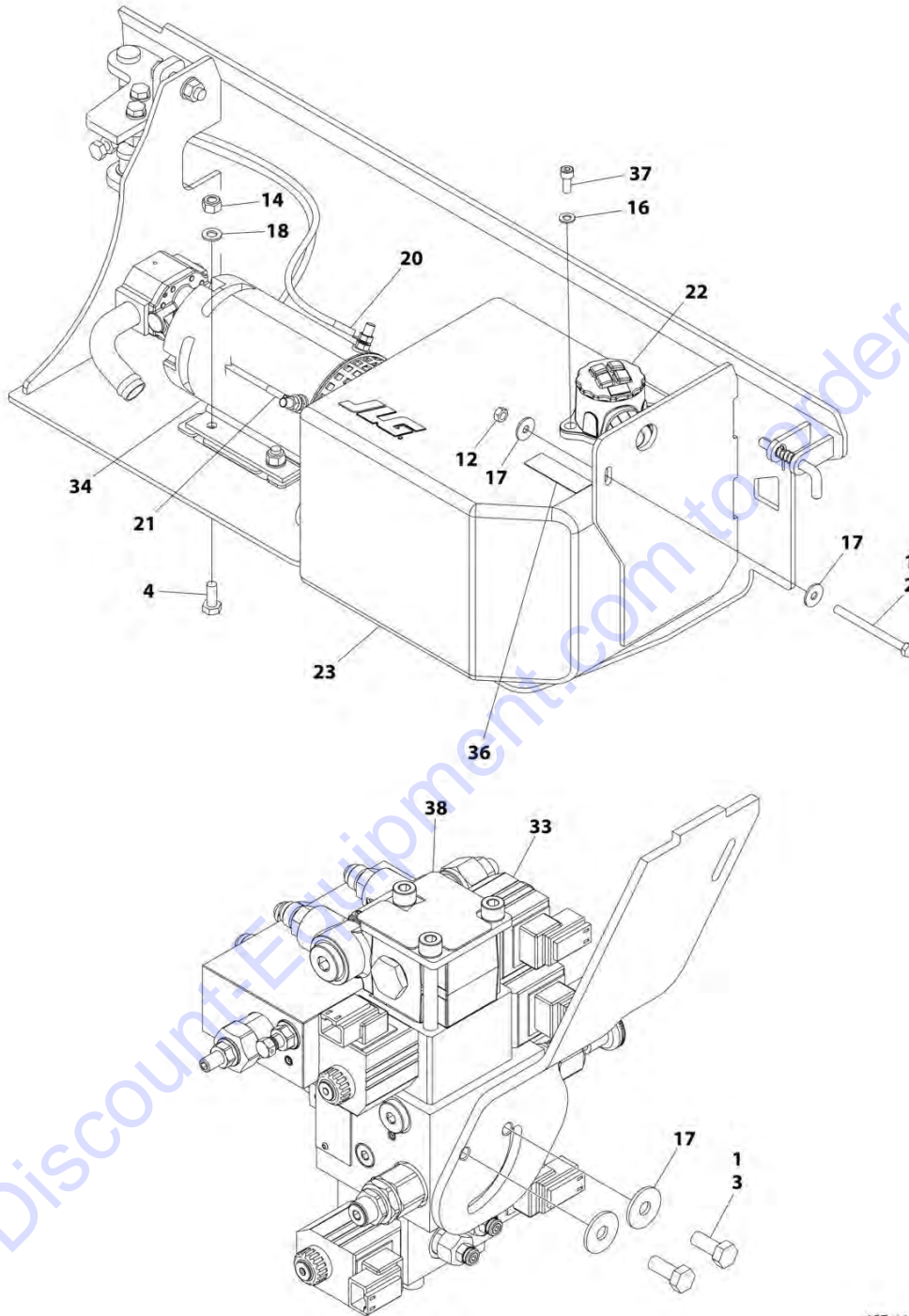
Go to Discount-Equipment.com to order your parts

SECTION 2 - GROUND CONTROLS

Go to Discount-Equipment.com to order your parts

SECTION 2 - GROUND CONTROLS

FIGURE 2-1. HYDRAULIC COMPONENTS INSTALLATION



ART_1001203832_1OF2

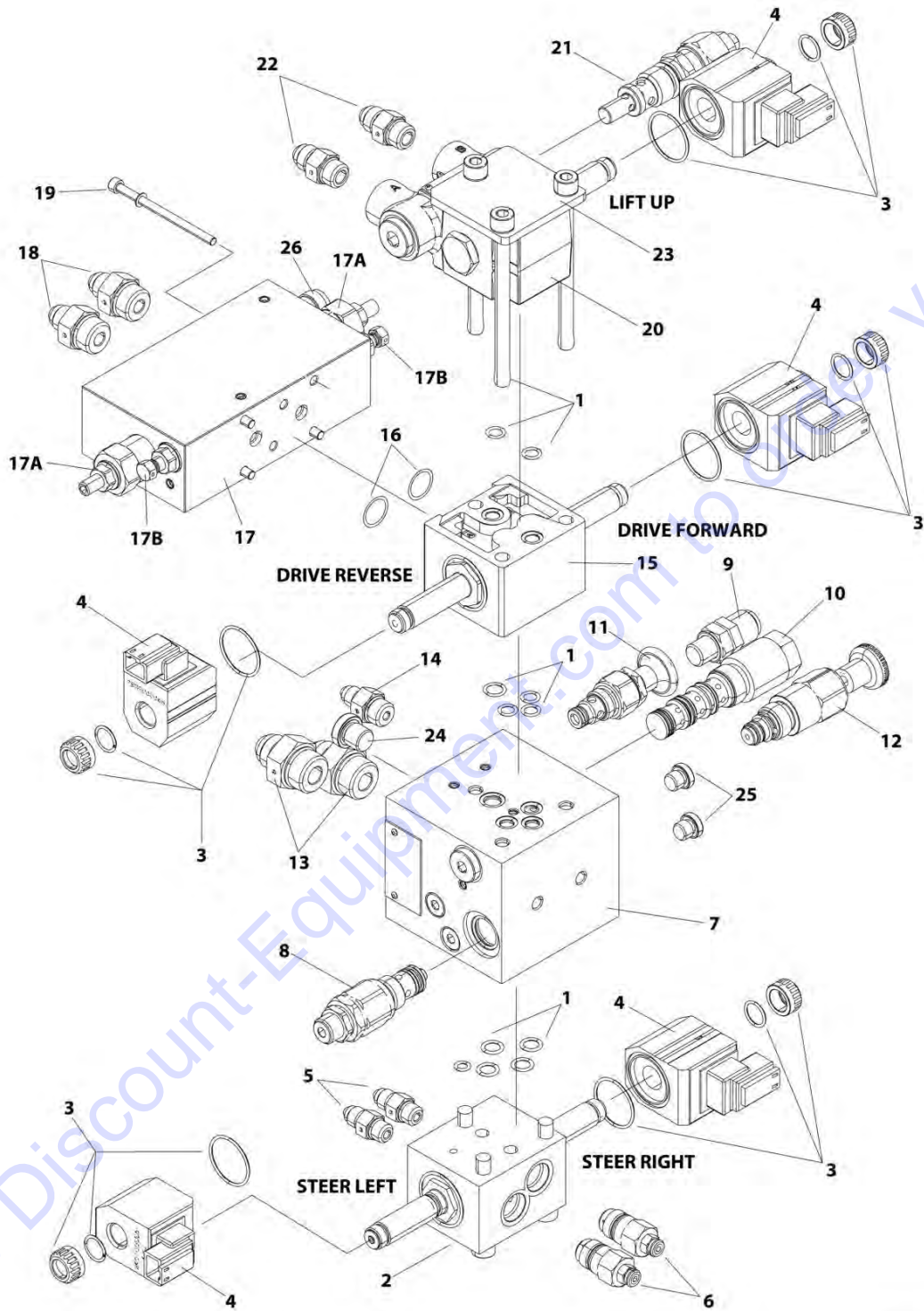
SECTION 2 - GROUND CONTROLS

FIGURE 2-1. HYDRAULIC COMPONENTS INSTALLATION

ITEM	PART NUMBER	QTY	DESCRIPTION	REV
	1001203832	Ref	HYDRAULIC COMPONENTS INSTALLATION	E
1	0100011	AR	Compound, Locking	
2	0760827	1	Bolt M8 x 100	
3	0760810	2	Bolt M8 x 20	
4	0761012	2	Bolt M10 x 25	
12	3290801	1	Nut M8	
14	3291005	2	Nut M10	
16	4811900	2	Washer M8	
17	4811902	4	Washer M8	
18	4812000	2	Washer M10	
20	1001201705	1	Cable, Pump (+)	
21	1001201706	2	Cable, Pump (-)	
22	1001202851	1	Filter, Hydraulic	
22	70005423	1	Filter Element Kit (Includes Element, Cap O-Ring and Bowl O-Ring)	
23	1001203450	1	Tank, Hydraulic	
33	1001204174	1	Valve Assembly (See Separate Breakdown in this Section)	
34	1001204719	1	Motor/Pump Assembly	
34	70005815	1	Replacement Motor	
34	70005817	1	Replacement Pump	
34	70005816	1	Seal and Mounting Kit (Includes Shaft Seal, Retaining Ring, Gasket and Pump Mounting Hardware)	
36	4420062	AR	Tape	
37	5271808	2	Capscrew M8 x 20	
38	1001212294	1	Decal - Valve Rotate	

SECTION 2 - GROUND CONTROLS

FIGURE 2-2. VALVE ASSEMBLY



ART_1001204174

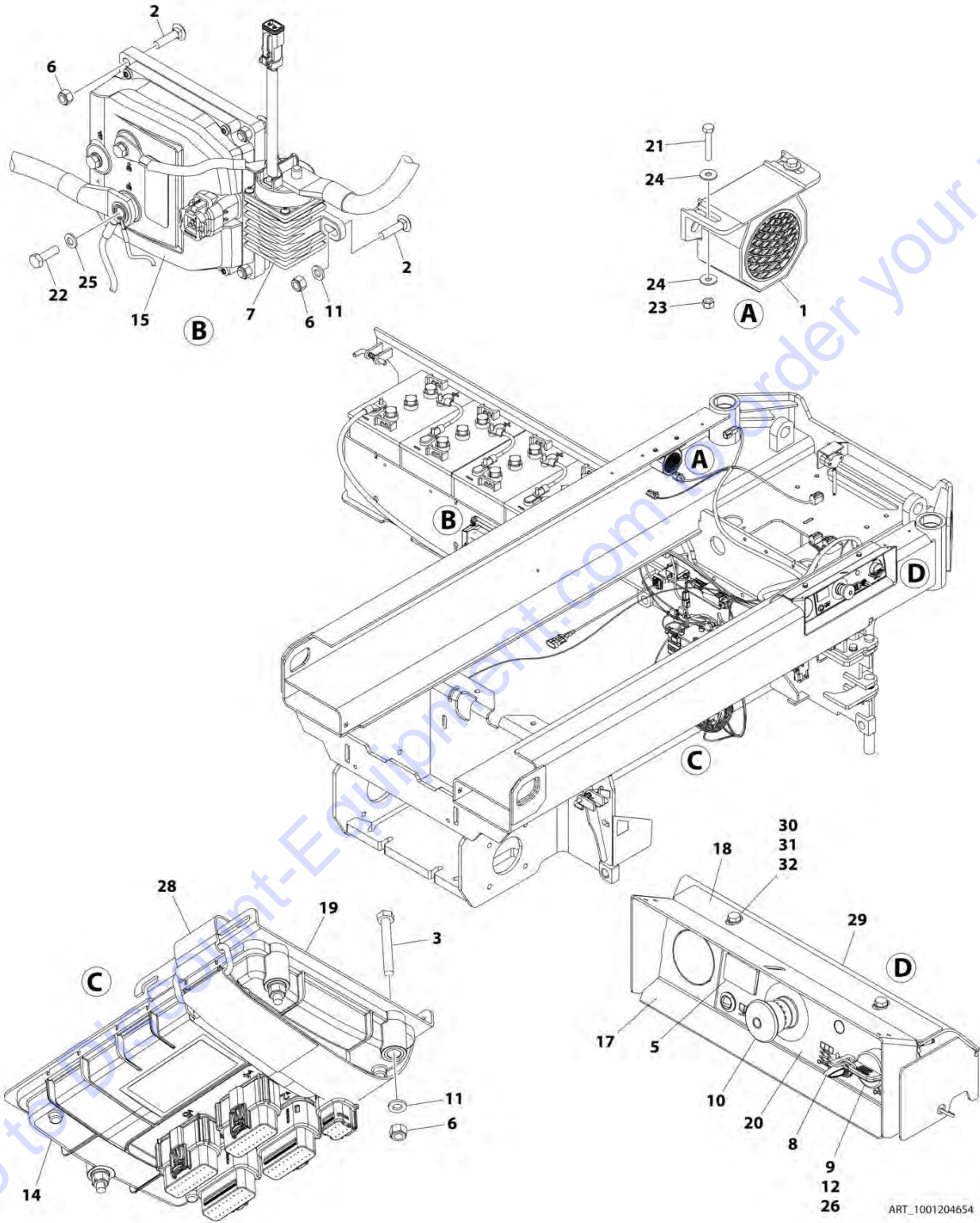
SECTION 2 - GROUND CONTROLS

FIGURE 2-2. VALVE ASSEMBLY

ITEM	PART NUMBER	QTY	DESCRIPTION	REV
	1001204174	Ref	VALVE ASSEMBLY	E
1	70005891	1	Assembly Kit (Includes Assembly Hardware and Seals Between Valve Blocks)	
2	70005892	1	Valve Assembly Less Coils (Steer)	
3	70021209	5	Coil Retainer Kit	
4	70005893	5	Coil	
5	2220415	2	Fitting, Straight	
6	70005895	2	Valve, Cartridge (Steer)	
7	See Note	NSS	Block, Valve (Entry Valve) (Note: Use p/n 1001204174)	
8	70005896	1	Valve, Cartridge	
9	2221086	1	Fitting, Hydraulic Test	
10	70005898	1	Valve, Cartridge	
11	70005899	1	Valve, Cartridge	
12	70005900	1	Valve, Cartridge	
13	2220374	2	Fitting, Straight JIC/ORB	
14	2220582	1	Fitting, Straight JIC/ORB	
15	70005903	1	Valve Assembly Less Coils (Lower Drive Valve)	
16	70005904	1	Seal Kit	
17	70005905	1	Valve Assembly (Upper Drive Valve)	
17A	See Note	NSS	Valve, Cartridge (Note: Use p/n 70005905)	
17B	See Note	NSS	Valve, Cartridge (Note: Use p/n 70005905)	
18	2220372	2	Fitting, Straight JIC/ORB	
19	70005907	1	Hardware Kit - Valve Mounting	
20	70005908	1	Valve Assembly Less Coil (Lift)	
21	70005909	1	Valve, Cartridge	
22	2220371	2	Fitting, Straight JIC/ORB	
23	70005911	1	Plate, End	
24	70005912	1	Plug	
25	70005913	2	Plug	
26	70005914	1	Valve, Cartridge	

SECTION 2 - GROUND CONTROLS

FIGURE 2-3. ELECTRICAL COMPONENTS INSTALLATION (WITHOUT LSS)



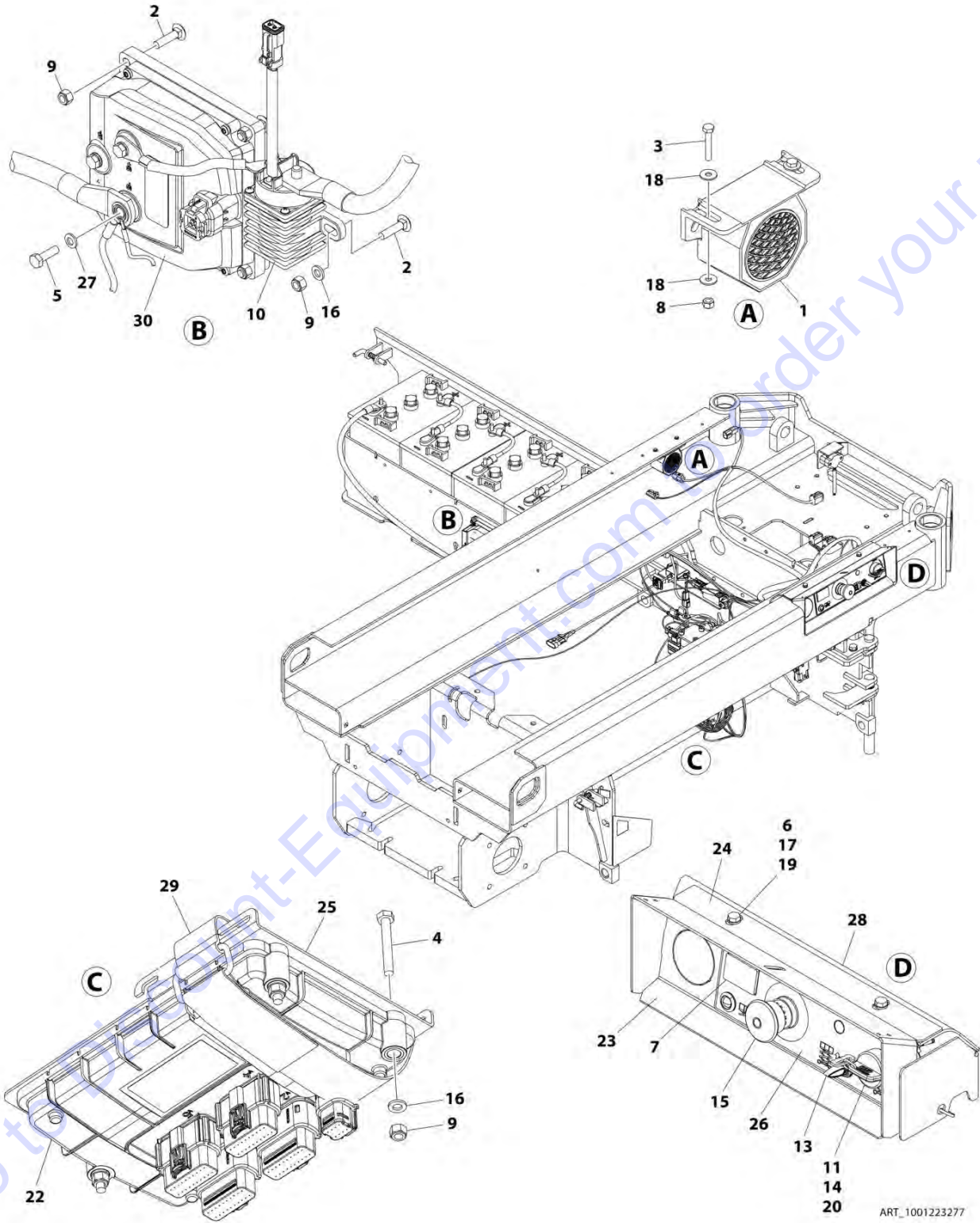
SECTION 2 - GROUND CONTROLS

FIGURE 2-3. ELECTRICAL COMPONENTS INSTALLATION (WITHOUT LSS)

ITEM	PART NUMBER	QTY	DESCRIPTION	REV
	1001204654	Ref	ELECTRICAL COMPONENTS INSTALLATION (WITHOUT LSS)	F
1	0140043	1	Alarm	
2	0630587	4	Bolt M6 x 25	
3	0700617	3	Bolt M6 x 45	
5	2420172	1	Hourmeter	
6	3290605	7	Nut M6	
7	3740150	1	Relay	
8	4360328	1	Switch, Toggle	
9	4360469	1	Switch, Key	
9	2860030	1 set	Key, Replacement	
10	4360475	1	Switch, Emergency Stop	
10	7020175	1	Cap	
10	7020176	1	Block, Contact	
11	4811700	5	Washer M6	
12	1001130590	1	Plate, Key Switch	
13	1001187781	1	Tie-Strap (Not Shown)	
14	1001200629	1	Module, Control (Note: Recalibration Required when Replaced)	
15	1001216062	1	Module, Power (Note: Recalibration Required when Replaced)	
16	1001200820	1	Chassis Harness (Not Shown - See Separate Breakdown in ELECTRICAL SECTION)	
17	1001207214	1	Support	
18	1001207215	1	Bracket	
19	1001207494	1	Bracket	
20	1001209682	1	Decal - Ground Control	
21	0700412	2	Bolt M4 x 25	
22	0760610	3	Bolt M6 x 20	
23	3290405	2	Nut M4	
24	1001091102	4	Washer M4	
25	1001210966	3	Washer	
26	3910804	3	Screw #8 x 1/4	
27	4240017	AR	Tie-Strap (Not Shown)	
28	1001215762	1	Strap, Cinch (SN E300000100 to Present)	
28	1001143645	1	Strap, Cinch (Prior to SN M200006250)	
28	1001215762	1	Strap, Cinch (SN M200006250 to Present)	
29	1001214088	1	Cover, Rubber (Prior to SN M200014396)	
29	1001231264	1	Bracket, Ground Control Back (SN M200014396 to Present)	
30	0760812	2	Bolt M8 x 25	
31	4811900	2	Washer M8	
32	1001118274	2	Nut, Timmerman M8	

SECTION 2 - GROUND CONTROLS

FIGURE 2-4. ELECTRICAL COMPONENTS INSTALLATION (WITH LSS)



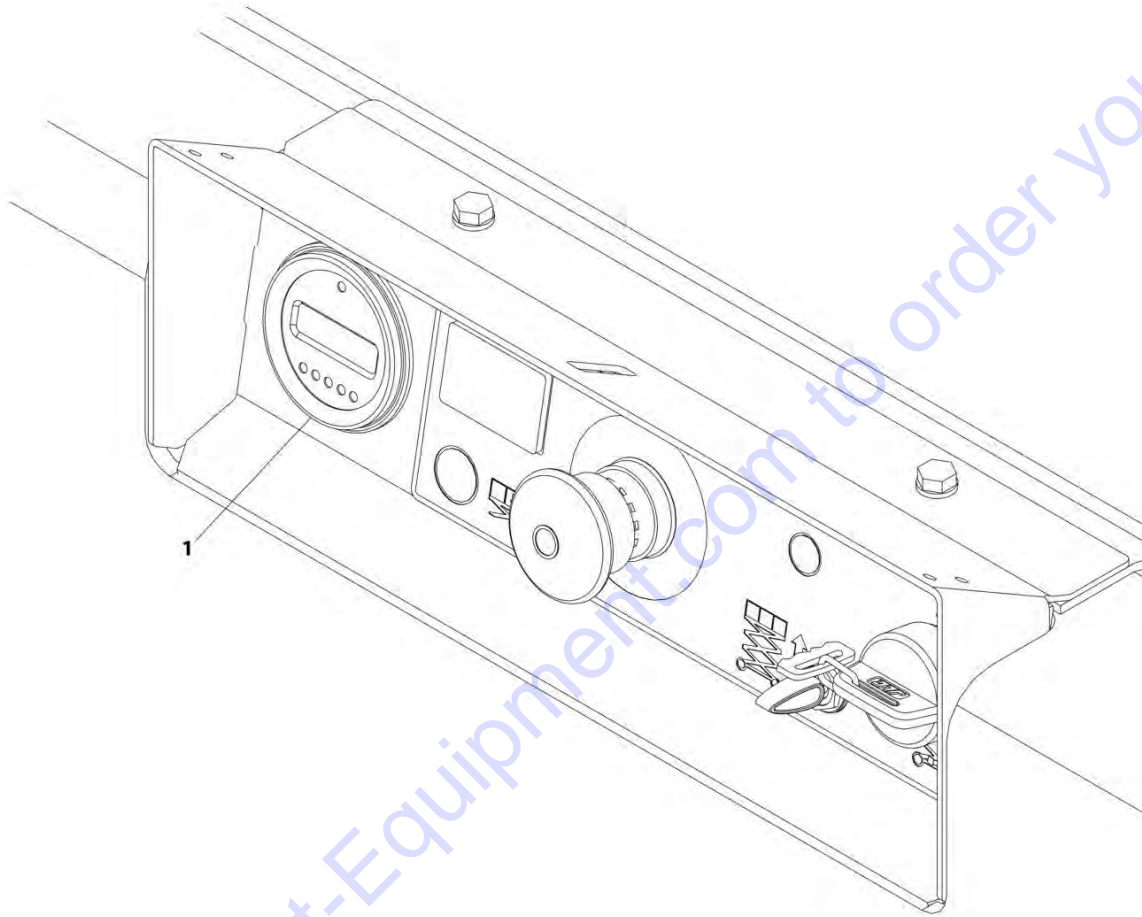
SECTION 2 - GROUND CONTROLS

FIGURE 2-4. ELECTRICAL COMPONENTS INSTALLATION (WITH LSS)

ITEM	PART NUMBER	QTY	DESCRIPTION	REV
	1001223277	Ref	ELECTRICAL COMPONENTS INSTALLATION (WITH LSS)	D
1	0140043	1	Alarm	
2	0630587	4	Bolt M6 x 25	
3	0700412	2	Bolt M4 x 25	
4	0700617	3	Bolt M6 x 45	
5	0760610	3	Bolt M6 x 20	
6	0760812	2	Bolt M8 x 25	
7	2420172	1	Hourmeter	
8	3290405	2	Nut M4	
9	3290605	7	Nut M6	
10	3740150	1	Relay	
11	3910804	3	Screw #8 x 1/4	
12	4240017	AR	Tie-Strap (Not Shown)	
13	4360328	1	Switch, Toggle	
14	4360469	1	Switch, Key	
14	2860030	1 Set	Key, Replacement	
15	4360475	1	Switch, Emergency Stop	
15	7020175	1	Cap	
15	7020176	1	Block, Contact	
16	4811700	5	Washer M6	
17	4811900	2	Washer M8	
18	1001091102	4	Washer M4	
19	1001118274	2	Nut, Tinnerman M8	
20	1001130590	1	Plate, Key Switch	
21	1001187781	1	Tie-Strap (Not Shown)	
22	1001200629	1	Module, Control (Note: Re-calibration Required when Replaced)	
23	1001207214	1	Support	
24	1001207215	1	Bracket	
25	1001207494	1	Bracket	
26	1001209682	1	Decal - Ground Control	
27	1001210966	3	Washer	
28	1001214088	1	Cover, Rubber (Prior to SN M200014396)	
28	1001231264	1	Bracket, Ground Control Back (SN M200014396 to Present)	
29	1001215762	1	Strap, Cinch	
30	1001216062	1	Module, Power (Note: Re-calibration Required when Replaced)	
31	1001222686	1	Chassis Harness (Not Shown - See Separate Breakdown in ELECTRICAL SECTION)	

SECTION 2 - GROUND CONTROLS

FIGURE 2-5. MDI INSTALLATION



ART_1001207293

SECTION 2 - GROUND CONTROLS

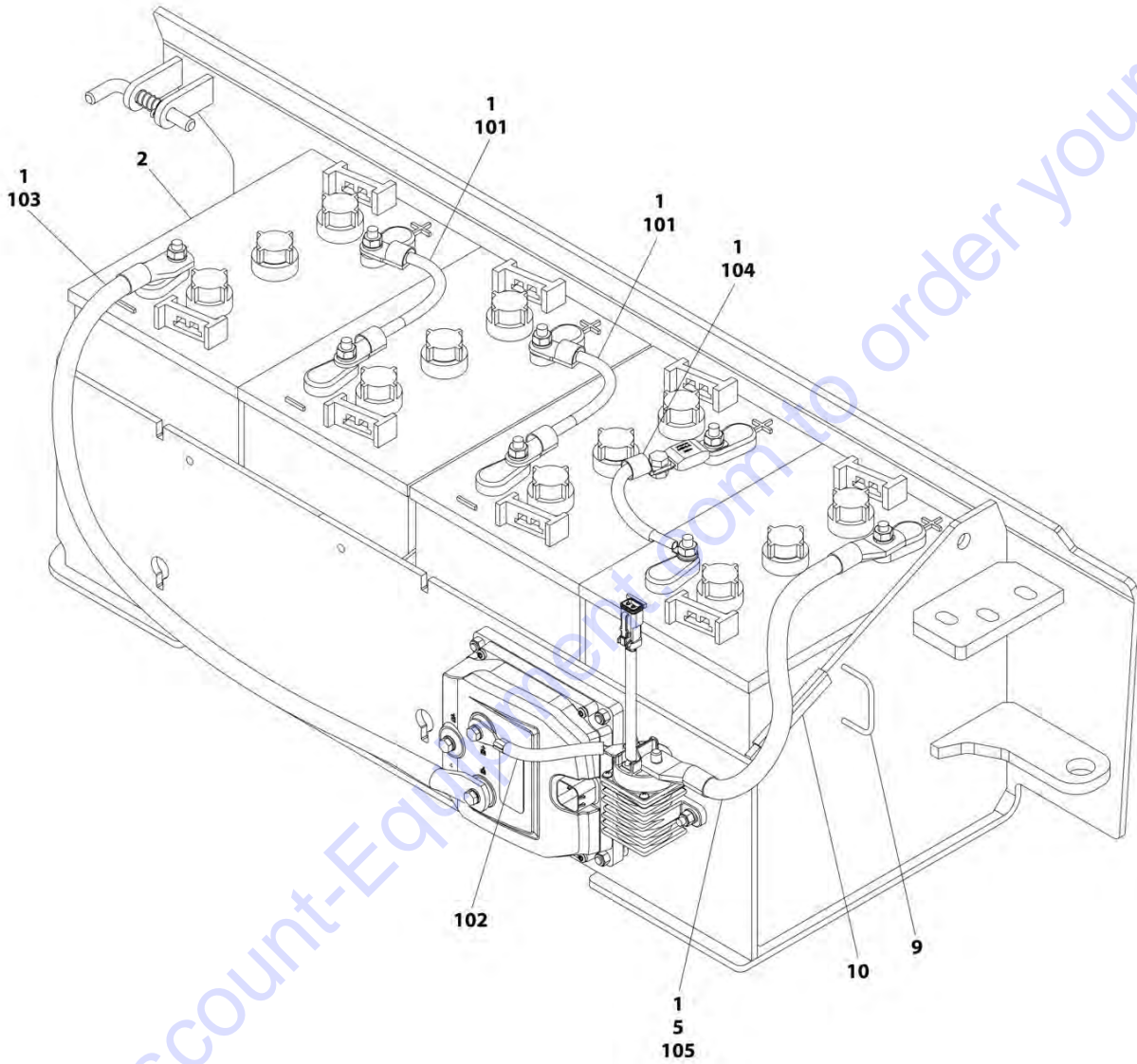
FIGURE 2-5. MDI INSTALLATION

ITEM	PART NUMBER	QTY	DESCRIPTION	REV
1	1001207293	Ref	MDI INSTALLATION	B
	1001200632	1	Gauge, MDI	

Go to Discount-Equipment.com to order your parts

SECTION 2 - GROUND CONTROLS

FIGURE 2-6. BATTERIES INSTALLATION - STANDARD BATTERIES WITHOUT DISCONNECT



ART_1001204138

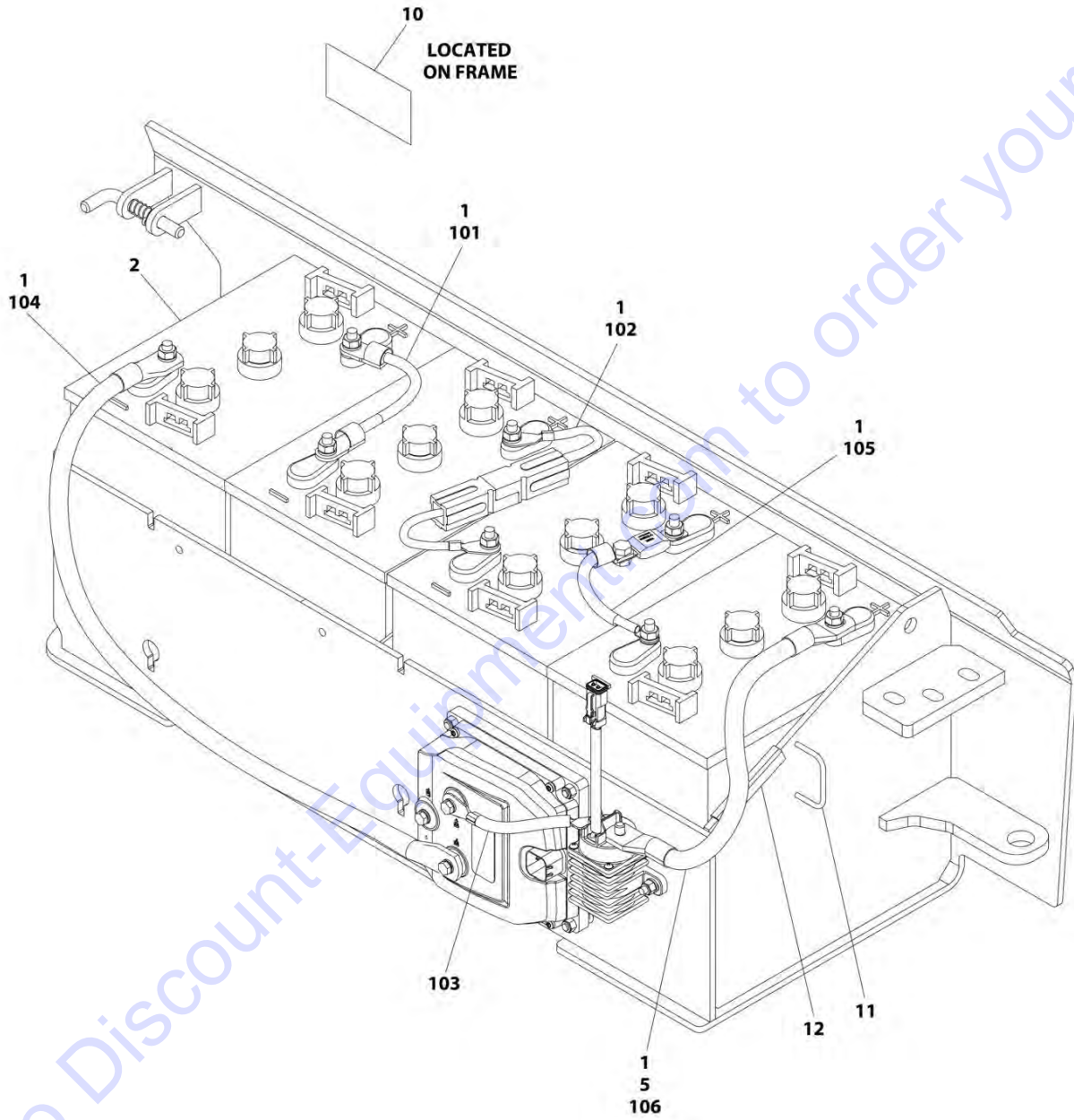
SECTION 2 - GROUND CONTROLS

FIGURE 2-6. BATTERIES INSTALLATION - STANDARD BATTERIES WITHOUT DISCONNECT

ITEM	PART NUMBER	QTY	DESCRIPTION	REV
	1001204138	Ref	BATTERIES INSTALLATION - STANDARD BATTERIES WITHOUT DISCONNECT	F
1	0100051	AR	Grease, Terminal	
2	1001216180	4	Battery	
5	1001201709	1	Cable, Battery Positive to Contactor (Prior to SN M200016842, Prior to SN B200047253)	
8	4240017	AR	Tie-Strap (Not Shown)	
9	1001229472	14.2 in/ 36cm	Strap, Hook and Loop (SN M200010461 through M200016841, SN B200041275 through B200047252)	
10	4060805	3.5 in/9cm	Flex-Trim (SN M200010461 through M200016841, SN B200041275 through B200047252)	
100	1001228122	1	Battery Cable Kit (Not Shown)	A
101	1060998	2	Cable, Positive to Negative	
102	1001201708	1	Cable, Contactor to Pump Control B+	
103	1001201711	1	Cable, Battery Negative to Pump Control B-	
104	1001210401	1	Cable, Battery Fuse	
105	1001229110	1	Cable, Battery Positive to Contactor (SN M200016842 to Present, SN B200047253 to Present)	

SECTION 2 - GROUND CONTROLS

FIGURE 2-7. BATTERIES INSTALLATION - STANDARD BATTERIES WITH DISCONNECT



ART_1001208057

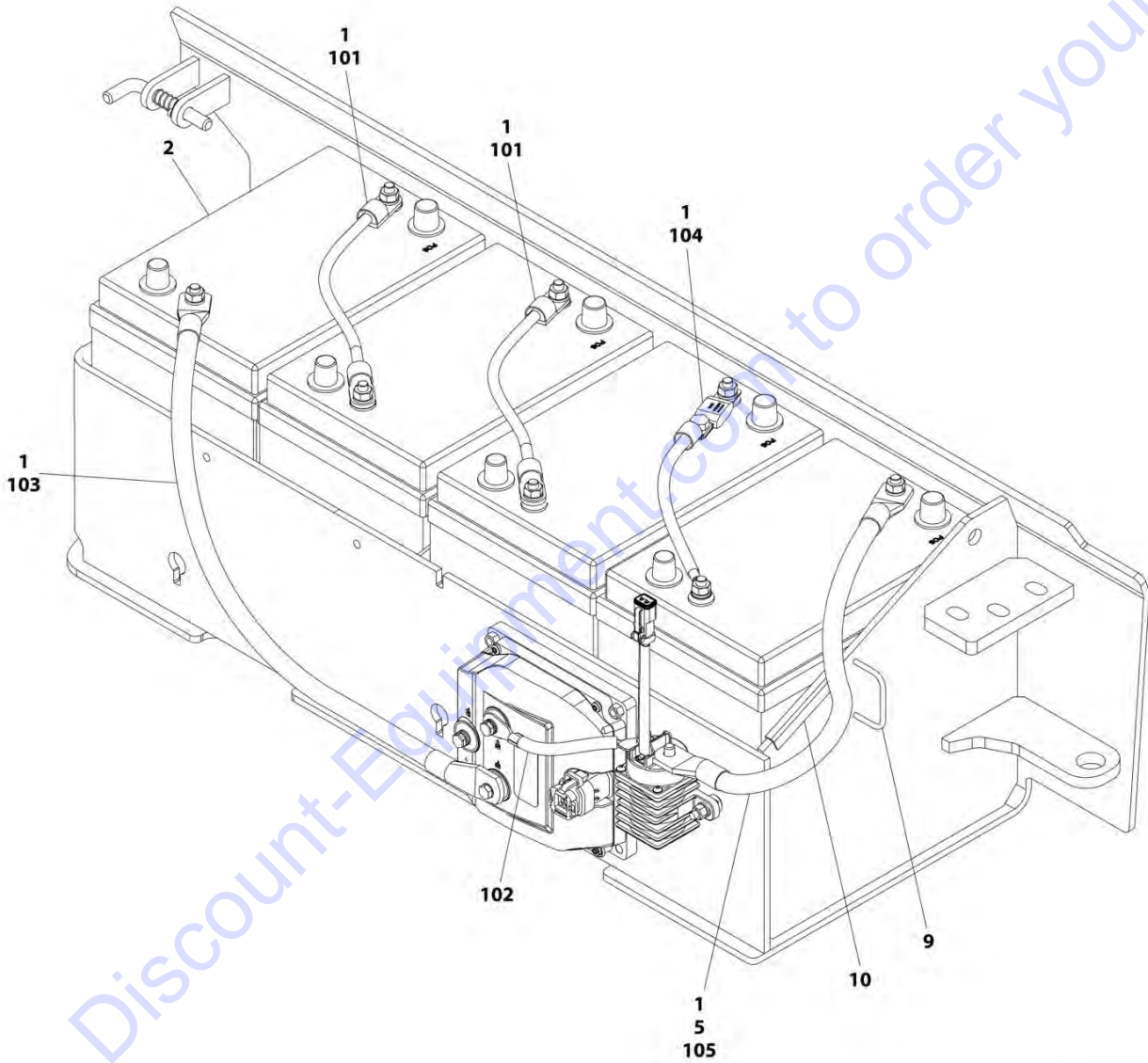
SECTION 2 - GROUND CONTROLS

FIGURE 2-7. BATTERIES INSTALLATION - STANDARD BATTERIES WITH DISCONNECT

ITEM	PART NUMBER	QTY	DESCRIPTION	REV
	1001208057	Ref	BATTERIES INSTALLATION - STANDARD BATTERIES WITH DISCONNECT	F
1	0100051	AR	Grease, Terminal	
2	1001216180	4	Battery	
5	1001201709	1	Cable, Battery Positive to Contactor (Prior to SN B200047253, Prior to SN M200016842)	
9	4240017	AR	Tie-Strap (Not Shown)	
10	1702155	1	Decal - Battery Disconnect	
11	1001229472	14.2 in/ 36cm	Strap, Hook and Loop (SN M200010461 through M200016841, SN B200041275 through B200047252)	
12	4060805	3.5 in/ 9cm	Flex-Trim (SN M200010461 through M200016841, SN B200041275 through B200047252)	
100	1001228123	1	Battery Cable Kit (Not Shown)	A
101	1060998	2	Cable, Positive to Negative	
102	4923328	1	Cable, Positive to Negative	
103	1001201708	1	Cable, Contactor to Pump Control B+	
104	1001201711	1	Cable, Battery Negative to Pump Control B-	
105	1001210401	1	Cable, Battery Fuse	
106	1001229110	1	Cable, Battery Positive to Contactor (SN M200016842 to Present, SN B200047253 to Present)	

SECTION 2 - GROUND CONTROLS

FIGURE 2-8. BATTERIES INSTALLATION - AGM BATTERIES WITHOUT DISCONNECT (MEXICO BUILT MACHINES)



ART_1001208056

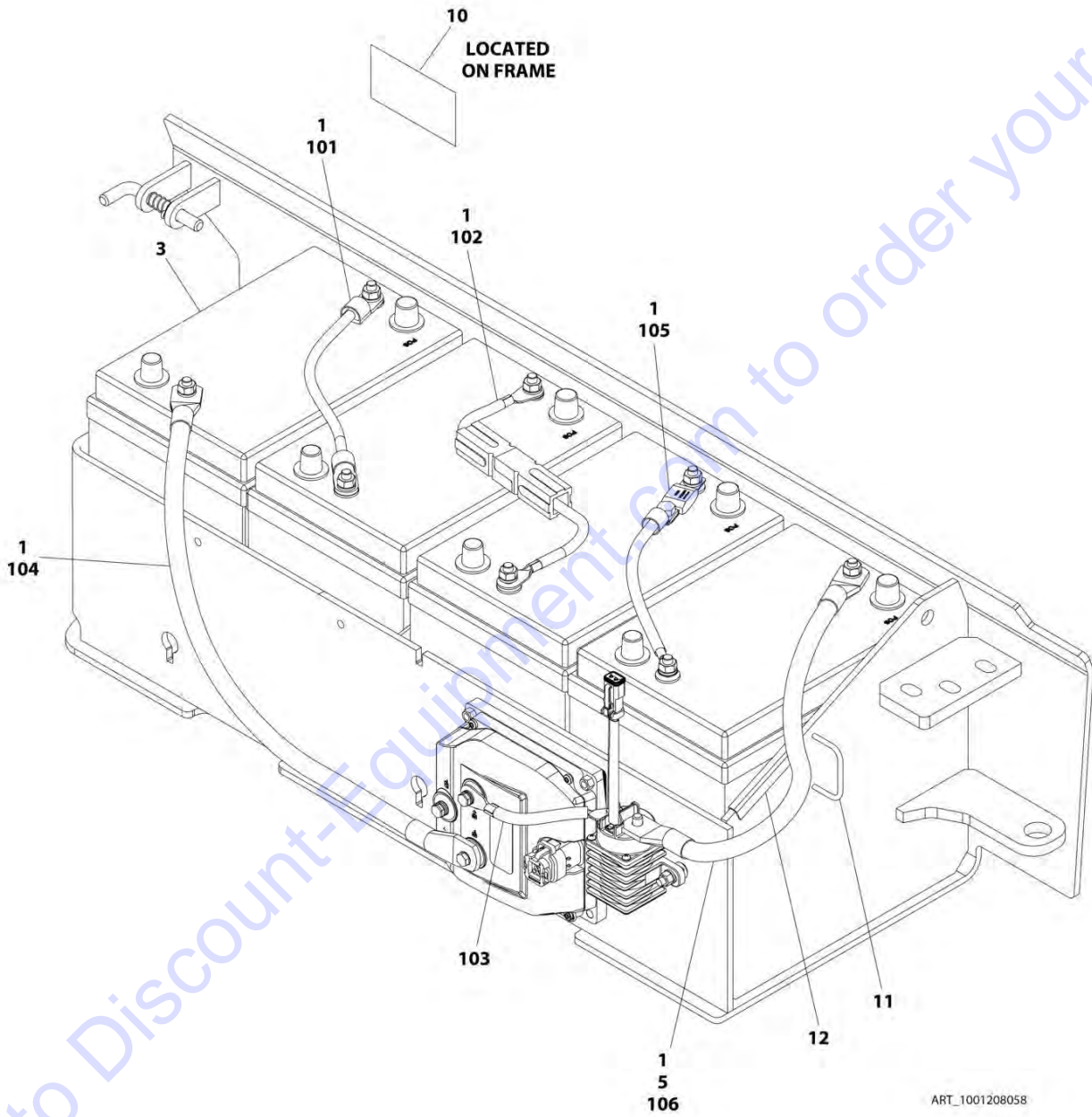
SECTION 2 - GROUND CONTROLS

FIGURE 2-8. BATTERIES INSTALLATION - AGM BATTERIES WITHOUT DISCONNECT (MEXICO BUILT MACHINES)

ITEM	PART NUMBER	QTY	DESCRIPTION	REV
	1001208056	Ref	BATTERIES INSTALLATION - AGM BATTERIES WITHOUT DISCONNECT (MEXICO BUILT MACHINES)	F
1	0100051	AR	Grease, Terminal	
2	1001112112	4	Battery	
5	1001201709	1	Cable, Battery Positive to Contactor (Prior to SN M200016842)	
8	4240017	AR	Tie-Strap (Not Shown)	
9	1001229472	14.2 in/ 36cm	Strap, Hook and Loop (SN M200010461 through M200016841)	
10	4060805	3.5 in/ 9cm	Flex-Trim (SN M200010461 through M200016841)	
100	1001228122	1	Battery Cable Kit (Not Shown)	A
101	1060998	2	Cable, Positive to Negative	
102	1001201708	1	Cable, Contactor to Pump Control B+	
103	1001201711	1	Cable, Battery Negative to Pump Control B-	
104	1001210401	1	Cable, Battery Fuse	
105	1001229110	1	Cable, Battery Positive to Contactor (SN M200016842 to Present)	

SECTION 2 - GROUND CONTROLS

FIGURE 2-9. BATTERIES INSTALLATION - AGM BATTERIES WITH DISCONNECT (MEXICO BUILT MACHINES)



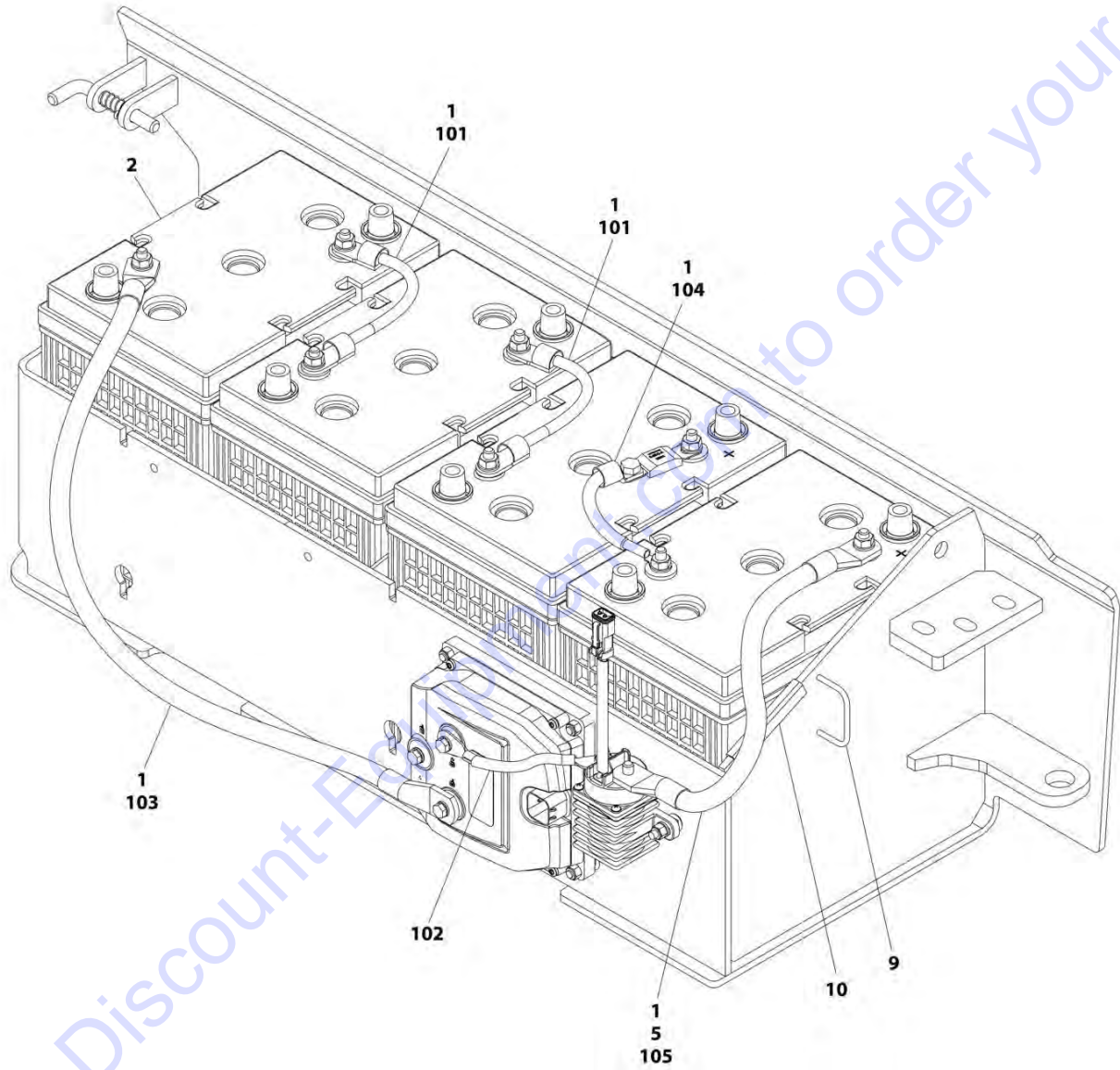
SECTION 2 - GROUND CONTROLS

FIGURE 2-9. BATTERIES INSTALLATION - AGM BATTERIES WITH DISCONNECT (MEXICO BUILT MACHINES)

ITEM	PART NUMBER	QTY	DESCRIPTION	REV
	1001208058	Ref	BATTERIES INSTALLATION - AGM BATTERIES WITH DISCONNECT (MEXICO BUILT MACHINES)	F
1	0100051	AR	Grease, Terminal	
3	1001112112	4	Battery	
5	1001201709	1	Cable, Battery Positive to Contactor (Prior to SN M200016842)	
9	4240017	AR	Tie-Strap (Not Shown)	
10	1702155	1	Decal - Battery Disconnect	
11	1001229472	14.2 in/ 36cm	Strap, Hook and Loop (SN M200010461 through M200016841)	
12	4060805	3.5 in/ 9cm	Flex-Trim (SN M200010461 through M200016841)	
100	1001228123	1	Battery Cable Kit (Not Shown)	A
101	1060998	2	Cable, Positive to Negative	
102	4923328	1	Cable, Positive to Negative	
103	1001201708	1	Cable, Contactor to Pump Control B+	
104	1001201711	1	Cable, Battery Negative to Pump Control B-	
105	1001210401	1	Cable, Battery Fuse	
106	1001229110	1	Cable, Battery Positive to Contactor (SN M200016842 to Present)	

SECTION 2 - GROUND CONTROLS

FIGURE 2-10. BATTERIES INSTALLATION - AGM EVCG BATTERIES WITHOUT DISCONNECT (CHINA BUILT MACHINES)



ART_1001216249

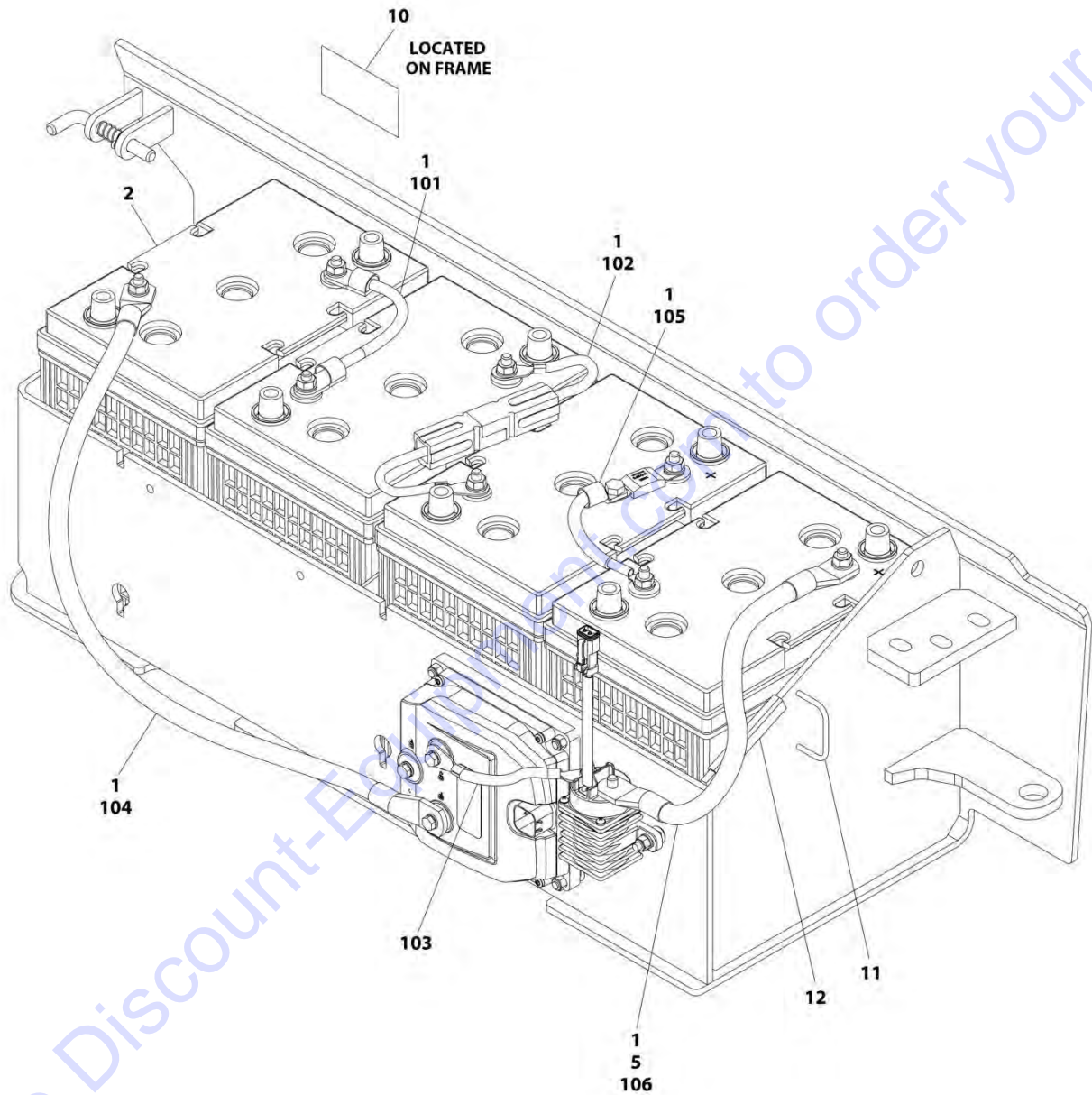
SECTION 2 - GROUND CONTROLS

FIGURE 2-10. BATTERIES INSTALLATION - AGM EVCG BATTERIES WITHOUT DISCONNECT (CHINA BUILT MACHINES)

ITEM	PART NUMBER	QTY	DESCRIPTION	REV
	1001216249	Ref	BATTERIES INSTALLATION - AGM EVCG BATTERIES WITHOUT DISCONNECT (CHINA BUILT MACHINES)	E
1	0100051	AR	Grease, Terminal	
2	1001214347	4	Battery	
5	1001201709	1	Cable, Battery Positive to Contactor (Prior to SN B200047253)	
8	4240017	AR	Tie-Strap (Not Shown)	
9	1001229472	14.2 in/ 36cm	Strap, Hook and Loop (SN B200041275 through B200047252)	
10	4060805	3.5 in/9cm	Flex-Trim (SN B200041275 through B200047252)	
100	1001228122	1	Battery Cable Kit (Not Shown)	A
101	1060998	2	Cable, Positive to Negative	
102	1001201708	1	Cable, Contactor to Pump Control B+	
103	1001201711	1	Cable, Battery Negative to Pump Control B-	
104	1001210401	1	Cable, Battery Fuse	
105	1001229110	1	Cable, Battery Positive to Contactor (SN B200047253 to Present)	

SECTION 2 - GROUND CONTROLS

FIGURE 2-11. BATTERIES INSTALLATION - AGM EVCG BATTERIES WITH DISCONNECT (CHINA BUILT MACHINES)



ART_1001216250

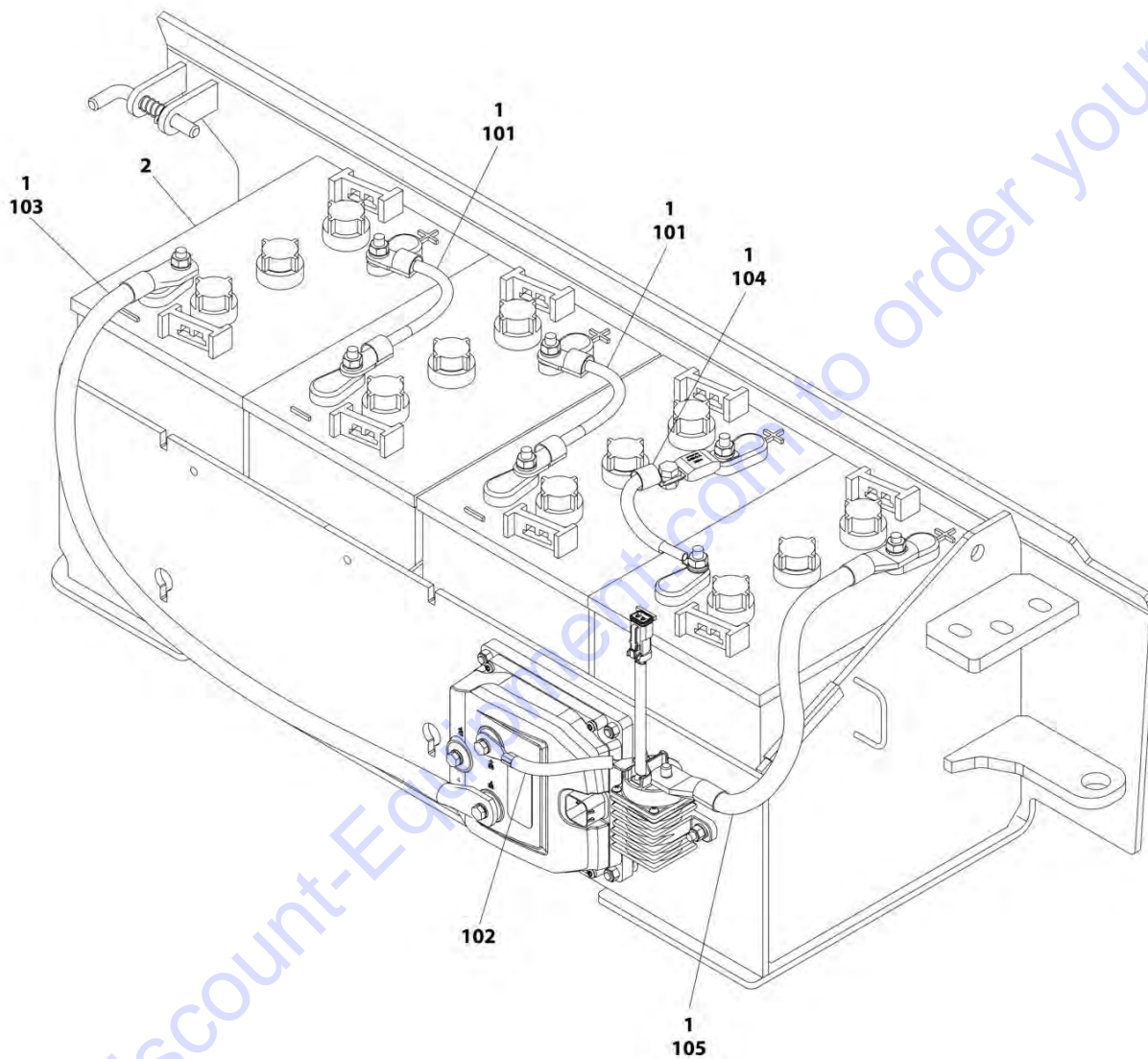
SECTION 2 - GROUND CONTROLS

FIGURE 2-11. BATTERIES INSTALLATION - AGM EVCG BATTERIES WITH DISCONNECT (CHINA BUILT MACHINES)

ITEM	PART NUMBER	QTY	DESCRIPTION	REV
	1001216250	Ref	BATTERIES INSTALLATION - AGM EVCG BATTERIES WITH DISCONNECT (CHINA BUILT MACHINES)	E
1	0100051	AR	Grease, Terminal	
2	1001214347	4	Battery	
5	1001201709	1	Cable, Battery Positive to Contactor (Prior to SN B200047253)	
9	4240017	AR	Tie-Strap (Not Shown)	
10	1702155	1	Decal - Battery Disconnect	
11	1001229472	14.2 in/ 36cm	Strap, Hook and Loop (SN B200041275 through B200047252)	
12	4060805	3.5 in/9cm	Flex-Trim (SN B200041275 through B200047252)	
100	1001228123	1	Battery Cable Kit (Not Shown)	A
101	1060998	1	Cable, Positive to Negative	
102	4923328	1	Cable, Positive to Negative	
103	1001201708	1	Cable, Contactor to Pump Control B+	
104	1001201711	1	Cable, Battery Negative to Pump Control B-	
105	1001210401	1	Cable, Battery Fuse	
106	1001229110	1	Cable, Battery Positive to Contactor (SN B200047253 to Present)	

SECTION 2 - GROUND CONTROLS

FIGURE 2-12. BATTERIES INSTALLATION - TROJAN BATTERIES WITHOUT DISCONNECT (CHINA BUILT MACHINES)



ART_1001247925

SECTION 2 - GROUND CONTROLS

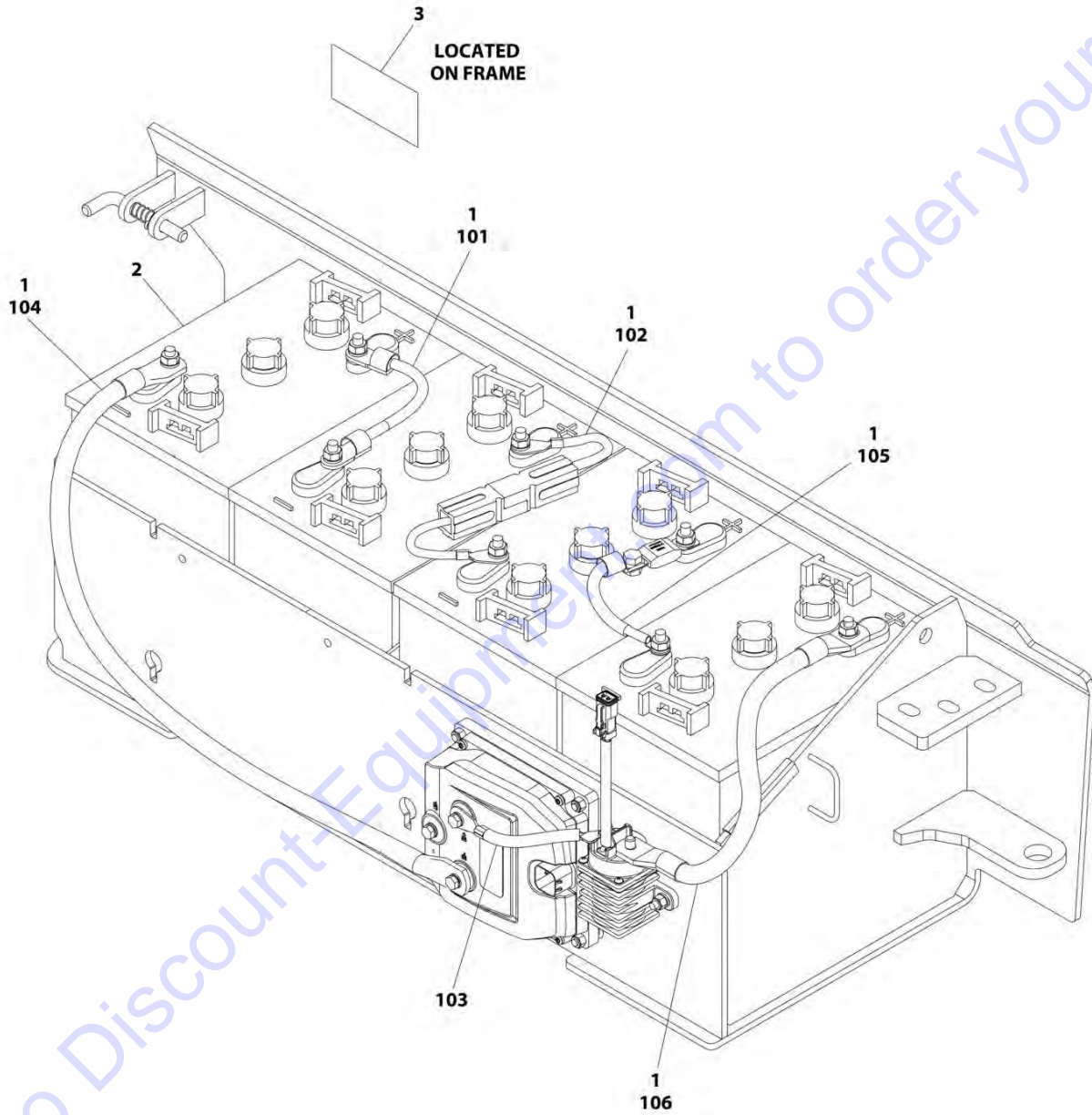
FIGURE 2-12. BATTERIES INSTALLATION - TROJAN BATTERIES WITHOUT DISCONNECT (CHINA BUILT MACHINES)

ITEM	PART NUMBER	QTY	DESCRIPTION	REV
	1001247925	Ref	BATTERIES INSTALLATION - TROJAN BATTERIES WITHOUT DISCONNECT	A
1	0100051	AR	Grease, Terminal	
2	0400215	1	Battery	
3	4240017	AR	Tie-Strap (Not Shown)	
100	1001228122	1	Battery Cable Kit (Not Shown)	A
101	1060998	2	Cable, Positive to Negative	
102	1001201708	1	Cable, Contactor to Pump Control B+	
103	1001201711	1	Cable, Battery Negative to Pump Control B-	
104	1001210401	1	Cable, Battery Fuse	
105	1001229110	1	Cable, Battery Positive to Contactor	

Go to Discount-Equipment.com to order your parts

SECTION 2 - GROUND CONTROLS

FIGURE 2-13. BATTERIES INSTALLATION - TROJAN BATTERIES WITH DISCONNECT (CHINA BUILT MACHINES)



ART_1001247926

SECTION 2 - GROUND CONTROLS

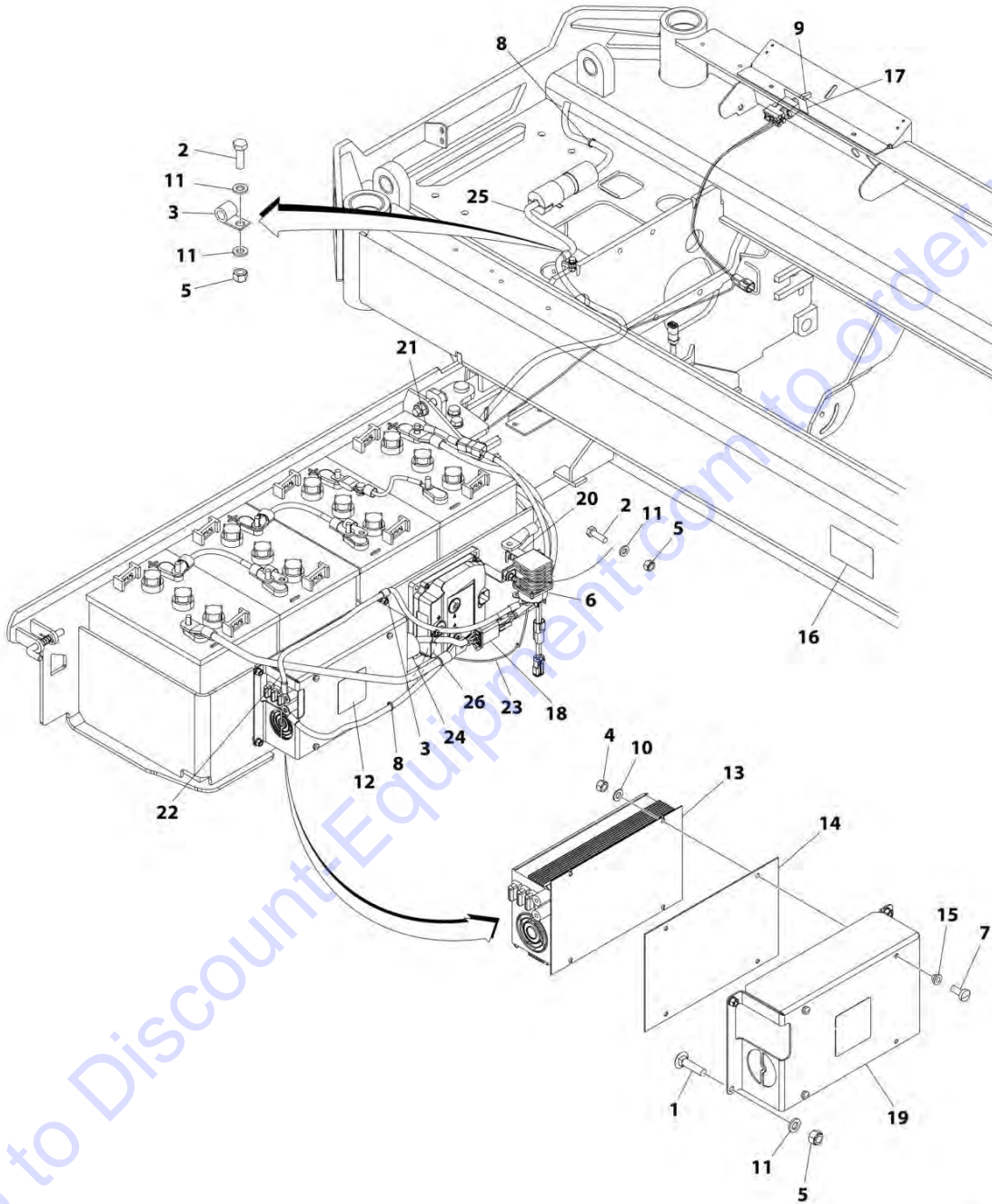
FIGURE 2-13. BATTERIES INSTALLATION - TROJAN BATTERIES WITH DISCONNECT (CHINA BUILT MACHINES)

ITEM	PART NUMBER	QTY	DESCRIPTION	REV
	1001247926	Ref	BATTERIES INSTALLATION - TROJAN BATTERIES WITH DISCONNECT	A
1	0100051	AR	Grease, Terminal	
2	0400215	4	Battery	
3	1702155	1	Decal - Battery Disconnect	
4	4240017	AR	Tie-Strap (Not Shown)	
100	1001228123	1	Battery Cable Kit (Not Shown)	A
101	1060998	2	Cable, Positive to Negative	
102	4923328	1	Cable, Positive to Negative	
103	1001201708	1	Cable, Contactor to Pump Control B+	
104	1001201711	1	Cable, Battery Negative to Pump Control B-	
105	1001210401	1	Cable, Battery Fuse	
106	1001229110	1	Cable, Battery Positive to Contactor	

Go to Discount-Equipment.com to order your parts

SECTION 2 - GROUND CONTROLS

FIGURE 2-14. INVERTER INSTALLATION (OPTIONAL)



ART_1001209920

PARTS FINDER

**Search Website
by Part Number**



**Search Manual
Library For Parts
Manual & Lookup Part
Numbers – Purchase
or Request Quote**

**Can't Find Part or
Manual? Request Help
by Manufacturer,
Model & Description**

Discount-Equipment.com is your online resource for quality parts & equipment.

Florida: **561-964-4949** Outside Florida TOLL FREE: **877-690-3101**

Need parts?

Click on this link: <http://www.discount-equipment.com/category/5443-parts/> and choose one of the options to help get the right parts and equipment you are looking for. Please have the machine model and serial number available in order to help us get you the correct parts. If you don't find the part on the website or on one of the online manuals, please fill out the request form and one of our experienced staff members will get back to you with a quote for the right part that your machine needs.

We sell worldwide for the brands: Genie, Terex, JLG, MultiQuip, Mikasa, Essick, Whiteman, Mayco, Toro Stone, Diamond Products, Generac Magnum, Airman, Haulotte, Barreto, Power Blanket, Nifty Lift, Atlas Copco, Chicago Pneumatic, Allmand, Miller Curber, Skyjack, Lull, Skytrak, Tsurumi, Husquvarna Target, Stow, Wacker, Sakai, Mi-T-M, Sullair, Basic, Dynapac, MBW, Weber, Bartell, Bennar Newman, Haulotte, Ditch Runner, Menegotti, Morrison, Contec, Buddy, Crown, Edco, Wyco, Bomag, Laymor, EZ Trench, Bil-Jax, F.S. Curtis, Gehl Pavers, Heli, Honda, ICS/PowerGrit, IHI, Partner, Imer, Clipper, MMD, Koshin, Rice, CH&E, General Equipment, Amida, Coleman, NAC, Gradall, Square Shooter, Kent, Stanley, Tamco, Toku, Hatz, Kohler, Robin, Wisconsin, Northrock, Oztec, Toker TK, Rol-Air, APT, Wylie, Ingersoll Rand / Doosan, Innovatech, Con X, Ammann, Mecalac, Makinex, Smith Surface Prep, Small Line, Wanco, Yanmar

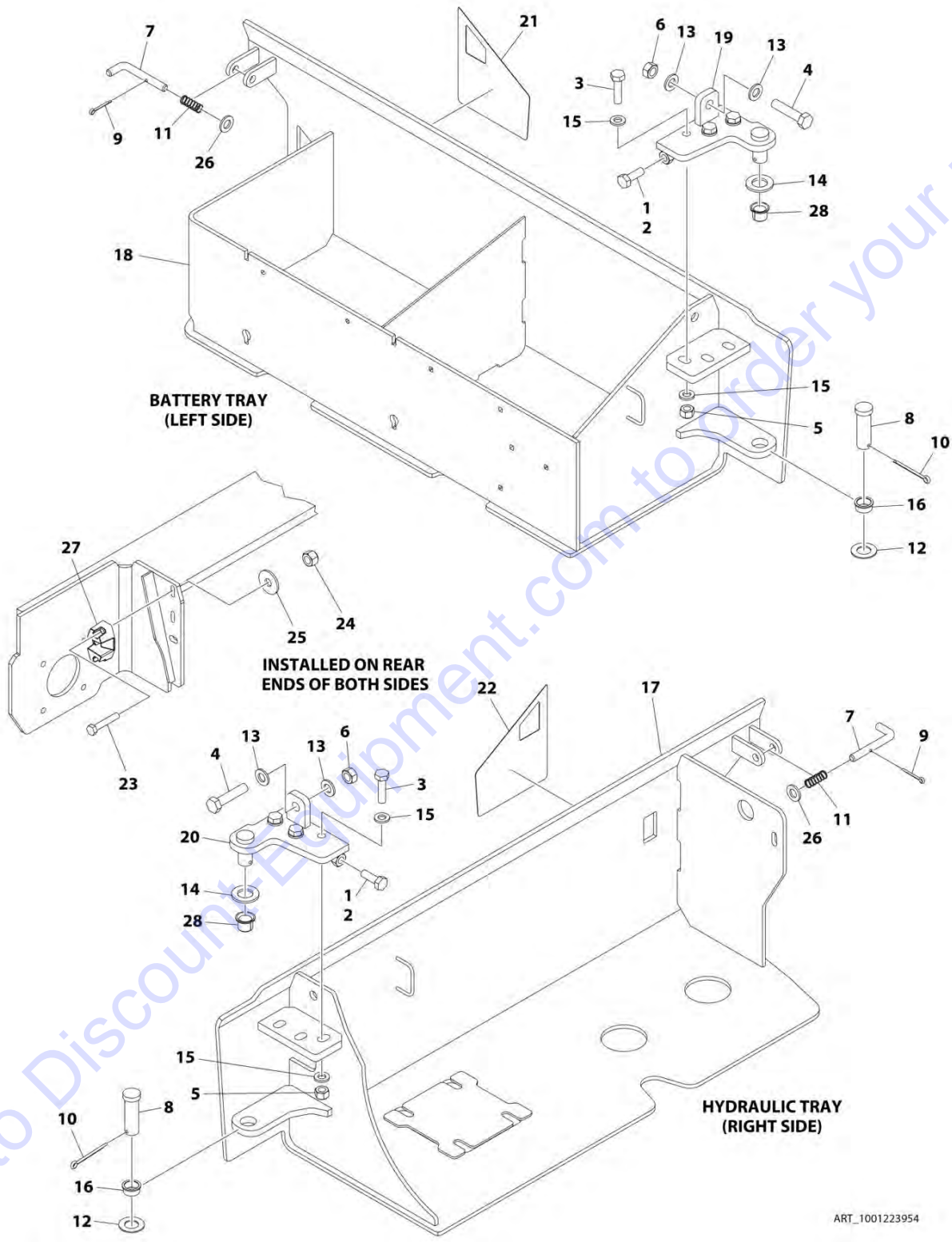
SECTION 2 - GROUND CONTROLS

FIGURE 2-14. INVERTER INSTALLATION (OPTIONAL)

ITEM	PART NUMBER	QTY	DESCRIPTION	REV
	1001209920	Ref	INVERTER INSTALLATION (OPTIONAL)	B
1	0630587	4	Bolt M6 x 25	
2	0760610	3	Bolt M6 x 20	
3	1321293	2	Clamp	
4	3290405	3	Nut M4	
5	3290605	7	Nut M6	
6	3740150	1	Relay	
7	1001101540	3	Screw M4 x 14	
8	4240017	AR	Tie-Strap	
9	4360336	1	Switch, Toggle	
10	4811400	3	Washer M4	
11	4811700	8	Washer M6	
12	1001125483	1	Decal - Pressure Wash	
13	1001136757	1	Inverter	
14	1001142173	1	Insulate	
15	1001142174	3	Washer 1/8	
16	1001143009	1	Decal - Inverter	
17	1001143010	1	Decal - On/Off Inverter	
18	1001157547	1	Filter, AC	
19	1001210440	1	Support	
20	1001210605	1	Support	
21	1001210878	1	Cable, Battery + to Inverter Contactor	
22	1001210879	1	Cable, Inverter Contactor to Inverter +	
23	1001210880	1	Inverter Harness	
23	4460897	2	Receptacle, Female - 2 Position	
23	4460464	4	Pin, Male	
23	4460418	1	Plug, Male - 6 Position	
23	4460419	2	Terminal	
24	1001210881	1	Cable, Inverter to AC Filter	
25	1001210882	1	Cable, AC Filter to AC Plug	
26	1001210967	1	Cable, Pump Control B- to Inverter	

SECTION 2 - GROUND CONTROLS

FIGURE 2-15. DOORS INSTALLATION (1532R)



ART_1001223954

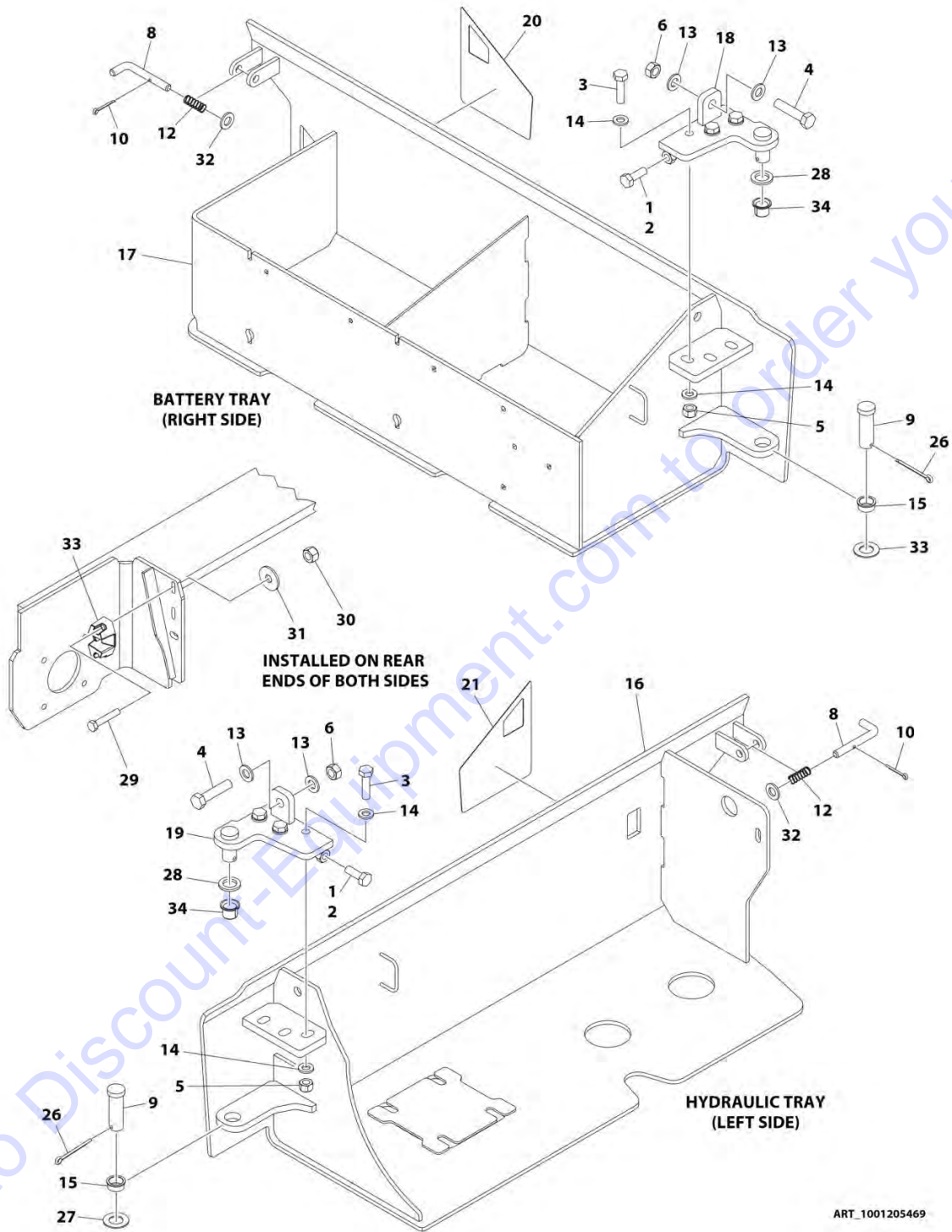
SECTION 2 - GROUND CONTROLS

FIGURE 2-15. DOORS INSTALLATION (1532R)

ITEM	PART NUMBER	QTY	DESCRIPTION	REV
	1001223954	Ref	DOORS INSTALLATION (1532R)	B
1	0100011	AR	Compound, Locking	
2	0761014	2	Bolt M10 x 30	
3	0761016	6	Bolt M10 x 40	
4	0761219	2	Bolt M12 x 55	
5	3291005	6	Nut M10	
6	3291201	2	Nut M12	
7	3423243	2	Pin	
8	3431218	2	Pin	
9	3450303	2	Pin, Cotter 3/32 x 3/4	
10	3450508	2	Pin, Cotter 5/32 x 2	
11	4160214	2	Spring	
12	4740086	2	Washer (Prior to SN M200014396, Prior to SN B200045480)	
12	1001229792	AR	Washer (SN M200014396 to Present, SN B200045480 to Present)	
13	4812100	4	Washer M12	
14	4812500	AR	Washer M20	
15	5241000	12	Washer M10	
16	1001203870	2	Bearing	
17	1001205447	1	Tray, Hydraulic (Right Side)	
18	1001205449	1	Tray, Battery (Left Side)	
19	1001208761	1	Bracket	
20	1001208762	1	Bracket	
21	1001223960	1	Decal - Door (Right Side)	
22	1001223961	1	Decal - Door (Left Side)	
23	0700817	4	Bolt M8 x 45 (SN M200014396 to Present, SN B200045480 to Present)	
24	3290805	4	Nut M8 (SN M200014396 to Present, SN B200045480 to Present)	
25	4811902	4	Washer M8 (SN M200014396 to Present, SN B200045480 to Present)	
26	4812000	AR	Washer M10 (SN M200014396 to Present, SN B200045480 to Present)	
27	1001214810	2	Support, Door Latch (SN M200014396 to Present, SN B200045480 to Present)	
28	0440263	2	Bearing, Flange (.750 Dia. Pin) (SN M200014396 to Present, SN B200045480 to Present)	

SECTION 2 - GROUND CONTROLS

FIGURE 2-16. DOORS INSTALLATION (1932R)



SECTION 2 - GROUND CONTROLS

FIGURE 2-16. DOORS INSTALLATION (1932R)

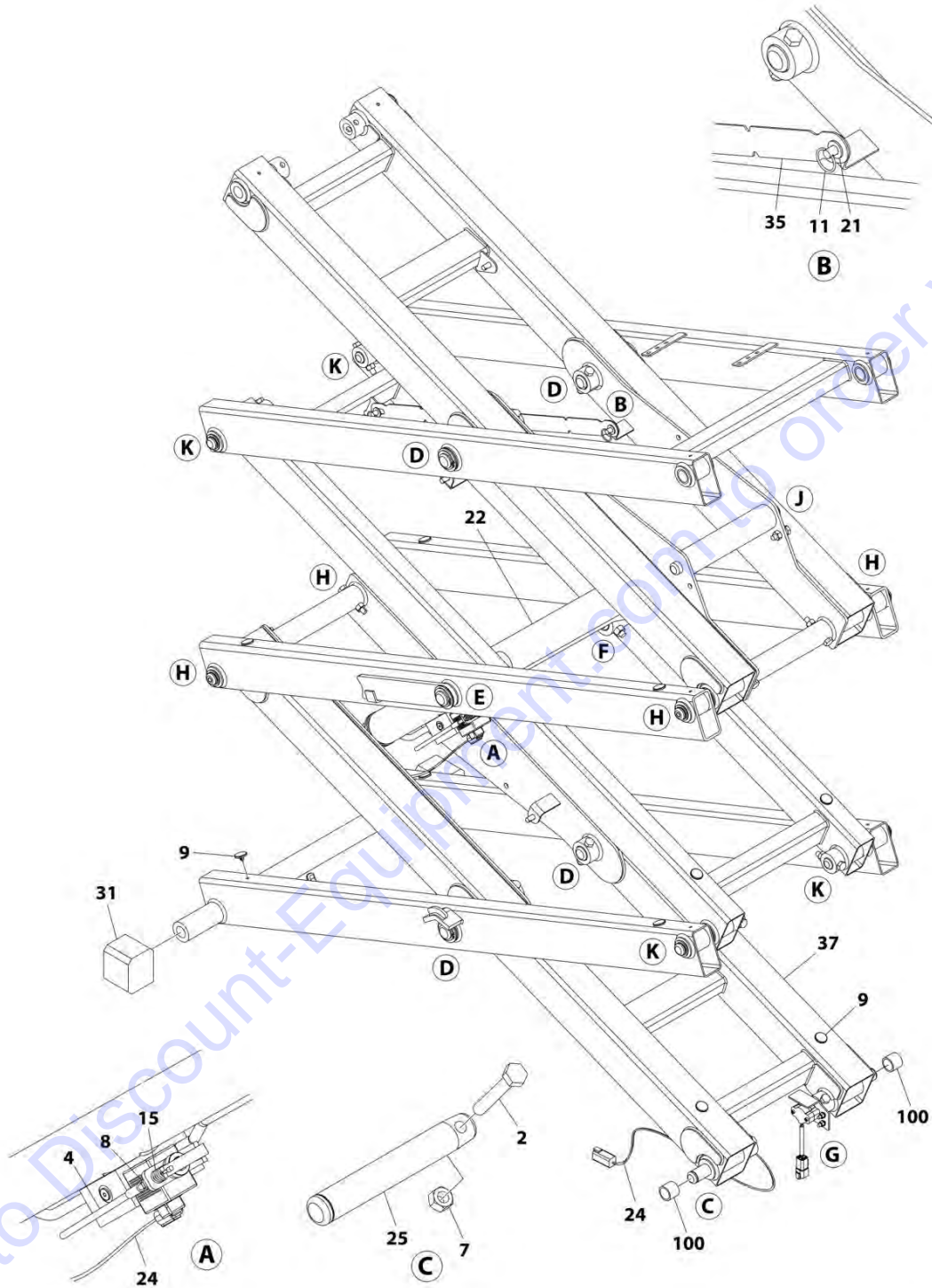
ITEM	PART NUMBER	QTY	DESCRIPTION	REV
	1001205469	Ref	DOORS INSTALLATION (1932R)	F
1	0100011	AR	Compound, Locking	
2	0761014	2	Bolt M10 x 30	
3	0761016	6	Bolt M10 x 40	
4	0761219	2	Bolt M12 x 55	
5	3291005	6	Nut M10	
6	3291201	2	Nut M12	
8	3423243	2	Pin	
9	3431218	2	Pin	
10	3450303	2	Pin, Cotter 3/32 x 3/4	
12	4160214	2	Spring	
13	4812100	4	Washer M12	
14	5241000	12	Washer M10	
15	1001203870	2	Bearing	
16	1001205447	1	Tray, Hydraulic (Right Side)	
17	1001205449	1	Tray, Battery (Left Side)	
18	1001208761	1	Bracket	
19	1001208762	1	Bracket	
20	1001210588	1	Decal - Door (Right Side)	
21	1001210594	1	Decal - Door (Left Side)	
26	3450508	2	Pin, Cotter 5/32 x 2	
27	4740086	2	Washer (Prior to SN M200014396, Prior to SN B200045480)	
27	1001229792	2	Washer, Thrust (SN M200014396 to Present, SN B200045480 to Present)	
28	4812500	AR	Washer M20 (SN M200004903 through M200014396)	
29	0700817	4	Bolt M8 x 45 (SN M200014396 to Present, SN B200045480 to Present)	
30	3290805	4	Nut M8 (SN M200014396 to Present, SN B200045480 to Present)	
31	4811902	4	Washer M8 (SN M200014396 through B200045480)	
32	4812000	AR	Washer M10 (SN M200014396 to Present, SN B200045480 to Present)	
33	1001214810	2	Support, Door Latch (SN M200014396 to Present, SN B200045480 to Present)	
34	0440263	2	Bearing, Flange (.750 Dia. Pin) (SN M200014396 to Present, SN B200045480 to Present)	

SECTION 3 - SCISSORS ARMS

Go to Discount-Equipment.com to order your parts

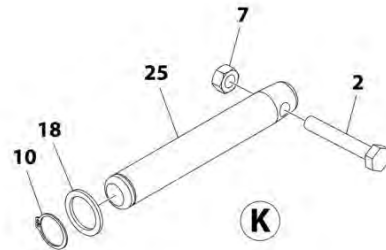
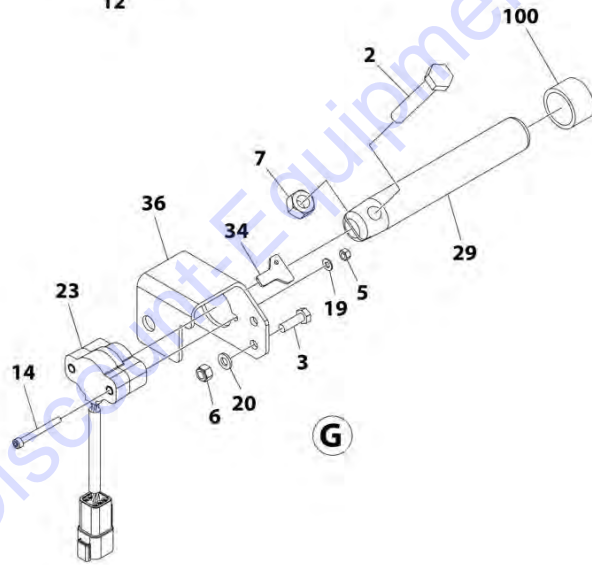
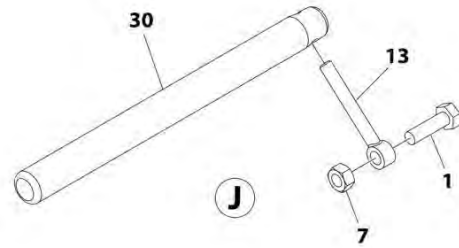
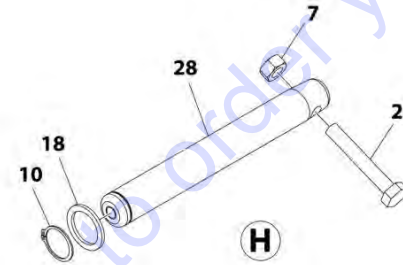
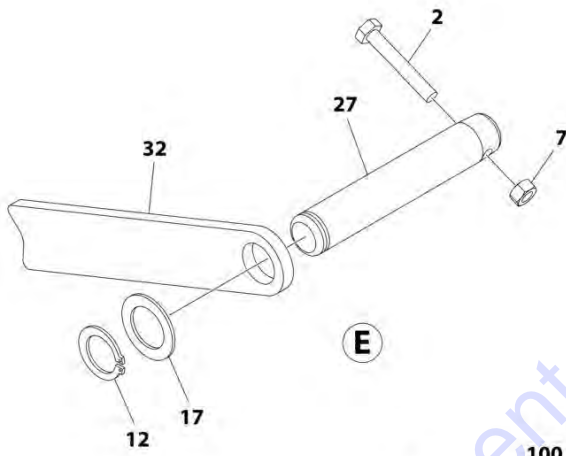
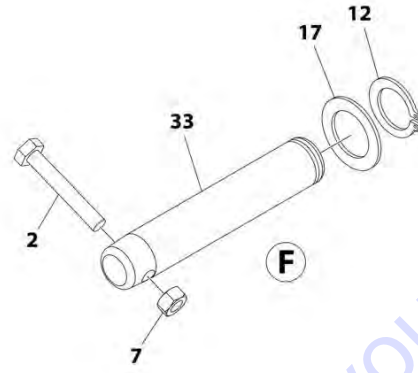
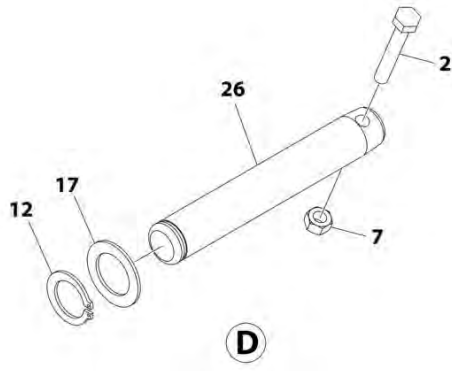
SECTION 3 - SCISSORS ARMS

FIGURE 3-1. SCISSORS ARMS INSTALLATION - 1532R WITHOUT LSS



ART_1001223965_10F2

SECTION 3 - SCISSORS ARMS



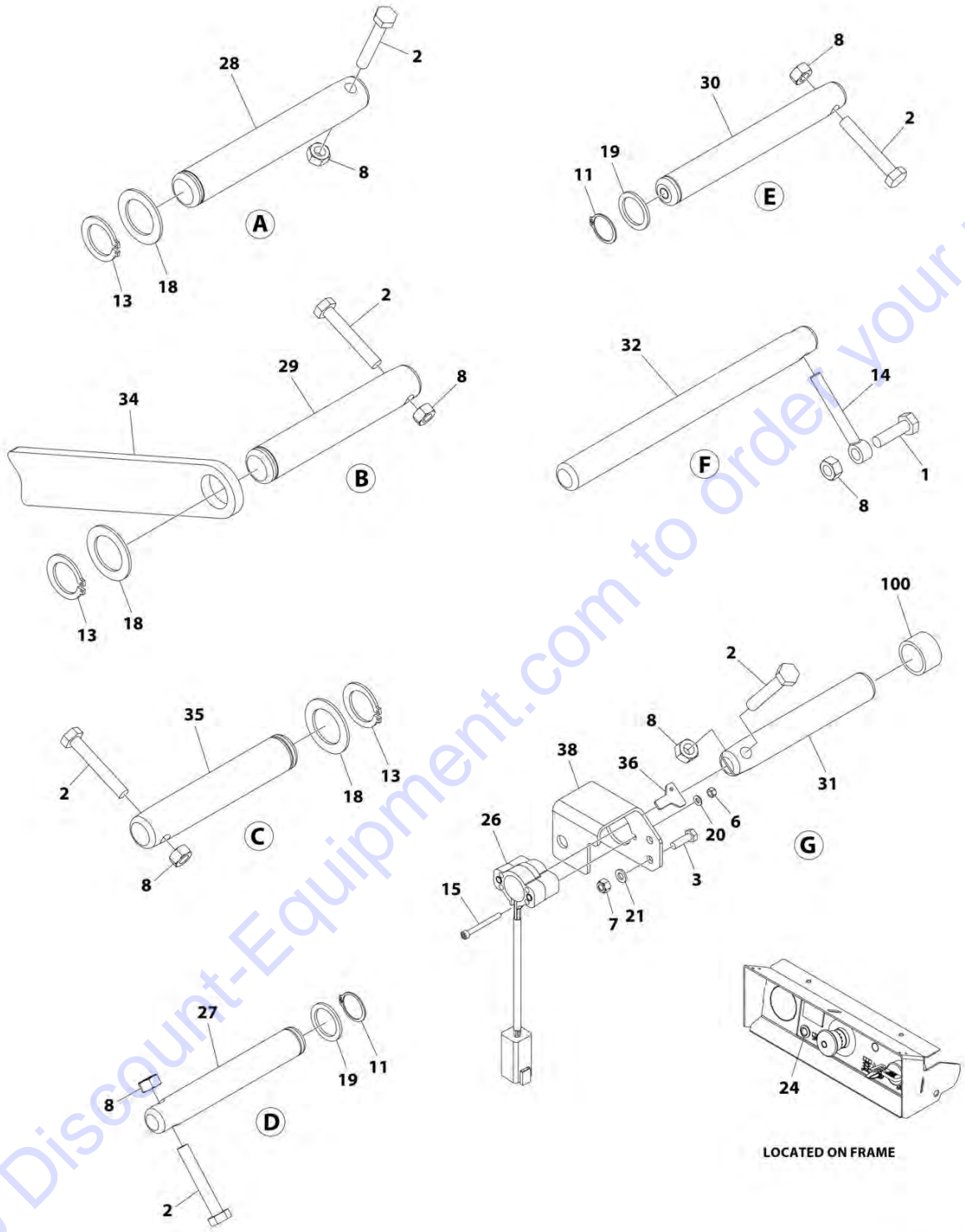
ART_1001223965_20F2

SECTION 3 - SCISSORS ARMS

FIGURE 3-1. SCISSORS ARMS INSTALLATION - 1532R WITHOUT LSS

ITEM	PART NUMBER	QTY	DESCRIPTION	REV
	1001223965	Ref	SCISSORS ARMS INSTALLATION - 1532R WITHOUT LSS	B
1	0701015	2	Bolt M10 x 35	
2	0701021	16	Bolt M10 x 65	
3	0760610	2	Bolt M6 x 20	
3	0700620	2	Bolt M6 x 60	
4	1061034	1	Cable, Manual Descent	
4	7020218	1	T-Handle (1/4 Threads)	
4	70001878	1	T-Handle (M5 Threads)	
5	3290405	2	Nut M4	
6	3290605	2	Nut M6	
7	3291007	18	Nut M10	
8	3321402	1	Nut 1/4	
9	3340962	16	Pad	
10	3760115	8	Ring, Retaining	
11	3760170	2	Ring, Split	
12	3760387	6	Ring, Retaining	
13	3841143	2	Keeper, Pin	
14	4031512	2	Capscrew M4 x 40	
15	4160078	1	Spring	
16	4240017	5	Tie-Strap (Not Shown)	
17	4740438	6	Washer	
18	4740531	8	Washer	
19	4811400	2	Washer M4	
20	4811700	2	Washer M6	
21	4812000	2	Washer M10	
22	1001198935	1	Lift Cylinder Assembly (See Separate Breakdown in CYLINDER SECTION)	
23	1001200746	1	Sensor, Angle	
23	4460899	1	Receptacle, Female - 6 Position	
23	4460464	1	Pin, Male	
24	1001200821	1	Lift Down Harness (See Separate Breakdown in ELECTRICAL SECTION)	
25	1001203443	5	Pin	
26	1001203444	4	Pin	
27	1001203445	1	Pin	
28	1001203446	4	Pin	
29	1001203447	1	Pin	
30	1001203448	2	Pin	
31	1001204311	2	Block, Slide	
32	1001204312	1	Plate, Prop	
33	1001204994	1	Pin	
34	1001205345	1	Key, Angle Sensor	
35	1001206487	1	Support	
36	1001212040	1	Mount, Sensor (Prior to SN B300046614)	
36	1001231268	1	Mount, Sensor (SN B200046614 to Present)	
37	1001223964	1	Scissors Arms Kit - 1532R (See Separate Breakdown in this Section)	
100	1001134289	2	Bearing (Part of Frame)	

SECTION 3 - SCISSORS ARMS



Go to Discount-Equipment.com to order your parts

LOCATED ON FRAME

ART_1001223966_20F2

SECTION 3 - SCISSORS ARMS

FIGURE 3-2. SCISSORS ARMS INSTALLATION - 1532R WITH LSS

ITEM	PART NUMBER	QTY	DESCRIPTION	REV
	1001223966	Ref	SCISSORS ARMS INSTALLATION - 1532R WITH LSS	C
1	0701015	3	Bolt M10 x 35	
2	0701021	16	Bolt M10 x 65	
3	0760610	2	Bolt M6 x 20	
3	0700620	2	Bolt M6 x 60	
4	1061034	1	Cable, Manual Descent	
4	7020218	1	T-Handle (1/4 Threads)	
4	70001878	1	T-Handle (M5 Threads)	
5	2221116	1	Fitting, 90 ORB/ORB	
6	3290405	2	Nut M4	
7	3290605	2	Nut M6	
8	3291007	19	Nut M10	
9	3321402	1	Nut 1/4	
10	3340962	16	Pad	
11	3760115	8	Ring, Retaining	
12	3760170	2	Ring, Split	
13	3760387	6	Ring, Retaining	
14	3841143	2	Keeper, Pin	
15	4031512	2	Capscrew M4 x 40	
16	4160078	1	Spring	
17	4240017	5	Tie-Strap (Not Shown)	
18	4740438	6	Washer	
19	4740531	8	Washer	
20	4811400	2	Washer M4	
21	4811700	2	Washer M6	
22	4812000	2	Washer M10	
23	1001198935	1	Lift Cylinder Assembly (See Separate Breakdown in CYLINDER SECTION)	
24	1001200631	1	Light, Indicator (Red)	
25	1001200740	1	Transducer, Pressure	
26	1001146963	1	Sensor, Angle	
26	4460899	1	Receptacle, Female - 6 Position	
26	4460464	6	Pin, Male	
27	1001203443	5	Pin	
28	1001203444	4	Pin	
29	1001203445	1	Pin	
30	1001203446	4	Pin	
31	1001203447	1	Pin	
32	1001203448	2	Pin	
33	1001204311	2	Block, Slide	
34	1001204312	1	Plate, Prop	
35	1001204994	1	Pin	
36	1001205345	1	Key, Angle Sensor	
37	1001206487	1	Support	
38	1001212040	1	Mount, Sensor (Prior to SN B300046614, Prior to SN M200016391)	
38	1001231268	1	Mount, Sensor (SN B200046614 to Present, SN M200016391 to Present)	
39	1001222687	1	Lift Down Harness (See Separate Breakdown in ELECTRICAL SECTION)	

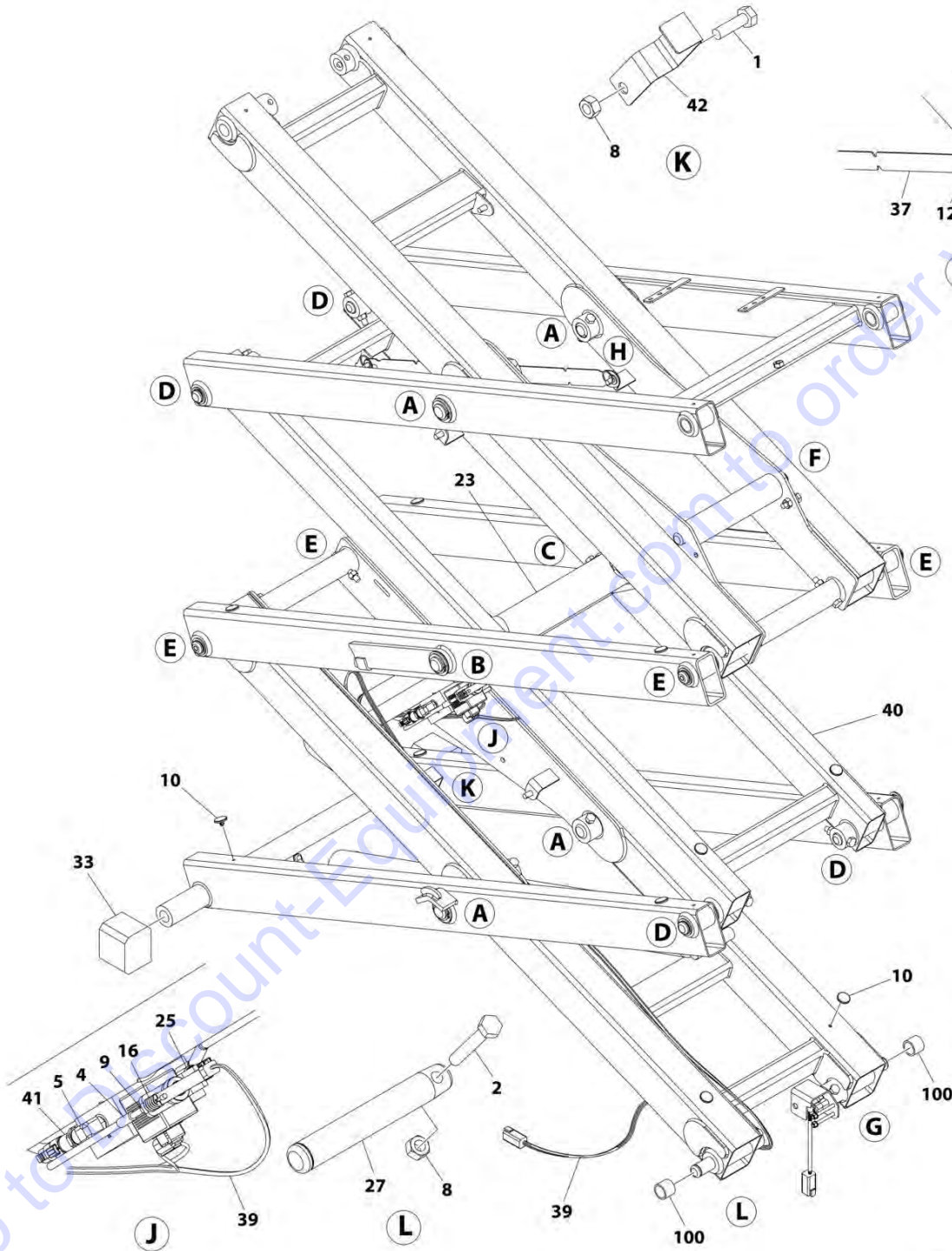
SECTION 3 - SCISSORS ARMS

ITEM	PART NUMBER	QTY	DESCRIPTION	REV
40	1001223964	1	Scissors Arms Kit - 1532R (See Separate Breakdown in this Section)	
41	1001225164	1	Transducer, Pressure	
42	1001226791	1	Bracket	
100	1001134289	2	Bearing (Part of Frame)	

Go to Discount-Equipment.com to order your parts

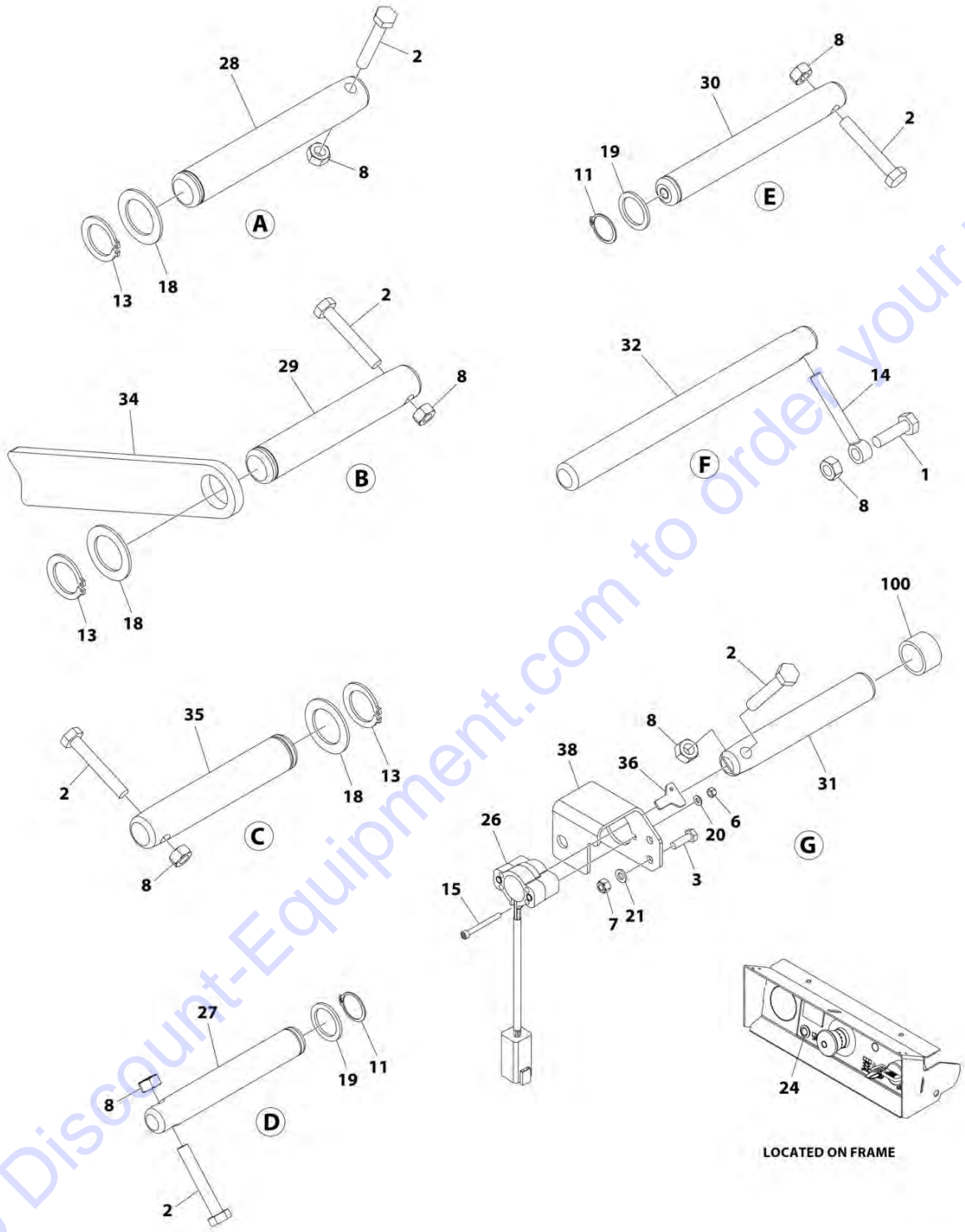
SECTION 3 - SCISSORS ARMS

FIGURE 3-3. SCISSORS ARMS INSTALLATION - 1532R WITH LSS (KOREA SPECS)



ART_1001235060_10F2

SECTION 3 - SCISSORS ARMS



Go to Discount-Equipment.com to order your parts

ART_1001235059

SECTION 3 - SCISSORS ARMS

FIGURE 3-3. SCISSORS ARMS INSTALLATION - 1532R WITH LSS (KOREA SPECS)

ITEM	PART NUMBER	QTY	DESCRIPTION	REV
	1001235060	Ref	SCISSORS ARMS INSTALLATION - 1532R WITH LSS (KOREA SPECS)	A
1	0701015	3	Bolt M10 x 35	
2	0701021	16	Bolt M10 x 65	
3	0700620	2	Bolt M6 x 60	
4	1061034	1	Cable, Manual Descent	
4	7020218	1	T-Handle (1/4 Threads)	
4	70001878	1	T-Handle (M5 Threads)	
5	2221116	1	Fitting, 90 ORB/ORB	
6	3290405	2	Nut M4	
7	3290605	2	Nut M6	
8	3291007	19	Nut M10	
9	3321402	1	Nut 1/4	
10	3340962	16	Pad	
11	3760115	8	Ring, Retaining	
12	3760170	2	Ring, Split	
13	3760387	6	Ring, Retaining	
14	3841143	2	Keeper, Pin	
15	4031512	2	Capscrew M4 x 40	
16	4160078	1	Spring	
17	4240017	5	Tie-Strap (Not Shown)	
18	4740438	6	Washer	
19	4740531	8	Washer	
20	4811400	2	Washer M4	
21	4811700	2	Washer M6	
22	4812000	2	Washer M10	
23	1001198935	1	Lift Cylinder Assembly (See Separate Breakdown in CYLINDER SECTION)	
24	1001200631	1	Light, Indicator (Red)	
25	1001200740	1	Transducer, Pressure	
26	1001146963	1	Sensor, Angle	
26	4460899	1	Receptacle, Female - 6 Position	
26	4460464	6	Pin, Male	
27	1001203443	5	Pin	
28	1001203444	4	Pin	
29	1001203445	1	Pin	
30	1001203446	4	Pin	
31	1001203447	1	Pin	
32	1001203448	2	Pin	
33	1001204311	2	Block, Slide	
34	1001204312	1	Plate, Prop	
35	1001204994	1	Pin	
36	1001205345	1	Key, Angle Sensor	
37	1001206487	1	Support	
38	1001231268	1	Mount, Sensor	
39	1001222687	1	Lift Down Harness (See Separate Breakdown in ELECTRICAL SECTION)	
40	1001235059	1	Scissors Arms Kit - 1532R (See Separate Breakdown in this Section)	
41	1001225164	1	Transducer, Pressure	

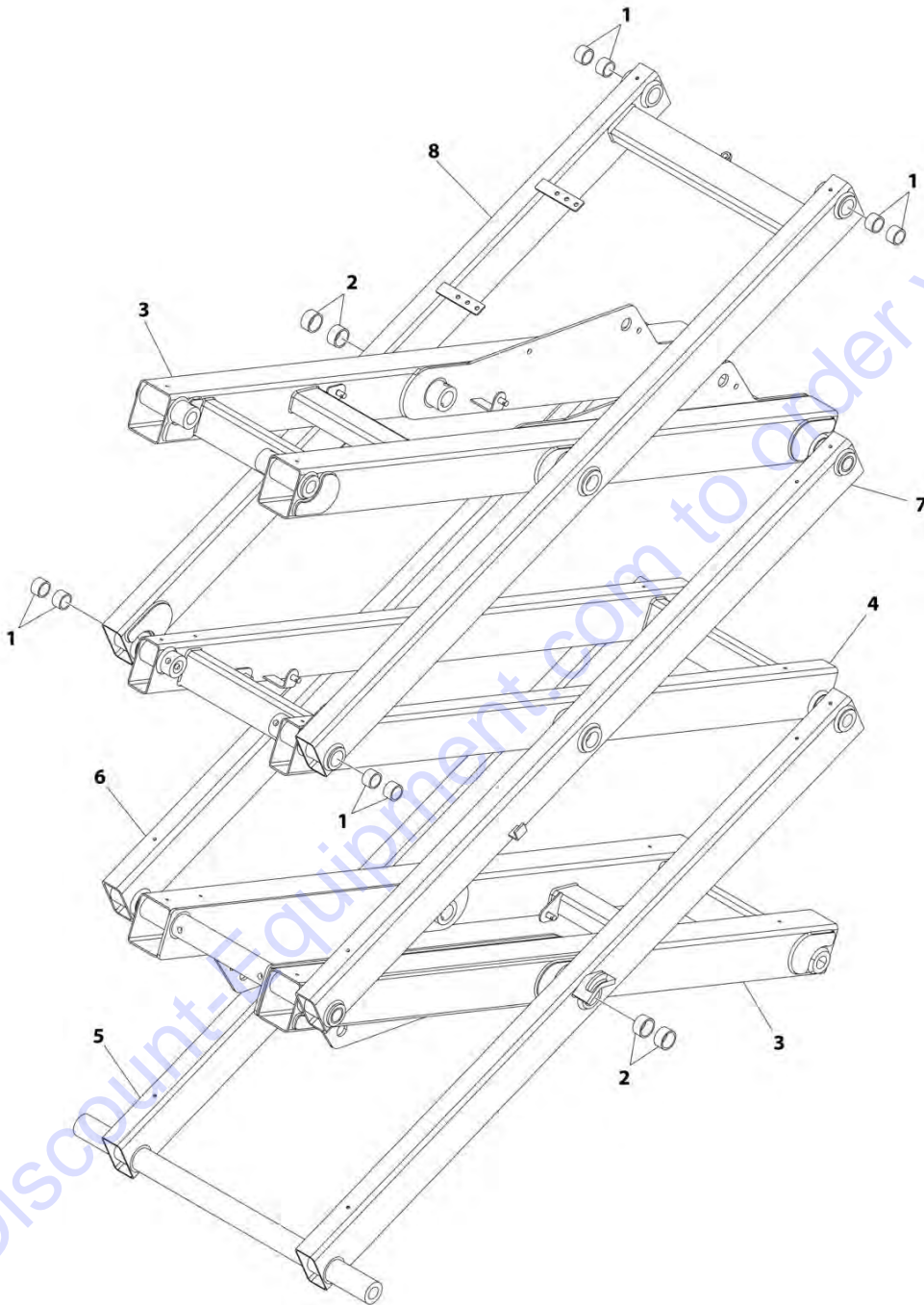
SECTION 3 - SCISSORS ARMS

ITEM	PART NUMBER	QTY	DESCRIPTION	REV
42	1001226791	1	Bracket	
100	1001134289	2	Bearing (Part of Frame)	

Go to Discount-Equipment.com to order your parts

SECTION 3 - SCISSORS ARMS

FIGURE 3-4. SCISSORS ARMS KIT - 1532R



ART_1001223964

SECTION 3 - SCISSORS ARMS

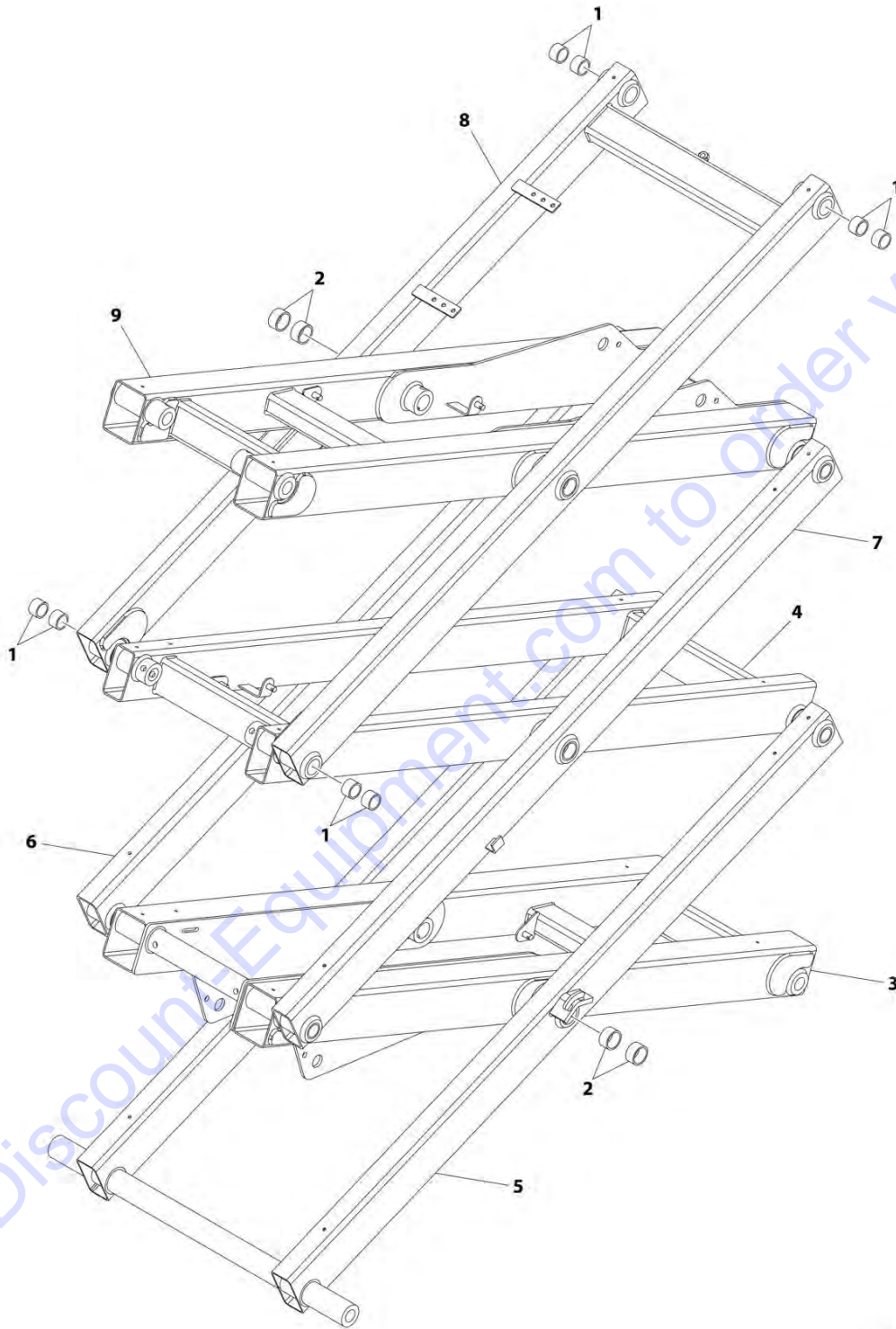
FIGURE 3-4. SCISSORS ARMS KIT - 1532R

ITEM	PART NUMBER	QTY	DESCRIPTION	REV
	1001223964	Ref	SCISSORS ARMS KIT - 1532R	A
1	0440264	20	Bearing	
2	0440265	12	Bearing	
3	1001203973	2	Arm, Inboard (Top and Bottom)	
4	1001203974	1	Arm, Inboard (Mid)	
5	1001203975	1	Arm, Outboard (Bottom)	
6	1001203976	1	Arm, Outboard (Mid Left Side)	
7	1001213554	1	Arm, Outboard (Mid Right Side)	
8	1001204621	1	Arm, Outboard (Top)	

Go to Discount-Equipment.com to order your parts

SECTION 3 - SCISSORS ARMS

FIGURE 3-5. SCISSORS ARMS KIT - 1532R (KOREA SPECS)



ART_1001235059

SECTION 3 - SCISSORS ARMS

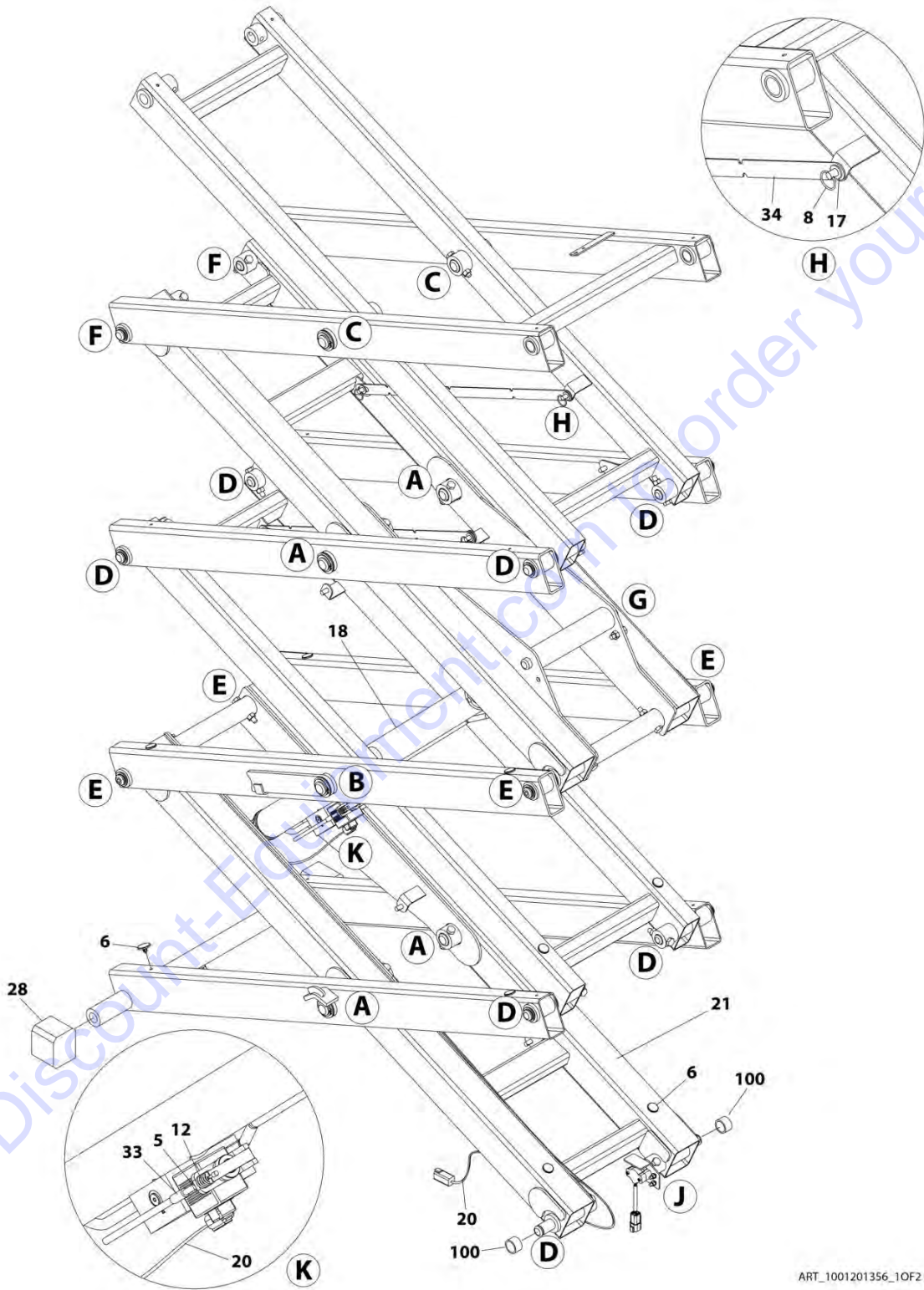
FIGURE 3-5. SCISSORS ARMS KIT - 1532R (KOREA SPECS)

ITEM	PART NUMBER	QTY	DESCRIPTION	REV
	1001235059	Ref	SCISSORS ARMS KIT - 1532R (KOREA SPECS)	A
1	0440264	20	Bearing	
2	0440265	12	Bearing	
3	1001235024	2	Arm, Inboard (Bottom)	
4	1001203974	1	Arm, Inboard (Mid)	
5	1001203975	1	Arm, Outboard (Bottom)	
6	1001203976	1	Arm, Outboard (Mid Left Side)	
7	1001213554	1	Arm, Outboard (Mid Right Side)	
8	1001204621	1	Arm, Outboard (Top)	
9	1001235025	1	Arm, Inboard (Top)	

Go to Discount-Equipment.com to order your parts

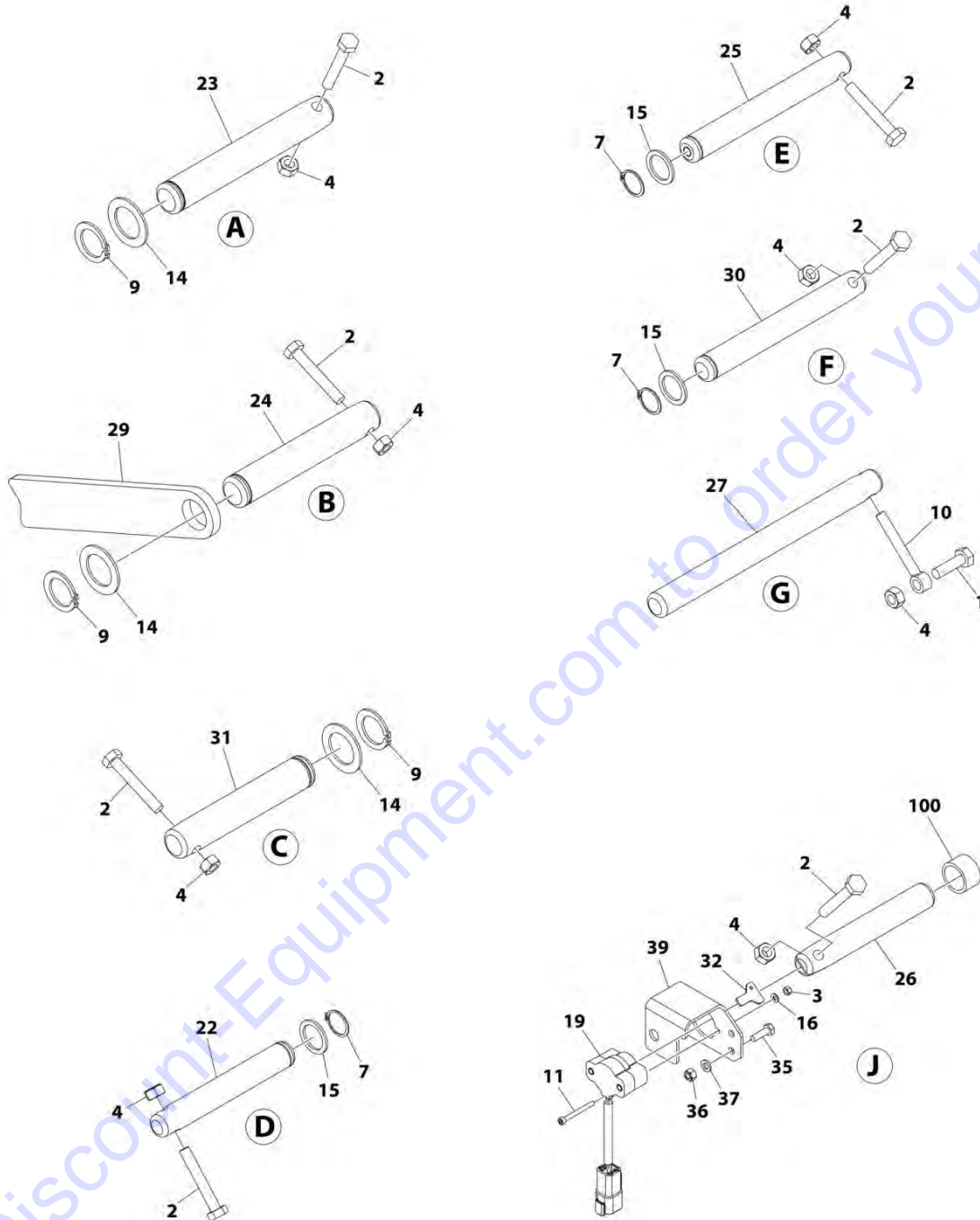
SECTION 3 - SCISSORS ARMS

FIGURE 3-6. SCISSORS ARMS INSTALLATION - 1932R WITHOUT LSS



ART_1001201356_10F2

SECTION 3 - SCISSORS ARMS



ART_1001201356_20F2

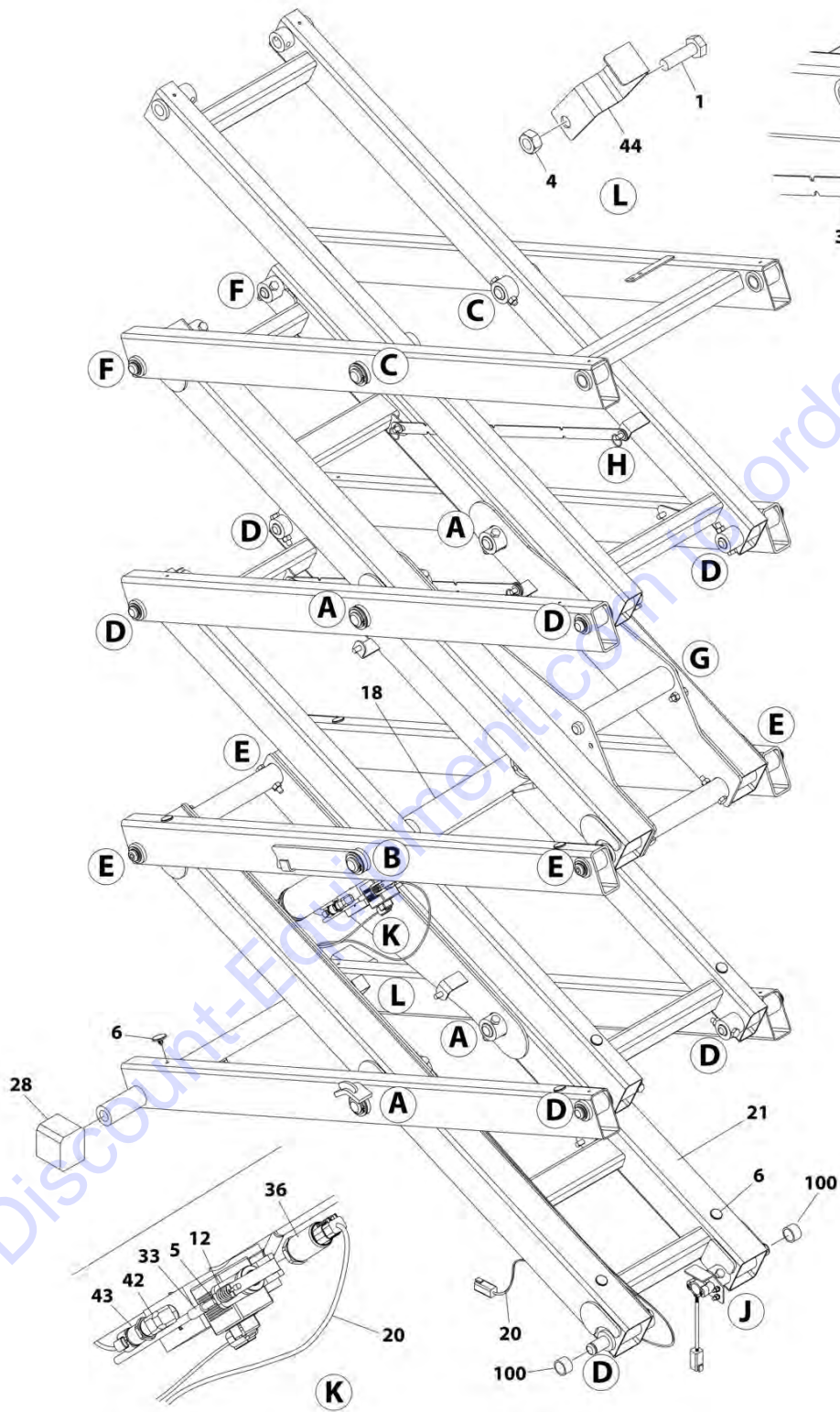
SECTION 3 - SCISSORS ARMS

FIGURE 3-6. SCISSORS ARMS INSTALLATION - 1932R WITHOUT LSS

ITEM	PART NUMBER	QTY	DESCRIPTION	REV
	1001201356	Ref	SCISSORS ARMS INSTALLATION - 1932R WITHOUT LSS	F
1	0701015	2	Bolt M10 x 35	
2	0701021	22	Bolt M10 x 65	
3	3290405	2	Nut M4	
4	3291007	24	Nut M10	
5	3321402	1	Nut 1/4	
6	3340962	24	Pad	
7	3760115	12	Ring, Retaining	
8	3760170	4	Ring, Split	
9	3760387	8	Ring, Retaining	
10	3841143	2	Keeper, Pin	
11	4031512	2	Capscrew M4 x 40	
12	4160078	1	Spring	
13	4240017	5	Tie-Strap (Not Shown)	
14	4740438	8	Washer	
15	4740531	12	Washer	
16	4811400	2	Washer M4	
17	4812000	4	Washer M10	
18	1001198935	1	Lift Cylinder Assembly (See Separate Breakdown in CYLINDER SECTION)	
19	1001200746	1	Sensor, Angle	
19	4460899	1	Receptacle, Female - 6 Position	
19	4460464	1	Pin, Male	
20	1001200821	1	Lift Down Harness (See Separate Breakdown in ELECTRICAL SECTION)	
21	1001201355	1	Scissors Arms Kit - 1932R (See Separate Breakdown in this Section)	
22	1001203443	7	Pin	
23	1001203444	4	Pin	
24	1001203445	1	Pin	
25	1001203446	4	Pin	
26	1001203447	1	Pin	
27	1001203448	2	Pin	
28	1001204311	2	Block, Slide	
29	1001204312	1	Plate, Prop	
30	1001204781	2	Pin	
31	1001204994	3	Pin	
32	1001205345	1	Key, Angle Sensor	
33	1061034	1	Cable, Manual Descent	
33	7020218	1	T-Handle (1/4 Threads)	
33	70001878	1	T-Handle (M5 Threads)	
34	1001206487	2	Support	
35	0760610	2	Bolt M6 x 20	
35	0700620	2	Bolt M6 x 60	
36	3290605	2	Nut M6	
37	4811700	2	Washer M6	
39	1001212040	1	Mount, Sensor (Prior to SN B300045794, Prior to SN M200016391)	
39	1001231268	1	Mount, Sensor (SN B200045794 to Present, SN M200016391 to Present)	
100	1001134289	2	Bearing (Part of Frame)	

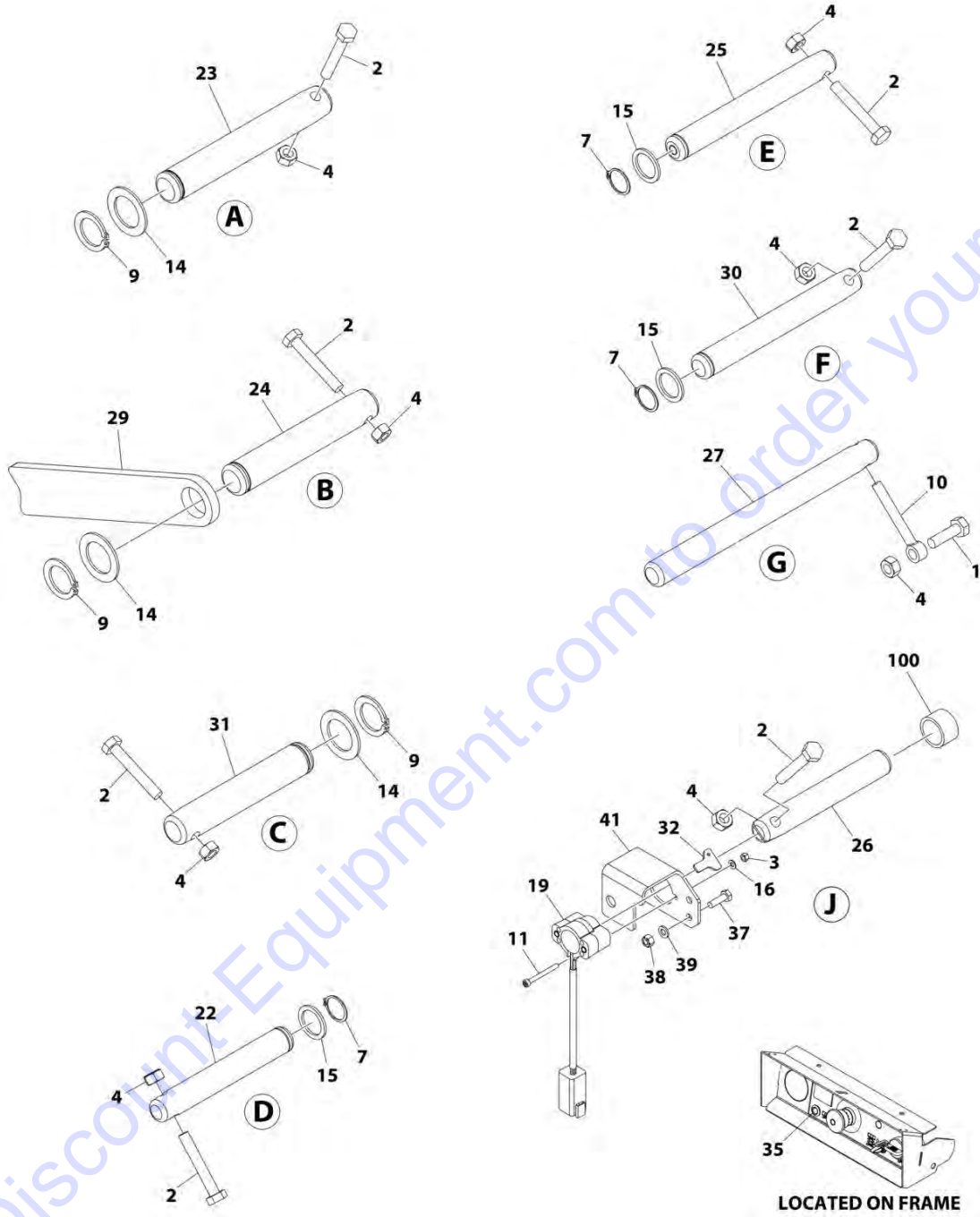
SECTION 3 - SCISSORS ARMS

FIGURE 3-7. SCISSORS ARMS INSTALLATION - 1932R WITH LSS



ART_1001204087_10F2

SECTION 3 - SCISSORS ARMS



ART_1001204087_20F2

SECTION 3 - SCISSORS ARMS

FIGURE 3-7. SCISSORS ARMS INSTALLATION - 1932R WITH LSS

ITEM	PART NUMBER	QTY	DESCRIPTION	REV
	1001204087	Ref	SCISSORS ARMS INSTALLATION - 1932R WITH LSS	F
1	0701015	AR	Bolt M10 x 35	
2	0701021	22	Bolt M10 x 65	
3	3290405	2	Nut M4	
4	3291007	AR	Nut M10	
5	3321402	1	Nut 1/4	
6	3340962	24	Pad	
7	3760115	12	Ring, Retaining	
8	3760170	4	Ring, Split	
9	3760387	8	Ring, Retaining	
10	3841143	2	Keeper, Pin	
11	4031512	2	Capscrew M4 x 40	
12	4160078	1	Spring	
13	4240017	5	Tie-Strap (Not Shown)	
14	4740438	8	Washer	
15	4740531	12	Washer	
16	4811400	2	Washer M4	
17	4812000	4	Washer M10	
18	1001198935	1	Lift Cylinder Assembly (See Separate Breakdown in CYLINDER SECTION)	
19	1001146963	1	Sensor, Angle	
19	4460899	1	Receptacle, Female - 6 Position	
19	4460464	6	Pin, Male	
20	1001200822	NLA	Lift Down Harness (Use p/n 1001222687) (See Separate Breakdown in ELECTRICAL SECTION) (Prior to SN B200038482, Prior to SN M200007595)	
20	1001222687	1	Lift Down Harness (See Separate Breakdown in ELECTRICAL SECTION) (SN B200038482 to Present, SN M200007595 to Present)	
21	1001201355	1	Scissors Arms Kit - 1932R (See Separate Breakdown in this Section)	
22	1001203443	7	Pin	
23	1001203444	4	Pin	
24	1001203445	1	Pin	
25	1001203446	4	Pin	
26	1001203447	1	Pin	
27	1001203448	2	Pin	
28	1001204311	2	Block, Slide	
29	1001204312	1	Plate, Prop	
30	1001204781	2	Pin	
31	1001204994	3	Pin	
32	1001205345	1	Key, Angle Sensor	
33	1061034	1	Cable, Manual Descent	
33	7020218	1	T-Handle (1/4 Threads)	
33	70001878	1	T-Handle (M5 Threads)	
34	1001206487	2	Support	
35	1001200631	1	Light, Indicator (Red)	
36	1001200740	1	Transducer, Pressure	
37	0760610	2	Bolt M6 x 20	
37	0700620	2	Bolt M6 x 60	
38	3290605	2	Nut M6	

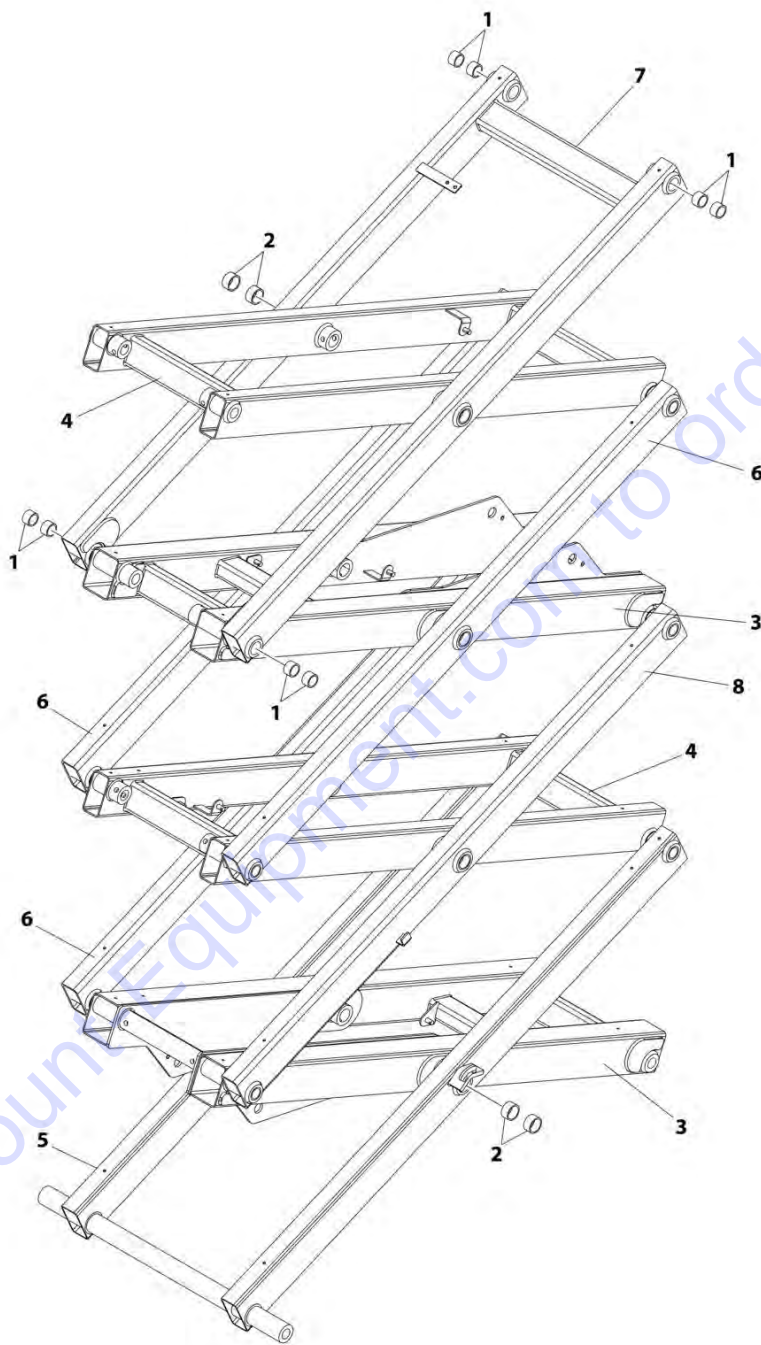
SECTION 3 - SCISSORS ARMS

ITEM	PART NUMBER	QTY	DESCRIPTION	REV
39	4811700	2	Washer M6	
41	1001212040	1	Mount, Sensor (Prior to SN B300045794, Prior to SN M200016391)	
41	1001231268	1	Mount, Sensor (SN B200045794 to Present, SN M200016391 to Present)	
42	2221116	1	Fitting, 90 ORB/ORB (SN M200007595 to Present)	
42	2221116	1	Fitting, 90 ORB/ORB (SN B200038482 to Present)	
43	1001225164	1	Transducer, Pressure (SN M200007595 to Present)	
43	1001225164	1	Transducer, Pressure (SN B200038482 to Present)	
44	1001226791	1	Bracket (SN M200007595 to Present)	
44	1001226791	1	Bracket (SN B200038482 to Present)	
100	1001134289	2	Bearing (Part of Frame)	

Go to Discount-Equipment.com to order your parts

SECTION 3 - SCISSORS ARMS

FIGURE 3-8. SCISSORS ARMS KIT - 1932R



ART_1001201355

SECTION 3 - SCISSORS ARMS

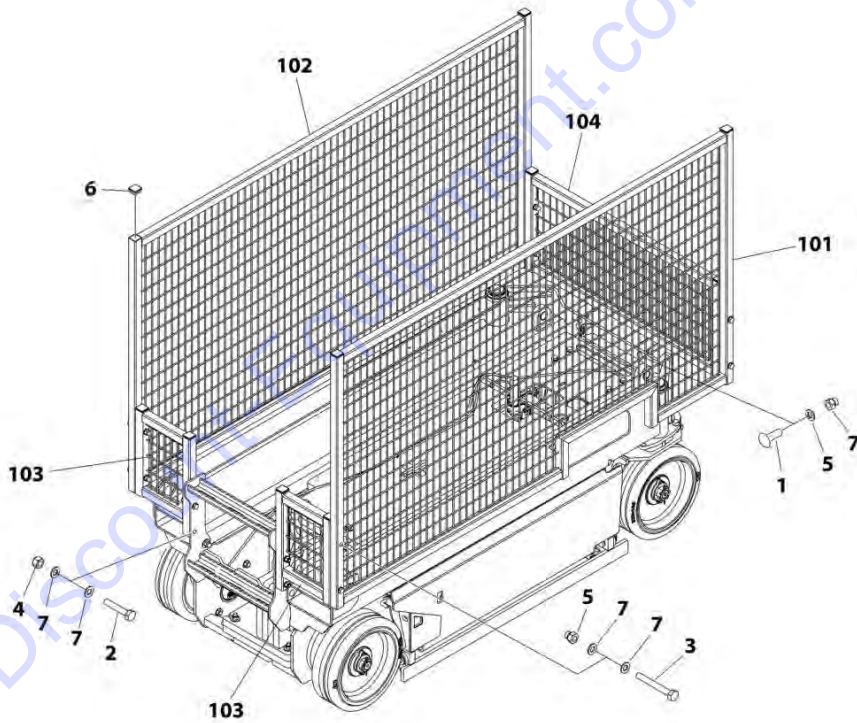
FIGURE 3-8. SCISSORS ARMS KIT - 1932R

ITEM	PART NUMBER	QTY	DESCRIPTION	REV
	1001201355	Ref	SCISSORS ARMS KIT - 1932R	B
1	0440264	28	Bearing	
2	0440265	16	Bearing	
3	1001203973	2	Arm, Inboard (Bottom and Upper Mid)	
4	1001203974	2	Arm, Inboard (Top and Lower Mid)	
5	1001203975	1	Arm, Outboard (Bottom)	
6	1001203976	3	Arm, Outboard (Lower Mid Left Side and Upper Mid Right/Left)	
7	1001204621	1	Arm, Outboard (Top)	
8	1001213554	1	Arm, Outboard (Lower Mid Right Side)	

Go to Discount-Equipment.com to order your parts

SECTION 3 - SCISSORS ARMS

FIGURE 3-9. ARM GUARD INSTALLATION



ART_1001224623

SECTION 3 - SCISSORS ARMS

FIGURE 3-9. ARM GUARD INSTALLATION

ITEM	PART NUMBER	QTY	DESCRIPTION	REV
	1001224623	Ref	ARM GUARD INSTALLATION	A
1	0630613	2	Bolt M10 x 30	
2	0701019	4	Bolt M10 x 55	
3	0701024	8	Bolt M10 x 80	
4	3291005	4	Nut M10	
5	3291006	10	Nut M10	
6	3520072	10	Plug	
7	4812000	26	Washer M10	
8	1001224622	1	Arm Guard Kit	
101	1001224604	1	Guard, Arm (RH)	
102	1001224608	1	Guard, Arm (LH)	
103	1001224614	2	Guard, Arm (Rear)	
104	1001224620	1	Guard, Arm (Front)	

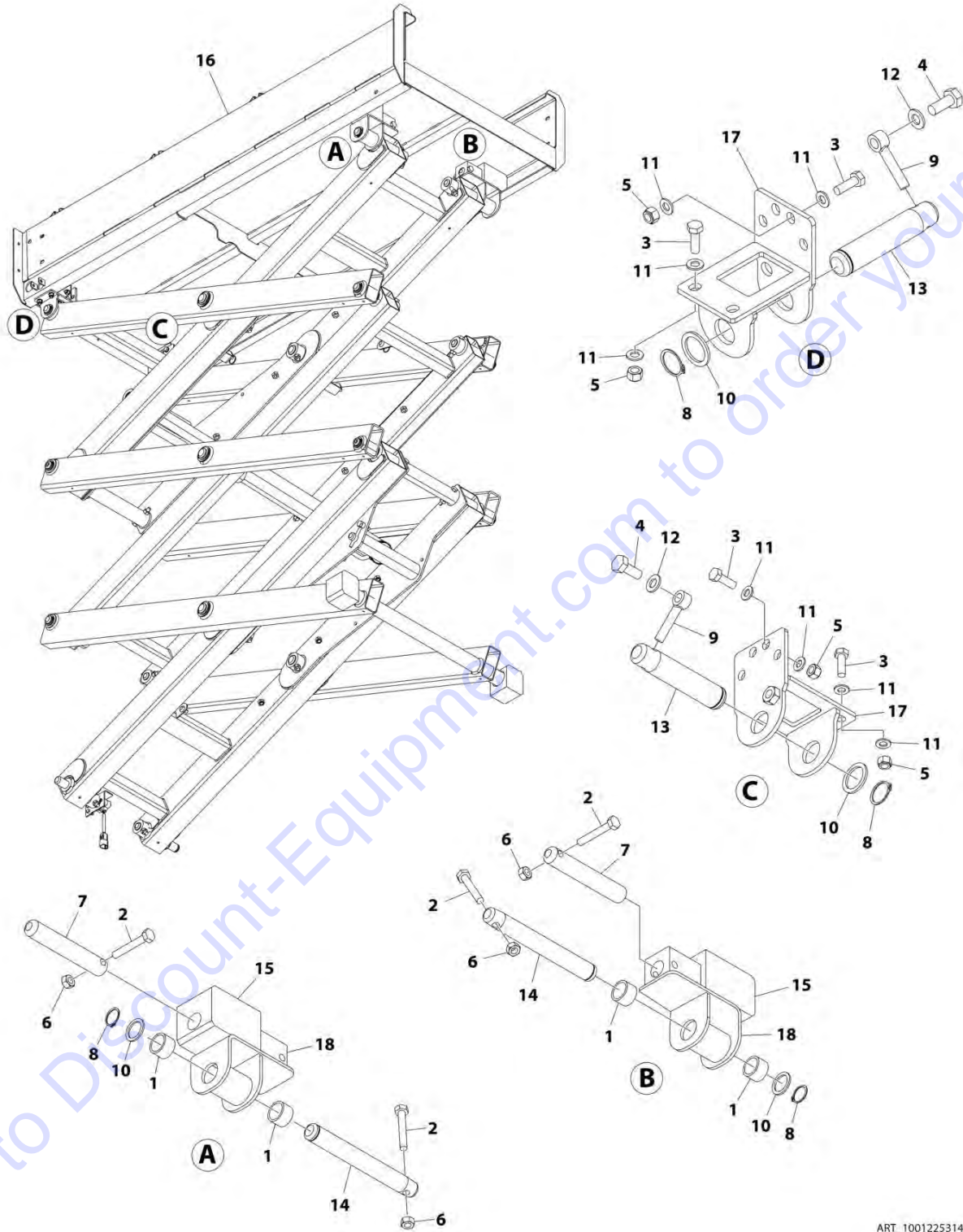
Go to Discount-Equipment.com to order your parts

SECTION 4 - PLATFORM

Go to Discount-Equipment.com to order your parts

SECTION 4 - PLATFORM

FIGURE 4-1. PLATFORM INSTALLATION - 1532R



ART_1001225314

SECTION 4 - PLATFORM

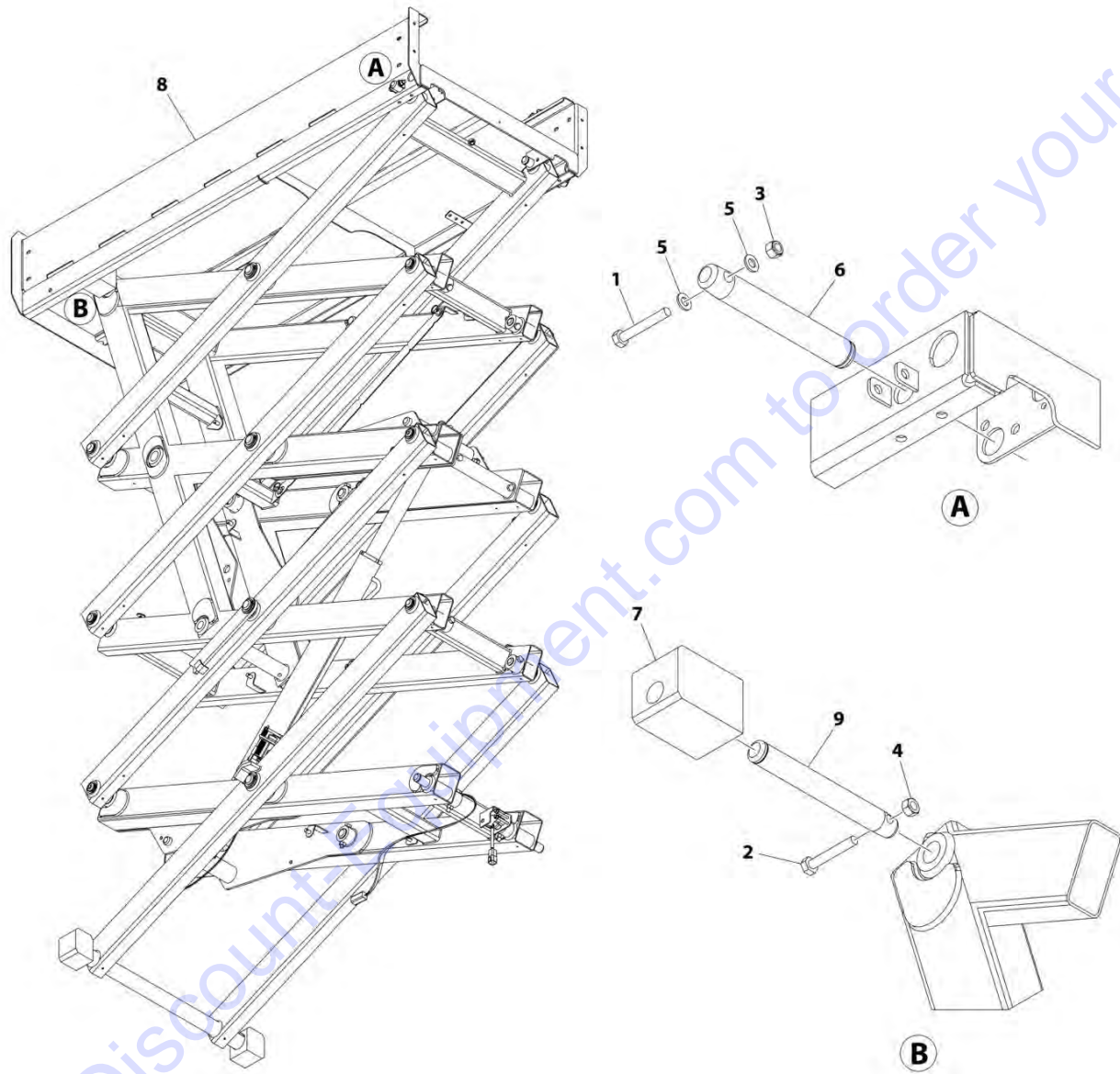
FIGURE 4-1. PLATFORM INSTALLATION - 1532R

ITEM	PART NUMBER	QTY	DESCRIPTION	REV
	1001225314	Ref	PLATFORM INSTALLATION - 1532R	A
1	0440264	4	Bearing	
2	0701021	4	Bolt M10 x 65	
3	0760812	8	Bolt M8 x 25	
4	0761012	2	Bolt M10 x 25	
5	3290805	8	Nut M8	
6	3291007	4	Nut M10	
7	3423104	2	Pin	
8	3760115	4	Ring, Retaining	
9	3841520	2	Keeper, Pin	
10	4740531	4	Washer	
11	4811900	16	Washer M8	
12	4812000	2	Washer M10	
13	1001225316	2	Pin	
14	1001204781	2	Pin	
15	1001205156	2	Block, Slide	
16	1001205414	1	Platform	
17	1001225299	2	Support	
18	1001225309	2	Support	

Go to Discount-Equipment.com to order your parts

SECTION 4 - PLATFORM

FIGURE 4-2. PLATFORM INSTALLATION - 1532R (KOREA SPECS)



ART_1001226948

SECTION 4 - PLATFORM

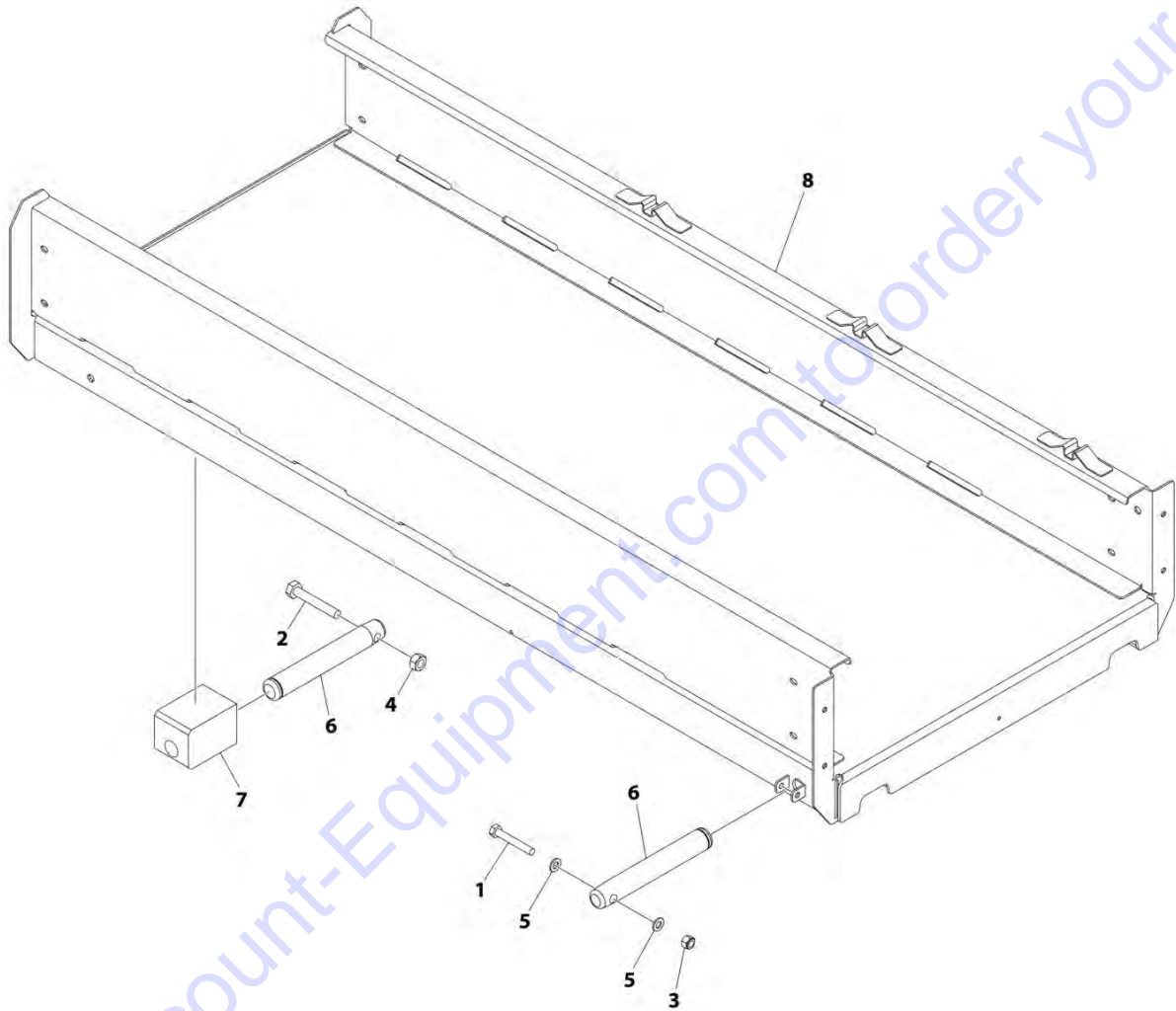
FIGURE 4-2. PLATFORM INSTALLATION - 1532R (KOREA SPECS)

ITEM	PART NUMBER	QTY	DESCRIPTION	REV
	1001235018	Ref	PLATFORM INSTALLATION - 1532R (KOREA SPECS)	A
1	0700819	2	Bolt M8 x 55	
2	0701021	2	Bolt M10 x 65	
3	3290805	2	Nut M8	
4	3291007	2	Nut M10	
5	4811900	4	Washer M8	
6	1001203443	2	Pin	
7	1001205156	2	Block, Slide	
8	1001235541	1	Platform	
9	1001204781	2	Pin	

Go to Discount-Equipment.com to order your parts

SECTION 4 - PLATFORM

FIGURE 4-3. PLATFORM INSTALLATION - 1932R



Go to Discount-Equipment.com to order your parts

ART_1001205709

SECTION 4 - PLATFORM

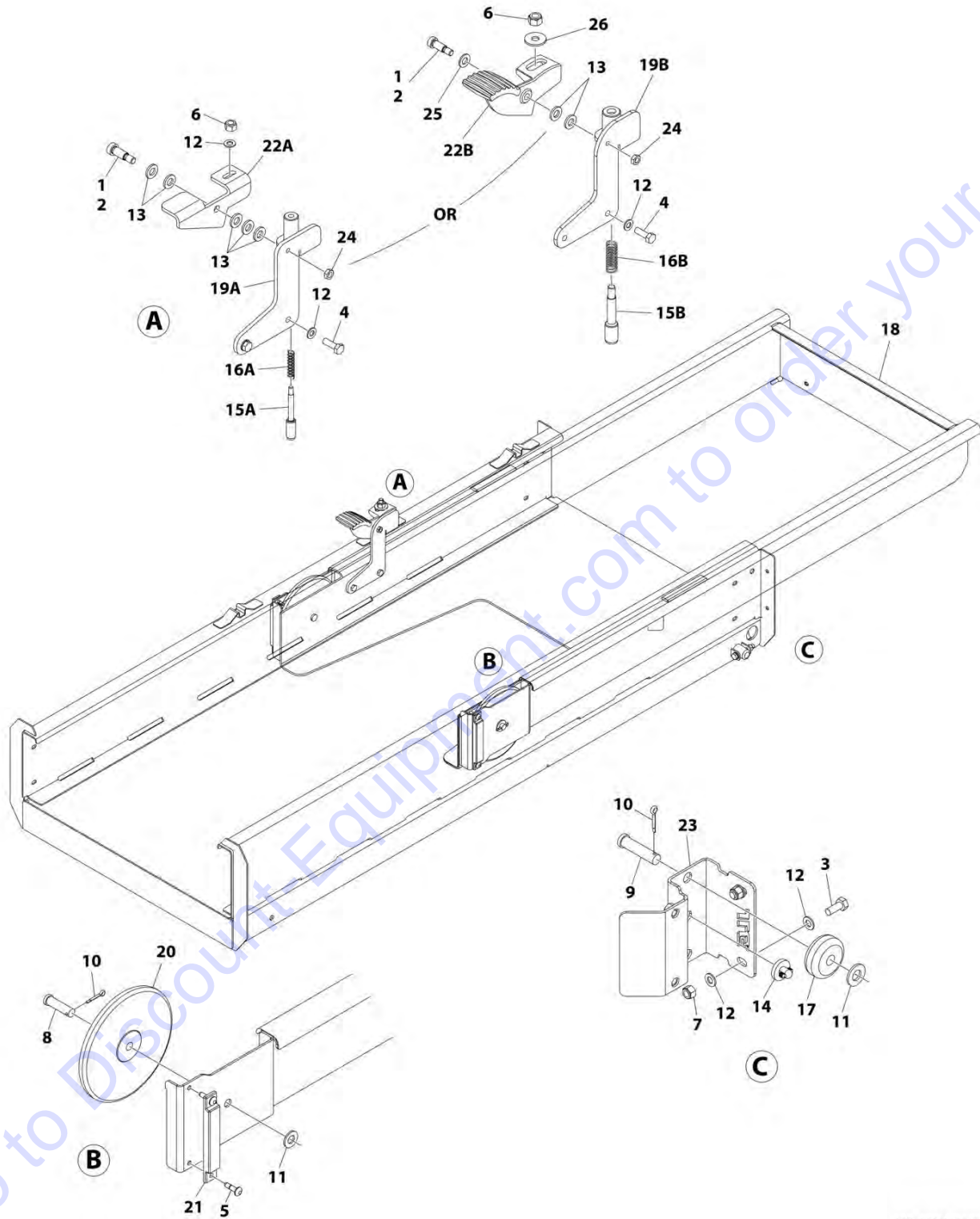
FIGURE 4-3. PLATFORM INSTALLATION - 1932R

ITEM	PART NUMBER	QTY	DESCRIPTION	REV
	1001205709	Ref	PLATFORM INSTALLATION - 1932R	B
1	0700819	2	Bolt M8 x 55	
2	0701021	2	Bolt M10 x 65	
3	3290805	2	Nut M8	
4	3291007	2	Nut M10	
5	4811900	4	Washer M8	
6	1001203443	4	Pin	
7	1001205156	2	Block, Slide	
8	1001205414	1	Platform	

Go to Discount-Equipment.com to order your parts

SECTION 4 - PLATFORM

FIGURE 4-4. PLATFORM EXTENSION INSTALLATION



ART_1001205423

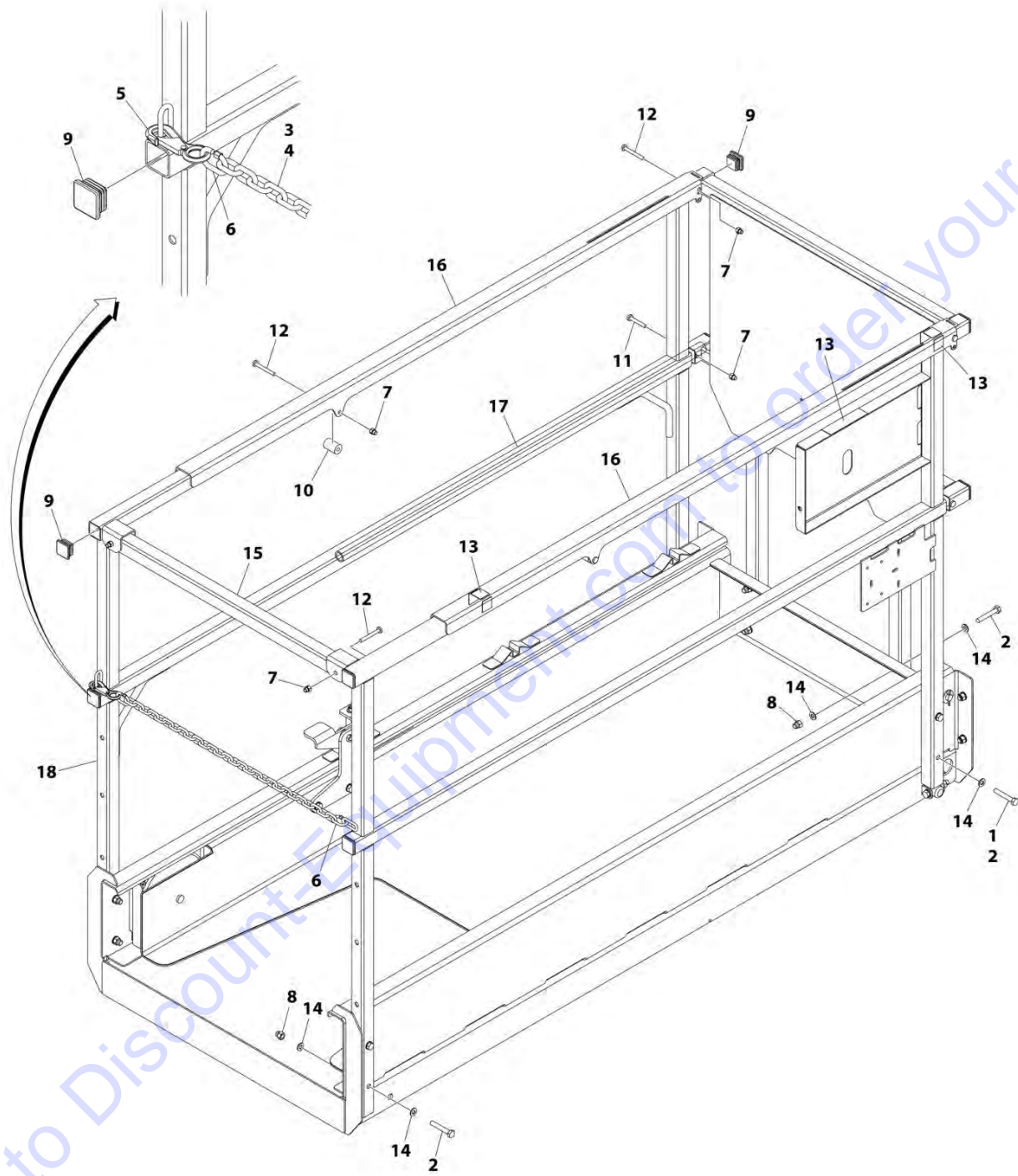
SECTION 4 - PLATFORM

FIGURE 4-4. PLATFORM EXTENSION INSTALLATION

ITEM	PART NUMBER	QTY	DESCRIPTION	REV
	1001205423	Ref	PLATFORM EXTENSION INSTALLATION	C
1	0100011	AR	Compound, Locking	
2	0630183	1	Screw 3/8 x 1	
3	0760810	4	Bolt M8 x 20	
4	0760812	2	Bolt M8 x 25	
5	2080040	4	Fastener	
6	3290605	AR	Nut M6	
6	3291005	AR	Nut M10	
7	3290805	4	Nut M8	
8	3430814	2	Pin	
9	3430816	2	Pin	
10	3450403	4	Pin, Cotter 1/8 x 3/4	
11	4711800	4	Washer 1/2	
12	4811900	11	Washer M8	
13	5241000	5	Washer M10	
14	1001137675	2	Bumper	
15A	1001182305	1	Rod (Prior to SN M200025109, Prior to SN B200051317)	
15B	1001221476	1	Rod (SN M200025109 to Present, SN B200051317 to Present)	
16A	1001182338	1	Spring (Prior to SN M200025109, Prior to SN B200051317)	
16B	1001221475	1	Spring (SN M200025109 to Present, SN B200051317 to Present)	
17	1001205422	2	Roller (Front)	
18	1001205424	1	Extension, Platform	
19A	1001205428	1	Bracket (Prior to SN M200025109, Prior to SN B200051317)	
19B	1001236129	1	Bracket (SN M200025109 to Present, SN B200051317 to Present)	
20	1001205430	2	Roller (Rear)	
21	1001208852	2	Pad	
22A	1001209963	1	Plate (Prior to SN M200025109, Prior to SN B200051317)	
22B	1001217043	1	Plate (SN M200025109 to Present, SN B200051317 to Present)	
23	1001210064	2	Support	
24	3311502	1	Nut 5/16	
25	4812000	AR	Washer M10	
26	4812002	AR	Washer M10	

SECTION 4 - PLATFORM

FIGURE 4-5. RAILS INSTALLATION - FIXED RAILS/CHAIN ENTRY (INSIDE TUBE SLIDER)



ART_1001207805

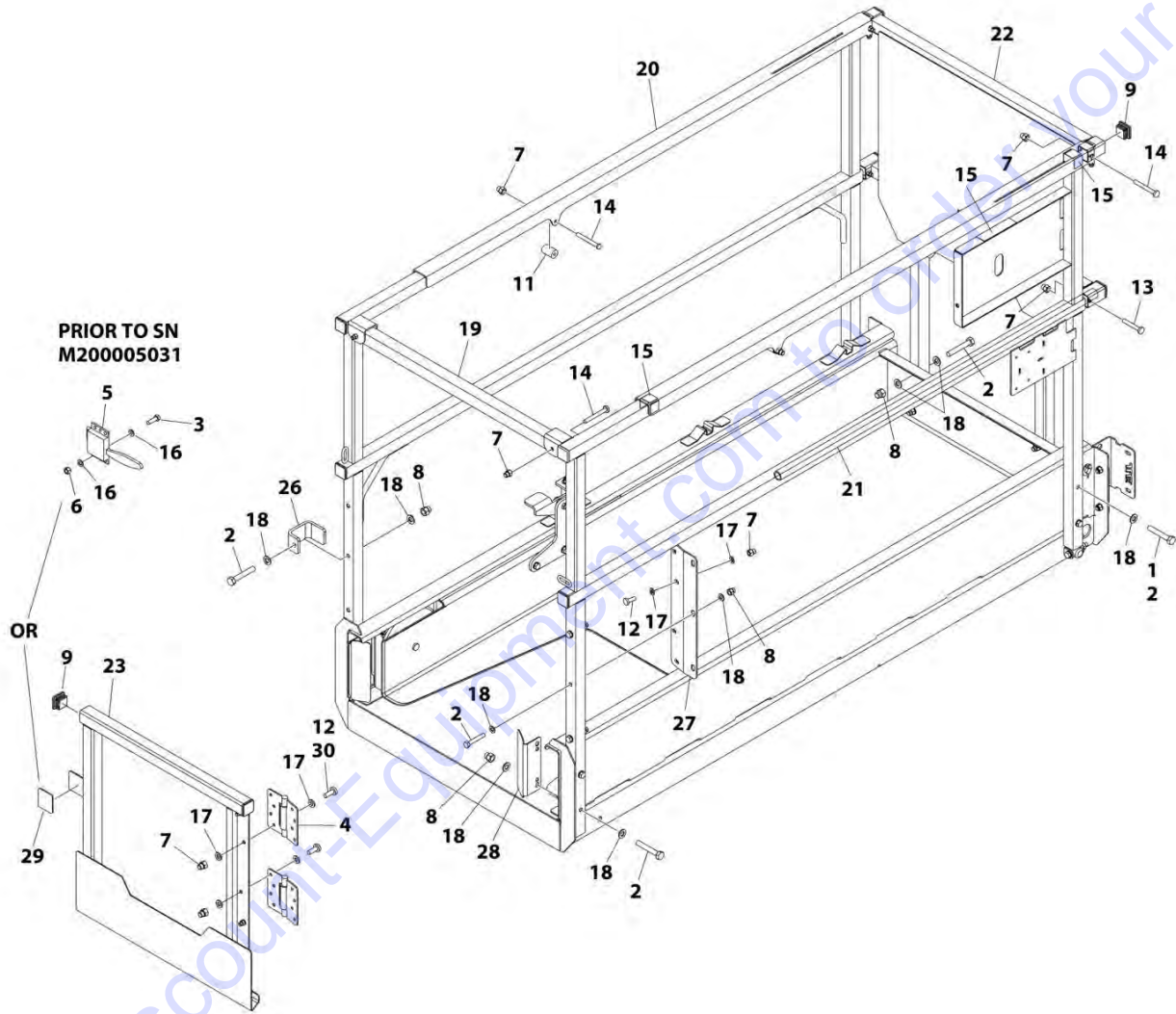
SECTION 4 - PLATFORM

FIGURE 4-5. RAILS INSTALLATION - FIXED RAILS/CHAIN ENTRY (INSIDE TUBE SLIDER)

ITEM	PART NUMBER	QTY	DESCRIPTION	REV
	1001207805	Ref	RAILS INSTALLATION - FIXED RAILS/CHAIN ENTRY (INSIDE TUBE SLIDER)	E
1	0100011	AR	Compound, Locking	
2	0700818	12	Bolt M8 x 50	
3	1260136	24 in / 60cm	Chain	
4	2820097	23 in / 58cm	Cover, Chain	
5	2940064	1	Latch	
6	3010088	2	Link	
7	3290606	8	Nut M6	
8	3290806	8	Nut M8	
9	3520072	8	Plug	
10	3860111	2	Roller	
11	4010616	2	Screw M6 x 40	
12	4010618	6	Screw M6 x 50	
13	4420062	1.3 ft/ 40cm	Tape	
14	4811900	20	Washer M8	
15	1001206224	1	Tube, Rail (Rear)	
16	1001206225	2	Rail, Top Slide	
17	1001206226	2	Rod	
18	1001206228	1	Rail Kit - Fixed Rails (See Separate Breakdown in this Section)	

SECTION 4 - PLATFORM

FIGURE 4-6. RAILS INSTALLATION - FIXED RAILS/GATE ENTRY (INSIDE TUBE SLIDER)



ART_1001207806

SECTION 4 - PLATFORM

FIGURE 4-6. RAILS INSTALLATION - FIXED RAILS/GATE ENTRY (INSIDE TUBE SLIDER)

ITEM	PART NUMBER	QTY	DESCRIPTION	REV
	1001207806	Ref	RAILS INSTALLATION - FIXED RAILS/GATE ENTRY (INSIDE TUBE SLIDER)	F
1	0100011	AR	Compound, Locking	
2	0700818	AR	Bolt M8 x 50	
3	0760508	AR	Bolt M5 x 16	
4	2600281	2	Hinge	
5	2940074	1	Latch (Prior to SN M200005031)	
6	3290505	4	Nut M5	
7	3290606	AR	Nut M6	
8	3290806	AR	Nut M8	
9	3520072	10	Plug	
11	3860111	2	Roller	
12	4010608	AR	Screw M6 x 16	
13	4010616	2	Screw M6 x 40	
14	4010618	6	Screw M6 x 50	
15	4420062	1.3 ft/ 40cm	Tape	
16	4811600	AR	Washer M5	
17	4811700	AR	Washer M6	
18	4811900	28	Washer M8	
19	1001206224	1	Tube (Rear)	
20	1001206225	2	Rail, Top Slide	
21	1001206226	2	Rod	
22	1001206228	1	Rail Kit - Fixed Rails (See Separate Breakdown in this Section)	
23	1001210302	1	Gate (Note: Gate design has been changed. When replacing the Gate for Machines Prior to SN M200005031, customer must also order Magnet p/n 3080007)	
26	1001210307	1	Plate, Gate Latch (Prior to SN M200005031)	
27	1001210586	1	Plate, Gate Hinge	
28	1001210963	2	Cover	
29	3080007	1	Magnet, Latch (SN M200005031 to Present)	
30	2080040	AR	Fastener	

PARTS FINDER

**Search Website
by Part Number**



**Search Manual
Library For Parts
Manual & Lookup Part
Numbers – Purchase
or Request Quote**

**Can't Find Part or
Manual? Request Help
by Manufacturer,
Model & Description**

Discount-Equipment.com is your online resource for quality parts & equipment.

Florida: **561-964-4949** Outside Florida TOLL FREE: **877-690-3101**

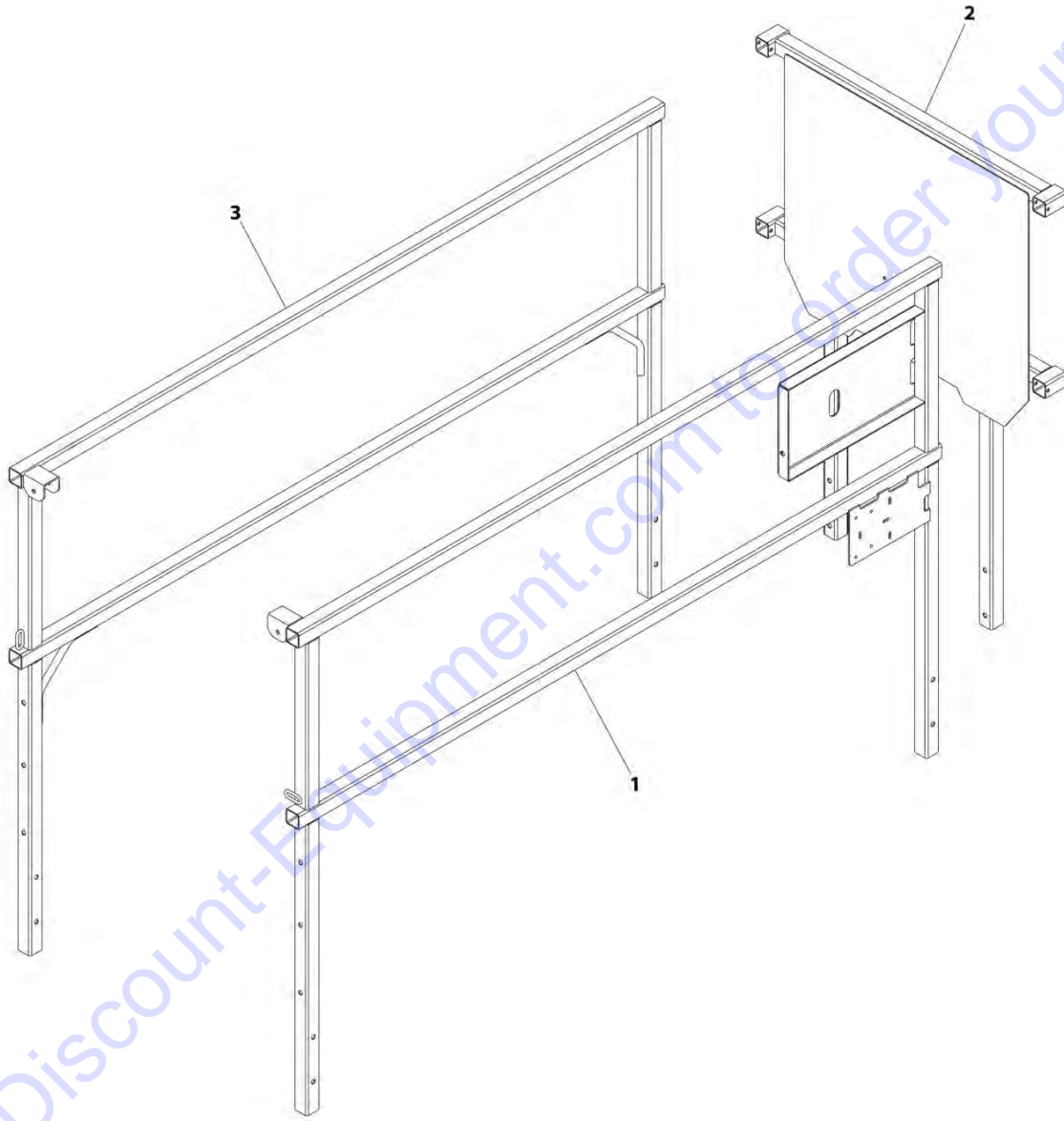
Need parts?

Click on this link: <http://www.discount-equipment.com/category/5443-parts/> and choose one of the options to help get the right parts and equipment you are looking for. Please have the machine model and serial number available in order to help us get you the correct parts. If you don't find the part on the website or on one of the online manuals, please fill out the request form and one of our experienced staff members will get back to you with a quote for the right part that your machine needs.

We sell worldwide for the brands: Genie, Terex, JLG, MultiQuip, Mikasa, Essick, Whiteman, Mayco, Toro Stone, Diamond Products, Generac Magnum, Airman, Haulotte, Barreto, Power Blanket, Nifty Lift, Atlas Copco, Chicago Pneumatic, Allmand, Miller Curber, Skyjack, Lull, Skytrak, Tsurumi, Husquvarna Target, Stow, Wacker, Sakai, Mi-T-M, Sullair, Basic, Dynapac, MBW, Weber, Bartell, Bennar Newman, Haulotte, Ditch Runner, Menegotti, Morrison, Contec, Buddy, Crown, Edco, Wyco, Bomag, Laymor, EZ Trench, Bil-Jax, F.S. Curtis, Gehl Pavers, Heli, Honda, ICS/PowerGrit, IHI, Partner, Imer, Clipper, MMD, Koshin, Rice, CH&E, General Equipment, Amida, Coleman, NAC, Gradall, Square Shooter, Kent, Stanley, Tamco, Toku, Hatz, Kohler, Robin, Wisconsin, Northrock, Oztec, Toker TK, Rol-Air, APT, Wylie, Ingersoll Rand / Doosan, Innovatech, Con X, Ammann, Mecalac, Makinex, Smith Surface Prep, Small Line, Wanco, Yanmar

SECTION 4 - PLATFORM

FIGURE 4-7. RAIL KIT - FIXED RAILS (INSIDE TUBE SLIDER)



ART_1001206228

SECTION 4 - PLATFORM

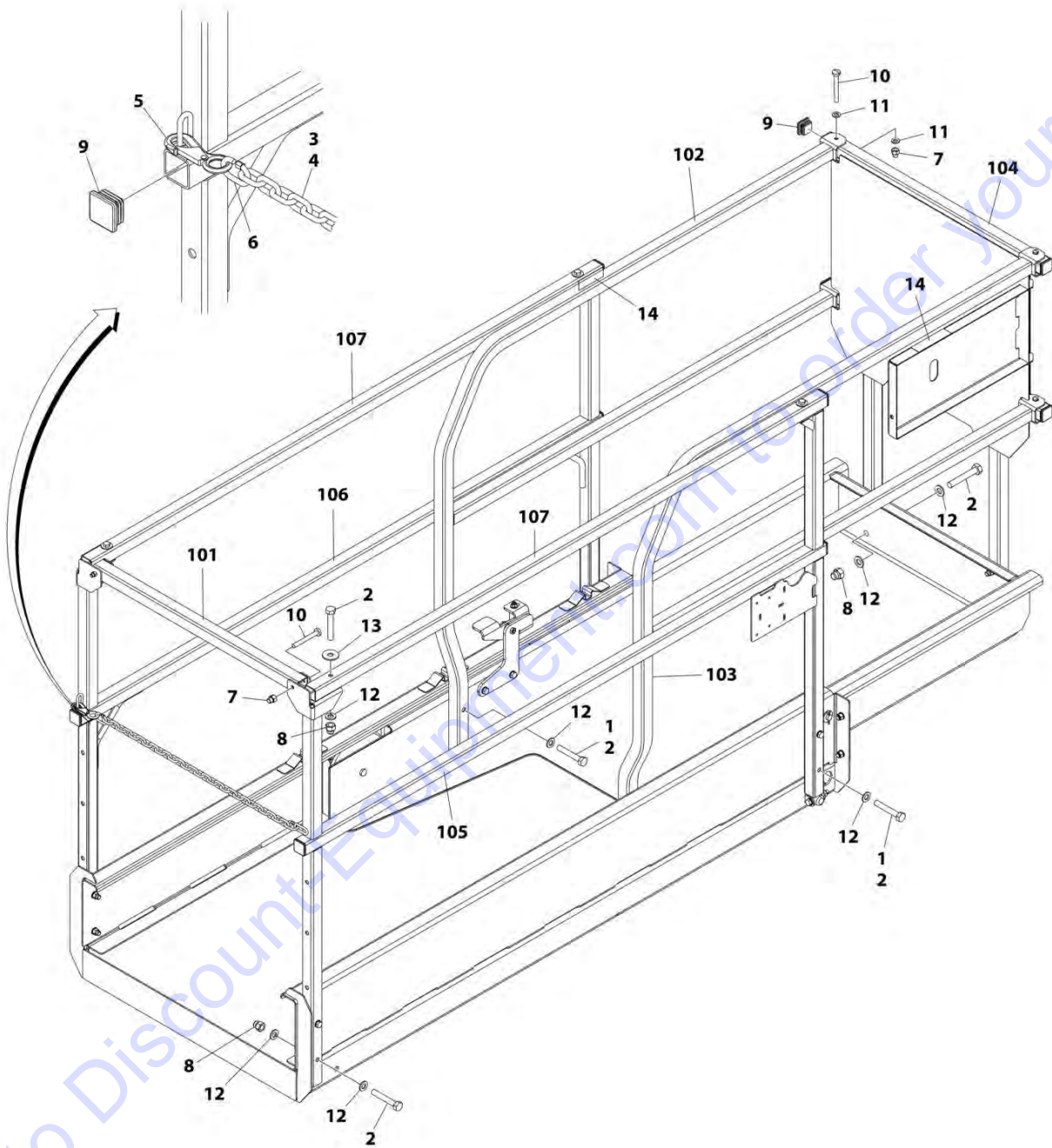
FIGURE 4-7. RAIL KIT - FIXED RAILS (INSIDE TUBE SLIDER)

ITEM	PART NUMBER	QTY	DESCRIPTION	REV
	1001206228	Ref	RAIL KIT - FIXED RAILS (INSIDE TUBE SLIDER)	C
1	1001206207	1	Rail (Right)	
2	1001206217	1	Rail Extension (Front)	
3	1001206222	1	Rail (Left)	

Go to Discount-Equipment.com to order your parts

SECTION 4 - PLATFORM

FIGURE 4-8. RAILS INSTALLATION - FIXED RAILS/CHAIN ENTRY (OUTSIDE TUBE SLIDER)



ART_1001222588

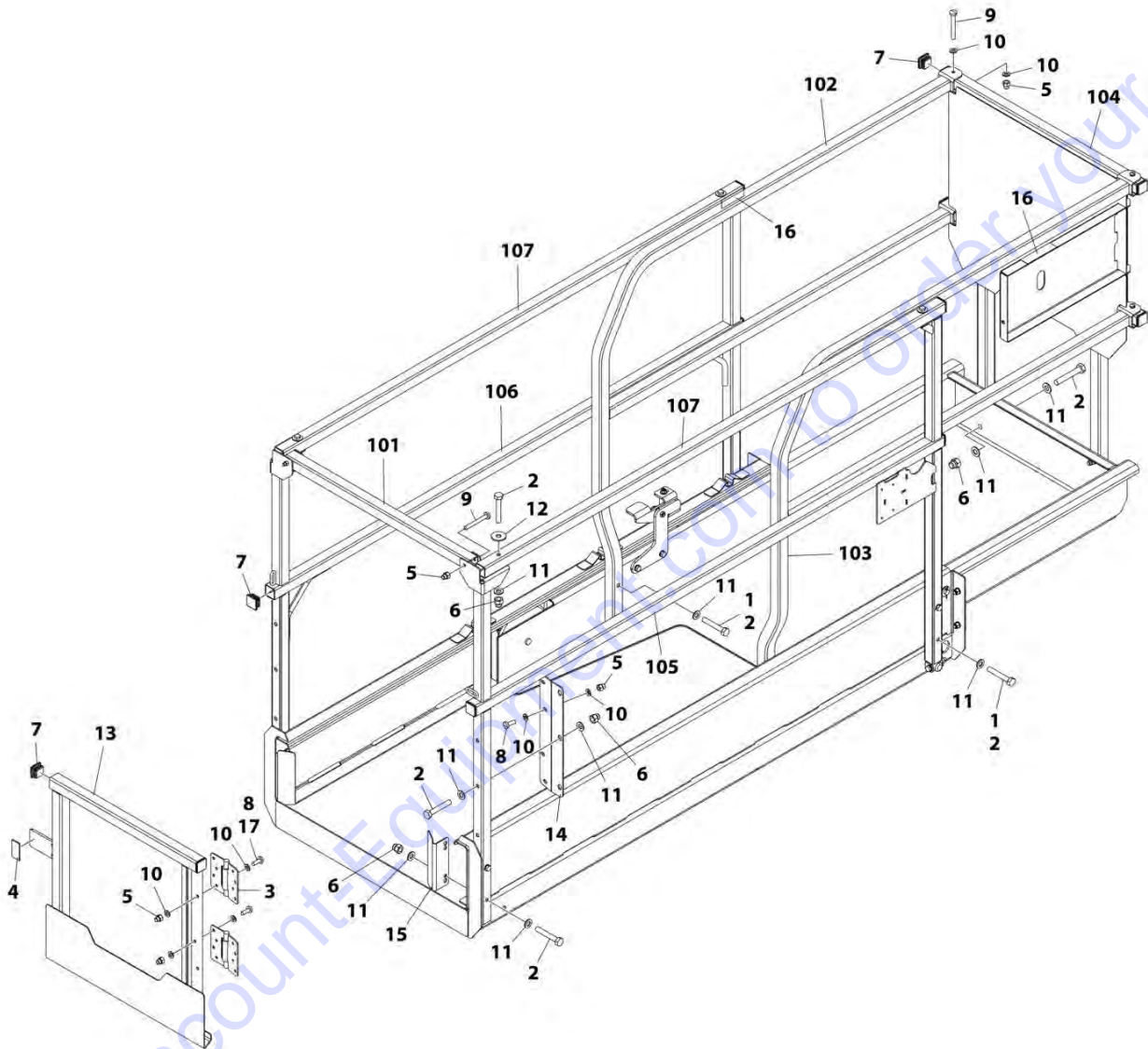
SECTION 4 - PLATFORM

FIGURE 4-8. RAILS INSTALLATION - FIXED RAILS/CHAIN ENTRY (OUTSIDE TUBE SLIDER)

ITEM	PART NUMBER	QTY	DESCRIPTION	REV
	1001222588	Ref	RAILS INSTALLATION - FIXED RAILS/CHAIN ENTRY (OUTSIDE TUBE SLIDER)	D
1	0100011	AR	Compound, Locking	
2	0700818	20	Bolt M8 x 50	
3	1260136	24 in/ 60cm	Chain	
4	2820097	23 in/ 58cm	Cover, Chain	
5	2940064	1	Latch	
6	3010088	2	Link	
7	3290606	6	Nut M6	
8	3290806	12	Nut M8	
9	3520072	10	Plug	
10	4010618	6	Screw M6 x 50	
11	4811700	8	Washer M6	
12	4811900	28	Washer M8	
13	4811902	4	Washer M8	
14	4420062	9.8 in/ 25cm	Tape	
100	1001223839	Ref	Rail Kit (Not Shown)	
101	1001206224	1	Rail (Rear Top)	
102	1001223362	1	Rail (Inside Left)	
103	1001223363	1	Rail (Inside Right)	
104	1001223364	1	Rail (Extension Front)	
105	1001223833	1	Rail (Outside Right)	
106	1001223834	1	Rail (Outside Left)	
107	1001223835	2	Tube (Outside Top)	

SECTION 4 - PLATFORM

FIGURE 4-9. RAILS INSTALLATION - FIXED RAILS/GATE ENTRY (OUTSIDE TUBE SLIDER)



ART_1001222589

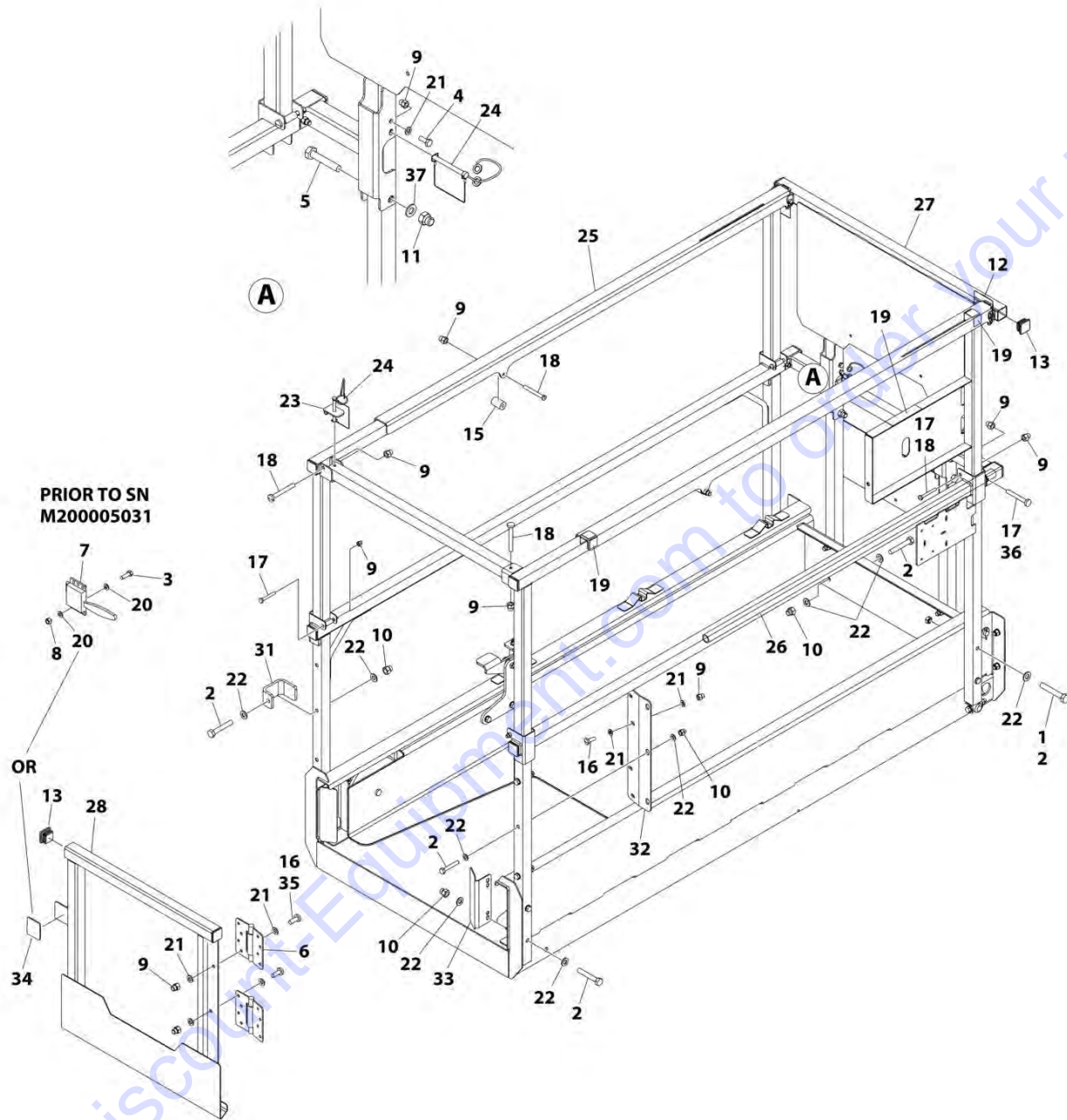
SECTION 4 - PLATFORM

FIGURE 4-9. RAILS INSTALLATION - FIXED RAILS/GATE ENTRY (OUTSIDE TUBE SLIDER)

ITEM	PART NUMBER	QTY	DESCRIPTION	REV
	1001222589	Ref	RAILS INSTALLATION - FIXED RAILS/GATE ENTRY (OUTSIDE TUBE SLIDER)	E
1	0100011	AR	Compound, Locking	
2	0700818	23	Bolt M8 x 50	
3	2600281	2	Hinge	
4	3080007	1	Magnet	
5	3290606	AR	Nut M6	
6	3290806	15	Nut M8	
7	3520072	14	Plug	
8	4010608	AR	Screw M6 x 16	
9	4010618	6	Screw M6 x 50	
10	4811700	AR	Washer M6	
11	4811900	34	Washer M8	
12	4811902	4	Washer M8	
13	1001210302	1	Gate	
14	1001210586	1	Plate, Gate Hinge	
15	1001210963	2	Cover	
16	4420062	9.8 in/ 25cm	Tape	
17	2080040	AR	Fastener	
100	1001223839	Ref	Rail Kit (Not Shown)	
101	1001206224	1	Rail (Rear Top)	
102	1001223362	1	Rail (Inside Left)	
103	1001223363	1	Rail (Inside Right)	
104	1001223364	1	Rail (Extension Front)	
105	1001223833	1	Rail (Outside Right)	
106	1001223834	1	Rail (Outside Left)	
107	1001223835	2	Tube (Outside Top)	

SECTION 4 - PLATFORM

FIGURE 4-10. RAILS INSTALLATION - FOLD-DOWN RAILS/GATE ENTRY (INSIDE TUBE SLIDER)



ART_1001207807

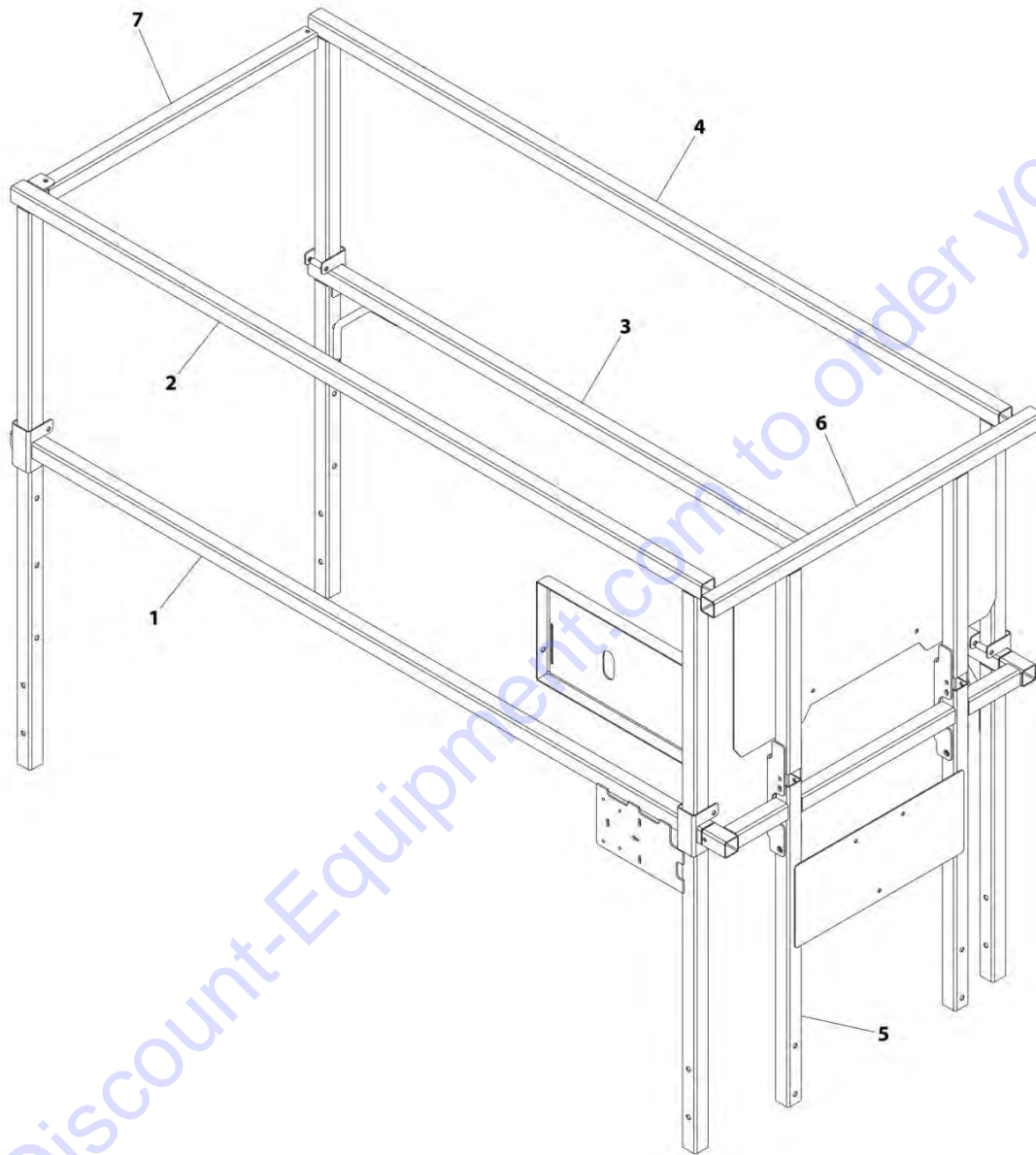
SECTION 4 - PLATFORM

FIGURE 4-10. RAILS INSTALLATION - FOLD-DOWN RAILS/GATE ENTRY (INSIDE TUBE SLIDER)

ITEM	PART NUMBER	QTY	DESCRIPTION	REV
	1001207807	Ref	RAILS INSTALLATION - FOLD-DOWN RAILS/GATE ENTRY (INSIDE TUBE SLIDER)	E
1	0100011	AR	Compound, Locking	
2	0700818	AR	Bolt M8 x 50	
3	0760508	AR	Bolt M5 x 16	
4	0760608	2	Bolt M6 x 16	
5	0761019	2	Bolt M10 x 55	
6	2600281	2	Hinge	
7	2940074	1	Latch (Prior to SN M200005031)	
8	3290505	AR	Nut M5	
9	3290606	AR	Nut M6	
10	3290806	AR	Nut M8	
11	3291006	2	Nut M10	
12	3422219	2	Pin	
13	3520072	10	Plug	
15	3860111	2	Roller	
16	4010608	AR	Screw M6 x 16	
17	4010617	AR	Screw M6 x 45	
18	4010618	AR	Screw M6 x 50	
19	4420062	1.3 ft/ 40cm	Tape	
20	4811600	AR	Washer M5	
21	4811700	AR	Washer M6	
22	4811900	AR	Washer M8	
23	1001154378	1	Bracket	
24	1001187587	3	Pin	
25	1001206225	2	Rail, Top Slide	
26	1001206226	2	Rod	
27	1001208073	1	Rail Kit - Fold-Down Rails (See Separate Breakdown in this Section)	
28	1001210302	1	Gate (Note: Gate design has been changed. When replacing the Gate for Machines Prior to SN M200005031, customer must also order Magnet p/n 3080007)	
31	1001210307	1	Plate, Gate Latch (Prior to SN M200005031)	
32	1001210586	1	Plate, Gate Hinge	
33	1001210963	2	Cover	
34	3080007	1	Magnet	
35	2080040	AR	Fastener	
36	4010616	AR	Screw M6 x 40	
37	4812000	AR	Washer M10	

SECTION 4 - PLATFORM

FIGURE 4-11. RAIL KIT - FOLD-DOWN RAILS (INSIDE TUBE SLIDER)



ART_1001208073

SECTION 4 - PLATFORM

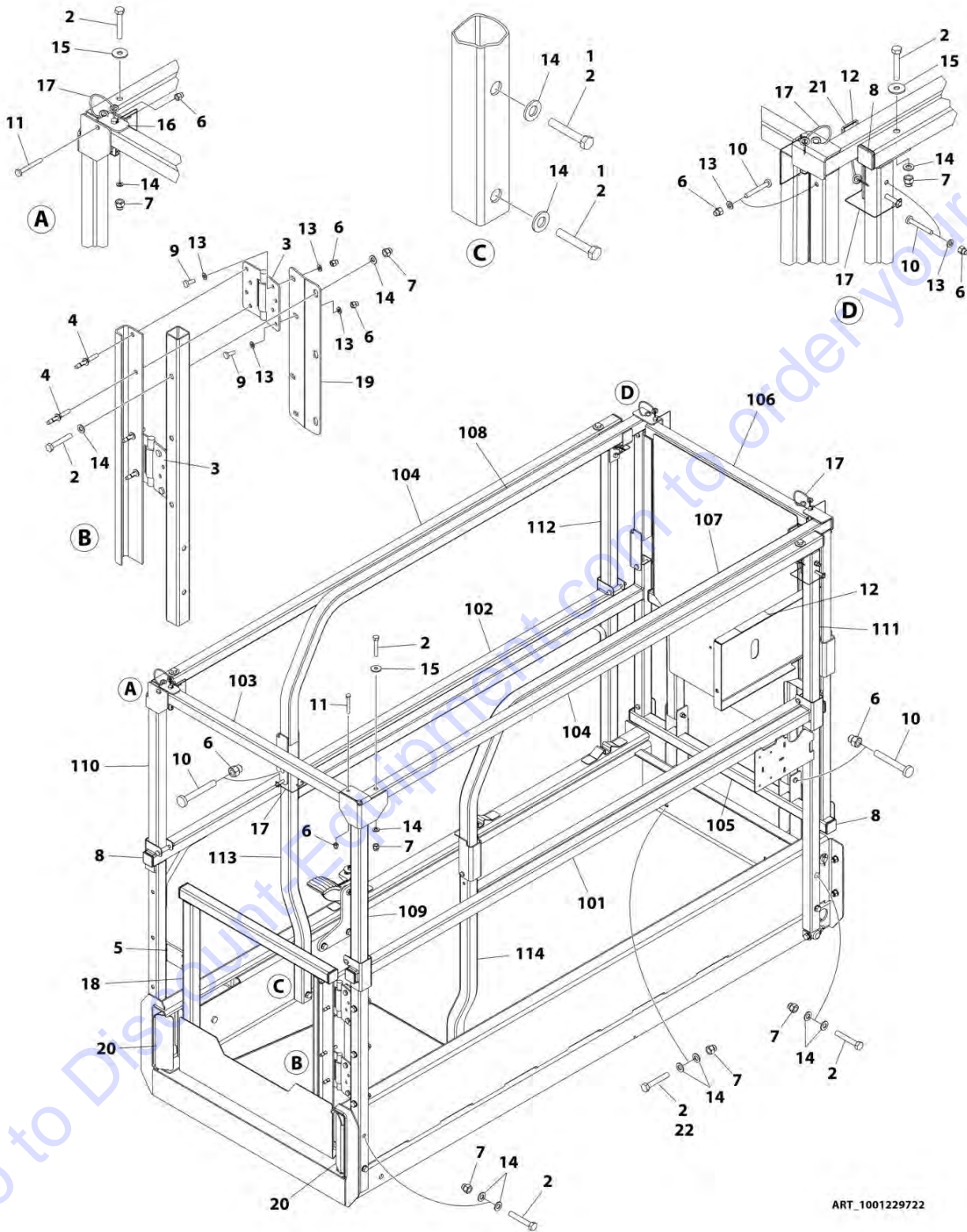
FIGURE 4-11. RAIL KIT - FOLD-DOWN RAILS (INSIDE TUBE SLIDER)

ITEM	PART NUMBER	QTY	DESCRIPTION	REV
	1001208073	Ref	RAIL KIT - FOLD-DOWN RAILS (INSIDE TUBE SLIDER)	B
1	1001210442	1	Rail - Lower (Right)	
2	1001210443	1	Rail - Upper (Right)	
3	1001210444	1	Rail - Lower (Left)	
4	1001210445	1	Rail - Upper (Left)	
5	1001210446	1	Rail - Extension Lower (Front)	
6	1001210447	1	Rail - Extension Upper (Front)	
7	1001210458	1	Rail (Rear)	

Go to Discount-Equipment.com to order your parts

SECTION 4 - PLATFORM

FIGURE 4-12. RAILS INSTALLATION - FOLD-DOWN RAILS/GATE ENTRY (OUTSIDE TUBE SLIDER)



ART_1001229722

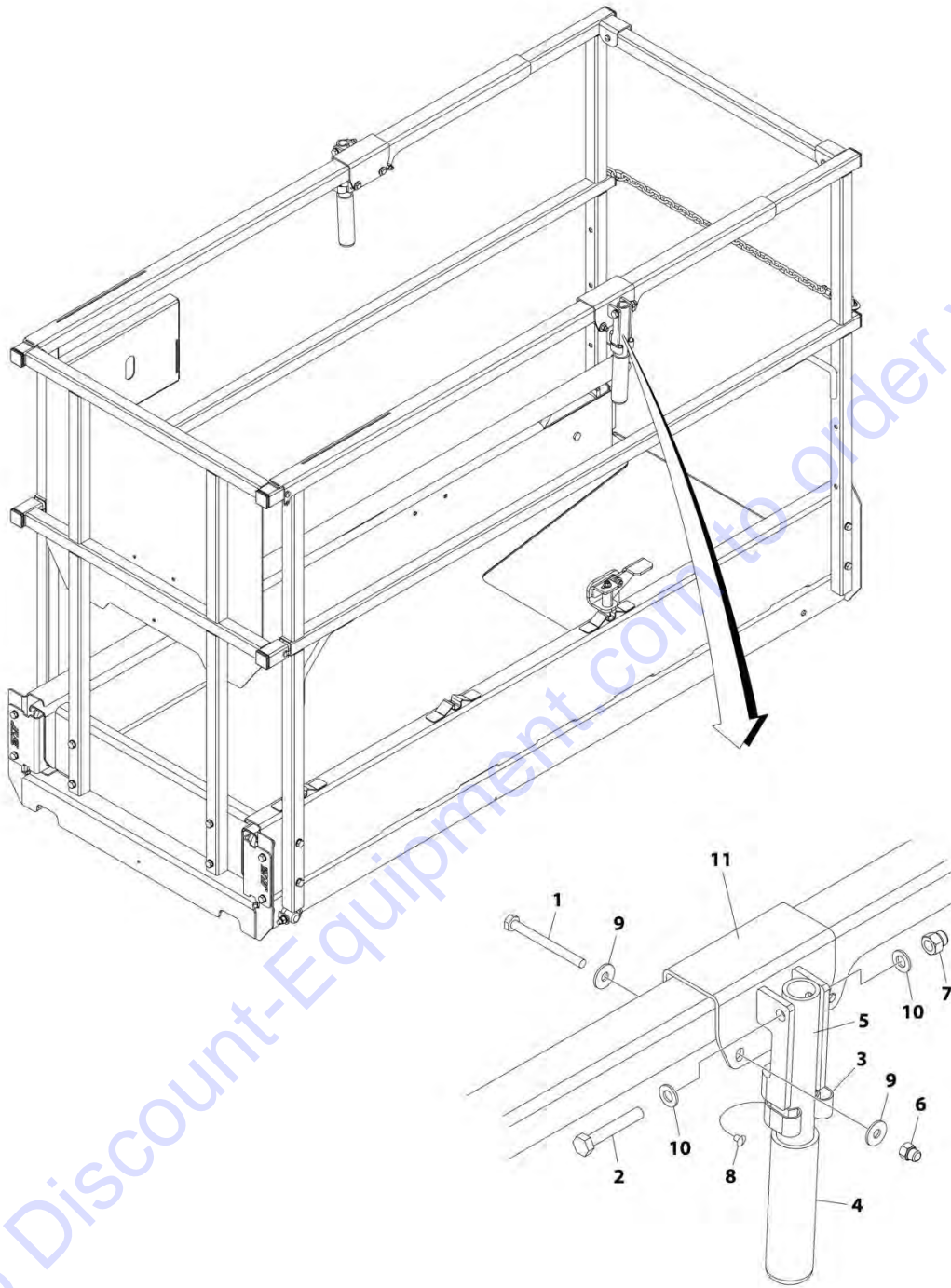
SECTION 4 - PLATFORM

FIGURE 4-12. RAILS INSTALLATION - FOLD-DOWN RAILS/GATE ENTRY (OUTSIDE TUBE SLIDER)

ITEM	PART NUMBER	QTY	DESCRIPTION	REV
	1001229722	Ref	RAILS INSTALLATION - FOLD-DOWN RAILS/GATE ENTRY	D
1	0100011	AR	Compound, Locking	
2	0700818	AR	Bolt M8 x 50	
3	2600281	2	Hinge	
4	2080040	4	Fastener	
5	3080007	1	Magnet	
6	3290606	23	Nut M6	
7	3290806	15	Nut M8	
8	3520072	12	Plug	
9	4010608	5	Screw M6 x 16	
10	4010617	16	Screw M6 x 45	
11	4010618	2	Screw M6 x 50	
12	4420062	15 in/ 37cm	Tape	
13	4811700	13	Washer M6	
14	4811900	30	Washer M8	
15	4811902	4	Washer M8	
16	1001154378	1	Bracket	
17	1001187587	6	Pin	
18	1001210302	1	Gate	
19	1001210586	1	Plate, Gate Support	
20	1001210963	2	Cover (LH)	
21	1001232257	2	Brace	
22	0700820	AR	Bolt M8 x 60	
100	1001229723	1	Rail (Not Shown)	
101	1001210442	1	Rail (Side Lower Right)	
102	1001210444	1	Rail (Side Lower Left)	
103	1001210458	1	Rail (Rear Top)	
104	1001223835	2	Rail (Side Top)	
105	1001231405	1	Rail (Extention Front Lower)	
106	1001229732	1	Rail (Extention Front Upper)	
107	1001229733	1	Rail (Extention Upper Right)	
108	1001229734	1	Rail (Extention Upper Left)	
109	1001229739	1	Rail (Rear Upper Right)	
110	1001229740	1	Rail (Rear Upper Left)	
111	1001229741	1	Rail (Front Upper Right)	
112	1001229742	1	Rail (Front Upper Left)	
113	1001230248	1	Rail (Extention Side Lower Left)	
114	1001230249	1	Rail (Extention Side Lower Right)	

SECTION 4 - PLATFORM

FIGURE 4-13. HANDLE EXTENSION INSTALLATION (OPTIONAL)



**BOTH SIDES
TYPICAL**

ART_1001222587

SECTION 4 - PLATFORM

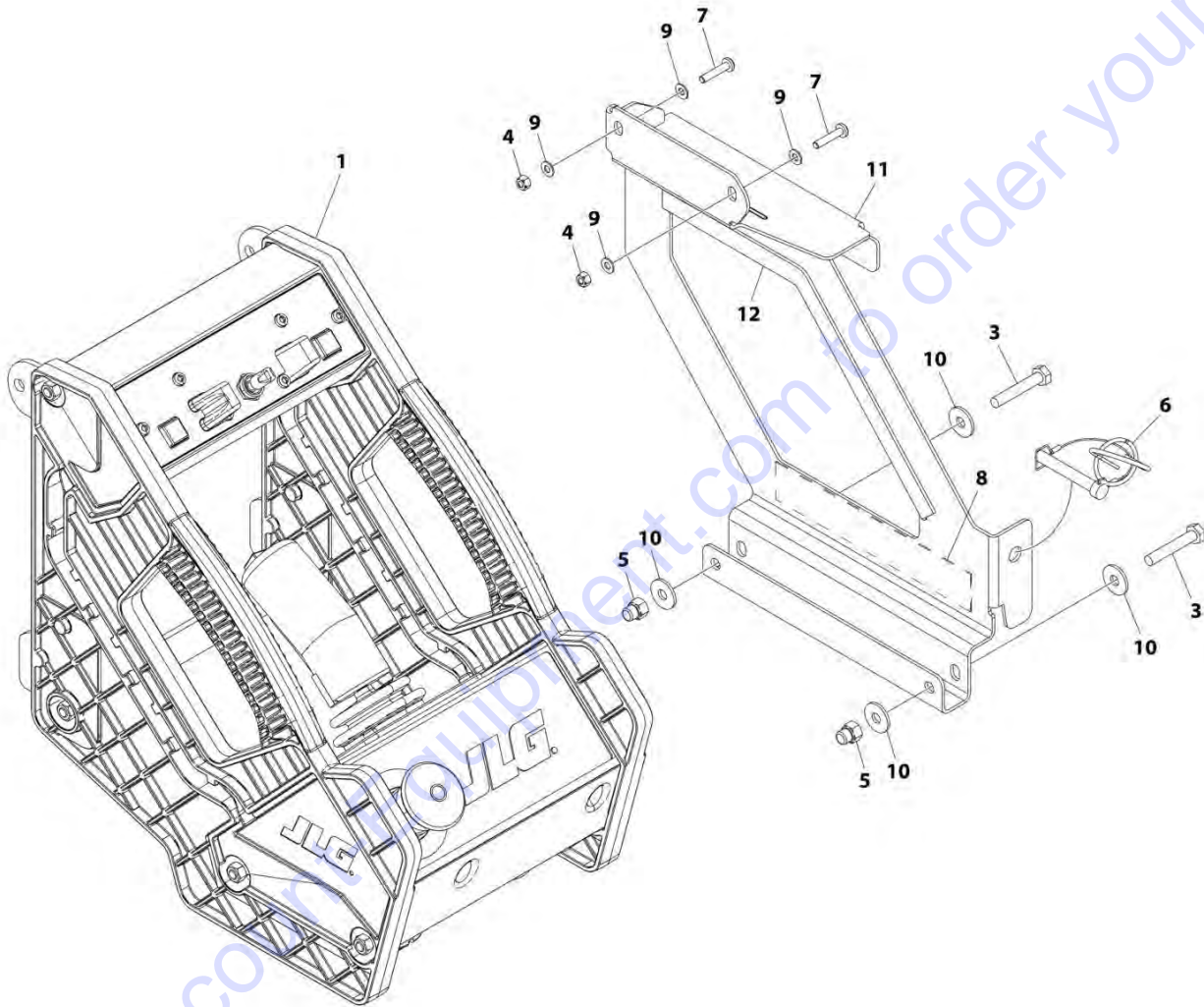
FIGURE 4-13. HANDLE EXTENSION INSTALLATION (OPTIONAL)

ITEM	PART NUMBER	QTY	DESCRIPTION	REV
	1001222587	Ref	HANDLE EXTENSION INSTALLATION (OPTIONAL)	B
1	0700621	4	Bolt M6 x 65	
2	0700818	2	Bolt M8 x 50	
3	1380132	2	Clip	
4	2560088	2	Grip, Handle	
5	2560190	2	Handle	
6	3290606	2	Nut M6	
7	3290806	2	Nut M8	
8	3820019	2	Rivet	
9	4811702	8	Washer M6	
10	4811900	4	Washer M8	
11	1001216823	2	Bracket	

Go to Discount-Equipment.com to order your parts

SECTION 4 - PLATFORM

FIGURE 4-14. PLATFORM CONTROL BOX INSTALLATION (ANSI, ANSI EXPORT AND JAPAN SPECS) (Prior to SN B200038482, Prior to SN M200015692)



ART_1001215042_C

SECTION 4 - PLATFORM

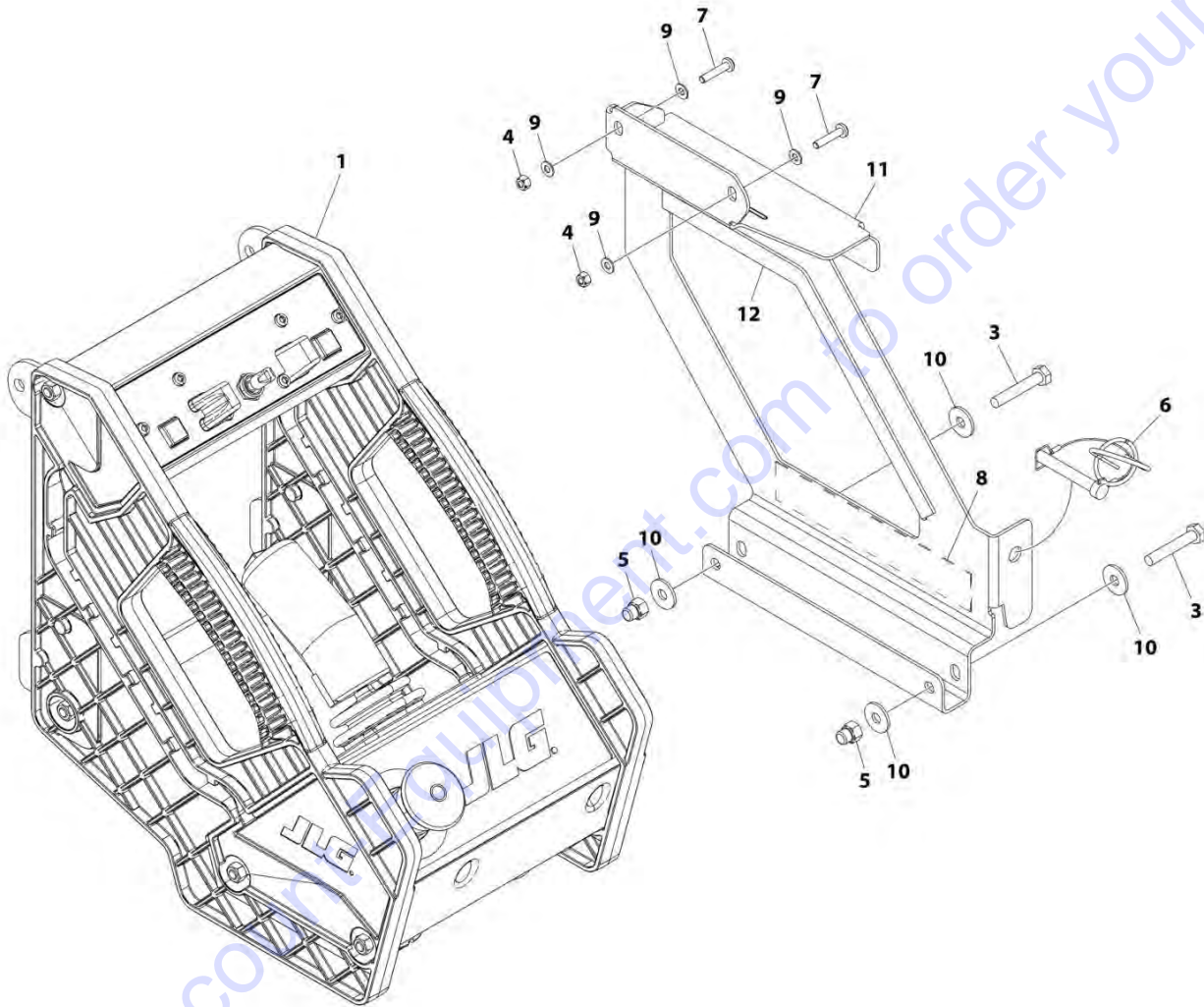
FIGURE 4-14. PLATFORM CONTROL BOX INSTALLATION (ANSI, ANSI EXPORT AND JAPAN SPECS) (Prior to SN B200038482, Prior to SN M200015692)

ITEM	PART NUMBER	QTY	DESCRIPTION	REV
	1001215042	Ref	PLATFORM CONTROL BOX INSTALLATION (ANSI, ANSI EXPORT AND JAPAN SPECS) (Prior to SN B200038482, Prior to SN M200015692)	C
1	1001091153	1	Platform Control Box Assembly (ANSI, ANSI Export and Japan Specs) (See Separate Breakdown in this Section)	
3	0760615	2	Bolt M6 x 35	
4	3290405	2	Nut M4	
5	3290606	2	Nut M6	
6	3423278	1	Pin, Snap	
7	3900338	2	Screw M4 x 20	
8	4420062	6 in /15cm	Tape	
9	4811400	4	Washer M4	
10	4811702	4	Washer M6	
11	1001221712	1	Mount	
12	4060803	10 in /25cm	Flex-Trim	

Go to Discount-Equipment.com to order your parts

SECTION 4 - PLATFORM

FIGURE 4-15. PLATFORM CONTROL BOX INSTALLATION (AUSTRALIAN, CE, CHINA AND CSA SPECS) (Prior to SN B200038482, Prior to SN M200015692)



ART_1001207562_C

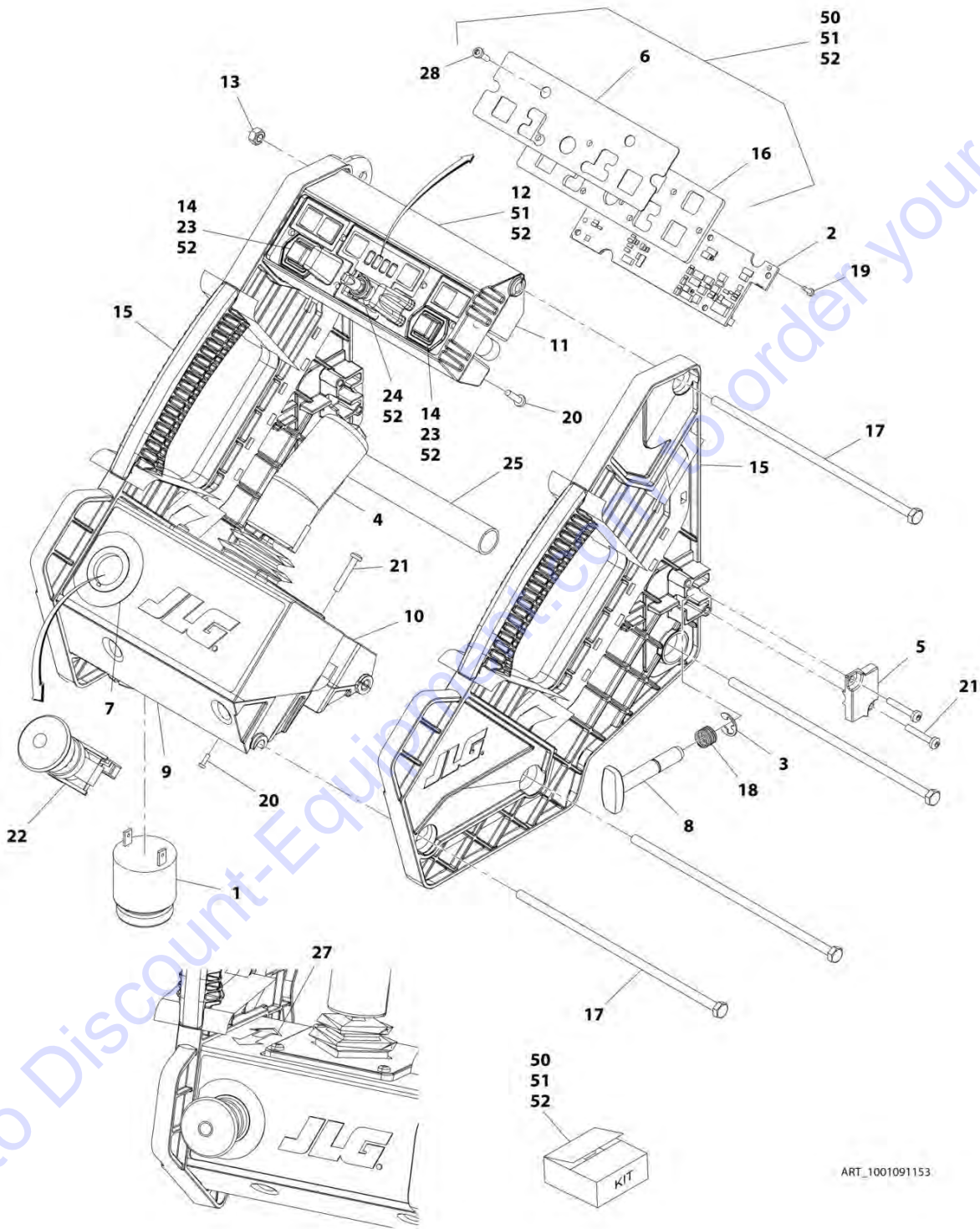
SECTION 4 - PLATFORM

FIGURE 4-15. PLATFORM CONTROL BOX INSTALLATION (AUSTRALIAN, CE, CHINA AND CSA SPECS) (Prior to SN B200038482, Prior to SN M200015692)

ITEM	PART NUMBER	QTY	DESCRIPTION	REV
	1001207562	Ref	PLATFORM CONTROL BOX INSTALLATION (AUSTRALIAN, CE, CHINA AND CSA SPECS) (Prior to SN B200038482, Prior to SN M200015692)	C
1	1001091154	1	Platform Control Box Assembly (Australian, CE, China and CSA Specs) (See Separate Breakdown in this Section)	
3	0760615	2	Bolt M6 x 35	
4	3290405	2	Nut M4	
5	3290606	2	Nut M6	
6	3423278	1	Pin, Snap	
7	3900338	2	Screw M4 x 20	
8	4420062	6 in /15cm	Tape	
9	4811400	4	Washer M4	
10	4811702	4	Washer M6	
11	1001221712	1	Mount	
12	4060803	10 in /25cm	Flex-Trim	

SECTION 4 - PLATFORM

FIGURE 4-16. PLATFORM CONTROL BOX ASSEMBLY (ANSI, ANSI EXPORT AND JAPAN SPECS)
(Prior to SN B200038482, SN M200000100 to Present)



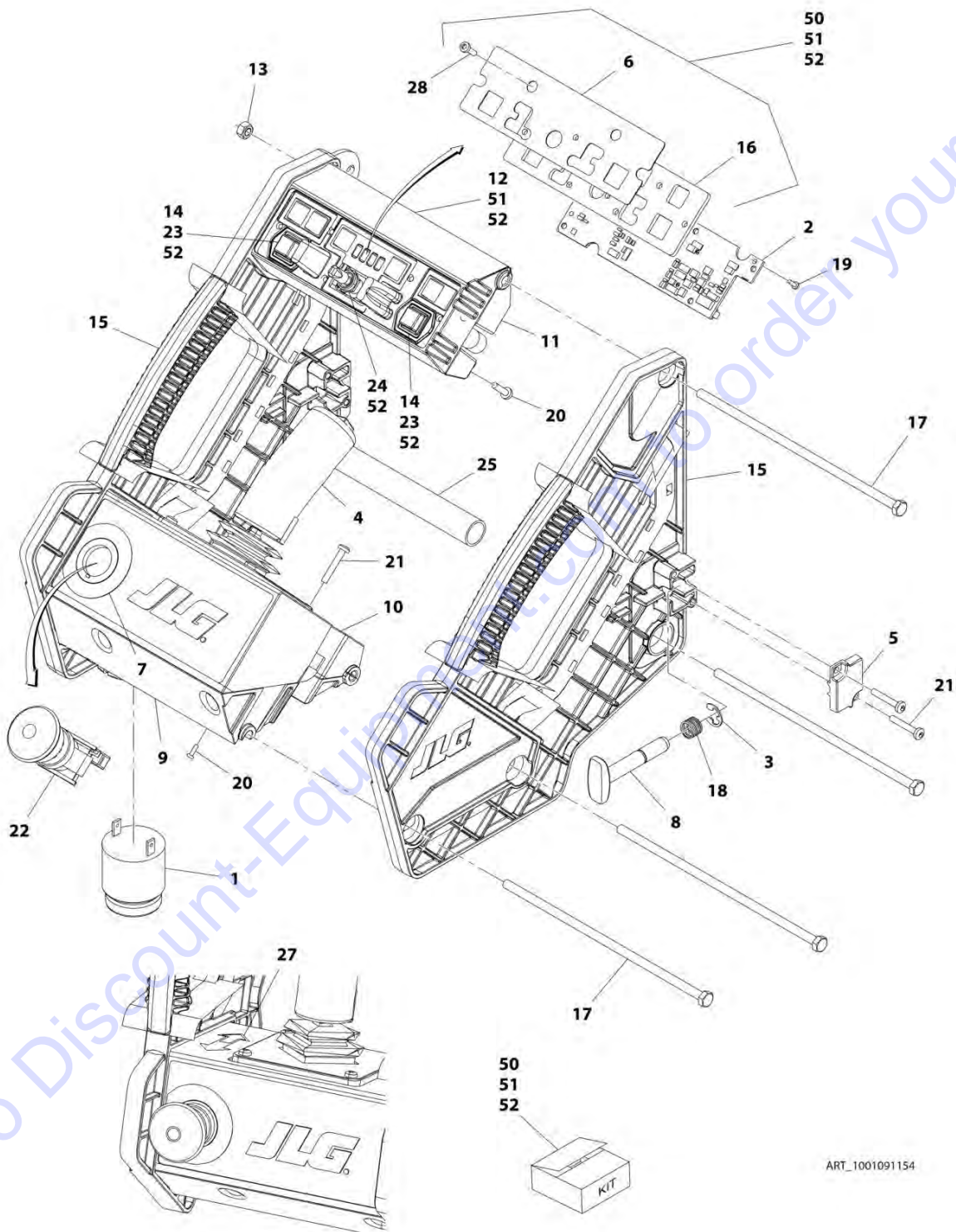
SECTION 4 - PLATFORM

**FIGURE 4-16. PLATFORM CONTROL BOX ASSEMBLY (ANSI, ANSI EXPORT AND JAPAN SPECS)
(Prior to SN B200038482, SN M200000100 to Present)**

ITEM	PART NUMBER	QTY	DESCRIPTION	REV
	1001091153	Ref	PLATFORM CONTROL BOX ASSEMBLY (ANSI, ANSI EXPORT AND JAPAN SPECS) (Prior to SN B200038482, SN M200000100 to Present)	L
1	0140011	1	Alarm	
2	1600439	1	PC Board	
3	1380156	1	E-Clip	
4	1600402	1	Drive/Steer Controller Assembly (See Separate Breakdown in this Section)	
5	1671098	1	Latch	
6	1001091272	1	Decal - Icon	
7	1705676	1	Decal - Emergency Stop Ring	
8	2560179	1	Handle, Latch	
9	1001091277	1	Housing, Joystick (Lower)	
10	1001091278	1	Mount, Joystick	
11	1001091279	1	Housing, Module Mounting (Lower)	
12	1001091280	1	Housing, Module Mounting (Upper)	
13	3300473	4	Nut M6	
14	3340968	2	Button (Includes Black Button Only)	
15	3380475	2	Panel, Side	
16	1001091283	1	Plate, Decal	
17	3900333	4	Screw M6 x 190	
18	4160203	1	Spring, Compression	
19	4191306	5	Screw M3.5 x 12	
20	4191407	8	Screw M4 x 16	
21	4191409	6	Screw M4 x 25	
22	4360475	1	Switch, Emergency Stop	
22	7020175	1	Cap	
22	7020176	1	Block, Contact	
23	4360538	2	Strip, Switch and Membrane	
24	4360539	1	Switch, Toggle	
25	4568738	1	Tube, Spacer	
26	4922870	1	Harness, Platform Box (Not Shown - See Separate Breakdown in ELECTRICAL SECTION)	
27	1703819	1	Decal - Directional Arrow	
28	1001091396	6	Screw M3.5 x 12	
29	See Note	NSS	Decal - Control Module (Not Shown - Located on Bottom of Box) (Note: Not Available for Purchase)	
50	1001091968	1	Decal Kit (Includes Items 6, 16 & 28) (Note: Two Item 6's are included in the kit - 1 for All Specs except CE/Australian Specs and 1 for CE/Australian Specs. Use decal required for applicable spec. Dispose of the decal not used)	A
51	1001091393	1	Decal and Housing Kit (Includes Items 6, 12, 16 & 28) (Note: Two Item 6's are included in the kit - 1 for All Specs except CE/Australian Specs and 1 for CE/Australian Specs. Use decal required for applicable spec. Dispose of the decal not used)	C
52	1001091965	1	Decal, Housing and PC Board Kit (Includes Items 2, 6, 12, 14, 16, 19, 23, 24 & 28) (Note: Two Item 6's are included in the kit - 1 for All Specs except CE/Australian Specs and 1 for CE/Australian Specs. Use decal required for applicable spec. Dispose of the decal not used)	C

SECTION 4 - PLATFORM

FIGURE 4-17. PLATFORM CONTROL BOX ASSEMBLY (AUSTRALIAN, CE, CHINA AND CSA SPECS)
(Prior to SN B200038482, SN M200000100 to Present)



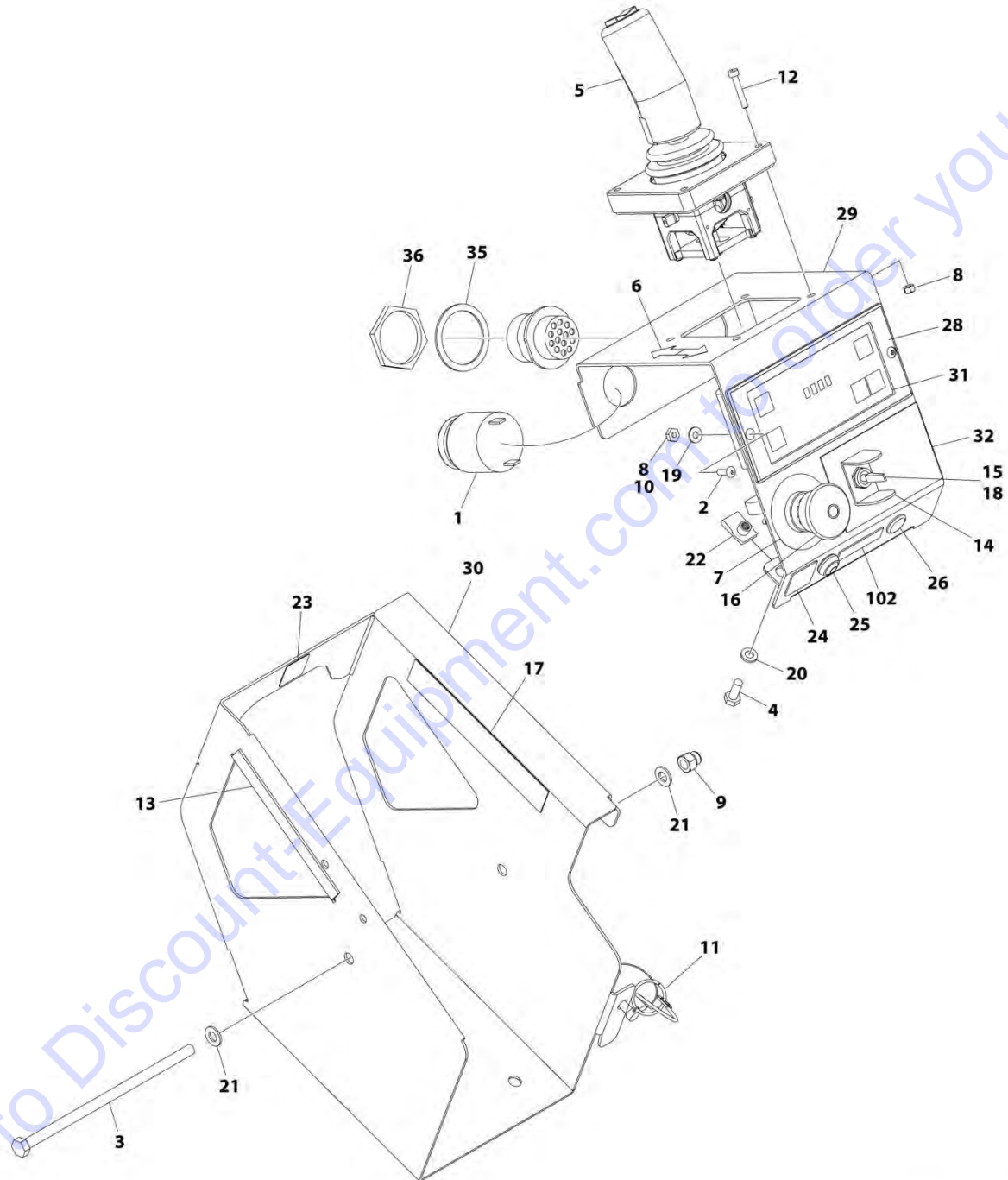
SECTION 4 - PLATFORM

**FIGURE 4-17. PLATFORM CONTROL BOX ASSEMBLY (AUSTRALIAN, CE, CHINA AND CSA SPECS)
(Prior to SN B200038482, SN M200000100 to Present)**

ITEM	PART NUMBER	QTY	DESCRIPTION	REV
	1001091154	Ref	PLATFORM CONTROL BOX ASSEMBLY (AUSTRALIAN, CE, CHINA AND CSA SPECS) (Prior to SN B200038482, SN M200000100 to Present)	J
1	0140011	1	Alarm	
2	1600439	1	PC Board	
3	1380156	1	E-Clip	
4	1600402	1	Drive/Steer Controller Assembly (See Separate Breakdown in this Section)	
5	1671098	1	Latch	
6	1001091275	1	Decal - Icon	
7	1705676	1	Decal - Emergency Stop Ring	
8	2560179	1	Handle, Latch	
9	1001091277	1	Housing, Joystick (Lower)	
10	1001091278	1	Mount, Joystick	
11	1001091279	1	Housing, Module Mounting (Lower)	
12	1001091280	1	Housing, Module Mounting (Upper)	
13	3300473	4	Nut M6	
14	3340968	2	Button (Includes Black Button Only)	
15	3380475	2	Panel, Side	
16	1001091283	1	Plate, Decal	
17	3900333	4	Screw M6 x 190	
18	4160203	1	Spring, Compression	
19	4191306	5	Screw M3.5 x 12	
20	4191407	8	Screw M4 x 16	
21	4191409	6	Screw M4 x 25	
22	4360475	1	Switch, Emergency Stop	
22	7020175	1	Cap	
22	7020176	1	Block, Contact	
23	4360538	2	Strip, Switch and Membrane	
24	4360539	1	Switch, Toggle	
25	4568738	1	Tube, Spacer	
26	4922870	1	Harness, Platform Box (Not Shown - See Separate Breakdown in ELECTRICAL SECTION)	
27	1703819	1	Decal - Directional Arrow	
28	1001091396	6	Screw M3.5 x 12	
29	See Note	NSS	Decal - Control Module (Not Shown - Located on Bottom of Box) (Note: Not Available for Purchase)	
50	1001091968	1	Decal Kit (Includes Items 6, 16 & 28) (Note: Two Item 6's are included in the kit - 1 for All Specs except CE/Australian Specs and 1 for CE/Australian Specs. Use decal required for applicable spec. Dispose of the decal not used)	A
51	1001091393	1	Decal and Housing Kit (Includes Items 6, 12, 16 & 28) (Note: Two Item 6's are included in the kit - 1 for All Specs except CE/Australian Specs and 1 for CE/Australian Specs. Use decal required for applicable spec. Dispose of the decal not used)	C
52	1001091965	1	Decal, Housing and PC Board Kit (Includes Items 2, 6, 12, 14, 16, 19, 23, 24 & 28) (Note: Two Item 6's are included in the kit - 1 for All Specs except CE/Australian Specs and 1 for CE/Australian Specs. Use decal required for applicable spec. Dispose of the decal not used)	C

SECTION 4 - PLATFORM

FIGURE 4-18. PLATFORM CONTROL BOX INSTALLATION (ANSI, ANSI EXPORT, CSA AND JAPANESE SPECS) (SN B200038482 to Present, SN M200015692 to Present)



ART_1001215013

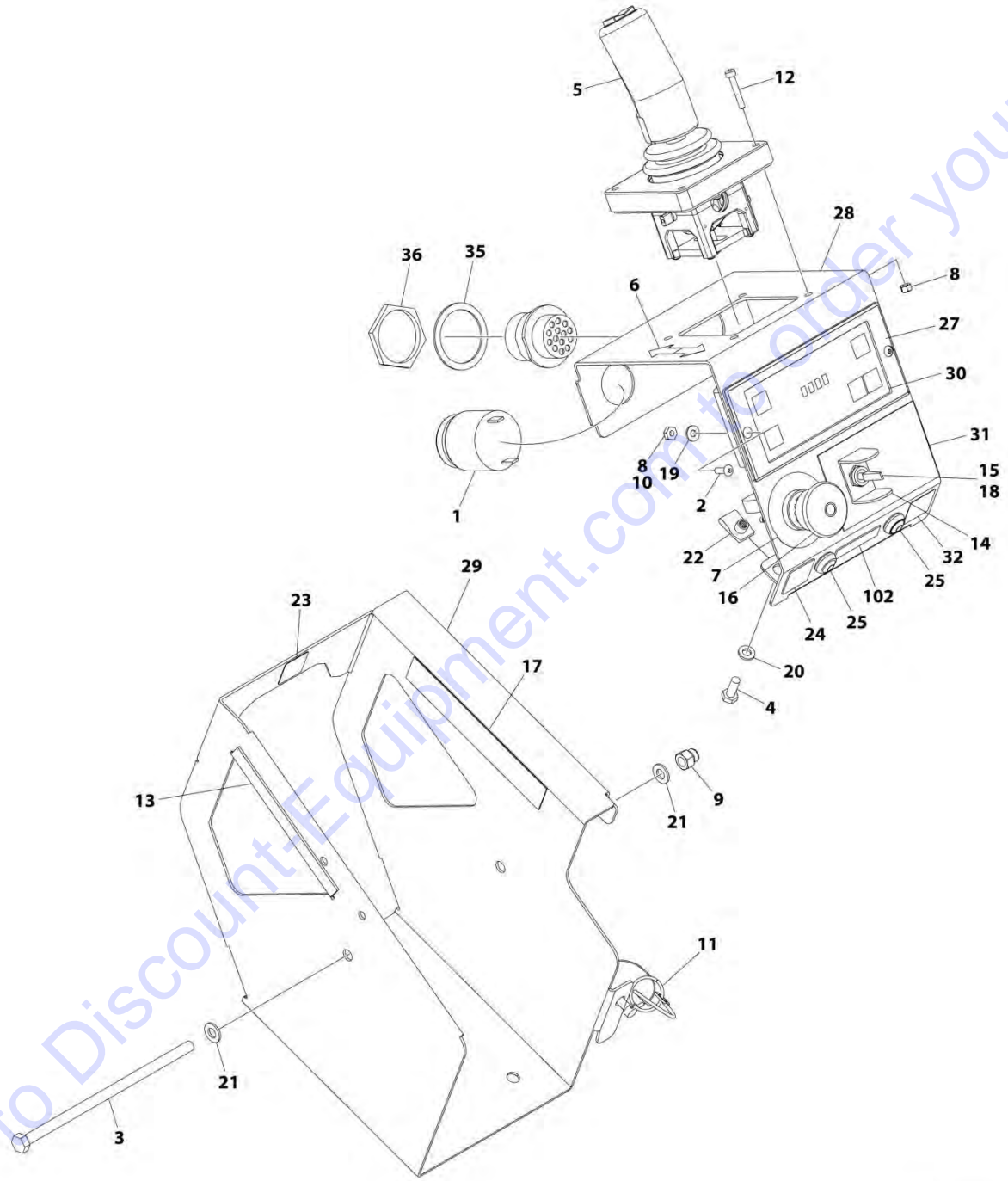
SECTION 4 - PLATFORM

FIGURE 4-18. PLATFORM CONTROL BOX INSTALLATION (ANSI, ANSI EXPORT, CSA AND JAPANESE SPECS) (SN B200038482 to Present, SN M200015692 to Present)

ITEM	PART NUMBER	QTY	DESCRIPTION	REV
	1001215013	Ref	PLATFORM CONTROL BOX INSTALLATION	G
1	0140030	1	Alarm	
2	0630473	2	Screw #8 x 1/2	
2	1001047064	2	Screw M4 X 15	
3	0700835	1	Bolt M8 x 180	
4	0760610	2	Bolt M6 x 20	
5	1600402	1	Controller Assembly (See Separate Breakdown in this Section)	
6	1703819	1	Decal - Arrow	
7	1704260	1	Decal - Emergency Stop	
8	3290405	AR	Nut M4	
9	3290806	1	Nut M8	
10	3290805	2	Nut #8	
11	3423278	1	Pin, Snap with Lanyard	
12	4031509	4	Capscrew M4 x 25	
13	4060803	6 in/14cm	Flex-Trim	
14	4060906	1	Guard, Switch	
15	4360345	1	Switch, Toggle	
16	4360475	1	Switch, Emergency Stop	
16	7020175	1	Cap	
16	7020176	1	Block, Contact	
17	4420062	12 in/ 30cm	Tape	
18	4711700	1	Washer 7/16	
19	4750800	2	Washer #8	
19	4811400	2	Washer M4	
20	4811700	2	Washer M6	
21	4811900	2	Washer M8	
22	1001130220	2	Nut, Tinnerman M6	
23	1001132358	1	Decal - Steer	
24	1001132361	1	Decal - Horn	
25	1001176626	1	Plug	
26	1001200633	1	Switch, Push Button	
27	1001200819	1	Platform Control Box Harness (Not Shown) (See Separate Breakdown in ELECTRICAL SECTION)	
28	1001224873	1	Module, Platform Control (Note: Recalibration Required when Replaced.)	
29	1001209595	1	Plate, Box (Inside)	
30	1001209596	1	Plate, Box (Outside)	
31	1001210436	1	Decal - Platform Control	
32	1001213491	1	Decal - Lift/Drive Function	
35	4460496	1	Washer, Terminal	
36	4460497	1	Nut, Terminal	
	1001224869	Ref	PLATFORM CONTROL BOX INSTALLATION	C
102	1001219173	1	Decal - 1532R/1932R	

SECTION 4 - PLATFORM

FIGURE 4-19. PLATFORM CONTROL BOX INSTALLATION (AUSTRALIAN, CE AND CHINESE SPECS)
(SN B200038482 through B200054176)



ART_1001201529

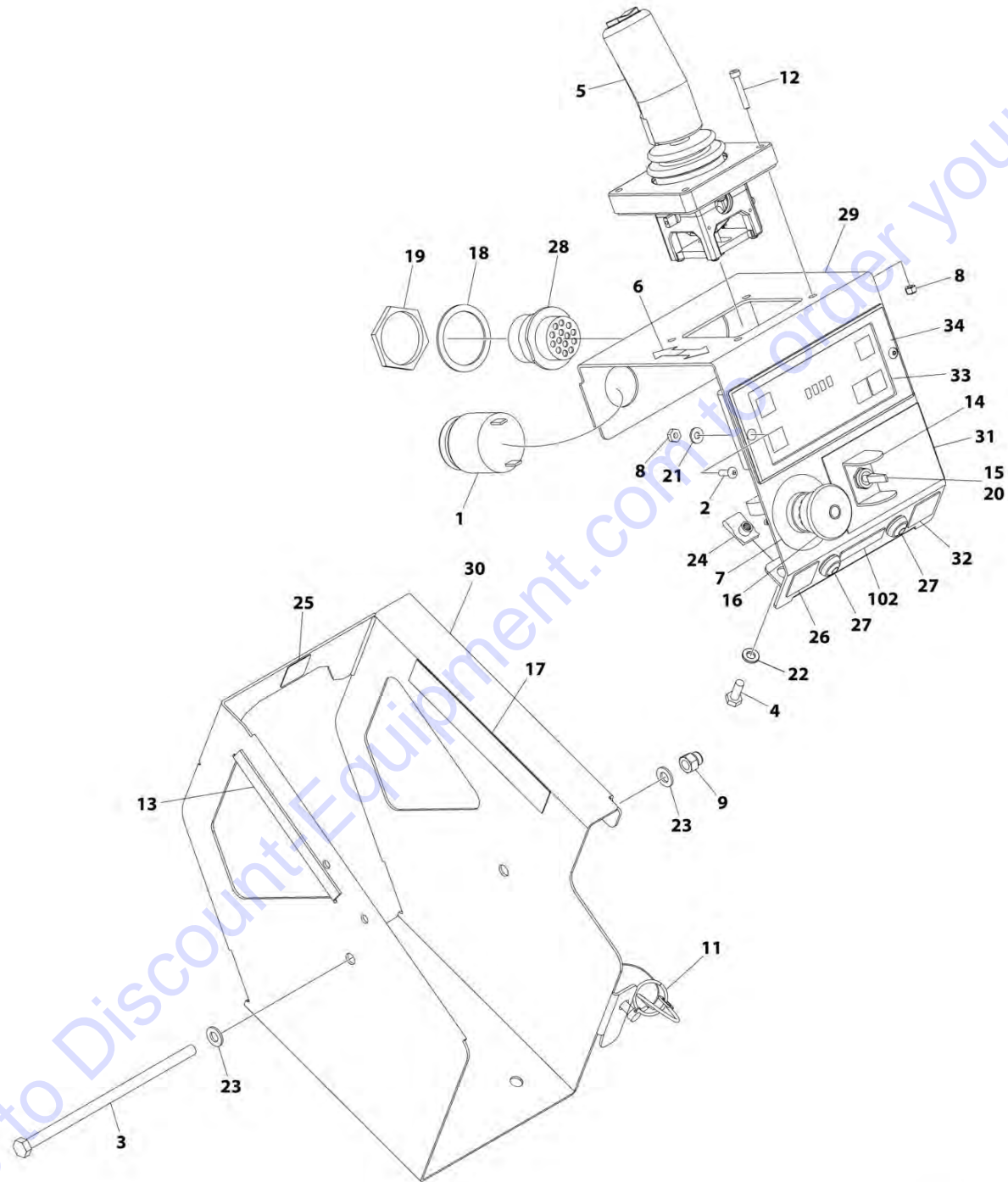
SECTION 4 - PLATFORM

**FIGURE 4-19. PLATFORM CONTROL BOX INSTALLATION (AUSTRALIAN, CE AND CHINESE SPECS)
(SN B200038482 through B200054176)**

ITEM	PART NUMBER	QTY	DESCRIPTION	REV
	1001201529	Ref	PLATFORM CONTROL BOX INSTALLATION (SN B200038482 through B200054176)	G
1	0140030	1	Alarm	
2	0630473	2	Screw #8 x 1/2	
2	1001047064	2	Screw M4 x 15	
3	0700835	1	Bolt M8 x 180	
4	0760610	2	Bolt M6 x 20	
5	1600402	1	Controller Assembly (See Separate Breakdown in this Section)	
6	1703819	1	Decal - Arrow	
7	1704260	1	Decal - Emergency Stop	
8	3290405	AR	Nut M4	
9	3290806	1	Nut M8	
10	3310805	2	Nut #8	
11	3423278	1	Pin, Snap with Lanyard	
12	4031509	4	Capscrew M4 x 25	
13	4060803	6 in/14cm	Flex-Trim	
14	4060906	1	Guard, Switch	
15	4360345	1	Switch, Toggle	
16	4360475	1	Switch, Emergency Stop	
16	7020175	1	Cap	
16	7020176	1	Block, Contact	
17	4420062	12 in/ 30cm	Tape	
18	4711700	1	Washer 7/16	
19	4750800	2	Washer #8	
19	4811400	2	Washer M4	
20	4811700	2	Washer M6	
21	4811900	2	Washer M8	
22	1001130220	2	Nut, Tinnerman M6	
23	1001132358	1	Decal - Steer	
24	1001132361	1	Decal - Horn	
25	1001200633	2	Switch - Push Button	
26	1001200819	1	Platform Control Box Harness (Not Shown) (See Separate Breakdown in ELECTRICAL SECTION)	
27	1001224873	1	Module, Platform Control	
28	1001209595	1	Plate, Box (Inside)	
29	1001209596	1	Plate, Box (Outside)	
30	1001210436	1	Decal - Platform Control	
31	1001220893	1	Decal - Lift/Drive Function	
32	1001213886	1	Decal - Indoor/Outdoor	
35	4460496	1	Washer, Terminal	
36	4460497	1	Nut, Terminal	
	1001224868	Ref	PLATFORM CONTROL BOX INSTALLATION	C
102	1001219173	1	Decal - 1532R/1932R/2632R	

SECTION 4 - PLATFORM

FIGURE 4-20. PLATFORM CONTROL BOX INSTALLATION (AUSTRALIAN, CE AND CHINESE SPECS)
(SN B200054177 to Present)



ART_1001236880

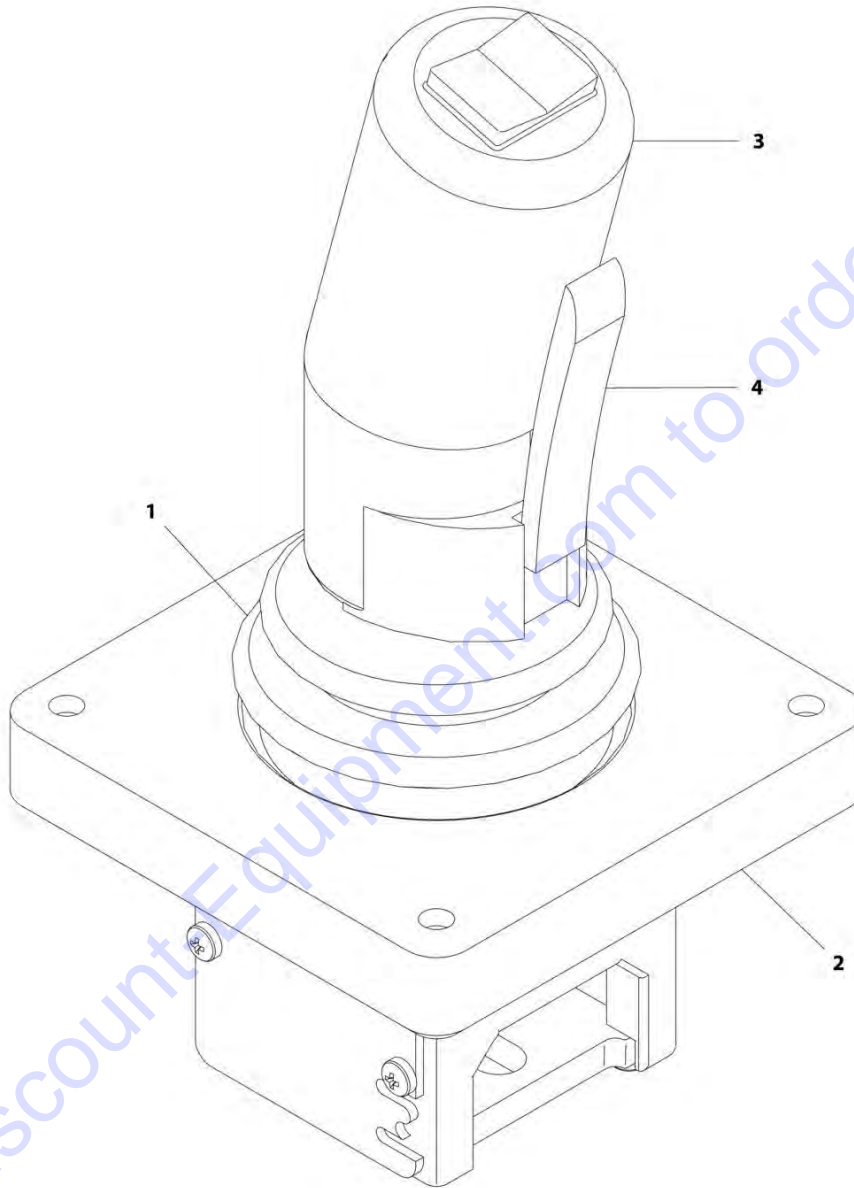
SECTION 4 - PLATFORM

**FIGURE 4-20. PLATFORM CONTROL BOX INSTALLATION (AUSTRALIAN, CE AND CHINESE SPECS)
(SN B200054177 to Present)**

ITEM	PART NUMBER	QTY	DESCRIPTION	REV
	1001236880	Ref	PLATFORM CONTROL BOX INSTALLATION	C
1	0140030	1	Alarm	
2	1001047064	2	Screw	
3	0700835	1	Bolt M8 x 180	
4	0760610	2	Bolt M6 x 20	
5	1600402	1	Controller Assembly (See Separate Breakdown in this Section)	
6	1703819	1	Decal - Arrow	
7	1704260	1	Decal - Emergency Stop	
8	3290405	6	Nut M4	
9	3290806	1	Nut M8	
11	3423278	1	Pin, Snap with Lanyard	
12	4031509	4	Capscrew M4 x 25	
13	4060803	6 in/14cm	Flex-Trim	
14	4060906	1	Guard, Switch	
15	4360345	1	Switch, Toggle	
16	4360475	1	Switch, Emergency Stop	
16	7020175	1	Cap	
16	7020176	1	Block, Contact	
17	4420062	12 in/ 30cm	Tape	
18	4460496	1	Washer, Terminal	
19	4460497	1	Nut, Terminal	
20	4711700	1	Washer 7/16	
21	4811400	2	Washer M4	
22	4811700	2	Washer M6	
23	4811900	2	Washer M8	
24	1001130220	2	Nut, Tinnerman M6	
25	1001132358	1	Decal - Steer	
26	1001132361	1	Decal - Horn	
27	1001200633	2	Switch, Push Button	
28	1001200819	1	Platform Control Box Harness (Not Shown) (See Separate Breakdown in ELECTRICAL SECTION)	
29	1001209595	1	Plate, Box (Inside)	
30	1001209596	1	Plate, Box (Outside)	
31	1001213491	1	Decal - Lift/Drive Function	
32	1001213886	1	Decal - Indoor/Outdoor	
33	1001218285	1	Decal - Platform Control	
34	1001228112	1	Module, Platform Control	
	1001224868	1	PLATFORM CONTROL BOX INSTALLATION	D
102	1001219173	1	Decal - 1532R/1932R/2632R	

SECTION 4 - PLATFORM

FIGURE 4-21. DRIVE/STEER CONTROLLER ASSEMBLY (1932R AUSTRALIAN & CE SPECS) (SN B200038482 to Present, SN M200015692 to Present)



ART_1600402

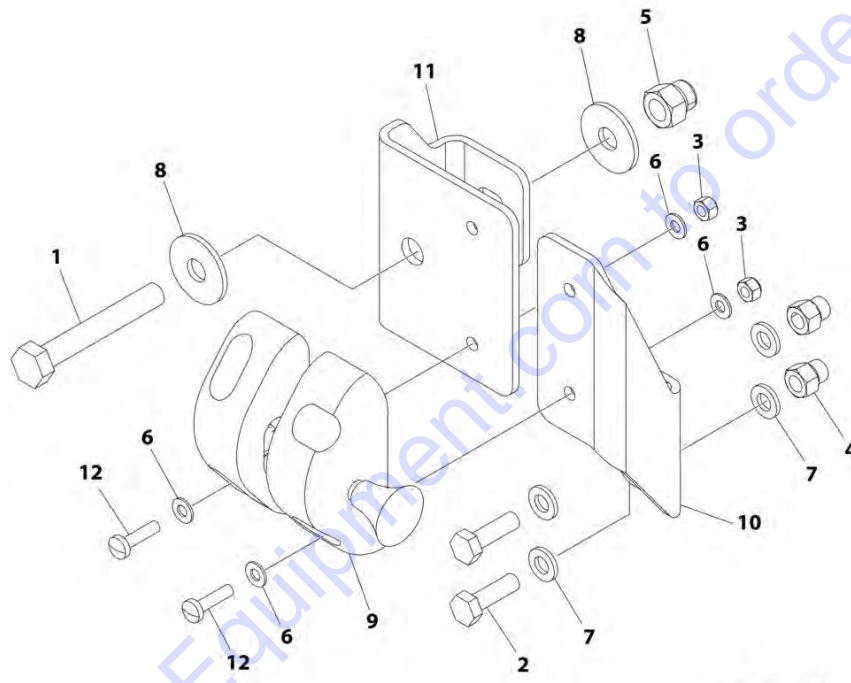
SECTION 4 - PLATFORM

FIGURE 4-21. DRIVE/STEER CONTROLLER ASSEMBLY (1932R AUSTRALIAN & CE SPECS) (SN B200038482 to Present, SN M200015692 to Present)

ITEM	PART NUMBER	QTY	DESCRIPTION	REV
	1600402	Ref	DRIVE/STEER CONTROLLER ASSEMBLY	A
1	70001250	1	Boot, Panel	
2	70001252	1	Gasket, Mounting	
2	70001251	1	Bezel, Mounting	
3	70003650	1	Handle Repair Kit (Includes handle gasket, item#4 push button and item #4 lever installed in front handle half, back handle half, top actuator, boot and hardware.)	
3	70000084	1	Cap, Rubber	
3	70000082	1	Microswitch	
3	7027766	1	Ring, Retaining	
3	7027365	1	Actuator, Handle	
3	70001253	1	Gasket, Handle	
3	70000683	4	Washer, Neoprene	
3	70000685	2	Spacer, Plastic	
3	70000686	2	Screw (Top)	
3	70000684	2	Screw (Bottom)	
4	7027367	1	Switch, Push Button	
4	7027765	1	Lever, Enable	

SECTION 4 - PLATFORM

FIGURE 4-22. GATE LATCH INSTALLATION - OPTIONAL (ALL SPECS EXCEPT KOREAN SPECS)



ART_1001220995

SECTION 4 - PLATFORM

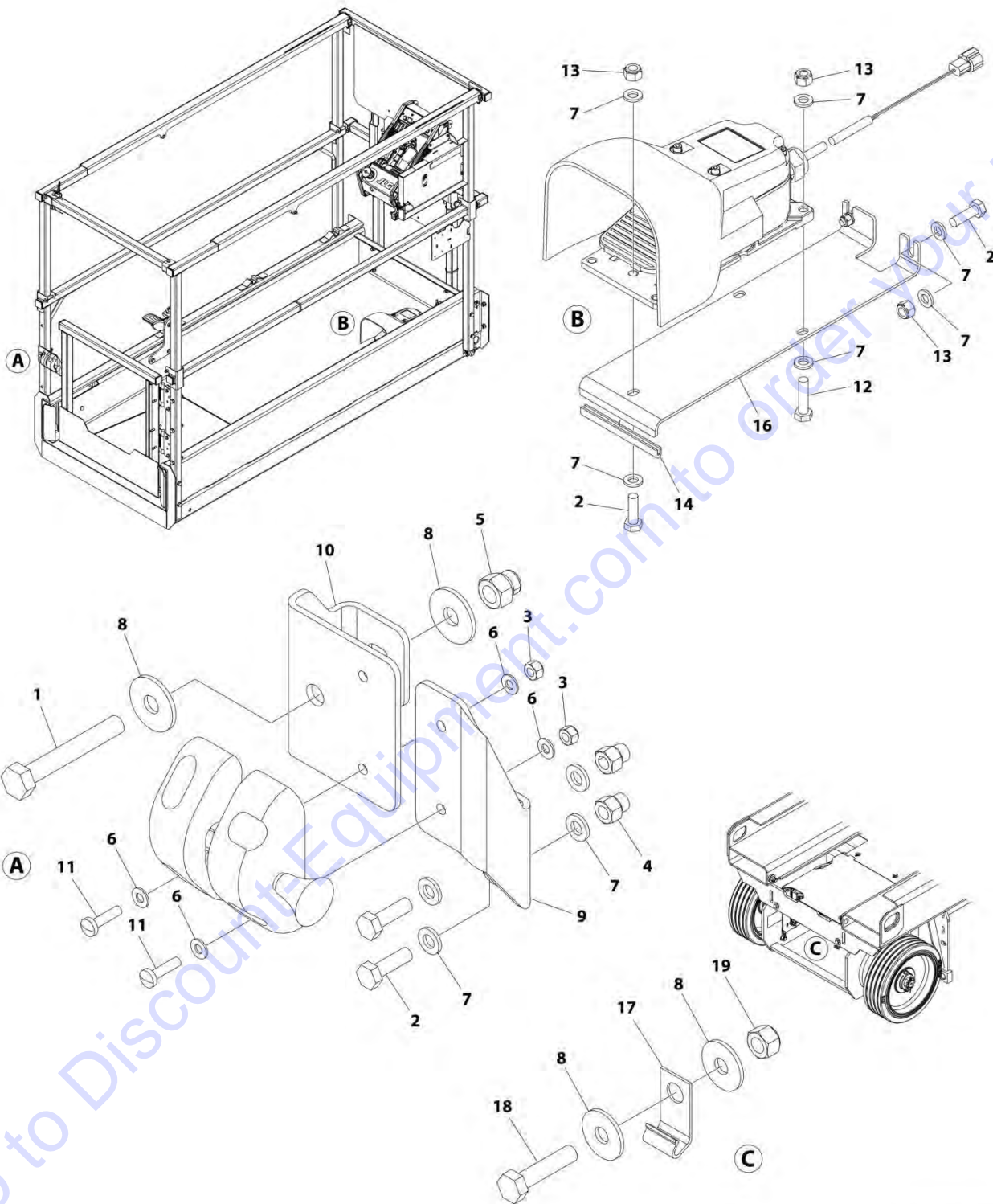
FIGURE 4-22. GATE LATCH INSTALLATION - OPTIONAL (ALL SPECS EXCEPT KOREAN SPECS)

ITEM	PART NUMBER	QTY	DESCRIPTION	REV
	1001220995	Ref	GATE LATCH INSTALLATION	B
1	0700819	1	Bolt M8 x 55	
2	0760610	2	Bolt M6 x 20	
3	3290405	4	Nut M4	
4	3290606	2	Nut M6	
5	3290806	1	Nut M8	
6	4811400	8	Washer M4	
7	4811700	4	Washer M6	
8	4811902	2	Washer M8	
9	1001134821	1	Latch	
10	1001220409	1	Mount	
11	1001220410	1	Plate	
12	4010408	4	Screw M4 x 16	

Go to Discount-Equipment.com to order your parts

SECTION 4 - PLATFORM

FIGURE 4-23. GATE LATCH AND FOOTSWITCH INSTALLATION (KOREAN SPECS)



ART_1001237752

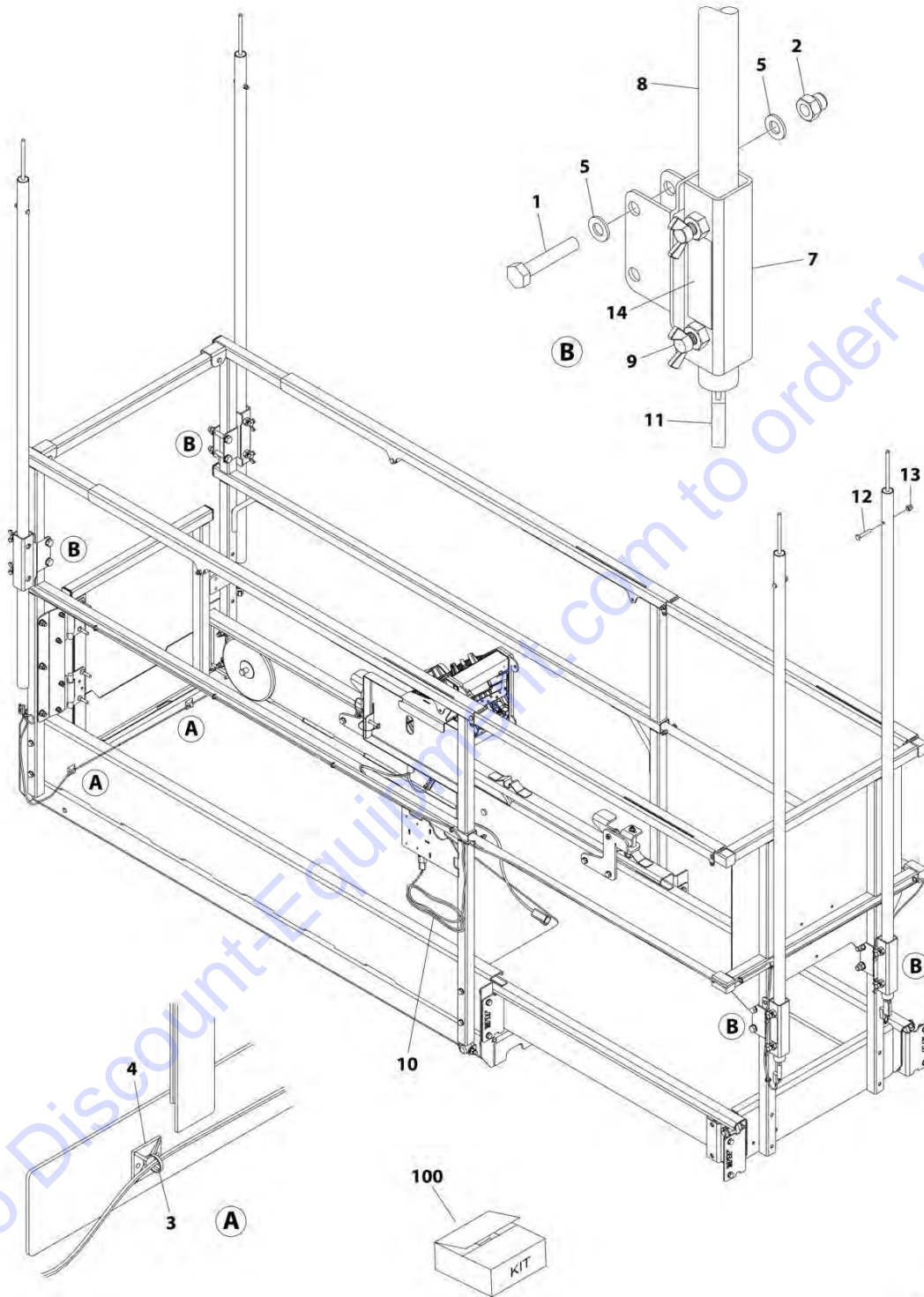
SECTION 4 - PLATFORM

FIGURE 4-23. GATE LATCH AND FOOTSWITCH INSTALLATION (KOREAN SPECS)

ITEM	PART NUMBER	QTY	DESCRIPTION	REV
	1001237752	Ref	GATE LATCH AND FOOTSWITCH INSTALLATION	B
1	0700819	1	Bolt M8 x 55	
2	0760610	5	Bolt M6 x 20	
3	3290405	4	Nut M4	
4	3290606	2	Nut M6	
5	3290806	1	Nut M8	
6	4811400	8	Washer M4	
7	4811700	14	Washer M6	
8	4811902	4	Washer M8	
9	1001220409	1	Mount	
10	1001220410	1	Plate	
11	4010408	4	Screw M4 x 16	
12	0760612	2	Bolt M6 x 25	
13	3290605	5	Nut M6	
14	4060803	2 ft/ 60cm	Flex-Trim	
15	4240033	AR	Tie-Strap (Not Shown)	
16	1001217147	1	Bracket	
17	1320223	1	Clip	
18	0700815	1	Bolt M8 x 35	
19	3290805	1	Nut M8	
20	4460234	2	Mount, Tie-Strap (Not Shown)	

SECTION 4 - PLATFORM

FIGURE 4-24. OVERHEAD PROTECTION INSTALLATION (KOREAN SPECS)



ART_1001220216

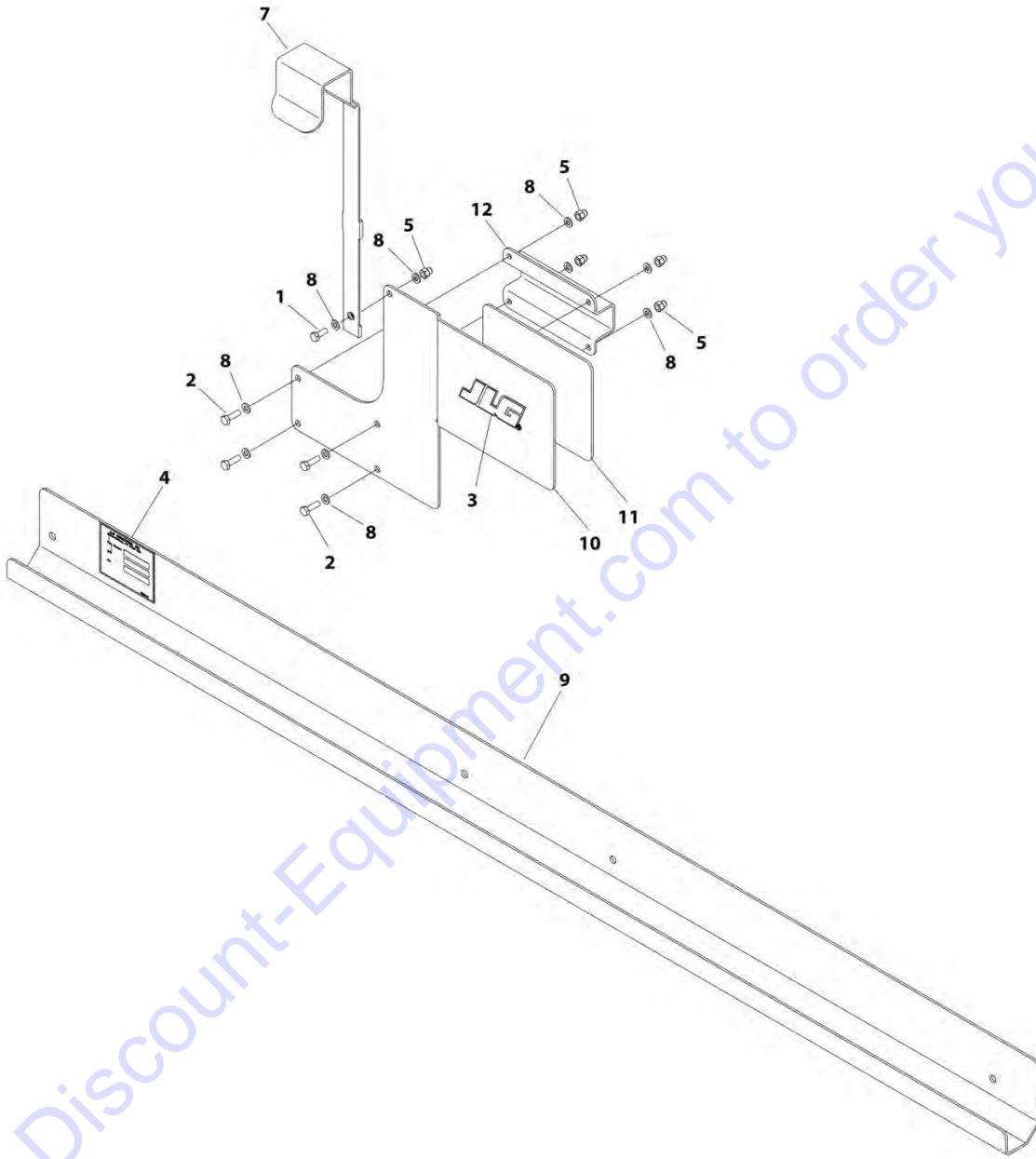
SECTION 4 - PLATFORM

FIGURE 4-24. OVERHEAD PROTECTION INSTALLATION (KOREAN SPECS)

ITEM	PART NUMBER	QTY	DESCRIPTION	REV
	1001220216	Ref	OVERHEAD PROTECTION INSTALLATION (KOREAN SPECS)	B
1	0701019	8	Bolt M10 x 55	
2	3291006	8	Nut M10	
3	4240017	AR	Tie-Strap	
4	4460234	2	Mount, Tie-Strap	
5	4812000	16	Washer M10	
7	1001221275	4	Bracket	
8	1001221276	4	Tube	
9	1001222914	8	Thumb Screw	
10	1001224468	1	Overhead Protection Harness	
10	4460891	4	Plug, Male - 2 Position (SW03-SW06)	
10	4460465	8	Socket, Female	
10	4460536	1	Receptacle, Female - 3 Position (X567)	
10	4460464	2	Pin, Male	
10	4460466	1	Plug, Terminal	
11	1001226277	4	Switch, Overhead Protection	
12	0700616	4	Bolt M6 x 40	
13	3290606	4	Nut M6	
14	1001228184	1	Decal - Overhead Protection Weight	
100	1001221244	1	Overhead Protection Kit (Includes Items 1, 2, 5-9 & 11-14)	

SECTION 4 - PLATFORM

FIGURE 4-25. PANEL CARRIER INSTALLATION (1932R AUSTRALIAN & CE SPECS)



ART_1001235924

SECTION 4 - PLATFORM

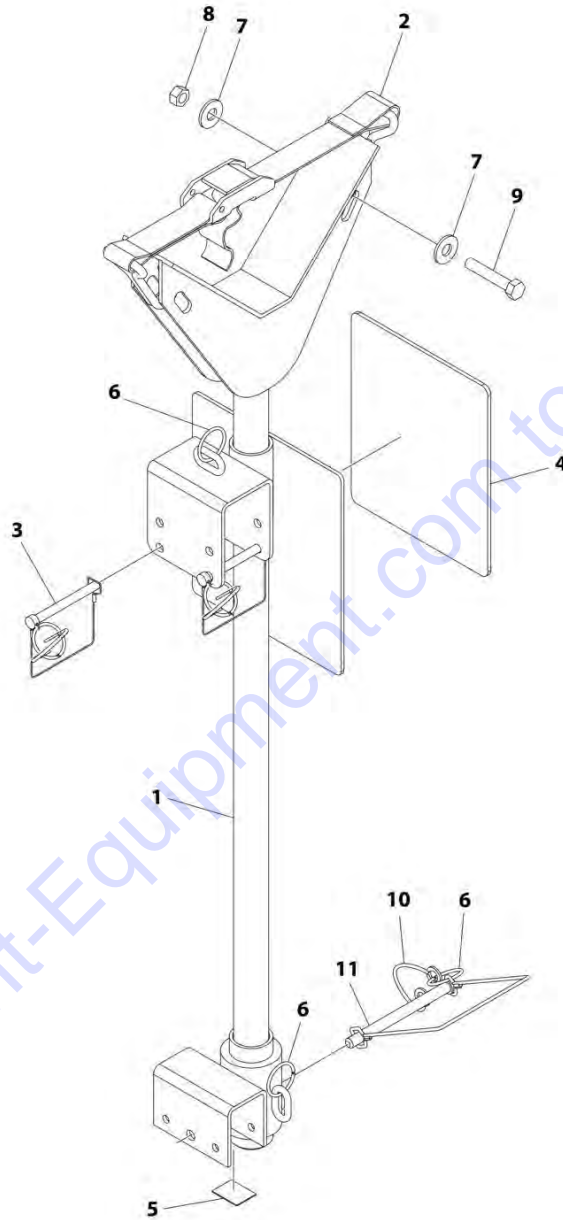
FIGURE 4-25. PANEL CARRIER INSTALLATION (1932R AUSTRALIAN & CE SPECS)

ITEM	PART NUMBER	QTY	DESCRIPTION	REV
	1001235924	Ref	PANEL CARRIER INSTALLATION	A
1	0760608	1	Bolt M6 x 16	
2	0760610	4	Bolt M6 x 20	
3	1702010	1	Decal - JLG	
4	See Note	NSS	Nameplate - Accessory SN (Note: Not Available for Purchase)	
5	3290606	5	Nut M6	
6	3574505	1	Plate	
7	4240165	1	Strap	
8	4811700	10	Washer M6	
9	1001235536	1	Channel	
10	1001235863	1	Plate	
11	1001236507	1	Decal – Panel Carrier Capacity	
8	4420037	6 in /15cm	Tape	

Go to Discount-Equipment.com to order your parts

SECTION 4 - PLATFORM

FIGURE 4-26. PIPE RACK INSTALLATION (1932R AUSTRALIAN & CE SPECS)



ART_1001229469

SECTION 4 - PLATFORM

FIGURE 4-26. PIPE RACK INSTALLATION (1932R AUSTRALIAN & CE SPECS)

ITEM	PART NUMBER	QTY	DESCRIPTION	REV
	1001229469	Ref	PIPE RACK INSTALLATION	A
1	1001199189	2	Rack Pipe	
2	0480100	2	Tie-Strap	
3	1001187587	4	Pin	
4	1001229441	2	Decal - Pipe Rack Capacity	
5	4420062	3 ft/ 1m	Tape	
6	3760170	6	Ring	
7	4751500	8	Washer 5/16	
8	3311505	4	Nut 5/16	
9	0641514	4	Bolt 5/16 x 1-3/4	
10	1060379	2	Lanyard	
11	3421854	2	Pin	

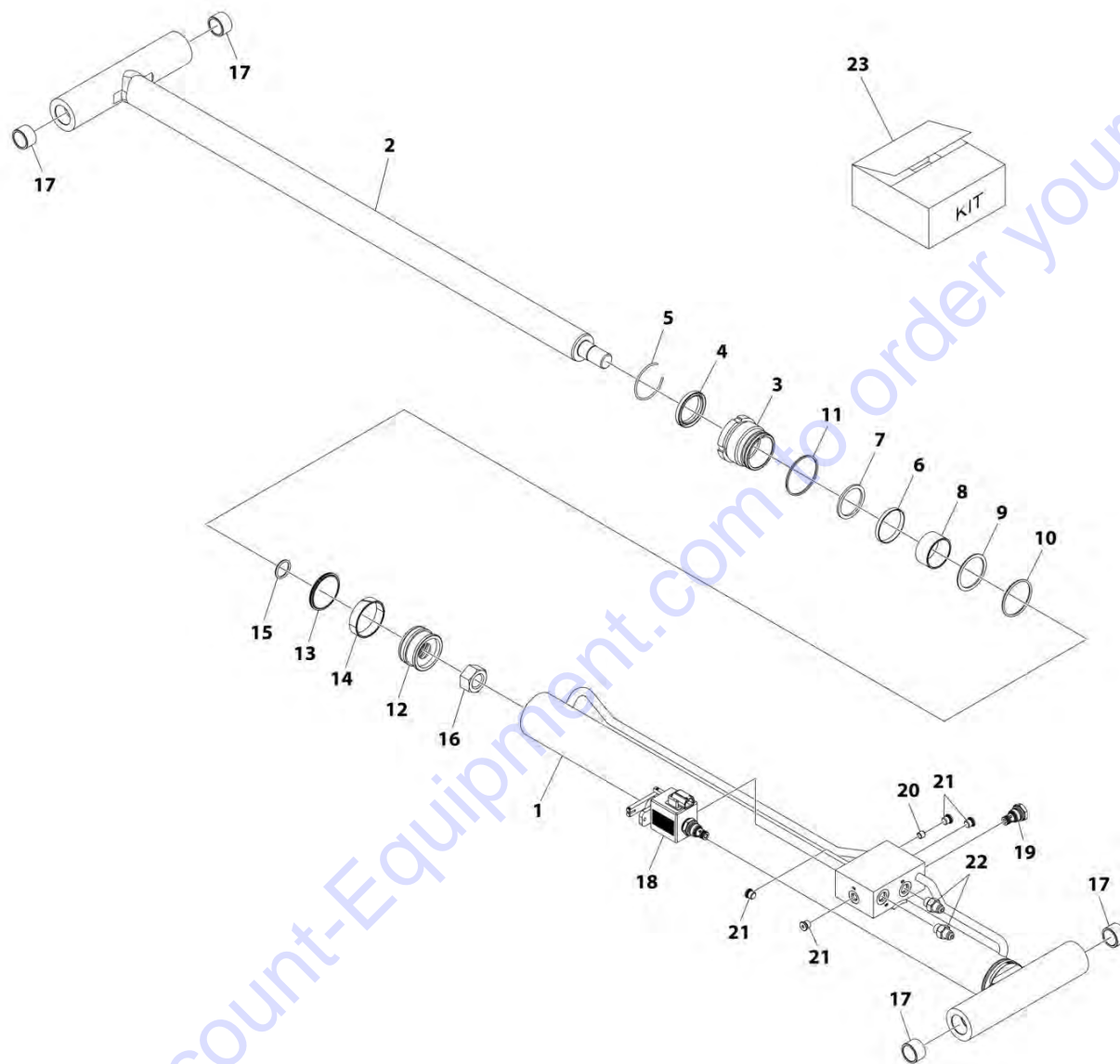
Go to Discount-Equipment.com to order your parts

SECTION 5 - CYLINDER

Go to Discount-Equipment.com to order your parts

SECTION 5 - CYLINDER

FIGURE 5-1. LIFT CYLINDER ASSEMBLY



ART_1001198935

SECTION 5 - CYLINDER

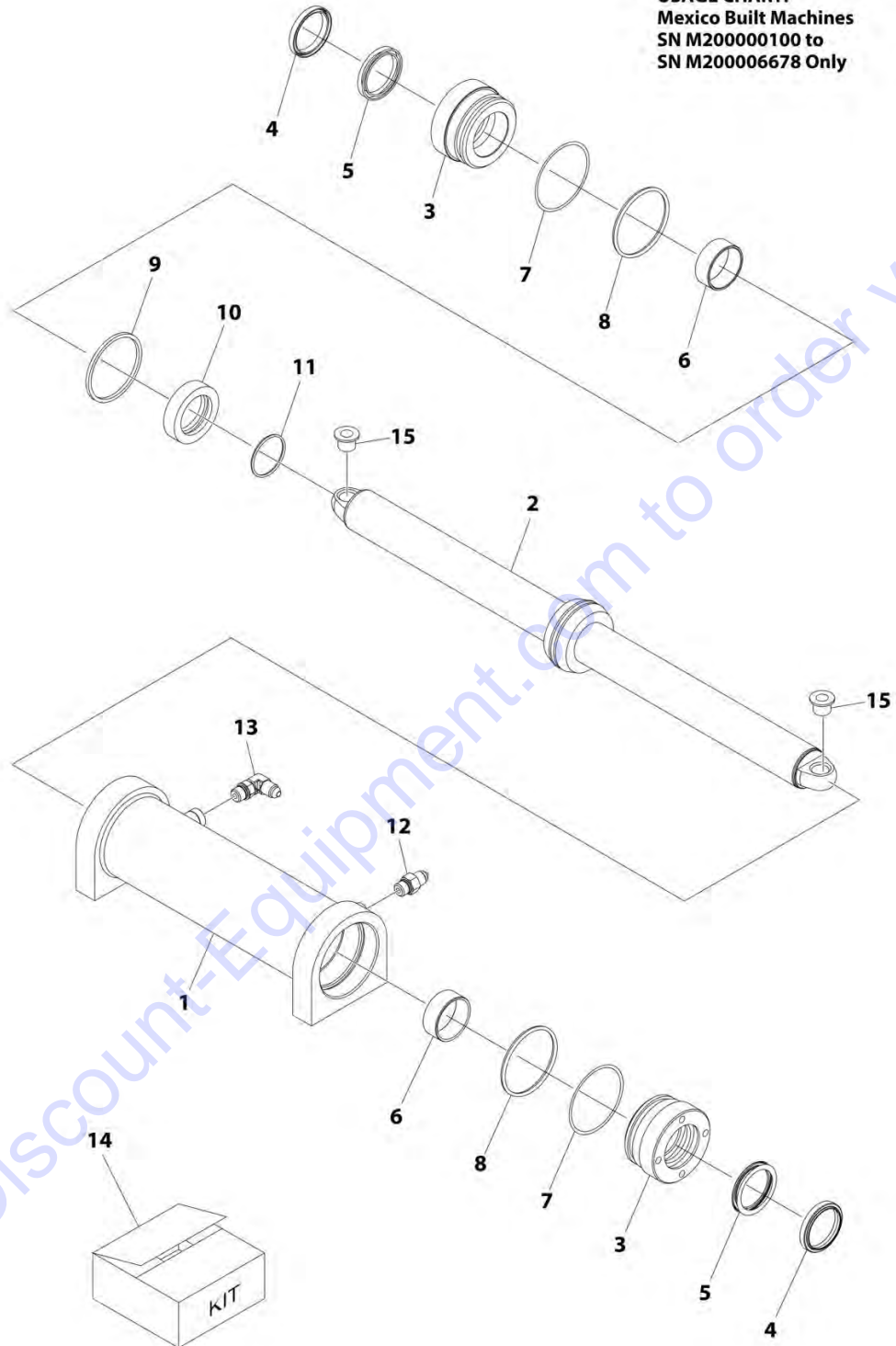
FIGURE 5-1. LIFT CYLINDER ASSEMBLY

ITEM	PART NUMBER	QTY	DESCRIPTION	REV
	1001198935	Ref	LIFT CYLINDER ASSEMBLY	C
1	70005790	1	Barrel	
2	70005791	1	Rod	
3	70005792	1	Head	
4	See Note	1	Wiper (Note: Use Item 23)	
5	70002410	1	Ring, Retaining	
6	See Note	1	Seal, Rod (Note: Use Item 23)	
7	See Note	1	Ring, Back-up (Note: Use Item 23)	
8	70005793	1	Spacer	
9	See Note	1	O-Ring (Note: Use Item 23)	
10	See Note	1	Ring, Back-up (Note: Use Item 23)	
11	See Note	1	O-Ring (Note: Use Item 23)	
12	70005794	1	Piston	
13	See Note	1	Seal, Piston (Note: Use Item 23)	
14	See Note	1	Ring, Wear (Note: Use Item 23)	
15	See Note	1	O-Ring (Note: Use Item 23)	
16	70005796	1	Nut	
17	0962292	4	Bearing	
18	70004233	1	Valve, Manual Descent	
19	70004232	1	Valve, Check	
20	70004231	1	Orifice	
21	70023370	4	Plug	
22	70005795	2	Fitting, Straight JIC	
23	70005797	1	Seal Kit - Cylinder (Includes Items 4, 6, 7, 9-11 & 13-15)	

SECTION 5 - CYLINDER

FIGURE 5-2. STEER CYLINDER ASSEMBLY

USAGE CHART:
Mexico Built Machines
SN M200000100 to
SN M200006678 Only



ART_1001206493

SECTION 5 - CYLINDER

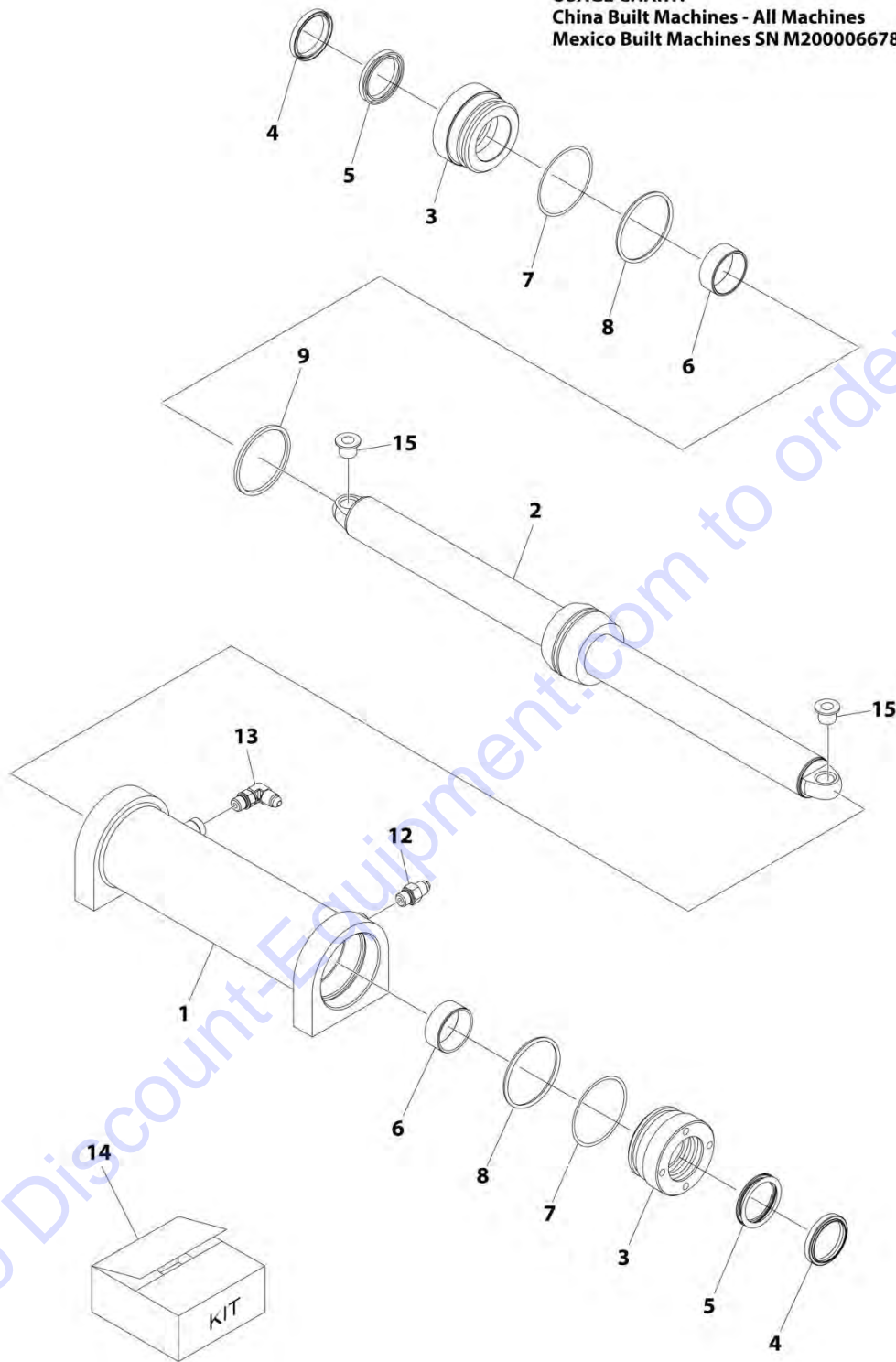
FIGURE 5-2. STEER CYLINDER ASSEMBLY

ITEM	PART NUMBER	QTY	DESCRIPTION	REV
	1001206493	Ref	STEER CYLINDER ASSEMBLY	C
		Ref	Note: See Usage Chart on Illustration before ordering parts.	
1	70005798	1	Barrel	
2	70005799	NLA	Rod (Note: Use p/n 70006143 and do NOT reinstall Spacer Item 10)	
3	70004241	2	Head	
4	See Note	NSS	Wiper (Note: Use Item 14)	
5	See Note	NSS	Seal (Note: Use Item 14)	
6	70005800	2	Spacer	
7	See Note	NSS	O-Ring (Note: Use Item 14)	
8	See Note	NSS	Ring, Back-up (Note: Use Item 14)	
9	See Note	NSS	Seal, Piston (Note: Use Item 14)	
10	70005801	NLA	Spacer (Note: Use p/n 70006143 and do NOT reinstall Spacer Item 10)	
11	70005802	NLA	O-Ring (Note: Use Item 14)	
12	70005803	1	Fitting, Straight JIC	
13	70005804	1	Fitting, 90 JIC	
14	70005805	1	Seal Kit - Cylinder (Includes Items 4, 5 & 7-9)	
15	0440259	2	Bushing	

SECTION 5 - CYLINDER

FIGURE 5-3. STEER CYLINDER ASSEMBLY

USAGE CHART:
China Built Machines - All Machines
Mexico Built Machines SN M200006678 to Present



ART_1001220570

SECTION 5 - CYLINDER

FIGURE 5-3. STEER CYLINDER ASSEMBLY

ITEM	PART NUMBER	QTY	DESCRIPTION	REV
	1001220570	Ref	STEER CYLINDER ASSEMBLY	A
		Ref	Note: See Usage Chart on Illustration before ordering parts.	
1	70005798	1	Barrel	
2	70006143	1	Rod	
3	70004241	2	Head	
4	See Note	NSS	Wiper (Note: Use Item 14)	
5	See Note	NSS	Seal (Note: Use Item 14)	
6	70005800	2	Spacer	
7	See Note	NSS	O-Ring (Note: Use Item 14)	
8	See Note	NSS	Ring, Back-up (Note: Use Item 14)	
9	See Note	NSS	Seal, Piston (Note: Use Item 14)	
12	70005803	1	Fitting, Straight JIC	
13	70005804	1	Fitting, 90 JIC	
14	70005805	1	Seal Kit - Cylinder (Includes Items 4, 5 & 7-9)	
15	0440259	2	Bushing	

Go to Discount-Equipment.com to order your parts

PARTS FINDER

**Search Website
by Part Number**



**Search Manual
Library For Parts
Manual & Lookup Part
Numbers – Purchase
or Request Quote**

**Can't Find Part or
Manual? Request Help
by Manufacturer,
Model & Description**

Discount-Equipment.com is your online resource for quality parts & equipment.

Florida: **561-964-4949** Outside Florida TOLL FREE: **877-690-3101**

Need parts?

Click on this link: <http://www.discount-equipment.com/category/5443-parts/> and choose one of the options to help get the right parts and equipment you are looking for. Please have the machine model and serial number available in order to help us get you the correct parts. If you don't find the part on the website or on one of the online manuals, please fill out the request form and one of our experienced staff members will get back to you with a quote for the right part that your machine needs.

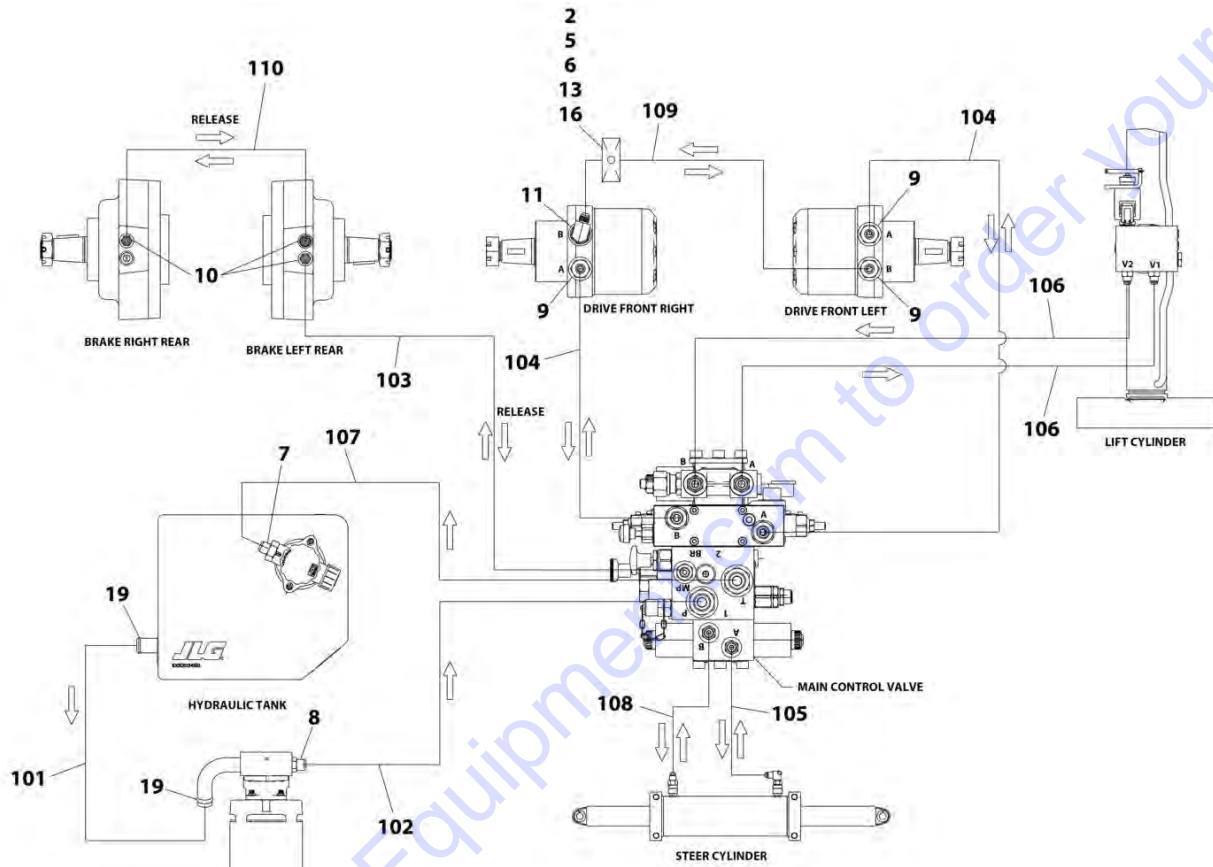
We sell worldwide for the brands: Genie, Terex, JLG, MultiQuip, Mikasa, Essick, Whiteman, Mayco, Toro Stone, Diamond Products, Generac Magnum, Airman, Haulotte, Barreto, Power Blanket, Nifty Lift, Atlas Copco, Chicago Pneumatic, Allmand, Miller Curber, Skyjack, Lull, Skytrak, Tsurumi, Husquvarna Target, Stow, Wacker, Sakai, Mi-T-M, Sullair, Basic, Dynapac, MBW, Weber, Bartell, Bennar Newman, Haulotte, Ditch Runner, Menegotti, Morrison, Contec, Buddy, Crown, Edco, Wyco, Bomag, Laymor, EZ Trench, Bil-Jax, F.S. Curtis, Gehl Pavers, Heli, Honda, ICS/PowerGrit, IHI, Partner, Imer, Clipper, MMD, Koshin, Rice, CH&E, General Equipment, Amida, Coleman, NAC, Gradall, Square Shooter, Kent, Stanley, Tamco, Toku, Hatz, Kohler, Robin, Wisconsin, Northrock, Oztec, Toker TK, Rol-Air, APT, Wylie, Ingersoll Rand / Doosan, Innovatech, Con X, Ammann, Mecalac, Makinex, Smith Surface Prep, Small Line, Wanco, Yanmar

SECTION 6 - HYDRAULIC

Go to Discount-Equipment.com to order your parts

SECTION 6 - HYDRAULIC

FIGURE 6-1. HYDRAULIC DIAGRAM



ART_1001203832_2OF2

SECTION 6 - HYDRAULIC

FIGURE 6-1. HYDRAULIC DIAGRAM

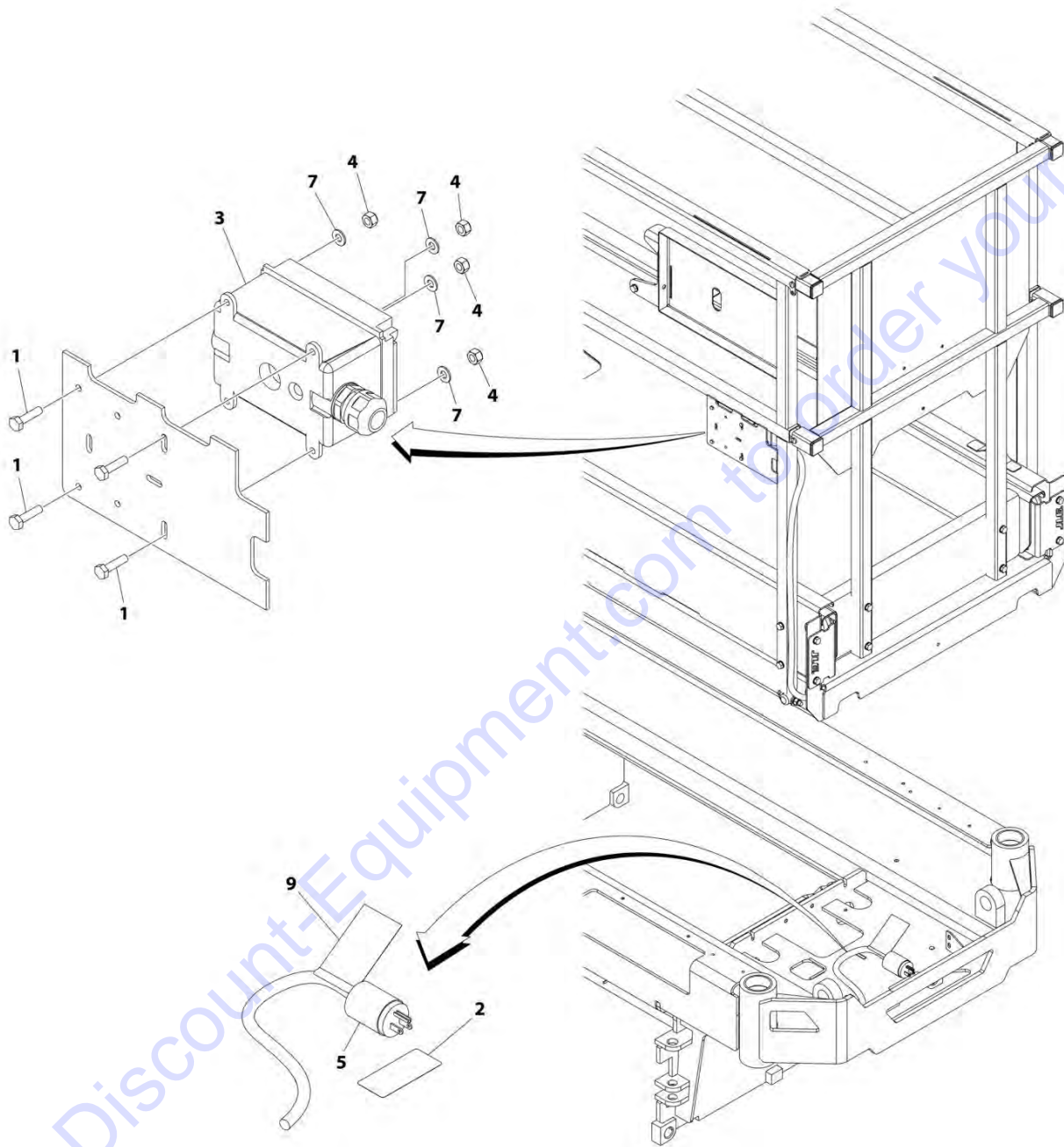
ITEM	PART NUMBER	QTY	DESCRIPTION	REV
	1001203832	Ref	HYDRAULIC DIAGRAM	E
2	0760827	1	Bolt M8 x 100	
5	1320187	2	Clamp	
6	1321752	2	Clamp	
7	2220375	1	Fitting, Straight JIC/ORB	
8	2220373	1	Fitting, Straight JIC/ORB	
9	2220497	3	Fitting, Straight JIC/ORB	
10	2220415	3	Fitting, Straight JIC/ORB	
11	2220828	1	Fitting, 90 JIC/ORB	
13	3290805	1	Nut M8	
15	4240017	AR	Tie-Strap (Not Shown)	
16	4811900	2	Washer M8	
19	1001143501	2	Clamp	
100	1001227464	1	Hose Kit (Not Shown)	A
101	1001203835	1	Hose	
102	1001203836	1	Hose	
103	1001203837	1	Hose	
104	1001203838	2	Hose	
105	1001203839	1	Hose	
106	1001203840	2	Hose	
107	1001203841	1	Hose	
108	1001203844	1	Hose	
109	1001203846	1	Hose	
110	1001208626	1	Hose	

SECTION 7 - ELECTRICAL

Go to Discount-Equipment.com to order your parts

SECTION 7 - ELECTRICAL

FIGURE 7-1. AC BOX AT PLATFORM INSTALLATION - 110V GFI (ANSI, ANSI EXPORT, CHINA AND JAPANESE SPECS)



ART_1001208930

SECTION 7 - ELECTRICAL

FIGURE 7-1. AC BOX AT PLATFORM INSTALLATION - 110V GFI (ANSI, ANSI EXPORT, CHINA AND JAPANESE SPECS)

ITEM	PART NUMBER	QTY	DESCRIPTION	REV
	1001208930	Ref	AC BOX AT PLATFORM INSTALLATION - 110V GFI (ANSI, ANSI EXPORT, CHINA AND JAPANESE SPECS)	C
1	0760408	4	Bolt M4 x 16	
2	1703464	1	Decal - AC Power	
3	2902431	1	Receptacle Box Kit (See Separate Breakdown in this Section)	
4	3290405	4	Nut M4	
5	4460138	1	Plug, Male - AC	
6	4460315	1	Terminal (Not Shown)	
7	4811400	4	Washer M4	
9	1001102258	1	Decal - AC Label	
10	4240017	AR	Tie-Strap (Not Shown)	

Go to Discount-Equipment.com to order your parts

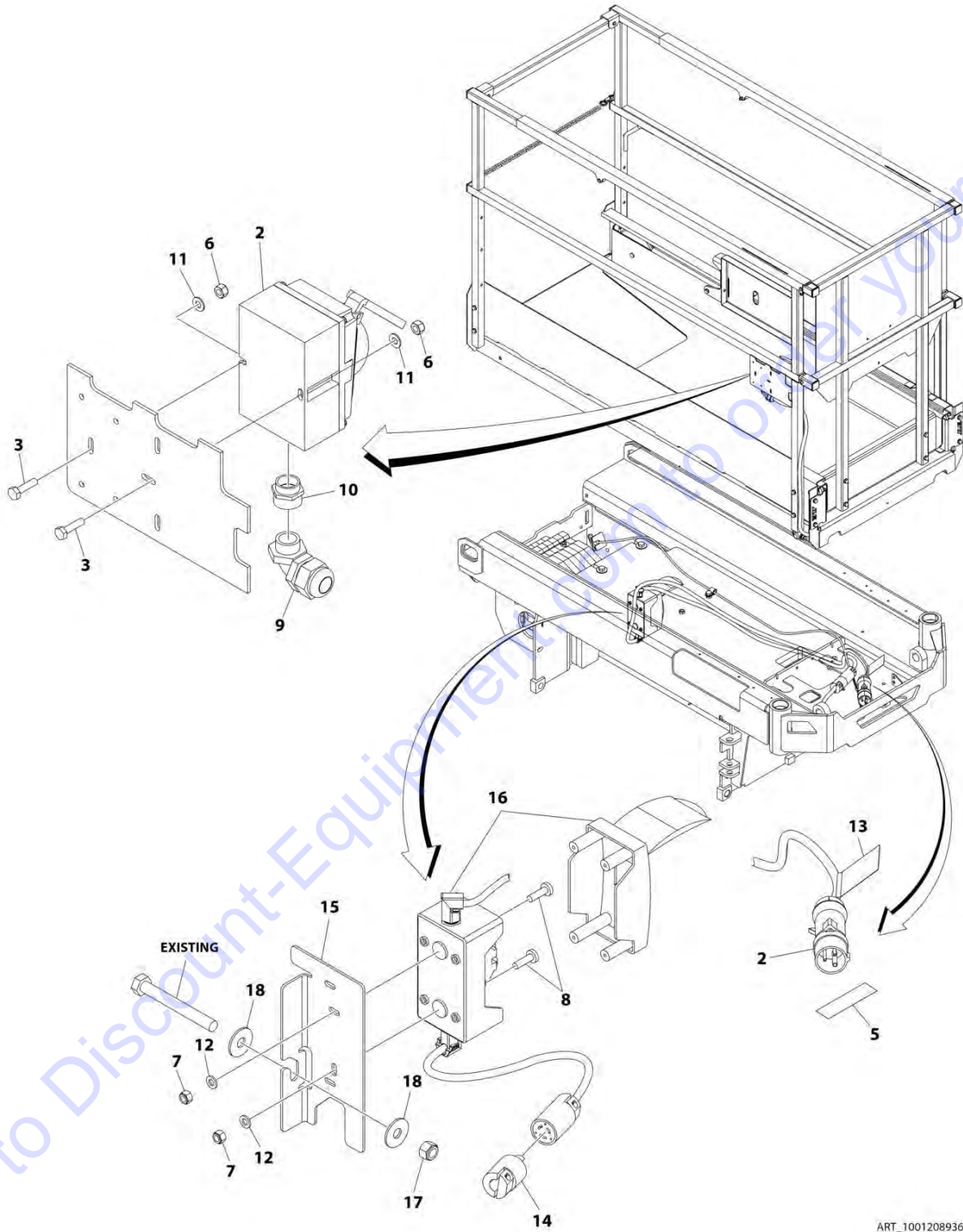
SECTION 7 - ELECTRICAL

FIGURE 7-2. AC BOX AT PLATFORM INSTALLATION - 110V IEC YELLOW (CE SPECS)

ITEM	PART NUMBER	QTY	DESCRIPTION	REV
	1001208935	Ref	AC BOX AT PLATFORM INSTALLATION - 110V IEC YELLOW (CE SPECS)	B
1	0100011	AR	Compound, Locking (Not Shown)	
2	0275216	1	Receptacle Box Kit - 110V IEC Yellow (See Separate Breakdown in this Section)	
3	0760408	2	Bolt M4 x 16	
5	1703464	1	Decal - AC Power	
6	3290405	2	Nut M4	
7	3290605	2	Nut M6	
8	4010610	2	Screw M6 x 20	
9	4461257	1	Connector, Strain Relief	
10	4461258	1	Connector, Adapter	
11	4811400	2	Washer M4	
12	4811700	4	Washer M6	
13	1001102258	1	Decal - AC Label	
14	1001120204	1	Plug, Male Twist	
15	1001216928	1	Bracket	
16	1001209776	1	Breaker Box Kit (See Separate Breakdown in this Section)	
17	3291205	1	Nut M12	
18	4812102	2	Washer M12	
19	4240017	AR	Tie-Strap (Not Shown)	

SECTION 7 - ELECTRICAL

FIGURE 7-3. AC BOX AT PLATFORM INSTALLATION - 220V IEC BLUE (CE SPECS)



SECTION 7 - ELECTRICAL

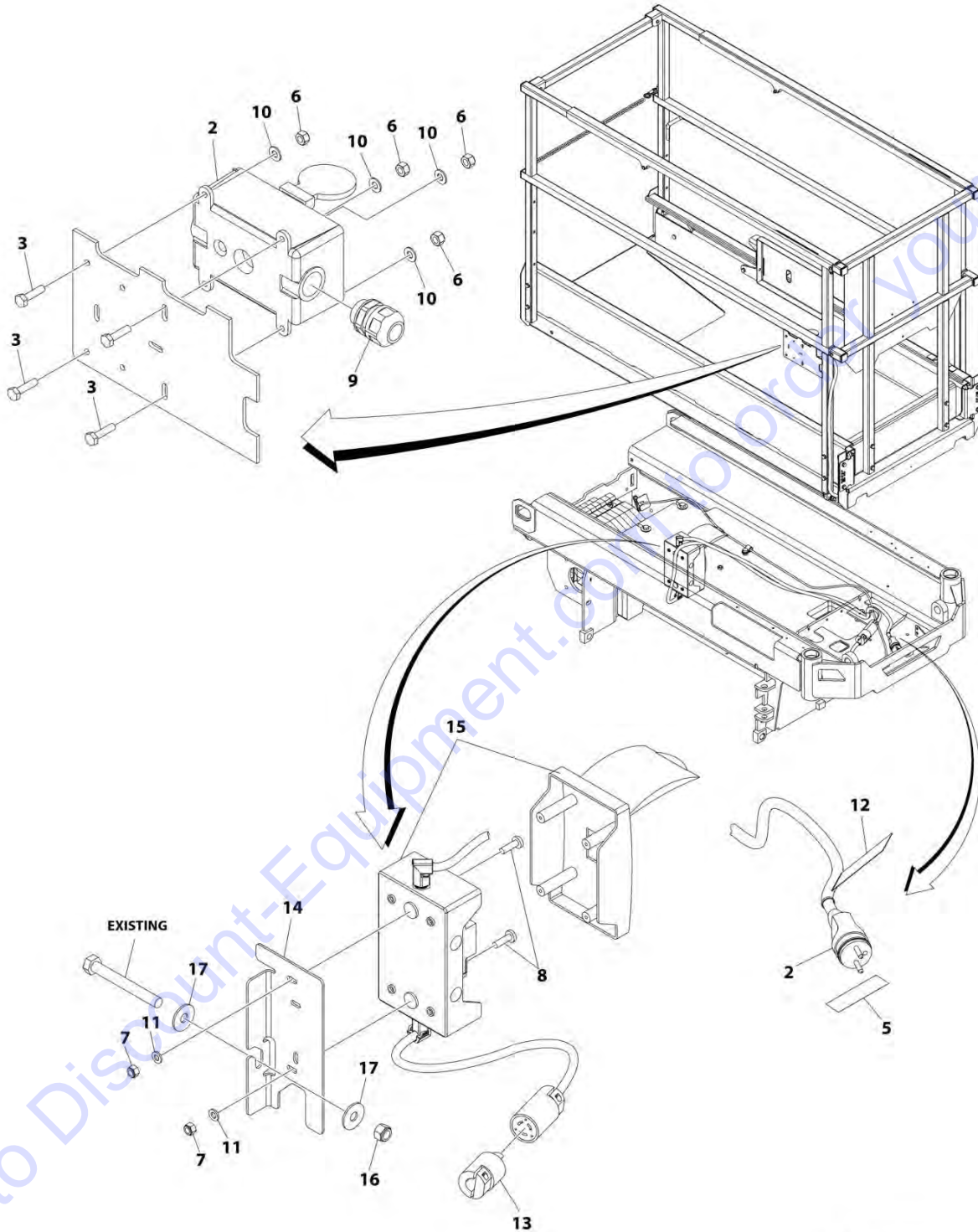
FIGURE 7-3. AC BOX AT PLATFORM INSTALLATION - 220V IEC BLUE (CE SPECS)

ITEM	PART NUMBER	QTY	DESCRIPTION	REV
	1001208936	Ref	AC BOX AT PLATFORM INSTALLATION - 220V IEC BLUE (CE SPECS)	B
1	0100011	AR	Compound, Locking (Not Shown)	
2	0275217	1	Receptacle Box Kit - 220V IEC Blue (See Separate Breakdown in this Section)	
3	0760408	2	Bolt M4 x 16	
5	3252507	1	Decal - AC Power	
6	3290405	2	Nut M4	
7	3290605	2	Nut M6	
8	4010610	2	Screw M6 x 20	
9	4461257	1	Connector, Strain Relief	
10	4461258	1	Connector, Adapter	
11	4811400	2	Washer M4	
12	4811700	4	Washer M6	
13	1001102258	1	Decal - AC Label	
14	1001120204	1	Plug, Male Twist	
15	1001216928	1	Bracket	
16	1001209776	1	Breaker Box Kit (See Separate Breakdown in this Section)	
17	3291205	1	Nut M12	
18	4812102	2	Washer M12	
19	4240017	AR	Tie-Strap (Not Shown)	

Go to Discount-Equipment.com to order your parts

SECTION 7 - ELECTRICAL

FIGURE 7-4. AC BOX AT PLATFORM INSTALLATION - 220V CEE7 POST GROUND (CE SPECS)



ART_1001208932

SECTION 7 - ELECTRICAL

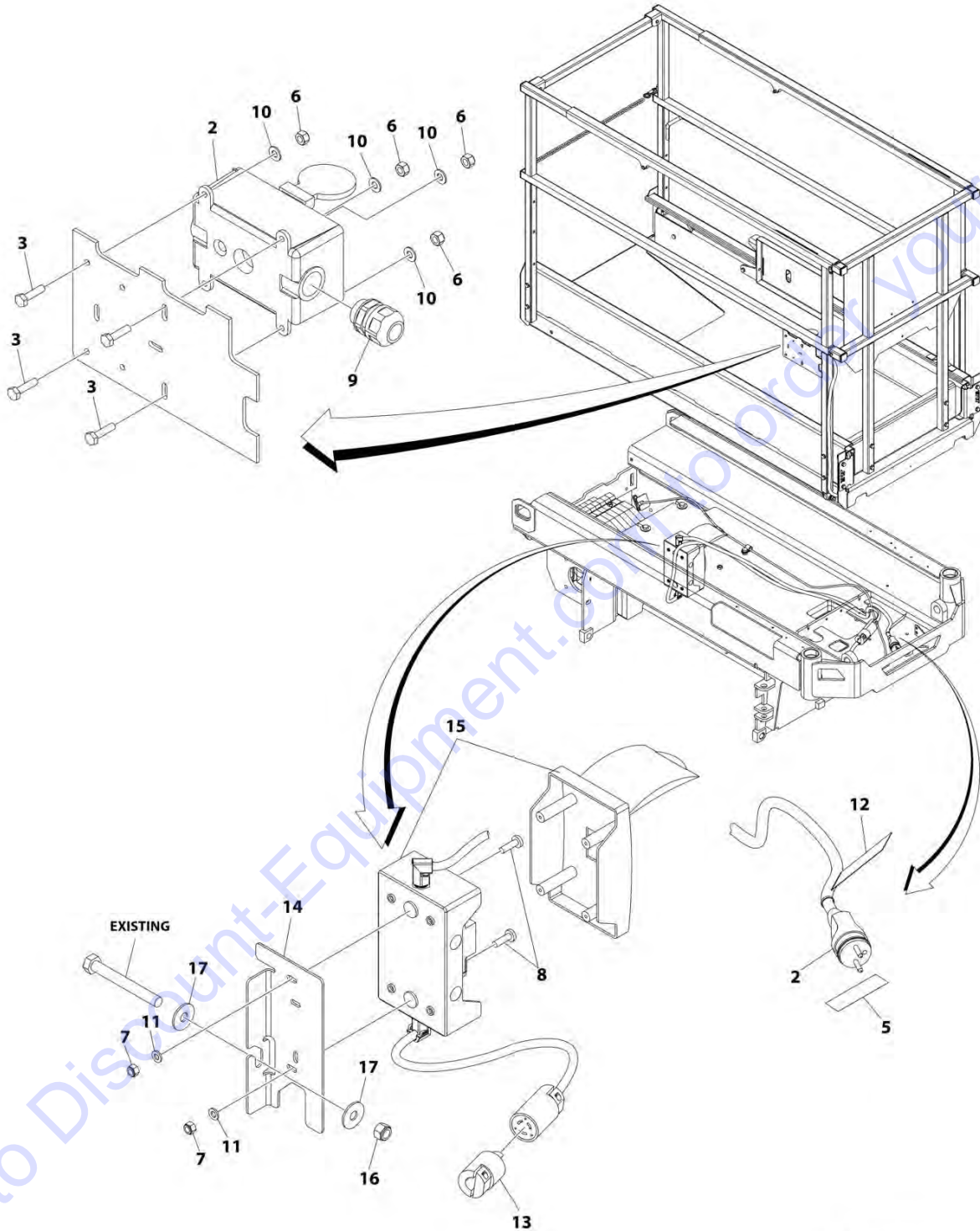
FIGURE 7-4. AC BOX AT PLATFORM INSTALLATION - 220V CEE7 POST GROUND (CE SPECS)

ITEM	PART NUMBER	QTY	DESCRIPTION	REV
	1001208932	Ref	AC BOX AT PLATFORM INSTALLATION - 220V CEE7 POST GROUND (CE SPECS)	C
1	0100011	AR	Compound, Locking (Not Shown)	
2	0275452	1	Receptacle Box Kit - 220V CEE7 Post Ground (See Separate Breakdown in this Section)	
3	0760408	4	Bolt M4 x 16	
5	3252507	1	Decal - AC Power	
6	3290405	4	Nut M4	
7	3290605	2	Nut M6	
8	4010610	2	Screw M6 x 20	
9	4460662	1	Connector, Strain Relief	
10	4811400	4	Washer M4	
11	4811700	4	Washer M6	
12	1001102258	1	Decal - AC Label	
13	1001120204	1	Plug, Male Twist	
14	1001216928	1	Bracket	
15	1001209482	1	Breaker Box Kit (See Separate Breakdown in this Section)	
16	3291205	1	Nut M12	
17	4812102	2	Washer M12	
18	4240017	AR	Tie-Strap (Not Shown)	

Go to Discount-Equipment.com to order your parts

SECTION 7 - ELECTRICAL

FIGURE 7-5. AC BOX AT PLATFORM INSTALLATION - 220V CEE7 SIDE GROUND (CE SPECS)



ART_1001208933

SECTION 7 - ELECTRICAL

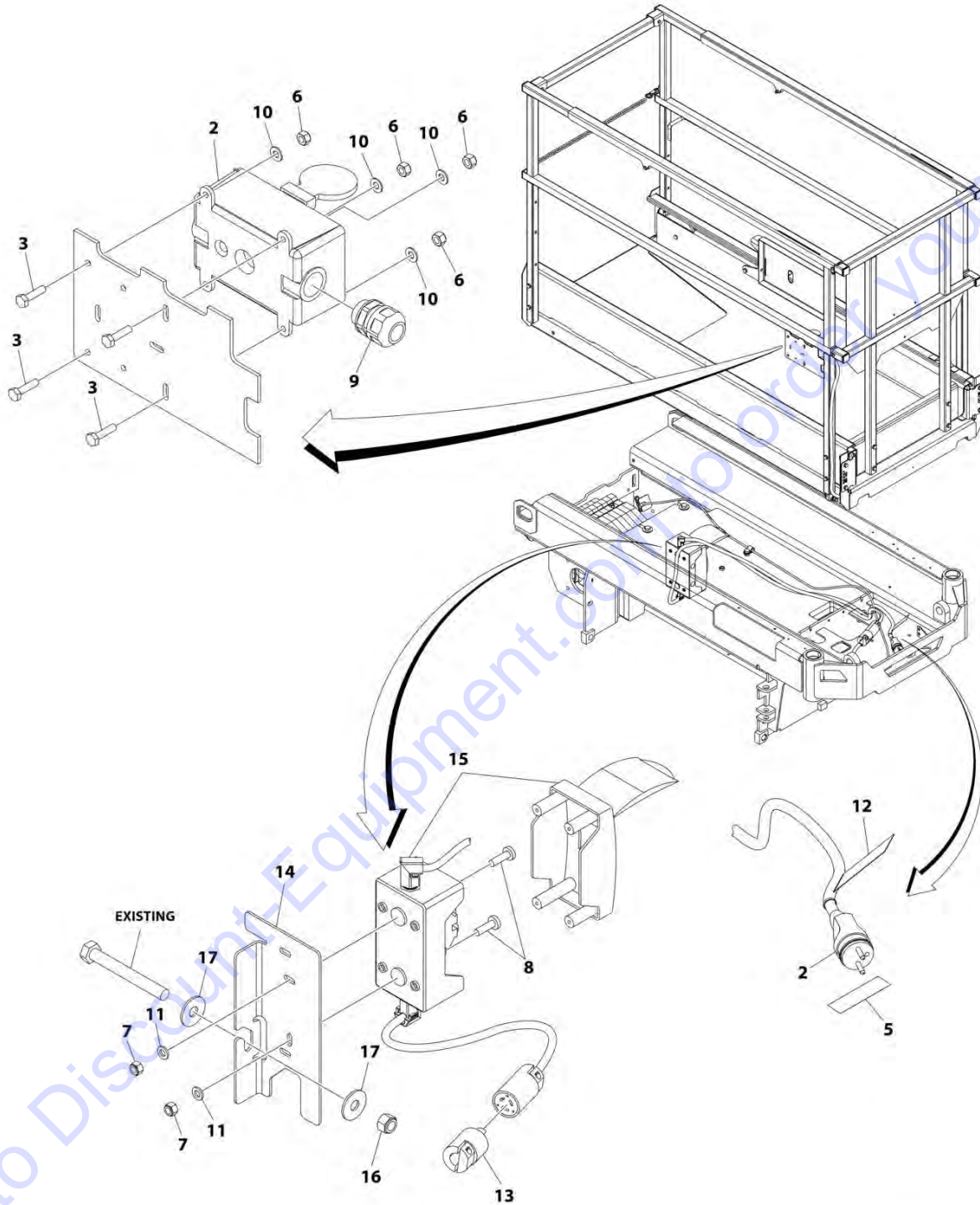
FIGURE 7-5. AC BOX AT PLATFORM INSTALLATION - 220V CEE7 SIDE GROUND (CE SPECS)

ITEM	PART NUMBER	QTY	DESCRIPTION	REV
	1001208933	Ref	AC BOX AT PLATFORM INSTALLATION - 220V CEE7 SIDE GROUND (CE SPECS)	C
1	0100011	AR	Compound, Locking (Not Shown)	
2	0275453	1	Receptacle Box Kit - 220V CEE7 Side Ground (See Separate Breakdown in this Section)	
3	0760408	4	Bolt M4 x 16	
5	3252507	1	Decal - AC Power	
6	3290405	4	Nut M4	
7	3290605	2	Nut M6	
8	4010610	2	Screw M6 x 20	
9	4460662	1	Connector, Strain Relief	
10	4811400	4	Washer M4	
11	4811700	4	Washer M6	
12	1001102258	1	Decal - AC Label	
13	1001120204	1	Plug, Male Twist	
14	1001216928	1	Bracket	
15	1001209482	1	Breaker Box Kit (See Separate Breakdown in this Section)	
16	3291205	1	Nut M12	
17	4812102	2	Washer M12	
18	4240017	AR	Tie-Strap (Not Shown)	

Go to Discount-Equipment.com to order your parts

SECTION 7 - ELECTRICAL

FIGURE 7-6. AC BOX AT PLATFORM INSTALLATION - 220V AFSINT 107 (CE SPECS)



ART_1001208934

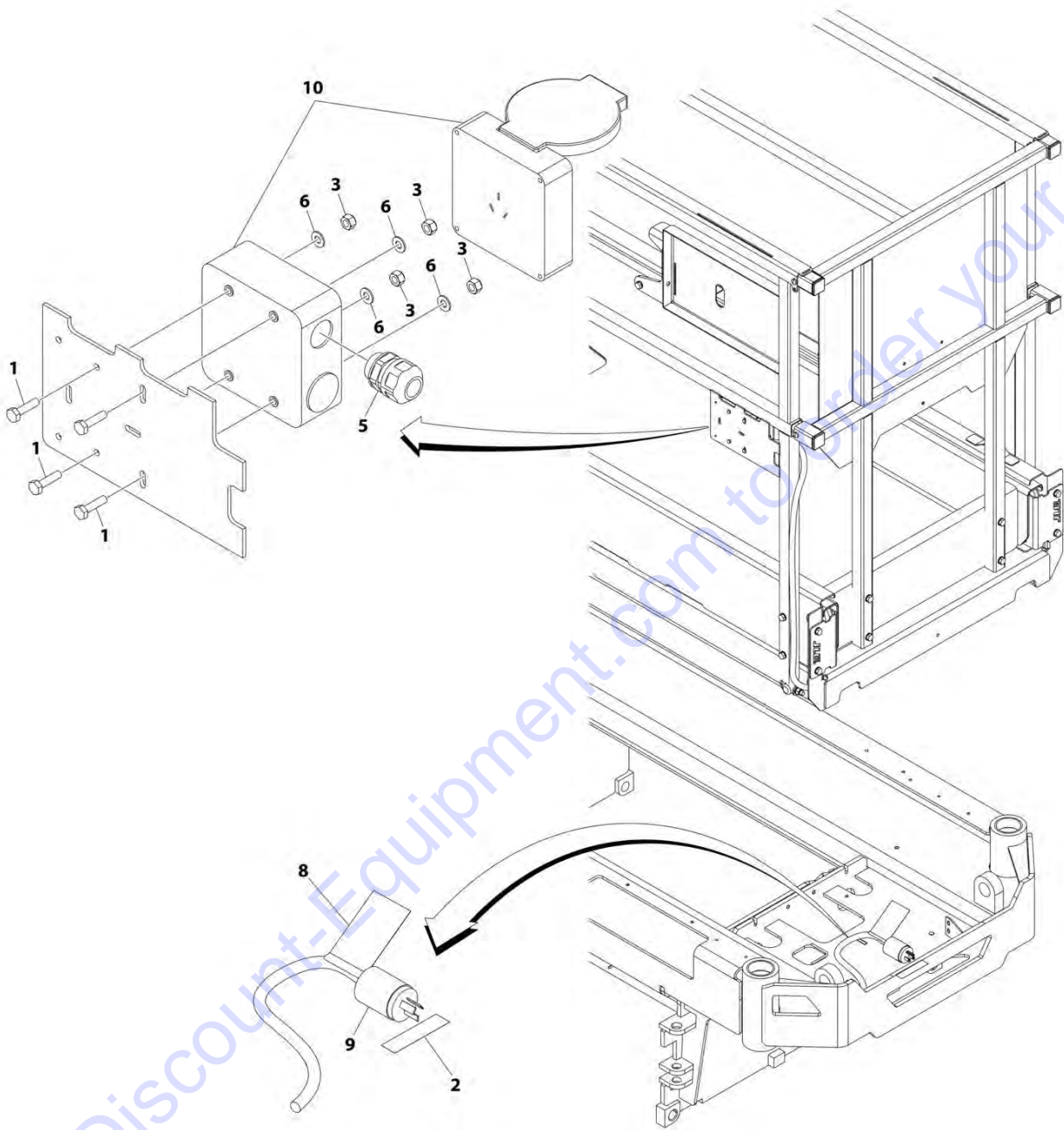
SECTION 7 - ELECTRICAL

FIGURE 7-6. AC BOX AT PLATFORM INSTALLATION - 220V AFSINT 107 (CE SPECS)

ITEM	PART NUMBER	QTY	DESCRIPTION	REV
	1001208934	Ref	AC BOX AT PLATFORM INSTALLATION - 220V AFSINT 107 (CE SPECS)	B
1	0100011	AR	Compound, Locking (Not Shown)	
2	0275454	1	Receptacle Box Kit - 220V AFSINT 107 (See Separate Breakdown in this Section)	
3	0760408	4	Bolt M4 x 16	
5	3252507	1	Decal - AC Power	
6	3290405	4	Nut M4	
7	3290605	2	Nut M6	
8	4010610	2	Screw M6 x 20	
9	4460662	1	Connector, Strain Relief	
10	4811400	4	Washer M4	
11	4811700	4	Washer M6	
12	1001102258	1	Decal - AC Label	
13	1001120204	1	Plug, Male Twist	
14	1001216928	1	Bracket	
15	1001209776	1	Breaker Box Kit (See Separate Breakdown in this Section)	
16	3291205	1	Nut M12	
17	4812102	2	Washer M12	
18	4240017	AR	Tie-Strap (Not Shown)	

SECTION 7 - ELECTRICAL

FIGURE 7-7. AC BOX AT PLATFORM INSTALLATION - 220V CHINA PLUG (CHINA SPECS)



ART_1001208938

SECTION 7 - ELECTRICAL

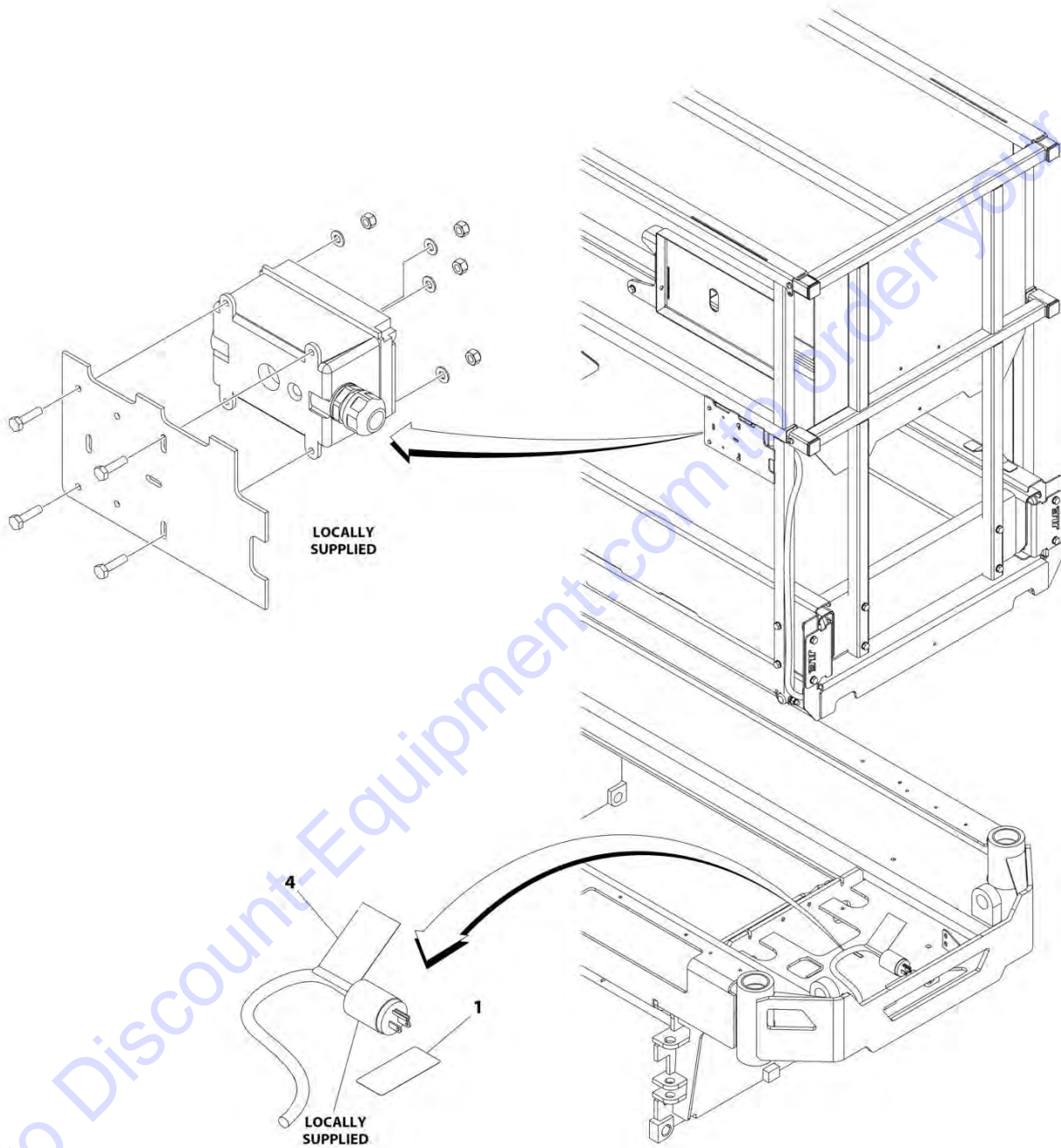
FIGURE 7-7. AC BOX AT PLATFORM INSTALLATION - 220V CHINA PLUG (CHINA SPECS)

ITEM	PART NUMBER	QTY	DESCRIPTION	REV
	1001208938	Ref	AC BOX AT PLATFORM INSTALLATION - 220V CHINA PLUG (CHINA SPECS)	B
1	0760408	4	Bolt M4 x 16	
2	3252507	1	Decal - 220 Volt	
3	3290405	4	Nut M4	
4	4460315	1	Terminal (Not Shown)	
5	4460968	1	Connector, Strain Relief	
6	4811400	4	Washer M4	
8	1001102258	1	Decal - AC Label	
9	1001187816	1	Plug	
10	1001188116	1	Box	
11	4240017	AR	Tie-Strap (Not Shown)	

Go to Discount-Equipment.com to order your parts

SECTION 7 - ELECTRICAL

FIGURE 7-8. AC BOX AT PLATFORM INSTALLATION - 220V LOCALLY SUPPLIED COMPONENTS (ALL SPECS)



ART_1001208931

SECTION 7 - ELECTRICAL

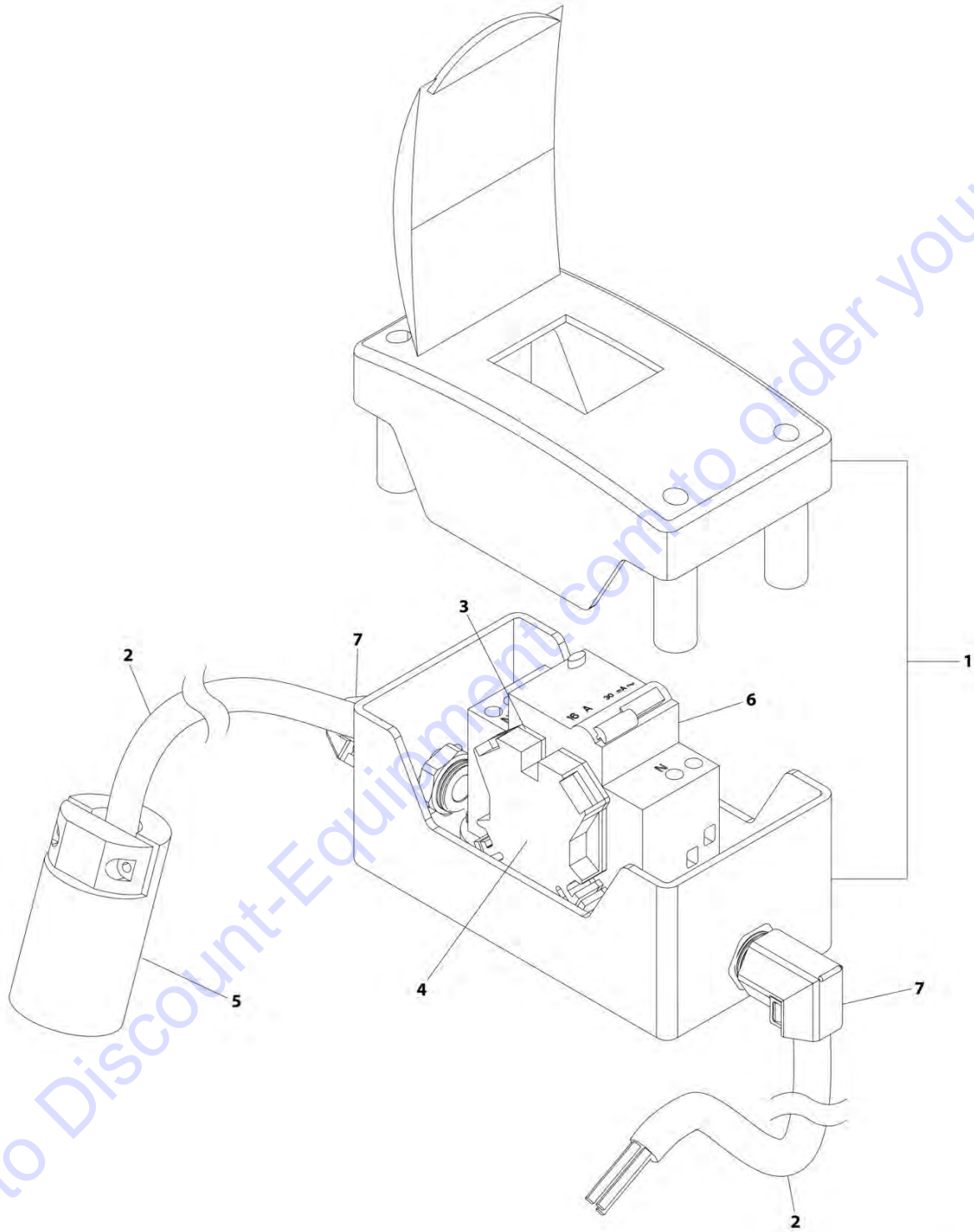
**FIGURE 7-8. AC BOX AT PLATFORM INSTALLATION - 220V LOCALLY SUPPLIED COMPONENTS
(ALL SPECS)**

ITEM	PART NUMBER	QTY	DESCRIPTION	REV
	1001208931	Ref	AC BOX AT PLATFORM INSTALLATION - 220V LOCALLY SUPPLIED COMPONENTS (ALL SPECS)	C
1	3252507	1	Decal - 220 Volt	
4	1001102258	1	Decal - AC Label	
5	4240017	AR	Tie-Strap (Not Shown)	

Go to Discount-Equipment.com to order your parts

SECTION 7 - ELECTRICAL

FIGURE 7-9. BREAKER BOX KIT WITH 1 DOUBLE BREAKER



ART_1001209776

SECTION 7 - ELECTRICAL

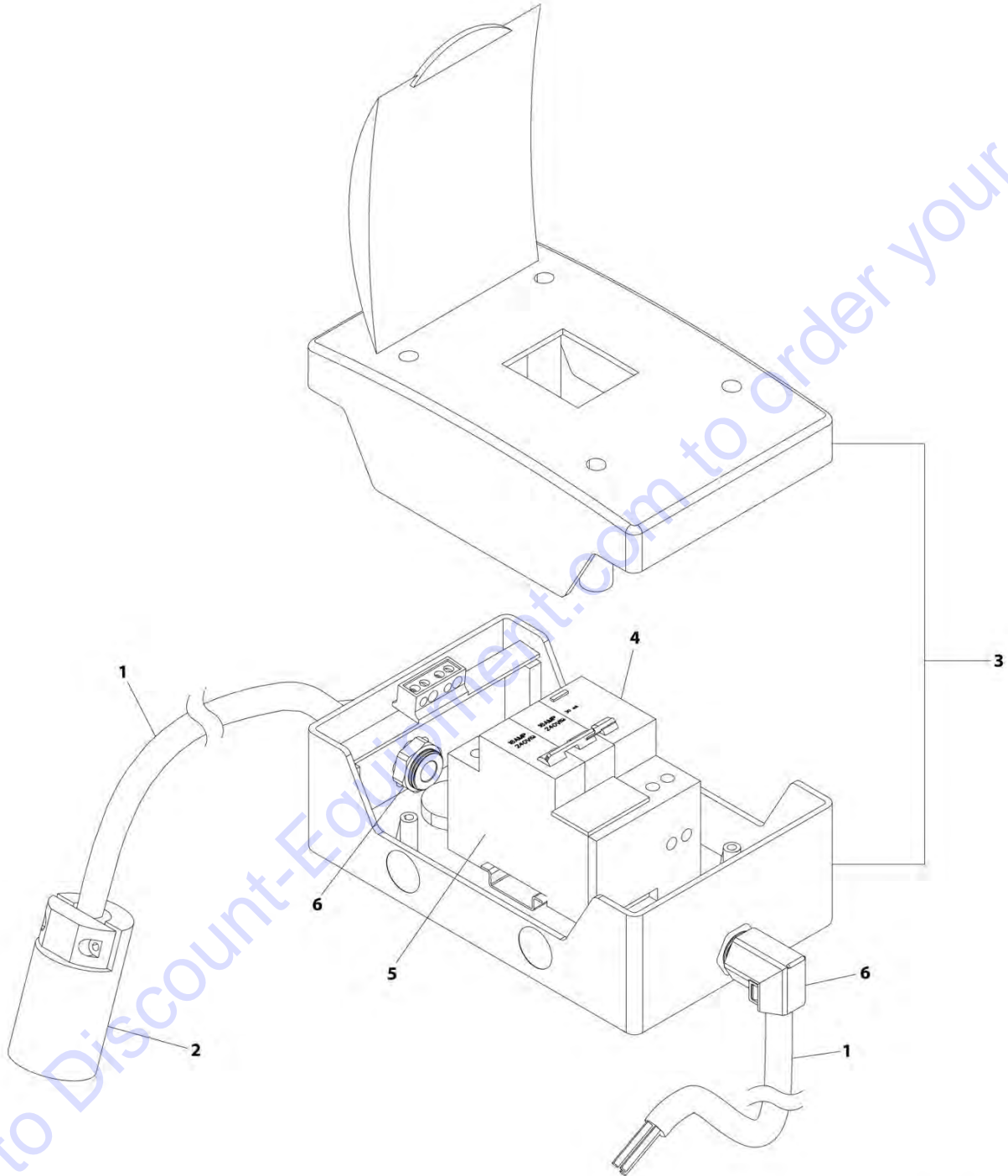
FIGURE 7-9. BREAKER BOX KIT WITH 1 DOUBLE BREAKER

ITEM	PART NUMBER	QTY	DESCRIPTION	REV
	1001209776	Ref	BREAKER BOX KIT WITH 1 DOUBLE BREAKER	C
1	0861880	1	Box	
2	1060908	9.5 ft /2.8m	Cable, 12/3	
3	4460956	1	Barrier, Terminal	
4	4460957	1	Block, Terminal	
5	1001120205	1	Connector, Female Twist	
6	1001181045	1	Breaker 30mAmp/16 Amp	
7	1001217164	2	Connector, Strain Relief 90	

Go to Discount-Equipment.com to order your parts

SECTION 7 - ELECTRICAL

FIGURE 7-10. BREAKER BOX KIT WITH 3 BREAKERS



ART_1001209482

SECTION 7 - ELECTRICAL

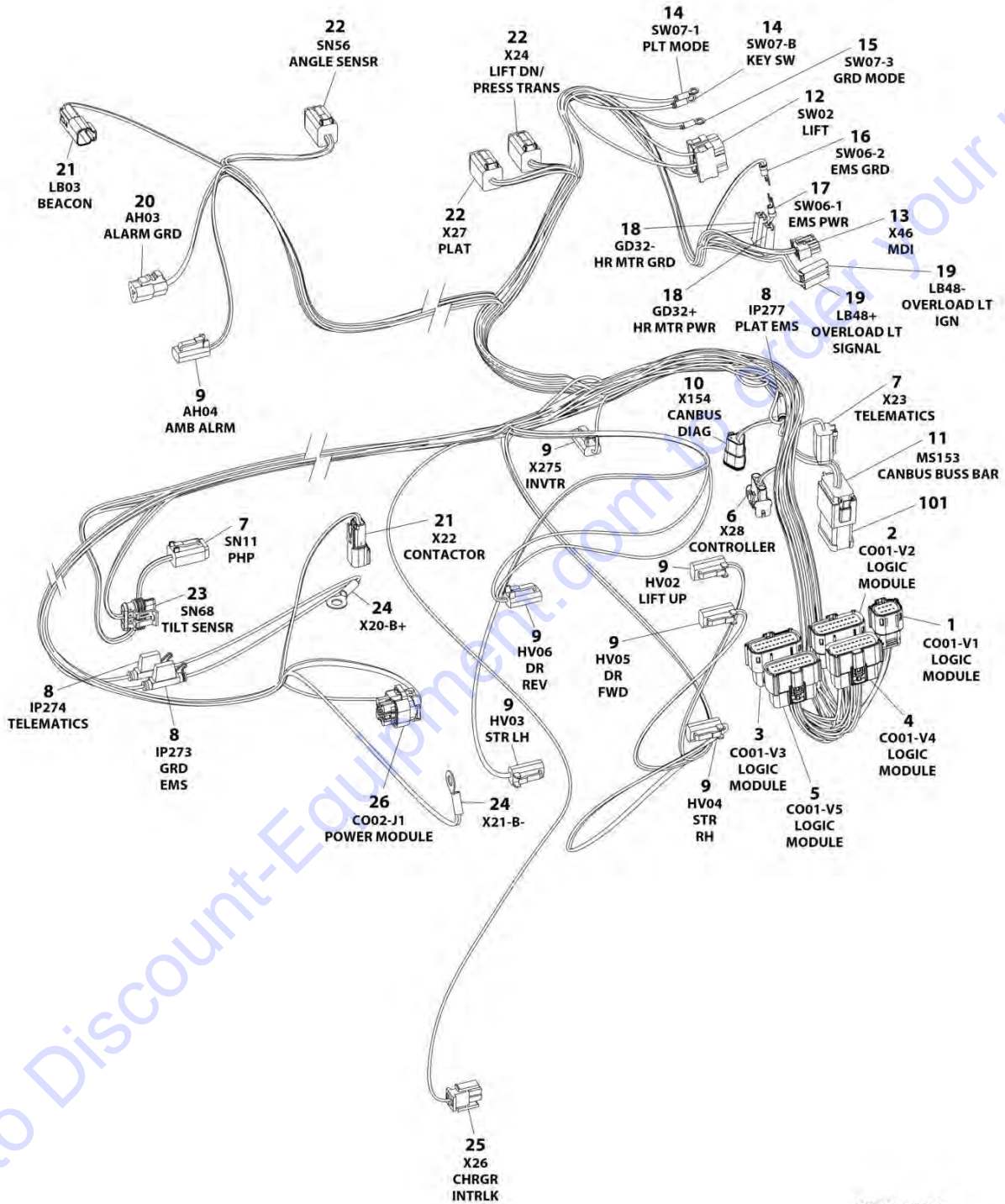
FIGURE 7-10. BREAKER BOX KIT WITH 3 BREAKERS

ITEM	PART NUMBER	QTY	DESCRIPTION	REV
1	1001209482	Ref	BREAKER BOX KIT WITH 3 BREAKERS	C
	1060908	9.5 ft /2.8m	Cable, 12/3	
2	1001120205	1	Connector, Female Twist	
3	1001152483	1	Box	
4	1001189171	1	Breaker, 30mAmp	
5	1001189172	1	Breaker 16 Amp, Double	
6	1001217164	2	Connector, Strain Relief 90	

Go to Discount-Equipment.com to order your parts

SECTION 7 - ELECTRICAL

FIGURE 7-11. CHASSIS HARNESS (WITHOUT LSS)



ART_1001200820

SECTION 7 - ELECTRICAL

FIGURE 7-11. CHASSIS HARNESS (WITHOUT LSS)

ITEM	PART NUMBER	QTY	DESCRIPTION	REV
	1001200820	Ref	CHASSIS HARNESS (WITHOUT LSS)	B
1	1001205409	1	Connector - 8 Position	
1	1001162887	6	Terminal	
1	1001163340	2	Plug, Terminal	
2	1001205410	1	Connector - 20 Position	
2	1001162887	11	Terminal	
2	1001163340	9	Plug, Terminal	
3	1001162886	1	Connector - 20 Position	
3	1001162887	9	Terminal	
3	1001163340	11	Plug, Terminal	
4	1001205411	1	Connector - 20 Position	
4	1001162887	16	Terminal	
4	1001163340	4	Plug, Terminal	
5	1001205412	1	Connector - 20 Position	
5	1001162887	19	Terminal	
5	1001163340	1	Plug, Terminal	
6	4460761	1	Plug, Male - 4 Position	
6	4460227	4	Socket, Female	
7	4460884	2	Plug, Male - 4 Position	
7	4460465	8	Socket, Female	
7	1001192401	1	Cover	
8	2400060	3	Holder/Cover, Fuse	
8	8229242	3	Fuse 5 Amp	
9	4460891	7	Plug, Male - 2 Position	
9	4460465	13	Socket, Female	
9	4460466	1	Plug, Terminal	
9	See Note	NSS	Cover (Note: Purchase Locally - Use Deutsch p/n 1011-334-0205)	
10	1001116812	1	Receptacle, Female - 3 Position	
10	4460944	2	Pin, Male	
10	1001144296	1	Cover	
11	4460933	1	Plug, Male - 12 Position	
11	4460944	12	Socket, Female	
12	4460418	1	Connector - 6 Position	
12	4460419	3	Terminal	
13	1001151629	1	Plug, Male - 8 Position	
13	4461023	2	Terminal	
13	4460877	2	Terminal	
14	4460247	2	Terminal, Ring	
15	4460042	1	Terminal, Ring	
16	4460115	1	Terminal, Ring	
17	4460183	1	Terminal, Ring	
18	4460260	2	Cover, Terminal	
18	4460259	2	Terminal	
19	1001117000	2	Cover, Terminal	
19	1001118387	2	Terminal	
20	4460539	1	Plug, Male - 3 Position	
20	4460465	3	Socket, Female	
21	4460897	2	Receptacle, Female - 2 Position	
21	4460464	4	Pin, Male	
22	4460894	3	Plug, Male - 6 Position	

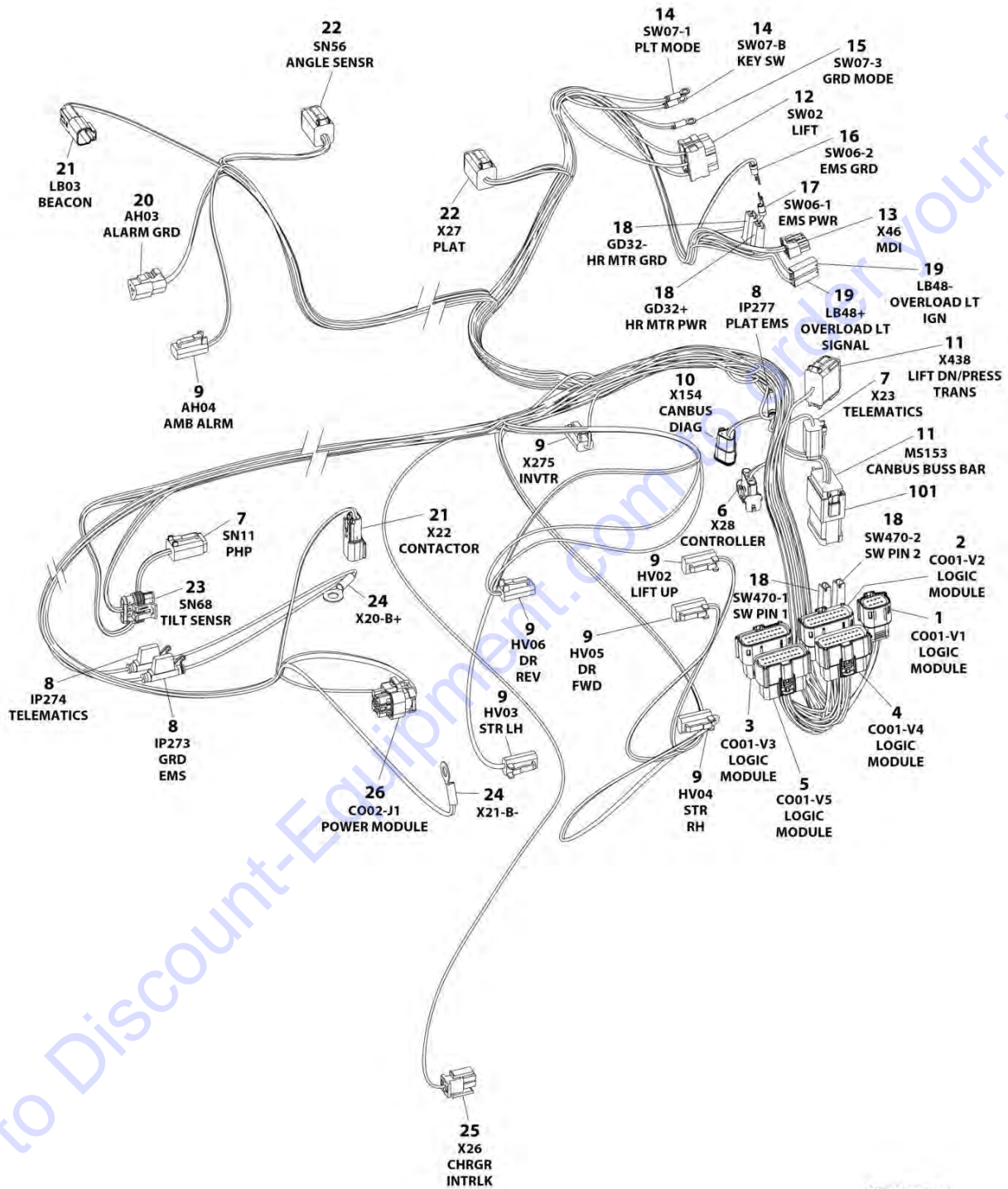
SECTION 7 - ELECTRICAL

ITEM	PART NUMBER	QTY	DESCRIPTION	REV
22	4460465	18	Socket, Female	
23	1001103012	1	Plug, Male - 4 Position	
23	1001107854	4	Socket, Female	
24	4460256	2	Terminal	
25	4460320	1	Plug, Male - 2 Position	
25	4460226	1	Socket, Female	
26	1001113961	1	Connector - 8 Position	
26	4460871	4	Socket, Female	
26	4460905	4	Plug, Terminal	
101	1001125677	1	Receptacle, Female Buss Bar - 2x6 Position	

Go to Discount-Equipment.com to order your parts

SECTION 7 - ELECTRICAL

FIGURE 7-12. CHASSIS HARNESS (WITH LSS)



ART_1001222686

SECTION 7 - ELECTRICAL

FIGURE 7-12. CHASSIS HARNESS (WITH LSS)

ITEM	PART NUMBER	QTY	DESCRIPTION	REV
	1001222686	Ref	CHASSIS HARNESS (WITH LSS)	C
1	1001205409	1	Connector- 8 Position	
1	1001162887	6	Terminal	
1	1001163340	2	Plug, Terminal	
2	1001205410	1	Connector - 20 Position	
2	1001162887	11	Terminal	
2	1001163340	9	Plug, Terminal	
3	1001162886	1	Connector - 20 Position	
3	1001162887	5	Terminal	
3	1001163340	15	Plug, Terminal	
4	1001205411	1	Connector - 20 Position	
4	1001162887	16	Terminal	
4	1001163340	4	Plug, Terminal	
5	1001205412	1	Connector - 20 Position	
5	1001162887	18	Terminal	
5	1001163340	2	Plug, Terminal	
6	4460761	1	Plug, Male - 4 Position	
6	4460227	4	Socket, Female	
7	4460884	2	Plug, Male - 4 Position	
7	4460465	8	Socket, Female	
7	1001192401	1	Cover	
8	2400060	3	Holder/Cover, Fuse	
8	8229242	3	Fuse 5 Amp	
9	4460891	7	Plug, Male - 4 Position	
9	4460465	13	Socket, Female	
9	4460466	1	Plug, Terminal	
9	See Note	NSS	Cover (Note: Purchase Locally - Use Deutsch p/n 1011-334-0205)	
10	1001116812	1	Receptacle, Female - 3 Position	
10	4460944	2	Pin, Male	
10	See Note	NSS	Cover (Note: Purchase Locally - Use Deutsch p/n 1011-334-0305)	
11	4460933	2	Plug, Male - 12 Position	
11	4460944	12	Socket, Female	
11	4460465	10	Socket, Female	
11	4460466	2	Plug, Terminal	
12	4460418	1	Connector - 6 Position	
12	4460419	3	Terminal	
13	1001151629	1	Plug, Male - 8 Position	
13	4461023	2	Terminal	
13	4460877	2	Terminal	
14	4460247	2	Terminal, Ring	
15	4460042	1	Terminal, Ring	
16	4460115	1	Terminal, Ring	
17	4460183	1	Terminal, Ring	
18	4460260	4	Cover, Terminal	
18	4460259	4	Terminal	
19	1001117000	2	Cover, Terminal	
19	1001118387	2	Terminal	
20	4460539	1	Plug, Male - 3 Position	
20	4460465	3	Socket, Female	
21	4460897	2	Receptacle, Female - 2 Position	

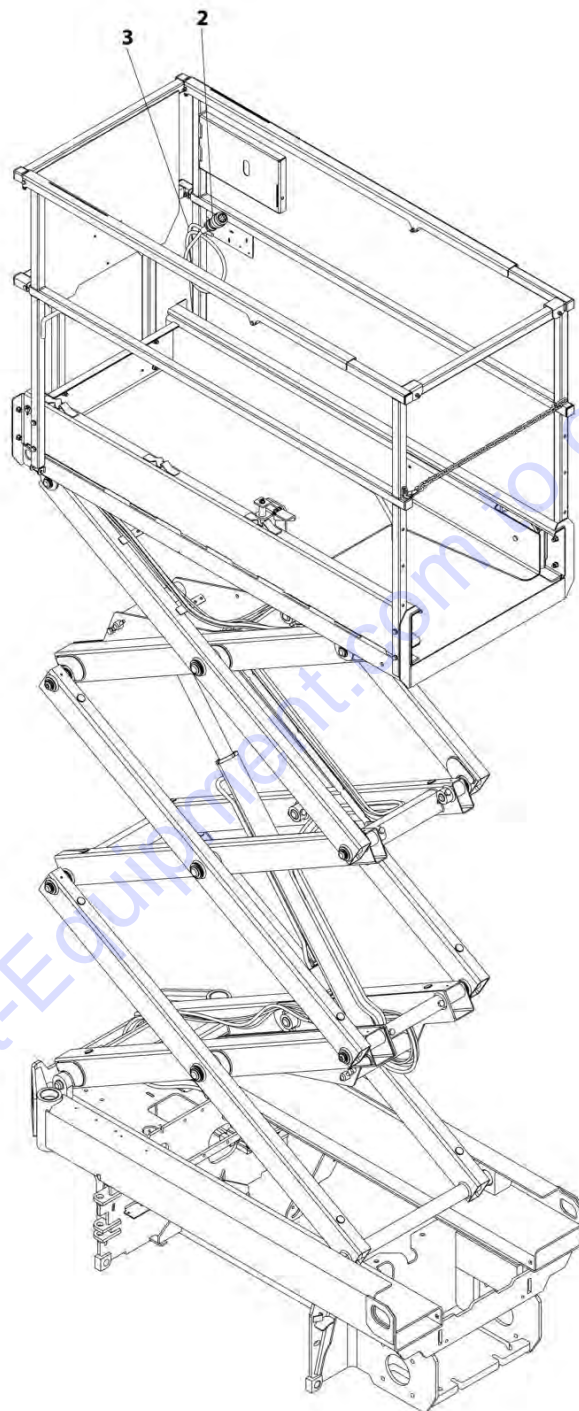
SECTION 7 - ELECTRICAL

ITEM	PART NUMBER	QTY	DESCRIPTION	REV
21	4460464	4	Pin, Male	
22	4460894	2	Plug, Male - 6 Position	
22	4460465	12	Socket, Female	
23	1001103012	1	Plug, Male - 4 Position	
23	1001107854	4	Socket, Female	
24	4460256	2	Terminal	
25	4460320	1	Plug, Male - 2 Position	
25	4460226	1	Socket, Female	
26	1001113961	1	Connector - 8 Position	
26	4460871	4	Socket, Female	
26	4460905	4	Plug, Terminal	
101	1001125677	1	Receptacle, Female Buss Bar - 2x6 Position	

Go to Discount-Equipment.com to order your parts

SECTION 7 - ELECTRICAL

FIGURE 7-13. GROUND TO PLATFORM CABLE INSTALLATION - 1532R WITHOUT PLATFORM COIL CABLE



ART_1001225490

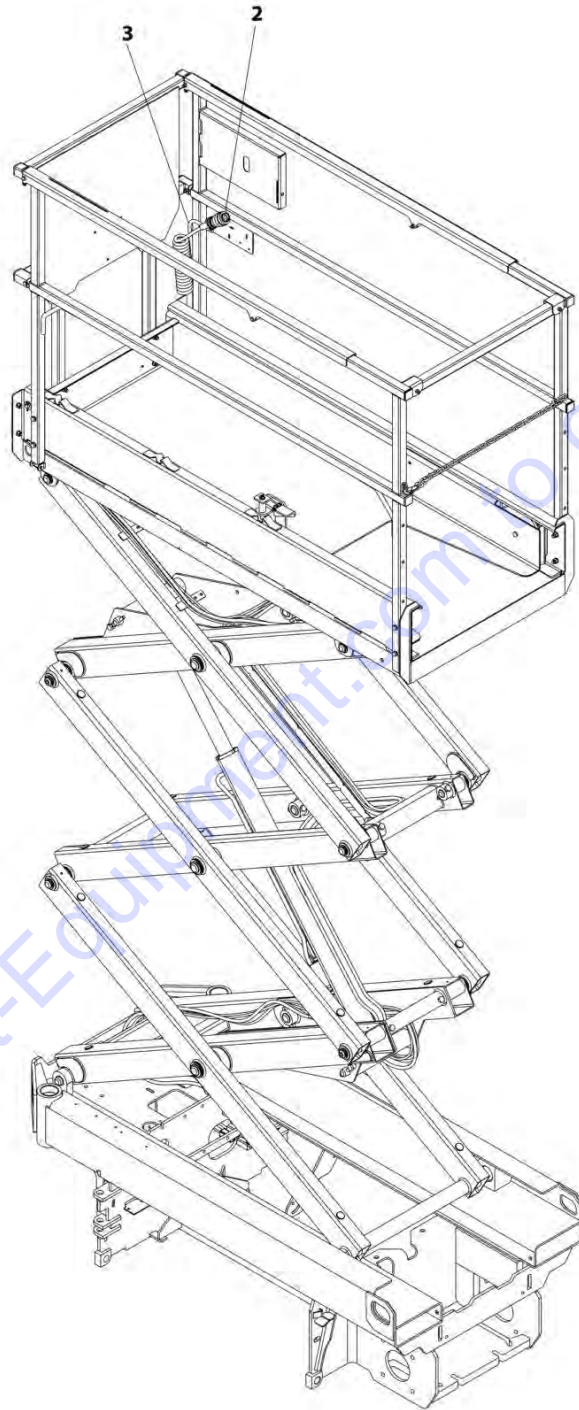
SECTION 7 - ELECTRICAL

FIGURE 7-13. GROUND TO PLATFORM CABLE INSTALLATION - 1532R WITHOUT PLATFORM COIL CABLE

ITEM	PART NUMBER	QTY	DESCRIPTION	REV
	1001225490	Ref	GROUND TO PLATFORM CABLE INSTALLATION - 1532R WITHOUT PLATFORM COIL CABLE	A
1	4240017	AR	Tie-Strap (Not Shown)	
2	1001200812	1	Platform Harness	
2	4460899	1	Receptacle, Female - 6 Position (To Item 3)	
2	4460464	4	Pin, Male	
2	4460943	2	Pin, Male	
2	4460754	1	Connector - 14 Position (To Console Box)	
2	4460465	8	Socket, Female	
2	4460466	6	Plug, Terminal	
3	1001225377	1	Cable Assembly - Ground to Platform	
3	4460894	1	Plug, Male - 6 Position (To Platform Harness Item 2)	
3	4460465	4	Socket, Female	
3	4460944	2	Socket, Female	
3	4460899	1	Receptacle, Female - 6 Position (To Chassis Harness)	
3	4460464	4	Pin, Male	
3	4460943	2	Pin, Male	

SECTION 7 - ELECTRICAL

FIGURE 7-14. GROUND TO PLATFORM CABLE INSTALLATION - 1532R WITH PLATFORM COIL CABLE



ART_1001225491

SECTION 7 - ELECTRICAL

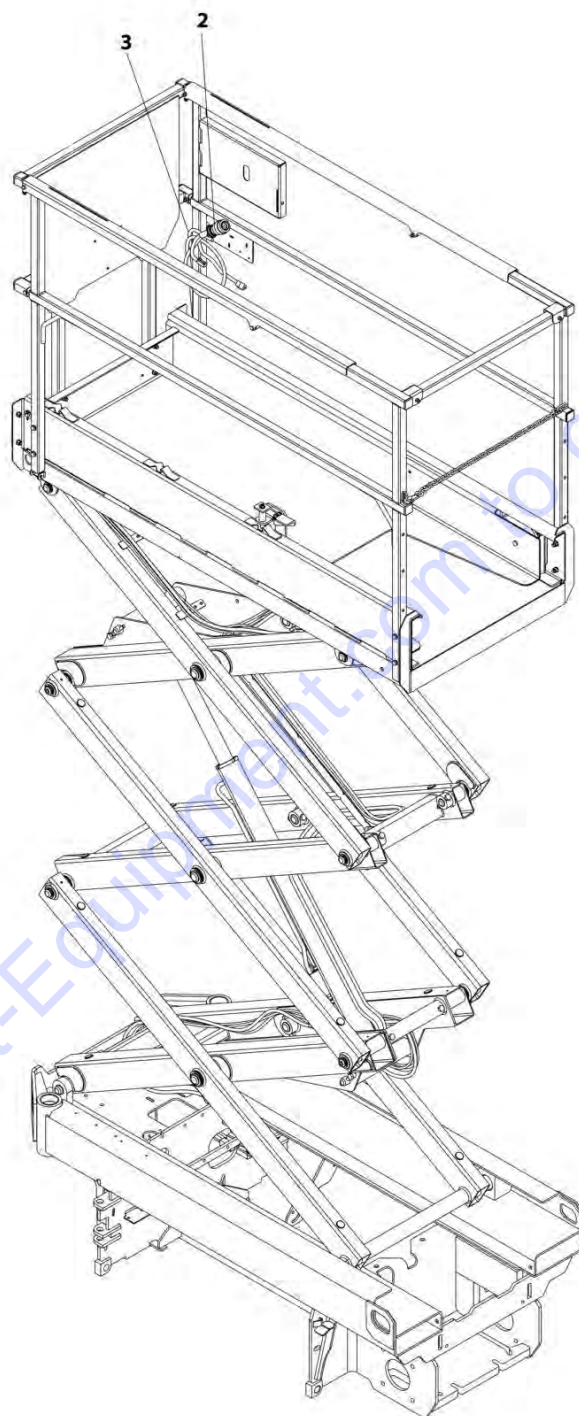
FIGURE 7-14. GROUND TO PLATFORM CABLE INSTALLATION - 1532R WITH PLATFORM COIL CABLE

ITEM	PART NUMBER	QTY	DESCRIPTION	REV
	1001225491	Ref	GROUND TO PLATFORM CABLE INSTALLATION - 1532R WITH PLATFORM COIL CABLE	A
1	4240017	AR	Tie-Strap (Not Shown)	
2	1001202184	1	Platform Harness	
2	4460899	1	Receptacle, Female - 6 Position (To Item 3)	
2	4460464	4	Pin, Male	
2	4460943	2	Pin, Male	
2	4460754	1	Connector - 14 Position (To Console Box)	
2	4460465	8	Socket, Female	
2	4460466	6	Plug, Terminal	
3	1001225377	1	Cable Assembly - Ground to Platform	
3	4460894	1	Plug, Male - 6 Position (To Platform Harness Item 2)	
3	4460465	4	Socket, Female	
3	4460944	2	Socket, Female	
3	4460899	1	Receptacle, Female - 6 Position (To Chassis Harness)	
3	4460464	4	Pin, Male	
3	4460943	2	Pin, Male	

Go to Discount-Equipment.com to order your parts

SECTION 7 - ELECTRICAL

FIGURE 7-15. GROUND TO PLATFORM CABLE INSTALLATION - 1532R WITHOUT PLATFORM COIL CABLE AND WITH FOOTSWITCH



ART_1001225492

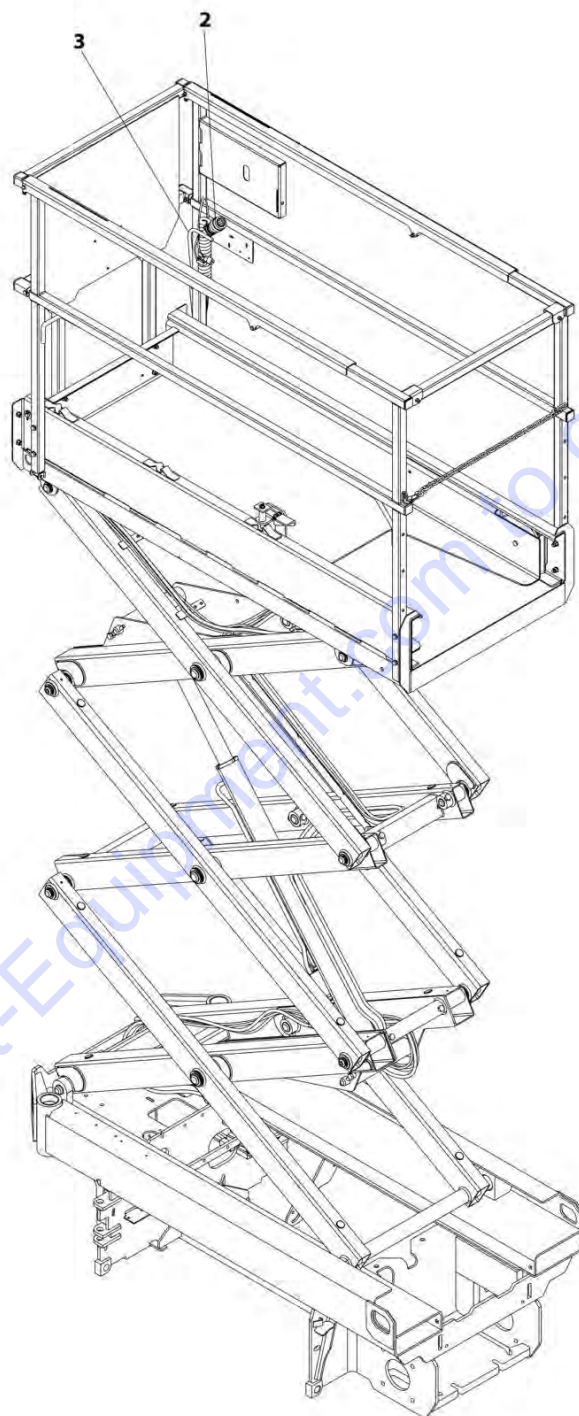
SECTION 7 - ELECTRICAL

FIGURE 7-15. GROUND TO PLATFORM CABLE INSTALLATION - 1532R WITHOUT PLATFORM COIL CABLE AND WITH FOOTSWITCH

ITEM	PART NUMBER	QTY	DESCRIPTION	REV
	1001225492	Ref	GROUND TO PLATFORM CABLE INSTALLATION - 1532R WITHOUT PLATFORM COIL CABLE AND WITH FOOTSWITCH	A
		Ref	Note: Only Available on Japanese Specs.	
1	4240017	AR	Tie-Strap (Not Shown)	
2	1001223263	1	Platform Harness	
2	4460899	1	Receptacle, Female - 6 Position (To Item 3)	
2	4460464	4	Pin, Male	
2	4460943	2	Pin, Male	
2	4460754	1	Connector - 14 Position (To Console Box)	
2	4460465	8	Socket, Female	
2	4460944	2	Socket, Female	
2	4460466	4	Plug, Terminal	
2	4460891	1	Plug, Male - 2 Position (To Footswitch)	
2	4460465	2	Socket, Female	
2	4460897	1	Receptacle, Female - 2 Position (Footswitch Jumper)	
2	4460464	2	Pin, Male	
2	4460539	1	Plug, Male - 3 Position (To Overhead Switches)	
2	4460465	2	Socket, Female	
2	4460466	1	Plug, Terminal	
3	1001225377	1	Cable Assembly - Ground to Platform	
3	4460894	1	Plug, Male - 6 Position (To Platform Harness Item 2)	
3	4460465	4	Socket, Female	
3	4460944	2	Socket, Female	
3	4460899	1	Receptacle, Female - 6 Position (To Chassis Harness)	
3	4460464	4	Pin, Male	
3	4460943	2	Pin, Male	

SECTION 7 - ELECTRICAL

FIGURE 7-16. GROUND TO PLATFORM CABLE INSTALLATION - 1532R WITH PLATFORM COIL CABLE AND FOOTSWITCH



ART_1001225493

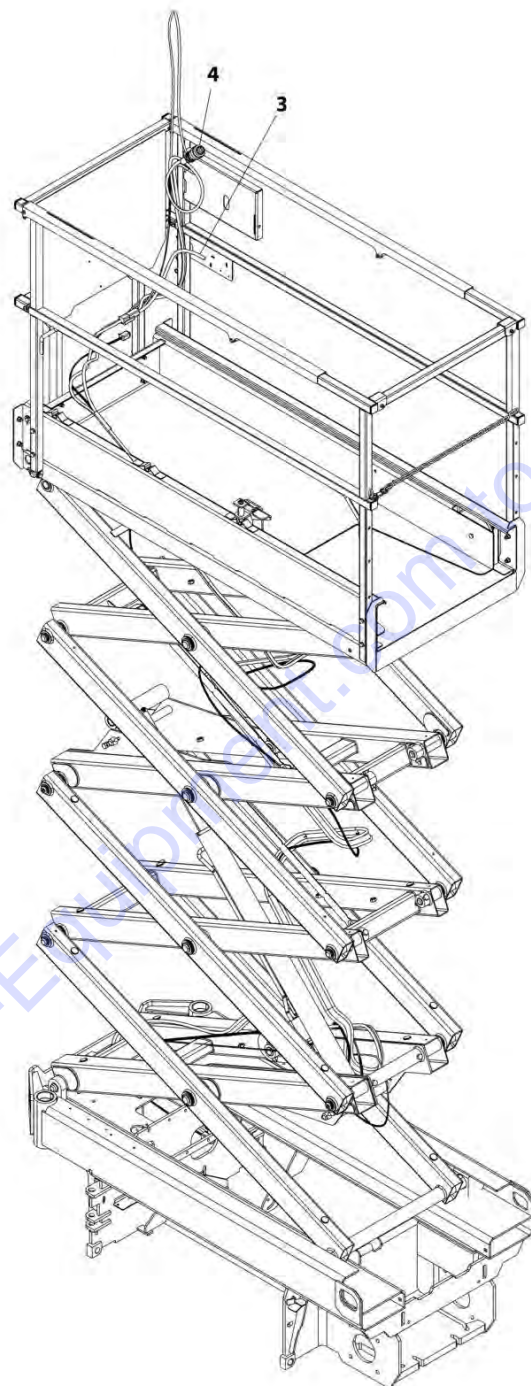
SECTION 7 - ELECTRICAL

FIGURE 7-16. GROUND TO PLATFORM CABLE INSTALLATION - 1532R WITH PLATFORM COIL CABLE AND FOOTSWITCH

ITEM	PART NUMBER	QTY	DESCRIPTION	REV
	1001225493	Ref	GROUND TO PLATFORM CABLE INSTALLATION - 1532R WITH PLATFORM COIL CABLE AND FOOTSWITCH	A
		Ref	Note: Only Available on Japanese Specs.	
1	4240017	AR	Tie-Strap (Not Shown)	
2	1001223262	1	Platform Harness	
2	4460899	1	Receptacle, Female - 6 Position (To Item 3)	
2	4460464	4	Pin, Male	
2	4460943	2	Pin, Male	
2	4460754	1	Connector - 14 Position (To Console Box)	
2	4460465	8	Socket, Female	
2	4460944	2	Socket, Female	
2	4460466	4	Plug, Terminal	
2	4460891	1	Plug, Male - 2 Position (To Footswitch)	
2	4460465	2	Socket, Female	
2	4460897	1	Receptacle, Female - 2 Position (Footswitch Jumper)	
2	4460464	2	Pin, Male	
2	4460539	1	Plug, Male - 3 Position (To Overhead Switches)	
2	4460465	2	Socket, Female	
2	4460466	1	Plug, Terminal	
3	1001225377	1	Cable Assembly - Ground to Platform	
3	4460894	1	Plug, Male - 6 Position (To Platform Harness Item 2)	
3	4460465	4	Socket, Female	
3	4460944	2	Socket, Female	
3	4460899	1	Receptacle, Female - 6 Position (To Chassis Harness)	
3	4460464	4	Pin, Male	
3	4460943	2	Pin, Male	

SECTION 7 - ELECTRICAL

FIGURE 7-17. GROUND TO PLATFORM CABLE INSTALLATION - 1932R WITHOUT PLATFORM COIL CABLE (ALL SPECS EXCEPT AUSTRALIAN SPECS)



ART_1001201087

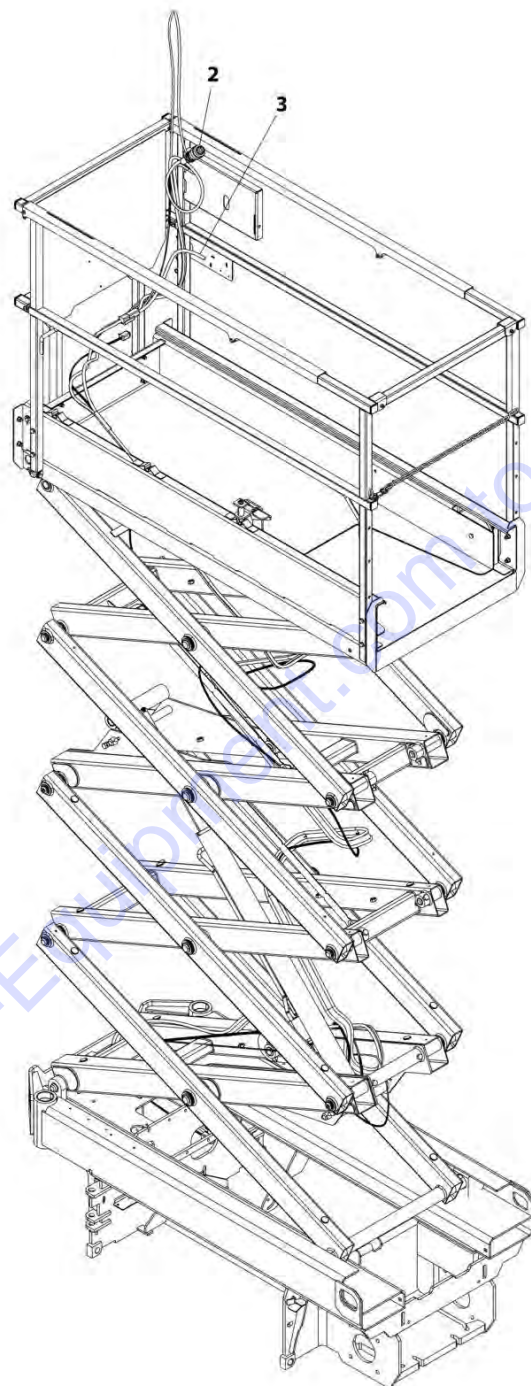
SECTION 7 - ELECTRICAL

FIGURE 7-17. GROUND TO PLATFORM CABLE INSTALLATION - 1932R WITHOUT PLATFORM COIL CABLE (ALL SPECS EXCEPT AUSTRALIAN SPECS)

ITEM	PART NUMBER	QTY	DESCRIPTION	REV
	1001201087	Ref	GROUND TO PLATFORM CABLE INSTALLATION - 1932R WITHOUT PLATFORM COIL CABLE (ALL SPECS EXCEPT AUSTRALIAN SPECS)	D
1	4240017	AR	Tie-Strap (Not Shown)	
3	1001200811	1	Cable Assembly - Ground to Platform	
3	4460894	1	Plug, Male - 6 Position (To Platform Harness Item 4)	
3	4460465	4	Socket, Female	
3	4460944	2	Socket, Female	
3	4460899	1	Receptacle, Female - 6 Position (To Chassis Harness)	
3	4460464	4	Pin, Male	
3	4460943	2	Pin, Male	
4	1001200812	1	Platform Harness	
4	4460899	1	Receptacle, Female - 6 Position (To Item 3)	
4	4460464	4	Pin, Male	
4	4460943	2	Pin, Male	
4	4460754	1	Connector - 14 Position (To Console Box)	
4	4460465	8	Socket, Female	
4	4460466	6	Plug, Terminal	

SECTION 7 - ELECTRICAL

FIGURE 7-18. GROUND TO PLATFORM CABLE INSTALLATION - 1932R WITHOUT PLATFORM COIL CABLE (AUSTRALIAN SPECS)



ART_1001230932

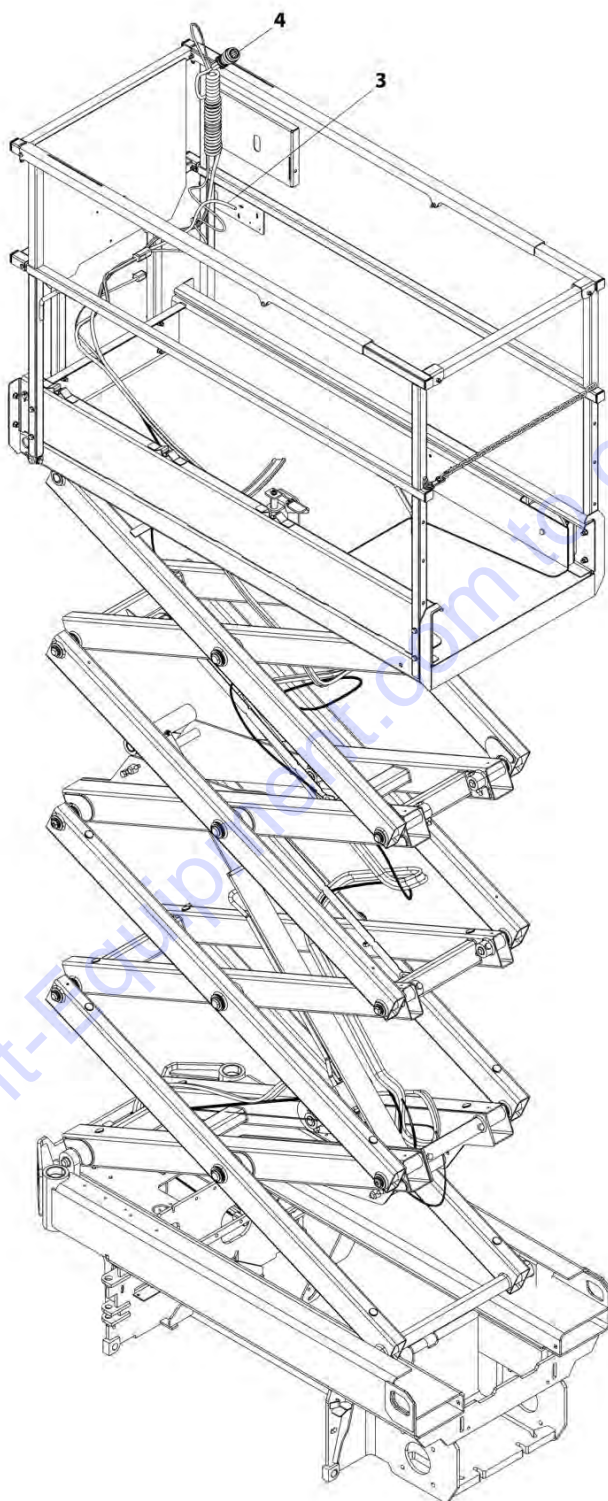
SECTION 7 - ELECTRICAL

FIGURE 7-18. GROUND TO PLATFORM CABLE INSTALLATION - 1932R WITHOUT PLATFORM COIL CABLE (AUSTRALIAN SPECS)

ITEM	PART NUMBER	QTY	DESCRIPTION	REV
	1001230932	Ref	GROUND TO PLATFORM CABLE INSTALLATION - 1932R WITHOUT PLATFORM COIL CABLE (AUSTRALIAN SPECS)	A
1	4240017	AR	Tie-Strap (Not Shown)	
2	1001200812	1	Platform Harness	
2	4460899	1	Receptacle, Female - 6 Position (To Item 3)	
2	4460464	4	Pin, Male	
2	4460943	2	Pin, Male	
2	4460754	1	Connector - 14 Position (To Console Box)	
2	4460465	8	Socket, Female	
2	4460466	6	Plug, Terminal	
3	1001230839	1	Cable Assembly - Ground to Platform	
3	4460894	1	Plug, Male - 6 Position (To Platform Harness Item 2)	
3	4460465	4	Socket, Female	
3	4460944	2	Socket, Female	
3	4460899	1	Receptacle, Female - 6 Position (To Chassis Harness)	
3	4460464	4	Pin, Male	
3	4460943	2	Pin, Male	

SECTION 7 - ELECTRICAL

FIGURE 7-19. GROUND TO PLATFORM CABLE INSTALLATION - 1932R WITH PLATFORM COIL CABLE (ALL SPECS EXCEPT AUSTRALIAN SPECS)



ART_1001203630

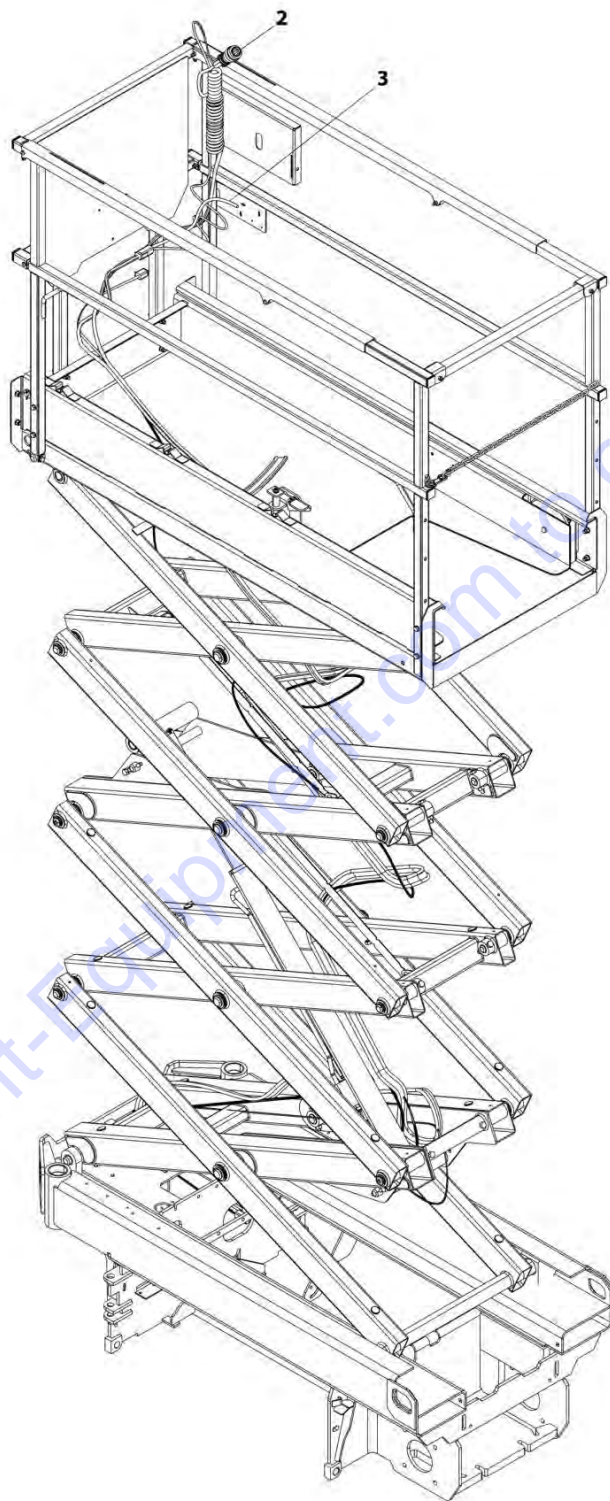
SECTION 7 - ELECTRICAL

FIGURE 7-19. GROUND TO PLATFORM CABLE INSTALLATION - 1932R WITH PLATFORM COIL CABLE (ALL SPECS EXCEPT AUSTRALIAN SPECS)

ITEM	PART NUMBER	QTY	DESCRIPTION	REV
	1001203630	Ref	GROUND TO PLATFORM CABLE INSTALLATION - 1932R WITH PLATFORM COIL CABLE (ALL SPECS EXCEPT AUSTRALIAN SPECS)	D
1	4240017	AR	Tie-Strap (Not Shown)	
3	1001200811	1	Cable Assembly - Ground to Platform	
3	4460894	1	Plug, Male - 6 Position (To Platform Harness Item 4)	
3	4460465	4	Socket, Female	
3	4460944	2	Socket, Female	
3	4460899	1	Receptacle, Female - 6 Position (To Chassis Harness)	
3	4460464	4	Pin, Male	
3	4460943	2	Pin, Male	
4	1001202184	1	Platform Harness	
4	4460899	1	Receptacle, Female - 6 Position (To Item 3)	
4	4460464	4	Pin, Male	
4	4460943	2	Pin, Male	
4	4460754	1	Connector - 14 Position (To Console Box)	
4	4460465	8	Socket, Female	
4	4460466	6	Plug, Terminal	

SECTION 7 - ELECTRICAL

FIGURE 7-20. GROUND TO PLATFORM CABLE INSTALLATION - 1932R WITH PLATFORM COIL CABLE (AUSTRALIAN SPECS)



ART_1001230933

SECTION 7 - ELECTRICAL

FIGURE 7-20. GROUND TO PLATFORM CABLE INSTALLATION - 1932R WITH PLATFORM COIL CABLE (AUSTRALIAN SPECS)

ITEM	PART NUMBER	QTY	DESCRIPTION	REV
	1001230933	Ref	GROUND TO PLATFORM CABLE INSTALLATION - 1932R WITH PLATFORM COIL CABLE (AUSTRALIAN SPECS)	A
1	4240017	AR	Tie-Strap (Not Shown)	
2	1001202184	1	Platform Harness	
2	4460899	1	Receptacle, Female - 6 Position (To Item 3)	
2	4460464	4	Pin, Male	
2	4460943	2	Pin, Male	
2	4460754	1	Connector - 14 Position (To Console Box)	
2	4460465	8	Socket, Female	
2	4460466	6	Plug, Terminal	
3	1001230839	1	Cable Assembly - Ground to Platform	
3	4460894	1	Plug, Male - 6 Position (To Platform Harness Item 2)	
3	4460465	4	Socket, Female	
3	4460944	2	Socket, Female	
3	4460899	1	Receptacle, Female - 6 Position (To Chassis Harness)	
3	4460464	4	Pin, Male	
3	4460943	2	Pin, Male	

PARTS FINDER

**Search Website
by Part Number**



**Search Manual
Library For Parts
Manual & Lookup Part
Numbers – Purchase
or Request Quote**

**Can't Find Part or
Manual? Request Help
by Manufacturer,
Model & Description**

Discount-Equipment.com is your online resource for quality parts & equipment.

Florida: **561-964-4949** Outside Florida TOLL FREE: **877-690-3101**

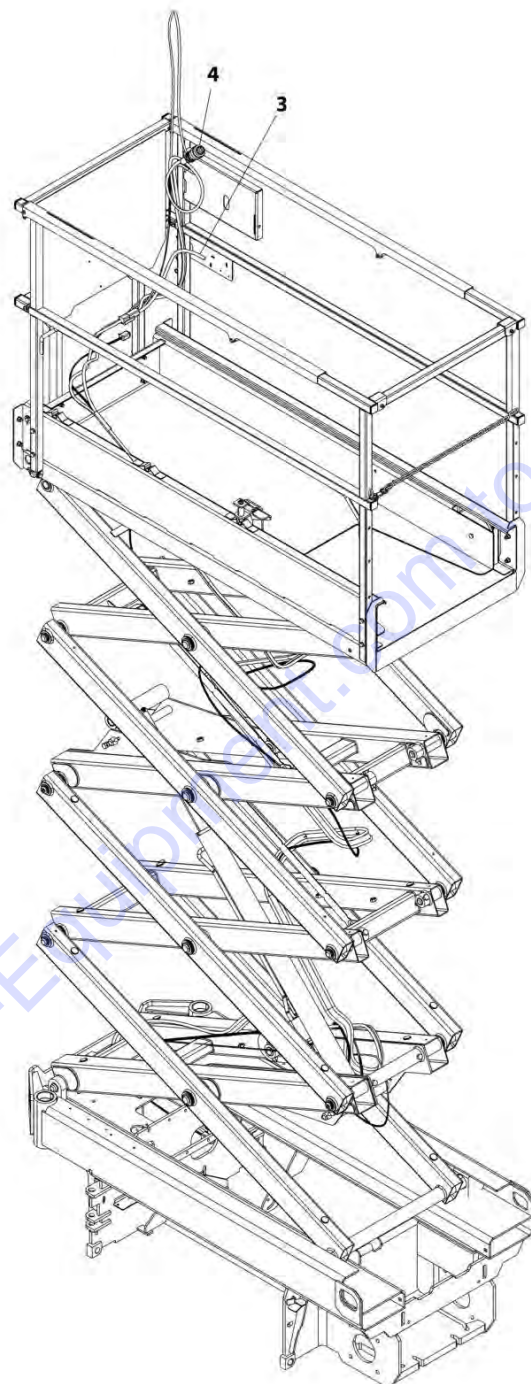
Need parts?

Click on this link: <http://www.discount-equipment.com/category/5443-parts/> and choose one of the options to help get the right parts and equipment you are looking for. Please have the machine model and serial number available in order to help us get you the correct parts. If you don't find the part on the website or on one of the online manuals, please fill out the request form and one of our experienced staff members will get back to you with a quote for the right part that your machine needs.

We sell worldwide for the brands: Genie, Terex, JLG, MultiQuip, Mikasa, Essick, Whiteman, Mayco, Toro Stone, Diamond Products, Generac Magnum, Airman, Haulotte, Barreto, Power Blanket, Nifty Lift, Atlas Copco, Chicago Pneumatic, Allmand, Miller Curber, Skyjack, Lull, Skytrak, Tsurumi, Husquvarna Target, Stow, Wacker, Sakai, Mi-T-M, Sullair, Basic, Dynapac, MBW, Weber, Bartell, Bennar Newman, Haulotte, Ditch Runner, Menegotti, Morrison, Contec, Buddy, Crown, Edco, Wyco, Bomag, Laymor, EZ Trench, Bil-Jax, F.S. Curtis, Gehl Pavers, Heli, Honda, ICS/PowerGrit, IHI, Partner, Imer, Clipper, MMD, Koshin, Rice, CH&E, General Equipment, Amida, Coleman, NAC, Gradall, Square Shooter, Kent, Stanley, Tamco, Toku, Hatz, Kohler, Robin, Wisconsin, Northrock, Oztec, Toker TK, Rol-Air, APT, Wylie, Ingersoll Rand / Doosan, Innovatech, Con X, Ammann, Mecalac, Makinex, Smith Surface Prep, Small Line, Wanco, Yanmar

SECTION 7 - ELECTRICAL

FIGURE 7-21. GROUND TO PLATFORM CABLE INSTALLATION - 1932R WITHOUT PLATFORM COIL CABLE AND WITH FOOTSWITCH



ART_1001201129

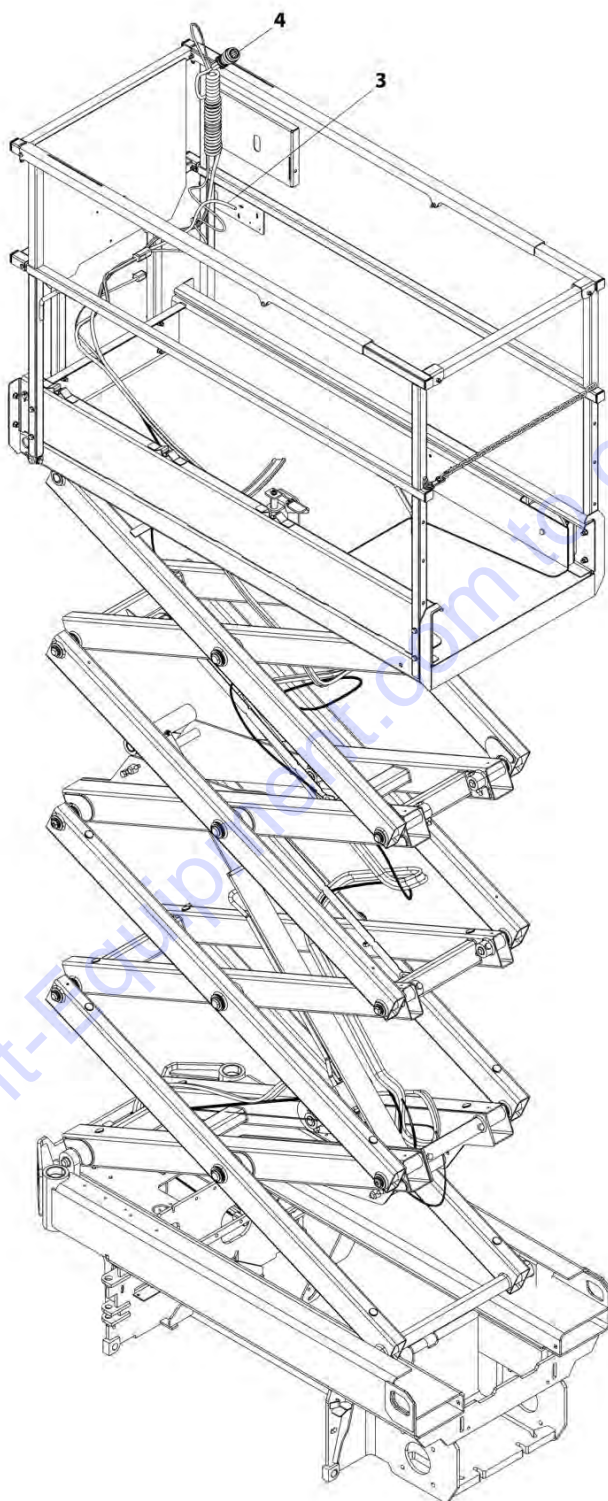
SECTION 7 - ELECTRICAL

FIGURE 7-21. GROUND TO PLATFORM CABLE INSTALLATION - 1932R WITHOUT PLATFORM COIL CABLE AND WITH FOOTSWITCH

ITEM	PART NUMBER	QTY	DESCRIPTION	REV
	1001201129	Ref	GROUND TO PLATFORM CABLE INSTALLATION - 1932R WITHOUT PLATFORM COIL CABLE AND WITH FOOTSWITCH	E
		Ref	Note: Only Available on Japanese Specs.	
1	4240017	AR	Tie-Strap (Not Shown)	
3	1001200811	1	Cable Assembly - Ground to Platform	
3	4460894	1	Plug, Male - 6 Position (To Platform Harness Item 4)	
3	4460465	4	Socket, Female	
3	4460944	2	Socket, Female	
3	4460899	1	Receptacle, Female - 6 Position (To Chassis Harness)	
3	4460464	4	Pin, Male	
3	4460943	2	Pin, Male	
4	1001200814	NLA	Platform Harness (Use p/n 1001223263) (Prior to SN B200038482, Prior to SN M200007595)	
4	1001223263	1	Platform Harness (SN B200038482 to Present, SN M200007595 to Present)	
4	4460899	1	Receptacle, Female - 6 Position (To Item 3)	
4	4460464	4	Pin, Male	
4	4460943	2	Pin, Male	
4	4460754	1	Connector - 14 Position (To Console Box)	
4	4460465	8	Socket, Female	
4	4460944	2	Socket, Female	
4	4460466	4	Plug, Terminal	
4	4460891	1	Plug, Male - 2 Position (To Footswitch)	
4	4460465	2	Socket, Female	
4	4460897	1	Receptacle, Female - 2 Position (Footswitch Jumper)	
4	4460464	2	Pin, Male	
4	4460539	1	Plug, Male - 3 Position (To Overhead Switches)	
4	4460465	2	Socket, Female	
4	4460466	1	Plug, Terminal	

SECTION 7 - ELECTRICAL

FIGURE 7-22. GROUND TO PLATFORM CABLE INSTALLATION - 1932R WITH PLATFORM COIL CABLE AND FOOTSWITCH



ART_1001203631

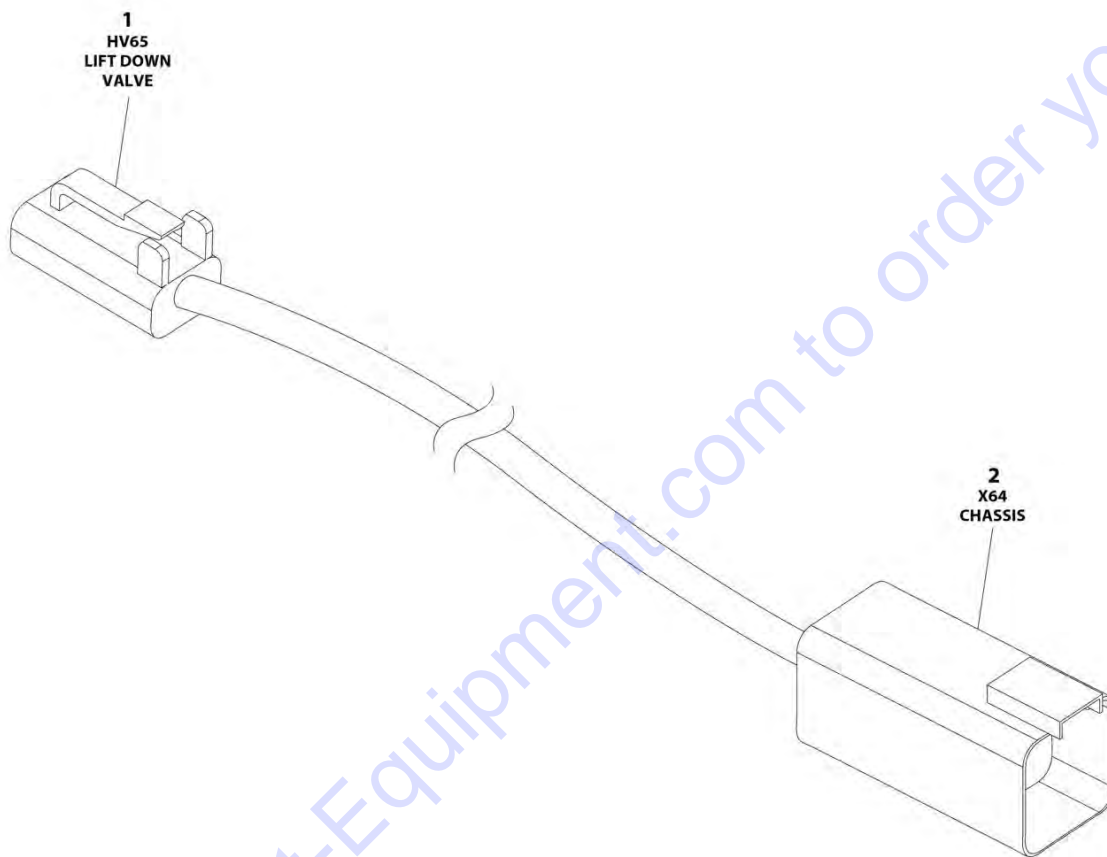
SECTION 7 - ELECTRICAL

FIGURE 7-22. GROUND TO PLATFORM CABLE INSTALLATION - 1932R WITH PLATFORM COIL CABLE AND FOOTSWITCH

ITEM	PART NUMBER	QTY	DESCRIPTION	REV
	1001203631	Ref	GROUND TO PLATFORM CABLE INSTALLATION - 1932R WITH PLATFORM COIL CABLE AND FOOTSWITCH	E
		Ref	Note: Only Available on Japanese Specs.	
1	4240017	AR	Tie-Strap (Not Shown)	
3	1001200811	1	Cable Assembly - Ground to Platform	
3	4460894	1	Plug, Male - 6 Position (To Platform Harness Item 4)	
3	4460465	4	Socket, Female	
3	4460944	2	Socket, Female	
3	4460899	1	Receptacle, Female - 6 Position (To Chassis Harness)	
3	4460464	4	Pin, Male	
3	4460943	2	Pin, Male	
4	1001202185	NLA	Platform Harness (Use p/n 1001223262) (Prior to SN B200038482, Prior to SN M200007595)	
4	1001223262	1	Platform Harness (SN B200038482 to Present, SN M200007595 to Present)	
4	4460899	1	Receptacle, Female - 6 Position (To Item 3)	
4	4460464	4	Pin, Male	
4	4460943	2	Pin, Male	
4	4460754	1	Connector - 14 Position (To Console Box)	
4	4460465	8	Socket, Female	
4	4460944	2	Socket, Female	
4	4460466	4	Plug, Terminal	
4	4460891	1	Plug, Male - 2 Position (To Footswitch)	
4	4460465	2	Socket, Female	
4	4460897	1	Receptacle, Female - 2 Position (Footswitch Jumper)	
4	4460464	2	Pin, Male	
4	4460539	1	Plug, Male - 3 Position (To Overhead Switches)	
4	4460465	2	Socket, Female	
4	4460466	1	Plug, Terminal	

SECTION 7 - ELECTRICAL

FIGURE 7-23. LIFT DOWN HARNESS - WITHOUT LSS



ART_1001200821

SECTION 7 - ELECTRICAL

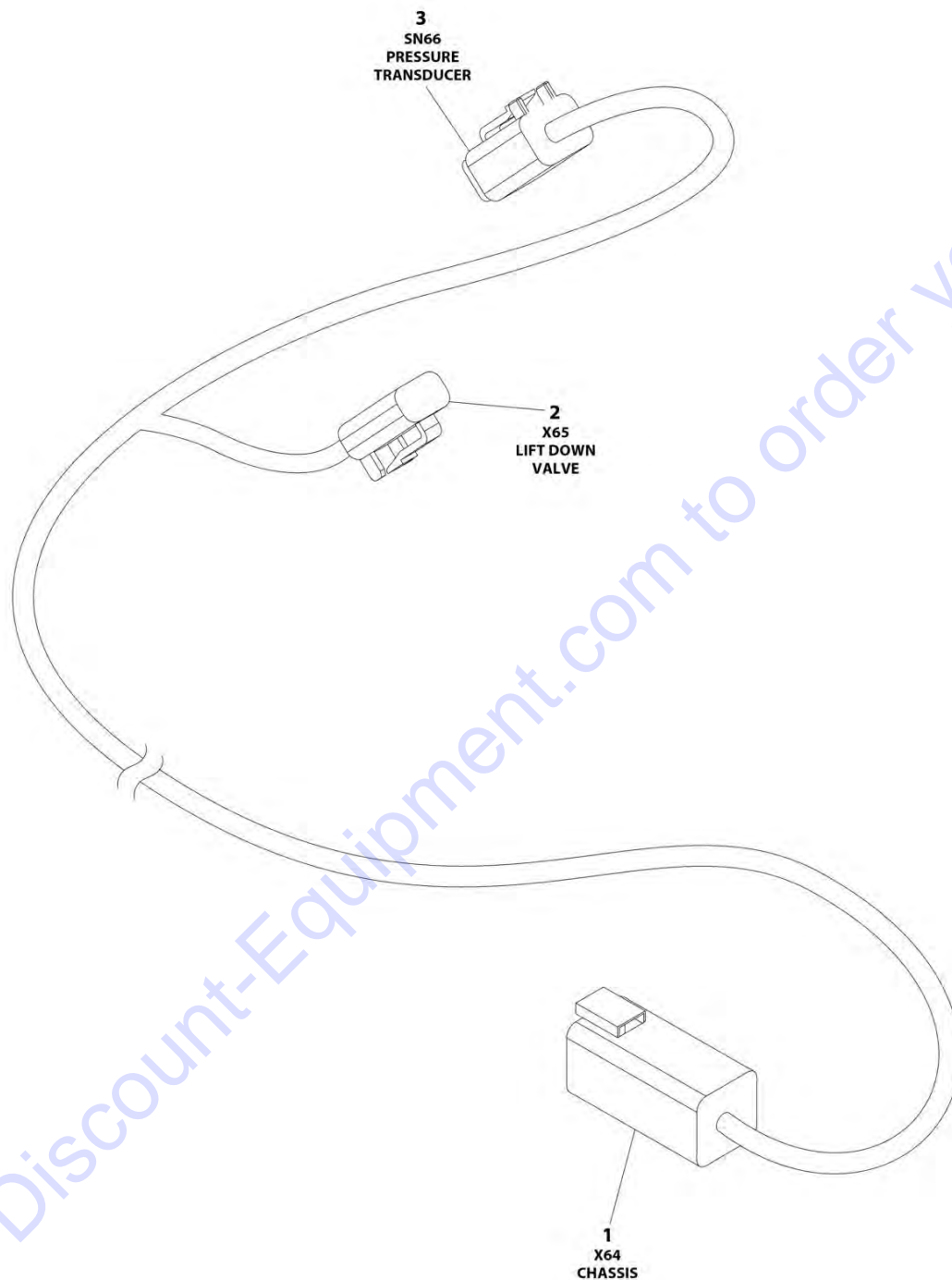
FIGURE 7-23. LIFT DOWN HARNESS - WITHOUT LSS

ITEM	PART NUMBER	QTY	DESCRIPTION	REV
	1001200821	Ref	LIFT DOWN HARNESS - WITHOUT LSS	B
1	4460891	1	Plug, Male - 2 Position	
1	4460465	2	Socket, Female	
2	4460899	1	Receptacle, Female - 6 Position	
2	4460464	2	Pin, Male	
2	4460466	4	Plug, Terminal	

Go to Discount-Equipment.com to order your parts

SECTION 7 - ELECTRICAL

FIGURE 7-24. LIFT DOWN HARNESS - WITH LSS (Prior to SN B200038482, Prior to SN M200007595)



ART_1001200822

SECTION 7 - ELECTRICAL

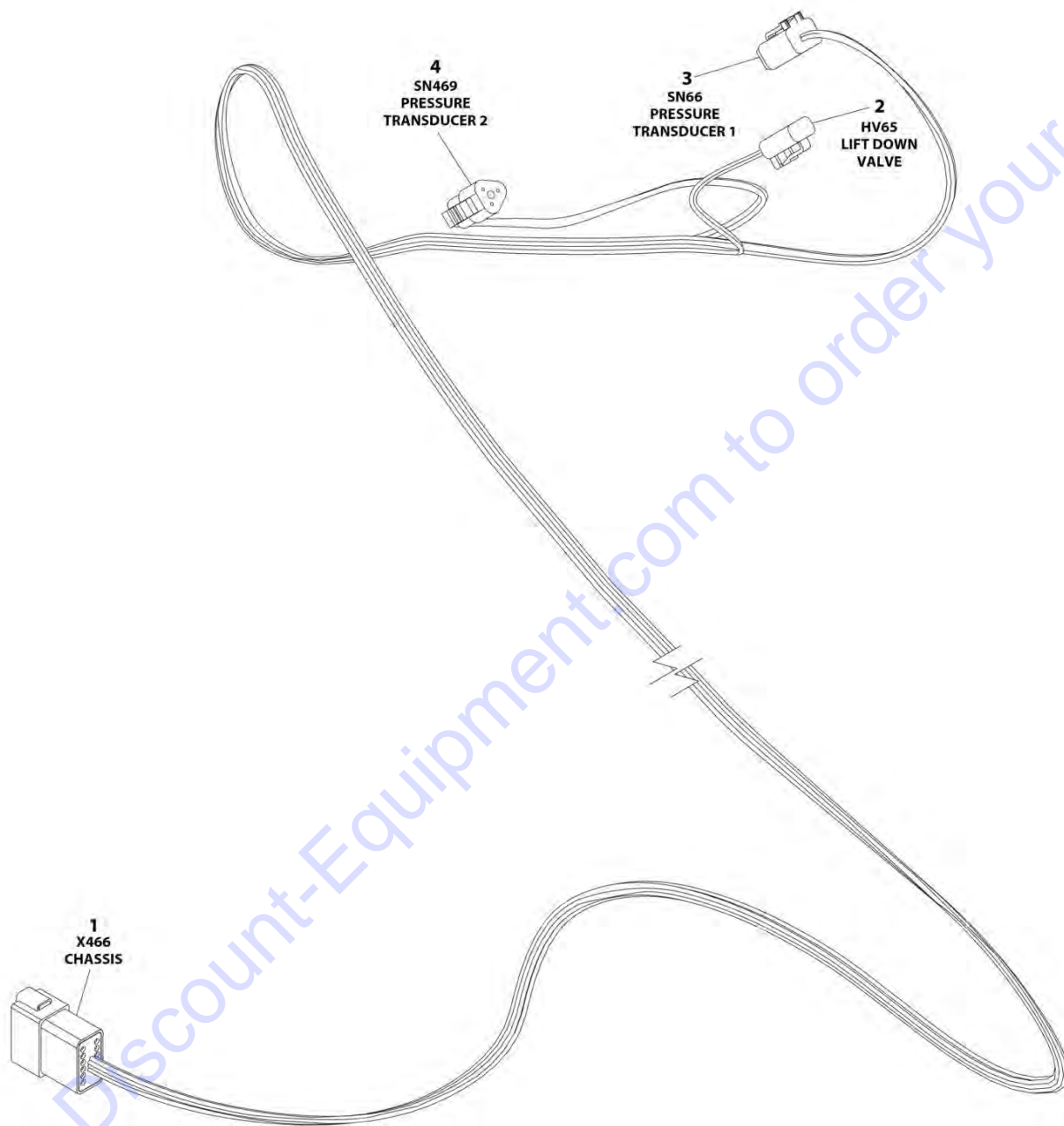
FIGURE 7-24. LIFT DOWN HARNESS - WITH LSS (Prior to SN B200038482, Prior to SN M200007595)

ITEM	PART NUMBER	QTY	DESCRIPTION	REV
	1001200822	Ref	LIFT DOWN HARNESS - WITH LSS (Prior to SN B200038482, Prior to SN M200007595)	C
1	4460899	1	Receptacle, Female - 6 Position	
1	4460464	6	Pin, Male	
2	4460891	1	Plug, Male - 2 Position	
2	4460465	2	Socket, Female	
3	4460884	1	Plug, Male - 4 Position	
3	4460465	4	Socket, Female	

Go to Discount-Equipment.com to order your parts

SECTION 7 - ELECTRICAL

FIGURE 7-25. LIFT DOWN HARNESS - WITH LSS (SN B200038482 to Present, SN M200007595 to Present)



ART_1001222687

SECTION 7 - ELECTRICAL

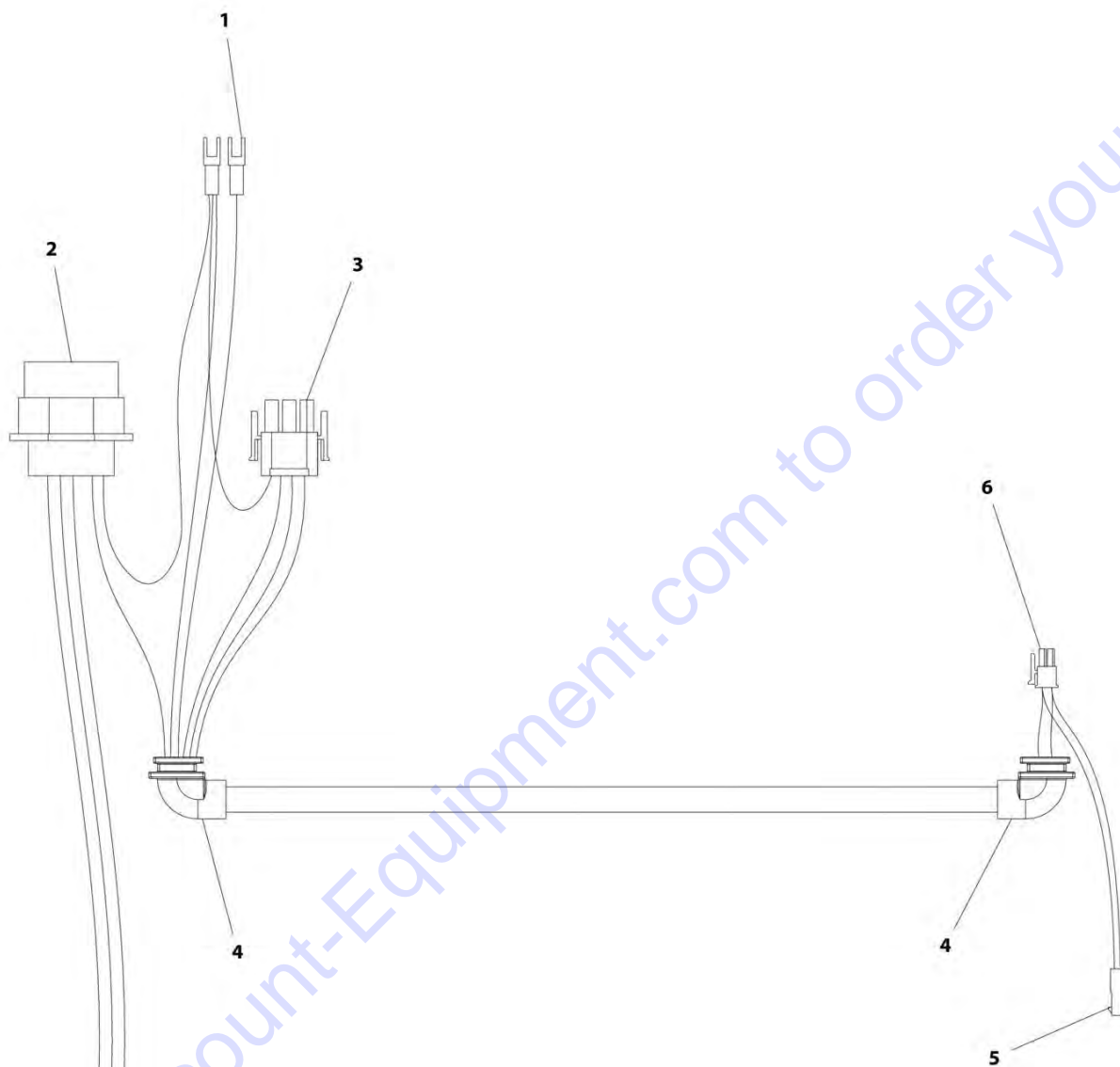
FIGURE 7-25. LIFT DOWN HARNESS - WITH LSS (SN B200038482 to Present, SN M200007595 to Present)

ITEM	PART NUMBER	QTY	DESCRIPTION	REV
	1001222687	Ref	LIFT DOWN HARNESS - WITH LSS (SN B200038482 to Present, SN M200007595 to Present)	B
1	4460970	1	Receptacle, Female - 12 Position	
1	4460464	9	Pin, Male	
1	4460466	3	Plug, Terminal	
2	4460891	1	Plug, Male - 4 Position	
2	4460465	2	Socket, Female	
3	4460884	1	Plug, Male - 4 Position	
3	4460465	4	Socket, Female	
4	4460539	1	Plug, Male - 3 Position	
4	4460465	3	Socket, Female	

Go to Discount-Equipment.com to order your parts

SECTION 7 - ELECTRICAL

FIGURE 7-26. PLATFORM BOX HARNESS (Prior to SN B200038482, SN M200000100 to Present)



ART_4922870

SECTION 7 - ELECTRICAL

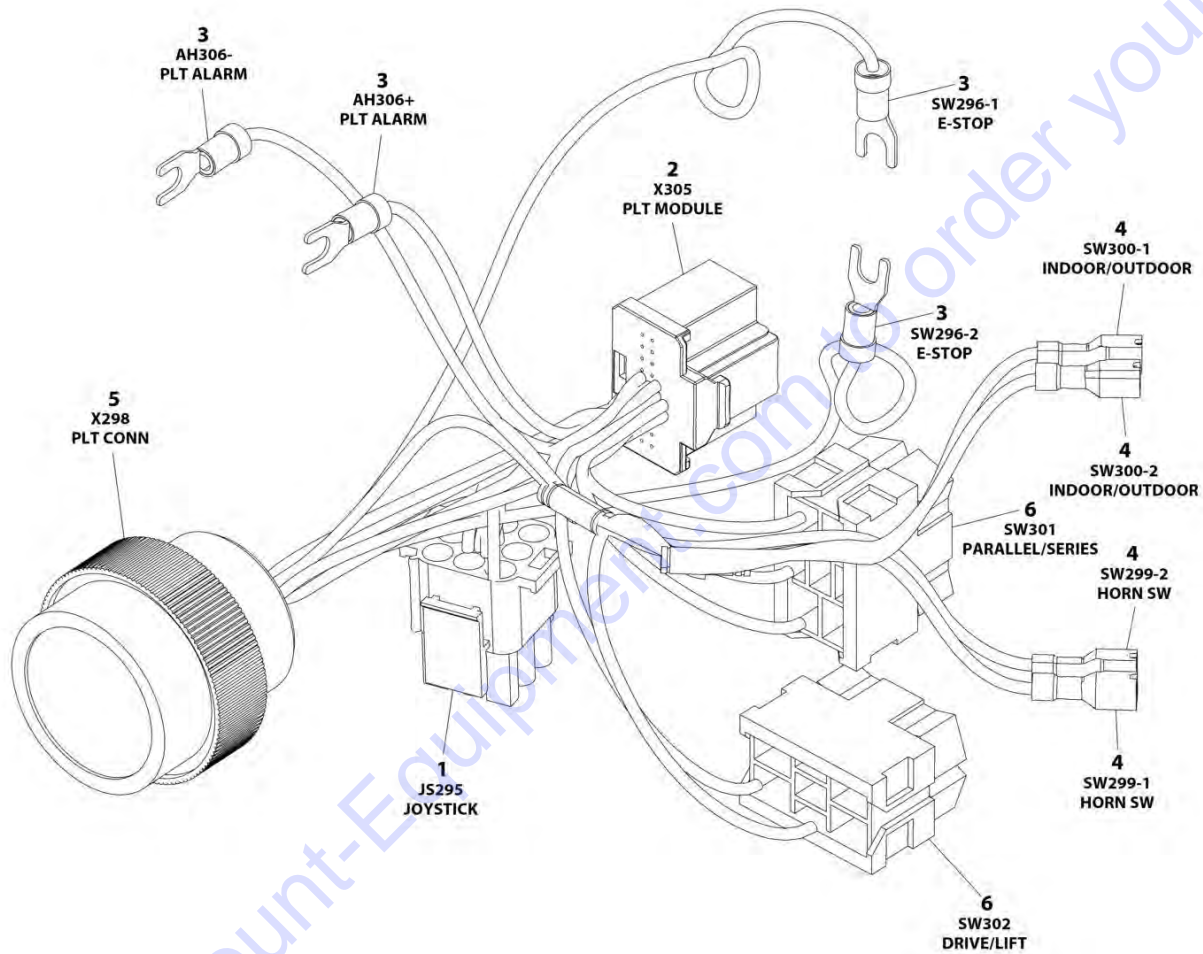
FIGURE 7-26. PLATFORM BOX HARNESS (Prior to SN B200038482, SN M200000100 to Present)

ITEM	PART NUMBER	QTY	DESCRIPTION	REV
1	4922870	Ref	PLATFORM BOX HARNESS	D
2	4461016	1	Connector - 14 Position	
2	4460464	6	Pin, Male	
2	4460466	8	Plug, Sealing	
2	4460496	1	Lockwasher	
2	4460497	1	Nut, Panel	
3	4460265	1	Plug, Male - 9 Position	
3	4460267	8	Pin, Male	
4	2540042	2	Grommet 90	
5	See Note	NSS	Receptacle, Female - Position (Note: Not Available for Purchase)	
6	4461057	1	Plug, Male - 16 Position	

Go to Discount-Equipment.com to order your parts

SECTION 7 - ELECTRICAL

FIGURE 7-27. PLATFORM BOX HARNESS (SN B200038482 to Present)



ART_1001200819

SECTION 7 - ELECTRICAL

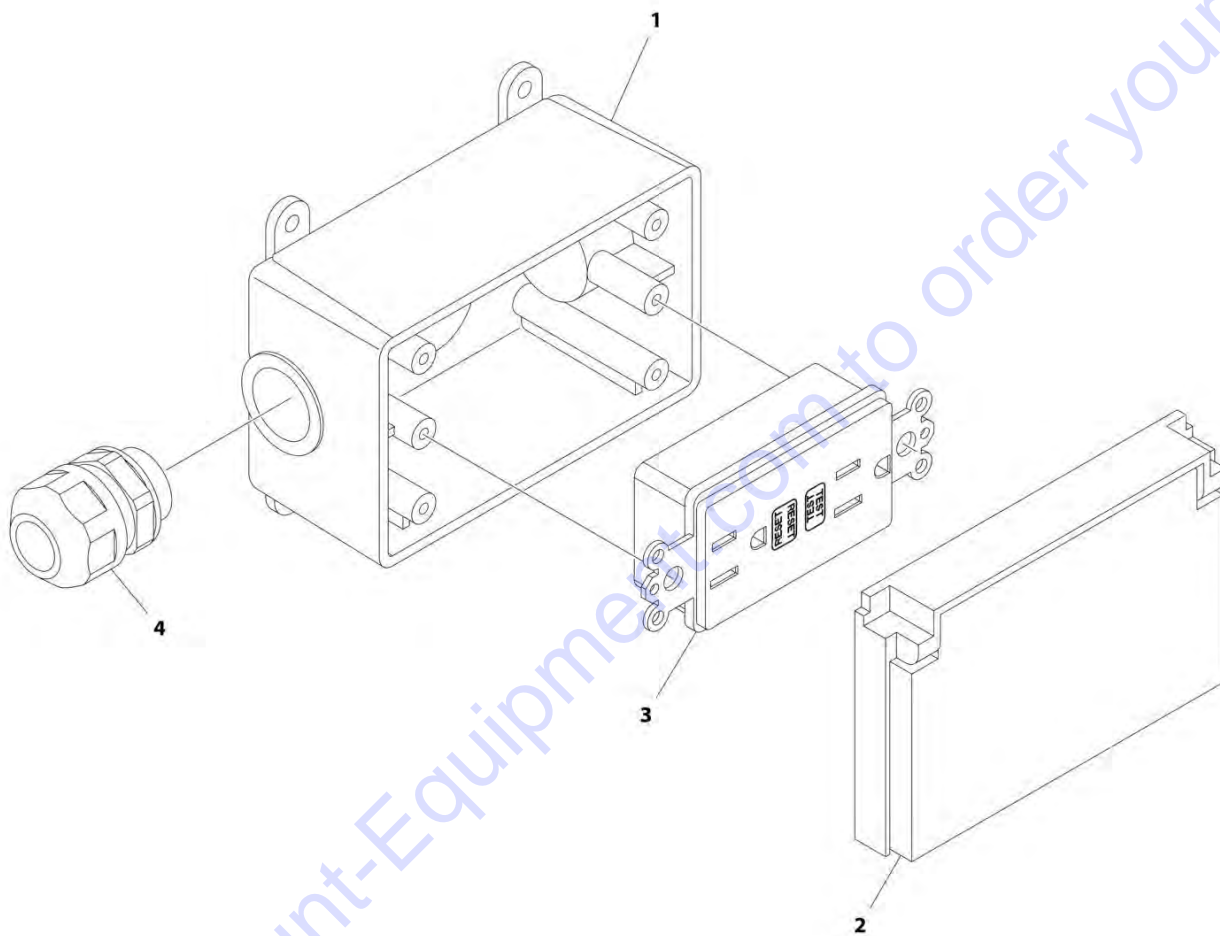
FIGURE 7-27. PLATFORM BOX HARNESS (SN B200038482 to Present)

ITEM	PART NUMBER	QTY	DESCRIPTION	REV
	1001200819	Ref	PLATFORM CONTROL BOX HARNESS	C
1	4460265	1	Plug, Male - 9 Position	
1	4460267	6	Pin, Male	
2	1001212036	1	Connector - 20 Position	
2	1001212035	16	Terminal	
3	4460183	4	Terminal, Fork	
4	1001201885	4	Terminal with Cover	
5	4461016	1	Connector - 14 Position	
5	4460464	8	Pin, Male	
5	4460466	6	Plug, Terminal	
6	4460418	2	Connector - 6 Position	
6	1001159186	5	Terminal	

Go to Discount-Equipment.com to order your parts

SECTION 7 - ELECTRICAL

FIGURE 7-28. RECEPTACLE BOX KIT - 110V GFI



ART_2902431

SECTION 7 - ELECTRICAL

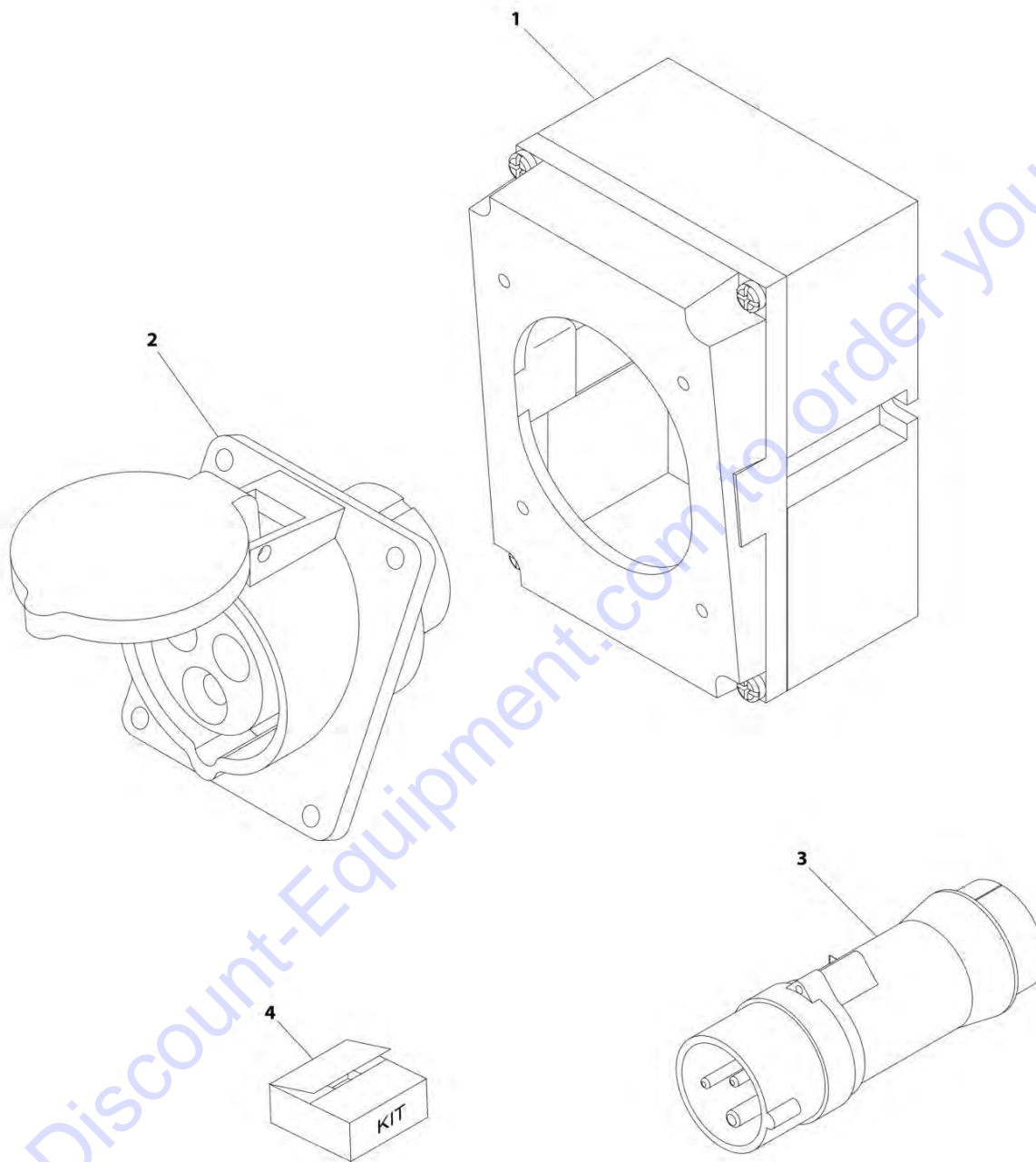
FIGURE 7-28. RECEPTACLE BOX KIT - 110V GFI

ITEM	PART NUMBER	QTY	DESCRIPTION	REV
	2902431	Ref	RECEPTACLE BOX KIT - 110V GFI	D
1	0861731	1	Box, Receptacle	
2	1671207	1	Cover, Receptacle	
3	4460346	1	Receptacle	
4	4460662	1	Connector, Strain Relief	

Go to Discount-Equipment.com to order your parts

SECTION 7 - ELECTRICAL

FIGURE 7-29. RECEPTACLE BOX KIT - 110V IEC YELLOW (CE SPEC)



ART_0275216

SECTION 7 - ELECTRICAL

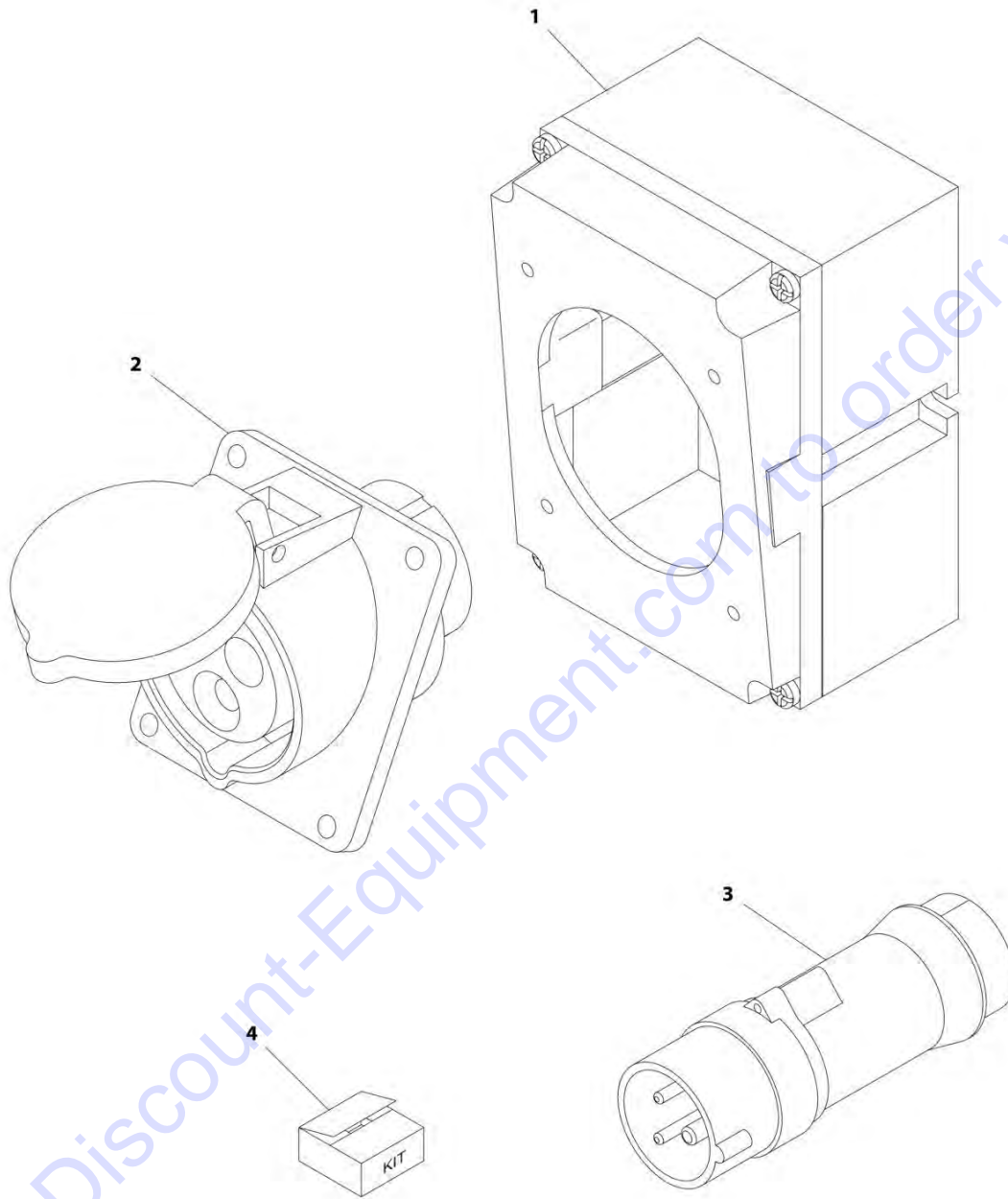
FIGURE 7-29. RECEPTACLE BOX KIT - 110V IEC YELLOW (CE SPEC)

ITEM	PART NUMBER	QTY	DESCRIPTION	REV
	0275216	Ref	RECEPTACLE BOX KIT - 110V IEC YELLOW	B
1	0861781	1	Box, Switch	
2	4461198	1	Receptacle	
3	4461196	1	Plug, Male	
4	1001100341	1	Plug and Socket Kit (Includes Items 1-3 and Female Plug p/n 4461197)	

Go to Discount-Equipment.com to order your parts

SECTION 7 - ELECTRICAL

FIGURE 7-30. RECEPTACLE BOX KIT - 220V IEC BLUE (CE SPEC)



ART_0275217

SECTION 7 - ELECTRICAL

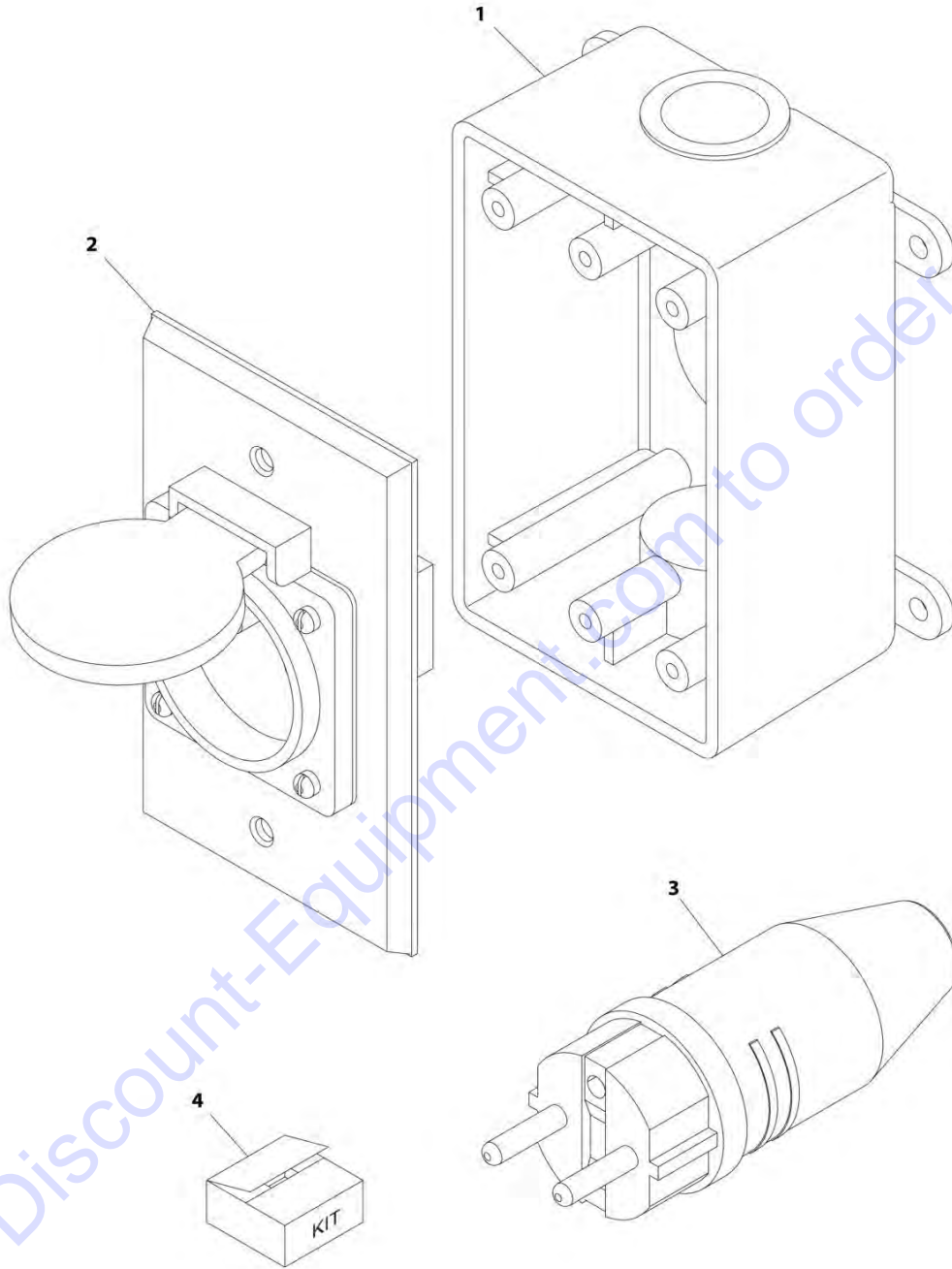
FIGURE 7-30. RECEPTACLE BOX KIT - 220V IEC BLUE (CE SPEC)

ITEM	PART NUMBER	QTY	DESCRIPTION	REV
	0275217	Ref	RECEPTACLE BOX KIT - 220V IEC BLUE	B
1	0861781	1	Box, Switch	
2	4461201	1	Receptacle	
3	4461199	1	Plug, Male	
4	1001100342	1	Plug and Socket Kit (Includes Items 1-3 and Female Plug p/n 4461200)	

Go to Discount-Equipment.com to order your parts

SECTION 7 - ELECTRICAL

FIGURE 7-31. RECEPTACLE BOX KIT - 220V CEE7 POST GROUND (CE SPEC)



ART_0275452-C

SECTION 7 - ELECTRICAL

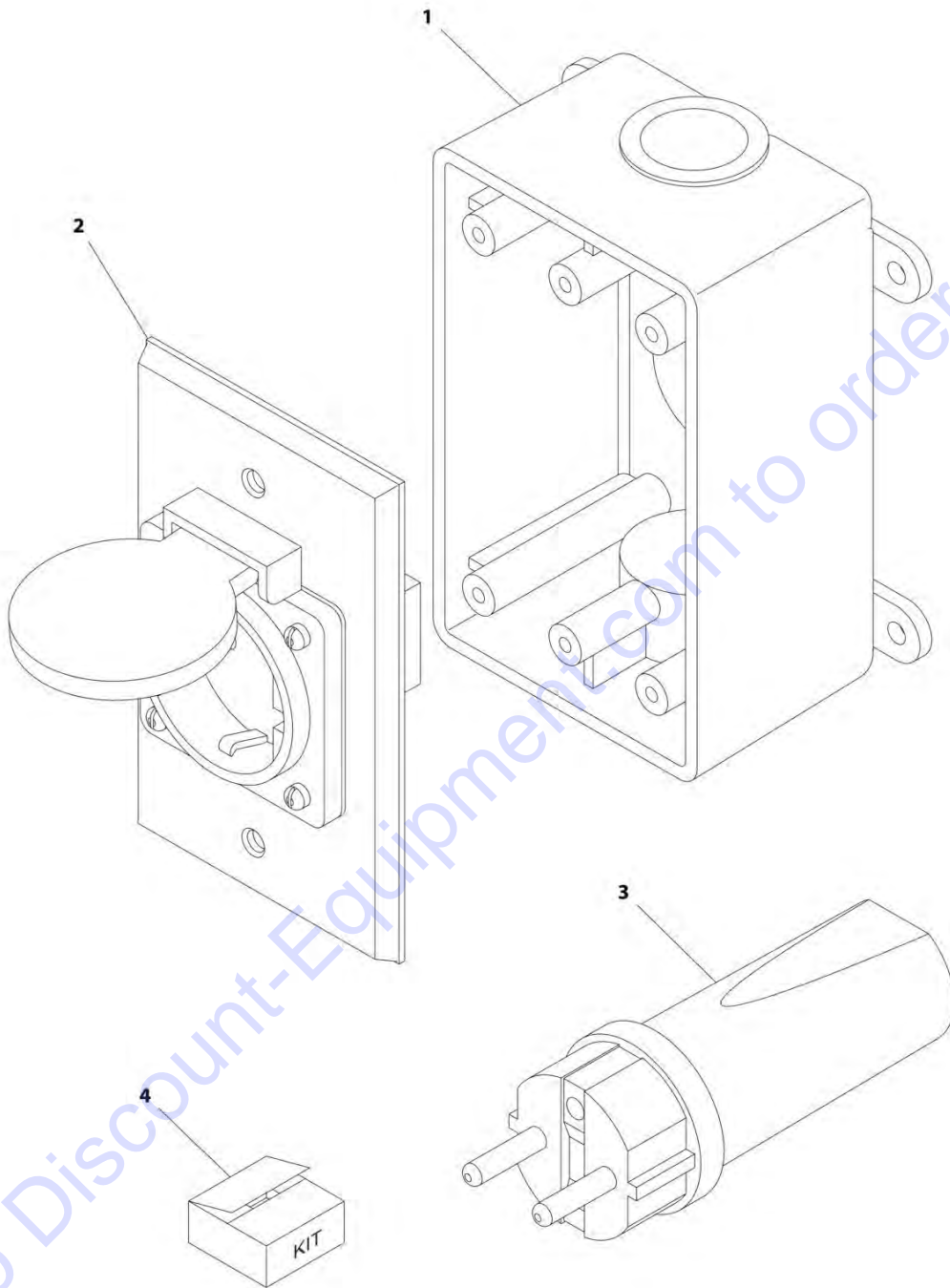
FIGURE 7-31. RECEPTACLE BOX KIT - 220V CEE7 POST GROUND (CE SPEC)

ITEM	PART NUMBER	QTY	DESCRIPTION	REV
	0275452	Ref	RECEPTACLE BOX KIT - 220V CEE7 POST GROUND	C
1	0861731	1	Box, Switch	
2	4461244	1	Receptacle	
3	4461205	1	Plug, Male	
4	1001100345	1	Plug and Socket Kit (Includes Items 1-3 and Female Plug p/n 4461206)	

Go to Discount-Equipment.com to order your parts

SECTION 7 - ELECTRICAL

FIGURE 7-32. RECEPTACLE BOX KIT - 220V CEE7 SIDE GROUND (CE SPEC)



ART_0275453

SECTION 7 - ELECTRICAL

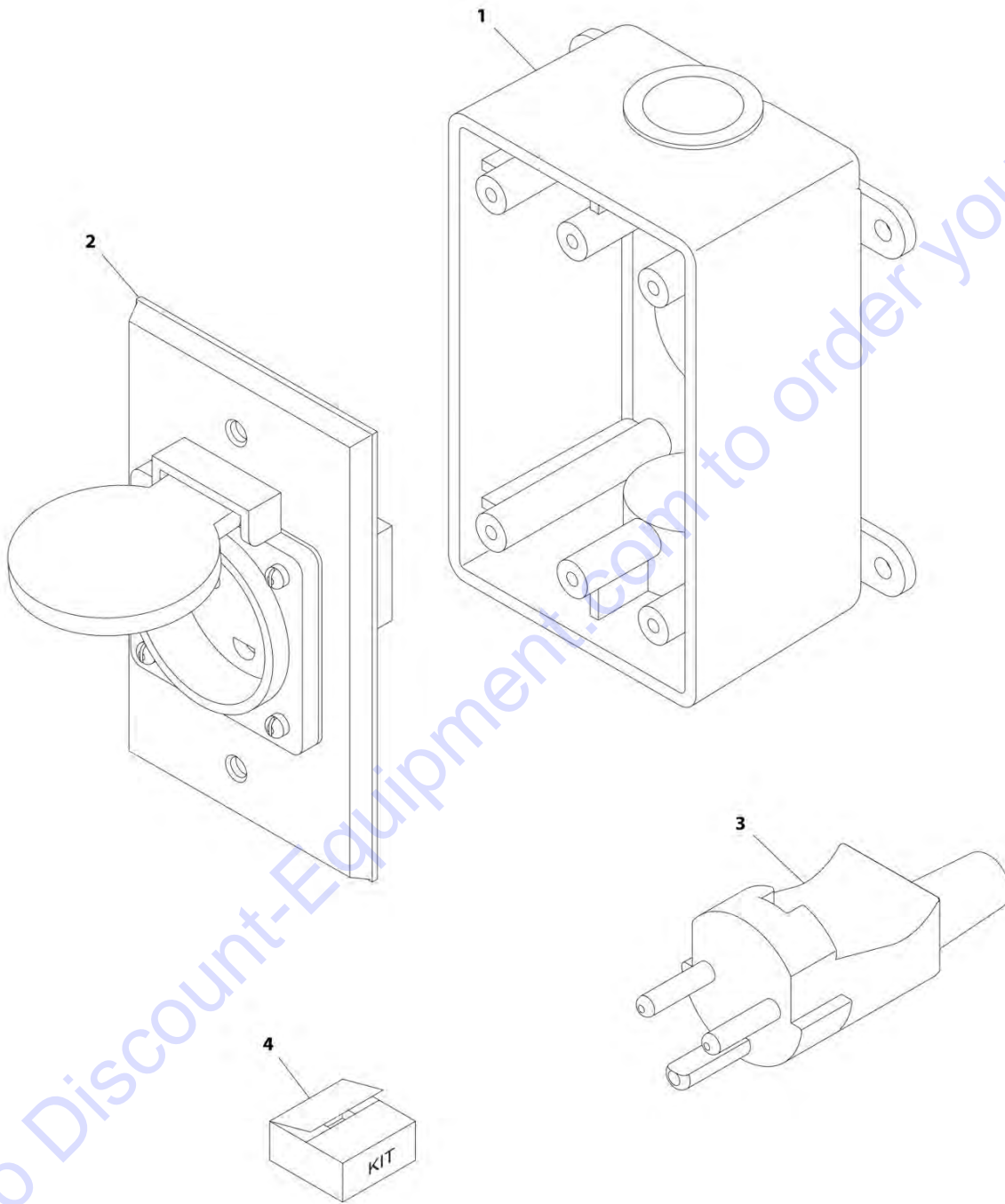
FIGURE 7-32. RECEPTACLE BOX KIT - 220V CEE7 SIDE GROUND (CE SPEC)

ITEM	PART NUMBER	QTY	DESCRIPTION	REV
	0275453	Ref	RECEPTACLE BOX KIT - 220V CEE7 SIDE GROUND	B
1	0861731	1	Box, Switch	
2	4461245	1	Receptacle	
3	4461205	1	Plug, Male	
4	1001100347	1	Plug and Socket Kit (Includes Items 1-3 and Female Plug p/n 4461206)	

Go to Discount-Equipment.com to order your parts

SECTION 7 - ELECTRICAL

FIGURE 7-33. RECEPTACLE BOX KIT - 220V AFSINT 107 (CE SPEC)



ART_0275454

SECTION 7 - ELECTRICAL

FIGURE 7-33. RECEPTACLE BOX KIT - 220V AFSINT 107 (CE SPEC)

ITEM	PART NUMBER	QTY	DESCRIPTION	REV
	0275454	Ref	RECEPTACLE BOX KIT - 220V AFSINT 107	B
1	0861731	1	Box, Switch	
2	4461246	1	Receptacle	
3	4461249	1	Plug, Male	
4	1001100346	1	Plug and Socket Kit (Includes Items 1-3 and Female Plug p/n 4461250)	

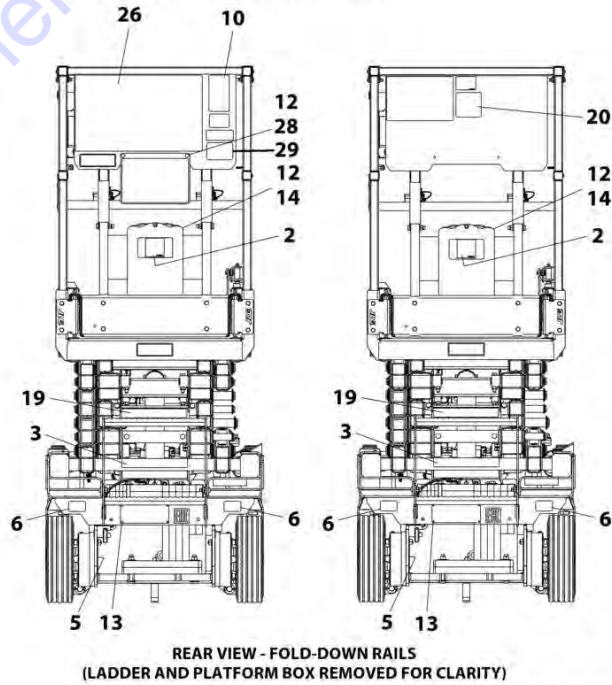
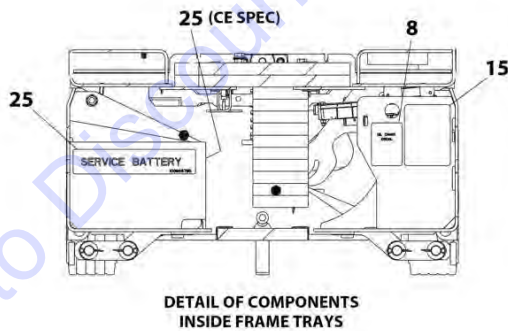
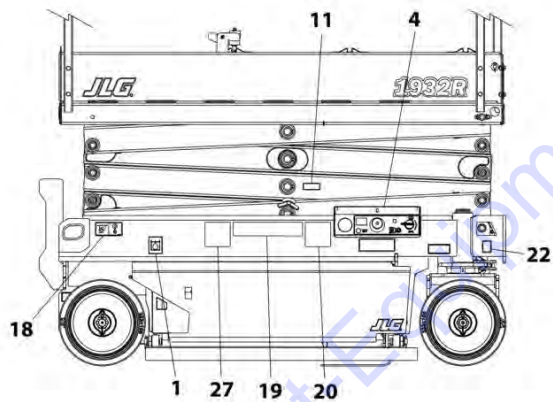
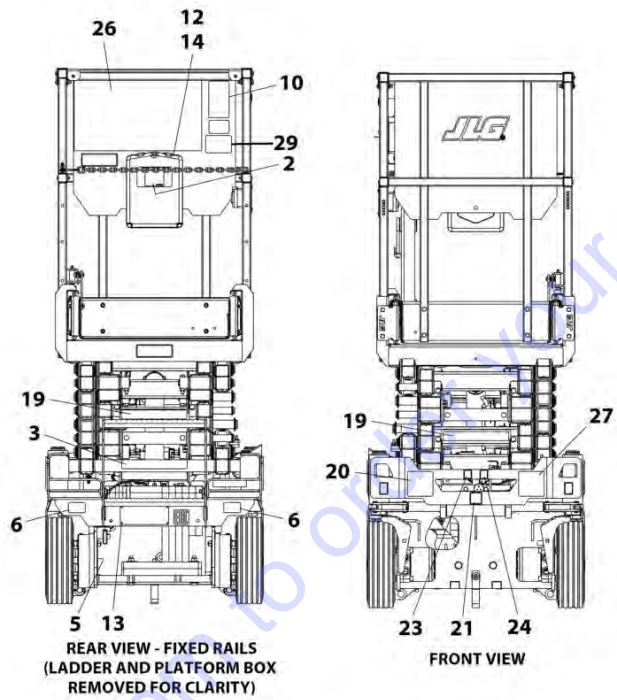
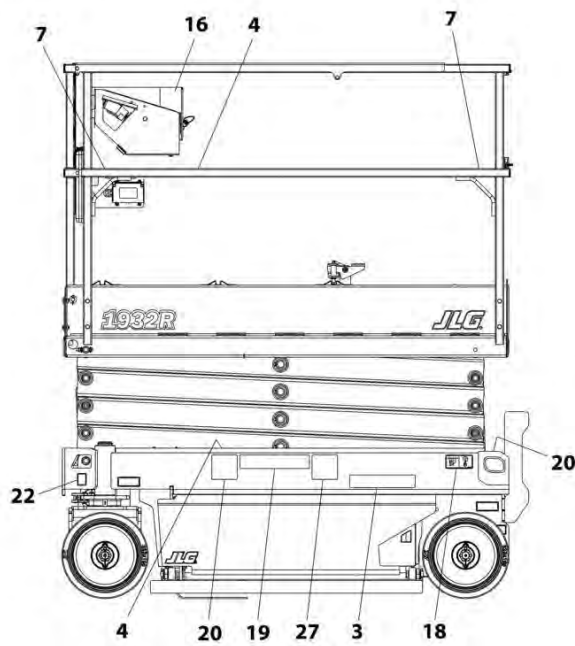
Go to Discount-Equipment.com to order your parts

SECTION 8 - DECALS

Go to Discount-Equipment.com to order your parts

SECTION 8 - DECALS

FIGURE 8-1. DECAL INSTALLATION (ANSI SPEC)



NOTE: ITEMS SHOWN MAY NOT BE REQUIRED FOR ALL SPECS. REFER TO PARTS LISTS FOR USAGE.
NOTE: ADDITIONAL DECALS CALLED OUT ON DECAL INSTALLATION - OPTIONS.

ART_1001209907

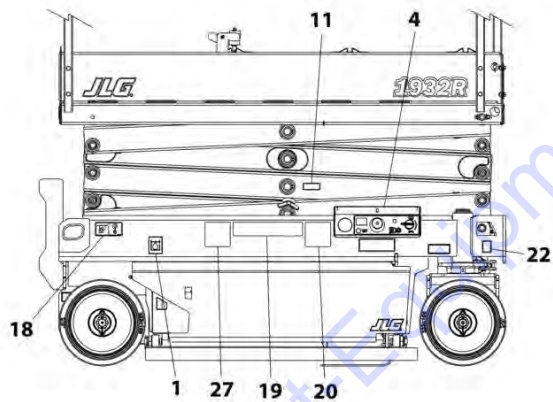
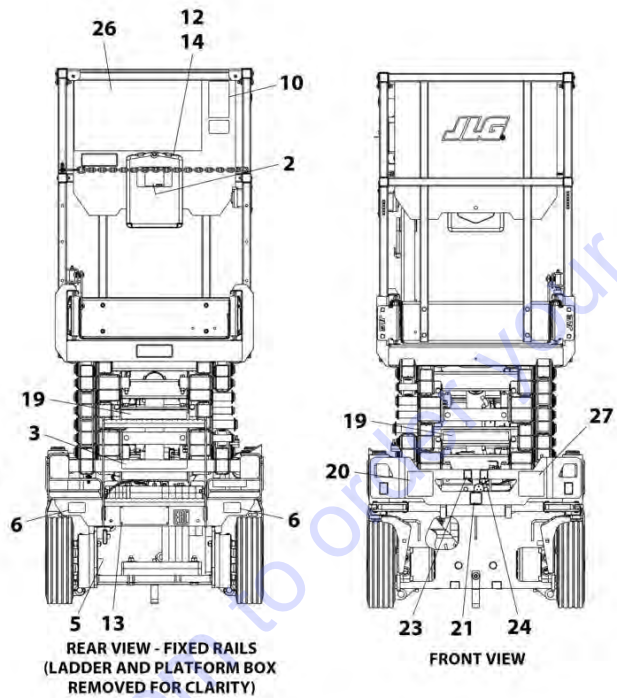
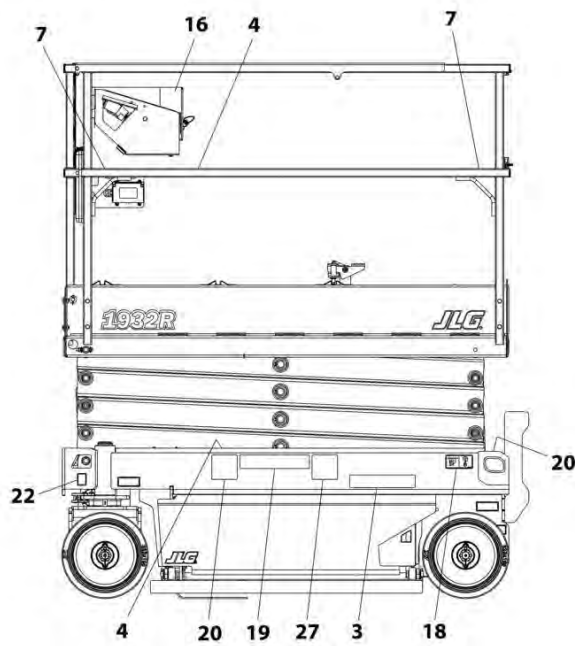
SECTION 8 - DECALS

FIGURE 8-1. DECAL INSTALLATION (ANSI SPEC)

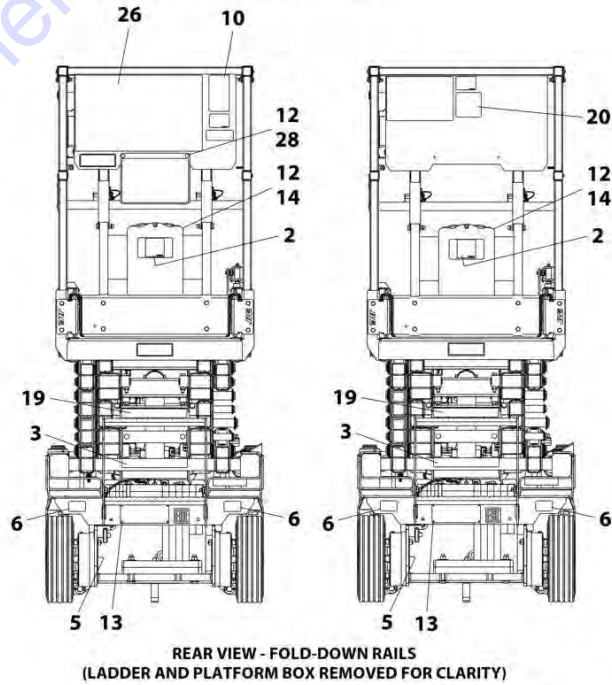
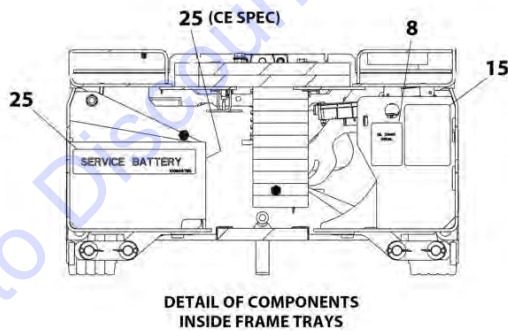
ITEM	PART NUMBER	QTY	DESCRIPTION	REV
	1001209907	Ref	DECAL INSTALLATION (ANSI SPECS)	D
1	1701504	1	Decal - Hydraulic Oil	
2	1701640_JUNK_D O_NOT_USE	1	Decal - Manual	
3	1703813	2	Decal - Warning Battery Ventilation	
4	1703819	4	Decal - Direction Arrow	
5	1703822	1	Decal - Manual Descent Instruction	
6	1704016	2	Decal - Fork Lift	
7	1704277	2	Decal - Lanyard Attach	
8	1704412	1	Decal - Hydraulic Oil	
10	1705686	1	Decal - Legend	
11	1001220430	1	Decal - Safety Prop (SN B300000100 to Present)	
11	1705693	NLA	Decal - Safety Prop (Use p/n 1001220430) (Prior to SN M200005066)	
11	1001220430	1	Decal - Safety Prop (SN M200005066 to Present)	
12	2080040	3	Fastener	
13	2080057	4	Fastener	
14	8990147	1	Holder, Manual	
15	1001131270	1	Decal - Patent	
16	1001132359	1	Decal - Control Box Locate	
18	1001162864	2	Decal - Lift Up/Tie Down	
19	1001211777	4	Decal - Crushing Hazard	
20	1001211779	4	Decal - Electrocutation	
21	1001212290	1	Decal - Tie Down	
22	1001212291	2	Decal - Lifting Lug	
23	1001212292	1	Decal - No Lifting	
24	1001212293	1	Decal - No Forklift	
25	1001146794	1	Decal - Battery/Charger Service	
26	1703816	1	Decal - Danger/Warning	
29	1001231801	1	Decal - Prop 65 Warning (SN B200053298 to Present, SN M20002944 to Present)	

SECTION 8 - DECALS

FIGURE 8-2. DECAL INSTALLATION (AUSTRALIAN SPECS)



NOTE: ITEMS SHOWN MAY NOT BE REQUIRED FOR ALL SPECS. REFER TO PARTS LISTS FOR USAGE.
NOTE: ADDITIONAL DECALS CALLED OUT ON DECAL INSTALLATION - OPTIONS.



ART_1001209914

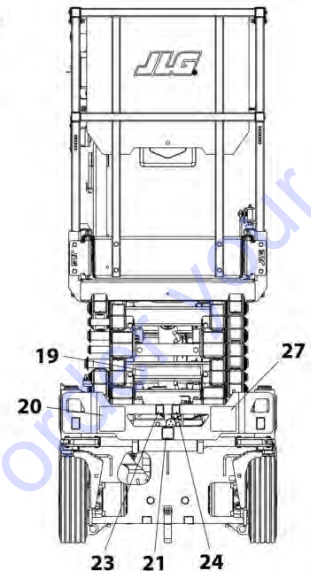
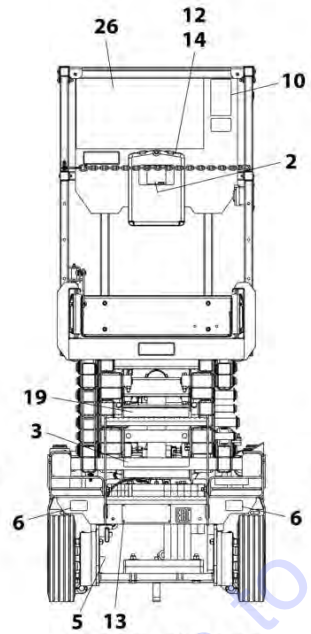
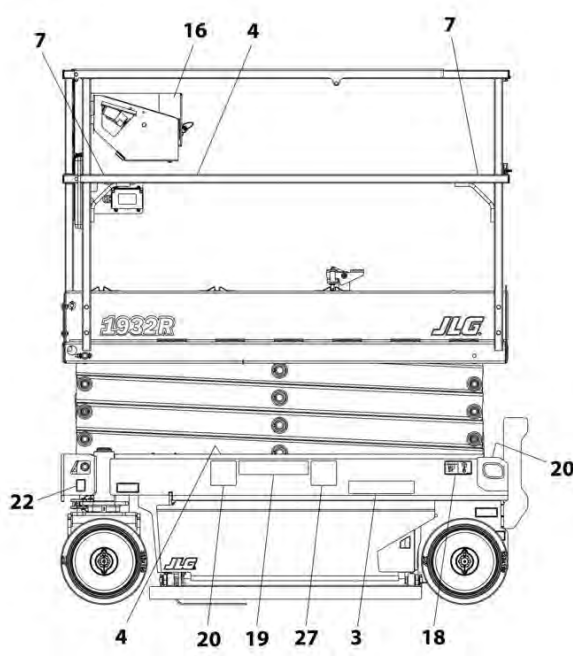
SECTION 8 - DECALS

FIGURE 8-2. DECAL INSTALLATION (AUSTRALIAN SPECS)

ITEM	PART NUMBER	QTY	DESCRIPTION	REV
	1001209914	Ref	DECAL INSTALLATION (AUSTRALIAN SPECS)	C
1	1701504	1	Decal - Hydraulic Oil	
2	1701640	1	Decal - Manual	
3	1705670	2	Decal - Fire Hazard	
4	1703819	4	Decal - Direction Arrow	
5	1703822	1	Decal - Manual Descent Instruction	
6	1704016	2	Decal - Fork Lift	
7	1704277	2	Decal - Lanyard Attach	
8	1704412	1	Decal - Hydraulic Oil	
11	1001220430	1	Decal - Safety Prop (SN E200000100 to Present)	
11	1705693	NLA	Decal - Safety Prop (Use p/n 1001220430) (Prior to SN M200005066)	
11	1001220430	1	Decal - Safety Prop (SN M200005066 to Present)	
12	2080040	3	Fastener	
13	2080057	4	Fastener	
14	8990147	1	Holder, Manual	
16	1001132359	1	Decal - Control Box Locate	
18	1001162864	2	Decal - Lift Up/Tie Down	
19	1001219172	4	Decal - Crushing	
20	1001219171	5	Decal - Electrocutation	
21	1001212290	1	Decal - Tie Down	
22	1001212291	2	Decal - Lifting Lug	
23	1001212292	1	Decal - No Lifting	
24	1001212293	1	Decal - No Forklift	
25	1001146794	1	Decal - Battery/Charger Service	

SECTION 8 - DECALS

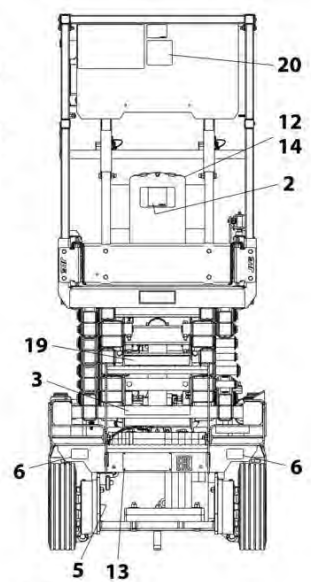
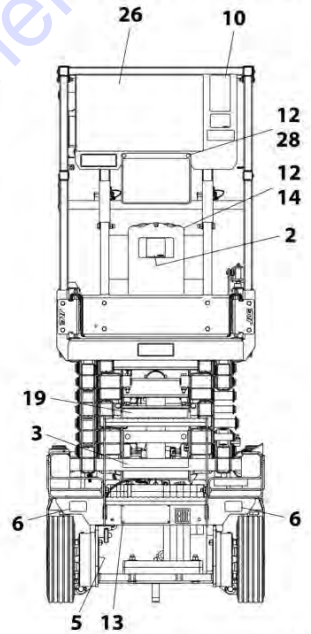
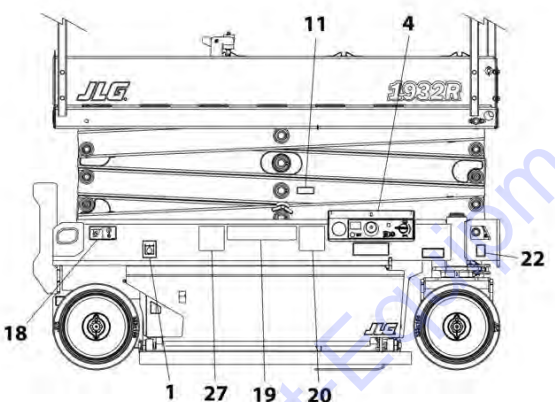
FIGURE 8-3. DECAL INSTALLATION (BRAZIL SPECS)



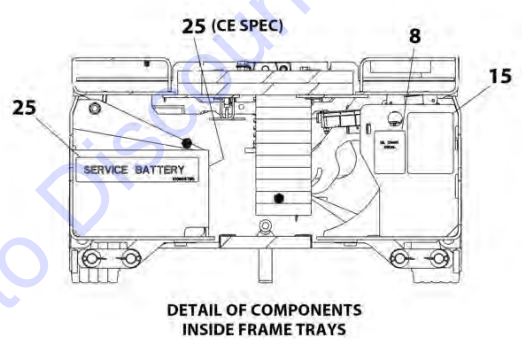
REAR VIEW - FIXED RAILS
(LADDER AND PLATFORM BOX REMOVED FOR CLARITY)

FRONT VIEW

NOTE: ITEMS SHOWN MAY NOT BE REQUIRED FOR ALL SPECS. REFER TO PARTS LISTS FOR USAGE.
NOTE: ADDITIONAL DECALS CALLED OUT ON DECAL INSTALLATION - OPTIONS.



REAR VIEW - FOLD-DOWN RAILS
(LADDER AND PLATFORM BOX REMOVED FOR CLARITY)



DETAIL OF COMPONENTS
INSIDE FRAME TRAYS

ART_1001209910

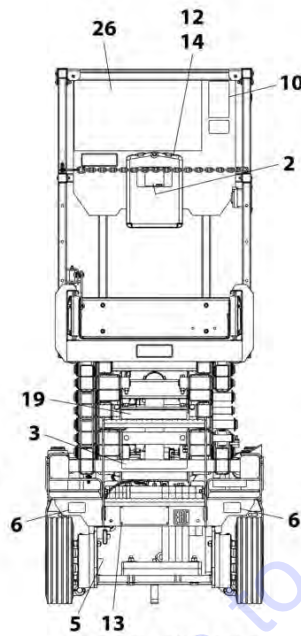
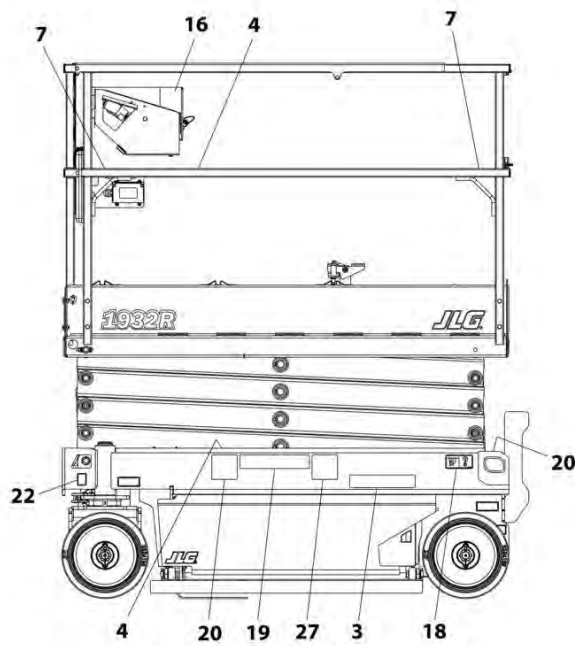
SECTION 8 - DECALS

FIGURE 8-3. DECAL INSTALLATION (BRAZIL SPECS)

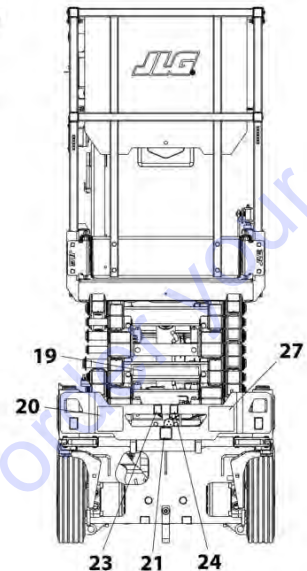
ITEM	PART NUMBER	QTY	DESCRIPTION	REV
	1001209910	Ref	DECAL INSTALLATION (BRAZIL SPECS)	B
1	1701504	1	Decal - Hydraulic Oil	
2	1701640	1	Decal - Manual	
3	1704341	2	Decal - Warning Battery Ventilation	
4	1703819	4	Decal - Direction Arrow	
5	1703822	1	Decal - Manual Descent Instruction	
6	1704016	2	Decal - Fork Lift	
7	1704277	2	Decal - Lanyard Attach	
8	1704412	1	Decal - Hydraulic Oil	
10	1705726	1	Decal - Legend	
11	1001220430	1	Decal - Safety Prop (SN E200000100 to Present)	
11	1705693	NLA	Decal - Safety Prop (Use p/n 1001220430) (Prior to SN M200005066)	
11	1001220430	1	Decal - Safety Prop (SN M200005066 to Present)	
12	2080040	3	Fastener	
13	2080057	4	Fastener	
14	8990147	1	Holder, Manual	
16	1001132359	1	Decal - Control Box Locate	
18	1001162864	2	Decal - Lift Up/Tie Down	
19	1001216650	4	Decal - Crushing Hazard	
20	1001215748	4	Decal - Danger Electrocution	
21	1001212290	1	Decal - Tie Down	
22	1001212291	2	Decal - Lifting Lug	
23	1001212292	1	Decal - No Lifting	
24	1001212293	1	Decal - No Forklift	
25	1001146794	1	Decal - Battery/Charger Service	
26	1704699	1	Decal - Danger/Warning	
27	1001216648	4	Decal - Danger Electrocution	

SECTION 8 - DECALS

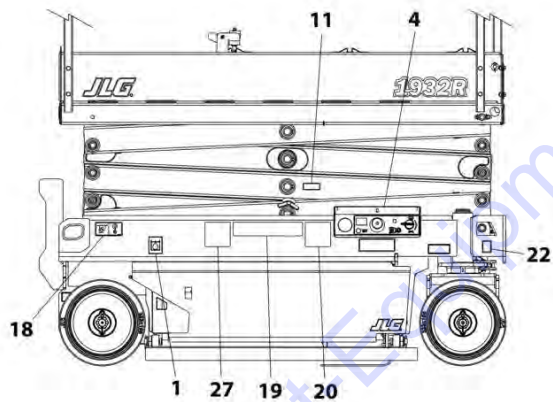
FIGURE 8-4. DECAL INSTALLATION (CE SPECS)



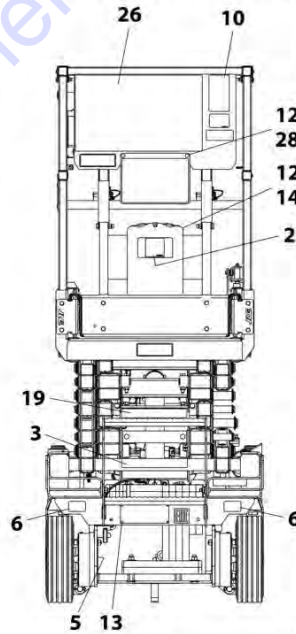
REAR VIEW - FIXED RAILS
(LADDER AND PLATFORM BOX
REMOVED FOR CLARITY)



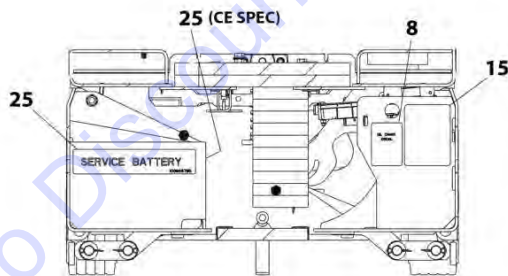
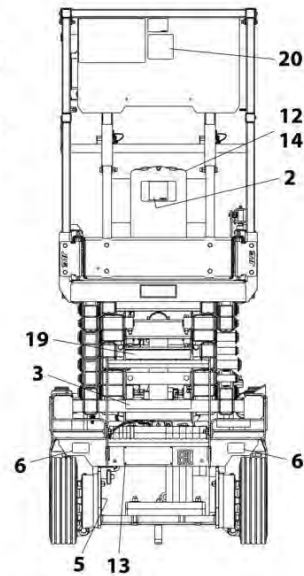
FRONT VIEW



NOTE: ITEMS SHOWN MAY NOT BE REQUIRED
FOR ALL SPECS. REFER TO PARTS LISTS FOR USAGE.
NOTE: ADDITIONAL DECALS CALLED OUT ON
DECAL INSTALLATION - OPTIONS.



REAR VIEW - FOLD-DOWN RAILS
(LADDER AND PLATFORM BOX REMOVED FOR CLARITY)



DETAIL OF COMPONENTS
INSIDE FRAME TRAYS

ART_1001209913

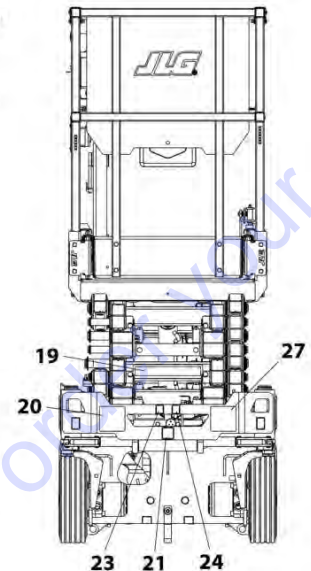
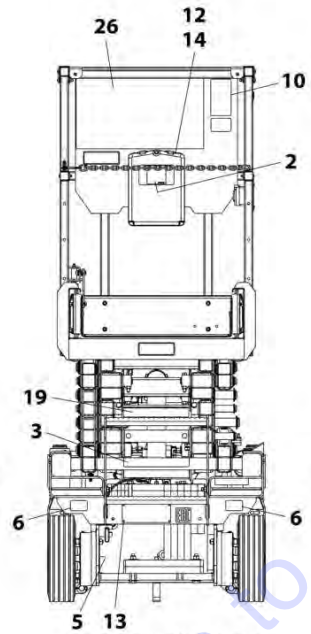
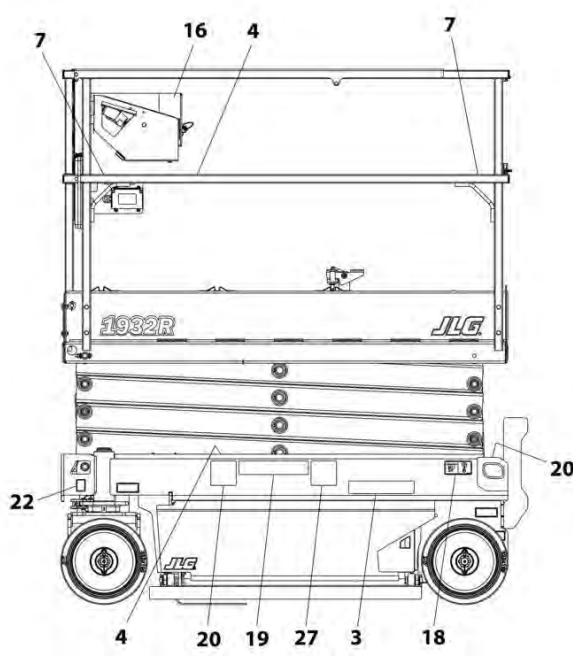
SECTION 8 - DECALS

FIGURE 8-4. DECAL INSTALLATION (CE SPECS)

ITEM	PART NUMBER	QTY	DESCRIPTION	REV
	1001209913	Ref	DECAL INSTALLATION (CE SPECS)	C
1	1701504	1	Decal - Hydraulic Oil	
2	1701640	1	Decal - Manual	
3	1705670	2	Decal - Fire Hazard	
4	1703819	4	Decal - Direction Arrow	
5	1703822	1	Decal - Manual Descent Instruction	
6	1704016	2	Decal - Fork Lift	
7	1704277	2	Decal - Lanyard Attach	
8	1704412	1	Decal - Hydraulic Oil	
11	1001220430	1	Decal - Safety Prop (SN E200000100 to Present)	
11	1705693	NLA	Decal - Safety Prop (Use p/n 1001220430) (Prior to SN M200005066)	
11	1001220430	1	Decal - Safety Prop (SN M200005066 to Present)	
12	2080040	3	Fastener	
13	2080057	4	Fastener	
14	8990147	1	Holder, Manual	
16	1001132359	1	Decal - Control Box Locate	
18	1001162864	2	Decal - Lift Up/Tie Down	
19	1001219172	4	Decal - Crushing	
20	1001219171	5	Decal - Electrocution	
21	1001212290	1	Decal - Tie Down	
22	1001212291	2	Decal - Lifting Lug	
23	1001212292	1	Decal - No Lifting	
24	1001212293	1	Decal - No Forklift	
25	1001146795	1	Decal - See Manual	

SECTION 8 - DECALS

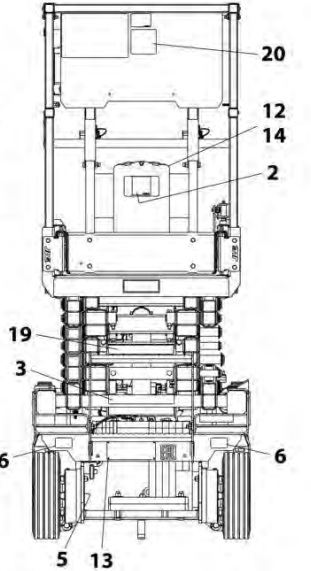
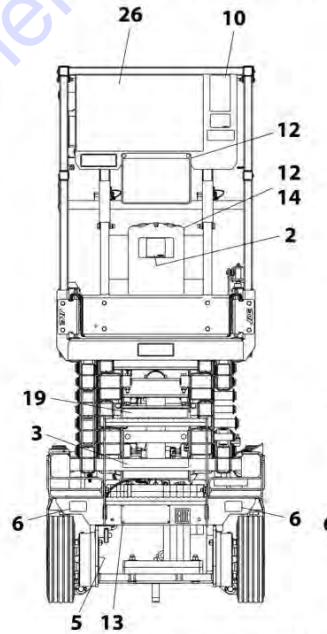
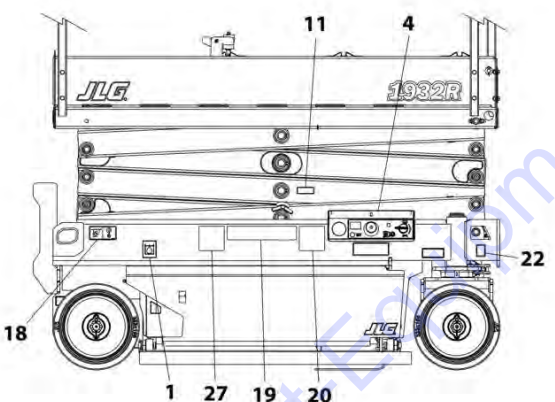
FIGURE 8-5. DECAL INSTALLATION (CHINA/ANSI EXPORT SPECS)



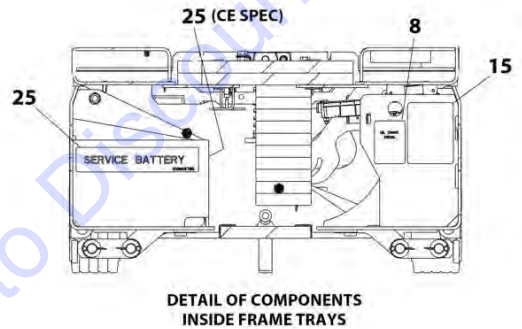
REAR VIEW - FIXED RAILS
(LADDER AND PLATFORM BOX REMOVED FOR CLARITY)

FRONT VIEW

NOTE: ITEMS SHOWN MAY NOT BE REQUIRED FOR ALL SPECS. REFER TO PARTS LISTS FOR USAGE.
NOTE: ADDITIONAL DECALS CALLED OUT ON DECAL INSTALLATION - OPTIONS.



REAR VIEW - FOLD-DOWN RAILS
(LADDER AND PLATFORM BOX REMOVED FOR CLARITY)



DETAIL OF COMPONENTS
INSIDE FRAME TRAYS

ART_1001222745

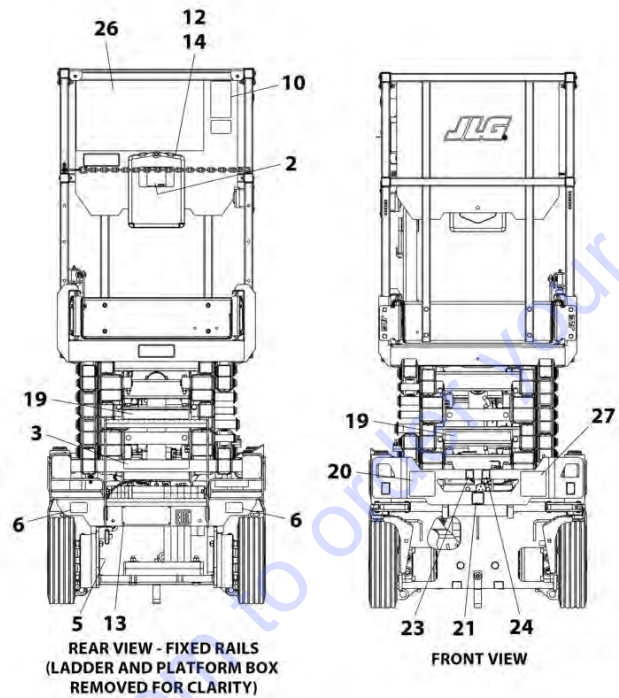
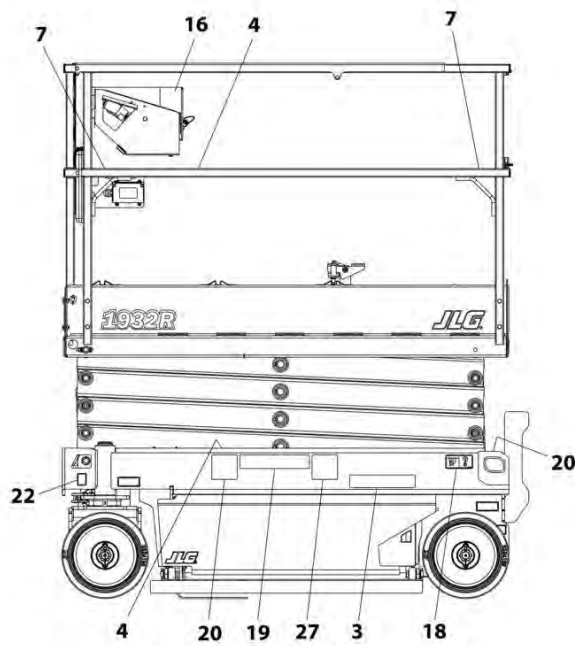
SECTION 8 - DECALS

FIGURE 8-5. DECAL INSTALLATION (CHINA/ANSI EXPORT SPECS)

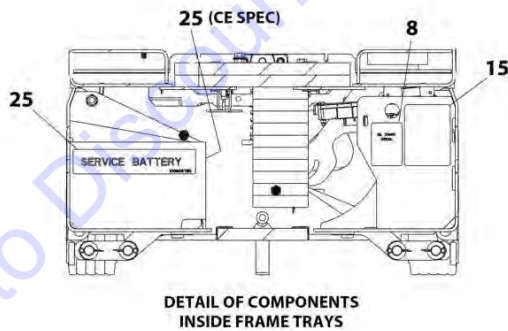
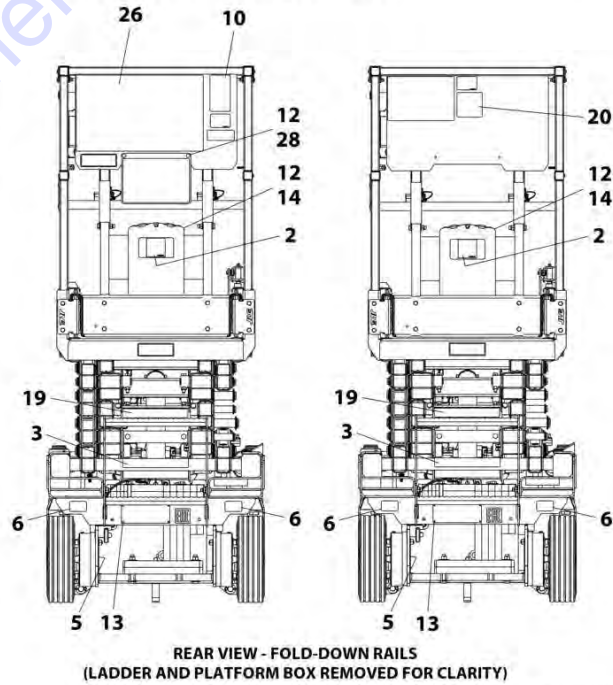
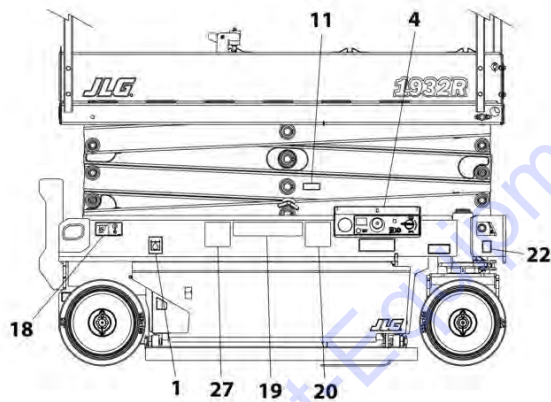
ITEM	PART NUMBER	QTY	DESCRIPTION	REV
	1001222745	Ref	DECAL INSTALLATION (CHINA/ANSI EXPORT SEPCS)	A
1	1701504	1	Decal - Hydraulic Oil	
2	1701640	1	Decal - Manual	
3	1704344	2	Decal - Warning Battery Ventilation	
4	1703819	4	Decal - Direction Arrow	
5	1703822	1	Decal - Manual Descent Instruction	
6	1704016	2	Decal - Fork Lift	
7	1704277	2	Decal - Lanyard Attach	
8	1704412	1	Decal - Hydraulic Oil	
10	1705946	1	Decal - Legend	
11	1001220430	1	Decal - Safety Prop	
12	2080040	3	Fastener	
13	2080057	4	Fastener	
14	8990147	1	Holder, Manual	
16	1001132359	1	Decal - Control Box Locate	
18	1001162864	2	Decal - Lift Up/Tie Down	
19	1001215752	4	Decal - Crushing Hazard	
20	1001211779	4	Decal - Electrocution	
21	1001212290	1	Decal - Tie Down	
22	1001212291	2	Decal - Lifting Lug	
23	1001212292	1	Decal - No Lifting	
24	1001212293	1	Decal - No Forklift	
25	1001146794	1	Decal - Battery/Charger Service	
26	1705195	1	Decal - Danger/Warning	
27	1001215747	4	Decal - Danger Electrocution	

SECTION 8 - DECALS

FIGURE 8-6. DECAL INSTALLATION (CHINA/GB SPECS)



NOTE: ITEMS SHOWN MAY NOT BE REQUIRED FOR ALL SPECS. REFER TO PARTS LISTS FOR USAGE.
NOTE: ADDITIONAL DECALS CALLED OUT ON DECAL INSTALLATION - OPTIONS.



ART_1001209909

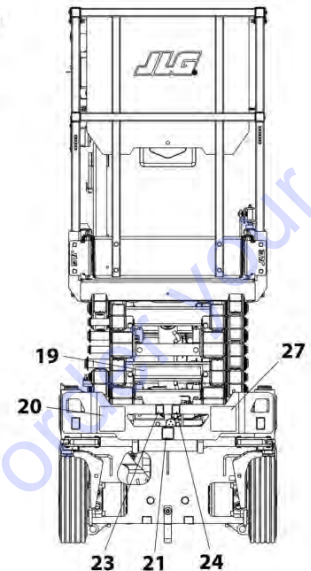
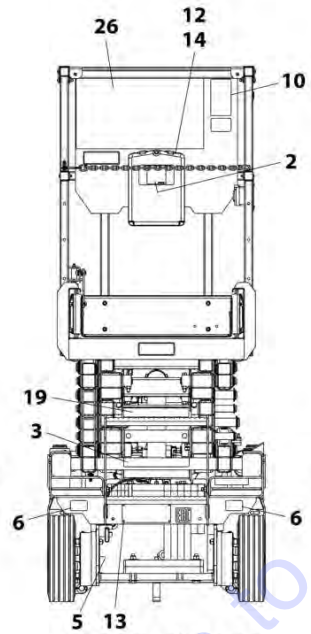
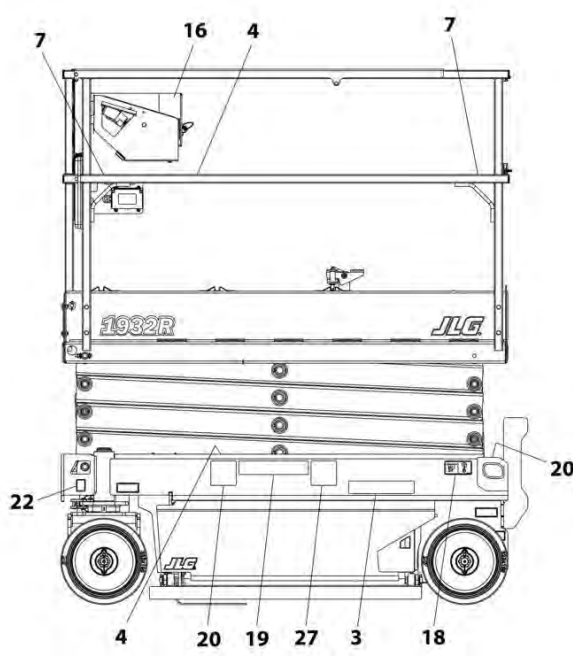
SECTION 8 - DECALS

FIGURE 8-6. DECAL INSTALLATION (CHINA/GB SPECS)

ITEM	PART NUMBER	QTY	DESCRIPTION	REV
	1001209909	Ref	DECAL INSTALLATION (CHINA/GB SPECS)	C
1	1701504	1	Decal - Hydraulic Oil	
2	1701640	1	Decal - Manual	
3	1704344	2	Decal - Warning Battery Ventilation	
4	1703819	4	Decal - Direction Arrow	
5	1703822	1	Decal - Manual Descent Instruction	
6	1704016	2	Decal - Fork Lift	
7	1704277	2	Decal - Lanyard Attach	
8	1704412	1	Decal - Hydraulic Oil	
10	1705946	1	Decal - Legend	
11	1001220430	1	Decal - Safety Prop (SN E200000100 to Present)	
11	1705693	NLA	Decal - Safety Prop (Use p/n 1001220430) (Prior to SN M200005066)	
11	1001220430	1	Decal - Safety Prop (SN M200005066 to Present)	
12	2080040	5	Fastener	
13	2080057	4	Fastener	
14	8990147	1	Holder, Manual	
16	1001132359	1	Decal - Control Box Locate	
18	1001162864	2	Decal - Lift Up/Tie Down	
19	1001215752	4	Decal - Crushing Hazard	
20	1001211779	4	Decal - Electrocution	
21	1001212290	1	Decal - Tie Down	
22	1001212291	2	Decal - Lifting Lug	
23	1001212292	1	Decal - No Lifting	
24	1001212293	1	Decal - No Forklift	
25	1001146794	1	Decal - Battery/Charger Service	
26	1705195	1	Decal - Danger/Warning	
27	1001215747	4	Decal - Danger Electrocution	
28	1001216865	1	Plate, Decal	

SECTION 8 - DECALS

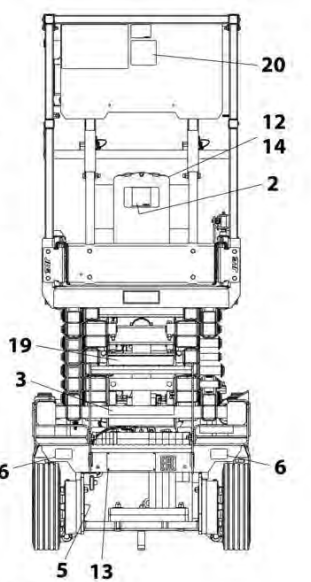
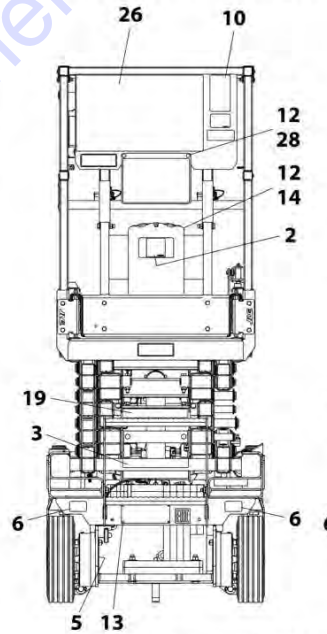
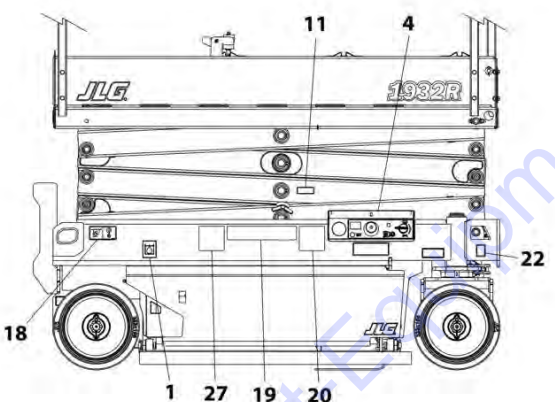
FIGURE 8-7. DECAL INSTALLATION (CSA SPECS)



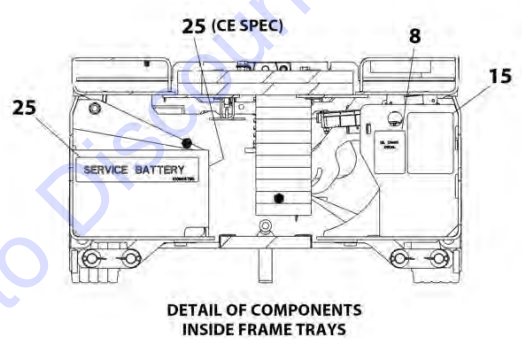
REAR VIEW - FIXED RAILS
(LADDER AND PLATFORM BOX
REMOVED FOR CLARITY)

FRONT VIEW

NOTE: ITEMS SHOWN MAY NOT BE REQUIRED FOR ALL SPECS. REFER TO PARTS LISTS FOR USAGE.
NOTE: ADDITIONAL DECALS CALLED OUT ON DECAL INSTALLATION - OPTIONS.



REAR VIEW - FOLD-DOWN RAILS
(LADDER AND PLATFORM BOX REMOVED FOR CLARITY)



DETAIL OF COMPONENTS
INSIDE FRAME TRAYS

ART_1001219265

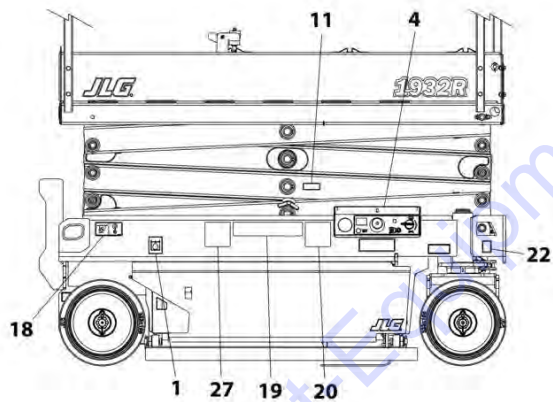
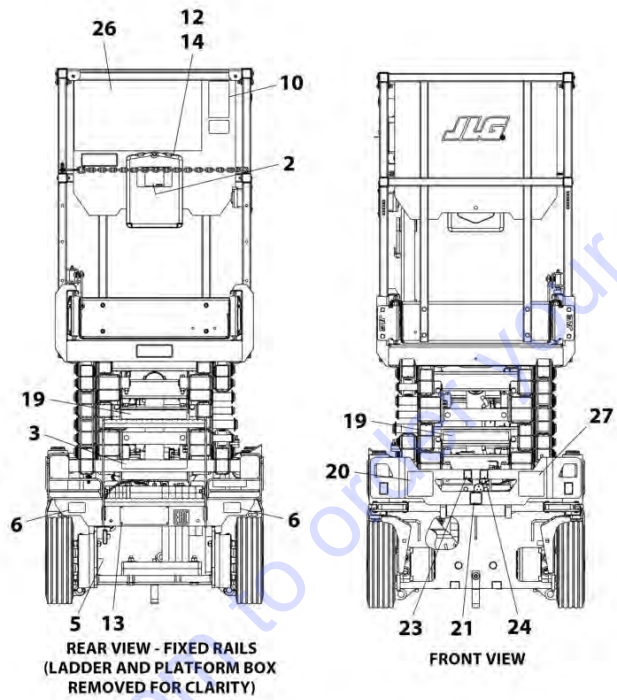
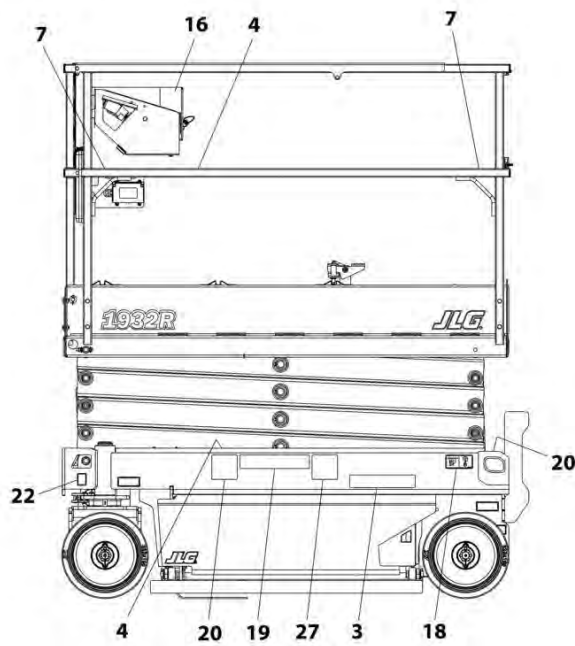
SECTION 8 - DECALS

FIGURE 8-7. DECAL INSTALLATION (CSA SPECS)

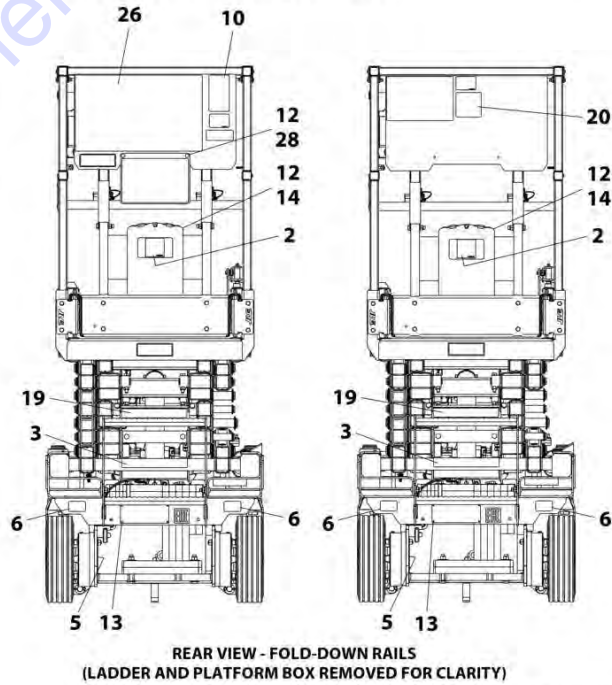
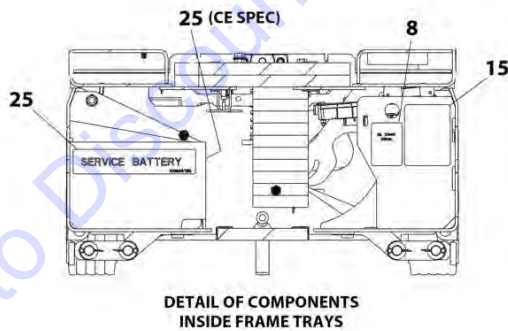
ITEM	PART NUMBER	QTY	DESCRIPTION	REV
	1001219265	Ref	DECAL INSTALLATION (CSA SPECS)	B
1	1701504	1	Decal - Hydraulic Oil	
2	1701640	1	Decal - Manual	
3	1704340	2	Decal - Warning Battery Ventilation	
4	1703819	4	Decal - Direction Arrow	
5	1703822	1	Decal - Manual Descent Instruction	
6	1704016	2	Decal - Fork Lift	
7	1704277	2	Decal - Lanyard Attach	
8	1704412	1	Decal - Hydraulic Oil	
10	1705723	1	Decal - Legend	
11	1001220430	1	Decal - Safety Prop (SN E200000100 to Present)	
11	1705693	NLA	Decal - Safety Prop (Use p/n 1001220430) (Prior to SN M200005066)	
11	1001220430	1	Decal - Safety Prop (SN M200005066 to Present)	
12	2080040	5	Fastener	
13	2080057	4	Fastener	
14	8990147	1	Holder, Manual	
15	1001131270	1	Decal - Patent	
16	1001132359	1	Decal - Control Box Locate	
18	1001162864	2	Decal - Lift Up/Tie Down	
19	1001215755	4	Decal - Crushing Hazard	
20	1001211779	4	Decal - Electrocutation	
21	1001212290	1	Decal - Tie Down	
22	1001212291	2	Decal - Lifting Lug	
23	1001212292	1	Decal - No Lifting	
24	1001212293	1	Decal - No Forklift	
25	1001146794	1	Decal - Battery/Charger Service	
26	1704684	1	Decal - Danger/Warning	
27	1001215749	4	Decal - Danger Electrocutation	

SECTION 8 - DECALS

FIGURE 8-8. DECAL INSTALLATION (KOREAN SPECS)



NOTE: ITEMS SHOWN MAY NOT BE REQUIRED FOR ALL SPECS. REFER TO PARTS LISTS FOR USAGE.
NOTE: ADDITIONAL DECALS CALLED OUT ON DECAL INSTALLATION - OPTIONS.



ART_1001209908

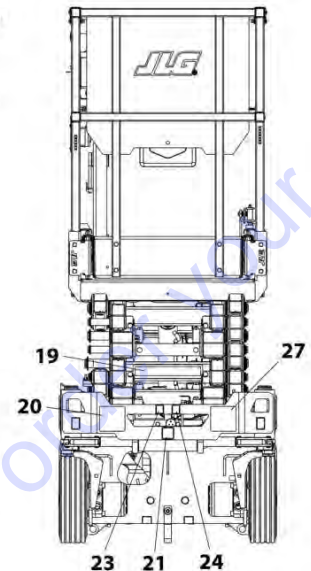
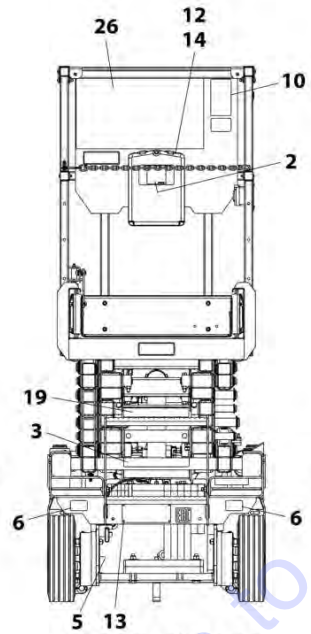
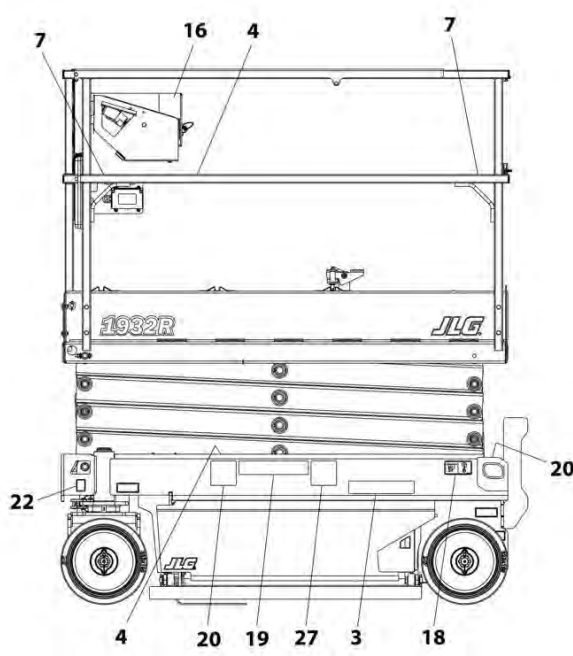
SECTION 8 - DECALS

FIGURE 8-8. DECAL INSTALLATION (KOREAN SPECS)

ITEM	PART NUMBER	QTY	DESCRIPTION	REV
	1001209908	Ref	DECAL INSTALLATION (KOREAN SPECS)	B
1	1701504	1	Decal - Hydraulic Oil	
2	1701640	1	Decal - Manual	
3	1707022	2	Decal - Warning Battery Ventilation	
4	1703819	4	Decal - Direction Arrow	
5	1703822	1	Decal - Manual Descent Instruction	
6	1704016	2	Decal - Fork Lift	
7	1704277	2	Decal - Lanyard Attach	
8	1704412	1	Decal - Hydraulic Oil	
10	1706057	1	Decal - Legend	
11	1001220430	1	Decal - Safety Prop (SN E200000100 to Present)	
11	1705693	NLA	Decal - Safety Prop (Use p/n 1001220430) (Prior to SN M200005066)	
11	1001220430	1	Decal - Safety Prop (SN M200005066 to Present)	
12	2080040	3	Fastener	
13	2080057	4	Fastener	
14	8990147	1	Holder, Manual	
16	1001132359	1	Decal - Control Box Locate	
18	1001162864	2	Decal - Lift Up/Tie Down	
19	1001215751	4	Decal - Crushing Hazard	
20	1001211779	4	Decal - Electrocution	
21	1001212290	1	Decal - Tie Down	
22	1001212291	2	Decal - Lifting Lug	
23	1001212292	1	Decal - No Lifting	
24	1001212293	1	Decal - No Forklift	
25	1001146794	1	Decal - Battery/Charger Service	
26	1001162115	1	Decal - Danger/Warning	
27	1001215750	4	Decal - Danger Electrocution	

SECTION 8 - DECALS

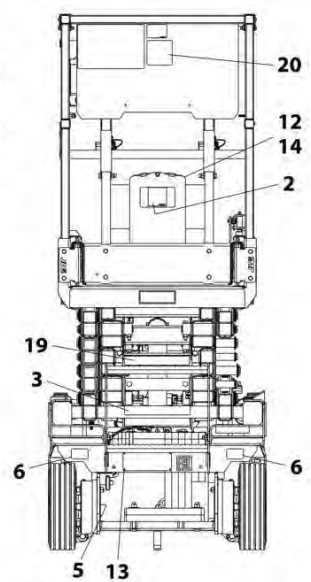
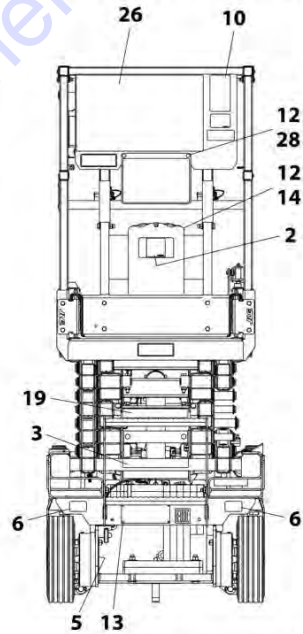
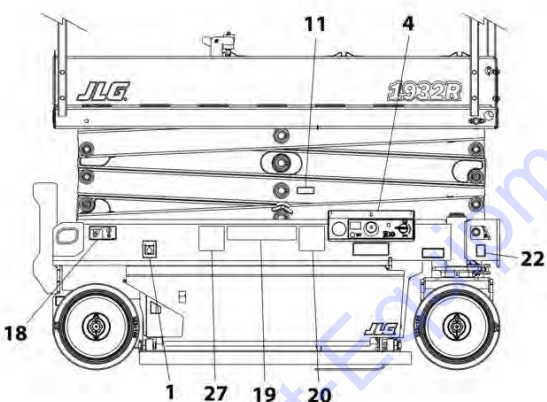
FIGURE 8-9. DECAL INSTALLATION (LATIN AMERICAN SPECS)



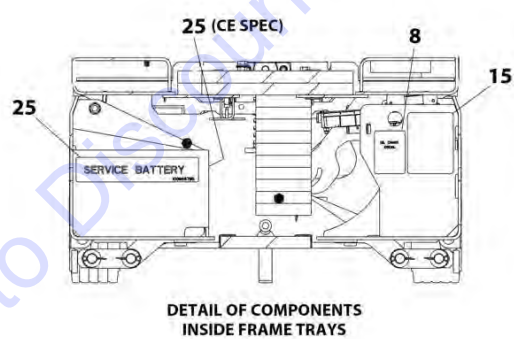
REAR VIEW - FIXED RAILS
(LADDER AND PLATFORM BOX REMOVED FOR CLARITY)

FRONT VIEW

NOTE: ITEMS SHOWN MAY NOT BE REQUIRED FOR ALL SPECS. REFER TO PARTS LISTS FOR USAGE.
NOTE: ADDITIONAL DECALS CALLED OUT ON DECAL INSTALLATION - OPTIONS.



REAR VIEW - FOLD-DOWN RAILS
(LADDER AND PLATFORM BOX REMOVED FOR CLARITY)



DETAIL OF COMPONENTS
INSIDE FRAME TRAYS

ART_1001209911

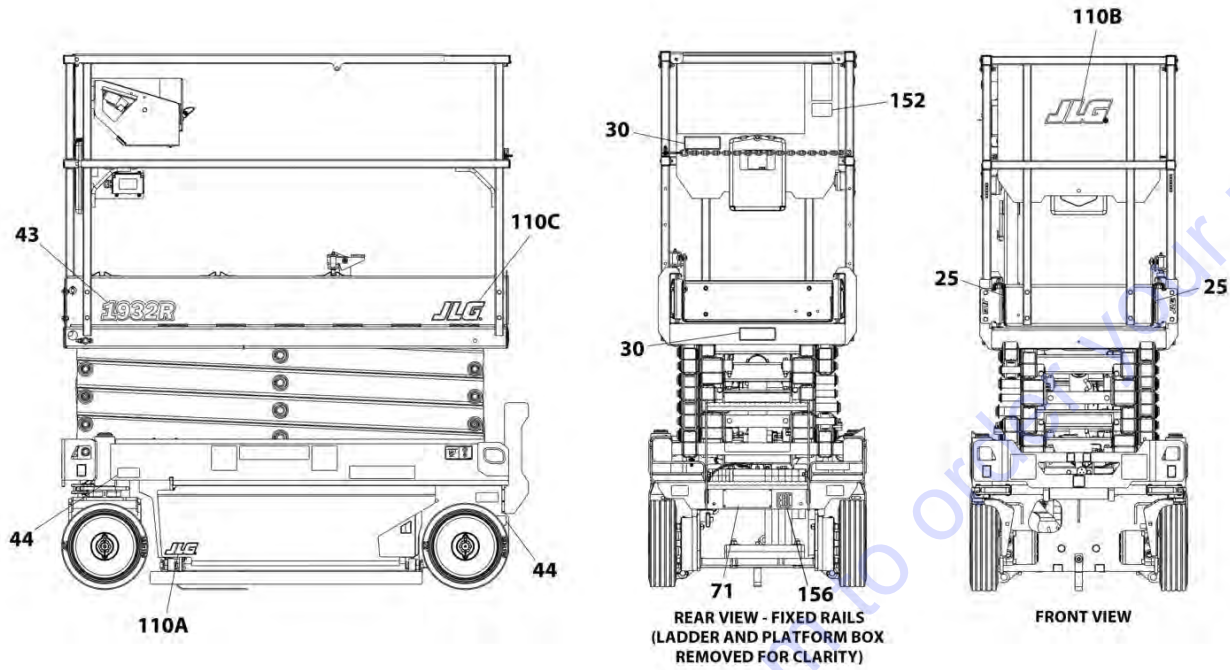
SECTION 8 - DECALS

FIGURE 8-9. DECAL INSTALLATION (LATIN AMERICAN SPECS)

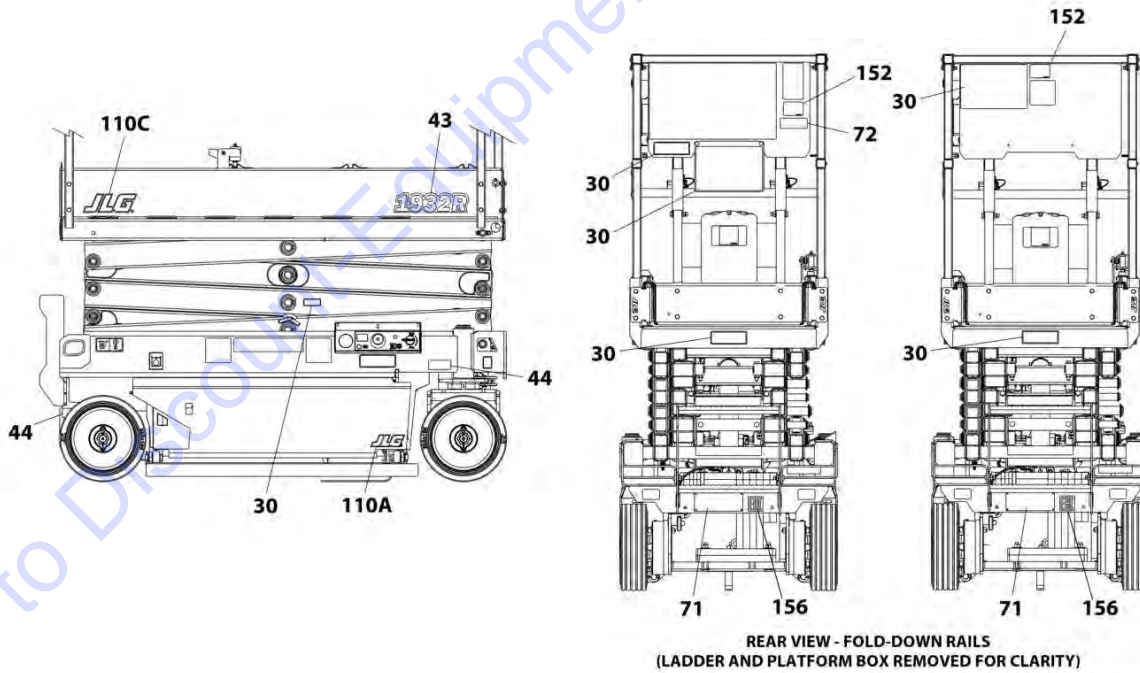
ITEM	PART NUMBER	QTY	DESCRIPTION	REV
	1001209911	Ref	DECAL INSTALLATION (LATIN AMERICAN SPECS)	B
1	1701504	1	Decal - Hydraulic Oil	
2	1701640	1	Decal - Manual	
3	1704339	2	Decal - Warning Battery Ventilation	
4	1703819	4	Decal - Direction Arrow	
5	1703822	1	Decal - Manual Descent Instruction	
6	1704016	2	Decal - Fork Lift	
7	1704277	2	Decal - Lanyard Attach	
8	1704412	1	Decal - Hydraulic Oil	
10	1705720	1	Decal - Legend	
11	1001220430	1	Decal - Safety Prop (SN E200000100 to Present)	
11	1705693	NLA	Decal - Safety Prop (Use p/n 1001220430) (Prior to SN M200005066)	
11	1001220430	1	Decal - Safety Prop (SN M200005066 to Present)	
12	2080040	3	Fastener	
13	2080057	4	Fastener	
14	8990147	1	Holder, Manual	
16	1001132359	1	Decal - Control Box Locate	
18	1001162864	2	Decal - Lift Up/Tie Down	
19	1001215754	4	Decal - Crushing Hazard	
20	1001211779	4	Decal - Electrocution	
21	1001212290	1	Decal - Tie Down	
22	1001212291	2	Decal - Lifting Lug	
23	1001212292	1	Decal - No Lifting	
24	1001212293	1	Decal - No Forklift	
25	1001146794	1	Decal - Battery/Charger Service	
26	1704691	1	Decal - Danger/Warning	
27	1001215748	4	Decal - Danger Electrocution	

SECTION 8 - DECALS

FIGURE 8-10. DECAL INSTALLATION - OPTIONS



NOTE: ITEMS SHOWN MAY NOT BE REQUIRED FOR ALL SPECS. REFER TO PARTS LISTS FOR USAGE.



ART_DECAL_OPTIONS

SECTION 8 - DECALS

FIGURE 8-10. DECAL INSTALLATION - OPTIONS

ITEM	PART NUMBER	QTY	DESCRIPTION	REV
		Ref	DECAL INSTALLATION - OPTIONS	
25	1001209906	Ref	Corner Stripes Installation	
25	4420051	2.5 ft/ 75cm	Tape, Safety	
30		Ref	Decal - Capacity Options:	
		Ref	1532R:	
30	1001225494	3	Decal - Capacity (600LB/272KG) (ANSI, ANSI Export, CSA, Japanese and Korea Specs)	
30	1001225495	1	Decal - Capacity (275KG/607LB)	
30	1001225496	1	Decal - Capacity (275KG) (Australian, CE and China Specs)	
		Ref	1932R:	
30	1001209915	3	Decal - Capacity (550LB/250KG) (ANSI, ANSI Export, CSA AND Japanese Sepcs)	
30	1001209916	1	Decal - Capacity (230KG/507LB)	
30	1001215746	1	Decal - Capacity (230KG) (Australian, CE and China Specs)	
43		Ref	Decal - Model Designation Options:	
43	1001223963	2	Decal - Model Designation (1532R)	
43	1001211619	2	Decal - Model Designation (1932R)	
44		Ref	Decal - Maximum Tire Load Options:	
44	1001227703	4	Decal - Maximum Tire Load (1532R) (ANSI, ANSI Export, CSA and Japanese Specs)	
44	1705647	4	Decal - Maximum Tire Load (1932R) (ANSI, ANSI Export, CSA and Japanese Specs)	
44	1705647	4	Decal - Maximum Tire Load (1532R) (Australian, CE and China Specs)	
44	1705648	4	Decal - Maximum Tire Load (1932R) (Australian, CE, China and CSA Specs)	
71	See Note	NSS	Decal - Manufacturers Serial Number (Note: Not Available for Purchase)	
72	1705303	1	Nameplate - CSA (CSA Specs Only)	
110	1001214779	Ref	JLG Decals Installation	C
110A	1703177	2	Decal - JLG	
110B	1705754	1	Decal - JLG	
110C	1705781	2	Decal - JLG	
152		Ref	Decal - No Pipe Racks Allowed Options:	
152	1001092071	1	Decal - No Pipe Racks Allowed (English) (ANSI, ANSI Export and China Specs)	
152	1001092497	1	Decal - No Pipe Racks Allowed (English) (Australian, CE & Japanese Specs)	
152	1001231066	1	Decal - No Panel Carriers Allowed (English) (ANSI Export Specs)	
152	1001092497	1	Decal - No Pipe Racks Allowed (English) (Japanese Specs)	
152	1001120623	1	Decal - No Pipe Racks Allowed (Spanish/Portuguese) (Brazil Specs)	
152	1001120622	1	Decal - No Pipe Racks Allowed (English/Chinese) (China Specs)	
152	1001092580	1	Decal - No Pipe Racks Allowed (English/French) (CSA Specs)	
152	1001120621	1	Decal - No Pipe Racks Allowed (English/Korean) (Korean Specs)	
152	1001120629	1	Decal - No Pipe Racks Allowed (English/Spanish) (Latin American Specs)	
156	1001173703	1	Decal - EAC (Russian/CIS Specs)	

PARTS FINDER

**Search Website
by Part Number**



**Search Manual
Library For Parts
Manual & Lookup Part
Numbers – Purchase
or Request Quote**

**Can't Find Part or
Manual? Request Help
by Manufacturer,
Model & Description**

Discount-Equipment.com is your online resource for quality parts & equipment.

Florida: **561-964-4949** Outside Florida TOLL FREE: **877-690-3101**

Need parts?

Click on this link: <http://www.discount-equipment.com/category/5443-parts/> and choose one of the options to help get the right parts and equipment you are looking for. Please have the machine model and serial number available in order to help us get you the correct parts. If you don't find the part on the website or on one of the online manuals, please fill out the request form and one of our experienced staff members will get back to you with a quote for the right part that your machine needs.

We sell worldwide for the brands: Genie, Terex, JLG, MultiQuip, Mikasa, Essick, Whiteman, Mayco, Toro Stone, Diamond Products, Generac Magnum, Airman, Haulotte, Barreto, Power Blanket, Nifty Lift, Atlas Copco, Chicago Pneumatic, Allmand, Miller Curber, Skyjack, Lull, Skytrak, Tsurumi, Husquvarna Target, Stow, Wacker, Sakai, Mi-T-M, Sullair, Basic, Dynapac, MBW, Weber, Bartell, Bennar Newman, Haulotte, Ditch Runner, Menegotti, Morrison, Contec, Buddy, Crown, Edco, Wyco, Bomag, Laymor, EZ Trench, Bil-Jax, F.S. Curtis, Gehl Pavers, Heli, Honda, ICS/PowerGrit, IHI, Partner, Imer, Clipper, MMD, Koshin, Rice, CH&E, General Equipment, Amida, Coleman, NAC, Gradall, Square Shooter, Kent, Stanley, Tamco, Toku, Hatz, Kohler, Robin, Wisconsin, Northrock, Oztec, Toker TK, Rol-Air, APT, Wylie, Ingersoll Rand / Doosan, Innovatech, Con X, Ammann, Mecalac, Makinex, Smith Surface Prep, Small Line, Wanco, Yanmar

SECTION 9 - RECOMMENDED SERVICE PARTS STOCK

SECTION 9 - RECOMMENDED SERVICE PARTS STOCK

Go to Discount-Equipment.com to order your parts

SECTION 9 - RECOMMENDED SERVICE PARTS STOCK

FIGURE 9-1. RECOMMENDED SERVICE PARTS STOCK

ITEM	PART NUMBER	QTY	DESCRIPTION	REV
		Ref	Note: The following list will service one machine (built to current production per date on the front cover) with emergency repair parts which can be installed in the field. Parts from the list should be replaced when inventory is depleted to keep service parts stock supplied. For further information, go to Discount-equipment.com	
		Ref	STANDARD PARTS	
	70005423	6	Element, Filter	
	3740150	1	Relay	
	4360328	1	Switch, Toggle	
	4360469	1	Switch, Key (All Specs except CE Specs)	
	2860030	1	Key, Replacement	
	4360475	1	Switch, Emergency Stop	
	1600402	1	Controller, Drive/Steer	
	4360345	1	Switch, Toggle	
	1001200633	1	Switch, Push Button	
	8229242	2	Fuse 5Amp	
		Ref	VARIABLE PARTS	
	1001203871	1	Switch, Roller	
	1001186466	1	Sensor, Tilt	
	1001200629	1	Module, Control	
	1001216062	1	Module, Power	
	4360336	1	Switch, Toggle (Machines with Inverter)	
	1001200746	1	Sensor, Angle (Machines without LSS)	
	1001146963	1	Sensor, Angle (Machines with LSS)	
	2940064	1	Latch, Snap (Machines with Chain Entry)	
	3080007	1	Magnet, Latch (Machines with Gate Entry)	
	1001224873	1	Module, Platform	
	1001181045	1	Breaker 30mAmp/16Amp (CE Specs Machines)	
	1001189171	1	Breaker 30mAmp (CE Specs Machines)	
	1001189172	1	Breaker 16Amp Double (CE Specs Machines)	

SECTION 10 - SPECIAL OPTIONS

Go to Discount-Equipment.com to order your parts

SECTION 10 - SPECIAL OPTIONS

FIGURE 10-1. SPECIAL OPTIONS

ITEM	PART NUMBER	QTY	DESCRIPTION	REV
		Ref	Note: This list is to accommodate machines ordered with special equipment. Options may not be applicable to all models. For more specific parts information go to Discount-equipment.com	
		Ref	SPECIAL OPTIONS	
	1001209921	Ref	Antivandalism Package	
	1001225792	Ref	Beacon Light Add-on Kit (Dual Lights)	
	1001225791	Ref	Beacon Light Add-on Kit (Single Light)	
	1001244925	Ref	Check Valve Installation Kit	
		Ref	ClearSky Installation Options:	
	1001229107	Ref	ClearSky Installation - 3-Wire (ANSI & CSA Specs)	
	1001233237	Ref	ClearSky Installation - 3-Wire (ANSI Export & CE Specs)	
	1001235697	Ref	ClearSky Installation - Canbus (ANSI & CSA Specs)	
	1001236982	Ref	ClearSky Installation - Canbus (ANSI Export & CE Specs)	
	1001246530	Ref	ClearSky Installation - Canbus (Australian Specs)	
	1001246531	Ref	ClearSky Installation - Canbus (China Specs)	
		Ref	Decal Options:	
	1001236984	Ref	Decal - ClearSky	
		Ref	Decal Kit Options:	
	1001233421	Ref	Decal Kit - Common (1932R) (English Language)	
	1001091968	Ref	Decal Kit - Platform Box (Prior to SN B200038482, SN M200000100 to Present)	
	1001091393	Ref	Decal and Housing Kit - Platform Box (Prior to SN B200038482, SN M200000100 to Present)	
	1001091965	Ref	Decal, Housing and PC Board Kit - Platform Box (Prior to SN B200038482, SN M200000100 to Present)	
	1001218012	Ref	Drive Motor Covers installation	
	1001229076	Ref	Drive Noise Reduction Add-on Kit	
		Ref	Electrical Connector Kits	
	1001148902	Ref	Amp/Tyco Electrical Connector Kit	
	1001148903	Ref	Deutsch DT Electrical Connector Kit	
	1001148904	Ref	Deutsch HD Electrical Connector Kit	
	1001148905	Ref	Packard Electrical Connector Kit	
	1001148906	Ref	Various Electrical Connector Kit	
	1001217667	Ref	Fire Extinguisher Installation	
		Ref	Fluid Options	
	2300014	Ref	Hydraulic Fluid - Mobil 424 (Machines with Standard Oil)	
	2300042	Ref	Hydraulic Fluid - Mobil EAL H 32 (Machines with Biodegradeable Oil)	
	1001241486	Ref	Foot Latch Add-on Kit	
	1001208061	Ref	Footswitch Installation (ANSI Export & Japanese Specs Only)	
		Ref	Frame Cover Kit Options:	
	1001231189	Ref	Frame Cover Kit (ANSI Specs)	
	1001231190	Ref	Frame Cover Kit (CE Specs)	
	1001231191	Ref	Frame Cover Kit (Eagle Charger)	
	1001223243	Ref	Ground to Platform Cable Installation - Without Platform Coil Cable (Korean Spec Machines with Overhead Protection)	
	1001223244	Ref	Ground to Platform Cable Installation - With Platform Coil Cable (Korean Spec Machines with Overhead Protection)	
	1001225925	Ref	Inverter Add-on Kit (ANSI USA Specs Only)	
	1001220933	Ref	Height Restrictor Switch Installation	

SECTION 10 - SPECIAL OPTIONS

ITEM	PART NUMBER	QTY	DESCRIPTION	REV
	1001229727	Ref	Overhead Protection Add-on Kit (ANSI Export Specs Only)	
	1001238838	Ref	Platform Chain Entry Add-on Kit	
	1001225790	Ref	Platform Extension Deployment Handles Add-on Kit	
	1001224583	Ref	Service Kits List	
		Ref	Tools for Service	
	2901443	1	Analyzer Kit	
	1001232474	1	Benchtop Harness	
	8896941	1	Wire Stripper	
	7002821	1	Wire Crimper (To install wire ends to wires)	
	7002823	1	Pin/Socket Extractor - Universal (To Remove Pins/Sockets from Connectors)	
	4460467	1	Extractor - 16-18 Gauge (For Removal Pins/Sockets from Deutsch Connectors)	
	4460510	1	Extractor - 12-14 Gauge (For Removal of Pins/Sockets from Deutsch Connectors)	
	7002822	1	Screwdriver, Potentiometer (To Adjust Drive Controllers)	
	7016654	1	Screwdriver, Magnetic	
	7004275	1	Seal Installation Tool - 1in	
	7004276	1	Seal Installation Tool - 1-1/2in	
	7002826	1	Seal Installation Tool - 2in	

Go to Discount-Equipment.com to order your parts

PART NUMBER INDEX

Go to Discount-Equipment.com to order your parts

PART NUMBER INDEX

0100011.....13, 15, 21, 23, 31, 73, 101, 103, 143, 145, 147, 151, 153, 155, 159, 205, 207, 209, 211, 213	0761014 101, 103	1001132358 171, 173, 175	1001200561.....25, 27, 29
0100051.....83, 85, 87, 89, 91, 93, 95, 97	0761016 101, 103	1001132359 275, 277, 279, 281, 283, 285, 287, 289, 291	1001200629...77, 79, 296
0140011.....167, 169	0761019 155	1001132361 171, 173, 175	1001200631.....112, 116, 128
0140030.....171, 173, 175	0861731 ... 261, 267, 269, 271	1001134289 108, 113, 117, 124, 129	1001200632.....81
0140043.....77, 79	0861781 263, 265	1001134821 179	1001200633.....171, 173, 175, 296
0275216.....205, 263	0861880 219	1001136757 99	1001200740.....112, 116, 128
0275217.....207, 265	0962292 191	1001137675 143	1001200746.....108, 124, 296
0275452.....209, 267	1001047064 171, 173, 175	1001142173 99	1001200811.....239, 243, 247, 249
0275453.....211, 269	1001091102 ... 21, 37, 41, 45, 49, 53, 55, 57, 59, 77, 79	1001142174 99	1001200812.....231, 239, 241
0275454.....213, 271	1001091153 163, 167	1001143009 99	1001200814.....247
0400215.....95, 97	1001091154 165, 169	1001143010 99	1001200819.....171, 173, 175, 259
0440259.....13, 193, 195	1001091272 167	1001143501 199	1001200820.....77, 223
0440263.....21, 101, 103	1001091275 169	1001143645 77	1001200821.....108, 124, 251
0440264....119, 121, 131, 137	1001091277 167, 169	1001144296 223	1001200822.....128, 253
0440265.....119, 121, 131	1001091278 167, 169	1001146794 275, 277, 279, 283, 285, 287, 289, 291	1001201005.....27
0480100.....187	1001091279 167, 169	1001146795 281	1001201087.....239
0630183.....143	1001091280 167, 169	1001146963 112, 116, 128, 296	1001201129.....247
0630473.....171, 173	1001091283 167, 169	1001148902 298	1001201248.....13
0630587.....77, 79, 99	1001091393 167, 169, 298	1001148903 298	1001201250.....37
0630613.....63, 133	1001091396 167, 169	1001148904 298	1001201355.....124, 128, 131
0641514.....187	1001091965 167, 169, 298	1001148905 298	1001201356.....124
0700412....37, 41, 45, 49, 77, 79	1001091968 167, 169, 298	1001148906 298	1001201529.....173
0700616.....183	1001092071 293	1001151629 223, 227	1001201705.....73
0700617.....77, 79	1001092497 293	1001152483 221	1001201706.....73
0700620....108, 112, 116, 124, 128	1001092580 293	1001153785 13	1001201707....45, 47, 49, 51, 57, 59
0700621.....161	1001100341 263	1001154378 155, 159	1001201708...83, 85, 87, 89, 91, 93, 95, 97
0700815....21, 25, 27, 29, 31, 33, 35, 181	1001100342 265	1001157547 99	1001201709....83, 85, 87, 89, 91, 93
0700817.....101, 103	1001100345 267	1001159186 259	1001201711....83, 85, 87, 89, 91, 93, 95, 97
0700818....145, 147, 151, 153, 155, 159, 161	1001100346 271	1001162115 289	1001201757.....21
0700819....139, 141, 179, 181	1001100347 269	1001162864 275, 277, 279, 281, 283, 285, 287, 289, 291	1001201758.....21
0700820.....159	1001102258 203, 205, 207, 209, 211, 213, 215, 217	1001162886 223, 227	1001201885.....259
0700823.....21	1001102489 ... 25, 27, 29, 31, 33, 35	1001162887 223, 227	1001202184.....233, 243, 245
0700835.....171, 173, 175	1001103012 224, 228	1001163340 223, 227	1001202185.....249
0701015....108, 112, 116, 124, 128	1001107854 224, 228	1001173703 293	1001202300.....13
0701019.....133, 183	1001112112 87, 89	1001176626 171	1001202689.....15
0701021....108, 112, 116, 124, 128, 137, 139, 141	1001112112 87, 89	1001181045 219, 296	1001202731.....19
0701024.....133	1001113961 224, 228	1001182305 143	1001202773.....15
0760408....203, 205, 207, 209, 211, 213, 215	1001116812 223, 227	1001182338 143	1001202851.....73
0760508.....147, 155	1001117000 223, 227	1001182806 61	1001202987.....21
0760608.....31, 155, 185	1001118274 77, 79	1001186466 23, 296	1001202988.....21
0760610....31, 65, 67, 77, 79, 99, 108, 112, 124, 128, 171, 173, 175, 179, 181, 185	1001118387 223, 227	1001187587 155, 159, 187	1001202991.....21
0760612....25, 27, 29, 61, 65, 69, 181	1001120204 205, 207, 209, 211, 213	1001187781 77, 79	1001202994.....21
0760614.....65, 67, 69	1001120205 219, 221	1001187816 215	1001202999.....21
0760615.....163, 165	1001120621 293	1001188116 215	1001203443.....108, 112, 116, 124, 128, 139, 141
0760810.....73, 143	1001120622 293	1001189171 221, 296	1001203444.....108, 112, 116, 124, 128
0760812.77, 79, 137, 143	1001120623 293	1001189172 221, 296	1001203445.....108, 112, 116, 124, 128
0760827.....73, 199	1001120629 293	1001191139 ... 37, 41, 45, 49	1001203446.....108, 112, 116, 124, 128
0761012.....13, 73, 137	1001125483 99	1001192401 223, 227	
	1001125677 224, 228	1001197396 13	
	1001130220 ... 31, 65, 67, 69, 171, 173, 175	1001198935 108, 112, 116, 124, 128, 191	
	1001130590 77, 79	1001199189 187	
	1001131270 275, 287	1001199937 15, 17	
		1001200441 19	

PART NUMBER INDEX

1001203447 108, 112, 116, 124, 128	1001205709..... 141	1001209911.....291	1001215013 171
1001203448 108, 112, 116, 124, 128	1001205751..... 13	1001209913.....281	1001215042 163
1001203450 73	1001205801..... 21	1001209914.....277	1001215746 293
1001203453 63	1001206207..... 149	1001209915.....293	1001215747 283, 285
1001203457 63	1001206217..... 149	1001209916.....293	1001215748 279, 291
1001203630 243	1001206222..... 149	1001209920.....99	1001215749 287
1001203631 249	1001206224..... 145, 147, 151, 153	1001209921.....298	1001215750 289
1001203832 73, 199	1001206225..... 145, 147, 155	1001209963.....143	1001215751 289
1001203835 199	1001206226..... 145, 147, 155	1001210064.....143	1001215752 283, 285
1001203836 199	1001206228..... 145, 147, 149	1001210302..... 147, 153, 155, 159	1001215754 291
1001203837 199	1001206487..... 108, 112, 116, 124, 128	1001210307..... 147, 155	1001215755 287
1001203838 199	1001206493..... 13, 193	1001210401.....83, 85, 87, 89, 91, 93, 95, 97	1001215762 77, 79
1001203839 199	1001206995..... 31	1001210436..... 171, 173	1001215953 21
1001203840 199	1001207009..... 25, 27, 29	1001210440.....99	1001216062 .. 77, 79, 296
1001203841 199	1001207010..... 25, 27, 29	1001210442..... 157, 159	1001216180 83, 85
1001203844 199	1001207142..... 23	1001210443..... 157	1001216249 91
1001203846 199	1001207214..... 77, 79	1001210444..... 157, 159	1001216250 93
1001203869 21	1001207215..... 77, 79	1001210445..... 157	1001216648 279
1001203870 21, 101, 103	1001207293..... 81	1001210446..... 157	1001216650 279
1001203871 21, 296	1001207492..... 65, 69	1001210447..... 157	1001216682 ... 25, 27, 29, 31, 33, 35
1001203872 21	1001207494..... 77, 79	1001210458..... 157, 159	1001216683 31
1001203973 119, 131	1001207562..... 165	1001210586..... 147, 153, 155, 159	1001216823 161
1001203974 119, 121, 131	1001207735..... 31, 33, 35	1001210588..... 103	1001216865 285
1001203975 119, 121, 131	1001207805..... 145	1001210594..... 103	1001216928 205, 207, 209, 211, 213
1001203976 119, 121, 131	1001207806..... 147	1001210605.....99	1001217043 143
1001204087 128	1001207807..... 155	1001210878.....99	1001217147 181
1001204138 83	1001207870..... 27, 31	1001210879.....99	1001217164 219, 221
1001204174 73, 75	1001207970..... 27, 31	1001210880.....99	1001217667 298
1001204238 31	1001207973..... 35	1001210881.....99	1001217912 41
1001204311 108, 112, 116, 124, 128	1001207974..... 25, 33	1001210882.....99	1001217914 49
1001204312 108, 112, 116, 124, 128	1001208056..... 87	1001210882.....99	1001218012 298
1001204495 61	1001208057..... 85	1001210963..... 147, 153, 155, 159	1001218285 175
1001204562 35	1001208058..... 89	1001210966.....77, 79	1001219171 277, 281
1001204621 119, 121, 131	1001208061..... 298	1001210967.....99	1001219172 277, 281
1001204654 77	1001208073..... 155, 157	1001211619.....293	1001219173 171, 173, 175
1001204719 73	1001208626..... 199	1001211777.....275	1001219265 287
1001204781 124, 128, 137, 139	1001208761..... 101, 103	1001211779.....275, 283, 285, 287, 289, 291	1001220216 183
1001204994 108, 112, 116, 124, 128	1001208762..... 101, 103	1001212035.....259	1001220409 179, 181
1001205014 45	1001208767..... 25	1001212036.....259	1001220410 179, 181
1001205156 137, 139, 141	1001208839..... 33	1001212040..... 108, 112, 124, 129	1001220430 275, 277, 279, 281, 283, 285, 287, 289, 291
1001205345 108, 112, 116, 124, 128	1001208852..... 143	1001212068.....21	1001220430 275, 277, 279, 281, 283, 285, 287, 289, 291
1001205409 223, 227	1001208930.....203	1001212290.....275, 277, 279, 281, 283, 285, 287, 289, 291	1001220570 13, 195
1001205410 223, 227	1001208931.....217	1001212291.....275, 277, 279, 281, 283, 285, 287, 289, 291	1001220766 51
1001205411 223, 227	1001208932.....209	1001212292.....275, 277, 279, 281, 283, 285, 287, 289, 291	1001220893 173
1001205412 223, 227	1001208933.....211	1001212293.....275, 277, 279, 281, 283, 285, 287, 289, 291	1001220933 298
1001205414 137, 141	1001208934.....213	1001212294.....73	1001220995 179
1001205422 143	1001208935.....205	1001213491..... 171, 175	1001221244 183
1001205423 143	1001208936.....207	1001213554..... 119, 121, 131	1001221275 183
1001205424 143	1001208938.....215	1001213886..... 173, 175	1001221276 183
1001205428 143	1001209482..... 209, 211, 221	1001214088.....77, 79	1001221475 143
1001205430 143	1001209595..... 171, 173, 175	1001214347.....91, 93	1001221476 143
1001205447 101, 103	1001209596..... 171, 173, 175	1001214779.....293	1001221712 163, 165
1001205449 101, 103	1001209682.....77, 79	1001214810..... 101, 103	1001221949 29
1001205469 103	1001209776..... 205, 207, 213, 219		1001222587 161
1001205598 33, 35	1001209906.....293		1001222588 151
	1001209907.....275		1001222589 153
	1001209908.....289		1001222686 79, 227
	1001209909.....285		1001222687 112, 116, 128, 255
	1001209910.....279		1001222745 283
			1001222914 183
			1001223243 298
			1001223244 298

PART NUMBER INDEX

1001223262.....237, 249	1001228833.....69	1001242988.....53	1705647.....293
1001223263.....235, 247	1001229076.....298	1001244925.....298	1705648.....293
1001223277.....79	1001229107.....298	1001246530.....298	1705670.....277, 281
1001223278.....29	1001229110... 83, 85, 87, 89, 91, 93, 95, 97	1001246531.....298	1705676.....167, 169
1001223362.....151, 153	1001229441.....187	1001247861.....57	1705686.....275
1001223363.....151, 153	1001229469.....187	1001247862.....59	1705693...275, 277, 279, 281, 285, 287, 289, 291
1001223364.....151, 153	1001229472... 83, 85, 87, 89, 91, 93	1001247925.....95	1705720.....291
1001223833.....151, 153	1001229722.....159	1001247926.....97	1705723.....287
1001223834.....151, 153	1001229723.....159	1060379.....187	1705726.....279
1001223835.....151, 153, 159	1001229727.....299	1060908.....219, 221	1705754.....293
1001223839.....151, 153	1001229732.....159	1060998... 83, 85, 87, 89, 91, 93, 95, 97	1705781.....293
1001223954.....101	1001229733.....159	1061034... 108, 112, 116, 124, 128	1705946.....283, 285
1001223960.....101	1001229734.....159	1260136.....145, 151	1706057.....289
1001223961.....101	1001229739.....159	1320187.....199	1707022.....289
1001223963.....293	1001229740.....159	1320223.....181	2080040...143, 147, 153, 155, 159, 275, 277, 279, 281, 283, 285, 287, 289, 291
1001223964.....108, 113, 119	1001229741.....159	1321293... 25, 27, 29, 31, 33, 35, 99	2080057...275, 277, 279, 281, 283, 285, 287, 289, 291
1001223965.....108	1001229742.....159	1321752.....199	2220371.....75
1001223966.....112	1001229792... 101, 103	1380132.....161	2220372.....75
1001224468.....183	1001230248.....159	1380153.....13	2220373.....199
1001224583.....299	1001230249.....159	1380156.....167, 169	2220374.....75
1001224604.....133	1001230839... 241, 245	1600402... 167, 169, 171, 173, 175, 177, 296	2220375.....199
1001224608.....133	1001230932.....241	1600439.....167, 169	2220415.....75, 199
1001224614.....133	1001230933.....245	1671098.....167, 169	2220497.....199
1001224620.....133	1001231066.....293	1671207.....261	2220582.....75
1001224622.....133	1001231189.....298	1701504... 275, 277, 279, 281, 283, 285, 287, 289, 291	2220828.....199
1001224623.....133	1001231190.....298	1701640... 277, 279, 281, 283, 285, 287, 289, 291	2221086.....75
1001224868... 173, 175	1001231191.....298	1701640_JUNK_DO_NO T_USE.....275	2221116... 112, 116, 129
1001224869.....171	1001231264... 77, 79	1702010.....185	2300014.....298
1001224873... 171, 173, 296	1001231268... 108, 112, 116, 124, 129	1702155... 85, 89, 93, 97	2300042.....298
1001225164... 113, 116, 129	1001231405.....159	1703177.....293	2400060.....223, 227
1001225299.....137	1001231801.....275	1703464.....203, 205	2420172.....77, 79
1001225309.....137	1001232257.....159	1703813.....275	2540042.....257
1001225314.....137	1001232474.....299	1703816.....275	2560088.....161
1001225316.....137	1001233237.....298	1703819... 167, 169, 171, 173, 175, 275, 277, 279, 281, 283, 285, 287, 289, 291	2560179.....167, 169
1001225377... 231, 233, 235, 237	1001233421.....298	1703822... 275, 277, 279, 281, 283, 285, 287, 289, 291	2560190.....161
1001225490.....231	1001233479... 39, 43, 47, 51	1704016... 275, 277, 279, 281, 283, 285, 287, 289, 291	2600281... 147, 153, 155, 159
1001225491.....233	1001233998... 43, 51	1704260... 171, 173, 175	2820097.....145, 151
1001225492.....235	1001235018.....139	1704277... 275, 277, 279, 281, 283, 285, 287, 289, 291	2860030... 77, 79, 296
1001225493.....237	1001235024.....121	1704339.....291	2901443.....299
1001225494.....293	1001235025.....121	1704340.....287	2902431.....203, 261
1001225495.....293	1001235059... 116, 121	1704341.....279	2940064... 145, 151, 296
1001225496.....293	1001235060.....116	1704344.....283, 285	2940074.....147, 155
1001225790.....299	1001235536.....185	1704412... 275, 277, 279, 281, 283, 285, 287, 289, 291	3010088.....145, 151
1001225791.....298	1001235541.....139	1704684.....287	3080007... 147, 153, 155, 159, 296
1001225792.....298	1001235697.....298	1704691.....291	3252507... 207, 209, 211, 213, 215, 217
1001225925.....298	1001235863.....185	1704699.....279	3290305... 53, 55, 57, 59
1001226277.....183	1001235924.....185	1705195.....283, 285	3290405... 21, 37, 39, 41, 43, 45, 47, 49, 51, 77, 79, 99, 108, 112, 116, 124, 128, 163, 165, 171, 173, 175, 179, 181, 203, 205, 207, 209, 211, 213, 215
1001226791... 113, 117, 129	1001236129.....143	1705303.....293	3290505.....147, 155
1001227464.....199	1001236507.....185		3290601.....23
1001227703.....293	1001236880.....175		3290605... 23, 25, 27, 29, 31, 33, 35, 61, 65, 69, 77, 79, 99, 108, 112,
1001227966... 65, 67, 69	1001236982.....298		
1001228112.....175	1001236982.....298		
1001228122... 83, 87, 91, 95	1001236984.....298		
1001228123... 85, 89, 93, 97	1001237752.....181		
1001228184.....183	1001238838.....299		
1001228237.....65	1001238970.....39		
1001228238.....67	1001238971.....47		
1001228830.....67	1001238972.....43		
1001228832.....65	1001238973.....51		
	1001239224... 53, 55, 57, 59		
	1001241486.....298		
	1001242539... 55, 59		
	1001242697.....55		

PART NUMBER INDEX

116, 124, 128, 143, 181, 205, 207, 209, 211, 213	3860111 145, 147, 155	4460115.....223, 227	4460897 ... 45, 47, 49, 51, 61, 99, 223, 227, 235, 237, 247, 249
3290606 ... 145, 147, 151, 153, 155, 159, 161, 163, 165, 179, 181, 183, 185	3900333 167, 169	4460138.....203	4460899... 108, 112, 116, 124, 128, 231, 233, 235, 237, 239, 241, 243, 245, 247, 249, 251, 253
3290801 21, 73	3900338 163, 165	4460183.....223, 227, 259	4460905 224, 228
3290805 ... 21, 25, 27, 29, 31, 33, 35, 101, 103, 137, 139, 141, 143, 171, 181, 199	3910804 77, 79	4460226.....224, 228	4460933 223, 227
3290806 ... 145, 147, 151, 153, 155, 159, 161, 171, 173, 175, 179, 181	4010310 53, 55, 57, 59	4460227..25, 27, 29, 223, 227	4460943... 231, 233, 235, 237, 239, 241, 243, 245, 247, 249
3291005 73, 101, 103, 133, 143	4010408 179, 181	4460234..... 181, 183	4460944 ... 223, 227, 231, 233, 235, 237, 239, 241, 243, 245, 247, 249
3291006 63, 133, 155, 183	4010608 ... 147, 153, 155, 159	4460247.....223, 227	4460956 219
3291007 ... 108, 112, 116, 124, 128, 137, 139, 141	4010610 ... 205, 207, 209, 211, 213	4460256.....224, 228	4460957 219
3291201 101, 103	4010616 145, 147, 155	4460259.....223, 227	4460968 215
3291205 ... 205, 207, 209, 211, 213	4010617 155, 159	4460260.....223, 227	4460970 255
3300473 167, 169	4010618 ... 145, 147, 151, 153, 155, 159	4460265.....257, 259	4461016 257, 259
3310805 173	4031507 39, 47	4460267 257, 259	4461023 223, 227
3311502 143	4031508 51	4460315.....203, 215	4461057 257
3311505 187	4031509 ... 39, 43, 47, 51, 171, 173, 175	4460320.....224, 228	4461196 263
3321402 ... 108, 112, 116, 124, 128	4031511 21, 51	4460346 261	4461198 263
3331211 15	4031512 ... 108, 112, 116, 124, 128	4460418.....99, 223, 227, 259	4461199 265
3340962 ... 108, 112, 116, 124, 128	4031707 33, 35	4460419..... 99, 223, 227	4461201 265
3340968 167, 169	4031708 23, 33, 35	4460424.....25, 27, 29	4461205 267, 269
3380475 167, 169	4060803 . 65, 67, 69, 163, 165, 171, 173, 175, 181	4460464 ... 45, 47, 49, 51, 61, 99, 108, 112, 116, 124, 128, 183, 223, 228, 231, 233, 235, 237, 239, 241, 243, 245, 247, 249, 251, 253, 255, 257, 259	4461244 267
3421854 187	4060805 ... 83, 85, 87, 89, 91, 93	4460465...37, 39, 41, 43, 45, 47, 49, 51, 53, 55, 57, 59, 183, 223, 224, 227, 228, 231, 233, 235, 237, 239, 241, 243, 245, 247, 249, 251, 253, 255	4461245 269
3422219 155	4060865 37, 41, 45, 49	4460466... 183, 223, 227, 231, 233, 235, 237, 239, 241, 243, 245, 247, 249, 251, 255, 257, 259	4461246 271
3423037 13	4060906 171, 173, 175	4460467 299	4461257 205, 207
3423104 137	4160078 ... 108, 112, 116, 124, 128	4460496... 171, 173, 175, 257	4461258 205, 207
3423243 101, 103	4160202 21	4460497 ... 171, 173, 175, 257	4568738 167, 169
3423278 ... 163, 165, 171, 173, 175	4160203 167, 169	4460510.....299	4711700 171, 173, 175
3430636 21	4160214 101, 103	4460536.....183	4711800 143
3430814 143	4191306 167, 169	4460539...223, 227, 235, 237, 247, 249, 255	4740086 101, 103
3430816 143	4191407 167, 169	4460648.....31, 33, 35	4740438 ... 108, 112, 116, 124, 128
3431212 21	4191409 167, 169	4460662....209, 211, 213, 261	4740531 ... 108, 112, 116, 124, 128, 137
3431218 21, 101, 103	4240017 ... 25, 27, 29, 31, 33, 35, 67, 77, 79, 83, 85, 87, 89, 91, 93, 95, 97, 99, 108, 112, 116, 124, 128, 183, 199, 203, 205, 207, 209, 211, 213, 215, 217, 231, 233, 235, 237, 239, 241, 243, 245, 247, 249	4460754....231, 233, 235, 237, 239, 241, 243, 245, 247, 249	4750800 171, 173
3450302 21	4240018 57, 59, 65, 69	4460761.....223, 227	4751500 187
3450303 101, 103	4240033 181	4460871.....224, 228	4811400 ... 39, 43, 47, 51, 99, 108, 112, 116, 124, 128, 163, 165, 171, 173, 175, 179, 181, 203, 205, 207, 209, 211, 213, 215
3450403 143	4240147 21	4460877 223, 227	4811600 147, 155
3450505 21	4240165 185	4460884....223, 227, 253, 255	4811700 ... 61, 65, 67, 69, 77, 79, 99, 108, 112, 116, 124, 129, 147, 151, 153, 155, 159, 171, 173, 175, 179, 181, 185, 205, 207, 209, 211, 213
3450508 19, 101, 103	4360328 77, 79, 296	4460891....37, 39, 41, 43, 45, 47, 49, 51, 53, 55, 57, 59, 183, 223, 227, 235, 237, 247, 249, 251, 253, 255	4811702 ... 25, 27, 29, 31, 33, 35, 65, 69, 161, 163, 165
3520072 ... 133, 145, 147, 151, 153, 155, 159	4360336 99, 296	4460894....223, 228, 231, 233, 235, 237, 239, 241, 243, 245, 247, 249	4811900 ... 21, 73, 77, 79, 137, 139, 141, 143, 145, 147, 151, 153, 155, 159, 161, 171, 173, 175, 199
3574505 185	4360345 ... 171, 173, 175, 296		
3740150 .. 77, 79, 99, 296	4360469 77, 79, 296		
3760115 ... 108, 112, 116, 124, 128, 137	4360475 77, 79, 167, 169, 171, 173, 175, 296		
3760170 ... 108, 112, 116, 124, 128, 187	4360538 167, 169		
3760217 13	4360539 167, 169		
3760387 ... 108, 112, 116, 124, 128	4420037 185		
3820019 161	4420051 293		
3841143 ... 108, 112, 116, 124, 128	4420062 73, 145, 147, 151, 153, 155, 159, 163, 165, 171, 173, 175, 187		
3841520 137	4460042 223, 227		

PART NUMBER INDEX

4811902.....21, 25, 27, 29, 31, 33, 35, 73, 101, 103, 151, 153, 159, 179, 181	70001252..... 177	70005809..... 17	70023370..... 191
4812000..13, 21, 73, 101, 103, 108, 112, 116, 124, 128, 133, 137, 143, 155, 183	70001253..... 177	70005811..... 17	7002821..... 299
4812002.....63, 143	70001878. 108, 112, 116, 124, 128	70005812..... 17	7002822..... 299
4812100..... 101, 103	70002410..... 191	70005813..... 17	7002823..... 299
4812102....205, 207, 209, 211, 213	70003650..... 177	70005814..... 17	7002826..... 299
4812500.....21, 101, 103	70004231..... 191	70005815..... 73	7004275..... 299
4846757..... 13	70004232..... 191	70005816..... 73	7004276..... 299
4922870.... 167, 169, 257	70004233..... 191	70005817..... 73	7016654..... 299
4923328.... 85, 89, 93, 97	70004241..... 193, 195	70005891..... 75	7020175 77, 79, 167, 169, 171, 173, 175
5241000.... 101, 103, 143	70005423..... 73, 296	70005892..... 75	7020176 77, 79, 167, 169, 171, 173, 175
5241200..... 15	70005790..... 191	70005893..... 75	7020218.... 108, 112, 116, 124, 128
5271808..... 73	70005791..... 191	70005895..... 75	7023308..... 17
5272117..... 15	70005792..... 191	70005896..... 75	7023310..... 17
5272122..... 15	70005792..... 191	70005898..... 75	7023311..... 17
70000082..... 177	70005793..... 191	70005899..... 75	7023315..... 17
70000084..... 177	70005794..... 191	70005900..... 75	7023318..... 17
70000278..... 17	70005795..... 191	70005903..... 75	7023324..... 17
70000683..... 177	70005796..... 191	70005904..... 75	7023328..... 17
70000684..... 177	70005797..... 191	70005905..... 75	7027365..... 177
70000685..... 177	70005798..... 193, 195	70005907..... 75	7027367..... 177
70000686..... 177	70005799..... 193	70005908..... 75	7027765..... 177
70001250..... 177	70005800..... 193, 195	70005909..... 75	7027766..... 177
70001251..... 177	70005801..... 193	70005911..... 75	8229242.... 223, 227, 296
	70005802..... 193	70005912..... 75	8896941..... 299
	70005803..... 193, 195	70005913..... 75	8990147.... 275, 277, 279, 281, 283, 285, 287, 289, 291
	70005804..... 193, 195	70005914..... 75	
	70005805..... 193, 195	70005918..... 15	
	70005806..... 17	70005919..... 15	
	70005807..... 17	70006143..... 195	
	70005808..... 17	70021209..... 75	

PARTS FINDER

**Search Website
by Part Number**



**Search Manual
Library For Parts
Manual & Lookup Part
Numbers – Purchase
or Request Quote**

**Can't Find Part or
Manual? Request Help
by Manufacturer,
Model & Description**

Discount-Equipment.com is your online resource for quality parts & equipment.

Florida: **561-964-4949** Outside Florida TOLL FREE: **877-690-3101**

Need parts?

Click on this link: <http://www.discount-equipment.com/category/5443-parts/> and choose one of the options to help get the right parts and equipment you are looking for. Please have the machine model and serial number available in order to help us get you the correct parts. If you don't find the part on the website or on one of the online manuals, please fill out the request form and one of our experienced staff members will get back to you with a quote for the right part that your machine needs.

We sell worldwide for the brands: Genie, Terex, JLG, MultiQuip, Mikasa, Essick, Whiteman, Mayco, Toro Stone, Diamond Products, Generac Magnum, Airman, Haulotte, Barreto, Power Blanket, Nifty Lift, Atlas Copco, Chicago Pneumatic, Allmand, Miller Curber, Skyjack, Lull, Skytrak, Tsurumi, Husquvarna Target, Stow, Wacker, Sakai, Mi-T-M, Sullair, Basic, Dynapac, MBW, Weber, Bartell, Bennar Newman, Haulotte, Ditch Runner, Menegotti, Morrison, Contec, Buddy, Crown, Edco, Wyco, Bomag, Laymor, EZ Trench, Bil-Jax, F.S. Curtis, Gehl Pavers, Heli, Honda, ICS/PowerGrit, IHI, Partner, Imer, Clipper, MMD, Koshin, Rice, CH&E, General Equipment, Amida, Coleman, NAC, Gradall, Square Shooter, Kent, Stanley, Tamco, Toku, Hatz, Kohler, Robin, Wisconsin, Northrock, Oztec, Toker TK, Rol-Air, APT, Wylie, Ingersoll Rand / Doosan, Innovatech, Con X, Ammann, Mecalac, Makinex, Smith Surface Prep, Small Line, Wanco, Yanmar