



---

# Illustrated Parts Manual

## Models

**330LRT**  
**430LRT**

P/N  
3121759

October 25, 2018 - Rev I

**ANSI**

**CE**



**AS/NZS**



An Oshkosh Corporation Company

# PARTS FINDER

**Search Website  
by Part Number**



**Search Manual  
Library For Parts  
Manual & Lookup Part  
Numbers – Purchase  
or Request Quote**

**Can't Find Part or  
Manual? Request Help  
by Manufacturer,  
Model & Description**

Discount-Equipment.com is your online resource for quality parts & equipment.

Florida: **561-964-4949** Outside Florida TOLL FREE: **877-690-3101**

## Need parts?

Click on this link: <http://www.discount-equipment.com/category/5443-parts/> and choose one of the options to help get the right parts and equipment you are looking for. Please have the machine model and serial number available in order to help us get you the correct parts. If you don't find the part on the website or on one of the online manuals, please fill out the request form and one of our experienced staff members will get back to you with a quote for the right part that your machine needs.

We sell worldwide for the brands: Genie, Terex, JLG, MultiQuip, Mikasa, Essick, Whiteman, Mayco, Toro Stone, Diamond Products, Generac Magnum, Airman, Haulotte, Barreto, Power Blanket, Nifty Lift, Atlas Copco, Chicago Pneumatic, Allmand, Miller Curber, Skyjack, Lull, Skytrak, Tsurumi, Husquvarna Target, Stow, Wacker, Sakai, Mi-T-M, Sullair, Basic, Dynapac, MBW, Weber, Bartell, Bennar Newman, Haulotte, Ditch Runner, Menegotti, Morrison, Contec, Buddy, Crown, Edco, Wyco, Bomag, Laymor, EZ Trench, Bil-Jax, F.S. Curtis, Gehl Pavers, Heli, Honda, ICS/PowerGrit, IHI, Partner, Imer, Clipper, MMD, Koshin, Rice, CH&E, General Equipment, Amida, Coleman, NAC, Gradall, Square Shooter, Kent, Stanley, Tamco, Toku, Hatz, Kohler, Robin, Wisconsin, Northrock, Oztec, Toker TK, Rol-Air, APT, Wylie, Ingersoll Rand / Doosan, Innovatech, Con X, Ammann, Mecalac, Makinex, Smith Surface Prep, Small Line, Wanco, Yanmar



## REVISION LOG

**April 1, 2017 - A - Original Issue Of Manual (Edited to B/M 1001205000 Revision D) (Revision 1)**

**July 1, 2017 - B - Revised Manual (Edited to B/M 1001205000 Revision D) (Revision 2)**

**October 11, 2017 - C - Revised Manual (Edited to B/M 1001205000 Revision F)**

**November 3, 2017 - D - Revised Manual (Edited to B/M 1001205000 Revision G)**

**January 15, 2018 - E - Revised Manual (Edited to B/M 1001205000 Revision I)**

**April 15, 2018 - F - Revised Manual (Edited to B/M 1001205000 Revision L)**

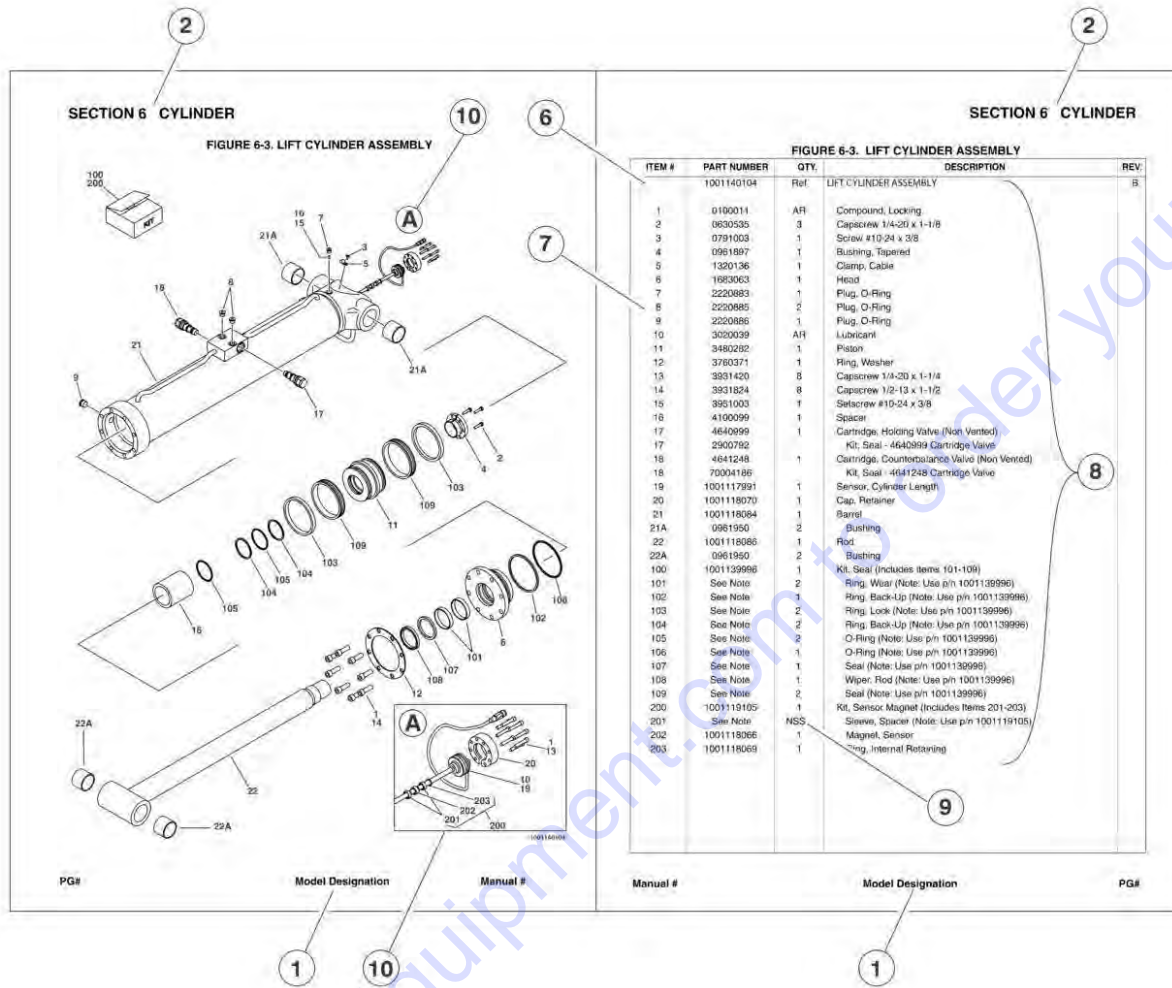
**May 21, 2018 - G - Revised Manual (Edited to B/M 1001205000 Revision N)**

**July 20, 2018 - H - Revised Manual (Edited to B/M 1001205000 Revision O)**

**October 25, 2018 - I - Revised Manual (Edited to B/M 1001205000 Revision O) (Revision 3)**

Go to Discount-Equipment.com to order your parts

# GENERAL INFORMATION



## 1) MACHINE IDENTIFICATION

Machines are identified by model and in some cases a combination of models, serial number (SN) or regional standard (i.e. ANSI, CE, CSA). Components may also be identified by SN or manufacturer. Common components that may be identified by these characteristics are engines and hydraulic components.

## 2) PARTS MANUAL ORGANIZATION

Product information in this manual is organized under section titles. Frame, Cylinder, Hydraulic and Electrical are a few examples. Each section is organized by figure and page number. The information within the Figure is then organized by item number, part number, description and corresponding illustration (s).

## 3) TABLE OF CONTENTS

A table of contents is found toward the beginning of the manual. Figure number, description and page number are provided for quick reference to the page containing the related information.

## 4) RECOMMENDED SPARE PARTS

The Recommended Spare Parts, located near the end of the manual, reference most frequently used maintenance parts.

## 5) PART NUMBER INDEX

A numerical index listing all part numbers and the corresponding page number(s) appears at the back of the manual.

## GENERAL INFORMATION

### 6) NON-SERVICED PARTS

In some instances, it is necessary to display non-serviced parts, assemblies or installations. In the case of assemblies and installations there will be a Ref in the Qty column. In case of parts that are not available for service within assemblies or components, there will be a NSS (Not Sold Separately) or NLA (No Longer Available) listed in the Qty. column of the manual.

### 7) PARTS LIST ITEM NUMBERS

Numbers shown in the item# column correspond to numbers used in the associated illustration (s). Item numbers which are missing from the sequence in the parts list are not used on that page

### 8) INDENTED PARTS DESCRIPTION

An indented part description is included in the item under which it is indented.

### 9) ABBREVIATION AND SYMBOLS

AC.....	.. Alternating Current	LCD.....	.. Liquid Crystal Display
ADE.....	.. Advanced Design Electronics	LED.....	.. Light Emitting Diodes
ANSI.....	.. American National Standards Institute	LH.....	.. Left Hand
AR.....	.. As Required	LSS.....	.. Load Sensing System
ASSY.....	.. Assembly	M(m).....	.. Metric/Meter
AUX.....	.. Auxiliary	MM (mm).....	.. Milimeter
AWG.....	.. American Wire Gauge	mA.....	.. Milliamps
B/M.....	.. Bill of Material	NLA.....	.. No Longer Available
CE.....	.. European Conformity	NPT.....	.. National Pipe Threads
CCW.....	.. Counter Clockwise	NSS.....	.. Not Sold Separately
cm.....	.. Centimeter	OD.....	.. Outside Diameter
CW.....	.. Clockwise	ORB.....	.. O-Ring Boss
CSA.....	.. Canadian Standards Association	ORFS.....	.. O-Ring Face Seal
CYL.....	.. Cylinder	OZ (oz).....	.. Ounces
DIA.....	.. Diameter	PG.....	.. Page
DC.....	.. Direct Current	P/N.....	.. Part Number
EMS.....	.. Emergency Stop	qt.....	.. Quarts
ENG.....	.. Engine	QTY.....	.. Quantity
FT (ft).....	.. Feet	REF.....	.. Reference
GA (Ga).....	.. Gauge	REV.....	.. Revision Level
HYD.....	.. Hydraulic	RH.....	.. Right Hand
Hz.....	.. Hertz	SAE.....	.. Society of Automotive Engineers
ID.....	.. Inside Diameter	SN.....	.. Serial Number
in.....	.. Inches	SPEC(S).....	.. Specifications
ISO.....	.. International Organization for Standards	T/T.....	.. Turntable
JIC.....	.. Joint Industry Council	UGM.....	.. Universal Ground Module
KG.....	.. Kilogram	V.....	.. Volts
L.....	.. Liter	W.....	.. Watts
LB.....	.. Pounds	#.....	.. Number

### 10) ILLUSTRATION REFERENCE LETTERS

When necessary, illustrations may contain reference letters that are intended to track information (i.e. hoses, harnesses) from one point to another or to track visual enlargement of components to show details that may be located in another area on the illustration.

*Note: Due to continuous product improvements, JLG Industries, Inc. reserves the right to make specification changes without prior notification.*



# TABLE OF CONTENTS

SECTION 1 - FRAME.....	11
FIGURE 1-1. AXLE INSTALLATION .....	12
FIGURE 1-2. STEER INSTALLATION (ALL SPECS EXCEPT CE SPECS) .....	14
FIGURE 1-3. STEER INSTALLTION (CE & JAPANESE SPECS).....	16
FIGURE 1-4. DRIVE/BRAKE INSTALLATION .....	18
FIGURE 1-5. DRIVE HUB ASSEMBLY - FRONT.....	20
FIGURE 1-6. DRIVE HUB AND BRAKE ASSEMBLY - REAR .....	22
FIGURE 1-7. DRIVE MOTOR ASSEMBLY .....	26
FIGURE 1-8. TIRE AND WHEEL INSTALLATION - 12 X 16.5 FOAM FILLED (AVAILABLE ON ALL SPECS).....	28
FIGURE 1-9. TIRE AND WHEEL INSTALLATION - 12 X 16.5 FOAM-FILLED NON MARKING .....	30
FIGURE 1-10. TIRE AND WHEEL INSTALLATION - 33/16LL X 16.1 FOAM-FILLED .....	32
FIGURE 1-11. TIRE AND WHEEL INSTALLATION - 33/1550-16.5 FOAM-FILLED .....	34
FIGURE 1-12. TIRE AND WHEEL INSTALLATION - IN315/55D20 FOAM-FILLED .....	36
FIGURE 1-13. STROBE LIGHT INSTALLATION (AMBER) .....	38
FIGURE 1-14. LEVELING JACKS INSTALLATION (Prior to SN 0200267917).....	40
FIGURE 1-15. LEVELING JACKS INSTALLATION (SN 0200267917 to Present).....	42
FIGURE 1-16. LEVELING JACKS ASSEMBLY.....	44
FIGURE 1-17. LEVELING JACKS VALVE ASSEMBLY .....	46
SECTION 2 - GROUND CONTROLS .....	49
FIGURE 2-1. VALVES INSTALLATION (ALL SPECS EXCEPT CE SPECS) .....	50
FIGURE 2-2. VALVES INSTALLATION (CE & JAPANESE SPECS).....	52
FIGURE 2-3. MAIN VALVE ASSEMBLY (ALL SPECS EXCEPT CE SPECS).....	54
FIGURE 2-4. MAIN VALVE ASSEMBLY (CE SPECS).....	56
FIGURE 2-5. FLOW DIVIDER VALVE ASSEMBLY .....	58
FIGURE 2-6. TANKS AND HORN INSTALLATION (DIESEL MACHINES).....	60
FIGURE 2-7. TANKS AND HORN INSTALLATION (GAS MACHINES).....	62
FIGURE 2-8. HYDRAULIC TANK ASSEMBLY.....	64
FIGURE 2-9. GROUND CONTROL BOX ASSEMBLY (DIESEL MACHINES) (Prior to SN 0200267917) .....	66
FIGURE 2-10. GROUND CONTROL BOX ASSEMBLY (DIESEL MACHINES) (SN 0200267917 to Present) .....	68
FIGURE 2-11. GROUND CONTROL BOX ASSEMBLY (GAS MACHINES) (Prior to SN 0200267917) .....	70
FIGURE 2-12. GROUND CONTROL BOX ASSEMBLY (GAS MACHINES) (SN 0200267917 to Present).....	72
FIGURE 2-13. MOTION ALARM INSTALLATION .....	74
FIGURE 2-14. HOODS AND LADDERS INSTALLATION (330LRT).....	76
FIGURE 2-15. HOODS AND LADDERS INSTALLATION (430LRT).....	80
SECTION 3 - ENGINE .....	85
FIGURE 3-1. ENGINE INSTALLATION - KUBOTA DIESEL STAGE III (Prior to SN 0200268705) .....	86
FIGURE 3-2. ENGINE AND PUMP SUB-ASSEMBLY - KUBOTA DIESEL STAGE III (Prior to SN 0200268705) .....	90
FIGURE 3-3. ENGINE ASSEMBLY - KUBOTA DIESEL STAGE III (Prior to SN 0200268705).....	92
FIGURE 3-4. ENGINE INSTALLATION - KUBOTA DIESEL STAGE III WITH GENERATOR (Prior to SN 0200268705).....	96
FIGURE 3-5. ENGINE AND PUMP SUB-ASSEMBLY - KUBOTA DIESEL STAGE III WITH GENERATOR (Prior to SN 0200268705) .....	100
FIGURE 3-6. ENGINE ASSEMBLY - KUBOTA DIESEL STAGE III WITH GENERATOR (Prior to SN 0200268705).....	102
FIGURE 3-7. ENGINE COMPONENTS - KUBOTA DIESEL STAGE III (Prior to SN 0200268705) .....	106
FIGURE 3-8. ENGINE INSTALLATION - KUBOTA DIESEL T4F .....	110
FIGURE 3-9. ENGINE AND PUMP SUB-ASSEMBLY - KUBOTA DIESEL T4F (Prior to SN 0200268660).....	114
FIGURE 3-10. ENGINE AND PUMP SUB-ASSEMBLY - KUBOTA DIESEL E4B (SN 0200268660 to Present).....	116
FIGURE 3-11. ENGINE ASSEMBLY - KUBOTA DIESEL T4F (Prior to SN 0200268660) .....	118
FIGURE 3-12. ENGINE ASSEMBLY - KUBOTA DIESEL E4B (SN 0200268660 to Present).....	122
FIGURE 3-13. ENGINE INSTALLATION - KUBOTA DIESEL STAGE T4F WITH GENERATOR (Prior to SN 0200268660) .....	126
FIGURE 3-14. ENGINE AND PUMP SUB-ASSEMBLY - KUBOTA DIESEL T4F WITH GENERATOR (Prior to SN 0200268660) .....	130
FIGURE 3-15. ENGINE AND PUMP SUB-ASSEMBLY - KUBOTA DIESEL E4B WITH GENERATOR (SN 0200268660 to Present) .....	132
FIGURE 3-16. ENGINE ASSEMBLY - KUBOTA DIESEL T4F WITH GENERATOR (Prior to SN 0200268660).....	134
FIGURE 3-17. ENGINE ASSEMBLY - KUBOTA DIESEL E4B WITH GENERATOR (SN 0200268660 to Present) .....	138
FIGURE 3-18. ENGINE COMPONENTS - KUBOTA DIESEL T4F (Prior to SN 0200268660) .....	142
FIGURE 3-19. ENGINE COMPONENTS - KUBOTA DIESEL E4B (SN 0200268660 to Present).....	146
FIGURE 3-20. ENGINE INSTALLATION - KUBOTA GASOLINE.....	150
FIGURE 3-21. ENGINE AND PUMP SUB-ASSEMBLY - KUBOTA GASOLINE .....	154
FIGURE 3-22. ENGINE ASSEMBLY - KUBOTA GASOLINE.....	156
FIGURE 3-23. ENGINE INSTALLATION - KUBOTA GASOLINE WITH GENERATOR .....	160



# TABLE OF CONTENTS

FIGURE 3-24. ENGINE AND PUMP SUB-ASSEMBLY - KUBOTA GASOLINE WITH GENERATOR .....	164
FIGURE 3-25. ENGINE ASSEMBLY - KUBOTA GASOLINE WITH GENERATOR.....	166
FIGURE 3-26. ENGINE COMPONENTS - KUBOTA GASOLINE .....	170
FIGURE 3-27. FUEL/WATER SEPARATOR ASSEMBLY - DIESEL ENGINES .....	174
FIGURE 3-28. COUPLING KIT - DIESEL ENGINES .....	176
FIGURE 3-29. COUPLING KIT - GASOLINE ENGINES.....	178
FIGURE 3-30. PISTON PUMP ASSEMBLY.....	180
FIGURE 3-31. SPARK ARRESTOR MUFFLER - OPTIONAL (DIESEL ENGINES) (Prior to SN 0200267546).....	184
FIGURE 3-32. SPARK ARRESTOR MUFFLER - OPTIONAL (GASOLINE ENGINES).....	186
FIGURE 3-33. 7500W GENERATOR INSTALLATION - KUBOTA DIESEL STAGE III.....	188
FIGURE 3-34. 7500W GENERATOR INSTALLATION - KUBOTA DIESEL T4F .....	192
FIGURE 3-35. 7500W GENERATOR INSTALLATION - KUBOTA GASOLINE .....	196
SECTION 4 - SCISSORS ARMS .....	201
FIGURE 4-1. SCISSORS ARMS INSTALLATION - 330LRT .....	202
FIGURE 4-2. SCISSORS ARMS ASSEMBLY - 330LRT.....	204
FIGURE 4-3. SCISSORS ARMS INSTALLATION - 330LRT WITH GENERATOR.....	208
FIGURE 4-4. SCISSORS ARMS ASSEMBLY - 330LRT WITH GENERATOR.....	210
FIGURE 4-5. SCISSORS ARMS INSTALLATION - 430LRT .....	214
FIGURE 4-6. SCISSORS ARMS ASSEMBLY - 430LRT.....	216
FIGURE 4-7. SCISSORS ARMS INSTALLATION - 430LRT WITH GENERATOR.....	222
FIGURE 4-8. SCISSORS ARMS ASSEMBLY - 430LRT WITH GENERATOR.....	224
FIGURE 4-9. ARM GUARDS INSTALLATION (MACHINES WITH LSS).....	230
SECTION 5 - PLATFORM .....	233
FIGURE 5-1. PLATFORM MOUNT INSTALLATION (NON-LSS) .....	234
FIGURE 5-2. PLATFORM MOUNT INSTALLATION (LSS) .....	236
FIGURE 5-3. PLATFORM WITH SINGLE EXTENSION INSTALLATION.....	238
FIGURE 5-4. PLATFORM (12.6FT/3.84M LENGTH) WITH DUAL EXTENSION INSTALLATION .....	240
FIGURE 5-5. PLATFORM (15.8FT/4.83M LENGTH MEGADECK) WITH DUAL EXTENSION INSTALLATION .....	242
FIGURE 5-6. RAIL INSTALLATION - PLATFORM WITH SINGLE EXTENSION.....	244
FIGURE 5-7. RAIL INSTALLATION - 12.6FT/3.84M LENGTH PLATFORM WITH DUAL EXTENSION.....	248
FIGURE 5-8. RAIL INSTALLATION - 15.8FT/4.83M LENGTH MEGADECK PLATFORM WITH DUAL EXTENSION .....	252
FIGURE 5-9. PLATFORM CONSOLE BOX INSTALLATION - DIESEL MACHINES (Prior to SN 0200267917) .....	256
FIGURE 5-10. PLATFORM CONSOLE BOX INSTALLATION - DIESEL MACHINES (WITHOUT LEVELING JACKS) (SN 0200267917 to Present).....	258
FIGURE 5-11. PLATFORM CONSOLE BOX INSTALLATION - DIESEL MACHINES (WITH LEVELING JACKS) (SN 0200267917 to Present).....	260
FIGURE 5-12. PLATFORM CONSOLE BOX INSTALLATION - GASOLINE MACHINES (Prior to SN 0200267917).....	262
FIGURE 5-13. PLATFORM CONSOLE BOX INSTALLATION - GASOLINE MACHINES (WITHOUT LEVELING JACKS) (SN 0200267917 to Present).....	264
FIGURE 5-14. PLATFORM CONSOLE BOX INSTALLATION - GASOLINE MACHINES (WITH LEVELING JACKS) (SN 0200267917 to Present).....	266
FIGURE 5-15. DRIVE/STEER CONTROLLER ASSEMBLY .....	268
FIGURE 5-16. PLATFORM MODULE INSTALLATION (NON-LSS).....	270
FIGURE 5-17. PLATFORM MODULE INSTALLATION (LSS) .....	272
FIGURE 5-18. PIPE RACKS INSTALLATION (OPTIONAL) .....	274
FIGURE 5-19. WORKSTATION INSTALLATION (OPTIONAL).....	276
SECTION 6 - CYLINDER.....	279
FIGURE 6-1. AXLE LOCKOUT CYLINDER ASSEMBLY.....	280
FIGURE 6-2. LEVELING JACK CYLINDER ASSEMBLY.....	282
FIGURE 6-3. LIFT CYLINDER ASSEMBLY .....	284
FIGURE 6-4. LIFT CYLINDER ASSEMBLY .....	286
FIGURE 6-5. STEER CYLINDER ASSEMBLY .....	288
SECTION 7 - HYDRAULIC .....	291
FIGURE 7-1. HYDRAULIC DIAGRAM - LEVELING JACKS (Prior to SN 0200267917) .....	292
FIGURE 7-2. HYDRAULIC DIAGRAM - LEVELING JACKS (SN 0200267917 to Present).....	294
FIGURE 7-3. HYDRAULIC DIAGRAM - STANDARD (ALL SPECS EXCEPT CE SPECS) .....	296
FIGURE 7-4. HYDRAULIC DIAGRAM - STANDARD (CE & JAPANESE SPECS).....	300
FIGURE 7-5. HYDRAULIC DIAGRAM LIST.....	304

# TABLE OF CONTENTS

SECTION 8 - ELECTRICAL .....	305
FIGURE 8-1. ELECTRICAL DIAGRAM LIST .....	306
FIGURE 8-2. AC BOX AT PLATFORM INSTALLATION - 110V GFI (ALL SPECS EXCEPT AUSTRALIAN AND CE SPECS) ..	308
FIGURE 8-3. AC BOX AT PLATFORM INSTALLATION - 110V IEC YELLOW (CE SPECS) .....	310
FIGURE 8-4. AC BOX AT PLATFORM INSTALLATION - 220V IEC BLUE (CE SPECS) .....	312
FIGURE 8-5. AC BOX AT PLATFORM INSTALLATION - 220V AFSINT 107 (CE SPECS) .....	314
FIGURE 8-6. AC BOX AT PLATFORM INSTALLATION - 220V CEE7 POST GROUND 2X4 BOX (CE SPECS) .....	316
FIGURE 8-7. AC BOX AT PLATFORM INSTALLATION - 220V CEE7 POST GROUND 70X70 BOX (CE SPECS) .....	318
FIGURE 8-8. AC BOX AT PLATFORM INSTALLATION - 220V CEE7 SIDE GROUND 2X4 BOX (CE SPECS) .....	320
FIGURE 8-9. AC BOX AT PLATFORM INSTALLATION - 220V CEE7 SIDE GROUND 70X70 BOX (CE SPECS) .....	322
FIGURE 8-10. BATTERY CABLE KIT .....	324
FIGURE 8-11. BREAKER BOX KIT (Prior to SN 0200268756) .....	326
FIGURE 8-12. BREAKER BOX KIT (SN 0200268756 to Present) .....	328
FIGURE 8-13. CHASSIS HARNESS (Prior to SN 0200267917) .....	330
FIGURE 8-14. CHASSIS HARNESS (SN 0200267917 to Present) .....	334
FIGURE 8-15. ENGINE HARNESS - KUBOTA DIESEL (Prior to SN 0200267917) .....	338
FIGURE 8-16. ENGINE HARNESS - KUBOTA DIESEL (SN 0200267917 to Present) .....	342
FIGURE 8-17. ENGINE HARNESS - KUBOTA GASOLINE (Prior to SN 0200267917) .....	346
FIGURE 8-18. ENGINE HARNESS - KUBOTA GASOLINE (SN 0200267917 to Present) .....	350
FIGURE 8-19. GENERATOR HARNESS - 7500W (Prior to SN 0200267640) .....	354
FIGURE 8-20. GENERATOR HARNESS - 7500W (SN 0200267640 to Present) .....	356
FIGURE 8-21. GROUND CONTROL BOX HARNESS (LOWER) (Prior to SN 0200267917) .....	358
FIGURE 8-22. GROUND CONTROL BOX HARNESS (LOWER) (SN 0200267917 to Present) .....	360
FIGURE 8-23. GROUND CONTROL BOX HARNESS (UPPER) .....	362
FIGURE 8-24. GROUND TO PLATFORM HARNESS - 330LRT .....	364
FIGURE 8-25. GROUND TO PLATFORM HARNESS - 430LRT .....	366
FIGURE 8-26. LEVELING JACKS HARNESS .....	368
FIGURE 8-27. LSS HARNESS .....	370
FIGURE 8-28. PLATFORM CONTROL BOX HARNESS (Prior to SN 0200267917) .....	372
FIGURE 8-29. PLATFORM CONTROL BOX HARNESS (SN 0200267917 to Present) .....	374
FIGURE 8-30. PLATFORM MODULE HARNESS (Prior to SN 0200267917) .....	376
FIGURE 8-31. PLATFORM MODULE HARNESS (SN 0200267917 to Present) .....	378
FIGURE 8-32. RECEPTACLE BOX KIT - 110V GFI .....	380
FIGURE 8-33. RECEPTACLE BOX KIT - 110V IEC YELLOW (CE SPEC) .....	382
FIGURE 8-34. RECEPTACLE BOX KIT - 220V IEC BLUE (CE SPEC) .....	384
FIGURE 8-35. RECEPTACLE BOX KIT - 220V AFSINT 107 (CE SPEC) .....	386
FIGURE 8-36. RECEPTACLE BOX KIT - 220V CEE7 POST GROUND (CE SPEC) .....	388
FIGURE 8-37. RECEPTACLE BOX KIT - 220V CEE7 POST GROUND 70X70 BOX (CE SPEC) .....	390
FIGURE 8-38. RECEPTACLE BOX KIT - 220V CEE7 SIDE GROUND (CE SPEC) .....	392
FIGURE 8-39. RECEPTACLE BOX KIT - 220V CEE7 SIDE GROUND 70X70 BOX (CE SPEC) .....	394
FIGURE 8-40. RECEPTACLE/BREAKER BOX ASSEMBLY - 220V GFI .....	396
SECTION 9 - DECALS .....	399
FIGURE 9-1. DECAL INSTALLATION - ANSI AND ANSI EXPORT SPECS (ENGLISH) .....	400
FIGURE 9-2. DECAL INSTALLATION - AUSTRALIAN, CE & JAPANESE SPEC (ENGLISH) .....	402
FIGURE 9-3. DECAL INSTALLATION - BRAZIL SPECS (SPANISH/PORTUGUESE) .....	404
FIGURE 9-4. DECAL INSTALLATION - CHINESE SPECS (ENGLISH/CHINESE) .....	406
FIGURE 9-5. DECAL INSTALLATION - CSA SPECS (ENGLISH/FRENCH) .....	408
FIGURE 9-6. DECAL INSTALLATION - KOREAN SPECS (ENGLISH/KOREAN) .....	410
FIGURE 9-7. DECAL INSTALLATION - LATIN AMERICAN SPECS (ENGLISH/SPANISH) .....	412
FIGURE 9-8. DECAL INSTALLATION - OPTIONS .....	414
SECTION 10 - RECOMMENDED SERVICE PARTS STOCK .....	417
FIGURE 10-1. RECOMMENDED SERVICE PARTS STOCK .....	418
SECTION 11 - SPECIAL OPTIONS .....	419
FIGURE 11-1. SPECIAL OPTIONS .....	420
PART NUMBER INDEX .....	423

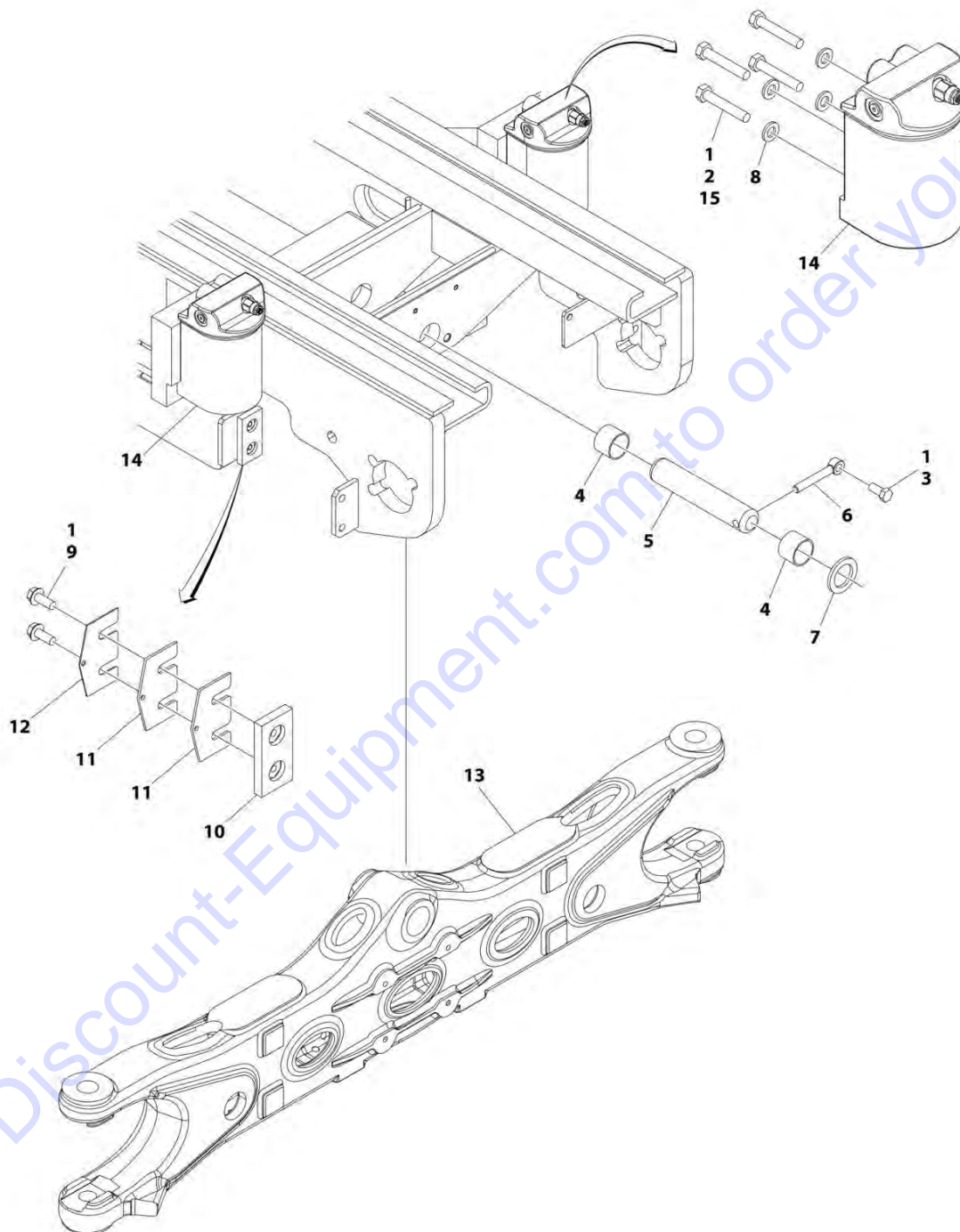


**SECTION 1 - FRAME**

Go to Discount-Equipment.com to order your parts

# SECTION 1 - FRAME

## FIGURE 1-1. AXLE INSTALLATION



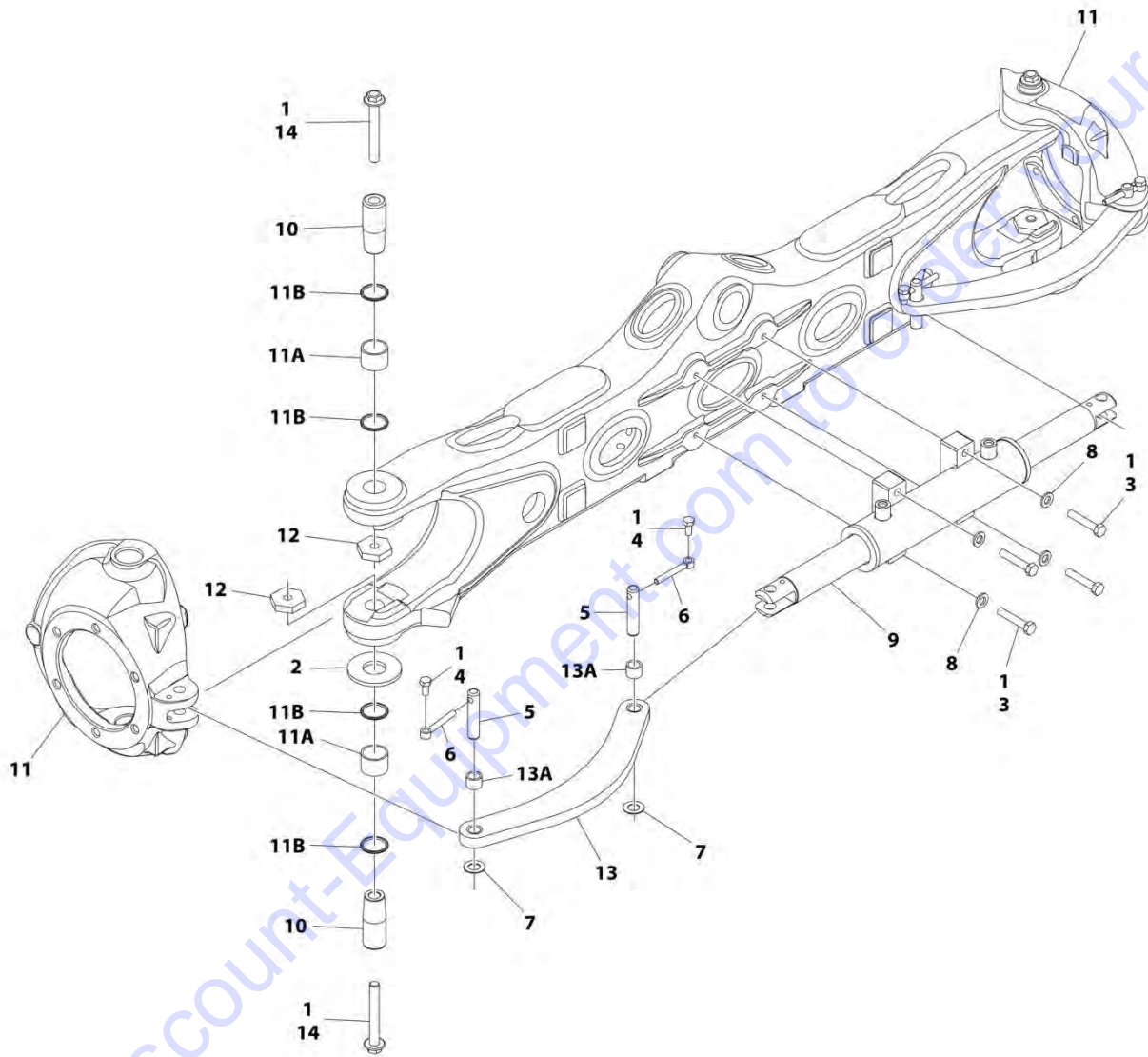
ART\_1001204606

FIGURE 1-1. AXLE INSTALLATION

ITEM	PART NUMBER	QTY	DESCRIPTION	REV
	1001204606	Ref	AXLE INSTALLATION	B
1	0100011	AR	Compound, Locking	
2	0701222	8	Bolt M12 x 70	
3	0642012	1	Bolt 5/8 x 1-1/2	
4	0961950	2	Bearing	
5	3422592	1	Pin	
6	3841258	1	Keeper, Pin	
7	4740158	1	Washer	
8	5241200	8	Washer M12	
9	5251012	4	Bolt M10 x 25	
10	1001118511	2	Pad	
11	1001118518	4	Shim, 11GA	
12	1001118519	2	Shim, 16GA	
13	1001162995	1	Axle	
14	1001163580	2	Axle Lockout Cylinder Assembly (See Separate Breakdown in CYLINDER SECTION)	
15	0100038	AR	Primer, Locking	

# SECTION 1 - FRAME

FIGURE 1-2. STEER INSTALLATION (ALL SPECS EXCEPT CE SPECS)



ART\_1001204611

## SECTION 1 - FRAME

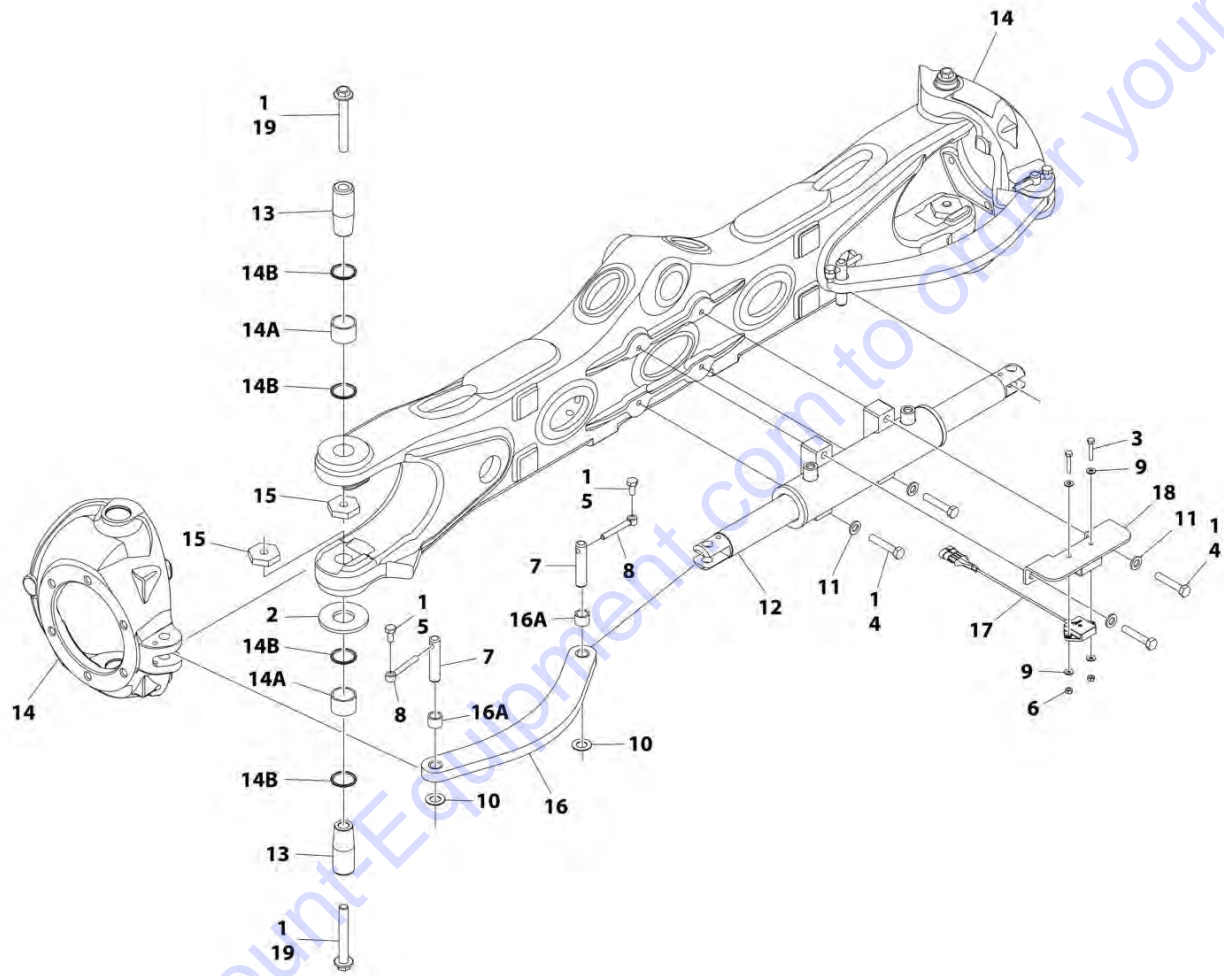
**FIGURE 1-2. STEER INSTALLATION (ALL SPECS EXCEPT CE SPECS)**

ITEM	PART NUMBER	QTY	DESCRIPTION	REV
	1001204611	Ref	STEER INSTALLATION (ALL SPECS EXCEPT CE SPECS)	B
1	0100011	AR	Compound, Locking	
2	0440271	2	Bearing	
3	0711221	4	Bolt M12 x 65	
4	0761011	4	Bolt M10 x 22	
5	3423304	4	Pin	
6	3841143	4	Keeper, Pin	
7	4740086	4	Washer	
8	5241200	4	Washer M12	
9	1001163178	1	Steer Cylinder Assembly (See Separate Breakdown in CYLINDER SECTION)	
10	1001163405	4	Kingpin	
11	1001163715	2	Spindle	
11A	0961948	4	Bearing (2 Per Spindle)	
11B	1001163716	8	Seal (4 Per Spindle)	
12	1001176848	4	Nut M16	
13	1001163179	2	Link, Tierod	
13A	1001164209	4	Bearing (2 Per Link)	
14	1001190368	4	Bolt M16 x 120	



# SECTION 1 - FRAME

## FIGURE 1-3. STEER INSTALLTION (CE & JAPANESE SPECS)



ART\_1001204612

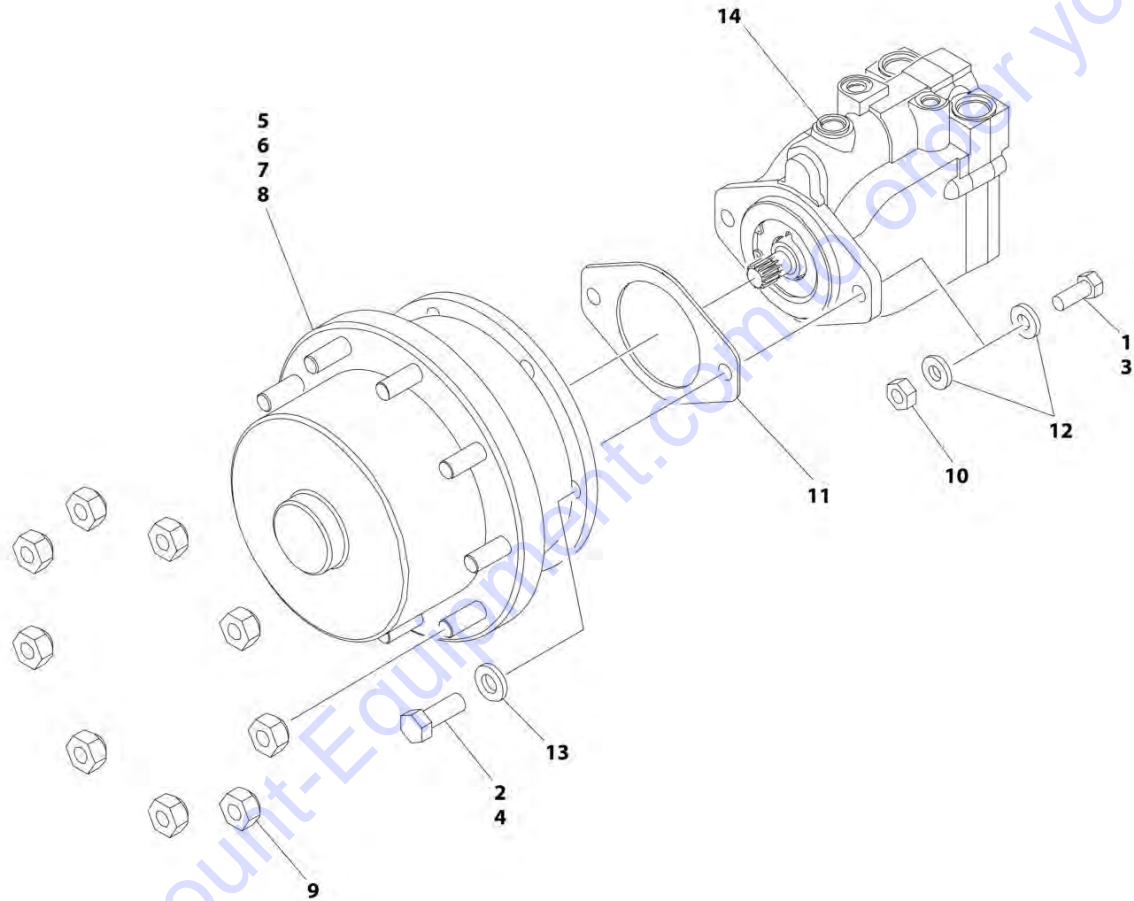
## SECTION 1 - FRAME

**FIGURE 1-3. STEER INSTALLTION (CE & JAPANESE SPECS)**

ITEM	PART NUMBER	QTY	DESCRIPTION	REV
	1001204612	Ref	STEER INSTALLATION (CE & JAPANESE SPECS)	C
1	0100011	AR	Compound, Locking	
2	0440271	2	Bearing	
3	0641412	2	Bolt 1/4 x 1-1/2	
4	0711221	4	Bolt M12 x 65	
5	0761011	4	Bolt M10 x 22	
6	3311405	2	Nut 1/4	
7	3423304	4	Pin	
8	3841143	4	Keeper, Pin	
9	4711400	4	Washer 1/4	
10	4740086	4	Washer	
11	5241200	4	Washer M12	
12	1001163178	1	Steer Cylinder Assembly (See Separate Breakdown in CYLINDER SECTION)	
13	1001163405	4	Kingpin	
14	1001163715	2	Spindle	
14A	0961948	4	Bearing (2 Per Spindle)	
14B	1001163716	8	Seal (4 Per Spindle)	
15	1001176848	4	Nut M16	
16	1001163179	2	Link, Tierod	
16A	1001164209	4	Bearing (2 Per Link)	
17	1001186467	1	Sensor, Dual Axis	
17	See Note	NSS	Receptacle, Female - 4 Position (Note: Not Available for Purchase)	
17	See Note	NSS	Terminal (Note: Not Available for Purchase)	
18	1001187695	1	Bracket	
19	1001190368	4	Bolt M16 x 120	

# SECTION 1 - FRAME

## FIGURE 1-4. DRIVE/BRAKE INSTALLATION



ART\_1001204613

## SECTION 1 - FRAME

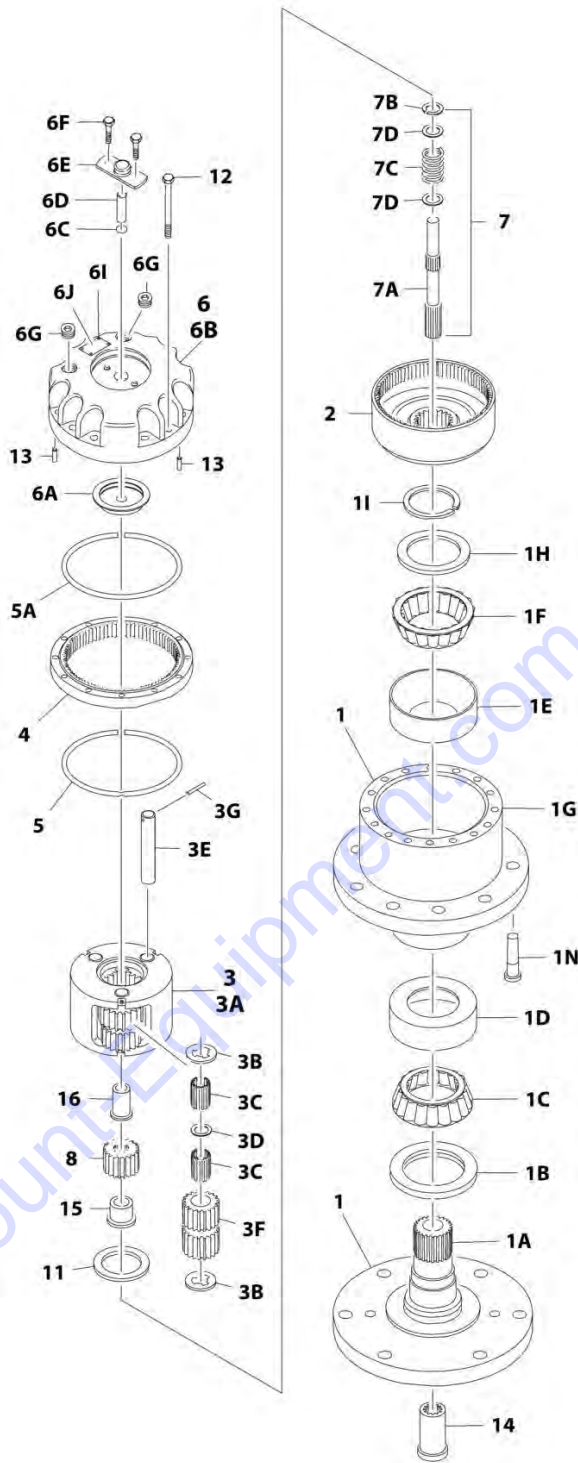
**FIGURE 1-4. DRIVE/BRAKE INSTALLATION**

ITEM	PART NUMBER	QTY	DESCRIPTION	REV
	1001204613	Ref	DRIVE/BRAKE INSTALLATION	A
1	0100011	AR	Compound, Locking	
2	0100019	AR	Compound, Locking	
3	0681810	4	Bolt 1/2 x 1-1/4	
4	0682014	24	Bolt 5/8 x 1-3/4	
5	2300016	AR	Fluid, Hydraulic	
6	2780267	2	Drive Hub with Brake Assembly (Rear) (See Separate Breakdown in this Section)	
7	2780268	2	Drive Hub without Brake Assembly (Front) (See Separate Breakdown in this Section)	
8	3020008	AR	Lubricant HD 80W-90	
9	3300106	36	Lugnut	
10	3311801	4	Nut 1/2	
11	3960526	4	Gasket	
12	4891800	8	Washer 1/2	
13	4892000	24	Washer 5/8	
14	1001102805	4	Drive Motor Assembly (See Separate Breakdown in this Section)	

Go to Discount-Equipment.com to order your parts

# SECTION 1 - FRAME

## FIGURE 1-5. DRIVE HUB ASSEMBLY - FRONT



ART\_2780268

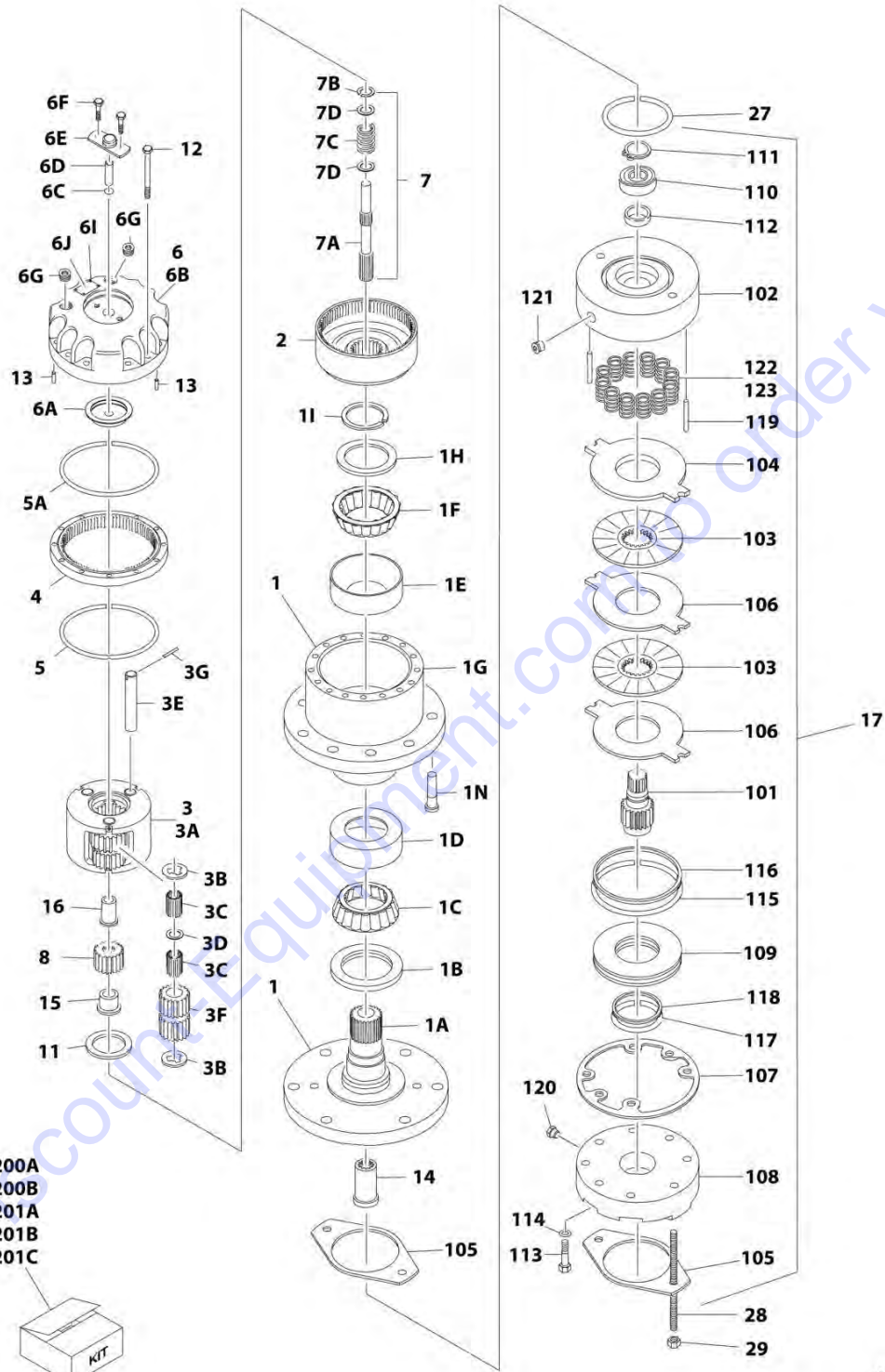
## SECTION 1 - FRAME

**FIGURE 1-5. DRIVE HUB ASSEMBLY - FRONT**

ITEM	PART NUMBER	QTY	DESCRIPTION	REV
	2780268	Ref	DRIVE HUB ASSEMBLY - FRONT	A
1	See Note	1	Spindle/Housing Assembly (Note: Purchase Individual Components)	
1A	7017059	1	Spindle	
1B	7001998	1	Seal	
1C	7010429	1	Cone, Bearing (Includes Item 1D)	
1D	7010429	1	Cup, Bearing (Includes Item 1C)	
1E	7000257	1	Cup, Bearing	
1F	7000258	1	Cone, Bearing	
1G	7007601	1	Housing/Ring Gear	
1H	7000232	1	Washer, Thrust	
1I	7000229	1	Ring, Retaining	
1N	7007640	9	Stud, Wheel	
2	7000246	1	Gear, Internal	
3	7024712	1	Carrier Assembly	
3A	See Note	1	Carrier (Note: Use Item 3)	
3B	See Note	6	Ring, Retaining (Note: Use Item 3)	
3C	See Note	AR	Bearing, Needle (Note: Use Item 3)	
3D	See Note	3	Washer, Thrust (Note: Use Item 3)	
3E	See Note	3	Shaft, Planet (Note: Use Item 3)	
3F	See Note	3	Gear, Planet (Note: Use Item 3)	
3G	See Note	3	Roll Pin (Note: Use Item 3)	
4	7000248	1	Ring Gear	
5	7000230	1	O-Ring	
5A	7017070	1	O-Ring	
6	70001349	1	Cover Assembly Kit	
6A	See Note	1	Spacer, Thrust (Note: Use Item 6)	
6B	See Note	1	Plate, Cover (Note: Use Item 6)	
6C	See Note	1	O-Ring (Note: Use Item 6)	
6D	See Note	1	Rod, Disconnect (Note: Use Item 6)	
6E	See Note	1	Cap, Disengage (Note: Use Item 6)	
6F	See Note	2	Bolt (Note: Use Item 6)	
6G	See Note	1	Plug, Pipe (Note: Use Item 6)	
6I	See Note	4	Rivet (Note: Not Available for Purchase)	
6J	See Note	1	Plate, ID (Note: Not Available for Purchase)	
7		Ref	Input Shaft Assembly	
7A	7024714	1	Shaft	
7B	7000261	1	Ring, Retaining	
7C	7000262	1	Spring	
7D	7000263	2	Spacer, Thrust	
8	7024713	1	Gear, Sun	
11	7000253	1	Washer, Thrust	
12	7017067	12	Bolt	
13	7017080	4	Pin, Dowel	
14	7000206	1	Coupling	
15	7024715	1	Spacer, Input	
16	7024716	1	Spacer, Input	

# SECTION 1 - FRAME

FIGURE 1-6. DRIVE HUB AND BRAKE ASSEMBLY - REAR



## SECTION 1 - FRAME

### FIGURE 1-6. DRIVE HUB AND BRAKE ASSEMBLY - REAR

ITEM	PART NUMBER	QTY	DESCRIPTION	REV
	2780267	Ref	DRIVE HUB AND BRAKE ASSEMBLY - REAR	I
1	See Note	1	Spindle/Housing Assembly (Note: Purchase Individual Components)	
1A	7017059	1	Spindle	
1B	7001998	1	Seal	
1C	7010429	1	Cone, Bearing (Includes Item 1D)	
1D	7010429	1	Cup, Bearing (Includes Item 1C)	
1E	7000257	1	Cup, Bearing	
1F	7000258	1	Cone, Bearing	
1G	7007601	1	Housing/Ring Gear	
1H	7000232	1	Washer, Thrust	
1I	7000229	1	Ring, Retaining	
1N	7007640	9	Stud, Wheel	
2	7000246	1	Gear, Internal	
3	7024712	1	Carrier Assembly	
3A	See Note	1	Carrier (Note: Use Item 3)	
3B	See Note	6	Ring, Retaining (Note: Use Item 3)	
3C	See Note	AR	Bearing, Needle (Note: Use Item 3)	
3D	See Note	3	Washer, Thrust (Note: Use Item 3)	
3E	See Note	3	Shaft, Planet (Note: Use Item 3)	
3F	See Note	3	Gear, Planet (Note: Use Item 3)	
3G	See Note	3	Roll Pin (Note: Use Item 3)	
4	7000248	1	Ring Gear	
5	7000230	1	O-Ring	
5A	7017070	1	O-Ring	
6	70001349	1	Cover Assembly Kit	
6A	See Note	1	Spacer, Thrust (Note: Use Item 6)	
6B	See Note	1	Plate, Cover (Note: Use Item 6)	
6C	See Note	1	O-Ring (Note: Use Item 6)	
6D	See Note	1	Rod, Disconnect (Note: Use Item 6)	
6E	See Note	1	Cap, Disengage (Note: Use Item 6)	
6F	See Note	2	Bolt (Note: Use Item 6)	
6G	See Note	1	Plug, Pipe (Note: Use Item 6)	
6I	See Note	4	Rivet (Note: Not Available for Purchase)	
6J	See Note	1	Plate, ID (Note: Not Available for Purchase)	
7		Ref	Input Shaft Assembly	
7A	7024714	1	Shaft	
7B	7000261	1	Ring, Retaining	
7C	7000262	1	Spring	
7D	7000263	2	Spacer, Thrust	
8	7024713	1	Gear, Sun	
11	7000253	1	Washer, Thrust	
12	7017067	12	Bolt	
13	7017080	4	Pin, Dowel	
14	7000206	1	Coupling	
15	7024715	1	Spacer, Input	
16	7024716	1	Spacer, Input	
17	7024182	1	Brake Assembly (See Items 101-123 for Breakdown)	
27	7024705	1	O-Ring	
28	7024717	2	Rod, Threaded	



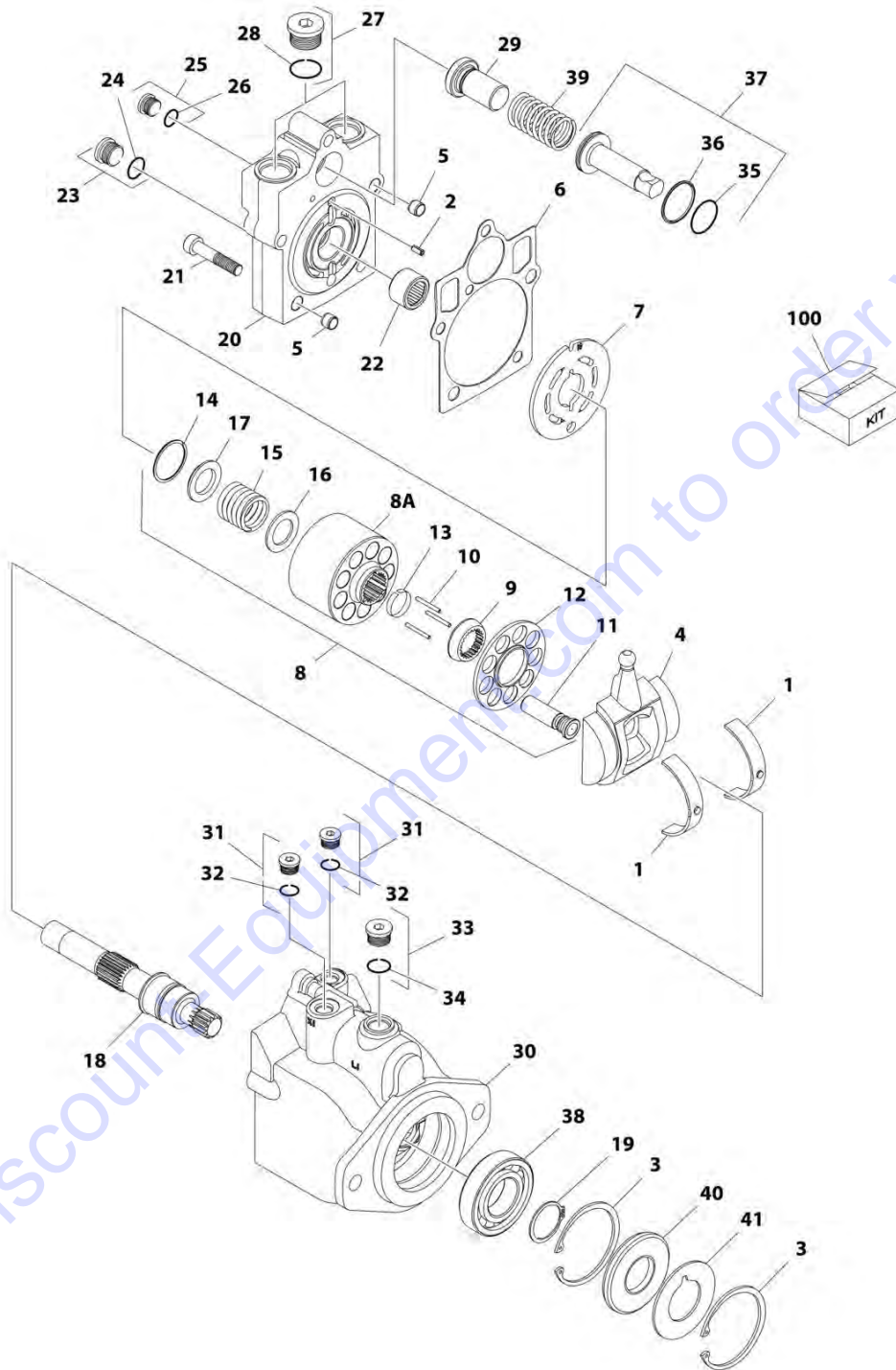
## SECTION 1 - FRAME

ITEM	PART NUMBER	QTY	DESCRIPTION	REV
29	7024718	2	Nut 1/2in-13NC	
	7024182	Ref	BRAKE ASSEMBLY	
101	7024189	1	Shaft	
102	See Note	1	Housing (Note: Use Item 17)	
103	See Note	2	Plate, Friction (Note: Use Item 201B)	
104	See Note	1	Plate, Pressure (Note: Use Item 201B)	
105	7000731	2	Gasket	
106	See Note	2	Plate, Outer (Note: Use Item 201B)	
107	See Note	1	Gasket (Note: Use Item 200A, 201B or 201C)	
108	7024191	1	Cylinder	
109	7024192	1	Piston	
110	See Note	1	Bearing, Ball (Note: Use Item 201C)	
111	See Note	1	Ring, Retaining (Note: Use Item 201C)	
112	See Note	1	Seal, Shaft (Note: Use Item 201C)	
113	See Note	6	Capscrew (Note: Use Item 17)	
114	See Note	6	Lockwasher (Note: Use Item 17)	
115	See Note	1	O-Ring (Note: Use Item 200B)	
116	See Note	1	Ring, Back-up (Note: Use Item 200B)	
117	See Note	1	O-Ring (Note: Use Item 200B)	
118	See Note	1	Ring, Back-up (Note: Use Item 200B)	
119	7024190	2	Pin, Dowel	
120	See Note	1	Plug (Note: Use Item 17)	
121	See Note	2	Plug (Note: Use Item 17)	
122	See Note	12	Spring Kit (Natural) (Note: Use Item 201A)	
123	See Note	2	Spring Kit (Blue) (Note: Use Item 201A)	
		Ref	Kit Options	
200		Ref	Seal Kit Options:	
200A	See Note	1	Hub Seal Kit (Note: Purchase Individual Components)	
200B	7024194	1	Brake Seal Kit (Includes Items 105, 107 & 115-118)	
201		Ref	Repair Kit Options:	
201A	7024196	1	Brake Spring Kit (Includes 12 Natural Colored and 2 Blue Colored Springs Items 122 & 123)	
201B	7024193	1	Brake Friction Disc Kit (Includes Items 103, 104, 106 & 107)	
201C	7024197	1	Brake Bearing Kit (Includes Items 107 & 110-112)	



# SECTION 1 - FRAME

## FIGURE 1-7. DRIVE MOTOR ASSEMBLY



ART\_1001102805

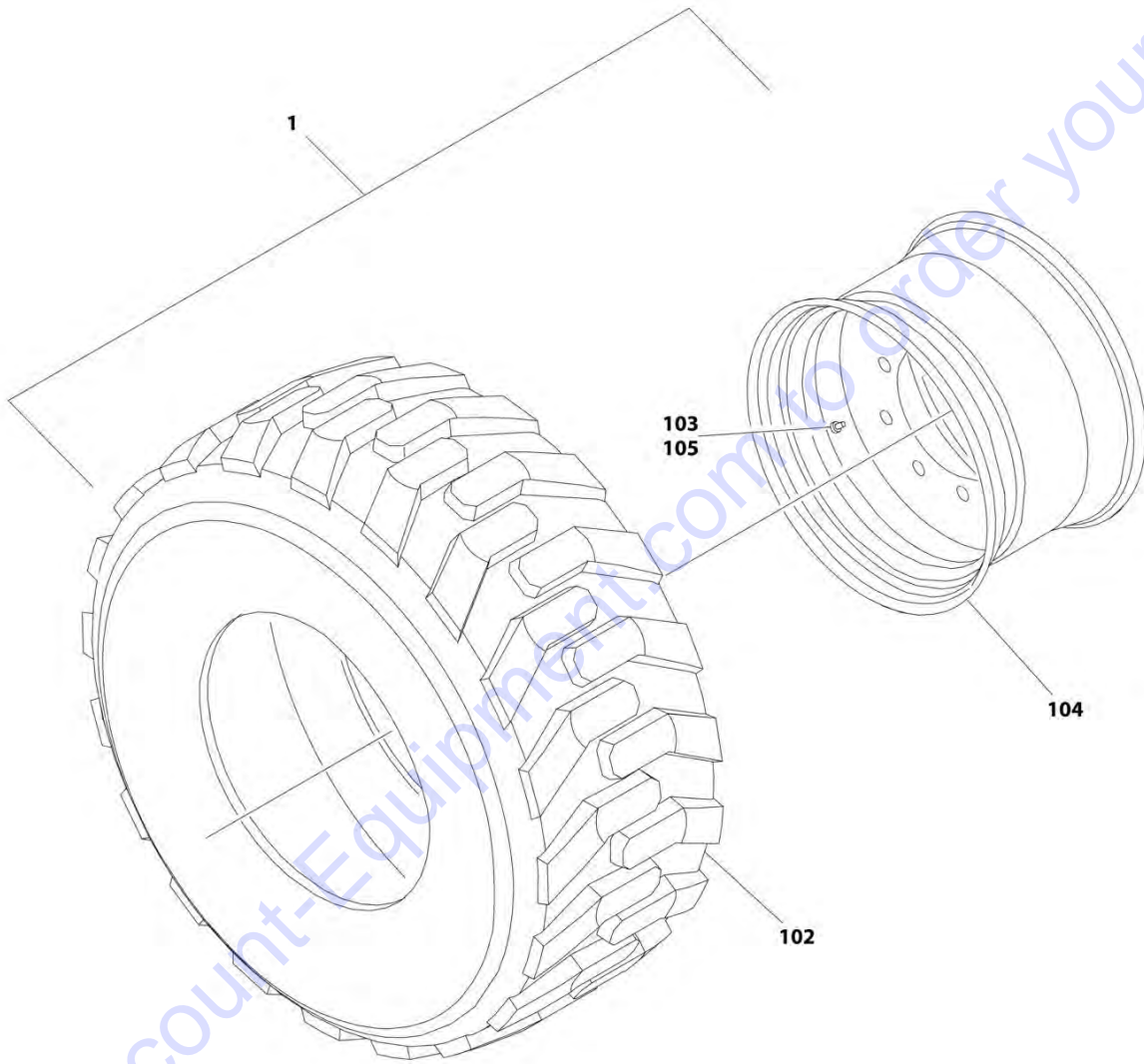
## SECTION 1 - FRAME

### FIGURE 1-7. DRIVE MOTOR ASSEMBLY

ITEM	PART NUMBER	QTY	DESCRIPTION	REV
	1001102805	Ref	DRIVE MOTOR ASSEMBLY	D
1	7022302	2	Bearing, Journal	
2	7007446	1	Pin	
3	7007438	2	Ring, Retaining	
4	7022305	1	Swash Plate	
5	See Note	2	Pin (Note: Not Available for Purchase)	
6	See Note	1	Gasket (Note: Use Item 100)	
7	7024862	1	Plate, Valve	
8	7023907	1	Cylinder Block Kit (Includes Items 8A & 9-17)	
8A	See Note	1	Block, Cylinder (Note: Use Item 8)	
9	7021277	1	Guide, Slipper Retainer	
10	7021275	3	Pin, Slipper Hold Down	
11	See Note	9	Piston Assembly (Note: Use Item 8)	
12	7021276	1	Retainer, Hold Down Pin	
13	7022310	1	Retainer, Slipper	
14	7022311	1	Ring, Retaining	
15	7022312	1	Spring	
16	7024868	1	Washer	
17	7022314	1	Retainer, Spring	
18	7023910	1	Shaft	
19	7007439	1	Ring, Retaining	
20	70000797	1	Cap, End - Axial	
21	7022368	5	Screw	
22	7021249	1	Bearing, Needle	
23	2220886	1	Plug (Includes Item 24)	
24	See Note	1	O-Ring (Note: Use Item 23 or 100)	
25	2220883	1	Plug (Includes Item 26)	
26	See Note	1	O-Ring (Note: Use Item 25 or 100)	
27	7027419	2	Plug (Includes Item 28)	
28	See Note	2	O-Ring (Note: Use Item 27 or 100)	
29	7022369	1	Seat, Spring	
30	70001932	1	Housing	
31	2220883	2	Plug (Includes Item 32)	
32	See Note	2	O-Ring (Note: Use Item 31 or 100)	
33	2220886	1	Plug (Includes Item 34)	
34	See Note	1	O-Ring (Note: Use Item 33 or 100)	
35	See Note	1	O-Ring (Note: Use Item 37 or 100)	
36	See Note	1	Ring, Seal (Note: Use Item 37 or 100)	
37	7024854	1	Piston, Servo (Includes Items 35 & 36)	
38	7007437	1	Bearing	
39	7022326	1	Spring	
40	See Note	1	Seal, Lip (Note: Use Item 100)	
41	7022371	1	Washer, Support	
100	7022328	1	Seal Kit (Includes Items 6, 24, 26, 28, 32, 34, 35, 36 & 40)	

# SECTION 1 - FRAME

FIGURE 1-8. TIRE AND WHEEL INSTALLATION - 12 X 16.5 FOAM FILLED (AVAILABLE ON ALL SPECS)



ART\_0270092

## SECTION 1 - FRAME

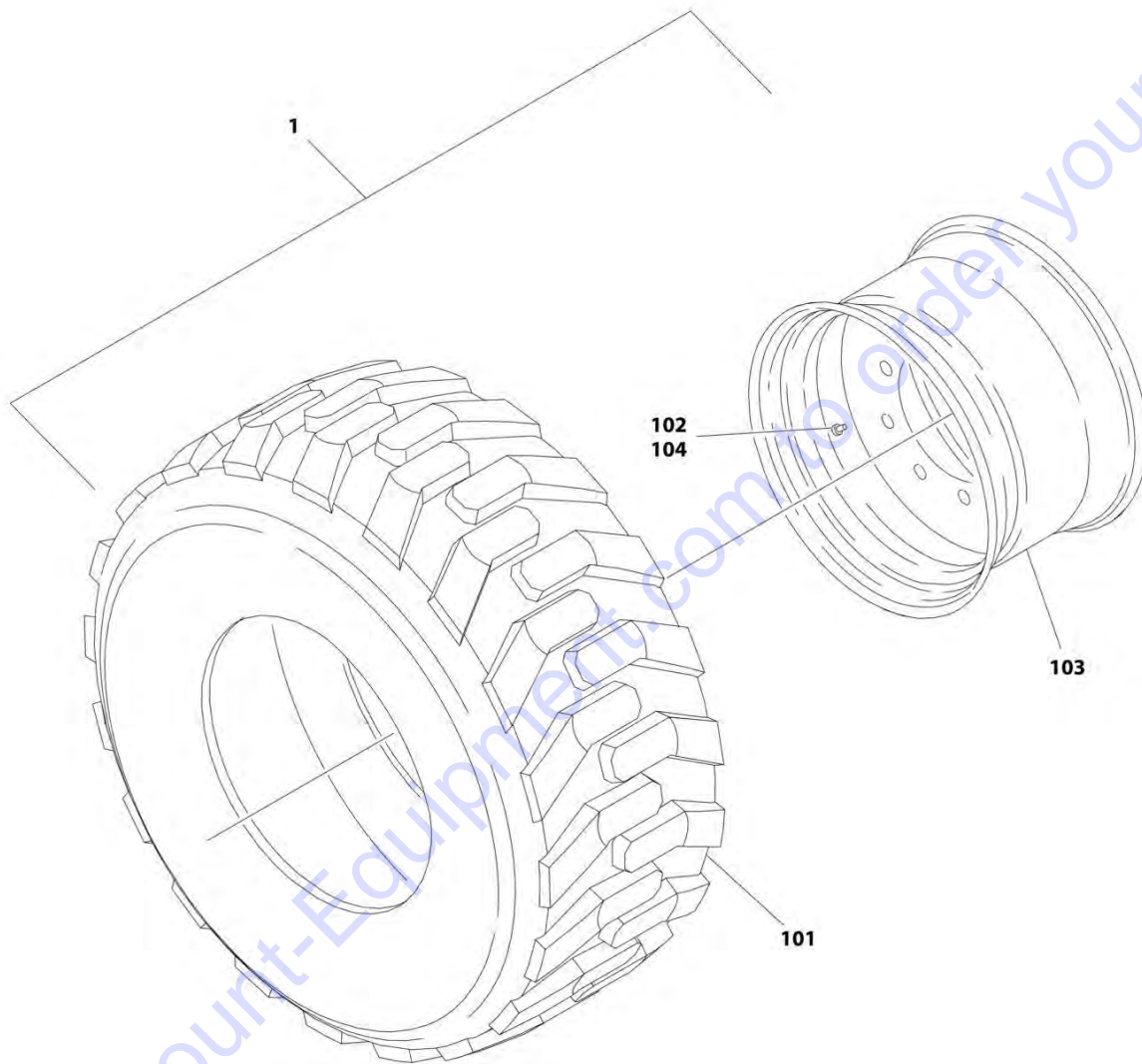
**FIGURE 1-8. TIRE AND WHEEL INSTALLATION - 12 X 16.5 FOAM FILLED (AVAILABLE ON ALL SPECS)**

ITEM	PART NUMBER	QTY	DESCRIPTION	REV
	0270092	Ref	TIRE AND WHEEL INSTALLATION - 12 X 16.5 FOAM FILLED	C
		Ref	Note: Assemblies may require ballast/foam filling to manufacturer's specifications prior to installing on a machine. Refer to Operation and Safety or Service and Maintenance Manuals. Purchase individual tire and/or rim only if able to foam fill tire and wheel assembly, otherwise, purchase complete assembly.	
1	1001148865	2	Tire and Wheel Assembly - 12 x 16.5 (RH Side)	G
1	1001148866	2	Tire and Wheel Assembly - 12 x 16.5 (LH Side)	G
102	4520216	4	Tire - 12 x 16.5	
103	4641122	4	Valve	
104	1001147274	4	Rim, Wheel	
105	1001149953	4	Cap, Valve Stem	

Go to Discount-Equipment.com to order your parts

# SECTION 1 - FRAME

FIGURE 1-9. TIRE AND WHEEL INSTALLATION - 12 X 16.5 FOAM-FILLED NON MARKING



ART\_0270653

## SECTION 1 - FRAME

**FIGURE 1-9. TIRE AND WHEEL INSTALLATION - 12 X 16.5 FOAM-FILLED NON MARKING**

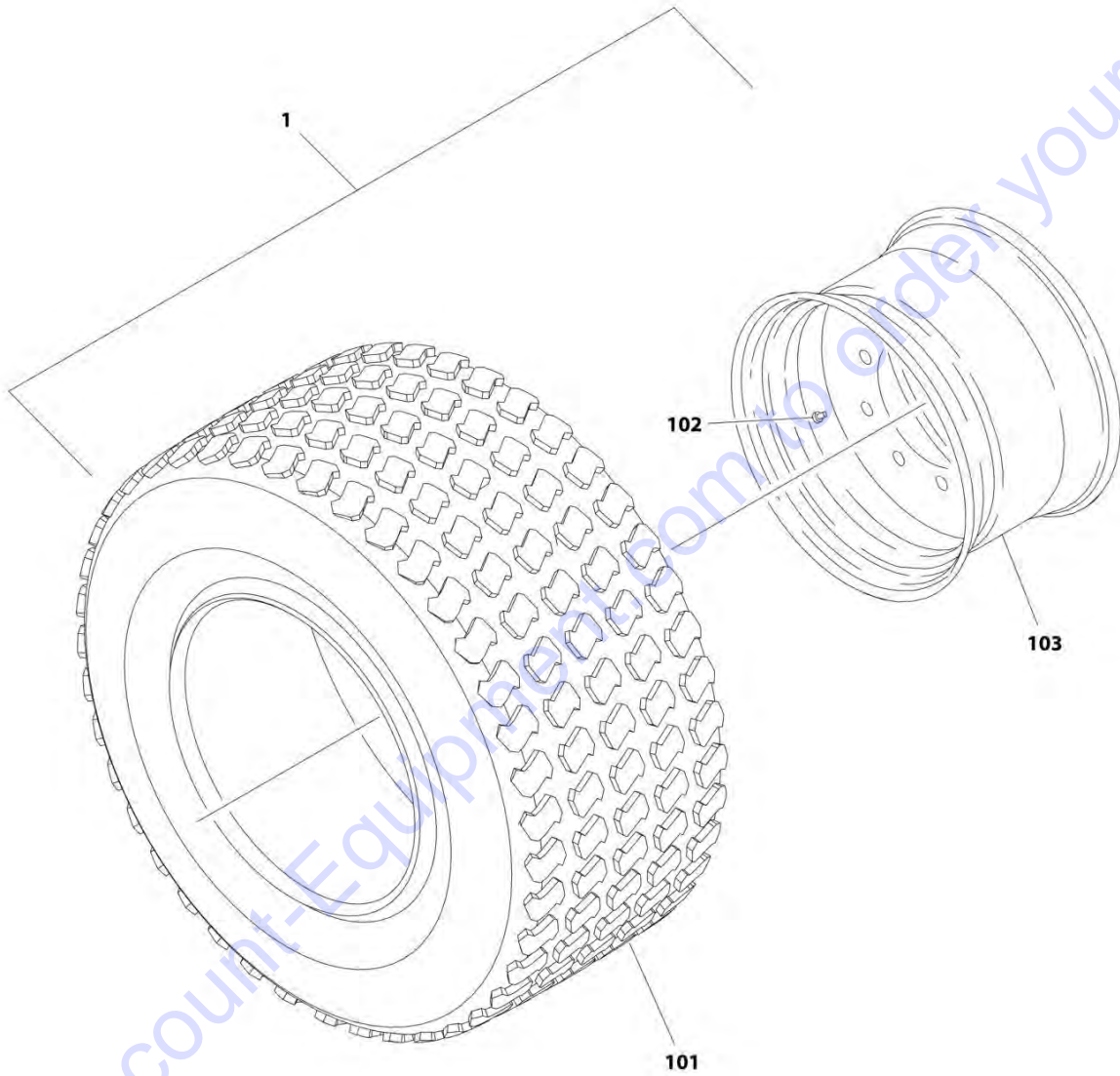
ITEM	PART NUMBER	QTY	DESCRIPTION	REV
	0270653	Ref	TIRE AND WHEEL INSTALLATION - 12 X 16.5 FOAM-FILLED NON MARKING	C
		Ref	Note: Assemblies may require ballast/foam filling to manufacturer's specifications prior to installing on a machine. Refer to Operation and Safety or Service and Maintenance Manuals. Purchase individual tire and/or rim only if able to foam fill tire and wheel assembly, otherwise, purchase complete assembly.	
1	1001148869	1	Tire and Wheel Assembly - Right Side	H
1	1001148870	1	Tire and Wheel Assembly - Left Side	H
101	4520240	1	Tire, 12 x 16.5 Non-Marking	
102	4641122	1	Valve, Air Liquid	
103	1001147274	1	Wheel, 16.5 x 9.75	
104	1001149953	1	Cap, Large Bore Dome	

Go to Discount-Equipment.com to order your parts



# SECTION 1 - FRAME

FIGURE 1-10. TIRE AND WHEEL INSTALLATION - 33/16LL X 16.1 FOAM-FILLED



ART\_0271785

## SECTION 1 - FRAME

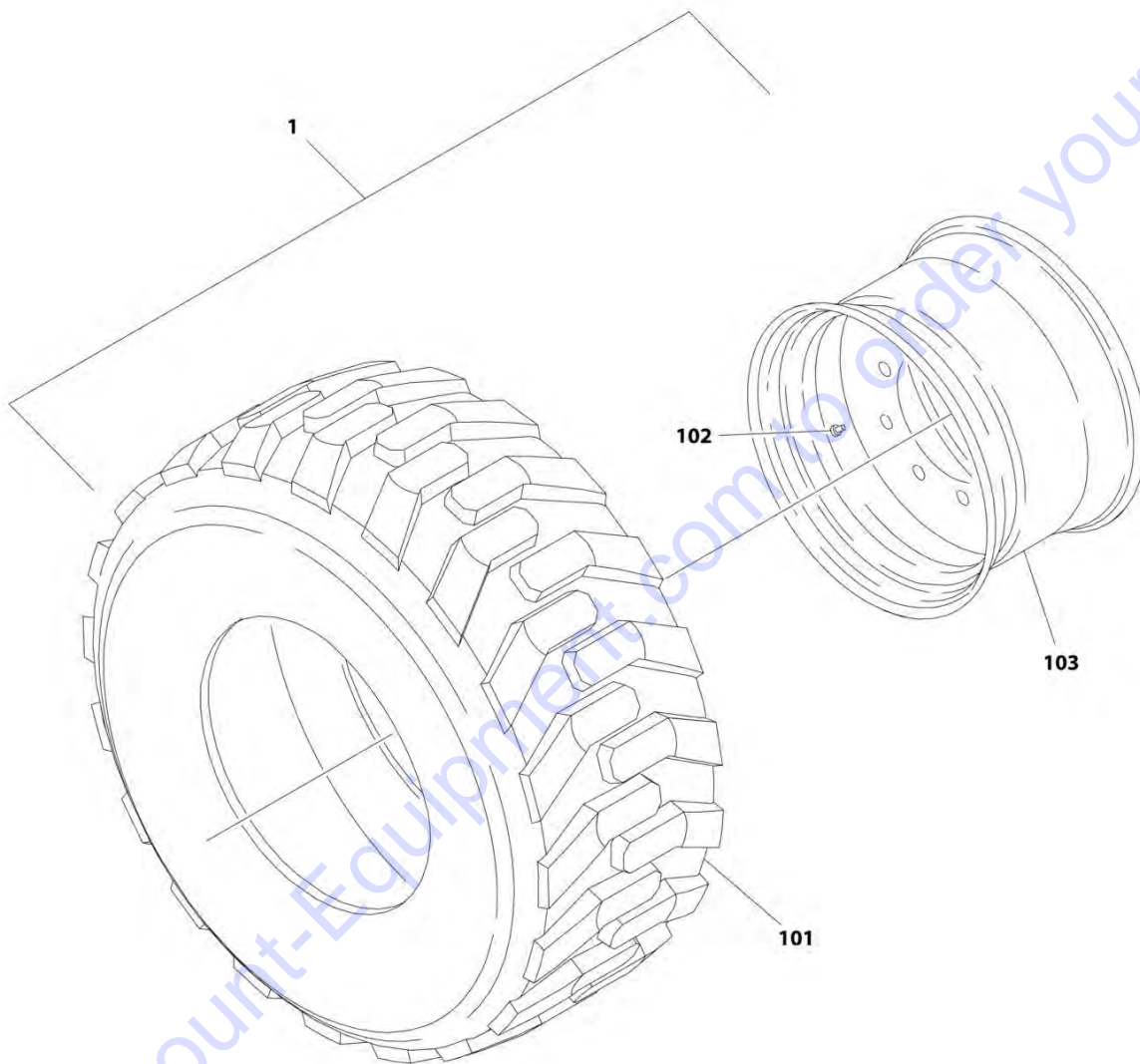
**FIGURE 1-10. TIRE AND WHEEL INSTALLATION - 33/16LL X 16.1 FOAM-FILLED**

ITEM	PART NUMBER	QTY	DESCRIPTION	REV
	0271785	Ref	TIRE AND WHEEL INSTALLATION - 33/16LL X 16.1 FOAM-FILLED	B
1	0272268	4	Tire and Wheel Assembly	E
101	4520262	1	Tire, 33 x 16LL500, Sand Tire	
102	4641122	1	Valve, Air	
103	4860237	1	Rim, Wheel - 19.5 x 14	

Go to Discount-Equipment.com to order your parts

## SECTION 1 - FRAME

FIGURE 1-11. TIRE AND WHEEL INSTALLATION - 33/1550-16.5 FOAM-FILLED



ART\_0271719

## SECTION 1 - FRAME

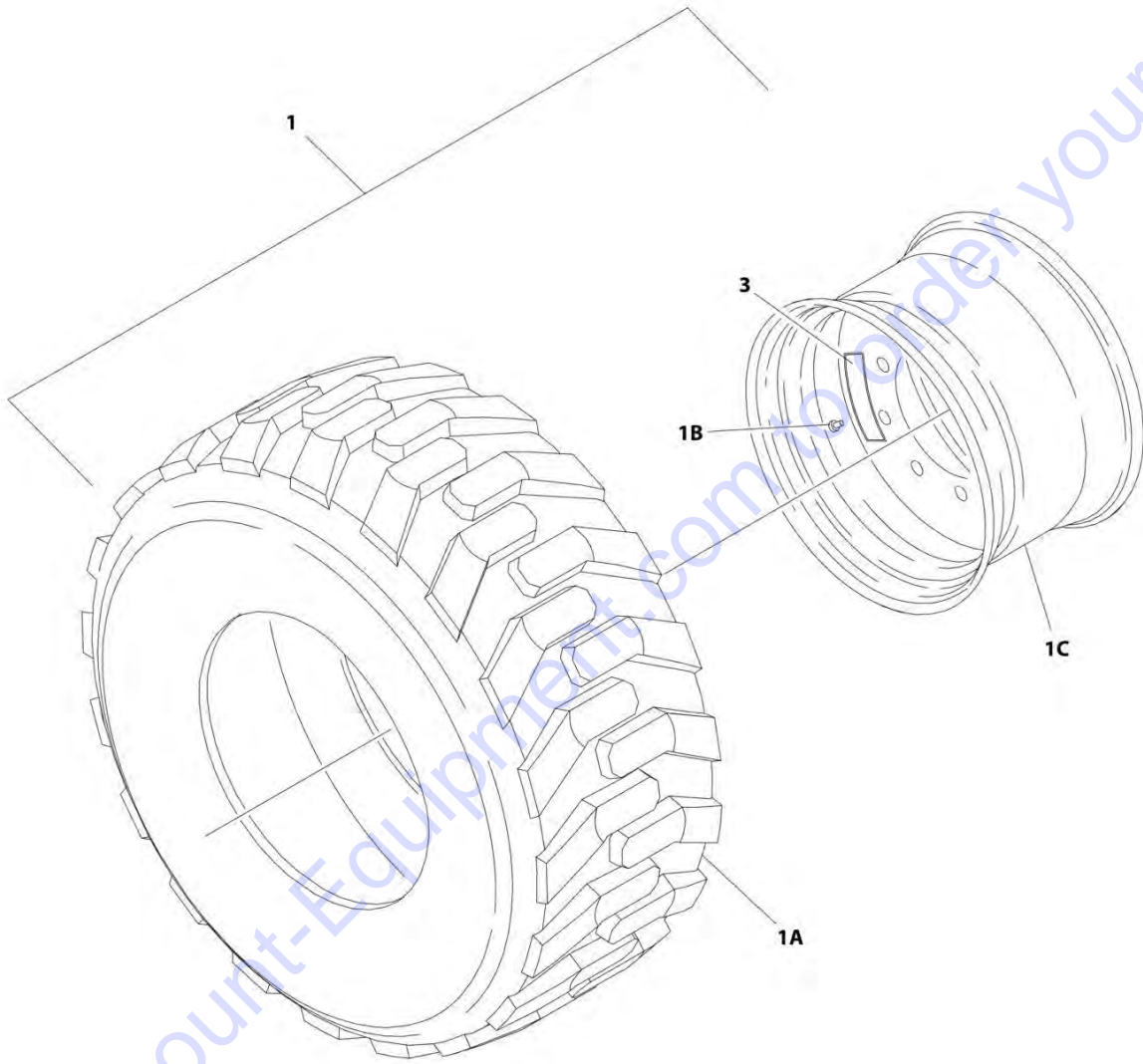
**FIGURE 1-11. TIRE AND WHEEL INSTALLATION - 33/1550-16.5 FOAM-FILLED**

ITEM	PART NUMBER	QTY	DESCRIPTION	REV
	0271719	Ref	TIRE AND WHEEL INSTALLATION - 33/1550-16.5 FOAM-FILLED	B
		Ref	Note: Assemblies may require ballast/foam filling to manufacturer's specifications prior to installing on a machine. Refer to Operation and Safety or Service and Maintenance Manuals. Purchase individual tire and/or rim only if able to foam fill tire and wheel assembly, otherwise, purchase complete assembly.	
1	0258011	2	Tire and Wheel Assembly - Right Side	I
1	0258012	2	Tire and Wheel Assembly - Left Side	I
101	4520217	1	Tire, 33/1550 x 16.5, Lug Tire	
102	8786514	1	Valve, Air	
103	4860179	1	Rim, Wheel - 16.5 x 12.0	

Go to Discount-Equipment.com to order your parts

# SECTION 1 - FRAME

FIGURE 1-12. TIRE AND WHEEL INSTALLATION - IN315/55D20 FOAM-FILLED



ART\_1001102196

## SECTION 1 - FRAME

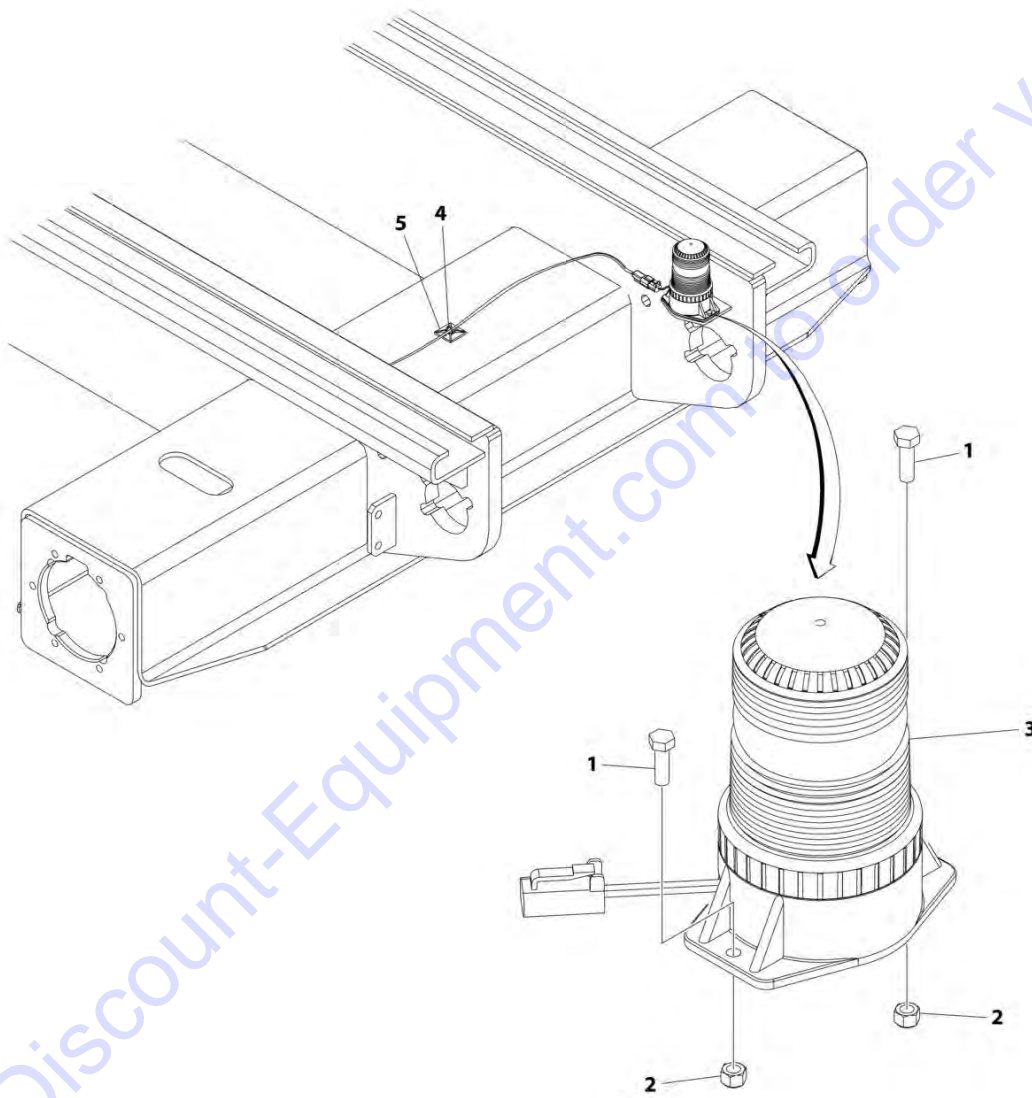
**FIGURE 1-12. TIRE AND WHEEL INSTALLATION - IN315/55D20 FOAM-FILLED**

ITEM	PART NUMBER	QTY	DESCRIPTION	REV
	1001102196	Ref	TIRE AND WHEEL INSTALLATION - IN315/55D20 FOAM-FILLED	C
		Ref	Note: Assemblies may require ballast/foam filling to manufacturer's specifications prior to installing on a machine. Refer to Operation and Safety or Service and Maintenance Manuals. Purchase individual tire and/or rim only if able to foam fill tire and wheel assembly, otherwise, purchase complete assembly.	
1	1001102194	2	Tire and Wheel Assembly - Left Side	C
1	1001102195	2	Tire and Wheel Assembly - Right Side	C
1A	4520608	1	Tire, IN315/55D20, Lug Tire	
1B	4641122	1	Valve, Air	
1C	1001101511	1	Rim, Wheel - 20 x 11	
3	1001105700	4	Decal - Transport Wheel Warning	

Go to Discount-Equipment.com to order your parts

# SECTION 1 - FRAME

## FIGURE 1-13. STROBE LIGHT INSTALLATION (AMBER)



ART\_1001215697

FIGURE 1-13. STROBE LIGHT INSTALLATION (AMBER)

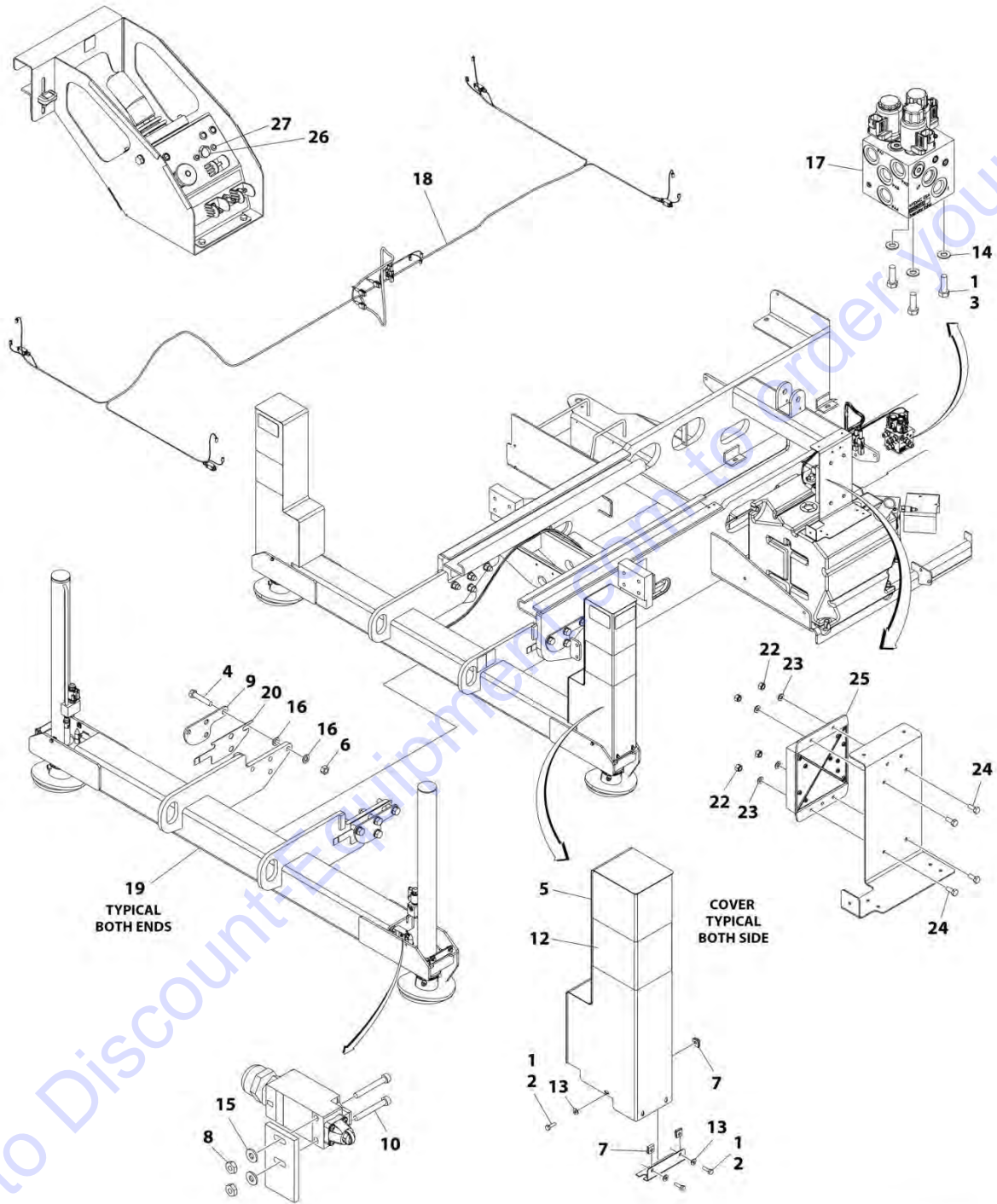
ITEM	PART NUMBER	QTY	DESCRIPTION	REV
	1001215697	Ref	STROBE LIGHT INSTALLATION (AMBER)	B
1	0760508	2	Bolt M5 x 16	
2	3290505	2	Nut M5	
3	1001191139	1	Beacon Light Assembly	
3	4460891	1	Plug, Male - 2 Position	
3	4460465	2	Socket, Female	
4	4240032	1	Tie-Strap	
5	4460488	1	Mounting, Tie-Strap	

Go to Discount-Equipment.com to order your parts



# SECTION 1 - FRAME

## FIGURE 1-14. LEVELING JACKS INSTALLATION (Prior to SN 0200267917)



ART\_1001206893

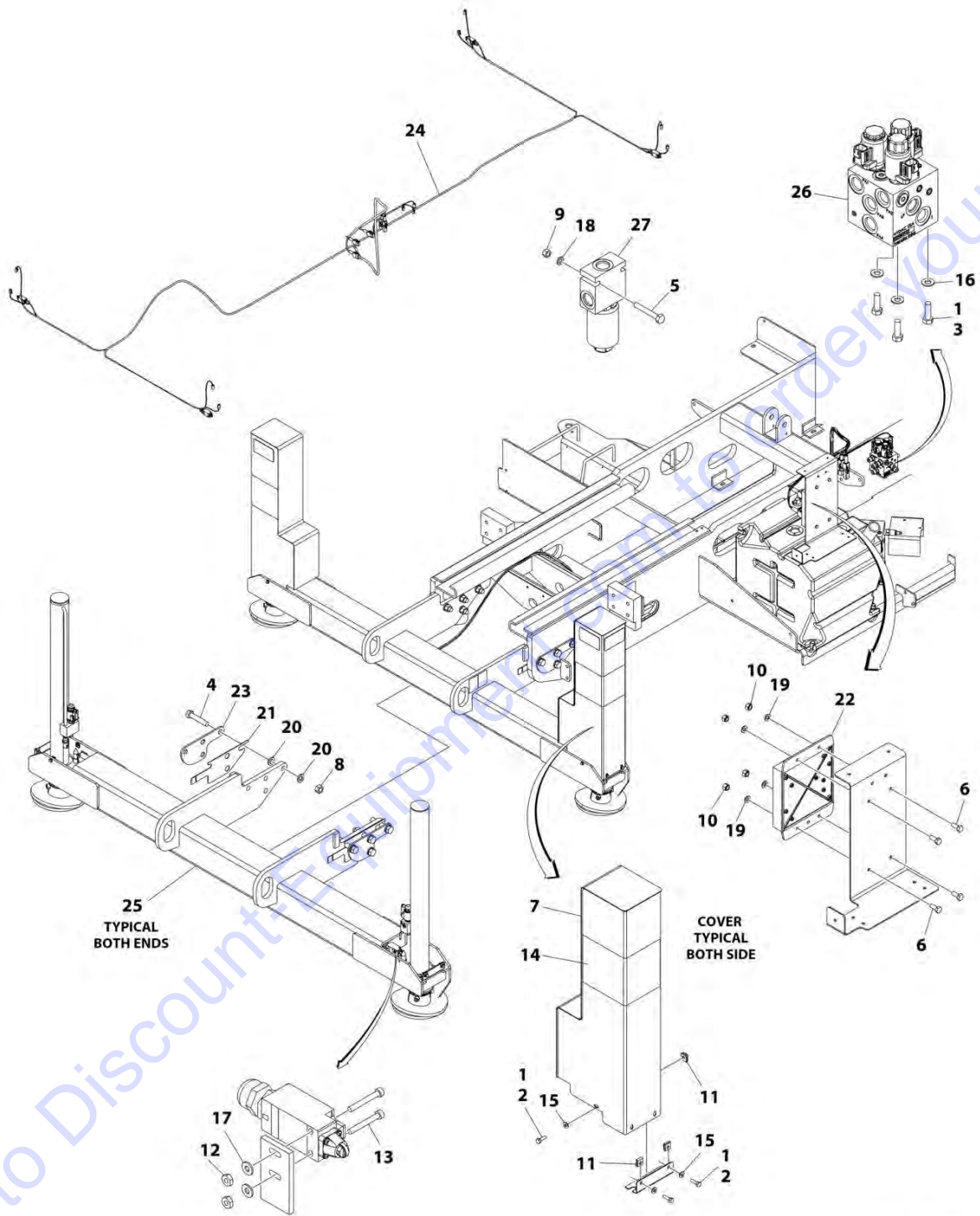
## SECTION 1 - FRAME

**FIGURE 1-14. LEVELING JACKS INSTALLATION (Prior to SN 0200267917)**

ITEM	PART NUMBER	QTY	DESCRIPTION	REV
	1001206893	Ref	LEVELING JACKS INSTALLATION	H
1	0100011	AR	Compound, Locking	
2	0641407	16	Bolt 1/4 x 7/8	
3	0641508	3	Bolt 5/16 x 1	
4	0682230	16	Bolt 3/4 x 3-3/4	
5	1671165	4	Cover	
6	3272205	16	Nut 3/4	
7	3300353	16	Nut, Tinnerman	
8	3310805	8	Nut #8	
9	1001183328	4	Plate	
10	3930820	8	Capscrew #8 x 1-1/4	
12	4420051	95 in/ 2.4m	Tape, Safety	
13	4711400	16	Washer 1/4	
14	4711500	3	Washer 5/16	
15	4750800	8	Washer #8	
16	4892200	32	Washer 3/4	
17	1001217108	1	Leveling Jacks Valve Assembly (See Separate Breakdown in this Section)	
18	1001210619	1	Leveling Jacks Harness (See Separate Breakdown in ELECTRICAL SECTION)	
19	1001214550	2	Leveling Jacks Assembly (See Separate Breakdown in this Section)	
20	1001166837	2	Shim	
21	1001209314	1	Leveling Jack Hydraulic Diagram (Not Shown) (See Separate Breakdown in HYDRAULIC SECTION)	
22	3290805	4	Nut M8	
23	4811900	4	Washer M8	
24	0760810	4	Bolt M8 x 20	
25	1001182481	1	Module, Jack Control	
26	4360387	1	Switch, Push Button	
27	1001190474	1	Lamp, Yellow (With Harness)	

# SECTION 1 - FRAME

## FIGURE 1-15. LEVELING JACKS INSTALLATION (SN 0200267917 to Present)



ART\_1001237756

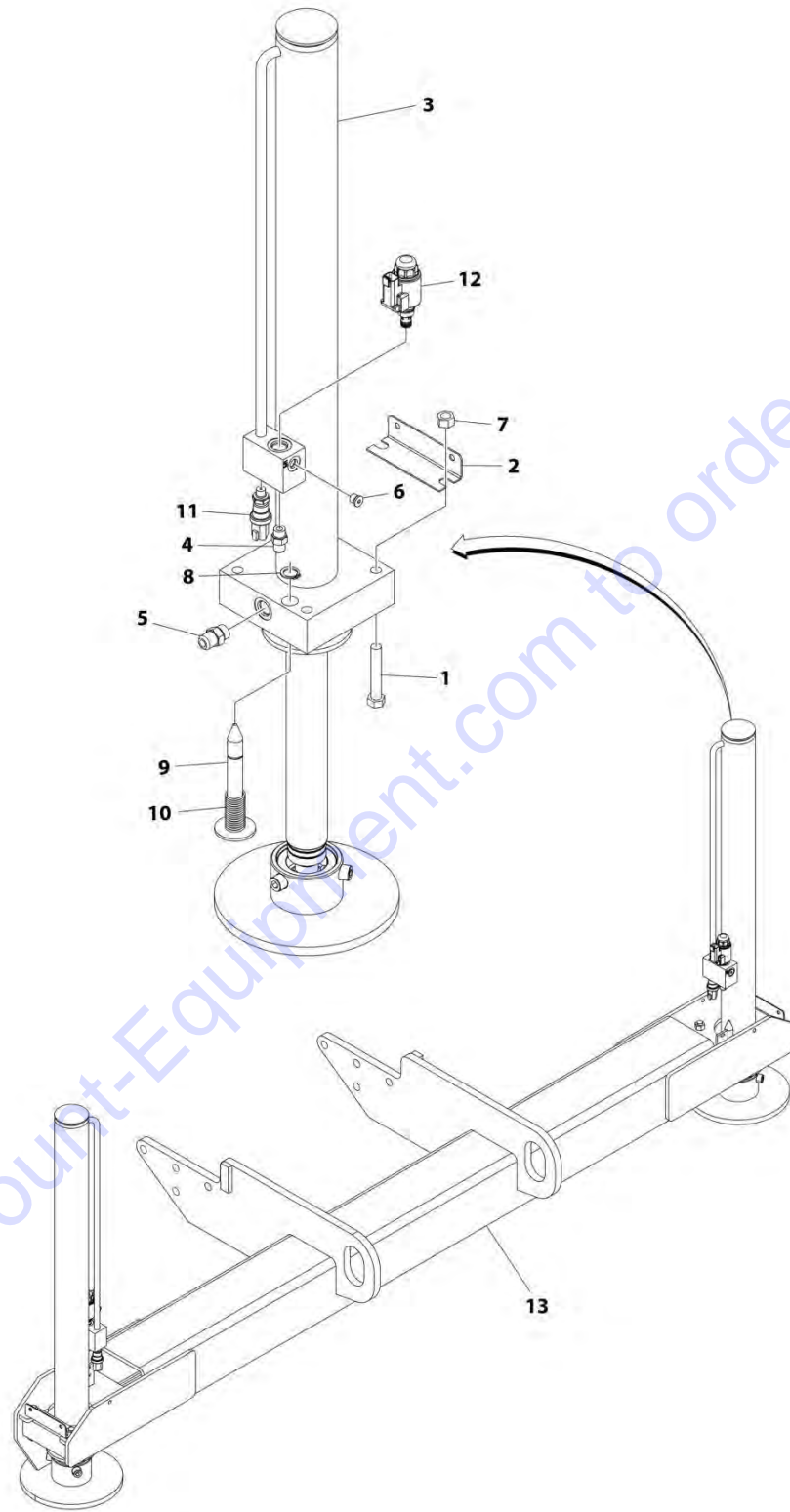
## SECTION 1 - FRAME

**FIGURE 1-15. LEVELING JACKS INSTALLATION (SN 0200267917 to Present)**

ITEM	PART NUMBER	QTY	DESCRIPTION	REV
	1001237756	Ref	LEVELING JACKS INSTALLATION	C
1	0100011	AR	Compound, Locking	
2	0641407	16	Bolt 1/4 x 7/8	
3	0641508	3	Bolt 5/16 x 1	
4	0682230	16	Bolt 3/4 x 3-3/4	
5	0760618	2	Bolt M6 x 50	
6	0760810	2	Bolt M8 x 20	
7	1671165	4	Cover	
8	3272205	16	Nut 3/4	
9	3290601	2	Nut M6	
10	3290805	4	Nut M8	
11	3300353	16	Nut, Tinnerman	
12	3310805	8	Nut #8	
13	3930820	8	Capscrew #8 x 1-1/4	
14	4420051	95 in/ 2.4m	Tape, Safety	
15	4711400	16	Washer 1/4	
16	4711500	3	Washer 5/16	
17	4750800	8	Washer #8	
18	4811700	AR	Washer M6	
19	4811900	4	Washer M8	
20	4892200	32	Washer 3/4	
21	1001166837	AR	Shim	
22	1001182481	1	Module, Jack Control	
23	1001183328	4	Plate	
24	1001210619	1	Leveling Jacks Harness (See Separate Breakdown in ELECTRICAL SECTION)	
25	1001214550	2	Leveling Jacks Assembly (See Separate Breakdown in this Section)	
26	1001217108	1	Leveling Jacks Valve Assembly (See Separate Breakdown in this Section)	
27	1001237453	1	Valve Assembly	
27	7023904	1	Cartridge, Valve Less Coil	
27	7012518	1	Seal Kit - 7023904 Valve	
27	70003789	1	Coil	
27	70006737	1	Nut, Coil	
27	70006738	1	Lockdown Kit	
28	1001237464	1	Leveling Jack Hydraulic Diagram (Not Shown) (See Separate Breakdown in HYDRAULIC SECTION)	

# SECTION 1 - FRAME

## FIGURE 1-16. LEVELING JACKS ASSEMBLY



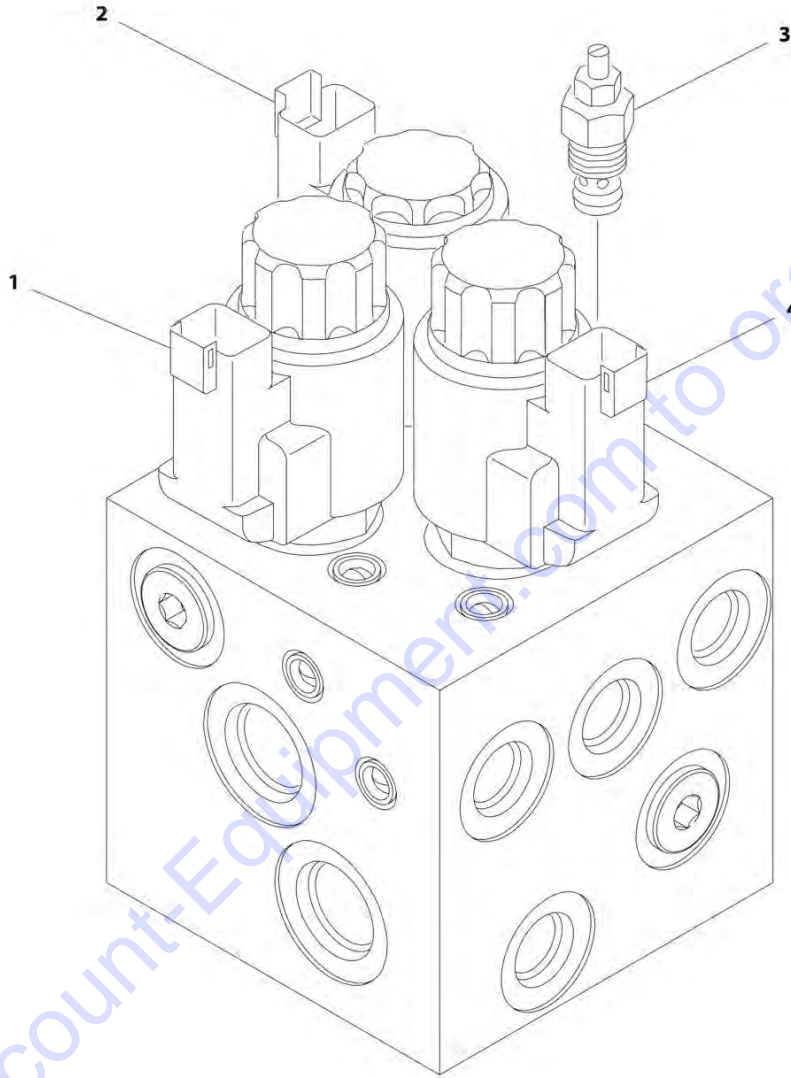
ART\_1001214550

FIGURE 1-16. LEVELING JACKS ASSEMBLY

ITEM	PART NUMBER	QTY	DESCRIPTION	REV
	1001214550	Ref	LEVELING JACKS ASSEMBLY	A
1	0641824	8	Bolt 1/2 x 3	
2	0903054	2	Bracket	
3	1684406	2	Jack Cylinder Assembly (See Separate Breakdown in CYLINDER SECTION)	
4	2220371	2	Fitting, Straight JIC/ORB	
5	2220373	2	Fitting, Straight JIC/ORB	
6	2220883	2	Plug	
7	3311805	8	Nut 1/2	
8	3760348	2	Ring, Retaining	
9	3841564	2	Rod	
10	4160116	2	Spring	
11	4360518	2	Transducer, Pressure	
12	1001103761	2	Cartridge, Solenoid Valve	
12	7024497	1	Cartridge Less Coil	
12	7024502	1	Seal Kit - 7024497 Valve	
12	70001965	1	Coil	
12	7024506	1	Nut Kit	
13	1001166176	1	Mount, Leveling Jack	

# SECTION 1 - FRAME

FIGURE 1-17. LEVELING JACKS VALVE ASSEMBLY



ART\_1001217108

## SECTION 1 - FRAME

**FIGURE 1-17. LEVELING JACKS VALVE ASSEMBLY**

ITEM	PART NUMBER	QTY	DESCRIPTION	REV
	1001217108	Ref	LEVELING JACKS VALVE ASSEMBLY	B
1	7024497	1	Cartridge without Coil (Retract)	
1	7024502	1	Seal Kit - 7024497 Cartridge	
1	70001965	1	Coil	
1	7024506	1	Coil Nut Kit	
2	7024498	1	Cartridge without Coil (Extend)	
2	7024503	1	Seal Kit - 7024498 Cartridge	
2	70001965	1	Coil	
2	7024507	1	Coil Nut Kit	
3	70006292	1	Cartridge (Thermal Relief)	
3	7024504	1	Seal Kit - 70006292 Cartridge	
4	7024500	1	Cartridge without Coil	
4	7024505	1	Seal Kit - 7024500 Cartridge	
4	70001965	1	Coil	
4	7024506	1	Coil Nut Kit	

Go to Discount-Equipment.com to order your parts



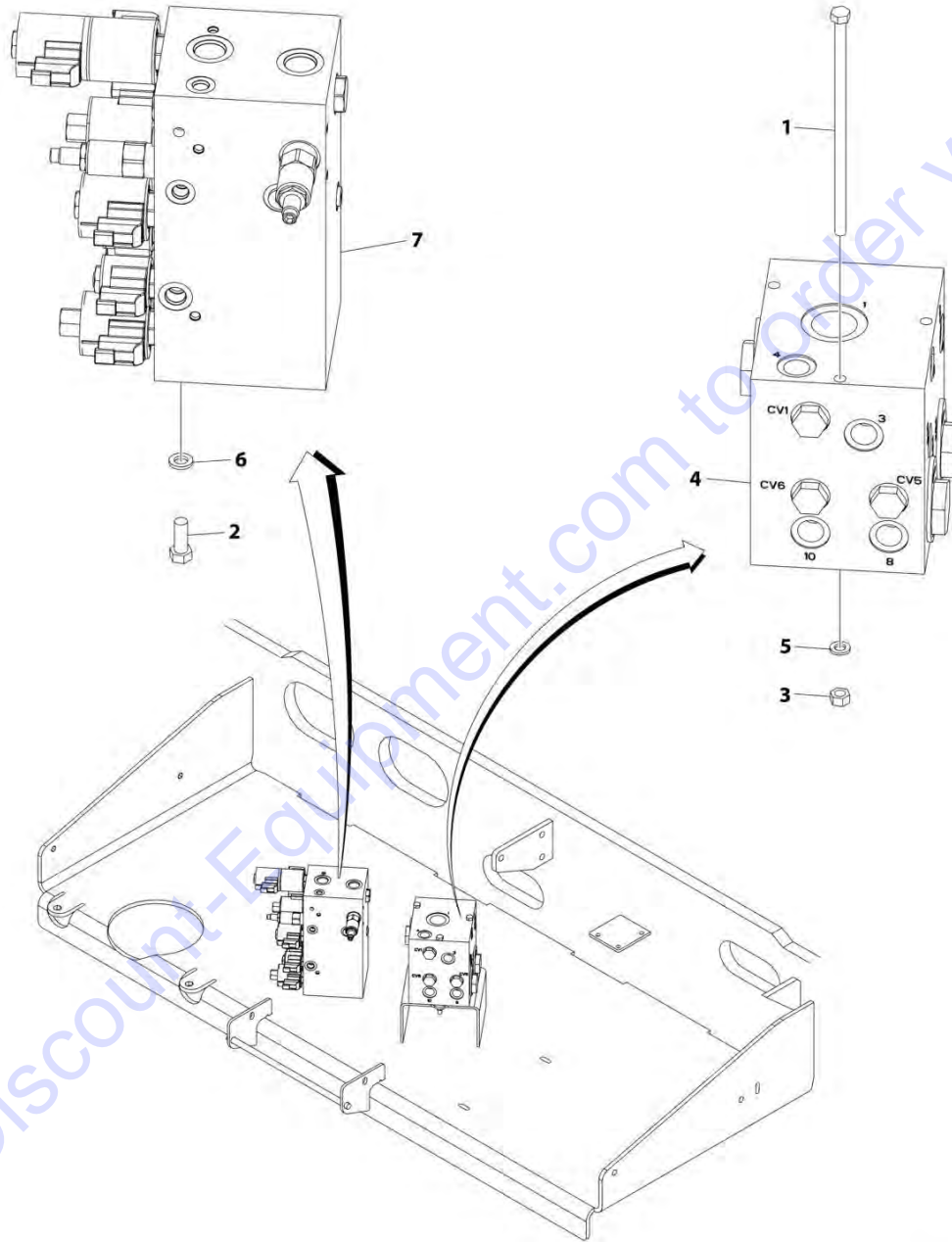


**SECTION 2 - GROUND CONTROLS**

Go to Discount-Equipment.com to order your parts

## SECTION 2 - GROUND CONTROLS

FIGURE 2-1. VALVES INSTALLATION (ALL SPECS EXCEPT CE SPECS)



ART\_1001204614

## SECTION 2 - GROUND CONTROLS

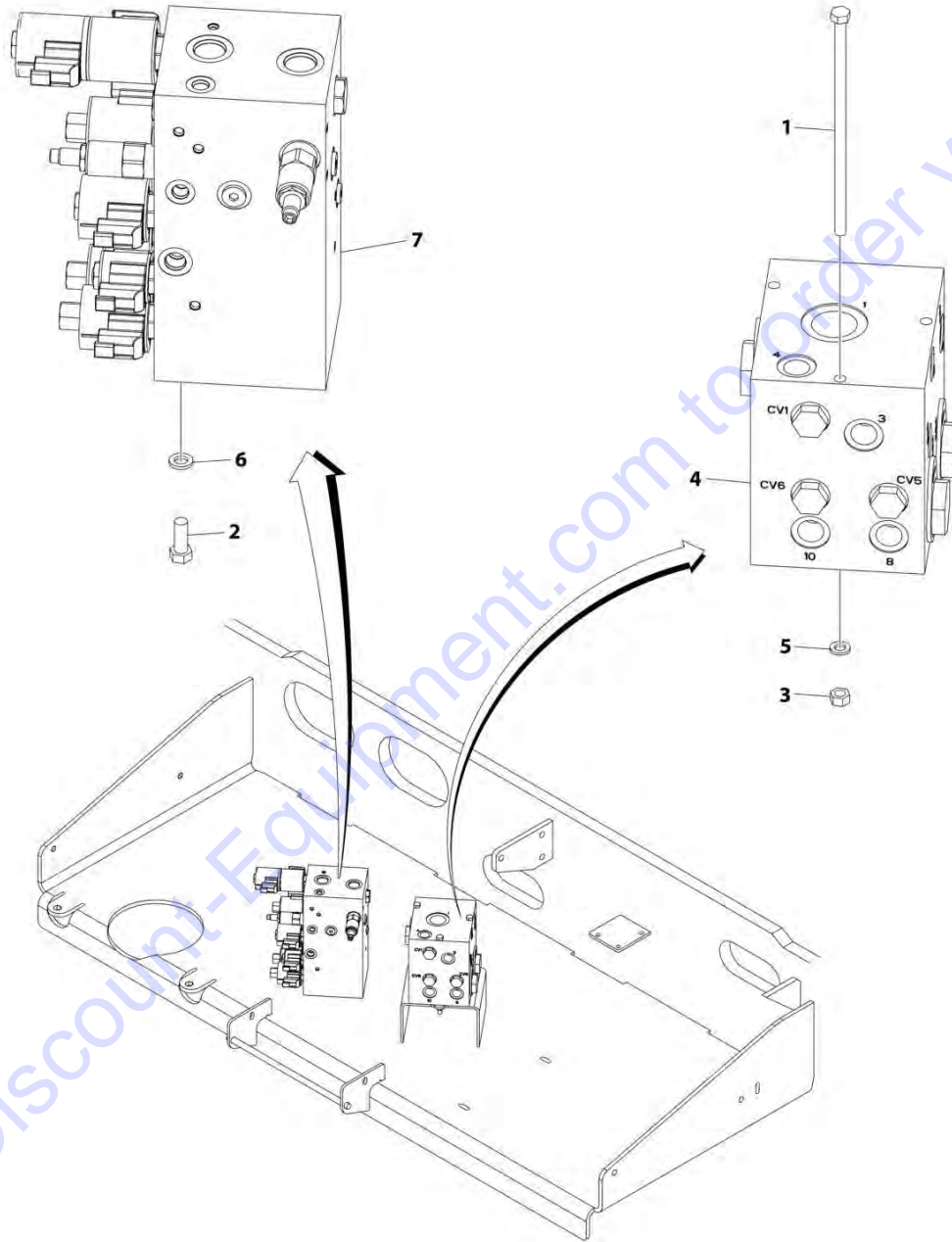
**FIGURE 2-1. VALVES INSTALLATION (ALL SPECS EXCEPT CE SPECS)**

ITEM	PART NUMBER	QTY	DESCRIPTION	REV
	1001204614	Ref	VALVES INSTALLATION (ALL SPECS EXCEPT CE SPECS)	B
1	0641560	3	Bolt 5/16 x 7-1/2	
2	0641608	4	Bolt 3/8 x 1	
3	3311501	3	Nut 5/16	
4	4641303	1	Flow Divider Valve Assembly (See Separate Breakdown in this Section)	
5	4761500	3	Washer 5/16	
6	4761600	4	Washer 3/8	
7	1001209589	1	Main Valve Assembly (See Separate Breakdown in this Section)	

Go to Discount-Equipment.com to order your parts

## SECTION 2 - GROUND CONTROLS

FIGURE 2-2. VALVES INSTALLATION (CE & JAPANESE SPECS)



ART\_1001204615

## SECTION 2 - GROUND CONTROLS

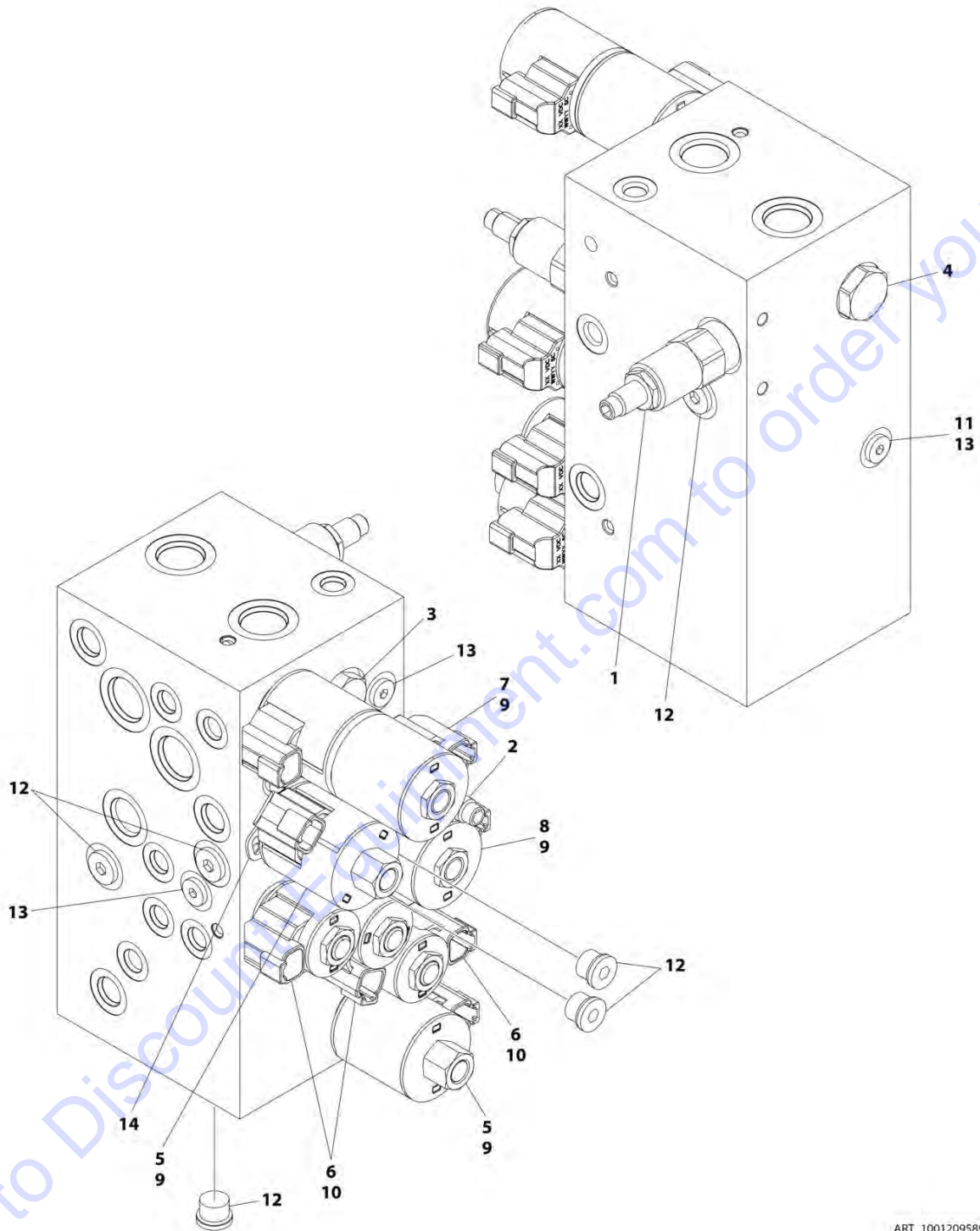
FIGURE 2-2. VALVES INSTALLATION (CE & JAPANESE SPECS)

ITEM	PART NUMBER	QTY	DESCRIPTION	REV
	1001204615	Ref	VALVES INSTALLATION (CE & JAPANESE SPECS)	B
1	0641560	3	Bolt 5/16 x 7-1/2	
2	0641608	4	Bolt 3/8 x 1	
3	3311501	3	Nut 5/16	
4	4641303	1	Flow Divider Valve Assembly (See Separate Breakdown in this Section)	
5	4761500	3	Washer 5/16	
6	4761600	4	Washer 3/8	
7	1001205979	1	Main Valve Assembly (See Separate Breakdown in this Section)	

Go to Discount-Equipment.com to order your parts

## SECTION 2 - GROUND CONTROLS

FIGURE 2-3. MAIN VALVE ASSEMBLY (ALL SPECS EXCEPT CE SPECS)



ART\_1001209589

## SECTION 2 - GROUND CONTROLS

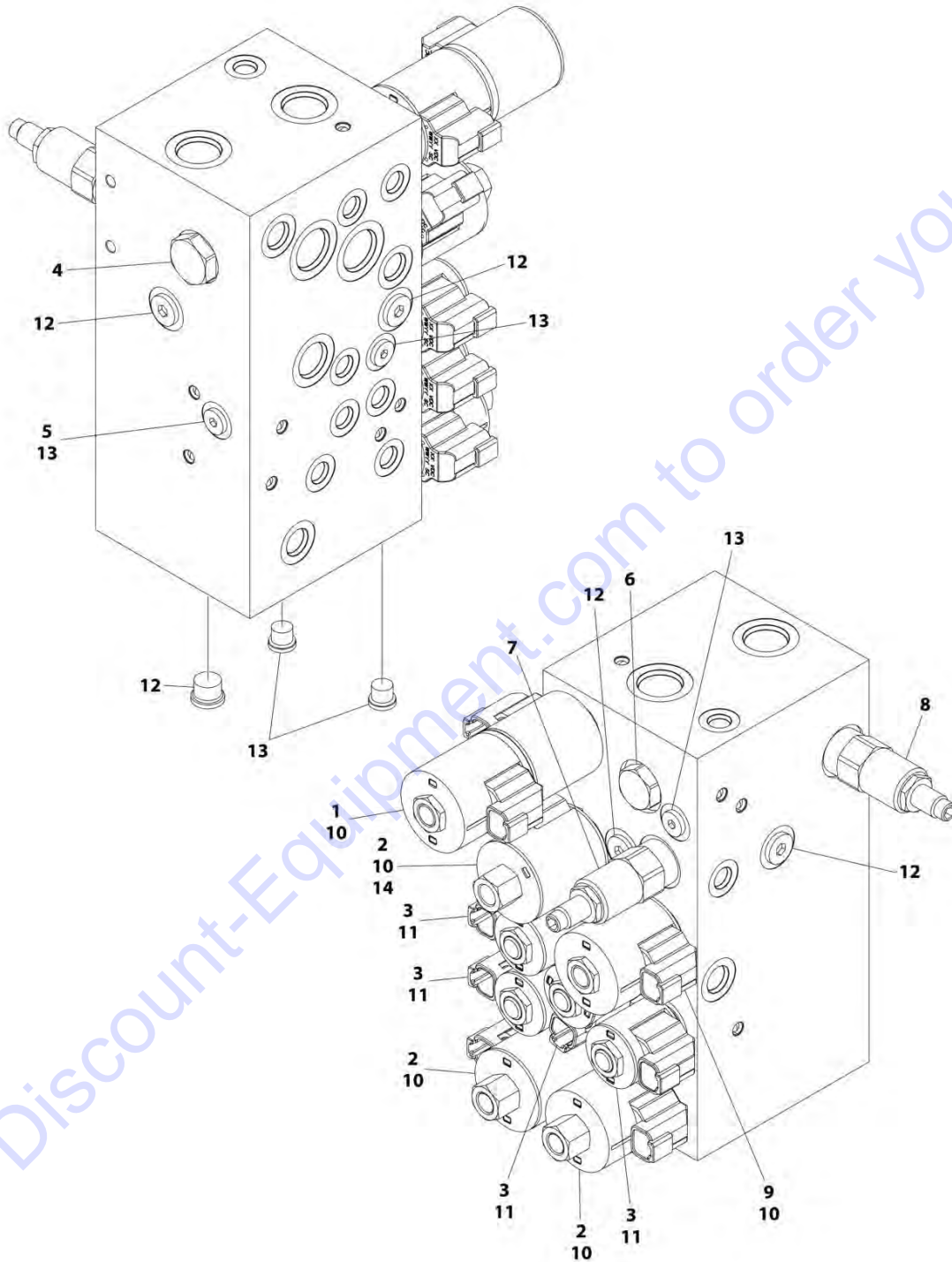
**FIGURE 2-3. MAIN VALVE ASSEMBLY (ALL SPECS EXCEPT CE SPECS)**

ITEM	PART NUMBER	QTY	DESCRIPTION	REV
	1001209589	Ref	MAIN VALVE ASSEMBLY (ALL SPECS EXCEPT CE SPECS)	D
1	70005723	1	Cartridge, Valve - Relief (Steer)	
1	7023936	1	Seal Kit - 70005723 Valve	
2	70005165	1	Cartridge, Valve - Relief	
2	7022399	1	Seal Kit - 70005165 Valve	
3	7022398	1	Cartridge, Valve - Load Shuttle	
3	7023900	1	Seal Kit - 7022398 Valve	
4	70005100	1	Cartridge, Valve - Check	
4	7022399	1	Seal Kit - 70005100 Valve	
5	70005069	2	Cartridge, Solenoid Valve	
5	7022399	2	Seal Kit - 70005069 Valve	
5	70003977	2	Nut, Coil	
6	70005167	3	Cartridge, Solenoid Valve	
6	7023900	3	Seal Kit - 70005167 Valve	
6	7022390	3	Nut, Coil	
7	70005449	1	Cartridge, Solenoid Valve	
7	70005073	1	Seal Kit - 70005449 Valve	
7	7022390	1	Nut, Coil	
7	70003024	1	Spacer Coil	
8	70005448	1	Cartridge, Solenoid Valve	
8	70004580	1	Seal Kit - 70005448 Valve	
8	7022390	1	Nut, Coil	
9	70050516	5	Coil	
10	70002963	3	Coil	
11	70004883	1	Orifice	
12	2220885	6	Plug	
13	2220883	4	Plug	
14	70005724	1	Lockdown Kit	



## SECTION 2 - GROUND CONTROLS

FIGURE 2-4. MAIN VALVE ASSEMBLY (CE SPECS)



ART\_1001205979

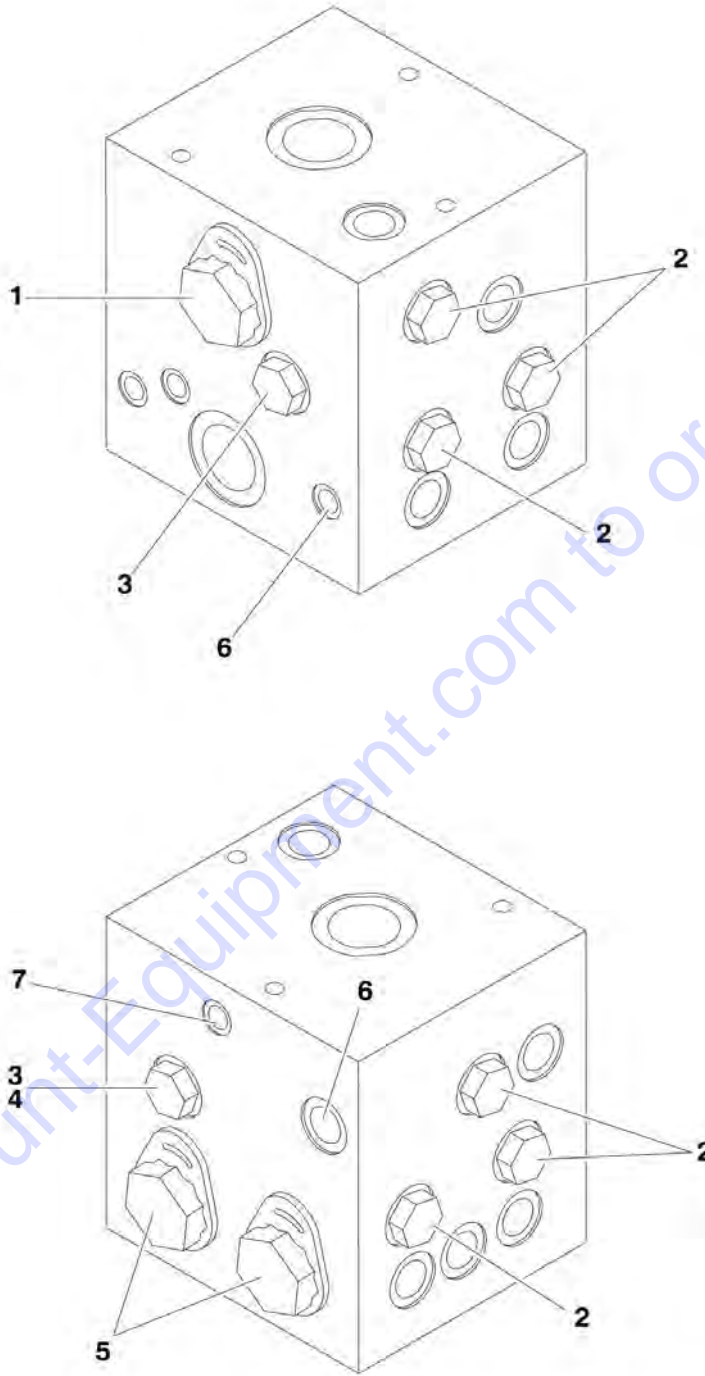
## SECTION 2 - GROUND CONTROLS

**FIGURE 2-4. MAIN VALVE ASSEMBLY (CE SPECS)**

ITEM	PART NUMBER	QTY	DESCRIPTION	REV
	1001205979	Ref	MAIN VALVE ASSEMBLY (CE SPECS)	C
1	70005449	1	Cartridge, Solenoid Valve	
1	70005073	1	Seal Kit - 70005449 Valve	
1	7022390	1	Nut, Coil	
1	70003024	1	Spacer Coil	
2	70005069	3	Cartridge, Solenoid Valve	
2	7022399	3	Seal Kit - 70005069 Valve	
2	70003977	3	Nut, Coil	
3	70005167	4	Cartridge, Solenoid Valve	
3	7023900	4	Seal Kit - 70005167 Valve	
3	7022390	4	Nut, Coil	
4	70005100	1	Cartridge, Valve - Check	
4	7022399	1	Seal Kit - 70005100 Valve	
5	70004883	1	Orifice	
6	7022398	1	Cartridge, Valve - Load Shuttle	
6	7023900	1	Seal Kit - 7022398 Valve	
7	70005165	1	Cartridge, Valve - Relief	
7	7022399	1	Seal Kit - 70005165 Valve	
8	70005723	1	Cartridge, Valve - Relief (Steer)	
8	7023936	1	Seal Kit - 70005723 Valve	
9	70005448	1	Cartridge, Solenoid Valve	
9	70004580	1	Seal Kit - 70005448 Valve	
9	7022390	1	Nut, Coil	
10	70050516	6	Coil	
11	70002963	4	Coil	
12	2220885	6	Plug	
13	2220883	6	Plug	
14	70005724	1	Lockdown Kit	

## SECTION 2 - GROUND CONTROLS

FIGURE 2-5. FLOW DIVIDER VALVE ASSEMBLY



ART. 4641303

## SECTION 2 - GROUND CONTROLS

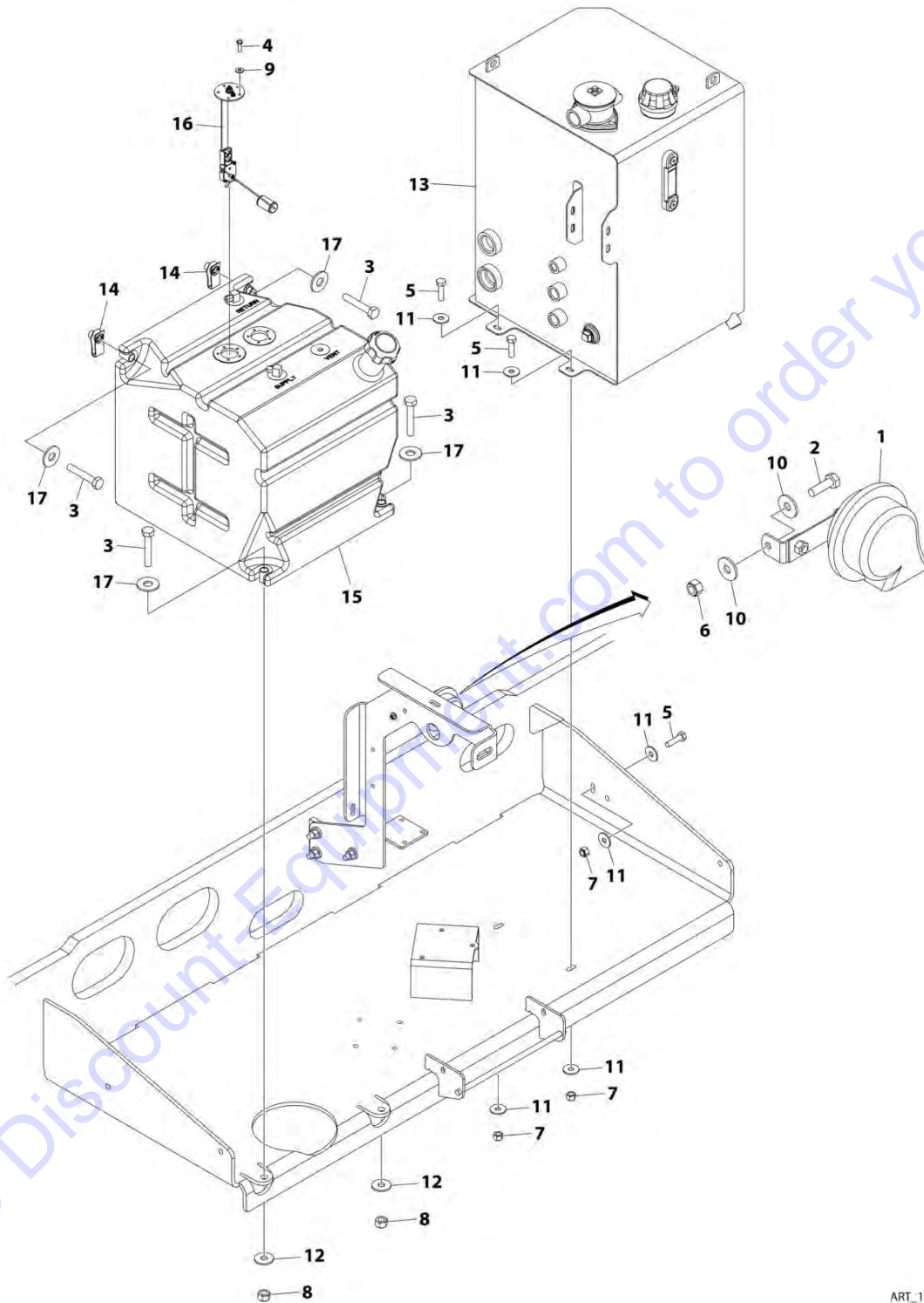
**FIGURE 2-5. FLOW DIVIDER VALVE ASSEMBLY**

ITEM	PART NUMBER	QTY	DESCRIPTION	REV
	4641303	Ref	FLOW DIVIDER VALVE ASSEMBLY	C
1	7023933	1	Cartridge, Flow Divider	
1	7021625	1	Seal Kit - 7023933 Cartridge	
2	7022397	6	Cartridge, Check	
2	7022399	6	Seal Kit - 7022397 Cartridge	
3	7021639	2	Cartridge, Check Valves	
3	2900756	2	Seal Kit - 7022398 Cartridge	
4	7024881	1	Piston, Pilot	
5	7023917	2	Cartridge, Flow Divider	
5	7021625	2	Seal Kit - 7023917 Cartridge	
6	70003935	2	Orifice	
7	70003936	1	Orifice	

Go to Discount-Equipment.com to order your parts

## SECTION 2 - GROUND CONTROLS

FIGURE 2-6. TANKS AND HORN INSTALLATION (DIESEL MACHINES)



ART\_1001204617

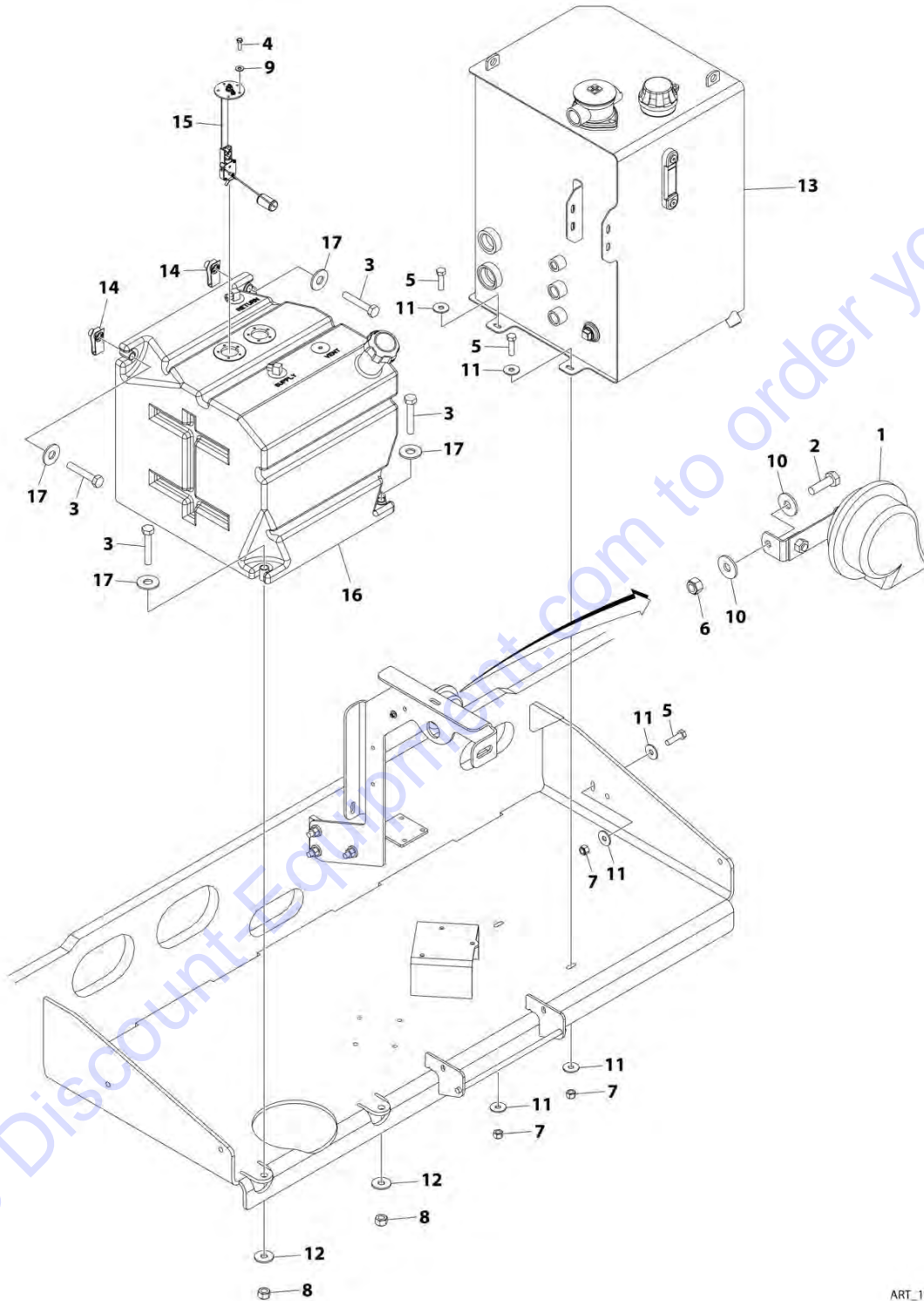
## SECTION 2 - GROUND CONTROLS

**FIGURE 2-6. TANKS AND HORN INSTALLATION (DIESEL MACHINES)**

ITEM	PART NUMBER	QTY	DESCRIPTION	REV
	1001204617	Ref	TANKS AND HORN INSTALLATION (DIESEL MACHINES)	C
1	0140001	1	Horn	
2	0700610	1	Bolt M6 x 20	
3	0701020	4	Bolt M10 x 60	
4	0731005	5	Screw #10 x 5/8	
5	0760814	3	Bolt M8 x 30	
6	3290605	1	Nut M6	
7	3290805	3	Nut M8	
8	3291005	2	Nut M10	
9	4751000	5	Washer #10	
10	4811702	2	Washer M6	
11	4811902	6	Washer M8	
12	4812002	2	Washer M12	
13	1001102823	1	Hydraulic Tank Assembly (See Separate Breakdown in this Section)	
14	1001118972	2	Nut, Tinnerman M10	
15	1001163418	1	Fuel Tank Assembly	
15	1001193336	1	Cap, Fuel	
15	70004794	1	Tube, Pick-up	
16	1001168762	1	Sensor, Fuel Level <b>(Prior to SN 0200266861)</b>	
16	1001231195	1	Sensor, Fuel Level <b>(SN 0200266861 to Present)</b>	
17	4751800	4	Washer 1/2	

## SECTION 2 - GROUND CONTROLS

FIGURE 2-7. TANKS AND HORN INSTALLATION (GAS MACHINES)



ART\_1001204618

## SECTION 2 - GROUND CONTROLS

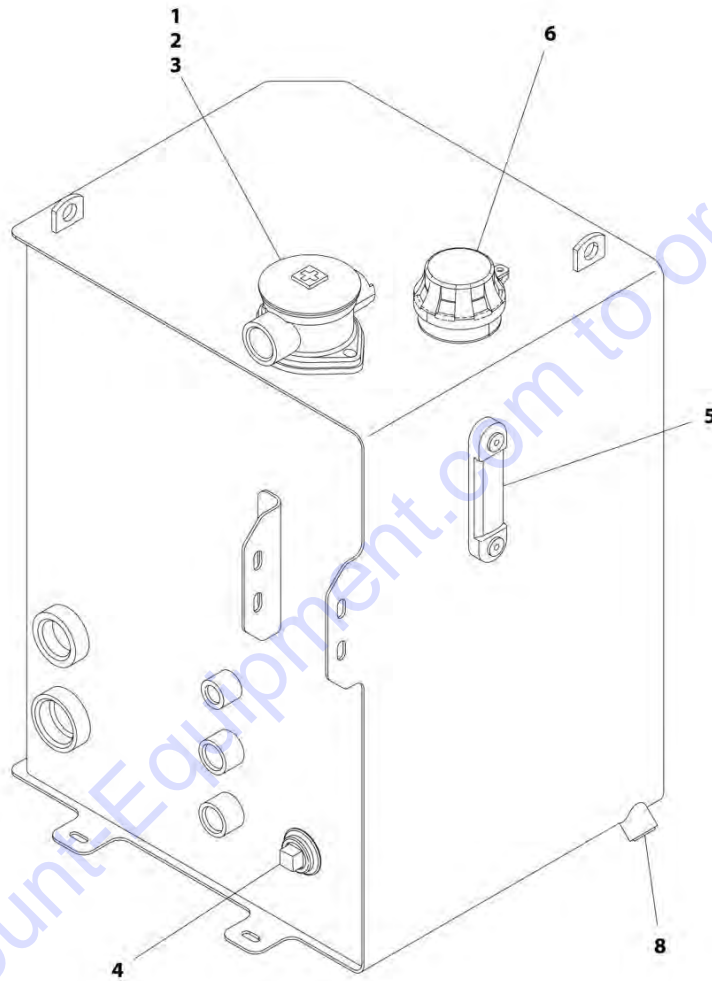
**FIGURE 2-7. TANKS AND HORN INSTALLATION (GAS MACHINES)**

ITEM	PART NUMBER	QTY	DESCRIPTION	REV
	1001204618	Ref	TANKS AND HORN INSTALLATION (GAS MACHINES)	C
1	0140001	1	Horn	
2	0700610	1	Bolt M6 x 20	
3	0701020	4	Bolt M10 x 60	
4	0731005	5	Screw #10 x 5/8	
5	0760814	3	Bolt M8 x 30	
6	3290605	1	Nut M6	
7	3290805	3	Nut M8	
8	3291005	2	Nut M10	
9	4751000	5	Washer #10	
10	4811702	2	Washer M6	
11	4811902	6	Washer M8	
12	4812002	2	Washer M10	
13	1001102823	1	Hydraulic Tank Assembly (See Separate Breakdown in this Section)	
14	1001118972	2	Nut, Tinnerman M10	
15	1001168762	1	Sensor, Fuel Level <b>(Prior to SN 0200266861)</b>	
15	1001231195	1	Sensor, Fuel Level <b>(SN 0200266861 to Present)</b>	
16	1001206896	1	Fuel Tank Assembly	
16	1001207109	1	Cap, Fuel	
16	70004794	1	Tube, Pick-up	
17	4751800	4	Washer 1/2	



## SECTION 2 - GROUND CONTROLS

FIGURE 2-8. HYDRAULIC TANK ASSEMBLY



ART\_1001102823

## SECTION 2 - GROUND CONTROLS

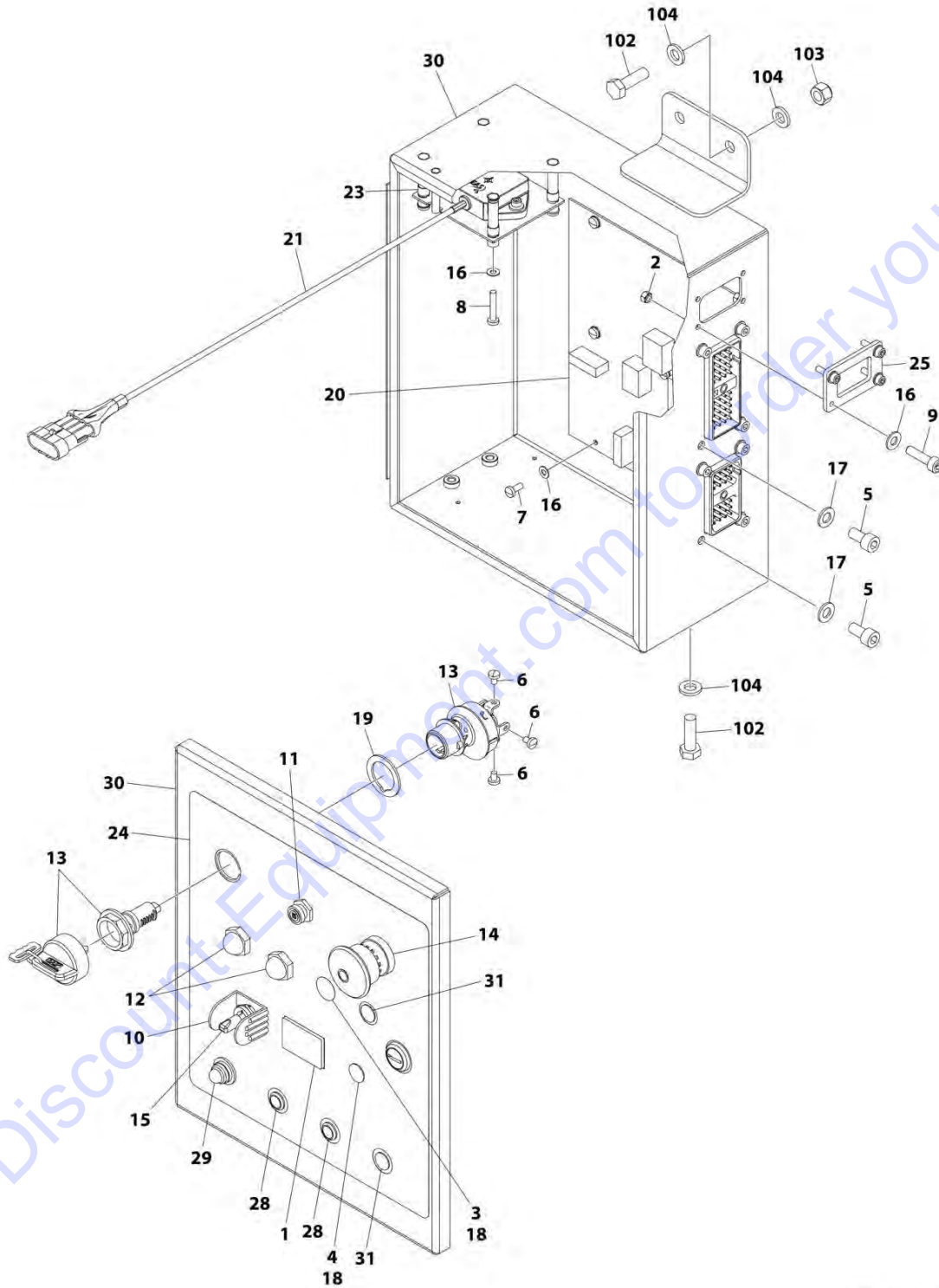
**FIGURE 2-8. HYDRAULIC TANK ASSEMBLY**

ITEM	PART NUMBER	QTY	DESCRIPTION	REV
	1001102823	Ref	HYDRAULIC TANK ASSEMBLY	C
1	70001959	1	Filter, Return	
1	70001960	1	Element, Filter	
1	70002768	1	Spring, Return Filter Assembly	
2	7023306	1	Seal Between Filter Cover and Head	
3	7023347	1	Gasket Between Tank and Filter Flange	
4	7024446	1	Plug, Magnetic 1in NPT	
5	7024441	1	Gauge, Fluid Level	
6	70002113	1	Breather/Fill Cap	
7	See Note	2	Strainer (Note: Not a serviceable Item per Vendor) (Not Shown)	
8	70002112	1	Plug, Magnetic	

Go to Discount-Equipment.com to order your parts

## SECTION 2 - GROUND CONTROLS

FIGURE 2-9. GROUND CONTROL BOX ASSEMBLY (DIESEL MACHINES) (Prior to SN 0200267917)



ART\_1001215252

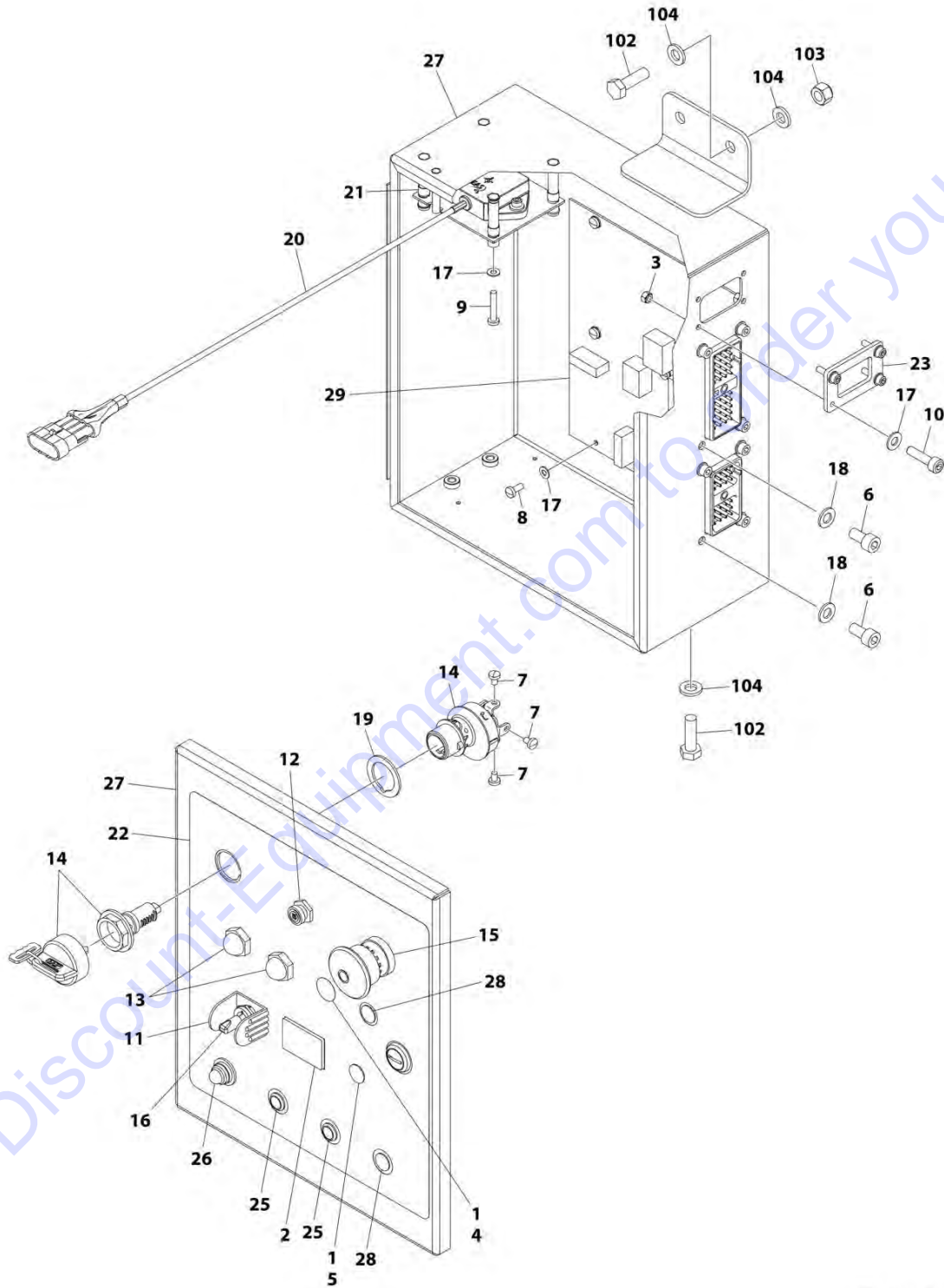
## SECTION 2 - GROUND CONTROLS

**FIGURE 2-9. GROUND CONTROL BOX ASSEMBLY (DIESEL MACHINES) (Prior to SN 0200267917)**

ITEM	PART NUMBER	QTY	DESCRIPTION	REV
	1001215252	Ref	GROUND CONTROL BOX ASSEMBLY (DIESEL MACHINES)	F
1	2420172	1	Hourmeter	
2	3290405	4	Nut M4	
3	3520026	1	Plug	
4	3250028	1	Plug	
5	3900300	8	Capscrew #10 x 3/8	
6	4010403	3	Screw M4 x 6	
7	4010405	4	Screw M4 x 10	
8	4010412	4	Screw M4 x 24	
9	4031507	4	Capscrew M4 x 16	
10	4060802	1	Guard, Switch	
11	4360070	1	Breaker, Circuit 15Amp	
12	4360387	2	Switch, Push Button	
13	4360469	1	Switch Key	
13	2860030	1 Set	Key, Replacement	
14	4360475	1	Switch, Emergency Stop	
14	7020175	1	Cap	
14	7020176	1	Block, Contact	
15	4360524	1	Switch, Toggle	
16	4811400	12	Washer M4	
17	4811600	8	Washer M5	
18	0100009	AR	Sealant	
19	1001151393	1	Shim, Nylon .063	
20	1001181314	1	Module, Ground Control (Note: Re-calibration Required when Replaced)	
21	1001181330	1	Sensor	
21	See Note	NSS	Connector - 4 Position (Note: Not Available for Purchase)	
21	See Note	NSS	Terminal (Note: Not Available for Purchase)	
23	1001184730	4	Washer	
24	1001189773	1	Decal - Ground Control	
25	1001190002	1	Seal, Connector	
26	1001214989	1	Ground Control Box Harness (Not Shown) (Upper) (See Separate Breakdown in ELECTRICAL SECTION)	
27	1001214990	1	Ground Control Box Harness (Not Shown) (Lower) (See Separate Breakdown in ELECTRICAL SECTION)	
28	1001215255	2	Light, LED with Harness (Yellow)	
29	1001221687	1	Light with Harness (Yellow)	
29	2920029	1	Bulb, Light	
30	1001222169	1	Box, Ground Control	
31	1001226421	2	Plug, Hole	
	1001210755	Ref	GROUND CONTROL BOX INSTALLATION (DIESEL MACHINES)	B
102	0760610	6	Bolt M6 x 20	
103	3290605	2	Nut M6	
104	4811700	8	Washer M6	

## SECTION 2 - GROUND CONTROLS

FIGURE 2-10. GROUND CONTROL BOX ASSEMBLY (DIESEL MACHINES) (SN 0200267917 to Present)



ART\_1001236352

## SECTION 2 - GROUND CONTROLS

**FIGURE 2-10. GROUND CONTROL BOX ASSEMBLY (DIESEL MACHINES) (SN 0200267917 to Present)**

ITEM	PART NUMBER	QTY	DESCRIPTION	REV
	1001236352	Ref	GROUND CONTROL BOX ASSEMBLY (DIESEL MACHINES)	A
1	0100009	AR	Sealant	
2	2420172	1	Hourmeter	
3	3290405	4	Nut M4	
4	3520026	1	Plug	
5	3250028	1	Plug	
6	3900300	8	Capscrew #10 x 3/8	
7	4010403	3	Screw M4 x 6	
8	4010405	4	Screw M4 x 10	
9	4010412	4	Screw M4 x 24	
10	4031507	4	Capscrew M4 x 16	
11	4060802	1	Guard, Switch	
12	4360070	1	Breaker, Circuit 15Amp	
13	4360387	2	Switch, Push Button	
14	4360469	1	Switch Key	
14	2860030	1 Set	Key, Replacement	
15	4360475	1	Switch, Emergency Stop	
15	7020175	1	Cap	
15	7020176	1	Block, Contact	
16	4360524	1	Switch, Toggle	
17	4811400	12	Washer M4	
18	4811600	8	Washer M5	
19	1001151393	1	Shim, Nylon .063	
20	1001181330	1	Sensor	
20	See Note	NSS	Connector - 4 Position (Note: Not Available for Purchase)	
20	See Note	NSS	Terminal (Note: Not Available for Purchase)	
21	1001184730	4	Washer	
22	1001189773	1	Decal - Ground Control	
23	1001190002	1	Seal, Connector	
24	1001214989	1	Ground Control Box Harness (Not Shown) (Upper) (See Separate Breakdown in ELECTRICAL SECTION)	
25	1001215255	2	Light, LED with Harness (Yellow)	
26	1001221687	1	Light with Harness (Yellow)	
26	2920029	1	Bulb, Light	
27	1001222169	1	Box, Ground Control	
28	1001226421	2	Plug, Hole	
29	1001234735	1	Module, Ground Control (Note: Re-calibration Required when Replaced)	
30	1001236154	1	Ground Control Box Harness (Not Shown) (Lower) (See Separate Breakdown in ELECTRICAL SECTION)	
	1001210755	Ref	GROUND CONTROL BOX INSTALLATION (DIESEL MACHINES)	C
102	0760610	6	Bolt M6 x 20	
103	3290605	2	Nut M6	
104	4811700	8	Washer M6	

# PARTS FINDER

**Search Website  
by Part Number**



**Search Manual  
Library For Parts  
Manual & Lookup Part  
Numbers – Purchase  
or Request Quote**

**Can't Find Part or  
Manual? Request Help  
by Manufacturer,  
Model & Description**

Discount-Equipment.com is your online resource for quality parts & equipment.

Florida: **561-964-4949** Outside Florida TOLL FREE: **877-690-3101**

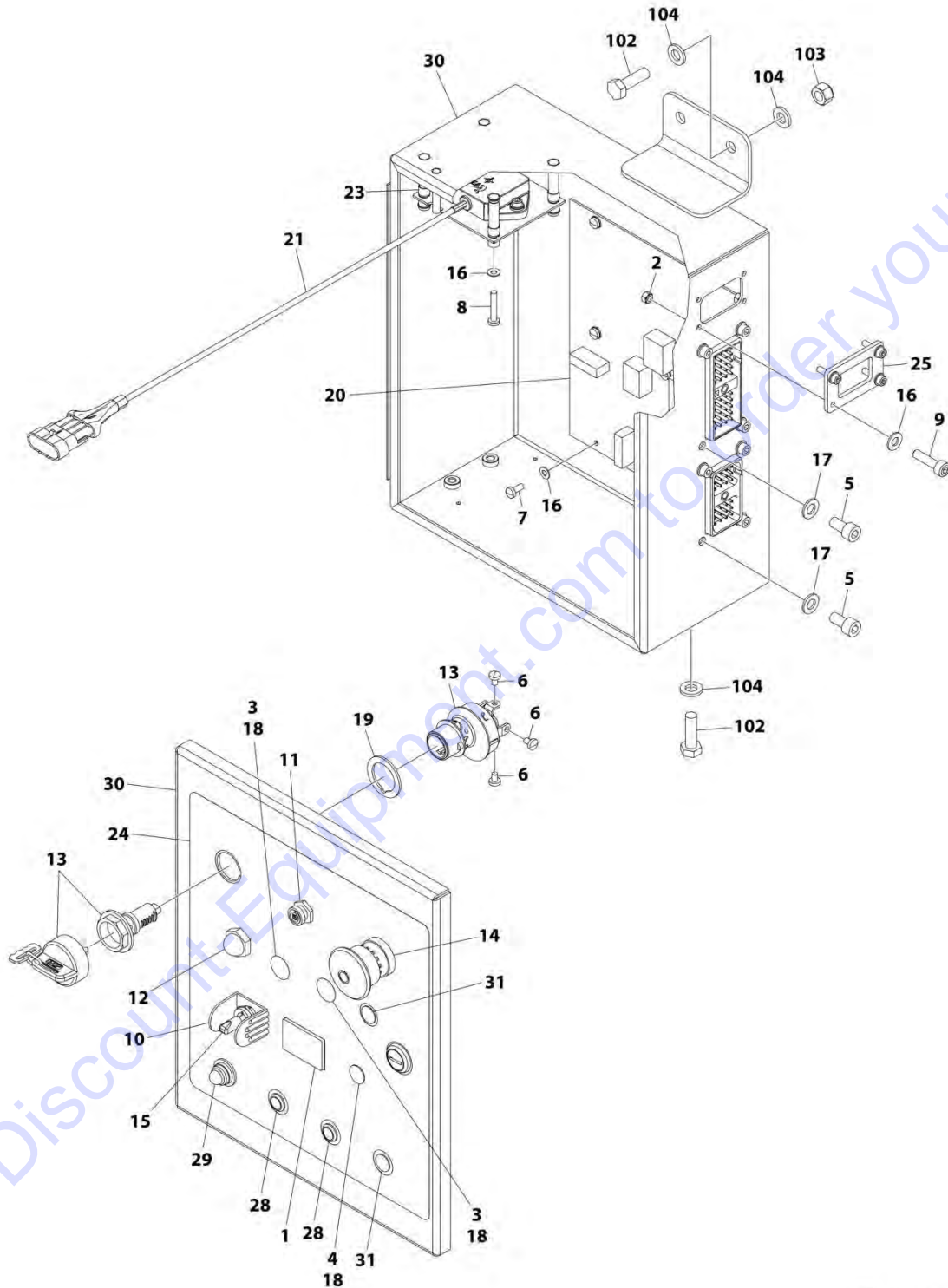
**Need parts?**

Click on this link: <http://www.discount-equipment.com/category/5443-parts/> and choose one of the options to help get the right parts and equipment you are looking for. Please have the machine model and serial number available in order to help us get you the correct parts. If you don't find the part on the website or on one of the online manuals, please fill out the request form and one of our experienced staff members will get back to you with a quote for the right part that your machine needs.

We sell worldwide for the brands: Genie, Terex, JLG, MultiQuip, Mikasa, Essick, Whiteman, Mayco, Toro Stone, Diamond Products, Generac Magnum, Airman, Haulotte, Barreto, Power Blanket, Nifty Lift, Atlas Copco, Chicago Pneumatic, Allmand, Miller Curber, Skyjack, Lull, Skytrak, Tsurumi, Husquvarna Target, Stow, Wacker, Sakai, Mi-T-M, Sullair, Basic, Dynapac, MBW, Weber, Bartell, Bennar Newman, Haulotte, Ditch Runner, Menegotti, Morrison, Contec, Buddy, Crown, Edco, Wyco, Bomag, Laymor, EZ Trench, Bil-Jax, F.S. Curtis, Gehl Pavers, Heli, Honda, ICS/PowerGrit, IHI, Partner, Imer, Clipper, MMD, Koshin, Rice, CH&E, General Equipment, Amida, Coleman, NAC, Gradall, Square Shooter, Kent, Stanley, Tamco, Toku, Hatz, Kohler, Robin, Wisconsin, Northrock, Oztec, Toker TK, Rol-Air, APT, Wylie, Ingersoll Rand / Doosan, Innovatech, Con X, Ammann, Mecalac, Makinex, Smith Surface Prep, Small Line, Wanco, Yanmar

## SECTION 2 - GROUND CONTROLS

FIGURE 2-11. GROUND CONTROL BOX ASSEMBLY (GAS MACHINES) (Prior to SN 0200267917)



ART\_1001215251



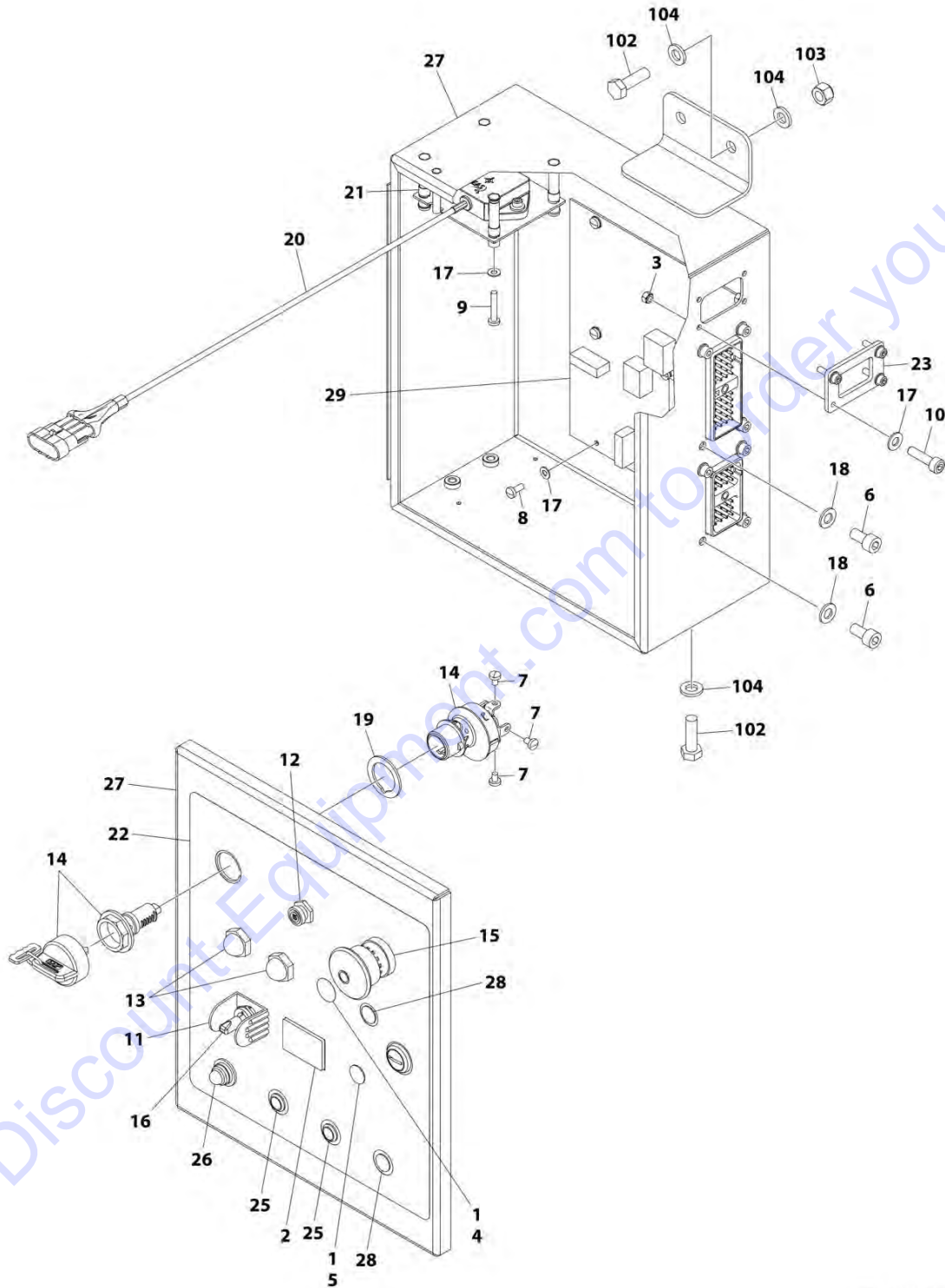
## SECTION 2 - GROUND CONTROLS

**FIGURE 2-11. GROUND CONTROL BOX ASSEMBLY (GAS MACHINES) (Prior to SN 0200267917)**

ITEM	PART NUMBER	QTY	DESCRIPTION	REV
	1001215251	Ref	GROUND CONTROL BOX ASSEMBLY (GAS MACHINES)	F
1	2420172	1	Hourmeter	
2	3290405	4	Nut M4	
3	3520026	2	Plug	
4	3520028	1	Plug	
5	3900300	8	Capscrew #10 x 3/8	
6	4010403	3	Screw M4 x 6	
7	4010405	4	Screw M4 x 10	
8	4010412	4	Screw M4 x 24	
9	4031507	4	Capscrew M4 x 16	
10	4060802	1	Guard, Switch	
11	4360070	1	Breaker, Circuit 15Amp	
12	4360387	1	Switch, Push Button	
13	4360469	1	Switch, Key	
13	2860030	1 Set	Key, Replacement	
14	4360475	1	Switch, Emergency Stop	
14	7020175	1	Cap	
14	7020176	1	Block, Contact	
15	4360524	1	Switch, Toggle	
16	4811400	12	Washer M4	
17	4811600	8	Washer M5	
18	0100009	AR	Sealant	
19	1001151393	1	Shim, Nylon .063	
20	1001181314	1	Module, Ground Control (Note: Re-calibration Required when Replaced)	
21	1001181330	1	Sensor	
21	See Note	NSS	Connector - 4 Position (Note: Not Available for Purchase)	
21	See Note	NSS	Terminal (Note: Not Available for Purchase)	
23	1001184730	4	Washer	
24	1001189773	1	Decal - Ground Control	
25	1001190002	1	Seal, Connector	
26	1001214989	1	Ground Control Box Harness (Not Shown) (Upper) (See Separate Breakdown in ELECTRICAL SECTION)	
27	1001214990	1	Ground Control Box Harness (Not Shown) (Lower) (See Separate Breakdown in ELECTRICAL SECTION)	
28	1001215255	2	Light, LED with Harness (Yellow)	
29	1001221687	1	Light with Harness (Yellow)	
29	2920029	1	Bulb, Light	
30	1001222169	1	Box, Ground Control	
31	1001226421	2	Plug, Hole	
	1001210754	Ref	GROUND CONTROL BOX INSTALLATION (GAS MACHINES)	B
102	0760610	6	Bolt M6 x 20	
103	3290605	2	Nut M6	
104	4811700	8	Washer M6	

## SECTION 2 - GROUND CONTROLS

FIGURE 2-12. GROUND CONTROL BOX ASSEMBLY (GAS MACHINES) (SN 0200267917 to Present)



ART\_1001236351

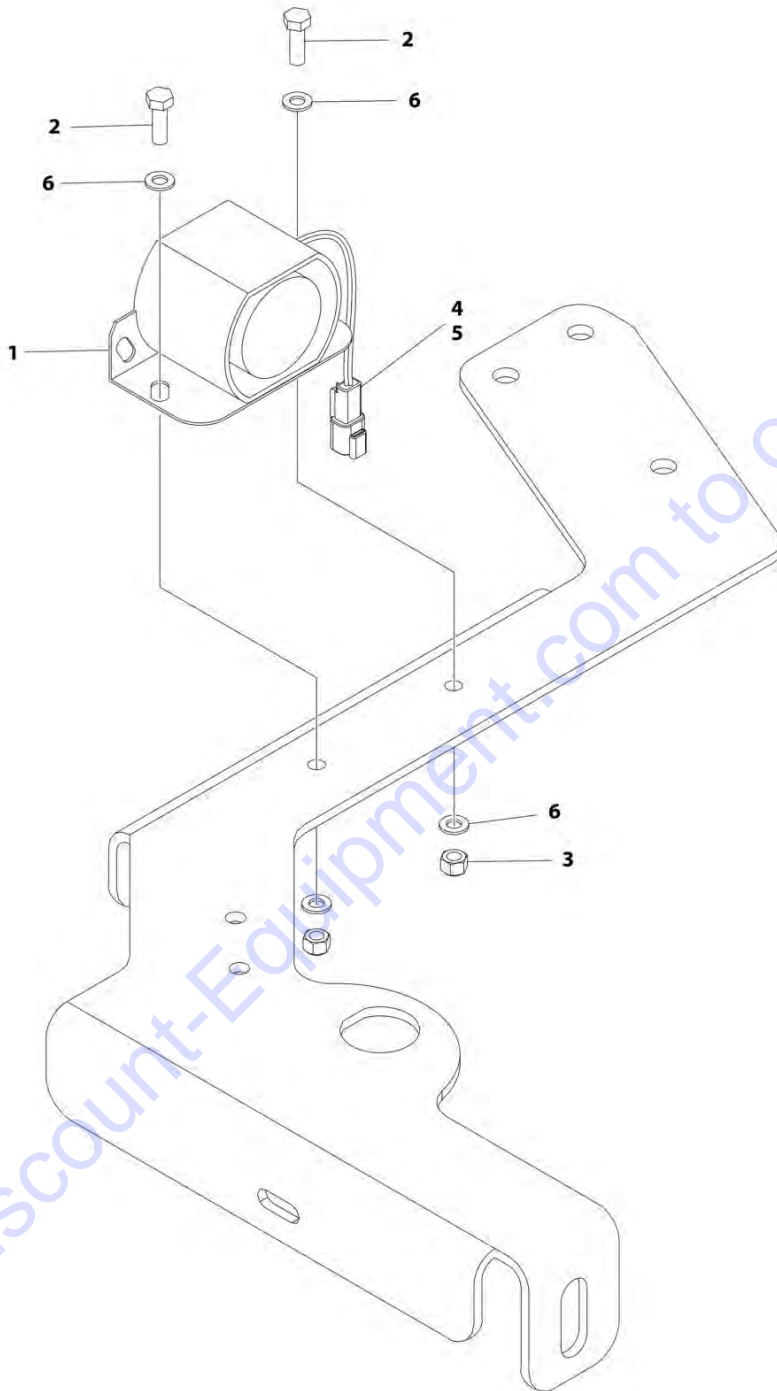
## SECTION 2 - GROUND CONTROLS

**FIGURE 2-12. GROUND CONTROL BOX ASSEMBLY (GAS MACHINES) (SN 0200267917 to Present)**

ITEM	PART NUMBER	QTY	DESCRIPTION	REV
	1001236351	Ref	GROUND CONTROL BOX ASSEMBLY (GAS MACHINES)	A
1	0100009	AR	Sealant	
2	2420172	1	Hourmeter	
3	3290405	4	Nut M4	
4	3520026	2	Plug	
5	3250028	1	Plug	
6	3900300	8	Capscrew #10 x 3/8	
7	4010403	3	Screw M4 x 6	
8	4010405	4	Screw M4 x 10	
9	4010412	4	Screw M4 x 24	
10	4031507	4	Capscrew M4 x 16	
11	4060802	1	Guard, Switch	
12	4360070	1	Breaker, Circuit 15Amp	
13	4360387	1	Switch, Push Button	
14	4360469	1	Switch Key	
14	2860030	1 Set	Key, Replacement	
15	4360475	1	Switch, Emergency Stop	
15	7020175	1	Cap	
15	7020176	1	Block, Contact	
16	4360524	1	Switch, Toggle	
17	4811400	12	Washer M4	
18	4811600	8	Washer M5	
19	1001151393	1	Shim, Nylon .063	
20	1001181330	1	Sensor	
20	See Note	NSS	Connector - 4 Position (Note: Not Available for Purchase)	
20	See Note	NSS	Terminal (Note: Not Available for Purchase)	
21	1001184730	4	Washer	
22	1001189773	1	Decal - Ground Control	
23	1001190002	1	Seal, Connector	
24	1001214989	1	Ground Control Box Harness (Not Shown) (Upper) (See Separate Breakdown in ELECTRICAL SECTION)	
25	1001215255	2	Light, LED with Harness (Yellow)	
26	1001221687	1	Light with Harness (Yellow)	
26	2920029	1	Bulb, Light	
27	1001222169	1	Box, Ground Control	
28	1001226421	2	Plug, Hole	
29	1001234735	1	Module, Ground Control (Note: Re-calibration Required when Replaced)	
30	1001236154	1	Ground Control Box Harness (Not Shown) (Lower) (See Separate Breakdown in ELECTRICAL SECTION)	
	1001210754	Ref	GROUND CONTROL BOX INSTALLATION (DIESEL MACHINES)	C
102	0760610	6	Bolt M6 x 20	
103	3290605	2	Nut M6	
104	4811700	8	Washer M6	

## SECTION 2 - GROUND CONTROLS

FIGURE 2-13. MOTION ALARM INSTALLATION



ART\_1001206689

## SECTION 2 - GROUND CONTROLS

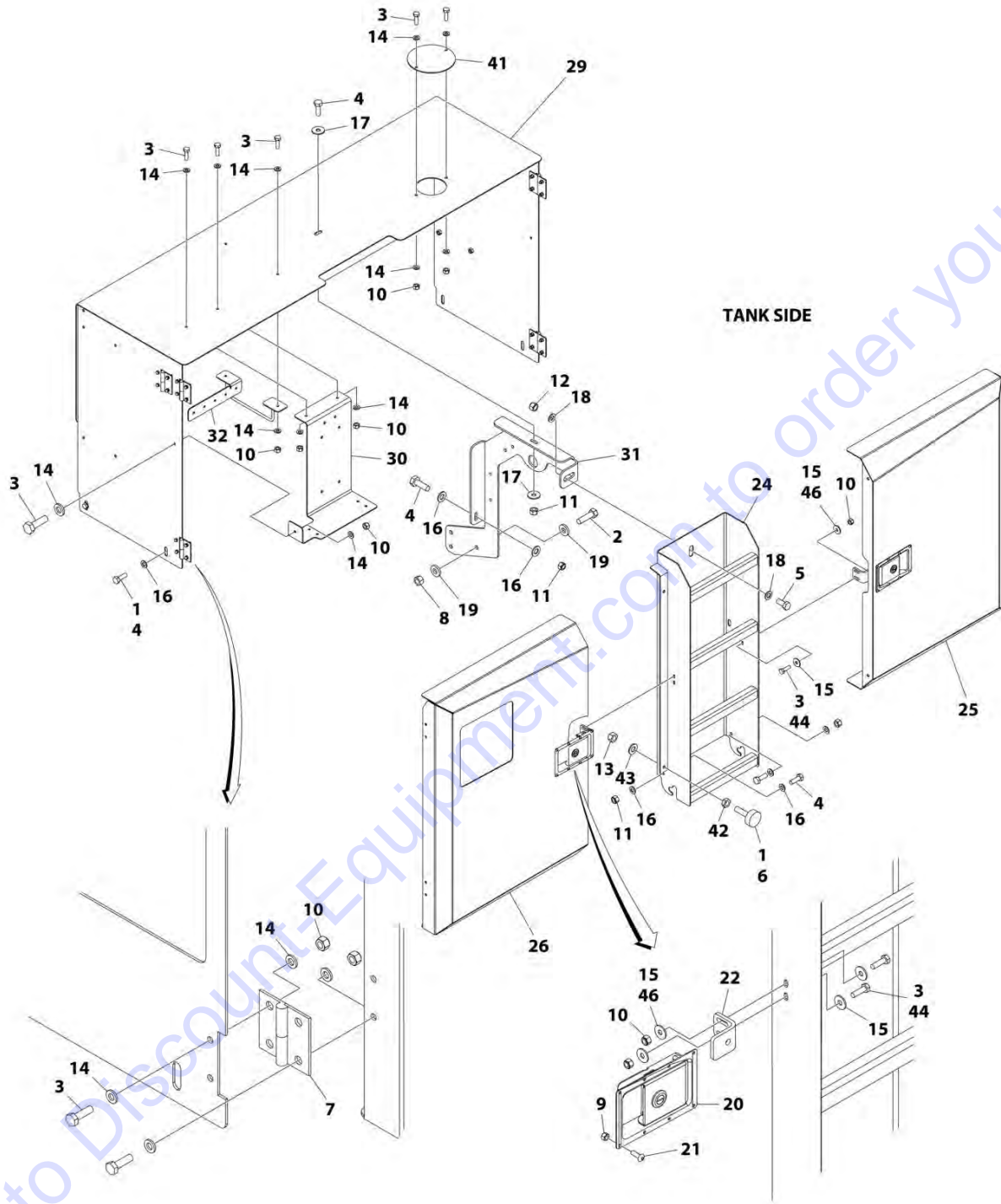
FIGURE 2-13. MOTION ALARM INSTALLATION

ITEM	PART NUMBER	QTY	DESCRIPTION	REV
	1001206689	Ref	MOTION ALARM INSTALLATION	A
1	0140032	1	Alarm	
2	0770812	2	Bolt M8 x 25	
3	3290805	2	Nut M8	
4	4460464	2	Pin, Male	
5	4460897	1	Receptacle, Female - 2 Position	
6	4811900	4	Washer M8	

Go to Discount-Equipment.com to order your parts

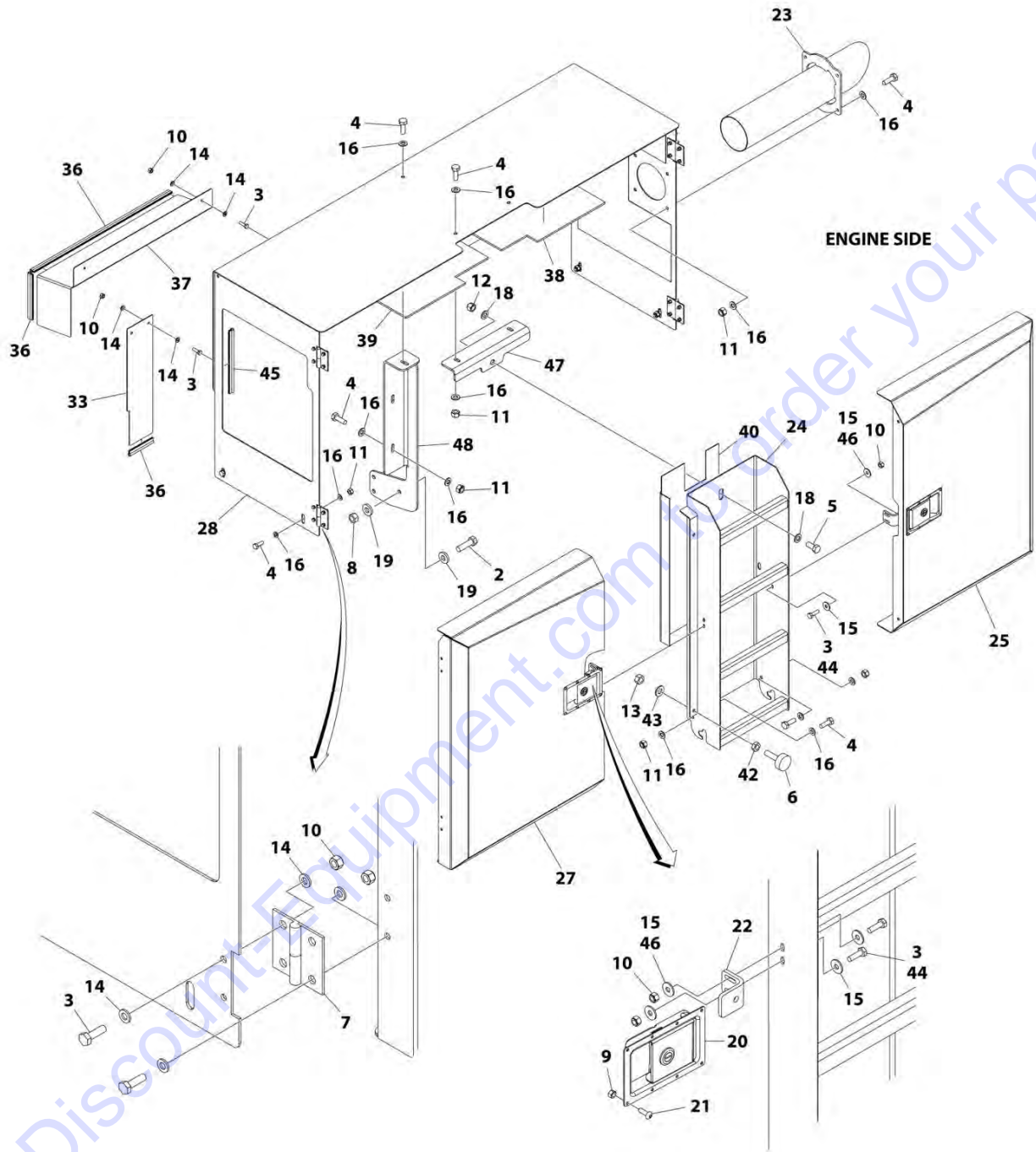
# SECTION 2 - GROUND CONTROLS

## FIGURE 2-14. HOODS AND LADDERS INSTALLATION (330LRT)



ART\_1001204695\_10F2

# SECTION 2 - GROUND CONTROLS



ART\_1001204695\_20F2

## SECTION 2 - GROUND CONTROLS

FIGURE 2-14. HOODS AND LADDERS INSTALLATION (330LRT)

ITEM	PART NUMBER	QTY	DESCRIPTION	REV
	1001204695	Ref	HOODS AND LADDERS INSTALLATION (330LRT)	L
1	0100011	AR	Compound, Locking	
2	0681814	AR	Bolt 1/2 x 1-3/4 Grade 8	
3	0760610	AR	Bolt M6 x 20	
4	0761014	AR	Bolt M10 x 30	
5	0761615	AR	Bolt M16 x 35	
6	0940049	AR	Stopper	
7	2600216	8	Hinge	
8	3271805	AR	Nut 1/2 Grade 8	
9	3290505	AR	Nut M5	
10	3290605	AR	Nut M6	
11	3291005	AR	Nut M10	
12	3291605	AR	Nut M16	
13	3311501	AR	Nut 5/16	
14	4811700	AR	Washer M6	
15	4811702	AR	Washer M6	
16	4812000	AR	Washer M10	
17	4812002	AR	Washer M10	
18	4812300	AR	Washer M16	
19	4891800	AR	Washer 1/2	
20	1001093383	4	Latch	
21	1001099125	AR	Screw M5 x 16 Grade 10.9	
22	1001219882	4	Bracket, Latch	
23	1001183416	1	Tube, Exhaust	
24	1001204140	2	Ladder	
25	1001204145	2	Door (Rear)	
26	1001204146	1	Door (Tank Side Front)	
27	1001204147	1	Door (Engine Side Front)	
28	1001204224	NLA	Cover (Engine Side) <b>(Prior to SN 0200268060)</b>	
28	1001239222	1	Cover (Engine Side) <b>(SN 0200268060 to Present)</b>	
29	1001204236	1	Cover (Tank Side)	
30	1001204248	1	Bracket, Ground Control Box	
31	1001204382	AR	Support, Ladder	
32	1001209208	1	Support, Harness	
33	1001218727	1	Bracket, Generator	
36	1001110433	37.2 in/ 94.5cm	Seal	
37	1001218729	1	Bracket, Generator	
38	1001225258	1	Insulate (Right)	
39	1001225257	1	Insulate (Left)	
40	1001225256	1	Insulate <b>(Prior to SN 0200268060)</b>	
40	1001238471	1	Insulate <b>(SN 0200268060 to Present)</b>	
41	1001226221	1	Plate, Access	
42	3311502	AR	Nut 5/16 Grade 2	
43	4711500	AR	Washer 5/16	
44	0760612	8	Bolt M6 x 25 <b>(SN 0200267032 to Present)</b>	
45	4060803	7.4 in /19cm	Shield, Flex Trim <b>(SN 0200267032 to Present)</b>	
46	5240600	AR	Washer M6 <b>(SN 0200267032 to Present)</b>	
47	1001237907	1	Bracket, Ladder Support <b>(SN 0200268060 to Present)</b>	



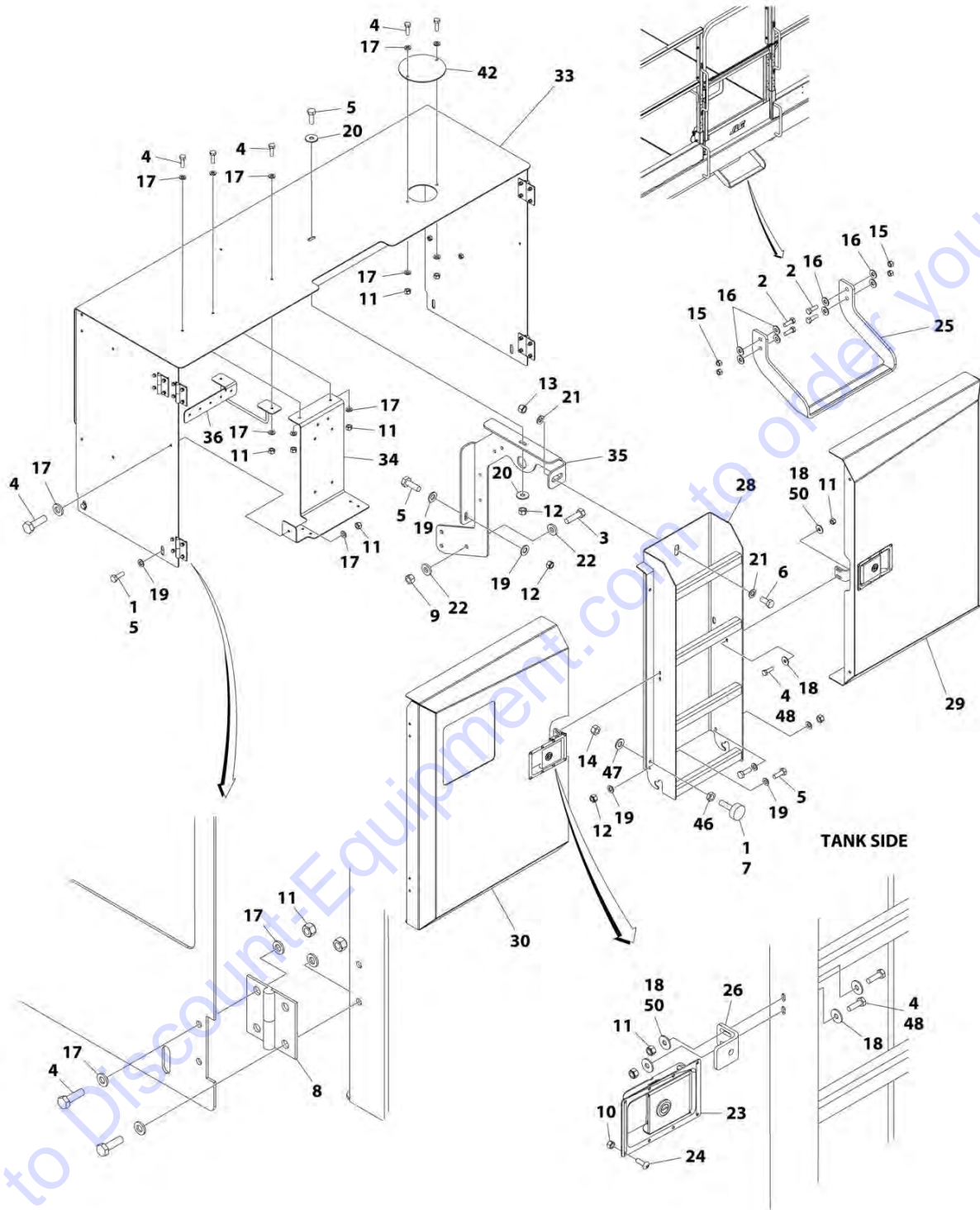
## SECTION 2 - GROUND CONTROLS

ITEM	PART NUMBER	QTY	DESCRIPTION	REV
48	1001237908	1	Bracket, Hood Support (SN 0200268060 to Present)	

Go to Discount-Equipment.com to order your parts

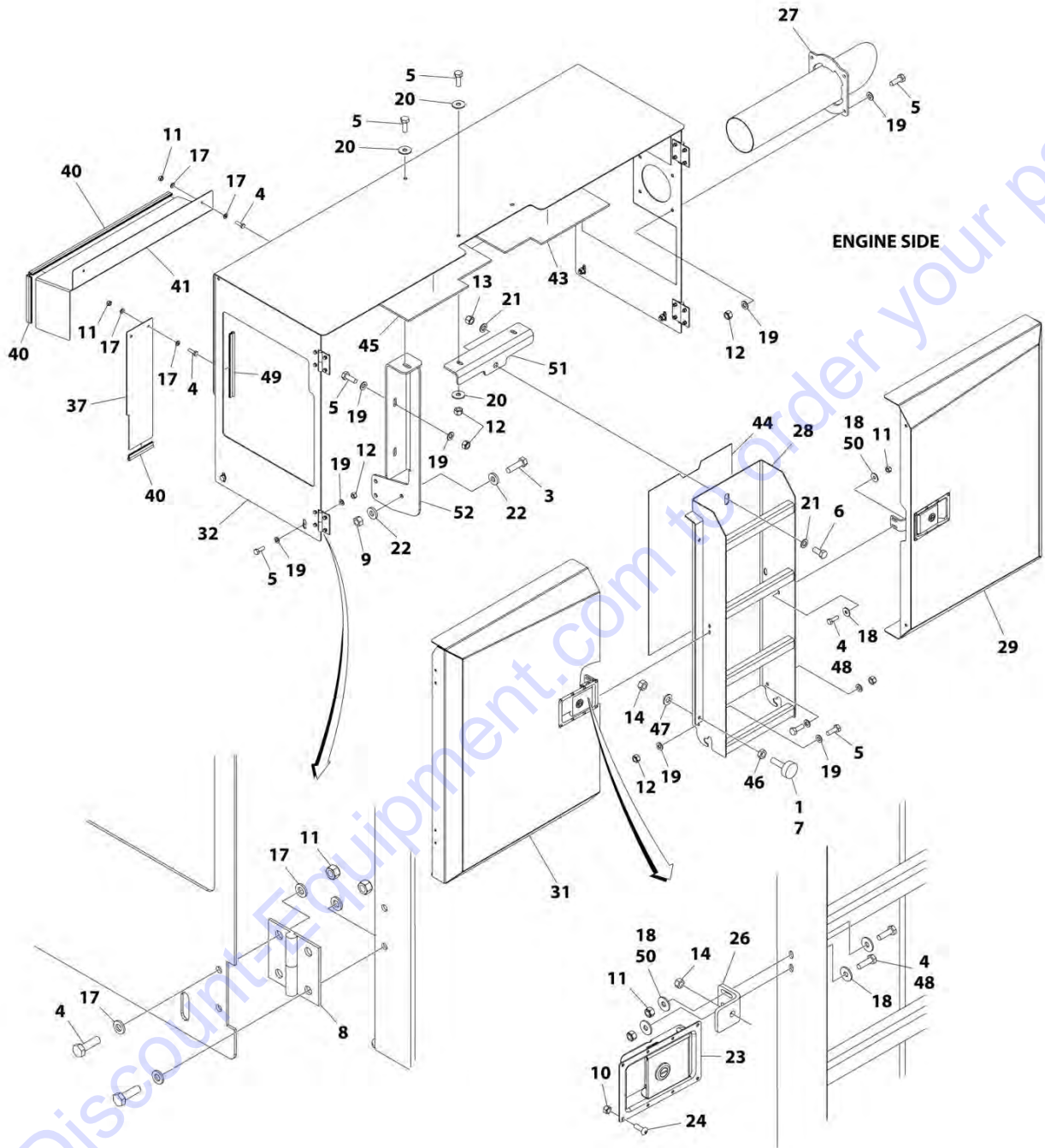
# SECTION 2 - GROUND CONTROLS

## FIGURE 2-15. HOODS AND LADDERS INSTALLATION (430LRT)



ART\_1001206467\_10F2

# SECTION 2 - GROUND CONTROLS



ART\_1001206467\_2OF2

## SECTION 2 - GROUND CONTROLS

FIGURE 2-15. HOODS AND LADDERS INSTALLATION (430LRT)

ITEM	PART NUMBER	QTY	DESCRIPTION	REV
	1001206467	Ref	HOODS AND LADDERS INSTALLATION (430LRT)	L
1	0100011	AR	Compound, Locking	
2	0641609	AR	Bolt 3/8 x 1-1/8	
3	0681814	AR	Bolt 1/2 x 1-3/4 Grade 8	
4	0760610	AR	Bolt M6 x 20	
5	0761014	AR	Bolt M10 x 30	
6	0761615	AR	Bolt M16 x 35	
7	0940049	8	Stopper	
8	2600216	8	Hinge	
9	3271805	AR	Nut 1/2 Grade 8	
10	3290505	AR	Nut M5	
11	3290605	AR	Nut M6	
12	3291005	AR	Nut M10	
13	3291605	AR	Nut M16	
14	3311501	AR	Nut 5/16	
15	3311605	AR	Nut 3/8	
16	4751600	AR	Washer 3/8	
17	4811700	AR	Washer M6	
18	4811702	AR	Washer M6	
19	4812000	AR	Washer M10	
20	4812002	AR	Washer M10	
21	4812300	AR	Washer M16	
22	4891800	AR	Washer 1/2	
23	1001093383	4	Latch	
24	1001099125	32	Screw M5 x 16 Grade 10.9	
25	1001167469	2	Ladder	
26	1001219882	4	Bracket, Latch	
27	1001183416	1	Tube, Exhaust	
28	1001204140	2	Ladder	
29	1001204145	2	Door (Rear)	
30	1001204146	1	Door (Tank Side Front)	
31	1001204147	1	Door (Engine Side Front)	
32	1001204224	NLA	Cover (Engine Side) <b>(Prior to SN 0200268060)</b>	
32	1001239222	1	Cover (Engine Side) <b>(SN 0200268060 to Present)</b>	
33	1001204236	1	Cover (Tank Side)	
34	1001204248	1	Bracket, Ground Control Box	
35	1001204382	AR	Support, Ladder	
36	1001209208	1	Support, Harness	
37	1001218727	1	Bracket, Generator	
40	1001110433	37.2 in/ 94.5cm	Seal	
41	1001218729	1	Bracket, Generator	
42	1001226221	1	Plate, Access	
43	1001225258	1	Insulate (Right)	
44	1001225256	1	Insulate <b>(Prior to SN 0200268060)</b>	
44	1001228471	1	Insulate <b>(SN 0200268060 to Present)</b>	
45	1001225257	1	Insulate (Left)	
46	3311502	AR	Nut 5/16 Grade 2	
47	4711500	AR	Washer 5/16	
48	0760612	AR	Bolt M6 x 25	

## SECTION 2 - GROUND CONTROLS

ITEM	PART NUMBER	QTY	DESCRIPTION	REV
49	4060803	7.4 in /19cm	Shield, Flex Trim	
50	5240600	AR	Washer M6	
51	1001237907	1	Bracket, Ladder Support <b>(SN 0200268060 to Present)</b>	
52	1001237908	1	Bracket, Hood Support <b>(SN 0200268060 to Present)</b>	

Go to Discount-Equipment.com to order your parts

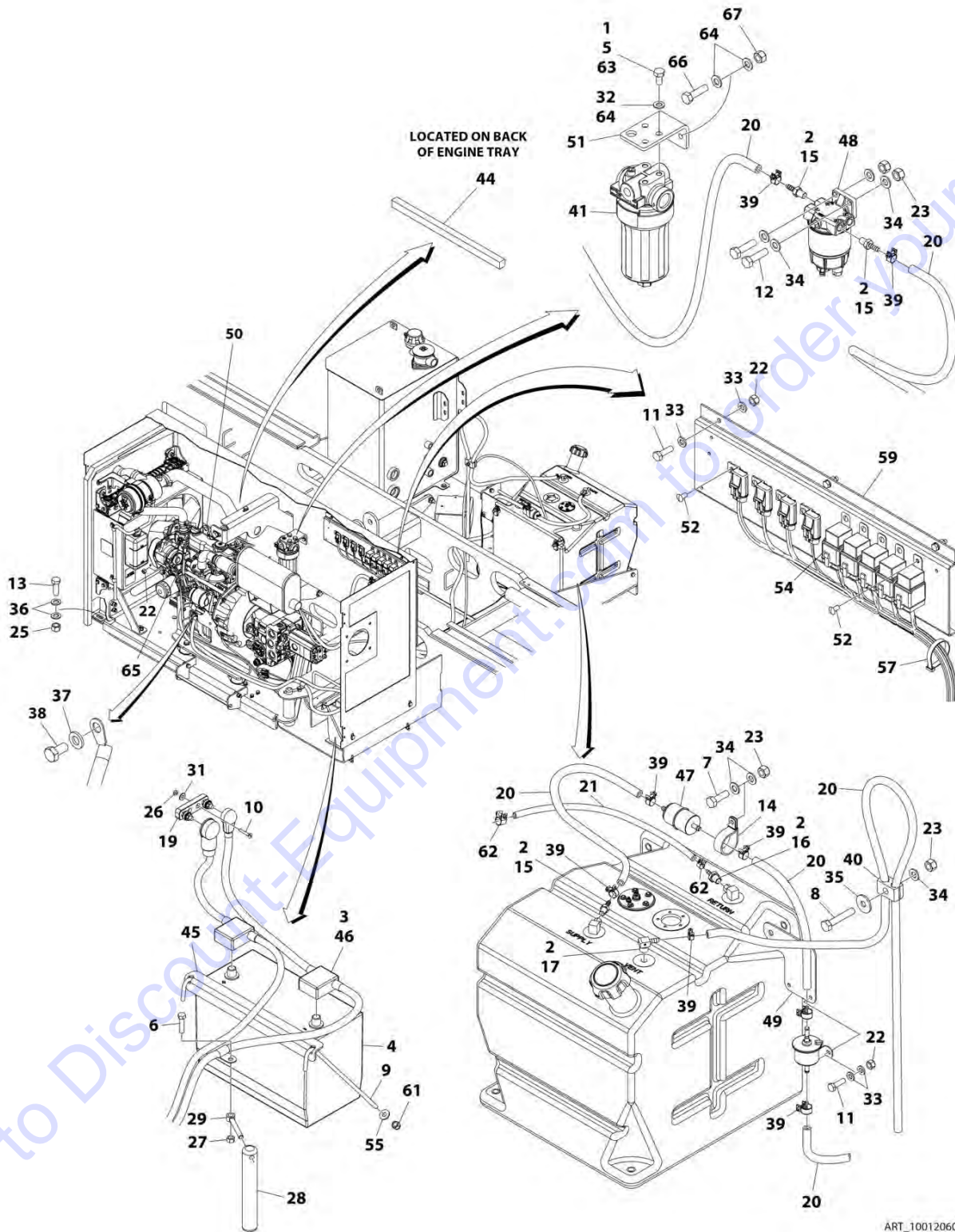


**SECTION 3 - ENGINE**

Go to [Discount-Equipment.com](http://Discount-Equipment.com) to order your parts

# SECTION 3 - ENGINE

## FIGURE 3-1. ENGINE INSTALLATION - KUBOTA DIESEL STAGE III (Prior to SN 0200268705)



ART\_1001206036



## SECTION 3 - ENGINE

**FIGURE 3-1. ENGINE INSTALLATION - KUBOTA DIESEL STAGE III (Prior to SN 0200268705)**

ITEM	PART NUMBER	QTY	DESCRIPTION	REV
	1001206036	Ref	ENGINE INSTALLATION - KUBOTA DIESEL STAGE III	M
1	0100011	AR	Compound, Locking	
2	0100020	AR	Sealant	
3	0100051	AR	Grease, Terminal	
4	0400075	1	Battery	
5	0641605	4	Bolt 3/8 x 5/8 <b>(Prior to SN 0200266880)</b>	
6	0641612	AR	Bolt 3/8 x 1-1/2	
7	0700812	AR	Bolt M8 x 25	
8	0700817	AR	Bolt M8 x 45	
9	1001093382	2	J-Bolt	
10	0741010	AR	Screw #10 x 1-1/4	
11	0760610	AR	Bolt M6 x 20	
12	0760814	AR	Bolt M8 x 30	
13	0761617	AR	Bolt M16 x 45	
14	1320265	1	Clamp	
15	2180348	3	Fitting, Straight NPT x Barbed	
16	2180666	1	Fitting, Straight NPT x Barbed	
17	1001208764	1	Fitting, 90 NPT x Barbed	
18	2300004	AR	Coolant (Not Shown)	
19	2400044	1	Block, Fuse Mounting	
20	2720058	242 in/ 6.2m	Hose	
21	2720271	136 in/ 3.5m	Hose	
22	3290605	AR	Nut M6	
23	3290805	AR	Nut M8	
25	3291605	AR	Nut M16	
26	3300408	AR	Nut	
27	3311605	AR	Nut 3/8	
28	3422669	1	Pin	
29	3841143	1	Keeper, Pin	
31	4711400	AR	Washer 1/4	
32	4711600	AR	Washer 3/8	
33	4811700	10	Washer M6	
34	4811900	11	Washer M8	
35	4811902	AR	Washer M8	
36	4812300	AR	Washer M16	
37	5241000	AR	Washer M10	
38	8303511	AR	Capscrew M10 x 20	
39	1001174486	9	Clamp	
40	8750014	1	Clamp	
41	1001102987	1	Filter, Charge Pump <b>(Prior to SN 0200266880)</b>	
41	1001208874	1	Filter, Charge Pump <b>(SN 0200266880 to Present)</b>	
41	70010383	1	Element, Filter	
42	1001159301	AR	Oil, Engine (Not Shown)	
44	1001183421	1	Foam, Baffle	
45	1001184065	1	Bracket, Hold Down	
46	1001186428	1	Battery Cable Kit (See Separate Breakdown in ELECTRICAL SECTION)	
47	1001190545	1	Filter, Fuel	

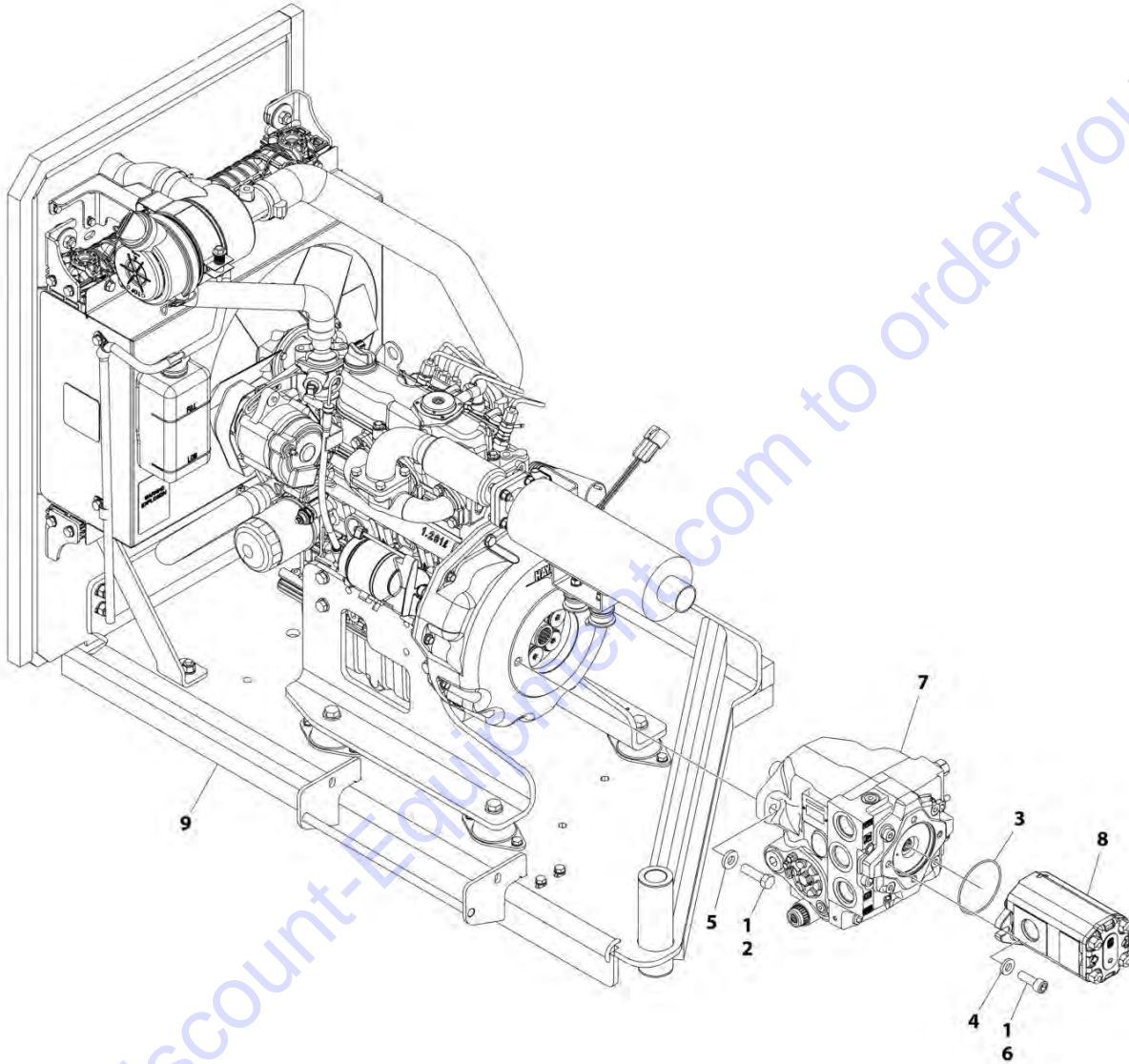
## SECTION 3 - ENGINE

ITEM	PART NUMBER	QTY	DESCRIPTION	REV
48	1001190609	1	Fuel/Water Separator Assembly - Diesel Engines (See Separate Breakdown in this Section)	
49	1001191146	1	Bracket	
50	1001206051	1	Engine and Pump Sub-Assembly - Kubota Diesel Stage III (See Separate Breakdown in this Section) <b>(Prior to SN 0200268705)</b>	
51	1001206686	1	Bracket <b>(Prior to SN 0200268060)</b>	
51	1001194836	1	Bracket <b>(SN 0200268060 to Present)</b>	
52	3820020	AR	Rivet	
53	3290505	AR	Nut M5 (Not Shown)	
54	3740080	5	Relay	
55	4751500	AR	Washer 5/16	
57	4240018	AR	Tie-Strap	
58	4811600	AR	Washer M5 (Not Shown)	
59	1001185125	1	Plate	
60	1001209064	1	Engine Harness - Kubota Diesel Stage III (Not Shown - See Separate Breakdown in ELECTRICAL SECTION) <b>(Prior to SN 0200267917)</b>	
60	1001236545	1	Engine Harness - Kubota Diesel Stage III (Not Shown - See Separate Breakdown in ELECTRICAL SECTION) <b>(SN 0200267917 to Present)</b>	
61	88521205	AR	Nut 5/16	
62	1001185585	2	Clamp	
63	0761010	AR	Bolt, M10 x 20	
64	4812000	AR	Washer M10	
65	1001234069	1	Harness, Fusible Link <b>(SN 0200267917 to Present)</b>	
66	0761014	AR	Bolt M10 x 30 <b>(SN 0200268060 to Present)</b>	
67	3291005	AR	Locknut M10 <b>(SN 0200268060 to Present)</b>	



# SECTION 3 - ENGINE

FIGURE 3-2. ENGINE AND PUMP SUB-ASSEMBLY - KUBOTA DIESEL STAGE III (Prior to SN 0200268705)



ART\_1001206051

## SECTION 3 - ENGINE

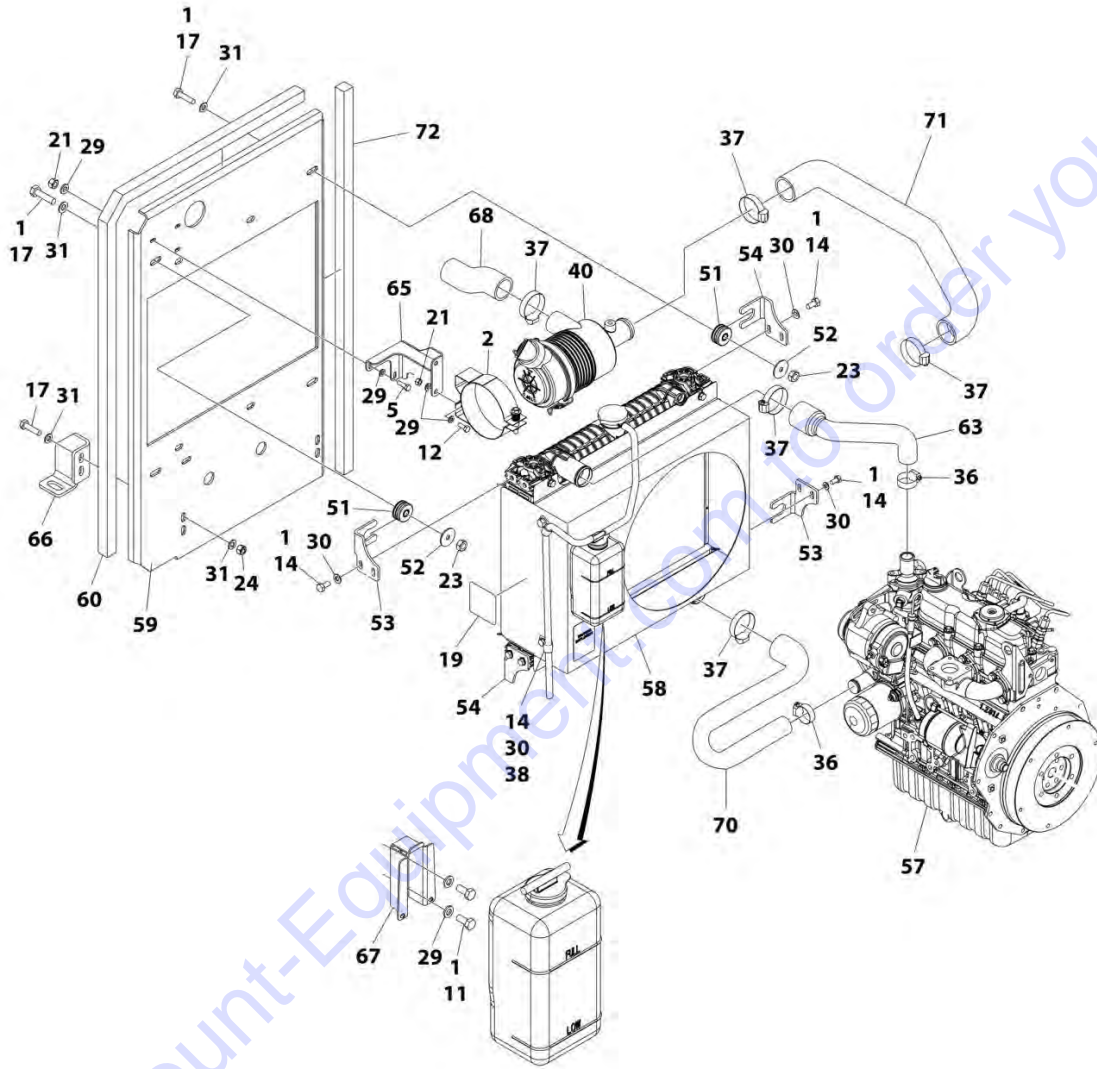
**FIGURE 3-2. ENGINE AND PUMP SUB-ASSEMBLY - KUBOTA DIESEL STAGE III (Prior to SN 0200268705)**

ITEM	PART NUMBER	QTY	DESCRIPTION	REV
	1001206051	Ref	ENGINE AND PUMP SUB-ASSEMBLY - KUBOTA DIESEL STAGE III	F
1	0100011	AR	Compound, Locking	
2	0641814	2	Bolt 1/2 x 1-3/4	
3	3790152	1	O-Ring	
4	4891600	2	Washer 3/8	
5	4891800	2	Washer 1/2	
6	83191040	2	Capscrew M10 x 30	
7	1001101331	1	Piston Pump Assembly (See Separate Breakdown in this Section)	
8	1001181393	1	Gear Pump Assembly	
8	7023929	1	Seal Kit - 1001181393 Pump (Note: Seal Kit is only service component available)	
9	1001205969	1	Engine Assembly - Kubota Diesel Stage III (See Separate Breakdown in this Section)	

Go to Discount-Equipment.com to order your parts

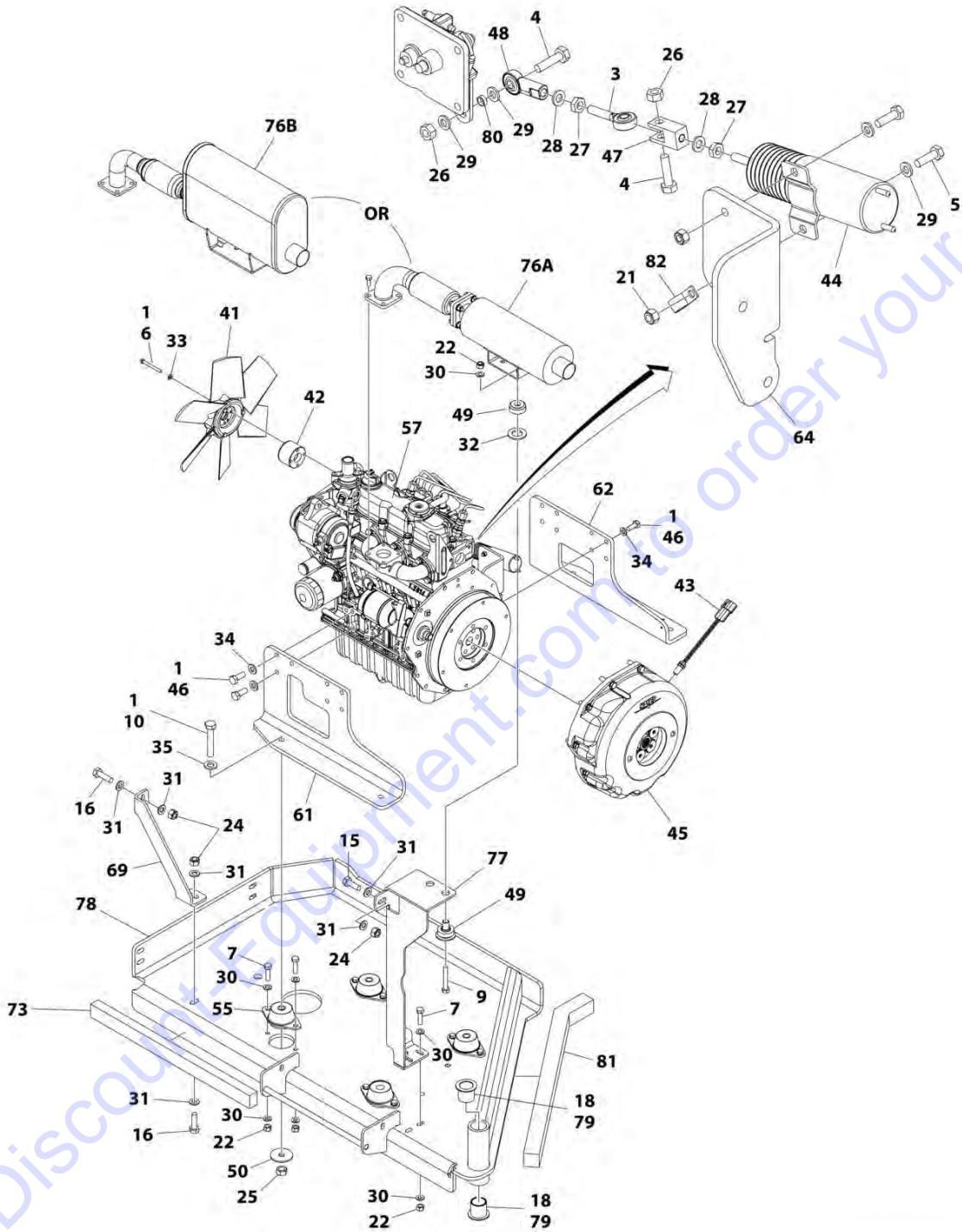
# SECTION 3 - ENGINE

FIGURE 3-3. ENGINE ASSEMBLY - KUBOTA DIESEL STAGE III (Prior to SN 0200268705)



ART\_1001205969\_10F2

# SECTION 3 - ENGINE



ART\_1001205969\_2OF2

## SECTION 3 - ENGINE

FIGURE 3-3. ENGINE ASSEMBLY - KUBOTA DIESEL STAGE III (Prior to SN 0200268705)

ITEM	PART NUMBER	QTY	DESCRIPTION	REV
	1001205969	Ref	ENGINE ASSEMBLY - KUBOTA DIESEL STAGE III	K
1	0100011	AR	Compound, Locking	
2	0340045	1	Band, Mounting	
3	0440334	1	End, Rod	
4	0641408	2	Bolt 1/4 x 1	
5	0700610	5	Bolt M6 x 20	
6	0700620	4	Bolt M6 x 60	
7	0700814	10	Bolt M8 x 30	
9	0700819	2	Bolt M8 x 55	
10	0701222	4	Bolt M12 x 70	
11	0760607	2	Bolt M6 x 14	
12	0760608	AR	Bolt M6 x 16	
12	0760810	AR	Bolt M8 x 20	
14	0760808	10	Bolt M8 x 16	
15	0761014	1	Bolt M10 x 30	
16	0761015	4	Bolt M10 x 35	
17	0761016	6	Bolt M10 x 40	
18	0961986	2	Bearing	
19	1703162	2	Decal - Fan Blade	
21	3290605	AR	Nut M6	
22	3290805	AR	Nut M8	
23	3291001	4	Nut M10	
24	3291005	7	Nut M10	
25	3291201	4	Nut M12	
26	3311405	2	Nut 1/4	
27	3321402	2	Nut 1/4	
28	4761400	2	Washer 1/4	
29	4811700	AR	Washer M6	
30	4811900	AR	Washer M8	
31	4812000	18	Washer M10	
32	4812500	2	Washer M20	
33	5240600	4	Washer M6	
34	5241000	8	Washer M10	
35	5241200	4	Washer M12	
36	8405101	2	Clamp	
37	8405104	5	Clamp	
38	85941016	2	Clamp	
40	1001118280	1	Air Filter Assembly	
40	7015004	2	Element	
40	7015005	1	Cover Assembly	
40	1340069	1	Valve, Vacuator	
41	1001118538	1	Fan	
42	1001118539	2	Spacer, Fan	
43	1001118580	1	Sensor, Speed	
44	1001118582	1	Actuator, Throttle	
45	1001118675	1	Coupling Kit - Diesel Engines (See Separate Breakdown in this Section)	
46	1001118746	8	Bolt M10 x 25	
47	1001118881	1	Clevis	
48	1001118925	1	End, Rod	

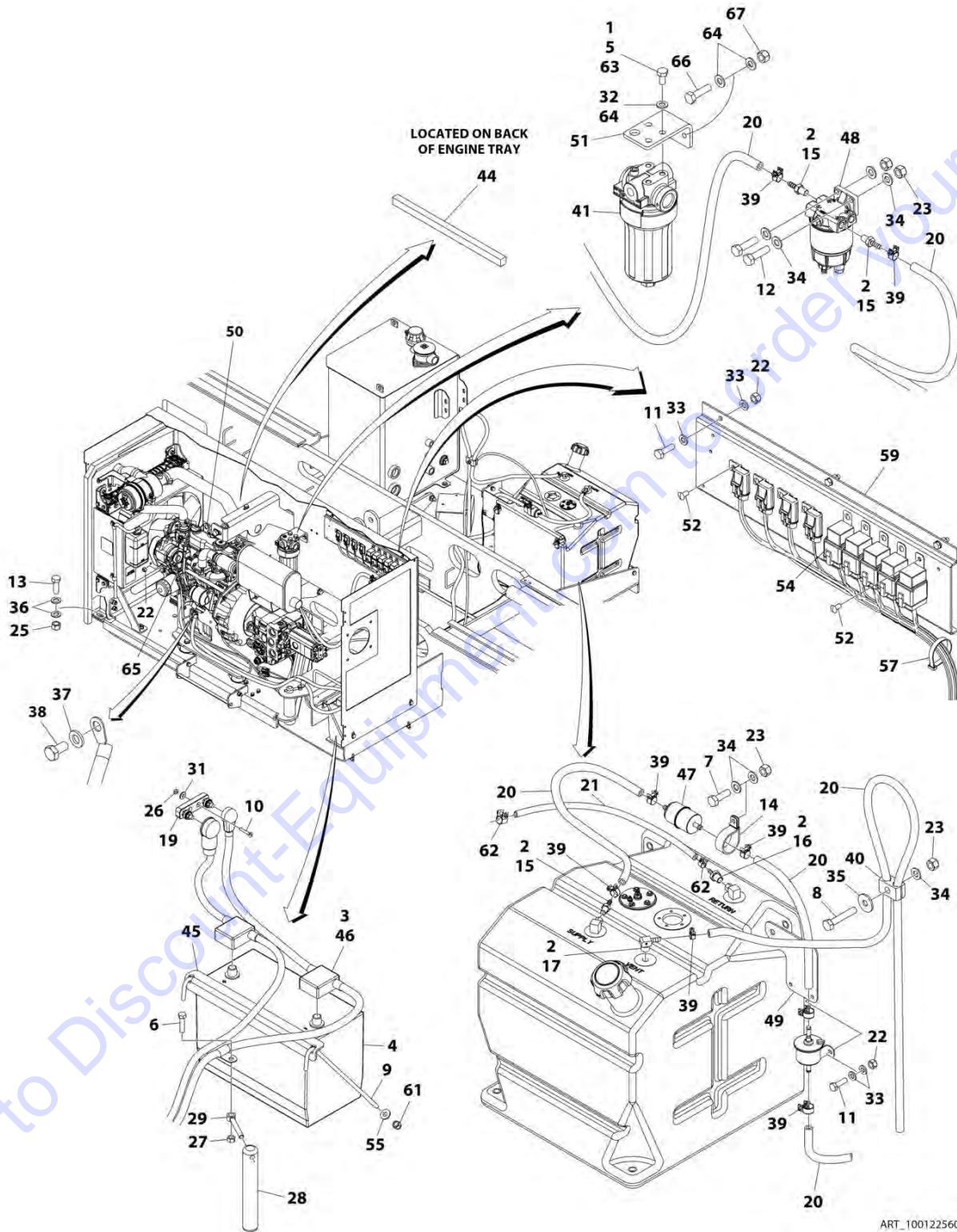


## SECTION 3 - ENGINE

ITEM	PART NUMBER	QTY	DESCRIPTION	REV
49	1001125248	2	Mount, Engine	
50	1001168018	4	Washer	
51	1001169054	4	Isolator	
52	1001169138	AR	Pad	
53	1001169967	2	Bracket	
54	1001170035	2	Bracket	
55	1001187235	4	Mount, Motor	
57	1001224201	1	Engine, Kubota Diesel Stage III (See Separate Breakdown in this Section)	
58	1001220957	1	Radiator	
59	1001181658	1	Plate, Radiator	
60	1001227285	1	Seal	
61	1001182976	1	Mount, Engine (LH)	
62	1001182977	1	Mount, Engine (RH)	
63	1001182978	1	Tube, Inlet	
64	1001182979	1	Bracket, Throttle Cylinder	
65	1001182980	1	Bracket, Air Cleaner	
66	1001182981	1	Bracket, Tray	
67	1001182982	1	Mount	
68	1001182983	1	Tube, Intake	
69	1001182984	1	Bracket, Support	
70	1001182985	1	Tube, Outlet	
71	1001182987	1	Tube, Air Intake	
72	1001183420	1	Foam, Baffle	
73	1001183424	1	Foam, Baffle	
76A	1001195594	1	Muffler <b>(Prior to SN 0200267917)</b>	
76B	1001234950	1	Muffler <b>(SN 0200267917 to Present)</b>	
77	1001195600	1	Bracket, Muffler	
78	1001205968	1	Tray	
79	0100062	AR	Adhesive <b>(Prior to SN 0200267917)</b>	
79	1001180620	AR	Adhesive <b>(SN 0200267917 to Present)</b>	
80	1001128888	1	Washer	
81	1001184066	1	Foam, Baffle	
82	1320043	1	Clamp, Cable <b>(SN 0200266880 to Present)</b>	

# SECTION 3 - ENGINE

## FIGURE 3-4. ENGINE INSTALLATION - KUBOTA DIESEL STAGE III WITH GENERATOR (Prior to SN 0200268705)



## SECTION 3 - ENGINE

**FIGURE 3-4. ENGINE INSTALLATION - KUBOTA DIESEL STAGE III WITH GENERATOR (Prior to SN 0200268705)**

ITEM	PART NUMBER	QTY	DESCRIPTION	REV
	1001225609	Ref	ENGINE INSTALLATION - KUBOTA DIESEL STAGE III WITH GENERATOR	H
1	0100011	AR	Compound, Locking	
2	0100020	AR	Sealant	
3	0100051	AR	Grease, Terminal	
4	0400075	1	Battery	
5	0641605	4	Bolt 3/8 x 5/8 <b>(Prior to SN 0200266880)</b>	
6	0641612	AR	Bolt 3/8 x 1-1/2	
7	0700812	AR	Bolt M8 x 25	
8	0700817	AR	Bolt M8 x 45	
9	1001093382	2	J-Bolt	
10	0741010	AR	Screw #10 x 1-1/4	
11	0760610	AR	Bolt M6 x 20	
12	0760814	AR	Bolt M8 x 30	
13	0761617	AR	Bolt M16 x 45	
14	1320265	1	Clamp	
15	2180348	3	Fitting, Straight NPT x Barbed	
16	2180666	1	Fitting, Straight NPT x Barbed	
17	1001208764	1	Fitting, 90 NPT x Barbed	
18	2300004	AR	Coolant (Not Shown)	
19	2400044	1	Block, Fuse Mounting	
20	2720058	242 in/ 6.2m	Hose	
21	2720271	136 in/ 3.5m	Hose	
22	3290605	AR	Nut M6	
23	3290805	AR	Nut M8	
25	3291605	AR	Nut M16	
26	3300408	AR	Nut	
27	3311605	AR	Nut 3/8	
28	3422669	1	Pin	
29	3841143	1	Keeper, Pin	
31	4711400	AR	Washer 1/4	
32	4711600	AR	Washer 3/8	
33	4811700	10	Washer M6	
34	4811900	AR	Washer M8	
35	4811902	AR	Washer M8	
36	4812300	AR	Washer M16	
37	5241000	AR	Washer M10	
38	8303511	AR	Capscrew M10 x 20	
39	1001174486	9	Clamp	
40	8750014	1	Clamp	
41	1001102987	1	Filter, Charge Pump <b>(Prior to SN 0200266880)</b>	
41	1001208874	1	Filter, Charge Pump <b>(SN 0200266880 to Present)</b>	
41	70010383	1	Element, Filter	
42	1001159301	AR	Oil, Engine (Not Shown)	
44	1001183421	1	Foam, Baffle	
45	1001184065	1	Bracket, Hold Down	
46	1001186428	1	Battery Cable Kit (See Separate Breakdown in ELECTRICAL SECTION)	

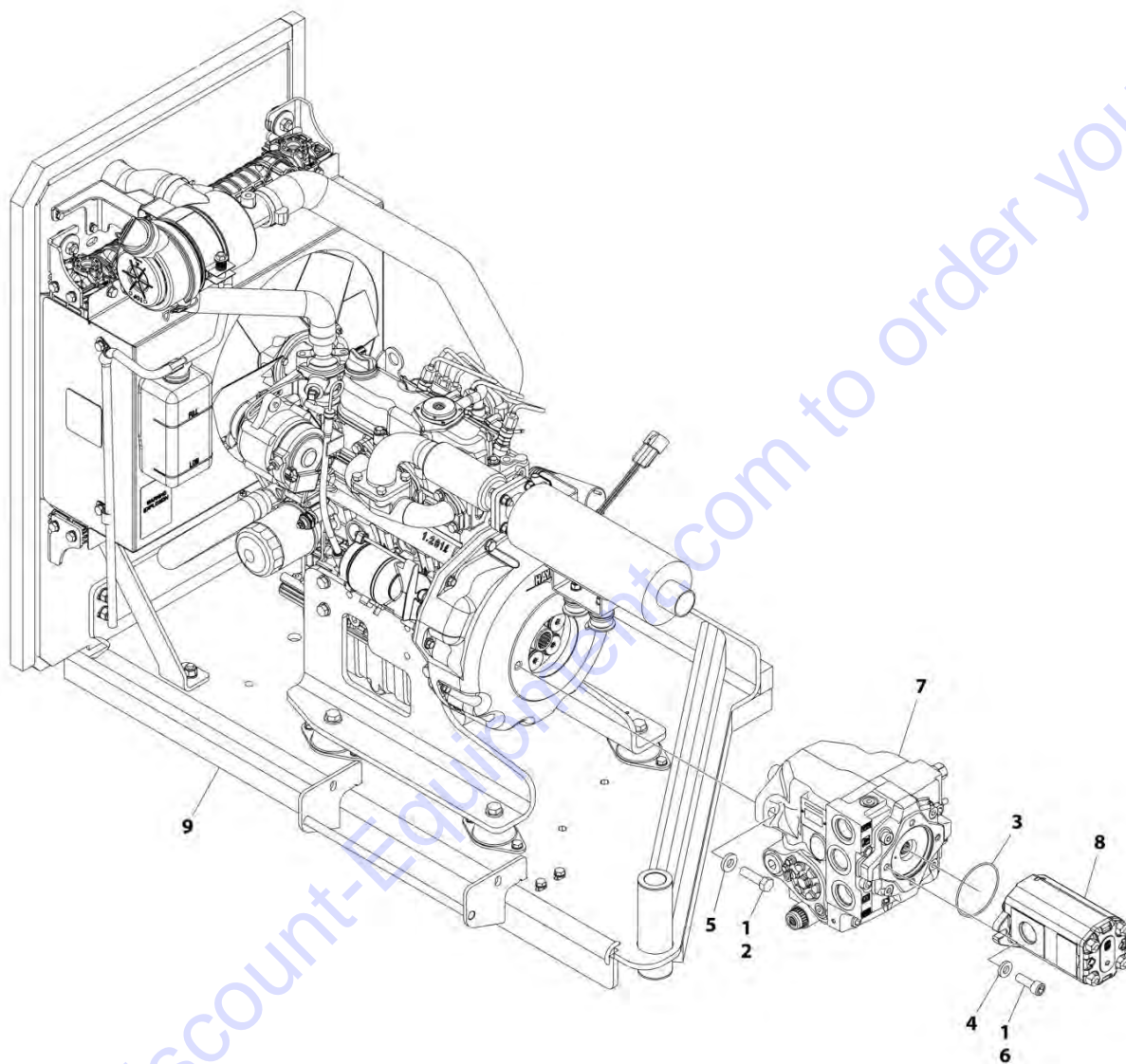
## SECTION 3 - ENGINE

ITEM	PART NUMBER	QTY	DESCRIPTION	REV
47	1001190545	1	Filter, Fuel	
48	1001190609	1	Fuel/Water Separator Assembly - Diesel Engines (See Separate Breakdown in this Section)	
49	1001191146	1	Bracket	
50	1001225615	1	Engine and Pump Sub-Assembly - Kubota Diesel Stage III with Generator (See Separate Breakdown in this Section)	
51	1001206686	1	Bracket <b>(Prior to SN 0200268060)</b>	
51	1001194836	1	Bracket <b>(SN 0200268060 to Present)</b>	
52	3820020	AR	Rivet	
53	3290505	1	Nut M5 (Not Shown)	
54	3740080	5	Relay	
55	4751500	AR	Washer 5/16	
57	4240018	AR	Tie-Strap	
58	4811600	1	Washer M5 (Not Shown)	
59	1001185125	1	Plate	
60	1001209064	1	Engine Harness - Kubota Diesel Stage III (Not Shown - See Separate Breakdown in ELECTRICAL SECTION) <b>(Prior to SN 0200267917)</b>	
60	1001236545	1	Engine Harness - Kubota Diesel Stage III (Not Shown - See Separate Breakdown in ELECTRICAL SECTION) <b>(SN 0200267917 to Present)</b>	
61	88521205	AR	Nut 5/16	
62	1001185585	2	Clamp	
63	0761010	AR	Bolt M10 x 20	
64	4812000	AR	Washer M10	
65	1001234069	1	Harness, Fusible Link <b>(SN 0200267917 to Present)</b>	
66	0761014	AR	Bolt M10 x 30 <b>(SN 0200268060 to Present)</b>	
67	3291005	AR	Locknut M10 <b>(SN 0200268060 to Present)</b>	



## SECTION 3 - ENGINE

FIGURE 3-5. ENGINE AND PUMP SUB-ASSEMBLY - KUBOTA DIESEL STAGE III WITH GENERATOR  
(Prior to SN 0200268705)



ART\_1001225615

## SECTION 3 - ENGINE

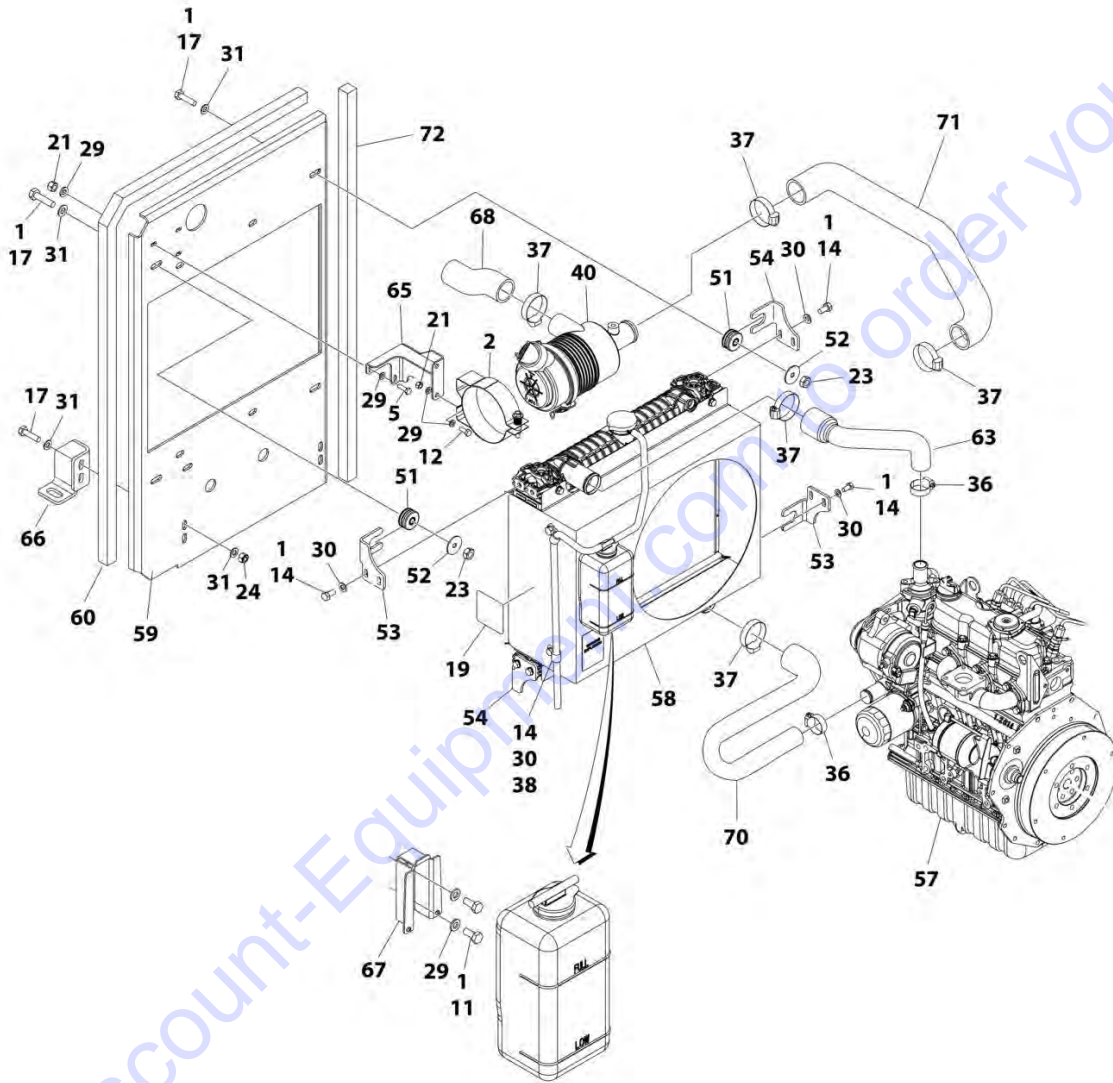
**FIGURE 3-5. ENGINE AND PUMP SUB-ASSEMBLY - KUBOTA DIESEL STAGE III WITH GENERATOR  
(Prior to SN 0200268705)**

ITEM	PART NUMBER	QTY	DESCRIPTION	REV
	1001225615	Ref	ENGINE AND PUMP SUB-ASSEMBLY - KUBOTA DIESEL STAGE III WITH GENERATOR	D
1	0100011	AR	Compound, Locking	
2	0641814	2	Bolt 1/2 x 1-3/4	
3	3790152	1	O-Ring	
4	4891600	2	Washer 3/8	
5	4891800	2	Washer 1/2	
6	83191040	2	Capscrew M10 x 30	
7	1001101331	1	Piston Pump Assembly (See Separate Breakdown in this Section)	
8	1001181393	1	Gear Pump Assembly	
8	7023929	1	Seal Kit - 1001181393 Pump (Note: Seal Kit is only service components available)	
9	1001225616	1	Engine Assembly - Kubota Diesel Stage III with Generator (See Separate Breakdown in this Section)	

Go to Discount-Equipment.com to order your parts

# SECTION 3 - ENGINE

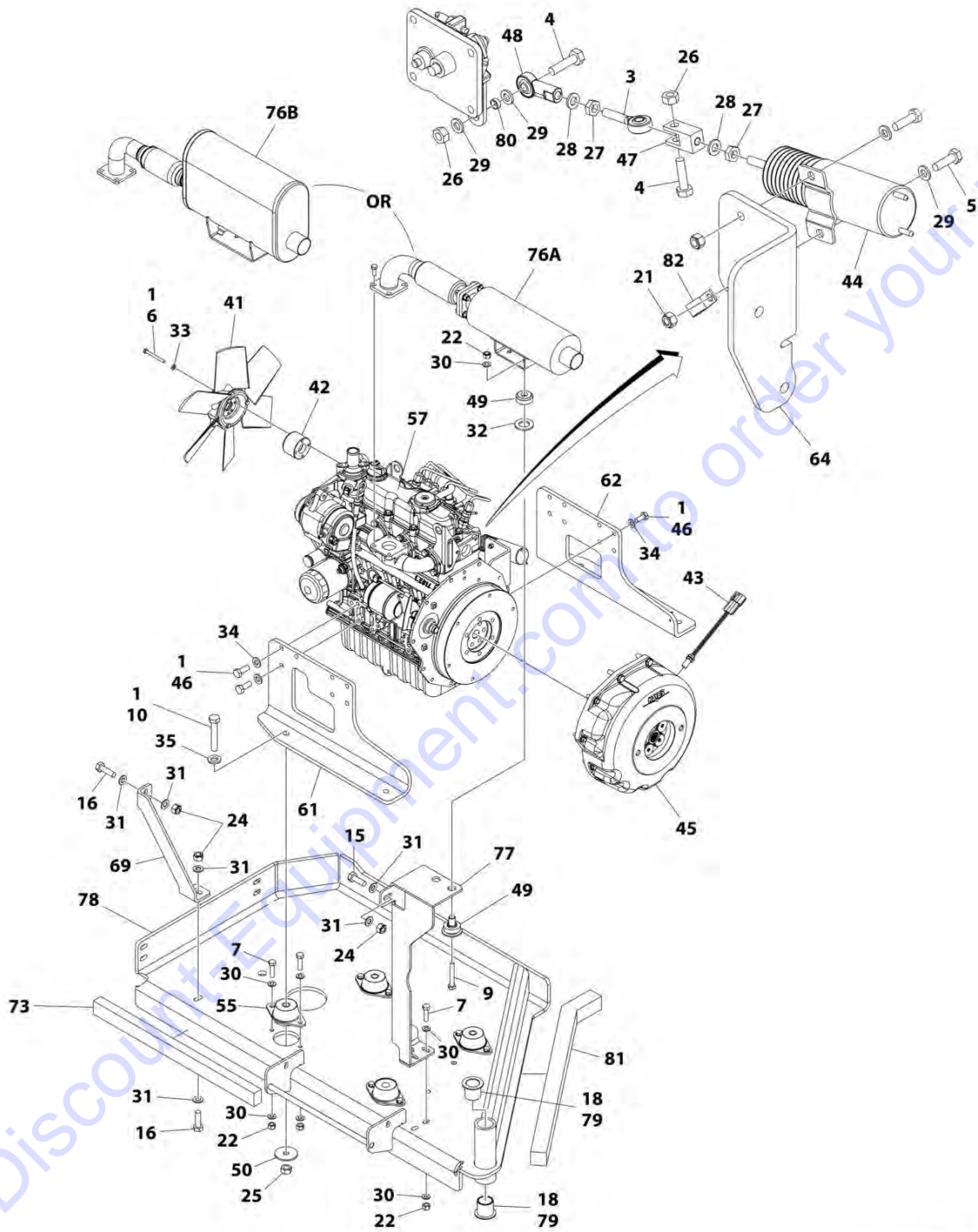
FIGURE 3-6. ENGINE ASSEMBLY - KUBOTA DIESEL STAGE III WITH GENERATOR (Prior to SN 0200268705)



ART\_1001225616\_10F2



# SECTION 3 - ENGINE



ART\_1001225616\_2OF2

## SECTION 3 - ENGINE

**FIGURE 3-6. ENGINE ASSEMBLY - KUBOTA DIESEL STAGE III WITH GENERATOR (Prior to SN 0200268705)**

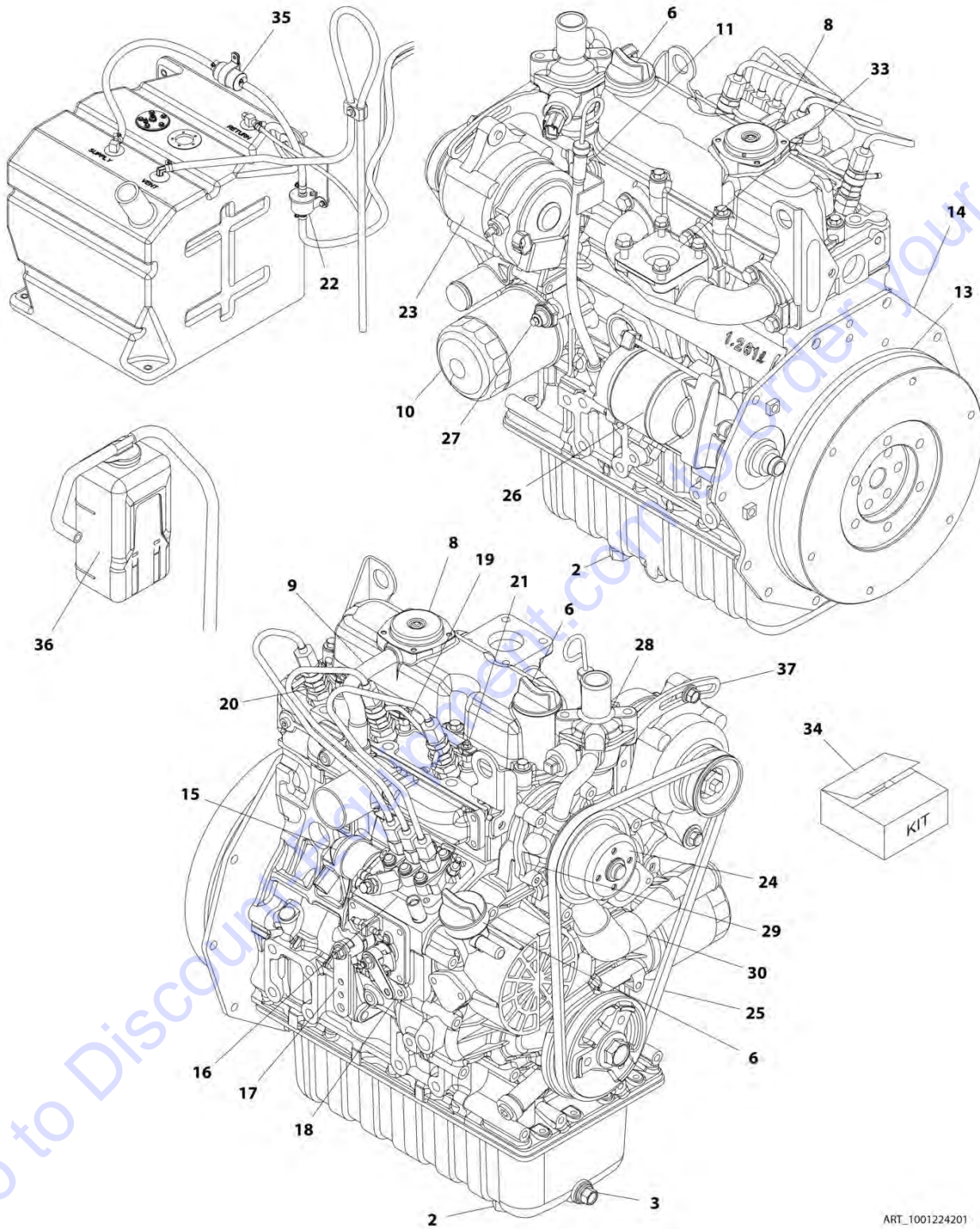
ITEM	PART NUMBER	QTY	DESCRIPTION	REV
	1001225616	Ref	ENGINE ASSEMBLY - KUBOTA DIESEL STAGE III WITH GENERATOR	H
1	0100011	AR	Compound, Locking	
2	0340045	1	Band, Mounting	
3	0440334	1	End, Rod	
4	0641408	2	Bolt 1/4 x 1	
5	0700610	5	Bolt M6 x 20	
6	0700620	4	Bolt M6 x 60	
7	0700814	10	Bolt M8 x 30	
9	0700819	2	Bolt M8 x 55	
10	0701222	4	Bolt M12 x 70	
11	0760607	2	Bolt M6 x 14	
12	0760608	AR	Bolt M6 x 16	
12	0760810	AR	Bolt M8 x 20	
14	0760808	10	Bolt M8 x 16	
15	0761014	1	Bolt M10 x 30	
16	0761015	4	Bolt M10 x 35	
17	0761016	6	Bolt M10 x 40	
18	0961986	2	Bearing	
19	1703162	2	Decal - Fan Blade	
21	3290605	AR	Nut M6	
22	3290805	AR	Nut M8	
23	3291001	4	Nut M10	
24	3291005	7	Nut M10	
25	3291201	4	Nut M12	
26	3311405	2	Nut 1/4	
27	3321402	2	Nut 1/4	
28	4761400	2	Washer 1/4	
29	4811700	AR	Washer M6	
30	4811900	AR	Washer M8	
31	4812000	18	Washer M10	
32	4812500	2	Washer M20	
33	5240600	4	Washer M6	
34	5241000	8	Washer M10	
35	5241200	4	Washer M12	
36	8405101	2	Clamp	
37	8405104	5	Clamp	
38	85941016	2	Clamp	
40	1001118280	1	Air Filter Assembly	
40	7015004	2	Element	
40	7015005	1	Cover Assembly	
40	1340069	1	Valve, Vacuator	
41	1001118538	1	Fan	
42	1001118539	1	Spacer, Fan	
43	1001118580	1	Spacer, Speed	
44	1001118582	1	Actuator, Throttle	
45	1001118675	1	Coupling Kit - Diesel Engines (See Separate Breakdown in this Section)	
46	1001118746	8	Bolt M10 x 25	

## SECTION 3 - ENGINE

ITEM	PART NUMBER	QTY	DESCRIPTION	REV
47	1001118881	1	Clevis	
48	1001118925	1	End, Rod	
49	1001125248	2	Mount, Engine	
50	1001168018	4	Washer	
51	1001169054	4	Isolator	
52	1001169138	AR	Pad	
53	1001169967	2	Bracket	
54	1001170035	2	Bracket	
55	1001175509	4	Mount, Motor	
57	1001224201	1	Engine, Kubota Diesel Stage III (See Separate Breakdown in this Section)	
58	1001220957	1	Radiator	
59	1001181658	1	Plate, Radiator	
60	1001227285	1	Seal	
61	1001182976	1	Mount, Engine (LH)	
62	1001182977	1	Mount, Engine (RH)	
63	1001182978	1	Tube, Inlet	
64	1001182979	1	Bracket, Throttle Cylinder	
65	1001182980	1	Bracket, Air Cleaner	
66	1001182981	1	Bracket, Tray	
67	1001182982	1	Mount	
68	1001182983	1	Tube, Intake	
69	1001182984	1	Bracket, Support	
70	1001182985	1	Tube, Outlet	
71	1001182987	1	Tube, Air Intake	
72	1001183420	1	Foam, Baffle	
73	1001183424	1	Foam, Baffle	
76A	1001195594	1	Muffler (Prior to SN 0200267917)	
76B	1001234950	1	Muffler (SN 0200267917 to Present)	
77	1001195600	1	Bracket, Muffler	
78	1001205968	1	Tray	
79	0100062	AR	Adhesive (Prior to SN 0200267917)	
79	1001180620	AR	Adhesive (SN 0200267917 to Present)	
80	1001128888	1	Washer	
81	1001184066	1	Foam, Baffle	
82	1320043	1	Clamp, Cable (SN 0200266880 to Present)	

# SECTION 3 - ENGINE

FIGURE 3-7. ENGINE COMPONENTS - KUBOTA DIESEL STAGE III (Prior to SN 0200268705)



ART\_1001224201

## SECTION 3 - ENGINE

**FIGURE 3-7. ENGINE COMPONENTS - KUBOTA DIESEL STAGE III (Prior to SN 0200268705)**

ITEM	PART NUMBER	QTY	DESCRIPTION	REV
	1001224201	Ref	ENGINE COMPONENTS - KUBOTA DIESEL STAGE III	F
1	70004524	1	Drain (Not Shown)	
2	7023154	1	Plug, Drain	
2	70002315	1	Seal, Plug	
3	70004525	1	Plug, Drain	
3	70004526	1	Gasket	
4	70005220	1	Gasket, Cylinder Head (Not Shown)	
5	7023157	1	Seal, Front Main (Not Shown)	
6	70002318	2	Cap, Oil Fill	
6	70004311	2	O-Ring	
7	70005221	1	Gasket, Valve Cover (Not Shown)	
8	70003060	1	Valve, Breather	
8	70003061	1	Cover, Breather	
8	7017934	4	Screw	
9	70002316	1	Pipe, Water Return	
9	70002317	1	Tube, Breather	
9	70004530	1	Clamp, Hose	
9	70004531	1	Band, Pipe	
10	70004395	1	Filter, Oil	
11	70005222	1	Dipstick	
11	70005223	1	Tube, Dipstick	
12	7017928	1	Seal, Rear Main (Not Shown)	
13	70005224	1	Gear, Ring	
14	70002419	1	Plate, Rear End	
15	7025479	1	Solenoid, Stop	
16	7023164	1	Pump, Injection	
16	70002319	1	Shim, Injection	
16	70002320	1	Shim, Injection	
16	70002321	1	Shim, Injection Pump	
16	70002322	1	Shim, Injection Pump	
16	70002323	1	Shim, Injection Pump	
16	7017945	1	Joint, Eye	
17	7023136	1	Spring, Governor	
17	70004396	1	Control, Speed	
17	70004397	1	Gasket	
18	7023165	1	Gasket	
19	70004536	1	Pipe, Over Flow	
19	70004537	1	Screw, Air Bleeder	
19	70004538	1	Seal	
19	70004539	1	Pipe, Over Flow	
20	70004399	3	Holder, Nozzle	
20	70004540	3	Nut	
20	7023167	3	Gasket	
20	7023168	3	Seal, Heat	
21	70002324	3	Plug, Glow	
21	70004544	1	Cord, Glow Plug	
22	70005228	1	Fuel Pump Assembly - Electric	
23	70006661	1	Alternator - 60Amp	
24	7023140	1	Pulley, Fan	
25	70006665	1	V-Belt	

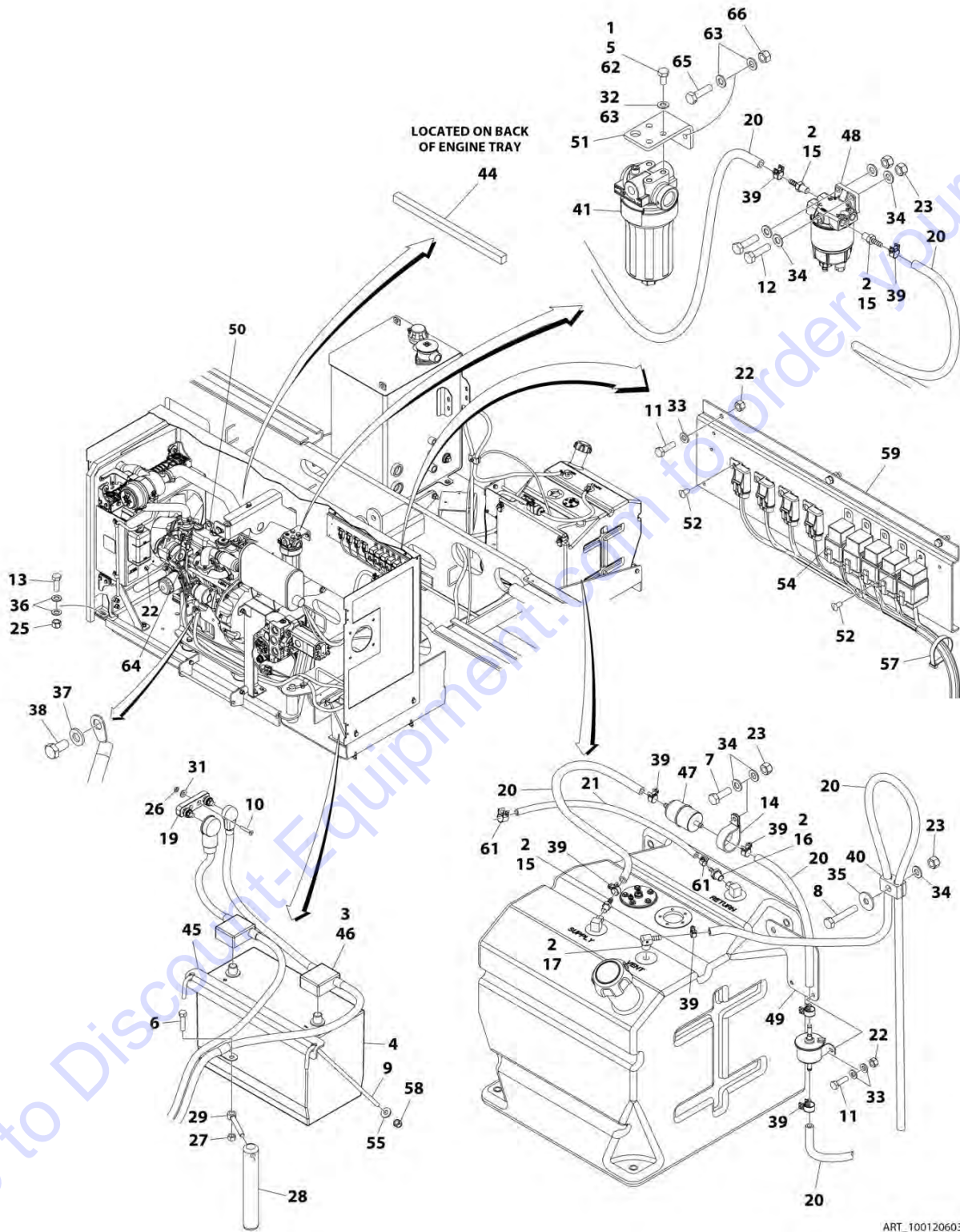
## SECTION 3 - ENGINE

ITEM	PART NUMBER	QTY	DESCRIPTION	REV
26	7023144	1	Starter	
27	7017901	1	Switch, Oil	
28	70003064	1	Sensor, Water Temperature	
28	70003063	1	Washer, Seal	
28	70004829	1	Pipe, Water Return	
28	7023145	1	Gasket, Water Flange	
28	7017958	1	Hose, Water Return	
28	7023170	1	Thermostat	
28	70002326	1	Gasket Thermostat	
29	70002327	1	Pump, Water	
29	70002328	1	Gasket, Water Pump	
30	7017963	1	Pipe, Water	
30	70002330	1	Pipe, Water	
31	7023149	1	Gasket, Inlet Manifold (Not Shown)	
32	7023148	1	Gasket, Exhaust Manifold (Not Shown)	
33	7023124	1	Gasket, Muffler	
33	70004415	4	Bolt	
34	70005226	1	Upper Gasket Kit	
34	70005227	1	Lower Gasket Kit	
35	7017992	1	Fuel, Filter	
36	70005229	1	Tank, Coolant Reserve	
37	70006664	1	Arm, Adjustment	



# SECTION 3 - ENGINE

## FIGURE 3-8. ENGINE INSTALLATION - KUBOTA DIESEL T4F





## SECTION 3 - ENGINE

**FIGURE 3-8. ENGINE INSTALLATION - KUBOTA DIESEL T4F**

ITEM	PART NUMBER	QTY	DESCRIPTION	REV
	1001206034	Ref	ENGINE INSTALLATION - KUBOTA DIESEL STAGE T4F	M
1	0100011	AR	Compound, Locking	
2	0100020	AR	Sealant	
3	0100051	AR	Grease, Terminal	
4	0400075	1	Battery	
5	0641605	AR	Bolt 3/8 x 5/8	
6	0641612	AR	Bolt 3/8 x 1-1/2	
7	0700812	AR	Bolt M8 x 25	
8	0700817	AR	Bolt M8 x 45	
9	1001093382	2	J-Bolt	
10	0741010	AR	Screw #10 x 1-1/4	
11	0760610	AR	Bolt M6 x 20	
12	0760814	AR	Bolt M8 x 30	
13	0761617	AR	Bolt M6 x 45	
14	1320265	1	Clamp	
15	2180348	3	Fitting, Straight NPT x Barbed	
16	2180666	1	Fitting, Straight NPT x Barbed	
17	1001208764	1	Fitting, 90 NPT x Barbed	
18	2300004	AR	Coolant (Not Shown)	
19	2400044	1	Block, Fuse Mounting	
20	2720058	242 in/ 6.2m	Hose	
21	2720271	136 in/ 3.5m	Hose	
22	3290605	AR	Nut M6	
23	3290805	AR	Nut M8	
25	3291605	AR	Nut M16	
26	3300408	AR	Nut	
27	3311605	AR	Nut 3/8	
28	3422669	1	Pin	
29	3841143	1	Keeper, Pin	
31	4711400	AR	Washer 1/4	
32	4711600	AR	Washer 3/8	
33	4811700	AR	Washer M6	
34	4811900	AR	Washer M8	
35	4811902	AR	Washer M8	
36	4812300	AR	Washer M16	
37	5241000	AR	Washer M10	
38	8303511	AR	Capscrew M10 x 20	
39	1001174486	9	Clamp	
40	8750014	1	Clamp	
41	1001102987	1	Filter, Charge Pump <b>(Prior to SN 0200266880)</b>	
41	1001208874	1	Filter, Charge Pump <b>(SN 0200266880 to Present)</b>	
41	70010383	1	Element, Filter	
42	1001159301	AR	Oil, Engine (Not Shown)	
44	1001183421	1	Foam, Baffle	
45	1001184065	1	Bracket, Hold Down	
46	1001186428	1	Battery Cable Kit (See Separate Breakdown in ELECTRICAL SECTION)	
47	1001190545	1	Filter, Fuel	

## SECTION 3 - ENGINE

ITEM	PART NUMBER	QTY	DESCRIPTION	REV
48	1001190609	1	Fuel/Water Separator Assembly - Diesel Engines (See Separate Breakdown in this Section)	
49	1001191146	1	Bracket	
50	1001206050	NLA	Engine and Pump Sub-Assembly - Kubota Diesel T4F (Use p/n 1001238772) (See Separate Breakdown in this Section) <b>(Prior to SN 0200268660)</b>	
50	1001238772	1	Engine and Pump Sub-Assembly - Kubota Diesel T4F (See Separate Breakdown in this Section) <b>(SN 0200268660 to Present)</b>	
51	1001206686	1	Bracket <b>(Prior to SN 0200268060)</b>	
51	1001194836	1	Bracket <b>(SN 0200268060 to Present)</b>	
52	3820020	9	Rivet	
54	3740080	5	Relay	
55	4751500	AR	Washer 5/16	
57	4240018	AR	Tie-Strap	
58	88521205	2	Nut 5/16	
59	1001185125	1	Plate	
60	1001209064	1	Engine Harness - Kubota Diesel T4F (Not Shown - See Separate Breakdown IN ELECTRICAL SECTION) <b>(Prior to SN 0200267917)</b>	
60	1001236545	1	Engine Harness - Kubota Diesel T4F (Not Shown - See Separate Breakdown IN ELECTRICAL SECTION) <b>(SN 0200267917 to Present)</b>	
61	1001185585	2	Clamp	
62	0761010	AR	Bolt M10 x 20	
63	4812000	AR	Washer M10	
64	1001234069	1	Harness, Fusible Link <b>(SN 0200267917 to Present)</b>	
65	0761014	AR	Bolt M10 x 30 <b>(SN 0200268060 to Present)</b>	
66	3291005	AR	Locknut M10 <b>(SN 0200268060 to Present)</b>	





## SECTION 3 - ENGINE

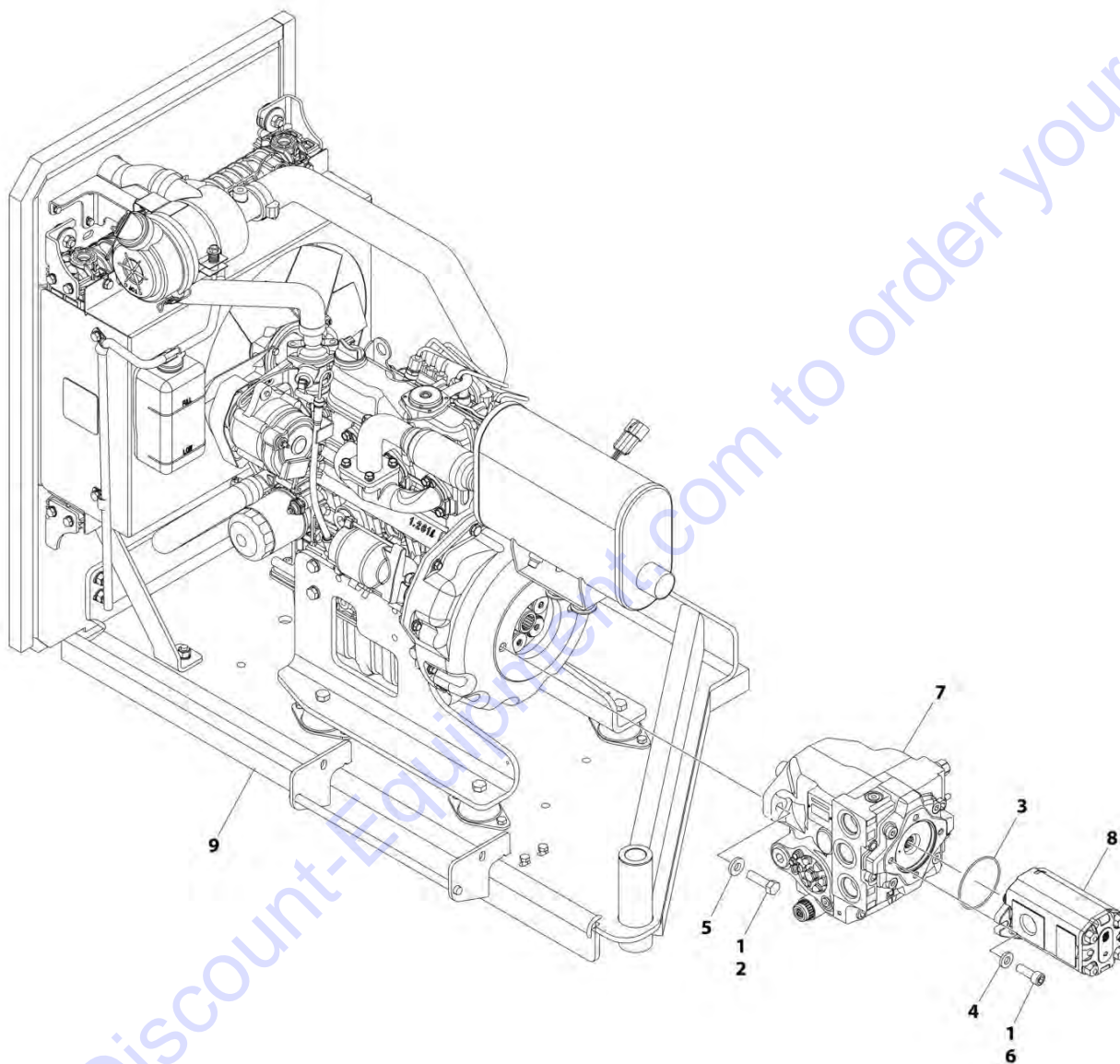
**FIGURE 3-9. ENGINE AND PUMP SUB-ASSEMBLY - KUBOTA DIESEL T4F (Prior to SN 0200268660)**

ITEM	PART NUMBER	QTY	DESCRIPTION	REV
	1001206050	Ref	ENGINE AND PUMP SUB-ASSEMBLY - KUBOTA DIESEL T4F	D
1	0100011	AR	Compound, Locking	
2	0641814	2	Bolt 1/2 x 1-3/4	
3	3790152	1	O-Ring	
4	4891600	2	Washer 3/8	
5	4891800	2	Washer 1/2	
6	83191040	2	Capscrew M10 x 30	
7	1001101331	1	Piston Pump Assembly (See Separate Breakdown in this Section)	
8	1001181393	1	Gear Pump Assembly	
8	7023929	1	Seal Kit - 1001181393 Pump (Note: Seal Kit is only service component available)	
9	1001205974	1	Engine Assembly - Kubota Diesel T4F (See Separate Breakdown in this Section)	

Go to Discount-Equipment.com to order your parts

## SECTION 3 - ENGINE

FIGURE 3-10. ENGINE AND PUMP SUB-ASSEMBLY - KUBOTA DIESEL E4B (SN 0200268660 to Present)



ART\_1001238772

## SECTION 3 - ENGINE

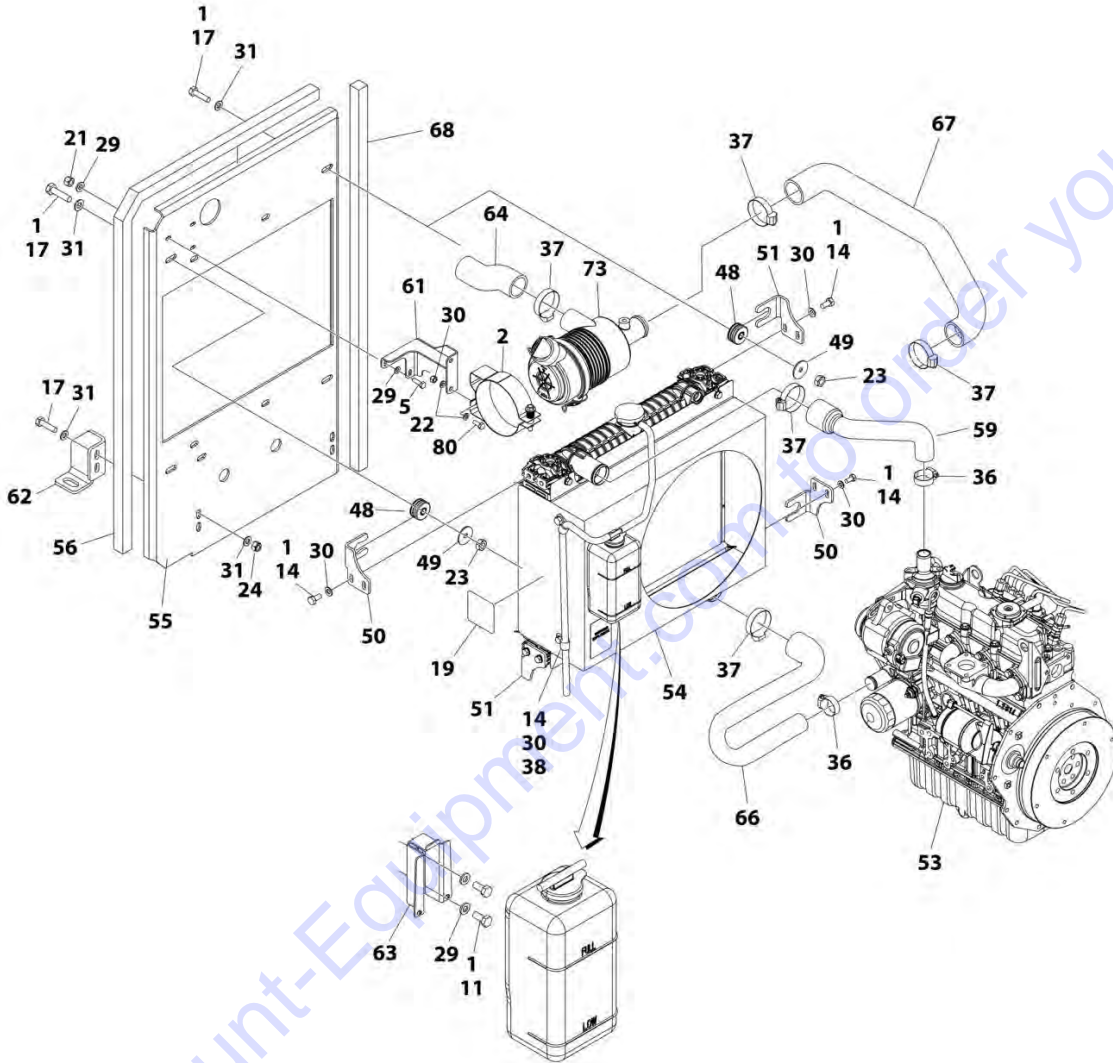
**FIGURE 3-10. ENGINE AND PUMP SUB-ASSEMBLY - KUBOTA DIESEL E4B (SN 0200268660 to Present)**

ITEM	PART NUMBER	QTY	DESCRIPTION	REV
	1001238772	Ref	ENGINE AND PUMP SUB-ASSEMBLY - KUBOTA DIESEL E4B	A
1	0100011	AR	Compound, Locking	
2	0641814	2	Bolt 1/2 x 1-3/4	
3	3790152	1	O-Ring	
4	4891600	2	Washer 3/8	
5	4891800	2	Washer 1/2	
6	83191040	2	Capscrew M10 x 30	
7	1001101331	1	Piston Pump Assembly (See Separate Breakdown in this Section)	
8	1001181393	1	Gear Pump Assembly	
8	7023929	1	Seal Kit - 1001181393 Pump (Note: Seal Kit is only service component available)	
9	1001238771	1	Engine Assembly - Kubota Diesel E4B (See Separate Breakdown in this Section)	

Go to Discount-Equipment.com to order your parts

# SECTION 3 - ENGINE

FIGURE 3-11. ENGINE ASSEMBLY - KUBOTA DIESEL T4F (Prior to SN 0200268660)



ART\_1001205974\_10F2





## SECTION 3 - ENGINE

FIGURE 3-11. ENGINE ASSEMBLY - KUBOTA DIESEL T4F (Prior to SN 0200268660)

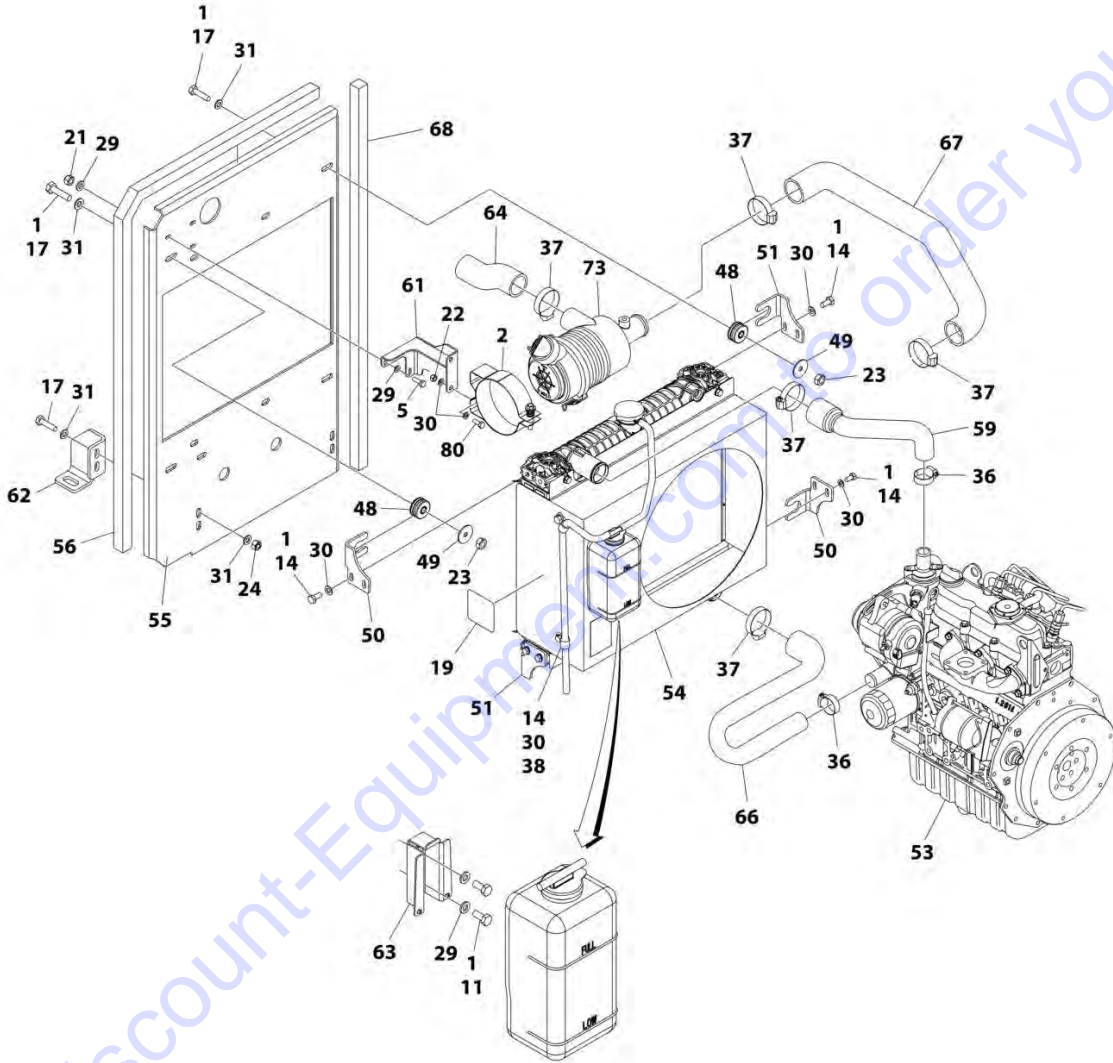
ITEM	PART NUMBER	QTY	DESCRIPTION	REV
	1001205974	Ref	ENGINE ASSEMBLY - KUBOTA DIESEL T4F	I
1	0100011	AR	Compound, Locking	
2	0340045	1	Band, Mounting	
3	0440334	1	End, Rod	
4	0641408	2	Bolt 1/4 x 1	
5	0700610	5	Bolt M6 x 20	
6	0700620	4	Bolt M6 x 60	
7	0700814	10	Bolt M8 x 30	
9	0700819	2	Bolt M8 x 55	
10	0701222	4	Bolt M12 x 70	
11	0760607	2	Bolt M6 x 14	
14	0760808	10	Bolt M8 x 16	
15	0761014	1	Bolt M10 x 30	
16	0761015	4	Bolt M10 x 35	
17	0761016	6	Bolt M10 x 40	
18	0961986	2	Bearing	
19	1703162	2	Decal - Fan Blade	
21	3290605	5	Nut M6	
22	3290805	14	Nut M8	
23	3291001	4	Nut M10	
24	3291005	7	Nut M10	
25	3291201	4	Nut M12	
26	3311405	2	Nut 1/4	
27	3321402	2	Nut 1/4	
28	4761400	2	Washer 1/4	
29	4811700	AR	Washer M6	
30	4811900	36	Washer M8	
31	4812000	18	Washer M10	
32	4812500	2	Washer M20	
33	5240600	4	Washer M6	
34	5241000	8	Washer M10	
35	5241200	4	Washer M12	
36	8405101	2	Clamp	
37	8405104	5	Clamp	
38	85941016	2	Clamp	
40	1001118538	1	Fan	
41	1001118539	1	Spacer, Fan	
42	1001118580	1	Sensor, Speed	
43	1001118675	1	Coupling Kit - Diesel Engines (See Separate Breakdown in this Section)	
44	1001118746	8	Bolt M10 x 25	
45	1001118881	1	Clevis	
46	1001118925	1	End, Rod	
47	1001168018	4	Washer	
48	1001169054	4	Isolator	
49	1001169138	AR	Pad	
50	1001169967	2	Bracket	
51	1001170035	2	Bracket	
52	1001187235	4	Mount, Motor	
53	1001224430	1	Engine, Kubota T4F (See Separate Breakdown in this Section)	

## SECTION 3 - ENGINE

ITEM	PART NUMBER	QTY	DESCRIPTION	REV
54	1001220957	1	Radiator	
55	1001181658	1	Plate, Radiator	
56	1001227285	1	Seal	
57	1001182976	1	Mount, Engine (LH)	
58	1001182977	1	Mount, Engine (RH)	
59	1001182978	1	Tube, Inlet	
60	1001182979	1	Bracket, Throttle Cylinder	
61	1001182980	1	Bracket, Air Cleaner	
62	1001182981	1	Bracket	
63	1001182982	1	Mount	
64	1001182983	1	Tube, Intake	
65	1001182984	1	Bracket, Support	
66	1001182985	1	Tube, Outlet	
67	1001182987	1	Tube, Air Intake	
68	1001183420	1	Foam, Baffle	
69	1001183424	1	Foam, Baffle	
71A	1001195594	1	Muffler <b>(Prior to SN 0200267917)</b>	
71B	1001234950	1	Muffler <b>(SN 0200267917 to Present)</b>	
72	1001195600	1	Bracket, Muffler	
73	1001118280	1	Air Filter Assembly	
73	7015004	2	Element	
73	7015005	1	Cover Assembly	
73	1340069	1	Valve, Vacuator	
74	1001118582	1	Actuator, Throttle	
75	1001125248	2	Mount, Engine	
78	1001205968	1	Tray	
79A	0100062	AR	Adhesive <b>(Prior to SN 0200267917)</b>	
79B	1001180620	AR	Adhesive <b>(SN 0200267917 to Present)</b>	
80	0760810	2	Bolt M8 x 20	
81	1001128888	1	Washer	
82	1001184066	1	Foam, Baffle	
83	1320043	1	Clamp, Cable <b>(SN 0200266880 to Present)</b>	

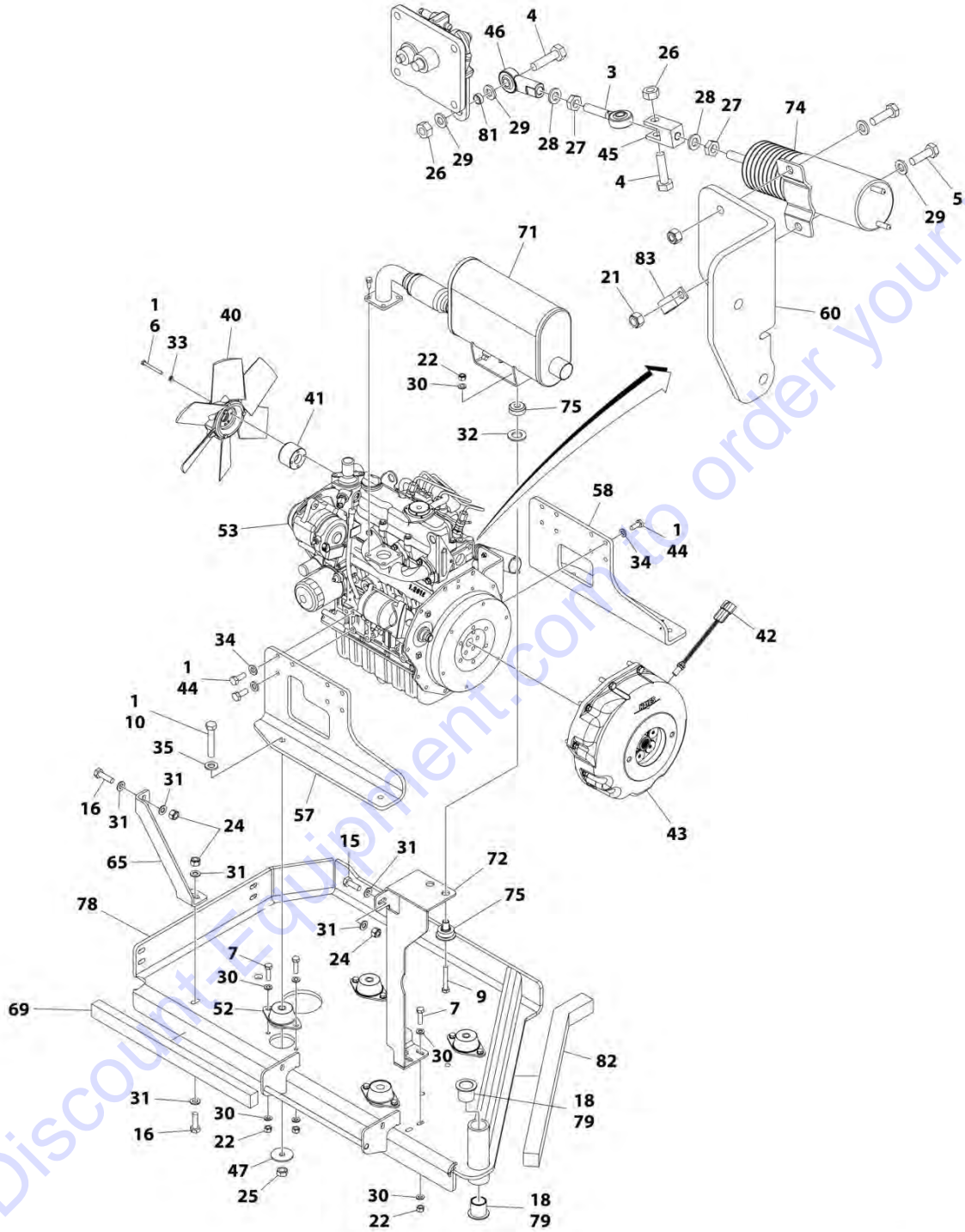
# SECTION 3 - ENGINE

FIGURE 3-12. ENGINE ASSEMBLY - KUBOTA DIESEL E4B (SN 0200268660 to Present)



ART\_1001238771\_10F2

# SECTION 3 - ENGINE



ART\_1001238771\_20F2

## SECTION 3 - ENGINE

FIGURE 3-12. ENGINE ASSEMBLY - KUBOTA DIESEL E4B (SN 0200268660 to Present)

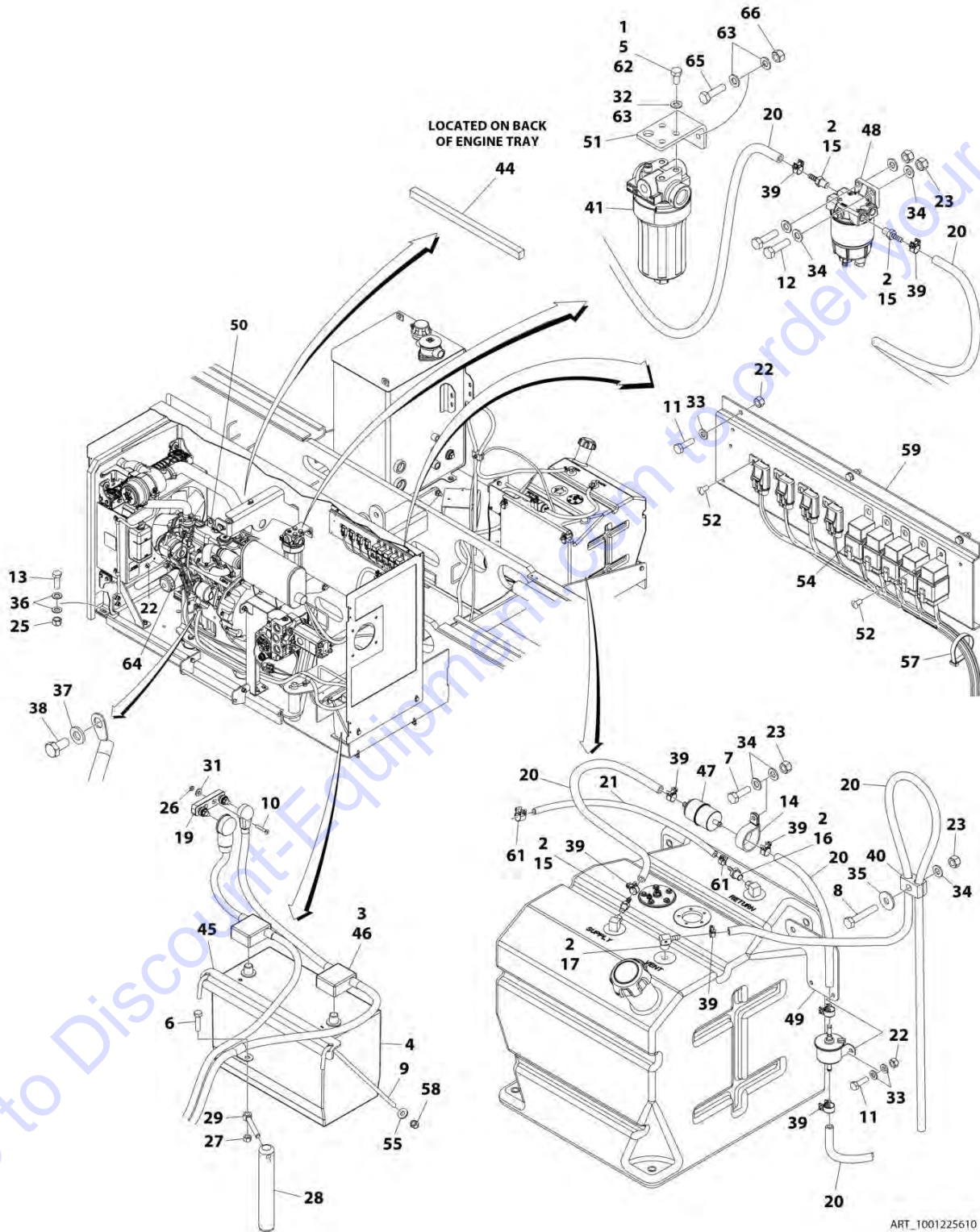
ITEM	PART NUMBER	QTY	DESCRIPTION	REV
	1001238771	Ref	ENGINE ASSEMBLY - KUBOTA DIESEL E4B	A
1	0100011	AR	Compound, Locking	
2	0340045	1	Band, Mounting	
3	0440334	1	End, Rod	
4	0641408	2	Bolt 1/4 x 1	
5	0700610	5	Bolt M6 x 20	
6	0700620	4	Bolt M6 x 60	
7	0700814	10	Bolt M8 x 30	
9	0700819	2	Bolt M8 x 55	
10	0701222	4	Bolt M12 x 70	
11	0760607	2	Bolt M6 x 14	
14	0760808	10	Bolt M8 x 16	
15	0761014	1	Bolt M10 x 30	
16	0761015	4	Bolt M10 x 35	
17	0761016	6	Bolt M10 x 40	
18	0961986	2	Bearing	
19	1703162	2	Decal - Fan Blade	
21	3290605	5	Nut M6	
22	3290805	14	Nut M8	
23	3291001	4	Nut M10	
24	3291005	7	Nut M10	
25	3291201	4	Nut M12	
26	3311405	2	Nut 1/4	
27	3321402	2	Nut 1/4	
28	4761400	2	Washer 1/4	
29	4811700	AR	Washer M6	
30	4811900	36	Washer M8	
31	4812000	18	Washer M10	
32	4812500	2	Washer M20	
33	5240600	4	Washer M6	
34	5241000	8	Washer M10	
35	5241200	4	Washer M12	
36	8405101	2	Clamp	
37	8405104	5	Clamp	
38	85941016	2	Clamp	
40	1001118538	1	Fan	
41	1001118539	1	Spacer, Fan	
42	1001118580	1	Sensor, Speed	
43	1001118675	1	Coupling Kit - Diesel Engines (See Separate Breakdown in this Section)	
44	1001118746	8	Bolt M10 x 25	
45	1001118881	1	Clevis	
46	1001118925	1	End, Rod	
47	1001168018	4	Washer	
48	1001169054	4	Isolator	
49	1001169138	AR	Pad	
50	1001169967	2	Bracket	
51	1001170035	2	Bracket	
52	1001187235	4	Mount, Motor	
53	1001238770	1	Engine, Kubota T4F (See Separate Breakdown in this Section)	

## SECTION 3 - ENGINE

ITEM	PART NUMBER	QTY	DESCRIPTION	REV
54	1001220957	1	Radiator	
55	1001181658	1	Plate, Radiator	
56	1001227285	1	Seal	
57	1001182976	1	Mount, Engine (LH)	
58	1001182977	1	Mount, Engine (RH)	
59	1001182978	1	Tube, Inlet	
60	1001182979	1	Bracket, Throttle Cylinder	
61	1001182980	1	Bracket, Air Cleaner	
62	1001182981	1	Bracket	
63	1001182982	1	Mount	
64	1001182983	1	Tube, Intake	
65	1001182984	1	Bracket, Support	
66	1001182985	1	Tube, Outlet	
67	1001182987	1	Tube, Air Intake	
68	1001183420	1	Foam, Baffle	
69	1001183424	1	Foam, Baffle	
71	1001234950	1	Muffler	
72	1001195600	1	Bracket, Muffler	
73	1001118280	1	Air Filter Assembly	
73	7015004	2	Element	
73	7015005	1	Cover Assembly	
73	1340069	1	Valve, Vacuator	
74	1001118582	1	Actuator, Throttle	
75	1001125248	2	Mount, Engine	
78	1001205968	1	Tray	
79	1001180620	AR	Adhesive	
80	0760810	2	Bolt M8 x 20	
81	1001128888	1	Washer	
82	1001184066	1	Foam, Baffle	
83	1320043	1	Clamp, Cable	

# SECTION 3 - ENGINE

## FIGURE 3-13. ENGINE INSTALLATION - KUBOTA DIESEL STAGE T4F WITH GENERATOR (Prior to SN 0200268660)





## SECTION 3 - ENGINE

**FIGURE 3-13. ENGINE INSTALLATION - KUBOTA DIESEL STAGE T4F WITH GENERATOR (Prior to SN 0200268660)**

ITEM	PART NUMBER	QTY	DESCRIPTION	REV
	1001225610	Ref	ENGINE INSTALLATION - KUBOTA DIESEL T4F WITH GENERATOR	H
1	0100011	AR	Compound, Locking	
2	0100020	AR	Sealant	
3	0100051	AR	Grease, Terminal	
4	0400075	1	Battery	
5	0641605	4	Bolt 3/8 x 5/8 <b>(Prior to SN 0200266880)</b>	
6	0641612	AR	Bolt 3/8 x 1-1/2	
7	0700812	AR	Bolt M8 x 25	
8	0700817	AR	Bolt M8 x 45	
9	1001093382	2	J-Bolt	
10	0741010	AR	Screw #10 x 1-1/4	
11	0760610	AR	Bolt M6 x 20	
12	0760814	AR	Bolt M8 x 30	
13	0761617	AR	Bolt M6 x 45	
14	1320265	1	Clamp	
15	2180348	3	Fitting, Straight NPT x Barbed	
16	2180666	1	Fitting, Straight NPT x Barbed	
17	1001208764	1	Fitting, 90 NPT x Barbed	
18	2300004	AR	Coolant (Not Shown)	
19	2400044	1	Block, Fuse Mounting	
20	2720058	242 in/ 6.2m	Hose	
21	2720271	136 in/ 3.5m	Hose	
22	3290605	AR	Nut M6	
23	3290805	AR	Nut M8	
25	3291605	AR	Nut M16	
26	3300408	AR	Nut	
27	3311605	AR	Nut 3/8	
28	3422669	1	Pin	
29	3841143	1	Keeper, Pin	
31	4711400	AR	Washer 1/4	
32	4711600	AR	Washer 3/8	
33	4811700	AR	Washer M6	
34	4811900	AR	Washer M8	
35	4811902	AR	Washer M8	
36	4812300	AR	Washer M16	
37	5241000	AR	Washer M10	
38	8303511	AR	Capscrew M10 x 20	
39	1001174486	9	Clamp	
40	8750014	1	Clamp	
41	1001102987	1	Filter, Charge Pump <b>(Prior to SN 0200266880)</b>	
41	1001208874	1	Filter, Charge Pump <b>(SN 0200266880 to Present)</b>	
41	70010383	1	Element, Filter	
42	1001159301	AR	Oil, Engine (Not Shown)	
44	1001183421	1	Foam, Baffle	
45	1001184065	1	Bracket, Hold Down	
46	1001186428	1	Battery Cable Kit (See Separate Breakdown in ELECTRICAL SECTION)	

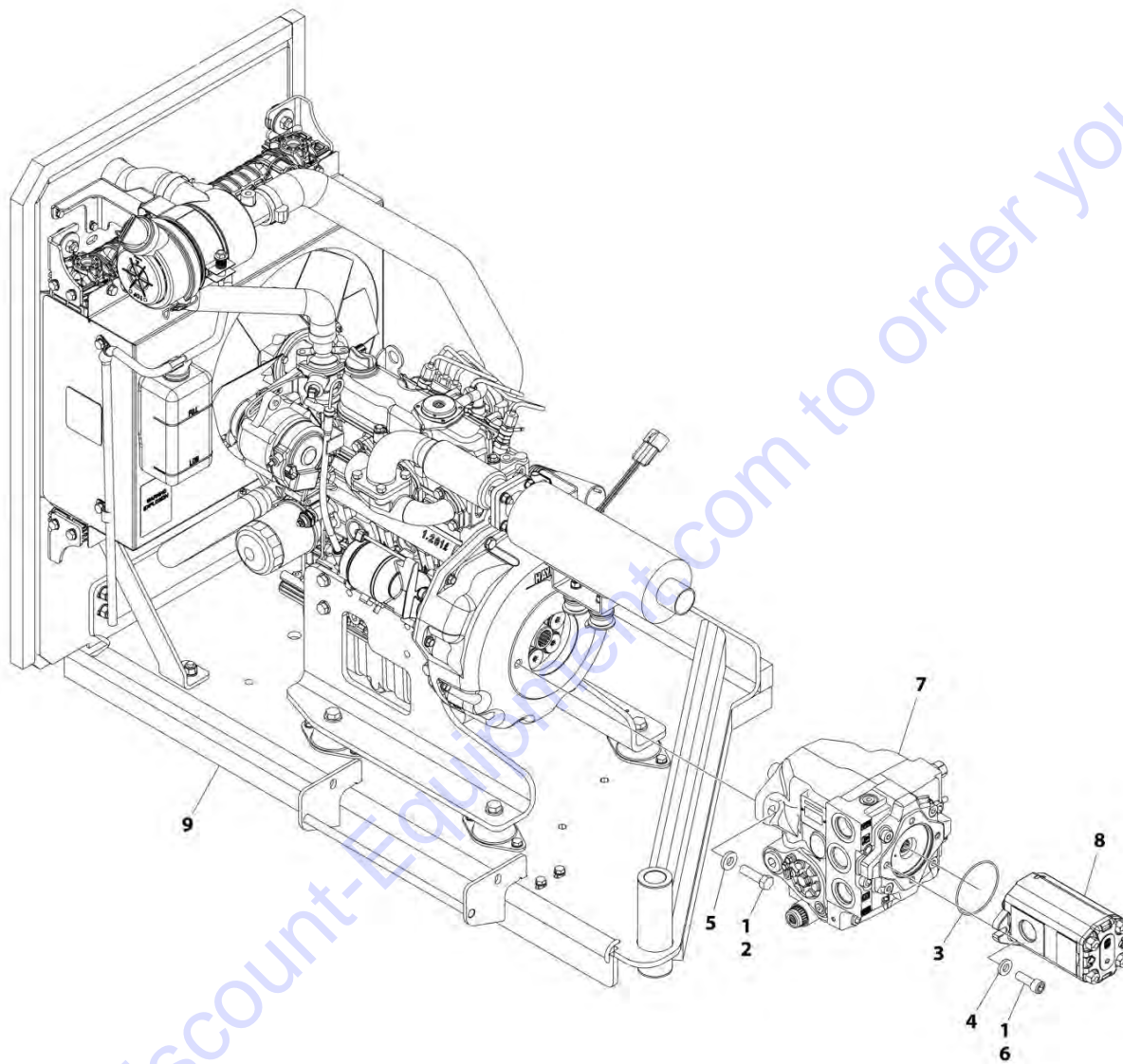
## SECTION 3 - ENGINE

ITEM	PART NUMBER	QTY	DESCRIPTION	REV
47	1001190545	1	Filter, Fuel	
48	1001190609	1	Fuel/Water Separator Assembly - Diesel Engines (See Separate Breakdown in this Section)	
49	1001191146	1	Bracket	
50	1001225613	NLA	Engine and Pump Sub-Assembly - Kubota Diesel T4F with Generator (Use p/n 1001238774) (See Separate Breakdown in this Section) <b>(Prior to SN 0200268660)</b>	
50	1001238774	1	Engine and Pump Sub-Assembly - Kubota Diesel T4F with Generator (See Separate Breakdown in this Section) <b>(SN 0200268660 to Present)</b>	
51	1001206686	1	Bracket <b>(Prior to SN 0200268060)</b>	
51	1001194836	1	Bracket <b>(SN 0200268060 to Present)</b>	
52	3820020	AR	Rivet	
54	3740080	5	Relay	
55	4751500	AR	Washer 5/16	
57	4240018	AR	Tie-Strap	
58	88521205	2	Nut 5/16	
59	1001185125	1	Plate	
60	1001209064	1	Engine Harness - Kubota Diesel T4F (Not Shown - See Separate Breakdown in ELECTRICAL SECTION) <b>(Prior to SN 0200267917)</b>	
60	1001236545	1	Engine Harness - Kubota Diesel T4F (Not Shown - See Separate Breakdown in ELECTRICAL SECTION) <b>(SN 0200267917 to Present)</b>	
61	1001185585	2	Clamp	
62	0761010	AR	Bolt M10 x 20	
63	4812000	AR	Washer M10	
64	1001234069	1	Harness, Fusible Link <b>(SN 0200267917 to Present)</b>	
65	0761014	AR	Bolt M10 x 30 <b>(SN 0200268060 to Present)</b>	
66	3291005	AR	Locknut M10 <b>(SN 0200268060 to Present)</b>	



## SECTION 3 - ENGINE

FIGURE 3-14. ENGINE AND PUMP SUB-ASSEMBLY - KUBOTA DIESEL T4F WITH GENERATOR  
(Prior to SN 0200268660)



ART\_1001225613

## SECTION 3 - ENGINE

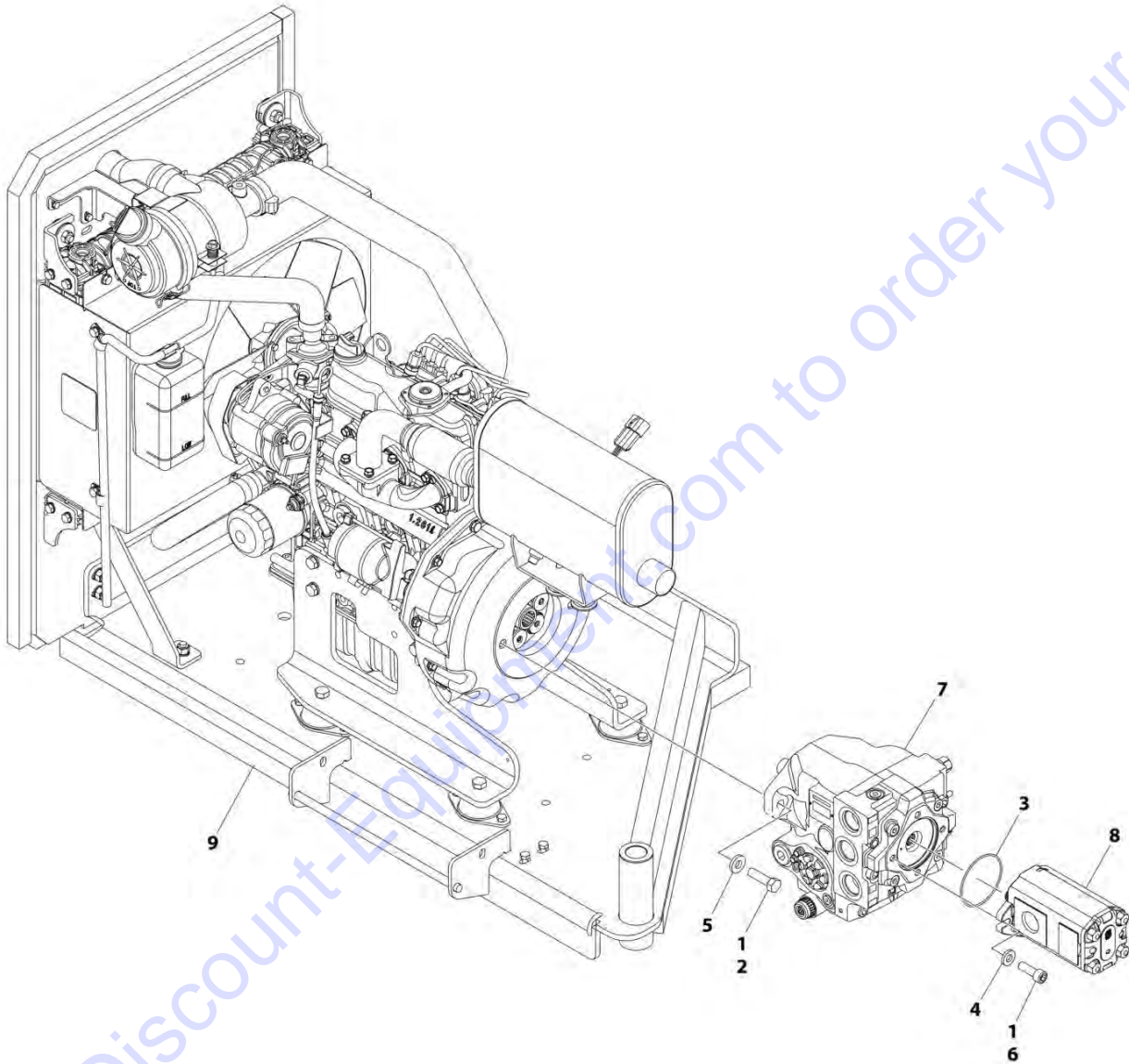
**FIGURE 3-14. ENGINE AND PUMP SUB-ASSEMBLY - KUBOTA DIESEL T4F WITH GENERATOR  
(Prior to SN 0200268660)**

ITEM	PART NUMBER	QTY	DESCRIPTION	REV
	1001225613	Ref	ENGINE AND PUMP SUB-ASSEMBLY - KUBOTA DIESEL T4F WITH GENERATOR	A
1	0100011	AR	Compound, Locking	
2	0641814	2	Bolt 1/2 x 1-3/4	
3	3790152	1	O-Ring	
4	4891600	2	Washer 3/8	
5	4891800	2	Washer 1/2	
6	83191040	2	Capscrew M10 x 30	
7	1001101331	1	Piston Pump Assembly (See Separate Breakdown in this Section)	
8	1001181393	1	Gear Pump Assembly	
8	7023929	1	Seal Kit - 1001181393 Pump (Note: Seal Kit is only service component available)	
9	1001225614	1	Engine Assembly - Kubota Diesel T4F with Generator (See Separate Breakdown in this Section)	

Go to Discount-Equipment.com to order your parts

## SECTION 3 - ENGINE

FIGURE 3-15. ENGINE AND PUMP SUB-ASSEMBLY - KUBOTA DIESEL E4B WITH GENERATOR (SN 0200268660 to Present)



ART\_1001238774

## SECTION 3 - ENGINE

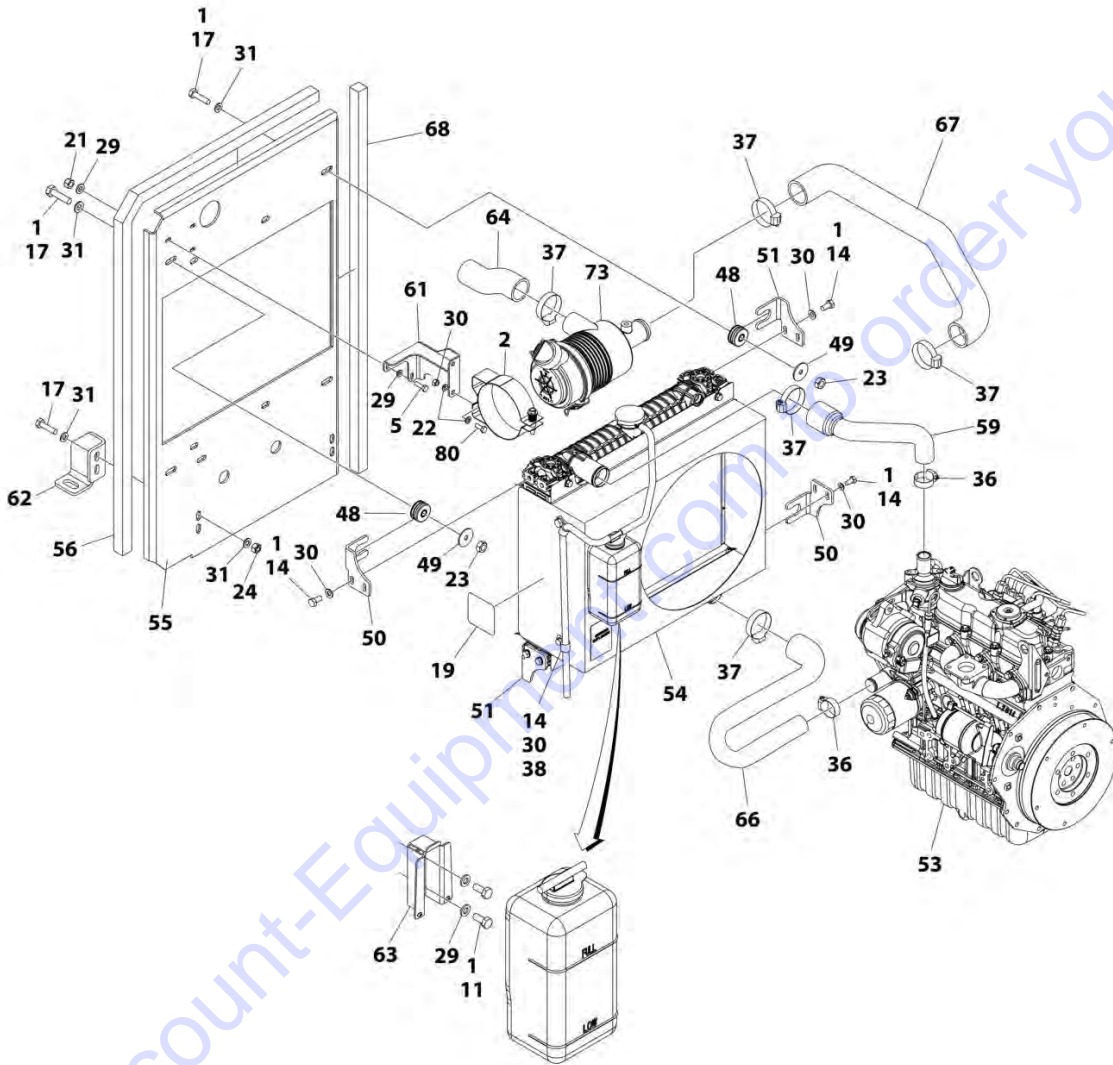
**FIGURE 3-15. ENGINE AND PUMP SUB-ASSEMBLY - KUBOTA DIESEL E4B WITH GENERATOR (SN 0200268660 to Present)**

ITEM	PART NUMBER	QTY	DESCRIPTION	REV
	1001238774	Ref	ENGINE AND PUMP SUB-ASSEMBLY - KUBOTA DIESEL E4B WITH GENERATOR	A
1	0100011	AR	Compound, Locking	
2	0641814	2	Bolt 1/2 x 1-3/4	
3	3790152	1	O-Ring	
4	4891600	2	Washer 3/8	
5	4891800	2	Washer 1/2	
6	83191040	2	Capscrew M10 x 30	
7	1001101331	1	Piston Pump Assembly (See Separate Breakdown in this Section)	
8	1001181393	1	Gear Pump Assembly	
8	7023929	1	Seal Kit - 1001181393 Pump (Note: Seal Kit is only service component available)	
9	1001238773	1	Engine Assembly - Kubota Diesel E4B with Generator (See Separate Breakdown in this Section)	

Go to Discount-Equipment.com to order your parts

# SECTION 3 - ENGINE

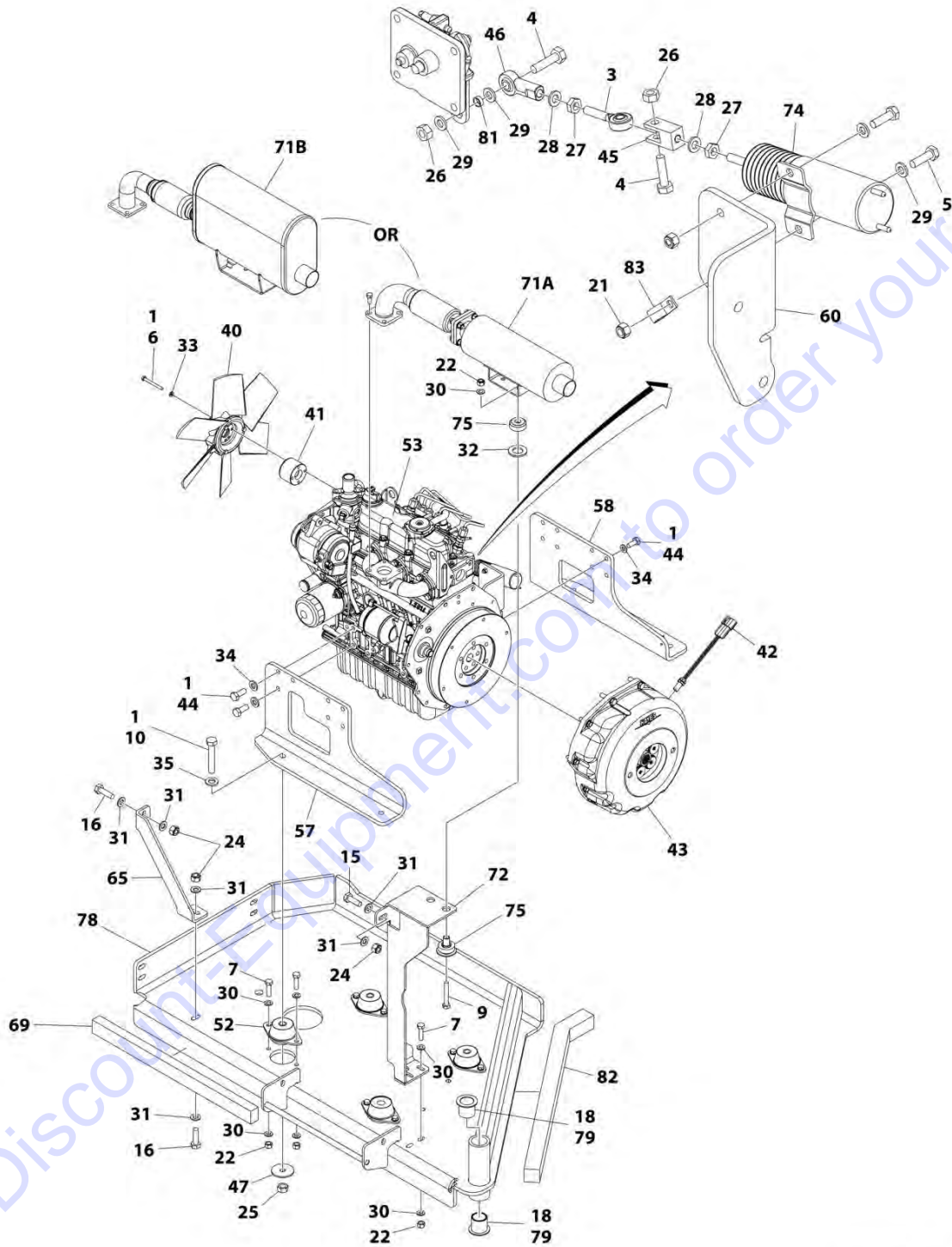
FIGURE 3-16. ENGINE ASSEMBLY - KUBOTA DIESEL T4F WITH GENERATOR (Prior to SN 0200268660)



ART\_1001225614\_10F2



# SECTION 3 - ENGINE



ART\_1001225614\_20F2

## SECTION 3 - ENGINE

**FIGURE 3-16. ENGINE ASSEMBLY - KUBOTA DIESEL T4F WITH GENERATOR (Prior to SN 0200268660)**

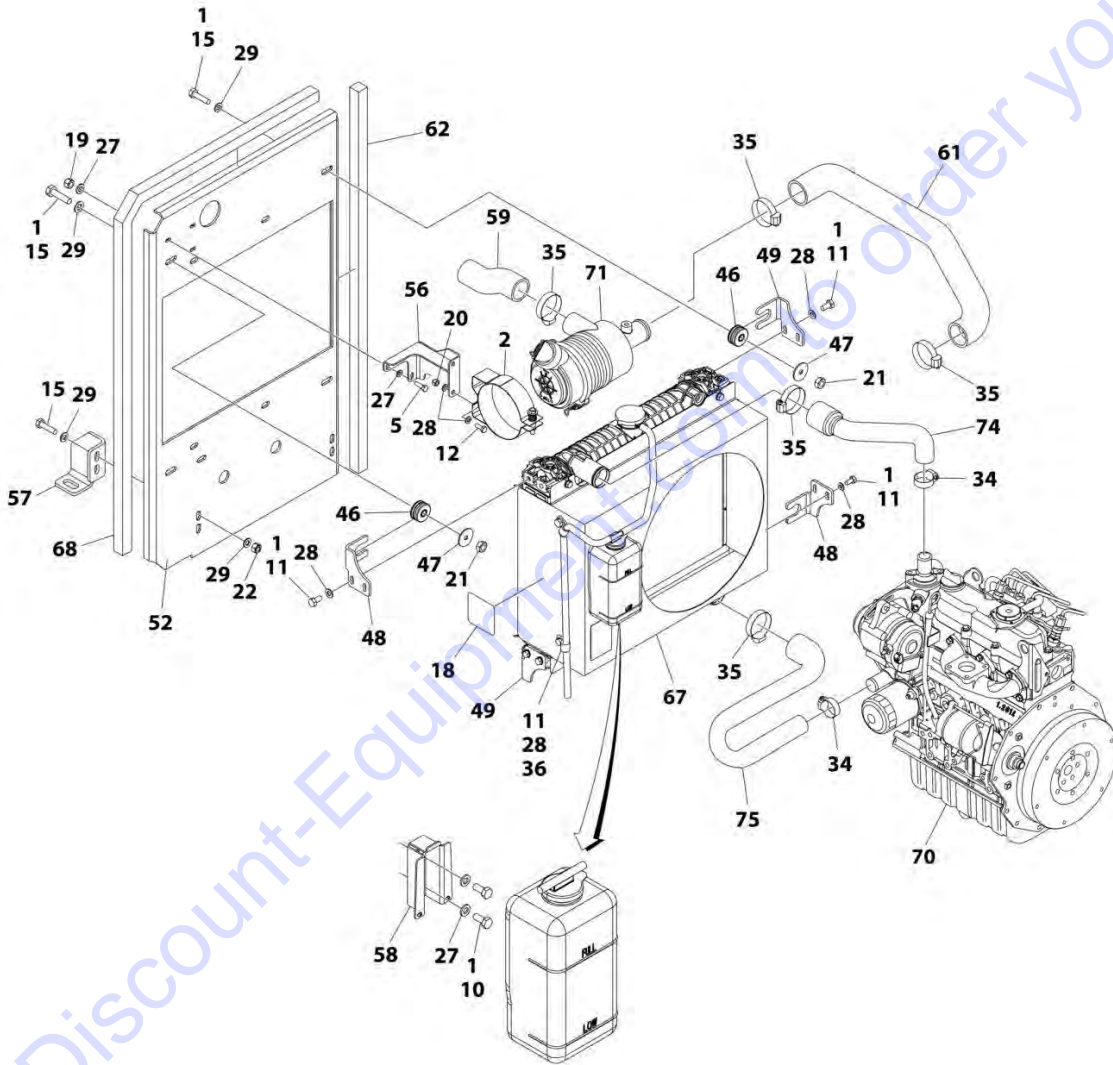
ITEM	PART NUMBER	QTY	DESCRIPTION	REV
	1001225614	Ref	ENGINE ASSEMBLY - KUBOTA DIESEL T4F WITH GENERATOR	F
1	0100011	AR	Compound, Locking	
2	0340045	1	Band, Mounting	
3	0440334	1	End, Rod	
4	0641408	2	Bolt 1/4 x 1	
5	0700610	5	Bolt M6 x 20	
6	0700620	4	Bolt M6 x 60	
7	0700814	10	Bolt M8 x 30	
9	0700819	2	Bolt M8 x 55	
10	0701222	4	Bolt M12 x 70	
11	0760607	2	Bolt M6 x 14	
14	0760808	10	Bolt M8 x 16	
15	0761014	1	Bolt M10 x 30	
16	0761015	4	Bolt M10 x 35	
17	0761016	6	Bolt M10 x 40	
18	0961986	2	Bearing	
19	1703162	2	Decal - Fan Blade	
21	3290605	5	Nut M6	
22	3290805	14	Nut M8	
23	3291001	4	Nut M10	
24	3291005	7	Nut M10	
25	3291201	4	Nut M12	
26	3311405	2	Nut 1/4	
27	3321402	2	Nut 1/4	
28	4761400	2	Washer 1/4	
29	4811700	AR	Washer M6	
30	4811900	36	Washer M8	
31	4812000	18	Washer M10	
32	4812500	2	Washer M20	
33	5240600	4	Washer M6	
34	5241000	8	Washer M10	
35	5241200	4	Washer M12	
36	8405101	2	Clamp	
37	8405104	5	Clamp	
38	85941016	2	Clamp	
40	1001118538	1	Fan	
41	1001118539	1	Spacer, Fan	
42	1001118580	1	Sensor, Speed	
43	1001118675	1	Coupling Kit - Diesel Engines (See Separate Breakdown in this Section)	
44	1001118746	8	Bolt M10 x 25	
45	1001118881	1	Clevis	
46	1001118925	1	End, Rod	
47	1001168018	4	Washer	
48	1001169054	4	Isolator	
49	1001169138	AR	Pad	
50	1001169967	2	Bracket	
51	1001170035	2	Bracket	
52	1001175509	4	Mount, Motor	

## SECTION 3 - ENGINE

ITEM	PART NUMBER	QTY	DESCRIPTION	REV
53	1001224430	1	Engine, Kubota T4F (See Separate Breakdown in this Section)	
54	1001220957	1	Radiator	
55	1001181658	1	Plate, Radiator	
56	1001227285	1	Seal	
57	1001182976	1	Mount, Engine (LH)	
58	1001182977	1	Mount, Engine (RH)	
59	1001182978	1	Tube, Inlet	
60	1001182979	1	Bracket, Throttle Cylinder	
61	1001182980	1	Bracket, Air Cleaner	
62	1001182981	1	Bracket	
63	1001182982	1	Mount	
64	1001182983	1	Tube, Intake	
65	1001182984	1	Bracket, Support	
66	1001182985	1	Tube, Outlet	
67	1001182987	1	Tube, Air Intake	
68	1001183420	1	Foam, Baffle	
69	1001183424	1	Foam, Baffle	
71A	1001195594	1	Muffler <b>(Prior to SN 0200267917)</b>	
71B	1001234950	1	Muffler <b>(SN 0200267917 to Present)</b>	
72	1001195600	1	Bracket, Muffler	
73	1001118280	1	Air Filter Assembly	
73	7015004	2	Element	
73	7015005	1	Cover Assembly	
73	1340069	1	Valve, Vacuator	
74	1001118582	1	Actuator, Throttle	
75	1001125248	2	Mount, Engine	
78	1001205968	1	Tray	
79	0100062	AR	Adhesive <b>(Prior to SN 0200267917)</b>	
79	1001180620	AR	Adhesive <b>(SN 0200267917 to Present)</b>	
80	0760810	2	Bolt M8 x 20	
81	1001128888	1	Washer	
82	1001184066	1	Foam, Baffle	
83	1320043	1	Clamp, Cable <b>(SN 0200266880 to Present)</b>	

# SECTION 3 - ENGINE

FIGURE 3-17. ENGINE ASSEMBLY - KUBOTA DIESEL E4B WITH GENERATOR (SN 0200268660 to Present)



ART\_1001238773\_10F2

# PARTS FINDER

**Search Website  
by Part Number**



**Search Manual  
Library For Parts  
Manual & Lookup Part  
Numbers – Purchase  
or Request Quote**

**Can't Find Part or  
Manual? Request Help  
by Manufacturer,  
Model & Description**

Discount-Equipment.com is your online resource for quality parts & equipment.

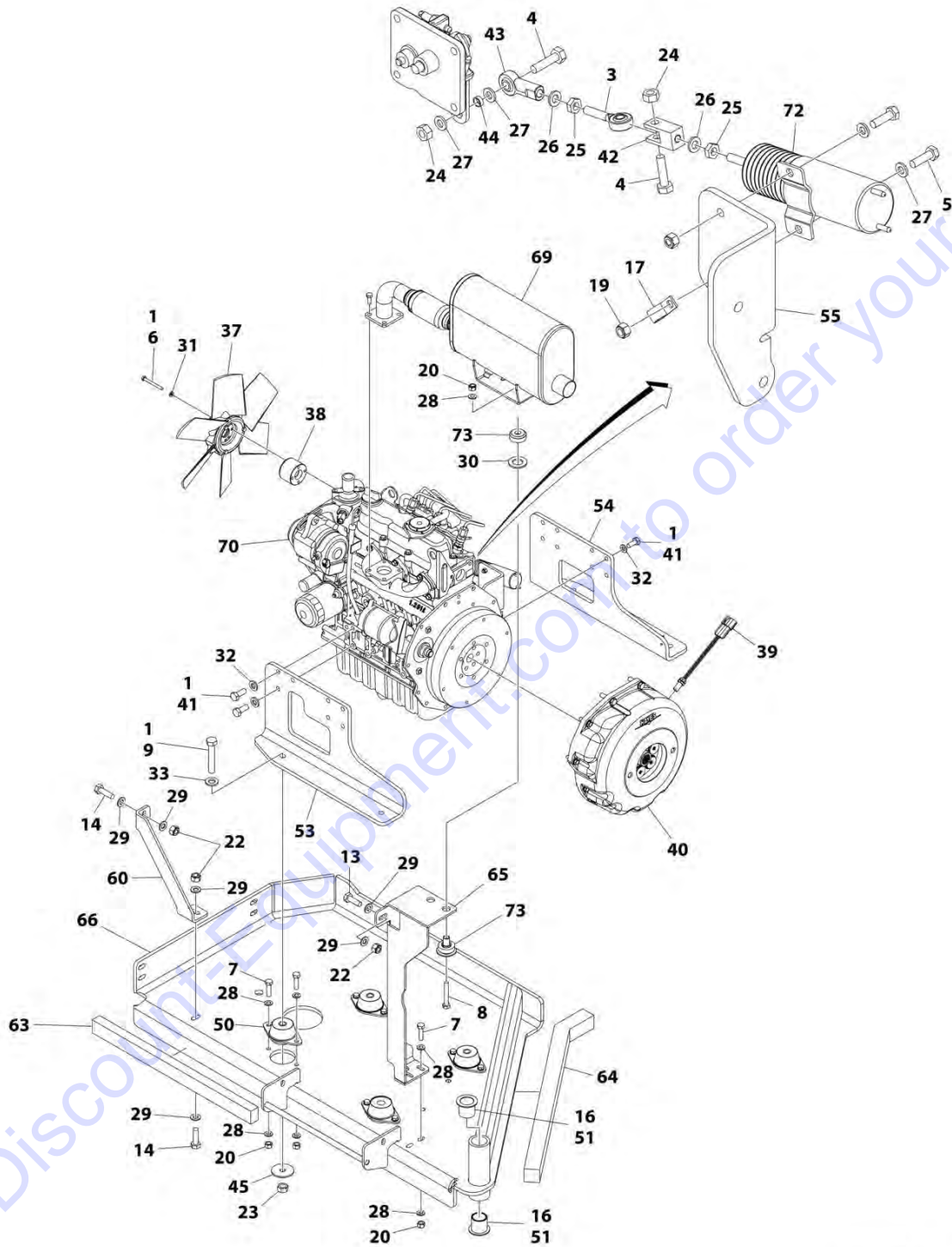
Florida: **561-964-4949** Outside Florida TOLL FREE: **877-690-3101**

**Need parts?**

Click on this link: <http://www.discount-equipment.com/category/5443-parts/> and choose one of the options to help get the right parts and equipment you are looking for. Please have the machine model and serial number available in order to help us get you the correct parts. If you don't find the part on the website or on one of the online manuals, please fill out the request form and one of our experienced staff members will get back to you with a quote for the right part that your machine needs.

We sell worldwide for the brands: Genie, Terex, JLG, MultiQuip, Mikasa, Essick, Whiteman, Mayco, Toro Stone, Diamond Products, Generac Magnum, Airman, Haulotte, Barreto, Power Blanket, Nifty Lift, Atlas Copco, Chicago Pneumatic, Allmand, Miller Curber, Skyjack, Lull, Skytrak, Tsurumi, Husquvarna Target, Stow, Wacker, Sakai, Mi-T-M, Sullair, Basic, Dynapac, MBW, Weber, Bartell, Bennar Newman, Haulotte, Ditch Runner, Menegotti, Morrison, Contec, Buddy, Crown, Edco, Wyco, Bomag, Laymor, EZ Trench, Bil-Jax, F.S. Curtis, Gehl Pavers, Heli, Honda, ICS/PowerGrit, IHI, Partner, Imer, Clipper, MMD, Koshin, Rice, CH&E, General Equipment, Amida, Coleman, NAC, Gradall, Square Shooter, Kent, Stanley, Tamco, Toku, Hatz, Kohler, Robin, Wisconsin, Northrock, Oztec, Toker TK, Rol-Air, APT, Wylie, Ingersoll Rand / Doosan, Innovatech, Con X, Ammann, Mecalac, Makinex, Smith Surface Prep, Small Line, Wanco, Yanmar

# SECTION 3 - ENGINE



ART\_1001238773\_2OF2

## SECTION 3 - ENGINE

**FIGURE 3-17. ENGINE ASSEMBLY - KUBOTA DIESEL E4B WITH GENERATOR (SN 0200268660 to Present)**

ITEM	PART NUMBER	QTY	DESCRIPTION	REV
	1001238773	Ref	ENGINE ASSEMBLY - KUBOTA DIESEL E4B WITH GENERATOR	A
1	0100011	AR	Compound, Locking	
2	0340045	1	Band, Mounting	
3	0440334	1	End, Rod	
4	0641408	2	Bolt 1/4 x 1	
5	0700610	5	Bolt M6 x 20	
6	0700620	4	Bolt M6 x 60	
7	0700814	10	Bolt M8 x 30	
8	0700819	2	Bolt M8 x 55	
9	0701222	4	Bolt M12 x 70	
10	0760607	2	Bolt M6 x 14	
11	0760808	10	Bolt M8 x 16	
12	0760810	2	Bolt M8 x 20	
13	0761014	1	Bolt M10 x 30	
14	0761015	4	Bolt M10 x 35	
15	0761016	6	Bolt M10 x 40	
16	0961986	2	Bearing	
17	1320043	1	Clamp, Cable	
18	1703162	2	Decal - Fan Blade	
19	3290605	5	Nut M6	
20	3290805	14	Nut M8	
21	3291001	4	Nut M10	
22	3291005	7	Nut M10	
23	3291201	4	Nut M12	
24	3311405	2	Nut 1/4	
25	3321402	2	Nut 1/4	
26	4761400	2	Washer 1/4	
27	4811700	13	Washer M6	
28	4811900	36	Washer M8	
29	4812000	18	Washer M10	
30	4812500	2	Washer M20	
31	5240600	4	Washer M6	
32	5241000	8	Washer M10	
33	5241200	4	Washer M12	
34	8405101	2	Clamp	
35	8405104	5	Clamp	
36	85941016	2	Clamp	
37	1001118538	1	Fan	
38	1001118539	1	Spacer, Fan	
39	1001118580	1	Sensor, Speed	
40	1001118675	1	Coupling Kit - Diesel Engines (See Separate Breakdown in this Section)	
41	1001118746	8	Bolt M10 x 25	
42	1001118881	1	Clevis	
43	1001118925	1	End, Rod	
44	1001128888	1	Washer	
45	1001168018	4	Washer	
46	1001169054	4	Isolator	
47	1001169138	6	Pad	

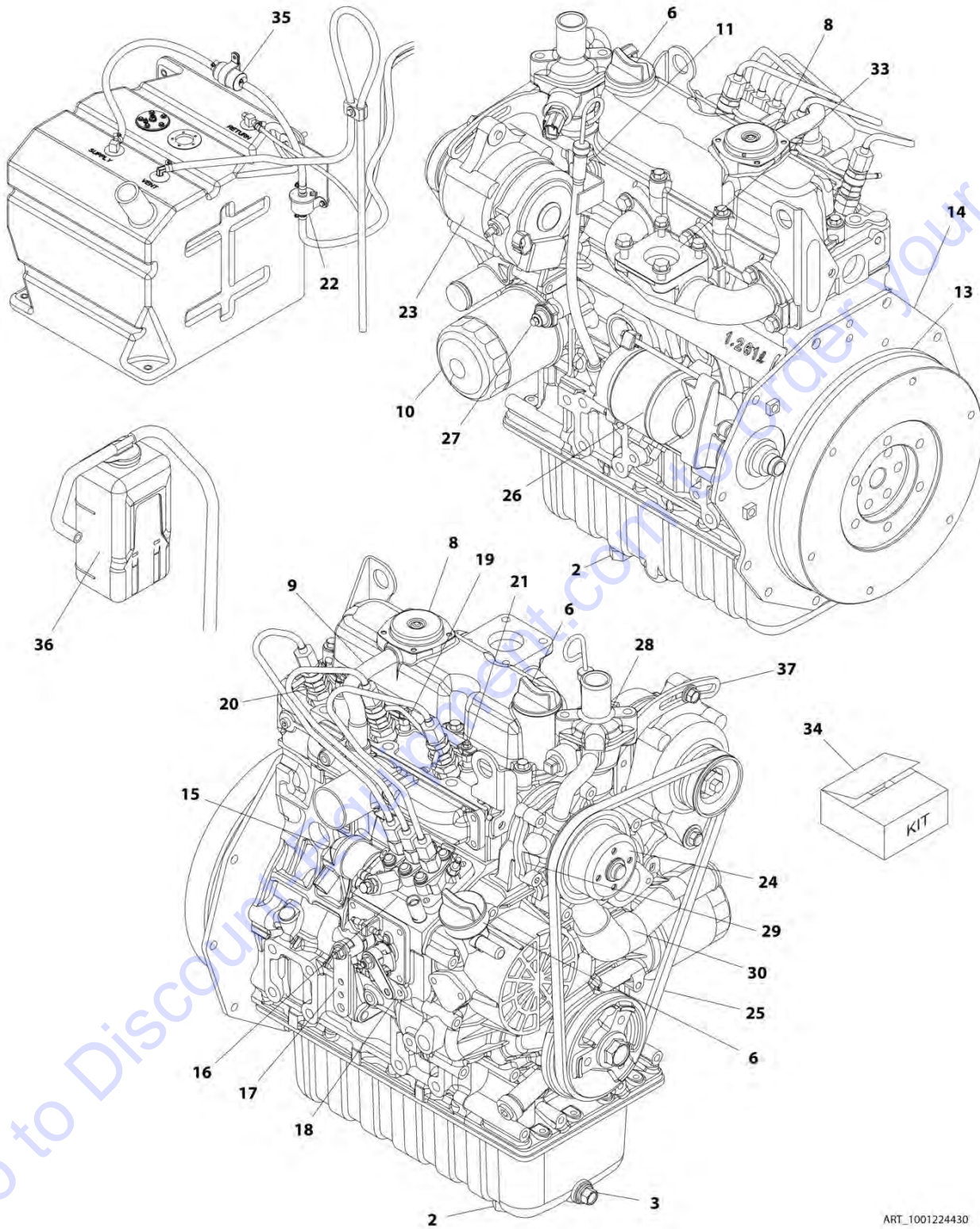
## SECTION 3 - ENGINE

ITEM	PART NUMBER	QTY	DESCRIPTION	REV
48	1001169967	2	Bracket	
49	1001170035	2	Bracket	
50	1001175509	4	Mount, Engine	
51	1001180620	1	Adhesive	
52	1001181658	1	Plate, Radiator	
53	1001182976	1	Mount, Engine (LH)	
54	1001182977	1	Mount, Engine (RH)	
55	1001182979	1	Bracket, Throttle Cylinder	
56	1001182980	1	Bracket, Air Cleaner	
57	1001182981	1	Bracket	
58	1001182982	1	Mount	
59	1001182983	1	Tube, Intake	
60	1001182984	1	Bracket, Support	
61	1001182987	1	Tube, Air Intake	
62	1001183420	1	Foam, Baffle	
63	1001183424	1	Foam, Baffle	
64	1001184066	1	Foam, Baffle	
65	1001195600	1	Bracket, Muffler	
66	1001205968	1	Tray	
67	1001220957	1	Radiator	
68	1001227285	1	Seal	
69	1001234950	1	Muffler	
70	1001238770	1	Engine, Kubota T4F (See Separate Breakdown in this Section)	
71	1001118280	1	Air Filter Assembly	
71	7015004	1	Element	
71	7015005	1	Cover Assembly	
71	1340069	1	Valve, Vacuator	
72	1001118582	1	Actuator, Throttle	
73	1001125248	2	Mount, Engine	
74	1001182978	1	Tube, Inlet	
75	1001182985	1	Tube, Outlet	



# SECTION 3 - ENGINE

FIGURE 3-18. ENGINE COMPONENTS - KUBOTA DIESEL T4F (Prior to SN 0200268660)



ART\_100124430

## SECTION 3 - ENGINE

**FIGURE 3-18. ENGINE COMPONENTS - KUBOTA DIESEL T4F (Prior to SN 0200268660)**

ITEM	PART NUMBER	QTY	DESCRIPTION	REV
	1001224430	Ref	ENGINE COMPONENTS - KUBOTA DIESEL T4F	D
1	70004524	1	Drain (Not Shown)	
2	7023154	1	Plug, Drain	
2	70002315	1	Seal, Plug	
3	70004525	1	Plug, Drain	
3	70004526	1	Gasket	
4	70005220	1	Gasket, Cylinder Head (Not Shown)	
5	7017922	1	Seal, Front Main (Not Shown)	
6	70002318	2	Cap, Oil Fill	
6	70004311	2	O-Ring	
7	70005221	1	Gasket, Valve Cover (Not Shown)	
8	70003060	1	Comp Valve, Breather	
8	70003061	1	Cover, Breather	
8	7017934	4	Screw	
9	70002316	1	Pipe, Water Return	
9	70002317	1	Tube, Breather	
9	70004530	1	Clamp, Hose	
9	70004531	1	Band, Pipe	
10	70004395	1	Filter, Oil	
11	70005222	1	Dipstick	
11	70005223	1	Tube, Dipstick	
12	7017928	1	Seal, Rear Main (Not Shown)	
13	70005224	1	Gear, Ring	
14	70002419	1	Plate, Rear End	
15	7025479	1	Solenoid, Stop	
16	7023164	1	Pump, Injection	
16	70002319	1	Shim, Injection	
16	70002320	1	Shim, Injection	
16	70002321	1	Shim, Injection Pump	
16	70002322	1	Shim, Injection Pump	
16	70002323	1	Shim, Injection Pump	
16	7017945	1	Joint, Eye	
17	70004396	1	Control, Speed	
17	70004397	1	Gasket	
18	7023165	1	Gasket	
19	70004536	1	Pipe, Over Flow	
19	70004537	1	Screw, Air Bleeder	
19	70004538	1	Gasket	
19	70004539	1	Pipe, Over Flow	
20	70004399	3	Holder, Nozzle	
20	70004540	3	Nut	
20	7023167	3	Gasket	
20	7023168	3	Seal, Heat	
21	70004398	3	Plug, Glow	
21	70004544	1	Cord, Glow Plug	
22	70005228	1	Electric Fuel Feed Pump	
23	70006661	1	Alternator - 60Amp	
24	7023140	1	Pulley, Fan	
25	70006665	1	V-Belt	
26	7023144	1	Starter	

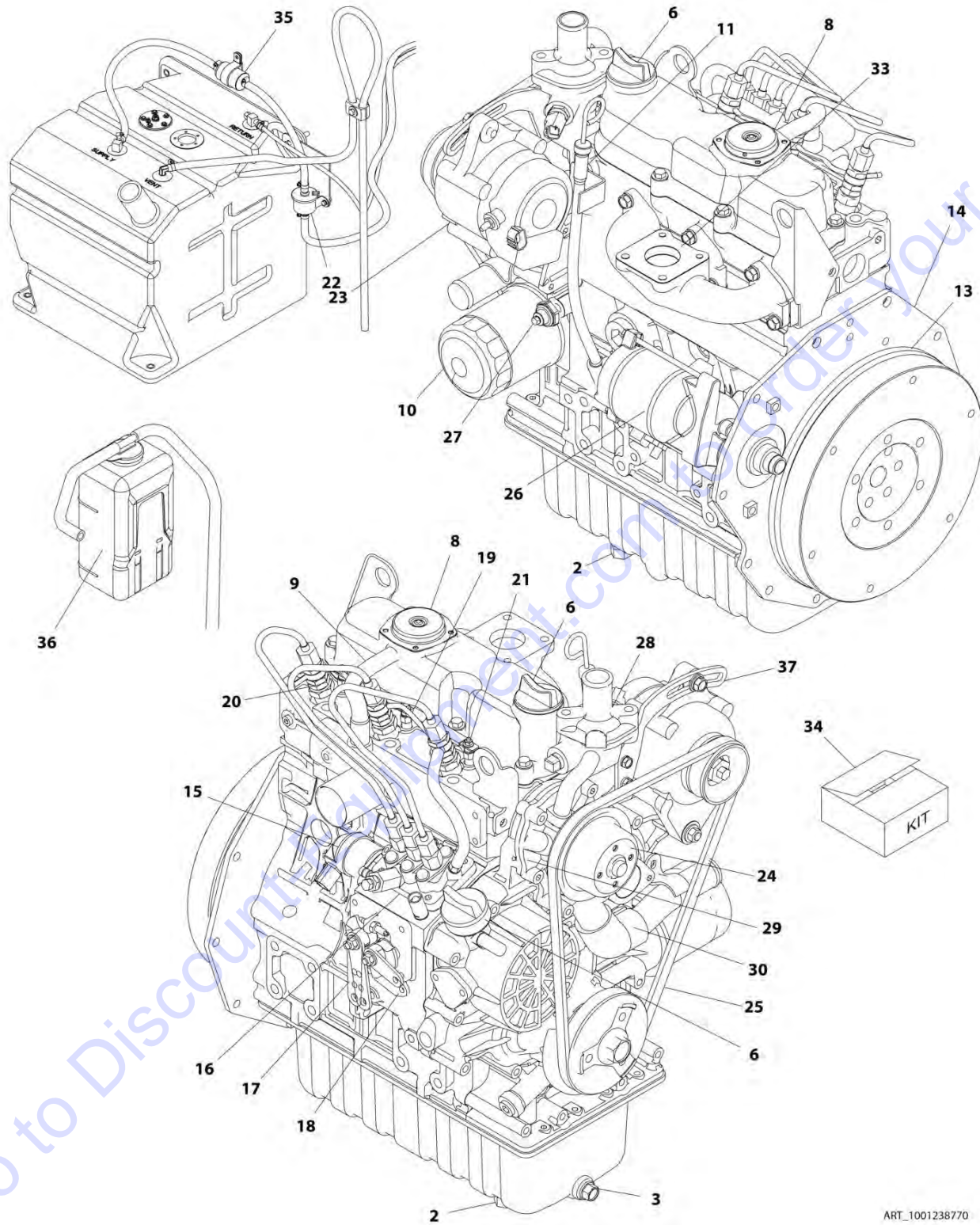
## SECTION 3 - ENGINE

ITEM	PART NUMBER	QTY	DESCRIPTION	REV
27	7017901	1	Switch, Oil	
28	70004829	1	Pipe, Water Return	
28	7023145	1	Gasket, Flange	
28	7017958	1	Hose, Water Return	
28	7023170	1	Thermostat	
28	70002326	1	Gasket, Thermostat	
28	70003064	1	Sensor, Water Temperature	
28	70003063	1	Washer, Seal	
29	70002327	1	Pump, Water	
29	70002328	1	Gasket, Water Pump	
30	7017963	1	Pipe, Water	
30	70002330	1	Pipe, Water	
31	7023149	1	Gasket, Inlet Manifold (Not Shown)	
32	7023148	1	Gasket, Exhaust Manifold (Not Shown)	
33	7023124	1	Gasket (Muffler)	
33	70004415	4	Bolt, Sems	
34	70005226	1	Upper Gasket Kit	
34	70005227	1	Lower Gasket Kit	
35	7017992	1	Fuel Filter	
36	70005229	1	Tank, Coolant Reserve	
37	70006664	1	Arm, Adjustment	



# SECTION 3 - ENGINE

FIGURE 3-19. ENGINE COMPONENTS - KUBOTA DIESEL E4B (SN 0200268660 to Present)



ART\_1001238770

## SECTION 3 - ENGINE

**FIGURE 3-19. ENGINE COMPONENTS - KUBOTA DIESEL E4B (SN 0200268660 to Present)**

ITEM	PART NUMBER	QTY	DESCRIPTION	REV
	1001238770	Ref	ENGINE COMPONENTS - KUBOTA DIESEL T4F	A
1	70004524	1	Drain (Not Shown)	
2	7023154	1	Plug, Drain	
2	70002315	1	Seal, Plug	
3	70004525	1	Plug, Drain	
3	70004526	1	Gasket	
4	70005220	1	Gasket, Cylinder Head (Not Shown)	
5	7017922	1	Seal, Front Main (Not Shown)	
6	70002318	2	Cap, Oil Fill	
6	70004311	2	O-Ring	
7	70005221	1	Gasket, Valve Cover (Not Shown)	
8	70003060	1	Comp Valve, Breather	
8	70003061	1	Cover, Breather	
8	7017934	4	Screw	
9	70002316	1	Pipe, Water Return	
9	70002317	1	Tube, Breather	
9	70004530	1	Clamp, Hose	
9	70004531	1	Band, Pipe	
10	70004395	1	Filter, Oil	
11	70005222	1	Dipstick	
11	70005223	1	Tube, Dipstick	
12	7017928	1	Seal, Rear Main (Not Shown)	
13	70005224	1	Gear, Ring	
14	70002419	1	Plate, Rear End	
15	7025479	1	Solenoid, Stop	
16	7023164	1	Pump, Injection	
16	70002319	1	Shim, Injection	
16	70002320	1	Shim, Injection	
16	70002321	1	Shim, Injection Pump	
16	70002322	1	Shim, Injection Pump	
16	70002323	1	Shim, Injection Pump	
16	7017945	1	Joint, Eye	
17	70004396	1	Control, Speed	
17	70004397	1	Gasket	
18	7023165	1	Gasket	
19	70004536	1	Pipe, Over Flow	
19	70004537	1	Screw, Air Bleeder	
19	70004538	1	Gasket	
19	70004539	1	Pipe, Over Flow	
20	70004399	3	Holder, Nozzle	
20	70004540	3	Nut	
20	7023167	3	Gasket	
20	7023168	3	Seal, Heat	
21	70004398	3	Plug, Glow	
21	70004544	1	Cord, Glow Plug	
22	70005228	1	Electric Fuel Feed Pump	
23	70006661	1	Alternator - 60Amp	
24	7023140	1	Pulley, Fan	
25	70006665	1	V-Belt	
26	7023144	1	Starter	

## SECTION 3 - ENGINE

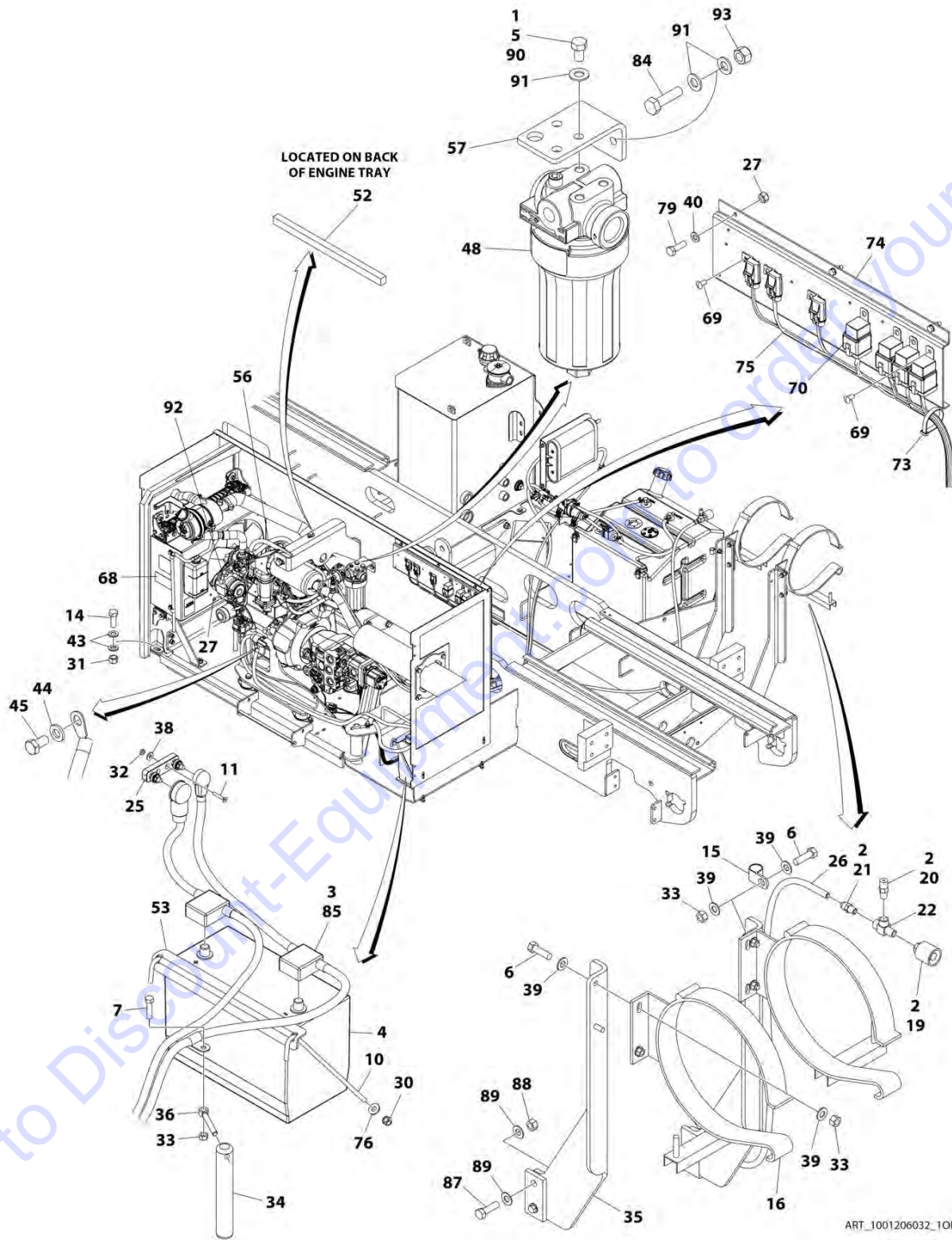
ITEM	PART NUMBER	QTY	DESCRIPTION	REV
27	7017901	1	Switch, Oil	
28	70004829	1	Pipe, Water Return	
28	7023145	1	Gasket, Flange	
28	7017958	1	Hose, Water Return	
28	7023170	1	Thermostat	
28	70002326	1	Gasket, Thermostat	
28	70003064	1	Sensor, Water Temperature	
28	70003063	1	Washer, Seal	
29	70002327	1	Pump, Water	
29	70002328	1	Gasket, Water Pump	
30	7017963	1	Pipe, Water	
30	70002330	1	Pipe, Water	
31	7023149	1	Gasket, Inlet Manifold (Not Shown)	
32	7023148	1	Gasket, Exhaust Manifold (Not Shown)	
33	7023124	1	Gasket (Muffler)	
33	70004415	4	Bolt, Sems	
34	70005226	1	Upper Gasket Kit	
34	70005227	1	Lower Gasket Kit	
35	7017992	1	Fuel Filter	
36	70005229	1	Tank, Coolant Reserve	
37	70006664	1	Arm, Adjustment	





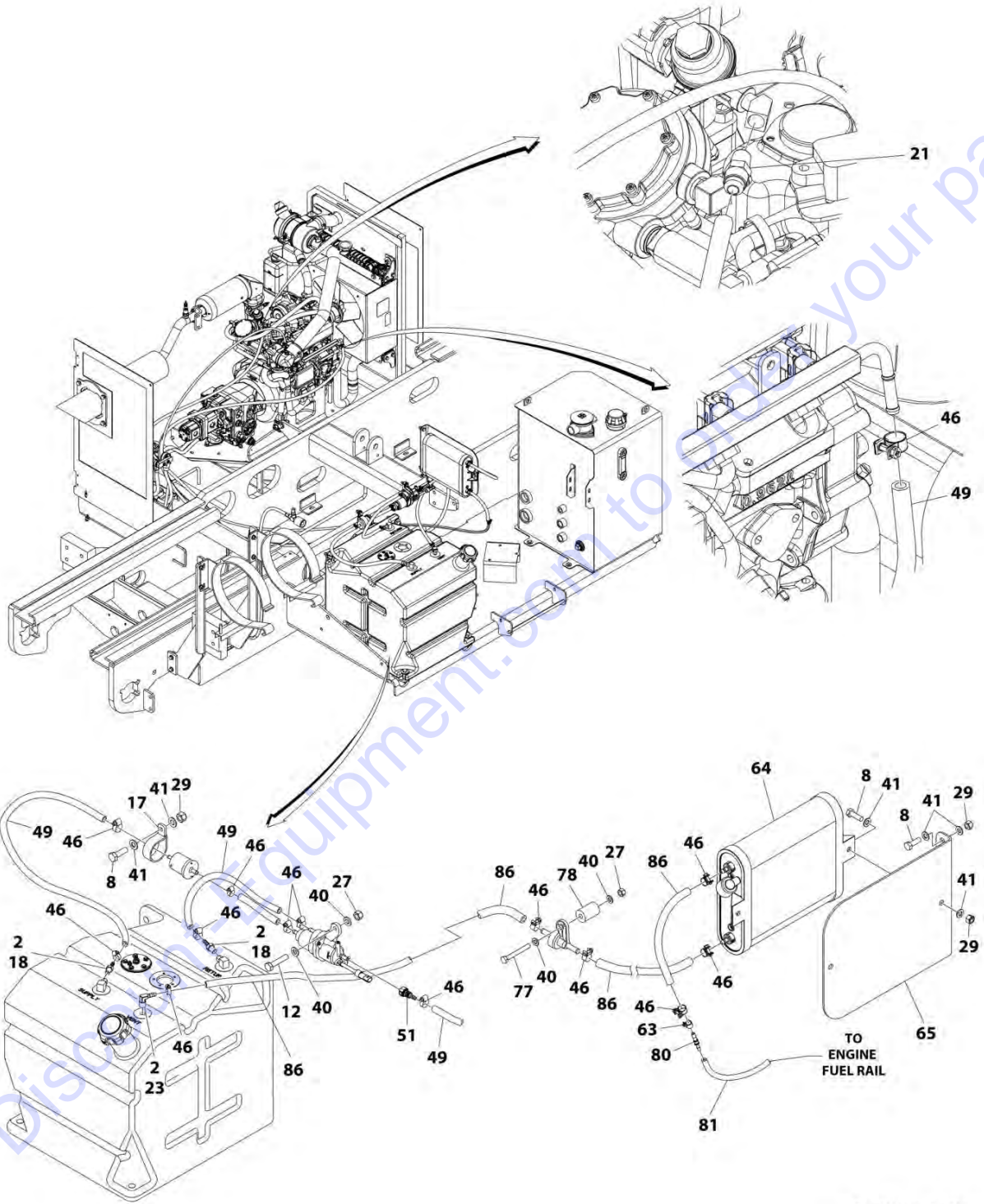
# SECTION 3 - ENGINE

## FIGURE 3-20. ENGINE INSTALLATION - KUBOTA GASOLINE



ART\_1001206032\_10F2

# SECTION 3 - ENGINE



ART\_1001206032\_20F2

## SECTION 3 - ENGINE

FIGURE 3-20. ENGINE INSTALLATION - KUBOTA GASOLINE

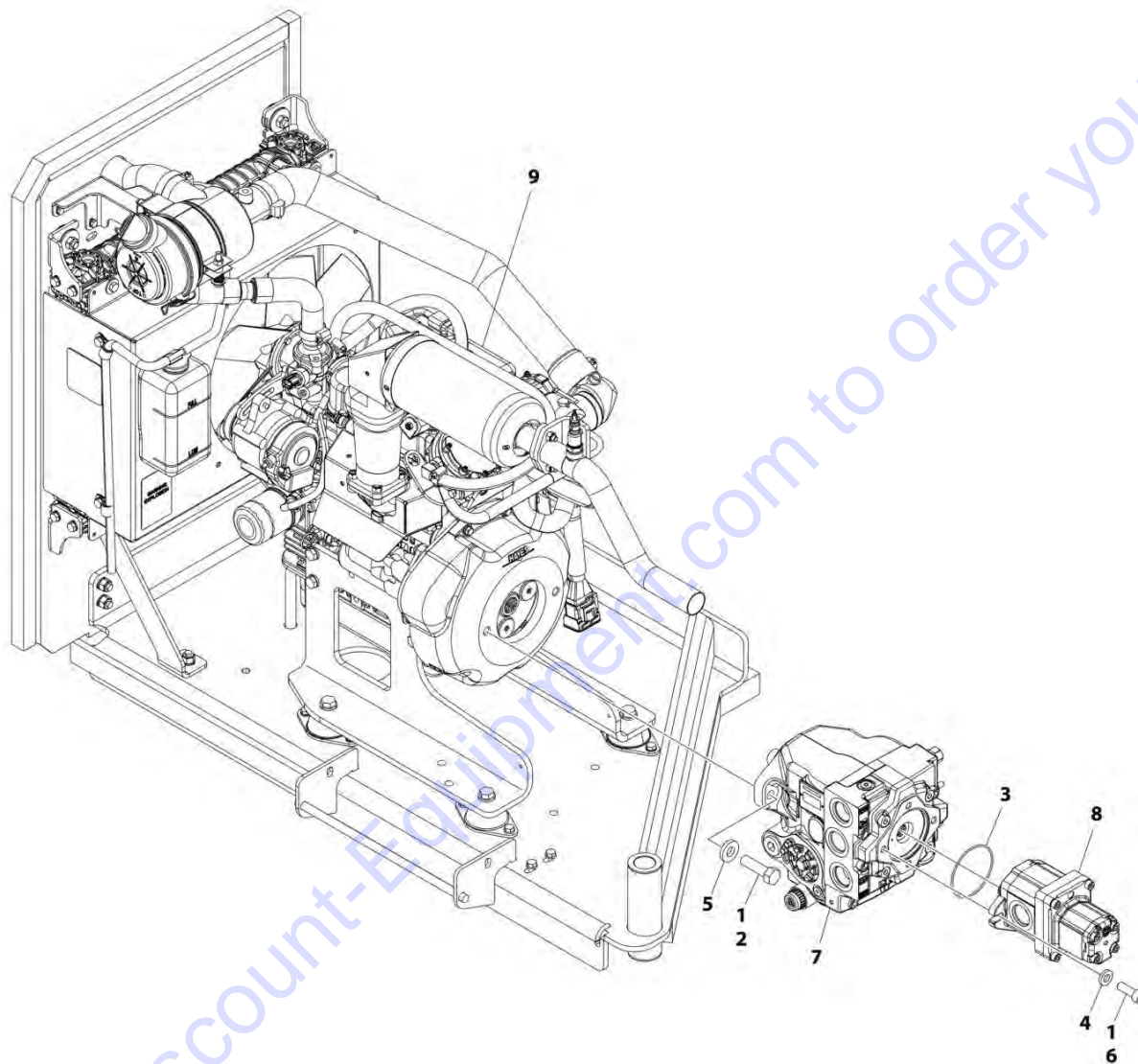
ITEM	PART NUMBER	QTY	DESCRIPTION	REV
	1001206032	Ref	ENGINE INSTALLATION - KUBOTA GASOLINE	P
1	0100011	AR	Compound, Locking	
2	0100020	AR	Sealant	
3	0100051	AR	Grease, Terminal	
4	0400075	1	Battery	
5	0641605	4	Bolt 3/8 x 5/8 <b>(Prior to SN 0200266880)</b>	
6	0641610	AR	Bolt 3/8 x 1-1/4	
7	0641612	AR	Bolt 3/8 x 1-1/2	
8	0700812	AR	Bolt M8 x 25	
10	1001093382	2	J-Bolt	
11	0741010	AR	Screw #10 x 1-1/4	
12	0760614	AR	Bolt M6 x30	
14	0761617	AR	Bolt M16 x 45	
15	1320061	1	Clamp	
16	1320220	1	LP Clamp Kit	
16	4400420	1	Tank, LP - Steel (Not Shown)	
16	4400275	1	Tank, LP - Aluminum (Not Shown)	
17	1320265	1	Clamp	
18	2180348	2	Fitting, Straight NPT x Barbed	
19	2180387	1	Fitting, Tank Connector	
20	2180389	1	Fitting, Relief Valve	
21	2180418	2	Fitting, Straight	
22	2220290	1	Fitting, Tee	
23	2221176	1	Fitting, 90 NPT x Barbed	
24	2300004	AR	Coolant (Not Shown)	
25	2400044	1	Block, Fuse Mounting	
26	2720611	1	Hose	
27	3290605	AR	Nut M6	
29	3290805	AR	Nut M8	
30	88521205	AR	Nut 5/16	
31	3291605	AR	Nut M16	
32	3300408	AR	Nut	
33	3311605	AR	Nut 3/8	
34	3422669	1	Pin	
35	3573440	2	Plate, LP Tank Mount	
36	3841143	1	Keeper, Pin	
38	4711400	AR	Washer 1/4	
39	4711600	AR	Washer 3/8	
40	4811700	AR	Washer M6	
41	4811900	AR	Washer M8	
43	4812300	AR	Washer M16	
44	5241000	AR	Washer M10	
45	8303511	AR	Capscrew M10 x 20	
46	1001174486	14	Clamp	
48	1001102987	1	Filter, Charge Pump <b>(Prior to SN 0200266880)</b>	
48	1001208874	1	Filter, Charge Pump <b>(SN 0200266880 to Present)</b>	
48	70010383	1	Element, Filter	
49	1001156819	169 in/ 4.3m	Hose	
51	1001174093	1	Coupling, Quick Connect	

## SECTION 3 - ENGINE

ITEM	PART NUMBER	QTY	DESCRIPTION	REV
52	1001183421	1	Foam, Baffle	
53	1001184065	1	Bracket, Hold Down	
55	1001190775	AR	Oil, Engine (Not Shown)	
56	1001204069	1	Engine and Pump Sub-Assembly - Kubota Gasoline (See Separate Breakdown in this Section)	
57	1001206686	1	Bracket <b>(Prior to SN 0200268060)</b>	
57	1001194836	1	Bracket <b>(SN 0200268060 to Present)</b>	
63	1001185585	2	Clamp	
64	1001225420	1	Filter, Carbon Canister	
65	1001225421	1	Bracket	
68	1001227591	1	Decal - EPA Evaporation Standards <b>(Prior to SN 0200267503)</b>	
68	1001236559	1	Decal - EPA Evaporation Standards <b>(SN 0200267503 through 0200268746)</b>	
68	1001249253	1	Decal - EPA Evaporation Standards <b>(SN 0200268747 to Present)</b>	
69	3820020	7	Rivet	
70	3740080	4	Relay	
73	4240018	AR	Tie-Strap	
74	1001185125	1	Plate	
75	1001209931	1	Engine Harness - Kubota Gasoline (See Separate Breakdown in ELECTRICAL SECTION) <b>(Prior to SN 0200267917)</b>	
75	1001236546	1	Engine Harness - Kubota Gasoline (See Separate Breakdown in ELECTRICAL SECTION) <b>(SN 0200267917 to Present)</b>	
76	4751500	AR	Washer 5/16	
77	0700618	AR	Bolt M6 x 50	
78	3860111	1	Roller	
79	0760610	AR	Bolt M6 x 20	
80	1001131391	1	Fitting, Coupling	
81	1001129256	111 in/ 2.8m	Hose	
83	1001146588	1	Tie-Strap (Not Shown)	
84	0760814	AR	Bolt M8 x 30	
85	1001186428	1	Battery Cable Kit (See Separate Breakdown in ELECTRICAL SECTION)	
86	1001129255	54 in/1.4m	Hose	
87	0641812	4	Bolt 1/2 x 1-1/2	
88	3311801	4	Nut 1/2	
89	4711800	AR	Washer 1/2	
90	0761010	AR	Bolt M10 x 20	
91	4812000	AR	Washer M10	
92	1001234069	1	Harness, Fusible Link <b>(SN 0200267917 to Present)</b>	
93	3291005	AR	Lock Nut M10 <b>(SN 0200268060 to Present)</b>	

# SECTION 3 - ENGINE

FIGURE 3-21. ENGINE AND PUMP SUB-ASSEMBLY - KUBOTA GASOLINE



ART\_1001206049

## SECTION 3 - ENGINE

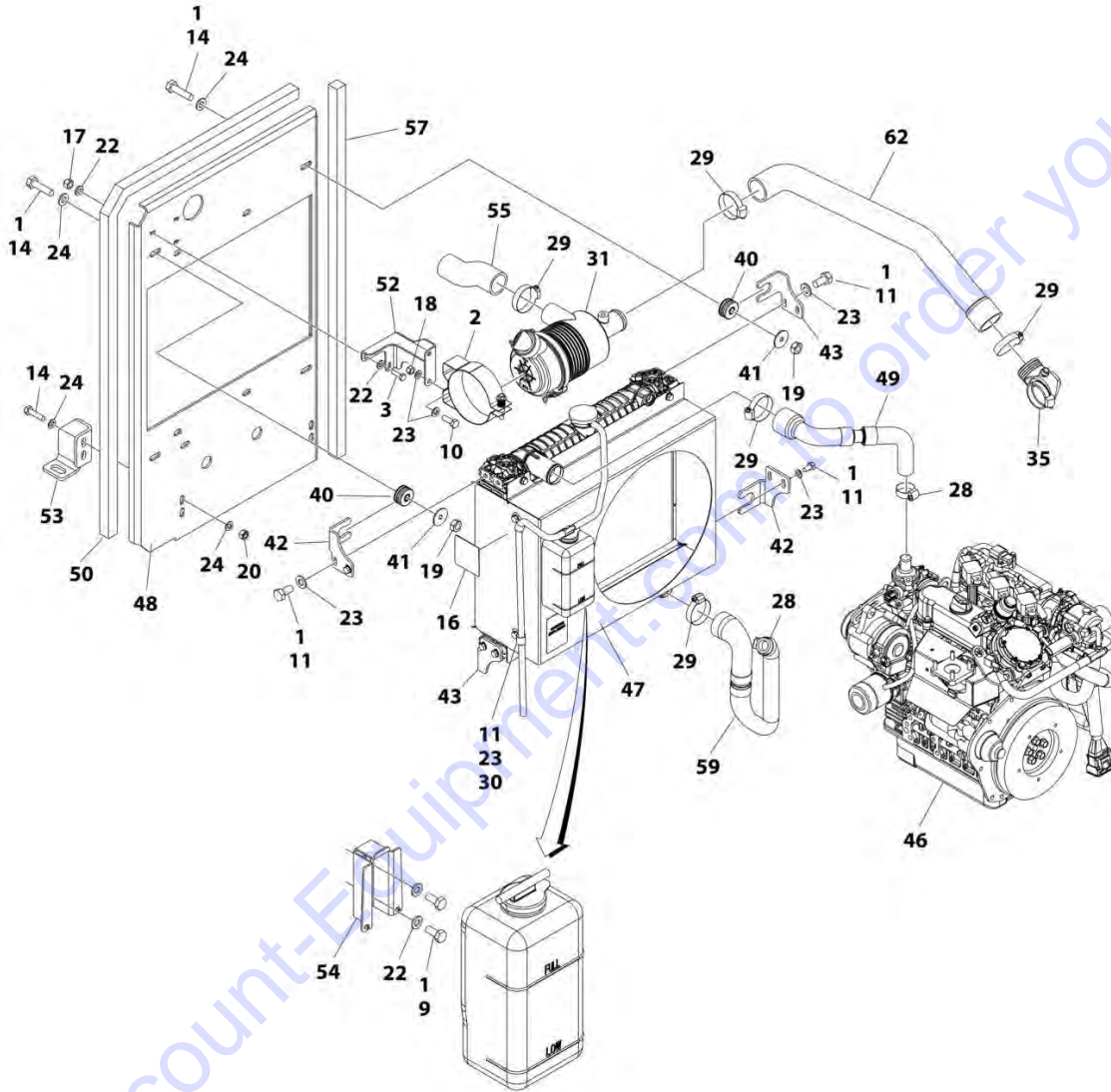
**FIGURE 3-21. ENGINE AND PUMP SUB-ASSEMBLY - KUBOTA GASOLINE**

ITEM	PART NUMBER	QTY	DESCRIPTION	REV
	1001206049	Ref	ENGINE AND PUMP SUB-ASSEMBLY - KUBOTA GASOLINE	E
1	0100011	AR	Compound, Locking	
2	0641814	2	Bolt 1/2 x 1-3/4	
3	3790152	1	O-Ring	
4	4711600	2	Washer 3/8	
5	4891800	2	Washer 1/2	
6	83191040	2	Capscrew M10 x 30	
7	1001101331	1	Piston Pump Assembly (See Separate Breakdown in this Section)	
8	1001217291	1	Gear Pump Assembly	
8	70002861	1	Seal Kit - 1001217291 Pump (Note: Seal Kit is only service component available)	
9	1001205973	1	Engine Assembly - Kubota Gasoline (See Separate Breakdown in this Section)	

Go to Discount-Equipment.com to order your parts

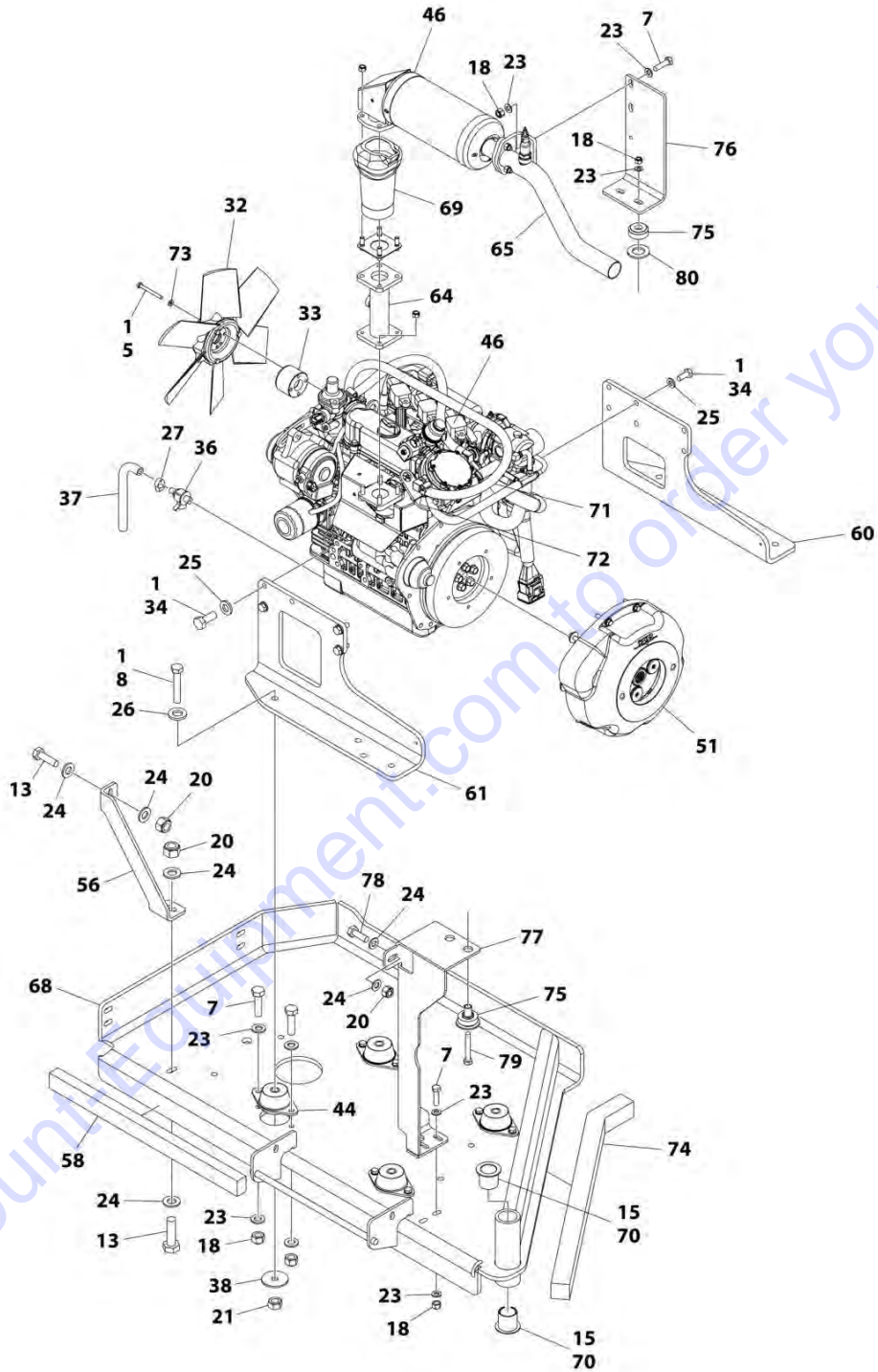
# SECTION 3 - ENGINE

## FIGURE 3-22. ENGINE ASSEMBLY - KUBOTA GASOLINE



ART\_1001205973\_10F2

# SECTION 3 - ENGINE



ART\_1001205973\_2OF2



## SECTION 3 - ENGINE

FIGURE 3-22. ENGINE ASSEMBLY - KUBOTA GASOLINE

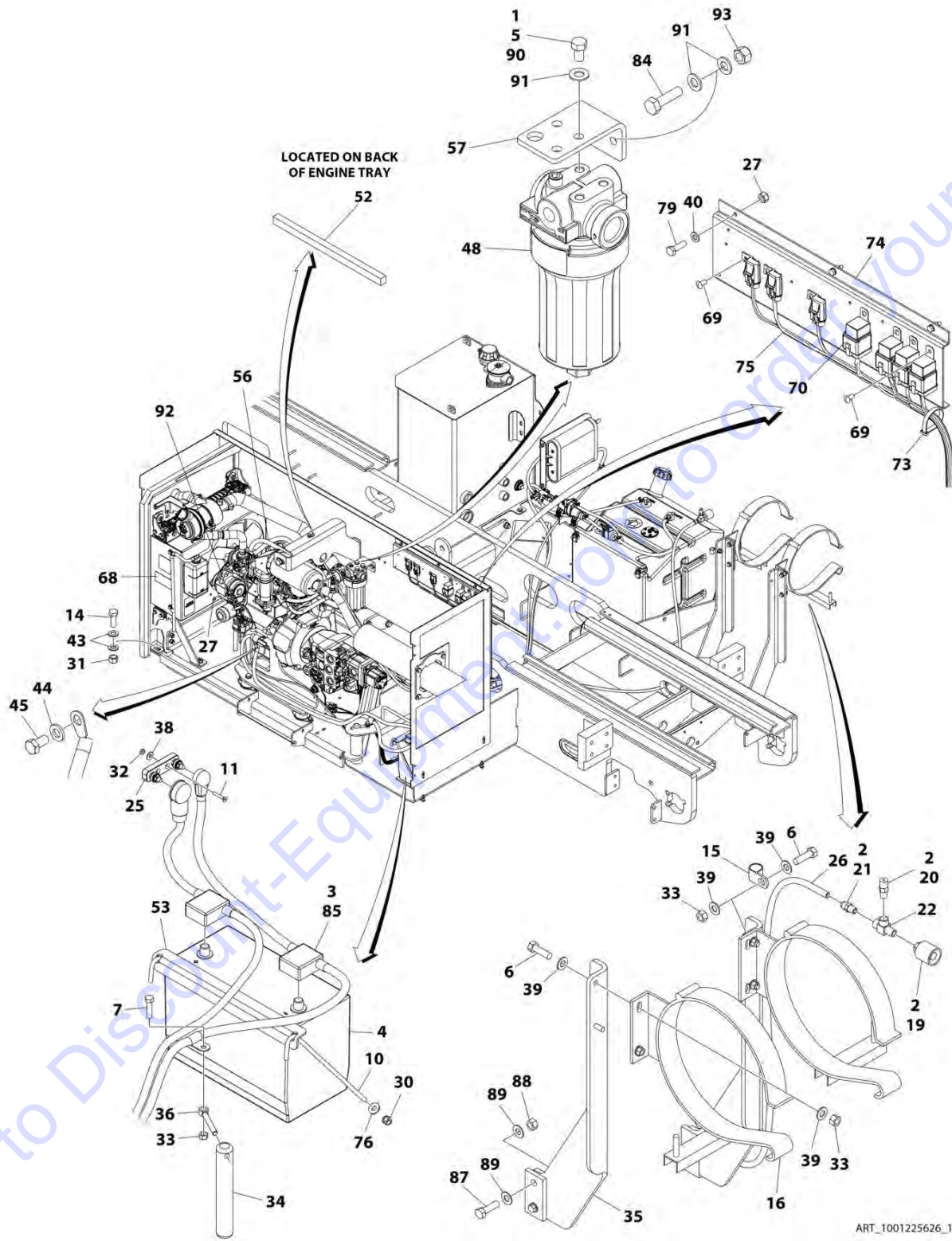
ITEM	PART NUMBER	QTY	DESCRIPTION	REV
	1001205973	Ref	ENGINE ASSEMBLY - KUBOTA GASOLINE	G
1	0100011	AR	Compound, Locking	
2	0340045	1	Band, Mounting	
3	0700610	3	Bolt M6 x 20	
5	0700620	4	Bolt M6 x 60	
7	0700814	12	Bolt M8 x 30	
8	0701222	4	Bolt M12 x 70	
9	0760607	2	Bolt M6 x 14	
10	0760810	2	Bolt M8 x 20	
11	0760808	8	Bolt M8 x 16	
13	0761015	4	Bolt M10 x 35	
14	0761016	6	Bolt M10 x 40	
15	0961986	2	Bearing	
16	1703162	2	Decal - Fan Blade	
17	3290605	3	Nut M6	
18	3290805	16	Nut M8	
19	3291001	4	Nut M10	
20	3291005	7	Nut M10	
21	3291201	4	Nut M12	
22	4811700	8	Washer M6	
23	4811900	40	Washer M8	
24	4812000	18	Washer M10	
25	5241000	8	Washer M10	
26	5241200	4	Washer M12	
27	8405009	1	Clamp	
28	8405101	2	Clamp	
29	8405104	5	Clamp	
30	85941016	2	Clamp	
31	1001118280	1	Air Filter Assembly	
31	7015004	2	Element	
31	7015005	1	Cover Assembly	
31	1340069	1	Valve, Vacuator	
32	1001118538	1	Fan	
33	1001118539	1	Spacer, Fan	
34	1001118746	8	Bolt M10 x 25	
35	1001146043	1	Coupling, 90	
36	1001161497	1	Valve, Oil Drain	
37	1001165035	8 in/ 20cm	Hose	
38	1001168018	4	Washer	
40	1001169054	4	Isolator	
41	1001169138	6	Pad	
42	1001169967	2	Bracket	
43	1001170035	2	Bracket	
44	1001187235	4	Mount, Motor	
46	1001224493	1	Engine, Kubota Gasoline (See Separate Breakdown in this Section)	
47	1001220957	1	Radiator	
48	1001181658	1	Plate, Radiator	
49	1001181659	1	Hose, Radiator (Upper)	
50	1001227285	1	Seal	

## SECTION 3 - ENGINE

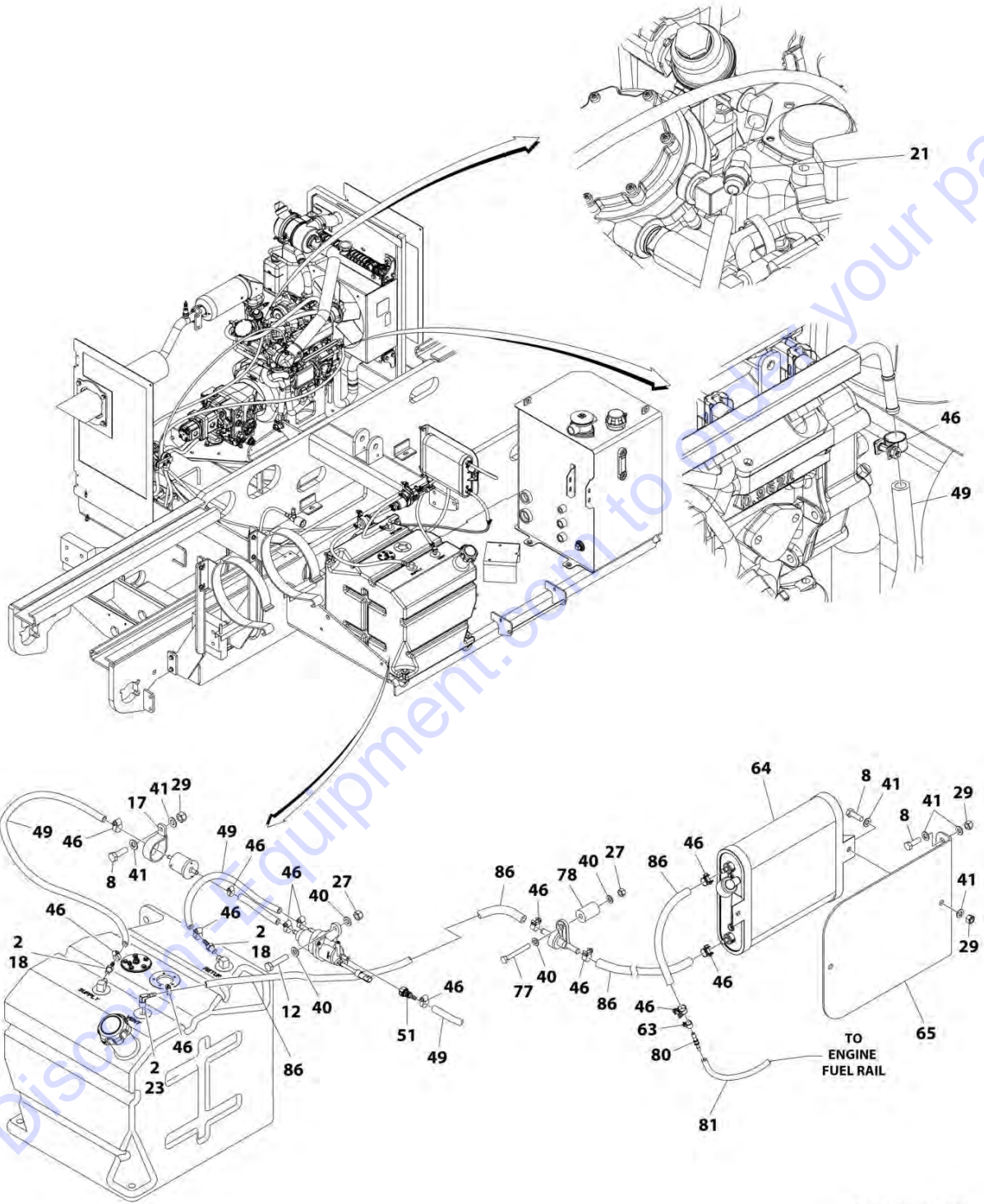
ITEM	PART NUMBER	QTY	DESCRIPTION	REV
51	1001181829	1	Coupling Kit - Gasoline Engines (See Separate Breakdown in this Section)	
52	1001182980	1	Bracket	
53	1001182981	1	Bracket	
54	1001182982	1	Mount	
55	1001182983	1	Tube, Intake	
56	1001182984	1	Support	
57	1001183420	1	Foam, Baffle	
58	1001183424	1	Foam, Baffle	
59	1001183427	1	Tube, Coolant	
60	1001183428	1	Mount, Engine (RH)	
61	1001215543	1	Mount, Engine (LH)	
62	1001184064	1	Tube, Intake	
64	1001213847	1	Tube, Exhaust	
65	1001186833	1	Tube, Exhaust	
68	1001205968	1	Tray	
69	1001210708	1	Insulate, Exhaust	
70	0100062	AR	Adhesive	
71	1001181625	50 in/ 127cm	Hose	
72	8410013	4	Clamp	
73	5240600	4	Washer M6	
74	1001184066	1	Foam, Baffle	
75	1001125248	2	Mount, Engine	
76	1001226420	1	Support	
77	1001195600	1	Bracket, Muffler	
78	0761014	1	Bolt M10 x 30	
79	0700819	2	Bolt M8 x 55	
80	4812500	2	Washer M20	

# SECTION 3 - ENGINE

## FIGURE 3-23. ENGINE INSTALLATION - KUBOTA GASOLINE WITH GENERATOR



# SECTION 3 - ENGINE



ART\_1001225626\_20F2

## SECTION 3 - ENGINE

FIGURE 3-23. ENGINE INSTALLATION - KUBOTA GASOLINE WITH GENERATOR

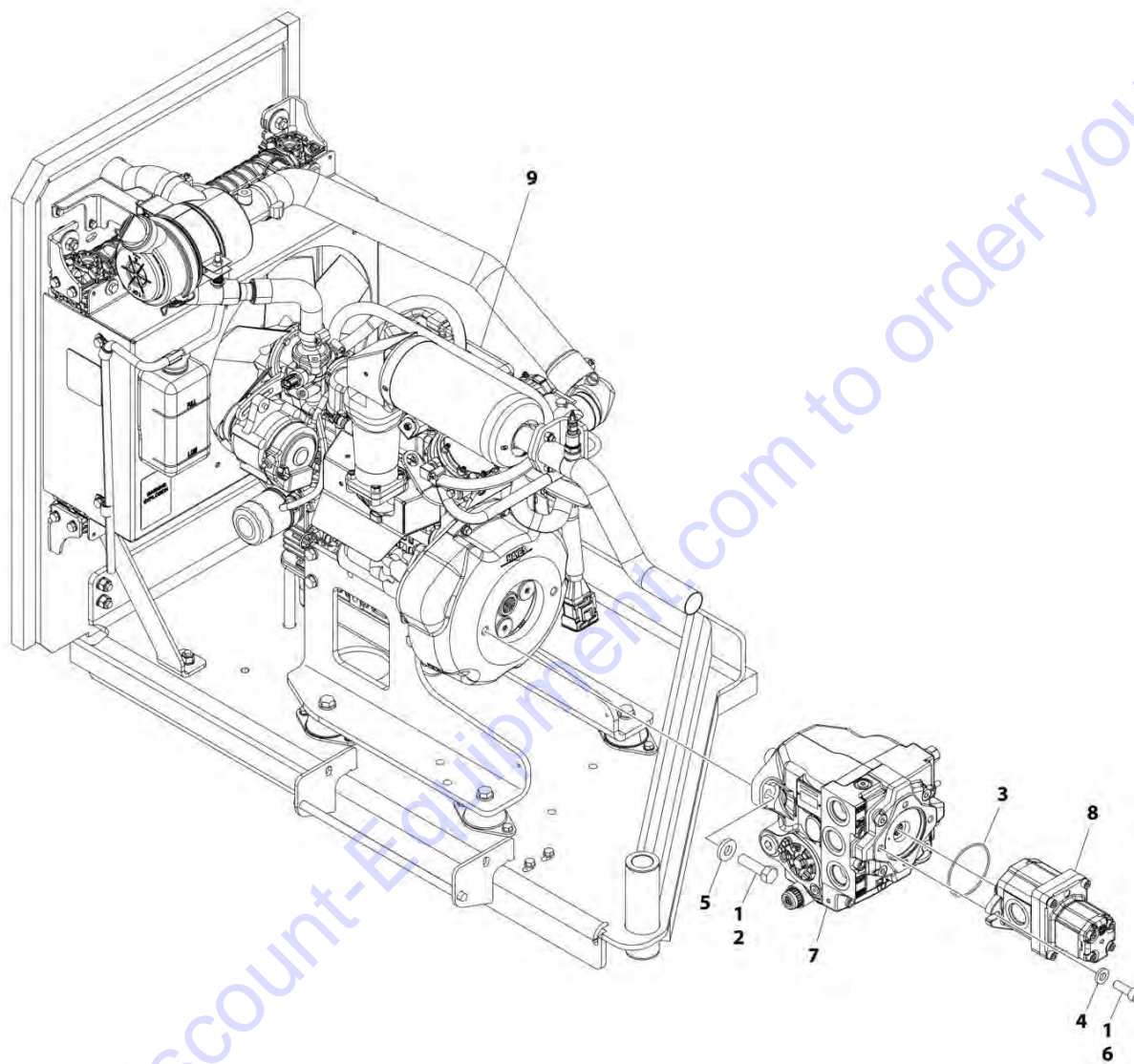
ITEM	PART NUMBER	QTY	DESCRIPTION	REV
	1001225626	Ref	ENGINE INSTALLATION - KUBOTA GASOLINE WITH GENERATOR	I
1	0100011	AR	Compound, Locking	
2	0100020	AR	Sealant	
3	0100051	AR	Grease, Terminal	
4	0400075	1	Battery	
5	0641605	AR	Bolt 3/8 x 5/8	
6	0641610	AR	Bolt 3/8 x 1-1/4	
7	0641612	AR	Bolt 3/8 x 1-1/2	
8	0700812	AR	Bolt M8 x 25	
10	1001093382	2	J-Bolt	
11	0741010	AR	Screw #10 x 1-1/4	
12	0760614	AR	Bolt M6 x 30	
14	0761617	AR	Bolt M16 x 45	
15	1320061	1	Clamp	
16	1320220	1	LP Clamp Kit	
16	4400420	1	Tank, LP - Steel (Not Shown)	
16	4400275	1	Tank, LP - Aluminum (Not Shown)	
17	1320265	1	Clamp	
18	2180348	2	Fitting, Straight NPT x Barbed	
19	2180387	1	Fitting, Tank Connector	
20	2180389	1	Fitting, Relief Valve	
21	2180418	2	Fitting, Straight	
22	2220290	1	Fitting, Tee	
23	2221176	1	Fitting, 90 NPT x Barbed	
24	2300004	AR	Coolant (Not Shown)	
25	2400044	1	Block, Fuse Mounting	
26	2720611	1	Hose	
27	3290605	AR	Nut M6	
29	3290805	AR	Nut M8	
30	88521205	AR	Nut 5/16	
31	3291605	AR	Nut M16	
32	3300408	AR	Nut	
33	3311605	AR	Nut 3/8	
34	3422669	1	Pin	
35	3573440	2	Plate, LP Tank Mount	
36	3841143	1	Keeper, Pin	
38	4711400	AR	Washer 1/4	
39	4711600	AR	Washer 3/8	
40	4811700	AR	Washer M6	
41	4811900	AR	Washer M8	
43	4812300	AR	Washer M16	
44	5241000	AR	Washer M10	
45	8303511	AR	Capscrew M10 x 20	
46	1001174486	14	Clamp	
48	1001102987	1	Filter, Charge Pump (Prior to SN 0200266880)	
48	1001208874	1	Filter, Charge Pump (SN 0200266880 to Present)	
48	70010383	1	Element, Filter	
49	1001156819	169 in/ 4.3m	Hose	

## SECTION 3 - ENGINE

ITEM	PART NUMBER	QTY	DESCRIPTION	REV
51	1001174093	1	Coupling, Quick Connect	
52	1001183421	1	Foam, Baffle	
53	1001184065	1	Bracket, Hold Down	
55	1001190775	AR	Oil, Engine (Not Shown)	
56	1001225627	1	Engine and Pump Sub-Assembly - Kubota Gasoline with Generator (See Separate Breakdown in this Section)	
57	1001206686	1	Bracket <b>(Prior to SN 0200268060)</b>	
57	1001194836	1	Bracket <b>(SN 0200268060 to Present)</b>	
63	1001185585	2	Clamp	
64	1001225420	1	Filter, Carbon Canister	
65	1001225421	1	Bracket	
68	1001207289	1	Decal - EPA Evaporation Standards <b>(Prior to SN 0200267503)</b>	
68	1001236559	1	Decal - EPA Evaporation Standards <b>(SN 0200267503 through 0200268746)</b>	
68	1001249253	1	Decal - EPA Evaporation Standards <b>(SN 0200268747 to Present)</b>	
69	3820020	AR	Rivet	
70	3740080	4	Relay	
73	4240018	AR	Tie-Strap	
74	1001185125	1	Plate	
75	1001209931	1	Engine Harness - Kubota Gasoline (See Separate Breakdown in ELECTRICAL SECTION) <b>(Prior to SN 0200267917)</b>	
75	1001236546	1	Engine Harness - Kubota Gasoline (See Separate Breakdown in ELECTRICAL SECTION) <b>(SN 0200267917 to Present)</b>	
76	4751500	AR	Washer 5/16	
77	0700618	AR	Bolt M6 x 50	
78	3860111	1	Roller	
79	0760610	AR	Bolt M6 x 20	
80	1001131391	1	Fitting, Coupling	
81	1001129256	111 in/ 2.8m	Hose	
83	1001146588	1	Tie-Strap (Not Shown)	
84	0760814	AR	Bolt M8 x 30	
85	1001186428	1	Battery Cable Kit (See Separate Breakdown in ELECTRICAL SECTION)	
86	1001129255	54 in/1.4m	Hose	
87	0641812	AR	Bolt 1/2 x 1-1/2	
88	3311801	AR	Nut 1/2	
89	4711800	AR	Washer 1/2	
90	0761010	AR	Bolt M10 x 20	
91	4812000	AR	Washer M10	
92	1001234069	1	Harness, Fusible Link <b>(SN 0200267917 to Present)</b>	
93	3291005	AR	Locknut M10 <b>(SN 0200268060 to Present)</b>	

# SECTION 3 - ENGINE

FIGURE 3-24. ENGINE AND PUMP SUB-ASSEMBLY - KUBOTA GASOLINE WITH GENERATOR



ART\_1001225627

## SECTION 3 - ENGINE

**FIGURE 3-24. ENGINE AND PUMP SUB-ASSEMBLY - KUBOTA GASOLINE WITH GENERATOR**

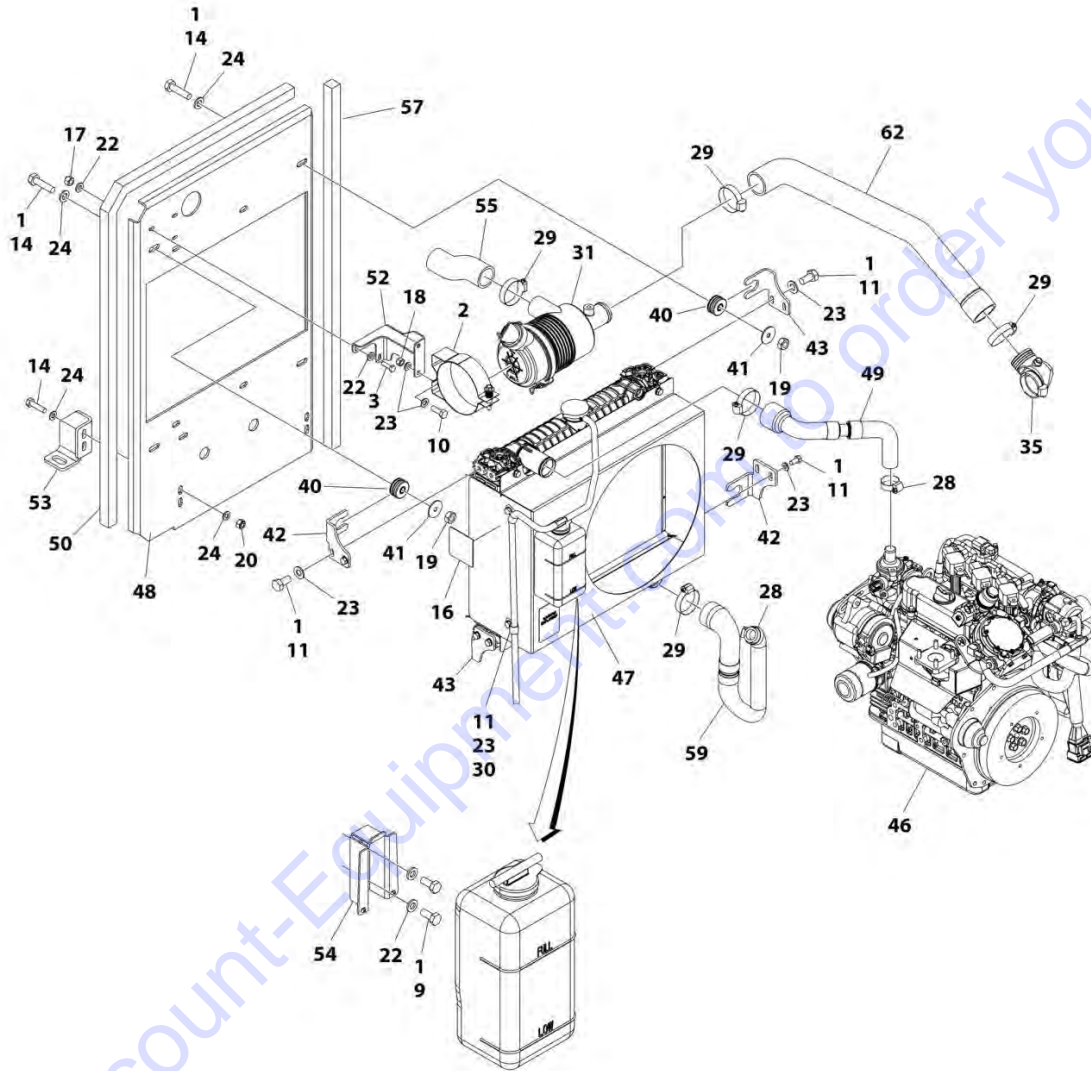
ITEM	PART NUMBER	QTY	DESCRIPTION	REV
	1001225627	Ref	ENGINE AND PUMP SUB-ASSEMBLY - KUBOTA GASOLINE WITH GENERATOR	B
1	0100011	AR	Compound, Locking	
2	0641814	2	Bolt 1/2 x 1-3/4	
3	3790152	1	O-Ring	
4	4711600	2	Washer 3/8	
5	4891800	2	Washer 1/2	
6	83191040	2	Capscrew M10 x 30	
7	1001101331	1	Piston Pump Assembly (See Separate Breakdown in this Section)	
8	1001217291	1	Gear Pump Assembly	
8	70002861	1	Seal Kit - 1001217291 Pump (Note: Seal Kit is only service component available)	
9	1001225628	1	Engine Assembly - Kubota Gasoline with Generator (See Separate Breakdown in this Section)	

Go to Discount-Equipment.com to order your parts



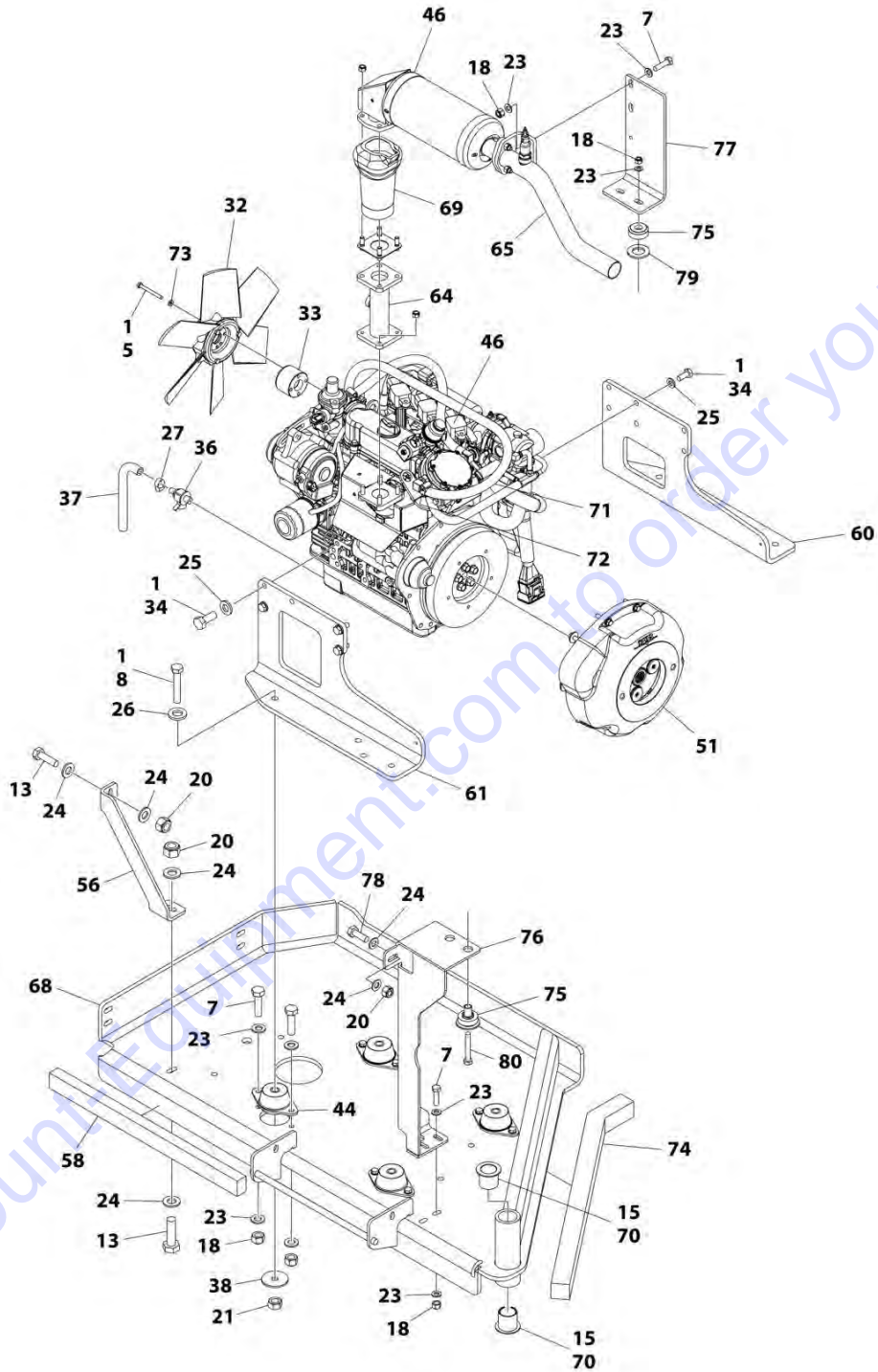
# SECTION 3 - ENGINE

## FIGURE 3-25. ENGINE ASSEMBLY - KUBOTA GASOLINE WITH GENERATOR



ART\_1001225628\_10F2

# SECTION 3 - ENGINE



ART\_1001225628\_2OF2

## SECTION 3 - ENGINE

FIGURE 3-25. ENGINE ASSEMBLY - KUBOTA GASOLINE WITH GENERATOR

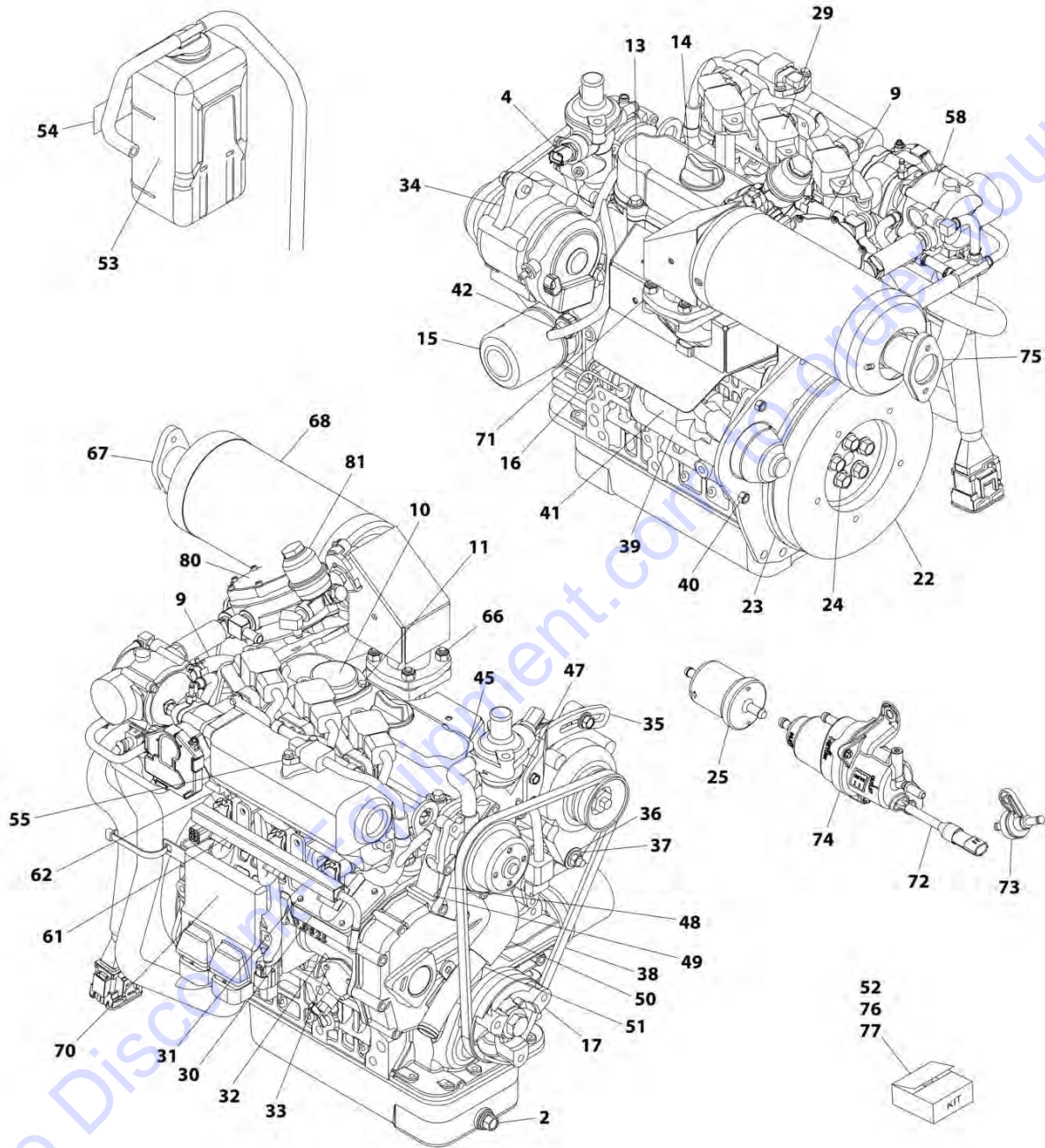
ITEM	PART NUMBER	QTY	DESCRIPTION	REV
	1001225628	Ref	ENGINE ASSEMBLY - KUBOTA GASOLINE WITH GENERATOR	D
1	0100011	AR	Compound, Locking	
2	0340045	1	Band, Mounting	
3	0700610	3	Bolt M6 x 20	
5	0700620	4	Bolt M6 x 60	
7	0700814	12	Bolt M8 x 30	
8	0701222	4	Bolt M12 x 70	
9	0760607	2	Bolt M6 x 14	
10	0760810	2	Bolt M8 x 20	
11	0760808	10	Bolt M8 x 16	
13	0761015	4	Bolt M10 x 35	
14	0761016	6	Bolt M10 x 40	
15	0961986	2	Bearing	
16	1703162	2	Decal - Fan Blade	
17	3290605	3	Nut M6	
18	3290805	16	Nut M8	
19	3291001	4	Nut M10	
20	3291005	7	Nut M10	
21	3291201	4	Nut M12	
22	4811700	8	Washer M6	
23	4811900	40	Washer M8	
24	4812000	18	Washer M10	
25	5241000	8	Washer M10	
26	5241200	4	Washer M12	
27	8405009	1	Clamp	
28	8405101	2	Clamp	
29	8405104	5	Clamp	
30	85941016	2	Clamp	
31	1001118280	1	Air Filter Assembly	
31	7015004	2	Element	
31	7015005	1	Cover Assembly	
31	1340069	1	Valve, Vacuator	
32	1001118538	1	Fan	
33	1001118539	1	Spacer, Fan	
34	1001118746	8	Bolt M10 x 25	
35	1001146043	1	Coupling, 90	
36	1001161497	1	Valve, Oil Drain	
37	1001165035	8 in/ 20cm	Hose	
38	1001168018	4	Washer	
40	1001169054	4	Isolator	
41	1001169138	AR	Pad	
42	1001169967	2	Bracket	
43	1001170035	2	Bracket	
44	1001175509	4	Mount, Motor	
46	1001224493	1	Engine, Kubota Gasoline with Generator (See Separate Breakdown in this Section)	
47	1001220957	1	Radiator	
48	1001181658	1	Plate, Radiator	
49	1001181659	1	Hose, Radiator (Upper)	
50	1001227285	1	Seal	

## SECTION 3 - ENGINE

ITEM	PART NUMBER	QTY	DESCRIPTION	REV
51	1001181829	1	Coupling Kit - Gasoline Engines (See Separate Breakdown in this Section)	
52	1001182980	1	Bracket	
53	1001182981	1	Bracket	
54	1001182982	1	Mount	
55	1001182983	1	Tube, Intake	
56	1001182984	1	Support	
57	1001183420	1	Foam, Baffle	
58	1001183424	1	Foam, Baffle	
59	1001183427	1	Tube, Coolant	
60	1001183428	1	Mount, Engine (RH)	
61	1001215543	1	Mount, Engine (LH)	
62	1001184064	1	Tube, Intake	
64	1001213847	1	Tube, Exhaust	
65	1001186833	1	Tube, Exhaust	
68	1001205968	1	Tray	
69	1001210708	1	Insulate, Exhaust	
70	0100062	AR	Adhesive	
71	1001181625	50 in/ 127cm	Hose	
72	8410013	4	Clamp	
73	5240600	4	Washer M6	
74	1001184066	1	Foam, Baffle	
75	1001125248	2	Mount, Engine	
76	1001195600	1	Bracket, Muffler	
77	1001226420	1	Support	
78	0761014	1	Bolt M10 x 30	
79	4812500	2	Washer M20	
80	0700819	2	Bolt M8 x 55	

# SECTION 3 - ENGINE

## FIGURE 3-26. ENGINE COMPONENTS - KUBOTA GASOLINE



ART\_1001224493

## SECTION 3 - ENGINE

**FIGURE 3-26. ENGINE COMPONENTS - KUBOTA GASOLINE**

ITEM	PART NUMBER	QTY	DESCRIPTION	REV
	1001224493	Ref	ENGINE COMPONENTS - KUBOTA GASOLINE	C
1	70004524	1	Drain (Not Shown)	
2	70004525	1	Plug, Drain	
2	70004526	1	Gasket	
3	7017906	2	Bolt (Not Shown)	
4	70005726	1	Sensor, Water Temperature	
4	70005727	1	Gasket	
5	70005728	1	Gasket, Head (Not Shown)	
6	7017914	1	Joint, Pipe (Not Shown)	
7	70005729	1	Seal, Oil (Not Shown)	
8	70005730	1	Sensor, Revolution (Not Shown)	
9	7017959	2	Band, Pipe	
10	70005731	1	O-Ring, Breather	
10	70005732	1	Cover, Breather	
11	7017934	4	Screw	
12	70005733	1	Gasket, Head Cover (Not Shown)	
13	70004831	4	Bolt	
14	70002318	1	Plug, Oil Filler	
14	70004311	1	O-Ring	
15	7017980	1	Filter, Oil	
16	70005734	1	Gauge, Oil	
17	70004294	1	Pump, Oil	
17	70004295	1	Gasket, Oil	
18	70004296	1	Key, Feather (Not Shown)	
19	7017982	1	Gasket, Bearing Case (Not Shown)	
20	7017983	1	Seal, Oil (Not Shown)	
21	7017984	1	Gasket, Case Cover (Not Shown)	
22	70005735	1	Gear, Ring	
23	70005736	1	Rotor	
24	70004834	5	Bolt	
25	7017992	1	Fuel, Filter	
26	70005737	1	Sensor, Stick (Not Shown)	
27	70005738	1	Holder, Sensor (Not Shown)	
28	70005739	3	Spark Plug (Not Shown)	
29	70005740	3	Coil, Ignition	
30	7017986	1	Gasket	
31	70004538	2	Packing	
32	7017995	1	Gasket, Fuel Pump	
33	70004848	2	Bolt	
34	70006661	1	Alternator - 60Amp	
35	70006662	1	Bracket, Adjustment	
36	70004557	1	Washer	
37	70004558	1	Washer, Spring Lock	
38	7023107	1	V-Belt	
39	70005743	1	Starter	
40	70005329	5	Nut	
41	70005744	1	Magnetic, Switch	
42	70005745	1	Switch, Oil Pressure	
43	70004829	1	Pipe, Water Return (Not Shown)	
44	70004306	1	Gasket, Water Flange (Not Shown)	

## SECTION 3 - ENGINE

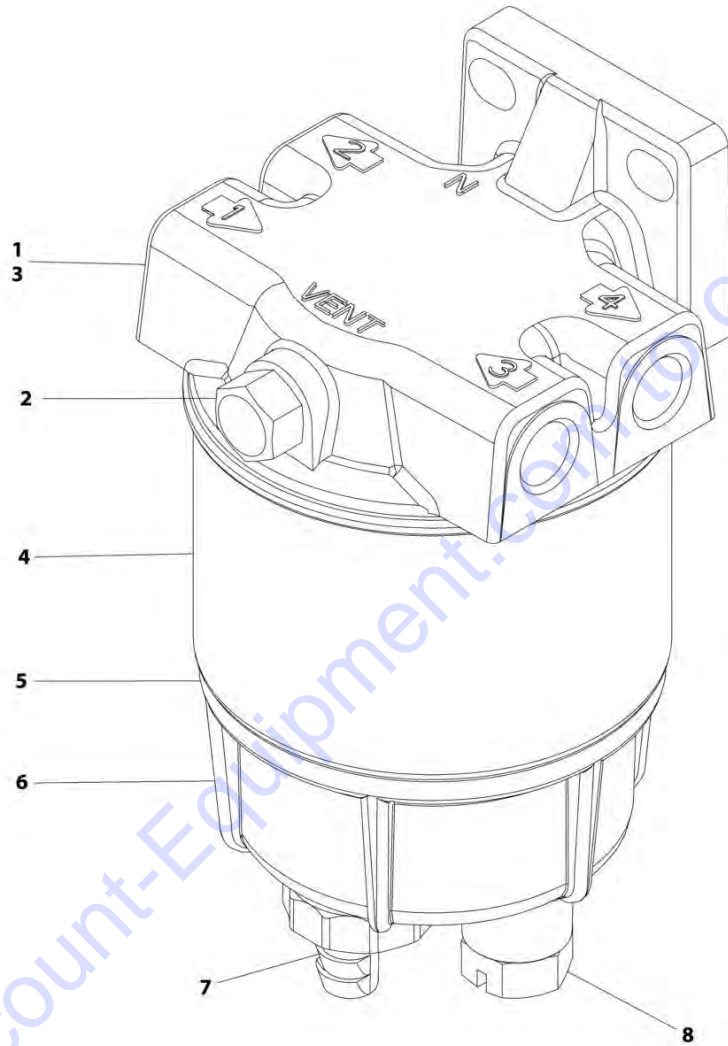
ITEM	PART NUMBER	QTY	DESCRIPTION	REV
45	70004851	1	Pipe, Water Return	
46	7023170	1	Thermostat (Not Shown)	
47	70002326	1	Gasket, Thermostat	
48	70004853	1	Pump, Water	
49	70004854	1	Gasket, Water Pump	
50	70004912	1	Hose, Water	
51	70004913	2	Band, Pipe	
52	70005229	1	Coolant Tank Kit	
53	4400498	1	Tank, Coolant	
54	70004401	1	Decal - Instruction	
55	70005746	1	Sensor (TMAP)	
56	70005747	1	O-Ring (Not Shown)	
57	7017994	2	Gasket, Air Cleaner (Not Shown)	
58	70005748	1	Mixer	
59	70004537	1	Screw, Air Bleeder (Not Shown)	
60	70005749	1	Gasket, In-Manifold (Not Shown)	
61	70005750	1	Rail, Fuel Ignition	
62	70005751	3	Injector	
63	70005752	1	Gasket, Exhaust Manifold (Not Shown)	
64	70005753	3	Bolt, Stud (Not Shown)	
65	70005327	6	Nut (Not Shown)	
66	70005754	4	Bolt, Stud	
67	70005755	1	Muffler	
68	70005756	1	Cover, Muffler	
69	70005757	1	Harness, Wire (ECU) (Not Shown)	
70	70005758	1	Module, Engine Control (ECU)	
71	70005759	2	Gasket, Muffler	
72	70005760	2	Sensor, O2	
73	70005762	1	Valve, 2 Way	
74	70005761	1	Pump, Fuel	
75	70005763	1	Gasket, Muffler	
76	70005764	1	Upper Gasket Kit	
77	70005765	1	Lower Gasket Kit	
78	70005766	1	Cable Assembly (ECOM) (Not Shown)	
79	70005767	1	Adapter (ECOM) (Not Shown)	
80	70005768	1	Regulator	
81	70005769	1	Valve, Lockoff	





# SECTION 3 - ENGINE

## FIGURE 3-27. FUEL/WATER SEPARATOR ASSEMBLY - DIESEL ENGINES



ART\_1001190609

## SECTION 3 - ENGINE

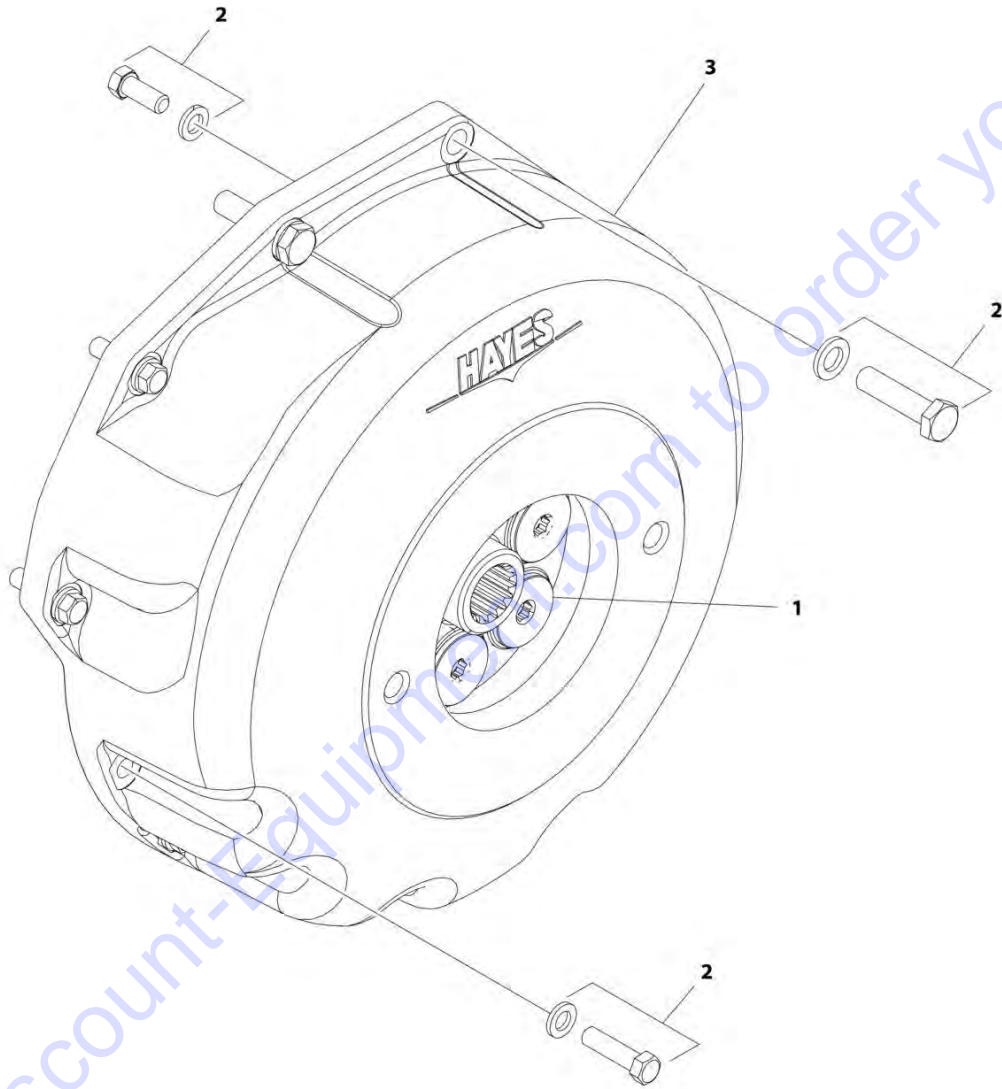
**FIGURE 3-27. FUEL/WATER SEPARATOR ASSEMBLY - DIESEL ENGINES**

ITEM	PART NUMBER	QTY	DESCRIPTION	REV
	1001190609	Ref	FUEL/WATER SEPARATOR ASSEMBLY - DIESEL ENGINES	A
1	70005293	1	Head, Mounting	
2	70005294	1	Plug	
3	70005295	1	Gasket, Head	
4	70005296	1	Element	
5	70005297	1	O-Ring	
6	70002901	1	Bowl	
7	70004070	1	Drain, Self Venting	
8	70004069	1	Plug	

Go to Discount-Equipment.com to order your parts

# SECTION 3 - ENGINE

## FIGURE 3-28. COUPLING KIT - DIESEL ENGINES



ART\_1001118675

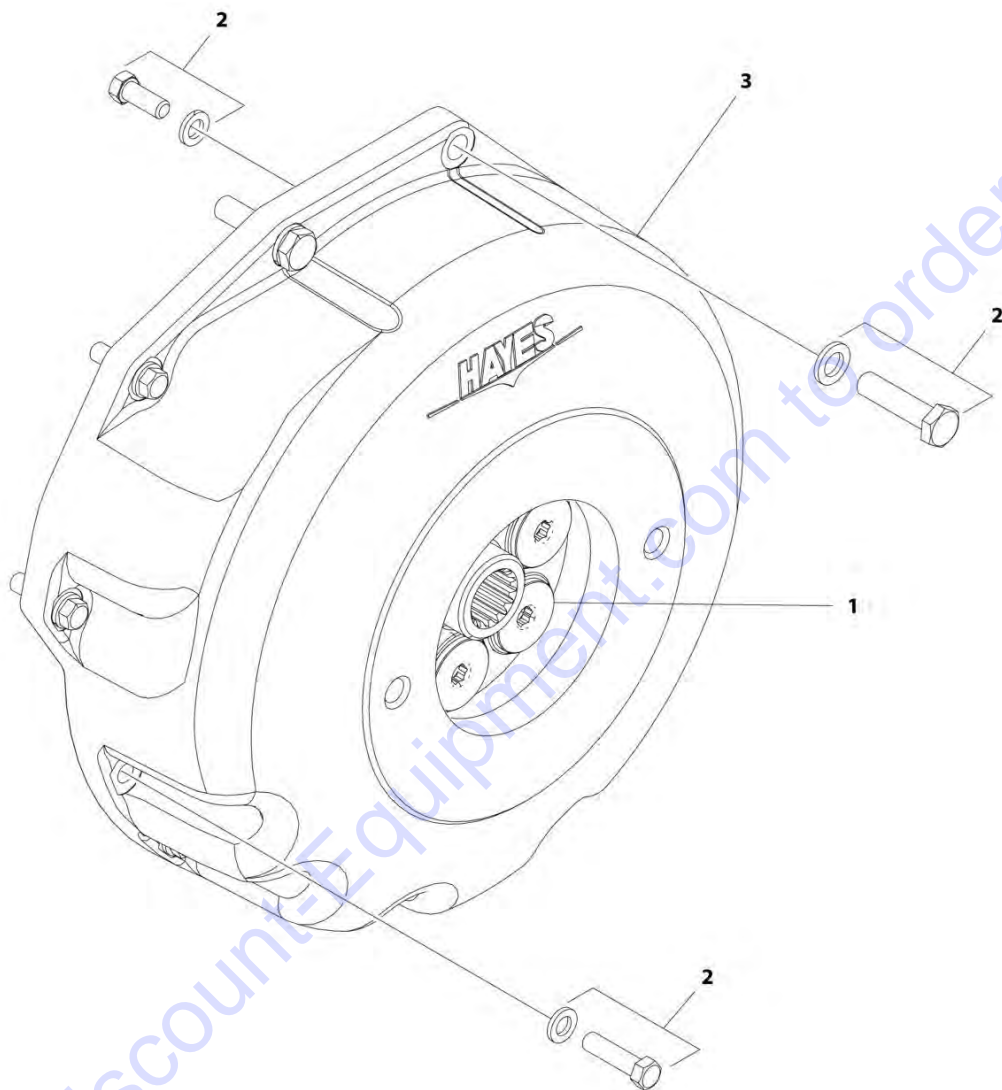
**FIGURE 3-28. COUPLING KIT - DIESEL ENGINES**

ITEM	PART NUMBER	QTY	DESCRIPTION	REV
	1001118675	Ref	COUPLING KIT - DIESEL ENGINES	A
1	70001933	1	Coupling Assembly	
2	70005453	1	Bolt Kit	
3	See Note	NSS	Housing (Note: Use p/n 1001118675)	

Go to Discount-Equipment.com to order your parts

# SECTION 3 - ENGINE

## FIGURE 3-29. COUPLING KIT - GASOLINE ENGINES



ART\_1001181829

## SECTION 3 - ENGINE

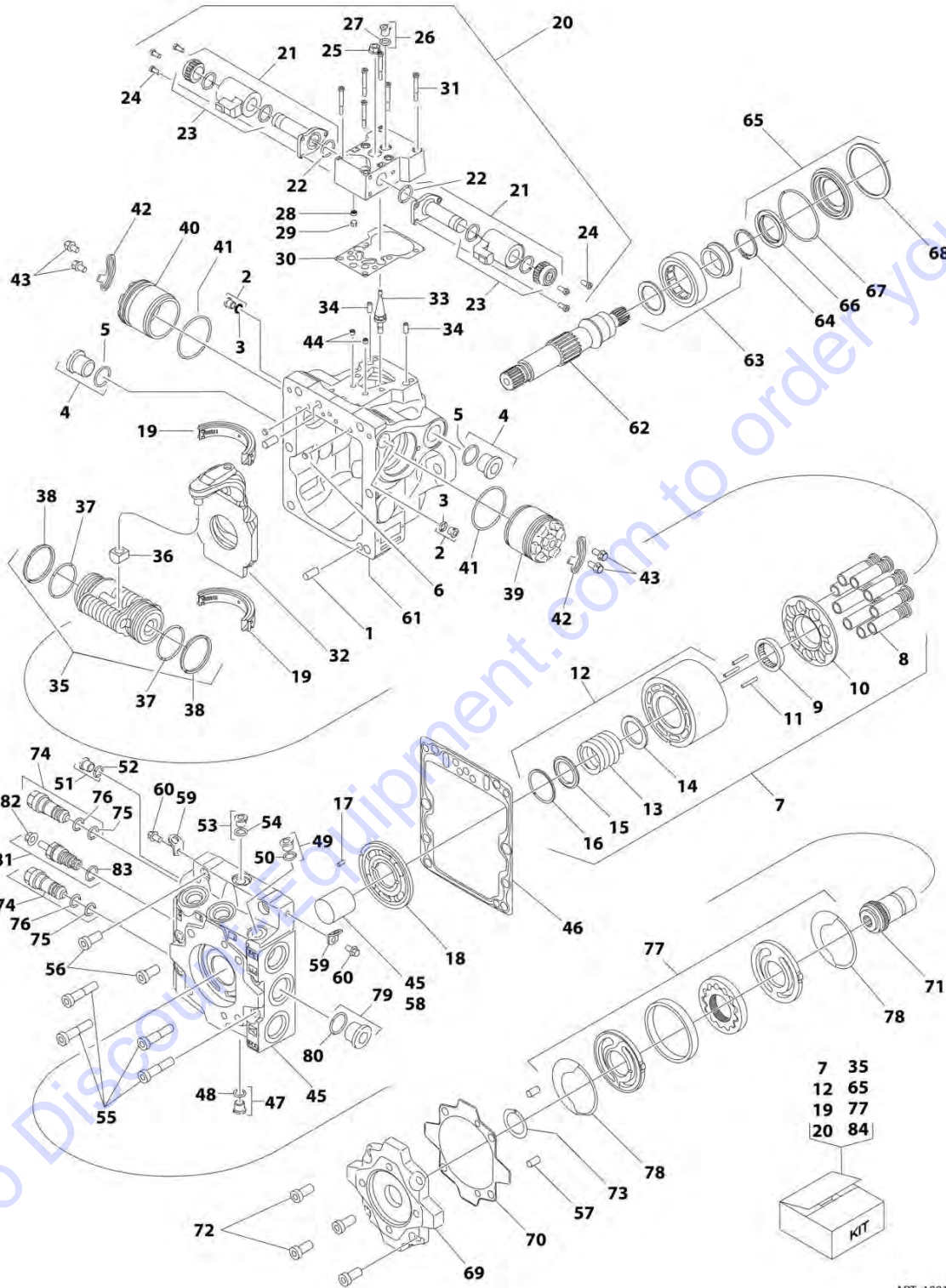
### FIGURE 3-29. COUPLING KIT - GASOLINE ENGINES

ITEM	PART NUMBER	QTY	DESCRIPTION	REV
	1001181829	Ref	COUPLING KIT - GASOLINE ENGINES	B
1	70005455	1	Coupling Assembly	
2	70005454	1	Bolt Kit	
3	See Note	NSS	Housing (Note: Use p/n 1001181829)	

Go to Discount-Equipment.com to order your parts

# SECTION 3 - ENGINE

## FIGURE 3-30. PISTON PUMP ASSEMBLY



ART\_1001101331

## SECTION 3 - ENGINE

### FIGURE 3-30. PISTON PUMP ASSEMBLY

ITEM	PART NUMBER	QTY	DESCRIPTION	REV
	1001101331	Ref	PISTON PUMP ASSEMBLY	E
1	70002132	2	Pin	
2	70002133	2	Plug Assembly (Includes Item 3)	
3	7007207	2	O-Ring (Part of Item 2)	
4	7007419	2	Plug Assembly (Includes Item 5)	
5	7007418	2	O-Ring (Part of Item 4)	
6	70002134	2	Screen	
7	70002135	1	Cylinder Block Kit (Includes Items 8-16)	
8	70002136	1	Piston Assembly Kit (Includes Qty 9 Piston Assemblies) (Part of Item 7)	
9	70002137	1	Guide, Slipper Retainer (Part of Item 7)	
10	70002138	1	Retainer, Slipper (Part of Item 7)	
11	7021275	3	Pin, Slipper Retainer Hold Down (Part of Item 7)	
12	70002143	1	Cylinder Block Assembly (Includes Items 13-16) (Part of Item 7)	
13	70002139	1	Spring (Part of Item 12)	
14	70002140	1	Washer (Part of Item 12)	
15	70002141	1	Washer (Part of Item 12)	
16	70002142	1	Ring, Retaining (Part of Item 12)	
17	7007446	1	Pin	
18	70002144	1	Plate, CW Valve	
19	70002145	1	Swash Plate Bearing Kit (Includes Qty 2 Bearings)	
20	70002146	1	EDC Kit (Includes Items 21-31)	
21	70002147	2	Solenoid Valve Assembly (Includes Item 22 & 23) (Part of Item 20)	
22	70002148	2	O-Ring (1 Per Valve Assembly) (Part of Item 21)	
23	70002149	2	Coil, Nut and Seals Kit (1 Per Valve Assembly) (Part of Item 21)	
24	70002150	6	Screw (Part of Item 20)	
25	7022301	1	Nut, Seal (Part of Item 20)	
26	70002151	1	Plug Assembly (Part of Item 20) (Includes Item 27)	
27	7007207	1	O-Ring (Part of Item 26)	
28	70002134	1	Screen (Part of Item 20)	
29	70002153	1	Ring, Locking (Part of Item 20)	
30	70002154	1	Gasket, Control (Part of Item 20)	
31	70002156	6	Capscrew (Part of Item 20)	
32	70002152	1	Swash Plate	
33	70002155	1	Link, Swash Plate	
34	70002157	2	Pin, Dowel	
35	70002158	1	Servo Piston Assembly (Includes Items 36-38)	
36	70002159	1	Block, Slider (Part of Item 35)	
37	70002160	2	O-Ring (Part of Item 35)	
38	70002161	2	Ring, Piston (Part of Item 35)	
39	70002162	1	Cylinder, Servo	
40	70002162	1	Cylinder, Servo	
41	70002163	2	O-Ring	
42	70002164	2	Plate, Locking	
43	70002165	4	Screw	
44	70002166	2	Orifice	
45	70002167	1	Cap, End (Includes Item 58)	
46	70002168	1	Gasket, End Cap	
47	70002158	1	Plug Assembly (Includes Item 48)	



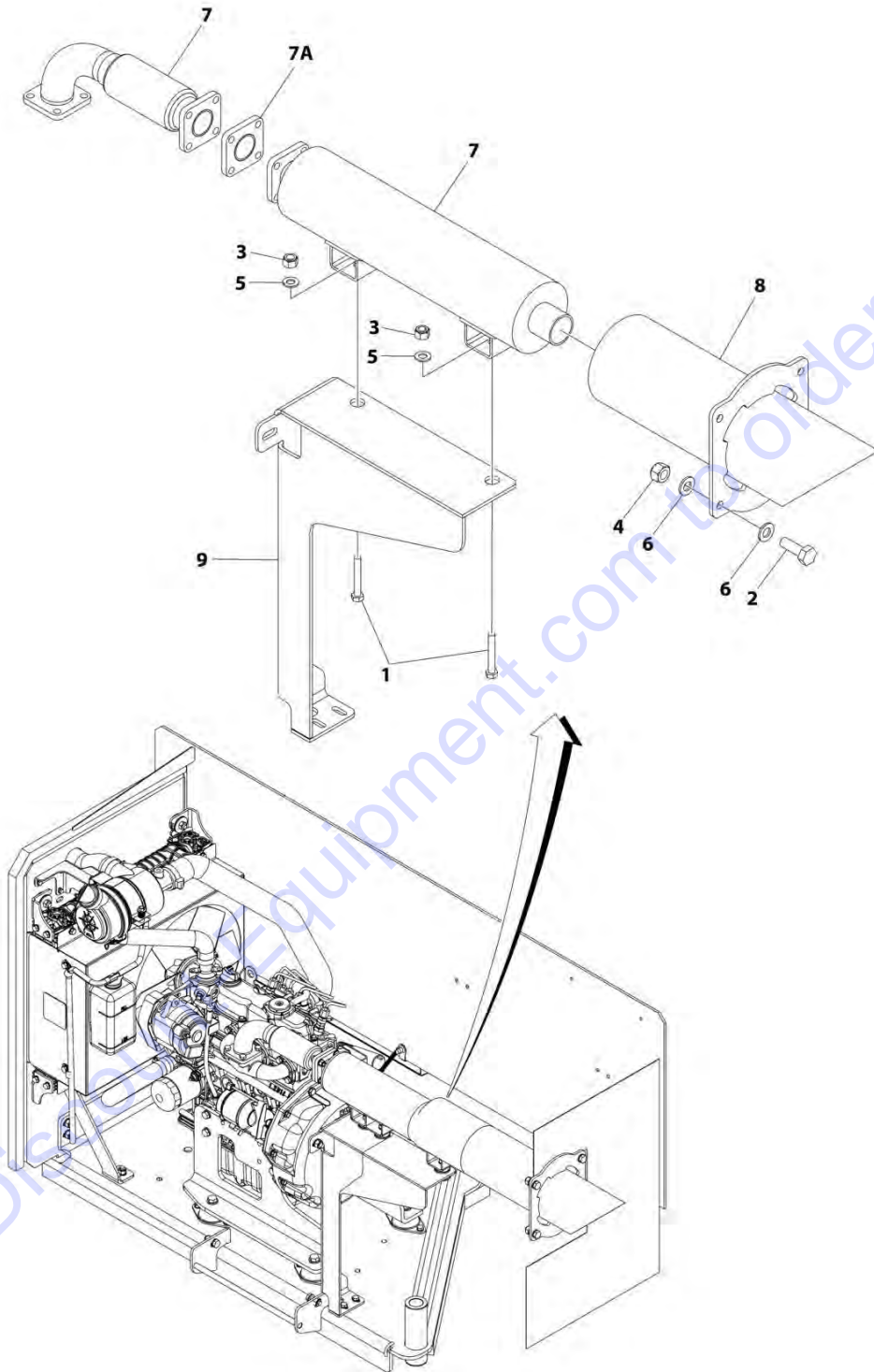
## SECTION 3 - ENGINE

ITEM	PART NUMBER	QTY	DESCRIPTION	REV
48	7021256	1	O-Ring (Part of Item 47)	
49	70001958	1	Plug Assembly (Includes Item 50)	
50	7021256	1	O-Ring (Part of Item 49)	
51	70001958	1	Plug Assembly (Includes Item 52)	
52	7021256	1	O-Ring (Part of Item 51)	
53	70001958	1	Plug Assembly (Includes Item 54)	
54	7021256	1	O-Ring (Part of Item 53)	
55	70002169	4	Capscrew	
56	70002170	2	Capscrew	
57	70002132	2	Pin	
58	70002172	1	Bearing, Journal (Part of Item 45)	
59	7022340	2	Bracket, Lifting	
60	70002165	2	Screw	
61	See Note	1	Housing (Note: Purchase p/n 1001101331)	
62	70002175	1	Shaft	
63	70002176	1	Ball Bearing Kit	
64	70007439	1	Ring, Retaining	
65	70002174	1	Shaft Seal Kit (Includes Items 66-68) (Note: This is a universal kit and will contain extra pieces that are not used on this pump assembly.)	
66	70002177	1	Seal, Lip	
67	70002178	1	O-Ring	
68	70002179	1	Ring, Retaining	
69	70002180	1	Adapter	
70	70002181	1	Seal, Adapter	
71	70002182	1	Coupling	
72	70002185	4	Capscrew	
73	70002186	1	Plate, Thrust	
74	70002188	2	High Pressure Relief Valve Cartridge Assembly (Includes Item 75 & 76)	
75	70002187	2	O-Ring (1 Per Cartridge) (Part of Item 74)	
76	7007415	2	O-Ring (1 Per Cartridge) (Part of Item 74)	
77	70002189	1	Charge Pump Kit (Includes Item 78)	
78	70002190	2	Ring, Seal (Part of Item 77)	
79	7023964	1	Plug Assembly (Includes Item 80)	
80	7007415	1	O-Ring (Part of Item 79)	
81	70002191	1	Charge Relief Valve Cartridge Assembly (Includes Item 82 & 83)	
82	70002187	1	Nut, Seal (Part of Item 81)	
83	7007415	1	O-Ring (Part of Item 81)	
84	70002192	1	Overhaul Seal Kit (Includes Items 3, 5, 22, 27, 30, 37, 38, 41, 48, 50, 52, 54, 66, 67, 70, 75, 76, 78, 82 & 83)	



## SECTION 3 - ENGINE

FIGURE 3-31. SPARK ARRESTOR MUFFLER - OPTIONAL (DIESEL ENGINES) (Prior to SN 0200267546)



ART\_1001199438

## SECTION 3 - ENGINE

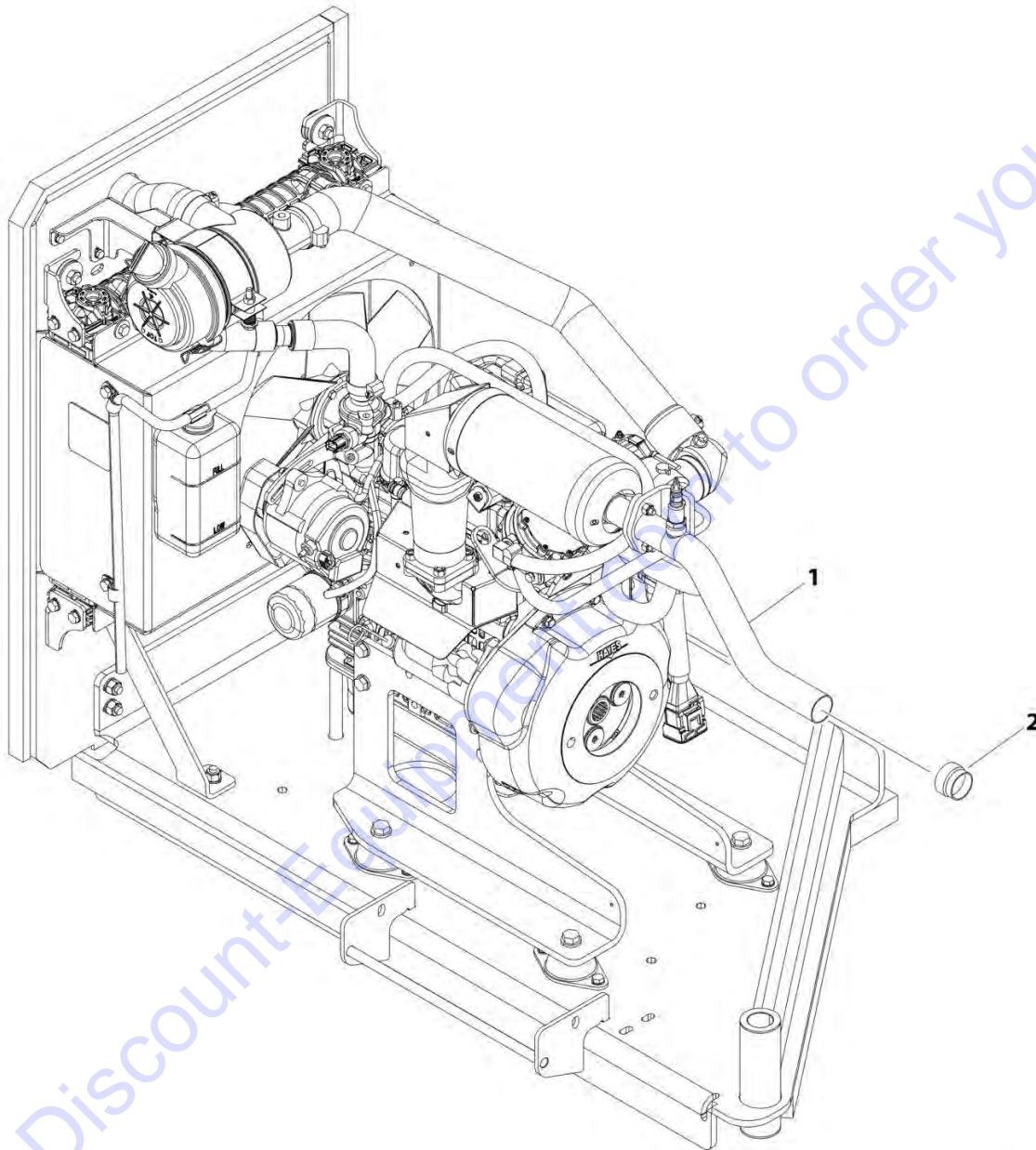
**FIGURE 3-31. SPARK ARRESTOR MUFFLER - OPTIONAL (DIESEL ENGINES) (Prior to SN 0200267546)**

ITEM	PART NUMBER	QTY	DESCRIPTION	REV
	1001199438	Ref	SPARK ARRESTOR MUFFLER - OPTIONAL (DIESEL ENGINES)	B
1	0700819	2	Bolt M8 x 55	
2	0761014	4	Bolt M10 x 30	
3	3290805	2	Nut M8	
4	3291005	4	Nut M10	
5	4811900	2	Washer M8	
6	4812000	8	Washer M10	
7	1001199943	1	Muffler, Spark Arresting with Pipe	
7A	70006293	1	Gasket	
8	1001199945	1	Pipe, Exhaust	
9	1001200927	1	Bracket, Muffler	

Go to Discount-Equipment.com to order your parts

## SECTION 3 - ENGINE

FIGURE 3-32. SPARK ARRESTOR MUFFLER - OPTIONAL (GASOLINE ENGINES)



ART\_1001187703

## SECTION 3 - ENGINE

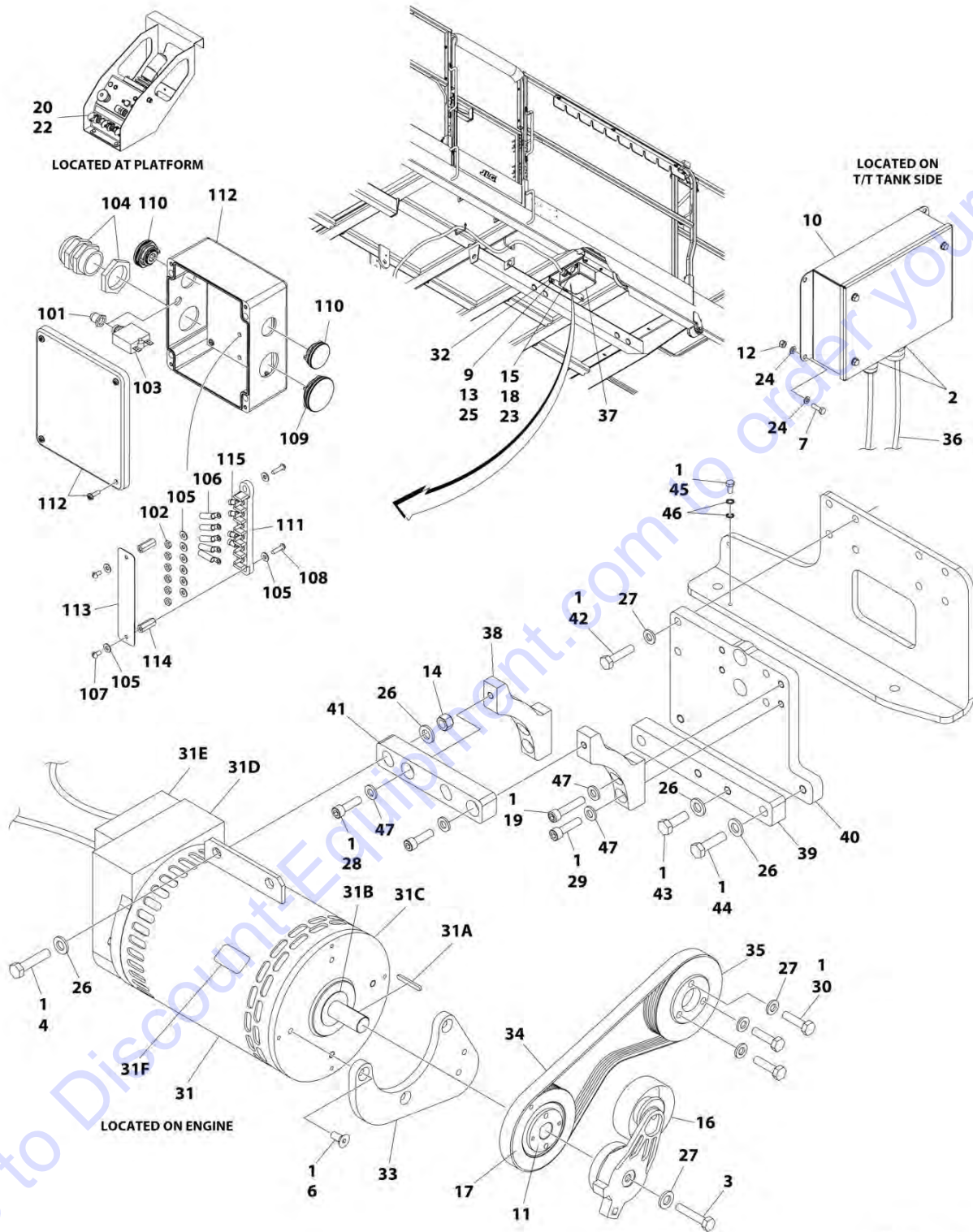
**FIGURE 3-32. SPARK ARRESTOR MUFFLER - OPTIONAL (GASOLINE ENGINES)**

ITEM	PART NUMBER	QTY	DESCRIPTION	REV
	1001187703	Ref	SPARK ARRESTOR MUFFLER - OPTIONAL (GASOLINE ENGINES)	A
1	1001219775	1	Arrestor, Spark	
2	1001219826	1	Pipe, Exhaust	

Go to Discount-Equipment.com to order your parts

# SECTION 3 - ENGINE

## FIGURE 3-33. 7500W GENERATOR INSTALLATION - KUBOTA DIESEL STAGE III



ART\_1001208752

## SECTION 3 - ENGINE

**FIGURE 3-33. 7500W GENERATOR INSTALLATION - KUBOTA DIESEL STAGE III**

ITEM	PART NUMBER	QTY	DESCRIPTION	REV
	1001208752	Ref	75000W GENERATOR INSTALLATION - KUBOTA DIESEL STAGE III	F
1	0100011	AR	Compound, Locking	
2	0100048	AR	Grease, Silicone	
3	0701019	1	Bolt M10 x 55	
4	0701219	2	Bolt M12 x 55	
6	0741607	3	Screw 3/8 x 7/8	
7	0760610	4	Bolt M6 x 20	
9	0780810	4	Bolt M8 x 20	
10	0861572	1	Box, Generator Control	
10	7024488	1	Card, Circuit - Generator Power (Not Shown)	
10	See Note	1	Fuse (Note: Not Available - Purchase Locally)	
10	7024489	1	Card, Circuit - Control (Not Shown)	
		Ref	Note: When replacing card, rocker switch on card must be set for required application.	
10	70000619	1	Harness, Circuit Card	
11	0962520	1	Bushing, Taper	
12	3290605	4	Nut M6	
13	3290805	4	Nut M8	
14	3291201	2	Nut M12	
15	3311005	4	Nut #10	
16	3580317	1	Tensioner, Belt	
17	3580318	1	Pulley	
18	3931016	4	Capscrew #10 x 1	
19	4032014	2	Capscrew M10 x 50	
20	4060802	1	Guard, Switch	
21	4240017	AR	Tie-Strap (Not Shown)	
22	4360482	1	Switch, Toggle	
23	4751000	4	Washer #10	
24	4811700	8	Washer M6	
25	4811900	4	Washer M8	
26	5241200	8	Washer M12	
27	5241000	AR	Washer M10	
28	5272011	2	Capscrew M10 x 35	
29	5272012	2	Capscrew M10 x 40	
30	1001119929	3	Bolt M10 x 35	
31	1001136988	1	Generator Assembly - 7500W <b>(Prior to SN 0200226714)</b>	
31	1001212223	1	Generator Assembly - 7500W <b>(SN 0200226714 to Present)</b>	
31	70001100	1	Rotor (Includes p/n 70001384 & 70000863) (Not Shown)	
31	70001384	1	Bearing, Shaft (Rear) (Not Shown)	
31	70000863	1	Fan, Generator (Not Shown)	
31	70004093	1	Stator - 1001136988 Generator (Not Shown)	
31	70006093	1	Stator - 1001212223 Generator (Not Shown)	
31	70002297	2	Stud 1/4 x 12-7/8 (Not Shown)	
31	70003631	1	Brushholder Assembly (Not Shown) (was p/n 7024484)	
31A	70004099	1	Key	
31B	70001966	1	Bearing, Ball Radial (Located in Belt Tensioner Endbell)	
31B	70003709	1	Ring, Retaining (Small)	
31B	70003708	1	Ring, Retaining (Large)	
31C	70004092	1	Endbell, Belt Tensioner	



## SECTION 3 - ENGINE

ITEM	PART NUMBER	QTY	DESCRIPTION	REV
31D	70004094	1	Endbell, Brush Block	
31E	70004096	1	Shroud - 1001136988 Generator	
31E	70006094	1	Shroud - 1001212223 Generator	
31E	7027799	1	Block, Connector - 6 Position (Not Shown)	
31E	70002460	1	Nut, Brass (Attaches p/n 7027799 to Cover) (Not Shown)	
31E	7024485	1	Breaker, Circuit 30Amp - 1001136988 Generator (Not Shown)	
31E	70006095	1	Breaker, Circuit 30Amp - 1001212223 Generator (Not Shown)	
31E	70001696	1	Boot, Breaker- 1001136988 Generator (was p/n 7024486 - Not Shown)	
31E	70006096	1	Boot, Breaker - 1001212223 Generator (Not Shown)	
31E	7026597	1	Connector with Leads (Not Shown)	
31E	7026626	1	Connector with Pins (Not Shown)	
31E	70004098	1	Clamp, Cable (Not Shown)	
31E	70004095	1	Plate, End Panel - 1001136988 Generator (Not Shown)	
31E	70006097	1	Plate, End Panel - 1001212223 Generator (Not Shown)	
31E	70004097	1	Insulator, Endbell - 1001136988 Generator (Not Shown)	
31E	70002291	1	Insulator, Endbell - 1001212223 Generator (Not Shown)	
31E	70001974	1	Decal - Terminal Connections (Not Shown)	
31F	70001973	1	Decal - Warning Moving Parts	
32	1001166732	1	Support	
33	1001184162	1	Mount, Tensioner	
34	1001184163	1	Belt <b>(Prior to SN 0200268705)</b>	
34	1001244939	1	Belt <b>(SN 0200268705 to Present)</b>	
35	1001185510	1	Pulley <b>(Prior to SN 0200268705)</b>	
35	1001244937	1	Pulley <b>(SN 0200268705 to Present)</b>	
36	1001186821	NLA	Generator Harness - 7500W (Use p/n 1001236442) (See Separate Breakdown in ELECTRICAL SECTION) <b>(Prior to SN 0200267640)</b>	
36	1001236442	1	Generator Harness - 7500W (See Separate Breakdown in ELECTRICAL SECTION) <b>(SN 0200267640 to Present)</b>	
37	1001187197	1	Junction Box Assembly (See Items 101-115 for Breakdown)	
38	1001202532	2	Arm	
39	1001208340	1	Bar (Lower)	
40	1001208339	1	Plate, Mounting	
41	1001202536	1	Bar (Upper)	
42	1001207285	4	Bolt M10 x 45 Grade 10.9	
43	0701215	2	Bolt M12 x 35	
44	0701217	2	Bolt M12 x 45	
45	0760606	1	Bolt M6 x 12	
46	4871700	2	Washer M6	
47	4891600	AR	Washer M10 <b>(SN 0200266880 to Present)</b>	
	1001187197	Ref	JUNCTION BOX ASSEMBLY	A
101	3300396	1	Cover, Fuse	
102	3311001	6	Nut #10	
103	4360070	1	Breaker, Circuit - 15Amp	
104	4460426	1	Connector, Strain Relief	
105	4711000	10	Washer #10	
106	8220022	5	Terminal, Ring	
107	10702077	2	Screw #10 x 3/8	
108	10702082	2	Screw #10 x 3/4	
109	1001148648	1	Plug	
110	1001152525	2	Plug	
111	1001157520	1	Block, Terminal - 6 Pole	

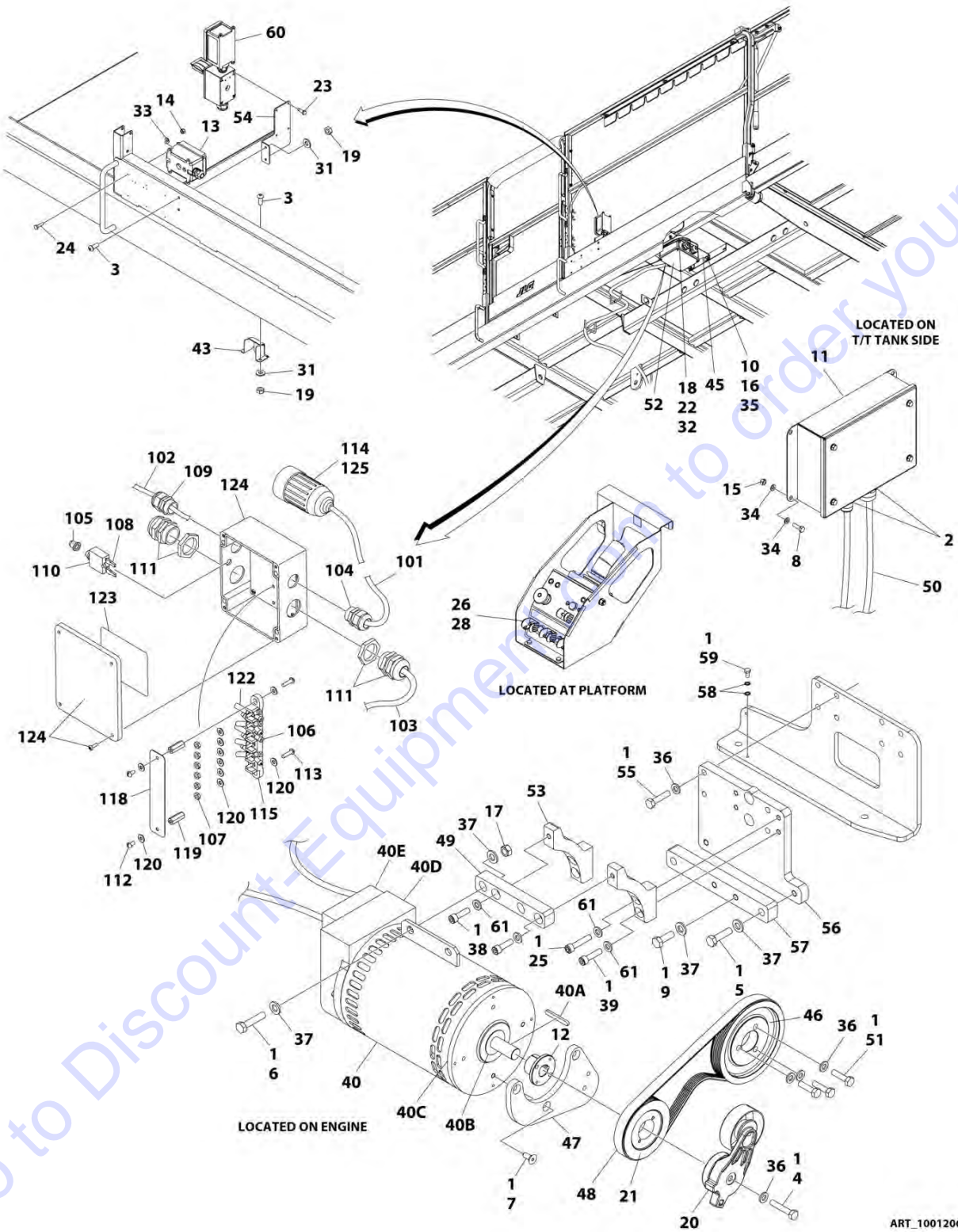
## SECTION 3 - ENGINE

ITEM	PART NUMBER	QTY	DESCRIPTION	REV
112	1001157521	1	Box, Junction	
113	1001158007	1	Cover	
114	1001158008	2	Stand-Off	
115	4460068	4	Terminal, Ring	

Go to Discount-Equipment.com to order your parts

# SECTION 3 - ENGINE

## FIGURE 3-34. 7500W GENERATOR INSTALLATION - KUBOTA DIESEL T4F



## SECTION 3 - ENGINE

**FIGURE 3-34. 7500W GENERATOR INSTALLATION - KUBOTA DIESEL T4F**

ITEM	PART NUMBER	QTY	DESCRIPTION	REV
	1001206708	Ref	7500W GENERATOR INSTALLATION - KUBOTA DIESEL T4F	F
1	0100011	AR	Compound, Locking	
2	0100048	AR	Grease, Silicone	
3	0630407	4	Screw 1/4 x 5/8	
4	0701019	1	Bolt M10 x 55	
5	0701217	2	Bolt M12 x 45	
6	0701219	2	Bolt M12 x 55	
7	0741607	3	Screw 3/8 x 7/8	
8	0760610	4	Bolt M6 x 20	
9	0701215	2	Bolt M12 x 35	
10	0780810	4	Bolt M8 x 20	
11	0861538	1	Box, Generator Control	
11	7024488	1	Card, Circuit - Generator Power (Not Shown)	
11	See Note	1	Fuse (Note: Not Available - Purchase Locally)	
11	7024489	1	Card, Circuit - Control (Not Shown)	
		Ref	Note: When replacing card, rocker switch on card must be set for required application.	
11	70000619	1	Harness, Circuit Card	
12	0962520	1	Bushing, Taper	
13	2902431	1	Receptacle Box Kit - 110V GFI (See Separate Breakdown in ELECTRICAL SECTION)	
14	3290405	4	Nut M4	
15	3290605	4	Nut M6	
16	3290805	4	Nut M8	
17	3291201	2	Nut M12	
18	3311005	4	Nut #10	
19	3311405	4	Nut 1/4	
20	3580317	1	Tensioner, Belt	
21	3580318	1	Pulley	
22	3931016	4	Capscrew #10 x 1	
23	3940804	4	Screw	
24	4010408	4	Screw M4 x 16	
25	4032014	2	Capscrew M10 x 50	
26	4060802	1	Guard, Switch	
27	4240017	AR	Tie-Strap (Not Shown)	
28	4360482	1	Switch, Toggle	
29	4460315	3	Terminal (Not Shown)	
31	4711400	4	Washer 1/4	
32	4751000	4	Washer #10	
33	4811400	AR	Washer M4	
34	4811700	8	Washer M6	
35	4811900	4	Washer M8	
36	5241000	AR	Washer M10	
37	5241200	8	Washer M12	
38	5272011	2	Capscrew M10 x 35	
39	5272012	2	Capscrew M10 x 40	
40	1001136988	1	Generator Assembly - 7500W <b>(Prior to SN 0200226714)</b>	
40	1001212223	1	Generator Assembly - 7500W <b>(SN 0200226714 to Present)</b>	
40	70001100	1	Rotor (Includes p/n 70001384 & 70000863) (Not Shown)	
40	70001384	1	Bearing, Shaft (Rear) (Not Shown)	

## SECTION 3 - ENGINE

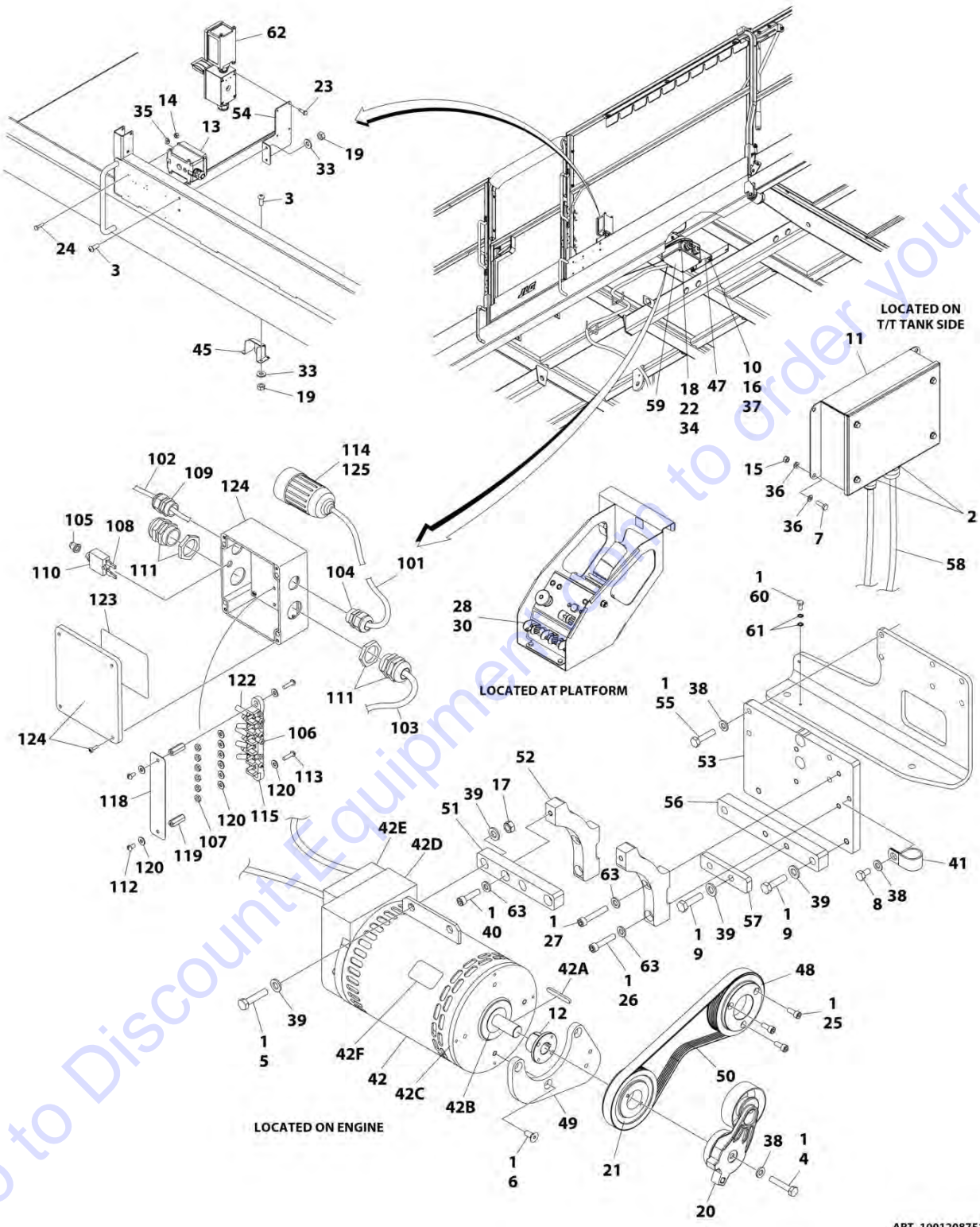
ITEM	PART NUMBER	QTY	DESCRIPTION	REV
40	7000863	1	Fan, Generator (Not Shown)	
40	70004093	1	Stator - 1001136988 Generator (Not Shown)	
40	70006093	1	Stator - 1001212223 Generator (Not Shown)	
40	70002297	2	Stud 1/4 x 12-7/8 (Not Shown)	
40	70003631	1	Brushholder Assembly (Not Shown) (was p/n 7024484)	
40A	70004099	1	Key	
40B	70001966	1	Bearing, Ball Radial (Located in Belt Tensioner Endbell)	
40B	70003709	1	Ring, Retaining (Small)	
40B	70003708	1	Ring, Retaining (Large)	
40C	70004092	1	Endbell, Belt Tensioner	
40D	70004094	1	Endbell, Brush Block	
40E	70004096	1	Shroud - 1001136988 Generator	
40E	70006094	1	Shroud - 1001212223 Generator	
40E	7027799	1	Block, Connector - 6 Position (Not Shown)	
40E	70002460	1	Nut, Brass (Attaches p/n 7027799 to Cover) (Not Shown)	
40E	7024485	1	Breaker, Circuit 30Amp - 1001136988 Generator (Not Shown)	
40E	70006095	1	Breaker, Circuit 30Amp - 1001212223 Generator (Not Shown)	
40E	70001696	1	Boot, Breaker- 1001136988 Generator (was p/n 7024486 - Not Shown)	
40E	70006096	1	Boot, Breaker - 1001212223 Generator (Not Shown)	
40E	7026597	1	Connector with Leads (Not Shown)	
40E	7026626	1	Connector with Pins (Not Shown)	
40E	70004098	1	Clamp, Cable (Not Shown)	
40E	70004095	1	Plate, End Panel - 1001136988 Generator (Not Shown)	
40E	70006097	1	Plate, End Panel - 1001212223 Generator (Not Shown)	
40E	70004097	1	Insulator, Endbell - 1001136988 Generator (Not Shown)	
40E	70002291	1	Insulator, Endbell - 1001212223 Generator (Not Shown)	
40E	70001974	1	Decal - Terminal Connections (Not Shown)	
40F	70001973	1	Decal - Warning Moving Parts	
43	1001148844	1	Support	
45	1001166732	1	Support	
46	1001183726	1	Pulley	
47	1001184162	1	Mount	
48	1001184235	1	Belt	
49	1001202536	1	Bar (Upper)	
50	1001186821	NLA	Generator Harness - 7500W (Use p/n 1001236442) (See Separate Breakdown in ELECTRICAL SECTION) <b>(Prior to SN 0200267640)</b>	
50	1001236442	1	Generator Harness - 7500W (See Separate Breakdown in ELECTRICAL SECTION) <b>(SN 0200267640 to Present)</b>	
51	1001186919	3	Bolt M10 x 40	
52	1001187228	1	Junction Box Assembly (See Items 101-125 for Breakdown)	
53	1001202532	2	Arm	
54	1001206707	1	Support	
55	1001207285	4	Bolt M10 x 45 Grade 10.9	
56	1001208339	1	Plate	
57	1001208340	1	Bar (Lower)	
58	4871700	2	Washer M6	
59	0760606	1	Bolt M6 x 12	
60	1001216162	1	Receptacle/Breaker Assembly (See Separate Breakdown in ELECTRICAL SECTION)	
61	4891600	1	Washer 3/8	
	1001187228	Ref	JUNCTION BOX ASSEMBLY	A

## SECTION 3 - ENGINE

ITEM	PART NUMBER	QTY	DESCRIPTION	REV
101	1060343	6.8 ft/2m	Cable, Electrical - 10/4	
102	1060494	6.8 ft/2m	Cable, Electrical - 12/3	
103	1060708	6.8 ft/2m	Cable, Electrical - 10/3	
104	1321692	1	Strain Relief, Terminal	
105	3300396	1	Cover, Fuse	
106	4460068	10	Terminal	
107	3311001	6	Nut #10	
108	4460483	2	Terminal	
109	4460425	1	Strain Relief, Terminal	
110	4360070	1	Breaker, Circuit - 15Amp	
111	4460426	2	Connector, Strain Relief	
112	10702077	2	Screw #10 x 3/8	
113	10702082	2	Screw #10 x 3/4	
114	4460963	1	Connector, Turnlock	
115	1001157520	1	Block, Terminal - 6 Pole	
118	1001158007	1	Cover	
119	1001158008	2	Stand-Off	
120	4711000	10	Washer #10	
122	8220022	5	Terminal, Ring	
123	1001157528	1	Decal - Wiring Schematic	
124	1001187232	1	Box, Junction	
125	1671092	1	Cover, Connector	

# SECTION 3 - ENGINE

## FIGURE 3-35. 7500W GENERATOR INSTALLATION - KUBOTA GASOLINE



ART\_1001208751

## SECTION 3 - ENGINE

**FIGURE 3-35. 7500W GENERATOR INSTALLATION - KUBOTA GASOLINE**

ITEM	PART NUMBER	QTY	DESCRIPTION	REV
	1001208751	Ref	7500W GENERATOR INSTALLATION - KUBOTA GASOLINE	G
1	0100011	AR	Compound, Locking	
2	0100048	AR	Grease, Silicone	
3	0630407	4	Screw 1/4 x 5/8	
4	0701019	1	Bolt M10 x 55	
5	0701219	2	Bolt M12 x 55	
6	0741607	3	Screw 3/8 x 7/8	
7	0760610	4	Bolt M6 x 20	
8	0761009	1	Bolt M10 x 18	
9	0701217	4	Bolt M12 x 45	
10	0780810	4	Bolt M8 x 20	
11	0861538	1	Box, Generator Control	
11	7024488	1	Card, Circuit - Generator Power (Not Shown)	
11	See Note	1	Fuse (Note: Not Available - Purchase Locally)	
11	7024489	1	Card, Circuit - Control (Not Shown)	
		Ref	Note: When replacing card, rocker switch on card must be set for required application.	
11	70000619	1	Harness, Circuit Card	
12	0962520	1	Bushing, Taper	
13	2902431	1	Receptacle Box Kit - 110V GFI (See Separate Breakdown in ELECTRICAL SECTION)	
14	3290405	4	Nut M4	
15	3290605	4	Nut M6	
16	3290805	4	Nut M8	
17	3291201	2	Nut M12	
18	3311005	4	Nut #10	
19	3311405	4	Nut 1/4	
20	3580317	1	Tensioner, Belt	
21	3580318	1	Pulley	
22	3931016	4	Capscrew #10 x 1	
23	3940804	4	Screw	
24	4010408	4	Screw M4 x 16	
25	4031908	3	Cascrew M8 x 20	
26	4032014	2	Capscrew M10 x 50	
27	4032016	2	Capscrew M10 x 60	
28	4060802	1	Guard, Switch	
29	4240017	AR	Tie-Strap (Not Shown)	
30	4360482	1	Switch, Toggle	
31	4460315	3	Terminal (Not Shown)	
33	4711400	4	Washer 1/4	
34	4751000	4	Washer #10	
35	4811400	AR	Washer M4	
36	4811700	8	Washer M6	
37	4811900	4	Washer M8	
38	5241000	AR	Washer M10	
39	5241200	8	Washer M12	
40	5272012	2	Capscrew M10 x 40	
41	8406302	1	Clamp	
42	1001136988	1	Generator Assembly - 7500W (Prior to SN 0200226714)	
42	1001212223	1	Generator Assembly - 7500W (SN 0200226714 to Present)	



# PARTS FINDER

**Search Website  
by Part Number**



**Search Manual  
Library For Parts  
Manual & Lookup Part  
Numbers – Purchase  
or Request Quote**

**Can't Find Part or  
Manual? Request Help  
by Manufacturer,  
Model & Description**

Discount-Equipment.com is your online resource for quality parts & equipment.

Florida: **561-964-4949** Outside Florida TOLL FREE: **877-690-3101**

## Need parts?

Click on this link: <http://www.discount-equipment.com/category/5443-parts/> and choose one of the options to help get the right parts and equipment you are looking for. Please have the machine model and serial number available in order to help us get you the correct parts. If you don't find the part on the website or on one of the online manuals, please fill out the request form and one of our experienced staff members will get back to you with a quote for the right part that your machine needs.

We sell worldwide for the brands: Genie, Terex, JLG, MultiQuip, Mikasa, Essick, Whiteman, Mayco, Toro Stone, Diamond Products, Generac Magnum, Airman, Haulotte, Barreto, Power Blanket, Nifty Lift, Atlas Copco, Chicago Pneumatic, Allmand, Miller Curber, Skyjack, Lull, Skytrak, Tsurumi, Husquvarna Target, Stow, Wacker, Sakai, Mi-T-M, Sullair, Basic, Dynapac, MBW, Weber, Bartell, Bennar Newman, Haulotte, Ditch Runner, Menegotti, Morrison, Contec, Buddy, Crown, Edco, Wyco, Bomag, Laymor, EZ Trench, Bil-Jax, F.S. Curtis, Gehl Pavers, Heli, Honda, ICS/PowerGrit, IHI, Partner, Imer, Clipper, MMD, Koshin, Rice, CH&E, General Equipment, Amida, Coleman, NAC, Gradall, Square Shooter, Kent, Stanley, Tamco, Toku, Hatz, Kohler, Robin, Wisconsin, Northrock, Oztec, Toker TK, Rol-Air, APT, Wylie, Ingersoll Rand / Doosan, Innovatech, Con X, Ammann, Mecalac, Makinex, Smith Surface Prep, Small Line, Wanco, Yanmar

## SECTION 3 - ENGINE

ITEM	PART NUMBER	QTY	DESCRIPTION	REV
42	70001100	1	Rotor (Includes p/n 70001384 & 70000863) (Not Shown)	
42	70001384	1	Bearing, Shaft (Rear) (Not Shown)	
42	70000863	1	Fan, Generator (Not Shown)	
42	70004093	1	Stator - 1001136988 Generator (Not Shown)	
42	70006093	1	Stator - 1001212223 Generator (Not Shown)	
42	70002297	2	Stud 1/4 x 12-7/8 (Not Shown)	
42	70003631	1	Brushholder Assembly (Not Shown) (was p/n 7024484)	
42A	70004099	1	Key	
42B	70001966	1	Bearing, Ball Radial (Located in Belt Tensioner Endbell)	
42B	70003709	1	Ring, Retaining (Small)	
42B	70003708	1	Ring, Retaining (Large)	
42C	70004092	1	Endbell, Belt Tensioner	
42D	70004094	1	Endbell, Brush Block	
42E	70004096	1	Shroud - 1001136988 Generator	
42E	70006094	1	Shroud - 1001212223 Generator	
42E	7027799	1	Block, Connector - 6 Position (Not Shown)	
42E	70002460	1	Nut, Brass (Attaches p/n 7027799 to Cover) (Not Shown)	
42E	7024485	1	Breaker, Circuit 30Amp - 1001136988 Generator (Not Shown)	
42E	70006095	1	Breaker, Circuit 30Amp - 1001212223 Generator (Not Shown)	
42E	70001696	1	Boot, Breaker- 1001136988 Generator (was p/n 7024486 - Not Shown)	
42E	70006096	1	Boot, Breaker - 1001212223 Generator (Not Shown)	
42E	7026597	1	Connector with Leads (Not Shown)	
42E	7026626	1	Connector with Pins (Not Shown)	
42E	70004098	1	Clamp, Cable (Not Shown)	
42E	70004095	1	Plate, End Panel - 1001136988 Generator (Not Shown)	
42E	70006097	1	Plate, End Panel - 1001212223 Generator (Not Shown)	
42E	70004097	1	Insulator, Endbell - 1001136988 Generator (Not Shown)	
42E	70002291	1	Insulator, Endbell - 1001212223 Generator (Not Shown)	
42E	70001974	1	Decal - Terminal Connections (Not Shown)	
42F	70001973	1	Decal - Warning Moving Parts	
45	1001148844	1	Support	
47	1001166732	1	Support	
48	1001181211	1	Pulley	
49	1001184162	1	Mount	
50	1001184163	1	Belt	
51	1001202759	1	Bar (Upper)	
52	1001202760	2	Arm	
53	1001202764	1	Plate	
54	1001206707	1	Support	
55	1001207285	4	Bolt M10 x 45 Grade 10.9	
56	1001208340	1	Bar (Lower)	
57	1001210645	1	Bar	
58	1001186821	NLA	Generator Harness - 7500W (Use p/n 1001236442) (See Separate Breakdown in ELECTRICAL SECTION) (Prior to SN 0200267640)	
58	1001236442	1	Generator Harness - 7500W (See Separate Breakdown in ELECTRICAL SECTION) (SN 0200267640 to Present)	
59	1001187228	1	Junction Box Assembly (See Items 101-125 for Breakdown)	
60	0760606	1	Bolt M6 x 12	
61	4871700	2	Washer M6	
62	1001216162	1	Receptacle/Breaker Assembly (See Separate Breakdown in ELECTRICAL SECTION)	

## SECTION 3 - ENGINE

ITEM	PART NUMBER	QTY	DESCRIPTION	REV
63	4891600	1	Washer 3/8	
	1001187228	Ref	JUNCTION BOX ASSEMBLY	A
101	1060343	6.8 ft/2m	Cable, Electrical - 10/4	
102	1060494	6.8 ft/2m	Cable, Electrical - 12/3	
103	1060708	6.8 ft/2m	Cable, Electrical - 10/3	
104	1321692	1	Strain Relief, Terminal	
105	3300396	1	Cover, Fuse	
106	4460068	10	Terminal	
107	3311001	6	Nut #10	
108	4460483	2	Terminal	
109	4460425	1	Strain Relief, Terminal	
110	4360070	1	Breaker, Circuit - 15Amp	
111	4460426	2	Connector, Strain Relief	
112	10702077	2	Screw #10 x 3/8	
113	10702082	2	Screw #10 x 3/4	
114	4460963	1	Connector, Turnlock	
115	1001157520	1	Block, Terminal - 6 Pole	
118	1001158007	1	Cover	
119	1001158008	2	Stand-Off	
120	4711000	10	Washer #10	
122	8220022	5	Terminal, Ring	
123	1001157528	1	Decal - Wiring Schematic	
124	1001187232	1	Box, Junction	
125	1671092	1	Cover, Connector	

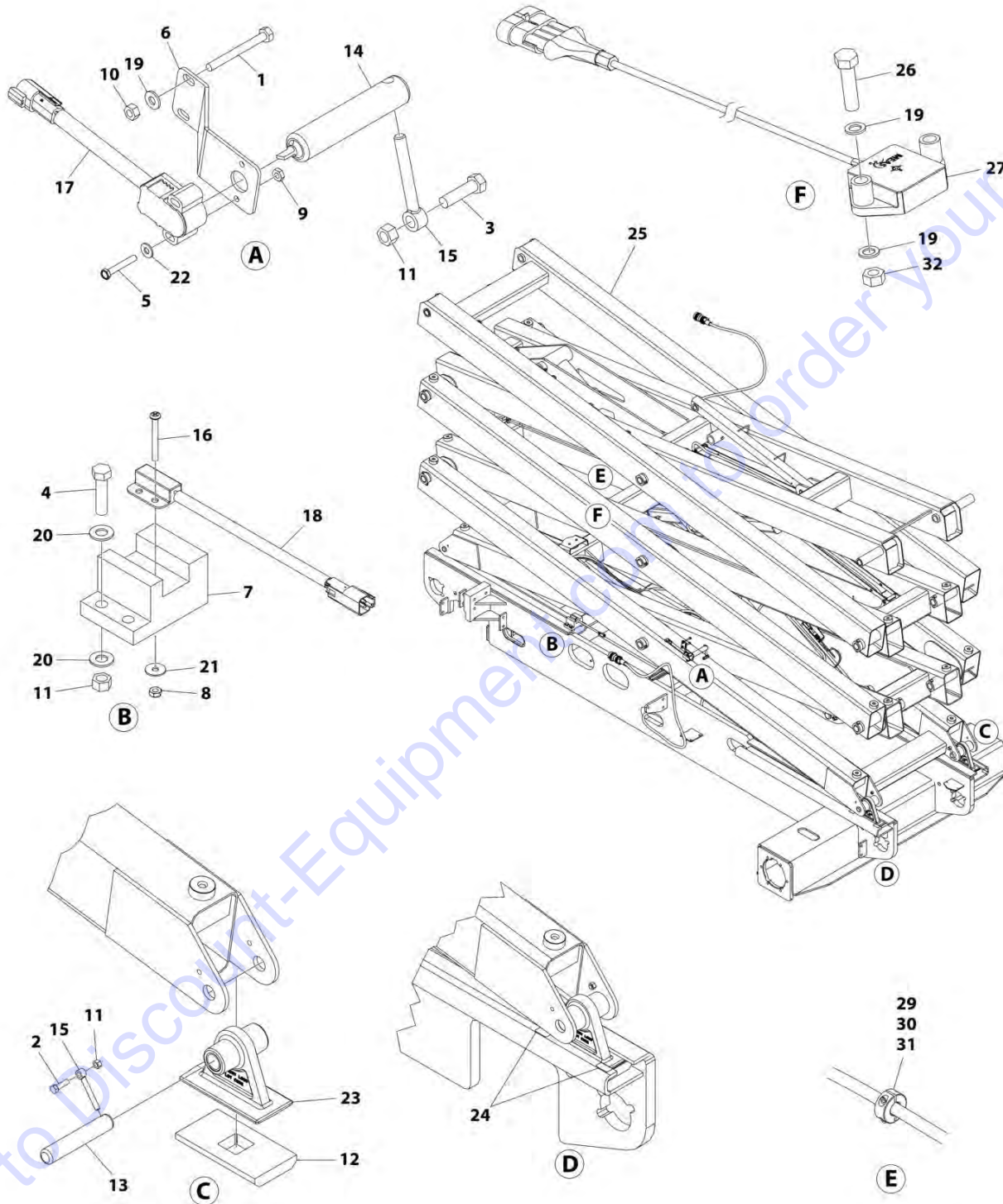


**SECTION 4 - SCISSORS ARMS**

Go to Discount-Equipment.com to order your parts

# SECTION 4 - SCISSORS ARMS

## FIGURE 4-1. SCISSORS ARMS INSTALLATION - 330LRT



ART\_1001220081

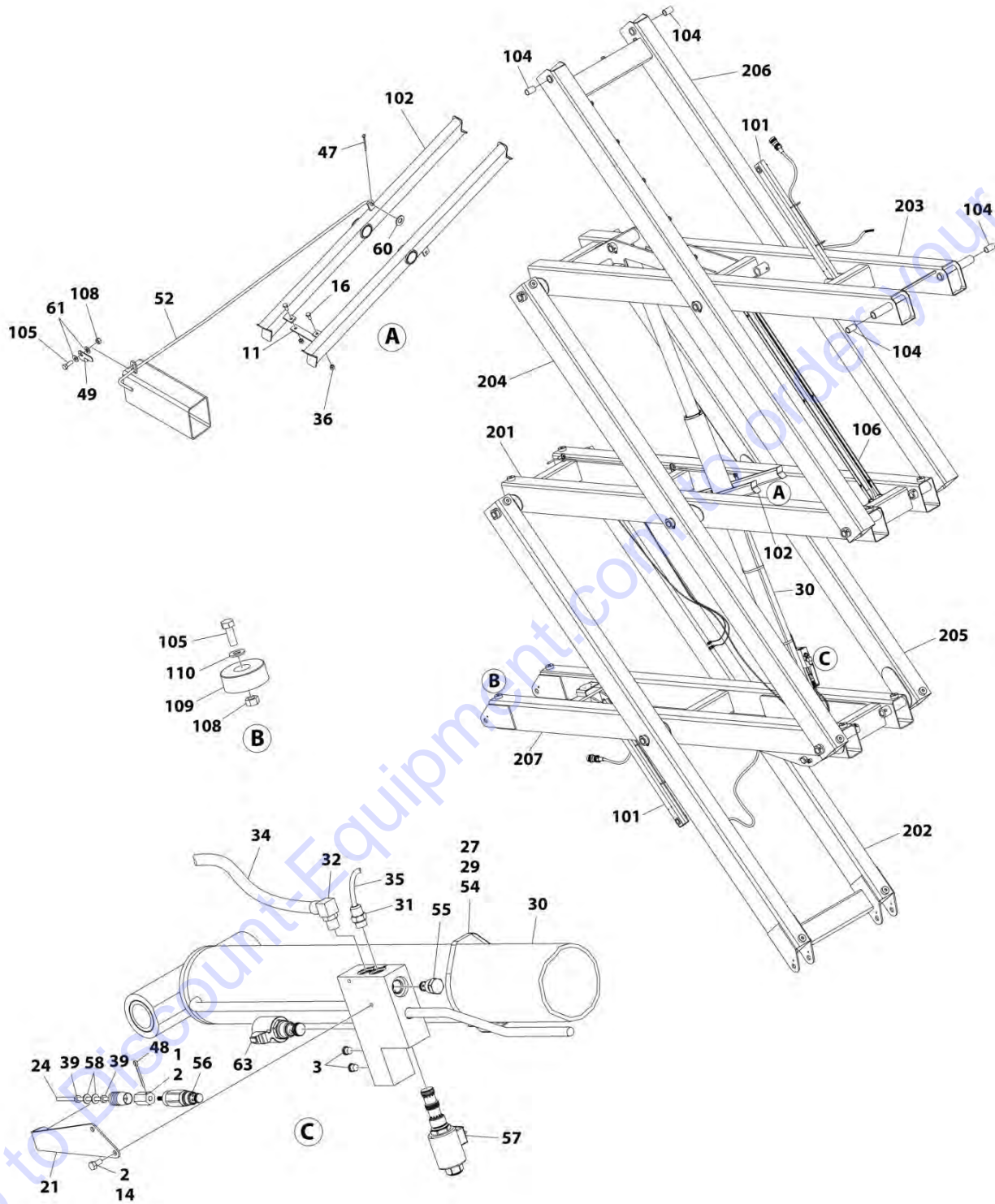
## SECTION 4 - SCISSORS ARMS

**FIGURE 4-1. SCISSORS ARMS INSTALLATION - 330LRT**

ITEM	PART NUMBER	QTY	DESCRIPTION	REV
	1001220081	Ref	SCISSORS ARMS INSTALLATION - 330LRT	G
1	0641420	2	Bolt 1/4 x 2-1/2	
2	0641610	4	Bolt 3/8 x 1-1/4	
3	0641611	1	Bolt 3/8 x 1-3/8	
4	0641612	AR	Bolt 3/8 x 1-1/2	
5	0721010	2	Screw #10 x 1-1/4	
6	0902774	1	Bracket	
7	3200447	1	Mount, Switch <b>(Prior to SN 0200267917)</b>	
8	3300455	AR	Nut #10	
9	3311005	2	Nut #10	
10	3311405	AR	Nut 1/4	
11	3311605	AR	Nut 3/8	
12	3340935	4	Pad	
13	3422961	4	Pin	
14	3422963	1	Pin	
15	3841143	5	Keeper, Pin	
16	3900325	AR	Screw #10	
17	4360500	1	Switch, Angle Sensor	
18	4360502	1	Switch, Proximity Sensor <b>(Prior to SN 0200267917)</b>	
19	4711400	AR	Washer 1/4	
20	4711600	AR	Washer 3/8	
21	4740506	AR	Washer #10	
22	4751000	2	Washer #10	
23	1001099623	4	Support, Slider	
24	1001125243	1	Decal - Calibration	
25	1001220082	1	Scissors Arms Assembly - 330LRT (See Separate Breakdown in this Section)	
26	0641412	AR	Bolt 1/4 x 1-1/2	
27	1001187857	1	Sensor <b>(SN 0200267917 to Present)</b>	
28	4240018	AR	Tie-Strap (Not Shown)	
29	0100081	AR	Adhesive <b>(SN 0200268060 to Present)</b>	
30	1001238626	1	Clamp, Collar (2 pieces) <b>(SN 0200268060 to Present)</b>	
31	0100035	AR	Adhesive <b>(SN 0200268060 to Present)</b>	
32	8310382	2	Nut, Flange	
	1001227736	Ref	SCISSORS ARMS INSTALLATION - 330LRT WITH LSS	A
102	1001227249	Ref	Arm Guards Installation (Not Shown - See Separate Breakdown in this Section)	

# SECTION 4 - SCISSORS ARMS

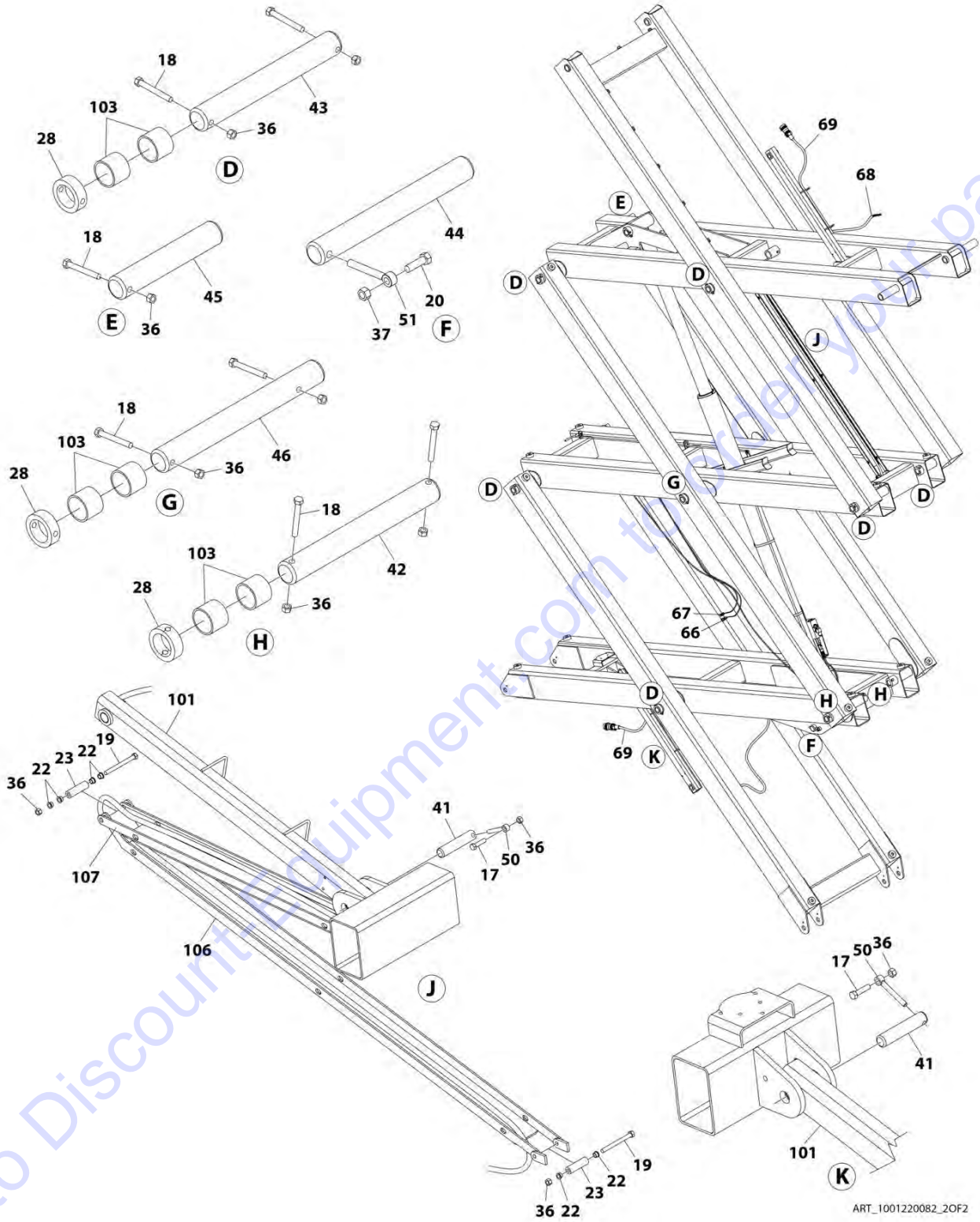
## FIGURE 4-2. SCISSORS ARMS ASSEMBLY - 330LRT



ART\_1001220082\_10F2



# SECTION 4 - SCISSORS ARMS



ART\_1001220082\_20F2

## SECTION 4 - SCISSORS ARMS

FIGURE 4-2. SCISSORS ARMS ASSEMBLY - 330LRT

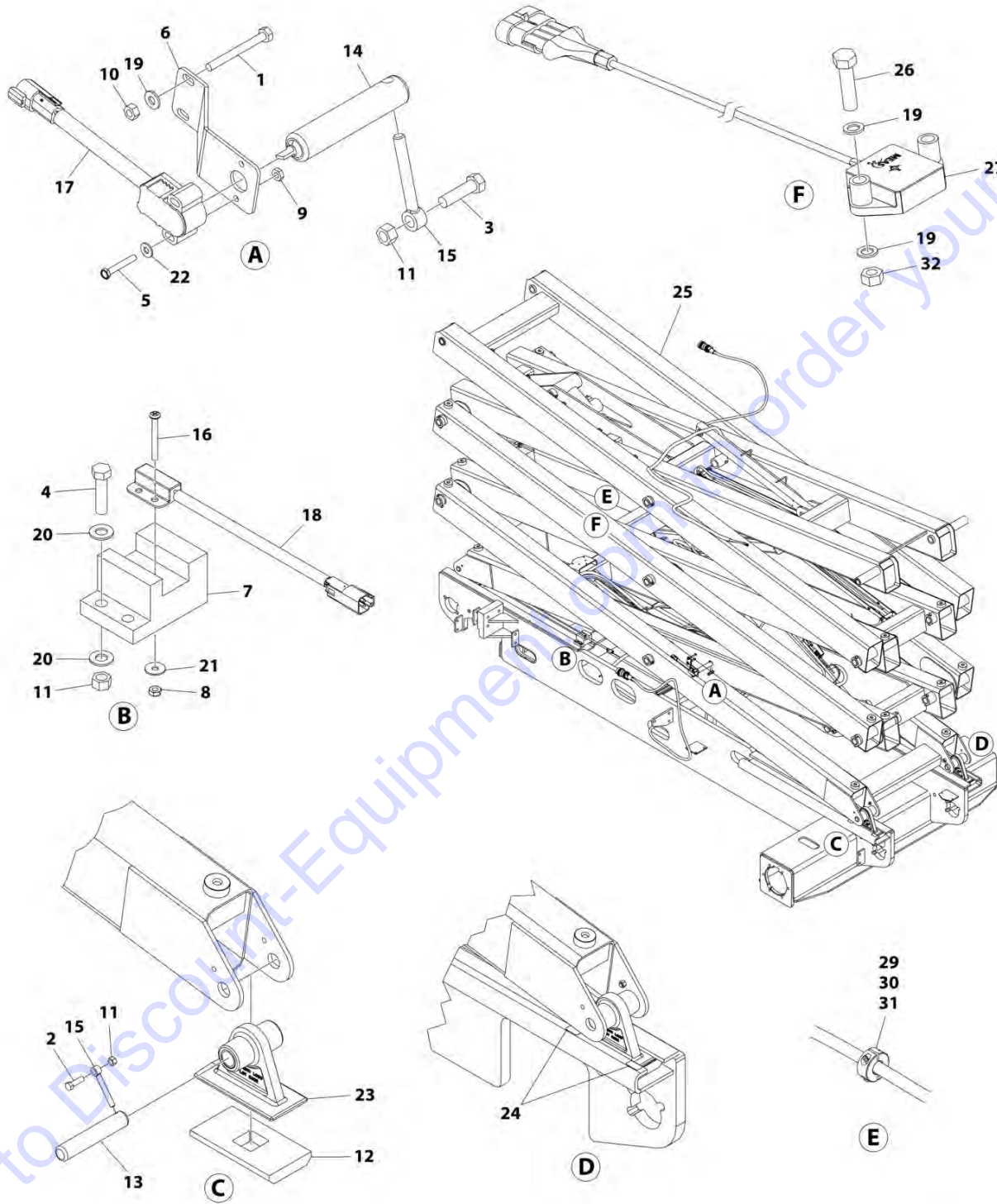
ITEM	PART NUMBER	QTY	DESCRIPTION	REV
	1001220082	Ref	SCISSORS ARMS ASSEMBLY - 330LRT	D
1	0080190	1	Adapter, Cable	
2	0100011	AR	Compound, Locking	
3	2220883	2	Plug	
11	0363050	1	Bar, Prop	
14	0641505	2	Bolt 5/16 x 5/8	
16	0681607	2	Bolt 3/8 x 7/8	
17	0681612	2	Bolt 3/8 x 1-1/2	
18	0681624	29	Bolt 3/8 x 3	
19	0681632	3	Bolt 3/8 x 4	
20	0681813	1	Bolt 1/2 x 1-5/8	
21	0902773	1	Bracket	
22	0962031	8	Bushing	
23	0962446	3	Spacer	
24	1060929	1	Cable, Manual Descent	
24	7020218	1	Handle	
24	7019602	1	Bellows	
24	7020219	1	Washer	
27	1001216251	3	Clamp	
28	1440331	14	Collar	
29	1670995	3	Cover, Hose/Cable	
30		Ref	Lift Cylinder Assembly Options (See Separate Breakdown in CYLINDER SECTION):	
	See Note	Ref	Note: Machines were built with one of the 2 cylinders listed below. Identify cylinder by p/n stamped on the cylinder valve block.	
30	1684332	1	Lift Cylinder Assembly (Rectangular Valve Block)	
30	1001217085	1	Lift Cylinder Assembly ("P" shaped Valve Block)	
31	2220373	1	Fitting, Straight JIC/ORB	
32	2221042	1	Fitting, 90 JIC/ORB	
34	1001216383	1	Hose	
35	1001216384	1	Hose	
36	3271605	36	Nut 3/8	
37	3271805	1	Nut 1/2	
39	3321402	2	Nut 1/4	
41	3422943	2	Pin	
42	3422944	2	Pin	
43	3422945	10	Pin	
44	3422946	1	Pin	
45	3422954	1	Pin	
46	3422965	2	Pin	
47	3450304	1	Pin 3/32 x 1	
48	3450405	1	Pin 1/8 x 1-1/4	
49	3573370	1	Plate	
50	3841143	2	Keeper, Pin	
51	3841203	1	Keeper, Pin	
52	3841556	1	Rod, Prop	
53	4240033	AR	Tie-Strap (Not Shown)	
54	4280295	18 in/ 46cm	Strip, Protector	

## SECTION 4 - SCISSORS ARMS

ITEM	PART NUMBER	QTY	DESCRIPTION	REV
55	4641193	1	Cartridge, Check Valve	
55	2900756	1	Seal Kit - 4641193 Valve	
56	4641205	1	Cartridge, Holding Valve	
56	7017496	1	Seal Kit - 4641205 Valve	
57	4641254	1	Cartridge, Proportional Valve	
57	7024829	1	Cartridge Less Cartridge	
57	7012925	1	Seal Kit - 7024829 & 4641254 Valves	
57	7017451	1	Coil	
58	4711400	2	Washer 1/4	
60	4711600	1	Washer 3/8	
61	4740455	2	Washer	
63	1001103760	1	Cartridge, Solenoid Valve	
63	7023923	1	Cartridge Less Cartridge	
63	7023919	1	Seal Kit - 7023923 & 1001103760 Valves	
63	70001967	1	Coil	
66	1001209182	1	Lift Cylinder Prop Harness	
66	4460499	1	Connector, DIN (HV9 - Proportional Valve)	
66	4460897	1	Receptacle, Female - 2 Position (X14B - Chassis Harness)	
66	4460464	2	Pin, Male	
67	1001209183	1	Lift Cylinder Holding Valve Harness	
67	4460891	2	Plug, Male - 2 Position (X13A - Chassis Harness & HV10 Holding Valve)	
67	4460465	4	Socket, Female	
68	1060866	1	Cable, Ground to AC Box (12/3) (Not Shown)	
69	1001209181	1	Ground to Platform Harness - 330LRT (See Separate Breakdown in ELECTRICAL SECTION)	
100	1001220020	1	Arms and Attach Link Kit (Not Shown)	
101	0272209	2	Link	
101	0962474	4	Bushing	
102	0272211	2	Prop, Safety	
103	0440236	28	Bearing	
104	0440250	4	Bearing	
105	0641507	17	Bolt 5/16 x 7/8	
106	1180371	1	Carrier, Cable	
107	1180372	1	Carrier, Cable	
108	3311505	17	Nut 5/16	
109	3340929	16	Pad	
110	4711500	16	Washer 5/16	
200	1001220010	1	Arms Kit (Not Shown)	
201	0200713	1	Arm, Lower Mid Inboard	
202	0200716	1	Arm, Lower Outboard	
203	0200717	1	Arm, Upper Inboard	
204	0200718	1	Arm, Lower Mid Outboard (LH)	
205	0200719	1	Arm, Lower Mid Outboard (RH)	
206	0200723	1	Arm, Upper Outboard	
207	1001215305	1	Arm, Lower Inboard	

# SECTION 4 - SCISSORS ARMS

## FIGURE 4-3. SCISSORS ARMS INSTALLATION - 330LRT WITH GENERATOR



ART\_1001220085

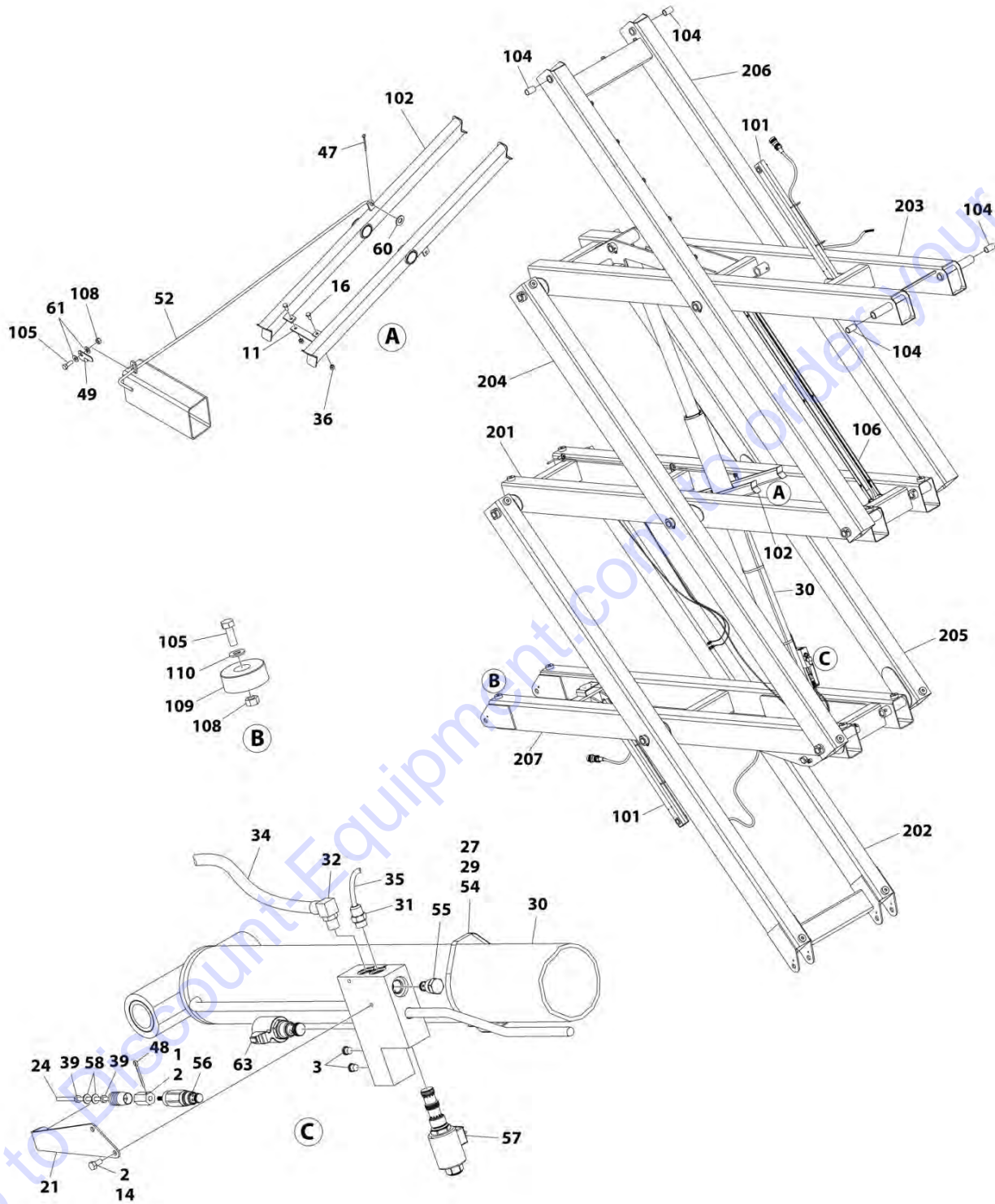
## SECTION 4 - SCISSORS ARMS

**FIGURE 4-3. SCISSORS ARMS INSTALLATION - 330LRT WITH GENERATOR**

ITEM	PART NUMBER	QTY	DESCRIPTION	REV
	1001220085	Ref	SCISSORS ARMS INSTALLATION - 330LRT WITH GENERATOR	G
1	0641420	2	Bolt 1/4 x 2-1/2	
2	0641610	4	Bolt 3/8 x 1-1/4	
3	0641611	1	Bolt 3/8 x 1-3/8	
4	0641612	AR	Bolt 3/8 x 1-1/2	
5	0721010	2	Screw #10 x 1-1/4	
6	0902774	1	Bracket	
7	3200447	1	Mount, Switch <b>(Prior to SN 0200267917)</b>	
8	3300455	AR	Nut #10	
9	3311005	2	Nut #10	
10	3311405	AR	Nut 1/4	
11	3311605	AR	Nut 3/8	
12	3340935	4	Pad	
13	3422961	4	Pin	
14	3422963	1	Pin	
15	3841143	5	Keeper, Pin	
16	3900325	AR	Screw #10	
17	4360500	1	Switch, Angle Sensor	
18	4360502	1	Switch, Proximity Sensor <b>(Prior to SN 0200267917)</b>	
19	4711400	AR	Washer 1/4	
20	4711600	AR	Washer 3/8	
21	4740506	AR	Washer #10	
22	4751000	2	Washer #10	
23	1001099623	4	Support, Slider	
24	1001125243	1	Decal - Calibration	
25	1001220087	1	Scissors Arms Assembly - 330LRT with Generator (See Separate Breakdown in this Section)	
26	0641412	AR	Bolt 1/4 x 1-1/2	
27	1001187857	1	Sensor <b>(SN 0200267917 to Present)</b>	
28	4240018	AR	Tie-Strap (Not Shown)	
29	0100081	AR	Adhesive <b>(SN 0200268060 to Present)</b>	
30	1001238626	1	Clamp, Collar (2 pieces) <b>(SN 0200268060 to Present)</b>	
31	0100035	AR	Adhesive <b>(SN 0200268060 to Present)</b>	
32	8310382	2	Nut, Flange	
	1001227738	Ref	SCISSORS ARMS INSTALLATION - 330LRT WITH GENERATOR AND LSS	A
102	1001227249	Ref	Arm Guards Installation (Not Shown - See Separate Breakdown in this Section)	

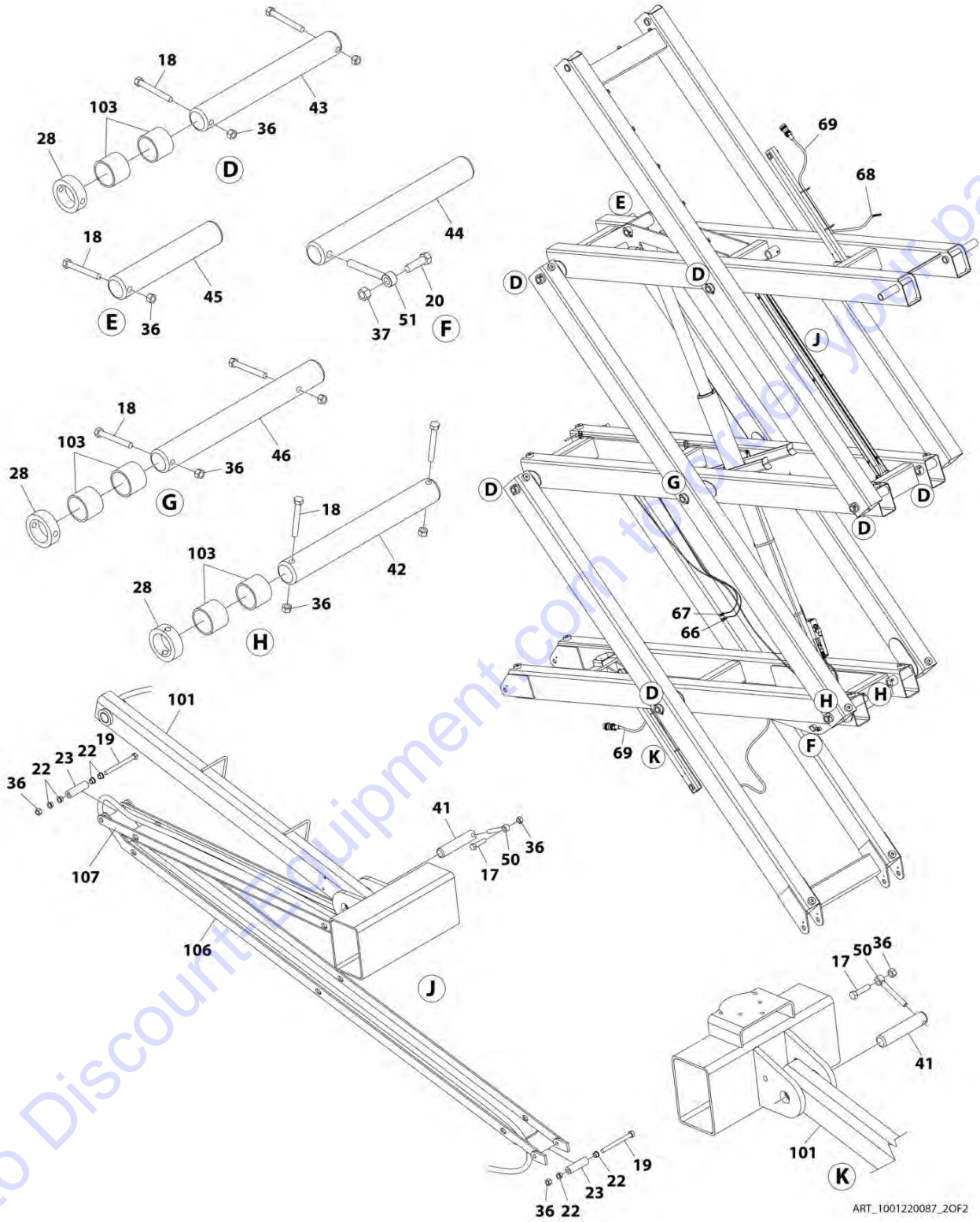
# SECTION 4 - SCISSORS ARMS

## FIGURE 4-4. SCISSORS ARMS ASSEMBLY - 330LRT WITH GENERATOR



ART\_1001220087\_10F2

# SECTION 4 - SCISSORS ARMS



## SECTION 4 - SCISSORS ARMS

FIGURE 4-4. SCISSORS ARMS ASSEMBLY - 330LRT WITH GENERATOR

ITEM	PART NUMBER	QTY	DESCRIPTION	REV
	1001220087	Ref	SCISSORS ARMS ASSEMBLY - 330LRT WITH GENERATOR	E
1	0080190	1	Adapter, Cable	
2	0100011	AR	Compound, Locking	
3	2220883	2	Plug	
11	0363050	1	Bar, Prop	
14	0641505	2	Bolt 5/16 x 5/8	
16	0681607	2	Bolt 3/8 x 7/8	
17	0681612	2	Bolt 3/8 x 1-1/2	
18	0681624	29	Bolt 3/8 x 3	
19	0681632	3	Bolt 3/8 x 4	
20	0681813	1	Bolt 1/2 x 1-5/8	
21	0902773	1	Bracket	
22	0962031	8	Bushing	
23	0962446	3	Spacer	
24	1060929	1	Cable, Manual Descent	
24	7020218	1	Handle	
24	7019602	1	Bellows	
24	7020219	1	Washer	
27	1001216251	3	Clamp	
28	1440331	14	Collar	
29	1670995	3	Cover, Hose/Cable	
30		Ref	Lift Cylinder Assembly Options (See Separate Breakdown in CYLINDER SECTION):	
	See Note	Ref	Note: Machines were built with one of 2 cylinders listed below. Identify cylinder by p/n stamped on valve block.	
30	1684332	1	Lift Cylinder Assembly (Rectangular Valve Block)	
30	1001217085	1	Lift Cylinder Assembly ("P" Shaped Valve Block)	
31	2220373	1	Fitting, Straight JIC/ORB	
32	2221042	1	Fitting, 90 JIC/ORB	
34	1001216383	1	Hose	
35	1001216384	1	Hose	
36	3271605	36	Nut 3/8	
37	3271805	1	Nut 1/2	
39	3321402	2	Nut 1/4	
41	3422943	2	Pin	
42	3422944	2	Pin	
43	3422945	10	Pin	
44	3422946	1	Pin	
45	3422954	1	Pin	
46	3422965	2	Pin	
47	3450304	1	Pin 3/32 x 1	
48	3450405	1	Pin 1/8 x 1-1/4	
49	3573370	1	Plate	
50	3841143	2	Keeper, Pin	
51	3841203	1	Keeper, Pin	
52	3841556	1	Rod, Prop	
53	4240033	AR	Tie-Strap (Not Shown)	
54	4280295	18 in/ 46cm	Strip, Protector	
55	4641193	1	Cartridge, Check Valve	

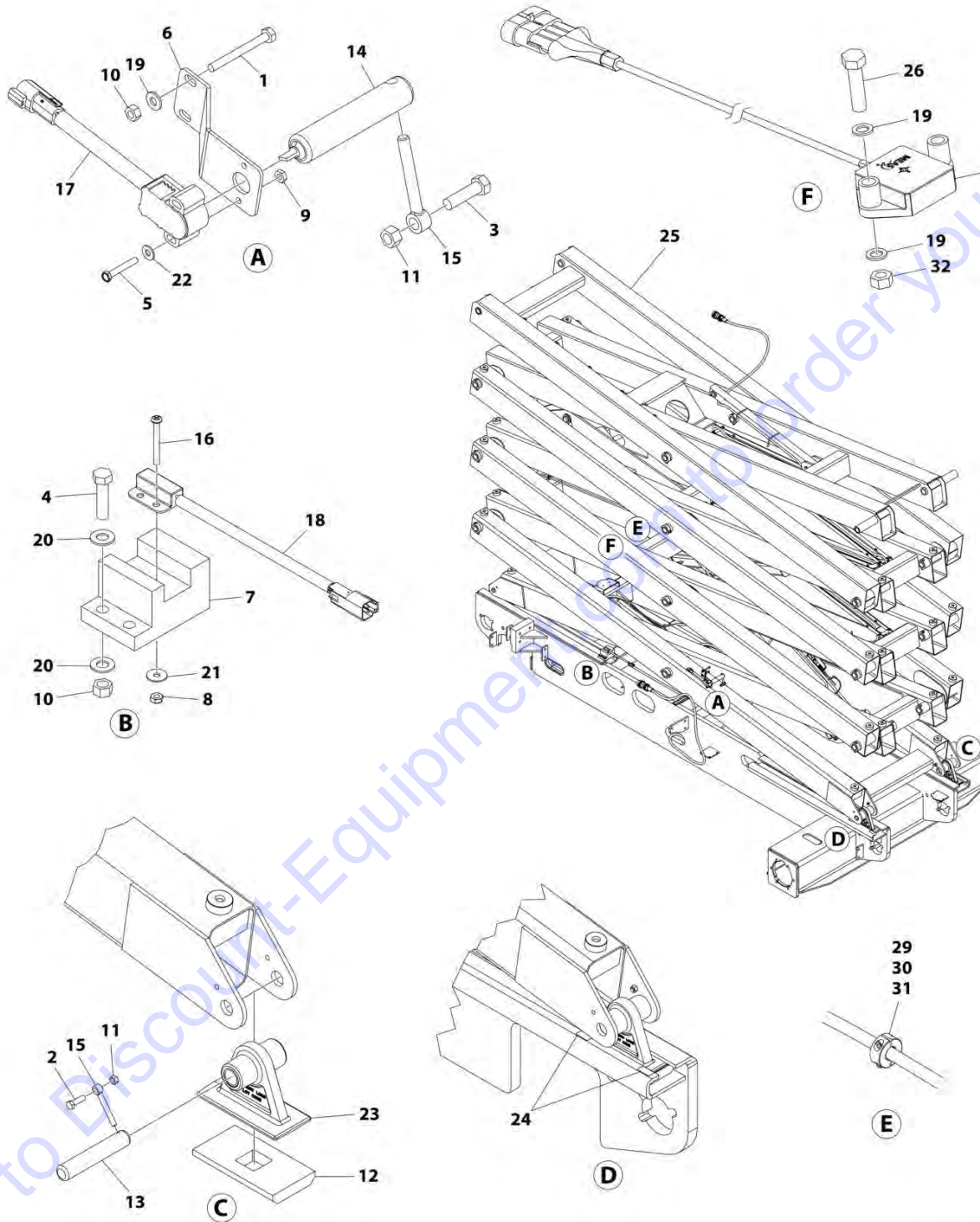


## SECTION 4 - SCISSORS ARMS

ITEM	PART NUMBER	QTY	DESCRIPTION	REV
55	2900756	1	Seal Kit - 4641193 Valve	
56	4641205	1	Cartridge, Holding Valve	
56	7017496	1	Seal Kit - 4641205 Valve	
57	4641254	1	Cartridge, Proportional Valve	
57	7024829	1	Cartridge Less Cartridge	
57	7012925	1	Seal Kit - 7024829 & 4641254 Valves	
57	7017451	1	Coil	
58	4711400	2	Washer 1/4	
60	4711600	1	Washer 3/8	
61	4740455	2	Washer	
63	1001103760	1	Cartridge, Solenoid Valve	
63	7023923	1	Cartridge Less Cartridge	
63	7023919	1	Seal Kit - 7023923 & 1001103760 Valves	
63	70001967	1	Coil	
66	1001209182	1	Lift Cylinder Prop Harness	
66	4460499	1	Connector, DIN (HV9 - Proportional Valve)	
66	4460897	1	Receptacle, Female - 2 Position (X14B - Chassis Harness)	
66	4460464	2	Pin, Male	
67	1001209183	1	Lift Cylinder Holding Valve Harness	
67	4460891	2	Plug, Male - 2 Position (X13A - Chassis Harness & HV10 Holding Valve)	
67	4460465	4	Socket, Female	
68	1001209853	NLA	Cable, Generator to Platform (8/5) (use p/n 1001237293) <b>(Prior to SN 0200267640)</b>	
68	1001237293	1	Cable, Generator to Platform (8/5) <b>(SN 0200267640 to Present)</b>	
69	1001209181	1	Ground to Platform Harness - 330LRT (See Separate Breakdown in ELECTRICAL SECTION)	
100	1001220020	1	Arms and Attach Link Kit (Not Shown)	
101	0272209	2	Link	
101	0962474	4	Bushing	
102	0272211	2	Prop, Safety	
103	0440236	28	Bearing	
104	0440250	4	Bearing	
105	0641507	17	Bolt 5/16 x 7/8	
106	1180371	1	Carrier, Cable	
107	1180372	1	Carrier, Cable	
108	3311505	17	Nut 5/16	
109	3340929	16	Pad	
110	4711500	16	Washer 5/16	
200	1001220010	1	Arms Kit (Not Shown)	
201	0200713	1	Arm, Lower Mid Inboard	
202	0200716	1	Arm, Lower Outboard	
203	0200717	1	Arm, Upper Inboard	
204	0200718	1	Arm, Lower Mid Outboard (LH)	
205	0200719	1	Arm, Lower Mid Outboard (RH)	
206	0200723	1	Arm, Upper Outboard	
207	1001215305	1	Arm, Lower Inboard	

# SECTION 4 - SCISSORS ARMS

## FIGURE 4-5. SCISSORS ARMS INSTALLATION - 430LRT



ART\_1001220083

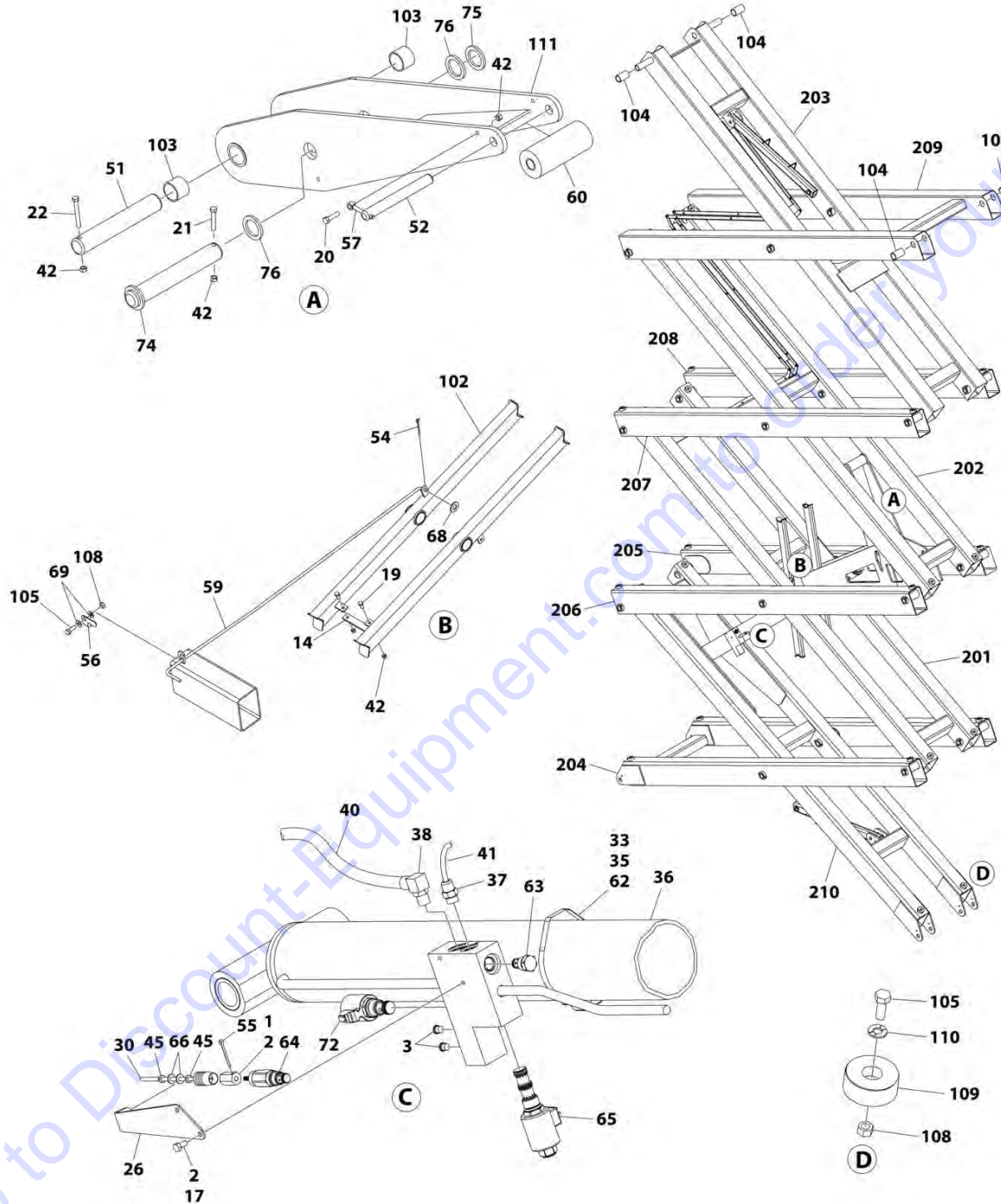
## SECTION 4 - SCISSORS ARMS

**FIGURE 4-5. SCISSORS ARMS INSTALLATION - 430LRT**

ITEM	PART NUMBER	QTY	DESCRIPTION	REV
	1001220083	Ref	SCISSORS ARMS INSTALLATION - 430LRT	G
1	0641420	2	Bolt 1/4 x 2-1/2	
2	0641610	4	Bolt 3/8 x 1-1/4	
3	0641611	1	Bolt 3/8 x 1-3/8	
4	0641612	AR	Bolt 3/8 x 1-1/2	
5	0721010	2	Screw #10 x 1-1/4	
6	0902774	1	Bracket	
7	3200447	1	Mount, Switch <b>(Prior to SN 0200267917)</b>	
8	3300455	AR	Nut #10	
9	3311005	2	Nut #10	
10	3311405	4	Nut 1/4	
11	3311605	5	Nut 3/8	
12	3340935	4	Pad	
13	3422961	4	Pin	
14	3422963	1	Pin	
15	3841143	5	Keeper, Pin	
16	3900325	AR	Screw #10	
17	4360500	1	Switch, Angle Sensor	
18	4360502	1	Switch, Proximity Sensor <b>(Prior to SN 0200267917)</b>	
19	4711400	AR	Washer 1/4	
20	4711600	AR	Washer 3/8	
21	4740506	AR	Washer #10	
22	4751000	2	Washer #10	
23	1001099623	4	Support, Slider	
24	1001125242	1	Decal - Calibration	
25	1001220084	1	Scissors Arms Assembly - 430LRT (See Separate Breakdown in this Section)	
26	0641412	AR	Bolt 1/4 x 1-1/2	
27	1001187857	1	Sensor <b>(SN 0200267917 to Present)</b>	
28	4240018	AR	Tie-Strap (Not Shown)	
29	0100081	AR	Adhesive <b>(SN 0200268060 to Present)</b>	
30	1001238626	1	Clamp, Collar (2 pieces) <b>(SN 0200268060 to Present)</b>	
31	0100035	AR	Adhesive <b>(SN 0200268060 to Present)</b>	
32	8310382	2	Nut, Flange	
	1001227737	Ref	SCISSORS ARMS INSTALLATION - 430LRT WITH LSS	A
102	1001227249	Ref	Arm Guards Installation (Not Shown - See Separate Breakdown in this Section)	

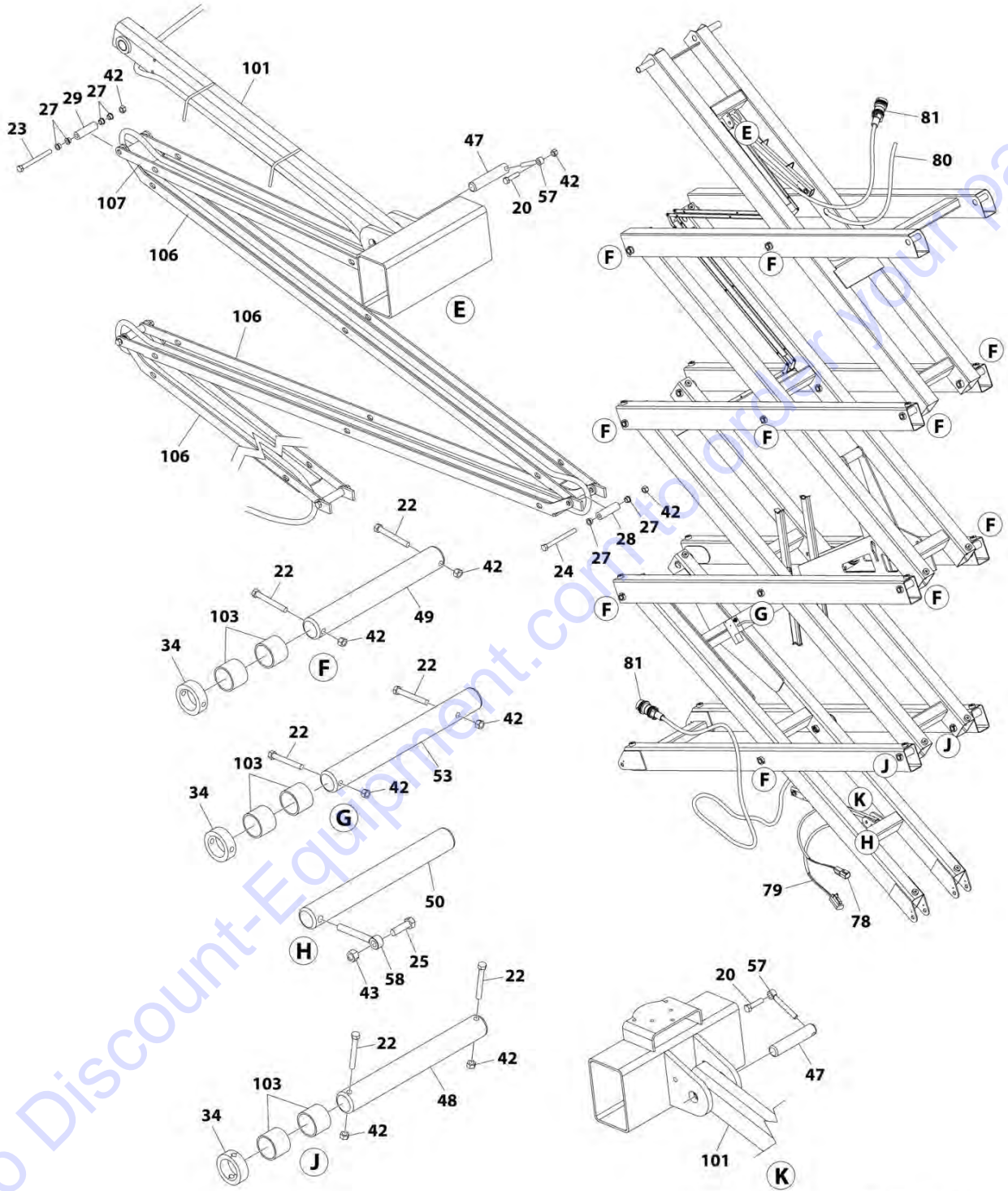
# SECTION 4 - SCISSORS ARMS

## FIGURE 4-6. SCISSORS ARMS ASSEMBLY - 430LRT



ART\_1001220084\_10F2

# SECTION 4 - SCISSORS ARMS



ART\_1001220084\_20F2

## SECTION 4 - SCISSORS ARMS

FIGURE 4-6. SCISSORS ARMS ASSEMBLY - 430LRT

ITEM	PART NUMBER	QTY	DESCRIPTION	REV
	1001220084	Ref	SCISSORS ARMS ASSEMBLY - 430LRT	D
1	0080190	1	Adapter, Cable	
2	0100011	AR	Compound, Locking	
3	2220883	2	Plug	
14	0363050	1	Bar, Prop	
17	0641505	2	Bolt 5/16 x 5/8	
19	0681607	2	Bolt 3/8 x 7/8	
20	0681612	3	Bolt 3/8 x 1-1/2	
21	0681618	1	Bolt 3/8 x 2-1/4	
22	0681624	41	Bolt 3/8 x 3	
23	0681632	4	Bolt 3/8 x 4	
24	0681636	1	Bolt 3/8 x 4-1/2	
25	0681813	1	Bolt 1/2 x 1-5/8	
26	0902773	1	Bracket	
27	0962031	16	Bushing	
28	0962445	1	Spacer	
29	0962446	4	Spacer	
30	1060929	1	Cable, Manual Descent	
30	7020218	1	Handle	
30	7019602	1	Bellows	
30	7020219	1	Washer	
33	1001216251	3	Clamp	
34	1440331	20	Collar	
35	1670995	3	Cover, Hose/Cable	
36		Ref	Lift Cylinder Assembly Options (See Separate Breakdown in CYLINDER SECTION):	
	See Note	Ref	Note: Machines were built with one of 2 cylinders listed below. Identify cylinder by p/n stamed on valve block.	
36	1684332	1	Lift Cylinder Assembly Rectangular Valve Block)	
36	1001217085	1	Lift Cylinder Assembly ("P" Shaped Valve Block)	
37	2220373	1	Fitting, Straight JIC/ORB	
38	2221042	1	Fitting, 90 JIC/ORB	
40	1001216383	1	Hose	
41	1001216384	1	Hose	
42	3271605	52	Nut 3/8	
43	3271805	1	Nut 1/2	
45	3321402	2	Nut 1/4	
47	3422943	2	Pin	
48	3422944	2	Pin	
49	3422945	16	Pin	
50	3422946	1	Pin	
51	3422948	1	Pin	
52	3422964	1	Pin	
53	3422965	2	Pin	
54	3450304	1	Pin 3/32 x 1	
55	3450405	1	Pin 1/8 x 1-1/4	
56	3573370	1	Plate	
57	3841143	3	Keeper, Pin	
58	3841203	1	Keeper, Pin	
59	3841556	1	Rod, Prop	

## SECTION 4 - SCISSORS ARMS

ITEM	PART NUMBER	QTY	DESCRIPTION	REV
60	3860102	1	Roller	
60	0962356	2	Bearing	
61	4240033	AR	Tie-Strap (Not Shown)	
62	4280295	18 in/ 46cm	Strip, Protector	
63	4641193	1	Cartridge, Check Valve	
63	2900756	1	Seal Kit - 4641193 Valve	
64	4641205	1	Cartridge, Holding Valve	
64	7017496	1	Seal Kit - 4641205 Valve	
65	4641254	1	Cartridge, Proportional Valve	
65	7024829	1	Cartridge Less Cartridge	
65	7012925	1	Seal Kit - 7024829 & 4641254 Valves	
65	7017451	1	Coil	
66	4711400	2	Washer 1/4	
68	4711600	1	Washer 3/8	
69	4740455	2	Washer	
72	1001103760	1	Cartridge, Solenoid Valve	
72	7023923	1	Cartridge Less Cartridge	
72	7023919	1	Seal Kit - 7023923 & 1001103760 Valves	
72	70001967	1	Coil	
74	1001174384	1	Pin	
75	1001174386	1	Plate	
76	1001174387	2	Pad	
78	1001209182	1	Lift Cylinder Prop Harness	
78	4460499	1	Connector, DIN (HV9 - Proportional Valve)	
78	4460897	1	Receptacle, Female - 2 Position (X14B - Chassis Harness)	
78	4460464	2	Pin, Male	
79	1001209183	1	Lift Cylinder Holding Valve Harness	
79	4460891	2	Plug, Male - 2 Position (X13A - Chassis Harness & HV10 Holding Valve)	
79	4460465	4	Socket, Female	
80	1060907	1	Ground to AC Box (12/3) (Not Shown)	
81	1001210080	1	Ground to Platform Harness - 430LRT (See Separate Breakdown in ELECTRICAL SECTION)	
100	1001220040	1	Arms and Attach Link Kit (Not Shown)	
101	0272209	2	Link	
101	0962474	4	Bushing	
102	0272211	2	Prop, Safety	
103	0440236	42	Bearing	
104	0440250	4	Bearing	
105	0641507	25	Bolt 5/16 x 7/8	
106	1180371	3	Carrier, Cable	
107	1180372	1	Carrier, Cable	
108	3311505	25	Nut 5/16	
109	3340929	24	Pad	
110	4711500	24	Washer 5/16	
111	4846460	1	Kicker	
200	1001220030	1	Arms Kit (Not Shown)	
201	0200713	1	Arm, Lower Mid Inboard	
202	0200714	1	Arm, Upper Mid Inboard	
203	0200715	1	Arm, Upper Inboard	
204	0200716	1	Arm, Lower Outboard	

## SECTION 4 - SCISSORS ARMS

ITEM	PART NUMBER	QTY	DESCRIPTION	REV
205	0200718	1	Arm, Lower Mid Outboard (LH)	
206	0200719	1	Arm, Lower Mid Outboard (RH)	
207	0200720	1	Arm, Upper Mid Outboard (LH)	
208	0200721	1	Arm, Upper Mid Outboard (RH)	
209	0200722	1	Arm, Upper Outboard	
210	1001215305	1	Arm, Lower Inboard	

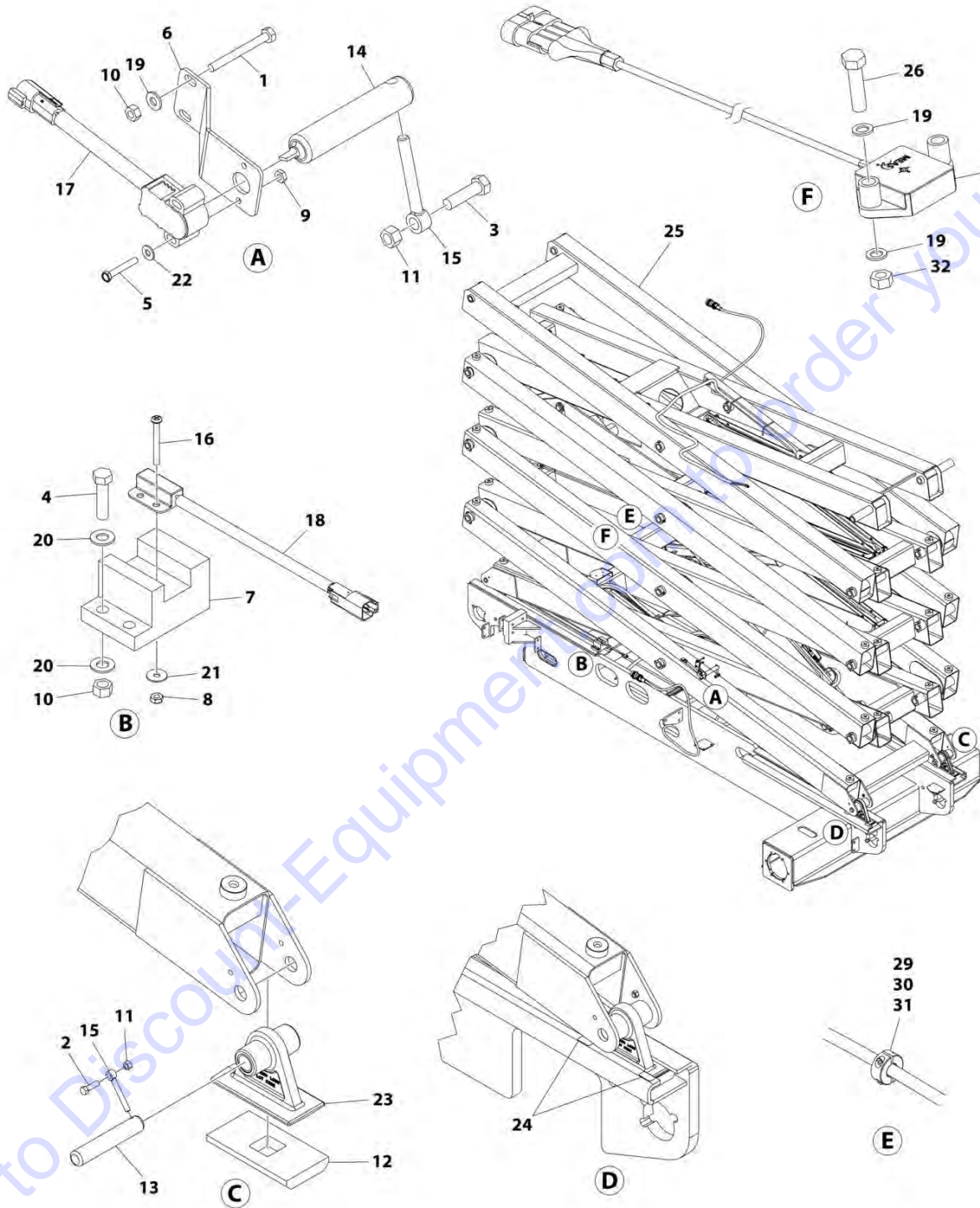
Go to Discount-Equipment.com to order your parts





# SECTION 4 - SCISSORS ARMS

## FIGURE 4-7. SCISSORS ARMS INSTALLATION - 430LRT WITH GENERATOR



ART\_1001220088

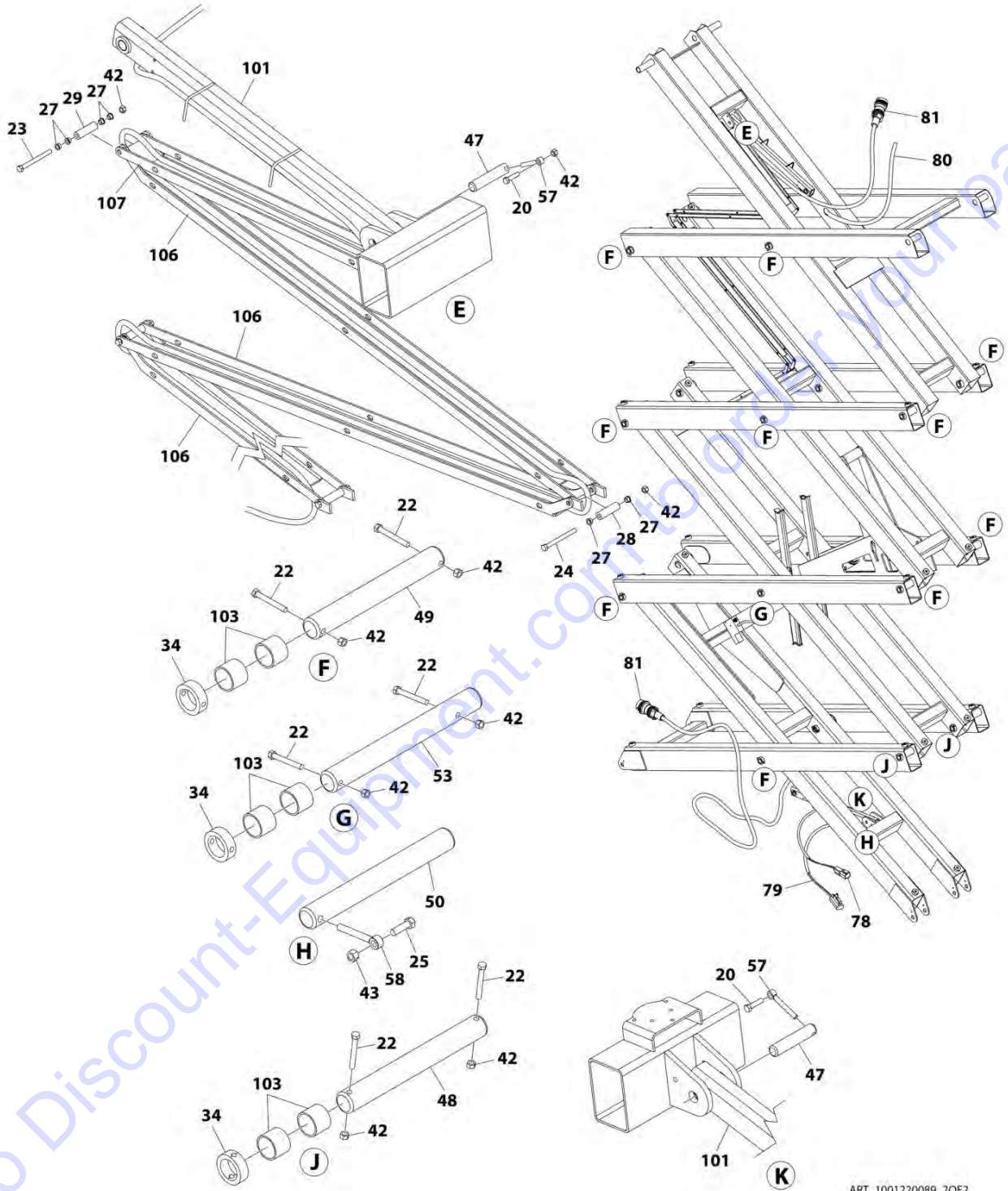
## SECTION 4 - SCISSORS ARMS

**FIGURE 4-7. SCISSORS ARMS INSTALLATION - 430LRT WITH GENERATOR**

ITEM	PART NUMBER	QTY	DESCRIPTION	REV
	1001220088	Ref	SCISSORS ARMS INSTALLATION - 430LRT WITH GENERATOR	G
1	0641420	2	Bolt 1/4 x 2-1/2	
2	0641610	4	Bolt 3/8 x 1-1/4	
3	0641611	1	Bolt 3/8 x 1-3/8	
4	0641612	AR	Bolt 3/8 x 1-1/2	
5	0721010	2	Screw #10 x 1-1/4	
6	0902774	1	Bracket	
7	3200447	1	Mount, Switch <b>(Prior to SN 0200267917)</b>	
8	3300455	AR	Nut #10	
9	3311005	2	Nut #10	
10	3311405	4	Nut 1/4	
11	3311605	5	Nut 3/8	
12	3340935	4	Pad	
13	3422961	4	Pin	
14	3422963	1	Pin	
15	3841143	5	Keeper, Pin	
16	3900325	AR	Screw #10	
17	4360500	1	Switch, Angle Sensor	
18	4360502	1	Switch, Proximity Sensor <b>(Prior to SN 0200267917)</b>	
19	4711400	AR	Washer 1/4	
20	4711600	AR	Washer 3/8	
21	4740506	AR	Washer #10	
22	4751000	2	Washer #10	
23	1001099623	4	Support, Slider	
24	1001125242	1	Decal - Calibration	
25	1001220089	1	Scissors Arms Assembly - 430LRT with Generator (See Separate Breakdown in this Section)	
26	0641412	AR	Bolt 1/4 x 1-1/2	
27	1001187857	1	Sensor <b>(SN 0200267917 to Present)</b>	
28	4240018	AR	Tie-Strap (Not Shown)	
29	0100081	AR	Adhesive <b>(SN 0200268060 to Present)</b>	
30	1001238626	1	Clamp, Collar (2 pieces) <b>(SN 0200268060 to Present)</b>	
31	0100035	AR	Adhesive <b>(SN 0200268060 to Present)</b>	
32	8310382	2	Nut, Flange	
	1001227739	Ref	SCISSORS ARMS INSTALLATION - 430LRT WITH GENERATOR AND LSS	A
102	1001227249	Ref	Arm Guards Installation (Not Shown - See Separate Breakdown in this Section)	



# SECTION 4 - SCISSORS ARMS



ART\_1001220089\_20F2

## SECTION 4 - SCISSORS ARMS

FIGURE 4-8. SCISSORS ARMS ASSEMBLY - 430LRT WITH GENERATOR

ITEM	PART NUMBER	QTY	DESCRIPTION	REV
	1001220089	Ref	SCISSORS ARMS ASSEMBLY - 430LRT WITH GENERATOR	F
1	0080190	1	Adapter, Cable	
2	0100011	AR	Compound, Locking	
3	2220883	2	Plug	
14	0363050	1	Bar, Prop	
17	0641505	2	Bolt 5/16 x 5/8	
19	0681607	2	Bolt 3/8 x 7/8	
20	0681612	3	Bolt 3/8 x 1-1/2	
21	0681618	1	Bolt 3/8 x 2-1/4	
22	0681624	41	Bolt 3/8 x 3	
23	0681632	4	Bolt 3/8 x 4	
24	0681636	1	Bolt 3/8 x 4-1/2	
25	0681813	1	Bolt 1/2 x 1-5/8	
26	0902773	1	Bracket	
27	0962031	16	Bushing	
28	0962445	1	Spacer	
29	0962446	4	Spacer	
30	1060929	1	Cable, Manual Descent	
30	7020218	1	Handle	
30	7019602	1	Bellows	
30	7020219	1	Washer	
33	1001216251	3	Clamp	
34	1440331	20	Collar	
35	1670995	3	Cover, Hose/Cable	
36		Ref	Lift Cylinder Assembly Options (See Separate Breakdown in CYLINDER SECTION):	
	See Note	Ref	Note: Machines were built with one of 2 cylinders listed below. Identify cylinder by p/n stamed on valve block.	
36	1684332	1	Lift Cylinder Assembly (Rectangular Valve Block)	
36	1001217085	1	Lift Cylinder Assembly ("P" Shaped Valve Block)	
37	2220373	1	Fitting, Straight JIC/ORB	
38	2221042	1	Fitting, 90 JIC/ORB	
40	1001216383	1	Hose	
41	1001216384	1	Hose	
42	3271605	52	Nut 3/8	
43	3271805	1	Nut 1/2	
45	3321402	2	Nut 1/4	
47	3422943	2	Pin	
48	3422944	2	Pin	
49	3422945	16	Pin	
50	3422946	1	Pin	
51	3422948	1	Pin	
52	3422964	1	Pin	
53	3422965	2	Pin	
54	3450304	1	Pin 3/32 x 1	
55	3450405	1	Pin 1/8 x 1-1/4	
56	3573370	1	Plate	
57	3841143	3	Keeper, Pin	
58	3841203	1	Keeper, Pin	
59	3841556	1	Rod, Prop	

## SECTION 4 - SCISSORS ARMS

ITEM	PART NUMBER	QTY	DESCRIPTION	REV
60	3860102	1	Roller	
60	0962356	2	Bearing	
61	4240033	AR	Tie-Strap (Not Shown)	
62	4280295	18 in/ 46cm	Strip, Protector	
63	4641193	1	Cartridge, Check Valve	
63	2900756	1	Seal Kit - 4641193 Valve	
64	4641205	1	Cartridge, Holding Valve	
64	7017496	1	Seal Kit - 4641205 Valve	
65	4641254	1	Cartridge, Proportional Valve	
65	7024829	1	Cartridge Less Cartridge	
65	7012925	1	Seal Kit - 7024829 & 4641254 Valves	
65	7017451	1	Coil	
66	4711400	2	Washer 1/4	
68	4711600	1	Washer 3/8	
69	4740455	2	Washer	
72	1001103760	1	Cartridge, Solenoid Valve	
72	7023923	1	Cartridge Less Cartridge	
72	7023919	1	Seal Kit - 7023923 & 1001103760 Valves	
72	70001967	1	Coil	
74	1001174384	1	Pin	
75	1001174386	1	Plate	
76	1001174387	2	Pad	
78	1001209182	1	Lift Cylinder Prop Harness	
78	4460499	1	Connector, DIN (HV9 - Proportional Valve)	
78	4460897	1	Receptacle, Female - 2 Position (X14B - Chassis Harness)	
78	4460464	2	Pin, Male	
79	1001209183	1	Lift Cylinder Holding Valve Harness	
79	4460891	2	Plug, Male - 2 Position (X13A - Chassis Harness & HV10 Holding Valve)	
79	4460465	4	Socket, Female	
80	1001209854	NLA	Cable, Generator to Platform (8/5) (Use p/n 1001237292) <b>(Prior to SN 0200267640)</b>	
80	1001237292	1	Cable, Generator to Platform (8/5) <b>(SN 0200267640 to Present)</b>	
81	1001210080	1	Ground to Platform Harness - 430LRT (See Separate Breakdown in ELECTRICAL SECTION)	
100	1001220040	1	Arms and Attach Link Kit (Not Shown)	
101	0272209	2	Link	
101	0962474	4	Bushing	
102	0272211	2	Prop, Safety	
103	0440236	42	Bearing	
104	0440250	4	Bearing	
105	0641507	25	Bolt 5/16 x 7/8	
106	1180371	3	Carrier, Cable	
107	1180372	1	Carrier, Cable	
108	3311505	25	Nut 5/16	
109	3340929	24	Pad	
110	4711500	24	Washer 5/16	
111	4846460	1	Kicker	
200	1001220030	1	Arms Kit (Not Shown)	
201	0200713	1	Arm, Lower Mid Inboard	
202	0200714	1	Arm, Upper Mid Inboard	

## SECTION 4 - SCISSORS ARMS

ITEM	PART NUMBER	QTY	DESCRIPTION	REV
203	0200715	1	Arm, Upper Inboard	
204	0200716	1	Arm, Lower Outboard	
205	0200718	1	Arm, Lower Mid Outboard (LH)	
206	0200719	1	Arm, Lower Mid Outboard (RH)	
207	0200720	1	Arm, Upper Mid Outboard (LH)	
208	0200721	1	Arm, Upper Mid Outboard (RH)	
209	0200722	1	Arm, Upper Outboard	
210	1001215305	1	Arm, Lower Inboard	

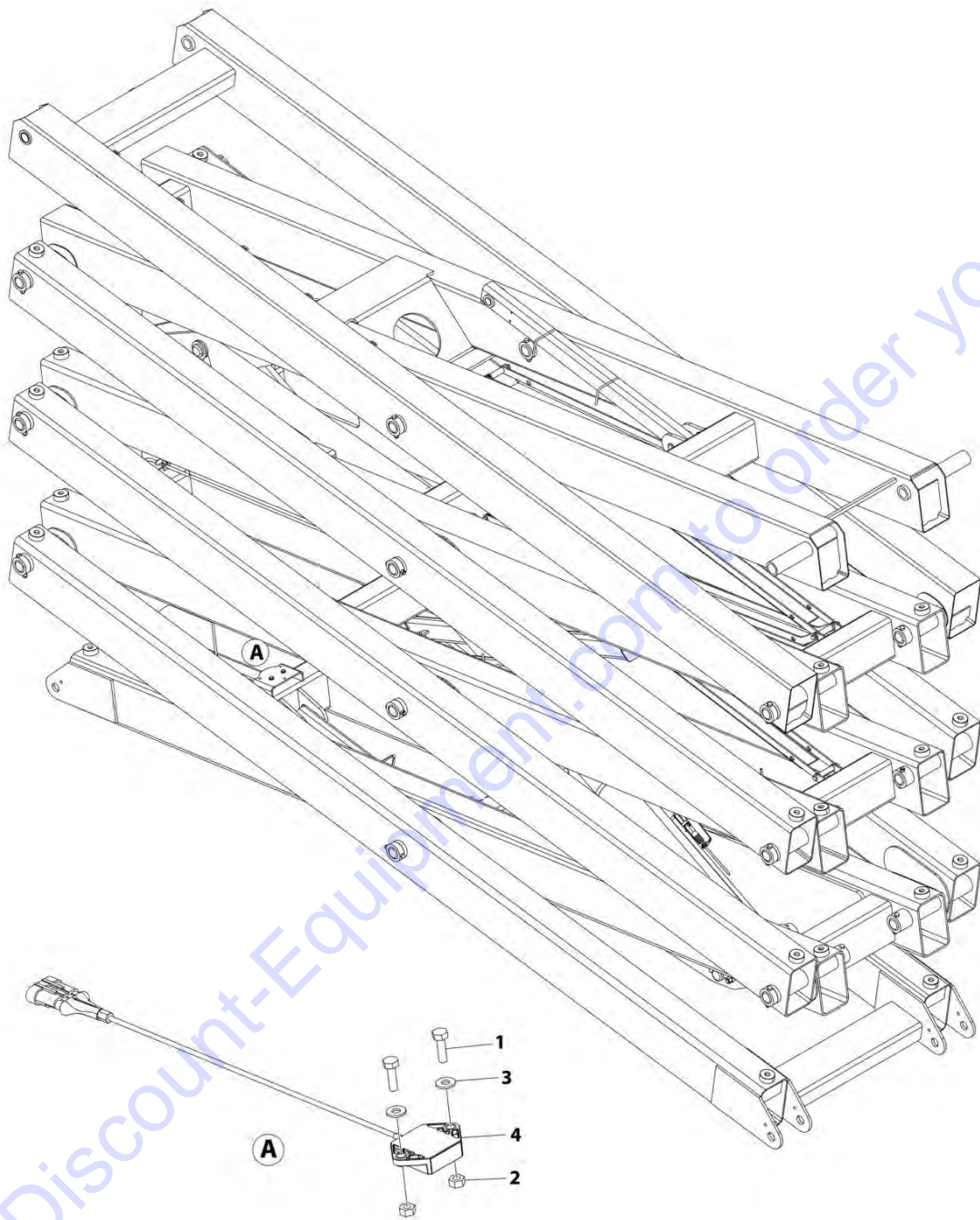
Go to Discount-Equipment.com to order your parts





# SECTION 4 - SCISSORS ARMS

FIGURE 4-9. ARM GUARDS INSTALLATION (MACHINES WITH LSS)



Go to Discount-Equipment.com to order your parts

ART\_1001227249

## SECTION 4 - SCISSORS ARMS

**FIGURE 4-9. ARM GUARDS INSTALLATION (MACHINES WITH LSS)**

ITEM	PART NUMBER	QTY	DESCRIPTION	REV
	1001227249	Ref	ARM GUARDS INSTALLATION (MACHINES WITH LSS)	A
1	0641407	2	Bolt 1/4 x 7/8	
2	3311405	2	Nut 1/4	
3	4711400	2	Washer 1/4	
4	1001187857	1	Sensor	

Go to Discount-Equipment.com to order your parts

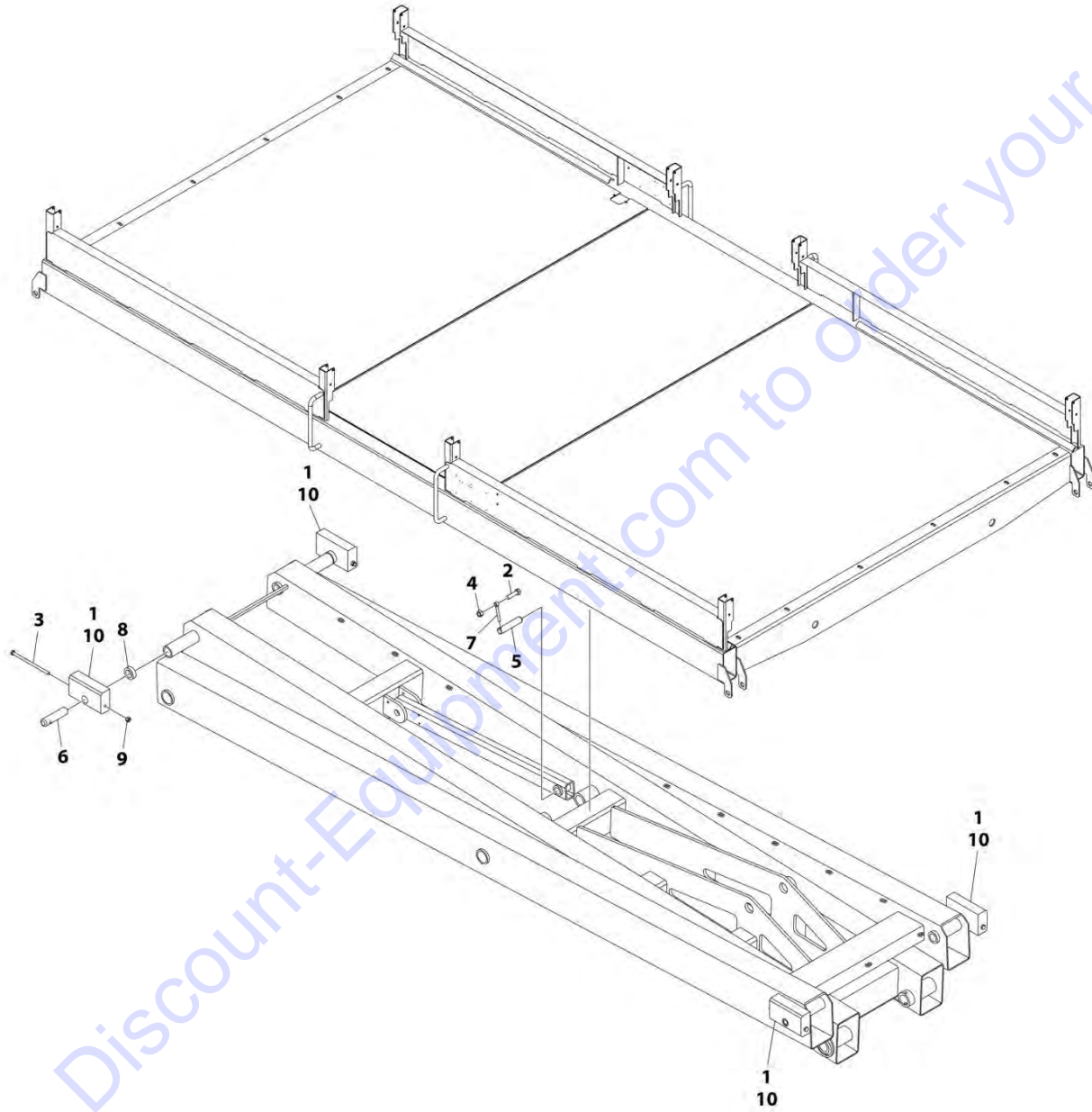


**SECTION 5 - PLATFORM**

Go to [Discount-Equipment.com](http://Discount-Equipment.com) to order your parts

# SECTION 5 - PLATFORM

## FIGURE 5-1. PLATFORM MOUNT INSTALLATION (NON-LSS)



ART\_1001206786

## SECTION 5 - PLATFORM

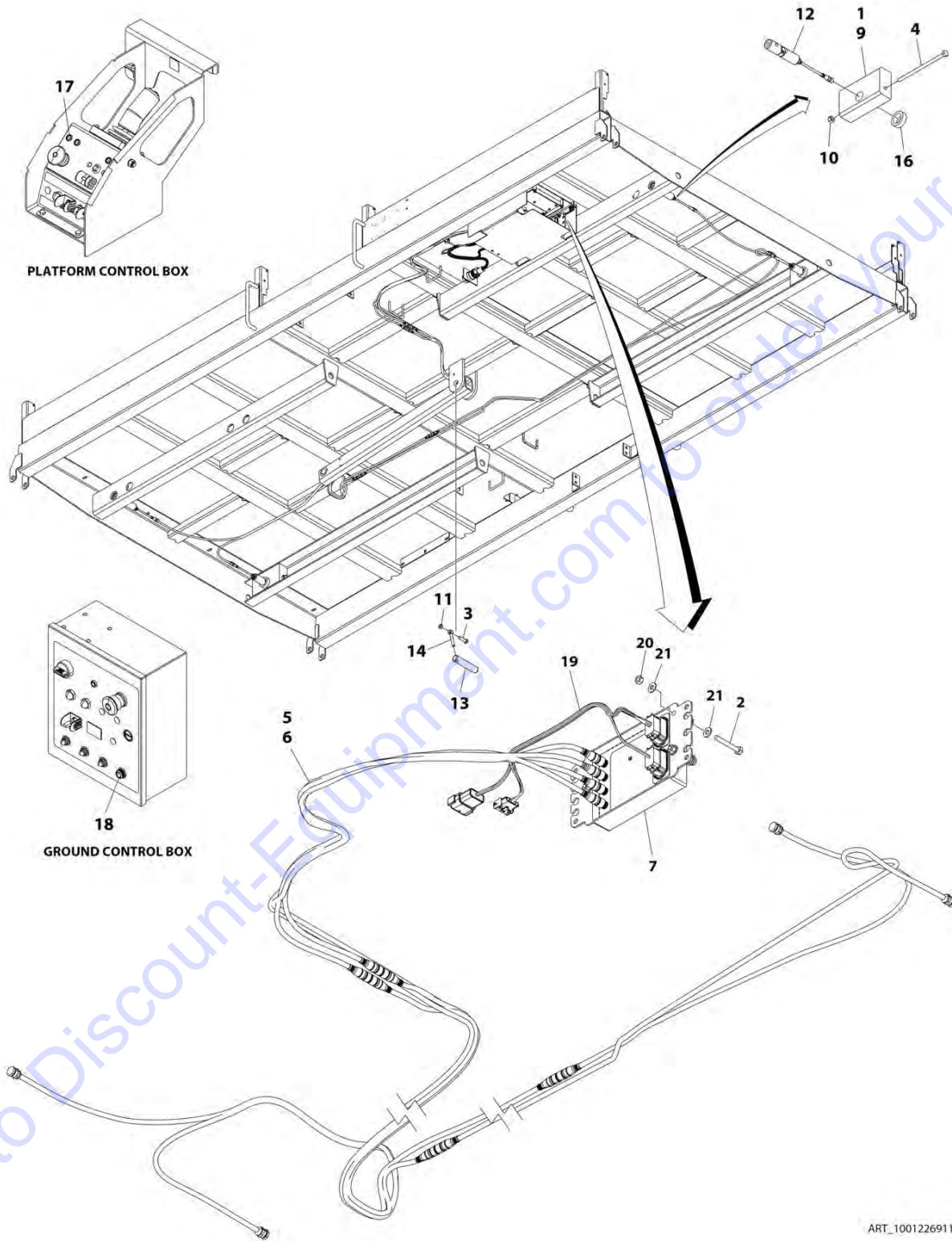
**FIGURE 5-1. PLATFORM MOUNT INSTALLATION (NON-LSS)**

ITEM	PART NUMBER	QTY	DESCRIPTION	REV
	1001206786	Ref	PLATFORM MOUNT INSTALLATION (NON-LSS)	B
1	0561489	4	Block, Slide	
2	0641611	1	Bolt 3/8 x 1-3/8	
3	0701037	4	Bolt M10 x 200	
4	3311605	1	Nut 3/8	
5	3422943	1	Pin	
6	3423049	4	Pin	
7	3841143	1	Keeper, Pin	
8	4568295	4	Tube, Spacer	
9	3291005	4	Nut M10	
10	3020022	AR	Grease, Lithium	

Go to Discount-Equipment.com to order your parts

# SECTION 5 - PLATFORM

## FIGURE 5-2. PLATFORM MOUNT INSTALLATION (LSS)



ART\_1001226911



## SECTION 5 - PLATFORM

**FIGURE 5-2. PLATFORM MOUNT INSTALLATION (LSS)**

ITEM	PART NUMBER	QTY	DESCRIPTION	REV
	1001226911	Ref	PLATFORM MOUNT INSTALLATION (LSS)	C
1	0561489	4	Block, Slide	
2	0641415	3	Bolt 1/4 x 1-7/8	
3	0641611	1	Bolt 3/8 x 1-3/8	
4	0701037	4	Bolt M10 x 200	
5	1061020	2	Cable, Sensor (1.5m Length)	
6	1061021	2	Cable, Sensor (3m Length)	
7	1600387	1	Module, LSS (Note: Re-calibration Required when Replaced)	
9	3020022	AR	Lubricant	
10	3291005	4	Nut M10	
11	3311605	1	Nut 3/8	
12	3422938	4	Pin	
13	3422943	1	Pin	
14	3841143	1	Keeper, Pin	
15	4240033	AR	Tie-Strap (Not Shown)	
16	4568295	4	Tube, Spacer	
17	1001190472	1	Lamp, LED	
18	1001215255	1	Lamp, LED <b>(Prior to SN 0200267670)</b>	
18	1001239350	1	Lamp, LED <b>(SN 0200267670 to Present)</b>	
19	1001226830	1	LSS Harness (See Separate Breakdown in ELECTRICAL SECTION)	
20	3311405	3	Nut 1/4	
21	4711400	6	Washer 1/4	



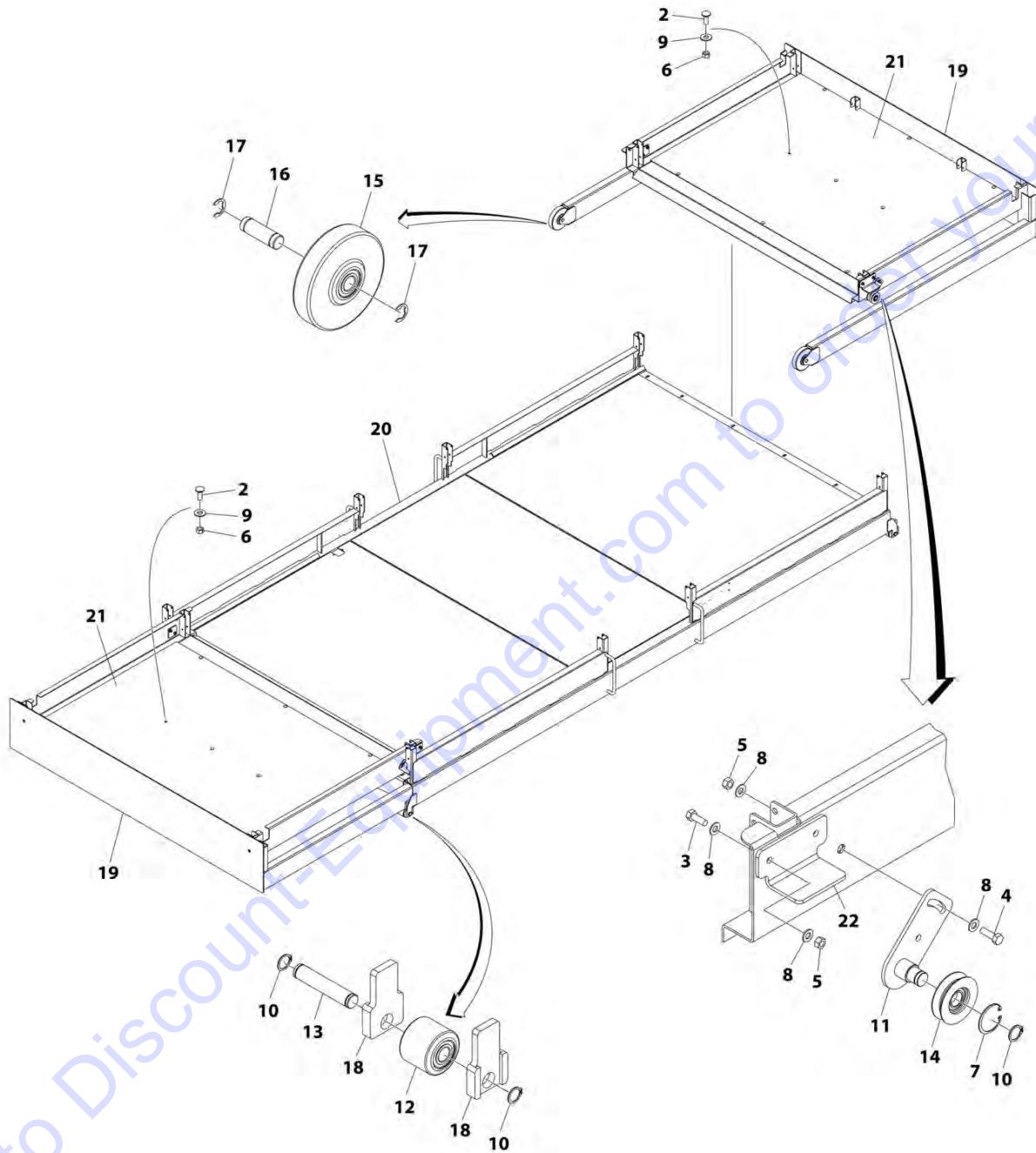
## SECTION 5 - PLATFORM

**FIGURE 5-3. PLATFORM WITH SINGLE EXTENSION INSTALLATION**

ITEM	PART NUMBER	QTY	DESCRIPTION	REV
	1001205640	Ref	PLATFORM WITH SINGLE EXTENSION INSTALLATION	H
2	0630485	15	Bolt	
3	0641507	4	Bolt 5/16 x 7/8	
4	0641508	4	Bolt 5/16 x 1	
5	3311505	8	Nut 5/16	
6	3311601	15	Nut 3/8	
7	3760257	2	Ring, Retaining	
8	4711500	16	Washer 5/16	
9	4751600	15	Washer 3/8	
10	1001149581	6	Ring, Retaining	
11	1001166729	2	Plate, Mounting	
12	1001167269	2	Roller	
13	1001210278	2	Pin	
14	1001167272	2	Roller	
15	1001167274	2	Roller	
16	1001167275	2	Pin	
17	1001167696	4	Clip	
18	1001215224	4	Bumper	
19	1001205642	1	Extension, Platform	
20	1001205643	1	Platform	
21	1001205765	1	Plate, Floor	
22	1001205896	2	Plate, Stop	
23	1001206182	1	Kickplate	

# SECTION 5 - PLATFORM

FIGURE 5-4. PLATFORM (12.6FT/3.84M LENGTH) WITH DUAL EXTENSION INSTALLATION



ART\_1001205638

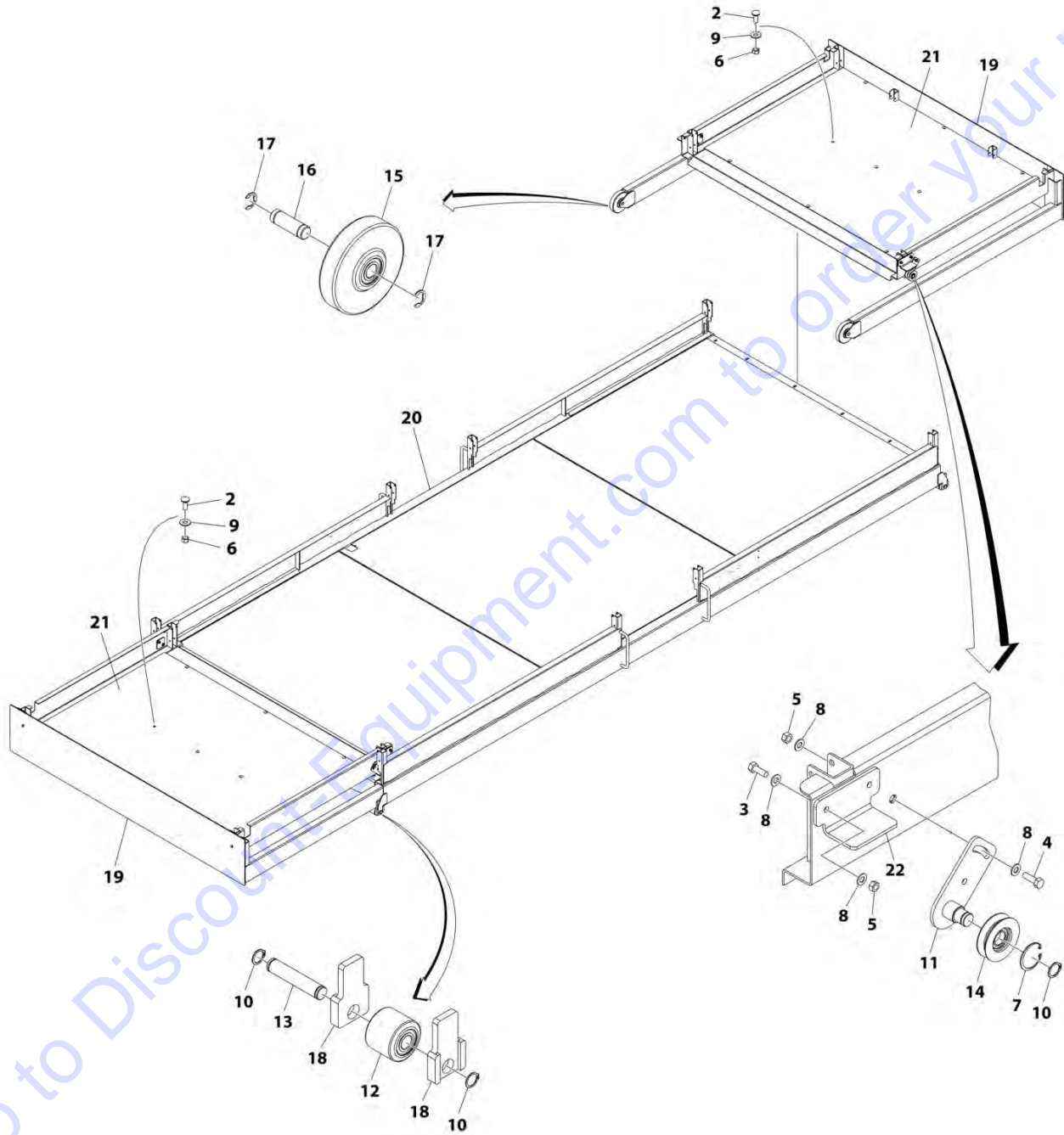
## SECTION 5 - PLATFORM

**FIGURE 5-4. PLATFORM (12.6FT/3.84M LENGTH) WITH DUAL EXTENSION INSTALLATION**

ITEM	PART NUMBER	QTY	DESCRIPTION	REV
	1001205638	Ref	PLATFORM (12.6FT/3.84M LENGTH) WITH DUAL EXTENSION INSTALLATION	H
2	0630485	18	Bolt	
3	0641507	8	Bolt 5/16 x 7/8	
4	0641508	8	Bolt 5/16 x 1	
5	3311505	16	Nut 5/16	
6	3311601	18	Nut 3/8	
7	3760257	4	Ring, Retaining	
8	4711500	32	Washer 5/16	
9	4751600	18	Washer 3/8	
10	1001149581	12	Ring, Retaining	
11	1001166729	4	Plate, Mounting	
12	1001167269	4	Roller	
13	1001210278	4	Pin	
14	1001167272	4	Roller	
15	1001167274	4	Roller	
16	1001167275	4	Pin	
17	1001167696	8	Clip	
18	1001215224	8	Bumper	
19	1001205642	2	Extension, Platform	
20	1001205643	1	Platform	
21	1001205765	2	Plate, Floor	
22	1001205896	4	Plate, Stop	

# SECTION 5 - PLATFORM

## FIGURE 5-5. PLATFORM (15.8FT/4.83M LENGTH MEGADECK) WITH DUAL EXTENSION INSTALLATION



ART\_1001205636

## SECTION 5 - PLATFORM

**FIGURE 5-5. PLATFORM (15.8FT/4.83M LENGTH MEGADECK) WITH DUAL EXTENSION INSTALLATION**

ITEM	PART NUMBER	QTY	DESCRIPTION	REV
	1001205636	Ref	PLATFORM (15.8FT/4.83M LENGTH MEGADECK) WITH DUAL EXTENSION INSTALLATION	H
2	0630485	18	Bolt	
3	0641507	8	Bolt 5/16 x 7/8	
4	0641508	8	Bolt 5/16 x 1	
5	3311505	16	Nut 5/16	
6	3311601	18	Nut 3/8	
7	3760257	4	Ring, Retaining	
8	4711500	32	Washer 5/16	
9	4751600	18	Washer 3/8	
10	1001149581	12	Ring, Retaining	
11	1001166729	4	Plate, Mounting	
12	1001167269	4	Roller	
13	1001210278	4	Pin	
14	1001167272	4	Roller	
15	1001167274	4	Roller	
16	1001167275	4	Pin	
17	1001167696	8	Clip	
18	1001215224	8	Bumper	
19	1001205642	2	Extension, Platform	
20	1001205644	1	Platform	
21	1001205765	2	Plate, Floor	
22	1001205896	4	Plate, Stop	





## SECTION 5 - PLATFORM

**FIGURE 5-6. RAIL INSTALLATION - PLATFORM WITH SINGLE EXTENSION**

ITEM	PART NUMBER	QTY	DESCRIPTION	REV
	1001206190	Ref	RAIL INSTALLATION - PLATFORM WITH SINGLE EXTENSION	F
1	0641406	1	Bolt 1/4 x 3/4	
3	0641676	1	Bolt 3/8 x 9-1/2	
4	0700619	1	Bolt M6 x 55	
5	0901870	4	Bracket	
6	1060379	6	Lanyard	
7	1060808	10	Lanyard	
8	2080040	32	Fastener	
9	2080063	36	Nut 1/4	
10	2080064	16	Nut 5/16	
11	2560088	1	Grip, Handle	
12	2560176	4	Handle	
13	2600285	4	Hinge	
14	2940074	2	Latch	
15	2940127	1	Latch	
16	3290601	1	Nut M6	
17	3300432	8	Nut #10	
18	3300467	1	Nut 3/8	
19	3311405	1	Nut 1/4	
21	3340937	2	Pad, Rail Slide	
22	3421453	2	Pin, Snap	
23	3421565	6	Pin, Snap	
24	3422219	4	Pin, Snap	
25	3520072	14	Plug	
29	3760170	16	Ring, Split	
31	3900318	20	Screw 1/4 x 2	
32	3900319	8	Screw 1/4 x 3	
33	3900323	16	Screw 5/16 x 2	
34	3911428	4	Screw 1/4 x 1-3/4	
35	3931010	8	Capscrew #10 x 5/8	
36	3931436	4	Capscrew 1/4 x 2-1/4	
37	4711400	70	Washer 1/4	
38	4711600	2	Washer 3/8	
39	4751000	8	Washer #10	
40	4751400	2	Washer 1/4	
42	4751600	1	Washer 3/8	
43	1001145292	4	Pin, Snap	
44	0641516	5	Bolt 5/16 x 2	
45	3311505	5	Nut 5/16	
46	3340612	36 in/ 90cm	Cover	
47	4751500	10	Washer 5/16	
100	1001206065	1	Rail Kit (Not Shown)	
101	2560172	1	Handle (RH)	
102	3641452	2	Rail, Door	
103	4846532	1	Rail, Extension (LH)	
104	4846537	1	Rail, Extension (RH)	
105	1001167055	1	Rail, Extension (Front)	
106	1001167058	1	Rail (Rear)	
107	1001213495	4	Rail	

## SECTION 5 - PLATFORM

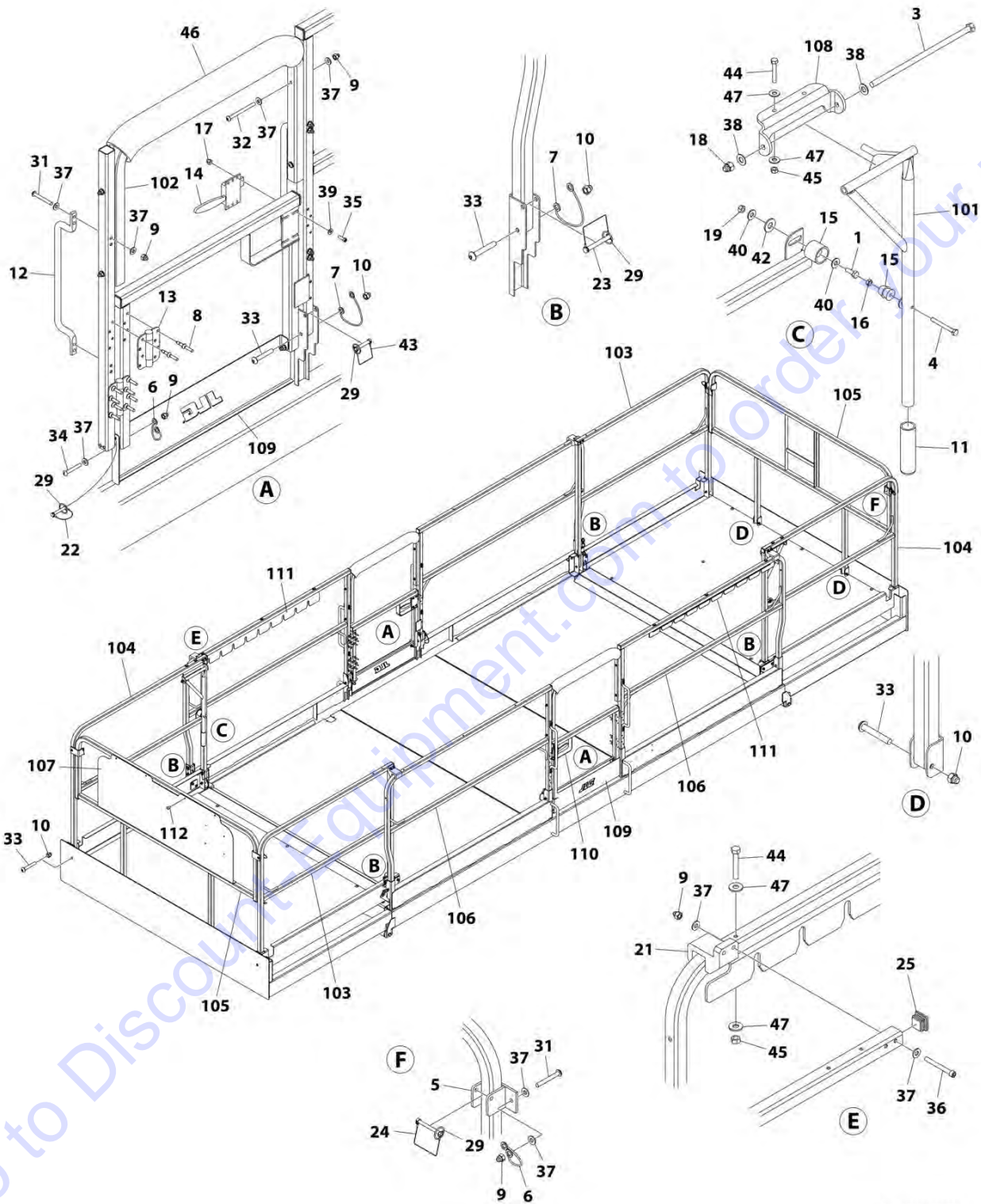
ITEM	PART NUMBER	QTY	DESCRIPTION	REV
108	3537609	1	Plate, Pivot	
109	1001206025	1	Plate, Latch	
110	3571862	1	Plate, Placard	
111	4846570	2	Gate	
112	3573472	2	Kickplate	
116	3820020	7	Rivet	

Go to Discount-Equipment.com to order your parts



# SECTION 5 - PLATFORM

## FIGURE 5-7. RAIL INSTALLATION - 12.6FT/3.84M LENGTH PLATFORM WITH DUAL EXTENSION



ART\_1001206097

## SECTION 5 - PLATFORM

**FIGURE 5-7. RAIL INSTALLATION - 12.6FT/3.84M LENGTH PLATFORM WITH DUAL EXTENSION**

ITEM	PART NUMBER	QTY	DESCRIPTION	REV
	1001206097	Ref	RAIL INSTALLATION - 12.6FT/3.84M LENGTH PLATFORM WITH DUAL EXTENSION	E
1	0641406	2	Bolt 1/4 x 3/4	
3	0641676	2	Bolt 3/8 x 9-1/2	
4	0700619	2	Bolt M6 x 55	
5	0901870	4	Bracket	
6	1060379	6	Lanyard	
7	1060808	12	Lanyard	
8	2080040	32	Fastener	
9	2080063	40	Nut 1/4	
10	2080064	20	Nut 5/16	
11	2560088	2	Grip, Handle	
12	2560176	4	Handle	
13	2600285	4	Hinge	
14	2940074	2	Latch	
15	2940127	2	Latch	
16	3290601	2	Nut M6	
17	3300432	8	Nut #10	
18	3300467	2	Nut 3/8	
19	3311405	2	Nut 1/4	
21	3340937	4	Pad, Rail Slide	
22	3421453	2	Pin, Snap	
23	3421565	8	Pin, Snap	
24	3422219	4	Pin, Snap	
25	3520072	16	Plug	
29	3760170	18	Ring, Split	
31	3900318	20	Screw 1/4 x 2	
32	3900319	8	Screw 1/4 x 3	
33	3900323	20	Screw 5/16 x 2	
34	3911428	4	Screw 1/4 x 1-3/4	
35	3931010	8	Capscrew #10 x 5/8	
36	3931436	8	Capscrew 1/4 x 2-1/4	
37	4711400	78	Washer 1/4	
38	4711600	4	Washer 3/8	
39	4751000	8	Washer #10	
40	4751400	4	Washer 1/4	
42	4751600	2	Washer 3/8	
43	1001145292	4	Pin, Snap	
44	0641516	10	Bolt 5/16 x 2	
45	3311505	10	Nut 5/16	
46	3340612	36 in/ 90cm	Cover	
47	4751500	20	Washer 5/16	
100	1001206009	1	Rail Kit (Not Shown)	
101	2560172	2	Handle (RH)	
102	3641452	2	Rail, Door	
103	4846532	2	Rail, Extension (LH)	
104	4846537	2	Rail, Extension (RH)	
105	1001167055	2	Rail, Extension (Front)	
106	1001213495	4	Rail	

## SECTION 5 - PLATFORM

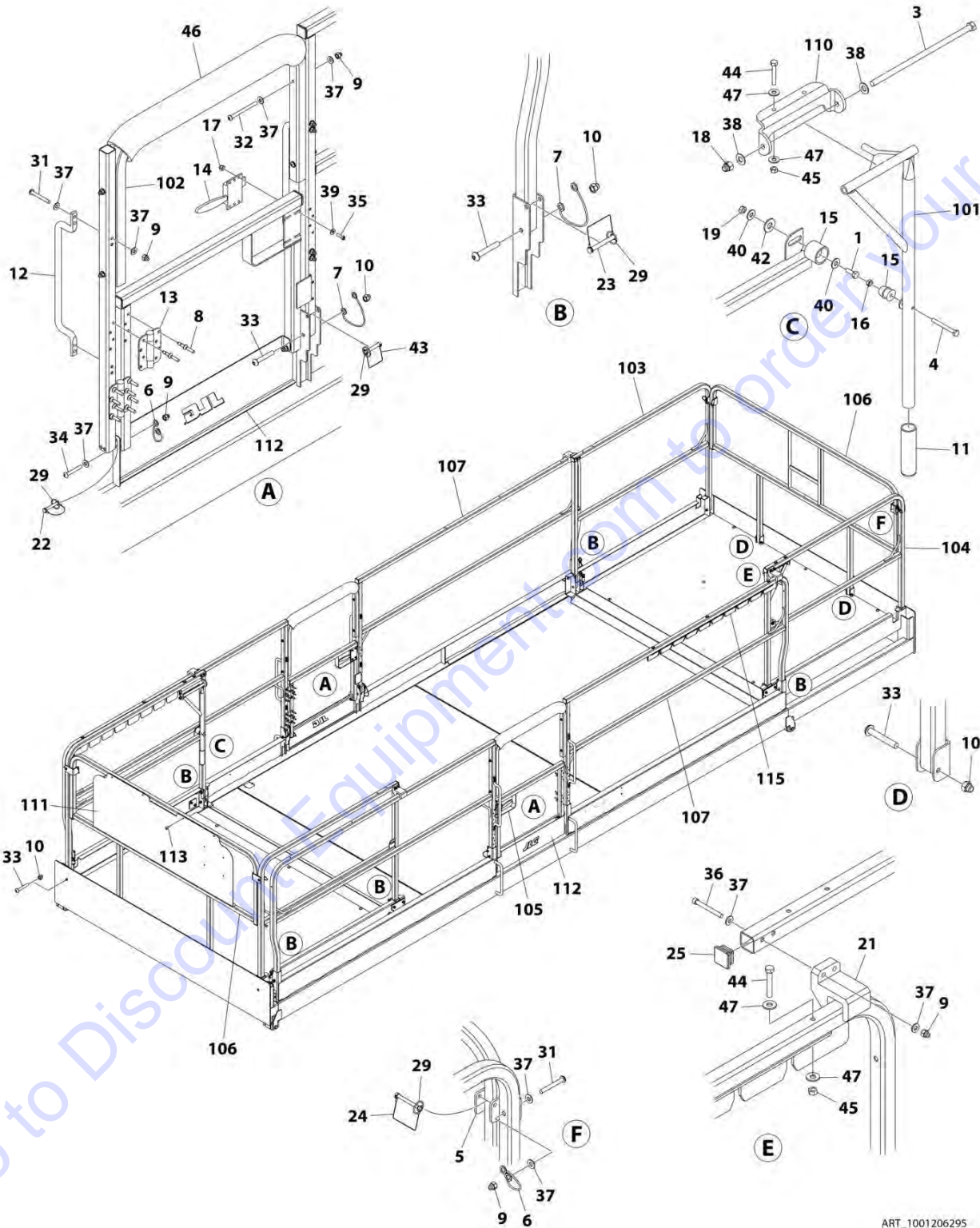
ITEM	PART NUMBER	QTY	DESCRIPTION	REV
107	3571862	1	Plate, Placard	
108	3537609	2	Plate, Pivot	
109	3573472	2	Kickplate	
110	4846570	2	Gate	
111	1001206025	2	Plate, Latch	
112	3820020	7	Rivet	

Go to Discount-Equipment.com to order your parts



# SECTION 5 - PLATFORM

## FIGURE 5-8. RAIL INSTALLATION - 15.8FT/4.83M LENGTH MEGADECK PLATFORM WITH DUAL EXTENSION



ART\_1001206295



## SECTION 5 - PLATFORM

**FIGURE 5-8. RAIL INSTALLATION - 15.8FT/4.83M LENGTH MEGADECK PLATFORM WITH DUAL EXTENSION**

ITEM	PART NUMBER	QTY	DESCRIPTION	REV
	1001206295	Ref	RAIL INSTALLATION - 15.8FT/4.83M LENGTH MEGADECK PLATFORM WITH DUAL EXTENSION	E
1	0641406	2	Bolt 1/4 x 3/4	
3	0641676	2	Bolt 3/8 x 9-1/2	
4	0700619	2	Bolt M6 x 55	
5	0901870	4	Bracket	
6	1060379	6	Lanyard	
7	1060808	12	Lanyard	
8	2080040	32	Fastener	
9	2080063	40	Nut 1/4	
10	2080064	20	Nut 5/16	
11	2560088	2	Grip, Handle	
12	2560176	4	Handle	
13	2600285	4	Hinge	
14	2940074	2	Latch	
15	2940127	2	Latch	
16	3290601	2	Nut M6	
17	3300432	8	Nut #10	
18	3300467	2	Nut 3/8	
19	3311405	2	Nut 1/4	
21	3340937	4	Pad, Rail Slide	
22	3421453	2	Pin, Snap	
23	3421565	8	Pin, Snap	
24	3422219	4	Pin, Snap	
25	3520072	16	Plug	
29	3760170	18	Ring, Split	
31	3900318	20	Screw 1/4 x 2	
32	3900319	8	Screw 1/4 x 3	
33	3900323	20	Screw 5/16 x 2	
34	3911428	4	Screw 1/4 x 1-3/4	
35	3931010	8	Capscrew #10 x 5/8	
36	3931436	8	Capscrew 1/4 x 2-1/4	
37	4711400	78	Washer 1/4	
38	4711600	4	Washer 3/8	
39	4751000	8	Washer #10	
40	4751400	4	Washer 1/4	
42	4751600	2	Washer 3/8	
43	1001145292	4	Pin, Snap	
44	0641516	10	Bolt 5/16 x 2	
45	3311505	10	Nut 5/16	
46	3340612	36 in/ 90cm	Cover	
47	4751500	20	Washer 5/16	
100	1001206294	1	Rail Kit (Not Shown)	
101	2560172	2	Handle (RH)	
102	3641452	2	Rail, Door	
103	4846532	2	Rail, Extension (LH)	
104	4846537	2	Rail, Extension (RH)	
105	4846570	2	Gate	

## SECTION 5 - PLATFORM

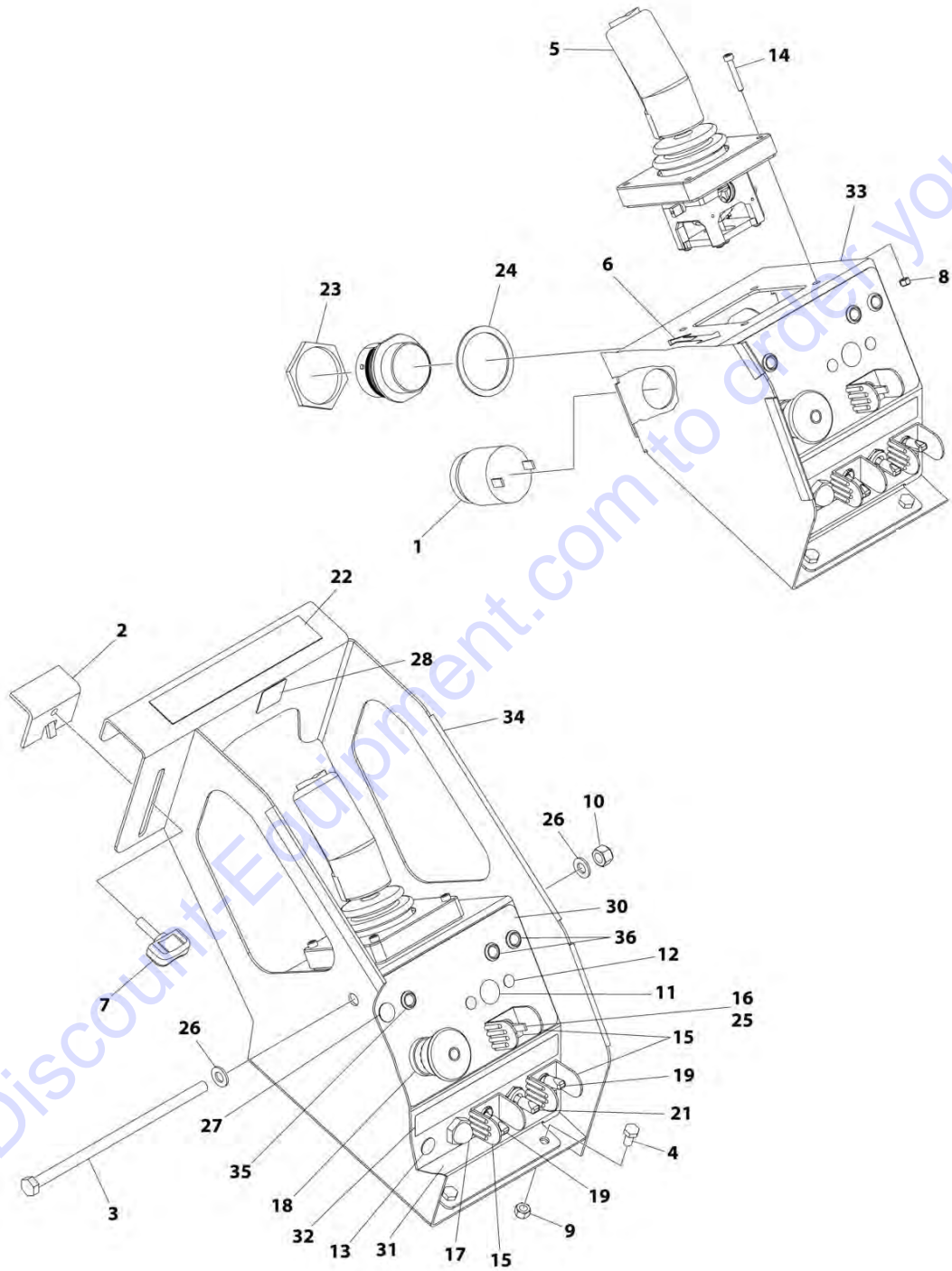
ITEM	PART NUMBER	QTY	DESCRIPTION	REV
106	1001167055	2	Rail, Extension (Front)	
107	1001213718	4	Rail	
110	3537609	2	Plate, Pivot	
111	3571862	1	Plate, Placard	
112	3573472	2	Kickplate	
113	3820020	7	Rivet	
115	1001206025	2	Plate, Latch	

Go to Discount-Equipment.com to order your parts



# SECTION 5 - PLATFORM

FIGURE 5-9. PLATFORM CONSOLE BOX INSTALLATION - DIESEL MACHINES (Prior to SN 0200267917)



ART\_1001210553

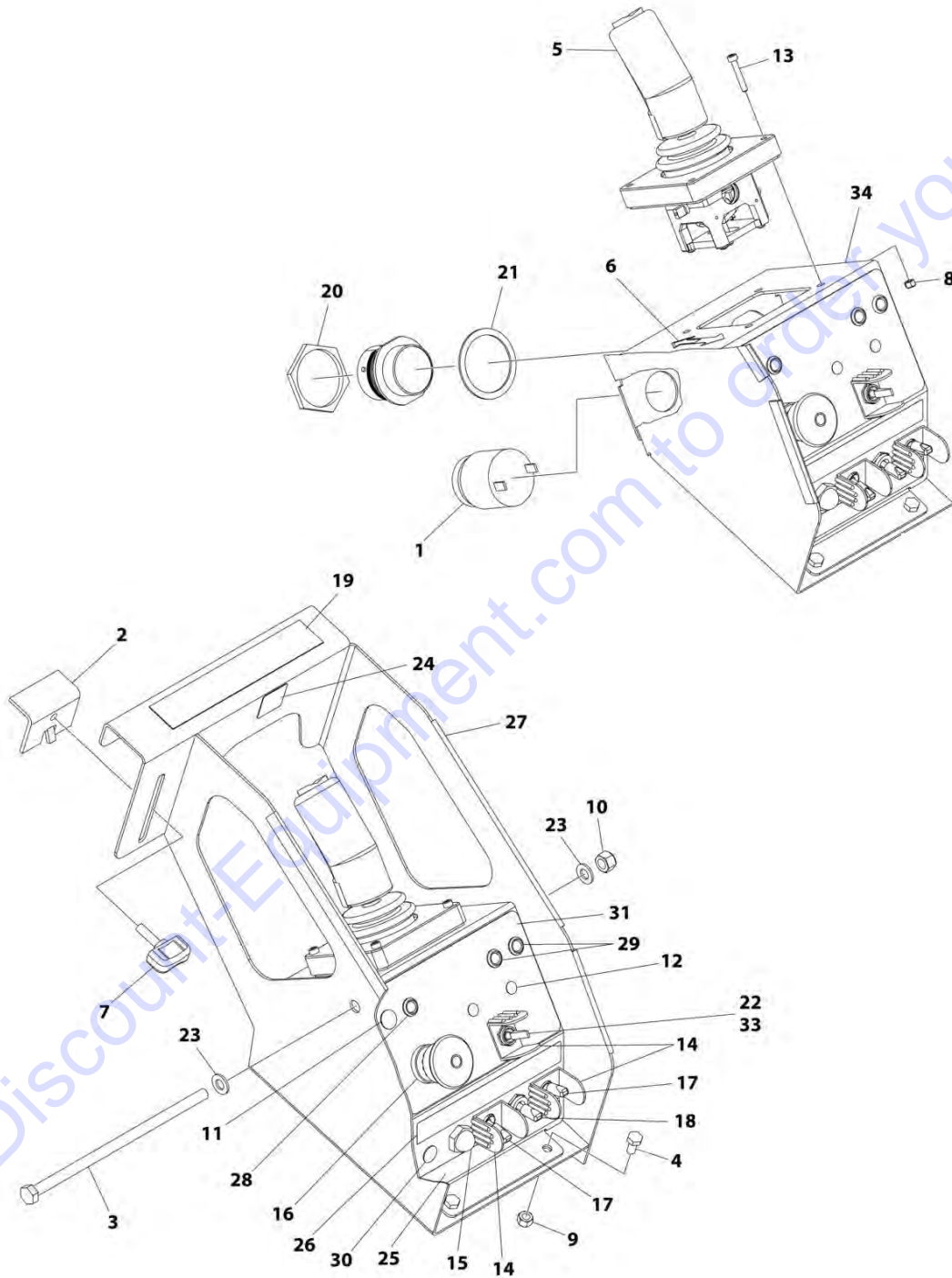
## SECTION 5 - PLATFORM

**FIGURE 5-9. PLATFORM CONSOLE BOX INSTALLATION - DIESEL MACHINES (Prior to SN 0200267917)**

ITEM	PART NUMBER	QTY	DESCRIPTION	REV
	1001210553	Ref	PLATFORM CONSOLE BOX INSTALLATION - DIESEL MACHINES	B
	1001210555	Ref	PLATFORM CONSOLE BOX ASSEMBLY - DIESEL MACHINES	E
1	0140030	1	Alarm	
2	0181847	1	Angle, Clamp	
3	0700835	1	Bolt M8 x 180	
4	0760606	AR	Bolt M6 x 12	
5	1600402	1	Drive/Steer Controller Assembly (See Separate Breakdown in this Section)	
6	1703819	1	Decal - Direction Arrow	
7	2560141	1	Thumbscrew	
8	3290405	4	Nut M4	
9	3290605	AR	Nut M6	
10	3290805	1	Nut M8	
11	3520026	1	Plug	
12	3520034	2	Plug	
13	3520193	1	Plug (Prior to SN 0200226714)	
13	1001226421	1	Plug (SN 0200226714 through 0200267916)	
14	4031509	4	Capscrew M4 x 25	
15	4060802	3	Guard, Switch	
16	4360345	1	Switch, Toggle	
17	4360387	1	Switch, Push Button	
18	4360475	1	Switch, Emergency Stop	
18	7020175	1	Cap	
18	7020176	1	Block, Contact	
19	4360483	2	Switch, Toggle	
21	4360525	1	Switch, Toggle	
22	4420076	3	Tape	
23	4460470	1	Nut, Terminal	
24	4460471	1	Washer, Terminal	
25	4711700	2	Washer 7/16	
26	4811900	2	Washer M8	
27	1001100208	1	Plug (Prior to SN 0200226714)	
27	3520028	1	Plug (SN 0200226714 through 0200267916)	
28	1001132358	1	Decal - Steer	
29	1001176787	1	Platform Box Harness (Not Shown - See Separate Breakdown in ELECTRICAL SECTION)	
30	1001178957	1	Decal - Platform Function	
31	1001181622	1	Decal - Platform Diesel	
32	1001181623	1	Decal - Platform Diesel	
33	1001219371	1	Plate	
34	1001190270	1	Bracket	
35	1001190472	1	Lamp, LED with Harness	
36	1001190473	2	Lamp, LED with Harness	

# SECTION 5 - PLATFORM

FIGURE 5-10. PLATFORM CONSOLE BOX INSTALLATION - DIESEL MACHINES (WITHOUT LEVELING JACKS) (SN 0200267917 to Present)



ART\_1001236266

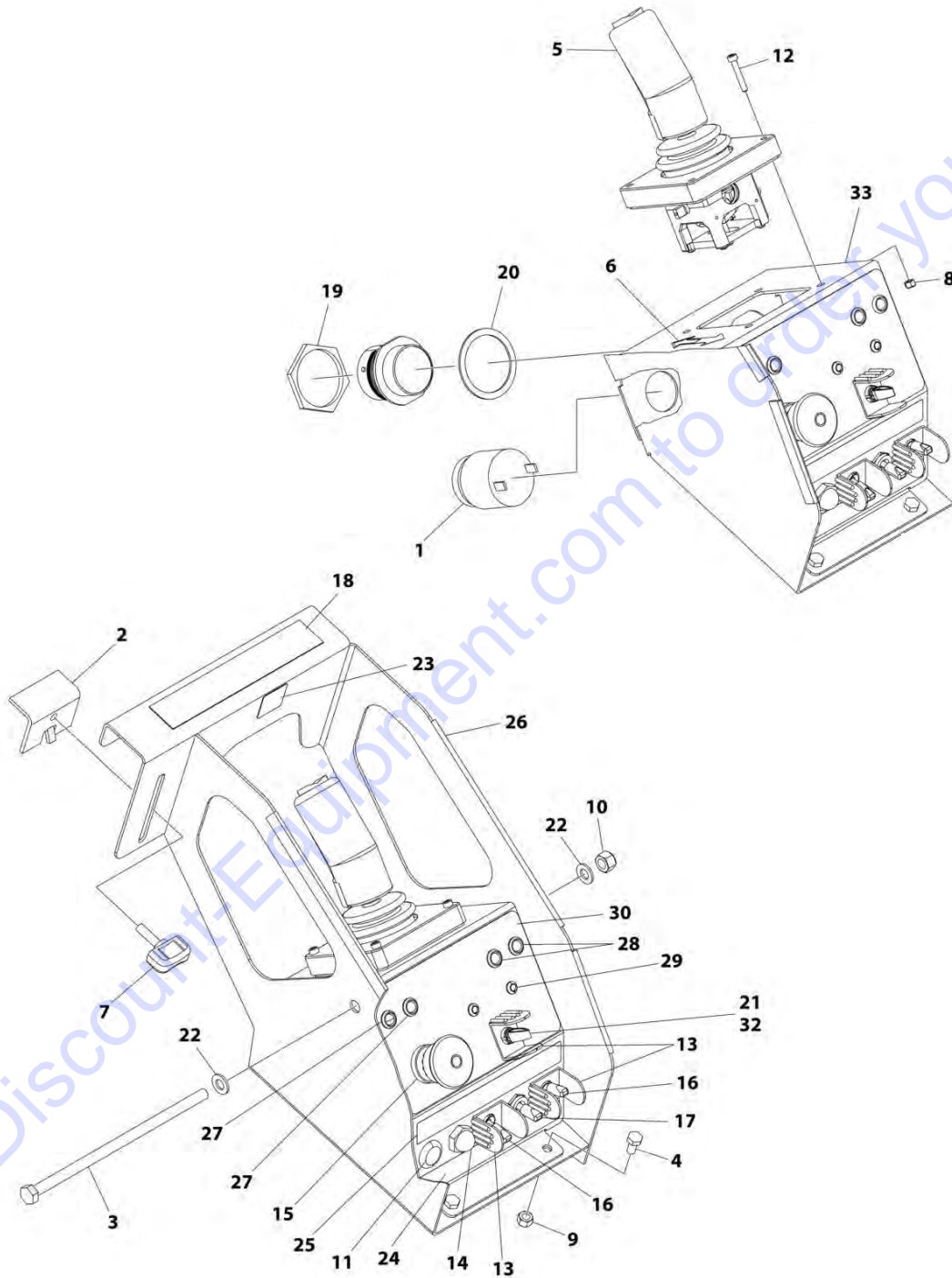
## SECTION 5 - PLATFORM

**FIGURE 5-10. PLATFORM CONSOLE BOX INSTALLATION - DIESEL MACHINES (WITHOUT LEVELING JACKS) (SN 0200267917 to Present)**

ITEM	PART NUMBER	QTY	DESCRIPTION	REV
	1001236266	Ref	PLATFORM CONSOLE BOX INSTALLATION - DIESEL MACHINES	C
1	0140030	1	Alarm	
2	0181847	1	Angle, Clamp	
3	0700835	1	Bolt M8 x 180	
4	0760606	3	Bolt M6 x 12	
5	1600402	1	Drive/Steer Controller Assembly (See Separate Breakdown in this Section)	
6	1703819	1	Decal - Direction Arrow	
7	2560141	1	Thumbscrew	
8	3290405	4	Nut M4	
9	3290605	3	Nut M6	
10	3290805	1	Nut M8	
11	3520028	1	Plug	
12	3520034	2	Plug	
13	4031509	4	Capscrew M4 x 25	
14	4060802	3	Guard, Switch	
15	4360387	1	Switch, Push Button	
16	4360475	1	Switch, Emergency Stop	
16	7020175	1	Cap	
16	7020176	1	Block, Contact	
17	4360483	2	Switch, Toggle	
18	4360525	1	Switch, Toggle	
19	4420076	3	Tape	
20	4460470	1	Nut, Terminal	
21	4460471	1	Washer, Terminal	
22	4711700	2	Washer 7/16	
23	4811900	2	Washer M8	
24	1001132358	1	Decal - Steer	
25	1001181622	1	Decal - Platform Diesel	
26	1001181623	1	Decal - Platform Diesel	
27	1001190270	1	Bracket	
28	1001190472	1	Lamp, LED with Harness	
29	1001190473	2	Lamp, LED with Harness	
30	1001226421	1	Plug	
31	1001237754	1	Decal - Platform Function	
32	1001236230	1	Platform Box Harness (Not Shown - See Separate Breakdown in ELECTRICAL SECTION)	
33	4360345	1	Switch, Toggle	
34	1001235922	1	Plate	

# SECTION 5 - PLATFORM

FIGURE 5-11. PLATFORM CONSOLE BOX INSTALLATION - DIESEL MACHINES (WITH LEVELING JACKS) (SN 0200267917 to Present)



ART\_1001241363



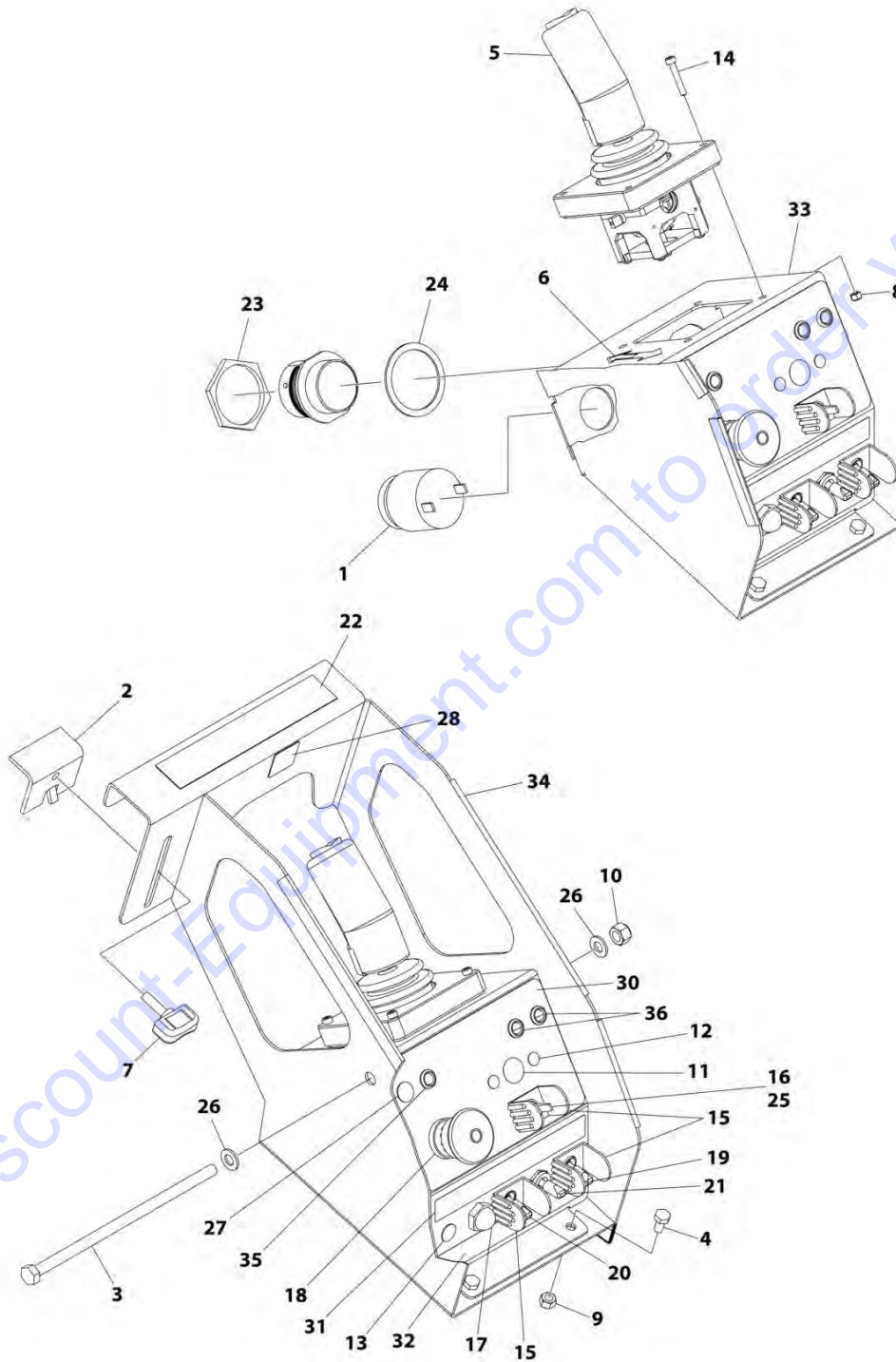
## SECTION 5 - PLATFORM

**FIGURE 5-11. PLATFORM CONSOLE BOX INSTALLATION - DIESEL MACHINES (WITH LEVELING JACKS) (SN 0200267917 to Present)**

ITEM	PART NUMBER	QTY	DESCRIPTION	REV
	1001241363	Ref	PLATFORM CONSOLE BOX INSTALLATION - DIESEL MACHINES	B
1	0140030	1	Alarm	
2	0181847	1	Angle, Clamp	
3	0700835	1	Bolt M8 x 180	
4	0760606	3	Bolt M6 x 12	
5	1600402	1	Drive/Steer Controller Assembly (See Separate Breakdown in this Section)	
6	1703819	1	Decal - Direction Arrow	
7	2560141	1	Thumbscrew	
8	3290405	4	Nut M4	
9	3290605	3	Nut M6	
10	3290805	1	Nut M8	
11	3520193	1	Plug (SN 0200267917 through 0200268280)	
11	1001226421	1	Plug (SN 0200268281 to Present)	
12	4031509	4	Capscrew M4 x 25	
13	4060802	3	Guard, Switch	
14	4360387	1	Switch, Push Button	
15	4360475	1	Switch, Emergency Stop	
15	7020175	1	Cap	
15	7020176	1	Block, Contact	
16	4360483	2	Switch, Toggle	
17	4360525	1	Switch, Toggle	
18	4420076	3	Tape	
19	4460470	1	Nut, Terminal	
20	4460471	1	Washer, Terminal	
21	4711700	2	Washer 7/16	
22	4811900	2	Washer M8	
23	1001132358	1	Decal - Steer	
24	1001181622	1	Decal - Platform Diesel	
25	1001181623	1	Decal - Platform Diesel	
26	1001190270	1	Bracket	
27	1001190472	2	Lamp, LED with Harness	
28	1001190473	2	Lamp, LED with Harness	
29	1001190474	2	Lamp, LED with Harness	
30	1001236199	1	Decal - Platform Function	
31	1001236230	1	Platform Box Harness (Not Shown - See Separate Breakdown in ELECTRICAL SECTION)	
32	1001236560	1	Switch, Toggle	
33	1001235922	1	Plate	

# SECTION 5 - PLATFORM

FIGURE 5-12. PLATFORM CONSOLE BOX INSTALLATION - GASOLINE MACHINES (Prior to SN 0200267917)



ART\_1001210554

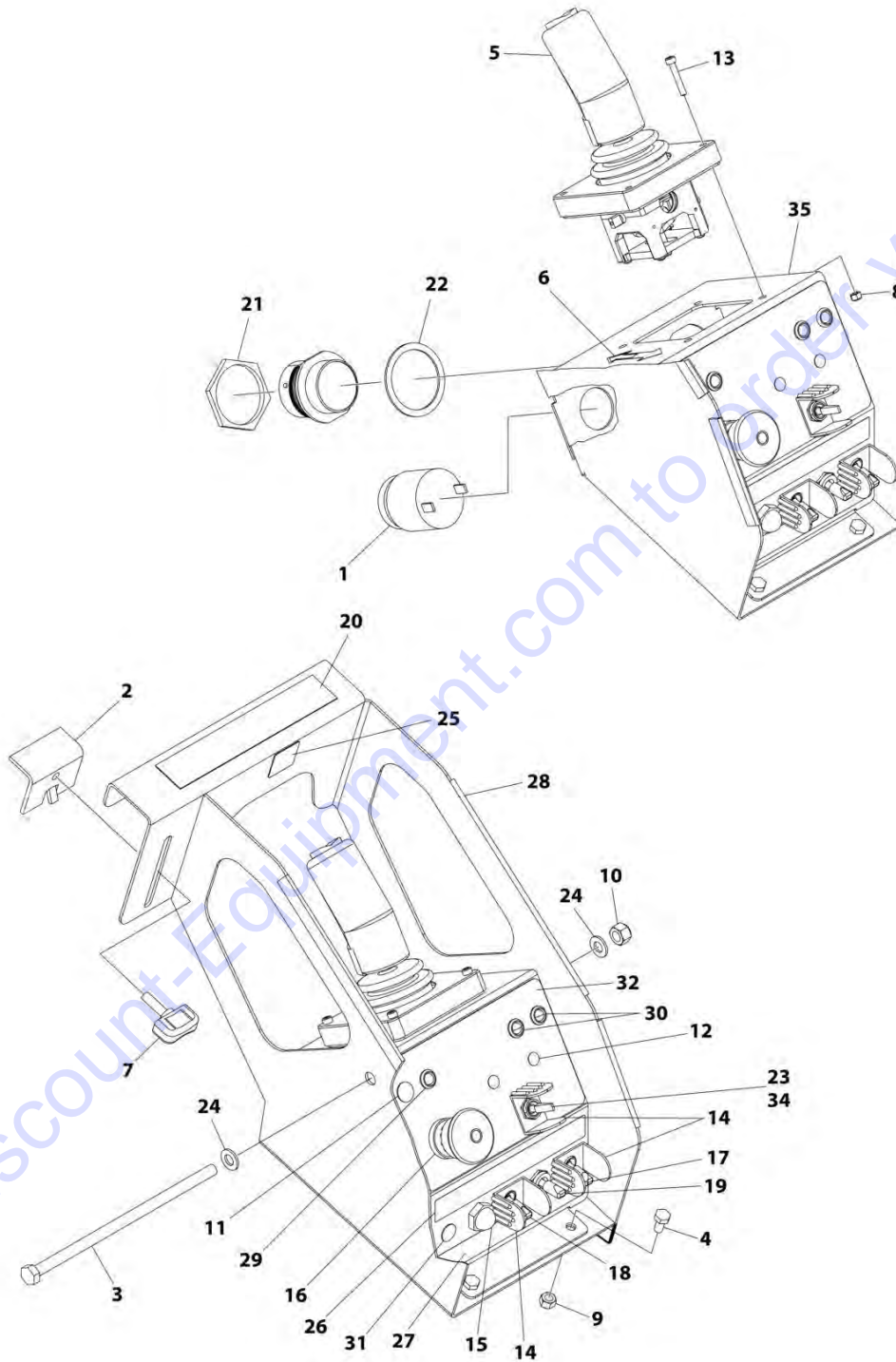
## SECTION 5 - PLATFORM

**FIGURE 5-12. PLATFORM CONSOLE BOX INSTALLATION - GASOLINE MACHINES (Prior to SN 0200267917)**

ITEM	PART NUMBER	QTY	DESCRIPTION	REV
	1001210554	Ref	PLATFORM CONSOLE BOX INSTALLATION - GASOLINE MACHINES	B
	1001210556	Ref	PLATFORM CONSOLE BOX ASSEMBLY - GASOLINE MACHINES	E
1	0140030	1	Alarm	
2	0181847	1	Angle, Clamp	
3	0700835	1	Bolt M8 x 180	
4	0760606	AR	Bolt M6 x 12	
5	1600402	1	Drive/Steer Controller Assembly (See Separate Breakdown in this Section)	
6	1703819	1	Decal - Direction Arrow	
7	2560141	1	Thumbscrew	
8	3290405	4	Nut M4	
9	3290605	AR	Nut M6	
10	3290805	1	Nut M8	
11	3520026	1	Plug	
12	3520034	2	Plug	
13	3520193	1	Plug (Prior to SN 0200226714)	
13	1001226421	1	Plug (SN 0200226714 through 0200267916)	
14	4031509	4	Capscrew M4 x 25	
15	4060802	3	Guard, Switch	
16	4360345	1	Switch, Toggle	
17	4360387	1	Switch, Push Button	
18	4360475	1	Switch, Emergency Stop	
18	7020175	1	Cap	
18	7020176	1	Block, Contact	
19	4360482	1	Switch, Toggle	
20	4360483	1	Switch, Toggle	
21	4360525	1	Switch, Toggle	
22	4420076	3	Tape	
23	4460470	1	Nut, Terminal	
24	4460471	1	Washer, Terminal	
25	4711700	2	Washer 7/16	
26	4811900	2	Washer M8	
27	1001100208	1	Plug (Prior to SN 0200226714)	
27	3520028	1	Plug (SN 0200226714 through 0200267916)	
28	1001132358	1	Decal - Steer	
29	1001176787	1	Platform Box Harness (Not Shown - See Separate Breakdown in ELECTRICAL SECTION)	
30	1001178957	1	Decal - Platform Function	
31	1001181626	1	Decal - Platform Dual Fuel	
32	1001181627	1	Decal - Platform Dual Fuel	
33	1001219371	1	Plate	
34	1001190270	1	Bracket	
35	1001190472	1	Lamp, LED with Harness	
36	1001190473	2	Lamp, LED with Harness	

# SECTION 5 - PLATFORM

FIGURE 5-13. PLATFORM CONSOLE BOX INSTALLATION - GASOLINE MACHINES (WITHOUT LEVELING JACKS) (SN 0200267917 to Present)



ART\_1001236267

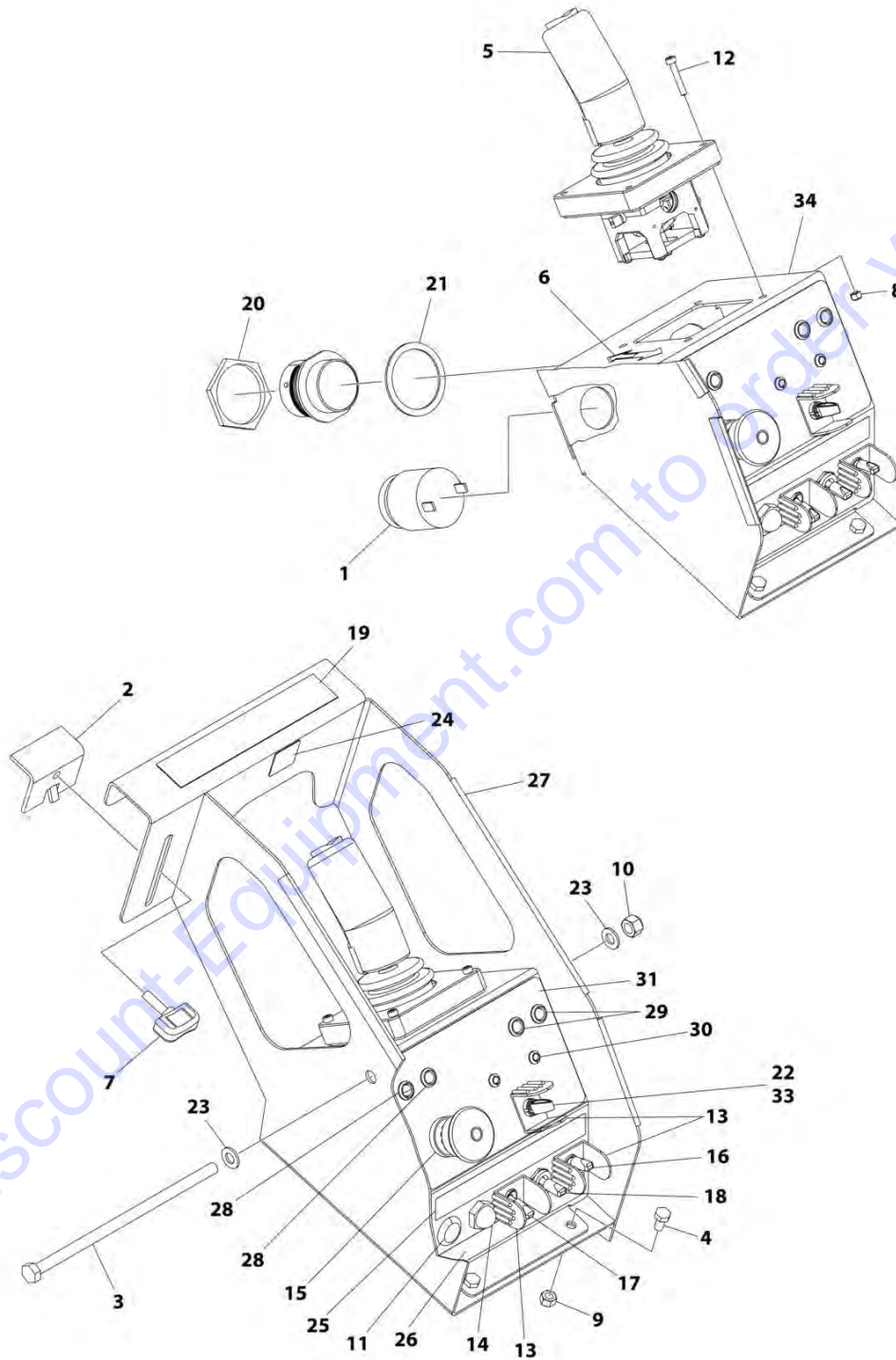
## SECTION 5 - PLATFORM

**FIGURE 5-13. PLATFORM CONSOLE BOX INSTALLATION - GASOLINE MACHINES (WITHOUT LEVELING JACKS) (SN 0200267917 to Present)**

ITEM	PART NUMBER	QTY	DESCRIPTION	REV
	1001236267	Ref	PLATFORM CONSOLE BOX INSTALLATION - GASOLINE MACHINES	B
1	0140030	1	Alarm	
2	0181847	1	Angle, Clamp	
3	0700835	1	Bolt M8 x 180	
4	0760606	3	Bolt M6 x 12	
5	1600402	1	Drive/Steer Controller Assembly (See Separate Breakdown in this Section)	
6	1703819	1	Decal - Direction Arrow	
7	2560141	1	Thumbscrew	
8	3290405	4	Nut M4	
9	3290605	3	Nut M6	
10	3290805	1	Nut M8	
11	3520028	1	Plug	
12	3520034	2	Plug	
13	4031509	4	Capscrew M4 x 25	
14	4060802	3	Guard, Switch	
15	4360387	1	Switch, Push Button	
16	4360475	1	Switch, Emergency Stop	
16	7020175	1	Cap	
16	7020176	1	Block, Contact	
17	4360482	1	Switch, Toggle	
18	4360483	1	Switch, Toggle	
19	4360525	1	Switch, Toggle	
20	4420076	3	Tape	
21	4460470	1	Nut, Terminal	
22	4460471	1	Washer, Terminal	
23	4711700	2	Washer 7/16	
24	4811900	2	Washer M8	
25	1001132358	1	Decal - Steer	
26	1001181626	1	Decal - Platform Dual Fuel	
27	1001181627	1	Decal - Platform Dual Fuel	
28	1001190270	1	Bracket	
29	1001190472	1	Lamp, LED with Harness	
30	1001190473	2	Lamp, LED with Harness	
31	1001226421	1	Plug	
32	1001237754	1	Decal - Platform Function	
33	1001236230	1	Platform Box Harness (Not Shown - See Separate Breakdown in ELECTRICAL SECTION)	
34	4360345	1	Switch, Toggle	
35	1001235922	1	Plate	

# SECTION 5 - PLATFORM

FIGURE 5-14. PLATFORM CONSOLE BOX INSTALLATION - GASOLINE MACHINES (WITH LEVELING JACKS) (SN 0200267917 to Present)



ART\_1001241364

# PARTS FINDER

**Search Website  
by Part Number**



**Search Manual  
Library For Parts  
Manual & Lookup Part  
Numbers – Purchase  
or Request Quote**

**Can't Find Part or  
Manual? Request Help  
by Manufacturer,  
Model & Description**

Discount-Equipment.com is your online resource for quality parts & equipment.

Florida: **561-964-4949** Outside Florida TOLL FREE: **877-690-3101**

**Need parts?**

Click on this link: <http://www.discount-equipment.com/category/5443-parts/> and choose one of the options to help get the right parts and equipment you are looking for. Please have the machine model and serial number available in order to help us get you the correct parts. If you don't find the part on the website or on one of the online manuals, please fill out the request form and one of our experienced staff members will get back to you with a quote for the right part that your machine needs.

We sell worldwide for the brands: Genie, Terex, JLG, MultiQuip, Mikasa, Essick, Whiteman, Mayco, Toro Stone, Diamond Products, Generac Magnum, Airman, Haulotte, Barreto, Power Blanket, Nifty Lift, Atlas Copco, Chicago Pneumatic, Allmand, Miller Curber, Skyjack, Lull, Skytrak, Tsurumi, Husquvarna Target, Stow, Wacker, Sakai, Mi-T-M, Sullair, Basic, Dynapac, MBW, Weber, Bartell, Bennar Newman, Haulotte, Ditch Runner, Menegotti, Morrison, Contec, Buddy, Crown, Edco, Wyco, Bomag, Laymor, EZ Trench, Bil-Jax, F.S. Curtis, Gehl Pavers, Heli, Honda, ICS/PowerGrit, IHI, Partner, Imer, Clipper, MMD, Koshin, Rice, CH&E, General Equipment, Amida, Coleman, NAC, Gradall, Square Shooter, Kent, Stanley, Tamco, Toku, Hatz, Kohler, Robin, Wisconsin, Northrock, Oztec, Toker TK, Rol-Air, APT, Wylie, Ingersoll Rand / Doosan, Innovatech, Con X, Ammann, Mecalac, Makinex, Smith Surface Prep, Small Line, Wanco, Yanmar

## SECTION 5 - PLATFORM

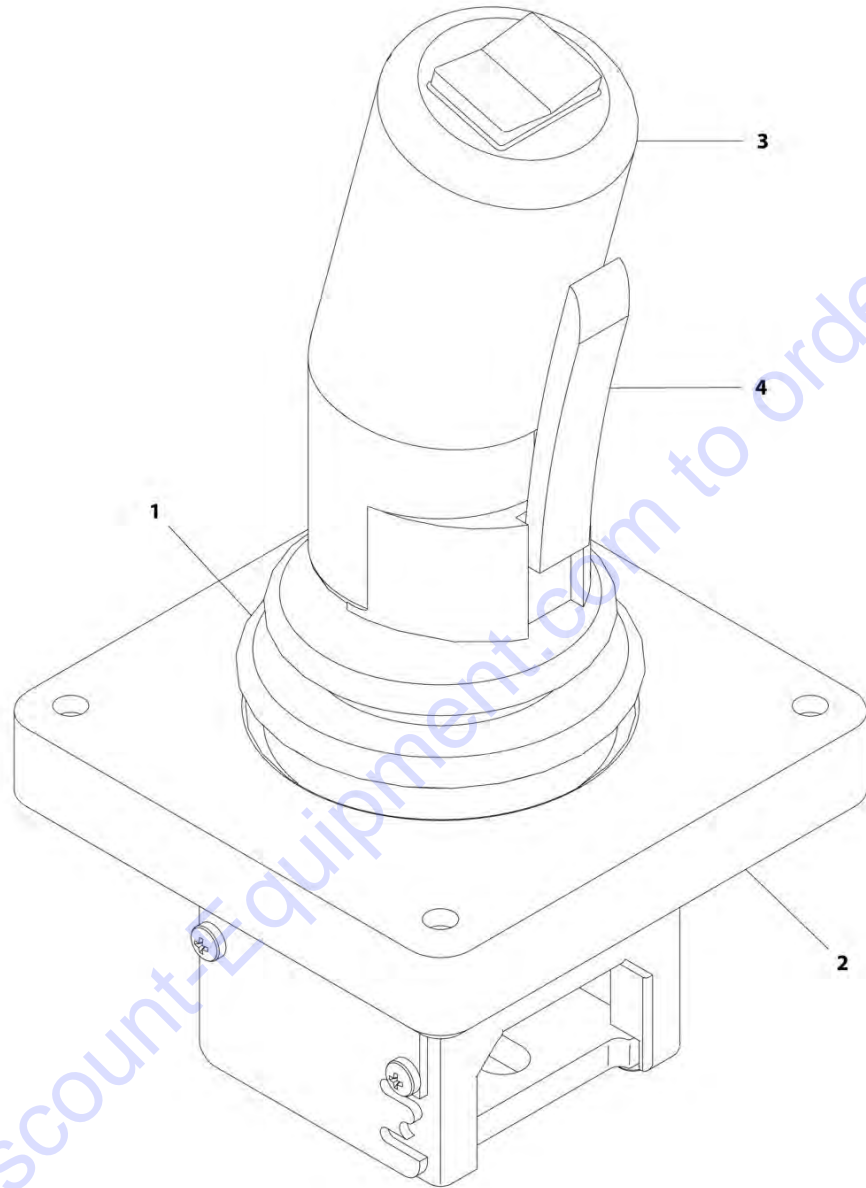
**FIGURE 5-14. PLATFORM CONSOLE BOX INSTALLATION - GASOLINE MACHINES (WITH LEVELING JACKS) (SN 0200267917 to Present)**

ITEM	PART NUMBER	QTY	DESCRIPTION	REV
	1001241364	Ref	PLATFORM CONSOLE BOX INSTALLATION - GASOLINE MACHINES	B
1	0140030	1	Alarm	
2	0181847	1	Angle, Clamp	
3	0700835	1	Bolt M8 x 180	
4	0760606	3	Bolt M6 x 12	
5	1600402	1	Drive/Steer Controller Assembly (See Separate Breakdown in this Section)	
6	1703819	1	Decal - Direction Arrow	
7	2560141	1	Thumbscrew	
8	3290405	4	Nut M4	
9	3290605	3	Nut M6	
10	3290805	1	Nut M8	
11	3520193	1	Plug (SN 0200267917 through 0200268280)	
11	1001226421	1	Plug (SN 0200268281 to Present)	
12	4031509	4	Capscrew M4 x 25	
13	4060802	3	Guard, Switch	
14	4360387	1	Switch, Push Button	
15	4360475	1	Switch, Emergency Stop	
15	7020175	1	Cap	
15	7020176	1	Block, Contact	
16	4360482	1	Switch, Toggle	
17	4360483	1	Switch, Toggle	
18	4360525	1	Switch, Toggle	
19	4420076	3	Tape	
20	4460470	1	Nut, Terminal	
21	4460471	1	Washer, Terminal	
22	4711700	2	Washer 7/16	
23	4811900	2	Washer M8	
24	1001132358	1	Decal - Steer	
25	1001181626	1	Decal - Platform Dual Fuel	
26	1001181627	1	Decal - Platform Dual Fuel	
27	1001190270	1	Bracket	
28	1001190472	2	Lamp, LED with Harness	
29	1001190473	2	Lamp, LED with Harness	
30	1001190474	2	Lamp, LED with Harness	
31	1001236199	1	Decal - Platform Function	
32	1001236230	1	Platform Box Harness (Not Shown - See Separate Breakdown in ELECTRICAL SECTION)	
33	1001236560	1	Switch, Toggle	
34	1001235922	1	Plate	



# SECTION 5 - PLATFORM

## FIGURE 5-15. DRIVE/STEER CONTROLLER ASSEMBLY



Go to Discount-Equipment.com to order your parts

ART\_1600402

## SECTION 5 - PLATFORM

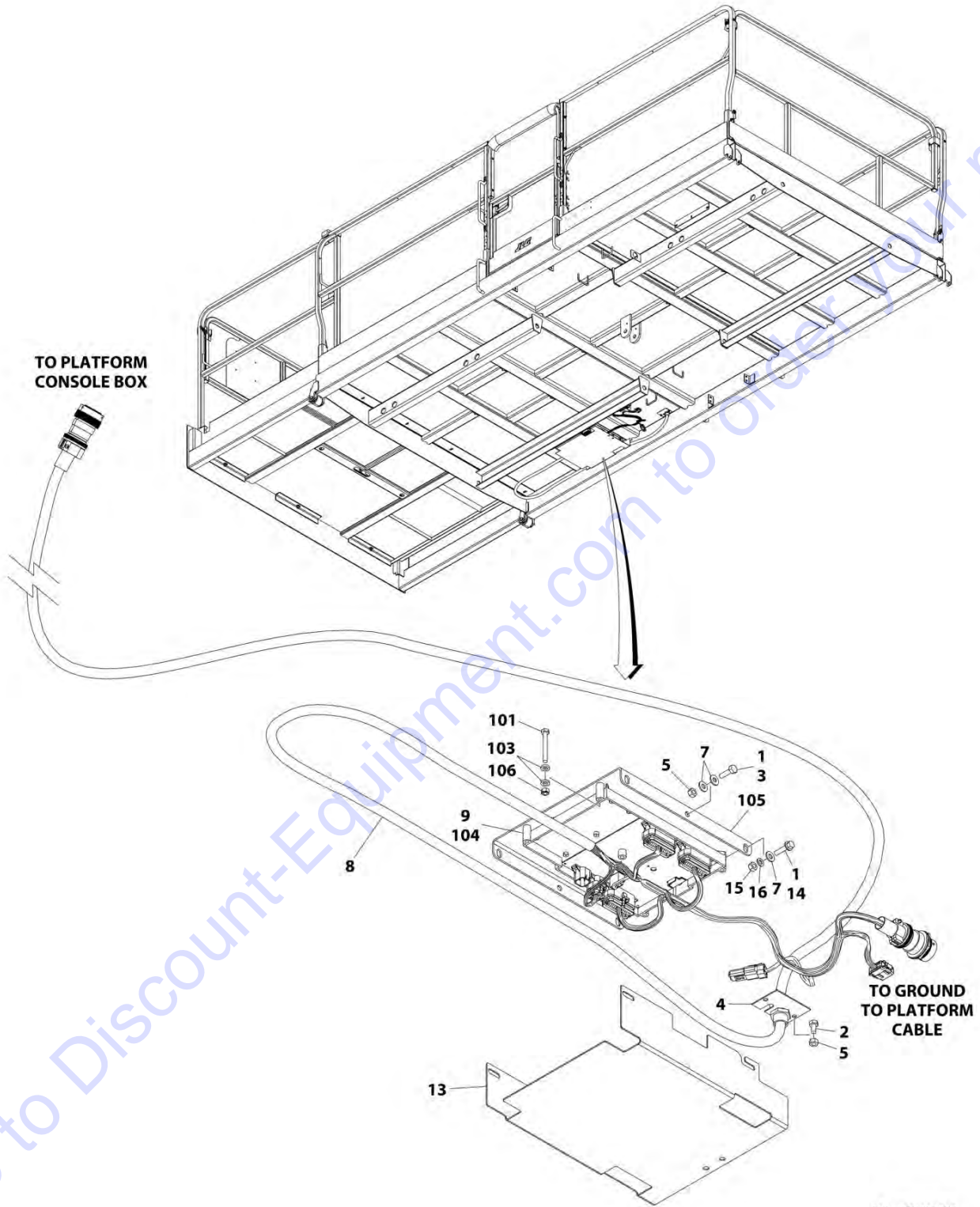
**FIGURE 5-15. DRIVE/STEER CONTROLLER ASSEMBLY**

ITEM	PART NUMBER	QTY	DESCRIPTION	REV
	1600402	Ref	DRIVE/STEER CONTROLLER ASSEMBLY	A
1	70001250	1	Boot, Panel	
2	70001252	1	Gasket, Mounting	
2	70001251	1	Bezel, Mounting	
3	70003650	1	Handle Repair Kit (Includes handle gasket, item#4 push button and item #4 lever installed in front handle half, back handle half, top actuator, boot and hardware.)	
3	70000084	1	Cap, Rubber	
3	70000082	1	Microswitch	
3	7027766	1	Ring, Retaining	
3	7027365	1	Actuator, Handle	
3	70001253	1	Gasket, Handle	
3	70000683	4	Washer, Neoprene	
3	70000685	2	Spacer, Plastic	
3	70000686	2	Screw (Top)	
3	70000684	2	Screw (Bottom)	
4	7027367	1	Switch, Push Button	
4	7027765	1	Lever, Enable	

Go to Discount-Equipment.com to order your parts

# SECTION 5 - PLATFORM

## FIGURE 5-16. PLATFORM MODULE INSTALLATION (NON-LSS)



ART\_1001206787

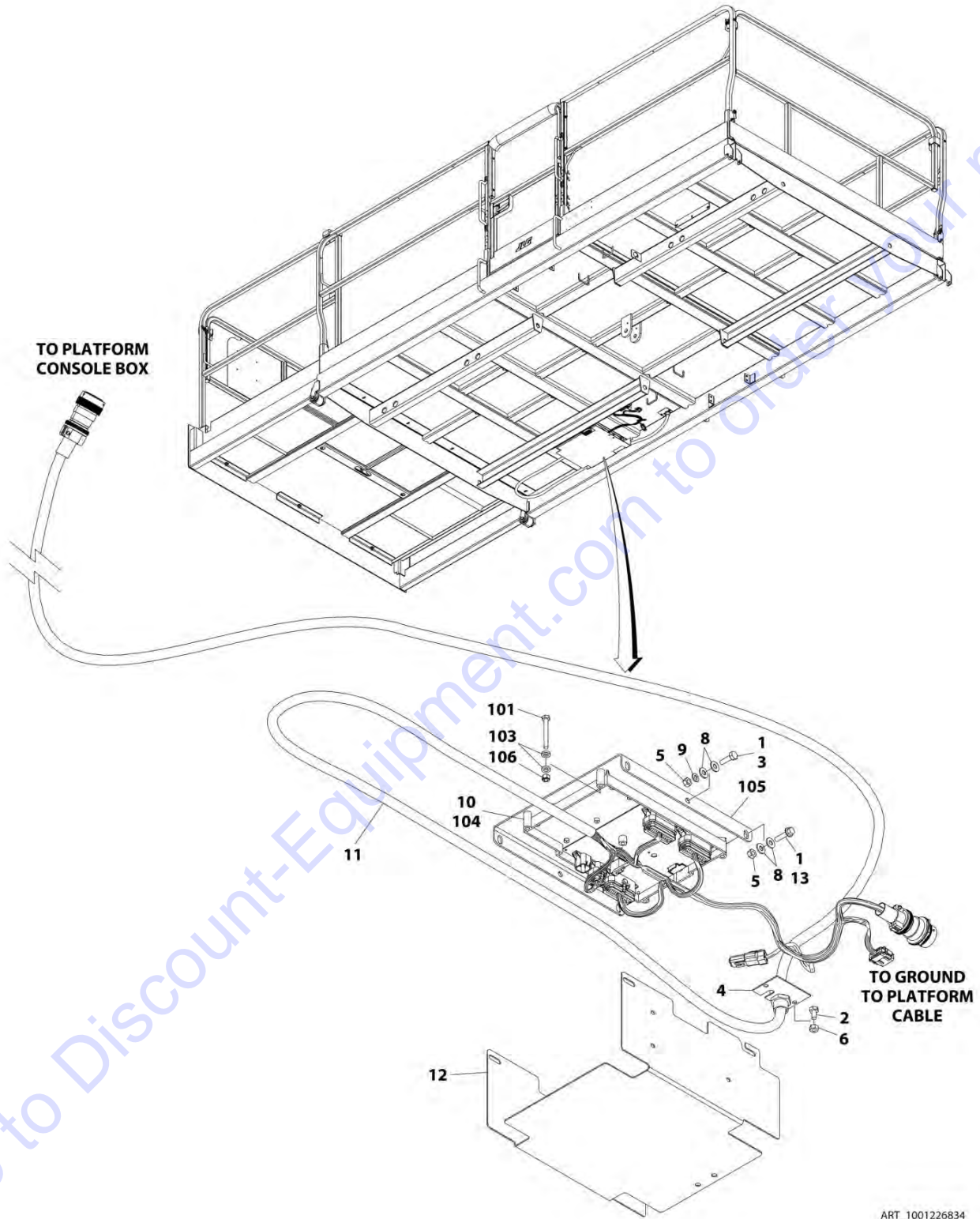
## SECTION 5 - PLATFORM

**FIGURE 5-16. PLATFORM MODULE INSTALLATION (NON-LSS)**

ITEM	PART NUMBER	QTY	DESCRIPTION	REV
	1001206787	Ref	PLATFORM MODULE INSTALLATION (NON-LSS)	E
1	0100011	AR	Compound, Locking	
2	0641404	2	Bolt 1/4 x 1/2	
3	0641407	2	Bolt 1/4 x 7/8	
4	1670988	1	Cover	
5	3311405	2	Nut 1/4 <b>(Prior to SN 0200266880)</b>	
5	3311405	4	Nut 1/4 <b>(SN 0200266880 to Present)</b>	
6	4240033	AR	Tie-Strap (Not Shown)	
7	4711400	8	Washer 1/4	
8	1001215138	1	Platform Module Harness (See Separate Breakdown in ELECTRICAL SECTION) <b>(Prior to SN 0200267917)</b>	
8	1001236163	1	Platform Module Harness (See Separate Breakdown in ELECTRICAL SECTION) <b>(SN 0200267917 to Present)</b>	
9	1001206832	1	Control Module Assembly (See Items 101-106 for Breakdown)	
13	1001215510	1	Cover	
14	0791408	4	Screw 1/4 x 1	
15	3311401	6	Nut 1/4 <b>(Prior to SN 0200266880)</b>	
15	3311401	4	Nut 1/4 <b>(SN 0200266880 to Present)</b>	
16	4761400	6	Washer 1/4 <b>(Prior to SN 0200266880)</b>	
16	4761400	4	Washer 1/4 <b>(SN 0200266880 to Present)</b>	
	1001206832	Ref	CONTROL MODULE ASSEMBLY	C
101	0760618	4	Bolt M6 x 50	
103	5240600	8	Washer M6	
104	1001181223	1	Module, Control - Platform (Note: Re-calibration Required when Replaced) <b>(Prior to SN 0200267917)</b>	
104	1001235098	1	Module, Control - Platform (Note: Re-calibration Required when Replaced) <b>(SN 0200267917 to Present)</b>	
105	1001194115	1	Bracket	
106	3290605	4	Nut M6	

# SECTION 5 - PLATFORM

## FIGURE 5-17. PLATFORM MODULE INSTALLATION (LSS)



ART\_1001226834

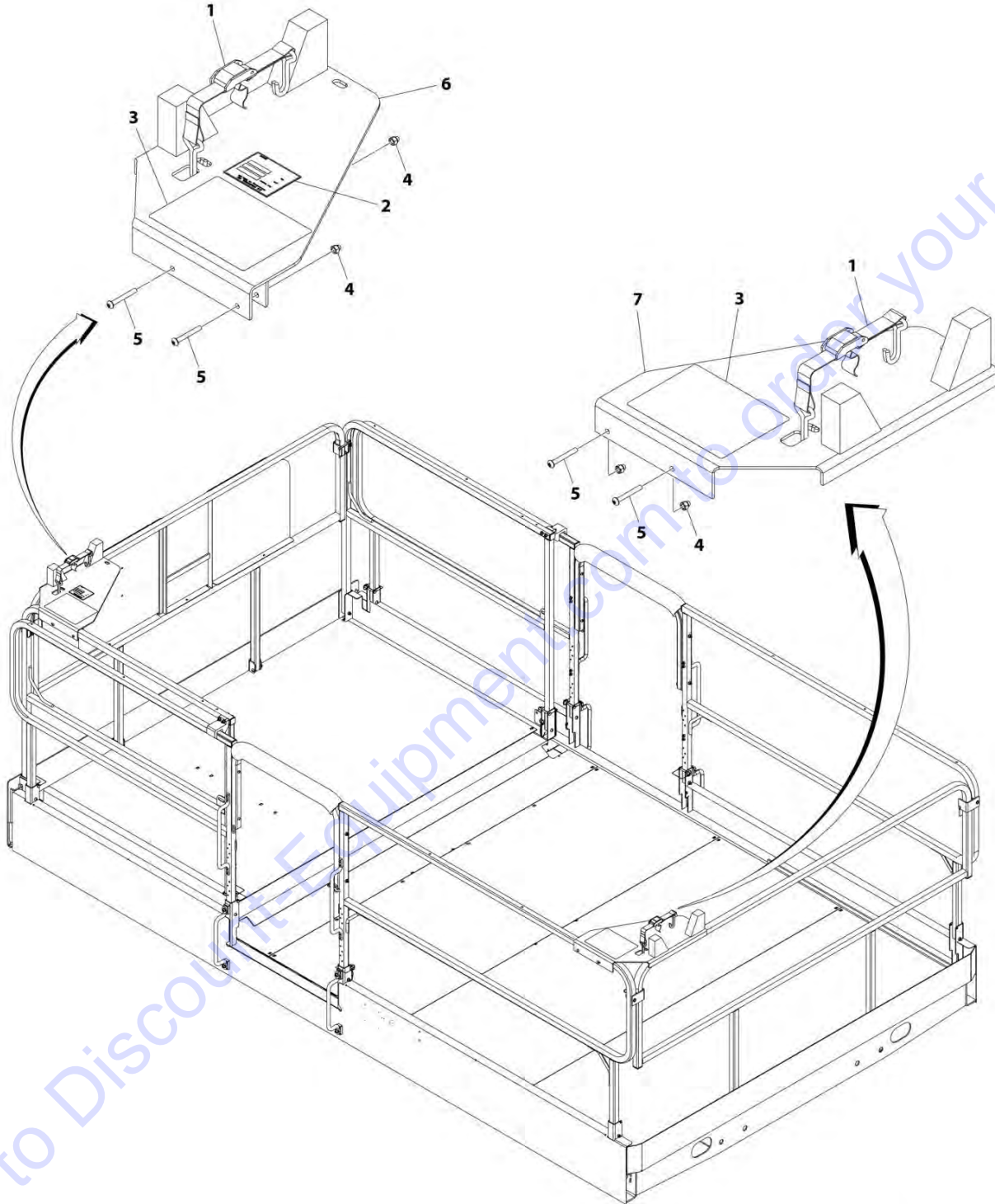
## SECTION 5 - PLATFORM

**FIGURE 5-17. PLATFORM MODULE INSTALLATION (LSS)**

ITEM	PART NUMBER	QTY	DESCRIPTION	REV
	1001226834	Ref	PLATFORM MODULE INSTALLATION (LSS)	D
1	0100011	AR	Compound, Locking	
2	0641404	2	Bolt 1/4 x 1/2	
3	0641407	2	Bolt 1/4 x 7/8	
4	1670988	1	Cover	
5	3311401	AR	Nut 1/4	
6	3311405	AR	Nut 1/4	
7	4240033	AR	Tie-Strap (Not Shown)	
8	4711400	8	Washer 1/4	
9	4761400	AR	Washer 1/4	
10	1001206832	1	Control Module Assembly (See Items 101-106 for Breakdown)	
11	1001215138	1	Platform Module Harness (See Separate Breakdown in ELECTRICAL SECTION) <b>(Prior to SN 0200267917)</b>	
11	1001236163	1	Platform Module Harness (See Separate Breakdown in ELECTRICAL SECTION) <b>(SN 0200267917 to Present)</b>	
12	1001223646	1	Cover	
13	0791408	4	Screw 1/4 x 1	
	1001206832	Ref	CONTROL MODULE ASSEMBLY	C
101	0760618	4	Bolt M6 x 50	
103	5240600	8	Washer M6	
104	1001181223	1	Module, Control - Platform (Note: Re-calibration Required when Replaced) <b>(Prior to SN 0200267917)</b>	
104	1001235098	1	Module, Control - Platform (Note: Re-calibration Required when Replaced) <b>(SN 0200267917 to Present)</b>	
105	1001194115	1	Bracket	
106	3290605	4	Nut M6	

# SECTION 5 - PLATFORM

## FIGURE 5-18. PIPE RACKS INSTALLATION (OPTIONAL)



ART\_0272829

## SECTION 5 - PLATFORM

### FIGURE 5-18. PIPE RACKS INSTALLATION (OPTIONAL)

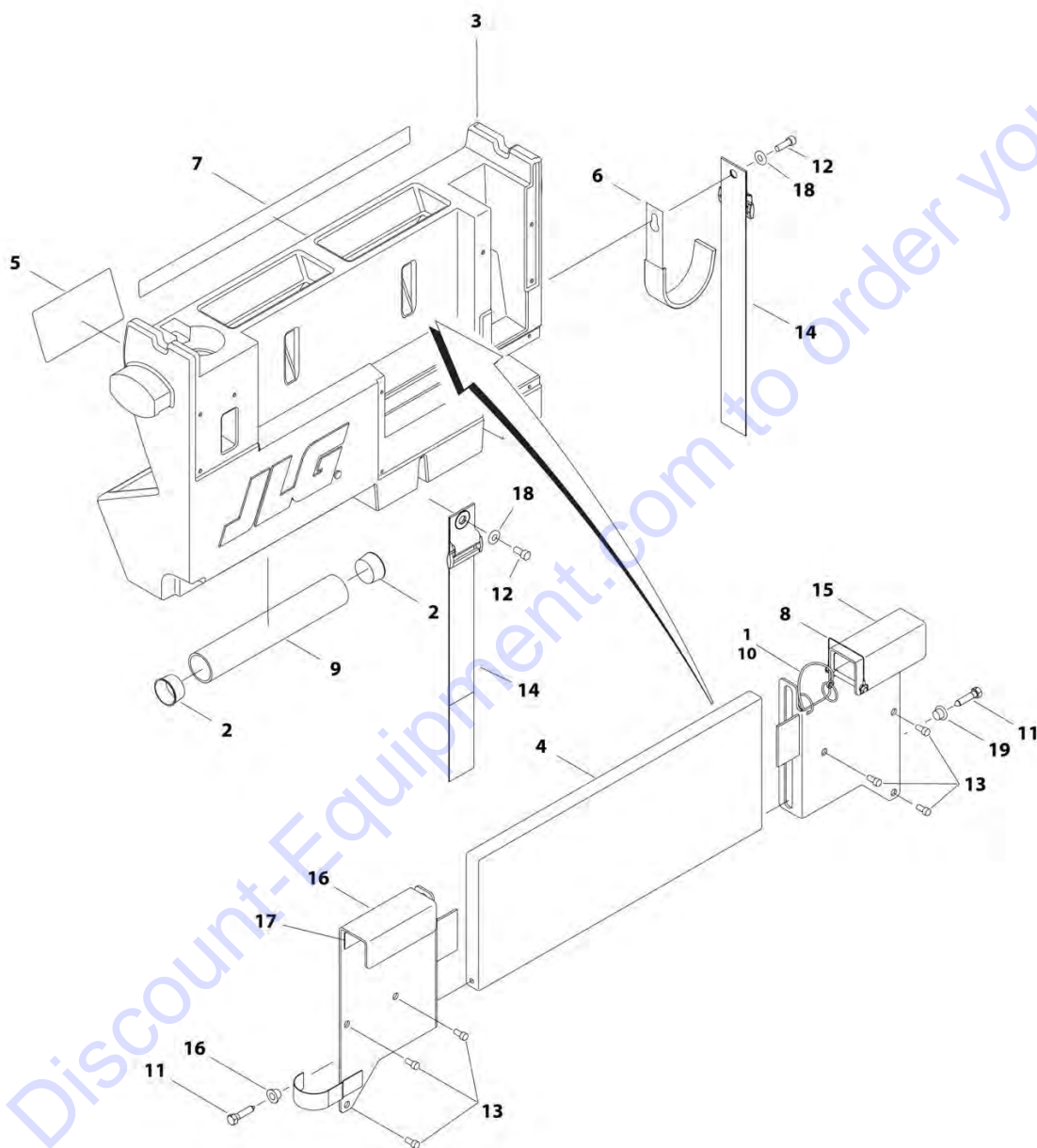
ITEM	PART NUMBER	QTY	DESCRIPTION	REV
	0272829	Ref	PIPE RACKS INSTALLATION (OPTIONAL)	B
1	0480100	2	Belt, Tie Down	
2	See Note	NSS	Nameplate (Note: Not Available for Purchase)	
3	1705637	2	Decal - Pipe Rack Capacity	
4	2080063	4	Fastener 1/4	
5	3900318	4	Screw 1/4 x 2	
6	4845441	1	Support, Pipe Rack	
7	4845442	1	Support, Pipe Rack	

Go to Discount-Equipment.com to order your parts



# SECTION 5 - PLATFORM

## FIGURE 5-19. WORKSTATION INSTALLATION (OPTIONAL)



ART\_0274260

## SECTION 5 - PLATFORM

**FIGURE 5-19. WORKSTATION INSTALLATION (OPTIONAL)**

ITEM	PART NUMBER	QTY	DESCRIPTION	REV
	0274260	Ref	WORKSTATION INSTALLATION - REFERENCE CHART	B
	0240087	Ref	WORKSTATION INSTALLATION (OPTIONAL)	C
1	1060379	1	Cable, Lanyard	
2	1120555	2	Cap, Manual Storage	
3	1580023	1	Container	
4	1580024	1	Tray	
5	1705997	1	Decal - Workstation	
6	2700100	1	Hook, Hanger	
7	2902348	1	Decal - Workstation Kit	
8	3422219	1	Pin	
9	3460334	1	PVC Pipe	
10	3760170	2	Ring	
11	3900355	2	Screw 5/16 x 1-1/2	
12	3931412	2	Bolt 1/4 x 3/4	
13	3931508	6	Bolt 5/16 x 1/2	
14	4240003	2	Strap	
15	4340853	1	Mount, RH Channel	
16	4340854	1	Mount, LH Channel	
17	4420062	3 ft/0.9m	Tape	
18	4711400	2	Washer 1/4	
19	4740480	2	Insert, Plastic	

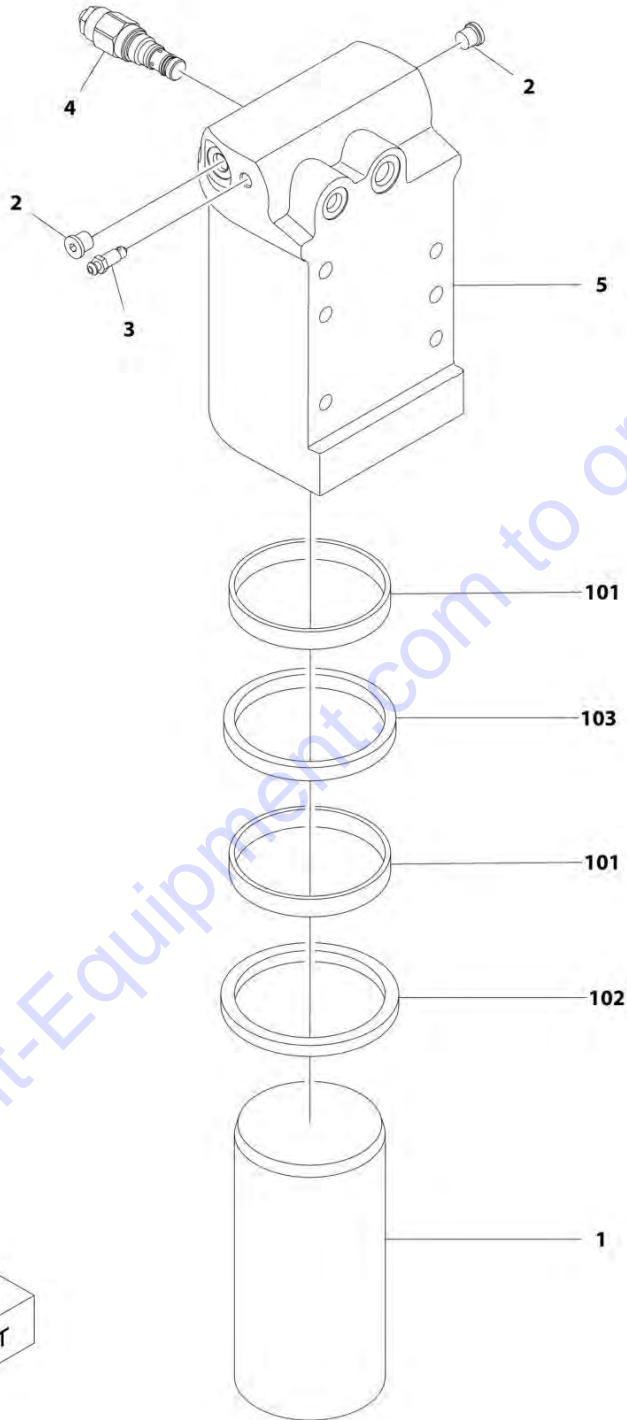


**SECTION 6 - CYLINDER**

Go to [Discount-Equipment.com](http://Discount-Equipment.com) to order your parts

# SECTION 6 - CYLINDER

## FIGURE 6-1. AXLE LOCKOUT CYLINDER ASSEMBLY



ART\_1001163580

## SECTION 6 - CYLINDER

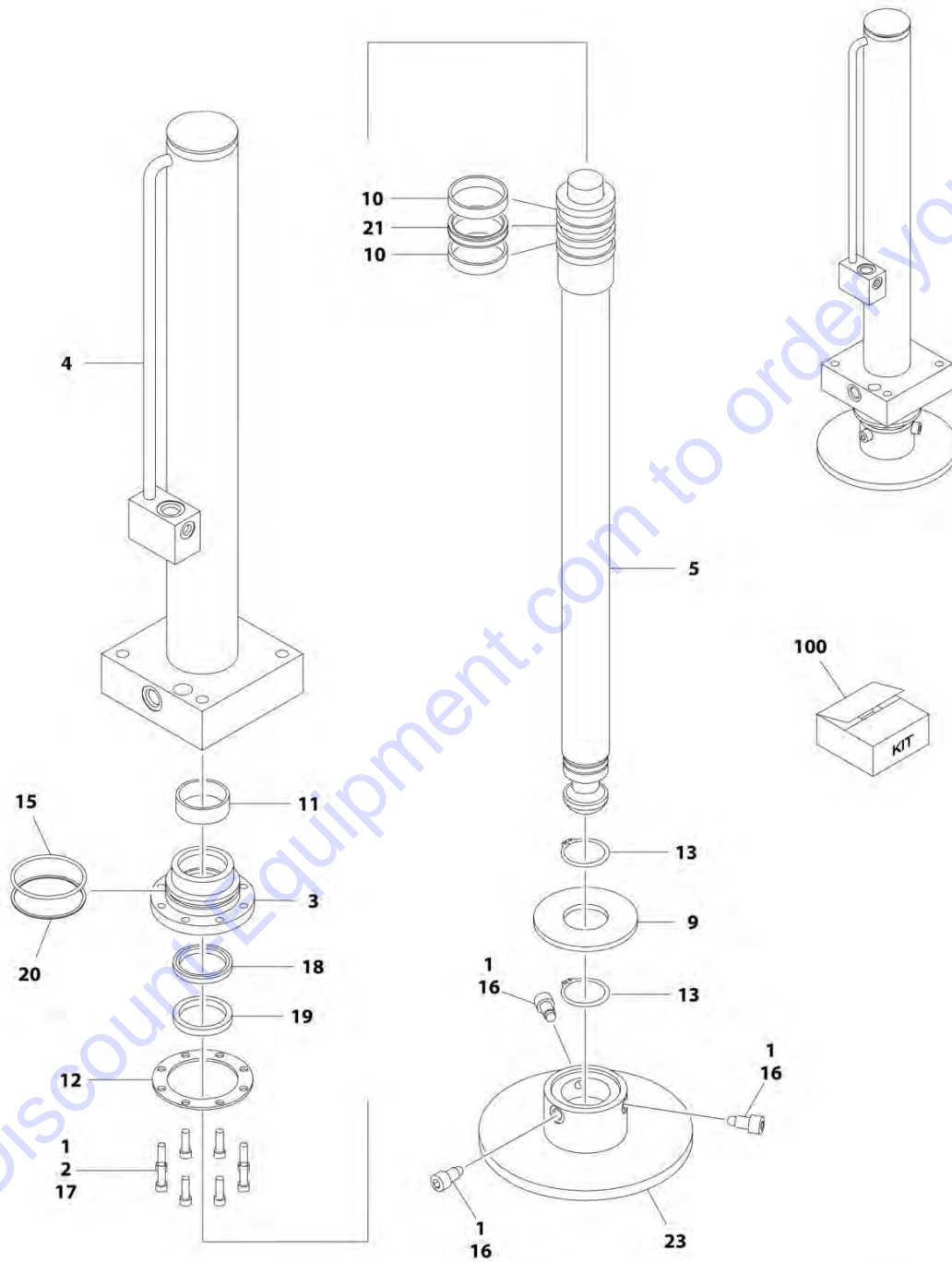
**FIGURE 6-1. AXLE LOCKOUT CYLINDER ASSEMBLY**

ITEM	PART NUMBER	QTY	DESCRIPTION	REV
	1001163580	Ref	AXLE LOCKOUT CYLINDER ASSEMBLY	G
		Ref	Note: Original Cylinder May Have Been Replaced with Service Replacement. Identify PN Stamped on Cylinder Before Ordering Parts.	
1	1684290	1	Rod	
2	2220883	2	Plug #4	
3	4640858	1	Valve, Bleeder	
4	1001117372	1	Cartridge, Valve	
4	70002842	1	Seal Kit - 1001117372 Valve	
5	1001164817	1	Barrel	
100	2902266	1	Seal Kit - 1001163590 Cylinder (Includes Items 101-103)	
101	See Note	NSS	Ring, Wear (Note: Use Item 100)	
102	See Note	NSS	Seal (Note: Use Item 100)	
103	See Note	NSS	Wiper (Note: Use Item 100)	

Go to Discount-Equipment.com to order your parts

# SECTION 6 - CYLINDER

## FIGURE 6-2. LEVELING JACK CYLINDER ASSEMBLY



ART\_1684406-D

## SECTION 6 - CYLINDER

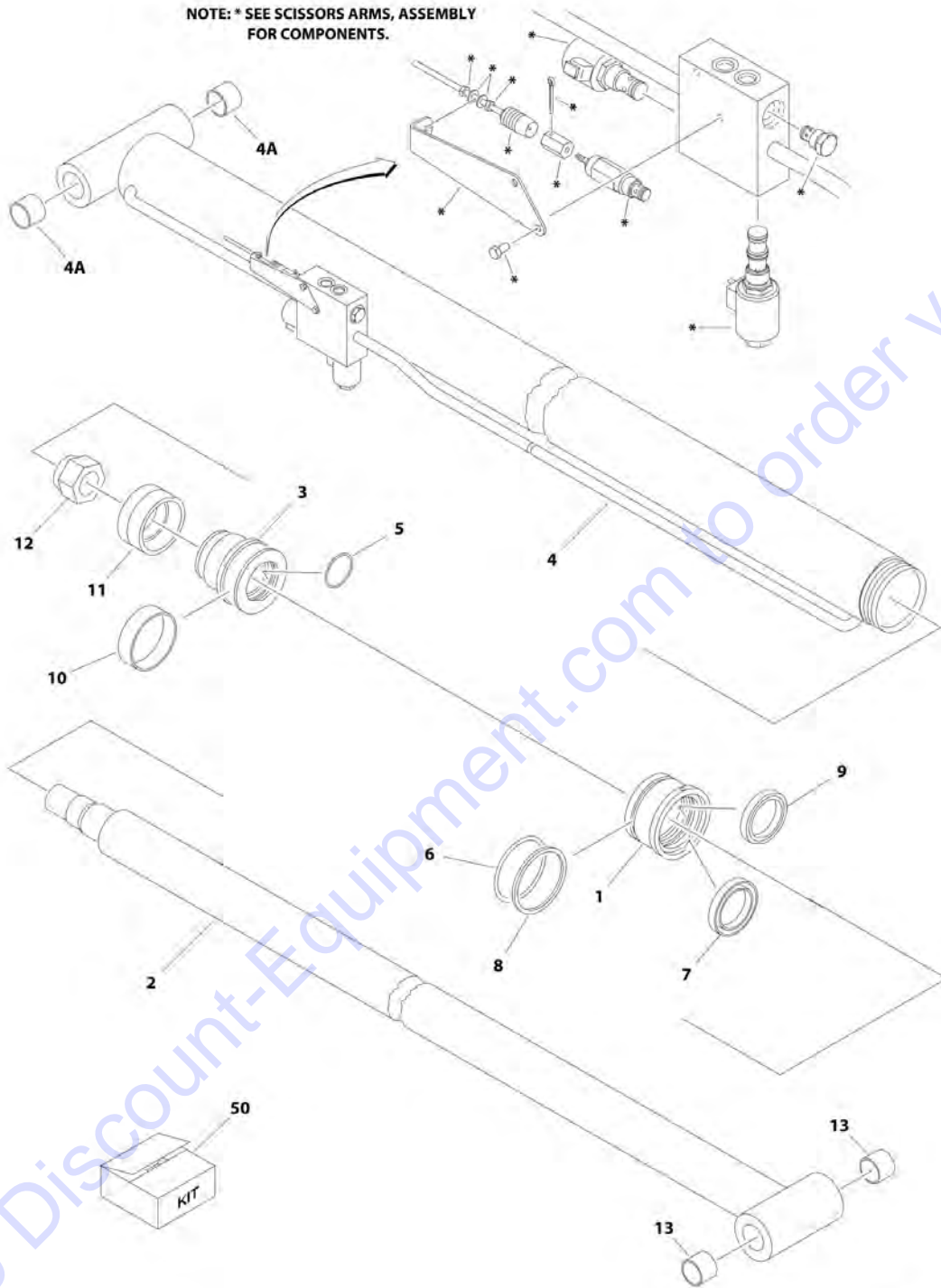
**FIGURE 6-2. LEVELING JACK CYLINDER ASSEMBLY**

ITEM	PART NUMBER	QTY	DESCRIPTION	REV
	1684406	Ref	LEVELING JACK CYLINDER ASSEMBLY	D
		Ref	Note: Original Cylinder May Have Been Replaced with Service Replacement. Identify PN Stamped on Cylinder Before Ordering Parts.	
1	0100011	AR	Compound, Locking	
2	0100038	AR	Primer, Locking	
3	1683054	1	Head	
4	0370018	1	Barrel	
5	3850013	1	Rod	
9	3573513	1	Plate, Jack	
10	See Note	NSS	Ring, Lock (Note: Use Item 100)	
11	See Note	NSS	Ring, Wear (Note: Use Item 100)	
12	3760368	1	Ring, Washer	
13	3760460	2	Ring, Retaining	
15	See Note	NSS	O-Ring (Note: Use Item 100)	
16	3900321	3	Screw 1/2 x 1-1/4	
17	3931516	8	Capscrew 5/16 x 1	
18	See Note	NSS	Seal (Note: Use Item 100)	
19	See Note	NSS	Wiper (Note: Use Item 100)	
20	See Note	NSS	Ring, Back-up (Note: Use Item 100)	
21	See Note	NSS	T-Seal (Note: Use Item 100)	
23	4846584	1	Pad, Jack	
100	2902182	1	Seal Kit - 1684406 Cylinder (Includes Items 10, 11, 15 & 18-21)	



# SECTION 6 - CYLINDER

## FIGURE 6-3. LIFT CYLINDER ASSEMBLY



ART\_1684332

## SECTION 6 - CYLINDER

**FIGURE 6-3. LIFT CYLINDER ASSEMBLY**

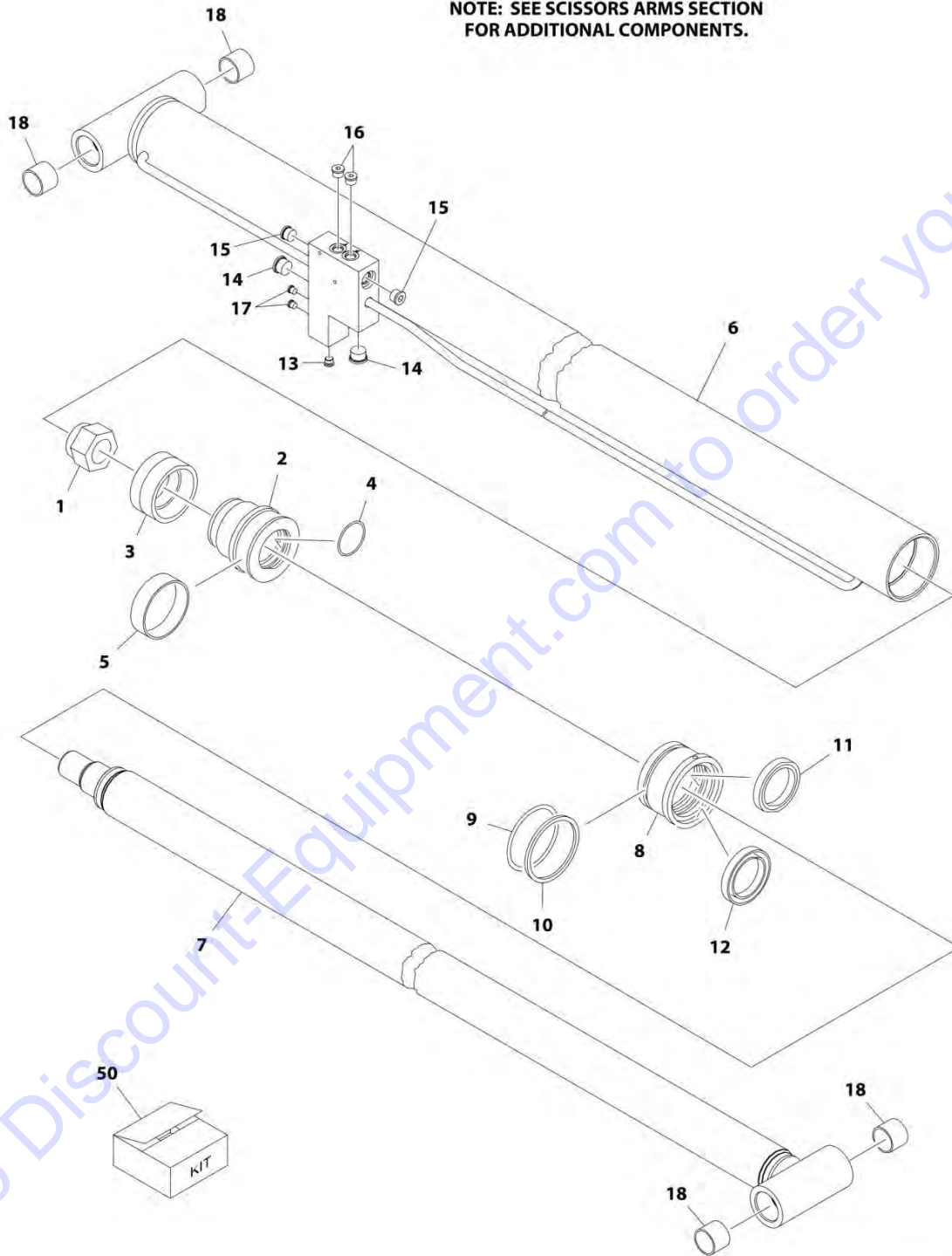
ITEM	PART NUMBER	QTY	DESCRIPTION	REV
	1684332	Ref	LIFT CYLINDER ASSEMBLY	A
		Ref	Note: Machines were built with one of 2 cylinders. Identify cylinder by p/n stamped on valve block before ordering parts.	
1	7026585	1	Head	
2	7026584	1	Rod	
3	7026583	1	Piston	
4	7026582	1	Barrel	
4A	70002202	2	Bushing	
5	See Note	NSS	Ring, Back-up (Note: Use Item 50)	
6	See Note	NSS	Seal (Note: Use Item 50)	
7	See Note	NSS	Seal (Note: Use Item 50)	
8	See Note	NSS	Ring, Back-up (Note: Use Item 50)	
9	See Note	NSS	Wiper (Note: Use Item 50)	
10	See Note	NSS	Ring, Wear (Note: Use Item 50)	
11	See Note	NSS	Seal (Note: Use Item 50)	
12	70002203	1	Nut	
13	70002202	2	Bushing	
50	7026586	1	Seal Kit - 1684332 Cylinder (Includes Items 5-11)	

Go to Discount-Equipment.com to order your parts

# SECTION 6 - CYLINDER

## FIGURE 6-4. LIFT CYLINDER ASSEMBLY

NOTE: SEE SCISSORS ARMS SECTION FOR ADDITIONAL COMPONENTS.



ART\_1001217085

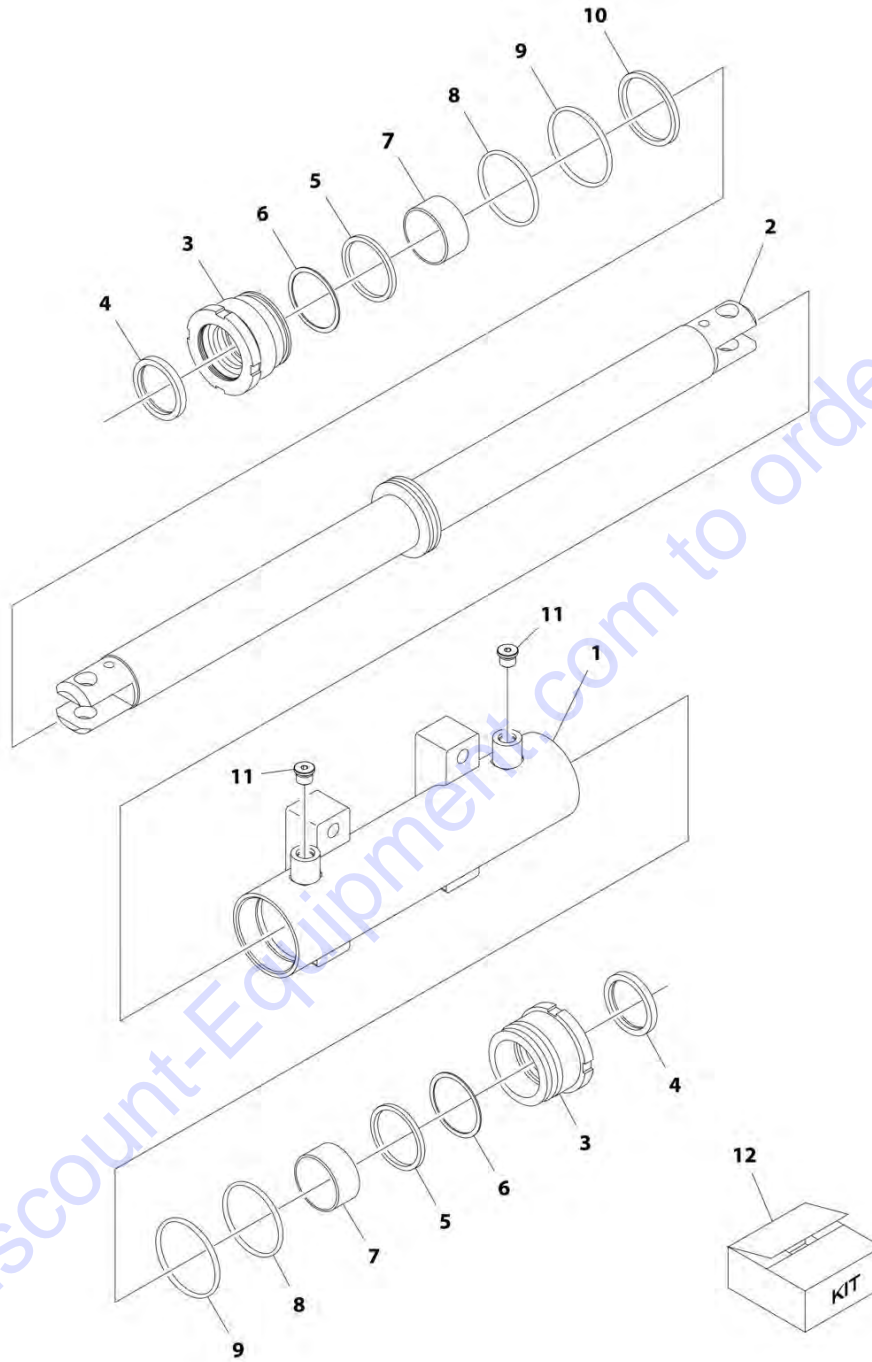
## SECTION 6 - CYLINDER

**FIGURE 6-4. LIFT CYLINDER ASSEMBLY**

ITEM	PART NUMBER	QTY	DESCRIPTION	REV
	1001217085	Ref	LIFT CYLINDER ASSEMBLY	C
		Ref	Note: Machines were built with one of 2 cylinders. Identify cylinder by p/n stamped on valve block before ordering parts.	
1	70006285	1	Nut	
2	70006286	1	Piston	
3	See Note	NSS	Seal (Note: Use Item 50)	
4	See Note	NSS	O-Ring (Note: Use Item 50)	
5	See Note	NSS	Ring, Wear (Note: Use Item 50)	
6	70006287	1	Barrel	
7	70006288	1	Rod	
8	70006289	1	Head	
9	See Note	NSS	O-Ring (Note: Use Item 50)	
10	See Note	NSS	Ring, Back-up (Note: Use Item 50)	
11	See Note	NSS	Seal (Note: Use Item 50)	
12	See Note	NSS	Wiper (Note: Use Item 50)	
13	2220885	1	Plug #6	
14	2220888	2	Plug #12	
15	2220887	2	Plug #10	
16	2220886	2	Plug #8	
17	2220883	2	Plug #4	
18	70006290	4	Bushing	
50	70006284	1	Seal Kit - 1001217085 Cylinder (Includes Items 5-11)	

# SECTION 6 - CYLINDER

## FIGURE 6-5. STEER CYLINDER ASSEMBLY



ART\_1001163178

## SECTION 6 - CYLINDER

**FIGURE 6-5. STEER CYLINDER ASSEMBLY**

ITEM	PART NUMBER	QTY	DESCRIPTION	REV
	1001163178	Ref	STEER CYLINDER ASSEMBLY	D
		Ref	Note: Original Cylinder May Have Been Replaced with Service Replacement. Identify PN Stamped on Cylinder Before Ordering Parts.	
1	70005150	1	Barrel	
2	70005151	1	Rod	
3	70005152	2	Head	
4	See Note	NSS	Wiper (Note: Use Item 12)	
5	See Note	NSS	Seal, Rod (Note: Use Item 12)	
6	See Note	NSS	Ring, Back-up (Note: Use Item 12)	
7	70005153	2	Bearing, Dry	
8	See Note	NSS	O-Ring (Note: Use Item 12)	
9	See Note	NSS	O-Ring (Note: Use Item 12)	
10	See Note	NSS	Seal, Piston (Note: Use Item 12)	
11	See Note	2	Plug 9/16 (Note: Not Available for Purchase)	
12	70005154	1	Seal Kit - 1001163178 Cylinder (Includes Items 4-6 & 8-10)	

Go to Discount-Equipment.com to order your parts



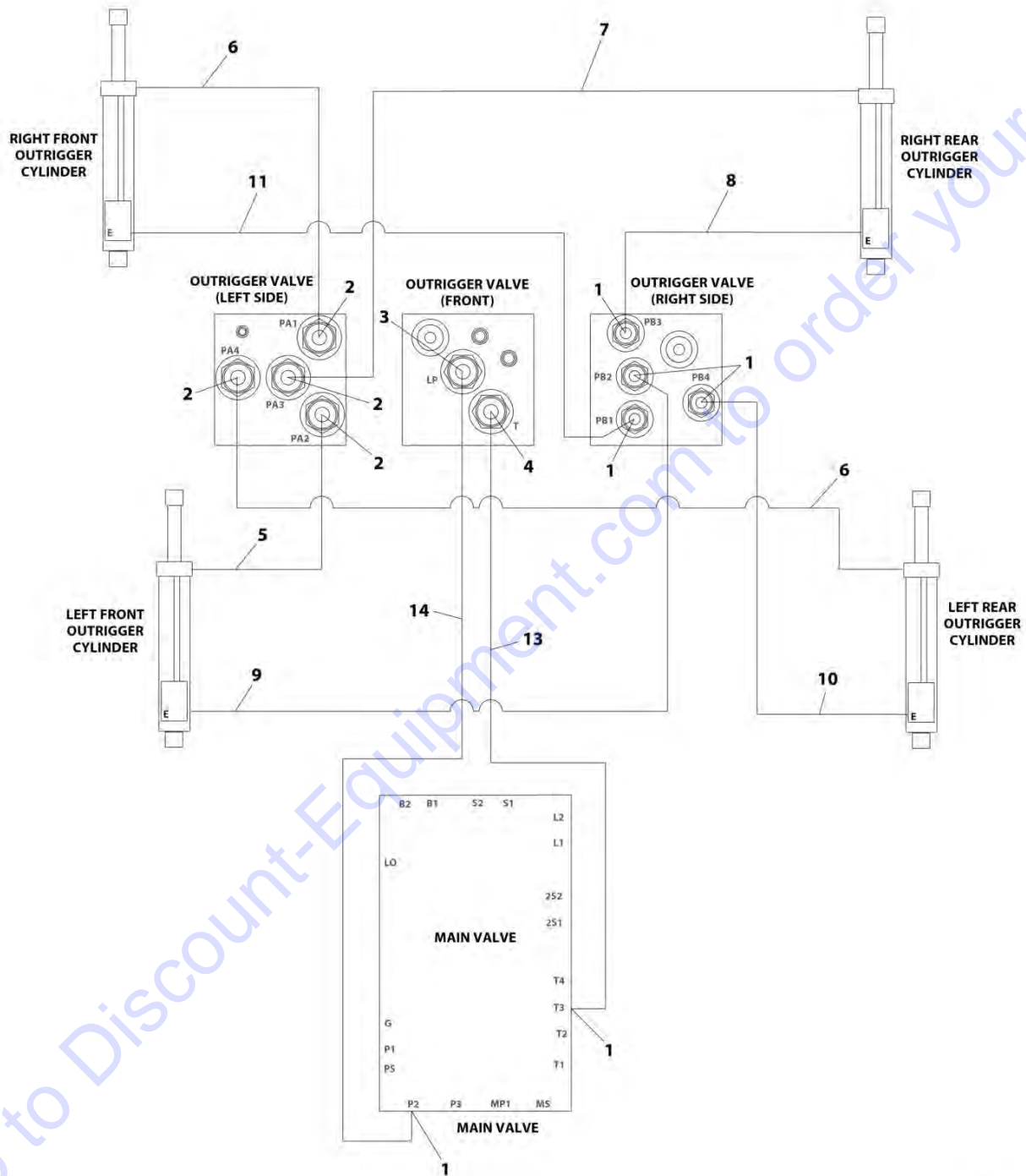
SECTION 7 - HYDRAULIC

Go to Discount-Equipment.com to order your parts



# SECTION 7 - HYDRAULIC

FIGURE 7-1. HYDRAULIC DIAGRAM - LEVELING JACKS (Prior to SN 0200267917)



ART\_1001209314

## SECTION 7 - HYDRAULIC

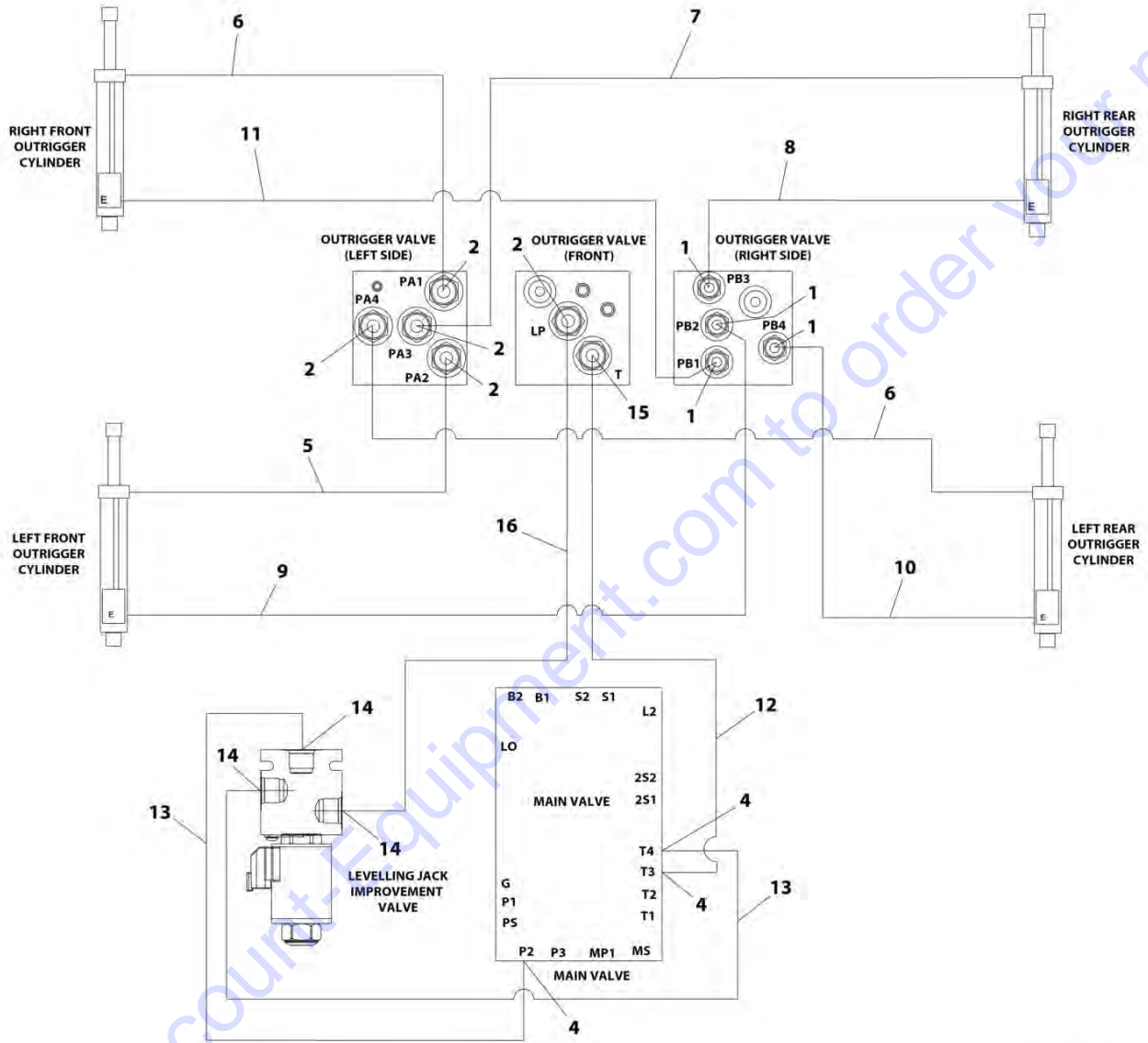
**FIGURE 7-1. HYDRAULIC DIAGRAM - LEVELING JACKS (Prior to SN 0200267917)**

ITEM	PART NUMBER	QTY	DESCRIPTION	REV
	1001209314	Ref	HYDRAULIC DIAGRAM - LEVELING JACKS	B
1	2220371	6	Fitting, Straight JIC/ORB	
2	2220373	4	Fitting, Straight JIC/ORB	
3	2220628	1	Fitting, 90 JIC/ORB	
4	2220372	1	Fitting, Straight JIC/ORB	
5	1001214864	1	Hose	
6	1001194384	2	Hose	
7	1001121396	1	Hose	
8	1001194387	1	Hose	
9	1001194386	1	Hose	
10	1001214865	1	Hose	
11	1001194388	1	Hose	
13	2716762	1	Hose	
14	1001208903	1	Hose	

Go to Discount-Equipment.com to order your parts

# SECTION 7 - HYDRAULIC

FIGURE 7-2. HYDRAULIC DIAGRAM - LEVELING JACKS (SN 0200267917 to Present)



ART\_1001237464

## SECTION 7 - HYDRAULIC

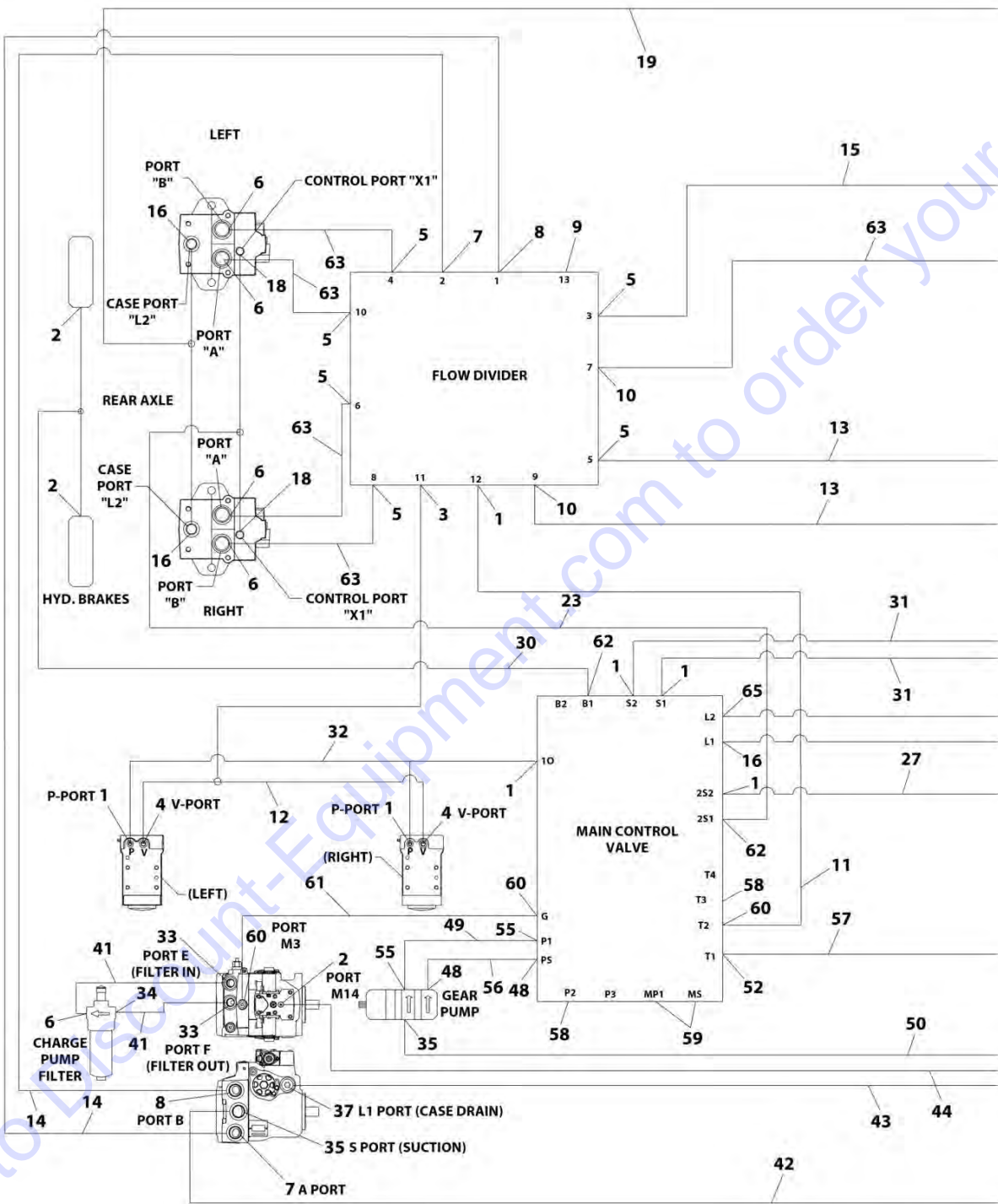
**FIGURE 7-2. HYDRAULIC DIAGRAM - LEVELING JACKS (SN 0200267917 to Present)**

ITEM	PART NUMBER	QTY	DESCRIPTION	REV
	1001237464	Ref	HYDRAULIC DIAGRAM - LEVELING JACKS	A
1	2220371	4	Fitting, Straight JIC/ORB	
2	2220373	5	Fitting, Straight JIC/ORB	
4	2220600	3	Fitting, Straight JIC/ORB	
5	1001214864	1	Hose	
6	1001194384	2	Hose	
7	1001121396	1	Hose	
8	1001194387	1	Hose	
9	1001194386	1	Hose	
10	1001214865	1	Hose	
11	1001194388	1	Hose	
12	1001237915	1	Hose	
13	1001237916	2	Hose	
14	2220596	3	Fitting, 90 JIC/ORB	
15	2220500	1	Fitting, 45 JIC/ORB	
16	1001239088	1	Hose	

Go to Discount-Equipment.com to order your parts

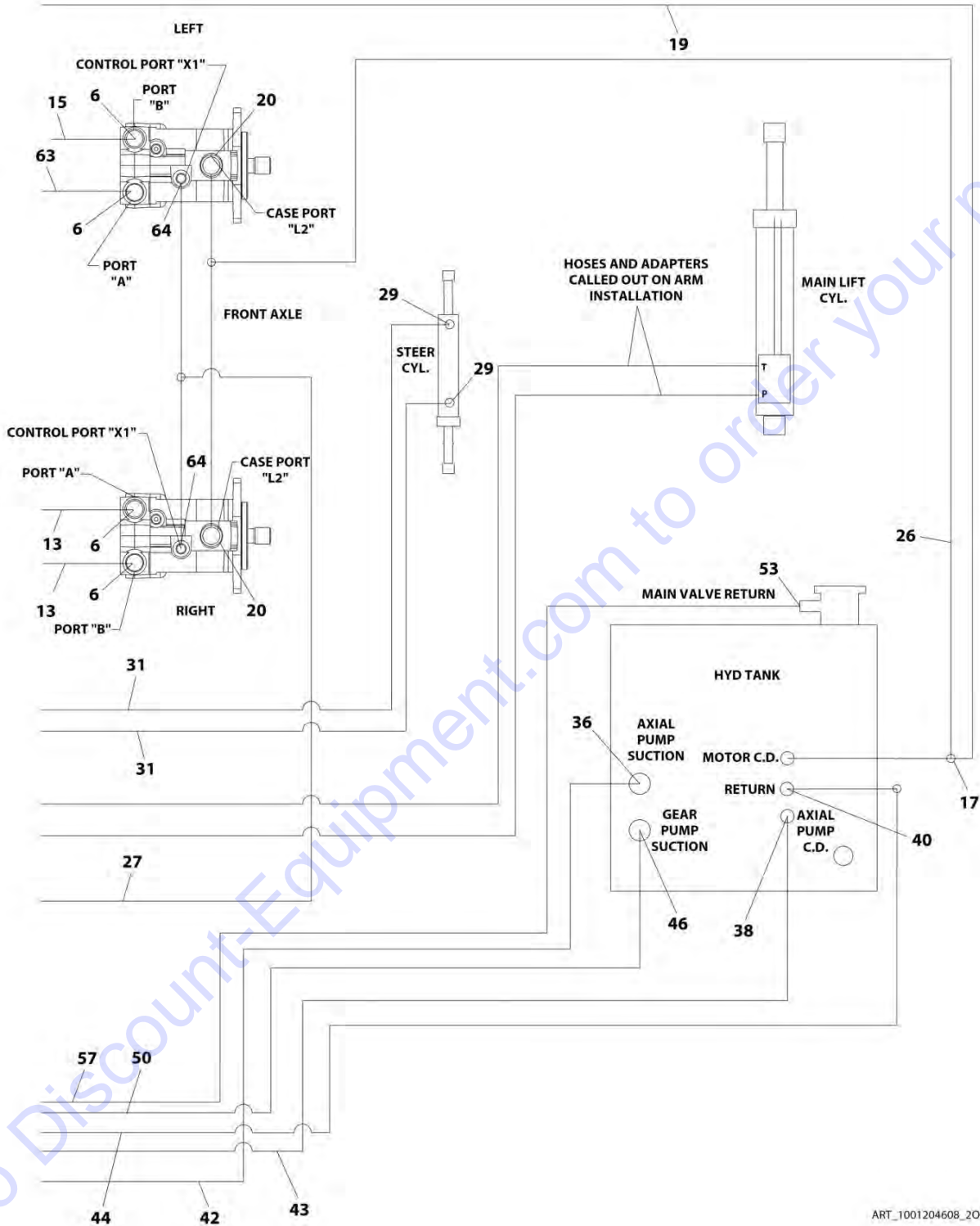
# SECTION 7 - HYDRAULIC

FIGURE 7-3. HYDRAULIC DIAGRAM - STANDARD (ALL SPECS EXCEPT CE SPECS)



ART\_1001204608\_10F2

# SECTION 7 - HYDRAULIC



## SECTION 7 - HYDRAULIC

FIGURE 7-3. HYDRAULIC DIAGRAM - STANDARD (ALL SPECS EXCEPT CE SPECS)

ITEM	PART NUMBER	QTY	DESCRIPTION	REV
	1001204608	Ref	HYDRAULIC DIAGRAM - STANDARD (ALL SPECS EXCEPT CE SPECS)	E
1	2220415	7	Fitting, Straight JIC/ORB	
2	2220466	3	Fitting, 90 JIC/ORB	
3	2220473	1	Fitting, 90 JIC/ORB	
4	2220371	2	Fitting, Straight JIC/ORB	
5	2130808	6	Fitting, 90 ORFS/ORB	
6	2110812	9	Fitting, Straight ORFS/ORB	
7	2111216	2	Fitting, Straight ORFS/ORB	
8	2131216	2	Fitting, 90 ORFS/ORB	
9	2220238	1	Plug	
10	2110808	2	Fitting, Straight ORFS/ORB	
11	1001151351	1	Hose	
12	1001213672	1	Hose	
13	2753791	2	Hose	
14	1001213673	2	Hose	
15	2753970	1	Hose	
16	2220373	3	Fitting, Straight JIC/ORB	
17	2220602	1	Fitting, Tee JIC/ORB/JIC	
18	2220582	2	Fitting, Straight JIC/ORB	
19	1001194383	1	Hose	
20	2220500	2	Fitting, 45 JIC/ORB	
23	1001213674	1	Hose	
26	1001213684	1	Hose	
27	1001213676	1	Hose	
29	2221040	2	Fitting, 45 JIC/ORB	
30	1001213677	1	Hose	
31	1001158199	2	Hose	
32	1001213678	1	Hose	
33	2110810	2	Fitting, Straight ORFS/ORB	
34	2130812	1	Fitting, 90 ORFS/ORB	
35	2220479	2	Fitting, Straight JIC/ORB	
36	2221081	1	Fitting, 45 JIC/ORB	
37	2220451	1	Fitting, Straight JIC/ORB	
38	2220578	1	Fitting, 90 JIC/ORB	
40	2220577	1	Fitting, Straight JIC/ORB	
41	2754244	2	Hose	
42	1001213679	1	Hose	
43	1001194381	1	Hose	
44	1001213680	1	Hose	
46	8760351	1	Fitting, 45 JIC/ORB	
48	2220497	2	Fitting, Straight JIC/ORB	
49	1001146311	1	Hose	
50	1001108128	1	Hose	
52	2220408	1	Fitting, Straight JIC/ORB	
53	2220435	1	Fitting, Straight JIC/ORB	
55	2221036	2	Fitting, 90 JIC/ORB	
56	1001206648	1	Hose	
57	1001194378	1	Hose	
58	2220237	2	Plug	

## SECTION 7 - HYDRAULIC

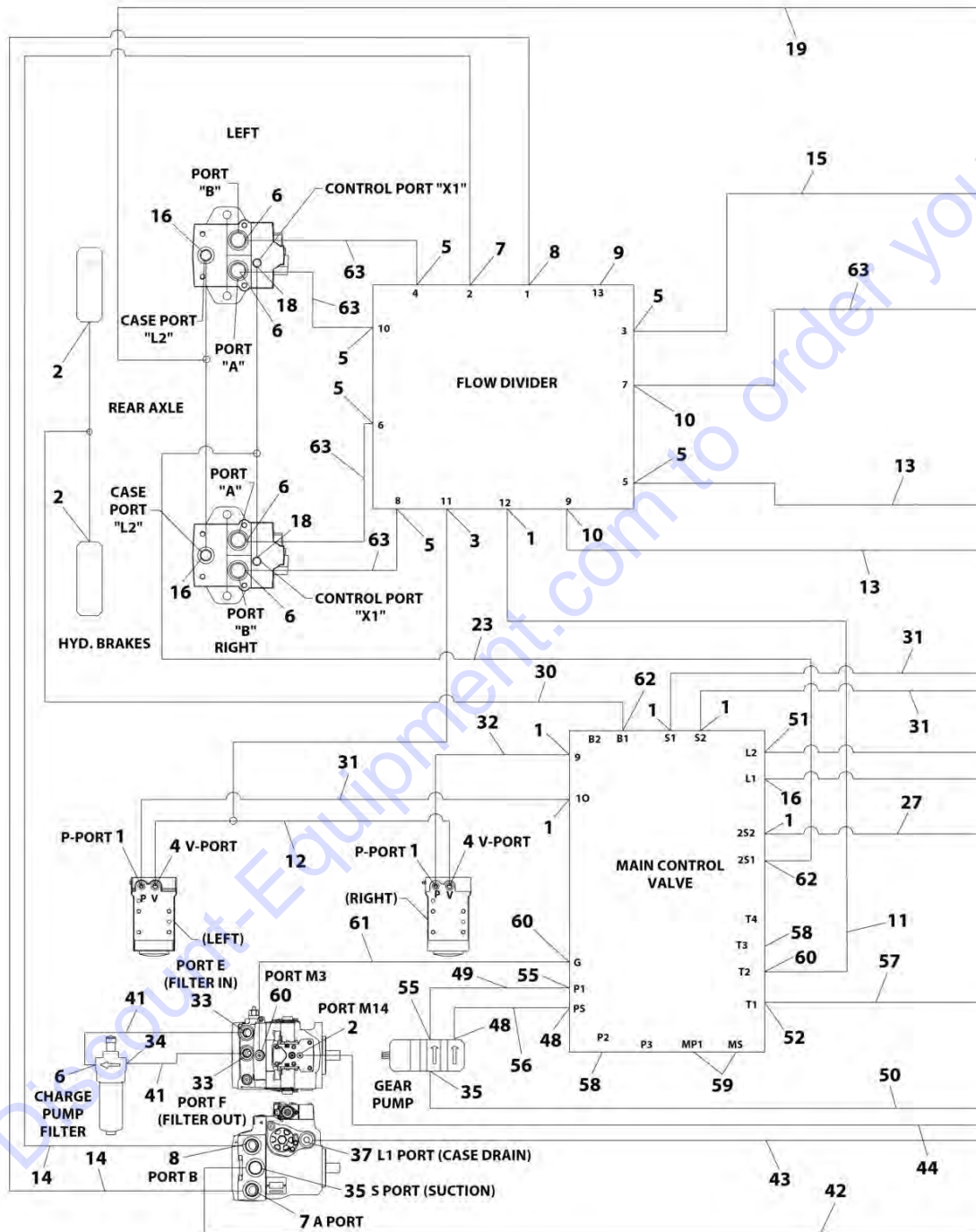
ITEM	PART NUMBER	QTY	DESCRIPTION	REV
59	2221086	2	Fitting, Test Port	
60	2220472	3	Fitting, 90 JIC/ORB	
61	2755023	1	Hose	
62	2220502	2	Fitting, 45 JIC/ORB	
63	1001213681	5	Hose	
64	2221040	2	Fitting, 45 JIC/ORB	
65	2221050	1	Fitting, 45 JIC/ORB	

Go to Discount-Equipment.com to order your parts



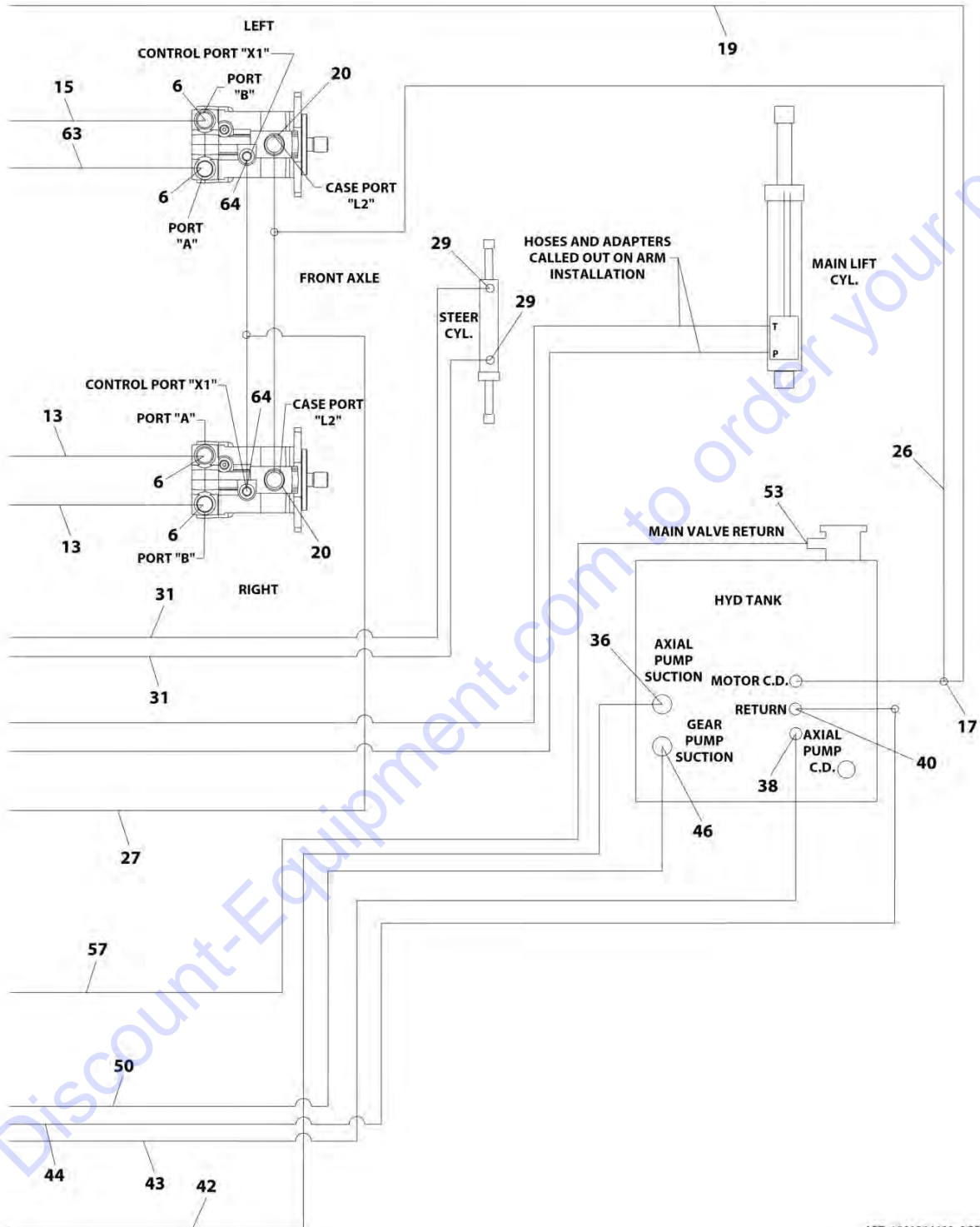
# SECTION 7 - HYDRAULIC

FIGURE 7-4. HYDRAULIC DIAGRAM - STANDARD (CE & JAPANESE SPECS)



ART\_1001204609\_10F2

# SECTION 7 - HYDRAULIC



ART\_1001204609\_2OF2

## SECTION 7 - HYDRAULIC

FIGURE 7-4. HYDRAULIC DIAGRAM - STANDARD (CE & JAPANESE SPECS)

ITEM	PART NUMBER	QTY	DESCRIPTION	REV
	1001204609	Ref	HYDRAULIC DIAGRAM - STANDARD (CE & JAPANESE SPECS)	D
1	2220415	8	Fitting, Straight JIC/ORB	
2	2220466	3	Fitting, 90 JIC/ORB	
3	2220473	1	Fitting, 90 JIC/ORB	
4	2220371	2	Fitting, Straight JIC/ORB	
5	2130808	6	Fitting, 90 ORFS/ORB	
6	2110812	9	Fitting, Straight ORFS/ORB	
7	2111216	2	Fitting, Straight ORFS/ORB	
8	2131216	2	Fitting, 90 ORFS/ORB	
9	2220238	1	Plug	
10	2110808	2	Fitting, Straight ORFS/ORB	
11	1001151351	1	Hose	
12	1001213672	1	Hose	
13	2753791	2	Hose	
14	1001213673	2	Hose	
15	2753970	1	Hose	
16	2220373	3	Fitting, Straight JIC/ORB	
17	2220602	1	Fitting, Tee JIC/ORB/JIC	
18	2220582	2	Fitting, Straight JIC/ORB	
19	1001194383	1	Hose	
20	2220500	2	Fitting, 45 JIC/ORB	
23	1001213674	1	Hose	
26	1001213684	1	Hose	
27	1001213676	1	Hose	
29	2221040	2	Fitting, 45 JIC/ORB	
30	1001213677	1	Hose	
31	1001158199	3	Hose	
32	1001173043	1	Hose	
33	2110810	2	Fitting, Straight ORFS/ORB	
34	2130812	1	Fitting, 90 ORFS/ORB	
35	2220479	2	Fitting, Straight JIC/ORB	
36	2221081	1	Fitting, 45 JIC/ORB	
37	2220451	1	Fitting, Straight JIC/ORB	
38	2220578	1	Fitting, 90 JIC/ORB	
40	2220577	1	Fitting, Straight JIC/ORB	
41	2754244	2	Hose	
42	1001213679	1	Hose	
43	1001194381	1	Hose	
44	1001213680	1	Hose	
46	8760351	1	Fitting, 45 JIC/ORB	
48	2220497	2	Fitting, Straight JIC/ORB	
49	1001146311	1	Hose	
50	1001108128	1	Hose	
51	2221050	1	Fitting, 45 JIC/ORB	
52	2220408	1	Fitting, Straight JIC/ORB	
53	2220435	1	Fitting, Straight JIC/ORB	
55	2221036	2	Fitting, 90 JIC/ORB	
56	1001206648	1	Hose	
57	1001194378	1	Hose	
58	2220237	2	Plug	

## SECTION 7 - HYDRAULIC

ITEM	PART NUMBER	QTY	DESCRIPTION	REV
59	2221086	2	Fitting, Test Port	
60	2220472	3	Fitting, 90 JIC/ORB	
61	2755023	1	Hose	
62	2220502	2	Fitting, 45 JIC/ORB	
63	1001213681	5	Hose	
64	2221040	2	Fitting, 45 JIC/ORB	

Go to Discount-Equipment.com to order your parts

## SECTION 7 - HYDRAULIC

**FIGURE 7-5. HYDRAULIC DIAGRAM LIST**

ITEM	PART NUMBER	QTY	DESCRIPTION	REV
		Ref	Note: Information on diagrams not shown are available from Discount-equipment. See Service and Maintenance Manual for Schematics.	
		Ref	HYDRAULIC DIAGRAM LIST	
	1001209314	Ref	HYDRAULIC DIAGRAM - LEVELING JACKS	
	1001204608	Ref	HYDRAULIC DIAGRAM - STANDARD (ALL SPECS EXCEPT CE SPECS)	
	1001204609	Ref	HYDRAULIC DIAGRAM - STANDARD (CE SPECS)	
	1001209179	Ref	HYDRAULIC SCHEMATIC (ALL SPECS EXCEPT CE SPECS)	
	1001209178	Ref	HYDRAULIC SCHEMATIC (CE & JAPANESE SPECS)	

Go to Discount-Equipment.com to order your parts

**SECTION 8 - ELECTRICAL**

Go to [Discount-Equipment.com](http://Discount-Equipment.com) to order your parts

## SECTION 8 - ELECTRICAL

FIGURE 8-1. ELECTRICAL DIAGRAM LIST

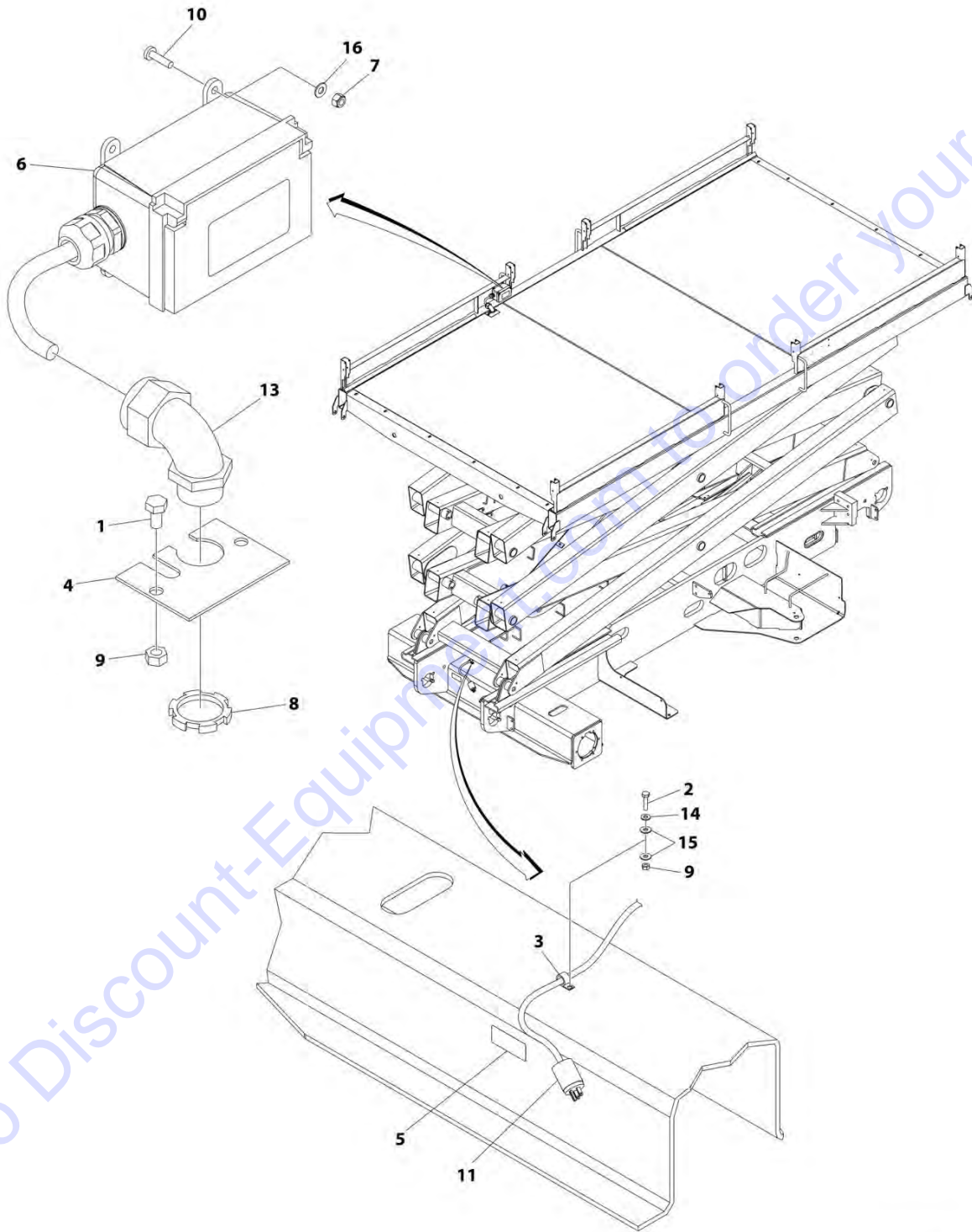
ITEM	PART NUMBER	QTY	DESCRIPTION	REV
		Ref	Note: For information, refer to Service Manual or contact Discount-equipment.	
		Ref	ELECTRICAL DIAGRAM LIST	
	1001208849	Ref	Electrical Schematic <b>(Prior to SN 0200267917)</b>	
	1001236135	Ref	Electrical Schematic <b>(SN 0200267917 to Present)</b>	
	1001208752	Ref	7500W Generator Electrical Diagram - Kubota Diesel Stage III	
	1001206708	Ref	7500W Generator Electrical Diagram - Kubota Diesel T4F	
	1001208751	Ref	7500W Generator Electrical Diagram - Kubota Gasoline	
	1870170	Ref	LSS Electrical Schematic <b>(Prior to SN 0200268060)</b>	
	1001239852	Ref	LSS Electrical Schematic <b>(SN 0200268060 to Present)</b>	





## SECTION 8 - ELECTRICAL

FIGURE 8-2. AC BOX AT PLATFORM INSTALLATION - 110V GFI (ALL SPECS EXCEPT AUSTRALIAN AND CE SPECS)



ART\_1001206776

## SECTION 8 - ELECTRICAL

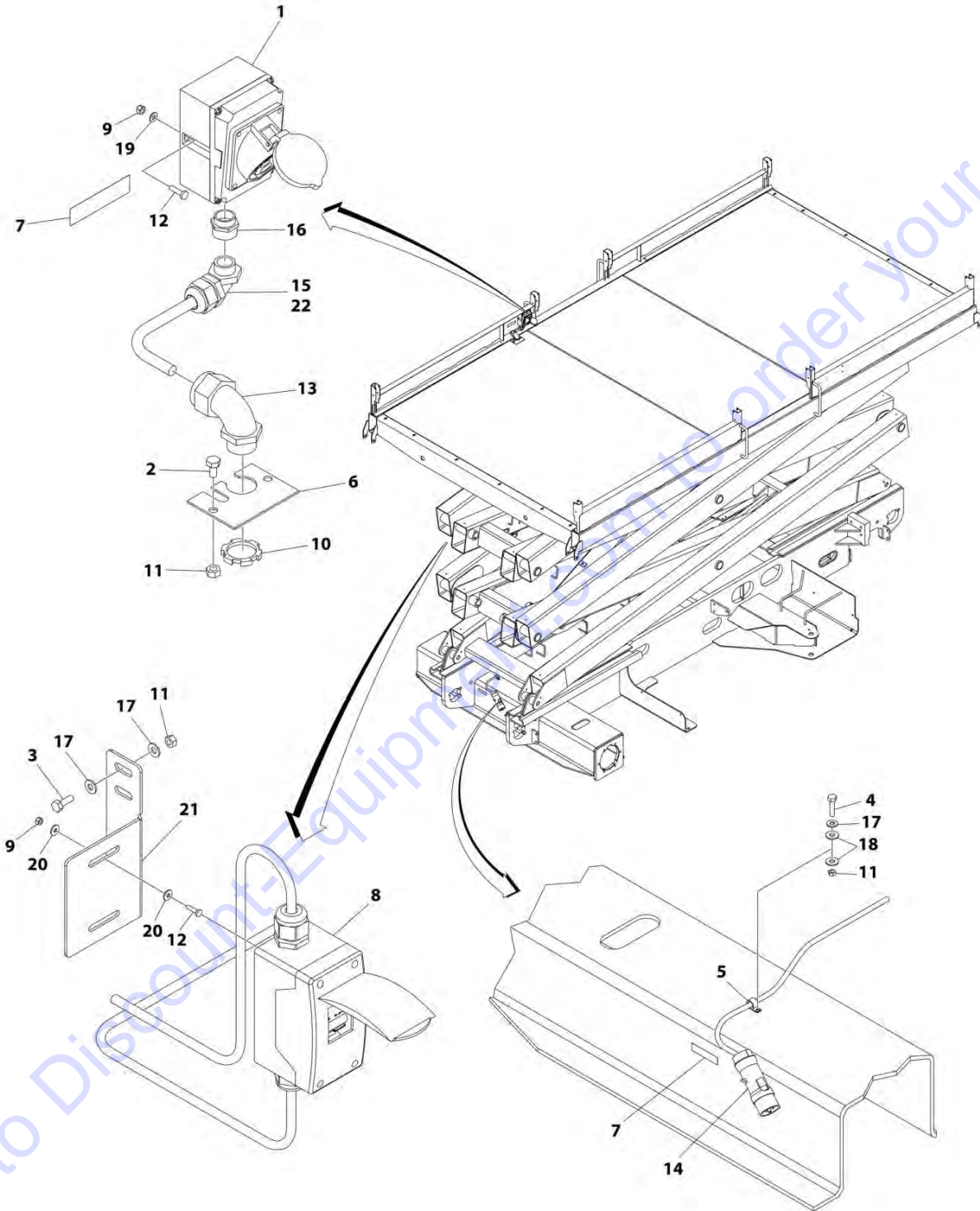
**FIGURE 8-2. AC BOX AT PLATFORM INSTALLATION - 110V GFI (ALL SPECS EXCEPT AUSTRALIAN AND CE SPECS)**

ITEM	PART NUMBER	QTY	DESCRIPTION	REV
	1001206776	Ref	AC BOX AT PLATFORM INSTALLATION - 110V GFI (ALL SPECS EXCEPT AUSTRALIAN AND CE SPECS)	B
1	0641404	2	Bolt 1/4 x 1/2	
2	0641409	1	Bolt 1/4 x 1-1/8	
3	1320224	1	Clamp	
4	1670988	1	Cover	
5	1703464	1	Decal - AC Power	
6	2902431	1	Receptacle Box Kit - 110V GFI (See Separate Breakdown in this Section)	
7	3290405	4	Nut M4	
8	3300048	1	Nut 3/4	
9	3311405	3	Nut 1/4	
10	4010408	4	Screw M4 x 16	
11	4460138	1	Plug, Male	
12	4460315	3	Terminal, Spade (Not Shown)	
13	4460422	1	Connector, Strain Relief	
14	4711400	1	Washer 1/4	
15	4751400	2	Washer 1/4	
16	4811400	4	Washer M4	

Go to Discount-Equipment.com to order your parts

# SECTION 8 - ELECTRICAL

## FIGURE 8-3. AC BOX AT PLATFORM INSTALLATION - 110V IEC YELLOW (CE SPECS)



ART\_1001206782

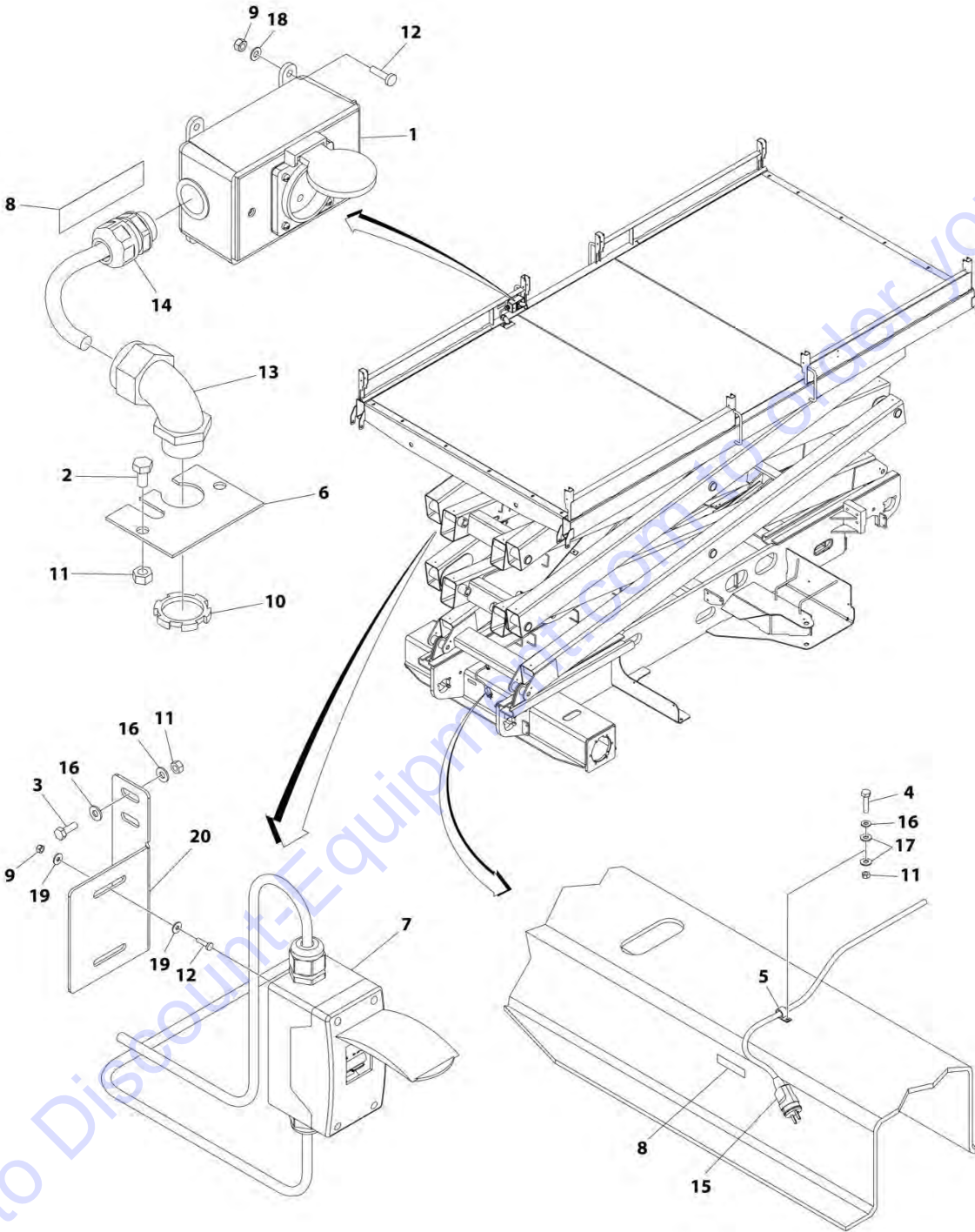
## SECTION 8 - ELECTRICAL

**FIGURE 8-3. AC BOX AT PLATFORM INSTALLATION - 110V IEC YELLOW (CE SPECS)**

ITEM	PART NUMBER	QTY	DESCRIPTION	REV
	1001206782	Ref	AC BOX AT PLATFORM INSTALLATION - 110V IEC YELLOW (CE SPECS)	E
1	0275216	1	Receptacle Box Kit - 110V IEC Yellow (CE Specs) (See Separate Breakdown in this Section)	
2	0641404	2	Bolt 1/4 x 1/2	
3	0641406	2	Bolt 1/4 x 3/4	
4	0641409	1	Bolt 1/4 x 1-1/8	
5	1320224	1	Clamp	
6	1670988	1	Cover	
7	1705325	2	Decal - 110 Volt	
8	2902549	1	Breaker Box Kit (See Separate Breakdown in this Section) <b>(Prior to SN 0200268756)</b>	
8	1001096070	1	Breaker Box Kit (See Separate Breakdown in this Section) <b>(SN 0200268756 to Present)</b>	
9	3290405	4	Nut M4	
10	3300048	1	Nut 3/4	
11	3311405	5	Nut 1/4	
12	4010408	4	Screw M4 x 16	
13	4460422	1	Connector, Strain Relief	
14	4461196	1	Plug, Male	
15	4461257	1	Connector, Strain Relief <b>(Prior to SN 0200226714)</b>	
16	4461258	1	Adapter <b>(Prior to SN 0200226714)</b>	
17	4711400	5	Washer 1/4	
18	4751400	2	Washer 1/4	
19	4811400	AR	Washer M4	
20	1001091102	4	Washer M4	
21	1001206928	1	Bracket	
22	4460968	1	Connector, Strain Relief <b>(SN 0200226714 to Present)</b>	

# SECTION 8 - ELECTRICAL

## FIGURE 8-4. AC BOX AT PLATFORM INSTALLATION - 220V IEC BLUE (CE SPECS)



ART\_1001206783

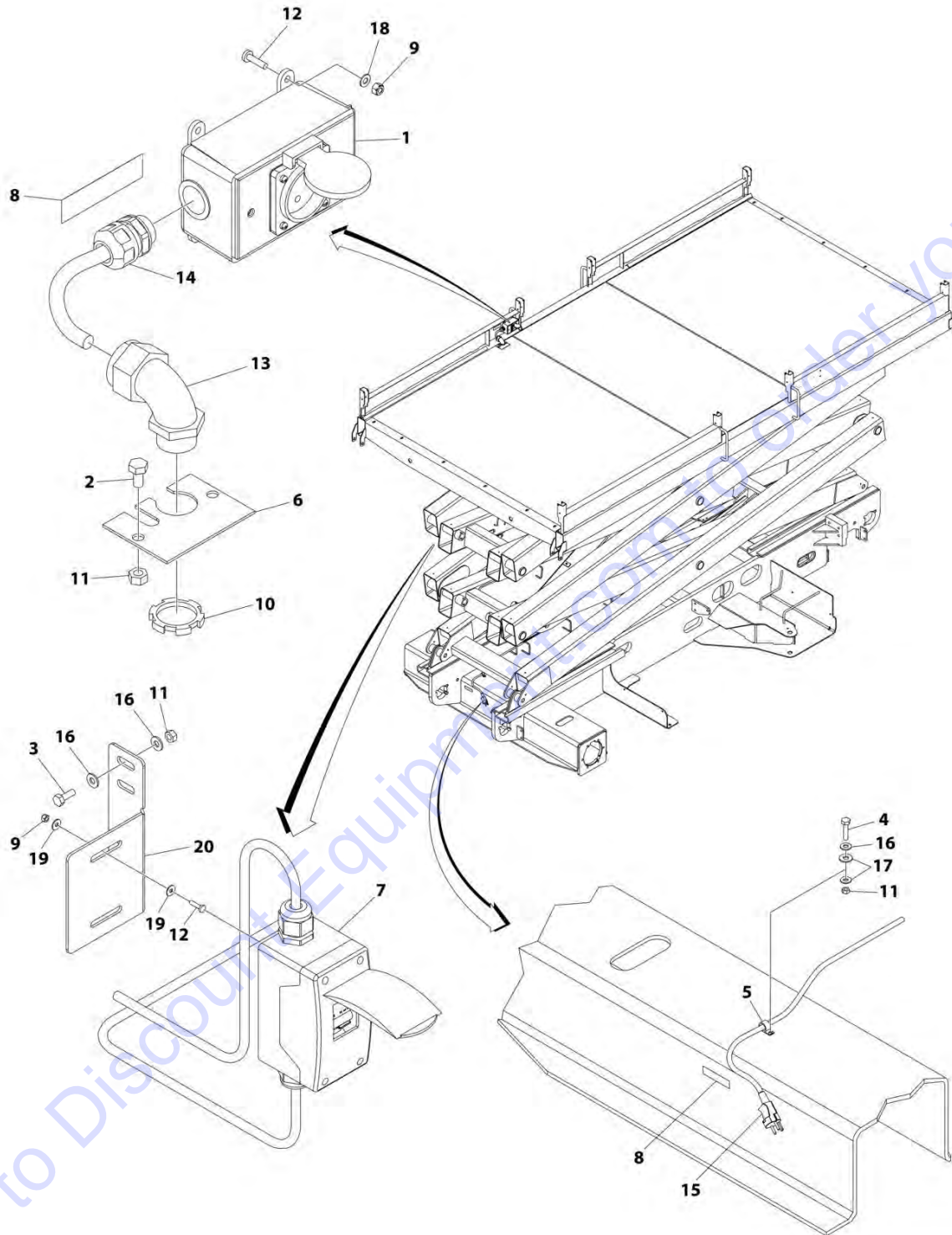
## SECTION 8 - ELECTRICAL

**FIGURE 8-4. AC BOX AT PLATFORM INSTALLATION - 220V IEC BLUE (CE SPECS)**

ITEM	PART NUMBER	QTY	DESCRIPTION	REV
	1001206783	Ref	AC BOX AT PLATFORM INSTALLATION - 220V IEC BLUE (CE SPECS)	E
1	0275217	1	Receptacle Box Kit - 220V IEC Blue (CE Specs) (See Separate Breakdown in this Section)	
2	0641404	2	Bolt 1/4 x 1/2	
3	0641406	2	Bolt 1/4 x 3/4	
4	0641409	1	Bolt 1/4 x 1-1/8	
5	1320224	1	Clamp	
6	1670988	1	Cover	
7	2902549	1	Breaker Box Kit (See Separate Breakdown in this Section) <b>(Prior to SN 0200268756)</b>	
7	1001096070	1	Breaker Box Kit (See Separate Breakdown in this Section) <b>(SN 0200268756 to Present)</b>	
8	3252507	2	Decal - 220 Volt	
9	3290405	AR	Nut M4	
10	3300048	1	Nut 3/4	
11	3311405	5	Nut 1/4	
12	4010408	AR	Screw M4 x 16	
13	4460422	1	Connector, Strain Relief	
14	4460968	1	Connector, Strain Relief	
15	4461202	1	Plug, Male	
16	4711400	5	Washer 1/4	
17	4751400	2	Washer 1/4	
18	4811400	4	Washer M4	
19	1001091102	4	Washer M4	
20	1001206928	1	Bracket	

# SECTION 8 - ELECTRICAL

FIGURE 8-5. AC BOX AT PLATFORM INSTALLATION - 220V AFSINT 107 (CE SPECS)



ART\_1001206781

## SECTION 8 - ELECTRICAL

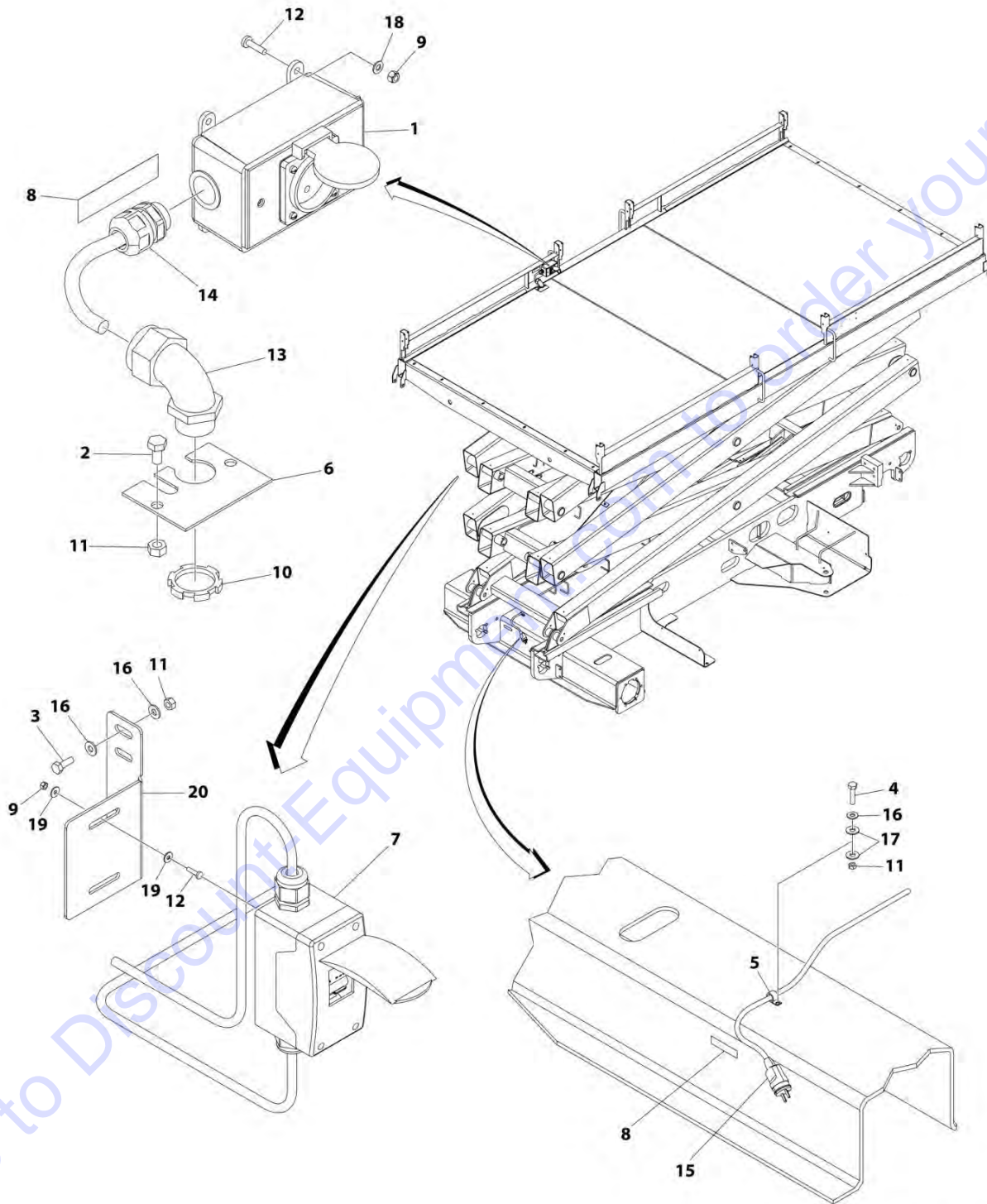
**FIGURE 8-5. AC BOX AT PLATFORM INSTALLATION - 220V AFSINT 107 (CE SPECS)**

ITEM	PART NUMBER	QTY	DESCRIPTION	REV
	1001206781	Ref	AC BOX AT PLATFORM INSTALLATION - 220V AFSINT 107 (CE SPECS)	D
1	0275454	1	Receptacle Box Kit - 220V AFSINT 107 (CE Specs) (See Separate Breakdown in this Section)	
2	0641404	2	Bolt 1/4 x 1/2	
3	0641406	2	Bolt 1/4 x 3/4	
4	0641409	1	Bolt 1/4 x 1-1/8	
5	1320224	1	Clamp	
6	1670988	1	Cover	
7	2902549	1	Breaker Box Kit (See Separate Breakdown in this Section) <b>(Prior to SN 0200268756)</b>	
7	1001096070	1	Breaker Box Kit (See Separate Breakdown in this Section) <b>(SN 0200268756 to Present)</b>	
8	3252507	2	Decal - 220 Volt	
9	3290405	6	Nut M4	
10	3300048	1	Nut 3/4	
11	3311405	5	Nut 1/4	
12	4010408	6	Screw M4 x 16	
13	4460422	1	Connector, Strain Relief	
14	4460968	1	Connector, Strain Relief	
15	4461249	1	Plug, Male	
16	4711400	5	Washer 1/4	
17	4751400	2	Washer 1/4	
18	4811400	4	Washer M4	
19	1001091102	4	Washer M4	
20	1001206928	1	Bracket	



# SECTION 8 - ELECTRICAL

FIGURE 8-6. AC BOX AT PLATFORM INSTALLATION - 220V CEE7 POST GROUND 2X4 BOX (CE SPECS)



ART\_1001206779

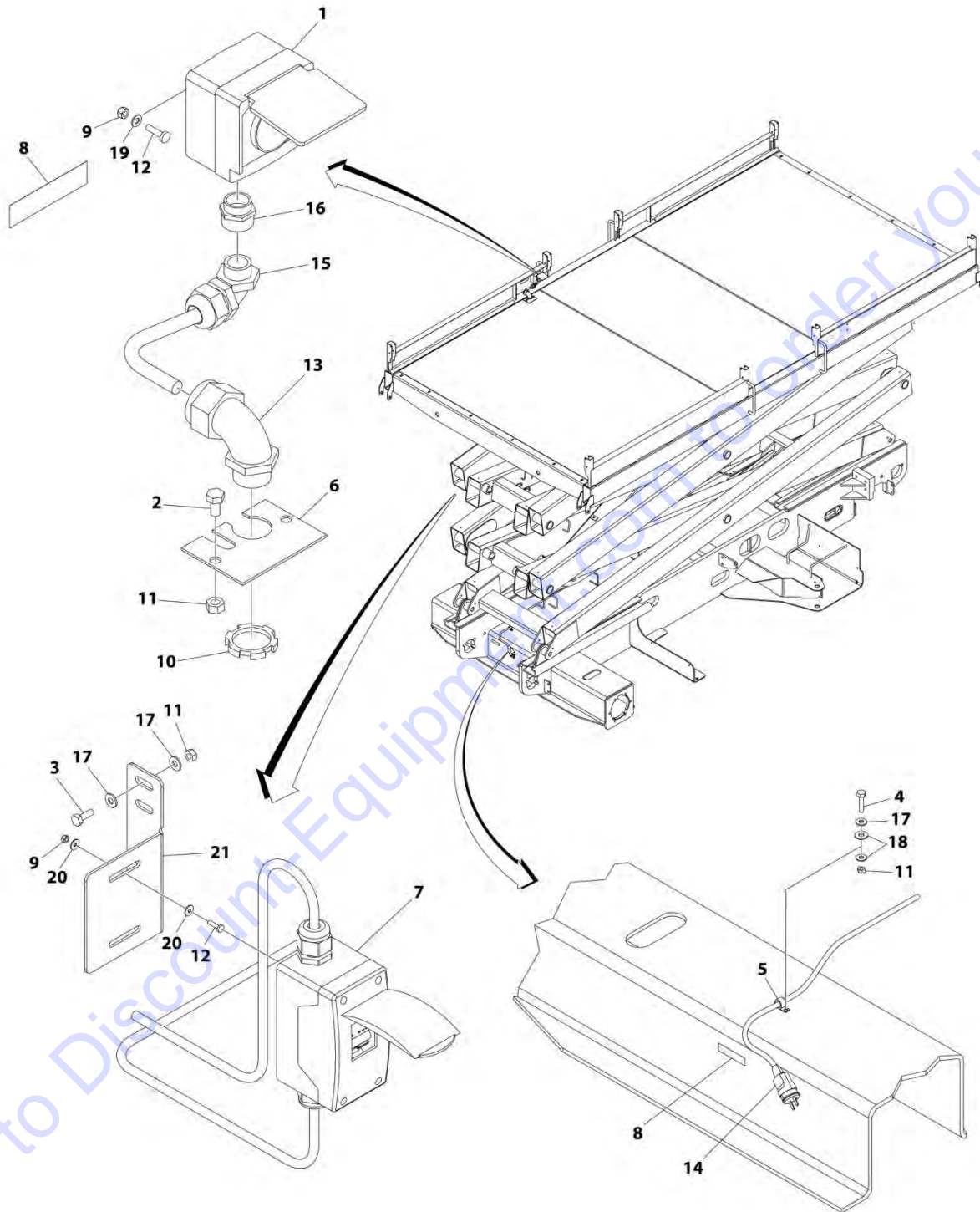
## SECTION 8 - ELECTRICAL

**FIGURE 8-6. AC BOX AT PLATFORM INSTALLATION - 220V CEE7 POST GROUND 2X4 BOX (CE SPECS)**

ITEM	PART NUMBER	QTY	DESCRIPTION	REV
	1001206779	Ref	AC BOX AT PLATFORM INSTALLATION - 220V CEE7 POST GROUND 2X4 BOX (CE SPECS)	D
1	0275452	1	Receptacle Box Kit - 220V CEE7 Post Ground 2X4 Box (CE Specs) (See Separate Breakdown in this Section)	
2	0641404	2	Bolt 1/4 x 1/2	
3	0641406	2	Bolt 1/4 x 3/4	
4	0641409	1	Bolt 1/4 x 1-1/8	
5	1320224	1	Clamp	
6	1670988	1	Cover	
7	2902549	1	Breaker Box Kit (See Separate Breakdown in this Section) <b>(Prior to SN 0200268756)</b>	
7	1001096070	1	Breaker Box Kit (See Separate Breakdown in this Section) <b>(SN 0200268756 to Present)</b>	
8	3252507	2	Decal - 220 Volt	
9	3290405	6	Nut M4	
10	3300048	1	Nut 3/4	
11	3311405	5	Nut 1/4	
12	4010408	6	Screw M4 x 16	
13	4460422	1	Connector, Strain Relief	
14	4460968	1	Connector, Strain Relief	
15	4461202	1	Plug, Male	
16	4711400	5	Washer 1/4	
17	4751400	2	Washer 1/4	
18	4811400	4	Washer M4	
19	1001091102	4	Washer M4	
20	1001206928	1	Bracket	

# SECTION 8 - ELECTRICAL

FIGURE 8-7. AC BOX AT PLATFORM INSTALLATION - 220V CEE7 POST GROUND 70X70 BOX (CE SPECS)



ART\_1001206784

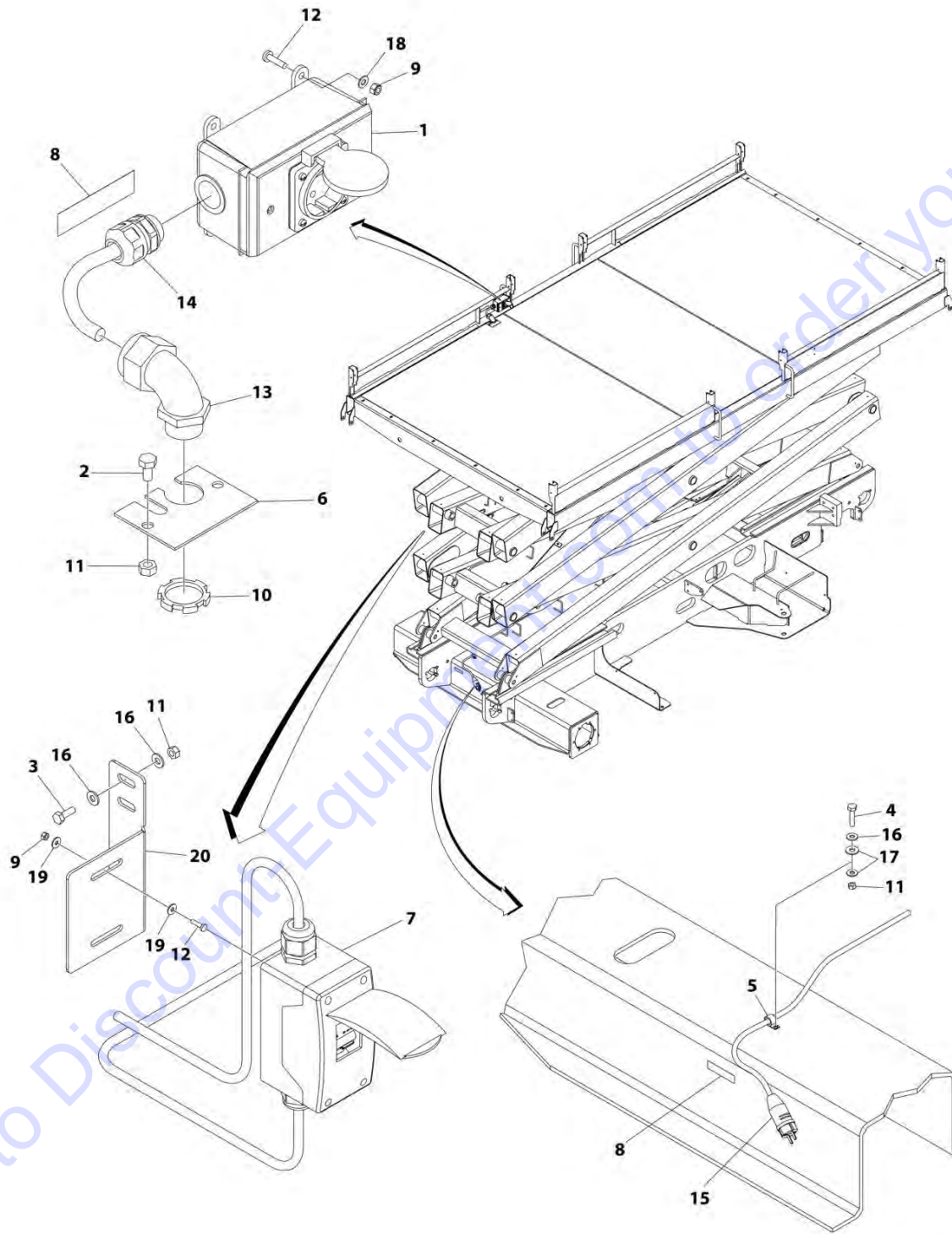
## SECTION 8 - ELECTRICAL

**FIGURE 8-7. AC BOX AT PLATFORM INSTALLATION - 220V CEE7 POST GROUND 70X70 BOX (CE SPECS)**

ITEM	PART NUMBER	QTY	DESCRIPTION	REV
	1001206784	Ref	AC BOX AT PLATFORM INSTALLATION - 220V CEE7 POST GROUND 70X70 BOX (CE SPECS)	D
1	0275218	1	Receptacle Box Kit - 220V CEE7 Post Ground 70X70 Box (CE Specs) (See Separate Breakdown in this Section)	
2	0641404	2	Bolt 1/4 x 1/2	
3	0641406	2	Bolt 1/4 x 3/4	
4	0641409	1	Bolt 1/4 x 1-1/8	
5	1320224	1	Clamp	
6	1670988	1	Cover	
7	2902549	1	Breaker Box Kit (See Separate Breakdown in this Section) <b>(Prior to SN 0200268756)</b>	
7	1001096070	1	Breaker Box Kit (See Separate Breakdown in this Section) <b>(SN 0200268756 to Present)</b>	
8	3252507	2	Decal - 220 Volt	
9	3290405	4	Nut M4	
10	3300048	1	Nut 3/4	
11	3311405	5	Nut 1/4	
12	4010408	4	Screw M4 x 16	
13	4460422	1	Connector, Strain Relief	
14	4461202	1	Plug, Male	
15	4461257	1	Connector, Strain Relief	
16	4461258	1	Adapter	
17	4711400	5	Washer 1/4	
18	4751400	2	Washer 1/4	
19	4811400	2	Washer M4	
20	1001091102	4	Washer M4	
21	1001206928	1	Bracket	

# SECTION 8 - ELECTRICAL

FIGURE 8-8. AC BOX AT PLATFORM INSTALLATION - 220V CEE7 SIDE GROUND 2X4 BOX (CE SPECS)



ART\_1001206780

## SECTION 8 - ELECTRICAL

**FIGURE 8-8. AC BOX AT PLATFORM INSTALLATION - 220V CEE7 SIDE GROUND 2X4 BOX (CE SPECS)**

ITEM	PART NUMBER	QTY	DESCRIPTION	REV
	1001206780	Ref	AC BOX AT PLATFORM INSTALLATION - 220V CEE7 SIDE GROUND 2X4 BOX (CE SPECS)	D
1	0275453	1	Receptacle Box Kit - 220V CEE7 Side Ground 2X4 Box (CE Specs) (See Separate Breakdown in this Section)	
2	0641404	2	Bolt 1/4 x 1/2	
3	0641406	2	Bolt 1/4 x 3/4	
4	0641409	1	Bolt 1/4 x 1-1/8	
5	1320224	1	Clamp	
6	1670988	1	Cover	
7	2902549	1	Breaker Box Kit (See Separate Breakdown in this Section) <b>(Prior to SN 0200268756)</b>	
7	1001096070	1	Breaker Box Kit (See Separate Breakdown in this Section) <b>(SN 0200268756 to Present)</b>	
8	3252507	2	Decal - 220 Volt	
9	3290405	6	Nut M4	
10	3300048	1	Nut 3/4	
11	3311405	5	Nut 1/4	
12	4010408	6	Screw M4 x 16	
13	4460422	1	Connector, Strain Relief	
14	4460968	1	Connector, Strain Relief	
15	4461205	1	Plug, Male	
16	4711400	5	Washer 1/4	
17	4751400	2	Washer 1/4	
18	4811400	4	Washer M4	
19	1001091102	4	Washer M4	
20	1001206928	1	Bracket	



## SECTION 8 - ELECTRICAL

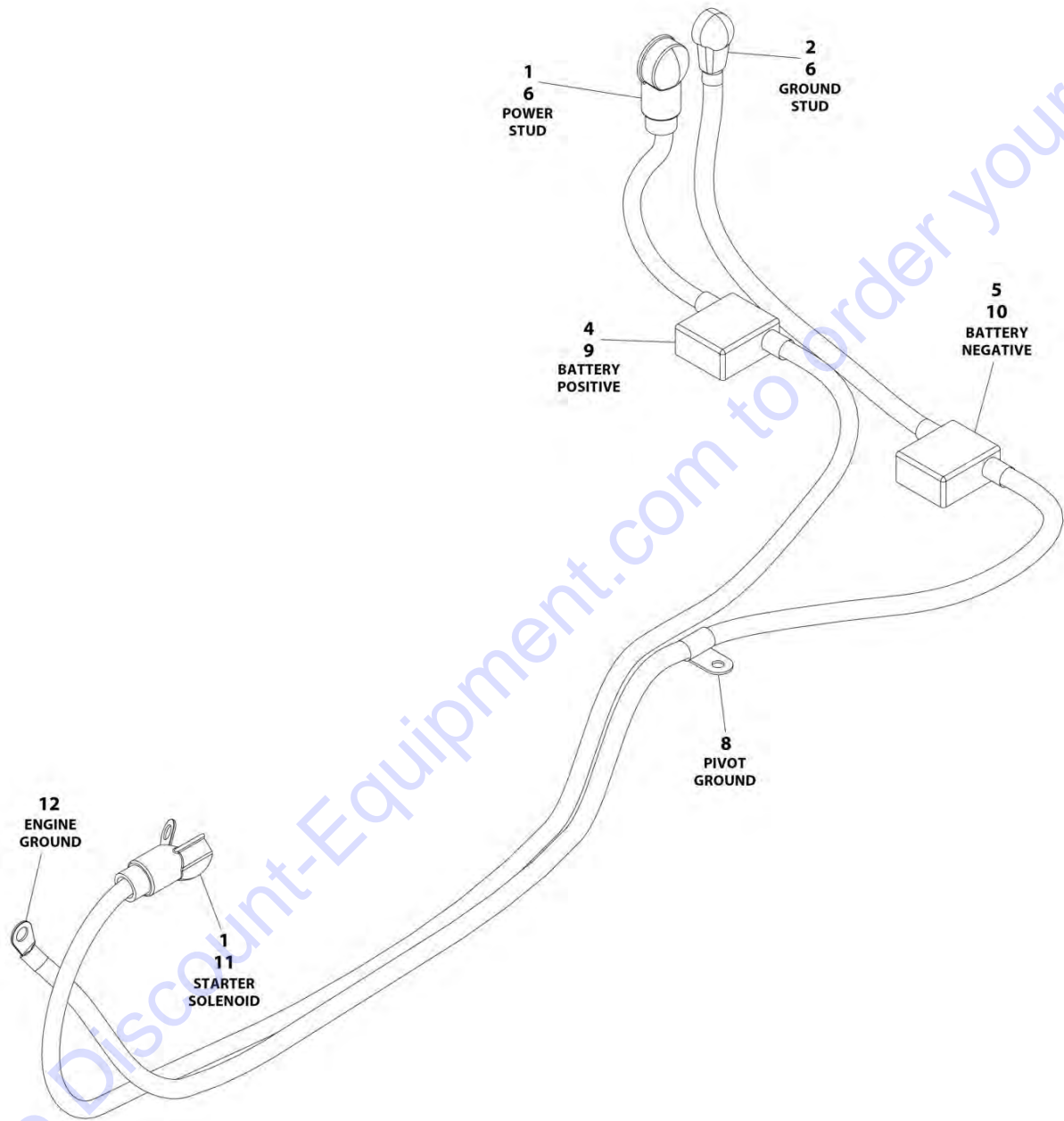
**FIGURE 8-9. AC BOX AT PLATFORM INSTALLATION - 220V CEE7 SIDE GROUND 70X70 BOX (CE SPECS)**

ITEM	PART NUMBER	QTY	DESCRIPTION	REV
	1001206785	Ref	AC BOX AT PLATFORM INSTALLATION - 220V CEE7 SIDE GROUND 70X70 BOX (CE SPECS)	D
1	0275219	1	Receptacle Box Kit - 220V CEE7 Side Ground 70X70 Box (CE Specs) (See Separate Breakdown in this Section)	
2	0641404	2	Bolt 1/4 x 1/2	
3	0641406	2	Bolt 1/4 x 3/4	
4	0641409	1	Bolt 1/4 x 1-1/8	
5	1320224	1	Clamp	
6	1670988	1	Cover	
7	2902549	1	Breaker Box Kit (See Separate Breakdown in this Section) <b>(Prior to SN 0200268756)</b>	
7	1001096070	1	Breaker Box Kit (See Separate Breakdown in this Section) <b>(SN 0200268756 to Present)</b>	
8	3252507	2	Decal - 220 Volt	
9	3290405	4	Nut M4	
10	3300048	1	Nut 3/4	
11	3311405	5	Nut 1/4	
12	4010408	4	Screw M4 x 16	
13	4460422	1	Connector, Strain Relief	
14	4461205	1	Plug, Male	
15	4461257	1	Connector, Strain Relief	
16	4461258	1	Adapter	
17	4711400	5	Washer 1/4	
18	4751400	2	Washer 1/4	
19	4811400	2	Washer M4	
20	1001091102	4	Washer M4	
21	1001206928	1	Bracket	



# SECTION 8 - ELECTRICAL

## FIGURE 8-10. BATTERY CABLE KIT



ART\_1001186428

## SECTION 8 - ELECTRICAL

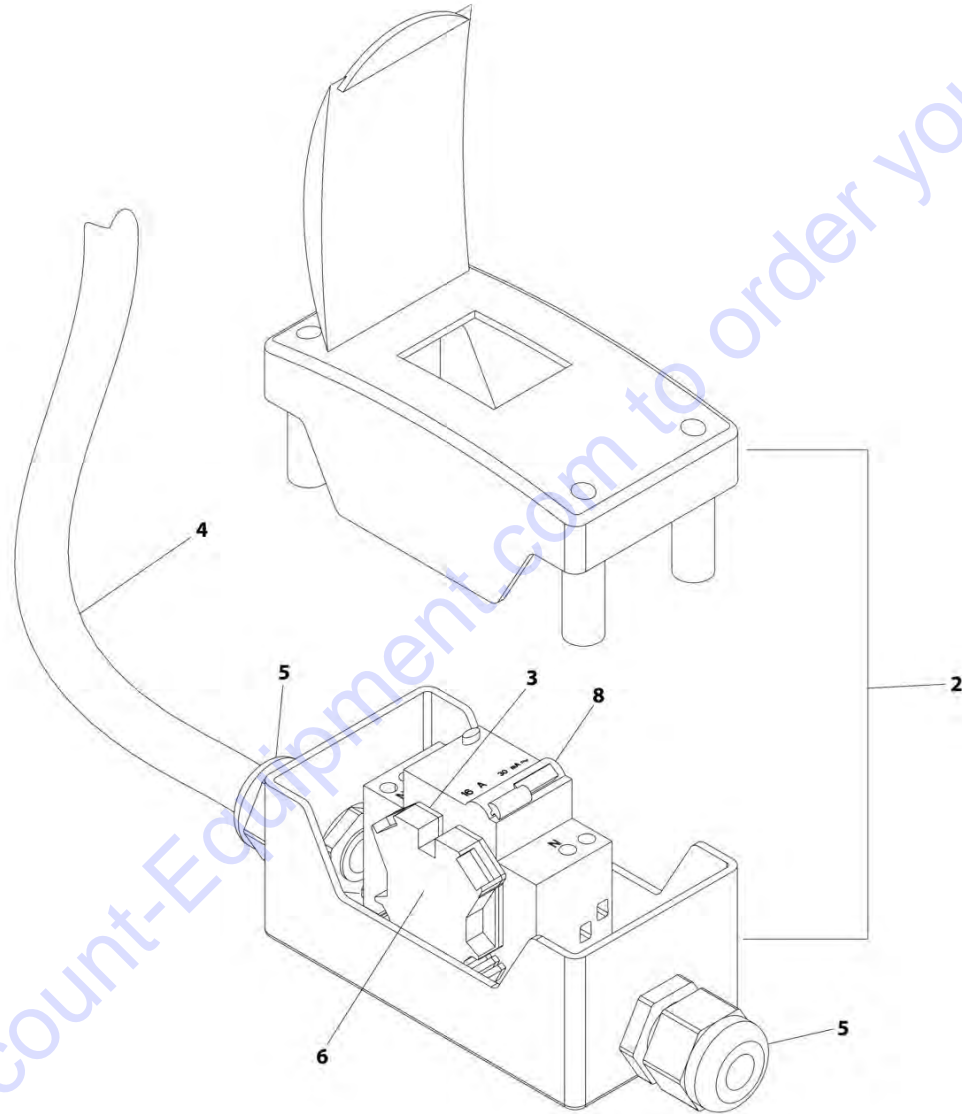
### FIGURE 8-10. BATTERY CABLE KIT

ITEM	PART NUMBER	QTY	DESCRIPTION	REV
	1001186428	Ref	BATTERY CABLE KIT	D
1	0840052	2	Boot	
2	1001098765	1	Boot	
3	1001137304	AR	Conduit (Red) (Not Shown)	
4	1001186483	1	Boot (Red)	
5	1001186484	1	Boot (Black)	
6	1001181804	2	Terminal, Ring	
7	1001186479	2	Terminal, Ring <b>(Prior to SN 0200267032)</b>	
8	1001186480	1	Terminal	
9	1001186481	1	Terminal, Battery +	
10	1001186482	1	Terminal, Battery -	
11	1001230006	1	Terminal, Angle 45, 5/16 <b>(SN 0200267032 to Present)</b>	
12	1001230007	1	Terminal, Angle 45, 3/8 <b>(SN 0200267032 to Present)</b>	

Go to Discount-Equipment.com to order your parts

## SECTION 8 - ELECTRICAL

FIGURE 8-11. BREAKER BOX KIT (Prior to SN 0200268756)



ART\_2902549

## SECTION 8 - ELECTRICAL

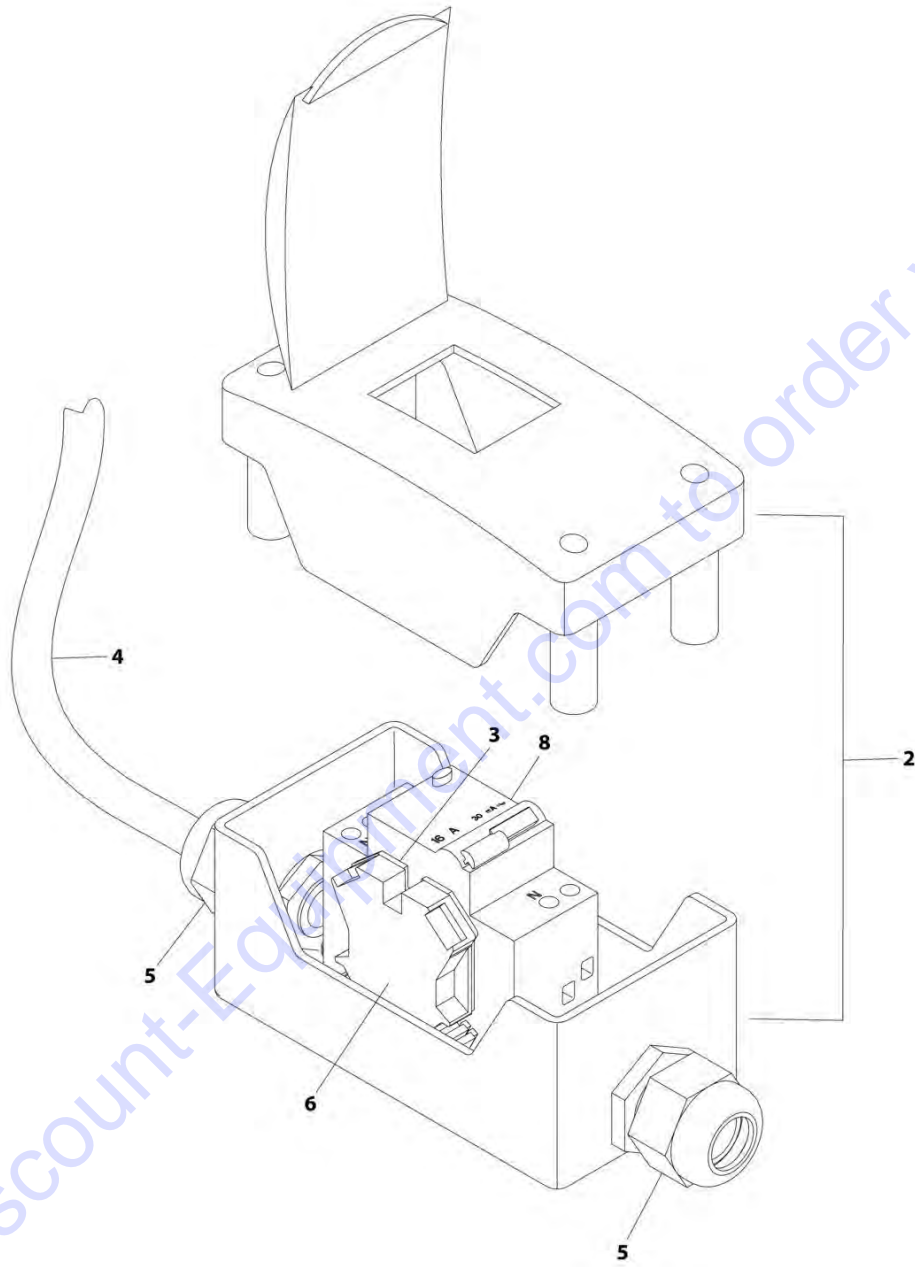
**FIGURE 8-11. BREAKER BOX KIT (Prior to SN 0200268756)**

ITEM	PART NUMBER	QTY	DESCRIPTION	REV
	2902549	Ref	BREAKER BOX KIT - 110/220V 16AMP BREAKER	F
2	0861880	1	Box	
3	4460956	1	Barrier, Terminal	
4	1060908	6 ft/1.8m	Cable, 12/3	
5	1001097150	2	Connector, Strain Relief	
6	4460957	1	Block, Terminal	
8	1001181045	1	Breaker, 16Amp	

Go to Discount-Equipment.com to order your parts

# SECTION 8 - ELECTRICAL

FIGURE 8-12. BREAKER BOX KIT (SN 0200268756 to Present)



ART\_1001096070

## SECTION 8 - ELECTRICAL

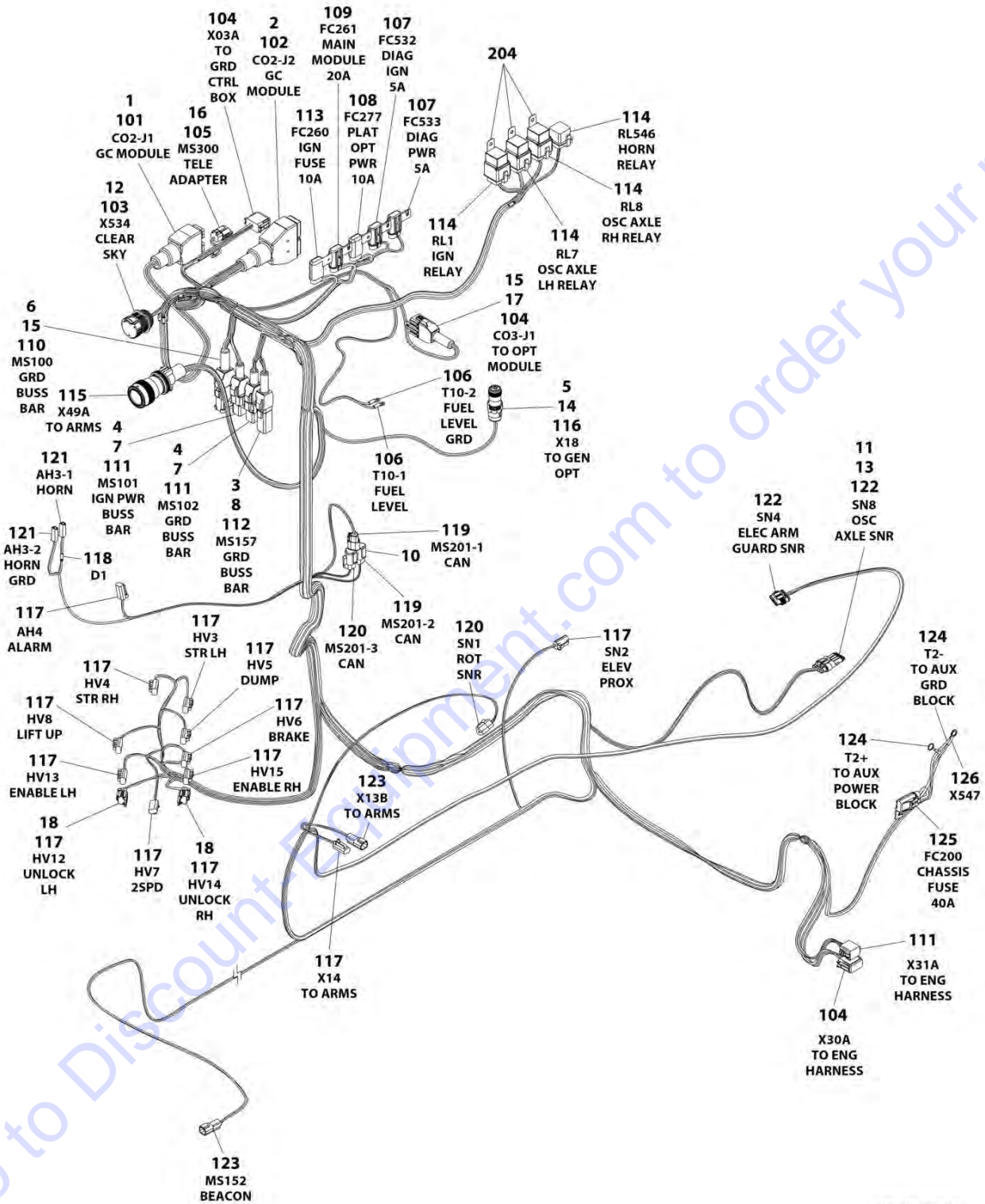
**FIGURE 8-12. BREAKER BOX KIT (SN 0200268756 to Present)**

ITEM	PART NUMBER	QTY	DESCRIPTION	REV
	1001096070	Ref	BREAKER BOX KIT	E
2	0861880	1	Box	
3	4460956	1	Barrier, Terminal Block End	
4	1060908	12 ft/ 3.6m	Cable, 12/3	
5	1001097150	2	Connector, Strain Relief	
6	4460957	1	Block, Terminal	
8	1001181045	1	Breaker, 16Amp	

Go to Discount-Equipment.com to order your parts

# SECTION 8 - ELECTRICAL

## FIGURE 8-13. CHASSIS HARNESS (Prior to SN 0200267917)



ART\_1001208757

## SECTION 8 - ELECTRICAL

**FIGURE 8-13. CHASSIS HARNESS (Prior to SN 0200267917)**

ITEM	PART NUMBER	QTY	DESCRIPTION	REV
	1001208757	Ref	CHASSIS HARNESS	F
1	0840056	1	Boot	
2	0840057	1	Boot	
3	0840059	1	Boot	
4	0840061	2	Boot	
5	4460466	3	Plug, Terminal	
6	4460837	1	Bussbar - 12 Position	
7	4460852	1	Bussbar - 8 Position	
8	4460892	1	Bussbar - 6 Position	
10	4460945	1	Receptacle, 3 Way	
11	1001103013	1	Receptacle, Female - 4 Position	
12	1001106736	1	Cap, Dust	
13	1001116698	4	Plug, Terminal	
14	1001154726	1	Connector - 3 Position	
15	1001174455	2	Boot	
16	1001192401	1	Cap, Dust	
17	1001215898	1	Cap, Dust	
18	1001155806	2	Cap, Dust	
101	4460812	1	Connector - 24 Position	
101	4460465	17	Socket, Female	
101	4460944	3	Socket, Female	
101	4460942	2	Socket, Female	
101	4460466	2	Plug, Terminal	
102	4460814	1	Connector - 40 Position	
102	4460465	25	Socket, Female	
102	4460944	3	Socket, Female	
102	4460942	5	Socket, Female	
102	4460466	7	Plug, Terminal	
103	1001112612	1	Connector - 9 Position	
103	4460943	3	Pin, Male	
103	4460464	3	Pin, Male	
103	4460466	3	Plug, Terminal	
104	4460933	3	Plug, Male - 12 Position	
104	4460465	21	Socket, Female	
104	4460944	3	Socket, Female	
104	4460466	12	Plug, Terminal	
105	4460884	1	Plug, Male - 4 Position	
105	4460465	4	Socket, Female	
106	8220007	2	Terminal, Ring	
107	1001117078	2	Fuseholder with 5Amp Fuse	
107	See Note	NSS	Fuse - 5Amp ATO (Note: Purchase Locally)	
107	1001191599	2	Cover	
107	1001117019	2	Bracket	
107	1001116732	1	Terminal	
107	1001116733	1	Terminal	
108	1001117023	1	Fuseholder with 10Amp Fuse	
108	See Note	NSS	Fuse - 10Amp ATO (Note: Purchase Locally)	
108	1001191599	1	Cover	
108	1001117019	1	Bracket	
108	1001116734	2	Terminal	



## SECTION 8 - ELECTRICAL

ITEM	PART NUMBER	QTY	DESCRIPTION	REV
109	1001117069	1	Fuseholder with 20Amp Fuse	
109	See Note	NSS	Fuse - 20Amp ATO (Note: Purchase Locally)	
109	1001191599	1	Cover	
109	1001117019	1	Bracket	
109	1001116734	2	Terminal	
110	4460836	1	Plug, Male - 12 Position	
110	4460465	9	Socket, Female	
110	4460466	3	Plug, Terminal	
111	4460851	3	Plug, Male - 8 Position	
111	4460465	18	Socket, Female	
111	4460944	3	Socket, Female	
111	4460466	1	Plug, Terminal	
112	4460894	1	Plug, Male - 6 Position	
112	4460465	6	Socket, Female	
113	1001201642	1	Fuseholder with 10Amp Fuse	
113	See Note	NSS	Fuse - 10Amp ATO (Note: Purchase Locally)	
113	1001191599	1	Cover	
113	See Note	NSS	Bracket (Note: Use p/n 1001201642)	
113	1001116733	2	Terminal	
114	1001117057	4	Plug, Relay	
114	1001116732	8	Terminal	
114	1001116733	8	Terminal	
115	1001116926	1	Connector - 21 Position	
115	4460465	4	Socket, Female	
115	4460944	3	Socket, Female	
115	4460509	4	Socket, Female	
115	4460466	10	Plug, Terminal	
116	4460967	1	Connector - 3 Position	
116	4460465	3	Socket, Female	
117	4460891	13	Plug, Male - 4 Position	
117	4460465	26	Socket, Female	
118	3990010	1	Diode	
119	1001116812	2	Plug, Male - 3 Position	
119	4460944	6	Socket, Female	
120	4460539	2	Plug, Male - 3 Position	
120	4460944	6	Socket, Female	
121	4460260	2	Cover, Terminal	
121	4460259	2	Terminal	
122	1001103012	2	Plug, Male - 4 Position	
122	1001107854	8	Socket, Female	
122	1001104498	4	Seal	
122	1001116763	4	Seal	
123	4460897	2	Receptacle, Female - 2 Position	
123	4460464	4	Pin, Male	
124	4460019	2	Terminal, Ring	
125	1001118938	1	Fuseholder with 40Amp Fuse	
125	See Note	NSS	Fuse - 40Amp ATO (Note: Purchase Locally)	
125	1001191599	1	Cover	
125	See Note	NSS	Bracket (Note: Use p/n 1001118938)	
125	1001116734	2	Terminal	
126	4460256	1	Terminal, Ring	

## SECTION 8 - ELECTRICAL

ITEM	PART NUMBER	QTY	DESCRIPTION	REV
204	1001209619 3740080	Ref 3	CHASSIS HARNESS INSTALLATION Relay	D

Go to Discount-Equipment.com to order your parts



## SECTION 8 - ELECTRICAL

**FIGURE 8-14. CHASSIS HARNESS (SN 0200267917 to Present)**

ITEM	PART NUMBER	QTY	DESCRIPTION	REV
	1001236271	Ref	CHASSIS HARNESS	C
1	0840056	1	Boot	
2	0840057	1	Boot	
3	0840059	1	Boot	
4	0840061	2	Boot	
5	4460466	3	Plug, Terminal	
6	4460837	1	Bussbar - 12 Position	
7	4460852	2	Bussbar - 8 Position	
8	4460892	1	Bussbar - 6 Position	
10	4460945	1	Receptacle, 3 Way	
11	1001103013	1	Receptacle, Female - 4 Position	
12	1001106736	1	Cap, Dust	
13	1001116698	4	Plug, Terminal	
14	1001154726	1	Connector - 3 Position	
15	1001174455	2	Boot	
16	1001192401	1	Cap, Dust	
17	1001215898	1	Cap, Dust	
18	1001155806	2	Cap, Dust	
101	4460812	1	Connector - 24 Position	
101	4460465	15	Socket, Female	
101	4460944	3	Socket, Female	
101	4460942	2	Socket, Female	
101	4460466	4	Plug, Terminal	
102	4460814	1	Connector - 40 Position	
102	4460465	25	Socket, Female	
102	4460944	3	Socket, Female	
102	4460942	5	Socket, Female	
102	4460466	7	Plug, Terminal	
103	1001112612	1	Connector - 9 Position	
103	4460943	3	Pin, Male	
103	4460464	3	Pin, Male	
103	4460466	3	Plug, Terminal	
104	4460933	3	Plug, Male - 12 Position	
104	4460465	19	Socket, Female	
104	4460944	5	Socket, Female	
104	4460466	12	Plug, Terminal	
105	4460884	1	Plug, Male - 4 Position	
105	4460465	4	Socket, Female	
106	8220007	2	Terminal, Ring	
107	1001117078	2	Fuseholder with 5Amp Fuse	
107	See Note	NSS	Fuse - 5Amp ATO (Note: Purchase Locally)	
107	1001191599	2	Cover	
107	1001117019	2	Bracket	
107	1001116732	1	Terminal	
107	1001116733	1	Terminal	
108	1001117023	1	Fuseholder with 10Amp Fuse	
108	See Note	NSS	Fuse - 10Amp ATO (Note: Purchase Locally)	
108	1001191599	1	Cover	
108	1001117019	1	Bracket	
108	1001116734	2	Terminal	

# PARTS FINDER

**Search Website  
by Part Number**



**Search Manual  
Library For Parts  
Manual & Lookup Part  
Numbers – Purchase  
or Request Quote**

A screenshot of the "Search Manuals" form. The form is titled "Search Manuals" and includes a search bar, a "Search" button, and a "Clear" button. Below the search bar, there are several input fields for "Find", "Serial Number", "Year", "Make", "Model", "Part Number", "Part Name", "Part Description", and "Part Category". A "Submit" button is located at the bottom of the form.

**Can't Find Part or  
Manual? Request Help  
by Manufacturer,  
Model & Description**

A screenshot of the "Parts Order Form". The form is titled "Parts Order Form" and includes a "Submit" button. Below the button, there are several input fields for "Manufacturer", "Model", "Description", "Part Number", "Part Name", "Part Description", and "Part Category". A "Submit" button is located at the bottom of the form.

Discount-Equipment.com is your online resource for quality parts & equipment.

Florida: **561-964-4949** Outside Florida TOLL FREE: **877-690-3101**

**Need parts?**

Click on this link: <http://www.discount-equipment.com/category/5443-parts/> and choose one of the options to help get the right parts and equipment you are looking for. Please have the machine model and serial number available in order to help us get you the correct parts. If you don't find the part on the website or on one of the online manuals, please fill out the request form and one of our experienced staff members will get back to you with a quote for the right part that your machine needs.

We sell worldwide for the brands: Genie, Terex, JLG, MultiQuip, Mikasa, Essick, Whiteman, Mayco, Toro Stone, Diamond Products, Generac Magnum, Airman, Haulotte, Barreto, Power Blanket, Nifty Lift, Atlas Copco, Chicago Pneumatic, Allmand, Miller Curber, Skyjack, Lull, Skytrak, Tsurumi, Husquvarna Target, Stow, Wacker, Sakai, Mi-T-M, Sullair, Basic, Dynapac, MBW, Weber, Bartell, Bennar Newman, Haulotte, Ditch Runner, Menegotti, Morrison, Contec, Buddy, Crown, Edco, Wyco, Bomag, Laymor, EZ Trench, Bil-Jax, F.S. Curtis, Gehl Pavers, Heli, Honda, ICS/PowerGrit, IHI, Partner, Imer, Clipper, MMD, Koshin, Rice, CH&E, General Equipment, Amida, Coleman, NAC, Gradall, Square Shooter, Kent, Stanley, Tamco, Toku, Hatz, Kohler, Robin, Wisconsin, Northrock, Oztec, Toker TK, Rol-Air, APT, Wylie, Ingersoll Rand / Doosan, Innovatech, Con X, Ammann, Mecalac, Makinex, Smith Surface Prep, Small Line, Wanco, Yanmar

## SECTION 8 - ELECTRICAL

ITEM	PART NUMBER	QTY	DESCRIPTION	REV
109	1001117069	1	Fuseholder with 20Amp Fuse	
109	See Note	NSS	Fuse - 20Amp ATO (Note: Purchase Locally)	
109	1001191599	1	Cover	
109	1001117019	1	Bracket	
109	1001116734	2	Terminal	
110	4460836	1	Plug, Male - 12 Position	
110	4460465	10	Socket, Female	
110	4460466	2	Plug, Terminal	
111	4460851	3	Plug, Male - 8 Position	
111	4460465	20	Socket, Female	
111	4460944	3	Socket, Female	
111	4460466	1	Plug, Terminal	
112	4460894	1	Plug, Male - 6 Position	
112	4460465	6	Socket, Female	
113	1001201642	1	Fuseholder with 10Amp Fuse	
113	See Note	NSS	Fuse - 10Amp ATO (Note: Purchase Locally)	
113	1001191599	1	Cover	
113	See Note	NSS	Bracket (Note: Use p/n 1001201642)	
113	1001116733	2	Terminal	
114	1001117057	4	Plug, Relay	
114	1001116732	8	Terminal	
114	1001116733	8	Terminal	
115	1001116926	1	Connector - 21 Position	
115	4460465	4	Socket, Female	
115	4460944	3	Socket, Female	
115	4460509	4	Socket, Female	
115	4460466	10	Plug, Terminal	
116	4460967	1	Connector - 3 Position	
116	4460465	3	Socket, Female	
117	4460891	14	Plug, Male - 4 Position	
117	4460465	28	Socket, Female	
118	3990010	1	Diode	
119	1001116812	2	Plug, Male - 3 Position	
119	4460944	6	Socket, Female	
120	4460539	2	Plug, Male - 3 Position	
120	4460944	6	Socket, Female	
121	4460260	2	Cover, Terminal	
121	4460259	2	Terminal	
122	1001103012	2	Plug, Male - 4 Position	
122	1001107854	8	Socket, Female	
122	1001104498	4	Seal	
122	1001116763	4	Seal	
123	4460897	2	Receptacle, Female - 2 Position	
123	4460464	4	Pin, Male	
124	4460019	2	Terminal, Ring	
125	1001118938	1	Fuseholder with 40Amp Fuse	
125	See Note	NSS	Fuse - 40Amp ATO (Note: Purchase Locally)	
125	1001191599	1	Cover	
125	See Note	NSS	Bracket (Note: Use p/n 1001118938)	
125	1001116734	2	Terminal	
126	4460256	1	Terminal, Ring	

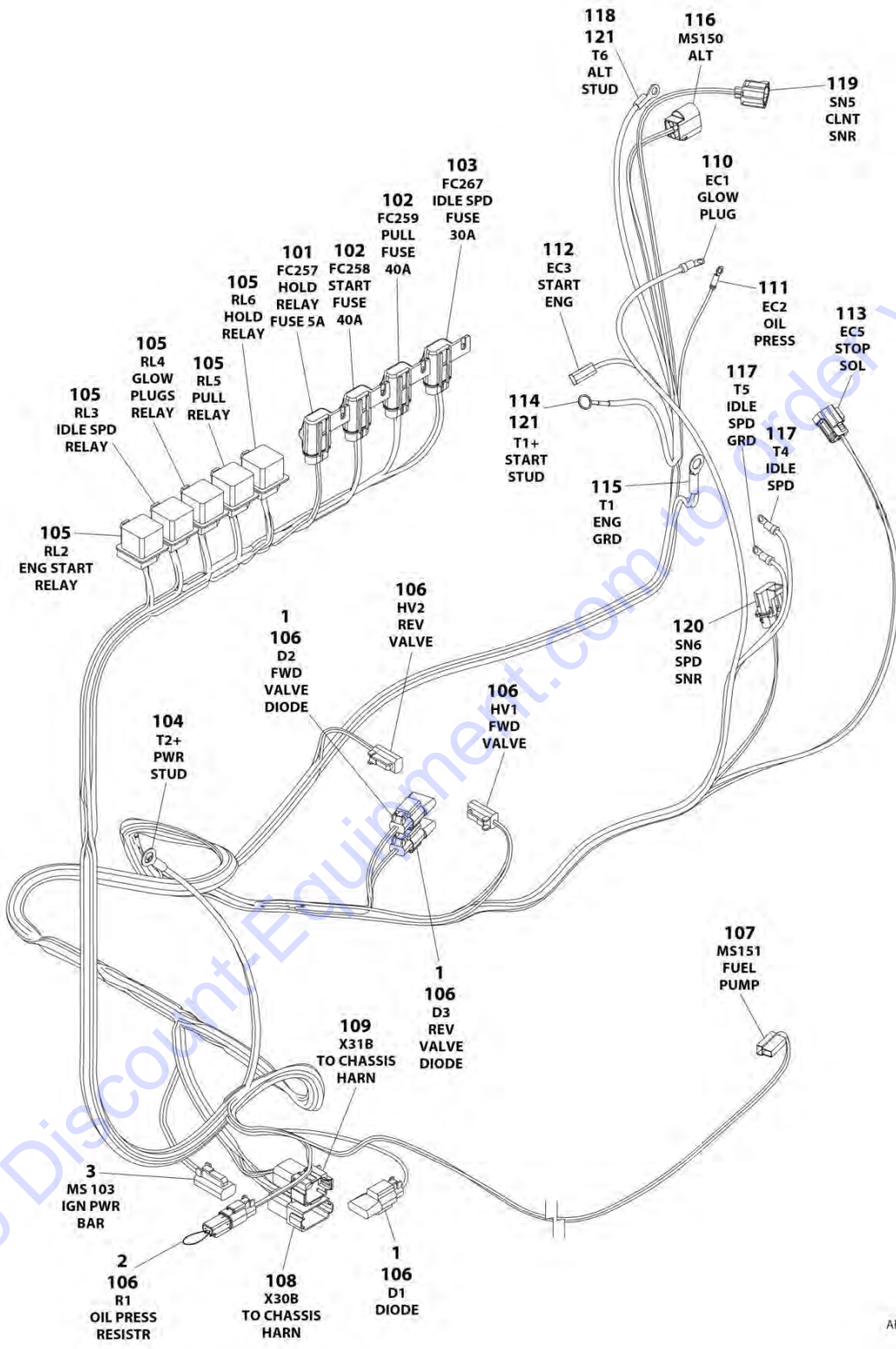
## SECTION 8 - ELECTRICAL

ITEM	PART NUMBER	QTY	DESCRIPTION	REV
127	4460930	1	Plug, Male - 8 Position	
127	4460465	7	Socket, Female	
127	4460466	1	Plug, Terminal	
128	4460761	1	Receptacle, Female - 4 Position	
128	4460267	4	Pin, Male	
129	1001116808	1	Plug, Male - 12 Position	
129	1001126008	4	Terminal	
129	4460518	8	Plug, Terminal	
130	1001116774	1	Plug, Male - 12 Position	
130	1001126008	7	Terminal	
130	1001126009	2	Terminal	
130	4460518	3	Plug, Terminal	
	1001209619	Ref	CHASSIS HARNESS INSTALLATION	F
204	3740080	3	Relay	
212	100234736	1	Module, Control	

Go to Discount-Equipment.com to order your parts

# SECTION 8 - ELECTRICAL

FIGURE 8-15. ENGINE HARNESS - KUBOTA DIESEL (Prior to SN 0200267917)



ART\_1001209064



## SECTION 8 - ELECTRICAL

**FIGURE 8-15. ENGINE HARNESS - KUBOTA DIESEL (Prior to SN 0200267917)**

ITEM	PART NUMBER	QTY	DESCRIPTION	REV
	1001209064	Ref	ENGINE HARNESS - KUBOTA DIESEL	I
1	1001116816	3	Receptacle, Female with Diode	
2	1001195684	1	Resistor	
3	4460893	1	Terminal, 4 Position Buss Bar <b>(SN 0200267032 to Present)</b>	
101	1001119412	1	Fuseholder with 5Amp Fuse	
101	See Note	NSS	Fuse - 5Amp ATO (Note: Purchase Locally)	
101	1001191599	1	Cover	
101	See Note	NSS	Bracket (Note: Use p/n 1001119412)	
101	1001116732	1	Terminal	
101	1001116733	1	Terminal	
102	1001118938	2	Fuseholder with 40Amp Fuse	
102	See Note	NSS	Fuse - 40Amp ATO (Note: Purchase Locally)	
102	1001191599	2	Cover	
102	See Note	NSS	Bracket (Note: Use p/n 1001118938)	
102	1001116734	4	Terminal	
103	1001117070	1	Fuseholder with 30Amp Fuse	
103	See Note	NSS	Fuse - 30Amp ATO (Note: Purchase Locally)	
103	1001191599	1	Cover	
103	See Note	NSS	Bracket (Note: Use p/n 1001117070)	
103	1001116734	4	Terminal	
104	8220164	2	Terminal, Ring	
105	1001117057	5	Plug, Relay	
105	1001116732	12	Terminal	
105	1001116734	AR	Terminal	
105	1001116752	1	Terminal	
106	4460891	6	Plug, Male - 4 Position	
106	4460465	10	Socket, Female	
106	4460942	2	Socket, Female	
107	1001118744	1	Receptacle, Female - 2 Position	
107	1001118745	2	Terminal <b>(Prior to SN 0200267032)</b>	
107	1001230488	2	Terminal <b>(SN 0200267032 through 0200267917)</b>	
108	4460970	1	Receptacle, Female - 12 Position	
108	4460464	11	Pin, Male	
108	4460466	1	Plug, Terminal	
109	1001116813	1	Receptacle, Female - 8 Position	
109	4460464	5	Pin, Male	
109	4460466	3	Plug, Terminal	
110	4460142	1	Terminal, Ring	
111	4460247	1	Terminal, Ring	
112	1001118743	1	Cover, Terminal	
112	1001118745	1	Terminal	
113	1001223432	1	Receptacle, Female - 2 Position	
113	1001223795	2	Terminal	
113	1001223796	2	Seal	
114	4460019	1	Terminal, Ring (Use Item 121) <b>(Prior to SN 0200267917)</b>	
115	8220164	1	Terminal, Ring	
116	1001125748	1	Receptacle, Female - 2 Position	
116	1001125773	2	Terminal	
116	1001129772	2	Seal	
117	4460042	2	Terminal, Ring	

## SECTION 8 - ELECTRICAL

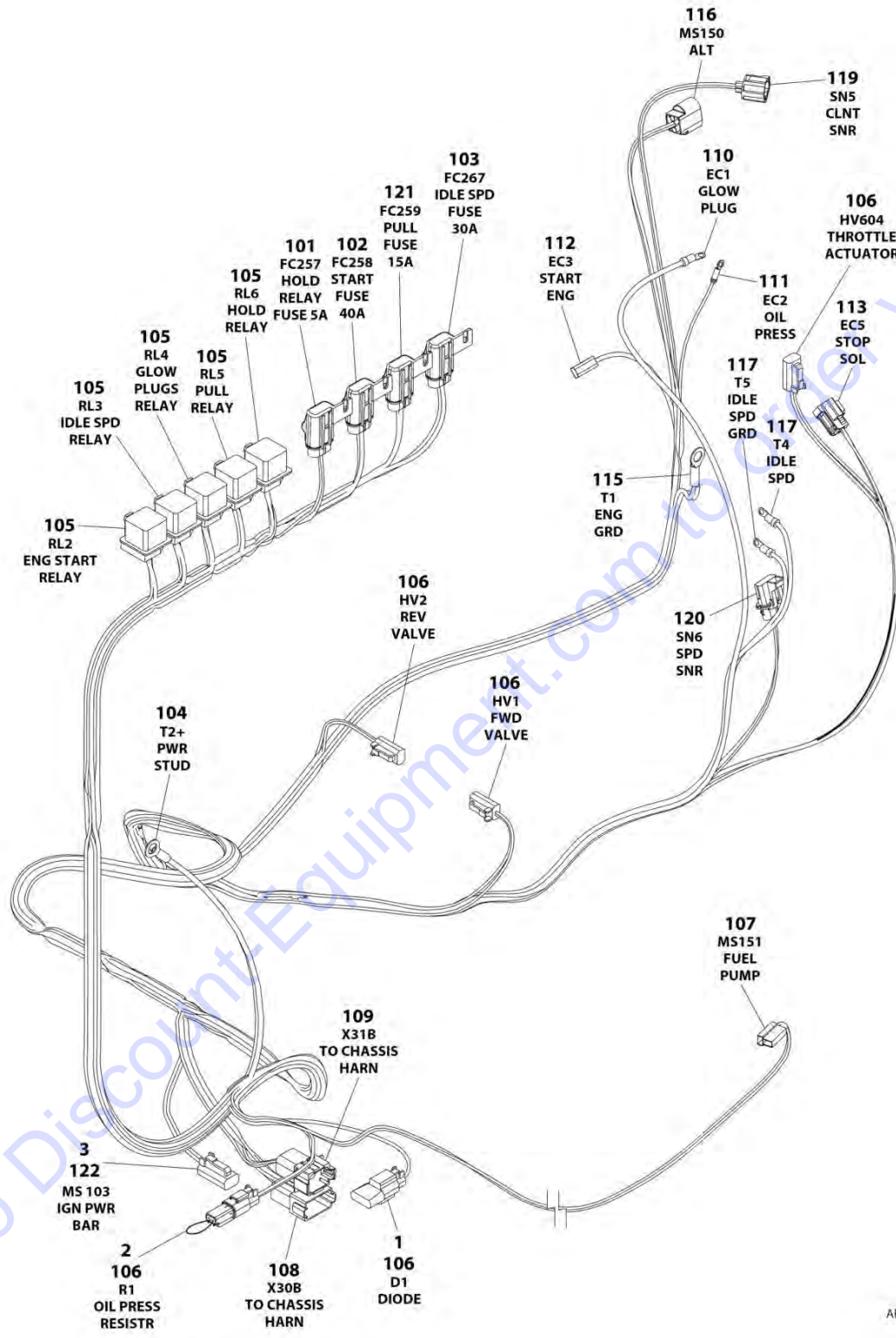
ITEM	PART NUMBER	QTY	DESCRIPTION	REV
118	8220045	1	Terminal, Ring (Use Item 121) <b>(Prior to SN 0200267917)</b>	
119	1001118657	1	Receptacle, Female - 2 Position	
119	1001118658	2	Terminal	
119	1001200250	2	Seal	
120	1001117055	1	Receptacle, Female - 2 Position	
120	4460746	2	Terminal	
120	1001175265	2	Seal	
121	1001234069	1	Harness, Fusible Link (Note: Replacement Harness p/n 1001209064 does not include item 114, 118 or associated wiring. Item 121 must be purchased separately.)	

Go to Discount-Equipment.com to order your parts



# SECTION 8 - ELECTRICAL

FIGURE 8-16. ENGINE HARNESS - KUBOTA DIESEL (SN 0200267917 to Present)



ART\_1001236545

## SECTION 8 - ELECTRICAL

**FIGURE 8-16. ENGINE HARNESS - KUBOTA DIESEL (SN 0200267917 to Present)**

ITEM	PART NUMBER	QTY	DESCRIPTION	REV
	1001236545	Ref	ENGINE HARNESS - KUBOTA DIESEL	B
1	1001116816	3	Receptacle, Female with Diode	
2	1001195684	1	Resistor	
3	4460893	1	Terminal, 4 Position Buss Bar	
101	1001119412	1	Fuseholder with 5Amp Fuse	
101	See Note	NSS	Fuse - 5Amp ATO (Note: Purchase Locally)	
101	1001191599	1	Cover	
101	See Note	NSS	Bracket (Note: Use p/n 1001119412)	
101	1001116732	1	Terminal	
101	1001116733	1	Terminal	
102	1001118938	1	Fuseholder with 40Amp Fuse	
102	See Note	NSS	Fuse - 40Amp ATO (Note: Purchase Locally)	
102	1001191599	1	Cover	
102	See Note	NSS	Bracket (Note: Use p/n 1001118938)	
102	1001116734	2	Terminal	
103	1001117070	1	Fuseholder with 30Amp Fuse	
103	See Note	NSS	Fuse - 30Amp ATO (Note: Purchase Locally)	
103	1001191599	1	Cover	
103	See Note	NSS	Bracket (Note: Use p/n 1001117070)	
103	1001116734	2	Terminal	
104	8220164	2	Terminal, Ring	
105	1001117057	5	Plug, Relay	
105	1001116732	12	Terminal	
105	1001116734	8	Terminal	
106	4460891	6	Plug, Male - 4 Position	
106	4460465	10	Socket, Female	
106	4460942	2	Socket, Female	
107	1001118744	1	Receptacle, Female - 2 Position	
107	1001118745	2	Terminal	
108	4460970	1	Receptacle, Female - 12 Position	
108	4460464	11	Pin, Male	
108	4460941	1	Pin, Male	
109	1001116813	1	Receptacle, Female - 8 Position	
109	4460464	5	Pin, Male	
109	4460466	3	Plug, Terminal	
110	4460142	1	Terminal, Ring	
111	4460247	1	Terminal, Ring	
112	1001118743	1	Cover, Terminal	
112	1001230488	1	Terminal	
113	1001223432	1	Receptacle, Female - 2 Position	
113	1001223795	2	Terminal	
113	1001223796	2	Seal	
115	8220164	1	Terminal, Ring	
116	1001125748	1	Receptacle, Female - 2 Position	
116	1001125773	2	Terminal	
116	1001129772	2	Seal	
117	4460042	2	Terminal, Ring	
119	1001118657	1	Receptacle, Female - 2 Position	
119	1001118658	2	Terminal	
119	1001200250	2	Seal	

## SECTION 8 - ELECTRICAL

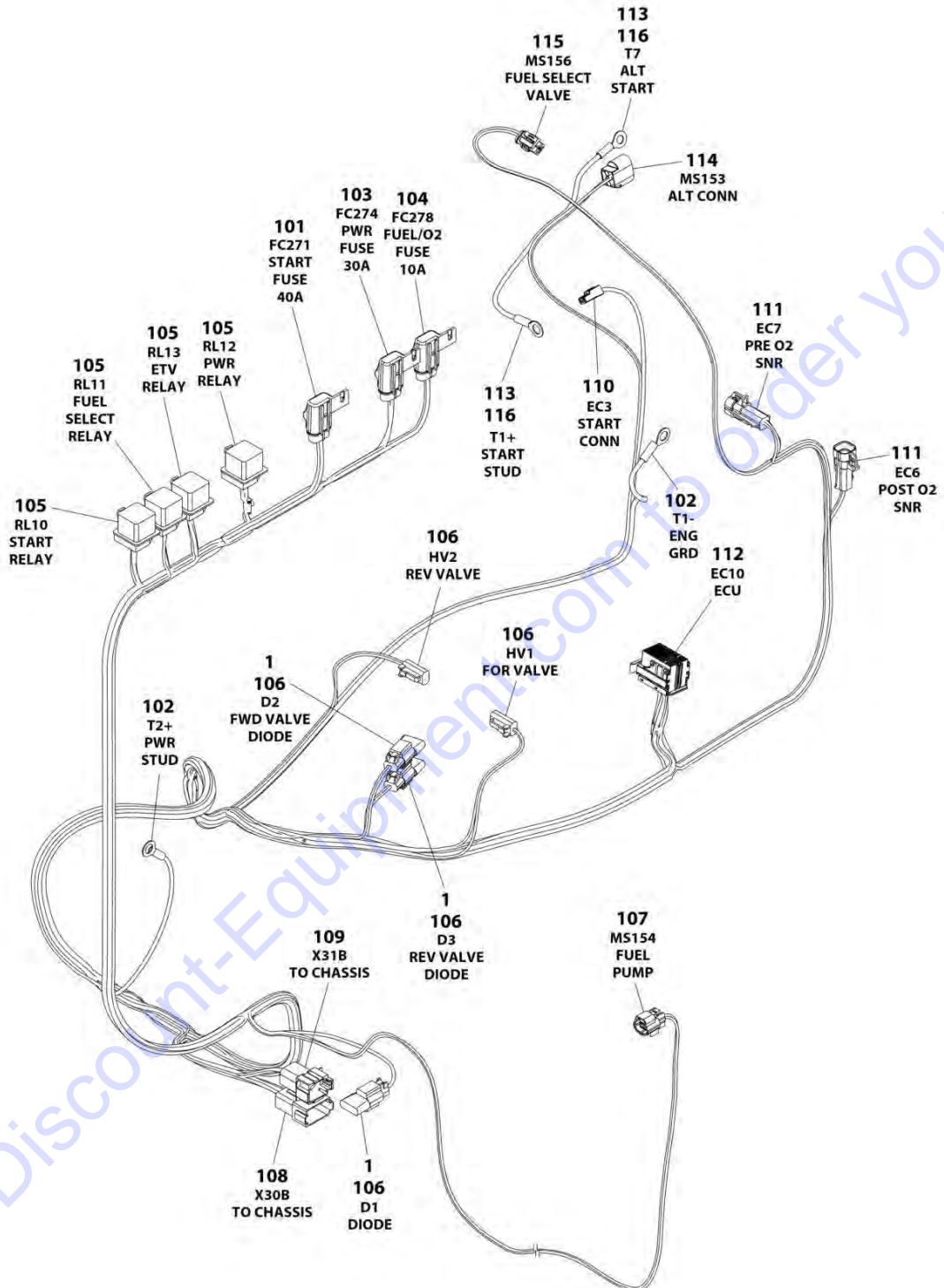
ITEM	PART NUMBER	QTY	DESCRIPTION	REV
120	1001117055	1	Receptacle, Female - 2 Position	
120	4460746	2	Terminal	
120	1001175265	2	Seal	
121	1001117024	1	Fuseholder with 15Amp Fuse	
121	See Note	NSS	Fuse - 15Amp ATO (Note: Purchase Locally)	
121	1001191599	1	Cover	
121	See Note	NSS	Bracket (Note: Use p/n 1001117024)	
121	1001116734	2	Terminal	
122	4460884	1	Plug, Male - 4 Position	
122	4460465	3	Socket, Female	
122	4460466	1	Plug, Terminal	

Go to Discount-Equipment.com to order your parts



# SECTION 8 - ELECTRICAL

## FIGURE 8-17. ENGINE HARNESS - KUBOTA GASOLINE (Prior to SN 0200267917)



ART\_1001209931



## SECTION 8 - ELECTRICAL

**FIGURE 8-17. ENGINE HARNESS - KUBOTA GASOLINE (Prior to SN 0200267917)**

ITEM	PART NUMBER	QTY	DESCRIPTION	REV
	1001209931	Ref	ENGINE HARNESS - KUBOTA GASOLINE	G
1	1001116816	3	Receptacle, Female with Diode	
101	1001118938	2	Fuseholder with 40Amp Fuse	
101	See Note	NSS	Fuse - 40Amp ATO (Note: Purchase Locally)	
101	1001191599	2	Cover	
101	See Note	NSS	Bracket (Note: Use p/n 1001118938)	
101	1001116734	2	Terminal	
102	8220164	2	Terminal, Ring	
103	1001117070	1	Fuseholder with 30Amp Fuse	
103	See Note	NSS	Fuse - 30Amp ATO (Note: Purchase Locally)	
103	1001191599	1	Cover	
103	See Note	NSS	Bracket (Note: Use p/n 1001117070)	
103	1001116734	2	Terminal	
104	1001117023	1	Fuseholder with 10Amp Fuse	
104	See Note	NSS	Fuse - 10Amp ATO (Note: Purchase Locally)	
104	1001191599	1	Cover	
104	See Note	NSS	Bracket (Note: Use p/n 1001201642)	
104	1001116734	2	Terminal	
105	1001117057	4	Plug, Relay	
105	1001116732	6	Terminal	
105	1001116733	2	Terminal	
105	1001116734	7	Terminal	
105	1001116752	1	Terminal	
106	4460891	5	Plug, Male - 4 Position	
106	4460465	10	Socket, Female	
107	1001184832	1	Receptacle, Female - 2 Position	
107	1001118658	2	Terminal	
108	4460970	1	Receptacle, Female - 12 Position	
108	4460464	7	Pin, Male	
108	4460466	5	Plug, Terminal	
109	1001116813	1	Receptacle, Female - 8 Position	
109	4460464	1	Pin, Male	
109	4460943	3	Pin, Male	
109	4460466	4	Plug, Terminal	
110	1001184768	1	Cover, Terminal	
110	1001125033	2	Terminal	
111	4461124	2	Plug, Male - 4 Position	
111	1001116749	8	Terminal	
111	4460608	8	Seal	
112	1001184705	1	Connector - 42 Position	
112	1001187455	5	Terminal	
112	1001184716	10	Terminal	
112	1001184717	2	Terminal	
112	1001184718	4	Terminal	
112	4461054	6	Seal	
112	1001167690	3	Seal	
112	1001126393	12	Seal	
112	1001116696	21	Plug, Terminal	
113	8220045	2	Terminal, Ring (Use item 116) <b>(Prior to SN 0200267917)</b>	
114	1001125748	1	Receptacle, Female - 2 Position	

## SECTION 8 - ELECTRICAL

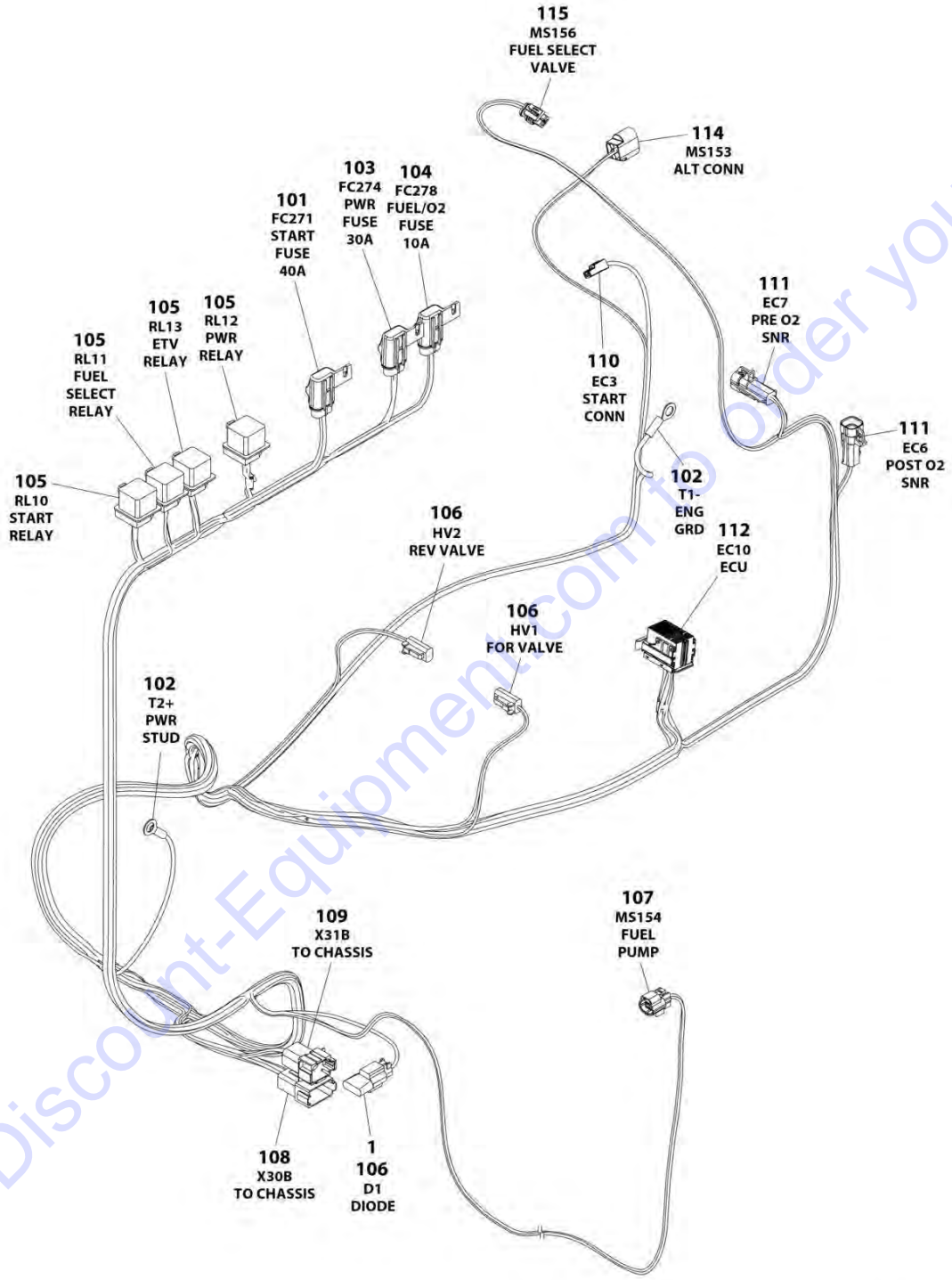
ITEM	PART NUMBER	QTY	DESCRIPTION	REV
114	1001125773	2	Terminal	
114	1001129772	2	Seal	
115	4461118	1	Plug, Male - 2 Position	
115	See Note	NSS	Terminal (Note: Not Available for Purchase)	
115	1001104498	2	Seal	
116	1001234069	1	Harness, Fusible Link (Note: Replacement Harness p/n 1001209931 does not include item 113 and associated wiring. Item 116 must be purchased separately.)	

Go to Discount-Equipment.com to order your parts



# SECTION 8 - ELECTRICAL

## FIGURE 8-18. ENGINE HARNESS - KUBOTA GASOLINE (SN 0200267917 to Present)



ART\_1001236546

## SECTION 8 - ELECTRICAL

**FIGURE 8-18. ENGINE HARNESS - KUBOTA GASOLINE (SN 0200267917 to Present)**

ITEM	PART NUMBER	QTY	DESCRIPTION	REV
	1001236546	Ref	ENGINE HARNESS - KUBOTA GASOLINE	B
1	1001116816	1	Receptacle, Female with Diode	
101	1001118938	1	Fuseholder with 40Amp Fuse	
101	See Note	NSS	Fuse - 40Amp ATO (Note: Purchase Locally)	
101	1001191599	1	Cover	
101	See Note	NSS	Bracket (Note: Use p/n 1001118938)	
101	1001116734	2	Terminal	
102	8220164	2	Terminal, Ring	
103	1001117070	1	Fuseholder with 30Amp Fuse	
103	See Note	NSS	Fuse - 30Amp ATO (Note: Purchase Locally)	
103	1001191599	1	Cover	
103	See Note	NSS	Bracket (Note: Use p/n 1001117070)	
103	1001116734	2	Terminal	
104	1001117023	1	Fuseholder with 10Amp Fuse	
104	See Note	NSS	Fuse - 10Amp ATO (Note: Purchase Locally)	
104	1001191599	1	Cover	
104	See Note	NSS	Bracket (Note: Use p/n 1001201642)	
104	1001116734	2	Terminal	
105	1001117057	4	Plug, Relay	
105	1001116732	6	Terminal	
105	1001116733	2	Terminal	
105	1001116734	7	Terminal	
105	1001116752	1	Terminal	
106	4460891	3	Plug, Male - 4 Position	
106	4460465	6	Socket, Female	
107	1001184832	1	Receptacle, Female - 2 Position	
107	1001118658	2	Terminal	
108	4460970	1	Receptacle, Female - 12 Position	
108	4460464	7	Pin, Male	
108	4460466	5	Plug, Terminal	
109	1001116813	1	Receptacle, Female - 8 Position	
109	4460464	1	Pin, Male	
109	4460943	3	Pin, Male	
109	4460466	4	Plug, Terminal	
110	1001184768	1	Cover, Terminal	
110	1001184769	2	Terminal	
111	4461124	2	Plug, Male - 4 Position	
111	1001116749	8	Terminal	
111	4460608	8	Seal	
112	1001184705	1	Connector - 42 Position	
112	1001187455	5	Terminal	
112	1001184716	10	Terminal	
112	1001184717	2	Terminal	
112	1001184718	4	Terminal	
112	4461054	6	Seal	
112	1001167690	3	Seal	
112	1001126393	10	Seal	
112	1001223459	2	Seal	
112	1001116691	20	Plug, Terminal	
112	1001116696	1	Plug, Terminal	

## SECTION 8 - ELECTRICAL

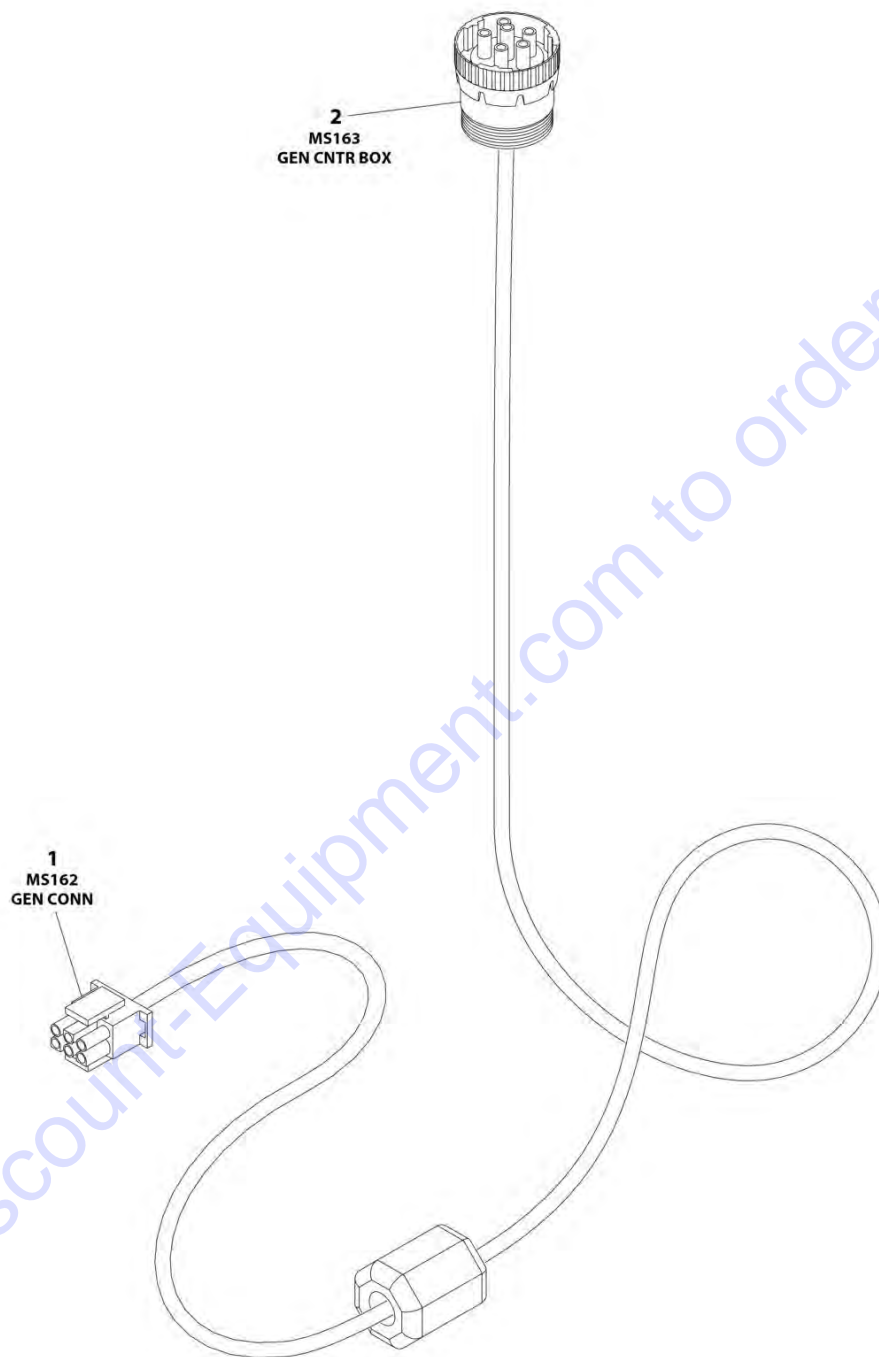
ITEM	PART NUMBER	QTY	DESCRIPTION	REV
114	1001125748	1	Receptacle, Female - 2 Position	
114	1001125773	2	Terminal	
114	1001129772	2	Seal	
115	4461118	1	Plug, Male - 2 Position	
115	1001107854	2	Terminal	
115	1001116763	2	Seal	

Go to Discount-Equipment.com to order your parts



## SECTION 8 - ELECTRICAL

FIGURE 8-19. GENERATOR HARNESS - 7500W (Prior to SN 0200267640)



ART\_1001186821



## SECTION 8 - ELECTRICAL

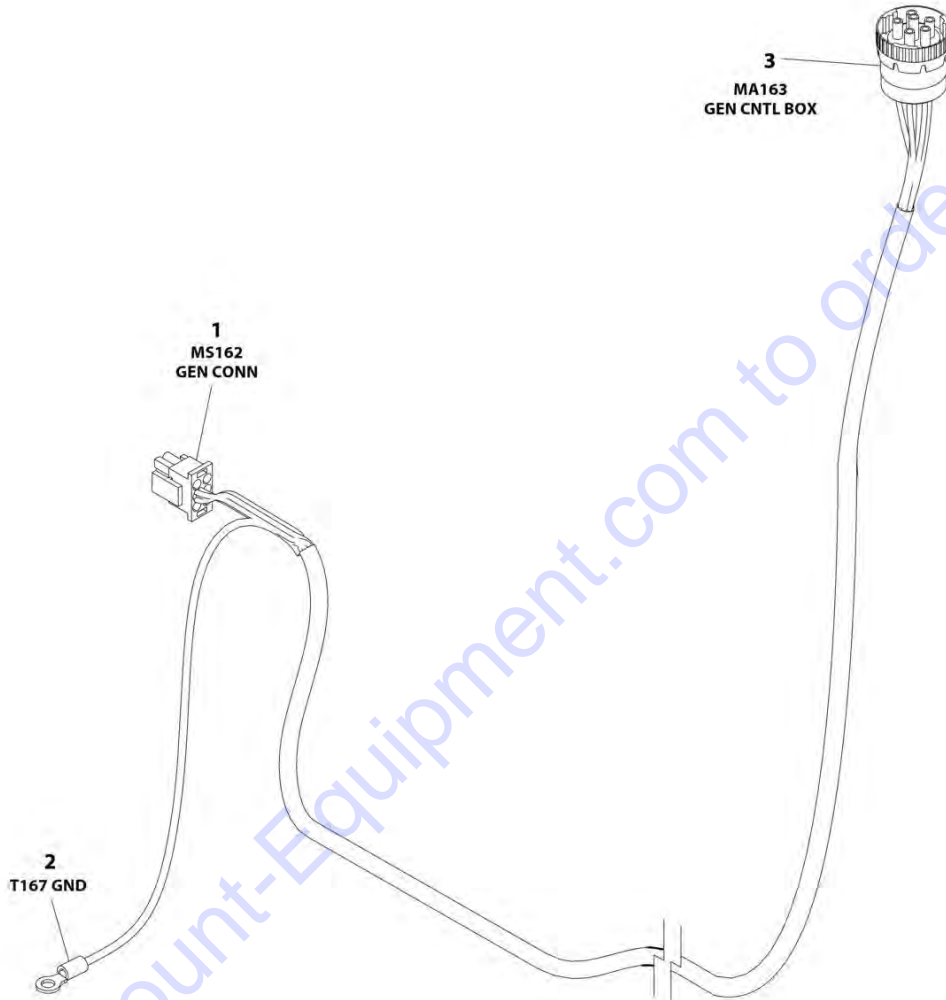
**FIGURE 8-19. GENERATOR HARNESS - 7500W (Prior to SN 0200267640)**

ITEM	PART NUMBER	QTY	DESCRIPTION	REV
	1001186821	Ref	GENERATOR HARNESS - 7500W	D
1	4460225	1	Plug, Male - 6 Position	
1	4460268	6	Socket, Female	
1	4460807	1	Seal, Terminal	
2	77363233	1	Connector - 6 Position	
2	4460465	6	Socket, Female	

Go to Discount-Equipment.com to order your parts

## SECTION 8 - ELECTRICAL

FIGURE 8-20. GENERATOR HARNESS - 7500W (SN 0200267640 to Present)



ART\_T001236442

## SECTION 8 - ELECTRICAL

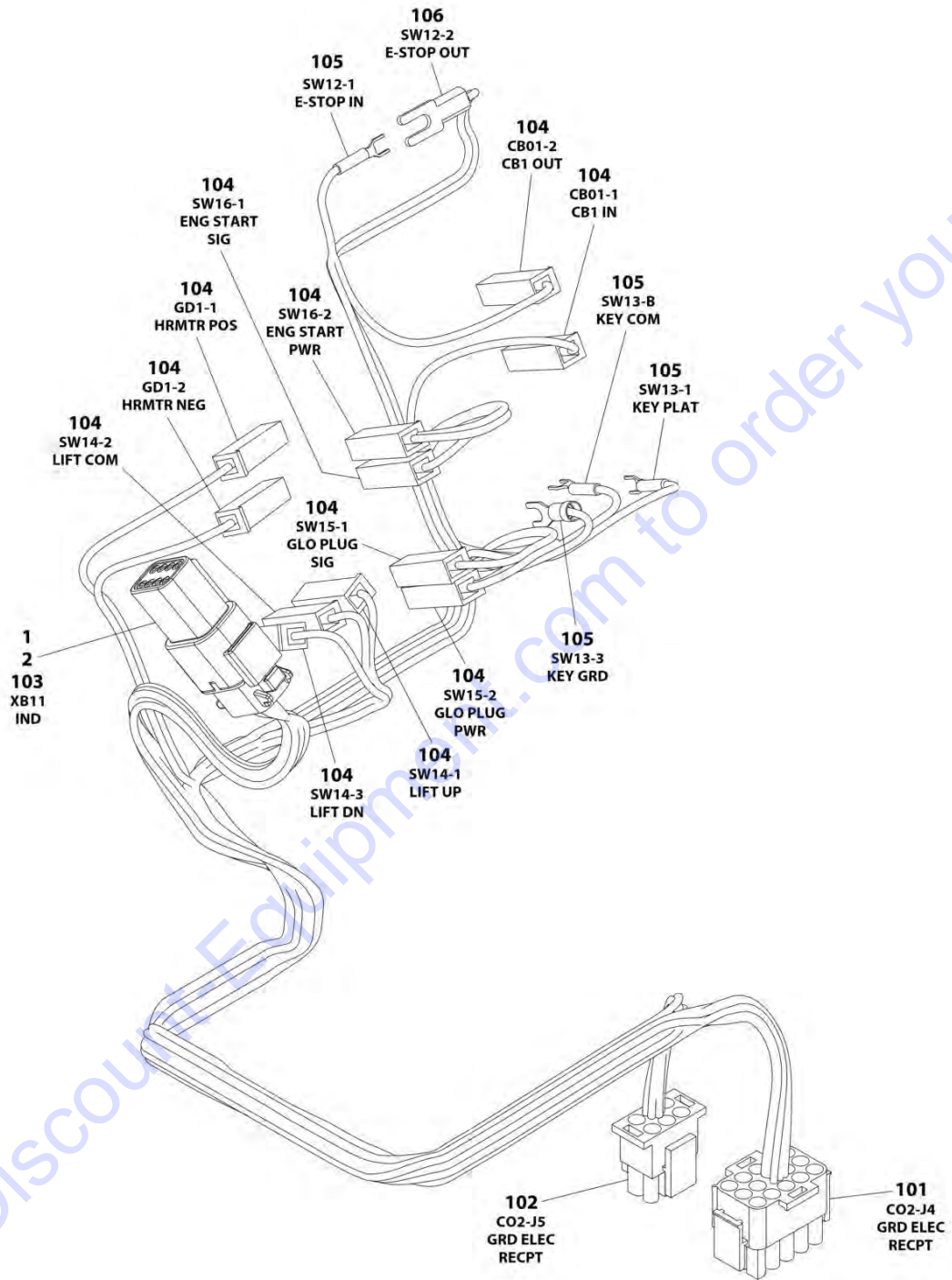
**FIGURE 8-20. GENERATOR HARNESS - 7500W (SN 0200267640 to Present)**

ITEM	PART NUMBER	QTY	DESCRIPTION	REV
	1001236442	Ref	GENERATOR HARNESS - 7500W (SN 0200267640 to Present)	A
1	4460225	1	Plug, Male - 6 Position	
1	4460808	1	Seal, Terminal	
1	4460268	6	Socket, Female	
2	4460043	1	Terminal, Ring	
3	77363233	1	Connector - 6 Position	
3	4460465	6	Socket, Female	

Go to Discount-Equipment.com to order your parts

# SECTION 8 - ELECTRICAL

## FIGURE 8-21. GROUND CONTROL BOX HARNESS (LOWER) (Prior to SN 0200267917)



ART\_1001214990

## SECTION 8 - ELECTRICAL

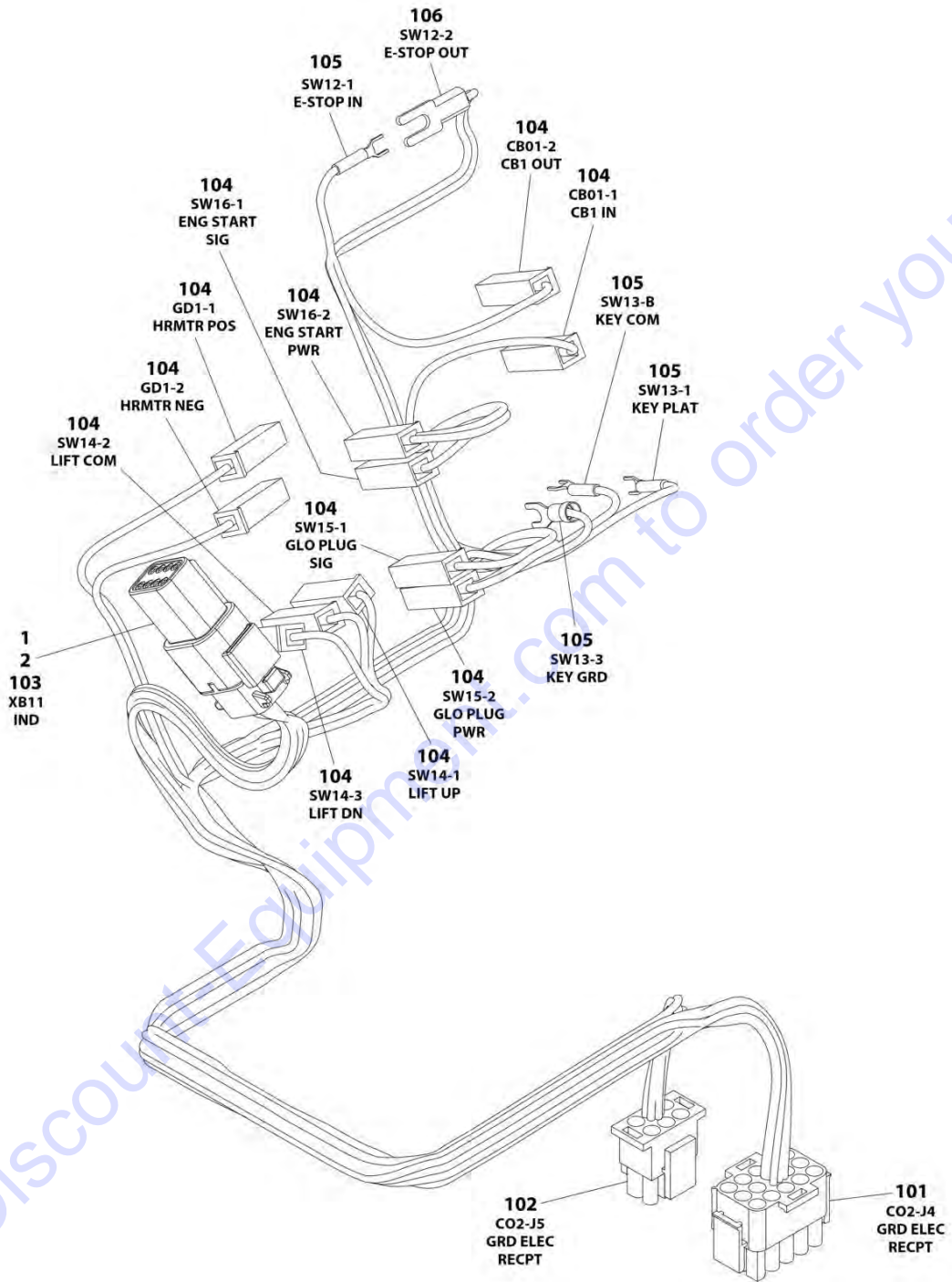
**FIGURE 8-21. GROUND CONTROL BOX HARNESS (LOWER) (Prior to SN 0200267917)**

ITEM	PART NUMBER	QTY	DESCRIPTION	REV
	1001214990	Ref	GROUND CONTROL BOX HARNESS (LOWER)	D
1	1001190578	1	Receptacle, Female - 8 Position	
2	4460518	8	Plug, Terminal	
101	4460434	1	Plug, Male -15 Position	
101	4460268	10	Socket, Female	
102	4460225	1	Plug, Male - 6 Position	
102	4460268	6	Socket, Female	
103	1001190577	1	Plug, Male - 8 Position	
103	4460928	8	Socket, Female	
104	4460260	11	Cover, Terminal	
104	4460259	11	Terminal	
105	4460183	4	Terminal, Fork	
106	4460144	1	Terminal, Fork	

Go to Discount-Equipment.com to order your parts

# SECTION 8 - ELECTRICAL

## FIGURE 8-22. GROUND CONTROL BOX HARNESS (LOWER) (SN 0200267917 to Present)



ART\_1001236154

## SECTION 8 - ELECTRICAL

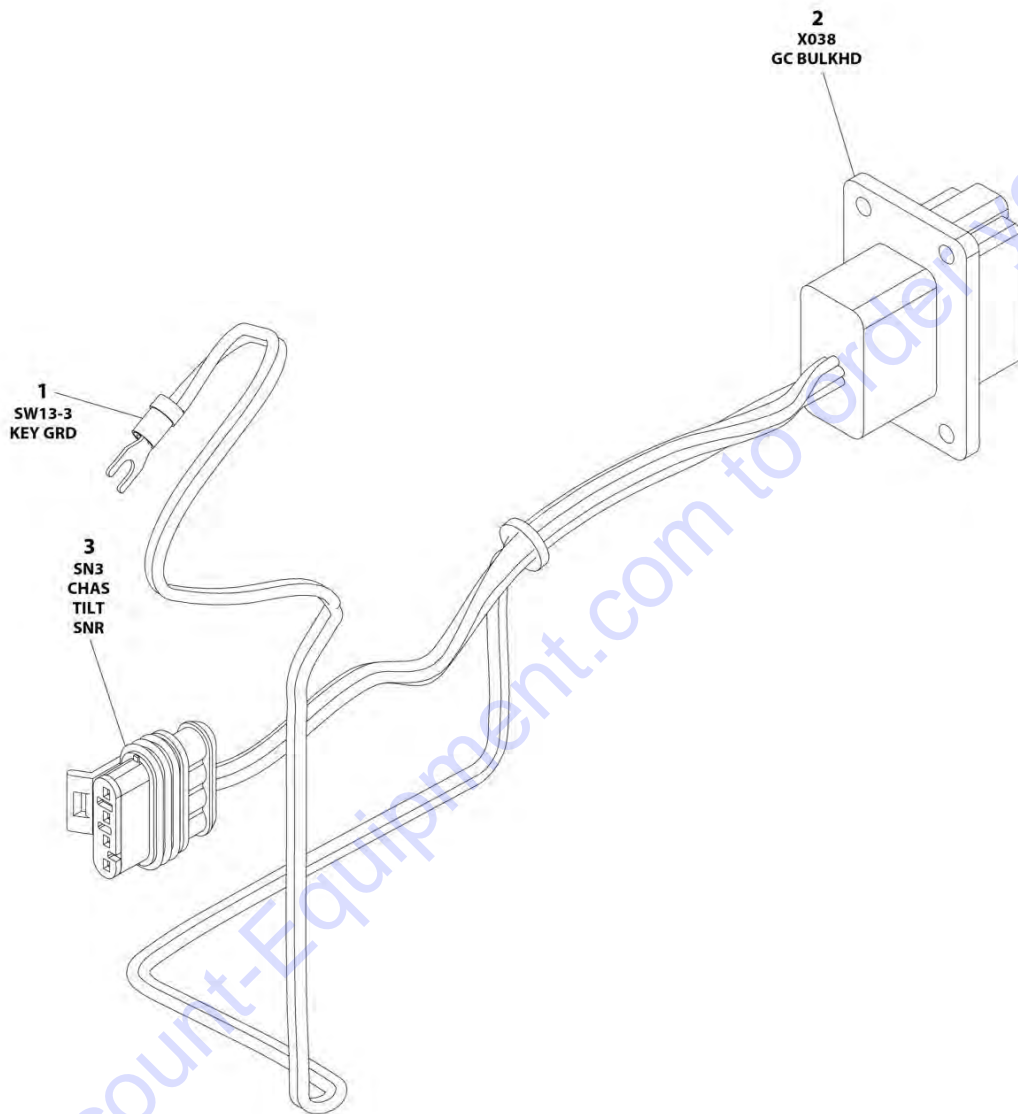
**FIGURE 8-22. GROUND CONTROL BOX HARNESS (LOWER) (SN 0200267917 to Present)**

ITEM	PART NUMBER	QTY	DESCRIPTION	REV
	1001236154	Ref	GROUND CONTROL BOX HARNESS (LOWER)	A
1	4460518	8	Plug, Terminal	
2	1001190578	1	Receptacle, Female - 8 Position	
101	4460434	1	Plug, Male -15 Position	
101	4460268	10	Socket, Female	
102	4460225	1	Plug, Male - 6 Position	
102	4460268	6	Socket, Female	
103	1001190577	1	Plug, Male - 8 Position	
103	4460928	8	Socket, Female	
104	4460260	11	Cover, Terminal	
104	4460259	11	Terminal	
105	4460183	4	Terminal, Fork	
106	4460144	1	Terminal, Fork	

Go to Discount-Equipment.com to order your parts

## SECTION 8 - ELECTRICAL

FIGURE 8-23. GROUND CONTROL BOX HARNESS (UPPER)



ART\_1001214989



## SECTION 8 - ELECTRICAL

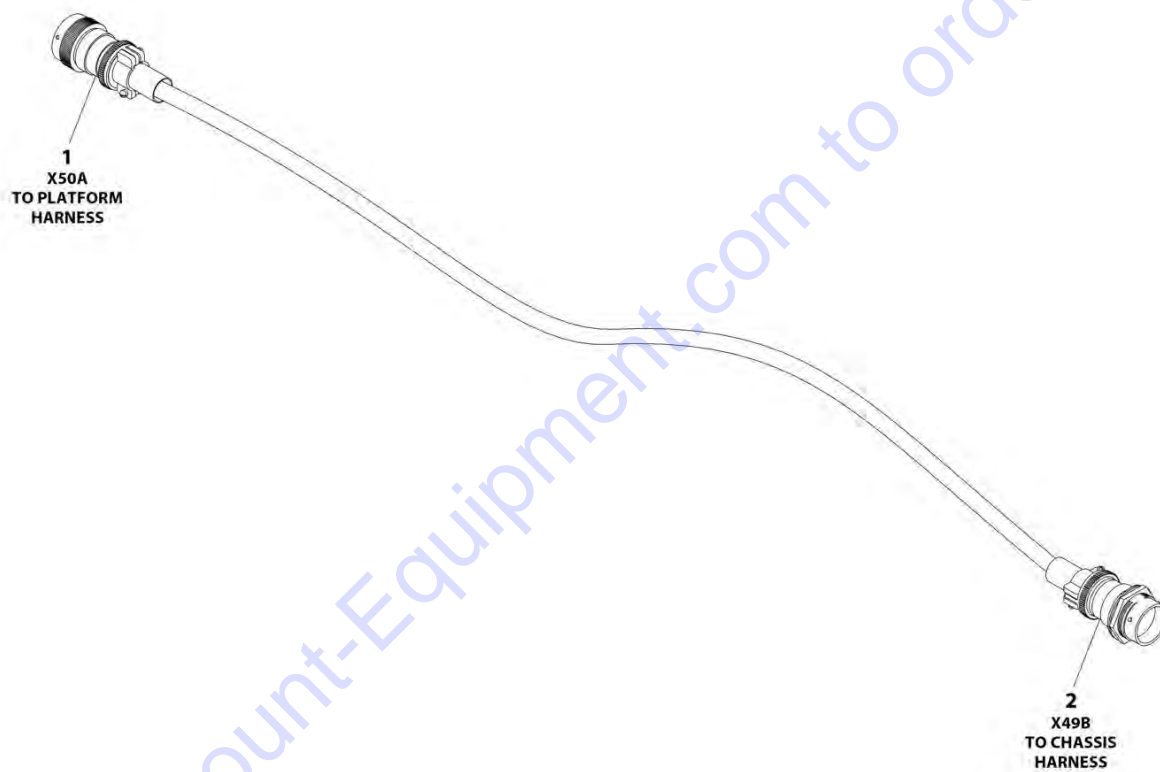
**FIGURE 8-23. GROUND CONTROL BOX HARNESS (UPPER)**

ITEM	PART NUMBER	QTY	DESCRIPTION	REV
	1001214989	Ref	GROUND CONTROL BOX HARNESS (UPPER)	B
1	4460115	1	Terminal, Fork	
2	4460939	1	Receptacle, Female - 12 Position	
2	4460464	4	Pin, Male	
2	4460943	2	Pin, Male	
2	4460466	6	Plug, Terminal	
3	1001103012	1	Plug, Male - 4 Position	
3	1001107854	4	Socket, Female	
3	1001104498	4	Seal	

Go to Discount-Equipment.com to order your parts

## SECTION 8 - ELECTRICAL

FIGURE 8-24. GROUND TO PLATFORM HARNESS - 330LRT



ART\_1001209181

## SECTION 8 - ELECTRICAL

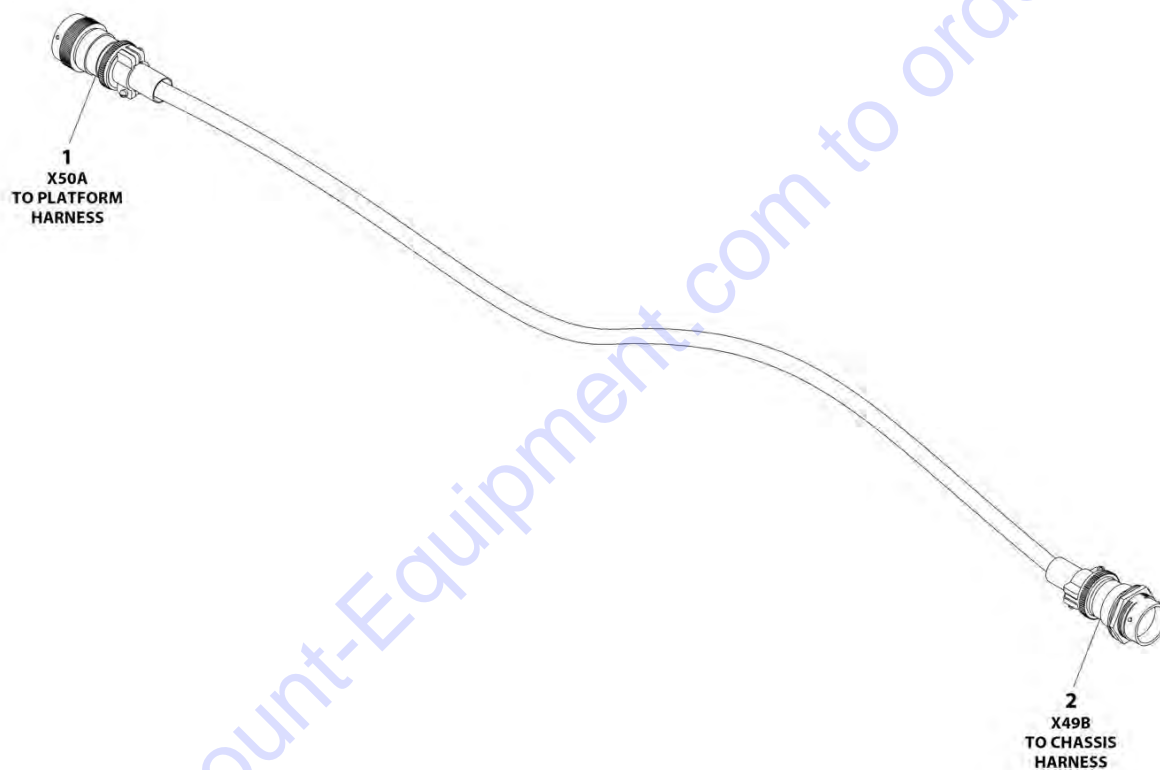
**FIGURE 8-24. GROUND TO PLATFORM HARNESS - 330LRT**

ITEM	PART NUMBER	QTY	DESCRIPTION	REV
	1001209181	Ref	GROUND TO PLATFORM HARNESS - 330LRT	C
1	1001116926	1	Connector - 21 Position	
1	4460465	8	Socket, Female	
1	4460509	4	Socket, Female	
1	4460944	2	Socket, Female	
1	4460466	7	Plug, Terminal	
2	1001116930	1	Connector - 21 Position	
2	4460464	8	Pin, Male	
2	4460508	4	Pin, Male	
2	4460943	2	Pin, Male	
2	4460466	7	Plug, Terminal	

Go to Discount-Equipment.com to order your parts

## SECTION 8 - ELECTRICAL

FIGURE 8-25. GROUND TO PLATFORM HARNESS - 430LRT



ART\_1001210080

## SECTION 8 - ELECTRICAL

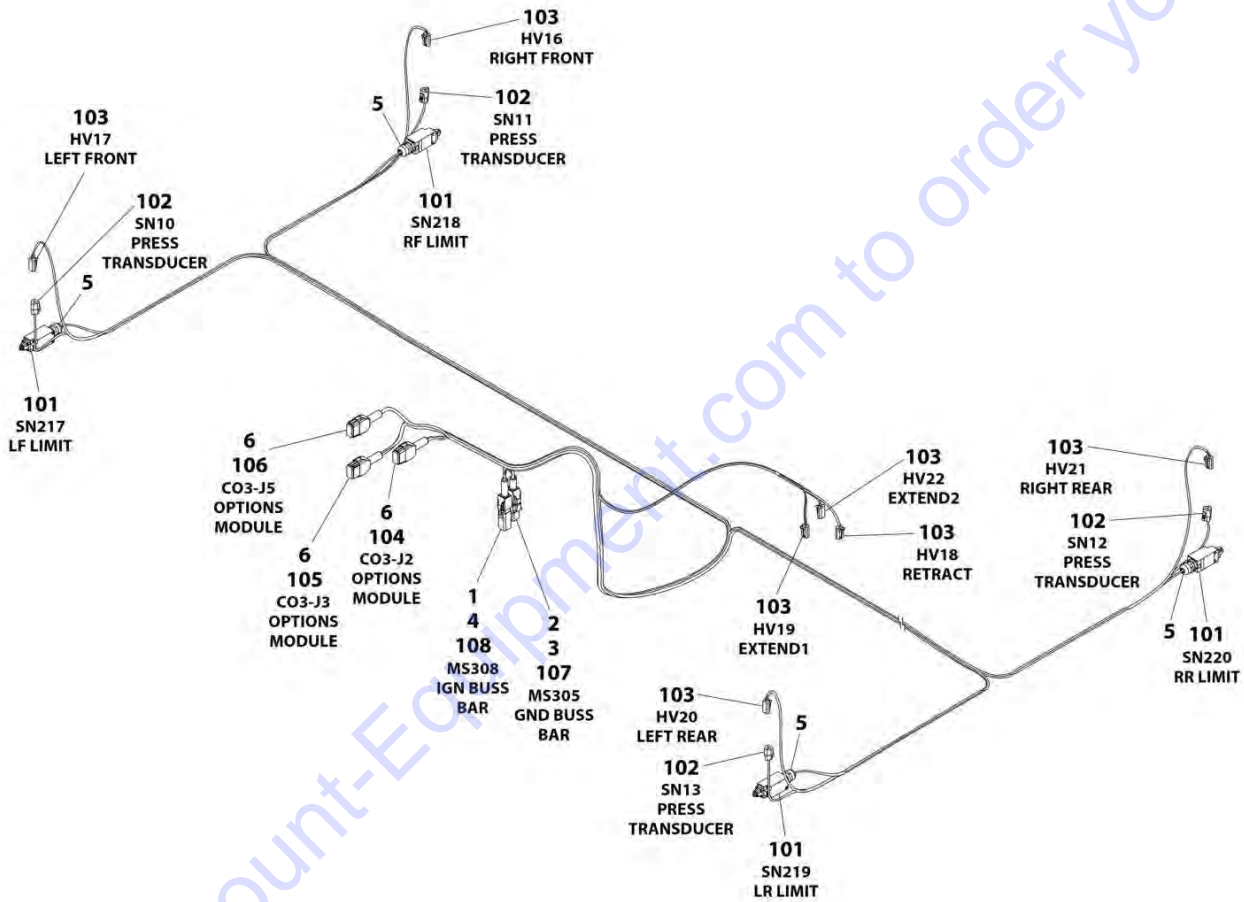
**FIGURE 8-25. GROUND TO PLATFORM HARNESS - 430LRT**

ITEM	PART NUMBER	QTY	DESCRIPTION	REV
	1001210080	Ref	GROUND TO PLATFORM HARNESS - 430LRT	B
1	1001116926	1	Connector - 21 Position	
1	4460465	8	Socket, Female	
1	4460509	4	Socket, Female	
1	4460944	2	Socket, Female	
1	4460466	7	Plug, Terminal	
2	1001116930	1	Connector - 21 Position	
2	4460464	8	Pin, Male	
2	4460508	4	Pin, Male	
2	4460943	2	Pin, Male	
2	4460466	7	Plug, Terminal	

Go to Discount-Equipment.com to order your parts

# SECTION 8 - ELECTRICAL

FIGURE 8-26. LEVELING JACKS HARNESS



ART\_1001210619

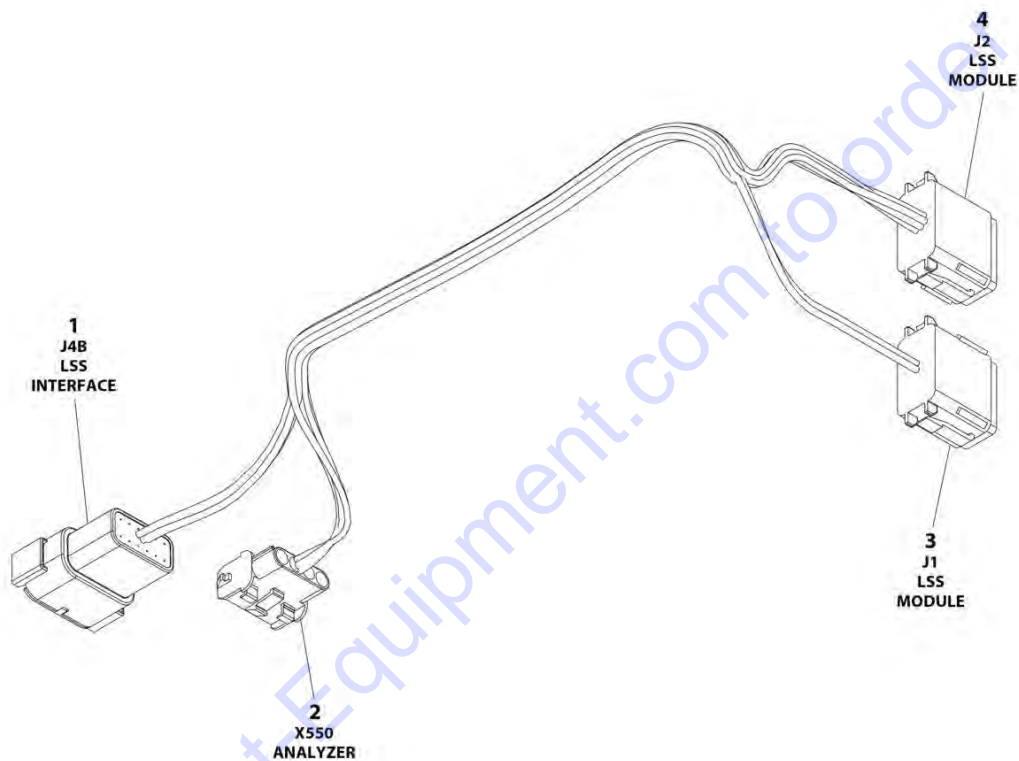
## SECTION 8 - ELECTRICAL

**FIGURE 8-26. LEVELING JACKS HARNESS**

ITEM	PART NUMBER	QTY	DESCRIPTION	REV
	1001210619	Ref	LEVELING JACKS HARNESS	D
1	0840059	1	Boot	
2	0840061	1	Boot	
3	4460852	1	Bussbar - 8 Position	
4	4460892	1	Bussbar - 6 Position	
5	4460968	NLA	Connector, Strain Relief (Use p/n 1001243778) <b>(Prior to SN 0200268616)</b>	
5	1001243778	4	Connector, Strain Relief <b>(SN 0200268616 to Present)</b>	
6	1001174455	3	Boot	
101	4360548	4	Switch, Limit	
102	4460539	4	Plug, Male - 3 Position	
102	4460465	12	Socket, Female	
103	4460891	7	Plug, Male - 4 Position	
103	4460465	14	Socket, Female	
104	4460836	1	Plug, Male - 12 Position	
104	4460465	8	Socket, Female	
104	4460466	4	Plug, Terminal	
105	4460934	1	Plug, Male - 12 Position	
105	4460465	12	Socket, Female	
106	4460935	1	Plug, Male -12 Position	
106	4460465	5	Socket, Female	
106	4460466	7	Plug, Terminal	
107	4460851	1	Plug, Male - 8 Position	
107	4460465	8	Socket, Female	
108	4460894	1	Plug, Male - 6 Position	
108	4460465	6	Socket, Female	

# SECTION 8 - ELECTRICAL

## FIGURE 8-27. LSS HARNESS



ART\_1001226830



## SECTION 8 - ELECTRICAL

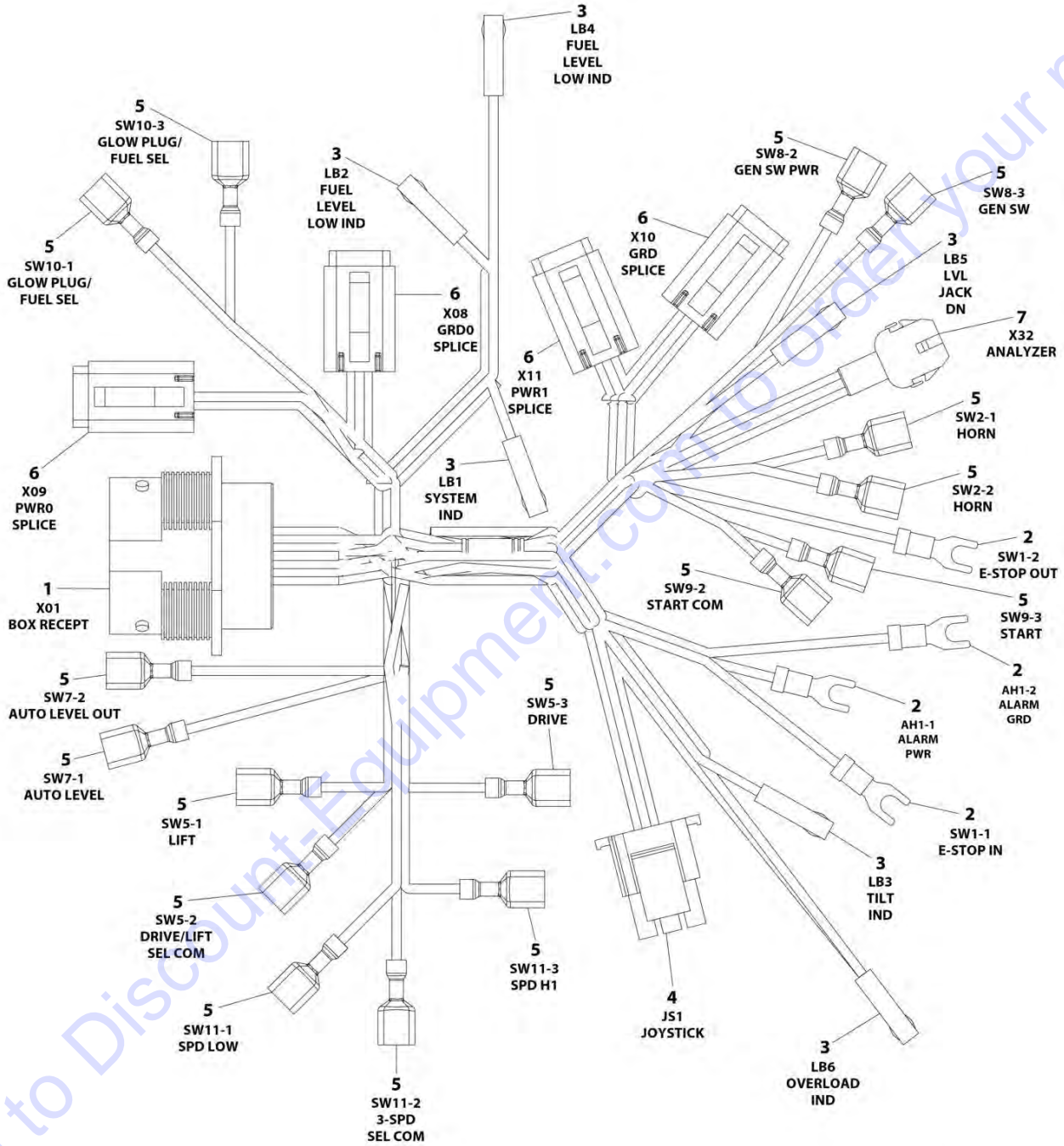
**FIGURE 8-27. LSS HARNESS**

ITEM	PART NUMBER	QTY	DESCRIPTION	REV
	1001226830	Ref	LSS HARNESS	A
1	1001132170	1	Connector - 12 Position	
1	4460929	2	Pin, Male	
1	4460917	2	Pin, Male	
1	4460518	8	Plug, Terminal	
2	4460761	1	Receptacle, Female - 4 Position	
2	4460294	4	Pin, Male	
3	4460933	1	Connector - 12 Position	
3	4460465	2	Socket, Female	
3	4460466	10	Plug, Terminal	
4	4460836	1	Connector - 12 Position	
4	4460465	5	Socket, Female	
4	4460944	2	Socket, Female	
4	4460466	5	Plug, Terminal	

Go to Discount-Equipment.com to order your parts

# SECTION 8 - ELECTRICAL

## FIGURE 8-28. PLATFORM CONTROL BOX HARNESS (Prior to SN 0200267917)



ART\_1001176787

## SECTION 8 - ELECTRICAL

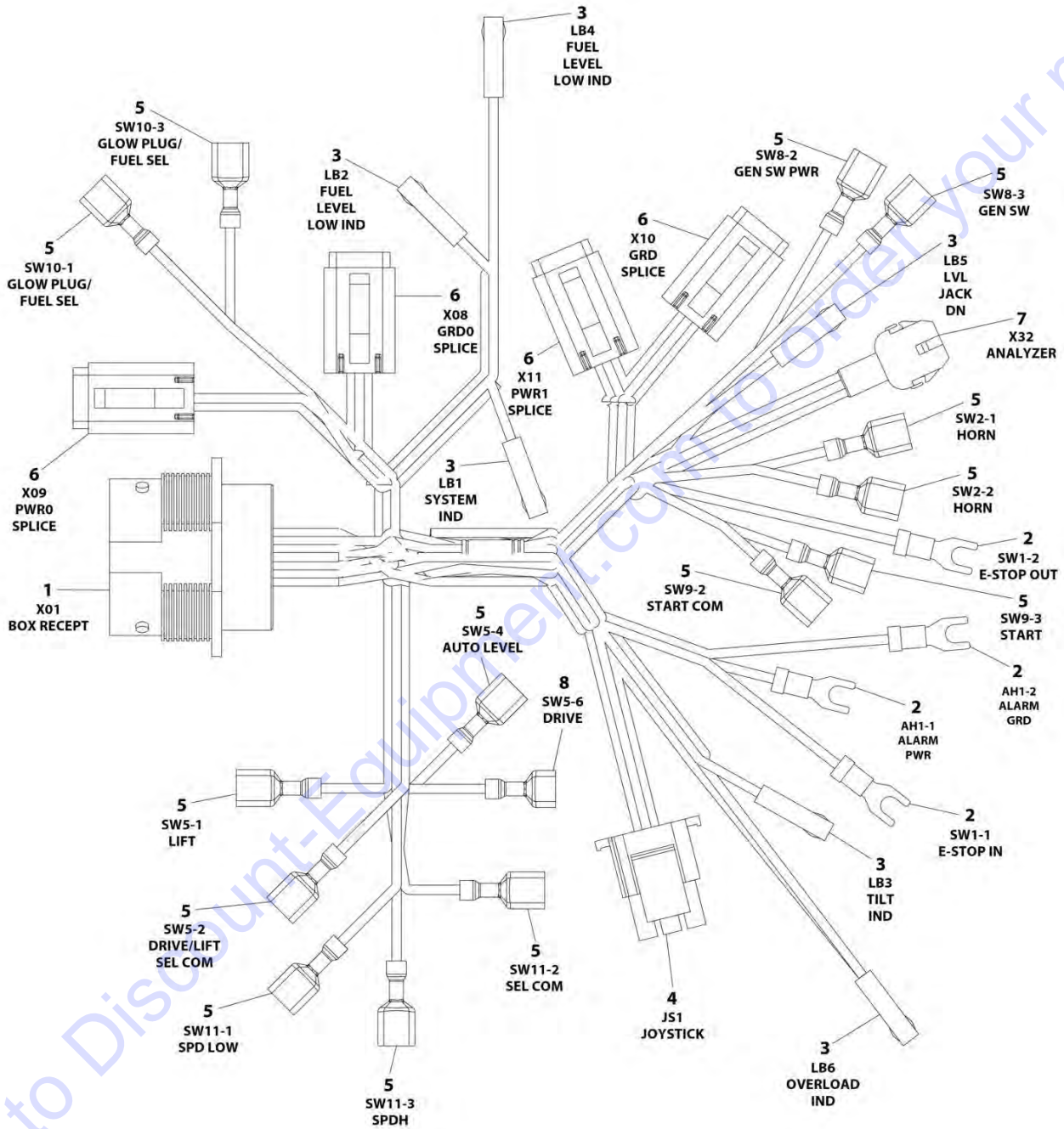
**FIGURE 8-28. PLATFORM CONTROL BOX HARNESS (Prior to SN 0200267917)**

ITEM	PART NUMBER	QTY	DESCRIPTION	REV
	1001176787	Ref	PLATFORM CONSOLE BOX HARNESS	I
1	1001116934	1	Connector - 31 Position	
1	4460464	31	Pin, Male	
2	4460183	4	Terminal, Fork	
3	1001190469	6	Connector - 2 Position	
3	1001190471	12	Terminal	
4	4460265	1	Plug, Male - 9 Position	
4	4460267	9	Terminal	
5	1001194421	14	Terminal	
6	4460894	4	Plug, Male - 6 Position	
6	4460465	19	Socket, Female	
6	4460466	5	Plug, Terminal	
6	4460892	4	Bussbar	
7	4460761	1	Plug, Male - 4 Position	
7	4460267	4	Terminal	

Go to Discount-Equipment.com to order your parts

# SECTION 8 - ELECTRICAL

FIGURE 8-29. PLATFORM CONTROL BOX HARNESS (SN 0200267917 to Present)



ART\_1001236230

## SECTION 8 - ELECTRICAL

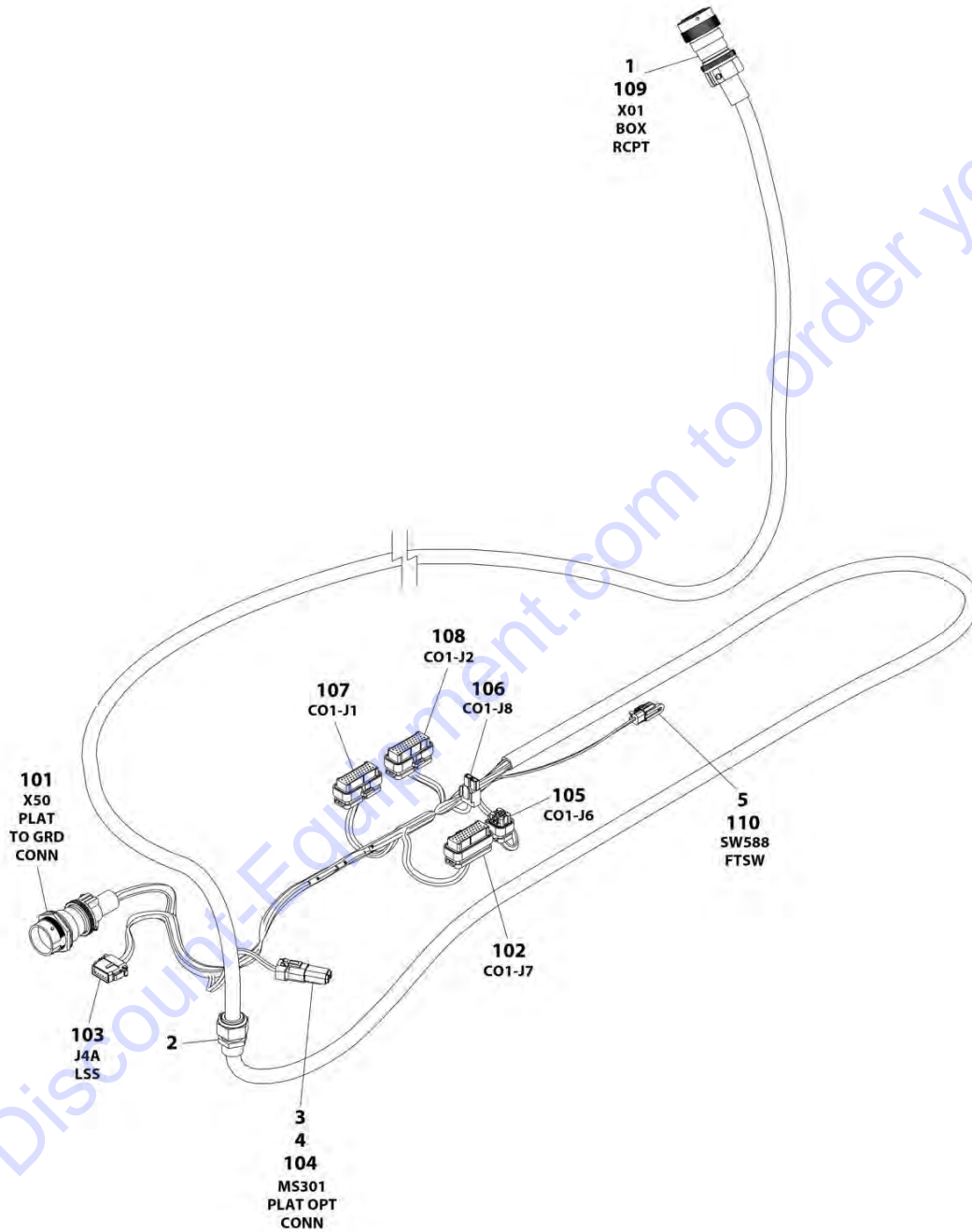
**FIGURE 8-29. PLATFORM CONTROL BOX HARNESS (SN 0200267917 to Present)**

ITEM	PART NUMBER	QTY	DESCRIPTION	REV
	1001236230	Ref	PLATFORM CONSOLE BOX HARNESS	B
1	1001116934	1	Connector - 31 Position	
1	4460464	31	Pin, Male	
2	4460183	4	Terminal, Fork	
3	1001190469	6	Connector - 2 Position	
3	1001190471	12	Terminal	
4	4460265	1	Plug, Male - 9 Position	
4	4460267	7	Terminal	
5	1001194421	13	Terminal	
6	4460894	4	Plug, Male - 6 Position	
6	4460465	20	Socket, Female	
6	4460466	4	Plug, Terminal	
6	4460892	4	Bussbar	
7	4460761	1	Plug, Male - 4 Position	
7	4460267	4	Terminal	
8	1001194221	1	Terminal	

Go to Discount-Equipment.com to order your parts

# SECTION 8 - ELECTRICAL

FIGURE 8-30. PLATFORM MODULE HARNESS (Prior to SN 0200267917)



ART\_1001215138

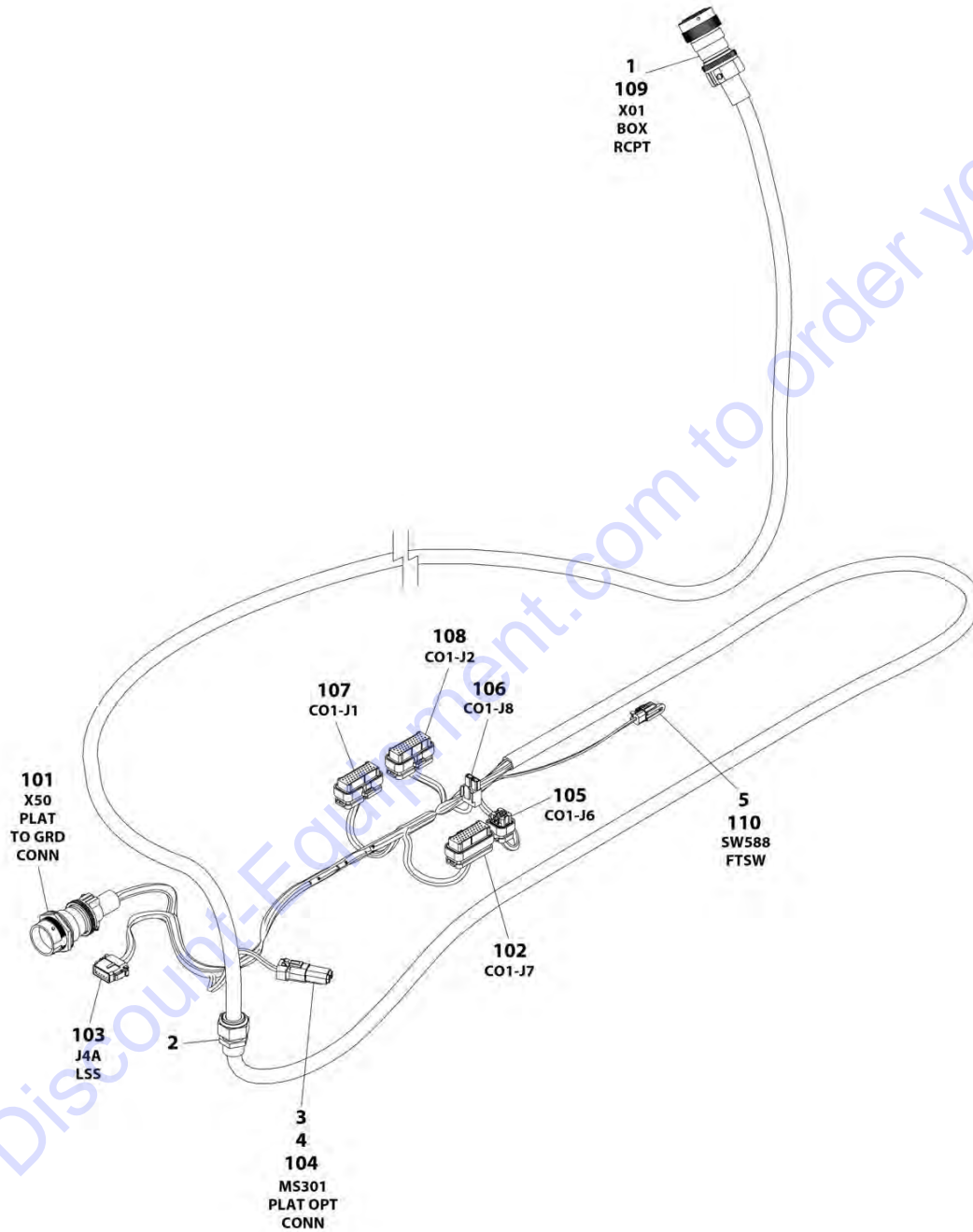
## SECTION 8 - ELECTRICAL

**FIGURE 8-30. PLATFORM MODULE HARNESS (Prior to SN 0200267917)**

ITEM	PART NUMBER	QTY	DESCRIPTION	REV
	1001215138	Ref	PLATFORM MODULE HARNESS	E
1	2820031	AR	Heatshrink	
2	4460051	1	Connector, Strain Relief	
3	4460466	4	Plug, Terminal	
4	1001116811	1	Receptacle, Female - 4 Position	
5	1001144295	1	Cap, Female - 2 Position <b>(SN 0200267670 through 0200267916)</b>	
101	1001116930	1	Connector - 21 Position	
101	4460508	4	Pin, Male	
101	4460464	6	Pin, Male	
101	4460466	11	Plug, Terminal	
102	4460873	1	Connector - 35 Position	
102	4460871	12	Socket, Female	
102	4460905	23	Plug, Terminal	
103	4460909	1	Plug, Male - 12 Position	
103	4460928	8	Socket, Female	
103	4460918	4	Socket, Female	
104	1001116812	1	Plug, Male - 4 Position	
104	4460509	2	Socket, Female	
104	4460466	2	Plug, Terminal	
105	1001113961	1	Connector - 8 Position	
105	4460871	7	Socket, Female	
105	4460905	1	Plug, Terminal	
106	4460879	1	Plug, Male - 2 Position	
106	4461271	2	Socket, Female	
107	4460874	1	Connector - 35 Position	
107	4460871	10	Socket, Female	
107	4460905	25	Plug, Terminal	
108	4460876	1	Connector - 35 Position	
108	4460871	13	Socket, Female	
108	4460905	22	Plug, Terminal	
109	1001195123	1	Connector - 31 Position	
109	4460465	31	Socket, Female	
110	4460891	1	Plug, Male - 2 Position <b>(SN 0200267670 through 0200267916)</b>	
110	4460465	2	Socket, Female	

# SECTION 8 - ELECTRICAL

## FIGURE 8-31. PLATFORM MODULE HARNESS (SN 0200267917 to Present)



ART\_1001236163



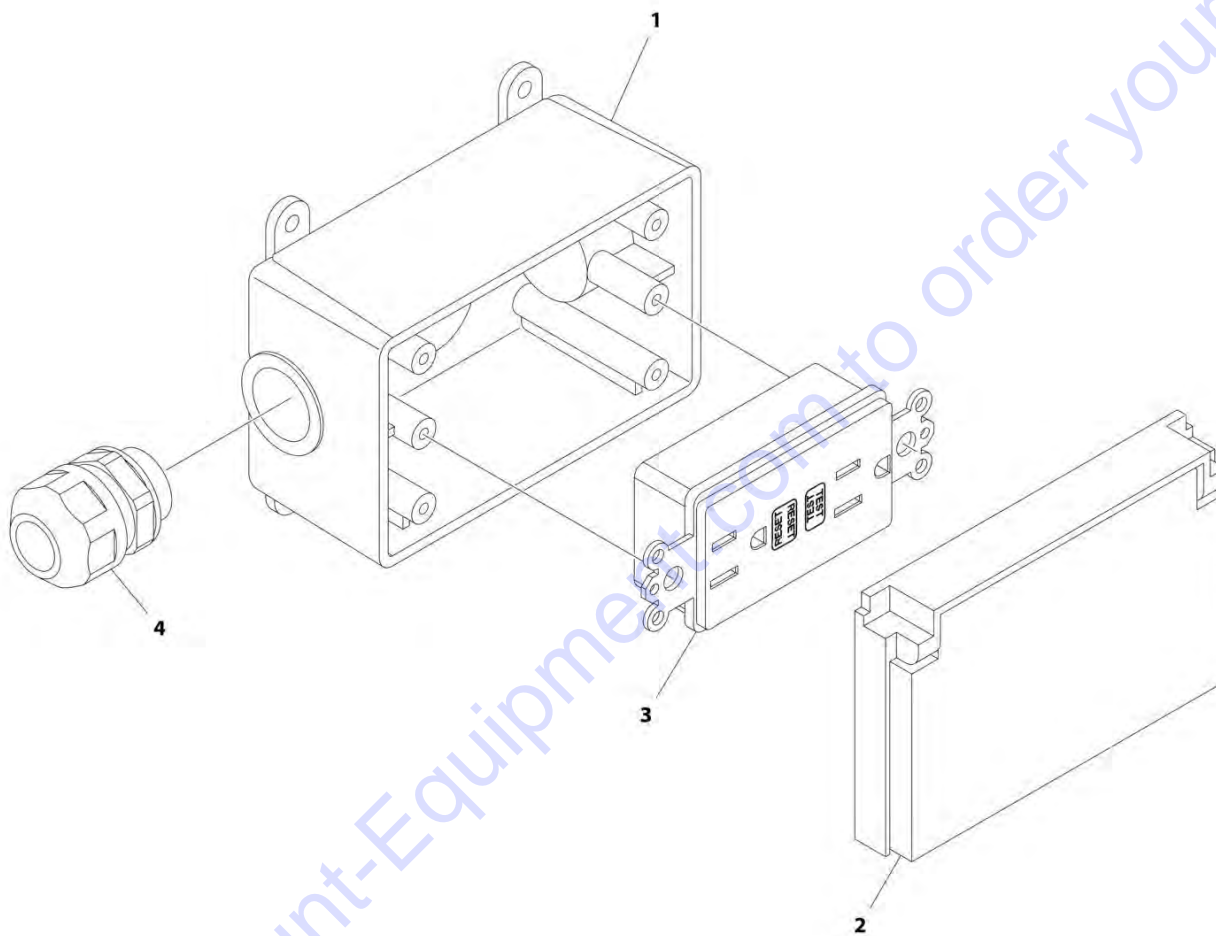
## SECTION 8 - ELECTRICAL

**FIGURE 8-31. PLATFORM MODULE HARNESS (SN 0200267917 to Present)**

ITEM	PART NUMBER	QTY	DESCRIPTION	REV
	1001236163	Ref	PLATFORM MODULE HARNESS	B
1	2820031	AR	Heatshrink	
2	4460051	1	Connector, Strain Relief	
3	4460466	4	Plug, Terminal	
4	1001116811	1	Receptacle, Female - 4 Position	
5	1001144295	1	Cap, Female - 2 Position	
101	1001116930	1	Connector - 21 Position	
101	4460508	4	Pin, Male	
101	4460464	6	Pin, Male	
101	4460466	11	Plug, Terminal	
102	4460873	1	Connector - 35 Position	
102	4460871	10	Socket, Female	
102	4460905	25	Plug, Terminal	
103	1001116808	1	Plug, Male - 12 Position	
103	4460928	2	Socket, Female	
103	4460918	2	Socket, Female	
103	4460518	8	Plug, Terminal	
104	1001116810	1	Plug, Male - 4 Position	
104	4460509	2	Socket, Female	
104	4460466	2	Plug, Terminal	
105	1001113961	1	Connector - 8 Position	
105	4460871	2	Socket, Female	
105	4460905	6	Plug, Terminal	
106	4460879	1	Plug, Male - 2 Position	
106	4461271	2	Socket, Female	
107	4460874	1	Connector - 35 Position	
107	4460871	12	Socket, Female	
107	4460905	23	Plug, Terminal	
108	4460876	1	Connector - 35 Position	
108	4460871	15	Socket, Female	
108	4460905	20	Plug, Terminal	
109	1001195123	1	Connector - 31 Position	
109	4460465	31	Socket, Female	
110	4460891	1	Plug, Male - 2 Position	
110	4460465	2	Socket, Female	

# SECTION 8 - ELECTRICAL

## FIGURE 8-32. RECEPTACLE BOX KIT - 110V GFI



ART\_2902431

## SECTION 8 - ELECTRICAL

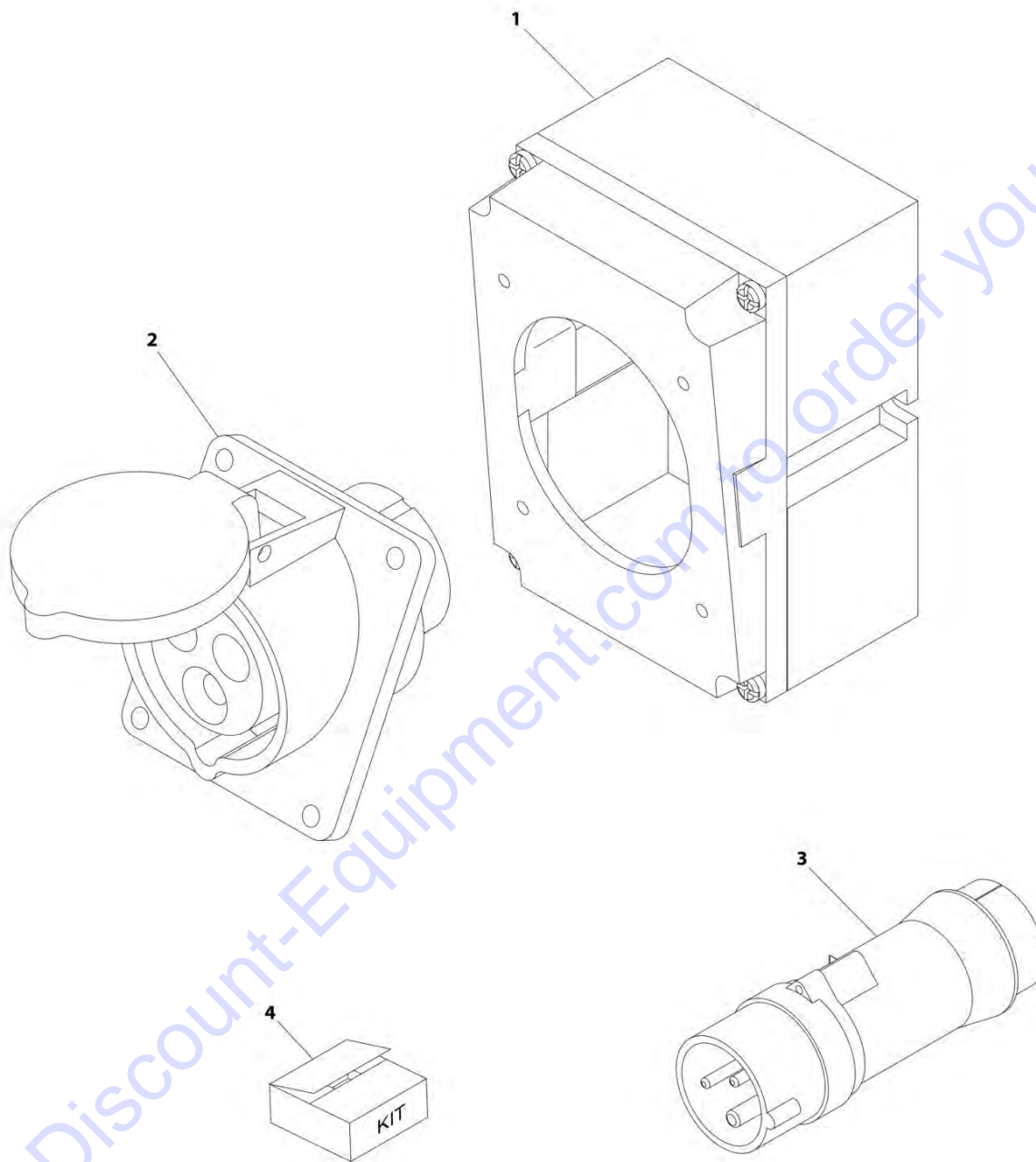
**FIGURE 8-32. RECEPTACLE BOX KIT - 110V GFI**

ITEM	PART NUMBER	QTY	DESCRIPTION	REV
	2902431	Ref	RECEPTACLE BOX KIT - 110V GFI	D
1	0861731	1	Box, Receptacle	
2	1671207	1	Cover, Receptacle	
3	4460346	1	Receptacle	
4	4460662	1	Connector, Strain Relief	

Go to Discount-Equipment.com to order your parts

## SECTION 8 - ELECTRICAL

FIGURE 8-33. RECEPTACLE BOX KIT - 110V IEC YELLOW (CE SPEC)



ART\_0275216

## SECTION 8 - ELECTRICAL

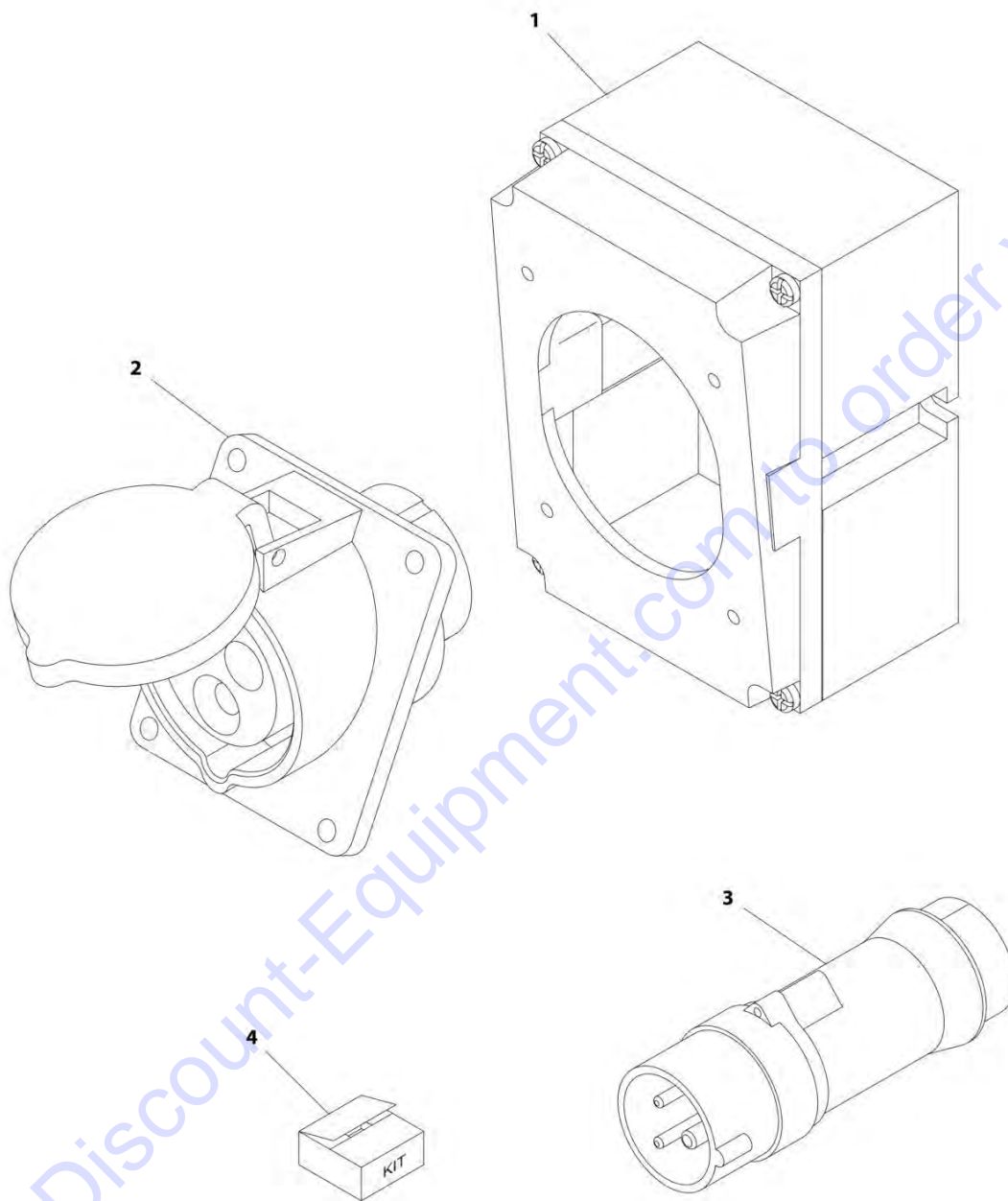
**FIGURE 8-33. RECEPTACLE BOX KIT - 110V IEC YELLOW (CE SPEC)**

ITEM	PART NUMBER	QTY	DESCRIPTION	REV
	0275216	Ref	RECEPTACLE BOX KIT - 110V IEC YELLOW	B
1	0861781	1	Box, Switch	
2	4461198	1	Receptacle	
3	4461196	1	Plug, Male	
4	1001100341	1	Plug and Socket Kit (Includes Items 1-3 and Female Plug p/n 4461197)	

Go to Discount-Equipment.com to order your parts

## SECTION 8 - ELECTRICAL

FIGURE 8-34. RECEPTACLE BOX KIT - 220V IEC BLUE (CE SPEC)



ART\_0275217

## SECTION 8 - ELECTRICAL

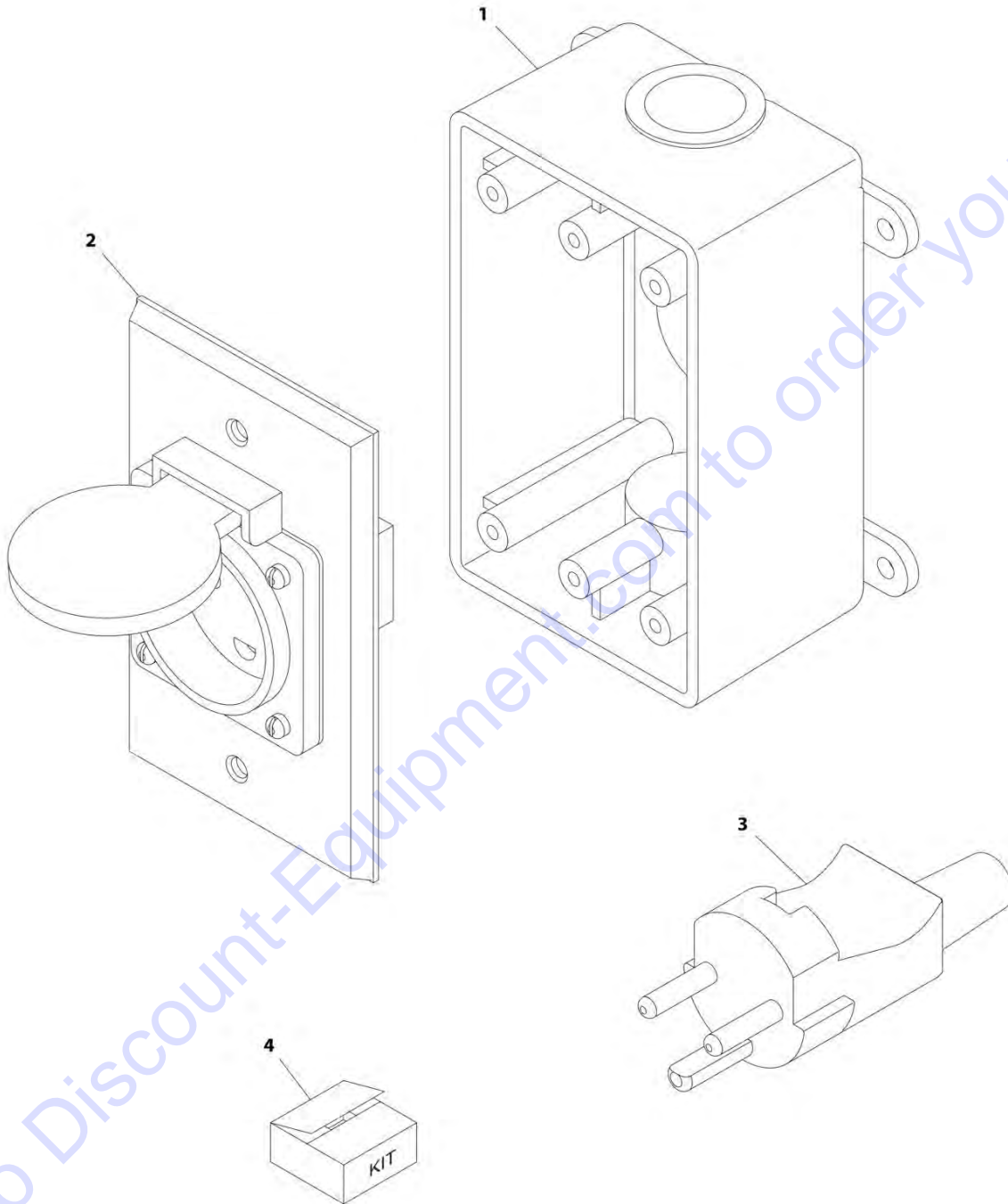
FIGURE 8-34. RECEPTACLE BOX KIT - 220V IEC BLUE (CE SPEC)

ITEM	PART NUMBER	QTY	DESCRIPTION	REV
	0275217	Ref	RECEPTACLE BOX KIT - 220V IEC BLUE	B
1	0861781	1	Box, Switch	
2	4461201	1	Receptacle	
3	4461199	1	Plug, Male	
4	1001100342	1	Plug and Socket Kit (Includes Items 1-3 and Female Plug p/n 4461200)	

Go to Discount-Equipment.com to order your parts

# SECTION 8 - ELECTRICAL

FIGURE 8-35. RECEPTACLE BOX KIT - 220V AFSINT 107 (CE SPEC)



ART\_0275454



## SECTION 8 - ELECTRICAL

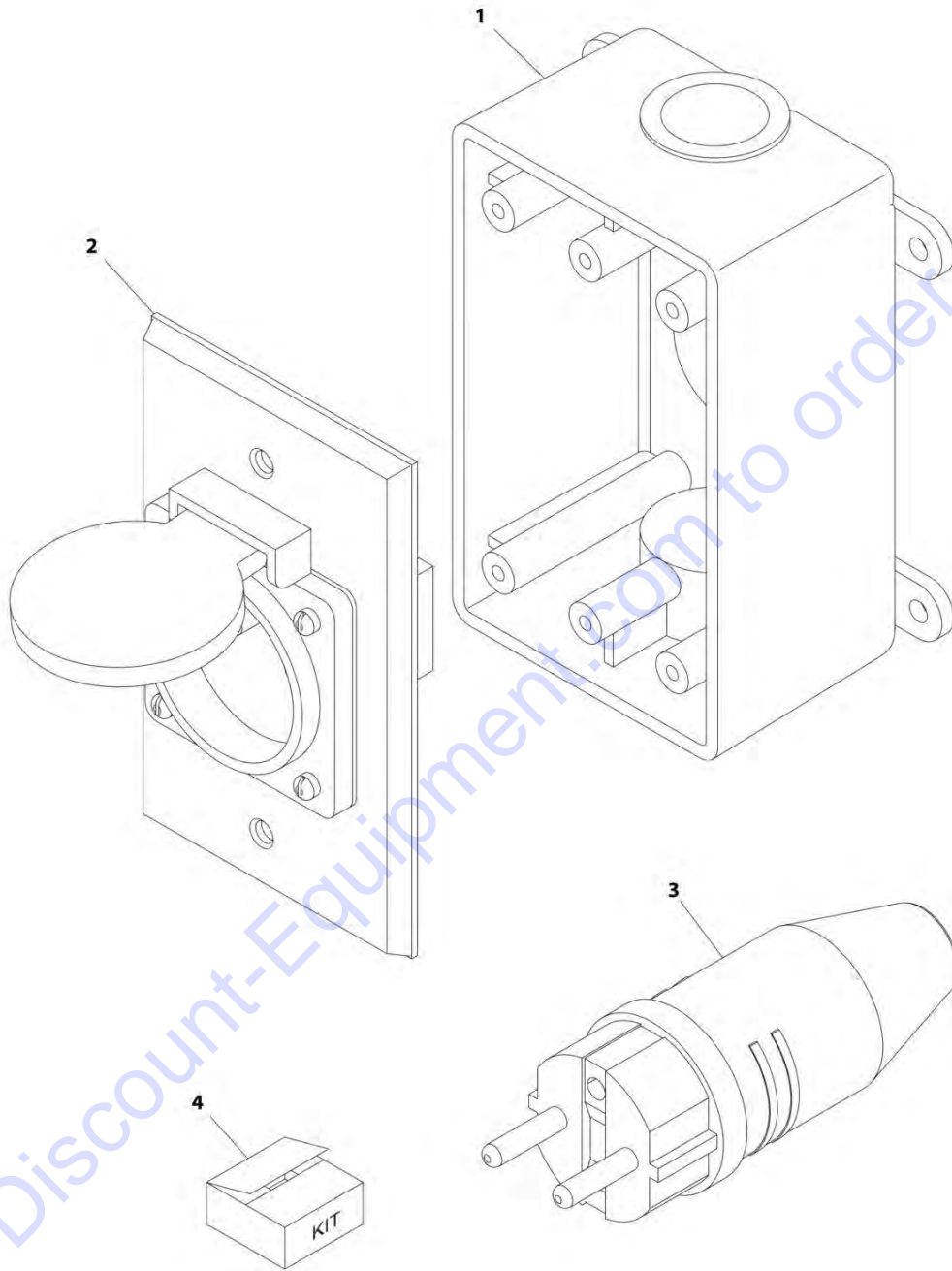
**FIGURE 8-35. RECEPTACLE BOX KIT - 220V AFSINT 107 (CE SPEC)**

ITEM	PART NUMBER	QTY	DESCRIPTION	REV
	0275454	Ref	RECEPTACLE BOX KIT - 220V AFSINT 107	B
1	0861731	1	Box, Switch	
2	4461246	1	Receptacle	
3	4461249	1	Plug, Male	
4	1001100346	1	Plug and Socket Kit (Includes Items 1-3 and Female Plug p/n 4461250)	

Go to Discount-Equipment.com to order your parts

# SECTION 8 - ELECTRICAL

FIGURE 8-36. RECEPTACLE BOX KIT - 220V CEE7 POST GROUND (CE SPEC)



ART\_0275452-C

## SECTION 8 - ELECTRICAL

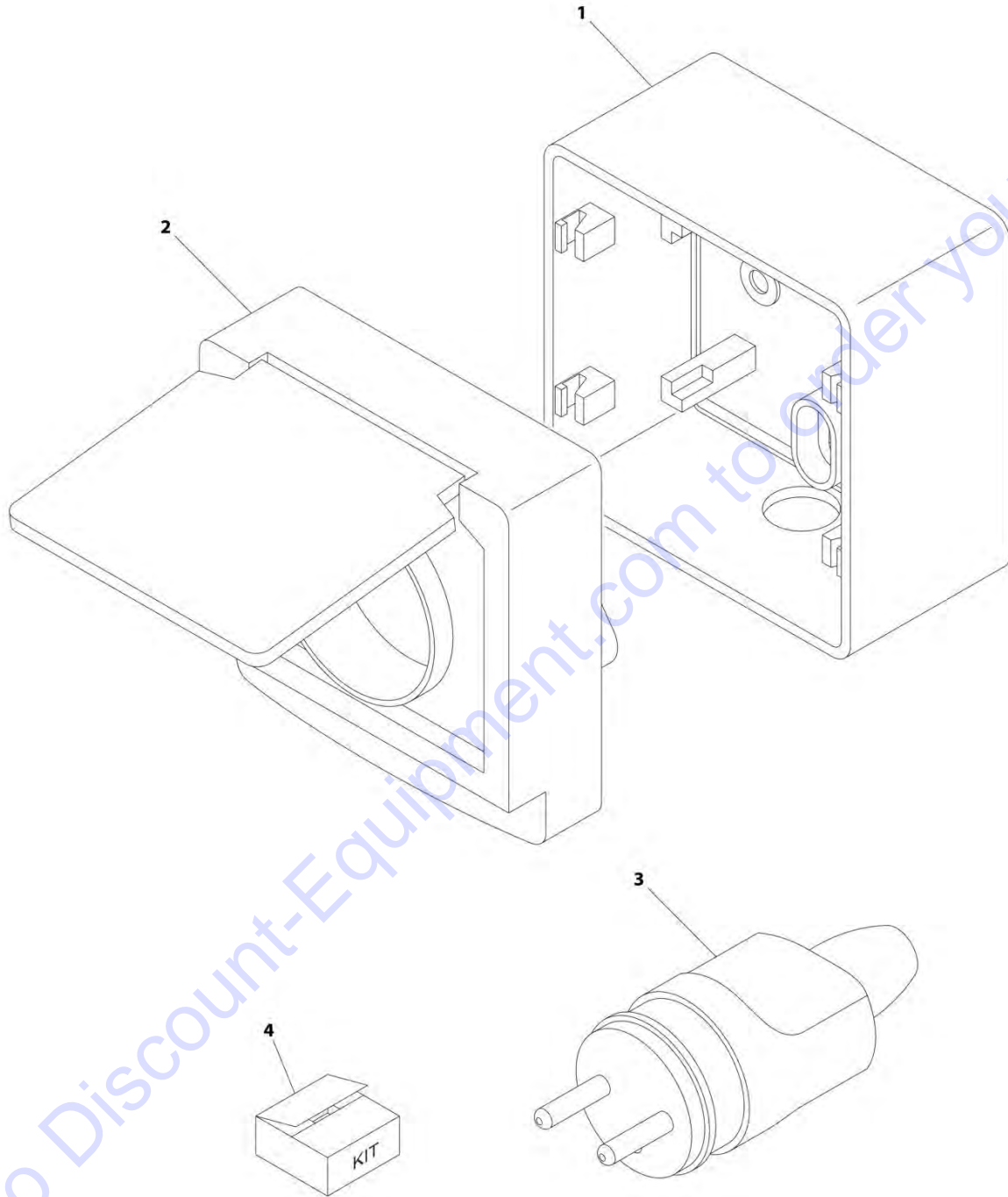
**FIGURE 8-36. RECEPTACLE BOX KIT - 220V CEE7 POST GROUND (CE SPEC)**

ITEM	PART NUMBER	QTY	DESCRIPTION	REV
	0275452	Ref	RECEPTACLE BOX KIT - 220V CEE7 POST GROUND	C
1	0861731	1	Box, Switch	
2	4461244	1	Receptacle	
3	4461205	1	Plug, Male	
4	1001100345	1	Plug and Socket Kit (Includes Items 1-3 and Female Plug p/n 4461206)	

Go to Discount-Equipment.com to order your parts

# SECTION 8 - ELECTRICAL

FIGURE 8-37. RECEPTACLE BOX KIT - 220V CEE7 POST GROUND 70X70 BOX (CE SPEC)



ART\_0275218

## SECTION 8 - ELECTRICAL

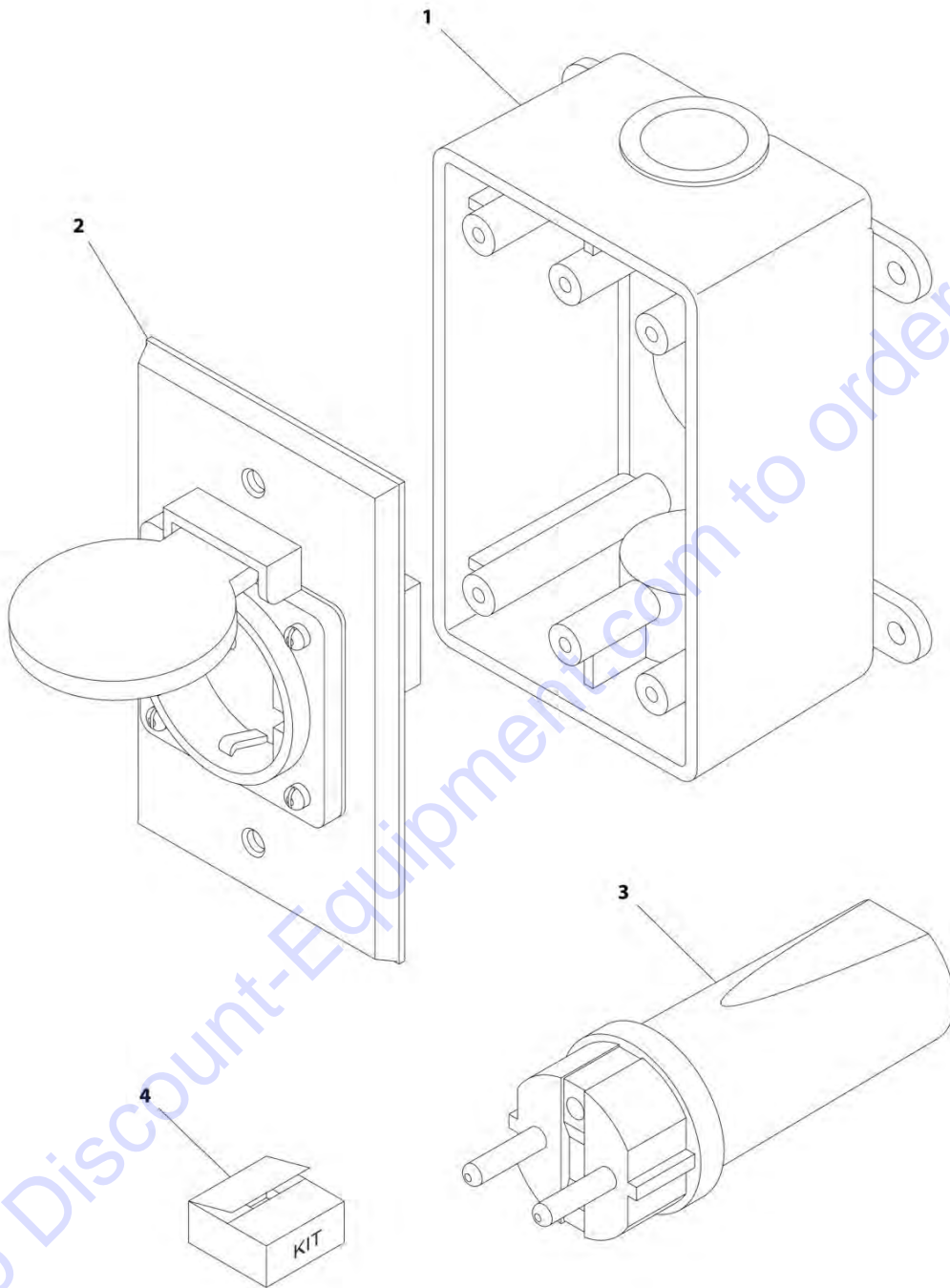
**FIGURE 8-37. RECEPTACLE BOX KIT - 220V CEE7 POST GROUND 70X70 BOX (CE SPEC)**

ITEM	PART NUMBER	QTY	DESCRIPTION	REV
	0275218	Ref	RECEPTACLE BOX KIT - 220V CEE7 POST GROUND 70X70 BOX (CE SPEC)	B
1	1001141967	1	Box, Switch	
2	1001141968	1	Receptacle	
3	4461202	NLA	Plug, Male (Use p/n 4461205)	
4	1001141971	1	Plug and Socket Kit (Includes Items 1-3 and Female Plug p/n 4461206)	

Go to Discount-Equipment.com to order your parts

## SECTION 8 - ELECTRICAL

FIGURE 8-38. RECEPTACLE BOX KIT - 220V CEE7 SIDE GROUND (CE SPEC)



ART\_0275453

## SECTION 8 - ELECTRICAL

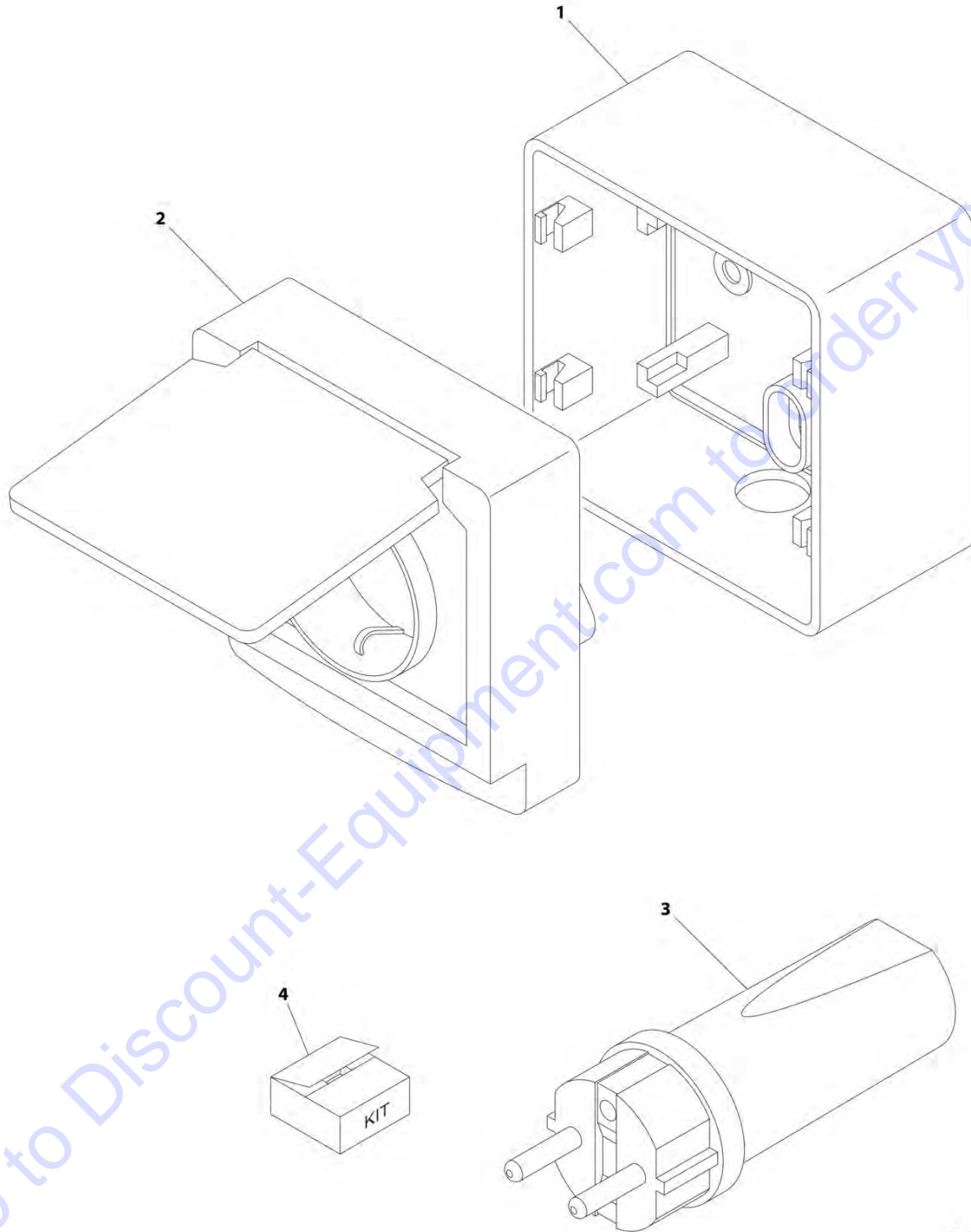
**FIGURE 8-38. RECEPTACLE BOX KIT - 220V CEE7 SIDE GROUND (CE SPEC)**

ITEM	PART NUMBER	QTY	DESCRIPTION	REV
	0275453	Ref	RECEPTACLE BOX KIT - 220V CEE7 SIDE GROUND	B
1	0861731	1	Box, Switch	
2	4461245	1	Receptacle	
3	4461205	1	Plug, Male	
4	1001100347	1	Plug and Socket Kit (Includes Items 1-3 and Female Plug p/n 4461206)	

Go to Discount-Equipment.com to order your parts

## SECTION 8 - ELECTRICAL

FIGURE 8-39. RECEPTACLE BOX KIT - 220V CEE7 SIDE GROUND 70X70 BOX (CE SPEC)





# PARTS FINDER

**Search Website  
by Part Number**



**Search Manual  
Library For Parts  
Manual & Lookup Part  
Numbers – Purchase  
or Request Quote**

**Can't Find Part or  
Manual? Request Help  
by Manufacturer,  
Model & Description**

Discount-Equipment.com is your online resource for quality parts & equipment.

Florida: **561-964-4949** Outside Florida TOLL FREE: **877-690-3101**

## Need parts?

Click on this link: <http://www.discount-equipment.com/category/5443-parts/> and choose one of the options to help get the right parts and equipment you are looking for. Please have the machine model and serial number available in order to help us get you the correct parts. If you don't find the part on the website or on one of the online manuals, please fill out the request form and one of our experienced staff members will get back to you with a quote for the right part that your machine needs.

We sell worldwide for the brands: Genie, Terex, JLG, MultiQuip, Mikasa, Essick, Whiteman, Mayco, Toro Stone, Diamond Products, Generac Magnum, Airman, Haulotte, Barreto, Power Blanket, Nifty Lift, Atlas Copco, Chicago Pneumatic, Allmand, Miller Curber, Skyjack, Lull, Skytrak, Tsurumi, Husquvarna Target, Stow, Wacker, Sakai, Mi-T-M, Sullair, Basic, Dynapac, MBW, Weber, Bartell, Bennar Newman, Haulotte, Ditch Runner, Menegotti, Morrison, Contec, Buddy, Crown, Edco, Wyco, Bomag, Laymor, EZ Trench, Bil-Jax, F.S. Curtis, Gehl Pavers, Heli, Honda, ICS/PowerGrit, IHI, Partner, Imer, Clipper, MMD, Koshin, Rice, CH&E, General Equipment, Amida, Coleman, NAC, Gradall, Square Shooter, Kent, Stanley, Tamco, Toku, Hatz, Kohler, Robin, Wisconsin, Northrock, Oztec, Toker TK, Rol-Air, APT, Wylie, Ingersoll Rand / Doosan, Innovatech, Con X, Ammann, Mecalac, Makinex, Smith Surface Prep, Small Line, Wanco, Yanmar

## SECTION 8 - ELECTRICAL

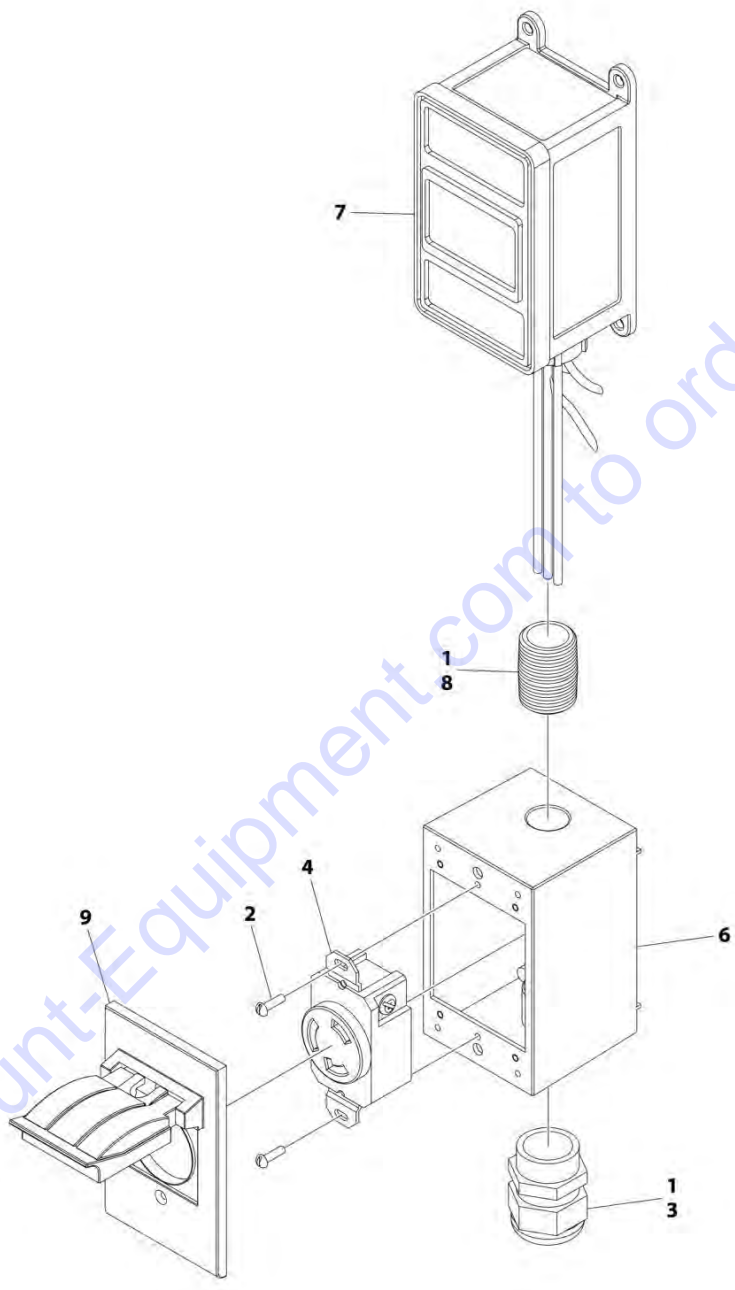
**FIGURE 8-39. RECEPTACLE BOX KIT - 220V CEE7 SIDE GROUND 70X70 BOX (CE SPEC)**

ITEM	PART NUMBER	QTY	DESCRIPTION	REV
	0275219	Ref	RECEPTACLE BOX KIT - 220V CEE7 SIDE GROUND 70X70 BOX (CE SPEC)	B
1	1001141967	1	Box, Switch	
2	1001141969	1	Receptacle	
3	4461205	1	Plug, Male	
4	1001141970	1	Plug and Socket Kit (Includes Items 1-3 and Female Plug p/n 4461206)	

Go to Discount-Equipment.com to order your parts

# SECTION 8 - ELECTRICAL

## FIGURE 8-40. RECEPTACLE/BREAKER BOX ASSEMBLY - 220V GFI



ART\_1001216162

## SECTION 8 - ELECTRICAL

**FIGURE 8-40. RECEPTACLE/BREAKER BOX ASSEMBLY - 220V GFI**

ITEM	PART NUMBER	QTY	DESCRIPTION	REV
	1001216162	Ref	RECEPTACLE/BREAKER BOX ASSEMBLY - 220V GFI	A
1	0100020	AR	Sealant	
2	3910608	2	Screw #6 x 1/2	
3	4460612	1	Connector, Strain Relief	
4	4460958	1	Receptacle, Turnlok	
5	1001099670	3	Terminal, Splice (Not Shown)	
6	1001148675	1	Box, Receptacle	
7	1001159118	1	Breaker, 30A 240V	
8	1001159119	1	Fitting, Conduit	
9	1001110872	1	Cover	

Go to Discount-Equipment.com to order your parts

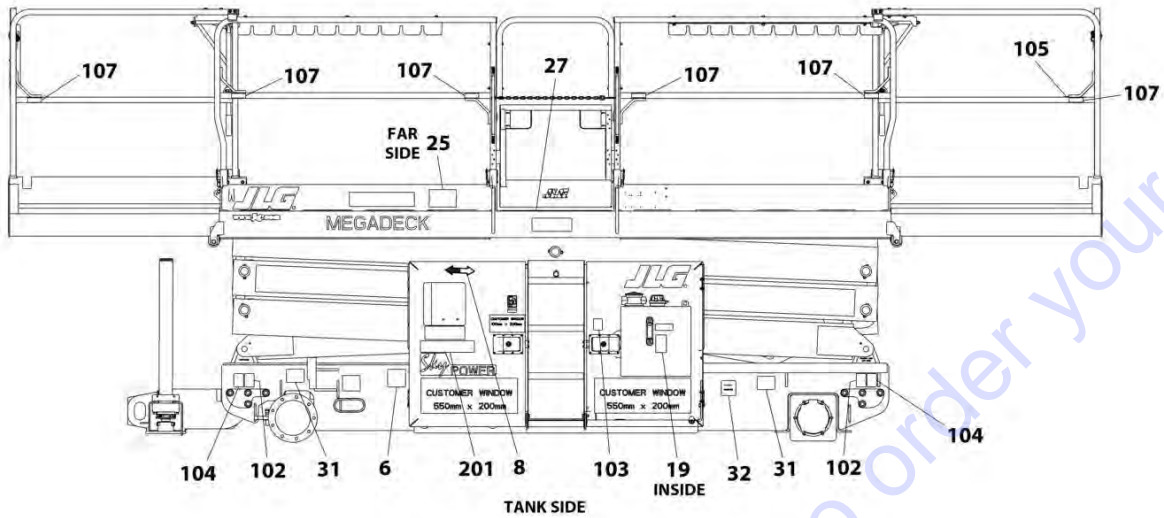


**SECTION 9 - DECALS**

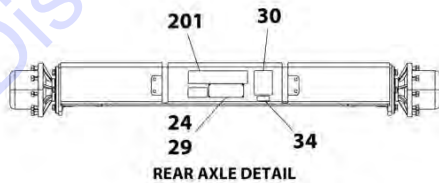
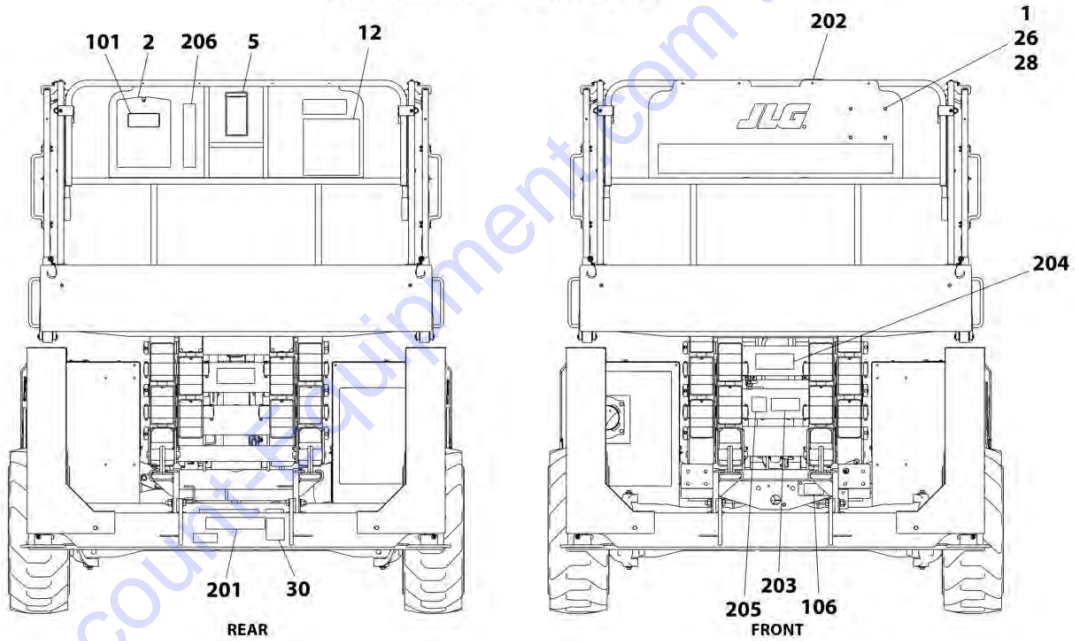
Go to [Discount-Equipment.com](http://Discount-Equipment.com) to order your parts

# SECTION 9 - DECALS

## FIGURE 9-1. DECAL INSTALLATION - ANSI AND ANSI EXPORT SPECS (ENGLISH)



(NOTE: SOME DECALS TYPICAL BOTH SIDES)



(NOTE: SOME DECALS MOVE TO LEVELING JACKS WHEN EQUIPPED)

(NOTE: ADDITIONAL DECALS CALLED OUT ON DECAL INSTALLATION - OPTIONS)

ART\_1001207678

## SECTION 9 - DECALS

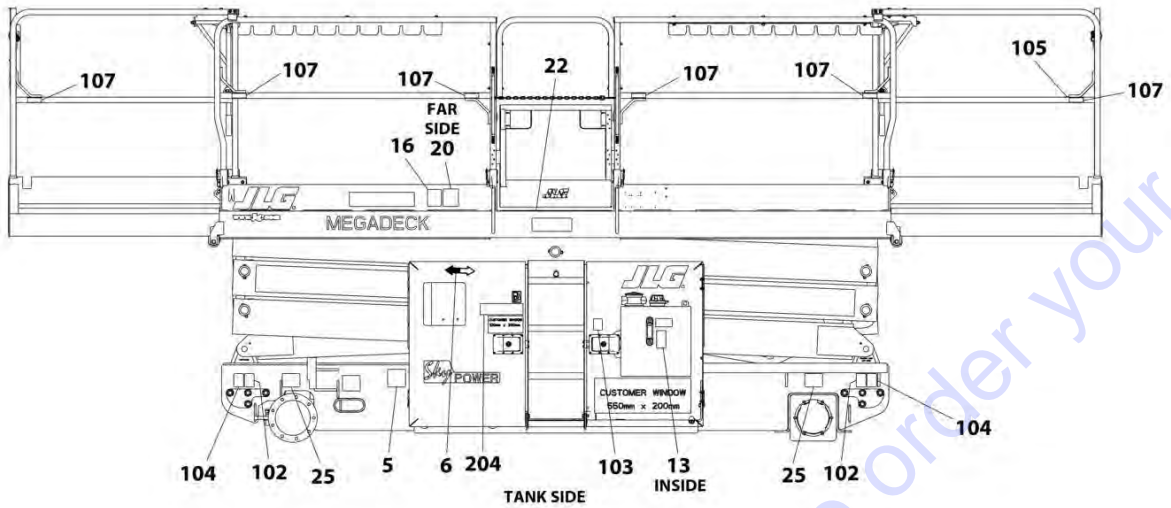
**FIGURE 9-1. DECAL INSTALLATION - ANSI AND ANSI EXPORT SPECS (ENGLISH)**

ITEM	PART NUMBER	QTY	DESCRIPTION	REV
	1001207678	Ref	DECAL INSTALLATION - ANSI AND ANSI EXPORT SPECS (ENGLISH)	F
1	0641407	4	Bolt 1/4 x 7/8	
2	0860520	1	Box, Manual Storage	
5	1705679	1	Decal - Inspection	
6	See Note	NSS	Decal - Bar Code (Note: Not Available for Purchase)	
8	1703687	2	Decal - Direction Arrow	
12	1703816	1	Decal - Danger/Warning	
19	1704412	1	Decal - Hydraulic Oil	
24	2080057	4	Fastener	
25	3251813	1	Decal - USA	
26	3311405	4	Nut 1/4	
27	4420067	48 in/1.2m	Tape, Tread	
28	4711400	8	Washer 1/4	
29	See Note	NSS	Nameplate - Manufacturers Serial Number (Note: Not Available for Purchase)	
30	1001131270	1	Decal - Patent	
31	1703493	4	Decal - Maximum Wheel Load	
32	1001223055	1	Decal - Inspection	
34	1001223453	1	Decal - ICES	
100	1001216012	1	Master Decal Kit (Not Shown)	A
101	1701509	1	Decal - Manual	
102	1703811	4	Decal - Lifting Lug	
103	1703812	1	Decal - Hydraulic Oil	
104	1703814	4	Decal - Tie Down	
105	1703819	1	Decal - Direction Arrow	
106	1703822	1	Decal - Manual Descent Instruction	
107	1704277	12	Decal - Lanyard Attach	
200	1001216020	1	Country Specs Decal Kit - ANSI & ANSI Export (English) (Not Shown)	A
201	1703818	3	Decal - Warning	
202	1703821	1	Decal - Control Box Location	
203	1703823	1	Decal - Danger	
204	1704432	1	Decal - Warning/Danger	
205	1705019	1	Decal - Safety Prop	
206	1001192853	1	Decal - Legend	

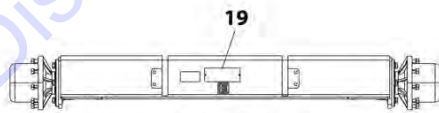
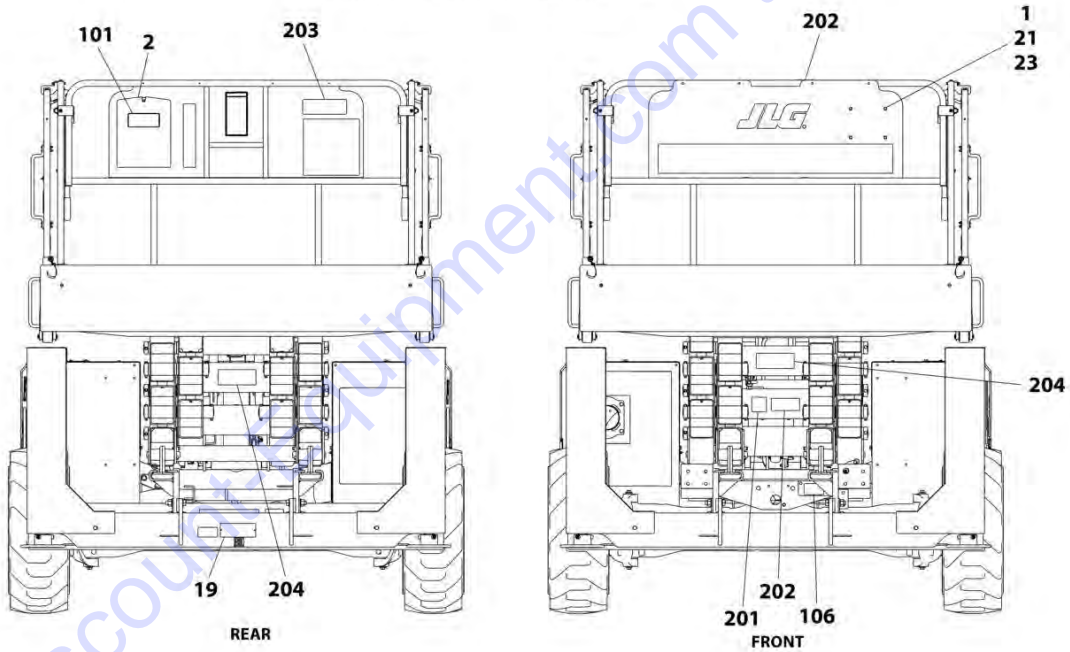


# SECTION 9 - DECALS

FIGURE 9-2. DECAL INSTALLATION - AUSTRALIAN, CE & JAPANESE SPEC (ENGLISH)



(NOTE: SOME DECALS TYPICAL BOTH SIDES)



REAR AXLE DETAIL

(NOTE: ADDITIONAL DECALS CALLED OUT ON DECAL INSTALLATION - OPTIONS)

(NOTE: SOME DECALS MOVE TO LEVELING JACKS WHEN EQUIPPED)

ART\_1001207680

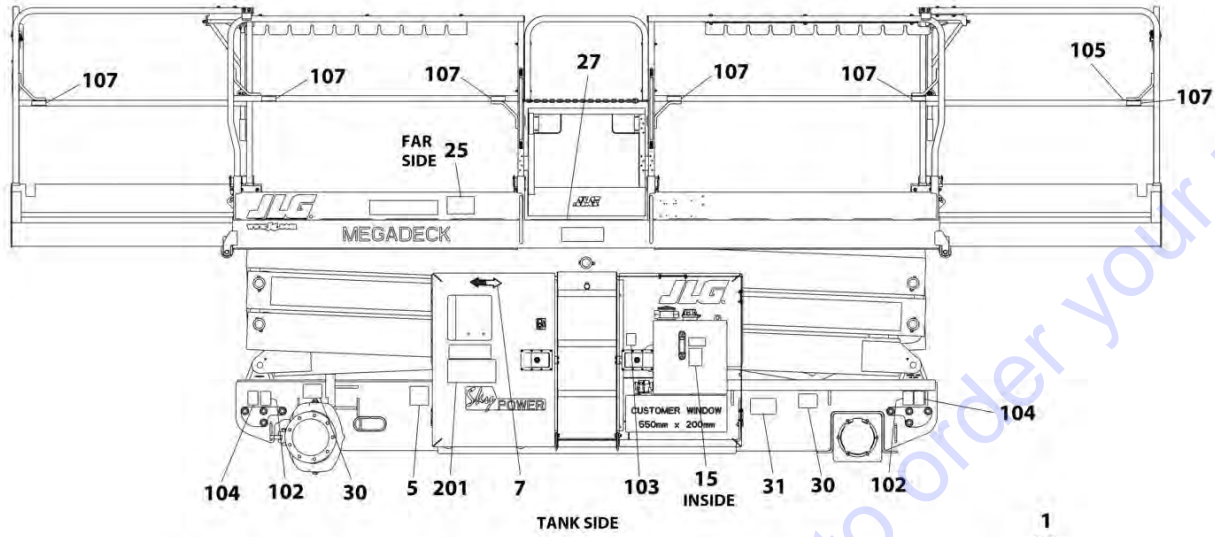
## SECTION 9 - DECALS

**FIGURE 9-2. DECAL INSTALLATION - AUSTRALIAN, CE & JAPANESE SPEC (ENGLISH)**

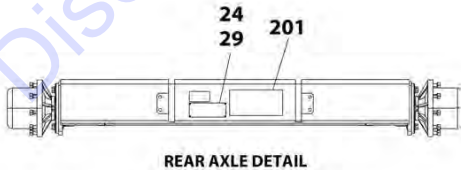
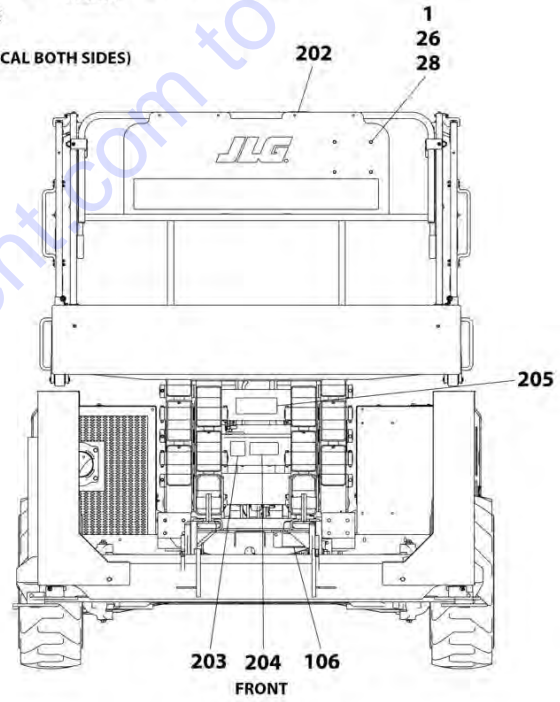
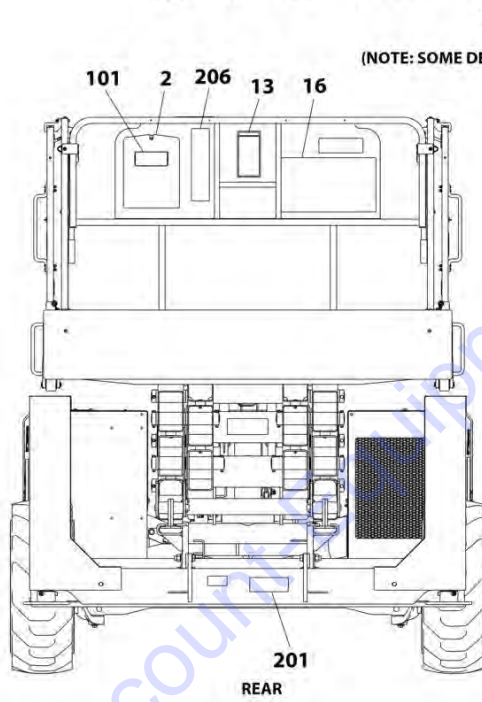
ITEM	PART NUMBER	QTY	DESCRIPTION	REV
	1001207680	Ref	DECAL INSTALLATION - AUSTRALIAN, CE & JAPANESE SPEC (ENGLISH)	F
1	0641407	4	Bolt 1/4 x 7/8	
2	0860520	1	Box, Manual Storage	
5	See Note	NSS	Decal - Bar Code (Note: Not Available for Purchase)	
6	1703687	2	Decal - Direction Arrow	
13	1704412	1	Decal - Hydraulic Oil	
16	1705515	2	Decal - Sound Power (109dB) <b>(Prior to SN 0200266687)</b>	
16	1705368	2	Decal - Sound Power (112dB) <b>(SN 0200266687 through 0200267916)</b>	
16	80463053	2	Decal - Sound Power (106dB) <b>(SN 0200267917 to Present)</b>	
19	2080057	2	Fastener	
20	3251813	1	Decal - USA	
21	3311405	4	Nut 1/4	
22	4420067	48 in/ 1.2m	Tape, Tread	
23	4711400	8	Washer 1/4	
25	1703493	4	Decal - Maximum Wheel Load	
100	1001216012	1	Master Decal Kit (Not Shown)	A
101	1701509	1	Decal - Manual	
102	1703811	4	Decal - Lifting Lug	
103	1703812	1	Decal - Hydraulic Oil	
104	1703814	4	Decal - Tie Down	
105	1703819	1	Decal - Direction Arrow	
106	1703822	1	Decal - Manual Descent Instruction	
107	1704277	12	Decal - Lanyard Attach	
200	2902498	1	Country Specs Decal Kit - Australian & CE Specs (English) (Not Shown)	1
201	1705019	1	Decal - Safety Prop	
202	1705372	1	Decal - Warning/Danger	
203	1705671	1	Decal - Electrocution	
204	1706338	4	Decal - Electrocution/Crushing	

# SECTION 9 - DECALS

FIGURE 9-3. DECAL INSTALLATION - BRAZIL SPECS (SPANISH/PORTUGUESE)



(NOTE: SOME DECALS TYPICAL BOTH SIDES)



(NOTE: ADDITIONAL DECALS CALLED OUT ON DECAL INSTALLATION - OPTIONS)

(NOTE: SOME DECALS MOVE TO LEVELING JACKS WHEN EQUIPPED)

ART\_1001207683

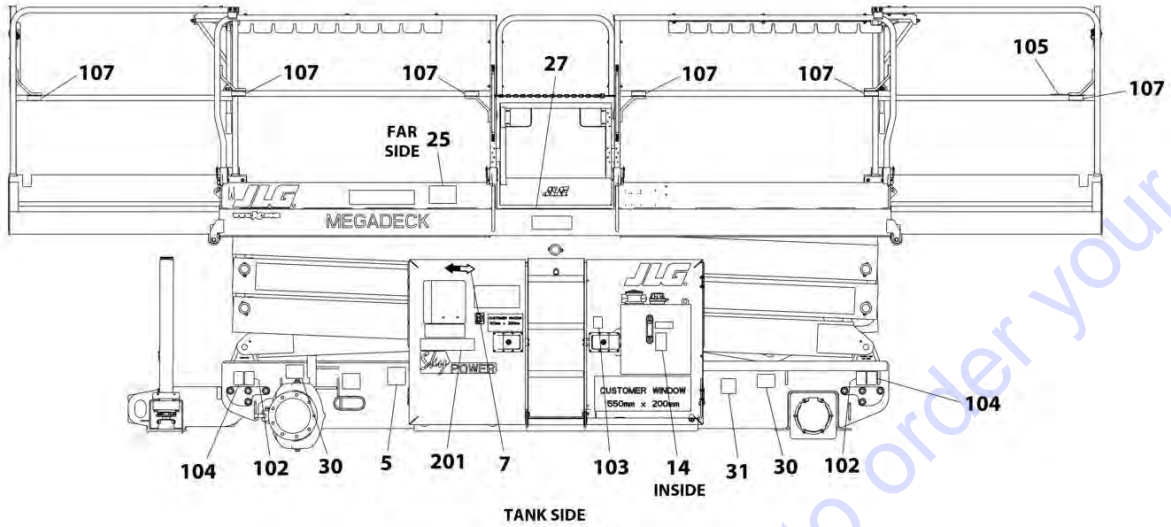
## SECTION 9 - DECALS

**FIGURE 9-3. DECAL INSTALLATION - BRAZIL SPECS (SPANISH/PORTUGUESE)**

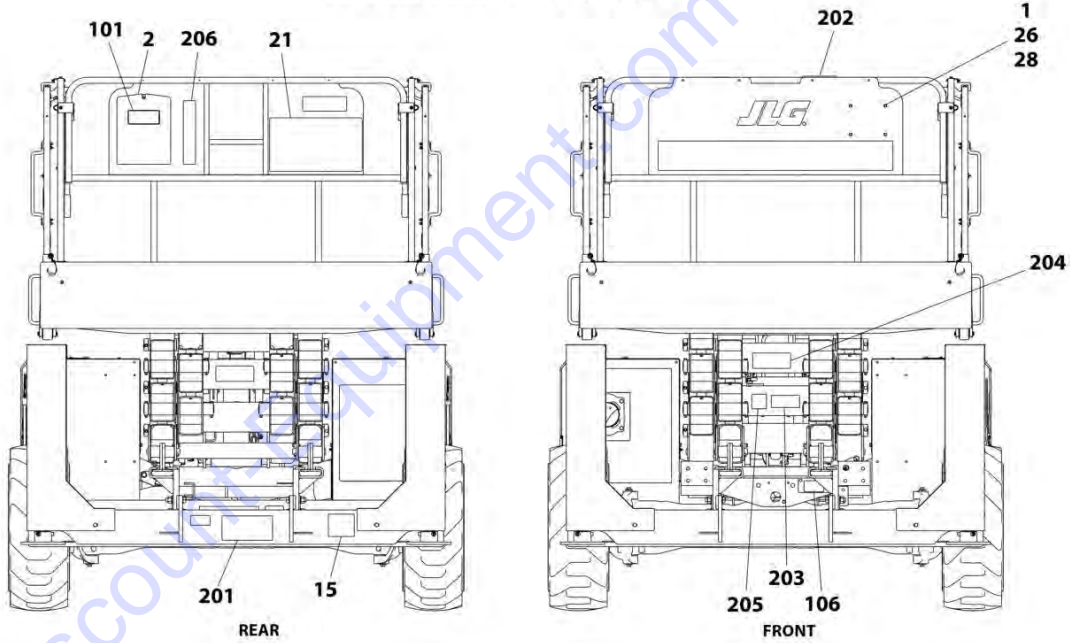
ITEM	PART NUMBER	QTY	DESCRIPTION	REV
	1001207683	Ref	DECAL INSTALLATION - BRAZIL SPECS (SPANISH/PORTUGUESE)	D
1	0641407	4	Bolt 1/4 x 7/8	
2	0860520	1	Box, Manual Storage	
5	See Note	NSS	Decal - Bar Code (Note: Not Available for Purchase)	
7	1703687	2	Decal - Direction Arrow	
13	1705727	1	Decal - Inspection	
15	1704412	1	Decal - Hydraulic Oil	
16	1704699	1	Decal - Danger/Warning	
24	2080057	4	Fastener	
25	3251813	1	Decal - USA	
26	3311405	4	Nut 1/4	
27	4420067	48 in/1.2m	Tape, Tread	
28	4711400	8	Washer 1/4	
29	See Note	NSS	Nameplate - Manufacturers Serial Number (Note: Not Available for Purchase)	
30	1703493	4	Decal - Maximum Wheel Load	
31	1001224052	1	Decal - Inspection	
100	1001216012	1	Master Decal Kit (Not Shown)	A
101	1701509	1	Decal - Manual	
102	1703811	4	Decal - Lifting Lug	
103	1703812	1	Decal - Hydraulic Oil	
104	1703814	4	Decal - Tie Down	
105	1703819	1	Decal - Direction Arrow	
106	1703822	1	Decal - Manual Descent Instruction	
107	1704277	12	Decal - Lanyard Attach	
200	1001216726	1	Country Specs Decal Kit - Brazil Specs (Spanish/Portuguese) (Not Shown)	A
201	1704701	3	Decal - Electrocuting/Crushing	
202	1704702	1	Decal - Control Box Location	
203	1705019	1	Decal - Safety Prop	
204	1705043	1	Decal - Danger Electrical Hazard	
205	1705318	1	Decal - Warning/Crushing	
206	1001203077	1	Decal - Legend	

# SECTION 9 - DECALS

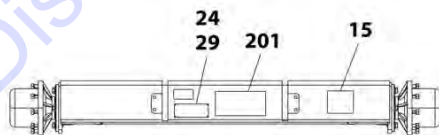
FIGURE 9-4. DECAL INSTALLATION - CHINESE SPECS (ENGLISH/CHINESE)



(NOTE: SOME DECALS TYPICAL BOTH SIDES)



(NOTE: ADDITIONAL DECALS CALLED OUT ON DECAL INSTALLATION - OPTIONS)



REAR AXLE DETAIL

(NOTE: SOME DECALS MOVE TO LEVELING JACKS WHEN EQUIPPED)

ART\_1001207681

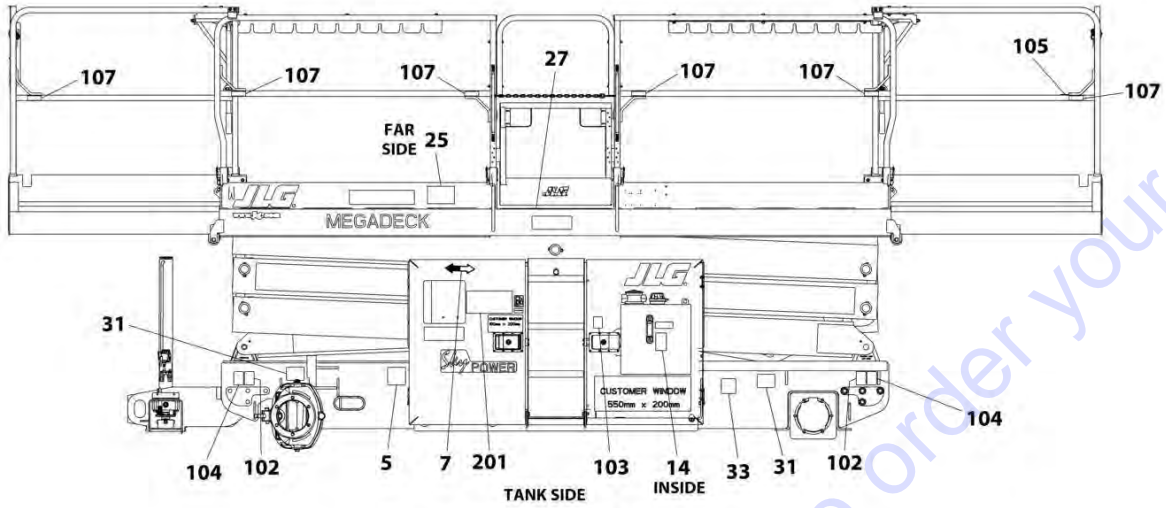
## SECTION 9 - DECALS

**FIGURE 9-4. DECAL INSTALLATION - CHINESE SPECS (ENGLISH/CHINESE)**

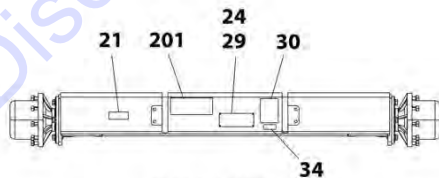
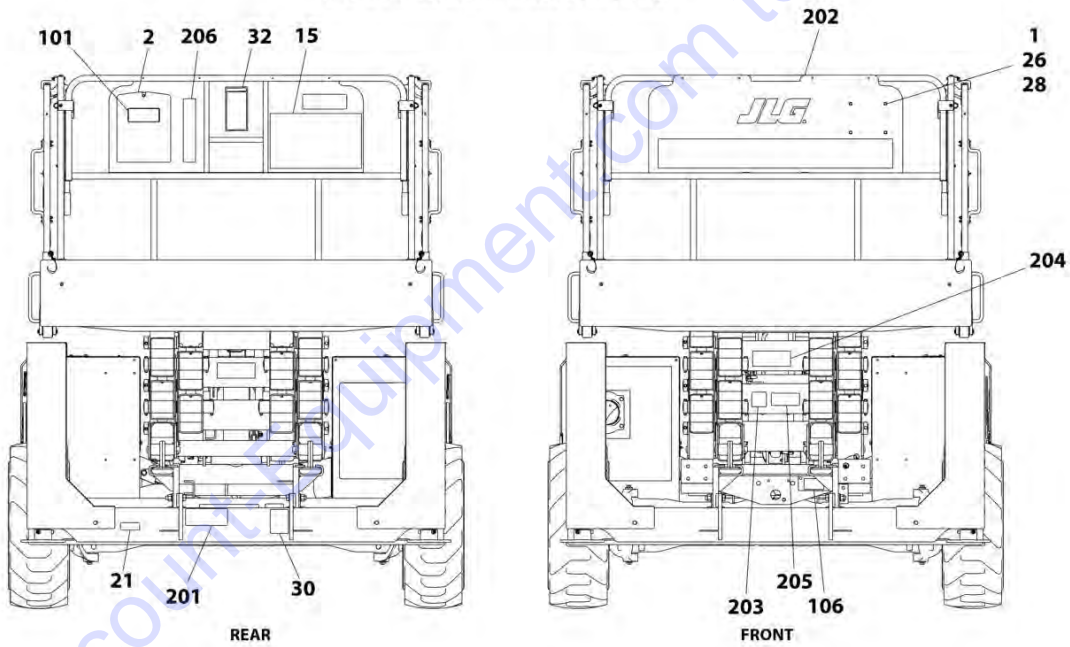
ITEM	PART NUMBER	QTY	DESCRIPTION	REV
	1001207681	Ref	DECAL INSTALLATION - CHINESE SPECS (ENGLISH/CHINESE)	D
1	0641407	4	Bolt 1/4 x 7/8	
2	0860520	1	Box, Manual Storage	
5	See Note	NSS	Decal - Bar Code (Note: Not Available for Purchase)	
7	1703687	2	Decal - Direction Arrow	
14	1704412	1	Decal - Hydraulic Oil	
15	1704607	1	Decal - Inspection	
21	1705195	1	Decal - Danger/Warning	
24	2080057	4	Fastener	
25	3251813	1	Decal - USA	
26	3311405	4	Nut 1/4	
27	4420067	48 in/1.2m	Tape, Tread	
28	4711400	8	Washer 1/4	
29	See Note	NSS	Nameplate - Manufacturers Serial Number (Note: Not Available for Purchase)	
30	1703493	4	Decal - Maximum Wheel Load	
31	1001224050	1	Decal - Inspection	
100	1001216012	1	Master Decal Kit (Not Shown)	A
101	1701509	1	Decal - Manual	
102	1703811	4	Decal - Lifting Lug	
103	1703812	1	Decal - Hydraulic Oil	
104	1703814	4	Decal - Tie Down	
105	1703819	1	Decal - Direction Arrow	
106	1703822	1	Decal - Manual Descent Instruction	
107	1704277	12	Decal - Lanyard Attach	
200	1001217067	1	Country Specs Decal Kit - Chinese Specs (English/Chinese) (Not Shown)	A
201	1705193	3	Decal - Warning/Crushing/Danger	
202	1705194	1	Decal - Control Box Location	
203	1705944	1	Decal - Danger Electrocution	
204	1705943	1	Decal - Crushing	
205	1705019	1	Decal - Safety Prop	
206	1001192853	1	Decal - Legend	

# SECTION 9 - DECALS

## FIGURE 9-5. DECAL INSTALLATION - CSA SPECS (ENGLISH/FRENCH)



(NOTE: SOME DECALS TYPICAL BOTH SIDES)



REAR AXLE DETAIL

(NOTE: SOME DECALS MOVE TO LEVELING JACKS WHEN EQUIPPED)

(NOTE: ADDITIONAL DECALS CALLED OUT ON DECAL INSTALLATION - OPTIONS)

ART\_1001207679

## SECTION 9 - DECALS

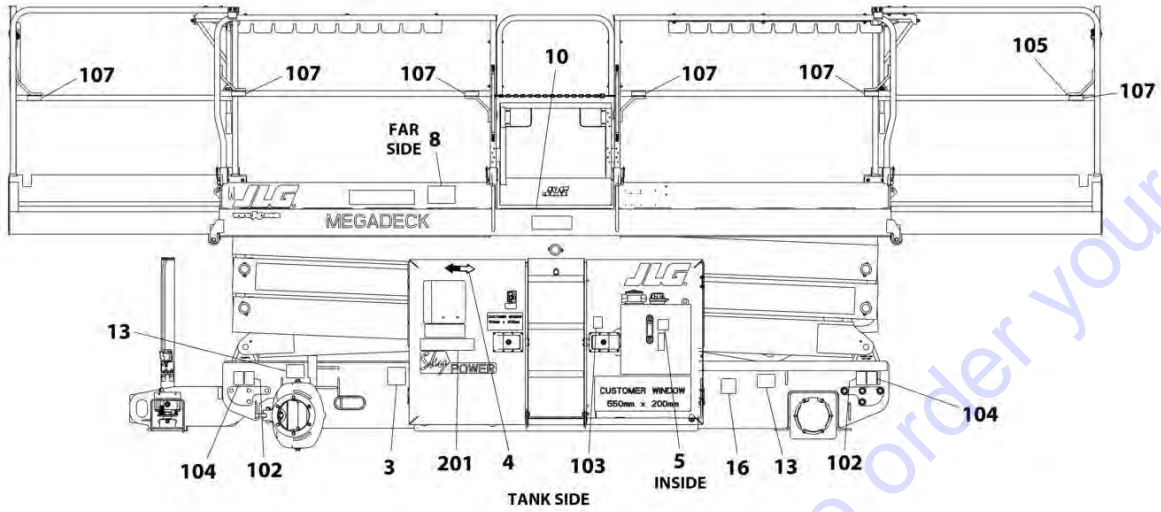
**FIGURE 9-5. DECAL INSTALLATION - CSA SPECS (ENGLISH/FRENCH)**

ITEM	PART NUMBER	QTY	DESCRIPTION	REV
	1001207679	Ref	DECAL INSTALLATION - CSA SPECS (ENGLISH/FRENCH)	E
1	0641407	1	Bolt 1/4 x 7/8	
2	0860520	1	Box, Manual Storage	
5	See Note	NSS	Decal - Bar Code (Note: Not Available for Purchase)	
7	1703687	2	Decal - Direction Arrow	
14	1704412	1	Decal - Hydraulic Oil	
15	1704684	1	Decal - Danger/Warning	
21	1705303	1	Decal - CSA	
24	2080057	4	Fastener	
25	3251813	1	Decal - USA	
26	3311405	4	Nut 1/4	
27	4420067	48 in/1.2m	Tape, Tread	
28	4711400	8	Washer 1/4	
29	See Note	NSS	Nameplate - Manufacturers Serial Number (Note: Not Available for Purchase)	
30	1001131270	1	Decal - Patent	
31	1703493	4	Decal - Maximum Wheel Load	
32	1705679	1	Decal - Inspection	
33	1001223971	1	Decal - Inspection	
34	1001223453	1	Decal - ICES	
100	1001216012	1	Master Decal Kit (Not Shown)	A
101	1701509	1	Decal - Manual	
102	1703811	4	Decal - Lifting Lug	
103	1703812	1	Decal - Hydraulic Oil	
104	1703814	4	Decal - Tie Down	
105	1703819	1	Decal - Direction Arrow	
106	1703822	1	Decal - Manual Descent Instruction	
107	1704277	12	Decal - Lanyard Attach	
200	1001216299	1	Country Specs Decal Kit - CSA Specs (English/French) (Not Shown)	A
201	1704686	3	Decal - Warning/Crushing/Danger	
202	1704687	1	Decal - Control Box Location	
203	1705019	1	Decal - Safety Prop	
204	1705040	1	Decal - Danger Electrocution	
205	1705311	1	Decal - Crushing	
206	1001203075	1	Decal - Legend	

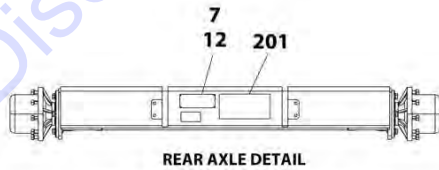
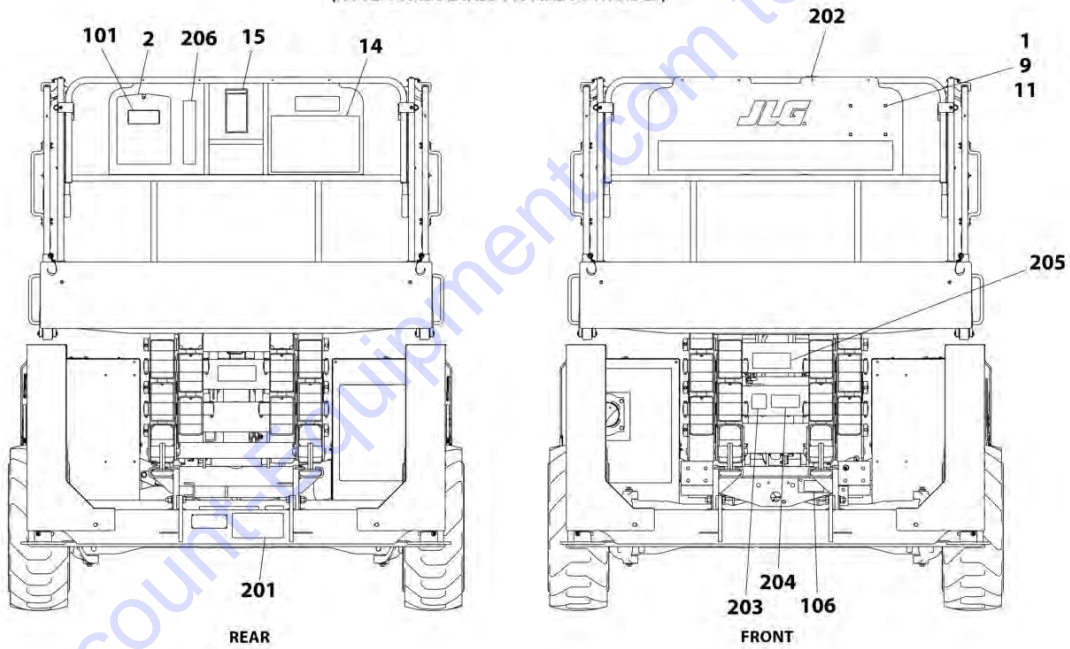


# SECTION 9 - DECALS

FIGURE 9-6. DECAL INSTALLATION - KOREAN SPECS (ENGLISH/KOREAN)



(NOTE: SOME DECALS TYPICAL BOTH SIDES)



(NOTE: SOME DECALS MOVE TO LEVELING JACKS WHEN EQUIPPED)

(NOTE: ADDITIONAL DECALS CALLED OUT ON DECAL INSTALLATION - OPTIONS)

ART\_1001216811

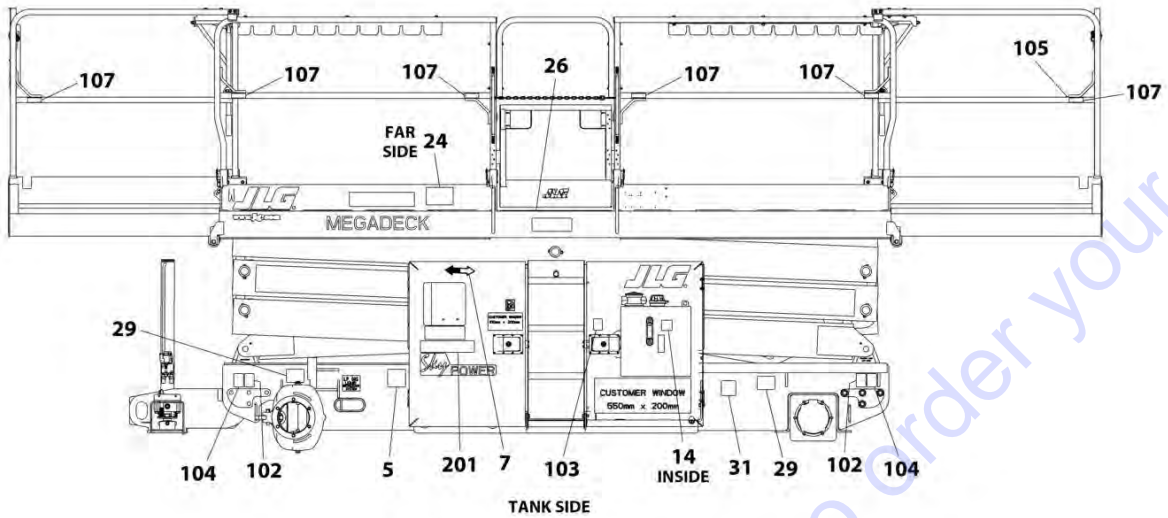
## SECTION 9 - DECALS

**FIGURE 9-6. DECAL INSTALLATION - KOREAN SPECS (ENGLISH/KOREAN)**

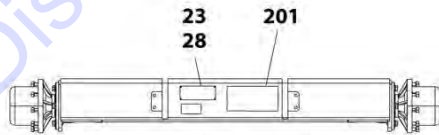
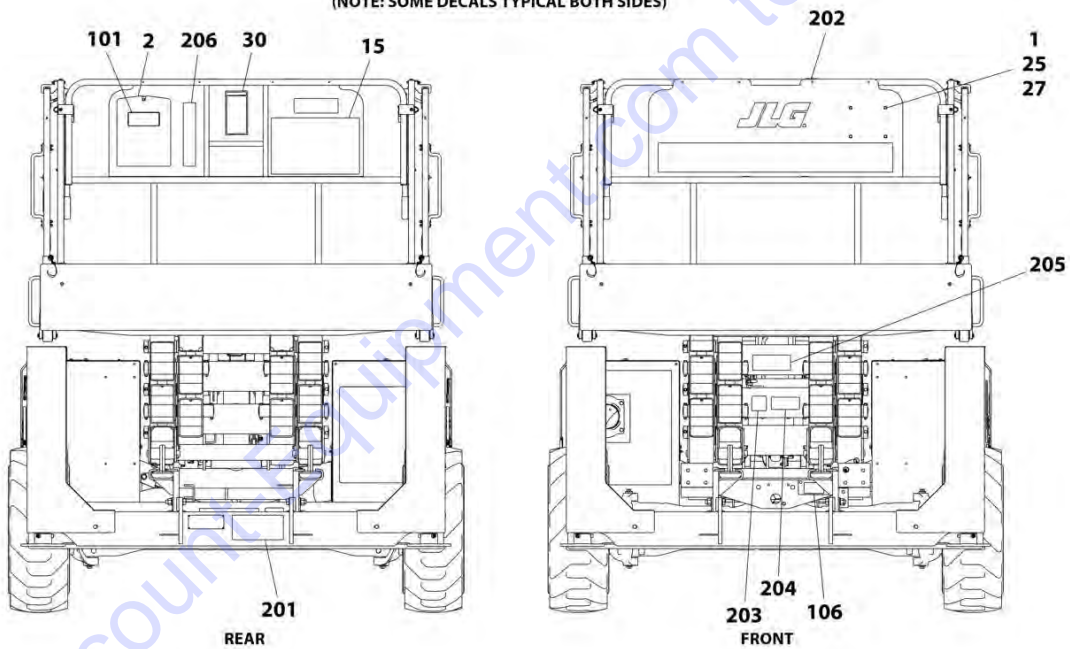
ITEM	PART NUMBER	QTY	DESCRIPTION	REV
	1001216811	Ref	DECAL INSTALLATION - KOREAN SPECS (ENGLISH/KOREAN)	C
1	0641407	4	Bolt 1/4 x 7/8	
2	0860520	1	Box, Manual Storage	
3	See Note	NSS	Decal - Bar Code (Note: Not Available for Purchase)	
4	1703687	2	Decal - Direction Arrow	
5	1704412	1	Decal - Hydraulic Oil	
7	2080057	4	Fastener	
8	3251813	1	Decal - USA	
9	3311405	4	Nut 1/4	
10	4420067	48 in/1.2m	Tape, Tread	
11	4711400	8	Washer 1/4	
12	See Note	NSS	Nameplate - Manufacturers Serial Number (Note: Not Available for Purchase)	
13	1703493	4	Decal - Maximum Wheel Load	
14	1704691	1	Decal - Danger/Warning	
15	1705679	1	Decal - Inspection	
16	1001224048	1	Decal - Inspection	
100	1001216012	1	Master Decal Kit (Not Shown)	A
101	1701509	1	Decal - Manual	
102	1703811	4	Decal - Lifting Lug	
103	1703812	1	Decal - Hydraulic Oil	
104	1703814	4	Decal - Tie Down	
105	1703819	1	Decal - Direction Arrow	
106	1703822	1	Decal - Manual Descent Instruction	
107	1704277	12	Decal - Lanyard Attach	
200	1001217026	1	Country Specs Decal Kit - Korean Specs (English/Korean) (Not Shown)	A
201	1001162111	3	Decal - Warning/Crushing/Danger	
202	1001162112	1	Decal - Control Box Location	
203	1705019	1	Decal - Safety Prop	
204	1001162114	1	Decal - Danger Electrical Hazard	
205	1001162113	1	Decal - Warning/Crushing	
206	1001192853	1	Decal - Legend	

# SECTION 9 - DECALS

FIGURE 9-7. DECAL INSTALLATION - LATIN AMERICAN SPECS (ENGLISH/SPANISH)



(NOTE: SOME DECALS TYPICAL BOTH SIDES)



REAR AXLE DETAIL

(NOTE: SOME DECALS MOVE TO LEVELING JACKS WHEN EQUIPPED)

(NOTE: ADDITIONAL DECALS CALLED OUT ON DECAL INSTALLATION - OPTIONS)

ART\_1001207682

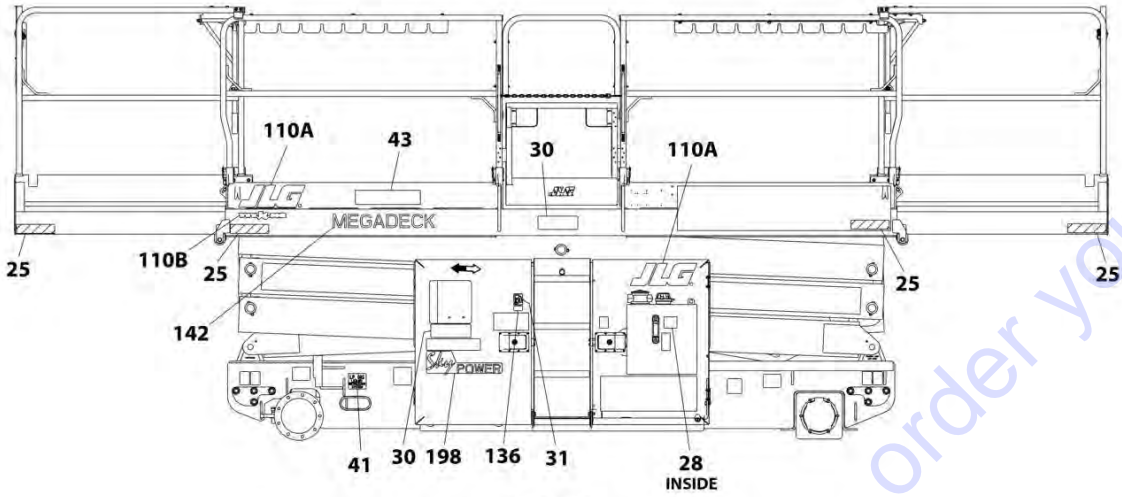
## SECTION 9 - DECALS

**FIGURE 9-7. DECAL INSTALLATION - LATIN AMERICAN SPECS (ENGLISH/SPANISH)**

ITEM	PART NUMBER	QTY	DESCRIPTION	REV
	1001207682	Ref	DECAL INSTALLATION - LATIN AMERICAN SPECS (ENGLISH/SPANISH)	D
1	0641407	4	Bolt 1/4 x 7/8	
2	0860520	1	Box, Manual Storage	
5	See Note	NSS	Decal - Bar Code (Note: Not Available for Purchase)	
7	1703687	2	Decal - Direction Arrow	
14	1704412	1	Decal - Hydraulic Oil	
15	1704691	1	Decal - Danger/Warning	
23	2080057	4	Fastener	
24	3251813	1	Decal - USA	
25	3311405	4	Nut 1/4	
26	4420067	48 in/1.2m	Tape, Tread	
27	4711400	8	Washer 1/4	
28	See Note	NSS	Nameplate - Manufacturers Serial Number (Note: Not Available for Purchase)	
29	1703493	4	Decal, Maximum Wheel Load	
30	1705679	1	Decal - Inspection	
31	1001224049	1	Decal - Inspection	
100	1001216012	1	Master Decal Kit (Not Shown)	A
101	1701509	1	Decal - Manual	
102	1703811	4	Decal - Lifting Lug	
103	1703812	1	Decal - Hydraulic Oil	
104	1703814	4	Decal - Tie down	
105	1703819	1	Decal - Direction Arrow	
106	1703822	1	Decal - Manual Descent Instruction	
107	1704277	12	Decal - Lanyard Attach	
200	1001216738	1	Country Specs Decal Kit - Latin American Specs (English/Spanish) (Not Shown)	A
201	1704693	3	Decal - Warning/Crushing/Danger	
202	1704694	1	Decal - Control Box Location	
203	1705019	1	Decal - Safety Prop	
204	1705041	1	Decal - Danger Electrical Hazard	
205	1705316	1	Decal - Warning/Crushing	
206	1001203076	1	Decal - Legend	

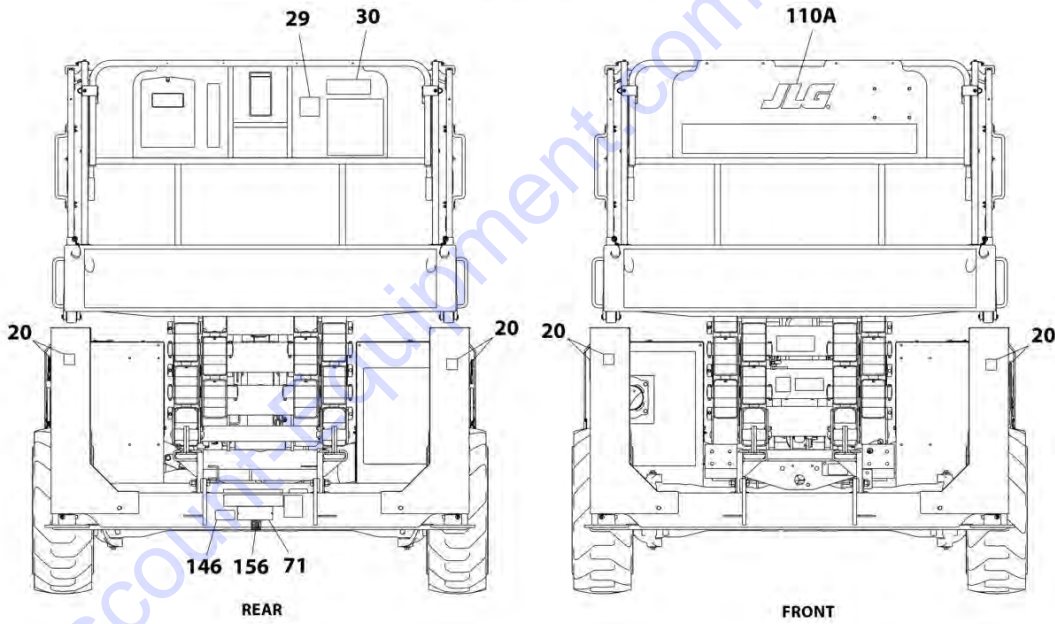
# SECTION 9 - DECALS

## FIGURE 9-8. DECAL INSTALLATION - OPTIONS



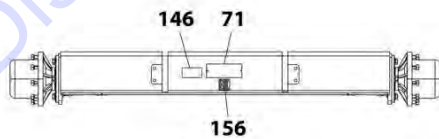
TANK SIDE

(NOTE: SOME DECALS TYPICAL BOTH SIDES)



REAR

FRONT



REAR AXLE DETAIL

(NOTE: SOME DECALS MOVE TO LEVELING JACKS WHEN EQUIPPED)

(NOTE: ADDITIONAL DECALS CALLED OUT ON DECAL INSTALLATION - OPTIONS)

ART\_DECAL OPTIONS

## SECTION 9 - DECALS

### FIGURE 9-8. DECAL INSTALLATION - OPTIONS

ITEM	PART NUMBER	QTY	DESCRIPTION	REV
		Ref	DECAL INSTALLATION - REFERENCE CHART	
20	1701214	8	Decal - Outrigger Warning (ANSI & ANSI Export Specs) (English)	
20	1701785	8	Decal - Outrigger Warning (Australian and CE Specs) (English)	
20	1704698	8	Decal - Outrigger Warning (Brazilian Spec) (Spanish/Portuguese)	
20	1704690	8	Decal - Outrigger Warning (CSA Specs) (English/French)	
20	1001215447	8	Decal - Outrigger Warning (Korean Specs) (English/Korean)	
20	1704697	8	Decal - Outrigger Warning (Latin American Spec) (English/Spanish)	
25	1001216420	Ref	Decal - Warning Stripes Installation (Single Deck Extension)	A
25	1001216421	Ref	Decal - Warning Stripes Installation (Dual Deck Extension)	A
25	4420051	10 ft/3.1m	Tape, Safety (Single Deck Extension)	
25	4420051	12 ft/3.7m	Tape, Safety (Dual Deck Extension)	
28	1702788	1	Decal - Biodegradable Hydraulic Fluid (All Specs Except ANSI Export)	
28	1704174	1	Decal - Synthetic Biodegradable Hydraulic Fluid (All Specs Except ANSI Export)	
28	1703479	1	Decal - Biodegradable Hydraulic Fluid (German Specs)	
28	1704175	1	Decal - Synthetic Biodegradable Hydraulic Fluid (German Specs)	
29	1702962	1	Decal - Warning Prop65 (Diesel) <b>(Prior to SN 0200267546)</b>	
29	1001231801	1	Decal - Warning Prop65 (Diesel) <b>(SN 0200267546 through 0200268617)</b>	
29	1702961	1	Decal - Warning Prop65 (Gas) <b>(Prior to SN 0200267546)</b>	
29	1001236338	1	Decal - Warning Prop65 (Gas) <b>(SN 0200267546 through 0200268617)</b>	
30	1705020	4	Decal - Capacity 2250lbs/1020kg (330LRT with Single Deck Extension) (All Specs Except Australian and CE Specs)	
30	1705034	1	Decal - Capacity 1020kg (330LRT with Single Deck Extension) (Australian and CE Specs)	
30	3252757	4	Decal - Capacity 2000lbs/905kg (330LRT with Dual Deck Extension) (All Specs Except Australian and CE Specs)	
30	1705035	1	Decal - Capacity 905kg (330LRT with Dual Deck Extension) (Australian and CE Specs)	
30	1705021	4	Decal - Capacity 1500lbs/680kg (430LRT with Single Deck Extension) (All Specs Except Australian and CE Specs)	
30	1705036	1	Decal - Capacity 680kg (430LRT with Single Deck Extension) (Australian and CE Specs)	
30	1705022	4	Decal - Capacity 1250lbs/568kg (430LRT with Dual Deck Extension) (All Specs Except Australian and CE Specs)	
30	1705037	1	Decal - Capacity 565kg (430LRT with Dual Deck Extension) (Australian and CE Specs)	
31	1701505	1	Decal - Fuel (Diesel)	
31	1701542	1	Decal - Fuel (Dual Fuel)	
41	1700818	1	Decal - LP Gas (ANSI, ANSI Export and CSA Specs) (English)	
41	1702720	1	Decal - LP Gas (ANSI Export Specs) (Spanish)	
41	1704271	1	Decal - LP Gas (CSA Spec) (English/French)	
43	1001205823	2	Decal - Model 330LRT	
43	1001205825	2	Decal - Model 430LRT	
71	See Note	NSS	Nameplate - Manufacturer Serial Number (Australian and CE Specs) (Note: Not Available for Purchase)	
110	1001170869	Ref	JLG Logo Decal Installation (Not Shown)	A
110A	1702773	5	Decal - JLG	
110B	1704885	2	Decal - Website	
130	1704972	1	Decal - Warning Explosion/Fire (English) (ANSI Specs) (Not	

## SECTION 9 - DECALS

ITEM	PART NUMBER	QTY	DESCRIPTION	REV
130	1706098	1	Shown - Located on Radiator Shroud) Decal - Warning Explosion/Fire (Pictogram) (Australian, CE & Japanese Specs) (Not Shown - Located on Radiator Shroud)	
130	1706059	1	Decal - Warning Explosion/Fire (English/Portuguese) (Brazil Specs) (Not Shown - Located on Radiator Shroud)	
130	1706060	1	Decal - Warning Explosion/Fire (English/Chinese) (China Specs) (Not Shown - Located on Radiator Shroud)	
130	1706064	1	Decal - Warning Explosion/Fire (English/French) (CSA Specs) (Not Shown - Located on Radiator Shroud)	
130	1706061	1	Decal - Warning Explosion/Fire (English/Korean) (Korean Specs) (Not Shown - Located on Radiator Shroud)	
130	1706063	1	Decal - Warning Explosion/Fire (English/Spanish) (Latin American Specs) (Not Shown - Located on Radiator Shroud)	
136	1001125387	1	Decal - Ultra Low Sulfur Fuel (ANSI, CSA & Japanese Specs) (Kubota T4F Only)	
136	1001139654	1	Decal - Ultra Low Sulfur Fuel (CE Specs)	
142	1001142595	2	Decal - Megadeck	
146	1001143852	1	Decal - Emission Compliance (Diesel Only) (ANSI Export, Australian, CE & Japanese Specs)	
156	1001214029	1	EAC Decal Installation (Russian/CIS Specs)	A
156	1001173703	1	Decal - EAC	
198	1705460	2	Decal - SkyPower (Machines with 7500W Generator)	

**SECTION 10 - RECOMMENDED SERVICE PARTS STOCK**

**SECTION 10 - RECOMMENDED SERVICE PARTS STOCK**

Go to [Discount-Equipment.com](http://Discount-Equipment.com) to order your parts



## SECTION 10 - RECOMMENDED SERVICE PARTS STOCK

FIGURE 10-1. RECOMMENDED SERVICE PARTS STOCK

ITEM	PART NUMBER	QTY	DESCRIPTION	REV
		Ref	Note: The following list will service one machine (built to current production per date on the front cover) with emergency repair parts which can be installed in the field. Parts from the list should be replaced when inventory is depleted to keep service parts stock supplied. For further information, go to <a href="http://Discount-equipment.com">Discount-equipment.com</a>	
		Ref	STANDARD PARTS	
	70050516	1	Coil (CE Spec)	
	70002963	1	Coil (CE Spec)	
	70001960	4	Element, Return Filter	
	70002113	1	Breather, Hydraulic Tank	
	4360070	1	Breaker, Circuit	
	4360387	1	Switch, Push Button	
	4360469	1	Switch, Key	
	2860030	1	Key, Replacement	
	4360475	1	Switch, Emergency Stop	
	4360524	1	Switch, Toggle	
	70010383	1 dz	Element, Charge Filter	
	3740080	1	Relay	
	7015004	1 dz	Filter, Air	
	7017992	1 dz	Filter, Fuel	
	7017451	1	Coil	
	70001967	1	Coil	
	2940074	1	Latch	
	1600402	1	Controller, Drive/Steer	
	4360345	1	Switch, Toggle	
	4360483	1	Switch, Toggle	
	4360525	1	Switch, Toggle	
		Ref	VARIABLE PARTS	
	1001182481	1	Module, Control - Leveling Jacks (Machines with Leveling Jacks)	
	70001965	1	Coil (Machines with Leveling Jacks)	
	1001234735	1	Module, Control - Ground Control	
	1001190545	1 dz	Filter, Fuel (Diesel Engines)	
	1001225420	1 dz	Filter, Carbon Cannister (Gasoline Engines)	
	70004395	1 dz	Filter, Oil (Diesel Engines)	
	7017980	1	Filter, Oil (Gasoline Engines)	
	70005296	1	Element, Fuel/Water Separator Filter (Diesel Engines)	
	4360482	1	Switch, Toggle (Machines with Generator)	
	7024485	1	Breaker, Circuit - 30Amp (Machines with Generator)	
	4360500	1	Switch, Rotary Angle Sensor	
	4360502	1	Switch, Proximity	
	1001187857	1	Sensor	
	1600387	1	Module, Control - LSS (Machines with LSS)	
	4360482	1	Switch, Toggle (Gas Machines)	
	1001235098	1	Module, Control - Platform	
	1001234736	1	Module, Control	
	1001181045	1	Breaker, 16Amp (CE Specs Machines with AC Box at Platform)	
	4360548	1	Switch, Limit (With Leveling Jacks)	
	1001159118	1	Breaker, 30Amp (Machines with SkyPower 7500W Generator)	

**SECTION 11 - SPECIAL OPTIONS**

Go to Discount-Equipment.com to order your parts

# SECTION 11 - SPECIAL OPTIONS

## FIGURE 11-1. SPECIAL OPTIONS

ITEM	PART NUMBER	QTY	DESCRIPTION	REV
		Ref	Note: This list is to accommodate machines ordered with special equipment. Options may not be applicable to all models. For more specific parts information go to Discount-equipment.com	
		Ref	MISCELLANEOUS SPECIAL OPTIONS	
	0271782	Ref	Airline to Platform Installation - 330LRT (Factory Installed)	
	0271783	Ref	Airline to Platform Installation - 430LRT (Factory Installed)	
	1001227835	Ref	Airline Add-on Kit (Dealer Installed)	
	1001177763	Ref	Cold Weather Package - 120V (Diesel Engine)	
	1001215968	Ref	Cold Weather Package Add-on Kit - 120V (Diesel Engine)	
	1001206739	Ref	Cold Weather Package - 120V (Gas Engine)	
	1001216866	Ref	Cold Weather Package Add-on Kit - 120V (Gas Engine)	
	1001188785	Ref	Cold Weather Package - 240V (Diesel Engine)	
	1001215969	Ref	Cold Weather Package Add-on Kit - 240V (Diesel Engine)	
	1001215977	Ref	Container Shipment Preparation	
		Ref	ClearSky (Telematics) Installation (Factory Installed) Options:	
	1001229107	Ref	ClearSky (Telematics) Installation - 3 Wire (ANSI and CSA Specs)	
	1001233237	Ref	ClearSky (Telematics) Installation - 3 Wire (ANSI Export and CE Specs)	
	1001236021	Ref	ClearSky (Telematics) Installation - Canbus (ANSI and CSA Specs)	
	1001236869	Ref	ClearSky (Telematics) Installation - Canbus (ANSI Export and CE Specs)	
	1001246528	Ref	ClearSky (Telematics) Installation - Canbus (Australian Specs)	
		Ref	ClearSky Telematic Add-on Kit (Dealer Installed) Options:	
	1001230504	Ref	ClearSky (Telematics) Installation - 3 Wire (ANSI and CSA Specs)	
	1001234102	Ref	ClearSky (Telematics) Installation - 3 Wire (ANSI Export and CE Specs)	
	1001237254	Ref	ClearSky (Telematics) Installation - Canbus (ANSI and CSA Specs)	
	1001237255	Ref	ClearSky (Telematics) Installation - Canbus (ANSI Export and CE Specs)	
		Ref	Decal Options:	
	1001196612	Ref	Decal - Ahearn Rentals	
	1001231471	Ref	Decal - Blueline Rentals	
	1001229699	Ref	Decal - ClearSky	
	1001115671	Ref	Decal - FedEx Installation	
	0274680	Ref	Decal - Head & Engquist Equipment L.L.C (H&E)	
	1001221960	Ref	Decal - HERC Rentals	
	1001222118	Ref	Decal - HERTZ Canada	
	1001128997	Ref	Decal - NES	
	0274249	Ref	Decal - National Equipment Services (NES)	
	1001231470	Ref	Decal - Sunbelt Rentals (330LRT)	
	1001197870	Ref	Decal - Sunbelt Rentals (430LRT)	
	1001237011	Ref	Decal - Synergy Equipment	
	1001205516	Ref	Decal - Titan Rentals Installation	
	0271666	Ref	Decal - United Rentals Installation	
	1001098292	Ref	Decal - UPS Installation	
		Ref	Decal Kits:	
	1001216020	Ref	Decal Kit - Country Spec (ANSI & ANSI Export Specs)	

## SECTION 11 - SPECIAL OPTIONS

ITEM	PART NUMBER	QTY	DESCRIPTION	REV
	2902498	Ref	Decal Kit - Country Spec (Australian & CE Specs)	
	1001216726	Ref	Decal Kit - Country Spec (Brazil Specs)	
	1001217067	Ref	Decal Kit - Country Spec (Chinese Specs)	
	1001216299	Ref	Decal Kit - Country Spec (CSA Specs)	
	1001217026	Ref	Decal Kit - Country Spec (Korean Specs)	
	1001216738	Ref	Decal Kit - Country Spec (Latin American Specs)	
	1001216012	Ref	Decal Kit - Master	
	1001233631	Ref	Door Bumpers Kit	
	1001233817	Ref	Door Retention Kit	
		Ref	Electrical Connector Kits	
	1001148902	Ref	Electrical Connector Kit - Amp/Tyco Electrical Connectors	
	1001148903	Ref	Electrical Connector Kit - Deutsch DT Electrical Connectors	
	1001148904	Ref	Electrical Connector Kit - Deutsch HD Electrical Connectors	
	1001148905	Ref	Electrical Connector Kit - Packard Electrical Connectors	
	1001148906	Ref	Electrical Connector Kit - Various Electrical Connectors	
	1001175145	Ref	Fire Extinguisher Installation	
		Ref	Fluid Options:	
	3020008	Ref	Drive Hub Lubricant HD80W-90	
		Ref	Engine Coolant Options:	
	2300004	Ref	Coolant (Machines without Arctic Package)	
		Ref	Engine Oil Options:	
	1001159301	Ref	Engine Oil (Diesel Machines)	
	1001190775	Ref	Engine Oil (Gas Machines)	
	See Note	Ref	Hydraulic Fluid Options:	
	2300039	Ref	Hydraulic Fluid - Exxon Univis HVI 26	
	2300014	Ref	Hydraulic Fluid - Mobil #424	
	2300016	Ref	Hydraulic Fluid - Mobil DTE 13	
	2300027	Ref	Hydraulic Fluid - Mobil EAL 224H Bio	
	2300029	Ref	Hydraulic Fluid - Mobil EAL Envirosyn H46 Bio	
	2300021	Ref	Hydraulic Fluid - Union Carbide Ucon Hydrolube HP-5046D (Fire Resistant)	
	1001233320	Ref	Footswitch Installation (Factory Installed) (Korean Spec Only)	
	1001224574	Ref	Footswitch Add-on Kit (Dealer Installed)	
	1001217377	Ref	Forklift Tine Guides Installation (ANSI Specs 330LRT Only)	
		Ref	Fuel Cap Cover Installation Options:	
	1001202749	Ref	Fuel Cap Cover Installation (Black) (All Specs) (Note: Lock p/n 1001102157 must be Purchased Separately)	
	1001191395	Ref	Fuel Cap Cover Installation (Green) (Diesel Machines) (ANSI, ANSI Export & CSA Specs) (Note: Lock p/n 1001102157 must be Purchased Separately)	
	1001191394	Ref	Fuel Cap Cover Installation (Red) (Gas Machines) (ANSI, ANSI Export & CSA Specs) (Note: Lock p/n 1001102157 must be Purchased Separately)	
		Ref	Generator Add-on Kit (Dealer Installed)	
	1001227833	Ref	Generator Add-on Kit (7500W - 50Hz) (KUBOTA Stage III)	
	1001227831	Ref	Generator Add-on Kit (7500W - 60Hz) (KUBOTA T4F)	
	1001227832	Ref	Generator Add-on Kit (7500W - 60Hz) (KUBOTA Gasoline)	
	1001110509	Ref	Ground Control Box Cover Installation (ANSI Specs 330LRT Only)	
	1001111280	Ref	Ground Control Box Light Installation (ANSI Specs 330LRT Only)	
	1001227836	Ref	Headlights and Taillights Add-on Kit (All Specs except CE Specs)	
	1001223282	Ref	Oil Cooler Installation (Factory Installed)	
	1001227837	Ref	Oil Cooler Add-on Kit (Dealer Installed)	

## SECTION 11 - SPECIAL OPTIONS

ITEM	PART NUMBER	QTY	DESCRIPTION	REV
	1001238488	Ref	Large Material Rack (Single Extension)	
	1001236784	Ref	Large Material Rack (Dual Extension)	
	1001236786	Ref	Large Material Rack (Mega Deck) (CE Specs 330LRT Only)	
		Ref	Platform Lights Options:	
	1001227834	Ref	Platform Lights Add-on Kit - Flood Lights (Dealer Installed)	
	1001187698	Ref	Platform Lights Installation - Worklights ( <b>Prior to SN 0200267546</b> )	
	1001234830	Ref	Platform Lights Installation ( <b>SN 0200267546 to Present</b> )	
	1001215965	Ref	Platform Lights Add-on Kit - Worklights	
		Ref	Platform Padding Options:	
	1001206575	Ref	Platform Padding Installation - Top Rail Only/No Switches (Single Extension)	
	1001206579	Ref	Platform Padding Installation - Top Rail Only/No Switches (Dual Extension)	
	1001206580	Ref	Platform Padding Installation - Soft Touch Switches (ANSI & ANSI Export Specs)	
		Ref	Rack Options:	
	1001238488	Ref	Large Material (Single Extension)	
	1001236784	Ref	Large Material (Dual Extension)	
	1001236786	Ref	Large Material (Mega Deck)	
	1001239226	Ref	Service Kit - Hoods	
	1001210089	Ref	Telematics - Cat	
	1001228363	Ref	Telematics - Herc	
	1001209282	Ref	Telematics - Loxam	
	1001210090	Ref	Telematics - Riwal	
	1001195610	Ref	Telematics - United Rentals - M6	
	1001214463	Ref	Telematics - United Rentals - M8	
		Ref	Tools for Service	
	7002821	Ref	Crimper, Wire	
	7002823	Ref	Pin Extractor - Universal (For Electrical Connectors with Pins and Sockets)	
	4460510	Ref	Pin Extractor - 12-14 Gauge (For Removal of Pin/Sockets from Deutsch Connectors)	
	4460467	Ref	Pin Extractor - 16-18 Gauge (For Removal of Pin/Sockets from Deutsch Connectors)	
	7016654	Ref	Screwdriver, Magnetic	
	7002822	Ref	Screwdriver, Potentiometer	
	7004275	Ref	Tools - Seal Tool 1in (For Cylinders)	
	7004276	Ref	Seal Tool 1-1/2in (For Cylinders)	
	7002828	Ref	Stripper, Wire	

**PART NUMBER INDEX**

Go to [Discount-Equipment.com](http://Discount-Equipment.com) to order your parts

# PART NUMBER INDEX

0080190.....206, 212, 218, 226	0275217 ..... 313, 385	0642012 ..... 13	0760810..41, 43, 94, 104, 121, 125, 137, 140, 158, 168
0100009.....67, 69, 71, 73	0275218 ..... 319, 391	0681607 ... 206, 212, 218, 226	0760814.....61, 63, 87, 97, 111, 127, 153, 163
0100011.....13, 15, 17, 19, 41, 43, 78, 82, 87, 91, 94, 97, 101, 104, 111, 115, 117, 120, 124, 127, 131, 133, 136, 140, 152, 155, 158, 162, 165, 168, 189, 193, 197, 206, 212, 218, 226, 271, 273, 283	0275219 ..... 323, 395	0681612 ... 206, 212, 218, 226	0761009.....197
0100019.....19	0275452 ..... 317, 389	0681618 ..... 218, 226	076101088, 98, 112, 128, 153, 163
010002087, 97, 111, 127, 152, 162, 397	0275453 ..... 321, 393	0681624 ... 206, 212, 218, 226	0761011.....15, 17
0100035.....203, 209, 215, 223	0275454 ..... 315, 387	0681632 ... 206, 212, 218, 226	0761014.....78, 82, 88, 94, 98, 104, 112, 120, 124, 128, 136, 140, 159, 169, 185
0100038.....13, 283	0340045 .... 94, 104, 120, 124, 136, 140, 158, 168	0681636 ..... 218, 226	0761015.....94, 104, 120, 124, 136, 140, 158, 168
0100048.....189, 193, 197	0363050 ... 206, 212, 218, 226	0681810 ..... 19	0761016.....94, 104, 120, 124, 136, 140, 158, 168
010005187, 97, 111, 127, 152, 162	0370018 ..... 283	0681813 ... 206, 212, 218, 226	0761615.....78, 82
0100062.....95, 105, 121, 137, 159, 169	040007587, 97, 111, 127, 152, 162	0681814 ..... 78, 82	076161787, 97, 111, 127, 152, 162
0100081.....203, 209, 215, 223	0440236 ... 207, 213, 219, 227	0682014 ..... 19	0770812.....75
0140001.....61, 63	0440250 ... 207, 213, 219, 227	0682230 ..... 41, 43	0780810.....189, 193, 197
0140030.....257, 259, 261, 263, 265, 267	0440271 ..... 15, 17	0700610 .61, 63, 94, 104, 120, 124, 136, 140, 158, 168	0791408.....271, 273
0140032.....75	0440334 ..... 94, 104, 120, 124, 136, 140	0700618 ..... 153, 163	0840052.....325
0181847.....257, 259, 261, 263, 265, 267	0480100 ..... 275	0700619 .... 245, 249, 253	0840056.....331, 335
0200713.....207, 213, 219, 227	0561489 ..... 235, 237	0700620 .... 94, 104, 120, 124, 136, 140, 158, 168	0840057.....331, 335
0200714.....219, 227	0630407 ..... 193, 197	070081287, 97, 111, 127, 152, 162	0840059.....331, 335, 369
0200715.....219, 228	0630485 .... 239, 241, 243	0700814 .... 94, 104, 120, 124, 136, 140, 158, 168	0840061.....331, 335, 369
0200716.....207, 213, 219, 228	0641404 ... 271, 273, 309, 311, 313, 315, 317, 319, 321, 323	0700817 87, 97, 111, 127	0860520....401, 403, 405, 407, 409, 411, 413
0200717.....207, 213	0641406 ... 245, 249, 253, 311, 313, 315, 317, 319, 321, 323	0700819 ..... 94, 104, 120, 124, 136, 140, 159, 169, 185	0861538.....193, 197
0200718.....207, 213, 220, 228	064140741, 43, 231, 271, 273, 401, 403, 405, 407, 409, 411, 413	0700835 ... 257, 259, 261, 263, 265, 267	0861572.....189
0200719.....207, 213, 220, 228	0641408 ..... 94, 104, 120, 124, 136, 140	0701019 .... 189, 193, 197	0861731....381, 387, 389, 393
0200720.....220, 228	0641409 ... 309, 311, 313, 315, 317, 319, 321, 323	0701020 ..... 61, 63	0861781.....383, 385
0200721.....220, 228	0641412 ..... 17, 203, 209, 215, 223	0701037 ..... 235, 237	0861880.....327, 329
0200722.....220, 228	0641415 ..... 237	0701215 ..... 190, 193	0901870.....245, 249, 253
0200723.....207, 213	0641420 ... 203, 209, 215, 223	0701217 .... 190, 193, 197	0902773....206, 212, 218, 226
0240087.....277	0641505 ... 206, 212, 218, 226	0701219 .... 189, 193, 197	0902774....203, 209, 215, 223
0258011.....35	0641507 ... 207, 213, 219, 227, 239, 241, 243	0701222 13, 94, 104, 120, 124, 136, 140, 158, 168	0903054.....45
0258012.....35	064150841, 43, 239, 241, 243	0711221 ..... 15, 17	0940049.....78, 82
0270092.....29	0641516 .... 245, 249, 253	0721010 ... 203, 209, 215, 223	0961948.....15, 17
0270653.....31	0641560 ..... 51, 53	0731005 ..... 61, 63	0961950.....13
0271666.....420	064160587, 97, 111, 127, 152, 162	074101087, 97, 111, 127, 152, 162	0961986.....94, 104, 120, 124, 136, 140, 158, 168
0271719.....35	0641608 ..... 51, 53	0741607 .... 189, 193, 197	0962031....206, 212, 218, 226
0271782.....420	0641609 ..... 82	0760508 ..... 39	0962356.....219, 227
0271783.....420	0641610 ... 152, 162, 203, 209, 215, 223	0760606 ... 190, 194, 198, 257, 259, 261, 263, 265, 267	0962445.....218, 226
0271785.....33	0641611 ... 203, 209, 215, 223, 235, 237	0760607 .... 94, 104, 120, 124, 136, 140, 158, 168	0962474....207, 213, 219, 227
0272209.....207, 213, 219, 227	064161287, 97, 111, 127, 152, 162, 203, 209, 215, 223	0760608 ..... 94, 104	0962520....189, 193, 197
0272211....207, 213, 219, 227	0641676 .... 245, 249, 253	0760610 ... 67, 69, 71, 73, 78, 82, 87, 97, 111, 127, 153, 163, 189, 193, 197	1001091102.....311, 313, 315, 317, 319, 321, 323
0272268.....33	0641812 ..... 153, 163	0760612 ..... 78, 82	1001093382..87, 97, 111, 127, 152, 162
0272829.....275	0641814 ..... 91, 101, 115, 117, 131, 133, 155, 165	0760614 ..... 152, 162	1001093383.....78, 82
0274249.....420	0641824 ..... 45	0760618 ..... 43, 271, 273	1001096070.....311, 313, 315, 317, 319, 321, 323, 329
0274260.....277		0760808 .... 94, 104, 120, 124, 136, 140, 158, 168	1001097150.....327, 329
0274680.....420			1001098292.....420
0275216.....311, 383			

## PART NUMBER INDEX

1001098765..... 325	1001116816..... 339, 343, 347, 351	100112888895, 105, 121, 125, 137, 140	1001162112..... 411
1001099125..... 78, 82	1001116926..... 332, 336, 365, 367	1001128997..... 420	1001162113..... 411
1001099623..... 203, 209, 215, 223	1001116930..... 365, 367, 377, 379	1001129255..... 153, 163	1001162114..... 411
1001099670..... 397	1001116934..... 373, 375	1001129256..... 153, 163	1001162995..... 13
1001100208..... 257, 263	1001117019..... 331, 332, 335, 336	1001129772..... 339, 343, 348, 352	1001163178.. 15, 17, 289
1001100341..... 383	1001117023..... 331, 335, 347, 351	1001131270..... 401, 409	1001163179..... 15, 17
1001100342..... 385	1001117024..... 344	1001131391..... 153, 163	1001163405..... 15, 17
1001100345..... 389	1001117055..... 340, 344	1001132170..... 371	1001163418..... 61
1001100346..... 387	1001117057..... 332, 336, 339, 343, 347, 351	1001132358..... 257, 259, 261, 263, 265, 267	1001163580..... 13, 281
1001100347..... 393	1001117069..... 332, 336	1001136988..... 189, 193, 197	1001163715..... 15, 17
1001101331 91, 101, 115, 117, 131, 133, 155, 165, 181	1001117070..... 339, 343, 347, 351	1001137304..... 325	1001163716..... 15, 17
1001101511..... 37	1001117078..... 331, 335	1001139654..... 416	1001164209..... 15, 17
1001102194..... 37	1001117372..... 281	1001141967..... 391, 395	1001164817..... 281
1001102195..... 37	1001118280 94, 104, 121, 125, 137, 141, 158, 168	1001141968..... 391	1001165035..... 158, 168
1001102196..... 37	1001118511..... 13	1001141969..... 395	1001166176..... 45
1001102805..... 19, 27	1001118518..... 13	1001141970..... 395	1001166729..... 239, 241, 243
1001102823..... 61, 63, 65	1001118519..... 13	1001141971..... 391	1001166732..... 190, 194, 198
1001102987.. 87, 97, 111, 127, 152, 162	1001118538 94, 104, 120, 124, 136, 140, 158, 168	1001142595..... 416	1001166837..... 41, 43
1001103012..... 332, 336, 363	1001118539 94, 104, 120, 124, 136, 140, 158, 168	1001143852..... 416	1001167055..... 245, 249, 254
1001103013..... 331, 335	1001118580 94, 104, 120, 124, 136, 140	1001144295..... 377, 379	1001167058..... 245
1001103760..... 207, 213, 219, 227	1001118582 94, 104, 121, 125, 137, 141	1001145292..... 245, 249, 253	1001167269..... 239, 241, 243
1001103761..... 45	1001118657..... 340, 343	1001146043..... 158, 168	1001167272..... 239, 241, 243
1001104498..... 332, 336, 348, 363	1001118658..... 340, 343, 347, 351	1001146311..... 298, 302	1001167274..... 239, 241, 243
1001105700..... 37	1001118675 94, 104, 120, 124, 136, 140, 177	1001146588..... 153, 163	1001167275..... 239, 241, 243
1001106736..... 331, 335	1001118743..... 339, 343	1001147274..... 29, 31	1001167469..... 82
1001107854..... 332, 336, 352, 363	1001118744..... 339, 343	1001148648..... 190	1001167690..... 347, 351
1001108128..... 298, 302	1001118745..... 339, 343	1001148675..... 397	1001167696..... 239, 241, 243
1001110433..... 78, 82	1001118746 94, 104, 120, 124, 136, 140, 158, 168	1001148844..... 194, 198	1001168018 95, 105, 120, 124, 136, 140, 158, 168
1001110509..... 421	1001118881 94, 105, 120, 124, 136, 140	1001148865..... 29	1001168762..... 61, 63
10011110872..... 397	1001118925 94, 105, 120, 124, 136, 140	1001148866..... 29	1001169054 95, 105, 120, 124, 136, 140, 158, 168
1001111280..... 421	1001118938..... 332, 336, 339, 343, 347, 351	1001148869..... 31	1001169138 95, 105, 120, 124, 136, 140, 158, 168
1001112612..... 331, 335	1001118972..... 61, 63	1001148870..... 31	1001169967 95, 105, 120, 124, 136, 141, 158, 168
1001113961..... 377, 379	1001119412..... 339, 343	1001148902..... 421	1001170035 95, 105, 120, 124, 136, 141, 158, 168
1001115671..... 420	1001119929..... 189	1001148903..... 421	1001170869..... 415
1001116691..... 351	1001121396..... 293, 295	1001148904..... 421	1001173043..... 302
1001116696..... 347, 351	1001125033..... 347	1001148905..... 421	1001173703..... 416
1001116698..... 331, 335	1001125242..... 215, 223	1001148906..... 421	1001174093..... 152, 163
1001116732..... 331, 332, 335, 336, 339, 343, 347, 351	1001125243..... 203, 209	1001149581..... 239, 241, 243	1001174384..... 219, 227
1001116733..... 331, 332, 335, 336, 339, 343, 347, 351	1001125248 95, 105, 121, 125, 137, 141, 159, 169	1001149953..... 29, 31	1001174386..... 219, 227
1001116734..... 331, 332, 335, 336, 339, 343, 344, 347, 351	1001125387..... 416	1001151351..... 298, 302	1001174387..... 219, 227
1001116749..... 347, 351	1001125748..... 339, 343, 347, 352	1001151393..... 67, 69, 71, 73	1001174455..... 331, 335, 369
1001116752..... 339, 347, 351	1001125773..... 339, 343, 348, 352	1001152525..... 190	1001174486.. 87, 97, 111, 127, 152, 162
1001116763..... 332, 336, 352	1001126008..... 337	1001154726..... 331, 335	1001175145..... 421
1001116774..... 337	1001126009..... 337	1001155806..... 331, 335	1001175265..... 340, 344
1001116808..... 337, 379	1001126393..... 347, 351	1001155819..... 152, 162	1001175509..... 105, 136, 141, 168
1001116810..... 379		1001157520..... 190, 195, 199	1001176787..... 257, 263, 373
1001116811..... 377, 379		1001157521..... 191	1001176848..... 15, 17
1001116812..... 332, 336, 377		1001157528..... 195, 199	1001177763..... 420
1001116813..... 339, 343, 347, 351		1001158007..... 191, 195, 199	1001178957..... 257, 263
		1001158008..... 191, 195, 199	
		1001158199..... 298, 302	
		1001159118..... 397, 418	
		1001159119..... 397	
		1001159301.. 87, 97, 111, 127, 421	
		1001161497..... 158, 168	
		1001162111..... 411	



# PART NUMBER INDEX

100118062095, 105, 121, 125, 137, 141	1001184163 ..... 190, 198	1001191394 ..... 421	1001205638 ..... 241
1001181045 ..... 327, 329, 418	1001184235 ..... 194	1001191395 ..... 421	1001205640 ..... 239
1001181211 ..... 198	1001184705 ..... 347, 351	1001191599 ..... 331, 332, 335, 336, 339, 343, 344, 347, 351	1001205642 ..... 239, 241, 243
1001181223 ..... 271, 273	1001184716 ..... 347, 351	1001192401 ..... 331, 335	1001205643 ..... 239, 241
1001181314 ..... 67, 71	1001184717 ..... 347, 351	1001192853 ..... 401, 407, 411	1001205644 ..... 243
1001181330 ..... 67, 69, 71, 73	1001184718 ..... 347, 351	1001193336 ..... 61	1001205765 ..... 239, 241, 243
100118139391, 101, 115, 117, 131, 133	1001184730 ... 67, 69, 71, 73	1001194115 ..... 271, 273	1001205823 ..... 415
1001181622 ..... 257, 259, 261	1001184768 ..... 347, 351	1001194221 ..... 375	1001205825 ..... 415
1001181623 ..... 257, 259, 261	1001184769 ..... 351	1001194378 ..... 298, 302	1001205896 ..... 239, 241, 243
1001181625 ..... 159, 169	1001184832 ..... 347, 351	1001194381 ..... 298, 302	100120596895, 105, 121, 125, 137, 141, 159, 169
1001181626 ..... 263, 265, 267	1001185125 . 88, 98, 112, 128, 153, 163	1001194383 ..... 298, 302	1001205969 ..... 91, 94
1001181627 ..... 263, 265, 267	1001185510 ..... 190	1001194384 ..... 293, 295	1001205973 ..... 155, 158
100118165895, 105, 121, 125, 137, 141, 158, 168	1001185585 . 88, 98, 112, 128, 153, 163	1001194387 ..... 293, 295	1001205974 ..... 115, 120
1001181659 ..... 158, 168	1001186428 . 87, 97, 111, 127, 153, 163, 325	1001194388 ..... 293, 295	1001205979 ..... 53, 57
1001181804 ..... 325	1001186467 ..... 17	1001194421 ..... 373, 375	1001206009 ..... 249
1001181829 ..... 159, 169, 179	1001186479 ..... 325	1001194836 . 88, 98, 112, 128, 153, 163	1001206025 ..... 246, 250, 254
1001182481 ... 41, 43, 418	1001186480 ..... 325	1001195123 ..... 377, 379	1001206032 ..... 152
100118297695, 105, 121, 125, 137, 141	1001186481 ..... 325	100119559495, 105, 121, 137	1001206034 ..... 111
100118297795, 105, 121, 125, 137, 141	1001186482 ..... 325	100119560095, 105, 121, 125, 137, 141, 159, 169	1001206036 ..... 87
100118297895, 105, 121, 125, 137, 141	1001186483 ..... 325	1001195610 ..... 422	1001206049 ..... 155
100118297995, 105, 121, 125, 137, 141	1001186484 ..... 325	1001195684 ..... 339, 343	1001206050 ..... 112, 115
100118298095, 105, 121, 125, 137, 141, 159, 169	1001186821 ..... 190, 194, 198, 355	1001196612 ..... 420	1001206051 ..... 88, 91
100118298195, 105, 121, 125, 137, 141, 159, 169	1001186833 ..... 159, 169	1001197870 ..... 420	1001206065 ..... 245
100118298295, 105, 121, 125, 137, 141, 159, 169	1001186919 ..... 194	1001199438 ..... 185	1001206097 ..... 249
100118298395, 105, 121, 125, 137, 141, 159, 169	1001187197 ..... 190	1001199943 ..... 185	1001206182 ..... 239
100118298495, 105, 121, 125, 137, 141, 159, 169	1001187228 ..... 194, 198, 199	1001199945 ..... 185	1001206190 ..... 245
100118298595, 105, 121, 125, 137, 141	1001187232 ..... 195, 199	1001200250 ..... 340, 343	1001206294 ..... 253
100118298795, 105, 121, 125, 137, 141	100118723595, 120, 124, 158	1001200927 ..... 185	1001206295 ..... 253
1001183328 ..... 41, 43	1001187455 ..... 347, 351	1001201642 ..... 332, 336	1001206467 ..... 82
1001183416 ..... 78, 82	1001187695 ..... 17	1001202532 ..... 190, 194	1001206575 ..... 422
100118342095, 105, 121, 125, 137, 141, 159, 169	1001187698 ..... 422	1001202536 ..... 190, 194	1001206579 ..... 422
1001183421 ... 87, 97, 111, 127, 153, 163	1001187703 ..... 187	1001202749 ..... 421	1001206580 ..... 422
100118342495, 105, 121, 125, 137, 141, 159, 169	1001187857 ... 203, 209, 215, 223, 231, 418	1001202759 ..... 198	1001206648 ..... 298, 302
1001183427 ..... 159, 169	1001188785 ..... 420	1001202760 ..... 198	1001206686 . 88, 98, 112, 128, 153, 163
1001183428 ..... 159, 169	1001189773 ... 67, 69, 71, 73	1001202764 ..... 198	1001206689 ..... 75
1001183726 ..... 194	1001190002 ... 67, 69, 71, 73	1001203075 ..... 409	1001206707 ..... 194, 198
1001184064 ..... 159, 169	1001190270 ..... 257, 259, 261, 263, 265, 267	1001203076 ..... 413	1001206708 ..... 193, 306
1001184065 .. 87, 97, 111, 127, 153, 163	1001190368 ..... 15, 17	1001203077 ..... 405	1001206739 ..... 420
100118406695, 105, 121, 125, 137, 141, 159, 169	1001190469 ..... 373, 375	1001204069 ..... 153	1001206776 ..... 309
1001184162 ..... 190, 194, 198	1001190471 ..... 373, 375	1001204140 ..... 78, 82	1001206779 ..... 317
	1001190472 ..... 237, 257, 259, 261, 263, 265, 267	1001204145 ..... 78, 82	1001206780 ..... 321
	1001190473 ..... 257, 259, 261, 263, 265, 267	1001204146 ..... 78, 82	1001206781 ..... 315
	1001190474 41, 261, 267	1001204147 ..... 78, 82	1001206782 ..... 311
	1001190545 . 87, 98, 111, 128, 418	1001204224 ..... 78, 82	1001206783 ..... 313
	1001190577 ..... 359, 361	1001204236 ..... 78, 82	1001206784 ..... 319
	1001190578 ..... 359, 361	1001204248 ..... 78, 82	1001206785 ..... 323
	1001190609 . 88, 98, 112, 128, 175	1001204382 ..... 78, 82	1001206786 ..... 235
	1001190775 ..... 153, 163, 421	1001204606 ..... 13	1001206787 ..... 271
	1001191139 ..... 39	1001204608 ..... 298, 304	1001206832 ..... 271, 273
	1001191146 . 88, 98, 112, 128	1001204609 ..... 302, 304	1001206893 ..... 41
		1001204611 ..... 15	1001206896 ..... 63
		1001204612 ..... 17	1001206928 ..... 311, 313, 315, 317, 319, 321, 323
		1001204613 ..... 19	1001207109 ..... 63
		1001204614 ..... 51	1001207285 ..... 190, 194, 198
		1001204615 ..... 53	1001207289 ..... 163
		1001204617 ..... 61	1001207678 ..... 401
		1001204618 ..... 63	1001207679 ..... 409
		1001204695 ..... 78	1001207680 ..... 403
		1001205516 ..... 420	1001207681 ..... 407
		1001205636 ..... 243	

## PART NUMBER INDEX

1001207682 ..... 413	1001214865..... 293, 295	1001220957 95, 105, 121, 125, 137, 141, 158, 168	1001228471 ..... 82
1001207683 ..... 405	1001214989..... 67, 69, 71, 73, 363	1001221687.... 67, 69, 71, 73	1001229107 ..... 420
1001208339 ..... 190, 194	1001214990... 67, 71, 359	1001221960 ..... 420	1001229699 ..... 420
1001208340 ..... 190, 194, 198	1001215138..... 271, 273, 377	1001222118 ..... 420	1001230006 ..... 325
1001208751 ..... 197, 306	1001215224..... 239, 241, 243	1001222169.... 67, 69, 71, 73	1001230007 ..... 325
1001208752 ..... 189, 306	1001215251..... 71	10012223055 ..... 401	1001230488 ..... 339, 343
1001208757 ..... 331	1001215252..... 67	10012223282 ..... 421	1001230504 ..... 420
1001208764 . 87, 97, 111, 127	1001215255.... 67, 69, 71, 73, 237	10012223432 ..... 339, 343	1001231195 ..... 61, 63
1001208849 ..... 306	1001215305..... 207, 213, 220, 228	10012223453 ..... 401, 409	1001231470 ..... 420
1001208874 . 87, 97, 111, 127, 152, 162	1001215447..... 415	10012223459 ..... 351	1001231471 ..... 420
1001208903 ..... 293	1001215510..... 271	10012223646 ..... 273	1001231801 ..... 415
1001209064 . 88, 98, 112, 128, 339	1001215543..... 159, 169	10012223795 ..... 339, 343	1001233237 ..... 420
1001209178 ..... 304	1001215697..... 39	10012223796 ..... 339, 343	1001233320 ..... 421
1001209179 ..... 304	1001215898..... 331, 335	10012223971 ..... 409	1001233631 ..... 421
1001209181 ..... 207, 213, 365	1001215965..... 422	10012224048 ..... 411	1001233817 ..... 421
1001209182 ..... 207, 213, 219, 227	1001215968..... 420	10012224049 ..... 413	1001234069 . 88, 98, 112, 128, 153, 163, 340, 348
1001209183 ..... 207, 213, 219, 227	1001215969..... 420	10012224050 ..... 407	1001234102 ..... 420
1001209208 ..... 78, 82	1001215977..... 420	10012224052 ..... 405	1001234735 .. 69, 73, 418
1001209282 ..... 422	1001216012..... 401, 403, 405, 407, 409, 411, 413, 421	10012224201. 95, 105, 107	1001234736 ..... 418
1001209314 41, 293, 304	1001216020..... 401, 420	10012224430 ..... 120, 137, 143	1001234830 ..... 422
1001209589 ..... 51, 55	1001216162..... 194, 198, 397	10012224493 ..... 158, 168, 171	1001234950 95, 105, 121, 125, 137, 141
1001209619 ..... 333, 337	1001216251..... 206, 212, 218, 226	10012224574 ..... 421	1001235098 ..... 271, 273, 418
1001209853 ..... 213	1001216299..... 409, 421	10012225256 ..... 78, 82	1001235922 ..... 259, 261, 265, 267
1001209854 ..... 227	1001216383..... 206, 212, 218, 226	10012225257 ..... 78, 82	1001236021 ..... 420
1001209931 ..... 153, 163, 347	1001216384..... 206, 212, 218, 226	10012225258 ..... 78, 82	1001236135 ..... 306
1001210080 ..... 219, 227, 367	1001216420..... 415	10012225420 ..... 153, 163, 418	1001236154 .. 69, 73, 361
1001210089 ..... 422	1001216421..... 415	10012225421 ..... 153, 163	1001236163 ..... 271, 273, 379
1001210090 ..... 422	1001216726..... 405, 421	10012225609 ..... 97	1001236199 ..... 261, 267
1001210278 ..... 239, 241, 243	1001216738..... 413, 421	10012225610 ..... 127	1001236230 ..... 259, 261, 265, 267, 375
1001210553 ..... 257	1001216811..... 411	10012225613 ..... 128, 131	1001236266 ..... 259
1001210554 ..... 263	1001216866..... 420	10012225614 ..... 131, 136	1001236271 ..... 265
1001210555 ..... 257	1001217026..... 411, 421	10012225615 ..... 98, 101	1001236277 ..... 335
1001210556 ..... 263	1001217067..... 407, 421	10012225616 ..... 101, 104	1001236338 ..... 415
1001210619 .. 41, 43, 369	1001217085..... 206, 212, 218, 226, 287	10012225626 ..... 162	1001236351 ..... 73
1001210645 ..... 198	1001217108..... 41, 43, 47	10012225627 ..... 163, 165	1001236352 ..... 69
1001210708 ..... 159, 169	1001217291..... 155, 165	10012225628 ..... 165, 168	1001236442 ..... 190, 194, 198, 357
1001210754 ..... 71, 73	1001217377..... 421	10012226221 ..... 78, 82	1001236545 . 88, 98, 112, 128, 343
1001210755 ..... 67, 69	1001218727 ..... 78, 82	10012226420 ..... 159, 169	1001236546 ..... 153, 163, 351
1001212223 ..... 189, 193, 197	1001218729..... 78, 82	10012226421 .... 67, 69, 71, 73, 257, 259, 261, 263, 265, 267	1001236559 ..... 153, 163
1001213495 ..... 245, 249	1001219371..... 257, 263	10012226830 ..... 237, 371	1001236560 ..... 261, 267
1001213672 ..... 298, 302	1001219775..... 187	10012226834 ..... 273	1001236627 ..... 422
1001213673 ..... 298, 302	1001219826..... 187	10012226911 ..... 237	1001236784 ..... 422
1001213674 ..... 298, 302	1001219882..... 78, 82	10012227249 ..... 203, 209, 215, 223, 231	1001236786 ..... 422
1001213676 ..... 298, 302	1001220010..... 207, 213	10012227285 95, 105, 121, 125, 137, 141, 158, 168	1001236869 ..... 420
1001213677 ..... 298, 302	1001220020..... 207, 213	10012227591 ..... 153	1001237011 ..... 420
1001213678 ..... 298	1001220030..... 219, 227	10012227736 ..... 203	1001237254 ..... 420
1001213679 ..... 298, 302	1001220040..... 219, 227	10012227737 ..... 215	1001237255 ..... 420
1001213680 ..... 298, 302	1001220081..... 203	10012227738 ..... 209	1001237292 ..... 227
1001213681 ..... 299, 303	1001220082..... 203, 206	10012227739 ..... 223	1001237293 ..... 213
1001213684 ..... 298, 302	1001220083..... 215	10012227831 ..... 421	1001237453 ..... 43
1001213718 ..... 254	1001220084..... 215, 218	10012227832 ..... 421	1001237464 ..... 43, 295
1001213847 ..... 159, 169	1001220085..... 209	10012227833 ..... 421	1001237754 ..... 259, 265
1001214029 ..... 416	1001220087..... 209, 212	10012227834 ..... 422	1001237756 ..... 43
1001214463 ..... 422	1001220088..... 223	10012227835 ..... 420	1001237907 ..... 78, 83
1001214550 .... 41, 43, 45	1001220089..... 223, 226	10012227836 ..... 421	1001237908 ..... 79, 83
1001214864 ..... 293, 295		10012227837 ..... 421	1001237915 ..... 295
		10012228363 ..... 422	1001237916 ..... 295
			1001238471 ..... 78
			1001238488 ..... 422

# PART NUMBER INDEX

1001238626.....203, 209, 215, 223	1683054.....283	1705021.....415	2220435.....298, 302
1001238770.....124, 141, 147	1684290.....281	1705022.....415	2220451.....298, 302
1001238771.....117, 124	1684332...206, 212, 218, 226, 285	1705034.....415	2220466.....298, 302
1001238772.....112, 117	1684406.....45, 283	1705035.....415	2220472.....299, 303
1001238773.....133, 140	1700818.....415	1705036.....415	2220473.....298, 302
1001238774.....128, 133	1701214.....415	1705037.....415	2220479.....298, 302
1001239088.....295	1701505.....415	1705040.....409	2220497.....298, 302
1001239222.....78, 82	1701509...401, 403, 405, 407, 409, 411, 413	1705041.....413	2220500...295, 298, 302
1001239226.....422	1701542.....415	1705043.....405	2220502.....299, 303
1001239350.....237	1701785.....415	1705193.....407	2220577.....298, 302
1001239852.....306	1702720.....415	1705194.....407	2220578.....298, 302
1001241363.....261	1702773.....415	1705195.....407	2220582.....298, 302
1001241364.....267	1702788.....415	1705303.....409	2220596.....295
1001243778.....369	1702961.....415	1705311.....409	2220600.....295
1001244937.....190	1702962.....415	1705316.....413	2220602.....298, 302
1001244939.....190	1703162...94, 104, 120, 124, 136, 140, 158, 168	1705318.....405	2220628.....293
1001246528.....420	1703464.....309	1705325.....311	2220883...27, 45, 55, 57, 206, 212, 218, 226, 281, 287
1001249253.....153, 163	1703479.....415	1705368.....403	2220885.....55, 57, 287
100234736.....337	1703493...401, 403, 405, 407, 409, 411, 413	1705372.....403	2220886.....27, 287
1060343.....195, 199	1703687...401, 403, 405, 407, 409, 411, 413	1705460.....416	2220887.....287
1060379...245, 249, 253, 277	1703811...401, 403, 405, 407, 409, 411, 413	1705460.....416	2220888.....287
1060494.....195, 199	1703812...401, 403, 405, 407, 409, 411, 413	1705515.....403	2221036.....298, 302
1060708.....195, 199	1703814...401, 403, 405, 407, 409, 411, 413	1705637.....275	2221040...298, 299, 302, 303
1060808...245, 249, 253	1703816.....401	1705671.....403	2221042...206, 212, 218, 226
1060866.....207	1703818.....401	1705679...401, 409, 411, 413	2221050.....299, 302
1060907.....219	1703819...257, 259, 261, 263, 265, 267, 401, 403, 405, 407, 409, 411, 413	1705727.....405	2221081.....298, 302
1060908.....327, 329	1703821.....401	1705943.....407	2221086.....299, 303
1060929...206, 212, 218, 226	1703822...401, 403, 405, 407, 409, 411, 413	1705944.....407	2221176.....152, 162
1061020.....237	1703823.....401	1705997.....277	230000487, 97, 111, 127, 152, 162, 421
1061021.....237	1704174.....415	1706059.....416	2300014.....421
10702077...190, 195, 199	1704175.....415	1706060.....416	2300016.....19, 421
10702082...190, 195, 199	1704271.....415	1706061.....416	2300021.....421
1120555.....277	1704277...401, 403, 405, 407, 409, 411, 413	1706063.....416	2300027.....421
1180371...207, 213, 219, 227	1704412...401, 403, 405, 407, 409, 411, 413	1706064.....416	2300029.....421
1180372...207, 213, 219, 227	1704432.....401	1706098.....416	2300039.....421
1320043...95, 105, 121, 125, 137, 140	1704607.....407	1706338.....403	240004487, 97, 111, 127, 152, 162
1320061.....152, 162	1704684.....409	1870170.....306	2420172...67, 69, 71, 73
1320220.....152, 162	1704686.....409	2080040...245, 249, 253	2560088...245, 249, 253
1320224...309, 311, 313, 315, 317, 319, 321, 323	1704687.....409	2080057...401, 403, 405, 407, 409, 411, 413	2560141...257, 259, 261, 263, 265, 267
132026587, 97, 111, 127, 152, 162	1704690.....415	2080063...245, 249, 253, 275	2560172...245, 249, 253
1321692.....195, 199	1704691.....411, 413	2080064...245, 249, 253	2560176...245, 249, 253
1340069...94, 104, 121, 125, 137, 141, 158, 168	1704693.....413	2110808.....298, 302	2600216.....78, 82
1440331...206, 212, 218, 226	1704694.....413	2110810.....298, 302	2600285...245, 249, 253
1580023.....277	1704697.....415	2110812.....298, 302	2700100.....277
1580024.....277	1704698.....415	2111216.....298, 302	2716762.....293
1600387.....237, 418	1704699.....405	2130808.....298, 302	2720058.87, 97, 111, 127
1600402...257, 259, 261, 263, 265, 267, 269, 418	1704701.....405	2130812.....298, 302	2720271.87, 97, 111, 127
1670988...271, 273, 309, 311, 313, 315, 317, 319, 321, 323	1704702.....405	218034887, 97, 111, 127, 152, 162	2720611.....152, 162
1670995...206, 212, 218, 226	1704702.....405	2180387.....152, 162	2753791.....298, 302
1671092.....195, 199	1704885.....415	2180389.....152, 162	2753970.....298, 302
1671165.....41, 43	1704972.....415	2180418.....152, 162	2754244.....298, 302
1671207.....381	1705019...401, 403, 405, 407, 409, 411, 413	2180666.87, 97, 111, 127	2755023.....299, 303
	1705020.....415	2220237.....298, 302	2755023.....299, 303
		2220238.....298, 302	2780267.....19, 23
		2220290.....152, 162	2780268.....19, 21
		2220371...45, 293, 295, 298, 302	2820031.....377, 379
		2220372.....293	2860030...67, 69, 71, 73, 418
		2220373...45, 206, 212, 218, 226, 293, 295, 298, 302	2900756...59, 207, 213, 219, 227
		2220408.....298, 302	2902182.....283
		2220415.....298, 302	

## PART NUMBER INDEX

2902266 ..... 281	3300408 87, 97, 111, 127, 152, 162	3450304 ..... 206, 212, 218, 226	3931516 ..... 283
2902348 ..... 277	3300432 .... 245, 249, 253	3450405 ..... 206, 212, 218, 226	3940804 ..... 193, 197
2902431 ... 193, 197, 309, 381	3300455 ... 203, 209, 215, 223	3460334 ..... 277	3960526 ..... 19
2902498 ..... 403, 421	3300467 .... 245, 249, 253	3520026 ..... 67, 69, 71, 73, 257, 263	3990010 ..... 332, 336
2902549 ... 311, 313, 315, 317, 319, 321, 323, 327	3310805 ..... 41, 43	3520028 ..... 71, 257, 259, 263, 265	4010403 .... 67, 69, 71, 73
2920029 .... 67, 69, 71, 73	3311001 .... 190, 195, 199	3520034 ..... 257, 259, 263, 265	4010405 .... 67, 69, 71, 73
2940074 ... 245, 249, 253, 418	3311005 ... 189, 193, 197, 203, 209, 215, 223	3520072 ..... 245, 249, 253	4010408 ... 193, 197, 309, 311, 313, 315, 317, 319, 321, 323
2940127 .... 245, 249, 253	3311401 ..... 271, 273	3520193 ..... 257, 261, 263, 267	4010412 .... 67, 69, 71, 73
3020008 ..... 19, 421	3311405 17, 94, 104, 120, 124, 136, 140, 193, 197, 203, 209, 215, 223, 231, 237, 245, 249, 253, 271, 273, 309, 311, 313, 315, 317, 319, 321, 323, 401, 403, 405, 407, 409, 411, 413	3537609 ..... 246, 250, 254	4031507 ... 67, 69, 71, 73
3020022 ..... 235, 237	3311501 .... 51, 53, 78, 82	3571862 ..... 246, 250, 254	4031509 ... 257, 259, 261, 263, 265, 267
3200447 ... 203, 209, 215, 223	3311502 ..... 78, 82	3573370 ..... 206, 212, 218, 226	4031908 ..... 197
3250028 ..... 67, 69, 73	3311505 ... 207, 213, 219, 227, 239, 241, 243, 245, 249, 253	3573440 ..... 152, 162	4032014 .... 189, 193, 197
3251813 ... 401, 403, 405, 407, 409, 411, 413	3311601 .... 239, 241, 243	3573472 ..... 246, 250, 254	4032016 ..... 197
3252507 ... 313, 315, 317, 319, 321, 323	3311605 . 82, 87, 97, 111, 127, 152, 162, 203, 209, 215, 223, 235, 237	3573513 ..... 283	4060802 ... 67, 69, 71, 73, 189, 193, 197, 257, 259, 261, 263, 265, 267
3252757 ..... 415	3311801 ..... 19, 153, 163	3573513 ..... 283	4060803 ..... 78, 83
3271605 ... 206, 212, 218, 226	3311805 ..... 45	3580317 ..... 189, 193, 197	4160116 ..... 45
3271805 78, 82, 206, 212, 218, 226	3321402 ..... 94, 104, 120, 124, 136, 140, 206, 212, 218, 226	3580318 ..... 189, 193, 197	4240003 ..... 277
3272205 ..... 41, 43	3340612 .... 245, 249, 253	3641452 ..... 245, 249, 253	4240017 .... 189, 193, 197
3290405 ... 67, 69, 71, 73, 193, 197, 257, 259, 261, 263, 265, 267, 309, 311, 313, 315, 317, 319, 321, 323	3340929 ... 207, 213, 219, 227	3740080 88, 98, 112, 128, 153, 163, 333, 337, 418	4240018 88, 98, 112, 128, 153, 163, 203, 209, 215, 223
3290505 ... 39, 78, 82, 88, 98	3340935 ... 203, 209, 215, 223	3760170 ..... 245, 249, 253, 277	4240032 ..... 39
3290601 ..... 43, 245, 249, 253	3340937 .... 245, 249, 253	3760257 ..... 239, 241, 243	4240033 ... 206, 212, 219, 227, 237, 271, 273
3290605 ... 61, 63, 67, 69, 71, 73, 78, 82, 87, 94, 97, 104, 111, 120, 124, 127, 136, 140, 152, 158, 162, 168, 189, 193, 197, 257, 259, 261, 263, 265, 267, 271, 273	3421453 .... 245, 249, 253	3760348 ..... 45	4280295 ... 206, 212, 219, 227
3290805 ... 41, 43, 61, 63, 75, 87, 94, 97, 104, 111, 120, 124, 127, 136, 140, 152, 158, 162, 168, 185, 189, 193, 197, 257, 259, 261, 263, 265, 267	3421565 .... 245, 249, 253	3760368 ..... 283	4340853 ..... 277
3291001 ..... 94, 104, 120, 124, 136, 140, 158, 168	3422219 ... 245, 249, 253, 277	3760460 ..... 283	4340854 ..... 277
3291005 ... 61, 63, 78, 82, 88, 94, 98, 104, 112, 120, 124, 128, 136, 140, 153, 158, 163, 168, 185, 235, 237	3422592 ..... 13	3790152 ..... 91, 101, 115, 117, 131, 133, 155, 165	4360070 ... 67, 69, 71, 73, 190, 195, 199, 418
3291201 ..... 94, 104, 120, 124, 136, 140, 158, 168, 189, 193, 197	3422669 87, 97, 111, 127, 152, 162	3820020 88, 98, 112, 128, 153, 163, 246, 250, 254	4360345 ... 257, 259, 263, 265, 418
3291605 ... 78, 82, 87, 97, 111, 127, 152, 162	3422938 ..... 237	3841143 ..... 15, 17, 87, 97, 111, 127, 152, 162, 203, 206, 209, 212, 215, 218, 223, 226, 235, 237	4360387 ... 41, 67, 69, 71, 73, 257, 259, 261, 263, 265, 267, 418
3300048 ... 309, 311, 313, 315, 317, 319, 321, 323	3422943 ... 206, 212, 218, 226, 235, 237	3841203 ..... 206, 212, 218, 226	4360469 ... 67, 69, 71, 73, 418
3300106 ..... 19	3422944 ... 206, 212, 218, 226	3841258 ..... 13	4360475 ... 67, 69, 71, 73, 257, 259, 261, 263, 265, 267, 418
3300353 ..... 41, 43	3422945 ... 206, 212, 218, 226	3841556 ..... 206, 212, 218, 226	4360482 ... 189, 193, 197, 263, 265, 267, 418
3300396 .... 190, 195, 199	3422946 ... 206, 212, 218, 226	3841564 ..... 45	4360483 ... 257, 259, 261, 263, 265, 267, 418
	3422948 ..... 218, 226	3850013 ..... 283	4360500 ... 203, 209, 215, 223, 418
	3422954 ..... 206, 212	3860102 ..... 219, 227	4360502 ... 203, 209, 215, 223, 418
	3422961 ... 203, 209, 215, 223	3860111 ..... 153, 163	4360518 ..... 45
	3422963 ... 203, 209, 215, 223	3900300 ..... 67, 69, 71, 73	4360524 ... 67, 69, 71, 73, 418
	3422964 ..... 218, 226	3900318 ..... 245, 249, 253, 275	4360525 ... 257, 259, 261, 263, 265, 267, 418
	3422965 ... 206, 212, 218, 226	3900319 ..... 245, 249, 253	4360548 ..... 369, 418
	3423049 ..... 235	3900321 ..... 283	4400275 ..... 152, 162
	3423304 ..... 15, 17	3900323 ..... 245, 249, 253	4400420 ..... 152, 162
		3900325 ..... 203, 209, 215, 223	4400498 ..... 172
		3900355 ..... 277	4420051 ..... 41, 43, 415
		3910608 ..... 397	4420062 ..... 277
		3911428 ..... 245, 249, 253	4420067 ... 401, 403, 405, 407, 409, 411, 413
		3930820 ..... 41, 43	
		3931010 ..... 245, 249, 253	
		3931016 ..... 189, 193, 197	
		3931412 ..... 277	
		3931436 ..... 245, 249, 253	
		3931508 ..... 277	

# PART NUMBER INDEX

4420076.....257, 259, 261, 263, 265, 267	4460608 ..... 347, 351	4461201 ..... 385	4751800.....61, 63
4460019.....332, 336, 339	4460612 ..... 397	4461202 ... 313, 317, 319, 391	4761400.....94, 104, 120, 124, 136, 140, 271, 273
4460042.....339, 343	4460662 ..... 381	4461205 ... 321, 323, 389, 393, 395	4761500.....51, 53
4460043.....357	4460746 ..... 340, 344	4461244 ..... 389	4761600.....51, 53
4460051.....377, 379	4460761 ... 337, 371, 373, 375	4461245 ..... 393	4811400....67, 69, 71, 73, 193, 197, 309, 311, 313, 315, 317, 319, 321, 323
4460068.....191, 195, 199	4460807 ..... 355	4461246 ..... 387	4811600....67, 69, 71, 73, 88, 98
4460115.....363	4460808 ..... 357	4461249 ..... 315, 387	4811700....43, 67, 69, 71, 73, 78, 82, 87, 94, 97, 104, 111, 120, 124, 127, 136, 140, 152, 158, 162, 168, 189, 193, 197
4460138.....309	4460812 ..... 331, 335	4461257 .... 311, 319, 323	4811702....61, 63, 78, 82
4460142.....339, 343	4460814 ..... 331, 335	4461258 .... 311, 319, 323	4811900....41, 43, 75, 87, 94, 97, 104, 111, 120, 124, 127, 136, 140, 152, 158, 162, 168, 185, 189, 193, 197, 257, 259, 261, 263, 265, 267
4460144.....359, 361	4460836 ... 332, 336, 369, 371	4461271 ..... 377, 379	4811902....61, 63, 87, 97, 111, 127
4460183....359, 361, 373, 375	4460837 ..... 331, 335	4520216 ..... 29	4812000....78, 82, 88, 94, 98, 104, 112, 120, 124, 128, 136, 140, 153, 158, 163, 168, 185
4460225....355, 357, 359, 361	4460851 .... 332, 336, 369	4520217 ..... 35	4812002....61, 63, 78, 82
4460247 ..... 339, 343	4460852 ... 331, 335, 369	4520240 ..... 31	4812300....78, 82, 87, 97, 111, 127, 152, 162
4460256.....332, 336	4460871 ..... 377, 379	4520262 ..... 33	4812500.....94, 104, 120, 124, 136, 140, 159, 169
4460259....332, 336, 359, 361	4460873 ..... 377, 379	4520608 ..... 37	4845441.....275
4460260....332, 336, 359, 361	4460874 ..... 377, 379	4568295 ..... 235, 237	4845442.....275
4460265.....373, 375	4460876 ..... 377, 379	4640858 ..... 281	4846460.....219, 227
4460267 ..... 337, 373, 375	4460879 ..... 377, 379	4641122 .... 29, 31, 33, 37	4846532....245, 249, 253
4460268....355, 357, 359, 361	4460884 .... 331, 335, 344	4641193 ... 207, 212, 219, 227	4846537....245, 249, 253
4460294.....371	4460891 .... 39, 207, 213, 219, 227, 332, 336, 339, 343, 347, 351, 369, 377, 379	4641205 ... 207, 213, 219, 227	4846570....246, 250, 253
4460315.....193, 197, 309	4460892 ... 331, 335, 369, 373, 375	4641254 ... 207, 213, 219, 227	4846584.....283
4460346.....381	4460893 ..... 339, 343	4641303 ..... 51, 53, 59	4860179.....35
4460422....309, 311, 313, 315, 317, 319, 321, 323	4460894 ... 332, 336, 369, 373, 375	4711000 .... 190, 195, 199	4860237.....33
4460425.....195, 199	4460897 .... 75, 207, 213, 219, 227, 332, 336	4711400 ... 17, 41, 43, 87, 97, 111, 127, 152, 162, 193, 197, 203, 207, 209, 213, 215, 219, 223, 227, 231, 237, 245, 249, 253, 271, 273, 277, 309, 311, 313, 315, 317, 319, 321, 323, 401, 403, 405, 407, 409, 411, 413	4871700....190, 194, 198
4460426.....190, 195, 199	4460905 ..... 377, 379	4711500 ... 41, 43, 78, 82, 207, 213, 219, 227, 239, 241, 243	4891600.....91, 101, 115, 117, 131, 133, 190, 194, 199
4460434.....359, 361	4460909 ..... 377	4711600 87, 97, 111, 127, 152, 155, 162, 165, 203, 207, 209, 213, 215, 219, 223, 227, 245, 249, 253	4891800....19, 78, 82, 91, 101, 115, 117, 131, 133, 155, 165
4460464.....75, 207, 213, 219, 227, 331, 332, 335, 336, 339, 343, 347, 351, 363, 365, 367, 373, 375, 377, 379	4460917 ..... 371	4711700 ... 257, 259, 261, 263, 265, 267	4892000.....19
4460465.....39, 207, 213, 219, 227, 331, 332, 335, 336, 337, 339, 343, 344, 347, 351, 355, 357, 365, 367, 369, 371, 373, 375, 377, 379	4460918 ..... 377, 379	4711800 ..... 153, 163	4892200.....41, 43
4460466....331, 332, 335, 336, 337, 339, 343, 344, 347, 351, 363, 365, 367, 369, 371, 373, 375, 377, 379	4460928 ... 359, 361, 377, 379	4740086 ..... 15, 17	5240600..78, 83, 94, 104, 120, 124, 136, 140, 159, 169, 271, 273
4460467 ..... 422	4460929 ..... 371	4740158 ..... 13	5241000..87, 94, 97, 104, 111, 120, 124, 127, 136, 140, 152, 158, 162, 168, 189, 193, 197
4460470....257, 259, 261, 263, 265, 267	4460930 ..... 337	4740455 ... 207, 213, 219, 227	5241200....13, 15, 17, 94, 104, 120, 124, 136, 140, 158, 168, 189, 193, 197
4460471....257, 259, 261, 263, 265, 267	4460933 ... 331, 335, 371	4740480 ..... 277	5251012.....13
4460483.....195, 199	4460934 ..... 369	4740506 ... 203, 209, 215, 223	5272011.....189, 193
4460488.....39	4460935 ..... 369	4750800 ..... 41, 43	
4460499....207, 213, 219, 227	4460939 ..... 363	4751000 61, 63, 189, 193, 197, 203, 209, 215, 223, 245, 249, 253	
4460508....365, 367, 377, 379	4460941 ..... 343	4751400 ... 245, 249, 253, 309, 311, 313, 315, 317, 319, 321, 323	
4460509....332, 336, 365, 367, 377, 379	4460942 ... 331, 335, 339, 343	4751500 88, 98, 112, 128, 153, 163, 245, 249, 253	
4460510.....422	4460943 ... 331, 335, 347, 351, 363, 365, 367	4751600 ..... 82, 239, 241, 243, 245, 249, 253	
4460518....337, 359, 361, 371, 379	4460944 ... 331, 332, 335, 336, 365, 367, 371		
4460539....332, 336, 369	4460945 ..... 331, 335		
	4460956 ..... 327, 329		
	4460957 ..... 327, 329		
	4460958 ..... 397		
	4460963 ..... 195, 199		
	4460967 ..... 332, 336		
	4460968 ... 311, 313, 315, 317, 321, 369		
	4460970 ... 339, 343, 347, 351		
	4461054 ..... 347, 351		
	4461118 ..... 348, 352		
	4461124 ..... 347, 351		
	4461196 ..... 311, 383		
	4461198 ..... 383		
	4461199 ..... 385		

## PART NUMBER INDEX

5272012 .... 189, 193, 197	70002167 ..... 181	70003708... 189, 194, 198	70005153 ..... 289
70000082 ..... 269	70002168 ..... 181	70003709... 189, 194, 198	70005154 ..... 289
70000084 ..... 269	70002169 ..... 182	70003789 ..... 43	70005165 ..... 55, 57
70000619 .. 189, 193, 197	70002170 ..... 182	70003935 ..... 59	70005167 ..... 55, 57
70000683 ..... 269	70002172 ..... 182	70003936 ..... 59	70005220 .. 107, 143, 147
70000684 ..... 269	70002174 ..... 182	70003977 ..... 55, 57	70005221 .. 107, 143, 147
70000685 ..... 269	70002175 ..... 182	70004069 ..... 175	70005222 .. 107, 143, 147
70000686 ..... 269	70002176 ..... 182	70004070 ..... 175	70005223 .. 107, 143, 147
70000797 ..... 27	70002177 ..... 182	70004092... 189, 194, 198	70005224 .. 107, 143, 147
70000863 .. 189, 194, 198	70002178 ..... 182	70004093... 189, 194, 198	70005226 .. 108, 144, 148
70001100 .. 189, 193, 198	70002179 ..... 182	70004094... 190, 194, 198	70005227 .. 108, 144, 148
70001250 ..... 269	70002180 ..... 182	70004095... 190, 194, 198	70005228 .. 107, 143, 147
70001251 ..... 269	70002181 ..... 182	70004096... 190, 194, 198	70005229 .. 108, 144, 148,
70001252 ..... 269	70002182 ..... 182	70004097... 190, 194, 198	172
70001253 ..... 269	70002185 ..... 182	70004098... 190, 194, 198	70005293 ..... 175
70001349 ..... 21, 23	70002186 ..... 182	70004099... 189, 194, 198	70005294 ..... 175
70001384 .. 189, 193, 198	70002187 ..... 182	70004294 ..... 171	70005295 ..... 175
70001696 .. 190, 194, 198	70002188 ..... 182	70004295 ..... 171	70005296 ..... 175, 418
70001932 ..... 27	70002189 ..... 182	70004296 ..... 171	70005297 ..... 175
70001933 ..... 177	70002190 ..... 182	70004306 ..... 171	70005327 ..... 172
70001958 ..... 182	70002191 ..... 182	70004311 .. 107, 143, 147,	70005329 ..... 171
70001959 ..... 65	70002192 ..... 182	171	70005448 ..... 55, 57
70001960 ..... 65, 418	70002202 ..... 285	70004395.. 107, 143, 147,	70005449 ..... 55, 57
70001965 ..... 45, 47, 418	70002203 ..... 285	418	70005453 ..... 177
70001966 .. 189, 194, 198	70002229 ..... 21, 23	70004396... 107, 143, 147	70005454 ..... 179
70001967 .. 207, 213, 219,	70002291 .. 190, 194, 198	70004397... 107, 143, 147	70005455 ..... 179
227, 418	70002297 .. 189, 194, 198	70004398 ..... 143, 147	70005723 ..... 55, 57
70001973 .. 190, 194, 198	70002300 ..... 21, 23	70004399... 107, 143, 147	70005724 ..... 55, 57
70001974 .. 190, 194, 198	70002315 .. 107, 143, 147	70004401 ..... 172	70005726 ..... 171
7000206 ..... 21, 23	70002316 .. 107, 143, 147	70004415... 108, 144, 148	70005727 ..... 171
70002112 ..... 65	70002317 .. 107, 143, 147	70004524.. 107, 143, 147,	70005728 ..... 171
70002113 ..... 65, 418	70002318 .. 107, 143, 147,	171	70005729 ..... 171
70002132 ..... 181, 182	171	70004525.. 107, 143, 147,	70005730 ..... 171
70002133 ..... 181	70002319 .. 107, 143, 147	171	70005731 ..... 171
70002134 ..... 181	7000232 ..... 21, 23	70004526.. 107, 143, 147,	70005732 ..... 171
70002135 ..... 181	70002320 .. 107, 143, 147	171	70005733 ..... 171
70002136 ..... 181	70002321 .. 107, 143, 147	70004530... 107, 143, 147	70005734 ..... 171
70002137 ..... 181	70002322 .. 107, 143, 147	70004531... 107, 143, 147	70005735 ..... 171
70002138 ..... 181	70002323 .. 107, 143, 147	70004536... 107, 143, 147	70005736 ..... 171
70002139 ..... 181	70002324 ..... 107	70004537.. 107, 143, 147,	70005737 ..... 171
70002140 ..... 181	70002326 .. 108, 144, 148,	172	70005738 ..... 171
70002141 ..... 181	172	70004538.. 107, 143, 147,	70005739 ..... 171
70002142 ..... 181	70002327 .. 108, 144, 148	171	70005740 ..... 171
70002143 ..... 181	70002328 .. 108, 144, 148	70004539... 107, 143, 147	70005743 ..... 171
70002144 ..... 181	70002330 .. 108, 144, 148	70004540... 107, 143, 147	70005744 ..... 171
70002145 ..... 181	70002419 .. 107, 143, 147	70004544... 107, 143, 147	70005745 ..... 171
70002146 ..... 181	7000246 ..... 21, 23	70004557 ..... 171	70005746 ..... 172
70002147 ..... 181	70002460 .. 190, 194, 198	70004558 ..... 171	70005747 ..... 172
70002148 ..... 181	7000248 ..... 21, 23	70004580 ..... 55, 57	70005748 ..... 172
70002149 ..... 181	7000253 ..... 21, 23	70004794 ..... 61, 63	70005749 ..... 172
70002150 ..... 181	7000257 ..... 21, 23	70004829.. 108, 144, 148,	70005750 ..... 172
70002151 ..... 181	7000258 ..... 21, 23	171	70005751 ..... 172
70002152 ..... 181	7000261 ..... 21, 23	70004831 ..... 171	70005752 ..... 172
70002153 ..... 181	7000262 ..... 21, 23	70004834 ..... 171	70005753 ..... 172
70002154 ..... 181	7000263 ..... 21, 23	70004848 ..... 171	70005754 ..... 172
70002155 ..... 181	70002768 ..... 65	70004851 ..... 172	70005755 ..... 172
70002156 ..... 181	70002842 ..... 281	70004853 ..... 172	70005756 ..... 172
70002157 ..... 181	70002861 ..... 155, 165	70004854 ..... 172	70005757 ..... 172
70002158 ..... 181	70002901 ..... 175	70004883 ..... 55, 57	70005758 ..... 172
70002159 ..... 181	70002963 ..... 55, 57, 418	70004912 ..... 172	70005759 ..... 172
70002160 ..... 181	70003024 ..... 55, 57	70004913 ..... 172	70005760 ..... 172
70002161 ..... 181	70003060 .. 107, 143, 147	70005069 ..... 55, 57	70005761 ..... 172
70002162 ..... 181	70003061 .. 107, 143, 147	70005073 ..... 55, 57	70005762 ..... 172
70002163 ..... 181	70003063 .. 108, 144, 148	70005100 ..... 55, 57	70005763 ..... 172
70002164 ..... 181	70003064 .. 108, 144, 148	70005150 ..... 289	70005764 ..... 172
70002165 ..... 181, 182	70003631 .. 189, 194, 198	70005151 ..... 289	70005765 ..... 172
70002166 ..... 181	70003650 ..... 269	70005152 ..... 289	70005766 ..... 172

## PART NUMBER INDEX

70005767.....	172	7017070.....	21, 23	7022390.....	55, 57	7024506.....	45, 47
70005768.....	172	7017080.....	21, 23	7022397.....	59	7024507.....	47
70005769.....	172	7017451... 207, 213, 219,		7022398.....	55, 57	7024705.....	23
70006093... 189, 194, 198		227, 418		7022399.....	55, 57, 59	7024712.....	21, 23
70006094... 190, 194, 198		7017496... 207, 213, 219,		7023107.....	171	7024713.....	21, 23
70006095... 190, 194, 198		227		7023124... 108, 144, 148		7024714.....	21, 23
70006096... 190, 194, 198		7017901... 108, 144, 148		7023136.....	107	7024715.....	21, 23
70006097... 190, 194, 198		7017906.....	171	7023140... 107, 143, 147		7024716.....	21, 23
70006284.....	287	7017914.....	171	7023144... 108, 143, 147		7024717.....	23
70006285.....	287	7017922.....	143, 147	7023145... 108, 144, 148		7024718.....	24
70006286.....	287	7017928... 107, 143, 147		7023148... 108, 144, 148		7024829... 207, 213, 219,	
70006287.....	287	7017934... 107, 143, 147,		7023149... 108, 144, 148		227	
70006288.....	287	171		7023154... 107, 143, 147		7024854.....	27
70006289.....	287	7017945... 107, 143, 147		7023157.....	107	7024862.....	27
70006290.....	287	7017958... 108, 144, 148		7023164... 107, 143, 147		7024868.....	27
70006292.....	47	7017959.....	171	7023165... 107, 143, 147		7024881.....	59
70006293.....	185	7017963... 108, 144, 148		7023167... 107, 143, 147		7025479... 107, 143, 147	
70006661... 107, 143, 147,		7017980.....	171, 418	7023168... 107, 143, 147		7026582.....	285
171		7017982.....	171	7023170... 108, 144, 148,		7026583.....	285
70006662.....	171	7017983.....	171	172		7026584.....	285
70006664... 108, 144, 148		7017984.....	171	7023306.....	65	7026585.....	285
70006665... 107, 143, 147		7017986.....	171	7023347.....	65	7026586.....	285
70006737.....	43	7017992... 108, 144, 148,		7023900.....	55, 57	7026597... 190, 194, 198	
70006738.....	43	171, 418		7023904.....	43	7026626... 190, 194, 198	
7000731.....	24	7017994.....	172	7023907.....	27	7027365.....	269
70007439.....	182	7017995.....	171	7023910.....	27	7027367.....	269
70010383... 87, 97, 111,		7019602... 206, 212, 218,		7023917.....	59	7027419.....	27
127, 152, 162, 418		226		7023919... 207, 213, 219,		7027765.....	269
7001998.....	21, 23	7020175... 67, 69, 71, 73,		227		7027766.....	269
7002821.....	422	257, 259, 261, 263,		7023923... 207, 213, 219,		7027799... 190, 194, 198	
7002822.....	422	265, 267		227		77363233.....	355, 357
7002823.....	422	7020176... 67, 69, 71, 73,		7023929... 91, 101, 115,		80463053.....	403
7002828.....	422	257, 259, 261, 263,		117, 131, 133		8220007.....	331, 335
7004275.....	422	265, 267		7023933.....	59	8220022... 190, 195, 199	
7004276.....	422	7020218... 206, 212, 218,		7023936.....	55, 57	8220045.....	340, 347
70050516... 55, 57, 418		226		7023964.....	182	8220164... 339, 343, 347,	
7007207.....	181	7020219... 206, 212, 218,		7024182.....	23, 24	351	
7007415.....	182	226		7024189.....	24	830351187, 97, 111, 127,	
7007418.....	181	7021249.....	27	7024190.....	24	152, 162	
7007419.....	181	7021256.....	182	7024191.....	24	8310382... 203, 209, 215,	
7007437.....	27	7021275.....	27, 181	7024192.....	24	223	
7007438.....	27	7021276.....	27	7024193.....	24	83191040... 91, 101, 115,	
7007439.....	27	7021277.....	27	7024194.....	24	117, 131, 133, 155, 165	
7007446.....	27, 181	7021625.....	59	7024196.....	24	8405009.....	158, 168
7007601.....	21, 23	7021639.....	59	7024197.....	24	8405101.....	94, 104, 120,
7007640.....	21, 23	7022301.....	181	7024441.....	65	124, 136, 140, 158, 168	
7010429.....	21, 23	7022302.....	27	7024446.....	65	8405104... 94, 104, 120,	
7012518.....	43	7022305.....	27	7024485... 190, 194, 198,		124, 136, 140, 158, 168	
7012925... 207, 213, 219,		7022310.....	27	418		8406302.....	197
227		7022311.....	27	7024488... 189, 193, 197		8410013.....	159, 169
7015004... 94, 104, 121,		7022312.....	27	7024489... 189, 193, 197		85941016... 94, 104, 120,	
125, 137, 141, 158,		7022314.....	27	7024497.....	45, 47	124, 136, 140, 158, 168	
168, 418		7022326.....	27	7024498.....	47	8750014. 87, 97, 111, 127	
7015005... 94, 104, 121,		7022328.....	27	7024500.....	47	8760351.....	298, 302
125, 137, 141, 158, 168		7022340.....	182	7024502.....	45, 47	8786514.....	35
7016654.....	422	7022368.....	27	7024503.....	47	88521205... 88, 98, 112,	
7017059.....	21, 23	7022369.....	27	7024504.....	47	128, 152, 162	
7017067.....	21, 23	7022371.....	27	7024505.....	47		

# PARTS FINDER

**Search Website  
by Part Number**



**Search Manual  
Library For Parts  
Manual & Lookup Part  
Numbers – Purchase  
or Request Quote**

**Can't Find Part or  
Manual? Request Help  
by Manufacturer,  
Model & Description**

Discount-Equipment.com is your online resource for quality parts & equipment.

Florida: **561-964-4949** Outside Florida TOLL FREE: **877-690-3101**

**Need parts?**

Click on this link: <http://www.discount-equipment.com/category/5443-parts/> and choose one of the options to help get the right parts and equipment you are looking for. Please have the machine model and serial number available in order to help us get you the correct parts. If you don't find the part on the website or on one of the online manuals, please fill out the request form and one of our experienced staff members will get back to you with a quote for the right part that your machine needs.

We sell worldwide for the brands: Genie, Terex, JLG, MultiQuip, Mikasa, Essick, Whiteman, Mayco, Toro Stone, Diamond Products, Generac Magnum, Airman, Haulotte, Barreto, Power Blanket, Nifty Lift, Atlas Copco, Chicago Pneumatic, Allmand, Miller Curber, Skyjack, Lull, Skytrak, Tsurumi, Husquvarna Target, Stow, Wacker, Sakai, Mi-T-M, Sullair, Basic, Dynapac, MBW, Weber, Bartell, Bennar Newman, Haulotte, Ditch Runner, Menegotti, Morrison, Contec, Buddy, Crown, Edco, Wyco, Bomag, Laymor, EZ Trench, Bil-Jax, F.S. Curtis, Gehl Pavers, Heli, Honda, ICS/PowerGrit, IHI, Partner, Imer, Clipper, MMD, Koshin, Rice, CH&E, General Equipment, Amida, Coleman, NAC, Gradall, Square Shooter, Kent, Stanley, Tamco, Toku, Hatz, Kohler, Robin, Wisconsin, Northrock, Oztec, Toker TK, Rol-Air, APT, Wylie, Ingersoll Rand / Doosan, Innovatech, Con X, Ammann, Mecalac, Makinex, Smith Surface Prep, Small Line, Wanco, Yanmar