



---

# Illustrated Parts Manual

**Model  
260MRT**

**3121802**

October 31, 2018 - Rev AQ

**CE**  
**AS/NZS**



An Oshkosh Corporation Company

Go to [Discount-Equipment.com](http://Discount-Equipment.com) to order your parts

# PARTS FINDER

**Search Website  
by Part Number**



**Search Manual  
Library For Parts  
Manual & Lookup Part  
Numbers – Purchase  
or Request Quote**

A screenshot of the "Search Manuals" form. The form has a title "Search Manuals" and a subtitle "Please enter the model number or serial number of the machine you are looking for." Below the subtitle are several input fields: "Find" (with a dropdown menu), "Serial Number" (with a dropdown menu), "Year" (with a dropdown menu), "Make" (with a dropdown menu), "Part Number" (with a dropdown menu), and "Category" (with a dropdown menu). There is a "Search" button at the bottom of the form.

**Can't Find Part or  
Manual? Request Help  
by Manufacturer,  
Model & Description**

A screenshot of the "Parts Order Form". The form has a title "Parts Order Form" and a subtitle "Please fill out the form below." Below the subtitle are several input fields: "Manufacturer" (with a dropdown menu), "Model" (with a dropdown menu), "Description" (with a dropdown menu), "Part Number" (with a dropdown menu), "Quantity" (with a dropdown menu), "Price" (with a dropdown menu), "Date" (with a dropdown menu), and "Name" (with a dropdown menu). There is a "Submit" button at the bottom of the form.

Discount-Equipment.com is your online resource for quality parts & equipment.

Florida: **561-964-4949** Outside Florida TOLL FREE: **877-690-3101**

**Need parts?**

Click on this link: <http://www.discount-equipment.com/category/5443-parts/> and choose one of the options to help get the right parts and equipment you are looking for. Please have the machine model and serial number available in order to help us get you the correct parts. If you don't find the part on the website or on one of the online manuals, please fill out the request form and one of our experienced staff members will get back to you with a quote for the right part that your machine needs.

We sell worldwide for the brands: Genie, Terex, JLG, MultiQuip, Mikasa, Essick, Whiteman, Mayco, Toro Stone, Diamond Products, Generac Magnum, Airman, Haulotte, Barreto, Power Blanket, Nifty Lift, Atlas Copco, Chicago Pneumatic, Allmand, Miller Curber, Skyjack, Lull, Skytrak, Tsurumi, Husquvarna Target, Stow, Wacker, Sakai, Mi-T-M, Sullair, Basic, Dynapac, MBW, Weber, Bartell, Bennar Newman, Haulotte, Ditch Runner, Menegotti, Morrison, Contec, Buddy, Crown, Edco, Wyco, Bomag, Laymor, EZ Trench, Bil-Jax, F.S. Curtis, Gehl Pavers, Heli, Honda, ICS/PowerGrit, IHI, Partner, Imer, Clipper, MMD, Koshin, Rice, CH&E, General Equipment, Amida, Coleman, NAC, Gradall, Square Shooter, Kent, Stanley, Tamco, Toku, Hatz, Kohler, Robin, Wisconsin, Northrock, Oztec, Toker TK, Rol-Air, APT, Wylie, Ingersoll Rand / Doosan, Innovatech, Con X, Ammann, Mecalac, Makinex, Smith Surface Prep, Small Line, Wanco, Yanmar



## REVISION LOG

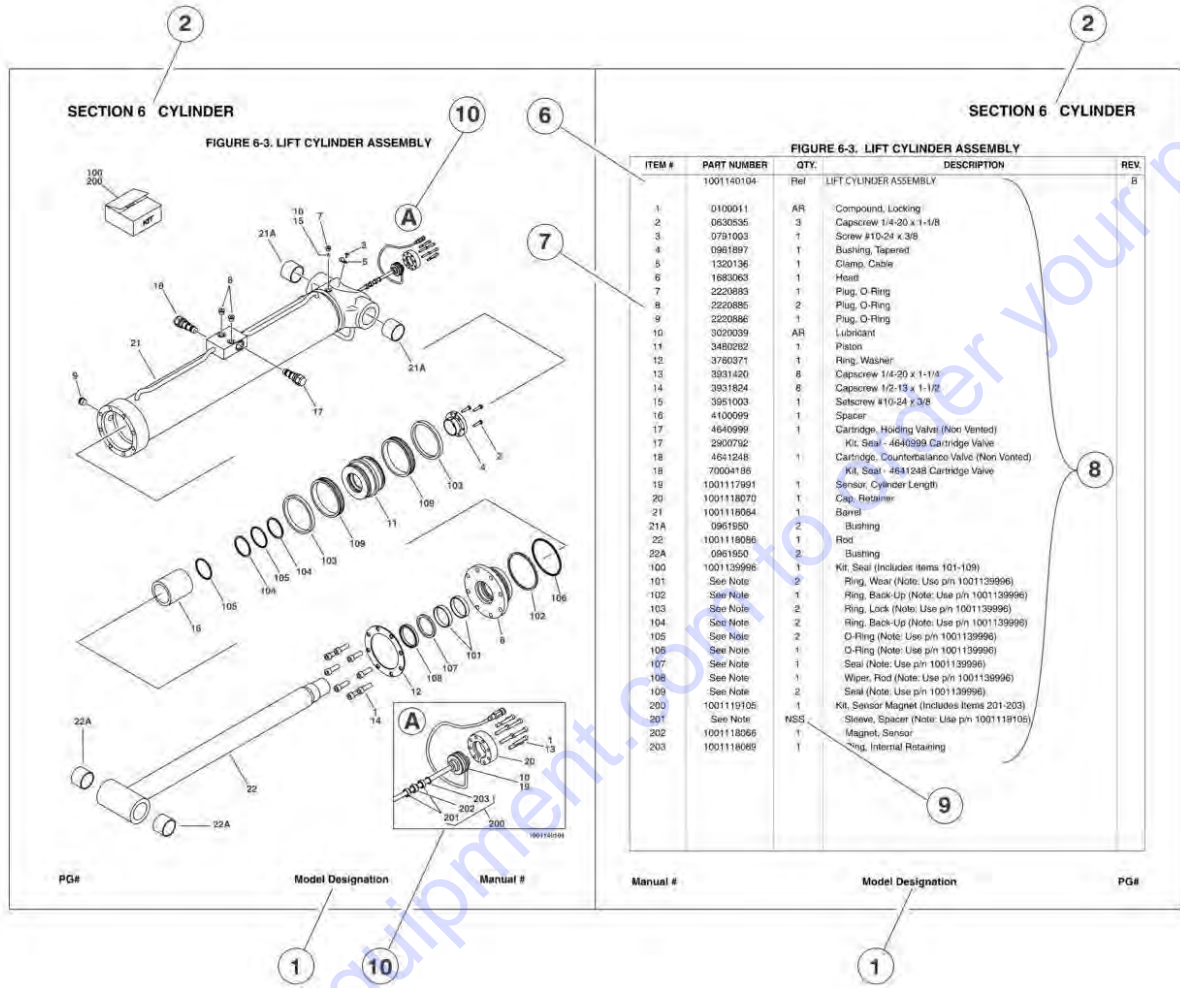
March 27, 2000 - A - Original Issue Of Manual (Edited to Rev. 5)  
July 5, 2000 - B - Updated Pages 1-2, 1-3, 6-2, 6-3 & 6-4  
September 5, 2000 - C - Revised Manual (Revised to B/M 0010567 Revision 9)  
February 1, 2001 - D - Revised Manual (Revised to B/M 0010567 Revision 14)  
February 1, 2002 - E - Revised Manual (Revised to B/M 0010567 Revision 16)  
July 15, 2002 - F - Revised Manual (Revised to B/M 0010567 Revision 21)  
February 11, 2003 - G - Revised Manual (Revised to B/M 0010567 Revision 22)  
May 1, 2003 - H - Revised Manual (Revised to B/M 0010567 Revision 26)  
August 15, 2003 - I - Revised Manual (Revised to B/M 0010567 Revision 28)  
March 4, 2004 - J - Revised Manual (Revised to B/M 0010567 Revision 30)  
August 15, 2004 - K - Revised Manual (Revised to B/M 0010567 Revision 31)  
February 7, 2005 - L - Revised Manual (Revised to B/M 0010567 Revision 37)  
February 27, 2006 - M - Revised Manual (Revised to B/M 0010567 Revision 45)  
July 15, 2006 - N - Revised Manual (Revised to B/M 0010567 Revision 45)  
December 18, 2006 - O - Revised Manual (Revised to B/M 0010567 Revision 45)  
April 15, 2007 - P - Revised Manual (Revised to B/M 0010567 Revision 45)  
November 1, 2007 - Q - Revised Manual (Revised to B/M 0010567 Revision 45)  
May 31, 2008 - R - Revised Manual (Revised to B/M 0010567 Revision 53)  
June 1, 2009 - S - Revised Manual (Revised to B/M 0010567 Revision 55)  
December 31, 2010 - T - Revised Manual (Revised to B/M 0010567 Revision 55)  
April 26, 2011 - U - Revised Manual (Revised to B/M 0010567 Revision 60)  
July 21, 2011 - V - Revised Manual (Revised to B/M 0010567 Revision 60)  
October 5, 2011 - W - Revised Manual (Revised to B/M 0010567 Revision 60)  
February 2, 2012 - X - Revised Manual (Revised to B/M 0010567 Revision 60)  
June 26, 2012 - Y - Revised Manual (Revised to B/M 0010567 Revision 60)  
September 6, 2012 - Z - Revised Manual (Revised to B/M 0010567 Revision D)  
January 18, 2013 - AA - Revised Manual (Revised to B/M 0010567 Revision D)  
April 16, 2013 - AB - Revised Manual (Revised to B/M 0010567 Revision E)



## REVISION LOG

July 15, 2013 - AC - Revised Manual (Revised to B/M 0010567 Revision E)  
October 10, 2013 - AD - Revised Manual (Revised to B/M 0010567 Revision E)  
December 30, 2014 - AE - Revised Manual (Revised to B/M 0010567 Revision E)  
January 30, 2016 - AF - Revised Manual (Revised to B/M 0010567 Revision N)  
April 25, 2016 - AG - Revised Manual (Revised to B/M 0010567 Revision N)  
July 25, 2016 - AH - Revised Manual (Revised to B/M 0010567 Revision P)  
October 24, 2016 - AI - Revised Manual (Revised to B/M 0010567 Revision Q)  
February 3, 2017 - AJ - Revised Manual (Revised to B/M 0010567 Revision Q)  
May 5, 2017 - AK - Revised Manual (Revised to B/M 0010567 Revision Q)  
July 15, 2017 - AL - Revised Manual (Revised to B/M 0010567 Revision R)  
October 18, 2017 - AM - Revised Manual (Revised to B/M 0010567 Revision R)  
January 22, 2018 - AN - Revised Manual (Revised to B/M 0010567 Revision S)  
April 12, 2018 - AO - Revised Manual (Revised to B/M 0010567 Revision S)  
July 31, 2018 - AP - Revised Manual (Revised to B/M 0010567 Revision T)  
October 31, 2018 - AQ - Revised Manual (Revised to B/M 0010567 Revision AA) (Revision 1)

# GENERAL INFORMATION



## 1) MACHINE IDENTIFICATION

Machines are identified by model and in some cases a combination of models, serial number (SN) or regional standard (i.e. ANSI, CE, CSA). Components may also be identified by SN or manufacturer. Common components that may be identified by these characteristics are engines and hydraulic components.

## 2) PARTS MANUAL ORGANIZATION

Product information in this manual is organized under section titles. Frame, Cylinder, Hydraulic and Electrical are a few examples. Each section is organized by figure and page number. The information within the Figure is then organized by item number, part number, description and corresponding illustration (s).

## 3) TABLE OF CONTENTS

A table of contents is found toward the beginning of the manual. Figure number, description and page number are provided for quick reference to the page containing the related information.

## 4) RECOMMENDED SPARE PARTS

The Recommended Spare Parts, located near the end of the manual, reference most frequently used maintenance parts.

## 5) PART NUMBER INDEX

A numerical index listing all part numbers and the corresponding page number(s) appears at the back of the manual.

## GENERAL INFORMATION

### 6) NON-SERVICED PARTS

In some instances, it is necessary to display non-serviced parts, assemblies or installations. In the case of assemblies and installations there will be a Ref in the Qty column. In case of parts that are not available for service within assemblies or components, there will be a NSS (Not Sold Separately) or NLA (No Longer Available) listed in the Qty. column of the manual.

### 7) PARTS LIST ITEM NUMBERS

Numbers shown in the item# column correspond to numbers used in the associated illustration (s). Item numbers which are missing from the sequence in the parts list are not used on that page

### 8) INDENTED PARTS DESCRIPTION

An indented part description is included in the item under which it is indented.

### 9) ABB REVIATION AND SYMBOLS

AC.....	Alternating Current	LCD.....	Liquid Crystal Display
ADE.....	Advanced Design Electronics	LED.....	Light Emitting Diodes
ANSI.....	American National Standards Institute	LH.....	Left Hand
AR.....	As Required	LSS.....	Load Sensing System
ASSY.....	Assembly	M(m).....	Metric/Meter
AUX.....	Auxiliary	MM (mm).....	Milimeter
AWG.....	American WireGauge	mA.....	Miliamps
B/M.....	Bill of Material	NLA.....	No Longer Available
CE.....	European Conformity	NPT.....	National Pipe T threads
CCW.....	Counter Clockwise	NSS.....	Not Sold Separately
cm.....	Centimeter	OD.....	Outside Diameter
CW.....	Clockwise	ORB.....	O-Ring Bos s
CSA.....	Canadian Standards Association	ORFS.....	O-Ring Face Seal
CYL.....	Cylinder	OZ (oz).....	Ounces
DIA.....	Diameter	PG.....	Page
DC.....	Direct Current	P/N.....	Part Number
EMS.....	Emergency Stop	qt.....	Quarts
ENG.....	Engine	QTY.....	Quantity
FT (ft).....	Feet	REF.....	Reference
GA (Ga).....	Gauge	REV.....	Revision Level
HYD.....	Hydraulic	RH.....	Right Hand
Hz.....	Hertz	SAE.....	Society of Automotive Engineers
ID.....	Inside Diameter	SN.....	Serial Number
in.....	inches	SPEC(S).....	Specifications
ISO.....	International Organization for Standards	T/T.....	Turntable
JIC.....	Joint Industry Council	UGM.....	Universal Ground Module
KG.....	Kilogram	V.....	Volts
L.....	Liter	W.....	Watts
LB.....	Pounds	#.....	Number

### 10) ILLUSTRATION REFERENCE LETTERS

When necessary, illustrations may contain reference letters that are intended to track information (i. e. hoses, harnesses) from one point to another or to track visual enlargement of components to show details that may be located in another area on the illustration.

*Note: Due to continuous product improvements, JLG Industries, Inc. reserves the right to make specification changes without prior notification.*



# TABLE OF CONTENTS

SECTION 1 - FRAME.....	9
FIGURE 1-1. FRAME AND STEERING INSTALLATION .....	10
FIGURE 1-2. MOTOR/BRAKE/HUB ASSEMBLY (REAR END) (Prior to SN 0200078291, SN 0200104784 through 0200268449) .....	14
FIGURE 1-3. MOTOR/BRAKE/HUB ASSEMBLY (REAR ONLY) (SN 0200078291 through 0200104783).....	18
FIGURE 1-4. MOTOR/BRAKE/HUB ASSEMBLY (REAR) (SN 0200268450 to Present) .....	20
FIGURE 1-5. MOTOR/HUB ASSEMBLY (FRONT AND) (Prior to SN 0200078291, SN 0200112814 through 0200268449) .....	22
FIGURE 1-6. MOTOR/HUB ASSEMBLY (FRONT ONLY) (SN 0200078291 through 0200112813) .....	24
FIGURE 1-7. DRIVE MOTOR ASSEMBLY - OPERATORS POSITION RH SIDE - 4WD FRONT (SN 0200268450 to Present) ..	26
FIGURE 1-8. FRAME MOUNTED COMPONENTS INSTALLATION .....	28
FIGURE 1-9. LEVELING JACKS INSTALLATION (Prior to SN 0200141689).....	32
FIGURE 1-10. LEVELING JACKS AUTO LEVEL INSTALLATION (AUSTRALIAN SPEC AND CE SPEC) (SN 0200128985 through 0200244750, SN 0200141689 through 0200244750).....	36
FIGURE 1-11. LEVELING JACKS AUTO LEVEL INSTALLATION (AUSTRALIAN SPEC AND CE SPEC) (SN 0200244751 to Present).....	40
SECTION 2 - GROUND CONTROLS .....	45
FIGURE 2-1. CONTROL VALVES AND TANK INSTALLATION .....	46
FIGURE 2-2. MAIN VALVE ASSEMBLY .....	50
FIGURE 2-3. FLOW DIVIDER ASSEMBLY .....	52
FIGURE 2-4. KUBOTA ENGINE INSTALLATION (DIESEL) .....	54
FIGURE 2-5. ENGINE COMPONENTS - KUBOTA DIESEL (SN 0200222874 through 0200268449).....	60
FIGURE 2-6. ENGINE COMPONENTS - KUBOTA DIESEL (SN 0200268450 to Present).....	64
FIGURE 2-7. VARIABLE DISPLACEMENT PUMP ASSEMBLY (Prior to SN 0200117591) .....	68
FIGURE 2-8. VARIABLE DISPLACEMENT PUMP ASSEMBLY (SN 0200117591 to Present).....	72
FIGURE 2-9. GEAR PUMP ASSEMBLY (Prior to SN 020011922).....	76
FIGURE 2-10. GEAR PUMP ASSEMBLY (SN 020011922 to Present).....	78
FIGURE 2-11. GROUND CONTROLS INSTALLATION.....	80
FIGURE 2-12. HOODS INSTALLATION .....	84
SECTION 3 - SCISSORS ARMS .....	87
FIGURE 3-1. SCISSOR ARMS INSTALLATION .....	88
FIGURE 3-2. ARM GUARDS INSTALLATION .....	92
SECTION 4 - PLATFORM.....	95
FIGURE 4-1. PLATFORM COMPONENTS INSTALLATION .....	96
FIGURE 4-2. PLATFORM ATTACH INSTALLATION - WITH LSS.....	100
FIGURE 4-3. HANDRAIL INSTALLATION (SWING GATE) .....	102
FIGURE 4-4. CONSOLE BOX ASSEMBLY.....	106
FIGURE 4-5. DRIVE/STEER CONTROLLER ASSEMBLY (Prior to SN 0200142023).....	110
FIGURE 4-6. DRIVE/STEER CONTROLLER ASSEMBLY (SN 0200142023 to Present).....	112
FIGURE 4-7. PLATFORM RAIL PADDING/DECK BUMPERS INSTALLATION .....	114
SECTION 5 - CYLINDER.....	117
FIGURE 5-1. LEVELING JACKS CYLINDER ASSEMBLY (Prior to SN 0200105371) .....	118
FIGURE 5-2. LEVELING JACKS CYLINDER ASSEMBLY (SN 0200105371 through 0200141689) .....	120
FIGURE 5-3. LEVELING JACKS CYLINDER ASSEMBLY (AUTO LEVEL) (AUSTRALIAN SPEC AND CE SPEC 0200141689 TO PRESENT) (SN 0200128985 to Present) .....	122
FIGURE 5-4. LIFT CYLINDER COMPONENTS ASSEMBLY .....	124
FIGURE 5-5. STEER CYLINDER ASSEMBLY.....	126
SECTION 6 - HYDRAULIC .....	129
FIGURE 6-1. DRIVE HYDRAULIC DIAGRAM (STANDARD) (Prior to SN 0200141689).....	130
FIGURE 6-2. DRIVE HYDRAULIC DIAGRAM (STANDARD) (SN 0200141689 to Present) .....	134
FIGURE 6-3. DRIVE HYDRAULIC DIAGRAM (LEVELING JACKS) (Prior to SN 0200141689).....	138
FIGURE 6-4. DRIVE HYDRAULIC DIAGRAM (AUTO LEVEL LEVELING JACKS) (AUSTRALIAN SPEC AND CE SPEC) (SN 0200128985 to Present, SN 0200141689 to Present) .....	142
FIGURE 6-5. HYDRAULIC DIAGRAM LIST .....	146
SECTION 7 - ELECTRICAL .....	147



# TABLE OF CONTENTS

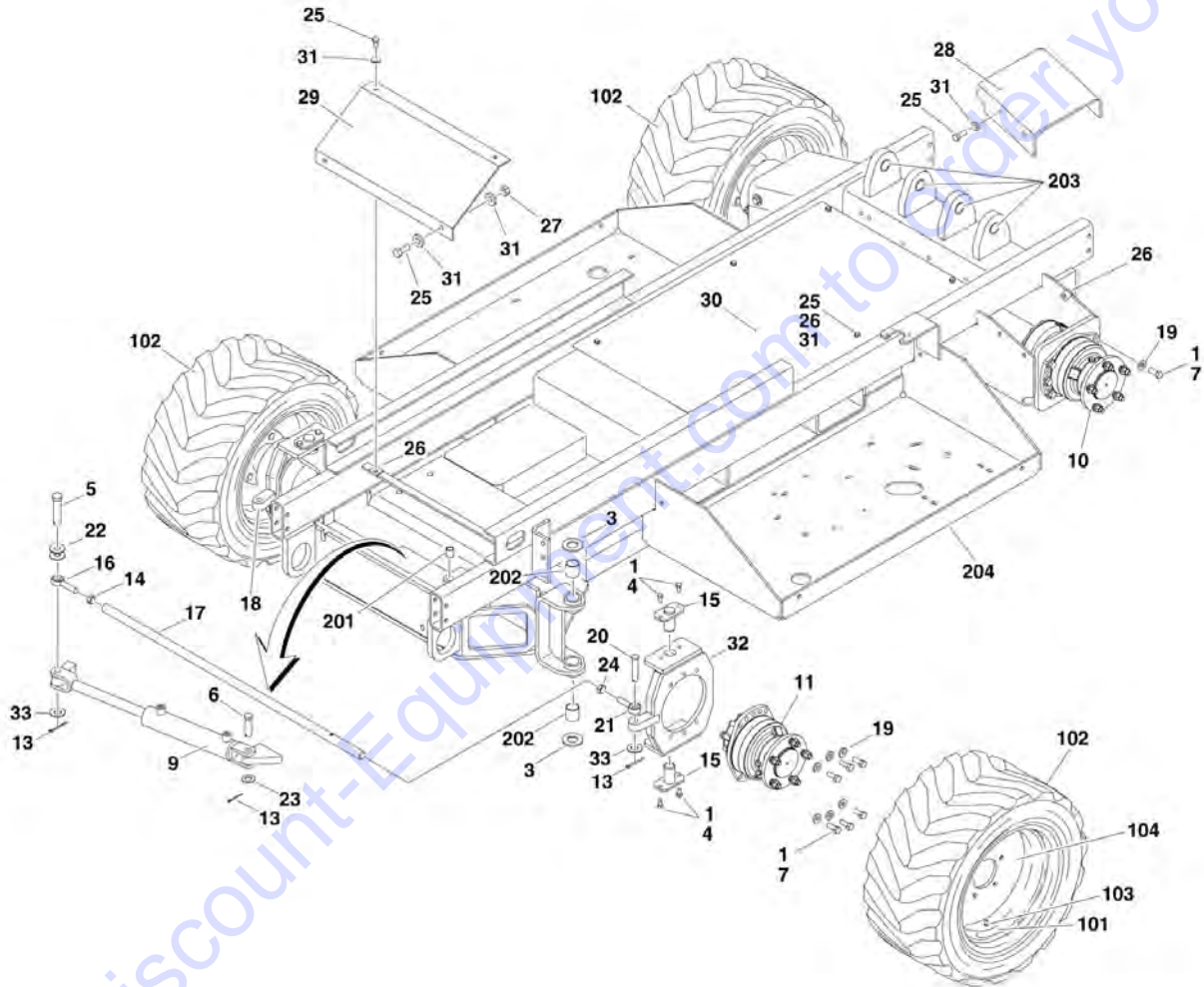
FIGURE 7-1. ELECTRICAL SCHEMATIC (AUSTRALIAN SPEC AND CE SPEC) (Prior to SN 0200128985, Prior to SN 0200141689) .....	148
FIGURE 7-2. ELECTRICAL SCHEMATIC (AUSTRALIAN SPEC AND CE SPEC) (SN 0200128985 through 0200200646, SN 0200141689 through 0200200646) .....	150
FIGURE 7-3. ELECTRICAL SCHEMATIC (SN 0200200647 to Present) .....	154
FIGURE 7-4. ELECTRICAL COMPONENTS INSTALLATION (Prior to SN 0200141689) .....	158
FIGURE 7-5. ELECTRICAL COMPONENTS INSTALLATION (SN 0200141689 to Present) .....	164
SECTION 8 - DECALS .....	173
FIGURE 8-1. DECAL INSTALLATION (Prior to SN 0200149779) .....	174
FIGURE 8-2. DECAL INSTALLATION (SN 0200149779 to Present) .....	178
SECTION 9 - RECOMMENDED SERVICE PARTS STOCK .....	181
FIGURE 9-1. MODEL 260MRT STANDARD PARTS .....	182
FIGURE 9-2. MODEL 260MRT VARIABLE PARTS .....	184
SECTION 10 - SPECIAL OPTIONS .....	185
FIGURE 10-1. SPECIAL OPTIONS .....	186
PART NUMBER INDEX .....	189

**SECTION 1 - FRAME**

Go to [Discount-Equipment.com](http://Discount-Equipment.com) to order your parts

# SECTION 1 - FRAME

## FIGURE 1-1. FRAME AND STEERING INSTALLATION



## SECTION 1 - FRAME

### FIGURE 1-1. FRAME AND STEERING INSTALLATION

ITEM	PART NUMBER	QTY	DESCRIPTION	REV
	0259648	Ref	<b>STEERING AND DRIVE INSTALLATION (4WD/2WS)</b>	R
	0259758	Ref	<b>COVERS INSTALLATION (Prior to SN 0200244751)</b>	F
	1001193379	Ref	<b>COVERS INSTALLATION (SN 0200244751 to Present)</b>	A
1	0100011	AR	Compound, Locking	
3	See Note	1	Thrustwasher (Note: Was p/n 0440237 - Use Bearing/Shim Kit p/n 1001155260 as Replacement. Kit includes Thrustwashers, Kingpin Bolts, Shims and Kingpin Bushings. Machines SN 0200220924 to Present are already equipped with kit components and do not require axle modification per the kit instruction.	
4	0641606	8	Bolt 3/8in-16NC x 3/4in	
5		Ref	Options:	
5	0642024	1	Bolt 5/8in-11NC x 3in <b>(Prior to SN 0200076006)</b>	
5	3431024	1	Pin, Clevis <b>(SN 020076006 through 0200210746)</b>	
5	3431036	1	Pin, Clevis <b>(SN 0200210747 to Present)</b>	
6	3431220	1	Pin, Flat Head Clevis	
7	0681810	24	Bolt 1/2in-13NC x 1-1/4in	
9	1683957	1	Steer Cylinder Assembly (See CYLINDER SECTION for Breakdown)	
10		Ref	Motor/Brake/Hub Assembly (Rear) Options:	
10	3160244	NLA	Motor/Brake/Hub Assembly (Rear) (See MOTOR/BRAKE/HUB ASSEMBLY (REAR) for Breakdown) (Use p/n 1001228234) <b>(Prior to SN 0200078291)</b>	
10	3160254	2	Motor/Brake/Hub Assembly (Rear) (See MOTOR/BRAKE/HUB ASSEMBLY (REAR) for Breakdown) <b>(SN 0200078291 through 0200104783)</b>	
10	3160244	NLA	Motor/Brake/Hub Assembly (Rear) (See MOTOR/BRAKE/HUB ASSEMBLY (REAR) for Breakdown) (Use p/n 1001228234) <b>(SN 0200104784 through 0200268449)</b>	
10	1001228234	2	Motor/Brake/Hub Assembly (Rear) (See MOTOR/BRAKE/HUB ASSEMBLY (REAR) for Breakdown) <b>(SN 0200268450 to Present)</b>	
11		Ref	Motor/Hub Assembly (Front) Options:	
11	3160245	2	Motor/Hub Assembly (Front) (See MOTOR/HUB ASSEMBLY (FRONT) for Breakdown) <b>(Prior to SN 0200078291)</b>	
11	3160255	2	Motor/Hub Assembly (Front)(See MOTOR/HUB ASSEMBLY (FRONT) for Breakdown) <b>(SN 0200078291 through 0200112813)</b>	
11	3160245	2	Motor/Hub Assembly (Front) (See MOTOR/HUB ASSEMBLY (FRONT) for Breakdown) <b>(SN 0200112814 through 0200268449)</b>	
11	1001228233	2	Motor/Hub Assembly (Front) (See MOTOR/HUB ASSEMBLY (FRONT) for Breakdown) <b>(SN 0200268450 to Present)</b>	
12	3312005	2	Locknut 5/8in-11NC <b>(Prior to SN 0200076006)</b>	
13	3450406	3	Pin, Cotter	
14	3322002	1	Nut, Jam (Right Hand Thread)	
15	3422803	4	Pin, King	
16	3841146	1	Rod, Tie Rod End	
17	3841468	1	Rod, Tie Rod	
18		Ref	Spindle (Right Side) Options:	
18	4130377	NLA	Spindle (Right Side) (Use p/n 1001100031) <b>(Prior to SN 0200202172)</b>	
18	1001100031	1	Spindle (Right Side) <b>(SN 0200202172 to Present)</b>	
19	4891800	24	Flatwasher 1/2in Hardened	
20		Ref	Options:	



## SECTION 1 - FRAME

ITEM	PART NUMBER	QTY	DESCRIPTION	REV
20	0642028	1	Bolt 5/8in-11NC x 3-1/2in (Prior to SN 0200076006)	
20	3431032	1	Pin, Clevis (SN 0200076006 to Present)	
21	3841469	1	Rod, Tie Rod End	
22	4752000	2	Flatwasher 5/8in Regular	
23	4712200	1	Flatwasher 3/4in Thin	
24	3300409	1	Nut, Jam (Left Hand Thread)	
25	0641508	18	Bolt 5/16in-18NC x 1in (Prior to SN 0200244751)	
25	0641508	12	Bolt 5/16in-18NC x 1in (SN 0200244751 to Present)	
26	2080053	16	Fastener 5/16in-18NC (Prior to SN 0200244751)	
26	2080053	10	Fastener 5/16in-18NC (SN 0200244751 to Present)	
27	3311505	2	Locknut 5/16in-18NC	
28	3572324	2	Cover, Rear Axle	
29	3572325	1	Cover, Steer Cylinder	
	Note		Note: p/n 3572325 is for machines without leveling jacks. For machines with leveling jacks, refer to Leveling Jacks Installation.	
30	3572326	1	Cover, Center Frame	
31	4711500	20	Flatwasher 5/16in Thin (Prior to SN 0200244751)	
31	4711500	14	Flatwasher 5/16in Thin (SN 0200244751 to Present)	
32		Ref	Spindle (Left Side) Options:	
32	4130380	NLA	Spindle (Left Side) (Use p/n 1001100032) (Prior to SN 0200210747)	
32	1001100032	1	Spindle (Left Side) (SN 0200210747 to Present)	
33	4712000	2	Flatwasher 5/8in Thin	
	2902215	1	Kit - Cover Plates (Includes Items 28, 29 & 30) (Prior to SN 0200244751)	
	1001193442	1	Kit - Cover Plates (Includes Items 28 & 29) (SN 0200244751 to Present)	
		Ref	<b>TIRE AND WHEEL INSTALLATIONS OPTIONS:</b>	
	0259781	Ref	<b>(26 x 12.00) Foam Filled</b>	B
	1001100370	Ref	<b>(26 x 12.00) Foam Filled Non-Marking</b>	A
		Ref	Tire and Wheel Assembly Options:	
	0259977	AR	26 x 12.00 Foam Filled (Right Side)	
	0259978	AR	26 x 12.00 Foam Filled (Left Side)	
	1001100372	AR	26 x 12.00 Foam Filled Non-Marking (Right Side)	
	1001100373	AR	26 x 12.00 Foam Filled Non-Marking (Left Side)	
		Ref	<b>Note: Assemblies may require ballast/foam filling to manufacturer's specifications prior to installing on a machine. Refer to Operation and Safety or Service and Maintenance Manuals. Purchase individual tire and/or rim only if able to foam fill tire and wheel assembly, otherwise, purchase complete assembly.</b>	
		Ref	<b>TIRE AND WHEEL ASSEMBLY COMPONENTS</b>	E
101	Not Required	0	Decal - 45 PSI (Pneumatic Only)	
102		Ref	Tire Option (26 x 12.00):	
102	4520233	4	Standard	
102	1001100371	4	Non Marking	
103	Not Required	0	Valve, Air (Pneumatic Only)	
104	4860207	4	Rim	
		Ref	<b>FRAME WELDMENT:</b>	
201	0440228	1	Bearing (Steer Lug Pivot)	
202	See Note	1	Bearing (Kingpin Pivot) (Note: Was p/n 0962220 - Use Bearing /Shim Kit p/n 1001155260 as Replacement. Kit includes Thrustwashers, Kingpin Bolts, Shims and Kingpin Bushings. Machines SN 0200220924 to Present are already equipped with	

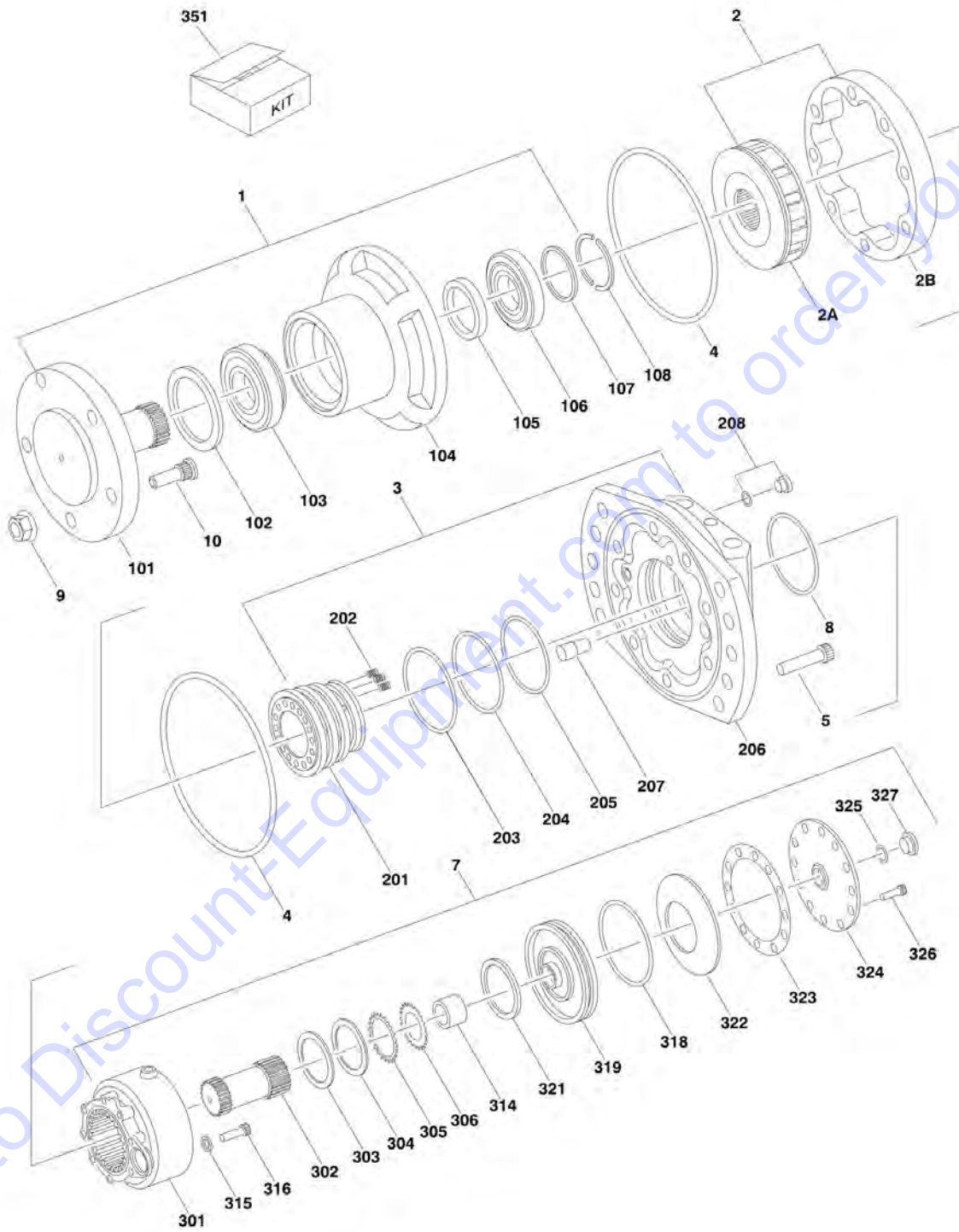
**SECTION 1 - FRAME**

ITEM	PART NUMBER	QTY	DESCRIPTION	REV
			kit components and do not require axle modification per the kit instruction.	
203	0962234	4	Bearing (Scissors Arms Pivot)	
204	2360523	1	Frame Weldment <b>(Prior to SN 0200244751)</b>	
204	1001192860	1	Frame Weldment <b>(SN 0200244751 to Present)</b>	

Go to Discount-Equipment.com to order your parts

# SECTION 1 - FRAME

FIGURE 1-2. MOTOR/BRAKE/HUB ASSEMBLY (REAR END) (Prior to SN 0200078291, SN 0200104784 through 0200268449)



## SECTION 1 - FRAME

**FIGURE 1-2. MOTOR/BRAKE/HUB ASSEMBLY (REAR END) (Prior to SN 0200078291, SN 0200104784 through 0200268449)**

ITEM	PART NUMBER	QTY	DESCRIPTION	REV
	3160244	Ref	<b>DRIVE MOTOR ASSEMBLY</b>	F
1	See Note	1	Front Housing Assembly (Note: See Items 101 to 108 for Breakdown)	
2	See Note	NSS	Rotary Assembly (Note: Not Available - Purchase p/n 3160244)	
2A	See Note	NSS	Rotary without Cam (Note: Not Available - Purchase p/n 3160244)	
2B	See Note	NSS	Cam (Note: Not Available - Purchase p/n 3160244)	
3	See Note	1	Rear Housing Assembly (Note: See Items 201 to 208 for Breakdown)	
4	See Note	NSS	Seal, Square (Note: Use Item 351)	
5	See Note	6	Screw, Cap (Note: Not Available - Purchase Locally)	
7	See Note	1	Brake Assembly (Note: See Items 301 to 327 for Breakdown)	
8	See Note	NSS	Seal, Square (Note: Use Item 351)	
9	7023806	5	Lugnut	
10	7023807	5	Stud, Wheel	
		Ref	<b>FRONT HOUSING ASSEMBLY</b>	
101	7022586	1	Shaft	
102	See Note	NSS	Seal, Face (Note: Use Item 351)	
103	7022587	1	Bearing, Front	
104	See Note	NSS	Casting, Front (Note: Not Available - Purchase p/n 3160244)	
105	See Note	NSS	Seal, Shaft (Note: Use Item 351)	
106	7022588	1	Bearing, Rear	
107	See Note	1	Washer (Note: Not Available - Purchase Locally)	
108	7022589	1	Ring, Split	
		Ref	<b>REAR HOUSING ASSEMBLY</b>	
201	See Note	NSS	Ring, Distributor (Note: Not Available - Purchase p/n 3160244)	
204	See Note	9	Spring (Note: Not Available - Purchase p/n 3160244)	
203	See Note	NSS	Seal, Nylon (Note: Use Item 351)	
204	See Note	NSS	Seal, Nylon (Note: Use Item 351)	
205	See Note	NSS	Seal, Nylon (Note: Use Item 351)	
206	See Note	NSS	Housing, Rear (Note: Not Available - Purchase p/n 3160244)	
207	7022590	1	Pin, Stop	
208	7022591	1	Plug (O-Ring Supplied with Plug)	
		Ref	<b>BRAKE ASSEMBLY</b>	
301	See Note	NSS	Housing, Brake (Note: Not Available - Purchase p/n 3160244)	
302	7022592	1	Shaft	
303	7022593	1	Shim	
304	7022594	1	Shim	
305	7022595	15	Disc, Outer Brake	
306	7022596	13	Disc, Inner Brake	
314	7022597	1	Bushing	
315	See Note	8	Washer (Note: Not Available - Purchase Locally)	
316	See Note	8	Screw, Cap (Note: Not Available - Purchase Locally)	
318	See Note	NSS	Ring, Square (Note: Use Item 351)	
319	7022598	1	Piston, Brake	
321	See Note	NSS	Seal, Outer (Note: Use Item 351)	
322	7022599	1	Washer, Bellville	
323	See Note	NSS	Gasket (Note: Use Item 351)	
324	See Note	NSS	Cover, End (Note: Not Available - Purchase p/n 3160244)	



## SECTION 1 - FRAME

ITEM	PART NUMBER	QTY	DESCRIPTION	REV
325	See Note	NSS	O-Ring (Note: Use Item 351)	
326	See Note	12	Screw, Cap (Note: Not Available - Purchase Locally)	
327	7023800	1	Plug	
351	7022585		Seal Kit - (Includes Items 4, 8, 102, 105, 203-205, 318, 321, 323 & 325)	

Go to Discount-Equipment.com to order your parts





## SECTION 1 - FRAME

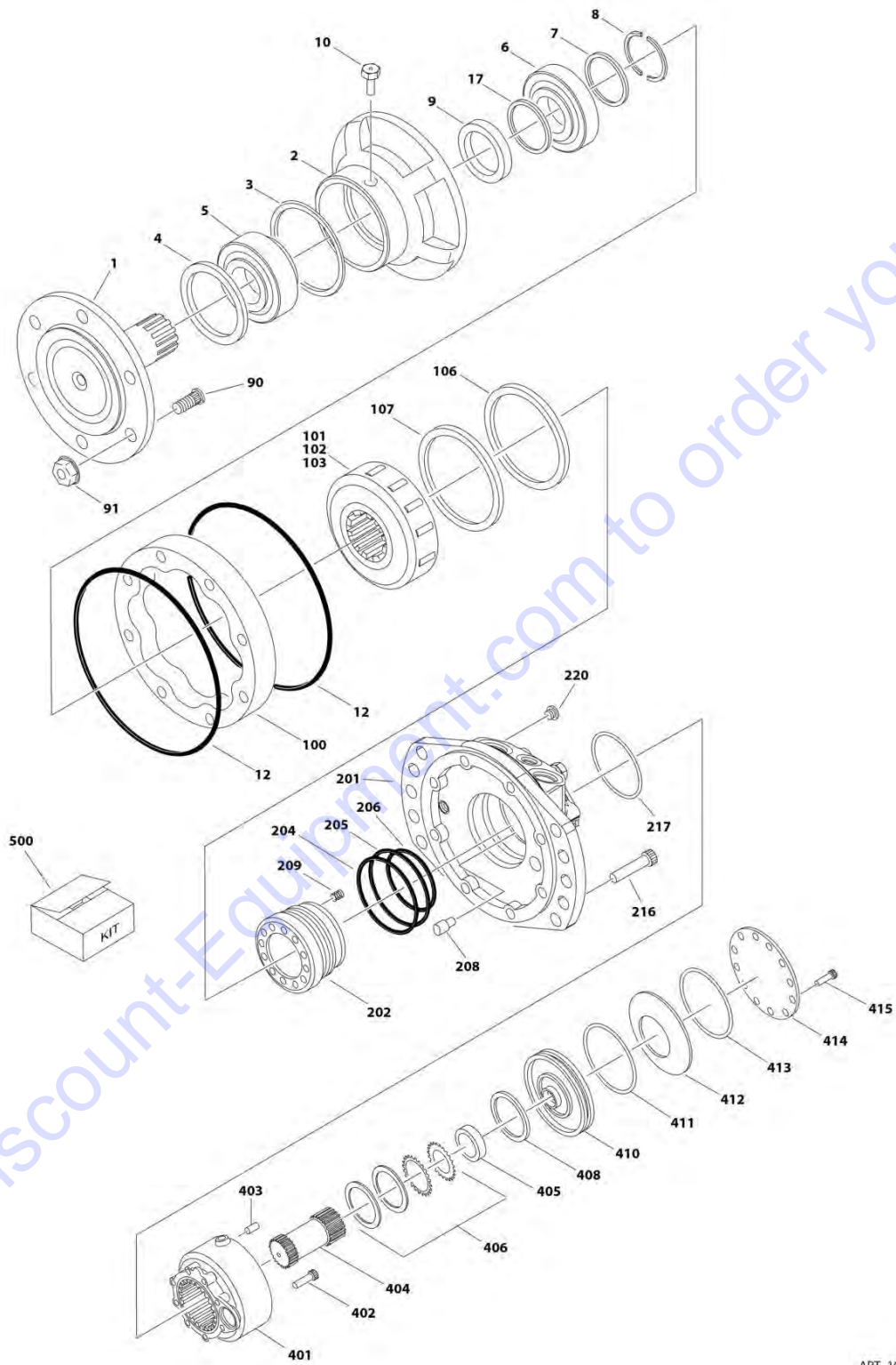
**FIGURE 1-3. MOTOR/BRAKE/HUB ASSEMBLY (REAR ONLY) (SN 0200078291 through 0200104783)**

ITEM	PART NUMBER	QTY	DESCRIPTION	REV
	3160254	Ref	<b>DRIVE MOTOR ASSEMBLY</b>	C
10	7023279	1	Cylinder Block Assembly	
11	See Note	NSS	Block, Cylinder (Note: Use p/n 7023279)	
12	7023276	1	Piston	
15	7023278	1	Guide and Keeper Kit	
25	7023280	1	Cam Assembly	
26	See Note	NSS	Cam (Note: Use p/n 7023280)	
27	7027888	2	O-Ring	
40	7023281	1	Valving Cover Assembly	
41	See Note	1	Cover, Valving (Note: Use p/n 7023281)	
42	7023282	6	Bolt	
45	See Note	NSS	O-Ring (Note: Use Item 152)	
47	7023283	1	Distributor	
48	See Note	NSS	Seal Kit (Note: Use Item 152)	
50	7023284	1	Plug	
52	7018411	4	Spring	
59	7023286	1	Pin, Split	
70	7023287	1	Support Assembly	
71	See Note	NSS	Support, Bearing (Note: Use p/n 7023287)	
72	See Note	NSS	Seal (Note: Use Item 152)	
73	7023288	1	Bearing	
74	7023289	1	Bearing	
75	7023302	1	Shim Set	
76	7023290	1	Ring	
77	7023291	1	Ring, Snap	
78	See Note	NSS	Seal (Note: Use Item 152)	
90	7023292	1	Shaft	
91	7023303	1	Stud Set	
92	7018436	1	Lugnut Set (Not Shown)	
100	7023293	1	Disc Brake Assembly	
101	See Note	NSS	Body, Brake (Note: Use p/n 7023293)	
102	7023294	8	Bolt	
106	See Note	NSS	O-Ring (Note: Use Item 152)	
107	7023295	1	Piston, Brake	
108	7023296	1	Washer, Spring	
109	7023297	1	Ring, Snap	
110	7023298	1	Shaft	
111	See Note	NSS	Seal (Note: Use Item 152)	
112	7018408	1	Bolt	
113	See Note	NSS	Gasket (Note: Use Item 152)	
116	7023305	1	Shim	
135	7023304	1	Brake Disc Kit (Includes Shim Kit)	
135	7026191	1	Brake Shim Kit	
141	See Note	NSS	Protector (Note: Use Item 152)	
142	See Note	NSS	Plug, Dust (Note: Use Item 152)	
143	See Note	NSS	O-Ring (Note: Use Item 152)	
152	7023301	1	Seal Kit - (Includes Items - 27, 45, 48, 72, 78, 106, 111, 113, 141, 142 & 143)	



# SECTION 1 - FRAME

## FIGURE 1-4. MOTOR/BRAKE/HUB ASSEMBLY (REAR) (SN 0200268450 to Present)



ART\_1001228234

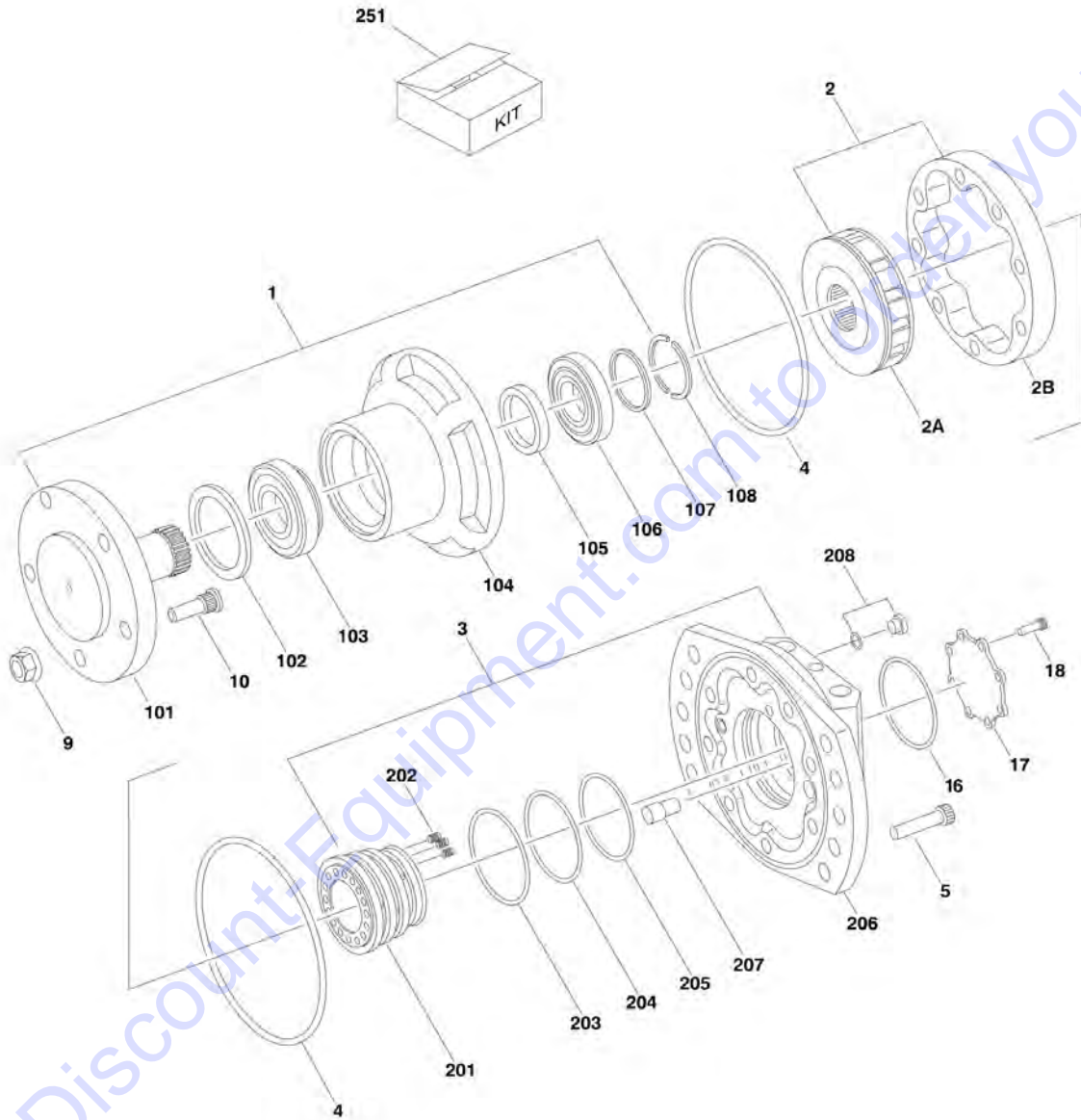
## SECTION 1 - FRAME

**FIGURE 1-4. MOTOR/BRAKE/HUB ASSEMBLY (REAR) (SN 0200268450 to Present)**

ITEM	PART NUMBER	QTY	DESCRIPTION	REV
	1001228234	Ref	DRIVE MOTOR ASSEMBLY	A
1	70006744	1	Shaft	
2	See Note	1	Casting, Front (Note: Purchase Complete Motor)	
3	See Note	NSS	Seal, Face (Note: Use Item 500)	
4	70006745	1	Spacer	
5	70006746	1	Bearing, Front	
6	7022588	1	Bearing, Rear	
7	70006747	1	Washer	
8	7022589	1	Ring, Split	
9	See Note	NSS	Seal, Shaft (Note: Use Item 500)	
10	70006748	1	Plug, Zero-Leak	
12	See Note	NSS	Seal, Square (Note: Use Item 500)	
17	70006749	1	Retainer, Seal	
90	7023807	5	Stud, Wheel	
91	7023806	5	Lugnut	
100	70006750	1	CAM	
101	70006763	1	Block, Cylinder	
102	70006752	8	Piston	
103	70006753	8	Roller	
106	70006756	2	Circlip	
107	70006757	2	Ring, Retaining	
201	See Note	1	Housing, Rear (Note: Purchase Complete Motor)	
202	70006764	1	Ring, Distribution	
204	See Note	NSS	Seal, Nylon (Note: Use Item 500)	
205	See Note	NSS	Seal, Nylon (Note: Use Item 500)	
206	See Note	NSS	Seal, Nylon (Note: Use Item 500)	
208	70006759	1	Pin, Stop	
209	7023872	9	Spring	
216	70001091	6	Capscrew	
217	See Note	NSS	Seal, Square (Note: Use Item 500)	
220	70002759	1	Plug	
		Ref	BRAKE ASSEMBLY	
401	See Note	NSS	Housing, Brake (Note: Not Available - Purchase p/n 1001228234)	
402	70006766	4	Screw, Cap	
403	70006767	3	Pin, Dowel	
404	70006768	1	Shaft	
405	70006769	1	Bushing	
406	70006770	1	Pack, Brake	
406	7022596	14	Disc, Inner Brake	
406	7022595	16	Disc, Outer Brake	
406	7022593	1	Shim	
406	7022594	1	Shim	
408	See Note	NSS	Seal, Outer (Note: Use Item 500)	
410	70001095	1	Piston	
411	See Note	NSS	Seal, Square (Note: Use Item 500)	
412	70006771	1	Washer, Bellville	
413	See Note	NSS	Gasket (Note: Use Item 500)	
414	70006772	1	Cover, End	
415	70006773	12	Screw, Cap	
500	70006765	1	Seal Kit (Includes Items 3, 9, 12, 204-206, 217 408, 411 & 413)	

# SECTION 1 - FRAME

FIGURE 1-5. MOTOR/HUB ASSEMBLY (FRONT AND) (Prior to SN 0200078291, SN 0200112814 through 0200268449)



## SECTION 1 - FRAME

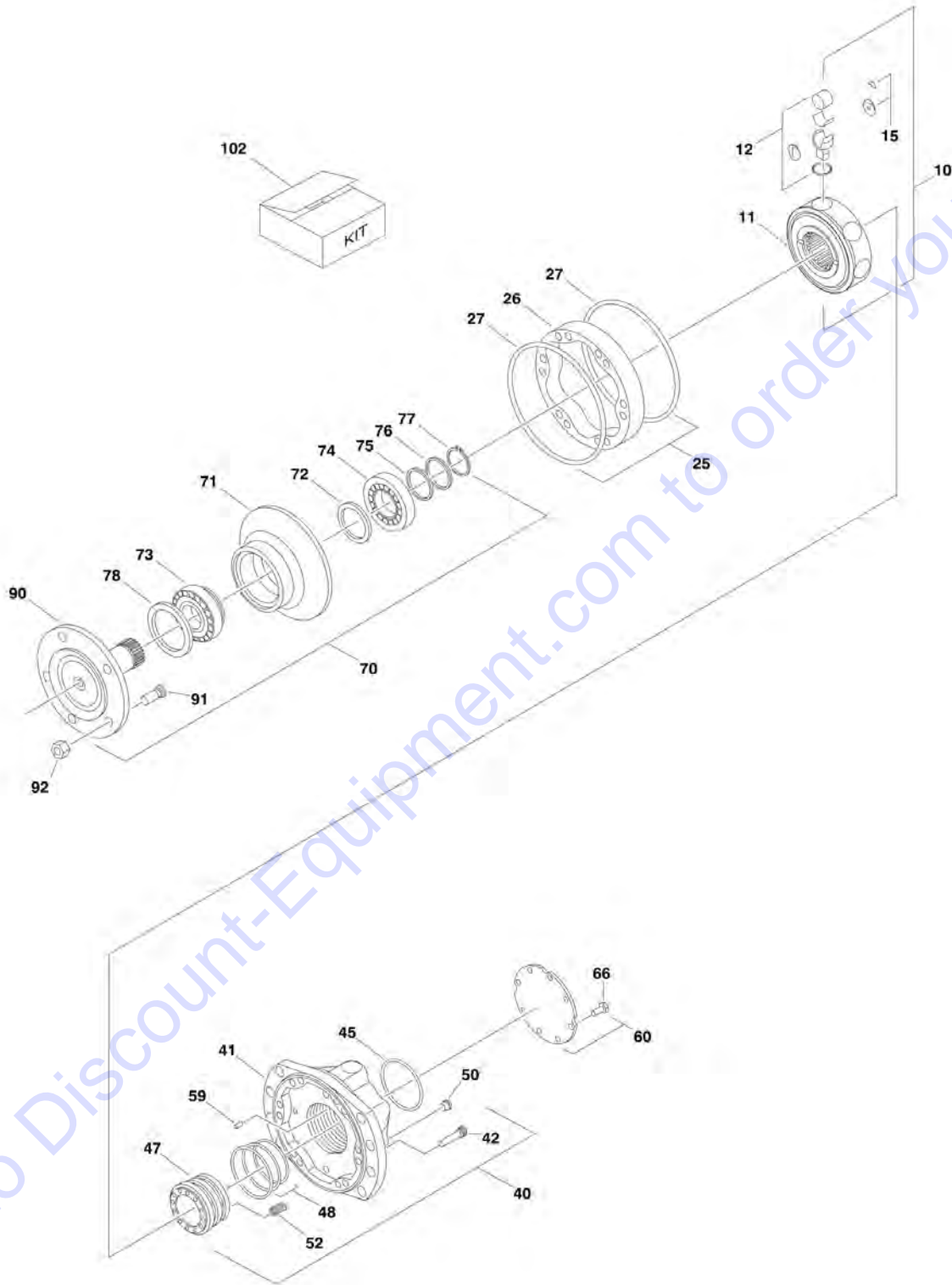
**FIGURE 1-5. MOTOR/HUB ASSEMBLY (FRONT AND) (Prior to SN 0200078291, SN 0200112814 through 0200268449)**

ITEM	PART NUMBER	QTY	DESCRIPTION	REV
	3160245	Ref	<b>DRIVE MOTOR ASSEMBLY</b>	F
1	See Note	1	Front Housing Assembly (Note: See 101 to 108 for Breakdown)	
2	See Note	NSS	Rotary Assembly (Note: Not Available - Purchase p/n 3160245)	
2A	See Note	NSS	Rotary without Cam (Note: Not Available - Purchase p/n 3160245)	
2B	See Note	NSS	Cam (Note: Not Available - Purchase p/n 3160245)	
3	See Note	1	Rear Housing Assembly (Note: See 201 to 208 for Breakdown)	
4	See Note	NSS	Seal, Square (Note: Use Item 251)	
5	See Note	6	Screw, Cap (Note: Not Available - Purchase Locally)	
9	7023806	5	Lugnut	
10	7023807	5	Stud, Wheel	
16	7024008	1	Seal, Square	
17	7024007	1	Plate, Rear Cover	
18	See Note	8	Screw, Cap (Note: Not Available - Purchase Locally)	
		Ref	<b>FRONT HOUSING ASSEMBLY</b>	
101	7022586	1	Shaft	
102	See Note	NSS	Seal, Face (Note: Use Item 251)	
103	7022587	1	Bearing, Front	
104	See Note	NSS	Casting, Front (Note: Not Available - Purchase p/n 3160245)	
105	See Note	NSS	Seal, Shaft (Note: Use Item 251)	
106	7022588	1	Bearing, Rear	
107	See Note	1	Washer (Note: Not Available - Purchase Locally)	
108	See Note	1	Ring, Split (Note: Not Available - Purchase Locally)	
		Ref	<b>REAR HOUSING ASSEMBLY</b>	
201	See Note	1	Ring, Distributor (Note: Not Available - Purchase p/n 3160245)	
202	See Note	9	Spring (Note: Not Available - Purchase p/n 3160245)	
203	See Note	1	Seal, Nylon (Note: Use Item 251)	
204	See Note	1	Seal, Nylon (Note: Use Item 251)	
205	See Note	1	Seal, Nylon (Note: Use Item 251)	
206	See Note	1	Housing, Rear (Note: Not Available - Purchase p/n 3160245)	
207	7022590	1	Pin, Stop	
208	7022591	1	Plug (O-Ring Supplied with Plug)	
251	7023801	1	Seal Kit (Includes Items - 4,102,105,203-205)	



# SECTION 1 - FRAME

FIGURE 1-6. MOTOR/HUB ASSEMBLY (FRONT ONLY) (SN 0200078291 through 0200112813)



## SECTION 1 - FRAME

**FIGURE 1-6. MOTOR/HUB ASSEMBLY (FRONT ONLY) (SN 0200078291 through 0200112813)**

ITEM	PART NUMBER	QTY	DESCRIPTION	REV
	3160255	Ref	<b>DRIVE MOTOR ASSEMBLY</b>	B
10	7023279	1	Cylinder Block Assembly	
11	See Note	NSS	Block, Cylinder (Note: Use p/n 7023279)	
12	7023276	1	Piston	
15	7023278	1	Guide and Keeper Kit	
25	7023280	1	Cam Assembly	
26	See Note	NSS	Cam (Note: Use p/n 7023280)	
27	7027888	2	O-Ring	
40	7023281	1	Valving Cover Assembly	
41	See Note	NSS	Cover, Valving (Note: Use p/n 7023281)	
42	7023282	6	Bolt	
45	See Note	NSS	O-Ring (Note: Use Item 102)	
47	7023283	1	Distributor	
48	See Note	NSS	Seal Kit (Note: Use Item 102)	
50	7023284	1	Plug	
52	7018411	4	Spring	
59	7023286	1	Pin, Split	
60	7023285	1	Back Plate Assembly	
66	7018435	8	Bolt	
70	7023287	1	Support Assembly	
71	See Note	NSS	Support, Bearing (Note: Use p/n 7023287)	
72	See Note	NSS	Seal (Note: Use Item 102)	
73	7023288	1	Bearing	
74	7023289	1	Bearing	
75	7023302	1	Shim Set	
76	7023290	1	Ring	
77	7023291	1	Ring, Snap	
78	See Note	NSS	Seal (Note: Use Item 102)	
90	7023292	1	Shaft	
91	7023303	1	Stud Set	
92	7018436	1	Lugnut Set	
102	7023301	1	Seal Kit - (Includes Items - 27, 45, 48, 72 & 78)	



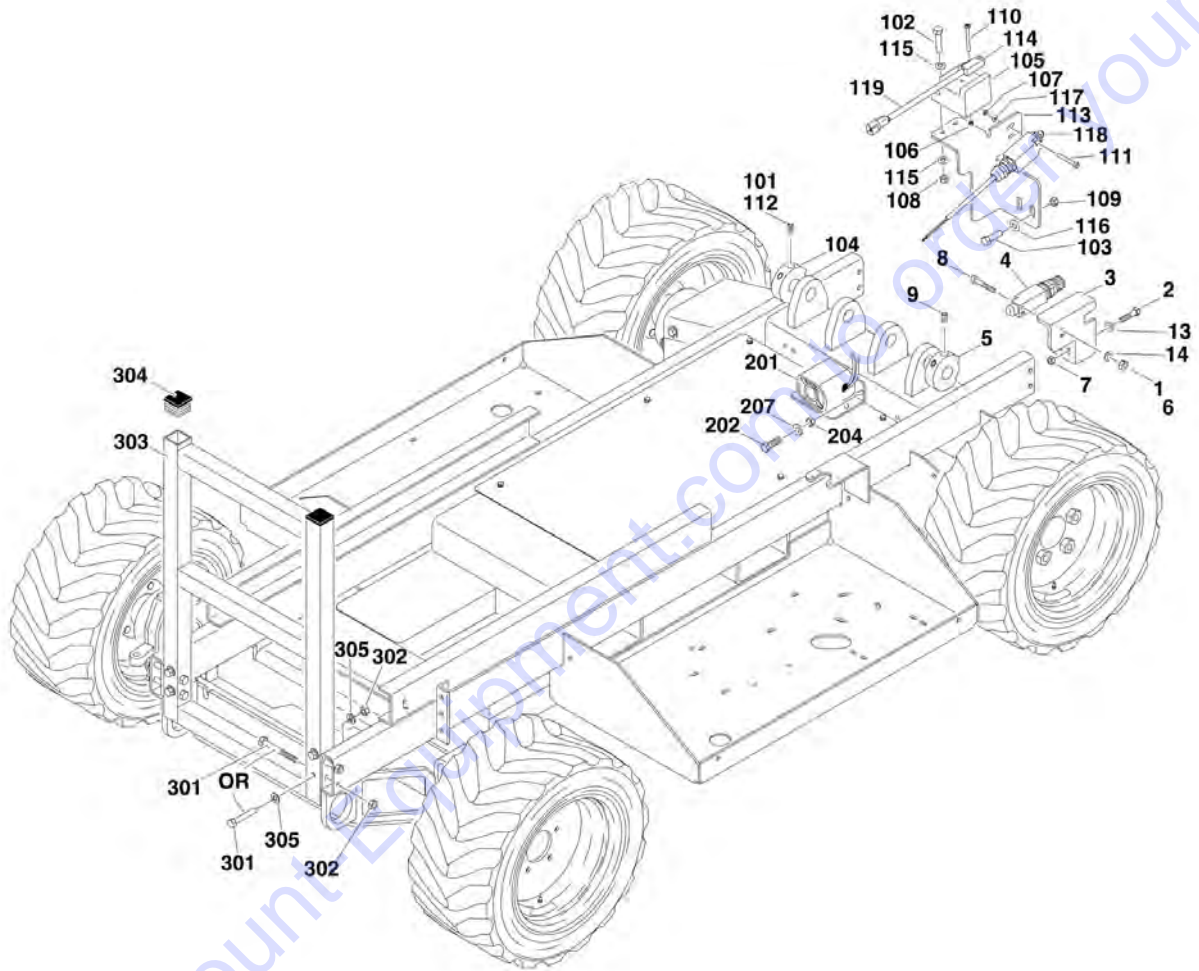
## SECTION 1 - FRAME

**FIGURE 1-7. DRIVE MOTOR ASSEMBLY - OPERATORS POSITION RH SIDE - 4WD FRONT (SN 0200268450 to Present)**

ITEM	PART NUMBER	QTY	DESCRIPTION	REV
	1001228233	Ref	DRIVE MOTOR ASSEMBLY	A
1	70006744	1	Shaft	
2	See Note	1	Casting, Front (Note: Purchase Complete Motor)	
3	See Note	NSS	Seal, Face (Note: Use Item 500)	
4	70006745	1	Spacer	
5	70006746	1	Bearing, Front	
6	7022588	1	Bearing, Rear	
7	70006747	1	Washer	
8	7022589	1	Ring, Split	
9	See Note	NSS	Seal, Shaft (Note: Use Item 500)	
10	70006748	1	Plug, Zero-Leak	
12	See Note	NSS	Seal, Square (Note: Use Item 500)	
17	70006749	1	Retainer, Seal	
90	7023807	5	Stud, Wheel	
91	7023806	5	Lugnut	
100	70006750	1	CAM	
101	70006763	1	Block, Cylinder	
102	70006752	8	Piston	
103	70006753	8	Roller	
106	70006756	2	Circlip	
107	70006757	2	Ring, Retaining	
201	See Note	1	Housing, Rear (Note: Purchase Complete Motor)	
202	70006764	1	Ring, Distribution	
204	See Note	NSS	Seal, Nylon (Note: Use Item 500)	
205	See Note	NSS	Seal, Nylon (Note: Use Item 500)	
206	See Note	NSS	Seal, Nylon (Note: Use Item 500)	
208	70006759	1	Pin, Stop	
209	7023872	9	Spring	
216	70001091	6	Capscrew	
217	See Note	NSS	Seal, Square (Note: Use Item 500)	
220	70002759	1	Plug	
391	See Note	NSS	Plate, Rear Cover	
392	70002264	4	Capscrew	
500	70006765	1	Seal Kit (Includes Items 3, 9, 12, 204-206 & 217)	

# SECTION 1 - FRAME

## FIGURE 1-8. FRAME MOUNTED COMPONENTS INSTALLATION





## SECTION 1 - FRAME

### FIGURE 1-8. FRAME MOUNTED COMPONENTS INSTALLATION

ITEM	PART NUMBER	QTY	DESCRIPTION	REV
	0259805	Ref	<b>ELEVATION SWITCH INSTALLATION</b>	F
1	0100011	AR	Compound, Locking	
2	0641610	2	Bolt 3/8in-16NC x 1 1/4in	
3	0902609	1	Bracket, Limit Switch Mounting	
4	4922630	1	Harness, Elevation (See ELECTRICAL SECTION for Breakdown)	
5	1100110	1	Cam, High Drive Limit Switch	
6	3310801	2	Nut #8-32NC	
7	3311605	2	Locknut 3/8in-16NC	
8	3930820	2	Screw, Machine #8-32NC x 1 1/4in	
9	3951603	2	Setscrew 3/8in x 3/8in	
13	4711600	2	Flatwasher 3/8in (Thin)	
14	4750800	2	Flatwasher #8 (Wide)	
		Ref	<b>ELEVATION SWITCH INSTALLATION (AUTO LEVEL LEVELING JACKS)</b>	
	0274337	Ref	<b>All Machines except Machines with Level at 6 Slope</b>	B
	1001118682	Ref	<b>Machines with Level at 6 Slope (Australian Spec Option) (Not Shown)</b>	B
101	0100011	AR	Compound, Locking	
102	0641512	2	Bolt 5/16in-18NC x 1 1/2in	
103	0641610	2	Bolt 3/8in-16NC x 1 1/4in	
104	1100110	1	Cam, High Drive Limit Switch	
105	3200453	1	Mount, Proximity Switch	
106	3300474	2	Locknut	
107	3310801	2	Nut #8-32NC	
108	3311505	2	Locknut 5/16in-18NC	
109	3311605	2	Locknut 3/8in-16NC	
110	3930334	2	Screw, Panhead	
111	3930820	2	Screw, Machine #8-32NC x 1 1/4in	
112	3951603	2	Setscrew 3/8in x 3/8in	
113		Ref	Bracket, Switch Options:	
113	4341007	1	Bracket - 6.75in H x 6in W (17cm H x 15.24 cm W) (All Machines except Machines with Level at 6 Slope)	
113		Ref	Brackets for Machines with Level at 6 Slope (Australian Spec Option) (Requires Both Brackets) (Not Shown)	
113	0902609	1	Bracket, - 8in H x 5in W (20.3cm H x 12.7 cm W)	
113	4340939	1	Bracket - 8.5in H x 4in W (21.6cm H x 10 cm W)	
114	4360502	1	Switch, Proximity Sensor	
115	4711500	4	Flatwasher 5/16in (Thin)	
116	4711600	2	Flatwasher 3/8in (Thin)	
117	4750800	2	Flatwasher #8 (Wide)	
118	4922630	1	Cable, 18/2 and Limit Switch	
118	1060680	9 ft/2.7m	Cable, 18/2	
118	4360548	1	Switch, Limit	
118	4460968	1	Connector, Strain Relief	
118	4460465	2	Socket, Female	
119	4923137	1	Harness, Proximity Switch (See ELECTRICAL SECTION for Breakdown)	
		Ref	<b>ALARM INSTALLATIONS</b>	
	0259816	Ref	<b>Descent Alarm Installation</b>	C
	0259817	Ref	<b>Motion Alarm Installation</b>	D
	0273136	Ref	<b>Alarm Installation (SN 0200112688 to Present)</b>	B

## SECTION 1 - FRAME

ITEM	PART NUMBER	QTY	DESCRIPTION	REV
201		Ref	Alarm Options:	
201	0140032	1	Alarm <b>(Prior to SN 0200112688)</b>	
201	0140044	1	Alarm <b>(SN 0200112688 to Present)</b>	
202	0641508	2	Bolt 5/16in-18NC x 1 <b>(Prior to SN 0200112688)</b>	
202	0641408	2	Bolt 1/4in-20NC x 1 <b>(SN 0200112688 to Present)</b>	
204	3311505	2	Locknut 5/16in-18NC <b>(Prior to SN 0200112688)</b>	
204	3311405	2	Locknut 1/4in-20NC <b>(SN 0200112688 to Present)</b>	
207	4711500	4	Flatwasher 5/16in Thin <b>(Prior to SN 0200112688)</b>	
207	4751400	4	Flatwasher 1/4 <b>(SN 0200112688 to Present)</b>	
		Ref	<b>LADDER INSTALLATION</b>	
	0259654	Ref	<b>All Machines except Machines with Level at 6 Slope Software</b>	E
	1001118677	Ref	<b>Machines with Level at 6 Slope (Australian Spec Option)</b>	A
301		Ref	Bolt Options:	
301	0641838	4	Bolt 1/2in-13NC x 4 3/4in <b>(Prior to SN 0200192485)</b>	
301	0641824	4	Bolt 1/2in-13NC x 3 <b>(SN 0200192485 to Present)</b>	
302	3311805	4	Locknut 1/2in-13NC	
303		Ref	Ladder Options:	
303	4846116	1	Ladder - 25in/63.5cm Height (All Machines except Machines with Level at 6 Slope)	
303	2930001	1	Ladder - 30in/72cm Height (Machines with Level at 6 Slope) (Australian Spec Option)	
304		Ref	Plug, Cap Options:	
304	3520071	2	Plug, Cap <b>(Prior to SN 0200192485)</b>	
304	1001109533	2	Plug, Cap <b>(SN 0200192485 to Present)</b>	
305	4711800	4	Flatwasher 1/2in Thin <b>(SN 0200076557 to Present)</b>	





## SECTION 1 - FRAME

**FIGURE 1-9. LEVELING JACKS INSTALLATION (Prior to SN 0200141689)**

ITEM	PART NUMBER	QTY	DESCRIPTION	REV
	0259757	Ref	<b>LEVELING JACKS INSTALLATION</b>	I
1	0100011	AR	Compound, Locking	
2	0641508	20	Bolt 5/16in-18NC x 1in	
3	0641528	4	Bolt 5/16in-18NC x 3-1/2in	
4	0641608	16	Bolt 3/8in-16NC x 1in	
5	0641816	2	Bolt 1/2in-13NC x 2in	
6	0641820	8	Bolt 1/2in-13NC x 2-1/2in	
7	0641828	16	Bolt 1/2in-13NC x 3-1/2in	
9		Ref	Jack Cylinder Assembly Options: (See CYLINDER SECTION for Breakdown)	
9	1683966	NLA	Jack Cylinder Assembly (Use p/n 1684217) <b>(Prior to SN 0200105371)</b>	
9	1684217	1	Jack Cylinder Assembly <b>(SN 0200105371 through 0200141689)</b>	
10	2080053	16	Fastener 5/16in-18NC	
12	3310801	16	Nut #8-32NC	
13	3311805	10	Locknut 1/2in-13NC	
14	3440420	8	Pin, Roll 1/8in x 1-1/4in	
15	3572384	1	Plate, Front Cover	
16	3572385	1	Plate, Rear Cover	
17	3572388	1	Plate, Top Cover	
18	3841326	4	Rod	
19	3930820	16	Bolt #8-32NC x 1-1/4in	
20	4061003	4	Cover	
21	4160116	4	Spring	
23	4420037	24	Tape, Insulation (Not Shown)	
		in/61cm		
24	4420039	6 ft/1.8m	Tape, Non-Skid	
25	4420052	10 ft/3m	Tape, Safety (Use p/n 4420051)	
29	4641150	2	Leveling Jack Control Valve Assembly (See 101 to 104 for Breakdown)	
30	4711500	20	Flatwasher 5/16in Thin	
31	4711600	16	Flatwasher 3/8in Thin	
32	4711800	20	Flatwasher 1/2in Thin	
33	4740415	4	Washer, Special	
34	4750800	16	Flatwasher #8 Regular	
35	4846146	2	Weldment, Leveling Jack	
36	0270543	1	Indicator, Level (Not Shown - Located at Platform)	
37	1704786	4	Decal - Max Load	
38	4922454	2	Harness - Leveling Jack (N.O.) (Not Shown - See ELECTRICAL SECTION for Breakdown)	
39	4922455	2	Harness - Leveling Jack (N.C.) (Not Shown - See ELECTRICAL SECTION for Breakdown)	
40	4922456	1	Harness - Leveling Jack (Not Shown - See ELECTRICAL SECTION for Breakdown)	
53	3572324	2	Cover, Rear Axle <b>(SN 0200128810 through 0200141689)</b>	
54	3572326	1	Cover, Center Frame <b>(SN 0200128810 through 0200141689)</b>	
	2902206	2	Kit - Leveling Jack Sub Assembly (Includes Items - 1, 3, 4, 7, 9, 10, 14 thru 21, 24, 29, 31 thru 35, 38, 39 and Hydraulic Fittings and Hoses)	
	4641150	Ref	<b>Leveling Jack Control Valve Assembly</b>	B
101	0561407	1	Valve, Jack Control	
102	2220883	2	Plug	



## SECTION 1 - FRAME

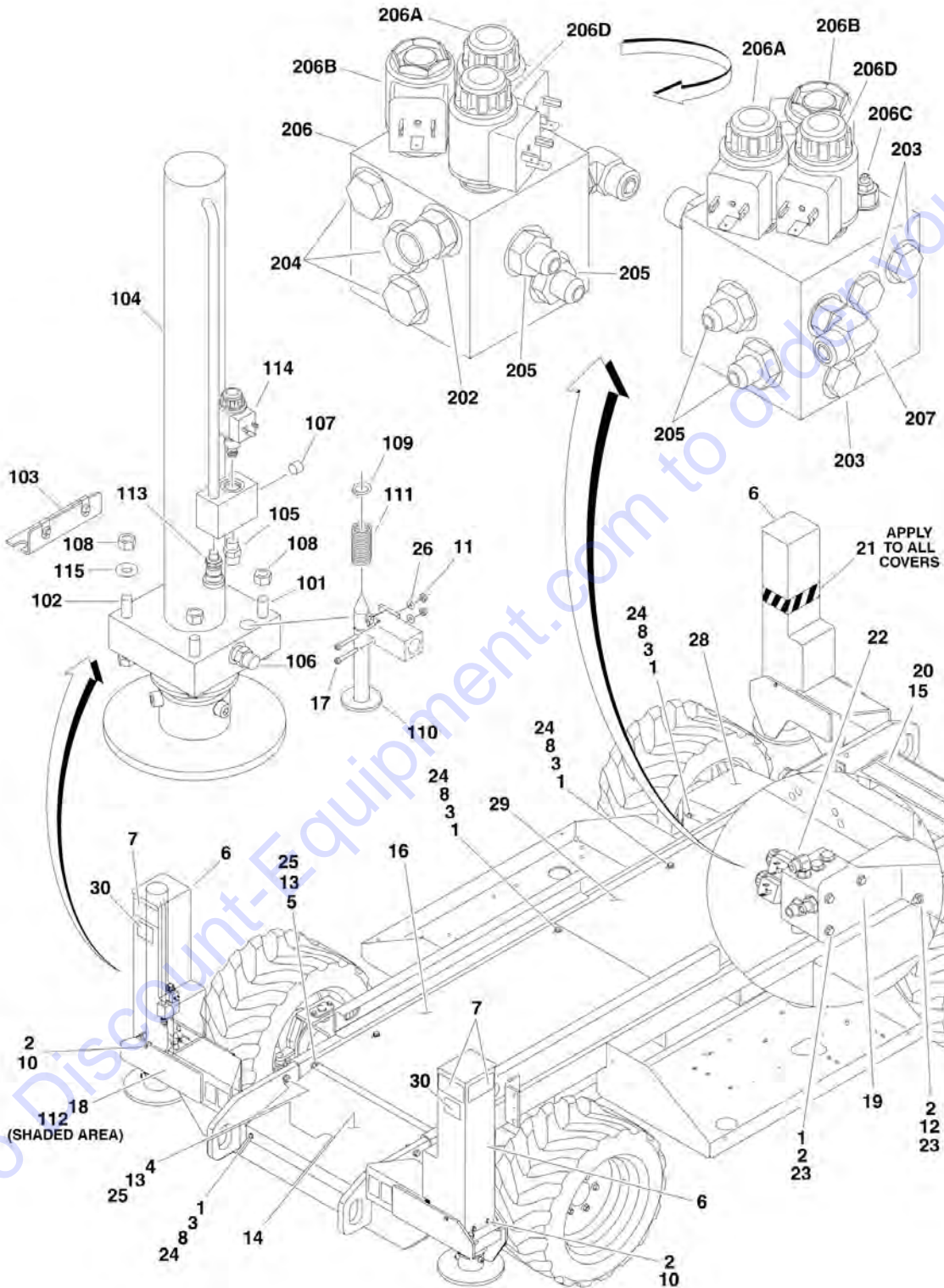
ITEM	PART NUMBER	QTY	DESCRIPTION	REV
102	7024822	2	Orifice	
103	4641151	2	Cartridge, Relief Valve	
103	7021653		Seal Kit - 4641151 Valve (1 Per Cartridge)	
104	4641152	2	Valve, 4-Way	
104	7017454		Cartridge without Coil	
104	7012903	2	Seal Kit - 4641152 Valve (1 Per Cartridge)	
104	7012943	4	Coil (2 Per Cartridge)	

Go to Discount-Equipment.com to order your parts



# SECTION 1 - FRAME

FIGURE 1-10. LEVELING JACKS AUTO LEVEL INSTALLATION (AUSTRALIAN SPEC AND CE SPEC)  
(SN 0200128985 through 0200244750, SN 0200141689 through 0200244750)



## SECTION 1 - FRAME

**FIGURE 1-10. LEVELING JACKS AUTO LEVEL INSTALLATION (AUSTRALIAN SPEC AND CE SPEC)  
(SN 0200128985 through 0200244750, SN 0200141689 through 0200244750)**

ITEM	PART NUMBER	QTY	DESCRIPTION	REV
		Ref	<b>LEVELING JACKS AUTO LEVELING INSTALLATION</b>	
	0273848	Ref	<b>All Machines except Machines with Level at 6 Slope</b>	I
	1001118676	Ref	<b>Machines with Level at 6 Slope (Australian Spec Option)</b>	C
1	0100011	AR	Compound, Locking	
2	0641407	AR	Bolt 1/4in-20NC x 7/8in	
3	0641508	18	Bolt 5/16in-18NC x 1in	
4	0641816	2	Bolt 1/2in-13NC x 2in	
5	0641824	8	Bolt 1/2in-13NC x 3in	
6		Ref	Cover Options:	
6	1671195	4	Cover - 26in/66.5cm H (All Machines except Machines with Level at 6 Slope)	
6	1671165	4	Cover - 31.75in/80.6cm H (Machines with Level at 6 Slope Software) (Australian Spec Option)	
7	1701214	8	Decal - Legend	
8	2080053	18	Fastener 5/16in-18NC	
10	3300454	16	Nut 1/4in-20NC	
11	3310805	8	Locknut #8-32NC	
12		Ref	Locknut Options:	
12	3311405	3	Locknut 1/4in-20NC	
12	3311605	3	Locknut 3/8in-16NC	
13	3311805	10	Locknut 1/2in-13NC	
14	3572384	1	Plate, Front Cover	
15	3572385	1	Plate, Rear Cover	
16	3572388	1	Plate, Top Cover <b>(Prior to SN 0200239973)</b>	
17	3930820	8	Bolt #8-32NC x 1 1/4in	
18		Ref	Leveling Jack Assembly Options (See 101 to 115 for Breakdown):	
18	4210017	2	Leveling Jack Assembly (All Machines except Machines with Level at 6 Slope Software)	
18	4210011	2	Leveling Jack Assembly (Machines with Level at 6 Slope) (Australian Spec Option)	
19	4340886	1	Mount, Valve	
20	4420039	6 ft/1.8m	Tape, Non-Skid	
21		Ref	Tape, Safety Options:	
21	4420052	8 ft/2.4m	Tape, Safety (Use p/n 4420051) <b>(SN 0200128985 through 0200149767)</b>	
21	4420051	8 ft/2.4m	Tape, Safety <b>(SN 0200149768 to Present)</b>	
22	4641374	1	Leveling Jack Control Valve Assembly (See 201 to 207 for Breakdown)	
23	4711400	AR	Flatwasher 1/4in Thin	
24	4711500	18	Flatwasher 5/16in Thin	
25	4711800	20	Flatwasher 1/2in Thin	
26	4750800	8	Flatwasher #8 Regular	
27	4922748	1	Harness - Leveling Jack (Not Shown - See ELECTRICAL SECTION for Breakdown)	
28	3572324	2	Cover, Rear Axle	
29	3572326	1	Cover, Center Frame	
30	1704786	4	Decal - Max Load	
31	0641608	3	Bolt 3/8in-16NC x 1 <b>(SN 0200155061 to Present)</b>	
32	4751600	6	Flatwasher 3/8in (Wide) <b>(SN 0200155061 to Present)</b>	

## SECTION 1 - FRAME

ITEM	PART NUMBER	QTY	DESCRIPTION	REV
		Ref	<b>Note: The following items used on Machines with Level at 6 Slope Only (Australian Spec Option). Not Shown - Located on Item 22 Valve.</b>	
33	2220343	1	Fitting, Straight	
34	2220396	1	Fitting, Straight	
35	2220651	1	Fitting, Straight	
36	4640216	1	Valve, Colorflow	
37	0100020	AR	Sealant	
		Ref	<b>LEVELING JACK ASSEMBLY</b>	
	4210017	Ref	<b>All Machines except Machines with Level at 6 Slope Software</b>	E
	4210011	Ref	<b>Machines with Level at 6 Slope (Australian Spec Option)</b>	E
101	0641824	4	Bolt 1/2in-13NC x 3in	
102	0641828	4	Bolt 1/2in-13NC x 3 1/2in	
103		Ref	Bracket, Jack Cover Options:	
103	0903165	2	Bracket used with 26in/66.5cm H Cover (All Machines except Machines with Level at 6 Slope)	
103	0903054	2	Bracket used with 31.75in/80.6cm H Cover (Machines with Level at 6 Slope) (Australian Spec Option)	
104		Ref	Jack Cylinder Assembly (See CYLINDER SECTION for Breakdown)	
104	1684220	2	Cylinder - 33.7in/85.6cm Retracted Length (All Machines except Machines with Level at 6 Slope)	
104	1684406	2	Cylinder - 39.2in/99.5cm Retracted Length (Machines with Level at 6 Slope) (Australian Spec Option)	
105	2110606	2	Fitting	
106	2110808	2	Fitting	
107	2220883	2	Fitting, Plug	
108	3311805	8	Locknut 1/2in-13NC	
109	3760348	2	Ring, Retaining	
110	3841564	2	Rod	
111	4160116	2	Spring	
112	4340885	1	Weldment, Leveling Jack	
113	4360518	2	Switch, Pressure Transducer	
114	4641238	2	Valve, Solenoid Directional	
114	7024497	1	Cartridge (1 Per Cartridge)	
114	7024501	1	Coil (1 Per Cartridge)	
114	7024502	1	Seal Kit - 4641238 Valve (1 Per Cartridge)	
114	7024506	1	Coil Nut, Kit - 4641238 Valve (1 Per Cartridge)	
115	4711800	4	Flatwasher 1/2in Thin	
	4641374	Ref	<b>LEVELING JACK CONTROL VALVE ASSEMBLY</b>	C
201	2110608	1	Fitting (SN 0200128985 through 0200155061)	
202	2110808	1	Fitting	
203	2220237	3	Fitting, Plug	
204	2220238	3	Fitting, Plug	
205	2220372	AR	Fitting	
206	4641240	1	Valve, Directional	D
206A	7024497	1	Cartridge	
206A	7024501	1	Coil	
206A	7024506	1	Kit Nut	
206A	7024502	1	Seal Kit - 7024497 Cartridge	
206B	7024498	1	Cartridge	
206B	7024501	1	Coil	
206B	7024507	1	Kit Nut	

**SECTION 1 - FRAME**

<b>ITEM</b>	<b>PART NUMBER</b>	<b>QTY</b>	<b>DESCRIPTION</b>	<b>REV</b>
206B	7024503	1	Seal Kit - 7024498 Cartridge	
206C	7024499	1	Cartridge	
206C	7024504	1	Seal Kit - 7024499 Cartridge	
206D	7024500	1	Cartridge	
206D	7024501	1	Coil	
206D	7024506	1	Kit Nut	
206D	7024505	1	Seal Kit - 7024500 Cartridge	
207	2130606	1	Fitting, 90	

Go to Discount-Equipment.com to order your parts





## SECTION 1 - FRAME

**FIGURE 1-11. LEVELING JACKS AUTO LEVEL INSTALLATION (AUSTRALIAN SPEC AND CE SPEC)  
(SN 0200244751 to Present)**

ITEM	PART NUMBER	QTY	DESCRIPTION	REV
		Ref	<b>LEVELING JACKS AUTO LEVELING INSTALLATION</b>	
	1001193378	Ref	<b>All Machines except Machines with Level at 6 Slope</b>	A
	1001193376	Ref	<b>Machines with Level at 6 Slope (Australian Spec Option)</b>	A
1	0100011	AR	Compound, Locking	
2	0641407	19	Bolt 1/4in-20NC x 7/8in	
3	0641508	12	Bolt 5/16in-18NC x 1in	
4	0641608	3	Bolt 3/8in-16NC x 1in	
5	0641816	2	Bolt 1/2in-13NC x 2in	
6	0641824	8	Bolt 1/2in-13NC x 3in	
7		Ref	Cover Options:	
7	1671195	4	Cover - 26in/66.5cm H (All Machines except Machines with Level at 6 Slope)	
7	1671165	4	Cover - 31.75in/80.6cm H (Machines with Level at 6 Slope Software) (Australian Spec Option)	
8	1701214	8	Decal - Legend	
9	1704786	4	Decal - Max Load	
10	2080053	12	Fastener 5/16in-18NC	
11	2792686	1	Hydraulic Diagram Leveling Jacks (Not Shown)	
12	3300454	16	Nut 1/4in-20NC	
13	3310805	8	Locknut #8-32NC	
14	3311605	3	Locknut 3/8in-16NC	
15	3311805	10	Locknut 1/2in-13NC	
16	3572324	2	Cover, Rear Axle	
17	3572384	1	Plate, Front Cover	
18	3572385	1	Plate, Rear Cover	
19	3930820	8	Bolt #8-32NC x 1 1/4in	
20		Ref	Leveling Jack Assembly Options (See 101 to 115 for Breakdown):	
20	4210017	2	Leveling Jack Assembly (All Machines except Machines with Level at 6 Slope Software)	
20	4210011	2	Leveling Jack Assembly (Machines with Level at 6 Slope) (Australian Spec Option)	
21	4340886	1	Mount, Valve	
22	4420039	5.5 ft /1.7m	Tape, Non-Skid	
23	4420051	8 ft /2.4m	Tape, Safety	
24	4641374	1	Leveling Jack Control Valve Assembly (See 201 to 207 for Breakdown)	
25	4711400	19	Flatwasher 1/4in Thin	
26	4711500	12	Flatwasher 5/16in Thin	
27	4711800	20	Flatwasher 1/2in Thin	
28	4750800	8	Flatwasher #8 Regular	
29	4751600	6	Flatwasher 3/8in Regular	
30	4922748	1	Harness - Leveling Jack (Not Shown - See ELECTRICAL SECTION for Breakdown)	
		Ref	<b>Note: The following items used on Machines with Level at 6 Slope Only (Australian Spec Option). Not Shown - Located on Item 22 Valve.</b>	
31	2220343	1	Fitting, Straight	
32	2220396	1	Fitting, Straight	
33	2220651	1	Fitting, Straight	

## SECTION 1 - FRAME

ITEM	PART NUMBER	QTY	DESCRIPTION	REV
34	4640216	1	Valve, Colorflow	
35	0100020	AR	Sealant	
		Ref	<b>LEVELING JACK ASSEMBLY</b>	
	4210017	Ref	<b>All Machines except Machines with Level at 6 Slope Software</b>	D
	4210011	Ref	<b>Machines with Level at 6 Slope (Australian Spec Option)</b>	D
101	0641824	1	Bolt 1/2in-13NC x 3in	
102	0641828	1	Bolt 1/2in-13NC x 3 1/2in	
103		Ref	Bracket, Jack Cover Options:	
103	0903165	4	Bracket used with 26in/66.5cm H Cover (All Machines except Machines with Level at 6 Slope)	
103	0903054	4	Bracket used with 31.75in/80.6cm H Cover (Machines with Level at 6 Slope) (Australian Spec Option)	
104		Ref	Jack Cylinder Assembly (See CYLINDER SECTION for Breakdown)	
104	1684220	2	Cylinder - 33.7in/85.6cm Retracted Length (All Machines except Machines with Level at 6 Slope)	
104	1684406	2	Cylinder - 39.2in/99.5cm Retracted Length (Machines with Level at 6 Slope) (Australian Spec Option)	
105	2110606	2	Fitting	
106	2110808	2	Fitting	
107	2220883	2	Fitting, Plug	
108	3311805	8	Locknut 1/2in-13NC	
109	3760348	2	Ring, Retaining	
110	3841564	2	Rod	
111	4160116	2	Spring	
112	4340885	1	Weldment, Leveling Jack	
113	4360518	2	Switch, Pressure Transducer	
114	4641238	2	Valve, Solenoid Directional	
114	7024497	1	Cartridge (1 Per Cartridge)	
114	7024501	1	Coil (1 Per Cartridge)	
114	7024502	1	Seal Kit - 4641238 Valve (1 Per Cartridge)	
114	7024506	1	Coil Nut, Kit - 4641238 Valve (1 Per Cartridge)	
115	4711800	4	Flatwasher 1/2in Thin	
	4641374	Ref	<b>LEVELING JACK CONTROL VALVE ASSEMBLY</b>	C
201	2110608	1	Fitting Only (SN 0200128985 through 0200155061)	
202	2110808	1	Fitting	
203	2220237	3	Fitting, Plug	
204	2220238	3	Fitting, Plug	
205	2220372	AR	Fitting	
206	4641240	1	Valve, Directional	D
206A	7024497	1	Cartridge	
206A	7024501	1	Coil	
206A	7024506	1	Kit Nut	
206A	7024502	1	Seal Kit - 7024497 Cartridge	
206B	7024498	1	Cartridge	
206B	7024501	1	Coil	
206B	7024507	1	Kit Nut	
206B	7024503	1	Seal Kit - 7024498 Cartridge	
206C	7024499	1	Cartridge	
206C	7024504	1	Seal Kit - 7024499 Cartridge	
206D	7024500	1	Cartridge	
206D	7024501	1	Coil	

**SECTION 1 - FRAME**

<b>ITEM</b>	<b>PART NUMBER</b>	<b>QTY</b>	<b>DESCRIPTION</b>	<b>REV</b>
206D	7024506	1	Kit Nut	
206D	7024505	1	Seal Kit - 7024500 Cartridge	
207	2130606	1	Fitting, 90	

Go to [Discount-Equipment.com](http://Discount-Equipment.com) to order your parts



**SECTION 2 - GROUND CONTROLS**

Go to [Discount-Equipment.com](http://Discount-Equipment.com) to order your parts





## SECTION 2 - GROUND CONTROLS

### FIGURE 2-1. CONTROL VALVES AND TANK INSTALLATION

ITEM	PART NUMBER	QTY	DESCRIPTION	REV
		Ref	<b>VALVES AND TANKS INSTALLATION</b>	
	0259752	Ref	<b>Valves and Tanks Installation (Prior to SN 0200141689)</b>	J
	0274650	Ref	<b>Valves and Tanks Installation (SN 0200141689 to Present)</b>	B
1	0100011	AR	Compound, Locking	
2	0641506	5	Bolt 5/16in-18NC x 3/4in	
3	0641608	6	Bolt 3/8in-16NC x 1in	
4	0651406	4	Bolt 1/4in-28NF x 3/4in	
5	3900128	5	Screw #10-32NC x 1in	
6	0902592	2	Bracket, Tank Tie-Down	
7	1380136	2	Clip, Gripper	
8	1701502	1	Decal - Hydraulic Oil Level (High)	
9	1701503	1	Decal - Hydraulic Oil Level (Low)	
10	1703812	1	Decal - Hydraulic Oil	
11		Ref	Filter Options:	
11	2120146	1	Filter, Medium Pressure <b>(Prior to SN 0200141689)</b>	
11	2120209	1	Filter, Pressure <b>(SN 0200141689 to Present)</b>	
11A		Ref	Element, Filter Options:	
11A	2120150	1	Element, Filter - p/n 2120146	
11A	2120210	1	Element, Filter - p/n 2120209	
11B		Ref	Indicator Options:	
11B	7016312	1	Indicator - p/n 2120146	
11B	7020020	1	Manual Indicator - p/n 2120209	
11C		Ref	O-Ring, Filter Bowl Options (Not Shown):	
11C	7023206	1	O-Ring, Filter Bowl - p/n 2120146	
11C	7023207	1	Back-up Ring, Filter Bowl - p/n 2120146	
11C	70000934	1	O-Ring, Filter Bowl - p/n 2120209	
12	2200233	2	Plug, Drain	
13	2420190	1	Gauge, Fuel Level	
14	3311601	2	Nut 3/8in-16NC	
15	3311605	2	Locknut 3/8in-16NC	
16	3820020	2	Rivet	
17	3960525	1	Gasket, Fuel Sensor	
18	4240140	1	Strap, Tank Mounting Only <b>(Prior to SN 0200114670)</b>	
19	4240141	1	Strap, Tank Mounting	
20		Ref	Tank, Hydraulic Oil Options:	
20A	4400425	1	Tank, Hydraulic Oil (See Items 101- 106) <b>(Prior to SN 0200114670)</b>	
20B	4400458	1	Tank, Hydraulic Oil (See Items 201- 206) <b>(SN 0200114670 to Present)</b>	
21	4400428	1	Tank, Fuel	
21	7020257	NLA	Cap - Standard Black Non-Locking (Included with Tank Assembly) (Use p/n 1120361)	
21	0259823	1	Cap - Protectoseal Optional (Cap must be purchased separately)	
22	4420037	Ref	Tape, Insulation Options:	
22	4420037	4 ft/1.2m	Tape, Insulation <b>(Prior to SN 0200114670)</b>	
22	4420037	2 ft/0.6m	Tape, Insulation <b>(SN 0200114670 to Present)</b>	
23	4641109	1	Main Valve Assembly (See MAIN VALVE ASSEMBLY for Breakdown)	
24	4641121	1	Flow Divider Valve Assembly (4WD) (See FLOW DIVIDER ASSEMBLY for Breakdown)	

## SECTION 2 - GROUND CONTROLS

ITEM	PART NUMBER	QTY	DESCRIPTION	REV
25	4711400	4	Flatwasher 1/4in (Narrow)	
26	4711500	7	Flatwasher 5/16in (Narrow)	
27	4711600	7	Flatwasher 3/8in (Narrow)	
28	4751000	AR	Flatwasher #10 (Wide)	
29	4060808	8 ft/2.4m	Trim, Flexible (Not Shown)	
30	4100033	4 ft/1.2m	Sleeve, Hose Protection (Not Shown) <b>(Prior to SN 0200191139)</b>	
32	4060807	32 in/81cm	Shield, Flex-Trim (Not Shown)	
33	0641508	1	Bolt 5/16in-18NC x 1in	
34	3311505	1	Locknut 5/16in-18NC	
35	4240018	AR	Tie Strap (Not Shown) <b>(SN 0200191139 to Present)</b>	
	4400425	Ref	<b>HYDRAULIC OIL TANK ASSY (Prior to SN 0200114670)</b>	
101	7014811	1	Cap	
102	7014816	1	Screen	
103	7020256	1	Neck, Fill	
104	7014802	1	Gauge	
105	7023219	1	Plug, Magnetic	
106	7020253	1	Strainer	
	4400458	Ref	<b>HYDRAULIC OIL TANK ASSEMBLY (SN 0200114670 to Present)</b>	H
201	7024445	1	Screen	
202	7026575	1	Cap	
203	7024446	1	Plug, Magnetic	
204	7024441	1	Gauge	
205	7026121	1	Strainer	
206	7024443	1	Neck, Fill	



# PARTS FINDER

**Search Website  
by Part Number**



**Search Manual  
Library For Parts  
Manual & Lookup Part  
Numbers – Purchase  
or Request Quote**

**Can't Find Part or  
Manual? Request Help  
by Manufacturer,  
Model & Description**

Discount-Equipment.com is your online resource for quality parts & equipment.

Florida: **561-964-4949** Outside Florida TOLL FREE: **877-690-3101**

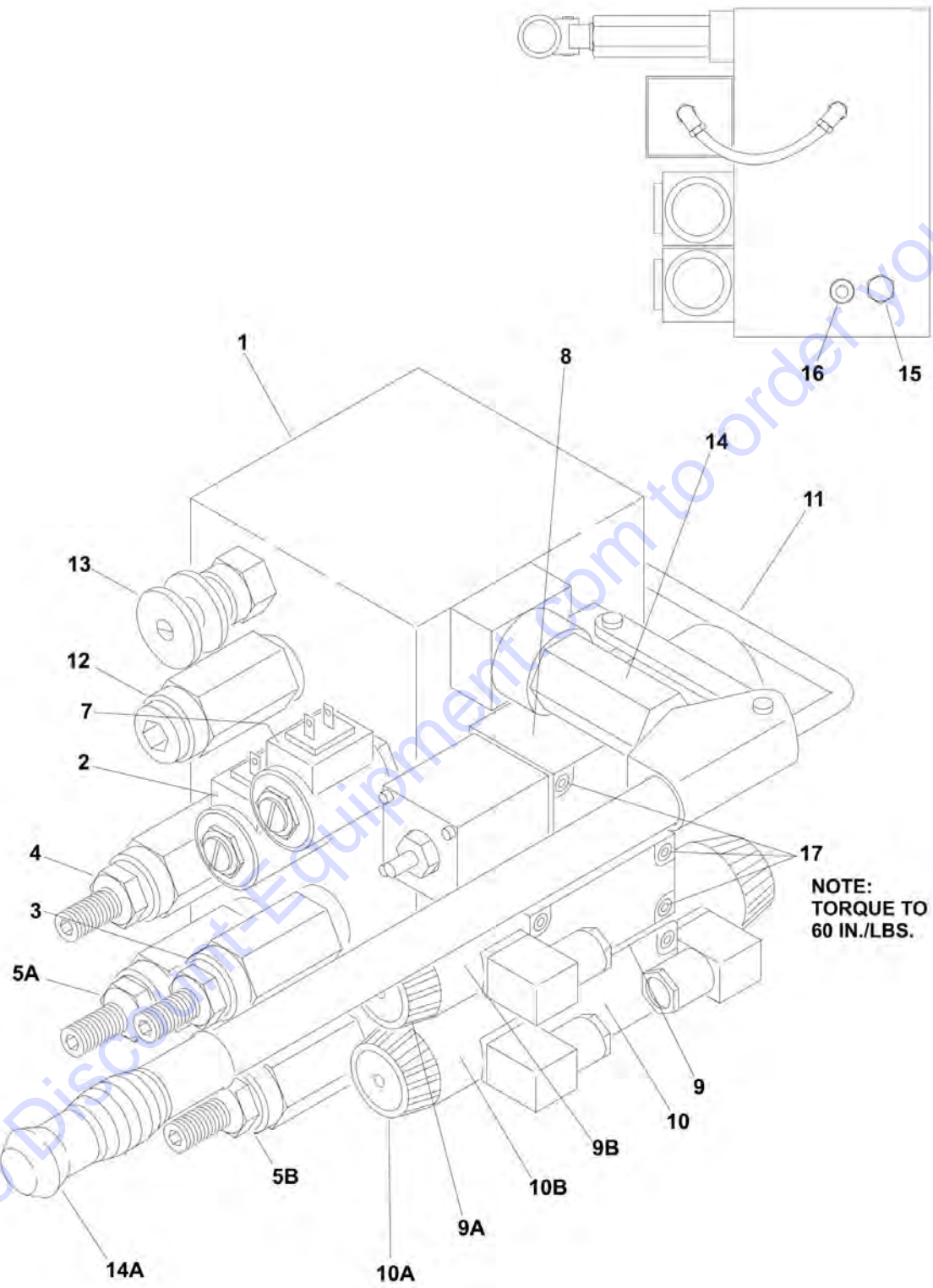
## Need parts?

Click on this link: <http://www.discount-equipment.com/category/5443-parts/> and choose one of the options to help get the right parts and equipment you are looking for. Please have the machine model and serial number available in order to help us get you the correct parts. If you don't find the part on the website or on one of the online manuals, please fill out the request form and one of our experienced staff members will get back to you with a quote for the right part that your machine needs.

We sell worldwide for the brands: Genie, Terex, JLG, MultiQuip, Mikasa, Essick, Whiteman, Mayco, Toro Stone, Diamond Products, Generac Magnum, Airman, Haulotte, Barreto, Power Blanket, Nifty Lift, Atlas Copco, Chicago Pneumatic, Allmand, Miller Curber, Skyjack, Lull, Skytrak, Tsurumi, Husquvarna Target, Stow, Wacker, Sakai, Mi-T-M, Sullair, Basic, Dynapac, MBW, Weber, Bartell, Bennar Newman, Haulotte, Ditch Runner, Menegotti, Morrison, Contec, Buddy, Crown, Edco, Wyco, Bomag, Laymor, EZ Trench, Bil-Jax, F.S. Curtis, Gehl Pavers, Heli, Honda, ICS/PowerGrit, IHI, Partner, Imer, Clipper, MMD, Koshin, Rice, CH&E, General Equipment, Amida, Coleman, NAC, Gradall, Square Shooter, Kent, Stanley, Tamco, Toku, Hatz, Kohler, Robin, Wisconsin, Northrock, Oztec, Toker TK, Rol-Air, APT, Wylie, Ingersoll Rand / Doosan, Innovatech, Con X, Ammann, Mecalac, Makinex, Smith Surface Prep, Small Line, Wanco, Yanmar

# SECTION 2 - GROUND CONTROLS

## FIGURE 2-2. MAIN VALVE ASSEMBLY





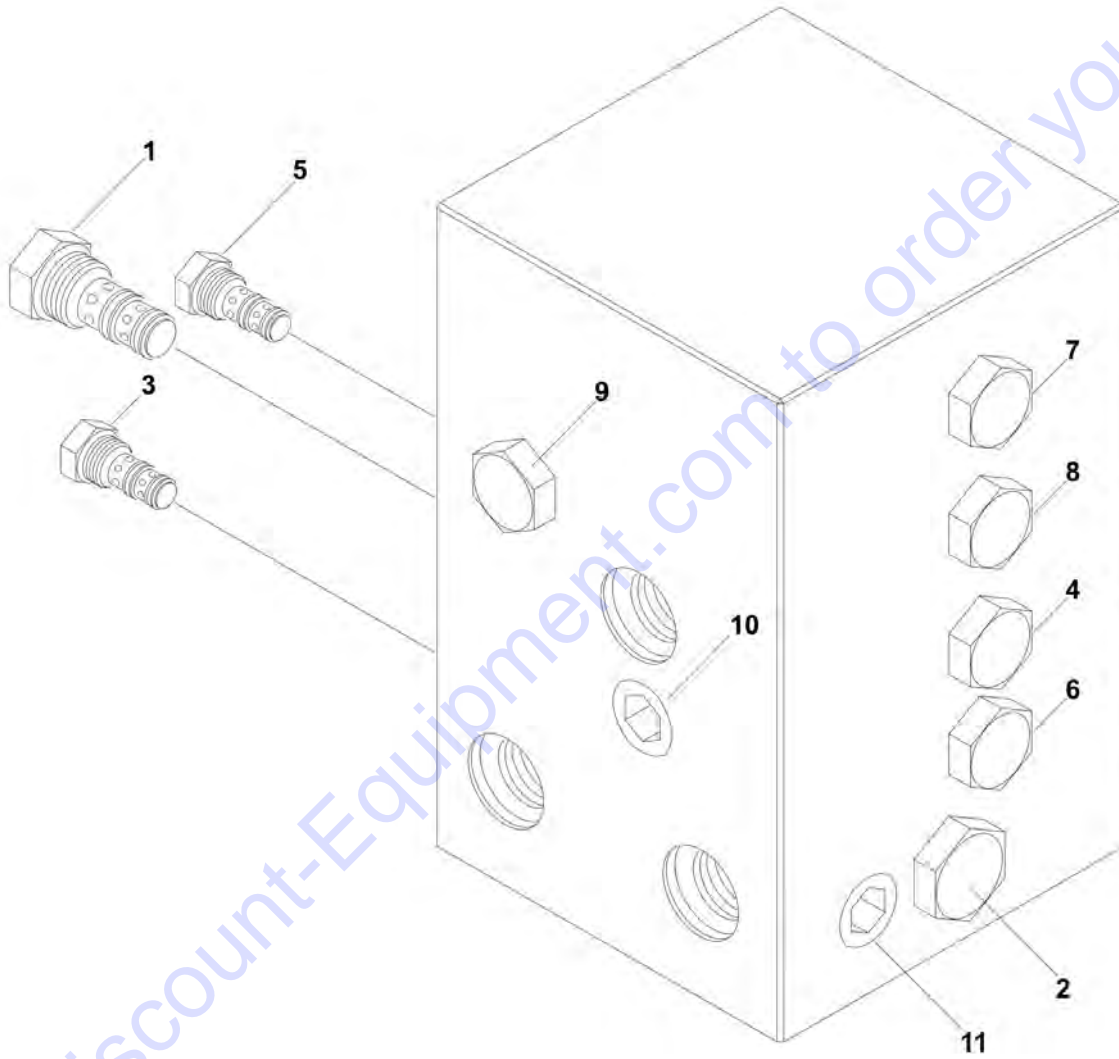
## SECTION 2 - GROUND CONTROLS

### FIGURE 2-2. MAIN VALVE ASSEMBLY

ITEM	PART NUMBER	QTY	DESCRIPTION	REV
	4641109	Ref	<b>MAIN CONTROL VALVE ASSEMBLY</b>	I
1	Not Serviced	1	Manifold	
2	7017410	1	Cartridge Less Coil (Dump)	
2	7012967	1	Seal Kit - 7017410 Cartridge	
2	7012944	1	Coil	
3	7023971	1	Cartridge, Relief (Main) (Was p/n 7017418)	
3	7012953	1	Seal Kit - 7023971 Cartridge	
4	7023972	1	Cartridge, Relief (Lift)	
4	7012953	1	Seal Kit - 7023972 Cartridge	
5A	7023973	2	Cartridge, Relief (Steer)	
5A	7023975	2	Seal Kit - 7023973 Cartridge (1 Per Cartridge)	
5B	7023974	2	Cartridge, Relief (Steer)	
5B	7023975	2	Seal Kit - 7023974 Cartridge (1 Per Cartridge)	
6	7022527	1	Orifice 1/16in/2.0mm (Not Shown - Located on Back of Valve at Port L)	
7	7012941	1	Cartridge Less Coil (Brake Release)	
7	7010543	1	Seal Kit - 7012941 Cartridge	
7	7012944	1	Coil	
8	7024929	1	Valve Assembly	
8	7022531	1	Seal Kit	
9	7022529	1	Valve Assembly (Lift)	
9	7012773	1	Seal Kit	
9A	7021375	1	Nut	
9B	7021376	1	Coil	
10	7021365	1	Valve Assembly (Steer)	
10	7012773	2	Seal Kit	
10A	7021375	2	Nut	
10B	7021376	2	Coil	
11	7018903	1	Tube Assembly	
11	7018904	1	Fitting, Straight	
12	7023916	1	Cartridge, Check (Was p/n 7021628)	
12	7012998	1	Seal Kit - 7023916 Cartridge (Was p/n 7012967)	
13	7021629	1	Cartridge, Needle Valve	
13	7012953	1	Seal Kit - 7021629 Cartridge	
14	7023208	1	Valve Assembly (Brake Release)	
14	7023209	1	Seal Kit - 7023208 Cartridge	
14A	7023210	1	Handle	
15	7023976	1	Cartridge	
15	7012967	1	Seal Kit - 7023976 Cartridge	
16	7022523	1	Orifice	
17	7018942	12	Capscrew, Socket Head #10-24NC x 2in	

## SECTION 2 - GROUND CONTROLS

FIGURE 2-3. FLOW DIVIDER ASSEMBLY



## SECTION 2 - GROUND CONTROLS

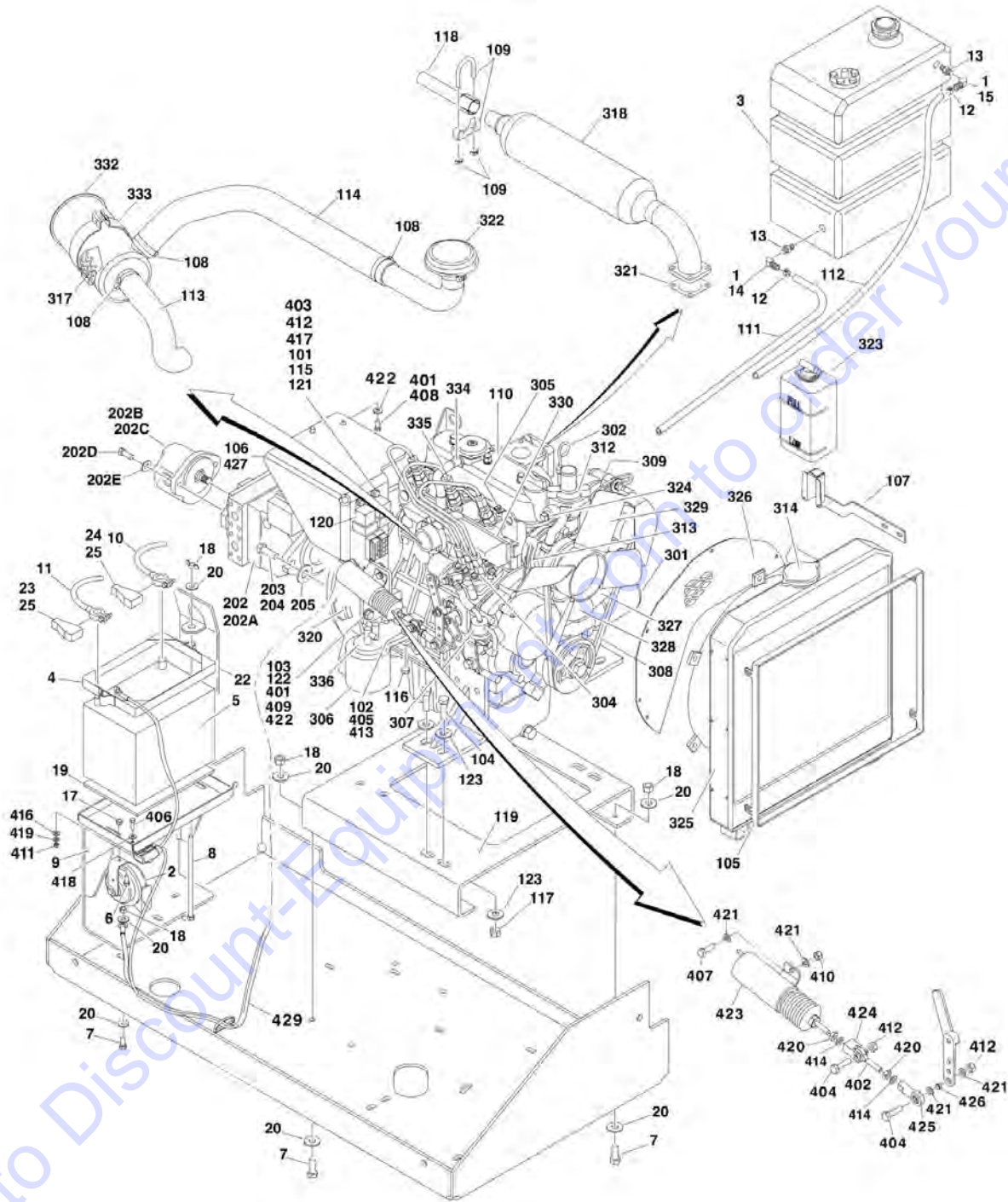
### FIGURE 2-3. FLOW DIVIDER ASSEMBLY

ITEM	PART NUMBER	QTY	DESCRIPTION	REV
	4641121	Ref	<b>FLOW DIVIDER VALVE ASSEMBLY</b>	B
1	7017425	1	Cartridge	
1	7017405	1	Seal Kit - 7017425 Cartridge	
2	7024873	1	Cartridge	
2	7012904	1	Seal Kit - 7024873 Cartridge	
3	7024873	1	Cartridge	
3	7012904	1	Seal Kit - 7024873 Cartridge	
4	7012975	1	Cartridge	
4	7012967	1	Seal Kit - 7012975 Cartridge	
5	7012975	1	Cartridge	
5	7012967	1	Seal Kit - 7012975 Cartridge	
6	7012975	1	Cartridge	
6	7012967	1	Seal Kit - 7012975 Cartridge	
7	7012975	1	Cartridge	
7	7012967	1	Seal Kit - 7012975 Cartridge	
8	7012975	1	Cartridge	
8	7012967	1	Seal Kit - 7012975 Cartridge	
9	7012975	1	Cartridge	
9	7012967	1	Seal Kit - 7012975 Cartridge	
10	7022523	1	Orifice (1.0mm)	
11	7022524	2	Orifice (0.5mm)	

Go to Discount-Equipment.com to order your parts

# SECTION 2 - GROUND CONTROLS

## FIGURE 2-4. KUBOTA ENGINE INSTALLATION (DIESEL)



## SECTION 2 - GROUND CONTROLS

### FIGURE 2-4. KUBOTA ENGINE INSTALLATION (DIESEL)

ITEM	PART NUMBER	QTY	DESCRIPTION	REV
		Ref	<b>KUBOTA ENGINE INSTALLATION (DIESEL)</b>	
	0259778	Ref	<b>Kubota Engine Installation (Diesel) (Prior to SN 0200185376)</b>	J
	1001096741	Ref	<b>Kubota Engine Installation (Diesel) (SN 0200185376 through 0200222873)</b>	B
	1001157980	Ref	<b>Kubota Engine Installation (Diesel) (SN 0200222874 to Present)</b>	E
1	0100020	AR	Sealant	
2	0140001	1	Horn Only <b>(Prior to SN 0200112688)</b>	
3		Ref	Diesel Powerplant Assembly Options (See Items 201 to 205 for Breakdown):	
3	0270064	1	Diesel Powerplant Assembly <b>(Prior to SN 0200185376)</b>	
3	1001096740	1	Diesel Powerplant Assembly <b>(SN 0200185376 through 0200222873)</b>	
3	1001157978	NLA	Kubota Engine Installation (Diesel) (Use p/n 1001237407) <b>(SN 0200222874 through 0200268449)</b>	
3	1001237407	1	Kubota Engine Installation (Diesel) <b>(SN 0200268450 to Present)</b>	
4	0400002	1	Hold Down, Battery	
4	2910479	1	Clip Kit	
5	0400003	1	Battery, 12 Volt	
6	0641506	1	Bolt 5/16in-18NC x 3/4in <b>(Prior to SN 0200112688)</b>	
7	0641608	8	Bolt 3/8in-16NC x 1in	
8	0641676	2	Bolt 3/8in-16NC x 9-1/2in	
9	0902597	1	Bracket, Battery Mount	
10	1060816	1	Cable, Battery (Negative)	
11	1060817	1	Cable, Battery (Positive)	
12	1320022	4	Clamp, Fuel Line	
13	2220250	2	Fitting, Reducer	
14		Ref	Fitting Options:	
14	2220869		90 Fitting	
14	2180467	1	Straight Fitting	
15	2221047	1	Fitting, 90	
17	3311505	1	Locknut 5/16in-18NC <b>(Prior to SN 0200112688)</b>	
18	3311605	10	Locknut 3/8in-16NC	
19	3980003	1	Seat, Battery <b>(Prior to SN 0200111498)</b>	
20	4751600	16	Flatwasher 3/8in Regular	
21	0840025	1	Boot, Cable (Not Shown - Located at Starter)	
22	1670970	1	Cover, Battery	
23	0840046	1	Boot, Terminal (+) <b>(SN 0200268675 to Present)</b>	
24	0840047	1	Boot, Terminal (-) <b>(SN 0200268675 to Present)</b>	
25	0100051	AR	Grease, Terminal	
		Ref	<b>KUBOTA ENGINE ASSEMBLY (DIESEL)</b>	
	0270039	NLA	<b>Kubota Engine Assembly (Diesel) (Use p/n 1001237406) (Prior to SN 0200185376)</b>	F
	1001096739	NLA	<b>Kubota Engine Assembly (Diesel) (Use p/n 1001237406) (SN 0200185376 through 0200222873)</b>	D
	1001157977	NLA	<b>Kubota Engine Assembly (Diesel) (Use p/n 1001237406) (SN 0200222874 through 0200268449)</b>	F
	1001237406	Ref	<b>Kubota Engine Assembly (Diesel) (SN 0200268450 to Present)</b>	B
101	0641406	2	Bolt 1/4in-20NC x 3/4in	
102	0641508	2	Bolt 5/16in-18NC x 1in	
103	0641608	2	Bolt 3/8in-16NC x 1in	

## SECTION 2 - GROUND CONTROLS

ITEM	PART NUMBER	QTY	DESCRIPTION	REV
104	0641610	6	Bolt 3/8in-16NC x 1-1/4in	
105	0902624	1	Bracket, Radiator Seal	
106	0902647	1	Bracket, Mounting <b>(Prior to SN 0200268678)</b>	
106	1001152741	1	Bracket, Mounting <b>(SN 0200268678 to Present)</b>	
107	0902648	1	Mount, Reserve Tank	
108	1320016	4	Clamp	
109	1320274	1	Clamp, Muffler	
110		Ref	Kubota Engine Assembly (Diesel) Options:	
110	2000168	1	Kubota Engine Assembly (Diesel) (See Items 301-340 for Breakdown) <b>(Prior to SN 0200185376)</b>	
110	1001096738	NLA	Kubota Engine Assembly (Diesel) (Use p/n 1001237405) (See Items 301-340 for Breakdown) <b>(SN 0200185376 through 0200222873)</b>	
110	1001157976	NLA	Kubota Engine Assembly (Diesel) (Use p/n 1001237405) (See Separate Breakdown in This Section) <b>(SN 0200222874 through 0200268449)</b>	
110	1001237405	1	Kubota Engine Assembly (Diesel) (See Separate Breakdown in This Section) <b>(SN 0200268450 to Present)</b>	
111	2720058	5.5 ft/1.7m	Hose, Fuel Line	
112	2720271	7.5 ft/2.3m	Hose, 3/16in (Low Pressure)	
113	2720465	1	Hose, Air Intake	
114	2720466	1	Hose, Air Cleaner	
115	3311405	2	Locknut 1/4in-20NC	
116	3311505	2	Locknut 5/16in-18NC	
117	3311605	6	Locknut 3/8in-16NC	
118	3460320	1	Pipe, Exhaust	
119	3572430	1	Plate, Engine Mount	
120	3740049	2	Relay	
121	4711400	2	Flatwasher 1/4in Thin	
122	4711600	2	Flatwasher 3/8in Thin	
123	4751600	12	Flatwasher 3/8in Regular	
124	0840026	1	Boot, Terminal (Not Shown - Located at Alternator)	
		Ref	<b>DIESEL POWERPLANT ASSEMBLY</b>	
	0270064	Ref	<b>Diesel Powerplant Assembly (Prior to SN 0200185376)</b>	D
	1001096740	Ref	<b>Diesel Powerplant Assembly (SN 0200185376 through 0200222873)</b>	B
	1001157978	Ref	<b>Diesel Powerplant Assembly (SN 0200222874 through 0200268449)</b>	C
	1001237407	Ref	<b>Diesel Powerplant Assembly (SN 0200268450 to Present)</b>	B
202		Ref	Pump Assembly Options:	
202	3600307	NLA	Pump Assembly (Includes Items 202A & 202B) (Use p/n 3600415) <b>(Prior to SN 0200111922)</b>	
202	3600373	NLA	Pump Assembly (Includes Items 202A & 202C) (Use p/n 3600415) <b>(SN 0200111922 through 0200117590)</b>	
202	3600415	1	Pump Assembly (Includes Items 202A & 202C) <b>(SN 0200117591 to Present)</b>	
202A		Ref	Variable Displacement Pump Assembly Options:	
202A	3600300	NLA	Variable Displacement Pump Assembly (See GEAR PUMP ASSEMBLY for Breakdown) (Use p/n 3600414) <b>(Prior to SN 0200117591)</b>	
202A	3600414	1	Variable Displacement Pump Assembly (See GEAR PUMP ASSEMBLY for Breakdown) <b>(SN 0200117591 to Present)</b>	
202B	3600301	NLA	Gear Pump Assembly (See GROUND CONTROLS	



## SECTION 2 - GROUND CONTROLS

ITEM	PART NUMBER	QTY	DESCRIPTION	REV
			INSTALLATION for Breakdown) (Use p/n 3600369) (Prior to SN 0200111922)	
202C	3600369	1	Gear Pump Assembly (See HOODS INSTALLATION for Breakdown) (SN 0200111922 to Present)	
202D	0641608	2	Bolt 3/8in-16NC x 1in	
202E	4711600	2	Flatwasher 3/8in Thin	
203	0100011	AR	Compound, Locking	
204	0641812	2	Bolt 1/2in-13NC x 1-1/2in	
205	4711800	2	Flatwasher 1/2in Thin	
		Ref	<b>ENGINE COMPONENTS</b>	
	2000168	Ref	Engine Components (Use p/n 1001096738) (Prior to SN 0200185376)	C
	1001096738	Ref	Engine Components (SN 0200185376 through 0200222873)	C
301	7017923	1	Filter, Oil	
302	7023160	1	Dipstick	
303	7023177	1	Solenoid, Stop - Engine 2000168 (Not Shown)	
304	7023164	1	Pump, Injection	
304	70002319	AR	Shim - 0.175mm	
304	70002320	AR	Shim - 0.200mm	
304	70002321	AR	Shim - 0.250mm	
304	70002322	AR	Shim - 0.300mm	
304	70002323	AR	Shim - 0.350mm	
305	7023137	3	Plug, Glow - Engine 2000168	
305	70002324	3	Plug, Glow - Engine 1001096738	
306	7017950	1	Element, Fuel	
307	7026205	1	Pump, Fuel - Engine 2000168	
307	70002325	1	Pump, Fuel - Engine 1001096738	
308	7023141	1	V-Belt	
309	7023169	1	Alternator w/Regulator - Engine 2000168	
309	7017955	1	Alternator w/Regulator - Engine 1001096738	
310	7023144	1	Starter (Not Shown)	
311	7017901	1	Switch, Oil (Not Shown)	
312	7023170	1	Thermostat	
312	70002326	1	Gasket, Thermostat	
313	7017924	1	Pump, Water - Engine 2000168	
313	70002327	1	Pump, Water - Engine 1001096738	
313	70002328	1	Gasket, Water Pump - Engine 1001096738	
314	7017967	1	Cap, Radiator - Engine 2000168	
314	70002329	1	Cap, Radiator - Engine 1001096738	
315	7017968	1	Hose, Radiator - Engine 2000168 (Not Shown - Bottom)	
315	70002273	1	Hose, Radiator - Engine 1001096738 (Not Shown - Bottom)	
316	7017969	1	Hose, Radiator - Engine 2000168 (Not Shown - Top)	
316	70002272	1	Hose, Radiator - Engine 1001096738 (Not Shown - Top)	
317	7017938	1	Element, Breather	
318	7023172	1	Muffler	
319	7023173	1	Sensor, Speed (Not Shown)	
320	70001933	1	Coupling Kit, Pump (includes Coupling Bolts)	
320	70002419		Housing, Cast	
320	70001934	1	Flywheel Assembly	
320	70001140	1	Gear, Ring	
320	70001935	6	Bolt, Flywheel	
321	7023124	1	Gasket, Muffler	

## SECTION 2 - GROUND CONTROLS

ITEM	PART NUMBER	QTY	DESCRIPTION	REV
322	7017942	1	Cap, Air Intake	
323	7023126	1	Tank, Reservoir - Engine 2000168	
323	70002331	1	Tank, Reservoir - Engine 1001096738	
324	7026211	1	Sensor, Water Temperature	
325	70002274	1	Radiator Assembly	
326	70002275	1	Cover, Fan	
327	7017963	1	Pipe, Water	
328	70002330	1	Pipe, Elbow	
329	70001865	1	Fan	
330	7023149	1	Gasket, Intake Manifold	
331	7023148	1	Gasket, Exhaust Manifold (Not Shown)	
332	7017937	1	Air Cleaner Assembly	
333	7026202	1	Band, Air Cleaner	
334	70002316	1	Pipe	
335	70002317	1	Tube, Breather	
336	7017949	1	Fuel Filter Assembly (Includes - cover, fittings, plug, o-ring and filter element)	
336	7023199	1	Filter, Cover (Includes fittings)	
336	7017992	1	Filter, Inline (Not Shown)	
337	70000623	2	Bolt (Not Shown - Bottom)	
338	70000622	4	Washer (Not Shown - Bottom)	
339	70000620	2	Cushion (Not Shown - Bottom)	
340	70000621	2	Cushion (Not Shown - Bottom)	
	1001181530	Ref	<b>Engine Throttle Installation</b>	C
401	0100011	AR	Loctite #242	
402	0440334	1	Bearing, Spherical Rod End	
403	0641406	2	Bolt, 1/4-20NC x 3/4	
404	0641408	2	Bolt, 1/4-20NC x 1	
405	0641508	2	Bolt, 5/16-18NC x 1	
406	0721005	1	Bolt, N010-24 x .625	
407	0760610	2	Bolt, 8.8 M6 x 20	
408	0760808	2	Bolt, 8.8 M8 x 16	
409	0760814	2	Bolt, 8.8 M8 x 30	
410	3290605	2	Locknut, M6 x 1	
411	3311001	1	Nut, 10-24 UNC GR2	
412	3311405	4	Locknut, 1/4-20 UNC GR2	
413	3311505	2	Locknut, 5/16-18 UNC GR2	
414	3321402	2	Jamnut, 1/4-28 UNF GR2	
415	4240099	AR	Tie wire	
416	4711000	1	Flatwasher, #10 Narrow	
417	4711400	2	Flatwasher, 1/4 Narrow	
418	4751000	1	Flatwasher #10 Wide	
419	4761000	1	Lockwasher, #10	
420	4761400	2	Lockwasher, 1/4	
421	4811700	6	Flatwasher, 6mm	
422	4811900	4	Flatwasher, 8mm	
423	1001118582	1	Actuator, Kubota Throttle	
424	1001118881	1	Clevis, Throttle Linkage	
425	1001118925	1	Bearing, Spherical Rod End	
426	1001128888	1	Flatwasher, Special, Actuator Throttle	
427	1001152741	1	Bracket, Air Cleaner / Actuator <b>(Prior to SN 0200268675)</b>	
428	1001157598	1	Wire, Harness, Throttle Control	

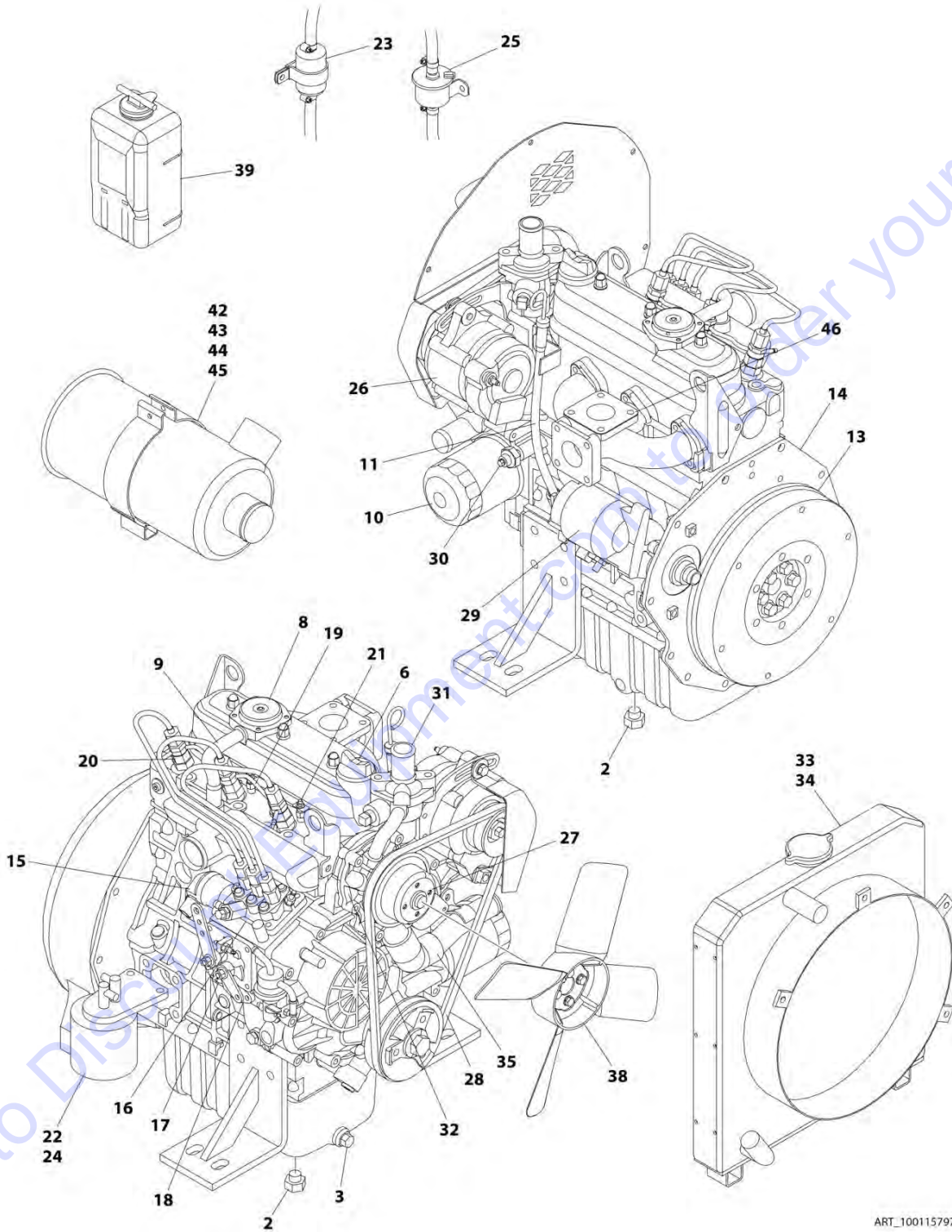
## SECTION 2 - GROUND CONTROLS

ITEM	PART NUMBER	QTY	DESCRIPTION	REV
429	1001158085	1	Harness, Hi_Idle	

Go to Discount-Equipment.com to order your parts

## SECTION 2 - GROUND CONTROLS

FIGURE 2-5. ENGINE COMPONENTS - KUBOTA DIESEL (SN 0200222874 through 0200268449)



## SECTION 2 - GROUND CONTROLS

**FIGURE 2-5. ENGINE COMPONENTS - KUBOTA DIESEL (SN 0200222874 through 0200268449)**

ITEM	PART NUMBER	QTY	DESCRIPTION	REV
	1001157976	Ref	ENGINE COMPONENTS - KUBOTA DIESEL	B
1	70004524	1	Drain (Not Shown)	
2	70002314	1	Plug, Drain	
2	70002315	1	Seal, Plug	
3	70004525	1	Plug, Drain	
3	70004526	1	Gasket	
4	70004523	1	Gasket, Cylinder Head (Not Shown)	
5	7023157	1	Seal, Front Main (Not Shown)	
6	70002318	1	Cap, Oil Fill	
6	70004311	1	O-Ring	
7	7023132	1	Gasket, Valve Cover (Not Shown)	
8	70003060	1	Valve, Breather	
8	70003061	1	Cover, Breather	
8	7017934	4	Screw	
9	70002316	1	Pipe, Water Return	
9	70002317	1	Tube, Breather	
9	70004530	1	Clamp, Hose	
9	70004531	1	Band, Pipe	
10	70004395	1	Filter, Oil	
11	7023160	1	Dipstick	
11	70003062	1	Tube, Dipstick	
12	7017928	1	Seal, Rear Main (Not Shown)	
13	70001140	1	Ring Gear	
14	70002419	1	Plate, Rear End	
15	7025479	1	Solenoid, Stop	
16	7023164	1	Pump, Injection	
16	70002319	1	Shim, Injection	
16	70002320	1	Shim, Injection	
16	70002321	1	Shim, Injection Pump	
16	70002322	1	Shim, Injection Pump	
16	70002323	1	Shim, Injection Pump	
16	7017945	1	Joint, Eye	
17	7023136	1	Spring, Governor	
17	70004396	1	Control, Speed	
17	70004397	1	Gasket	
18	7023165	1	Gasket	
19	70004536	1	Pipe, Over Flow	
19	70004537	1	Screw, Air Bleeder	
19	70004538	1	Seal	
19	70004539	1	Pipe, Over Flow	
20	70004399	3	Holder, Nozzle	
20	70004540	3	Nut	
20	7023167	3	Gasket	
20	7023168	3	Seal, Heat	
21	70004398	3	Glow Plug	
21	70004544	1	Cord, Glow Plug	
22	7017949	1	Fuel Filter Assembly (Includes - cover, fittings, plug, o-ring and filter element)	
22	7023199	1	Filter, Cover (Includes fittings)	
23	7017992	1	Filter, Inline	

## SECTION 2 - GROUND CONTROLS

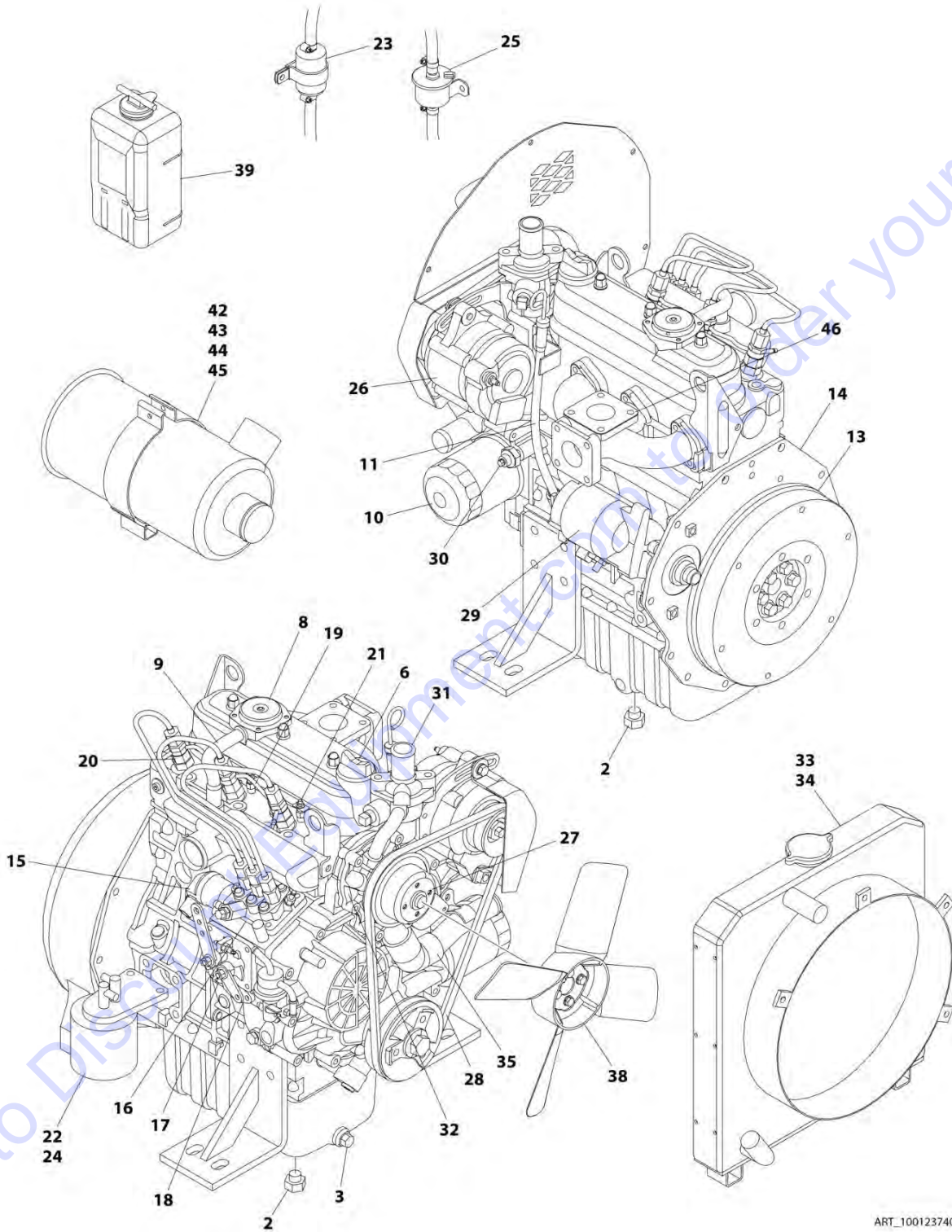
ITEM	PART NUMBER	QTY	DESCRIPTION	REV
24	7017950	1	Element, Fuel	
25	70002325	1	Fuel Pump Assembly - Electric	
26	7017955	1	Alternator	
27	7023140	1	Pulley, Fan	
28	7023141	1	V-Belt	
29	7023144	1	Starter	
30	7017901	1	Switch, Oil	
31	7026211	1	Sensor, Water Temperature	
31	70004547	1	Washer, Seal	
31	70004829	1	Pipe, Water Return	
31	7023145	1	Gasket, Water Flange	
31	7017958	1	Hose, Water Return	
31	7023170	1	Thermostat	
31	70002326	1	Gasket Thermostat	
32	70002327	1	Pump, Water	
32	70002328	1	Gasket, Water Pump	
33	70002274	1	Radiator Assembly	
33	70002329	1	Cap, Radiator	
34	70002275	1	Cover, Fan	
35	7017963	1	Pipe, Water	
35	70002330	1	Pipe, Water	
36	70002273	1	Hose, Radiator (Not Shown - Bottom)	
37	70002272	1	Hose, Radiator (Not Shown - Top)	
38	70001865	1	Fan	
39	4400498	1	Tank, Coolant Reserve	
40	7023149	1	Gasket, Inlet Manifold (Not Shown)	
41	7023148	1	Gasket, Exhaust Manifold (Not Shown)	
42	7017937	1	Air Cleaner Assembly	
43	7017938	1	Element, Breather	
44	7017942	1	Cap, Air Intake	
45	7026202	1	Band, Air Cleaner	
46	7023124	1	Gasket, Muffler	





## SECTION 2 - GROUND CONTROLS

FIGURE 2-6. ENGINE COMPONENTS - KUBOTA DIESEL (SN 0200268450 to Present)



ART\_1001237405

## SECTION 2 - GROUND CONTROLS

**FIGURE 2-6. ENGINE COMPONENTS - KUBOTA DIESEL (SN 0200268450 to Present)**

ITEM	PART NUMBER	QTY	DESCRIPTION	REV
	1001237405	Ref	ENGINE COMPONENTS - KUBOTA DIESEL	B
1	70004524	1	Drain (Not Shown)	
2	70002314	1	Plug, Drain	
2	70002315	1	Seal, Plug	
3	70004525	1	Plug, Drain	
3	70004526	1	Gasket	
4	70004523	1	Gasket, Cylinder Head (Not Shown)	
5	7023157	1	Seal, Front Main (Not Shown)	
6	70002318	1	Cap, Oil Fill	
6	70004311	1	O-Ring	
7	7023132	1	Gasket, Valve Cover (Not Shown)	
8	70003060	1	Valve, Breather	
8	70003061	1	Cover, Breather	
8	7017934	4	Screw	
9	70002316	1	Pipe, Water Return	
9	70002317	1	Tube, Breather	
9	70004530	1	Clamp, Hose	
9	70004531	1	Band, Pipe	
10	70004395	1	Filter, Oil	
11	7023160	1	Dipstick	
11	70003062	1	Tube, Dipstick	
12	7017928	1	Seal, Rear Main (Not Shown)	
13	70001140	1	Ring Gear	
14	70002419	1	Plate, Rear End	
15	7025479	1	Solenoid, Stop	
16	7023164	1	Pump, Injection	
16	70002319	1	Shim, Injection	
16	70002320	1	Shim, Injection	
16	70002321	1	Shim, Injection Pump	
16	70002322	1	Shim, Injection Pump	
16	70002323	1	Shim, Injection Pump	
16	7017945	1	Joint, Eye	
17	7023136	1	Spring, Governor	
17	70004396	1	Control, Speed	
17	70004397	1	Gasket	
18	7023165	1	Gasket	
19	70004536	1	Pipe, Over Flow	
19	70004537	1	Screw, Air Bleeder	
19	70004538	1	Seal	
19	70004539	1	Pipe, Over Flow	
20	70004399	3	Holder, Nozzle	
20	70004540	3	Nut	
20	7023167	3	Gasket	
20	7023168	3	Seal, Heat	
21	70004398	3	Glow Plug	
21	70004544	1	Cord, Glow Plug	
22	7017949	1	Fuel Filter Assembly (Includes - cover, fittings, plug, o-ring and filter element)	
22	7023199	1	Filter, Cover (Includes fittings)	
23	7017992	1	Filter, Inline	

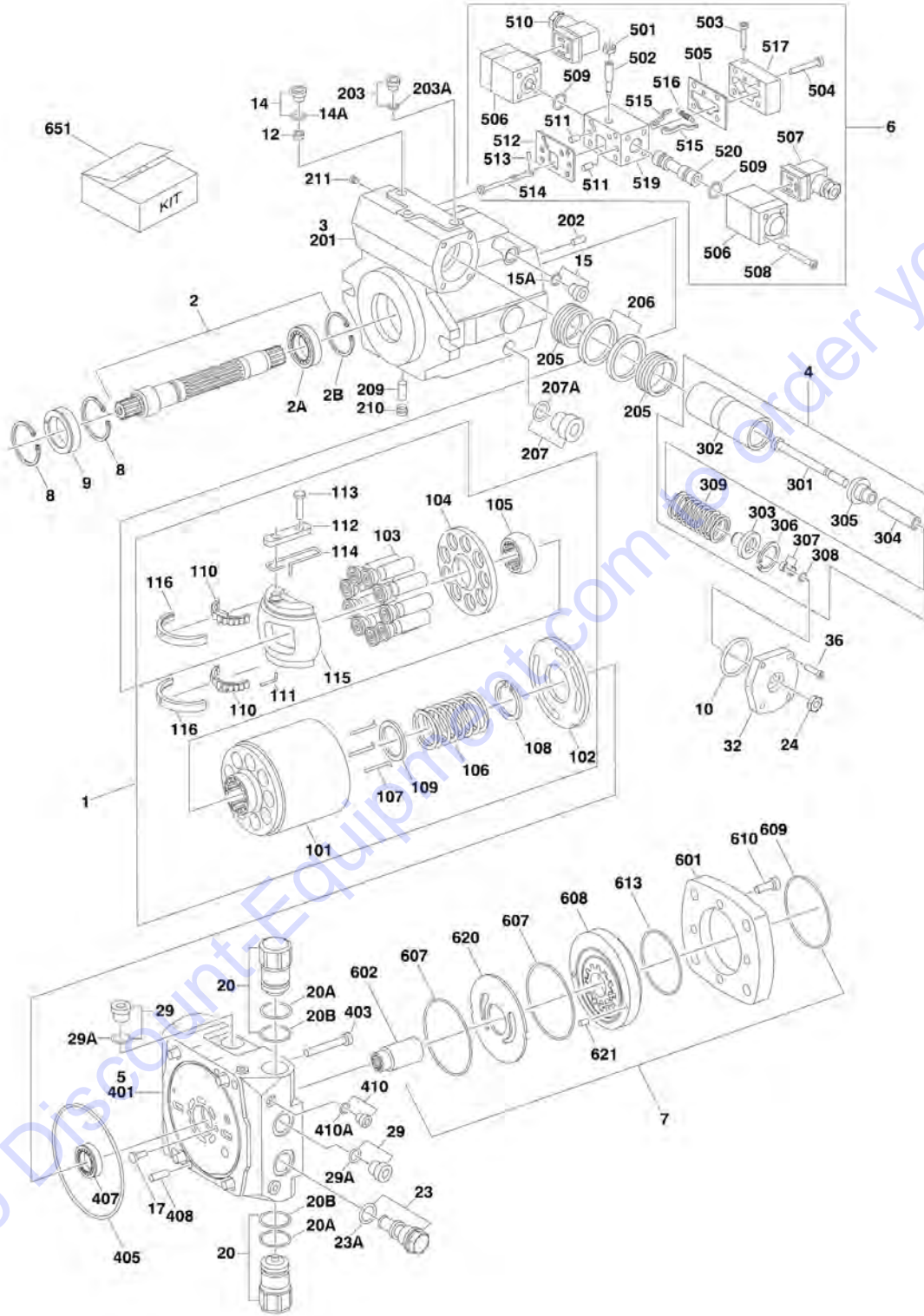
## SECTION 2 - GROUND CONTROLS

ITEM	PART NUMBER	QTY	DESCRIPTION	REV
24	7017950	1	Element, Fuel	
25	70002325	1	Fuel Pump Assembly - Electric	
26	7017955	1	Alternator	
27	7023140	1	Pulley, Fan	
28	7023141	1	V-Belt	
29	7023144	1	Starter	
30	7017901	1	Switch, Oil	
31	7026211	1	Sensor, Water Temperature	
31	70004547	1	Washer, Seal	
31	70004829	1	Pipe, Water Return	
31	7023145	1	Gasket, Water Flange	
31	7017958	1	Hose, Water Return	
31	7023170	1	Thermostat	
31	70002326	1	Gasket Thermostat	
32	70002327	1	Pump, Water	
32	70002328	1	Gasket, Water Pump	
33	70002274	1	Radiator Assembly	
33	70002329	1	Cap, Radiator	
34	70002275	1	Cover, Fan	
35	7017963	1	Pipe, Water	
35	70002330	1	Pipe, Water	
36	70002273	1	Hose, Radiator (Not Shown - Bottom)	
37	70002272	1	Hose, Radiator (Not Shown - Top)	
38	70001865	1	Fan	
39	4400498	1	Tank, Coolant Reserve	
40	7023149	1	Gasket, Inlet Manifold (Not Shown)	
41	7023148	1	Gasket, Exhaust Manifold (Not Shown)	
42	7017937	1	Air Cleaner Assembly	
43	7017938	1	Element, Breather	
44	7017942	1	Cap, Air Intake	
45	7026202	1	Band, Air Cleaner	
46	7023124	1	Gasket, Muffler	



# SECTION 2 - GROUND CONTROLS

FIGURE 2-7. VARIABLE DISPLACEMENT PUMP ASSEMBLY (Prior to SN 0200117591)





## SECTION 2 - GROUND CONTROLS

**FIGURE 2-7. VARIABLE DISPLACEMENT PUMP ASSEMBLY (Prior to SN 0200117591)**

ITEM	PART NUMBER	QTY	DESCRIPTION	REV
	3600300	Ref	<b>PISTON PUMP ASSEMBLIES</b>	E
		Ref		
			<b>Note: Original Equipment p/n 3600300 piston pump may have been replaced with Service Replacement p/n 3600414. - See VARIABLE DISPLACEMENT PUMP ASSEMBLY for Breakdown. Refer to tag on piston pump for identification before ordering parts.</b>	
1	See Note	1	Rotary Group Assembly (Note: Includes Items 101-116)	
2	See Note	NSS	Shaft Assembly (Note: Purchase Individual Components)	
2	7023887	1	Shaft	
2A	7023888	1	Bearing, Roller	
2B	7023889	1	Ring, Retaining	
3	See Note	1	Housing Assembly (Note: Includes Items 201-211)	
4	See Note	1	Stroking Piston Assembly (Note: Includes Items 301-309)	
5	See Note	1	Port Block Assembly (Note: Includes Items 401-410)	
6	7023877	1	Control Valve Assembly (Includes Items 501-520)	
7	See Note	1	Thru Drive Assembly (Note: Includes Items 601-621)	
8	7023878	2	Ring, Retaining	
9	See Note	NSS	Seal, Shaft (Note: Use Item 651)	
10	See Note	NSS	O-Ring (Note: Use Item 651)	
12	See Note	NSS	Orifice (1.0) (Note: Use p/n 3600300)	
14	See Note	NSS	Plug, O-Ring (Note: Purchase Locally)	
14A	See Note	NSS	O-Ring (Note: Use Item 651)	
15	See Note	NSS	Plug, O-Ring (Note: Purchase Locally)	
15A	See Note	3	O-Ring (Note: Use Item 651)	
17	7023879	1	Pin, Lens	
20	7022380	2	Relief Valve Assembly	
20A	See Note	NSS	Ring, Back-Up (Note: Use Item 651)	
20B	See Note	NSS	O-Ring (Note: Use Item 651)	
23	7023881	1	Charge Pressure Relief Valve Kit	
23A	See Note	NSS	O-Ring (Note: Use Item 651)	
24	See Note	NSS	Nut, Jam (Note: Use Item 651)	
29	See Note	NSS	Plug, O-Ring (Note: Purchase Locally)	
29A	See Note	NSS	O-Ring (Note: Use Item 651)	
32	See Note	NSS	Cover, Stroking Piston (Note: Use p/n 3600300)	
36	7023882	4	Capscrew M6 x 12	
		Ref	<b>ROTARY GROUP ASSEMBLY</b>	
101	See Note	NSS	Barrel (Note: Use p/n 3600300)	
102	See Note	NSS	Plate, Lens (Note: Use p/n 3600300)	
103	See Note	NSS	Piston (Note: Use p/n 3600300)	
104	See Note	NSS	Plate, Retaining (Note: Use p/n 3600300)	
105	See Note	NSS	Coupling, Ball (Note: Use p/n 3600300)	
106	7023883	1	Spring	
107	See Note	NSS	Pin, Pressure (Note: Use p/n 3600300)	
108	7023884	1	Ring, Retaining	
109	See Note	NSS	Disk (Note: Use p/n 3600300)	
110	7023885	1	Cradle Bearing Set	
111	7023834	1	Wire	
112	See Note	NSS	Lever (Note: Use p/n 3600300)	
113	See Note	NSS	Pin (Note: Use p/n 3600300)	
114	See Note	NSS	Wire (Note: Use p/n 3600300)	

## SECTION 2 - GROUND CONTROLS

ITEM	PART NUMBER	QTY	DESCRIPTION	REV
115	See Note	NSS	Plate, Swash (Note: Use p/n 3600300)	
116	7023886	1 pr Ref	Race, Bearing <b>HOUSING ASSEMBLY</b>	
201	See Note	NSS	Housing (Note: Use p/n 3600300)	
202	See Note	NSS	Rollpin (Note: Purchase Locally)	
203	See Note	NSS	Plug, O-Ring (Note: Purchase Locally)	
203A	See Note	NSS	O-Ring (Note: Use Item 651)	
205	7023890	2	Bushing	
206	See Note	NSS	Glyd-Ring (Note: Use Item 651)	
207	See Note	NSS	Plug, O-Ring (Note: Purchase Locally)	
207A	See Note	NSS	O-Ring (Note: Use Item 651)	
209	See Note	NSS	Pin (Note: Use p/n 3600300)	
210	See Note	NSS	Plug (Note: Use Item 651)	
211	See Note	NSS	Plug, Breakoff (Note: Use p/n 3600300)	
		Ref	<b>STROKING PISTION ASSEMBLY</b>	
301	7023891	1	Bolt, Centering	
302	See Note	NSS	Piston, Center (Note: Use p/n 3600300)	
303	7023892	1	Collar, Spring	
304	7023893	1	Spacer	
305	7023894	1	Collar, Spring	
306	7023895	1	Ring, Retaining	
307	7023896	1	Ring	
308	See Note	NSS	O-Ring (Note: Use Item 651)	
309	7023897	1	Spring	
		Ref	<b>PORT BLOCK ASSEMBLY</b>	
401	See Note	NSS	Block, Port (Note: Use p/n 3600300)	
402	See Note	NSS	Plug (Note: Use Item 651)	
403	7023898	4	Capscrew M12 x 70	
405	See Note	NSS	O-Ring (Note: Use Item 651)	
407	7023899	1	Bearing, Roller	
408	See Note	NSS	Pin, Dowell (Note: Purchase Locally)	
410	See Note	NSS	Plug, O-Ring (Note: Purchase Locally)	
410A	See Note	NSS	O-Ring (Note: Use Item 651)	
		Ref	<b>CONTROL VALVE ASSEMBLY</b>	
501	See Note	NSS	Nut, Seal (Note: Use Item 651)	
502	See Note	NSS	Eccentric (Note: Use p/n 3600300)	
503	7024000	1	Capscrew M6 x 45	
504	7024001	4	Capscrew M6 x 70	
505	See Note	NSS	Gasket (Note: Use Item 651)	
506	7023854	2	Solenoid	
507	7023855	1	Connector, Electrical (Gray)	
508	See Note	8	Capscrew M4 x 50 (Note: Purchase Locally)	
509	See Note	NSS	O-Ring (Note: Use Item 651)	
510	7023856	1	Connector, Electrical (Black)	
511	See Note	NSS	Pin, Dowell (Note: Purchase Locally)	
512	See Note	NSS	Gasket (Note: Use Item 651)	
513	See Note	NSS	Pin (Note: Use p/n 3600300)	
514	7024002	1	Lever, Feedback	
515	7024003	2	Lever	
516	7023859	1	Spring	
517	See Note	NSS	Cover (Note: Use p/n 3600300)	

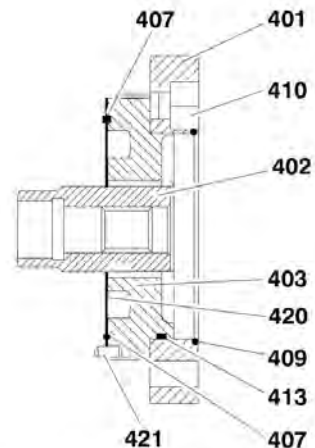
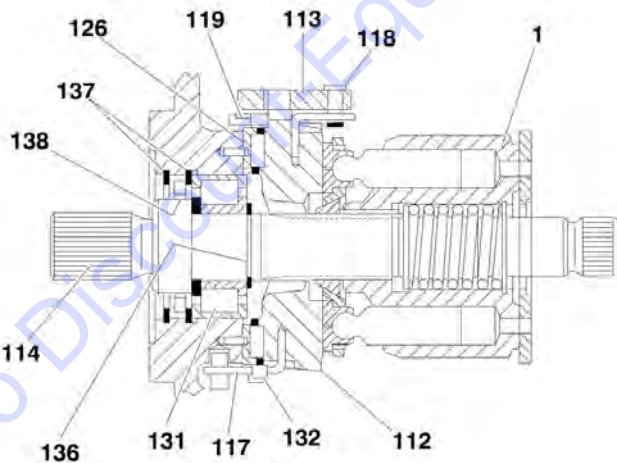
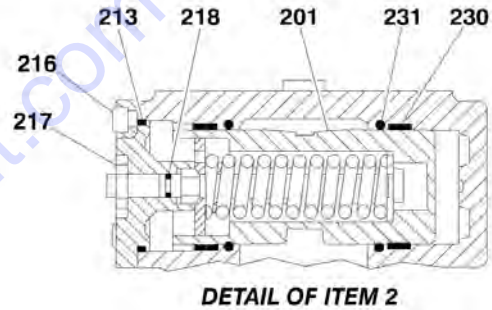
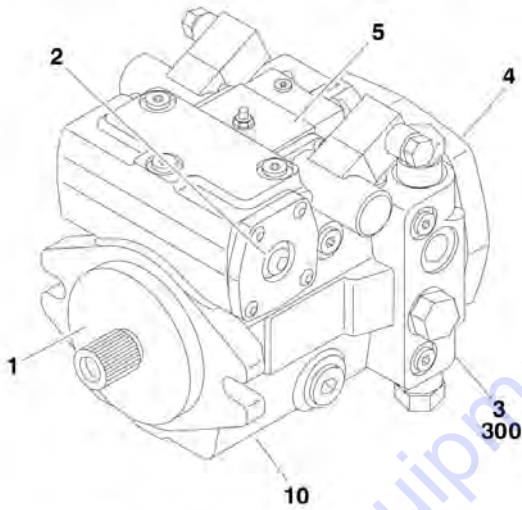
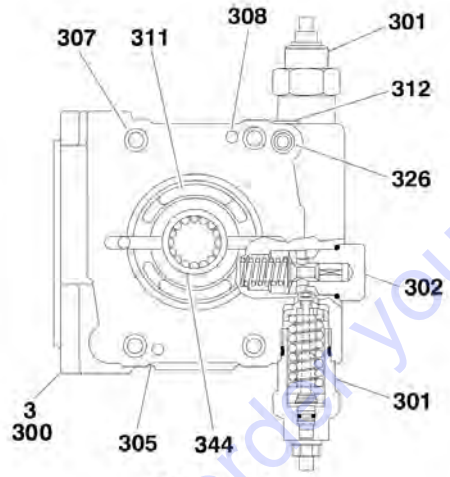
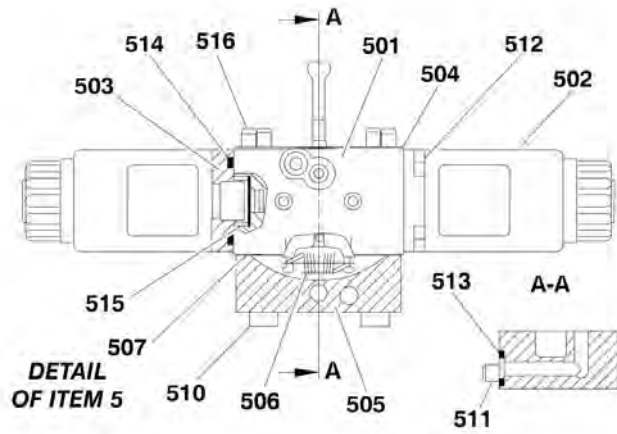
## SECTION 2 - GROUND CONTROLS

ITEM	PART NUMBER	QTY	DESCRIPTION	REV
518	See Note	NSS	O-Ring (Note: Use Item 651)	
519	See Note	NSS	Block (Note: Use p/n 3600300)	
520	See Note	NSS	Piston (Note: Use p/n 3600300)	
		Ref	<b>THRU DRIVE ASSEMBLY</b>	
601	See Note	NSS	Plate (Note: Use p/n 3600300)	
602	7024004	1	Coupling, Shaft	
607	See Note	NSS	O-Ring (Note: Use Item 651)	
608	See Note	NSS	Gear (Note: Use p/n 3600300)	
609	See Note	NSS	O-Ring (Note: Use Item 651)	
610	See Note	NSS	Capscrew M10 x 20 (Note: Purchase Locally)	
613	See Note	NSS	O-Ring (Note: Use Item 651)	
620	7024005	1	Plate, Wear	
621	See Note	NSS	Pin (Note: Use p/n 3600300)	
651	7024006	1	Seal Kit (Includes Items 9, 10, 14A, 15A, 20A, 20B, 23A, 24, 29A, 203A, 206, 207A, 210, 308, 402, 405, 410A, 501, 505, 509, 512, 518, 607, 609 & 613)	

Go to Discount-Equipment.com to order your parts

## SECTION 2 - GROUND CONTROLS

FIGURE 2-8. VARIABLE DISPLACEMENT PUMP ASSEMBLY (SN 0200117591 to Present)



DETAIL OF ITEM 1

DETAIL OF ITEM 4

## SECTION 2 - GROUND CONTROLS

**FIGURE 2-8. VARIABLE DISPLACEMENT PUMP ASSEMBLY (SN 0200117591 to Present)**

ITEM	PART NUMBER	QTY	DESCRIPTION	REV
	3600414	Ref	<b>PISTON PUMP ASSEMBLY</b>	C
1	7024064	1	Rotary Group (See Items 101-138 for Breakdown)	
2	7024065	1	Control Assembly (See Items 201-231 for Breakdown)	
3	See Note	1	Valve Plate Assembly (Note: See Items 301-344 for Breakdown)	
4	See Note	1	Internal Pump Assembly (Note: See Items 401-421 for Breakdown)	
5	7024068	1	Module Assembly (See Items 501-516 for Breakdown)	
10	See Note	NSS	Housing (Note: Use p/n 3600414)	
13	80934596	1	Joint, Pin (Not Shown)	
14	See Note	NSS	Pin, Dowel (Not Shown) (Note: Purchase Locally)	
20	See Note	NSS	Screw, Locking (Not Shown) (Note: Purchase Locally)	
22	See Note	NSS	Screw, Locking (Not Shown) (Note: Purchase Locally)	
23	See Note	NSS	Screw, Locking (Not Shown) (Note: Purchase Locally)	
24	See Note	NSS	Screw, Locking (Not Shown) (Note: Purchase Locally)	
27	See Note	NSS	Pin, Breakoff (Not Shown) (Note: Purchase Locally)	
28	7018936	2	Orifice (Not Shown)	
31	7028877	2	Pin, Clamping (Not Shown)	
41	7024069	1	O-Ring (Not Shown)	
49	See Note	NSS	Plug (Not Shown) (Note: Purchase Locally)	
	7024064	Ref	<b>ROTARY GROUP</b>	
112	See Note	NSS	Swash Plate (Note: Purchase Assembly p/n 7024064)	
113	See Note	NSS	Ring, Slide (Note: Purchase Assembly p/n 7024064)	
114	7023887	1	Driveshaft	
117	See Note	NSS	Wire (Note: Purchase Assembly p/n 7024064)	
118	See Note	NSS	Joint, Pin (Note: Purchase Assembly p/n 7024064)	
119	See Note	NSS	Wire (Note: Purchase Assembly p/n 7024064)	
126	See Note	NSS	Liner, Bearing (Note: Purchase Assembly p/n 7024064)	
131	7023888	1	Bearing, Roller	
132	7023885	1 Set	Cradle Bearing Assembly	
136	See Note	1	Ring, Retaining (Note: Purchase Assembly p/n 7024064)	
137	70001968	2	Ring, Retaining	
138	7024070	1	Seal, Shaft Ring	
	7024065	Ref	<b>CONTROL ASSEMBLY</b>	
201	See Note	NSS	Piston, Positioning - Complete (Note: Purchase Assembly p/n 7024065) (Includes Items 213 & 218)	
213	7024071	1	O-Ring, Outer Seal	
216	See Note	4	Capscrew, Socket Head (Note: Purchase Locally)	
217	See Note	1	Nut, Hex (Note: Purchase Locally)	
218	7024072	1	O-Ring, Stem	
230	See Note	NSS	Ring, Guide (Purchase Assembly p/n 7024065)	
231	See Note	NSS	Ring, Glide (Purchase Assembly p/n 7024065)	
300		Ref	<b>VALVE PLATE ASSEMBLY</b>	
301	7024073	2	Cartridge, Relief Valve Note: Sold as an Assembly Except O-Ring and Back-up Ring.	
301	7024075	2	O-Ring (1 Per Assembly)	
301	7024076	2	Ring, Back-up (1 Per Assembly)	
302	7023881	1	Cartridge, Relief Valve Note: Sold as an Assembly Except O-Ring.	
302	7024077	1	O-Ring	
305	70003339	1	Plate, Port	
307	See Note	4	Capscrew (Note: Purchase Locally)	
308	See Note	2	Pin, Dowel (Note: Purchase Locally)	

## SECTION 2 - GROUND CONTROLS

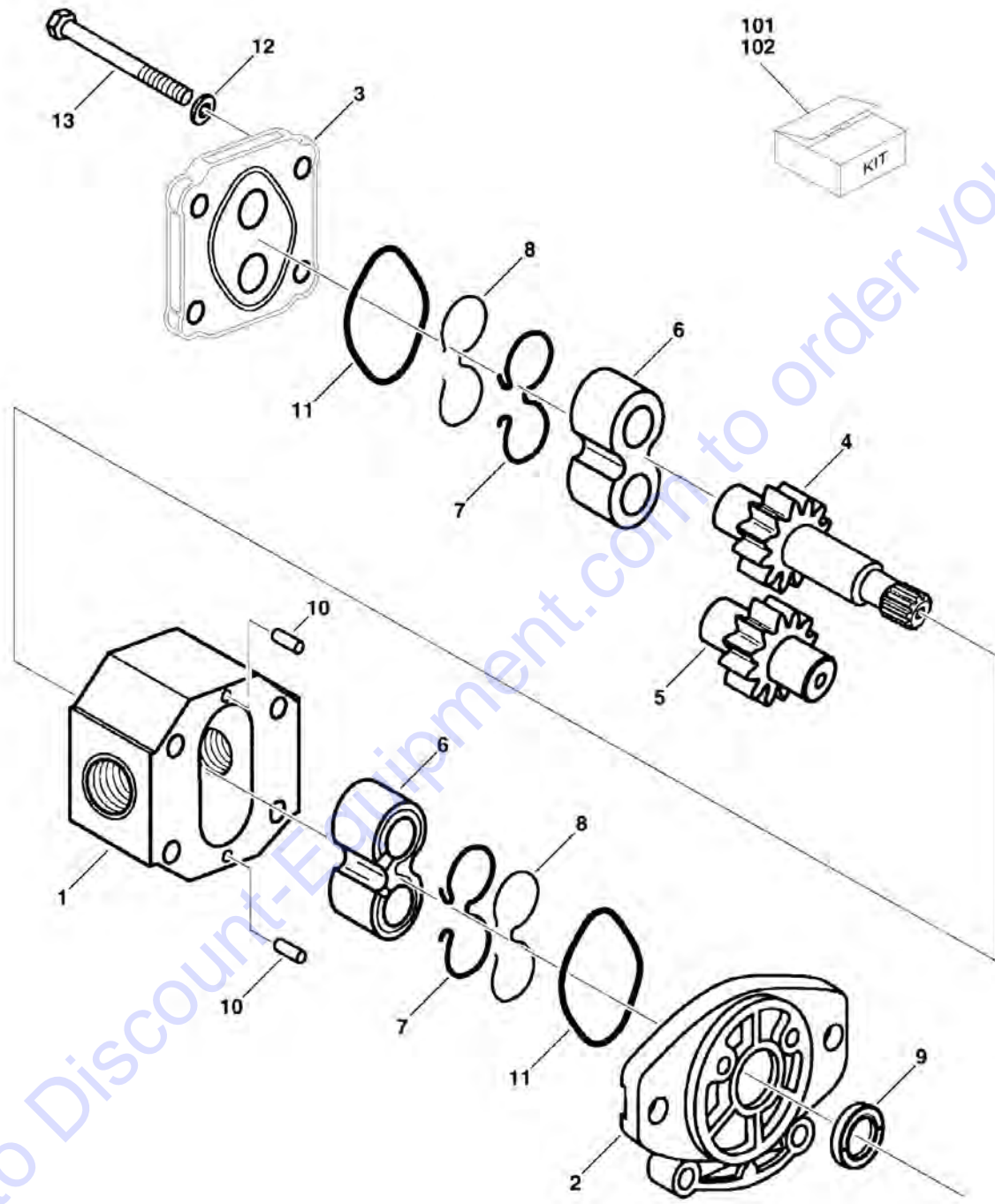
ITEM	PART NUMBER	QTY	DESCRIPTION	REV
311	70003340	1	Pin, Breakoff	
312	See Note	1	Screw, Locking (Note: Purchase Locally)	
326	7024908	1	O-Ring	
335	See Note	2	Screw, Locking (Not Shown) (Note: Purchase Locally)	
344	See Note	NSS	Bearing, Roller (Note: Use p/n 3600414)	
		Ref	<b>INTERNAL PUMP ASSEMBLY</b>	
401	See Note	NSS	Plate, Sandwich (Note: Use p/n 3600414)	
402	7024004	1	Coupling, Shaft	
403	See Note	NSS	Seal, Ring (Note: Use p/n 3600414)	
407	See Note	NSS	Seal (Note: Use p/n 3600414)	
409	7024082	1	O-Ring	
410	See Note	4	Capscrew (Note: Purchase Locally)	
413	7024081	1	O-Ring	
420	7024005	1	Plate, Wear	
421	See Note	1	Pin, Dowel (Note: Purchase Locally)	
	7024068	Ref	<b>MODULE ASSEMBLY</b>	
501	7024084	1	Module, Control (Valve Block) Less Coils Note: No Internal Replacement Parts Available. Sold as an Assembly Only.	
502	7024083	2	Coil, Solenoid	
503	See Note	NSS	Adapter, Valve Block to Coil (Note: Purchase Assembly p/n 7024068)	
504	7024085	1	Gasket	
505	See Note	NSS	Cover (Note: Purchase Assembly p/n 7024068)	
506	See Note	NSS	Spring, Draw (Note: Purchase Assembly p/n 7024068)	
507	7024086	1	Gasket	
510	80934644	4	Capscrew	
511	See Note	1	Capscrew (Note: Purchase Assembly p/n 7024068)	
512	See Note	8	Capscrew (Note: Purchase Assembly p/n 7024068)	
513	7024087	1	O-Ring	
514	7024088	2	O-Ring	
515	7024089	2	Cup, Spring	
516	See Note	2	Pin, Dowel (Note: Purchase Assembly p/n 7024068)	





## SECTION 2 - GROUND CONTROLS

FIGURE 2-9. GEAR PUMP ASSEMBLY (Prior to SN 0200111922)



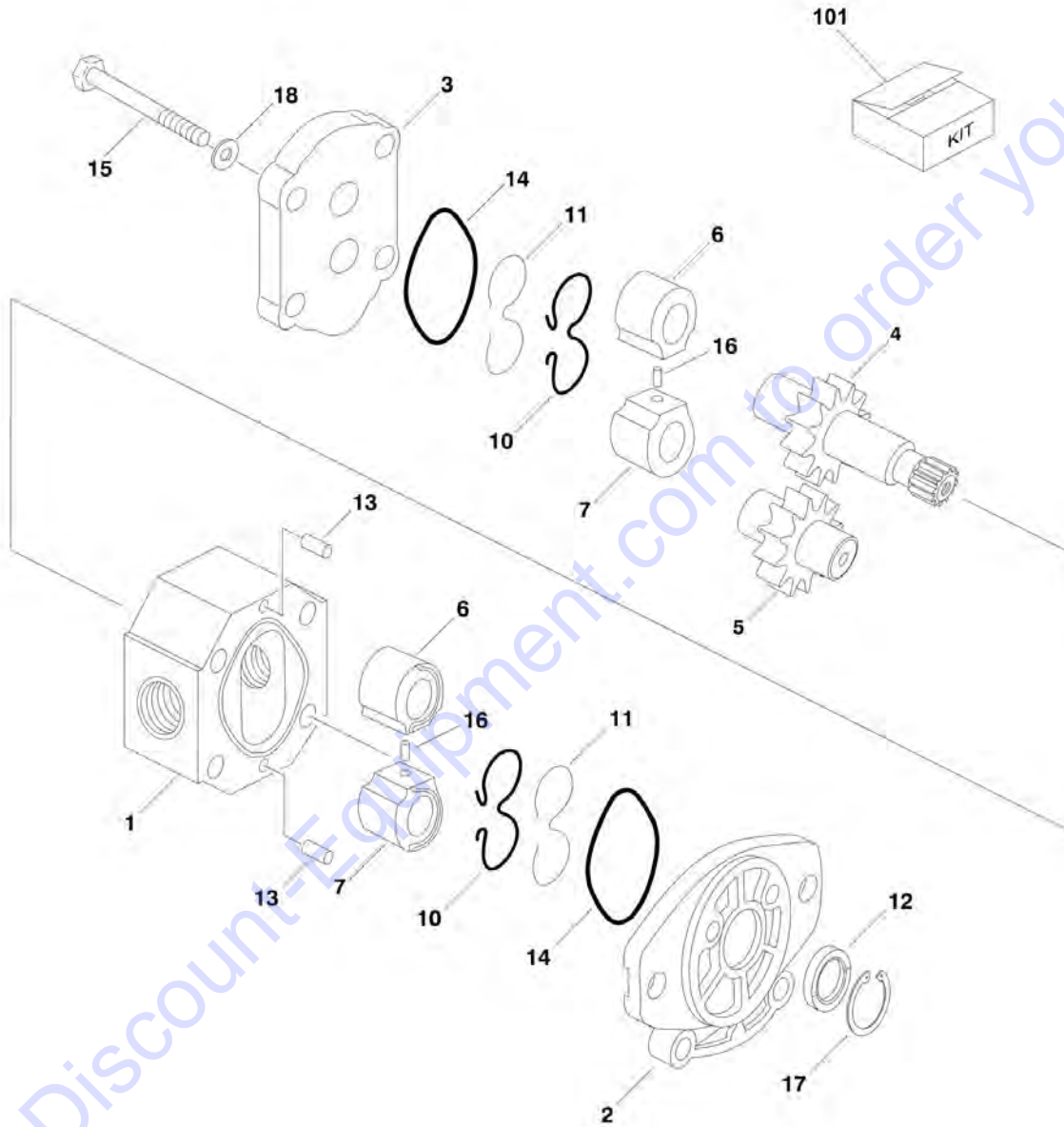
## SECTION 2 - GROUND CONTROLS

**FIGURE 2-9. GEAR PUMP ASSEMBLY (Prior to SN 0200111922)**

ITEM	PART NUMBER	QTY	DESCRIPTION	REV
	3600301	Ref	<b>GEAR PUMP ASSEMBLY</b>	B
		Ref		
			<b>Note: Original Equipment p/n 3600301 gear pump may have been replaced with Service Replacement p/n 3600369. - See GEAR PUMP ASSEMBLY for Breakdown. Refer to tag on gear pump for identification before ordering parts.</b>	
1	See Note	NSS	Body (Note: Use p/n 3600301)	
2	See Note	NSS	Cover, Front (Note: Use p/n 3600301)	
3	See Note	NSS	Cover, Rear (Note: Use p/n 3600301)	
4	7023816	1	Gear, Drive	
5	7023817	1	Gear, Idler	
6	See Note	2	Bearing, Block (Note: Use Item 101)	
7	See Note	2	Seal, Loading (Note: Use Items 101 & 102)	
8	See Note	2	Seal, Anti Extrusion (Note: Use Items 101 & 102)	
9	See Note	1	Seal, Shaft (Note: Use Items 101 & 102)	
10	See Note	2	Pin, Dowel (Note: Purchase Locally)	
11	See Note	2	Ring, Square (Note: Use Items 101 & 102)	
12	7023813	4	Washer	
13	7023818	4	Screw, Cap	
		Ref	Seal Kit Options:	
101	7023808	1	Kit 1 (Includes Items - 7, 8, 9 & 11)	
102	7023819	1	Kit 2 (Includes Items - 6, 7, 8, 9 & 11)	

## SECTION 2 - GROUND CONTROLS

FIGURE 2-10. GEAR PUMP ASSEMBLY (SN 0200111922 to Present)



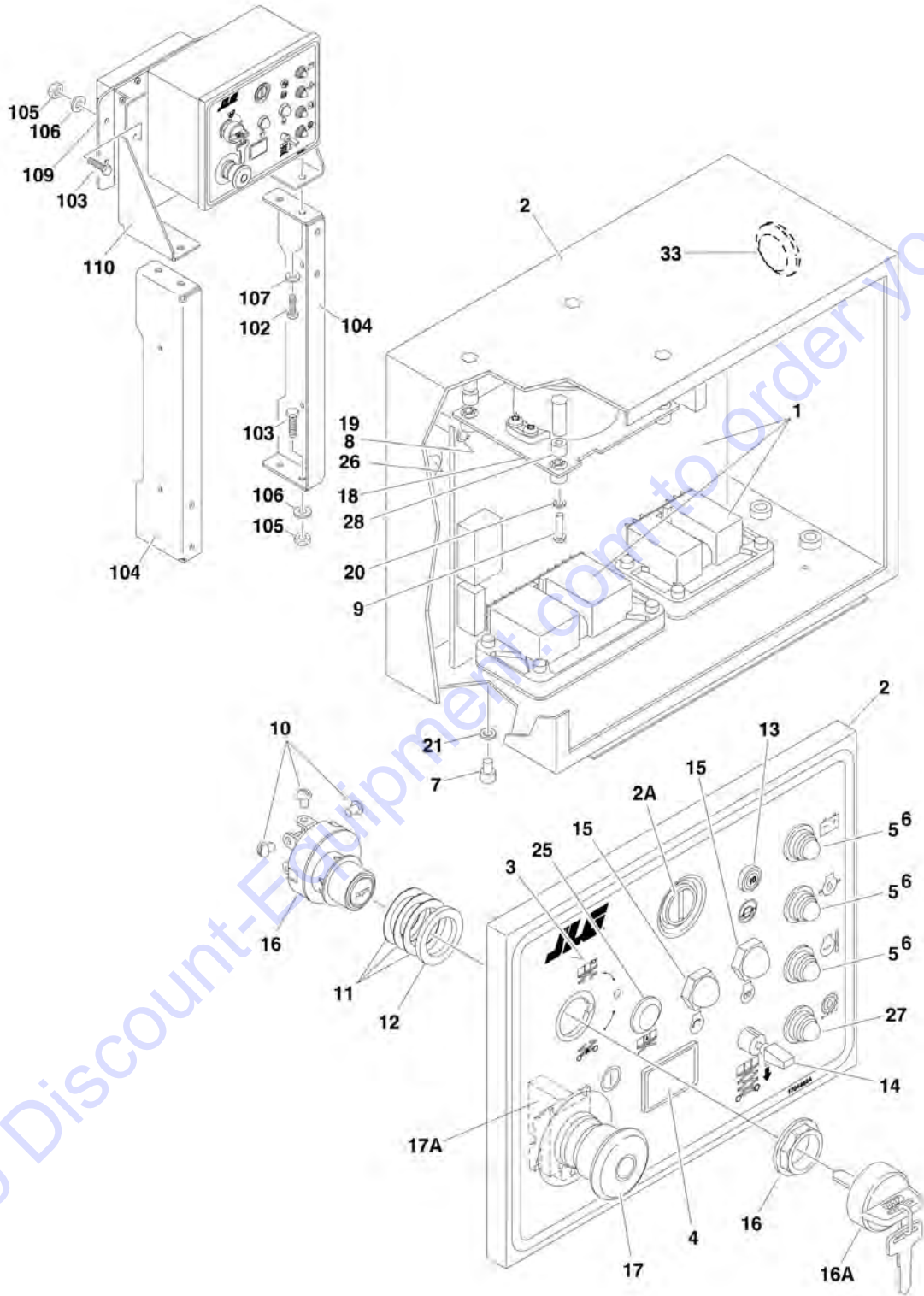
## SECTION 2 - GROUND CONTROLS

**FIGURE 2-10. GEAR PUMP ASSEMBLY (SN 0200111922 to Present)**

ITEM	PART NUMBER	QTY	DESCRIPTION	REV
	3600369	Ref	<b>GEAR PUMP ASSEMBLY</b>	C
1	See Note	NSS	Body (Note: Use p/n 3600369)	
2	See Note	NSS	Cover, Front (Note: Use p/n 3600369)	
3	See Note	NSS	Cover, Rear (Note: Use p/n 3600369)	
4	See Note	NSS	Gear, Drive (Note: Use p/n 3600369)	
5	See Note	NSS	Gear, Driven (Note: Use p/n 3600369)	
6	See Note	NSS	Bearing, Block (Note: Use p/n 3600369)	
7	See Note	NSS	Bearing, Block (Note: Use p/n 3600369)	
10	See Note	2	Seal, Loading (Note: Use Item 101)	
11	See Note	2	Seal, Anti Extrusion (Note: Use Item 101)	
12	See Note	1	Seal, Shaft (Note: Use Item 101)	
13	See Note	2	Pin, Dowel (Note: Purchase Locally)	
14	See Note	2	Ring, Square (Note: Use Item 101)	
15	See Note	4	Screw, Cap (Note: Purchase Locally)	
16	See Note	2	Pin, Dowel (Note: Purchase Locally)	
17	See Note	1	Ring, Retaining (Note: Purchase Locally)	
18	See Note	4	Lockwasher (Note: Purchase Locally)	
101	7024960	1	Seal Kit (Includes Items - 10, 11, 12 & 14)	

# SECTION 2 - GROUND CONTROLS

FIGURE 2-11. GROUND CONTROLS INSTALLATION





## SECTION 2 - GROUND CONTROLS

**FIGURE 2-11. GROUND CONTROLS INSTALLATION**

ITEM	PART NUMBER	QTY	DESCRIPTION	REV
		Ref	<b>GROUND CONTROL BOX ASSEMBLIES</b>	
		Ref	<b>Machines without Leveling Jacks Options:</b>	
	0270069	Ref	<b>Australian and CE Specs (Prior to SN 0200115038)</b>	K
	0270424	Ref	<b>Australian and CE Specs (SN 0200115038 through 0200141688)</b>	N
	1810012	Ref	<b>Australian and CE Specs (SN 0200141689 through 0200203530)</b>	M
	1810013	Ref	<b>Australian Specs (SN 0200203530 to Present)</b>	L
	1810012	Ref	<b>CE Specs (SN 0200203530 to Present)</b>	M
		Ref	<b>Machines with Leveling Jacks Options:</b>	
		Ref	<b>Australian Specs</b>	
	1810002	Ref	<b>Machines with Leveling Jacks (Auto Level Leveling Jacks) (Prior to SN 0200141689)</b>	I
	1810011	Ref	<b>Machines with Leveling Jacks (Auto Level Leveling Jacks Use p/n 1810012) (Prior to SN 0200149795, SN 0200141689 through 0200203529)</b>	J-E
	1810013	Ref	<b>Machines with Leveling Jacks (SN 0200203530 to Present)</b>	L
		Ref	<b>CE Specs</b>	
	0270424	Ref	<b>Machines with Leveling Jacks (Prior to SN 0200141689)</b>	N
	1810012	Ref	<b>Machines with Leveling Jacks (SN 0200141689 to Present)</b>	M
	1810011	Ref	<b>Machines with Leveling Jacks (Auto Level Leveling Jacks Use p/n 1810012) (SN 0200141689 to Present, Prior to SN 0200149795)</b>	J-E
1		Ref	<b>Circuit Board Options:</b>	
1		Ref	<b>Machines without Leveling Jacks Options:</b>	
1	0610140	1	<b>Machines without Leveling Jacks (Prior to SN 0200115038)</b>	
1	0610134	1	<b>Machines without Leveling Jacks (Use p/n 1600457) (SN 0200115038 through 0200141688)</b>	
1	1600382	1	<b>Machines without Leveling Jacks (SN 0200141689 to Present)</b>	
1	0610134	1	<b>Machines with Leveling Jacks (Australian Spec Only - Use p/n 1600457) (Prior to SN 0200141689)</b>	
1	1600382	1	<b>Machines with Auto Level Leveling Jacks (SN 0200141689 to Present)</b>	
2	0861315	1	<b>Box, Ground Control (Prior to SN 0200241797)</b>	
2A	7023212	1	<b>Latch (Prior to SN 0200237738)</b>	
2A	1001166257	1	<b>Latch (SN 0200237738 to Present)</b>	
2	1001181085	1	<b>Box, Ground Control (SN 0200241797 to Present)</b>	
3		Ref	<b>Decal - Ground Control Box Options:</b>	
3	1704462	1	<b>Decal - Ground Control Box (Prior to SN 0200112399)</b>	
3	1705729	1	<b>Decal - Ground Control Box (Shown) (SN 0200112399 to Present)</b>	
4	2420172	1	<b>Gauge, Hour Meter</b>	
5	2920026	AR	<b>Lamp, Holder</b>	
6	2920029	AR	<b>Lamp, Bulb</b>	
7	3900281	8	<b>Screw</b>	
8	3910606	3	<b>Screw #6-32NC x 3/8in</b>	
9		Ref	<b>Bolt Options:</b>	
9	3910616	4	<b>Bolt #6-32NC x 1in (Prior to SN 0200125353)</b>	
9	3910612	4	<b>Bolt #6-32NC x 3/4in (SN 0200125353 through 0200191138)</b>	
9	3910616	4	<b>Bolt #6-32NC x 1in (SN 0200191139 to Present)</b>	

## SECTION 2 - GROUND CONTROLS

ITEM	PART NUMBER	QTY	DESCRIPTION	REV
10	3910804	3	Screw	
11	4070987	3	Shim	
12	4070991	1	Shim	
13	4360070	1	Breaker, Circuit - 15Amp	
14	4360328	1	Switch, Toggle	
15	4360387	2	Switch, Yellow Push Button	
16		Ref	Switch, Key Options:	
16	4360470	1	Australian Spec <b>(Prior to SN 0200203530)</b>	
16	4360469	1	Australian Spec <b>(SN 0200203530 to Present)</b>	
16	4360470	1	CE Spec	
16A	2860030	2	Key, Replacement	
17	4360475	1	Switch, E-Stop	
17	7020175	1	Ring, Sealing	
17A	7020176	1	Block, Contact	
18		Ref	Switch, Dual Axis Options:	
18	4360481	1	Switch, Dual Axis <b>(Prior to SN 0200125353)</b>	
18	4000006	NLA	Switch, Dual Axis (Use p/n 1001102811) <b>(SN 0200125353 to Present)</b>	
19	4750600	3	Flatwasher #6 (Wide)	
20	4760600	4	Lockwasher #6	
21	4761000	8	Lockwasher #10	
22	4922339	1	Harness, Tilt (Not Shown - See ELECTRICAL SECTION for Breakdown) <b>(Prior to SN 0200125353)</b>	
23		Ref	Ground Control Box Harness Options (Not Shown - See ELECTRICAL SECTION for Breakdown):	
23	4922378		Ground Control Box Harness <b>(Prior to SN 0200141689)</b>	
23	4923293		Ground Control Box Harness <b>(SN 0200141689 to Present)</b>	
25		Ref	Component Option Only: <b>(SN 0200112399 to Present)</b>	
25	3520193	1	Plug	
25	2920026	1	Lamp, Indicator	
25	2620029	1	Bulb, Light	
26	3520030	1	Plug Only <b>(SN 0200115167 to Present)</b>	
27		Ref	Component Option Only: <b>(SN 0200141689 to Present)</b>	
27	3520193	1	Plug	
27	2920026	1	Lamp, Indicator	
27	2620029	1	Bulb, Light	
28	1001102512	4	Spacer (Nylon) <b>(SN 0200191139 to Present)</b>	
		Ref	<b>GROUND CONTROL BOX INSTALLATIONS</b>	
		Ref	<b>Australian Spec Machines:</b>	
	0259804	Ref	<b>Machines without Leveling Jacks (Prior to SN 0200141689)</b>	C
	0274653	Ref	<b>Machines without Leveling Jacks (SN 0200141689 through 0200203529)</b>	C
	0274655	Ref	<b>Machines without Leveling Jacks (SN 0200203530 to Present)</b>	C
	0274320	Ref	<b>Machines with Auto Level Leveling Jacks Only (Prior to SN 0200141689)</b>	B
	0274651	Ref	<b>Machines with Auto Level Leveling Jacks (SN 0200141689 through 0200203529)</b>	D
	0274654	Ref	<b>Machines with Auto Level Leveling Jacks (SN 0200203530 to Present)</b>	D
		Ref	<b>CE Spec Machines:</b>	
	0259804	Ref	<b>Machines without Leveling Jacks (Prior to SN 0200141689)</b>	C
	0274653	Ref	<b>Machines without Leveling Jacks (SN 0200141689 to Present)</b>	C

## SECTION 2 - GROUND CONTROLS

ITEM	PART NUMBER	QTY	DESCRIPTION	REV
	0259835	Ref	<b>Present)</b>	A
	0274651	Ref	<b>Machines with Leveling Jacks (Prior to SN 0200141689)</b>	D
			<b>Machines with Auto Level Leveling Jacks (SN 0200141689 to Present)</b>	
102	0641404	4	Bolt 1/4in-20NC x 1/2in	
102	0641406	4	Bolt 1/4in-20NC x 3/4in (Auto Level Leveling Jacks)	
103	0641406	AR	Bolt 1/4in-20NC x 3/4in	
104	0902595	2	Bracket	
105	3311405	AR	Locknut 1/4in-20NC	
106	4751400	4	Flatwasher 1/4in (Wide)	
106	4711400	8	Flatwasher 1/4in (Narrow) (Auto Level Leveling Jacks)	
107	4761400	4	Lockwasher 1/4in	
108		Ref	Ground Control Harness Options (Not Shown - See ELECTRICAL SECTION for Breakdown):	
108	4922365	1	Machines without Leveling Jacks <b>(Prior to SN 0200141689)</b>	
108	4923295	1	Machines without Leveling Jacks <b>(SN 0200141689 to Present)</b>	
108	4922436	1	Machines with Leveling Jacks and Auto Level Leveling Jacks (Australian Spec Only) <b>(Prior to SN 0200141689)</b>	
108	4923295	1	Machines with Leveling Jacks and Auto Level Leveling Jacks <b>(SN 0200141689 to Present)</b>	
		Ref	<b>Note: Items 109 - 112 used on Auto Level Leveling Jacks Only.</b>	
109	1600386	1	Controller, Module <b>(Prior to SN 0200248801)</b>	
109	1001182483	1	Controller, Module <b>(SN 0200248801 to Present)</b>	
110	4340887	1	Mount, Module	
111	4923135	1	Harness, Analyzer (Not Shown - See ELECTRICAL SECTION for Breakdown)	
112	4923136	1	Harness, System Interconnect (Not Shown - See ELECTRICAL SECTION for Breakdown)	



## SECTION 2 - GROUND CONTROLS

### FIGURE 2-12. HOODS INSTALLATION

ITEM	PART NUMBER	QTY	DESCRIPTION	REV
		Ref	<b>HOOD INSTALLATIONS</b>	
	0259753	Ref	<b>Hood Installations (Use p/n 1001135142) (Prior to SN 0200212108)</b>	I
	1001135142	Ref	<b>Hood Installations (SN 0200212108 to Present)</b>	B
1	0641404	8	Bolt 1/4in-20NC x 1/2in	
2	0641508	8	Bolt 5/16in-18NC x 1in	
3		Ref	Valve Side Lid Weldment Options:	
3	1780312	1	Valve Side Lid Weldment <b>(Prior to SN 0200102883)</b>	
3	1780323	1	Valve Side Lid Weldment <b>(SN 0200102883 to Present)</b>	
4	1780313	1	Door, Plate	
5	3571985	2	Plate, Door	
6	1780315	1	Door, Plate	
7	2600264	2	Hinge, Door	
8	2600265	4	Hinge, Door	
9		Ref	Hood, Left Side Options:	
9	2680480	1	Hood, Left Side <b>(Prior to SN 0200102883)</b>	
9	2680494	1	Hood, Left Side <b>(SN 0200102883 to Present)</b>	
10		Ref	Hood, Right Side Options:	
10	2680481	1	Hood, Right Side <b>(Prior to SN 0200102883)</b>	
10	2680493	1	Hood, Right Side <b>(SN 0200102883 to Present)</b>	
11	2940126	2	Latch, Rotary Paddle	
12	0641605	40	Bolt 3/8in-16NC x 5/8in	
13	3311405	8	Locknut 1/4in-20NC	
14	2080053	10	Fastener	
15	3539690	1	Plate, Air Intake	
16	3900289	8	Screw #8-32NC x 1/2	
17	4711400	16	Flatwasher 1/4in (Narrow)	
18	4711500	12	Flatwasher 5/16in (Narrow)	
19	0641608	2	Bolt 3/8in-16NC x 1in <b>(Prior to SN 0200102883)</b>	
20	0100011	AR	Compound, Locking	
21		Ref	Hardware Options:	
21	0362937	2	Hardware (Bar, Door Prop) <b>(Prior to SN 0200102883)</b>	
21	4160185	2	Hardware (Gas Shock) <b>(SN 0200102883 to Present)</b>	
22	3310801	8	Nut #8-32NC	
23	3311501	AR	Nut 5/16in-18NC	
24	3311605	AR	Locknut 3/8in-16NC	
25	3572305	2	Plate, Striker Mount	
26	3900208	AR	Screw, Shoulder 3/8in x 1in	
27	4711600	AR	Flatwasher 3/8in (Narrow)	
28	4750800	8	Flatwasher #8 (Wide)	
29	4420037	AR	Tape, Insulation	
30		Ref	Engine Side Lid Weldment Options:	
30	1780312	1	Engine Side Lid Weldment <b>(Prior to SN 0200102883)</b>	
30	1780323	1	Engine Side Lid Weldment <b>(SN 0200102883 through 0200212107)</b>	
30	1001135084	1	Engine Side Lid Weldment (See Items 101-105 for Breakdown) <b>(SN 0200212108 to Present)</b>	
	2902213	1	Kit - Hood Sub Assembly (Includes Items: 1, 3 thru 13, 15 thru 17 & 20 thru 29) <b>(Prior to SN 0200212108)</b>	2
	1001135084	Ref	<b>Engine Side Lid Weldment (SN 0200212108 to Present)</b>	B

## SECTION 2 - GROUND CONTROLS

ITEM	PART NUMBER	QTY	DESCRIPTION	REV
101	0641406	2	Bolt 1/4in-20NC x 3/4in	
102	3311405	2	Locknut 1/4in-20NC	
103	4751400	4	Flatwasher 1/4in (Wide)	
104	1001094373	1	Ventilator	
105	1001134212	1	Door, Top	

Go to Discount-Equipment.com to order your parts

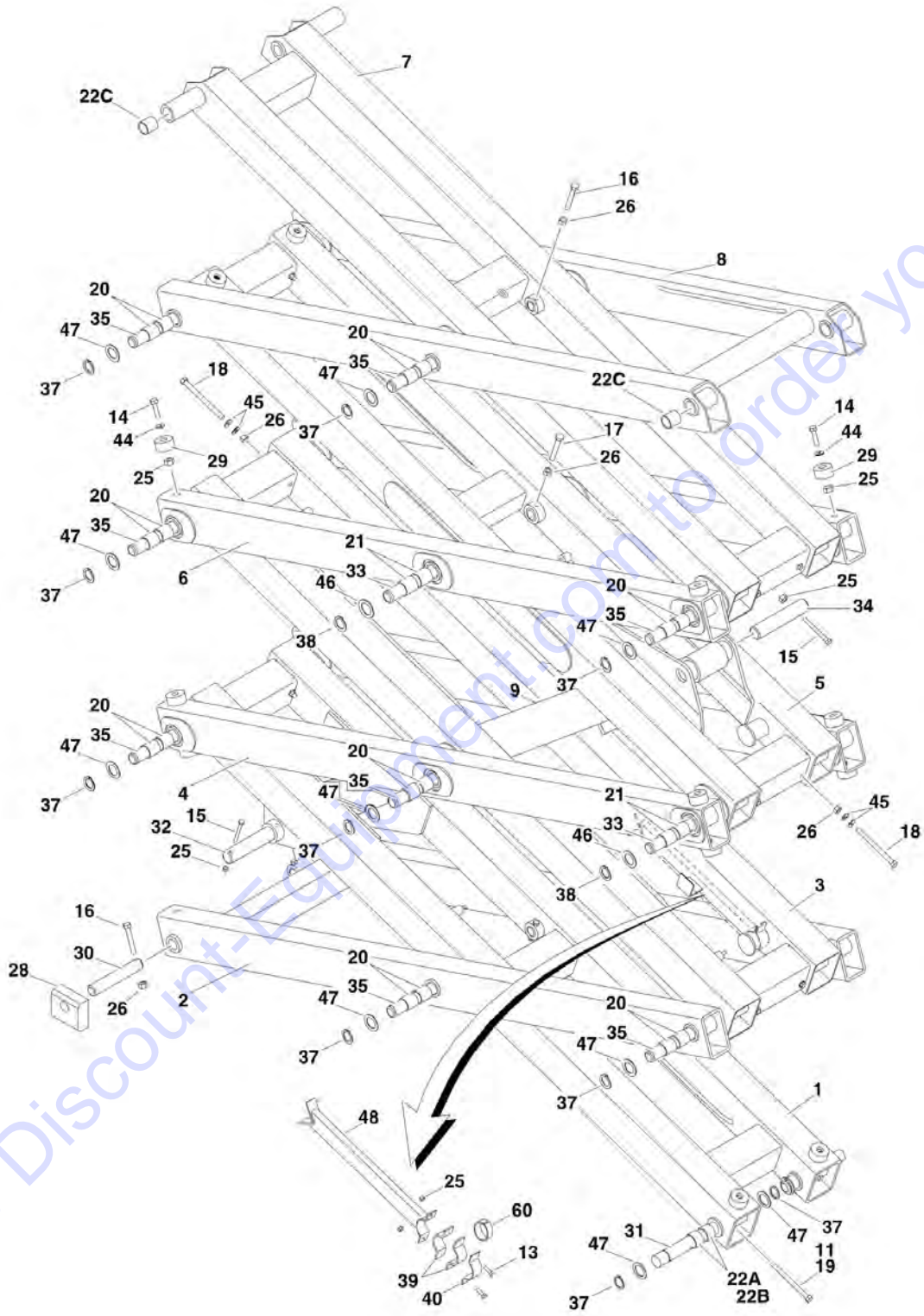


**SECTION 3 - SCISSORS ARMS**

Go to Discount-Equipment.com to order your parts

# SECTION 3 - SCISSORS ARMS

## FIGURE 3-1. SCISSOR ARMS INSTALLATION



## SECTION 3 - SCISSORS ARMS

### FIGURE 3-1. SCISSOR ARMS INSTALLATION

ITEM	PART NUMBER	QTY	DESCRIPTION	REV
		Ref	<b>SCISSOR ARMS INSTALLATION</b>	
		Ref	<b>Standard Machines</b>	
	0259865	Ref	<b>Standard Machines (Without Load Sense Harness) (Prior to SN 0200112688)</b>	J
	0273069	Ref	<b>Standard Machines (Without Load Sense Harness) (SN 0200112688 to Present)</b>	E
	1001110710	Ref	<b>Standard Machines (With Load Sense Harness) (SN 0200193881 to Present)</b>	D
		Ref	<b>Machines with Level at 6 Slope (Optional on Australian Spec Only):</b>	
	1001118678	NLA	<b>Without Load Sense Harness (No Longer Available) (SN 0200203530 to Present)</b>	A
	1001118680	Ref	<b>With Load Sense Harness</b>	C
1	0200699	1	Arm Weldment (1st Inboard)	
2	0200700	1	Arm Weldment (1st Outboard)	
3	0200701	1	Arm Weldment (2nd Inboard)	
4	0200680	2	Arm Weldment (2nd Outboard)	
5	0200702	1	Arm Weldment (3rd Inboard)	
6	0200682	2	Arm Weldment (3rd Outboard)	
7		Ref	Arm Weldment (4th Inboard) Options:	
7	0200703	1	Arm Weldment <b>(Prior to SN 0200112688)</b>	
7	0200728	1	Arm Weldment <b>(SN 0200112688 to Present)</b>	
8		Ref	Arm Weldment (4th Outboard) Options:	
8	0200704	1	Arm Weldment <b>(Prior to SN 0200112688)</b>	
8	0200729	1	Arm Weldment <b>(SN 0200112688 to Present)</b>	
9	1683887	1	Lift Cylinder Assembly (See CYLINDER SECTION for Breakdown)	
11	0100011	AR	Compound, Locking	
13	0641508	2	Bolt 5/16in-18NC x 1in	
14	0641510	16	Bolt 5/16in-18NC x 1 1/4in	
15	0681524	2	Bolt 5/16in-18NC x 3in	
16	0641620	8	Bolt 3/8in-16NC x 2 1/2in	
17	0641622	2	Bolt 3/8in-16NC x 2 3/4in	
18	0641638	12	Bolt 3/8in-16NC x 4 3/4	
19	0681610	2	Bolt 3/8in-16NC x 1 1/4in	
20	0962220	36	Bearing, Garmax	
21	0440241	8	Bearing, Polygon	
22		Ref	Bearing, Garmax Options:	
22A	0962234	4	Bearing, Garmax <b>(Prior to SN 0200105000)</b>	
22B	0962220	4	Bearing, Garmax <b>(SN 0200105000 through 0200112687)</b>	
22C	0440250	4	Bearing, Garmax <b>(SN 0200112688 to Present)</b>	
25	3311505	20	Locknut 5/16in-18NC	
26	3311605	22	Locknut 3/8in-16NC	
28	3340879	2	Pad, Slide Block	
29		Ref	Pad, Arm	
29	3340866	16	Standard Machine	
29	0940135	16	Machine with Level at 6 Slope (Australian Spec Option)	
30	3422709	2	Pin, Bottom Slider	
31	3422838	2	Pin, Bottom Pivot	
32	3422714	1	Pin, Cylinder	
33	3422839	4	Pin, Pivot <b>(Prior to SN 0200267351)</b>	

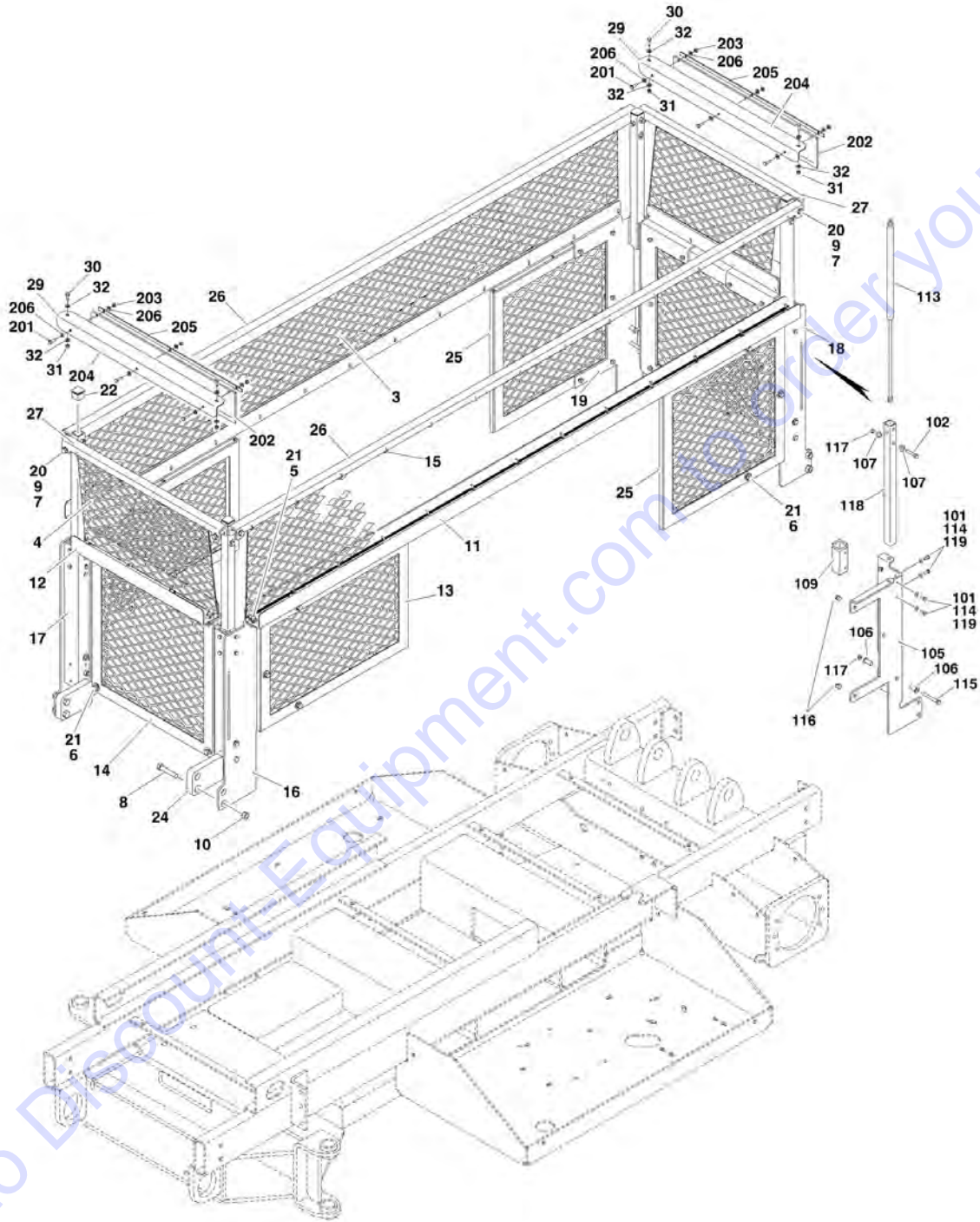
## SECTION 3 - SCISSORS ARMS

ITEM	PART NUMBER	QTY	DESCRIPTION	REV
33	1001222834	4	Pin, Pivot <b>(SN 0200267351 to Present)</b>	
34	3422815	1	Pin, Cylinder	
35	3422840	16	Pin, Pivot <b>(Prior to SN 0200267351)</b>	
35	1001222835	16	Pin, Pivot <b>(SN 0200267351 to Present)</b>	
37	3760387	AR	Ring, Snap	
38	3760419	4	Ring, Snap	
39	4240125	2	Strap, Nylon	
40	4240128	1	Strap, Safety Prop	
44	4711500	16	Flatwasher 5/16 (Narrow)	
45	4711600	24	Flatwasher 3/8 (Narrow)	
46	4740333	4	Washer	
47	4740438	AR	Washer	
48	4846024	1	Prop, Safety	
50	3020022	AR	Grease, White Lithium (Not Shown)	
51	4420037	AR	Tape, Insulation (Not Shown)	
52	4922428	1	Harness, Lift Down (Not Shown - See ELECTRICAL SECTION for Breakdown)	
53	4922915	1	Harness, Load Sense (Not Shown)	
60	1001211510	1	Ring, Spacer <b>(SN 0200256540 to Present)</b>	
100		Ref	Arm Kit Options (Not Shown):	
100	2902259	1	Arm Assembly (Includes Item 1-8)	
100		Ref	Arm Sub-Assembly Kits without Load Sensing (Includes Items 1-18, 20-27, 29, 30, 32-49, 51, 52, Arm Cables and Hoses)	
100	2902260	1	Standard Machine	
100	1001118679	1	Machine with Level at 6 Slope (Australian Spec Option)	
100		Ref	Arm Sub-Assembly Kit with Load Sensing (Includes Items 1-18, 20-27, 29, 30, 32-49, 51, 52, 53, Arm Cables and Hoses)	
100	1001110782	1	Standard Machine	
100	1001118681	1	Machine with Level at 6 Slope (Australian Spec Option)	



# SECTION 3 - SCISSORS ARMS

## FIGURE 3-2. ARM GUARDS INSTALLATION





## SECTION 3 - SCISSORS ARMS

### FIGURE 3-2. ARM GUARDS INSTALLATION

ITEM	PART NUMBER	QTY	DESCRIPTION	REV
	0259818	Ref	<b>ARM GUARD INSTALLATIONS</b>	H
3	0480116	2	Guard, Wire Mesh ( <b>Prior to SN 0200113133</b> )	
4	0480117	2	Guard, Wire Mesh ( <b>Prior to SN 0200113133</b> )	
5	0641607	8	Bolt 3/8in-16NC x 7/8in ( <b>Prior to SN 0200113133</b> )	
6	0641612	20	Bolt 3/8in-16NC x 1 1/2in	
7	0641624	8	Bolt 3/8in-16NC x 3in ( <b>Prior to SN 0200113133</b> )	
8	0641826	8	Bolt 1/2in-13NC x 3 1/4in	
9	3311605	16	Locknut 3/8in-16NC ( <b>Prior to SN 0200113133</b> )	
10	3311805	8	Locknut 1/2in-13NC	
11	3572472	2	Plate, Catch Tray ( <b>Prior to SN 0200113133</b> )	
12	3572473	2	Plate, Catch Tray ( <b>Prior to SN 0200113133</b> )	
13	4061016	2	Shield, Arm Guard	
14	4061018	2	Shield, Arm Guard	
15	4240033	68	Tie, Wire ( <b>Prior to SN 0200113133</b> )	
16	4340719	1	Arm Guard Support Assembly (Left Front - See 101 to 119 for Breakdown)	
17	4340720	1	Arm Guard Support Assembly (Right Front - See 101 to 119 for Breakdown)	
18	4340721	1	Arm Guard Support Assembly (Left Rear - See 101 to 119 for Breakdown)	
19	4340722	1	Arm Guard Support Assembly (Right Rear - See 101 to 119 for Breakdown)	
20	4711600	16	Flatwasher 3/8in (Thin) ( <b>Prior to SN 0200113133</b> )	
21	4751600	20	Flatwasher 3/8in (Regular)	
22	3520072	8	Plug ( <b>Prior to SN 0200113133</b> )	
24	0561414	4	Bock, Spacer	
25	4061017	2	Shield, Arm Guards	
26	4568109	2	Tube, Belt Mount ( <b>Prior to SN 0200113133</b> )	
27	4568110	2	Tube, Belt Mount ( <b>Prior to SN 0200113133</b> )	
29	0240059	2	Attach, Arm Guard (See Items 201 - 206 for breakdown)	
30	0641407	4	Bolt 1/4in-20NC x 7/8in ( <b>SN 0200113133 to Present</b> )	
31	3311405	4	Locknut 1/4in-20NC ( <b>SN 0200113133 to Present</b> )	
32	4711400	8	Flatwasher 1/4 ( <b>SN 0200113133 to Present</b> )	
	2902216	1	Kit - Arm Guard Options:	
		Ref	Kit - Arm Guard (Includes Items: 3, 4, 11 thru 19 & 25 thru 27) ( <b>Prior to SN 0200113133</b> )	
		Ref	Kit - Arm Guard (Includes Items: 13, 14, 16 thru 19 & 29) ( <b>SN 0200113133 to Present</b> )	
		Ref	<b>ARM GUARD SUPPORT ASSEMBLY OPTIONS:</b>	
	4340719	Ref	<b>Left Front Support</b>	E
	4340720	Ref	<b>Right Front Support</b>	E
	4340721	Ref	<b>Left Rear Support</b>	E
	4340722	Ref	<b>Right Rear Support</b>	E
101	0641405	4	Bolt 1/4in-20NC x 5/8in ( <b>Prior to SN 0200113133</b> )	
102	0641514	1	Bolt 5/16in-18NC x 1 3/4in ( <b>Prior to SN 0200113133</b> )	
105		Ref	Arm Guard Support Bracket Options:	
105	0902676	1	Left Front Support	
105	0902677	1	Right Front Support	
105	0902678	1	Left Rear Support	
105	0902679	1	Right Rear Support	
106	0962332	2	Bushing, Arm Guard ( <b>Prior to SN 0200113133</b> )	

## SECTION 3 - SCISSORS ARMS

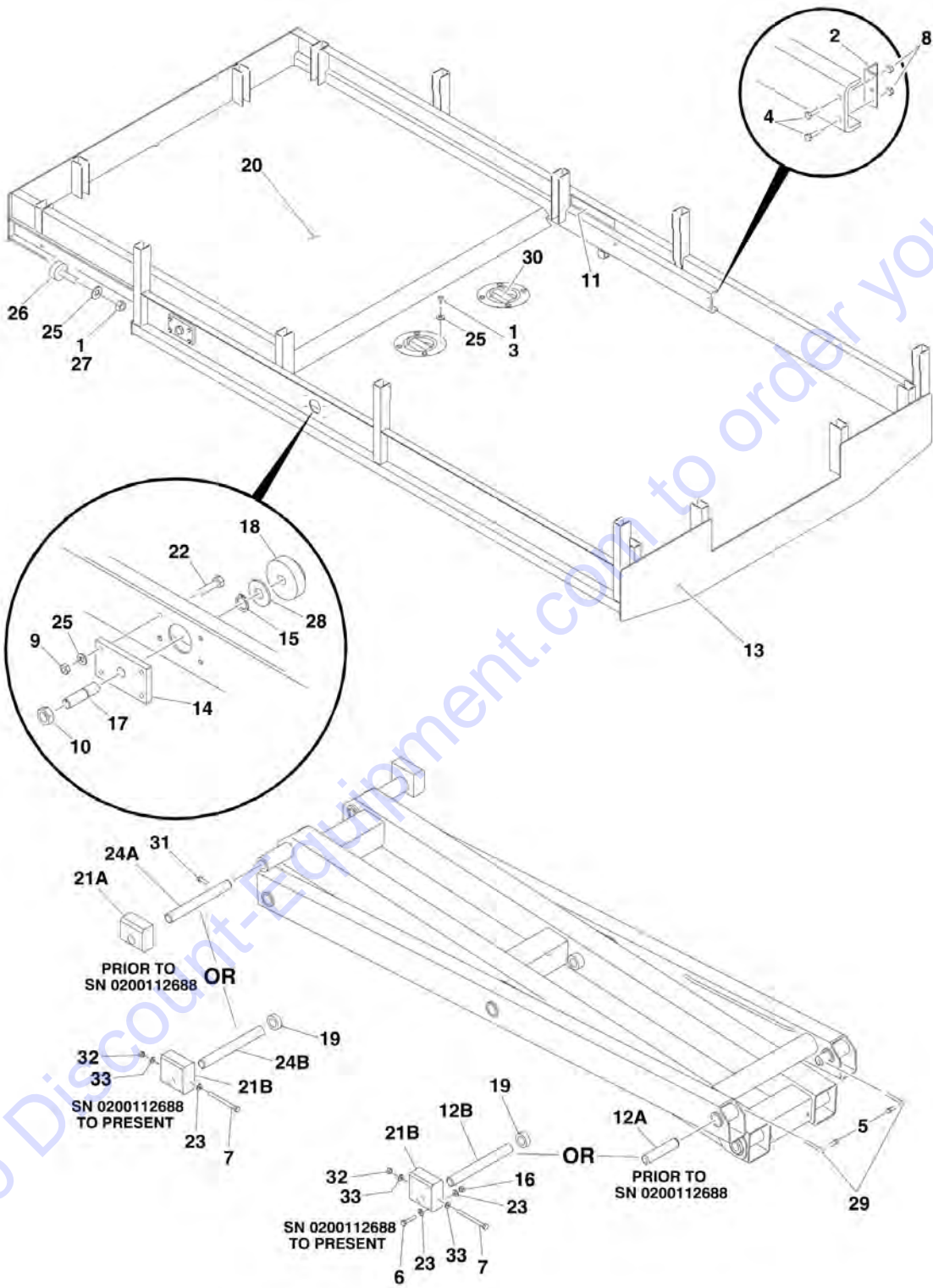
ITEM	PART NUMBER	QTY	DESCRIPTION	REV
107	0962333	2	Bushing, Arm Guard (Prior to SN 0200113133)	
109	3340902	2	Pad, Wear (Prior to SN 0200113133)	
113	4160136	1	Spring, Gas (Prior to SN 0200113133)	
114	4711400	4	Flat Washer 1/4in (Thin) (Prior to SN 0200113133)	
115	0641524	1	Bolt 5/16in-18NC x 3in (Prior to SN 0200113133)	
116	2080056	5	Fastener, Insert	
117	3311505	2	Locknut 5/16in-18NC (Prior to SN 0200113133)	
118	4568099	1	Tube, Arm Guards (Prior to SN 0200113133)	
119	0100011	AR	Compound, Locking (Prior to SN 0200113133)	
	0240059	Ref	<b>ATTACH, ARM GUARD</b>	C
201	0641407	3	Bolt 1/4in-20NC x 7/8in	
202		Ref	Mould, Rubber Arm Guard Options:	
202	3180013	1	Mould, Rubber Arm Guard (Prior to SN 0200126193)	
202	3180015	1	Mould, Rubber Arm Guard (SN 0200126193 to Present)	
203	3311405	3	Locknut 1/4in-20NC	
204	3574649	1	Plate, Support	
205	3574650	1	Bar, Backing	
206	4711400	6	Flatwasher 1/4in	

**SECTION 4 - PLATFORM**

Go to Discount-Equipment.com to order your parts

# SECTION 4 - PLATFORM

## FIGURE 4-1. PLATFORM COMPONENTS INSTALLATION



Go to Discount-Equipment.com to order your parts

## SECTION 4 - PLATFORM

**FIGURE 4-1. PLATFORM COMPONENTS INSTALLATION**

ITEM	PART NUMBER	QTY	DESCRIPTION	REV
		Ref	<b>PLATFORM AND EXTENSION INSTALLATIONS</b>	
		Ref	<b>Machines Built: (Prior to SN 0200112688)</b>	
	0259616	Ref	<b>Platform and Extension</b>	F
	0259820	Ref	<b>Platform and Extension with D-Rings</b>	C
		Ref	<b>Machines Built: (SN 0200112688 to Present)</b>	
	0273066	Ref	<b>Australian Spec Platform and Extension</b>	C
	0273068	Ref	<b>Australian Spec Platform and Extension with D-Rings</b>	C
	See Note	Ref	<b>Platform and Extension for Machines with Load Sensing (Note: For machines refer to JLG Supplement p/n 3124288)</b>	
1	0100011	AR	Compound, Locking	
2	0182035	2	Angle, Extension Stop	
3	0630476	8	Screw, Button Head	
4	0681508	4	Bolt 5/16in-18NC x 1in	
5	0641608	2	Bolt 3/8in-16NC x 1in Only <b>(Prior to SN 0200112688)</b>	
6	0641622	8	Bolt 3/8in-16NC x 2-3/4in Only <b>(SN 0200112688 to Present)</b>	
7	0641636	4	Bolt 3/8in-16NC x 4-1/2in Only <b>(SN 0200112688 through 0200251812)</b>	
7	0701029	4	Bolt M10 x 120 <b>(SN 0200251813 to Present)</b>	
8	3271505	4	Locknut 5/16in-18NC	
9	3311505	16	Locknut 5/16in-18NC	
10	3322202	4	Jamnut (Right Hand)	
11	1703175	2	Decal, Lanyard (Platform with D-Rings Only)	
12		Ref	Pin, Slide Options (Rear):	
12A	3422777	2	All Specs <b>(Prior to SN 0200112688)</b>	
12B	3422962	2	Australian Spec <b>(SN 0200112688 through 0200251812)</b>	
12B	3423049	2	Australian Spec <b>(SN 0200251813 to Present)</b>	
12B	See Note	2	All Specs with Load Sensing (Note: See JLG Supplement 3124288) <b>(SN 0200112688 to Present)</b>	
13		Ref	Platform Weldment Options:	
13	3510730	1	Platform <b>(Prior to SN 0200112688)</b>	
13	3510791	1	Platform <b>(SN 0200112688 to Present)</b>	
13	3510767	1	Platform with D-Rings <b>(Prior to SN 0200112688)</b>	
13	3510797	1	Platform with D-Rings <b>(SN 0200112688 to Present)</b>	
14	3537619	4	Mount, Extension Roller	
15	3760348	4	Ring, Retaining	
16	3311605	12	Locknut 3/8in-16NC <b>(Prior to SN 0200251813)</b>	
16	3311605	8	Locknut 3/8in-16NC <b>(SN 0200251813 to Present)</b>	
17	3841233	4	Rod, Roller Mount	
18	3860059	4	Roller, Extension	
19	4568295	4	Spacer	
20	4846143	1	Extension Weldment	
21		Ref	Block, Slide Options:	
21A	0561332	2	Block, Slide <b>(Prior to SN 0200112688)</b>	
21B	0561474	4	Block, Slide <b>(SN 0200112688 to Present)</b>	
22	0641510	16	Bolt 5/16in-18NC x 1-1/4in	
23	4751600	24	Flatwasher 3/8in Regular <b>(Prior to SN 0200251813)</b>	
23	4751600	16	Flatwasher 3/8in Regular <b>(SN 0200251813 to Present)</b>	
24		Ref	Pin, Slide Options (Front):	
24A	3422655	2	Pin, Slide <b>(Prior to SN 0200112688)</b>	
24B	3422962	2	Australian Spec <b>(SN 0200112688 through 0200251812)</b>	

## SECTION 4 - PLATFORM

ITEM	PART NUMBER	QTY	DESCRIPTION	REV
24B	3423049	2	Australian Spec <b>(SN 0200251813 to Present)</b>	
24B	See Note	2	All Specs with Load Sensing (Note: See JLG Supplement 3124288) <b>(SN 0200112688 to Present)</b>	
25	4711500	26	Flatwasher 5/16in (Narrow)	
26	0940049	2	Stopper, Hood	
27	3311501	2	Nut 5/16in-18NC	
28	4752200	4	Flatwasher 3/4in Regular	
29	3841143	2	Keeper 3/8in Only <b>(Prior to SN 0200112688)</b>	
30	3760321	2	Ring, Swivel D-Ring (Platform with D-Rings Only)	
31	0681610	2	Bolt 3/8in-16NC x 1-1/4in Only <b>(Prior to SN 0200112688)</b>	
32	3291005	4	Locknut M10 <b>(SN 0200251813 to Present)</b>	
33	4812000	8	Washer M10 <b>(SN 0200251813 to Present)</b>	

Go to Discount-Equipment.com to order your parts



# PARTS FINDER

**Search Website  
by Part Number**



**Search Manual  
Library For Parts  
Manual & Lookup Part  
Numbers – Purchase  
or Request Quote**

**Can't Find Part or  
Manual? Request Help  
by Manufacturer,  
Model & Description**

Discount-Equipment.com is your online resource for quality parts & equipment.

Florida: **561-964-4949** Outside Florida TOLL FREE: **877-690-3101**

**Need parts?**

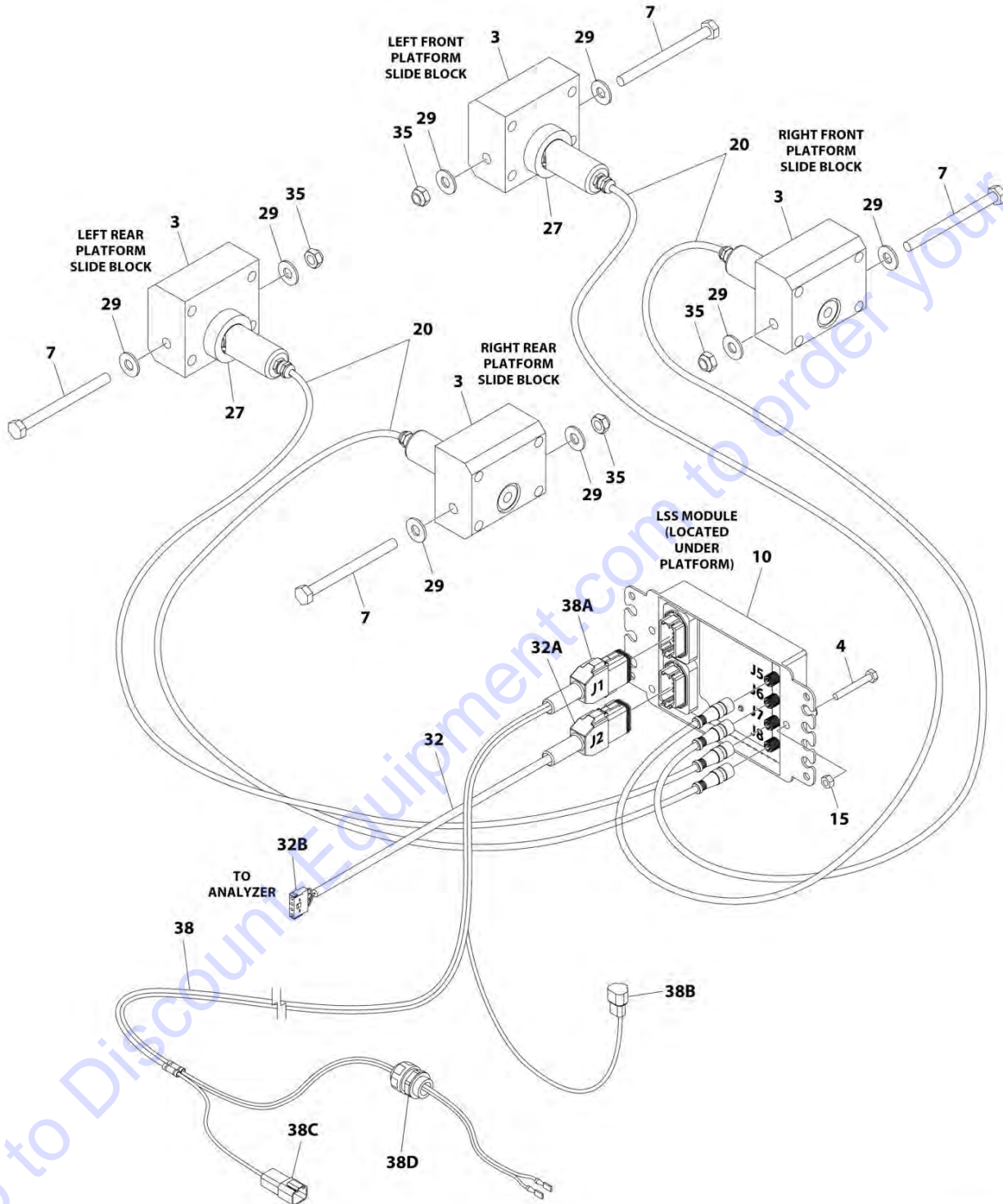
Click on this link: <http://www.discount-equipment.com/category/5443-parts/> and choose one of the options to help get the right parts and equipment you are looking for. Please have the machine model and serial number available in order to help us get you the correct parts. If you don't find the part on the website or on one of the online manuals, please fill out the request form and one of our experienced staff members will get back to you with a quote for the right part that your machine needs.

We sell worldwide for the brands: Genie, Terex, JLG, MultiQuip, Mikasa, Essick, Whiteman, Mayco, Toro Stone, Diamond Products, Generac Magnum, Airman, Haulotte, Barreto, Power Blanket, Nifty Lift, Atlas Copco, Chicago Pneumatic, Allmand, Miller Curber, Skyjack, Lull, Skytrak, Tsurumi, Husquvarna Target, Stow, Wacker, Sakai, Mi-T-M, Sullair, Basic, Dynapac, MBW, Weber, Bartell, Bennar Newman, Haulotte, Ditch Runner, Menegotti, Morrison, Contec, Buddy, Crown, Edco, Wyco, Bomag, Laymor, EZ Trench, Bil-Jax, F.S. Curtis, Gehl Pavers, Heli, Honda, ICS/PowerGrit, IHI, Partner, Imer, Clipper, MMD, Koshin, Rice, CH&E, General Equipment, Amida, Coleman, NAC, Gradall, Square Shooter, Kent, Stanley, Tamco, Toku, Hatz, Kohler, Robin, Wisconsin, Northrock, Oztec, Toker TK, Rol-Air, APT, Wylie, Ingersoll Rand / Doosan, Innovatech, Con X, Ammann, Mecalac, Makinex, Smith Surface Prep, Small Line, Wanco, Yanmar



# SECTION 4 - PLATFORM

## FIGURE 4-2. PLATFORM ATTACH INSTALLATION - WITH LSS



ART\_0272964

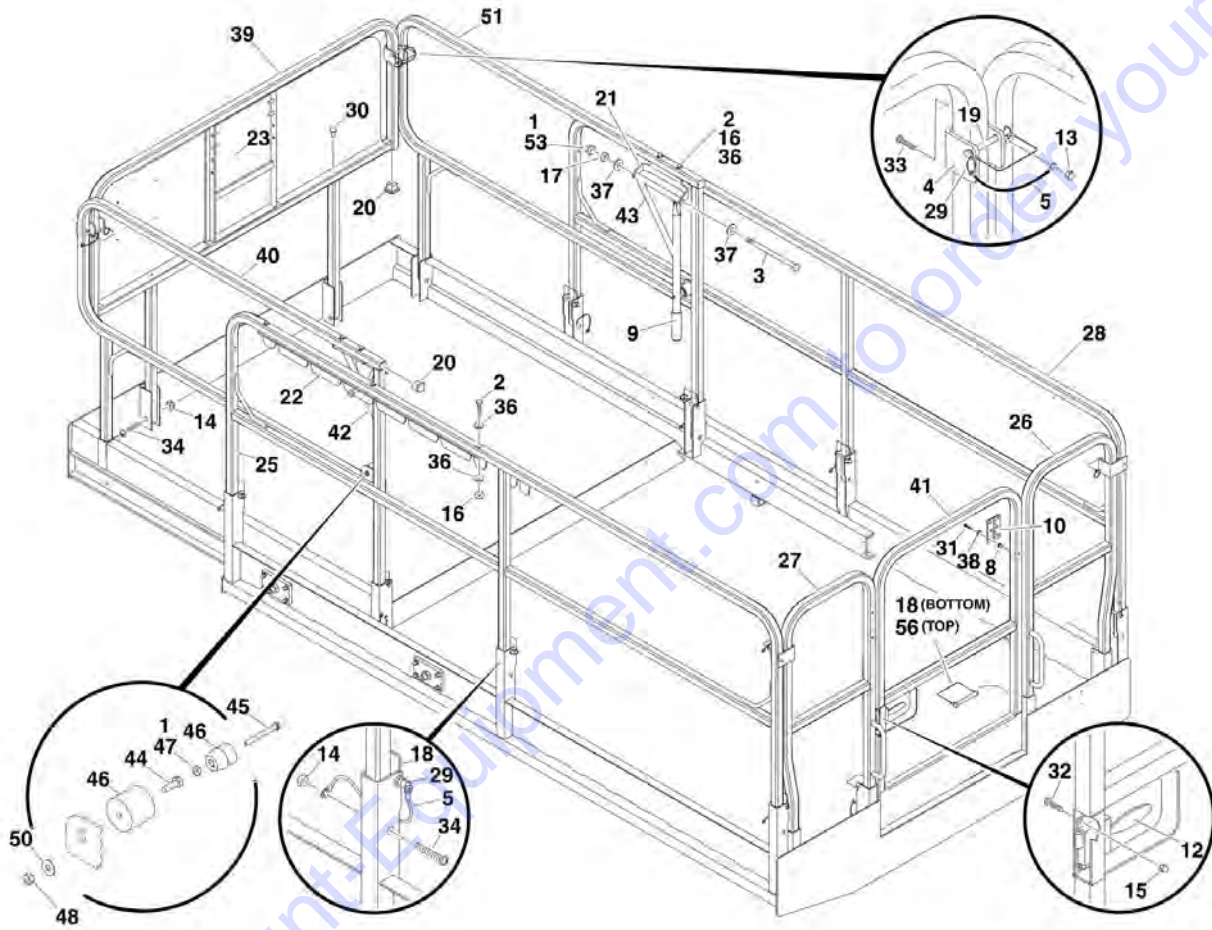
## SECTION 4 - PLATFORM

**FIGURE 4-2. PLATFORM ATTACH INSTALLATION - WITH LSS**

ITEM	PART NUMBER	QTY	DESCRIPTION	REV
		Ref	PLATFORM ATTACH INSTALLATION - WITH LSS	
	0272964	Ref	260MRT (Platform without D-Rings)	F
	0272965	Ref	260MRT (Platform with D-Rings)	E
3	0561474	4	Block, Slide	
4	0641415	3	Bolt 1/4 x 1-7/8	
7	0701029	4	Bolt M10 x 20	
10	1600387	1	Module, LSS (Note: Re-calibration Required when Replaced)	
15	3311405	3	Locknut 1/4in-28NF	
20	3422938	4	Pin, Load Management (Includes Harness)	
27	4568295	4	Tube, Bearing Spacer	
29	4751600	8	Flatwasher 3/8in Regular	
32	4922904	1	Module to Analyzer Harness	E
32A	4460836	1	Plug, Male - 12 Position	
32A	4460465	8	Socket, Female	
32A	4460466	4	Seal, Plug	
32A	0840055	1	Boot	
32B	4460761	1	Connector, Female - 4 Position	
32B	4460294	4	Pin, Male	
35	3291005	4	Locknut M10	
38	4922915	1	Main Load Sensing Harness (Platform with D-Rings)	A
38A	4460836	1	Plug, Male - 12 Position	
38A	4460465	4	Socket, Female	
38A	4460466	8	Seal, Plug	
38A	0840055	1	Boot	
38A	4460897	1	Connector, Female - 2 Position	
38B	4460464	2	Pin, Male	
38C	4460932	1	Connector, Female - 4 Position	
38C	4460464	4	Pin, Male	
38D	4460049	1	Connector, Strain Relief	

# SECTION 4 - PLATFORM

## FIGURE 4-3. HANDRAIL INSTALLATION (SWING GATE)



## SECTION 4 - PLATFORM

### FIGURE 4-3. HANDRAIL INSTALLATION (SWING GATE)

ITEM	PART NUMBER	QTY	DESCRIPTION	REV
	0259943	Ref	<b>HANDRAIL INSTALLATION (SWING GATE)</b>	O
1	0100011	AR	Compound, Locking	
2	0641516	7	Bolt 5/16in-18NC x 2in	
3	0641676	2	Bolt 3/8in-16NC x 9 1/2in	
4	0901870	4	Bracket	
5	1060808	9	Cable, Lanyard	
8	2080069	12	Fastener #10-32NF	
9	2560088	2	Handle	
10	2600253	2	Hinge	
12	2940074	1	Latch	
13		Ref	Hardware Options:	
13	3300151	4	Nut, Acorn 1/4in-20NC <b>(Prior to SN 0200113155)</b>	
13	2080063	4	Fastener, Nylon Lock 1/4in-20NC <b>(SN 0200113155 to Present)</b>	
14		Ref	Hardware Options:	
14	3300356	16	Nut, Acorn 3/8in-16NC <b>(Prior to SN 0200113155)</b>	
14	2080064	16	Fastener, Nylon Lock 3/8in-16NC <b>(SN 0200113155 to Present)</b>	
15	3300432	4	Nut, Acorn #10-24NC	
16	3311505	7	Locknut 5/16in-18NC	
17	3311605	2	Locknut 3/8in-16NC <b>(Prior to SN 0200163223)</b>	
18	3421565	4	Pin, Snapper	
19	3422219	4	Pin, Snapper	
20	3520072	4	Cap, Plug	
21	3537609	2	Plate, Pivot	
22	3571829	1	Plate, Latch	
23	3571862	1	Plate, Placard	
25	3641342	1	Rail Weldment (Left Side)	
26	3641344	1	Rail Weldment (Right Side Entry)	
27	3641345	1	Rail Weldment (Left Side Entry)	
28	3641351	1	Rail Weldment (Right Side)	
29	3760170	9	Ring, Split	
30	3820020	4	Rivet, Pop	
31	3900267	12	Screw	
32	3911008	4	Screw	
33	3911428	4	Screw 1/4in-20NC x 1 3/4in	
34	3911532	16	Screw 5/16in-18NC x 2in	
36	4711500	14	Flatwasher 5/16in (Narrow)	
37	4711600	4	Flatwasher 3/8in (Narrow)	
38	4751000	12	Flatwasher #10 (Wide)	
39	4846120	1	Rail Weldment	
40	4846121	1	Rail Weldment (Left Side Extension)	
41	4846122	1	Gate, Self Closing	
42	4846181	1	Handle (Left Side)	
43	4846191	1	Handle (Right Hand)	
44	0641406	2	Bolt 1/4in-20NC x 3/4in	
45	0700619	2	Screw	
46	2940127	2	Latch, Rubber	
47	3290601	2	Nut 6mm	
48	3311405	2	Locknut 1/4in-28NF	
50	4751400	2	Flatwasher 1/4in (Wide)	
51	4846256	1	Rail Weldment (Right Side Extension)	



## SECTION 4 - PLATFORM

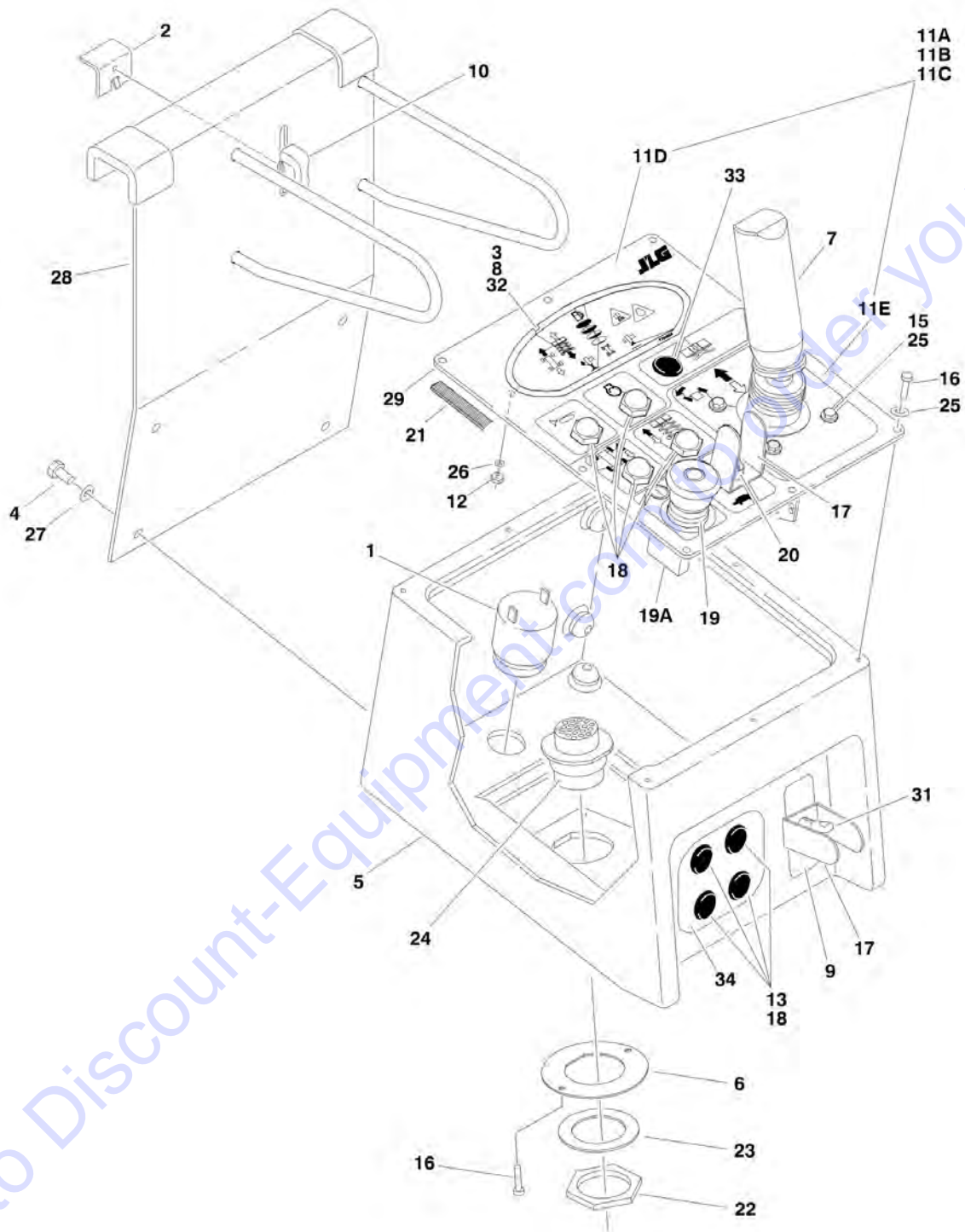
ITEM	PART NUMBER	QTY	DESCRIPTION	REV
52	0100048	AR	Grease, Dielectric (Not Shown) <b>(Prior to SN 0200163223)</b>	
53		Ref	Nut, Acorn 3/8in-16NC Options:	
53	3300420	2	Nut, Acorn 3/8in-16NC <b>(Prior to SN 0200163223)</b>	
53	3300467	2	Nut, Acorn 3/8in-16NC <b>(SN 0200163223 to Present)</b>	
55	4751600	2	Flatwasher 3/8 <b>(SN 0200163223 to Present)</b>	
56	1001097458	1	Pin, Snapper	
	2902039	1	Handrail Kit - (Includes Items - 25, 26, 27, 28, 39, 40, 41 & 51)	

Go to Discount-Equipment.com to order your parts



# SECTION 4 - PLATFORM

## FIGURE 4-4. CONSOLE BOX ASSEMBLY



## SECTION 4 - PLATFORM

### FIGURE 4-4. CONSOLE BOX ASSEMBLY

ITEM	PART NUMBER	QTY	DESCRIPTION	REV
		Ref	<b>CONSOLE BOX ASSEMBLY OPTIONS:</b>	
	0270198	Ref	<b>Diesel Machines without Leveling Jacks (Prior to SN 0200141689)</b>	J
	1810017	Ref	<b>Diesel Machines without Leveling Jacks (SN 0200141689 to Present)</b>	C
	0270451	Ref	<b>Diesel Machines with Leveling Jacks (Prior to SN 0200141689)</b>	E
	1810001	Ref	<b>Diesel Machines with Auto Level Leveling Jacks (SN 0200141689 to Present)</b>	C
1	0140011	1	Alarm	
2	0181847	1	Angle, Latch	
3	0610135	1	Board, P/C Display	
4	0641404	4	Bolt 1/4in-20NC x 1/2in	
5	0861357	1	Box, Console	
6	0902499	1	Bracket, D-Ring	
7		Ref	Drive/Steer Controller Assembly Options:	
7	1600308	1	Drive/Steer Controller Assembly (See DRIVE/STEER CONTROLLER ASSEMBLY for Breakdown) <b>(Prior to SN 0200142023)</b>	
7	1600403	1	Drive/Steer Controller Assembly (See DRIVE/STEER CONTROLLER ASSEMBLY for Breakdown) <b>(SN 0200142023 to Present)</b>	
8	See Note	1	Decal - Display Board was p/n 1704624 (Note: Use Item 11C. Decal will need trimmed to fit machines built Prior to SN 0200112399.) <b>(Prior to SN 0200120329)</b>	
9	1704589	1	Decal - Glow Plug	
10	2560141	1	Thumbscrew	
11		Ref	Nameplate Options:	
11	3252695	1	Nameplate <b>(Prior to SN 0200112399)</b>	
11	1705711	1	Nameplate (Shown) <b>(SN 0200112399 to Present)</b>	
11		Ref	Nameplate Options:	
11A	3252695	AR	Nameplate (1 Pc Decal) <b>(Prior to SN 0200112399)</b>	
11B	See Note	AR	Nameplate (1 Pc Decal) (Note: Use Qty (1) of Items 11D & 11E) <b>(SN 0200112399 through 0200120328)</b>	
11C		Ref	Nameplate Options (2 Pc Decal): <b>(SN 0200120329 to Present)</b>	
11D	1705947	1	Machines without Generator (Top Half)	
11E	1705948	1	Machines without Generator (Bottom Half)	
12	3310601	4	Nut #6-32NC	
13		Ref	Component Options:	
13	3520080	4	Machines without Leveling Jacks (Plug)	
13	4360387	4	Machines with Leveling Jacks (Push Button Switch)	
13	4360387	1	Machines with Auto Level Leveling Jacks (Push Button Switch)	
13	3520080	3	Machines with Auto Level Leveling Jacks (Plug)	
15	3900178	4	Screw, Plastite #10-32NC x 1/2in	
16	3900265	10	Screw, Self-Tapping #8-18 x 3/4in	
17	4060802	2	Guard, Switch	
18	4360387	Ref	Switch, Push Button Options:	
18	4360387	4	Leveling Jacks	
18	4360387	1	Auto Level Leveling Jacks	
19	4360475	1	Switch, Emergency Stop	
19	7020175	1	Ring, Sealing	
19A	7020176	1	Block, Contact	
20		Ref	Toggle Switch Options:	

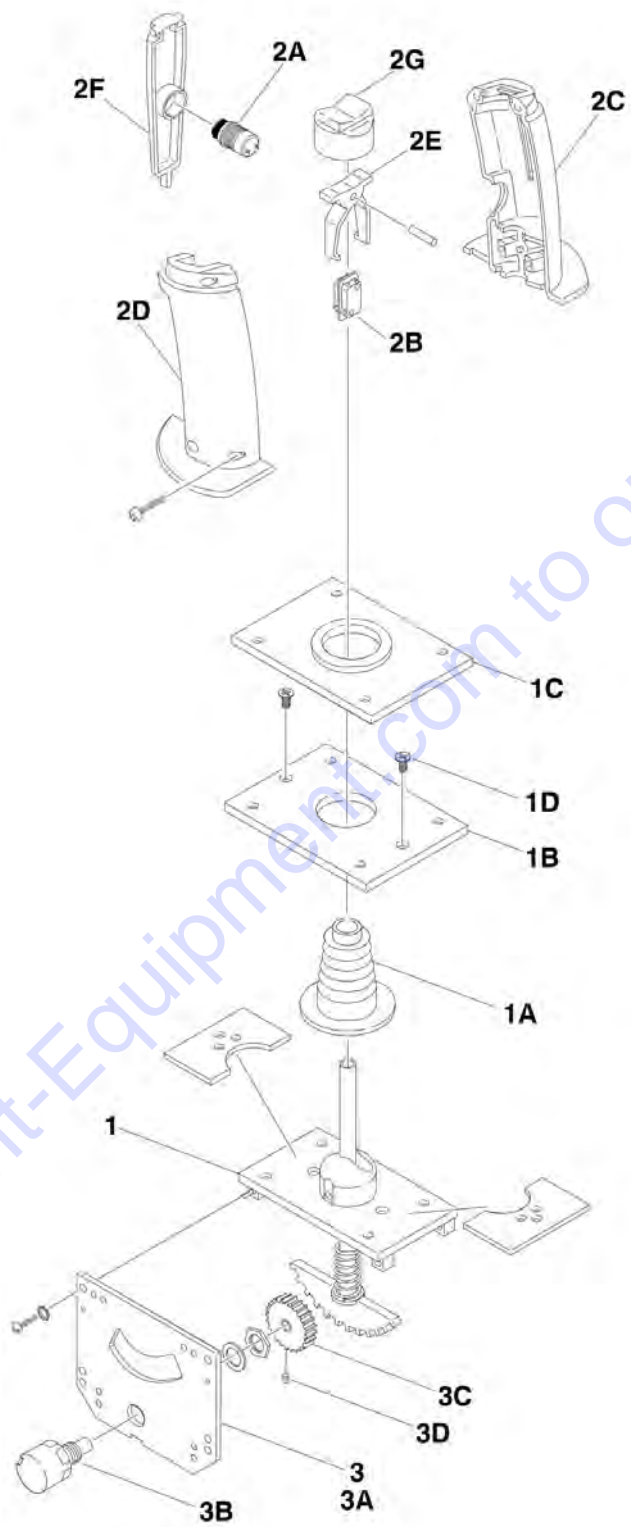
## SECTION 4 - PLATFORM

ITEM	PART NUMBER	QTY	DESCRIPTION	REV
20	4360482	1	Machines without Leveling Jacks	
20	4360482	1	Machines with Leveling Jacks	
20	4360482	1	Machines with Auto Level Leveling Jacks	
21	4420008	38 in/1m	Tape, Insulation	
22	4460470	1	Nut, Terminal	
23	4460471	1	Lockwasher, Terminal	
24	4460480	1	Connector, Terminal	
25	4740120	12	Washer, Nylon	
26	4760600	4	Lockwasher #6	
27	4791400	4	Starwasher 1/4in	
28	4845938	1	Bracket, Box Mounting	
29	4846249	1	Lid, Box	
30		Ref	Platform Console Box Harness Options (Not Shown - See ELECTRICAL SECTION for Breakdown):	
30	4922391	1	Diesel without Leveling Jacks	
30	4922437	1	Diesel with Leveling Jacks	
30	4922437	1	Diesel with Auto Level Leveling Jacks	
31	4360483	1	Switch, Toggle	
32	3340895	1	Pad, Spacer Only ( <b>Prior to SN 0200115598</b> )	
33		Ref	Components Options Only ( <b>SN 0200112399 to Present</b> )	
33	3520193	1	Plug	
33	2920026	1	Lamp, Indicator	
33	2920029	1	Bulb, Light	
34	1704574	1	Decal - Outrigger Select (Machines with Leveling Jacks)	
34	1704574	1	Decal - Outrigger Select (Machines with Auto Level Leveling Jacks)	



## SECTION 4 - PLATFORM

FIGURE 4-5. DRIVE/STEER CONTROLLER ASSEMBLY (Prior to SN 0200142023)





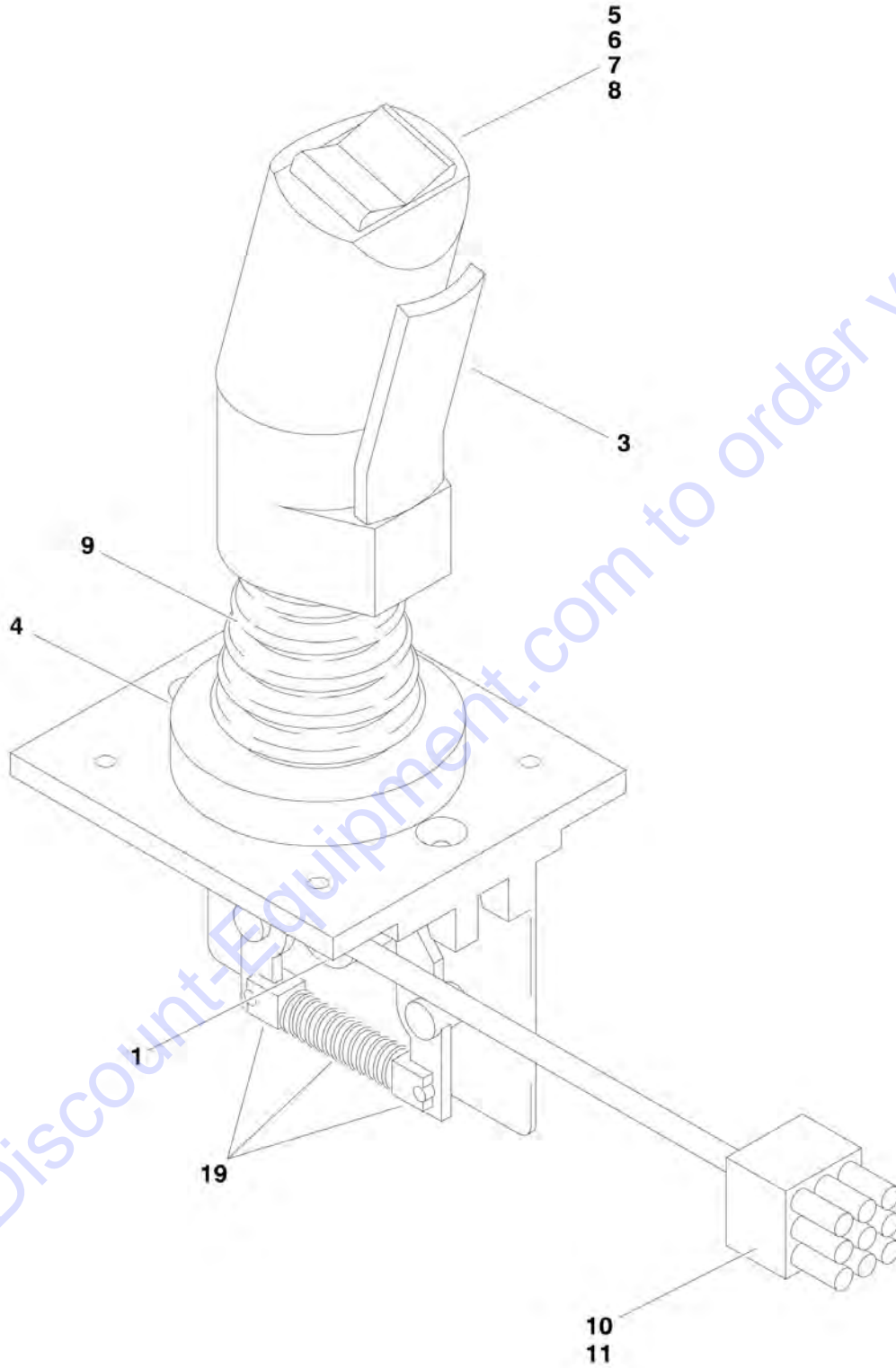
## SECTION 4 - PLATFORM

**FIGURE 4-5. DRIVE/STEER CONTROLLER ASSEMBLY (Prior to SN 0200142023)**

ITEM	PART NUMBER	QTY	DESCRIPTION	REV
	1600308	Ref	<b>CONTROLLER ASSEMBLY</b>	D
		Ref	<b>Note: If your machine was equipped with a 1600308 P/Q controller when ordering a replacement controller you must order a 1600308 P/Q controller. You can not replace the 1600308 P/Q controller with the 1600403 J.R Merritt controller.</b>	
	7020527	1	Mechanical Assembly	
1	7020503	1	Handle/Housing Assembly	
1A	7020520	1	Boot	
1B	7020504	1	Plate, Mounting	
1C	7020502	1	Gasket	
1D	7020528	1	Screw #10-24NC x 3/8in	
2	7020529	1	Grip Assembly	
2A	7020501	1	Push Button	
2A	7020530	1	Push Button w/Wires	
2B	7020500	1	Switch, Micro	
2C	7020531	NLA	Grip - Right Half (Use p/n 7020541)	
2D	7020532	NLA	Grip - Left Half (Use p/n 7020541)	
		Ref	Note: P/N 7020541 includes both Right Side and Left Side Handle Halves.	
2E	7003791	1	Actuator, Switch	
2F	7011997	1	Trigger	
2G	7003790	1	Cap, Rubber	
3	7020533	1	Electrical Assembly	
3	7020535	2	Resistor	
3A	7020509	1	Plate, Mounting - Potentiometer	
3B	7020534	1	Potentiometer	
3C	7011940	1	Gear, Pinion	
3D	7020511	1	Setscrew #6-32 x 1/8in	
	4460265	1	Plug, Male - 9 Pin (Not Shown)	
	4460268	8	Socket, Female (Not Shown)	
	4460266	1	Connector, Receptacle - 9 Pin (Not Shown - Part of Console Harness)	
	4460267	8	Pin, Male (Not Shown - Part of Console Harness)	

# SECTION 4 - PLATFORM

FIGURE 4-6. DRIVE/STEER CONTROLLER ASSEMBLY (SN 0200142023 to Present)



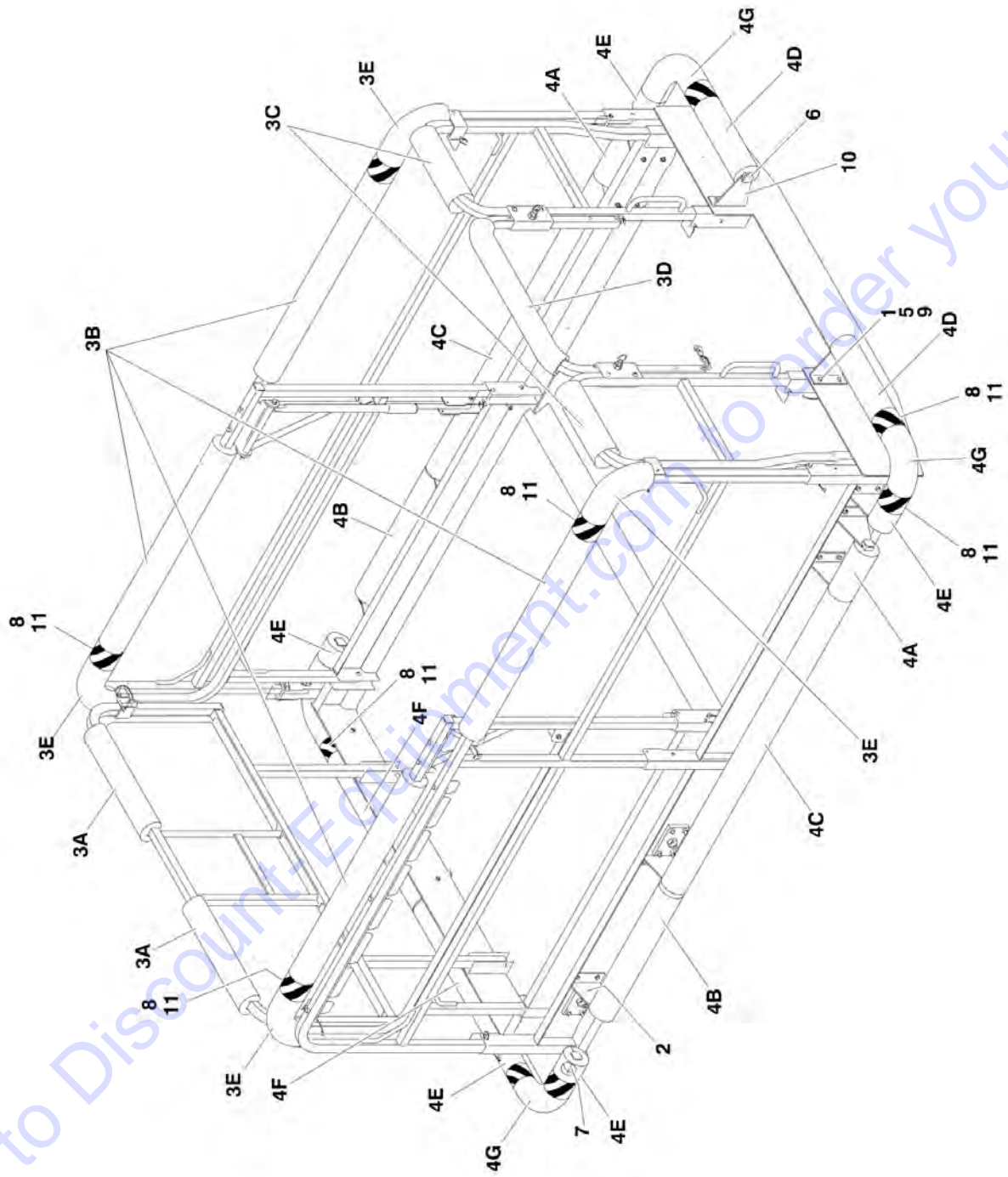
## SECTION 4 - PLATFORM

**FIGURE 4-6. DRIVE/STEER CONTROLLER ASSEMBLY (SN 0200142023 to Present)**

ITEM	PART NUMBER	QTY	DESCRIPTION	REV
	1600403	Ref	<b>CONTROLLER ASSEMBLY</b> <b>Note: If your machine was equipped with a 1600403 J.R. Merritt controller when ordering a replacement controller you must order a 1600403 J.R. Merritt controller. You can not replace the 1600403 J.R. Merritt controller with the 1600308 P/Q controller.</b>	H
		Ref		
1	70000081	1	Potentiometer	
2	7027367	1	Switch, Push Button (Not Shown - Located Behind #3)	
3	7027765	1	Lever, Enabler	
4	7027766	1	Ring, Retaining	
5	70000082	1	Microswitch	
6	70000083	1	Coupler, Microswitch	
7	70000084	1	Cap, Rubber	
8	7027365	1	Actuator, Switch	
9	70000085	1	Boot, Rubber	
10	4460265	1	Plug, Male - 9 Pin	
11	4460226	8	Socket, Female	
12	70000685	AR	Washer, Plastic (Not Shown)	
13	70000684	AR	Screw, Handle (Not Shown)	
14	See Note	AR	Nut, Handle (Not Shown) (Note: Use p/n 1600403)	
15	70000683	AR	Washer, Neoprene (Not Shown)	
16	70000686	AR	Screw, Handle (Not Shown)	
17	4460266	1	Connector, Receptacle - 9 Pin (Not Shown - Part of Console Harness)	
18	4460267	8	Pin, Male (Not Shown - Part of Console Harness)	
19	70004194	1	Return Spring Kit	
	70003650	1	Handle Repair Kit (Includes handle gasket, push button, lever, front handle half, back handle half, top actuator, boot and hardware.	

# SECTION 4 - PLATFORM

FIGURE 4-7. PLATFORM RAIL PADDING/DECK BUMPERS INSTALLATION



## SECTION 4 - PLATFORM

**FIGURE 4-7. PLATFORM RAIL PADDING/DECK BUMPERS INSTALLATION**

ITEM	PART NUMBER	QTY	DESCRIPTION	REV
	0275049	Ref	<b>RAIL PADDING AND DECK BUMPERS INSTALLATION</b>	D
1	0641406	30	Bolt 1/4in-20NC x 3/4in	
2	0903421	2	Weldment, Deck Side Bumper	
3	0940178	1	Kit Rail Bumper Pad	C
3A	0940149	2	Bumper Pad (2 x 17.25in/44cm)	
3B	0940094	4	Bumper Pad (4 x 38in/96.5cm)	
3C	0940094	2	Bumper Pad (2 x 12in/30cm)	
3D	0940094	1	Bumper Pad (1 x 19in/48cm)	
3E	0940092	4	Bumper Pad Corner 90	
4	0940180	1	Kit Deck Bumper Pad	B
4A	0940094	2	Bumper Pad (7.810in/19.8cm)	
4B	0940094	2	Bumper Pad (21.688in/55.1cm)	
4C	0940094	2	Bumper Pad (51.5in/130.8cm)	
4D	0940094	2	Bumper Pad (14.5in/36.8cm)	
4E	0940094	6	Bumper Pad (3in/7.6cm)	
4F	0940094	2	Bumper Pad (26in/66cm)	
4G	0940092	4	Bumper Pad Corner 90	
5	3311405	30	Locknut 1/4in-20NC	
6	3520072	10	Plug, Cap	
7	4341135	1	Weldment, Extension Bumper	
8	4420068	AR	Tape, Safety <b>(Prior to SN 0200267975)</b>	
9	4711400	60	Flatwasher 1/4in (Narrow)	
10	4846271	2	Weldment, Rear Deck Corner Bumper	
11	1001197017	AR	Strap, Cable Tie <b>(SN 0200267975 to Present)</b>	



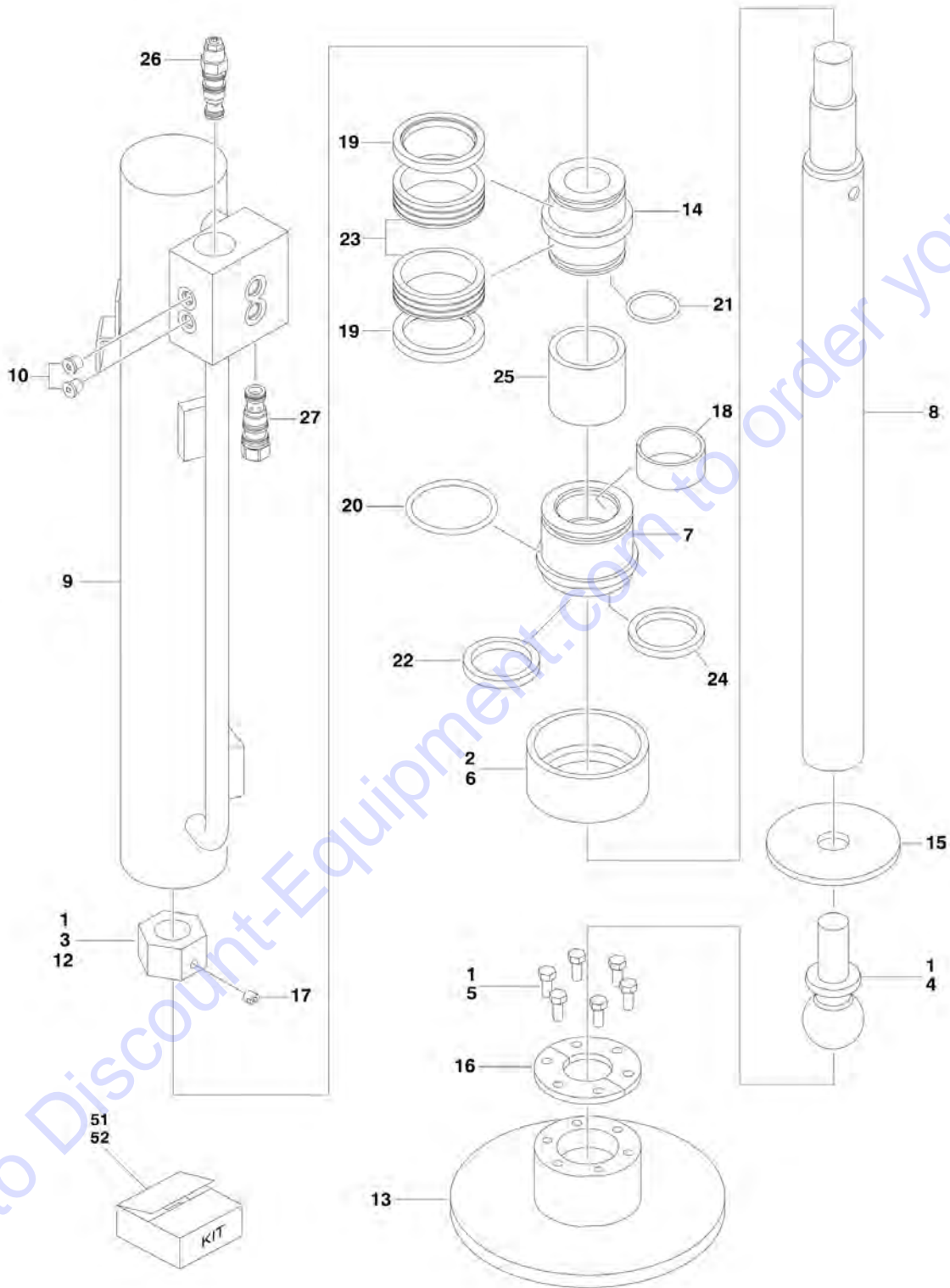
**SECTION 5 - CYLINDER**

Go to [Discount-Equipment.com](http://Discount-Equipment.com) to order your parts



# SECTION 5 - CYLINDER

FIGURE 5-1. LEVELING JACKS CYLINDER ASSEMBLY (Prior to SN 0200105371)



Go to Discount-Equipment.com to order your parts

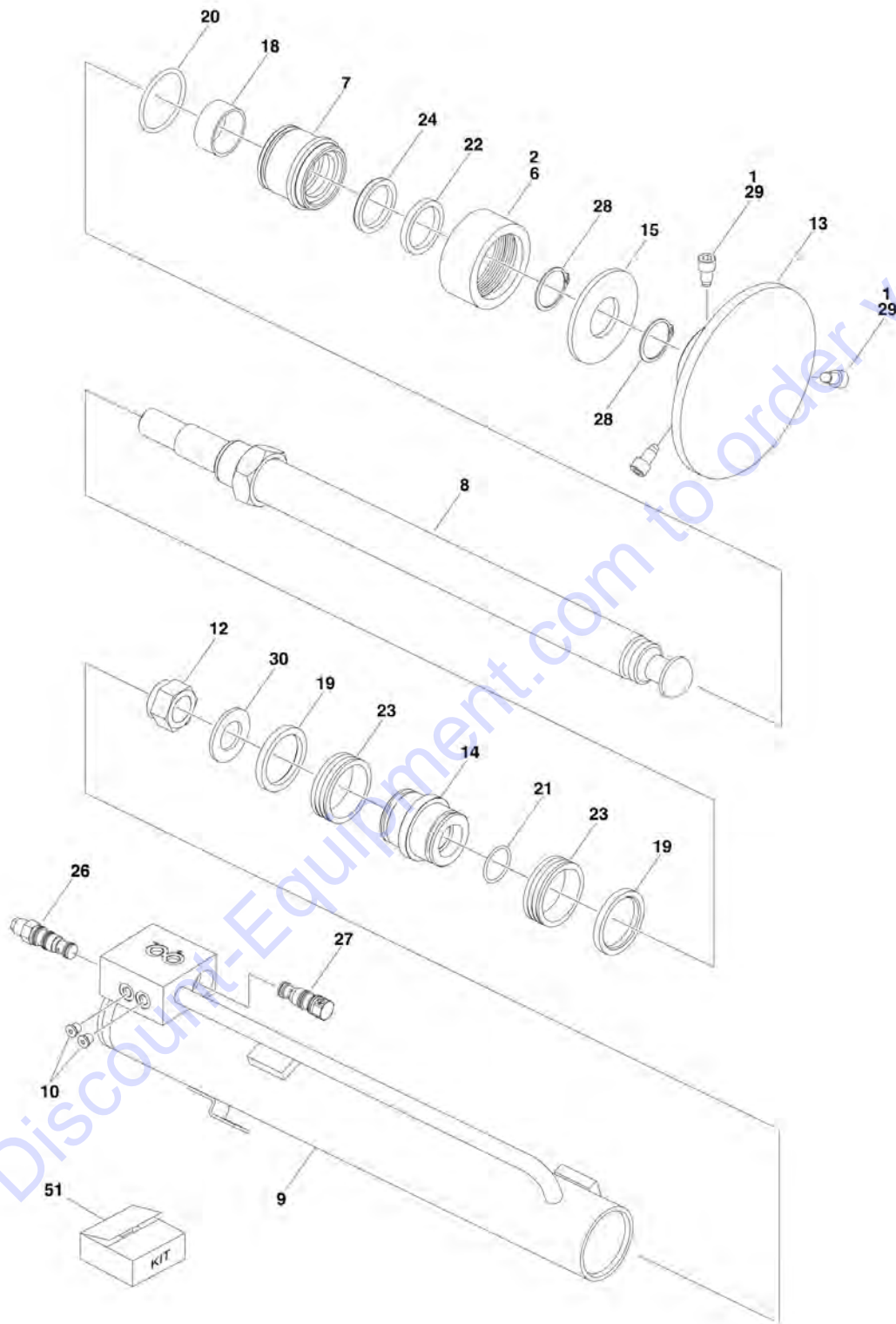
## SECTION 5 - CYLINDER

**FIGURE 5-1. LEVELING JACKS CYLINDER ASSEMBLY (Prior to SN 0200105371)**

ITEM	PART NUMBER	QTY	DESCRIPTION	REV
		Ref	<b>Note: Original Equipment Cylinder may have been replaced with Service Replacement p/n 1684217 - See LEVELING JACKS CYLINDER ASSEMBLY. Identify p/n stamped on cylinder before ordering parts.</b>	
	1683966	Ref	<b>LEVELING JACK CYLINDER ASSEMBLY (Prior to SN 0200105371)</b>	G
1	0100011	AR	Compound, Locking	
2	0100035	AR	Compound, Locking	
3	0100038	AR	Primer, Locking	
4	0320015	1	Ball, Trailer	
5		Ref	Bolt Options:	
5	0681506	6	Bolt 5/16in-18NC x 3/4in Grade 8 <b>(Prior to SN 0200091549)</b>	
5	0681606	6	Bolt 3/8in-16NC x 3/4in Grade 8 <b>(SN 0200091549 through 0200105371)</b>	
6	1120108	1	Cap	
7	1681283	1	Head	
8	1682723	1	Rod	
9	1683967	1	Barrel	
10	2220883	2	Plug	
12	3300281	1	Nut	
13		Ref	Pad, Jack Options:	
13	3340650	NLA	Pad, Jack (Use p/n 2902023) <b>(Prior to SN 0200091549)</b>	
13	3340904	NLA	Pad, Jack (Use p/n 2902023) <b>(SN 0200091549 through 0200105371)</b>	
14	3480092	1	Piston	
15	3536708	1	Plate	
16		Ref	Ring, Retainer Options:	
16	3760261	1	Ring, Retainer <b>(Prior to SN 0200091549)</b>	
16	3760453	1	Ring, Retainer <b>(SN 0200091549 through 0200105371)</b>	
17	3900170	1	Screw, Locking	
18	See Note	1	Ring, Wear (Note: Use Item 51)	
19	See Note	2	Guidelock (Note: Use Item 51)	
20	See Note	1	O-Ring (Note: Use Item 51)	
21	See Note	1	O-Ring (Note: Use Item 51)	
22	See Note	1	Seal, Wiper (Note: Use Item 51)	
23	See Note	2	Polyseal (Note: Use Item 51)	
24	See Note	1	Hydrolock (Note: Use Item 51)	
25	4565647	1	Tube, Spacer	
26	4640495	1	Valve, Counter Balance	
26	2900770	1	Seal Kit - 4640495 Valve	
27	4641156	1	Valve, Check	
27	2900770	1	Seal Kit - 4641156 Valve	
28	4713000	1	Flatwasher 1-1/4in Narrow	
51	2901941	1	Seal Kit - 1683966 Cylinders (Includes Items 18-24)	
52	2902023	1	Pad Replacement Kit - 1683966 Cylinder Only (Includes Items 5,13 & 16)	

# SECTION 5 - CYLINDER

FIGURE 5-2. LEVELING JACKS CYLINDER ASSEMBLY (SN 0200105371 through 0200141689)



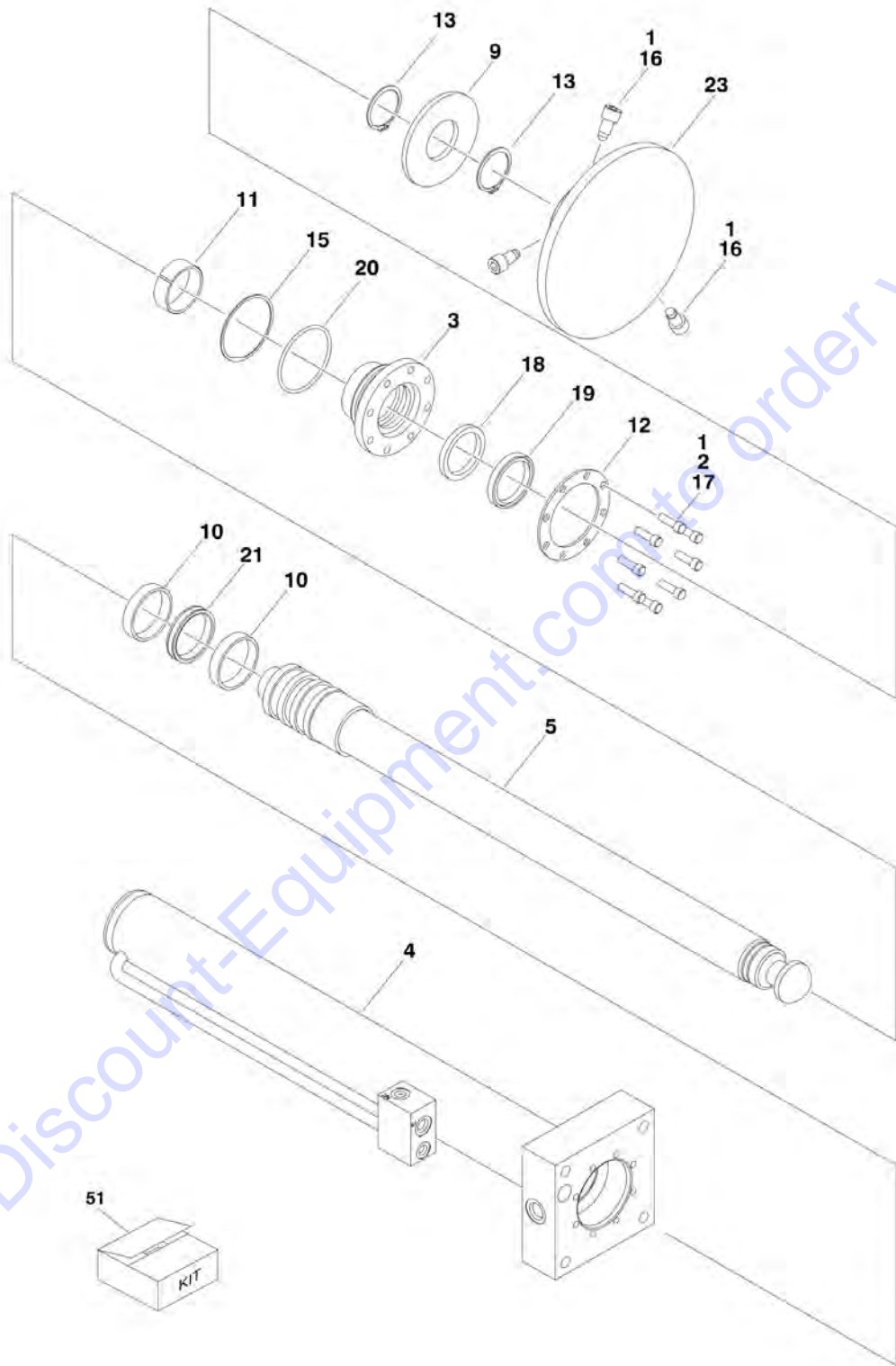
## SECTION 5 - CYLINDER

**FIGURE 5-2. LEVELING JACKS CYLINDER ASSEMBLY (SN 0200105371 through 0200141689)**

ITEM	PART NUMBER	QTY	DESCRIPTION	REV
	1684217	Ref	<b>LEVELING JACK CYLINDER ASSEMBLY (SN 0200104829 through 0200141689)</b>	
1	0100011	AR	Compound, Locking	
2	0100035	AR	Compound, Locking	
6	1120108	1	Cap	
7	1681283	1	Head	
8	1684206	1	Rod	
9	1683967	1	Barrel	
10	2220883	2	Plug	
12	3300465	1	Nut	
13	4846584	1	Pad, Jack	
14	3480092	1	Piston	
15	3573513	1	Plate	
18	See Note	1	Ring, Wear (Note: Use Item 51)	
19	See Note	2	Guidelock (Note: Use Item 51)	
20	See Note	1	O-Ring (Note: Use Item 51)	
21	See Note	1	O-Ring (Note: Use Item 51)	
22	See Note	1	Seal, Wiper (Note: Use Item 51)	
23	See Note	2	Polyseal (Note: Use Item 51)	
24	See Note	1	Hydrolock (Note: Use Item 51)	
26	4640495	1	Valve, Counter Balance	
26	2900770	1	Seal Kit - 4640495 Valve	
27	4641156	1	Valve, Check	
27	2900770	1	Seal Kit - 4641156 Valve	
28	3760460	2	Ring, Retaining	
29	3900321	3	Screw 1/2in-13NC x 1 1/4in	
30	4713000	1	Flatwasher 1 1/4in Narrow	
51	2901941	1	Seal Kit - 1684217 Cylinders (Includes Items 18-24)	

## SECTION 5 - CYLINDER

FIGURE 5-3. LEVELING JACKS CYLINDER ASSEMBLY (AUTO LEVEL) (AUSTRALIAN SPEC AND CE SPEC 0200141689 TO PRESENT) (SN 0200128985 to Present)



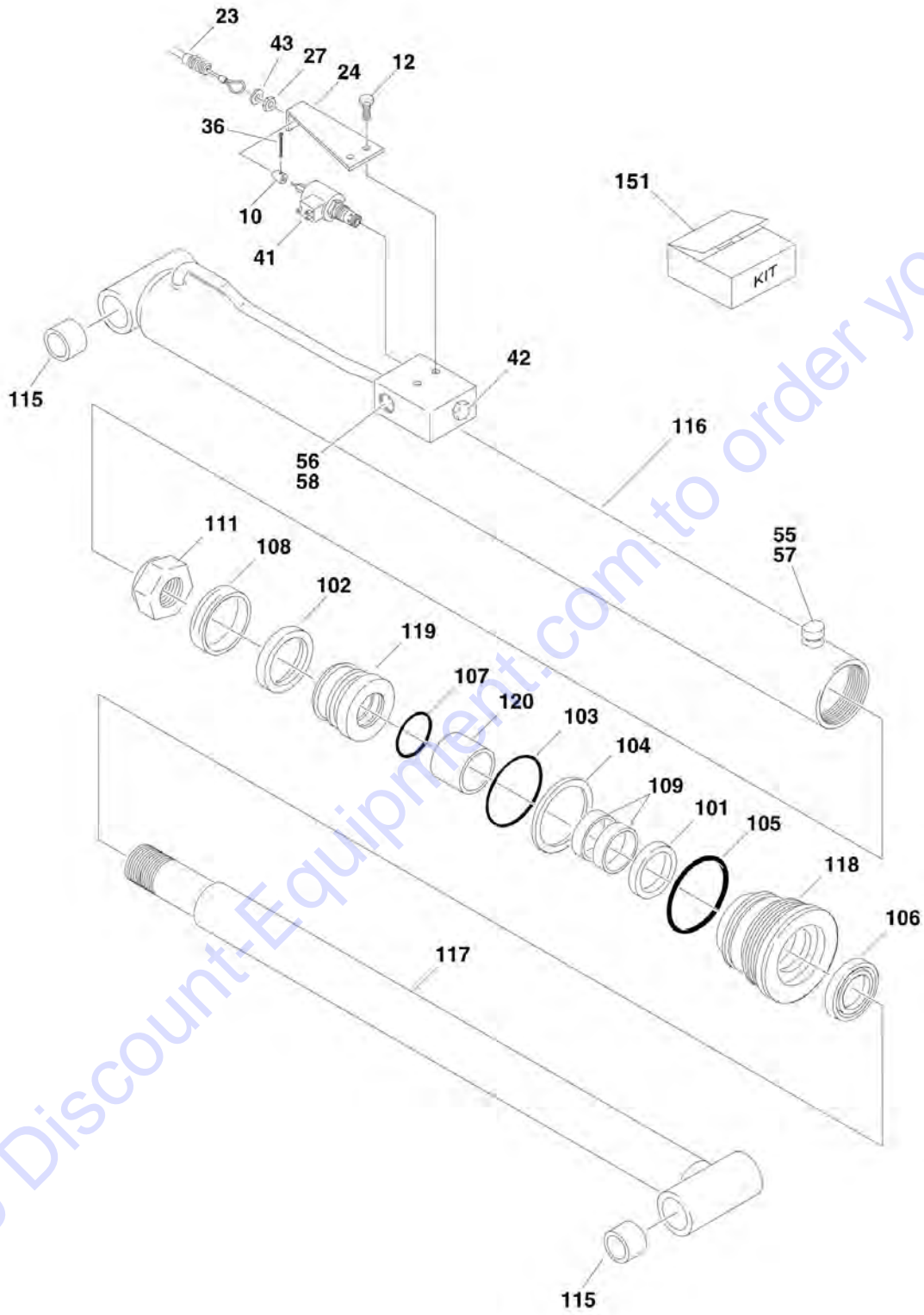
## SECTION 5 - CYLINDER

**FIGURE 5-3. LEVELING JACKS CYLINDER ASSEMBLY (AUTO LEVEL) (AUSTRALIAN SPEC AND CE SPEC 0200141689 TO PRESENT) (SN 0200128985 to Present)**

ITEM	PART NUMBER	QTY	DESCRIPTION	REV
	1684220	Ref	<b>LEVELING JACK CYLINDER ASSEMBLY (AUTO LEVEL)</b>	F
1	0100011	AR	Compound, Locking	
2	0100038	AR	Primer, Locking	
3	1683054	1	Head	
4	1684221	1	Barrel	
5	1684223	1	Rod	
9	3573513	1	Plate	
10	See Note	2	Ring, Wear (Note: Use Item 51)	
11	See Note	1	Ring, Wear (Note: Use Item 51)	
12	3760368	1	Ring, Washer	
13	3760460	2	Ring, Retaining	
15	See Note	1	O-Ring (Note: Use Item 51)	
16	3900321	3	Screw 1/2in-13NC x 1 1/4in	
17	3931516	8	Screw 5/16in-18NC x 1in	
18	See Note	1	Polyseal (Note: Use Item 51)	
19	See Note	1	Seal, Wiper (Note: Use Item 51)	
20	3960200	1	Ring, Back-up	
21	3960483	1	Seal	
23	4846584	1	Pad, Jack	
51	2902182	1	Seal Kit - 1684217 Cylinders (Includes Items 10, 11, 15, 18 - 21)	

# SECTION 5 - CYLINDER

## FIGURE 5-4. LIFT CYLINDER COMPONENTS ASSEMBLY



Go to Discount-Equipment.com to order your parts



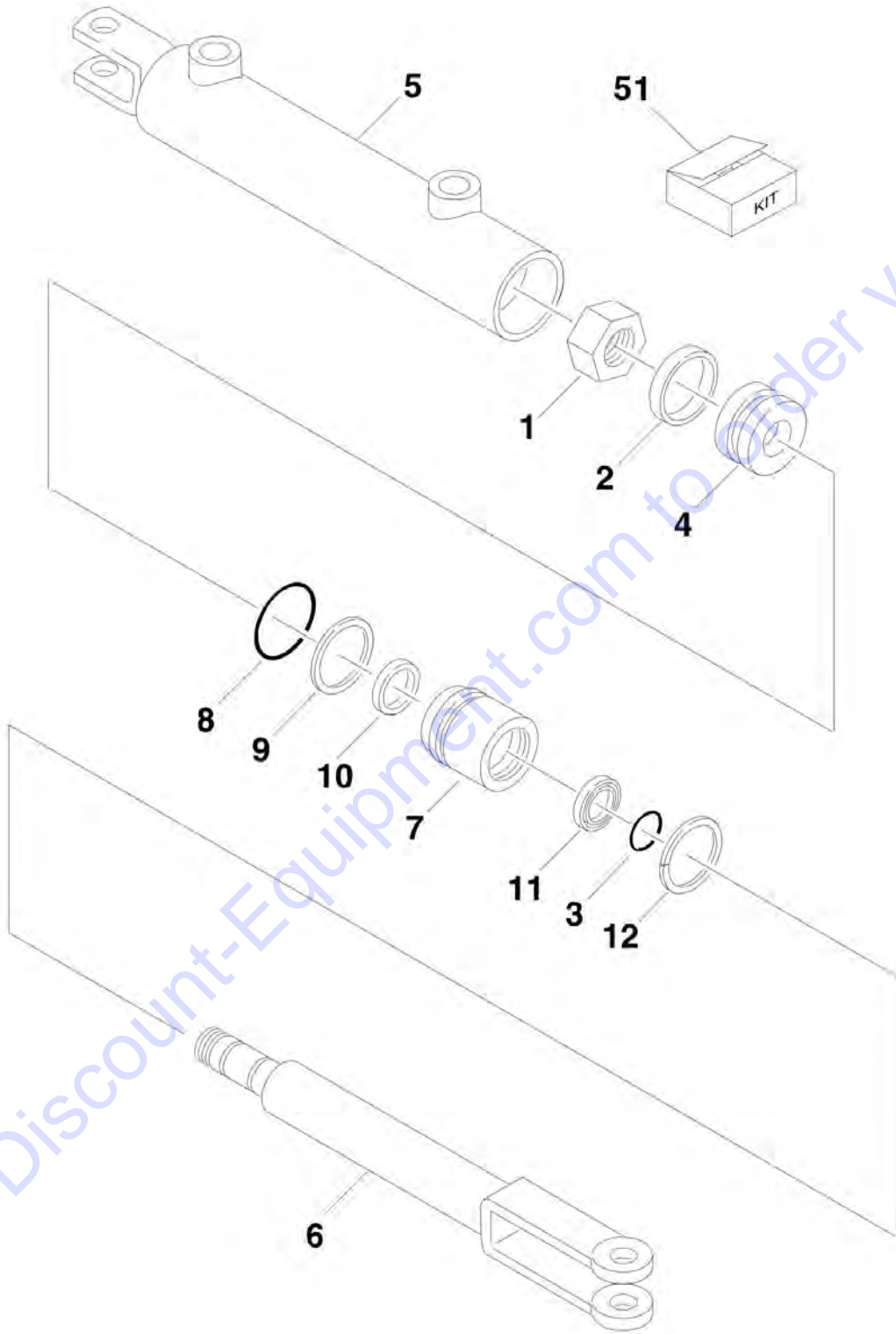
## SECTION 5 - CYLINDER

**FIGURE 5-4. LIFT CYLINDER COMPONENTS ASSEMBLY**

ITEM	PART NUMBER	QTY	DESCRIPTION	REV
		Ref	<b>LIFT CYLINDER SUB-ASSEMBLY</b>	
	0259865	Ref	<b>Prior to SN 0200112688 (Without LSS Harness)</b>	J
	0273069	Ref	<b>SN 0200112688 to Present (Without LSS Harness)</b>	D
	1001110710	Ref	<b>SN 0200193881 to Present (With LSS Harness)</b>	C
10	0080228	1	Adaptor, Cable	
12	0641506	2	Bolt 5/16in-18NC x 3/4in	
23	1060818	1	Cable, Manual Descent	
24	0902421	1	Bracket, Cable Mounting	
27	3321402	2	Jamnut 1/4in-28NF	
36	3450405	1	Pin, Cotter	
41	4641172	1	Valve, Solenoid	
42	4641104	1	Valve, Restrictor/Check	
43	4711400	2	Flatwasher 1/4in (Narrow)	
55	2220371	1	Fitting	
56	2220473	1	Fitting	
57	2752622	1	Hose 3/8in (168in Long)	
58	2753398	1	Hose 3/8in (134in Long)	
	1683887	Ref	<b>LIFT CYLINDER ASSEMBLY</b>	C
101	See Note	1	Seal (Note: Use Item 151)	
102	See Note	1	Seal (Note: Use Item 151)	
103	See Note	1	O-Ring (Note: Use Item 151)	
104	See Note	1	Back-Up (Note: Use Item 151)	
105	See Note	1	O-Ring (Note: Use Item 151)	
106	See Note	1	Wiper (Note: Use Item 151)	
107	See Note	1	O-Ring (Note: Use Item 151)	
108	See Note	1	Ring, Wear (Note: Use Item 151)	
109	See Note	2	Ring, Wear (Note: Use Item 151)	
111	7003226	1	Locknut	
115	0962012	4	Bushing	
116	7019882	1	Barrel	
117	7019881	1	Rod	
118	7017387	1	Head	
119	7019880	1	Piston	
120	7019879	1	Spacer	
151	7019878	1	Seal Kit (Includes Items 101 to 109)	

# SECTION 5 - CYLINDER

FIGURE 5-5. STEER CYLINDER ASSEMBLY



## SECTION 5 - CYLINDER

**FIGURE 5-5. STEER CYLINDER ASSEMBLY**

ITEM	PART NUMBER	QTY	DESCRIPTION	REV
	1683957	Ref	<b>STEER CYLINDER ASSEMBLY</b>	B
1	7001626	1	Locknut 7/8in-14NC	
2	See Note	1	Seal (Note: Use Item 51)	
3	See Note	1	O-Ring (Note: Use Item 51)	
4	7017291	1	Piston	
5	7023005	1	Barrel	
6	7023006	1	Rod	
7	7017294	1	Guide	
8	See Note	1	O-Ring (Note: Use Item 51)	
9	See Note	1	Back-Up (Note: Use Item 51)	
10	See Note	1	Ring, Wear (Note: Use Item 51)	
11	See Note	1	Wiper (Note: Use Item 51)	
12	See Note	1	Ring, Retaining (Note: Use Item 51)	
51	7017290	1	Seal Kit (Includes Items 102, 103 & 108 to 112)	

Go to Discount-Equipment.com to order your parts

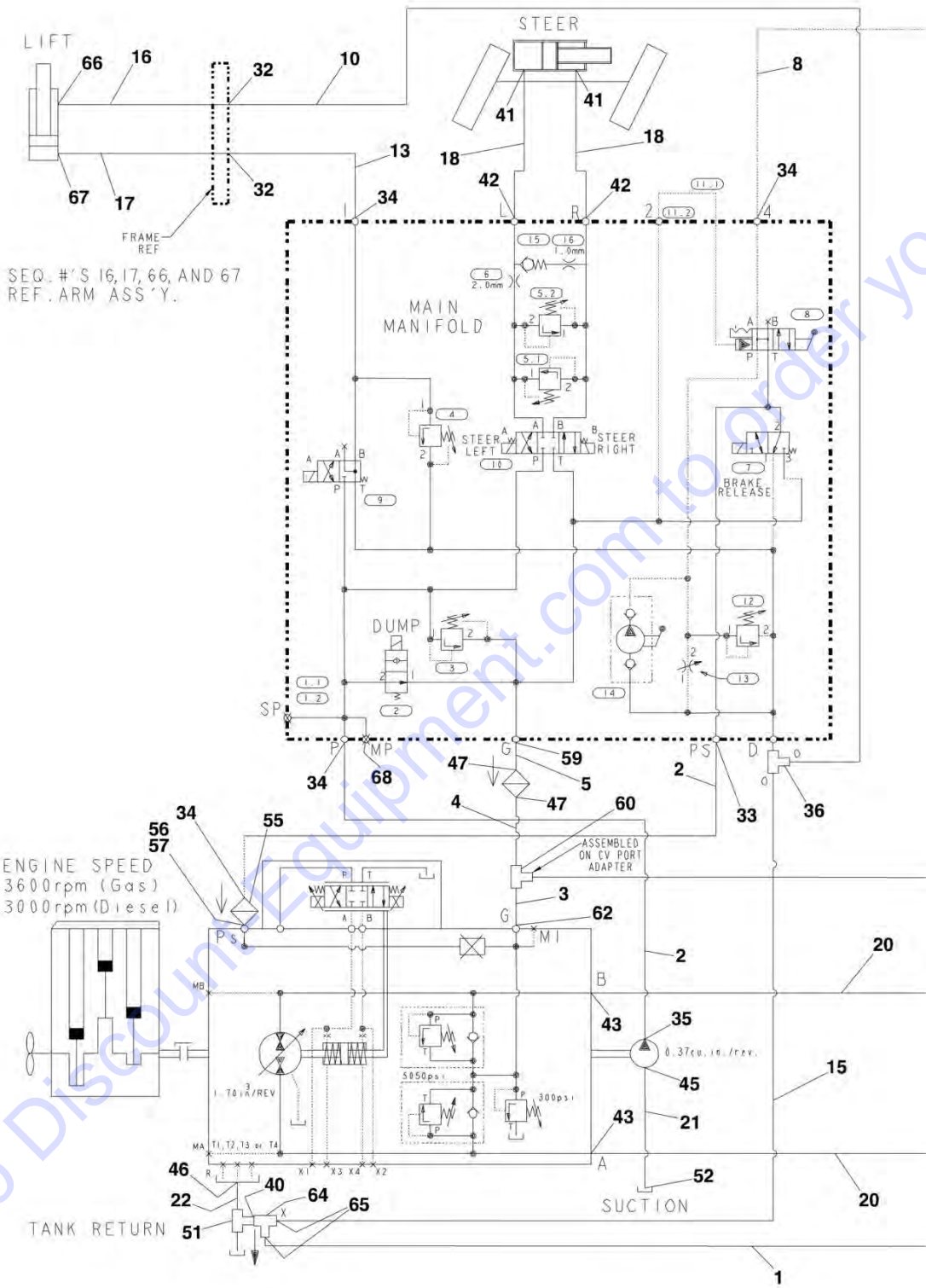


SECTION 6 - HYDRAULIC

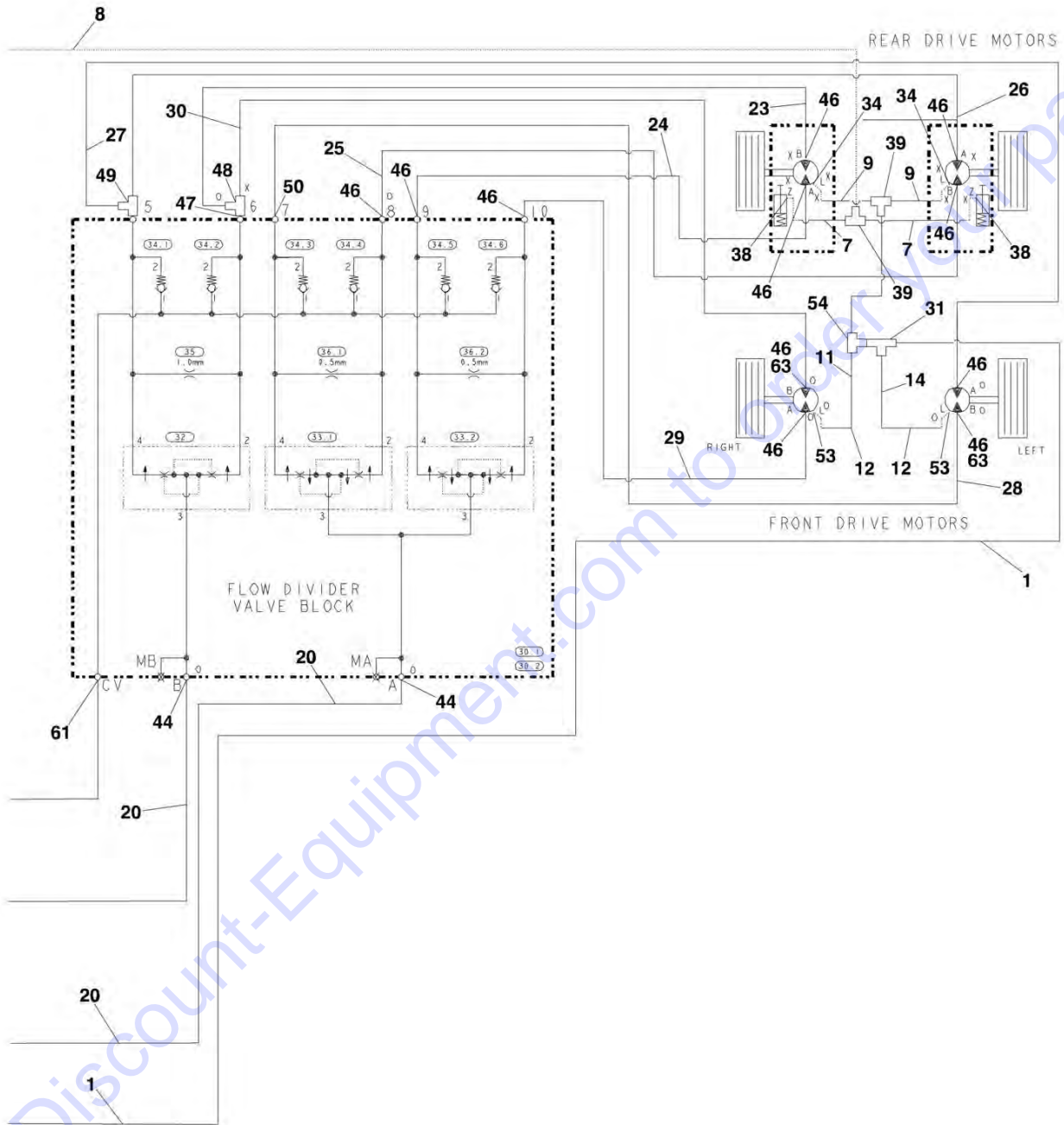
Go to Discount-Equipment.com to order your parts

# SECTION 6 - HYDRAULIC

FIGURE 6-1. DRIVE HYDRAULIC DIAGRAM (STANDARD) (Prior to SN 0200141689)



# SECTION 6 - HYDRAULIC





## SECTION 6 - HYDRAULIC

FIGURE 6-1. DRIVE HYDRAULIC DIAGRAM (STANDARD) (Prior to SN 0200141689)

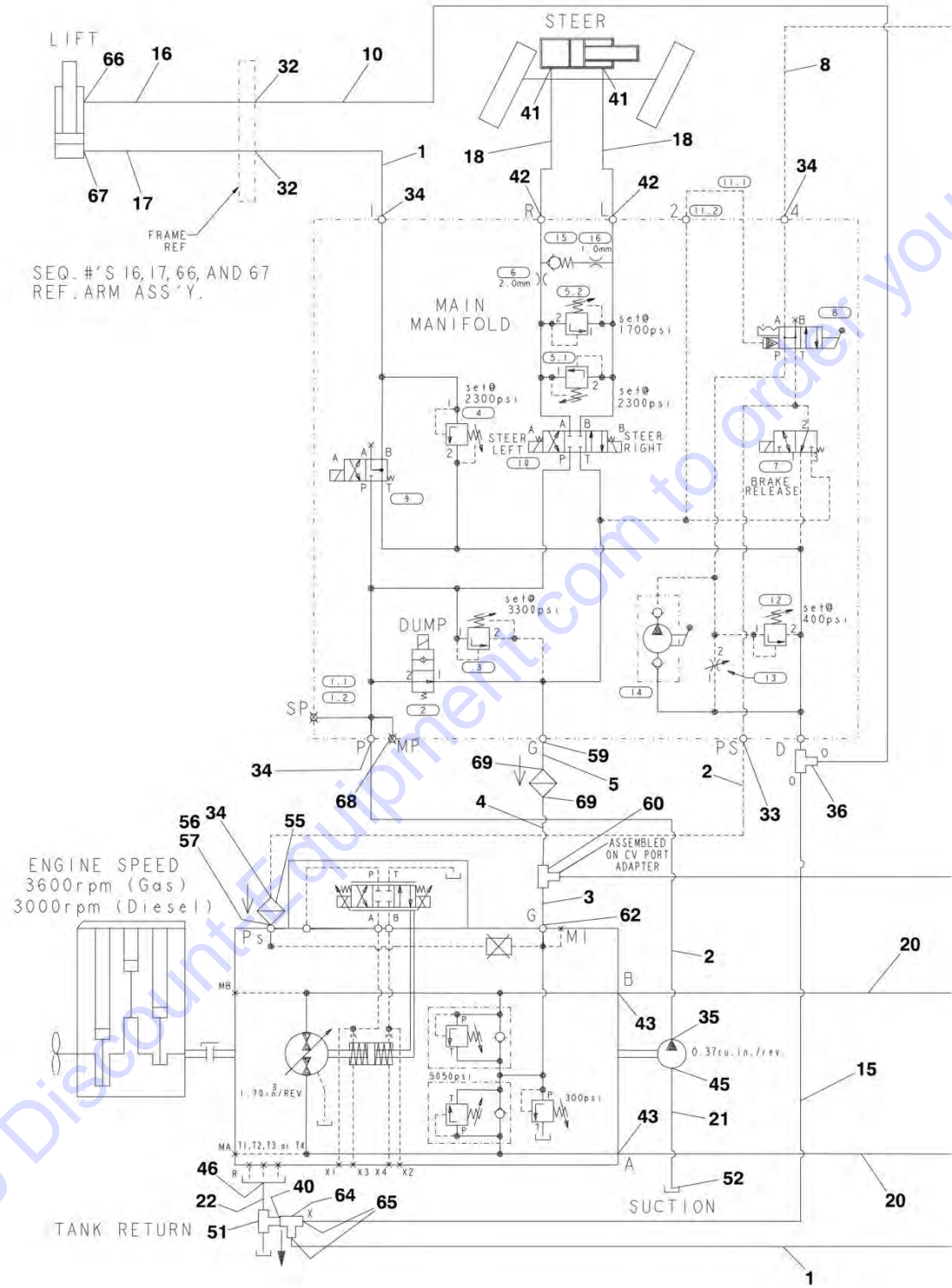
ITEM	PART NUMBER	QTY	DESCRIPTION	REV
	2792402	Ref	<b>HYDRAULIC DIAGRAM</b>	T
1	2752478	1	Hose	
2	2752613	AR	Hose	
3		Ref	Hose Options:	
3	2753384	1	Hose <b>(Prior to SN 0200080571)</b>	
3	2753503	1	Hose <b>(SN 0200080571 through 0200141689)</b>	
4		Ref	Hose Options:	
4	2753385	1	Hose <b>(Prior to SN 0200080571)</b>	
4	2753504	1	Hose <b>(SN 0200080571 through 0200141689)</b>	
5		Ref	Hose Options:	
5	2753386	1	Hose <b>(Prior to SN 0200080571)</b>	
5	2753505	1	Hose <b>(SN 0200080571 through 0200141689)</b>	
6	2753387	1	Hose Only <b>(Prior to SN 0200111085)</b>	
7	2753388	2	Hose	
8	2752489	1	Hose	
9	2753389	2	Hose	
10	2752469	1	Hose	
11	2753394	1	Hose	
12	2753395	2	Hose	
13	2753396	1	Hose	
15	2753397	1	Hose	
16	2752622	AR	Hose	
17	2753398	AR	Hose	
18	2753390	2	Hose	
19	2753391	1	Hose Only <b>(Prior to SN 0200111085)</b>	
20	2753392	AR	Hose	
21	2753393	1	Hose	
22	2753375	1	Hose	
23	2753376	1	Hose	
24	2753377	1	Hose	
25	2753378	1	Hose	
26	2753379	1	Hose	
27	2753380	1	Hose	
28	2753381	1	Hose	
29	2753382	1	Hose	
30	2753383	1	Hose	
31		Ref	Fitting Options:	
31	2220827	1	Fitting <b>(Prior to SN 0200093075)</b>	
31	2220635	1	Fitting <b>(SN 0200093075 through 0200093358)</b>	
31	2220490	1	Fitting <b>(SN 0200093359 through 0200141689)</b>	
32	2230024	2	Fitting, Straight	
33	2220603	2	Fitting, Straight	
34	2220371	AR	Fitting, Straight	
35	2220372	1	Fitting, Straight	
36	2220899	1	Fitting, Tee	
37	2221048	2	Fitting, 90 <b>(Prior to SN 0200080571)</b>	
38	2220473	AR	Fitting, 90	
39	2220490	2	Fitting, Tee	
40		Ref	Fitting, Reducer	
40	2220621	1	Fitting, Reducer <b>(Prior to SN 0200093075)</b>	

## SECTION 6 - HYDRAULIC

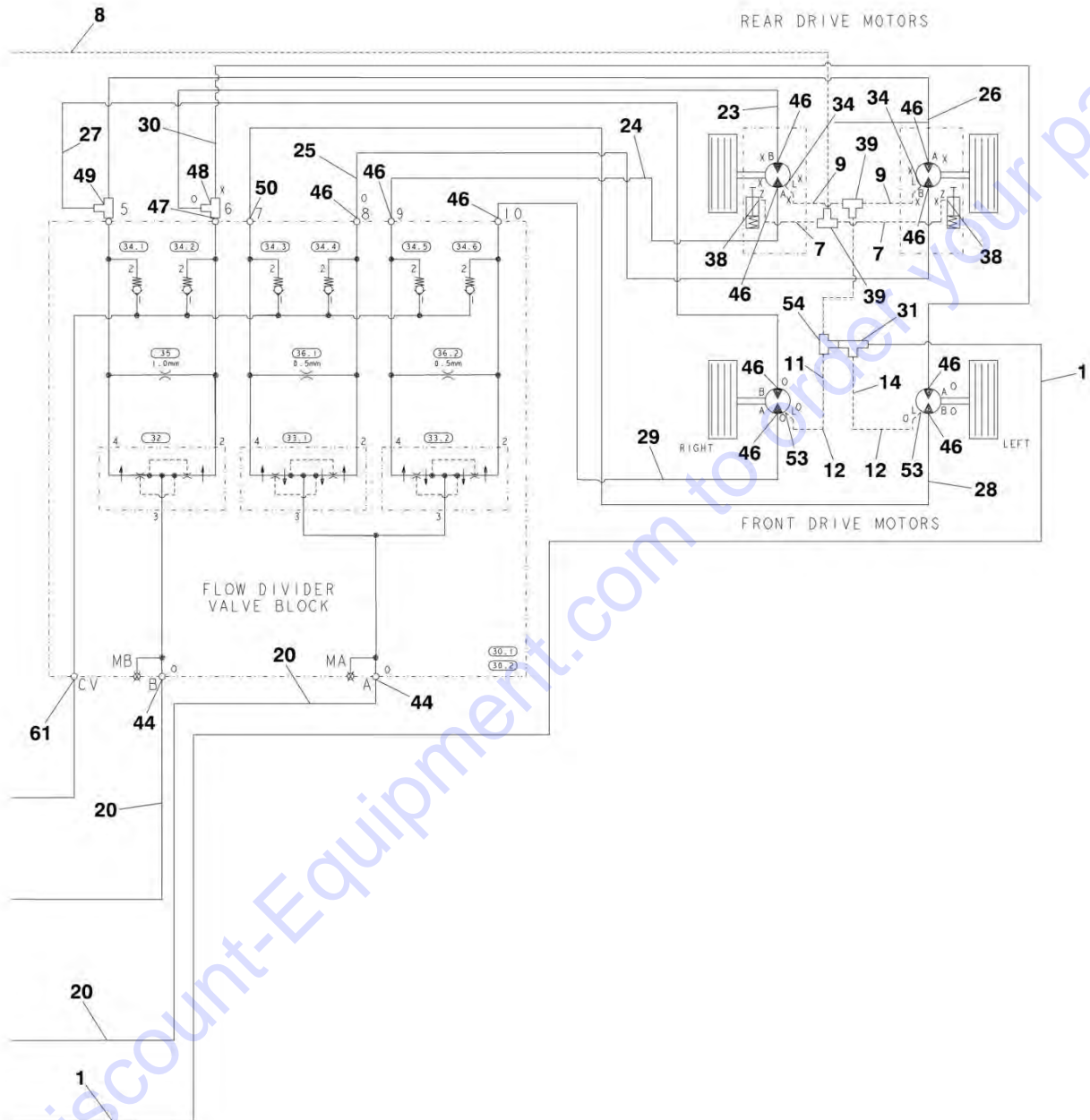
ITEM	PART NUMBER	QTY	DESCRIPTION	REV
40	2220622	1	Fitting, Reducer (SN 0200093075 through 0200141689)	
41	2220472	2	Fitting, 90	
42	2220415	2	Fitting, Straight	
43	2220578	2	Fitting, 90	
44	2220451	2	Fitting, Straight	
45	2221025	1	Fitting, Straight	
46	2220947	AR	Fitting, Straight	
47	2220906	3	Fitting, 90	
48	2220948	1	Fitting, Tee	
49	2221049	1	Fitting, Tee	
50	2221036	1	Fitting, 90	
51	2220738	1	Fitting, Tee	
52	2220377	1	Fitting, Straight	
53	2220998	2	Fitting, Straight	
54		Ref	Fitting, Tee Options:	
54	2220579	1	Fitting, Tee (Prior to SN 0200111085)	
54	2220635	1	Fitting, Tee (SN 0200111085 through 0200141689)	
55	2120172	1	Filter, In-Line	
56	2220501	1	Fitting, 45	
57	2220919	1	Fitting, Straight	
58		Ref	Fitting, Straight Options:	
58	2220947	8	Fitting, Straight (Prior to SN 0200078291)	
58	2220865	8	Fitting, Straight (SN 0200078291 through 0200111084)	
58	Not Required	0	Fitting, Straight (SN 0200111085 through 0200141689)	
59	2220600	1	Fitting, Straight (SN 0200080571 through 0200141689)	
60	2221076	1	Fitting, Tee (SN 0200080571 through 0200141689)	
61	2221075	1	Fitting, Straight (SN 0200080571 through 0200141689)	
62	2220852	1	Fitting, Straight (SN 0200080571 through 0200141689)	
63	0100075	AR	Loctite #545 (Not Shown)	
64	2220385	1	Fitting, Swivel (SN 0200093075 through 0200141689)	
65	2220619	2	Fitting, Reducer (SN 0200093075 through 0200141689)	
66	2220371	AR	Fitting, Straight (SN 0200105000 through 0200141689)	
67	2220473	AR	Fitting, 90 (SN 0200105000 through 0200141689)	
68	2221086	1	Fitting, Diagnostic Test Port Coupling	

# SECTION 6 - HYDRAULIC

FIGURE 6-2. DRIVE HYDRAULIC DIAGRAM (STANDARD) (SN 0200141689 to Present)



# SECTION 6 - HYDRAULIC



## SECTION 6 - HYDRAULIC

FIGURE 6-2. DRIVE HYDRAULIC DIAGRAM (STANDARD) (SN 0200141689 to Present)

ITEM	PART NUMBER	QTY	DESCRIPTION	REV
	2792717	Ref	<b>HYDRAULIC DIAGRAM</b>	D
1	2752478	2	Hose	
2	2752613	AR	Hose	
3	2753503	1	Hose	
4	2753504	1	Hose	
5	2753505	1	Hose	
7	2753388	2	Hose	
8	2752489	1	Hose	
9	2753389	2	Hose	
10	2752469	1	Hose	
11	2753394	1	Hose	
12	2753395	2	Hose	
15	2753397	1	Hose	
16	2752622	AR	Hose	
17	2753398	AR	Hose	
18	2753390	2	Hose	
20	2753392	AR	Hose	
21	2753393	1	Hose	
22	2753375	1	Hose	
23	2753376	1	Hose	
24	2753377	1	Hose	
25	2753378	1	Hose	
26	2753379	1	Hose	
27	2753380	1	Hose (Note: On Machines Prior to SN 0200165343, this hose runs to Left Front Drive Motor. On Machines SN 0200165343 to Present, this hose runs to Right Front Drive Motor as shown.)	
28	2753381	1	Hose	
29	2753382	1	Hose	
30		Ref	Hose Options: (Note: On Machines Prior to SN 0200165343, this hose runs to Right Front Drive Motor. On Machines SN 0200165343 to Present, this hose runs to Left Front Drive Motor as shown.)	
30	2753383	1	68.5in/ Length <b>(Prior to SN 0200165343)</b>	
30	1001093121	1	72.75in/Length <b>(SN 0200165343 to Present)</b>	
31	2220490	1	Fitting	
32	2230024	2	Fitting, Straight	
33	2220603	2	Fitting, Straight	
34	2220371	7	Fitting, Straight	
35	2220372	1	Fitting, Straight	
36	2220899	1	Fitting, Tee	
38	2220473	2	Fitting, 90	
39	2220490	2	Fitting, Tee	
40	2220622	1	Fitting, Reducer	
41	2220472	2	Fitting, 90	
42	2220415	2	Fitting, Straight	
43	2220578	2	Fitting, 90	
44	2220451	2	Fitting, Straight	
45	2221025	1	Fitting, Straight	
46	2220947	12	Fitting, Straight	
47	2220906	1	Fitting, 90	
48	2220948	1	Fitting, Tee	

## SECTION 6 - HYDRAULIC

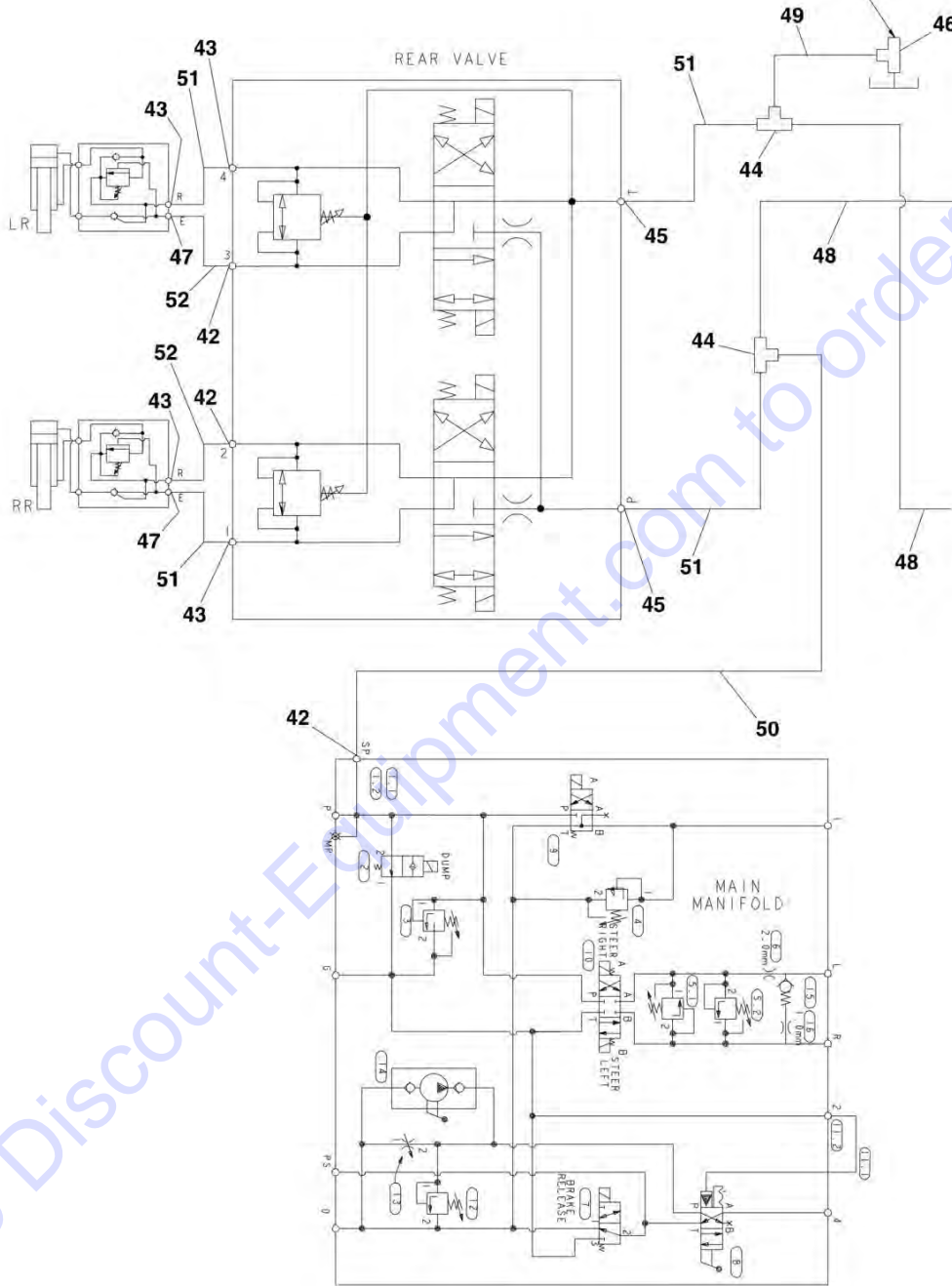
ITEM	PART NUMBER	QTY	DESCRIPTION	REV
49	2221049	1	Fitting, Tee	
50	2221036	1	Fitting, 90	
51	2220738	1	Fitting, Tee	
52	2220377	1	Fitting, Straight	
53	2220998	2	Fitting, Straight	
54	2220635	1	Fitting, Tee	
55	2120172	1	Filter, In-Line	
56	2220501	1	Fitting, 45	
57	2220919	1	Fitting, Straight	
59	2220600	1	Fitting, Straight	
60	2221076	1	Fitting, Tee	
61	2221075	1	Fitting, Straight	
62	2220852	1	Fitting, Straight	
63	0100075	AR	Loctite #545 (Not Shown)	
64	2220385	1	Fitting, Swivel	
65	2220619	2	Fitting, Reducer	
66	2220371	AR	Fitting, Straight	
67	2220473	AR	Fitting, 90	
68	2221086	1	Fitting, Dianostic Test Port Coupling	
69	2221042	2	Fitting, 90	

Go to Discount-Equipment.com to order your parts

# SECTION 6 - HYDRAULIC

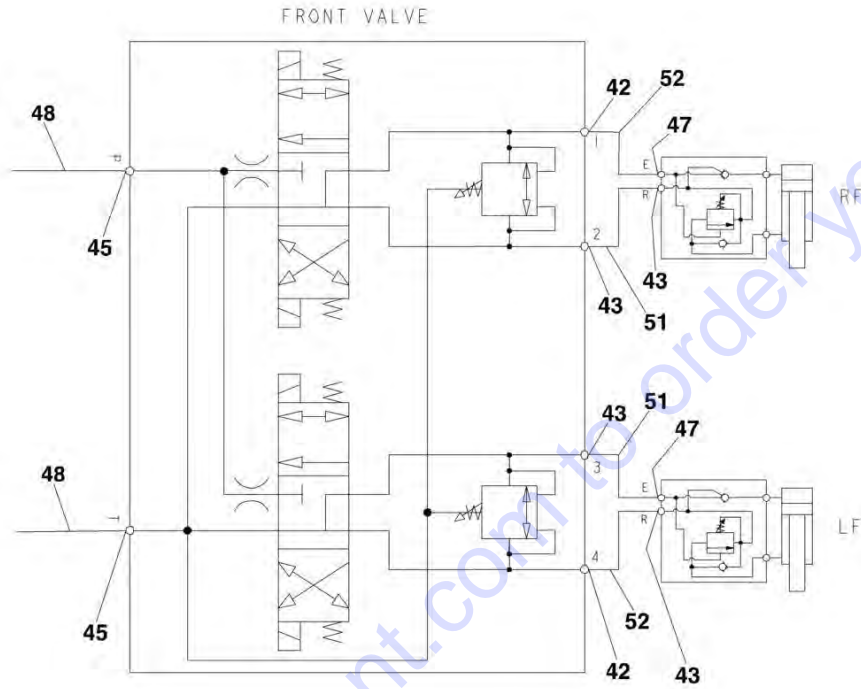
FIGURE 6-3. DRIVE HYDRAULIC DIAGRAM (LEVELING JACKS) (Prior to SN 0200141689)

DISASSEMBLE EXISTING DRAIN LINE,  
 ASSEMBLED ON TOP OF EXISTING TEE,  
 ASSEMBLE ITEM #12 AND ITEM #4,  
 THEN REASSEMBLE EXISTING DRAIN LINE  
 ON TOP OF ITEM #12



Go to Discount-Equipment.com to order your parts





Go to Discount-Equipment.com to order your parts

## SECTION 6 - HYDRAULIC

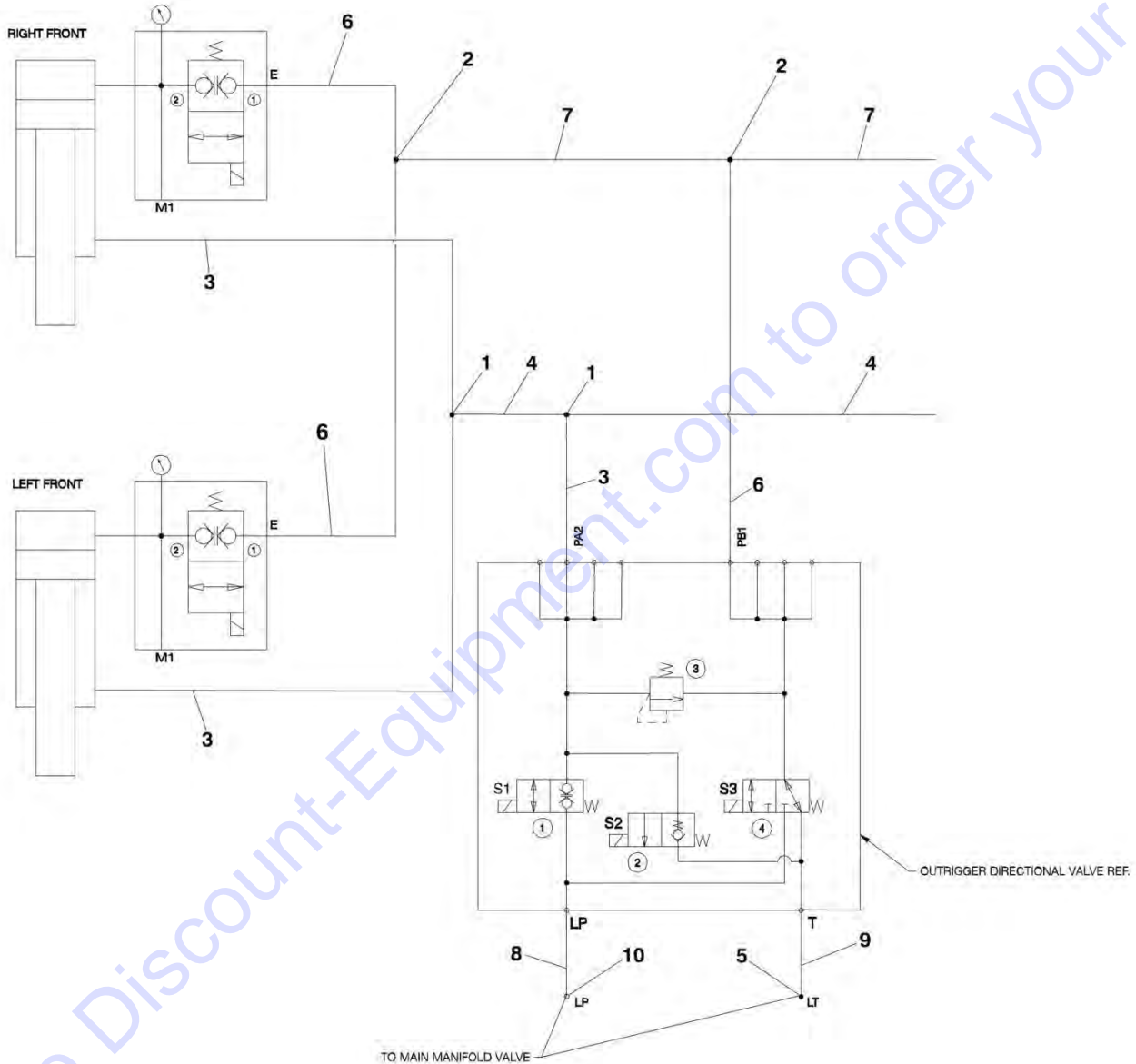
**FIGURE 6-3. DRIVE HYDRAULIC DIAGRAM (LEVELING JACKS) (Prior to SN 0200141689)**

ITEM	PART NUMBER	QTY	DESCRIPTION	REV
		Ref	<b>HYDRAULIC DIAGRAM - LEVELING JACKS</b>	
	2792431	Ref	<b>Hydraulic Diagram - Leveling Jacks (Prior to SN 0200104262)</b>	B
	0259757	Ref	<b>Hydraulic Diagram - Leveling Jacks (SN 0200104262 through 0200141689)</b>	H
42	2220371	1	Fitting	
43	2220473	8	Fitting	
44	2220490	AR	Hose	
45	2220501	AR	Fitting, 45	
46	2220635	AR	Fitting, Tee	
47	2220819	4	Fitting, 90 (Long)	
48	2752466	AR	Hose	
49	2752478	AR	Hose	
50	2752649	AR	Hose	
51	2752966	2	Hose	
52	2753488	4	Hose	

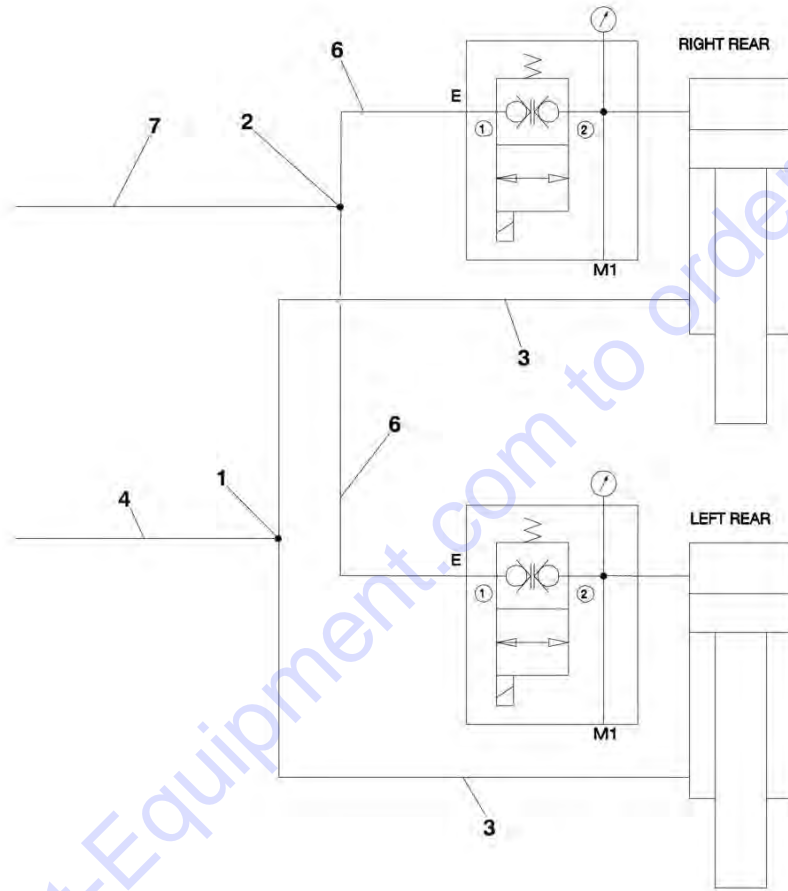


# SECTION 6 - HYDRAULIC

**FIGURE 6-4. DRIVE HYDRAULIC DIAGRAM (AUTO LEVEL LEVELING JACKS) (AUSTRALIAN SPEC AND CE SPEC) (SN 0200128985 to Present, SN 0200141689 to Present)**



# SECTION 6 - HYDRAULIC



## SECTION 6 - HYDRAULIC

**FIGURE 6-4. DRIVE HYDRAULIC DIAGRAM (AUTO LEVEL LEVELING JACKS) (AUSTRALIAN SPEC AND CE SPEC) (SN 0200128985 to Present, SN 0200141689 to Present)**

ITEM	PART NUMBER	QTY	DESCRIPTION	REV
	2792686	Ref	<b>HYDRAULIC DIAGRAM - AUTO LEVEL LEVELING JACKS</b>	A
1	2170508	3	Fitting, Tee	
2	2170506	3	Fitting, Tee	
3	2716538	5	Hose	
4	2753579	2	Hose	
5	2220635	1	Fitting, Tee	
6	2716960	5	Hose	
7	2717235	2	Hose	
8	2753068	AR	Hose	
9	2753626	1	Hose Only <b>(Prior to SN 0200155061)</b>	
10		Ref	Fitting Options:	
10	2130606	1	Fitting <b>(Prior to SN 0200155061)</b>	
10	2220371	1	Fitting <b>(SN 0200155061 to Present)</b>	





## SECTION 6 - HYDRAULIC

FIGURE 6-5. HYDRAULIC DIAGRAM LIST

ITEM	PART NUMBER	QTY	DESCRIPTION	REV
		Ref	<b>Note: Information on diagrams not shown is available from Discount-equipment.com</b>	
	2792402	Ref	Hydraulic Diagram and Schematic - Standard <b>(Prior to SN 0200141689)</b>	
	2792717	Ref	Hydraulic Diagram and Schematic - Standard <b>(SN 0200141689 to Present)</b>	
		Ref	Leveling Jacks Options: (Optional)	
	2792431	Ref	Leveling Jacks <b>(Prior to SN 0200104262)</b>	
	0259757	Ref	Leveling Jacks <b>(SN 0200104262 through 0200141689)</b>	
	2792686	Ref	Auto Level Leveling Jacks (Australian Spec) <b>(SN 0200128985 to Present)</b>	
	2792686	Ref	Auto Level Leveling Jacks (CE Spec) <b>(SN 0200141689 to Present)</b>	

**SECTION 7 - ELECTRICAL**

Go to Discount-Equipment.com to order your parts

# PARTS FINDER

**Search Website  
by Part Number**



**Search Manual  
Library For Parts  
Manual & Lookup Part  
Numbers – Purchase  
or Request Quote**

**Can't Find Part or  
Manual? Request Help  
by Manufacturer,  
Model & Description**

Discount-Equipment.com is your online resource for quality parts & equipment.

Florida: **561-964-4949** Outside Florida TOLL FREE: **877-690-3101**

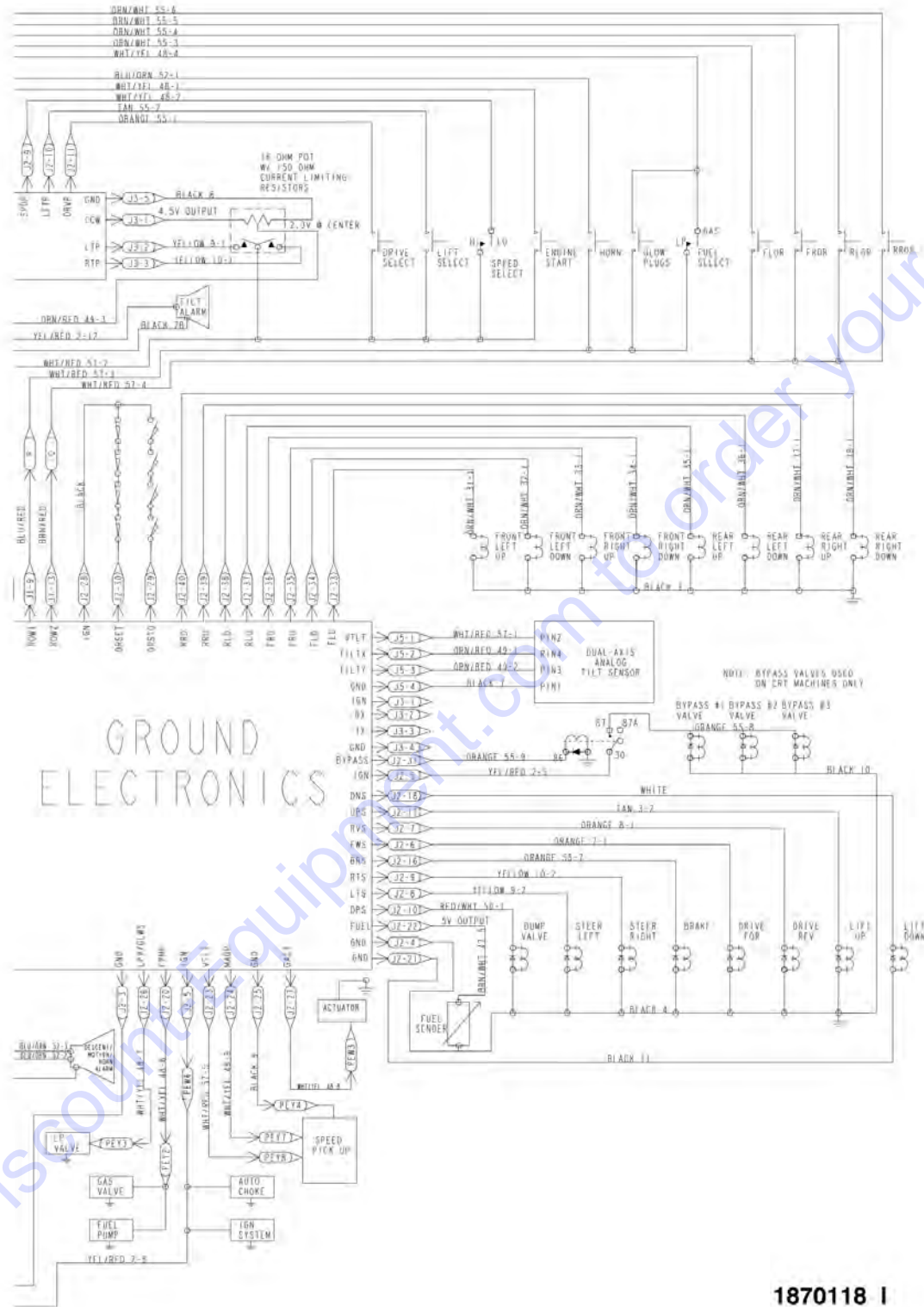
## Need parts?

Click on this link: <http://www.discount-equipment.com/category/5443-parts/> and choose one of the options to help get the right parts and equipment you are looking for. Please have the machine model and serial number available in order to help us get you the correct parts. If you don't find the part on the website or on one of the online manuals, please fill out the request form and one of our experienced staff members will get back to you with a quote for the right part that your machine needs.

We sell worldwide for the brands: Genie, Terex, JLG, MultiQuip, Mikasa, Essick, Whiteman, Mayco, Toro Stone, Diamond Products, Generac Magnum, Airman, Haulotte, Barreto, Power Blanket, Nifty Lift, Atlas Copco, Chicago Pneumatic, Allmand, Miller Curber, Skyjack, Lull, Skytrak, Tsurumi, Husquvarna Target, Stow, Wacker, Sakai, Mi-T-M, Sullair, Basic, Dynapac, MBW, Weber, Bartell, Bennar Newman, Haulotte, Ditch Runner, Menegotti, Morrison, Contec, Buddy, Crown, Edco, Wyco, Bomag, Laymor, EZ Trench, Bil-Jax, F.S. Curtis, Gehl Pavers, Heli, Honda, ICS/PowerGrit, IHI, Partner, Imer, Clipper, MMD, Koshin, Rice, CH&E, General Equipment, Amida, Coleman, NAC, Gradall, Square Shooter, Kent, Stanley, Tamco, Toku, Hatz, Kohler, Robin, Wisconsin, Northrock, Oztec, Toker TK, Rol-Air, APT, Wylie, Ingersoll Rand / Doosan, Innovatech, Con X, Ammann, Mecalac, Makinex, Smith Surface Prep, Small Line, Wanco, Yanmar

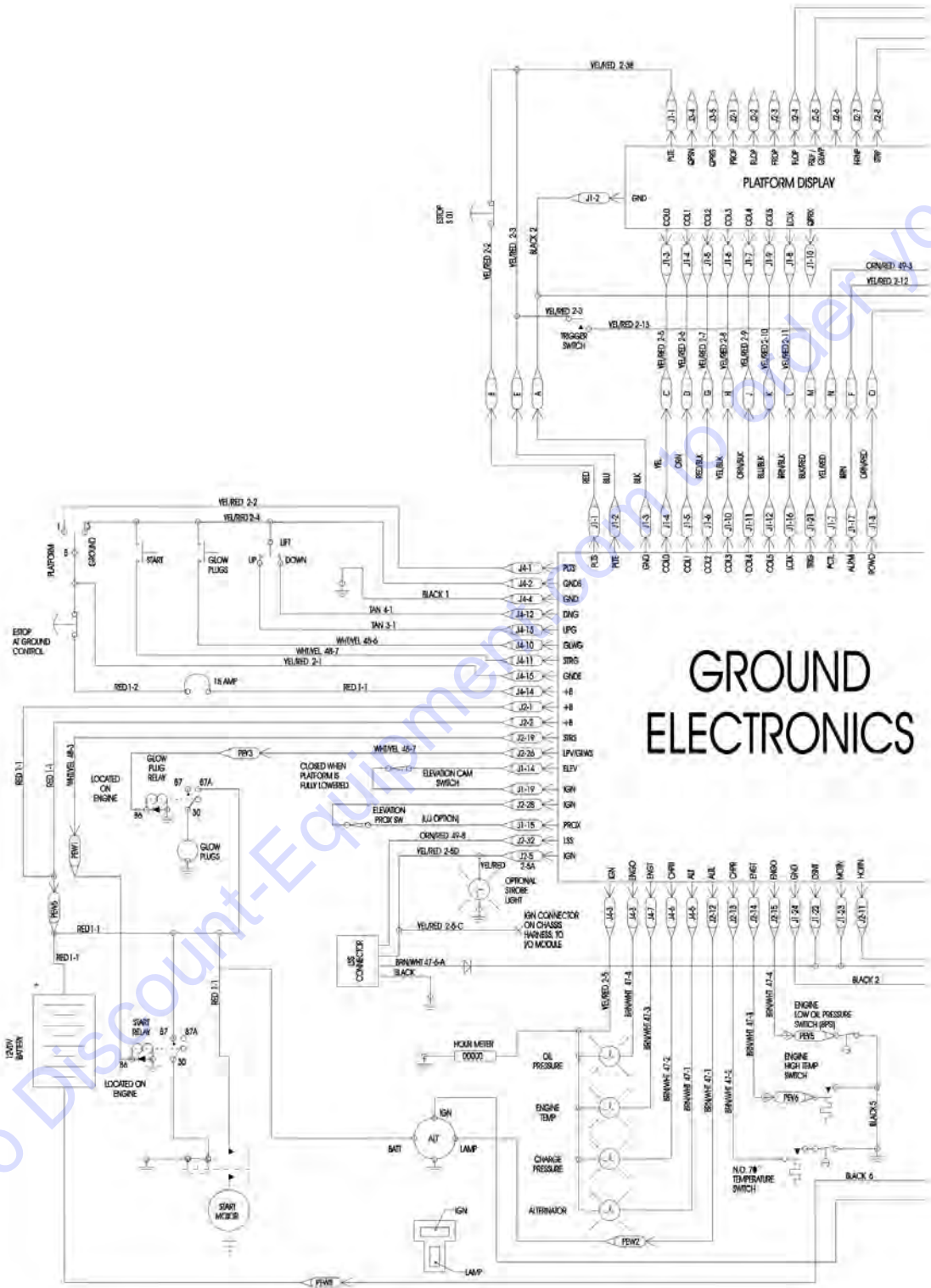


# SECTION 7 - ELECTRICAL

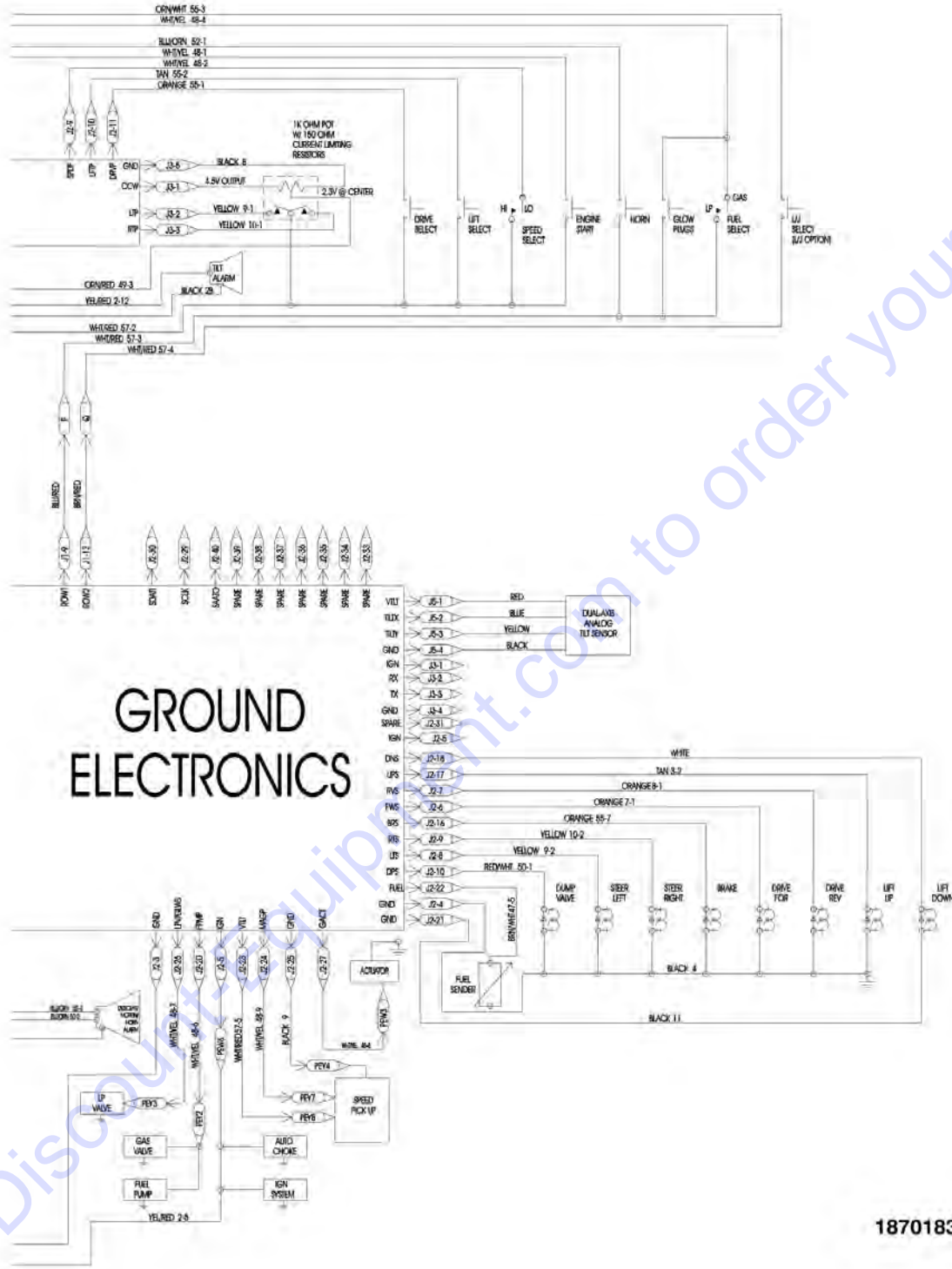


# SECTION 7 - ELECTRICAL

FIGURE 7-2. ELECTRICAL SCHEMATIC (AUSTRALIAN SPEC AND CE SPEC) (SN 0200128985 through 0200200646, SN 0200141689 through 0200200646)

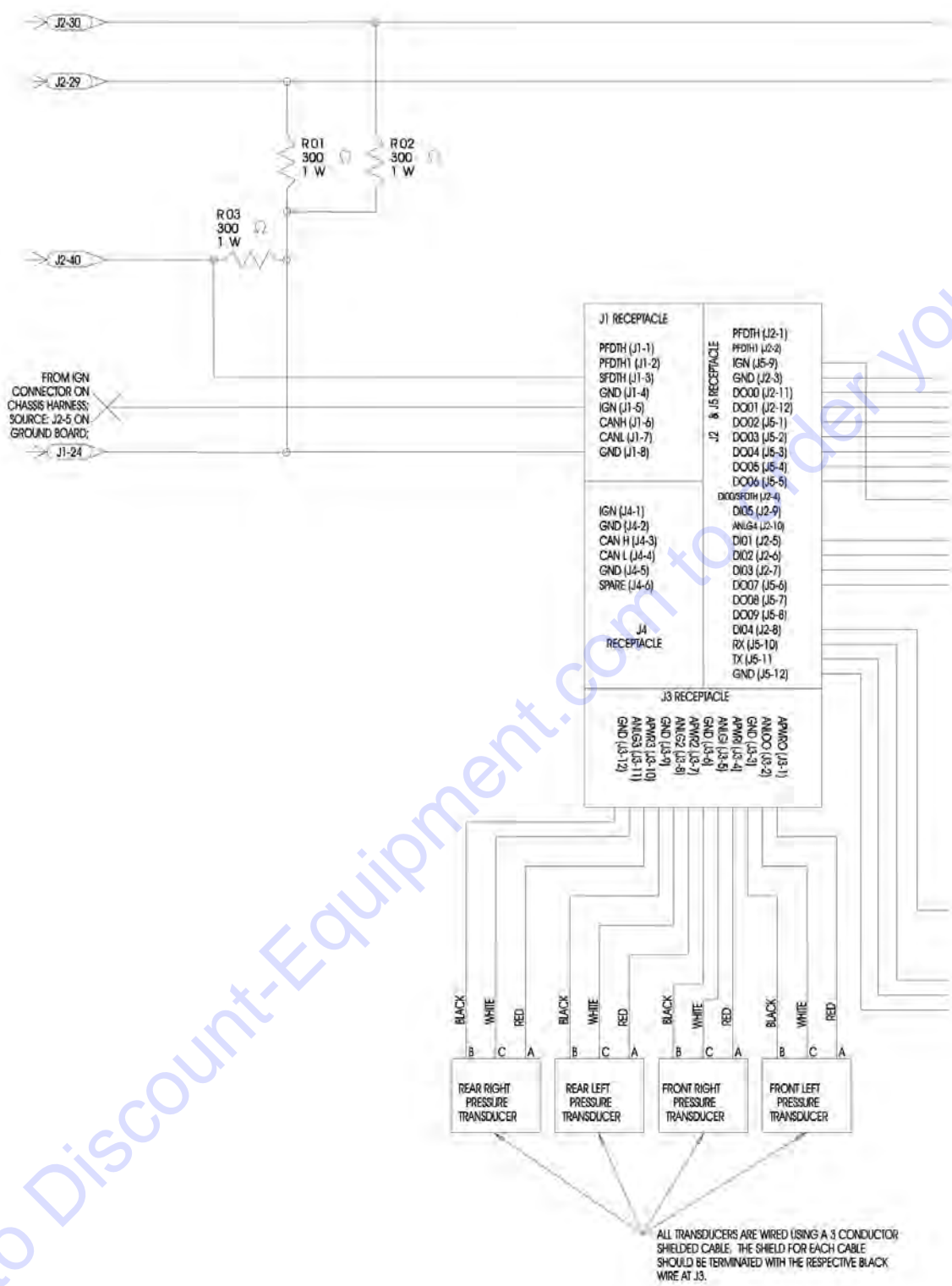






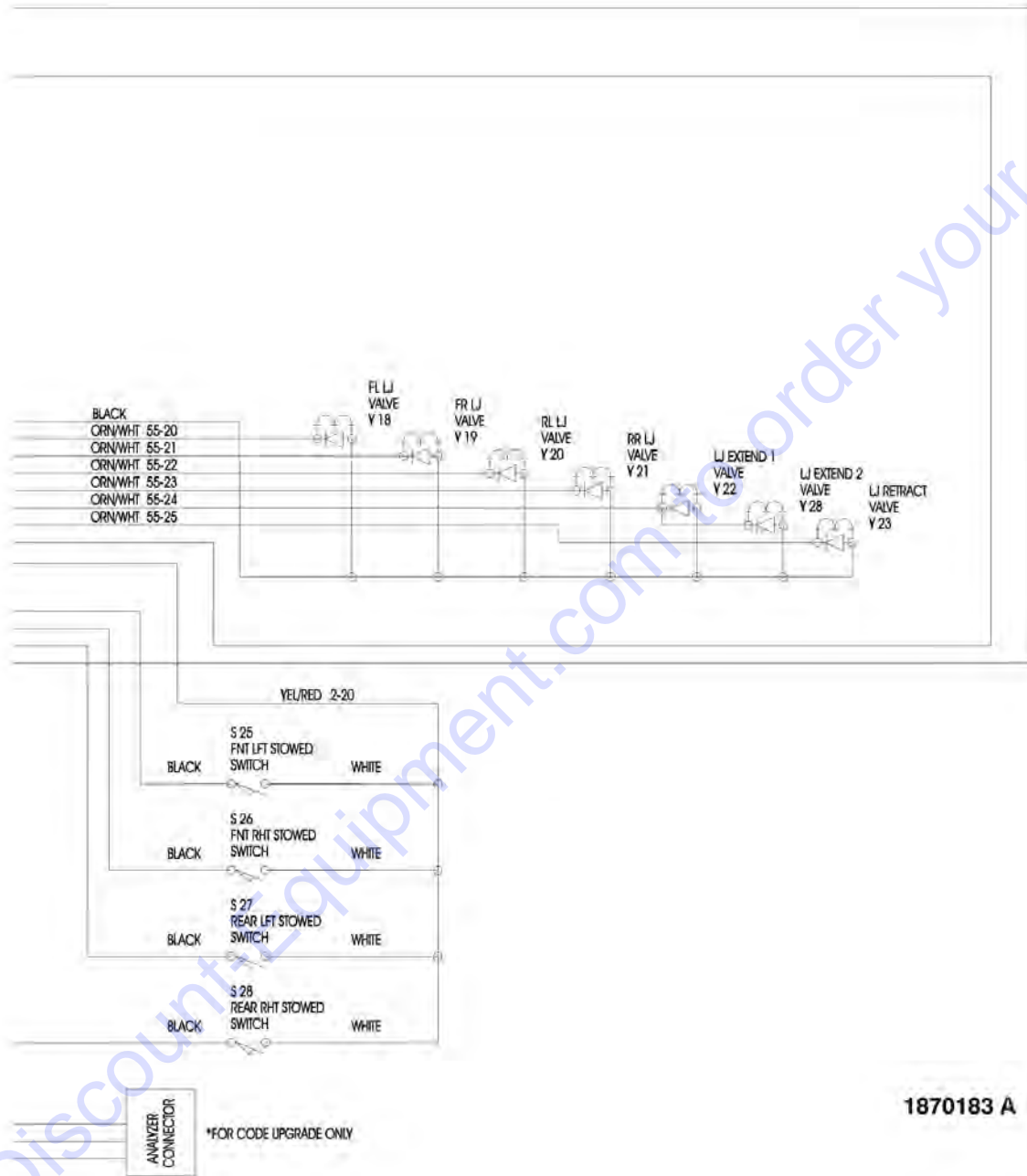


# SECTION 7 - ELECTRICAL



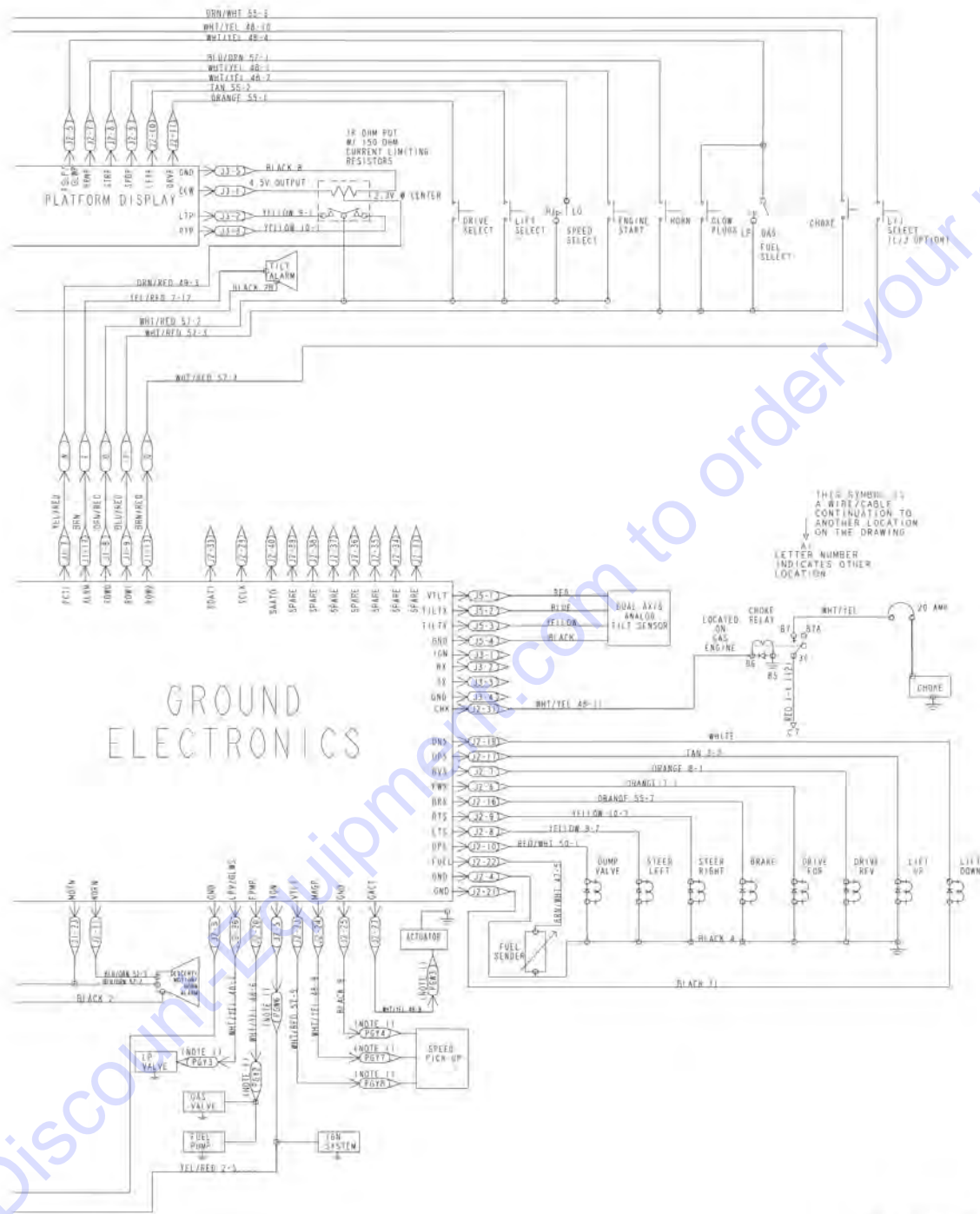
Go to Discount-Equipment.com to order your parts

# SECTION 7 - ELECTRICAL



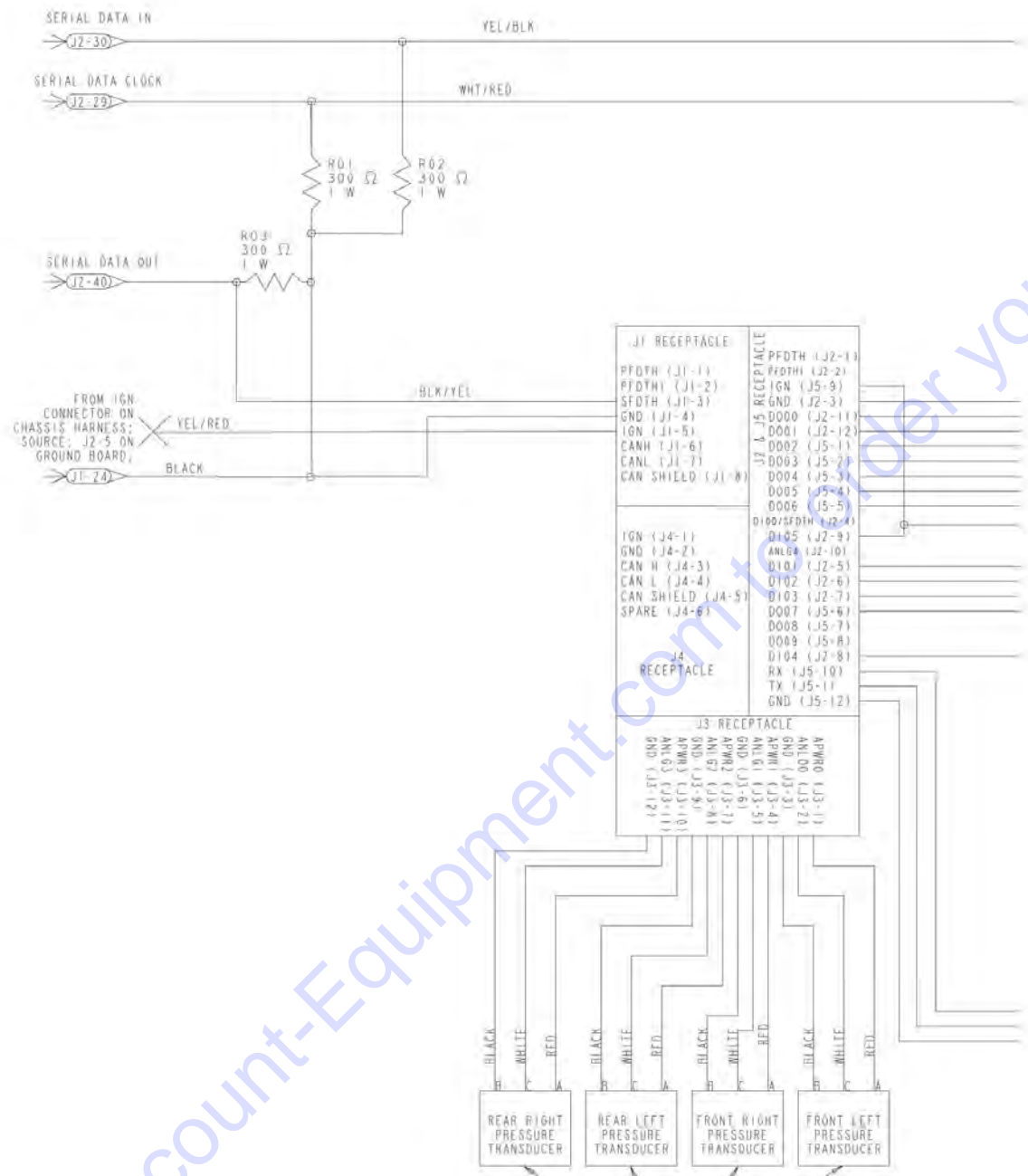


# SECTION 7 - ELECTRICAL



1001109560 B

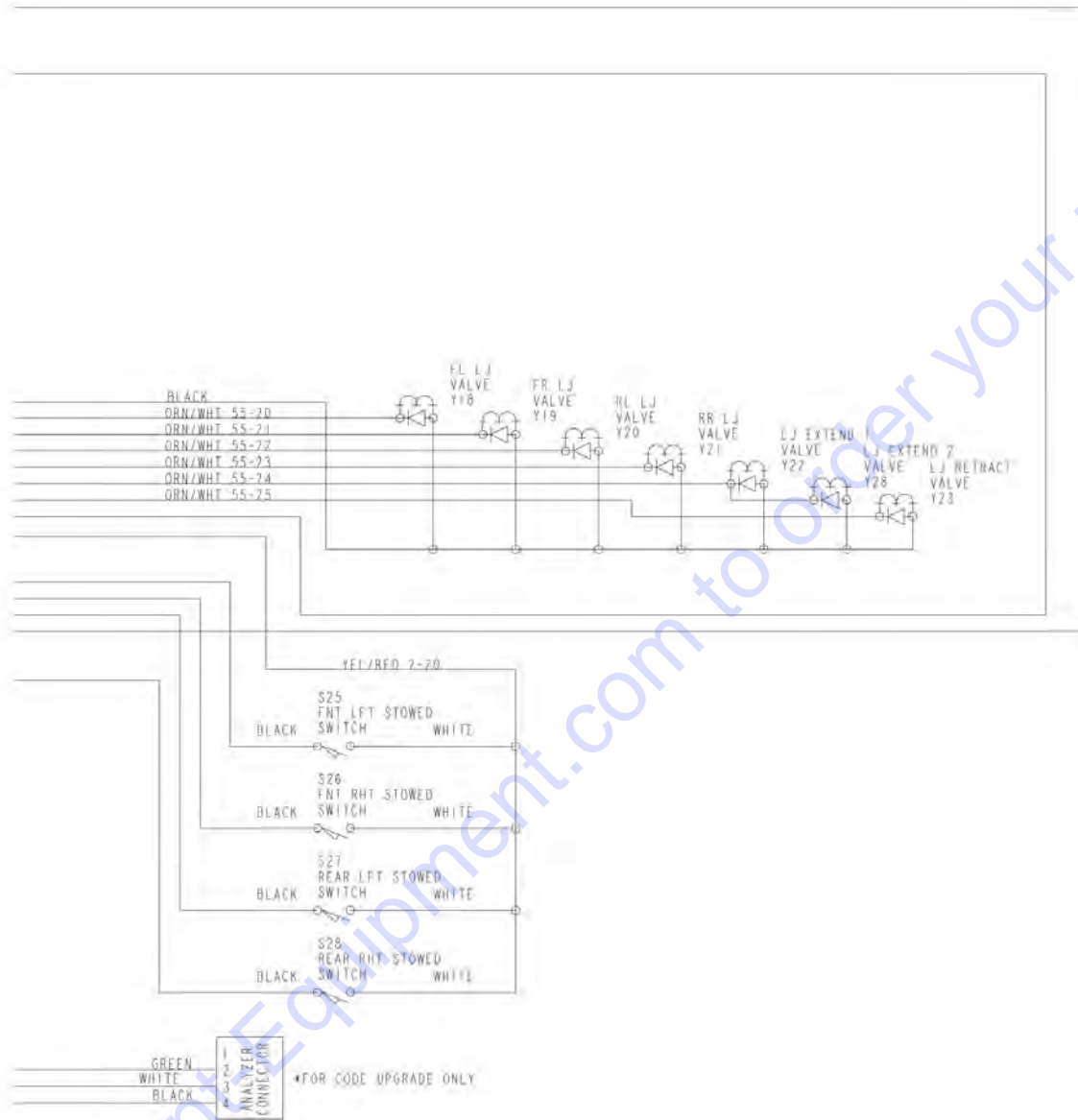
# SECTION 7 - ELECTRICAL



ALL TRANSDUCERS ARE WIRED USING A 3 CONDUCTOR SHIELDED CABLE. THE SHIELD FOR EACH CABLE SHOULD BE TERMINATED WITH THE RESPECTIVE BLACK WIRE AT J3.

Go to Discount-Equipment.com to order your parts

# SECTION 7 - ELECTRICAL



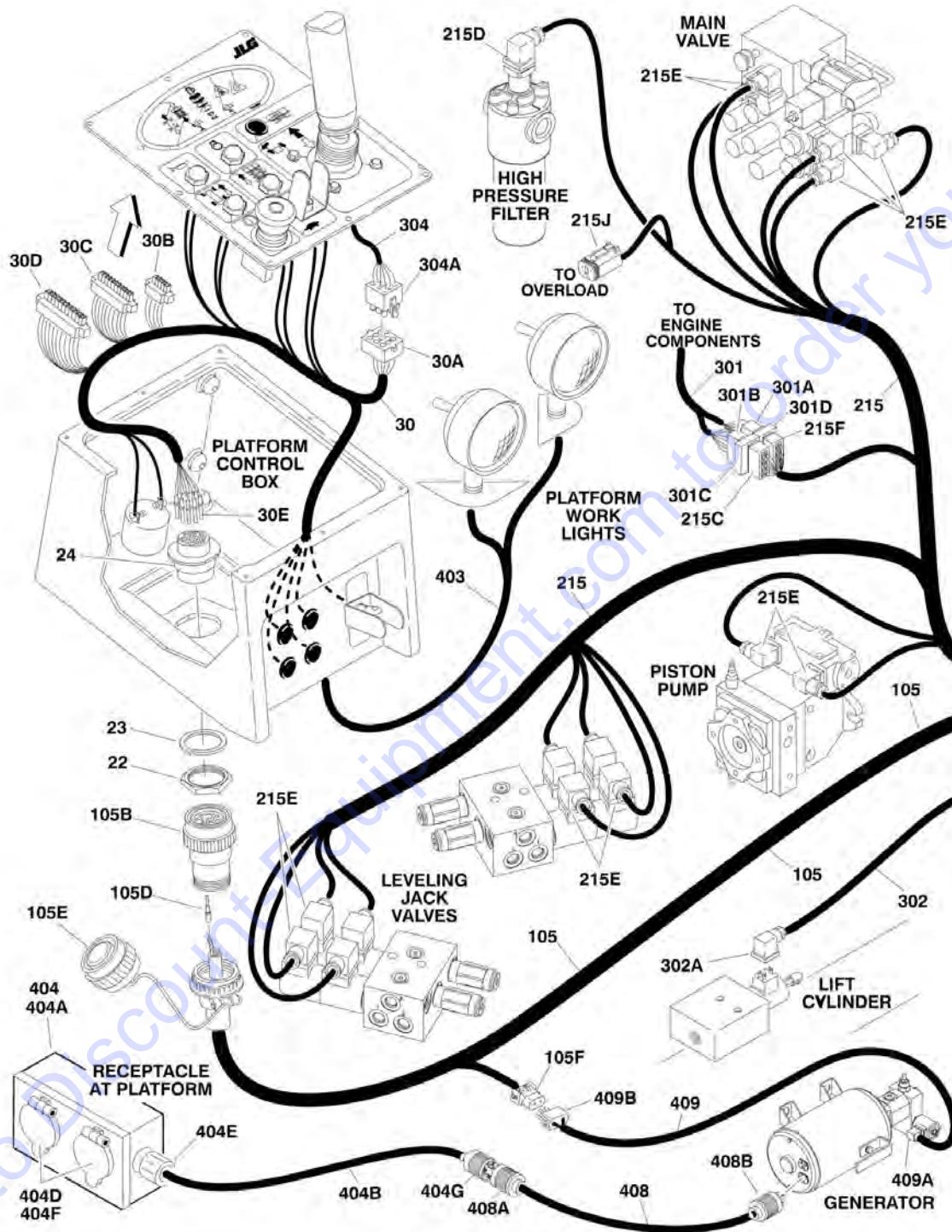
NOTE: ALL COMPONENTS SHOWN ON THIS PAGE ARE FITTED FOR THE LEVELING JACK OPTION ONLY.

1001109560 B



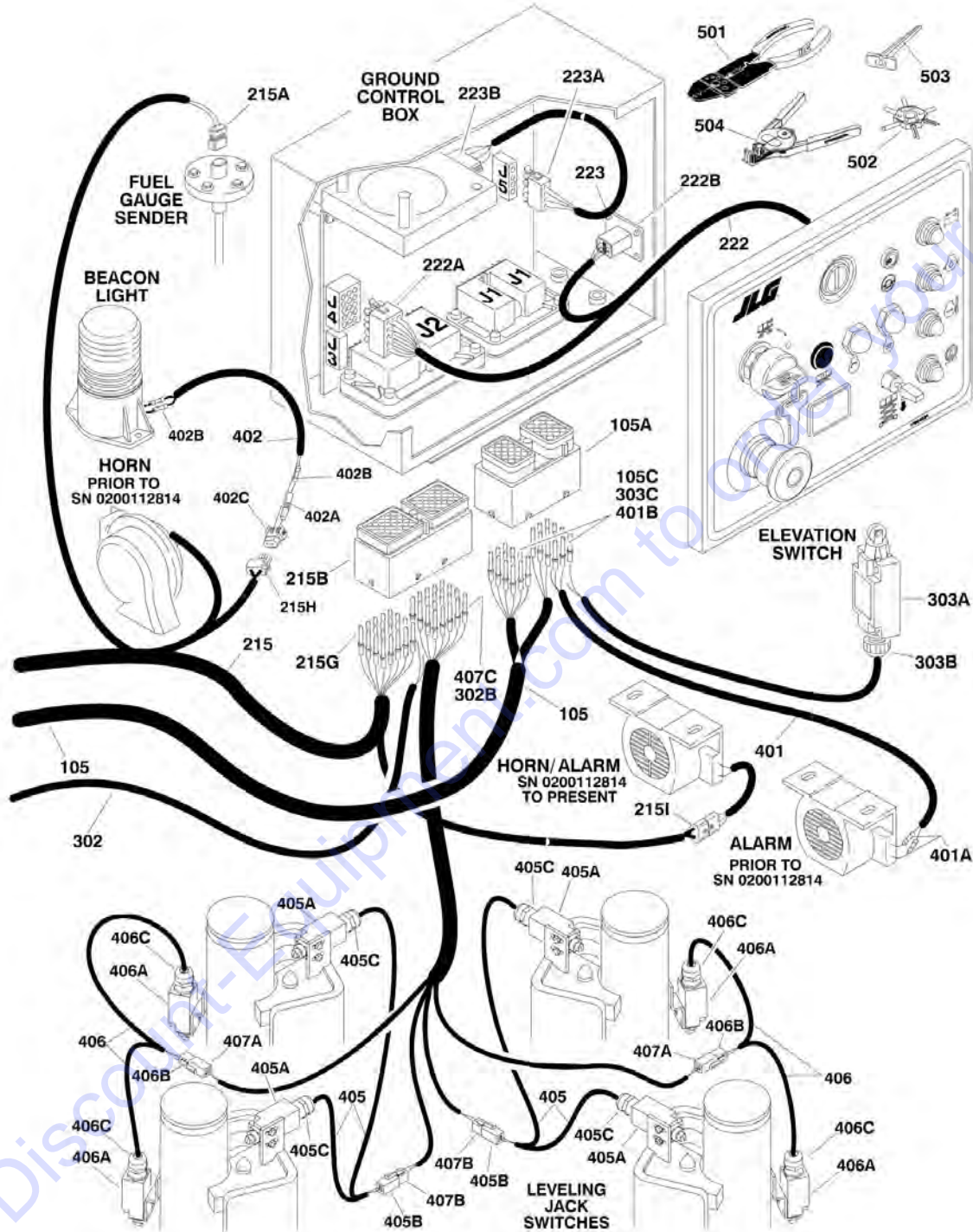
# SECTION 7 - ELECTRICAL

## FIGURE 7-4. ELECTRICAL COMPONENTS INSTALLATION (Prior to SN 0200141689)





# SECTION 7 - ELECTRICAL



## SECTION 7 - ELECTRICAL

FIGURE 7-4. ELECTRICAL COMPONENTS INSTALLATION (Prior to SN 0200141689)

ITEM	PART NUMBER	QTY	DESCRIPTION	REV
		Ref	<b>CONSOLE BOX COMPONENTS</b>	
22	4460470	1	Nut, Terminal	
23	4460471	1	Lockwasher, Terminal	
24	4460480	1	Connector, Terminal	
30		Ref	Harness, Console Box Options:	
30	4922391	1	Without Leveling Jacks	A
30	4922437	1	With Leveling Jacks	A
30A	4460266	1	Receptacle - 9 Pin	
30A	4460267	8	Pin, Male	
30B	4460817	1	Plug, Male - 5 Position	
30C	4460818	1	Plug, Male - 10 Position	
30D	4460819	1	Plug, Male - 11 Position	
30E	4460465	15	Socket, Female	
	0259803	Ref	<b>PLATFORM CABLE INSTALLATION</b>	C
101	0362801	3	Bar, Cable Rod (Not Shown)	
102	3450404	6	Pin, Cotter (Not Shown)	
103	4740480	6	Washer, Plastic Insert (Not Shown)	
104	4711600	6	Flatwasher 3/8in Thin (Not Shown)	
105	4922379	1	Platform Cable Assembly	C
105	1060815	64.8 ft/19.8m	Cable, 18 Conductors	
105	4460473	1	Clamp, Cable	
105A	4460465	16	Socket, Female	
105B	4460481	1	Plug, Male-23 Position	
105C	4460812	1	Plug, Male-24 Position	
105D	4460464	18	Pin, Male	
105E	4460468	1	Cap, Dust	
105F	4460424	1	Plug, Male - 2 Position	
105F	4460267	2	Pin, Male	
		Ref	<b>GROUND CONTROL BOX ASSEMBLY AND INSTALLATIONS</b>	
215		Ref	Harness, Engine and Valve Options:	
215	4922365	1	Machines without Leveling Jacks	H
215	4922436	1	Machines with Leveling Jacks	E
215	3990010	1	Diode (Not Shown)	
215A	4460834	1	Plug, Male - 2 Position	
215A	4460845	2	Terminal	
215B	4460814	1	Connector, Female - 40 Position	
215C	4460828	1	Connector, Female - 8 Position (White)	
215C	4460829	7	Terminal, Female	
215D	4460449	1	Connector, DIN without Diode	
215E	4460499	AR	Connector, DIN with Diode	
215F	4460827	1	Connector, Female - 8 Position (Yellow)	
215F	4460829	14	Terminal, Female	
215G	4460465	AR	Socket, Female	
215H	4460424	1	Plug, Male - 2 Position	
215H	4460267	2	Pin, Male	
215I	4460539	1	Connector, Female - 2 Position <b>(SN 0200112814 through 0200141689)</b>	
215I	4460465	3	Socket, Female	
215J		Ref	Connector, Female Options:	

## SECTION 7 - ELECTRICAL

ITEM	PART NUMBER	QTY	DESCRIPTION	REV
215J	4460320	1	Connector, Female - 2 Position <b>(Prior to SN 0200112814)</b>	B
215J	4460268	2	Socket, Female	
215J	4460884	1	Connector, Female - 4 Position <b>(SN 0200112814 through 0200141689)</b>	
215J	4460465	4	Socket, Female	
222		Ref	Harness, Ground Control Box	
222	4922378	1	Diesel Machines	
222A	4460434	1	Plug, Male - 15 Position	
222A	4460268	13	Socket, Female	
222B	4460885	1	Plug, Female - 4 Position (Diesel Machines Only) (Not used for this application)	
222B	4460464	4	Socket, Female	
223	4922339	1	Harness, Tilt <b>(Prior to SN 0200125353)</b>	C
223A	4460321	1	Plug, Male - 6 Position	
223A	4460267	4	Pin, Male	
223B	4460824	1	Connector, Female - 4 Position <b>(Prior to SN 0200125353)</b>	
223B	4460825	4	Socket, Female <b>(Prior to SN 0200125353)</b>	
		Ref	<b>STANDARD HARNESS COMPONENTS</b>	
301	7023183	1	Harness, Engine (Refer to Kubota Dealer)	
301A	7023179	1	Plug, Male - 8 Position (Yellow)	
301A	7023182	8	Pin, Male	
301B	7023178	1	Plug, Male - 8 Position (White)	
301B	7023182	8	Pin, Male	
301C	7023180	1	Bulkhead, Electrical Connector (White)	
301D	7023181	1	Bulkhead, Electrical Connector (Yellow)	
302	4922428	1	Harness, Lift Down	
302	1060680	16.5 ft/5m	Cable, Electrical - 18/2	
302A	4460499	1	Connector, DIN	
302B	4460465	2	Socket, Female	
303	See Note	NSS	Elevation Switches Harness (Note: Not Available for Purchase)	
303	1060680	9 ft/2.7m	Cable, Electrical - 18/2	
303A	4360321	NLA	Switch, Limit (Use p/n 4360548) <b>(Prior to SN 0200115167)</b>	
303B		Ref	Connector, Strain Relief Options:	
303B	4460428	2	Connector, Strain Relief <b>(Prior to SN 0200115167)</b>	
303B	4460968	2	Connector, Strain Relief <b>(SN 0200115167 through 0200141689)</b>	
303C	4460465	2	Socket, Female	
304	See Note	NSS	Harness, Controller (Note: Part of Controller Electrical Assembly)	
304A	4460265	1	Plug, Male - 9 Position	
304A	4460268	8	Socket, Female	
		Ref	<b>OPTIONAL HARNESS COMPONENTS</b>	
401	See Note	1	Alarm Harness (Note: Purchase Alarm Assy) <b>(Prior to SN 0200112814)</b>	
401	1060680	8 ft/2.5m	Cable, Electrical - 18/2	
401A	4460248	2	Terminal <b>(Prior to SN 0200112814)</b>	
401B	4460465	2	Socket, Female <b>(Prior to SN 0200112814)</b>	
402	4922439	1	Beacon Harness	
402	1060680	6 ft/1.8m	Cable, Electrical - 18/2	
402A	2400056	1	Fuse - 5 Amp	
402A	4460044	1	Fuseholder	
402B	4460248	3	Terminal, Butt	
402C	4460268	2	Socket, Female	

## SECTION 7 - ELECTRICAL

ITEM	PART NUMBER	QTY	DESCRIPTION	REV
402C	4460320	1	Plug, Male - 2 Position	
403	See Note	NSS	Harness - Worklight (Note: Purchase Worklight Assy)	
403	1060680	AR	Cable, Electrical - 18/2	
404		Ref	AC to Platform Receptacle Components Options:	
404	0259809	Ref	220V Receptacle	J
404	0259810	Ref	220V Receptacle without Box	J
404A	0860038	1	Box, Switch	
404B		Ref	Electrical Cable Options:	
404B	1060461	43 ft/13.1m	220V <b>(Prior to SN 0200105000)</b>	
404B	4922713	1	220V <b>(SN 0200105000 through 0200114068)</b>	
404B	1061024	43 ft/13.1m	220V <b>(SN 0200114069 through 0200141689)</b>	
404C	1703464	1	Decal - AC Power (Not Shown)	
404D	See Note	NLA	Shield, Cover (Note: Not Available for Purchase)	
404E		Ref	Connector, Strain Relief Options:	
404E	4460328	1	Connector, Strain Relief <b>(Prior to SN 0200114069)</b>	
404E	4460071	1	Connector, Strain Relief <b>(SN 0200114069 through 0200141689)</b>	
404F	See Note	NLA	Receptacle (Note: Not Available for Purchase)	
404G	See Note	NLA	Plug, Male (Note: Not Available for Purchase)	
405	4922454	2	Harness - Leveling Jacks (N.O. Limit Switches)	D
405	1060680	8 ft/2.4m	Cable, Electrical - 18/2	
405A	4360321	2	Switch, Limit (Use p/n 4360548) <b>(Prior to SN 0200115167)</b>	
405B	4460424	1	Connector, Female - 2 Position	
405B	4460267	2	Pin, Male	
405C		Ref	Connector, Strain Relief Options:	
405C	4460428	2	Connector, Strain Relief <b>(Prior to SN 0200115167)</b>	
405C	4460968	2	Connector, Strain Relief <b>(SN 0200115167 through 0200141689)</b>	
406	4922455	2	Harness - Leveling Jacks (N.C. Limit Switches)	D
406	1060680	9.4 ft/3m	Cable, Electrical - 18/2	
406A	4360321	NLA	Switch, Limit (Use p/n 4360548) <b>(Prior to SN 0200115167)</b>	
406B	4460320	1	Plug, Male - 2 Position	
406B	4460268	2	Socket, Female	
406C		Ref	Connector, Strain Relief Options:	
406C	4460428	2	Connector, Strain Relief <b>(Prior to SN 0200115167)</b>	
406C	4460968	2	Connector, Strain Relief <b>(SN 0200115167 through 0200141689)</b>	
407	4922456	1	Harness, Connecting - Leveling Jacks	B
407	1060680	28 ft/8.5m	Cable, Electrical - 18/2	
407A	4460424	2	Connector, Female - 2 Position	
407A	4460267	4	Pin, Male	
407B	4460320	2	Plug, Male - 2 Position	
407B	4460268	4	Socket, Female	
407C	4460465	3	Socket, Female	
408 to 409	Not Required	0	Not Required	
410	4922748	Ref	Harness, Leveling Jacks - Auto Level (Not Shown)	D
410	4460499	7	Connector, DIN with Diode	
410	4460539	4	Connector, Female - 3 Position	
410	4460836	1	Connector, Female - 12 Position	
410	4460851	1	Connector, Female - 8 Position	

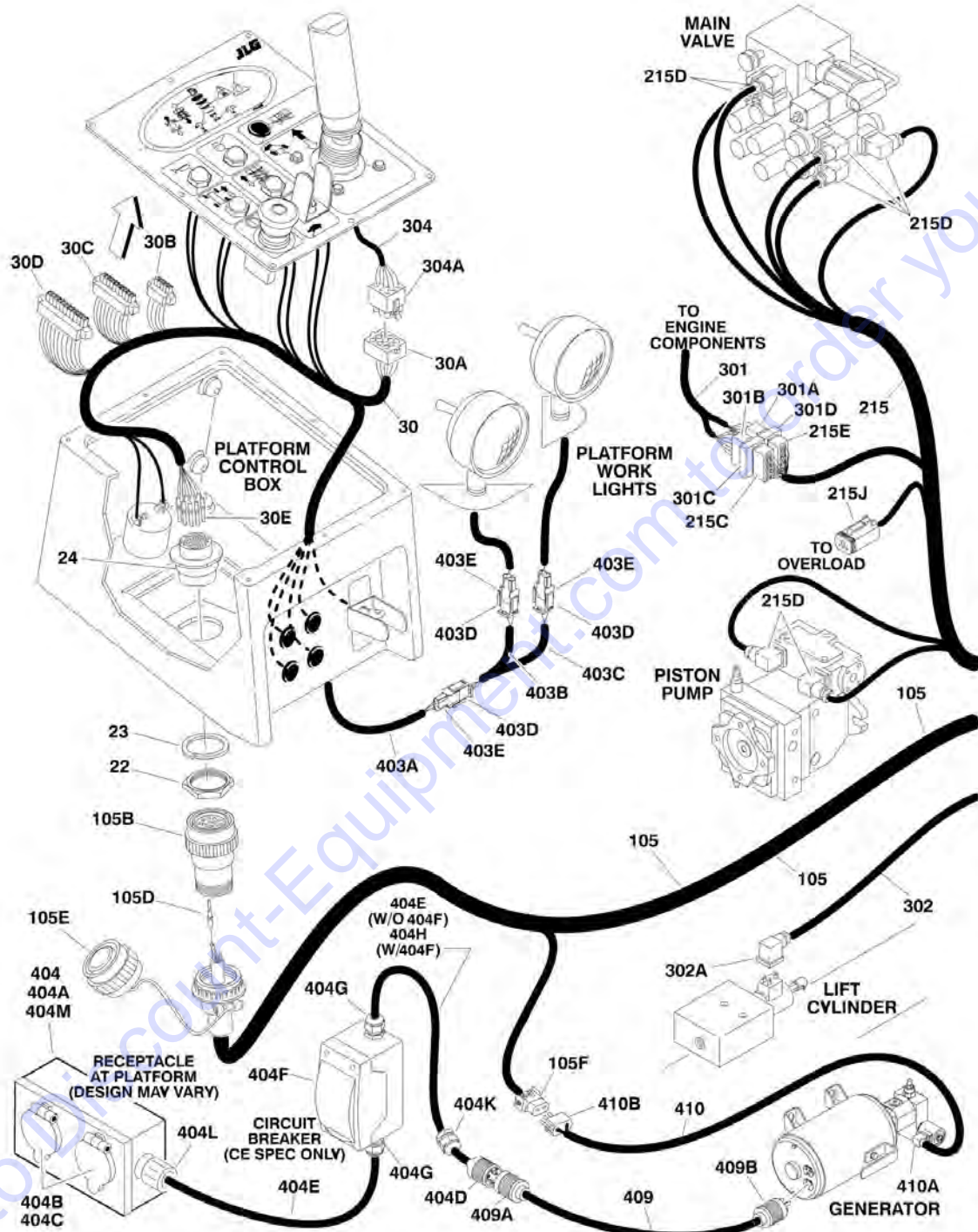
## SECTION 7 - ELECTRICAL

ITEM	PART NUMBER	QTY	DESCRIPTION	REV
410	4460852	1	Connector, Female - 8 Position (Bottom)	
410	4460892	1	Terminal, 6 Position (Buss Bar)	
410	4460894	1	Plug, 6 Position	
410	4460934	1	Plug, 12 Position	
410	4460935	1	Plug, 12 Position	
410	1060680	67 ft/20.4m	Cable, Electrical - 18/2	
410	4460465	50	Socket, Female	
410	4460466	13	Terminal, Plug	
410	4360548	4	Switch, Limit	
410	4460968	4	Connector, Strain Relief	
411	4923136	Ref	Harness, Adapter - Auto Level (Not Shown)	B
411	3730124	3	Resistor, 300 OHM	
411	4460894	2	Plug, 6 Position	
411	4460899	1	Terminal, 6 Position	
411	4460465	32	Socket, Female	
411	4460464	6	Pin, Male	
411	4460898	1	Plug, 12 Position (4 Buss Bar)	
411	4460933	1	Plug, 12 Position	
411	4460836	1	Connector, Female - 12 Position	
412	4923135	Ref	Harness, Analyzer - Auto Level (Not Shown)	B
412	4060128	1 ft/0.3m	Cable, Control	
412	4460761	1	Housing, Female 4 Position	
412	4460227	3	Pin, Male	
412	4460465	3	Socket, Female	
413	4923137	Ref	Harness, Proximity	A
413	1060902	8 ft/2.4m	Cable, Electrical 18/2	
413	4460465	4	Socket, Female	
413	4460891	1	Housing, 2 Position	
		Ref	<b>TOOLS</b>	
501	7002821	1	Crimper (For Wire to Pin/Socket Connections)	
502	7002823	1	Extractor (For Removal of Pin/Socket from Connectors)	
503	4460467	1	Extractor, Pin (Blue 16-18 Gauge) (For Removal of Pin/Socket from Connectors)	
503	4460510	1	Extractor, Pin (Yellow 12-14 Gauge) (For Removal of Pin/Socket from Connectors)	
504	7002828	1	Stripper, Wire	

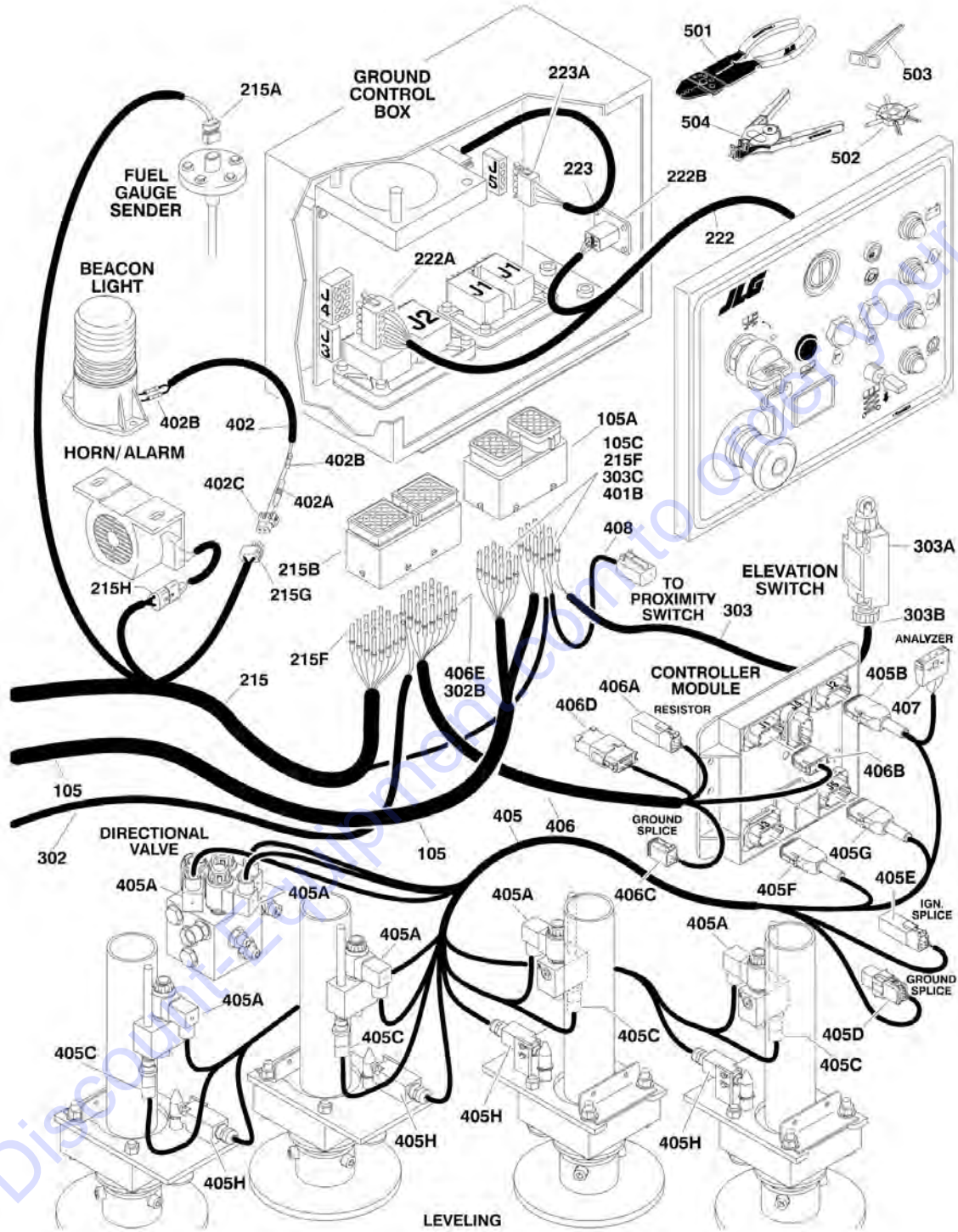


# SECTION 7 - ELECTRICAL

FIGURE 7-5. ELECTRICAL COMPONENTS INSTALLATION (SN 0200141689 to Present)



# SECTION 7 - ELECTRICAL





## SECTION 7 - ELECTRICAL

FIGURE 7-5. ELECTRICAL COMPONENTS INSTALLATION (SN 0200141689 to Present)

ITEM	PART NUMBER	QTY	DESCRIPTION	REV
		Ref	<b>CONSOLE BOX COMPONENTS</b>	
22	4460470	1	Nut, Terminal	
23	4460471	1	Lockwasher, Terminal	
24	4460480	1	Connector, Terminal	
30		Ref	Harness, Console Box Options:	
30	4922391	1	Without Leveling Jacks	D
30	4922437	1	With Leveling Jacks	D
30	3990010	1	Diode	
30A	4460266	1	Receptacle - 9 Pin	
30A	4460267	8	Pin, Male	
30B	4460817	1	Plug, Male - 5 Position	
30C	4460818	1	Plug, Male - 10 Position	
30D	4460819	1	Plug, Male - 11 Position	
30E	4460465	15	Socket, Female	
	0259803	Ref	<b>PLATFORM CABLE INSTALLATION</b>	C
101	0362801	3	Bar, Cable Rod (Not Shown)	
102	3450404	6	Pin, Cotter (Not Shown)	
103	4740480	6	Washer, Plastic Insert (Not Shown)	
104	4711600	6	Flatwasher 3/8in Thin (Not Shown)	
105	4922379	1	Platform Cable Assembly	F
105	1060815	64.8 ft/19.8m	Cable, 18 Conductors	
105	4460473	1	Clamp, Cable	
105A	4460465	16	Socket, Female	
105B	4460481	1	Plug, Male-23 Position	
105C	4460812	1	Plug, Male-24 Position	
105D	4460464	18	Pin, Male	
105E	4460468	1	Cap, Dust	
105F	4460424	1	Plug, Male - 2 Position	
105F	4460267	2	Pin, Male	
105G	4460891	1	Plug, Male - 2 Position (Not Shown - To Platform)	
105G	4460465	2	Socket, Female (Not Shown)	
105H	4460932	1	Receptacle, Female - 4 Position (P3 - Descent Motion) (Not Shown) <b>(SN 0200266727 to Present)</b>	
105H	4460464	4	Pin, Male (Not Shown) <b>(SN 0200266727 to Present)</b>	
105H	4460884	1	Plug, Male - 4 Position (P3 - Descent Motion) (Not Shown) <b>(SN 0200266727 to Present)</b>	
105H	4460465	2	Socket, Female (Not Shown) <b>(SN 0200266727 to Present)</b>	
105H	4460466	1	Plug, Terminal (Not Shown) <b>(SN 0200266727 to Present)</b>	
		Ref	<b>GROUND CONTROL BOX ASSEMBLY AND INSTALLATIONS</b>	
215	4923295	1	Harness, Engine and Valve	E
215	3990010	1	Diode (Not Shown)	
215A	4460834	1	Plug, Male - 2 Position	
215A	4460845	2	Terminal	
215B	4460814	1	Connector, Female - 40 Position	
215C	4460828	1	Connector, Female - 8 Position (White)	
215C	4460829	7	Terminal, Female	
215D	4460449	7	Connector, DIN without Diode	
215E	4460827	1	Connector, Female - 8 Position (Yellow)	
215E	4460829	14	Terminal, Female	

## SECTION 7 - ELECTRICAL

ITEM	PART NUMBER	QTY	DESCRIPTION	REV
215F	4460465	AR	Socket, Female	
215G	4460424	1	Plug, Male - 2 Position	
215G	4460267	2	Pin, Male	
215H	4460539	1	Connector, Female - 2 Position	
215H	4460465	3	Socket, Female	
215J	4460884	1	Connector, Female - 4 Position	
215J	4460465	4	Socket, Female	
215J	3990010	1	Diode, 6 Amp	
215K	4460884	1	Plug, Male - 4 Position (Telematics Ready) (Not Shown) <b>(SN 0200266727 to Present)</b>	
215K	4460465	4	Socket, Female (Not Shown) <b>(SN 0200266727 to Present)</b>	
215K	1001192401	1	Cap, Dust (Telematics Ready) (Not Shown) <b>(SN 0200266727 to Present)</b>	
215L	4460837	1	Bussbar - 12 Position (Ground Buss) (Not Shown) <b>(SN 0200266727 to Present)</b>	
215L	4460836	1	Connector - 12 Position (Ground Buss) (Not Shown) <b>(SN 0200266727 to Present)</b>	
215L	4460465	10	Socket, Female (Not Shown) <b>(SN 0200266727 to Present)</b>	
215L	4460942	1	Socket, Female (Not Shown) <b>(SN 0200266727 to Present)</b>	
215L	4460466	1	Seal, Terminal (Not Shown) <b>(SN 0200266727 to Present)</b>	
215M	2400060	1	Fuseholder with Cap (Telematics Ready) (Not Shown) <b>(SN 0200266727 to Present)</b>	
215M	8229242	1	Fuse 5Amp (Telematics Ready) (Not Shown) <b>(SN 0200266727 to Present)</b>	
222	4923293	1	Harness, Ground Control Box	A
222A	4460434	1	Plug, Male - 15 Position	
222A	4460268	13	Socket, Female	
222B	4460885	1	Plug, Female - 4 Position (Not used for this application)	
222B	4460464	4	Socket, Female	
223	See Note	1	Harness, Tilt (Note: Part of Dual Axis Tilt Sensor p/n 1001102811)	
223A	4460321	1	Plug, Male - 6 Position	
223A	4460267	4	Pin, Male	
		Ref	<b>STANDARD HARNESS COMPONENTS</b>	
301	7023183	1	Harness, Engine (Refer to Kubota Dealer)	
301A	7023179	1	Plug, Male - 8 Position (Yellow)	
301A	7023182	8	Pin, Male	
301B	7023178	1	Plug, Male - 8 Position (White)	
301B	7023182	8	Pin, Male	
301C	7023180	1	Bulkhead, Electrical Connector (White)	
301D	7023181	1	Bulkhead, Electrical Connector (Yellow)	
302	4922428	1	Harness, Lift Down	
302	1060680	16.5 ft/5m	Cable, Electrical - 18/2	
302A	4460499	1	Connector, DIN	
302B	4460465	2	Socket, Female	
303	4922630	1	Elevation Switches Harness	B
303	1060680	9 ft/2.7m	Cable, Electrical - 18/2	
303A	4360548	2	Switch, Limit	
303B	4460968	2	Connector, Strain Relief	
303C	4460465	2	Socket, Female	
304	See Note	1	Harness, Controller (Note: Part of Controller Electrical Assembly)	
304A	4460265	1	Plug, Male - 9 Position	
304A	4460268	8	Socket, Female	
		Ref	<b>OPTIONAL HARNESS COMPONENTS</b>	

## SECTION 7 - ELECTRICAL

ITEM	PART NUMBER	QTY	DESCRIPTION	REV
402	4922439	1	Beacon Harness	
402	1060680	6 ft/1.8m	Cable, Electrical - 18/2	
402A	2400056	1	Fuse - 5 Amp	
402A	4460044	1	Fuseholder	
402B	4460248	3	Terminal, Butt	
402C	4460268	2	Socket, Female	
402C	4460320	1	Plug, Male - 2 Position	
403	4922564	1	Harness - Worklight	B
403A	1060873	1	Cable, Electrical - 16/2	
403B	1060874	1	Cable, Electrical - 16/2	
403C	1060875	1	Cable, Electrical - 16/2	
403D	4460320	3	Plug, Male - 2 Position	
403D	4460268	6	Socket, Female	
403E	4460424	3	Connector, Female - 2 Position	
403E	4460267	6	Pin, Male	
404		Ref	AC to Platform Receptacle Components Options:	
		Ref	<b>Note: Only Installations 0259809 &amp; 0259810 available for Australian Spec. All Installations are available for CE Spec.</b>	
404	0259809	Ref	220V with Receptacle	J
404	0259810	Ref	220V Without Receptacle or Box	H
404	1001093965	Ref	110V with IEC Yellow Receptacle and Plug	B
404	1001093966	Ref	220V with IEC Blue Receptacle and Plug	B
404	1001093939	Ref	220V with AFSINT 107 Keyed Ground Receptacle and Plug	B
404	1001093857	Ref	220V with CEE 7 Post Ground Receptacle and Plug (2x4 Box)	B
404	1001093967	Ref	220V with CEE 7 Post Ground Receptacle and Plug (70x70 Box)	B
404	1001093931	Ref	220V with CEE 7 Side Ground Receptacle and Plug (2x4 Box)	B
404	1001093968	Ref	220V with CEE 7 Side Ground Receptacle and Plug (70x70 Box)	B
404A		Ref	Box, Switch Options:	
404A	0860038	1	0259809 Installation ( <b>SN 0200141689 through 0200172931</b> )	
404A	0861731	1	0259809 Installation ( <b>SN 0200172932 to Present</b> )	
404A	See Note	1	0259810 Installation (Note: Purchase Locally)	
404A	0861731	1	1001093857, 1001093931 & 1001093939 Installations	
404A	0861781	1	1001093965 & 1001093966 Installations	
404A	See Note	1	1001093967 & 1001093968 Installations (Note: Was p/n0861782 which is no longer available. Use p/n 1001100344 CEE 7 Side Ground Service Kit or p/n 1001100343 CEE 7 Post Ground Service Kit. Kits includes Box p/n 1001141967 and items 404B, 404C & 404D.)	
404A	1001141967	1	1001100343, 1001100344, 1001141970 & 1001101971 Service Kits	
404B		Ref	Receptacle Options:	
404B	See Note	1	0259809 & 0259810 Installations (Note: Not Available - Purchase Locally)	
404B	4461244	1	1001093857 Installation (Includes Cover)	
404B	1001141968	1	1001100343 & 1001141971 Service Kit	
404B	1001141969	1	1001100344 & 1001141970 Service Kit	
404B	4461245	1	1001093931 Installation (Includes Cover)	
404B	4461246	1	1001093939 Installation (Includes Cover)	
404B	4461198	1	1001093965 Installation (Includes Cover)	
404B	4461201	1	1001093966 Installation (Includes Cover)	
404B	4461204	1	1001093967 Installation (Includes Cover) (Use p/n 1001100343)	
404B	4461207	1	1001093968 Installation (Includes Cover) (Use p/n	

## SECTION 7 - ELECTRICAL

ITEM	PART NUMBER	QTY	DESCRIPTION	REV
404C		Ref	1001100344)	
404C	See Note	1	Cover Options: 0259809 & 0259810 Installations (Note: Not Available - Purchase Locally)	
404C	4461244	1	1001093857 Installation (Includes Cover)	
404C	1001141968	1	1001100343 & 1001141971 Service Kit	
404C	1001141969	1	1001100344 & 1001141970 Service Kit	
404C	4461245	1	1001093931 Installation (Includes Cover)	
404C	4461246	1	1001093939 Installation (Includes Cover)	
404C	4461198	1	1001093965 Installation (Includes Cover)	
404C	4461201	1	1001093966 Installation (Includes Cover)	
404C	4461204	1	1001093967 Installation (Includes Cover) (Use p/n 1001100343)	
404C	4461207	1	1001093968 Installation (Includes Cover) (Use p/n 1001100344)	
404D		Ref	Plug Options:	
404D	See Note	1	0259809 & 0259810 Installations (Note: Not Available - Purchase Locally)	
404D	4461202	1	1001093857 & 1001093967 Installations & 1001100343/ 1001141971 Service Kits (Male)	
404D	4461203	1	1001093857 & 1001093967 Installations & 1001100343/ 1001141971 Service Kits (Female)	
404D	4461205	1	1001093931 & 1001093968 Installations & 1001100344/ 1001141970 Service Kits (Male)	
404D	4461206	1	1001093931 & 1001093968 Installations & 1001100344/ 1001141970 Service Kits (Female)	
404D	4461249	1	1001093939 Installation (Male)	
404D	4461250	1	1001093939 Installations (Female)	
404D	4461198	1	1001093965 Installation (Male)	
404D	4461197	1	1001093965 Installation (Female)	
404D	4461199	1	1001093966 Installation (Male)	
404D	4461200	1	1001093966 Installation (Female)	
404E		Ref	Electrical Cable Options:	
404E	1061024	1	Electrical Cable ( <b>Prior to SN 0200193881</b> )	
404E	1060461	45 ft/13.7m	Electrical Cable ( <b>SN 0200193881 to Present</b> )	
404F		Ref	Breaker, Circuit (Only Required on CE Spec Installations)	
404F	2400093	1	Circuit Breaker	
404F	0861880	1	Breaker Box	
404F	4460957	1	Terminal Block	
404F	4460956	1	Barrier, Terminal Block	
404G	4460633	2	Connector, Strain Relief	
404H	1060908	6 ft/1.8m	Cable, Extension (Only Required on CE Spec Installations)	
404J		Ref	Decal - AC Power Options (Not Shown - Located Near Item 404D):	
404J	1703464	1	0259809 & 0259810 Installations	
404J	1705325	1	1001093965 Installation	
404J	1702507	1	1001093857, 1001093931, 1001093939, 1001093966, 1001093967, 1001093968 Installations	
404K	4460071	1	Connector, Strain Relief	
404K	3300048	1	Nut, Conduit	
404L		Ref	Connector, Strain Relief	
404L	4460071	1	0259809 & 0259810 Installations	
404L	4460968	1	1001093965, 1001093857, 1001093931, 1001093939,	

## SECTION 7 - ELECTRICAL

ITEM	PART NUMBER	QTY	DESCRIPTION	REV
404M		Ref	1001093966,1001093967,1001093968 Installations	
404M	Not Required	0	Bracket, Receptacle Box	
404M	1001093993	1	0259809, 025981, 1001093857, 1001093931, 1001093939 Installations	
	0275216	1	1001093965, 1001093966,1001093967,1001093968 Installations	
	0275217	1	Receptacle, Box and Plug Kit (110V IEC Yellow) (Includes Items 404A-404C and Male 404D Plug End) (1001093965 Installations)	1-A
	0275454	1	Receptacle, Box and Plug Kit (220V IEC Blue) (Includes Items 404A-404C and Male 404D Plug End) (1001093966 Installation)	1-A
	0273857	1	Receptacle, Box and Plug Kit (220V AFSINT 107 Keyed Ground) (Includes Items 404A-404C and Male 404D Plug End) (1001093939 Installation)	1-A
	0275218	1	Receptacle Box Kit (220V CEE 7 Post Ground with 2x4 Box) (Includes Items 404A-404C and Male 404D Plug End) (1001093857 Installation)	1-A
	1001141971	1	Receptacle, Box and Plug Kit (220V CEE 7 Post Ground with 70x70 Box) (Includes Items 404A-404D) (1001093967 Installation) (Use p/n 1001100343)	B-B-A
	0275453	1	Receptacle, Box and Plug Kit (220V CEE 7 Post Ground with 70x70 Box) (Includes Items 404A-404D) (1001093967 Installation) (Use p/n 1001100343)	B-B-A
	0275219	1	Receptacle Box Kit (220V CEE 7 Side Ground with 2x4 Box) (Includes Item 404A-404D) (1001093931 Installation)	1-A
	1001141970	1	Receptacle, Box and Plug Kit (220V CEE 7 Side Ground with 70x70 Box) (Includes Items 404A-404D) (1001093968 Installation) (Use p/n 1001100344)	B-B-A
	2902549	1	Receptacle, Box and Plug Kit (220V CEE 7 Side Ground with 70x70 Box) (Includes Items 404A-404D) (1001093968 Installation) (Use p/n 1001100344)	B-B-A
405	4922748	1	Circuit Breaker Box Kit (Includes Items 404F-404H)	B
405A	4460499	7	Harness - Auto Leveling Jacks	E
405B	4460836	1	Connector, DIN with Diode	
405B	0840055	1	Connector, Female - 12 Position	
405C	4460539	4	Boot	
405D	4460851	1	Connector, Female - 3 Position	
405D	4460852	1	Connector, Female - 8 Position	
405E	4460892	1	Connector, Female - 8 Position (Bottom)	
405E	4460894	1	Terminal, 6 Position (Buss Bar)	
405F	4460934	1	Plug, 6 Position	
405F	0840055	1	Plug, 12 Position	
405G	4460935	1	Boot	
405G	0840055	1	Plug, 12 Position	
405H	4360548	4	Boot	
405H	4460968	4	Switch, Limit	
405J	4460465	50	Connector, Strain Relief	
405J	4460466	13	Socket, Female (Not Shown)	
406	4923136	Ref	Terminal, Plug	
406A	4460894	1	Harness, Adapter - Auto Level	2-E
406A	3730124	3	Plug, 6 Position	
406A	4460899	1	Resistor, 300 OHM	
406A	4460465	6	Terminal, 6 Position	
			Socket, Female	

## SECTION 7 - ELECTRICAL

ITEM	PART NUMBER	QTY	DESCRIPTION	REV
406A	4460464	6	Pin, Male	
406B	4460933	1	Plug, 12 Position	
406B	4460465	3	Socket, Female	
406C	4460892	1	Terminal, 6 Position (Buss Bar)	
406C	4460894	1	Plug, 6 Position	
406C	4460465	5	Socket, Female	
406D	4460933	1	Plug, 12 Position	
406D	4460465	12	Socket, Female	
406D	4460898	1	Plug, 12 Position (4 Buss Bar)	
406E	4460465	4	Socket, Female	
407	4923135	Ref	Harness, Analyzer - Auto Level	B
407	4060128	1 ft/0.3m	Cable, Control	
407	4460761	1	Housing, Female 4 Position	
407	4460227	3	Pin, Male	
407	4460465	3	Socket, Female	
408	4923137	Ref	Harness, Proximity	A
408	1060902	8 ft/2.4m	Cable, Electrical 18/2	
408	4460465	4	Socket, Female	
408	4460891	1	Housing, 2 Position	
409 to 410	Not Required	0	Not Required	
		Ref	<b>TOOLS</b>	
501	7002821	1	Crimper (For Wire to Pin/Socket Connections)	
502	7002823	1	Extractor (For Removal of Pin/Socket from Connectors)	
503	4460467	1	Extractor, Pin (Blue 16-18 Gauge) (For Removal of Pin/Socket from Connectors)	
503	4460510	1	Extractor, Pin (Yellow 12-14 Gauge) (For Removal of Pin/Socket from Connectors)	
504	7002828	1	Stripper, Wire	



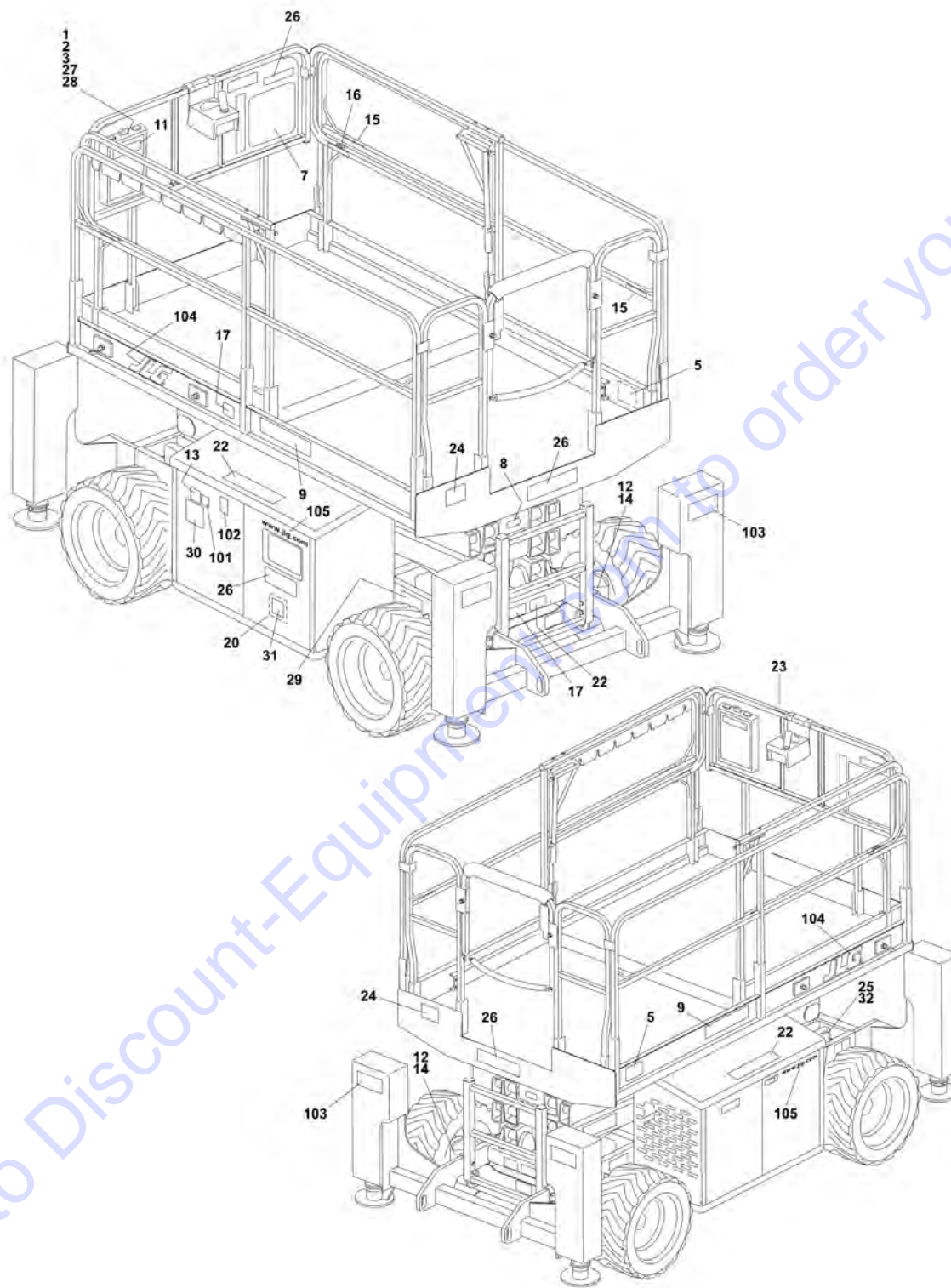


**SECTION 8 - DECALS**

Go to [Discount-Equipment.com](http://Discount-Equipment.com) to order your parts

# SECTION 8 - DECALS

## FIGURE 8-1. DECAL INSTALLATION (Prior to SN 0200149779)



## SECTION 8 - DECALS

**FIGURE 8-1. DECAL INSTALLATION (Prior to SN 0200149779)**

ITEM	PART NUMBER	QTY	DESCRIPTION	REV
		Ref	<b>Decal Installation Options:</b>	
	0259802	Ref	<b>Australian Spec (Prior to SN 0200102883)</b>	D
	0271884	Ref	<b>Australian Spec (SN 0200102883 through 0200149779)</b>	3
	0259798	Ref	<b>Dutch Spec (Prior to SN 0200102883)</b>	D
	0271880	Ref	<b>Dutch Spec (SN 0200102883 through 0200149779)</b>	4
	0259801	Ref	<b>French Spec (Prior to SN 0200102883)</b>	D
	0271883	Ref	<b>French Spec (SN 0200102883 through 0200149779)</b>	5
	0259796	Ref	<b>German Spec (Prior to SN 0200102883)</b>	D
	0271878	Ref	<b>German Spec (SN 0200102883 through 0200149779)</b>	4
	0259800	Ref	<b>Italian Spec (Prior to SN 0200102883)</b>	D
	0271882	Ref	<b>Italian Spec (SN 0200102883 through 0200149779)</b>	4
	0273205	Ref	<b>Norwegian Spec</b>	3
	0274357	Ref	<b>Russian Spec</b>	3
	0259797	Ref	<b>Spanish Spec (Prior to SN 0200102883)</b>	D
	0271879	Ref	<b>Spanish Spec (SN 0200102883 through 0200149779)</b>	4
	0259799	Ref	<b>UK Spec (Prior to SN 0200102883)</b>	E
	0271881	Ref	<b>UK Spec (SN 0200102883 through 0200149779)</b>	5
1	0641405	4	Bolt 1/4in-20NC x 5/8in	
2	0860520	1	Box, Manual Storage	
3	1060279	1	Cable, Lanyard	
5	See Note	1	Decal - Bar Code (Note: Not Available for Purchase)	
7	1704548	1	Decal - Capacity	
8	1704138	1	Decal - Safety Prop	
9	1704529	2	Decal - 260MRT	
11		Ref	<b>Decal - Manual Reference Options:</b>	
11	1703788	1	<b>Decal - Manual Reference (Prior to SN 0200102883)</b>	
11	1701509	1	<b>Decal - Manual Reference (SN 0200102883 through 0200149779)</b>	
12	1703811	4	Decal - Lifting Lugs	
13	1703812	1	Decal - Hydraulic Oil	
14	1703814	4	Decal - Tie Down	
15	1704277	6	Decal - Attach Lanyard Here	
16	1703819	1	Decal - Directional Arrow	
17	1705084	2	Decal - Sound Power Level Decal	
20		Ref	<b>Decal - Towing/Winching/Tow Speed Options:</b>	
20	1704556	1	Australian Specs	
20	1704620	1	Dutch Specs	
20	1704605	1	French Specs	
20	1704622	1	German Specs	
20	1704621	1	Italian Specs	
20	1704556	1	Norwegian Spec	
20	1706332	1	Russian Specs	
20	1704619	1	Spanish Specs	
20	1704556	1	UK Spec	
22		Ref	<b>Decal - Crushing Hazard/Danger Electrcution</b>	
22	1703818	4	Australian Specs	
22	1703894	4	Dutch Specs	
22	1703865	4	French Specs	
22	1703882	4	German Specs	
22	1703887	4	Italian Specs	

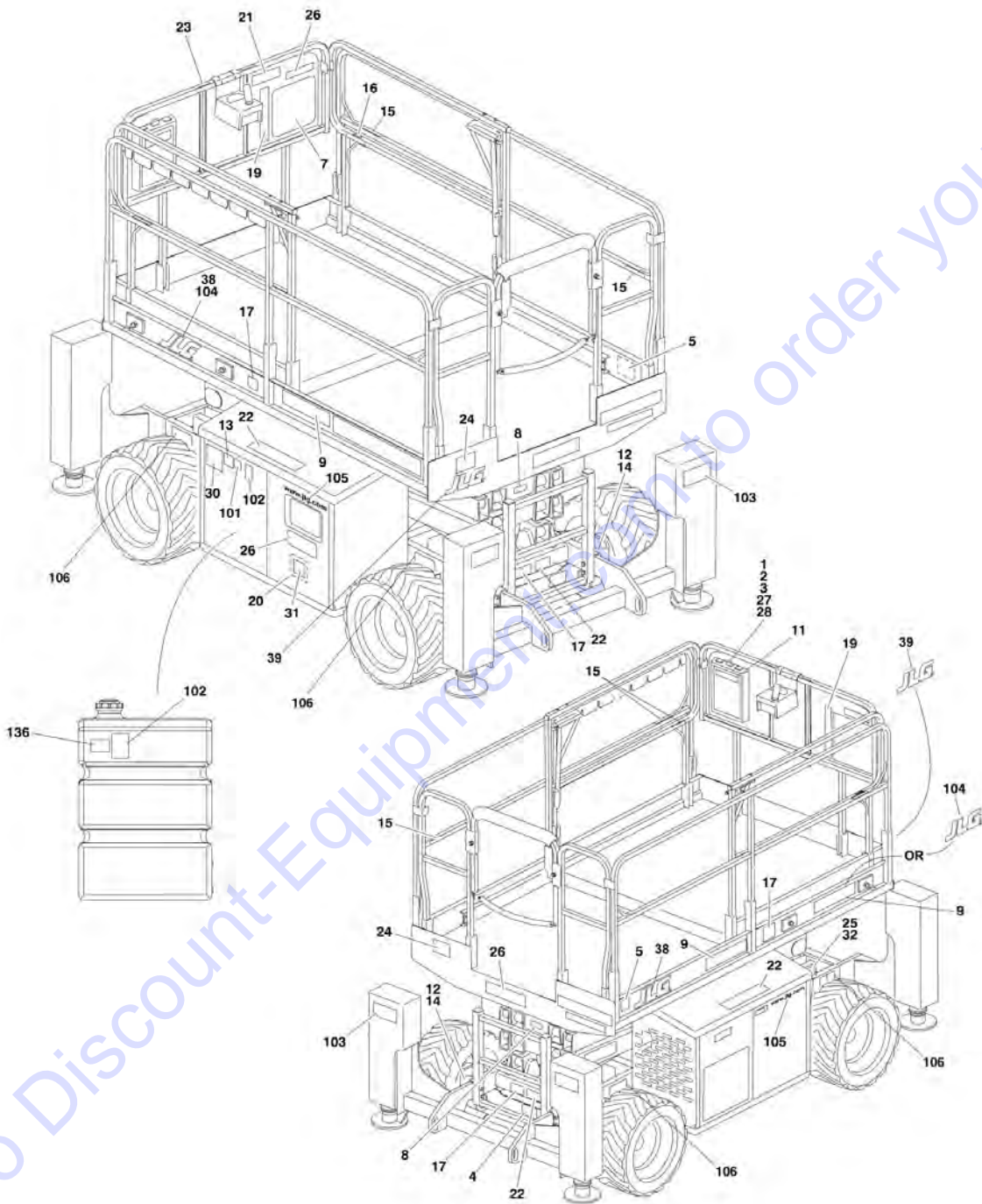
## SECTION 8 - DECALS

ITEM	PART NUMBER	QTY	DESCRIPTION	REV
22	1705257	4	Norwegian Spec	
22	1706338	4	Russian Specs	
22	1703841	4	Spanish Specs	
22	1703818	4	UK Spec	
24	3251813	1	Nameplate - USA	
25	See Note	1	Nameplate - Serial Number (Note: Not Available for Purchase)	
26		Ref	Decal - Caution Options:	
26	1704625	1	Australian Specs <b>(Prior to SN 0200102883)</b>	
26	Not Required	0	Australian Specs <b>(SN 0200102883 through 0200149779)</b>	
26	1704649	1	Dutch Specs	
26	1704626	1	French Specs	
26	1704674	1	German Specs	
26	1704673	1	Italian Specs	
26	1705267	1	Norwegian Spec	
26	1705671	AR	Russian Specs	
26	1704672	1	Spanish Specs	
26	1704625	3	UK Spec	
27	3311405	4	Locknut 1/4in-20NC	
28	4711400	8	Flatwasher 1/4in Narrow	
29	1704559	4	Decal - Max Tire Load <b>(Prior to SN 0200136298)</b>	
30	1704412	1	Decal - Hydraulic Oil	
31		Ref	Decal - Patent Options:	
31	1700584	1	Australian, Dutch, French, German, Italian, Norwegian, Russian and UK Spec	
31	1702573	1	Spanish Specs	
32	2080057	4	Fastener	
		Ref	<b>OPTIONAL DECAL INSTALLATIONS</b>	
101	1702788	1	Decal - Biodegradable Oil (Optional)	
102	1701505	1	Decal - Fuel (Diesel)	
103	1701785	8	Decal - Outrigger Warning	
	0270262	Ref	JLG Decals Installation	B
104	1702773	3	Decal - JLG	
105	1704885	3	Decal - JLG	



# SECTION 8 - DECALS

## FIGURE 8-2. DECAL INSTALLATION (SN 0200149779 to Present)



## SECTION 8 - DECALS

**FIGURE 8-2. DECAL INSTALLATION (SN 0200149779 to Present)**

ITEM	PART NUMBER	QTY	DESCRIPTION	REV
	0275087	Ref	<b>DECAL INSTALLATION</b>	F
	1283296	Ref	<b>Decal Installation Reference Chart (SN 0200149779 through 0200258836)</b>	S
	1001218096	Ref	<b>Decal Installation Reference Chart (SN 0200258837 to Present)</b>	B
1	0641405	4	Bolt 1/4in-20NC x 5/8in	
2	0860520	1	Box, Manual Storage	
3	1060279	1	Cable, Lanyard <b>(Prior to SN 0200267886)</b>	
5	1702631	1	Decal - Bar Code <b>(SN 0200267238 to Present)</b>	
7	1704548	1	Decal - Capacity	
8	1704138	2	Decal - Safety Prop	
9	1704529	2	Decal - 260MRT	
11	1701509	1	Decal - Manual Reference	
12	1703811	4	Decal - Lifting Lugs	
13	1703812	1	Decal - Hydraulic Oil	
14	1703814	4	Decal - Tie Down	
15	1704277	8	Decal - Attach Lanyard Here	
16	1703819	1	Decal - Directional Arrow	
17	1705084	AR	Decal - Sound Power Level Decal	
20	1706332	1	Decal - Towing/Winching	
22	1706338	4	Decal - Electrocuton/Crushing	
24	3251813	1	Nameplate - USA	
25	See Note	NSS	Nameplate - Serial Number (Note: Not Available for Purchase)	
26	1705671	AR	Decal - Electrocuton	
27	3311405	4	Locknut 1/4in-20NC	
28	4711400	8	Flatwasher 1/4in Narrow	
30	1704412	1	Decal - Hydraulic Oil	
31	1700584	1	Decal - Patent <b>(Prior to SN 0200210878)</b>	
32	2080057	4	Fastener	
38	1702773	2	Decal - JLG (5in Height) <b>(SN 0200258837 to Present)</b>	
39	1701435	2	Decal - JLG (3-1/2in Height) <b>(SN 0200258837 to Present)</b>	
		Ref	<b>OPTIONAL DECAL INSTALLATIONS</b>	
101	1702788	1	Decal - Biodegradable Oil (Optional)	
102	1701505	1	Decal - Fuel (Diesel)	
103	1701785	8	Decal - Outrigger Warning	
	0270262	Ref	<b>JLG Decals Installation (SN 0200149779 through 0200258836)</b>	B
104	1702773	3	Decal - JLG <b>(SN 0200149779 through 0200258836)</b>	
105	1704885	3	Decal - JLG <b>(SN 0200149779 through 0200258836)</b>	
106	1704559	4	Decal - Maximum Tire load	
136	1001139654	1	Decal - Fuel Low Sulfur	





**SECTION 9 - RECOMMENDED SERVICE PARTS STOCK**

**SECTION 9 - RECOMMENDED SERVICE PARTS STOCK**

Go to Discount-Equipment.com to order your parts

## SECTION 9 - RECOMMENDED SERVICE PARTS STOCK

FIGURE 9-1. MODEL 260MRT STANDARD PARTS

ITEM	PART NUMBER	QTY	DESCRIPTION	REV
	Note	Ref	<b>Note: The following list will service one machine (built to current production per date on the front cover) with emergency repair parts which can be installed in the field. Parts from the list should be replaced when inventory is depleted to keep service parts stock supplied. For further information, go to Discount-equipment.com</b>	
		Ref	<b>STANDARD PARTS</b>	
	2120210	4	Element	
	7012944	1	Coil	
	7021376	1	Coil	
	4360070	1	Breaker, Circuit 15Amp	
	4360328	1	Switch, Toggle	
	4360387	1	Switch, Yellow Push Button	
	2860030	1	Key, Replacement	
	4360475	1	Switch, E-Stop	
	1001102811	1	Switch Kit, Dual Axis	
	2940074	1	Latch	
	4360482	1	Switch, Toggle	
	4360483	1	Switch, Toggle	
	1600403	1	Drive/Steer Controller	
	3990010	2	Diode	
	2400056	2	Fuse - 5Amp	



## SECTION 9 - RECOMMENDED SERVICE PARTS STOCK

FIGURE 9-2. MODEL 260MRT VARIABLE PARTS

ITEM	PART NUMBER	QTY	DESCRIPTION	REV
	Note	Ref	<b>Note: The following list will service one machine (built to current production per date on the front cover) with emergency repair parts which can be installed in the field. Parts from the list should be replaced when inventory is depleted to keep service parts stock supplied. For further information, go to Discount-equipment.com</b>	
		Ref	<b>VARIABLE PARTS</b>	
	4360548	1	Switch, Limit (Auto Leveling Jacks)	
	7024501	1	Coil (Auto Leveling Jacks)	
	3740049	1	Relay (Diesel)	
	7023177	1	Solenoid, Stop (Diesel)	
	7017923	12	Filter, Oil (Diesel)	
	7017901	1	Switch, Oil (Diesel)	
	7017950	4	Element, Fuel (Diesel)	
	7017938	4	Element, Breather (Diesel)	
	4360469	1	Switch, Key (Australian Spec)	
	4360470	1	Switch, Key (CE Spec)	
	4360548	1	Switch, Limit	

**SECTION 10 - SPECIAL OPTIONS**

*Go to Discount-Equipment.com to order your parts*

## SECTION 10 - SPECIAL OPTIONS

FIGURE 10-1. SPECIAL OPTIONS

ITEM	PART NUMBER	QTY	DESCRIPTION	REV
	Note	Ref	<b>Note: This list is to accommodate machines ordered with special equipment. Options may not be applicable to all models. For more specific parts information go to Discount-equipment.com</b>	
		Ref	<b>MISCELLANEOUS SPECIAL OPTIONS</b>	
	0274537	Ref	<b>AIR LINE INSTALLATION 1/2in</b>	
	0259815	Ref	<b>BEACON LIGHT INSTALLATION</b>	
	1001236961	Ref	<b>BELT AND FAN SHIELD ADD-ON KIT (KUBOTA D1005 T4i ENGINES) (AUSTRALIAN SPECS)</b>	
	0272099	Ref	<b>CYLINDER BELLOWS INSTALLATION</b>	
	0460209	1	Steer Cylinder	
	0460210	1	Lift Cylinder	
	1001233237	Ref	<b>CLEARSKY TELEMATICS - 3-Wire Connection (ANSI Export and CE Specs) (Factory Installed)</b>	
		Ref	<b>DECAL INSTALLATIONS</b>	
	1702788	Ref	<b>Decal - Biodegradable Oil</b>	
	1001229698	Ref	<b>Decal - ClearSky</b>	
	1001214029	Ref	<b>Decal - EAC (Russian/CIS Specs)</b>	
	0251642	Ref	<b>Warning Stripes Decal</b>	
		Ref	<b>DECAL KIT OPTIONS:</b>	
	2901912	1	Master Kit	
	2901914	1	Multi-Color Kit (Australian Specs)	
	2901927	1	Multi-Color Kit (Dutch Specs)	
	2901924	1	Multi-Color Kit (French Specs)	
	2901929	1	Multi-Color Kit (German Specs)	
	2901928	1	Multi-Color Kit (Italian Specs)	
	Not Available		Multi-Color Kit (Norwegian Spec)	
	Not Available		Multi-Color Kit (Russian Specs)	
	2901925	1	Multi-Color Kit (Spanish Specs)	
	2901914	1	Multi-Color Kit (UK Spec)	
		Ref	<b>ELECTRICAL CONNECTOR KITS</b>	
	1001148902	Ref	Amp/Tyco Electrical Connector Kit	
	1001148903	Ref	Deutsch DT Electrical Connector Kit	
	1001148904	Ref	Deutsch HD Electrical Connector Kit	
	1001148905	Ref	Packard Electrical Connector Kit	
	1001148906	Ref	Various Electrical Connectors Kit	
	0274423	Ref	<b>ENGINE BLOCK HEATER INSTALLATION (DIESEL ENGINES ONLY)</b>	
		Ref	<b>Filter Kits:</b>	
		Ref	Combined Filter Kit Options (Hydraulic/Air and Fuel/Engine Oil):	
	1001111691	1	Machines <b>(Prior to SN 0200141689)</b>	
	1001111698	1	Machines <b>(SN 0200141689 to Present)</b>	
		Ref	Hydraulic/Air Filter Options:	
	1001111666	1	Machines <b>(Prior to SN 0200141689)</b>	
	1001111671	1	Machines <b>(SN 0200141689 to Present)</b>	
	1001111681	1	Fuel/Engine Oil Filter	
	0274849	Ref	<b>FIRE EXTINGUISHER INSTALLATION</b>	
	1001202749	Ref	<b>FUEL CAP COVER INSTALLATION - BLACK (OPTIONAL) (Tank Cap &amp; Lock Must be Purchased Separately)</b>	
		Ref	<b>HYDRAULIC FLUIDS</b>	



## SECTION 10 - SPECIAL OPTIONS

ITEM	PART NUMBER	QTY	DESCRIPTION	REV
	2300014	Ref	<b>Mobil 424</b>	
	2300027	Ref	<b>Mobil EAL 224H Biodegradeable</b>	
	2300039	Ref	<b>Exxon Univis HVI 26</b>	
	2300016	Ref	<b>Mobil DTE 10 EXCEL 32</b>	
	2300021	Ref	<b>Union Carbide Ucon HP5046 Fire Resistant</b>	
	0100040	Ref	<b>SEALANT</b>	
	2901881	Ref	<b>TIE-STRAPS KIT</b>	
		Ref	<b>TOOLS FOR SERVICE</b>	
	7002818	1	Crimper (For Wire to Pin/Socket Connections)	
	7002823	1	Extractor (For Removal of Pin/Socket from Connectors)	
	4460467	1	Extractor, Pin (Blue 16-18 Gauge) (For Removal of Pin/Socket from Connectors)	
	4460510	1	Extractor, Pin (Yellow 12-14 Gauge) (For Removal of Pin/Socket from Connectors)	
	7004275	1	Seal Tool (For 1in Diameter Seals)	
	7004276	1	Seal Tool (For 1-1/2in Diameter Seals)	
	7002826	1	Seal Tool (For 2in Diameter Seals)	
	2900838	1	U.S. Standards Fastener (Hardware) Kit	
	7014676	1	U.S. Standards Tool Kit	
	7002820	1	Arbor Set	
	1001137005	1	Software USB Cable Kit	
	0259814	Ref	<b>WORK LIGHTS INSTALLATION</b>	



**PART NUMBER INDEX**

Go to [Discount-Equipment.com](http://Discount-Equipment.com) to order your parts

# PART NUMBER INDEX

0080228.....125	0270198.....107	0641407 .... 37, 41, 93, 94	0902609.....29
0100011 .... 11, 29, 33, 37, 41, 47, 57, 58, 85, 89, 94, 97, 103, 119, 121, 123	0270262 ..... 176, 179	0641408 ..... 30, 58	0902624.....56
0100020.....38, 42, 55	0270424 ..... 81	0641415 ..... 101	0902647.....56
0100035.....119, 121	0270451 ..... 107	0641506 ..... 47, 55, 125	0902648.....56
0100038.....119, 123	0270543 ..... 33	0641508 ... 12, 30, 33, 37, 41, 48, 55, 58, 85, 89	0902676.....93
0100040.....187	0271878 ..... 175	0641510 ..... 89, 97	0902677.....93
0100048.....104	0271879 ..... 175	0641512 ..... 29	0902678.....93
0100051.....55	0271880 ..... 175	0641514 ..... 93	0902679.....93
0100075 ..... 133, 137	0271881 ..... 175	0641516 ..... 103	0903054.....38, 42
0140001.....55	0271882 ..... 175	0641524 ..... 94	0903165.....38, 42
0140011.....107	0271883 ..... 175	0641528 ..... 33	0903421.....115
0140032.....30	0271884 ..... 175	0641605 ..... 85	0940049.....98
0140044.....30	0272099 ..... 186	0641606 ..... 11	0940092.....115
0181847.....107	0272964 ..... 101	0641607 ..... 93	0940094.....115
0182035.....97	0272965 ..... 101	0641608 ... 33, 37, 41, 47, 55, 57, 85, 97	0940135.....89
0200680.....89	0273066 ..... 97	0641608 ... 33, 37, 41, 47, 55, 57, 85, 97	0940149.....115
0200682.....89	0273068 ..... 97	0641610 ..... 29, 56	0940178.....115
0200699.....89	0273069 ..... 89, 125	0641612 ..... 93	0940180.....115
0200700.....89	0273136 ..... 29	0641620 ..... 89	0962012.....125
0200701.....89	0273205 ..... 175	0641622 ..... 89, 97	0962220.....89
0200702.....89	0273848 ..... 37	0641624 ..... 93	0962234.....13, 89
0200703.....89	0273857 ..... 170	0641636 ..... 97	0962332.....93
0200704.....89	0274320 ..... 82	0641638 ..... 89	0962333.....94
0200728.....89	0274337 ..... 29	0641676 ..... 55, 103	1001093121.....136
0200729.....89	0274357 ..... 175	0641812 ..... 57	1001093857.....168
0240059.....93, 94	0274423 ..... 186	0641816 ..... 33, 37, 41	1001093931.....168
0251642.....186	0274537 ..... 186	0641820 ..... 33	1001093939.....168
0259616.....97	0274650 ..... 47	0641824 ... 30, 37, 38, 41, 42	1001093965.....168
0259648.....11	0274651 ..... 82, 83	0641826 ..... 93	1001093966.....168
0259654.....30	0274653 ..... 82	0641828 ..... 33, 38, 42	1001093967.....168
0259752.....47	0274654 ..... 82	0641838 ..... 30	1001093968.....168
0259753.....85	0274655 ..... 82	0642024 ..... 11	1001093993.....170
0259757 ..... 33, 140, 146	0274849 ..... 186	0642028 ..... 12	1001094373.....86
0259758.....11	0275049 ..... 115	0651406 ..... 47	1001096738.....56, 57
0259778.....55	0275087 ..... 179	0681506 ..... 119	1001096739.....55
0259781.....12	0275216 ..... 170	0681508 ..... 97	1001096740.....55, 56
0259796.....175	0275217 ..... 170	0681524 ..... 89	1001096741.....55
0259797.....175	0275218 ..... 170	0681606 ..... 119	1001097458.....104
0259798.....175	0275219 ..... 170	0681610 ..... 89, 98	1001100031.....11
0259799.....175	0275453 ..... 170	0681810 ..... 11	1001100032.....12
0259800.....175	0275454 ..... 170	0681810 ..... 11	1001100037.....12
0259801.....175	0320015 ..... 119	0700619 ..... 103	1001100371.....12
0259802.....175	0362801 ..... 160, 166	0701029 ..... 97, 101	1001100372.....12
0259803.....160, 166	0362937 ..... 85	0721005 ..... 58	1001100373.....12
0259804.....82	0400002 ..... 55	0760610 ..... 58	1001102512.....82
0259805.....29	0400003 ..... 55	0760808 ..... 58	1001102811.....182
0259809.....162, 168	0440228 ..... 12	0760814 ..... 58	1001109533.....30
0259810.....162, 168	0440241 ..... 89	0840025 ..... 55	1001110710.....89, 125
0259814.....187	0440250 ..... 89	0840026 ..... 56	1001110782.....90
0259815.....186	0440334 ..... 58	0840046 ..... 55	1001111666.....186
0259816.....29	0460209 ..... 186	0840047 ..... 55	1001111671.....186
0259817.....29	0460210 ..... 186	0840055 ..... 101, 170	1001111681.....186
0259818.....93	0480116 ..... 93	0860038 ..... 162, 168	1001111691.....186
0259820.....97	0480117 ..... 93	0860520 ..... 175, 179	1001111698.....186
0259823.....47	0561332 ..... 97	0861315 ..... 81	1001118582.....58
0259835.....83	0561407 ..... 33	0861357 ..... 107	1001118676.....37
0259865.....89, 125	0561414 ..... 93	0861731 ..... 168	1001118677.....30
0259943.....103	0561474 ..... 97, 101	0861781 ..... 168	1001118678.....89
0259977.....12	0610134 ..... 81	0861880 ..... 169	1001118679.....90
0259978.....12	0610135 ..... 107	0901870 ..... 103	1001118680.....89
0270039.....55	0610140 ..... 81	0902421 ..... 125	1001118681.....90
0270064.....55, 56	0630476 ..... 97	0902499 ..... 107	1001118682.....29
0270069.....81	0641404 ..... 83, 85, 107	0902592 ..... 47	1001118881.....58
	0641405 ..... 93, 175, 179	0902595 ..... 83	1001118925.....58
	0641406 ... 55, 58, 83, 86, 103, 115	0902597 ..... 55	1001128888.....58
			1001134212.....86

## PART NUMBER INDEX

1001135084 .....	85	1380136 .....	47	1704673.....	176	2220619.....	133, 137
1001135142 .....	85	1600308 .....	107, 111	1704674.....	176	2220621.....	132
1001137005 .....	187	1600382 .....	81	1704786.....	33, 37, 41	2220622.....	133, 136
1001139654 .....	179	1600386 .....	83	1704885.....	176, 179	2220635... ..	132, 133, 137, 140, 144
1001141967 .....	168	1600387 .....	101	1705084.....	175, 179	2220651.....	38, 41
1001141968 .....	168, 169	1600403 .....	107, 113, 182	1705257.....	176	2220738.....	133, 137
1001141969 .....	168, 169	1670970 .....	55	1705267.....	176	2220819.....	140
1001141970 .....	170	1671165 .....	37, 41	1705325.....	169	2220827.....	132
1001141971 .....	170	1671195 .....	37, 41	1705671.....	176, 179	2220852.....	133, 137
1001148902 .....	186	1681283 .....	119, 121	1705711.....	107	2220865.....	133
1001148903 .....	186	1682723 .....	119	1705729.....	81	2220869.....	55
1001148904 .....	186	1683054 .....	123	1705947.....	107	2220883.....	33, 38, 42, 119, 121
1001148905 .....	186	1683887 .....	89, 125	1705948.....	107	2220899.....	132, 136
1001148906 .....	186	1683957 .....	11, 127	1706332.....	175, 179	2220906.....	133, 136
1001152741 .....	56, 58	1683966 .....	33, 119	1706338.....	176, 179	2220919.....	133, 137
1001157598 .....	58	1683967 .....	119, 121	1780312.....	85	2220947.....	133, 136
1001157976 .....	56, 61	1684206 .....	121	1780313.....	85	2220948.....	133, 136
1001157977 .....	55	1684217 .....	33, 121	1780315.....	85	2220998.....	133, 137
1001157978 .....	55, 56	1684220 .....	38, 42, 123	1780323.....	85	2221025.....	133, 136
1001157980 .....	55	1684221 .....	123	1810001.....	107	2221036.....	133, 137
1001158085 .....	59	1684223 .....	123	1810002.....	81	2221042.....	137
1001166257 .....	81	1684406 .....	38, 42	1810011.....	81	2221047.....	55
1001181085 .....	81	1700584 .....	176, 179	1810012.....	81	2221048.....	132
1001181530 .....	58	1701214 .....	37, 41	1810013.....	81	2221049.....	133, 137
1001182483 .....	83	1701435 .....	179	1810017.....	107	2221075.....	133, 137
1001192401 .....	167	1701502 .....	47	2000168.....	56, 57	2221076.....	133, 137
1001192860 .....	13	1701503 .....	47	2080053.....	12, 33, 37, 41, 85	2221086.....	133, 137
1001193376 .....	41	1701505 .....	176, 179	2080056.....	94	2230024.....	132, 136
1001193378 .....	41	1701509 .....	175, 179	2080057.....	176, 179	2300014.....	187
1001193379 .....	11	1701785 .....	176, 179	2080063.....	103	2300016.....	187
1001193442 .....	12	1702507 .....	169	2080064.....	103	2300021.....	187
1001197017 .....	115	1702573 .....	176	2080069.....	103	2300027.....	187
1001202749 .....	186	1702631 .....	179	2110606.....	38, 42	2300039.....	187
1001211510 .....	90	1702773 .....	176, 179	2110608.....	38, 42	2360523.....	13
1001214029 .....	186	1702788 .....	176, 179, 186	2110808.....	38, 42	2400056... ..	161, 168, 182
1001218096 .....	179	1703175 .....	97	2120146.....	47	2400060.....	167
1001222834 .....	90	1703464 .....	162, 169	2120150.....	47	2400093.....	169
1001222835 .....	90	1703788 .....	175	2120172.....	133, 137	2420172.....	81
1001228233 .....	11, 27	1703811 .....	175, 179	2120209.....	47	2420190.....	47
1001228234 .....	11, 21	1703812 .....	47, 175, 179	2120210.....	47, 182	2560088.....	103
1001229698 .....	186	1703814 .....	175, 179	2130606.....	39, 43, 144	2560141.....	107
1001233237 .....	186	1703818 .....	175, 176	2170506.....	144	2600253.....	103
1001236961 .....	186	1703819 .....	175, 179	2170508.....	144	2600264.....	85
1001237405 .....	56, 65	1703841 .....	176	2180467.....	55	2600265.....	85
1001237406 .....	55	1703865 .....	175	2200233.....	47	2620029.....	82
1001237407 .....	55, 56	1703882 .....	175	2220237.....	38, 42	2680480.....	85
1060279 .....	175, 179	1703887 .....	175	2220238.....	38, 42	2680481.....	85
1060461 .....	162, 169	1703894 .....	175	2220250.....	55	2680493.....	85
1060680 .....	29, 161, 162, 163, 167, 168	1704138 .....	175, 179	2220343.....	38, 41	2680494.....	85
1060808 .....	103	1704277 .....	175, 179	2220371.....	125, 132, 133, 136, 137, 140, 144	2716538.....	144
1060815 .....	160, 166	1704412 .....	176, 179	2220372.....	38, 42, 132, 136	2716960.....	144
1060816 .....	55	1704462 .....	81	2220377.....	133, 137	2717235.....	144
1060817 .....	55	1704529 .....	175, 179	2220385.....	133, 137	2720058.....	56
1060818 .....	125	1704548 .....	175, 179	2220396.....	38, 41	2720271.....	56
1060873 .....	168	1704556 .....	175	2220399.....	133, 136	2720465.....	56
1060874 .....	168	1704559 .....	176, 179	2220415.....	133, 136	2720466.....	56
1060875 .....	168	1704574 .....	108	2220451.....	133, 136	2752466.....	140
1060902 .....	163, 171	1704589 .....	107	2220472.....	133, 136	2752469.....	132, 136
1060908 .....	169	1704605 .....	175	2220473.....	125, 132, 133, 136, 137, 140	2752478.....	132, 136, 140
1061024 .....	162, 169	1704619 .....	175	2220490.....	132, 136, 140	2752489.....	132, 136
1100110 .....	29	1704620 .....	175	2220501.....	133, 137, 140	2752613.....	132, 136
1120108 .....	119, 121	1704621 .....	175	2220507.....	133, 136	2752622.....	125, 132, 136
1283296 .....	179	1704622 .....	175	2220579.....	133	2752649.....	140
1320016 .....	56	1704625 .....	176	2220600.....	133, 137	2752966.....	140
1320022 .....	55	1704626 .....	176	2220603.....	132, 136	2753068.....	144
1320022 .....	55	1704649 .....	176				
1320274 .....	56	1704672 .....	176				

## PART NUMBER INDEX

2753375.....	132, 136	3160255.....	11, 25	3450404.....	160, 166	3900178.....	107
2753376.....	132, 136	3180013.....	94	3450405.....	125	3900208.....	85
2753377.....	132, 136	3180015.....	94	3450406.....	11	3900265.....	107
2753378.....	132, 136	3200453.....	29	3460320.....	56	3900267.....	103
2753379.....	132, 136	3251813.....	176, 179	3480092.....	119, 121	3900281.....	81
2753380.....	132, 136	3252695.....	107	3510730.....	97	3900289.....	85
2753381.....	132, 136	3271505.....	97	3510767.....	97	3900321.....	121, 123
2753382.....	132, 136	3290601.....	103	3510791.....	97	3910606.....	81
2753383.....	132, 136	3290605.....	58	3510797.....	97	3910612.....	81
2753384.....	132	3291005.....	98, 101	3520030.....	82	3910616.....	81
2753385.....	132	3300048.....	169	3520071.....	30	3910804.....	82
2753386.....	132	3300151.....	103	3520072.....	93, 103, 115	3911008.....	103
2753387.....	132	3300281.....	119	3520080.....	107	3911428.....	103
2753388.....	132, 136	3300356.....	103	3520193.....	82, 108	3911532.....	103
2753389.....	132, 136	3300409.....	12	3536708.....	119	3930334.....	29
2753390.....	132, 136	3300420.....	104	3537609.....	103	3930820.....	29, 33, 37, 41
2753391.....	132	3300432.....	103	3537619.....	97	3931516.....	123
2753392.....	132, 136	3300454.....	37, 41	3539690.....	85	3951603.....	29
2753393.....	132, 136	3300465.....	121	3571829.....	103	3960200.....	123
2753394.....	132, 136	3300467.....	104	3571862.....	103	3960483.....	123
2753395.....	132, 136	3300474.....	29	3571985.....	85	3960525.....	47
2753396.....	132	3310601.....	107	3572305.....	85	3980003.....	55
2753397.....	132, 136	3310801.....	29, 33, 85	3572324.....	12, 33, 37, 41	3990010.....	160, 166, 167, 182
2753398.....	125, 132, 136	3310805.....	37, 41	3572325.....	12	4000006.....	82
2753488.....	140	3311001.....	58	3572326.....	12, 33, 37	4060128.....	163, 171
2753503.....	132, 136	3311405.....	30, 37, 56, 58, 83, 85, 86, 93, 94, 101, 103, 115, 176, 179	3572384.....	33, 37, 41	4060802.....	107
2753504.....	132, 136	3311501.....	85, 98	3572385.....	33, 37, 41	4060807.....	48
2753505.....	132, 136	3311505.....	12, 29, 30, 48, 55, 56, 58, 89, 94, 97, 103	3572388.....	33, 37	4060808.....	48
2753579.....	144	3311601.....	47	3572430.....	56	4060809.....	48
2753626.....	144	3311605.....	29, 37, 41, 47, 55, 56, 85, 89, 93, 97, 103	3572472.....	93	4061003.....	33
2792402.....	132, 146	3311805.....	30, 33, 37, 38, 41, 42, 93	3572473.....	93	4061016.....	93
2792431.....	140, 146	3312005.....	11	3573513.....	121, 123	4061017.....	93
2792686.....	41, 144, 146	3321402.....	58, 125	3574649.....	94	4061018.....	93
2792717.....	136, 146	3322002.....	11	3574650.....	94	4070987.....	82
2860030.....	82, 182	3322202.....	97	3600300.....	56, 69	4070991.....	82
2900770.....	119, 121	3340650.....	119	3600301.....	56, 77	4100033.....	48
2900838.....	187	3340866.....	89	3600307.....	56	4130377.....	11
2901881.....	187	3340879.....	89	3600369.....	57, 79	4130380.....	12
2901912.....	186	3340895.....	108	3600373.....	56	4160116.....	33, 38, 42
2901914.....	186	3340902.....	94	3600414.....	56, 73	4160136.....	94
2901924.....	186	3340904.....	119	3600415.....	56	4160185.....	85
2901925.....	186	3421565.....	103	3641342.....	103	4210011.....	37, 38, 41, 42
2901927.....	186	3422219.....	103	3641344.....	103	4210017.....	37, 38, 41, 42
2901928.....	186	3422655.....	97	3641345.....	103	4240018.....	48
2901929.....	186	3422709.....	89	3641351.....	103	4240033.....	93
2901941.....	119, 121	3422714.....	89	3730124.....	163, 170	4240099.....	58
2902023.....	119	3422777.....	97	3740049.....	56, 184	4240125.....	90
2902039.....	104	3422803.....	11	3760170.....	103	4240128.....	90
2902182.....	123	3422815.....	90	3760261.....	119	4240140.....	47
2902206.....	33	3422838.....	89	3760321.....	98	4240141.....	47
2902213.....	85	3422839.....	89	3760348.....	38, 42, 97	4340719.....	93
2902215.....	12	3422840.....	90	3760368.....	123	4340720.....	93
2902216.....	93	3422938.....	101	3760387.....	90	4340721.....	93
2902259.....	90	3422962.....	97	3760419.....	90	4340722.....	93
2902260.....	90	3423049.....	97, 98	3760453.....	119	4340885.....	38, 42
2902549.....	170	3431024.....	11	3760460.....	121, 123	4340886.....	37, 41
2910479.....	55	3431032.....	12	3820020.....	47, 103	4340887.....	83
2920026.....	81, 82, 108	3431036.....	11	3841143.....	98	4340939.....	29
2920029.....	81, 108	3431220.....	11	3841146.....	11	4341007.....	29
2930001.....	30	3440420.....	33	3841233.....	97	4341135.....	115
2940074.....	103, 182			3841326.....	33	4360070.....	82, 182
2940126.....	85			3841468.....	11	4360321.....	161, 162
2940127.....	103			3841469.....	12	4360328.....	82, 182
3020022.....	90			3841564.....	38, 42	4360387.....	82, 107, 182
3160244.....	11, 15			3860059.....	97	4360469.....	82, 184
3160245.....	11, 23			3900128.....	47	4360470.....	82, 184
3160254.....	11, 19			3900170.....	119	4360475.....	82, 107, 182

## PART NUMBER INDEX

4360481 ..... 82	4460825 ..... 161	4711500.... 12, 29, 30, 33,	4923136 ..... 83, 163, 170
4360482 ..... 108, 182	4460827 ..... 160, 166	37, 41, 48, 85, 90, 98,	4923137 ..... 29, 163, 171
4360483 ..... 108, 182	4460828 ..... 160, 166	103	4923293 ..... 82, 167
4360502 ..... 29	4460829 ..... 160, 166	4711600.... 29, 33, 48, 56,	4923295 ..... 83, 166
4360518 ..... 38, 42	4460834 ..... 160, 166	57, 85, 90, 93, 103,	70000081 ..... 113
4360548 ..... 29, 163, 167,	4460836 ... 101, 162, 163,	160, 166	70000082 ..... 113
170, 184	167, 170	4711800.... 30, 33, 37, 38,	70000083 ..... 113
4400425 ..... 47, 48	4460837 ..... 167	41, 42, 57	70000084 ..... 113
4400428 ..... 47	4460845 ..... 160, 166	4712000..... 12	70000085 ..... 113
4400458 ..... 47, 48	4460851 ..... 162, 170	4712200..... 12	70000620 ..... 58
4400498 ..... 62, 66	4460852 ..... 163, 170	4713000..... 119, 121	70000621 ..... 58
4420008 ..... 108	4460884 .... 161, 166, 167	4740120..... 108	70000622 ..... 58
4420037 .... 33, 47, 85, 90	4460885 ..... 161, 167	4740333..... 90	70000623 ..... 58
4420039 ..... 33, 37, 41	4460891 .... 163, 166, 171	4740415..... 33	70000683 ..... 113
4420051 ..... 37, 41	4460892 .... 163, 170, 171	4740438..... 90	70000684 ..... 113
4420052 ..... 33, 37	4460894 .... 163, 170, 171	4740480..... 160, 166	70000685 ..... 113
4420068 ..... 115	4460897 ..... 101	4750600..... 82	70000686 ..... 113
4460044 ..... 161, 168	4460898 ..... 163, 171	4750800.... 29, 33, 37, 41,	70000934 ..... 47
4460049 ..... 101	4460899 ..... 163, 170	85	70001091 ..... 21, 27
4460071 ..... 162, 169	4460932 ..... 101, 166	4751000..... 48, 58, 103	70001095 ..... 21
4460226 ..... 113	4460933 ..... 163, 171	4751400... 30, 83, 86, 103	70001140 ..... 57, 61, 65
4460227 ..... 163, 171	4460934 ..... 163, 170	4751600.... 37, 41, 55, 56,	70001865 ..... 58, 62, 66
4460248 ..... 161, 168	4460935 ..... 163, 170	93, 97, 101, 104	70001933 ..... 57
4460265 ... 111, 113, 161,	4460942 ..... 167	4752000..... 12	70001934 ..... 57
167	4460956 ..... 169	4752200..... 98	70001935 ..... 57
4460266 ... 111, 113, 160,	4460957 ..... 169	4760600..... 82, 108	70001968 ..... 73
166	4460968 .... 29, 161, 162,	4761000..... 58, 82	70002264 ..... 27
4460267 ... 111, 113, 160,	163, 167, 169, 170	4761400..... 58, 83	70002272 ..... 57, 62, 66
161, 162, 166, 167, 168	4461197 ..... 169	4791400..... 108	70002273 ..... 57, 62, 66
4460268 ... 111, 161, 162,	4461198 ..... 168, 169	4811700..... 58	70002274 ..... 58, 62, 66
167, 168	4461199 ..... 169	4811900..... 58	70002275 ..... 58, 62, 66
4460294 ..... 101	4461200 ..... 169	4812000..... 98	70002314 ..... 61, 65
4460320 .... 161, 162, 168	4461201 ..... 168, 169	4845938..... 108	70002315 ..... 61, 65
4460321 ..... 161, 167	4461202 ..... 169	4846024..... 90	70002316 ..... 58, 61, 65
4460328 ..... 162	4461203 ..... 169	4846116..... 30	70002317 ..... 58, 61, 65
4460424 ... 160, 162, 166,	4461204 ..... 168, 169	4846120..... 103	70002318 ..... 61, 65
167, 168	4461205 ..... 169	4846121..... 103	70002319 ..... 57, 61, 65
4460428 ..... 161, 162	4461206 ..... 169	4846122..... 103	70002320 ..... 57, 61, 65
4460434 ..... 161, 167	4461207 ..... 168, 169	4846143..... 97	70002321 ..... 57, 61, 65
4460449 ..... 160, 166	4461244 ..... 168, 169	4846146..... 33	70002322 ..... 57, 61, 65
4460464 ... 101, 160, 161,	4461245 ..... 168, 169	4846181..... 103	70002323 ..... 57, 61, 65
163, 166, 167, 171	4461246 ..... 168, 169	4846191..... 103	70002324 ..... 57
4460465 ..... 29, 101, 160,	4461249 ..... 169	4846249..... 108	70002325 ..... 57, 62, 66
161, 162, 163, 166,	4461250 ..... 169	4846256..... 103	70002326 ..... 57, 62, 66
167, 170, 171	4520233 ..... 12	4846271..... 115	70002327 ..... 57, 62, 66
4460466 ... 101, 163, 166,	4565647 ..... 119	4846584..... 121, 123	70002328 ..... 57, 62, 66
167, 170	4568099 ..... 94	4860207 ..... 12	70002329 ..... 57, 62, 66
4460467 .... 163, 171, 187	4568109 ..... 93	4891800..... 11	70002330 ..... 58, 62, 66
4460468 ..... 160, 166	4568110 ..... 93	4922339..... 82, 161	70002331 ..... 58
4460470 .... 108, 160, 166	4568295 ..... 97, 101	4922365..... 83, 160	70002419 ..... 57, 61, 65
4460471 .... 108, 160, 166	4640216 ..... 38, 42	4922378..... 82, 161	70002759 ..... 21, 27
4460473 ..... 160, 166	4640495 ..... 119, 121	4922379..... 160, 166	70003060 ..... 61, 65
4460480 .... 108, 160, 166	4641104 ..... 125	4922391 .... 108, 160, 166	70003061 ..... 61, 65
4460481 ..... 160, 166	4641109 ..... 47, 51	4922428 ..... 90, 161, 167	70003062 ..... 61, 65
4460499 ... 160, 161, 162,	4641121 ..... 47, 53	4922436 ..... 83, 160	70003339 ..... 73
167, 170	4641150 ..... 33	4922437 .... 108, 160, 166	70003340 ..... 74
4460510 .... 163, 171, 187	4641151 ..... 34	4922439 ..... 161, 168	70003650 ..... 113
4460539 ... 160, 162, 167,	4641152 ..... 34	4922454 ..... 33, 162	70004194 ..... 113
170	4641156 ..... 119, 121	4922455 ..... 33, 162	70004311 ..... 61, 65
4460633 ..... 169	4641172 ..... 125	4922456 ..... 33, 162	70004395 ..... 61, 65
4460761 .... 101, 163, 171	4641238 ..... 38, 42	4922564 ..... 168	70004396 ..... 61, 65
4460812 ..... 160, 166	4641240 ..... 38, 42	4922630 ..... 29, 167	70004397 ..... 61, 65
4460814 ..... 160, 166	4641374 .... 37, 38, 41, 42	4922713 ..... 162	70004398 ..... 61, 65
4460817 ..... 160, 166	4711000 ..... 58	4922748, 37, 41, 162, 170	70004399 ..... 61, 65
4460818 ..... 160, 166	4711400 ... 37, 41, 48, 56,	4922904 ..... 101	70004523 ..... 61, 65
4460819 ..... 160, 166	58, 83, 85, 93, 94, 115,	4922915 ..... 90, 101	70004524 ..... 61, 65
4460824 ..... 161	125, 176, 179	4923135 ..... 83, 163, 171	70004525 ..... 61, 65



## PART NUMBER INDEX

70004526.....	61, 65	7017387.....	125	7022527.....	51	7023288.....	19, 25
70004530.....	61, 65	7017405.....	53	7022529.....	51	7023289.....	19, 25
70004531.....	61, 65	7017410.....	51	7022531.....	51	7023290.....	19, 25
70004536.....	61, 65	7017425.....	53	7022585.....	16	7023291.....	19, 25
70004537.....	61, 65	7017454.....	34	7022586.....	15, 23	7023292.....	19, 25
70004538.....	61, 65	7017901.....	57, 62, 66, 184	7022587.....	15, 23	7023293.....	19
70004539.....	61, 65	7017923.....	57, 184	7022588.....	15, 21, 23, 27	7023294.....	19
70004540.....	61, 65	7017924.....	57	7022589.....	15, 21, 27	7023295.....	19
70004544.....	61, 65	7017928.....	61, 65	7022590.....	15, 23	7023296.....	19
70004547.....	62, 66	7017934.....	61, 65	7022591.....	15, 23	7023297.....	19
70004829.....	62, 66	7017937.....	58, 62, 66	7022592.....	15	7023298.....	19
70006744.....	21, 27	7017938.....	57, 62, 66, 184	7022593.....	15, 21	7023301.....	19, 25
70006745.....	21, 27	7017942.....	58, 62, 66	7022594.....	15, 21	7023302.....	19, 25
70006746.....	21, 27	7017945.....	61, 65	7022595.....	15, 21	7023303.....	19, 25
70006747.....	21, 27	7017949.....	58, 61, 65	7022596.....	15, 21	7023304.....	19
70006748.....	21, 27	7017950.....	57, 62, 66, 184	7022597.....	15	7023305.....	19
70006749.....	21, 27	7017955.....	57, 62, 66	7022598.....	15	7023800.....	16
70006750.....	21, 27	7017958.....	62, 66	7022599.....	15	7023801.....	23
70006752.....	21, 27	7017963.....	58, 62, 66	7023005.....	127	7023806.....	15, 21, 23, 27
70006753.....	21, 27	7017967.....	57	7023006.....	127	7023807.....	15, 21, 23, 27
70006756.....	21, 27	7017968.....	57	7023124.....	57, 62, 66	7023808.....	77
70006757.....	21, 27	7017969.....	57	7023126.....	58	7023813.....	77
70006759.....	21, 27	7017992.....	58, 61, 65	7023132.....	61, 65	7023816.....	77
70006763.....	21, 27	7018408.....	19	7023136.....	61, 65	7023817.....	77
70006764.....	21, 27	7018411.....	19, 25	7023137.....	57	7023818.....	77
70006765.....	21, 27	7018435.....	25	7023140.....	62, 66	7023819.....	77
70006766.....	21	7018436.....	19, 25	7023141.....	57, 62, 66	7023834.....	69
70006767.....	21	7018903.....	51	7023144.....	57, 62, 66	7023854.....	70
70006768.....	21	7018904.....	51	7023145.....	62, 66	7023855.....	70
70006769.....	21	7018936.....	73	7023148.....	58, 62, 66	7023856.....	70
70006770.....	21	7018942.....	51	7023149.....	58, 62, 66	7023859.....	70
70006771.....	21	7019878.....	125	7023157.....	61, 65	7023872.....	21, 27
70006772.....	21	7019879.....	125	7023160.....	57, 61, 65	7023877.....	69
70006773.....	21	7019880.....	125	7023164.....	57, 61, 65	7023878.....	69
7001626.....	127	7019881.....	125	7023165.....	61, 65	7023879.....	69
7002818.....	187	7019882.....	125	7023167.....	61, 65	7023881.....	69, 73
7002820.....	187	7020020.....	47	7023168.....	61, 65	7023882.....	69
7002821.....	163, 171	7020175.....	82, 107	7023169.....	57	7023883.....	69
7002823.....	163, 171, 187	7020176.....	82, 107	7023170.....	57, 62, 66	7023884.....	69
7002826.....	187	7020253.....	48	7023172.....	57	7023885.....	69, 73
7002828.....	163, 171	7020256.....	48	7023173.....	57	7023886.....	70
7003226.....	125	7020257.....	47	7023177.....	57, 184	7023887.....	69, 73
7003790.....	111	7020500.....	111	7023178.....	161, 167	7023888.....	69, 73
7003791.....	111	7020501.....	111	7023179.....	161, 167	7023889.....	69
7004275.....	187	7020502.....	111	7023180.....	161, 167	7023890.....	70
7004276.....	187	7020503.....	111	7023181.....	161, 167	7023891.....	70
7010543.....	51	7020504.....	111	7023182.....	161, 167	7023892.....	70
7011940.....	111	7020509.....	111	7023183.....	161, 167	7023893.....	70
7011997.....	111	7020511.....	111	7023199.....	58, 61, 65	7023894.....	70
7012773.....	51	7020520.....	111	7023206.....	47	7023895.....	70
7012903.....	34	7020527.....	111	7023207.....	47	7023896.....	70
7012904.....	53	7020528.....	111	7023208.....	51	7023897.....	70
7012941.....	51	7020529.....	111	7023209.....	51	7023898.....	70
7012943.....	34	7020530.....	111	7023210.....	51	7023899.....	70
7012944.....	51, 182	7020531.....	111	7023212.....	81	7023916.....	51
7012953.....	51	7020532.....	111	7023219.....	48	7023971.....	51
7012967.....	51, 53	7020533.....	111	7023276.....	19, 25	7023972.....	51
7012975.....	53	7020534.....	111	7023278.....	19, 25	7023973.....	51
7012998.....	51	7020535.....	111	7023279.....	19, 25	7023974.....	51
7014676.....	187	7021365.....	51	7023280.....	19, 25	7023975.....	51
7014802.....	48	7021375.....	51	7023281.....	19, 25	7023976.....	51
7014811.....	48	7021376.....	51, 182	7023282.....	19, 25	7024000.....	70
7014816.....	48	7021629.....	51	7023283.....	19, 25	7024001.....	70
7016312.....	47	7021653.....	34	7023284.....	19, 25	7024002.....	70
7017290.....	127	7022380.....	69	7023285.....	25	7024003.....	70
7017291.....	127	7022523.....	51, 53	7023286.....	19, 25	7024004.....	71, 74
7017294.....	127	7022524.....	53	7023287.....	19, 25	7024005.....	71, 74

## PART NUMBER INDEX

7024006 .....	71	7024082 .....	74	7024500.....	39, 42	7026191 .....	19
7024007 .....	23	7024083 .....	74	7024501...38, 39, 42, 184		7026202 .....	58, 62, 66
7024008 .....	23	7024084 .....	74	7024502.....	38, 42	7026205 .....	57
7024064 .....	73	7024085 .....	74	7024503.....	39, 42	7026211 .....	58, 62, 66
7024065 .....	73	7024086 .....	74	7024504.....	39, 42	7026575 .....	48
7024068 .....	73, 74	7024087 .....	74	7024505.....	39, 43	7027365 .....	113
7024069 .....	73	7024088 .....	74	7024506.....38, 39, 42, 43		7027367 .....	113
7024070 .....	73	7024089 .....	74	7024507.....	38, 42	7027765 .....	113
7024071 .....	73	7024441 .....	48	7024822.....	34	7027766 .....	113
7024072 .....	73	7024443 .....	48	7024873.....	53	7027888 .....	19, 25
7024073 .....	73	7024445 .....	48	7024908.....	74	7028877 .....	73
7024075 .....	73	7024446 .....	48	7024929.....	51	80934596.....	73
7024076 .....	73	7024497 .....	38, 42	7024960.....	79	80934644.....	74
7024077 .....	73	7024498 .....	38, 42	7025479.....	61, 65	8229242.....	167
7024081 .....	74	7024499 .....	39, 42	7026121.....	48		

Go to Discount-Equipment.com to order your parts

# PARTS FINDER

**Search Website  
by Part Number**



**Search Manual  
Library For Parts  
Manual & Lookup Part  
Numbers – Purchase  
or Request Quote**

**Can't Find Part or  
Manual? Request Help  
by Manufacturer,  
Model & Description**

Discount-Equipment.com is your online resource for quality parts & equipment.

Florida: **561-964-4949** Outside Florida TOLL FREE: **877-690-3101**

## Need parts?

Click on this link: <http://www.discount-equipment.com/category/5443-parts/> and choose one of the options to help get the right parts and equipment you are looking for. Please have the machine model and serial number available in order to help us get you the correct parts. If you don't find the part on the website or on one of the online manuals, please fill out the request form and one of our experienced staff members will get back to you with a quote for the right part that your machine needs.

We sell worldwide for the brands: Genie, Terex, JLG, MultiQuip, Mikasa, Essick, Whiteman, Mayco, Toro Stone, Diamond Products, Generac Magnum, Airman, Haulotte, Barreto, Power Blanket, Nifty Lift, Atlas Copco, Chicago Pneumatic, Allmand, Miller Curber, Skyjack, Lull, Skytrak, Tsurumi, Husquvarna Target, Stow, Wacker, Sakai, Mi-T-M, Sullair, Basic, Dynapac, MBW, Weber, Bartell, Bennar Newman, Haulotte, Ditch Runner, Menegotti, Morrison, Contec, Buddy, Crown, Edco, Wyco, Bomag, Laymor, EZ Trench, Bil-Jax, F.S. Curtis, Gehl Pavers, Heli, Honda, ICS/PowerGrit, IHI, Partner, Imer, Clipper, MMD, Koshin, Rice, CH&E, General Equipment, Amida, Coleman, NAC, Gradall, Square Shooter, Kent, Stanley, Tamco, Toku, Hatz, Kohler, Robin, Wisconsin, Northrock, Oztec, Toker TK, Rol-Air, APT, Wylie, Ingersoll Rand / Doosan, Innovatech, Con X, Ammann, Mecalac, Makinex, Smith Surface Prep, Small Line, Wanco, Yanmar