

# BARRETO

## OWNER'S MANUAL FOR THE E3X4DGT TRAILER

CONGRATULATIONS!

You are now the proud owner of a BARRETO trailer. The following pages have important safety information as well as a detailed view of your trailer, along with corresponding part numbers. If you have any questions or need any replacement parts in the future, please contact us at your convenience. Our toll-free phone number, fax and email are listed below and parts may be ordered through any of these methods.

THANK YOU for your patronage and confidence in BARRETO equipment.

The Barreto Drop Gate Trailer, Model Number E3X4DGT, is designed specifically and solely for transporting a Barreto 712 trencher. It has a special assembly for locking the trencher in place while in transit. There are no provisions for any other type of tie-down apparatus which makes it ill-suited and unsafe for hauling anything except Barreto specifically designed equipment.

Using the Barreto Model E3X4DGT trailer for any purpose other than transporting a Barreto 712 trencher could pose a safety hazard and would null and void any manufacturer's warranty and/or liability.

Barreto Manufacturing, Inc. accepts no liability for damage to the trailer or transported goods other than Barreto specifically designed equipment. Barreto Manufacturing, Inc. also accepts no liability for injury or damage of any kind related to unauthorized use of the Barreto Drop Gate Trailer.

Be sure to read and observe the safety instructions for proper use of the Barreto Drop Gate Trailer. If there are any questions regarding proper use, please contact Barreto Manufacturing, Inc. or an authorized Barreto Dealer.

TRAILER SERIAL NUMBER: \_\_\_\_\_



[www.discount-equipment.com](http://www.discount-equipment.com)

# PARTS FINDER

**Search Website  
by Part Number**



**Search Manual  
Library For Parts  
Manual & Lookup Part  
Numbers – Purchase  
or Request Quote**

**Search Manuals**

Enter your information to help us find the right parts manual for your machine.

\* Brand:

\* Model:

\* Serial:

\* Part Number:

SEARCH

**Can't Find Part or  
Manual? Request Help  
by Manufacturer,  
Model & Description**

**Parts Order Form**

Please fill in the following information to help us find the right part for your machine.

Manufacturer:	<input type="text"/>
Model:	<input type="text"/>
Description:	<input type="text"/>
Part Number:	<input type="text"/>
Quantity:	<input type="text"/>
Notes:	<input type="text"/>

Submit

Discount-Equipment.com is your online resource for quality parts & equipment.

Florida: **561-964-4949** Outside Florida TOLL FREE: **877-690-3101**

**Need parts?**

Click on this link: <http://www.discount-equipment.com/category/5443-parts/> and choose one of the options to help get the right parts and equipment you are looking for. Please have the machine model and serial number available in order to help us get you the correct parts. If you don't find the part on the website or on one of the online manuals, please fill out the request form and one of our experienced staff members will get back to you with a quote for the right part that your machine needs.

We sell worldwide for the brands: Genie, Terex, JLG, MultiQuip, Mikasa, Essick, Whiteman, Mayco, Toro Stone, Diamond Products, Generac Magnum, Airman, Haulotte, Barreto, Power Blanket, Nifty Lift, Atlas Copco, Chicago Pneumatic, Allmand, Miller Curber, Skyjack, Lull, Skytrak, Tsurumi, Husquvarna Target, Stow, Wacker, Sakai, Mi-T-M, Sullair, Basic, Dynapac, MBW, Weber, Bartell, Bennar Newman, Haulotte, Ditch Runner, Menegotti, Morrison, Contec, Buddy, Crown, Edco, Wyco, Bomag, Laymor, EZ Trench, Bil-Jax, F.S. Curtis, Gehl Pavers, Heli, Honda, ICS/PowerGrit, IHI, Partner, Imer, Clipper, MMD, Koshin, Rice, CH&E, General Equipment, Amida, Coleman, NAC, Gradall, Square Shooter, Kent, Stanley, Tamco, Toku, Hatz, Kohler, Robin, Wisconsin, Northrock, Oztec, Toker TK, Rol-Air, APT, Wylie, Ingersoll Rand / Doosan, Innovatech, Con X, Ammann, Mecalac, Makinex, Smith Surface Prep, Small Line, Wanco, Yanmar

## SAFETY INSTRUCTIONS / CHECKLIST

Be sure to obey all traffic laws and rules of the road while towing the Barreto Drop Gate Trailer. Never exceed 45 miles per hour while towing the trailer. The towing vehicle should be in legal operating condition. If local law requires trailer lights, be sure they are in good repair and are in proper working condition.

Refer to the following checklist before towing:

- Towing vehicle should have a 2" ball. Be sure it is in good repair and securely fastened to the vehicle.
- Securely fasten the hitch to the ball by tightening the hitch nut.
- Attach the safety chain to the tongue as pictured below. Attach trencher safety chain as shown.
- Cross the chains under the trailer tongue to prevent the tongue dropping to the ground if the trailer comes loose.
- Attach the safety chain to the towing vehicle in such a way that it cannot come off accidentally.
- Allow only enough slack in the chains to permit proper turning of the vehicles. Do not let chains drag on the ground or be drawn up too tight. Slack strength should hold the tongue and coupler off the ground with the trailer loose.
- Check the hitch-to-ball connection after driving a few blocks and re-tighten if necessary.
- Do not use the Barreto Drop Gate Trailer for any purpose other than transporting a Barreto Trencher!

Always exercise extreme caution and allow extra clearance while towing a trailer.



## DRIVE SAFELY!



### BARRETO MANUFACTURING, INC. EQUIPMENT WARRANTY

Barreto Manufacturing, Inc. warrants all BARRETO equipment to be free of defects in material and workmanship for a period of one (1) year, dating from the delivery to the original user.

This warranty is in lieu of all other warranties, whether written or implied, and is limited to:

1. Replacement of parts returned to the dealer and/or factory and determined defective upon inspection. (Replacement for parts to dealers shall be at dealer cost plus shipping charges.)
2. Time for pick-up and/or delivery, transportation of service calls by dealers is excluded. Manufacturer reserves the right to determine reasonable time required for repair.

Warranty does not apply to damage caused by abuse or neglect. Time and materials required for normal maintenance and service are also excluded from warranty coverage.

**Engines, engine accessories, batteries and tires are warranted by the original manufacturers and are not covered by the Barreto Equipment Warranty. Wear parts such as tiller tines, sprockets, bearings, trencher chain parts including teeth, stump grinder cutting teeth & holders, etc. are also excluded unless it can be determined that a defect has contributed to premature wear.**

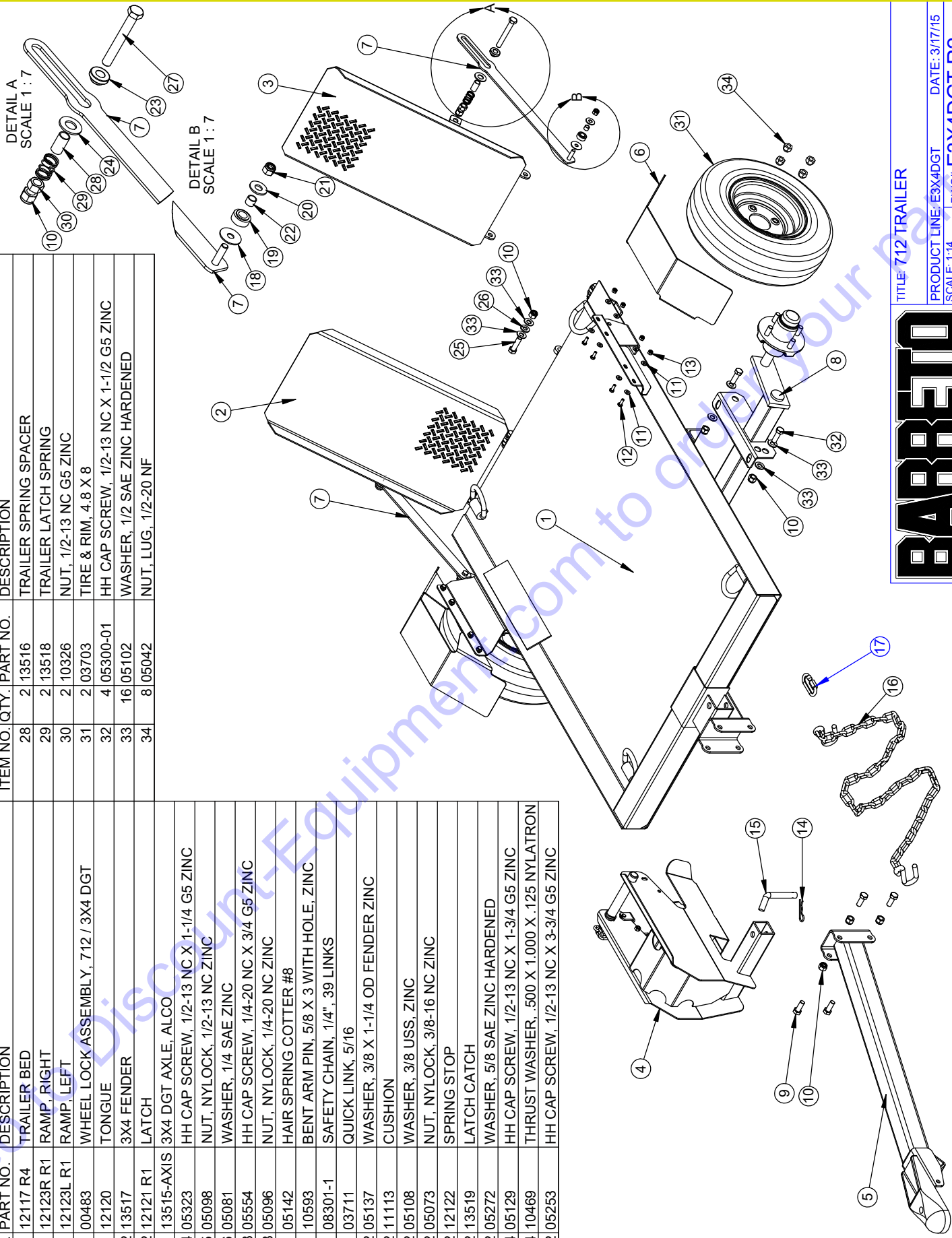
## SPECIFICATIONS

### DIMENSIONS

	<u>U.S.</u>	<u>Metric</u>
Empty Weight	285 lbs.	130 kg
Gross Weight	700 lbs.	318 kg
Length	9' 3"	2.82 m
Width	4' 9"	1.45 m
Bed Size	3' x 4'	.91 m x 1.22 m

Go to [Discount-Equipment.com](http://Discount-Equipment.com) to order your parts

ITEM NO.	QTY.	PART NO.	DESCRIPTION	ITEM NO.	QTY.	PART NO.	DESCRIPTION
1	1	12117 R4	TRAILER BED	28	2	13516	TRAILER SPRING SPACER
2	1	12123R R1	RAMP, RIGHT	29	2	13518	TRAILER LATCH SPRING
3	1	12123L R1	RAMP, LEFT	30	2	10326	NUT, 1/2-13 NC G5 ZINC
4	1	100483	WHEEL LOCK ASSEMBLY, 712 / 3X4 DGT	31	2	03703	TIRE & RIM, 4.8 X 8
5	1	12120	TONGUE	32	4	05300-01	HH CAP SCREW, 1/2-13 NC X 1-1/2 G5 ZINC
6	2	13517	3X4 FENDER	33	16	05102	WASHER, 1/2 SAE ZINC HARDENED
7	2	12121 R1	LATCH	34	8	05042	NUT, LUG, 1/2-20 NF
8	1	13515-AXIS	3X4 DGT AXLE, ALCO				
9	4	05323	HH CAP SCREW, 1/2-13 NC X 1-1/4 G5 ZINC				
10	15	05098	NUT, NYLOCK, 1/2-13 NC ZINC				
11	16	05081	WASHER, 1/4 SAE ZINC				
12	8	05554	HH CAP SCREW, 1/4-20 NC X 3/4 G5 ZINC				
13	8	05096	NUT, NYLOCK, 1/4-20 NC ZINC				
14	1	05142	HAIR SPRING COTTER #8				
15	1	10593	BENT ARM PIN, 5/8 X 3 WITH HOLE, ZINC				
16	1	08301-1	SAFETY CHAIN, 1/4", 39 LINKS				
17	1	103711	QUICK LINK, 5/16				
18	2	05137	WASHER, 3/8 X 1-1/4 OD FENDER ZINC				
19	2	11113	CUSHION				
20	2	05108	WASHER, 3/8 USS, ZINC				
21	2	05073	NUT, NYLOCK, 3/8-16 NC ZINC				
22	2	12122	SPRING STOP				
23	2	13519	LATCH CATCH				
24	2	05272	WASHER, 5/8 SAE ZINC HARDENED				
25	4	05129	HH CAP SCREW, 1/2-13 NC X 1-3/4 G5 ZINC				
26	4	10469	THRUST WASHER, .500 X 1.000 X .125 NYLATRON				
27	2	05253	HH CAP SCREW, 1/2-13 NC X 3-3/4 G5 ZINC				

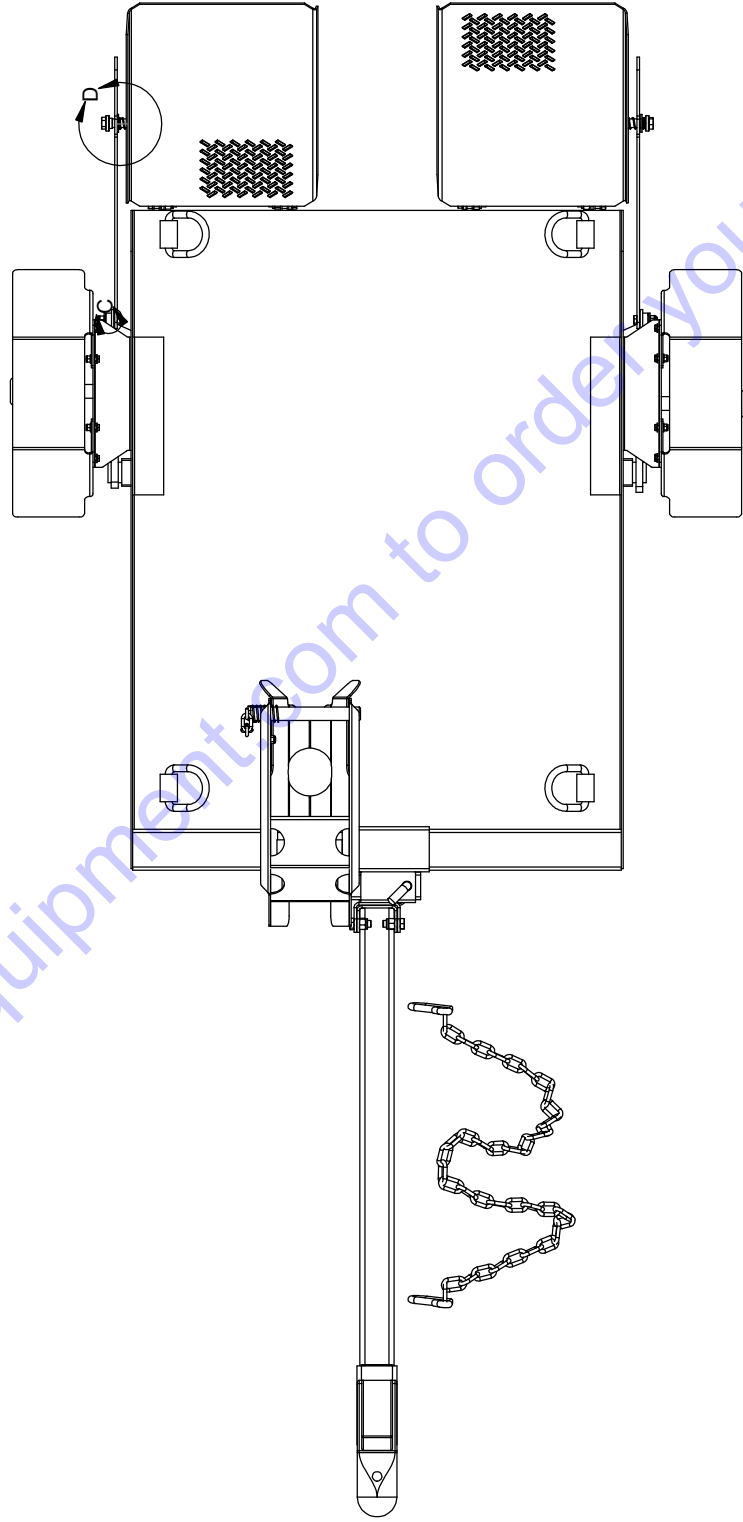
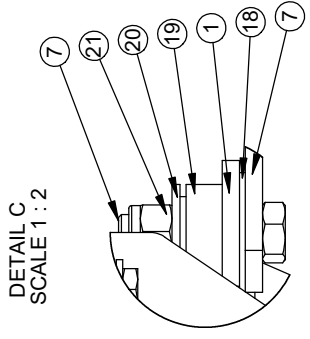
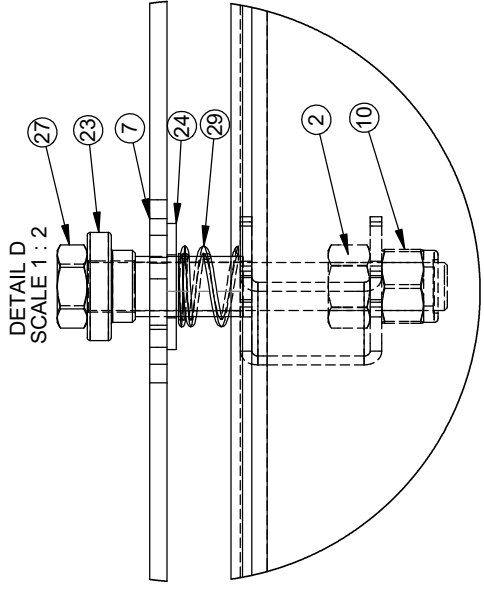


TITLE: 712 TRAILER

PRODUCT LINE: E3X4DGT DATE: 3/17/15  
 SCALE: 1:4 DWG#: E3X4DGT R2  
 SHEET 1 OF 3

# BARRETO

Go to Discount-Equipment.com to order your Barreto



TITLE: 712 TRAILER

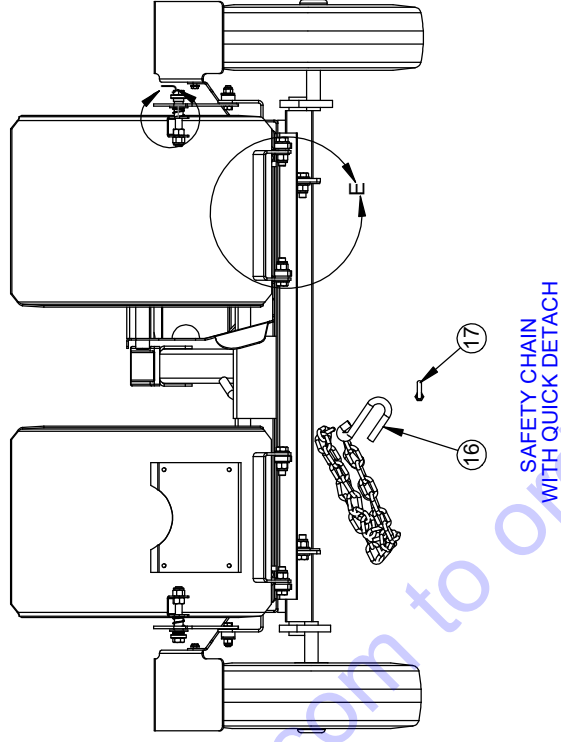
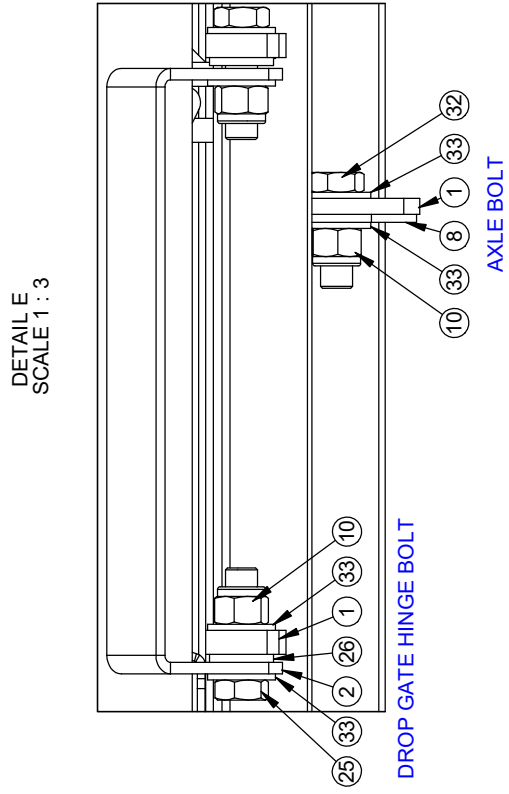
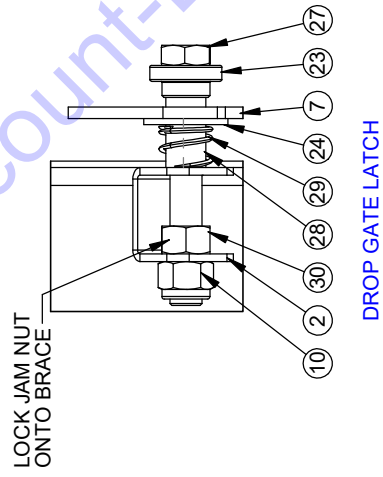
PRODUCT LINE: E3X4DGT DATE: 3/17/15

SCALE: 1:4

DWG# E3X4DGT R2

**BARRETO**

SHEET 2 OF 3



TITLE: 712 TRAILER

PRODUCT LINE: E3X4DGT DATE: 3/17/15

SCALE: 1:14

DWG#: E3X4DGT R2

SHEET 3 OF 3

**BARRETO**

Go to Discount-Equipment.com to order your Barreto



# PARTS FINDER

**Search Website  
by Part Number**



**Search Manual  
Library For Parts  
Manual & Lookup Part  
Numbers – Purchase  
or Request Quote**

**Search Manuals**

Enter your information to help us find the right parts manual for your machine.

\* Brand:

\* Model:

\* Serial:

\* Part Number:

SEARCH

**Can't Find Part or  
Manual? Request Help  
by Manufacturer,  
Model & Description**

**Parts Order Form**

Please fill in the following information to help us find the right part for your machine.

Manufacturer:	<input type="text"/>
Model:	<input type="text"/>
Description:	<input type="text"/>
Part Number:	<input type="text"/>
Quantity:	<input type="text"/>
Notes:	<input type="text"/>

Submit

Discount-Equipment.com is your online resource for quality parts & equipment.

Florida: **561-964-4949** Outside Florida TOLL FREE: **877-690-3101**

**Need parts?**

Click on this link: <http://www.discount-equipment.com/category/5443-parts/> and choose one of the options to help get the right parts and equipment you are looking for. Please have the machine model and serial number available in order to help us get you the correct parts. If you don't find the part on the website or on one of the online manuals, please fill out the request form and one of our experienced staff members will get back to you with a quote for the right part that your machine needs.

We sell worldwide for the brands: Genie, Terex, JLG, MultiQuip, Mikasa, Essick, Whiteman, Mayco, Toro Stone, Diamond Products, Generac Magnum, Airman, Haulotte, Barreto, Power Blanket, Nifty Lift, Atlas Copco, Chicago Pneumatic, Allmand, Miller Curber, Skyjack, Lull, Skytrak, Tsurumi, Husquvarna Target, Stow, Wacker, Sakai, Mi-T-M, Sullair, Basic, Dynapac, MBW, Weber, Bartell, Bennar Newman, Haulotte, Ditch Runner, Menegotti, Morrison, Contec, Buddy, Crown, Edco, Wyco, Bomag, Laymor, EZ Trench, Bil-Jax, F.S. Curtis, Gehl Pavers, Heli, Honda, ICS/PowerGrit, IHI, Partner, Imer, Clipper, MMD, Koshin, Rice, CH&E, General Equipment, Amida, Coleman, NAC, Gradall, Square Shooter, Kent, Stanley, Tamco, Toku, Hatz, Kohler, Robin, Wisconsin, Northrock, Oztec, Toker TK, Rol-Air, APT, Wylie, Ingersoll Rand / Doosan, Innovatech, Con X, Ammann, Mecalac, Makinex, Smith Surface Prep, Small Line, Wanco, Yanmar