



THE
BARRETO
MODEL 3104CMS
CHIPPER MULCHER SHREDDER
EXPLODED VIEWS MANUAL WITH PART NUMBERS

CONGRATULATIONS!

You are now the proud owner of the BARRETO 3104 Chipper Mulcher Shredder (CMS). The following pages have detailed views of your CMS, along with corresponding part numbers.

THANK YOU for your patronage and confidence in BARRETO equipment.

Machine Identification Record

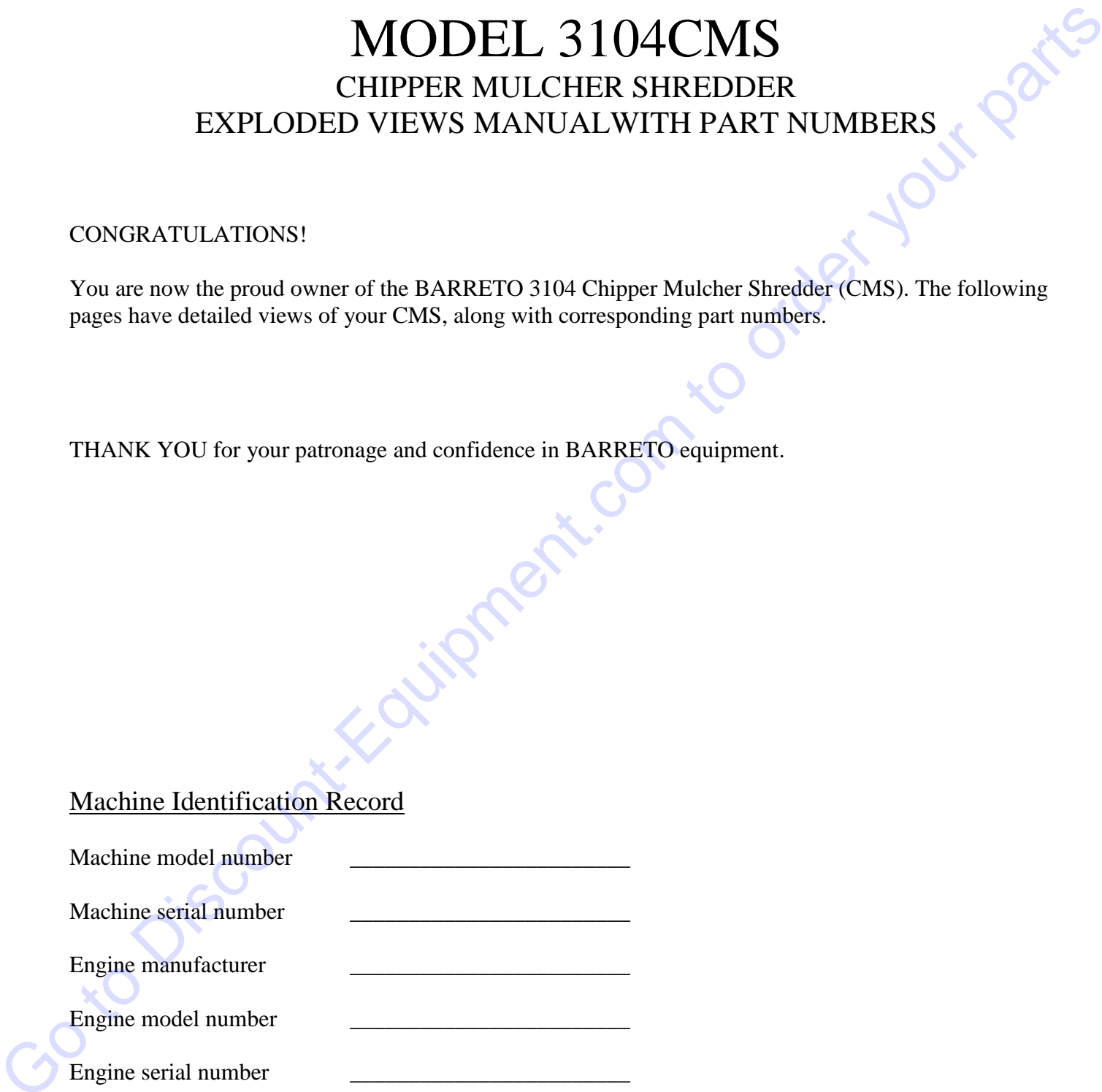
Machine model number _____

Machine serial number _____

Engine manufacturer _____

Engine model number _____

Engine serial number _____



PARTS FINDER

**Search Website
by Part Number**



**Search Manual
Library For Parts
Manual & Lookup Part
Numbers – Purchase
or Request Quote**

**Can't Find Part or
Manual? Request Help
by Manufacturer,
Model & Description**

Discount-Equipment.com is your online resource for quality parts & equipment.

Florida: **561-964-4949** Outside Florida TOLL FREE: **877-690-3101**

Need parts?

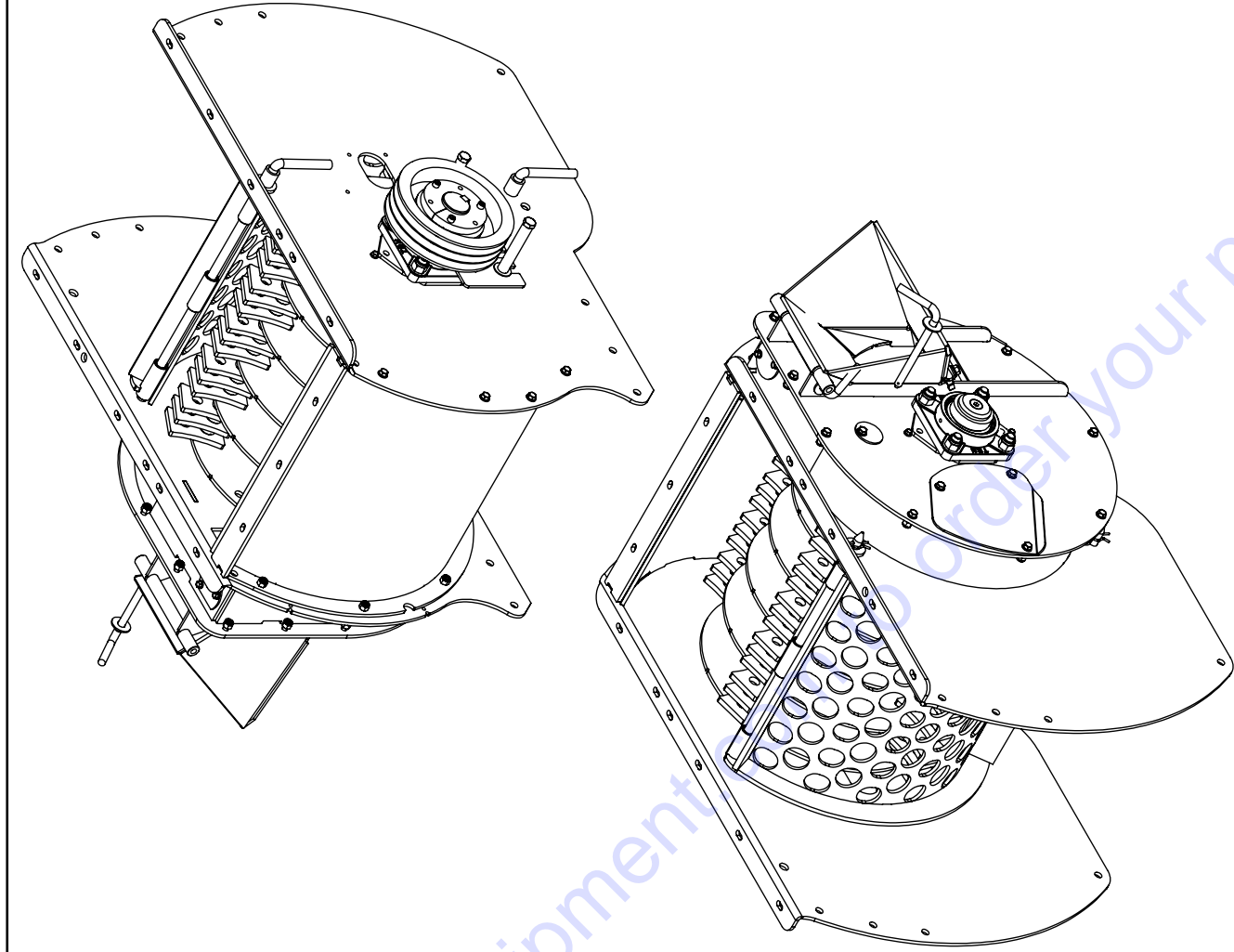
Click on this link: <http://www.discount-equipment.com/category/5443-parts/> and choose one of the options to help get the right parts and equipment you are looking for. Please have the machine model and serial number available in order to help us get you the correct parts. If you don't find the part on the website or on one of the online manuals, please fill out the request form and one of our experienced staff members will get back to you with a quote for the right part that your machine needs.

We sell worldwide for the brands: Genie, Terex, JLG, MultiQuip, Mikasa, Essick, Whiteman, Mayco, Toro Stone, Diamond Products, Generac Magnum, Airman, Haulotte, Barreto, Power Blanket, Nifty Lift, Atlas Copco, Chicago Pneumatic, Allmand, Miller Curber, Skyjack, Lull, Skytrak, Tsurumi, Husquvarna Target, Stow, Wacker, Sakai, Mi-T-M, Sullair, Basic, Dynapac, MBW, Weber, Bartell, Bennar Newman, Haulotte, Ditch Runner, Menegotti, Morrison, Contec, Buddy, Crown, Edco, Wyco, Bomag, Laymor, EZ Trench, Bil-Jax, F.S. Curtis, Gehl Pavers, Heli, Honda, ICS/PowerGrit, IHI, Partner, Imer, Clipper, MMD, Koshin, Rice, CH&E, General Equipment, Amida, Coleman, NAC, Gradall, Square Shooter, Kent, Stanley, Tamco, Toku, Hatz, Kohler, Robin, Wisconsin, Northrock, Oztec, Toker TK, Rol-Air, APT, Wylie, Ingersoll Rand / Doosan, Innovatech, Con X, Ammann, Mecalac, Makinex, Smith Surface Prep, Small Line, Wanco, Yanmar

ITEM NO.	QTY.	PART NO.	DESCRIPTION
1	1	1003CMS	ROTOR ASSEMBLY
2	1	1008CMS	CHIPPER DISC ASSEMBLY
3	1	16109-175	SCREEN, 1-3/4", OTHER SCREENS AVAILABLE
4	1	1605-0016	RIGHT SIDE COVER
5	1	1605-0014	CHIPPER COVER
6	2	1902-00348	BEARING PULLER
7	1	10704-0026	GUARD DISC, 2 HOLE
8	1	10104-0004	CHIPPER ANVIL
9	3	1913-0031	ANVIL SPACER WASHER
10	1	10303-0008	ROTOR SHAFT RETAINER CAP
11	1	1613-0003	CHIPPER BLADE ACCESS COVER
12	1	10704-0016	GUARD DISC, 1 HOLE
13	1	1908-0003	SCROLL
14	2	1808-0025	L PIN, SCREEN PIN
15	1	1605-0017	LEFT SIDE COVER
16	2	16103	CLUTCH PIN NUT
17	2	16104	DRIVEN CLUTCH PIN
18	1	16105	DRIVEN CLUTCH PIN MOUNT
19	1	103316M	FLANGE BEARING, 4 BOLT, 2" SHAFT W/ COVER
20	1	103316	FLANGE BEARING, 4 BOLT, 2" SHAFT
21	1	10310-0011-001	DRIVEN PULLEY, SHEAVE
22	1	10310-0011-002	DRIVEN PULLEY, BUSHING
23	2	05142	HAIR SPRING COTTER #8
24	1	105397	KEY, 1/2 X 1/2 X 1-3/4
25	1	105015	KEY, 5/16 X 5/16 X 1-1/4
26	4	05273	NUT, NYLOCK, 5/16-18 NC ZINC
27	8	05099	NUT, NYLOCK, 5/8-11 NC ZINC
28	1	105410	FSCS 1/2-13 NC X 1 1/4, BLACK OX
29	2	05067	HH CAP SCREW, 1/2-13 NC X 1 G5 ZINC
30	3	05361	SH CAP SCREW, 5/16-18 NC X 7/8 ZINC
31	17	05131	HHFS 5/16-18 X 3/4, G8, ZN
32	3	05381	HHFS 3/8-16 X 1-1/4, G5, ZN
33	2	05137	WASHER, 3/8 X 1-1/4 OD FENDER ZINC
34	17	05073	NUT, NYLOCK, 3/8-16 NC ZINC
35	3	05148	WHIZ-LOCK 5/16 - 18 X 3/8
36	4	05051	WHIZ-LOCK 1/4 - 20 X 1/2
37	2	01378	BLADE PIN
38	2	16137	BEARING BOLT FLANGE
39	1	16140	WHEEL SPACER
40	2	1913-0049	LABYRINTH SEAL
41	6	16144	THRUST WASHER, 2.005 X 2.563 X 0.020
42	1	05069	WHIZ LOCK, 1/4-20 NC X 5/8 ZINC

NOTES:

- FOR A COMPLETE PULLEY, BUSHING, SHEAVE & BOLTS ORDER 0310-0011
- 05408 SH CAP SCREW, 3/8-16 NC X 2 A574 BLACK, IS INCLUDED WITH BUSHING 0310-0011-002



BARRETO

TITLE: MAIN BODY ASSEMBLY

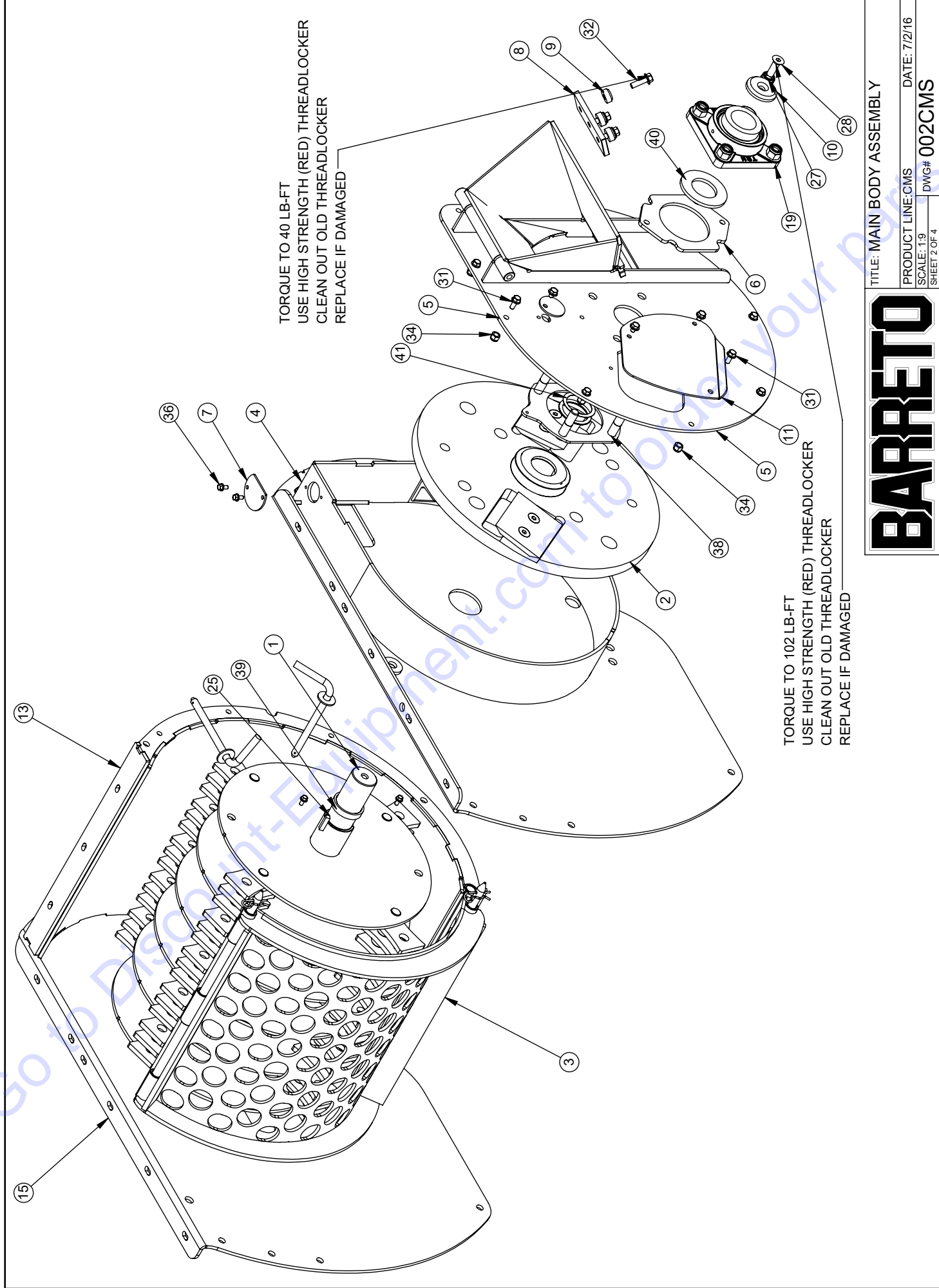
PRODUCT LINE:CMS

DATE: 7/2/16

SCALE: 1:12

DWG# 002CMS

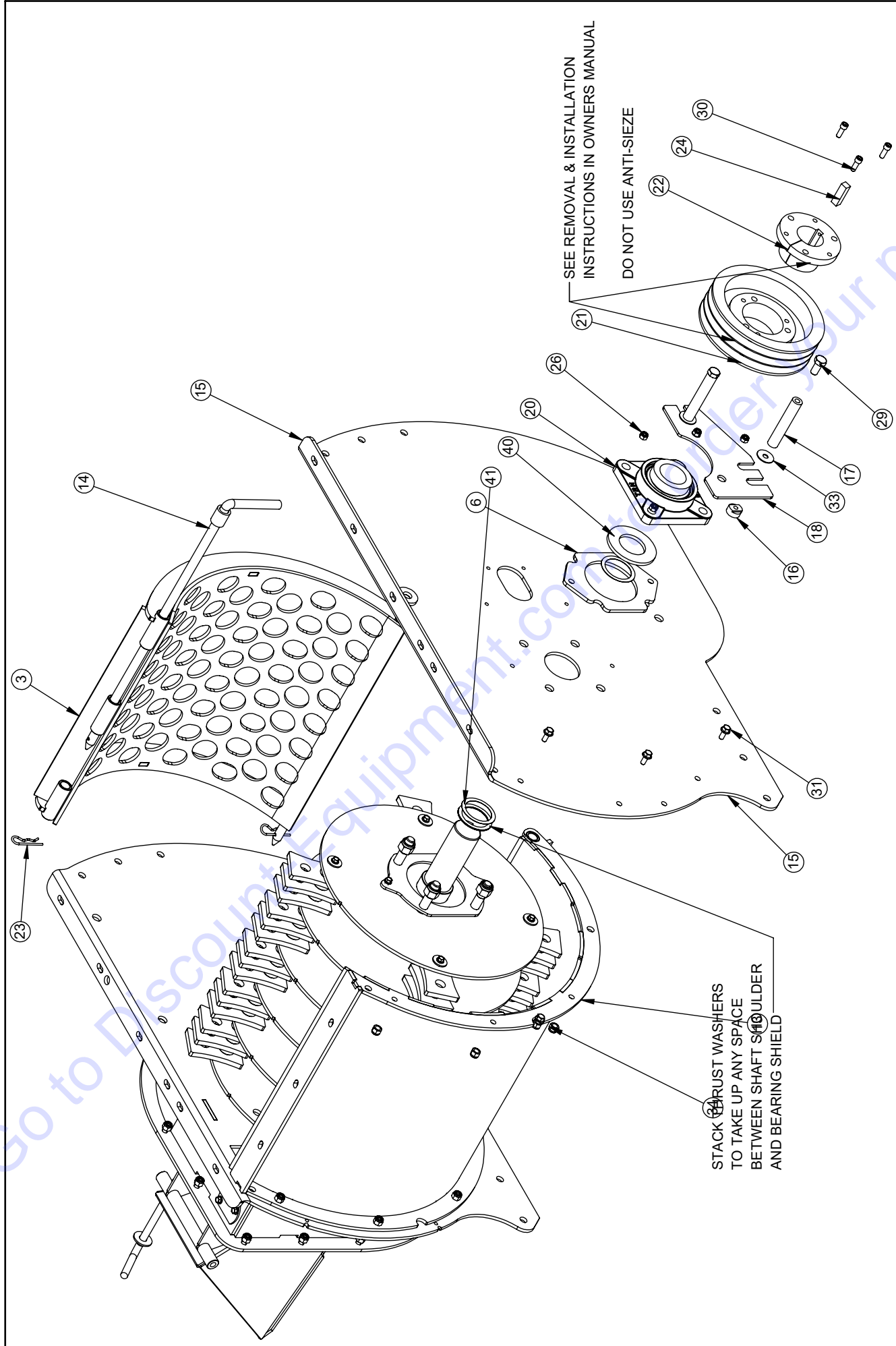
SHEET 1 OF 4



BARRETO

TITLE: MAIN BODY ASSEMBLY

PRODUCT LINE: CMS DATE: 7/2/16
 SCALE: 1:9
 SHEET 2 OF 4 DWG# 002CMS



BARRETO

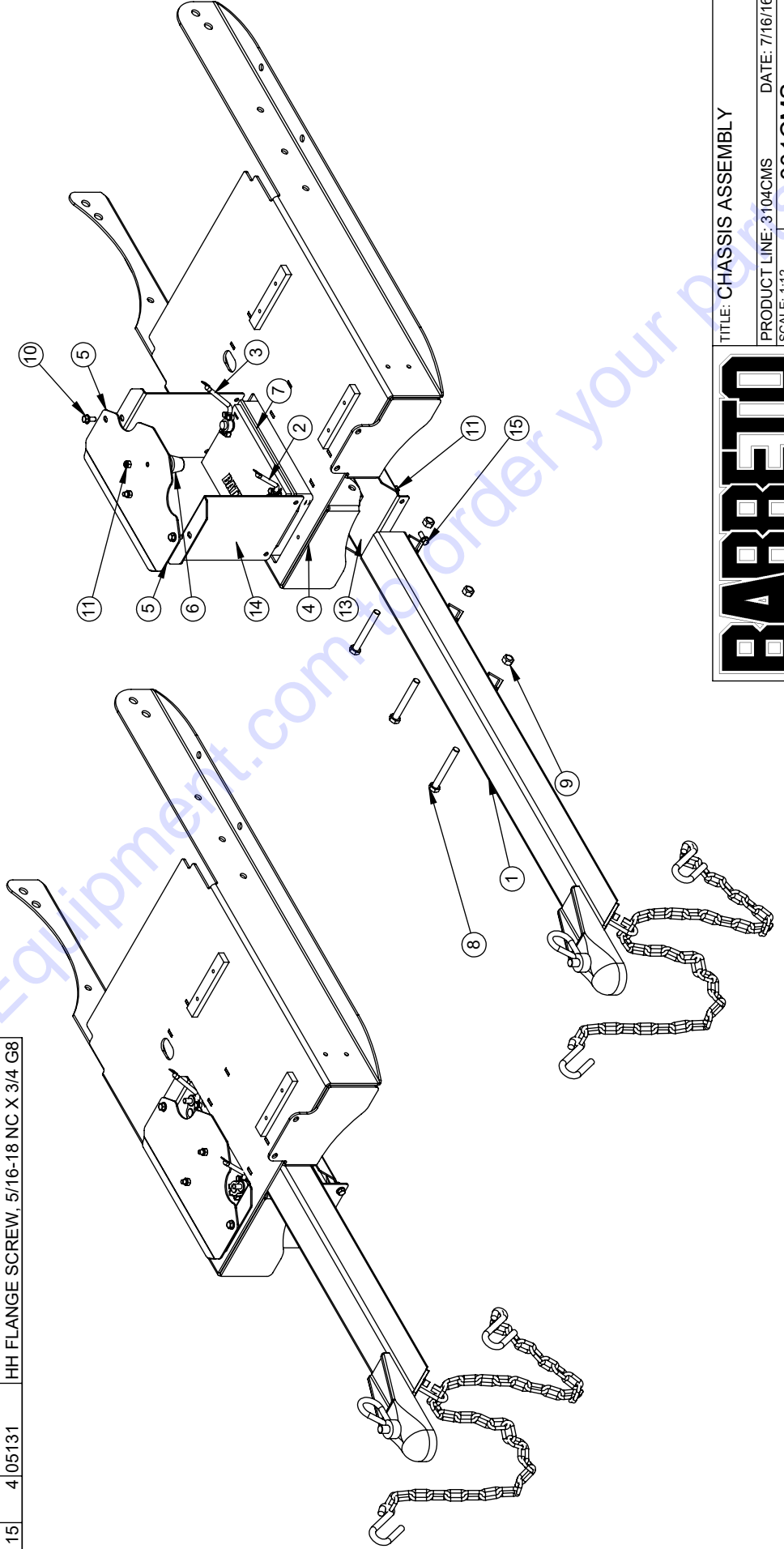
TITLE: MAIN BODY ASSEMBLY

PRODUCT LINE: CMS DATE: 7/2/16

SCALE: 1:9 DWG# 002CMS

SHEET 3 OF 4

ITEM NO.	QTY.	PART NO.	DESCRIPTION
1	1	0014CMS	TONGUE AND SAFTEY CHAIN
2	1	16115R	BATTERY CABLE, POSITIVE, RED
3	1	16115B	BATTERY CABLE, BLACK, NEGATIVE
4	1	0605-0033	CHASSIS
5	1	16114	BATTERY COVER
6	2	11258	RUBBER BUMPER
7	1	12999	BATTERY, 12V, MT-34, 700.CCA
8	3	05590	HH CAP SCREW, 1/2-13 NC X 4 G5 ZINC
9	3	05046	NUT, GRIPCO, 1/2-13 NC G5 ZINC
10	2	05131	HHFS 5/16-18 X 3/4, G8, ZN
11	6	05273	NUT, NYLOCK, 5/16-18 NC ZINC
12	2	16135	
13	1	16126	BATTERY TRAY
14	2	16125	BATTERY TRAY SIDE PLATE
15	4	05131	HH FLANGE SCREW, 5/16-18 NC X 3/4 G8



TITLE: CHASSIS ASSEMBLY

PRODUCT LINE: 3104CMS DATE: 7/16/16

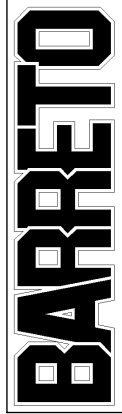
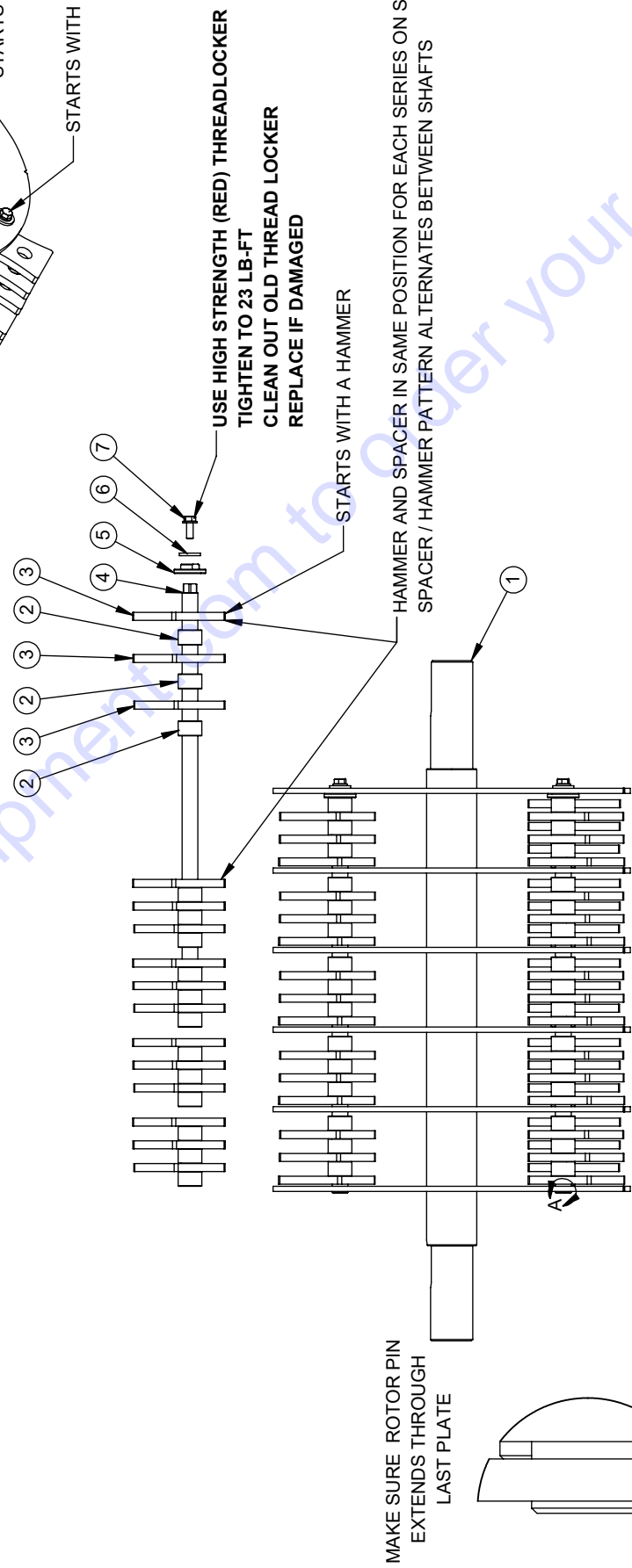
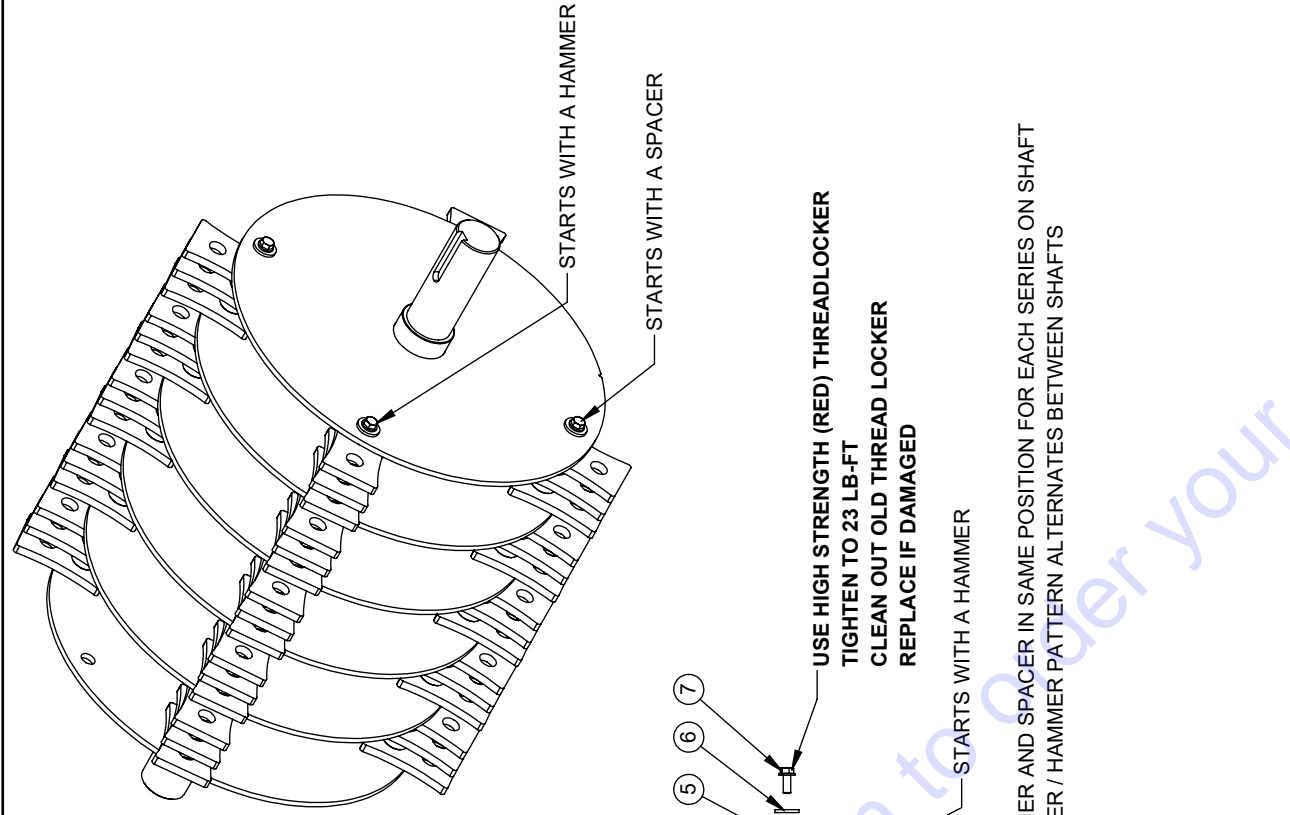
SCALE: 1:12

DWG# 001CMS

SHEET 1 OF 2

BARRETO

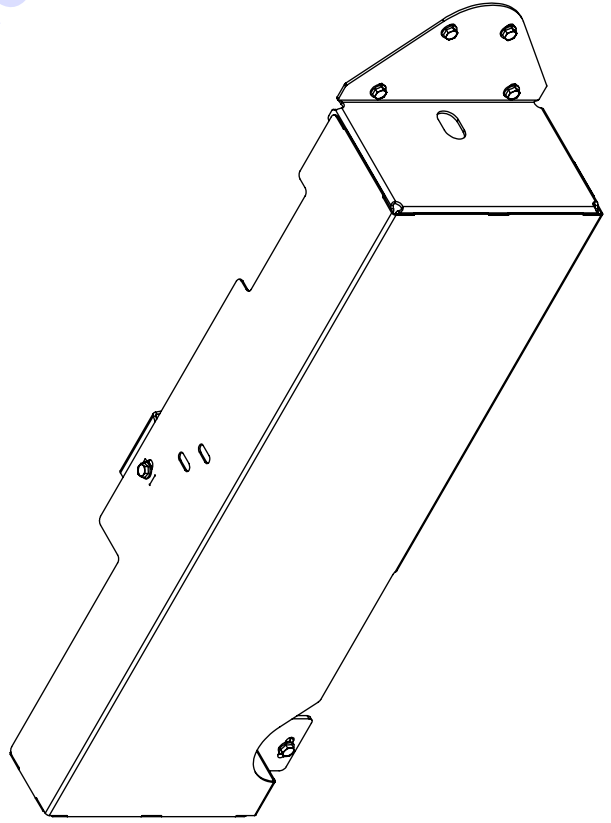
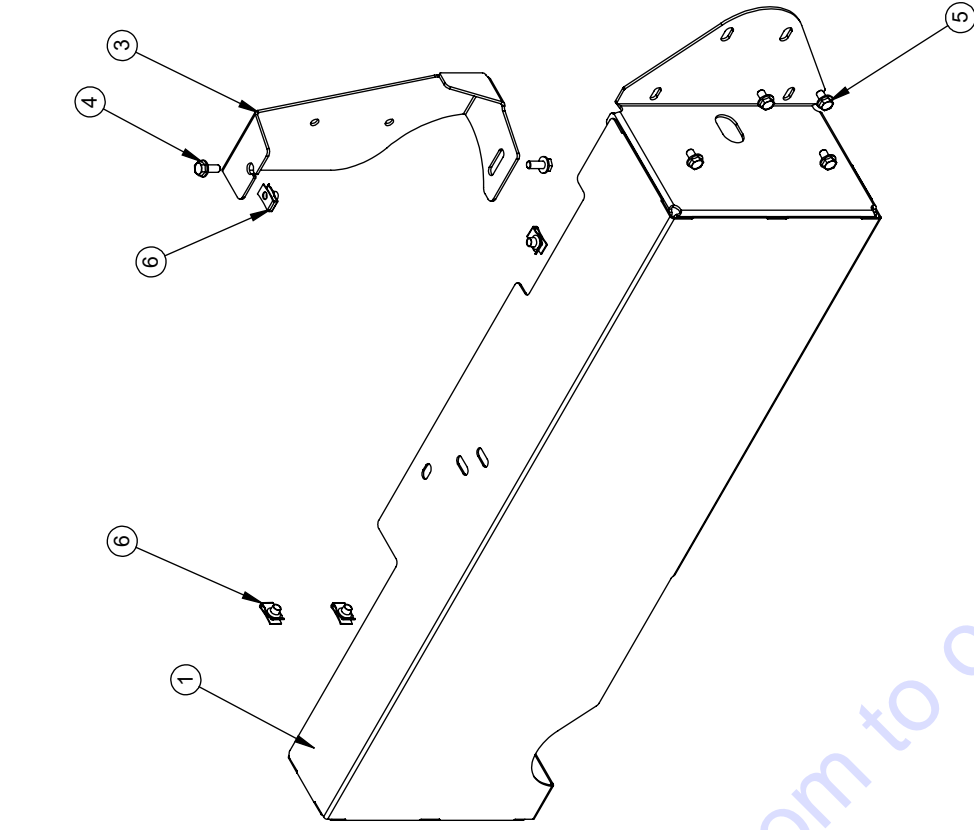
ITEM NO.	QTY.	PART NO.	DESCRIPTION
1	1	1807-0004	ROTOR WELDMENT
2	60	1913-0058	ROTOR PIN SPACER
3	60	0206-0007	HAMMER
4	4	1604-0031	ROTOR PIN
5	4	1604-00312	SHAFT LOCKING FLANGE
6	4	05399	WASHER, 5/16 X 1 X 1/8 ZN
7	4	05398	HH FLANGE SCREW, 5/16-18 NC X 3/4 ZINC



TITLE: ROTOR ASSEMBLY
 PRODUCT LINE: CMS
 SCALE: 1:8
 SHEET 1 OF 1
 DATE: 2/22/16
 DWG# 003CMS

DETAIL A
 SCALE 1 : 1

ITEM NO.	QTY.	PART NO.	DESCRIPTION
1	1	0704-0024	BELT GUARD
2	1	16123	BELT GUARD SUPPORT
3	1	0704-0011	BELT GUARD, INSIDE SUPPORT
4	6	05140	WHIZ-LOCK 5/16 - 18 X 3/4
5	4	05169	WHIZ-LOCK 5/16 - 18 X 1/2
6	4	05359	CLIP NUT, 5/16-18
7	2	05364	NUT, 5/16-18 NC, SERRATED FLANG



TITLE: BELT GUARD ASSEMBLY

PRODUCT LINE: CMS DATE: 6/22/16

SCALE: 1:8 DWG# 006CMS

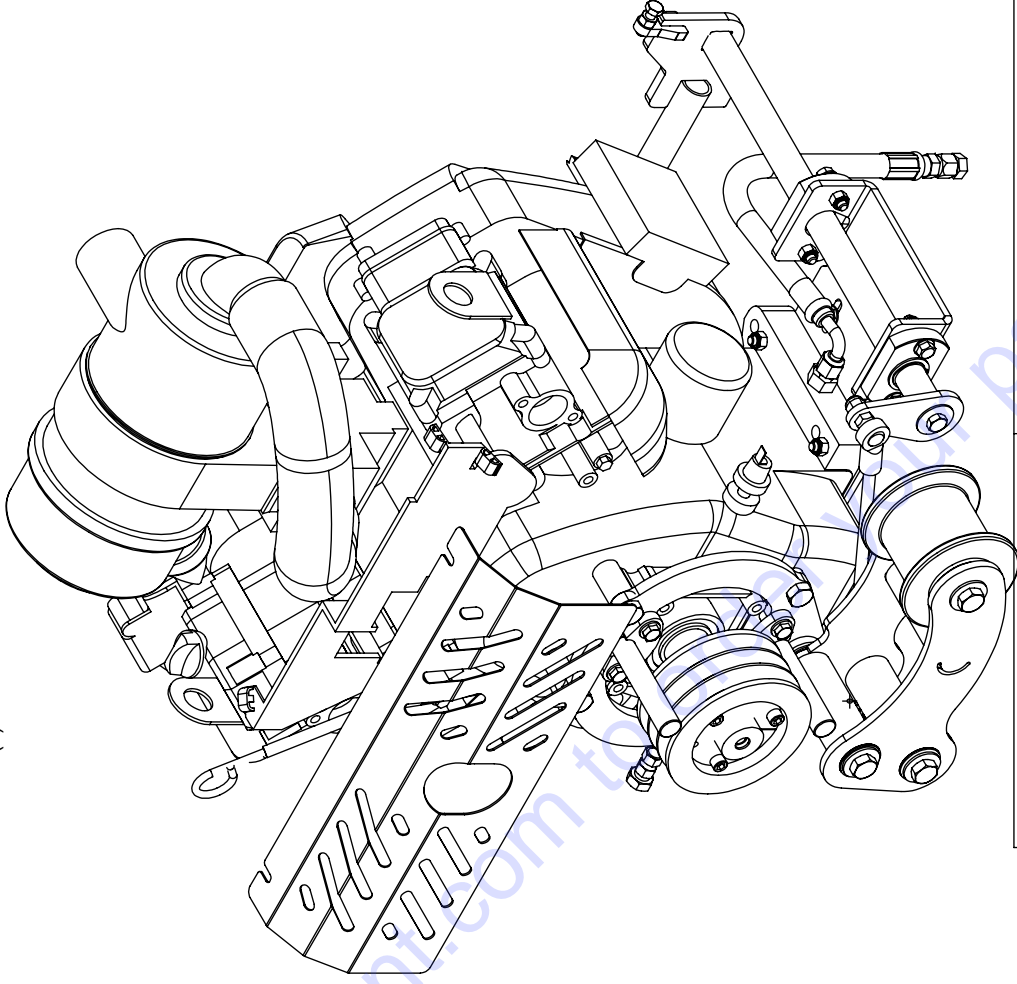
SHEET 1 OF 1

BARRETO

Account-Equipment.com to order your parts

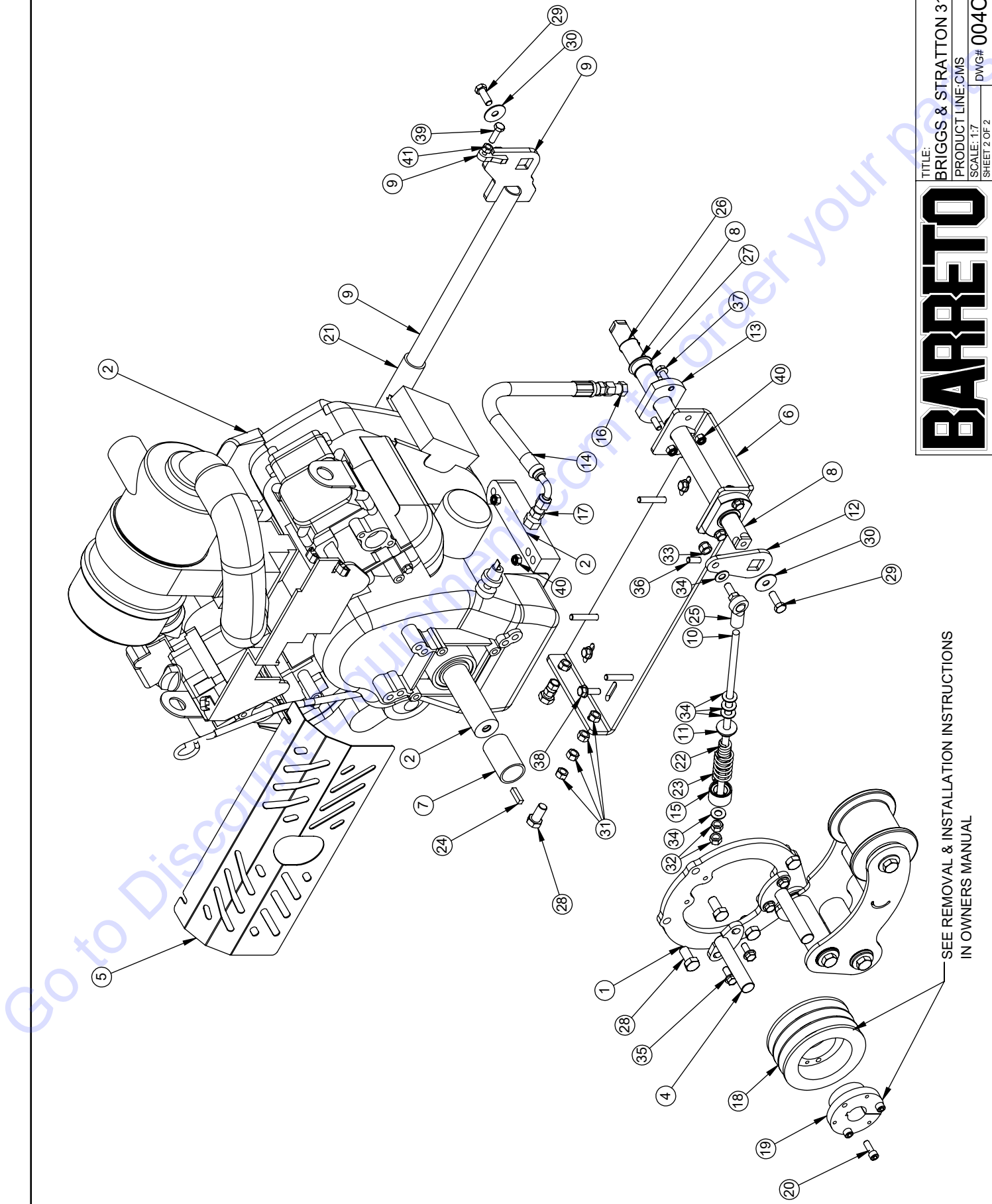
ITEM NO.	QTY.	PART NO.	DESCRIPTION
1	1	0012CMS	CLUTCH PULLEY ASSEMBLY
2	1	B&S-30	ENGINE, BRIGGS 30
3	1	07027-10	MUFFLER, B&S 30, CENTER EXIT
4	2	16110	CLUTCH PIN
5	1	12809	MUFFLER SHIELD, BRIGGS
6	1	16093	ENGINE MOUNT
7	1	16108	PULLEY / ENGINE SHAFT SPACER
8	1	16095	CLUTCH CONTROL SHAFT
9	1	16096	CLUTCH HANDLE
10	1	16097	CLUTCH LINK
11	1	16098	SPRING GUIDE
12	1	16099	CLUTCH CAM
13	2	16100	BUSHING MOUNT
14	1	16112	ENGINE DRAIN HOSE
15	1	16120	SPRING RISER
16	1	04539	FITTING, 2408-6
17	1	04215	FITTING, 9067-6-14 METRIC
18	1	0310-0010-001	DRIVE PULLEY, SHEAVE
19	1	0310-0010-002	DRIVE PULLEY, BUSHING
20	3	05361	SH CAP SCREW, 5/16-18 NC X 7/8 ZINC
21	1	03032-01	GRIP, 1 X 5 (P/N 03032 IS A PAIR)
22	1	05409	SPRING, 2" X 3/8" ID
23	1	03921	SPRING, 2.5 X 1-1/16 OD
24	1	05318	KEY, 1/4 X 1/4 X 1
25	1	03527	BALL JOINT 3/8-24
26	2	05010	SNAP RING, 1" EXTERNAL
27	2	03268	BUSHING, IGUS LFI-1618-08
28	6	05067	HH CAP SCREW, 1/2-13 NC X 1 G5 ZINC
29	2	05059	HH CAP SCREW, 3/8-16 NC X 1 G5 ZINC
30	2	05137	WASHER, 3/8 X 1-1/4 OD FENDER ZINC
31	8	05269	NUT, 3/8-16 NC GRB ZINC
32	2	11622	NUT, 3/8-24 NF GRB ZINC
33	1	05072	NUT, NYLOCK, 3/8-24 NF ZINC
34	5	05101	WASHER, 3/8 SAE ZINC
35	4	05140	WHIZ-LOCK 5/16 - 18 X 3/4
36	4	05566	HH CAP SCREW, 5/16-18 NC X 2 G5 ZINC
37	4	05138	HHFS 5/16-18 X 1-1/4, G5, ZN
38	4	05567	HHFS 5/16-18 X 1, G5, ZN
39	1	05315	HH CAP SCREW, 5/16-18 NC X 1 G5 ZINC
40	8	05273	NUT, NYLOCK, 5/16-18 NC ZINC
41	1	05264	NUT, 5/16-18 NC ZINC

NOTE: FOR A COMPLETE DRIVE PULLEY ORDER 0310-0010 INCLUDES, DRIVE PULLEY SHEAVE & BUSHING, & (3) BOLTS 05407
DRIVE PULLEY BUSHING INCLUDES (3) BOLTS 05407



BARRETO

TITLE: BRIGGS & STRATTON 31HP ASSEMBLY
 PRODUCT LINE: CMS DATE: 7/20/16
 SCALE: 1:6 DWG# 004CMS BRIGGS
 SHEET 1 OF 2

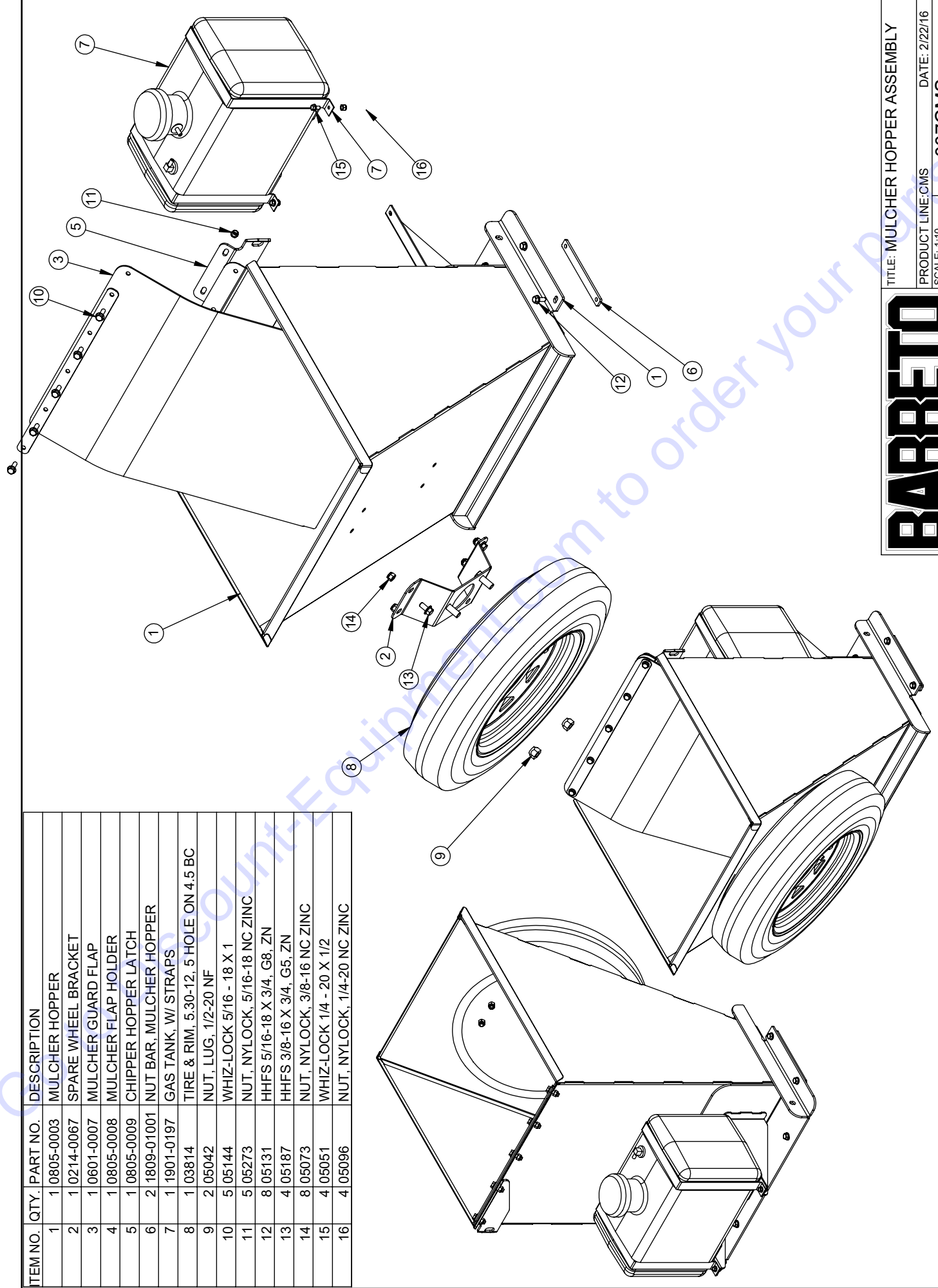


TITLE: BRIGGS & STRATTON 31HP ASSEMBLY
PRODUCT LINE: CMS
SCALE: 1:7
SHEET: 2 OF 2
DATE: 7/20/16
DWG#: 004CMS BRIGGS

BARRETO

SEE REMOVAL & INSTALLATION INSTRUCTIONS
IN OWNERS MANUAL

ITEM NO.	QTY.	PART NO.	DESCRIPTION
1	1	0805-0003	MULCHER HOPPER
2	1	0214-0067	SPARE WHEEL BRACKET
3	1	0601-0007	MULCHER GUARD FLAP
4	1	0805-0008	MULCHER FLAP HOLDER
5	1	0805-0009	CHIPPER HOPPER LATCH
6	2	1809-01001	NUT BAR, MULCHER HOPPER
7	1	1901-0197	GAS TANK, W/ STRAPS
8	1	03814	TIRE & RIM, 5.30-12, 5 HOLE ON 4.5 BC
9	2	05042	NUT, LUG, 1/2-20 NF
10	5	05144	WHIZ-LOCK 5/16 - 18 X 1
11	5	05273	NUT, NYLOCK, 5/16-18 NC ZINC
12	8	05131	HHFS 5/16-18 X 3/4, G8, ZN
13	4	05187	HHFS 3/8-16 X 3/4, G5, ZN
14	8	05073	NUT, NYLOCK, 3/8-16 NC ZINC
15	4	05051	WHIZ-LOCK 1/4 - 20 X 1/2
16	4	05096	NUT, NYLOCK, 1/4-20 NC ZINC



BARRETO

TITLE: MULCHER HOPPER ASSEMBLY

PRODUCT LINE: CMS

DATE: 2/22/16

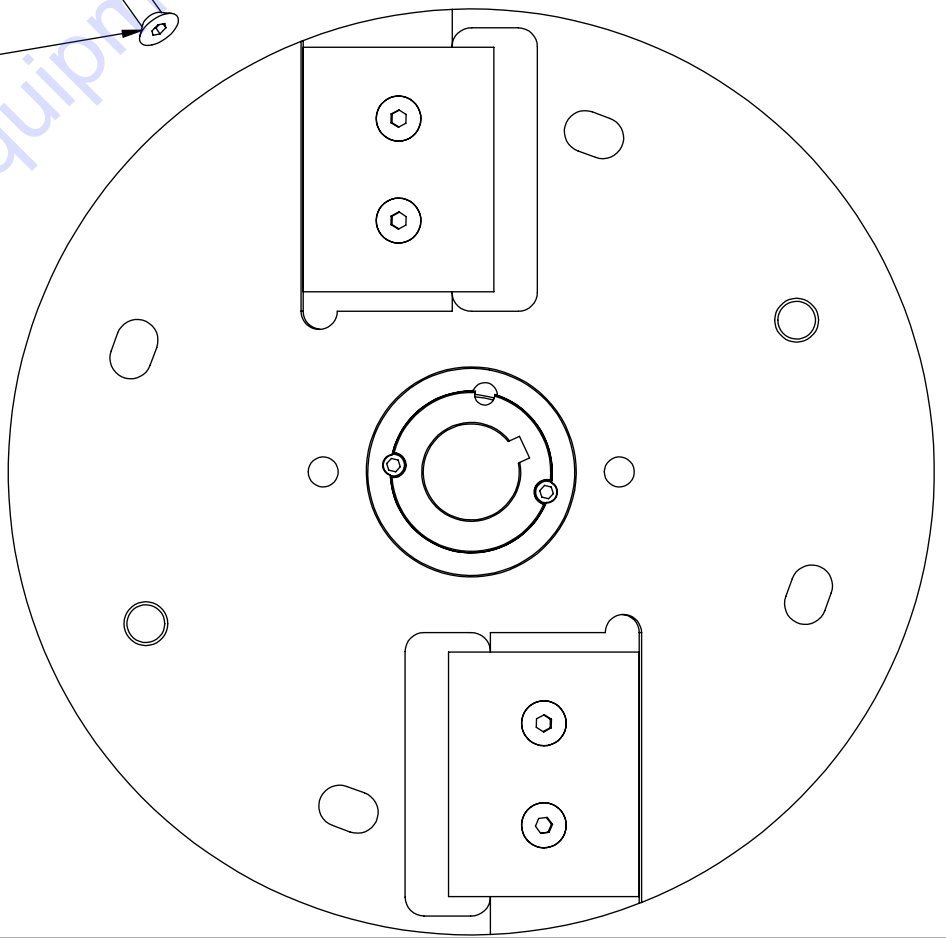
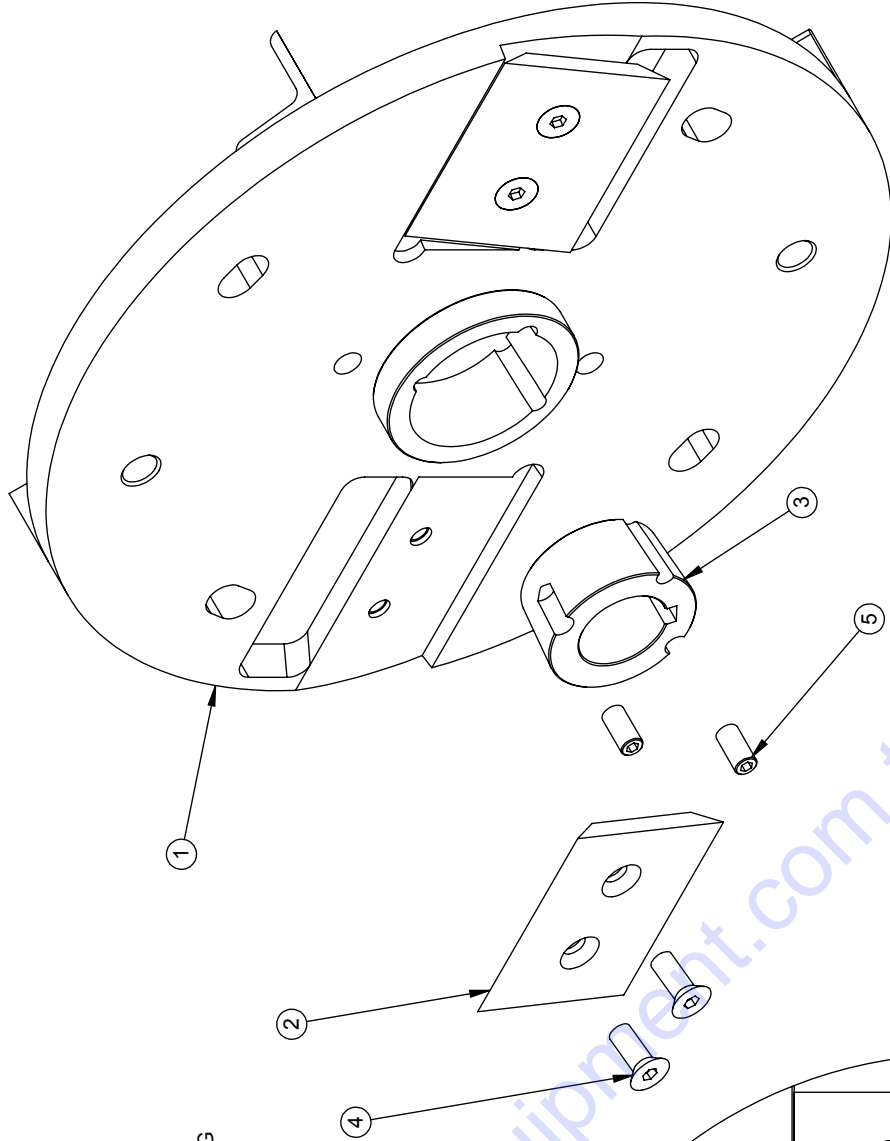
SCALE: 1:10

DWG# 007CMS

SHEET 1 OF 1

ITEM NO.	QTY.	PART NO.	DESCRIPTION
1	1	0403-0004	CHIPPER DISC
2	2	0206-0003	CHIPPER BLADE KNIFE 2 HOLE
3	1	0215-0017	TAPER-LOCK BUSHING, BLS 2517-2"
4	4	05379	FSCS 1/2-13 NC X 1, ZN
5	2	05380	SH SET SCREW, 1/2-13 NC X 1 OVAL

05380 SH SET SCREW, 1/2-13 NC X 1, OVAL, COMES WITH TAPER-LOCK BUSHING



TITLE: CHIPPER DISC ASSEMBLY

PRODUCT LINE: CMS DATE: 2/22/16

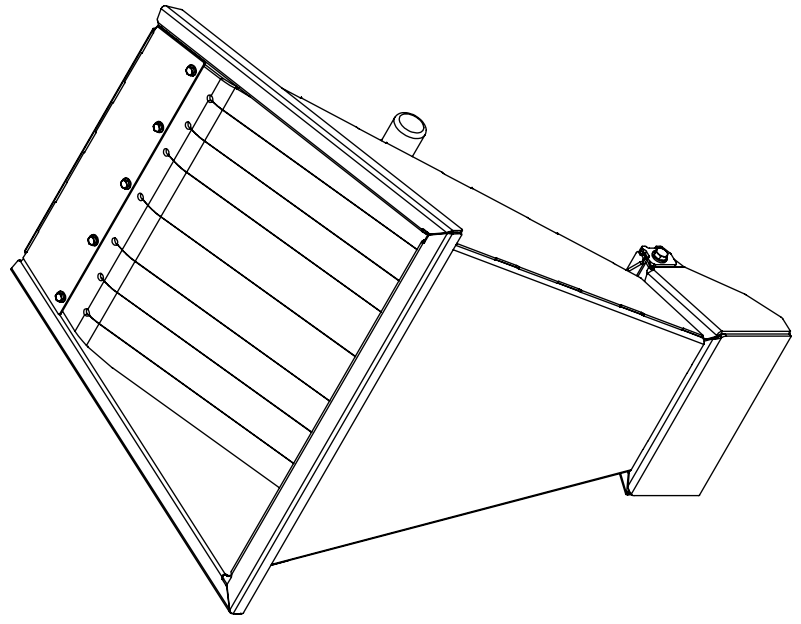
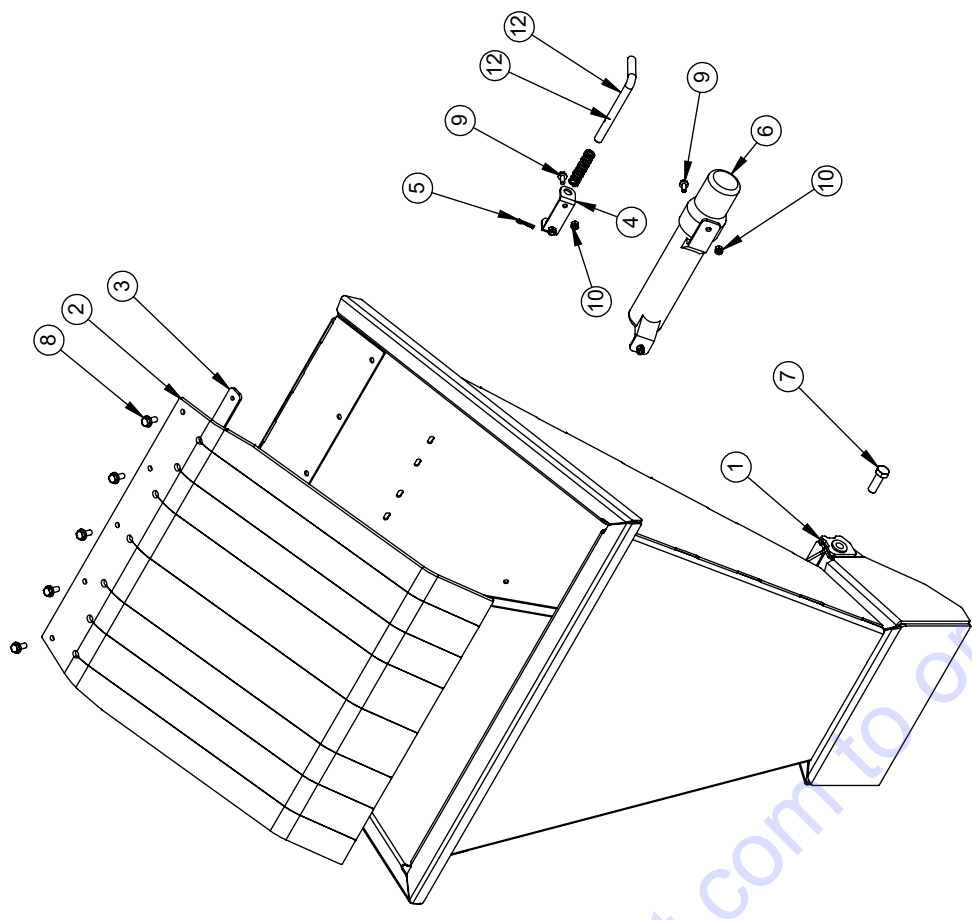
SCALE: 1:4 DWG# 008CMS

SHEET 1 OF 1

BARRETO

Discount-Equipment.com to order your parts

ITEM NO.	QTY.	PART NO.	DESCRIPTION
1	1	0805-0006	CHIPPER HOPPER
2	1	0601-0002	CHIPPER GUARD FLAP
3	1	0805-0007	HOPPER FLAP HOLDER
4	1	0805-0010	PIN MOUNT
5	1	03065	HAIR SPRING COTTER #4
6	1	12090	INSTRUCTION CANISTER
7	2	05300-01	HH CAP SCREW, 1/2-13 NC X 1-1/2 G5 ZINC
8	5	05140	WHIZ-LOCK 5/16 - 18 X 3/4
9	4	05069	WHIZ LOCK, 1/4-20 NC X 5/8 ZINC
10	4	05096	NUT, NYLOCK, 1/4-20 NC ZINC
11	2	16136	FEED PIVOT BUSHING
12	1	16134	HOPPER PIN
13	1	CENTURY SPRING 10522	

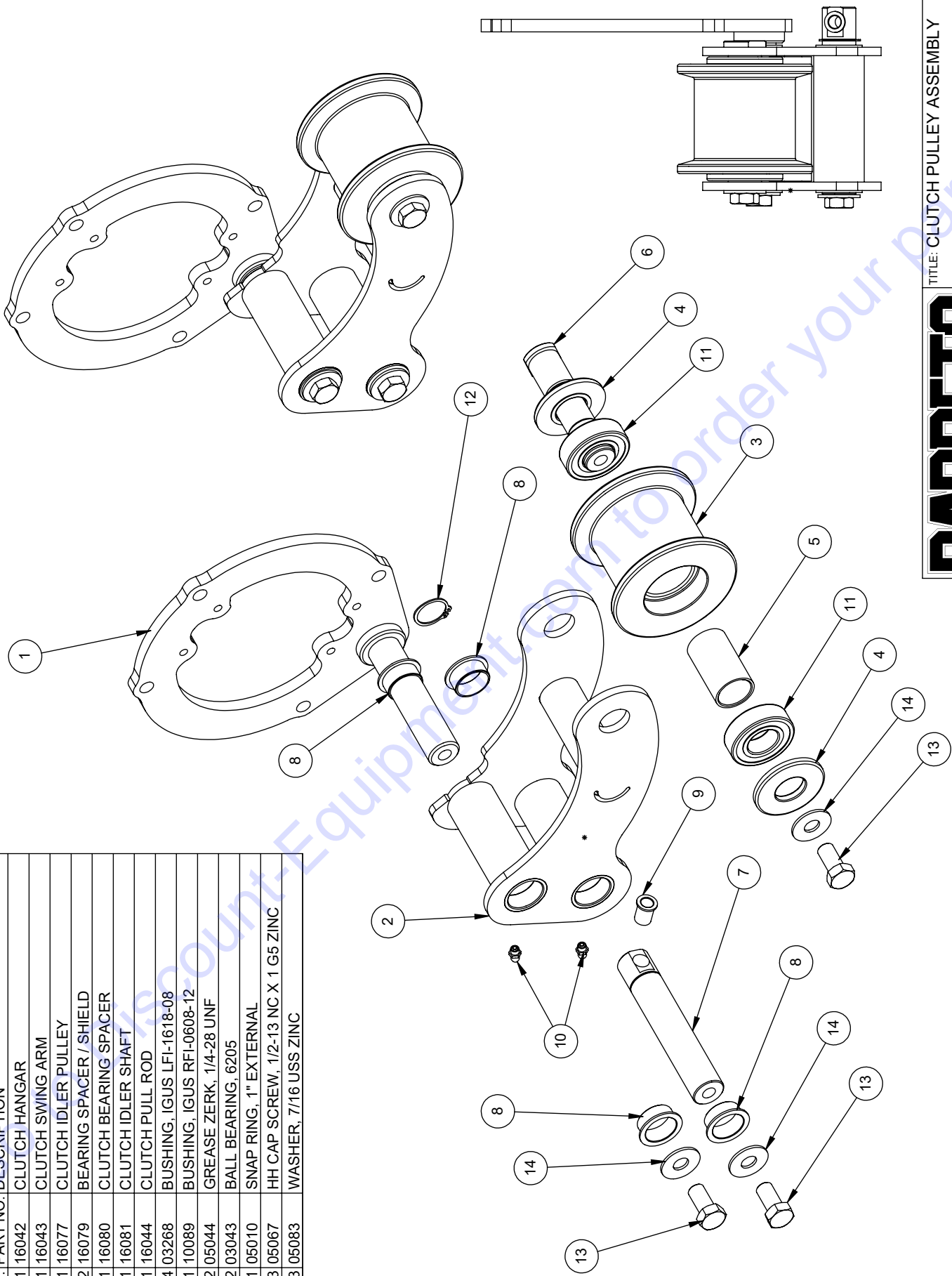


BARRETO

TITLE: CHIPPER HOPPER ASSEMBLY
 PRODUCT LINE: CMS
 SCALE: 1:12
 SHEET: 1 OF 1
 DATE: 6/22/16
 DWG#: 009CMS

www.Barreto-Equipment.com to order your parts

ITEM NO.	QTY.	PART NO.	DESCRIPTION
1	1	16042	CLUTCH HANGAR
2	1	16043	CLUTCH SWING ARM
3	1	16077	CLUTCH IDLER PULLEY
4	2	16079	BEARING SPACER / SHIELD
5	1	16080	CLUTCH BEARING SPACER
6	1	16081	CLUTCH IDLER SHAFT
7	1	16044	CLUTCH PULL ROD
8	4	03268	BUSHING, IGUS LFI-1618-08
9	1	10089	BUSHING, IGUS RFI-0608-12
10	2	05044	GREASE ZERK, 1/4-28 UNF
11	2	03043	BALL BEARING, 6205
12	1	05010	SNAP RING, 1" EXTERNAL
13	3	05067	HH CAP SCREW, 1/2-13 NC X 1 G5 ZINC
14	3	05083	WASHER, 7/16 USS ZINC



BARRETO

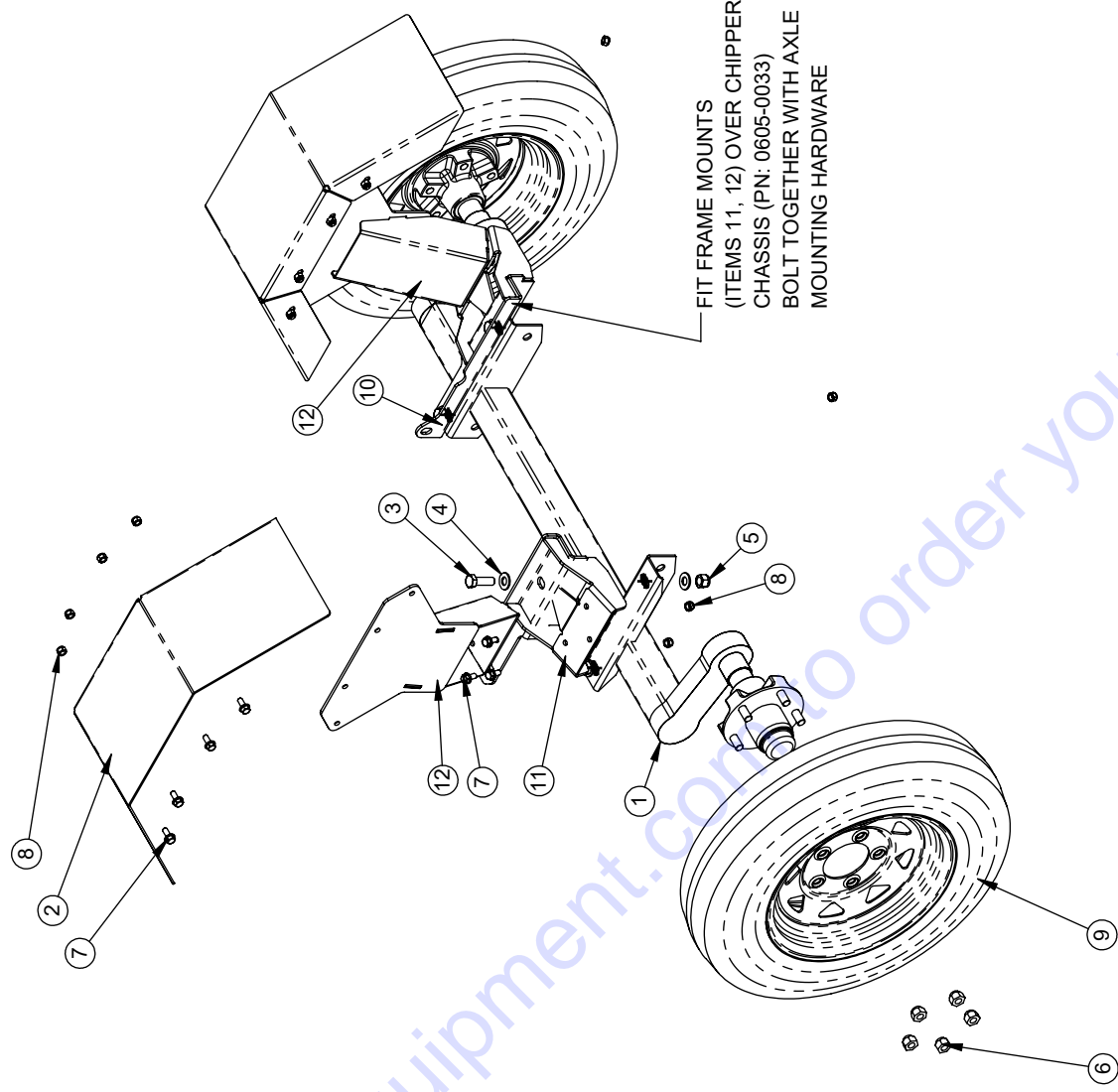
TITLE: CLUTCH PULLEY ASSEMBLY

PRODUCT LINE: CMS DATE: 3/2/16

SCALE: 1:4 DWG# 0012CMS

SHEET 1 OF 1

ITEM NO.	QTY.	PART NO.	DESCRIPTION
1	1	0103-0003	AXLE
2	2	16107	FENDER
3	4	05300-01	HH CAP SCREW, 1/2-13 NC X 1-1/2 G5 ZINC
4	8	05102	WASHER, 1/2 SAE ZINC HARDENED
5	4	05098	NUT, NYLOCK, 1/2-13 NC ZINC
6	10	05042	NUT, LUG, 1/2-20 NF
7	14	05131	HHFS 5/16-18 X 3/4, G8, ZN
8	14	05273	NUT, NYLOCK, 5/16-18 NC ZINC
9	2	03814	TIRE & RIM, 5.30-12, 5 HOLE ON 4.5 BC
10	1	16153R	FRAME MOUNT, RIGHT
11	1	16153L	FRAME MOUNT, LEFT
12	2	16154	FENDER MOUNT



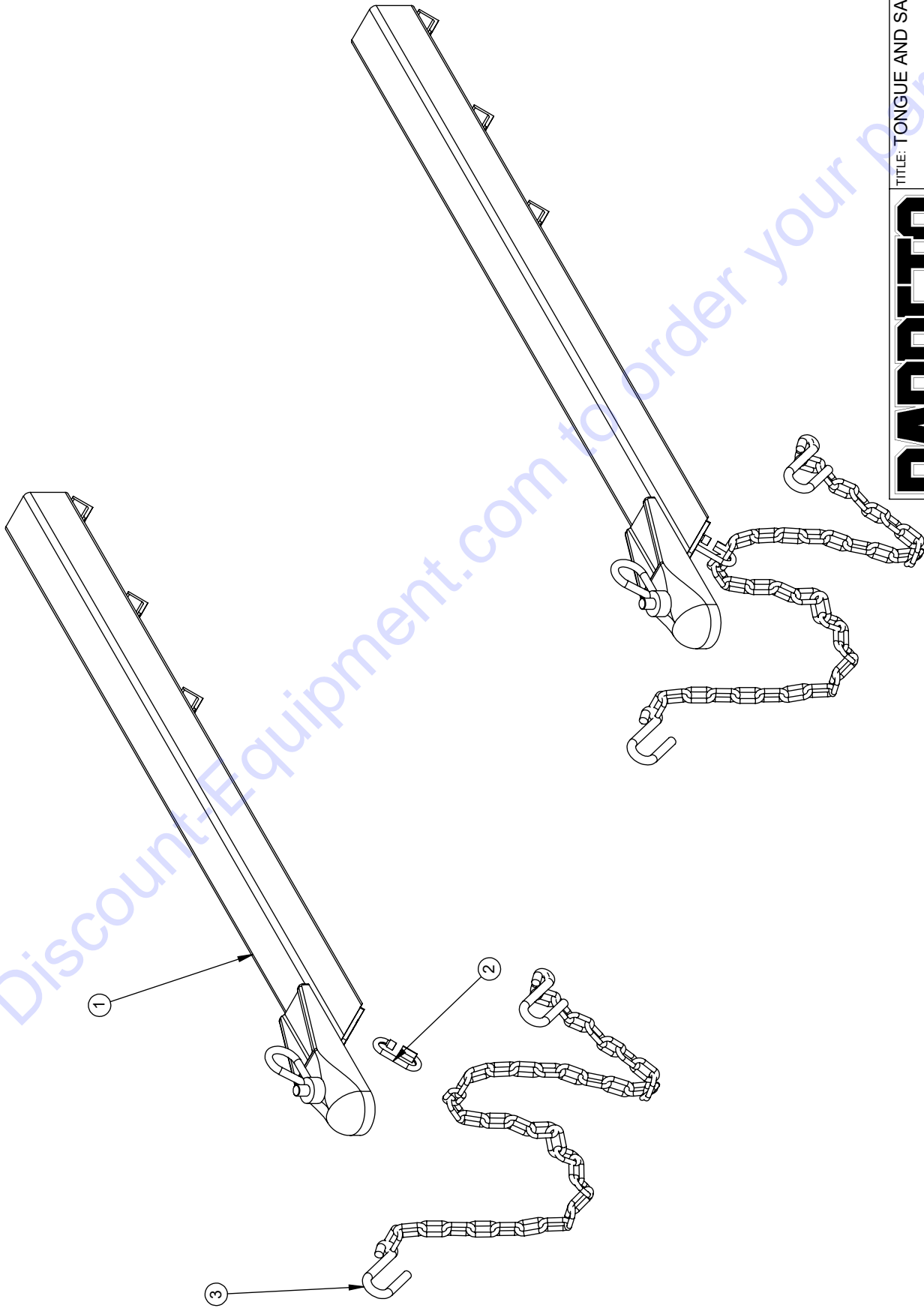
BARRETO

TITLE: AXLE ASSEMBLY

PRODUCT LINE: CMS DATE: 3/13/18

SCALE: 1:12 DWG# 0013CMS
SHEET 1 OF 2

ITEM NO.	QTY.	PART NO.	DESCRIPTION
1	1	0605-0034	TONGUE
2	1	03711	QUICK LINK, 5/16
3	1	08301-1	SAFETY CHAIN, 1/4", 39 LINKS



BARRETO

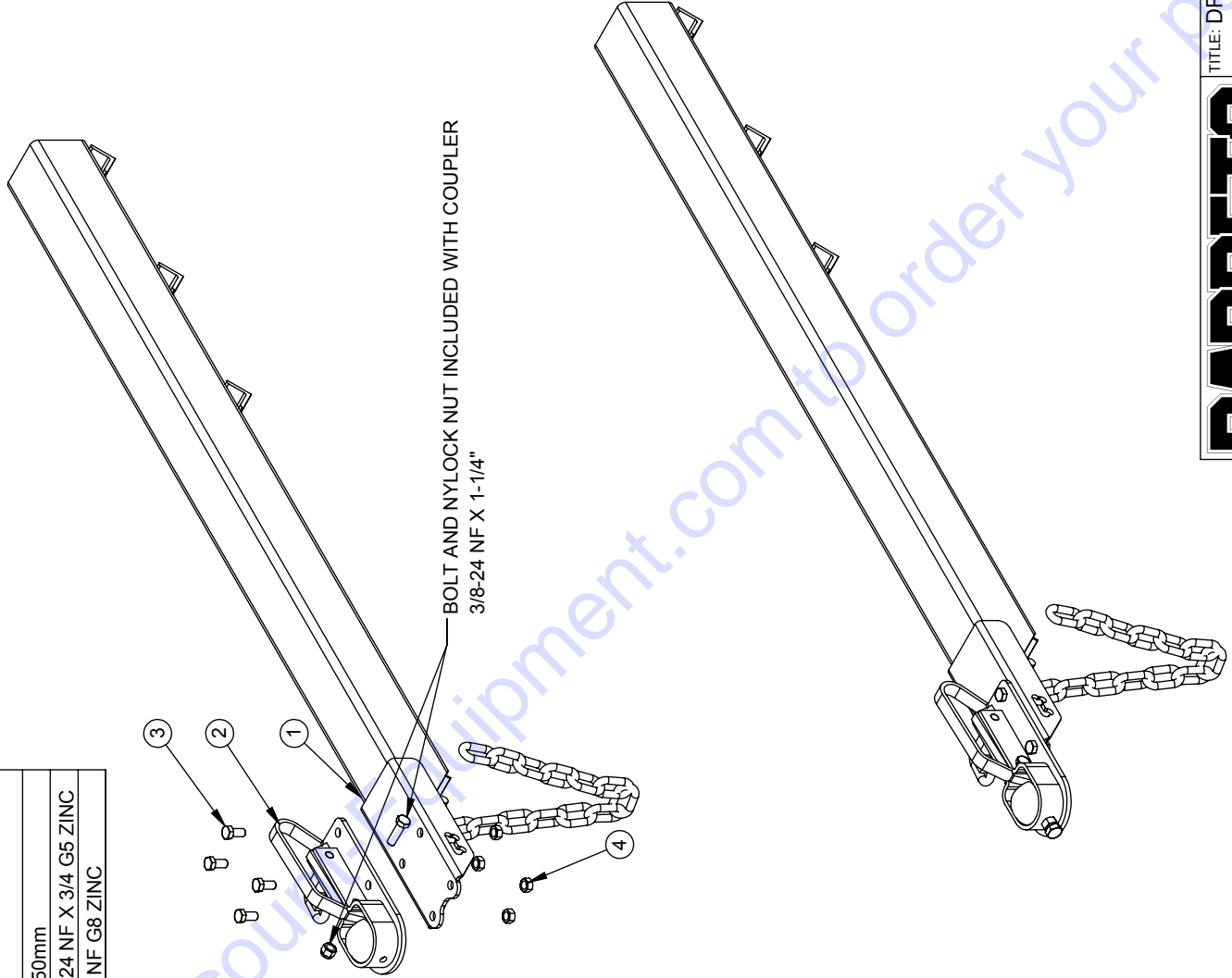
TITLE: TONGUE AND SAFETY CHAIN

PRODUCT LINE: 3104CMS DATE: 2/16/16

SCALE: 1:8 DWG# 0014CMS

SHEET 1 OF 1

ITEM NO.	QTY.	PART NO.	DESCRIPTION
1	1	0605-0034-AUS	DRAW BAR
2	1	CARAC COUPLING	TRAILER COUPLER, 50mm
3	4	05202	HH CAP SCREW, 3/8-24 NF X 3/4 G5 ZINC
4	4	05283	NUT, GRIPCO, 3/8-24 NF G8 ZINC



BOLT AND NYLOCK NUT INCLUDED WITH COUPLER
3/8-24 NF X 1-1/4"

BOLT & NUT INCLUDED WITH COUPLER
M10-1.5 x 16mm

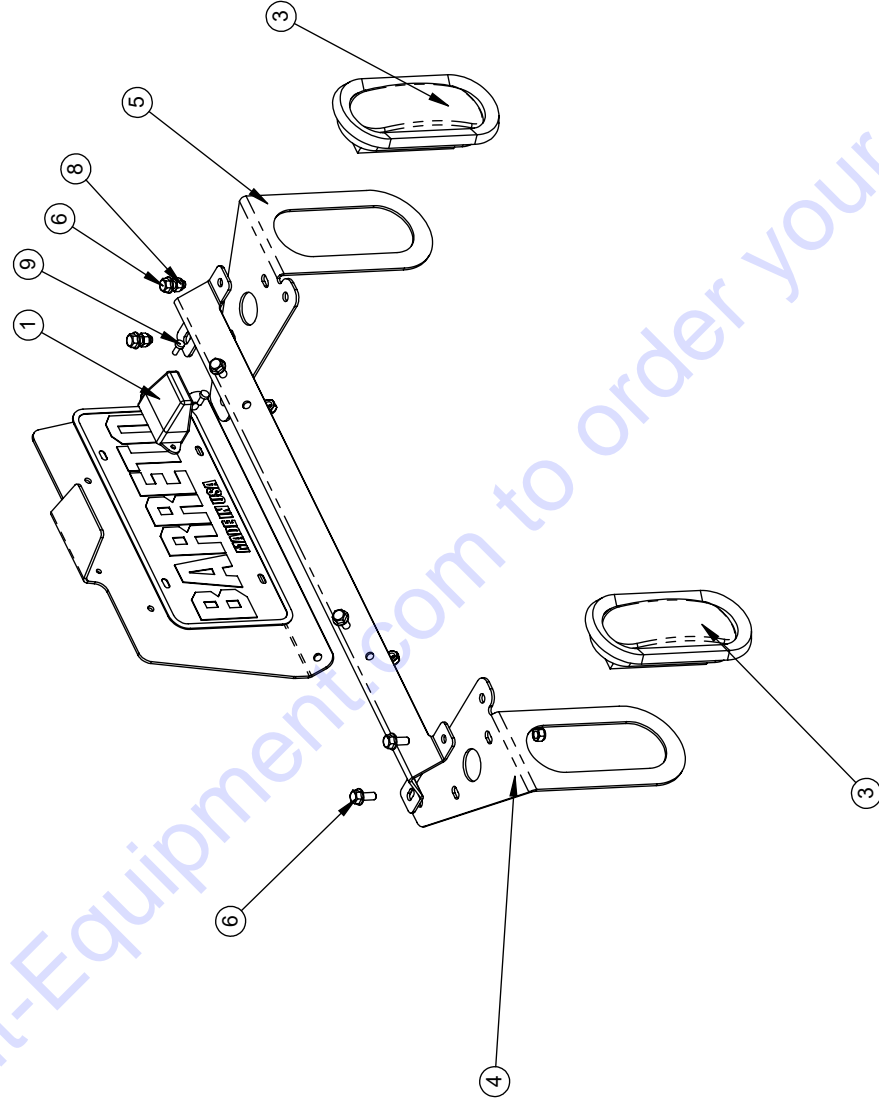
BARRETO

TITLE: DRAW BAR & COUPLER

PRODUCT LINE: CMS100 DATE: 2/16/16

SCALE: 1:8 DWG# 0015CMS
SHEET 1 OF 1

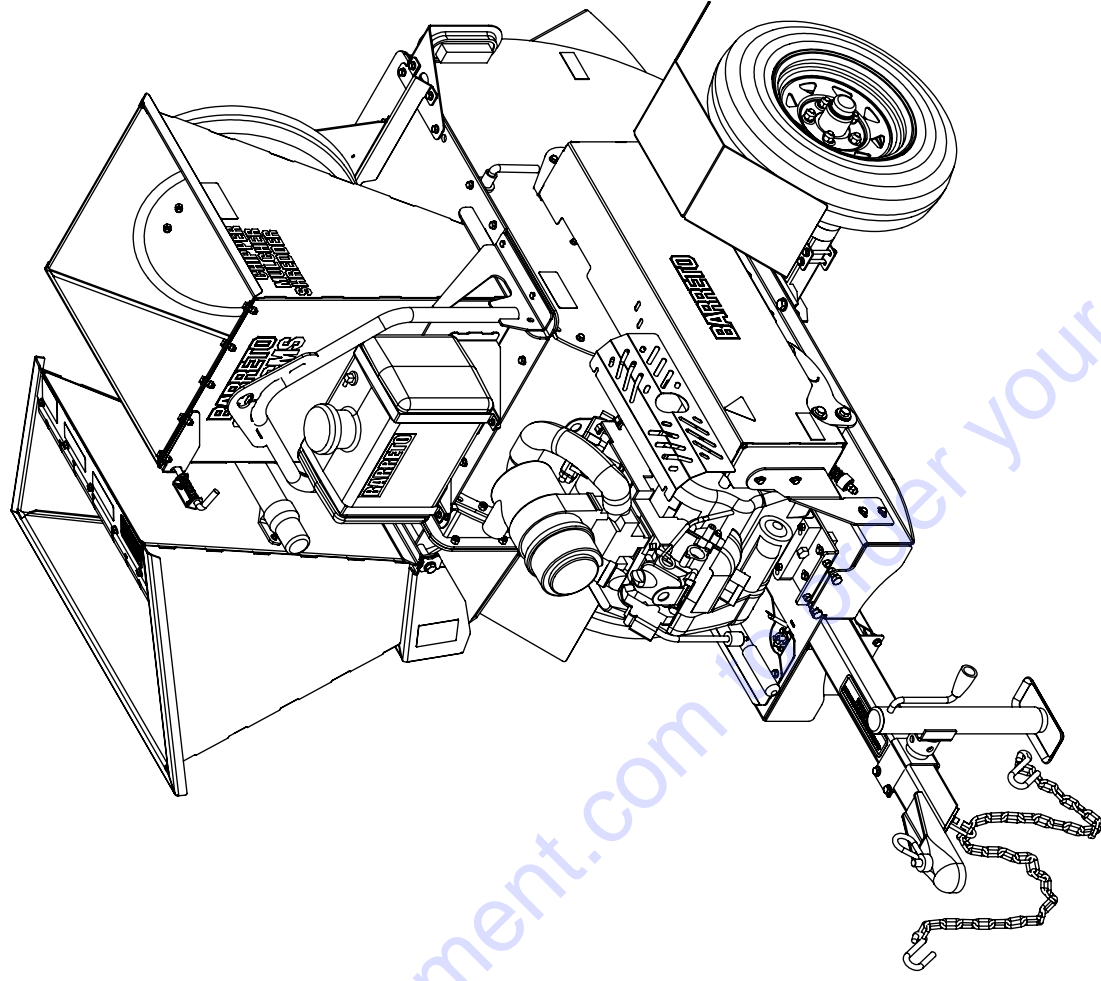
ITEM NO.	PART NUMBER	DESCRIPTION	QTY.
1	10628	LICENSE PLATE LIGHT	1
2	LICENSE	LICENSE PLATE, STATE ISSUED	1
3	10612	TAIL LAMP, PETERSON M421KR	2
4	16139	TAIL LIGHT BRACKET	1
5	16139R	TAIL LIGHT BRACKET, RIGHT	1
6	05131	HHFS 5/16-18 X 3/4, G8, ZN	6
7	05345	NUT, NYLOCK, 10-24 NC ZINC	2
8	05273	NUT, NYLOCK, 5/16-18 NC ZINC	6
9	05233	SCREW, PHPP, 10-24 NC X 1/2 ZN	2
10	16141	LICENSE PLATE BRACE	1
11	16138	PLATE BRACKET	1



TITLE: TAIL LIGHT, LICENSE PLATE BRACKET

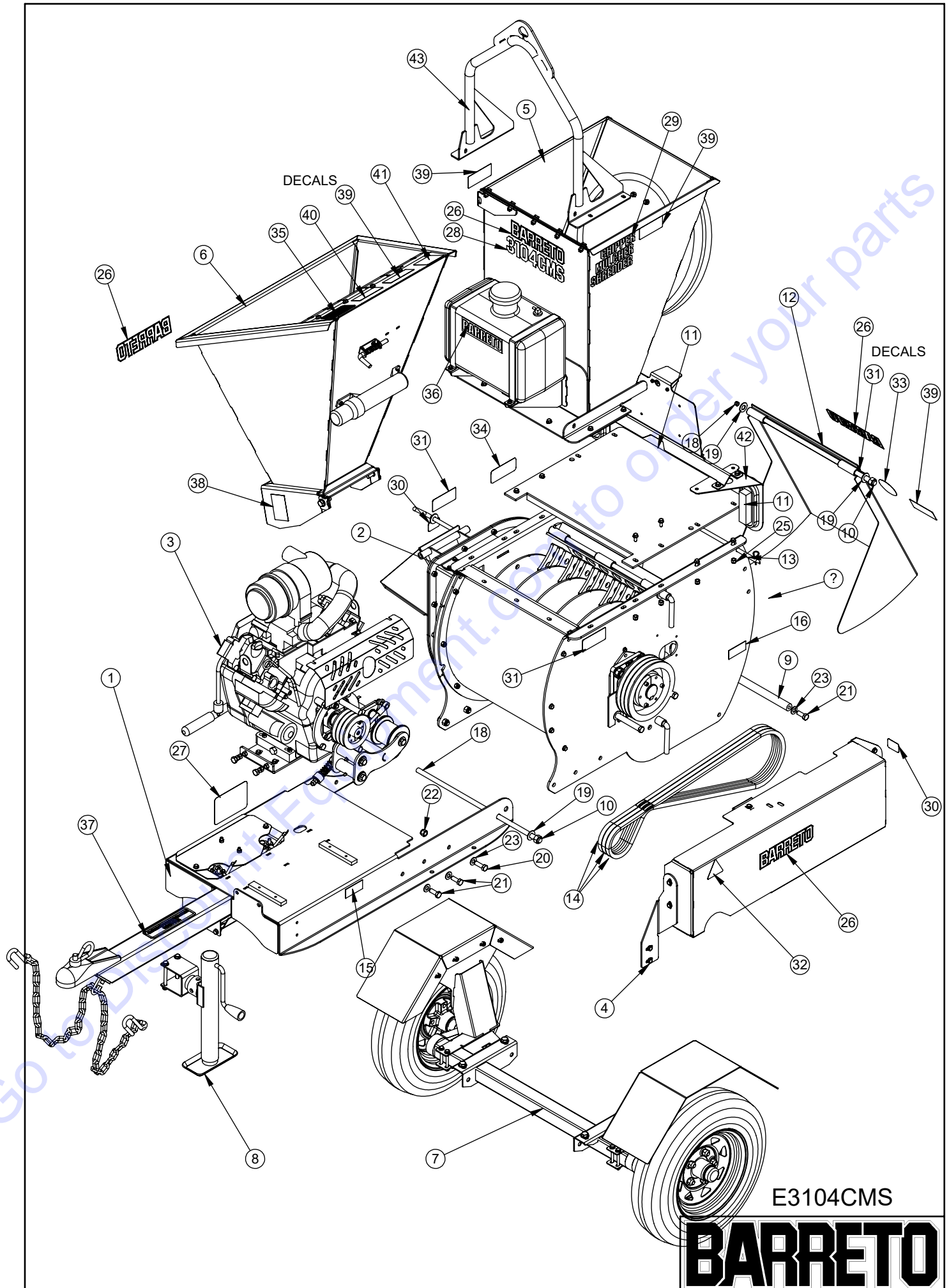
PRODUCT LINE: CMS100 DATE: 7/16
 SCALE: 1:8 DWG# 0016CMS
 SHEET 1 OF 1

ITEM NO.	QTY.	PART NO.	DESCRIPTION
1	1	001CMS	CHASSIS ASSEMBLY
2	1	002CMS	MAIN BODY ASSEMBLY
3	1	004CMS	BRIGGS & STRATTON 31HP ASSEMBLY
4	1	006CMS	BELT GUARD ASSEMBLY
5	1	007CMS	MULCHER HOPPER ASSEMBLY
6	1	009CMS	CHIPPER HOPPER ASSEMBLY
7	1	0013CMS	AXLE ASSEMBLY
8	1	00339	OPTIONAL SWIVEL JACK & MOUNTING BRACKET
9	1	1913-0033	REAR SPACER SHAFT
10	2	1808-0022	SCROLL TIE ROD
11	1	0314-0006	TOP COVER PLATE
12	1	0601-0009	REAR FLAP
13	1	1808-0024	L PIN, REAR FLAP
14	3	1902-00349	CHIPPER V-BELT
15	2	10630	AMBER REFLECTOR, 1-3/8 X 3-1/8
16	2	10631	RED REFLECTOR, 1-3/8 X 3-1/8
17	1	05142	HAIR SPRING CUTTER #8
18	2	05273	NUT, NYLOCK, 5/16-18 NC ZINC
19	3	05272	WASHER, 5/8 SAE ZINC HARDENED
20	2	05300-01	HH CAP SCREW, 1/2-13 NC X 1-1/2 G5 ZINC
21	6	05323	HH CAP SCREW, 1/2-13 NC X 1-1/4 G5 ZINC
22	6	05098	NUT, NYLOCK, 1/2-13 NC ZINC
23	8	05102	WASHER, 1/2 SAE ZINC HARDENED
24	8	05131	HHFS 5/16-18 X 3/4, G8, ZN
25	8	05073	NUT, NYLOCK, 3/8-16 NC ZINC
26	4	03040-02	DECAL, "BARRETO", 3-1/2 X 1-1/4
27	1	03096-02	CLUTCH INSTRUCTION DECAL
28	1	03096-03	DECAL "3104CMS"
29	1	03096-04	DECAL "CHIPPER MULCHER SHREDDER"
30	2	03040-04	DECAL, "GREASE DAILY"
31	3	03096-05	DECAL, WARNING, CRUSH AND CUT
32	1	03096-07	DECAL "HOT SURFACE"
33	1	03096-08	DECAL "DO NOT STAND"
34	1	03096-09	DECAL: "TOW WITH REAR FLAP ..."
35	1	03096-10	DECAL "TOW WITH CHIPPER HOPPER..."
36	1	03040-11	DECAL, "BARRETO", 2-3/16 X 7-3/8
37	1	03096-11	DECAL: "BEFORE TOWING"
38	1	04451-11	DECAL "PINCH POINT"
39	4	03096-13	DECAL: "DANGER, ROTATING CUTTER"
40	1	03096-14	DECAL: "WARNING, READ OPERATOR MANUAL"
41	1	04451-SYMBOLS	DECAL "PPE SYMBOLS"
42	1	0016CMS	TAIL LIGHT, LICENSE PLATE BRACKET
43	1	16145	CMS LIFT EYE



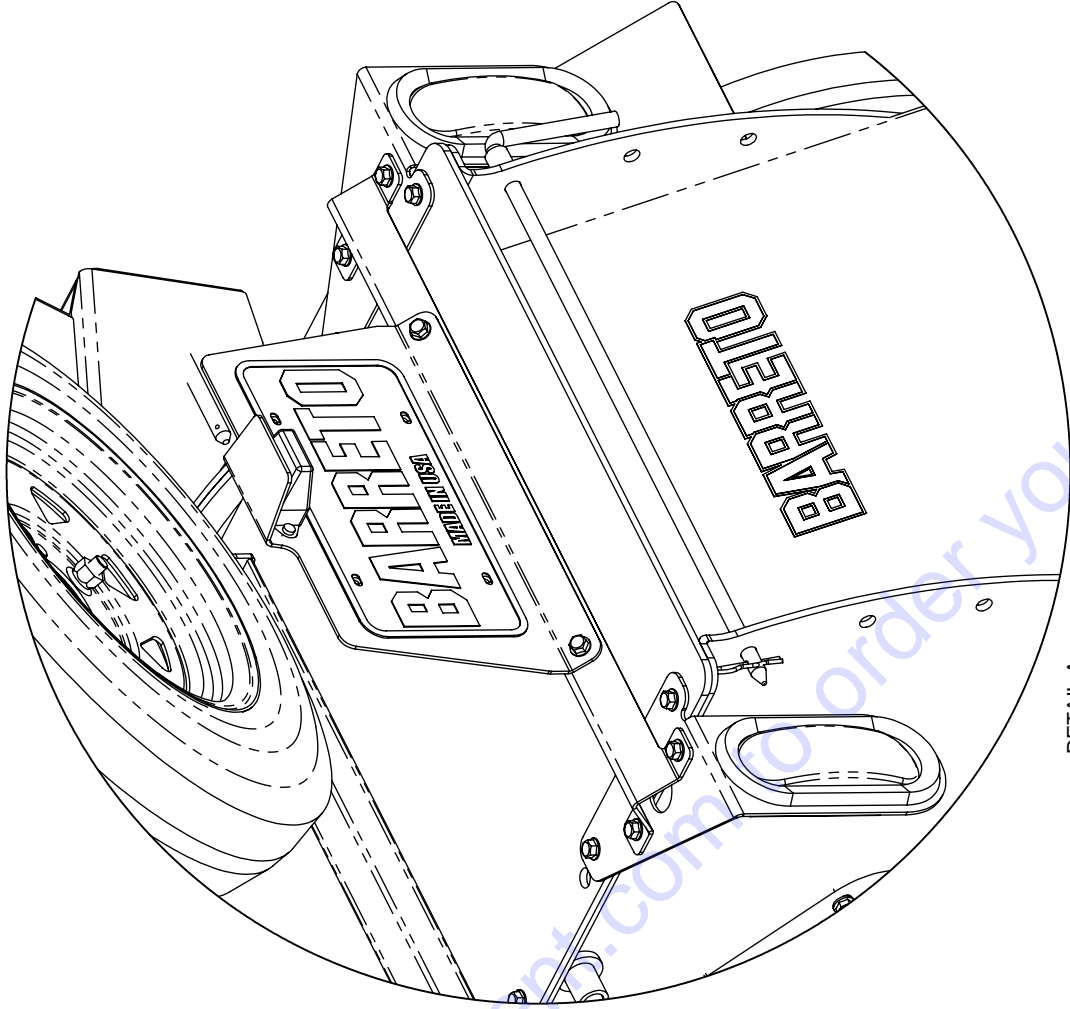
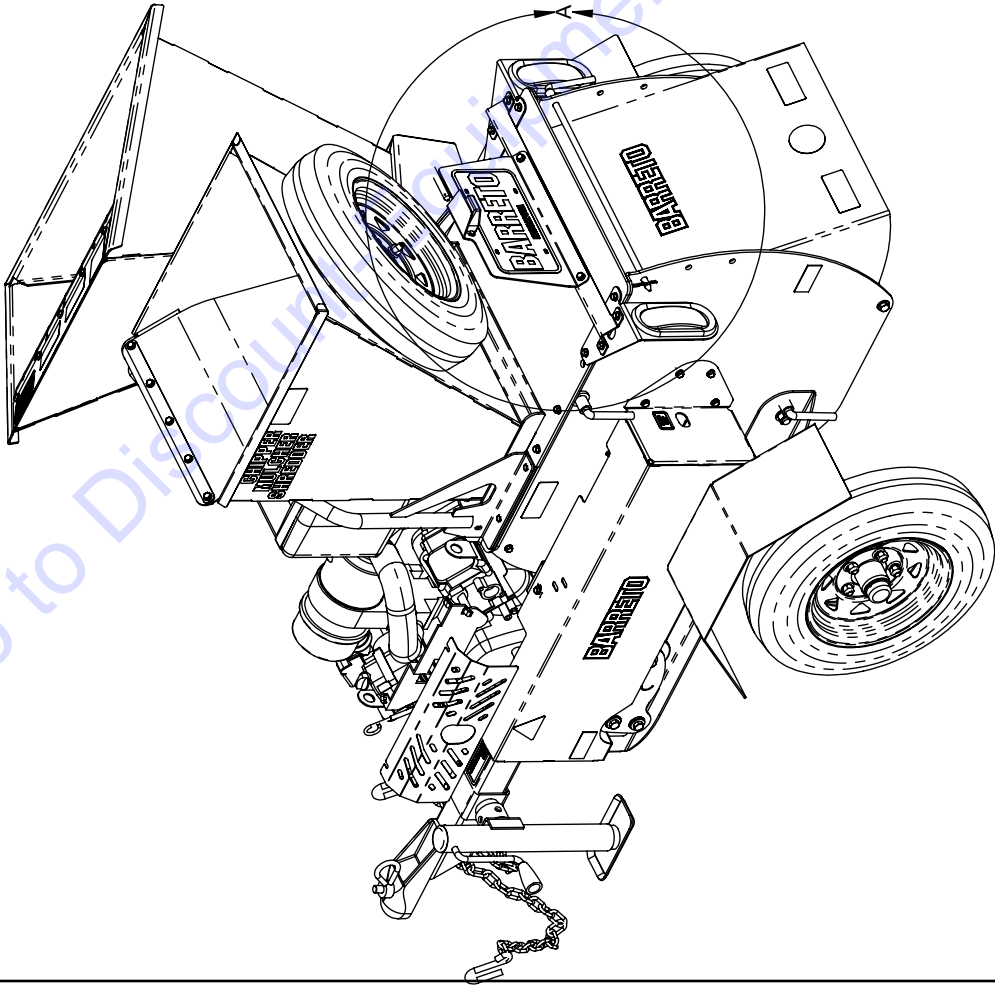
BARRETO

TITLE: _____
 PRODUCT LINE: CMS DATE: 7/28/16
 SCALE: 1:12 DWG# E3104CMS
 SHEET 1 OF 5



E3104CMS

BARRETO



DETAIL A
SCALE 1 : 6

TITLE: TAIL LIGHT PLACEMENT

PRODUCT LINE: CMS100 DATE: 06/16

SCALE: 1:12 DWG# E3104CMS
SHEET 5 OF 5

BARRETO

PARTS FINDER

**Search Website
by Part Number**



**Search Manual
Library For Parts
Manual & Lookup Part
Numbers – Purchase
or Request Quote**

Search Manuals

Find:

Serial Number:

Make:

Submit

**Can't Find Part or
Manual? Request Help
by Manufacturer,
Model & Description**

Parts Order Form

Manufacturer:

Model:

Description:

Submit

Discount-Equipment.com is your online resource for quality parts & equipment.

Florida: **561-964-4949** Outside Florida TOLL FREE: **877-690-3101**

Need parts?

Click on this link: <http://www.discount-equipment.com/category/5443-parts/> and choose one of the options to help get the right parts and equipment you are looking for. Please have the machine model and serial number available in order to help us get you the correct parts. If you don't find the part on the website or on one of the online manuals, please fill out the request form and one of our experienced staff members will get back to you with a quote for the right part that your machine needs.

We sell worldwide for the brands: Genie, Terex, JLG, MultiQuip, Mikasa, Essick, Whiteman, Mayco, Toro Stone, Diamond Products, Generac Magnum, Airman, Haulotte, Barreto, Power Blanket, Nifty Lift, Atlas Copco, Chicago Pneumatic, Allmand, Miller Curber, Skyjack, Lull, Skytrak, Tsurumi, Husquvarna Target, Stow, Wacker, Sakai, Mi-T-M, Sullair, Basic, Dynapac, MBW, Weber, Bartell, Bennar Newman, Haulotte, Ditch Runner, Menegotti, Morrison, Contec, Buddy, Crown, Edco, Wyco, Bomag, Laymor, EZ Trench, Bil-Jax, F.S. Curtis, Gehl Pavers, Heli, Honda, ICS/PowerGrit, IHI, Partner, Imer, Clipper, MMD, Koshin, Rice, CH&E, General Equipment, Amida, Coleman, NAC, Gradall, Square Shooter, Kent, Stanley, Tamco, Toku, Hatz, Kohler, Robin, Wisconsin, Northrock, Oztec, Toker TK, Rol-Air, APT, Wylie, Ingersoll Rand / Doosan, Innovatech, Con X, Ammann, Mecalac, Makinex, Smith Surface Prep, Small Line, Wanco, Yanmar