



**STREET SAW**  
**BSS18H39W**

**PARTS BOOK**



Doc. # PB-B19054  
Orig. Rel. - 00/2016  
Curr Rev. - 00

[www.Discount-Equipment.com](http://www.Discount-Equipment.com)

# PARTS FINDER

**Search Website  
by Part Number**



**Search Manual  
Library For Parts  
Manual & Lookup Part  
Numbers – Purchase  
or Request Quote**

**Search Manuals**

Enter your information to help us find the right parts manual for your machine.

\* Brand:

\* Model:

\* Serial:

\* Part Number:

SEARCH

**Can't Find Part or  
Manual? Request Help  
by Manufacturer,  
Model & Description**

**Parts Order Form**

Please fill in the following information to help us find the right part for your machine.

Manufacturer:

Model:

Description:

Quantity:

Part Number:

Part Name:

Part Description:

Part Drawing:

Part Photo:

Part Location:

Part Status:

Part Category:

Part Sub-Category:

Part Material:

Part Color:

Part Finish:

Part Weight:

Part Dimensions:

Part Notes:

Submit

Discount-Equipment.com is your online resource for quality parts & equipment.

Florida: **561-964-4949** Outside Florida TOLL FREE: **877-690-3101**

**Need parts?**

Click on this link: <http://www.discount-equipment.com/category/5443-parts/> and choose one of the options to help get the right parts and equipment you are looking for. Please have the machine model and serial number available in order to help us get you the correct parts. If you don't find the part on the website or on one of the online manuals, please fill out the request form and one of our experienced staff members will get back to you with a quote for the right part that your machine needs.

We sell worldwide for the brands: Genie, Terex, JLG, MultiQuip, Mikasa, Essick, Whiteman, Mayco, Toro Stone, Diamond Products, Generac Magnum, Airman, Haulotte, Barreto, Power Blanket, Nifty Lift, Atlas Copco, Chicago Pneumatic, Allmand, Miller Curber, Skyjack, Lull, Skytrak, Tsurumi, Husquvarna Target, Stow, Wacker, Sakai, Mi-T-M, Sullair, Basic, Dynapac, MBW, Weber, Bartell, Bennar Newman, Haulotte, Ditch Runner, Menegotti, Morrison, Contec, Buddy, Crown, Edco, Wyco, Bomag, Laymor, EZ Trench, Bil-Jax, F.S. Curtis, Gehl Pavers, Heli, Honda, ICS/PowerGrit, IHI, Partner, Imer, Clipper, MMD, Koshin, Rice, CH&E, General Equipment, Amida, Coleman, NAC, Gradall, Square Shooter, Kent, Stanley, Tamco, Toku, Hatz, Kohler, Robin, Wisconsin, Northrock, Oztec, Toker TK, Rol-Air, APT, Wylie, Ingersoll Rand / Doosan, Innovatech, Con X, Ammann, Mecalac, Makinex, Smith Surface Prep, Small Line, Wanco, Yanmar

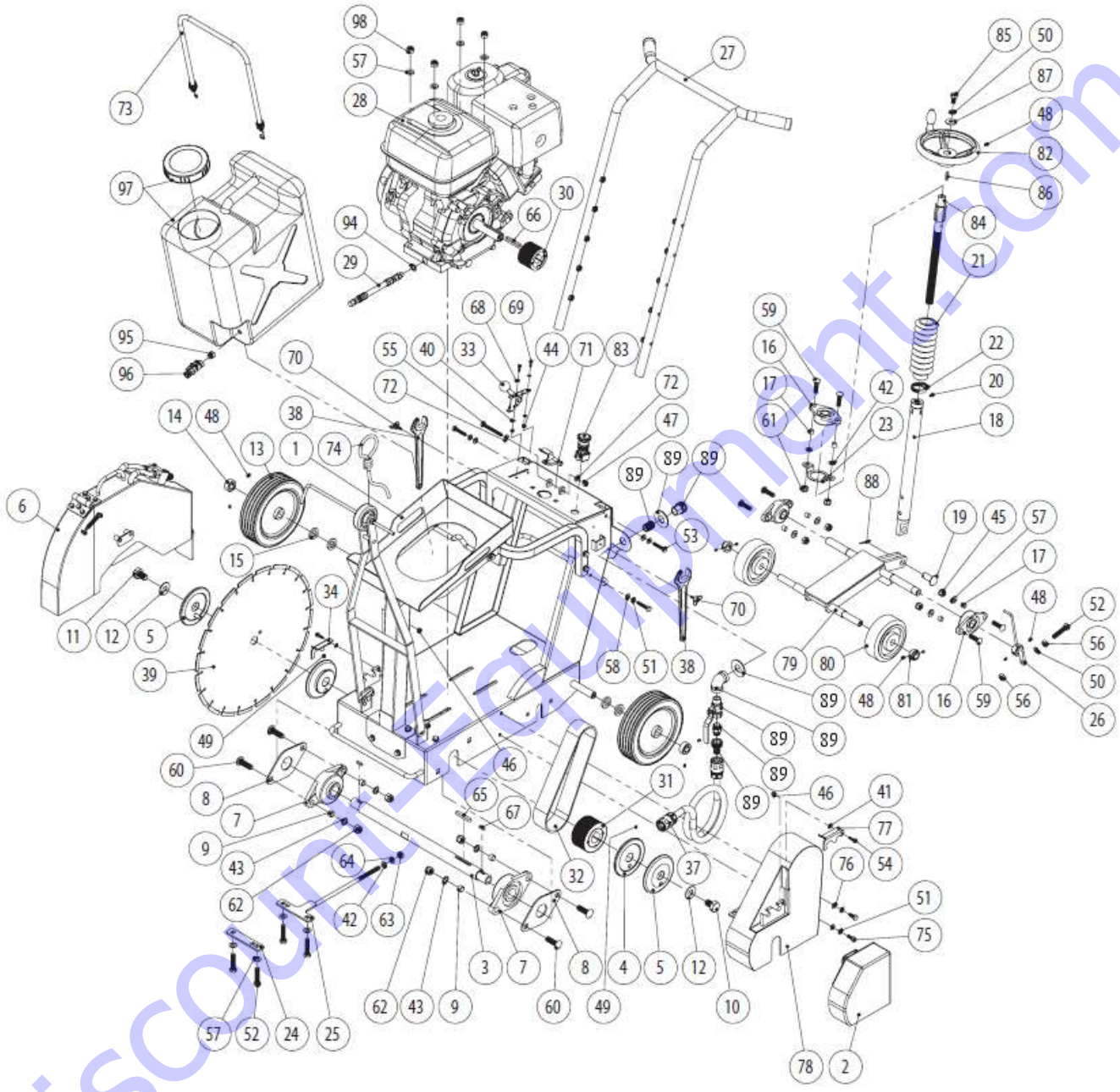


## TABLE OF CONTENTS

<b>MAIN ASSEMBLY</b>	<b>1</b>
PARTS LIST	2
<b>FRAME ASSEMBLY.</b>	<b>5</b>
PARTS LIST	6
<b>BLADE GUARD ASSEMBLY</b>	<b>7</b>
PARTS LIST	8

Discount-Equipment.com

**MAIN ASSEMBLY**





**PARTS LIST**

Item #	Part #	Description	Remarks
1	SS230080	FRAME ASSEMBLY	
2	SS230081	SHAFT GUARD	
3	SS230082	BLADE SHAFT	
4	SS230083	INNER FLANGE	
5	SS230084	OUTER FLANGE WITH PIN	
6	SS230085	18" BLADE GUARD	
7	SS230052	FLANGE BEARING #UCFL207-20	
8	SS230086	BEARING SPACER	
9	SS230087	BUSHING OD16MM X ID12.7MM X 10MM	
10	SS230088	HHCS 5/8-11 X 1	
11	SS230089	HHCS 5/8-11 X 1 LEFT HAND THREAD	
12	SS4234	5/8 WASHER	
13	SS230029	8" X 2"W WHEEL ID19.05MM	
14	SS230090	ID19.05 COLLAR WITH SET SCREW	
15	SS230091	SPACER OD32MM X ID19MM X 5MM	
16	SS6043479	FLANGE BEARING #UCFL204	
17	SS230092	BUSHING OD12MM X ID9.5MM X 10MM	
18	SS230093	ADJUSTMENT SHAFT	
19	SS230094	CLEVIS PIN M16 X 39MM LONG	
20	SS42179	GREASE FITTING (1/4-28)	
21	SS230037	BELLOW	
22	SS6043482	HOSE CLAMP 1-3/4" X 13/16	
23	SS230095	BELLOW MOUNT WASHER	
24	SS230096	BELT ADJUSTMENT BRACKET	
25	SS230097	MOTOR TENSIONING PLATE	
26	SS230098	DEPTH INDICATOR	
27	SS230099	HANDLE BAR	
28	SS23010	HONDA GX390UT2QXC9	
29	SS230101	GX390 OIL HOSE ASSEMBLY	
30	SS230102	1" BORE MICRO-V PULLEY OD65MM	
31	SS230103	1-1/4" BORE MICRO-V PULLEY OD90MM	
32	SS230009	MICRO-V BELT 280PJ 20 RIB	
33	SS4260	THROTTLE CONTROL	
34	SS230104	LEFT GUARD QUICK-RELEASE LOCK	
35	SS42164	WASHER OD51MM X ID 23MM X 2.8MM	
36	NOT USED	NOT USED	
37	SS230105	GARDEN HOSE QUICK DISCONNECT FEMALE	
38	SS230025	27MM OPEN-END WRENCH	
39	BLADE	DIAMOND BLADE (SOLD SEPERATLY)	
40	SS25054	M5 NARROW WASHER	

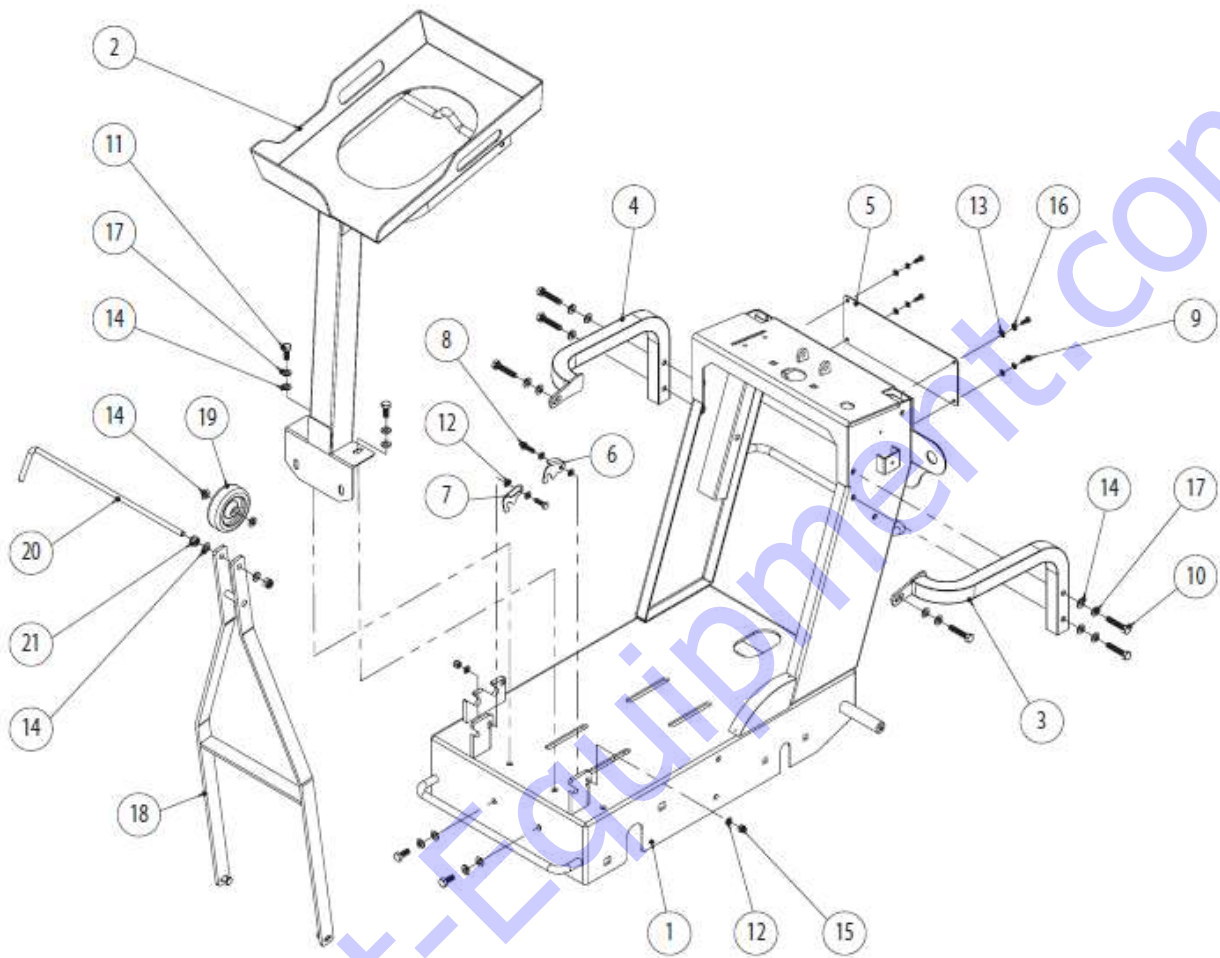
41	SS0384	M6 NARROW WASHER	
42	SS0338	M10 WIDE WASHER	
43	SS4226	1/2" NARROW WASHER	
44	SS150230	NUT NYLON M5-0.8	
45	SS3704228	NUT NYLON M10-1.5	
46	SS1375	NUT NYLON M6-1	
47	SS0155	NUT NYLON M8-1.25	
48	SS25144	SET SCREW FLAT POINT M6-1 X 6MM	
49	SS25144	SET SCREW FLAT POINT M6-1 X 6MM	
50	SS0307	WASHER SPRING LOCK M10	
51	SS0121	WASHER SPRING LOCK M8	
52	SS420255	HHCS M10-1.5 X 50MM	
53	SS081254007	HHCS M8-1.25 X 40MM	
54	SS150018	HHCS M6-1 X 20MM	
55	SS335253	HHCS M8-1.25 X 70MM	
56	SS420053	NUT M10-1.5	
57	SS0338	M10 WIDE WASHER	
58	SS0120	M8 NARROW WASHER	
59	SS4245	CARRIAGE BOLT 3/8"-16 X 1.5"	
60	SS4225	CARRIAGE BOLT 1/2"-13 X 1.75"	
61	SS4248	NUT NYLON 3/8"-16	
62	SS4228	NUT NYLON 1/2"-13	
63	SS481078	NUT 3/8"-16	
64	SS0307	WASHER SPRING LOCK M10	
65	SS230063	SQUARE KEY 8MM X 7MM X 58MM	
66	SS4298	SQUARE KEY 6MM X 6MM X 58MM	
67	SS230020	SQUARE KEY 5MM X 5MM X 20MM	
68	SS25054	M5 NARROW WASHER	
69	SS230112	HHCS M5-0.8 X 16MM	
70	SS4294	WING SCREW M6-1 X 10MM	
71	SS230113	FLIP LOCK	
72	SS0120	M8 NARROW WASHER	
73	SS230114	24" HOOKED BUNGEE CORD	
74	SS230115	ROPE	
75	SS100109	HHCS M8-1.25 X 20MM	
76	SS0120	M8 NARROW WASHER	
77	SS230116	RIGHT GUARD QUICK RELEASE LOCK	
78	SS230117	BELT GUARD	
79	SS230118	FRONT AXLE WELDMENT	
80	SS230018	4" X 2" WHEEL ID17MM	
81	SS4243	COLLAR ID17MM WITH SET SCREW	
82	SS230119	7" HAND WHEEL WITH HANDLE	
83	SS230125	ESTOP BUTTON	
84	SS230120	ADJUSTMENT SCREW	
85	SS0305	HHCS M10-1.5 X 20MM	

86	SS4282	SQUARE KEY 5MM X 5MM X 25MM	
87	SS0338	M10 WIDE WASHER	
88	SS230121	COTTER PIN 0.125" X 1.5"	
89		CITY WATER CONNECTION ASSEMBLY	
90	NOT USED	NOT USED	
91	NOT USED	NOT USED	
92	NOT USED	NOT USED	
93	NOT USED	NOT USED	
94	SS230124	WASHER OD19.8MM X ID12.4MM X 2MM	
95	SS230126	MALE 1/4 PT X OD9.2MM BULKHEAD	
96	SS230127	MALE 1/2" GARDENA X FEMALE 1/4" PT BALL VALVE	
97	SS230128	30L (8GAL) WATER TANK	
98	SS3704228	NUT NYLON M10-1.5	

Discount-Equipment.com



**FRAME ASSEMBLY.**



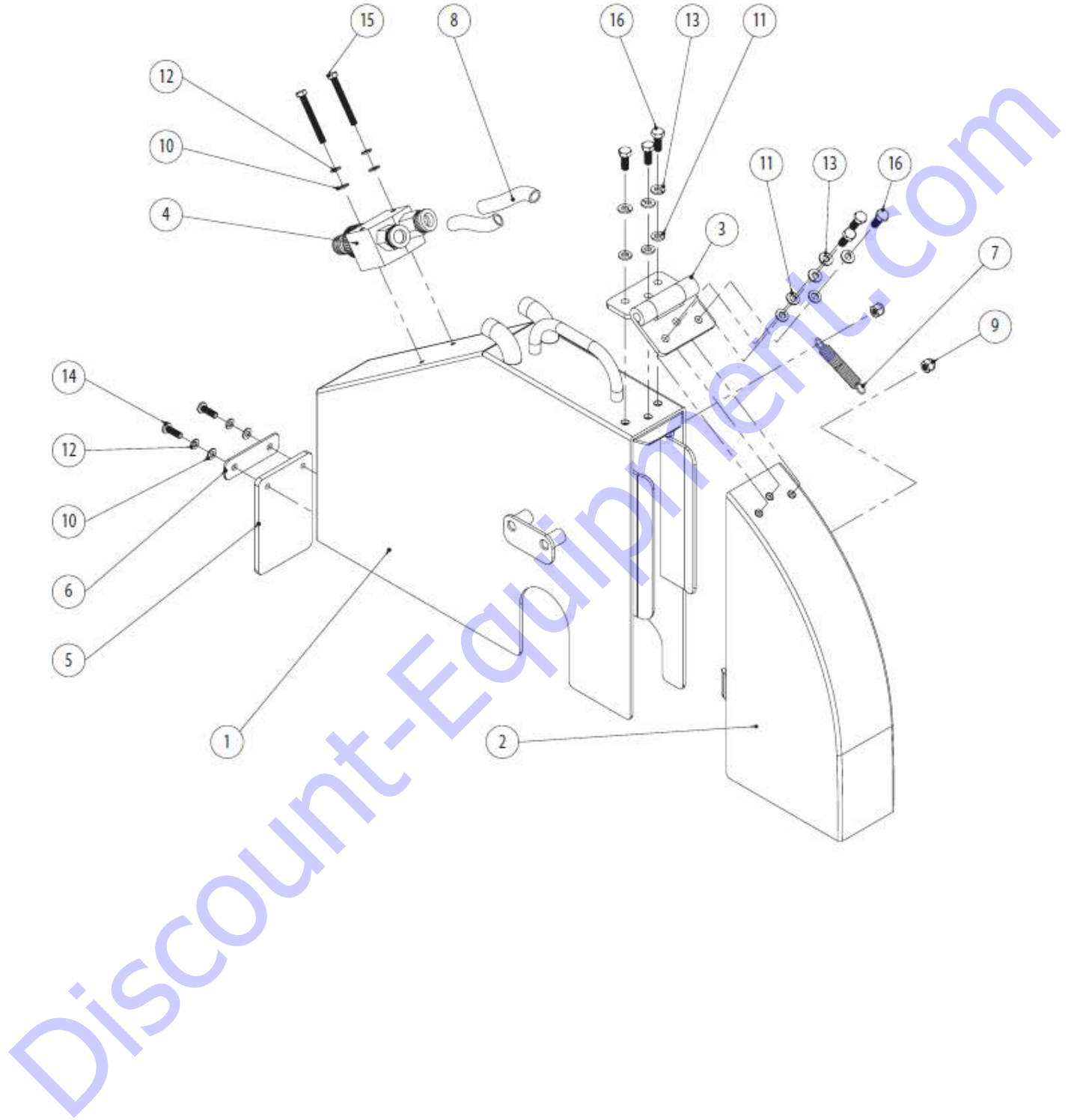
Discount-[Equipment.com](http://Equipment.com)

**PARTS LIST**

Item #	Part #	Description	Remarks
1	SS230130	FRAME WELDMENT	
2	SS230131	WATER TANK BRACKET	
3	SS230132	BRACKET LEFT ARM SUPPORT	
4	SS230133	BRACKET RIGHT ARM SUPPORT	
5	SS230134	ACCESS PANEL	
6	SS230135	LEFT POINTER QUICK RELEASE	
7	SS230136	RIGHT POINTER QUICK RELEASE	
8	SS150018	HHCS M6-1 X 20MM	
9	SS230112	HHCS M5-0.8 X 16MM	
10	SS081254007	HHCS M8-1.25 X 40MM	
11	SS100109	HHCS M8-1.25 X 20MM	
12	SS0384	M6 NARROW WASHER	
13	SS25054	M5 NARROW WASHER	
14	SS0120	M8 NARROW WASHER	
15	SS1375	NUT NYLON M6-1	
16	SS25053	WASHER SPRING LOCK M5	
17	SS0121	WASHER SPRING LOCK M8	
18	SS230137	POINTER WELDMENT	
19	SS230061	WHEEL OD75MM	
20	SS230138	POINTER	
21	SS0155	NUT NYLON M8-1.25	

Discount-Equipment.com

**BLADE GUARD ASSEMBLY**



**PARTS LIST**

Item #	Part #	Description	Remarks
1	SS230139	18IN PRIMARY BLADE GUARD BODY	
2	SS230140	18IN FORWARDED BLADE GUARD COVER	
3	SS230141	HINGE	
4	SS230142	WATER HOSE MANIFOLD	
5	SS230049	SPLASH FLAP	
6	SS230143	SPLASH FLAP PLATE	
7	SS230144	SPRING	
8	SS230145	TUBE OD12MM ID8MM	CUT TO LENGTH AS NEEDED
9	SS1375	NUT NYLON M6-1	
10	SS25054	M5 NARROW WASHER	
11	SS0384	M6 NARROW WASHER	
12	SS25053	WASHER SPRING LOCK M5	
13	SS11090	WASHER SPRING LOCK M6	
14	SS25058	MACHINE SCREWE M8-0.8 X 15MM	
15	SS5703	HHCS M5-0.8 X 45MM	
16	SS11089	HHCS M6-1 X 15MM	

# PARTS FINDER

**Search Website  
by Part Number**



**Search Manual  
Library For Parts  
Manual & Lookup Part  
Numbers – Purchase  
or Request Quote**

**Search Manuals**

Enter your information to search for parts manuals and lookup part numbers.

\* Brand:

\* Model:

\* Serial:

\* Part Number:

SEARCH

**Can't Find Part or  
Manual? Request Help  
by Manufacturer,  
Model & Description**

**Parts Order Form**

Please fill in the following information:

Manufacturer:

Model:

Description:

Quantity:

Part Number:

Part Name:

Part Description:

Part Location:

Part Condition:

Part Status:

Part Color:

Part Material:

Part Weight:

Part Dimensions:

Part Notes:

Submit

Discount-Equipment.com is your online resource for quality parts & equipment.

Florida: **561-964-4949** Outside Florida TOLL FREE: **877-690-3101**

**Need parts?**

Click on this link: <http://www.discount-equipment.com/category/5443-parts/> and choose one of the options to help get the right parts and equipment you are looking for. Please have the machine model and serial number available in order to help us get you the correct parts. If you don't find the part on the website or on one of the online manuals, please fill out the request form and one of our experienced staff members will get back to you with a quote for the right part that your machine needs.

We sell worldwide for the brands: Genie, Terex, JLG, MultiQuip, Mikasa, Essick, Whiteman, Mayco, Toro Stone, Diamond Products, Generac Magnum, Airman, Haulotte, Barreto, Power Blanket, Nifty Lift, Atlas Copco, Chicago Pneumatic, Allmand, Miller Curber, Skyjack, Lull, Skytrak, Tsurumi, Husquvarna Target, Stow, Wacker, Sakai, Mi-T-M, Sullair, Basic, Dynapac, MBW, Weber, Bartell, Bennar Newman, Haulotte, Ditch Runner, Menegotti, Morrison, Contec, Buddy, Crown, Edco, Wyco, Bomag, Laymor, EZ Trench, Bil-Jax, F.S. Curtis, Gehl Pavers, Heli, Honda, ICS/PowerGrit, IHI, Partner, Imer, Clipper, MMD, Koshin, Rice, CH&E, General Equipment, Amida, Coleman, NAC, Gradall, Square Shooter, Kent, Stanley, Tamco, Toku, Hatz, Kohler, Robin, Wisconsin, Northrock, Oztec, Toker TK, Rol-Air, APT, Wylie, Ingersoll Rand / Doosan, Innovatech, Con X, Ammann, Mecalac, Makinex, Smith Surface Prep, Small Line, Wanco, Yanmar