



# B446, B446 MEGA-T WALK-BEHIND TROWEL

PARTS BOOK



[www.Discount-Equipment.com](http://www.Discount-Equipment.com)

Doc. # PB-  
B19004  
Orig. Rel. -  
08/2016  
Curr Rev. - 03

# PARTS FINDER

**Search Website  
by Part Number**



**Search Manual  
Library For Parts  
Manual & Lookup Part  
Numbers – Purchase  
or Request Quote**

**Search Manuals**

Enter your information to search for a manual or to purchase a parts manual.

\* Brand:

\* Model:

\* Serial:

\* Part Number:

\* Class:

**Can't Find Part or  
Manual? Request Help  
by Manufacturer,  
Model & Description**

**Parts Order Form**

Please fill in the following information to request help finding a part or manual.

Manufacturer:

Model:

Description:

Quantity:

Part Number:

Part Name:

Part Description:

Part Location:

Part Condition:

Part Material:

Part Color:

Part Weight:

Part Dimensions:

Part Notes:

Part Price:

Part Status:

Part Location:

Part Condition:

Part Material:

Part Color:

Part Weight:

Part Dimensions:

Part Notes:

Part Price:

Part Status:

Discount-Equipment.com is your online resource for quality parts & equipment.

Florida: **561-964-4949** Outside Florida TOLL FREE: **877-690-3101**

**Need parts?**

Click on this link: <http://www.discount-equipment.com/category/5443-parts/> and choose one of the options to help get the right parts and equipment you are looking for. Please have the machine model and serial number available in order to help us get you the correct parts. If you don't find the part on the website or on one of the online manuals, please fill out the request form and one of our experienced staff members will get back to you with a quote for the right part that your machine needs.

We sell worldwide for the brands: Genie, Terex, JLG, MultiQuip, Mikasa, Essick, Whiteman, Mayco, Toro Stone, Diamond Products, Generac Magnum, Airman, Haulotte, Barreto, Power Blanket, Nifty Lift, Atlas Copco, Chicago Pneumatic, Allmand, Miller Curber, Skyjack, Lull, Skytrak, Tsurumi, Husquvarna Target, Stow, Wacker, Sakai, Mi-T-M, Sullair, Basic, Dynapac, MBW, Weber, Bartell, Bennar Newman, Haulotte, Ditch Runner, Menegotti, Morrison, Contec, Buddy, Crown, Edco, Wyco, Bomag, Laymor, EZ Trench, Bil-Jax, F.S. Curtis, Gehl Pavers, Heli, Honda, ICS/PowerGrit, IHI, Partner, Imer, Clipper, MMD, Koshin, Rice, CH&E, General Equipment, Amida, Coleman, NAC, Gradall, Square Shooter, Kent, Stanley, Tamco, Toku, Hatz, Kohler, Robin, Wisconsin, Northrock, Oztec, Toker TK, Rol-Air, APT, Wylie, Ingersoll Rand / Doosan, Innovatech, Con X, Ammann, Mecalac, Makinex, Smith Surface Prep, Small Line, Wanco, Yanmar

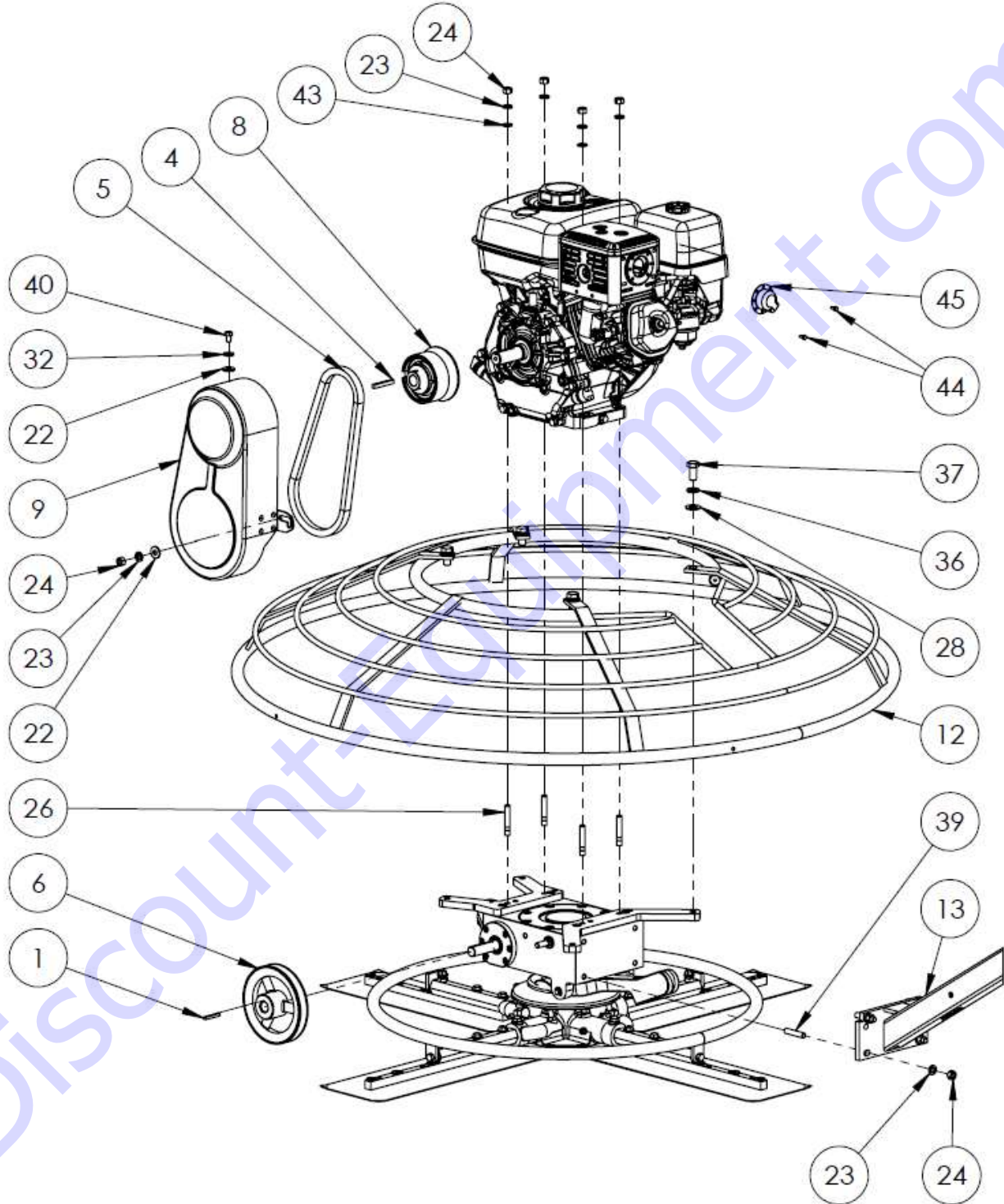


## TABLE OF CONTENTS

|  |           |
|--|-----------|
| <b>PARTS LIST 1 – WALK-BEHIND TROWELS</b>                        | <b>2</b>  |
| GENERAL ASSEMBLY DIAGRAM: B446                                   | 2         |
| GENERAL ASSEMBLY: B446 - PARTS LIST 1                            | 3         |
| <b>PARTS LIST 2 – WALK-BEHIND TROWELS</b>                        | <b>4</b>  |
| GENERAL ASSEMBLY DIAGRAM: MEGA-T                                 | 4         |
| GENERAL ASSEMBLY: MEGA-T (CVT) – PARTS LIST 2                    | 5         |
| <b>PARTS LIST 3 – WALK-BEHIND TROWELS</b>                        | <b>6</b>  |
| BASE UNIT ASSEMBLY DIAGRAM: B446                                 | 6         |
| BASE UNIT ASSEMBLY: B446 – PARTS LIST 3                          | 7         |
| <b>PARTS LIST 4: WALK-BEHIND TROWELS</b>                         | <b>8</b>  |
| GEARBOX ASSEMBLY DIAGRAM: 20928, 20977 (MEGA-T)                  | 8         |
| GEARBOX ASSEMBLY: 20928, 20977 (MEGA-T) - PARTS LIST 4           | 9         |
| <b>PARTS LIST 5– WALK-BEHIND TROWELS</b>                         | <b>10</b> |
| B446 CLUTCH ASSEMBLY DIAGRAM: 21029-1                            | 10        |
| B446 CLUTCH ASSEMBLY: 21029-1 (1" SHAFT) – PARTS LIST 5          | 10        |
| <b>PARTS LIST 6 – WALK-BEHIND TROWELS</b>                        | <b>11</b> |
| SPIDER PLATE ASSEMBLY DIAGRAM: 20820                             | 11        |
| SPIDER PLATE ASSEMBLY: 20820 – PARTS LIST 6                      | 11        |
| <b>PARTS LIST 7 – WALK-BEHIND TROWELS</b>                        | <b>12</b> |
| PRESSURE PLATE ASSEMBLY DIAGRAM: 20626                           | 12        |
| PRESSURE PLATE ASSEMBLY: 20626 – PARTS LIST 7                    | 12        |
| <b>PARTS LIST 8: WALK-BEHIND TROWELS</b>                         | <b>13</b> |
| HANDLE ASSEMBLY DIAGRAM: 20231 FINE PITCH                        | 14        |
| HANDLE ASSEMBLY: 20231 FINE PITCH – PARTS LIST 8                 | 15        |
| <b>PARTS LIST 9: WALK-BEHIND TROWELS</b>                         | <b>16</b> |
| HANDLE ASSEMBLY DIAGRAM: 20231E FINE PITCH EUROPEAN SPEC.        | 16        |
| HANDLE ASSEMBLY: 20231E FINE PITCH EUROPEAN SPEC. – PARTS LIST 9 | 17        |
| <b>PARTS LIST 10: WALK-BEHIND TROWELS</b>                        | <b>18</b> |
| BLADE KIT ASSEMBLY DIAGRAM                                       | 18        |
| B446 BLADES, METRIC – PARTS LIST 10                              | 18        |
| <b>PARTS LIST 11: WALK-BEHIND TROWELS</b>                        | <b>19</b> |
| EASY PITCH ASSEMBLY DIAGRAM: 20259                               | 19        |
| EASY PITCH: 20259 - PARTS LIST 11                                | 19        |
| <b>PARTS LIST 12 – WALK-BEHIND TROWELS</b>                       | <b>20</b> |
| HAND KNOB ASSEMBLY DIAGRAM: 21714                                | 20        |
| HAND KNOB ASSEMBLY: 21714 – PARTS LIST 12                        | 20        |

# PARTS LIST 1 – WALK-BEHIND TROWELS

GENERAL ASSEMBLY DIAGRAM: B446

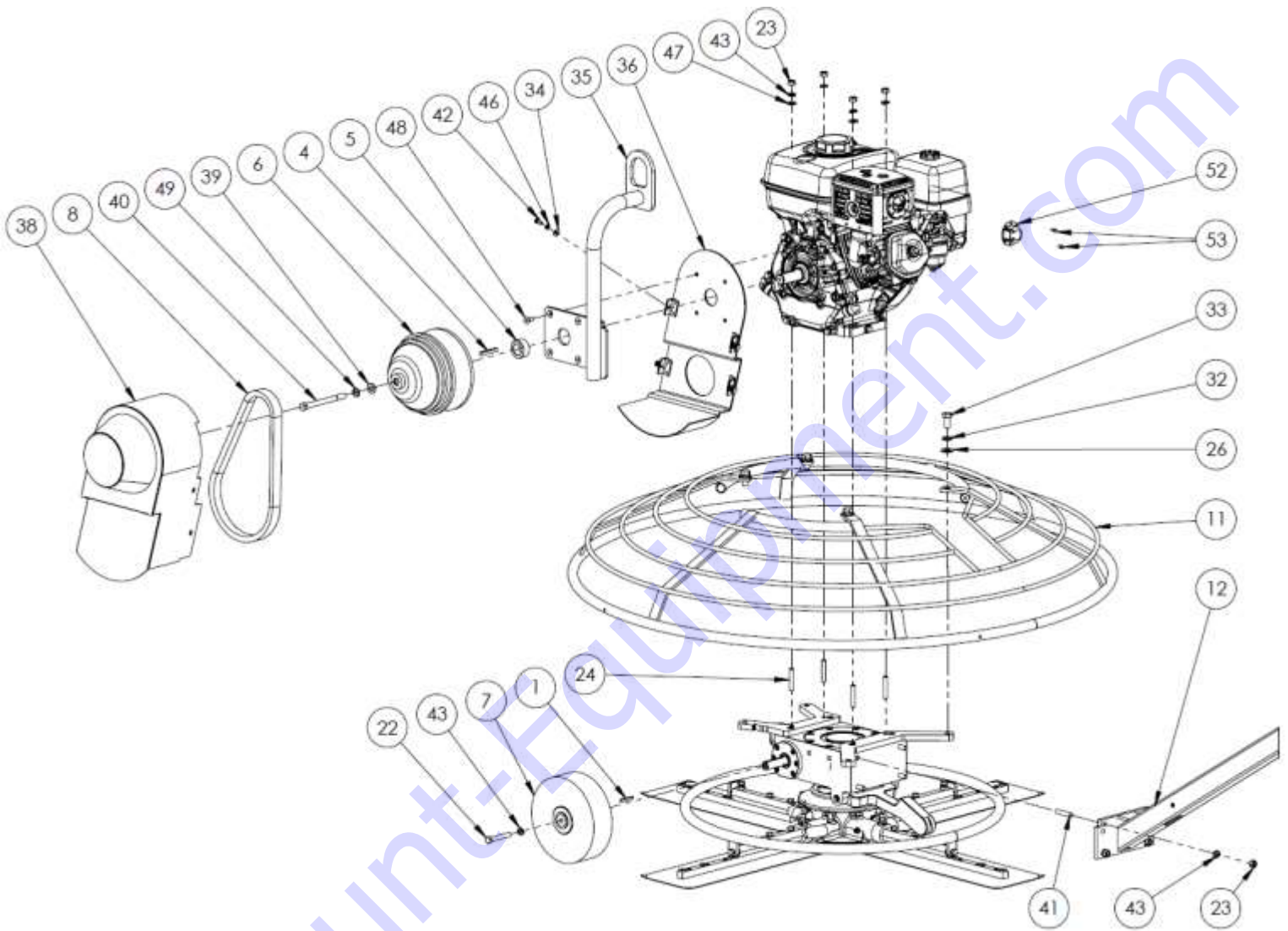


**GENERAL ASSEMBLY: B446 - PARTS LIST 1**

| Item #    | Part #           | Description                                  | QTY | Remarks  |
|-----------|------------------|--|-----|----------|
| 1         | 10208            | KEY, 3/16" SQ. x 1 1/2" LG                   | 1   | 6/8/2004 |
| 4         | 10608            | KEY, 1/4" SQ. X 1-5/32" LG                   | 1   | 6/8/2004 |
| 5         | 11178            | BELT, B29                                    | 1   | 6/8/2004 |
| 6         | 14285            | SHEAVE                                       | 1   | 6/8/2004 |
| 8         | 21029-2          | CLUTCH, 1" BORE, 1300 RPM                    | 1   | 6/8/2004 |
| 9         | 21067-1          | BELT GUARD, LG                               | 1   | 6/8/2004 |
| 12        | 20448            | GUARD RING, CHROME                           | 1   | 6/8/2004 |
| 13        | 20231C<br>20231E | HANDLE ASSEMBLY<br>HANDLE ASSEMBLY, EUROPEAN | 1   | 6/8/2004 |
| 22        | 10919            | WASHER, FLAT, 5/16" DIA.                     | 5   | 6/8/2004 |
| 23        | 10902            | WASHER, LOCK, SPLIT, 3/8"                    | 9   | 6/8/2004 |
| 24        | 10901            | HEX NUT, 3/8-16                              | 9   | 6/8/2004 |
| 26        | 14650            | STUD, SELF-LOCKING, ENGINE MOUNT             | 4   | 6/8/2004 |
| 28        | 50026            | WASHER, FLAT, 1/2" DIA.                      | 4   | 6/8/2004 |
| 32        | 10402            | WASHER, LOCK, SPLIT, 5/16"                   | 13  | 6/8/2004 |
| 36        | 10009            | WASHER, LOCK, 1/2"                           | 4   | 6/8/2004 |
| 37        | 13781            | HEX HEAD CAP SCREW, 1/2-13 X 1" LG           | 4   | 6/8/2004 |
| 39        | 11339            | STUD, SELF-LOCKING, HANDLE MOUNT             | 4   | 6/8/2004 |
| 40        | 10409            | HEX HEAD CAP SCREW, 5/16-18 X 1/2" LG        | 1   | 6/8/2004 |
| 44        | 11112            | SCREW, MUFFLER CAP                           | 1   | 6/8/2004 |
| 45        | 11115            | MUFFLER CAP                                  | 2   | 6/8/2004 |
| NOT SHOWN | 11800            | OIL DRAIN HOSE ASSEMBLY                      | 1   | 6/8/2004 |
|           | 01109-B446-1     | DECAL KIT, B446                              | 1   |          |
|           | 01109-FAM-B      | ROUND BARTELL DECAL                          | 1   |          |

# PARTS LIST 2 – WALK-BEHIND TROWELS

## GENERAL ASSEMBLY DIAGRAM: MEGA-T



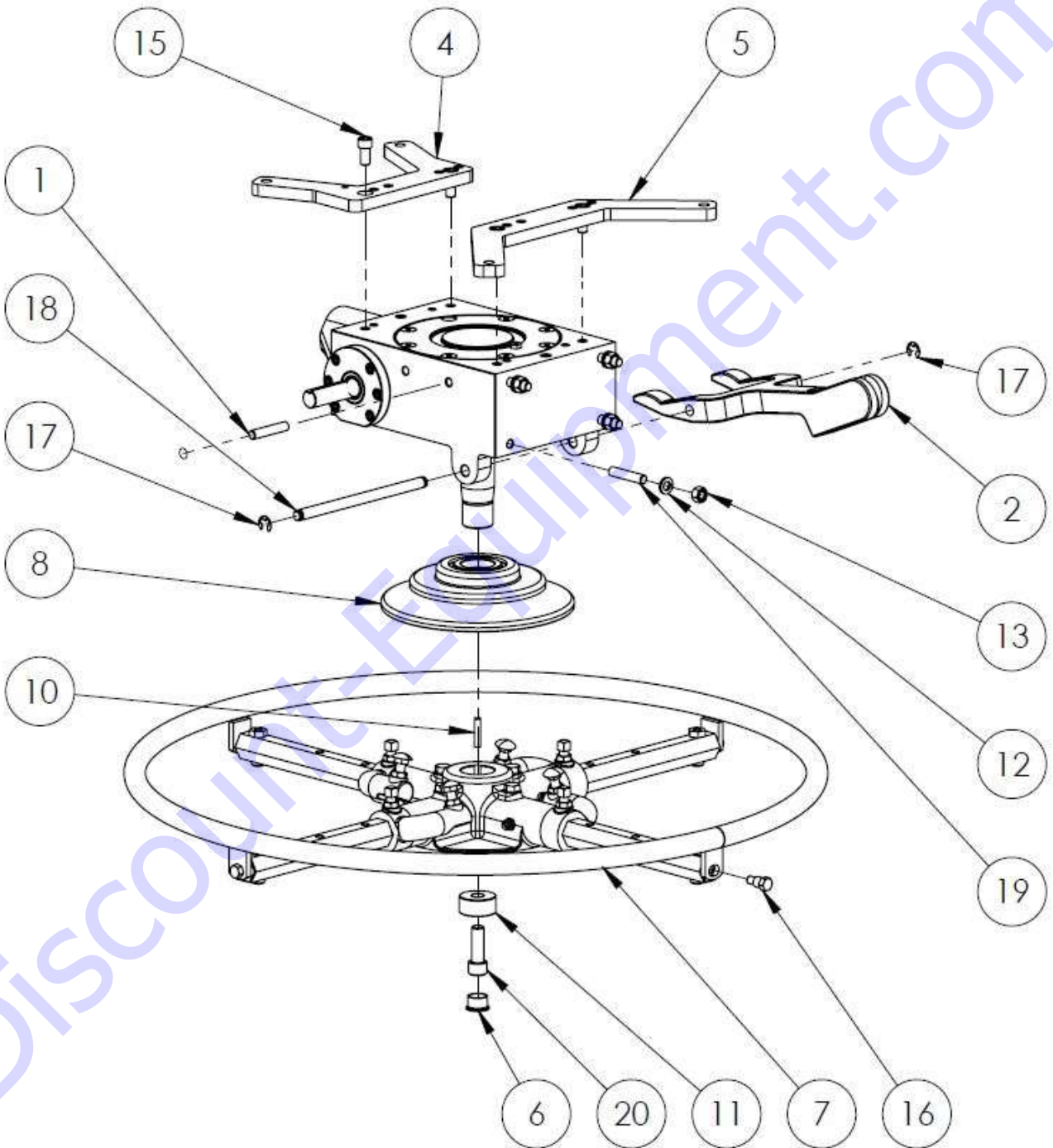
**GENERAL ASSEMBLY: MEGA-T (CVT) – PARTS LIST 2**

| Item #    | Part #              | Description                                       | QTY | Remarks  |
|-----------|---------------------|---|-----|----------|
| 1         | 10208               | KEY, 3/16" SQ. x 1 1/2" LG                        | 1   | 6/8/2004 |
| 4         | 10608               | KEY, 1/4" SQ. X 1-5/32" LG                        | 1   | 6/8/2004 |
| 5         | 11535               | SPACER, 1" DIA, .73" LG                           | 1   | 6/8/2004 |
| 6         | 14832               | CVT DRIVE PULLEY, 1" BORE                         | 1   | 6/8/2004 |
| 7         | 14833               | CVT DRIVEN PULLEY, 3/4" BORE                      | 1   | 6/8/2004 |
| 8         | 14834               | CVT BELT  | 1   | 6/8/2004 |
| 11        | 20448               | GUARD RING, CHROME                                | 1   | 6/8/2004 |
| 12        | 20231C<br>20231E    | HANDLE ASSEMBLY<br>EUROPEAN SPEC. HANDLE ASSEMBLY | 1   | 6/8/2004 |
| 22        | 10270               | HHCS 3/8-24 X 2-1/2" LG                           | 1   | 6/8/2004 |
| 23        | 10901               | HEX NUT, 3/8-16                                   | 4   | 6/8/2004 |
| 24        | 14650               | STUD, ENGINE MOUNT, 3/8-16 X 2" LG                | 4   | 6/8/2004 |
| 26        | 50026               | WASHER, FLAT, 1/2"                                | 4   | 6/8/2004 |
| 32        | 10009               | WASHER, LOCK, 1/2"                                | 4   | 6/8/2004 |
| 33        | 13781               | HHCS 1/2-13 X 1" LG                               | 4   | 6/8/2004 |
| 34        | 11043               | WASHER, FLAT, 1/4"                                | 4   | 6/8/2004 |
| 35        | 20194               | HOIST HOOK  | 1   | 6/8/2004 |
| 36        | 11357               | BELT GUARD REAR                                   | 1   | 6/8/2004 |
| 38        | 21085               | BELT GUARD COVER                                  | 1   | 6/8/2004 |
| 39        | 12930               | WASHER, FLAT, 7/16"                               | 1   | 6/8/2004 |
| 40        | 11894               | HHCS 7/16-20 X 5" LG                              | 1   | 6/8/2004 |
| 41        | 11339               | STUD, SELF-LOCKING, HANDLE MOUNT                  | 4   | 6/8/2004 |
| 42        | 30031               | HHCS, 1/4-20 X 1/2" LG                            | 4   | 6/8/2004 |
| 43        | 10902               | WASHER, LOCK, 3/8"                                | 6   | 6/8/2004 |
| 46        | 10524               | WASHER, LOCK, 1/4"                                | 4   | 6/8/2004 |
| 47        | 10905               | WASHER, FLAT, 3/8"                                | 2   | 6/8/2004 |
| 48        | 30041               | FHCS 5/16-24 X 3/4" LG                            | 4   | 6/8/2004 |
| 49        | 13491               | WASHER, LOCK, 7/16"                               | 1   | 6/8/2004 |
| 52        | 11112               | MUFFLER CAP                                       | 1   | 6/8/2004 |
| 53        | 11115               | SCREW, MUFFLER CAP                                | 2   | 6/8/2004 |
| NOT SHOWN | 11800               | OIL DRAIN HOSE ASSEMBLY                           | 1   | 6/8/2004 |
|           | 01109-<br>B446MEGAT | DECAL KIT, B446 MEGA-T                            | 1   |          |
|           | 01109-FAM-B         | ROUND BARTELL DECAL                               | 1   |          |



**PARTS LIST 3 – WALK-BEHIND TROWELS**

**BASE UNIT ASSEMBLY DIAGRAM: B446**

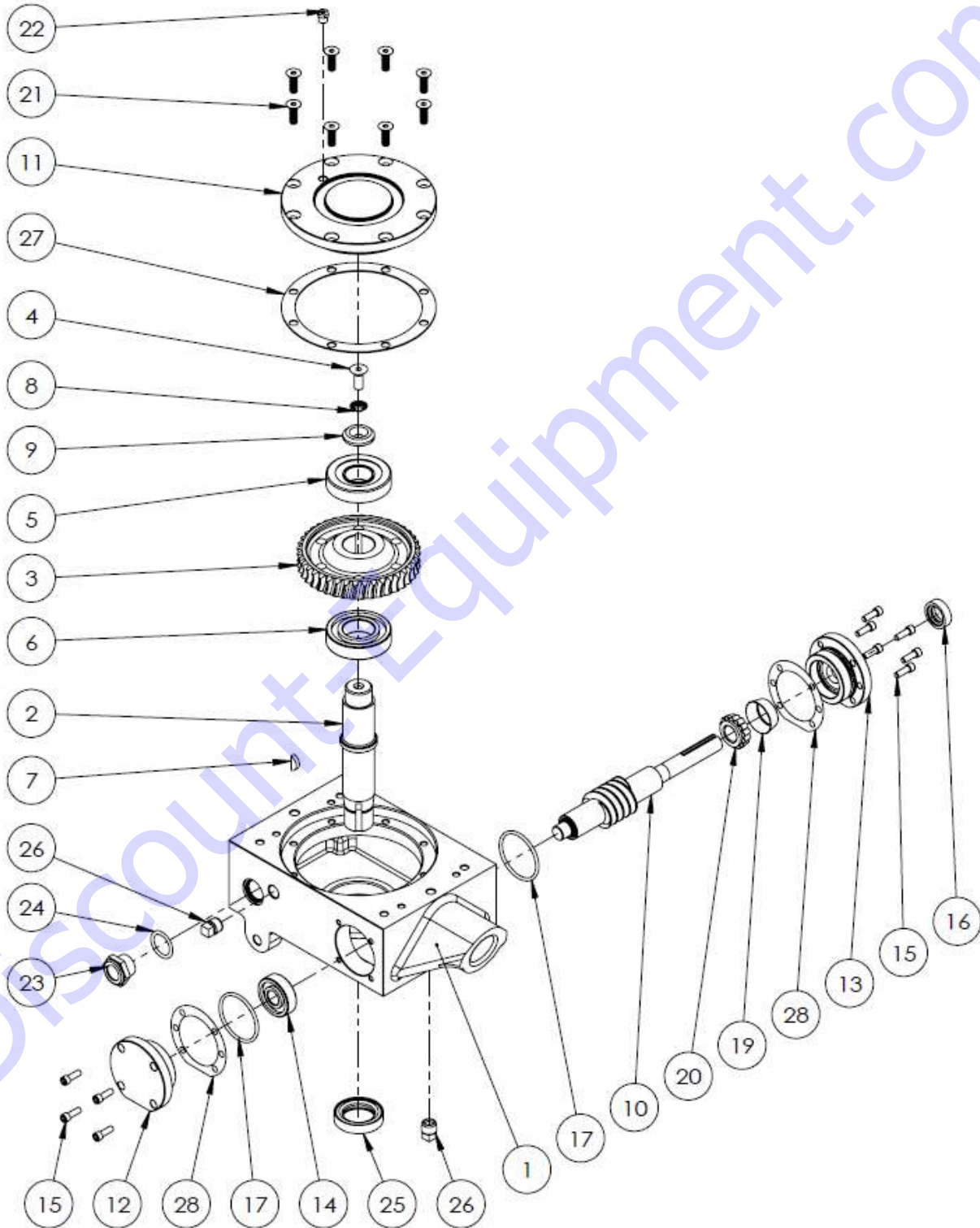


**BASE UNIT ASSEMBLY: B446 – PARTS LIST 3**

| Item # | Part #         | Description  | QTY | Remarks |
|--------|----------------|--|-----|---------|
| 1      | 11029          | STUD, 3/8-16 X 1-3/4" LG (NON-CVT ONLY)              | 1   |         |
| 2      | 10311          | YOKE ARM   | 1   |         |
| 4      | 15346<br>15348 | MOUNTING RAIL, FRONT<br>MOUNTING RAIL, FRONT, MEGA-T | 1   |         |
| 5      | 15347<br>15349 | MOUNTING RAIL, REAR<br>MOUNTING RAIL, REAR, MEGA-T   | 1   |         |
| 6      | 10823          | CAP PLUG EC-12                                       | 1   |         |
| 7      | 20442          | STABILIZER RING, INNER                               | 1   |         |
| 8      | 20626          | PRESSURE PLATE ASSEMBLY                              | 1   |         |
| 10     | 10608          | KEY, 1/4" SQ. X 1-5/32" LG                           | 1   |         |
| 11     | 10804          | RETAINER 33/64"                                      | 1   |         |
| 12     | 10902          | WASHER, LOCK, 3/8" DIA.                              | 5   |         |
| 13     | 10901          | HEX NUT, 3/8"-16                                     | 4   |         |
| 15     | 50001          | SHCS 3/8-16 X 3/4" LG                                | 4   |         |
| 16     | 10442          | HH SHOULDER BOLT 7/16" DIA                           | 4   |         |
| 17     | 10913          | RETAINING RING                                       | 2   |         |
| 18     | 10914          | YOKE PIN   | 1   |         |
| 19     | 10802          | SHCS 1/2-13 X 1-1/2" LG                              | 1   |         |
| 20     | 11339          | STUD, SELF-LOCKING, HANDLE MOUNT                     | 4   |         |
| 21     | 11052          | HEX JAM NUT 3/8-16                                   | 1   |         |

## PARTS LIST 4: WALK-BEHIND TROWELS

### GEARBOX ASSEMBLY DIAGRAM: 20928, 20977 (MEGA-T)

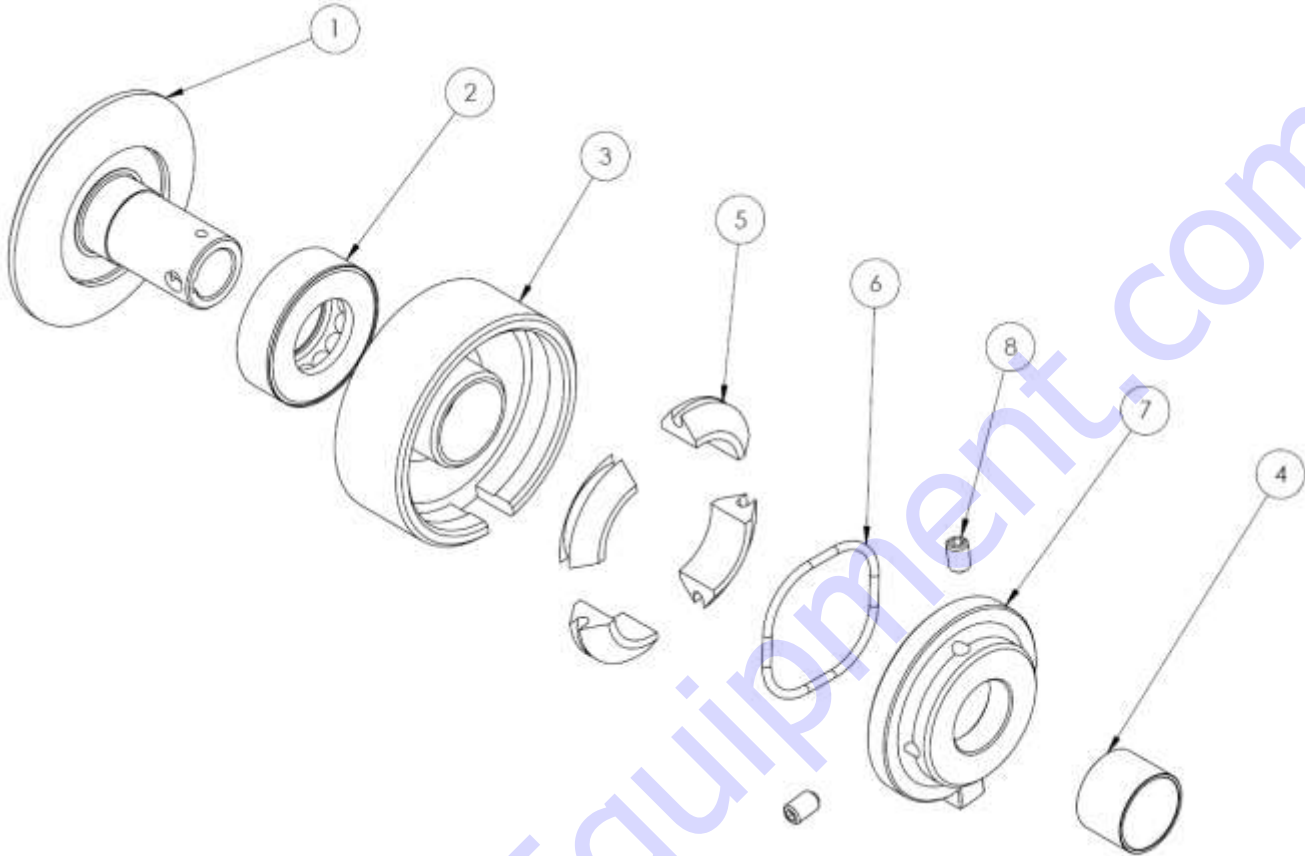


**GEARBOX ASSEMBLY: 20928, 20977 (MEGA-T) - PARTS LIST 4**

| Item # | Part # | Description                               | QTY | Remarks    |
|--------|--------|---|-----|------------|
| 1      | 10928  | GEARBOX, LARGE, MACHINED                  | 1   | 09/11/2007 |
| 2      | 10607  | MAIN SHAFT                                | 1   | 09/07/2007 |
| 3      | 10605  | LARGE BRONZE GEAR                         | 1   | 09/11/2007 |
| 4      | 10601  | FHCS, 3/8"-16UNC X 1" LG, GRADE 5         | 1   | 09/04/2007 |
| 5      | 10603  | BEARING, TAPER                            | 1   | 09/04/2007 |
| 6      | 14256  | BEARING, SEALED BALL                      | 1   | 07/28/2003 |
| 7      | 10609  | WOODRUFF KEY 1/4" #21                     | 1   | 09/04/2007 |
| 8      | 10637  | LOCK WASHER, 3/8", C'SUNK                 | 1   | 09/04/2007 |
| 9      | 10613  | PRESSURE WASHER                           | 1   | 09/04/2007 |
| 10     | 10280  | COUNTERSHAFT SMALL (FOR 20928)            | 1   | 10/05/2007 |
|        | 10281  | COUNTERSHAFT LARGE (FOR 20977, MEGA-T)    |     |            |
| 11     | 10929  | GEARBOX COVER, LARGE                      | 1   | 09/14/2007 |
| 12     | 10215  | LARGE END CAP                             | 1   | 09/04/2007 |
| 13     | 10231  | LARGE FLANGE                              | 1   | 09/10/2007 |
| 14     | 10203  | BEARING, 6303                             | 1   | 06/24/2008 |
| 15     | 10213  | SHCS, 1/4"-20NC X 3/4" LG, GRADE 5, ZP    | 10  | 09/04/2007 |
| 16     | 10678  | OIL SEAL                                  | 1   | 10/11/2014 |
| 17     | 10228  | O RING, No. 227                           | 2   | 06/24/2008 |
| 19     | 10230  | BEARING CUP                               | 1   | 06/24/2008 |
| 20     | 10229  | BEARING CONE                              | 1   | 06/24/2008 |
| 21     | 10903  | FHCS, 5/16"-18UNC X 1" LG, GRADE 5, PLAIN | 8   | 09/04/2007 |
| 22     | 10909  | RELIEF VALVE                              | 1   | 09/04/2007 |
| 23     | 10930  | SIGHT PLUG                                | 1   | 09/04/2007 |
| 24     | 10931  | O RING, No. 213                           | 1   | 09/04/2007 |
| 25     | 10610  | OIL SEAL                                  | 1   | 09/04/2007 |
| 26     | 10911  | DRAIN PLUG 3/8 NPT                        | 2   | 09/04/2007 |
| 27     | 10933  | LARGE SHIM 0.003"                         | 1   | 09/04/2007 |
|        | 10935  | LARGE SHIM 0.005"                         |     |            |
| 28     | 10209  | SHIM 0.003"                               | 1   | 09/04/2007 |
|        | 10212  | SHIM 0.005"                               |     |            |
|        | 10210  | SHIM 0.010"                               |     |            |

## PARTS LIST 5– WALK-BEHIND TROWELS

### B446 CLUTCH ASSEMBLY DIAGRAM: 21029-2

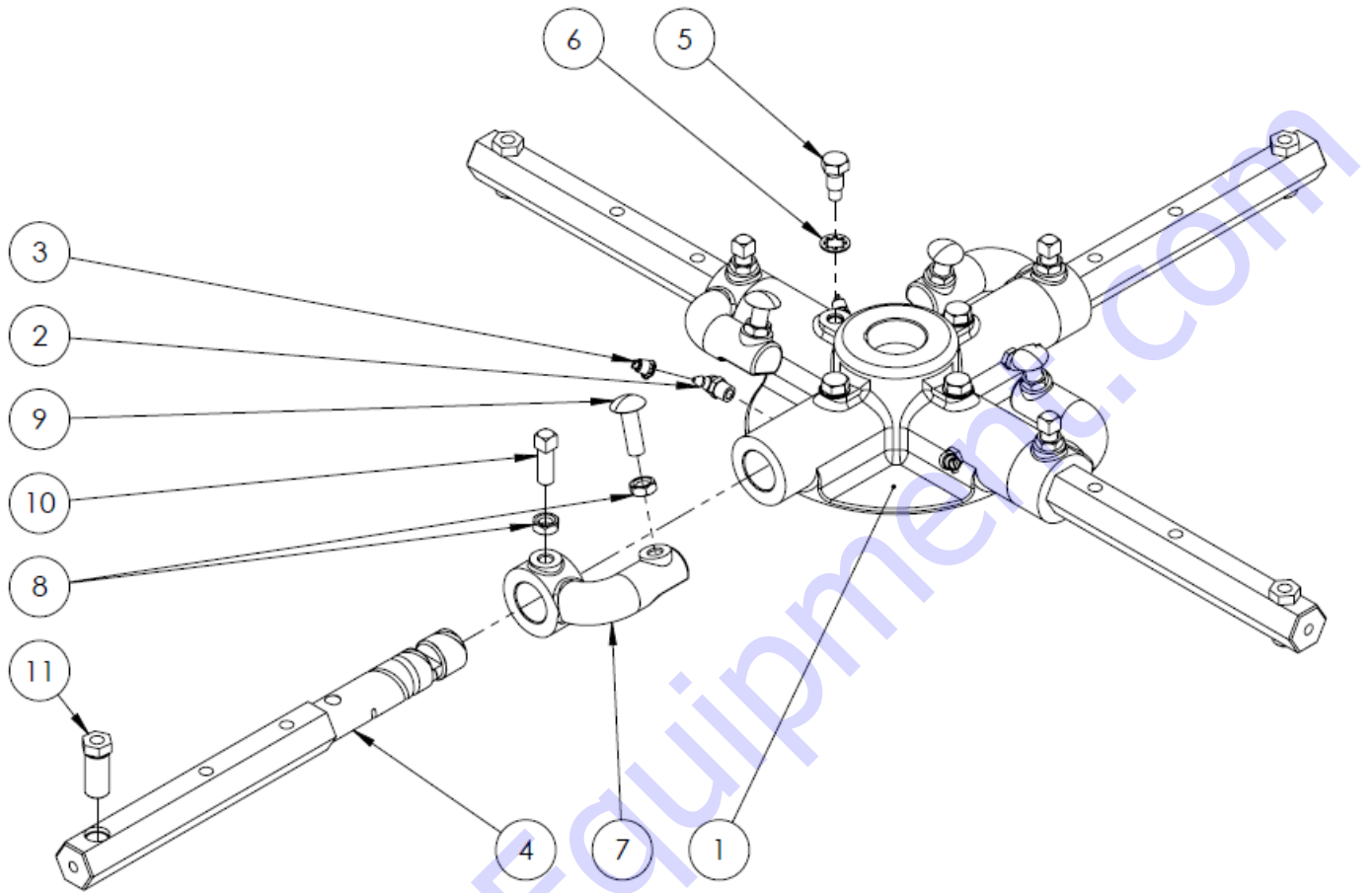


### B446 CLUTCH ASSEMBLY: 21029-2 (1" SHAFT) – PARTS LIST 5

| Item # | Part # | Description             | QTY | Remarks   |
|--------|--------|-------------------------|-----|-----------|
| 1      | 11045  | SPINDLE                 | 1   | 8/21/2007 |
| 2      | 11044  | BEARING                 | 1   | 8/21/2007 |
| 3      | 21046  | DRUM W/BUSHING          | 1   | 8/21/2007 |
| 4      | 11012  | BUSHING                 | 1   | 8/21/2007 |
| 5      | 11014  | WEIGHT (SHOE)           | 4   | 8/21/2007 |
| 6      | 10759  | SPRING                  | 1   | 8/21/2007 |
| 7      | 11015  | FACE PLATE              | 1   | 8/21/2007 |
| 8      | 50117  | SET SCREW 5/16 – 18 UNC | 2   | 8/21/2007 |

## PARTS LIST 6 – WALK-BEHIND TROWELS

### SPIDER PLATE ASSEMBLY DIAGRAM: 20820

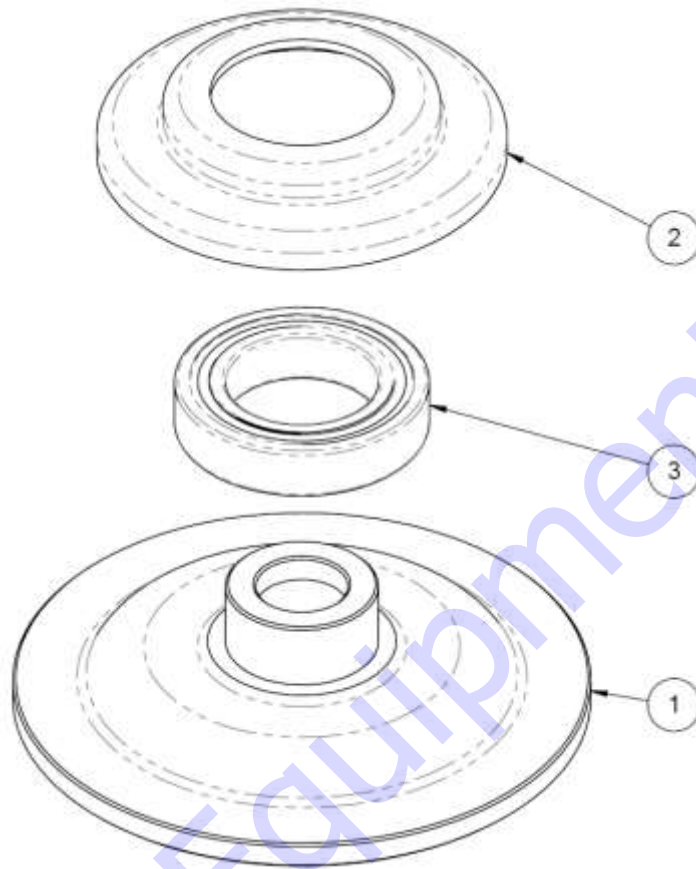


### SPIDER PLATE ASSEMBLY: 20820 – PARTS LIST 6

| Item # | Part # | Description                               | QTY | Remarks    |
|--------|--------|---|-----|------------|
| 1      | 10820  | SPIDER PLATE LG                           | 1   | 02/25/2010 |
| 2      | 10801  | GREASE FITTING, 65 DEG, 1/8 NPT           | 4   | 02/25/2010 |
| 3      | 10822  | CAP GREASE, NIPPLE, 1/8 ALEMITE           | 4   | 02/25/2010 |
| 4      | 10405  | TROWEL ARM (LARGE)                        | 4   | 02/25/2010 |
| 5      | 10806  | HHCS, 3/8-16UNC X 13/16 DOG POINT BOLT    | 4   | 02/25/2010 |
| 6      | 10805  | LOCKWASHER, 3/8, EXTERNAL TOOTH           | 4   | 02/25/2010 |
| 7      | 10819  | LIFT LEVER (LARGE)                        | 4   | 02/25/2010 |
| 8      | 10808  | HEX JAM NUT 3/8-16 UNC                    | 8   | 02/25/2010 |
| 9      | 10807  | CARRIAGE BOLT, 3/8-16x1 1/4"LG            | 4   | 02/25/2010 |
| 10     | 10809  | SQ. HEAD SET SCREW, 3/8-16 x 1" LG. STEEL | 4   | 02/25/2010 |
| 11     | 10404  | ADJUSTING SCREW 1-1/4"LG                  | 4   | 02/25/2010 |

**PARTS LIST 7 – WALK-BEHIND TROWELS**

**PRESSURE PLATE ASSEMBLY DIAGRAM: 20626**



**PRESSURE PLATE ASSEMBLY: 20626 – PARTS LIST 7**

| Item # | Part # | Description               | QTY | Remarks    |
|--------|--------|---------------------------|-----|------------|
| 1      | 10659  | PRESSURE PLATE, LARGE     | 1   | 11/16/2007 |
| 2      | 10663  | THRUST BEARING, LARGE     | 1   | 11/16/2007 |
| 3      | 10667  | PRESSURE PLATE CAP, LARGE | 1   | 09/12/2007 |

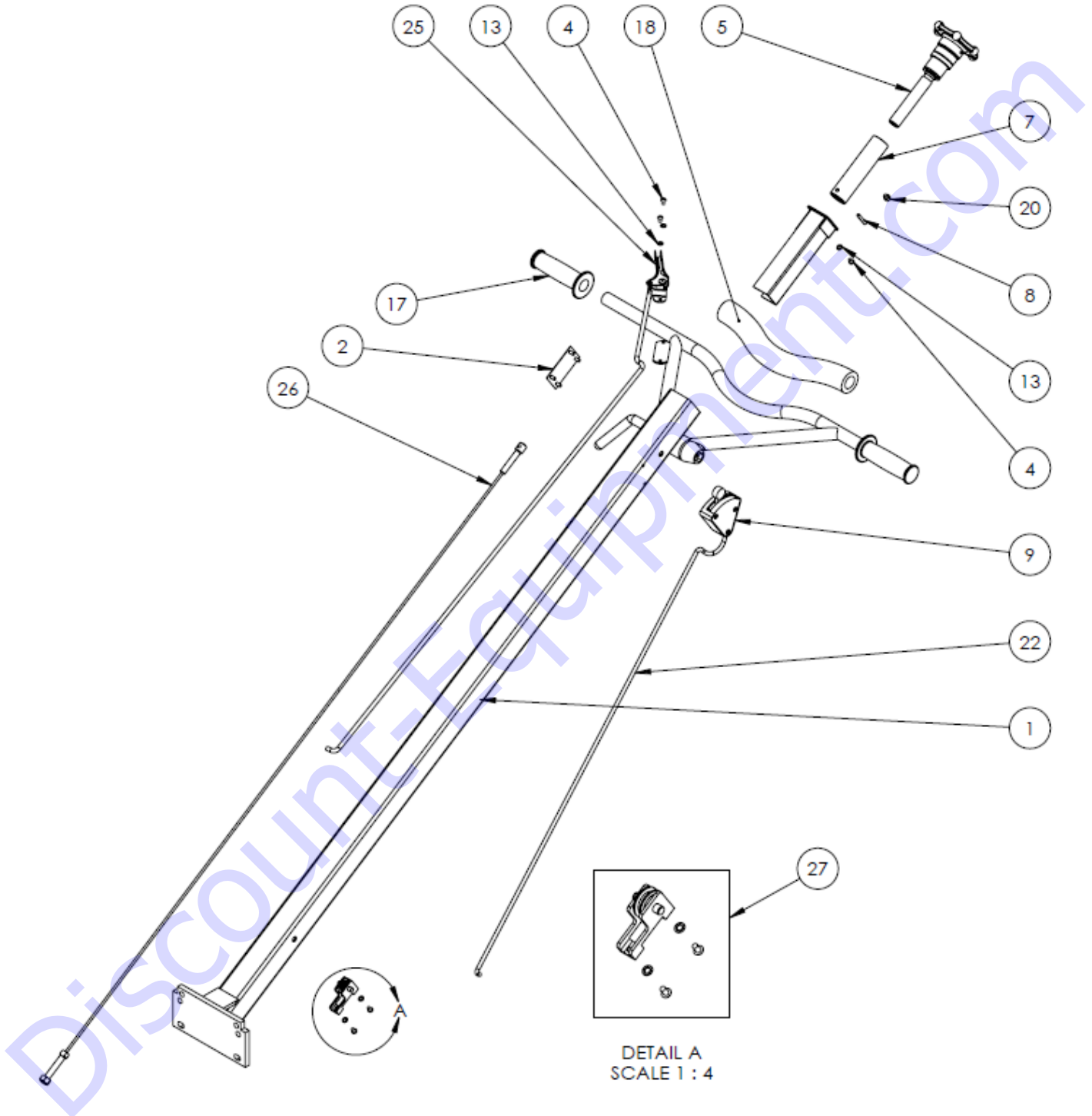
**This Page Left Intentionally Blank**

Discount-Equipment.com



# PARTS LIST 8: WALK-BEHIND TROWELS

## HANDLE ASSEMBLY DIAGRAM: 20231C FINE PITCH



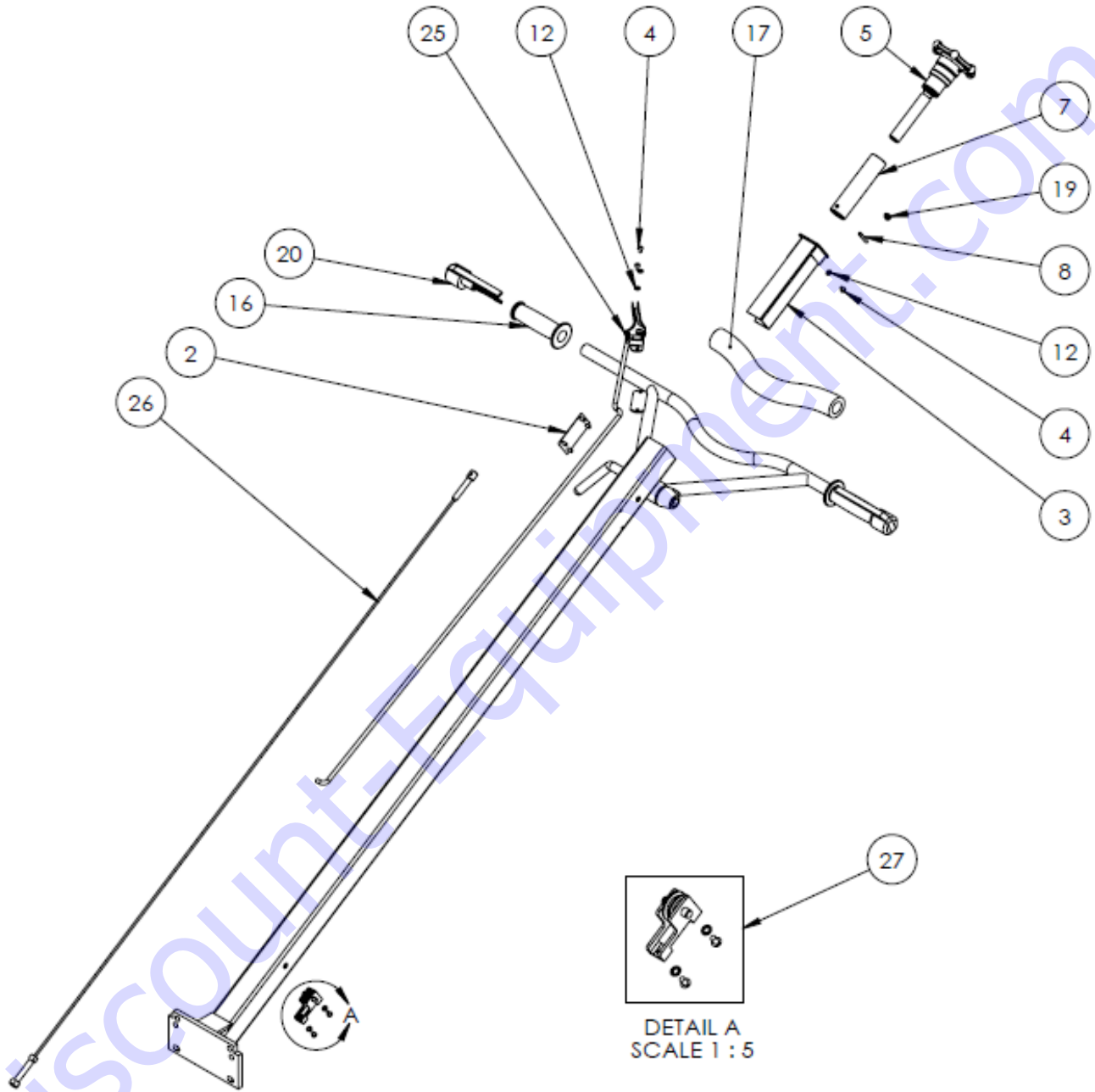
**HANDLE ASSEMBLY: 20231C FINE PITCH – PARTS LIST 8**

| Item # | Part #      | Description                       | QTY | Remarks |
|--------|-------------|-----------------------------------|-----|---------|
| 2      | 20113       | SIDE COVER                        | 1   |         |
| 3      | 20112       | PITCH INSERT                      | 1   |         |
| 4      | 21728       | RHMS, M5-0.8 X 8MM LG             | 5   |         |
| 5      | 21714       | HAND KNOB ASSEMBLY                | 1   |         |
| 7      | 21722       | THREADED SLIDE BUSHING            | 1   |         |
| 8      | 21724       | PIN 3/16"DIA X 1-1/4"LG           | 1   |         |
| 9      | 21847       | SAFETY SWITCH                     | 1   |         |
| 13     | 10703       | LOCK WASHER, INTERNAL TOOTH, #10  | 5   |         |
| 17     | 21717       | HANDLE GRIP                       | 2   |         |
| 18     | 21721       | CROSSBAR PAD                      | 1   |         |
| 20     | 21725       | M6-1.0 X 6MM LG                   | 1   |         |
| 22     | 20703       | 75" WIRE ASSEMBLY                 | 1   |         |
| 25     | 10508       | THROTTLE LEVER ASSEMBLY, W/ CABLE | 1   |         |
| 26     | 20332       | PITCH CONTROL CABLE M10-1.5       | 1   |         |
| 27     | 20288       | PULLEY ASSEMBLY                   | 1   |         |
|        | 10525-SQPRO | BARTELL DECAL KIT                 | 1   |         |

Discount-Equipment.com

## PARTS LIST 9: WALK-BEHIND TROWELS

HANDLE ASSEMBLY DIAGRAM: 20231E FINE PITCH EUROPEAN SPEC.



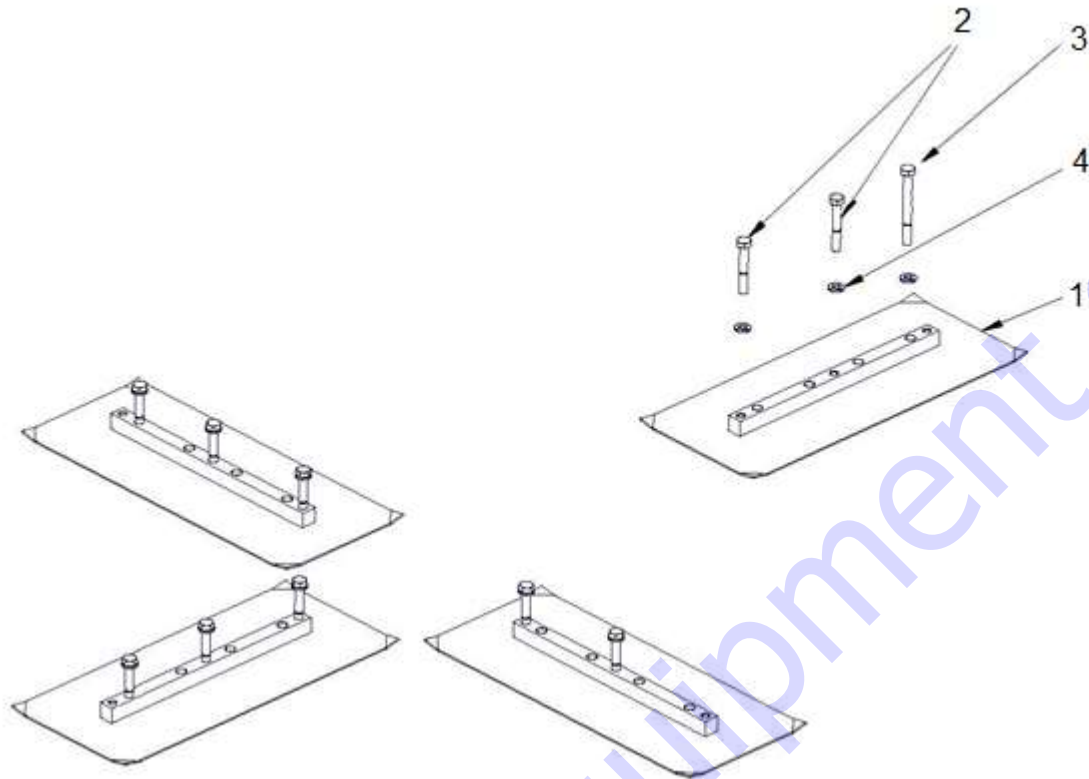
**HANDLE ASSEMBLY: 20231E FINE PITCH EUROPEAN SPEC. – PARTS LIST 9**

| Item # | Part #      | Description                       | QTY | Remarks    |
|--------|-------------|-----------------------------------|-----|------------|
| 2      | 20113       | SIDE COVER                        | 1   |            |
| 3      | 20112       | PITCH INSERT                      | 1   | 10/01/2014 |
| 4      | 21728       | RHMS, M5-0.8 X 8MM LG             | 5   | 10/01/2014 |
| 5      | 21714       | HAND KNOB ASSEMBLY                | 1   | 10/01/2014 |
| 7      | 21722       | THREADED SLIDE BUSHING            | 1   |            |
| 8      | 21724       | PIN 3/16"DIA X 1-1/4"LG           | 1   | 10/01/2014 |
| 12     | 10703       | LOCK WASHER, INTERNAL TOOTH, #10  | 5   | 10/01/2014 |
| 16     | 21717       | HANDLE GRIP                       | 2   |            |
| 17     | 21721       | CROSSBAR PAD                      | 1   |            |
| 19     | 21725       | M6-1.0 X 6MM LG                   | 1   | 10/01/2014 |
| 20     | 11852       | SAFETY LEVER, PIGTAIL WIRES       | 2   | 10/01/2014 |
| 25     | 10508       | THROTTLE LEVER ASSEMBLY, W/ CABLE | 1   | 10/01/2014 |
| 26     | 20332       | PITCH CONTROL CABLE M10-1.5       | 1   |            |
| 27     | 20288       | PULLEY ASSEMBLY                   | 1   | 10/01/2014 |
|        |             | EURO WIRE ASSEMBLY                | 1   | 10/01/2014 |
|        | 10525-SQPRO | BARTELL DECAL KIT                 | 1   |            |

Discount-Equipment.com

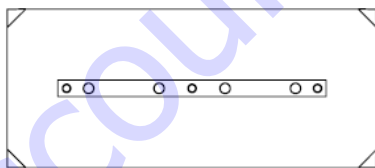
## PARTS LIST 10: WALK-BEHIND TROWELS

### BLADE KIT ASSEMBLY DIAGRAM

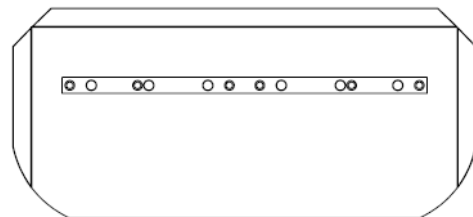


### B446 BLADES, METRIC – PARTS LIST 10

| Item # | Part # | Description                       | QTY | Remarks    |
|--------|--------|-----------------------------------|-----|------------|
| 1      | -      | TROWEL BLADE                      | 4   | 08/04/2007 |
| 2      | 10452  | HEX HD. CAP SCREW, M8-1.25 X 40MM | 8   | 08/04/2007 |
| 3      | 10453  | HEX HD. CAP SCREW, M8-1.25 X 50MM | 4   | 08/04/2007 |
| 4      | 11614  | LOCK WASHER, 5/16"                | 12  | 08/04/2007 |



**STANDARD FINISHING BLADE**

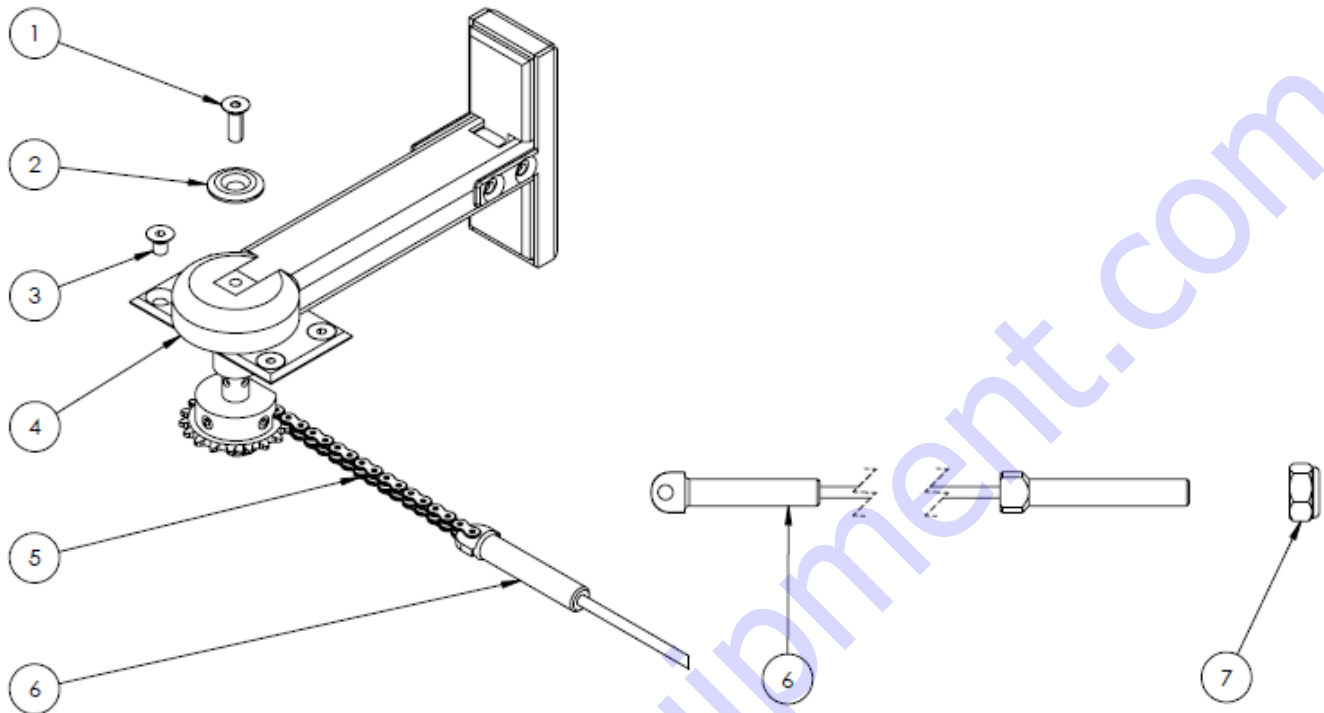


**STANDARD COMBINATION BLADE**

| Part # | Dimensions | Part # | Dimensions |
|--------|------------|--------|------------|
| 20410  | 6" x 18"   | 20480  | 8" x 18"   |

## PARTS LIST 11: WALK-BEHIND TROWELS

### EASY PITCH ASSEMBLY DIAGRAM: 20259



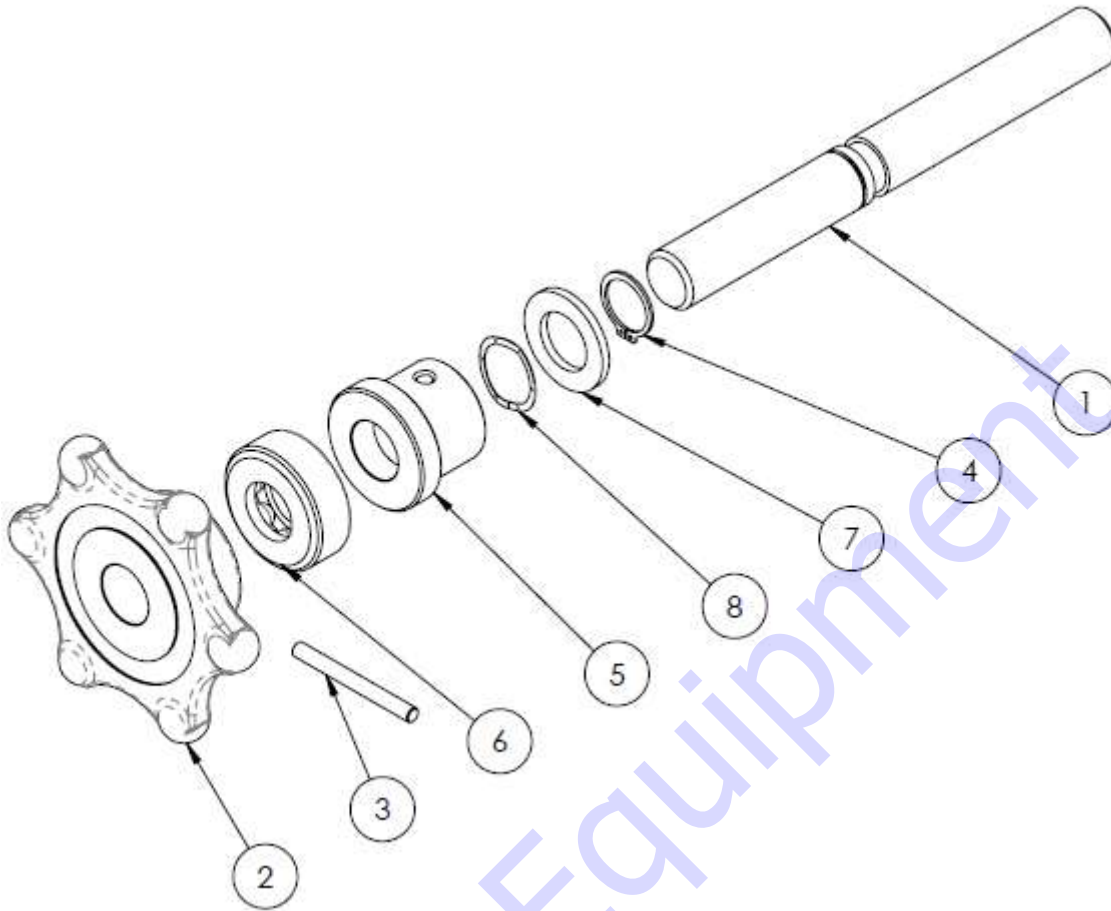
### EASY PITCH: 20259 - PARTS LIST 11

| Item # | Part # | Description             | QTY | Remarks    |
|--------|--------|-------------------------|-----|------------|
| 1      | 20226  | FHCS, M5-0.8 X 15MM     | 2   | 08/04/2007 |
| 2      | 20208  | WASHER, M5, 3.5MM THICK | 2   |            |
| 3      | 20227  | FHCS, M5-0.8 X 10 MM    | 4   | 08/04/2007 |
| 4      | 20270  | HANDLE ASSEMBLY         | 1   | 08/04/2007 |
| 5      | 20209  | CHAIN ASSEMBLY, #25     | 1   |            |
| 6      | 20334  | PITCH CONTROL CABLE     | 1   |            |
| 7      | 11802  | LOCK NUT, M10-1.5       | 1   |            |

**\*SOLD AS ASSEMBLY ONLY\***

## PARTS LIST 12 – WALK-BEHIND TROWELS

### HAND KNOB ASSEMBLY DIAGRAM: 21714



### HAND KNOB ASSEMBLY: 21714 – PARTS LIST 12

| Item # | Part # | Description     | QTY | Remarks   |
|--------|--------|-----------------|-----|-----------|
| 1      | 21713  | SCREW SHAFT     | 1   | 1/21/2015 |
| 2      | 21707  | KNOB            | 1   | 1/21/2015 |
| 3      | 21708  | PIN, SPRING     | 1   | 1/21/2015 |
| 4      | 21712  | RETAINER        | 1   | 1/21/2015 |
| 5      | 21710  | BUSHING, HANDLE | 1   | 1/21/2015 |
| 6      | 21709  | BEARING, THRUST | 1   | 1/21/2015 |
| 7      | 21711  | WASHER          | 1   | 1/21/2015 |
| 8      | 21849  | WASHER, WAVE    | 1   | 1/21/2015 |

# PARTS FINDER

**Search Website  
by Part Number**



**Search Manual  
Library For Parts  
Manual & Lookup Part  
Numbers – Purchase  
or Request Quote**

**Search Manuals**

Enter your information to help us find the right manual for your machine.

\* Brand:

\* Model:

\* Serial:

\* Part Number:

SEARCH

**Can't Find Part or  
Manual? Request Help  
by Manufacturer,  
Model & Description**

**Parts Order Form**

Please fill in the following information to help us find the right part for your machine.

|               |                      |
|---------------|----------------------|
| Manufacturer: | <input type="text"/> |
| Model:        | <input type="text"/> |
| Serial:       | <input type="text"/> |
| Description:  | <input type="text"/> |
| Part Number:  | <input type="text"/> |
| Quantity:     | <input type="text"/> |
| Notes:        | <input type="text"/> |

SEARCH

Discount-Equipment.com is your online resource for quality parts & equipment.

Florida: **561-964-4949** Outside Florida TOLL FREE: **877-690-3101**

**Need parts?**

Click on this link: <http://www.discount-equipment.com/category/5443-parts/> and choose one of the options to help get the right parts and equipment you are looking for. Please have the machine model and serial number available in order to help us get you the correct parts. If you don't find the part on the website or on one of the online manuals, please fill out the request form and one of our experienced staff members will get back to you with a quote for the right part that your machine needs.

We sell worldwide for the brands: Genie, Terex, JLG, MultiQuip, Mikasa, Essick, Whiteman, Mayco, Toro Stone, Diamond Products, Generac Magnum, Airman, Haulotte, Barreto, Power Blanket, Nifty Lift, Atlas Copco, Chicago Pneumatic, Allmand, Miller Curber, Skyjack, Lull, Skytrak, Tsurumi, Husquvarna Target, Stow, Wacker, Sakai, Mi-T-M, Sullair, Basic, Dynapac, MBW, Weber, Bartell, Bennar Newman, Haulotte, Ditch Runner, Menegotti, Morrison, Contec, Buddy, Crown, Edco, Wyco, Bomag, Laymor, EZ Trench, Bil-Jax, F.S. Curtis, Gehl Pavers, Heli, Honda, ICS/PowerGrit, IHI, Partner, Imer, Clipper, MMD, Koshin, Rice, CH&E, General Equipment, Amida, Coleman, NAC, Gradall, Square Shooter, Kent, Stanley, Tamco, Toku, Hatz, Kohler, Robin, Wisconsin, Northrock, Oztec, Toker TK, Rol-Air, APT, Wylie, Ingersoll Rand / Doosan, Innovatech, Con X, Ammann, Mecalac, Makinex, Smith Surface Prep, Small Line, Wanco, Yanmar