

THE
BARRETO
"MODEL 1324UTK - 1624UTK
"HYDRAULIC TRENCHER EXPLODED VIEWS
WITH PART NUMBERS

CONGRATULATIONS!

You are now the proud owner of a BARRETO trencher. The following pages have detailed views of your trencher, along with corresponding part numbers. If you have any questions or need any replacement parts in the future, please contact us at your convenience. Our toll-free phone number, fax and email are listed below and parts may be ordered through any of these methods.

Thank you for your patronage and confidence in BARRETO equipment.

Machine Identification Record

BARRETO Customer number _____

Machine model number _____

Machine serial number _____

Engine manufacturer _____

Engine model number _____

Engine serial number _____



PARTS FINDER

**Search Website
by Part Number**



**Search Manual
Library For Parts
Manual & Lookup Part
Numbers – Purchase
or Request Quote**

Search Manuals

Enter your information to help us find the right parts manual for your machine.

* Brand:

* Model:

* Serial:

* Part Number:

SEARCH

**Can't Find Part or
Manual? Request Help
by Manufacturer,
Model & Description**

Parts Order Form

Please fill in the following information to help us find the right part for your machine.

| | |
|---------------|---------------------------------------|
| Manufacturer: | <input type="text"/> |
| Model: | <input type="text"/> |
| Description: | <input type="text"/> |
| Part Number: | <input type="text"/> |
| Quantity: | <input type="text"/> |
| Notes: | <input type="text"/> |
| Submit | <input type="button" value="Submit"/> |

Discount-Equipment.com is your online resource for quality parts & equipment.

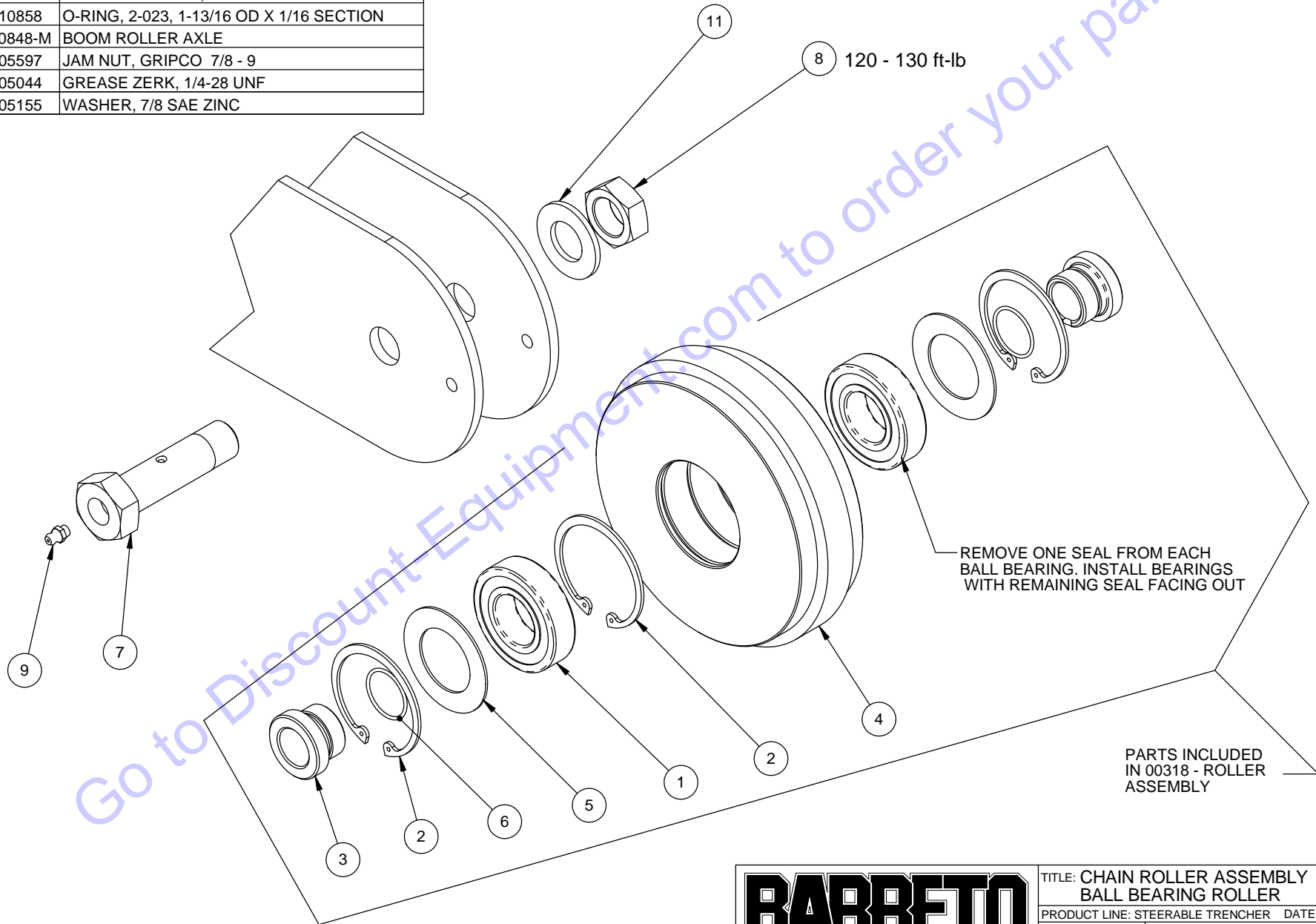
Florida: **561-964-4949** Outside Florida TOLL FREE: **877-690-3101**

Need parts?

Click on this link: <http://www.discount-equipment.com/category/5443-parts/> and choose one of the options to help get the right parts and equipment you are looking for. Please have the machine model and serial number available in order to help us get you the correct parts. If you don't find the part on the website or on one of the online manuals, please fill out the request form and one of our experienced staff members will get back to you with a quote for the right part that your machine needs.

We sell worldwide for the brands: Genie, Terex, JLG, MultiQuip, Mikasa, Essick, Whiteman, Mayco, Toro Stone, Diamond Products, Generac Magnum, Airman, Haulotte, Barreto, Power Blanket, Nifty Lift, Atlas Copco, Chicago Pneumatic, Allmand, Miller Curber, Skyjack, Lull, Skytrak, Tsurumi, Husquvarna Target, Stow, Wacker, Sakai, Mi-T-M, Sullair, Basic, Dynapac, MBW, Weber, Bartell, Bennar Newman, Haulotte, Ditch Runner, Menegotti, Morrison, Contec, Buddy, Crown, Edco, Wyco, Bomag, Laymor, EZ Trench, Bil-Jax, F.S. Curtis, Gehl Pavers, Heli, Honda, ICS/PowerGrit, IHI, Partner, Imer, Clipper, MMD, Koshin, Rice, CH&E, General Equipment, Amida, Coleman, NAC, Gradall, Square Shooter, Kent, Stanley, Tamco, Toku, Hatz, Kohler, Robin, Wisconsin, Northrock, Oztec, Toker TK, Rol-Air, APT, Wylie, Ingersoll Rand / Doosan, Innovatech, Con X, Ammann, Mecalac, Makinex, Smith Surface Prep, Small Line, Wanco, Yanmar

| REF | QTY. | PART NO. | DESCRIPTION |
|-----|------|----------|--|
| 1 | 2 | 03280 | BALL BEARING, SKF 6206 |
| 2 | 3 | 10742 | SNAP RING, HO-244, 2-7/16 INTERNAL |
| 3 | 2 | 10743 | SPACER |
| 4 | 1 | 02621-B | CHAIN ROLLER, BALL BRG |
| 5 | 2 | 10745 | THRUST WASHER, 1.501 X 2.434 X .060 ZINC |
| 6 | 2 | 10858 | O-RING, 2-023, 1-13/16 OD X 1/16 SECTION |
| 7 | 1 | 10848-M | BOOM ROLLER AXLE |
| 8 | 1 | 05597 | JAM NUT, GRIPCO 7/8 - 9 |
| 9 | 1 | 05044 | GREASE ZERK, 1/4-28 UNF |
| 11 | 1 | 05155 | WASHER, 7/8 SAE ZINC |



BARRETO

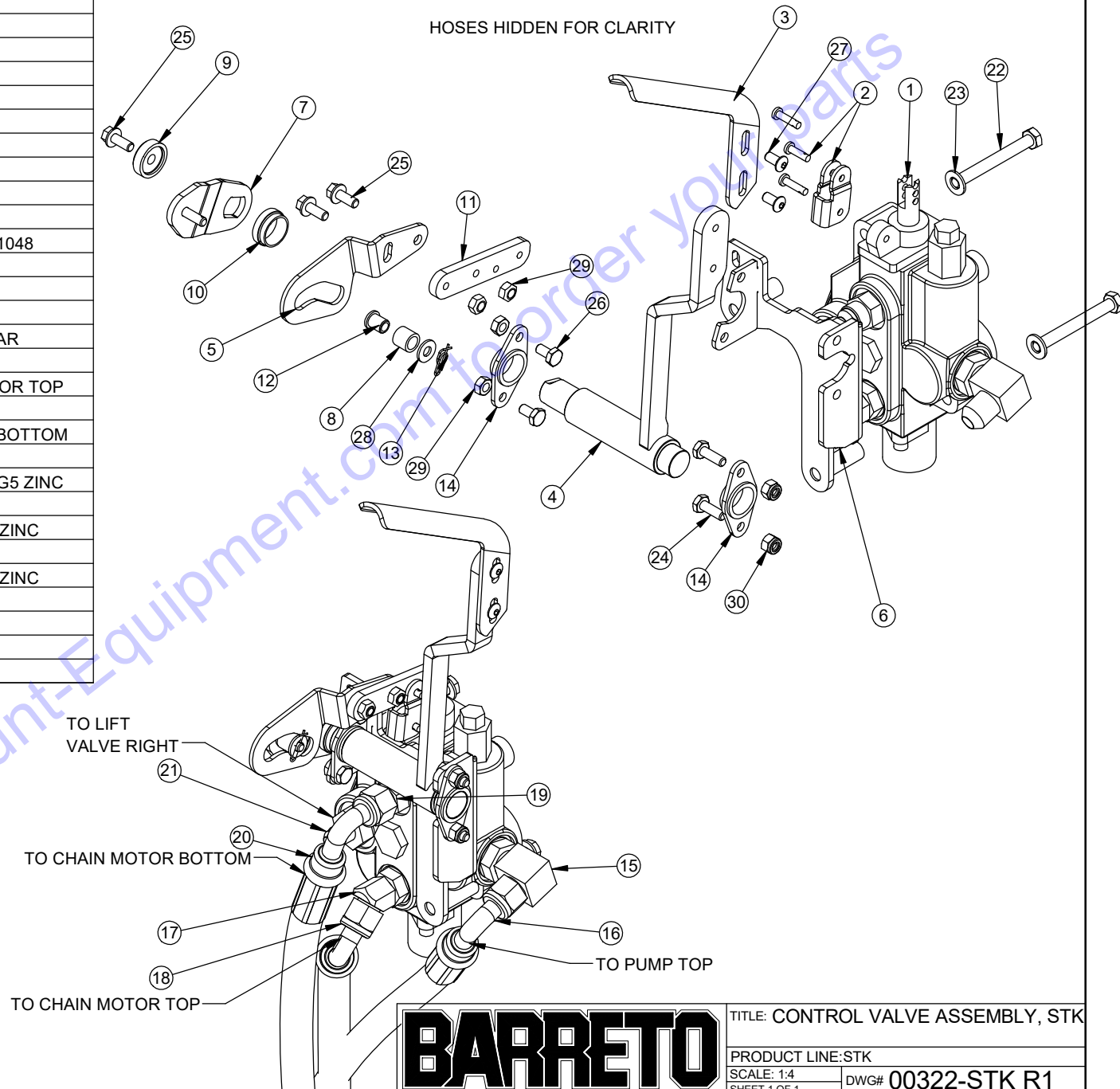
TITLE: CHAIN ROLLER ASSEMBLY
 BALL BEARING ROLLER
 PRODUCT LINE: STEERABLE TRENCHER DATE:08/05
 SCALE: 1:3
 SHEET 1 OF 1 DWG# 00318-K2

| ITEM NO. | QTY. | PART NO. | DESCRIPTION |
|----------|------|-----------|--|
| 1 | 1 | 04509-2.8 | VALVE, PRINCE RD4100, 2800 PSI |
| 2 | 1 | 04509-01 | VALVE LINK W/ PINS |
| 3 | 1 | 12798 R1 | TRENCH LEVER |
| 4 | 1 | 12799 R1 | LEVER BASE |
| 5 | 1 | 12800 | VALVE ROCKER |
| 6 | 1 | 12801 | LEVER BRACKET |
| 7 | 1 | 12803 R1 | CAM ARM |
| 8 | 1 | 12804 | VALVE ROLLER |
| 9 | 1 | 12805 | CAP WASHER |
| 10 | 1 | 12806 R1 | SPACER |
| 11 | 1 | 12843 | VALVE ROCKER PLATE |
| 12 | 1 | 03029-04 | BUSHING, MICRO PLASTICS 12SWS1048 |
| 13 | 1 | 05038 | RUE RING COTTER #8 |
| 14 | 2 | 12381 | IGUS FLANGE JFL-20 |
| 15 | 1 | 04211 | FITTING, 6801-8-10 |
| 16 | 1 | 13666 | HOSE: PUMP TOP-CHAIN VALVE REAR |
| 17 | 1 | 04210 | FITTING, 6802-8-8 |
| 18 | 1 | 13674B | HOSE: CHAIN VALVE BOTTOM/ MOTOR TOP |
| 19 | 1 | 04520 | FITTING, 6400-8-8 |
| 20 | 1 | 13674 | HOSE: CHAIN VALVE TOP : MOTOR BOTTOM |
| 21 | 1 | 10800 | HYDRAULIC FITTING, 6400-0-6-10 |
| 22 | 2 | 05065 | HH CAP SCREW, 5/16-18 NC X 2-3/4 G5 ZINC |
| 23 | 2 | 05068 | WASHER, 5/16 SAE ZINC |
| 24 | 2 | 05554 | HH CAP SCREW, 1/4-20 NC X 3/4 G5 ZINC |
| 25 | 3 | 05069 | WHIZ-LOCK 1/4 - 20 X 5/8 |
| 26 | 2 | 05557 | HH CAP SCREW, 1/4-20 NC X 1/2 G5 ZINC |
| 27 | 2 | 05507 | BHSCS, 1/4 NC X 1/2 ZN |
| 28 | 1 | 05081 | WASHER, 1/4 SAE ZINC |
| 29 | 4 | 10773 | NUT, GRIPCO, 1/4-20 NC G5 ZINC |
| 30 | 2 | 05096 | NUT, NYLOCK, 1/4-20 NC ZINC |

① VALVE SET TO 3400 PSI RELIEF FOR 16HP APPLICATION

| | |
|--------------|---------|
| RELEASE DATE | 9/8/16 |
| REVISED DATE | 5/26/17 |
| REVISION # | 1 |

HOSES HIDDEN FOR CLARITY



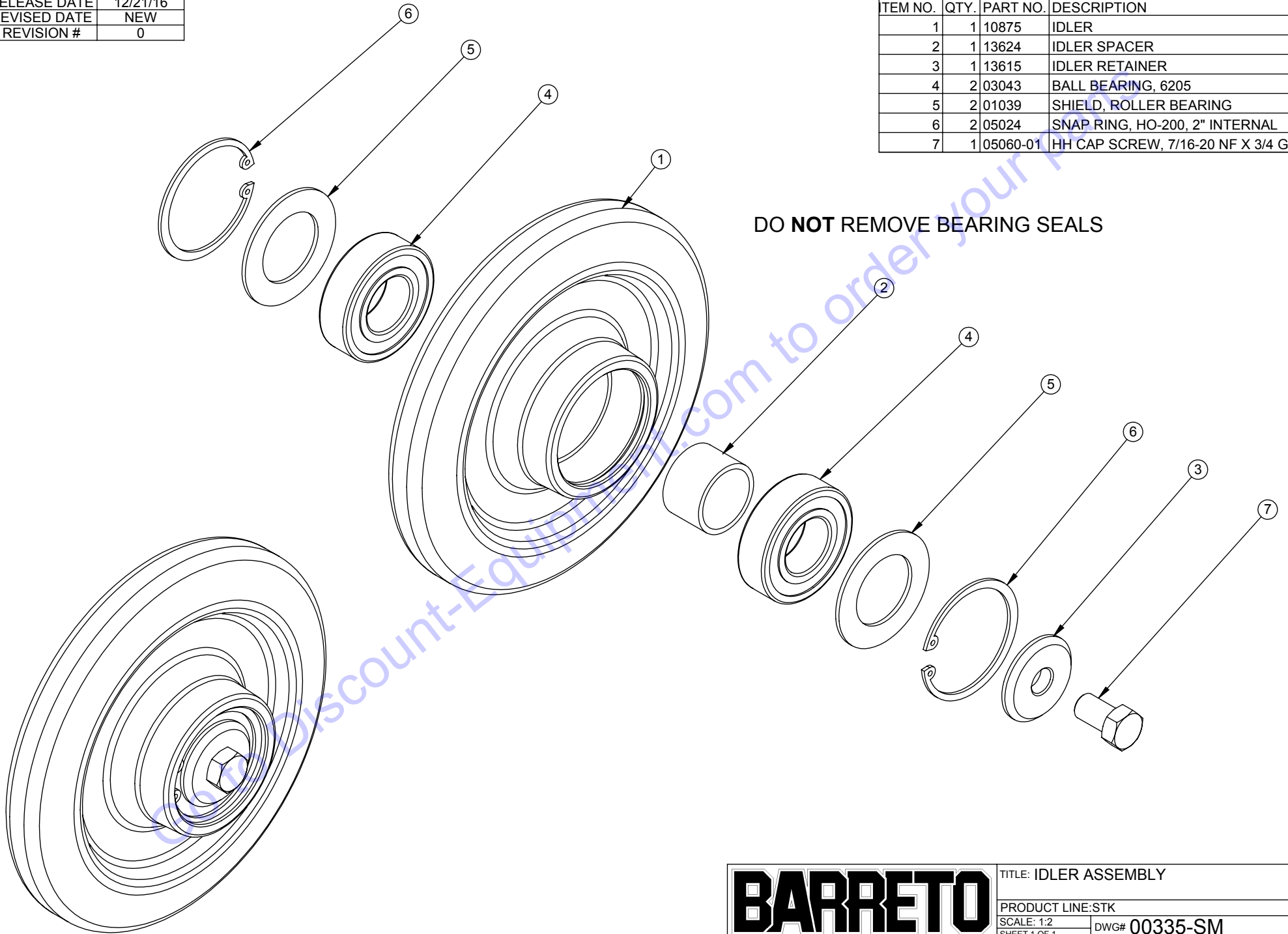
ORIENTATIONS GIVEN ARE AS THE COMPONENTS SIT ON THE MACHINE VIEWED FROM THE OPERATOR'S POSITION

BARRETO

| | |
|------------------------------------|-------------------|
| TITLE: CONTROL VALVE ASSEMBLY, STK | |
| PRODUCT LINE:STK | |
| SCALE: 1:4 | DWG# 00322-STK R1 |
| SHEET 1 OF 1 | |

| | |
|--------------|----------|
| RELEASE DATE | 12/21/16 |
| REVISED DATE | NEW |
| REVISION # | 0 |

| ITEM NO. | QTY. | PART NO. | DESCRIPTION |
|----------|------|----------|----------------------------------|
| 1 | 1 | 10875 | IDLER |
| 2 | 1 | 13624 | IDLER SPACER |
| 3 | 1 | 13615 | IDLER RETAINER |
| 4 | 2 | 03043 | BALL BEARING, 6205 |
| 5 | 2 | 01039 | SHIELD, ROLLER BEARING |
| 6 | 2 | 05024 | SNAP RING, HO-200, 2" INTERNAL |
| 7 | 1 | 05060-01 | HH CAP SCREW, 7/16-20 NF X 3/4 G |

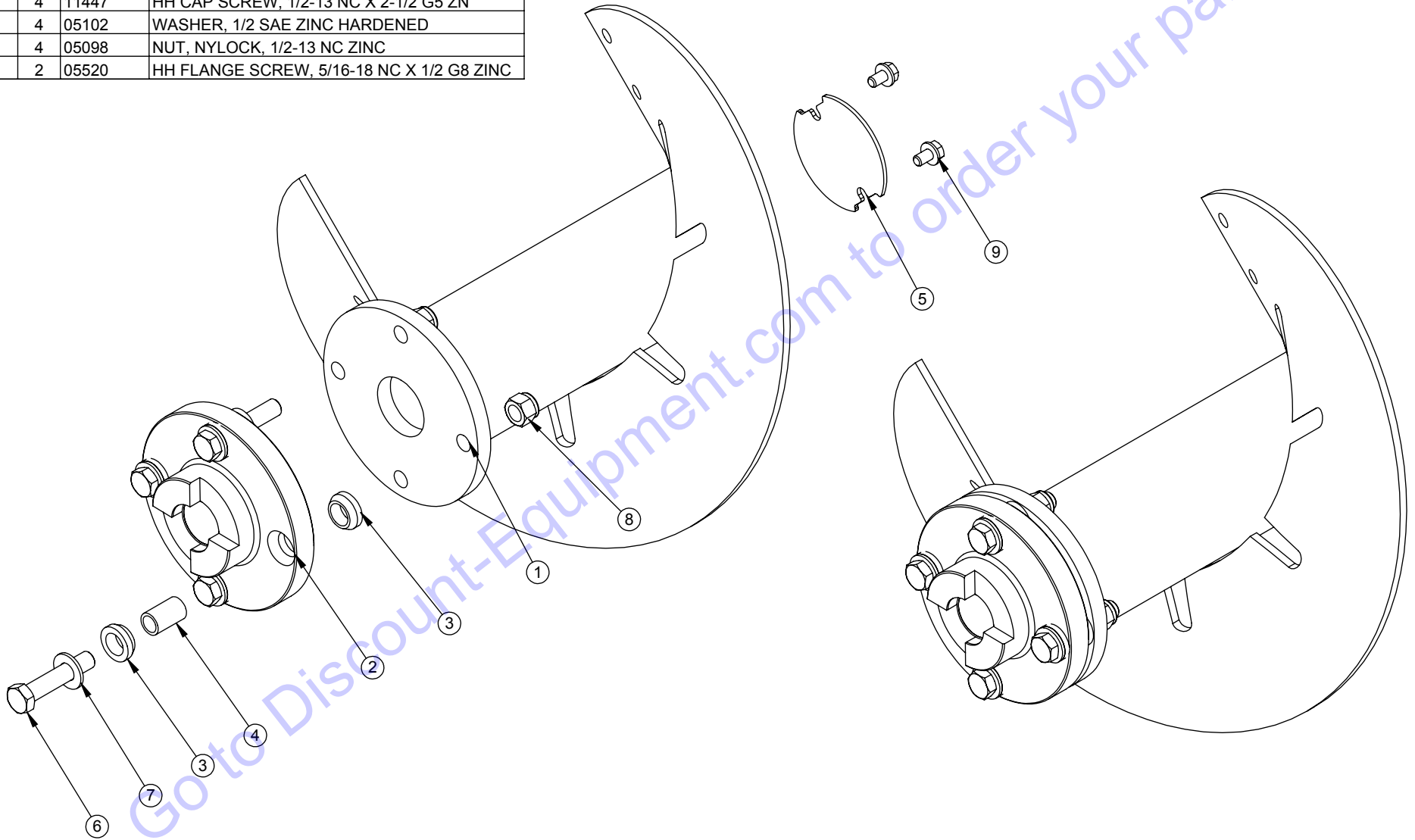


BARRETO

| | |
|-----------------------|---------------|
| TITLE: IDLER ASSEMBLY | |
| PRODUCT LINE: STK | |
| SCALE: 1:2 | DWG# 00335-SM |
| SHEET 1 OF 1 | |

| ITEM NO. | QTY. | PART NO. | DESCRIPTION |
|----------|------|-----------|---|
| 1 | 1 | 11220-STK | AUGER |
| 2 | 1 | 11221 R1 | CUSHION FLANGE |
| 3 | 8 | 10958 | RUBBER BUSHING |
| 4 | 4 | 10959 | BUSHING SPACER |
| 5 | 1 | 13726 | AUGER END CAP |
| 6 | 4 | 11447 | HH CAP SCREW, 1/2-13 NC X 2-1/2 G5 ZN |
| 7 | 4 | 05102 | WASHER, 1/2 SAE ZINC HARDENED |
| 8 | 4 | 05098 | NUT, NYLOCK, 1/2-13 NC ZINC |
| 9 | 2 | 05520 | HH FLANGE SCREW, 5/16-18 NC X 1/2 G8 ZINC |

| | |
|--------------|--------|
| RELEASE DATE | 1/9/17 |
| REVISED DATE | NEW |
| REVISION # | 0 |

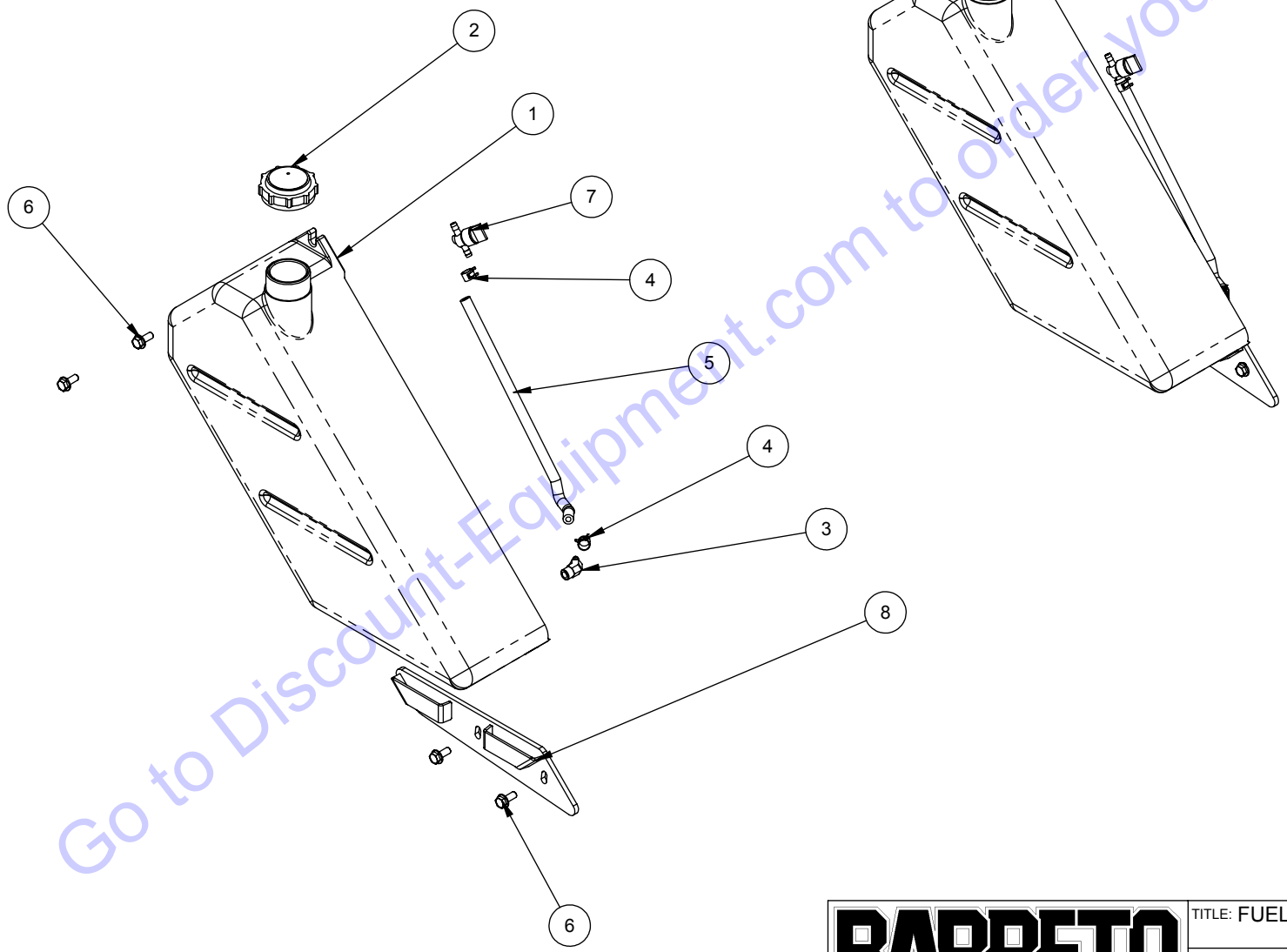


BARRETO

| | |
|-----------------------|----------------|
| TITLE: AUGER ASSEMBLY | |
| PRODUCT LINE:STK | |
| SCALE: 1:4 | DWG# 00372-STK |
| SHEET 1 OF 1 | |

| ITEM NO. | QTY. | PART NO. | DESCRIPTION |
|----------|------|----------|---|
| 1 | 1 | 03263N | FUEL TANK, "BARRETO" |
| 2 | 1 | 03062-12 | FUEL TANK CAP, KELCH |
| 3 | 1 | 03062-17 | FITTING, 1/4 NPT-M TO 1/4 HOSE BIB, 45 EL |
| 4 | 2 | 03062-06 | CLAMP, 1/4" FUEL LINE |
| 5 | 1 | 11563 | FUEL HOSE |
| 6 | 4 | 05140 | WHIZ-LOCK 5/16 - 18 X 3/4 |
| 7 | 1 | 03062-03 | FUEL SHUT OFF VALVE |
| 8 | 1 | 13718 | LOWER TANK MOUNT |

| | |
|--------------|----------|
| RELEASE DATE | 12/21/16 |
| REVISED DATE | NEW |
| REVISION # | 0 |



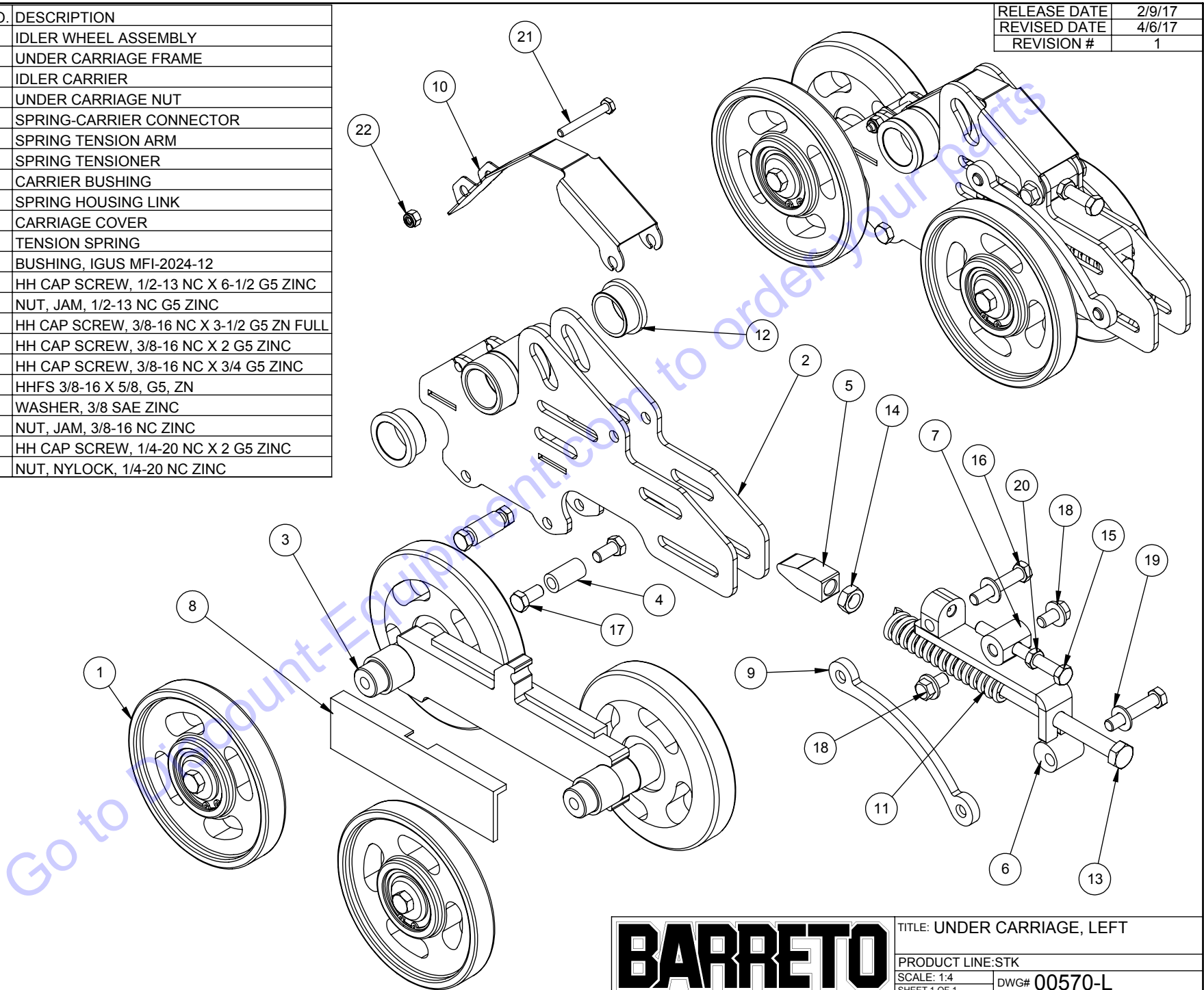
Go to Discount-Equipment.com to order your parts

BARRETO

| | |
|-----------------------------|----------------|
| TITLE: FUEL TANK ASSEMBLY | |
| PRODUCT LINE: STK B-S 16 HP | |
| SCALE: 1:8 | DWG# 00456-STK |
| SHEET 1 OF 1 | |

| TEM NO. | QTY. | PART NO. | DESCRIPTION |
|---------|------|----------|--|
| 1 | 4 | 00587 | IDLER WHEEL ASSEMBLY |
| 2 | 1 | 13609 | UNDER CARRIAGE FRAME |
| 3 | 1 | 13602 | IDLER CARRIER |
| 4 | 2 | 13616 | UNDER CARRIAGE NUT |
| 5 | 1 | 13617 | SPRING-CARRIER CONNECTOR |
| 6 | 1 | 13618 | SPRING TENSION ARM |
| 7 | 1 | 13619 | SPRING TENSIONER |
| 8 | 2 | 13620 | CARRIER BUSHING |
| 9 | 1 | 13622 | SPRING HOUSING LINK |
| 10 | 1 | 13722 | CARRIAGE COVER |
| 11 | 1 | 13681 | TENSION SPRING |
| 12 | 2 | 10498 | BUSHING, IGUS MFI-2024-12 |
| 13 | 1 | 10276 | HH CAP SCREW, 1/2-13 NC X 6-1/2 G5 ZINC |
| 14 | 1 | 11056 | NUT, JAM, 1/2-13 NC G5 ZINC |
| 15 | 1 | 05430 | HH CAP SCREW, 3/8-16 NC X 3-1/2 G5 ZN FULL |
| 16 | 2 | 05262 | HH CAP SCREW, 3/8-16 NC X 2 G5 ZINC |
| 17 | 4 | 05057 | HH CAP SCREW, 3/8-16 NC X 3/4 G5 ZINC |
| 18 | 2 | 05431 | HHFS 3/8-16 X 5/8, G5, ZN |
| 19 | 2 | 05101 | WASHER, 3/8 SAE ZINC |
| 20 | 1 | 05105 | NUT, JAM, 3/8-16 NC ZINC |
| 21 | 1 | 05591 | HH CAP SCREW, 1/4-20 NC X 2 G5 ZINC |
| 22 | 1 | 05096 | NUT, NYLOCK, 1/4-20 NC ZINC |

| | |
|--------------|--------|
| RELEASE DATE | 2/9/17 |
| REVISED DATE | 4/6/17 |
| REVISION # | 1 |

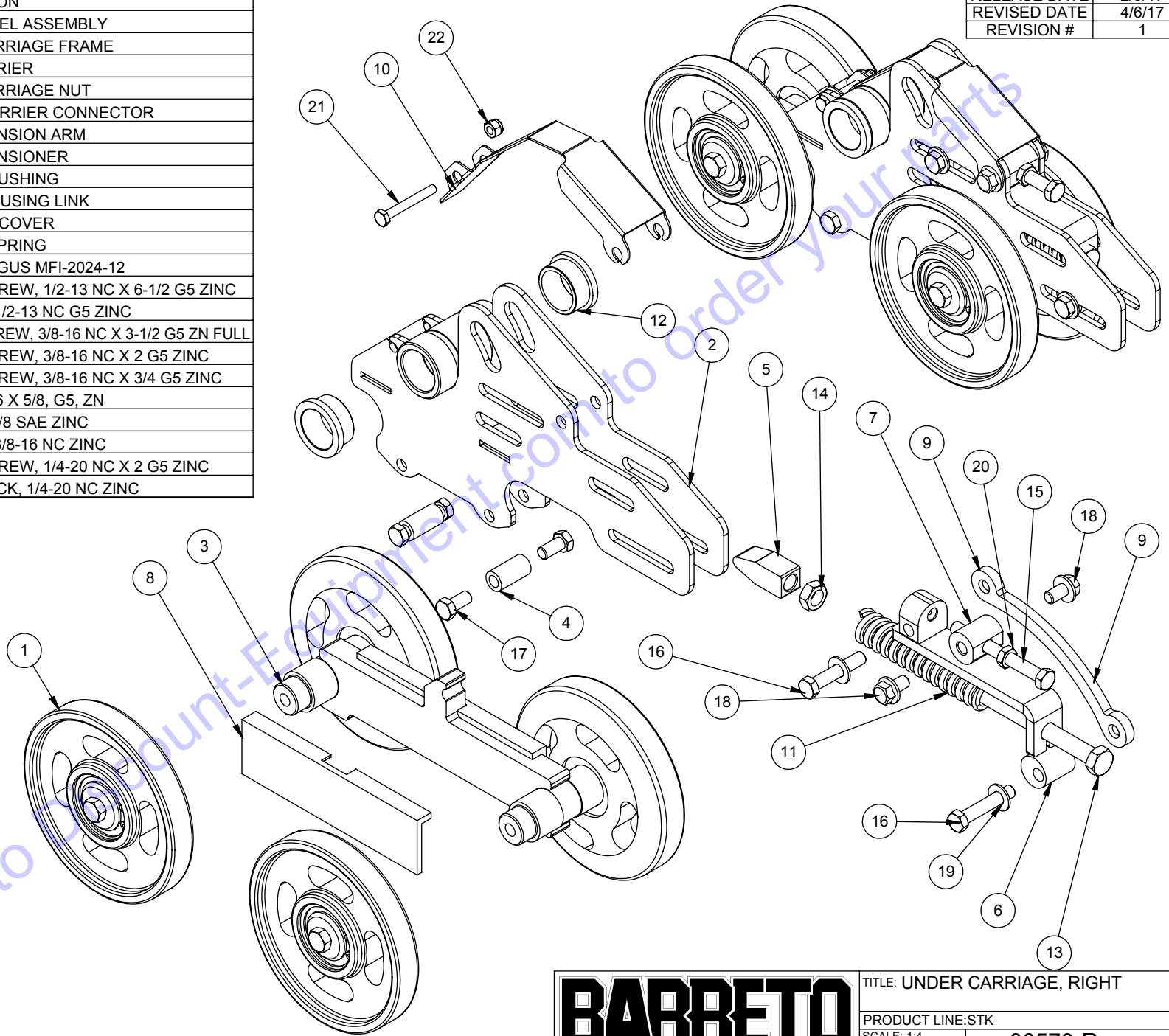


BARRETO

| | |
|-----------------------------|--------------|
| TITLE: UNDER CARRIAGE, LEFT | |
| PRODUCT LINE: STK | |
| SCALE: 1:4 | DWG# 00570-L |
| SHEET 1 OF 1 | |

| ITEM NO. | QTY. | PART NO. | DESCRIPTION |
|----------|------|----------|--|
| 1 | 4 | 00587 | IDLER WHEEL ASSEMBLY |
| 2 | 1 | 13609 | UNDER CARRIAGE FRAME |
| 3 | 1 | 13602 | IDLER CARRIER |
| 4 | 2 | 13616 | UNDER CARRIAGE NUT |
| 5 | 1 | 13617 | SPRING-CARRIER CONNECTOR |
| 6 | 1 | 13618 | SPRING TENSION ARM |
| 7 | 1 | 13619 | SPRING TENSIONER |
| 8 | 2 | 13620 | CARRIER BUSHING |
| 9 | 1 | 13622 | SPRING HOUSING LINK |
| 10 | 1 | 13722 | CARRIAGE COVER |
| 11 | 1 | 13681 | TENSION SPRING |
| 12 | 2 | 10498 | BUSHING, IGUS MFI-2024-12 |
| 13 | 1 | 10276 | HH CAP SCREW, 1/2-13 NC X 6-1/2 G5 ZINC |
| 14 | 1 | 11056 | NUT, JAM, 1/2-13 NC G5 ZINC |
| 15 | 1 | 05430 | HH CAP SCREW, 3/8-16 NC X 3-1/2 G5 ZN FULL |
| 16 | 2 | 05262 | HH CAP SCREW, 3/8-16 NC X 2 G5 ZINC |
| 17 | 4 | 05057 | HH CAP SCREW, 3/8-16 NC X 3/4 G5 ZINC |
| 18 | 2 | 05431 | HHFS 3/8-16 X 5/8, G5, ZN |
| 19 | 2 | 05101 | WASHER, 3/8 SAE ZINC |
| 20 | 1 | 05105 | NUT, JAM, 3/8-16 NC ZINC |
| 21 | 1 | 05591 | HH CAP SCREW, 1/4-20 NC X 2 G5 ZINC |
| 22 | 1 | 05096 | NUT, NYLOCK, 1/4-20 NC ZINC |

| | |
|--------------|--------|
| RELEASE DATE | 2/9/17 |
| REVISED DATE | 4/6/17 |
| REVISION # | 1 |



BARRETO

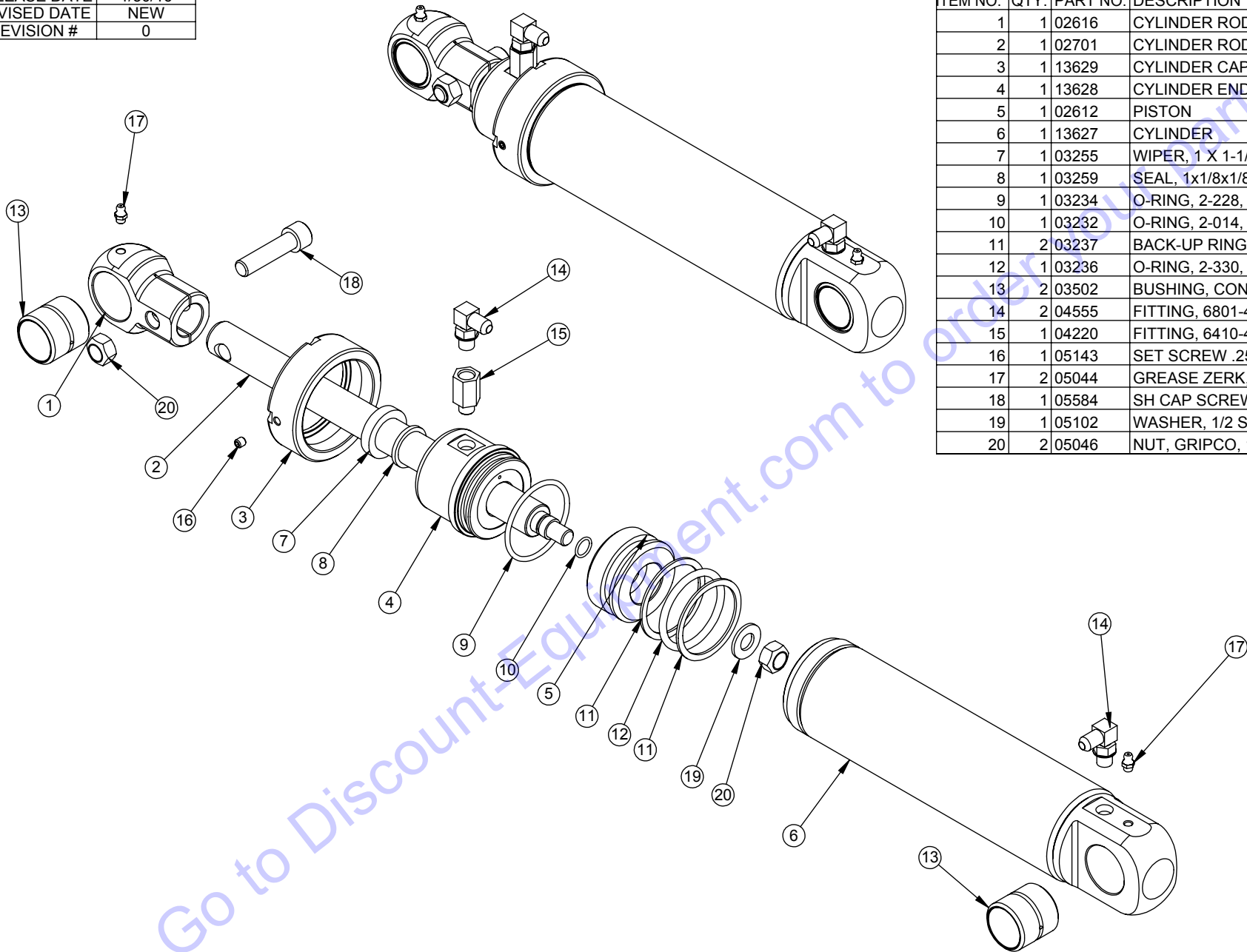
TITLE: UNDER CARRIAGE, RIGHT

PRODUCT LINE: STK

SCALE: 1:4
SHEET 1 OF 1

DWG# 00570-R

| | |
|--------------|---------|
| RELEASE DATE | 1/30/16 |
| REVISED DATE | NEW |
| REVISION # | 0 |



| ITEM NO. | QTY. | PART NO. | DESCRIPTION |
|----------|------|----------|--|
| 1 | 1 | 02616 | CYLINDER ROD END |
| 2 | 1 | 02701 | CYLINDER ROD |
| 3 | 1 | 13629 | CYLINDER CAP |
| 4 | 1 | 13628 | CYLINDER END |
| 5 | 1 | 02612 | PISTON |
| 6 | 1 | 13627 | CYLINDER |
| 7 | 1 | 03255 | WIPER, 1 X 1-1/2 X 5/16 J-1000 |
| 8 | 1 | 03259 | SEAL, 1x1/8x1/8 ROD |
| 9 | 1 | 03234 | O-RING, 2-228, 2-1/2 OD X 1/8 SECTION |
| 10 | 1 | 03232 | O-RING, 2-014, 5/8 OD X 1/16 SECTION |
| 11 | 2 | 03237 | BACK-UP RING, 8-330N90 PARBAK |
| 12 | 1 | 03236 | O-RING, 2-330, 2-1/2 OD X 3/16 SECTION |
| 13 | 2 | 03502 | BUSHING, CONNEX 1.5X1.25X1 |
| 14 | 2 | 04555 | FITTING, 6801-4-4 |
| 15 | 1 | 04220 | FITTING, 6410-4-4 |
| 16 | 1 | 05143 | SET SCREW .25 NF X .25 CUP |
| 17 | 2 | 05044 | GREASE ZERK, 1/4-28 UNF |
| 18 | 1 | 05584 | SH CAP SCREW, 1/2-13 NC X 2 ZINC |
| 19 | 1 | 05102 | WASHER, 1/2 SAE ZINC HARDENED |
| 20 | 2 | 05046 | NUT, GRIPCO, 1/2-13 NC G5 ZINC |

Go to Discount-Equipment.com to order parts

BARRETO

TITLE: BOOM CYLINDER ASSEMBLY
 PRODUCT LINE: STK
 SCALE: 1:4
 SHEET 1 OF 1

DWG# 00571

| ITEM NO. | QTY. | PART NO. | DESCRIPTION |
|----------|------|----------|--|
| 1 | 1 | 07000-E | ENGINE, 16 HP BRIGGS |
| 2 | 1 | 07000-10 | MUFFLER |
| 3 | 1 | 07000-11 | MUFFLER GUARD |
| 4 | 1 | 02016 | PUMP ADAPTER |
| 5 | 1 | 04507 | PUMP SNP2-8.5-HSTAT |
| 6 | 1 | 04504 | TANDEM ADAPT KIT |
| 7 | 1 | 12730 | HYDRO PUMP, 10CC TANDEM |
| 8 | 2 | 13660 | HSTAT ACTUATOR, |
| 9 | 1 | 13661 | SPEED LINK, LH |
| 10 | 1 | 13662 | SPEED LINK, RH, STK |
| 11 | 2 | 13721 | SPEED LINK, FOR E16STK |
| 12 | 1 | 13679 | PUMP SUPPORT, BOTTOM |
| 13 | 1 | 13680 | PUMP SUPPORT, TOP |
| 14 | 1 | 13634 | ENGINE MOUNT PLATE, B&S 16hp |
| 15 | 1 | 13727 | COVER MOUNT |
| 16 | 1 | 13728 | PUMP COVER |
| 17 | 1 | 13729 | COVER BRACE |
| 18 | 1 | 13739 | TAPPED BAR |
| 19 | 1 | 13698 | HOSE: REAR LH TO LH MOTOR "B" |
| 20 | 1 | 13699 | HOSE: RH REAR TO LH MOTOR "A" |
| 21 | 1 | 13700 | HOSE: FRONT RH / RH MOTOR "A" |
| 22 | 1 | 13701 | HOSE: FRONT LH TO RH MOTOR "B" |
| 23 | 1 | 03021 | JAW COUPLER, PUMP, 5/8" BORE |
| 24 | 1 | 03022 | SPIDER, RUBBER |
| 25 | 1 | 03023 | JAW COUPLER, 1" BORE L095 |
| 26 | 1 | 05014 | KEY, 1/4 X 1/4 X 3/4 |
| 27 | 4 | 11113 | CUSHION |
| 28 | 2 | 11114 | CUSHION SPACER |
| 29 | 2 | 11115 | PUMP CUSHION WASHER |
| 30 | 1 | 04554 | FITTING, 6801-8-8 |
| 31 | 4 | 04226 | FITTING, 6400-6-8 |
| 32 | 1 | 12047 | FITTING, 6410-6-6 |
| 33 | 2 | 11070 | FITTING, 4601-8-6 |
| 34 | 1 | 10456 | FITTING, 4603-16-12 |
| 35 | 1 | 13676 | ENGINE DRAIN HOSE |
| 36 | 1 | 04230 | FITTING, 9606S-6-S12-20 METRIC |
| 37 | 1 | 04539 | FITTING, 2408-6 |
| 38 | 6 | 05091 | HH CAP SCREW, 3/8-16 NC X 1-1/4 G5 ZINC |
| 39 | 2 | 05377 | HHFS 3/8-16 X 1, G5, ZN |
| 40 | 4 | 05187 | HHFS 3/8-16 X 3/4, G5, ZN |
| 41 | 6 | 05101 | WASHER, 3/8 SAE ZINC |
| 42 | 4 | 05054 | HH CAP SCREW, 5/16-18 NC X 1-3/4 G5 ZINC |
| 43 | 2 | 05144 | WHIZ-LOCK 5/16 - 18 X 1 |
| 44 | 6 | 05140 | WHIZ-LOCK 5/16 - 18 X 3/4 |
| 45 | 2 | 05169 | WHIZ-LOCK 5/16 - 18 X 1/2 |
| 46 | 2 | 05351 | SHSB, 3/8S X 1/4SL X 5/16 NC, BK OX |
| 47 | 6 | 05068 | WASHER, 5/16 SAE ZINC |

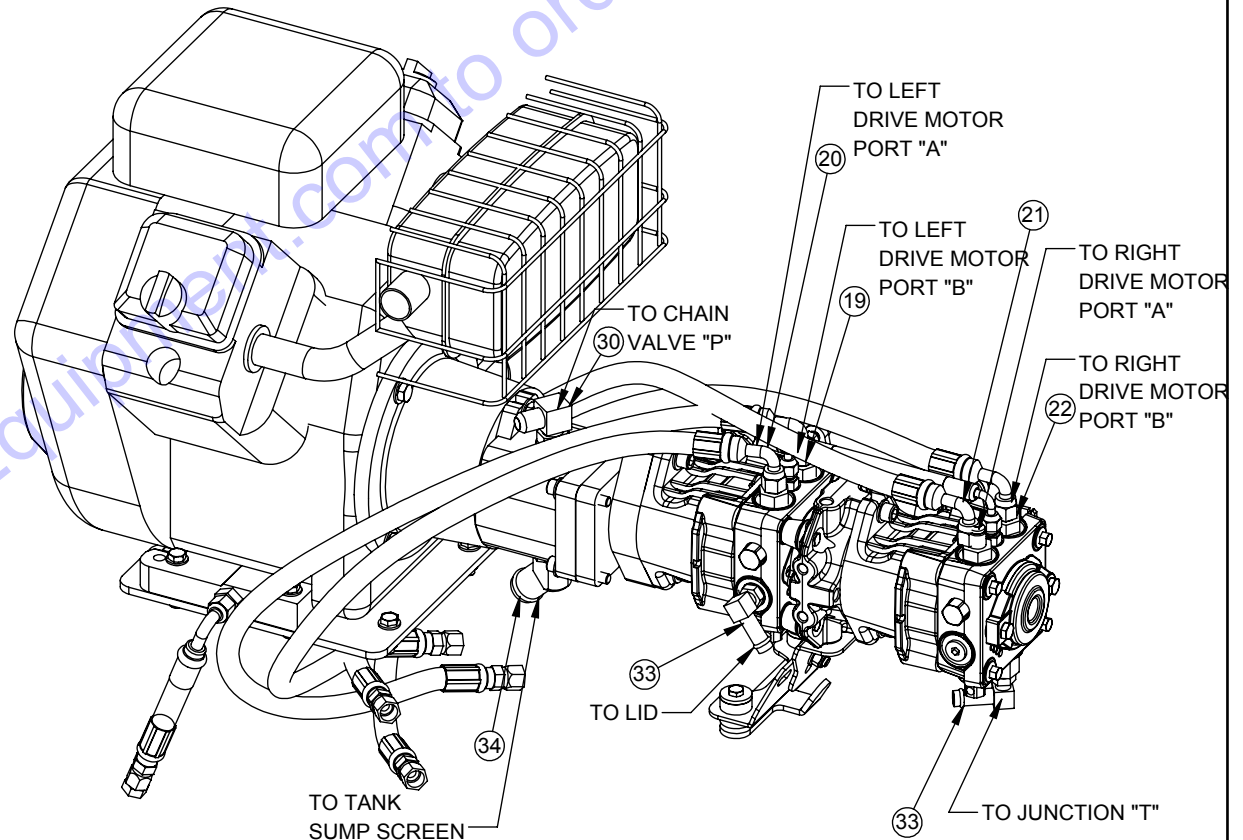
| ITEM NO. | QTY. | PART NO. | DESCRIPTION |
|----------|------|----------|---|
| 48 | 8 | 05273 | NUT, NYLOCK, 5/16-18 NC ZINC |
| 49 | 2 | 05357 | WASHER, CURVED, .380 X .625 X .015 |
| 50 | 6 | 05002 | NUT, GRIPCO, 5/16-18 NC G5 ZINC |
| 51 | 2 | 05437 | HH CAP SCREW, 1/4-28 NF X 1-1/2 G5 ZINC |
| 52 | 7 | 05051 | WHIZ-LOCK 1/4 - 20 X 1/2 |
| 53 | 4 | 05081 | WASHER, 1/4 SAE ZINC |

| | |
|--------------|---------|
| RELEASE DATE | 2/14/17 |
| REVISED DATE | 4/12/17 |
| REVISION # | 2 |

NOTICE: A 1/16" GAP IS REQUIRED BETWEEN COUPLERS (03021 & 03023)

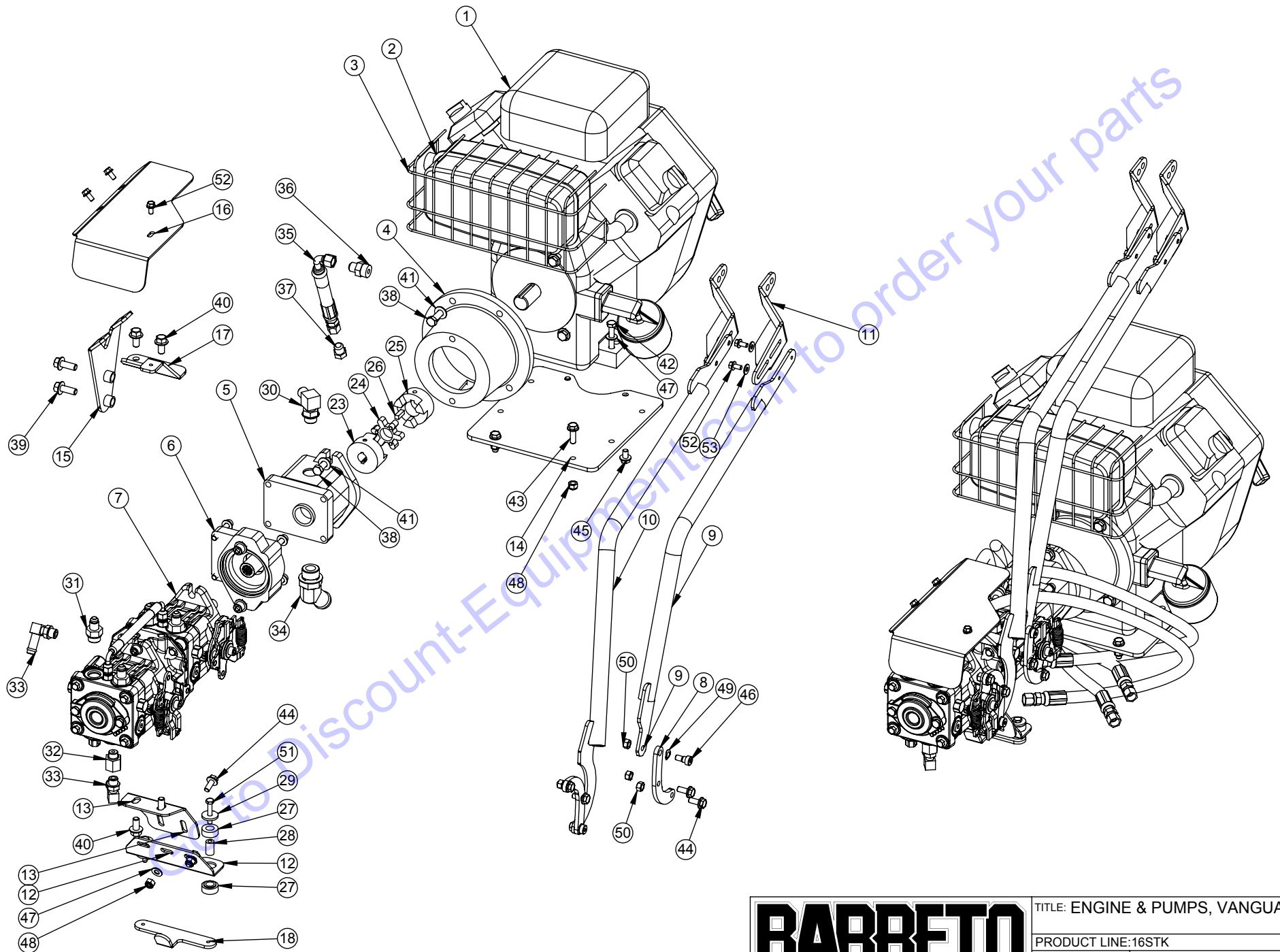
ORIENTATIONS GIVEN ARE AS THE COMPONENTS SIT ON THE MACHINE VIEWED FROM THE OPERATOR'S POSITION

PUMP COVER & MOUNTS & SPEED LINKS HIDDEN FOR CLARITY



BARRETO

| | |
|--------------------------------------|------------|
| TITLE: ENGINE & PUMPS, VANGUARD 16hp | |
| PRODUCT LINE: 16STK | |
| SCALE: 1:6 | DWG# 00572 |
| SHEET 1 OF 2 | |



BARRETO

TITLE: ENGINE & PUMPS, VANGUARD 16hp
 PRODUCT LINE: 16STK
 SCALE: 1:8
 SHEET 2 OF 2
 DWG# 00572

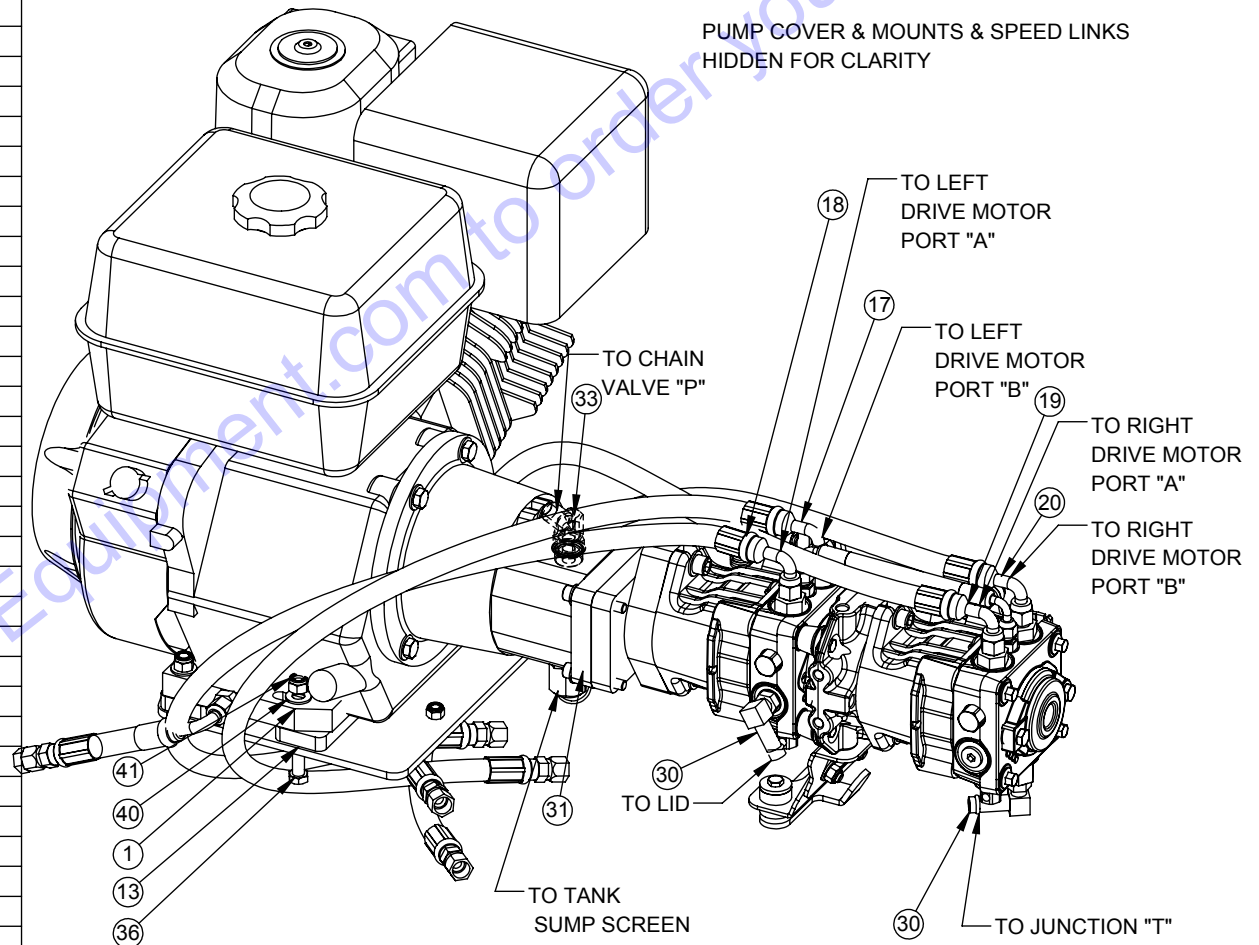
| ITEM NO. | QTY. | PART NO. | DESCRIPTION |
|----------|------|-----------|---|
| 1 | 1 | 07005-E18 | ENGINE, 13 HP HONDA GX390 |
| 2 | 1 | 02016 | PUMP ADAPTER |
| 3 | 1 | 04507 | PUMP SNP2-8.5-HSTAT |
| 4 | 1 | 04504 | TANDEM ADAPT KIT |
| 5 | 1 | 12730 | HYDRO PUMP, 10CC TANDEM |
| 6 | 2 | 13660 | HSTAT ACTUATOR, |
| 7 | 1 | 13661 | SPEED LINK, LH |
| 8 | 1 | 13662 | SPEED LINK, RH, STK |
| 9 | 2 | 12886 | SPEED LINK, TOP (LH RTN) |
| 10 | 1 | 13679 | PUMP SUPPORT, BOTTOM |
| 11 | 1 | 13680 | PUMP SUPPORT, TOP |
| 12 | 1 | 13739 | TAPPED BAR |
| 13 | 1 | 13634-H | ENGINE MOUNT, H13 |
| 14 | 1 | 13727 | COVER MOUNT |
| 15 | 1 | 13728 | PUMP COVER |
| 16 | 1 | 13729 | COVER BRACE |
| 17 | 1 | 13698 | HOSE: REAR LH / LH MOTOR "B" |
| 18 | 1 | 13699 | HOSE: REAR RH / LH MOTOR "A" |
| 19 | 1 | 13700 | HOSE: FRONT RH / RH MOTOR "A" |
| 20 | 1 | 13701 | HOSE: FRONT LH / RH MOTOR "B" |
| 21 | 1 | 03021 | JAW COUPLER, PUMP, 5/8" BORE |
| 22 | 1 | 03022 | SPIDER, RUBBER |
| 23 | 1 | 03023 | JAW COUPLER, 1" BORE L095 |
| 24 | 1 | 05014 | KEY, 1/4 X 1/4 X 3/4 |
| 25 | 4 | 11113 | CUSHION |
| 26 | 2 | 11114 | CUSHION SPACER |
| 27 | 2 | 11115 | PUMP CUSHION WASHER |
| 28 | 4 | 04226 | FITTING, 6400-6-8 |
| 29 | 1 | 12047 | FITTING, 6410-6-6 |
| 30 | 2 | 11070 | FITTING, 4601-8-6 |
| 31 | 1 | 10456 | FITTING, 4603-16-12 |
| 32 | 1 | 13676 | ENGINE DRAIN HOSE |
| 33 | 1 | 04557 | FITTING, 6802-8-10 |
| 34 | 1 | 04230 | FITTING, 9606S-6-S12-20 METRIC |
| 35 | 1 | 04539 | FITTING, 2408-6 |
| 36 | 4 | 05352 | HH CAP SCREW, 3/8-16 NC X 2-1/4 G5 ZINC |
| 37 | 6 | 05091 | HH CAP SCREW, 3/8-16 NC X 1-1/4 G5 ZINC |
| 38 | 2 | 05377 | HHFS 3/8-16 X 1, G5, ZN |
| 39 | 4 | 05187 | HHFS 3/8-16 X 3/4, G5, ZN |
| 40 | 11 | 05101 | WASHER, 3/8 SAE ZINC |
| 41 | 4 | 05073 | NUT, NYLOCK, 3/8-16 NC ZINC |
| 42 | 9 | 05140 | WHIZ-LOCK 5/16 - 18 X 3/4 |
| 43 | 2 | 05351 | SHSB, 3/8S X 1/4SL X 5/16 NC, BK OX |
| 44 | 2 | 05068 | WASHER, 5/16 SAE ZINC |
| 45 | 2 | 05357 | WASHER, CURVED, .380 X .625 X .015 |
| 46 | 5 | 05273 | NUT, NYLOCK, 5/16-18 NC ZINC |
| 47 | 6 | 05002 | NUT, GRIPCO, 5/16-18 NC G5 ZINC |

| ITEM NO. | QTY. | PART NO. | DESCRIPTION |
|----------|------|----------|---|
| 48 | 2 | 05088 | HH CAP SCREW, 1/4-20 NC X 1-1/2 G5 ZINC |
| 49 | 7 | 05051 | WHIZ-LOCK 1/4 - 20 X 1/2 |
| 50 | 4 | 05081 | WASHER, 1/4 SAE ZINC |

| | |
|--------------|---------|
| RELEASE DATE | 2/14/17 |
| REVISED DATE | 4/12/17 |
| REVISION # | 2 |

NOTICE: A 1/16" GAP IS REQUIRED BETWEEN COUPLERS (03021 & 03023)

ORIENTATIONS GIVEN ARE AS THE COMPONENTS SIT ON THE MACHINE VIEWED FROM THE OPERATOR'S POSITION



PUMP COVER & MOUNTS & SPEED LINKS HIDDEN FOR CLARITY

BARRETO

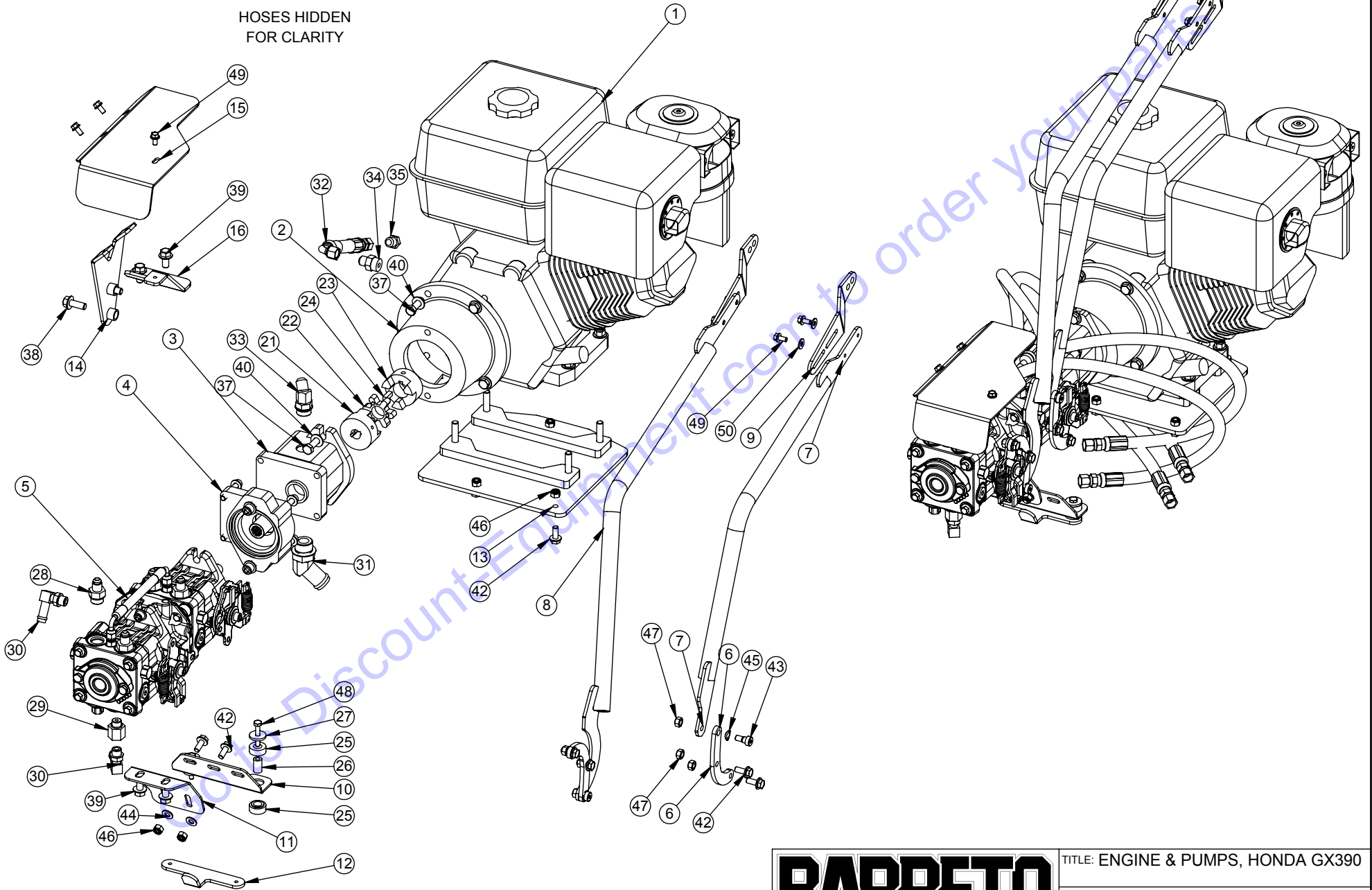
TITLE: ENGINE & PUMPS, HONDA GX390

PRODUCT LINE:STK

SCALE: 1:6
SHEET 1 OF 2

DWG# 00572-H13

HOSES HIDDEN
FOR CLARITY



BARRETO

TITLE: ENGINE & PUMPS, HONDA GX390

PRODUCT LINE: STK

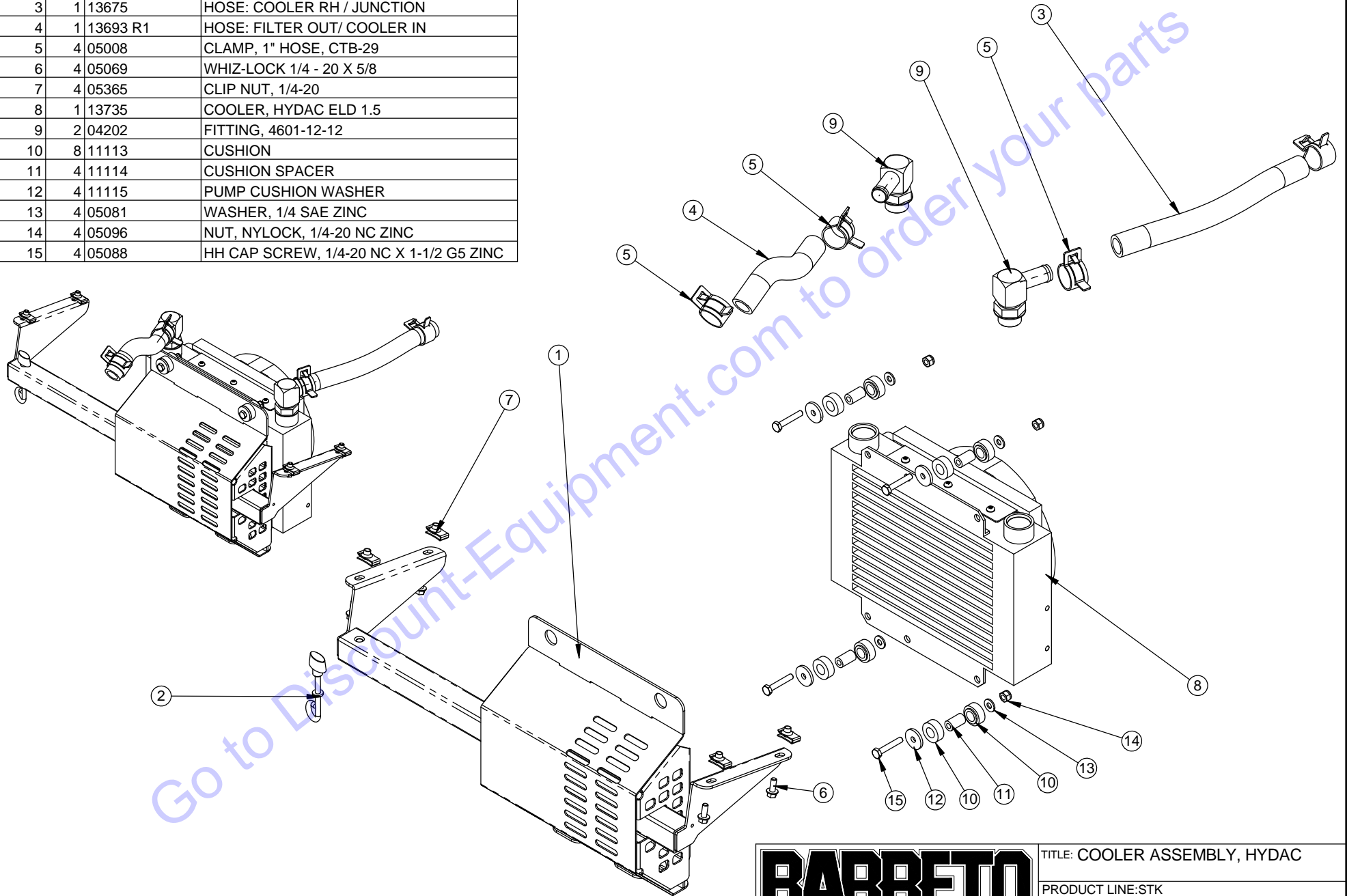
SCALE: 1:8

SHEET 2 OF 2

DWG# 00572-H13

| TEM NO. | QTY. | PART NO. | DESCRIPTION |
|---------|------|----------|---|
| 1 | 1 | 13638 HY | OIL COOLER MOUNT |
| 2 | 1 | 06423 | STARTER GROMMET |
| 3 | 1 | 13675 | HOSE: COOLER RH / JUNCTION |
| 4 | 1 | 13693 R1 | HOSE: FILTER OUT/ COOLER IN |
| 5 | 4 | 05008 | CLAMP, 1" HOSE, CTB-29 |
| 6 | 4 | 05069 | WHIZ-LOCK 1/4 - 20 X 5/8 |
| 7 | 4 | 05365 | CLIP NUT, 1/4-20 |
| 8 | 1 | 13735 | COOLER, HYDAC ELD 1.5 |
| 9 | 2 | 04202 | FITTING, 4601-12-12 |
| 10 | 8 | 11113 | CUSHION |
| 11 | 4 | 11114 | CUSHION SPACER |
| 12 | 4 | 11115 | PUMP CUSHION WASHER |
| 13 | 4 | 05081 | WASHER, 1/4 SAE ZINC |
| 14 | 4 | 05096 | NUT, NYLOCK, 1/4-20 NC ZINC |
| 15 | 4 | 05088 | HH CAP SCREW, 1/4-20 NC X 1-1/2 G5 ZINC |

| | |
|--------------|----------|
| RELEASE DATE | 1-2-2017 |
| REVISED DATE | NEW |
| REVISION # | 0 |

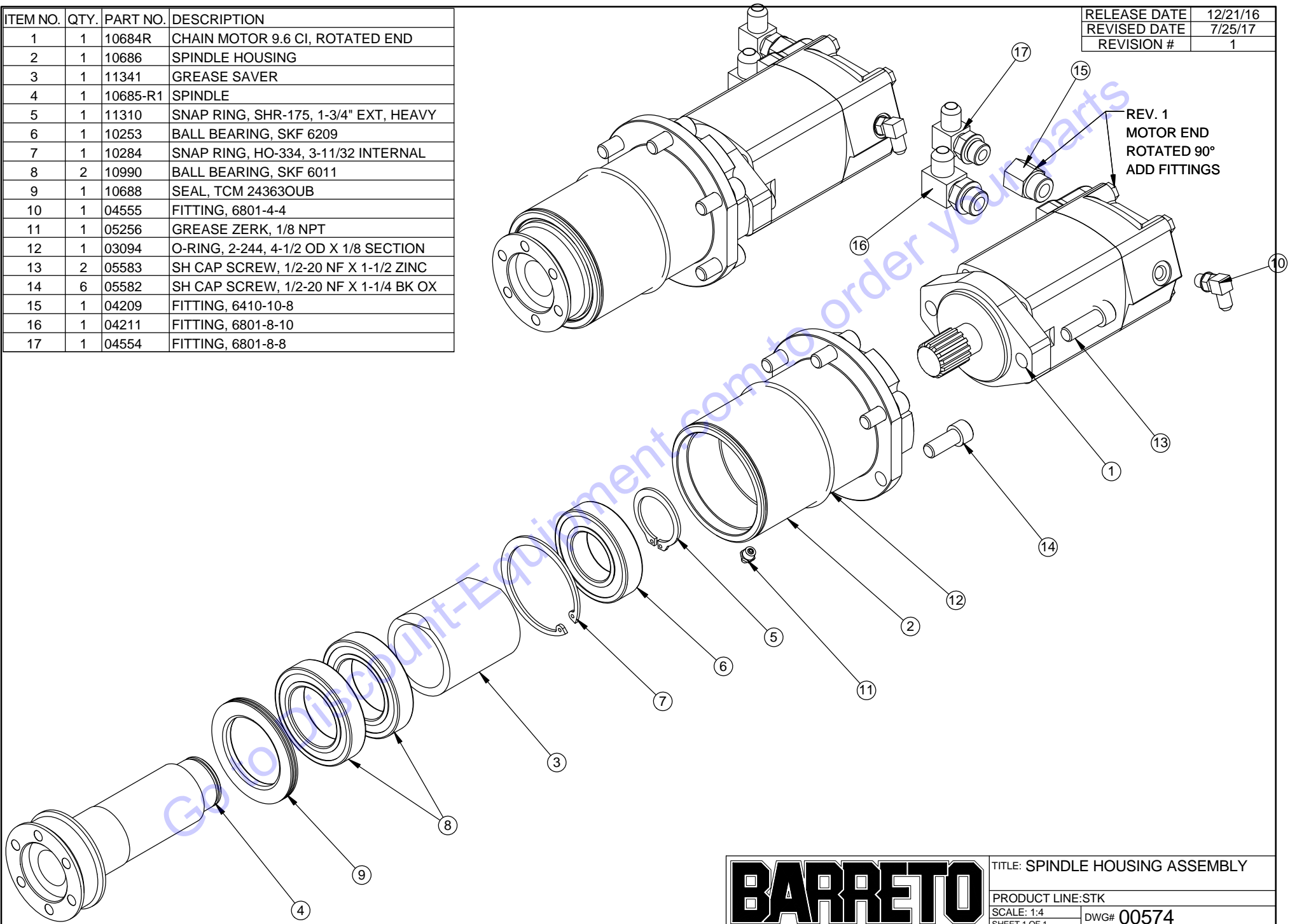


BARRETO

TITLE: COOLER ASSEMBLY, HYDAC
 PRODUCT LINE: STK
 SCALE: 1:6
 SHEET 1 OF 1
 DWG# 00573-HYD

| ITEM NO. | QTY. | PART NO. | DESCRIPTION |
|----------|------|----------|---------------------------------------|
| 1 | 1 | 10684R | CHAIN MOTOR 9.6 CI, ROTATED END |
| 2 | 1 | 10686 | SPINDLE HOUSING |
| 3 | 1 | 11341 | GREASE SAVER |
| 4 | 1 | 10685-R1 | SPINDLE |
| 5 | 1 | 11310 | SNAP RING, SHR-175, 1-3/4" EXT, HEAVY |
| 6 | 1 | 10253 | BALL BEARING, SKF 6209 |
| 7 | 1 | 10284 | SNAP RING, HO-334, 3-11/32 INTERNAL |
| 8 | 2 | 10990 | BALL BEARING, SKF 6011 |
| 9 | 1 | 10688 | SEAL, TCM 24363OUB |
| 10 | 1 | 04555 | FITTING, 6801-4-4 |
| 11 | 1 | 05256 | GREASE ZERK, 1/8 NPT |
| 12 | 1 | 03094 | O-RING, 2-244, 4-1/2 OD X 1/8 SECTION |
| 13 | 2 | 05583 | SH CAP SCREW, 1/2-20 NF X 1-1/2 ZINC |
| 14 | 6 | 05582 | SH CAP SCREW, 1/2-20 NF X 1-1/4 BK OX |
| 15 | 1 | 04209 | FITTING, 6410-10-8 |
| 16 | 1 | 04211 | FITTING, 6801-8-10 |
| 17 | 1 | 04554 | FITTING, 6801-8-8 |

| | |
|--------------|----------|
| RELEASE DATE | 12/21/16 |
| REVISED DATE | 7/25/17 |
| REVISION # | 1 |



BARRETO

TITLE: SPINDLE HOUSING ASSEMBLY
 PRODUCT LINE: STK
 SCALE: 1:4
 SHEET 1 OF 1
 DWG# 00574

| ITEM NO. | QTY. | PART NO. | DESCRIPTION |
|----------|------|-----------|-------------------------------------|
| 1 | 1 | 00575 | SPEED CONTROL ASSEMBLY |
| 2 | 1 | 00322-STK | CONTROL VALVE ASSEMBLY, STK |
| 3 | 1 | 00582 | LIFT VALVE & FILTER |
| 4 | 1 | 00573-HYD | COOLER ASSEMBLY, HYDAC |
| 5 | 1 | 13697 | HOSE, BREATHER: LID - OPEN |
| 6 | 1 | 13631-H | CONTROL TOWER, HONDA (1) |
| 7 | 1 | 13740-H | IGNITION SWITCH MOUNT (2) |
| 8 | 1 | 07005-19 | KEY SWITCH, HONDA E-START (3) |
| 9 | 1 | 13687 | FRONT COVER |
| 10 | 1 | 13688 | CONTROL COVER PLATE |
| 11 | 1 | 13689 | BACK COVER |
| 12 | 1 | 03009-R1 | HOUR METER, WITH FLASH ALERT |
| 13 | 2 | 13690-1 | DECAL: "STK" |
| 14 | 1 | 03040-02 | DECAL, "BARRETO", 3-1/2 X 11-1/4 |
| 15 | 1 | 03040-01 | DECAL, "MADE IN USA" |
| 16 | 1 | 13690-2 | DECAL: "! WARNING NO PARKING BRAKE" |
| 17 | 1 | 03341-07 | DECAL, "IGNITION OFF/ON" |
| 18 | 1 | 04440-05 | DECAL, "THROTTLE CONTROL" |
| 19 | 1 | 04454 | DIGGING BOOM UP/DOWN |
| 20 | 1 | 03345 | DECAL, "CALL 811 BEFORE YOU DIG" |
| 21 | 1 | 04453 | DECAL, "DIG CHAIN CONTROL" |
| 22 | 1 | 12090 | INSTRUCTION CANISTER |
| 23 | 1 | 03515 | THROTTLE CABLE |
| 24 | 6 | 05377 | HHFS 3/8-16 X 1, G5, ZN |
| 25 | 6 | 05068 | WASHER, 5/16 SAE ZINC |
| 26 | 6 | 05073 | NUT, NYLOCK, 3/8-16 NC ZINC |
| 27 | 12 | 05069 | WHIZ-LOCK 1/4 - 20 X 5/8 |
| 28 | 10 | 05365 | CLIP NUT, 1/4-20 |
| 29 | 4 | 05233 | SCREW #10-24 X 1/2 PPH |
| 30 | 1 | 13635 | HOSE YOKE BASE |
| 31 | 1 | 13636 | HOSE YOKE |
| 32 | 2 | 05051 | WHIZ-LOCK 1/4 - 20 X 1/2 |

BRIGGS - VANGUARD ENGINES USE:

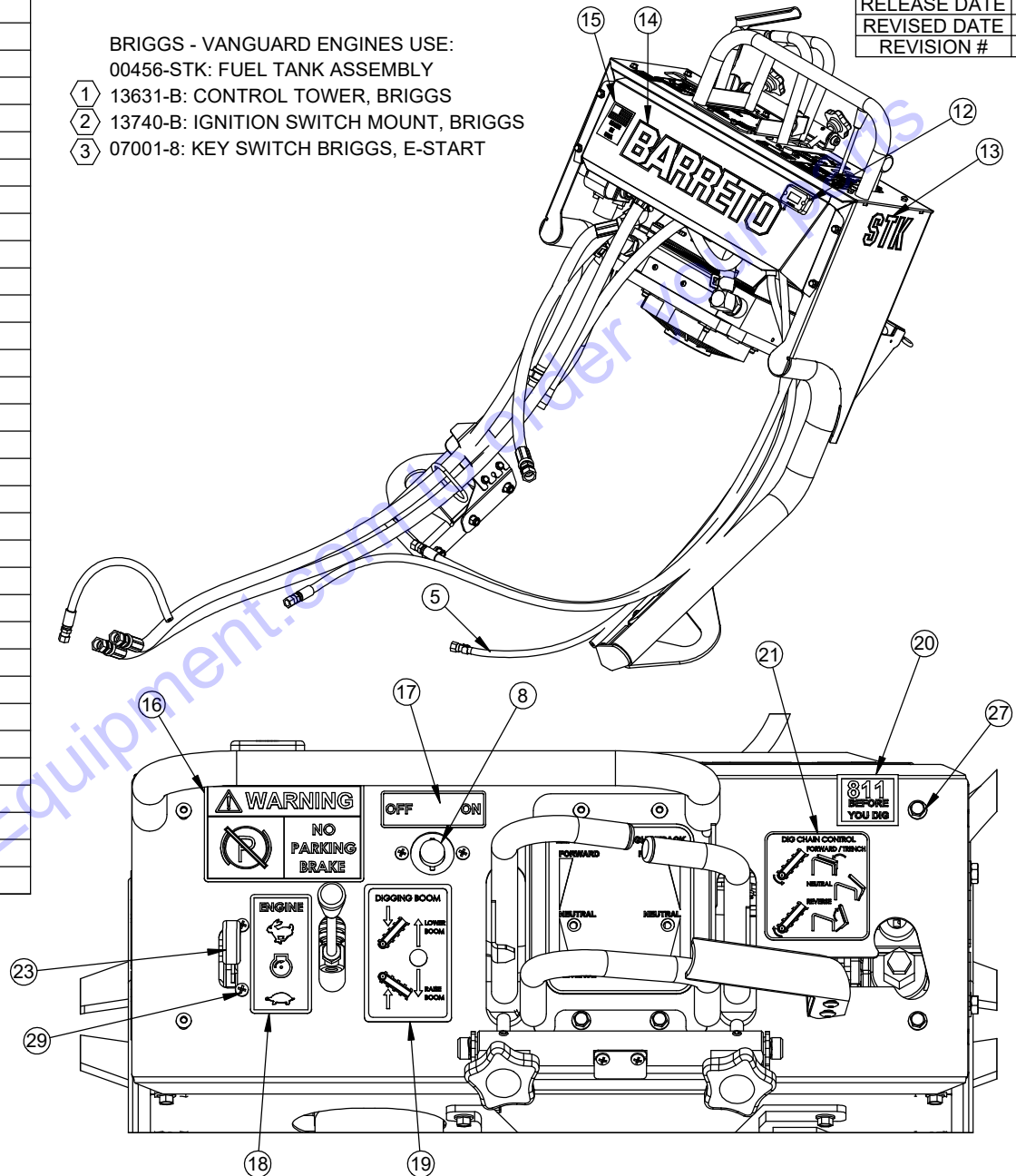
00456-STK: FUEL TANK ASSEMBLY

(1) 13631-B: CONTROL TOWER, BRIGGS

(2) 13740-B: IGNITION SWITCH MOUNT, BRIGGS

(3) 07001-8: KEY SWITCH BRIGGS, E-START

| | |
|--------------|---------|
| RELEASE DATE | 2/10/17 |
| REVISED DATE | NEW |
| REVISION # | 0 |



BARRETO

TITLE: CONTROL TOWER ASSY, 13STKH

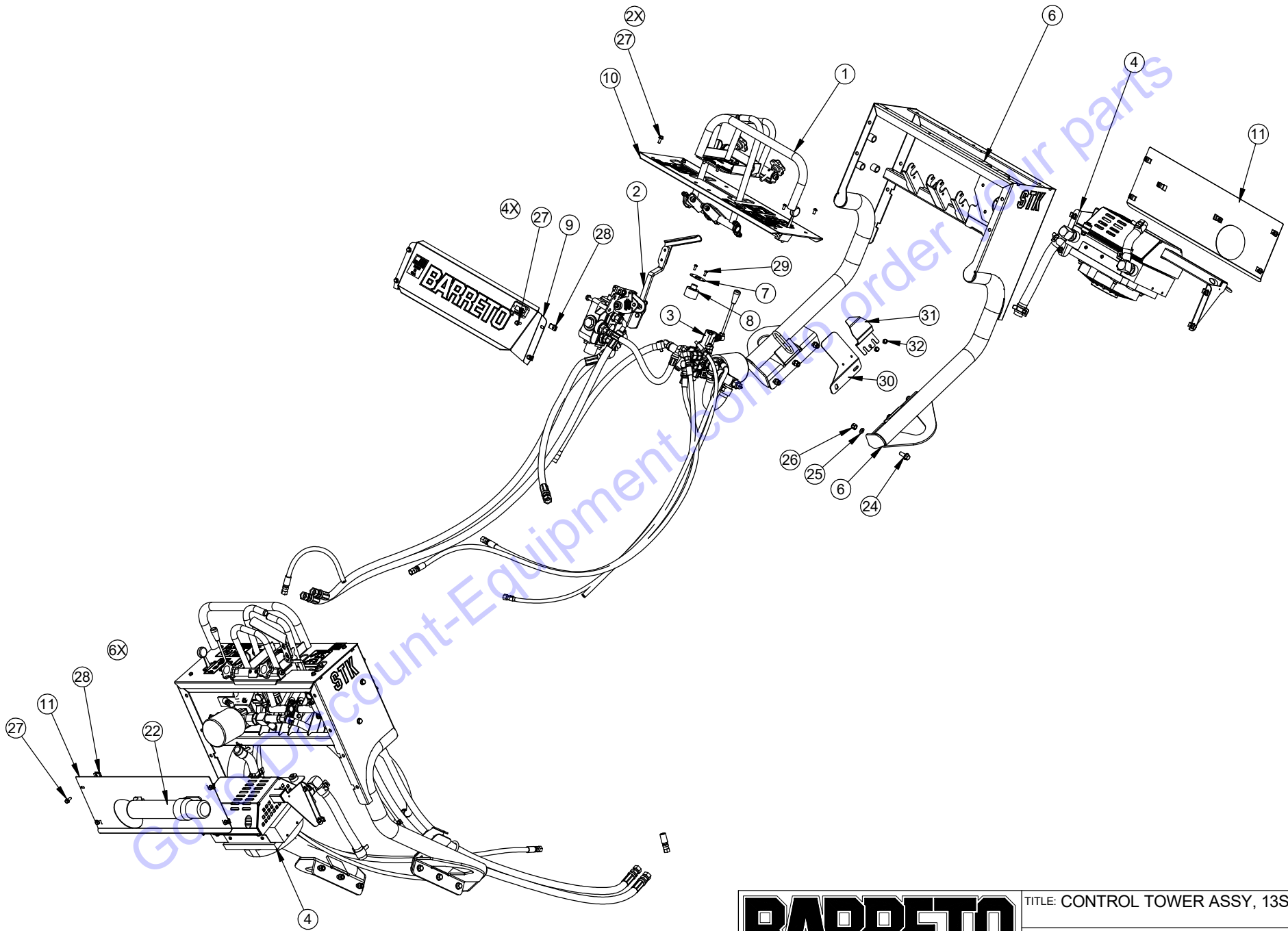
PRODUCT LINE: 13STKH ONLY

SCALE: 1:12

SHEET 1 OF 2

DWG# 00576

Go to Discount-Equipment.com to order



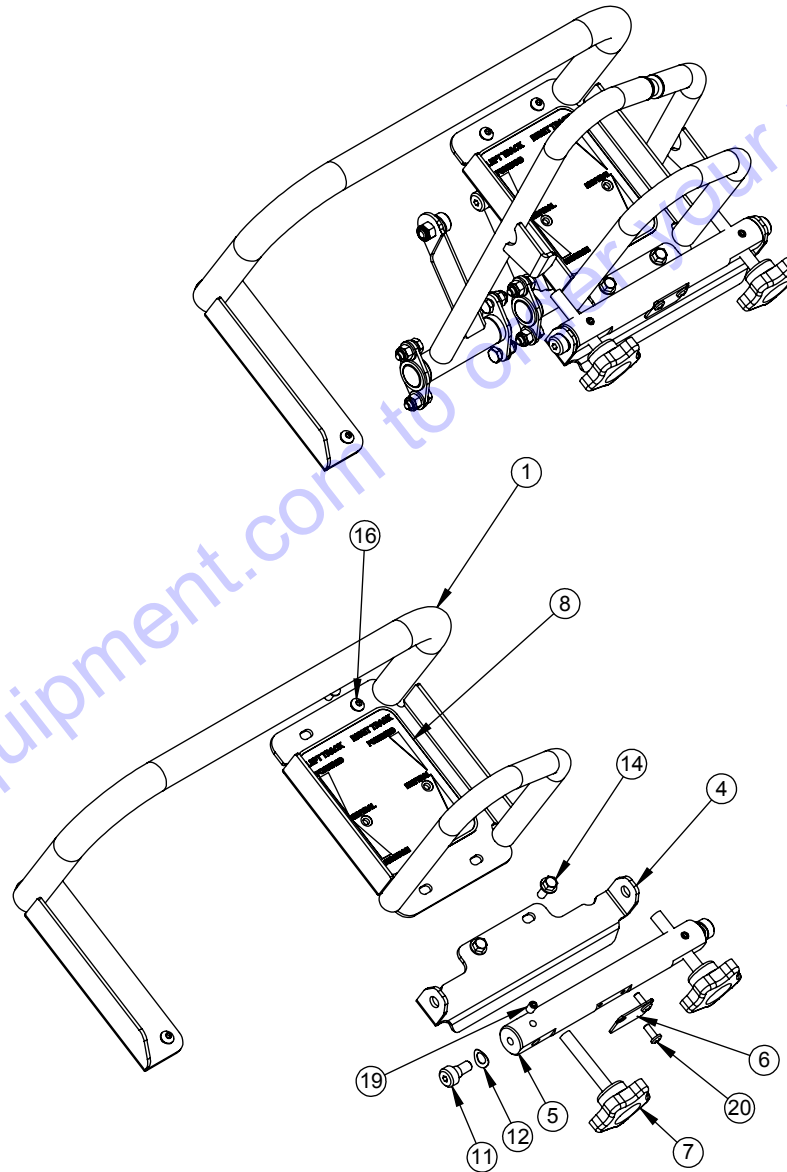
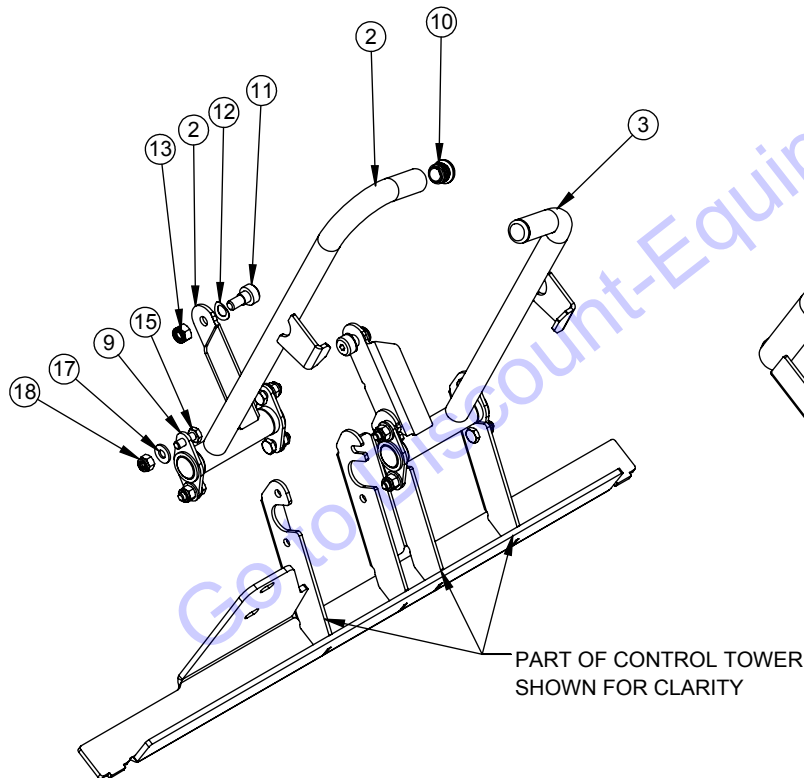
BARRETO

TITLE: CONTROL TOWER ASSY, 13STKH
 PRODUCT LINE: 13STKH ONLY
 SCALE: 1:16
 SHEET 2 OF 2

DWG# 00576

| ITEM NO. | QTY. | PART NO. | DESCRIPTION |
|----------|------|----------|--|
| 1 | 1 | 13632 | HAND REST |
| 2 | 1 | 13663 | SPEED LEVER, LEFT |
| 3 | 1 | 13664 | SPEED LEVER, RIGHT |
| 4 | 1 | 12818 R1 | STOP BRACKET, BOTTOM |
| 5 | 1 | 12820 R1 | STOP TRUNION |
| 6 | 1 | 12913 | STOP PLATE |
| 7 | 2 | 12833 | 5 SA, LRG STAR KNOB |
| 8 | 1 | 04451-TK | L - R TRACK DECAL |
| 9 | 4 | 12381 | IGUS FLANGE JFL-20 |
| 10 | 2 | 12152 | HANDLE END CAP |
| 11 | 4 | 05351 | SH SHOULDER SCREW, 3/8 X 1/4 X 5/16-18 |
| 12 | 4 | 05357 | WASHER, CURVED, .380 X .625 X .015 |
| 13 | 2 | 05273 | NUT, NYLOCK, 5/16-18 NC ZINC |
| 14 | 2 | 05069 | WHIZ-LOCK 1/4 - 20 X 5/8 |
| 15 | 8 | 05554 | HH CAP SCREW, 1/4-20 NC X 3/4 G5 ZINC |
| 16 | 4 | 05507 | BUTTON HD SOCKET CAP SCR, 1/4-20 X 1/2 |
| 17 | 8 | 05081 | WASHER, 1/4 SAE ZINC |
| 18 | 8 | 05096 | NUT, NYLOCK, 1/4-20 NC ZINC |
| 19 | 2 | 12866 | SET SCREW, 1/4-28 X .375, NYLON TIP |
| 20 | 2 | 05233 | SCREW #10-24 X 1/2 PPH |

| | |
|--------------|--------|
| RELEASE DATE | 1/6/17 |
| REVISED DATE | NEW |
| REVISION # | 0 |



BARRETO

TITLE: SPEED CONTROL ASSEMBLY

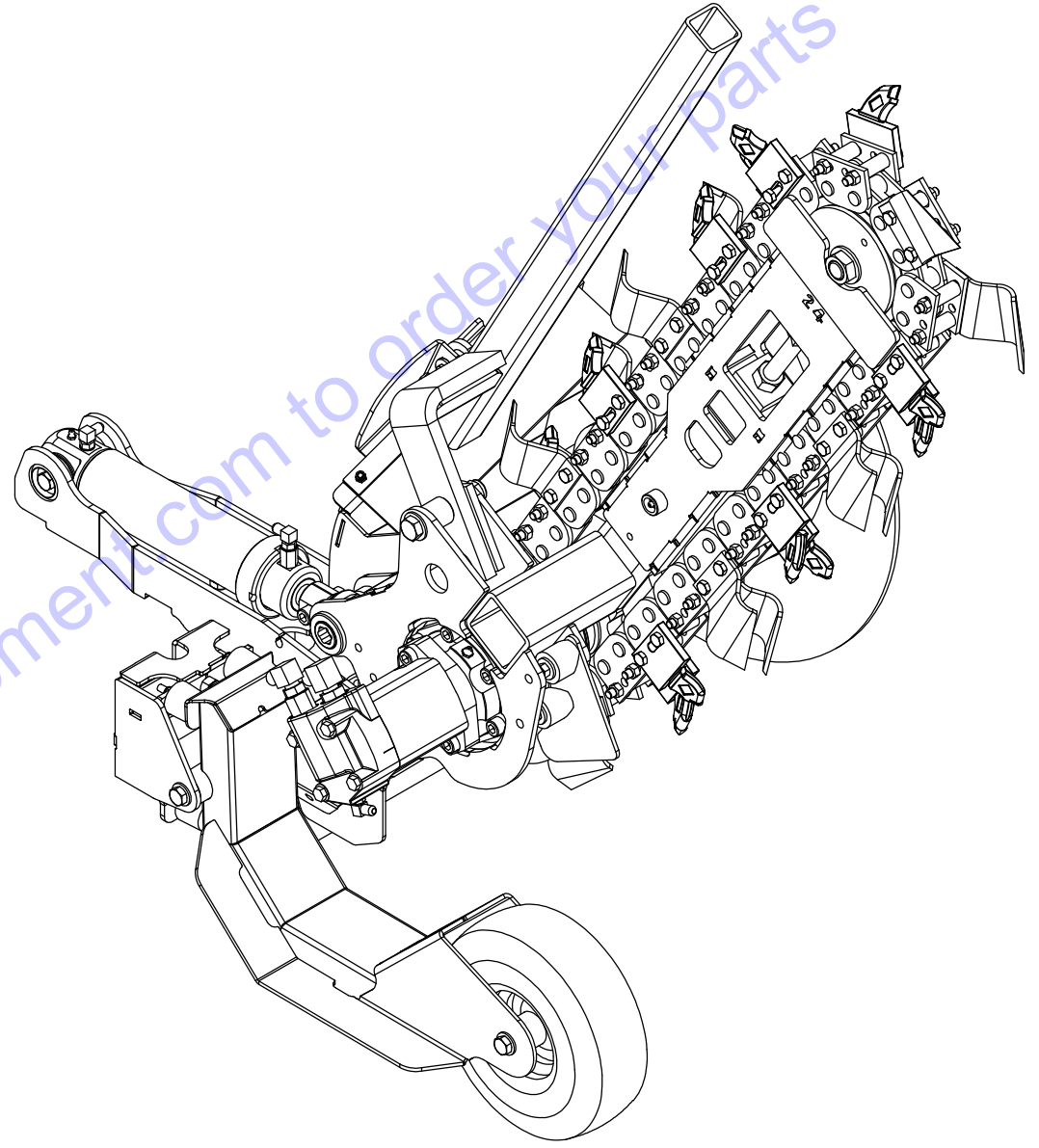
PRODUCT LINE: STK

SCALE: 1:6
SHEET 1 OF 1

DWG# 00575

| | |
|--------------|---------|
| RELEASE DATE | 2/9/17 |
| REVISED DATE | 3/27/17 |
| REVISION # | 1 |

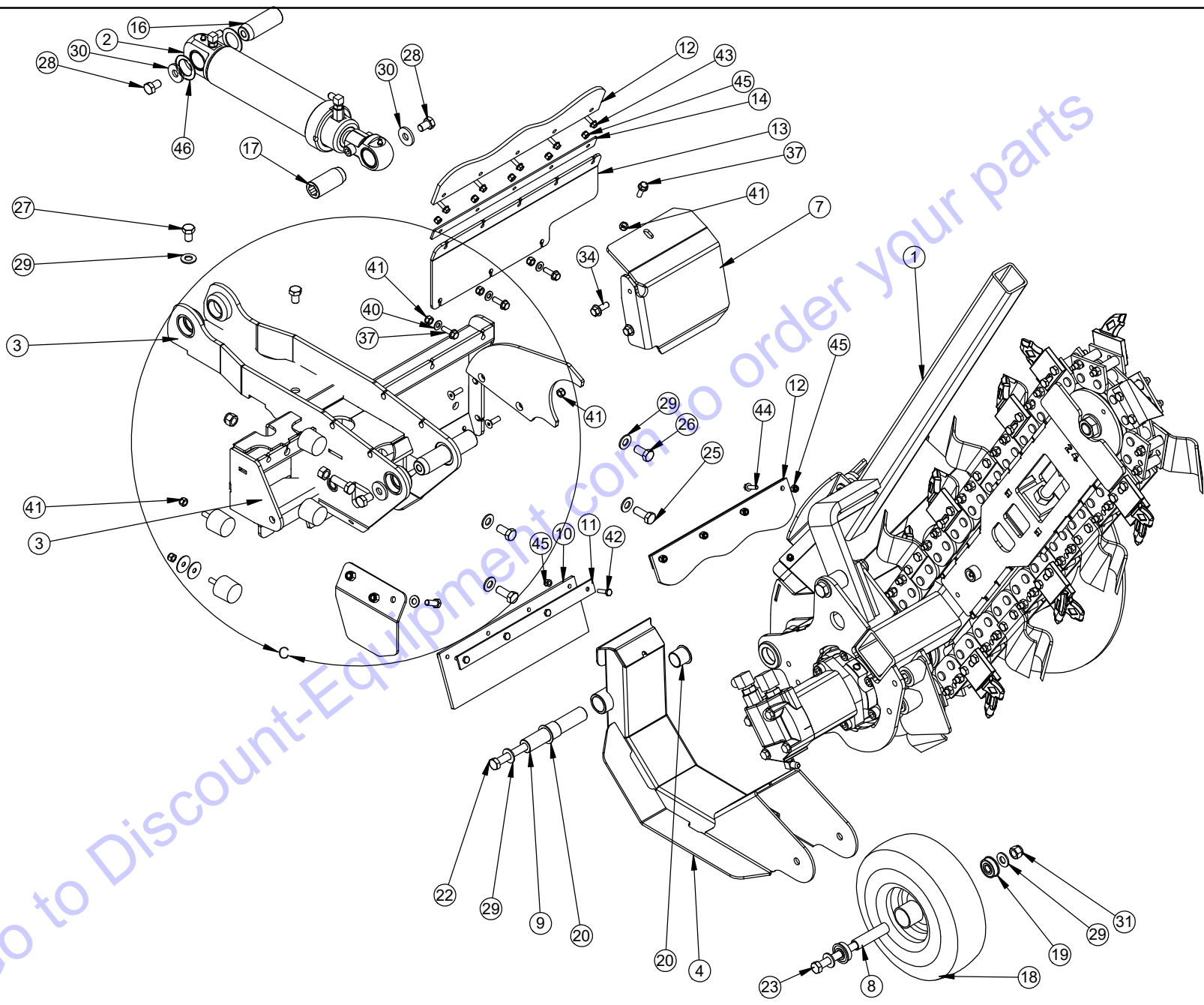
| ITEM NO. | QTY. | PART NO. | DESCRIPTION |
|----------|------|----------|--|
| 1 | 1 | 00580 | BOOM ASSEMBLY |
| 2 | 1 | 00571 | BOOM CYLINDER ASSEMBLY |
| 3 | 1 | 13625 | FRONT END |
| 4 | 1 | 13646T | WHEEL ARM |
| 5 | 1 | 13651 | DIRT DEFLECTOR |
| 6 | 1 | 13652 | DIRT GUIDE |
| 7 | 1 | 13653 | TRACK GUARD |
| 8 | 1 | 10458 | SPACER, FRONT AXLE |
| 9 | 1 | 13647 | PIVOT PIN |
| 10 | 1 | 13656 | DIRT FLAP |
| 11 | 2 | 13659 | FLAP RETAINER |
| 12 | 1 | 13658 | DIRT GUARD |
| 13 | 1 | 13720 | DIRT GUARD BRACKET |
| 14 | 1 | 13657 | DIRT GUARD RETAINER |
| 15 | 1 | 13641 | SWING PIN |
| 16 | 1 | 13737 | SWING PIN |
| 17 | 1 | 13738 | SWING PIN |
| 18 | 1 | 10347 | TIRE & RIM 4.10/3.50-4 |
| 19 | 2 | 10347.50 | BEARING, 1/2 BORE |
| 20 | 2 | 03269 | BUSHING, IGUS LFI-1618-16 |
| 21 | 4 | 03010 | STOP PAD |
| 22 | 1 | 05438 | HH CAP SCREW, 1/2-13 NC X 7 G5 ZINC |
| 23 | 1 | 05382 | HH CAP SCREW, 1/2-13 NC X 5-1/2 G5 ZINC |
| 24 | 1 | 05300-01 | HH CAP SCREW, 1/2-13 NC X 1-1/2 G5 ZINC |
| 25 | 2 | 05323 | HH CAP SCREW, 1/2-13 NC X 1-1/4 G5 ZINC |
| 26 | 2 | 05067 | HH CAP SCREW, 1/2-13 NC X 1 G5 ZINC |
| 27 | 2 | 05060 | HH CAP SCREW, 1/2-13 NC X 3/4 G5 ZINC |
| 28 | 3 | 05436 | HH CAP SCREW, 1/2-20 NF X 3/4 G5 ZN |
| 29 | 8 | 05102 | WASHER, 1/2 SAE ZINC HARDENED |
| 30 | 3 | 03333 | WASHER, .53 X 1.365 X .164 ZINC |
| 31 | 2 | 05098 | NUT, NYLOCK, 1/2-13 NC ZINC |
| 32 | 1 | 10326 | NUT, 1/2-13 NC G5 ZINC |
| 33 | 2 | 05059 | HH CAP SCREW, 3/8-16 NC X 1 G5 ZINC |
| 34 | 2 | 05377 | HHFS 3/8-16 X 1, G5, ZN |
| 35 | 2 | 05101 | WASHER, 3/8 SAE ZINC |
| 36 | 2 | 05073 | NUT, NYLOCK, 3/8-16 NC ZINC |
| 37 | 4 | 05567 | HHFS 5/16-18 X 1, G5, ZN |
| 38 | 2 | 05432 | FSCS 5/16 NC X 1 ZN |
| 39 | 4 | 05541 | WASHER, 5/16 FENDER ZINC |
| 40 | 3 | 05068 | WASHER, 5/16 SAE ZINC |
| 41 | 10 | 05273 | NUT, NYLOCK, 5/16-18 NC ZINC |
| 42 | 4 | 05237 | HH CAP SCREW, 1/4-20 NC X 1 G5 ZINC |
| 43 | 5 | 05368 | WHIZ-LOCK 1/4 - 20 X 1 |
| 44 | 4 | 05535 | WHIZ-LOCK 1/4 - 20 X 7/8 |
| 45 | 13 | 05096 | NUT, NYLOCK, 1/4-20 NC ZINC |
| 46 | 2 | 03334 | THRUST WASHER, 1.260 X 1.875 X .075 STAINLESS ST |



BARRETO

| | |
|---------------------------|------------|
| TITLE: FRONT END ASSEMBLY | |
| PRODUCT LINE: STK | |
| SCALE: 1:8 | DWG# 00577 |
| SHEET 1 OF 3 | |

Go to Discount-Equipment.com to order your parts



BARRETO

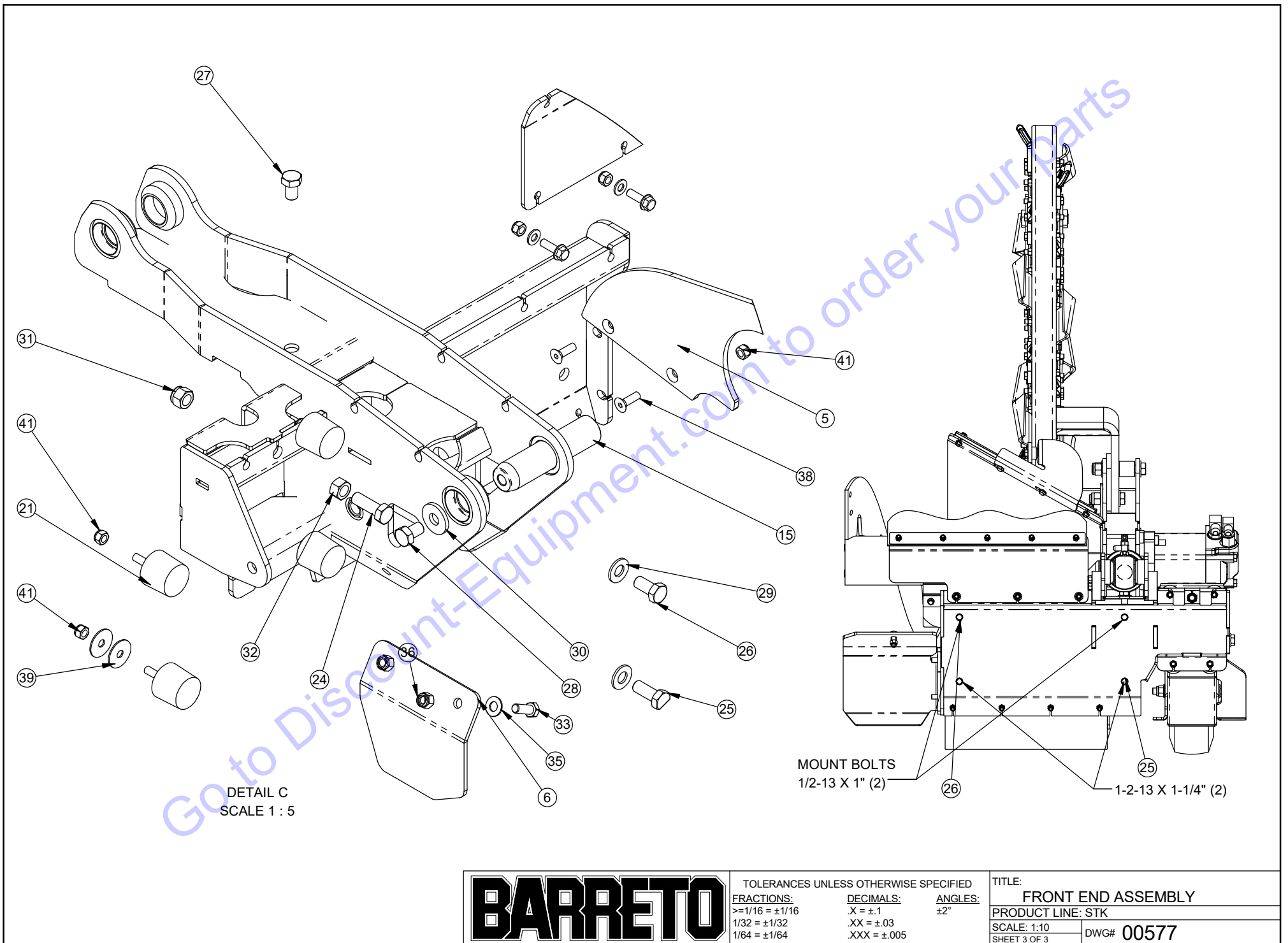
TITLE: FRONT END ASSEMBLY

PRODUCT LINE:STK

SCALE: 1:10

SHEET 2 OF 3

DWG# 00577



DETAIL C
SCALE 1 : 5

MOUNT BOLTS
1/2-13 X 1" (2)

1-2-13 X 1-1/4" (2)

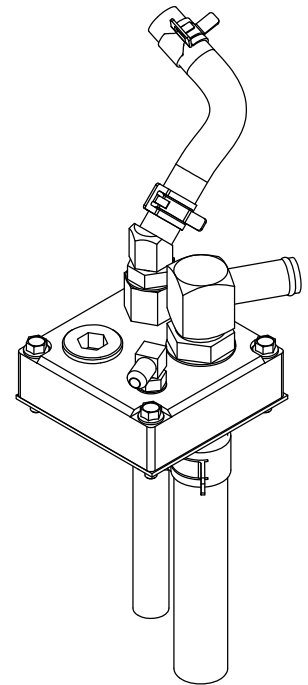
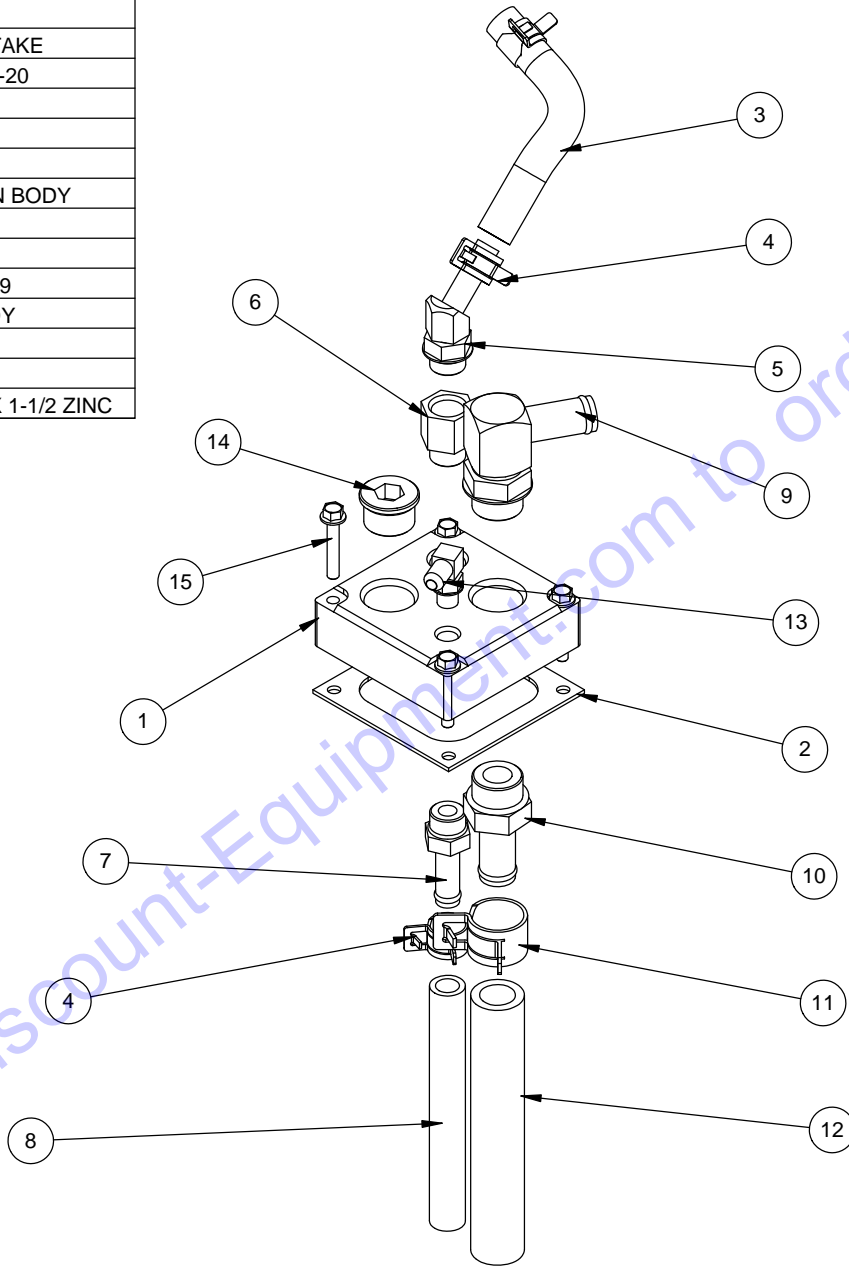


TOLERANCES UNLESS OTHERWISE SPECIFIED
FRACTIONS:
 >=1/16 = ±1/16
 1/32 = ±1/32
 1/64 = ±1/64
DECIMALS:
 .X = ±.1
 .XX = ±.03
 .XXX = ±.005
ANGLES:
 ±2°

TITLE:
FRONT END ASSEMBLY
 PRODUCT LINE: STK
 SCALE: 1:10
 SHEET 3 OF 3
 DWG# 00577

| ITEM NO. | QTY. | PART NO. | DESCRIPTION |
|----------|------|----------|-----------------------------------|
| 1 | 1 | 13667 R1 | LID |
| 2 | 1 | 13723 | MANIFOLD GASKET |
| 3 | 1 | 13671 | HOSE, CHAIN PUMP INTAKE |
| 4 | 3 | 12131 | CLAMP, 1/2" HOSE, CTB-20 |
| 5 | 1 | 04216 | FITTING, 4603-8-8 |
| 6 | 1 | 04611 | FITTING, 6410-8-8 |
| 7 | 1 | 04574 | FITTING, 4604-8-8 |
| 8 | 1 | 13708 | HOSE, PUMP INTAKE, IN BODY |
| 9 | 1 | 04202 | FITTING, 4601-12-12 |
| 10 | 1 | 04219 | FITTING, 4604-12-12 |
| 11 | 1 | 05008 | CLAMP, 1" HOSE, CTB-29 |
| 12 | 1 | 13709 | HOSE: RETURN, IN BODY |
| 13 | 1 | 04555 | FITTING, 6801-4-4 |
| 14 | 1 | 10526 | FITTING, 6409-12 PLUG |
| 15 | 4 | 10622 | WHIZ LOCK, 1/4-20 NC X 1-1/2 ZINC |

| | |
|--------------|---------|
| RELEASE DATE | 2/10/17 |
| REVISED DATE | NEW |
| REVISION # | 0 |



BARRETO

| | |
|-------------------------|---------------|
| TITLE: STK LID ASSEMBLY | |
| PRODUCT LINE: STK | |
| SCALE: 1:4 | DWG# 00578 R1 |
| SHEET 1 OF 1 | |

| TEM NO. | QTY. | PART NO. | DESCRIPTION |
|---------|------|-----------|----------------------------------|
| 1 | 1 | 00318 | CHAIN ROLLER ASSEMBLY |
| 2 | 1 | DIG CHAIN | CHAIN OPTIONS |
| 3 | 1 | 01670-XX | 24" BOOM,3" MOUNT |
| 4 | 1 | 11218-XX | BOOM GUARD OPTIONS 24", 30", 36" |
| 5 | 1 | 11644 | BOOM CUSHION, 1.88 X 2.75 |
| 6 | 1 | 11645 | CUSHION PAD |
| 7 | 1 | 10848-M | BOOM ROLLER AXLE |
| 8 | 1 | 05597 | JAM NUT, GRIPCO 7/8 - 9 |
| 9 | 3 | 05044 | GREASE ZERK, 1/4-28 UNF |
| 10 | 1 | 05230 | SQ. HEAD SET SCREW, 3/4-10 X 5 |
| 11 | 1 | 05155 | WASHER, 7/8 SAE ZINC |
| 12 | 1 | 05231 | NUT, 3/4-10 NC ZINC |

| | |
|--------------|---------|
| RELEASE DATE | 7/29/16 |
| REVISED DATE | NEW |
| REVISION # | 0 |

FOR OUR MOST POPULAR CHAIN OPTIONS SEE THE LAST PAGE OF THIS MANUAL. FOR ADDITIONAL OPTIONS PLEASE CALL BARRETO MANUFACTURING AT 800-525-7348

BOOM & BOOM GUARD OPTIONS

24 INCH DIG DEPTH

BOOM: 01670-24

BOOM GUARD: 11218-24

30 INCH DIG DEPTH

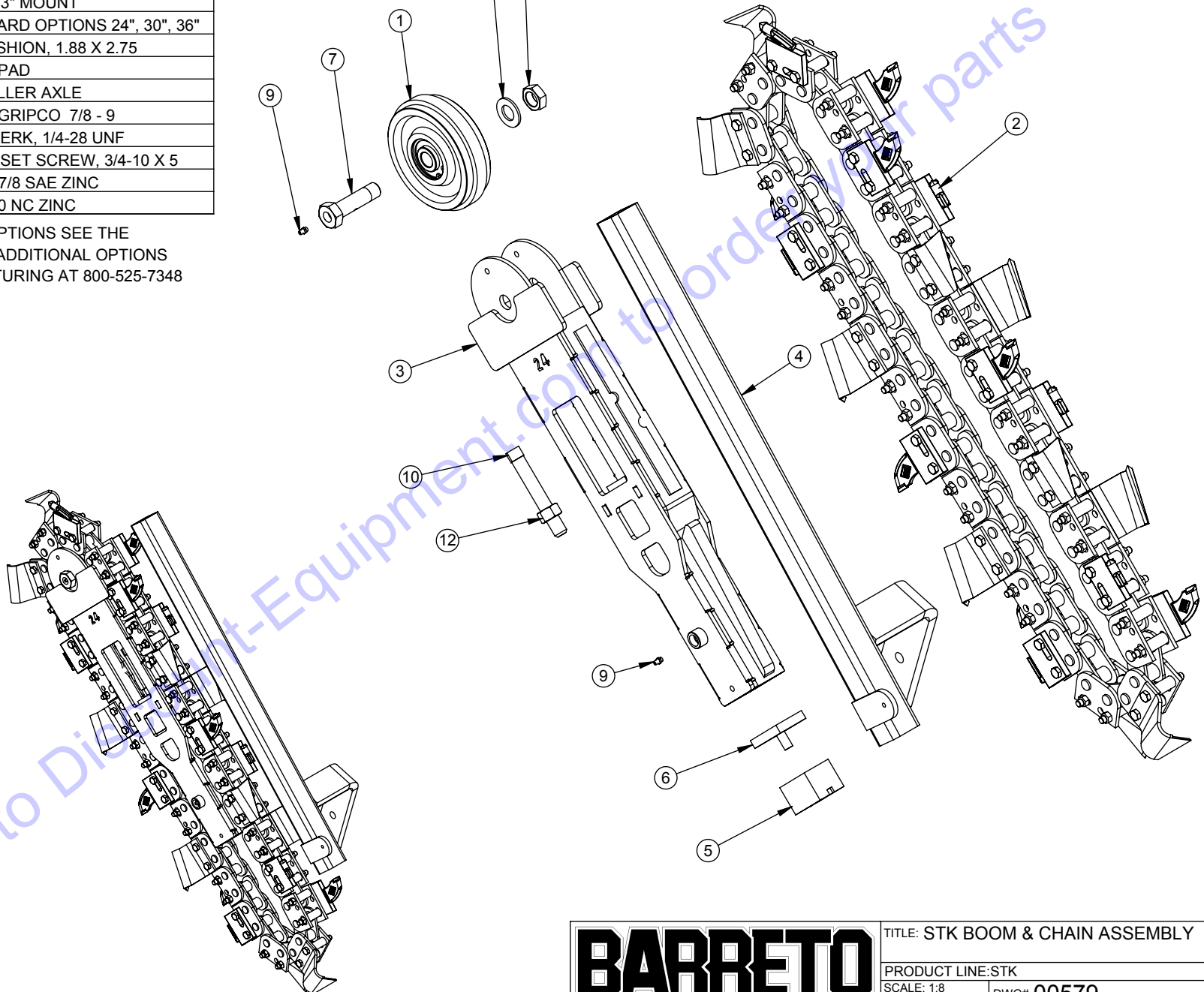
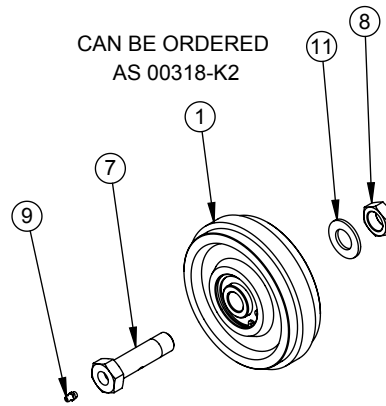
BOOM: 01670-30

BOOM GUARD: 11218-30

36 INCH DIG DEPTH

BOOM: 01670-36

BOOM GUARD: 11218-36



BARRETO

TITLE: STK BOOM & CHAIN ASSEMBLY

PRODUCT LINE: STK

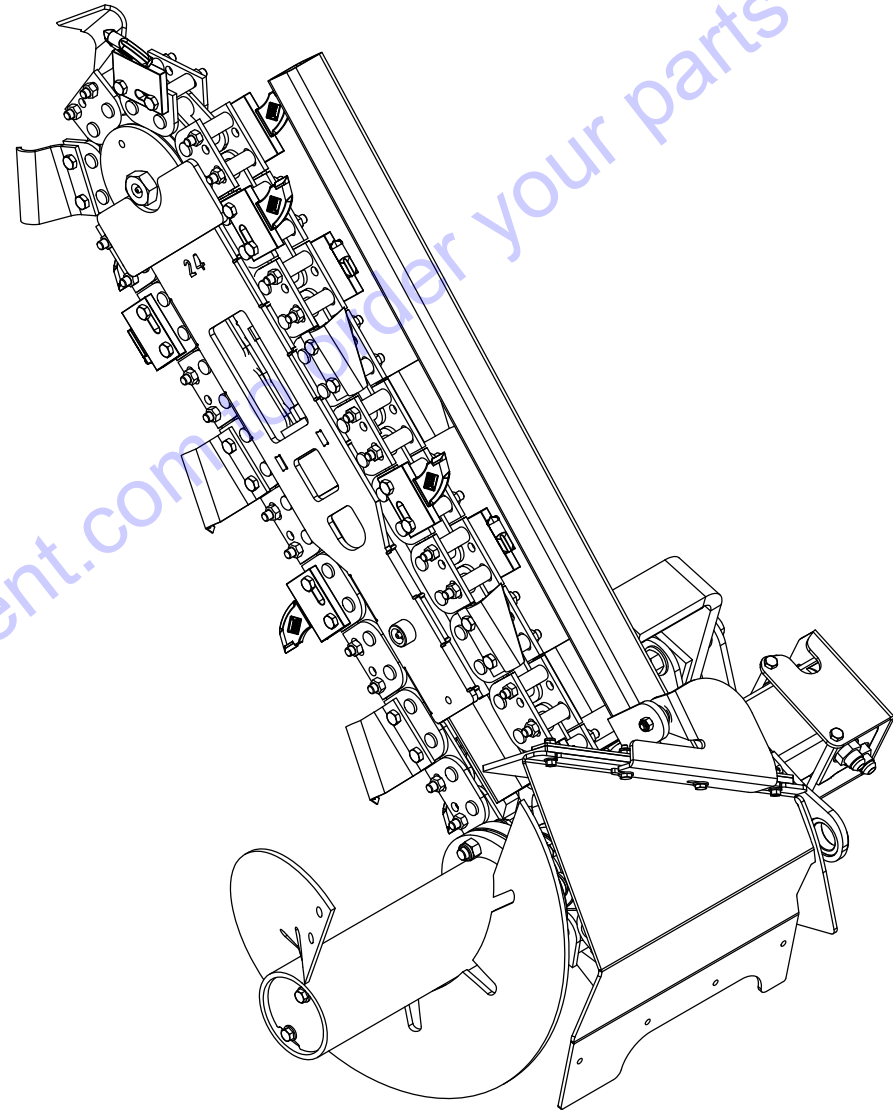
SCALE: 1:8

SHEET 1 OF 1

DWG# 00579

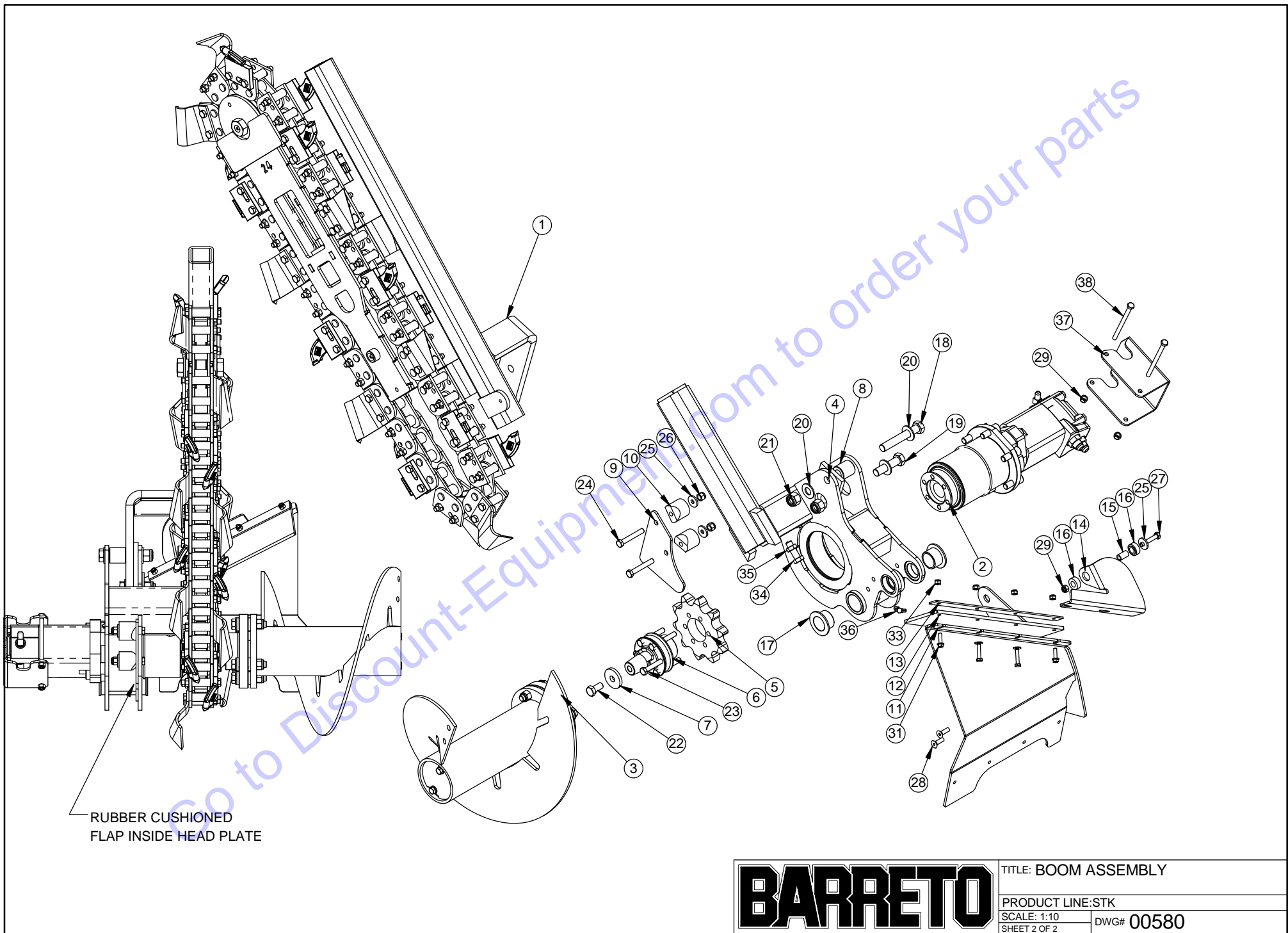
| ITEM NO. | QTY. | PART NO. | DESCRIPTION |
|----------|------|-----------|--|
| 1 | 1 | 00579 | STK BOOM & CHAIN ASSEMBLY |
| 2 | 1 | 00574 | SPINDLE HOUSING ASSEMBLY |
| 3 | 1 | 00372-STK | AUGER ASSEMBLY |
| 4 | 1 | 13235 | MOTOR HOUSING |
| 5 | 1 | 02710B | 10T SPROCKET |
| 6 | 1 | 11219 R1 | AUGER DRIVER |
| 7 | 1 | 10037P | WASHER, 1/2 X 1-3/4 X 1/4 |
| 8 | 1 | 13640 | BOOM GUARD SPACER |
| 9 | 1 | 13649 | AUGER FLAP |
| 10 | 2 | 02615 | AUGER FLAP SPRING |
| 11 | 1 | 13648 | CHAIN GUARD |
| 12 | 1 | 13656 | DIRT FLAP |
| 13 | 1 | 13659 | FLAP RETAINER |
| 14 | 1 | 13706 | DEFLECTOR BRACE |
| 15 | 1 | 13707 | CUSHION SPACER |
| 16 | 2 | 11113 | CUSHION |
| 17 | 2 | 12712 | BUSHING, COMPOSITE, 1.265 X 1.514 X 1.0 FLANGE |
| 18 | 1 | 05347 | HH CAP SCREW, 5/8-11 NC X 4 G5 ZINC |
| 19 | 1 | 05335 | HH CAP SCREW, 5/8-11 NC X 2-1/2 G5 ZINC |
| 20 | 3 | 05272 | WASHER, 5/8 SAE ZINC HARDENED |
| 21 | 2 | 05099 | NUT, NYLOCK, 5/8-11 NC ZINC |
| 22 | 1 | 05067 | HH CAP SCREW, 1/2-13 NC X 1 G5 ZINC |
| 23 | 6 | 05289 | HH CAP SCREW, 3/8-24 NF X 2-1/2 G8 ZINC |
| 24 | 2 | 05249 | HH CAP SCREW, 3/8-16 NC X 2-1/2 G5 ZINC |
| 25 | 3 | 05399 | WASHER, 5/16 X 1 X 1/8 ZN |
| 26 | 2 | 05073 | NUT, NYLOCK, 3/8-16 NC ZINC |
| 27 | 1 | 05054 | HH CAP SCREW, 5/16-18 NC X 1-3/4 G5 ZINC |
| 28 | 2 | 05432 | FSCS 5/16 NC X 1 ZN |
| 29 | 5 | 05273 | NUT, NYLOCK, 5/16-18 NC ZINC |
| 30 | 2 | 05125 | HH CAP SCREW, 1/4-20 NC X 1-1/4 G5 ZINC |
| 31 | 2 | 05535 | WHIZ-LOCK 1/4 - 20 X 7/8 |
| 32 | 2 | 05081 | WASHER, 1/4 SAE ZINC |
| 33 | 4 | 05096 | NUT, NYLOCK, 1/4-20 NC ZINC |
| 34 | 1 | 05300-01 | HH CAP SCREW, 1/2-13 NC X 1-1/2 G5 ZINC |
| 35 | 1 | 11056 | NUT, JAM, 1/2-13 NC G5 ZINC |
| 36 | 1 | 05340 | GREASE ZERK, 1/4-28 UNF 45° |
| 37 | 1 | 13743 | CASE DRAIN GUARD |
| 38 | 2 | NEW | HH CAP SCREW, 5/16-18 NC X 4-1/2 ZINC |

| | |
|--------------|---------|
| RELEASE DATE | 2/10/17 |
| REVISED DATE | NEW |
| REVISION # | 0 |



BARRETO

| | |
|----------------------|------------|
| TITLE: BOOM ASSEMBLY | |
| PRODUCT LINE: STK | |
| SCALE: 1:8 | DWG# 00580 |
| SHEET 1 OF 2 | |



RUBBER CUSHIONED
FLAP INSIDE HEAD PLATE

BARRETO

TITLE: BOOM ASSEMBLY

PRODUCT LINE: STK

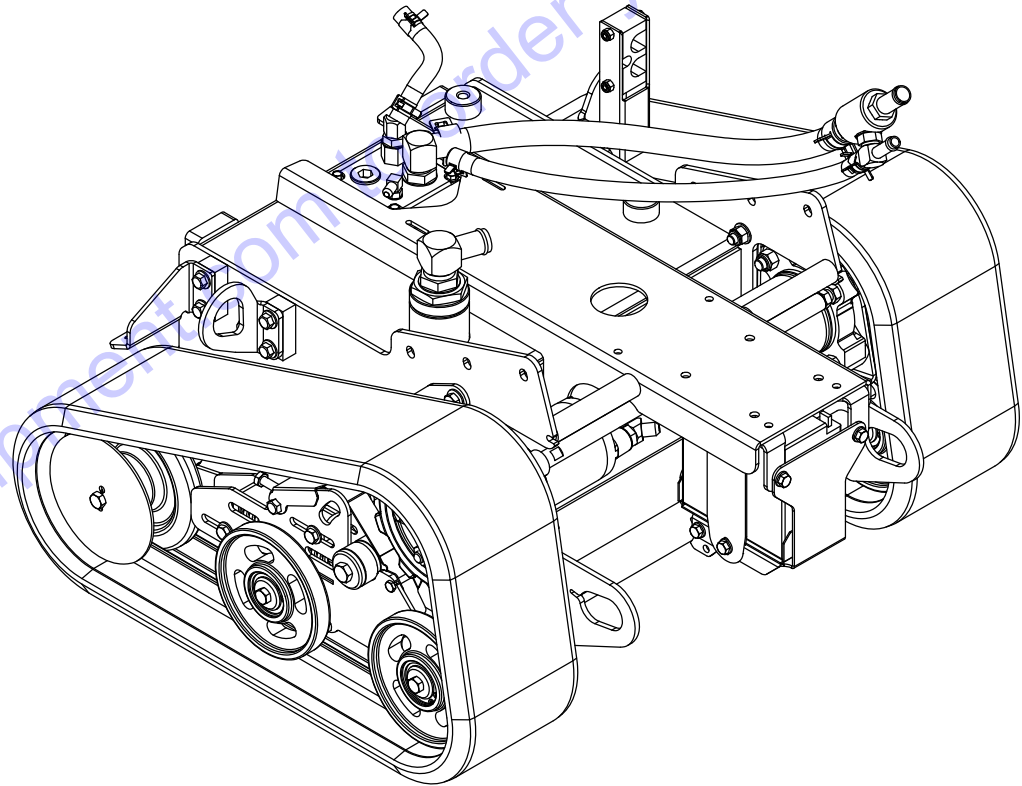
SCALE: 1:10

SHEET 2 OF 2

DWG# 00580

| ITEM NO. | QTY. | PART NO. | DESCRIPTION |
|----------|------|----------|--------------------------------------|
| 1 | 1 | 00578 R1 | STK LID ASSEMBLY |
| 2 | 1 | 00585 | RIGHT CARRIAGE ASSEMBLY |
| 3 | 1 | 00584 | LEFT CARRIAGE ASSEMBLY |
| 4 | 1 | 00586 | BATTERY ASSEMBLY |
| 5 | 1 | 13614 R1 | STK BODY |
| 6 | 1 | 13630 | MOTOR BRACE |
| 7 | 1 | 13633 | TIE DOWN EYE, LH |
| 8 | 1 | 13655 | TRACK GUARD SUPPORT |
| 9 | 1 | 13719 | JUNCTION |
| 10 | 1 | 13669 | HOSE: JUNCTION / LID (RETURN) |
| 11 | 1 | 13672 | HOSE: HSTAT BOTTOM / JUNCTION "T" |
| 12 | 1 | 10636 | SUMP SCREEN, W/ O-RING 03292 |
| 13 | 2 | 03503 | SIGHT GAUGE |
| 14 | 2 | 05008 | CLAMP, 1" HOSE, CTB-29 |
| 15 | 2 | 05609 | CLAMP, 1/2" HOSE, CTB-20 |
| 16 | 1 | 10395 | FITTING, 4601-16-16 |
| 17 | 1 | 10361 | FITTING, 6409-8 PLUG |
| 18 | 1 | 12308 | FITTING, 4606-8-8-8 |
| 19 | 2 | 12781 | FITTING, 4604-12-10 |
| 20 | 1 | 05429 | SHCAP SCREW, 1/2-13 NC X 2-1/2 ZINC |
| 21 | 1 | 05586 | SH CAP SCREW, 1/2-13 NC X 1-1/2 ZINC |
| 22 | 2 | 11056 | NUT, JAM, 1/2-13 NC G5 ZINC |
| 23 | 6 | 05187 | HHFS 3/8-16 X 3/4, G5, ZN |
| 24 | 1 | 13746 | CLAMP BASE |
| 25 | 1 | 13747 | ARM |
| 26 | 1 | 13748 | HOSE GROMMET |
| 27 | 1 | 13749 | SPACER |
| 28 | 2 | 03501 | BUSHING, IGUS MFI-0810-08 |
| 29 | 1 | 05566 | HHFS 5/16-18 X 2, G5, ZN |
| 30 | 2 | 05591 | HH CAP SCREW, 1/4-20 NC X 2 G5 ZINC |
| 31 | 2 | 05096 | NUT, NYLOCK, 1/4-20 NC ZINC |
| 32 | 1 | 05002 | NUT, GRIPCO, 5/16-18 NC G5 ZINC |

| | |
|--------------|--------|
| RELEASE DATE | 2/6/17 |
| REVISED DATE | NEW |
| REVISION # | 0 |



Go to Discount-Equipment.com to order your parts

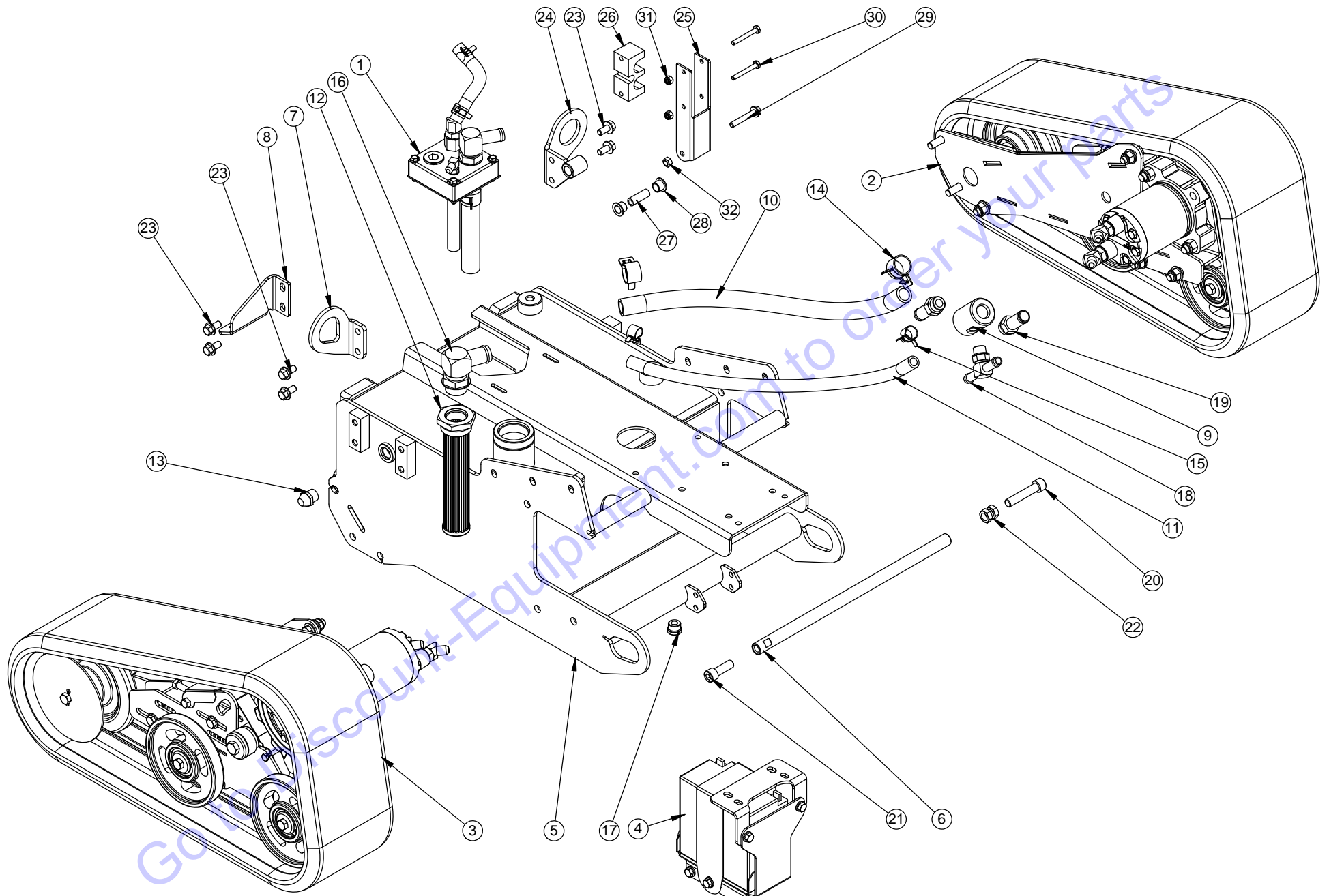
BARRETO

TITLE: STK BODY ASSEMBLY

PRODUCT LINE: STK

SCALE: 1:8
SHEET 1 OF 2

DWG# 00581



BARRETO

TITLE: STK BODY ASSEMBLY

PRODUCT LINE: STK

SCALE: 1:8

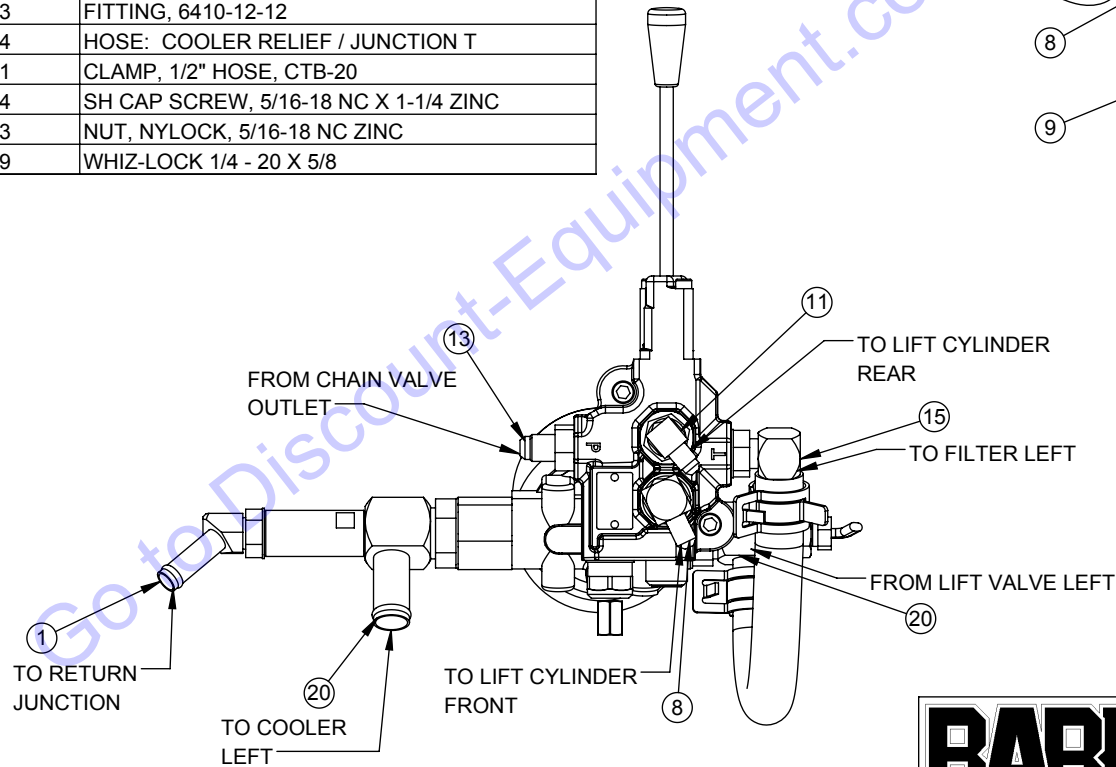
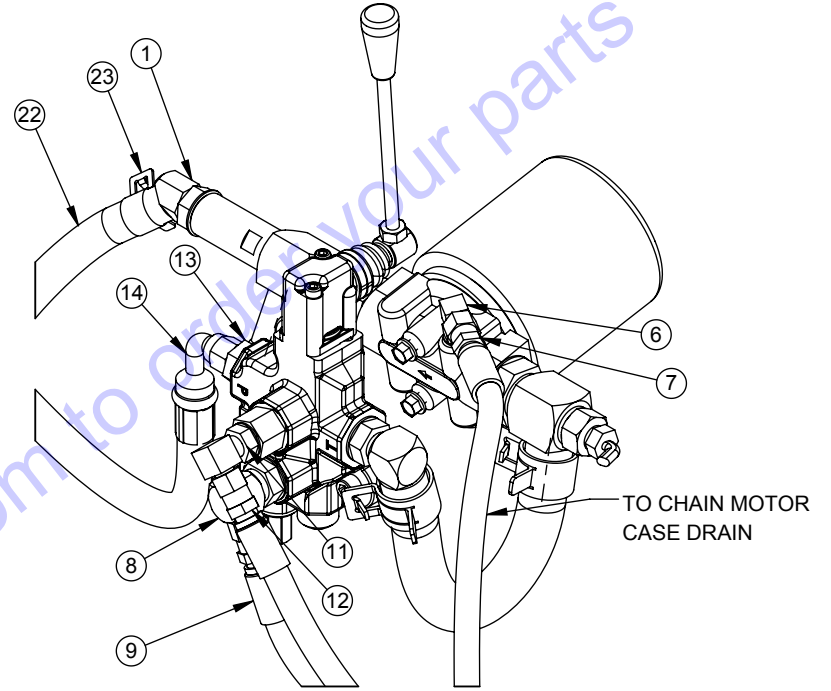
SHEET 2 OF 2

DWG# 00581

| ITEM NO. | QTY. | PART NO. | DESCRIPTION |
|----------|------|------------|--|
| 1 | 1 | 13225-LINE | COOLER RELIEF ASSEMBLY |
| 2 | 1 | 04040 | BOOM LIFT CYLINDER VALVE |
| 3 | 1 | 03951 | FILTER, HYDRAULIC OIL, WITH BY-PASS |
| 4 | 1 | 04212-OR-U | FILTER HEAD, #12 O-RING, BOTH TAPPED |
| 5 | 1 | 03300 | FITTING, 6409-4 PLUG |
| 6 | 1 | 04555 | FITTING, 6801-4-4 |
| 7 | 1 | 13702 | HOSE: CASE DRAIN / FILTER |
| 8 | 1 | 10403 | FITTING, 6801-4-8 |
| 9 | 1 | 13695 | HOSE: LIFT VALVE BOTTOM / CYLINDER FRONT |
| 10 | 1 | 04529 | FITTING, 6410-8-6 |
| 11 | 1 | 04527-01 | FITTING, 6801-4-6 |
| 12 | 1 | 13696 | HOSE: LIFT VALVE TOP / CYLINDER REAR |
| 13 | 1 | 04226 | FITTING, 6400-6-8 |
| 14 | 1 | 13670 | HOSE, LIFT VALVE P / CHAIN VALVE FRONT |
| 15 | 1 | 10529 | FITTING, 4601-12-8 |
| 16 | 1 | 13730 | HOSE, VALVE / FILTER IN |
| 17 | 2 | 05008 | CLAMP, 1" HOSE, CTB-29 |
| 18 | 1 | 12464 | TEMP SWITCH, ACT B4130FD607-P100 |
| 19 | 1 | 04242 | FITTING, 6405-8-4 |
| 20 | 2 | 04202-M | FITTING, 4601-12-12, TOP PORTED #8 |
| 21 | 1 | 04233 | FITTING, 6410-12-12 |
| 22 | 1 | 13694 | HOSE: COOLER RELIEF / JUNCTION T |
| 23 | 2 | 12131 | CLAMP, 1/2" HOSE, CTB-20 |
| 24 | 2 | 05434 | SH CAP SCREW, 5/16-18 NC X 1-1/4 ZINC |
| 25 | 2 | 05273 | NUT, NYLOCK, 5/16-18 NC ZINC |
| 26 | 2 | 05069 | WHIZ-LOCK 1/4 - 20 X 5/8 |

DIRECTIONS / POSITIONS ARE AS THE COMPONENT SITS ON THE STK FROM THE VIEW POINT OF THE OPERATORS POSITION

| | |
|--------------|---------|
| RELEASE DATE | 3/16/17 |
| REVISED DATE | NEW |
| REVISION # | 1 |



BARRETO

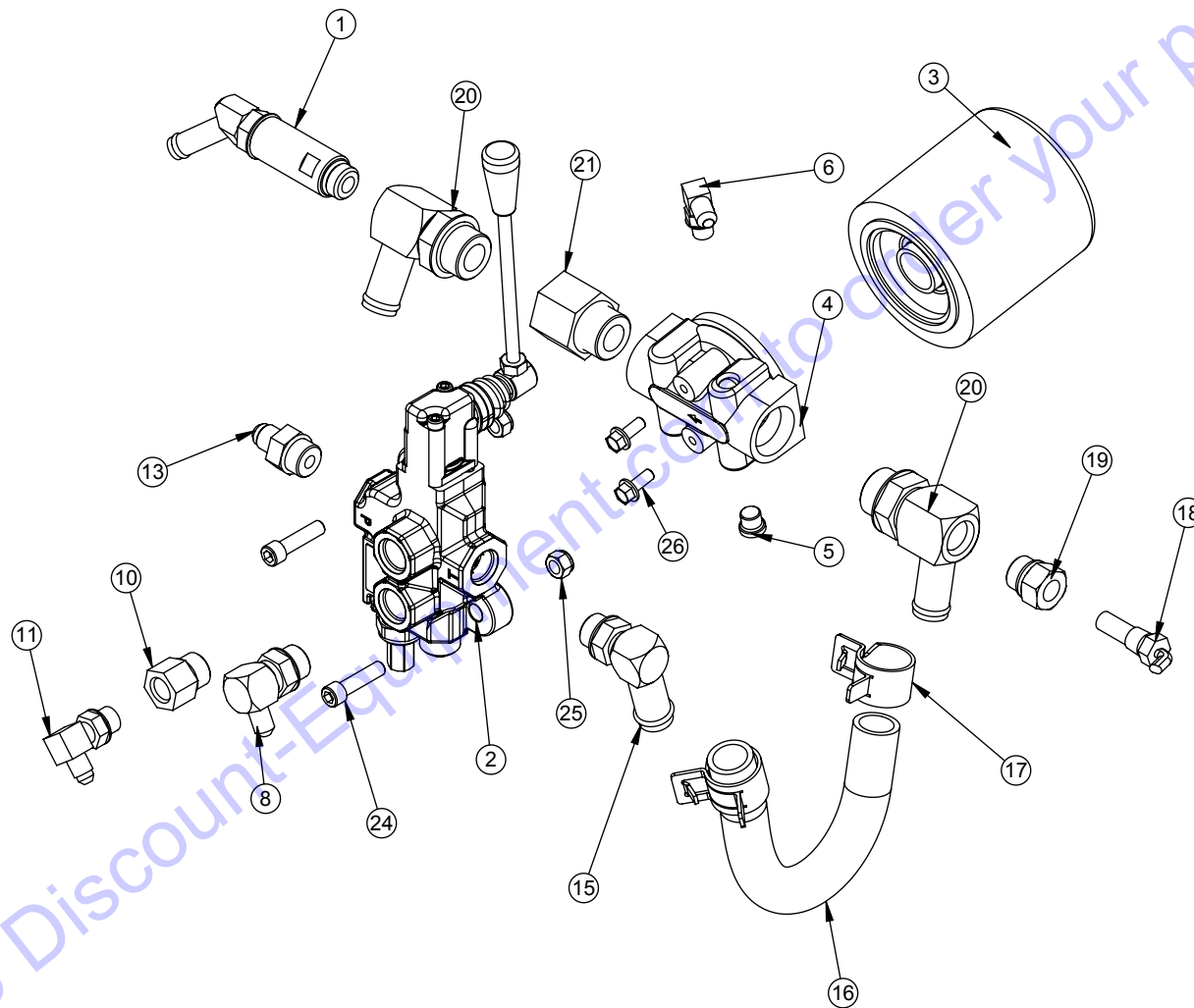
TITLE: LIFT VALVE & FILTER

PRODUCT LINE: STK

SCALE: 1:4
SHEET 1 OF 2

DWG# 00582

HOSES HIDDEN FOR CLARITY



Go to Discount-Equipment.com to order your parts

BARRETO

TITLE: LIFT VALVE & FILTER

PRODUCT LINE: STK

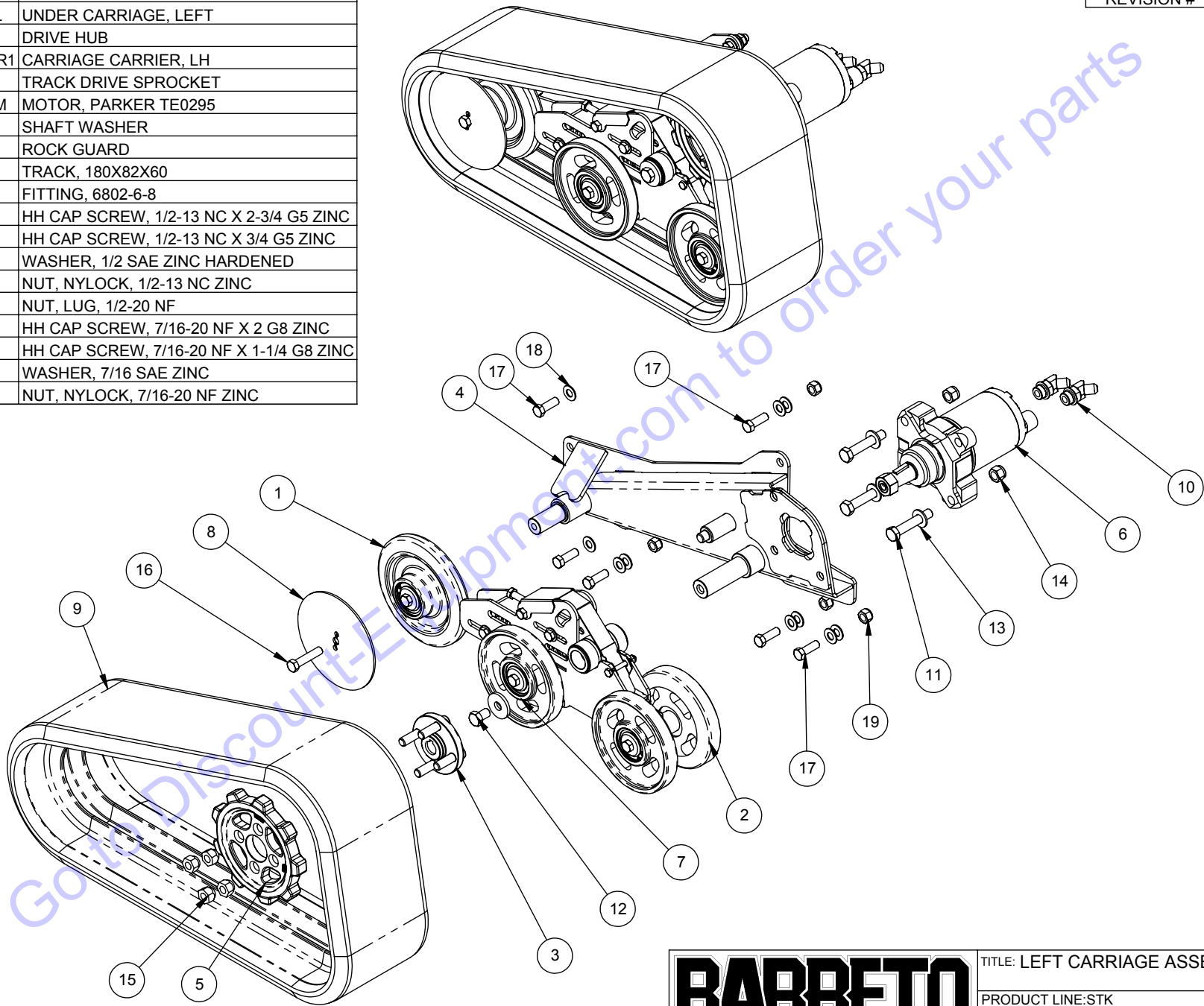
SCALE: 1:4

SHEET 2 OF 2

DWG# 00582

| ITEM NO. | QTY. | PART NO. | DESCRIPTION |
|----------|------|-----------|--|
| 1 | 1 | 00335-SM | IDLER ASSEMBLY |
| 2 | 1 | 00570-L | UNDER CARRIAGE, LEFT |
| 3 | 1 | 13704 | DRIVE HUB </td |
| 4 | 1 | 13703L R1 | CARRIAGE CARRIER, LH |
| 5 | 1 | 13605 | TRACK DRIVE SPROCKET |
| 6 | 1 | 04044-M | MOTOR, PARKER TE0295 |
| 7 | 1 | 11027 | SHAFT WASHER </td |
| 8 | 1 | 13668 | ROCK GUARD |
| 9 | 1 | 13600 | TRACK, 180X82X60 |
| 10 | 2 | 04235 | FITTING, 6802-6-8 |
| 11 | 3 | 05257 | HH CAP SCREW, 1/2-13 NC X 2-3/4 G5 ZINC |
| 12 | 1 | 05060 | HH CAP SCREW, 1/2-13 NC X 3/4 G5 ZINC |
| 13 | 3 | 05102 | WASHER, 1/2 SAE ZINC HARDENED |
| 14 | 3 | 05098 | NUT, NYLOCK, 1/2-13 NC ZINC |
| 15 | 4 | 05042 | NUT, LUG, 1/2-20 NF |
| 16 | 1 | 05354 | HH CAP SCREW, 7/16-20 NF X 2 G8 ZINC |
| 17 | 6 | 05063 | HH CAP SCREW, 7/16-20 NF X 1-1/4 G8 ZINC |
| 18 | 10 | 05544 | WASHER, 7/16 SAE ZINC |
| 19 | 4 | 05077 | NUT, NYLOCK, 7/16-20 NF ZINC |

| | |
|--------------|---------|
| RELEASE DATE | 2/10/17 |
| REVISED DATE | 4/3/17 |
| REVISION # | 1 |

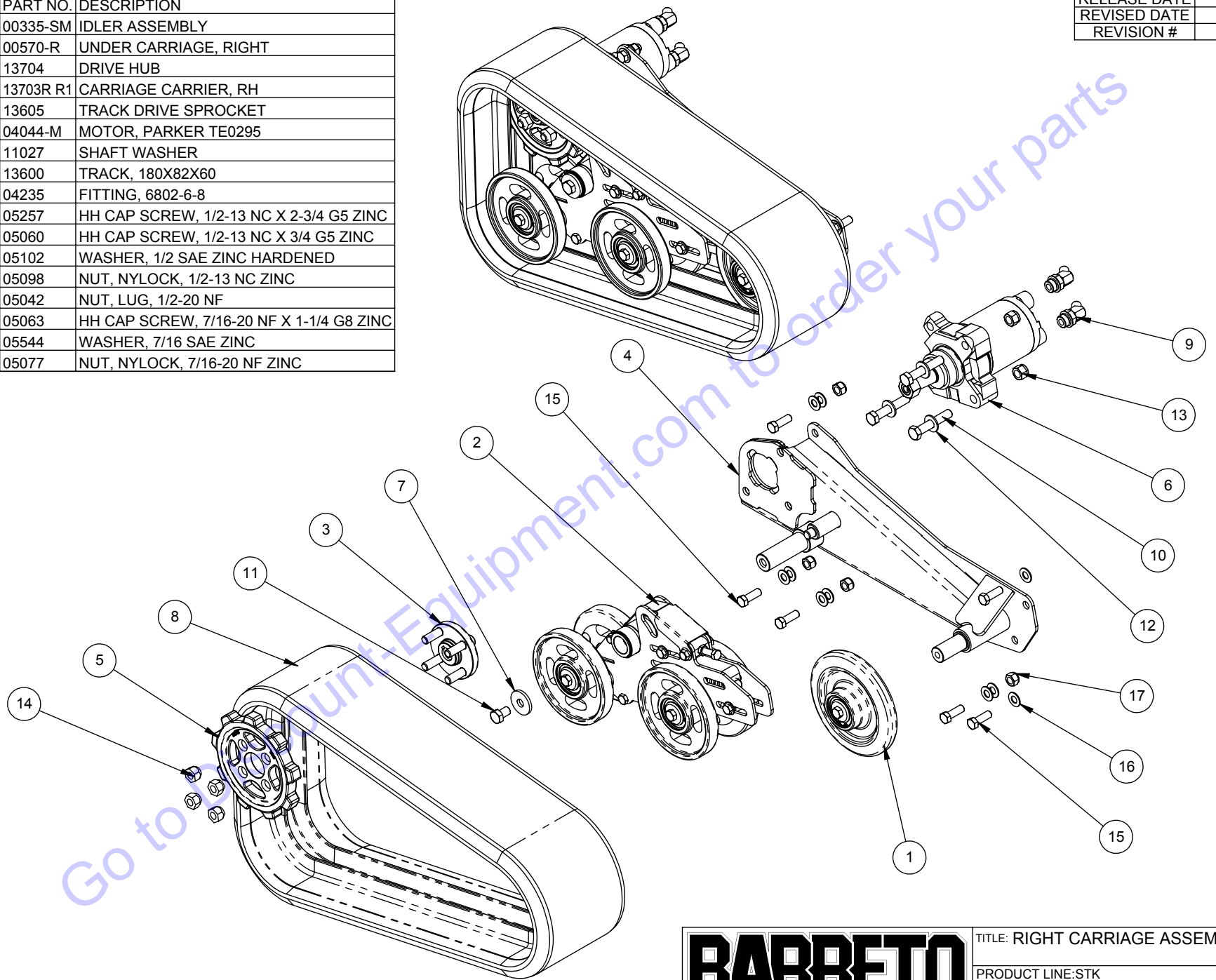


BARRETO

TITLE: LEFT CARRIAGE ASSEMBLY
 PRODUCT LINE: STK
 SCALE: 1:8
 SHEET 1 OF 1
 DWG# 00584

| ITEM NO. | QTY. | PART NO. | DESCRIPTION |
|----------|------|-----------|--|
| 1 | 1 | 00335-SM | IDLER ASSEMBLY |
| 2 | 1 | 00570-R | UNDER CARRIAGE, RIGHT |
| 3 | 1 | 13704 | DRIVE HUB |
| 4 | 1 | 13703R R1 | CARRIAGE CARRIER, RH |
| 5 | 1 | 13605 | TRACK DRIVE SPROCKET |
| 6 | 1 | 04044-M | MOTOR, PARKER TE0295 |
| 7 | 1 | 11027 | SHAFT WASHER |
| 8 | 1 | 13600 | TRACK, 180X82X60 |
| 9 | 2 | 04235 | FITTING, 6802-6-8 |
| 10 | 3 | 05257 | HH CAP SCREW, 1/2-13 NC X 2-3/4 G5 ZINC |
| 11 | 1 | 05060 | HH CAP SCREW, 1/2-13 NC X 3/4 G5 ZINC |
| 12 | 3 | 05102 | WASHER, 1/2 SAE ZINC HARDENED |
| 13 | 3 | 05098 | NUT, NYLOCK, 1/2-13 NC ZINC |
| 14 | 4 | 05042 | NUT, LUG, 1/2-20 NF |
| 15 | 6 | 05063 | HH CAP SCREW, 7/16-20 NF X 1-1/4 G8 ZINC |
| 16 | 10 | 05544 | WASHER, 7/16 SAE ZINC |
| 17 | 4 | 05077 | NUT, NYLOCK, 7/16-20 NF ZINC |

| | |
|--------------|---------|
| RELEASE DATE | 1/30/16 |
| REVISED DATE | 4/3/17 |
| REVISION # | 1 |



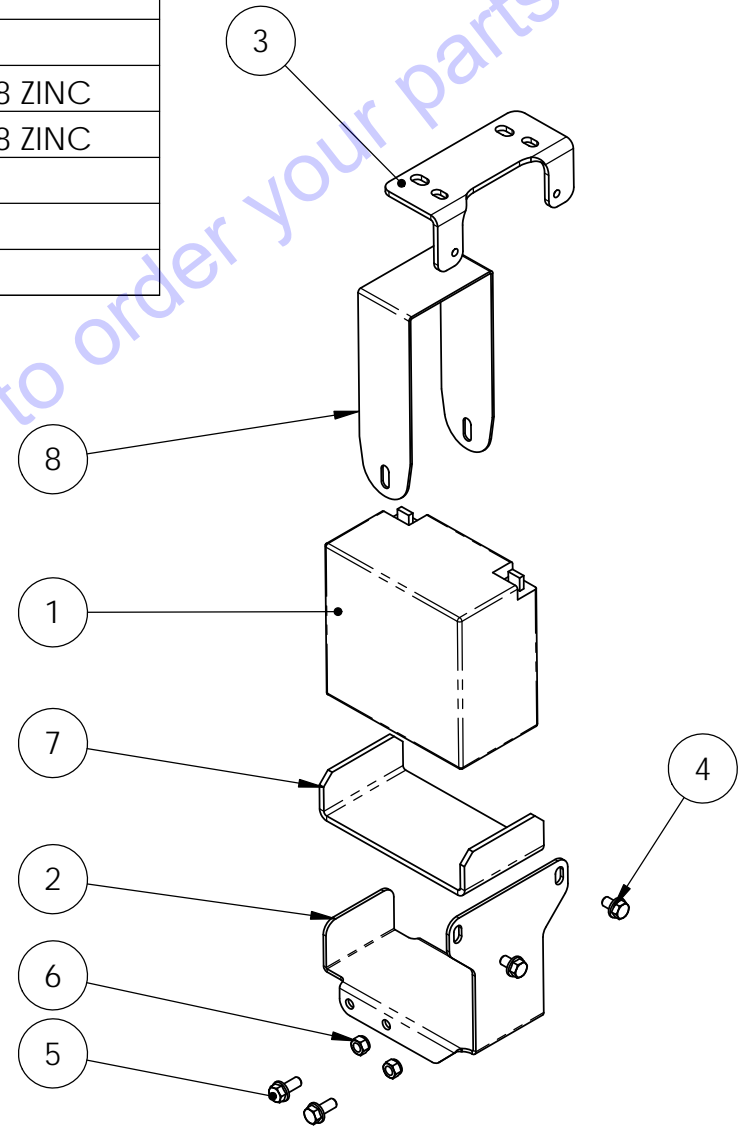
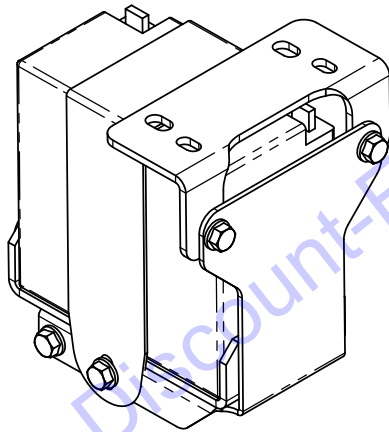
BARRETO TITLE: RIGHT CARRIAGE ASSEMBLY

PRODUCT LINE: STK

SCALE: 1:8

SHEET 1 OF 1 DWG# 00585

| ITEM NO. | QTY. | PART NO. | DESCRIPTION |
|----------|------|----------|---|
| 1 | 1 | 03328 | BATTERY CYTX14H-BS |
| 2 | 1 | 13741 | BATTERY TRAY |
| 3 | 1 | 13733 | BACK MOUNT |
| 4 | 2 | 05520 | HH FLANGE SCREW, 5/16-18 NC X 1/2 G8 ZINC |
| 5 | 4 | 05131 | HH FLANGE SCREW, 5/16-18 NC X 3/4 G8 ZINC |
| 6 | 4 | 05273 | NUT, NYLOCK, 5/16-18 NC ZINC |
| 7 | 1 | 13734 | BATTERY PAD |
| 8 | 1 | 13742 | BATTERY STRAP |



Go to Discount-Equipment.com to order your parts

BARRETO

TITLE: BATTERY ASSEMBLY

PRODUCT LINE: STK

DATE: 2/6/17

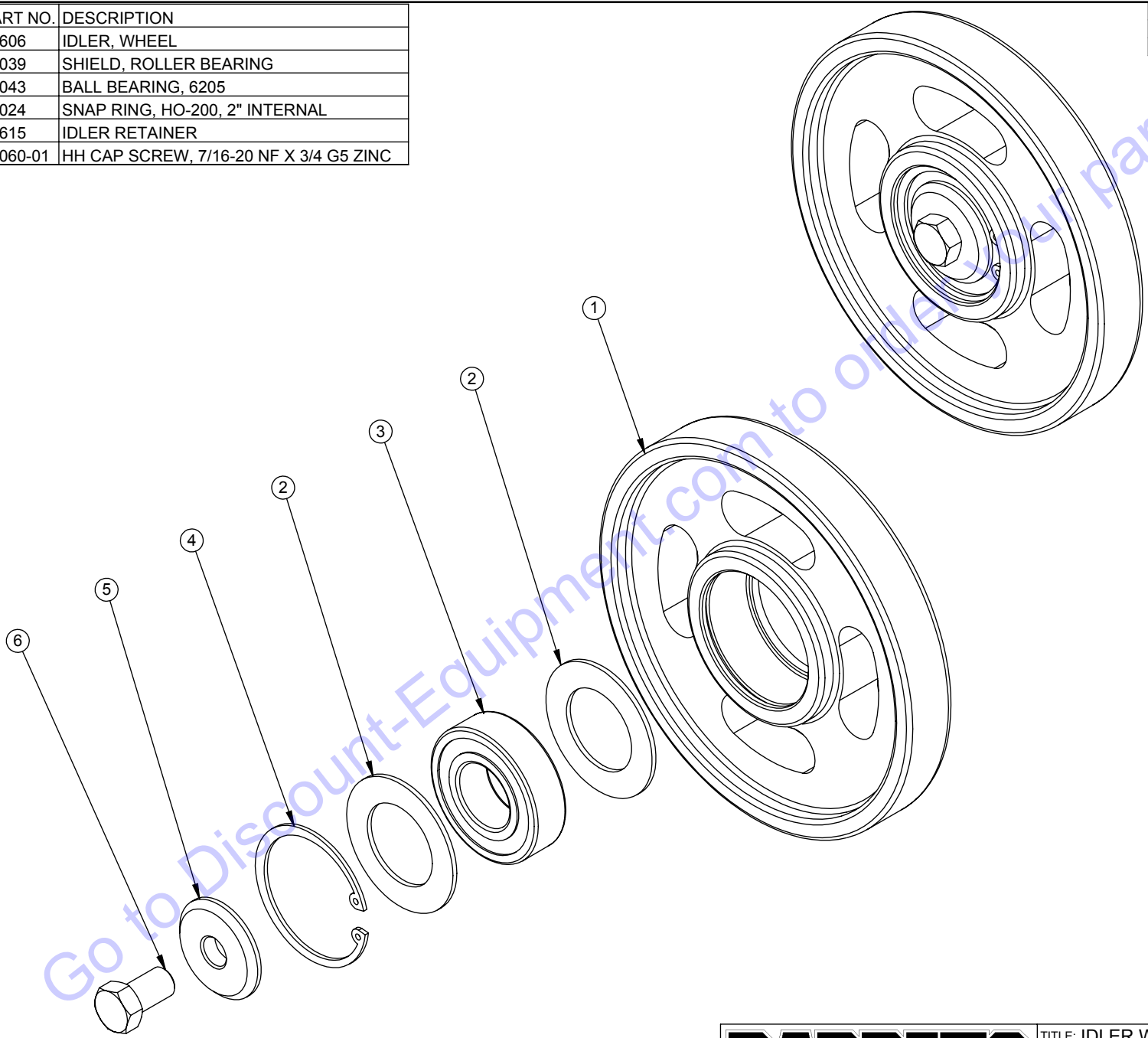
SCALE: 1:6

DWG# 00586

SHEET 1 OF 1

| ITEM NO. | QTY. | PART NO. | DESCRIPTION |
|----------|------|----------|--|
| 1 | 1 | 13606 | IDLER, WHEEL |
| 2 | 2 | 01039 | SHIELD, ROLLER BEARING |
| 3 | 1 | 03043 | BALL BEARING, 6205 |
| 4 | 1 | 05024 | SNAP RING, HO-200, 2" INTERNAL |
| 5 | 1 | 13615 | IDLER RETAINER |
| 6 | 1 | 05060-01 | HH CAP SCREW, 7/16-20 NF X 3/4 G5 ZINC |

| | |
|--------------|--------|
| RELEASE DATE | 2/9/17 |
| REVISED DATE | NEW |
| REVISION # | 0 |

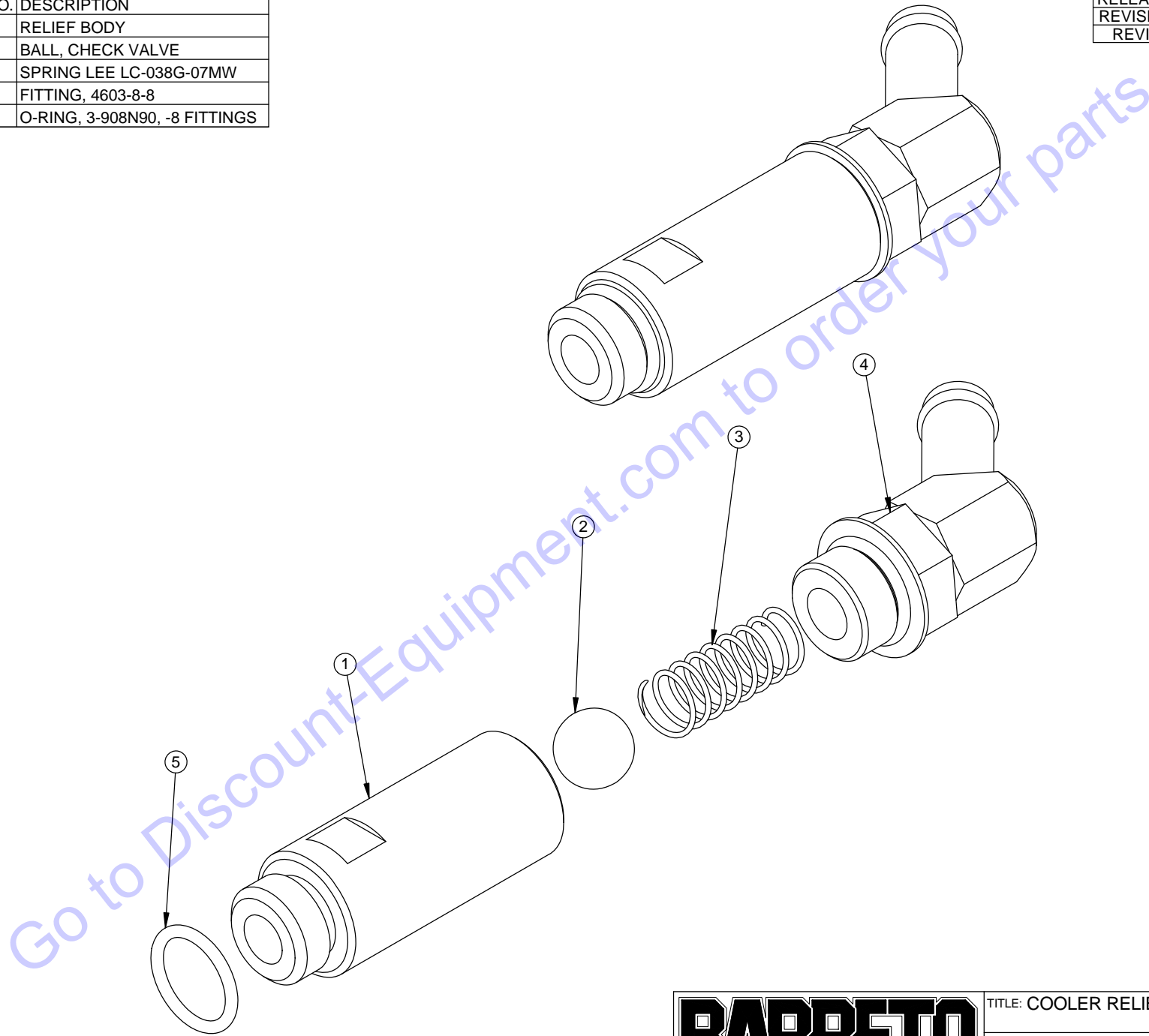


BARRETO

| | |
|-----------------------------|------------|
| TITLE: IDLER WHEEL ASSEMBLY | |
| PRODUCT LINE: STK | |
| SCALE: 1:2 | DWG# 00587 |
| SHEET 1 OF 1 | |

| ITEM NO. | QTY. | PART NO. | DESCRIPTION |
|----------|------|----------|-------------------------------|
| 1 | 1 | 13225 | RELIEF BODY |
| 2 | 1 | 04608 | BALL, CHECK VALVE |
| 3 | 1 | 13226 | SPRING LEE LC-038G-07MW |
| 4 | 1 | 04216 | FITTING, 4603-8-8 |
| 5 | 1 | 03077 | O-RING, 3-908N90, -8 FITTINGS |

| | |
|--------------|---------|
| RELEASE DATE | 9/12/16 |
| REVISED DATE | NEW |
| REVISION # | 0 |



BARRETO

TITLE: COOLER RELIEF ASSEMBLY

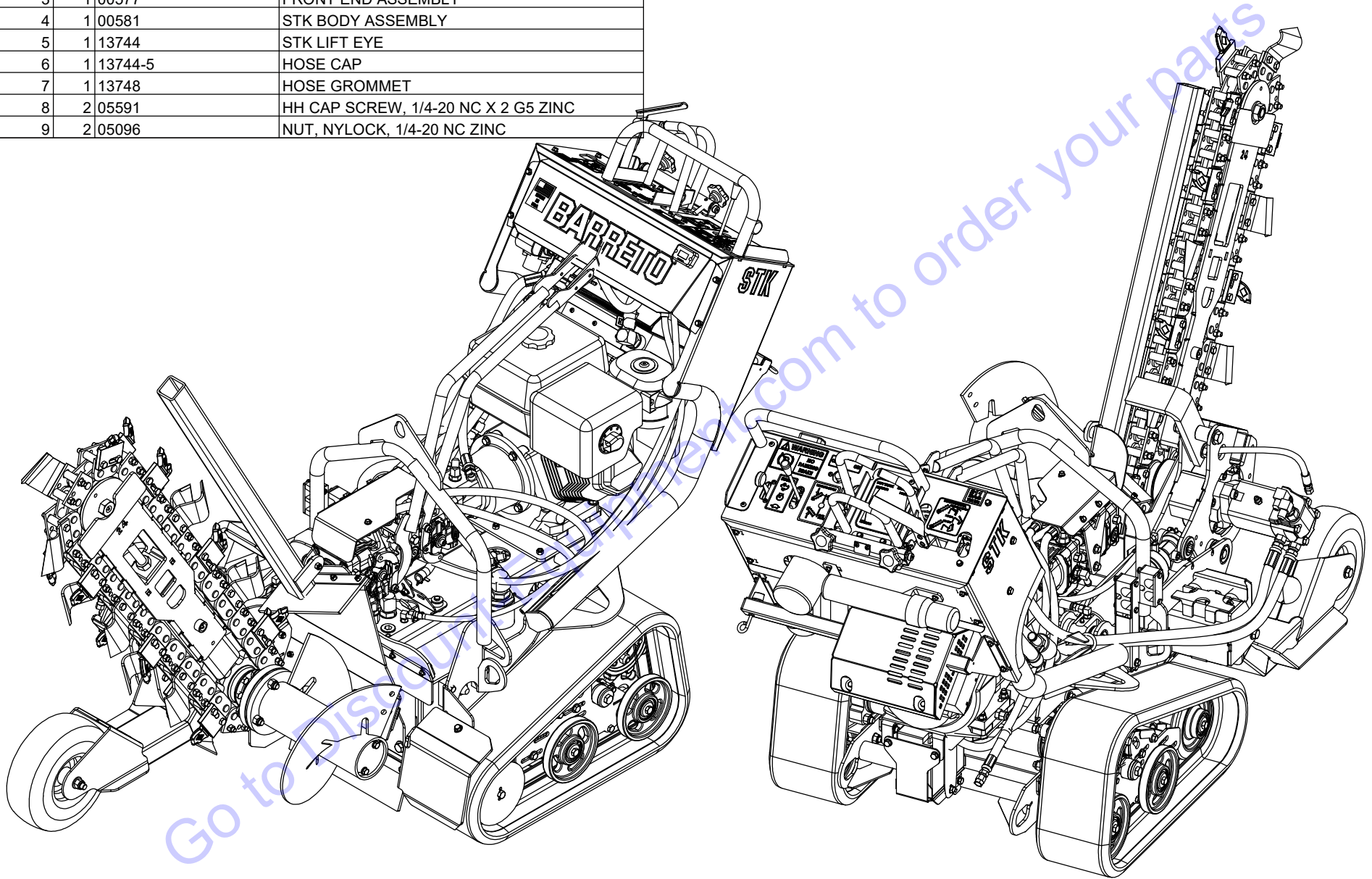
PRODUCT LINE:STK

SCALE: 1:1
SHEET 1 OF 1

DWG# 13225-LINE

| TEM NO. | QTY. | PART NO. | DESCRIPTION |
|---------|------|-----------|-------------------------------------|
| 1 | 1 | 00572-H13 | ENGINE & PUMPS, HONDA GX390 |
| 2 | 1 | 00576 | CONTROL TOWER ASSY, 13STKH |
| 3 | 1 | 00577 | FRONT END ASSEMBLY |
| 4 | 1 | 00581 | STK BODY ASSEMBLY |
| 5 | 1 | 13744 | STK LIFT EYE |
| 6 | 1 | 13744-5 | HOSE CAP |
| 7 | 1 | 13748 | HOSE GROMMET |
| 8 | 2 | 05591 | HH CAP SCREW, 1/4-20 NC X 2 G5 ZINC |
| 9 | 2 | 05096 | NUT, NYLOCK, 1/4-20 NC ZINC |

| | |
|--------------|--------|
| RELEASE DATE | 2/6/17 |
| REVISED DATE | NEW |
| REVISION # | 0 |



BARRETO

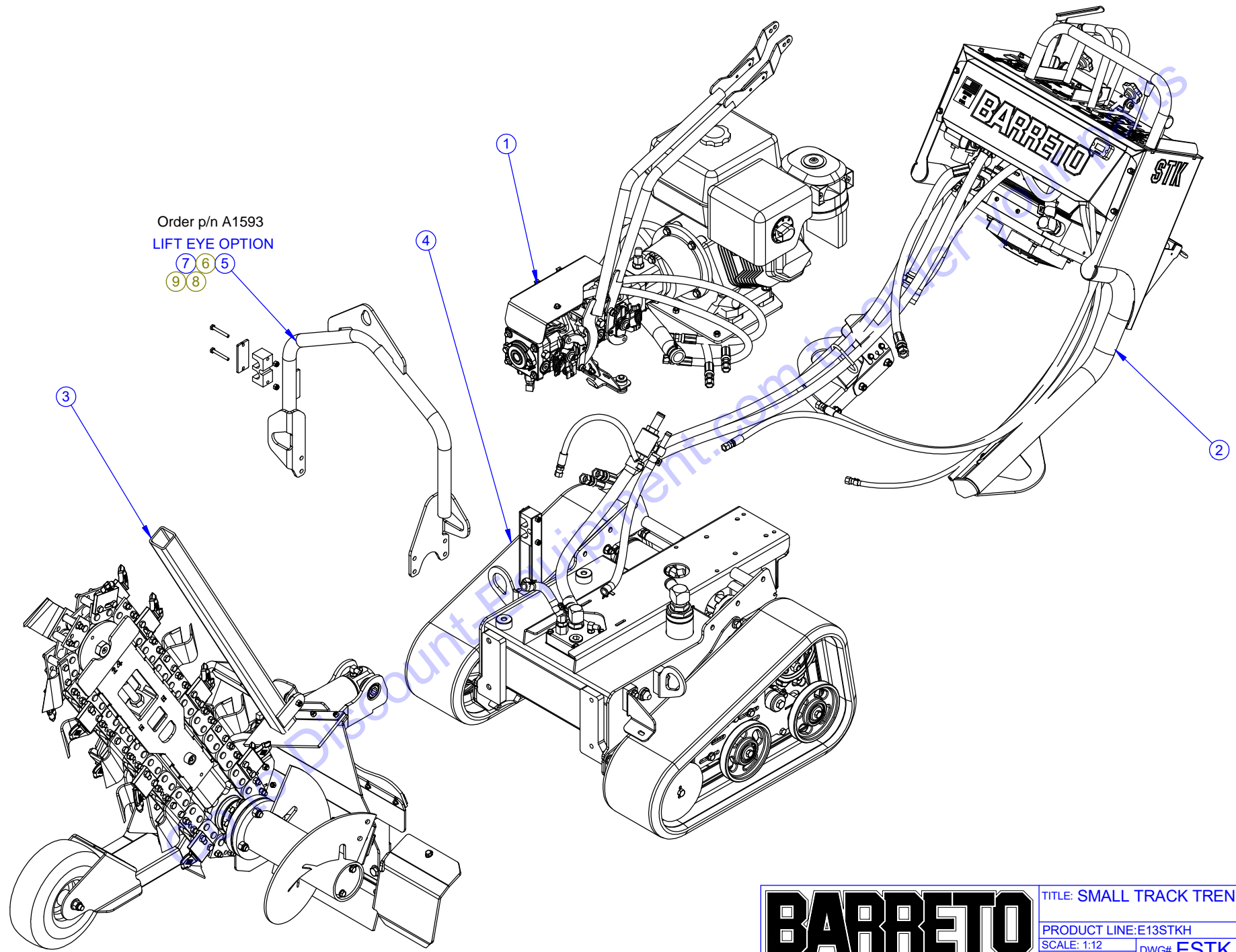
TITLE: SMALL TRACK TRENCHER (STK)

PRODUCT LINE: E13STKH

SCALE: 1:12

SHEET 1 OF 2

DWG# ESTK



Order p/n A1593
LIFT EYE OPTION

- 7
- 6
- 5
- 9
- 8

STANDARD CUP CHAIN (AKA Skip Tooth) -4

This chain has a cup tooth on every other link.

Where to use it

This chain is most effective in loamy soil - soil that is packable into clods. It is also more effective in clay or "gumbo" soil that is sticky and clings to the chain. The space between the cups allows the soil to let go instead of running around with the chain as a slurry which prevents effective digging.

**DOUBLE CUP CHAIN -4C**

This chain has a cup tooth on every link.

Where to use it

This chain is best for sand and dry, loose soil that has a tendency to fall back into the trench. The extra cups provide for better clean-out.

**COMBO/SHARK CHAIN -4MS**

This chain has an alternating pattern of cup and Shark teeth.

Where to use it.

Use this chain in pretty much the same conditions as the standard combo chain. Although not as aggressive, the Shark teeth last longer and do not fall off. This is our most popular chain.

**SHARK CHAIN -4S**

The teeth on this chain are all Shark teeth that are welded onto the chain. Replacement teeth are not available for this chain.

Where to use it.

This chain can be used in the most adverse soils. It is good in rocky soil, "cliché", limestone, hard-pan and any other hard to dig soils. It does not clean out well in sandy or dry, loose loamy soil. This is not the fastest but it is the most durable chain available. It is not uncommon for the teeth to outlast the chain rollers. When the rollers wear out, the complete chain must be replaced.

**BOLT-ON SHARK CHAIN -4SB**

This chain utilizes a standard chain blank and has Shark teeth that are bolted to the chain blank.

Where to use it.

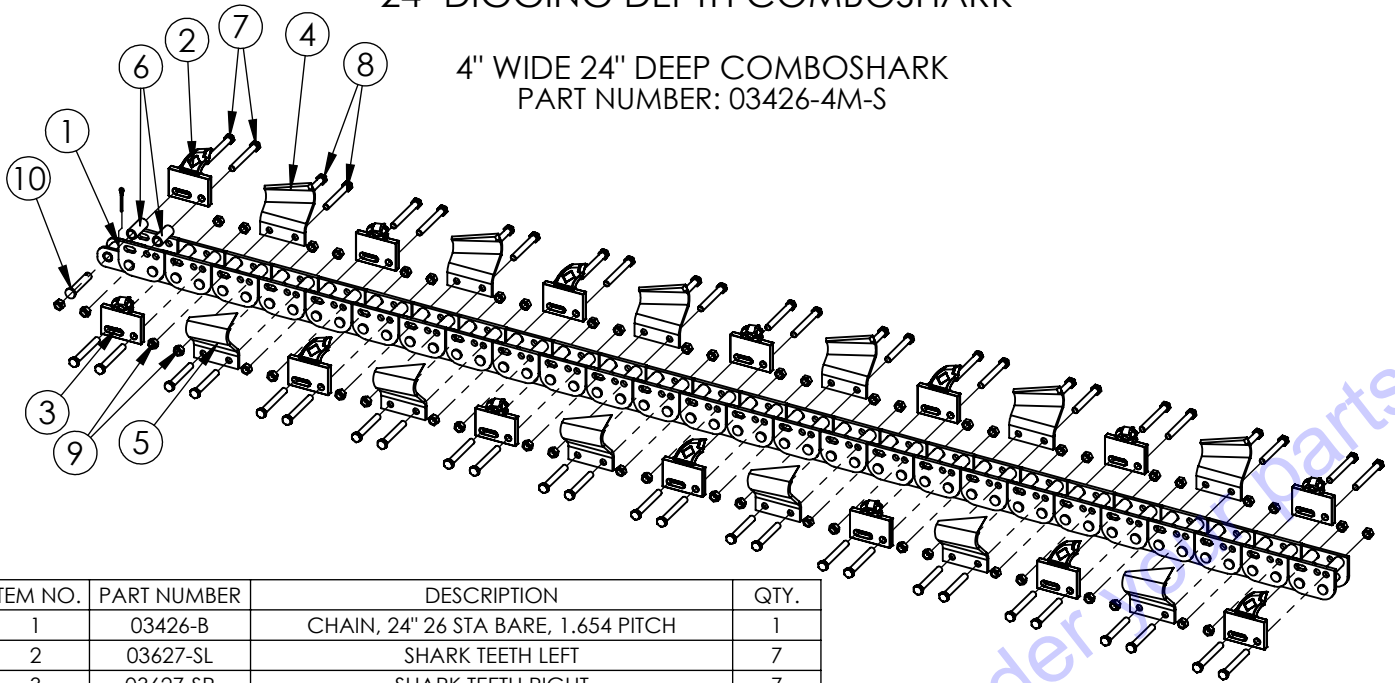
This chain is good in all the conditions described for the Shark chain. The advantage is the teeth can be removed when the chain wears out and can be used on a new blank. It is not uncommon for the teeth to last through two chains.



NOTE: ON FULL SIZE TRENCHERS, ALL CHAINS ARE AVAILABLE IN 6" WIDTHS AS WELL.

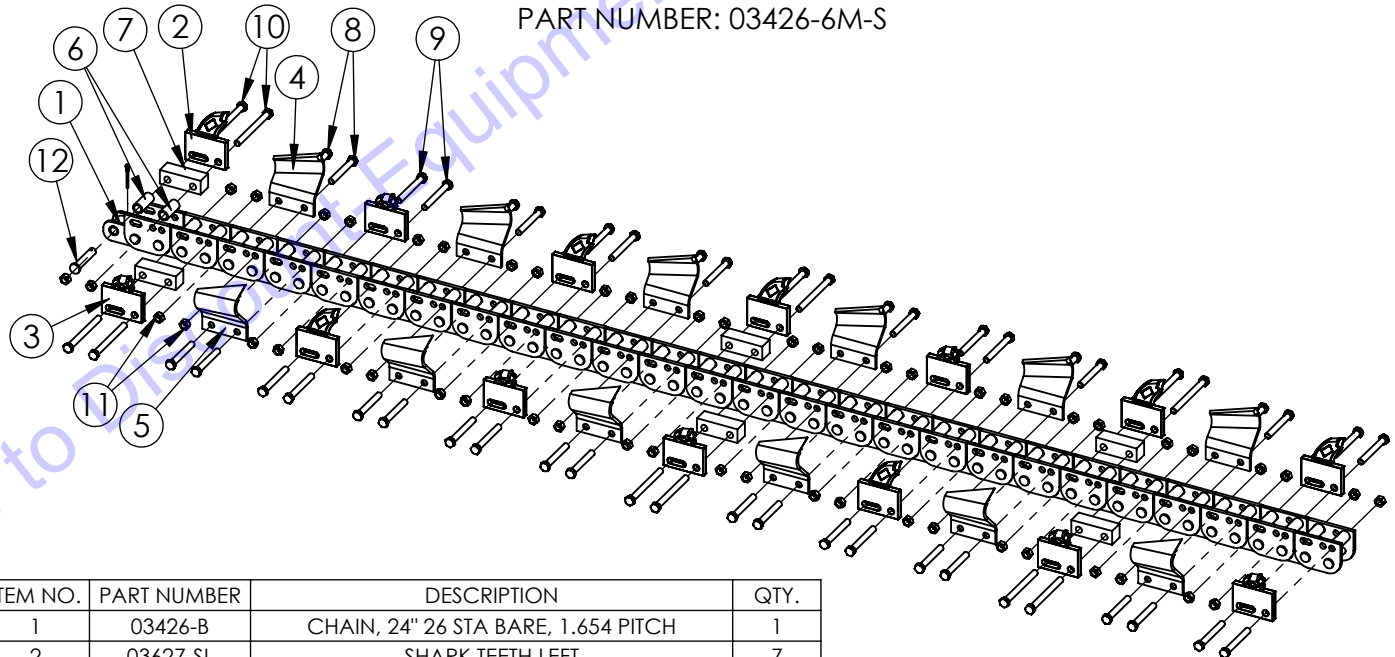
24" DIGGING DEPTH COMBOSHARK

4" WIDE 24" DEEP COMBOSHARK
PART NUMBER: 03426-4M-S



| ITEM NO. | PART NUMBER | DESCRIPTION | QTY. |
|----------|-------------|---|------|
| 1 | 03426-B | CHAIN, 24" 26 STA BARE, 1.654 PITCH | 1 |
| 2 | 03627-SL | SHARK TEETH LEFT | 7 |
| 3 | 03627-SR | SHARK TEETH RIGHT | 7 |
| 4 | 03623-L | CUP, LEFT HAND | 6 |
| 5 | 03623-R | CUP, RIGHT HAND | 6 |
| 6 | 01654 | SPACER, TRENCHER CHAIN, 1.545 | 52 |
| 7 | 05288 | HH CAP SCREW, 3/8-24 NF X 3 G8 ZINC | 28 |
| 8 | 05279 | HH CAP SCREW, 3/8-24 NF X 2-3/4 G8 ZINC | 24 |
| 9 | 05283 | NUT, GRIPCO, 3/8-24 NF G8 ZINC | 52 |
| 10 | 03626 | PIN & COTTER | 1 |

6" WIDE 24" DEEP COMBOSHARK
PART NUMBER: 03426-6M-S



| ITEM NO. | PART NUMBER | DESCRIPTION | QTY. |
|----------|-------------|---|------|
| 1 | 03426-B | CHAIN, 24" 26 STA BARE, 1.654 PITCH | 1 |
| 2 | 03627-SL | SHARK TEETH LEFT | 7 |
| 3 | 03627-SR | SHARK TEETH RIGHT | 7 |
| 4 | 03623-L | CUP, LEFT HAND | 6 |
| 5 | 03623-R | CUP, RIGHT HAND | 6 |
| 6 | 01654 | SPACER, TRENCHER CHAIN, 1.545 | 52 |
| 7 | 02604 | SPACER, 6" DIG CHAIN | 6 |
| 8 | 05279 | HH CAP SCREW, 3/8-24 NF X 2-3/4 G8 ZINC | 24 |
| 9 | 05288 | HH CAP SCREW, 3/8-24 NF X 3 G8 ZINC | 16 |
| 10 | 05232 | HH CAP SCREW, 3/8-24 NF X 4 G8 | 12 |
| 11 | 05283 | NUT, GRIPCO, 3/8-24 NF G8 ZINC | 52 |
| 12 | 03626 | PIN & COTTER | 1 |

BARRETO

PARTS FINDER

**Search Website
by Part Number**



**Search Manual
Library For Parts
Manual & Lookup Part
Numbers – Purchase
or Request Quote**

Search Manuals

Enter your information to help us find the right parts manual for your machine.

* Brand:

* Model:

* Serial:

* Part Number:

SEARCH

**Can't Find Part or
Manual? Request Help
by Manufacturer,
Model & Description**

Parts Order Form

Please fill in the following information to help us find the right part for your machine.

| | |
|---------------|----------------------|
| Manufacturer: | <input type="text"/> |
| Model: | <input type="text"/> |
| Description: | <input type="text"/> |
| Part Number: | <input type="text"/> |
| Quantity: | <input type="text"/> |
| Notes: | <input type="text"/> |

Submit

Discount-Equipment.com is your online resource for quality parts & equipment.

Florida: **561-964-4949** Outside Florida TOLL FREE: **877-690-3101**

Need parts?

Click on this link: <http://www.discount-equipment.com/category/5443-parts/> and choose one of the options to help get the right parts and equipment you are looking for. Please have the machine model and serial number available in order to help us get you the correct parts. If you don't find the part on the website or on one of the online manuals, please fill out the request form and one of our experienced staff members will get back to you with a quote for the right part that your machine needs.

We sell worldwide for the brands: Genie, Terex, JLG, MultiQuip, Mikasa, Essick, Whiteman, Mayco, Toro Stone, Diamond Products, Generac Magnum, Airman, Haulotte, Barreto, Power Blanket, Nifty Lift, Atlas Copco, Chicago Pneumatic, Allmand, Miller Curber, Skyjack, Lull, Skytrak, Tsurumi, Husquvarna Target, Stow, Wacker, Sakai, Mi-T-M, Sullair, Basic, Dynapac, MBW, Weber, Bartell, Bennar Newman, Haulotte, Ditch Runner, Menegotti, Morrison, Contec, Buddy, Crown, Edco, Wyco, Bomag, Laymor, EZ Trench, Bil-Jax, F.S. Curtis, Gehl Pavers, Heli, Honda, ICS/PowerGrit, IHI, Partner, Imer, Clipper, MMD, Koshin, Rice, CH&E, General Equipment, Amida, Coleman, NAC, Gradall, Square Shooter, Kent, Stanley, Tamco, Toku, Hatz, Kohler, Robin, Wisconsin, Northrock, Oztec, Toker TK, Rol-Air, APT, Wylie, Ingersoll Rand / Doosan, Innovatech, Con X, Ammann, Mecalac, Makinex, Smith Surface Prep, Small Line, Wanco, Yanmar