



B424, B430
EDGER TROWEL

PARTS BOOK



PARTS FINDER

**Search Website
by Part Number**



**Search Manual
Library For Parts
Manual & Lookup Part
Numbers – Purchase
or Request Quote**

**Can't Find Part or
Manual? Request Help
by Manufacturer,
Model & Description**

Discount-Equipment.com is your online resource for quality parts & equipment.

Florida: **561-964-4949** Outside Florida TOLL FREE: **877-690-3101**

Need parts?

Click on this link: <http://www.discount-equipment.com/category/5443-parts/> and choose one of the options to help get the right parts and equipment you are looking for. Please have the machine model and serial number available in order to help us get you the correct parts. If you don't find the part on the website or on one of the online manuals, please fill out the request form and one of our experienced staff members will get back to you with a quote for the right part that your machine needs.

We sell worldwide for the brands: Genie, Terex, JLG, MultiQuip, Mikasa, Essick, Whiteman, Mayco, Toro Stone, Diamond Products, Generac Magnum, Airman, Haulotte, Barreto, Power Blanket, Nifty Lift, Atlas Copco, Chicago Pneumatic, Allmand, Miller Curber, Skyjack, Lull, Skytrak, Tsurumi, Husquvarna Target, Stow, Wacker, Sakai, Mi-T-M, Sullair, Basic, Dynapac, MBW, Weber, Bartell, Bennar Newman, Haulotte, Ditch Runner, Menegotti, Morrison, Contec, Buddy, Crown, Edco, Wyco, Bomag, Laymor, EZ Trench, Bil-Jax, F.S. Curtis, Gehl Pavers, Heli, Honda, ICS/PowerGrit, IHI, Partner, Imer, Clipper, MMD, Koshin, Rice, CH&E, General Equipment, Amida, Coleman, NAC, Gradall, Square Shooter, Kent, Stanley, Tamco, Toku, Hatz, Kohler, Robin, Wisconsin, Northrock, Oztec, Toker TK, Rol-Air, APT, Wylie, Ingersoll Rand / Doosan, Innovatech, Con X, Ammann, Mecalac, Makinex, Smith Surface Prep, Small Line, Wanco, Yanmar

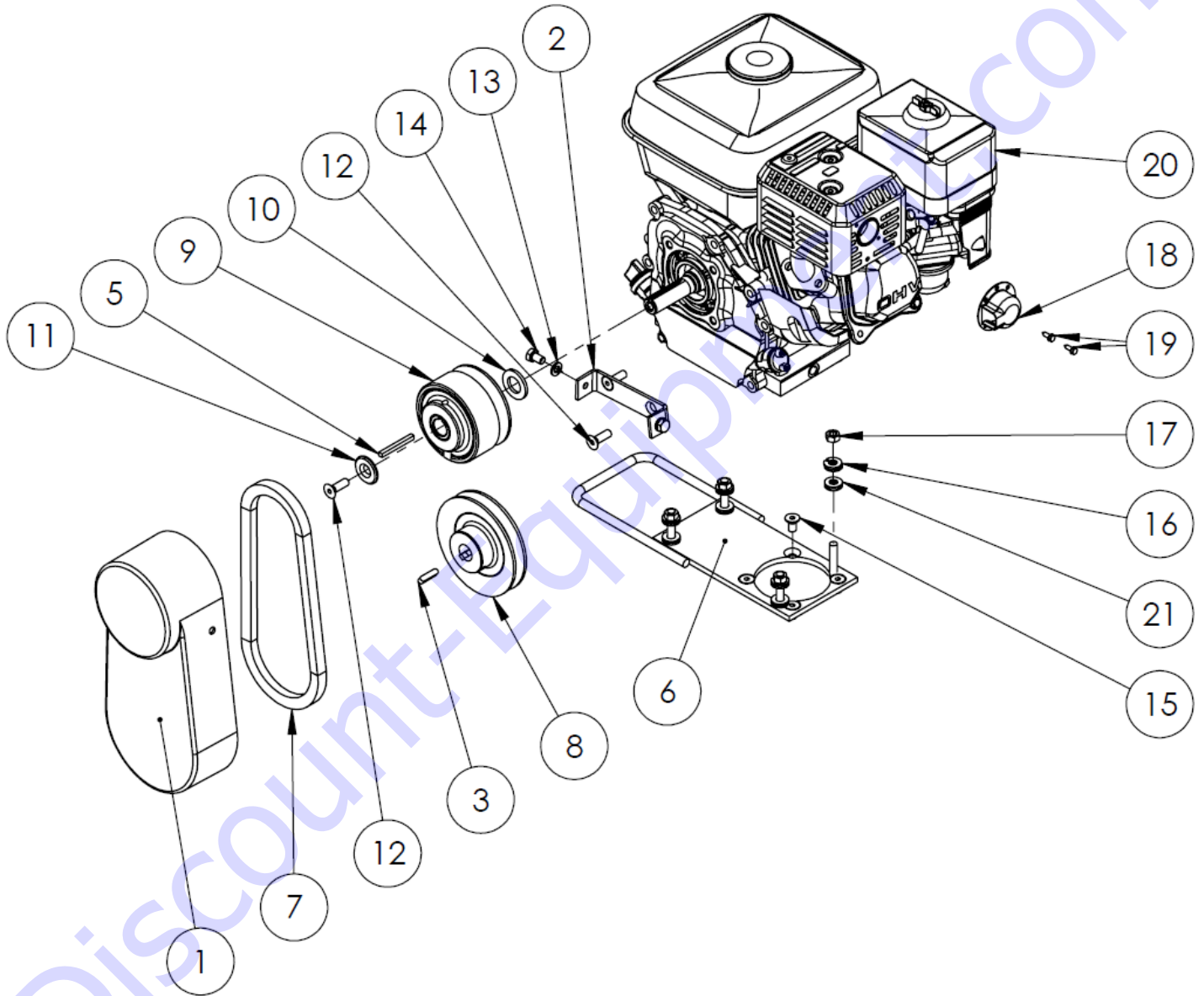
Discount-Equipment.com

TABLE OF CONTENTS

<u>PARTS LIST 1 – EDGER TROWEL</u>	5
FULL TOP ASSEMBLY DIAGRAM	5
FULL TOP ASSEMBLY – PARTS LIST 1	6
<u>PARTS LIST 2 – EDGER TROWEL</u>	7
UPPER BOTTOM ASSEMBLY DIAGRAM	7
UPPER BOTTOM ASSEMBLY: PARTS LIST 2	7
<u>PARTS LIST 3: EDGER TROWEL</u>	8
LOWER BOTTOM ASSEMBLY DIAGRAM	8
LOWER BOTTOM ASSEMBLY: PARTS LIST 3	9
<u>PARTS LIST 4 – EDGER TROWEL</u>	10
FOLDING HANDLE ASSEMBLY DIAGRAM (20234)	10
FOLDING HANDLE ASSEMBLY: (20234) – PARTS LIST 4	11
<u>PARTS LIST 5 – EDGER TROWEL</u>	12
FOLDING HANDLE ASSEMBLY DIAGRAM - EURO SPEC. (20234E)	12
FOLDING HANDLE ASSEMBLY: EURO SPEC. (20234E) – PARTS LIST 5	13
<u>PARTS LIST 6 – EDGER TROWEL</u>	14
RIGID HANDLE ASSEMBLY DIAGRAM (20235)	14
RIGID HANDLE ASSEMBLY: (20235) – PARTS LIST 6	15
<u>PARTS LIST 7 – EDGER TROWEL</u>	16
RIGID HANDLE ASSEMBLY DIAGRAM EURO SPEC. (20235E)	16
RIGID HANDLE ASSEMBLY: EURO SPEC. (20235E) – PARTS LIST 7	17
<u>PARTS LIST 8 – EDGER TROWEL</u>	18
SPIDER PLATE ASSEMBLY	18
SPIDER PLATE: B424, B430 – PARTS LIST 8	18
<u>PARTS LIST 9 – EDGER TROWEL</u>	19
HAND KNOB ASSEMBLY DIAGRAM	19
HAND KNOB ASSEMBLY: 21714 – PARTS LIST 9	19
<u>PARTS LIST 10 – EDGER TROWEL</u>	20
GEARBOX 11770 ASSEMBLY DIAGRAM	20
HAND KNOB ASSEMBLY: 11770 – PARTS LIST 10	20

PARTS LIST 1 – EDGER TROWEL

FULL TOP ASSEMBLY DIAGRAM

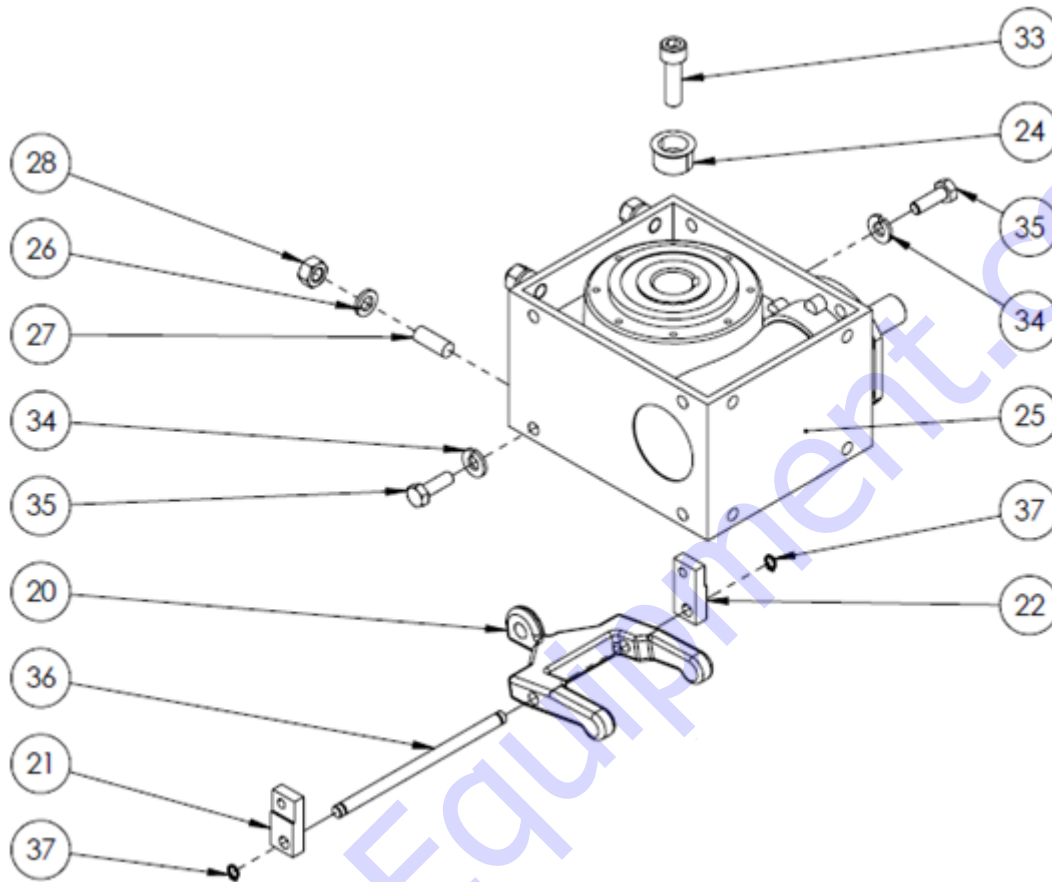


FULL TOP ASSEMBLY – PARTS LIST 1

Item #	Part #	Description	QTY	Remarks
1	11662	BELT GUARD	1	11/30/06
2	11669	BELT GUARD SUPPORT BRACKET	1	11/30/06
3	11638	KEY 6MM X 6MM X 25MM LG.	1	-
5	10206	KEY 3/16 X 3/16 X 1-7/8" LG.	1	08/26/07
6	11752	ENGINE MOUNTING PLATE	1	-
7	11007	BELT A24	1	-
8	11685	PULLEY, 4.5" DIA. X 3/4 BORE	1	-
9	21006	CLUTCH	1	09/27/07
10	10306	3/4" WASHER	1	09/10/07
11	30042	CLUTCH RETAINER WASHER	1	-
12	11256	FHSCS 5/16-24 X 1" LG.	3	-
13	10402	LOCK WASHER, 5/16"	2	-
14	10782	HHCS M8-1.25 X 10MM LG.	2	-
15	11681	FHSCS M8-1.25 X 16MM LG.	4	11/04/08
16	11614	LOCK WASHER M8	4	09/27/11
17	11615	HEX NUT, M8-1.25	4	05/25/07
18	11112	MUFFLER CAP	1	07/12/06
19	11115	MUFFLER CAP SCREW	2	07/12/06
20	-	ENGINE	1	-
21	11667	FLAT WASHER M8	12	-
-	01109-FAM-B	ROUND BARTELL DECAL	1	-
-	01109-B424-1	DECAL KIT, B424	1	-
-	01109-B430-1	DECAL KIT, B430	1	-

PARTS LIST 2 – EDGER TROWEL

UPPER BOTTOM ASSEMBLY DIAGRAM

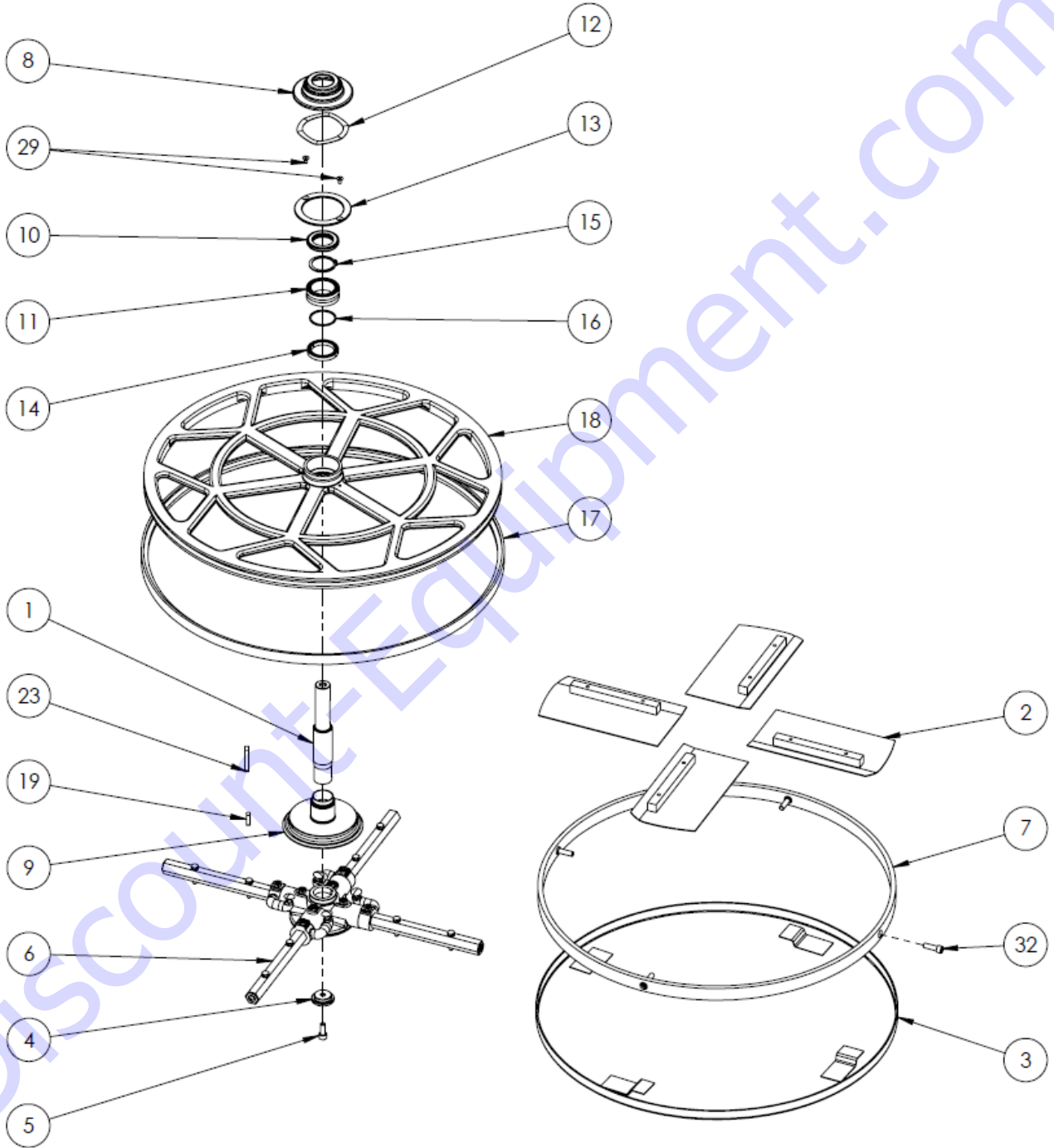


UPPER BOTTOM ASSEMBLY: PARTS LIST 2

Item #	Part #	Description	QTY	Remarks
20	11672	YOKE ARM	1	11/30/06
21	11659	PIN SUPPORT, R.H.	1	09/13/07
22	11661	PIN SUPPORT, L.H.	1	09/13/07
24	11767	RETAINER	1	11/30/04
25	11770	GEARBOX (SEE PAGE 16)	1	11/30/04
26	11621	LOCK WASHER M10	4	-
27	11665	STUD, COMBO M10-1.5/M10-1.0 X 28MM	4	-
28	11622	HEX NUT, M10-1.5	4	-
33	11753	SHCS M10-1.5 X 35MM LG.	1	-
34	11614	LOCK WASHER, SPLIT M8	2	-
35	11619	HHCS M8-1.25 X 25MM LG.	2	-
36	11646	YOKE PIN	1	-
37	11645	RETAINING RING 671000	2	-

PARTS LIST 3: EDGER TROWEL

LOWER BOTTOM ASSEMBLY DIAGRAM:

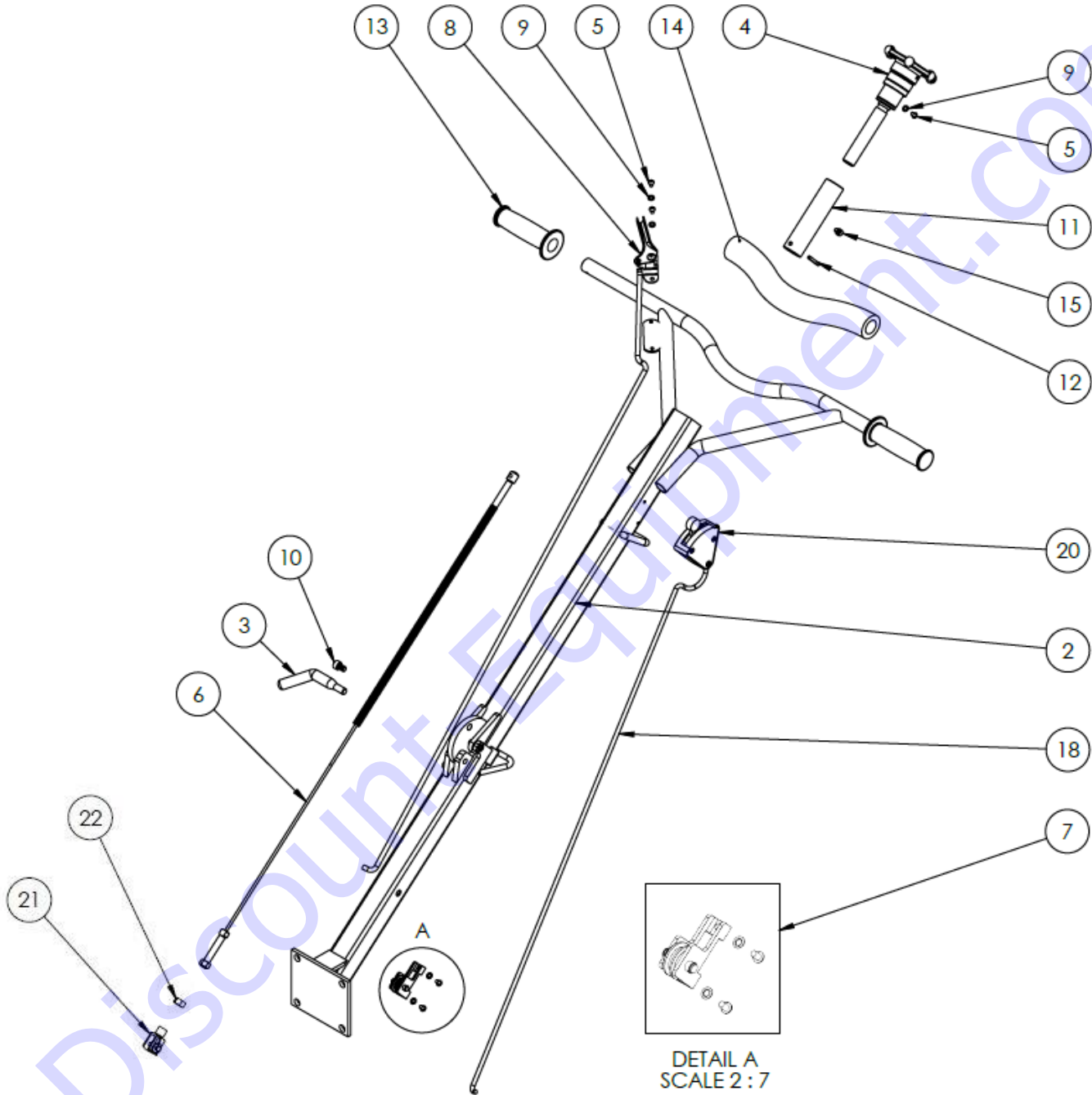


LOWER BOTTOM ASSEMBLY: PARTS LIST 3

Item #	B424	B430	Description	QTY	Remarks
1	11755	11755	MAIN SHAFT	1	-
2	20455	20407	TROWEL BLADE, COMBO	4	11/30/06
3	11766	11811	FLOAT PAN	1	-
4	11765	11765	RETAINER PLATE	1	-
5	11772	11772	SHCS M8-1.25 X 25MM	1	-
6	21616	11815	SPIDER PLATE ASSEMBLY (SEE PARTS LIST 9)	1	-
7	11758	11813	STABILIZER RING	1	11/30/06
8	11655	11655	THRUST BEARING CAP	1	-
9	11756	11756	PRESSURE PLATE	1	-
10	11628	11628	BEARING, THRUST	1	-
11	11660	11660	BEARING, NEEDLE ROLLER	1	-
12	11775	11775	WAVE WASHER	1	-
13	11774	11774	FRICTION WASHER	1	-
14	11627	11627	BEARING 61808 2RS	1	-
15	11631	11631	RETAINING RING 655000	1	-
16	11632	11632	RETAINING RING 656000	1	-
17	11640	11812	BELT, ROTATING RING	1	-
18	11652	11810	ROTATING RING	1	11/30/06
19	11638	11638	KEY, 6MM X 6MM X 25MM LG.	1	11/30/06
23	11639	11639	KEY, 8MM X 7MM X 50MM LG	1	11/30/06
29	11836	11836	FHMS 10-24 X 3/8" LG.	2	-
32	11769	11769	SHCS M8-1.25 X 16MM	4	-

PARTS LIST 4 – EDGER TROWEL

FOLDING HANDLE ASSEMBLY DIAGRAM (20234C)

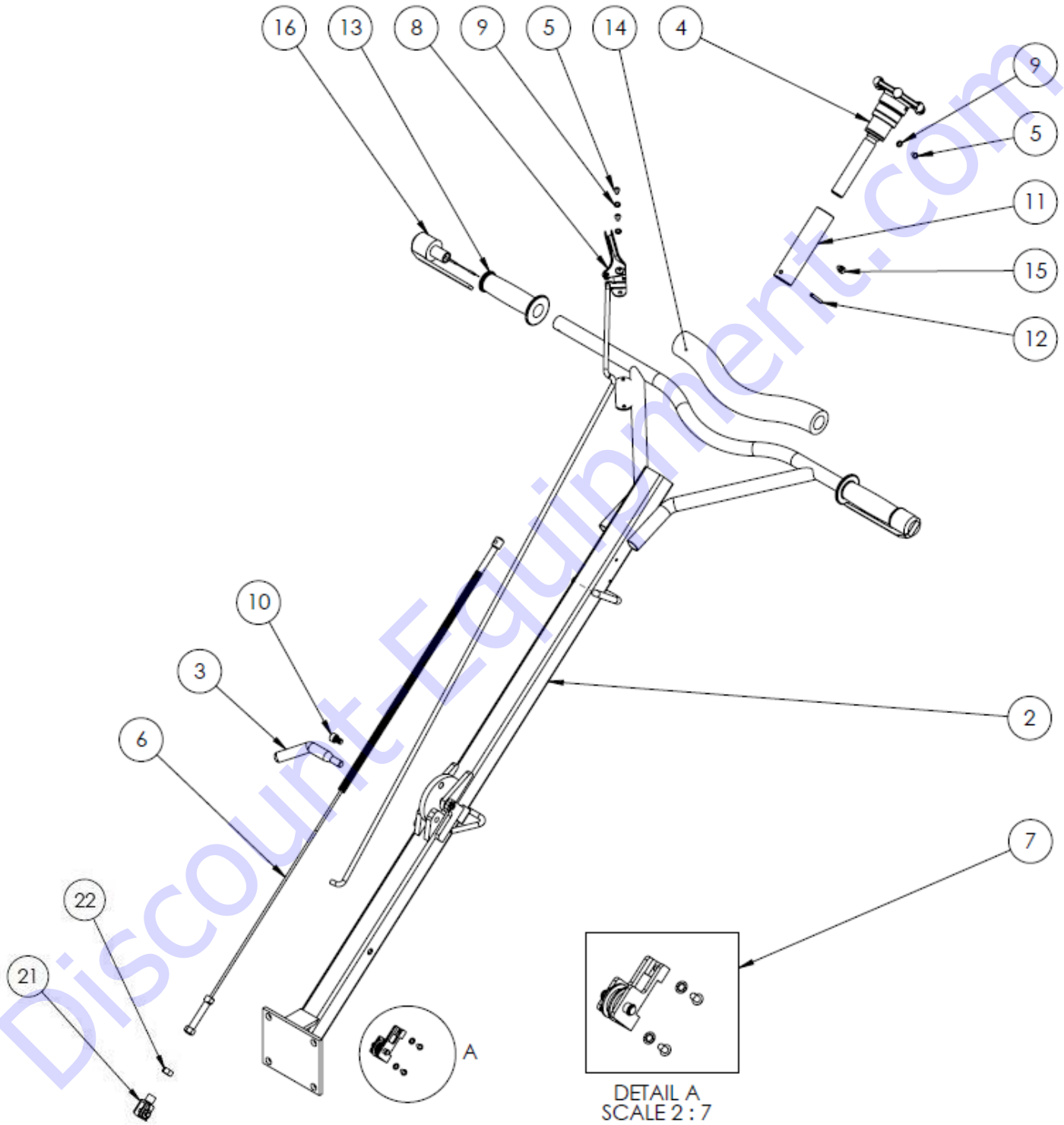


FOLDING HANDLE ASSEMBLY: (20234C) – PARTS LIST 4

Item #	Part #	Description	QTY	Remarks
2	20234C	FOLDING HANDLE, FULLY ASSEMBLED	1	1/21/2015
3	20195	HANDLE LOCKING PIN	1	1/21/2015
4	21714	HAND KNOB ASSEMBLY	1	1/21/2015
5	21728	RHMS M5-0.8 X 8MM LG.	5	1/21/2015
6	20330	PITCH CONTROL CABLE W/ SPRING	1	1/21/2015
7	20287	PULLEY ASSEMBLY	1	1/21/2015
8	10508	THROTTLE LEVER ASSEMBLY, W/ CABLE	1	1/21/2015
9	10703	LOCK WASHER, INTERNAL TOOTH, #10	3	1/21/2015
10	51010	M8-25 HEX HEAD SHOULDER BOLT	2	1/21/2015
11	21722	THREADED SLIDE BUSHING	1	1/21/2015
12	21724	PIN M5 X 35MM LG	2	1/21/2015
13	21717	HANDLE GRIP	2	1/21/2015
14	21721	CROSSBAR PAD	1	1/21/2015
15	21725	M6-1.0 X 6MM LG	1	1/21/2015
18	20703	WIRE ASSEMBLY, 66", FOR SAFETY SWITCH	1	1/21/2015
20	21847	SAFTEY SWITCH	1	1/21/2015
21	11633	YOKE M 10, W/PIN AND COTTER PIN	1	1/21/2015
22	11622	HEX NUT, M10-1.5	1	1/21/2015
	10525-FLDWN	FOLDING HANDLE DECALS	1	
	10525-SQCOM	BARTELL DECAL KIT	1	

PARTS LIST 5 – EDGER TROWEL

FOLDING HANDLE ASSEMBLY DIAGRAM - EURO SPEC. (20234E)

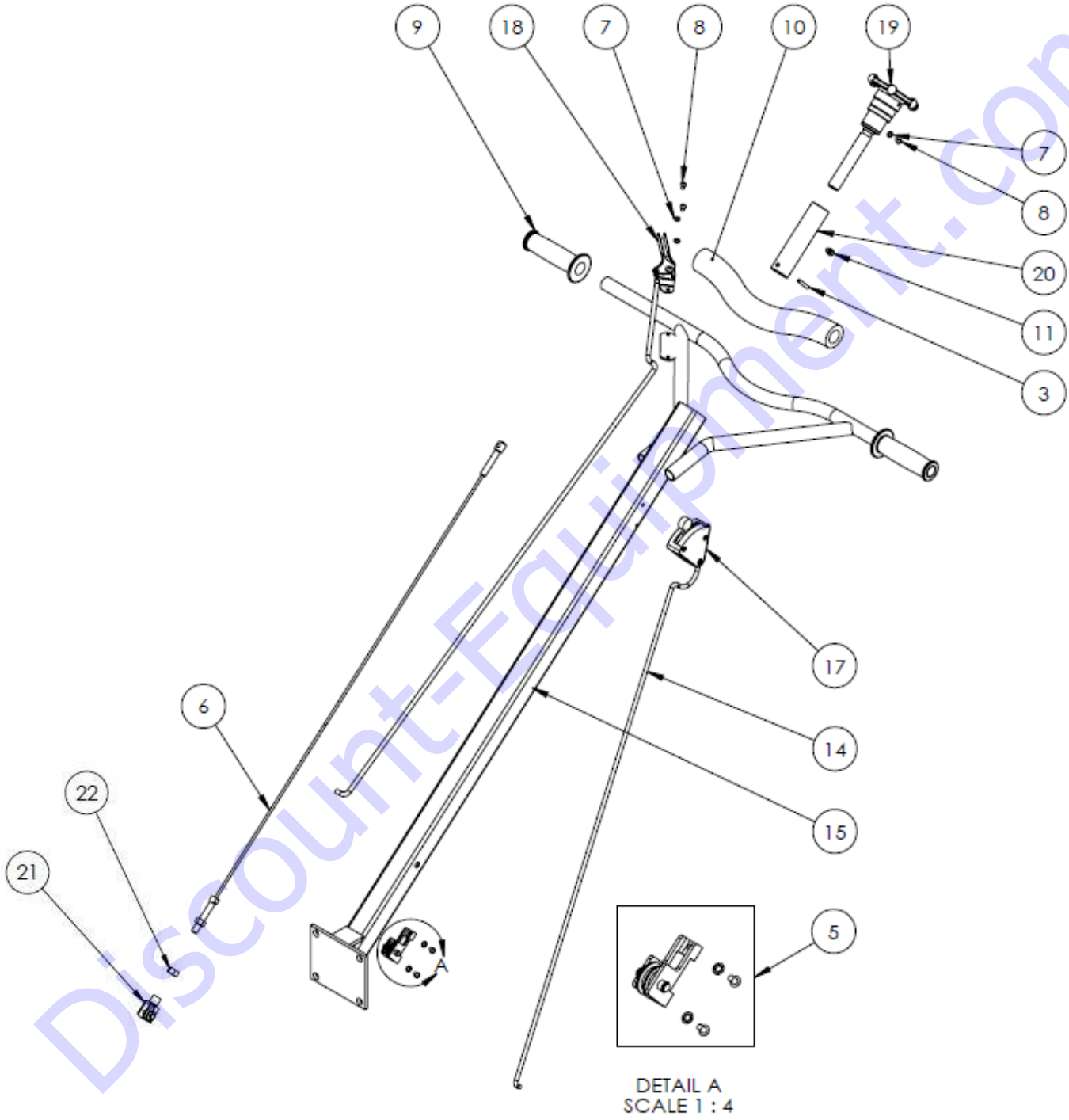


FOLDING HANDLE ASSEMBLY: EURO SPEC. (20234E) – PARTS LIST 5

Item #	Part #	Description	QTY	Remarks
2	20234E	FOLDING HANDLE ASSEMBLY, EURO SWITCHES	1	1/21/2015
3	20195	HANDLE LOCKING PIN	1	1/21/2015
4	21714	HAND KNOB ASSEMBLY	1	1/21/2015
5	21728	RHMS M5-0.8 X 8MM LG.	5	1/21/2015
6	20330	PITCH CONTROL CABLE W/ SPRING	1	1/21/2015
7	20287	PULLEY ASSEMBLY	1	1/21/2015
8	10508	THROTTLE LEVER ASSEMBLY, W/ CABLE	1	1/21/2015
9	10703	LOCK WASHER, INTERNAL TOOTH, #10	3	1/21/2015
10	51010	SHCS, M8-1.25 x 12MM LG	2	1/21/2015
11	21722	THREADED SLIDE BUSHING	1	1/21/2015
12	21724	PIN M5 X 35MM LG	2	1/21/2015
13	21717	HANDLE GRIP	2	1/21/2015
14	21721	CROSSBAR PAD	1	1/21/2015
15	21725	M6-1.0 X 6MM LG	1	1/21/2015
16	11852	SAFETY LEVER, W/ WIRES	2	1/21/2015
21	11633	YOKE M 10, W/PIN AND COTTER PIN	1	1/21/2015
22	11622	HEX NUT, M10-1.5	1	1/21/2015
		WIRE FOR SAFETY SWITCH	1	1/21/2015
	10525-FLDWN	FOLDING HANDLE DECALS	1	
	10525-SQCOM	BARTELL DECAL KIT	1	

PARTS LIST 6 – EDGER TROWEL

RIGID HANDLE ASSEMBLY DIAGRAM (20235C)

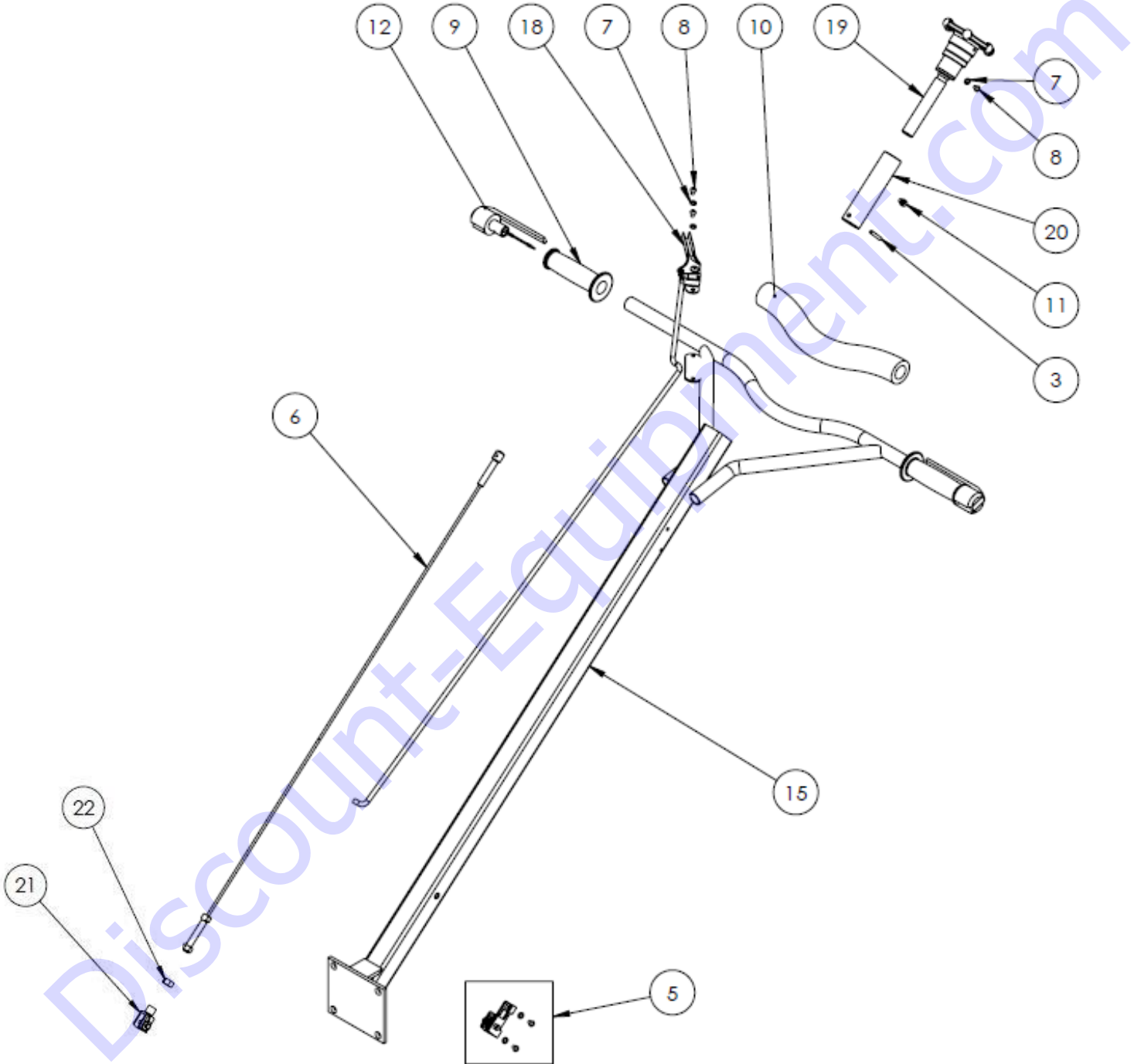


RIGID HANDLE ASSEMBLY: (20235C) – PARTS LIST 6

Item #	Part #	Description	QTY	Remarks
3	21724	PIN M5 X 35MM LG	1	1/10/2014
5	20287	PULLEY ASSEMBLY	1	1/10/2014
6	20319	PITCH CONTROL CABLE	1	1/10/2014
7	10703	LOCK WASHER, INTERNAL TOOTH, #10	3	1/10/2014
8	21728	RHMS, M5-0.8 X 8MM LG	3	1/10/2014
9	21717	HANDLE GRIP	2	1/10/2014
10	21721	CROSSBAR PAD	1	1/10/2014
11	21725	M6-1.0 x 6MM LG	1	1/10/2014
12	10711	HHMS M5-0.8 X 12MM LG, CROSS	1	1/10/2014
13	11856	FHMS M4 X 0.7 X 35MM LG, CROSS	1	1/10/2014
14	20702	WIRE FOR SAFETY SWITCH	1	1/10/2014
15	20235C	STRAIGHT HANDLE FULLY ASSEMBLY	1	1/10/2014
17	21847	SAFETY SWITCH	1	1/10/2014
18	10508	THROTTLE LEVER ASSEMBLY W/ CABLE	1	1/10/2014
19	21720	HAND KNOB ASSEMBLY	1	1/10/2014
20	21722	THREADED SLIDE BUSHING	1	1/10/2014
21	11633	YOKE M 10, W/PIN AND COTTER PIN	1	1/21/2015
22	11622	HEX NUT, M10-1.5	1	1/21/2015
	10525-SQCOM	BARTELL DECAL KIT	1	

PARTS LIST 7 – EDGER TROWEL

RIGID HANDLE ASSEMBLY DIAGRAM EURO SPEC. (20235E)



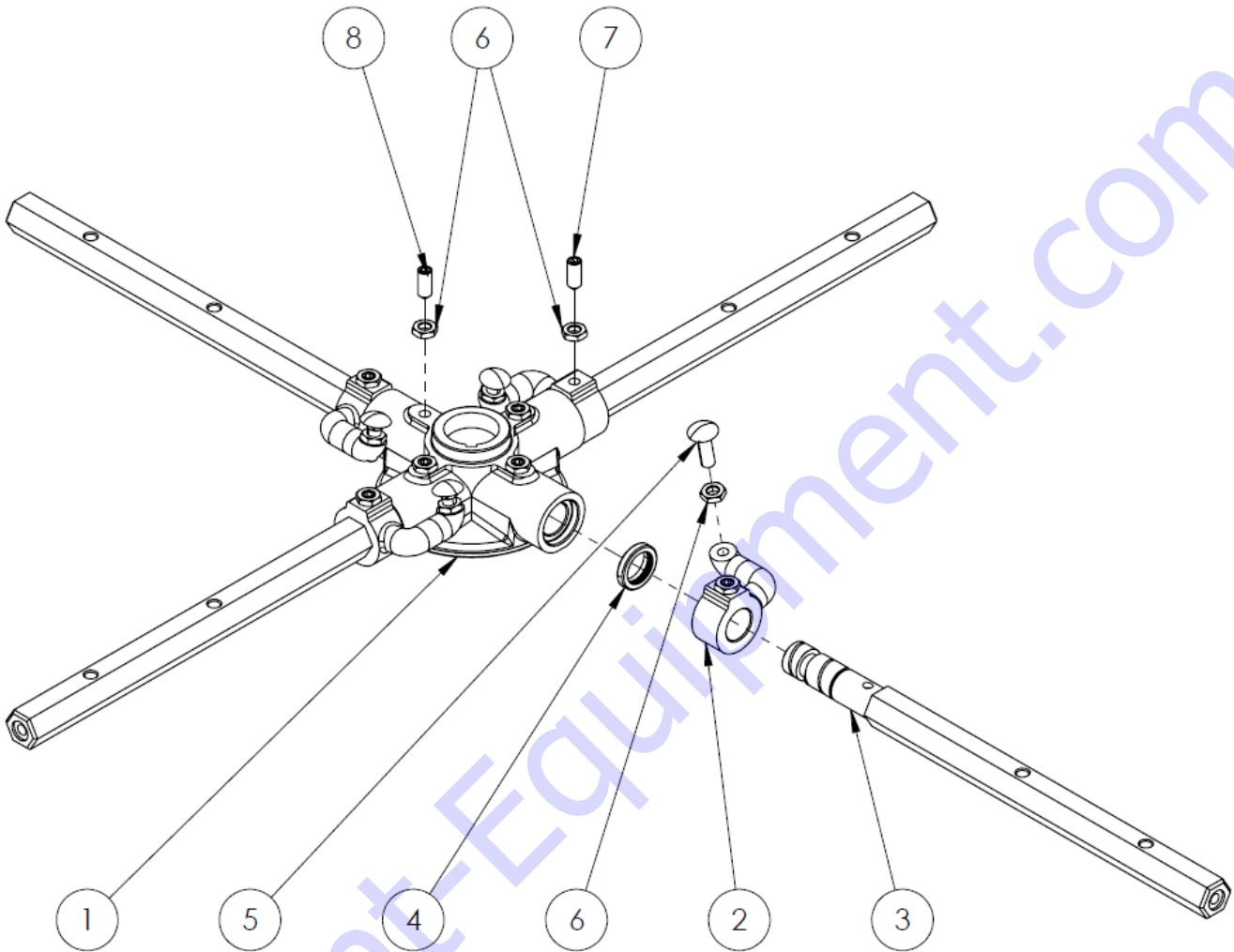
RIGID HANDLE ASSEMBLY: EURO SPEC. (20235E) – PARTS LIST 7

Item #	Part #	Description	QTY	Remarks
3	21724	PIN M5 X 35MM LG	1	1/10/2014
5	20287	PULLEY ASSEMBLY	1	1/10/2014
6	20319	PITCH CONTROL CABLE	1	1/10/2014
7	10703	LOCK WASHER, INTERNAL TOOTH, #10	3	1/10/2014
8	21728	RHMS, M5-0.8 X 8MM LG	3	1/10/2014
9	21717	HANDLE GRIP	2	1/10/2014
10	21721	CROSSBAR PAD	1	1/10/2014
11	21725	SHCS M6-1.0 x 6MM LG	1	1/10/2014
12	11852	SAFETY LEVER W/ WIRES	2	1/10/2014
15	20235E	STRAIGHT HANDLE FULLY ASSEMBLED	1	1/10/2014
18	10508	THROTTLE LEVER ASSEMBLY W/ CABLE	1	1/10/2014
19	21720	HAND KNOB ASSEMBLY	1	1/10/2014
20	21722	THREADED SLIDE BUSHING	1	1/10/2014
21	11633	YOKE M 10, W/PIN AND COTTER PIN	1	1/21/2015
22	11622	HEX NUT, M10-1.5	1	1/21/2015
		WIRE FOR SAFETY SWITCH	1	1/10/2014
	10525-SQCOM	BARTELL DECAL KIT	1	1/10/2014

Discount-Equipment.com

PARTS LIST 8 – EDGER TROWEL

SPIDER PLATE ASSEMBLY

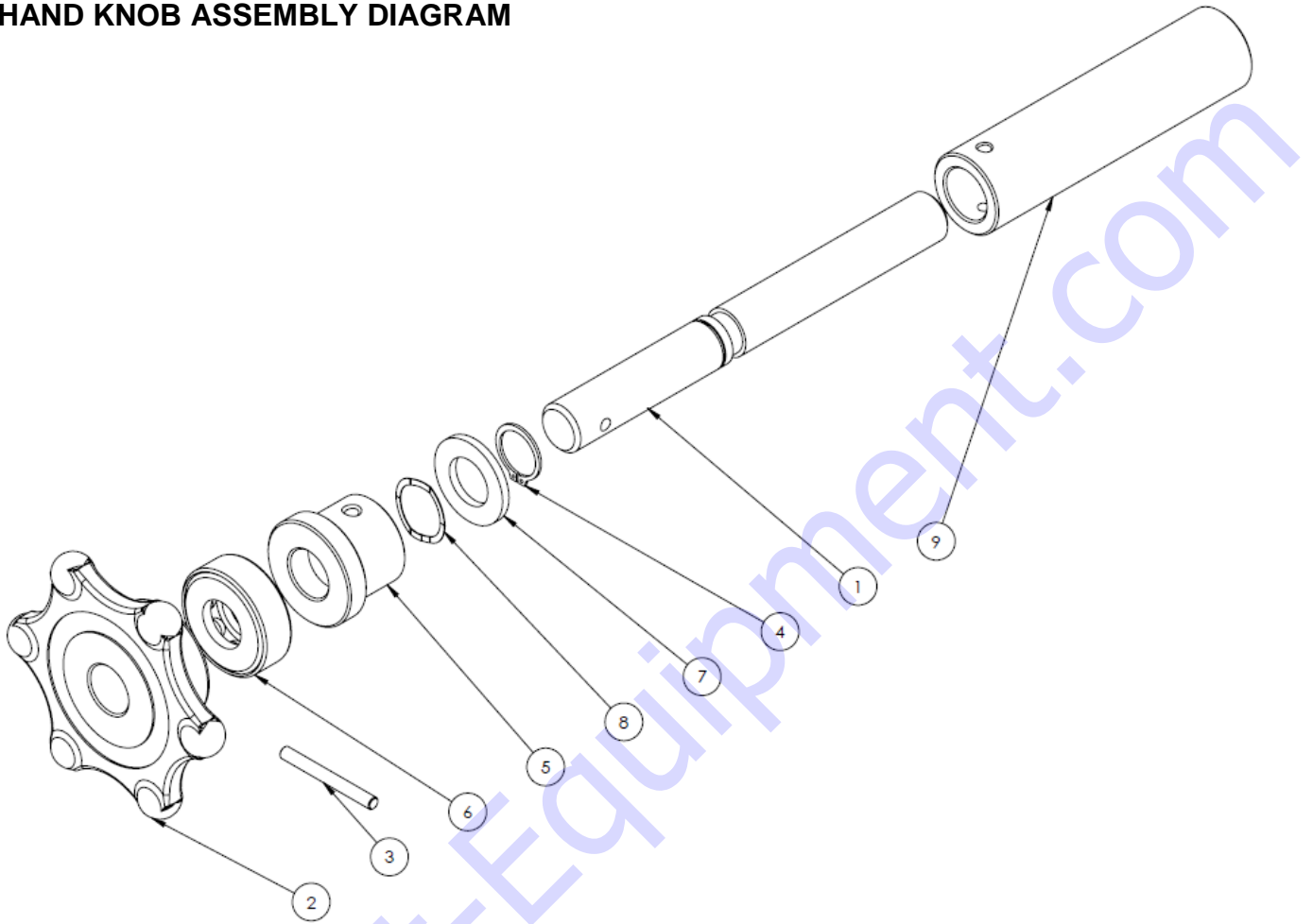


SPIDER PLATE: B424, B430 – PARTS LIST 8

Item #	B424 21616	B430 11815	Description	QTY	Remarks
1	11757	11757	OIL LUBRICATED HAND KNOB PLATE	1	-
2	11754	11754	LIFT LEVER, SMALL	4	-
3	11759	11817	TROWEL ARM	4	11/30/06
4	11761	11761	OIL SEAL	4	-
5	11763	11763	CARRIAGE BOLT, M8X20MM	4	-
6	11760	11760	HEX JAM NUT M8-1.25	12	-
7	11762	11762	SET SCREW, CONE, M8-1.25 X 20MM LG.	4	-
8	11764	11764	SET SCREW, FULL DOG, M8-1.25 X 20MM LG.	4	-

PARTS LIST 9 – EDGER TROWEL

HAND KNOB ASSEMBLY DIAGRAM



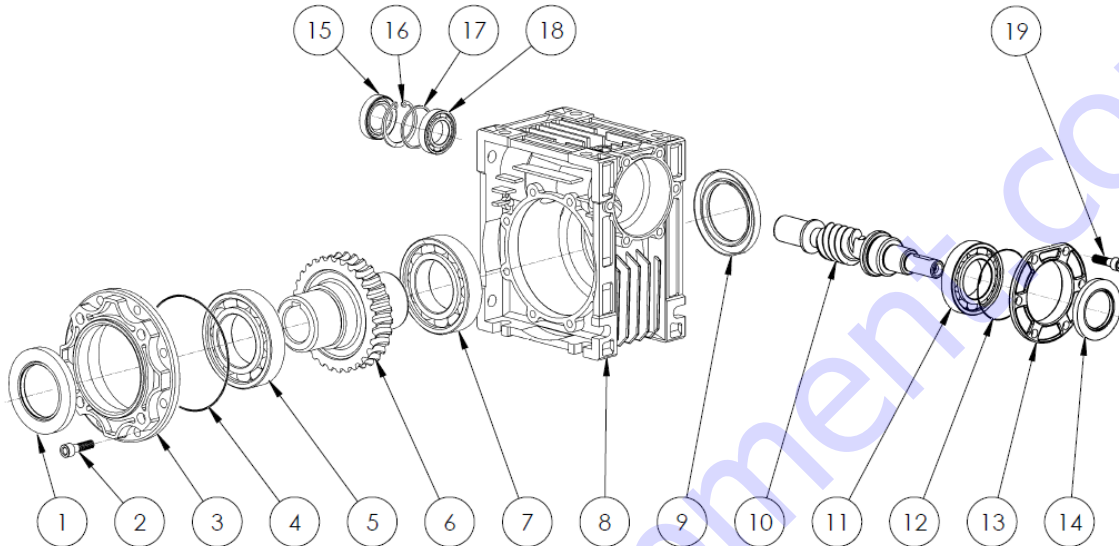
HAND KNOB ASSEMBLY: 21714 – PARTS LIST 9

Item #	Part #	Description	QTY	Remarks
1	21713	SCREW SHAFT	1	-
2	21707	KNOB	1	-
3	21708	PIN 3/16 x 1-3/4" LG	1	-
4	21712	RETAINER	1	-
5	21731	BUSHING, HANDLE	1	-
6	21709	BEARING 607V NICE	1	-
7	21711	WASHER 3/4"DIA	1	-
8	50266	WASHER, WAVE 49/64" ID X 1" OD	1	-
9	21722	THREADED SLIDE BUSHING	1	-

PARTS LIST 10 – EDGER TROWEL

GEARBOX 11770 ASSEMBLY DIAGRAM

Bartell does not supply replacement parts for this gearbox. Please contact Motovario for information.



HAND KNOB ASSEMBLY: 11770 – PARTS LIST 10

Item #	Description	Specification
1	OIL SEAL	AS 45X65X10
2	SOCKET SCREW	M8 X 18
3	BEARING SUPPORT COVER	9.063.02
4	O-RING	540
5	BEARING	6009
6	WORM WHEEL	9.063.11
7	BEARING	6009
8	CASING	9.063.01
9	OIL SEAL	AS 45X65X10
10	WORM SHAFT	42X52X2.5
11	BEARING	30305
12	O-RING	3225
13	GEAR UNIT COVER	9.063.06
14	OIL SEAL	DIN 3760 AS 25X52X7
15	CAP	RCA 52X7
16	CIRCLIP	D472 52
17	SPACER	DIN 988 42X52X2.5
18	BEARING	NRV 30205
19	SOCKET SCREW	DIN 912, M8 X 18

PARTS FINDER

**Search Website
by Part Number**

**Discount
Equipment**



**Search Manual
Library For Parts
Manual & Lookup Part
Numbers – Purchase
or Request Quote**



**Can't Find Part or
Manual? Request Help
by Manufacturer,
Model & Description**



Discount-Equipment.com is your online resource for quality parts & equipment.

Florida: **561-964-4949** Outside Florida TOLL FREE: **877-690-3101**

Need parts?

Click on this link: <http://www.discount-equipment.com/category/5443-parts/> and choose one of the options to help get the right parts and equipment you are looking for. Please have the machine model and serial number available in order to help us get you the correct parts. If you don't find the part on the website or on one of the online manuals, please fill out the request form and one of our experienced staff members will get back to you with a quote for the right part that your machine needs.

We sell worldwide for the brands: Genie, Terex, JLG, MultiQuip, Mikasa, Essick, Whiteman, Mayco, Toro Stone, Diamond Products, Generac Magnum, Airman, Haulotte, Barreto, Power Blanket, Nifty Lift, Atlas Copco, Chicago Pneumatic, Allmand, Miller Curber, Skyjack, Lull, Skytrak, Tsurumi, Husquvarna Target, Stow, Wacker, Sakai, Mi-T-M, Sullair, Basic, Dynapac, MBW, Weber, Bartell, Bennar Newman, Haulotte, Ditch Runner, Menegotti, Morrison, Contec, Buddy, Crown, Edco, Wyco, Bomag, Laymor, EZ Trench, Bil-Jax, F.S. Curtis, Gehl Pavers, Heli, Honda, ICS/PowerGrit, IHI, Partner, Imer, Clipper, MMD, Koshin, Rice, CH&E, General Equipment, Amida, Coleman, NAC, Gradall, Square Shooter, Kent, Stanley, Tamco, Toku, Hatz, Kohler, Robin, Wisconsin, Northrock, Oztec, Toker TK, Rol-Air, APT, Wylie, Ingersoll Rand / Doosan, Innovatech, Con X, Ammann, Mecalac, Makinex, Smith Surface Prep, Small Line, Wanco, Yanmar