

THE
BARRETO
MODEL 1324D - 1624D
HYDRAULIC TRENCHER EXPLODED
VIEWS WITH PART NUMBERS

CONGRATULATIONS!

You are now the proud owner of a BARRETO trencher. The following pages have detailed views of your trencher, along with corresponding part numbers. If you have any questions or need any replacement parts in the future, please contact us at your convenience. Our toll-free phone number, fax and email are listed below and parts may be ordered through any of these methods.

Thank you for your patronage and confidence in BARRETO equipment.

Barreto Manufacturing, Inc.
Innovative Equipment Engineered to Last

Machine Identification Record

BARRETO Customer number _____

Machine model number _____

Machine serial number _____

Engine manufacturer _____

Engine model number _____

Engine serial number _____



www.discount-equipment.com

PARTS FINDER

**Search Website
by Part Number**



**Search Manual
Library For Parts
Manual & Lookup Part
Numbers – Purchase
or Request Quote**

Search Manuals

Enter your information to search for a manual or to purchase a manual or parts.

* Brand:

* Model:

* Serial:

* Part Number:

SEARCH

**Can't Find Part or
Manual? Request Help
by Manufacturer,
Model & Description**

Parts Order Form

Please fill in the following information:

Manufacturer:

Model:

Description:

Quantity:

Part Number:

Part Name:

Part Description:

Part Category:

Part Location:

Part Status:

Part Condition:

Part Material:

Part Color:

Part Weight:

Part Dimensions:

Part Price:

Part Notes:

Submit

Discount-Equipment.com is your online resource for quality parts & equipment.

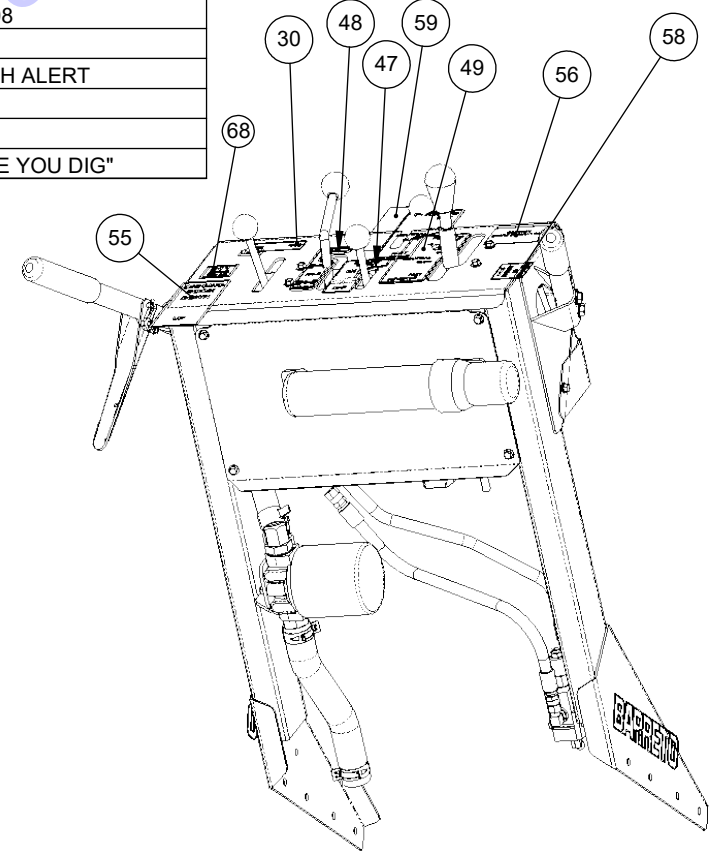
Florida: **561-964-4949** Outside Florida TOLL FREE: **877-690-3101**

Need parts?

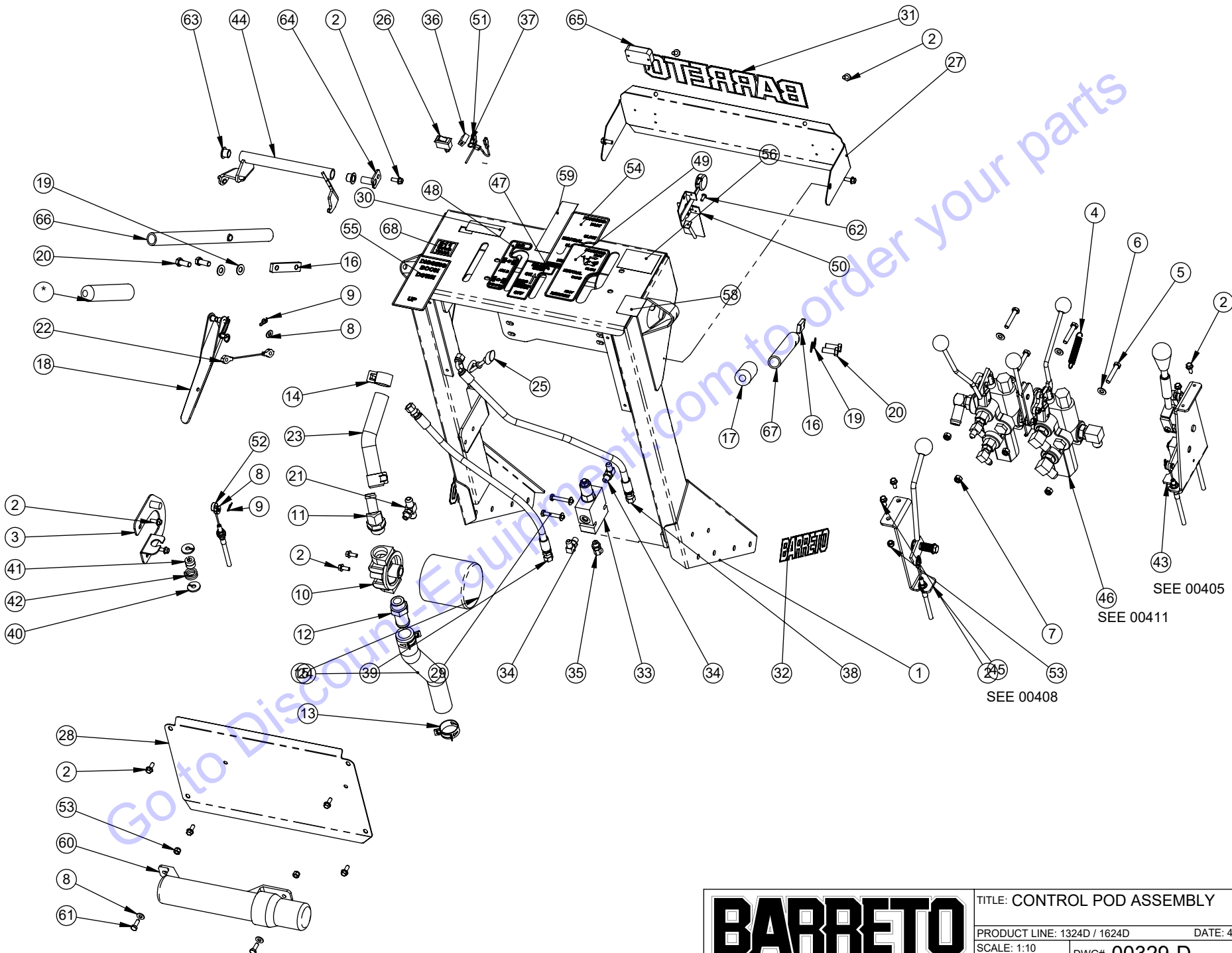
Click on this link: <http://www.discount-equipment.com/category/5443-parts/> and choose one of the options to help get the right parts and equipment you are looking for. Please have the machine model and serial number available in order to help us get you the correct parts. If you don't find the part on the website or on one of the online manuals, please fill out the request form and one of our experienced staff members will get back to you with a quote for the right part that your machine needs.

We sell worldwide for the brands: Genie, Terex, JLG, MultiQuip, Mikasa, Essick, Whiteman, Mayco, Toro Stone, Diamond Products, Generac Magnum, Airman, Haulotte, Barreto, Power Blanket, Nifty Lift, Atlas Copco, Chicago Pneumatic, Allmand, Miller Curber, Skyjack, Lull, Skytrak, Tsurumi, Husquvarna Target, Stow, Wacker, Sakai, Mi-T-M, Sullair, Basic, Dynapac, MBW, Weber, Bartell, Bennar Newman, Haulotte, Ditch Runner, Menegotti, Morrison, Contec, Buddy, Crown, Edco, Wyco, Bomag, Laymor, EZ Trench, Bil-Jax, F.S. Curtis, Gehl Pavers, Heli, Honda, ICS/PowerGrit, IHI, Partner, Imer, Clipper, MMD, Koshin, Rice, CH&E, General Equipment, Amida, Coleman, NAC, Gradall, Square Shooter, Kent, Stanley, Tamco, Toku, Hatz, Kohler, Robin, Wisconsin, Northrock, Oztec, Toker TK, Rol-Air, APT, Wylie, Ingersoll Rand / Doosan, Innovatech, Con X, Ammann, Mecalac, Makinex, Smith Surface Prep, Small Line, Wanco, Yanmar

REF	QTY.	PART NO.	DESCRIPTION	REF	QTY.	PART NO.	DESCRIPTION
1	1	10843-D	CONTROL POD	48	1	04431-08	DECAL, AXLE LOCK
2	17	05069	WHIZ LOCK, 1/4-20 NC X 5/8 ZINC	49	1	04431-09	DECAL, TRAVEL SPEED, F/N/R
3	1	11450	LINKAGE MOUNT	50	1	03515-T	THROTTLE CABLE
4	1	10548	SPRING LEE LE-055E-6MW	51	1	10603	IGNITION WIRE, 912
5	4	05054	HH CAP SCREW, 5/16-18 NC X 1-3/4 G5 ZINC	52	1	03045	CABLE, 47"
6	4	05068	WASHER, 5/16 SAE ZINC	53	4	05096	NUT, NYLOCK, 1/4-20 NC ZINC
7	4	05273	NUT, NYLOCK, 5/16-18 NC ZINC	54	1	04440-06	DECAL, "TRAVEL F-N-R"
8	6	05081	WASHER, 1/4 SAE ZINC	55	1	03341-12	DECAL, "DIGGING BOOM, UP-DOWN"
9	2	05038	RUE RING COTTER #8	56	1	03341-24	DECAL, "WARNING - NO PARKING BRAKE"
10	1	04212-OR-TR	FILTER HEAD, #12 O-RING, TAP RIGHT	57	1	04440-05	DECAL, THROTTLE CONTROL
11	1	10362	FITTING, 4603-12-12	58	1	04440-07	DECAL, "REV/TRENCH SYMBOL"
12	1	04217	FITTING, 4604-16-12	59	1	03341-10	DECAL, DIG CHAIN "FWD/N/REV"
13	2	05225	CLAMP, 1" ID HOSE, CTB-35 ST	60	1	12090	INSTRUCTION CANISTER
14	2	05008	CLAMP, 1" HOSE, CTB-29	61	2	05554	HH CAP SCREW, 1/4-20 NC X 3/4 G5 ZINC
15	1	03951	FILTER, HYDRAULIC OIL, WITH BY-PASS	62	2	05233	SCREW #10-24 X 1/2 PPH
16	2	01403	HANDLE BAR SLUG	63	2	12077	BUSHING, IGUS JFI-0810-08
17	1	03032	HANDLE BAR GRIPS (SOLD IN PAIRS)	64	1	10346	LINKAGE PIVOT
18	1	01503K	CLUTCH LEVER KIT	65	1	03009-R1	HOUR METER, WITH FLASH ALERT
19	4	05101	WASHER, 3/8 SAE ZINC	66	1	01402-L	HANDLEBAR, LEFT
20	4	05059	HH CAP SCREW, 3/8-16 NC X 1 G5 ZINC	67	1	01402-R	HANDLE BAR, RH
21	1	10408	FITTING, 6803-6-6-4	68	1	03345	DECAL, "CALL 811 BEFORE YOU DIG"
22	1	11280	CABLE, 5"				
23	1	10763	HOSE, VALVE / FILTER				
24	1	10764	HOSE, FILTER / TANK				
25	1	06423	STARTER GROMMET				
26	1	06420	ROCKER SWITCH, IGNITION OFF/ON				
27	1	10774	HOSE COVER				
28	1	10776	BACK COVER				
29	2	05556	HH CAP SCREW, 1/4-20 NC X 1-3/4 G5 ZINC				
30	1	03341-07	DECAL, "IGNITION OFF/ON"				
31	1	03040-02	DECAL, "BARRETO", 3-1/2 X 11-1/4				
32	2	03040-11	DECAL, "BARRETO", 2-3/16 X 7-3/8				
33	1	04508-R	C-BALANCE VALVE, SINGLE				
34	2	04555	FITTING, 6801-4-4				
35	1	04218	FITTING, 6802-4-4				
36	1	03806	QUICK-SPLICE				
37	1	06421	GROUND WIRE, IGNITION SWITCH				
38	1	10829	HOSE, VALVE A / C-BAL PORT 3				
39	1	10830	HOSE, VALVE B / C-BAL PORT 2				
40	2	11452	CABLE COLLAR				
41	2	11451	PRE-LOAD SPACER				
42	1	11453	SPRING CENTURY LL-49				
43	1	00405	SPEED LEVER ASSEMBLY				
44	1	10331	VALVE LINKAGE				
45	1	00408	LOCK LEVER ASSEMBLY				
46	1	00411	CONTROL VALVE ASSEMBLY				
47	1	04431-10	DECAL, DIG CHAIN ON/OFF				



BARRETO	TITLE: CONTROL POD ASSEMBLY	
	PRODUCT LINE: 1324D / 1624D	DATE: 4-4-11
	SCALE: 1:10 SHEET 1 OF 2	DWG# 00329-D



SEE 00405
SEE 00411

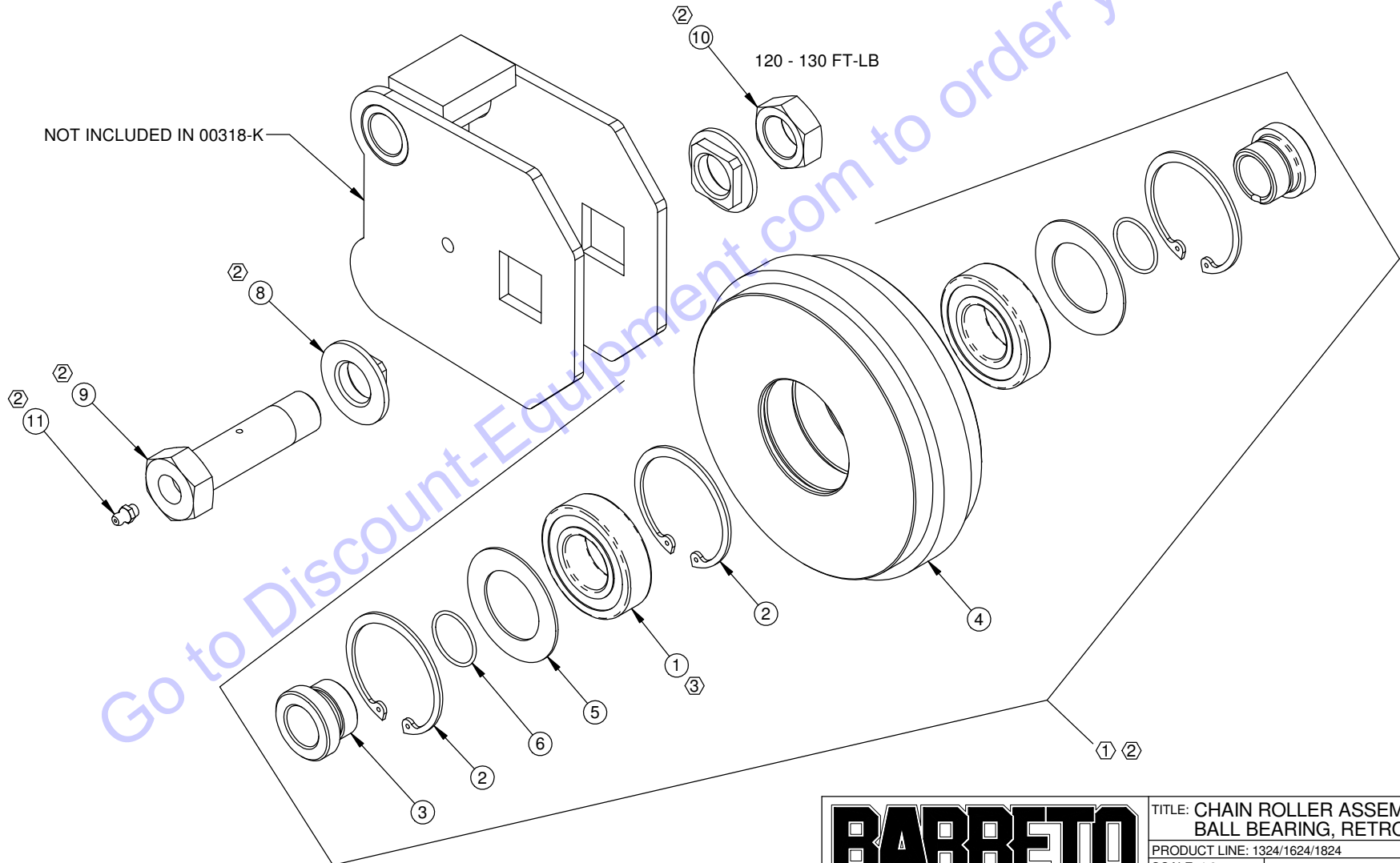
SEE 00408

BARRETO

TITLE: CONTROL POD ASSEMBLY
 PRODUCT LINE: 1324D / 1624D DATE: 4-4-11
 SCALE: 1:10 DWG# 00329-D
 SHEET 2 OF 2

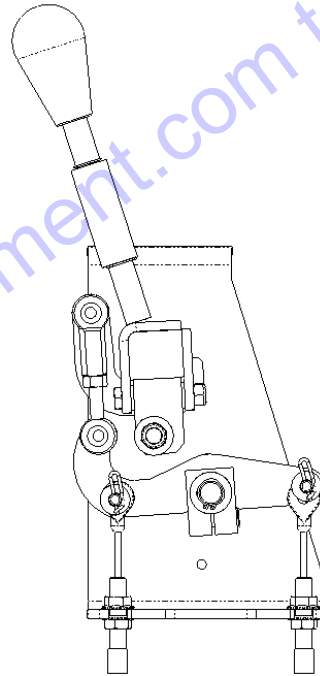
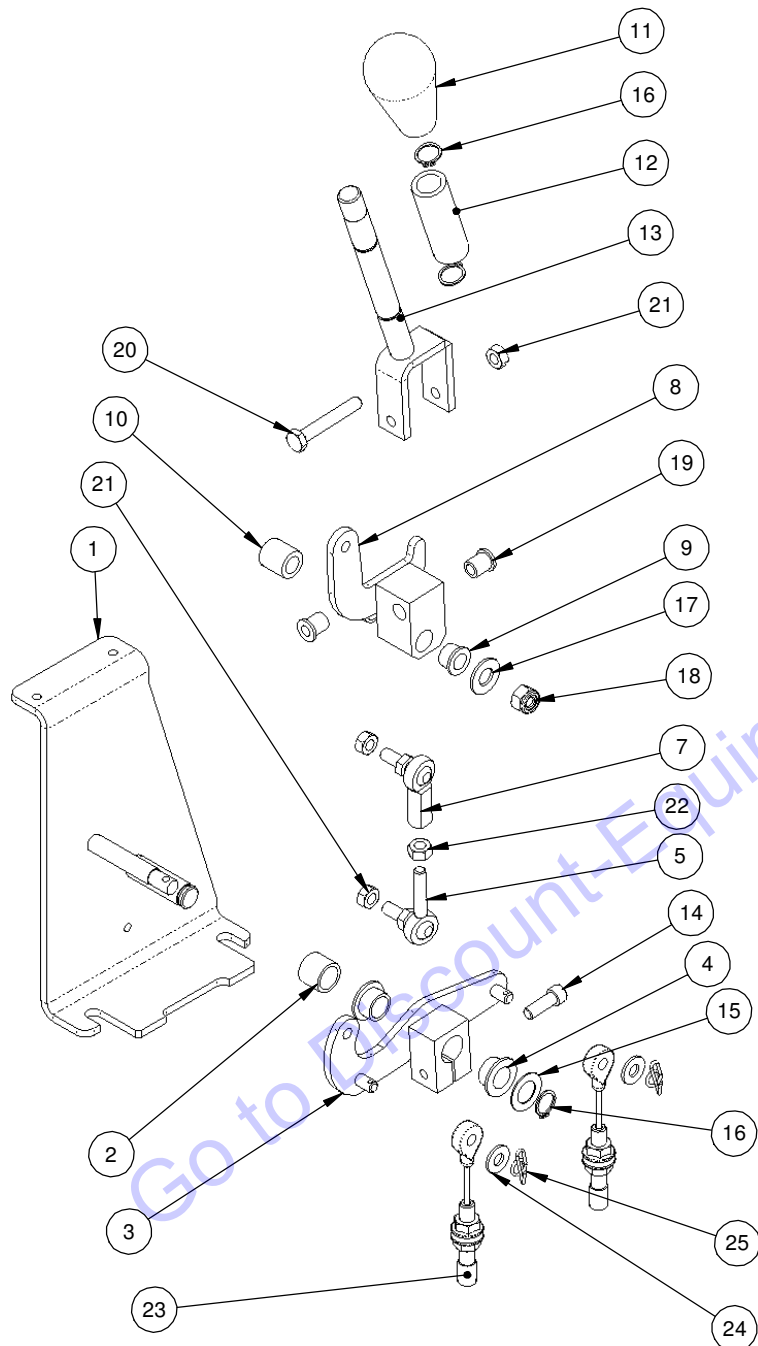
REF.	QTY.	PART NO.	DESCRIPTION
1	2	03280	BALL BEARING, SKF 6206
2	3	10742	SNAP RING, HO-244, 2-7/16 INTERNAL
3	2	10743	SPACER
4	1	02621-B	CHAIN ROLLER, BALL BRG
5	2	10745	THRUST WASHER, 1.501 X 2.434 X .060 ZINC
6	2	10858	O-RING, 2-023, 1-13/16 OD X 1/16 SECTION
8	2	10857	ROLLER AXLE LOCATOR, RETROFIT
9	1	10848-M	BOOM ROLLER AXLE, RETROFIT
10	1	05597	JAM NUT, GRIPCO 7/8 - 9
11	1	05044	GREASE ZERK, 1/4-28 UNF

- ① ALL INDICATED ITEMS INCLUDED IN PART NUMBER 00318 (CHAIN ROLLER ASSEMBLY).
- ② ALL ITEMS LISTED IN THE BILL OF MATERIALS MAY BE ORDERED AS A KIT, PART NUMBER 00318-K.
- ③ REMOVE ONE SEAL FROM EACH BALL BEARING. INSTALL BEARINGS WITH REMAINING SEAL FACING OUT.



BARRETO

TITLE: CHAIN ROLLER ASSEMBLY,
BALL BEARING, RETROFIT KIT
 PRODUCT LINE: 1324/1624/1824 DATE: 2/6/08
 SCALE: 1:3 SHEET 1 OF 1 DWG# 00318-K



REF.	QTY.	PART NO.	DESCRIPTION
1	1	11637	SPEED LEVER MOUNT, SINGLE
2	1	11314	SPACER, .56
3	1	11345	SPEED CABLE ARM
4	2	12078	BUSHING, IGUS RFI-0810-06
5	1	11311-1	SPHERICAL JOINT, 1/4 NF, M/M
7	1	11353-1	BALL JOINT SOCKET, 1/4 NF, FEM
8	1	11087L	LEVER PIVOT
9	2	10509	BUSHING, IGUS RFI-0608-06
10	1	11244	SPEED LEVER SPACER, .69
11	1	03508	SPEED KNOB
12	1	10547	SPEED LEVER ROLLER
13	1	11359	SPEED LEVER
14	1	05235	SH CAP SCREW, 1/4-28 NF X 3/4 PLAIN
15	1	10113	THRUST WASHER, .518 X .873 X .030
16	3	05506	SNAP RING, 1/2" EXTERNAL, SH-50
17	1	05101	WASHER, 3/8 SAE ZINC
18	1	05071	NUT, NYLOCK, 5/16-24 NF ZINC
19	2	03029-04	BUSHING, MICRO PLASTICS 12SWS1048
20	1	05243	HH CAP SCREW, 1/4-28 NF X 1-3/4 G5 ZINC
21	3	05266	NUT, GRIPCO, 1/4-28 NF G5 ZINC
22	1	05267	NUT, 1/4-28 NF ZINC
23	2	03086	CABLE, 45"
24	2	05081	WASHER, 1/4 SAE ZINC
25	2	05038	RUE RING COTTER #8

BARRETO

TITLE: SPEED LEVER ASSEMBLY

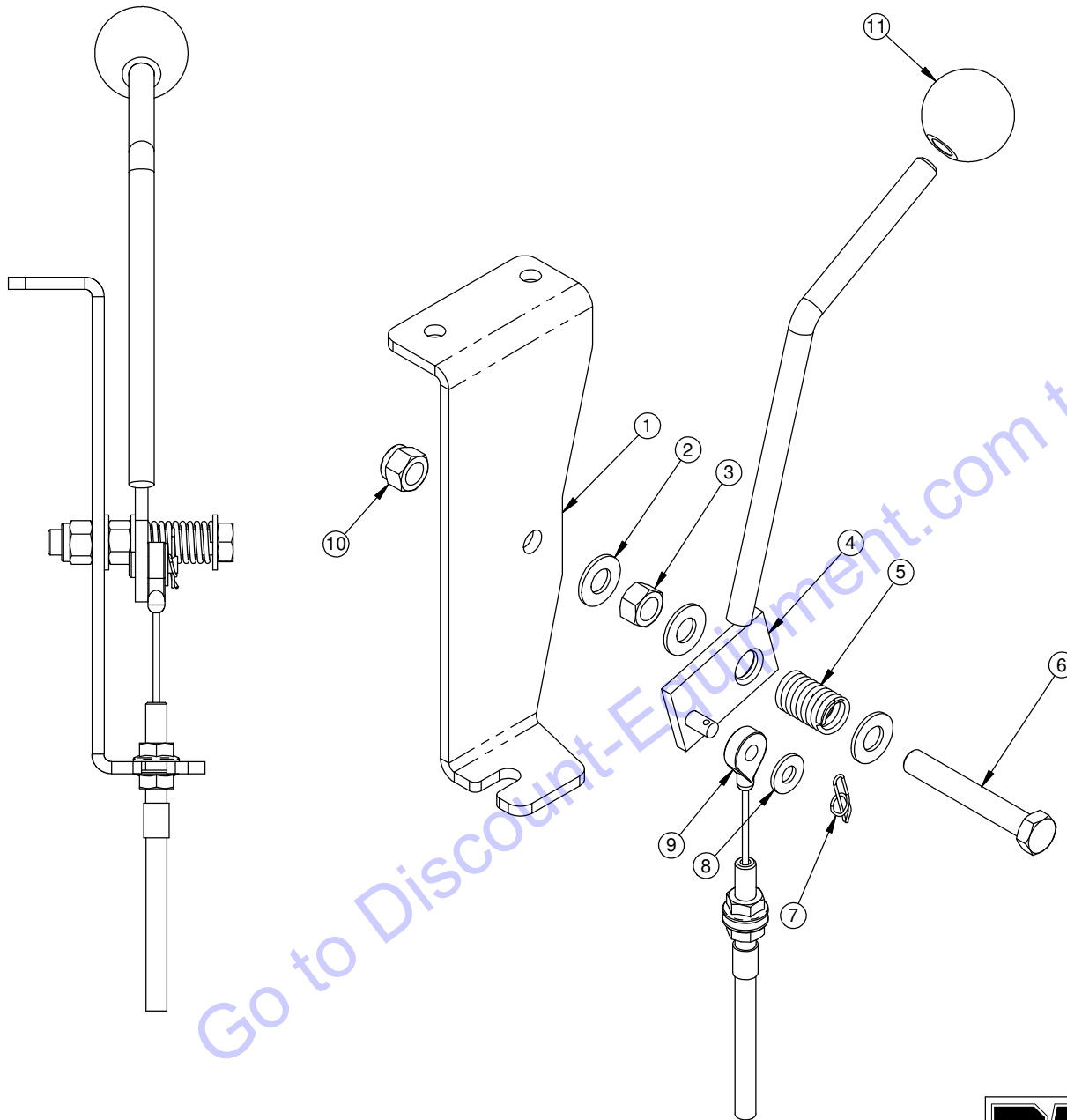
PRODUCT LINE: 13 / 1624D

DATE: 02/09

SCALE: 1:4

SHEET 1 OF 1

DWG# 00405



REF.	QTY.	PART NO.	DESCRIPTION
1	1	11635-1	LOCK LEVER MOUNT
2	3	05101	WASHER, 3/8 SAE ZINC
3	1	05269	NUT, 3/8-16 NC GRB ZINC
4	1	11638	AXLE LOCK LEVER
5	1	03066	SPRING, CENTURY S774
6	1	05249	HH CAP SCREW, 3/8-16 NC X 2-1/2 G5 ZINC
7	1	05038	RUE RING COTTER #8
8	1	05081	WASHER, 1/4 SAE ZINC
9	1	03514	CABLE, 40"
10	1	05073	NUT, NYLOCK, 3/8-16 NC ZINC
11	1	03507	KNOB, 3/8-NC

BARRETO

TITLE: LOCK LEVER ASSEMBLY

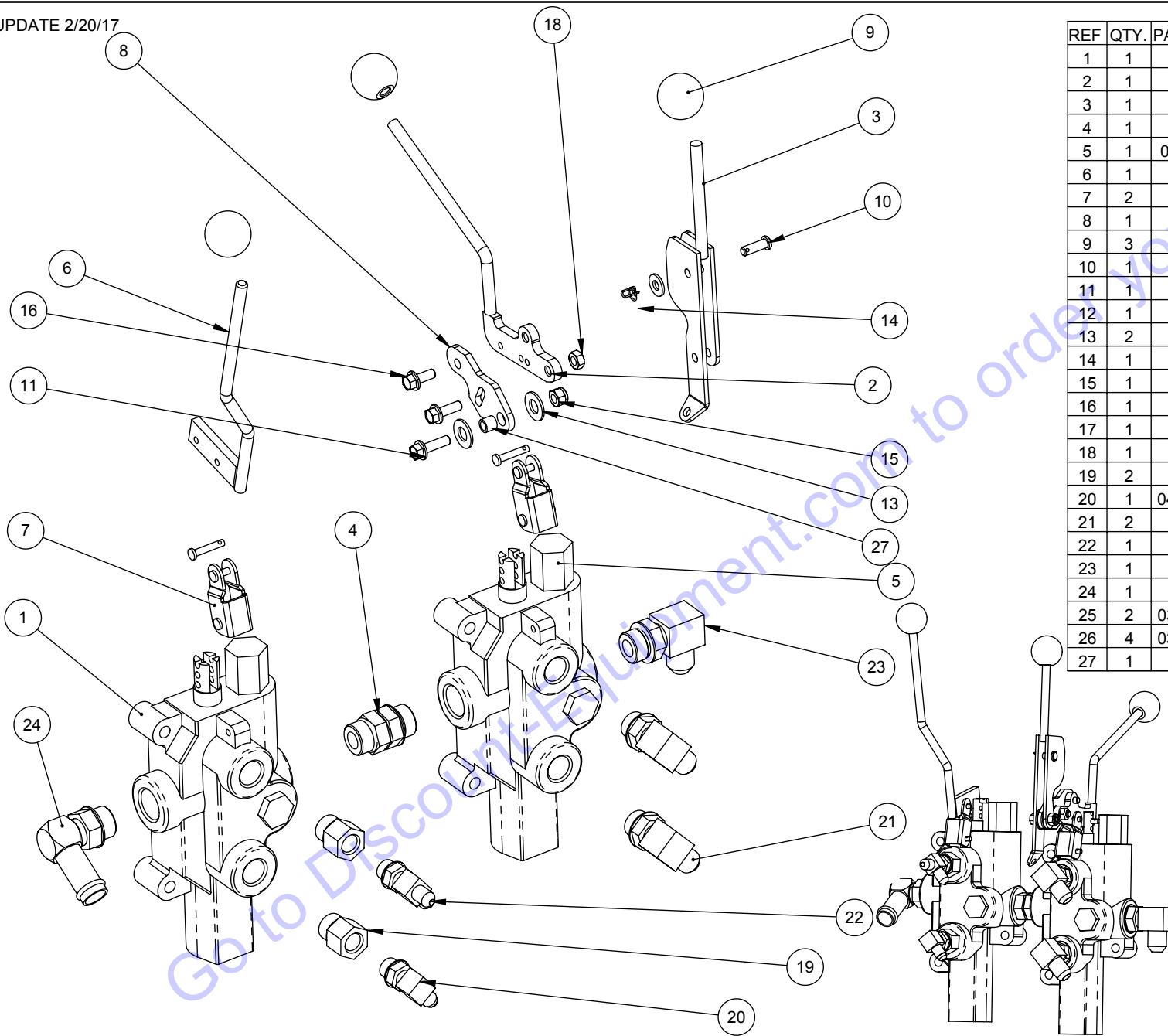
PRODUCT LINE: 1324D & 1624D DATE: 3/3/09

SCALE: 1:2.5

DWG# 00408

SHEET 1 OF 1

UPDATE 2/20/17



REF	QTY.	PART NO.	DESCRIPTION
1	1	04512	VALVE RD-2508-T4
2	1	10330	VALVE LEVER
3	1	10335	VALVE ENGAGE LEVER
4	1	04521	FITTING, 6407-10-10
5	1	04513-D	VALVE RD-2508-M4, 13 & 16 HP
6	1	11639	CYLINDER VALVE LEVER
7	2	03509	VALVE LINK W/ PINS
8	1	10337	VALVE ROCKER
9	3	03026	KNOB, 5/16-NC
10	1	10345	CLEVIS PIN, 1/4 X 3/4 ZINC
11	1	05535	WHIZ-LOCK 1/4 - 20 X 7/8
12	1	05081	WASHER, 1/4 SAE ZINC
13	2	05101	WASHER, 3/8 SAE ZINC
14	1	05038	RUE RING COTTER #8
15	1	05096	NUT, NYLOCK, 1/4-20 NC ZINC
16	1	05069	WHIZ LOCK, 1/4-20 NC X 5/8 ZINC
17	1	05049	WHIZ LOCK, 1/4-20 NC X 3/4 ZINC
18	1	10773	NUT, GRIPCO, 1/4-20 NC G5 ZINC
19	2	04529	FITTING, 6410-8-6
20	1	04527-01	FITTING, 6801-4-6
21	2	04554	FITTING, 6801-8-8
22	1	04564	FITTING, 6804-4-6-4
23	1	04211	FITTING, 6801-8-10
24	1	04523	FITTING, 4601-12-10
25	2	03509-01	CLEVIS PIN, 3/16 X 7/16 (ORDER 03
26	4	03509-02	CLEVIS PIN, 3/16 X 3/4 (ORDER 03509)
27	1	11743	SPACER

BARRETO

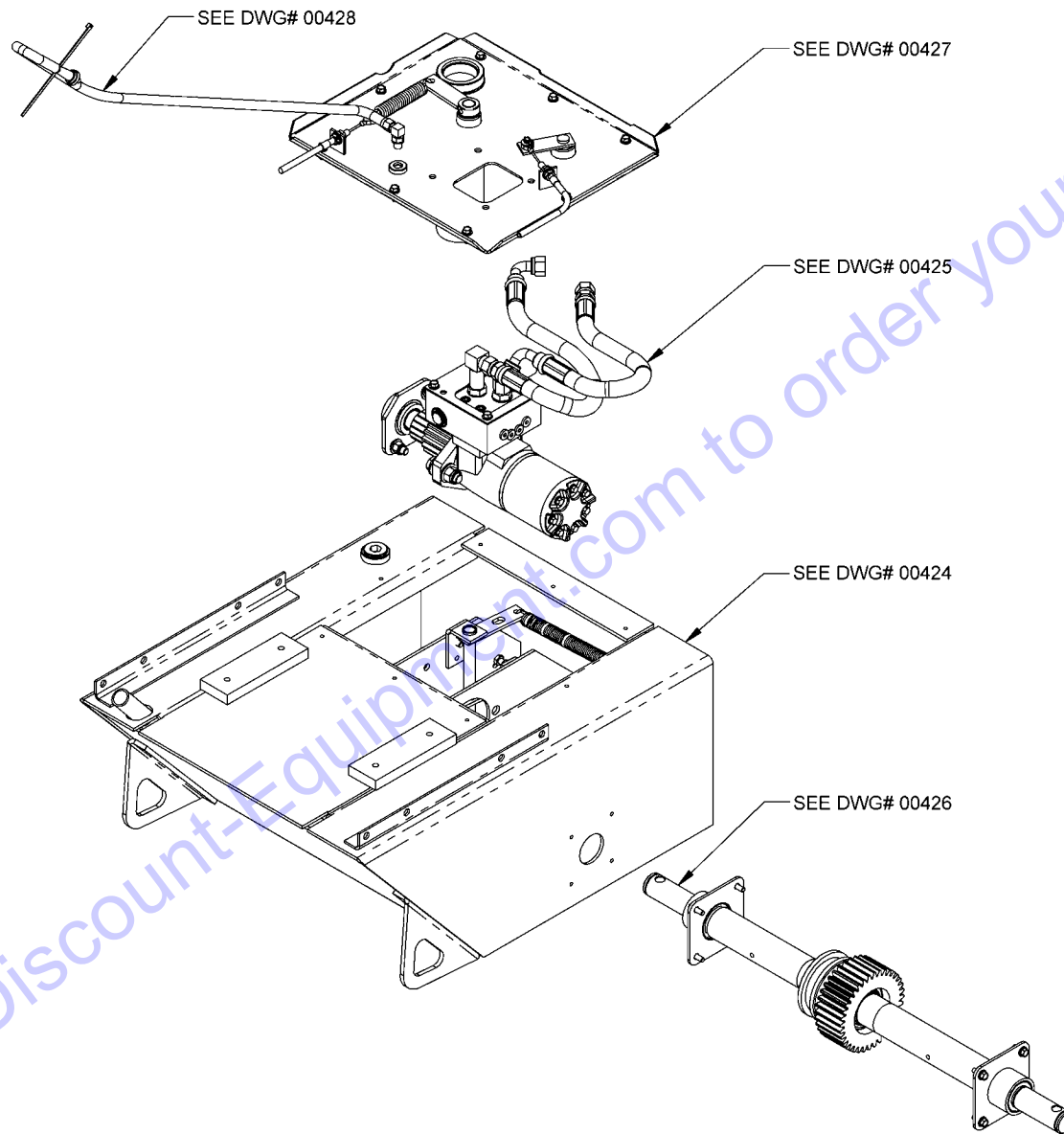
TITLE: CONTROL VALVE ASSEMBLY

PRODUCT LINE: 13 / 1624D

DATE: 02/09

SCALE: 1:4
SHEET 1 OF 1

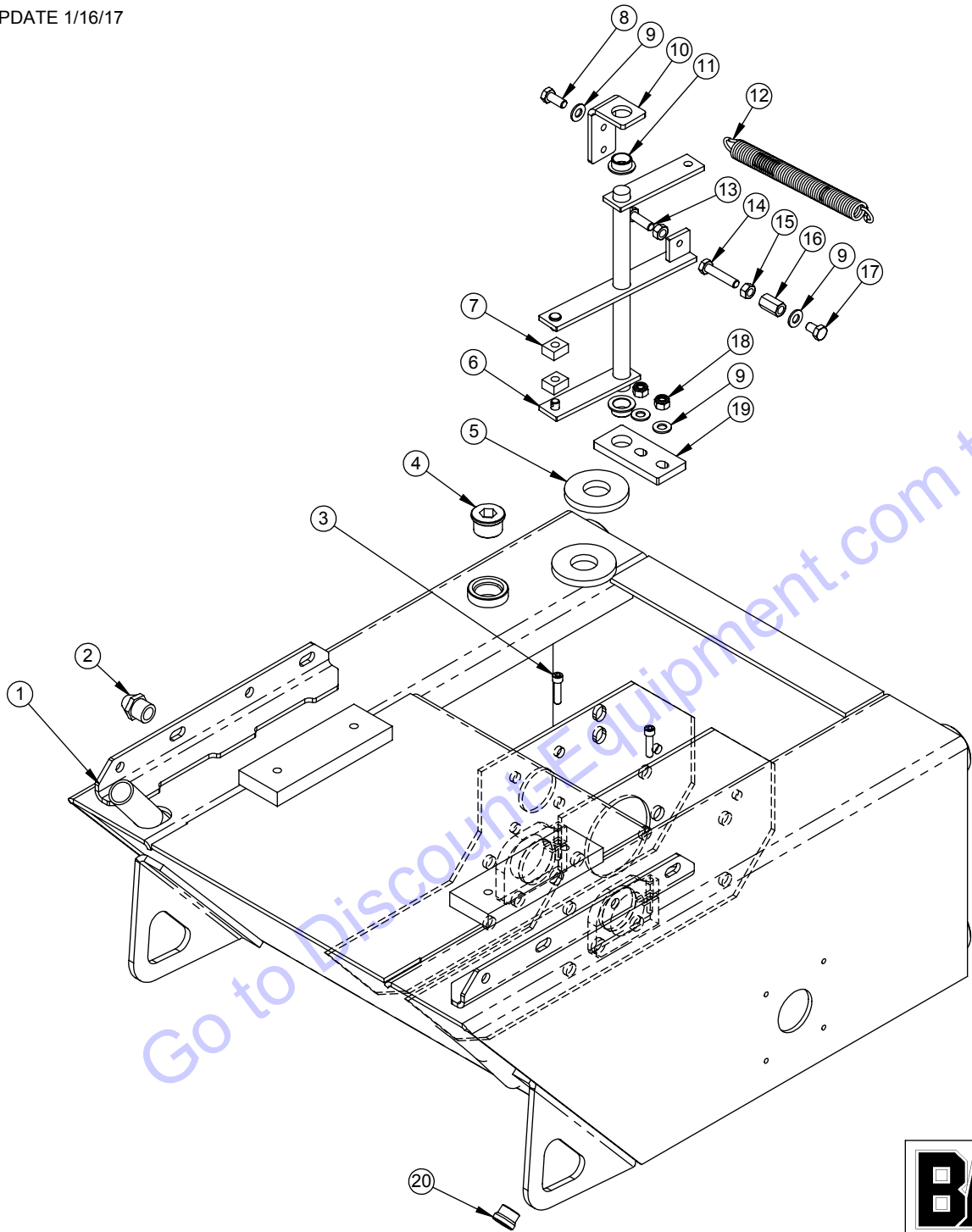
DWG# 00411



BARRETO	TITLE: LOWER END OVERVIEW	
	PRODUCT LINE: 1324/1624/1824	DATE: 1/10/08
	SCALE: 1:9	DWG# 00423

SHEET 1 OF 1

UPDATE 1/16/17

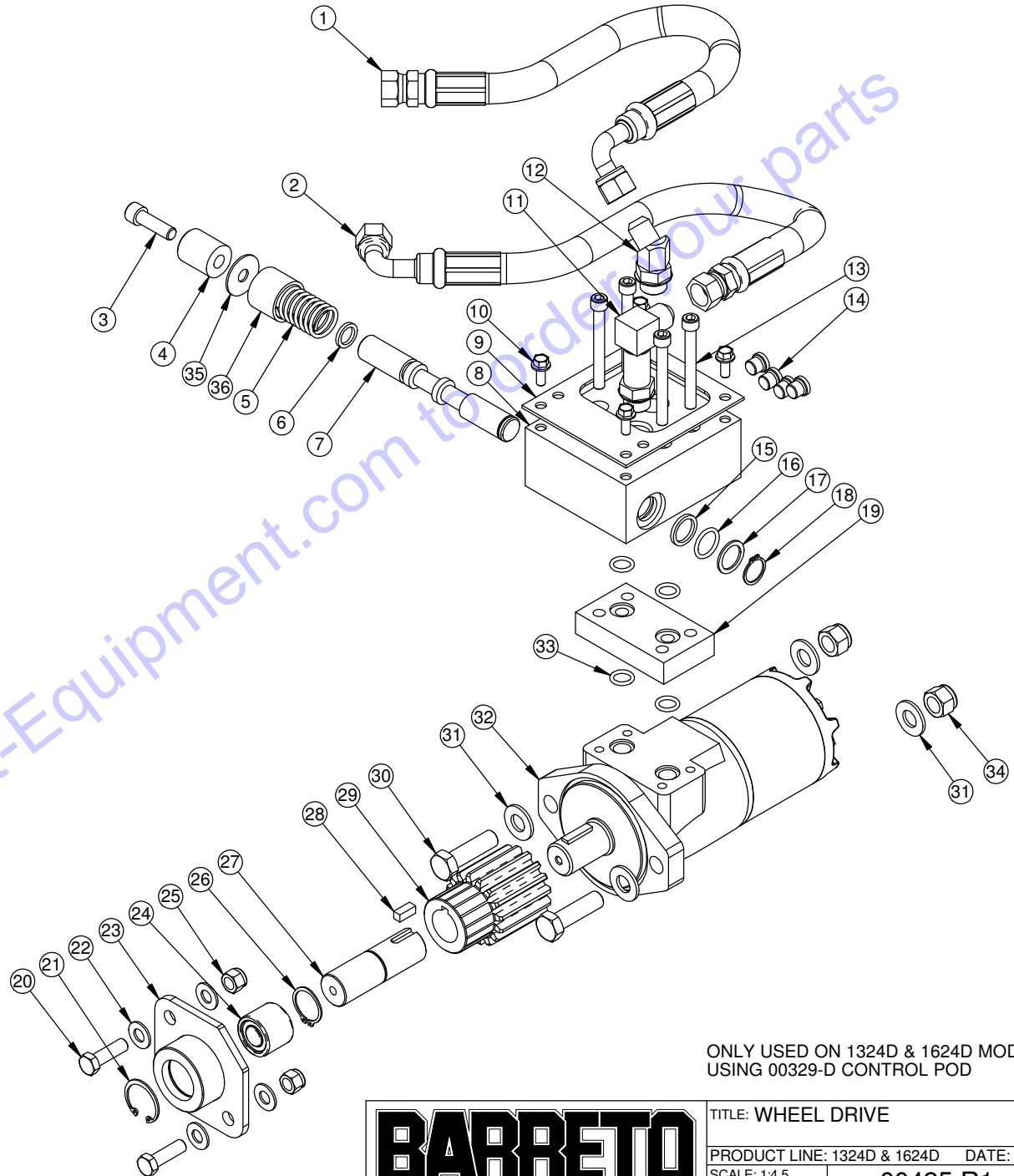


REF	QTY.	PART NO.	DESCRIPTION
1	1	01200-R	LOWER BODY, REVISED
2	1	03503	SIGHT GAUGE
3	2	05116	SH CAP SCREW, 1/4-20 NC X 1 PLAIN
4	1	10526	FITTING, 6409-12 PLUG
5	2	03520	MAGNET
6	1	01204	LOCK FORK
7	2	02214	SLIDER
8	1	05247	HH CAP SCREW, 5/16-18 NC X 3/4 G5 ZINC
9	4	05068	WASHER, 5/16 SAE ZINC
10	1	01206	LOCK FORK BRACKET
11	2	03060	BUSHING, IGUS MFI-1012-06
12	1	03220	SPRING, CENTURY 5586, 3/4 X 7-1/4
13	1	05248	HH CAP SCREW, 5/16-18 NC X 1 G5 PLAIN
14	1	05333	HH CAP SCREW, 5/16-18 NC X 1-1/2 G5 ZINC TAP
15	2	05264	NUT, 5/16-18 NC ZINC
16	1	05274	NUT, EXTENDED, 5/16-18 NC X 7/8 ZINC
17	1	05304	HH CAP SCREW, 5/16-18 NC X 1/2 G5 ZINC
18	2	05273	NUT, NYLOCK, 5/16-18 NC ZINC
19	1	01205	LOCK FORK BASE
20	1	10361	FITTING, 6409-8 PLUG

BARRETO

TITLE: BODY, LOWER
 PRODUCT LINE: 1324/1624/1824 DATE: 12/13/07
 SCALE: 1:6 SHEET 1 OF 1 DWG# 00424

REF.	QTY.	PART NO.	DESCRIPTION
1	1	04548-01	HOSE, WHEEL DRIVE, RIGHT, 15"
2	1	04547-01	HOSE, WHEEL DRIVE, LEFT, 18"
3	1	05239	SH CAP SCREW, 3/8-16 NC X 1-1/4 G5 PLAIN
4	1	02202	SPOOL SPACER
5	1	03055	SPRING, VALVE SPOOL RETURN
6	1	10614	QUAD RING #4-113
7	1	02201	SPOOL, DRIVE DUMP
8	1	02200	MANIFOLD, WHEEL MOTOR
9	1	03242	MANIFOLD GASKET
10	4	05069	WHIZ LOCK, 1/4-20 NC X 5/8 ZINC
11	1	04533	FITTING, 6801-8-8-LL
12	1	04210	FITTING, 6802-8-8
13	4	05238	SH CAP SCREW, 5/16-18 NC X 3 G5 PLAIN
14	4	03300	FITTING, 6409-4 PLUG
15	1	10470	QUAD RING #4-116
16	1	03225	O-RING, 2-116N70, 15-16 OD X 3/32 SECTION
17	1	03200	THRUST WASHER, .75 X 1 X .060, HARD
18	1	05216	SNAP RING, 3/4 EXTERNAL
19	1	02203CT	MANIFOLD SPACER
20	2	05091	HH CAP SCREW, 3/8-16 NC X 1-1/4 G5 ZINC
21	1	05027	SNAP RING, HO-125, 1-1/4 INTERNAL ZINC
22	4	05101	WASHER, 3/8 SAE ZINC
23	1	02205	BEARING HOUSING PINION SUPPORT
24	1	03230	NEEDLE BEARING
25	2	05073	NUT, NYLOCK, 3/8-16 NC ZINC
26	1	05010	SNAP RING, 1" EXTERNAL
27	1	02204	SHAFT, PINION SUPPORT
28	1	05014-A	KEY, 1/4 X 1/4 X 5/8
29	1	02210-8	GEAR, PINION, 16T
30	2	05062	HH CAP SCREW, 1/2-20 NF X 1-3/4 G5 PLAIN
31	4	05102	WASHER, 1/2 SAE ZINC HARDENED
32	1	04502	MOTOR, WHEEL DRIVE
33	4	03226	O-RING, 2-112N70, 11/16 OD X 3/32 SECTION
34	2	05075	NUT, NYLOCK, 1/2-20 NF ZINC
35	1	05137	WASHER, 3/8 X 1-1/4 OD FENDER ZINC
36	1	11305	SPOOL STOP



ONLY USED ON 1324D & 1624D MODELS
USING 00329-D CONTROL POD

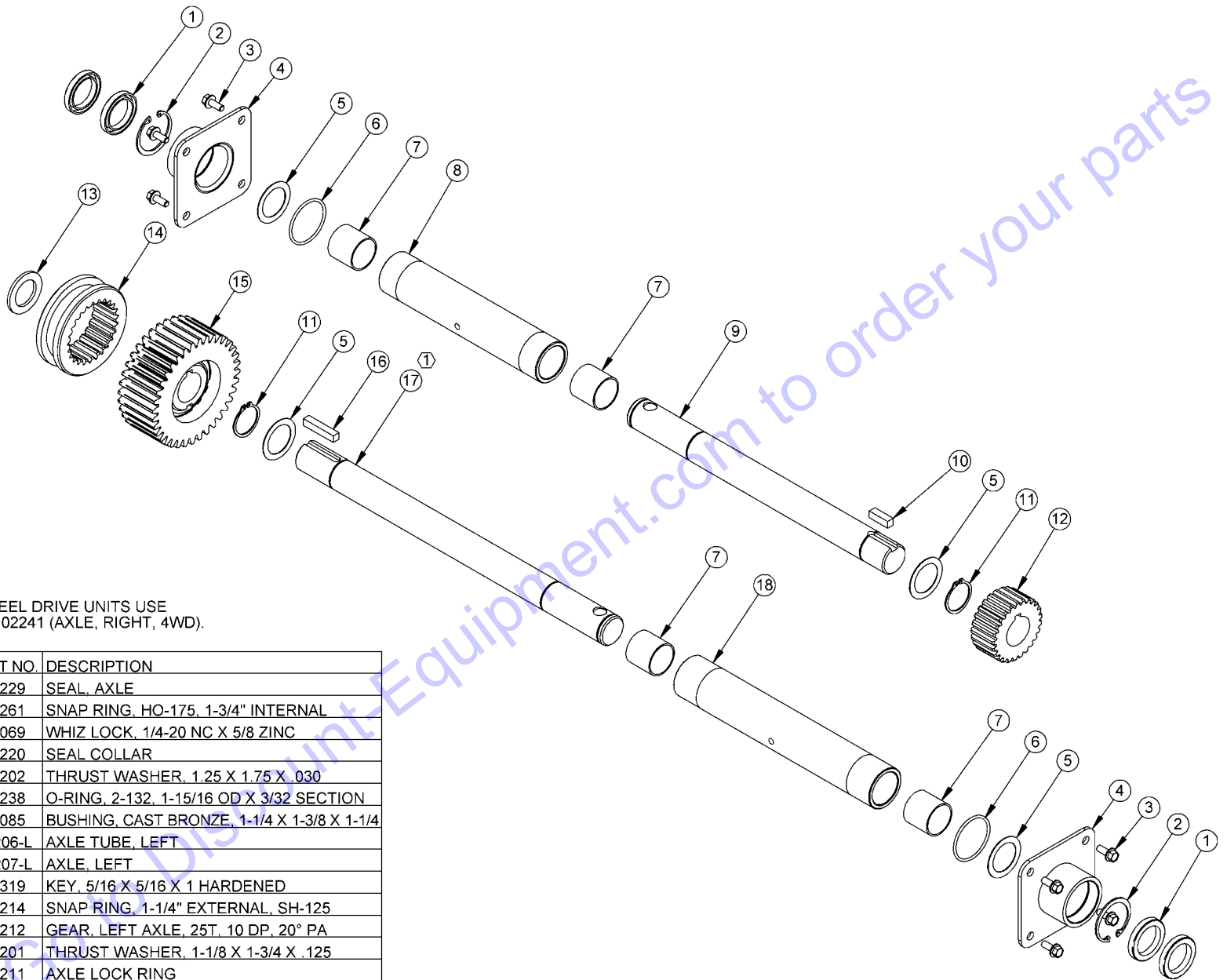
BARRETO

TITLE: WHEEL DRIVE

PRODUCT LINE: 1324D & 1624D DATE: 3/4/09

SCALE: 1:4.5
SHEET 1 OF 1

DWG# 00425 R1



① FOUR WHEEL DRIVE UNITS USE
PART NO. 02241 (AXLE, RIGHT, 4WD).

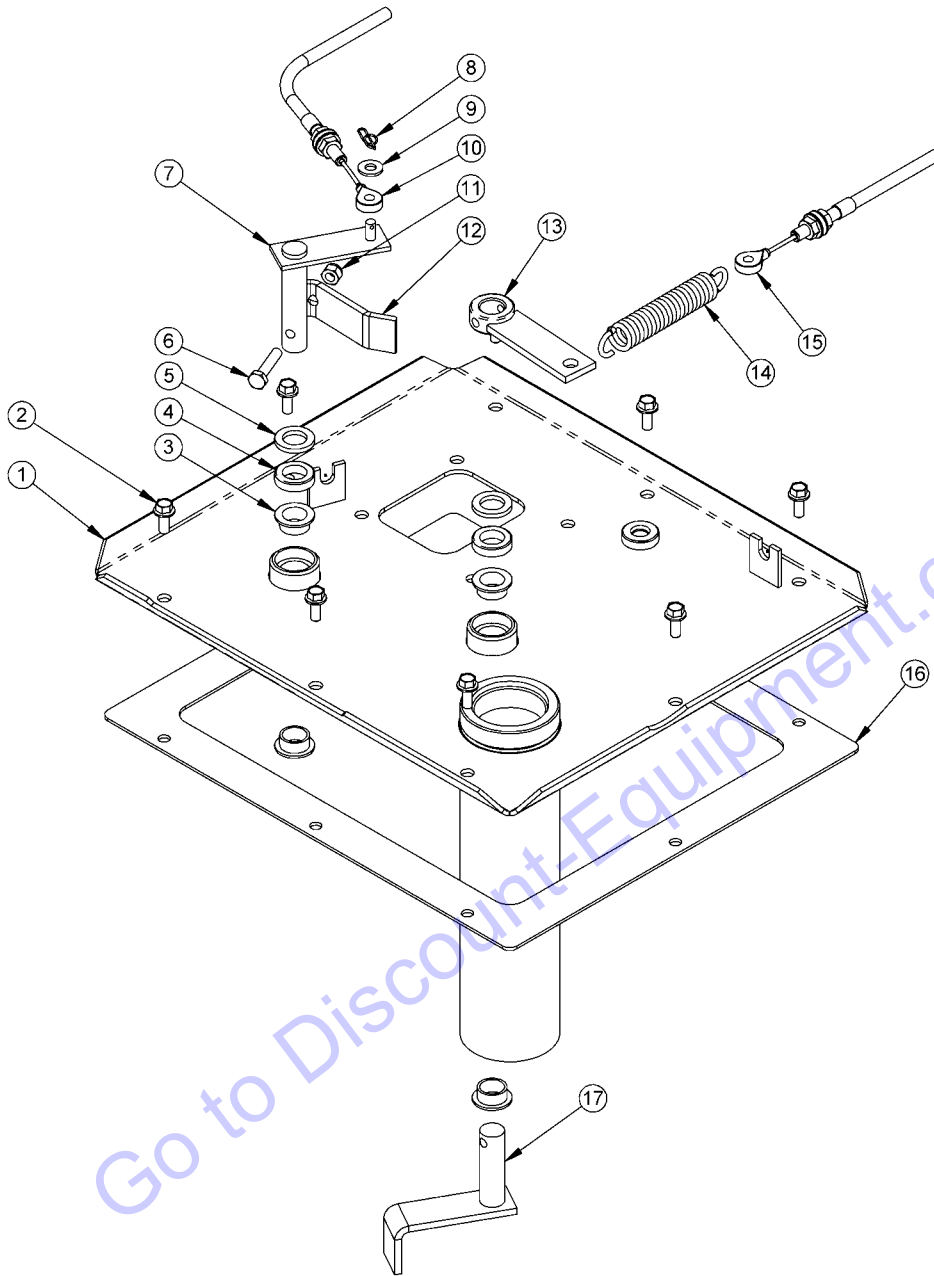
REF.	QTY.	PART NO.	DESCRIPTION
1	4	03229	SEAL, AXLE
2	2	03261	SNAP RING, HO-175, 1-3/4" INTERNAL
3	8	05069	WHIZ LOCK, 1/4-20 NC X 5/8 ZINC
4	2	02220	SEAL COLLAR
5	4	03202	THRUST WASHER, 1.25 X 1.75 X .030
6	2	03238	O-RING, 2-132, 1-15/16 OD X 3/32 SECTION
7	4	03085	BUSHING, CAST BRONZE, 1-1/4 X 1-3/8 X 1-1/4
8	1	02206-L	AXLE TUBE, LEFT
9	1	02207-L	AXLE, LEFT
10	1	05319	KEY, 5/16 X 5/16 X 1 HARDENED
11	2	05214	SNAP RING, 1-1/4" EXTERNAL, SH-125
12	1	02212	GEAR, LEFT AXLE, 25T, 10 DP, 20° PA
13	1	03201	THRUST WASHER, 1-1/8 X 1-3/4 X .125
14	1	02211	AXLE LOCK RING
15	1	02208	GEAR ASSEMBLY, WHEEL DRIVE
16	1	05207	KEY, 5/16 X 5/16 X 1-5/8
17	1	02207-R	AXLE, RIGHT
18	1	02206-R	AXLE TUBE, RIGHT

BARRETO

TITLE: AXLES

PRODUCT LINE: 1324/1624/1824 DATE: 12/13/07

SCALE: 1:5.4 SHEET 1 OF 1 DWG# 00426

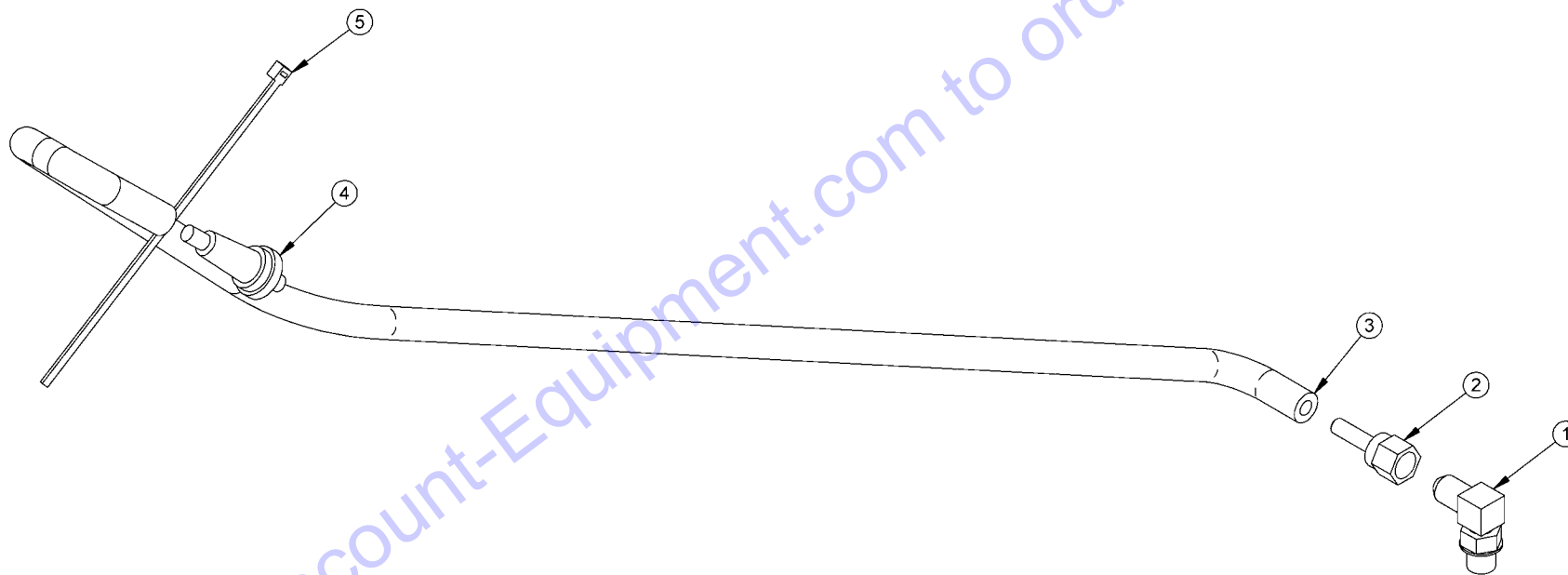


REF.	QTY.	PART NO.	DESCRIPTION
1	1	01201CT-OR	LID
2	8	05069	WHIZ LOCK, 1/4-20 NC X 5/8 ZINC
3	4	03060	BUSHING, IGUS MFI-1012-06
4	2	03020	SEAL
5	2	03061	FELT WASHER, 5/8 X 1 X 1/8
6	1	05125	HH CAP SCREW, 1/4-20 NC X 1-1/4 G5 ZINC
7	1	01210	ACTUATOR ARM
8	1	05038	RUE RING COTTER #8
9	1	05081	WASHER, 1/4 SAE ZINC
10	1	03045	CABLE, ACTUATOR
11	1	05096	NUT, NYLOCK, 1/4-20 NC ZINC
12	1	01211	DUMP VALVE LEVER
13	1	01202	AXLE LOCK LEVER
14	1	03221	SPRING, CENTURY 5292, 3/4 X 4-1/16
15	1	03514	CABLE, 40"
16	1	03241	LID GASKET
17	1	01203	AXLE LOCK SHAFT

Go to Discount-Equipment.com to

BARRETO	TITLE: LID	
	PRODUCT LINE: 1324/1624/1824	DATE: 12/13/07
	SCALE: 1:4.5 SHEET 1 OF 1	DWG# 00427

REF.	QTY.	PART NO.	DESCRIPTION
1	1	04555	FITTING, 6801-4-4
2	1	04214	FITTING, JS-4-4, HOSE BARB 1/4 X 1/4 SWIVEL
3	1	11364	HOSE, 1/4 INCH GASOLINE, 4L5, 44" LONG
4	1	04516	BREATHER, FILTER SNAPPER 1435
5	1	03035	TIE WRAP, 1/8 X 6

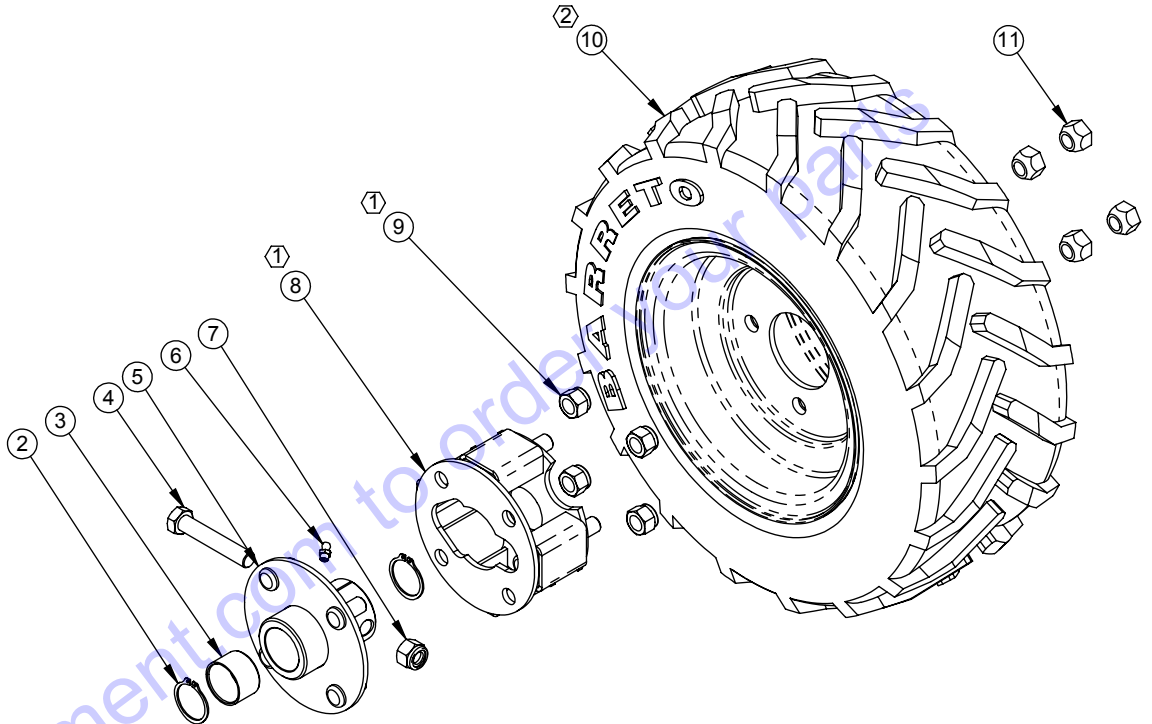
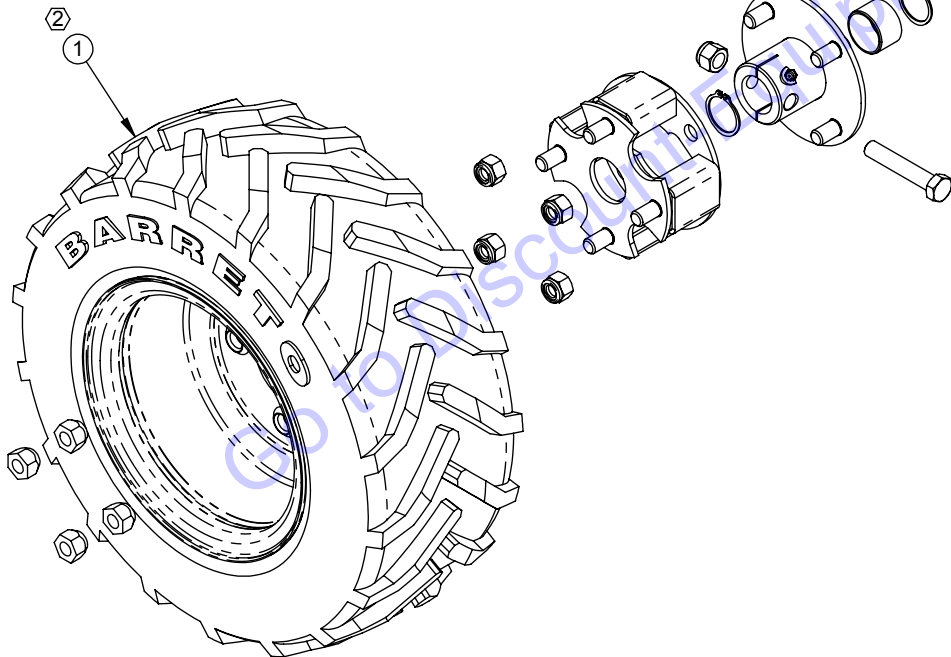


Go to Discount-Equipment.com to order your parts

BARRETO	TITLE: BREATHER HOSE	
	PRODUCT LINE: 1324/1624/1824	DATE: 12/13/07
	SCALE: 1:2.5	DWG# 00428
	SHEET 1 OF 1	

REF	QTY.	PART NO.	DESCRIPTION
1	1	03046	TIRE & RIM, TILLER LH, TRENCHER RH, 16 X 6.50 -8
2	4	05214	SNAP RING, 1-1/4" EXTERNAL, SH-125
3	2	03260	BUSHING, IGUS LSI-2022-14
4	2	05257	HH CAP SCREW, 1/2-13 NC X 2-3/4 G5 ZINC
5	2	02215	WHEEL HUB, 4 BOLT ON 4" BC
6	2	05044	GREASE ZERK, 1/4-28 UNF
7	2	05098	NUT, NYLOCK, 1/2-13 NC ZINC
8	2	01250	WHEEL SPACER
9	8	05075	NUT, NYLOCK, 1/2-20 NF ZINC
10	1	03047	TIRE & RIM, TILLER RH, TRENCHER LH, 16 X 6.50 -8
11	8	05042	NUT, LUG, 1/2-20 NF

① ONLY USE WITH WIDE TIRES.



② TIRE OPTIONS

PART NO.	DESCRIPTION
03046	TIRE & RIM, RH, 16 X 6.50 -8
03046-F	TIRE & RIM, RH, 16 X 6.50 -8, FOAM FILLED
03047	TIRE & RIM, LH, 16 X 6.50 -8
03047-F	TIRE & RIM, LH, 16 X 6.50 -8, FOAM FILLED
03048	TIRE ONLY, 16 X 6.50 -8
03049	RIM ONLY, FOR 16 X 6.50 -8 TIRE
03050	RIM ONLY, FOR 18 X 9.50 -8 TIRE (WIDE)
03051	TIRE & RIM, 18 X 9.50 -8 (WIDE) TURFSAVER
03052	TIRE & RIM, RH, 18 X 9.50 -8 (WIDE)
03052-F	TIRE & RIM, RH, 18 X 9.50 -8 (WIDE), FOAM FILLED
03053	TIRE & RIM, LH, 18 X 9.50 -8 (WIDE)
03053-F	TIRE & RIM, LH, 18 X 9.50 -8 (WIDE), FOAM FILLED
03054	TIRE ONLY, 18 X 9.50 -8 TIRE (WIDE)

BARRETO

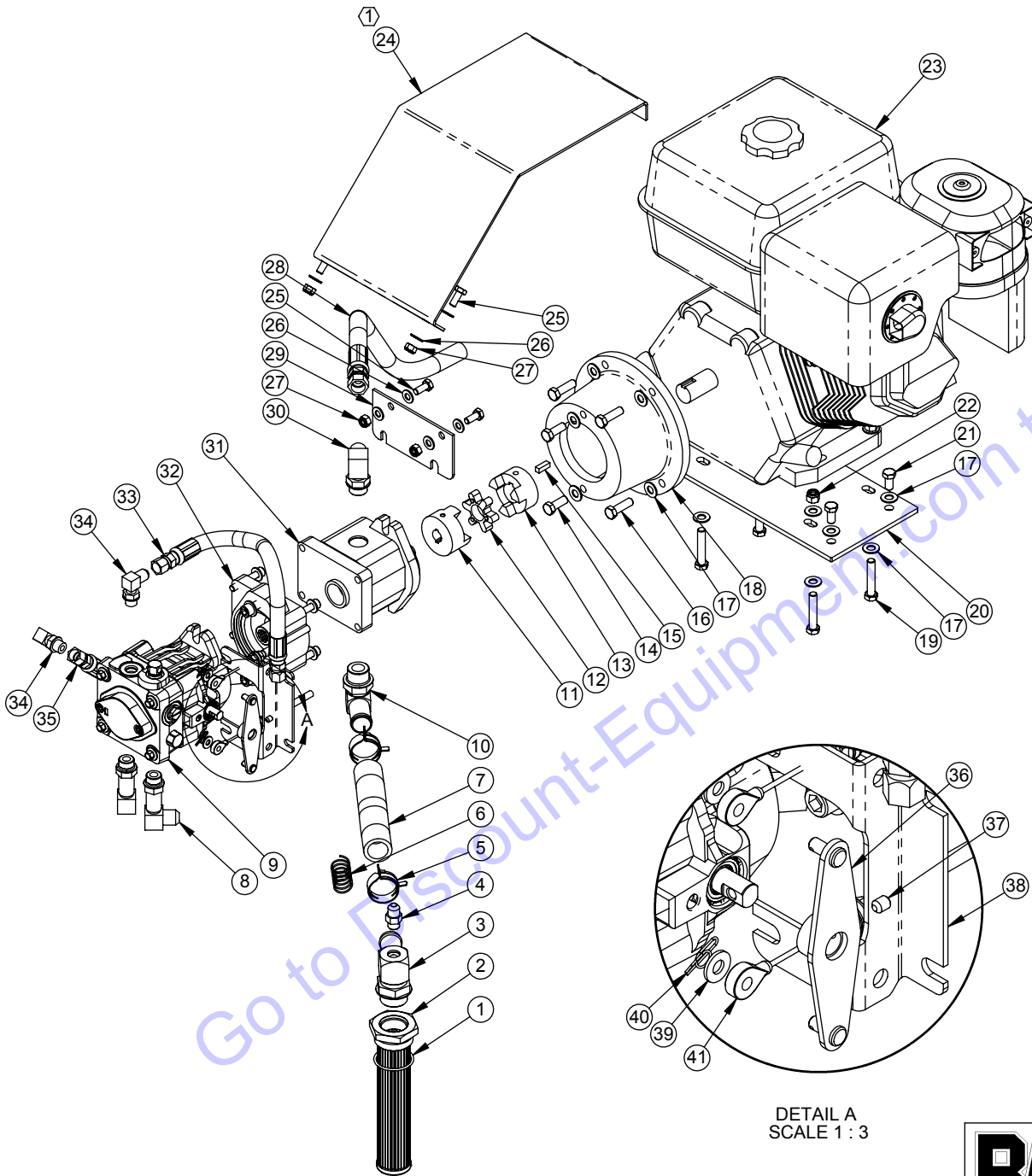
TITLE: WHEELS & WHEEL HUBS

PRODUCT LINE: 1324/1624/1824 DATE: 12/13/07

SCALE: 1:5.7
SHEET 1 OF 1

DWG# 00429

① FOR WIDE TIRE MODELS USE PART NO. 01217-BW.



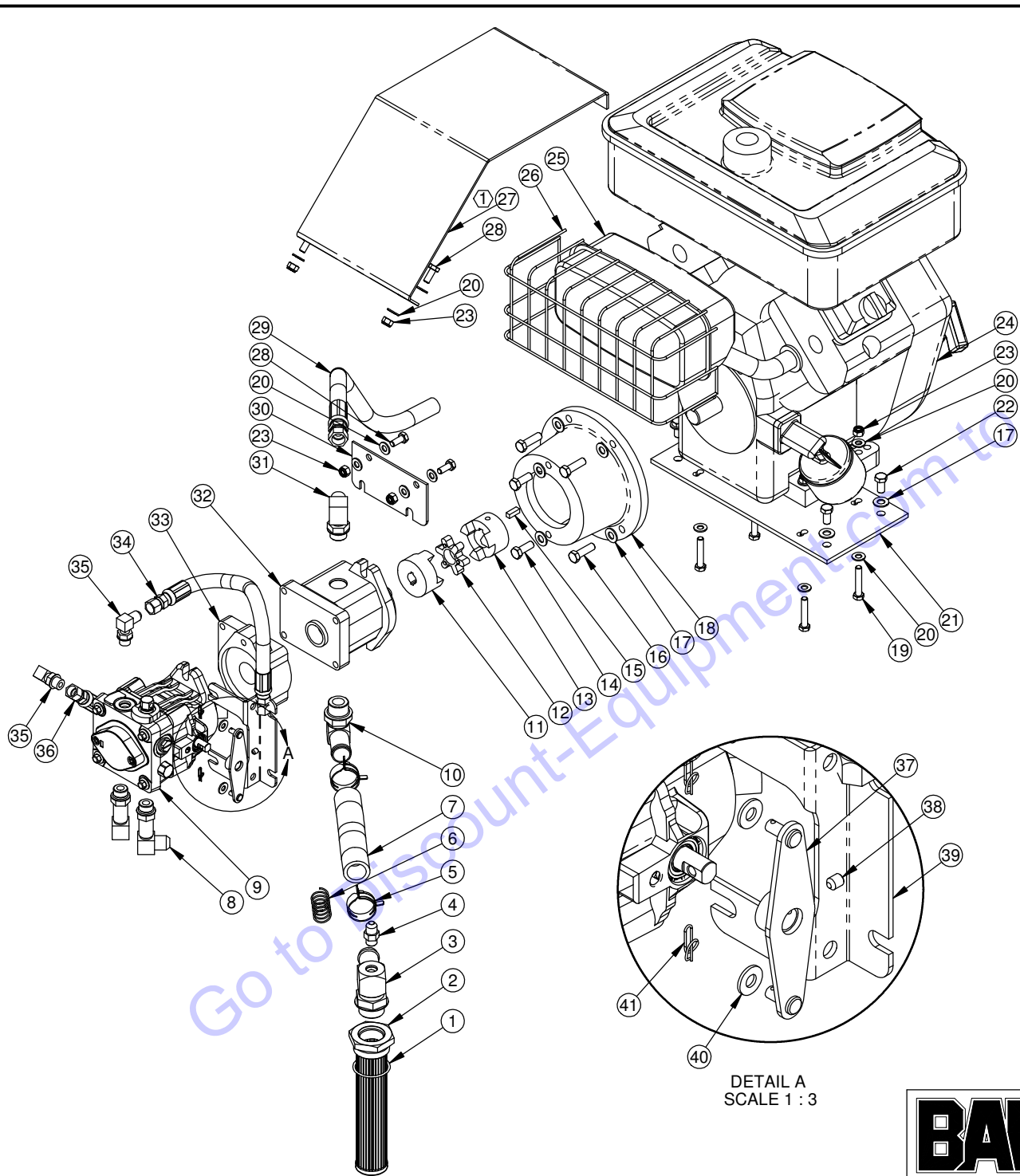
DETAIL A
SCALE 1 : 3

REF	QTY.	PART NO.	DESCRIPTION
1	1	03292	O-RING, 3-924N90, -24 FITTINGS
2	1	10636	SUMP SCREEN, W/ O-RING 03292
3	1	10680	FITTING, 4601-16-16-TAP
4	1	10401	FITTING, 6400-6-6
5	2	05225	CLAMP, 1" ID HOSE, CTB-35 ST
6	1	04511	SPRING, 1" OD
7	1	11363	HOSE, PUMP INTAKE
8	2	04533	FITTING, 6801-8-8-LL
9	1	04506	PUMP, PG-10 HYDROSTATIC
10	1	04530	FITTING, 4601-16-12
11	1	03021	JAW COUPLER, PUMP, 5/8" BORE
12	1	03022	SPIDER, RUBBER
13	1	03023	JAW COUPLER, 1" BORE L095
14	2	05059	HH CAP SCREW, 3/8-16 NC X 1 G5 ZINC
15	1	05014	KEY, 1/4 X 1/4 X 3/4
16	4	05091	HH CAP SCREW, 3/8-16 NC X 1-1/4 G5 ZINC
17	18	05101	WASHER, 3/8 SAE ZINC
18	1	02016	PUMP ADAPTER
19	4	05262	HH CAP SCREW, 3/8-16 NC X 2 G5 ZINC
20	1	01218-H	ENGINE MOUNT PLATE, HONDA 13 & 18 HP
21	4	05057	HH CAP SCREW, 3/8-16 NC X 3/4 G5 ZINC
22	4	05073	NUT, NYLOCK, 3/8-16 NC ZINC
23	1	07005	ENGINE, 13 HP HONDA GX390
24	1	01217	PUMP SHIELD, STANDARD 1324 & 1624
25	4	05247	HH CAP SCREW, 5/16-18 NC X 3/4 G5 ZINC
26	8	05068	WASHER, 5/16 SAE ZINC
27	4	05273	NUT, NYLOCK, 5/16-18 NC ZINC
28	1	04551-01	HOSE, PUMP TO VALVES
29	1	01215	SHIELD MOUNT
30	1	04211	FITTING, 6801-8-10
31	1	04507	PUMP SNP2-8.5-HSTAT
32	1	04504	TANDEM ADAPT KIT
33	1	04545-01	HOSE, HYDROSTAT SUMP
34	2	04538	FITTING, 6801-6-6
35	1	04543	HOSE, HYDROSTAT TO FILTER
36	1	10339	PUMP CABLE ARM
37	1	05240	SET SCREW, 6MM, CUP POINT
38	1	10340	CABLE BRACKET
39	2	05081	WASHER, 1/4 SAE ZINC
40	2	05038	RUE RING COTTER #8
41	2	03514	CABLE, 40"

**** 04507 pump seal kit is p/n 06016 ****

BARRETO

TITLE:
ENGINE & PUMPS, 13 HP HONDA
PRODUCT LINE: 1324D DATE: 3/3/09
SCALE: 1:8 DWG# 00430-13 R1
SHEET 1 OF 1



DETAIL A
SCALE 1 : 3

REF.	QTY.	PART NO.	DESCRIPTION
1	1	03292	O-RING, 3-924N90, -24 FITTINGS
2	1	10636	SUMP SCREEN, #24 EXT #16 INT O-RING
3	1	10680	FITTING, 4601-16-16-TAP
4	1	10401	FITTING, 6400-6-6
5	2	05225	CLAMP, 1-1/2" HOSE, CTB-36 ST
6	1	04511	SPRING, 1" OD
7	1	11363	HOSE, PUMP INTAKE
8	2	04533	FITTING, 6801-8-8-LL
9	1	04506	PUMP, PG-10 HYDROSTATIC
10	1	04530	FITTING, 4601-16-12
11	1	03021	JAW COUPLER, PUMP, 5/8" BORE
12	1	03022	SPIDER, RUBBER
13	1	03023	JAW COUPLER, 1" BORE L095
14	2	05059	HH CAP SCREW, 3/8-16 NC X 1 G5 ZINC
15	1	05014	KEY, 1/4 X 1/4 X 3/4
16	4	05091	HH CAP SCREW, 3/8-16 NC X 1-1/4 G5 ZINC
17	10	05101	WASHER, 3/8 SAE ZINC
18	1	02016	PUMP ADAPTER
19	4	05054	HH CAP SCREW, 5/16-18 NC X 1-3/4 G5 ZINC
20	16	05068	WASHER, 5/16 SAE ZINC
21	1	01218	ENGINE MOUNT PLATE, BRIGGS
22	4	05057	HH CAP SCREW, 3/8-16 NC X 3/4 G5 ZINC
23	8	05273	NUT, NYLOCK, 5/16-18 NC ZINC
24	1	07001	ENGINE, 16 HP BRIGGS
25	1	07000-10	MUFFLER
26	1	07000-11	MUFFLER GUARD
27	1	01217	PUMP SHIELD, STANDARD 1324 & 1624
28	4	05247	HH CAP SCREW, 5/16-18 NC X 3/4 G5 ZINC
29	1	04551-01	HOSE, PUMP TO VALVES
30	1	01215	SHIELD MOUNT
31	1	04211	FITTING, 6801-8-10
32	1	04503	PUMP SNP2-11-HSTAT
33	1	04504	ADAPTER WITH O-RINGS & HARDWARE
34	1	04545-01	HOSE, HYDROSTAT SUMP
35	2	04538	FITTING, 6801-6-6
36	1	04543	HOSE, HYDROSTAT TO FILTER
37	1	10339	PUMP CABLE ARM
38	1	05240	SET SCREW, 6MM, CUP POINT
39	1	10340	CABLE BRACKET
40	2	05081	WASHER, 1/4 SAE ZINC
41	2	05038	RUE RING COTTER #8

** 04503 pump seal kit is p/n 06016.

① FOR WIDE TIRE MODELS USE PART NO. 01217-BW



TITLE: ENGINE & PUMPS, 16 HP B&S	
PRODUCT LINE: 1624D	DATE: 3/3/09
SCALE: 1:8	DWG# 00430-16 R1
SHEET 1 OF 1	

SEE DWG# 00404

SEE DWG# 00442

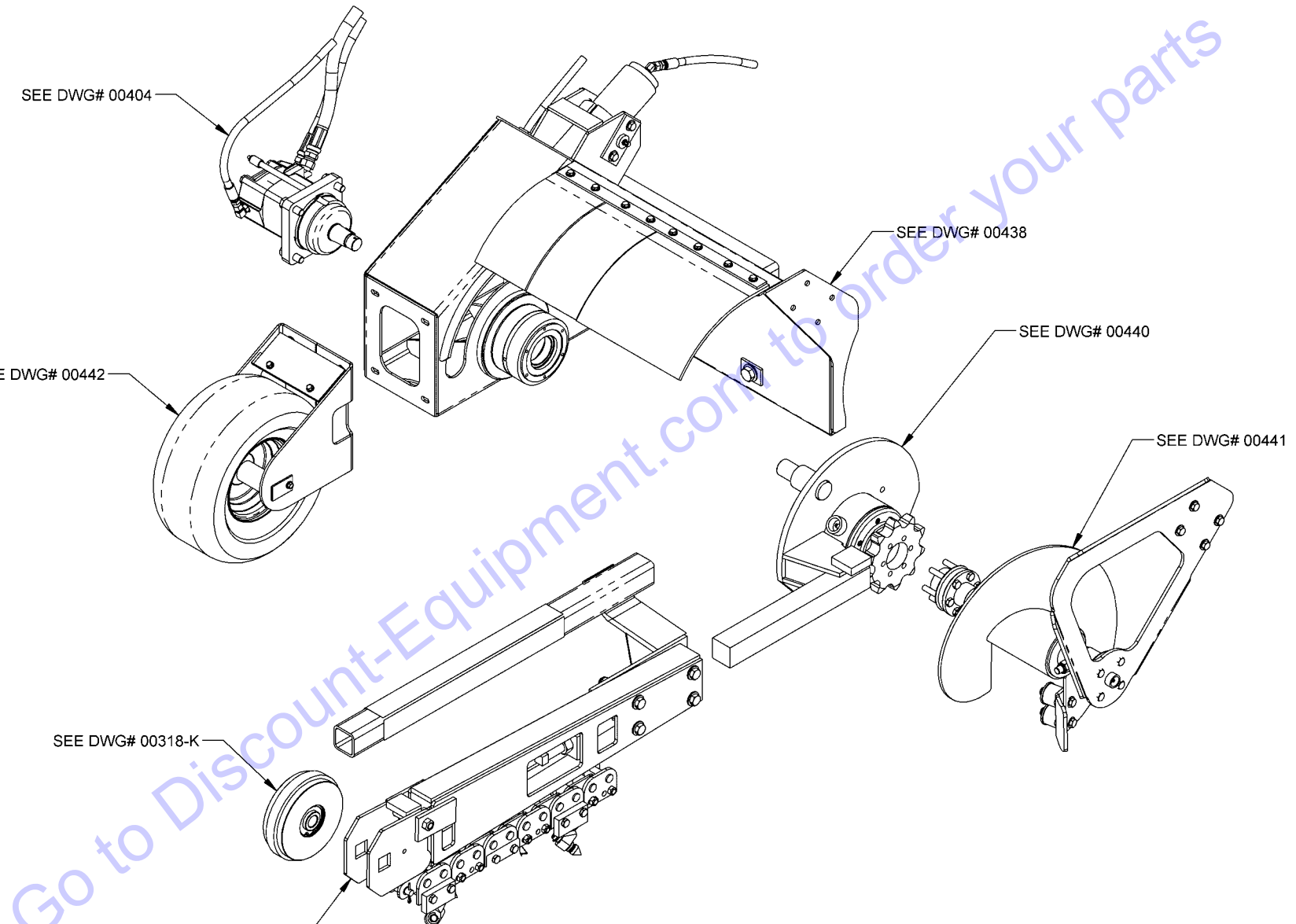
SEE DWG# 00318-K

SEE DWG# 00443

SEE DWG# 00438

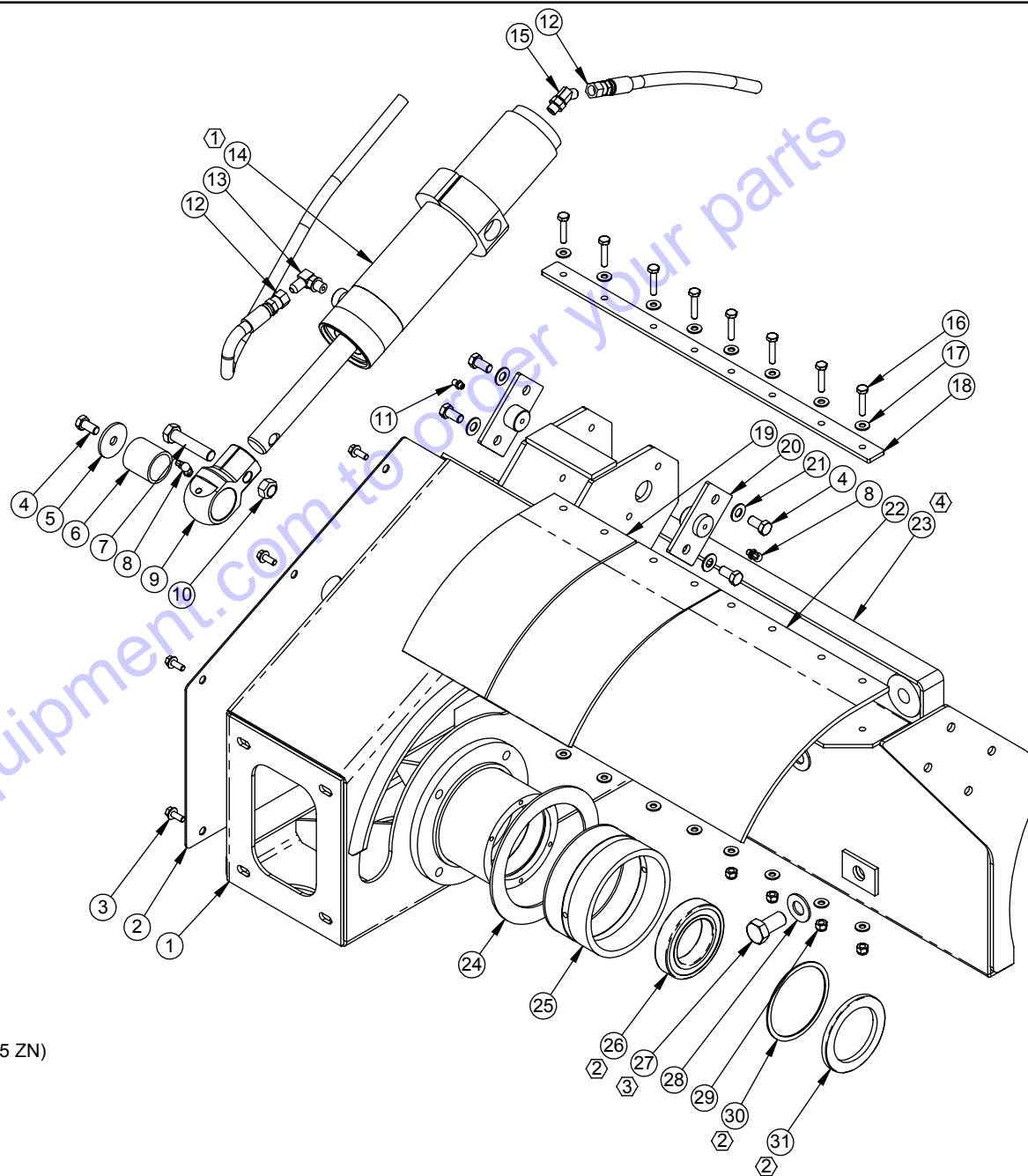
SEE DWG# 00440

SEE DWG# 00441



BARRETO	TITLE: FRONT END OVERVIEW	
	PRODUCT LINE: 1324/1624/1824	DATE: 1/10/08
	SCALE: 1:10 SHEET 1 OF 1	DWG# 00437

REF	QTY.	PART NO.	DESCRIPTION
1	1	01750	FRAME, FRONT END
2	1	01751	COVER, 2000 MOTOR
3	7	05069	WHIZ LOCK, 1/4-20 NC X 5/8 ZINC
4	5	05057	HH CAP SCREW, 3/8-16 NC X 3/4 G5 ZINC
5	1	01622	WASHER, 13/32 X 1-5/8 X 11 GA
6	1	03502	BUSHING, CONNEX # 150-125-150
7	1	11180	HH CAP SCREW, 1/2-13 NC X 2-1/4 G5 ZINC
8	2	05307	GREASE ZERK, 1/4-28 UNF 90°
9	1	02616	CYLINDER ROD END
10	1	05076	NUT, GRIPCO, 1/2-20 NF G5 ZINC
11	1	05044	GREASE ZERK, 1/4-28 UNF
12	2	04552-01	HOSE, 1/4 X 43 SINGLE BRAID
13	1	04555	FITTING, 6801-4-4
14	1	02700-ASML	CYLINDER ASSEMBLY
15	1	04218	FITTING, 6802-4-4
16	8	05125	HH CAP SCREW, 1/4-20 NC X 1-1/4 G5 ZINC
17	16	05081	WASHER, 1/4 SAE ZINC
18	1	01640	FLAP KEEPER
19	2	03901	CHAIN FLAP
20	2	01616	CYLINDER PIN
21	4	05103	WASHER, 3/8 A325 HARDENED ZINC
22	1	03900	AUGER FLAP
23	1	01612	SPACER, FRONT END, BIG WHEEL
24	1	02704	THRUST WASHER, 4-15/16 X 6-1/2 X 1/8 NYLATRON
25	1	02703	PIVOT BUSHING
26	1	03285-A	ROLLER BEARING, SKF NU 1011 EC
27	4	05260	HH CAP SCREW, 5/8-11 NC X 1-1/4 G5 ZINC
28	4	05272	WASHER, 5/8 SAE ZINC HARDENED
29	8	05096	NUT, NYLOCK, 1/4-20 NC ZINC
30	1	05604	SMALLEY RING WH-362
31	1	03935	SEAL



- ① REFERENCE DWG# 02700-ASML FOR INDIVIDUAL PARTS.
- ② INCLUDED WITH CHAIN DRIVE HUB & MOTOR REPLACEMENT KIT. REFERENCE DWG# 04500-H-K.
- ③ FOR WIDE TIRE MODELS, USE PART NO. 05335 (HHCS, 5/8-11 NC X 2-1/2 G5 ZN)
- ④ FOR WIDE TIRE MODELS ONLY.

BARRETO

TITLE: FRONT END, FRAME

PRODUCT LINE: 1324/1624/1824 DATE: 12/17/07

SCALE: 1:7.3
SHEET 1 OF 1

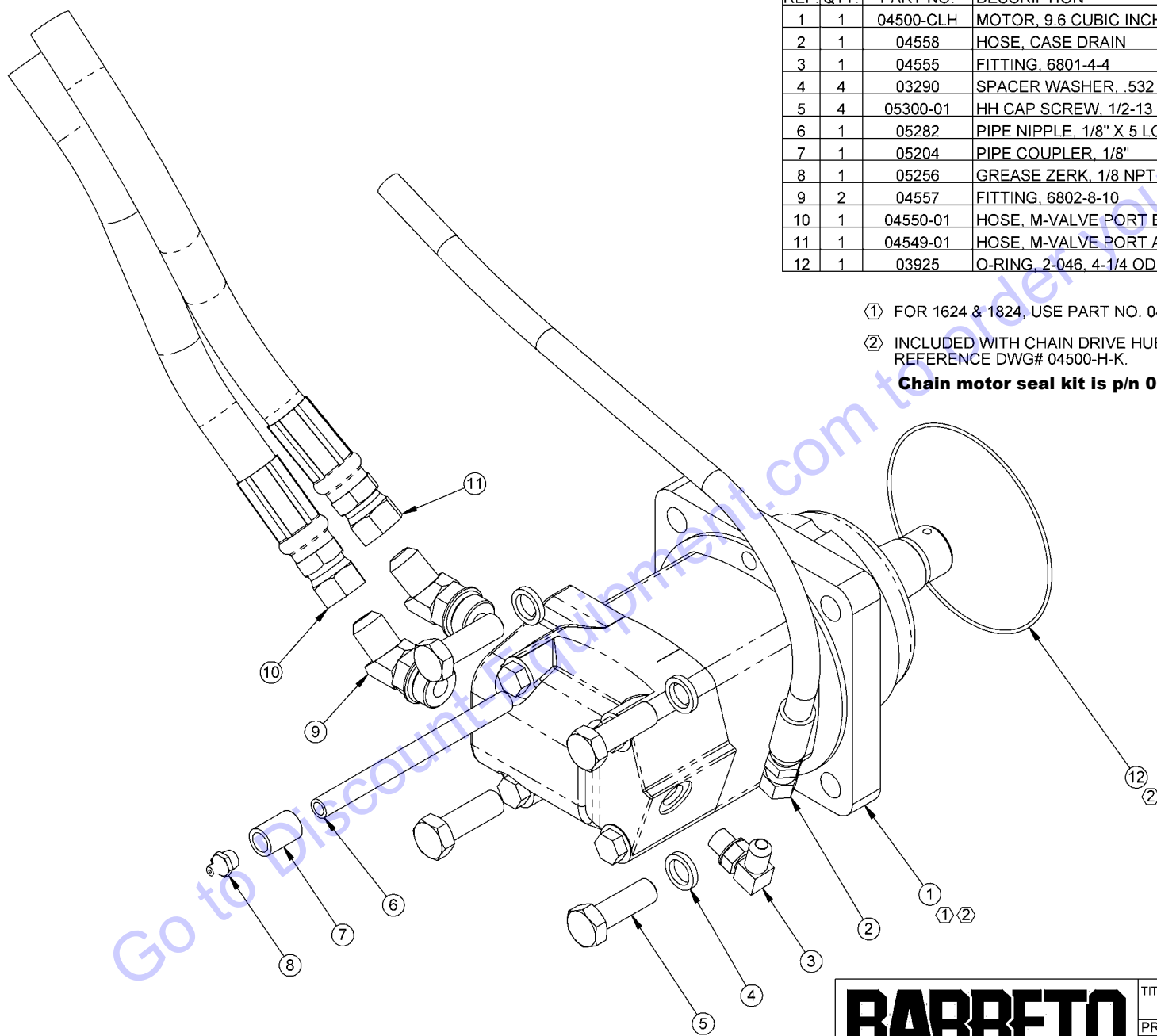
DWG# 00438

REF.	QTY.	PART NO.	DESCRIPTION
1	1	04500-CLH	MOTOR, 9.6 CUBIC INCH (1324)
2	1	04558	HOSE, CASE DRAIN
3	1	04555	FITTING, 6801-4-4
4	4	03290	SPACER WASHER, .532 X .750 X .125
5	4	05300-01	HH CAP SCREW, 1/2-13 NC X 1-1/2 G5 ZINC
6	1	05282	PIPE NIPPLE, 1/8" X 5 LONG
7	1	05204	PIPE COUPLER, 1/8"
8	1	05256	GREASE ZERK, 1/8 NPT
9	2	04557	FITTING, 6802-8-10
10	1	04550-01	HOSE, M-VALVE PORT B TO DIG CHAIN MOTOR LOWER PORT
11	1	04549-01	HOSE, M-VALVE PORT A TO DIG CHAIN MOTOR UPPER PORT
12	1	03925	O-RING, 2-046, 4-1/4 OD X 1/16 SECTION

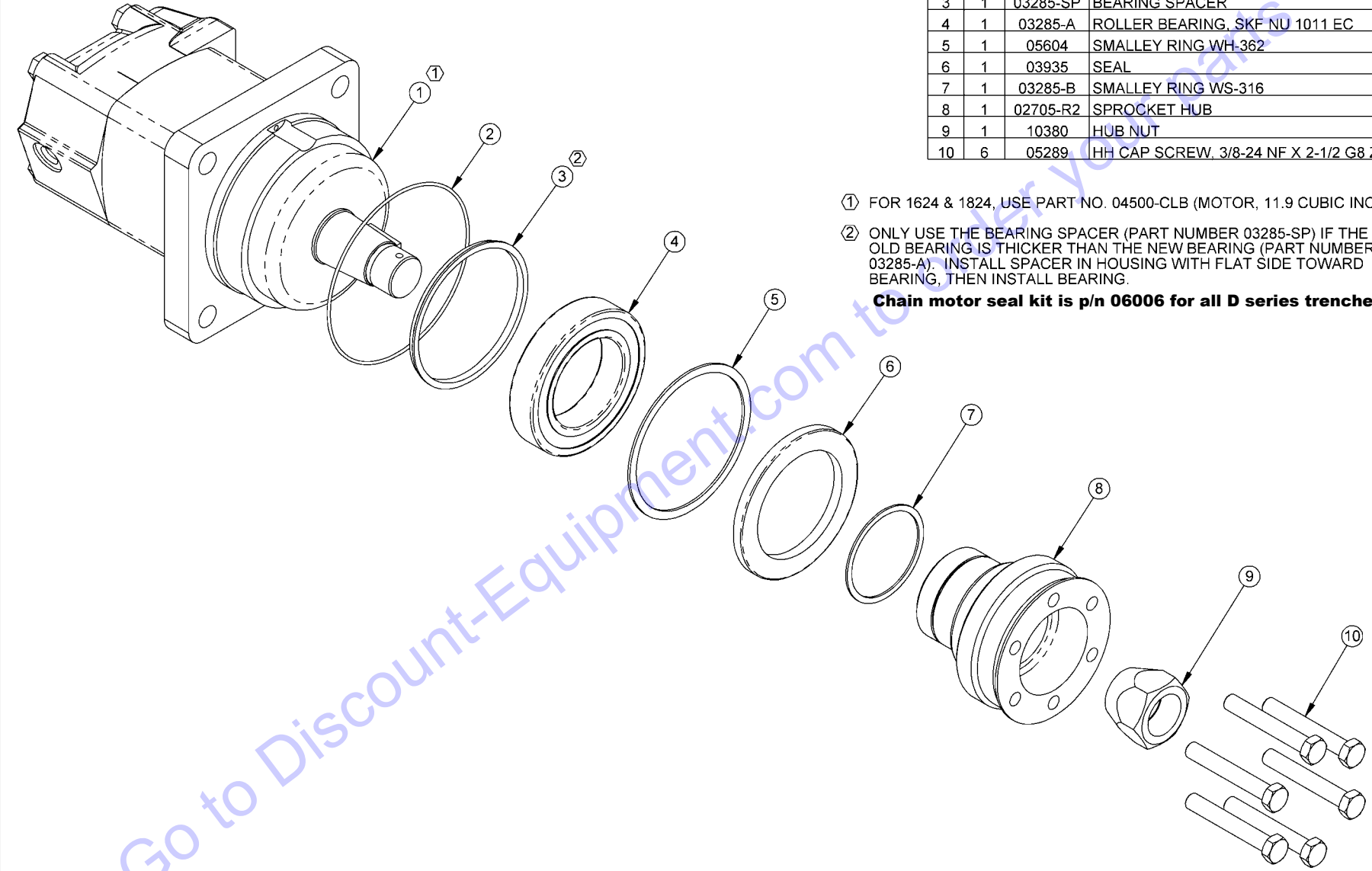
① FOR 1624 & 1824, USE PART NO. 04500-CLB (MOTOR, 11.9 CUBIC INCH)

② INCLUDED WITH CHAIN DRIVE HUB & MOTOR REPLACEMENT KIT.
REFERENCE DWG# 04500-H-K.

Chain motor seal kit is p/n 06006 for all D series trenchers.



BARRETO	TITLE: FRONT END, MOTOR, 2000 SERIES	
	PRODUCT LINE: 1324/1624/1824	DATE: 12/17/07
	SCALE: 1:2.7	DWG# 00439
	SHEET 1 OF 1	



REF.	QTY.	PART NO.	DESCRIPTION
1	1	04500-CLH	MOTOR, 9.6 CUBIC INCH (1324)
2	1	03925	O-RING, 2-046, 4-1/4 OD X 1/16 SECTION
3	1	03285-SP	BEARING SPACER
4	1	03285-A	ROLLER BEARING, SKF NU 1011 EC
5	1	05604	SMALLEY RING WH-362
6	1	03935	SEAL
7	1	03285-B	SMALLEY RING WS-316
8	1	02705-R2	SPROCKET HUB
9	1	10380	HUB NUT
10	6	05289	HH CAP SCREW, 3/8-24 NF X 2-1/2 G8 ZINC

- ① FOR 1624 & 1824, USE PART NO. 04500-CLB (MOTOR, 11.9 CUBIC INCH).
- ② ONLY USE THE BEARING SPACER (PART NUMBER 03285-SP) IF THE OLD BEARING IS THICKER THAN THE NEW BEARING (PART NUMBER 03285-A). INSTALL SPACER IN HOUSING WITH FLAT SIDE TOWARD BEARING, THEN INSTALL BEARING.

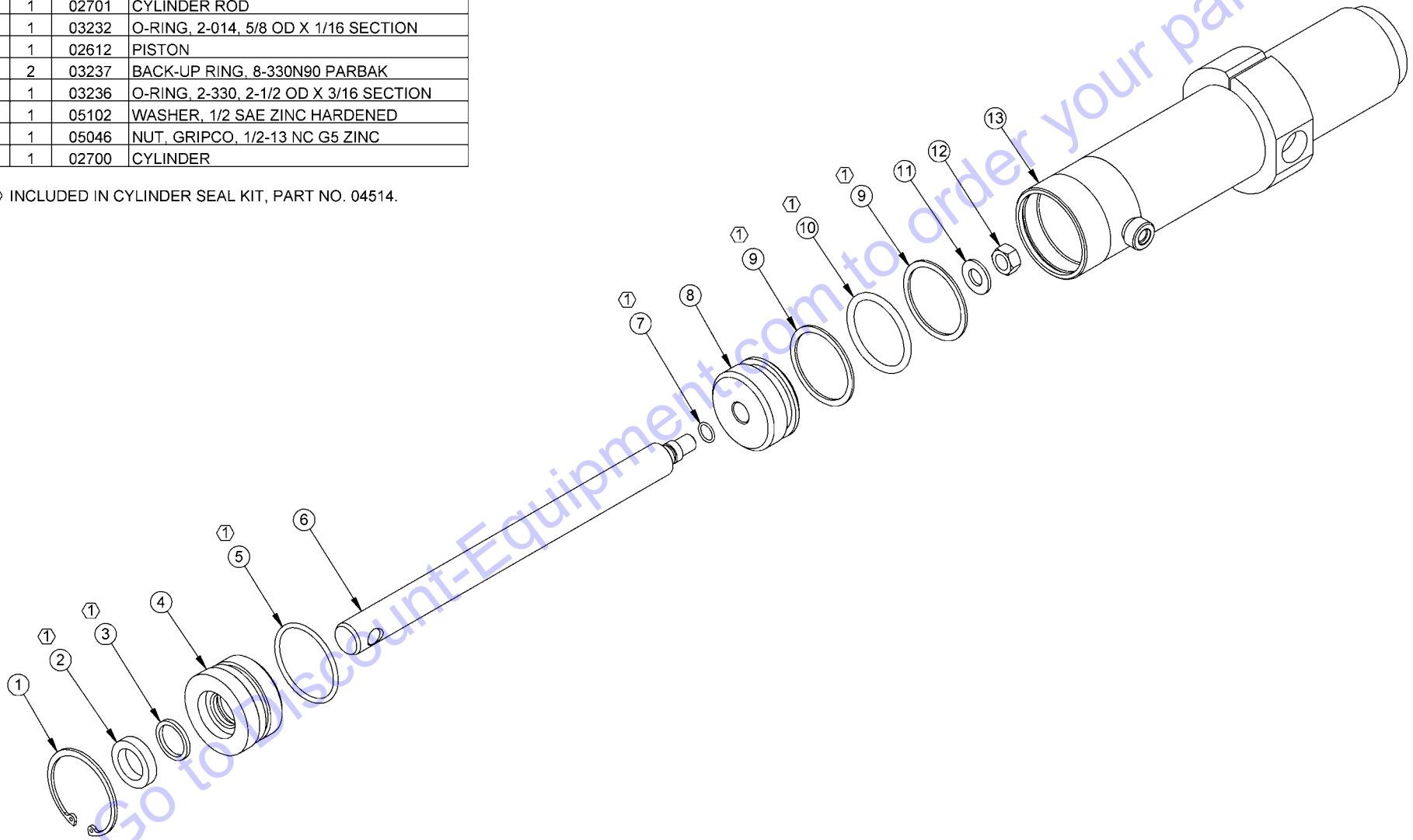
Chain motor seal kit is p/n 06006 for all D series trenchers.

Go to Discount-Equipment.com to

BARRETO	TITLE: CHAIN DRIVE HUB & MOTOR REPLACEMENT KIT - UPS ONLY	
	PRODUCT LINE: 1324/1624/1824	DATE: 1/22/08
	SCALE: 1:3 SHEET 1 OF 1	DWG# 04500-H-K

REF.	QTY.	PART NO.	DESCRIPTION
1	1	05211	SNAP RING, HO-256, 2-9/16 INTERNAL ZINC
2	1	03255	WIPER, 1 X 1-1/2 X 5/16 J-1000
3	1	03259	SEAL, 1x1/8x1/8 ROD
4	1	02613	CYLINDER END
5	1	03234	O-RING, 2-228, 2-1/2 OD X 1/8 SECTION
6	1	02701	CYLINDER ROD
7	1	03232	O-RING, 2-014, 5/8 OD X 1/16 SECTION
8	1	02612	PISTON
9	2	03237	BACK-UP RING, 8-330N90 PARBAK
10	1	03236	O-RING, 2-330, 2-1/2 OD X 3/16 SECTION
11	1	05102	WASHER, 1/2 SAE ZINC HARDENED
12	1	05046	NUT, GRIPCO, 1/2-13 NC G5 ZINC
13	1	02700	CYLINDER

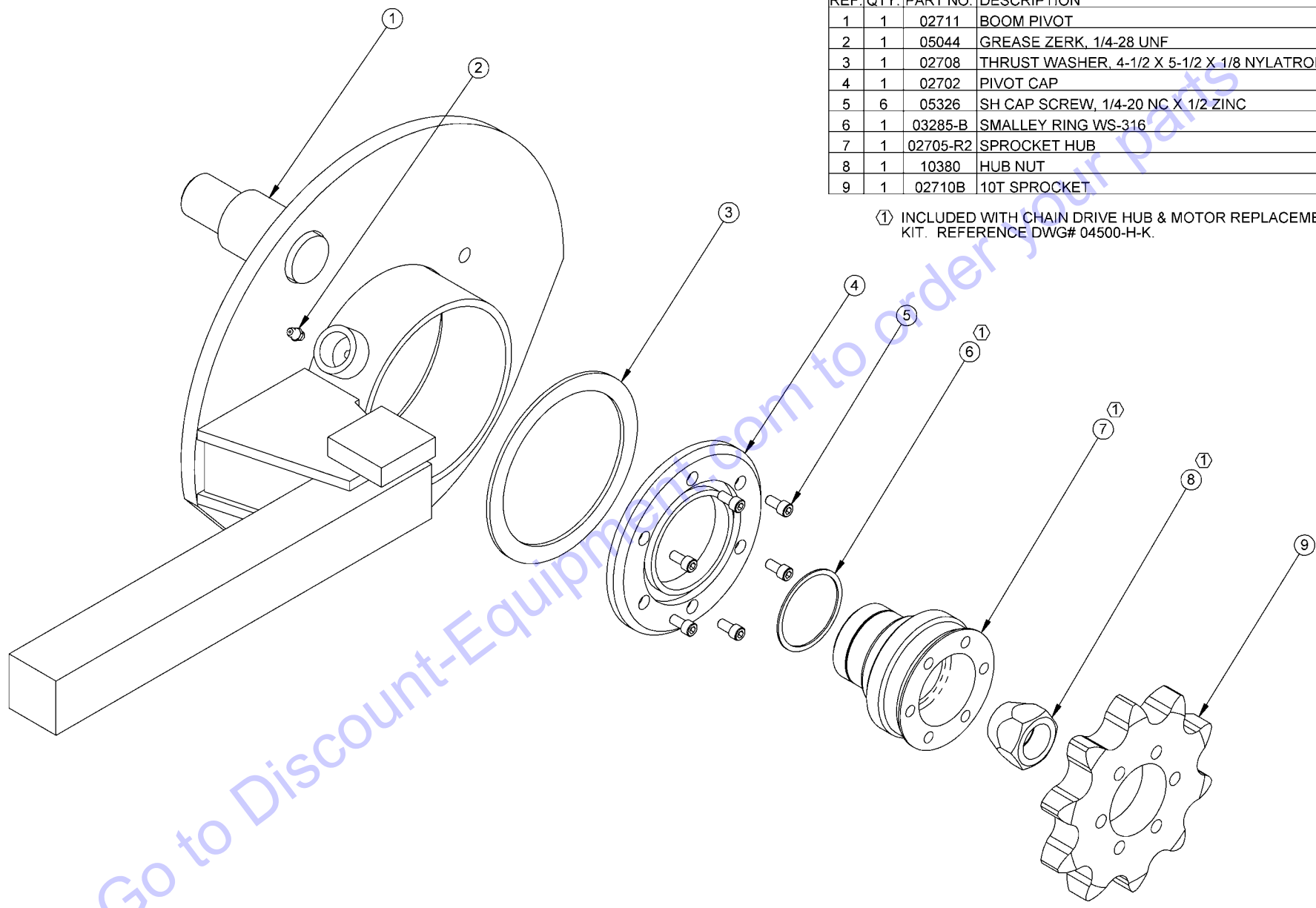
① INCLUDED IN CYLINDER SEAL KIT, PART NO. 04514.



BARRETO	TITLE: CYLINDER ASSEMBLY	
	PRODUCT LINE: COMMON	DATE: 7/2/07
	SCALE: 1:4	DWG# 02700-ASML
	SHEET 1 OF 1	

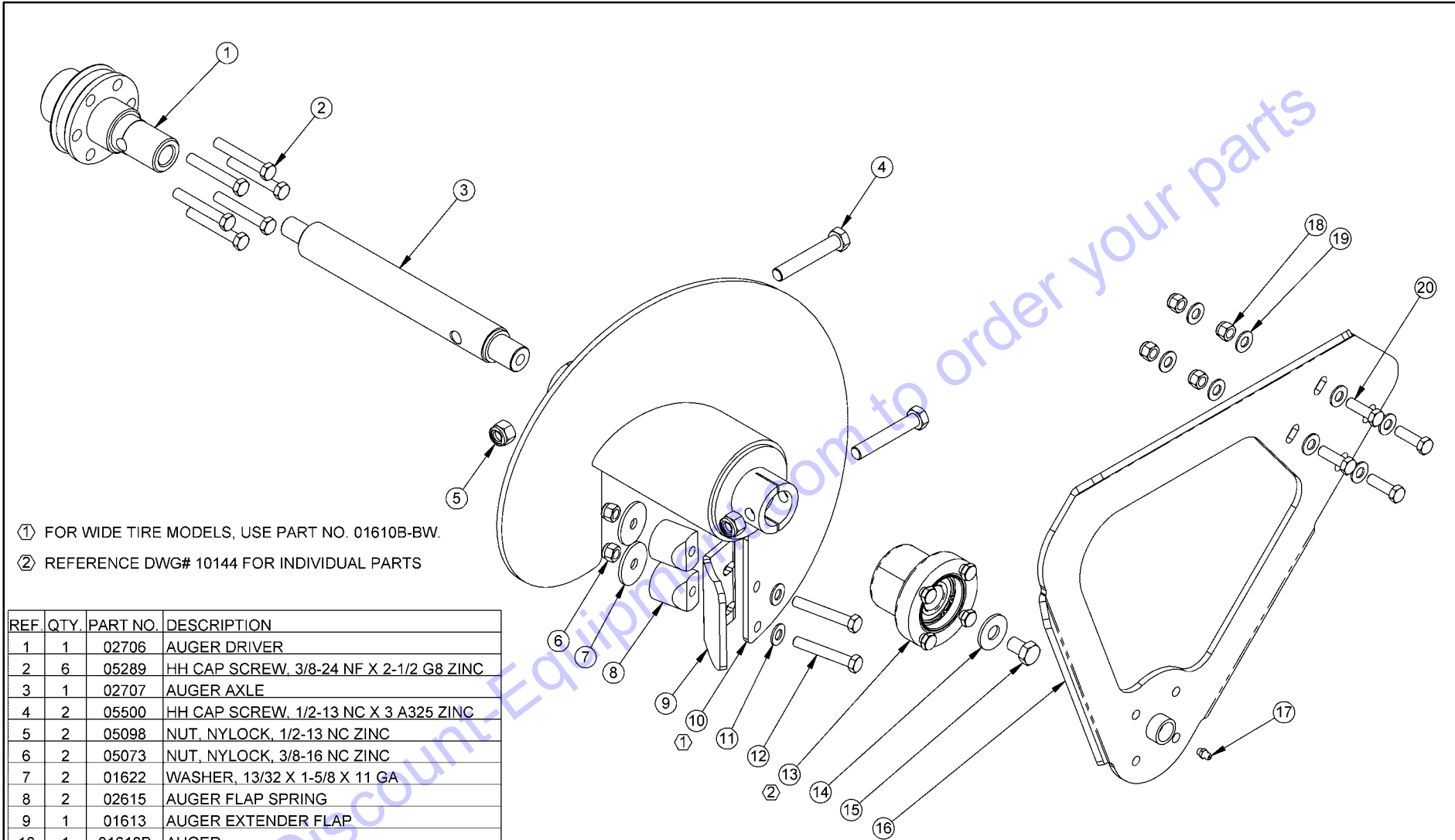
REF.	QTY.	PART NO.	DESCRIPTION
1	1	02711	BOOM PIVOT
2	1	05044	GREASE ZERK, 1/4-28 UNF
3	1	02708	THRUST WASHER, 4-1/2 X 5-1/2 X 1/8 NYLATRON
4	1	02702	PIVOT CAP
5	6	05326	SH CAP SCREW, 1/4-20 NC X 1/2 ZINC
6	1	03285-B	SMALLEY RING WS-316
7	1	02705-R2	SPROCKET HUB
8	1	10380	HUB NUT
9	1	02710B	10T SPROCKET

① INCLUDED WITH CHAIN DRIVE HUB & MOTOR REPLACEMENT KIT. REFERENCE DWG# 04500-H-K.



Go to Discount-Equipment.com to order your parts

BARRETO	TITLE: FRONT END, BOOM PIVOT	
	PRODUCT LINE: 1324/1624/1824	DATE: 12/17/07
	SCALE: 1:3.5	DWG# 00440
	SHEET 1 OF 1	



① FOR WIDE TIRE MODELS, USE PART NO. 01610B-BW.
 ② REFERENCE DWG# 10144 FOR INDIVIDUAL PARTS

REF.	QTY.	PART NO.	DESCRIPTION
1	1	02706	AUGER DRIVER
2	6	05289	HH CAP SCREW, 3/8-24 NF X 2-1/2 G8 ZINC
3	1	02707	AUGER AXLE
4	2	05500	HH CAP SCREW, 1/2-13 NC X 3 A325 ZINC
5	2	05098	NUT, NYLOCK, 1/2-13 NC ZINC
6	2	05073	NUT, NYLOCK, 3/8-16 NC ZINC
7	2	01622	WASHER, 13/32 X 1-5/8 X 11 GA
8	2	02615	AUGER FLAP SPRING
9	1	01613	AUGER EXTENDER FLAP
10	1	01610B	AUGER
11	2	05101	WASHER, 3/8 SAE ZINC
12	2	05249	HH CAP SCREW, 3/8-16 NC X 2-1/2 G5 ZINC
13	1	10144	OUTBOARD BEARING ASSEMBLY
14	1	05201	WASHER, 1/2 USS ZINC
15	1	05060	HH CAP SCREW, 1/2-13 NC X 3/4 G5 ZINC
16	1	10143L	AUGER SUPPORT, LH 4 HOLE
17	1	05044	GREASE ZERK, 1/4-28 UNF
18	4	05072	NUT, NYLOCK, 3/8-24 NF ZINC
19	8	05103	WASHER, 3/8 A325 HARDENED ZINC
20	4	05292	HH CAP SCREW, 3/8-24 NF X 1-1/4 G5 ZINC

BARRETO

TITLE: FRONT END, AUGER

PRODUCT LINE: 1324/1624/1824 DATE: 12/17/07

SCALE: 1:5 DWG# 00441

SHEET 1 OF 1

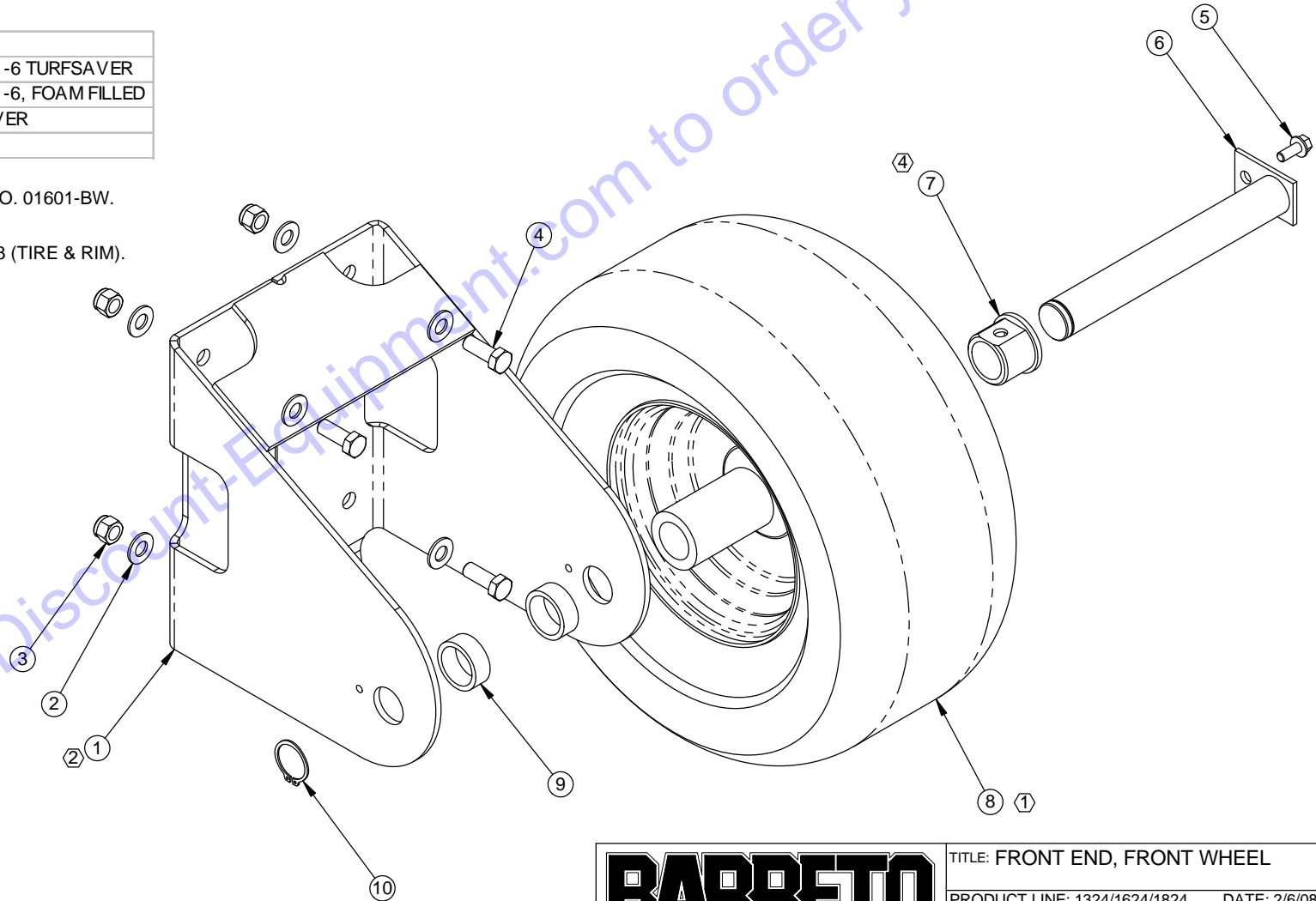
REF	QTY.	PART NO.	DESCRIPTION
1	1	01601	FRONT WHEEL HOUSING
2	8	05101	WASHER, 3/8 SAE ZINC
3	4	05072	NUT, NYLOCK, 3/8-24 NF ZINC
4	4	05056	HH CAP SCREW, 3/8-24 NF X 1 G5 ZINC
5	1	05069	WHIZ LOCK, 1/4-20 NC X 5/8 ZINC
6	1	01602	AXLE, FRONT WHEEL
7	1	03213-1	BUSHINGS, FRONT WHEEL (SOLD IN PAIRS)
8	1	03213	TIRE & RIM, TRENCHER FRONT END
9	2	01603	SPACER, FRONT WHEEL
10	1	05010	SNAP RING, 1" EXTERNAL

① TIRE OPTIONS

PART NO.	DESCRIPTION
03213	TIRE & RIM, FRONT END, 13 X 6.50 -6 TURFSAVER
03213-F	TIRE & RIM, FRONT END, 13 X 6.50 -6, FOAM FILLED
03214	TIRE ONLY, 13 X 6.50 -6 TURFSAVER
03215	RIM ONLY, FOR 13 X 6.50 -6 TIRE

② FOR WIDE TIRE MODELS, USE PART NO. 01601-BW.

④ 03213-1 (BUSHINGS) COME WITH 03213 (TIRE & RIM).



BARRETO

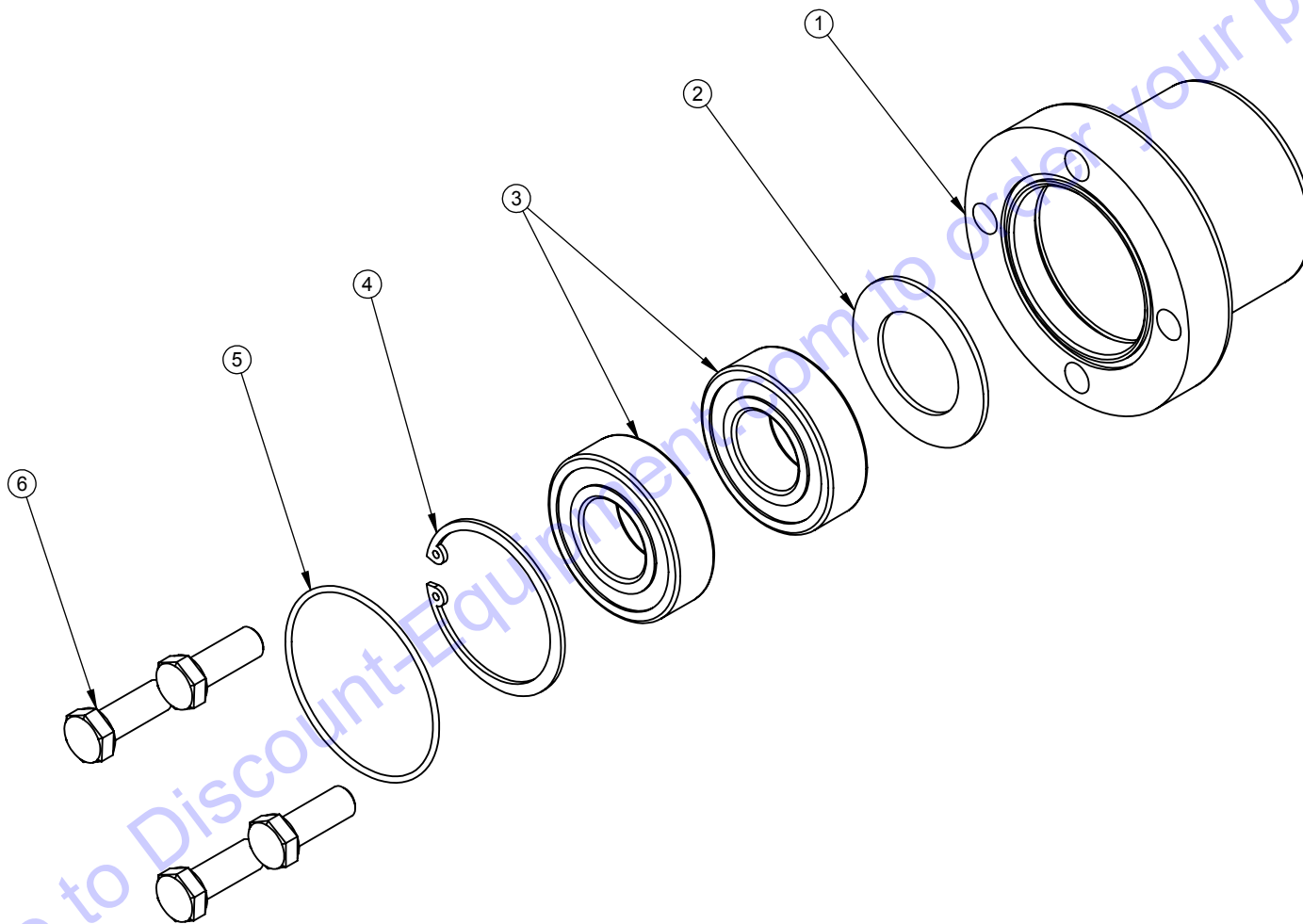
TITLE: FRONT END, FRONT WHEEL

PRODUCT LINE: 1324/1624/1824 DATE: 2/6/08

SCALE: 1:4
SHEET 1 OF 1

DWG# 00442

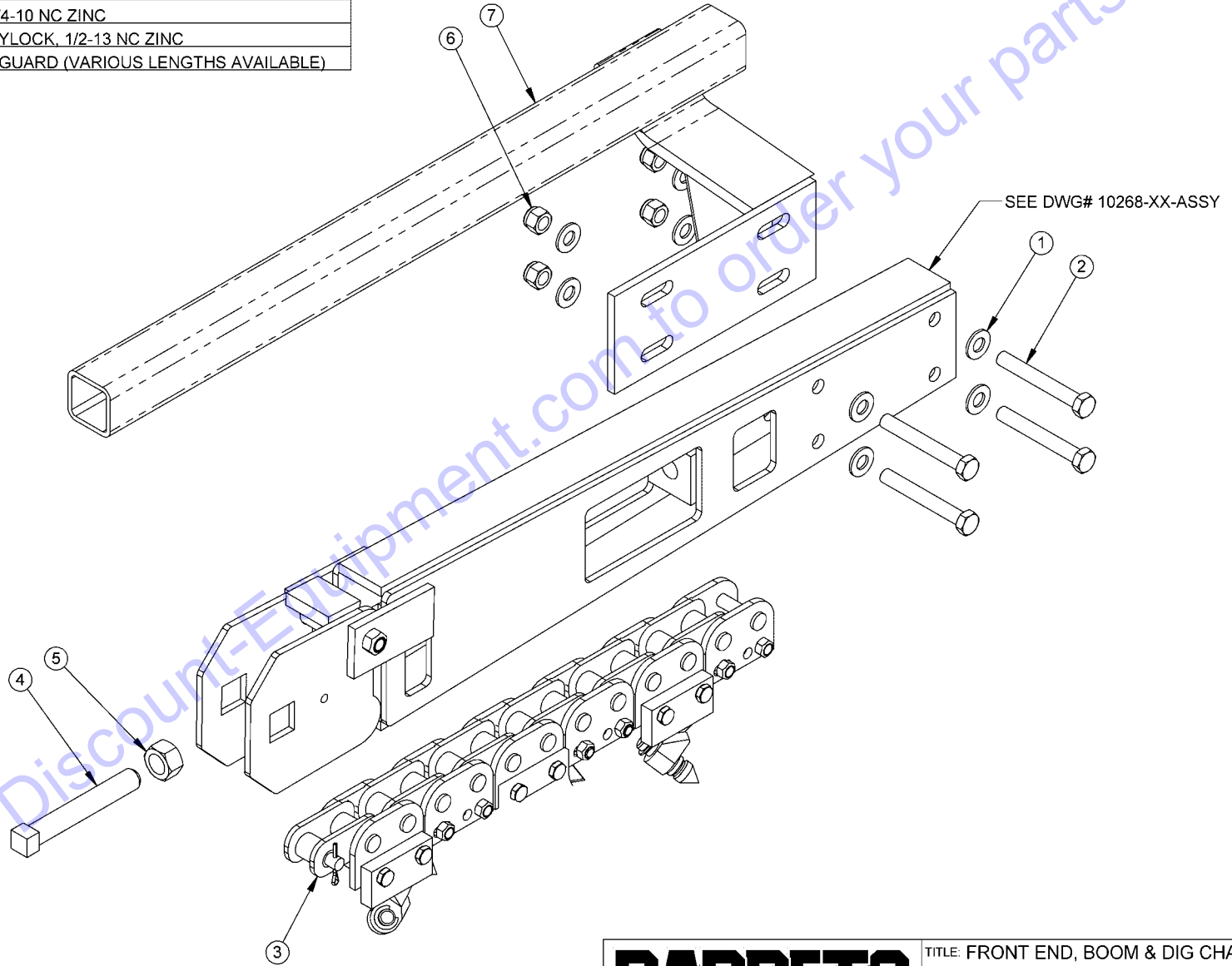
REF	QTY.	PART NO.	DESCRIPTION
1	1	10142	OUTBOARD BEARING HOUSING, 4 BOLT
2	1	01039	SHIELD, ROLLER BEARING
3	2	03043	BALL BEARING, 6205
4	1	05024	SNAP RING, HO-200, 2" INTERNAL
5	1	03904	O-RING, 2-035, 2-3/8 OD X 1/16 SECTION
6	4	05059	HH CAP SCREW, 3/8-16 NC X 1 G5 ZINC



Go to Discount-Equipment.com to order your parts

BARRETO	TITLE: OUTBOARD BEARING ASSEMBLY, 4 BOLT	
	PRODUCT LINE: COMMON	DATE: 3/2/04
	SCALE: 1:2	DWG# 10144
	SHEET 1 OF 1	

REF.	QTY.	PART NO.	DESCRIPTION
1	8	05102	WASHER, 1/2 SAE ZINC HARDENED
2	4	05253	HH CAP SCREW, 1/2-13 NC X 3-3/4 G5 ZINC
3	1	DIG CHAIN	DIG CHAIN (MANY OPTIONS AVAILABLE)
4	1	05230	SQ. HEAD SET SCREW, 3/4-10 X 5
5	1	05231	NUT, 3/4-10 NC ZINC
6	4	05098	NUT, NYLOCK, 1/2-13 NC ZINC
7	1	01607-XX	BOOM GUARD (VARIOUS LENGTHS AVAILABLE)

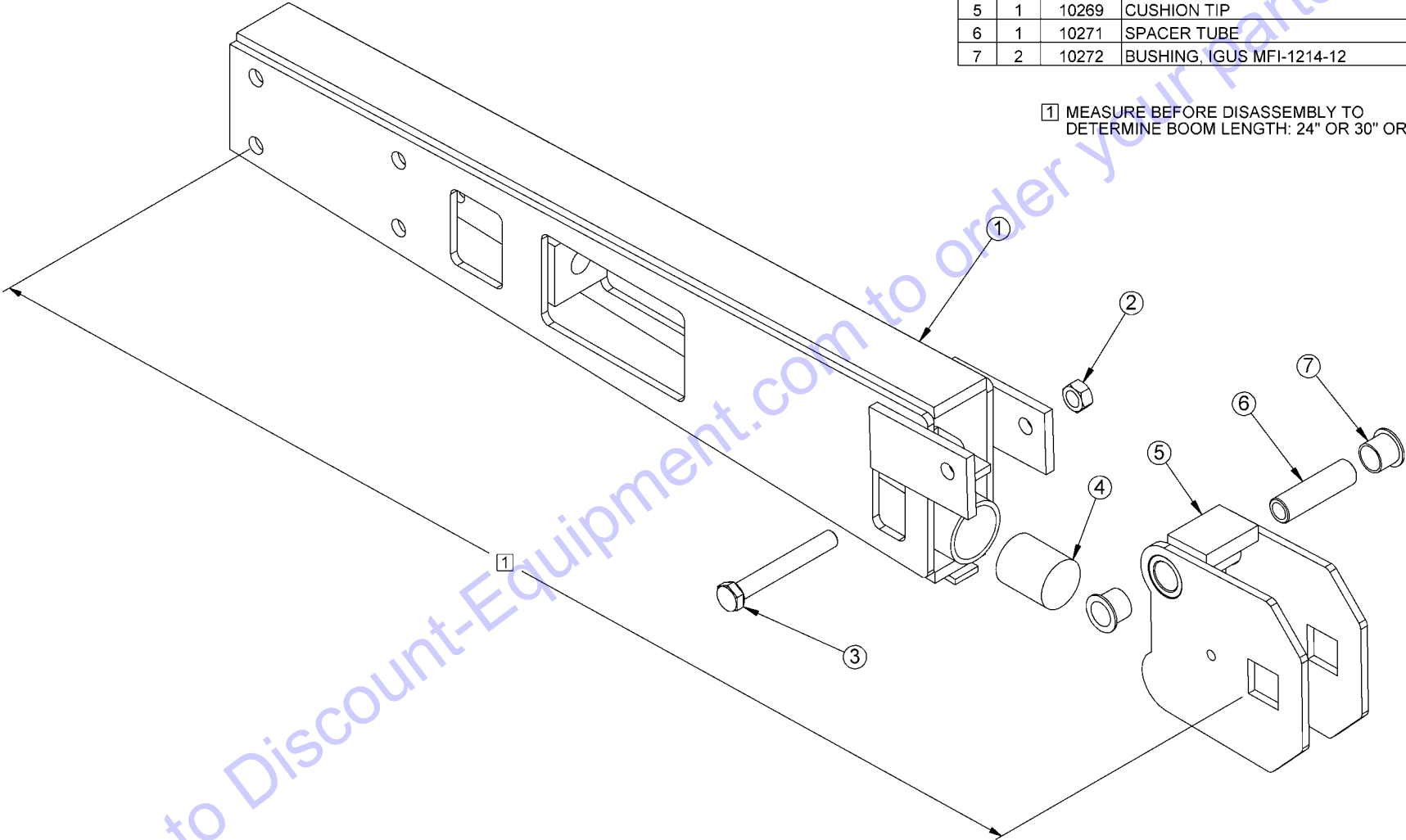


Go to Discount-Equipment.com to order your parts

BARRETO	TITLE: FRONT END, BOOM & DIG CHAIN	
	PRODUCT LINE: 1324/1624/1824	DATE: 1/10/08
	SCALE: 1:5 SHEET 1 OF 1	DWG# 00443

REF.	QTY.	PART NO.	DESCRIPTION
1	1	10268-XX	CUSHION BOOM, 24" OR 30" OR 36"
2	1	05046	NUT, GRIPCO, 1/2-13 NC G5 ZINC
3	1	05253	HH CAP SCREW, 1/2-13 NC X 3-3/4 G5 ZINC
4	1	10270	CUSHION, BOOM
5	1	10269	CUSHION TIP
6	1	10271	SPACER TUBE
7	2	10272	BUSHING, IGUS MFI-1214-12

1 MEASURE BEFORE DISASSEMBLY TO DETERMINE BOOM LENGTH: 24" OR 30" OR 36".



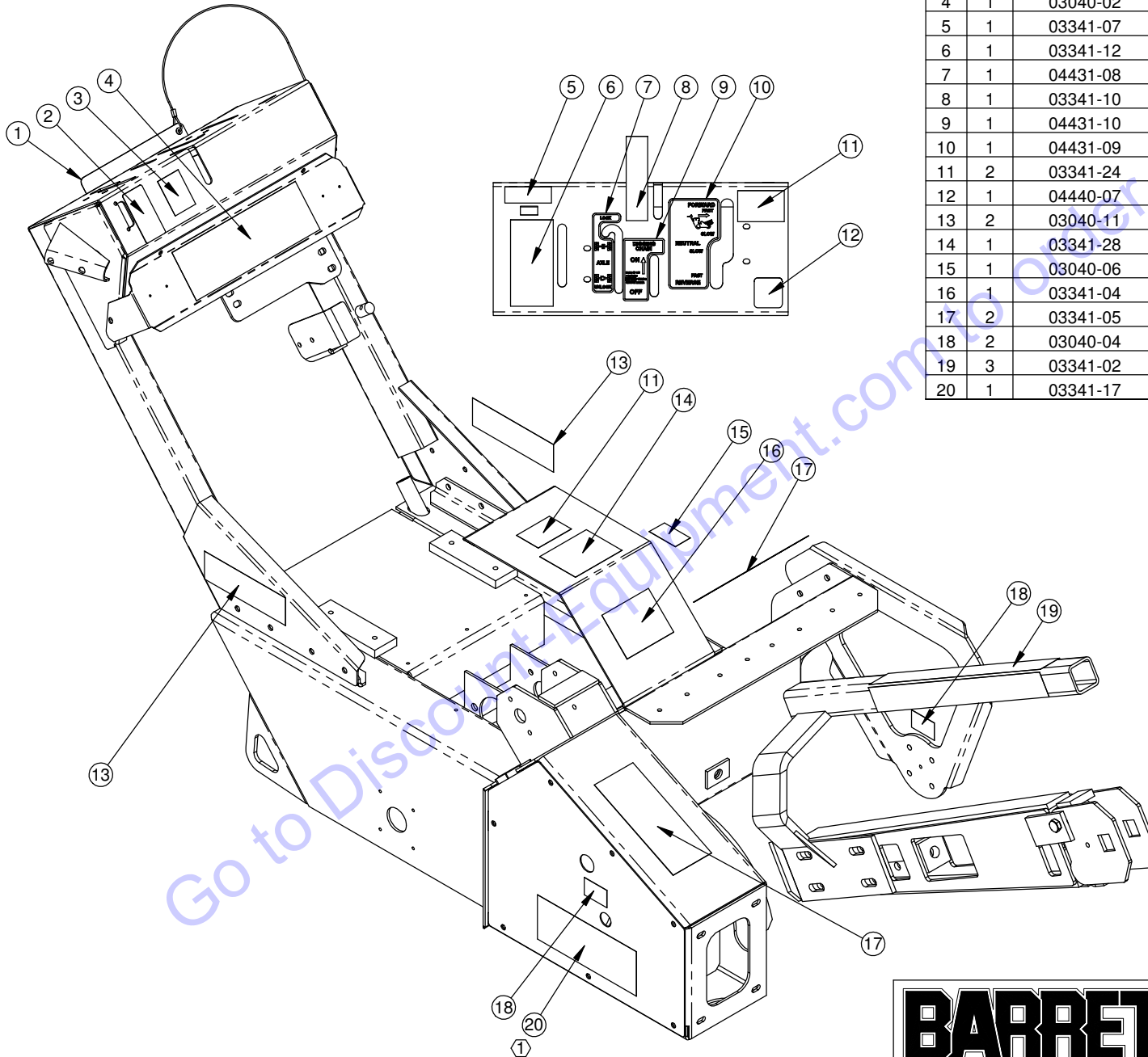
BARRETO

TITLE: CUSHION BOOM ASSEMBLY,
24" OR 30" OR 36"
PRODUCT LINE: 1324/1624/1824 DATE: 12/17/07
SCALE: 1:4 SHEET 1 OF 1 DWG# 10268-XX-ASSY

① FOR 1624, USE PART NO. 03341-03 (DECAL, "1624-D").

2. FOR A COMPLETE 1324 (HONDA) DECAL SET, ORDER PART NO. K4431-HC.

3. FOR A COMPLETE 1624 (BRIGGS) DECAL SET, ORDER PART NO. K4431-BC.



REF.	QTY.	PART NO.	DESCRIPTION
1	1	03341-06COMP	INSTRUCTION SHEET, COMPLETE
2	1	04440-05	DECAL, ENGINE THROTTLE
3	1	03040-01	DECAL, "MADE IN USA"
4	1	03040-02	DECAL, "BARRETO", 3-1/2 X 11-1/4
5	1	03341-07	DECAL, "IGNITION OFF/ON"
6	1	03341-12	DECAL, "DIGGING BOOM, UP-DOWN"
7	1	04431-08	DECAL, AXLE LOCK
8	1	03341-10	DECAL, DIG CHAIN "FWD/N/REV"
9	1	04431-10	DECAL, DIG CHAIN ON/OFF
10	1	04431-09	DECAL, TRAVEL SPEED, F/N/R
11	2	03341-24	DECAL, "WARNING - NO PARKING BRAKE"
12	1	04440-07	DECAL: REV/TRENCH SYMBOL
13	2	03040-11	DECAL, "BARRETO", 2-3/16 X 7-3/8
14	1	03341-28	DECAL, GREASE CHART
15	1	03040-06	DECAL, "HYDRAULIC OIL ONLY"
16	1	03341-04	DECAL, "CAUTION - TO AVOID INJURY"
17	2	03341-05	DECAL; DANGER, CHAIN
18	2	03040-04	DECAL, "GREASE DAILY"
19	3	03341-02	DECAL, "DANGER" STRIPES
20	1	03341-17	DECAL, 1324-D

BARRETO

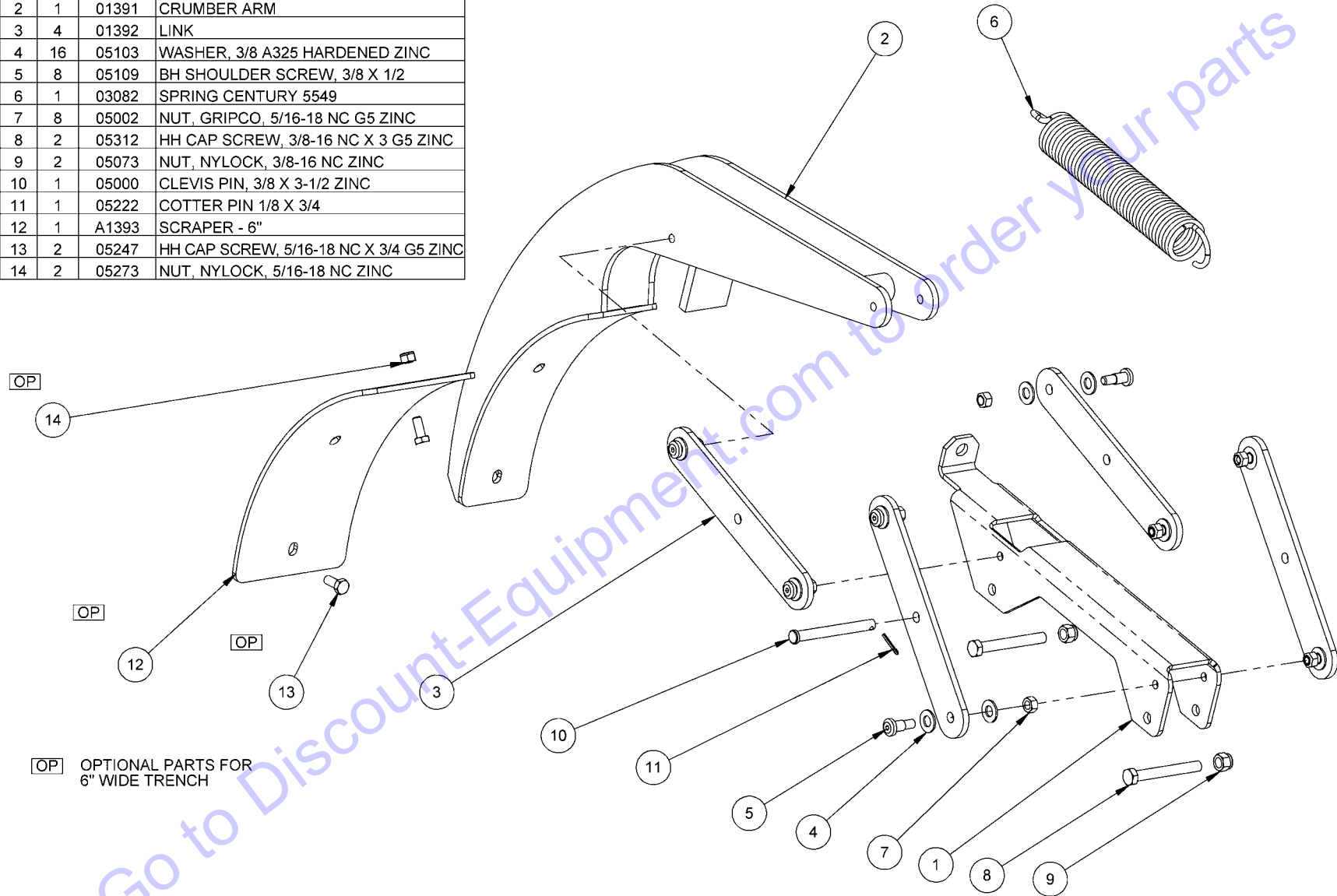
TITLE: DECALS

PRODUCT LINE: 1324D & 1624D DATE: 3/3/09

SCALE: 1:10
SHEET 1 OF 1

DWG# 00446 R1

REF.	QTY.	PART NO.	DESCRIPTION
1	1	01394	CRUMBER MOUNT
2	1	01391	CRUMBER ARM
3	4	01392	LINK
4	16	05103	WASHER, 3/8 A325 HARDENED ZINC
5	8	05109	BH SHOULDER SCREW, 3/8 X 1/2
6	1	03082	SPRING CENTURY 5549
7	8	05002	NUT, GRIPCO, 5/16-18 NC G5 ZINC
8	2	05312	HH CAP SCREW, 3/8-16 NC X 3 G5 ZINC
9	2	05073	NUT, NYLOCK, 3/8-16 NC ZINC
10	1	05000	CLEVIS PIN, 3/8 X 3-1/2 ZINC
11	1	05222	COTTER PIN 1/8 X 3/4
12	1	A1393	SCRAPER - 6"
13	2	05247	HH CAP SCREW, 5/16-18 NC X 3/4 G5 ZINC
14	2	05273	NUT, NYLOCK, 5/16-18 NC ZINC



OP OPTIONAL PARTS FOR
6" WIDE TRENCH

BARRETO

TITLE: CRUMBER ASSEMBLY

PRODUCT LINE: TRENCHER 1324 / 1624 DATE: 3/06

SCALE: 1:5
SHEET 1 OF 1

DWG# A1390

STANDARD CUP CHAIN (AKA Skip Tooth) -4

This chain has a cup tooth on every other link.

Where to use it

This chain is most effective in loamy soil - soil that is packable into clods. It is also more effective in clay or "gumbo" soil that is sticky and clings to the chain. The space between the cups allows the soil to let go instead of running around with the chain as a slurry which prevents effective digging.

**DOUBLE CUP CHAIN -4C**

This chain has a cup tooth on every link.

Where to use it

This chain is best for sand and dry, loose soil that has a tendency to fall back into the trench. The extra cups provide for better clean-out.

**COMBO/SHARK CHAIN -4MS**

This chain has an alternating pattern of cup and Shark teeth.

Where to use it.

Use this chain in pretty much the same conditions as the standard combo chain. Although not as aggressive, the Shark teeth last longer and do not fall off. This is our most popular chain.

**SHARK CHAIN -4S**

The teeth on this chain are all Shark teeth that are welded onto the chain. Replacement teeth are not available for this chain.

Where to use it.

This chain can be used in the most adverse soils. It is good in rocky soil, "cliché", limestone, hard-pan and any other hard to dig soils. It does not clean out well in sandy or dry, loose loamy soil. This is not the fastest but it is the most durable chain available. It is not uncommon for the teeth to outlast the chain rollers. When the rollers wear out, the complete chain must be replaced.

**BOLT-ON SHARK CHAIN -4SB**

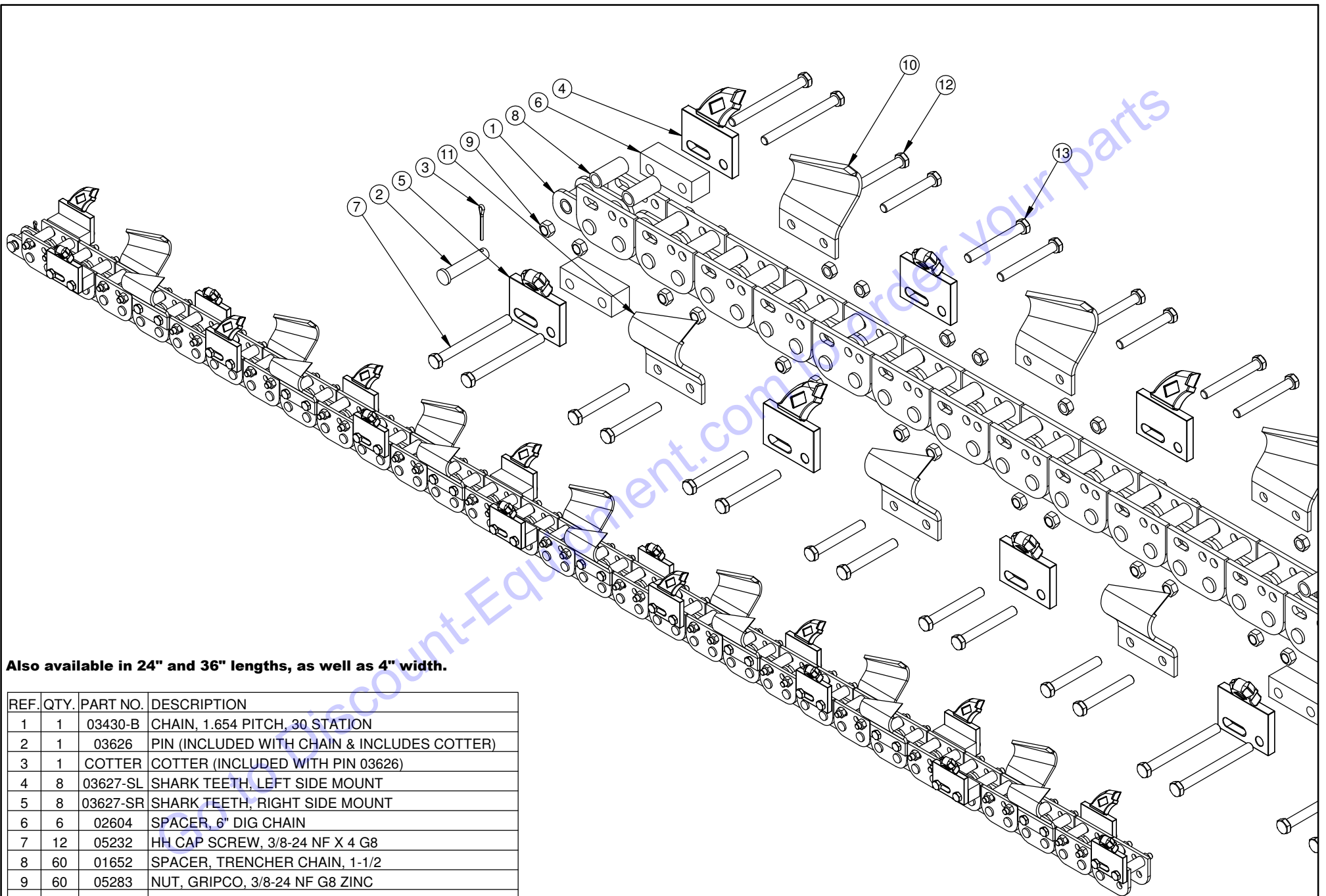
This chain utilizes a standard chain blank and has Shark teeth that are bolted to the chain blank.

Where to use it.

This chain is good in all the conditions described for the Shark chain. The advantage is the teeth can be removed when the chain wears out and can be used on a new blank. It is not uncommon for the teeth to last through two chains.



NOTE: ON FULL SIZE TRENCHERS, ALL CHAINS ARE AVAILABLE IN 6" WIDTHS AS WELL.

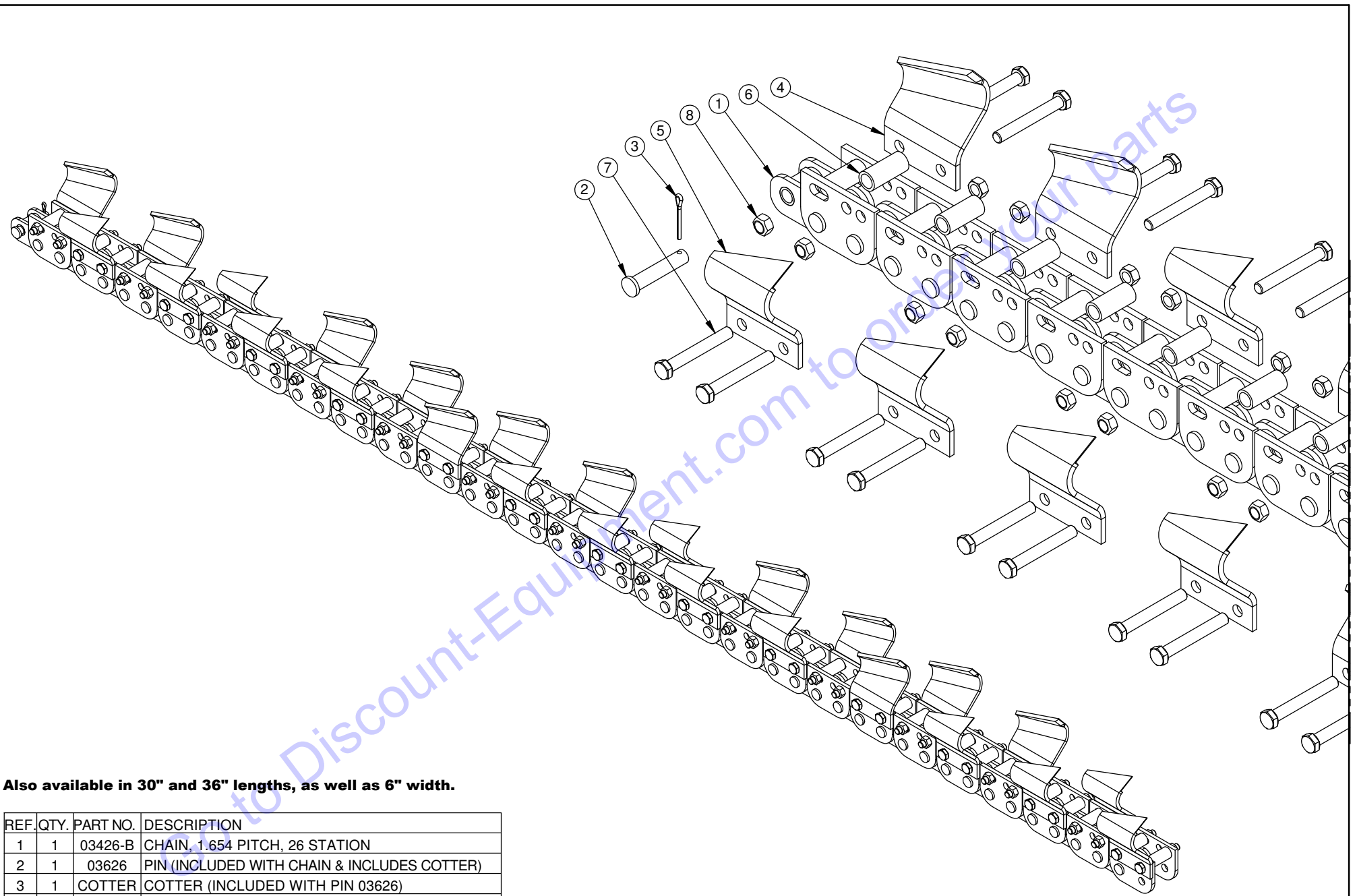


Also available in 24" and 36" lengths, as well as 4" width.

REF.	QTY.	PART NO.	DESCRIPTION
1	1	03430-B	CHAIN, 1.654 PITCH, 30 STATION
2	1	03626	PIN (INCLUDED WITH CHAIN & INCLUDES COTTER)
3	1	COTTER	COTTER (INCLUDED WITH PIN 03626)
4	8	03627-SL	SHARK TEETH, LEFT SIDE MOUNT
5	8	03627-SR	SHARK TEETH, RIGHT SIDE MOUNT
6	6	02604	SPACER, 6" DIG CHAIN
7	12	05232	HH CAP SCREW, 3/8-24 NF X 4 G8
8	60	01652	SPACER, TRENCHER CHAIN, 1-1/2
9	60	05283	NUT, GRIPCO, 3/8-24 NF G8 ZINC
10	7	03623-L	CUP, LEFT HAND
11	7	03623-R	CUP, RIGHT HAND
12	28	05279	HH CAP SCREW, 3/8-24 NF X 2-3/4 G8 ZINC
13	20	05288	HH CAP SCREW, 3/8-24 NF X 3 G8 ZINC

BARRETO

TITLE: DIG CHAIN, 30" BOOM,
30 STATION, 6" COMBO SHARK
PRODUCT LINE: TRENCHERS DATE: 2/27/08
SCALE: 1:8 SHEET 1 OF 1 DWG# 03430-6M-S



Also available in 30" and 36" lengths, as well as 6" width.

REF.	QTY.	PART NO.	DESCRIPTION
1	1	03426-B	CHAIN, 1.654 PITCH, 26 STATION
2	1	03626	PIN (INCLUDED WITH CHAIN & INCLUDES COTTER)
3	1	COTTER	COTTER (INCLUDED WITH PIN 03626)
4	12	03623-L	CUP, LEFT HAND
5	14	03623-R	CUP, RIGHT HAND
6	52	01652	SPACER, TRENCHER CHAIN, 1-1/2
7	52	05279	HH CAP SCREW, 3/8-24 NF X 2-3/4 G8 ZINC
8	52	05283	NUT, GRIPCO, 3/8-24 NF G8 ZINC

BARRETO

TITLE: DIG CHAIN, 24" BOOM,
26 STATION, 4", CUP
 PRODUCT LINE: TRENCHERS DATE: 2/25/08
 SCALE: 1:7 SHEET 1 OF 1 DWG# 03426-4C

PARTS FINDER

**Search Website
by Part Number**



**Search Manual
Library For Parts
Manual & Lookup Part
Numbers – Purchase
or Request Quote**

Search Manuals

Enter your information to help us find the right parts manual for your machine.

* Brand:

* Model:

* Serial:

* Part Number:

SEARCH

**Can't Find Part or
Manual? Request Help
by Manufacturer,
Model & Description**

Parts Order Form

Please fill in the following information to help us find the right part for your machine.

MANUFACTURER:

MODEL:

DESCRIPTION:

DATE:

NAME:

PHONE:

EMAIL:

ADDRESS:

CITY:

STATE:

ZIP:

REQUEST FOR QUOTE

Discount-Equipment.com is your online resource for quality parts & equipment.

Florida: **561-964-4949** Outside Florida TOLL FREE: **877-690-3101**

Need parts?

Click on this link: <http://www.discount-equipment.com/category/5443-parts/> and choose one of the options to help get the right parts and equipment you are looking for. Please have the machine model and serial number available in order to help us get you the correct parts. If you don't find the part on the website or on one of the online manuals, please fill out the request form and one of our experienced staff members will get back to you with a quote for the right part that your machine needs.

We sell worldwide for the brands: Genie, Terex, JLG, MultiQuip, Mikasa, Essick, Whiteman, Mayco, Toro Stone, Diamond Products, Generac Magnum, Airman, Haulotte, Barreto, Power Blanket, Nifty Lift, Atlas Copco, Chicago Pneumatic, Allmand, Miller Curber, Skyjack, Lull, Skytrak, Tsurumi, Husquvarna Target, Stow, Wacker, Sakai, Mi-T-M, Sullair, Basic, Dynapac, MBW, Weber, Bartell, Bennar Newman, Haulotte, Ditch Runner, Menegotti, Morrison, Contec, Buddy, Crown, Edco, Wyco, Bomag, Laymor, EZ Trench, Bil-Jax, F.S. Curtis, Gehl Pavers, Heli, Honda, ICS/PowerGrit, IHI, Partner, Imer, Clipper, MMD, Koshin, Rice, CH&E, General Equipment, Amida, Coleman, NAC, Gradall, Square Shooter, Kent, Stanley, Tamco, Toku, Hatz, Kohler, Robin, Wisconsin, Northrock, Oztec, Toker TK, Rol-Air, APT, Wylie, Ingersoll Rand / Doosan, Innovatech, Con X, Ammann, Mecalac, Makinex, Smith Surface Prep, Small Line, Wanco, Yanmar