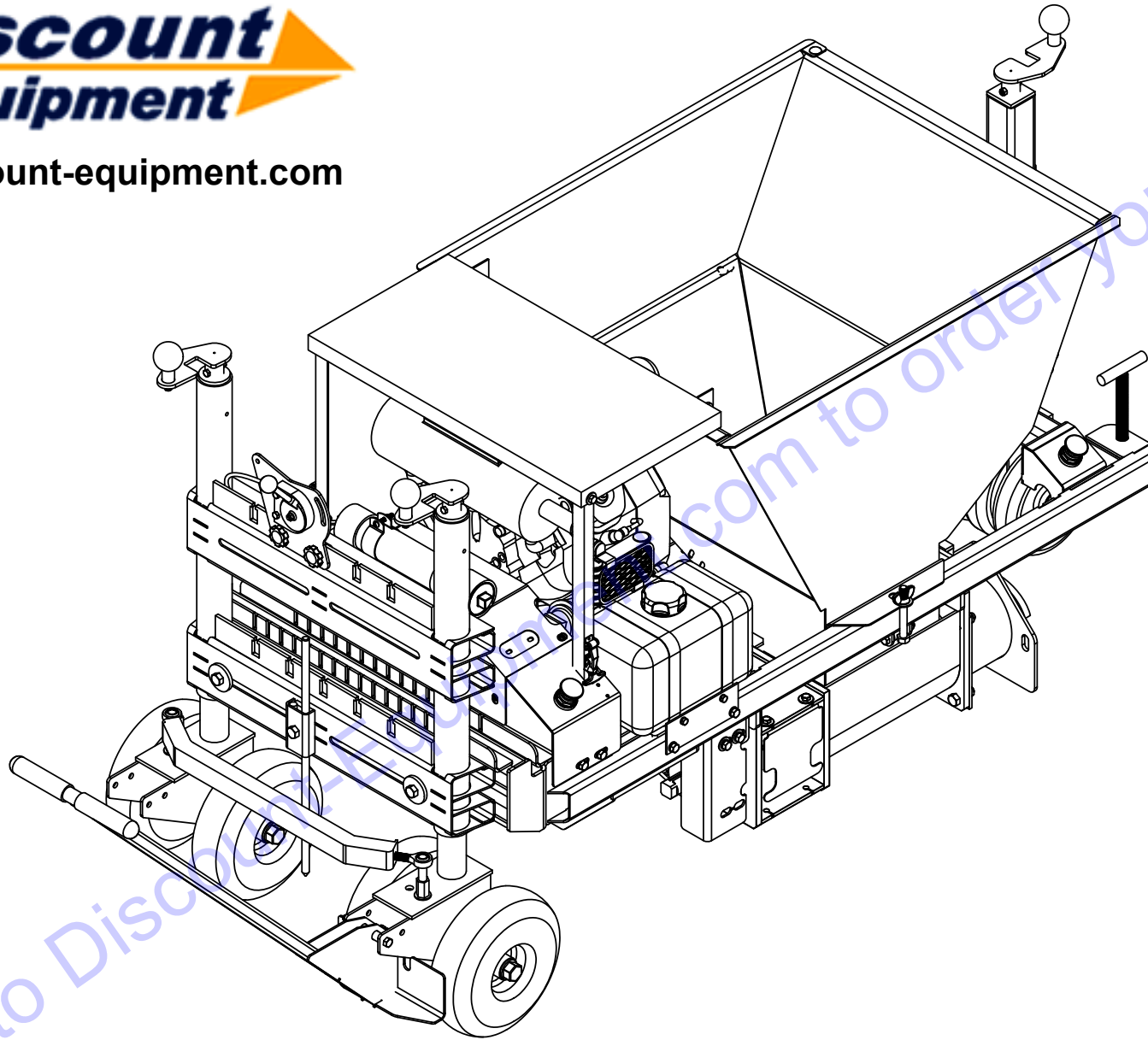


05-20HE-850-06SPS



www.discount-equipment.com



Miller Curber Co.LLC

850-01

PARTS FINDER

**Search Website
by Part Number**



**Search Manual
Library For Parts
Manual & Lookup Part
Numbers – Purchase
or Request Quote**

Search Manuals

Enter your information to help us find the right parts manual for your machine.

* Brand:

* Model:

* Serial:

* Part Number:

SEARCH

**Can't Find Part or
Manual? Request Help
by Manufacturer,
Model & Description**

Parts Order Form

Please fill in the following information to help us find the right part for your machine.

Manufacturer:	<input type="text"/>
Model:	<input type="text"/>
Description:	<input type="text"/>
Part Number:	<input type="text"/>
Quantity:	<input type="text"/>
Notes:	<input type="text"/>

Submit

Discount-Equipment.com is your online resource for quality parts & equipment.

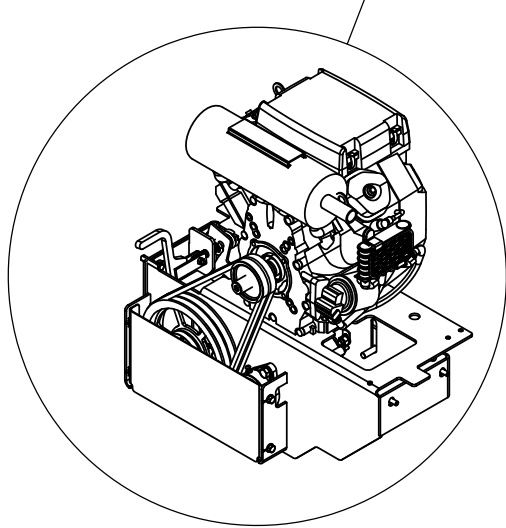
Florida: **561-964-4949** Outside Florida TOLL FREE: **877-690-3101**

Need parts?

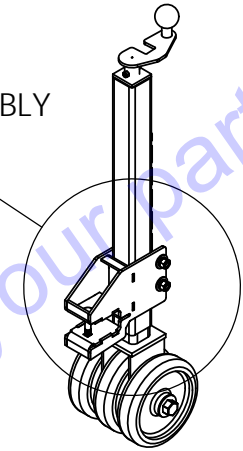
Click on this link: <http://www.discount-equipment.com/category/5443-parts/> and choose one of the options to help get the right parts and equipment you are looking for. Please have the machine model and serial number available in order to help us get you the correct parts. If you don't find the part on the website or on one of the online manuals, please fill out the request form and one of our experienced staff members will get back to you with a quote for the right part that your machine needs.

We sell worldwide for the brands: Genie, Terex, JLG, MultiQuip, Mikasa, Essick, Whiteman, Mayco, Toro Stone, Diamond Products, Generac Magnum, Airman, Haulotte, Barreto, Power Blanket, Nifty Lift, Atlas Copco, Chicago Pneumatic, Allmand, Miller Curber, Skyjack, Lull, Skytrak, Tsurumi, Husquvarna Target, Stow, Wacker, Sakai, Mi-T-M, Sullair, Basic, Dynapac, MBW, Weber, Bartell, Bennar Newman, Haulotte, Ditch Runner, Menegotti, Morrison, Contec, Buddy, Crown, Edco, Wyco, Bomag, Laymor, EZ Trench, Bil-Jax, F.S. Curtis, Gehl Pavers, Heli, Honda, ICS/PowerGrit, IHI, Partner, Imer, Clipper, MMD, Koshin, Rice, CH&E, General Equipment, Amida, Coleman, NAC, Gradall, Square Shooter, Kent, Stanley, Tamco, Toku, Hatz, Kohler, Robin, Wisconsin, Northrock, Oztec, Toker TK, Rol-Air, APT, Wylie, Ingersoll Rand / Doosan, Innovatech, Con X, Ammann, Mecalac, Makinex, Smith Surface Prep, Small Line, Wanco, Yanmar

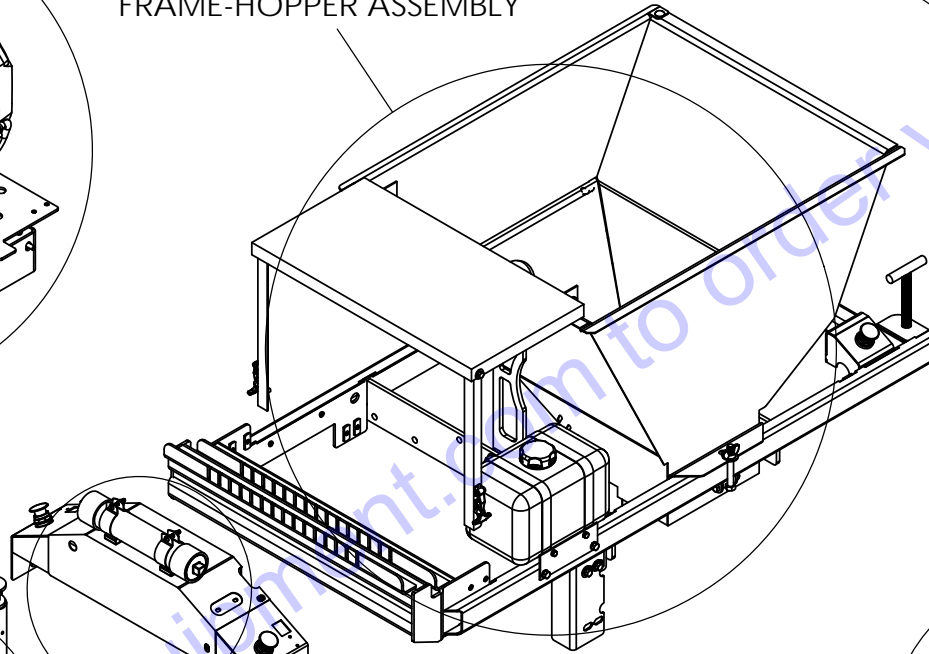
ENGINE-GEARBOX ASSEMBLY



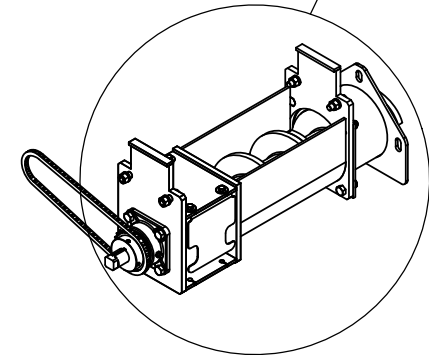
REAR WHEEL ASSEMBLY



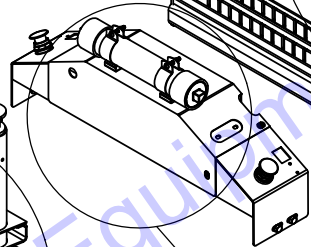
FRAME-HOPPER ASSEMBLY



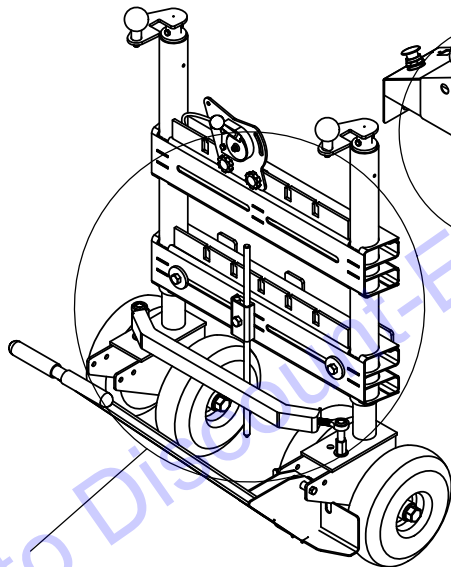
AUGER ASSEMBLY



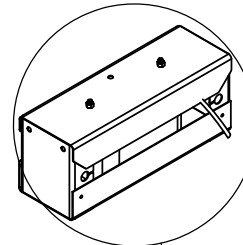
BELT GUARD ASSEMBLY



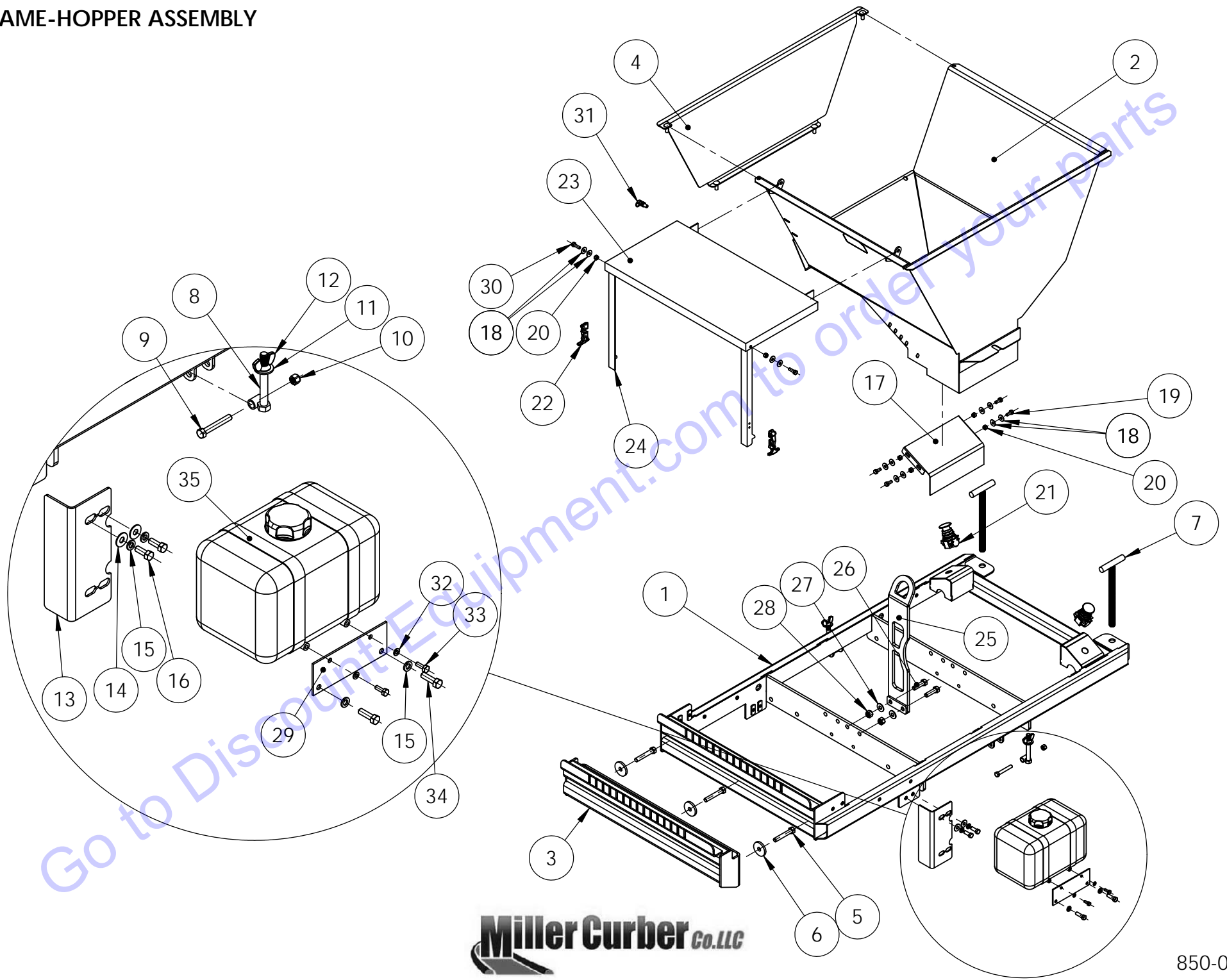
FRONT WHEEL ASSEMBLY



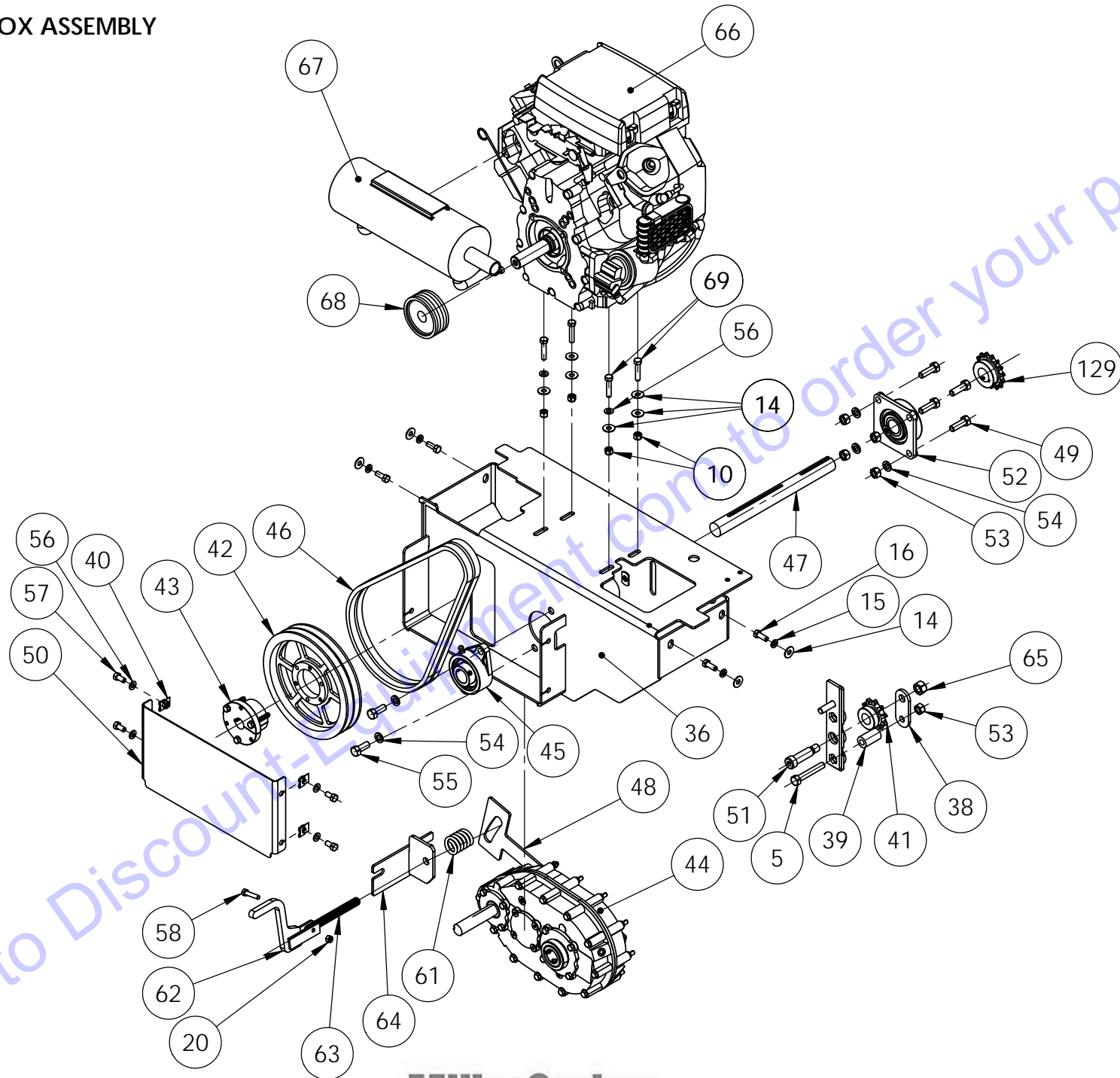
BATTERY BOX ASSEMBLY



FRAME-HOPPER ASSEMBLY

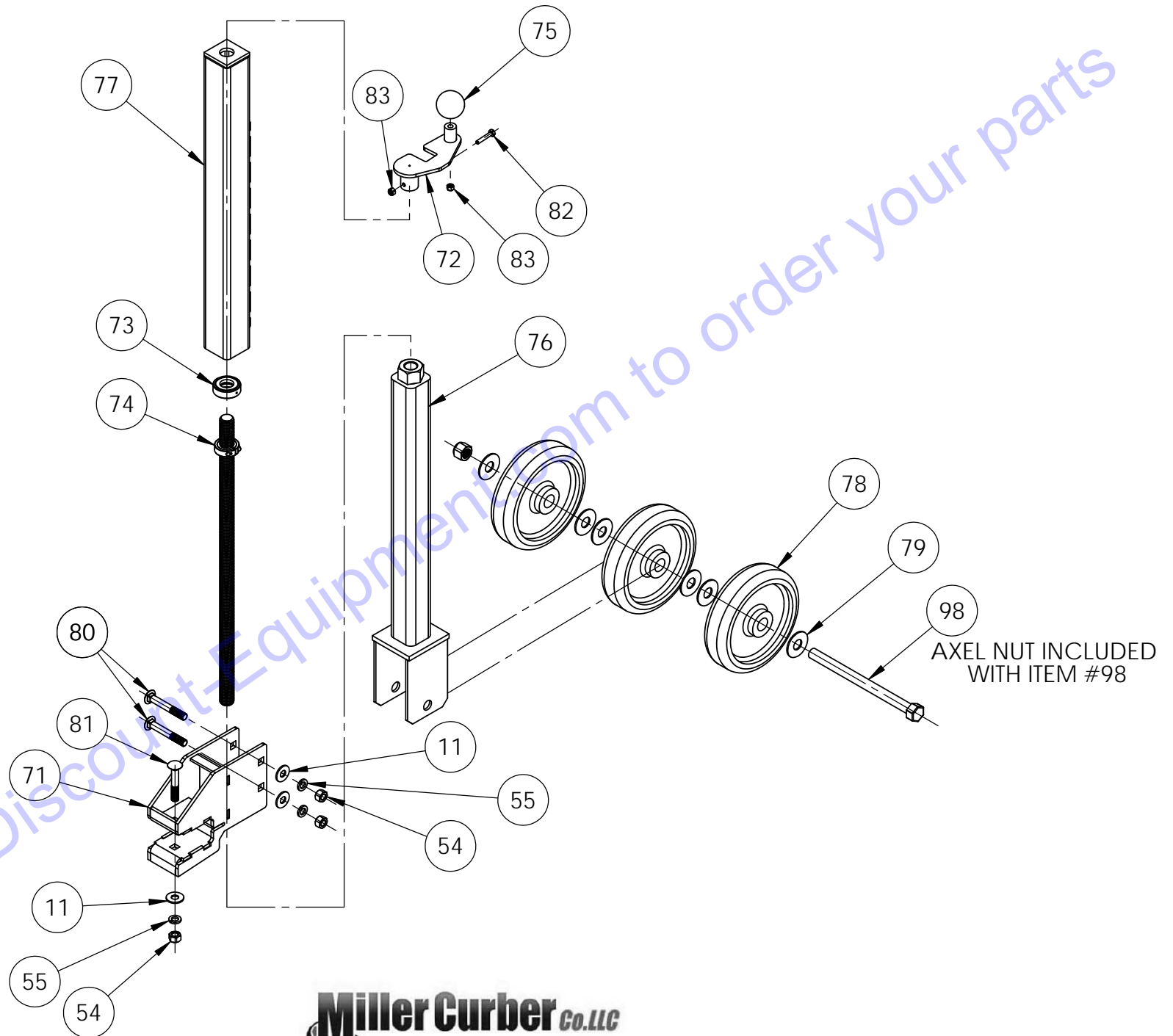


ENGINE-GEARBOX ASSEMBLY

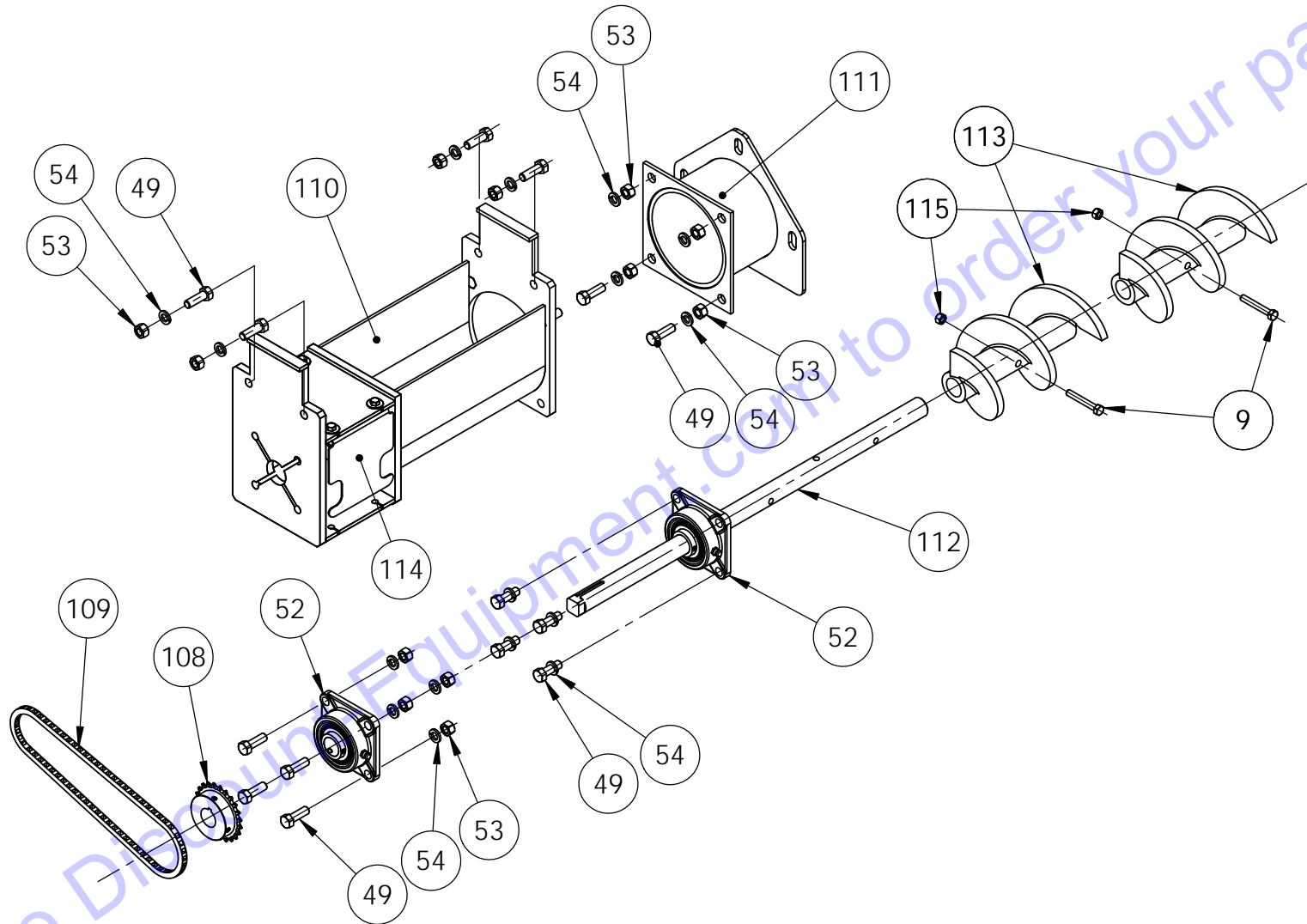


Go to Discount-Lubricant.com to order your parts

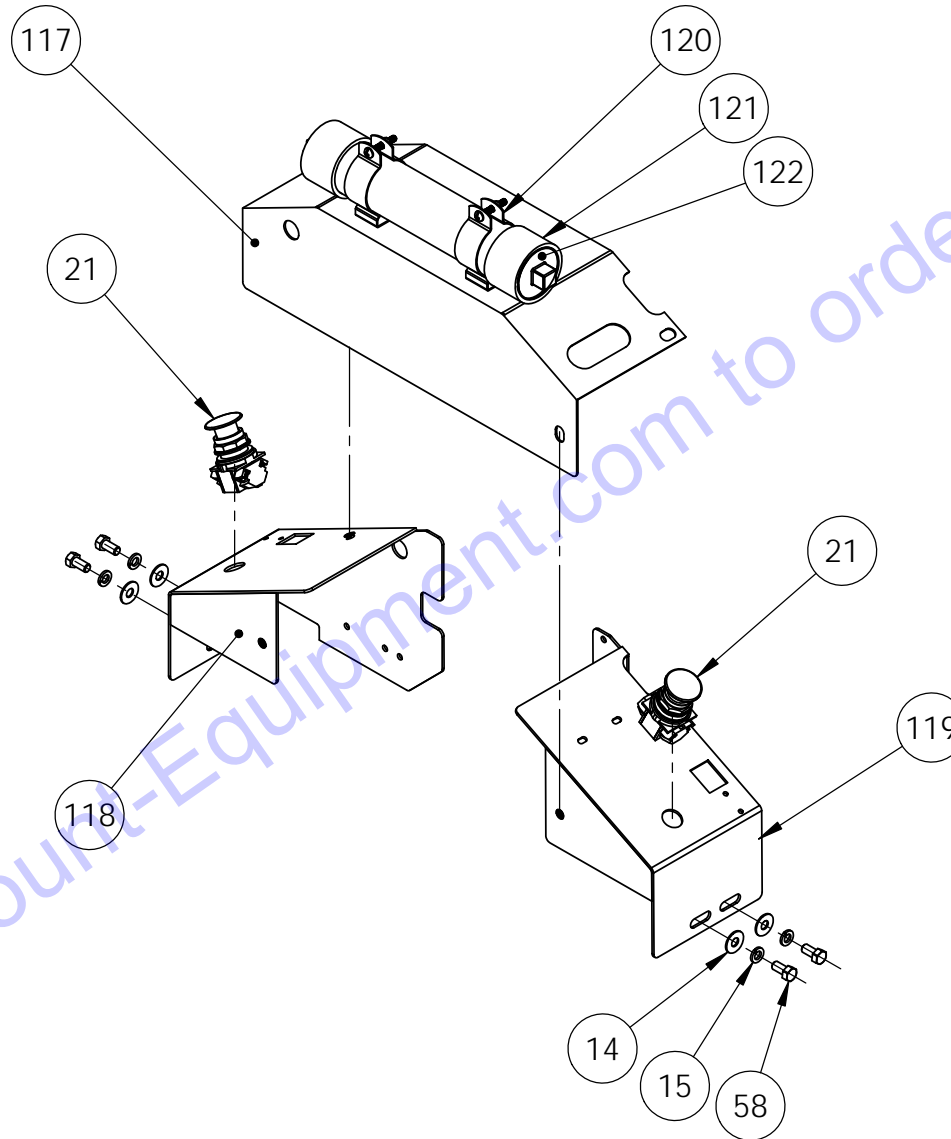
REAR WHEEL ASSEMBLY



AUGER ASSEMBLY

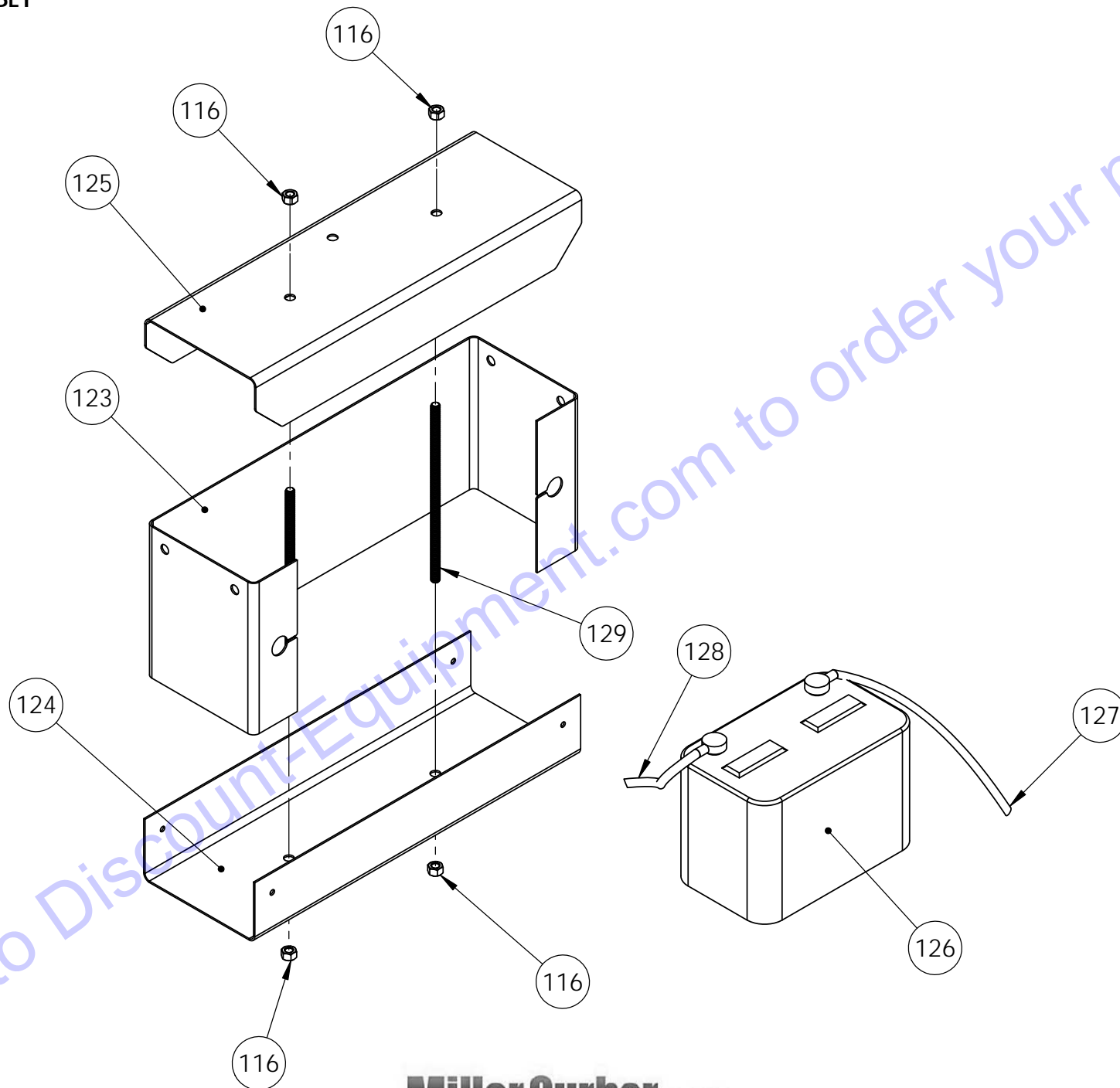


BELT GUARD ASSEMBLY



Go to Discount-Equipment.com to order your parts

BATTERY ASSEMBLY



Go to Discount-Equipment.com to order your parts

ITEM NO.	PART NUMBER	DESCRIPTION
1	45029-01	MC-850 FRAME WELDMENT
2	45015-01	WHEELBARROW HOPPER, LH
3	45140-25	FRAME EXT. MC850/900
4	45015-12	REMOVABLE HOPPER SIDE PLATE
5		HHCS, 1/2-13 UNC x 3" LG.
6	45140-31	FRONT END CLAMP WASHER
7	45003-11	CURBFORM HOLD DOWN SCREW
8	45012-13	HOPPER CLAMP
9		HHCS, 3/8-16 UNC x 2-1/2" LG.
10		LOCK NUT, 3/8-16 UNC
11		USS FLAT WASHER, 1/2"
12		WING NUT, 1/2-13 UNC
13	45050-18	CHAIN GAURD
14		USS FLAT WASHER, 3/8"
15		LOCK WASHER, 3/8"
16		HHCS, 3/8-16 x 1" LG.
17	45013-09	HOPPER ADJUSTING PLATE
18		SAE FLAT WASHER, 5/16"
19		HHCS, 5/16-18 UNC x 3/4" LG.
20		NYLOK LOCK NUT, 5/16-18 UNC
21	45043-04	EMERGENCY STOP SWITCH, ELECTRIC START
22	MS0200	RUBBER HOOD LATCH

ITEM NO.	PART NUMBER	DESCRIPTION
23	45145-20	ENGINE COVER W/ LABELS
24	45145-10	ENGINE COVER BRACE
25	45035-01	LIFTING LUG
26		HHCS, 1/2-13 UNC x 1-3/4" LG.
27		SAE FLAT WASHER, 1/2"
28		LOCK NUT, 1/2-13 UNC
29	45157-02	FUEL TANK BRACKET
30		HHCS, 5/16-18 UNC x 1" LG.
31	45145-17	RETRACTABLE PLUNGER
32		LOCK WASHER, 1/4"
33		HHCS, 1/4-20 UNC x 3/4" LG.
34		HHCS, 3/8-16 UNC x 1-1/4" LG.
35	45157-01	PLASTIC FUEL TANK
36	45002-11	MC-860/900 MOTOR MOUNT
37	45016-17	IDLER BRACKET WELDMENT
38	45016-18	IDLER BRACKET RETAINING PLATE
39	45016-21	IDLER BRACKET TUBE
40	42108-07	3/8" CAGE NUT
41	45016-10	IDLER SPROCKET
42	45050-02	2 GROOVE Q.D. SHEAVE
43	45050-03	Q.D. BUSHING FOR 4050-02
44	45050-05	GEAR REDUCER

NOTE:
WHEN ORDERING FASTENERS, PLEASE USE
PAGE REFERENCE (LOWER RIGHT HAND
CORNER) AND ITEM NUMBER.

ITEM NO.	PART NUMBER	DESCRIPTION
45	BE0100	1-1/4" 2-BOLT FLANGE BEARING
46	45050-23	COG "V" BELT
47	45050-16	OUTPUT SHAFT
48	45024-03	SAFETY TORQUE ARM
49		HHCS, 1/2-13 UNC x 1-1/2" LG.
50	45008-10	SHEAVE GAURD
51		SHOULDER BOLT, 5/8-11 UNC x 3/4 DIA x 2" LG.
52	BE0200	1-1/4" 4-BOLT FLANGE BEARING
53		HEX NUT, 1/2-13 UNC
54		LOCK WASHER, 1/2"
55		HHCS, 1/2-13 UNC x 1-1/4" LG.
56		SAE FLAT WASHER, 3/8"
57		HHCS, 3/8-16 UNC x 3/4" LG.
58		HHCS, 5/16-18 UNC x 1-1/2" LG.
59		HHCS, 1/2-13 UNC x 7-1/2" LG.
60		HHCS, 3/8-16 UNC x 4" LG.
61	45024-02	TORQUE ARM COMPRESSION SPRING
62	45024-09	SAFETY TORQUE ARM HANDLE
63	45024-14	SAFETY TORQUE ARM STUD
64	45024-04	SAFETY TORQUE ARM BRACKET
65		HEX NUT, 5/8-11 UNC
66	45151-01	20.3 HP HONDA ENGINE

ITEM NO.	PART NUMBER	DESCRIPTION
67	45151-07	HONDA MUFFLER FOR MC-850/900
68	CL0200	CLUTCH, 1" BORE, HVY. DUTY
69		HHCS, 3/8-16 UNC x 1-3/4" LG.
70	45033-07	TALL WHEEL BRACKET HVY DTY
71	45036-11	JACK HANDLE ASSEMBLY
72	BE0600	JACK ASSEMBLY THRUST BEARING
73	45032-10	JACK SCREW, TALL WHEEL ASSEMBLY
74	MS0400	JACK HANDLE KNOB
75	45158-07	TALL REAR WHEEL FORK ASSEMBLY
76	45032-03	TALL REAR WHEEL HSG ASSY
77	45094-14	8" x 2-1/2" RUBBER WHEEL W/ ROLLER BEARING
78		USS FLAT WASHER, 3/4"
79	47132-24	CARRIAGE BOLT, 1/2-13 UNC x 3-1/2" LG.
80	47139-37	CARRIAGE BOLT, 1/2-13 UNC x 3" LG.
81		HHCS, 1/4-20 UNC x 1-1/2" LG.
82		LOCK NUT, 1/4-20 UNC
83	45131-03	THROTTLE PLATE CLAMP
84	45131-02	THROTTLE MOUNTING PLATE
85	45132-43	THROTTLE CONTROL
86		HHCS, 1/4-20 UNC x 1-1/4" LG.
87	45132-44	BULK HEAD FITTING
88	45131-07	20.3 HP HONDA THROTTLE CABLE ASSY.

NOTE:
WHEN ORDERING FASTENERS, PLEASE USE
PAGE REFERENCE (LOWER RIGHT HAND
CORNER) AND ITEM NUMBER.

ITEM NO.	PART NUMBER	DESCRIPTION
89	45130-27	HONDA THROTTLE WIRE SWIVEL
90	45026-01	TALL FRONT WHEEL FORK HOUSING
91	45158-15	TALL FRONT WHEEL FORK
92	45020-13	STEERING HANDLE W/ GRIPS
93	CG0100	GRIP, HANDLEBAR
94	45140-23	CENTER WHEEL SPACER
95	45140-11	PNEUMATIC WHEEL SPACER
96	45140-12	PNEUMATIC TIRE AND RIM ASSY
97	45094-16	AXEL, 3/4-10NC x 11" LG W/ LOCKNUTS
98	45031-17	CURBER MARKING ROD BACKPLATE
99	45031-11	MC-550/650/850 MARKER POINTER
100	45031-21	FRONT END CLAMP RETAINING NUT
101	45031-18	MARKER HOLDER ROD BRACKET
102		HHCS, 1/2-13 UNC x 6-1/2" LG.
103	45059-08	TIE ROD
104	45059-04	MALE TIE ROD END W/ STUD
105	45059-11	COUPLING NUT, 1/2-20 UNF x 1-1/4" LG.
106		HHCS, 1/2-20 UNF x 1" LG.
107	48200-26	THROTTLE MOUNT KNOB
108	SK0300	23 TOOTH SPROCKET
109	45050-10	ROLLER CHAIN, 37" LONG
110	45011-13	6" HVY DTY AUGER HOUSING W/ SHAFT GUARDS

ITEM NO.	PART NUMBER	DESCRIPTION
111	45014-06	6" CAST COMPACTION TUBE
112	45023-01	SOLID AUGER SHAFT
113	45018-09	6" SOLID AUGER, 9" LONG
114	45010-12	6" AUGUR SHAFT GAURD
115		HEX NUT, 3/8-16 UNC
116	45019-29	CENTER BELT GUARD COVER
117	45019-18	RIGHT HAND BELT GUARD WELDMENT
118	45019-19	LEFT HAND BELT GUARD WELDMENT
119	44108-07	MANUAL TUBE MOUNTING CLAMPS
120	44108-01	MANUAL TUBE
121	44108-05	MANUAL TUBE CAP
122	45116-19	WRAP-AROUND BATTERY BOX SIDE
123	45116-20	BATTERY BOX BOTTOM
124	45116-21	BATTERY BOX TOP
125	BT0100	BATTERY, 12V DC
126	BF0100	36" BATTERY POSITIVE CABLE
127	BF0200	BATTERY GROUND CABLE
128	45116-23	BATTERY BOX BOLTS
129	SK0200	15 TOOTH SPROCKET

NOTE:
WHEN ORDERING FASTENERS, PLEASE USE
PAGE REFERENCE (LOWER RIGHT HAND
CORNER) AND ITEM NUMBER.



PARTS FINDER

**Search Website
by Part Number**



**Search Manual
Library For Parts
Manual & Lookup Part
Numbers – Purchase
or Request Quote**

Search Manuals

Enter your information to help us find the right parts manual for your machine.

* Brand:

* Model:

* Serial:

* Part Number:

SEARCH

**Can't Find Part or
Manual? Request Help
by Manufacturer,
Model & Description**

Parts Order Form

Please fill in the following information to help us find the right part for your machine.

Manufacturer:	<input type="text"/>
Model:	<input type="text"/>
Description:	<input type="text"/>
Part Number:	<input type="text"/>
Quantity:	<input type="text"/>
Notes:	<input type="text"/>

Submit

Discount-Equipment.com is your online resource for quality parts & equipment.

Florida: **561-964-4949** Outside Florida TOLL FREE: **877-690-3101**

Need parts?

Click on this link: <http://www.discount-equipment.com/category/5443-parts/> and choose one of the options to help get the right parts and equipment you are looking for. Please have the machine model and serial number available in order to help us get you the correct parts. If you don't find the part on the website or on one of the online manuals, please fill out the request form and one of our experienced staff members will get back to you with a quote for the right part that your machine needs.

We sell worldwide for the brands: Genie, Terex, JLG, MultiQuip, Mikasa, Essick, Whiteman, Mayco, Toro Stone, Diamond Products, Generac Magnum, Airman, Haulotte, Barreto, Power Blanket, Nifty Lift, Atlas Copco, Chicago Pneumatic, Allmand, Miller Curber, Skyjack, Lull, Skytrak, Tsurumi, Husquvarna Target, Stow, Wacker, Sakai, Mi-T-M, Sullair, Basic, Dynapac, MBW, Weber, Bartell, Bennar Newman, Haulotte, Ditch Runner, Menegotti, Morrison, Contec, Buddy, Crown, Edco, Wyco, Bomag, Laymor, EZ Trench, Bil-Jax, F.S. Curtis, Gehl Pavers, Heli, Honda, ICS/PowerGrit, IHI, Partner, Imer, Clipper, MMD, Koshin, Rice, CH&E, General Equipment, Amida, Coleman, NAC, Gradall, Square Shooter, Kent, Stanley, Tamco, Toku, Hatz, Kohler, Robin, Wisconsin, Northrock, Oztec, Toker TK, Rol-Air, APT, Wylie, Ingersoll Rand / Doosan, Innovatech, Con X, Ammann, Mecalac, Makinex, Smith Surface Prep, Small Line, Wanco, Yanmar