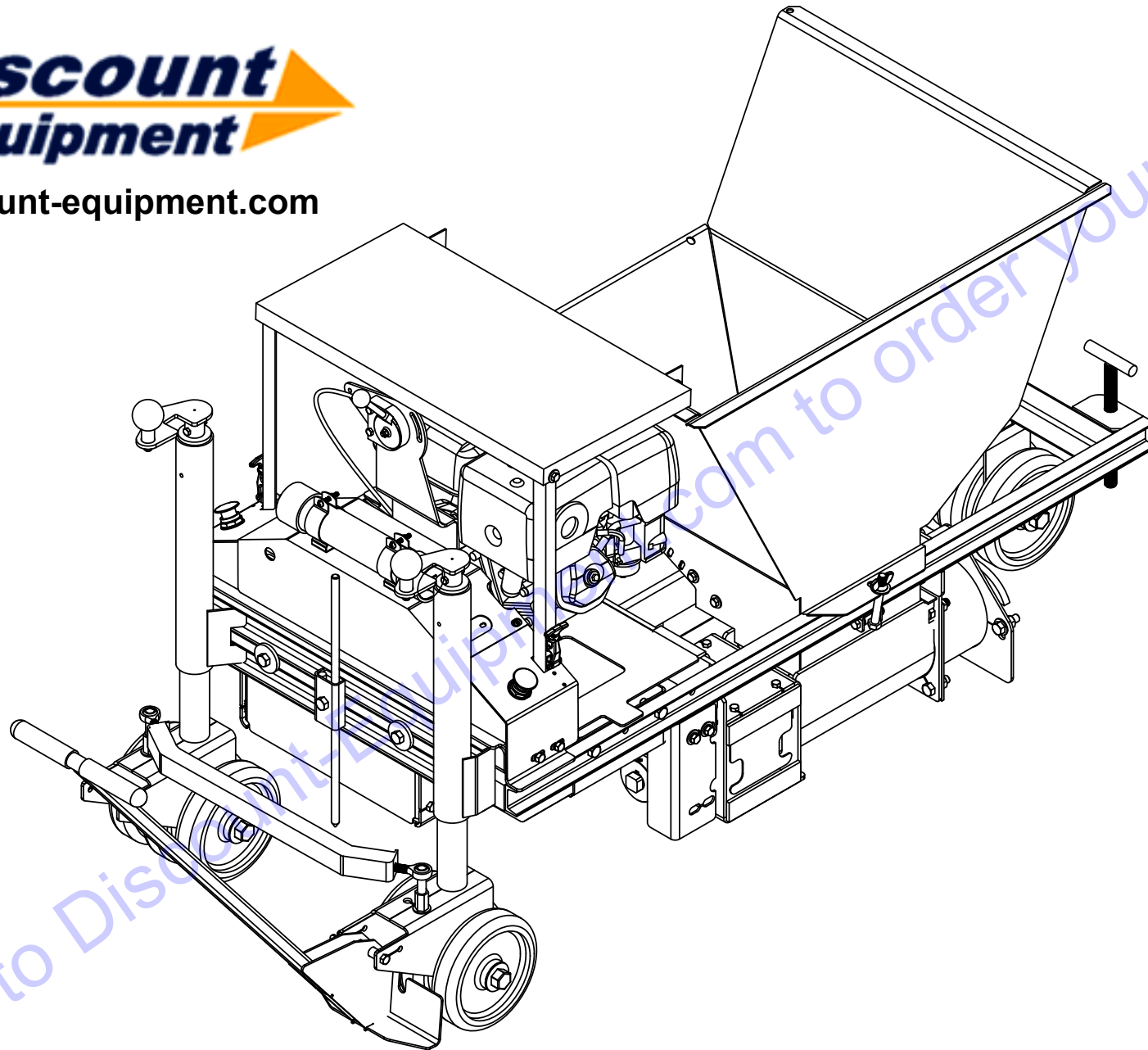


05-13HE-650-06SS



[www.discount-equipment.com](http://www.discount-equipment.com)



Go to [DiscountEquipment.com](http://DiscountEquipment.com) to order your parts



# PARTS FINDER

**Search Website  
by Part Number**



**Search Manual  
Library For Parts  
Manual & Lookup Part  
Numbers – Purchase  
or Request Quote**

**Search Manuals**

Enter your information to help us find the right parts manual for your machine.

\* Brand:

\* Model:

\* Serial:

\* Part Number:

SEARCH

**Can't Find Part or  
Manual? Request Help  
by Manufacturer,  
Model & Description**

**Parts Order Form**

Please fill in the following information to help us find the right part for your machine.

Manufacturer:	<input type="text"/>
Model:	<input type="text"/>
Description:	<input type="text"/>
Part Number:	<input type="text"/>
Quantity:	<input type="text"/>
Notes:	<input type="text"/>

Discount-Equipment.com is your online resource for quality parts & equipment.

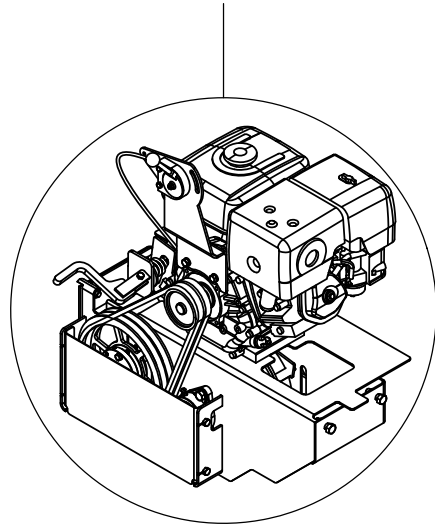
Florida: **561-964-4949** Outside Florida TOLL FREE: **877-690-3101**

**Need parts?**

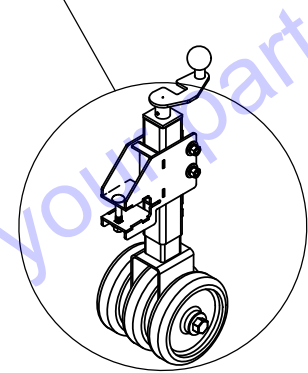
Click on this link: <http://www.discount-equipment.com/category/5443-parts/> and choose one of the options to help get the right parts and equipment you are looking for. Please have the machine model and serial number available in order to help us get you the correct parts. If you don't find the part on the website or on one of the online manuals, please fill out the request form and one of our experienced staff members will get back to you with a quote for the right part that your machine needs.

We sell worldwide for the brands: Genie, Terex, JLG, MultiQuip, Mikasa, Essick, Whiteman, Mayco, Toro Stone, Diamond Products, Generac Magnum, Airman, Haulotte, Barreto, Power Blanket, Nifty Lift, Atlas Copco, Chicago Pneumatic, Allmand, Miller Curber, Skyjack, Lull, Skytrak, Tsurumi, Husquvarna Target, Stow, Wacker, Sakai, Mi-T-M, Sullair, Basic, Dynapac, MBW, Weber, Bartell, Bennar Newman, Haulotte, Ditch Runner, Menegotti, Morrison, Contec, Buddy, Crown, Edco, Wyco, Bomag, Laymor, EZ Trench, Bil-Jax, F.S. Curtis, Gehl Pavers, Heli, Honda, ICS/PowerGrit, IHI, Partner, Imer, Clipper, MMD, Koshin, Rice, CH&E, General Equipment, Amida, Coleman, NAC, Gradall, Square Shooter, Kent, Stanley, Tamco, Toku, Hatz, Kohler, Robin, Wisconsin, Northrock, Oztec, Toker TK, Rol-Air, APT, Wylie, Ingersoll Rand / Doosan, Innovatech, Con X, Ammann, Mecalac, Makinex, Smith Surface Prep, Small Line, Wanco, Yanmar

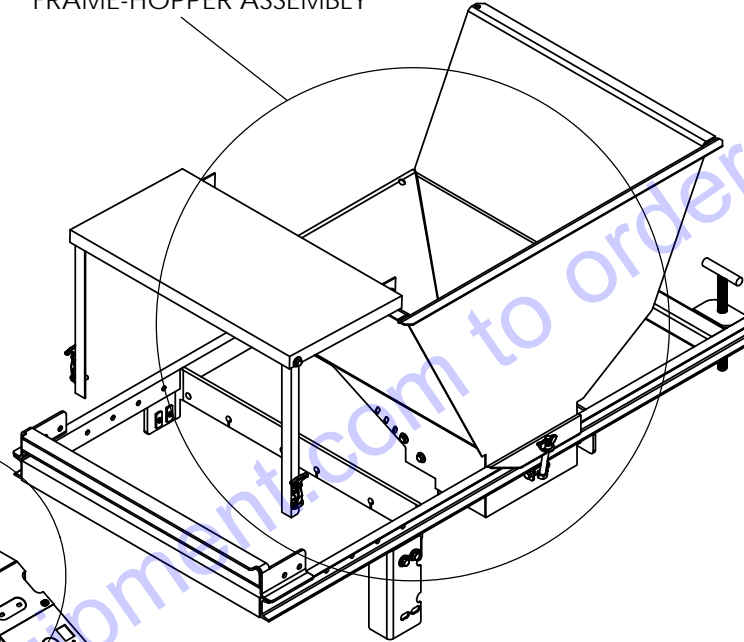
ENGINE-GEARBOX ASSEMBLY



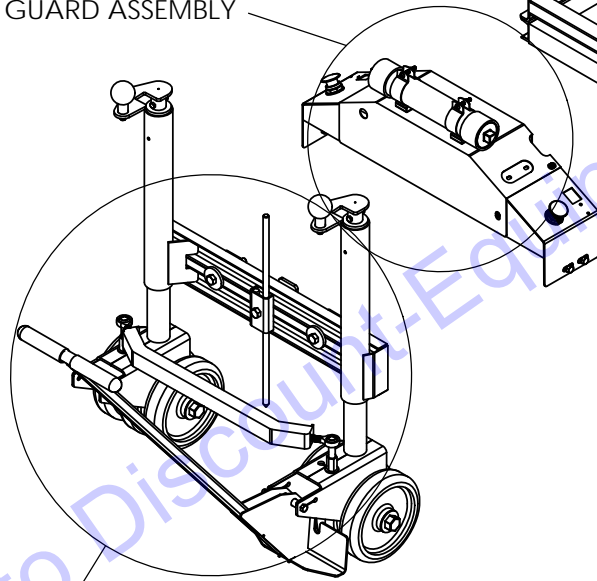
REAR WHEEL ASSEMBLY



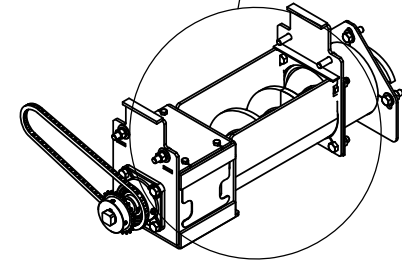
FRAME-HOPPER ASSEMBLY



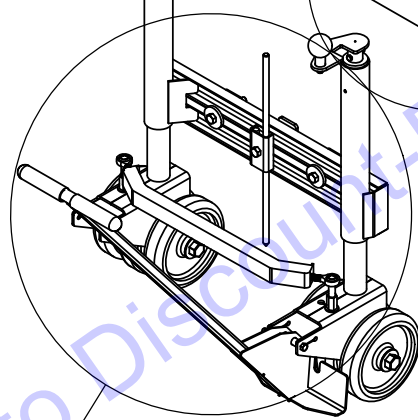
BELT GUARD ASSEMBLY



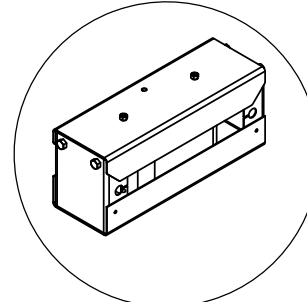
AUGER ASSEMBLY



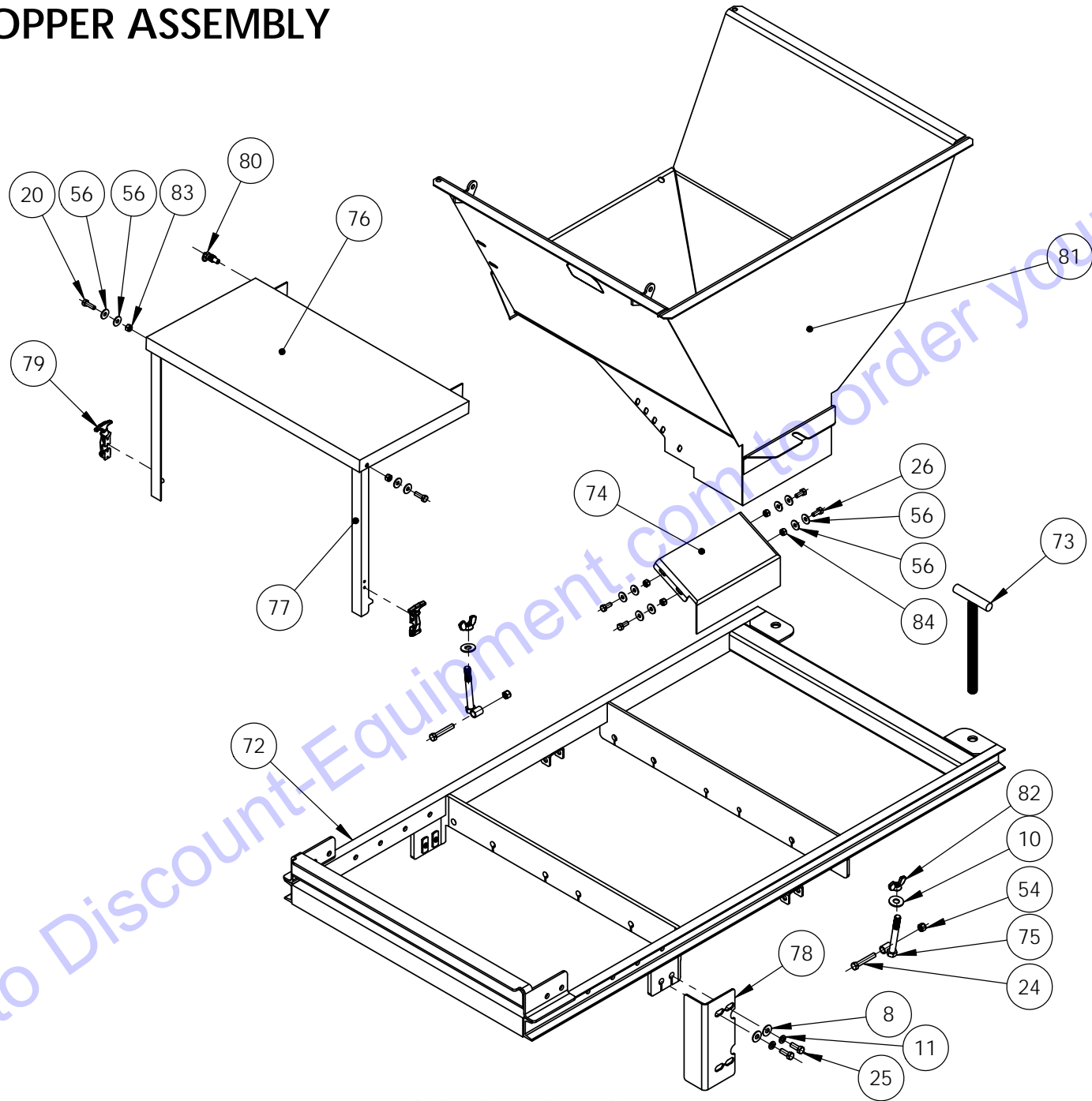
FRONT WHEEL ASSEMBLY



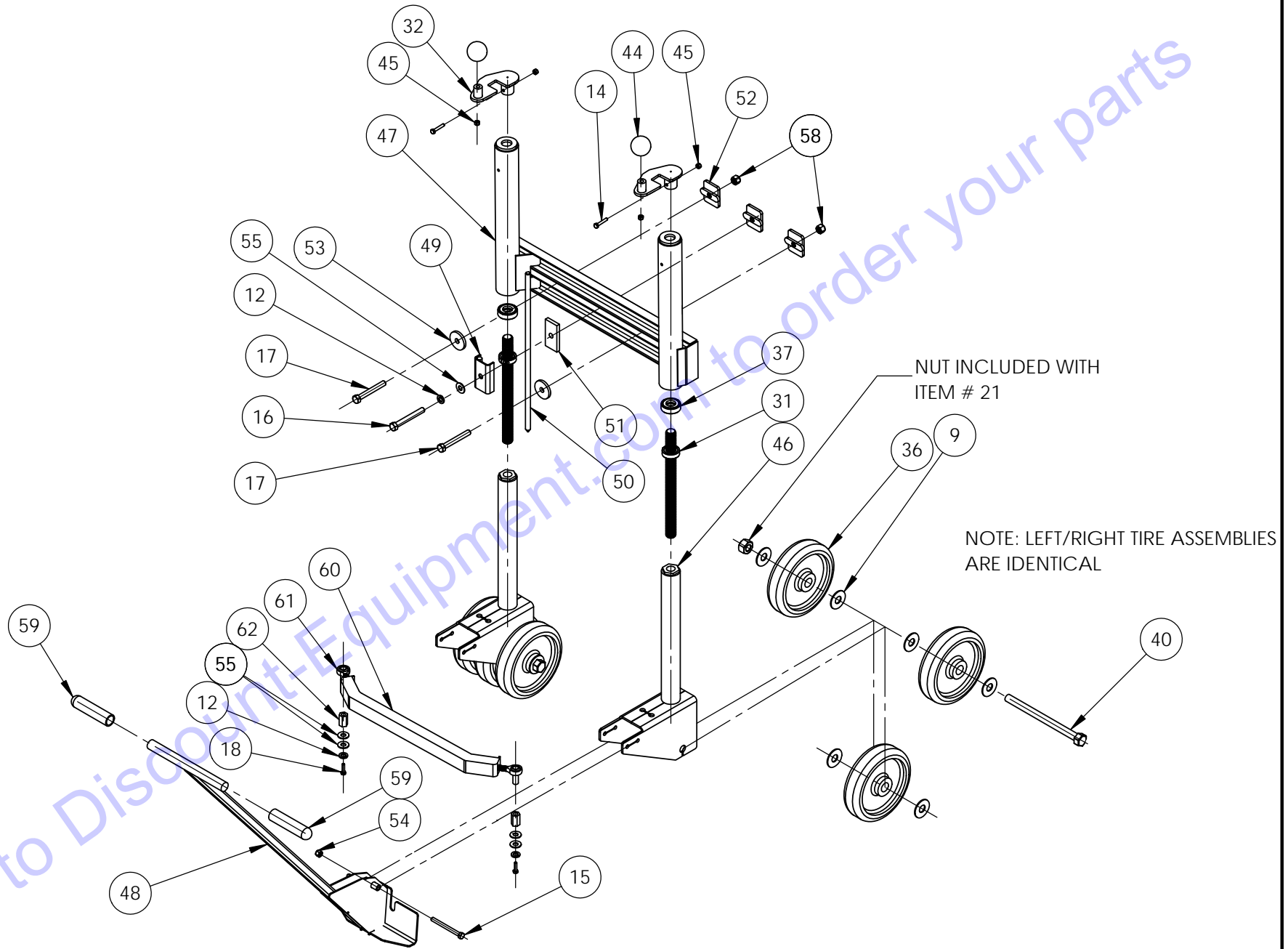
BATTERY BOX ASSEMBLY



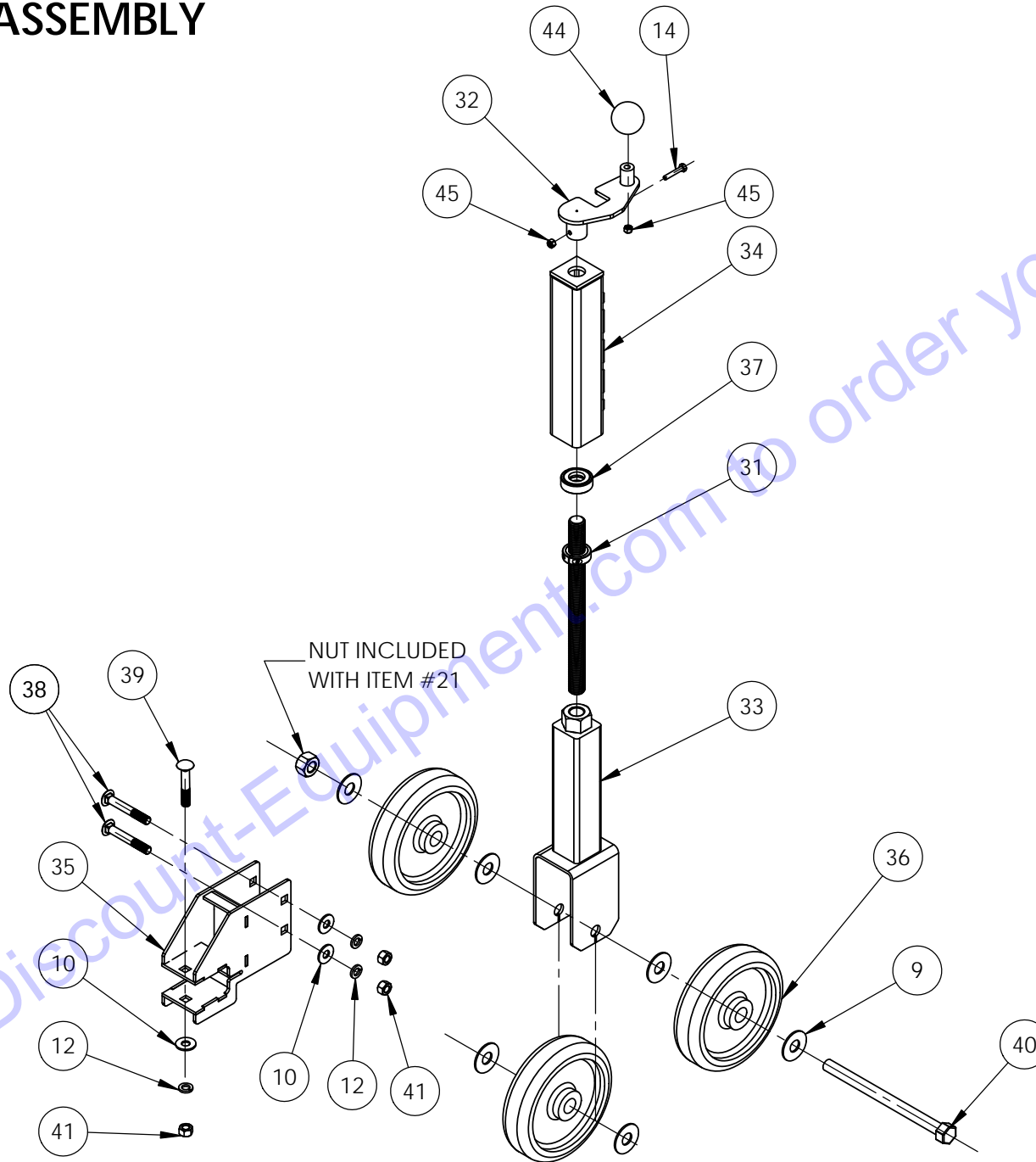
# FRAME-HOPPER ASSEMBLY



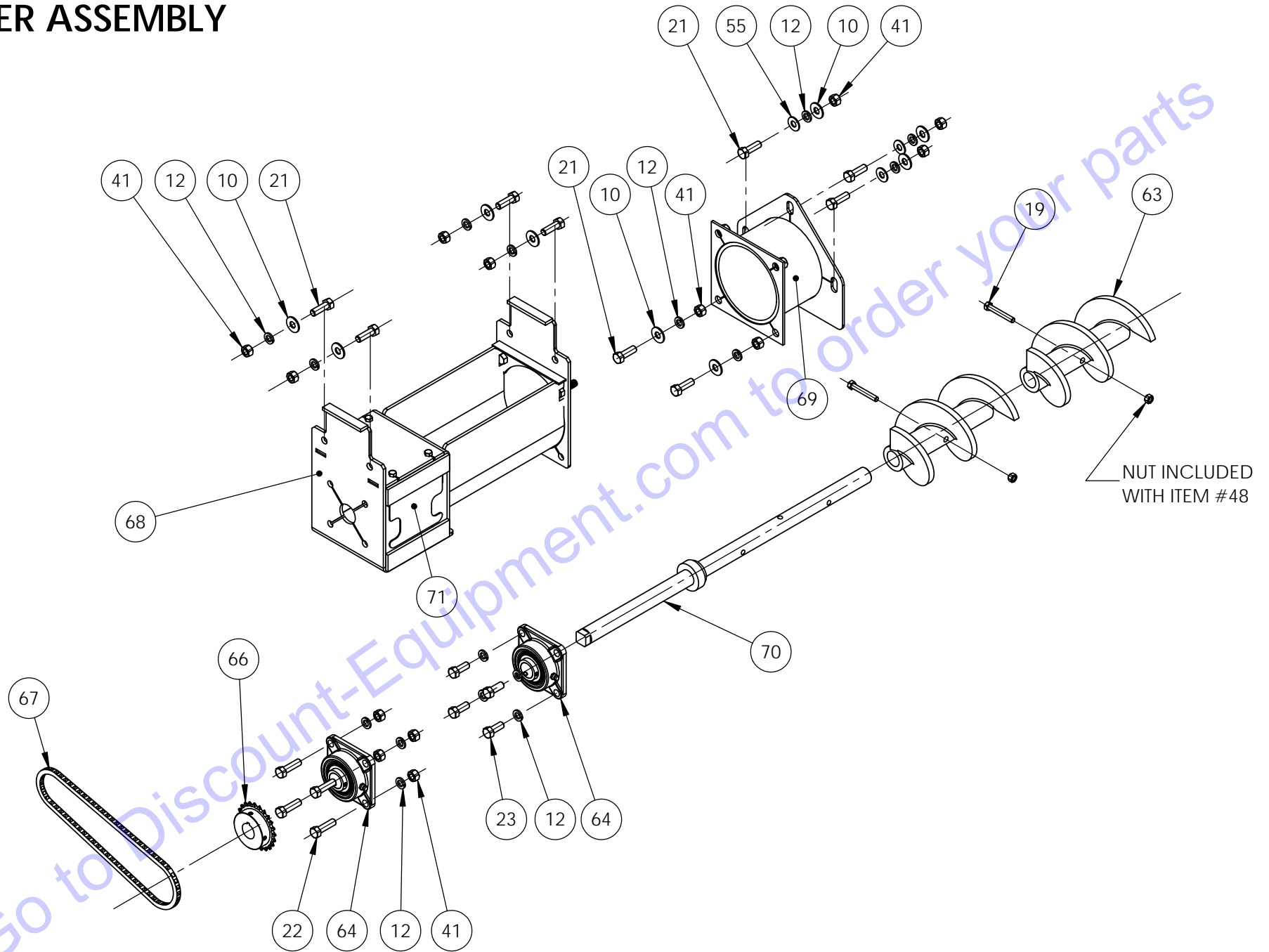
# FRONT WHEEL ASSEMBLY



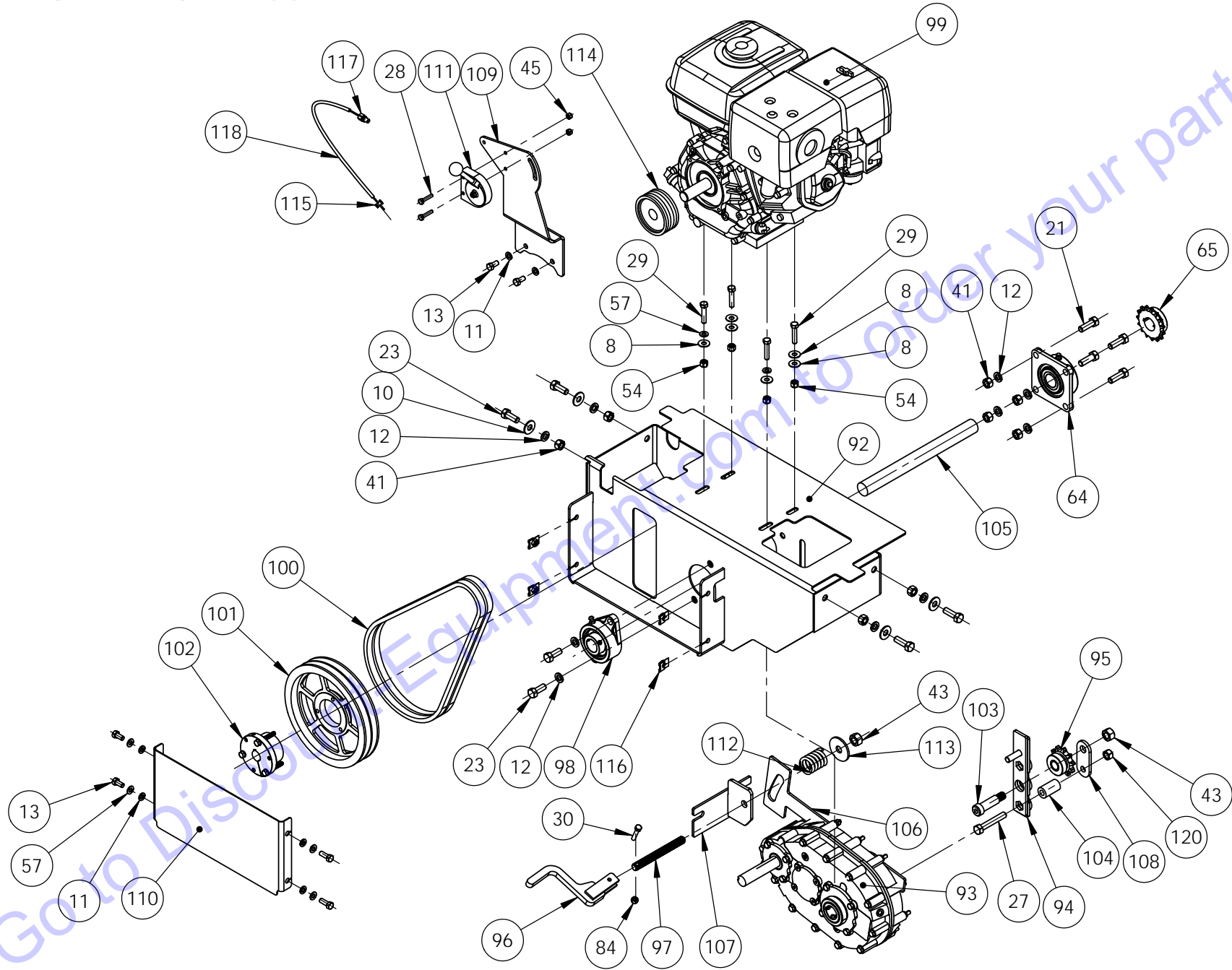
# REAR WHEEL ASSEMBLY



# AUGER ASSEMBLY

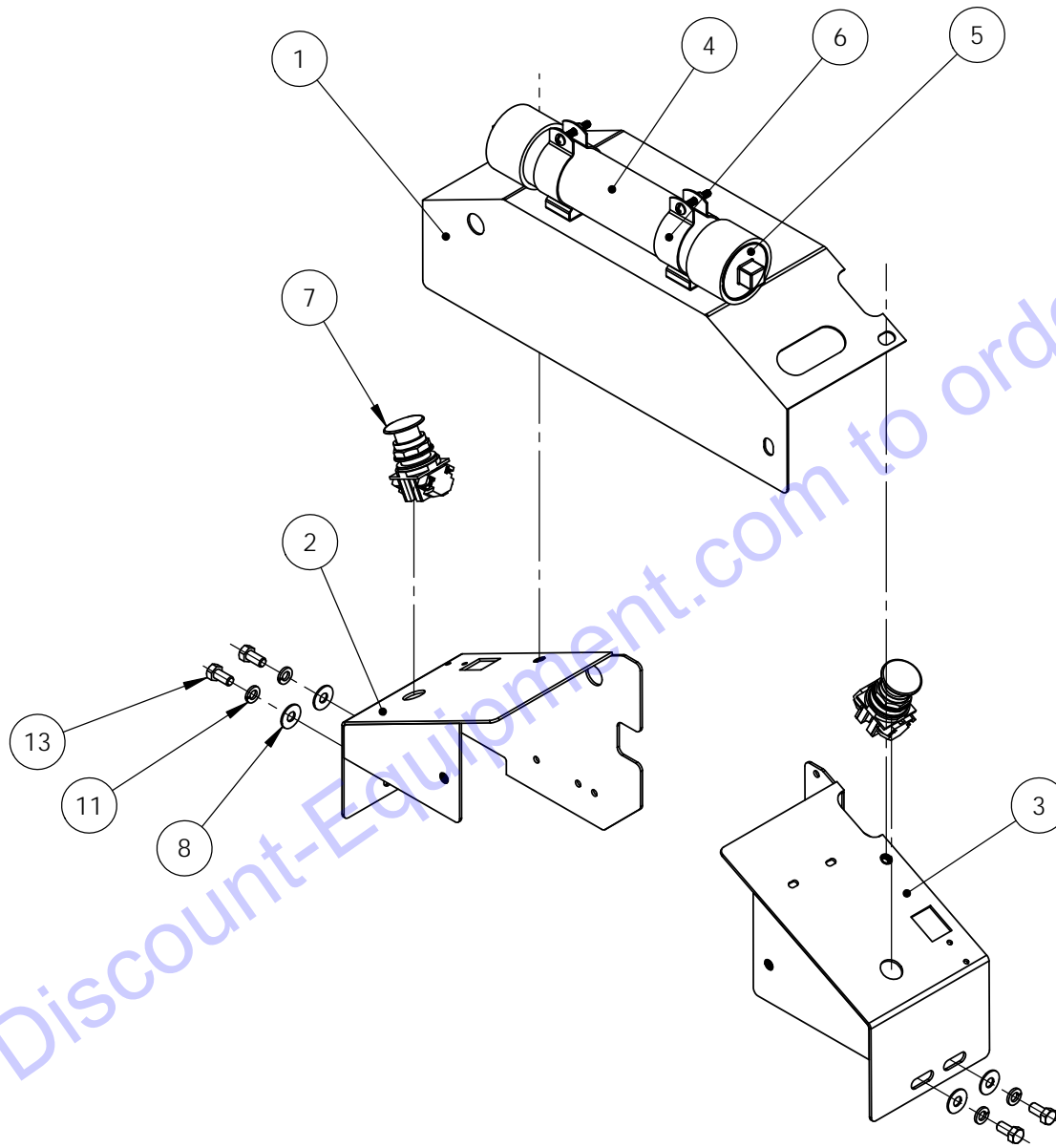


# DRIVE-GEARBOX ASSEMBLY



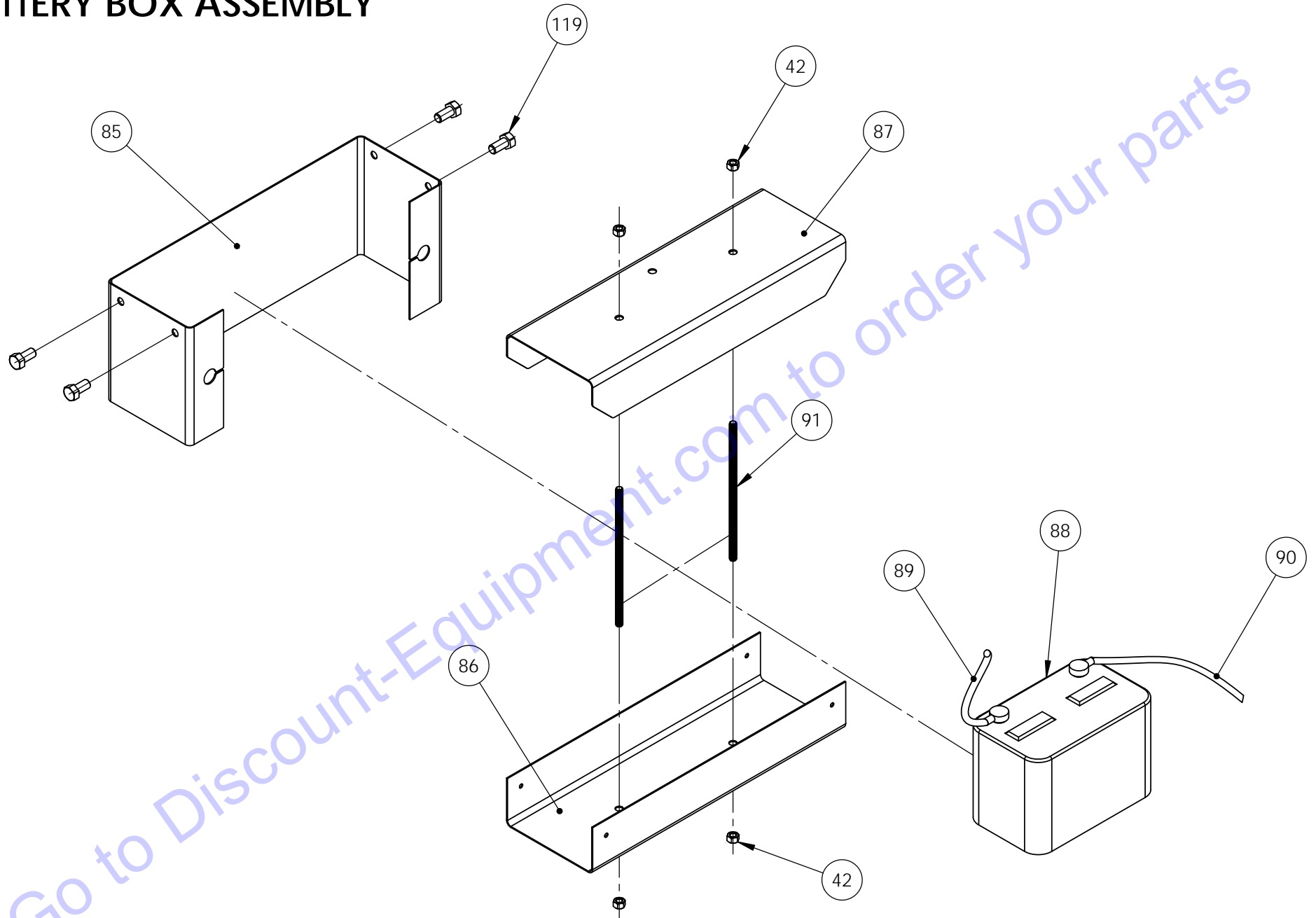


# BELT GUARD ASSEMBLY



Go to [Discount-Equipment.com](http://Discount-Equipment.com) to order your parts

# BATTERY BOX ASSEMBLY



Go to [Discount-Equipment.com](http://Discount-Equipment.com) to order your parts

ITEM NO.	PART NUMBER	DESCRIPTION
1	45019-29	CENTER BELT GUARD COVER
2	45019-18	RIGHT HAND BELT GUARD WELDMENT
3	45019-19	LEFT HAND BELT GUARD WELDMENT
4	44108-01	MANUAL TUBE
5	44108-05	MANUAL TUBE CAP
6	44108-06	MANUAL TUBE MOUNTING CLAMPS
7	45043-04	EMERGENCY STOP SWITCH, ELECTRIC START
8		FLAT WASHER, 3/8"
9		FLAT WASHER, 3/4"
10		FLAT WASHER, 1/2"
11		LOCK WASHER, 3/8"
12		LOCK WASHER, 1/2"
13		HHCS, 3/8-16 UNC x 3/4" LG.
14		HHCS, 1/4-20 UNC x 1-1/2" LG.
15		HHCS, 3/8-16 UNC x 4" LG.
16		HHCS, 1/2-13 UNC x 4" LG.
17		HHCS, 1/2-13 UNC x 3-3/4" LG.
18		HHCS, 1/2-20 UNF x 1" LG.
19		HHCS, 3/8-16 UNC x 2-1/2" LG.
20		HHCS, 5/16-18 UNC x 1" LG.

ITEM NO.	PART NUMBER	DESCRIPTION
21		HHCS, 1/2-13 UNC x 1-1/2" LG.
22		HHCS, 1/2-13 UNC x 1-3/4" LG.
23		HHCS, 1/2-13 UNC x 1-1/4" LG.
24		HHCS 3/8-16 UNC x 2-1/4" LG.
25		HHCS, 3/8-16 x 1" LG.
26		HHCS, 5/16-18 UNC x 3/4" LG.
27		HHCS, 1/2-13 UNC x 3" LG.
28		HHCS, 1/4-20 UNC x 1-1/4" LG.
29		HHCS, 3/8-16 UNC x 1-3/4" LG.
30		HHCS, 5/16-18 UNC x 1-1/2" LG.
31	45034-15	SHORT ADJUSTING SCREW WELDMENT
32	45036-11	JACK HANDLE W/O KNOB
33	45039-01	REAR WHEEL FORK, SHORT
34	45034-03	REAR JACK COVER WELDMENT
35	45033-01	REAR JACK CLAMP BRACKET, SQUARE TUBE
36	WT0100	8" x 2" RUBBER WHEEL W/ ROLLER BEARING
37	BE0600	JACK ASSEMBLY THRUST BEARING
38		CARRIAGE BOLT, 1/2-13 UNC x 3-1/2" LG.
41		HEX NUT, 1/2-13 UNC
42		HEX NUT, 3/8-16 UNC

NOTE:  
WHEN ORDERING FASTENERS, PLEASE USE  
PAGE REFERENCE (LOWER RIGHT HAND  
CORNER) AND ITEM NUMBER.

ITEM NO.	PART NUMBER	DESCRIPTION
43		HEX NUT, 5/8-11 UNC
44	MS0400	JACK HANDLE KNOB
45		LOCK NUT, 1/4-20 UNC
46	45038-01	MC-550/650 FRONT WHEEL FORK
47	45005-02	FRONT JACK HOUSING
48	45020-13	STEERING HANDLE W/ GRIPS
49	45031-18	MARKER HOLDER ROD BRACKET
50	45031-11	MC-550/650/850 MARKER POINTER
51	45031-17	CURBER MARKING ROD BACKPLATE
52	45031-21	FRONT END CLAMP RETAINING NUT
53	45140-31	FRONT END CLAMP WASHER
54		LOCK NUT, 3/8-16 UNC
55		SAE FLAT WASHER, 1/2"
56		SAE FLAT WASHER, 5/16"
57		SAE FLAT WASHER, 3/8"
58		LOCK NUT, 1/2-13 UNC
59	CG0100	GRIP, HANDLEBAR
60	45059-08	TIE ROD
61	45059-04	MALE TIE ROD END W/ STUD
62	45059-11	COUPLING NUT, 1/2-20 UNF x 1-1/4" LG.

ITEM NO.	PART NUMBER	DESCRIPTION
63	45018-09	6" SOLID AUGER, 9" LONG
64	BE0200	1-1/4" 4-BOLT FLANGE BEARING
65	SK0200	15 TOOTH SPROCKET
66	SK0300	23 TOOTH SPROCKET
67	45050-10	ROLLER CHAIN, 37" LONG
68	45010-14	6" STANDARD AUGER HOUSING W/ SHAFT GUARDS
69	45014-01	6" COMPACTION TUBE
70	45023-01	SOLID AUGER SHAFT
71	45010-12	6" AUGUR SHAFT GAURD
72	45045-01	CURBER FRAME WELDMENT 550/650
73	45003-11	CURBFORM HOLD DOWN SCREW
74	45013-09	HOPPER ADJUSTING PLATE
75	45012-13	HOPPER CLAMP
76	45145-20	ENGINE COVER W/ LABELS
77	45145-10	ENGINE COVER BRACE
78	45050-18	CHAIN GAURD
79	MS0200	RUBBER HOOD LATCH
80	45145-17	RETRACTABLE PLUNGER
81	45015-01	WHEELBARROW HOPPER, LH
82		WING NUT, 1/2-13 UNC

NOTE:  
WHEN ORDERING FASTENERS, PLEASE USE  
PAGE REFERENCE (LOWER RIGHT HAND  
CORNER) AND ITEM NUMBER.



ITEM NO.	PART NUMBER	DESCRIPTION
83		NYLOK LOCK NUT, 5/16-18 UNC
84		LOCK NUT, 5/16-18 UNC
85	45116-19	WRAP-AROUND BATTERY BOX SIDE
86	45116-20	BATTERY BOX BOTTOM
87	45116-21	BATTERY BOX TOP
88	BT0100	BATTERY, 12V DC
89	BF0200	BATTERY GROUND CABLE
90	BF0100	36" BATTERY POSITIVE CABLE
91	45116-23	BATTERY BOX BOLTS
92	45008-01	CURBILDER MOTOR MOUNT
93	45050-05	GEAR REDUCER
94	45016-17	IDLER BRACKET WELDMENT
95	45016-10	IDLER SPROCKET W/ BUSHING
96	45024-09	SAFETY TORQUE ARM HANDLE
97	45024-14	SAFETY TORQUE ARM STUD
98	BE0100	1-1/4" 2-BOLT FLANGE BEARING
99	EN1700	13HP HONDA, ELECTRIC START
100	45050-23	COG "V" BELT
101	45050-02	2 GROOVE Q.D. SHEAVE
102	45050-03	Q.D. BUSHING FOR 4050-02

ITEM NO.	PART NUMBER	DESCRIPTION
103	45016-22	SHOULDER BOLT, 3/4-10 UNC x 2" LG.
104	45016-21	IDLER BRACKET TUBE
105	45050-16	OUTPUT SHAFT
106	45024-03	SAFETY TORQUE ARM
107	45024-04	SAFETY TORQUE ARM BRACKET
108	45016-18	IDLER BRACKET RETAINING PLATE
109	45130-23	13HP HONDA THROTTLE MOUNTING BRACKET
110	45008-10	SHEAVE GAURD
111	45132-43	THROTTLE CONTROL
112	45024-02	TORQUE ARM COMPRESSION SPRING
113		FLAT WASHER, 5/8" GRADE 8
114	45048-07	CLUTCH, 1" BORE, STD. DUTY
115	45130-27	HONDA THROTTLE WIRE SWIVEL
116	42108-07	3/8" CAGE NUT
117	45132-44	BULK HEAD FITTING
118	45130-24	13 HP HONDA THROTTLE CABLE ASSEMBLY
119		BATTERY BOX HARDWARE

NOTE:  
WHEN ORDERING FASTENERS, PLEASE USE  
PAGE REFERENCE (LOWER RIGHT HAND  
CORNER) AND ITEM NUMBER.

# PARTS FINDER

**Search Website  
by Part Number**



**Search Manual  
Library For Parts  
Manual & Lookup Part  
Numbers – Purchase  
or Request Quote**

**Search Manuals**

Enter your information to help us find the right parts manual for your machine.

\* Brand:

\* Model:

\* Serial:

\* Part Number:

SEARCH

**Can't Find Part or  
Manual? Request Help  
by Manufacturer,  
Model & Description**

**Parts Order Form**

Please fill in the following information to help us find the right part for your machine.

Manufacturer:	<input type="text"/>
Model:	<input type="text"/>
Description:	<input type="text"/>
Part Number:	<input type="text"/>
Quantity:	<input type="text"/>
Notes:	<input type="text"/>
Submit	<input type="button" value="Submit"/>

Discount-Equipment.com is your online resource for quality parts & equipment.

Florida: **561-964-4949** Outside Florida TOLL FREE: **877-690-3101**

**Need parts?**

Click on this link: <http://www.discount-equipment.com/category/5443-parts/> and choose one of the options to help get the right parts and equipment you are looking for. Please have the machine model and serial number available in order to help us get you the correct parts. If you don't find the part on the website or on one of the online manuals, please fill out the request form and one of our experienced staff members will get back to you with a quote for the right part that your machine needs.

We sell worldwide for the brands: Genie, Terex, JLG, MultiQuip, Mikasa, Essick, Whiteman, Mayco, Toro Stone, Diamond Products, Generac Magnum, Airman, Haulotte, Barreto, Power Blanket, Nifty Lift, Atlas Copco, Chicago Pneumatic, Allmand, Miller Curber, Skyjack, Lull, Skytrak, Tsurumi, Husquvarna Target, Stow, Wacker, Sakai, Mi-T-M, Sullair, Basic, Dynapac, MBW, Weber, Bartell, Bennar Newman, Haulotte, Ditch Runner, Menegotti, Morrison, Contec, Buddy, Crown, Edco, Wyco, Bomag, Laymor, EZ Trench, Bil-Jax, F.S. Curtis, Gehl Pavers, Heli, Honda, ICS/PowerGrit, IHI, Partner, Imer, Clipper, MMD, Koshin, Rice, CH&E, General Equipment, Amida, Coleman, NAC, Gradall, Square Shooter, Kent, Stanley, Tamco, Toku, Hatz, Kohler, Robin, Wisconsin, Northrock, Oztec, Toker TK, Rol-Air, APT, Wylie, Ingersoll Rand / Doosan, Innovatech, Con X, Ammann, Mecalac, Makinex, Smith Surface Prep, Small Line, Wanco, Yanmar