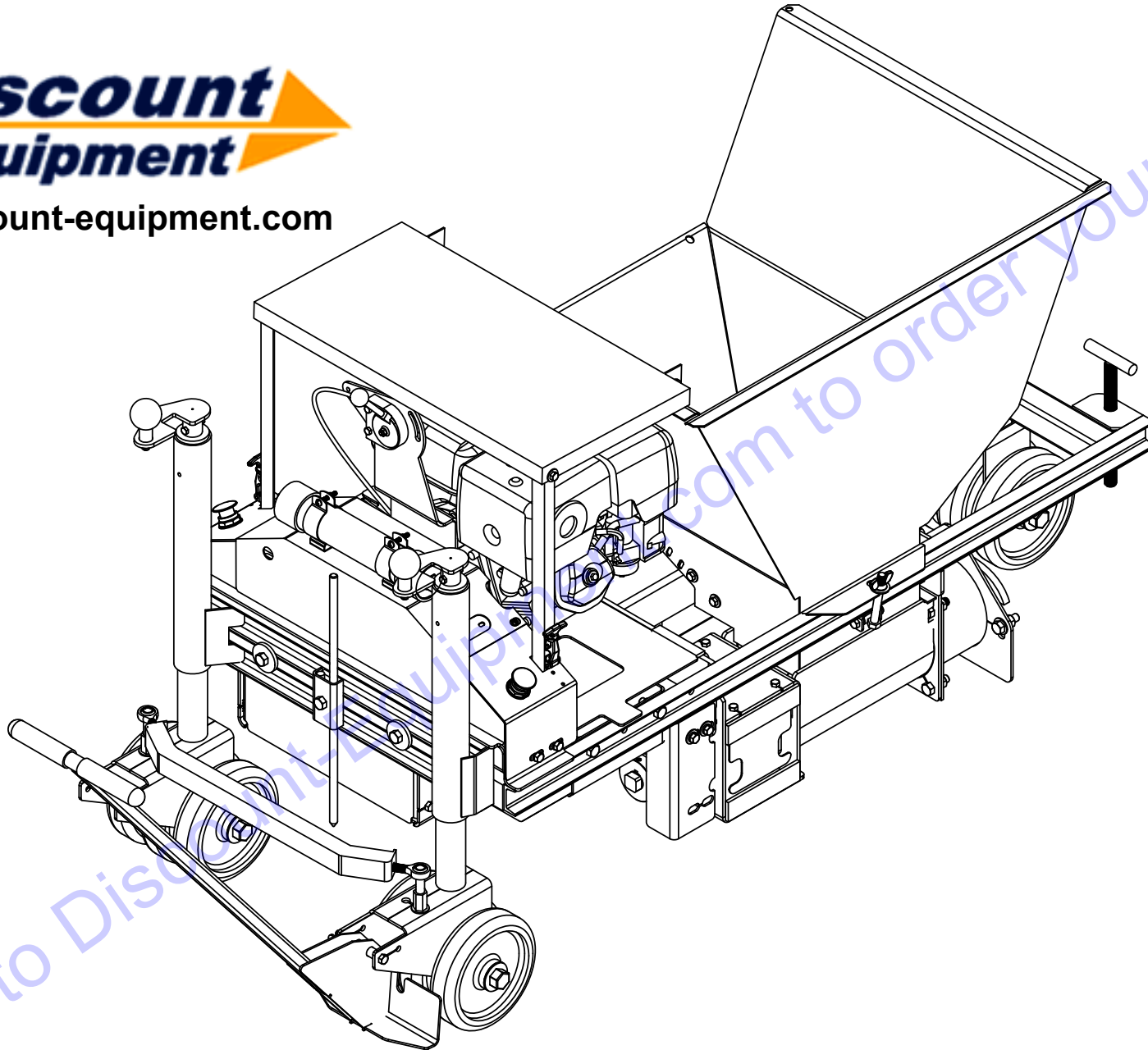


05-13HR-550-06SS



www.discount-equipment.com



550-01

PARTS FINDER

**Search Website
by Part Number**



**Search Manual
Library For Parts
Manual & Lookup Part
Numbers – Purchase
or Request Quote**

Search Manuals

Enter your information to help us find the right parts manual for your machine.

* Brand:

* Model:

* Serial:

* Part Number:

SEARCH

**Can't Find Part or
Manual? Request Help
by Manufacturer,
Model & Description**

Parts Order Form

Please fill in the following information to help us find the right part for your machine.

Manufacturer:	<input type="text"/>
Model:	<input type="text"/>
Description:	<input type="text"/>
Part Number:	<input type="text"/>
Quantity:	<input type="text"/>
Notes:	<input type="text"/>

Submit

Discount-Equipment.com is your online resource for quality parts & equipment.

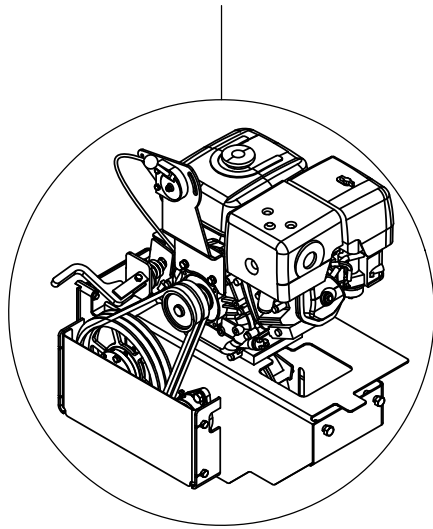
Florida: **561-964-4949** Outside Florida TOLL FREE: **877-690-3101**

Need parts?

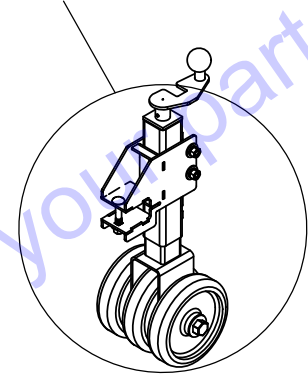
Click on this link: <http://www.discount-equipment.com/category/5443-parts/> and choose one of the options to help get the right parts and equipment you are looking for. Please have the machine model and serial number available in order to help us get you the correct parts. If you don't find the part on the website or on one of the online manuals, please fill out the request form and one of our experienced staff members will get back to you with a quote for the right part that your machine needs.

We sell worldwide for the brands: Genie, Terex, JLG, MultiQuip, Mikasa, Essick, Whiteman, Mayco, Toro Stone, Diamond Products, Generac Magnum, Airman, Haulotte, Barreto, Power Blanket, Nifty Lift, Atlas Copco, Chicago Pneumatic, Allmand, Miller Curber, Skyjack, Lull, Skytrak, Tsurumi, Husquvarna Target, Stow, Wacker, Sakai, Mi-T-M, Sullair, Basic, Dynapac, MBW, Weber, Bartell, Bennar Newman, Haulotte, Ditch Runner, Menegotti, Morrison, Contec, Buddy, Crown, Edco, Wyco, Bomag, Laymor, EZ Trench, Bil-Jax, F.S. Curtis, Gehl Pavers, Heli, Honda, ICS/PowerGrit, IHI, Partner, Imer, Clipper, MMD, Koshin, Rice, CH&E, General Equipment, Amida, Coleman, NAC, Gradall, Square Shooter, Kent, Stanley, Tamco, Toku, Hatz, Kohler, Robin, Wisconsin, Northrock, Oztec, Toker TK, Rol-Air, APT, Wylie, Ingersoll Rand / Doosan, Innovatech, Con X, Ammann, Mecalac, Makinex, Smith Surface Prep, Small Line, Wanco, Yanmar

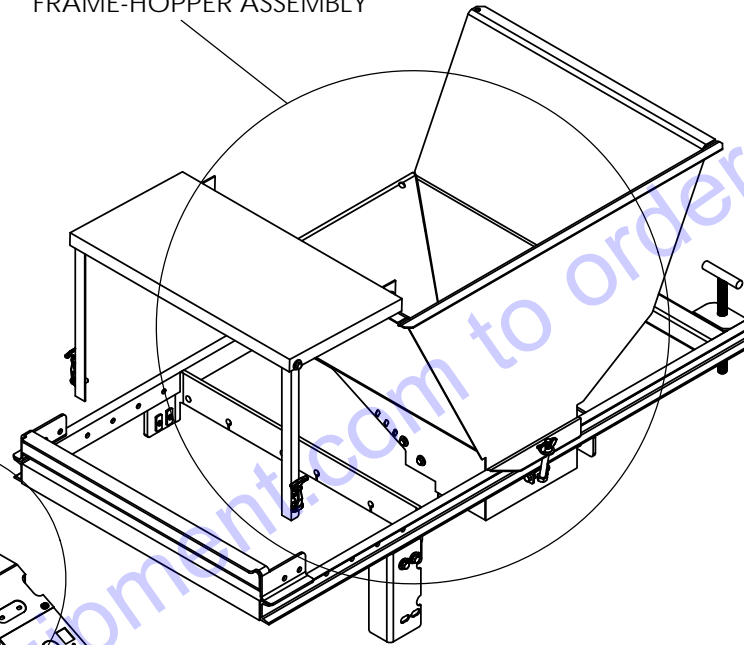
ENGINE-GEARBOX ASSEMBLY



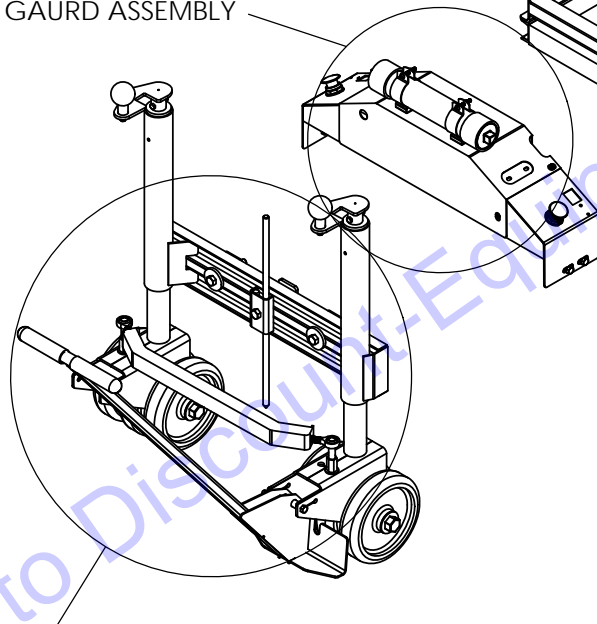
REAR WHEEL ASSEMBLY



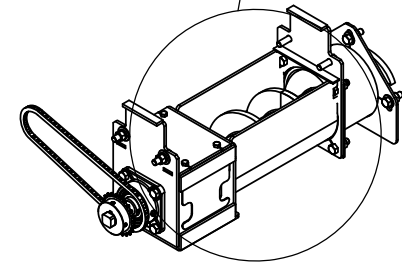
FRAME-HOPPER ASSEMBLY



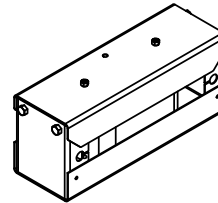
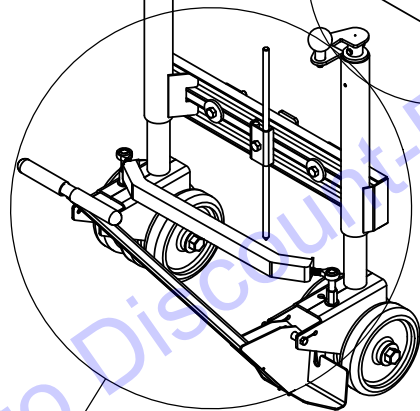
BELT GAURD ASSEMBLY



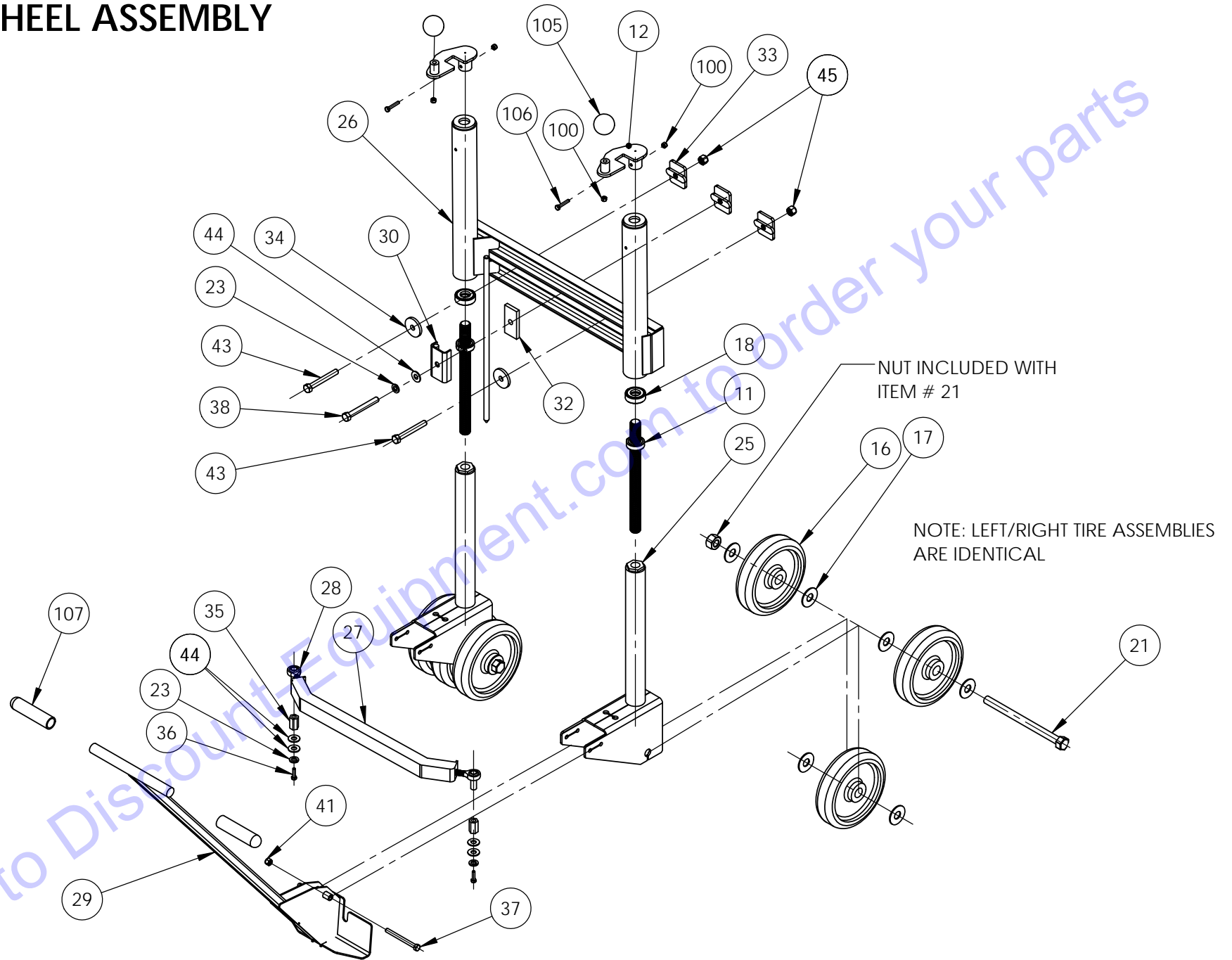
AUGER ASSEMBLY



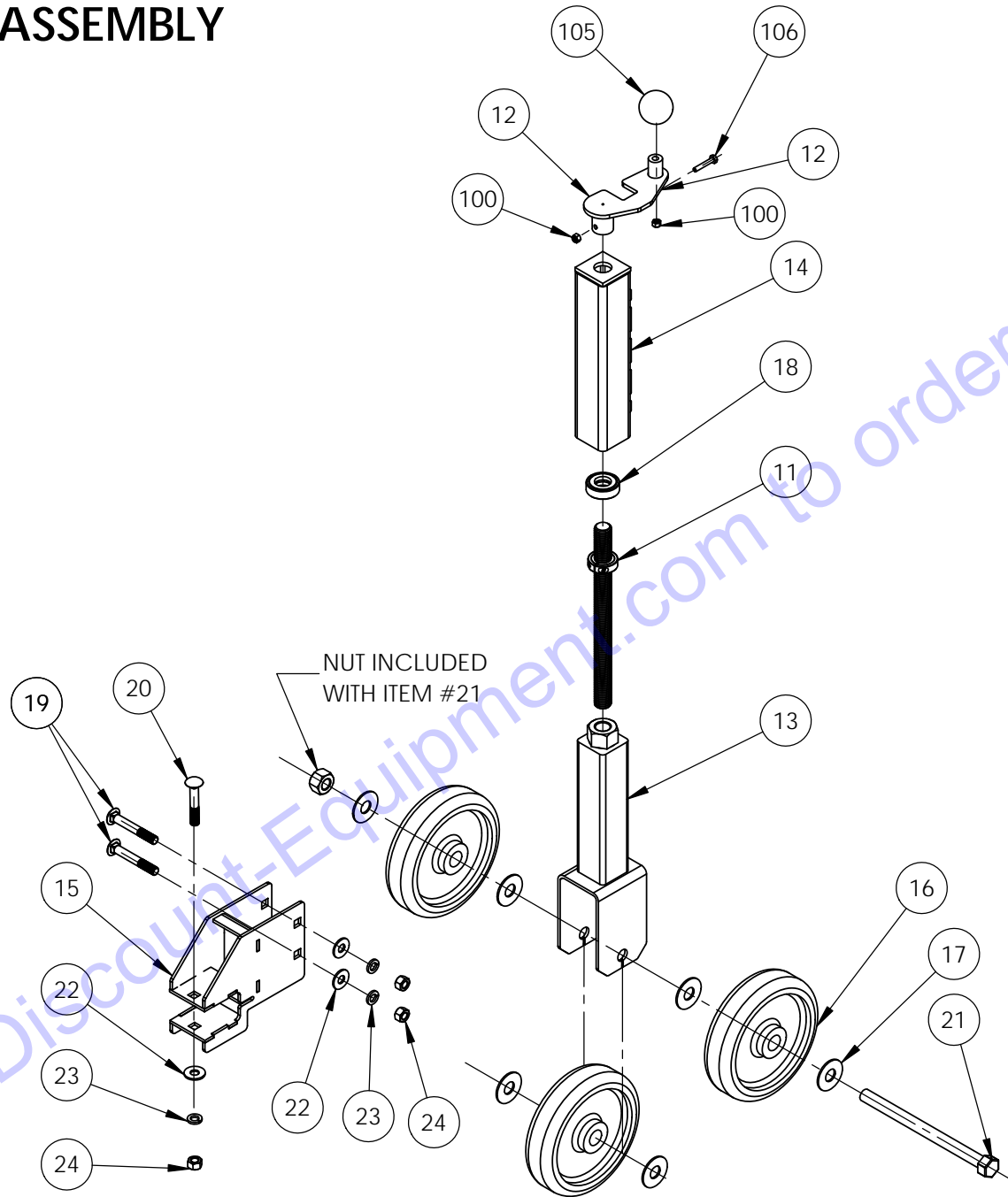
FRONT WHEEL ASSEMBLY



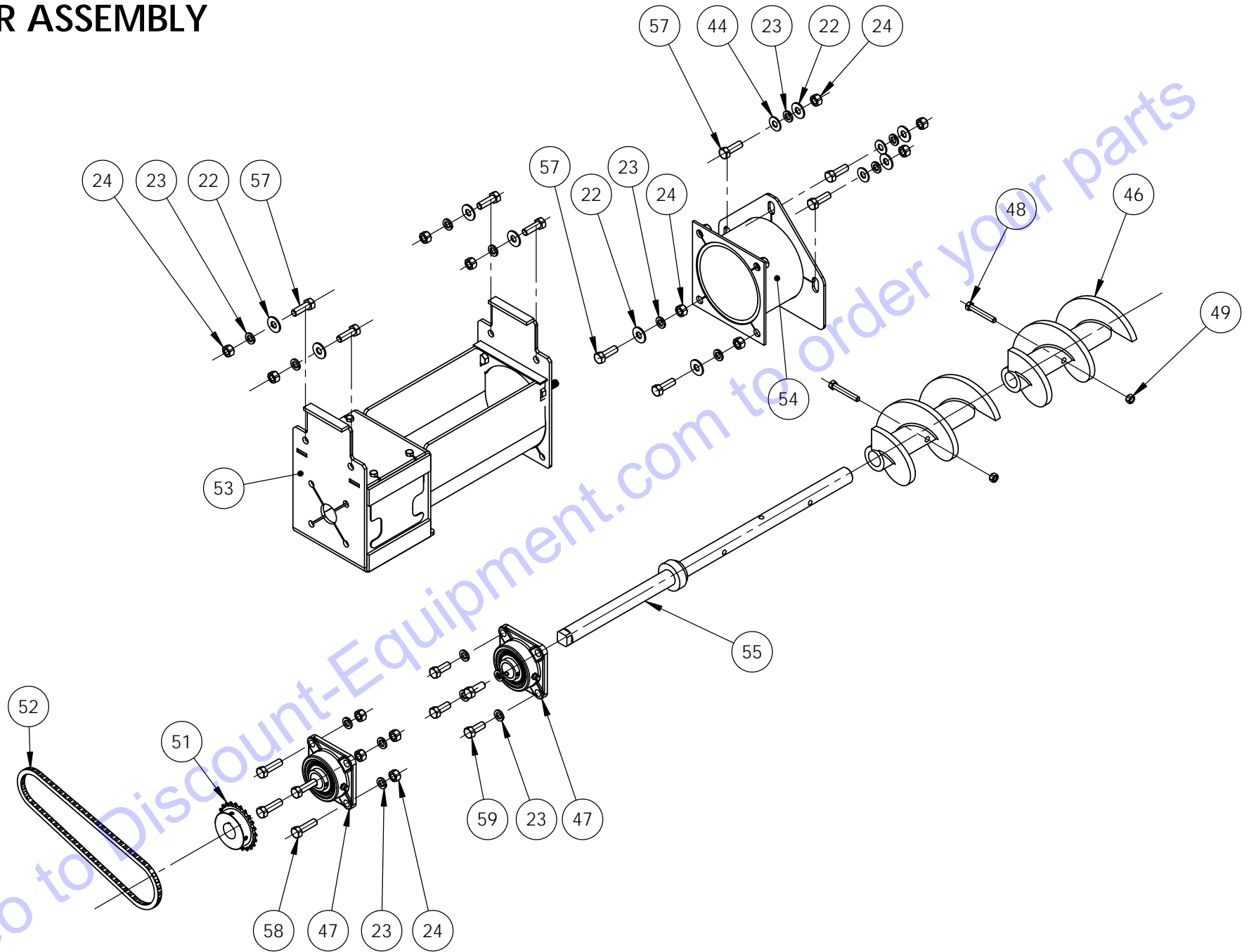
FRONT WHEEL ASSEMBLY



REAR WHEEL ASSEMBLY

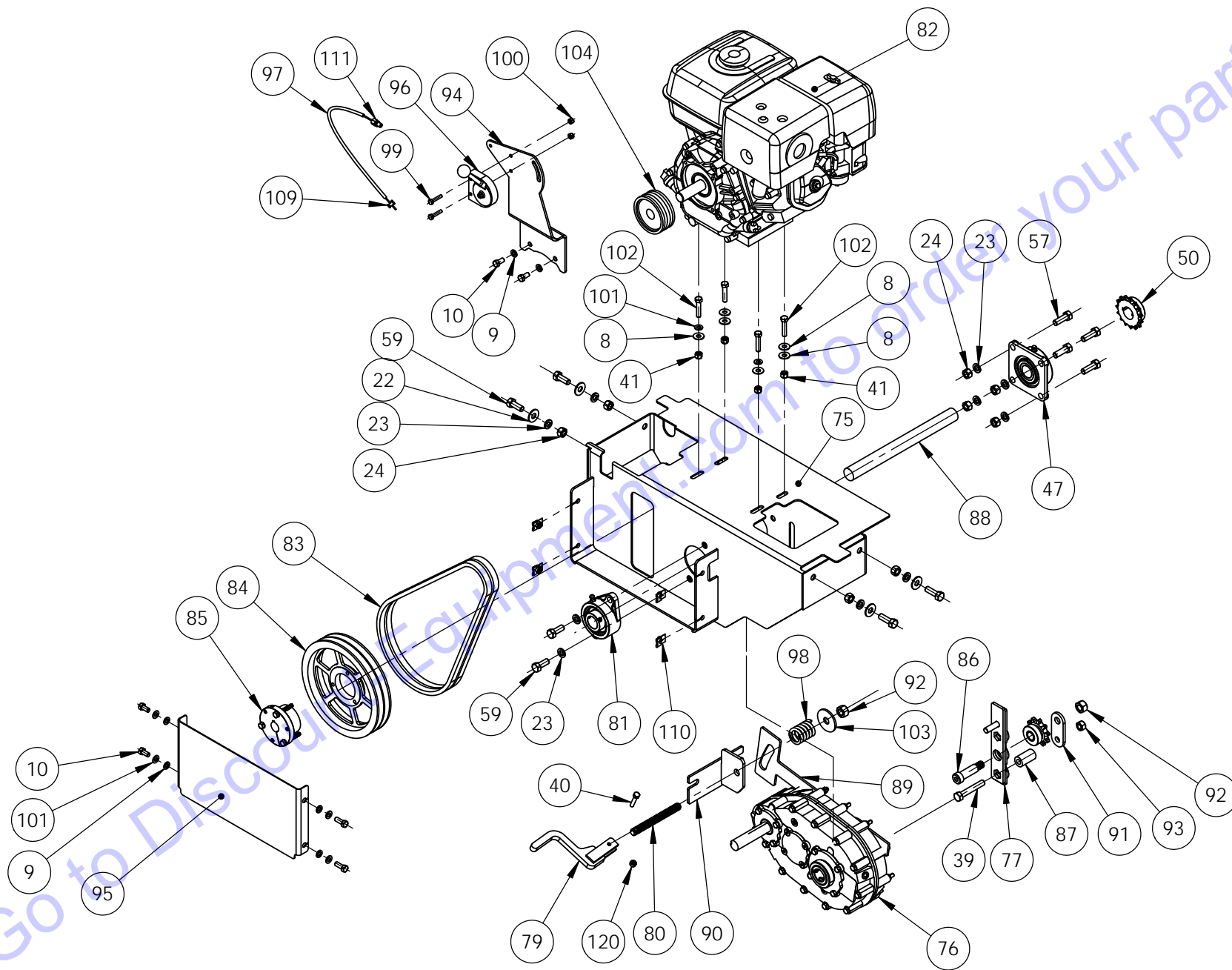


AUGER ASSEMBLY

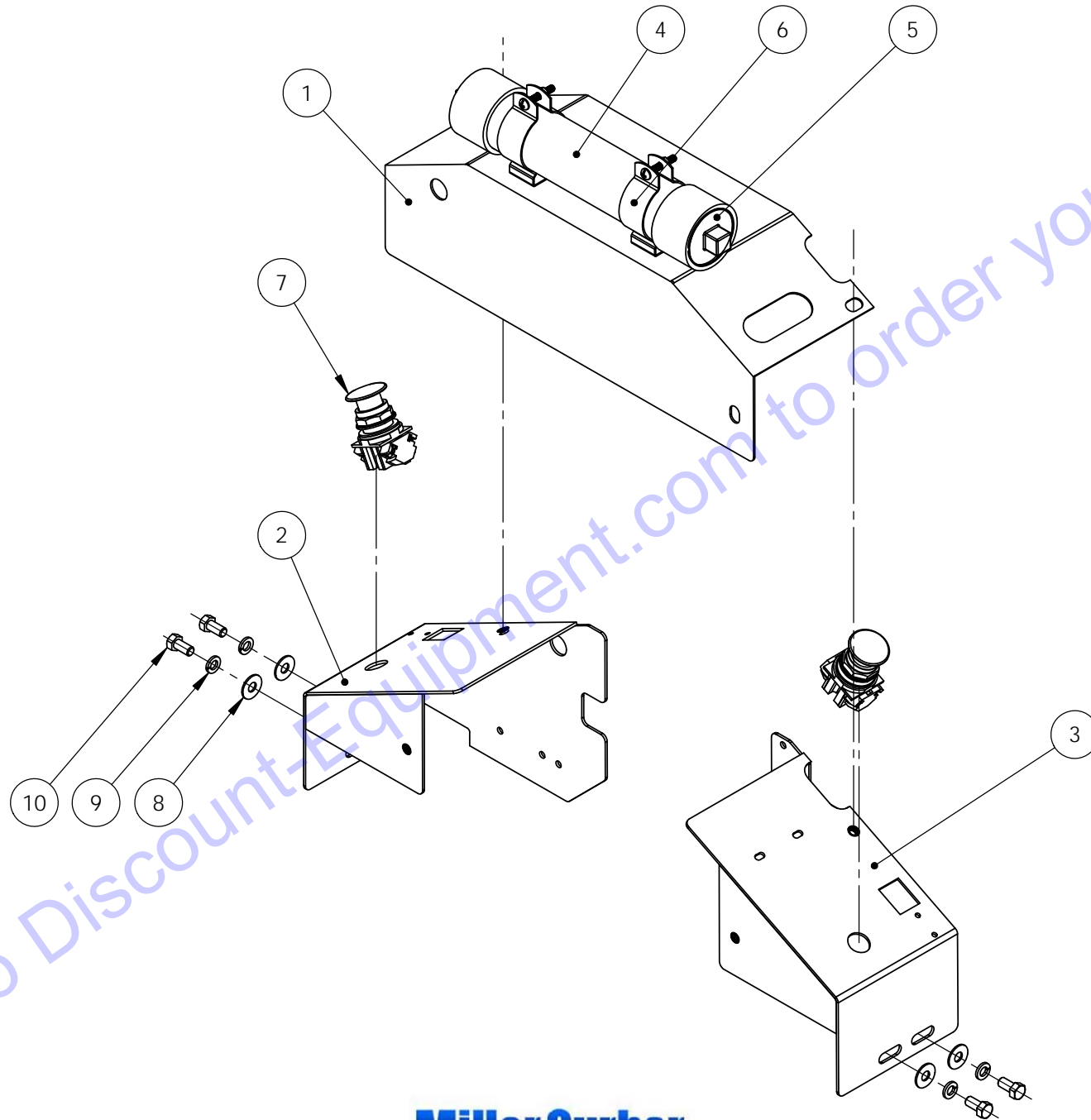


Go to Discount-Equipment.com to order your parts

ENGINE-GEARBOX ASSEMBLY



BELT GUARD ASSEMBLY



Go to Discount-Equipment.com to order your parts

ITEM NO.	PART NUMBER	DESCRIPTION
1	45019-29	CENTER BELT GUARD COVER
2	45019-18	RIGHT HAND BELT GUARD WELDMENT
3	45019-19	LEFT HAND BELT GUARD WELDMENT
4	44108-01	MANUAL TUBE
5	44108-05	MANUAL TUBE CAP
6	44108-06	MANUAL TUBE MOUNTING CLAMPS
7	45049-25	EMERGENCY STOP SWITCH, RECOIL START
8		USS FLAT WASHER, 3/8"
9		LOCK WASHER, 3/8"
10		HHCS, 3/8-16 UNC x 3/4" LG.
11	45034-15	SHORT ADJUSTING SCREW WELDMENT
12	45036-11	JACK HANDLE W/O KNOB
13	45039-01	REAR WHEEL FORK, SHORT
14	45034-03	REAR JACK COVER WELDMENT
15	45033-01	REAR JACK CLAMP BRACKET, SQUARE TUBE
16	WT0100	8" x 2" RUBBER WHEEL W/ ROLLER BEARING
17		USS FLAT WASHER, 3/4"
18	BE0600	JACK ASSEMBLY THRUST BEARING
19	47132-24	CARRIAGE BOLT, 1/2-13 UNC x 3-1/2" LG.

ITEM NO.	PART NUMBER	DESCRIPTION
20	47139-37	CARRIAGE BOLT, 1/2-13 UNC x 3" LG.
21	45094-04	AXEL, 3/4-10NC x 10" LG W/ LOCKNUTS
22		USS FLAT WASHER, 1/2"
23		LOCK WASHER, 1/2"
24		HEX NUT, 1/2-13 UNC
25	45038-01	MC-550/650 FRONT WHEEL FORK
26	45005-02	FRONT JACK HOUSING
27	45059-08	TIE ROD
28	45059-04	MALE TIE ROD END W/ STUD
29	45020-13	STEERING HANDLE W/ GRIPS
30	45031-18	MARKER HOLDER ROD BRACKET
31	45031-11	MC-550/650/850 MARKER POINTER
32	45031-17	CURBER MARKING ROD BACKPLATE
33	45031-21	FRONT END CLAMP RETAINING NUT
34	45140-31	FRONT END CLAMP WASHER
35	45059-11	COUPLING NUT, 1/2-20 UNF x 1-1/4" LG.
36	45059-12	HHCS, 1/2-20 UNF x 1" LG.
37		HHCS, 3/8-16 UNC x 4" LG.
38		HHCS, 1/2-13 UNC x 4" LG.

NOTE:
WHEN ORDERING FASTENERS, PLEASE USE
PAGE REFERENCE (LOWER RIGHT HAND
CORNER) AND ITEM NUMBER.



ITEM NO.	PART NUMBER	DESCRIPTION
39		HHCS, 1/2-13 UNC x 3" LG.
40		HHCS, 5/16-18 UNC x 1-1/2" LG.
41		LOCK NUT, 3/8-16 UNC
42		HHCS 3/8-16 UNC x 2-1/4" LG.
43		HHCS, 1/2-13 UNC x 3-3/4" LG.
44		SAE FLAT WASHER, 1/2"
45		LOCK NUT, 1/2-13 UNC
46	45018-09	6" SOLID AUGER, 9" LONG
47	BE0200	1-1/4" 4-BOLT FLANGE BEARING
48		HHCS, 3/8-16 UNC x 2-1/2" LG.
49		HEX NUT, 3/8-16 UNC
50	SK0200	15 TOOTH SPROCKET
51	SK0300	23 TOOTH SPROCKET
52	45050-10	ROLLER CHAIN, 37" LONG
53	45010-14	6" STANDARD AUGER HOUSING W/ SHAFT GUARDS
54	45014-01	6" COMPACTION TUBE
55	45023-01	SOLID AUGER SHAFT
56		HHCS, 5/16-18 UNC x 1" LG.
57		HHCS, 1/2-13 UNC x 1-1/2" LG.

ITEM NO.	PART NUMBER	DESCRIPTION
58		HHCS, 1/2-13 UNC x 1-3/4" LG.
59		HHCS, 1/2-13 UNC x 1-1/4" LG.
60	45045-01	CURBER FRAME WELDMENT 550/650
61	45003-11	CURBFORM HOLD DOWN SCREW
62	45013-09	HOPPER ADJUSTING PLATE
63	45012-13	HOPPER CLAMP
64	45145-20	ENGINE COVER W/ LABELS
65	45145-10	ENGINE COVER BRACE
66	45050-18	CHAIN GAURD
67	MS0200	RUBBER HOOD LATCH
68	45145-17	RETRACTABLE PLUNGER
69	45015-01	WHEELBARROW HOPPER, LH
70		WING NUT, 1/2-13 UNC
71		HHCS, 3/8-16 x 1" LG.
72		SAE FLAT WASHER, 5/16"
73		NYLOK LOCK NUT, 5/16-18 UNC
74		HHCS, 5/16-18 UNC x 3/4" LG.
75	45008-01	CURBILDER MOTOR MOUNT
76	45050-05	GEAR REDUCER

NOTE:
WHEN ORDERING FASTENERS, PLEASE USE
PAGE REFERENCE (LOWER RIGHT HAND
CORNER) AND ITEM NUMBER.



ITEM NO.	PART NUMBER	DESCRIPTION
77	45016-17	IDLER BRACKET WELDMENT
78	45016-10	IDLER SPROCKET W/ BUSHING
79	45024-09	SAFETY TORQUE ARM HANDLE
80	45024-14	SAFETY TORQUE ARM STUD
81	BE0100	1-1/4" 2-BOLT FLANGE BEARING
82	EN0600	13 HP HONDA, RECOIL START
83	45050-23	COG "V" BELT
84	45050-02	2 GROOVE Q.D. SHEAVE
85	45050-03	Q.D. BUSHING FOR 4050-02
86	45016-22	SHOULDER BOLT, 3/4-10 UNC x 2" LG.
87	45016-21	IDLER BRACKET TUBE
88	45050-16	OUTPUT SHAFT
89	45024-03	SAFETY TORQUE ARM
90	45024-04	SAFETY TORQUE ARM BRACKET
91	45016-18	IDLER BRACKET RETAINING PLATE
92		HEX NUT, 5/8-11 UNC
93		HEX NUT, 1/2-13 UNC
94	45130-23	13HP HONDA THROTTLE MOUNTING BRACKET
95	45008-10	SHEAVE GAURD

ITEM NO.	PART NUMBER	DESCRIPTION
96	45132-43	THROTTLE CONTROL
97	45130-24	13 HP HONDA THROTTLE CABLE ASSEMBLY
98	45024-02	TORQUE ARM COMPRESSION SPRING
99		HHCS, 1/4-20 UNC x 1-1/4" LG.
100		LOCK NUT, 1/4-20 UNC
101		SAE FLAT WASHER, 3/8"
102		HHCS, 3/8-16 UNC x 1-3/4" LG.
103		FLAT WASHER, 5/8" GRADE 8
104	45048-07	CLUTCH, 1" BORE, STD. DUTY
105	MS0400	JACK HANDLE KNOB
106		HHCS, 1/4-20 UNC x 1-1/2" LG.
107	CG0100	GRIP, HANDLEBAR
108	45010-12	6" AUGUR SHAFT GAURD
109	45130-27	HONDA THROTTLE WIRE SWIVEL
110	42108-07	3/8" CAGE NUT
111	45132-44	BULK HEAD FITTING
120		LOCK NUT, 5/16-18 UNC

NOTE:
 WHEN ORDERING FASTENERS, PLEASE USE
 PAGE REFERENCE (LOWER RIGHT HAND
 CORNER) AND ITEM NUMBER.

PARTS FINDER

**Search Website
by Part Number**



**Search Manual
Library For Parts
Manual & Lookup Part
Numbers – Purchase
or Request Quote**

Search Manuals

Enter your information to help us find the right parts manual for your machine.

* Brand:

* Model:

* Serial:

* Part Number:

SEARCH

**Can't Find Part or
Manual? Request Help
by Manufacturer,
Model & Description**

Parts Order Form

Please fill in the following information to help us find the right part for your machine.

Manufacturer:	<input type="text"/>
Model:	<input type="text"/>
Description:	<input type="text"/>
Part Number:	<input type="text"/>
Quantity:	<input type="text"/>
Notes:	<input type="text"/>

Submit

Discount-Equipment.com is your online resource for quality parts & equipment.

Florida: **561-964-4949** Outside Florida TOLL FREE: **877-690-3101**

Need parts?

Click on this link: <http://www.discount-equipment.com/category/5443-parts/> and choose one of the options to help get the right parts and equipment you are looking for. Please have the machine model and serial number available in order to help us get you the correct parts. If you don't find the part on the website or on one of the online manuals, please fill out the request form and one of our experienced staff members will get back to you with a quote for the right part that your machine needs.

We sell worldwide for the brands: Genie, Terex, JLG, MultiQuip, Mikasa, Essick, Whiteman, Mayco, Toro Stone, Diamond Products, Generac Magnum, Airman, Haulotte, Barreto, Power Blanket, Nifty Lift, Atlas Copco, Chicago Pneumatic, Allmand, Miller Curber, Skyjack, Lull, Skytrak, Tsurumi, Husquvarna Target, Stow, Wacker, Sakai, Mi-T-M, Sullair, Basic, Dynapac, MBW, Weber, Bartell, Bennar Newman, Haulotte, Ditch Runner, Menegotti, Morrison, Contec, Buddy, Crown, Edco, Wyco, Bomag, Laymor, EZ Trench, Bil-Jax, F.S. Curtis, Gehl Pavers, Heli, Honda, ICS/PowerGrit, IHI, Partner, Imer, Clipper, MMD, Koshin, Rice, CH&E, General Equipment, Amida, Coleman, NAC, Gradall, Square Shooter, Kent, Stanley, Tamco, Toku, Hatz, Kohler, Robin, Wisconsin, Northrock, Oztec, Toker TK, Rol-Air, APT, Wylie, Ingersoll Rand / Doosan, Innovatech, Con X, Ammann, Mecalac, Makinex, Smith Surface Prep, Small Line, Wanco, Yanmar