

LAYMOR

SW250

PARTS CATALOG



www.discount-equipment.com

DESCRIPTION	PAGE	DESCRIPTION	PAGE
A QUICK REFERENCE		DRIVE TRAIN COMPONENTS (cont...)	
PARTS QUICK REFERENCE	2	TRAIN, DRIVE	70
BRAKE COMPONENTS		ELECTRICAL COMPONENTS	
BRAKE, DRUM (FRONT, LEFT)	6	SCHEMATIC, MAIN ELEC (CUMMINS)	72
BRAKE, DRUM (FRONT, RIGHT)	8	SCHEMATIC, MAIN ELEC (KUBOTA)	76
BRAKE, DRUM (REAR, LEFT HAND)	10	ENGINE COMPONENTS	
BRAKE, DRUM (REAR, RIGHT HAND)	12	AIR CLEANER (CUMMINS)	80
BRAKE, PARKING	14	AIR CLEANER (KUBOTA)	82
CYLINDER, MASTER	16	CABLE, THROTTLE (W/MOUNT)	84
KIT, DISC BRAKE	18	CABLE, THROTTLE (W/MOUNT, KUBOTA)	86
LINE, BRAKE	20	ENGINE, DIESEL (CUMMINS)	88
LINE, BRAKE (4-WHEEL)	22	ENGINE, DIESEL (KUBOTA)	90
PEDAL, BRAKE	24	EXHAUST SYSTEM (CUMMINS)	92
CHASSIS COMPONENTS		EXHAUST SYSTEM (KUBOTA)	94
AXLE, FRONT	26	FUEL SYSTEM (CUMMINS)	96
BROOM (88-INCH)	30	FUEL SYSTEM (KUBOTA)	98
BROOM (96-INCH)	32	GUARD, RADIATOR (KUBOTA)	100
BROOM, STRIP (OPTIONAL)	34	HOOD, RADIATOR AND BATTERIES (CUMMINS)	102
BRUSH KITS	36	HOOD, RADIATOR AND BATTERIES (KUBOTA)	104
COLUMN, STEERING	38	KIT, ENGINE COMPARTMENT DOOR	106
CONSOLE AND INSTRUMENTATION	40	KIT, ENGINE COMPARTMENT DOOR	108
CROSS REFERENCE, BROOM	42	KIT, ENGINE COMPARTMENT DOOR	110
FRAME, MAIN (NON-YUKON UNITS)	46	KIT, FAN GUARD	112
FRAME, MAIN (YUKON UNITS)	48	FILTERS, REQUIRED	
SEAT AND MOUNTING ASSEMBLY	50	REQUIRED FILTERS LIST	114
SEAT, SUSPENSION (OPTIONAL)	52	HYDRAULIC COMPONENTS	
SUPPORT, BROOM	54	BROOM MOTOR (DANFOSS, AFTER 11-09-04)	116
VALVE, BROOM SPEED CONTROL	56	BROOM MOTOR (EATON, BEFORE 11-09-04)	118
DECALS		CONTROL, REMOTE FOOT PEDAL	120
DECAL, INTERIOR	58	COOLER, OIL (SWING-OUT)	122
KIT, DECAL (LAY-MOR)	60	CYLINDER, BROOM SWING (3" X 10")	124
KIT, DECAL (SWEEPMASTER)	62	CYLINDER, BROOM SWING (3" X 6")	126
DRIVE TRAIN COMPONENTS		CYLINDER, BROOM SWING (3" X 8-1/2")	128
AXLE, REAR	64	CYLINDER, STEERING (2" X 8")	130
BOX, GEAR (3:71:1 RATIO)	68	FILTER, HYDRAULIC (RETURN, ELECTRIC)	132

TABLE OF CONTENTS



DESCRIPTION	PAGE	DESCRIPTION	PAGE
HYDRAULIC COMPONENTS (cont...)		OPTIONAL, COMFORT & CONVENIENCE (cont...)	
KIT, COUNTERBALANCE VALVE	134	KIT, COMPLETE A/C	220
MOTOR, BROOM	136	KIT, HEATER (CUMMINS DIESEL ONLY)	224
MOTOR, BROOM (96" BRUSH PARKER)	138	KIT, HOUR METER	226
MOTOR, DRIVE AXLE	140	KIT, MIRROR	228
MOTOR, HYDROSTATIC (S/N 31538 AND BEFORE)	142	MOUNTING, A/C COMP (CUMMINS)	230
MOTOR, HYDROSTATIC (YUKON EQUIPMENT)	144	MOUNTING, A/C COMP (KUBOTA)	232
PUMP, AUXILIARY GEAR (06 AND UP PARKER)	146	OPTIONAL, ENGINE	
PUMP, AUXILIARY GEAR (2-1-05 AND BEFORE)	148	KIT, ENGINE COLD START	234
PUMP, AUXILIARY GEAR (2-1-05 AND LATER)	150	KIT, FAN DEFROSTER	236
PUMP, CHARGE (SAE B PAD WITH 14CC)	152	KIT, NYLON FAN	238
PUMP, HYDROSTATIC (PILOT OPERATED)	154	PRE-HEATER, ENGINE	240
PUMP, PISTON (S/N 31538 AND BEFORE)	156	SHUT DOWN SYSTEM, ENGINE	242
SCHEMATIC, HYD (FT PEDAL PILOT CTRL)	158	WARNING SYSTEM, ENGINE	244
SCHEMATIC, HYD (GRADER BLD, BONDIOLI)	160	OPTIONAL, LIGHTING & ELECTRICAL	
SCHEMATIC, HYD (GRADER BLD, SAUER/DANFOSS)	162	KIT, DOME LIGHT	246
SYSTEM, HYDRAULIC (CUMMINS)	164	KIT, HIGH/LOW BEAM LIGHT (HALOGEN)	248
SYSTEM, HYDRAULIC (KUBOTA)	168	KIT, LOOM AND CABLE TIE	250
VALVE, CONTROL	172	KIT, ROTARY BEACON	252
VALVE, PILOT HYD FOOT PEDAL (YUKON)	174	KIT, STROBE LIGHT (NO GUARD)	254
OPTIONAL COMPONENTS		KIT, STROBE LIGHT (W/GUARD)	256
AC/HEATER (VISTA CAB)	176	OPTIONAL, SPRINKLER	
AC/HEATER, VISTA CAB	178	KIT, LOW-PROFILE SPRINKLER (S/N 32239 AND UP)	258
BLADE, GRADER (OPTIONAL)	180	KIT, LOW-PROFILE SPRINKLER (S/N 32240 AND UP)	260
CAB (SINGLE-DOOR)	182	OPTIONAL, WINDSHIELD WIPER	
CAB (TWO-DOOR)	186	KIT, FRONT WASH/WIPER (S/N 24964 AND UP)	264
CAB, VISTA	190	KIT, REAR WASHER/WIPER (S/N 24964 & UP)	266
COMPLETE ROPS ASSEMBLY	192	KIT, WINDOW WASHER WIPER (FRONT)	268
DOOR (LEFT HAND)	194	WIPER, WINDOW (S/N 24694 AND UP)	270
DOOR (RIGHT HAND)	198		
KIT, TURN SIGNAL SWITCH	202		
PLUMBING, A/C	204		
WINDOWS, VISTA CAB	206		
WIPER/WASHER, WINDSHIELD (VISTA CAB)	208		
OPTIONAL, COMFORT & CONVENIENCE			
AIR CONDITIONER (KYSOR, LOWER HALF)	210		
AIR CONDITIONER (KYSOR, UPPER HALF)	212		
INDICATOR, A/C RESTRICTION (DASH MOUNT)	216		
INDICATOR, A/C RESTRICTION (IN CAB)	218		

NON-ILLUSTRATED

Discount-Equipment.com

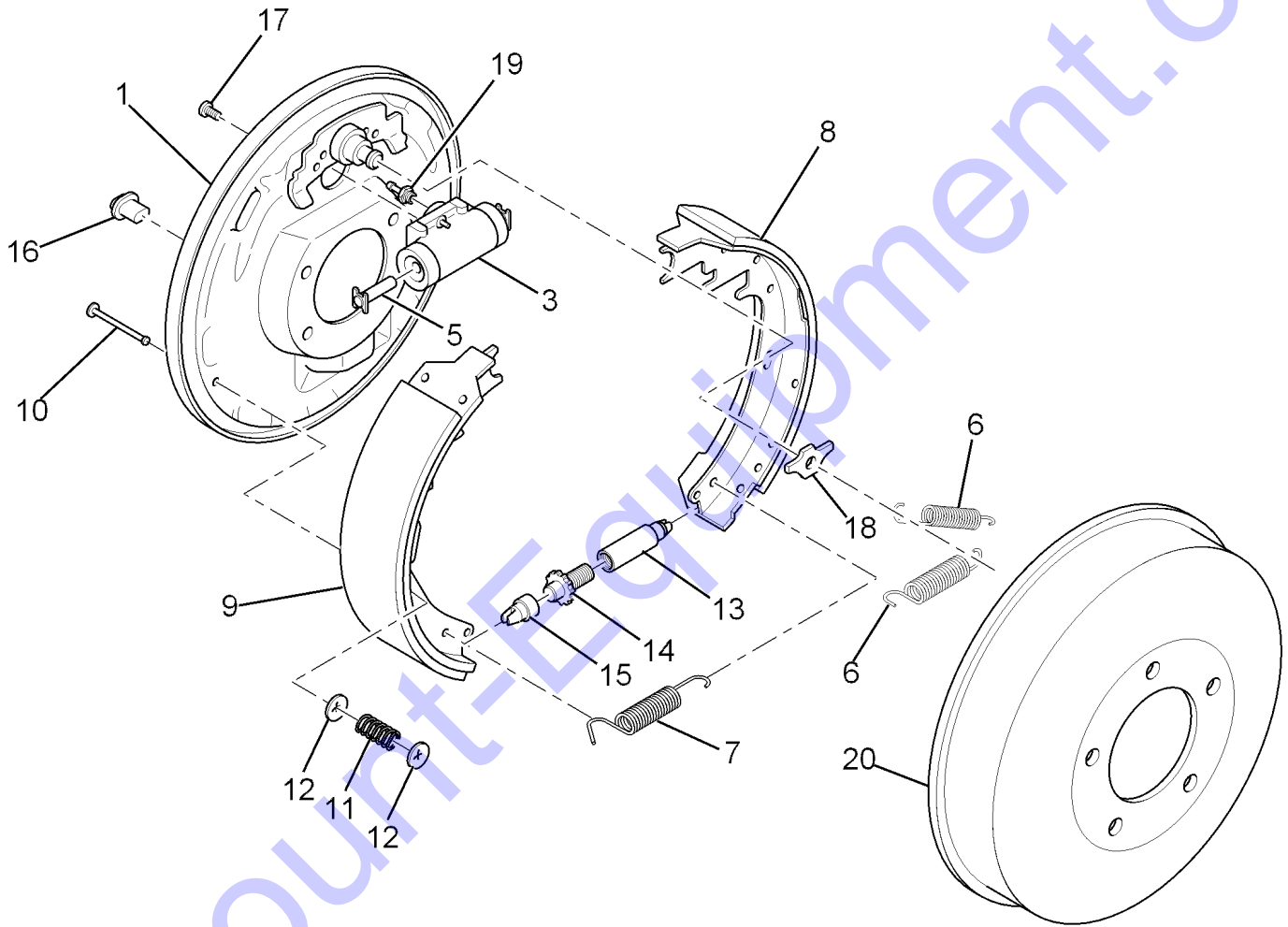
PARTS QUICK REFERENCE

ITEM	PART NUMBER	F/N	DESCRIPTION	QTY	UOM
			FILTERS		
1	9104638K		KIT, FILTER (KUBOTA V3600) KIT INCLUDES:	1	EA
2	436212		FUEL FILTER (IN-LINE)	1	EA
3	478038		SPIN FUEL FILTER, KUBOTA	1	EA
4	467772		FILTER, OIL	1	EA
5	028639		ELEMENT, REPLACEMENT (10 MICRON)	1	EA
6	437673		ELEMENT, REPLACEMENT (10 MICRON)	1	EA
7	477687		ELEMENT, AIR FILTER (PRIMARY)	1	EA
8	477698		ELEMENT, AIR FILTER (SAFETY)	1	EA
9	478069K		KIT, FILTER (CUMMINS 3.3 ENGINE) KIT INCLUDES:	1	EA
10	436212		FUEL FILTER (IN-LINE)	1	EA
11	437673		ELEMENT, REPLACEMENT (10 MICRON)	1	EA
12	466771		FILTER, HEPA (1-3/4" X 4" X 13-1/2")	1	EA
13	477678		ELEMENT, FUEL SECONARY (W/CUMMINS 3.3)	1	EA
14	477679		ELEMENT, ENGINE OIL FILTER (W/CUMMINS 3.3)	1	EA
15	477697		ELEMENT, AIR FILTER (PRIMARY)	1	EA
16	477698		ELEMENT, AIR FILTER (SAFETY)	1	EA
17	028639		ELEMENT, REPLACEMENT (10 MICRON)	1	EA
18	478068K		KIT, FILTER (CUMMINS 3.9 ENGINE) KIT INCLUDES:	1	EA
19	409409		ELEMENT, OIL FILTER	1	EA
20	409417		ELEMENT, FUEL/WATER SEPERATOR	1	EA
21	437673		ELEMENT, REPLACEMENT (10 MICRON)	1	EA
22	466771		FILTER, HEPA (1-3/4" X 4" X 13-1/2")	1	EA
23	028639		ELEMENT, REPLACEMENT (10 MICRON)	1	EA
24	053595		ELEMENT, FUEL FILTER	1	EA
25	069146		ELEMENT, AIR FILTER (PRIMARY)	1	EA
26	070342		ELEMENT, AIR FILTER (SECONDARY)	1	EA
			REPLACEMENT BRUSHES		
27	477155		BRUSH, COMBINATION WIRE/POLY (BOX OF 2)	1	EA
28	416057		BRUSH, COMBINATION WIRE/POLY (BOX OF 4)	1	EA
29	416065		BRUSH, ALL WIRE	1	EA
30	416026K		BRUSH, COMB WIRE/POLY (96" BROOM)	1	EA
31	474791K		BROOM, STRIP (2 SETS)	1	EA
32	424146K		BROOM, TUBE (10 X 32 X 58)	1	EA
33	424145K		BROOM, COMB TUBE (10 X 32 X 58)	1	EA
			SPRINKLER		
34	478070K		KIT, SPRINKLER KIT INCLUDES:	1	EA

PARTS QUICK REFERENCE

ITEM	PART NUMBER	F/N	DESCRIPTION	QTY	UOM
35	476358		NOZZLE ASSY, T-BODY SPRAY	5	EA
36	476366		NOZZLE ASSY, L-BODY SPRAY	2	EA
37	476887		NOZZLE ASSY, CROSS SPRAY	1	EA
38	476911		CAP, SPRAY NOZZLE	8	EA
39	9102322		GASKET, FILTER HEAD	2	EA
40	9102329		BOWL, FILTER	2	EA
41	9104062		SCREEN, SUCTION FILTER (GREEN)	1	EA
42	9104063		SCREEN, PRESSURE FILTER	1	EA
43	V63036000		TEE, JET	8	EA
44	V70007388		SCREEN, SPRAY NOZZLE	8	EA

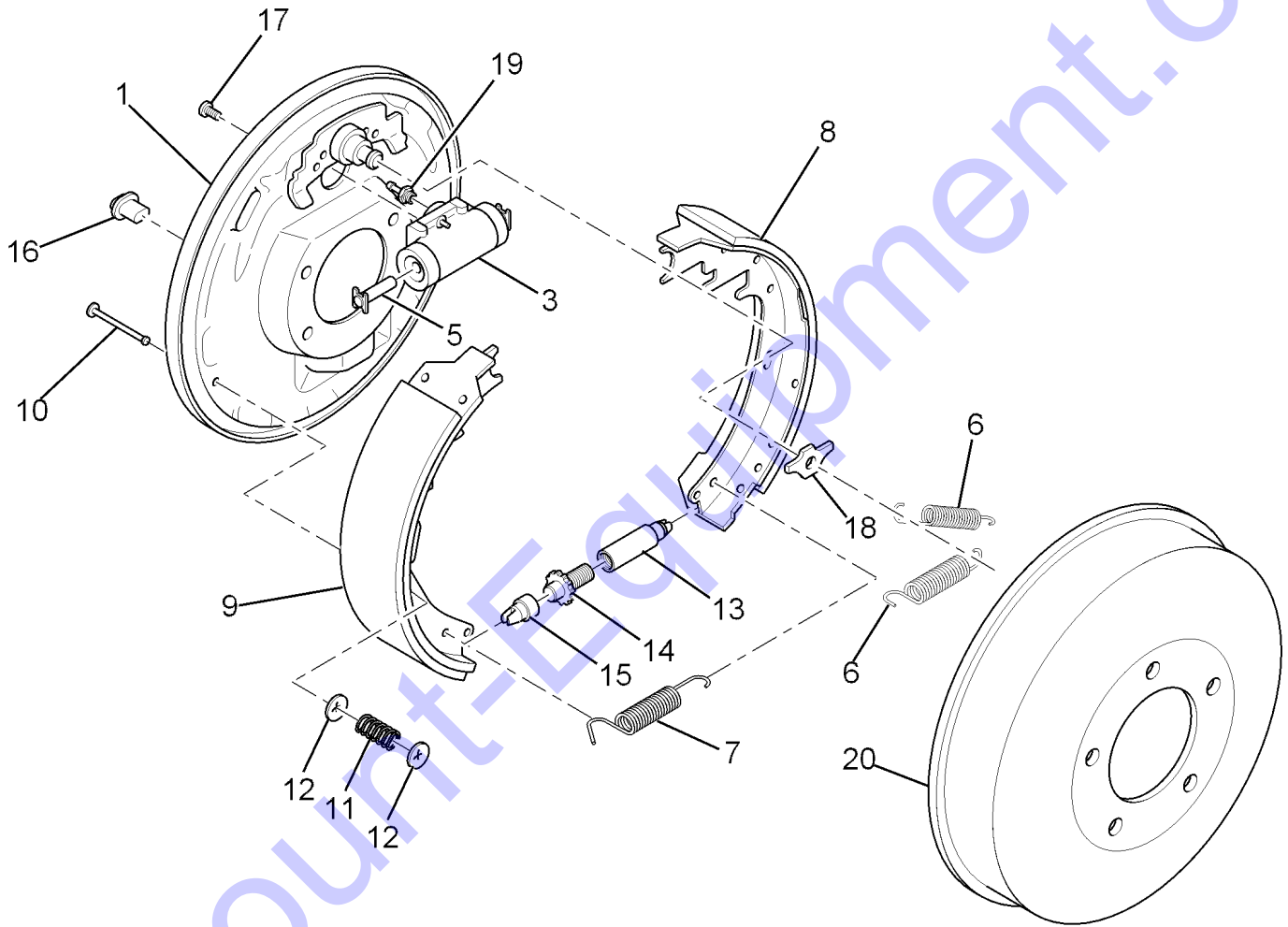
407866: BRAKE, DRUM (FRONT, LEFT)



407866: BRAKE, DRUM (FRONT, LEFT)

ITEM	PART NUMBER	F/N	DESCRIPTION	QTY	UOM
1		F1	BACKING PLATE ASSEMBLY (L.H.)	1	
3	409110		CYLINDER, BRAKE (LEFT HAND)	1	EA
5	409136		LINK, CONNECTING (WHEEL CYLINDER)	2	EA
6	418848		SPRING, SHOE RETURN	2	EA
7	418855		SPRING, ADJUSTER	1	EA
8		F1	SHOE AND LINING ASSEMBLY (PRIMARY)	1	
9		F1	SHOE AND LINING ASSEMBLY (SECONDARY)	1	
10	418863		PIN, BRAKE HOLD DOWN	2	EA
11	418871		SPRING, SHOE HOLD-DOWN	2	EA
12	058230		CUP, SHOE HOLD-DOWN	4	EA
13		F1	NUT, R.H. THREAD PIVOT	1	
14		F1	SCREW, R.H. THREAD ADJUSTING	1	
15		F1	SOCKET, ADJUSTING SCREW	1	
16	418095		COVER, BRAKE ADJUSTING HOLE	1	EA
17	049144		CAPSCREW AND WASHER ASSY (5/16"-18NC X 5/8")	2	EA
18	409151		PLATE, SHOE GUIDE	1	EA
19	054301		BLEEDER, WHEEL CYLINDER	1	EA
20	453852		DRUM, DEMOUNTABLE	1	EA
			REMAINING COMPONENTS		
	409177		KIT, BRAKE SHOE	1	EA
	409169		KIT, BRAKE ADJUSTER	1	EA
	409193		KIT, WHEEL CYLINDER REPAIR	1	EA
			NOTE: QUANTITIES INDICATED ARE REQUIRED TO		
			SERVICE ONE BRAKE ASSEMBLY.		
			F1 - PART NUMBER NOT AVAILABLE.		

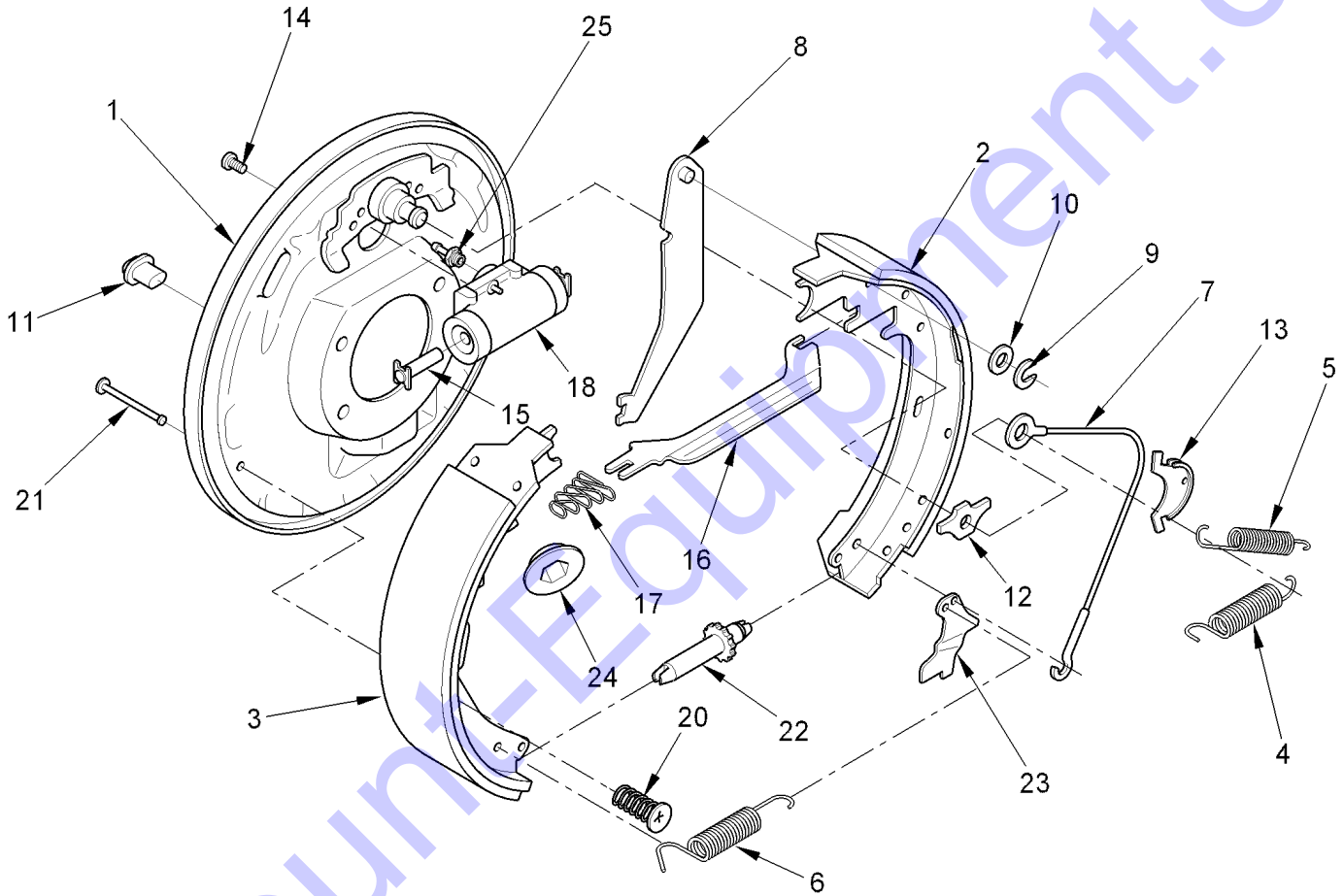
407874: BRAKE, DRUM (FRONT, RIGHT)



407874: BRAKE, DRUM (FRONT, RIGHT)

ITEM	PART NUMBER	F/N	DESCRIPTION	QTY	UOM
1		F1	BACKING PLATE ASSEMBLY (R.H.)	1	
3	409128		CYLINDER, BRAKE (RIGHT HAND)	1	EA
5	409136		LINK, CONNECTING (WHEEL CYLINDER)	2	EA
6	418848		SPRING, SHOE RETURN	2	EA
7	418855		SPRING, ADJUSTER	1	EA
8		F1	SHOE AND LINING ASSEMBLY (PRIMARY)	1	
9		F1	SHOE AND LINING ASSEMBLY (SECONDARY)	1	
10	418863		PIN, BRAKE HOLD DOWN	2	EA
11	418871		SPRING, SHOE HOLD-DOWN	2	EA
12	058230		CUP, SHOE HOLD-DOWN	4	EA
13		F1	NUT, R.H. THREAD PIVOT	1	
14		F1	SCREW, R.H. THREAD ADJUSTING	1	
15		F1	SOCKET, ADJUSTING SCREW	1	
16	418095		COVER, BRAKE ADJUSTING HOLE	1	EA
17	049144		CAPSCREW AND WASHER ASSY (5/16"-18NC X 5/8")	2	EA
18	409151		PLATE, SHOE GUIDE	1	EA
19	054301		BLEEDER, WHEEL CYLINDER	1	EA
20	453852		DRUM, DEMOUNTABLE	1	EA
			REMAINING COMPONENTS		
	409177		KIT, BRAKE SHOE	1	EA
	409169		KIT, BRAKE ADJUSTER	1	EA
	409193		KIT, WHEEL CYLINDER REPAIR	1	EA
			NOTE: QUANTITIES INDICATED ARE REQUIRED TO		
			SERVICE ONE BRAKE ASSEMBLY.		
			F1 - PART NUMBER NOT AVAILABLE.		

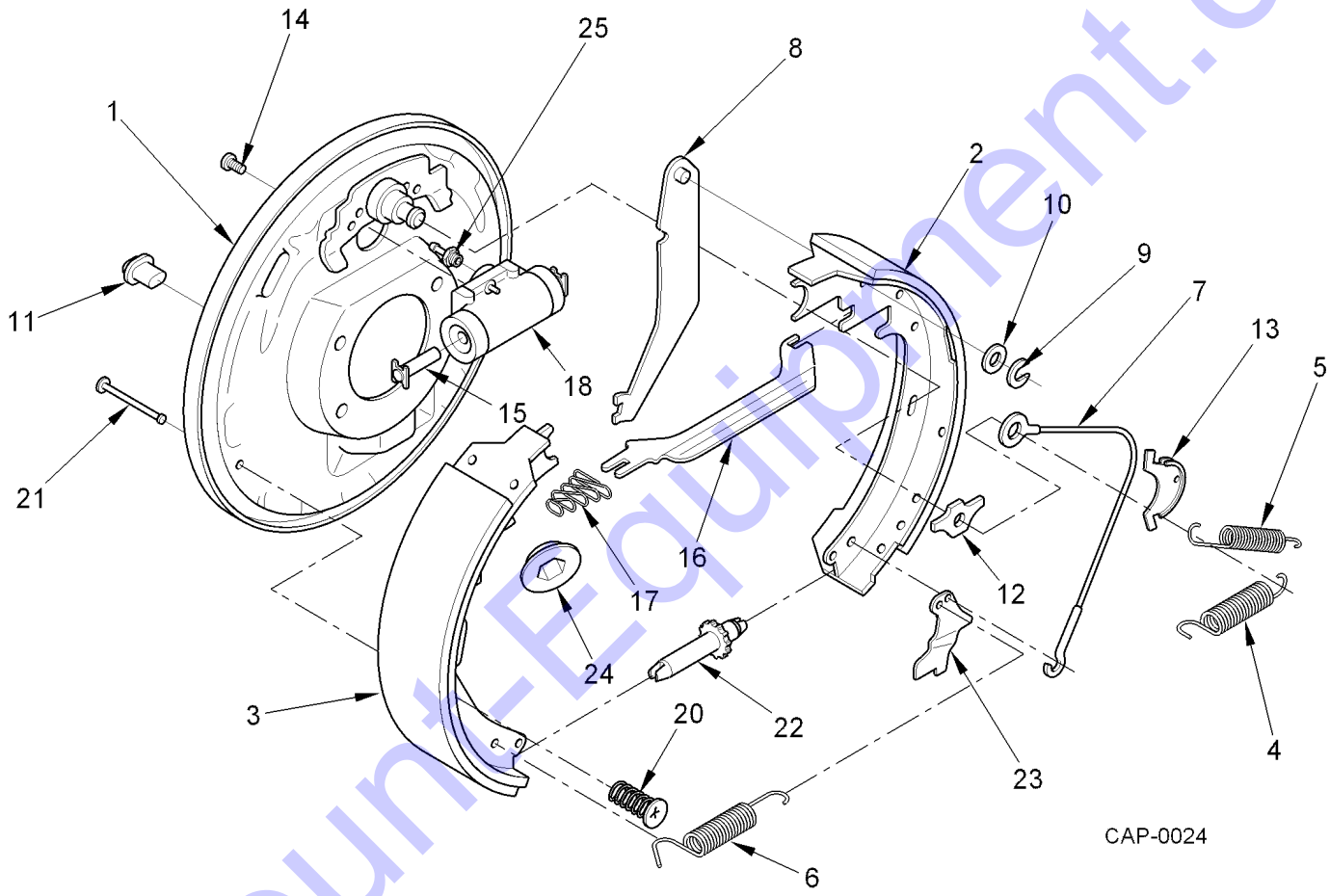
BRAKE, DRUM (REAR, LEFT HAND)



BRAKE, DRUM (REAR, LEFT HAND)

ITEM	PART NUMBER	F/N	DESCRIPTION	QTY	UOM
1	449249		BACKING PLATE ASSEMBLY (LEFT HAND)	1	EA
2		F1	SHOE AND LINING ASSEMBLY (SECONDARY)	1	
3		F1	SHOE AND LINING ASSEMBLY (PRIMARY)	1	
4	449280		SPRING, ANCHOR TO SHOE (RED)	1	EA
5	446253		SPRING, ANCHOR TO SHOE (BLACK)	1	EA
6	436345		SPRING, AUTO ADJUSTMENT	1	EA
7		F1	AUTO ADJUSTMENT CABLE ASSEMBLY	1	
8	449322		LEVER AND PIN ASSEMBLY (LH PARKING BRAKE)	1	EA
9	449378		RING, RETAINING	1	EA
10	449355		WASHER, SPRING (PARKING BRACKET)	1	EA
11	038513		COVER, BRAKE (ADJUSTMENT)	1	EA
12	449371		PLATE, BRAKE SHOE GUIDE	1	EA
13		F1	GUIDE, SELF ADJUSTER CABLE	1	
14	054411		SCREW AND WASHER ASSEMBLY	2	EA
15	054429		LINK, CONNECTING (WHEEL CYLINDER)	2	EA
16	449405		STRUT, PARKING BRAKE LEVER (LEFT HAND)	1	EA
17	449421		SPRING, COMPRESSION STRUT	1	EA
18	436121		BRAKE CYLINDER ASSEMBLY (LEFT HAND)	1	EA
20	449454		HOLD-DOWN CUP AND SPRING ASSEMBLY	2	EA
21	037895		PIN, BRAKE HOLD-DOWN	2	EA
22	436170		SCREW, NUT, WASHER AND SOCKET ASSEMBLY (LH)	1	EA
23	436352		LEVER, LINK ADJUSTMENT (LEFT HAND)	1	EA
24	468231		RETAINER, PARKING BRAKE STRUT SPRING	1	EA
25	054301		BLEEDER, WHEEL CYLINDER	1	EA
		F1	CUP, BRAKE SHOE HOLD-DOWN	2	
			BRAKE KITS		
	449520	F2	KIT, PARKING BRAKE LEVER (LEFT HAND)	AR	EA
	467878	F3	KIT, BRAKE SPRING	AR	EA
	467886	F4	KIT, SELF-ADJUSTING SCREW (LEFT HAND)	AR	EA
	449512	F5	KIT, SHOE AND LINING (2 PRIMARY, 2 SECONDARY)	AR	EA
			NOTE: QUANTITIES INDICATED ARE REQUIRED TO		
			SERVICE ONE BRAKE ASSEMBLY.		
			F1 - PART NUMBER NOT AVAILABLE.		
			F2 - ITEMS 7, 8, 11, 12, 13, 16, 24 AND 26.		
			F3 - ITEMS 5, 6, 9, 10, 19, 20 AND 21.		
			F4 - ITEMS 7, 11, 13, 24 AND 26.		
			F5 - ITEMS 2 AND 3.		

BRAKE, DRUM (REAR, RIGHT HAND)

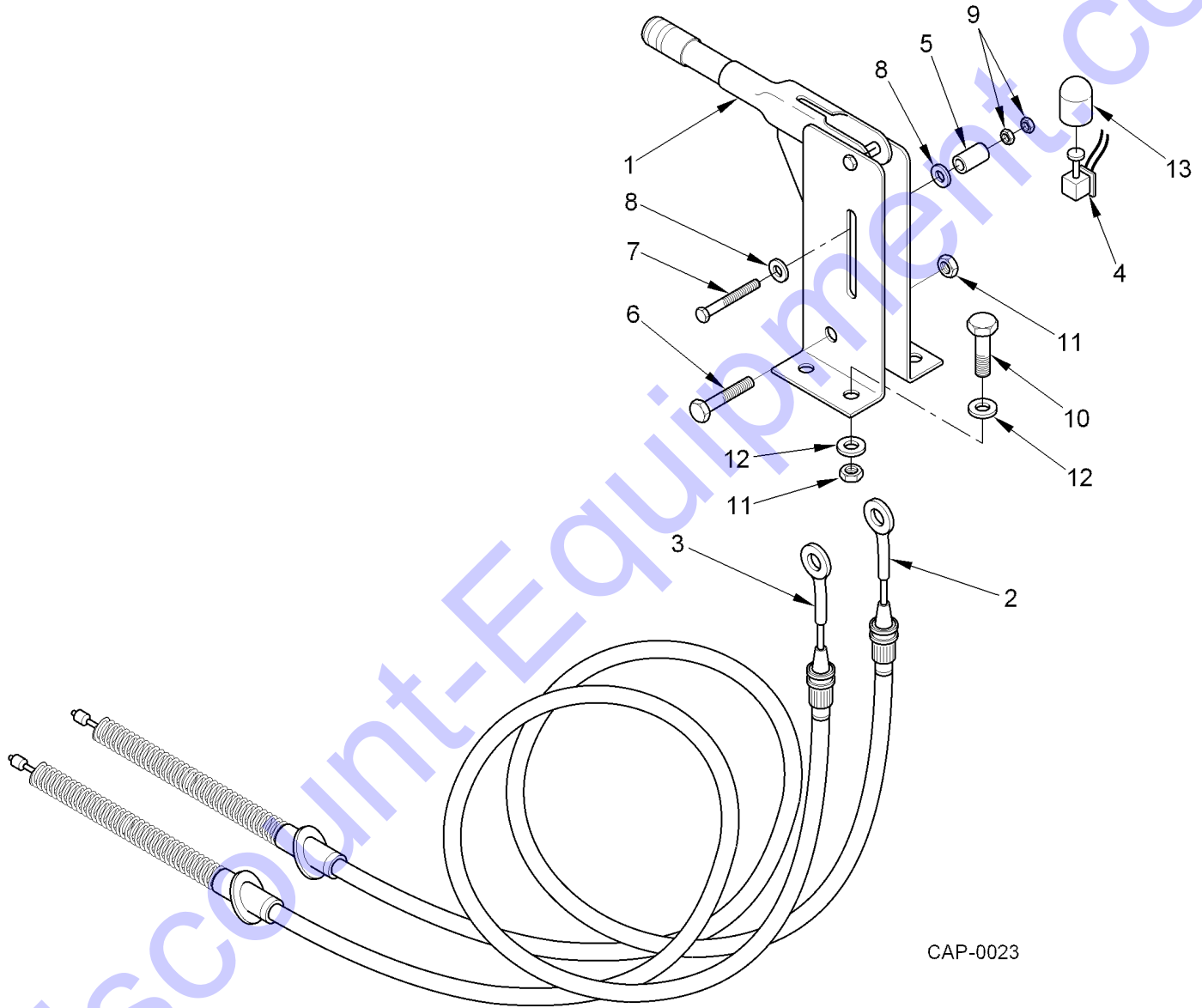


CAP-0024

BRAKE, DRUM (REAR, RIGHT HAND)

ITEM	PART NUMBER	F/N	DESCRIPTION	QTY	UOM
1	449256		BACKING PLATE ASSEMBLY (RIGHT HAND)	1	EA
2		F1	SHOE AND LINING ASSEMBLY (SECONDARY)	1	
3		F1	SHOE AND LINING ASSEMBLY (PRIMARY)	1	
4	449280		SPRING, ANCHOR TO SHOE (RED)	1	EA
5	446253		SPRING, ANCHOR TO SHOE (BLACK)	1	EA
6	436345		SPRING, AUTO ADJUSTMENT	1	EA
7		F1	AUTO ADJUSTMENT CABLE ASSEMBLY	1	
8	449330		LEVER AND PIN ASSEMBLY (RH PARKING BRAKE)	1	EA
9	449378		RING, RETAINING	1	EA
10	449355		WASHER, SPRING (PARKING BRACKET)	1	EA
11	038513		COVER, BRAKE (ADJUSTMENT)	1	EA
12	449371		PLATE, BRAKE SHOE GUIDE	1	EA
13		F1	GUIDE, SELF ADJUSTER CABLE	1	
14	054411		SCREW AND WASHER ASSEMBLY	2	EA
15	054429		LINK, CONNECTING (WHEEL CYLINDER)	2	EA
16	449413		STRUT, PARKING BRAKE LEVER (RIGHT HAND)	1	EA
17	449421		SPRING, COMPRESSION STRUT	1	EA
18	436139		BRAKE CYLINDER ASSEMBLY (RIGHT HAND)	1	EA
20	449454		HOLD-DOWN CUP AND SPRING ASSEMBLY	2	EA
21	037895		PIN, BRAKE HOLD-DOWN	2	EA
22	436188		SCREW, NUT, WASHER AND SOCKET ASSEMBLY (RH)	1	EA
23	436360		LEVER, LINK ADJUSTMENT (RIGHT HAND)	1	EA
24	468231		RETAINER, PARKING BRAKE STRUT SPRING	1	EA
25	054301		BLEEDER, WHEEL CYLINDER	1	EA
		F1	CUP, BRAKE SHOE HOLD-DOWN	2	
			BRAKE KITS		
	449538	F2	KIT, PARKING BRAKE LEVER (RIGHT HAND)	AR	EA
	467878	F3	KIT, BRAKE SPRING	AR	EA
	467894	F4	KIT, SELF-ADJUSTING SCREW (RIGHT HAND)	AR	EA
	449512	F5	KIT, SHOE AND LINING (2 PRIMARY, 2 SECONDARY)	AR	EA
			NOTE: QUANTITIES INDICATED ARE REQUIRED TO SERVICE ONE BRAKE ASSEMBLY.		
			F1 - PART NUMBER NOT AVAILABLE.		
			F2 - ITEMS 7, 8, 11, 12, 13, 16, 24 AND 26.		
			F3 - ITEMS 5, 6, 9, 10, 19, 20 AND 21.		
			F4 - ITEMS 7, 11, 13, 24 AND 26.		
			F5 - ITEMS 2 AND 3.		

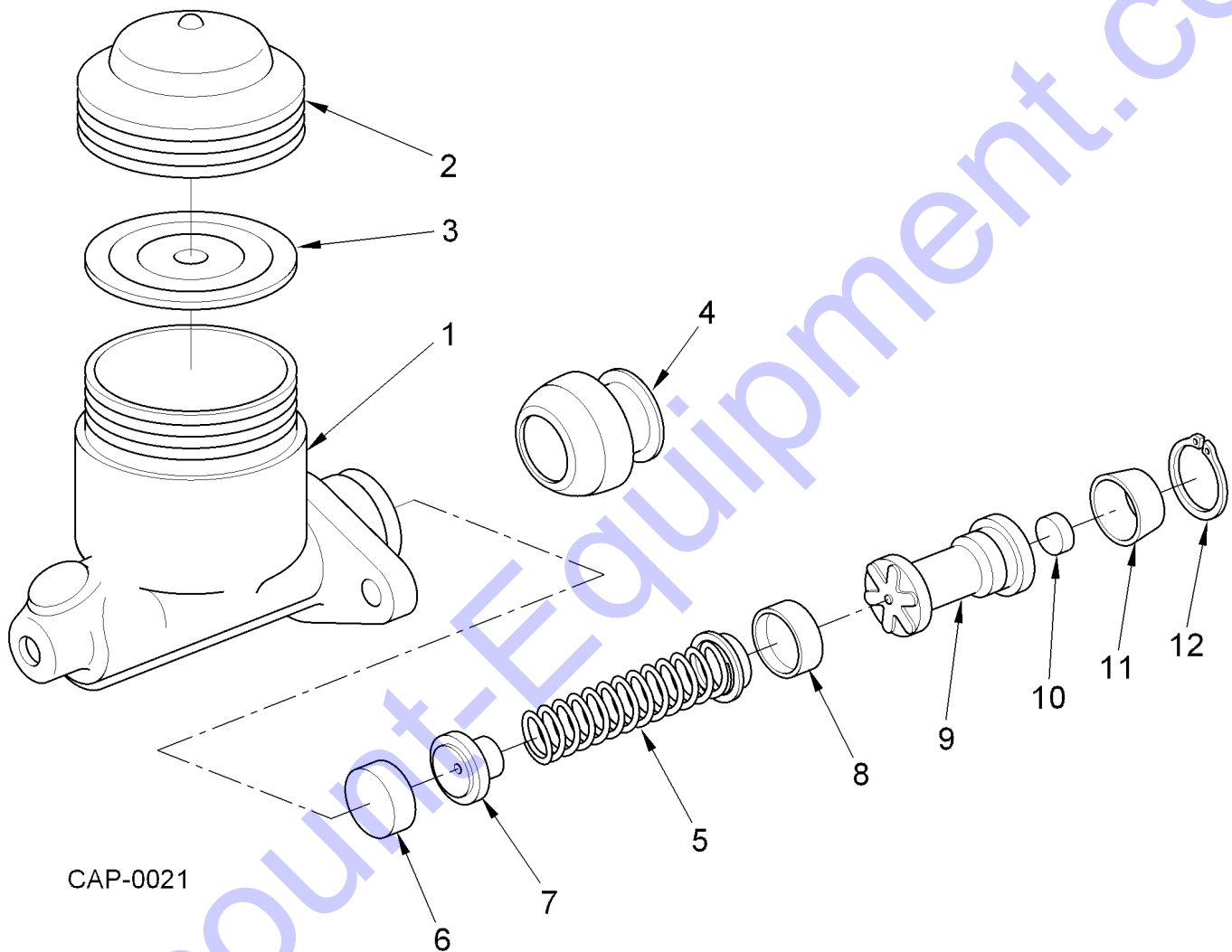
BRAKE, PARKING



BRAKE, PARKING

ITEM	PART NUMBER	F/N	DESCRIPTION	QTY	UOM
1	281287		LEVER, PARKING BRAKE	1	EA
2	448274		CABLE, SHORT BRAKE	1	EA
3	448282		CABLE, LONG BRAKE	1	EA
4	413872		SWITCH, PARKING BRAKE	1	EA
5	152850		SPACER (1/2" X 3/4")	1	EA
6	010389		CAPSCREW (5/16"-18NC X 2")	1	EA
7	010421		CAPSCREW (5/16"-18NC X 2-1/2")	1	EA
8	010579		WASHER, FLAT (5/16")	2	EA
9	083493		NUT, HEX (5/16"-18NC PL)	1	EA
10	441550		CAPSCREW (1/4"-20NC X 3/4", FLANGE WHIZLOCK)	4	EA
11	440636		NUT, HEX (1/4"-20NC, FLANGE, WHIZLOCK)	4	EA
12	011321		WASHER, FLAT (1/4")	8	EA
13	413874		BOOT, WEATHERPROOF SWITCH	1	EA

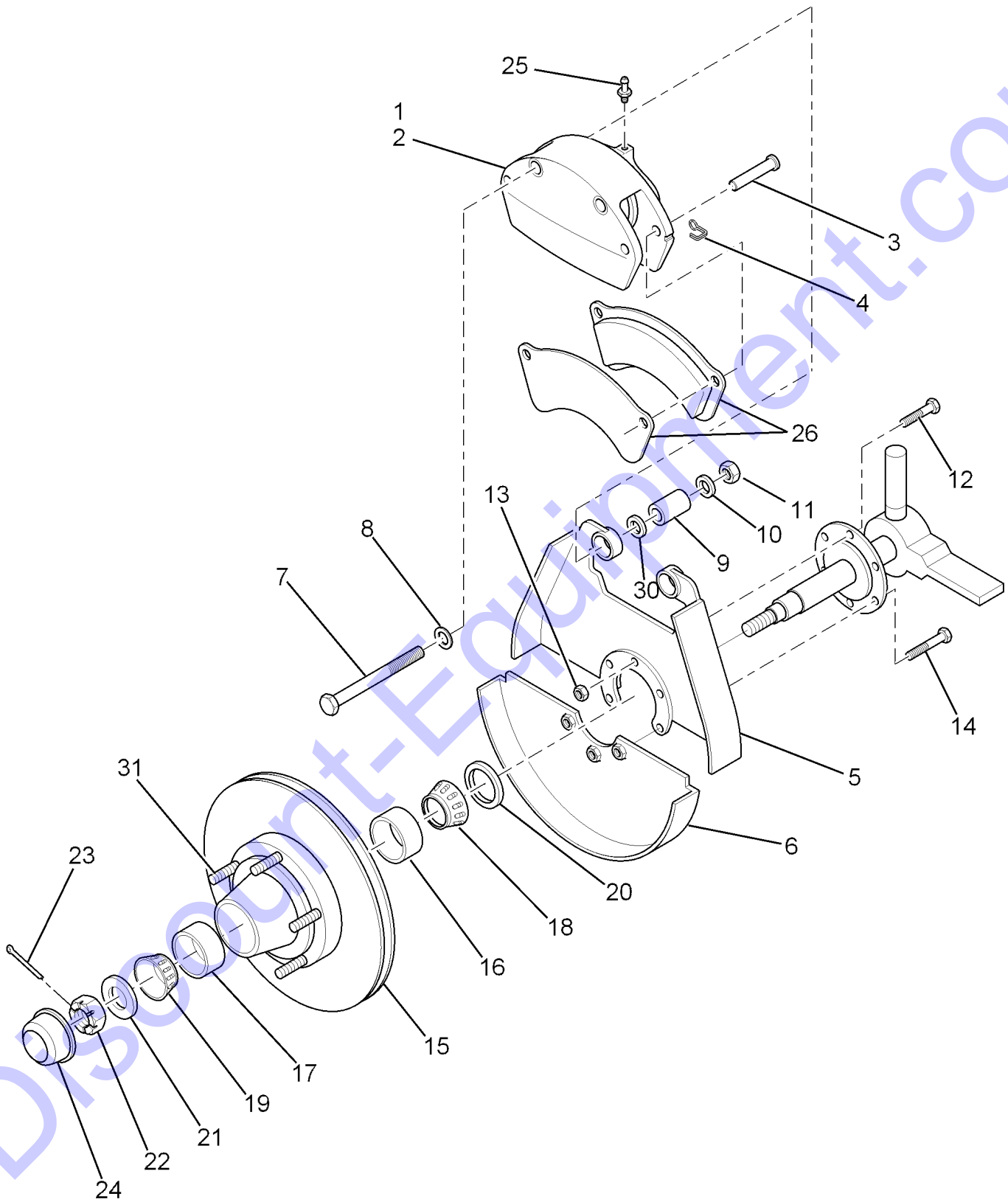
036087: CYLINDER, MASTER



036087: CYLINDER, MASTER

ITEM	PART NUMBER	F/N	DESCRIPTION	QTY	UOM
1		F1	HOUSING	1	
2		F1	CAP	1	
3		F1	DIAPHRAM	1	
4	036160		BOOT, RUBBER	1	EA
5	036178		SPRING	7	EA
6		F1	SEAT, VALVE	1	
7		F1	VALVE	3	
8		F1	CUP, MAIN	1	
9		F1	PISTON	1	
10		F1	BUMPER	1	
11		F1	CUP	1	
12		F1	RING, RETAINER	3	
REMAINING COMPONENTS					
	036251	F2	KIT, REPAIR	1	EA
	036145	F3	KIT, CAP AND DIAPHRAM	1	EA
F1 - PART NUMBER NOT AVAILABLE.					
F2 - ITEMS 4,5,6,7,8,9,10,11 AND 12.					
F3 - ITEMS 2 AND 3.					

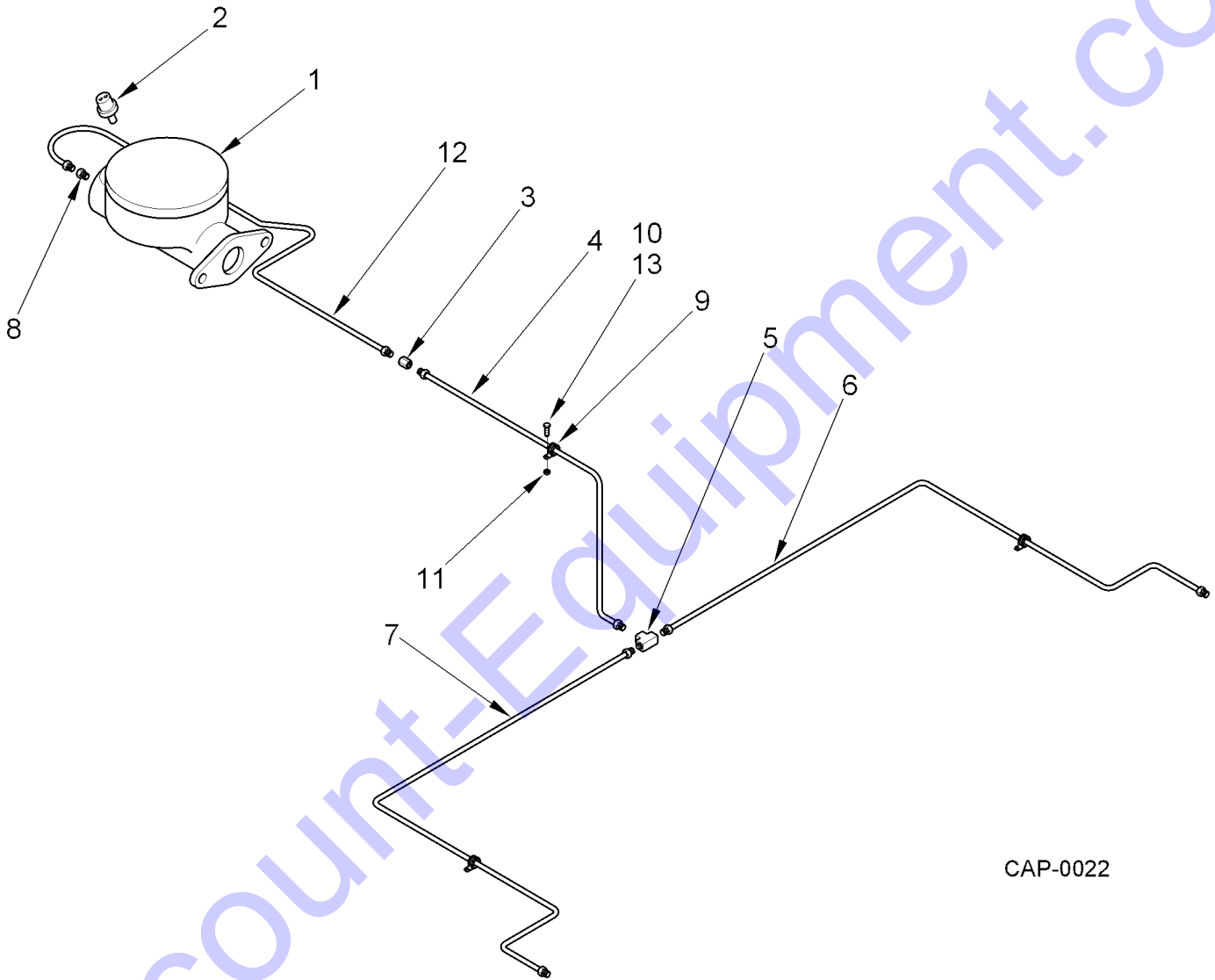
379008K: KIT, DISC BRAKE



379008K: KIT, DISC BRAKE

ITEM	PART NUMBER	F/N	DESCRIPTION	QTY	UOM
1	473181		CALIPER (LEFT HAND)	1	EA
2	473182		CALIPER (RIGHT HAND)	1	EA
3	9107064		PIN	2	EA
4	042648		CLIP, RETAINER	2	EA
5	387272		PLATE, BACKING (UPPER)	1	EA
6	378992		PLATE, BACKING (LOWER)	1	EA
7	478095		BOLT	2	EA
8			WASHER	2	
9	387269		SPACER	2	EA
10			WASHER	2	
11	478096		NUT, LOCK	2	EA
12			BOLT	3	
13	083501		NUT, HEX (3/8"-16NC, FLANGE, WHIZLOCK)	3	EA
14			BOLT	3	
15	378737		ROTOR (L.H. AND R.H.)	1	EA
16	407205		CUP, BEARING (INNER)	1	EA
17	421081		CUP, BEARING (OUTER)	1	EA
18	407213		CONE, BEARING (INNER)	1	EA
19	421099		CONE, BEARING (OUTER)	1	EA
20	407163		SEAL	1	EA
21	066605		WASHER, FLAT	1	EA
22	026328		NUT, SLOTTED	1	EA
23	015164		PIN, COTTER (1/8" X 1-3/4", FRONT AXLE NUT)	1	EA
24	440487		CAP, DUST	1	EA
25			BLEEDER, WHEEL CYLINDER	2	
26			PAD	2	
30	478097		QUADRINGS	8	EA
31	473256		STUD, WHEEL	5	EA
			REMAINING COMPONENTS		
	476507	F1	KIT, PAD AND HOLDER	2	EA
			HUB, OUTSIDE	1	
	387292		SHIM, WHELL	1	EA
	453860		HUB, WHEEL	1	EA
			F1 - 1 KIT PER SIDE.		

LINE, BRAKE

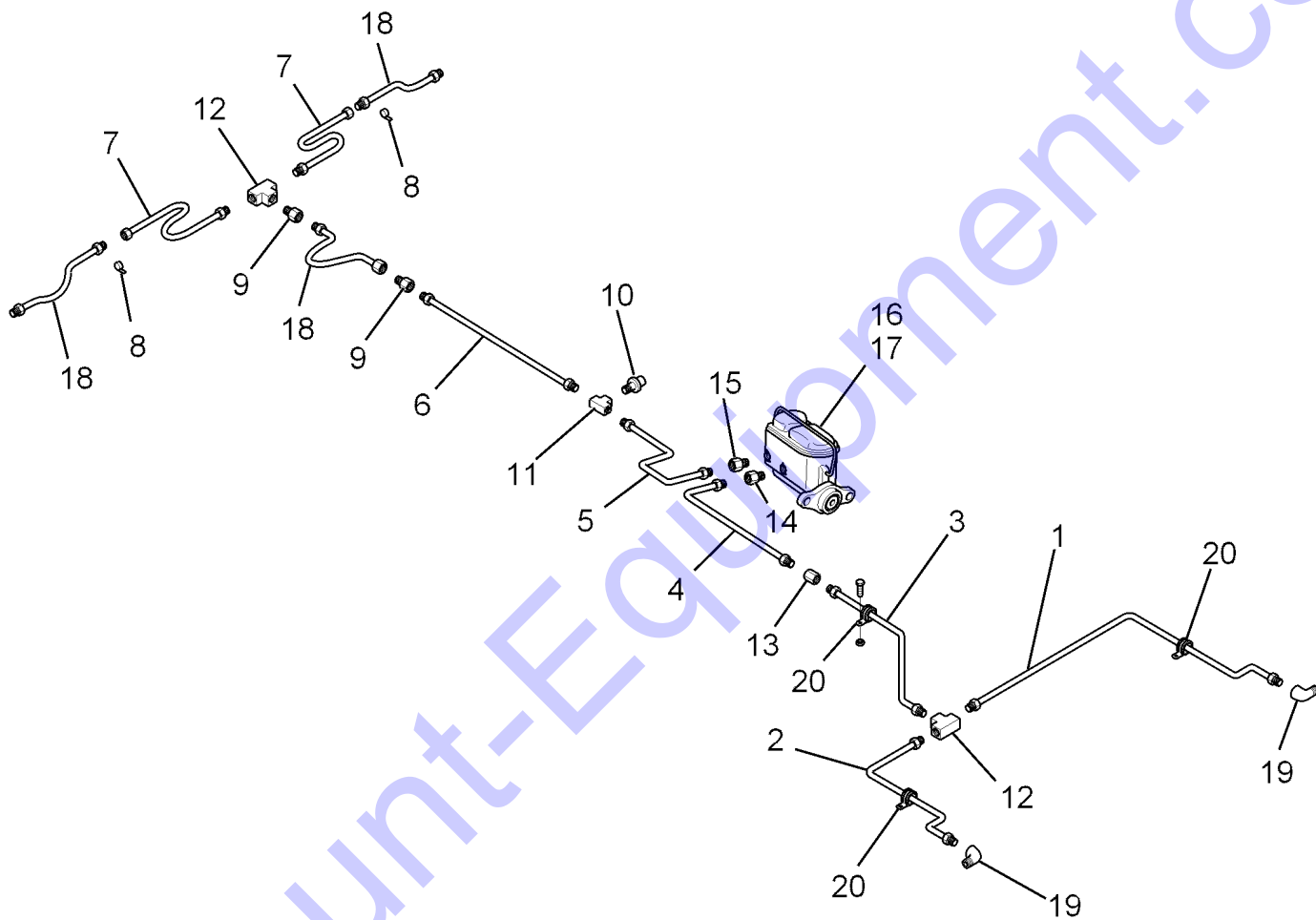


CAP-0022

LINE, BRAKE

ITEM	PART NUMBER	F/N	DESCRIPTION	QTY	UOM
1	036087		CYLINDER, MASTER (SEE PAGE 16)	1	EA
2	049924		SWITCH, BRAKE LIGHT	1	EA
3	067561		FITTING, UNION (3/16" TUBE X 3/16" TUBE)	1	EA
4	271999		TUBE (3/16)	1	EA
5	434944		ADAPTER, TEE (3/16" FEMALE)	1	EA
6	298331		TUBE ASSEMBLY (RIGHT REAR WHEEL, METAL)	1	EA
7	298323		TUBE ASSEMBLY (LEFT REAR WHEEL, METAL)	1	EA
8	054171		ADAPTER, STRAIGHT (3/16" TUBE X 1/8"NPT)	1	EA
9	028993		CLAMP, LOOP (1/2" ID)	6	EA
10	010058		CAPSCREW (1/4"-20 X 1")	4	EA
11	440636		NUT, HEX (1/4"-20NC, FLANGE, WHIZLOCK)	7	EA
12	355420		LINE, BRAKE	1	EA
13	011321		WASHER, FLAT (1/4")	9	EA

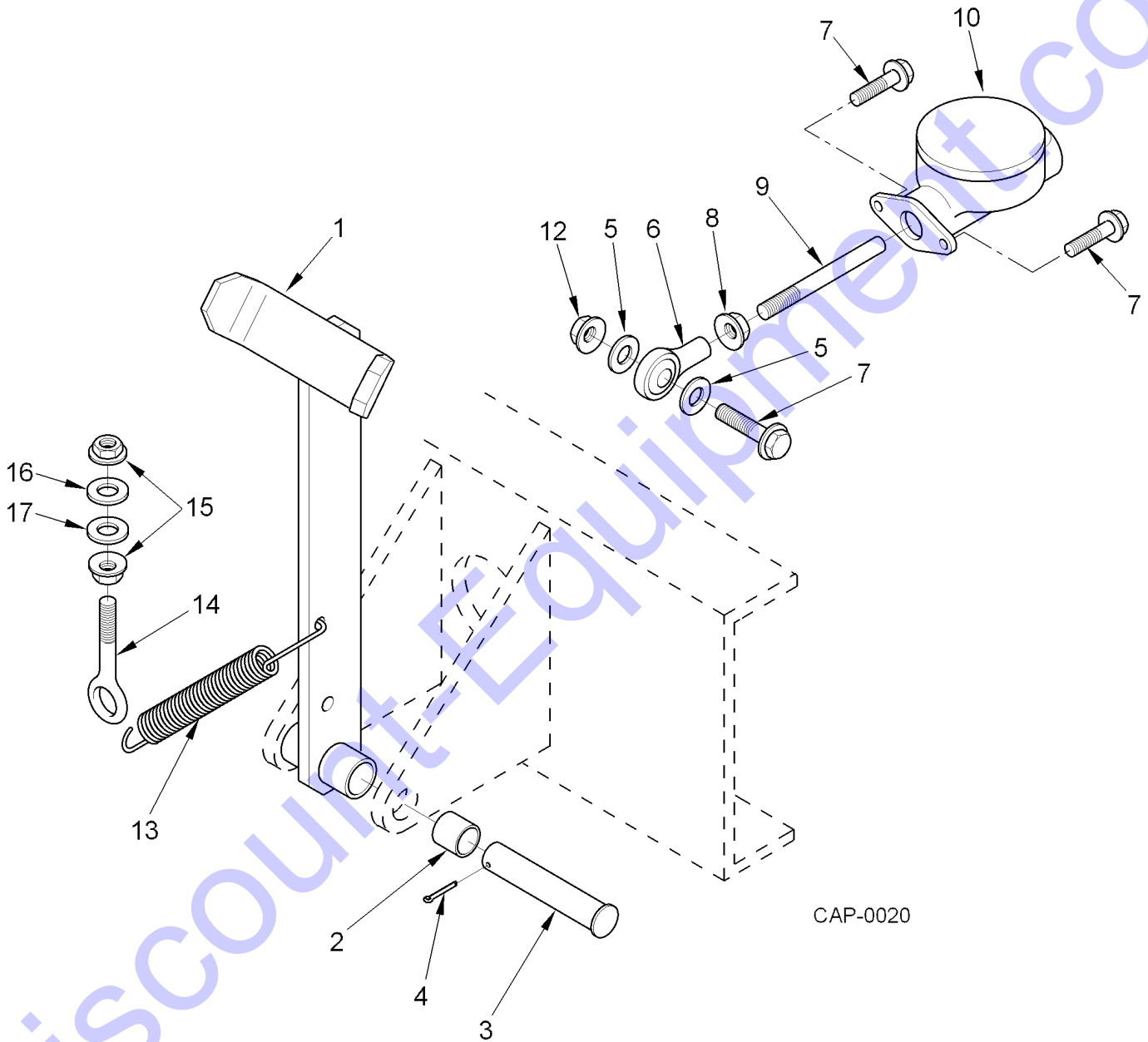
LINE, BRAKE (4-WHEEL)



LINE, BRAKE (4-WHEEL)

ITEM	PART NUMBER	F/N	DESCRIPTION	QTY	UOM
1	298331		TUBE ASSEMBLY (RIGHT REAR WHEEL, METAL)	1	EA
2	298323		TUBE ASSEMBLY (LEFT REAR WHEEL, METAL)	1	EA
3			TUBE ASSEMBLY REAR FRAME CONNECTION)	1	
4	271981		TUBE ASSEMBLY (MASTER CYLINDER TO REAR FRAME)	1	EA
5	271973		TUBE ASSEMBLY (MASTER CYLINDER TO FRONT AXLE)	1	EA
6	271965		TUBE ASSEMBLY (EXTENSION TO FRONT AXLE)	1	EA
7	271221		TUBE ASSEMBLY (RIGHT AND LEFT FRONT BRAKE)	2	EA
8	042648		CLIP, RETAINER	3	EA
9	077495		CONNECTOR, STRAIGHT (1/4" TO 3/16")	5	EA
10			SWITCH	1	
11	282855		TEE (W/MOUNT)	1	EA
12			FITTING (1/4 TUBE 3 PORTS)	2	
13	067561		FITTING, UNION (3/16" TUBE X 3/16" TUBE)	1	EA
14			ADAPTER (3/16 TUBE TO 1/2 SAE)	1	
15			ADAPTER (3/16 TUBE TO 9/16 SAE)	1	
16	029603		CYLINDER, MASTER (FRONT DRUM BRAKES)	1	EA
17	281279		CYLINDER, MASTER (FRONT DISC BRAKES)	1	EA
18	473454		HOSE, BRAKE LINE	2	EA
19			ELBOW, 90 DEGREE (3/16 TUBE F X 1/8-NPT M)	2	
20	028993		CLAMP, LOOP (1/2" ID)	2	EA

PEDAL, BRAKE

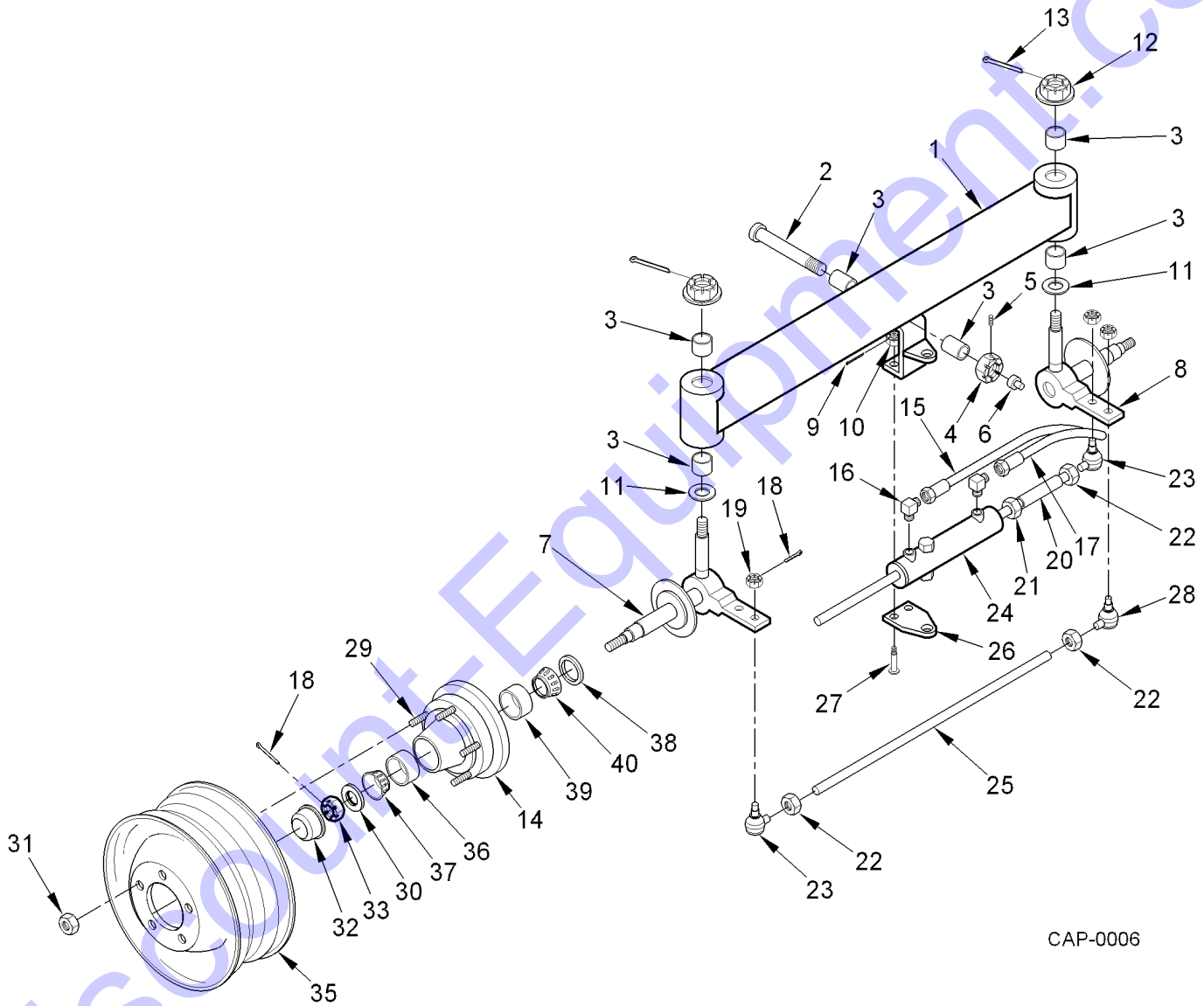


CAP-0020

PEDAL, BRAKE

ITEM	PART NUMBER	F/N	DESCRIPTION	QTY	UOM
1	298810		PEDAL, BRAKE	1	EA
2	V10007700		BUSHING, NYLON	1	EA
3	V63137200		PIN, PEDAL	1	EA
4	4001000		PIN, COTTER	1	EA
5	011031		WASHER, FLAT (3/8")	7	EA
6	078378		ROD END, BALL JOINT	1	EA
7	441675		CAPSCREW (3/8-16NC X 1.50")	3	EA
8	V23504500		NUT, JAM (3/8-24)	1	EA
9	298802		BRAKE, ROD	1	EA
10	036087		CYLINDER, MASTER (SEE PAGE 16)	1	EA
12	441477		NUT, LOCK (3/8"-16NC)	3	EA
13	034926		SPRING, BRAKE PEDAL	1	EA
14	9104072		EYEBOLT (5/16" X 4")	1	EA
15	010553		NUT, HEX (5/16"-18NC)	2	EA
16	011322		WASHER, FLAT (5/16")	2	EA
17	010561		WASHER, LOCK (5/16")	2	EA
			REMAINING COMPONENTS		
	417352		BOOT	1	EA

354324: AXLE, FRONT



CAP-0006

354324: AXLE, FRONT

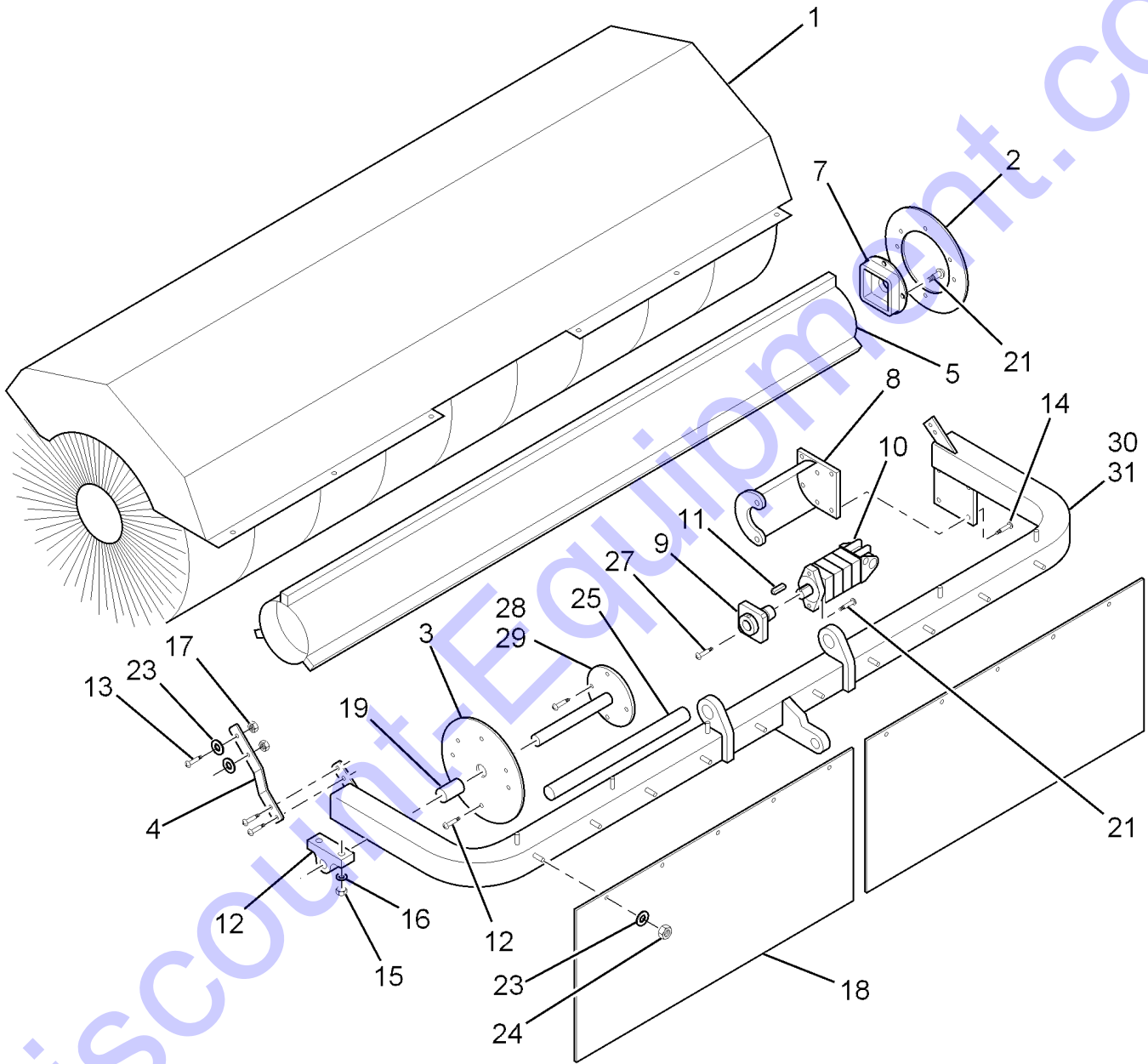
ITEM	PART NUMBER	F/N	DESCRIPTION	QTY	UOM
1	296368		AXLE, FRONT	1	EA
2	257220		PIN, FRONT AXLE PIVOT	1	EA
3	V63023100		BUSHING (2"OD X 1-3/4"ID X 2" LONG, BRONZE)	6	EA
4	V63018700		NUT (1-3/4"-12NF)	1	EA
5	031160		SCREW, SET (BRASS TIP, 3/8"-16NC X 3/8")	1	EA
6	031401		FITTING, GREASE (STRAIGHT, 1/4"-28NF)	1	EA
7	357418		KNUCKLE, STEERING (LEFT HAND)	1	EA
8	357426		KNUCKLE, STEERING (RIGHT HAND)	1	EA
9	025882		PIN, COTTER	2	EA
10	V63168900		NUT, HEX SLOTTED (3/8"-16NC)	2	EA
11	296442		WASHER, THRUST (LOWER)	2	EA
12	336966		NUT, HEAVY SLOTTED (W/WASHER 1 1/8"-12NF)	2	EA
13	015347		PIN, COTTER	2	EA
14	453860		HUB, WHEEL	2	EA
15		F1	HOSE ASSEMBLY (3/8" ID X 96")	1	
16	425348		ADAPTER, 45 DEGREE (#6MOR TO #6MJIC)	2	EA
17		F1	HOSE ASSEMBLY (3/8" ID X 102")	1	
18	015164		PIN, COTTER (1/8" X 1-3/4", FRONT AXLE NUT)	5	EA
19	408047		NUT, SLOTTED (9/16"-18NF)	3	EA
20	271239		ADJUSTER, POWER STEERING CYLINDER	1	EA
21	092460		NUT, JAM (3/4"-16NF)	2	EA
22	V65010400		NUT, JAM (3/4"-16NF, LEFT HAND)	2	EA
23	407908		END, TIE ROD	2	EA
24	432989		CYLINDER, STEERING (2" X 8") (SEE PAGE 130)	1	EA
25	271130		TUBE, TIE ROD	1	EA
26	V63131900		BRACKET, STEERING CYLINDER	1	EA
27	V63162900		BOLT, SPECIAL (3/8"-16NC X 1-1/2")	2	EA
28	407916	F2	END, TIE ROD (RIGHT HAND)	1	EA
29	456152		BOLT, LUG (1/2"-20NF X 2")	10	EA
30	066605		WASHER, FLAT	2	EA
31	047782		NUT, LUG (1/2"-20NF, 60 DEG, 13/16")	2	EA
32	440487		CAP, DUST	2	EA
33	026328		NUT, SLOTTED	4	EA
35	472506		WHEEL (15 X 6 FRONT AND REAR)	4	EA
36	407205		CUP, BEARING (INNER)	2	EA
37	407213		CONE, BEARING (INNER)	2	EA
38	407163		SEAL	2	EA
39	421081		CUP, BEARING (OUTER)	2	EA
40	421099		CONE, BEARING (OUTER)	2	EA
			REMAINING COMPONENTS		
	029629		STEM, VALVE	2	EA
			F1 - SEE HYDRAULIC SCHEMATIC FOR DETAILS		

354324: AXLE, FRONT

ITEM	PART NUMBER	F/N	DESCRIPTION	QTY	UOM
			F2 - COMES WITH SLOTTED NUT		

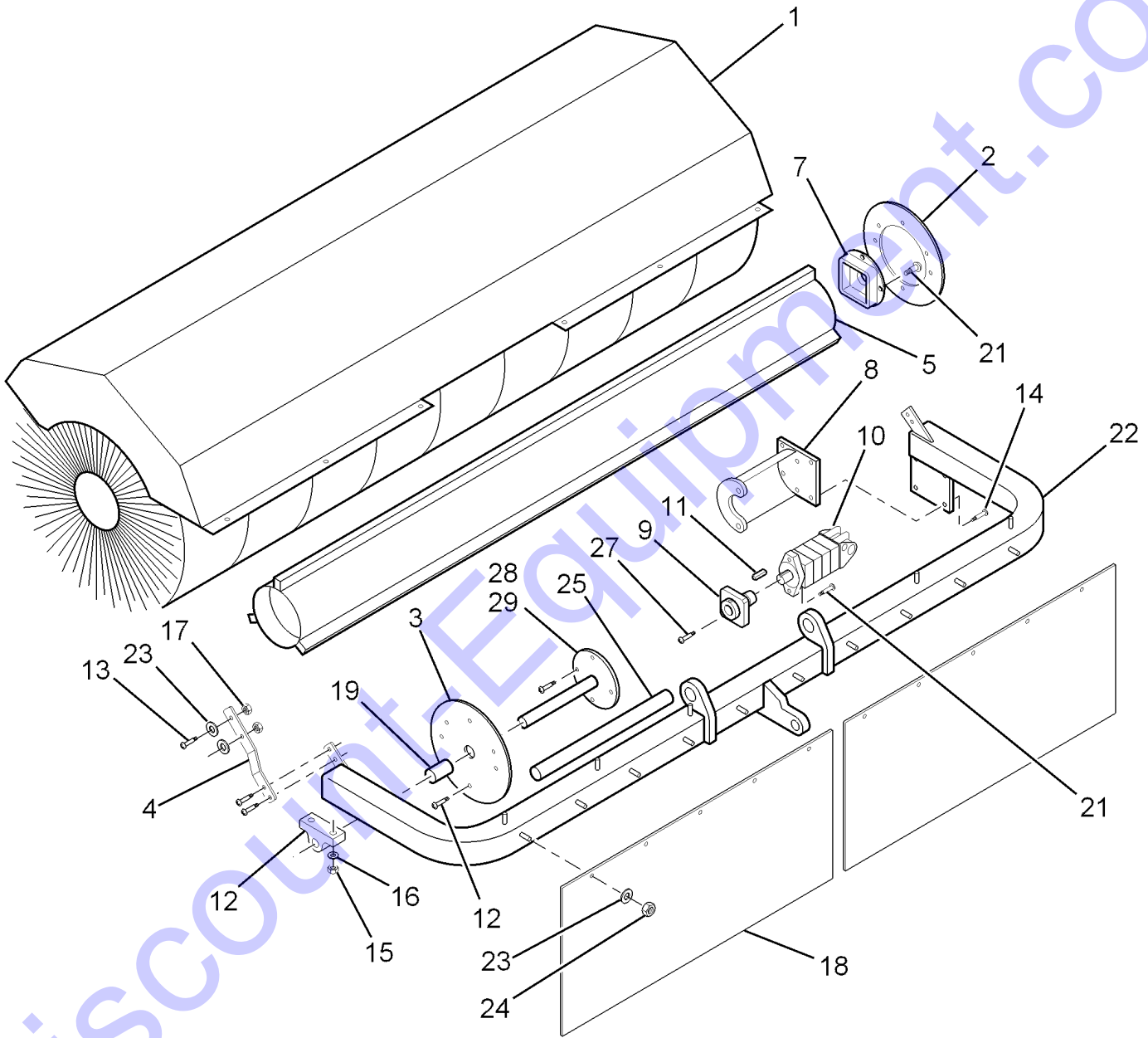
Discount-Equipment.com

BROOM (88-INCH)



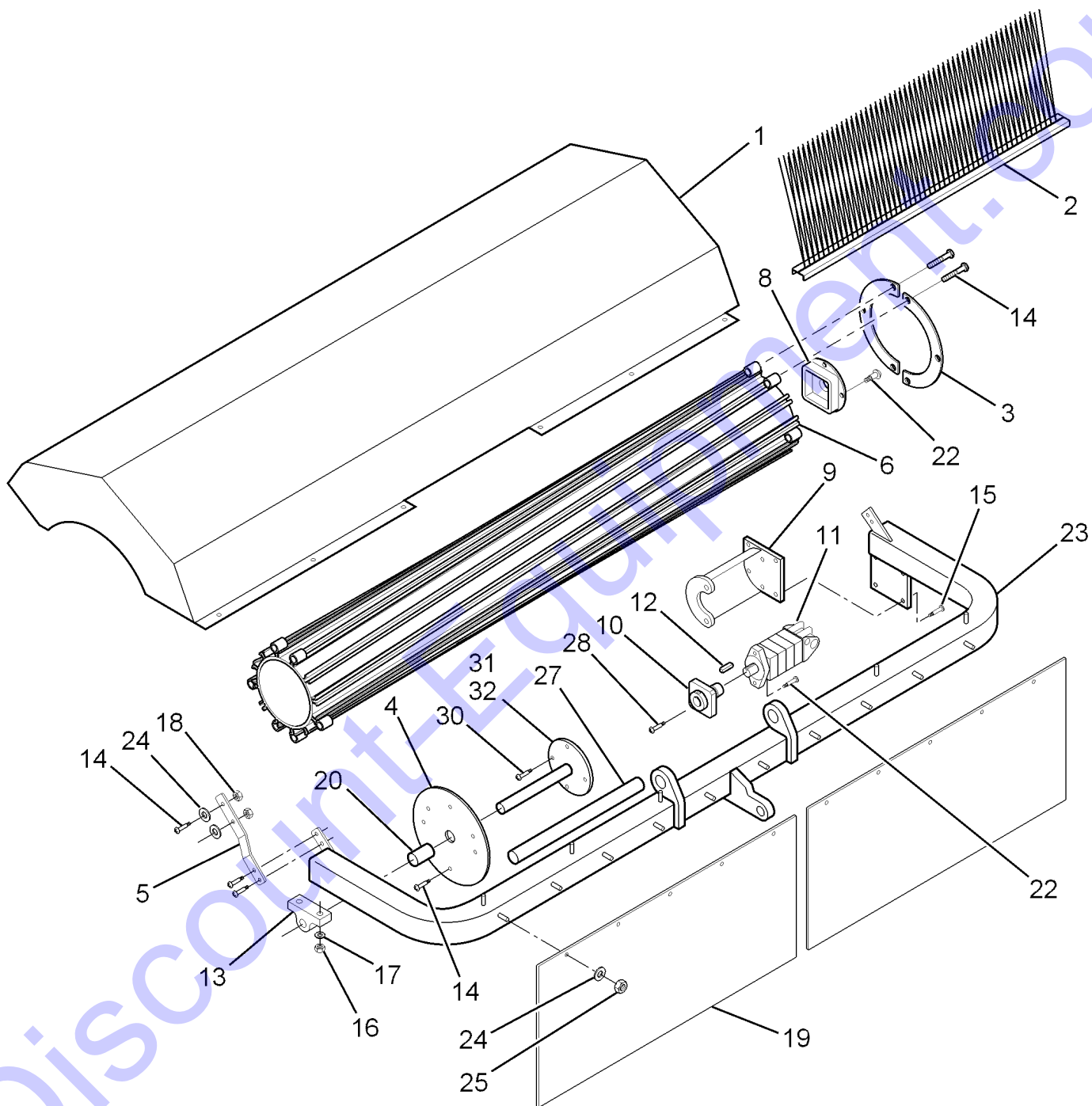
BROOM (88-INCH)					
ITEM	PART NUMBER	F/N	DESCRIPTION	QTY	UOM
1	296129		COVER, BROOM	1	EA
2	271023		CAP, BROOM CORE (LEFT HAND)	1	EA
3	271031		CAP, BROOM CORE (RIGHT HAND)	1	EA
4	V63134200		SUPPORT, BROOM COVER	2	EA
5		F1	CORE, BROOM	1	
7		F1	COUPLING, BROOM DRIVE FEMALE	1	
8		F1	MOUNT, BROOM MOTOR	1	
9		F1	COUPLING, BROOM DRIVE MALE	1	
10		F1	MOTOR, BROOM	1	
11	9101779		KEY, SPECIAL (ROLLER STATOR MOTOR)	1	EA
12	433144		BEARING, BROOM SHAFT	1	EA
13	441600		CAPSCREW (5/16"-18NC X 1", PL)	14	EA
14	441766		CAPSCREW (1/2"-13NC X 1", FLANGE, WHIZLOCK)	4	EA
15	440644		NUT, HEX (1/2"-13NC, FLANGE, WHIZLOCK)	2	EA
16	011643		WASHER, LOCK (1/2")	6	EA
17	083493		NUT, HEX (5/16"-18NC PL)	28	EA
18	298240		DEFLECTOR, DIRT BELT	2	EA
19	296021		BUSHING (2.00"L)	1	EA
21	045864	F2	BOLT, SOCKET-HEAD (1/2"13NC X 1-1/4")	6	EA
23	011322		WASHER, FLAT (5/16")	58	EA
24	010553		NUT, HEX (5/16"-18NC)	58	EA
25	295238		PIN, BROOM FRAME MOUNT	1	EA
27	010702		CAPSCREW (3/8"-16NC X 3")	1	EA
28	270736		SHAFT, BROOM CORE SUPPORT	1	EA
29	386513		SHAFT, BROOM CORE SUPPORT (PARKER)	1	EA
30	296039		MOUNT, BROOM	1	EA
31	295980		MOUNT, BROOM	1	EA
REMAINING COMPONENTS					
	335018		DEFLECTOR, WRAP AROUND (DIRT BELT, OPTIONAL)	AR	EA
	440370		HOLDER, CLAMP HOSE	1	EA
	015362		PIN, COTTER (3/16" X 2-1/2", STEEL)	2	EA
	011361		CAPSCREW (1/2"-13NC X 1-1/2")	4	EA
	404535		KIT, SHAFT AND BEARING	1	EA
	404536		KIT, BROOM MOTOR SEAL	1	EA
F1 - SEE BROOM ASSEMBLY CROSS REFERENCE					
F2 - LOCKTITE AND TORQUE TO 130 PLUS OR					
MINUS 5 FT.LB					

BROOM (96-INCH)



BROOM (96-INCH)					
ITEM	PART NUMBER	F/N	DESCRIPTION	QTY	UOM
1	386518		COVER, BROOM	1	EA
2	271023		CAP, BROOM CORE (LEFT HAND)	1	EA
3	271031		CAP, BROOM CORE (RIGHT HAND)	1	EA
4	V63134200		SUPPORT, BROOM COVER	2	EA
5	386501		CORE, BROOM	1	EA
7	338392		COUPLING, BROOM DRIVE FEMALE	1	EA
8	296039		MOUNT, BROOM	1	EA
9	270561		COUPLER, MALE	1	EA
10	404538		MOTOR, BROOM (SEE PAGE 136)	1	EA
11	9101779		KEY, SPECIAL (ROLLER STATOR MOTOR)	1	EA
12	433144		BEARING, BROOM SHAFT	1	EA
13	441600		CAPSCREW (5/16"-18NC X 1", PL)	14	EA
14	441766		CAPSCREW (1/2"-13NC X 1", FLANGE, WHIZLOCK)	4	EA
15	440644		NUT, HEX (1/2"-13NC, FLANGE, WHIZLOCK)	2	EA
16	011643		WASHER, LOCK (1/2")	6	EA
17	083493		NUT, HEX (5/16"-18NC PL)	28	EA
18	298240		DEFLECTOR, DIRT BELT	2	EA
19	296021		BUSHING (2.00"L)	1	EA
21	045864	F1	BOLT, SOCKET-HEAD (1/2"13NC X 1-1/4")	10	EA
22	386516		MOUNT, BROOM	1	EA
23	011322		WASHER, FLAT (5/16")	58	EA
24	010553		NUT, HEX (5/16"-18NC)	58	EA
25	295238		PIN, BROOM FRAME MOUNT	1	EA
27	010702		CAPSCREW (3/8"-16NC X 3")	1	EA
28	270736		SHAFT, BROOM CORE SUPPORT	1	EA
29	386513		SHAFT, BROOM CORE SUPPORT (PARKER)	1	EA
			REMAINING COMPONENTS		
	404536		KIT, BROOM MOTOR SEAL	1	EA
	335018		DEFLECTOR, WRAP AROUND (DIRT BELT, OPTIONAL)	AR	EA
	440370		HOLDER, CLAMP HOSE	1	EA
	015362		PIN, COTTER (3/16" X 2-1/2", STEEL)	2	EA
	011361		CAPSCREW (1/2"-13NC X 1-1/2")	4	EA
	404535		KIT, SHAFT AND BEARING	1	EA
			F1 - LOCKTITE AND TORQUE T0 130 PLUS		
			OR MINUS 5 FT.LB		

BROOM, STRIP (OPTIONAL)



BROOM, STRIP (OPTIONAL)

ITEM	PART NUMBER	F/N	DESCRIPTION	QTY	UOM
1	296129		COVER, BROOM	1	EA
2	474791K		WAFER, BROOM (2 SETS OF 18 BRUSHES)	AR	EA
3	369298		CAP, LH BROOM CORE	2	EA
4	271031		CAP, BROOM CORE (RIGHT HAND)	1	EA
5	V63134200		SUPPORT, BROOM COVER	2	EA
6	369363		CORE, BROOM	1	EA
8	338392		COUPLING, BROOM DRIVE FEMALE	1	EA
9	296039		MOUNT, BROOM	1	EA
10	270561		COUPLER, MALE	1	EA
11	404538		MOTOR, BROOM (SEE PAGE 136)	1	EA
12	9101779		KEY, SPECIAL (ROLLER STATOR MOTOR)	1	EA
13	433144		BEARING, BROOM SHAFT	1	EA
14	441600		CAPSCREW (5/16"-18NC X 1", PL)	14	EA
15	441766		CAPSCREW (1/2"-13NC X 1", FLANGE, WHIZLOCK)	4	EA
16	440644		NUT, HEX (1/2"-13NC, FLANGE, WHIZLOCK)	2	EA
17	011643		WASHER, LOCK (1/2")	6	EA
18	083493		NUT, HEX (5/16"-18NC PL)	28	EA
19	298240		DEFLECTOR, DIRT BELT	2	EA
20	296021		BUSHING (2.00"L)	1	EA
22	045864	F1	BOLT, SOCKET-HEAD (1/2"13NC X 1-1/4")	10	EA
23	295980		MOUNT, BROOM	1	EA
24	011322		WASHER, FLAT (5/16")	58	EA
25	010553		NUT, HEX (5/16"-18NC)	58	EA
27	295238		PIN, BROOM FRAME MOUNT	2	EA
28	010702		CAPSCREW (3/8"-16NC X 3")	1	EA
30	011361		CAPSCREW (1/2"-13NC X 1-1/2")	4	EA
31	386513		SHAFT, BROOM CORE SUPPORT (PARKER)	1	EA
32	270736		SHAFT, BROOM CORE SUPPORT	1	EA
REMAINING COMPONENTS					
	335018		DEFLECTOR, WRAP AROUND (DIRT BELT, OPTIONAL)	AR	EA
	015362		PIN, COTTER (3/16" X 2-1/2", STEEL)	2	EA
	440370		HOLDER, CLAMP HOSE	1	EA
	404536		KIT, BROOM MOTOR SEAL	1	EA
	404535		KIT, SHAFT AND BEARING	1	EA
F1 - LOCKTITE AND TORQUE TO 130 PLUS					
OR MINUS 5 FT.LB					

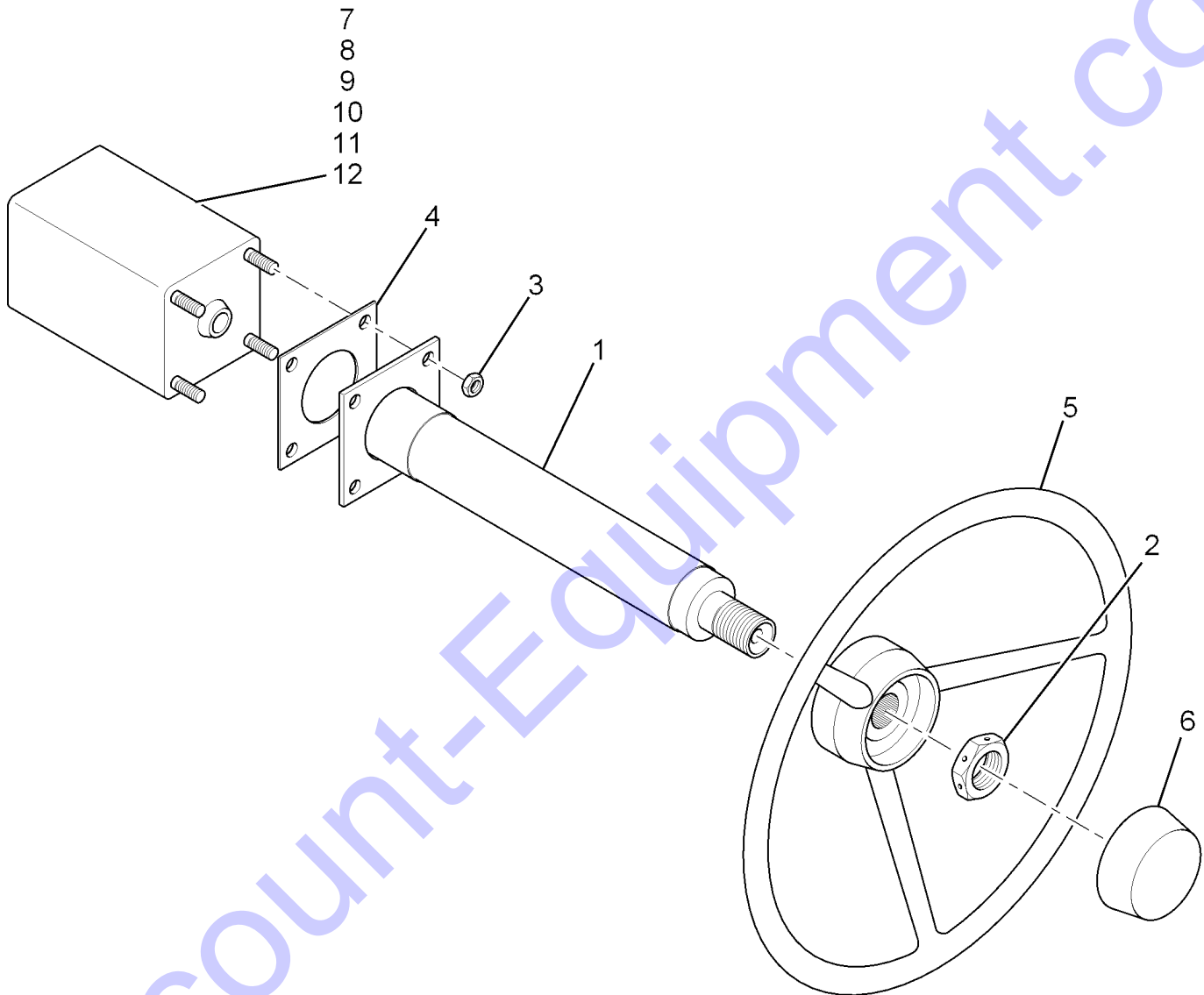
NON-ILLUSTRATED

Discount-Equipment.com

BRUSH KITS

ITEM	PART NUMBER	F/N	DESCRIPTION	QTY	UOM
1	416057		BRUSH, COMBINATION WIRE/POLY (BOX OF 4)	AR	EA
2	416057BX		WAFER, POLY (10" X 32") (BOX OF 25)	AR	EA
3	416065		BRUSH, ALL WIRE	AR	EA
4	416065BX		WAFER, WIRE (10" X 32") (BOX OF 24)	AR	EA
5	475155		WAFER, COMBO (10" X 32")	AR	EA
6	475155BX		WAFER, COMBO (10" X 32") (BOX OF 24)	AR	EA
7	910464K		KIT, COMP BRUSH (COMBO WAFER, 10"X32"X8FT)	AR	EA
8	416024K		KIT, BRUSH (POLY/WIRE, 10"X32"X8')	AR	EA
9	416032K		KIT, BRUSH (POLY WAFER) (10"X32"X8')	AR	EA
10	416040K		KIT, BRUSH (WIRE WAFER) (10"X32"X8')	AR	EA

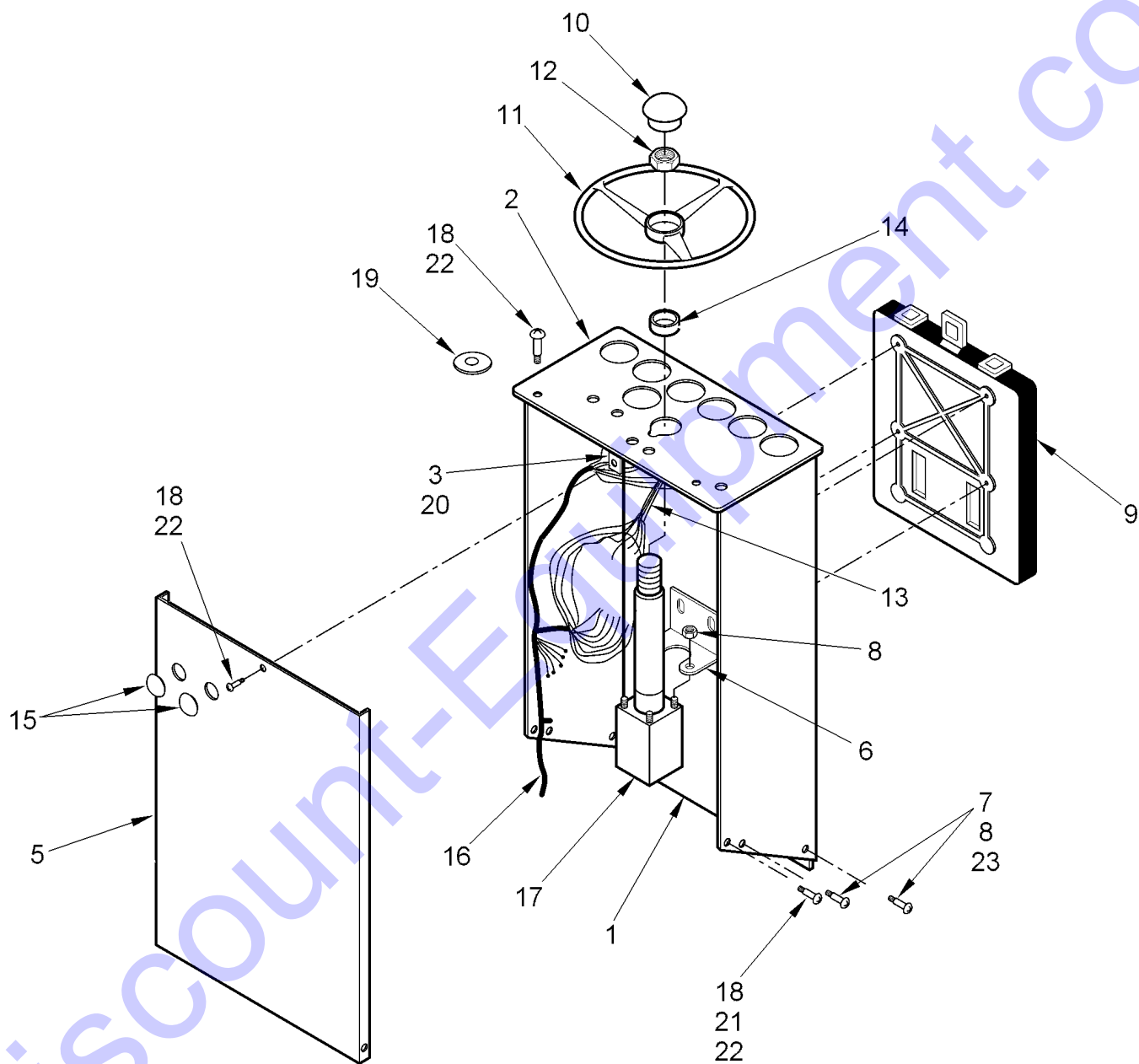
433030: COLUMN, STEERING



433030: COLUMN, STEERING

ITEM	PART NUMBER	F/N	DESCRIPTION	QTY	UOM
1	433037		COLUMN	1	EA
2	033886		NUT, HEX (13/16"-20NF, SPECIAL)	1	EA
3	035303		NUT, HEX (5/16"-24NF)	4	EA
4	435271		GASKET	1	EA
5	074211		WHEEL, STEERING	1	EA
6	074229		CAP, STEERING WHEEL	1	EA
7	385690	F1	VALVE, UNIT STEERING	1	EA
8	476770	F2	VALVE, STEERING	1	EA
9	451104	F1	VALVE, STEERING (W/POWER BEYOND)	1	EA
10	476788	F2	VALVE, STEERING (W/POWER BEYOND VALVE)	1	EA
11	457028	F1	VALVE, UNIT STEERING (FOR TOW KIT OPTION)	1	EA
12	477208	F2	VALVE, UNIT STEERING (FOR TOW KIT OPTION)	1	EA
REMAINING COMPONENTS					
	433862		KIT, SEAL (STEERING VALVE, F/476770)	1	EA
F1 - THRU REV. CODE -11.					
F2 - REV. CODE 012 AND LATER.					

CONSOLE AND INSTRUMENTATION



CAP-0002

CONSOLE AND INSTRUMENTATION

ITEM	PART NUMBER	F/N	DESCRIPTION	QTY	UOM
1	356394		COLUMN, CONTROL	1	EA
2	356402		DASH	1	EA
3	352054		MOUNT, CLIP NUT	1	EA
5	298588		COVER, CONTROL COLUMN	1	EA
6	V63029200		MOUNT, STEERING COLUMN	1	EA
7	441667		CAPSCREW (3/8"-16NC X 1", FLANGE WHIZLOCK)	6	EA
8	441477		NUT, LOCK (3/8"-16NC)	6	EA
9	414672		CASE, BLACK LITERATURE	1	EA
10	074229		CAP, STEERING WHEEL	1	EA
11	074211		WHEEL, STEERING	1	EA
12		F1	NUT, STEERING WHEEL	1	
13		F2	HARNESS, WIRING (GAUGE TO FUSE BLOCK)	1	
14	V61021200		GROMMET, STEERING COLUMN	1	EA
15	409623		PLUG (1-1/16" DIA. HOLE)	2	EA
16		F2	HARNESS, WIRING (MAIN)	1	
17		F3	VALVE, STEERING	1	
18	441550		CAPSCREW (1/4"-20NC X 3/4", FLANGE WHIZLOCK)	8	EA
19	446518		COVER, BLIND (2-1/16" DIA)	1	EA
20	067439		NUT, CLIP (1/4" X 20)	2	EA
21	440636		NUT, HEX (1/4"-20NC, FLANGE, WHIZLOCK)	4	EA
22	011321		WASHER, FLAT (1/4")	14	EA
23	011323		WASHER, FLAT (3/8")	12	EA
			REMAINING COMPONENTS		
	417717		PLUG, HOLE (.437" DIA.)	4	EA
			F1 - SUPPLIED WITH STEERING VALVE ITEM 17.		
			F2 - SEE MAIN ELECTRICAL SCHEMATIC.		
			F3 - SEE STEERING COLUMN ASSEMBLY.		

CROSS REFERENCE, BROOM

Broom Motors	Male Female Couplers	Motor Couplers	Broom Mounts	Cores	Set Screw	Key
404538	270561	338392	296039	351191	010702	
404541	9102713	351155	296038	see note	093575	9101779
404542	270561	338392	386511	351190	010637	
404543	270561	338392	386511	351190	010637	
404543	270561	338392	296039	351191	010702	

Note: Early square Danfoss core square is part 351189. Starting approximately Serial Number 29568 core is 351191.

Motor Mounts	Inside Length	Overall Length	
296039	9-1/4	10-1/4	Measure motor mount length to confirm the motor part number.
296038	9	10	
386511	9-3/4	10-3/4	

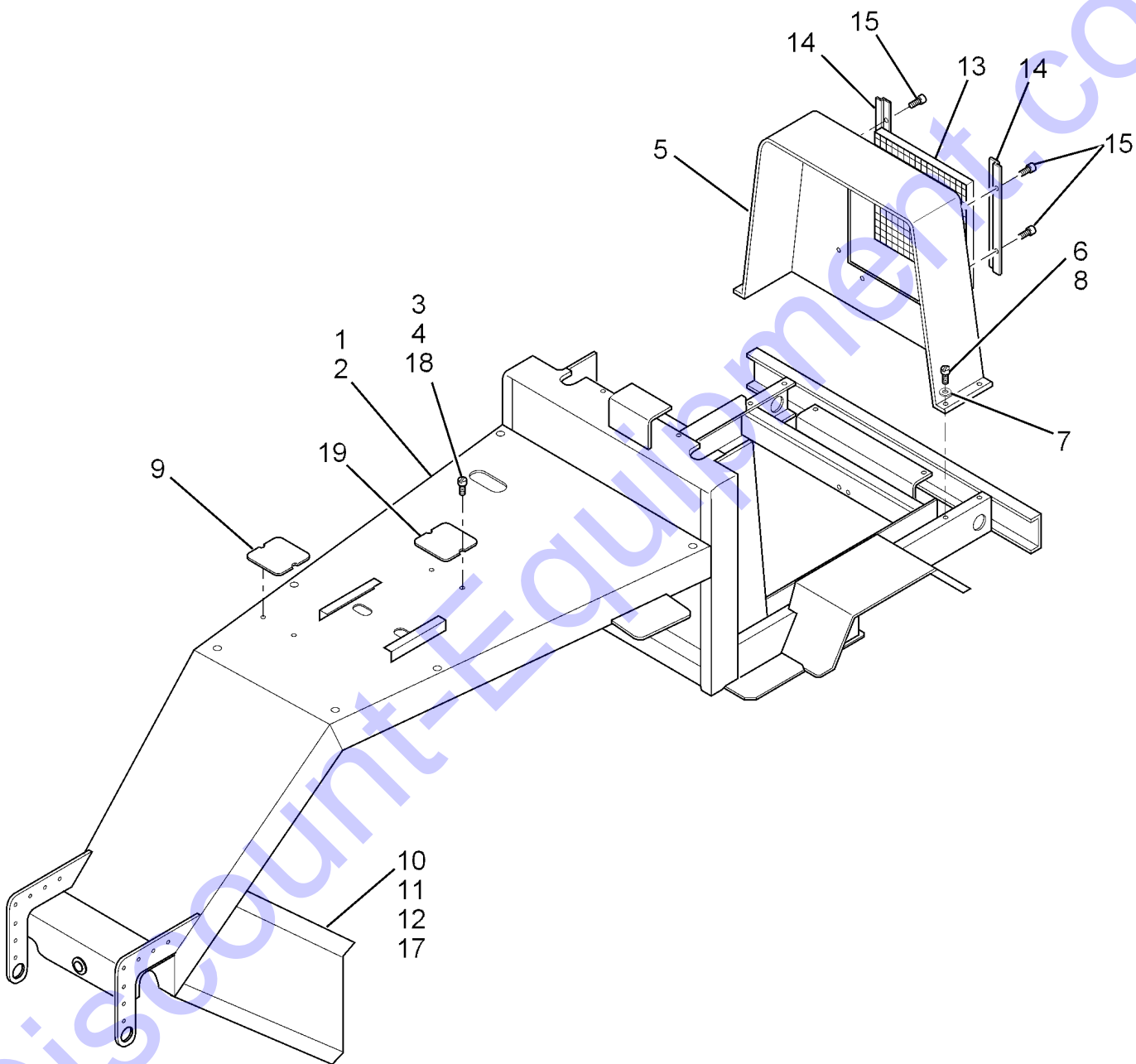
CROSS REFERENCE, BROOM

ITEM	PART NUMBER	F/N	DESCRIPTION	QTY	UOM
FOR BROOM MOTOR 404538					
1	404538		MOTOR, BROOM (SEE PAGE 136)	AR	EA
2	270561		COUPLER, MALE	AR	EA
3	338392		COUPLING, BROOM DRIVE FEMALE	AR	EA
4	296039		MOUNT, BROOM	AR	EA
5	351191		CORE, BROOM	AR	EA
6	010702		CAPSCREW (3/8"-16NC X 3")	AR	EA
FOR BROOM MOTOR 404541					
7	404541		BROOM MOTOR (EATON, BEFORE 11-09-04) (SEE PAGE 118)	AR	EA
8	9102713		BLOCK, BROOM MOTOR DRIVE	AR	EA
9	351155		COUPLER, FEMALE	AR	EA
10	296038		MOUNT, MOTOR	AR	EA
11	351189	F1	CORE, BROOM	AR	EA
12	351191	F1	CORE, BROOM	AR	EA
13	093575		SCREW, SET	AR	EA
14	9101779		KEY, SPECIAL (ROLLER STATOR MOTOR)		
FOR BROOM MOTOR 404542					
15	404542		MOTOR, BROOM (96" BRUSH PARKER) (SEE PAGE 138)	AR	EA
16	270561		COUPLER, MALE	AR	EA
17	338392		COUPLING, BROOM DRIVE FEMALE	AR	EA
18	386511		MOUNT, MOTOR	AR	EA
19	351190		CORE, BROOM	AR	EA
20	010637		SCREW, SET	AR	EA
FOR BROOM MOTOR 404543					
21	404543		BROOM MOTOR (DANFOSS, AFTER 11-09-04) (SEE PAGE 116)	AR	EA
22	270561		COUPLER, MALE	AR	EA
23	338392		COUPLING, BROOM DRIVE FEMALE	AR	EA
24	386511		MOUNT, MOTOR	AR	EA
25	351190		CORE, BROOM	AR	EA
26	010637		SCREW, SET	AR	EA
FOR BROOM MOTOR 404543					
27	404543		BROOM MOTOR (DANFOSS, AFTER 11-09-04) (SEE PAGE 116)	AR	EA

CROSS REFERENCE, BROOM

ITEM	PART NUMBER	F/N	DESCRIPTION	QTY	UOM
28	270561		COUPLER, MALE	AR	EA
29	338392		COUPLING, BROOM DRIVE FEMALE	AR	EA
30	296039		MOUNT, BROOM	AR	EA
31	351191		CORE, BROOM	AR	EA
32	010702		CAPSCREW (3/8"-16NC X 3")	AR	EA
			F1 - EARLY SQUARE DANFROSS CORE SQUARE		
			IS 351189. STARTING APPROXIMATELY		
			SERIAL NUMBER 29568 CORE IS 351191.		

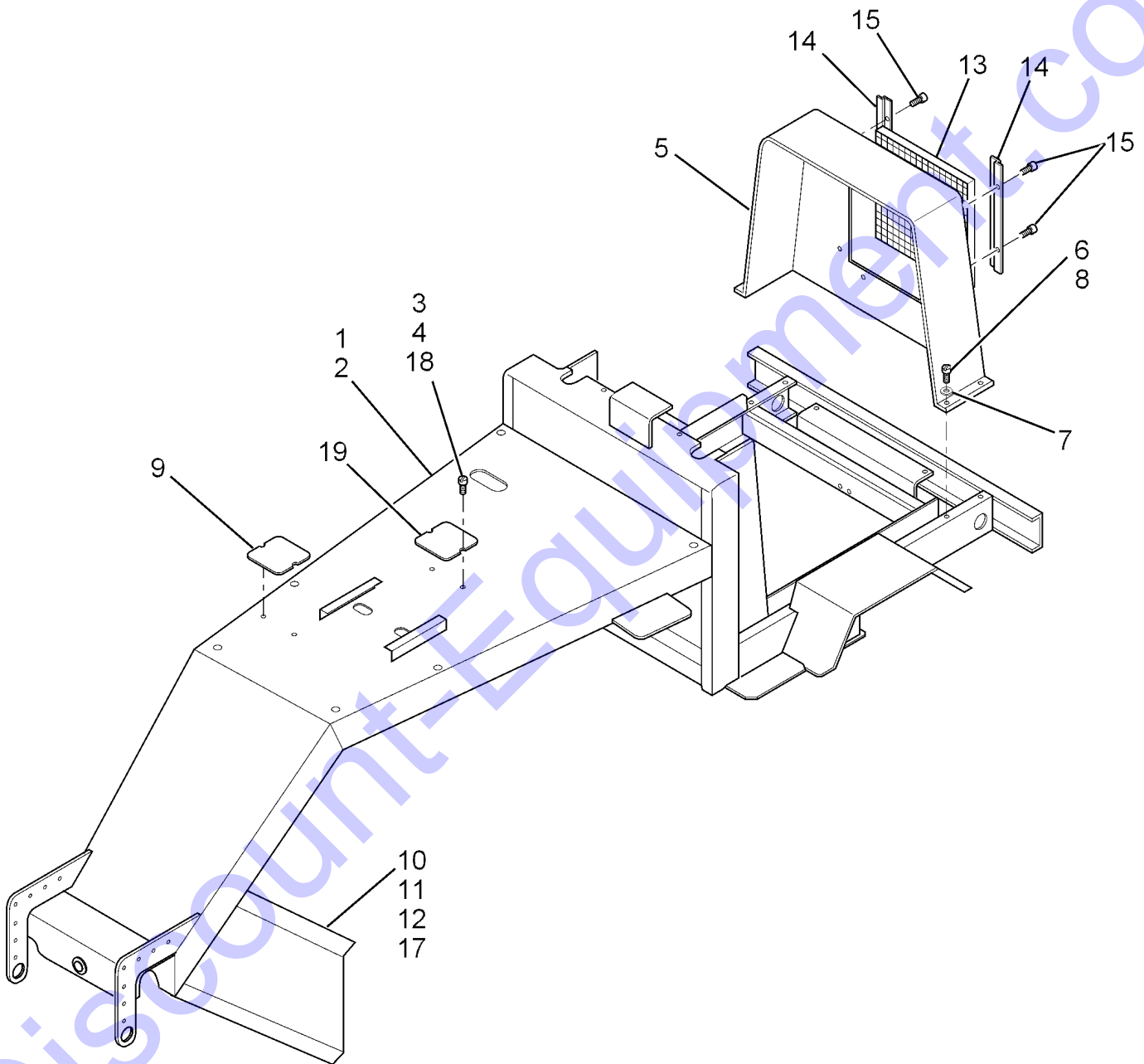
FRAME, MAIN (NON-YUKON UNITS)



FRAME, MAIN (NON-YUKON UNITS)

ITEM	PART NUMBER	F/N	DESCRIPTION	QTY	UOM
1	357013		FRAME, MAIN (COMPATIBLE W/3.3BT ENGINE)	1	EA
2	357014		FRAME, MAIN (96" OPTION)	1	EA
3	441550		CAPSCREW (1/4"-20NC X 3/4", FLANGE WHIZLOCK)	2	EA
4	067439		NUT, CLIP (1/4" X 20)	2	EA
5	349235		GUARD, ENGINE (W/CUMMINS 3.3)	1	EA
6	056879		CAPSCREW (1/2"-20NF X 1-1/4")	4	EA
7	011650		WASHER, FLAT (1/2")	4	EA
8	440644		NUT, HEX (1/2"-13NC, FLANGE, WHIZLOCK)	4	EA
9	616508		COVER, RUBBER	1	EA
10	281238		SHIELD, STEERING CYLINDER	1	EA
11	441667		CAPSCREW (3/8"-16NC X 1", FLANGE WHIZLOCK)	2	EA
12	083501		NUT, HEX (3/8"-16NC, FLANGE, WHIZLOCK)	2	EA
13	349258		PANEL, DOOR (SWING OUT)	1	EA
14	267260		ANGLE, FORMED	2	EA
15	010371		CAPSCREW (5/16"-18NC X 1-3/4")	4	EA
17	011323		WASHER, FLAT (3/8")	4	EA
18	011321		WASHER, FLAT (1/4")	2	EA
19	271015		COVER, FLOORBOARD HOLE	1	EA
			REMAINING COMPONENTS		
	011325		WASHER, FLAT (1/2")	8	EA
	369256		FRONT FENDER ASSEMBLY (ENTIRE FENDER KIT)	1	EA
	384966		FENDER (LEFT HAND)	1	EA
	384982		FENDER (RIGHT HAND)	1	EA

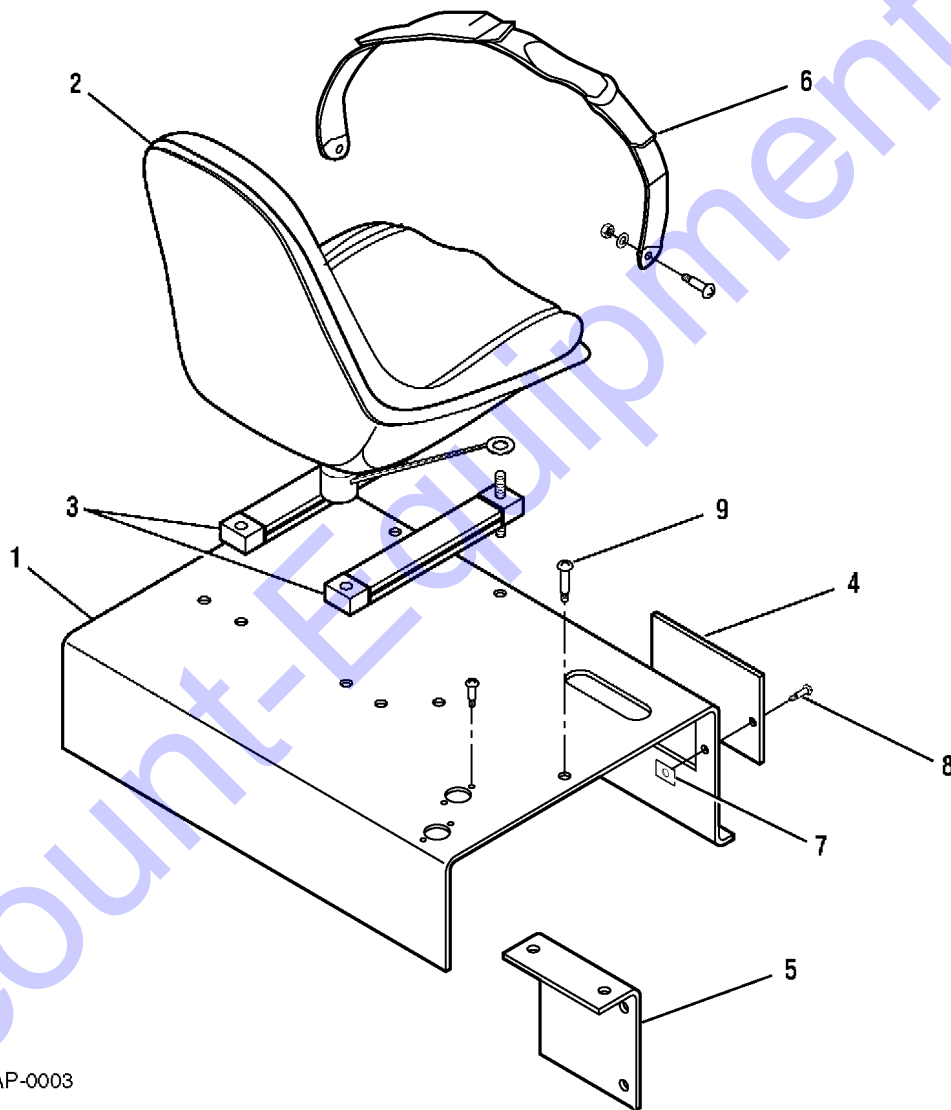
FRAME, MAIN (YUKON UNITS)



FRAME, MAIN (YUKON UNITS)

ITEM	PART NUMBER	F/N	DESCRIPTION	QTY	UOM
1	357013		FRAME, MAIN (COMPATIBLE W/3.3BT ENGINE)	1	EA
2	357014		FRAME, MAIN (96" OPTION)	1	EA
3	441550		CAPSCREW (1/4"-20NC X 3/4", FLANGE WHIZLOCK)	2	EA
4	067439		NUT, CLIP (1/4" X 20)	2	EA
5	349235		GUARD, ENGINE (W/CUMMINS 3.3)	1	EA
6	056879		CAPSCREW (1/2"-20NF X 1-1/4")	4	EA
7	011650		WASHER, FLAT (1/2")	4	EA
8	440644		NUT, HEX (1/2"-13NC, FLANGE, WHIZLOCK)	4	EA
9	616508		COVER, RUBBER	1	EA
10	281238		SHIELD, STEERING CYLINDER	1	EA
11	441667		CAPSCREW (3/8"-16NC X 1", FLANGE WHIZLOCK)	2	EA
12	083501		NUT, HEX (3/8"-16NC, FLANGE, WHIZLOCK)	2	EA
13	349258		PANEL, DOOR (SWING OUT)	1	EA
14	267260		ANGLE, FORMED	2	EA
15	010371		CAPSCREW (5/16"-18NC X 1-3/4")	4	EA
17	011323		WASHER, FLAT (3/8")	4	EA
18	011321		WASHER, FLAT (1/4")	2	EA
19	271015		COVER, FLOORBOARD HOLE	1	EA
REMAINING COMPONENTS					
	011325		WASHER, FLAT (1/2")	8	EA
	369256		FRONT FENDER ASSEMBLY (ENTIRE FENDER KIT)	1	EA
	449041		U-BOLT, PLATED (5/8"-11NC, AXLE MOUNTING)	2	EA
	384966		FENDER (LEFT HAND)	1	EA
	384982		FENDER (RIGHT HAND)	1	EA

SEAT AND MOUNTING ASSEMBLY

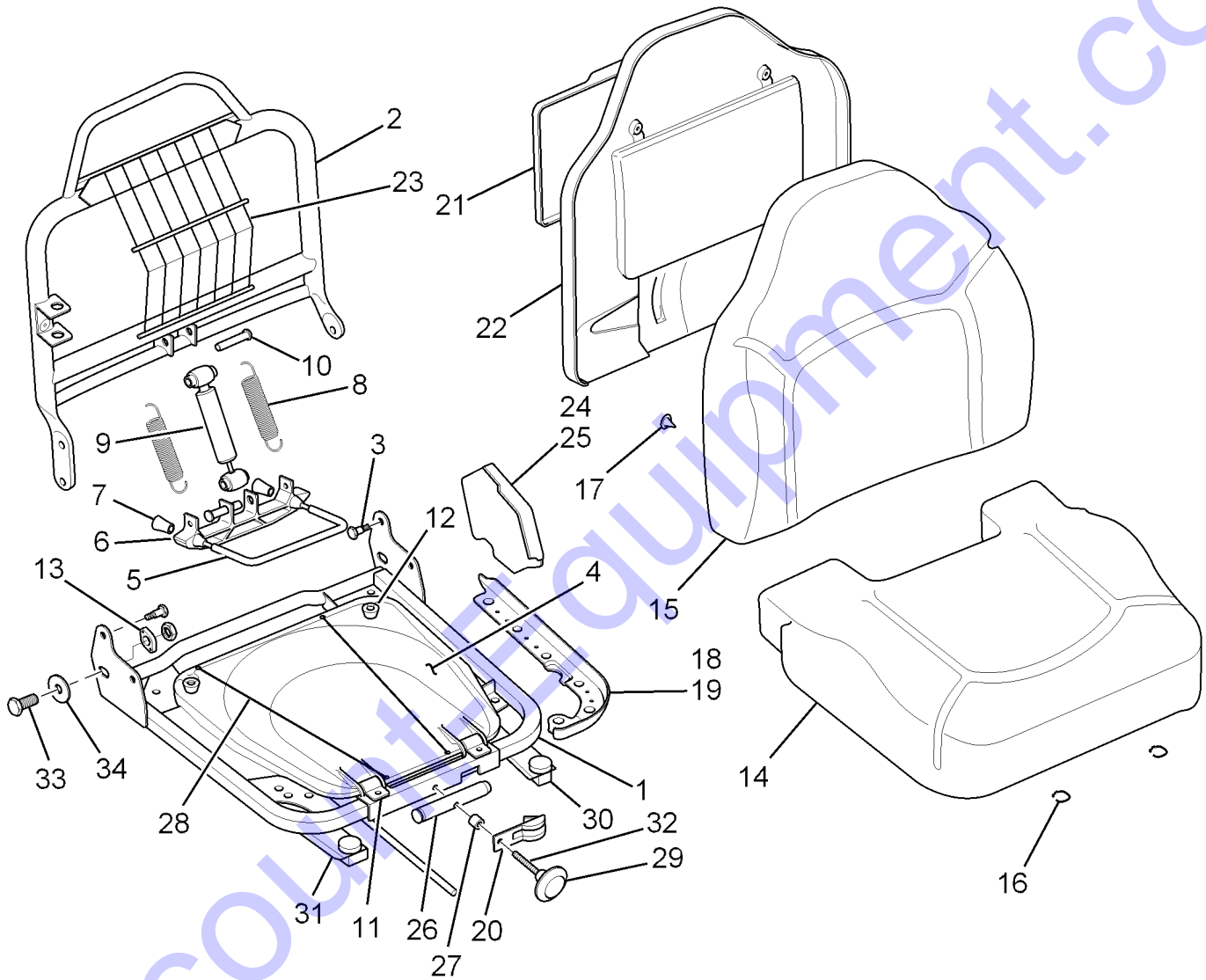


CAP-0003

SEAT AND MOUNTING ASSEMBLY

ITEM	PART NUMBER	F/N	DESCRIPTION	QTY	UOM
1	298018		MOUNT, SEAT	1	EA
2	433045		SEAT (ADAPTER INCLUDED)	1	EA
3	035519		ADJUSTERS, SLIDE	2	EA
4	275172		COVER	1	EA
5	341057		MOUNT, VALVE	1	EA
6	458778		SEAT BELT ASSEMBLY, RETRACTABLE (2")	1	EA
7	067439		NUT, CLIP (1/4" X 20)	2	EA
8	441550		CAPSCREW (1/4"-20NC X 3/4", FLANGE WHIZLOCK)	2	EA
9	010405		CAPSCREW (5/16"-18NC X 2-1/2")	3	EA
REMAINING COMPONENTS					
	443812		BELT, SEAT (3" BLACK)	1	EA
	083493		NUT, HEX (5/16"-18NC PL)	5	EA
	083485		CAPSCREW (5/16"-18NC X 3/4", PL)	3	EA
	441659		CAPSCREW (3/8"-16NC X 3/4", FLANGE WHIZLOCK)	3	EA
	011321		WASHER, FLAT (1/4")	2	EA
	011322		WASHER, FLAT (5/16")	7	EA
	011323		WASHER, FLAT (3/8")	8	EA
	083527		CAPSCREW (3/8"-16NC X 1-1/4")	1	EA

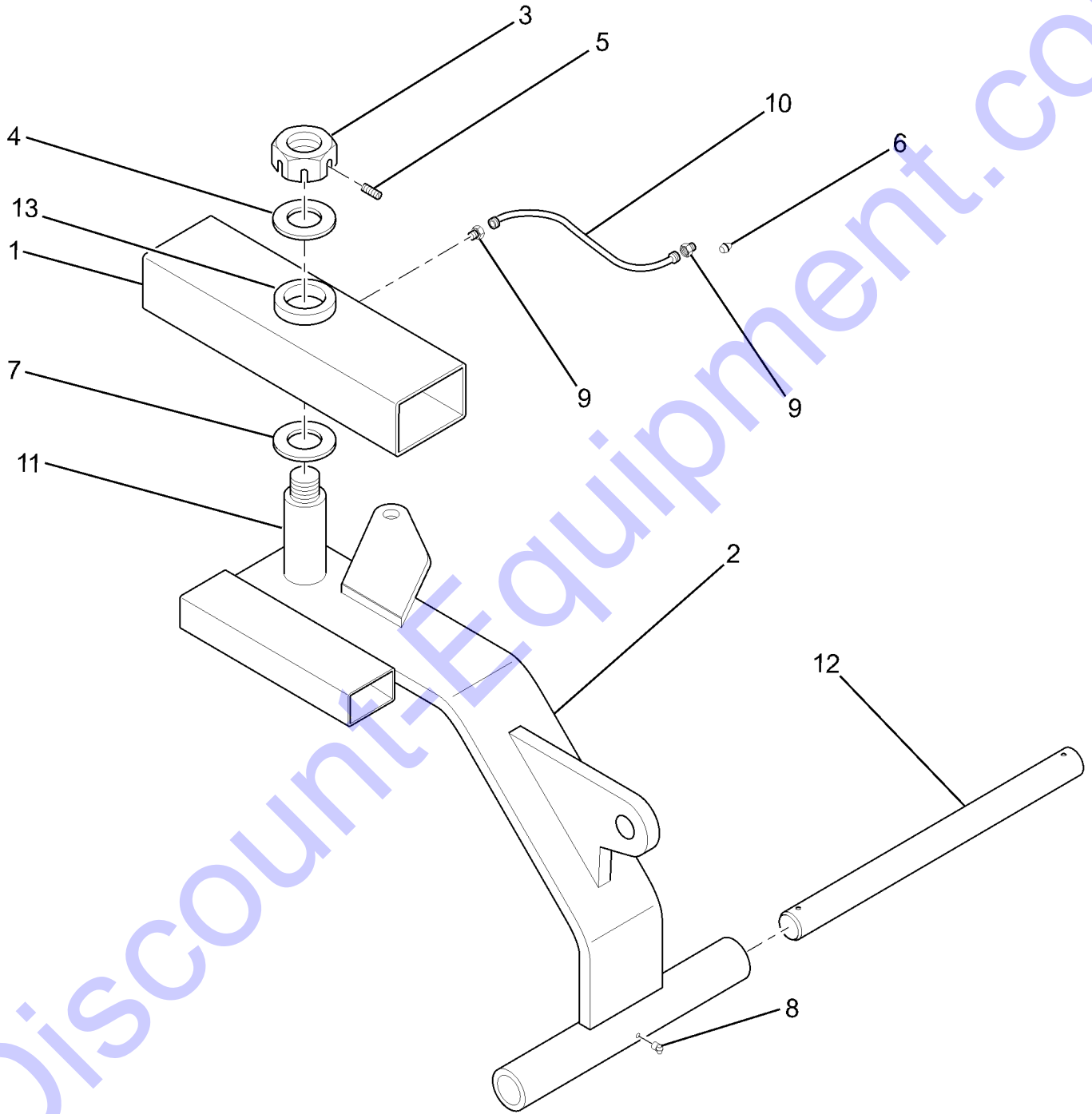
459958: SEAT, SUSPENSION (OPTIONAL)



459958: SEAT, SUSPENSION (OPTIONAL)

ITEM	PART NUMBER	F/N	DESCRIPTION	QTY	UOM
1		F1	FRAME, SEAT	1	
2		F1	FRAME, BACK	1	
3		F1	BOLT, SHOULDER	2	
4		F1	PAN, SUSPENSION	1	
5	461533		SPRING, ARM	1	EA
6	461434		SPRING, SADDLE	1	EA
7	461442		BUSHING, SADDLE	2	EA
8	461517		SPRING, SUSPENSION	2	EA
9	461525		SHOCK ABSORBER	1	EA
10	461541		PIN, SHOCK	2	EA
11	461590		CLIP, FRONT	2	EA
12		F1	BUMPER	2	
13	461558		BEARING, SPRING ARM	2	EA
14	461566		CUSHION, SEAT (VINYL)	1	EA
15	561574		CUSHION, BACK (VINYL)	1	EA
16	461582		CLIP, UPHOLSTRY	2	EA
17	461608		CLIP, X-MAS	7	EA
18		F1	FENDER (LEFT HAND)	1	
19		F1	FENDER (RIGHT HAND)	1	
20		F1	WEIGHT INDICATOR ASSEMBLY	1	
21		F1	DOOR, OPERATOR MANUAL	1	
22	461616		PANEL, BACK	1	EA
23		F2	BACK PANEL ASSEMBLY	1	
24		F1	COVER, PIVOT BRACKET (LEFT HAND)	1	
25		F1	COVER, PIVOT BRACKET (RIGHT HAND)	1	
26		F1	BAR, WEIGHT ADJUSTMENT	1	
27	461624		SPACER	1	EA
28		F1	CABLE ASSEMBLY	2	
29	461632		KNOB, WEIGHT ADJUSTMENT	1	EA
30	461657		ADJUSTER, FORE/AFT (SLAVE)	1	EA
31	461665		ADJUSTER, FORE/AFT (LOCK)	1	EA
32	461640		SCREW, ADJUST	1	EA
33		F1	BOLT, HEX (7/16"-20)	1	
34		F1	WASHER, FLAT (7/16")	1	
			NOTE: OPTIONAL ARMREST KIT, ORDER 459966.		
			F1 - PART NUMBER NOT AVAILABLE.		
			F2 - ITEMS 24 AND 25.		

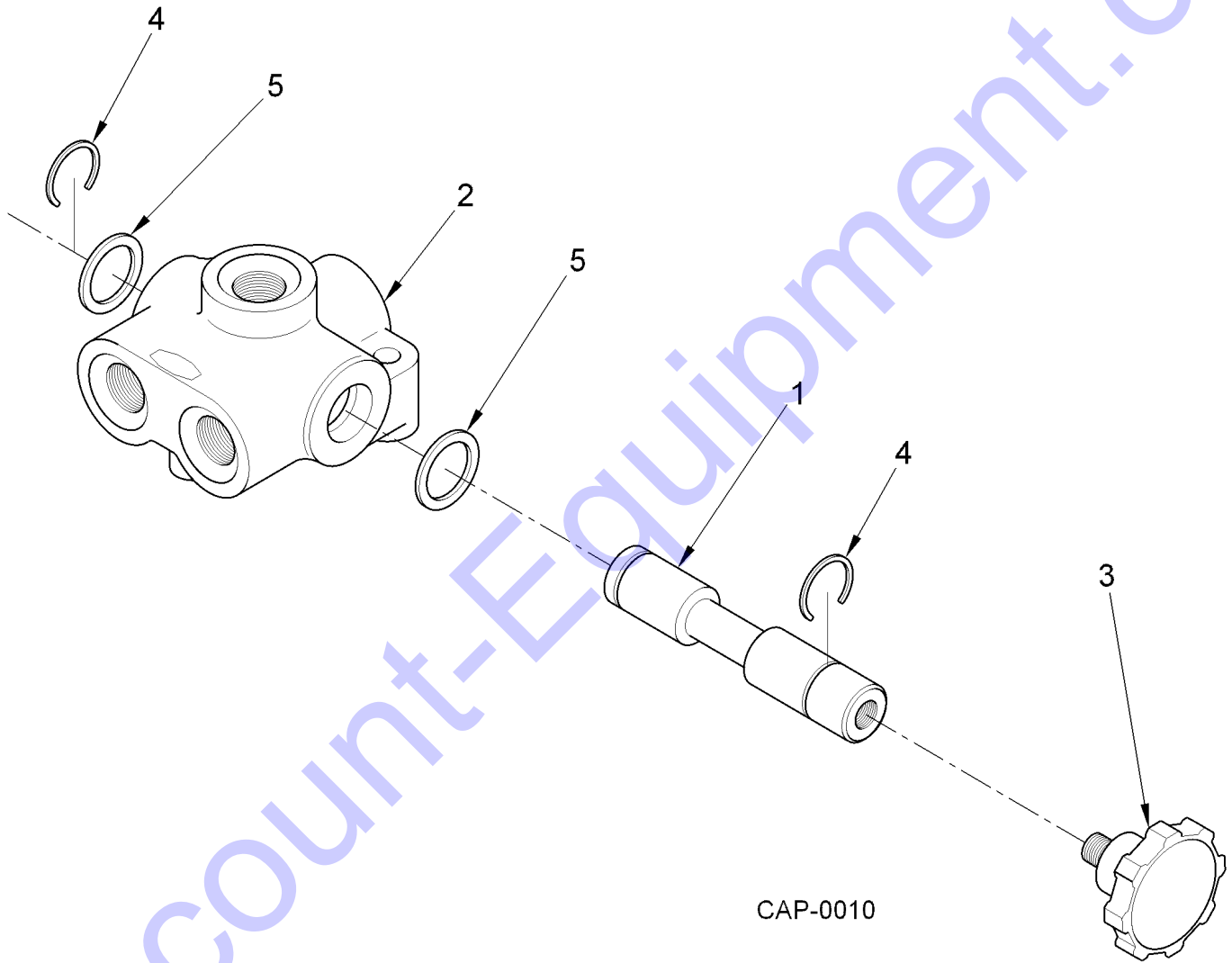
SUPPORT, BROOM



SUPPORT, BROOM

ITEM	PART NUMBER	F/N	DESCRIPTION	QTY	UOM
1	295279		TUBE, SUPPORT (PART OF MAINFRAME)	1	EA
2	296152		FRAME, BROOM SWING	1	EA
3	V63018700		NUT (1-3/4"-12NF)	1	EA
4	296228		WASHER, UPPER THRUST	1	EA
5	031161		SCREW, SET (BRASS TIP, 3/8"-16NC X 3/8")	1	EA
6	296806		FITTING, ORIFICE (0.46)	1	EA
7	296210		WASHER, LOWER THRUST	1	EA
8	033530		FITTING, GREASE (90 DEGREE, 1/4"-28)	1	EA
9	031831		FITTING (1/8" NPT TO 1/4" TUBE)	2	EA
10	345843		TUBE, GREASE	1	EA
11	296194		PIN, BROOM SWING (SM 250)	1	EA
12	295238		PIN, BROOM FRAME MOUNT	1	EA
13	269202		BUSHING	1	EA

440735: VALVE, BROOM SPEED CONTROL

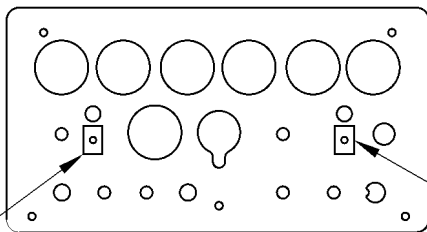


CAP-0010

440735: VALVE, BROOM SPEED CONTROL					
ITEM	PART NUMBER	F/N	DESCRIPTION	QTY	UOM
1		F1	SPOOL	1	
2		F1	VALVE BODY	1	
3	441212		KNOB	1	EA
4	441220		RING, SNAP	2	EA
5	441238		SEAL, SPOOL	2	EA
			REMAINING COMPONENTS		
	441246		KIT, SEAL	1	EA
			F1 - PART NUMBER NOT AVAILABLE.		

DECAL, INTERIOR

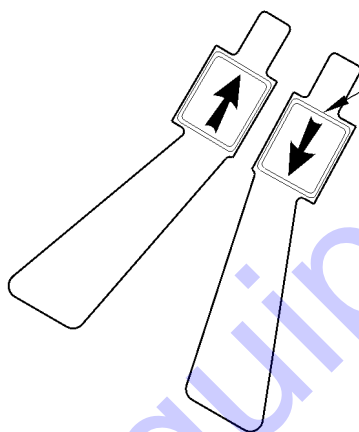
DASH



3

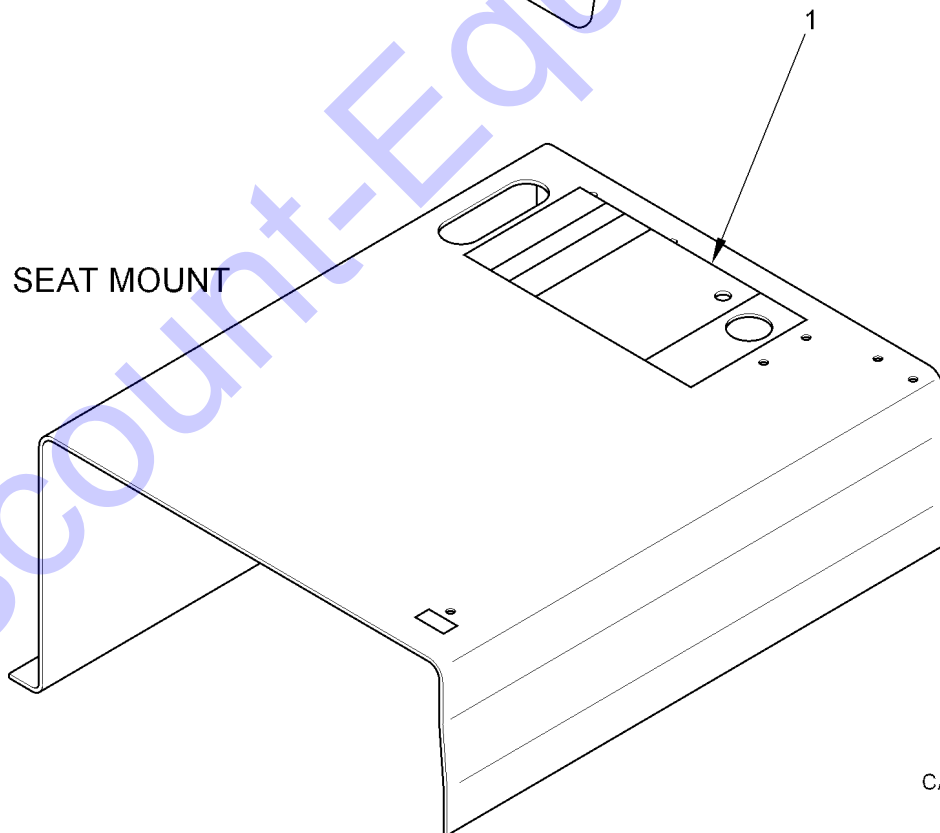
4

CONTROL PEDALS



5

SEAT MOUNT



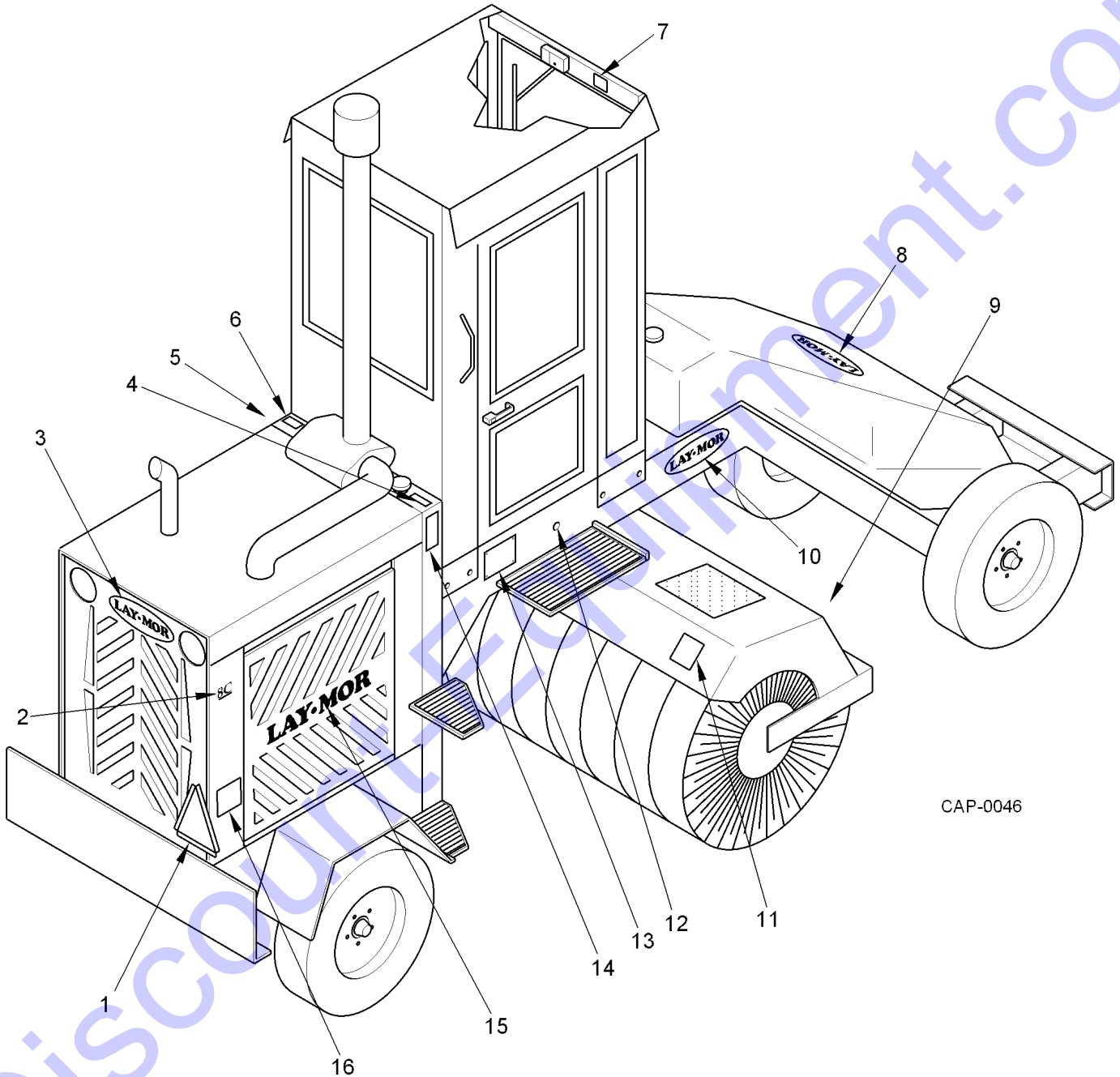
1

CAP-0047

DECAL, INTERIOR

ITEM	PART NUMBER	F/N	DESCRIPTION	QTY	UOM
1	467258		DECAL, OPERATOR INSTRUCTIONS (RH SIDE MOUNT)	1	EA
3	467282		DECAL, PARKING BRAKE LIGHT (DASH)	1	EA
4	467290		DECAL, HYDRAULIC OIL FILTER (DASH)	1	EA
5	458216		DECAL, FORWARD/REVERSE ARROW	2	EA
			REMAINING COMPONENTS		
	462606		DECAL, STEERING WHEEL	1	EA

KIT, DECAL (LAY-MOR)



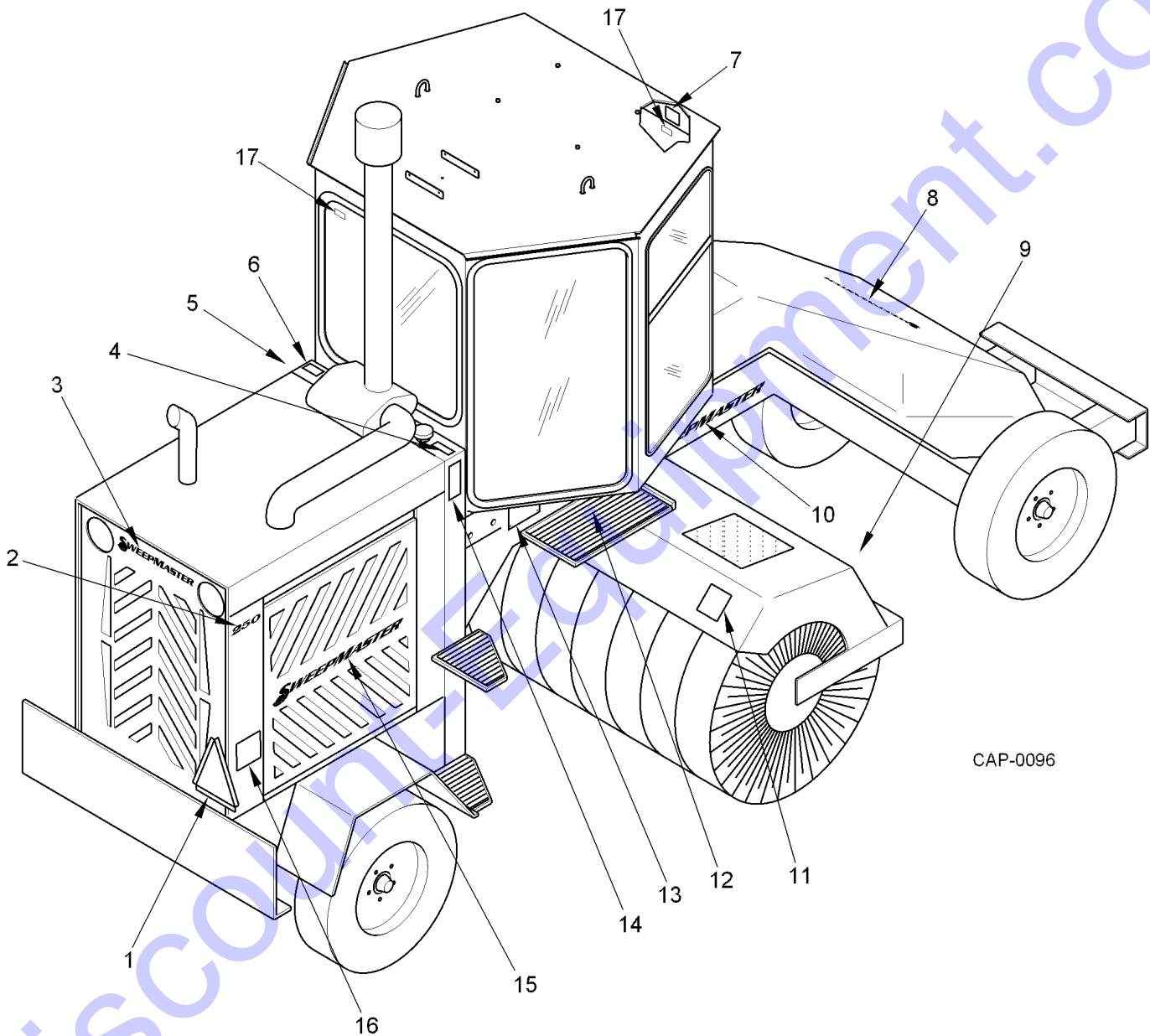
CAP-0046

KIT, DECAL (LAY-MOR)

ITEM	PART NUMBER	F/N	DESCRIPTION	QTY	UOM
1	272716		DECAL, SLOW MOVING VEHICLE	1	EA
2	477964		DECAL, 8C	2	EA
3	478061		DECAL, LAY-MOR	1	EA
4	450148		DECAL, DIESEL FUEL	1	EA
5	467274		DECAL, TOWING THE VEHICLE (L.H. SIDE ONLY)	1	EA
6	450155		DECAL, HYDRAULIC OIL	1	EA
7	448811		DECAL, CALIFORNIA WARNING	1	EA
8	477961		DECAL, LAY-MOR	1	EA
9	467266		DECAL, WARNING ("STAND CLEAR OF BROOM")	2	EA
10	478061		DECAL, LAY-MOR	2	EA
11	472720		DECAL, DANGER (PINCH POINT)	2	EA
12	467340		DECAL, GREASE DAILY	1	EA
13		F1	PLATE, NAME	1	
14	467324		DECAL, DANGER ("NO RIDERS")	2	EA
15	477966		DECAL, LAY-MOR	2	EA
16	443614		DECAL, DANGER ("ROTATING FAN")	2	EA

F1 - PART NUMBER NOT AVAILABLE.

KIT, DECAL (SWEEPMASTER)

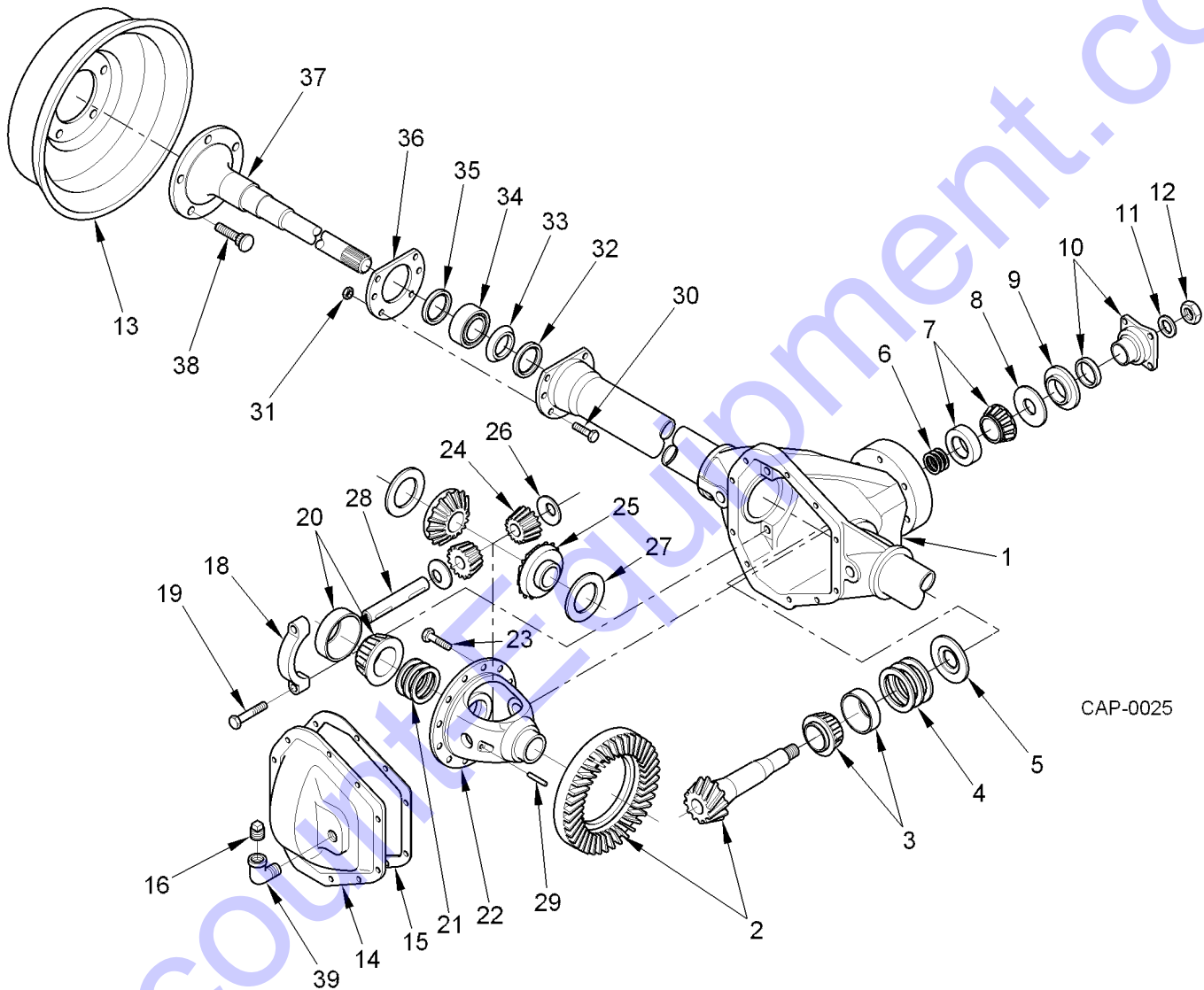


KIT, DECAL (SWEEPMASTER)

ITEM	PART NUMBER	F/N	DESCRIPTION	QTY	UOM
1	272716		DECAL, SLOW MOVING VEHICLE	1	EA
2	477962		DECAL, 250	2	EA
3	477967		DECAL, SWEEPMASTER	1	EA
4	450155		DECAL, HYDRAULIC OIL	1	EA
5	467274		DECAL, TOWING THE VEHICLE (L.H. SIDE ONLY)	1	EA
6	450148		DECAL, DIESEL FUEL	1	EA
7	448811		DECAL, CALIFORNIA WARNING	1	EA
8	477963		DECAL, SWEEPMASTER	1	EA
9	467266		DECAL, WARNING ("STAND CLEAR OF BROOM")	2	EA
10	406249		DECAL, SWEEPMASTER	2	EA
11	467485		DECAL, DANGER "STAY CLEAR" PINCHPOINT	2	EA
12	467340		DECAL, GREASE DAILY	1	EA
13		F1	PLATE, NAME	1	
14	467324		DECAL, DANGER ("NO RIDERS")	2	EA
15	477965		DECAL, SWEEPMASTER	2	EA
16	443614		DECAL, DANGER ("ROTATING FAN")	2	EA
17	432252		DECAL, EMERGENCY WINDOW	2	EA

F1 - PART NUMBER NOT AVAILABLE.

447904: AXLE, REAR



CAP-0025

447904: AXLE, REAR

ITEM	PART NUMBER	F/N	DESCRIPTION	QTY	UOM
1		F1	HOUSING, AXLE	1	
2		F1	GEAR AND PINION ASSEMBLY (DRIVE)	1	
3		F1	BEARING, INNER PINION	1	
4		F1	SHIM, PINION ADJUSTING (DRIVE)	AR	
5	435727		BAFFLE, PINION BEARING	1	EA
6		F1	SHIM, PINION BEARING ADJUSTING	AR	
7		F1	BEARING, OUTER PINION	1	
8	435735		SLINGER, PINION BEARING OUTER	1	EA
9	435743		SEAL, PINION	1	EA
10	435628		COMPANION FLANGE ASSEMBLY	1	EA
11	435750		WASHER, PINION NUT	1	EA
12	435768		NUT, PINION	1	EA
13	449546		DRUM	2	EA
14		F1	COVER, CARRIER	1	
15	066043		GASKET	1	EA
16	031740		PLUG, COVER (3/4"-NPT)	1	EA
18		F1	CAP, DIFFERENTIAL BEARING	2	
19	037622		BOLT, DIFFERENTIAL BEARING CAP	4	EA
20		F1	KIT, DIFFERENTIAL BEARING	2	
21		F1	SHIM, DIFFERENTIAL BEARING	AR	
22		F1	CASE, DIFFERENTIAL	1	
23	435776		BOLT, DRIVE GEAR	12	EA
24		F1	PINION, DIFFERENTIAL	2	
25		F1	GEAR, DIFFERENTIAL	2	
26		F1	THRUST WASHER, PINION	2	
27		F1	THRUST WASHER, DIFFERENTIAL GEAR	2	
28		F1	SHAFT, DIFFERENTIAL	1	
29		F1	LOCK, DIFFERENTIAL SHAFT	1	
30	435966		BOLT, BRAKE MOUNTING	8	EA
31	435974		NUT, BRAKE MOUNTING	12	EA
32	435792		SEAL, SHAFT INBOARD	2	EA
33		F1	RING, WHEEL BEARING RETAINER	2	
34		F1	BEARING ASSEMBLY	2	
35	435826		SEAL, SHAFT OUTBOARD	2	EA
36		F1	RETAINER, AXLE SHAFT	2	
37		F1	SHAFT, AXLE FLANGE	2	
38	449140		BOLT, WHEEL	10	EA
39	075796		ELBOW, 90 DEGREE STREET	1	EA
			REMAINING COMPONENTS		
		F1	L.H. REAR BRAKE ASSEMBLY	1	
		F1	R.H. REAR BRAKE ASSEMBLY	1	
	435958		BOLT, CARRIER COVER	10	EA
	449207		PLUG, AXLE FLANGE	2	EA

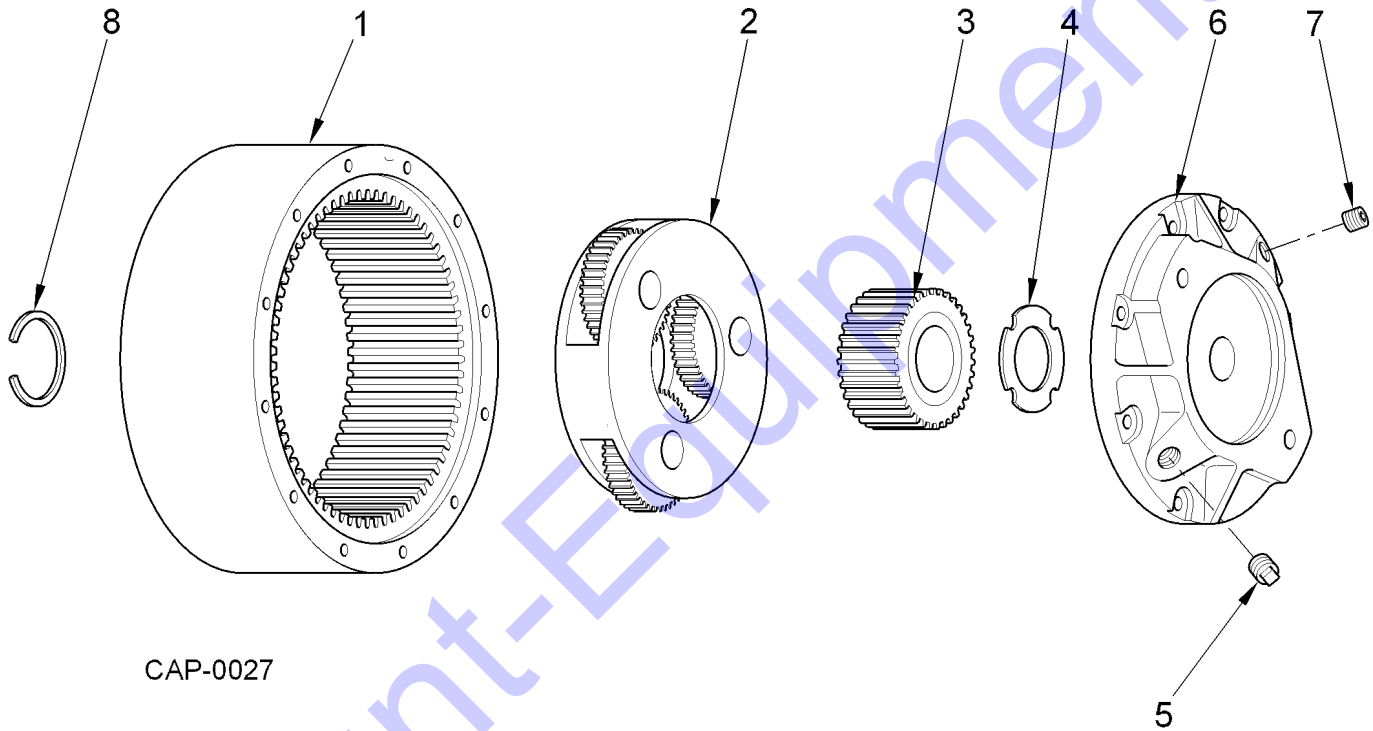
447904: AXLE, REAR

ITEM	PART NUMBER	F/N	DESCRIPTION	QTY	UOM
			AXLE KITS AND ASSEMBLIES		
	449157	F2	HOUSING, AXLE	AR	EA
	435636	F3	KIT, DRIVE GEAR AND PINION	AR	EA
	435644	F4	KIT, DIFFERENTIAL CASE	AR	EA
	449165	F5	KIT, CARRIER COVER	AR	EA
	435669	F6	KIT, DIFFERENTIAL CASE INNER PARTS	AR	EA
	435677	F7	KIT, UNIT BEARING AND SEAL	AR	EA
	435685	F8	KIT, OUTER PINION BEARING	AR	EA
	435693	F9	KIT, INNER PINION BEARING	AR	EA
	435701	F10	KIT, DIFFERENTIAL BEARING	AR	EA
	435719	F11	KIT, DIFFERENTIAL AND PINION SHIM	AR	EA
	449199	F12	KIT, AXLE SHAFT (COMPLETE)	AR	EA
	449215	F13	KIT, RING GEAR, PINION AND BOLTS	AR	EA
	449223	F14	KIT, DIFFERENTIAL CASE	AR	EA
	449231	F15	KIT, DIFFERENTIAL ADJUSTMENT SHIM	AR	EA
			NOTE: QUANTITIES ARE PER AXLE ASSEMBLY.		
			NOTE: ITEMS WITH NO PART NUMBERS ARE AVAILABLE IN KITS AND ASSEMBLIES ONLY, AS DEFINED AT END OF TABLE.		
			F1 - PART NUMBER NOT AVAILABLE.		
			F2 - INCLUDES ITEMS 1, 18 AND 19.		
			F3 - INCLUDES ITEMS 2 THRU 9, 11, 12, 15, 22 AND 23.		
			F4 - INCLUDES ITEMS 15 AND 20 THRU 29.		
			F5 - INCLUDES ITEMS 14, 16 AND 17.		
			F6 - INCLUDES ITEMS 15, 23 THRU 29.		
			F7 - INCLUDES ITEMS 32 THRU 36.		
			F8 - INCLUDES ITEMS 7.		
			F9 - INCLUDES ITEMS 3.		
			F10 - INCLUDES ITEMS 20 AND 21.		

447904: AXLE, REAR

ITEM	PART NUMBER	F/N	DESCRIPTION	QTY	UOM
			<p>F11 - INCLUDES ITEMS 4, 6, 11, 12 AND 15.</p> <p>F12 - INCLUDES ITEMS 32 THRU 38.</p> <p>F13 - INCLUDES ITEMS 2,11,12,23,37 AND 38.</p> <p>F14 - INCLUDES ITEMS 15, 21, 23 AND 29.</p> <p>F15 - INCLUDES ITEMS 15 AND 21.</p>		

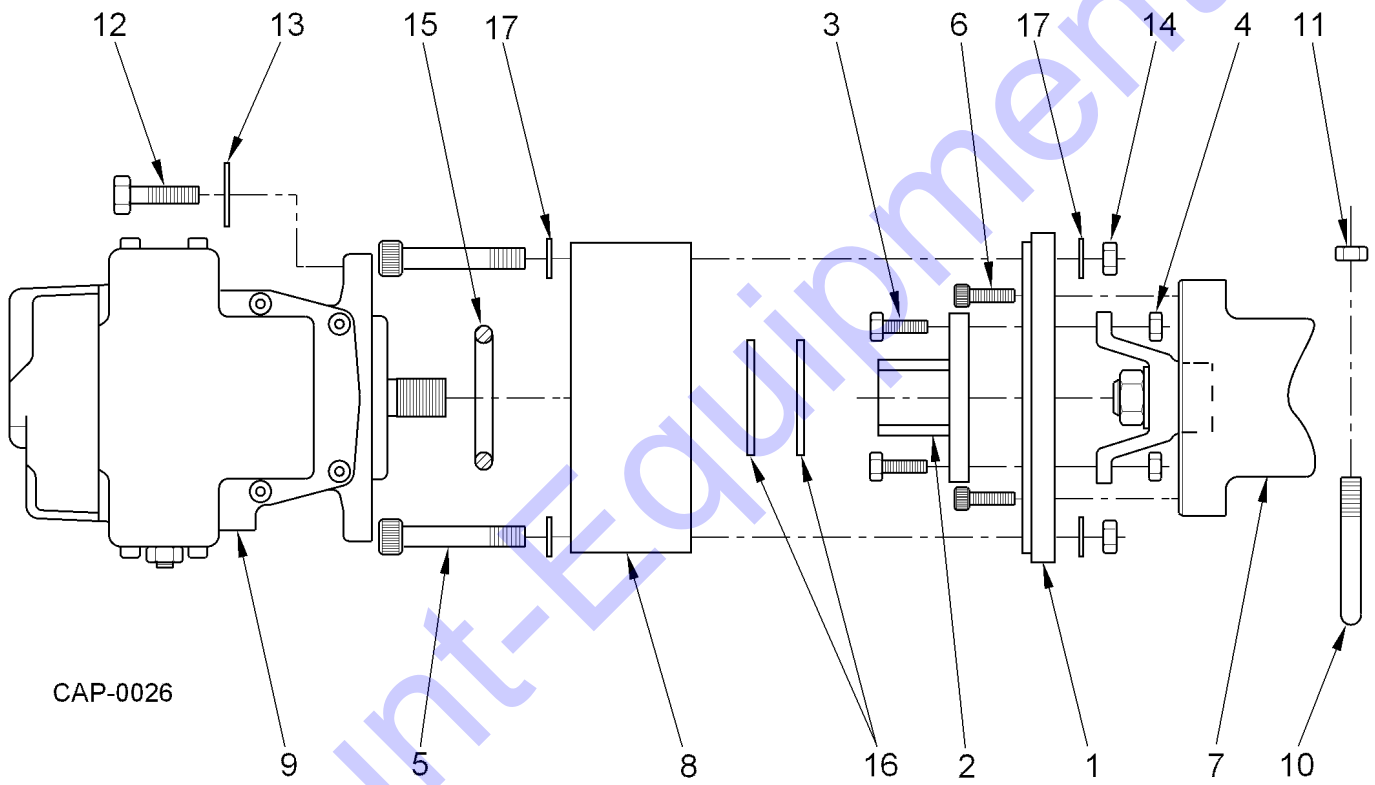
440669: BOX, GEAR (3:71:1 RATIO)



440669: BOX, GEAR (3:71:1 RATIO)

ITEM	PART NUMBER	F/N	DESCRIPTION	QTY	UOM
1	442483		GEAR, RING	1	EA
2	442491		PRIMARY CARRIER ASSEMBLY	1	EA
3	442509		GEAR, PRIMARY SUN	1	EA
4	409003		WASHER, THRUST	1	EA
5	442517		PLUG, MAGNETIC PIPE	1	EA
6	442525		COVER, LARGE	1	EA
7	040683		PLUG, PIPE (1/2"NPT)	1	EA
8	440099		RING, SNAP	2	EA

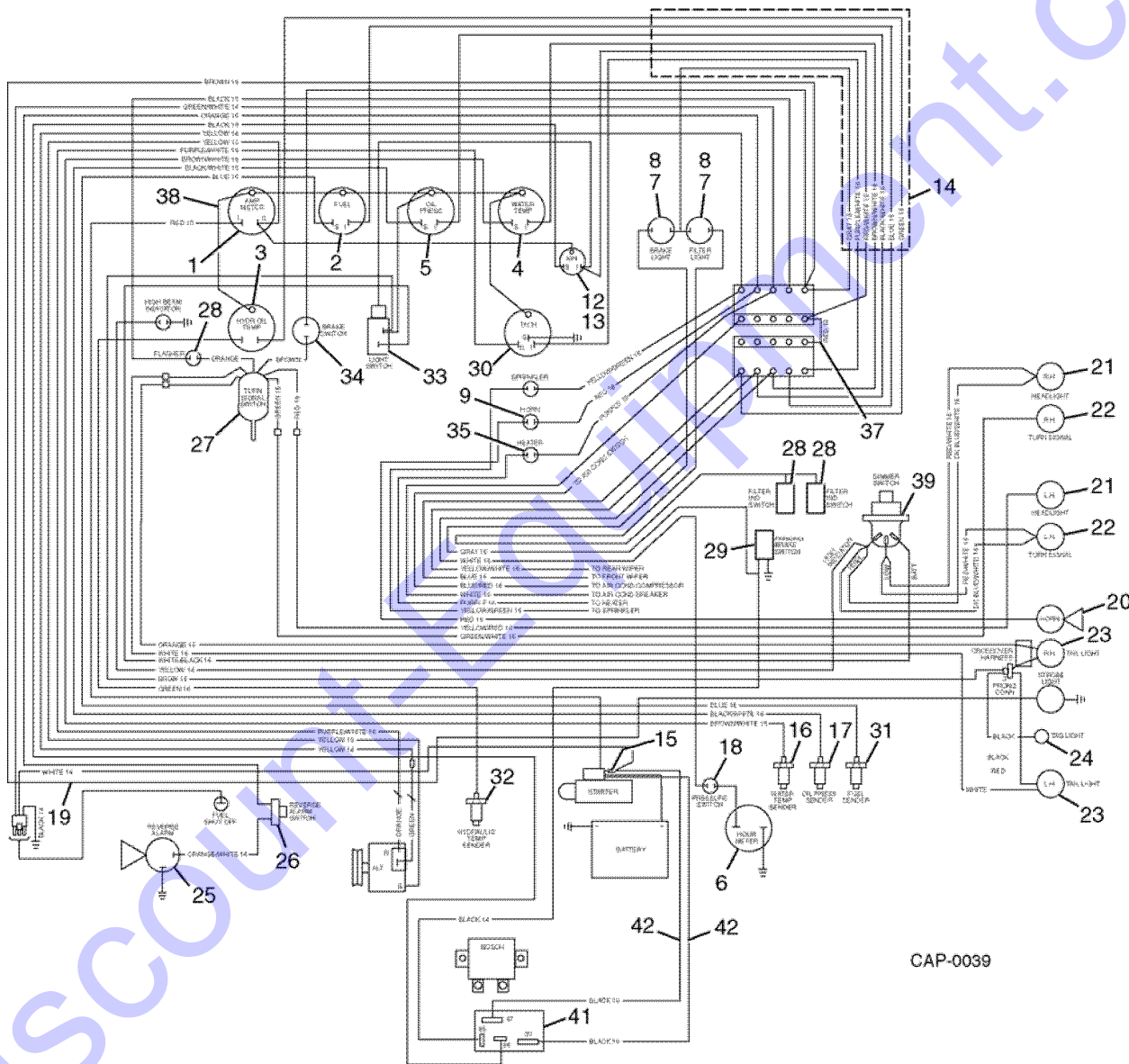
TRAIN, DRIVE



TRAIN, DRIVE

ITEM	PART NUMBER	F/N	DESCRIPTION	QTY	UOM
1	347401		MOUNT, GEAR BOX	1	EA
2	440081		COUPLER, SPLINED	1	EA
3	083527		CAPSCREW (3/8"-16NC X 1-1/4")	4	EA
4	441477		NUT, LOCK (3/8"-16NC)	4	EA
5	010496		CAPSCREW (5/16" X 5-1/2")	8	EA
6	011684		CAPSCREW (9/16"-12NC X 1-1/2")	6	EA
7	447904		AXLE, REAR (SEE PAGE 64)	1	EA
8	440669		BOX, GEAR (3:71:1 RATIO) (SEE PAGE 68)	1	EA
9		F1	MOTOR, HYDROSTATIC	1	
10	449041		U-BOLT, PLATED (5/8"-11NC, AXLE MOUNTING)	4	EA
11	429860		NUT, HEX (5/8-11NC)	4	EA
12	441774		CAPSCREW (1/2"-13NC X 1-1/4")	2	EA
13	011325		WASHER, FLAT (1/2")	2	EA
14	083493		NUT, HEX (5/16"-18NC PL)	8	EA
15	407593		O-RING	1	EA
16	440099		RING, SNAP	2	EA
17	011322		WASHER, FLAT (5/16")	16	EA
			F1 - PART NUMBER NOT AVAILABLE.		

SCHEMATIC, MAIN ELEC (CUMMINS)



CAP-0039

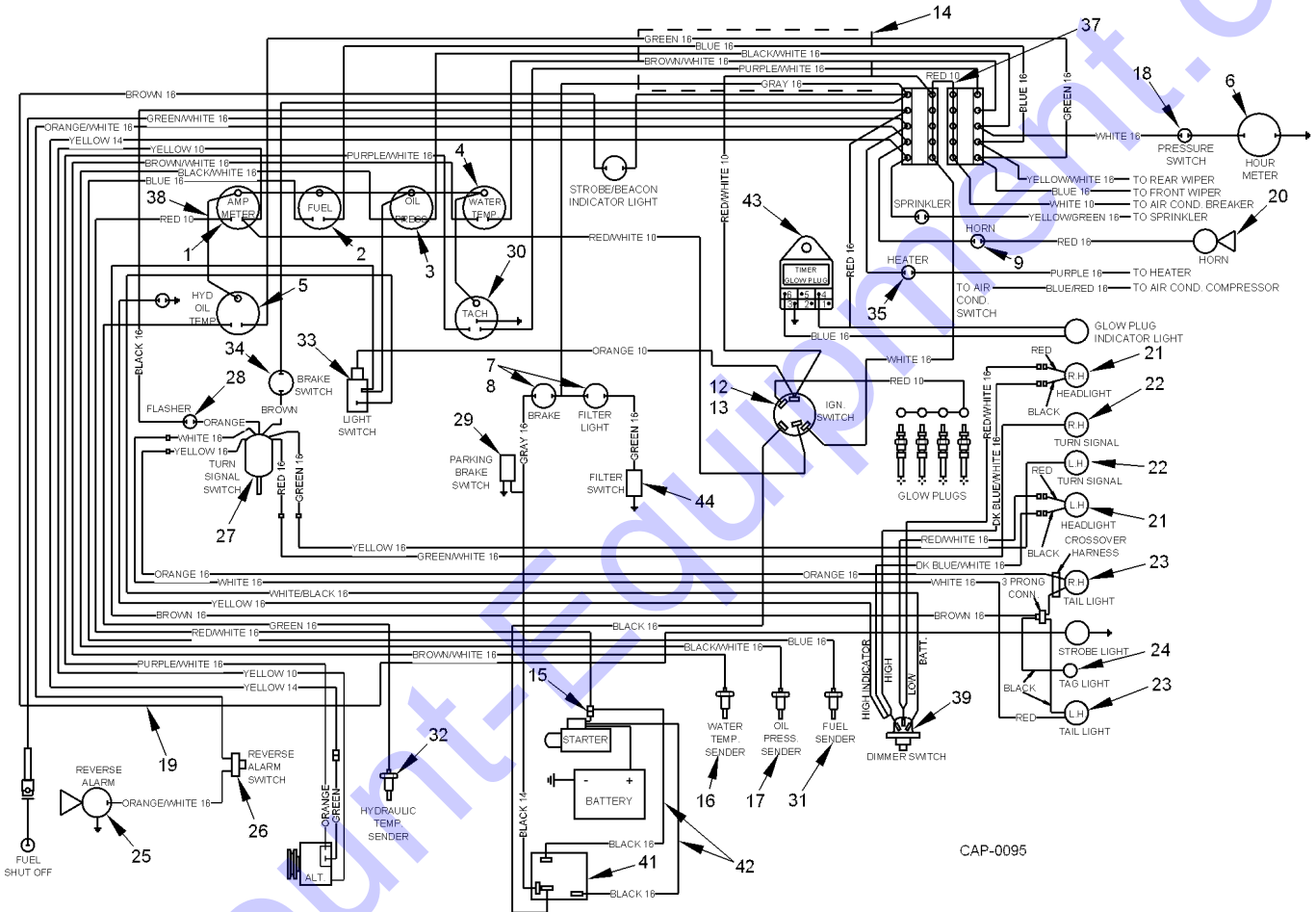
SCHEMATIC, MAIN ELEC (CUMMINS)

ITEM	PART NUMBER	F/N	DESCRIPTION	QTY	UOM
1	078006		AMMETER	1	EA
2	077982		GAUGE, FUEL	1	EA
3	078022		GAUGE, OIL PRESSURE	1	EA
4	416115		GAUGE, WATER TEMPERATURE	1	EA
5	416123		GAUGE, HYDRAULIC OIL TEMPERATURE	1	EA
6	034892		METER, HOUR	1	EA
7	418376		LIGHT, RED INDICATOR (BRAKE AND FILTER)	2	EA
8	060624	F1	BULB (12V, 2-WATT)	1	EA
9	450270		SWITCH, PUSHBUTTON (HORN)	1	EA
12	407825		SWITCH,IGNITION (3 WIRE)	1	EA
13	407833		KEY,IGNITION	1	EA
14	298562		HARNESS, WIRING (GAUGES TO FUSE BLOCK)	1	EA
15	403311		BREAKER, CIRCUIT (12V, 50 AMP)	1	EA
16	416156		SENDER, WATER TEMPERATURE	1	EA
17	041988		SENDER, OIL PRESSURE	1	EA
18	078063		SWITCH, PRESSURE (2-6 PSI .12-NPT)	1	EA
19	382532		HARNESS, WIRING	1	EA
20	382846		KIT, HORN (12V)	1	EA
21	461467	F2	HEADLIGHT, RECTANGULAR (H/L BEAM, HALOGEN)	1	EA
22	461475	F2	LIGHT, FLASHER (RED/AMBER RECTANGULAR)	1	EA
23	V63015800		LIGHT, TAIL	1	EA
24	V63015300		LIGHT, TAG	1	EA
25	473736		ALARM, REVERSE	1	EA
26	459792		SWITCH, REVERSE ALARM	1	EA
27	466698		SWITCH, TURN SIGNAL	1	EA
28		F3	SWITCH, FILTER INDICATOR	2	
29	413872		SWITCH, PARKING BRAKE	1	EA
30	448985	F2	TACHOMETER	1	EA
31	462176		SENDER, FUEL	1	EA
32	416131		SENDER, HYDRAULIC TEMPERATURE	1	EA
33	V61012700		SWITCH, LIGHT	1	EA
34	049924		SWITCH, BRAKE LIGHT	1	EA
35	446633		SWITCH, HEATER	1	EA
37	237180		WIRE (RED, 10 GAUGE, 3")	1	EA
38	276683		LIGHT ASSEMBLY (INSTRUMENTS)	1	EA
39	432344		SWITCH, DIMMER	1	EA
41	460493		RELAY (12V, 75 AMP)	1	EA
42	369181		WIRING ASSEMBLY (BLACK, 30")	2	EA
			REMAINING COMPONENTS		
	075887		BLOCK, FUSE	2	EA
	077040		FUSE	10	EA
	V63121300		MODULE, FLASHER (3 PRONG)	1	EA
	V61019788		STRAP, CONNECTOR	1	EA
	078584		TERMINAL (1/4 MALE BLADE)	1	EA

SCHEMATIC, MAIN ELEC (CUMMINS)

ITEM	PART NUMBER	F/N	DESCRIPTION	QTY	UOM
			F1 - REPLACEMENT BULB FOR ITEM 7. F2 - OPTIONAL EQUIPMENT. F3 - PART NUMBER NOT AVAILABLE.		

SCHEMATIC, MAIN ELEC (KUBOTA)



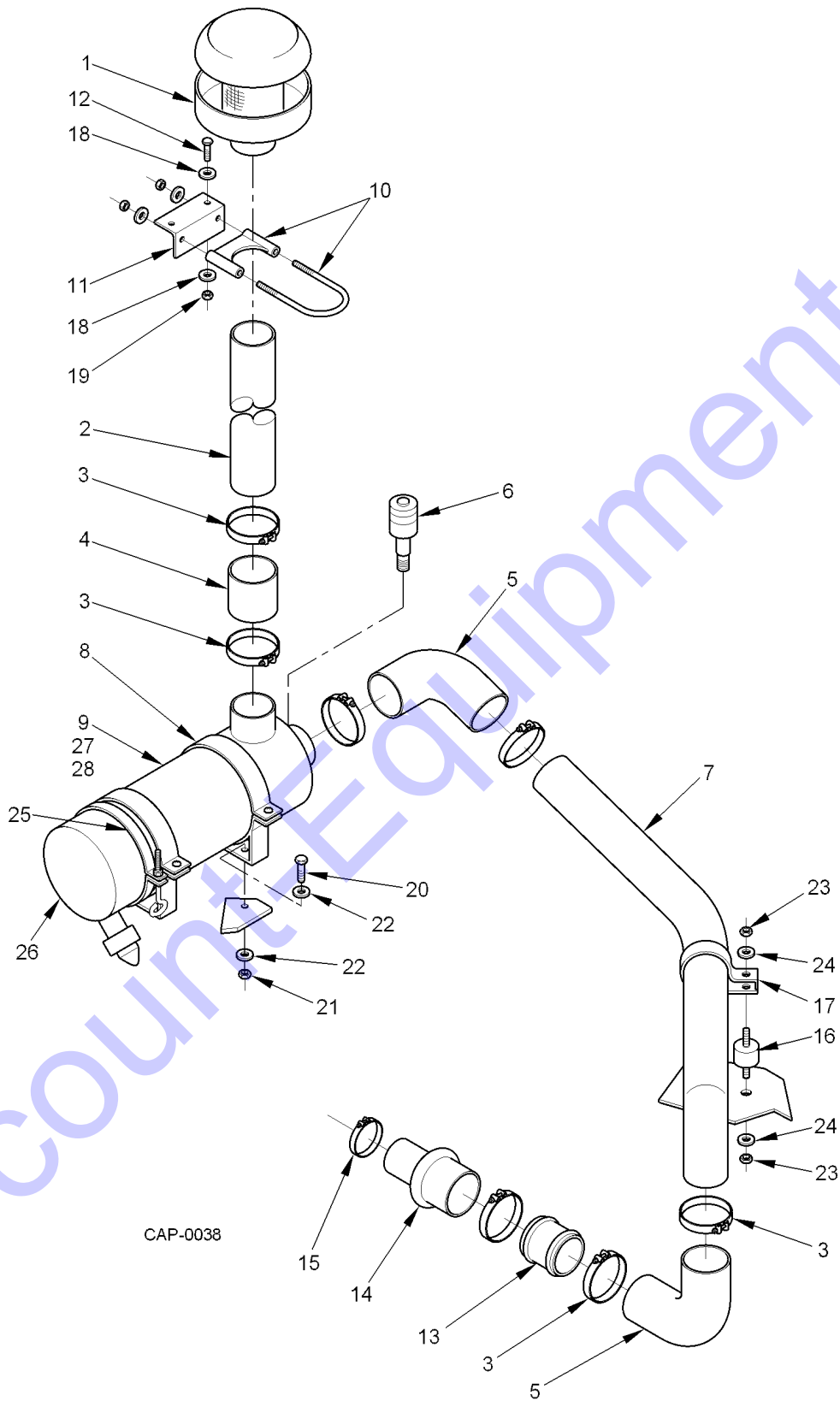
SCHEMATIC, MAIN ELEC (KUBOTA)

ITEM	PART NUMBER	F/N	DESCRIPTION	QTY	UOM
1	078006		AMMETER	1	EA
2	077982		GAUGE, FUEL	1	EA
3	078022		GAUGE, OIL PRESSURE	1	EA
4	416115		GAUGE, WATER TEMPERATURE	1	EA
5	416123		GAUGE, HYDRAULIC OIL TEMPERATURE	1	EA
6	034892		METER, HOUR	1	EA
7	418376		LIGHT, RED INDICATOR (BRAKE AND FILTER)	2	EA
8	060624	F1	BULB (12V, 2-WATT)	1	EA
9	450270		SWITCH, PUSHBUTTON (HORN)	1	EA
12	9101497		SWITCH, IGNITION (W/KEYS, F/KUBOTA ENGINE)	1	EA
13	9101528		KEY, IGNITION (2 KEYS, KUBOTA SM250)	1	EA
14	298562		HARNESS, WIRING (GAUGES TO FUSE BLOCK)	1	EA
15	403311		BREAKER, CIRCUIT (12V, 50 AMP)	1	EA
16	416156		SENDER, WATER TEMPERATURE	1	EA
17	041988		SENDER, OIL PRESSURE	1	EA
18	078063		SWITCH, PRESSURE (2-6 PSI .12-NPT)	1	EA
19	382532		HARNESS, WIRING	1	EA
20	382846		KIT, HORN (12V)	1	EA
21	461467	F2	HEADLIGHT, RECTANGULAR (H/L BEAM, HALOGEN)	1	EA
22	461475	F2	LIGHT, FLASHER (RED/AMBER RECTANGULAR)	1	EA
23	V63015800		LIGHT, TAIL	1	EA
24	V63015300		LIGHT, TAG	1	EA
25	473736		ALARM, REVERSE	1	EA
26	459792		SWITCH, REVERSE ALARM	1	EA
27	466698		SWITCH, TURN SIGNAL	1	EA
28	V63121300		MODULE, FLASHER (3 PRONG)	2	EA
29	413872		SWITCH, PARKING BRAKE	1	EA
30	448985	F2	TACHOMETER	1	EA
31	462176		SENDER, FUEL	1	EA
32	416131		SENDER, HYDRAULIC TEMPERATURE	1	EA
33	V61012700		SWITCH, LIGHT	1	EA
34	049924		SWITCH, BRAKE LIGHT	1	EA
35	446633		SWITCH, HEATER	1	EA
37	237180		WIRE (RED, 10 GAUGE, 3")	1	EA
38	276683		LIGHT ASSEMBLY (INSTRUMENTS)	1	EA
39	432344		SWITCH, DIMMER	1	EA
41	460493		RELAY (12V, 75 AMP)	1	EA
42	369181		WIRING ASSEMBLY (BLACK, 30")	2	EA
43	478073		TIMER, GLOW PLUG	1	EA
44		F3	SWITCH, FILTER INDICATOR	1	
			REMAINING COMPONENTS		
	075887		BLOCK, FUSE	2	EA
	077040		FUSE	10	EA
	V61019788		STRAP, CONNECTOR	1	EA

SCHEMATIC, MAIN ELEC (KUBOTA)

ITEM	PART NUMBER	F/N	DESCRIPTION	QTY	UOM
	078584		TERMINAL (1/4 MALE BLADE)	1	EA
	447673		SOLENOID, SHUTOFF (2 WIRE)	1	EA
			F1 - REPLACEMENT BULB FOR ITEM 7.		
			F2 - OPTIONAL EQUIPMENT.		
			F3 - PART NUMBER NOT AVAILABLE.		

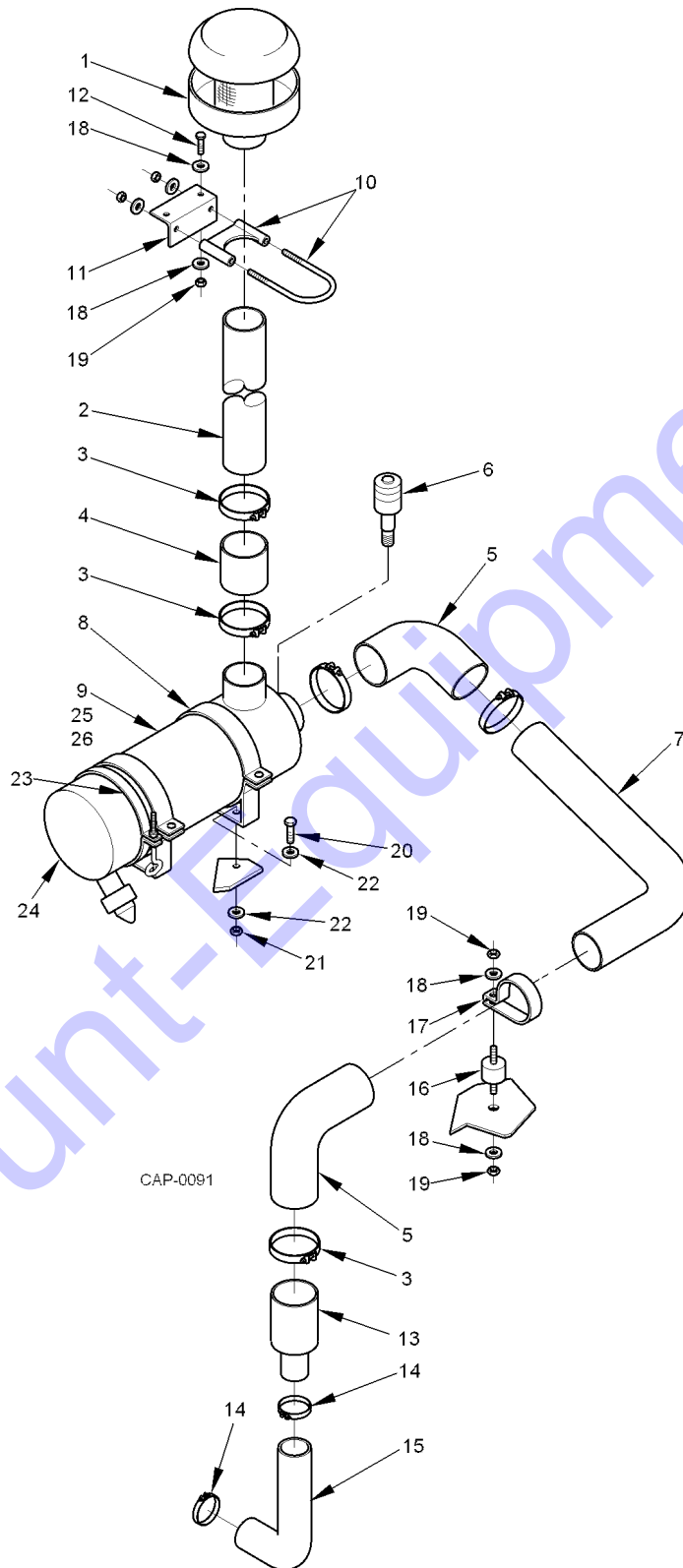
AIR CLEANER (CUMMINS)



AIR CLEANER (CUMMINS)

ITEM	PART NUMBER	F/N	DESCRIPTION	QTY	UOM
1	081067		PRE-CLEANER ASSEMBLY	1	EA
2	298570		TUBE, AIR INTAKE	1	EA
3	413161		CLAMP, IRMT (HD BAND STYLE)	7	EA
4	257295		HOSE (3" ID X 3")	1	EA
5	079780		HOSE, 90 DEGREE ELBOW	2	EA
6	477694		INDICATOR, SERVICE	1	EA
7	460670		AIR INTAKE (3" OD FORMAT)	1	EA
8	047738		CLAMP, AIR CLEANER MOUNT	2	EA
9	477695		DRY AIR CLEANER ASSEMBLY	1	EA
10	077073		CLAMP (3" OD)	1	EA
11	274472		MOUNT, INTAKE	1	EA
12	441600		CAPSCREW (5/16"-18NC X 1", PL)	2	EA
13	460671		TUBE, INTAKE (3"OD X 3-1/2" LONG)	1	EA
14	460667		HOSE, HUMP (2" X 2-3/8")	1	EA
15	449769		CLAMP (2-1/2")	1	EA
16	460676		BOLT, RUBBER INSULATOR	1	EA
17	460687		CLAMP, EXHAUST (3")	1	EA
18	011322		WASHER, FLAT (5/16")	4	EA
19	083493		NUT, HEX (5/16"-18NC PL)	2	EA
20	010033		CAPSCREW (1/4"-20 X 3/4")	4	EA
21	036392		NUT, LOCK (1/4"-20)	4	EA
22	010298		WASHER, FLAT (1/4")	8	EA
23	441477		NUT, LOCK (3/8"-16NC)	2	EA
24	011323		WASHER, FLAT (3/8")	2	EA
25	477699		CLAMP, FILTER HOUSING	1	EA
26	477701		COVER	1	EA
27	477697		ELEMENT, AIR FILTER (PRIMARY)	1	EA
28	477698		ELEMENT, AIR FILTER (SAFETY)	1	EA

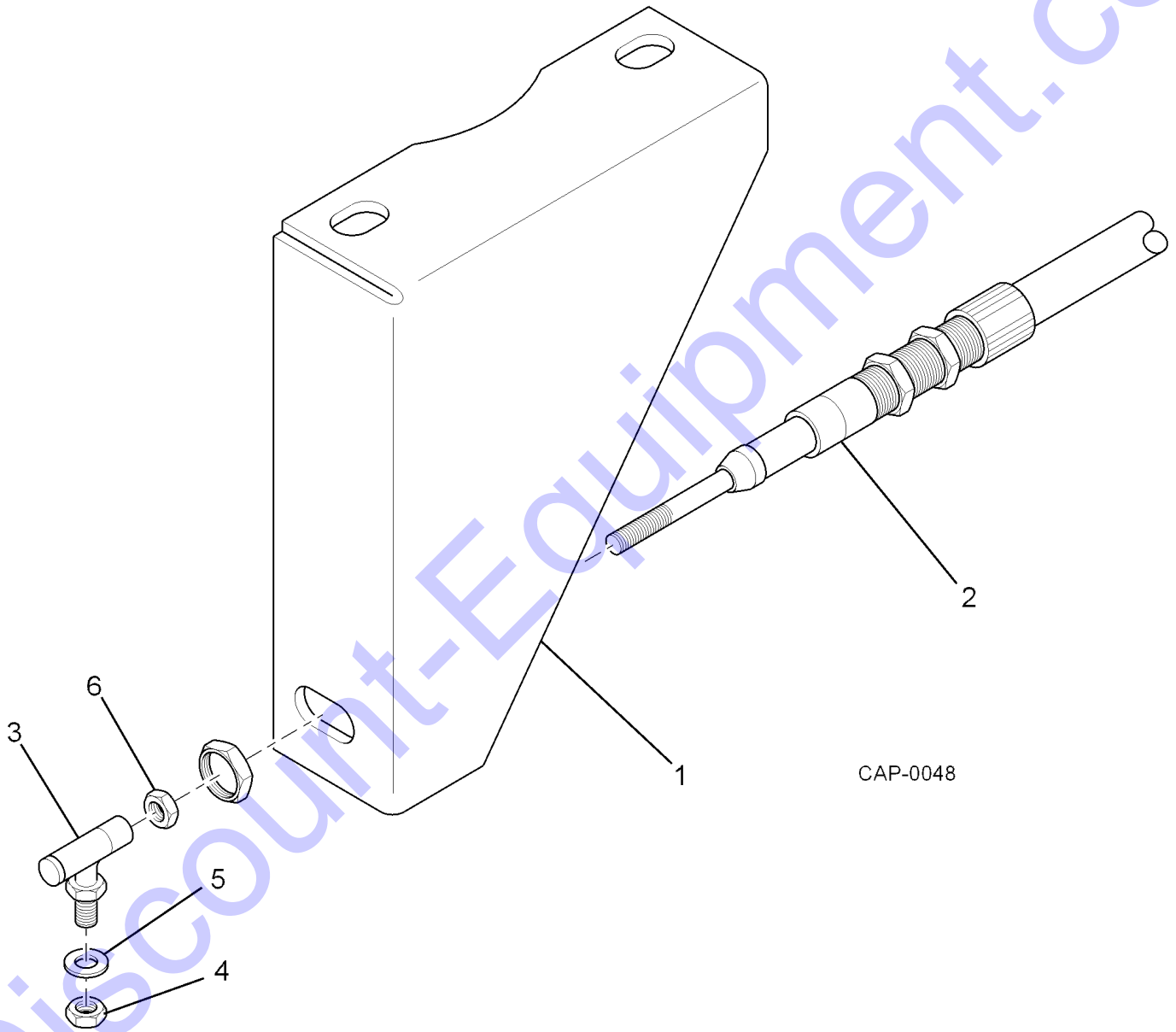
AIR CLEANER (KUBOTA)



AIR CLEANER (KUBOTA)

ITEM	PART NUMBER	F/N	DESCRIPTION	QTY	UOM
1	070383		PRE-CLEANER ASSEMBLY	1	EA
2	298570		TUBE, AIR INTAKE	1	EA
3	413161		CLAMP, IRMT (HD BAND STYLE)	7	EA
4	257295		HOSE (3" ID X 3")	1	EA
5	079780		HOSE, 90 DEGREE ELBOW	2	EA
6	477694		INDICATOR, SERVICE	1	EA
7	387187		AIR INTAKE (3" OD FORMAT)	1	EA
8	047738		CLAMP, AIR CLEANER MOUNT	2	EA
9	477695		DRY AIR CLEANER ASSEMBLY	1	EA
10	077073		CLAMP (3" OD)	1	EA
11	274472		MOUNT, INTAKE	1	EA
12	441600		CAPSCREW (5/16"-18NC X 1", PL)	2	EA
13	387190		ADAPTER, AIR INTAKE (1-3/4 X 3.00)	1	EA
14	470826		CLAMP, T-BOLT (2")	2	EA
15	387193		ELBOW, 90 DEGREE (1-3/4" ID)	1	EA
16	460676		BOLT, RUBBER INSULATOR	1	EA
17	460687		CLAMP, EXHAUST (3")	1	EA
18	011323		WASHER, FLAT (3/8")	4	EA
19	083493		NUT, HEX (5/16"-18NC PL)	2	EA
20	010033		CAPSCREW (1/4"-20 X 3/4")	4	EA
21	036392		NUT, LOCK (1/4"-20)	4	EA
22	010298		WASHER, FLAT (1/4")	8	EA
23	477699		CLAMP, FILTER HOUSING	1	EA
24	477701		COVER	1	EA
25	477697		ELEMENT, AIR FILTER (PRIMARY)	1	EA
26	477698		ELEMENT, AIR FILTER (SAFETY)	1	EA

CABLE, THROTTLE (W/MOUNT)

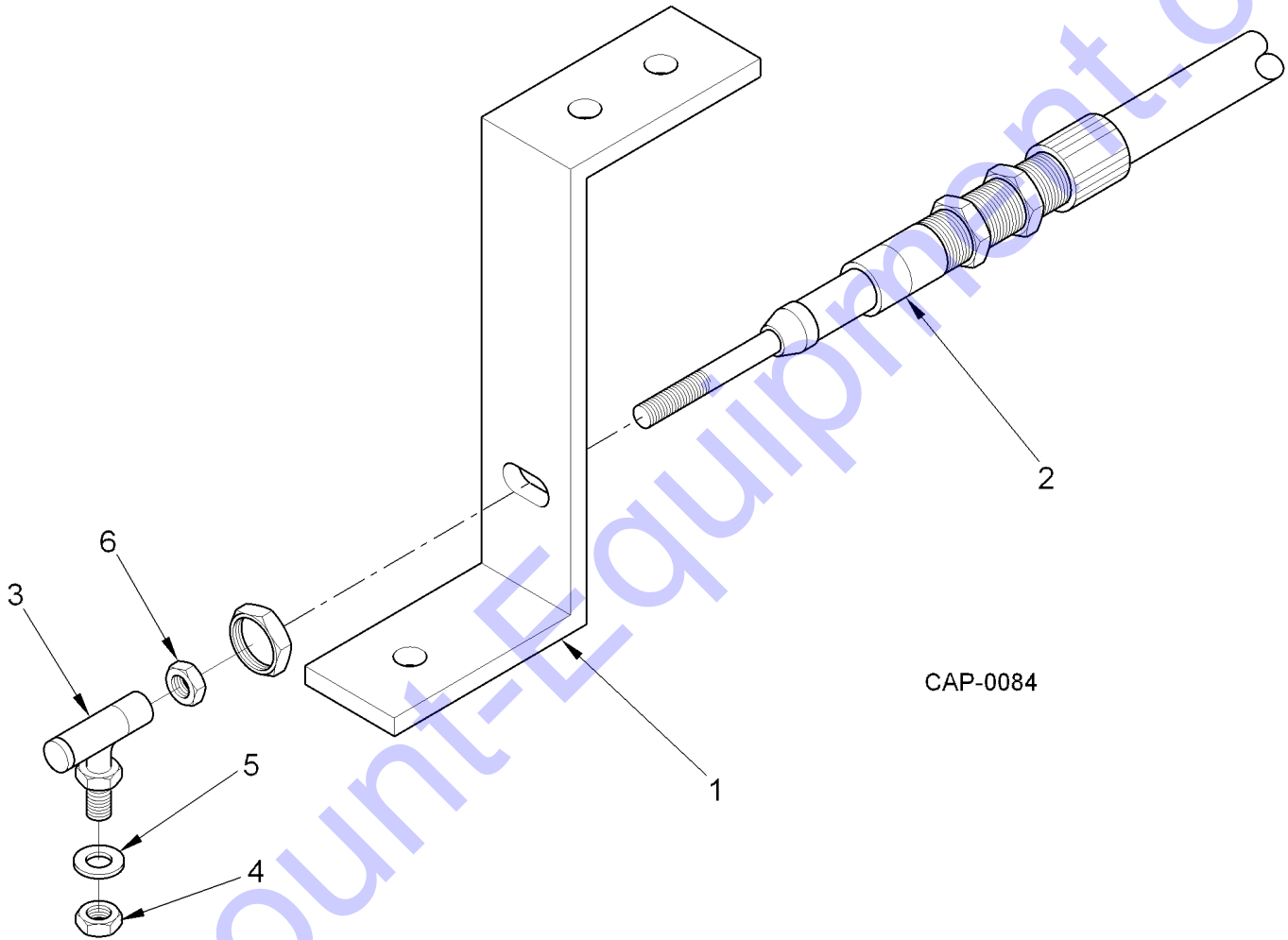


CAP-0048

CABLE, THROTTLE (W/MOUNT)

ITEM	PART NUMBER	F/N	DESCRIPTION	QTY	UOM
1	460684		MOUNT, CABLE	1	EA
2	469171		CABLE, THROTTLE (118" LONG)	1	EA
3	077461		JOINT, BALL	1	EA
4	063511		NUT, HEX (1/4"-28NF)	1	EA
5	010280		WASHER, LOCK (1/4")	1	EA
6	035220		NUT, HEX (#10-32)	1	EA

CABLE, THROTTLE (W/MOUNT, KUBOTA)

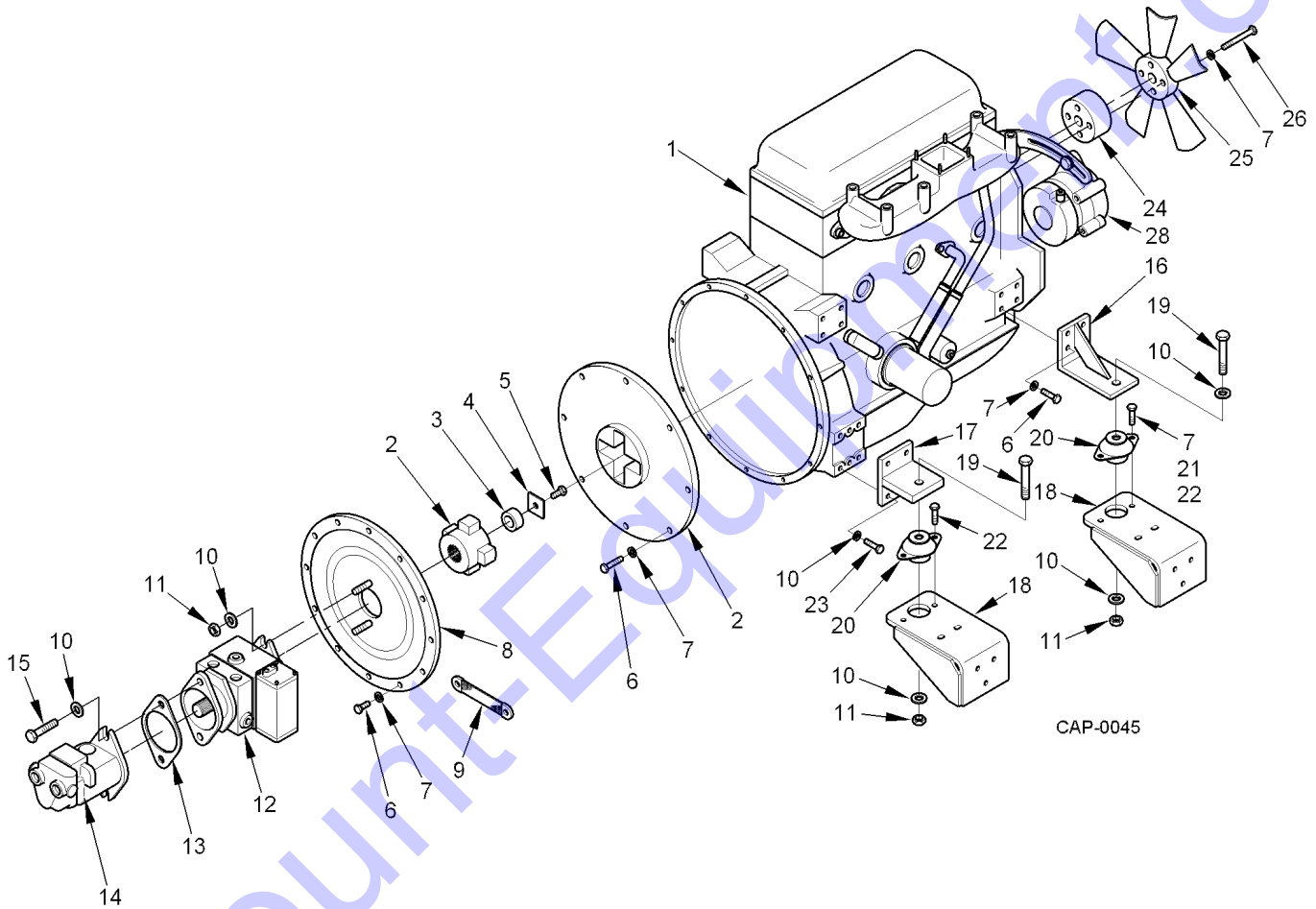


CAP-0084

CABLE, THROTTLE (W/MOUNT, KUBOTA)

ITEM	PART NUMBER	F/N	DESCRIPTION	QTY	UOM
1	387199		MOUNT, CABLE	1	EA
2	469171		CABLE, THROTTLE (118" LONG)	1	EA
3	077461		JOINT, BALL	1	EA
4	063511		NUT, HEX (1/4"-28NF)	1	EA
5	010280		WASHER, LOCK (1/4")	1	EA
6	035220		NUT, HEX (#10-32)	1	EA

460700: ENGINE, DIESEL (CUMMINS)

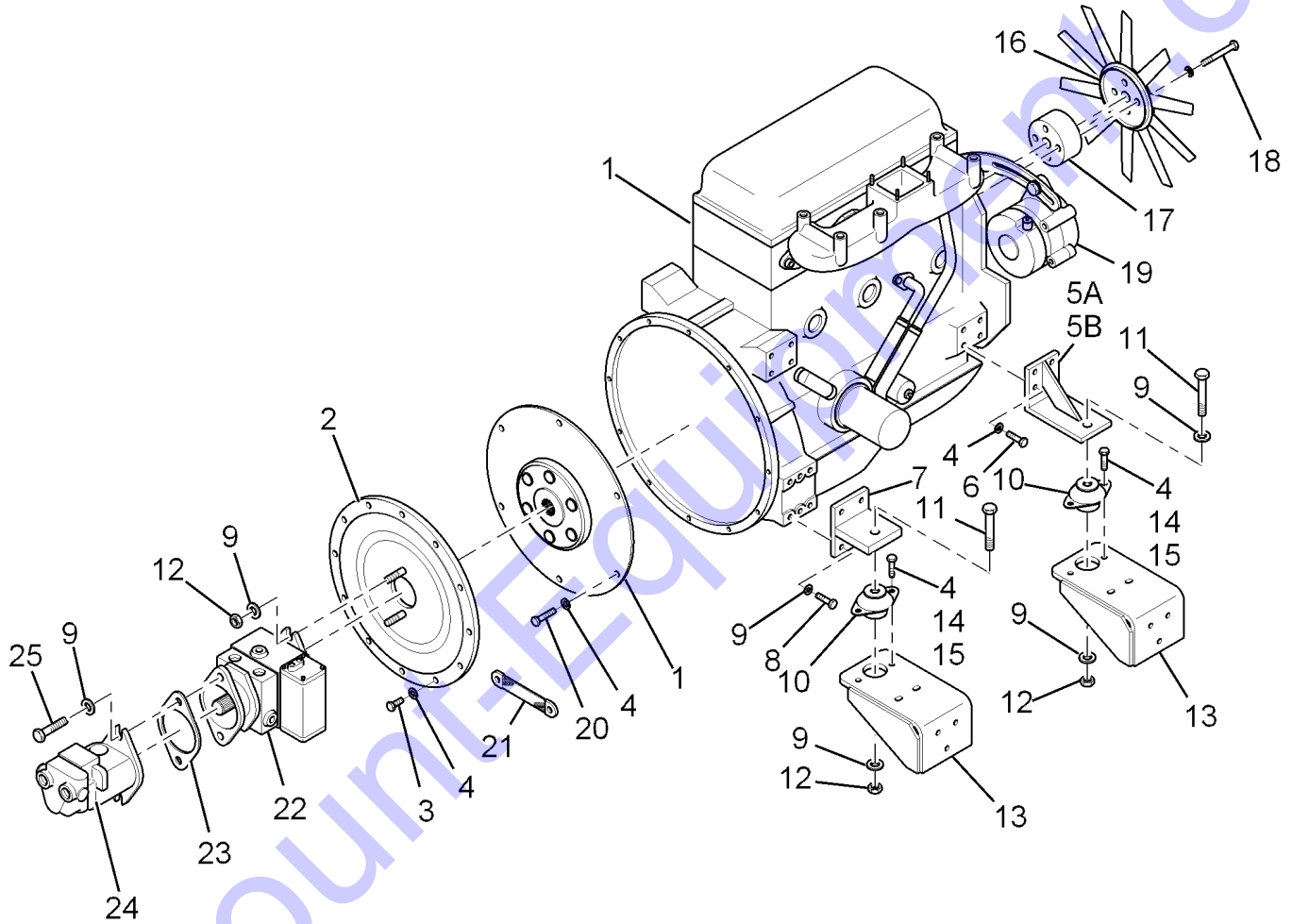


CAP-0045

460700: ENGINE, DIESEL (CUMMINS)

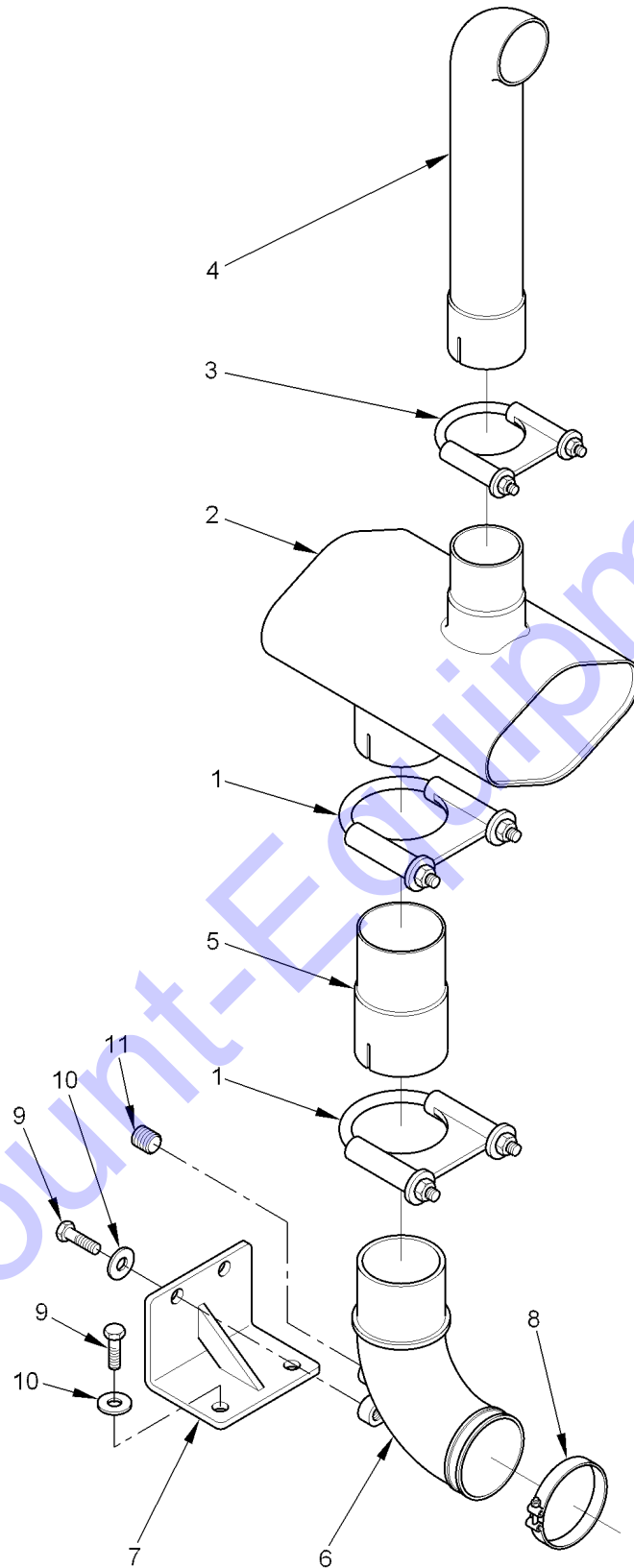
ITEM	PART NUMBER	F/N	DESCRIPTION	QTY	UOM
1	460650		ENGINE, SWEEPMASTER (CUMMINS, 3.3 TIER II)	1	EA
2	460640		DRIVE COUPLING, ENGINE	1	EA
3	460641		SPACER, HUB SECURING	1	EA
4	350652		PLATE, DRIVE HUB RETAINER	1	EA
5	404673		CAPSCREW, SOCKET HEAD (M8 X 1.25CP-6G X M30)	1	EA
6	038372		CAPSCREW (M10 X 1.5 CP X M30)	28	EA
7	070391		WASHER, FLAT (3/8")	48	EA
8	460638		PLATE, PUMP MOUNT	1	EA
9	069807		STRAP, GROUND	1	EA
10	011650		WASHER, FLAT (1/2")	12	EA
11	440644		NUT, HEX (1/2"-13NC, FLANGE, WHIZLOCK)	6	EA
12	457122		PUMP, HYDROSTATIC (PILOT OPERATED) (SEE PAGE 154)	1	EA
13	422246		GASKET, PUMP MOUNT	1	EA
14	440465		PUMP, AUXILIARY GEAR (06 AND UP PARKER) (SEE PAGE 146)	1	EA
15	441774		CAPSCREW (1/2"-13NC X 1-1/4")	2	EA
16	460672		STR, ENGINE MOUNT (REAR)	2	EA
17	460651		STR, ENGINE MOUN (FRONT)	2	EA
18	460654		STR, ENGINE MOUNT (LOWER)	4	EA
19	011460		CAPSCREW (1/2"-13NC X 4" PL.)	4	EA
20	444091		MOUNT, ENGINE	4	EA
21	083527		CAPSCREW (3/8"-16NC X 1-1/4")	8	EA
22	441477		NUT, LOCK (3/8"-16NC)	8	EA
23	403774		BOLT (M12-1.75 X 35MM)	8	EA
24	460662		SPACER, FAN	1	EA
25	460661		FAN, ENGINE COOLING [3.3 CUMMINS (FOR 413138)]	1	EA
25B	413138		FAN, ENGINE(CUMMINS B3.9)	1	EA
26	089723		BOLT (M8-1.25 X 65MM)	4	EA
28	477522		ALTERNATOR (12V 60 AMP)	1	EA
			REMAINING COMPONENTS		
	477534		V-BELT, 3.3	1	EA

ENGINE, DIESEL (KUBOTA)



ENGINE, DIESEL (KUBOTA)					
ITEM	PART NUMBER	F/N	DESCRIPTION	QTY	UOM
1	478025		ENGINE ASSEMBLY (KUBOTA V3600)	1	EA
2	478024		DRIVE KIT, ENGINE	1	EA
3	038372		CAPSCREW (M10 X 1.5 CP X M30)	12	EA
4	070391		WASHER, FLAT (3/8")	12	EA
5A	381063		STR, ENGINE MOUNT (REAR L.H. SIDE)	1	EA
5B	387051		STR, ENGINE MOUNT (REAR R.H. SIDE)	1	EA
6	478062		BOLT (12MM X 1.50 X 35MM)	8	EA
7	386996		STR, ENGINE MOUNT (FRONT)	2	EA
8	441774		CAPSCREW (1/2"-13NC X 1-1/4")	8	EA
9	011650		WASHER, FLAT (1/2")	12	EA
10	444091		MOUNT, ENGINE	4	EA
11	011460		CAPSCREW (1/2"-13NC X 4" PL.)	4	EA
12	440664		LOCKNUT (1/2-13NC)	6	EA
13	460654		STR, ENGINE MOUNT (LOWER)	4	EA
14	083527		CAPSCREW (3/8"-16NC X 1-1/4")	8	EA
15	441447		NUT, HEX (3/8"-16NC)	8	EA
16	478022		FAN, ENGINE COOLING	1	EA
17	460662		SPACER, FAN	1	EA
18	478063		BOLT (8MM X 1.25 X 60MM)	4	EA
19	477522		ALTERNATOR (12V 60 AMP)	1	EA
20	441667		CAPSCREW (3/8"-16NC X 1", FLANGE WHIZLOCK)	12	EA
21	069807		STRAP, GROUND	1	EA
22	457122		PUMP, HYDROSTATIC (PILOT OPERATED) (SEE PAGE 154)	1	EA
23	422246		GASKET, PUMP MOUNT	1	EA
24	440465		PUMP, AUXILIARY GEAR (06 AND UP PARKER) (SEE PAGE 146)	1	EA
25	441774		CAPSCREW (1/2"-13NC X 1-1/4")	2	EA
			REMAINING COMPONENTS		
	459965		V-BELT (V3600)	1	EA
	468581		COVER, ALTERNATOR BELT (V3600)	1	EA

460655: EXHAUST SYSTEM (CUMMINS)

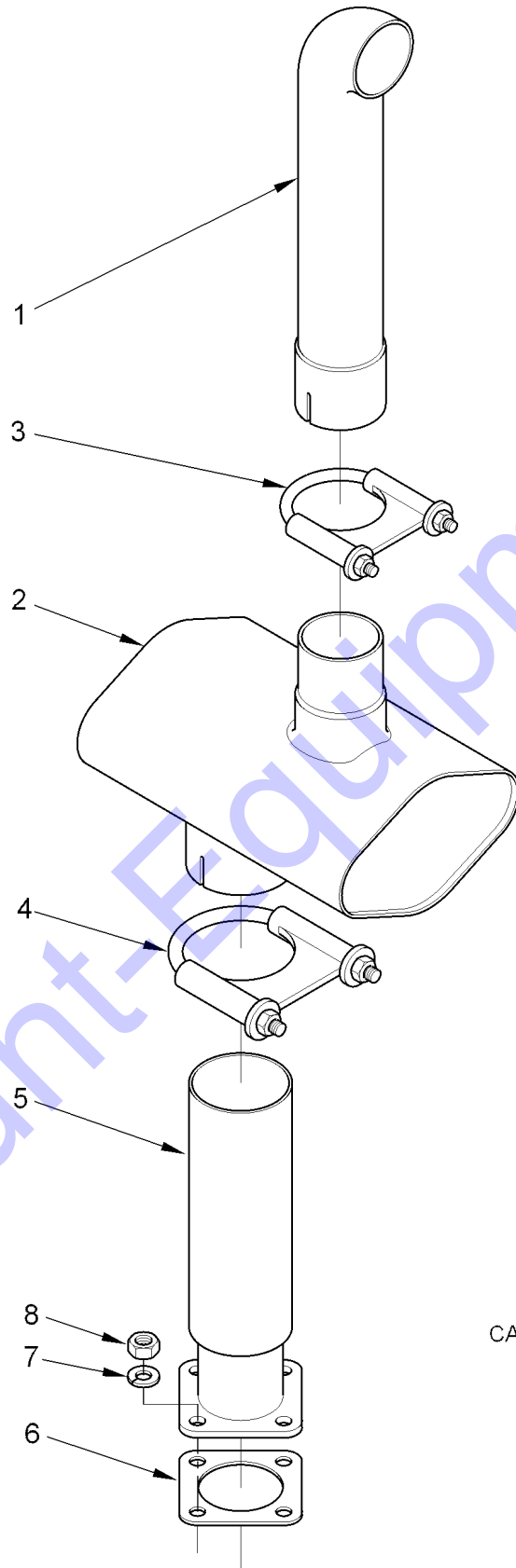


CAP-0037

460655: EXHAUST SYSTEM (CUMMINS)

ITEM	PART NUMBER	F/N	DESCRIPTION	QTY	UOM
1	077073		CLAMP (3" OD)	2	EA
2	444224		MUFFLER, HORIZONTAL	1	EA
3	038828		CLAMP, EXHAUST (2-1/2")	1	EA
4	342197		PIPE, TAIL	1	EA
5	342194		CONNECTOR, EXHAUST	1	EA
6	460656		ELBOW, CAST EXHAUST	1	EA
7	460657		BRACKET, EXHAUST ELBOW SUPPORT	1	EA
8	460666		V-CLAMP, EXHAUST (3")	1	EA
9	401620		BOLT (M10-1.5 GR8 X 25MM)	4	EA
10	011031		WASHER, FLAT (3/8")	4	EA
11	071357		PLUG, PIPE (1/4")	1	EA

387105: EXHAUST SYSTEM (KUBOTA)

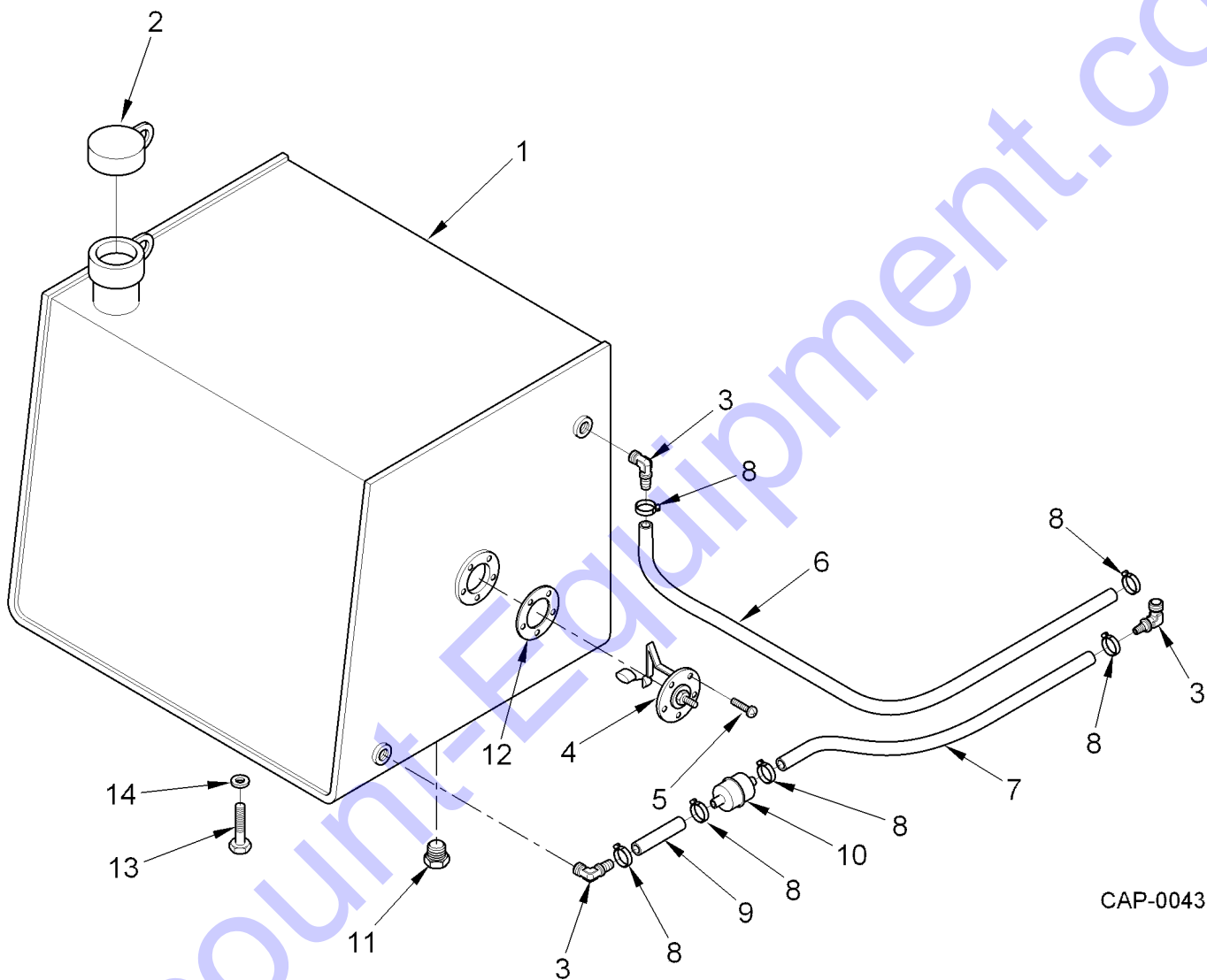


CAP-0089

387105: EXHAUST SYSTEM (KUBOTA)

ITEM	PART NUMBER	F/N	DESCRIPTION	QTY	UOM
1	342197		PIPE, TAIL	1	EA
2	444224		MUFFLER, HORIZONTAL	1	EA
3	038828		CLAMP, EXHAUST (2-1/2")	1	EA
4	077073		CLAMP (3" OD)	2	EA
5	387086		CONNECTOR, EXHAUST	1	EA
6	478019		GASKET, EXHAUST	1	EA
7	011023		WASHER, LOCK (3/8")	4	EA
8	478029		NUT, PLATED (M10-1.25)	4	EA
			REMAINING COMPONENTS		
	387299		BRACE, MUFFLER	1	EA

FUEL SYSTEM (CUMMINS)

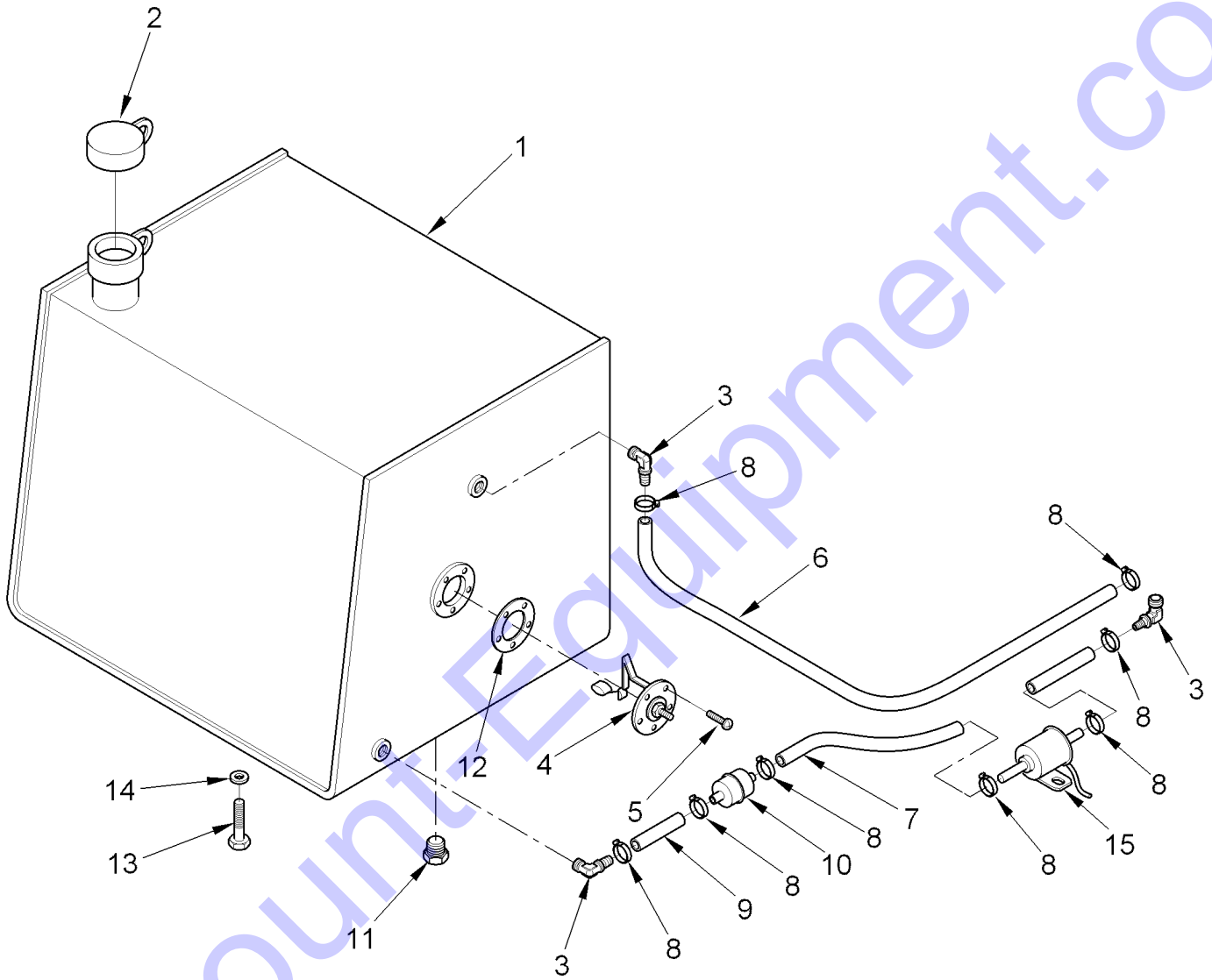


CAP-0043

FUEL SYSTEM (CUMMINS)

ITEM	PART NUMBER	F/N	DESCRIPTION	QTY	UOM
1	434274	F1	TANK, FUEL (20 GALLON CAPACITY)	1	EA
2	439182		CAP, LOCKING TAB (HYDRAULIC FILLER CAP)	1	EA
3	081836		FITTING, 90 DEGREE (1/4-NPT)	2	EA
4	462176		SENDER, FUEL	1	EA
5	031852		SCREW, SLOTTED WITH RUBBER WASHER	5	EA
6	068544		HOSE, FUEL LINE (5/16")	40	IN
7	068544		HOSE, FUEL LINE (5/16")	36	IN
8	031914		CLAMP, FUEL LINE	1	EA
9	068544		HOSE, FUEL LINE (5/16")	4	IN
10	436212		FUEL FILTER (IN-LINE)	1	EA
11	040691		PLUG, COUNTERSUNK (3/4"NPT)	1	EA
12	031864		GASKET, FUEL SENDER	1	EA
13	441667		CAPSCREW (3/8"-16NC X 1", FLANGE WHIZLOCK)	1	EA
14	460360		WASHER, LOCK (1/4" THK.)	3	EA
		REMAINING COMPONENTS			
	441659		CAPSCREW (3/8"-16NC X 3/4", FLANGE WHIZLOCK)	3	EA
	011323		WASHER, FLAT (3/8")	3	EA
			F1 - INCLUDES ITEMS 2, 4, 5, 6 AND 13.		

FUEL SYSTEM (KUBOTA)

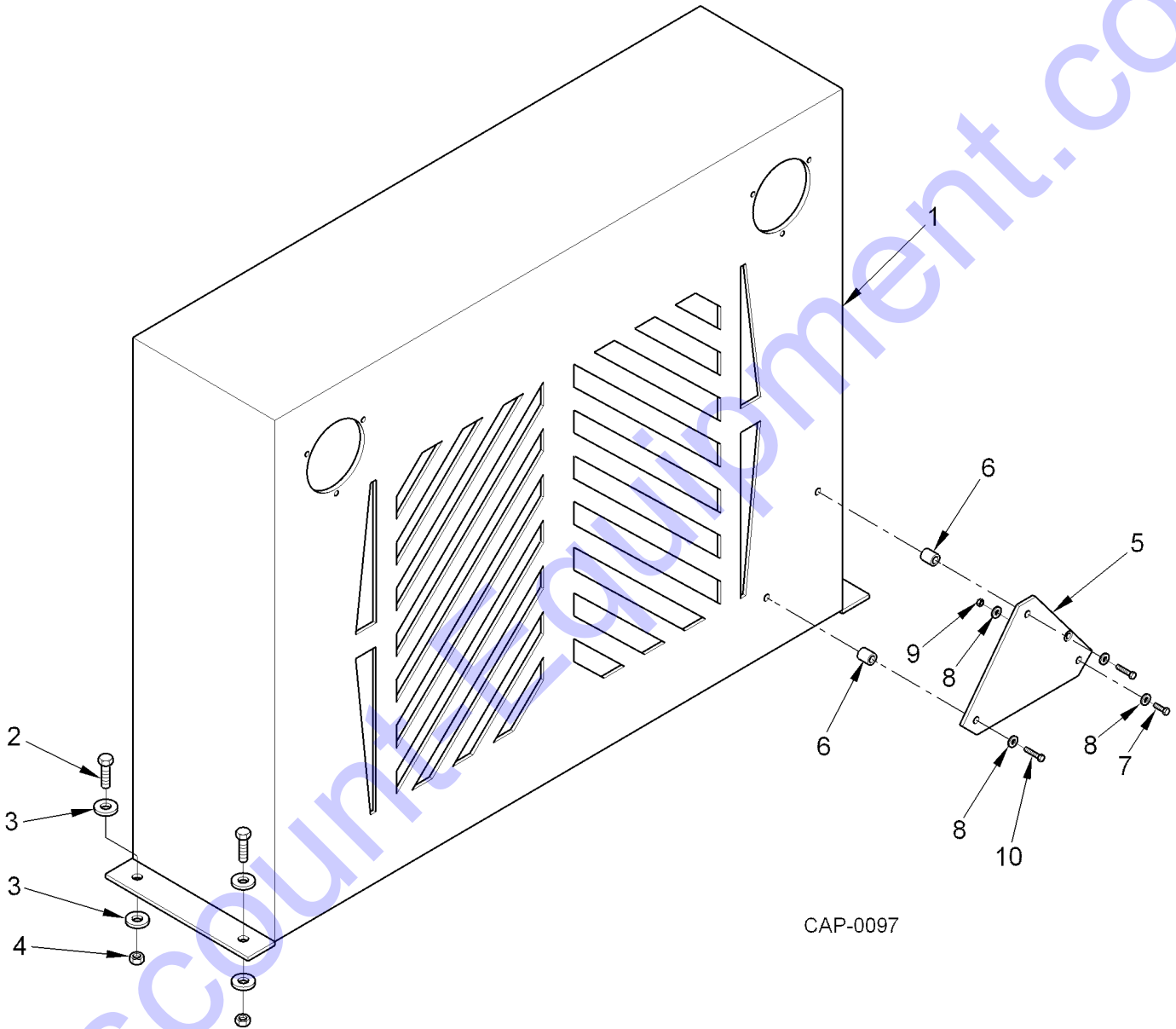


CAP-0090

FUEL SYSTEM (KUBOTA)

ITEM	PART NUMBER	F/N	DESCRIPTION	QTY	UOM
1	387040	F1	TANK, FUEL (30 GALLON CAPACITY)	1	EA
2	439182		CAP, LOCKING TAB (HYDRAULIC FILLER CAP)	1	EA
3	081836		FITTING, 90 DEGREE (1/4-NPT)	2	EA
4	462176		SENDER, FUEL	1	EA
5	464727		SCREW, SLOTTED WITH RUBBER WASHER	5	EA
6	068544		HOSE, FUEL LINE (5/16")	40	IN
7	068544		HOSE, FUEL LINE (5/16")	36	IN
8	031914		CLAMP, FUEL LINE	8	EA
9	068544		HOSE, FUEL LINE (5/16")	4	IN
10	436212		FUEL FILTER (IN-LINE)	1	EA
11	040691		PLUG, COUNTERSUNK (3/4"NPT)	1	EA
12	031864		GASKET, FUEL SENDER	1	EA
13	441667		CAPSCREW (3/8"-16NC X 1", FLANGE WHIZLOCK)	1	EA
14	460360		WASHER, LOCK (1/4" THK.)	3	EA
15	9101888		PUMP, FUEL (ELECTRIC)	1	EA
		REMAINING COMPONENTS			
	441659		CAPSCREW (3/8"-16NC X 3/4", FLANGE WHIZLOCK)	3	EA
	011323		WASHER, FLAT (3/8")	3	EA
			F1 - INCLUDES ITEMS 2, 4, 5, 6 AND 13.		

GUARD, RADIATOR (KUBOTA)

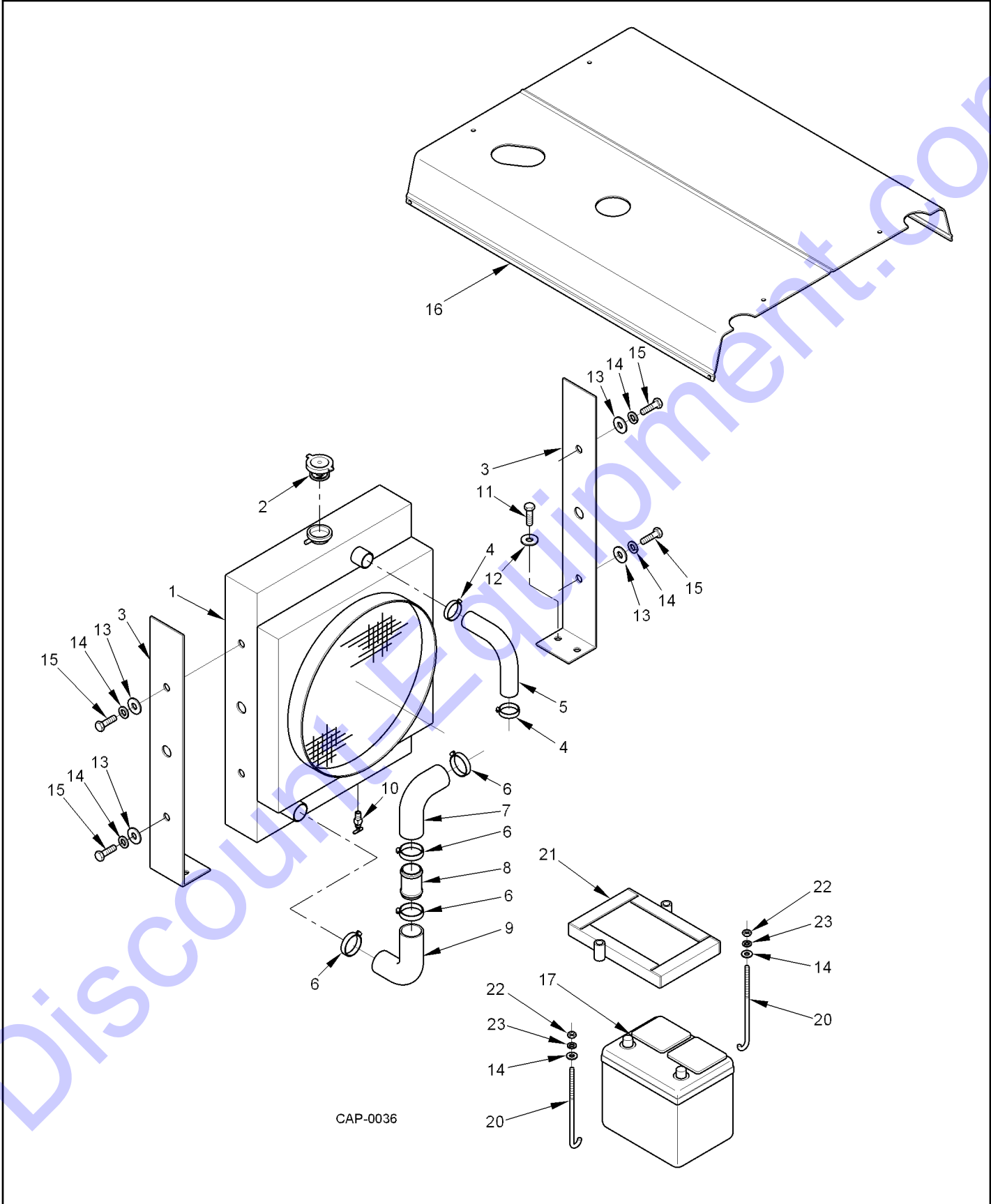


CAP-0097

GUARD, RADIATOR (KUBOTA)

ITEM	PART NUMBER	F/N	DESCRIPTION	QTY	UOM
1	387135		GUARD, RADIATOR	1	EA
2	038422		CAPSCREW (1/2"-13NC X 1-1/4", GR 5)	4	EA
3	011325		WASHER, FLAT (1/2")	8	EA
4	440644		NUT, HEX (1/2"-13NC, FLANGE, WHIZLOCK)	4	EA
5	350322		MOUNT, EMBLEM	1	EA
6	152850		SPACER (1/2" X 3/4")	2	EA
7	083485		CAPSCREW (5/16"-18NC X 3/4", PL)	1	EA
8	011322		WASHER, FLAT (5/16")	6	EA
9	083535		NUT, HEX (5/16"-18NC, FLANGE, WHIZLOCK)	3	EA
10	441600		CAPSCREW (5/16"-18NC X 1", PL)	2	EA

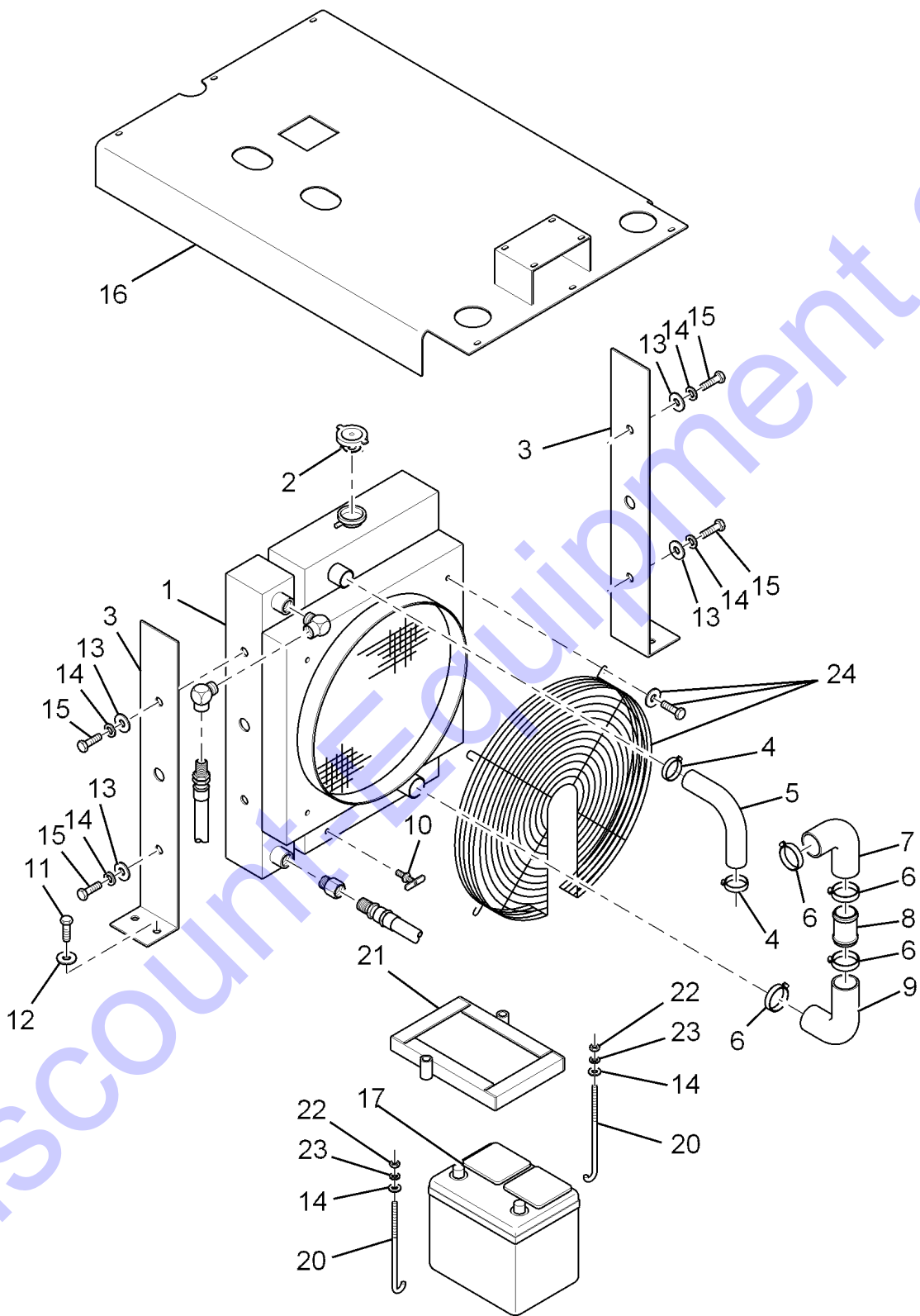
HOOD, RADIATOR AND BATTERIES (CUMMINS)



CAP-0036

HOOD, RADIATOR AND BATTERIES (CUMMINS)					
ITEM	PART NUMBER	F/N	DESCRIPTION	QTY	UOM
1	407925		RADIATOR ASSEMBLY	1	EA
2	047811		CAP, RADIATOR	1	EA
3	266338		MOUNT, RADIATOR	2	EA
4	056424		CLAMP, UPPER RADIATOR (#20 HOSE)	2	EA
5	407928		HOSE, UPPER RADIATOR	1	EA
6	V02026200		CLAMP, RADIATOR (#32 HOSE)	4	EA
7	407929		HOSE, RADIATOR (SIDE TOP)	1	EA
8	407933		CONNECTOR, HOSE	1	EA
9	407931		HOSE, RADIATOR (SIDE BOTTOM)	1	EA
10	041475		DRAINCOCK	1	EA
11	441667		CAPSCREW (3/8"-16NC X 1", FLANGE WHIZLOCK)	4	EA
12	011323		WASHER, FLAT (3/8")	4	EA
13	407999		ISOLATOR, RADIATOR	4	EA
14	011322		WASHER, FLAT (5/16")	6	EA
15	441618		CAPSCREW (5/16"-18NC X 1-1/4", FLANGE WHIZLOCK)	4	EA
16	343873		HOOD, FORMED (TEXAS DOT W/3.3)	1	EA
17	433136		BATTERY (12V 950 CCA)	1	EA
20	092767		BOLT, BATTERY HOLD DOWN	2	EA
21	386790		BATTERY HOLD DOWN	1	EA
22	010553		NUT, HEX (5/16"-18NC)	2	EA
23	010561		WASHER, LOCK (5/16")	2	EA
			REMAINING COMPONENTS		
	298365		CABLE, BATTERY (POSITIVE, 14")	1	EA
	298366		CABLE, BATTERY (NEGATIVE, 22")	AR	EA

HOOD, RADIATOR AND BATTERIES (KUBOTA)



HOOD, RADIATOR AND BATTERIES (KUBOTA)					
ITEM	PART NUMBER	F/N	DESCRIPTION	QTY	UOM
1	478030		RADIATOR, OIL COOLER	1	EA
2	047811		CAP, RADIATOR	1	EA
3	387102		MOUNT, RADIATOR	2	EA
4	V02026200		CLAMP, RADIATOR (#32 HOSE)	2	EA
5	387134		HOSE, UPPER RADIATOR	1	EA
6	V02026200		CLAMP, RADIATOR (#32 HOSE)	4	EA
7	387099		HOSE, RADIATOR (SIDE TOP)	1	EA
8	407933		CONNECTOR, HOSE	1	EA
9	387101		HOSE, RADIATOR (SIDE BOTTOM)	1	EA
10	041475		DRAINCOCK	1	EA
11	010645		CAPSCREW (3/8"-16NC X 1-1/2")	4	EA
12	011031		WASHER, FLAT (3/8")	4	EA
13	456459		ISOLATOR, RADIATOR/MOTOR (RUBBER)	4	EA
14	011650		WASHER, FLAT (1/2")	6	EA
15	011361		CAPSCREW (1/2"-13NC X 1-1/2")	4	EA
16	386994		HOOD, FORMED	1	EA
17	433136		BATTERY (12V 950 CCA)	1	EA
20	092767		BOLT, BATTERY HOLD DOWN	2	EA
21	386790		BATTERY HOLD DOWN	1	EA
22	010553		NUT, HEX (5/16"-18NC)	2	EA
23	010561		WASHER, LOCK (5/16")	2	EA
24	SM-200-020-008K		KIT, FAN GUARD (SEE PAGE 112)	1	EA
			REMAINING COMPONENTS		
	298365		CABLE, BATTERY (POSITIVE, 14")	1	EA
	298366		CABLE, BATTERY (NEGATIVE, 22")	1	EA

NON-ILLUSTRATED

Discount-Equipment.com

298778: KIT, ENGINE COMPARTMENT DOOR

ITEM	PART NUMBER	F/N	DESCRIPTION	QTY	UOM
1	299446		PANEL, DOOR (STR)	2	EA
2	299479		HINGE, STR (RIGHT HAND)	2	EA
3	299487		HINGE, STR (LEFT HAND)	2	EA
4	271452		LATCH, DOOR	2	EA
5	236125		WEDGE, LATCH	2	EA
6	067025		PIN, RETAINING (3/8" X 2-1/4")	2	EA
7	010322		CAPSCREW (5/16"-18NC X 3/4")	8	EA
8	010553		NUT, HEX (5/16"-18NC)	8	EA
9	010629		CAPSCREW (3/8"-16NC X 1")	4	EA
10	011015		NUT, HEX (3/8"-16NC)	4	EA
11	011023		WASHER, LOCK (3/8")	4	EA
12	011031		WASHER, FLAT (3/8")	4	EA
<p>NOTE: CONTACT CSR 1-800-458-3238 FOR CORRECT ENGINE COMPARTMENT DOOR</p>					

NON-ILLUSTRATED

Discount-Equipment.com

299460: KIT, ENGINE COMPARTMENT DOOR

ITEM	PART NUMBER	F/N	DESCRIPTION	QTY	UOM
1	010322		CAPSCREW (5/16"-18NC X 3/4")	20	EA
2	010579		WASHER, FLAT (5/16")	24	EA
3	093799		NUT, LOCK (5/16"-18NC, NYLON INSERT)	4	EA
4	299464		DOOR HINGE, ENGINE COMPARTMENT (WELDMENT)	2	EA
5	299465		DOOR HINGE, ENGINE COMPARTMENT (WELDMENT)	2	EA
6	299454		DOOR, ENGINE (LEFT HAND)	1	EA
7	299456		DOOR, ENGINE (RIGHT HAND)	1	EA
8	299455		PANEL, ENGINE COMPARTMENT DOOR	2	EA
9	299457		RETAINER, ENGINE COMPARTMENT	2	EA
10	067025		PIN, RETAINING (3/8" X 2-1/4")	2	EA
			NOTE: CONTACT CSR 1-800-458-3238 FOR		
			CORRECT ENGINE COMPARTMENT DOOR		

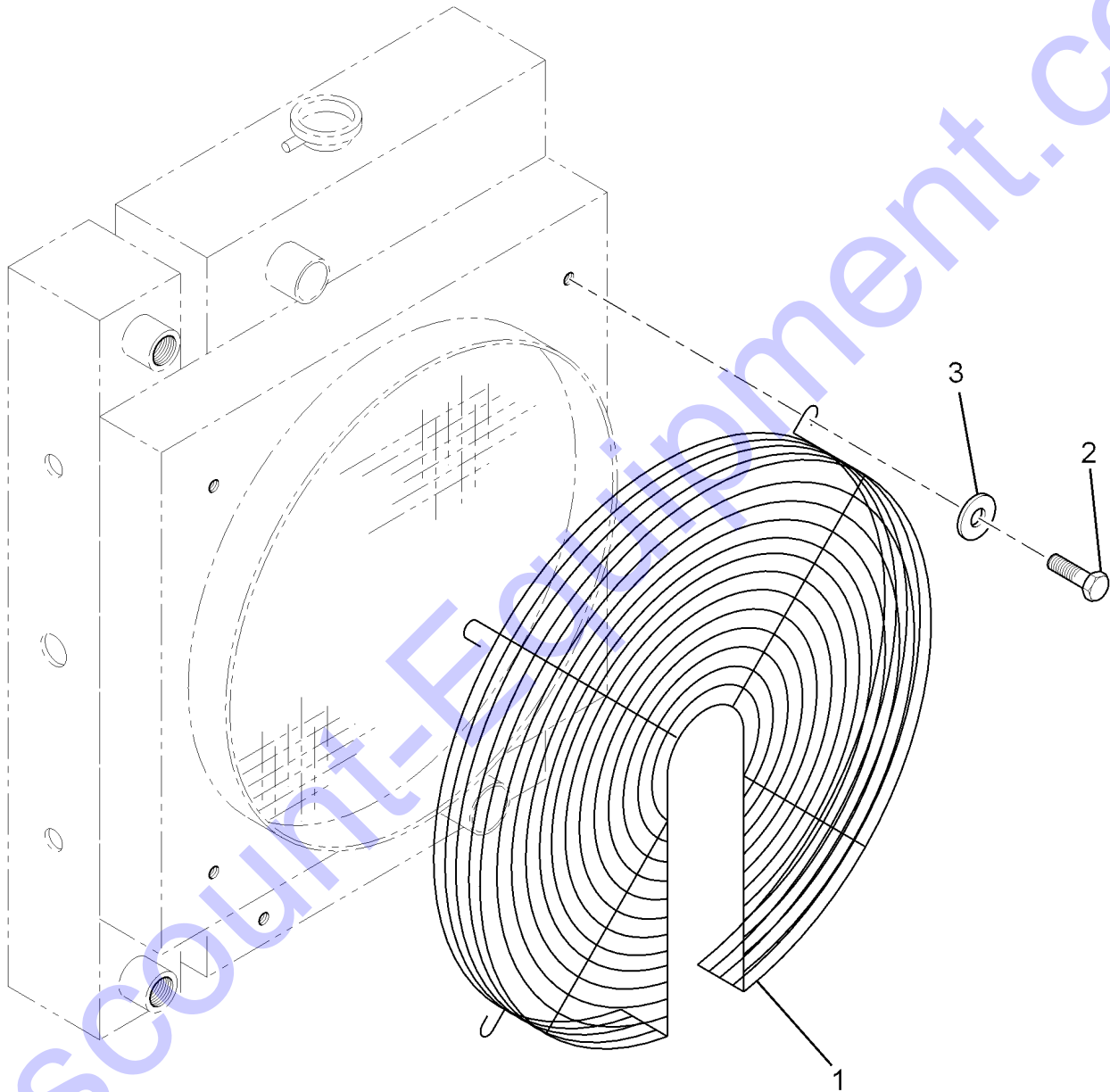
NON-ILLUSTRATED

Discount-Equipment.com

299450: KIT, ENGINE COMPARTMENT DOOR

ITEM	PART NUMBER	F/N	DESCRIPTION	QTY	UOM
1	010322		CAPSCREW (5/16"-18NC X 3/4")	20	EA
2	010579		WASHER, FLAT (5/16")	24	EA
3	093799		NUT, LOCK (5/16"-18NC, NYLON INSERT)	4	EA
4	299464		DOOR HINGE, ENGINE COMPARTMENT (WELDMENT)	2	EA
5	299465		DOOR HINGE, ENGINE COMPARTMENT (WELDMENT)	2	EA
6	299458		DOOR, ENGINE (LEFT HAND)	1	EA
7	299459		DOOR, ENGINE (RIGHT HAND)	1	EA
			NOTE: CONTACT CSR 1-800-458-3238 FOR		
			CORRECT ENGINE COMPARTMENT DOOR		

KIT, FAN GUARD



KIT, FAN GUARD

ITEM	PART NUMBER	F/N	DESCRIPTION	QTY	UOM
1	478023		GUARD, FAN (22")	1	EA
2	010033		CAPSCREW (1/4"-20 X 3/4")	4	EA
3	010298		WASHER, FLAT (1/4")	4	EA

REQUIRED FILTERS LIST

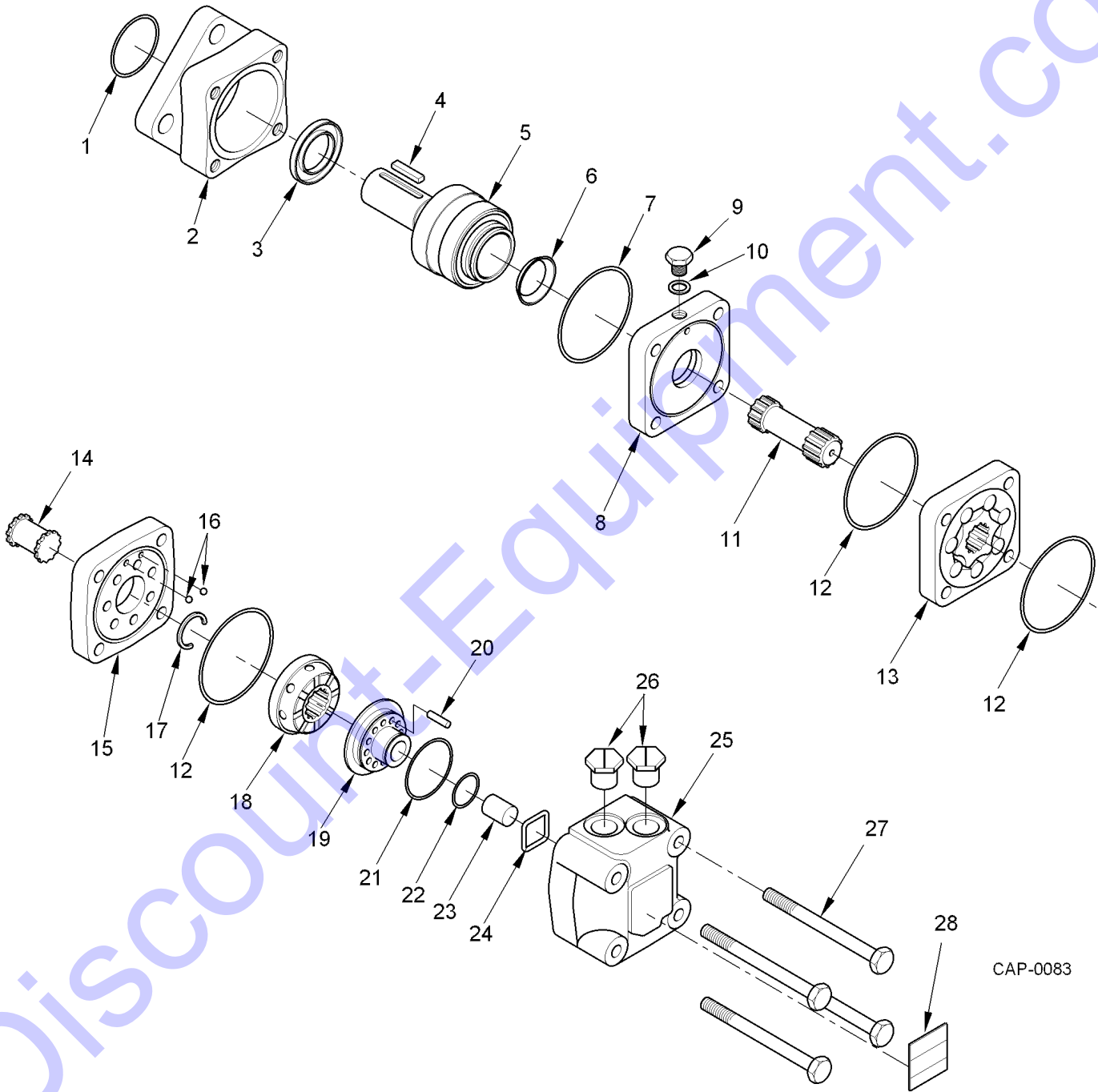
NON-ILLUSTRATED

Discount-Equipment.com

REQUIRED FILTERS LIST

ITEM	PART NUMBER	F/N	DESCRIPTION	QTY	UOM
1	477697		ELEMENT, AIR FILTER (PRIMARY)	AR	EA
2	477698		ELEMENT, AIR FILTER (SAFETY)	1	EA
3	436212		FUEL FILTER (IN-LINE)	1	EA
4	477678		ELEMENT, FUEL SECONARY (W/CUMMINS 3.3)	1	EA
5	477907		ELEMENT, FUEL/WATER SEPARATOR	1	EA
6	477679		ELEMENT, ENGINE OIL FILTER (W/CUMMINS 3.3)	1	EA
7	424143	F1	FILTER, HYDRAULIC (RETURN, ELECTRIC) (SEE PAGE 132)	AR	EA
8			HEAD, FILTER ELECTRIC (25 PSI RELIEF)	1	
9	028639		ELEMENT, REPLACEMENT (10 MICRON)	1	EA
10	437665	F1	FILTER, HYDRAULIC (CHARGE, ELECTRIC)	AR	EA
11			HEAD, FILTER ELECTRIC (25 PSI RELIEF)	1	
12	437673		ELEMENT, REPLACEMENT (10 MICRON)	1	EA
13	457130		FILTER, SCREW ON, 10 MICRON (YUKON)	1	EA
14	466771		FILTER, HEPA (1-3/4" X 4" X 13-1/2")	1	EA
15	424142		HEAD, FILTER W/25 PSI BY-PASS - W/INDICATOR TERMIN	1	EA
16	476772		KUBOTA V3600 ENGINE OIL	1	EA
17	478038		SPIN FUEL FILTER, KUBOTA	1	EA
			F1 - THE RESTRICTION INDICATOR SWITCH		
			IS NOT AVAILABLE SEPARATELY. ORDER		
			NEW ASSEMBLY (P/N 437665).		

404543: BROOM MOTOR (DANFOSS, AFTER 11-09-04)

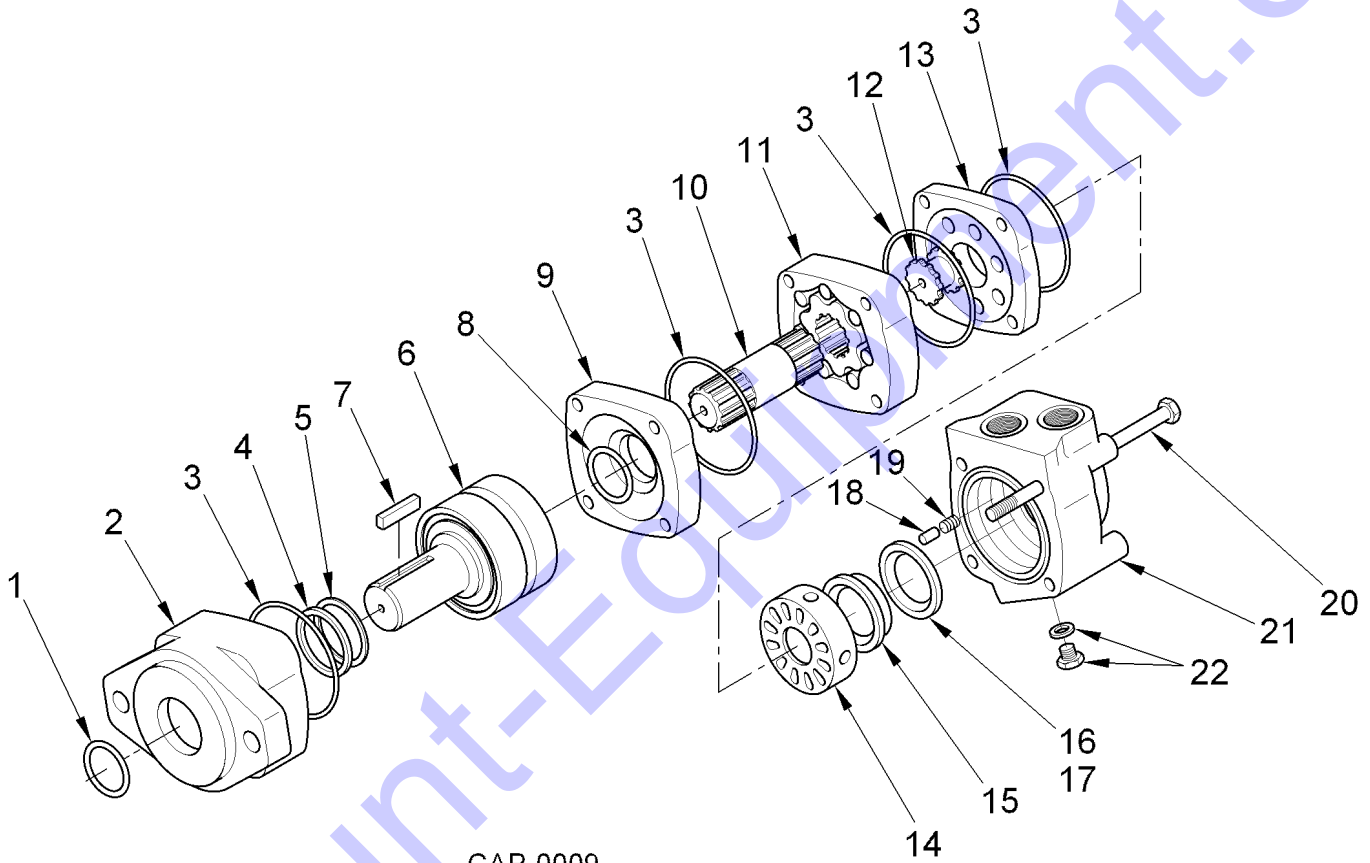


CAP-0083

404543: BROOM MOTOR (DANFOSS, AFTER 11-09-04)

ITEM	PART NUMBER	F/N	DESCRIPTION	QTY	UOM
1		F1	RING, DUST SEAL	1	
2		F1	HOUSING, BEARING	1	
3		F1	SEAL, SHAFT	1	
4		F1	KEY, PARALLEL	1	
5		F1	SHAFT, CYLINDRICAL	1	
6		F1	RING, CONICAL STEEL	1	
7		F1	O-RING	1	
8		F1	PLATE, INTERMEDIATE	1	
9		F1	PLUG, DRAIN	1	
10		F1	WASHER	1	
11		F1	SHAFT, CARDAN	1	
12		F1	O-RING	3	
13		F1	GEAR WHEEL SET	1	
14		F1	PIN, GUIDE	1	
15		F1	VALVE, DRIVE	1	
16		F1	BALL, CHECK VALVE	2	
17		F1	RING, STOP	1	
18		F1	PLATE, CHANNEL	1	
19		F1	PLATE, BALANCE	1	
20		F1	PIN, GUIDE	1	
21		F1	O-RING	1	
22		F1	O-RING	1	
23		F1	SPACER	1	
24		F1	WASHER, SPRING	1	
25		F1	HOUSING, VALVE	1	
26		F1	PLUG, SEAL	2	
27		F1	SCREW	4	
28		F1	PLATE, NAME	1	
			REMAINING COMPONENTS		
	404544		KIT, SEAL	1	EA
	407708		KIT, SHAFT AND BEARING	1	EA
			F1 - PART NUMBER NOT AVAILABLE.		

404541: BROOM MOTOR (EATON, BEFORE 11-09-04)

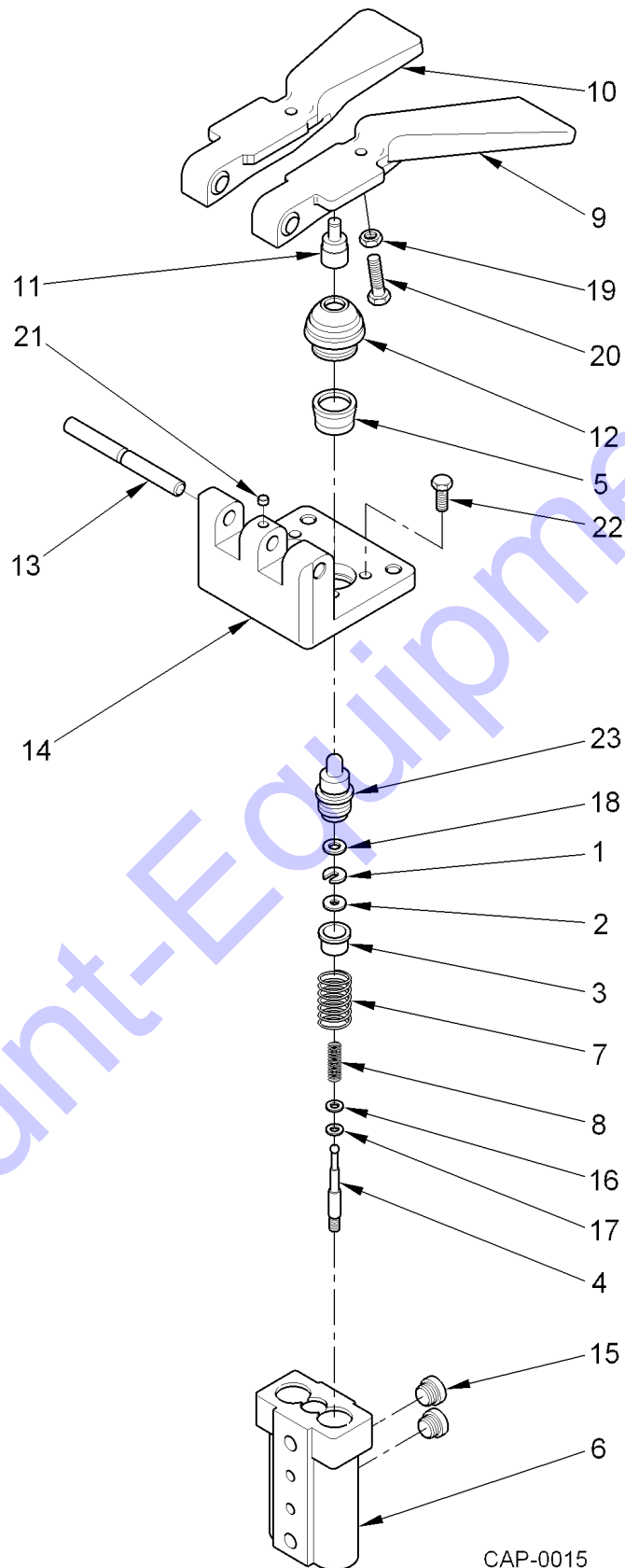


CAP-0009

404541: BROOM MOTOR (EATON, BEFORE 11-09-04)

ITEM	PART NUMBER	F/N	DESCRIPTION	QTY	UOM
1		F1	SEAL	1	
2		F2	HOUSING, BEARING	1	
3		F1	SEAL	1	
4		F1	RING, BACK-UP	1	
5		F1	SEAL	1	
6	408062		KIT, SHAFT AND BEARING	1	EA
7		F1	KEY	1	
8		F1	SEAL	1	
9	454397		PLATE, WARE	1	EA
10	408096		SHAFT, DRIVE	1	EA
11	454405		GEROLER (2.206" WIDE)	1	EA
12	408112		DRIVE, VALVE	1	EA
13	454413		PLATE, VALVE	1	EA
14	454421		VALVE	1	EA
15	408146		RING, BALANCE	1	EA
16		F1	SEAL	1	
17		F1	SEAL	1	
18	408153		PIN	2	EA
19	408161		SPRING	2	EA
20	408179		CAPSCREW (6.54")	4	EA
21		F2	VALVE HOUSING ASSEMBLY	1	
22	408195		PLUG ASSEMBLY	1	EA
			REMAINING COMPONENTS		
	075788	F3	KIT, SEAL	1	EA
			F1 - PART NUMBER NOT AVAILABLE.		
			F2 - NOT AVAILABLE. ORDER COMPLETE MOTOR.		
			F3 - ITEMS INCLUDED IN SEAL KIT 1, 3, 4, 5, 8, 16 AND 17.		

457275: CONTROL, REMOTE FOOT PEDAL

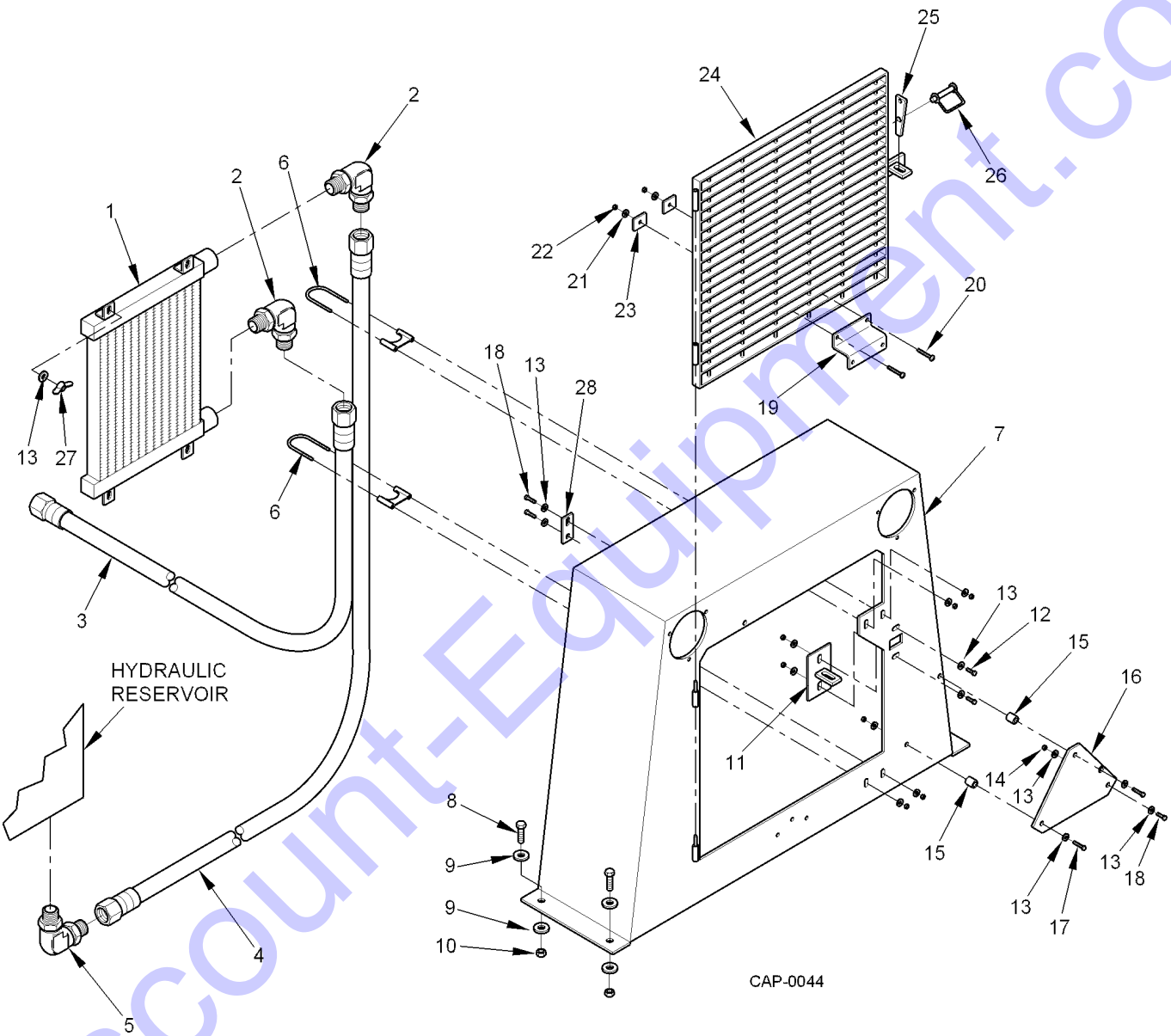


CAP-0015

457275: CONTROL, REMOTE FOOT PEDAL

ITEM	PART NUMBER	F/N	DESCRIPTION	QTY	UOM
1	461798		O-RING (3.6 X 14 X 1.2)	2	EA
2	461806		O-RING (.5 X 14 X 1.2)	2	EA
3	461814		GUIDE, SPRING	2	EA
4	461822		SPOOL, VALVE	2	EA
5	461830		BUSHING, POSITIONER	2	EA
6	466516		BODY	1	EA
7	461848		SPRING, COMPRESSION (.10ID X .30OD X 1.25)	2	EA
8	461855		SPRING, COMPRESSION (.53ID X .65OD X 1.63)	2	EA
9	466474		PEDAL (LEFT HAND)	1	EA
10	466482		PEDAL (RIGHT HAND)	1	EA
11	461863		SPACER, PIN	2	EA
12	461871		BELLOWS, RUBBER	2	EA
13	461889		PIN, PEDAL PIVOT	1	EA
14	466508		SUPPORT, PEDALS	1	EA
15	075549		PLUG	2	EA
16	461897		SHIM (5 X 10 X .3MM)	2	EA
17	461905		SHIM (5 X 10 X .5MM)	2	EA
18	461913		SHIM (8 X 14 X 1MM)	2	EA
19	053538		NUT, HEX (M8 X 1.25)	2	EA
20	404673		CAPSCREW, SOCKET HEAD (M8 X 1.25CP-6G X M30)	2	EA
21	459859		SETSCREW, LONG CUP POINT (M6-1.0CP X M6)	1	EA
22	461921		CAPSCREW, SOCKET HEAD (M5 X 14MM GRADE 8.8)	4	EA
23	461947		KIT, PLUNGER	2	EA

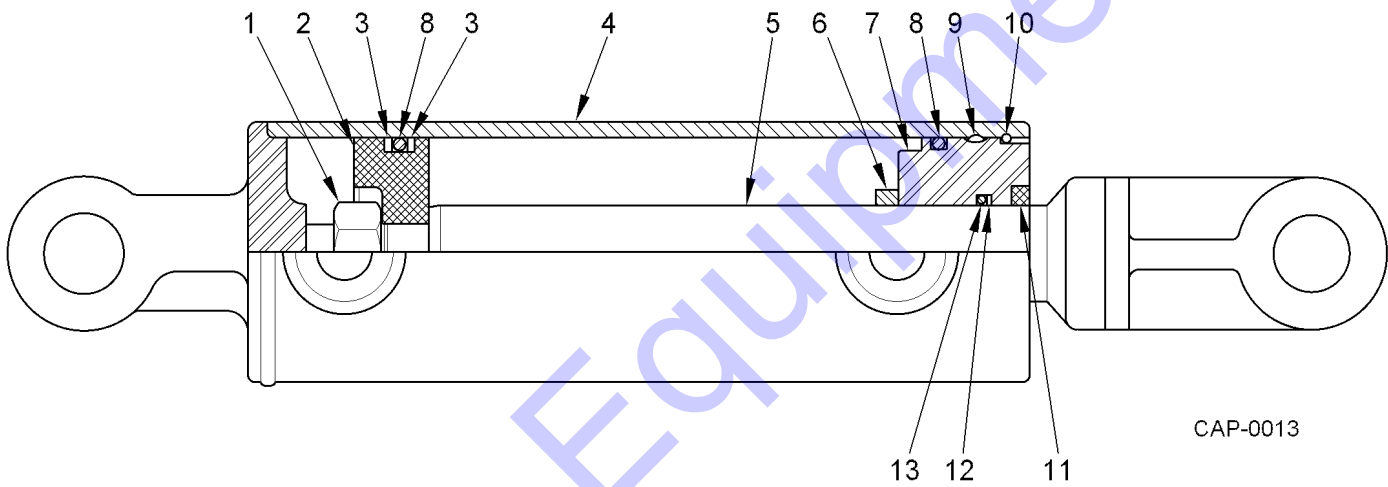
349324: COOLER, OIL (SWING-OUT)



349324: COOLER, OIL (SWING-OUT)

ITEM	PART NUMBER	F/N	DESCRIPTION	QTY	UOM
1	448837		COOLER, HYDRAULIC OIL	1	EA
2	446005		ADAPTER, 90 DEGREE (#16SAE TO #19NPTF)	2	EA
3	349365		HOSE ASSEMBLY (COOLER TO FILTER)	1	EA
4	349357		HOSE ASSEMBLY (COOLER TO CHECK VALVE, TANK)	1	EA
5	078873		ADAPTER, 90 DEGREE (18-12S SAE O-RING)	1	EA
6	429985		EXHAUST CLAMP ASSEMBLY	2	EA
7	349233		STR. ENGINE GUARD	1	EA
8	038422		CAPSCREW (1/2"-13NC X 1-1/4", GR 5)	4	EA
9	011325		WASHER, FLAT (1/2")	8	EA
10	440644		NUT, HEX (1/2"-13NC, FLANGE, WHIZLOCK)	4	EA
11	349290		LATCH, DOOR	1	EA
12	010348		CAPSCREW (5/16"-18NC X 1")	2	EA
13	011322		WASHER, FLAT (5/16")	7	EA
14	083535		NUT, HEX (5/16"-18NC, FLANGE, WHIZLOCK)	2	EA
15	152850		SPACER (1/2" X 3/4")	2	EA
16	350322		MOUNT, EMBLEM	1	EA
17	441600		CAPSCREW (5/16"-18NC X 1", PL)	2	EA
18	083485		CAPSCREW (5/16"-18NC X 3/4", PL)	3	EA
19	281576		MOUNT, TAG LIGHT	1	EA
20	407502		SCREW, SLOTTED PAN HEAD (10-24 X 1-3/4")	2	EA
21	060723		WASHER, FLAT (#10)	4	EA
22	440628		NUT, HEX (#10-24NC)	2	EA
23	350652		PLATE, DRIVE HUB RETAINER	2	EA
24	349258		PANEL, DOOR (SWING OUT)	1	EA
25	236125		WEDGE, LATCH	1	EA
26	067025		PIN, RETAINING (3/8" X 2-1/4")	1	EA
27	096883		WINGNUT (0.31-18)	1	EA
28	349639		ANCHOR, COOLER	1	EA

432971: CYLINDER, BROOM SWING (3" X 10")

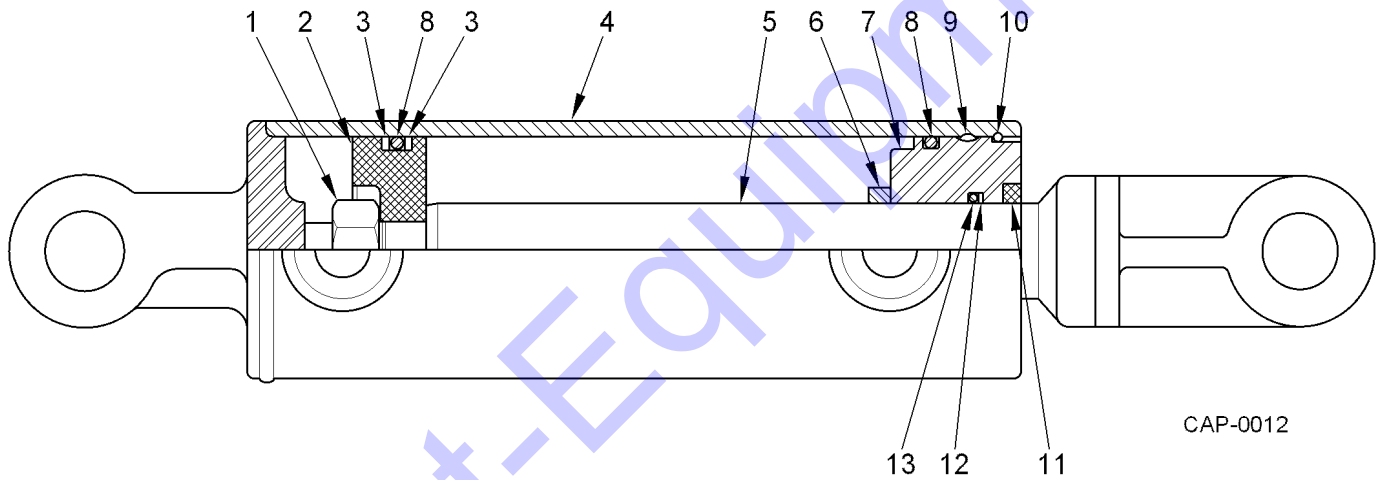


CAP-0013

432971: CYLINDER, BROOM SWING (3" X 10")

ITEM	PART NUMBER	F/N	DESCRIPTION	QTY	UOM
1	033282		NUT	1	EA
2	033191		PISTON	2	EA
3		F1	BACKUP	2	
4		F1	TUBE ASSEMBLY	1	
5		F1	ROD ASSEMBLY	1	
6	434118		SPACER	1	EA
7	434100		HEAD	1	EA
8		F1	O-RING	2	
9	039330		SETSCREW	1	EA
10	033332		RING, RETAINING	1	EA
11		F1	WIPER	1	
12		F1	BACKUP	1	
13		F1	O-RING	1	
REMAINING COMPONENTS					
	071266		PIN, CLEVIS (1" DIA. X 3.00")	1	EA
	033274		PIN, CLEVIS (1" DIA. X 2.37")	1	EA
	026633		PIN, CLIP	2	EA
	033514	F2	KIT, SEAL (LIFT CYLINDER)	AR	EA
F1 - PART NUMBER NOT AVAILABLE.					
F2 - INCLUDES ITEMS 3,8,11,12 AND 13					

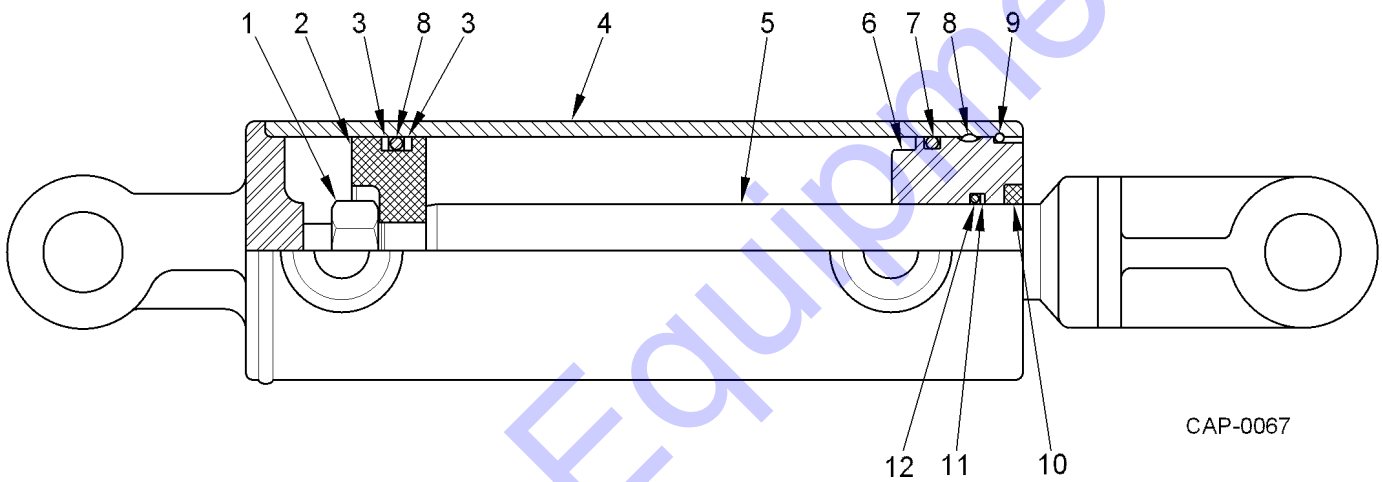
432963: CYLINDER, BROOM SWING (3" X 6")



432963: CYLINDER, BROOM SWING (3" X 6")

ITEM	PART NUMBER	F/N	DESCRIPTION	QTY	UOM
1	033282		NUT	1	EA
2	033191		PISTON	2	EA
3		F1	BACKUP	2	
4		F1	TUBE ASSEMBLY	1	
5		F1	ROD ASSEMBLY	1	
6	434118		SPACER	1	EA
7	434100		HEAD	1	EA
8		F1	O-RING	2	
9	039330		SETSCREW	1	EA
10	033332		RING, RETAINING	1	EA
11		F1	WIPER	1	
12		F1	BACKUP	1	
13		F1	O-RING	1	
REMAINING COMPONENTS					
	071266		PIN, CLEVIS (1" DIA. X 3.00")	1	EA
	033274		PIN, CLEVIS (1" DIA. X 2.37")	1	EA
	026633		PIN, CLIP	2	EA
	033514	F2	KIT, SEAL (LIFT CYLINDER)	AR	EA
F1 - PART NUMBER NOT AVAILABLE.					
F2 - INCLUDES ITEMS 8,11,12 AND 13.					

432969: CYLINDER, BROOM SWING (3" X 8-1/2")

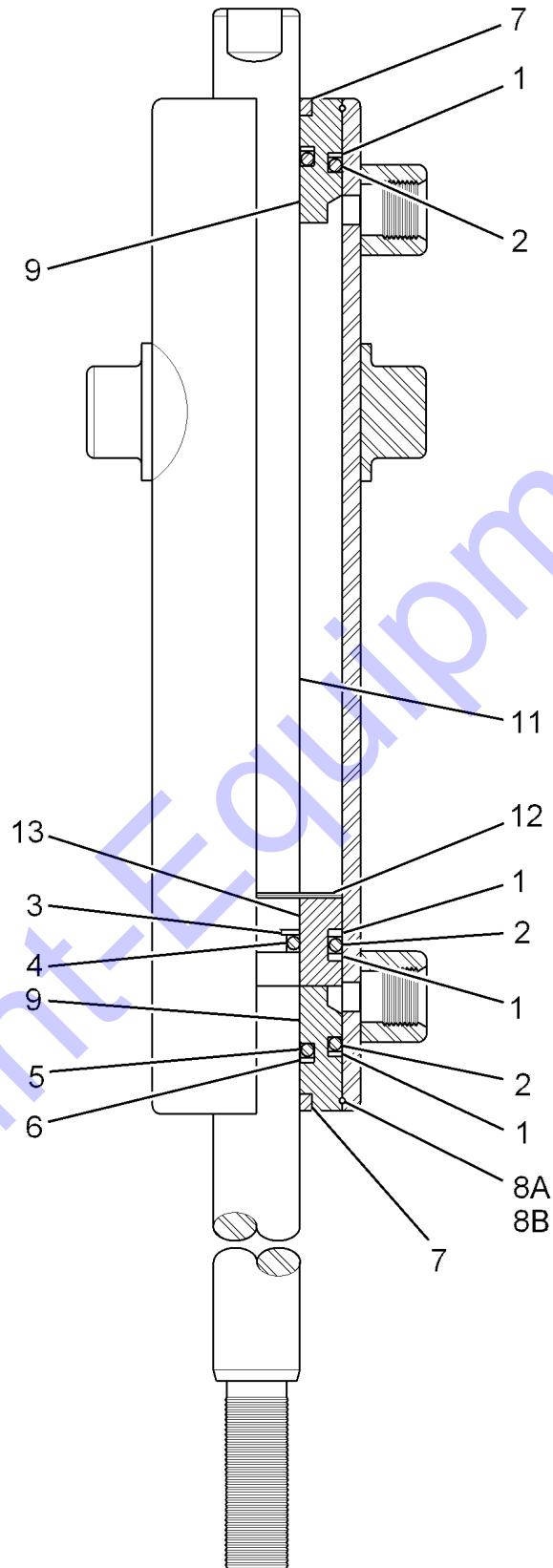


CAP-0067

432969: CYLINDER, BROOM SWING (3" X 8-1/2")

ITEM	PART NUMBER	F/N	DESCRIPTION	QTY	UOM
1	033282		NUT		
2	033191		PISTON	2	EA
3		F1	BACKUP	2	
4		F1	TUBE ASSEMBLY	1	
5		F1	ROD ASSEMBLY	1	
6	434100		HEAD	1	EA
7		F1	O-RING	2	
8	039330		SETSCREW	1	EA
9	033332		RING, RETAINING	1	EA
10		F1	WIPER	1	
11		F1	BACKUP	1	
12		F1	O-RING	1	
REMAINING COMPONENTS					
	386827		SPACER, SWING CYLINDER PISTON END	1	EA
	386828		SPACER, SWING CYLINDER ROD END	1	EA
	071266		PIN, CLEVIS (1" DIA. X 3.00")	1	EA
	033274		PIN, CLEVIS (1" DIA. X 2.37")	1	EA
	026633		PIN, CLIP	2	EA
	033514	F2	KIT, SEAL (LIFT CYLINDER)	AR	EA
F1 - PART NUMBER NOT AVAILABLE.					
F2 - INCLUDES ITEMS 3,7,10,11 AND 12.					

432989: CYLINDER, STEERING (2" X 8")



432989: CYLINDER, STEERING (2" X 8")

ITEM	PART NUMBER	F/N	DESCRIPTION	QTY	UOM
1		F1	RING, BACKUP	4	
2		F1	O-RING	3	
3		F1	RING, BACKUP	1	
4		F1	O-RING	2	
5		F1	O-RING	2	
6		F1	RING, BACKUP	2	
7		F1	WIPER, ROD	2	
8A	434167		WIRE, LOCK	2	EA
8B	434159		GLAND, HEAD	2	EA
9		F1	TUBE WELDMENT	1	
11	434142		RETAINING RING, SPIRAL	2	EA
12	434134		PISTON	1	EA
13	434241	F2	KIT, SEAL	AR	EA
REMAINING COMPONENTS					
			ROD, CYLINDER	1	
F1 - PART NUMBER NOT AVAILABLE.					
F2 - INCLUDES ITEMS 1,2,3,4,5,6,7 AND 8.					

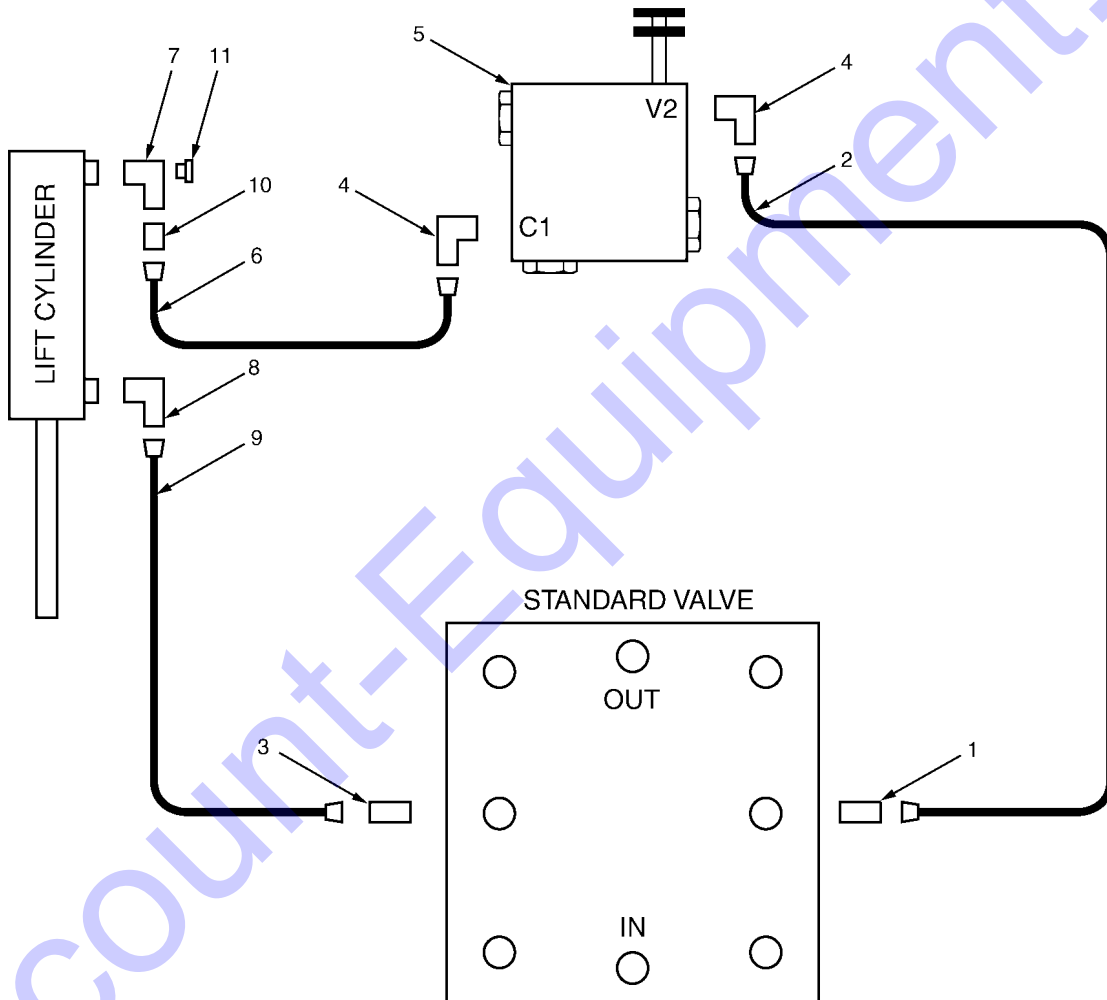
NON-ILLUSTRATED

Discount-Equipment.com

424143: FILTER, HYDRAULIC (RETURN, ELECTRIC)

ITEM	PART NUMBER	F/N	DESCRIPTION	QTY	UOM
1		F1	HEAD, FILTER ELECTRIC (25 PSI RELIEF)	1	
2	028639		ELEMENT, REPLACEMENT (10 MICRON)	1	EA
3	437665	F2	FILTER, HYDRAULIC (CHARGE, ELECTRIC)	1	EA
4		F1	HEAD, FILTER ELECTRIC (25 PSI RELIEF)	1	
5	437673		ELEMENT, REPLACEMENT (10 MICRON)	1	EA
<p>NOTE: THE RESTRICTION INDICATOR SWITCH IS NOT AVAILABLE SEPARATELY. ORDER NEW ASSEMBLY P/N 424143.</p> <p>F1 - PART NUMBER NOT AVAILABLE.</p> <p>F2 - THE RESTRICTION INDICATOR SWITCH IS NOT AVAILABLE SEPARATELY. ORDER NEW ASSEMBLY P/N 437665.</p>					

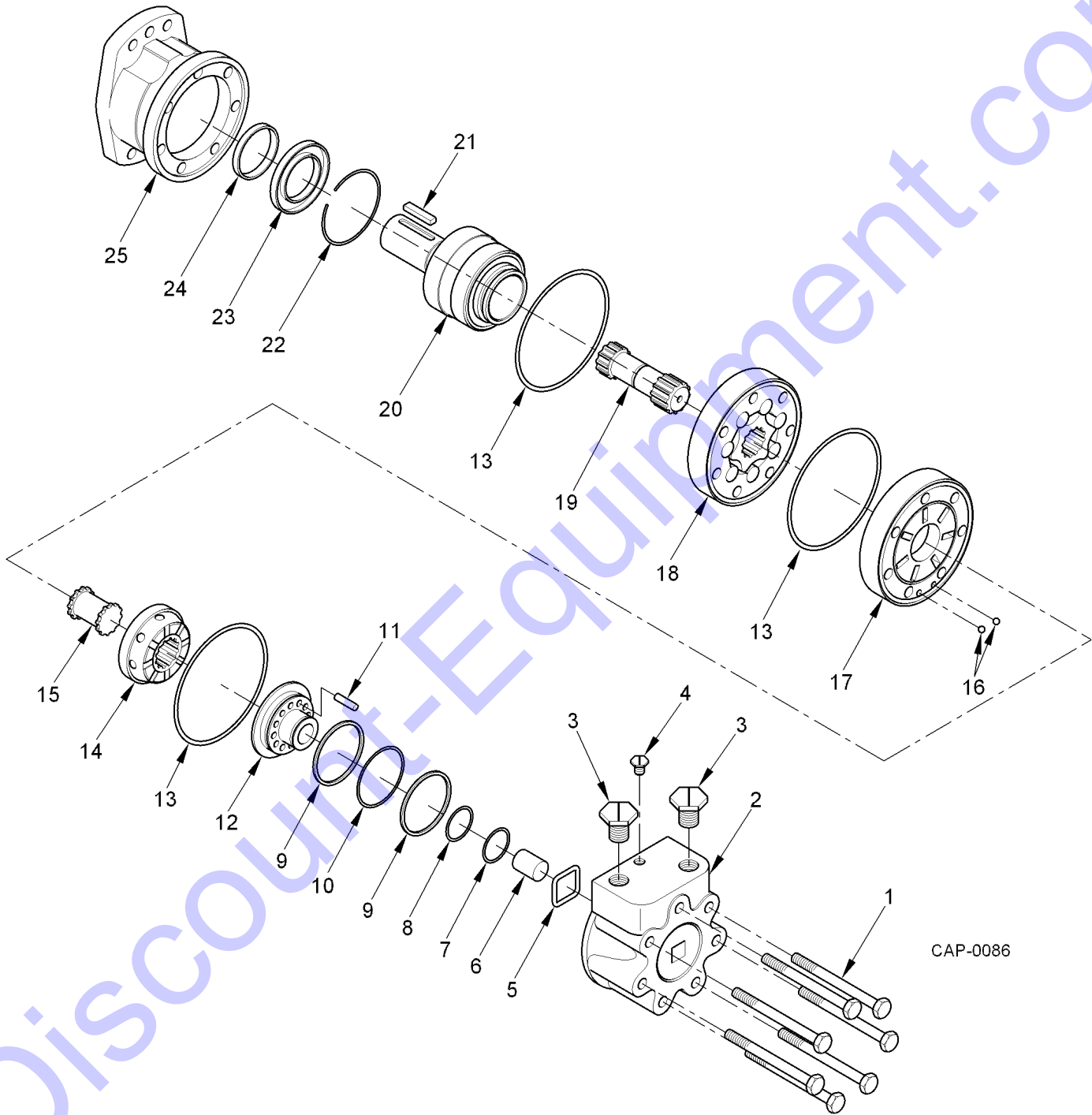
335422K: KIT, COUNTERBALANCE VALVE



335422K: KIT, COUNTERBALANCE VALVE

ITEM	PART NUMBER	F/N	DESCRIPTION	QTY	UOM
1	413195	F1	ADAPTER, STRAIGHT (7/8"-14SAE X 9/16"-18JIC)	1	EA
2	386578		HOSE (.37 ID X 16.00")	1	EA
3	094326	F1	ADAPTER, STRAIGHT (#10SAEM X #6JIC)	1	EA
4	092825		ADAPTER, 90 DEGREE (#6MSAE X #6MJIC)	2	EA
5	406752		VALVE, COUNTER-BALANCE	1	EA
6	386579		HOSE (.37 ID X 72.00")	1	EA
7	427773		ADAPTER, 90 DEGREE (3/4"-16SAE X 3/4"-16MJIC)	1	EA
8	63143600		ADAPTER, 90 DEGREE (0.75-16SAE X 0.56-18JIC)	1	EA
9	366344		HOSE (.37 ID X 77.00")	1	EA
10	403378		ADAPTER (0.75-16JIC X 0.56-18JIC)	1	EA
11	406819		PLUG (7/16"-20 SAE O-RING)	1	EA
			REMAINING COMPONENTS		
	354614		MOUNT, COUNTER-BALANCE VALVE	1	EA
			F1 - NOT PART OF KIT - PROVIDED WITH		
			STANDARD VALVE.		

404538: MOTOR, BROOM

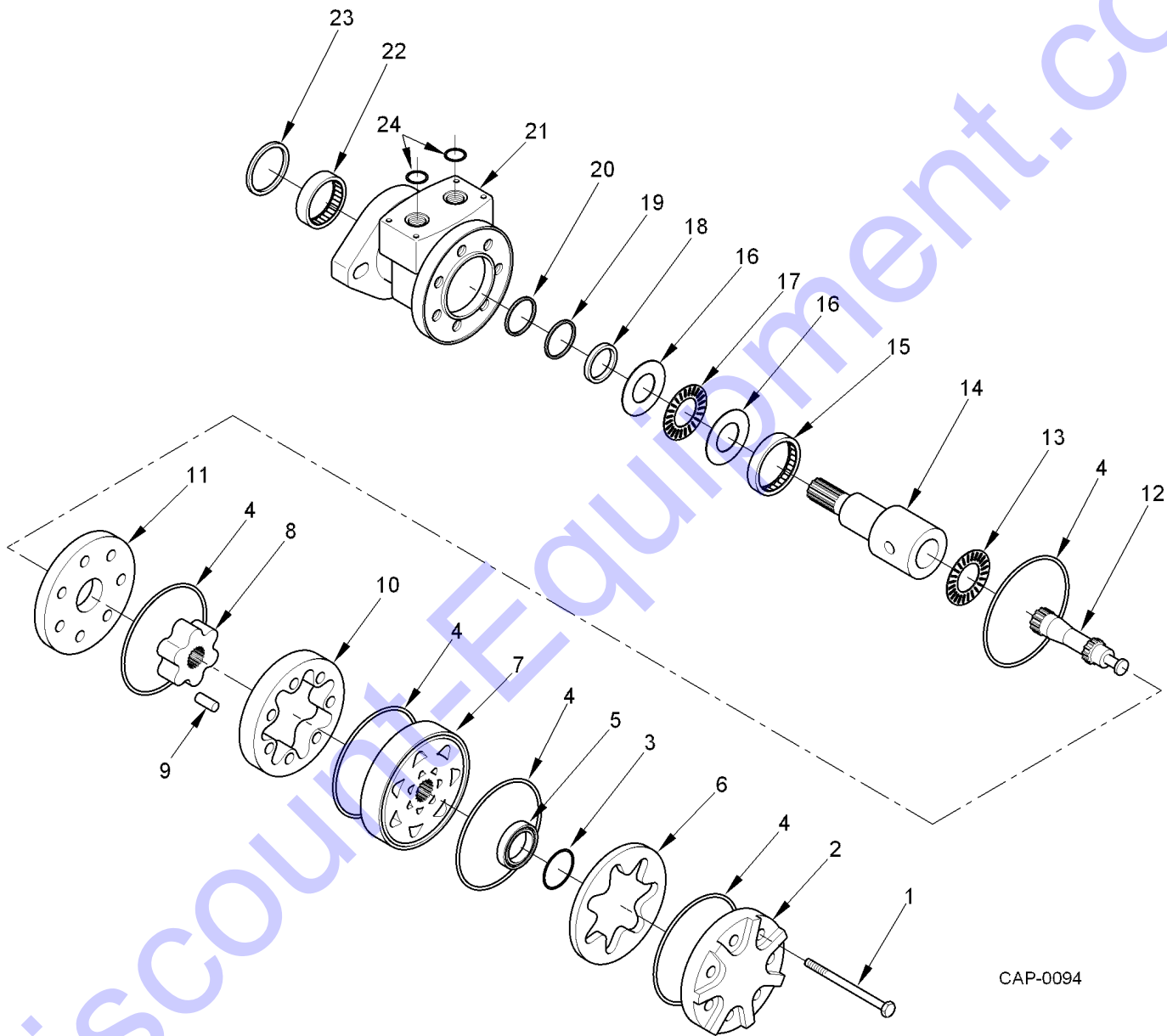


CAP-0086

404538: MOTOR, BROOM

ITEM	PART NUMBER	F/N	DESCRIPTION	QTY	UOM
1		F1	BOLT	7	
2		F1	COVER, END	1	
3		F1	PLUG, MAIN PORT	2	
4		F1	PLUG, DRAIN PORT	1	
5		F1	WASHER, SPRING	1	
6		F1	SPACER	1	
7		F1	O-RING	1	
8		F1	O-RING	1	
9		F1	RING, BACKUP	2	
10		F1	O-RING	1	
11		F1	PIN, GUIDE	1	
12		F1	PLATE, BALANCE	1	
13		F1	O-RING	3	
14		F1	VALVE, DISC	1	
15		F1	VALVE, DRIVE	1	
16		F1	BALL	2	
17		F1	PLATE, CHANNEL	1	
18		F1	GEAR WHEEL SET	1	
19		F1	SHAFT, CARDAN	1	
20		F1	TAPERED SHAFT AND BEARING (F404538)	1	
21		F1	KEY, PARALLEL	1	
22		F1	RING, RETAINING	1	
23		F1	SEAL, SHAFT	1	
24		F1	SEAL, DUST	1	
25		F1	HOUSING, BEARING	1	
			REMAINING COMPONENTS		
	404535		KIT, SHAFT AND BEARING	1	EA
	404536		KIT, BROOM MOTOR SEAL	1	EA
			F1 - PART NUMBER NOT AVAILABLE.		

404542: MOTOR, BROOM (96" BRUSH PARKER)

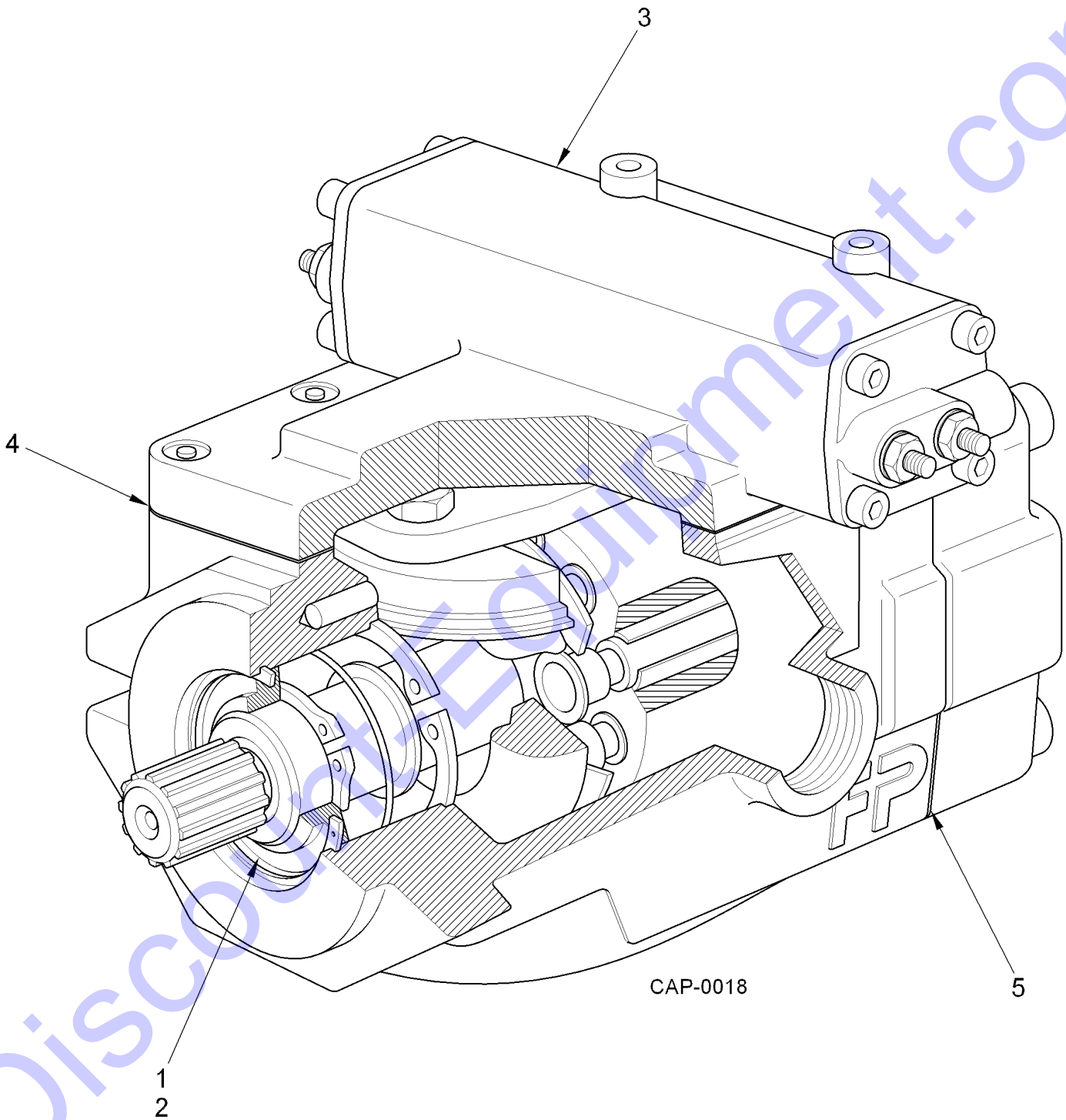


CAP-0094

404542: MOTOR, BROOM (96" BRUSH PARKER)

ITEM	PART NUMBER	F/N	DESCRIPTION	QTY	UOM
1		F1	BOLT, SPECIAL	7	
2		F1	COVER, END	1	
3		F1	COMMUTATOR, SEAL RING	1	
4		F1	RING, SEAL	5	
5		F1	COMMUTATOR	1	
6		F1	COMMUTATOR, RING	1	
7		F1	MANIFOLD	1	
8		F1	ROTOR SET	1	
9		F1	VANE	7	
10		F1	STATOR	1	
11		F1	PLATE, WEAR	1	
12		F1	LINK, DRIVE	1	
13		F1	BEARING, THRUST	1	
14		F1	SHAFT, COUPLING	1	
15		F1	BEARING, INNER	1	
16		F1	WASHER, THRUST	2	
17		F1	BEARING, THRUST	1	
18		F1	SEAL	2	
19		F1	WASHER, BACK-UP	2	
20		F1	WASHER, BACK-UP	4	
21		F1	HOUSING	1	
22		F1	BEARING, OUTER	1	
23		F1	SEAL, DIRT AND WATER	1	
24		F1	O-RING	2	
			REMAINING COMPONENTS		
	404539		KIT, SHAFT AND BEARING	1	EA
	404540		KIT, SEAL	1	EA
			F1 - PART NUMBER NOT AVAILABLE.		

434503: MOTOR, DRIVE AXLE

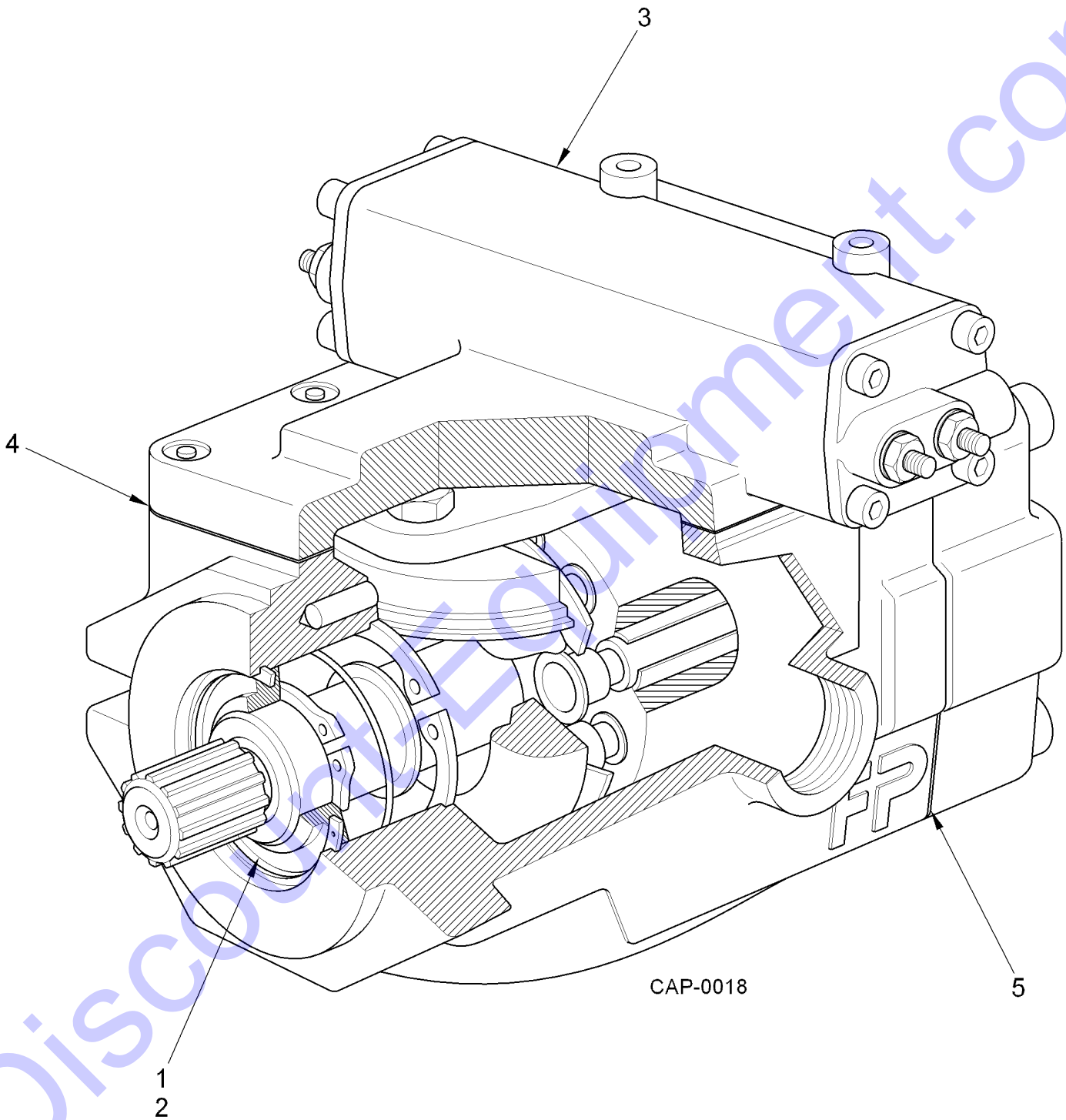


CAP-0018

434503: MOTOR, DRIVE AXLE

ITEM	PART NUMBER	F/N	DESCRIPTION	QTY	UOM
1	462101		SEAL, SHAFT (30 X 42 X 7-7.5)	1	EA
2	454157		O-RING	1	EA
3	457123		SERVO ASSEMBLY, CONTROL PUMP	1	EA
4	441196		SEAL, SERVO CONTROL	1	EA
5	441204		SEAL, DISTRIBUTOR	1	EA
REMAINING COMPONENTS					
	436410	F1	KIT, COMPLETE PUMP SEAL	1	EA
	455410		KIT, SHAFT	1	EA
F1 - INCLUDES ITEMS 1,2,4 AND 5					

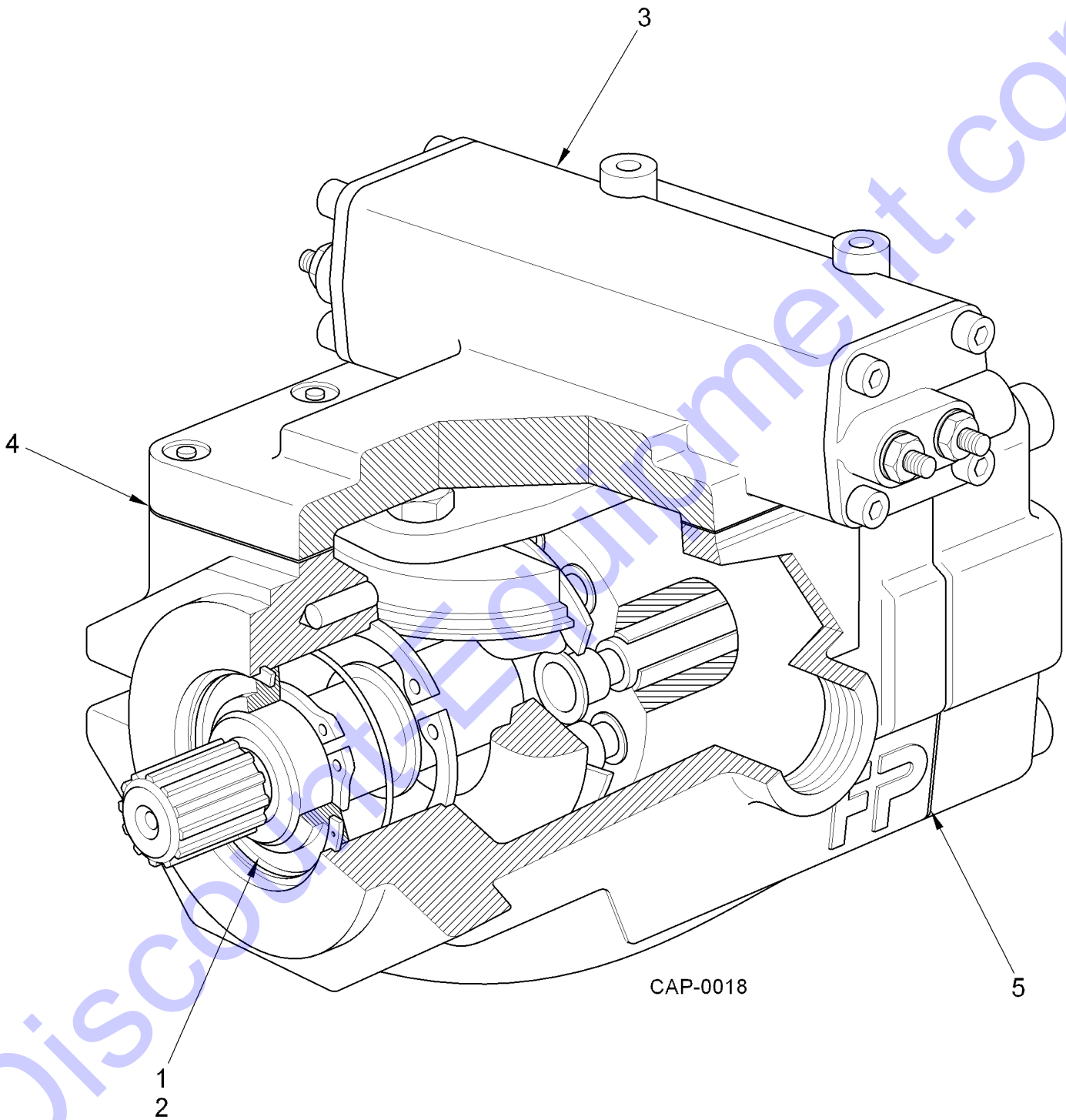
434506: MOTOR, HYDROSTATIC (S/N 31538 AND BEFORE)



434506: MOTOR, HYDROSTATIC (S/N 31538 AND BEFORE)

ITEM	PART NUMBER	F/N	DESCRIPTION	QTY	UOM
1	462101		SEAL, SHAFT (30 X 42 X 7-7.5)	1	EA
2	454157		O-RING	1	EA
3	457123		SERVO ASSEMBLY, CONTROL PUMP	1	EA
4	441196		SEAL, SERVO CONTROL	1	EA
5	441204		SEAL, DISTRIBUTOR	1	EA
REMAINING COMPONENTS					
	436410	F1	KIT, COMPLETE PUMP SEAL	1	EA
	455410		KIT, SHAFT	1	EA
F1 - INCLUDES ITEMS 1,2,4 AND 5					

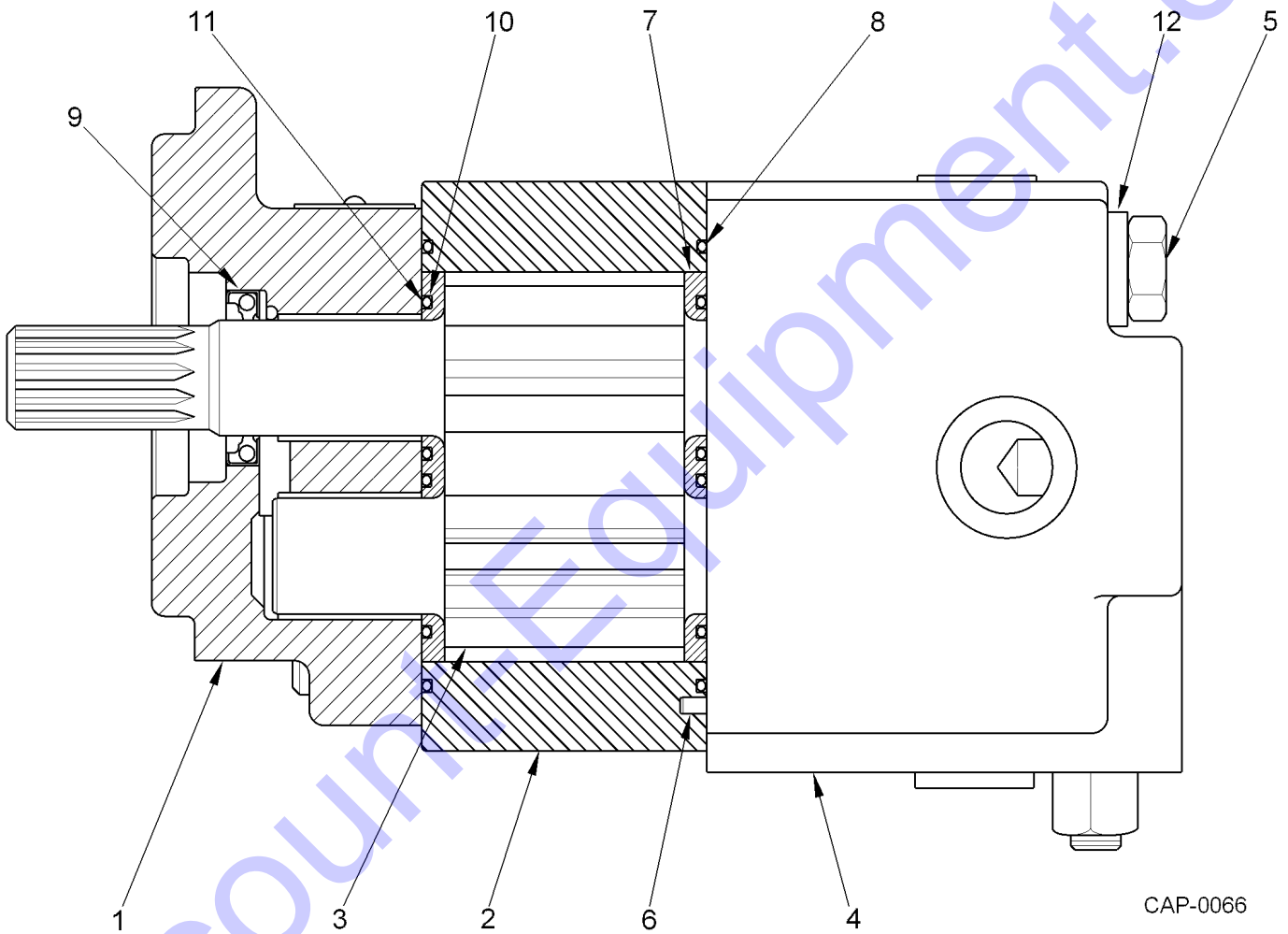
434507: MOTOR, HYDROSTATIC (YUKON EQUIPMENT)



434507: MOTOR, HYDROSTATIC (YUKON EQUIPMENT)

ITEM	PART NUMBER	F/N	DESCRIPTION	QTY	UOM
1	462101		SEAL, SHAFT (30 X 42 X 7-7.5)	1	EA
2	454157		O-RING	1	EA
3	457123		SERVO ASSEMBLY, CONTROL PUMP	1	EA
4	441196		SEAL, SERVO CONTROL	1	EA
5	441204		SEAL, DISTRIBUTOR	1	EA
REMAINING COMPONENTS					
	457124	F1	KIT, COMPLETE MOTOR SEAL (YUKON EQUIPMENT)	1	EA
	455410		KIT, SHAFT	1	EA
F1 - INCLUDES ITEMS 1,2,4 AND 5					

440465: PUMP, AUXILIARY GEAR (06 AND UP PARKER)

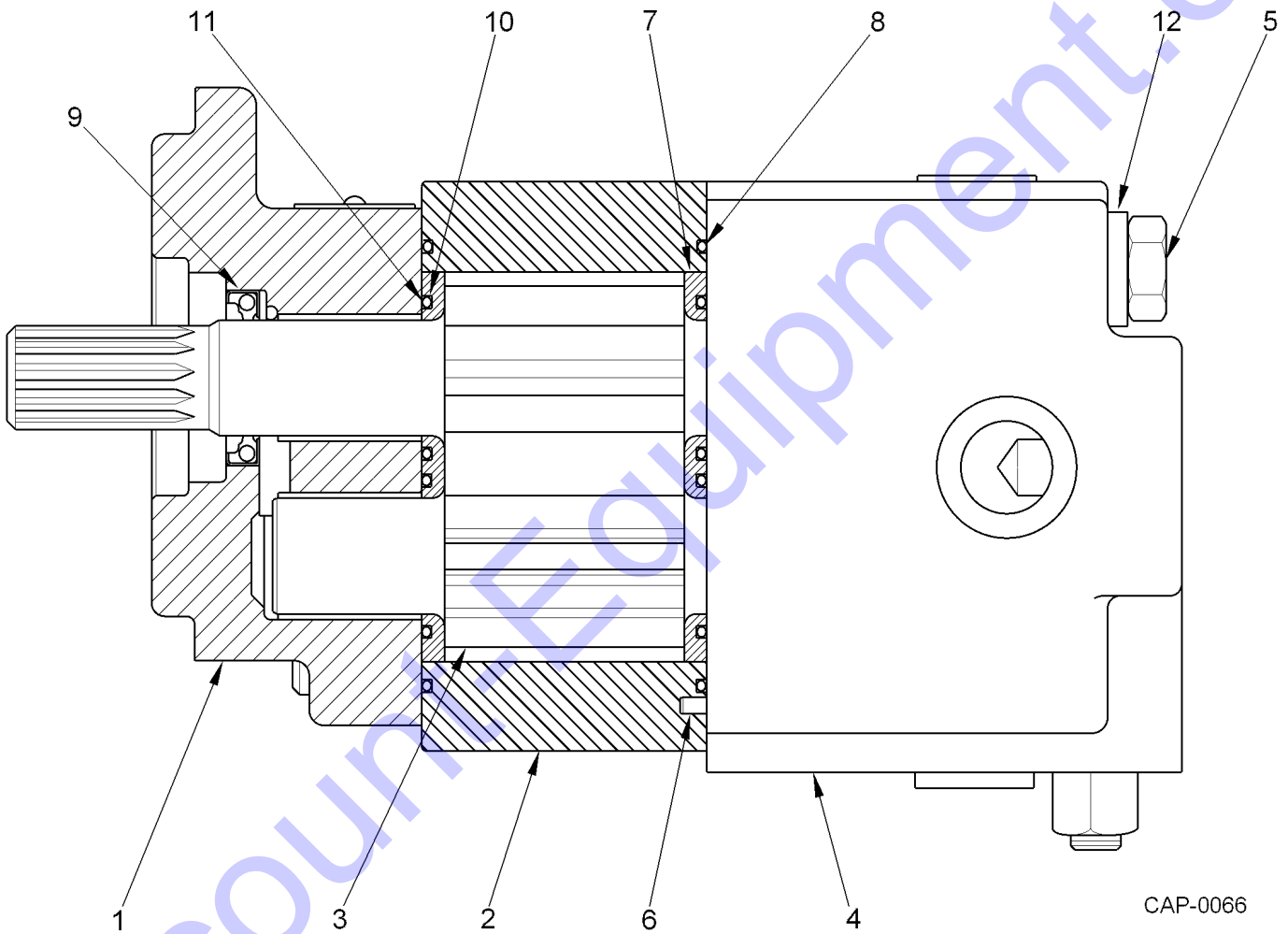


CAP-0066

440465: PUMP, AUXILIARY GEAR (06 AND UP PARKER)

ITEM	PART NUMBER	F/N	DESCRIPTION	QTY	UOM
1		F1	HOUSING, SEC	1	
2		F1	HOUSING, GEAR	1	
3		F1	SET, GEAR SHAFT	1	
4		F1	HOUSING, PRIORITY PEC	1	
5		F1	CAP, SCREW	4	
6		F1	PIN, DOWEL	4	
7		F1	THRPL	2	
8		F1	SEAL, SQ-R	2	
9		F1	SEAL, LIP	1	
10		F1	SEAL, CHAN	2	
11		F1	SEAL, BACK-UP	2	
12		F1	WASHER	4	
			REMAINING COMPONENTS		
	386770		KIT, SEAL (PARKER)	1	EA
			F1 - PART NUMBER NOT AVAILABLE.		

440463: PUMP, AUXILIARY GEAR (2-1-05 AND BEFORE)

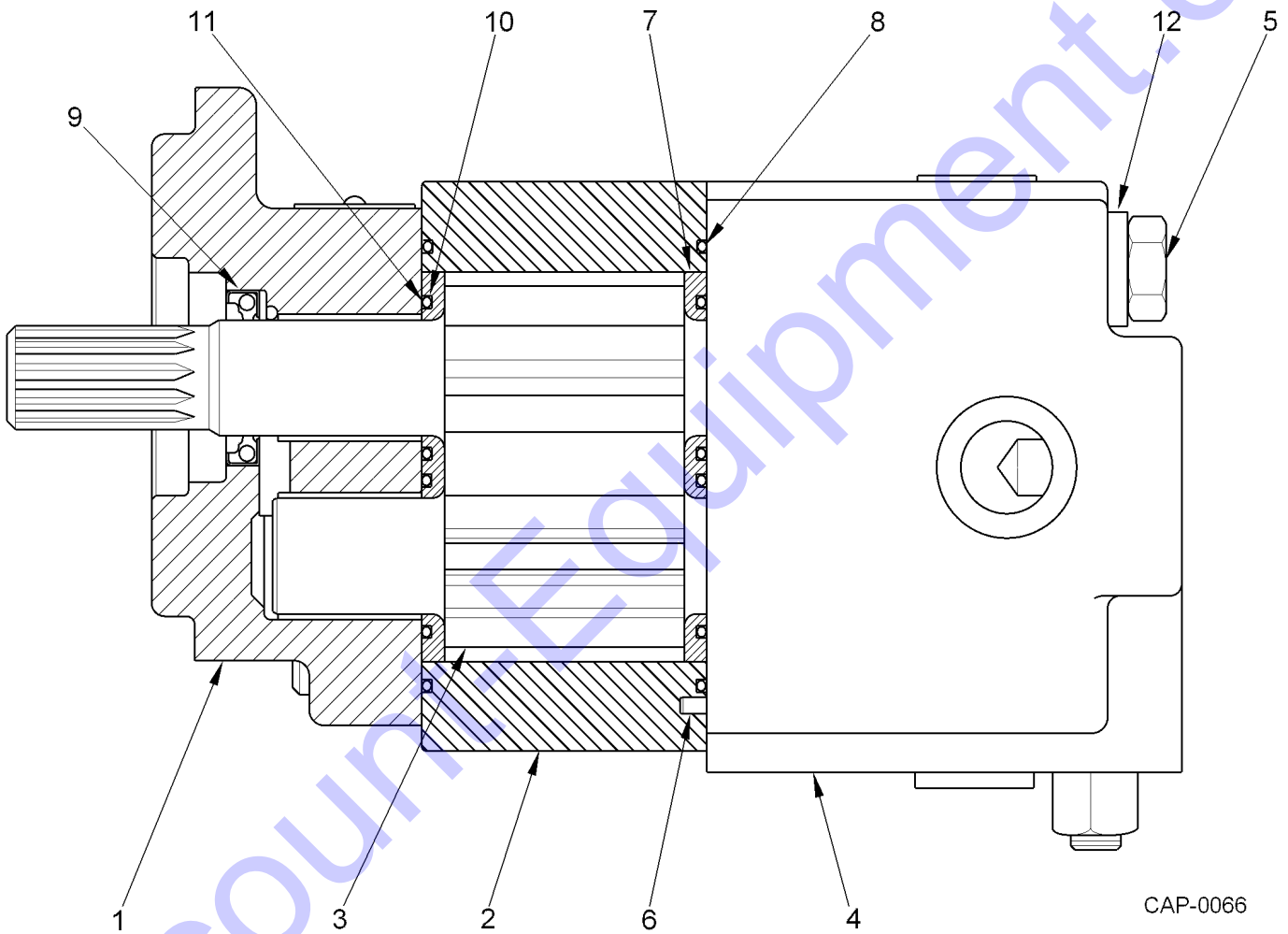


CAP-0066

440463: PUMP, AUXILIARY GEAR (2-1-05 AND BEFORE)

ITEM	PART NUMBER	F/N	DESCRIPTION	QTY	UOM
1		F1	HOUSING, SEC	1	
2		F1	HOUSING, GEAR	1	
3		F1	SET, GEAR SHAFT	1	
4		F1	HOUSING, PRIORITY PEC	1	
5		F1	CAP, SCREW	4	
6		F1	PIN, DOWEL	4	
7		F1	THRPL	2	
8		F1	SEAL, SQ-R	2	
9		F1	SEAL, LIP	1	
10		F1	SEAL, CHAN	2	
11		F1	SEAL, BACK-UP	2	
12		F1	WASHER	4	
			REMAINING COMPONENTS		
	440464		KIT, SEAL	1	EA
			F1 - PART NUMBER NOT AVAILABLE.		

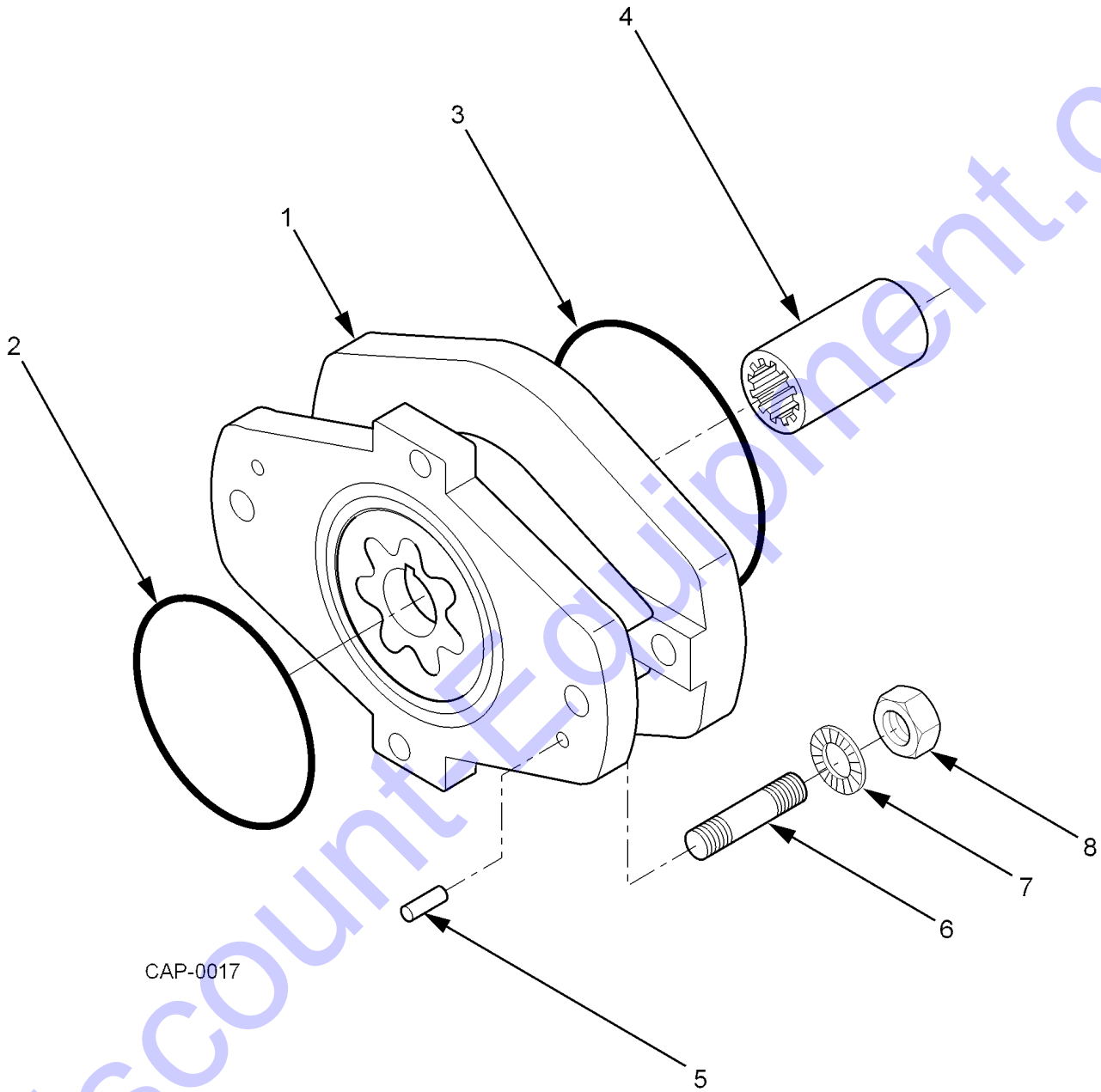
440462: PUMP, AUXILIARY GEAR (2-1-05 AND LATER)



440462: PUMP, AUXILIARY GEAR (2-1-05 AND LATER)

ITEM	PART NUMBER	F/N	DESCRIPTION	QTY	UOM
1		F1	HOUSING, SEC	1	
2		F1	HOUSING, GEAR	1	
3		F1	SET, GEAR SHAFT	1	
4		F1	HOUSING, PRIORITY PEC	1	
5		F1	CAP, SCREW	4	
6		F1	PIN, DOWEL	4	
7		F1	THRPL	2	
8		F1	SEAL, SQ-R	2	
9		F1	SEAL, LIP	1	
10		F1	SEAL, CHAN	2	
11		F1	SEAL, BACK-UP	2	
12		F1	WASHER	4	
			REMAINING COMPONENTS		
	440464		KIT, SEAL	1	EA
			F1 - PART NUMBER NOT AVAILABLE.		

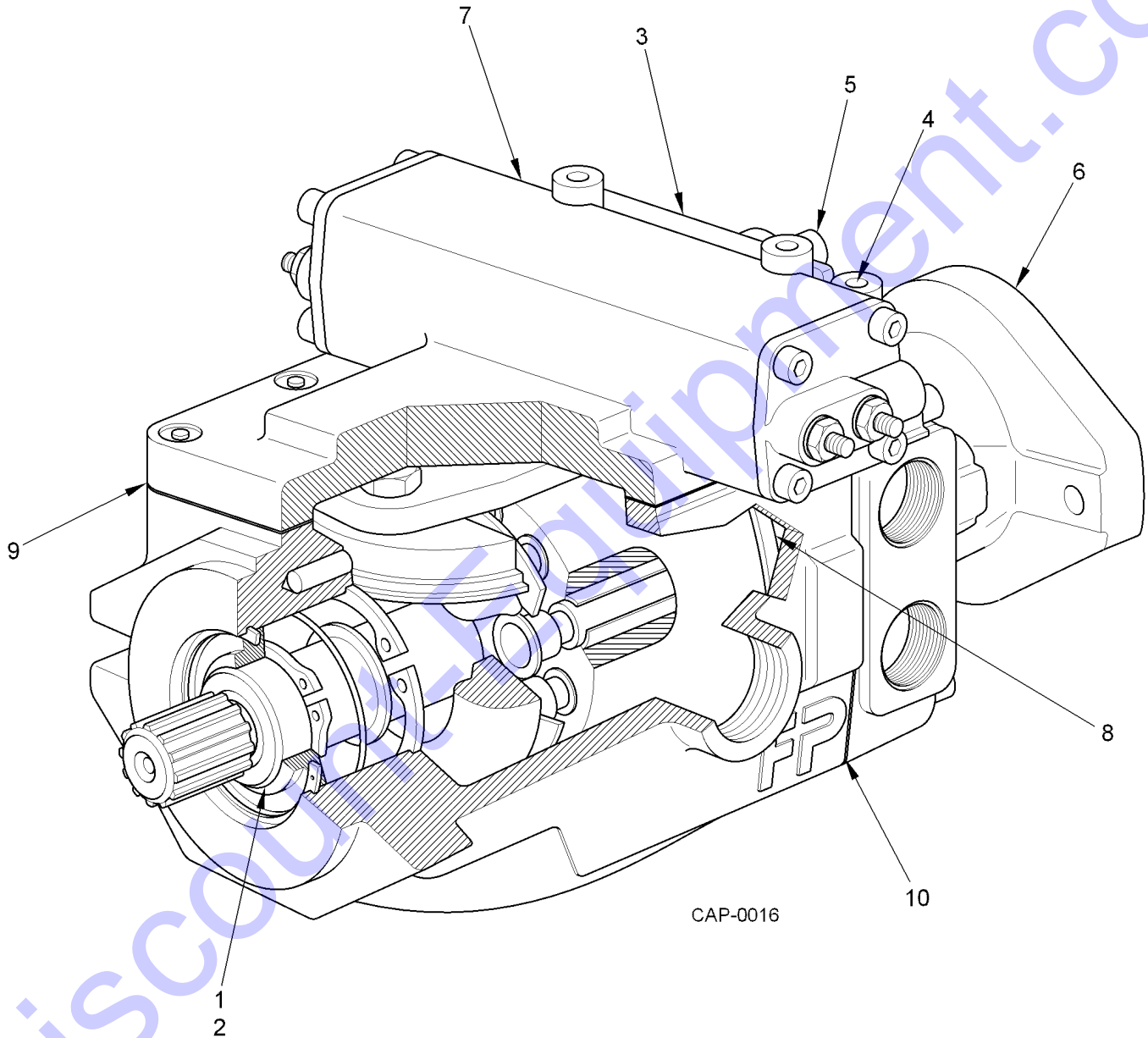
461732: PUMP, CHARGE (SAE B PAD WITH 14CC)



461732: PUMP, CHARGE (SAE B PAD WITH 14CC)

ITEM	PART NUMBER	F/N	DESCRIPTION	QTY	UOM
1		F1	HOUSING, SAE B PAD (14CC CHARGE)	1	
2	448423		O-RING (2.62 X 75.87)	1	EA
3	436428		O-RING (3.53 X 101.19)	2	EA
4	436436		COUPLING JOINT, FEMALE (Z13 16/32" DP)	1	EA
5		F1	PIN (6 X 10)	1	
6	455659		STUD (M10 X 30)	1	EA
7	455667		WASHER, SCHNORR (DIA. 10)	1	EA
8	089474		NUT, HEX (M10 X 1.5)	1	EA
REMAINING COMPONENTS					
		F2	GEROTOR, INNER (H.18)	1	
		F2	GEROTOR, OUTER (H.18)	1	
	436402	F3	KIT, COMPLETE MOTOR SEAL	1	EA
F1 - PART NUMBER NOT AVAILABLE.					
F2 - INCLUDED WITH ITEM 1.					
F3 - INCLUDES ITEMS 3 AND 5.					

457122: PUMP, HYDROSTATIC (PILOT OPERATED)

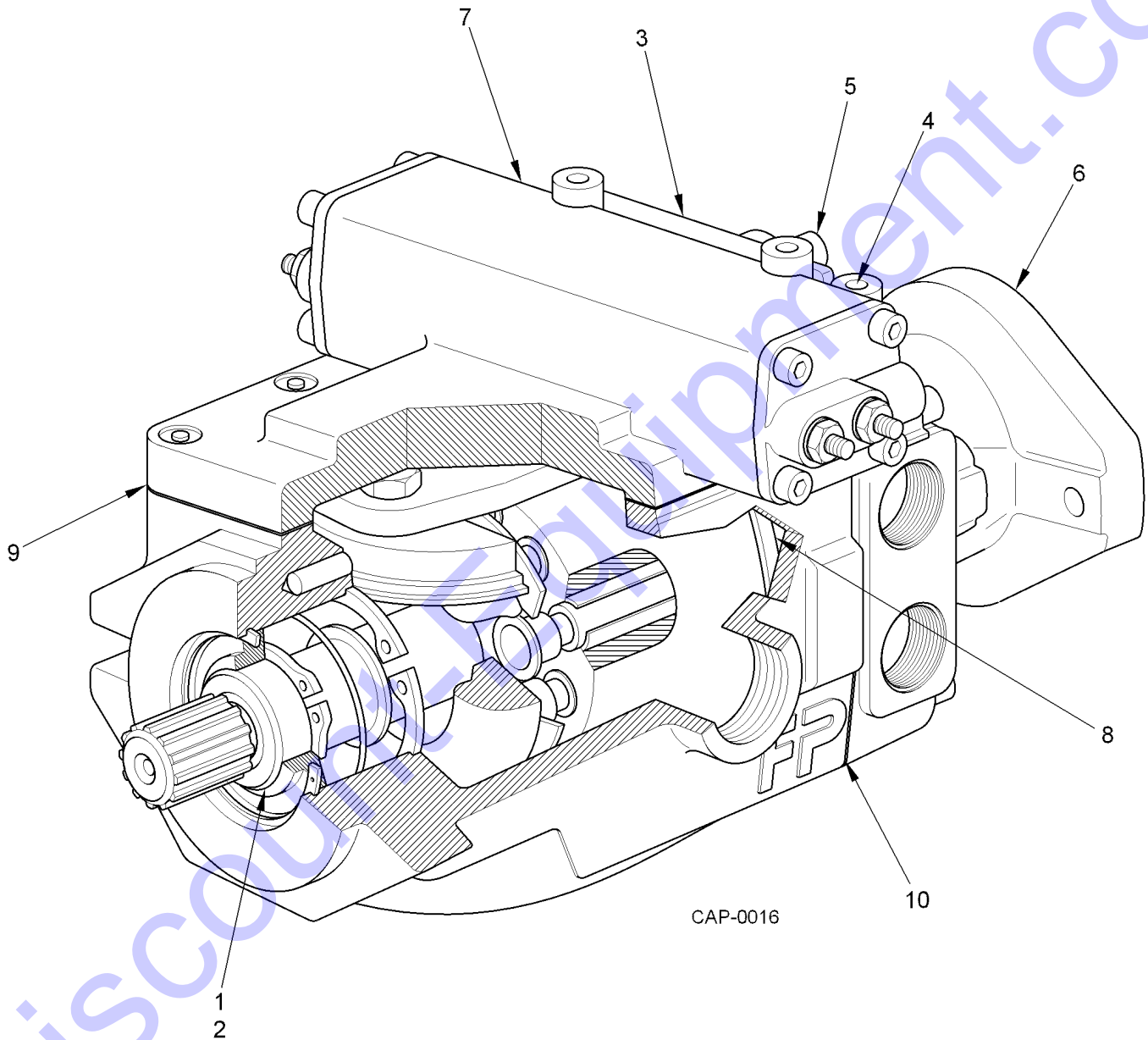


CAP-0016

457122: PUMP, HYDROSTATIC (PILOT OPERATED)

ITEM	PART NUMBER	F/N	DESCRIPTION	QTY	UOM
1	462101		SEAL, SHAFT (30 X 42 X 7-7.5)	1	EA
2	454157		O-RING	1	EA
3	455626		KIT, RELIEF VALVE 350 BAR	2	EA
4	455634		KIT, BYPASS VALVE	1	EA
5	442806		KIT, CHARGE RELIEF VALVE	1	EA
6		F1	CHARGE PUMP ASSEMBLY	1	
7	457123		SERVO ASSEMBLY, CONTROL PUMP	1	EA
8	461715		PLATE, R.H. VALVE PUMP	1	EA
9	441196		SEAL, SERVO CONTROL	1	EA
10	441204		SEAL, DISTRIBUTOR	1	EA
			REMAINING COMPONENTS		
	436402	F2	KIT, COMPLETE MOTOR SEAL	1	EA
			F1 - NO LONGER AVAILABLE AS A REPAIR PART, PLEASE		
			PURCHASE COMPLETE PUMP.		
			F2 - INCLUDES ITEMS 9 AND 10		

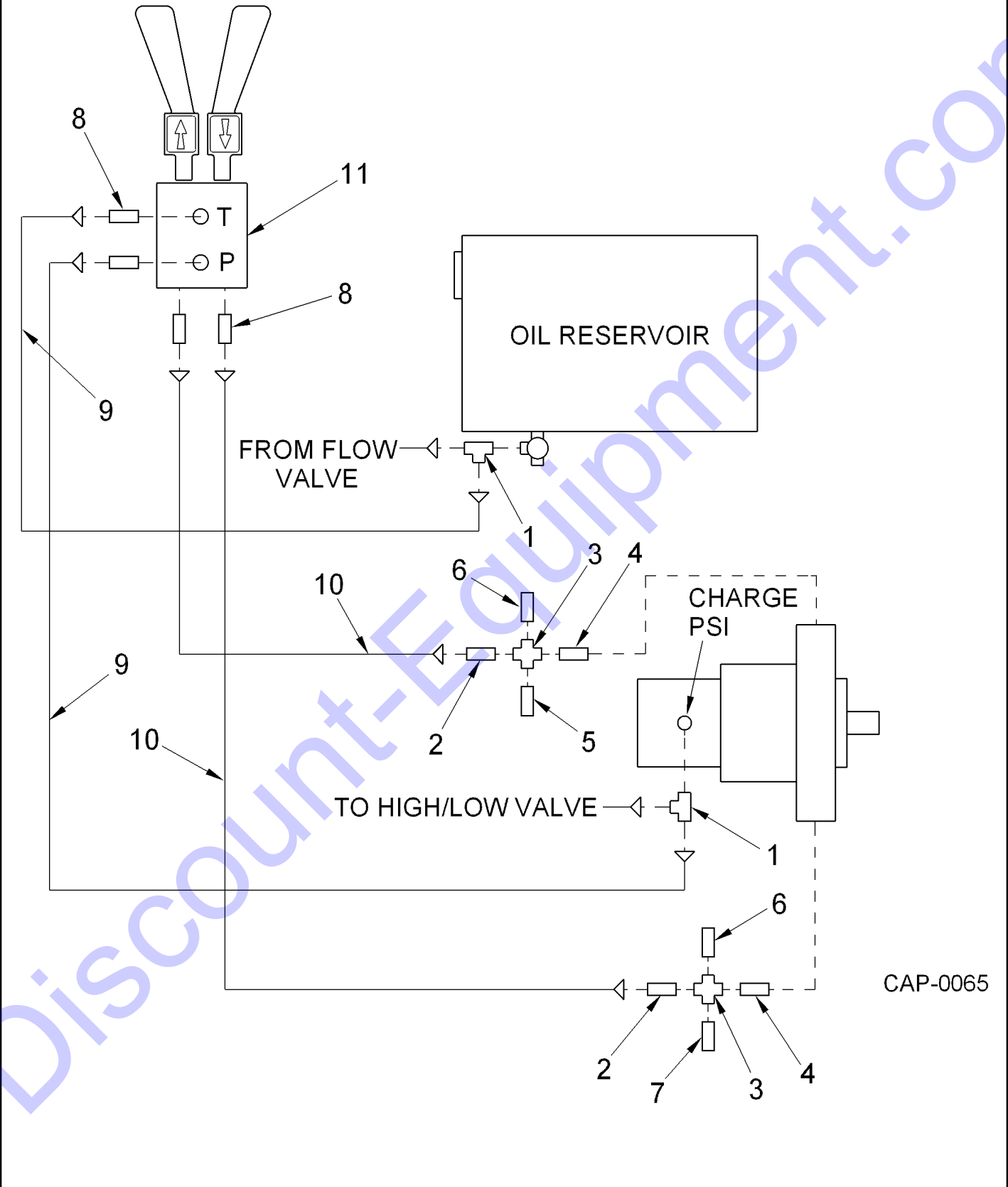
457127: PUMP, PISTON (S/N 31538 AND BEFORE)



457127: PUMP, PISTON (S/N 31538 AND BEFORE)

ITEM	PART NUMBER	F/N	DESCRIPTION	QTY	UOM
1	462101		SEAL, SHAFT (30 X 42 X 7-7.5)	1	EA
2	454157		O-RING	1	EA
3	455626		KIT, RELIEF VALVE 350 BAR	2	EA
4	455634		KIT, BYPASS VALVE	1	EA
5	442806		KIT, CHARGE RELIEF VALVE	1	EA
6		F1	CHARGE PUMP ASSEMBLY	1	
7	457123		SERVO ASSEMBLY, CONTROL PUMP	1	EA
8	461715		PLATE, R.H. VALVE PUMP	1	EA
9	441196		SEAL, SERVO CONTROL	1	EA
10	441204		SEAL, DISTRIBUTOR	1	EA
			REMAINING COMPONENTS		
	436402	F2	KIT, COMPLETE MOTOR SEAL	1	EA
			F1 - NO LONGER AVAILABLE AS A REPAIR PART, PLEASE		
			PURCHASE COMPLETE PUMP.		
			F2 - INCLUDES ITEMS 9 AND 10		

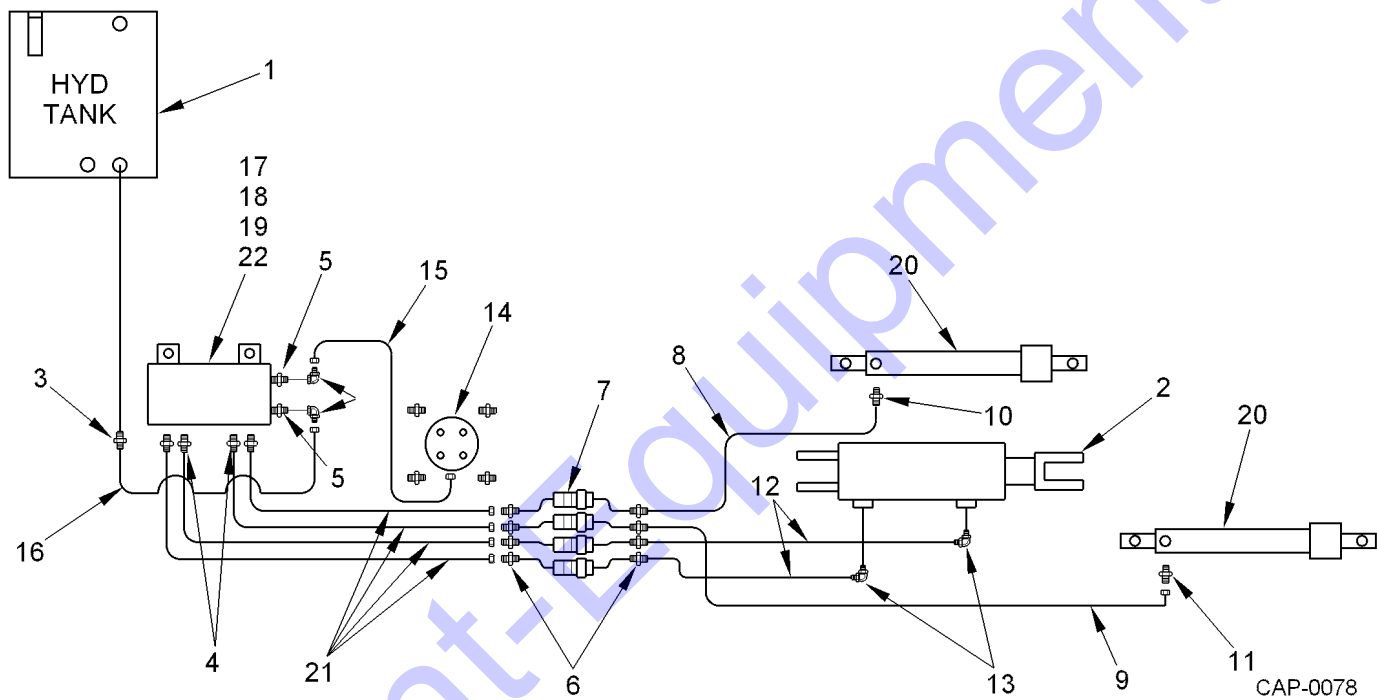
SCHEMATIC, HYD (FT PEDAL PILOT CTRL)



CAP-0065

SCHEMATIC, HYD (FT PEDAL PILOT CTRL)					
ITEM	PART NUMBER	F/N	DESCRIPTION	QTY	UOM
1	092957		ADAPTER, TEE (#6FJIC TO #6MJIC)	2	EA
2	400994		ADAPTER, STRAIGHT (.43-20SAEM-.43-20JICM)	2	EA
3	356311		ADAPTER, CROSS (7/16"-20SAE 4-WAY ORIFICED)	2	EA
4	459784		ADAPTER, UNION (.43 #20 SAE)	2	EA
5	406819		PLUG (7/16"-20 SAE O-RING)	1	EA
6	459800	F1	SWITCH, NEUTRAL START PRESSURE (3/16 SAE NC)	2	EA
7	459792	F3	SWITCH, REVERSE ALARM	1	EA
8	425223		ADAPTER, STRAIGHT (#6MOR TO #4MJIC)	4	EA
9	355446		HOSE ASSEMBLY (FOOT PEDAL TO TANK RETURN)	1	EA
10	355453		HOSE (.25ID -4F -4F90 X 67" 100R1)	1	EA
11	457275		CONTROL, REMOTE FOOT PEDAL (SEE PAGE 120)	1	EA
REMAINING COMPONENTS					
	406819	F2	PLUG (7/16"-20 SAE O-RING)	3	EA
	457296		VALVE, HYDRAULIC (DANFOSS SYSTEM)	1	EA
F1 - REV. CODE -008 AND PRIOR					
F2 - REV. CODE -009 AND LATER					
F3 - 15 PSI RATED UP TO 6000 PSI					

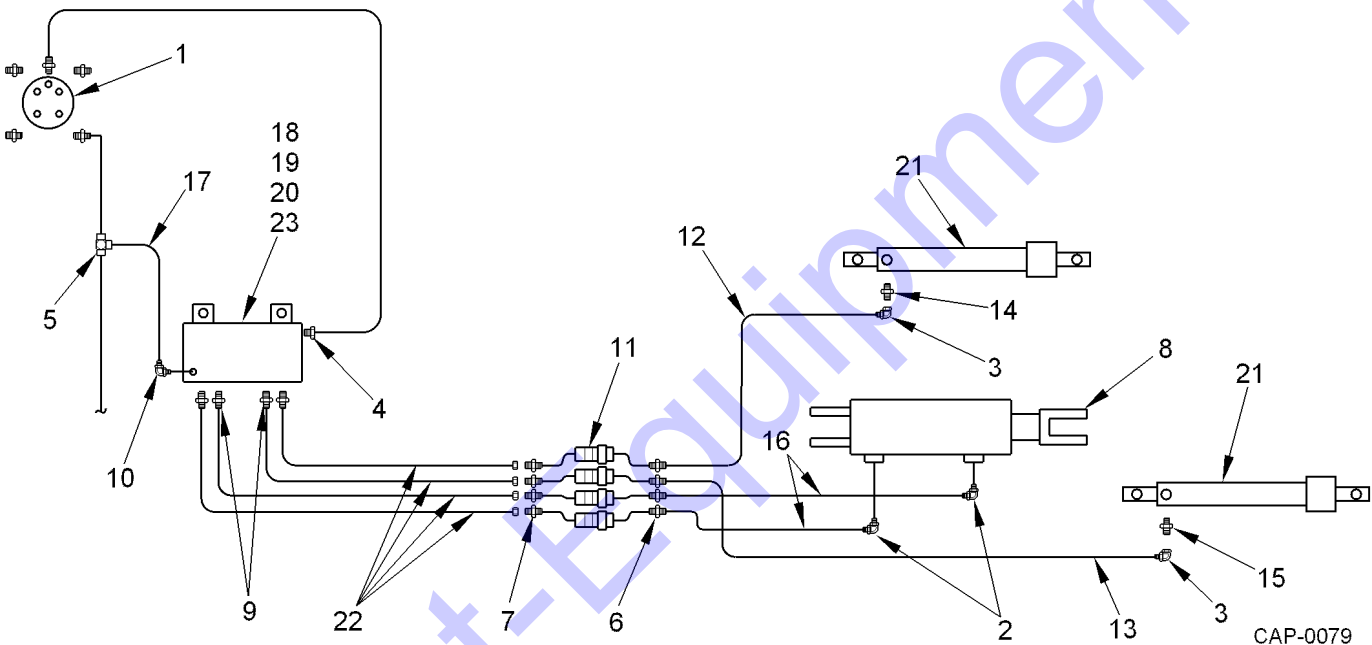
SCHEMATIC, HYD (GRADER BLD, BONDIOLI)



SCHEMATIC, HYD (GRADER BLD, BONDIOLI)

ITEM	PART NUMBER	F/N	DESCRIPTION	QTY	UOM
1	335125	F1	TANK, HYDRAULIC	1	EA
2	432963		CYLINDER, BROOM SWING (3" X 6") (SEE PAGE 126)	1	EA
3	095513		ADAPTER (#12SAEM X #6JICM)	1	EA
4	093427		ADAPTER (9/16-18JIC)	4	EA
5	094326		ADAPTER, STRAIGHT (#10SAEM X #6JIC)	2	EA
6	092882		ADAPTER, STRAIGHT (#6MSAE TO #6MJIC)	8	EA
7	093416		KIT, QUICK COUPLER (9/16-18SAE O-RING)	4	EA
8	604868		HOSE ASSEMBLY (22")	1	EA
9	294439		HOSE ASSEMBLY (30")	1	EA
10	V63015700		ADAPTER (4MP-6MJ)	1	EA
11	282988		ADAPTER (2-3/64 ORIFICE)	1	EA
12	294447		HOSE ASSEMBLY (13")	2	EA
13	V63143600		ADAPTER, 90 DEGREE (#8SAEM X 6#6JICM)	2	EA
14	451104		VALVE, STEERING (W/POWER BEYOND)	1	EA
15	360842		HOSE ASSEMBLY (112")	1	EA
16	372599		HOSE ASSEMBLY (28")	1	EA
17	401174		PLUG (7/16-14SAE O-RING)	2	EA
18	028654		MANIFOLD, INLINE BAR (W/1500/3000 RELIEF)	1	EA
19	433069		VALVE, SOLENOID OPERATED CONTROL	2	EA
20	418582		CYLINDER (1-1/2" X 10")	2	EA
21	343723		HOSE ASSEMBLY (192")	4	EA
22	443077		VALVE, RELIEF	1	EA
			F1 - SEE HYDRAULIC SYSTEM (KUBOTA).		

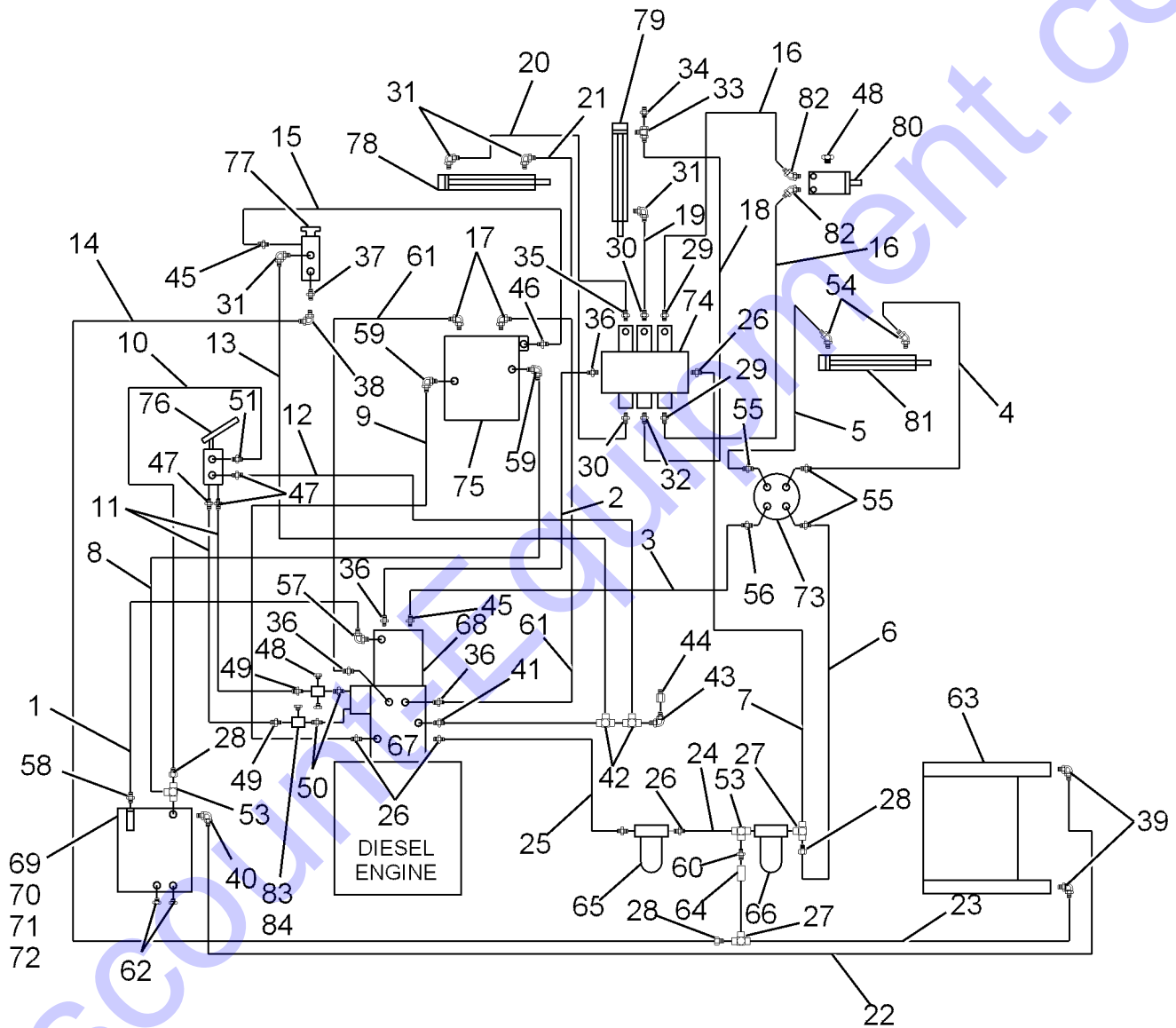
SCHEMATIC, HYD (GRADER BLD, SAUER/DANFOSS)



SCHEMATIC, HYD (GRADER BLD, SAUER/DANFOSS)

ITEM	PART NUMBER	F/N	DESCRIPTION	QTY	UOM
1	476770	F1	VALVE, STEERING	1	EA
2	386552		FITTING, 90 DEGREE (#6MORFS X #8MSAE)	2	EA
3	296806		FITTING, ORIFICE (0.46)	1	EA
4	386559		FITTING, STRAIGHT (#6MORFS TO #8MSAE)	1	EA
5	092957		ADAPTER, TEE (#6FJIC TO #6MJIC)	1	EA
6	092882		ADAPTER, STRAIGHT (#6MSAE TO #6MJIC)	4	EA
7	477637		FITTING, STRAIGHT (#6MORFS TO #6MSAE)	4	EA
8	432963		CYLINDER, BROOM SWING (3" X 6") (SEE PAGE 126)	1	EA
9	386559		FITTING, STRAIGHT (#6MORFS TO #8MSAE)	4	EA
10	386648		FITTING (6-8 C5OX-S)	1	EA
11	093416		KIT, QUICK COUPLER (9/16-18SAE O-RING)	4	EA
12	386670		HOSE ASSEMBLY (22")	1	EA
13	386659		HOSE ASSEMBLY (30")	1	EA
14	V63015700		ADAPTER (4MP-6MJ)	1	EA
15	282988		ADAPTER (2-3/64 ORIFICE)	1	EA
16	386546		HOSE ASSEMBLY (13")	2	EA
17	386656		HOSE ASSEMBLY (37")	1	EA
18	401174		PLUG (7/16-14SAE O-RING)	2	EA
19	028654		MANIFOLD, INLINE BAR (W/1500/3000 RELIEF)	1	EA
20	433069		VALVE, SOLENOID OPERATED CONTROL	2	EA
21	418582		CYLINDER (1-1/2" X 10")	2	EA
22	386658		HOSE ASSEMBLY (106")	4	EA
23	443077		VALVE, RELIEF	1	EA
			F1 - SEE HYDRAULIC SYSTEM (KUBOTA)		

SYSTEM, HYDRAULIC (CUMMINS)



SYSTEM, HYDRAULIC (CUMMINS)

ITEM	PART NUMBER	F/N	DESCRIPTION	QTY	UOM
1	368796		HOSE ASSEMBLY (TANK TO GEAR PUMP)	1	EA
2	386537		HOSE ASSEMBLY (3 SPOOL VALVE TO AUX. GEAR)	1	EA
3	386530		HOSE ASSEMBLY (STEERING PUMP TO VALVE)	1	EA
4	304667		HOSE ASSEMBLY (STEERING VALVE TO RIGHT STEER)	1	EA
5	352138		HOSE ASSEMBLY (STEERING VALVE TO LEFT STEER)	1	EA
6	268664		HOSE ASSEMBLY (STEER VALVE TO RETURN FILTER)	1	EA
7	386529		HOSE ASSEMBLY (3 SPOOL VALVE TO FILTER)	1	EA
8	386538		HOSE ASSEMBLY (WHEEL MOTOR DRAIN TO TANK)	1	EA
9	386539		HOSE ASSEMBLY (PUMP TO WHEEL DRAIN MOTOR)	1	EA
10	355446		HOSE ASSEMBLY (FOOT PEDAL TO TANK RETURN)	1	EA
11	386531		HOSE ASSEMBLY (FOOT PEDAL TO HYDROSTAT)	2	EA
12	386536		HOSE ASSEMBLY (FOOT PEDAL TO CHARGE)	1	EA
13	386533		HOSE ASSEMBLY (2-SPD CTRL VALVE TO CHARGE)	1	EA
14	356931		HOSE ASSEMBLY (2-SPD CTRL VALVE TO FILTER)	1	EA
15	386532		HOSE ASSEMBLY (2-SPD CTRL VLV TO WHEEL MOTOR)	1	EA
16	386528		HOSE ASSEMBLY (3 SPOOL VALVE TO BROOM)	2	EA
17	386643		ADAPTER, 90 DEGREE (#12MORFS TO #12MSAE)	2	EA
18	386526		HOSE ASSEMBLY (3 SPOOL VALVE TO LIFT CYLINDER)	1	EA
19	386535		HOSE ASSEMBLY (3 SPOOL VALVE TO LIFT CYLINDER)	1	EA
20	386534		HOSE ASSEMBLY (3 SPOOL VALVE TO SWING CYL)	1	EA
21	386527		HOSE ASSY (3 SPOOL VALVE TO SWING CYLINDER)	1	EA
22	349357		HOSE ASSEMBLY (COOLER TO CHECK VALVE, TANK)	1	EA
23	349365		HOSE ASSEMBLY (COOLER TO FILTER)	1	EA
24	386540		HOSE ASSEMBLY (FILTER TO FILTER)	1	EA
25	298646		HOSE ASSEMBLY (HYDROSTATIC PUMP TO OIL FILTER)	1	EA
26	071332		ADAPTER, STRAIGHT (#12MOR TO #12MJIC)	5	EA
27	435164		ADAPTER, TEE (#12MJIC TO #12MJIC TO #12MOP)	2	EA
28	V63144100		ADAPTER, STRAIGHT (#12FJIC TO #6MJIC)	3	EA
29	386562		FITTING, STRAIGHT (#10MORFS TO #10MSAE)	2	EA
30	413195		ADAPTER, STRAIGHT (7/8"-14SAE X 9/16"-18JIC)	2	EA
31	386552		FITTING, 90 DEGREE (#6MORFS X #8MSAE)	4	EA
32	477631		ADAPTER, STRAIGHT (#8MORFS TO #10MSAE)	1	EA
33	427773		ADAPTER, 90 DEGREE (3/4"-16SAE X 3/4"-16MJIC)	1	EA
34	386574		FITTING, TEST PORT	1	EA
35	386580		FITTING, STRAIGHT (#6MORFS TO #10MSAE)	1	EA
36	386563		FITTING, STRAIGHT (#12MORFS TO #12MSAE)	4	EA
37	296806		FITTING, ORIFICE (0.46)	1	EA
38	092965		ADAPTER, 90 DEGREE (#6FJIC TO #6MJIC)	1	EA
39	446005		ADAPTER, 90 DEGREE (#16SAE TO #19NPTF)	2	EA
40	078873		ADAPTER, 90 DEGREE (18-12S SAE O-RING)	1	EA
41	386554		FITTING, STRAIGHT (#6MORFS TO #1/4MBSPP)	1	EA
42	386566		FITTING, RUN TEE (#6FORFS TO #6MORFS)	2	EA
43	386553		FITTING, 90 DEGREE (#6MORFS TO #6FORFS)	1	EA
44	386569		FITTING, TEST POINT	1	EA
45	386559		FITTING, STRAIGHT (#6MORFS TO #8MSAE)	2	EA
46	386557		FITTING, STRAIGHT (#6MORFS TO #4MSAE)	1	EA

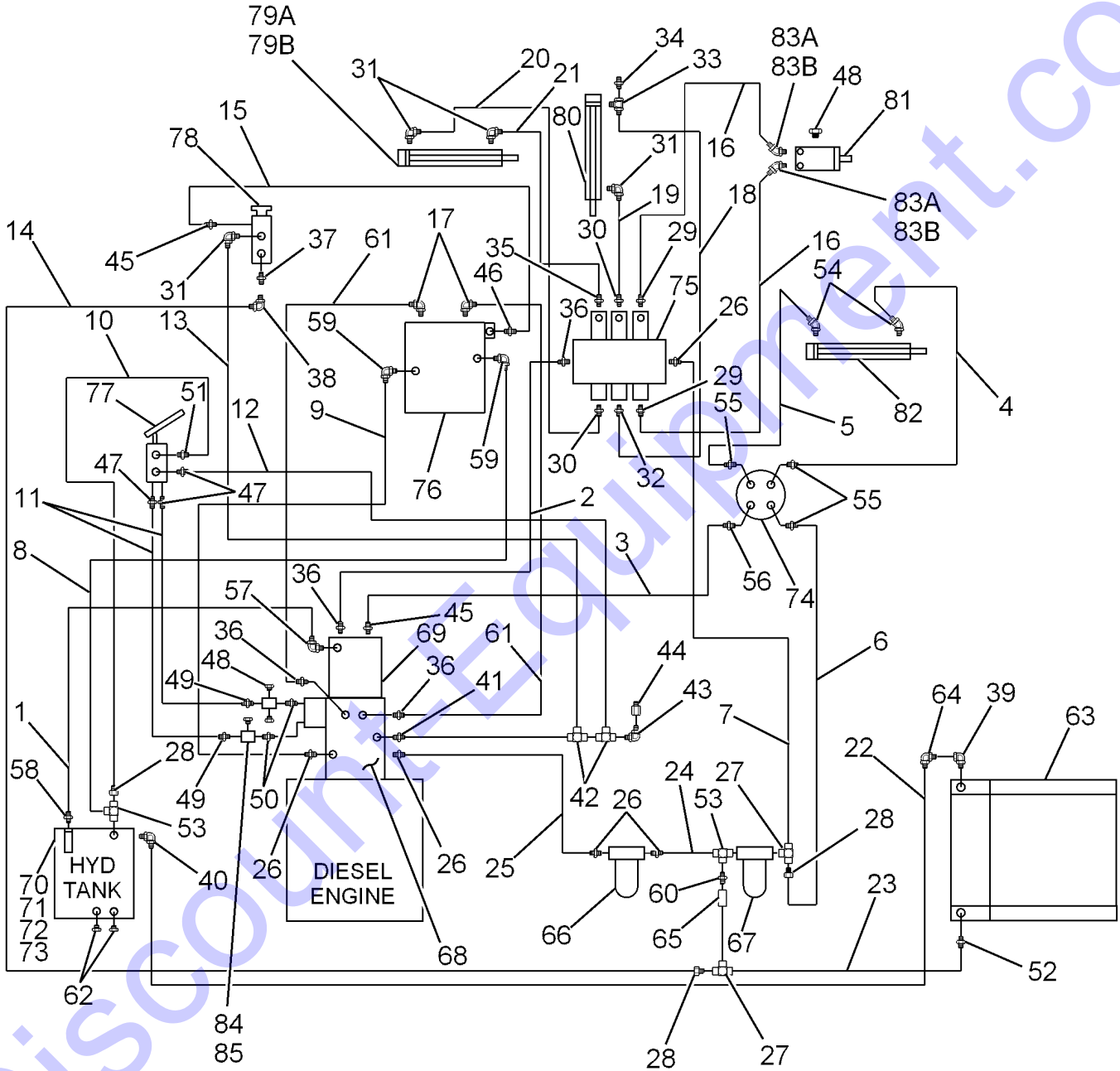
SYSTEM, HYDRAULIC (CUMMINS)

ITEM	PART NUMBER	F/N	DESCRIPTION	QTY	UOM
47	386556		FITTING, STRAIGHT (#4MORFS TO #6MSAE)	3	EA
48	406819		PLUG (7/16"-20 SAE O-RING)	4	EA
49	386555		FITTING, STRAIGHT (#4MORFS TO #4MSAE)	2	EA
50	459784		ADAPTER, UNION (.43 #20 SAE)	2	EA
51	425223		ADAPTER, STRAIGHT (#6MOR TO #4MJIC)	1	EA
	092957		ADAPTER, TEE (#6FJIC TO #6MJIC)	1	EA
53	080275		ADAPTER, TEE (#12MSAE TO #12MJIC)	2	EA
54	425348		ADAPTER, 45 DEGREE (#6MOR TO #6MJIC)	2	EA
55	092882		ADAPTER, STRAIGHT (#6MSAE TO #6MJIC)	3	EA
56	477637		FITTING, STRAIGHT (#6MORFS TO #6MSAE)	1	EA
57	078900		ADAPTER, 90 DEGREE (#20MOR TO #20MJIC)	1	EA
58	056383		ADAPTER, STRAIGHT (#20MNPT TO #20MJIC)	1	EA
59	068338		ADAPTER, 90 DEGREE (#12MSAE TO #12MJIC)	2	EA
60	406694		ADAPTER, SWIVEL (#12JFIC TO #6FJIC)	1	EA
61	386575		HOSE ASSEMBLY (PUMP TO WHEEL MOTOR)	2	EA
62	029363		PLUG (1.06 #12 SAE O-RING)	2	EA
63	448837		COOLER, HYDRAULIC OIL	1	EA
64	438812		VALVE, CHECK (45 PSI)	1	EA
65	437665		FILTER, HYDRAULIC (CHARGE, ELECTRIC)	1	EA
66	424143		FILTER, HYDRAULIC (RETURN, ELECTRIC) (SEE PAGE 132)	1	EA
67	457122		PUMP, HYDROSTATIC (PILOT OPERATED) (SEE PAGE 154)	1	EA
68	440465		PUMP, AUXILIARY GEAR (06 AND UP PARKER) (SEE PAGE 146)	1	EA
69	335125		TANK, HYDRAULIC	1	EA
70	447979		SCREEN, FILTER	1	EA
71	464685		SCREEN (2" X 8")	1	EA
72	464677		GAUGE, SIGHT GLASS (INCLUDES O-RINGS AND STUDS)	1	EA
	478103	F1	GAUGE, SIGHT GLASS	1	EA
73	476770		VALVE, STEERING	1	EA
74	457267		VALVE, CONTROL (SEE PAGE 172)	AR	EA
75	434503		MOTOR, DRIVE AXLE (SEE PAGE 140)	1	EA
76	457275		CONTROL, REMOTE FOOT PEDAL (SEE PAGE 120)	1	EA
77	443735		VALVE, 2 POSITION	1	EA
78	432971		CYLINDER, BROOM SWING (3" X 10") (SEE PAGE 124)	AR	EA
79	432963		CYLINDER, BROOM SWING (3" X 6") (SEE PAGE 126)	AR	EA
80	404538		MOTOR, BROOM (SEE PAGE 136)	AR	EA
81	432989		CYLINDER, STEERING (2" X 8") (SEE PAGE 130)	AR	EA

SYSTEM, HYDRAULIC (CUMMINS)

ITEM	PART NUMBER	F/N	DESCRIPTION	QTY	UOM
82	477859		FITTING, 45 DEGREE (#10-12 V50L0-S)	2	EA
83	356311		ADAPTER, CROSS (7/16"-20SAE 4-WAY ORIFICED)	2	EA
84	459792		SWITCH, REVERSE ALARM	1	EA
			F1 - FOR KUBOTA V3600 MODELS ONLY		

SYSTEM, HYDRAULIC (KUBOTA)



SYSTEM, HYDRAULIC (KUBOTA)

ITEM	PART NUMBER	F/N	DESCRIPTION	QTY	UOM
1	368796		HOSE ASSEMBLY (TANK TO GEAR PUMP)	1	EA
2	386537		HOSE ASSEMBLY (3 SPOOL VALVE TO AUX. GEAR)	1	EA
3	386530		HOSE ASSEMBLY (STEERING PUMP TO VALVE)	1	EA
4	304667		HOSE ASSEMBLY (STEERING VALVE TO RIGHT STEER)	1	EA
5	352138		HOSE ASSEMBLY (STEERING VALVE TO LEFT STEER)	1	EA
6	268664		HOSE ASSEMBLY (STEER VALVE TO RETURN FILTER)	1	EA
7	386529		HOSE ASSEMBLY (3 SPOOL VALVE TO FILTER)	1	EA
8	386538		HOSE ASSEMBLY (WHEEL MOTOR DRAIN TO TANK)	1	EA
9	386539		HOSE ASSEMBLY (PUMP TO WHEEL DRAIN MOTOR)	1	EA
10	355446		HOSE ASSEMBLY (FOOT PEDAL TO TANK RETURN)	1	EA
11	386531		HOSE ASSEMBLY (FOOT PEDAL TO HYDROSTAT)	2	EA
12	386536		HOSE ASSEMBLY (FOOT PEDAL TO CHARGE)	1	EA
13	386533		HOSE ASSEMBLY (2-SPD CTRL VALVE TO CHARGE)	1	EA
14	356931		HOSE ASSEMBLY (2-SPD CTRL VALVE TO FILTER)	1	EA
15	386532		HOSE ASSEMBLY (2-SPD CTRL VLV TO WHEEL MOTOR)	1	EA
16	386528		HOSE ASSEMBLY (3 SPOOL VALVE TO BROOM)	2	EA
17	386643		ADAPTER, 90 DEGREE (#12MORFS TO #12MSAE)	2	EA
18	386526		HOSE ASSEMBLY (3 SPOOL VALVE TO LIFT CYLINDER)	1	EA
19	386535		HOSE ASSEMBLY (3 SPOOL VALVE TO LIFT CYLINDER)	1	EA
20	386668		HOSE ASSEMBLY (3 SPOOL VALVE TO SWING CYL)	1	EA
21	386534		HOSE ASSEMBLY (3 SPOOL VALVE TO SWING CYL)	1	EA
22	387206		HOSE ASSEMBLY (COOLER TO CHECK VALVE, TANK)	1	EA
23	387207		HOSE ASSEMBLY (COOLER TO FILTER)	1	EA
24	386540		HOSE ASSEMBLY (FILTER TO FILTER)	1	EA
25	298646		HOSE ASSEMBLY (HYDROSTATIC PUMP TO OIL FILTER)	1	EA
26	071332		ADAPTER, STRAIGHT (#12MOR TO #12MJIC)	5	EA
27	435164		ADAPTER, TEE (#12MJIC TO #12MJIC TO #12MOP)	2	EA
28	V63144100		ADAPTER, STRAIGHT (#12FJIC TO #6MJIC)	3	EA
29	386562		FITTING, STRAIGHT (#10MORFS TO #10MSAE)	2	EA
30	413195		ADAPTER, STRAIGHT (7/8"-14SAE X 9/16"-18JIC)	2	EA
31	386552		FITTING, 90 DEGREE (#6MORFS X #8MSAE)	4	EA
32	477631		ADAPTER, STRAIGHT (#8MORFS TO #10MSAE)	1	EA
33	427773		ADAPTER, 90 DEGREE (3/4"-16SAE X 3/4"-16MJIC)	1	EA
34	386574		FITTING, TEST PORT	1	EA
35	386580		FITTING, STRAIGHT (#6MORFS TO #10MSAE)	1	EA
36	386563		FITTING, STRAIGHT (#12MORFS TO #12MSAE)	4	EA
37	296806		FITTING, ORIFICE (0.46)	1	EA
38	092965		ADAPTER, 90 DEGREE (#6FJIC TO #6MJIC)	1	EA
39	446005		ADAPTER, 90 DEGREE (#16SAE TO #19NPTF)	2	EA
40	387211		ELBOW, MALE (#16MBOR X #18JICM 90 DEGREE)	1	EA
41	386554		FITTING, STRAIGHT (#6MORFS TO #1/4MBSPP)	1	EA
42	386566		FITTING, RUN TEE (#6FORFS TO #6MORFS)	2	EA
43	386553		FITTING, 90 DEGREE (#6MORFS TO #6FORFS)	1	EA
44	386569		FITTING, TEST POINT	1	EA
45	386559		FITTING, STRAIGHT (#6MORFS TO #8MSAE)	2	EA
46	386557		FITTING, STRAIGHT (#6MORFS TO #4MSAE)	1	EA

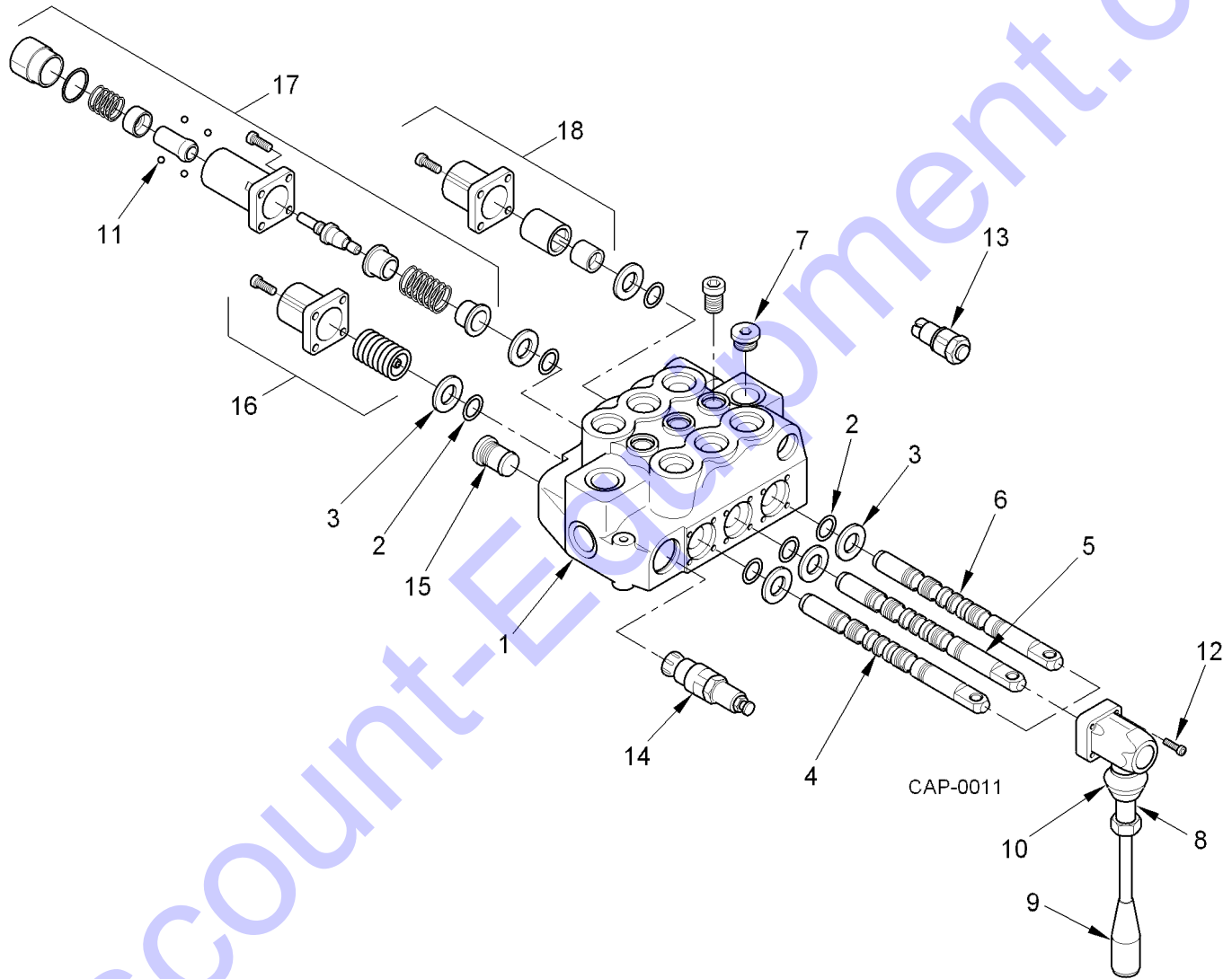
SYSTEM, HYDRAULIC (KUBOTA)

ITEM	PART NUMBER	F/N	DESCRIPTION	QTY	UOM
47	386556		FITTING, STRAIGHT (#4MORFS TO #6MSAE)	3	EA
48	406819		PLUG (7/16"-20 SAE O-RING)	4	EA
49	386555		FITTING, STRAIGHT (#4MORFS TO #4MSAE)	2	EA
50	459784		ADAPTER, UNION (.43 #20 SAE)	2	EA
51	425223		ADAPTER, STRAIGHT (#6MOR TO #4MJIC)	1	EA
52	425223		ADAPTER, STRAIGHT (#6MOR TO #4MJIC)	1	EA
53	080275		ADAPTER, TEE (#12MSAE TO #12MJIC)	2	EA
54	425348		ADAPTER, 45 DEGREE (#6MOR TO #6MJIC)	2	EA
55	092882		ADAPTER, STRAIGHT (#6MSAE TO #6MJIC)	3	EA
56	477637		FITTING, STRAIGHT (#6MORFS TO #6MSAE)	1	EA
57	078900		ADAPTER, 90 DEGREE (#20MOR TO #20MJIC)	1	EA
58	056383		ADAPTER, STRAIGHT (#20MNPT TO #20MJIC)	1	EA
59	068338		ADAPTER, 90 DEGREE (#12MSAE TO #12MJIC)	2	EA
60	406694		ADAPTER, SWIVEL (#12JFIC TO #6FJIC)	1	EA
61	386575		HOSE ASSEMBLY (PUMP TO WHEEL MOTOR)	2	EA
62	029363		PLUG (1.06 #12 SAE O-RING)	2	EA
63	478030		RADIATOR, OIL COOLER	1	EA
64	387212		ELBOW, MALE (#16JICM X 1"NPTM)	1	EA
65	438812		VALVE, CHECK (45 PSI)	1	EA
66	437665		FILTER, HYDRAULIC (CHARGE, ELECTRIC)	1	EA
67	424143		FILTER, HYDRAULIC (RETURN, ELECTRIC) (SEE PAGE 132)	1	EA
68	457122		PUMP, HYDROSTATIC (PILOT OPERATED) (SEE PAGE 154)	1	EA
69	440465		PUMP, AUXILIARY GEAR (06 AND UP PARKER) (SEE PAGE 146)	1	EA
70	387030		TANK, HYDRAULIC	1	EA
71	447979		SCREEN, FILTER	1	EA
72	464685		SCREEN (2" X 8")	1	EA
73	464677		GAUGE, SIGHT GLASS (INCLUDES O-RINGS AND STUDS)	1	EA
74	433029		VALVE, STEERING	1	EA
75	457267		VALVE, CONTROL (SEE PAGE 172)	AR	EA
76	434503		MOTOR, DRIVE AXLE (SEE PAGE 140)	1	EA
77	457275		CONTROL, REMOTE FOOT PEDAL (SEE PAGE 120)	1	EA
78	440735		VALVE, BROOM SPEED CONTROL (SEE PAGE 56)	1	EA
79A	432971		CYLINDER, BROOM SWING (3" X 10") (SEE PAGE 124)	AR	EA
79B	432969		CYLINDER, BROOM SWING (3" X 8-1/2") (SEE PAGE 128)	AR	EA
80	432963		CYLINDER, BROOM SWING (3" X 6") (SEE PAGE 126)	AR	EA
81	404538		MOTOR, BROOM	AR	EA

SYSTEM, HYDRAULIC (KUBOTA)

ITEM	PART NUMBER	F/N	DESCRIPTION	QTY	UOM
82	432989		(SEE PAGE 136) CYLINDER, STEERING (2" X 8")	AR	EA
83A	477859		(SEE PAGE 130) FITTING, 45 DEGREE (#10-12 V50L0-S)	2	EA
83B	477993		FITTING, STRAIGHT (#10-12 FS0LD-5)	2	EA
84	356311		ADAPTER, CROSS (7/16"-20SAE 4-WAY ORIFICED)	2	EA
85	459792		SWITCH, REVERSE ALARM	1	EA

457267: VALVE, CONTROL



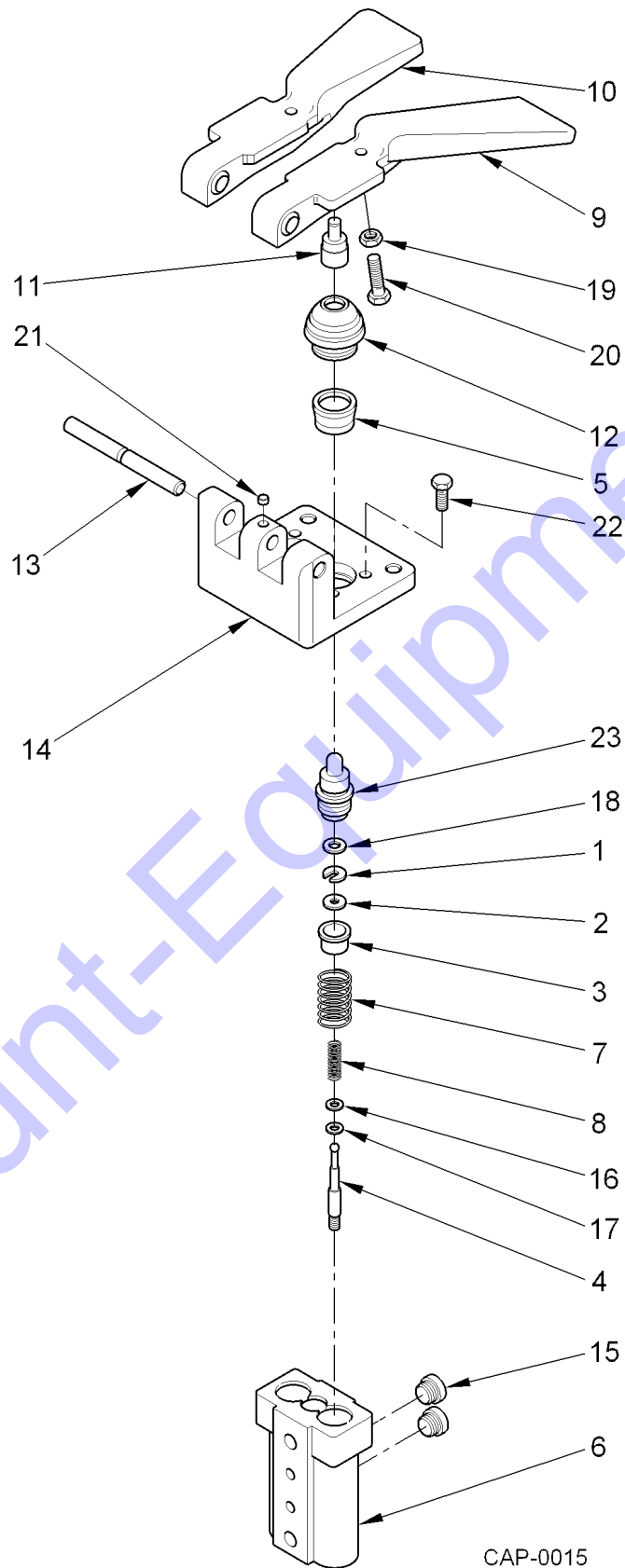
457267: VALVE, CONTROL

ITEM	PART NUMBER	F/N	DESCRIPTION	QTY	UOM
1		F1	BODY, VALVE	1	
2	462051		O-RING	6	EA
3	461996		RING	6	EA
4	462002		SPOOL, SWING	1	EA
5	462010		SPOOL, CENTER	1	EA
6	462028		SPOOL, MOTOR	1	EA
7	462044		PLUG	2	EA
8	462036		LEVER	3	EA
9	414433		HANDLE	3	EA
10	414425		BELLOW	3	EA
11	462069		BALL, DETENT	4	EA
12		F2	CAPSCREW, SOCKET HEAD (M5 X 16)	3	
13	457952		CARTRIDGE	1	EA
14	462077		CARTRIDGE, RELIEF	1	EA
15	462085		RELIEF PLUG ASSEMBLY	1	EA
16	461962		KIT, SPRING RETURN	2	EA
17	461970		KIT, DETENT ASSEMBLY	1	EA
18	461988		KIT, DETENT ASSEMBLY	1	EA

F1 - PART NUMBER NOT AVAILABLE.

F2 - INCLUDED WITH ITEM 8.

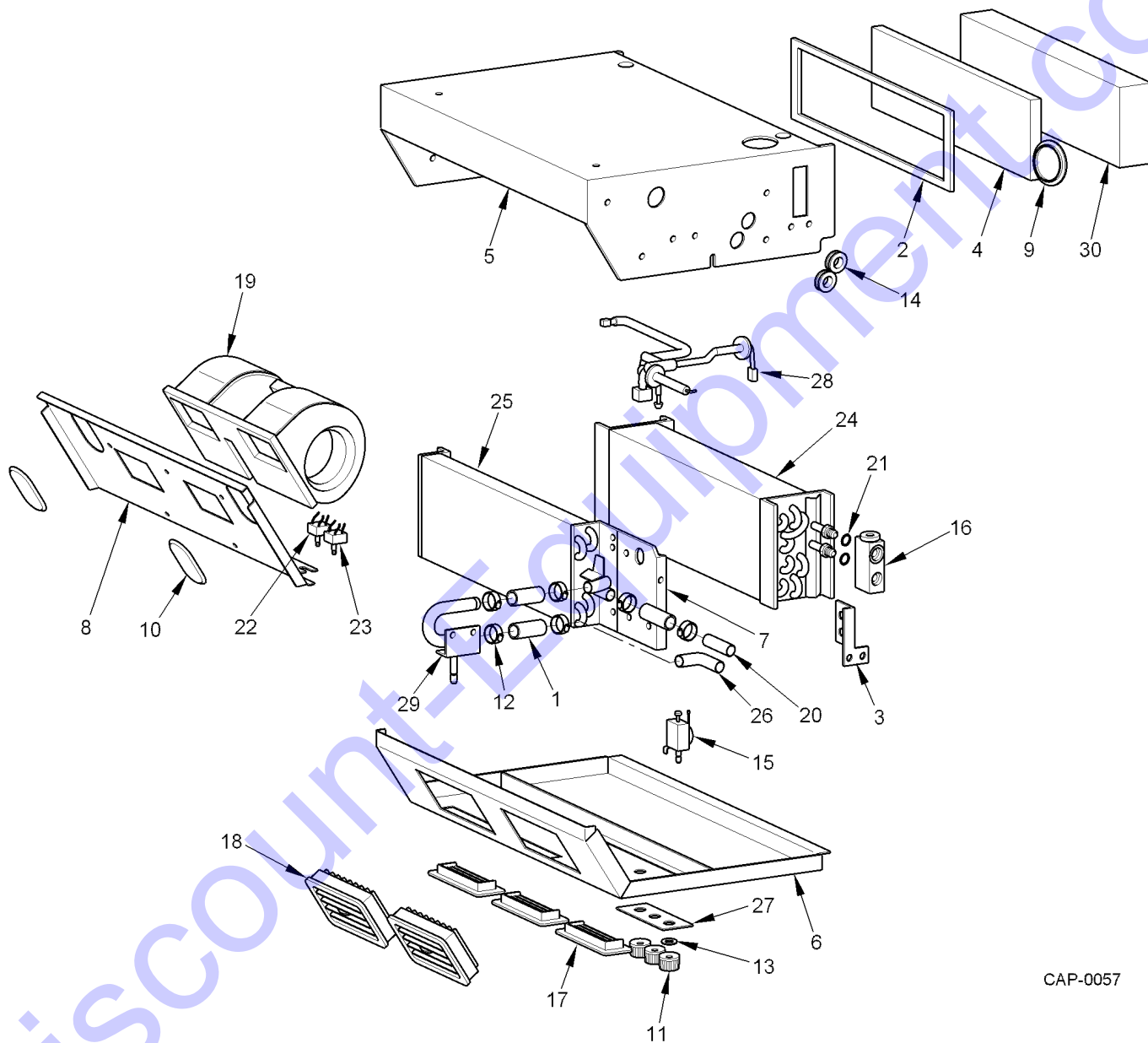
457276: VALVE, PILOT HYD FOOT PEDAL (YUKON)



457276: VALVE, PILOT HYD FOOT PEDAL (YUKON)

ITEM	PART NUMBER	F/N	DESCRIPTION	QTY	UOM
1	461798		O-RING (3.6 X 14 X 1.2)	2	EA
2	461806		O-RING (.5 X 14 X 1.2)	2	EA
3	461814		GUIDE, SPRING	2	EA
4	461822		SPOOL, VALVE	2	EA
5	461830		BUSHING, POSITIONER	2	EA
6	466516		BODY	1	EA
7	461848		SPRING, COMPRESSION (.10ID X .30OD X 1.25)	2	EA
8	461855		SPRING, COMPRESSION (.53ID X .65OD X 1.63)	2	EA
9	466474		PEDAL (LEFT HAND)	1	EA
10	466482		PEDAL (RIGHT HAND)	1	EA
11	461863		SPACER, PIN	2	EA
12	461871		BELLOWS, RUBBER	2	EA
13	461889		PIN, PEDAL PIVOT	1	EA
14	466508		SUPPORT, PEDALS	1	EA
15	075549		PLUG	2	EA
16	461897		SHIM (5 X 10 X .3MM)	2	EA
17	461905		SHIM (5 X 10 X .5MM)	2	EA
18	461913		SHIM (8 X 14 X 1MM)	2	EA
19	053538		NUT, HEX (M8 X 1.25)	2	EA
20	404673		CAPSCREW, SOCKET HEAD (M8 X 1.25CP-6G X M30)	2	EA
21	459859		SETSCREW, LONG CUP POINT (M6-1.0CP X M6)	1	EA
22	461921		CAPSCREW, SOCKET HEAD (M5 X 14MM GRADE 8.8)	4	EA
23	461947		KIT, PLUNGER	2	EA

AC/HEATER (VISTA CAB)

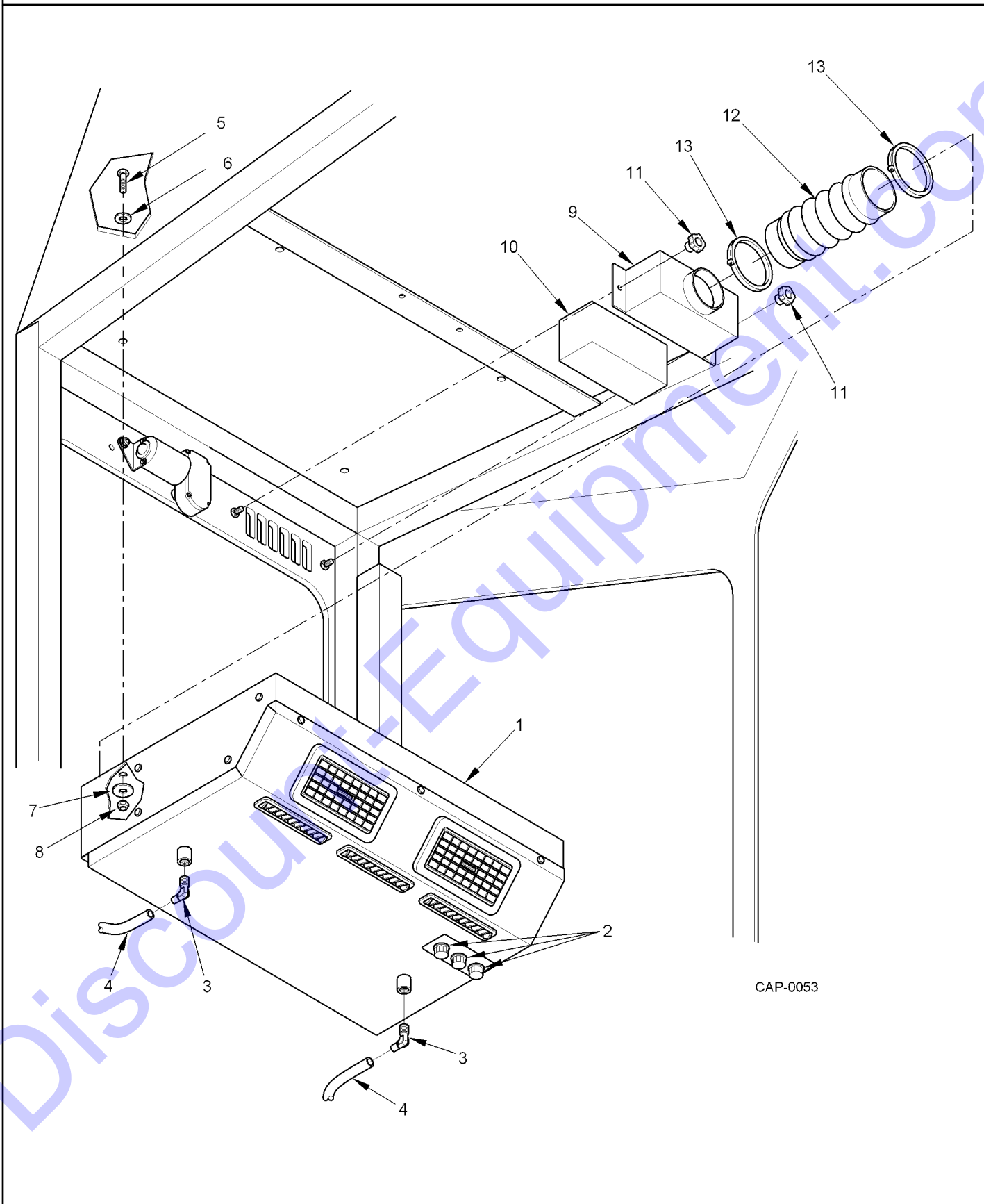


CAP-0057

AC/HEATER (VISTA CAB)

ITEM	PART NUMBER	F/N	DESCRIPTION	QTY	UOM
1		F1	HEATER HOSE, 5/8" ID	AR	
2		F1	FASTENER, FILTER	AR	
3		F1	BRACKET, EXPANSION VALVE	AR	
4	385973		FOAM FILTER, RECIRCULATION	1	EA
5		F1	HOUSING	1	
6		F1	COVER	1	
7		F1	BRACKET, HEATER COIL	1	
8		F1	BRACKET, BLOWER MOUNT	1	
9		F1	PLUG, HOLE (2-1/2")	AR	
10		F1	PLUG, HOLE (3")	AR	
11	430214		KNOB, CONTROLS	3	EA
12		F1	CLAMP, HOSE (5/8")	AR	
13		F1	GROMMET (3/8")	AR	
14		F1	GROMMET (1")	AR	
15	430215		SWITCH, THERMOSTAT PRE-SET	1	EA
16	430213		VALVE, EXPANSION (CAB #3052)	AR	EA
17	9107061		LOUVER, SMALL	3	EA
18	910705K		LOUVER, LARGE	2	EA
19	430211		BLOWER (12V)	1	EA
20		F1	HARD PLUMBING, STR.	AR	
21		F1	O-RING (#8, HNBR)	AR	
22	430217		SWITCH, BLOWER	1	EA
23	430218		SWITCH, A/C ON-OFF	1	EA
24	430210		COIL, EVAPORATOR	1	EA
25	433138		COIL, HEATER	1	EA
26		F1	HARD PLUMBING, 90 DEGREE	AR	
27		F1	DECALS, CONTROLS	1	
28		F1	WIRE HARNESS	1	
29		F1	VALVE, HEATER	1	
30	385972		FILTER, FOAM (FRAMED, 6-1/2" X 2-3/4" X 1/2")	1	EA
			F1 - PART NUMBER NOT AVAILABLE.		

AC/HEATER, VISTA CAB

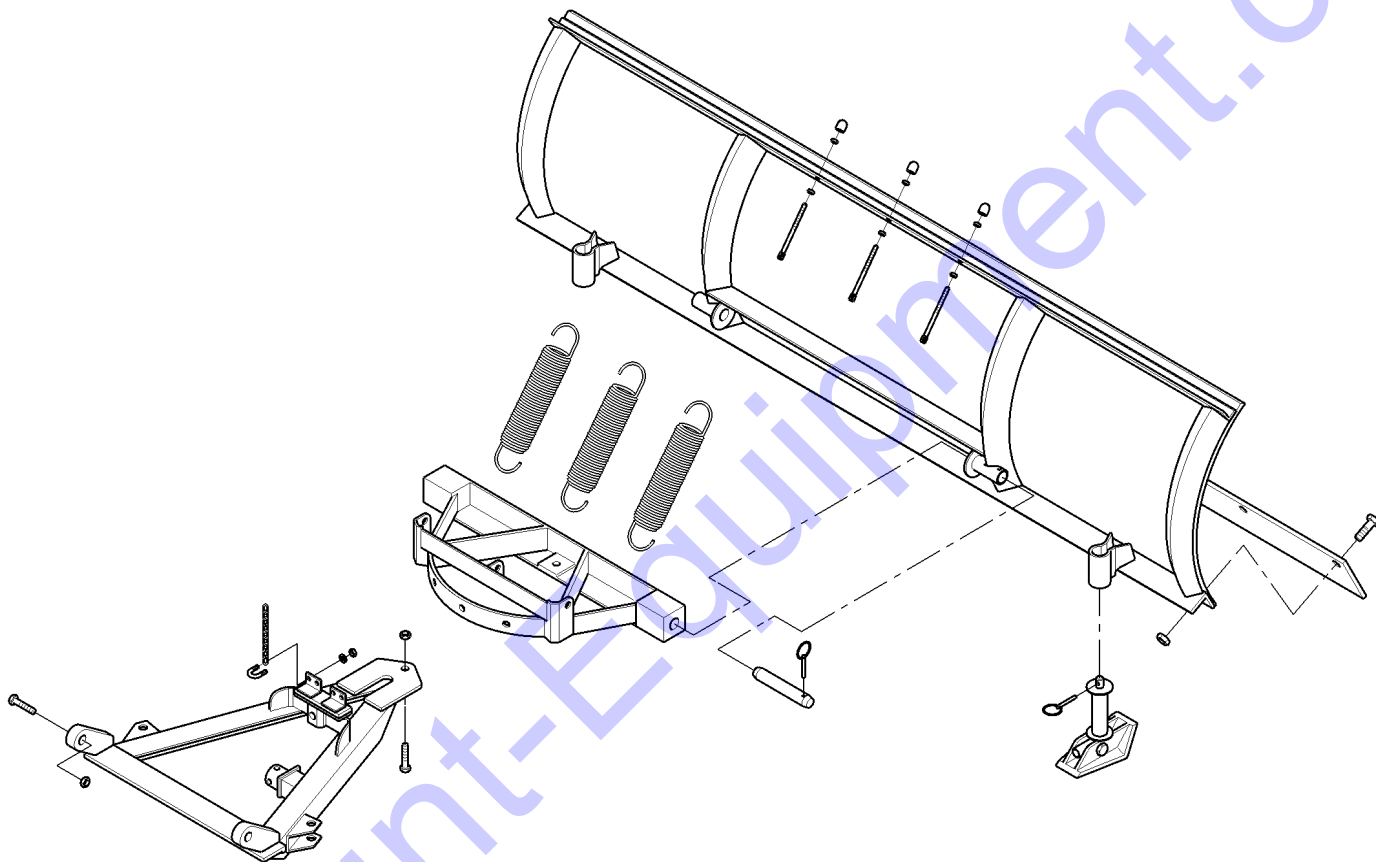


CAP-0053

AC/HEATER, VISTA CAB

ITEM	PART NUMBER	F/N	DESCRIPTION	QTY	UOM
1	477847	F1	KIT, AC/HEATER	1	EA
2	477740		KNOB, POINTER (PUSH ON 1/4")	3	EA
3	477737		FITTING, 90 DEGREE DRAIN (1/4NPT MALE X 1/2" BARB)	2	EA
4	477747		HOSE, DRAIN (1/2"ID X 5/8 OD CLEAR PLASTIC, 96" PE	2	EA
5		F2	BOLT, HEX HEAD (3/8"-16 X 1-1/4" LONG)	4	
6	385802		WASHER, BONDED SEALING (3/8")	4	EA
7		F2	WASHER, STD FLAT (3/8")	4	
8		F2	NUT, LOCK (NYLON INSERT, 3/8"-16 GR5 ZINC)	4	
9	477743		FILTER BOX WELDMENT, FRESH AIR HOUSING	1	EA
10	385972		FILTER, FOAM (FRAMED, 6-1/2" X 2-3/4" X 1/2")	1	EA
11	477843		KNOB, FEMALE M6	2	EA
12	477745		HOSE, FLEX DUCT (2-1/2" ID)	1	EA
13	477842		CLAMP, SNAPPER (2-1/2" ID)	2	EA
			REMAINING COMPONENTS		
	477749		COIL, HEAT (1.25 X 6 X 19.00)	1	EA
	477750		VALVE, WATER (SHORTENED STEM)	1	EA
	477738		FITTING, STRAIGHT DRAIN PLASTIC	2	EA
			F1 - SEE VISTA CAB AC/HEATER.		
			F2 - PART NUMBER NOT AVAILABLE.		

BLADE, GRADER (OPTIONAL)

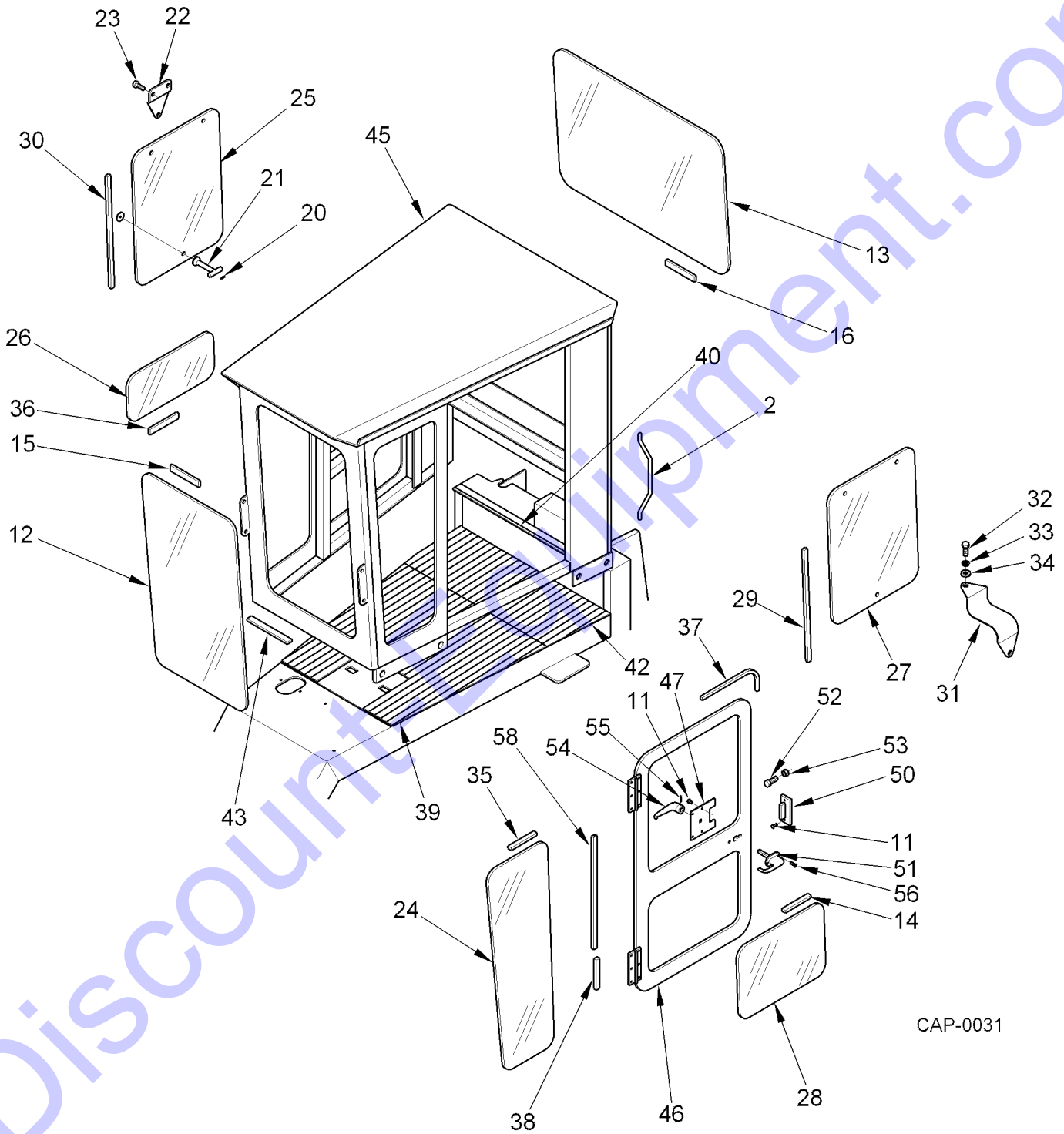


CONTACT MANUFACTURER
TO IDENTIFY PARTS

BLADE, GRADER (OPTIONAL)

ITEM	PART NUMBER	F/N	DESCRIPTION	QTY	UOM
1	381228		UTILITY BLADE W/HYDRAULIC CONTROLS ASSEMBLY	1	EA
2	342964		ELECTRIC BLADE FRONT MOUNT ASSEMBLY	1	EA
3	436857		SWITCH, TOGGLE (3-POSITION MOMENTARY)	1	EA
4	443069		VALVE, SOLENOID	2	EA
5	432963		CYLINDER, BROOM SWING (3" X 6") (SEE PAGE 126)	1	EA
6	033514		KIT, SEAL (LIFT CYLINDER)	1	EA
7	093146		KIT, COUPLER (9/16-18 SAE O-RING)	4	EA
8	418582		CYLINDER (1-1/2" X 10")	2	EA
9	466607		KIT, ANGLE CYLINDER SEAL	1	EA
10	352690		WIRING HARNESS, BLADE CONTROL	1	EA
11	476788		VALVE, STEERING (W/POWER BEYOND VALVE)	1	EA
12	092882		ADAPTER, STRAIGHT (#6MSAE TO #6MJIC)	1	EA
13	412908		BLADE, CUTTING EDGE (90")	1	EA

340240: CAB (SINGLE-DOOR)



CAP-0031

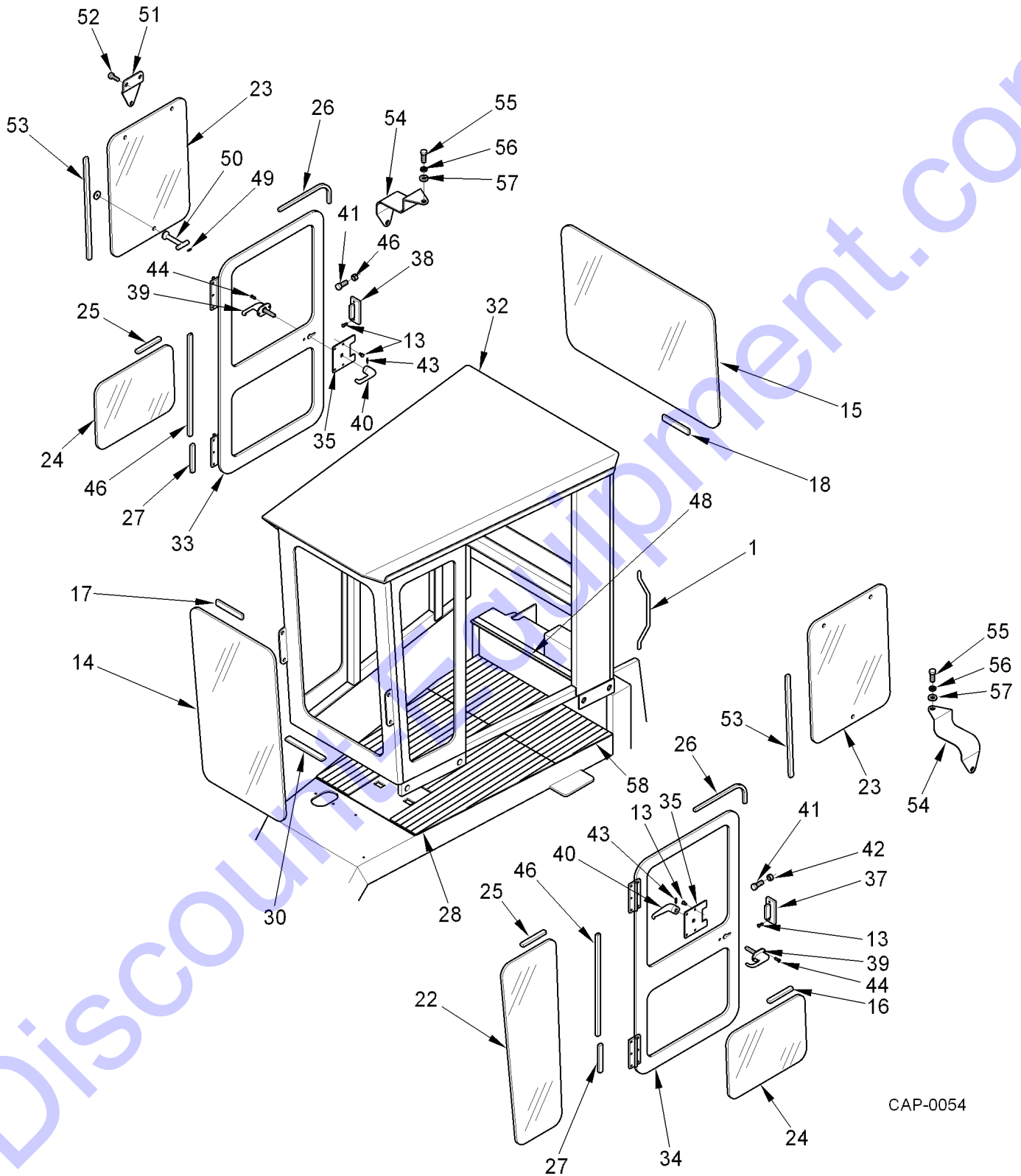
340240: CAB (SINGLE-DOOR)

ITEM	PART NUMBER	F/N	DESCRIPTION	QTY	UOM
2	V63008500		HANDLE, HOOD	1	EA
11	066977		SCREW, SOCKET HEAD BUTTON (1/4"-20NC X 1")	8	EA
12	272112		GLASS, FRONT WINDSHIELD	1	EA
13	272138		GLASS, REAR WINDOW	1	EA
14	272351		WEATHER STRIP, SELF-SEALING (71.00")	1	EA
15	272377		WEATHER STRIP, SELF-SEALING (145.00")	1	EA
16	272385		WEATHER STRIP, SELF-SEALING (130.00")	1	EA
20	442277		PIN, ROLL (3/16" DIA X 5/8" LONG)	2	EA
21	442251		LATCH, WINDOW (W/PIN)	2	EA
22	442269		HINGE ASSEMBLY (W/GROMMET AND BUSHING)	4	EA
23	442285		BOLT, FLAT HEAD SOCKET (5/16"-18NC X 1-1/4")	12	EA
24	273920		GLASS, FRONT SIDE	2	EA
25	442293		GLASS, UPPER (R.H. SIDE)	2	EA
26	273946		GLASS, LOWER (R.H. SIDE)	1	EA
27	440115		GLASS, UPPER DOOR	2	EA
28	273961		GLASS, LOWER DOOR	1	EA
29	341685		TRIM, SEAL (86")	1	EA
30	341735		TRIM SEAL (94.00")	1	EA
31	442913		STRAP, DOOR STOP	1	EA
32	010058		CAPSCREW (1/4"-20 X 1")	2	EA
33	010280		WASHER, LOCK (1/4")	2	EA
34	010298		WASHER, FLAT (1/4")	2	EA
35	274050		STRIP, WEATHER (SELF-SEALING)	2	EA
36	274068		WEATHER STRIP, SELF-SEALING (85.00")	1	EA
37	274100		SEAL, TRIM (160.00")	1	EA
38	274118		STRIP, WEATHER (1/4" X 1" X 6-1/2")	2	EA
39	352229		FLOORMAT, CAB FRONT	1	EA
40	341578		TRIM, SEAL (44")	1	EA
42	335323		FLOORMAT, CAB REAR	1	EA
43	282061		TAPE, FOAM (9/16" X 1" X 52")	1	EA
45	341727		CAB STR., SWEEPMASTER SINGLE DOOR	1	EA
46	340281		DOOR, CAB (L.H.)	1	EA
47	292417		COVER, LATCH	1	EA
50	430108		LATCH, ROTARY DOOR (R.H.)	1	EA
51	430116		HANDLE, DOOR (OUTSIDE)	1	EA
52	430124		BOLT, STRIKER (7/16"-14NC)	1	EA
53	430132		NUT, HEX (7/16"-14NC, WHIZLOC)	1	EA
54	430140		HANDLE, DOOR (INSIDE)	1	EA
55	430157		PIN, ROLL (5/32" X 7/8")	1	EA
56	430173		CAPSCREW, SOCKET HEAD FLAT (#10-24NC X 3/4")	2	EA
58	270140		TRIM, FLEXIBLE STEEL CORE	1	EA
			REMAINING COMPONENTS		
	V61018600		SCREW, HEX WASHER HEAD (1/4-20 X .50" SELF TAP)	7	EA
	V63084200		ADHESIVE, 3M (80 HIGH SPRAY CAN)	2	EA

340240: CAB (SINGLE-DOOR)

ITEM	PART NUMBER	F/N	DESCRIPTION	QTY	UOM
	083485		CAPSCREW (5/16"-18NC X 3/4", PL)	4	EA
	441600		CAPSCREW (5/16"-18NC X 1", PL)	4	EA
	083493		NUT, HEX (5/16"-18NC PL)	2	EA
	441667		CAPSCREW (3/8"-16NC X 1", FLANGE WHIZLOCK)	1	EA
	440628		NUT, HEX (#10-24NC)	2	EA
	441527		SLOT FILL HEAD (#10-24NC X .75")	3	EA
	052233		NUT, TWO-WAY LOCK (3/8"-16NC)	1	EA
	272419		PADDING, FRONT FOAM HEADLINER	1	EA
	272427		PADDING, REAR FOAM HEADLINER	1	EA
	272435		PADDING, REAR SIDE PANEL FOAM	2	EA
	438762		TAPE, PRESTITE (2" WIDE)	4	EA
	282079		GASKA-TAPE (1/4" X 3/4" X 112")	1	EA
	272484		LOOM (BLACK, 11/32"ID X 40" LONG)	2	EA
	417592		SEALANT, MAGIC SEAL	1	EA
	432252		DECAL, EMERGENCY WINDOW	2	EA
	369249		SPACER, FOOT PEDAL CONTROL VALVE	1	EA
	010074		CAPSCREW (1/4"-20 X 1-1/2")	4	EA

340257: CAB (TWO-DOOR)



CAP-0054

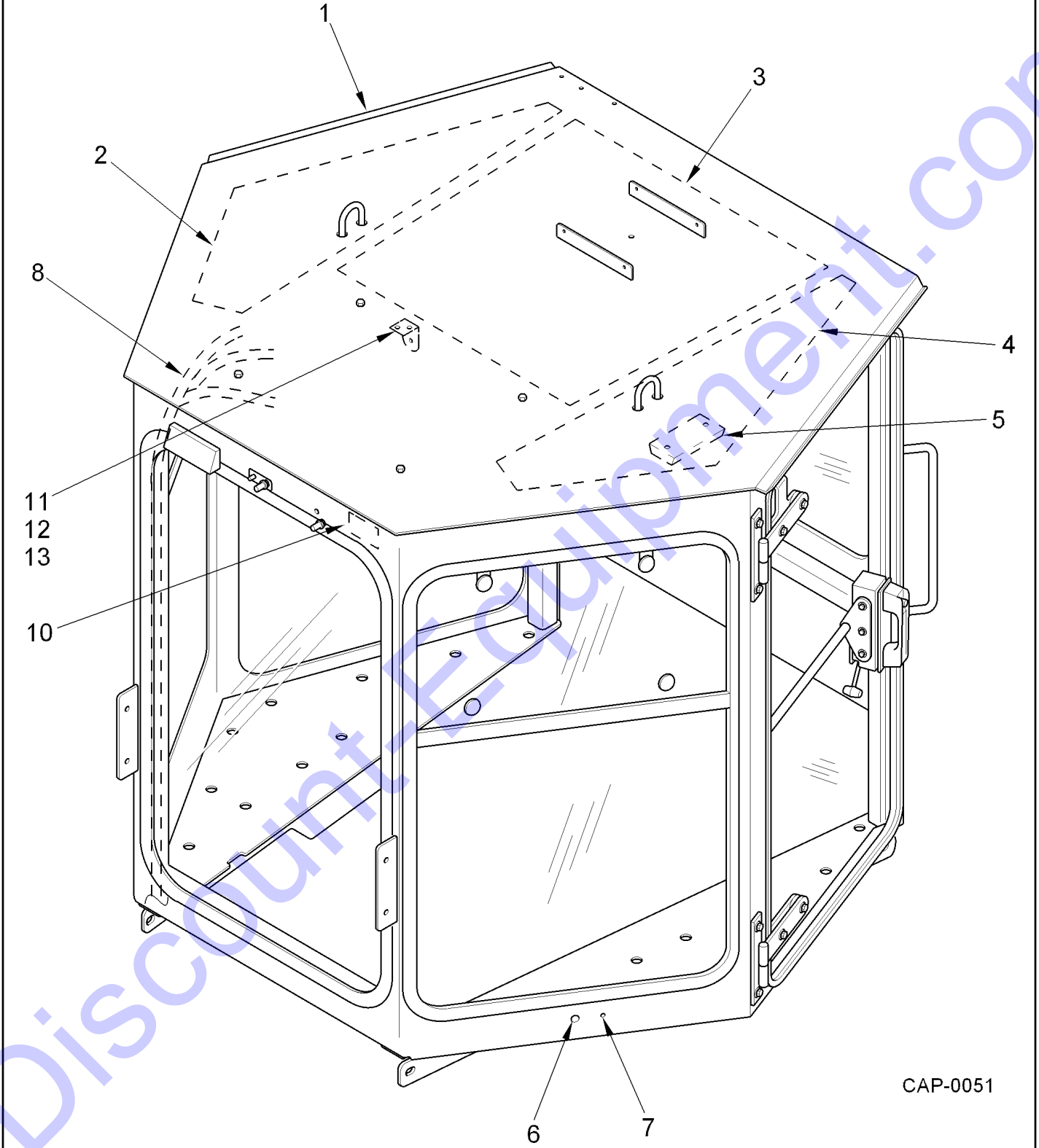
340257: CAB (TWO-DOOR)

ITEM	PART NUMBER	F/N	DESCRIPTION	QTY	UOM
1	V63008500		HANDLE, HOOD	2	EA
13	066977		SCREW, SOCKET HEAD BUTTON (1/4"-20NC X 1")	16	EA
14	272112		GLASS, FRONT WINDSHIELD	1	EA
15	272138		GLASS, REAR WINDOW	1	EA
16	272351		WEATHER STRIP, SELF-SEALING (71.00")	2	EA
17	272377		WEATHER STRIP, SELF-SEALING (145.00")	1	EA
18	272385		WEATHER STRIP, SELF-SEALING (130.00")	1	EA
22	273920		GLASS, FRONT SIDE	2	EA
23	440115		GLASS, UPPER DOOR	2	EA
24	273961		GLASS, LOWER DOOR	2	EA
25	274050		STRIP, WEATHER (SELF-SEALING)	2	EA
26	274100		SEAL, TRIM (160.00")	2	EA
27	274118		STRIP, WEATHER (1/4" X 1" X 6-1/2")	4	EA
28	352229		FLOORMAT, CAB FRONT	1	EA
30	282061		TAPE, FOAM (9/16" X 1" X 52")	1	EA
32	292318		STR., CAB TWO DOOR	1	EA
33	340299		DOOR, CAB (R.H.)	1	EA
34	340281		DOOR, CAB (L.H.)	1	EA
35	292417		COVER, LATCH	2	EA
37	430090		LATCH, ROTARY DOOR (L.H.)	1	EA
38	430108		LATCH, ROTARY DOOR (R.H.)	1	EA
39	430116		HANDLE, DOOR (OUTSIDE)	2	EA
40	430140		HANDLE, DOOR (INSIDE)	2	EA
41	430124		BOLT, STRIKER (7/16"-14NC)	2	EA
42	430132		NUT, HEX (7/16"-14NC, WHIZLOC)	2	EA
43	430157		PIN, ROLL (5/32" X 7/8")	2	EA
44	430173		CAPSCREW, SOCKET HEAD FLAT (#10-24NC X 3/4")	4	EA
46	270140		TRIM, FLEXIBLE STEEL CORE	2	EA
48	341578		TRIM, SEAL (44")	1	EA
49	442277		PIN, ROLL (3/16" DIA X 5/8" LONG)	2	EA
50	442251		LATCH, WINDOW (W/PIN)	2	EA
51	442269		HINGE ASSEMBLY (W/GROMMET AND BUSHING)	4	EA
52	442285		BOLT, FLAT HEAD SOCKET (5/16"-18NC X 1-1/4")	12	EA
53	341685		TRIM, SEAL (86")	2	EA
54	442913		STRAP, DOOR STOP	2	EA
55	010058		CAPSCREW (1/4"-20 X 1")	2	EA
56	010280		WASHER, LOCK (1/4")	2	EA
57	010298		WASHER, FLAT (1/4")	2	EA
58	335323		FLOORMAT, CAB REAR	1	EA
REMAINING COMPONENTS					
	V63084200		ADHESIVE, 3M (80 HIGH SPRAY CAN)	0.5	EA
	083485		CAPSCREW (5/16"-18NC X 3/4", PL)	8	EA
	441600		CAPSCREW (5/16"-18NC X 1", PL)	10	EA
	083493		NUT, HEX (5/16"-18NC PL)	4	EA

340257: CAB (TWO-DOOR)

ITEM	PART NUMBER	F/N	DESCRIPTION	QTY	UOM
	441667		CAPSCREW (3/8"-16NC X 1", FLANGE WHIZLOCK)	2	EA
	012039		CAPSCREW (5/8"-11NC X 1-1/2")	8	EA
	012054		CAPSCREW (5/8"-11NC X 2")	4	EA
	440628		NUT, HEX (#10-24NC)	4	EA
	052233		NUT, TWO-WAY LOCK (3/8"-16NC)	2	EA
	272419		PADDING, FRONT FOAM HEADLINER	1	EA
	272427		PADDING, REAR FOAM HEADLINER	1	EA
	272435		PADDING, REAR SIDE PANEL FOAM	2	EA
	278499		STRIP, WEATHER (1/4" X 1" X 23")	4	EA
	282079		GASKA-TAPE (1/4" X 3/4" X 112")	1	EA
	417592		SEALANT, MAGIC SEAL	1	EA
	432252		DECAL, EMERGENCY WINDOW	2	EA
	272484		LOOM (BLACK, 11/32"ID X 40" LONG)	2	EA
	438762		TAPE, PRESTITE (2" WIDE)	6	EA
	409458		TAPE, AUTO GLASS (1/4 RD. BUTYL)	1	EA
	369249		SPACER, FOOT PEDAL CONTROL VALVE	1	EA
	010074		CAPSCREW (1/4"-20 X 1-1/2")	4	EA

CAB, VISTA

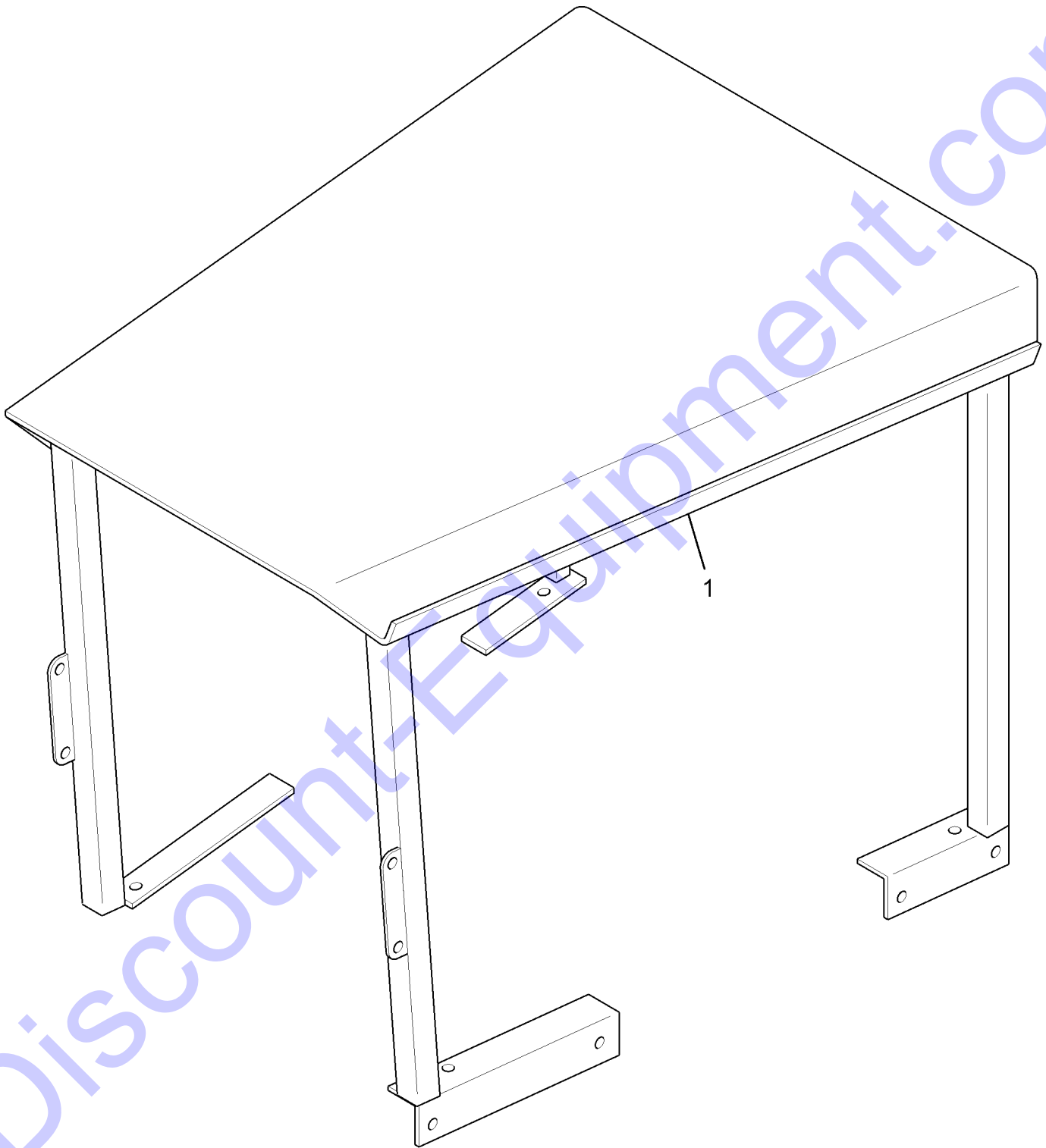


CAP-0051

CAB, VISTA

ITEM	PART NUMBER	F/N	DESCRIPTION	QTY	UOM
			CAB #3052		
1		F1	CAB (WELDMENT)	1	
2	477889		HEADLINER (RIGHT HAND SIDE)	1	EA
3	477891		HEADLINER (CENTER)	1	EA
4	477890		HEADLINER (LEFT HAND SIDE)	1	EA
5		F1	DOME LIGHT WIRING ASSEMBLY	1	
6		F1	PLUG, PLASTIC HOLE (5/8" DIA.)	3	
7		F1	PLUG, PLASTIC HOLE (5/16" DIA.)	3	
8		F1	MAIN WIRING HARNESS	1	
10		F1	TAG, SERIAL NUMBER	1	
11		F1	BRACKET, INTERIOR MIRROR	1	
12		F1	BOLT, HEX HEAD (1/4"-20 X 3/4")	2	
13		F1	WASHER, PLAIN FLAT (1/4")	2	
			REMAINING COMPONENTS		
	477075	F1	CABLE TIE, NYLON (6" BLACK) DOOR (RIGHT HAND) (SEE PAGE 198)	6 1	 EA
			NOT SHOWN: CAB #3051 (A/C HEATER UNDER SEAT).		
			F1 - PART NUMBER NOT AVAILABLE.		

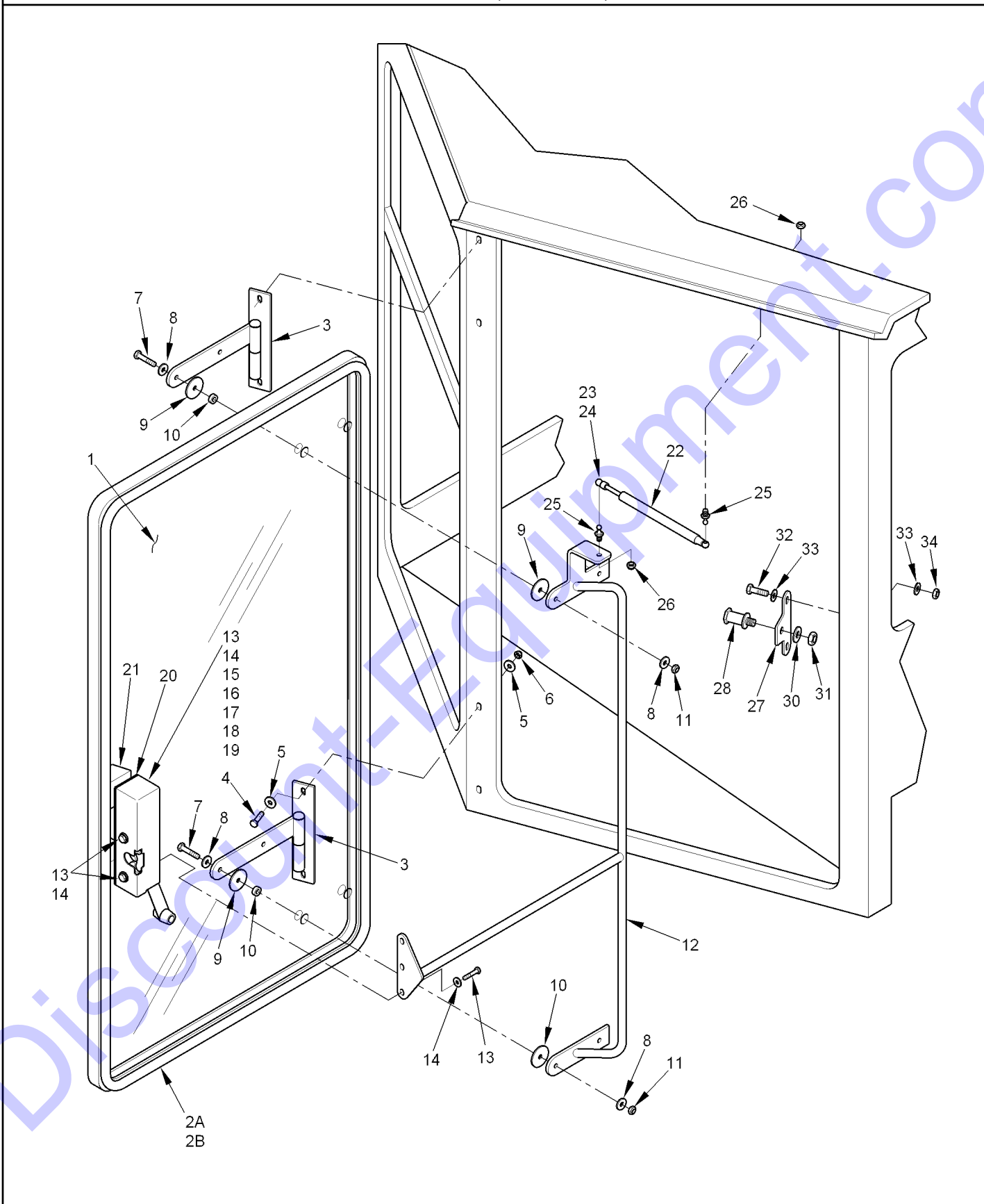
COMPLETE ROPS ASSEMBLY



COMPLETE ROPS ASSEMBLY					
ITEM	PART NUMBER	F/N	DESCRIPTION	QTY	UOM
1	281584		COMPLETE ROPS ASSEMBLY (W/CANOPY)	AR	EA

Discount-Equipment.com

385750: DOOR (LEFT HAND)



385750: DOOR (LEFT HAND)

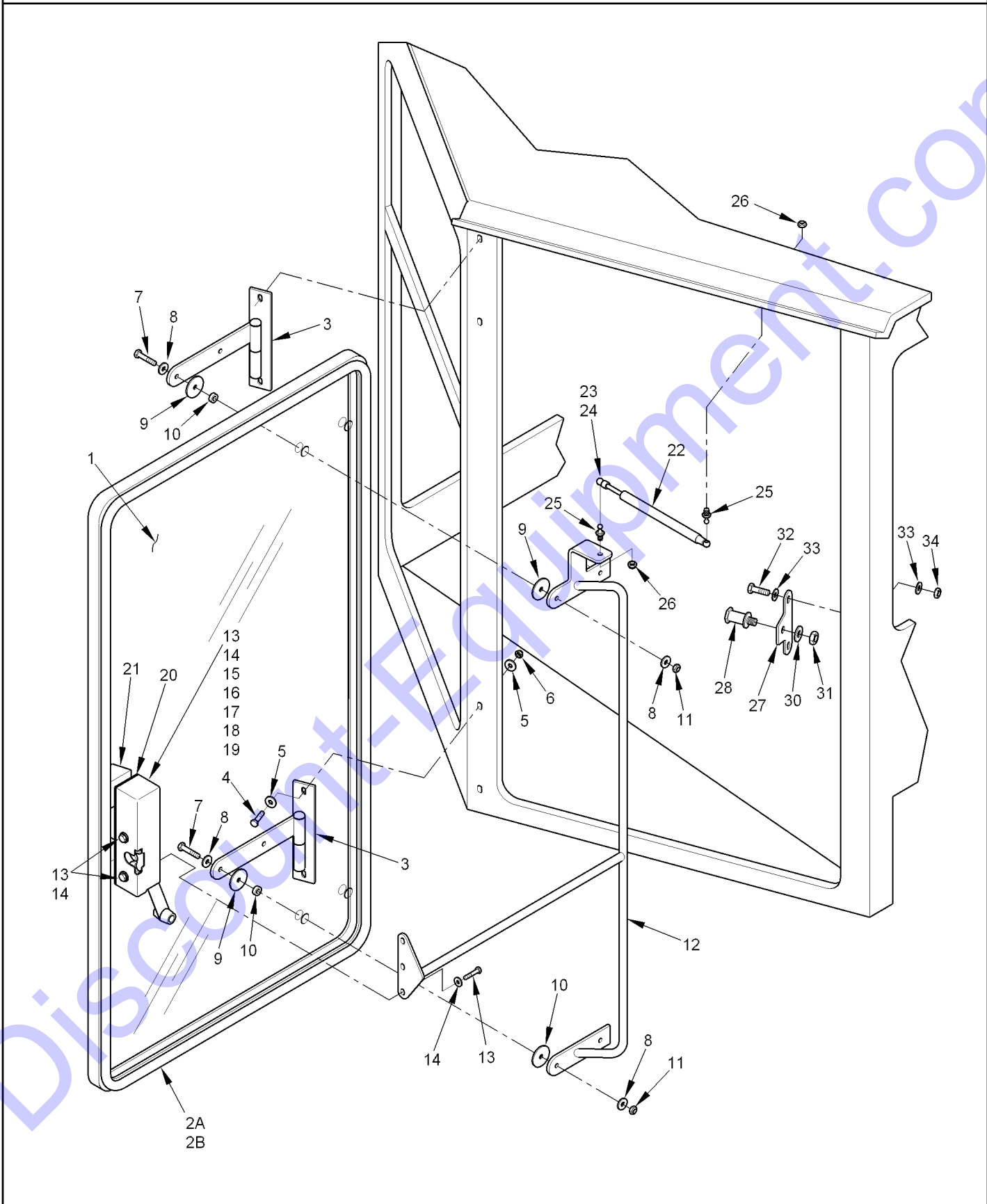
ITEM	PART NUMBER	F/N	DESCRIPTION	QTY	UOM
1	385752		DOOR, GLASS (LEFT HAND)	1	EA
2A	385985		SEAL, DOOR GLASS (REQUIRED TO HOLD GLASS, 168")	1	EA
2B	385746		SEAL, SIDE BULB (1/4" MATERIAL, 161")	1	EA
3	385768		WELDMENT, DOOR HINGE (LH, UPPER AND LOWER)	2	EA
4		F1	BOLT, HEX HEAD (3/8"-16 X 1-1/4" LONG)	4	
5		F1	WASHER, FLAT (STANDARD, 3/8")	8	
6		F1	NUT, LOCK (NYLON INSERT, 3/8"-16 GRS ZINC)	4	
7		F1	CAPSCREW (3/8"-16 X 1", GRS ZINC)	4	
8		F1	WASHER, FLAT (STANDARD, 3/8")	8	
9	385754		WASHER, DOOR HINGE	8	EA
10	385753		SPACER, DOOR HINGE	4	EA
11		F1	NUT, LOCK (NYLON INSERT, 3/8"-16 GR5 ZINC)	4	
12	385745		WELDMENT, DOOR GRAB HANDLE (LEFT HAND)	1	EA
13		F1	BOLT, HEX HEAD (1/4"-20 X 1")	6	
14	385763		WASHER, FLAT (1/4")	8	EA
15		F1	WELDMENT, DOOR LATCH (LEFT HAND)	1	
16	385762		SPACER, DOOR HANDLE (NYLON)	3	EA
17	385764		CAPSCREW, HEX HEAD (M6 X 1" X 25MM GR8 ZN)	3	EA
18	385766		LATCH	1	EA
19	385767		COVER, LATCH	1	EA
20	385761		GASKET, DOOR LATCH	1	EA
21	385760		HANDLE, DOOR (OUTSIDE STD)	1	EA
22	385751	F2	SPRING, GAS (30LB)	1	EA
23	385772	F2	SOCKET, METAL BALL	2	EA
24	385774	F2	CLIP, SAFETY	2	EA
25	385769	F2	STUD, BALL	2	EA
26		F1	NUT, LOCK (NYLON INSERT, 5/16"-18)	2	
27		F1	PLATE, STRIKER BOLT	1	
28		F1	BOLT, STRIKER	1	
30		F1	WASHER (1/2", ZINC)	1	
31		F1	NUT, HEX (7/16"-14)	1	
32		F1	BOLT, HEX HEAD (1/4"-20 X 1" LONG)	2	
33		F1	WASHER, FLAT (PLAIN, 1/4")	4	
34		F1	NUT, LOCK (NYLON INSERT, 1/4"-20)	2	
			REMAINING COMPONENTS		
	385541		HINGES, DOOR (RIGHT HAND, UPPER AND LOWER)	1	EA
	385803		KEY, VISTA CAB HANDLE (SM250 AND HC)		
			F1 - PART NUMBER NOT AVAILABLE.		
			F2 - WHEN REPLACING SPRING, IT IS		
			RECOMMENDED TO REPLACE ITEMS 23, 24,		

385750: DOOR (LEFT HAND)

ITEM	PART NUMBER	F/N	DESCRIPTION	QTY	UOM
			AND 25 AS WELL.		

Discount-Equipment.com

477075: DOOR (RIGHT HAND)



477075: DOOR (RIGHT HAND)

ITEM	PART NUMBER	F/N	DESCRIPTION	QTY	UOM
1	385752		DOOR, GLASS (LEFT HAND)	1	EA
2A	385985		SEAL, DOOR GLASS (REQUIRED TO HOLD GLASS, 168")	1	EA
2B	385746		SEAL, SIDE BULB (1/4" MATERIAL, 161")	1	EA
3	385768		WELDMENT, DOOR HINGE (LH, UPPER AND LOWER)	2	EA
4		F1	BOLT, HEX HEAD (3/8"-16 X 1-1/4" LONG)	4	
5		F1	WASHER, FLAT (STANDARD, 3/8")	8	
6		F1	NUT, LOCK (NYLON INSERT, 3/8"-16 GRS ZINC)	4	
7		F1	CAPSCREW (3/8"-16 X 1", GRS ZINC)	4	
8		F1	WASHER, FLAT (STANDARD, 3/8")	8	
9	385754		WASHER, DOOR HINGE	8	EA
10	385753		SPACER, DOOR HINGE	4	EA
11		F1	NUT, LOCK (NYLON INSERT, 3/8"-16 GR5 ZINC)	4	
12	385745		WELDMENT, DOOR GRAB HANDLE (LEFT HAND)	1	EA
13		F1	BOLT, HEX HEAD (1/4"-20 X 1")	6	
14	385763		WASHER, FLAT (1/4")	8	EA
15		F1	WELDMENT, DOOR LATCH (LEFT HAND)	1	
16	385762		SPACER, DOOR HANDLE (NYLON)	3	EA
17	385764		CAPSCREW, HEX HEAD (M6 X 1" X 25MM GR8 ZN)	3	EA
18	385766		LATCH	1	EA
19	385767		COVER, LATCH	1	EA
20	385761		GASKET, DOOR LATCH	1	EA
21	385760		HANDLE, DOOR (OUTSIDE STD)	1	EA
22	385751	F2	SPRING, GAS (30LB)	1	EA
23	385772	F2	SOCKET, METAL BALL	2	EA
24	385774	F2	CLIP, SAFETY	2	EA
25	385769	F2	STUD, BALL	2	EA
26		F1	NUT, LOCK (NYLON INSERT, 5/16"-18)	2	
27		F1	PLATE, STRIKER BOLT	1	
28		F1	BOLT, STRIKER	1	
30		F1	WASHER (1/2", ZINC)	1	
31		F1	NUT, HEX (7/16"-14)	1	
32		F1	BOLT, HEX HEAD (1/4"-20 X 1" LONG)	2	
33		F1	WASHER, FLAT (PLAIN, 1/4")	4	
34		F1	NUT, LOCK (NYLON INSERT, 1/4"-20)	2	
REMAINING COMPONENTS					
	385541		HINGES, DOOR (RIGHT HAND, UPPER AND LOWER)	1	EA
	385803		KEY, VISTA CAB HANDLE (SM250 AND HC)		
F1 - PART NUMBER NOT AVAILABLE.					
F2 - WHEN REPLACING SPRING, IT IS					
RECOMMENDED TO REPLACE ITEMS 23, 24,					

477075: DOOR (RIGHT HAND)

ITEM	PART NUMBER	F/N	DESCRIPTION	QTY	UOM
			AND 25 AS WELL.		

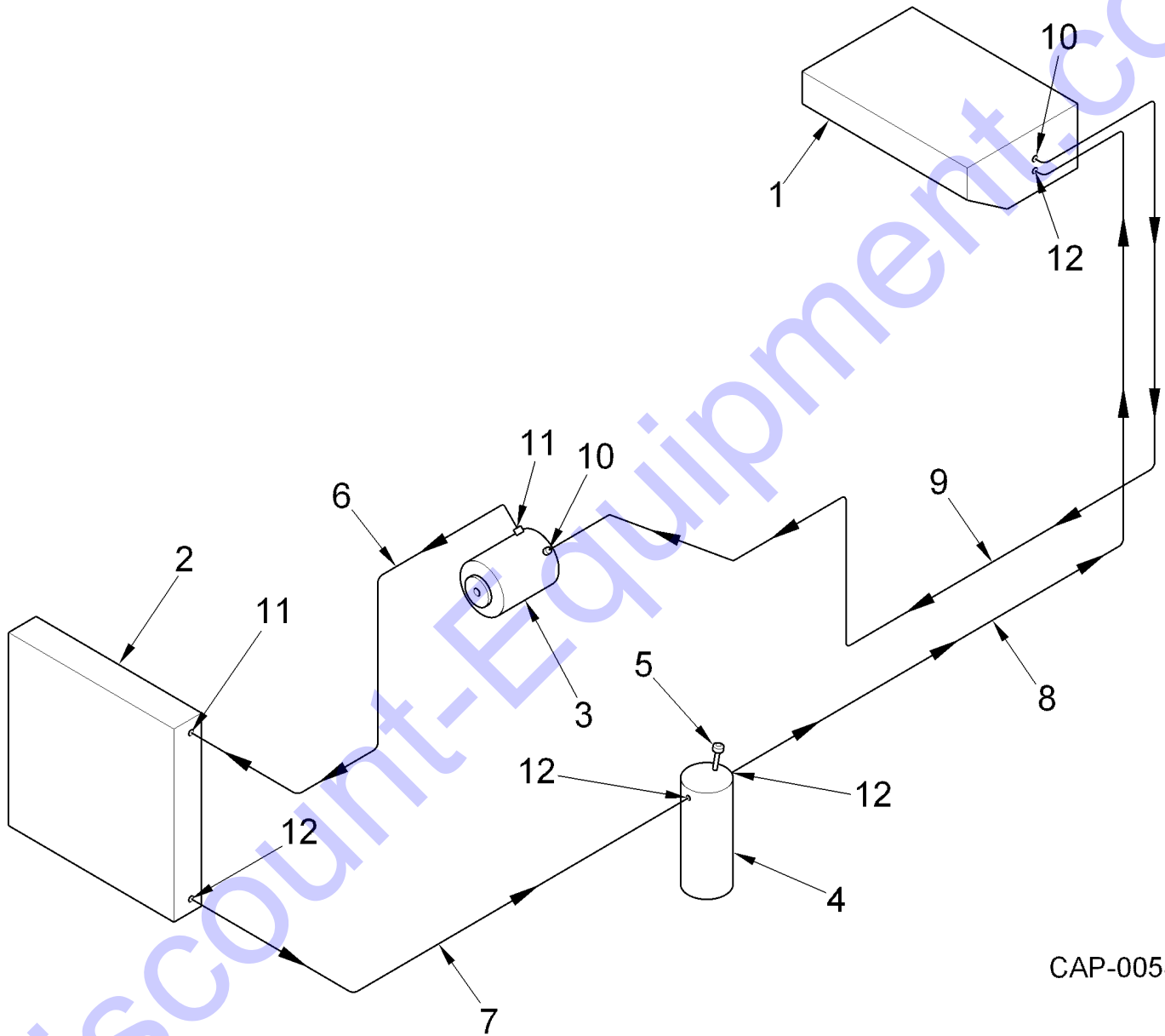
Discount-Equipment.com

NON-ILLUSTRATED

Discount-Equipment.com

V63115400: KIT, TURN SIGNAL SWITCH

ITEM	PART NUMBER	F/N	DESCRIPTION	QTY	UOM
1	036467		TERMINAL, INSULATED (#10 RING, 16-14 GA)	1	EA
2	068205		TERMINAL, INSULATED BULLET (FEMALE, 14-16 GA)	5	EA
3	442228		TERMINAL, SLIDE	3	EA
4	445536		TUBE, HEAT SHRINK (.25 ID)	1	EA
5	466045		SPLICE (16-24GA WIRE, .750 FT)	1	EA
6	466615		HOLDER, INLINE FUSE (14 AMP)	1	EA
7	466698		SWITCH, TURN SIGNAL	1	EA
8	V63121300		MODULE, FLASHER (3 PRONG)	1	EA

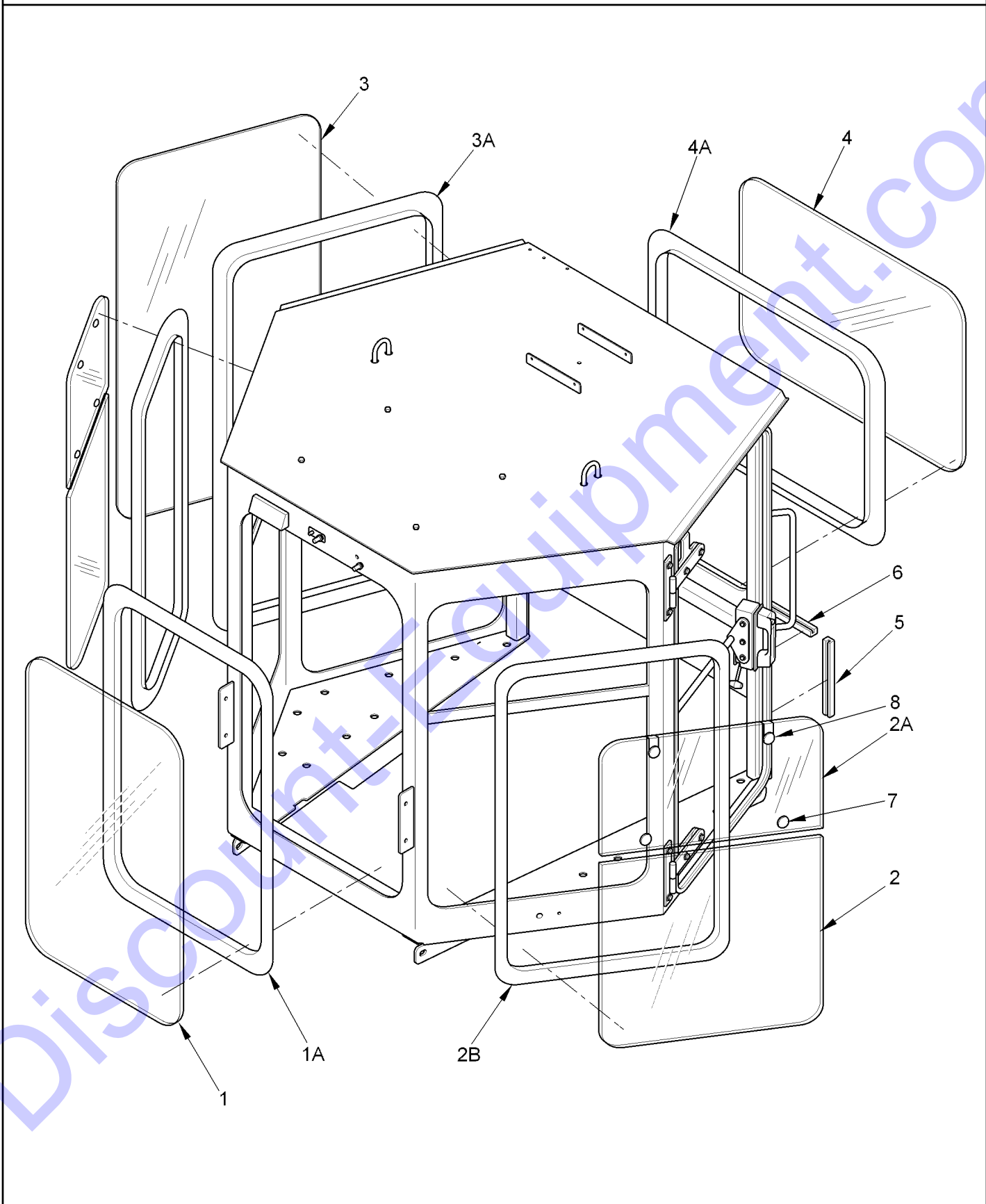


CAP-0058

PLUMBING, A/C

ITEM	PART NUMBER	F/N	DESCRIPTION	QTY	UOM
1	385970		A/C UNIT, ROOF MOUNTED	1	EA
2	385980		COIL, CONDENSER	1	EA
3	449835		COMPRESSOR, A/C	1	EA
4	476947		DRIER	1	EA
5	385979		SWITCH, SYSTEM HI/LO PRESSURE	1	EA
6	477682		HOSE ASSEMBLY (#8)	1	EA
7	477681		HOSE ASSEMBLY (#6)	1	EA
8	477683		HOSE ASSEMBLY (#6)	1	EA
9	477684		HOSE ASSEMBLY (#10)	1	EA
10	385360		O-RING (#10)	2	EA
11	385961		O-RING (#8)	2	EA
12	385962		O-RING (#6)	4	EA

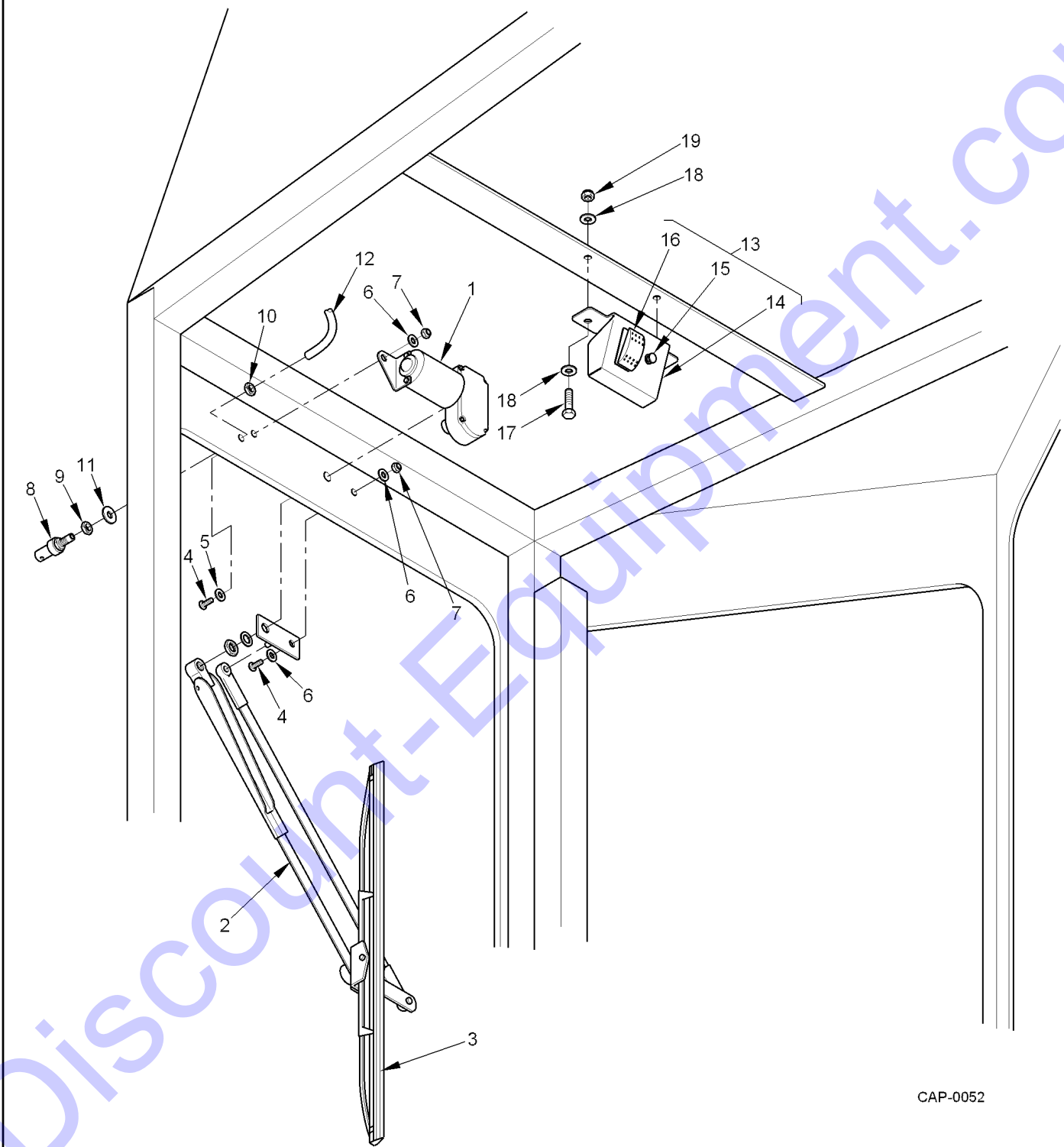
WINDOWS, VISTA CAB



WINDOWS, VISTA CAB

ITEM	PART NUMBER	F/N	DESCRIPTION	QTY	UOM
1	385758		GLASS, FRONT WINDOW	1	EA
1A	476951		RUBBER, GLASS (1/8" OFFSET, 170")	1	EA
2	385794		GLASS, STATIONARY	2	EA
2A	385792		GLASS, TIP OUT	2	EA
2B	476951		RUBBER, GLASS (1/8" OFFSET, 170")	2	EA
3	474795		GLASS, RIGHT SIDE	1	EA
3A	476954		RUBBER, RIGHT SIDE GLASS (1/8" OFFSET, 170")	1	EA
4	385759		GLASS, REAR WINDOW	1	EA
4A	477850		RUBBER, REAR WINDOW GLASS (1/8 OFFSET)	1	EA
5	447910		SEAL, SIDE BULB SEAL DOOR EDGE RUBBER (43")	1	EA
6	447909		KIT, RUBBER SEAL (1/2" X 1-1/2" X 11")	2	EA
7	385793		TIP OUT GLASS LATCH ASSEMBLY	4	EA
8	385791		TIP OUT GLASS WINDOW HINGE ASSEMBLY	4	EA
			REMAINING COMPONENTS		
	447996	F1	TIP OUT WINDOW ASSEMBLY	1	EA
			F1 - INCLUDES FRAME WITH TOP AND BOTTOM		
			GLASS: DOES NOT INCLUDE RUBBER SEAL		
			(ITEM 2B)		

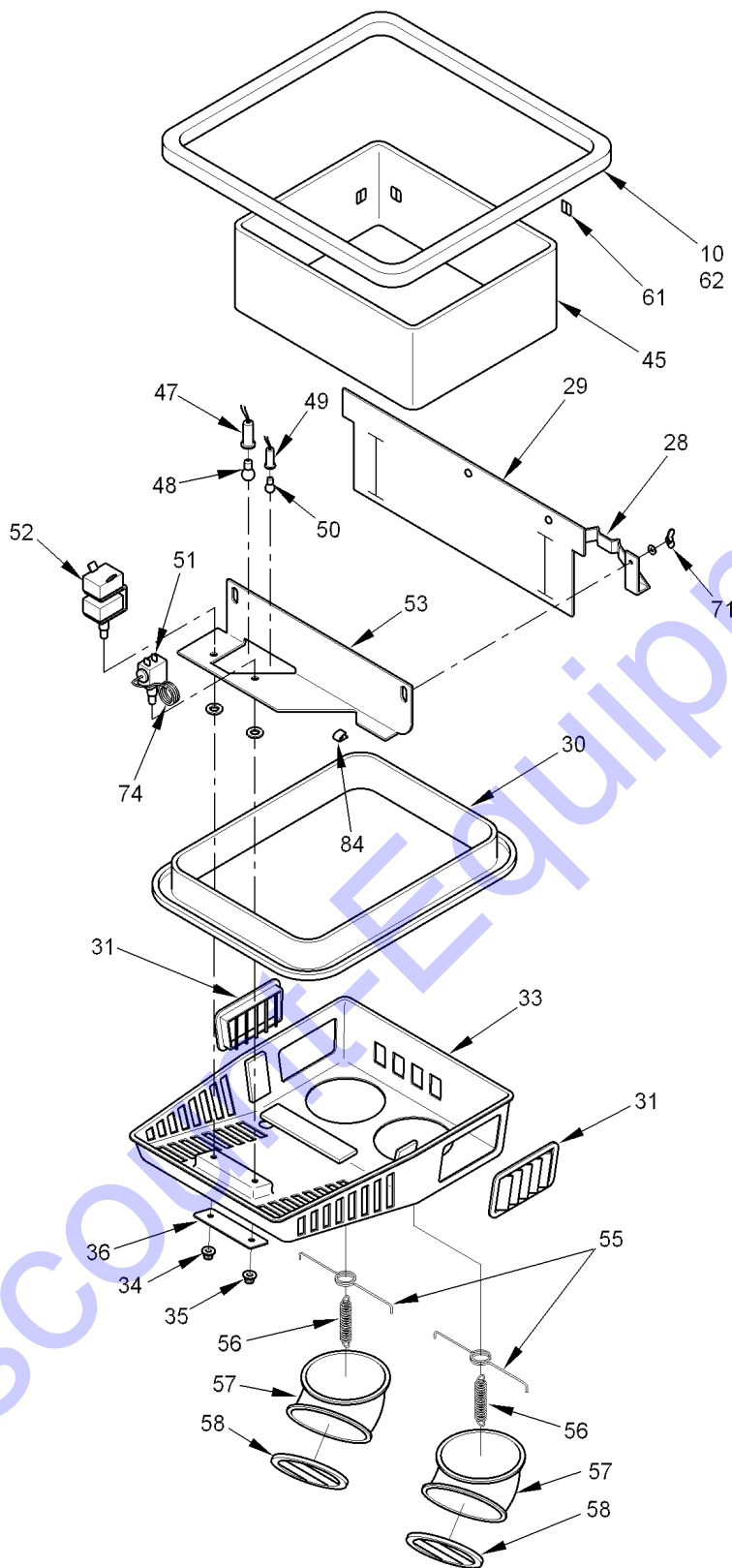
WIPER/WASHER, WINDSHIELD (VISTA CAB)



CAP-0052

WIPER/WASHER, WINDSHIELD (VISTA CAB)					
ITEM	PART NUMBER	F/N	DESCRIPTION	QTY	UOM
1	385851		MOTOR, WWF WIPER (W/O SWITCH)	1	EA
2	385852		ARM, WWJ PANTOGRAPH WIPER (16")	1	EA
3	385853		WIPER BLADE, HEAVY DUTY (18")	1	EA
4		F1	BOLT (#10-24 X 3/4" LONG)	2	
5	385802		WASHER, BONDED SEALING (3/8")	1	EA
6		F1	WASHER, FLAT (3/16" OR #10)	2	
7		F1	NUT, LOCK (#10-24)	2	
8	385854		KIT, WASHER (12V)	1	EA
9		F1	BUSHING, BRASS HEX (3/8" MPT X 1/4" FPT)	1	
10	385858		NUT, HEX SEAL (3/8" NPT)	1	EA
11	385855		WASHER, BONDED SEALING	1	EA
12		F1	HOSE, WASHER (3/16" ID)	AR	
13		F1	SINGLE WIPER/WASHER SWITCH ASSEMBLY	1	
14	444555		BRACKET, WIPER WASHER SWITCH	1	EA
15	444556		SWITCH, PUSH BUTTON ELECTRICAL	1	EA
16	444557		SWITCH, WIPER	1	EA
17		F1	BOLT, HEX HEAD (1/4"-20 X 3/4")	2	
18		F1	WASHER, FLAT (PLAIN, 1/4")	4	
19		F1	NUT, LOCK (NYLON INSERT, 1/4"-20)	2	
F1 - PART NUMBER NOT AVAILABLE.					

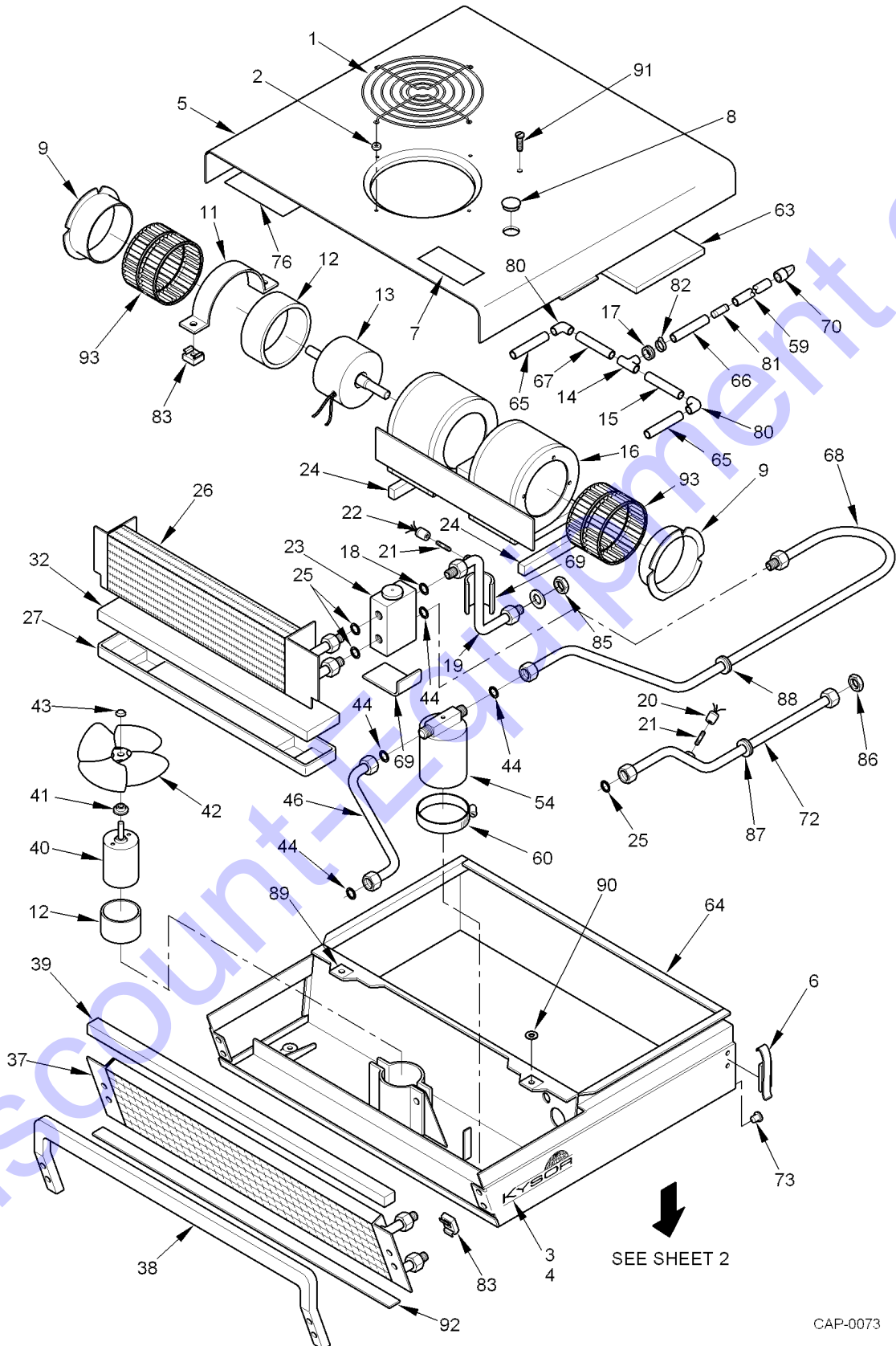
AIR CONDITIONER (KYSOR, LOWER HALF)



CAP-0074

AIR CONDITIONER (KYSOR, LOWER HALF)					
ITEM	PART NUMBER	F/N	DESCRIPTION	QTY	UOM
10		F1	SEAL, RING	1	
28		F1	ARM, WELDMENT (OPTIONAL)	1	
29		F1	SEAL, CHAMBER PLATE	1	
30		F1	SEAL, RING	1	
31		F1	LOUVER, SMALL	2	
33		F1	CHAMBER, AIR TRANSFER	1	
34	463000		KNOB, FAN SWITCH	1	EA
35	462994		KNOB, THERMOSTAT	1	EA
36		F1	PANEL, CONTROL	1	
45		F1	BOOT, RUBBER	1	
47		F1	SOCKET, LIGHT	1	
48		F1	BULB (12V)	1	
49		F1	SOCKET, LIGHT	1	
50		F1	BULB (12V)	1	
51	468264		THERMOSTAT	1	EA
52	468272		SWITCH, BLOWER TANDEM (12V)	1	EA
53		F1	CHAMBER, WELDMENT	1	
55		F1	RETAINER	2	
56		F1	SPRING EXTENSION (OPTIONAL)	2	
57		F1	ELBOW, DUCT (OPTIONAL)	2	
58		F1	LOUVER	2	
61		F1	CLIP	14	
62		F1	RING, GASKET	1	
71		F1	NUT, WING	2	
74		F1	TUBING, INSULATION	1	
84		F1	NUT, SPEED ("U" TYPE)	2	
			REMAINING COMPONENTS		
		F1	HARNESS, WIRE	1	
		F1	WIRE ASSEMBLY	1	
		F1	HARNESS, WIRE	1	
		F1	TIPPETTE, SWITCH	1	
	331918		HOSE ASSEMBLY (HIGH SIDE, #8 - PRESSURE)	1	EA
	331926		HOSE ASSEMBLY (LOW SIDE, #10 - RETURN)	1	EA
	466771		FILTER, HEPA (1-3/4" X 4" X 13-1/2")	1	EA
	9107005		BOX, A/C FILTER HOUSING	1	EA
			F1 - PART NUMBER NOT AVAILABLE.		

AIR CONDITIONER (KYSOR, UPPER HALF)



CAP-0073

AIR CONDITIONER (KYSOR, UPPER HALF)

ITEM	PART NUMBER	F/N	DESCRIPTION	QTY	UOM
1	910705K	F1	GRILL, FAN	1	EA
2		F2	NUT, EXPANSION	4	
3		F2	LOGO (RIGHT HAND)	1	
4		F2	LOGO (LEFT HAND)	1	
5	9107060		COVER, WELDMENT	1	EA
6		F2	LATCH	2	
7		F2	DECAL, WARNING	1	
8		F2	CAP, PLUG	1	
9	468306		FOIL	2	EA
11		F2	STRAP, MOTOR	1	
12	9107027		INSULATOR, MOTOR	1	EA
13	468314		MOTOR, DOUBLE SHAFT (12V)	1	EA
14		F2	TEE (1/2" X 1/2" X 2")	1	
15		F2	HOSE, DRAIN (7-1/2")	1	
16		F2	BLOWER, WELDMENT	1	
17		F2	GROMMET	1	
18		F2	O-RING (#10)	1	
19		F2	TUBE & FITTING ASSEMBLY (5/8")	1	
20	468322		SWITCH, HIGH PRESSURE	1	EA
21		F2	CORE, STEM	2	
22	468330		SWITCH, LOW PRESSURE	1	EA
23	468348		VALVE, BLOCK	1	EA
24		F3	GASKETS (SEE FOOTNOTE)	AR	
25		F2	O-RING (#8)	2	
26	475707		COIL, EVAPORATOR	1	EA
27		F2	DRAIN PAN ASSEMBLY	1	
32		F2	GASKET, DRAIN PAN	1	
37	9107037		COIL, CONDENSER	1	EA
38	475708		GRILLE, CONDENSER	1	EA
39	475709		GASKET, CONDENSER COIL (22")	1	EA
40	468355		MOTOR (12V)	1	EA
41		F2	SLINGER	1	
42	468363		BLADE, FAN	1	EA
43		F2	CAP (VINYL)	1	
44		F2	O-RING (#6)	4	
46		F2	TUBE & FITTING ASSEMBLY (3/8")	1	
54	468280		DRIER, RECEIVER	1	EA
59		F2	HOSE, DRAIN HOSE (144")	1	
60		F2	CLAMP, RECEIVER DRIER	1	
63		F2	SEAL, INNER	1	
64		F2	BASE, WELDMENT	1	
65		F2	HOSE, DRAIN (7")	2	
66		F2	HOSE, DRAIN (8")	1	
67		F2	HOSE, DRAIN (8-1/2")	1	
68		F2	TUBE & FITTING ASSEMBLY (3/8")	1	
69		F2	SEAL, MOISTURE (1.0')	1	

AIR CONDITIONER (KYSOR, UPPER HALF)

ITEM	PART NUMBER	F/N	DESCRIPTION	QTY	UOM
70		F2	VALVE, CHECK	1	
72		F2	TUBE & FITTING ASSEMBLY (1/2")	1	
73		F2	PLUG, THREADED	2	
76		F2	DIAGRAM, WIRING	1	
80		F2	ELBOW (90 DEGREE)	2	
81		F2	SPLICE	1	
82		F2	CLAMP, HOSE	1	
83		F2	NUT, CAGE	2	
85		F2	NUT, BULKHEAD (7/8")	1	
86		F2	NUT, BULKHEAD (3/4")	1	
87		F2	GROMMET, FLEXIBLE (1/2")	1	
88		F2	GROMMET, FLEXIBLE (3/8")	1	
89		F2	CLIP, RETAINER	2	
90		F2	WASHER, TIN	2	
91	467662		SCREW	2	EA
92	475710		GASKET (1.7 FT)	AR	EA
93	468298		WHEEL, BLOWER	2	EA
REMAINING COMPONENTS					
		F2	HARNESS, WIRE	1	
		F2	WIRE ASSEMBLY	1	
		F2	HARNESS, WIRE	1	
		F2	TIPPETTE, SWITCH	1	
	331918		HOSE ASSEMBLY (HIGH SIDE, #8 - PRESSURE)	1	EA
	331926		HOSE ASSEMBLY (LOW SIDE, #10 - RETURN)	1	EA
	466771		FILTER, HEPA (1-3/4" X 4" X 13-1/2")	1	EA
	9107005		BOX, A/C FILTER HOUSING	1	EA
F1 - DOES NOT COME WITH COVER.					
F2 - PART NUMBER NOT AVAILABLE.					
F3 - CONTAINS: (1) 40.0", (1) 9.5",					
(1) 3.4" (4.7 FT. TOTAL)					

NON-ILLUSTRATED

Discount-Equipment.com

343301: INDICATOR, A/C RESTRICTION (DASH MOUNT)

ITEM	PART NUMBER	F/N	DESCRIPTION	QTY	UOM
1	041236		TIE, CABLE (7-1/4" X 3/16", 1-3/4" DIA, BLACK)	4	EA
2	293332		TUBE (CLEAR PVC, 1/4"OD X 1/8" X 174")	1	EA
3	444398		GAUGE, FILTER MINDER	1	EA
4	010561		WASHER, LOCK (5/16")	4	EA

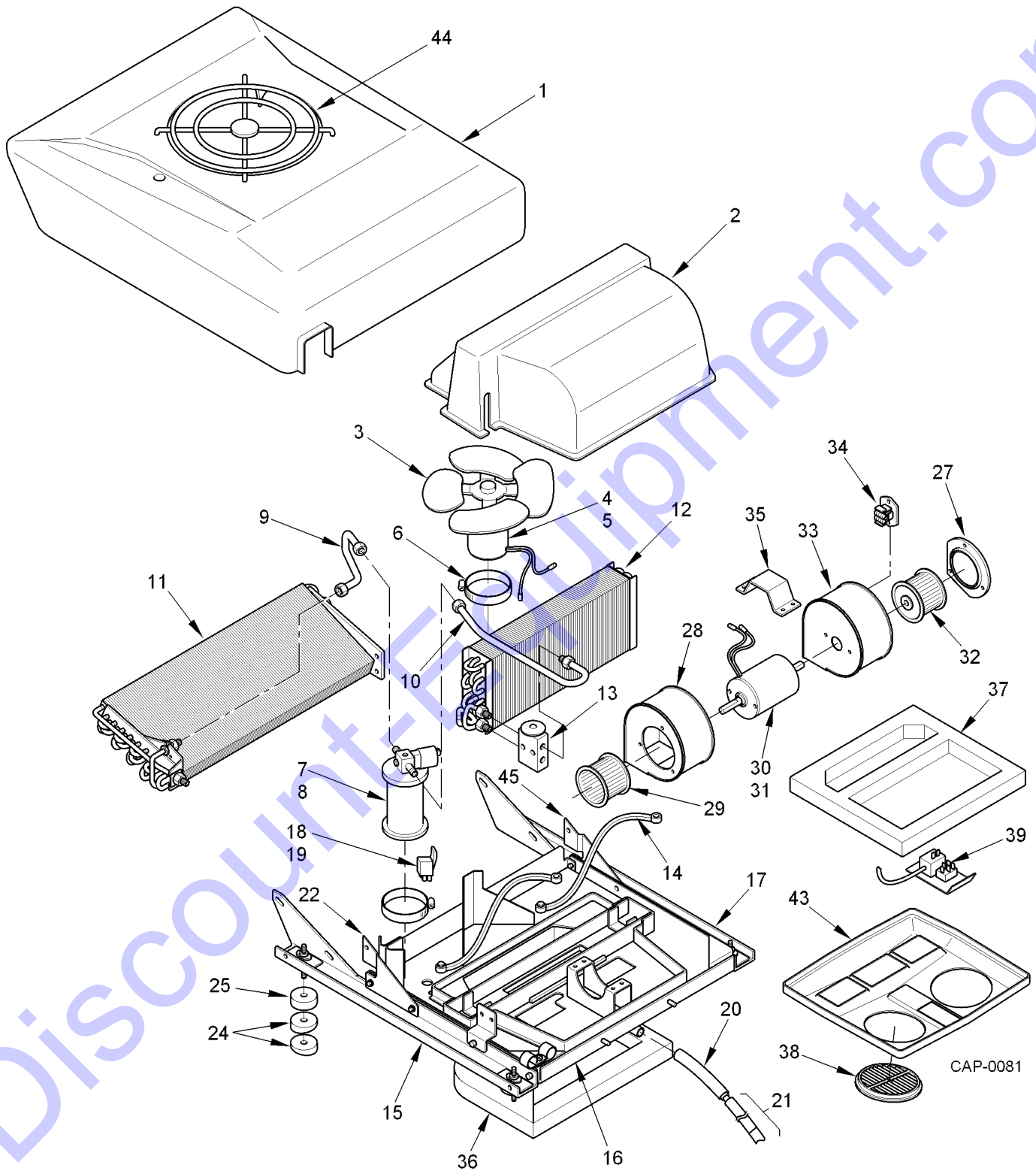
NON-ILLUSTRATED

Discount-Equipment.com

299941: INDICATOR, A/C RESTRICTION (IN CAB)

ITEM	PART NUMBER	F/N	DESCRIPTION	QTY	UOM
1	418186		INDICATOR, AIR FILTER	1	EA
2	042580		EII (1/4-NPT STREET 900)	1	EA
3	071746		FLANGE, RESTRICTION INDICATOR	1	EA
4	031823		COUPLING (1/8"-NPT)	2	EA
5	077057		FITTING (.25 HOSE TO 1/8-NPT)	2	EA
6	031914		CLAMP, FUEL LINE	2	EA
7	299958		HOSE, MCL (1/4 ID X 12.00")	1	EA
8	299966		INSTALLATION INSTRUCTIONS	1	EA

449819: KIT, COMPLETE A/C



449819: KIT, COMPLETE A/C

ITEM	PART NUMBER	F/N	DESCRIPTION	QTY	UOM
1	476408		OUTER COVER ASSEMBLY	1	EA
2		F1	INNER COVER ASSEMBLY	1	
3	386509		FAN-CONDENSER	1	EA
4	469759		MOTOR (12V)	1	EA
5		F1	MOTOR-CONDENSER (24V)	1	
6		F1	CLAMP, HOSE (3-1/2")	2	
7	463117		RECEIVER/DRIER	1	EA
8	462481		SWITCH, TRINARYTTM PRESSURE	1	EA
9		F1	TUBE, REFRIGERANT	1	
10		F1	TUBE, REFRIGERANT	1	
11		F1	CONDENSER ASSEMBLY	1	
12	477672		COIL, EVAPORATOR	1	EA
13	477232		VALVE, EXPANSION	1	EA
14		F1	STRAP	2	
15		F1	RAIL ASSEMBLY (LEFT HAND)	1	
16		F1	PLASTIC DRAIN PAN ASSEMBLY	1	
17		F1	RAIL ASSEMBLY (RIGHT HAND)	1	
18		F1	RELAY (12V)	1	
19		F1	RELAY (24V)	1	
20		F1	HOSE, DRAIN	1	
21		F1	DRAIN HOSE ASSEMBLY	1	
22		F1	RECEIVER BRACKET ASSEMBLY	1	
24		F1	SPACER, TAPERED	8	
25		F1	SPACER, RUBBER	4	
27		F1	ENTRY RINGS	2	
28	455151		BLOWER ASSEMBLY (LEFT HAND)	1	EA
29		F1	WHEEL, BLOWER (LEFT HAND)	1	
30	469759		MOTOR (12V)	1	EA
31		F1	MOTOR (24V)	1	
32		F1	WHEEL, BLOWER (RIGHT HAND)	1	
33	455150		BLOWER ASSEMBLY (RIGHT HAND)	1	EA
34		F1	RESISTOR	1	
35		F1	RETAINER, MOTOR	1	
36		F1	ROOF SEAL ASSEMBLY	1	
37		F1	GASKET, PLENUM	1	
38	386505		LOUVER ASSEMBLY (4-1/2")	2	EA
39		F1	CONTROL PANEL SUB ASSEMBLY	1	
43		F1	DIFFUSER, PLENUM	1	
44		F1	GUARD, FAN	1	
45		F1	BRACKET ASSEMBLY (RIGHT HAND)	1	
			REMAINING COMPONENTS		
		F1	WIRE HARNESS ASSEMBLY	1	
		F1	THERMOSTAT	1	
	477315		KNOB	2	EA

449819: KIT, COMPLETE A/C

ITEM	PART NUMBER	F/N	DESCRIPTION	QTY	UOM
	409752	F1	SWITCH, 4-POSITION (5-PRONG)	1	EA
			LABEL, CONTROL PANEL	1	
	477307		FILTER, RECIRCULATION (FOAM)	1	EA
			F1 - PART NUMBER NOT AVAILABLE.		

NON-ILLUSTRATED

Discount-Equipment.com

345488: KIT, HEATER (CUMMINS DIESEL ONLY)

ITEM	PART NUMBER	F/N	DESCRIPTION	QTY	UOM
1	010033		CAPSCREW (1/4"-20 X 3/4")	2	EA
2	010553		NUT, HEX (5/16"-18NC)	2	EA
3	010561		WASHER, LOCK (5/16")	2	EA
4	436923		REDUCER, SPECIAL PIPE (1/2" X 3/8")	2	EA
5	044313		KIT, HEATER (INCLUDES 2-SPEED SWITCH)	1	EA
6	044362		ADAPTER (3/8"NPT X 5/8"HOSE)	1	EA
7	044370		CLAMP	6	EA
8	059840		ELBOW, 90 DEG (3/8"-NPT)	1	EA
9	421974		CABLE, CONTROL	1	EA
10	272328		HOSE (5/8" ID X 72")	2	EA
11	72144000		NIPPLE (3/8"NPT X 2")	1	EA
12	417329		VALVE, HEATER SHUT-OFF	1	EA
13	417808		DECAL, HEATER CONTROL	1	EA
14	041780		COUPLING (3/8"NPT)	1	EA
15	347625		WIRING HARNESS ASSEMBLY (2-WIRE WITH LOOM)	1	EA

NON-ILLUSTRATED

Discount-Equipment.com

296541: KIT, HOUR METER

ITEM	PART NUMBER	F/N	DESCRIPTION	QTY	UOM
1	078063		SWITCH, PRESSURE (2-6 PSI .12-NPT)	1	EA
2	034892		METER, HOUR	1	EA
3	296558		INSTRUCTION (HOUR METER KIT)	1	EA
4	036608		WIRE (GRAY, 16 GA)	3	EA
5	036467		TERMINAL, INSULATED (#10 RING, 16-14 GA)	2	EA
6	431320		TERMINAL, FEMALE SLIDE (1/4")	3	EA
7	416701		RIVET, HUCK (1/4" DIA X 13/16")	2	EA

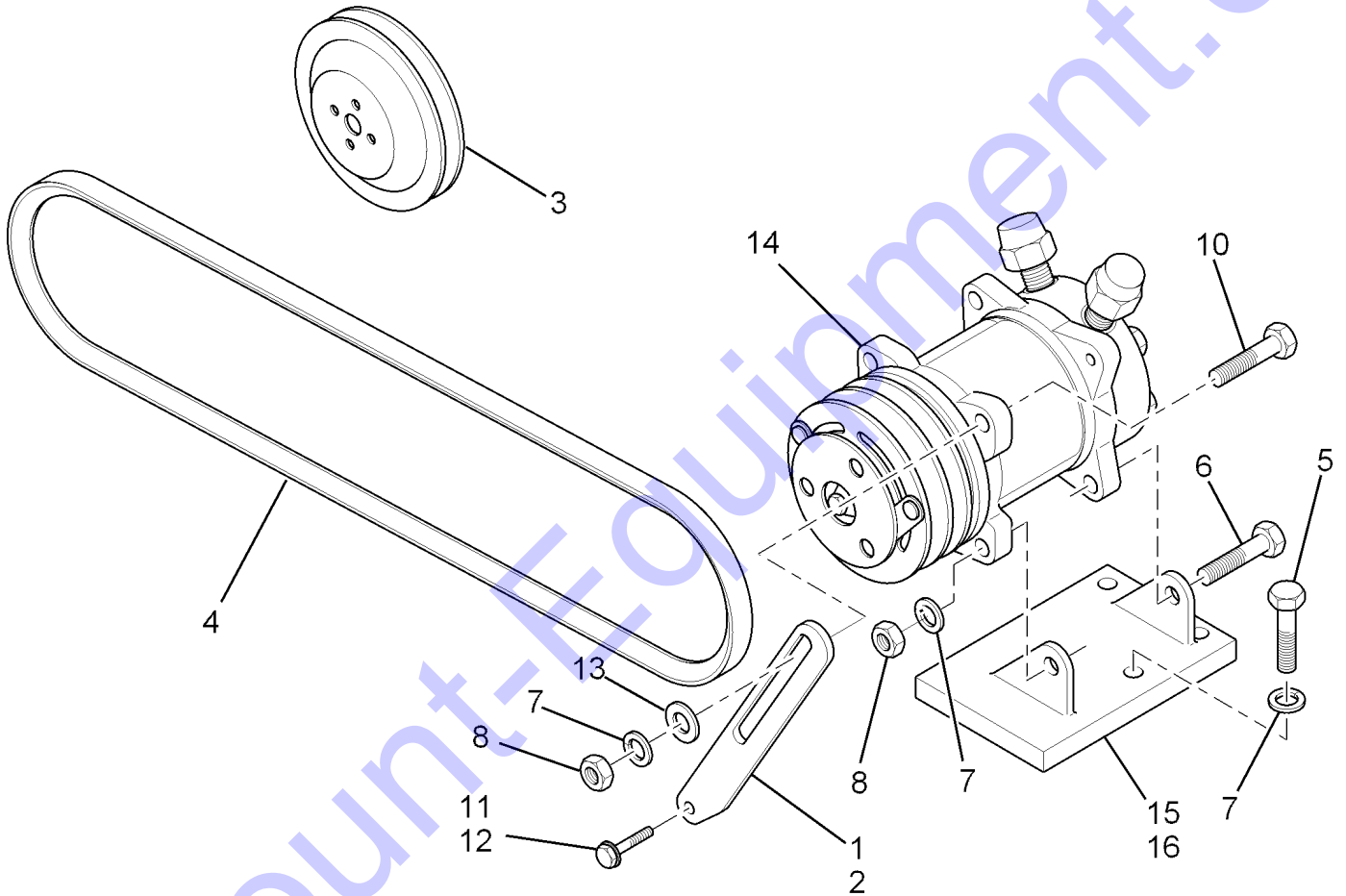
NON-ILLUSTRATED

Discount-Equipment.com

279810: KIT, MIRROR

ITEM	PART NUMBER	F/N	DESCRIPTION	QTY	UOM
1	010058		CAPSCREW (1/4"-20 X 1")	8	EA
2	010272		NUT, HEX (1/4"-20NC, FLANGE WHIZLOCK GR.G)	8	EA
3	010280		WASHER, LOCK (1/4")	8	EA
4	010579		WASHER, FLAT (5/16")	8	EA
5	010553		NUT, HEX (5/16"-18NC)	4	EA
6	010561		WASHER, LOCK (5/16")	4	EA
7	279828		MOUNT, MIRROR	4	EA
8	279836		INSTRUCTIONS, MOUNTING	1	EA
9	281550		MOUNT, MIRROR	1	EA
10	416735		MIRROR, WEST COAST	2	EA
11	417162		MIRROR, RECTANGULAR	1	EA
12	416701		RIVET, HUCK (1/4" DIA X 13/16")	2	EA

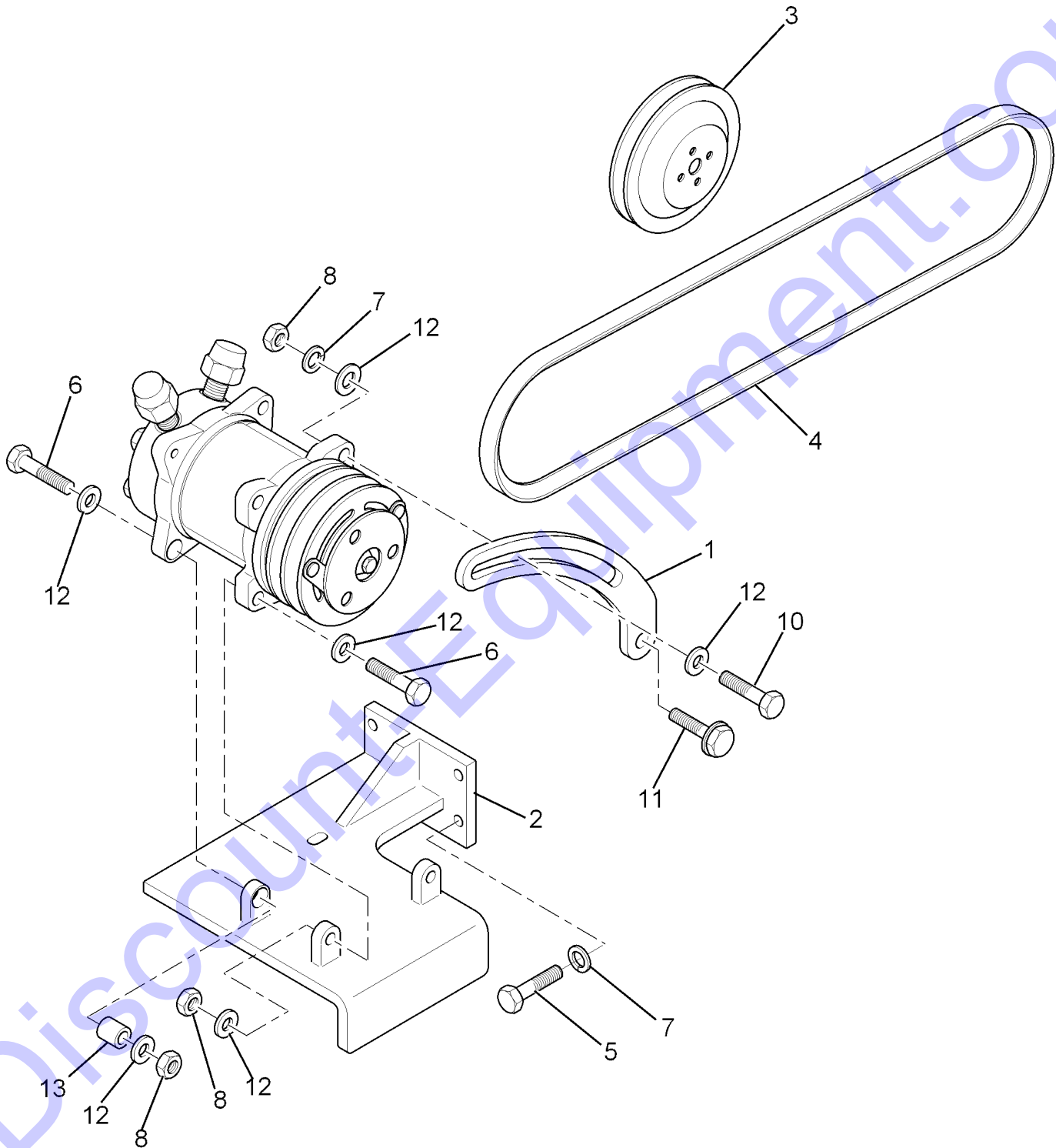
MOUNTING, A/C COMP (CUMMINS)



MOUNTING, A/C COMP (CUMMINS)

ITEM	PART NUMBER	F/N	DESCRIPTION	QTY	UOM
1	282533		ARM, BELT TIGHTENER (REV CODE -003 & EARLIER)	1	EA
2	368738		ARM, BELT TIGHTENER (REV CODE -004 & LATER)	1	EA
3	409748		PULLEY, ACCESSORY DRIVE	1	EA
4	418483		BELT (43.5 X .531)	1	EA
5	038372		CAPSCREW (M10 X 1.5 CP X M30)	3	EA
6	415083		CAPSCREW (M10 X M35)	3	EA
7	038380		WASHER, LOCK (M10)	6	EA
8	089474		NUT, HEX (M10 X 1.5)	3	EA
10	466797		CAPSCREW	1	EA
11	048470		CAPSCREW (M8 X 1-1/4"CP-6G X M25)	1	EA
12	404673		CAPSCREW, SOCKET HEAD (M8 X 1.25CP-6G X M30)	1	EA
13	011031		WASHER, FLAT (3/8")	1	EA
14	449835		COMPRESSOR, A/C	1	EA
15	331728K		MOUNT, COMPRESSOR (3.3 ENGINE)	1	EA
16	460680		MOUNT, COMPRESSOR (3.9 ENGINE)	1	EA
REMAINING COMPONENTS					
	041236		TIE, CABLE (7-1/4" X 3/16", 1-3/4" DIA, BLACK)	4	EA
	368720		SPACER, A/C BELT TIGHTENER (REV CODE -004 & LATER)	1	EA

MOUNTING, A/C COMP (KUBOTA)



MOUNTING, A/C COMP (KUBOTA)

ITEM	PART NUMBER	F/N	DESCRIPTION	QTY	UOM
1	460682		ARM, BELT TIGHTENER	1	EA
2	387045		MOUNT, COMPRESSOR	1	EA
3	9107030		PULLEY, ACCESSORY DRIVE	1	EA
4	478027		BELT (43.5 X .531)	1	EA
5	038372		CAPSCREW (M10 X 1.5 CP X M30)	3	EA
6	415083		CAPSCREW (M10 X M35)	3	EA
7	038380		WASHER, LOCK (M10)	6	EA
8	089474		NUT, HEX (M10 X 1.5)	3	EA
10	466797	F1	CAPSCREW	1	EA
11	048470	F2	CAPSCREW (M8 X 1-1/4"CP-6G X M25)	1	EA
12	011031		WASHER, FLAT (3/8")	5	EA
13	460681		SLEEVE, REAR COMPRESSOR MOUNT	1	EA
REMAINING COMPONENTS					
	041236		TIE, CABLE (7-1/4" X 3/16", 1-3/4" DIA, BLACK)	4	EA
	9107029		PULLEY, WATER PUMP ENGINE	1	EA
	9107033		A/C WIRING HARNESS (3-WIRE,RED/BLACK/GREEN)	1	EA
F1 - INCLUDED WITH 387045.					
F2 - REV. CODE -003 & EARLIER.					

NON-ILLUSTRATED

Discount-Equipment.com

272732: KIT, ENGINE COLD START

ITEM	PART NUMBER	F/N	DESCRIPTION	QTY	UOM
1	038406		CAPSCREW (M12 X 1.75 CP-6G X M20)	1	EA
2	038414		WASHER, LOCK (M12)	1	EA
3	272724		WIRING HARNESS ASSEMBLY	1	EA
4	409219		KIT, ENGINE COLD START AID	1	EA

NON-ILLUSTRATED

Discount-Equipment.com

166066: KIT, FAN DEFROSTER

ITEM	PART NUMBER	F/N	DESCRIPTION	QTY	UOM
1	036467		TERMINAL, INSULATED (#10 RING, 16-14 GA)	1	EA
2	048439		FAN, DEFROSTER	1	EA

NON-ILLUSTRATED

Discount-Equipment.com

286153: KIT, NYLON FAN

ITEM	PART NUMBER	F/N	DESCRIPTION	QTY	UOM
1	421206		FAN, NYLON	1	EA
2	421214		PULLEY	1	EA
3	421222		BELT	1	EA

NON-ILLUSTRATED

Discount-Equipment.com

PRE-HEATER, ENGINE

ITEM	PART NUMBER	F/N	DESCRIPTION	QTY	UOM
1	409201		KIT, ENGINE PRE-HEATER	1	EA
2	477789		HEATER, ENGINE PRE-HEAT	1	EA
3	477790		CABLE, HEATER	1	EA

NON-ILLUSTRATED

Discount-Equipment.com

342055: SHUT DOWN SYSTEM, ENGINE

ITEM	PART NUMBER	F/N	DESCRIPTION	QTY	UOM
1	082404		SWITCH, MAGNETIC	1	EA
2	294041		WIRE (ORANGE/WHITE, 16 GA, 24")	1	EA
3	409334		SWITCHGAUGE, WATER TEMPERATURE	1	EA
4	082388		SWITCHGAUGE, PRESSURE	1	EA
5	042267		COUPLING (1/8"NPT, 150#, BLACK)	1	EA
6	082412		ADAPTER	1	EA
7	271882		HOSE ASSEMBLY (1/4"ID X 120" LONG)	1	EA
8	414904		ADAPTER, 90 DEGREE (1/8"NPT X 7/16"JIC)	1	EA
9	046995		CONNECTOR, SPLICE (20-14 GA.)	1	EA
10	036467		TERMINAL, INSULATED (#10 RING, 16-14 GA)	4	EA
11	346056		INSTRUCTIONS	1	EA
12	285346		WIRE (16 GA. BROWN X 14.00")	1	EA
13	447748		DECAL ("TO START ENGINE PUSH OVERRIDE BUTTON")	1	EA

NON-ILLUSTRATED

Discount-Equipment.com

271145: WARNING SYSTEM, ENGINE

ITEM	PART NUMBER	F/N	DESCRIPTION	QTY	UOM
1	042267		COUPLING (1/8"NPT, 150#, BLACK)	1	EA
2	082338		SWITCHGAUGE, PRESSURE	1	EA
3	082412		ADAPTER	1	EA
4	271882		HOSE ASSEMBLY (1/4"ID X 120" LONG)	1	EA
5	272187		WIRING HARNESS ASSEMBLY	1	EA
6	409318		SONALERT, FAST PULSE	1	EA
7	409326		LIGHT, WARNING	1	EA
8	409334		SWITCHGAUGE, WATER TEMPERATURE	1	EA
9	414904		ADAPTER, 90 DEGREE (1/8"NPT X 7/16"JIC)	1	EA
10	295402		INSTRUCTIONS	1	EA

NON-ILLUSTRATED

Discount-Equipment.com

295923: KIT, DOME LIGHT

ITEM	PART NUMBER	F/N	DESCRIPTION	QTY	UOM
1	081969		LIGHT, DOME	1	EA
2	036541		WIRE (RED, 16 GA, 84")	1	EA
3	036467		TERMINAL, INSULATED (#10 RING, 16-14 GA)	1	EA
4	046995		CONNECTOR, SPLICE (20-14 GA.)	1	EA
5	299610		MOUNT, DOME LIGHT	1	EA
6	416750		RIVET, POP (3/16 X 7/16)	5	EA

NON-ILLUSTRATED

Discount-Equipment.com

352146: KIT, HIGH/LOW BEAM LIGHT (HALOGEN)

ITEM	PART NUMBER	F/N	DESCRIPTION	QTY	UOM
1	61012700		SWITCH, LIGHT (W/15 AMP BREAKER)	1	EA
2	63015300		LIGHT, LICENSE PLATE	1	EA
3	63015800		LIGHT, TAIL	2	EA
4	461475		LIGHT, FLASHER (RED/AMBER RECTANGULAR)	2	EA
5	63115400		SWITCH, TURN SIGNAL	1	EA
6	63121300		SIGNAL, FLASHER	1	EA
7	461467		HEADLIGHT, RECTANGULAR (H/L BEAM, HALOGEN)	2	EA
8	044123		CONNECTOR, 3-WIRE BULLET TERMINAL	1	EA
9	068205		TERMINAL, INSULATED BULLET (FEMALE, 14-16 GA)	12	EA
10	272484		LOOM (BLACK, 11/32"ID X 40" LONG)	2	EA
11	299628		WIRE (ORANGE, 10 GA, 25")	1	EA
12	432344		SWITCH, DIMMER	1	EA
13	297945		MOUNT, HEADLIGHT (LEFT HAND)	1	EA
14	297952		MOUNT, HEADLIGHT (RIGHT HAND)	1	EA
15	432377		LAMP, BLUE INDICATOR	1	EA
16	61017000		GROMMET, FUEL SENDER WIRE	1	EA
17	010017		CAPSCREW (1/4"-20NC X 1/2")	2	EA
18	436261		TAPE, REFLECTOR (RED)	2	EA
19	281576		MOUNT, TAG LIGHT	1	EA
20	423673		SCREW, SLOTTED (#10-24NC X 1/2")	2	EA
21	416974		NUT, ACORN (10-24NC)	2	EA
22	416750		RIVET, POP (3/16 X 7/16)	2	EA
23	068197		TERMINAL, INSULATED BULLET (MALE, 14-16 GA)	1	EA
24	036467		TERMINAL, INSULATED (#10 RING, 16-14 GA)	1	EA
25	335364		SPACER, DIMMER SWITCH	2	EA
26	010066		CAPSCREW (1/4"-20NC)	2	EA
27	010272		NUT, HEX (1/4"-20NC, FLANGE WHIZLOCK GR.G)	2	EA
28	010280		WASHER, LOCK (1/4")	2	EA

NON-ILLUSTRATED

Discount-Equipment.com

294215: KIT, LOOM AND CABLE TIE

ITEM	PART NUMBER	F/N	DESCRIPTION	QTY	UOM
1	335190		LOOM (11/32 ID FLEX GUARD X 30.00")	1	EA
2	047761		TIE, CABLE	5	EA
3	041236		TIE, CABLE (7-1/4" X 3/16", 1-3/4" DIA, BLACK)	10	EA

NON-ILLUSTRATED

Discount-Equipment.com

335273: KIT, ROTARY BEACON

ITEM	PART NUMBER	F/N	DESCRIPTION	QTY	UOM
1	010322		CAPSCREW (5/16"-18NC X 3/4")	2	EA
2	010553		NUT, HEX (5/16"-18NC)	2	EA
3	010561		WASHER, LOCK (5/16")	2	EA
4	068197		TERMINAL, INSULATED BULLET (MALE, 14-16 GA)	2	EA
5	068205		TERMINAL, INSULATED BULLET (FEMALE, 14-16 GA)	1	EA
6	272559		WIRE (BROWN, 16 GA, 120")	1	EA
7	272567		LOOM (CLEAR VINYL, 1/4"ID X 96" LONG)	1	EA
8	335265		MOUNT, STROBE	1	EA
9	432385		BEACON, AMBER ROTATING	1	EA
10	335216		GUARD, STROBE LIGHT	1	EA
11	010348		CAPSCREW (5/16"-18NC X 1")	4	EA
12	010553		NUT, HEX (5/16"-18NC)	4	EA
13	010561		WASHER, LOCK (5/16")	4	EA

NON-ILLUSTRATED

Discount-Equipment.com

272542: KIT, STROBE LIGHT (NO GUARD)

ITEM	PART NUMBER	F/N	DESCRIPTION	QTY	UOM
1	094623		LAMP, STROBE (BULB)	1	EA
2	272179		MOUNT, STROBE LIGHT	1	EA
3	272559		WIRE (BROWN, 16 GA, 120")	1	EA
4	272567		LOOM (CLEAR VINYL, 1/4"ID X 96" LONG)	1	EA
5	068197		TERMINAL, INSULATED BULLET (MALE, 14-16 GA)	2	EA
6	068205		TERMINAL, INSULATED BULLET (FEMALE, 14-16 GA)	1	EA
7	409482		RIVET, HUCK (1/4"DIA X 9/16")	2	EA
8	036467		TERMINAL, INSULATED (#10 RING, 16-14 GA)	1	EA
9	037010		SCREW, SLOTTED ROUND HEAD (#10-24NC X 3/4")	1	EA
10	035436		NUT, HEX (#10-24NC)	1	EA
11	031880		WASHER, LOCK (#10)	1	EA

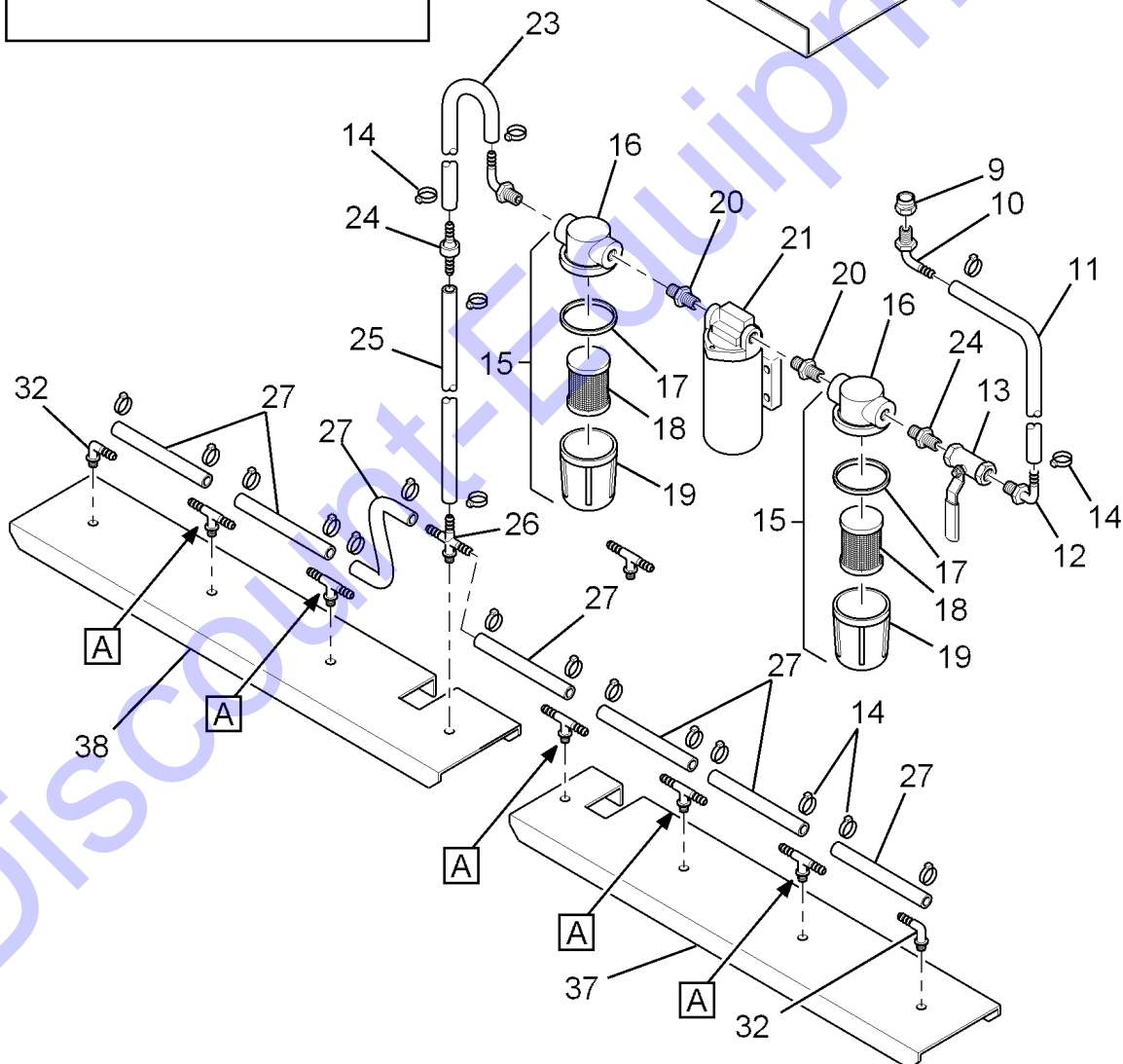
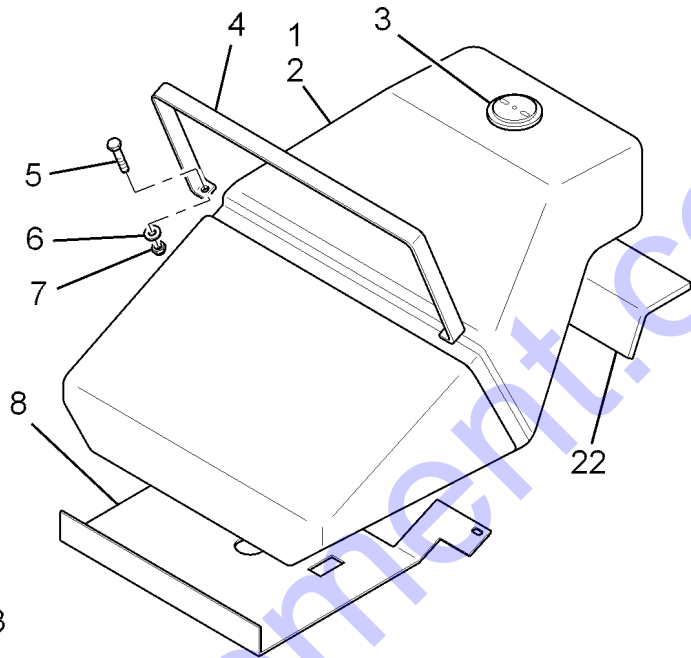
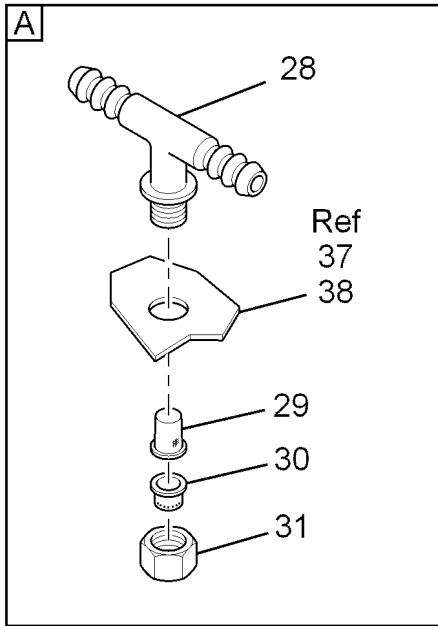
NON-ILLUSTRATED

Discount-Equipment.com

335208: KIT, STROBE LIGHT (W/GUARD)

ITEM	PART NUMBER	F/N	DESCRIPTION	QTY	UOM
1	031880		WASHER, LOCK (#10)	1	EA
2	035436		NUT, HEX (#10-24NC)	1	EA
3	036467		TERMINAL, INSULATED (#10 RING, 16-14 GA)	1	EA
4	037010		SCREW, SLOTTED ROUND HEAD (#10-24NC X 3/4")	1	EA
5	068197		TERMINAL, INSULATED BULLET (MALE, 14-16 GA)	2	EA
6	068205		TERMINAL, INSULATED BULLET (FEMALE, 14-16 GA)	1	EA
7	432393		LIGHT, STROBE (12V AMBER)	1	EA
8	335265		MOUNT, STROBE	1	EA
9	272559		WIRE (BROWN, 16 GA, 120")	1	EA
10	272567		LOOM (CLEAR VINYL, 1/4"ID X 96" LONG)	1	EA
11	409482		RIVET, HUCK (1/4"DIA X 9/16")	2	EA
12	335216		GUARD, STROBE LIGHT	1	EA
13	010348		CAPSCREW (5/16"-18NC X 1")	4	EA
14	010553		NUT, HEX (5/16"-18NC)	4	EA
15	010561		WASHER, LOCK (5/16")	4	EA

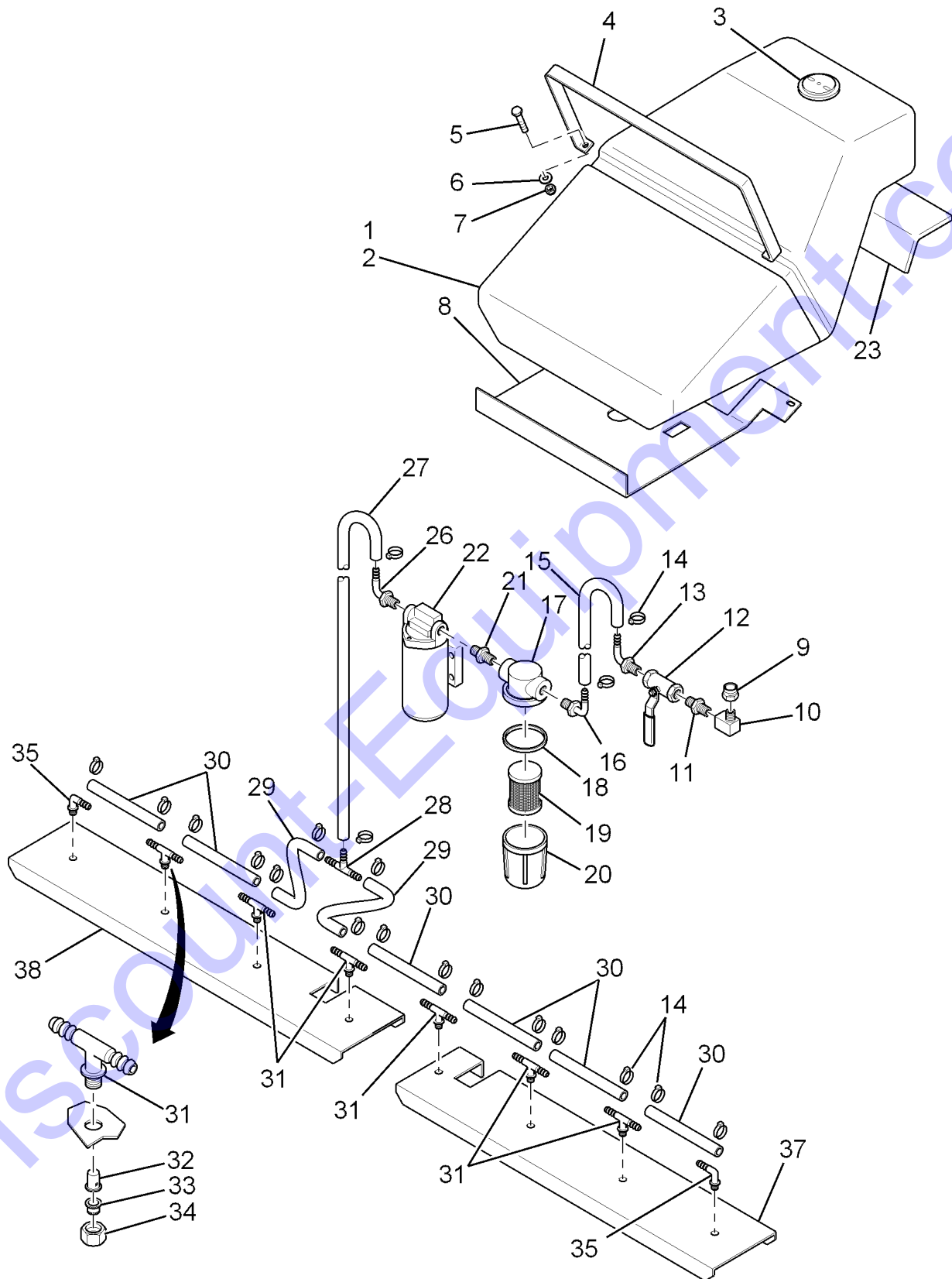
385740: KIT, LOW-PROFILE SPRINKLER (S/N 32239 AND BELOW)



385740: KIT, LOW-PROFILE SPRINKLER (S/N 32239 AND BELOW)

ITEM	PART NUMBER	F/N	DESCRIPTION	QTY	UOM
1	354860		TANK, LOW PROFILE (180 GAL, POLY, WHITE)	1	EA
2	354861		TANK, LOW PROFILE (180 GAL, POLY, BLACK)	1	EA
3	459685		CAP, WATER TANK LOW PROFILE	1	EA
4	355404		STRAP, HOLD DOWN	1	EA
5	010744		CAPSCREW (3/8"-16NC X 4")	2	EA
6	011031		WASHER, FLAT (3/8")	2	EA
7	425793		NUT, LOCK (3/8"-16 NC)	2	EA
8	355024	F1	MOUNT, LOW PROFILE POLY TANK	1	EA
9	9101876		FITTING, BULKHEAD (L/P TANK)	1	EA
10	9101674		ELBOW, 90 DEGREE (3/4"NPTM X 3/8"BARB, PLASTIC)	1	EA
11	447474		HOSE, LOW PRESSURE (3/8" ID)	1	EA
12	476903		FITTING, 90 DEGREE (.38 NPT X .38 BARB)	1	EA
13	342873		KIT, BALL VALVE	1	EA
14	447466		CLAMP, CRIMPING BAND (6 HOSE)	23	EA
15	9102321		HEAD, FILTER	2	EA
16	9102322		GASKET, FILTER HEAD	2	EA
17	9104062		SCREEN, SUCTION FILTER (GREEN)	1	EA
18	9102329		BOWL, FILTER	2	EA
19	9104063		SCREEN, PRESSURE FILTER	1	EA
20	476895		REDUCER, NIPPLE	2	EA
21	416826		PUMP, WATER (12V, 1.2 GPM)	1	EA
22	331355		PAD	1	EA
23	010272		NUT, HEX (1/4"-20NC, FLANGE WHIZLOCK GR.G)	4	EA
24	010280		WASHER, LOCK (1/4")	4	EA
25	9103017		ELBOW, 90 DEGREE (1/2"MNPT X 3/8"BARB)	1	EA
26	447474		HOSE, LOW PRESSURE (3/8" ID)	1	EA
27	459743		VALVE, ANTI-LEAK CHECK	1	EA
28	447474		HOSE, LOW PRESSURE (3/8" ID)	1	EA
29	476887		NOZZLE ASSY, CROSS SPRAY	1	EA
30	447474		HOSE, LOW PRESSURE (3/8" ID)	7	EA
31	476358		NOZZLE ASSY, T-BODY SPRAY	5	EA
32	V70007388		SCREEN, SPRAY NOZZLE	8	EA
37	298448		MOUNT, SPRINKLER (LEFT HAND)	1	EA
38	298513		MOUNT, SPRINKLER (RIGHT HAND)	1	EA
REMAINING COMPONENTS					
	441568		CAPSCREW (1/4"-20NC X 1", FLANGE WHIZLOCK)	4	EA
	V63036000		TEE, JET	8	EA
	476911		CAP, SPRAY NOZZLE	8	EA
	476366		NOZZLE ASSY, L-BODY SPRAY	2	EA
	254456		KIT, LOW SPRINKLER WATER WARNING	1	EA
NOTE: UP TO SERIAL NUMBER 32239.					
F1 - PN CHANGED TO 381699 AFTER 1999.					

356719: KIT, LOW-PROFILE SPRINKLER (S/N 32240 AND AFTER)



356719: KIT, LOW-PROFILE SPRINKLER (S/N 32240 AND AFTER)

ITEM	PART NUMBER	F/N	DESCRIPTION	QTY	UOM
1	354860		TANK, LOW PROFILE (180 GAL, POLY, WHITE)	1	EA
2	354861		TANK, LOW PROFILE (180 GAL, POLY, BLACK)	1	EA
3	459685		CAP, WATER TANK LOW PROFILE	1	EA
4	381723		STRAP, HOLD DOWN	1	EA
5	010744		CAPSCREW (3/8"-16NC X 4")	2	EA
6	011031		WASHER, FLAT (3/8")	2	EA
7	425793		NUT, LOCK (3/8"-16 NC)	2	EA
8	381699		MOUNT, LOW PROFILE POLY TANK	1	EA
9	477942		BUSHING (3/4 MNPT X 1/2 FNPT, BRASS)	1	EA
10	477943		ELBOW, STREET (90 DEG, 1/2"MNPT X 1/2"FNPT)	1	EA
11	477944		REDUCER, NIPPLE (1/2" MNPT X 3/8" MNPT)	1	EA
12	469585		VALVE (3/8" BALL, BRASS)	1	EA
13	477945		ELBOW, 90 DEGREE (1/2"HB X 3/8"MNPT)	9	EA
14	V01445200		CLAMP (#8 HOSE)	19	EA
15	446948		HOSE, LOW PRESSURE WATER (1/2"ID)	16	EA
16	477946		ELBOW, 90 DEGREES (1/2" MNPT X 1/2" HB)	1	EA
17	9102321		HEAD, FILTER	1	EA
18	9102322		GASKET, FILTER HEAD	10	EA
19	9104062		SCREEN, SUCTION FILTER (GREEN)	1	EA
20	9102329		BOWL, FILTER	1	EA
21	477947		KIT, ADAPTER (1/2" MNPT X QUAD P)	1	EA
22	416827		PUMP (12V, 5 GPM)	1	EA
23	331355		PAD	1	EA
26	477948		KIT, ADAPTER (1/2" HB, 90 DEGREE, QUAD P)	2	EA
27	446948		HOSE, LOW PRESSURE WATER (1/2"ID)	1	EA
28	477949		TEE, HOSE BARB (1/2")	1	EA
29	446948		HOSE, LOW PRESSURE WATER (1/2"ID)	2	EA
30	446948		HOSE, LOW PRESSURE WATER (1/2"ID)	6	EA
31	V70006888		TEE, HOSE BARB (1/2")	7	EA
32	V70007388		SCREEN, SPRAY NOZZLE	8	EA
33	V63036000		TEE, JET	8	EA
34	V70007488		CAP, NOZZLE (BRASS)	5	EA
35	V70006988		HOSE BARB, 90 DEGREE (1/2")	2	EA
37	298448		MOUNT, SPRINKLER (LEFT HAND)	1	EA
38	298573		MOUNT, SPRINKLER (RIGHT HAND)	1	EA
REMAINING COMPONENTS					
	441568		CAPSCREW (1/4"-20NC X 1", FLANGE WHIZLOCK)	4	EA
	010272		NUT, HEX (1/4"-20NC, FLANGE WHIZLOCK GR.G)	4	EA
	010280		WASHER, LOCK (1/4")	4	EA
	254456		KIT, LOW SPRINKLER WATER WARNING	1	EA
	386818	F1	KIT, SPRINKLER UPGRADE	1	EA
NOTE: SERIAL NUMBER 32240 AND AFTER.					

356719: KIT, LOW-PROFILE SPRINKLER (S/N 32240 AND AFTER)

ITEM	PART NUMBER	F/N	DESCRIPTION	QTY	UOM
			F1 - INCLUDES: ONE 416827 (ITEM 22) AND TWO 477947 (ITEM 21).		

NON-ILLUSTRATED

Discount-Equipment.com

342568: KIT, FRONT WASH/WIPER (S/N 24964 AND UP)

ITEM	PART NUMBER	F/N	DESCRIPTION	QTY	UOM
1	031880		WASHER, LOCK (#10)	1	EA
2	035436		NUT, HEX (#10-24NC)	1	EA
3	036467		TERMINAL, INSULATED (#10 RING, 16-14 GA)	3	EA
4	043760		TERMINAL, INSULATED (1/4" RING, 20-14 GA)	1	EA
5	431320		TERMINAL, FEMALE SLIDE (1/4")	3	EA
6	443788		WINDSHIELD WIPER ASSEMBLY (2-SPEED)	1	EA
7	066712		TIE, CABLE	4	EA
8	066720		TIE, CABLE (0.035" X 3-1/2")	6	EA
9	068197		TERMINAL, INSULATED BULLET (MALE, 14-16 GA)	1	EA
10	272476		WIRE (16 GAUGE, YELLOW W/WHITE STRIPE)	1	EA
11	272567		LOOM (CLEAR VINYL, 1/4"ID X 96" LONG)	1	EA
12	274803		TUBING, MCL (STEEL, 7/8" OD X 7/8" LONG)	1	EA
13	274811		TUBING, MCL (STEEL, 5/16" OD X 7/8" LONG)	1	EA
14	293332		TUBE (CLEAR PVC, 1/4"OD X 1/8" X 174")	1	EA
15	293340		WIRE (WHITE/BLACK, 16GA, 8")	1	EA
16	293357		WIRE (WHITE/BLACK, 16GA, 30")	1	EA
17	293365		WIRE (WHITE/BLACK, 16GA, 132")	1	EA
18	293506		INSTRUCTIONS	1	EA
19	407502		SCREW, SLOTTED PAN HEAD (10-24 X 1-3/4")	1	EA
20	431544		ARM, ADJUSTABLE WIPER (10.75 - 15.5)	1	EA
21	431551		BLADE, HEAVY DUTY WIPER (14")	1	EA
22	431569		KIT, WET ARM WASHER	1	EA
23	431577		KIT, RESERVOIR (140 OZ)	1	EA
24	431593		ADAPTER, NYLON BULKHEAD	1	EA
25	431809		ANTI-FREEZE, WINDSHIELD WASHER	1	EA
26	298927		MOUNT, WATER TANK	1	EA
27	444703		SWITCH, 2-SPEED WIPER (W/PUSH TO WASH	1	EA
28	345975		INSTRUCTIONS, 2-SPEED WIPER/WASHER WIRING	1	EA
29	345991		WIRING HARNESS, 2-SPEED WIPER/WASHER	1	EA
30	447334		DECAL, FRONT WIPER	1	EA

NON-ILLUSTRATED

293316: KIT, REAR WASHER/WIPER (S/N 24964 & UP)

ITEM	PART NUMBER	F/N	DESCRIPTION	QTY	UOM
1	010033		CAPSCREW (1/4"-20 X 3/4")	4	EA
2	010272		NUT, HEX (1/4"-20NC, FLANGE WHIZLOCK GR.G)	4	EA
3	010280		WASHER, LOCK (1/4")	4	EA
4	031880		WASHER, LOCK (#10)	1	EA
5	035436		NUT, HEX (#10-24NC)	1	EA
6	036467		TERMINAL, INSULATED (#10 RING, 16-14 GA)	3	EA
7	043760		TERMINAL, INSULATED (1/4" RING, 20-14 GA)	1	EA
8	046292		TERMINAL, INSULATED (1/4"FEMALE, 20-14 GA)	3	EA
9	047910		WINDSHIELD WIPER ASSEMBLY	1	EA
10	066712		TIE, CABLE	4	EA
11	066720		TIE, CABLE (0.035" X 3-1/2")	6	EA
12	068197		TERMINAL, INSULATED BULLET (MALE, 14-16 GA)	1	EA
13	096602		SCREW, FLAT HEAD SOCKET	2	EA
14	272476		WIRE (16 GAUGE, YELLOW W/WHITE STRIPE)	1	EA
15	272567		LOOM (CLEAR VINYL, 1/4"ID X 96" LONG)	1	EA
16	274803		TUBING, MCL (STEEL, 7/8" OD X 7/8" LONG)	1	EA
17	274811		TUBING, MCL (STEEL, 5/16" OD X 7/8" LONG)	1	EA
18	293340		WIRE (WHITE/BLACK, 16GA, 8")	1	EA
19	293357		WIRE (WHITE/BLACK, 16GA, 30")	1	EA
20	293365		WIRE (WHITE/BLACK, 16GA, 132")	1	EA
21	293373		MOUNT, RESERVOIR	1	EA
22	293415		TUBING (1/4" OD X 1/16" WALL X 72")	1	EA
23	293506		INSTRUCTIONS	1	EA
24	407502		SCREW, SLOTTED PAN HEAD (10-24 X 1-3/4")	1	EA
25	431544		ARM, ADJUSTABLE WIPER (10.75 - 15.5)	1	EA
26	431551		BLADE, HEAVY DUTY WIPER (14")	1	EA
27	431569		KIT, WET ARM WASHER	1	EA
28	431577		KIT, RESERVOIR (140 OZ)	1	EA
29	431593		ADAPTER, NYLON BULKHEAD	1	EA
30	431593		ADAPTER, NYLON BULKHEAD	1	EA
31	431809		ANTI-FREEZE, WINDSHIELD WASHER	1	EA

NON-ILLUSTRATED

Discount-Equipment.com

293308: KIT, WINDOW WASHER WIPER (FRONT)

ITEM	PART NUMBER	F/N	DESCRIPTION	QTY	UOM
1	047910		WINDSHIELD WIPER ASSEMBLY	1	EA
2	298927		MOUNT, WATER TANK	1	EA
3	431551		BLADE, HEAVY DUTY WIPER (14")	1	EA
4	431544		ARM, ADJUSTABLE WIPER (10.75 - 15.5)	1	EA
5	431569		KIT, WET ARM WASHER	1	EA
6	431577		KIT, RESERVOIR (140 OZ)	1	EA
7	431585		KIT, PUSH-BUTTON WASHER SWITCH	1	EA
8	431593		ADAPTER, NYLON BULKHEAD	1	EA
9	431809		ANTI-FREEZE, WINDSHIELD WASHER	1	EA
10	407502		SCREW, SLOTTED PAN HEAD (10-24 X 1-3/4")	1	EA
11	293506		INSTRUCTIONS	1	EA
12	293365		WIRE (WHITE/BLACK, 16GA, 132")	1	EA
13	293357		WIRE (WHITE/BLACK, 16GA, 30")	1	EA
14	293340		WIRE (WHITE/BLACK, 16GA, 8")	1	EA
15	293332		TUBE (CLEAR PVC, 1/4"OD X 1/8" X 174")	1	EA
16	274811		TUBING, MCL (STEEL, 5/16" OD X 7/8" LONG)	1	EA
17	274803		TUBING, MCL (STEEL, 7/8" OD X 7/8" LONG)	1	EA
18	272567		LOOM (CLEAR VINYL, 1/4"ID X 96" LONG)	1	EA
19	272476		WIRE (16 GAUGE, YELLOW W/WHITE STRIPE)	1	EA
20	068197		TERMINAL, INSULATED BULLET (MALE, 14-16 GA)	1	EA
21	066720		TIE, CABLE (0.035" X 3-1/2")	6	EA
22	066712		TIE, CABLE	4	EA
23	431320		TERMINAL, FEMALE SLIDE (1/4")	3	EA
24	043760		TERMINAL, INSULATED (1/4" RING, 20-14 GA)	1	EA
25	036467		TERMINAL, INSULATED (#10 RING, 16-14 GA)	3	EA
26	035436		NUT, HEX (#10-24NC)	1	EA
27	031880		WASHER, LOCK (#10)	1	EA

NON-ILLUSTRATED

Discount-Equipment.com

272104: WIPER, WINDOW (S/N 24694 AND UP)

ITEM	PART NUMBER	F/N	DESCRIPTION	QTY	UOM
1	031880		WASHER, LOCK (#10)	1	EA
2	035436		NUT, HEX (#10-24NC)	1	EA
3	046292		TERMINAL, INSULATED (1/4"FEMALE, 20-14 GA)	1	EA
4	047910		WINDSHIELD WIPER ASSEMBLY	1	EA
5	066712		TIE, CABLE	4	EA
6	066720		TIE, CABLE (0.035" X 3-1/2")	4	EA
7	068197		TERMINAL, INSULATED BULLET (MALE, 14-16 GA)	1	EA
8	083691		BLADE, WINDSHIELD WIPER (14")	1	EA
9	272476		WIRE (16 GAUGE, YELLOW W/WHITE STRIPE)	1	EA
10	407502		SCREW, SLOTTED PAN HEAD (10-24 X 1-3/4")	1	EA
11	413112		ARM, WINDSHIELD WIPER (ADJ. 10"-14")	1	EA
12	274803		TUBING, MCL (STEEL, 7/8" OD X 7/8" LONG)	1	EA
13	274811		TUBING, MCL (STEEL, 5/16" OD X 7/8" LONG)	1	EA
14	272567		LOOM (CLEAR VINYL, 1/4"ID X 96" LONG)	1	EA



ALPHABETICAL INDEX

DESCRIPTION	PART NUMBER	PAGE
A/C UNIT, ROOF MOUNTED	385970	205
A/C WIRING HARNESS (3-WIRE, RED/BLACK/GREEN)	9107033	233
ADAPTER	082412	243, 245
ADAPTER (#12SAEM X #6JICM)	095513	161
ADAPTER (0.75-16JIC X 0.56-18JIC)	403378	135
ADAPTER (2-3/64 ORIFICE)	282988	161, 163
ADAPTER (3/8"NPT X 5/8"HOSE)	044362	225
ADAPTER (4MP-6MJ)	V63015700	161, 163
ADAPTER (9/16-18JIC)	093427	161
ADAPTER, 45 DEGREE (#6MOR TO #6MJIC)	425348	27, 166, 170
ADAPTER, 90 DEGREE (#12MORFS TO #12MSAE)	386643	165, 169
ADAPTER, 90 DEGREE (#12MSAE TO #12MJIC)	068338	166, 170
ADAPTER, 90 DEGREE (#16SAE TO #19NPTF)	446005	123, 165, 169
ADAPTER, 90 DEGREE (#20MOR TO #20MJIC)	078900	166, 170
ADAPTER, 90 DEGREE (#6FJIC TO #6MJIC)	092965	165, 169
ADAPTER, 90 DEGREE (#6MSAE X #6MJIC)	092825	135
ADAPTER, 90 DEGREE (#8SAEM X 6#6JICM)	V63143600	161
ADAPTER, 90 DEGREE (0.75-16SAE X 0.56-18JIC)	63143600	135
ADAPTER, 90 DEGREE (1/8"NPT X 7/16"JIC)	414904	243, 245
ADAPTER, 90 DEGREE (18-12S SAE O-RING)	078873	123, 165
ADAPTER, 90 DEGREE (3/4"-16SAE X 3/4"-16MJIC)	427773	135, 165, 169
ADAPTER, AIR INTAKE (1-3/4 X 3.00)	387190	83
ADAPTER, CROSS (7/16"-20SAE 4-WAY ORIFICED)	356311	159, 167, 171
ADAPTER, NYLON BULKHEAD	431593	265, 267, 269
ADAPTER, STRAIGHT (#10SAEM X #6JIC)	094326	135, 161
ADAPTER, STRAIGHT (#12FJIC TO #6MJIC)	V63144100	165, 169
ADAPTER, STRAIGHT (#12MOR TO #12MJIC)	071332	165, 169
ADAPTER, STRAIGHT (#20MNPT TO #20MJIC)	056383	166, 170
ADAPTER, STRAIGHT (#6MOR TO #4MJIC)	425223	159, 166, 170
ADAPTER, STRAIGHT (#6MSAE TO #6MJIC)	092882	161, 163, 166, 170, 181
ADAPTER, STRAIGHT (#8MORFS TO #10MSAE)	477631	165, 169
ADAPTER, STRAIGHT (.43-20SAEM-.43-20JICM)	400994	159
ADAPTER, STRAIGHT (3/16" TUBE X 1/8"NPT)	054171	21
ADAPTER, STRAIGHT (7/8"-14SAE X 9/16"-18JIC)	413195	135, 165, 169
ADAPTER, SWIVEL (#12JFIC TO #6FJIC)	406694	166, 170
ADAPTER, TEE (#12MJIC TO #12MJIC TO #12MOP)	435164	165, 169
ADAPTER, TEE (#12MSAE TO #12MJIC)	080275	166, 170
ADAPTER, TEE (#6FJIC TO #6MJIC)	092957	159, 163, 166
ADAPTER, TEE (3/16" FEMALE)	434944	21
ADAPTER, UNION (.43 #20 SAE)	459784	159, 166, 170
ADHESIVE, 3M (80 HIGH SPRAY CAN)	V63084200	183, 187
ADJUSTER, FORE/AFT (LOCK)	461665	53
ADJUSTER, FORE/AFT (SLAVE)	461657	53
ADJUSTER, POWER STEERING CYLINDER	271239	27
ADJUSTERS, SLIDE	035519	51
AIR INTAKE (3" OD FORMAT)	387187	83
	460670	81
ALARM, REVERSE	473736	73, 77
ALTERNATOR (12V 60 AMP)	477522	89, 91
AMMETER	078006	73, 77
ANCHOR, COOLER	349639	123
ANGLE, FORMED	267260	47, 49
ANTI-FREEZE, WINDSHIELD WASHER	431809	265, 267, 269
ARM, ADJUSTABLE WIPER (10.75 - 15.5)	431544	265, 267, 269
ARM, BELT TIGHTENER	460682	233
ARM, BELT TIGHTENER (REV CODE -003 & EARLIER)	282533	231
ARM, BELT TIGHTENER (REV CODE -004 & LATER)	368738	231
ARM, WINDSHIELD WIPER (ADJ. 10"-14")	413112	271
ARM, WWJ PANTOGRAPH WIPER (16")	385852	209
AXLE, FRONT	296368	27

ALPHABETICAL INDEX

DESCRIPTION	PART NUMBER	PAGE
AXLE, REAR	447904(001)	71
BACKING PLATE ASSEMBLY (LEFT HAND)	449249	11
BACKING PLATE ASSEMBLY (RIGHT HAND)	449256	13
BAFFLE, PINION BEARING	435727	65
BALL, DETENT	462069	173
BATTERY (12V 950 CCA)	433136	103, 105
BATTERY HOLD DOWN	386790	103, 105
BEACON, AMBER ROTATING	432385	253
BEARING, BROOM SHAFT	433144	31, 33, 35
BEARING, SPRING ARM	461558	53
BELLOW	414425	173
BELLOWS, RUBBER	461871	121, 175
BELT	421222	239
BELT (43.5 X .531)	418483	231
	478027	233
BELT, SEAT (3" BLACK)	443812	51
BLADE, CUTTING EDGE (90")	412908	181
BLADE, FAN	468363	213
BLADE, HEAVY DUTY WIPER (14")	431551	265, 267, 269
BLADE, WINDSHIELD WIPER (14")	083691	271
BLEEDER, WHEEL CYLINDER	054301	7, 9, 11, 13
BLOCK, BROOM MOTOR DRIVE	9102713	43
BLOCK, FUSE	075887	73, 77
BLOWER (12V)	430211	177
BLOWER ASSEMBLY (LEFT HAND)	455151	221
BLOWER ASSEMBLY (RIGHT HAND)	455150	221
BODY	466516	121, 175
BOLT	478095	19
BOLT (12MM X 1.50 X 35MM)	478062	91
BOLT (8MM X 1.25 X 60MM)	478063	91
BOLT (M10-1.5 GR8 X 25MM)	401620	93
BOLT (M12-1.75 X 35MM)	403774	89
BOLT (M8-1.25 X 65MM)	089723	89
BOLT, BATTERY HOLD DOWN	092767	103, 105
BOLT, BRAKE MOUNTING	435966	65
BOLT, CARRIER COVER	435958	65
BOLT, DIFFERENTIAL BEARING CAP	037622	65
BOLT, DRIVE GEAR	435776	65
BOLT, FLAT HEAD SOCKET (5/16"-18NC X 1-1/4")	442285	183, 187
BOLT, LUG (1/2"-20NF X 2")	456152	27
BOLT, RUBBER INSULATOR	460676	81, 83
BOLT, SOCKET-HEAD (1/2"13NC X 1-1/4")	045864	31, 33, 35
BOLT, SPECIAL (3/8"-16NC X 1-1/2")	V63162900	27
BOLT, STRIKER (7/16"-14NC)	430124	183, 187
BOLT, WHEEL	449140	65
BOOT	417352	25
BOOT, RUBBER	036160	17
BOOT, WEATHERPROOF SWITCH	413874	15
BOWL, FILTER	9102329	4, 259, 261
BOX, A/C FILTER HOUSING	9107005	211, 214
BOX, GEAR (3:71:1 RATIO)	440669(001)	71
BRACE, MUFFLER	387299	95
BRACKET, EXHAUST ELBOW SUPPORT	460657	93
BRACKET, STEERING CYLINDER	V63131900	27
BRACKET, WIPER WASHER SWITCH	444555	209
BRAKE CYLINDER ASSEMBLY (LEFT HAND)	436121	11
BRAKE CYLINDER ASSEMBLY (RIGHT HAND)	436139	13
BRAKE, ROD	298802	25
BREAKER, CIRCUIT (12V, 50 AMP)	403311	73, 77
BROOM MOTOR (DANFOSS, AFTER 11-09-04)	404543(001)	43
BROOM MOTOR (EATON, BEFORE 11-09-04)	404541(001)	43



ALPHABETICAL INDEX

DESCRIPTION	PART NUMBER	PAGE
BROOM, COMB TUBE (10 X 32 X 58)	424145K	3
BROOM, STRIP (2 SETS)	474791K	3
BROOM, TUBE (10 X 32 X 58)	424146K	3
BRUSH, ALL WIRE	416065	3, 37
BRUSH, COMB WIRE/POLY (96" BROOM)	416026K	3
BRUSH, COMBINATION WIRE/POLY (BOX OF 2)	477155	3
BRUSH, COMBINATION WIRE/POLY (BOX OF 4)	416057	3, 37
BULB (12V, 2-WATT)	060624	73, 77
BUSHING	269202	55
BUSHING (2"OD X 1-3/4"ID X 2" LONG, BRONZE)	V63023100	27
BUSHING (2.00"L)	296021	31, 33, 35
BUSHING (3/4 MNPT X 1/2 FNPT, BRASS)	477942	261
BUSHING, NYLON	V10007700	25
BUSHING, POSITIONER	461830	121, 175
BUSHING, SADDLE	461442	53
CAB STR., SWEEPMASTER SINGLE DOOR	341727	183
CABLE, BATTERY (NEGATIVE, 22")	298366	103, 105
CABLE, BATTERY (POSITIVE, 14")	298365	103, 105
CABLE, CONTROL	421974	225
CABLE, HEATER	477790	241
CABLE, LONG BRAKE	448282	15
CABLE, SHORT BRAKE	448274	15
CABLE, THROTTLE (118" LONG)	469171	85, 87
CALIPER (LEFT HAND)	473181	19
CALIPER (RIGHT HAND)	473182	19
CAP, BROOM CORE (LEFT HAND)	271023	31, 33
CAP, BROOM CORE (RIGHT HAND)	271031	31, 33, 35
CAP, DUST	440487	19, 27
CAP, LH BROOM CORE	369298	35
CAP, LOCKING TAB (HYDRAULIC FILLER CAP)	439182	97, 99
CAP, NOZZLE (BRASS)	V70007488	261
CAP, RADIATOR	047811	103, 105
CAP, SPRAY NOZZLE	476911	4, 259
CAP, STEERING WHEEL	074229	39, 41
CAP, WATER TANK LOW PROFILE	459685	259, 261
CAPSCREW	466797	231, 233
CAPSCREW (1/2"-13NC X 1", FLANGE, WHIZLOCK)	441766	31, 33, 35
CAPSCREW (1/2"-13NC X 1-1/2")	011361	31, 33, 35, 105
CAPSCREW (1/2"-13NC X 1-1/4")	441774	71, 89, 91
CAPSCREW (1/2"-13NC X 1-1/4", GR 5)	038422	101, 123
CAPSCREW (1/2"-13NC X 4" PL.)	011460	89, 91
CAPSCREW (1/2"-20NF X 1-1/4")	056879	47, 49
CAPSCREW (1/4"-20 X 1")	010058	21, 183, 187, 229
CAPSCREW (1/4"-20 X 1-1/2")	010074	184, 188
CAPSCREW (1/4"-20 X 3/4")	010033	81, 83, 113, 225, 267
CAPSCREW (1/4"-20NC X 1", FLANGE WHIZLOCK)	441568	259, 261
CAPSCREW (1/4"-20NC X 1/2")	010017	249
CAPSCREW (1/4"-20NC X 3/4", FLANGE WHIZLOCK)	441550	15, 41, 47, 49, 51
CAPSCREW (1/4"-20NC)	010066	249
CAPSCREW (3/8"-16NC X 1")	010629	107
CAPSCREW (3/8"-16NC X 1", FLANGE WHIZLOCK)	441667	41, 47, 49, 91, 97, 99, 103, 184, 188
CAPSCREW (3/8"-16NC X 1-1/2")	010645	105
CAPSCREW (3/8"-16NC X 1-1/4")	083527	51, 71, 89, 91
CAPSCREW (3/8"-16NC X 3")	010702	31, 33, 35, 43, 44
CAPSCREW (3/8"-16NC X 3/4", FLANGE WHIZLOCK)	441659	51, 97, 99
CAPSCREW (3/8"-16NC X 4")	010744	259, 261
CAPSCREW (3/8"-16NC X 1.50")	441675	25
CAPSCREW (5/16" X 5-1/2")	010496	71
CAPSCREW (5/16"-18NC X 1")	010348	123, 253, 257
CAPSCREW (5/16"-18NC X 1", PL)	441600	31, 33, 35, 81, 83,

ALPHABETICAL INDEX

DESCRIPTION	PART NUMBER	PAGE
CAPSCREW (5/16"-18NC X 1", PL)	441600	101, 123, 184, 187
CAPSCREW (5/16"-18NC X 1-1/4", FLANGE WHIZLOCK)	441618	103
CAPSCREW (5/16"-18NC X 1-3/4")	010371	47, 49
CAPSCREW (5/16"-18NC X 2")	010389	15
CAPSCREW (5/16"-18NC X 2-1/2")	010405	51
	010421	15
CAPSCREW (5/16"-18NC X 3/4")	010322	107, 109, 111, 253
CAPSCREW (5/16"-18NC X 3/4", PL)	083485	51, 101, 123, 184, 187
CAPSCREW (5/8"-11NC X 1-1/2")	012039	188
CAPSCREW (5/8"-11NC X 2")	012054	188
CAPSCREW (6.54")	408179	119
CAPSCREW (9/16"-12NC X 1-1/2")	011684	71
CAPSCREW (M10 X 1.5 CP X M30)	038372	89, 91, 231, 233
CAPSCREW (M10 X M35)	415083	231, 233
CAPSCREW (M12 X 1.75 CP-6G X M20)	038406	235
CAPSCREW (M8 X 1-1/4"CP-6G X M25)	048470	231, 233
CAPSCREW AND WASHER ASSY (5/16"-18NC X 5/8")	049144	7, 9
CAPSCREW, HEX HEAD (M6 X 1" X 25MM GR8 ZN)	385764	195, 199
CAPSCREW, SOCKET HEAD (M5 X 14MM GRADE 8.8)	461921	121, 175
CAPSCREW, SOCKET HEAD (M8 X 1.25CP-6G X M30)	404673	89, 121, 175, 231
CAPSCREW, SOCKET HEAD FLAT (#10-24NC X 3/4")	430173	183, 187
CARTRIDGE	457952	173
CARTRIDGE, RELIEF	462077	173
CASE, BLACK LITERATURE	414672	41
CLAMP	044370	225
CLAMP (#8 HOSE)	V01445200	261
CLAMP (2-1/2")	449769	81
CLAMP (3" OD)	077073	81, 83, 93, 95
CLAMP, AIR CLEANER MOUNT	047738	81, 83
CLAMP, CRIMPING BAND (6 HOSE)	447466	259
CLAMP, EXHAUST (2-1/2")	038828	93, 95
CLAMP, EXHAUST (3")	460687	81, 83
CLAMP, FILTER HOUSING	477699	81, 83
CLAMP, FUEL LINE	031914	97, 99, 219
CLAMP, IRMT (HD BAND STYLE)	413161	81, 83
CLAMP, LOOP (1/2" ID)	028993	21, 23
CLAMP, RADIATOR (#32 HOSE)	V02026200	103, 105
CLAMP, SNAPPER (2-1/2" ID)	477842	179
CLAMP, T-BOLT (2")	470826	83
CLAMP, UPPER RADIATOR (#20 HOSE)	056424	103
CLIP, FRONT	461590	53
CLIP, RETAINER	042648	19, 23
CLIP, SAFETY	385774	195, 199
CLIP, UPHOLSTRY	461582	53
CLIP, X-MAS	461608	53
COIL, CONDENSER	385980	205
	9107037	213
COIL, EVAPORATOR	430210	177
	475707	213
	477672	221
COIL, HEAT (1.25 X 6 X 19.00)	477749	179
COIL, HEATER	433138	177
COLUMN	433037	39
COLUMN, CONTROL	356394	41
COMPANION FLANGE ASSEMBLY	435628	65
COMPLETE ROPS ASSEMBLY (W/CANOPY)	281584	193
COMPRESSOR, A/C	449835	205, 231
CONE, BEARING (INNER)	407213	19, 27
CONE, BEARING (OUTER)	421099	19, 27
CONNECTOR, 3-WIRE BULLET TERMINAL	044123	249

ALPHABETICAL INDEX

DESCRIPTION	PART NUMBER	PAGE
CONNECTOR, EXHAUST	342194	93
	387086	95
CONNECTOR, HOSE	407933	103, 105
CONNECTOR, SPLICE (20-14 GA.)	046995	243, 247
CONNECTOR, STRAIGHT (1/4" TO 3/16")	077495	23
CONTROL, REMOTE FOOT PEDAL	457275(001)	159, 166, 170
COOLER, HYDRAULIC OIL	448837	123, 166
CORE, BROOM	351189	43
	351190	43
	351191	43, 44
	369363	35
	386501	33
COUPLER, FEMALE	351155	43
COUPLER, MALE	270561	33, 35, 43, 44
COUPLER, SPLINED	440081	71
COUPLING (1/8"-NPT)	031823	219
COUPLING (1/8"NPT, 150#, BLACK)	042267	243, 245
COUPLING (3/8"NPT)	041780	225
COUPLING JOINT, FEMALE (Z13 16/32" DP)	436436	153
COUPLING, BROOM DRIVE FEMALE	338392	33, 35, 43, 44
COVER	275172	51
	477701	81, 83
COVER, ALTERNATOR BELT (V3600)	468581	91
COVER, BLIND (2-1/16" DIA)	446518	41
COVER, BRAKE (ADJUSTMENT)	038513	11, 13
COVER, BRAKE ADJUSTING HOLE	418095	7, 9
COVER, BROOM	296129	31, 35
	386518	33
COVER, CONTROL COLUMN	298588	41
COVER, FLOORBOARD HOLE	271015	47, 49
COVER, LARGE	442525	69
COVER, LATCH	292417	183, 187
	385767	195, 199
COVER, RUBBER	616508	47, 49
COVER, WELDMENT	9107060	213
CUP, BEARING (INNER)	407205	19, 27
CUP, BEARING (OUTER)	421081	19, 27
CUP, SHOE HOLD-DOWN	058230	7, 9
CUSHION, BACK (VINYL)	561574	53
CUSHION, SEAT (VINYL)	461566	53
CYLINDER (1-1/2" X 10")	418582	161, 163, 181
CYLINDER, BRAKE (LEFT HAND)	409110	7
CYLINDER, BRAKE (RIGHT HAND)	409128	9
CYLINDER, BROOM SWING (3" X 10")	432971(001)	166, 170
CYLINDER, BROOM SWING (3" X 6")	432963(001)	161, 163, 166, 170, 181
CYLINDER, BROOM SWING (3" X 8-1/2")	432969(001)	170
CYLINDER, MASTER	036087(001)	21, 25
CYLINDER, MASTER (FRONT DISC BRAKES)	281279	23
CYLINDER, MASTER (FRONT DRUM BRAKES)	029603	23
CYLINDER, STEERING (2" X 8")	432989(001)	27, 166, 171
DASH	356402	41
DECAL ("TO START ENGINE PUSH OVERRIDE BUTTON")	447748	243
DECAL, 250	477962	63
DECAL, 8C	477964	61
DECAL, CALIFORNIA WARNING	448811	61, 63
DECAL, DANGER "STAY CLEAR" PINCHPOINT	467485	63
DECAL, DANGER ("NO RIDERS")	467324	61, 63
DECAL, DANGER ("ROTATING FAN")	443614	61, 63
DECAL, DANGER (PINCH POINT)	472720	61
DECAL, DIESEL FUEL	450148	61, 63

ALPHABETICAL INDEX

DESCRIPTION	PART NUMBER	PAGE
DECAL, EMERGENCY WINDOW	432252	63, 184, 188
DECAL, FORWARD/REVERSE ARROW	458216	59
DECAL, FRONT WIPER	447334	265
DECAL, GREASE DAILY	467340	61, 63
DECAL, HEATER CONTROL	417808	225
DECAL, HYDRAULIC OIL	450155	61, 63
DECAL, HYDRAULIC OIL FILTER (DASH)	467290	59
DECAL, LAY-MOR	477961	61
	477966	61
	478061	61
DECAL, OPERATOR INSTRUCTIONS (RH SIDE MOUNT)	467258	59
DECAL, PARKING BRAKE LIGHT (DASH)	467282	59
DECAL, SLOW MOVING VEHICLE	272716	61, 63
DECAL, STEERING WHEEL	462606	59
DECAL, SWEEPMASTER	406249	63
	477963	63
	477965	63
	477967	63
DECAL, TOWING THE VEHICLE (L.H. SIDE ONLY)	467274	61, 63
DECAL, WARNING ("STAND CLEAR OF BROOM")	467266	61, 63
DEFLECTOR, DIRT BELT	298240	31, 33, 35
DEFLECTOR, WRAP AROUND (DIRT BELT, OPTIONAL)	335018	31, 33, 35
DOOR (RIGHT HAND)	477075(001)	191
DOOR HINGE, ENGINE COMPARTMENT (WELDMENT)	299464	109, 111
	299465	109, 111
DOOR, CAB (L.H.)	340281	183, 187
DOOR, CAB (R.H.)	340299	187
DOOR, ENGINE (LEFT HAND)	299454	109
	299458	111
DOOR, ENGINE (RIGHT HAND)	299456	109
	299459	111
DOOR, GLASS (LEFT HAND)	385752	195, 199
DRAINCOCK	041475	103, 105
DRIER	476947	205
DRIER, RECEIVER	468280	213
DRIVE COUPLING, ENGINE	460640	89
DRIVE KIT, ENGINE	478024	91
DRIVE, VALVE	408112	119
DRUM	449546	65
DRUM, DEMOUNTABLE	453852	7, 9
DRY AIR CLEANER ASSEMBLY	477695	81, 83
EII (1/4-NPT STREET 900)	042580	219
ELBOW, 90 DEG (3/8"-NPT)	059840	225
ELBOW, 90 DEGREE (1/2"HB X 3/8"MNPT)	477945	261
ELBOW, 90 DEGREE (1/2"MNPT X 3/8"BARB)	9103017	259
ELBOW, 90 DEGREE (1-3/4" ID)	387193	83
ELBOW, 90 DEGREE (3/4"NPTM X 3/8"BARB, PLASTIC)	9101674	259
ELBOW, 90 DEGREE STREET	075796	65
ELBOW, 90 DEGREES (1/2" MNPT X 1/2" HB)	477946	261
ELBOW, CAST EXHAUST	460656	93
ELBOW, MALE (#16JICM X 1"NPTM)	387212	170
ELBOW, MALE (#16MBOR X #18JICM 90 DEGREE)	387211	169
ELBOW, STREET (90 DEG, 1/2"MNPT X 1/2"FNPT)	477943	261
ELECTRIC BLADE FRONT MOUNT ASSEMBLY	342964	181
ELEMENT, AIR FILTER (PRIMARY)	069146	3
	477687	3
	477697	3, 81, 83, 115
ELEMENT, AIR FILTER (SAFETY)	477698	3, 81, 83, 115
ELEMENT, AIR FILTER (SECONDARY)	070342	3
ELEMENT, ENGINE OIL FILTER (W/CUMMINS 3.3)	477679	3, 115
ELEMENT, FUEL FILTER	053595	3

ALPHABETICAL INDEX

DESCRIPTION	PART NUMBER	PAGE
ELEMENT, FUEL SECONDARY (W/CUMMINS 3.3)	477678	3, 115
ELEMENT, FUEL/WATER SEPARATOR	477907	115
ELEMENT, FUEL/WATER SEPARATOR	409417	3
ELEMENT, OIL FILTER	409409	3
ELEMENT, REPLACEMENT (10 MICRON)	028639	3, 115, 133
	437673	3, 115, 133
END, TIE ROD	407908	27
END, TIE ROD (RIGHT HAND)	407916	27
ENGINE ASSEMBLY (KUBOTA V3600)	478025	91
ENGINE, SWEEPMASTER (CUMMINS, 3.3 TIER II)	460650	89
EXHAUST CLAMP ASSEMBLY	429985	123
EYEBOLT (5/16" X 4")	9104072	25
FAN, DEFROSTER	048439	237
FAN, ENGINE COOLING	478022	91
FAN, ENGINE(CUMMINS B3.9)	413138	89
FAN, NYLON	421206	239
FAN-CONDENSER	386509	221
FENDER (LEFT HAND)	384966	47, 49
FENDER (RIGHT HAND)	384982	47, 49
FILTER BOX WELDMENT, FRESH AIR HOUSING	477743	179
FILTER, FOAM (FRAMED, 6-1/2" X 2-3/4" X 1/2")	385972	177, 179
FILTER, HEPA (1-3/4" X 4" X 13-1/2")	466771	3, 115, 211, 214
FILTER, HYDRAULIC (CHARGE, ELECTRIC)	437665	115, 133, 166, 170
FILTER, HYDRAULIC (RETURN, ELECTRIC)	424143(001)	115, 166, 170
FILTER, OIL	467772	3
FILTER, RECIRCULATION (FOAM)	477307	222
FILTER, SCREW ON, 10 MICRON (YUKON)	457130	115
FITTING (.25 HOSE TO 1/8-NPT)	077057	219
FITTING (1/8" NPT TO 1/4" TUBE)	031831	55
FITTING (6-8 C5OX-S)	386648	163
FITTING, 45 DEGREE (#10-12 V50L0-S)	477859	167, 171
FITTING, 90 DEGREE (#6MORFS TO #6FORFS)	386553	165, 169
FITTING, 90 DEGREE (#6MORFS X #8MSAE)	386552	163, 165, 169
FITTING, 90 DEGREE (.38 NPT X .38 BARB)	476903	259
FITTING, 90 DEGREE (1/4-NPT)	081836	97, 99
FITTING, 90 DEGREE DRAIN (1/4NPT MALE X 1/2" BARB)	477737	179
FITTING, BULKHEAD (L/P TANK)	9101876	259
FITTING, GREASE (90 DEGREE, 1/4"-28)	033530	55
FITTING, GREASE (STRAIGHT, 1/4"-28NF)	031401	27
FITTING, ORIFICE (0.46)	296806	55, 163, 165, 169
FITTING, RUN TEE (#6FORFS TO #6MORFS)	386566	165, 169
FITTING, STRAIGHT (#10-12 FS0LD-5)	477993	171
FITTING, STRAIGHT (#10MORFS TO #10MSAE)	386562	165, 169
FITTING, STRAIGHT (#12MORFS TO #12MSAE)	386563	165, 169
FITTING, STRAIGHT (#4MORFS TO #4MSAE)	386555	166, 170
FITTING, STRAIGHT (#4MORFS TO #6MSAE)	386556	166, 170
FITTING, STRAIGHT (#6MORFS TO #1/4MBSPP)	386554	165, 169
FITTING, STRAIGHT (#6MORFS TO #10MSAE)	386580	165, 169
FITTING, STRAIGHT (#6MORFS TO #4MSAE)	386557	165, 169
FITTING, STRAIGHT (#6MORFS TO #6MSAE)	477637	163, 166, 170
FITTING, STRAIGHT (#6MORFS TO #8MSAE)	386559	163, 165, 169
FITTING, STRAIGHT DRAIN PLASTIC	477738	179
FITTING, TEST POINT	386569	165, 169
FITTING, TEST PORT	386574	165, 169
FITTING, UNION (3/16" TUBE X 3/16" TUBE)	067561	21, 23
FLANGE, RESTRICTION INDICATOR	071746	219
FLOORMAT, CAB FRONT	352229	183, 187
FLOORMAT, CAB REAR	335323	183, 187
FOAM FILTER, RECIRCULATION	385973	177
FOIL	468306	213
FRAME, BROOM SWING	296152	55

ALPHABETICAL INDEX

DESCRIPTION	PART NUMBER	PAGE
FRAME, MAIN (96" OPTION)	357014	47, 49
FRAME, MAIN (COMPATIBLE W/3.3BT ENGINE)	357013	47, 49
FRONT FENDER ASSEMBLY (ENTIRE FENDER KIT)	369256	47, 49
FUEL FILTER (IN-LINE)	436212	3, 97, 99, 115
FUSE	077040	73, 77
GASKA-TAPE (1/4" X 3/4" X 112")	282079	184, 188
GASKET	066043	65
	435271	39
GASKET (1.7 FT)	475710	214
GASKET, CONDENSER COIL (22")	475709	213
GASKET, DOOR LATCH	385761	195, 199
GASKET, EXHAUST	478019	95
GASKET, FILTER HEAD	9102322	4, 259, 261
GASKET, FUEL SENDER	031864	97, 99
GASKET, PUMP MOUNT	422246	89, 91
GAUGE, FILTER MINDER	444398	217
GAUGE, FUEL	077982	73, 77
GAUGE, HYDRAULIC OIL TEMPERATURE	416123	73, 77
GAUGE, OIL PRESSURE	078022	73, 77
GAUGE, SIGHT GLASS	478103	166
GAUGE, SIGHT GLASS (INCLUDES O-RINGS AND STUDS)	464677	166, 170
GAUGE, WATER TEMPERATURE	416115	73, 77
GEAR, PRIMARY SUN	442509	69
GEAR, RING	442483	69
GEROLER (2.206" WIDE)	454405	119
GLAND, HEAD	434159	131
GLASS, FRONT SIDE	273920	183, 187
GLASS, FRONT WINDOW	385758	207
GLASS, FRONT WINDSHIELD	272112	183, 187
GLASS, LOWER (R.H. SIDE)	273946	183
GLASS, LOWER DOOR	273961	183, 187
GLASS, REAR WINDOW	272138	183, 187
	385759	207
GLASS, RIGHT SIDE	474795	207
GLASS, STATIONARY	385794	207
GLASS, TIP OUT	385792	207
GLASS, UPPER (R.H. SIDE)	442293	183
GLASS, UPPER DOOR	440115	183, 187
GRILL, FAN	910705K	213
GRILLE, CONDENSER	475708	213
GROMMET, FUEL SENDER WIRE	61017000	249
GROMMET, STEERING COLUMN	V61021200	41
GUARD, ENGINE (W/CUMMINS 3.3)	349235	47, 49
GUARD, FAN (22")	478023	113
GUARD, RADIATOR	387135	101
GUARD, STROBE LIGHT	335216	253, 257
GUIDE, SPRING	461814	121, 175
HANDLE	414433	173
HANDLE, DOOR (INSIDE)	430140	183, 187
HANDLE, DOOR (OUTSIDE STD)	385760	195, 199
HANDLE, DOOR (OUTSIDE)	430116	183, 187
HANDLE, HOOD	V63008500	183, 187
HARNESS, WIRING	382532	73, 77
HARNESS, WIRING (GAUGES TO FUSE BLOCK)	298562	73, 77
HEAD	434100	125, 127, 129
HEAD, FILTER	9102321	259, 261
HEAD, FILTER W/25 PSI BY-PASS - W/INDICATOR TERMIN	424142	115
HEADLIGHT, RECTANGULAR (H/L BEAM, HALOGEN)	461467	73, 77, 249
HEADLINER (CENTER)	477891	191
HEADLINER (LEFT HAND SIDE)	477890	191
HEADLINER (RIGHT HAND SIDE)	477889	191



ALPHABETICAL INDEX

DESCRIPTION	PART NUMBER	PAGE
HEATER, ENGINE PRE-HEAT	477789	241
HINGE ASSEMBLY (W/GROMMET AND BUSHING)	442269	183, 187
HINGE, STR (LEFT HAND)	299487	107
HINGE, STR (RIGHT HAND)	299479	107
HINGES, DOOR (RIGHT HAND, UPPER AND LOWER)	385541	195, 199
HOLD-DOWN CUP AND SPRING ASSEMBLY	449454	11, 13
HOLDER, CLAMP HOSE	440370	31, 33, 35
HOLDER, INLINE FUSE (14 AMP)	466615	203
HOOD, FORMED	386994	105
HOOD, FORMED (TEXAS DOT W/3.3)	343873	103
HOSE (.25ID -4F -4F90 X 67" 100R1)	355453	159
HOSE (.37 ID X 16.00")	386578	135
HOSE (.37 ID X 72.00")	386579	135
HOSE (.37 ID X 77.00")	366344	135
HOSE (3" ID X 3")	257295	81, 83
HOSE (5/8" ID X 72")	272328	225
HOSE ASSEMBLY (#10)	477684	205
HOSE ASSEMBLY (#6)	477681	205
	477683	205
	477682	205
HOSE ASSEMBLY (#8)	477682	205
HOSE ASSEMBLY (1/4"ID X 120" LONG)	271882	243, 245
HOSE ASSEMBLY (106")	386658	163
HOSE ASSEMBLY (112")	360842	161
HOSE ASSEMBLY (13")	294447	161
	386546	163
HOSE ASSEMBLY (192")	343723	161
HOSE ASSEMBLY (22")	386670	163
	604868	161
HOSE ASSEMBLY (28")	372599	161
HOSE ASSEMBLY (2-SPD CTRL VALVE TO CHARGE)	386533	165, 169
HOSE ASSEMBLY (2-SPD CTRL VALVE TO FILTER)	356931	165, 169
HOSE ASSEMBLY (2-SPD CTRL VLV TO WHEEL MOTOR)	386532	165, 169
HOSE ASSEMBLY (3 SPOOL VALVE TO AUX. GEAR)	386537	165, 169
HOSE ASSEMBLY (3 SPOOL VALVE TO BROOM)	386528	165, 169
HOSE ASSEMBLY (3 SPOOL VALVE TO FILTER)	386529	165, 169
HOSE ASSEMBLY (3 SPOOL VALVE TO LIFT CYLINDER)	386526	165, 169
	386535	165, 169
HOSE ASSEMBLY (3 SPOOL VALVE TO SWING CYL)	386534	165, 169
	386668	169
HOSE ASSEMBLY (30")	294439	161
	386659	163
HOSE ASSEMBLY (37")	386656	163
HOSE ASSEMBLY (COOLER TO CHECK VALVE, TANK)	349357	123, 165
	387206	169
HOSE ASSEMBLY (COOLER TO FILTER)	349365	123, 165
	387207	169
HOSE ASSEMBLY (FILTER TO FILTER)	386540	165, 169
HOSE ASSEMBLY (FOOT PEDAL TO CHARGE)	386536	165, 169
HOSE ASSEMBLY (FOOT PEDAL TO HYDROSTAT)	386531	165, 169
HOSE ASSEMBLY (FOOT PEDAL TO TANK RETURN)	355446	159, 165, 169
HOSE ASSEMBLY (HIGH SIDE, #8 - PRESSURE)	331918	211, 214
HOSE ASSEMBLY (HYDROSTATIC PUMP TO OIL FILTER)	298646	165, 169
HOSE ASSEMBLY (LOW SIDE, #10 - RETURN)	331926	211, 214
HOSE ASSEMBLY (PUMP TO WHEEL DRAIN MOTOR)	386539	165, 169
HOSE ASSEMBLY (PUMP TO WHEEL MOTOR)	386575	166, 170
HOSE ASSEMBLY (STEER VALVE TO RETURN FILTER)	268664	165, 169
HOSE ASSEMBLY (STEERING PUMP TO VALVE)	386530	165, 169
HOSE ASSEMBLY (STEERING VALVE TO LEFT STEER)	352138	165, 169
HOSE ASSEMBLY (STEERING VALVE TO RIGHT STEER)	304667	165, 169
HOSE ASSEMBLY (TANK TO GEAR PUMP)	368796	165, 169
HOSE ASSEMBLY (WHEEL MOTOR DRAIN TO TANK)	386538	165, 169

ALPHABETICAL INDEX

DESCRIPTION	PART NUMBER	PAGE
HOSE ASSY (3 SPOOL VALVE TO SWING CYLINDER)	386527	165
HOSE BARB, 90 DEGREE (1/2")	V70006988	261
HOSE, 90 DEGREE ELBOW	079780	81, 83
HOSE, BRAKE LINE	473454	23
HOSE, DRAIN (1/2"ID X 5/8 OD CLEAR PLASTIC, 96" PE	477747	179
HOSE, FLEX DUCT (2-1/2" ID)	477745	179
HOSE, FUEL LINE (5/16")	068544	97, 99
HOSE, HUMP (2" X 2-3/8")	460667	81
HOSE, LOW PRESSURE (3/8" ID)	447474	259
HOSE, LOW PRESSURE WATER (1/2"ID)	446948	261
HOSE, MCL (1/4 ID X 12.00")	299958	219
HOSE, RADIATOR (SIDE BOTTOM)	387101	105
	407931	103
HOSE, RADIATOR (SIDE TOP)	387099	105
	407929	103
HOSE, UPPER RADIATOR	387134	105
	407928	103
HOUSING, AXLE	449157	66
HUB, WHEEL	453860	19, 27
INDICATOR, AIR FILTER	418186	219
INDICATOR, SERVICE	477694	81, 83
INSTALLATION INSTRUCTIONS	299966	219
INSTRUCTION (HOUR METER KIT)	296558	227
INSTRUCTIONS	293506	265, 267, 269
	295402	245
	346056	243
INSTRUCTIONS, 2-SPEED WIPER/WASHER WIRING	345975	265
INSTRUCTIONS, MOUNTING	279836	229
INSULATOR, MOTOR	9107027	213
ISOLATOR, RADIATOR	407999	103
ISOLATOR, RADIATOR/MOTOR (RUBBER)	456459	105
JOINT, BALL	077461	85, 87
KEY, IGNITION (2 KEYS, KUBOTA SM250)	9101528	77
KEY, SPECIAL (ROLLER STATOR MOTOR)	9101779	31, 33, 35, 43
KEY, VISTA CAB HANDLE (SM250 AND HC)	385803	195, 199
KEY,IGNITION	407833	73
KIT, AC/HEATER	477847	179
KIT, ADAPTER (1/2" HB, 90 DEGREE, QUAD P)	477948	261
KIT, ADAPTER (1/2" MNPT X QUAD P)	477947	261
KIT, ANGLE CYLINDER SEAL	466607	181
KIT, AXLE SHAFT (COMPLETE)	449199	66
KIT, BALL VALVE	342873	259
KIT, BRAKE ADJUSTER	409169	7, 9
KIT, BRAKE SHOE	409177	7, 9
KIT, BRAKE SPRING	467878	11, 13
KIT, BROOM MOTOR SEAL	404536	31, 33, 35, 137
KIT, BRUSH (POLY WAFER) (10"X32"X8')	416032K	37
KIT, BRUSH (POLY/WIRE, 10"X32"X8')	416024K	37
KIT, BRUSH (WIRE WAFER) (10"X32"X8')	416040K	37
KIT, BYPASS VALVE	455634	155, 157
KIT, CAP AND DIAPHRAM	036145	17
KIT, CARRIER COVER	449165	66
KIT, CHARGE RELIEF VALVE	442806	155, 157
KIT, COMP BRUSH (COMBO WAFER, 10"X32"X8FT)	910464K	37
KIT, COMPLETE MOTOR SEAL	436402	153, 155, 157
KIT, COMPLETE MOTOR SEAL (YUKON EQUIPMENT)	457124	145
KIT, COMPLETE PUMP SEAL	436410	141, 143
KIT, COUPLER (9/16-18 SAE O-RING)	093146	181
KIT, DETENT ASSEMBLY	461970	173
	461988	173
KIT, DIFFERENTIAL ADJUSTMENT SHIM	449231	66

ALPHABETICAL INDEX

DESCRIPTION	PART NUMBER	PAGE
KIT, DIFFERENTIAL AND PINION SHIM	435719	66
KIT, DIFFERENTIAL BEARING	435701	66
KIT, DIFFERENTIAL CASE	435644	66
	449223	66
KIT, DIFFERENTIAL CASE INNER PARTS	435669	66
KIT, DRIVE GEAR AND PINION	435636	66
KIT, ENGINE COLD START AID	409219	235
KIT, ENGINE PRE-HEATER	409201	241
KIT, FAN GUARD	SM-200-020-008K(001)	105
KIT, FILTER (CUMMINS 3.3 ENGINE)	478069K	3
KIT, FILTER (CUMMINS 3.9 ENGINE)	478068K	3
KIT, FILTER (KUBOTA V3600)	9104638K	3
KIT, HEATER (INCLUDES 2-SPEED SWITCH)	044313	225
KIT, HORN (12V)	382846	73, 77
KIT, INNER PINION BEARING	435693	66
KIT, LOW SPRINKLER WATER WARNING	254456	259, 261
KIT, OUTER PINION BEARING	435685	66
KIT, PAD AND HOLDER	476507	19
KIT, PARKING BRAKE LEVER (LEFT HAND)	449520	11
KIT, PARKING BRAKE LEVER (RIGHT HAND)	449538	13
KIT, PLUNGER	461947	121, 175
KIT, PUSH-BUTTON WASHER SWITCH	431585	269
KIT, QUICK COUPLER (9/16-18SAE O-RING)	093416	161, 163
KIT, RELIEF VALVE 350 BAR	455626	155, 157
KIT, REPAIR	036251	17
KIT, RESERVOIR (140 OZ)	431577	265, 267, 269
KIT, RING GEAR, PINION AND BOLTS	449215	66
KIT, RUBBER SEAL (1/2" X 1-1/2" X 11")	447909	207
KIT, SEAL	075788	119
	404540	139
	404544	117
	434241	131
	440464	149, 151
	441246	57
KIT, SEAL (LIFT CYLINDER)	033514	125, 127, 129, 181
KIT, SEAL (PARKER)	386770	147
KIT, SEAL (STEERING VALVE, F/476770)	433862	39
KIT, SELF-ADJUSTING SCREW (LEFT HAND)	467886	11
KIT, SELF-ADJUSTING SCREW (RIGHT HAND)	467894	13
KIT, SHAFT	455410	141, 143, 145
KIT, SHAFT AND BEARING	404535	31, 33, 35, 137
	404539	139
	407708	117
	408062	119
KIT, SHOE AND LINING (2 PRIMARY, 2 SECONDARY)	449512	11, 13
KIT, SPRING RETURN	461962	173
KIT, SPRINKLER	478070K	3
KIT, SPRINKLER UPGRADE	386818	261
KIT, UNIT BEARING AND SEAL	435677	66
KIT, WASHER (12V)	385854	209
KIT, WET ARM WASHER	431569	265, 267, 269
KIT, WHEEL CYLINDER REPAIR	409193	7, 9
KNOB	441212	57
	477315	221
KNOB, CONTROLS	430214	177
KNOB, FAN SWITCH	463000	211
KNOB, FEMALE M6	477843	179
KNOB, POINTER (PUSH ON 1/4")	477740	179
KNOB, THERMOSTAT	462994	211
KNOB, WEIGHT ADJUSTMENT	461632	53
KNUCKLE, STEERING (LEFT HAND)	357418	27

ALPHABETICAL INDEX

DESCRIPTION	PART NUMBER	PAGE
KNUCKLE, STEERING (RIGHT HAND)	357426	27
KUBOTA V3600 ENGINE OIL	476772	115
LAMP, BLUE INDICATOR	432377	249
LAMP, STROBE (BULB)	094623	255
LATCH	385766	195, 199
LATCH, DOOR	271452	107
	349290	123
LATCH, ROTARY DOOR (L.H.)	430090	187
LATCH, ROTARY DOOR (R.H.)	430108	183, 187
LATCH, WINDOW (W/PIN)	442251	183, 187
LEVER	462036	173
LEVER AND PIN ASSEMBLY (LH PARKING BRAKE)	449322	11
LEVER AND PIN ASSEMBLY (RH PARKING BRAKE)	449330	13
LEVER, LINK ADJUSTMENT (LEFT HAND)	436352	11
LEVER, LINK ADJUSTMENT (RIGHT HAND)	436360	13
LEVER, PARKING BRAKE	281287	15
LIGHT ASSEMBLY (INSTRUMENTS)	276683	73, 77
LIGHT, DOME	081969	247
LIGHT, FLASHER (RED/AMBER RECTANGULAR)	461475	73, 77, 249
LIGHT, LICENSE PLATE	63015300	249
LIGHT, RED INDICATOR (BRAKE AND FILTER)	418376	73, 77
LIGHT, STROBE (12V AMBER)	432393	257
LIGHT, TAG	V63015300	73, 77
LIGHT, TAIL	63015800	249
	V63015800	73, 77
LIGHT, WARNING	409326	245
LINE, BRAKE	355420	21
LINK, CONNECTING (WHEEL CYLINDER)	054429	11, 13
	409136	7, 9
LOCKNUT (1/2-13NC)	440664	91
LOOM (11/32 ID FLEX GUARD X 30.00")	335190	251
LOOM (BLACK, 11/32"ID X 40" LONG)	272484	184, 188, 249
LOOM (CLEAR VINYL, 1/4"ID X 96" LONG)	272567	253, 255, 257, 265, 267, 269, 271
LOUVER ASSEMBLY (4-1/2")	386505	221
LOUVER, LARGE	910705K	177
LOUVER, SMALL	9107061	177
MANIFOLD, INLINE BAR (W/1500/3000 RELIEF)	028654	161, 163
METER, HOUR	034892	73, 77, 227
MIRROR, RECTANGULAR	417162	229
MIRROR, WEST COAST	416735	229
MODULE, FLASHER (3 PRONG)	V63121300	73, 77, 203
MOTOR (12V)	468355	213
	469759	221
MOTOR, BROOM	404538(001)	33, 35, 43, 166, 170
MOTOR, BROOM (96" BRUSH PARKER)	404542(001)	43
MOTOR, DOUBLE SHAFT (12V)	468314	213
MOTOR, DRIVE AXLE	434503(001)	166, 170
MOTOR, WWF WIPER (W/O SWITCH)	385851	209
MOUNT, BROOM	295980	31, 35
	296039	31, 33, 35, 43, 44
	386516	33
MOUNT, CABLE	387199	87
	460684	85
MOUNT, CLIP NUT	352054	41
MOUNT, COMPRESSOR	387045	233
MOUNT, COMPRESSOR (3.3 ENGINE)	331728K	231
MOUNT, COMPRESSOR (3.9 ENGINE)	460680	231
MOUNT, COUNTER-BALANCE VALVE	354614	135
MOUNT, DOME LIGHT	299610	247
MOUNT, EMBLEM	350322	101, 123



ALPHABETICAL INDEX

DESCRIPTION	PART NUMBER	PAGE
MOUNT, ENGINE	444091	89, 91
MOUNT, GEAR BOX	347401	71
MOUNT, HEADLIGHT (LEFT HAND)	297945	249
MOUNT, HEADLIGHT (RIGHT HAND)	297952	249
MOUNT, INTAKE	274472	81, 83
MOUNT, LOW PROFILE POLY TANK	355024	259
	381699	261
MOUNT, MIRROR	279828	229
	281550	229
MOUNT, MOTOR	296038	43
	386511	43
MOUNT, RADIATOR	266338	103
	387102	105
MOUNT, RESERVOIR	293373	267
MOUNT, SEAT	298018	51
MOUNT, SPRINKLER (LEFT HAND)	298448	259, 261
MOUNT, SPRINKLER (RIGHT HAND)	298513	259
	298573	261
MOUNT, STEERING COLUMN	V63029200	41
MOUNT, STROBE	335265	253, 257
MOUNT, STROBE LIGHT	272179	255
MOUNT, TAG LIGHT	281576	123, 249
MOUNT, VALVE	341057	51
MOUNT, WATER TANK	298927	265, 269
MUFFLER, HORIZONTAL	444224	93, 95
NIPPLE (3/8"NPT X 2")	72144000	225
NOZZLE ASSY, CROSS SPRAY	476887	4, 259
NOZZLE ASSY, L-BODY SPRAY	476366	4, 259
NOZZLE ASSY, T-BODY SPRAY	476358	4, 259
NUT	033282	125, 127, 129
NUT (1-3/4"-12NF)	V63018700	27, 55
NUT, ACORN (10-24NC)	416974	249
NUT, BRAKE MOUNTING	435974	65
NUT, CLIP (1/4" X 20)	067439	41, 47, 49, 51
NUT, HEAVY SLOTTED (W/WASHER 1 1/8-12NF)	336966	27
NUT, HEX (#10-24NC)	035436	255, 257, 265, 267, 269, 271
	440628	123, 184, 188
NUT, HEX (#10-32)	035220	85, 87
NUT, HEX (1/2"-13NC, FLANGE, WHIZLOCK)	440644	31, 33, 35, 47, 49, 89, 101, 123
NUT, HEX (1/4"-20NC, FLANGE WHIZLOCK GR.G)	010272	229, 249, 259, 261, 267
NUT, HEX (1/4"-20NC, FLANGE, WHIZLOCK)	440636	15, 21, 41
NUT, HEX (1/4"-28NF)	063511	85, 87
NUT, HEX (13/16"-20NF, SPECIAL)	033886	39
NUT, HEX (3/8"-16NC)	011015	107
	441447	91
NUT, HEX (3/8"-16NC, FLANGE, WHIZLOCK)	083501	19, 47, 49
NUT, HEX (5/16"-18NC PL)	083493	15, 31, 33, 35, 51, 71, 81, 83, 184, 187
NUT, HEX (5/16"-18NC)	010553	25, 31, 33, 35, 103, 105, 107, 225, 229, 253, 257
NUT, HEX (5/16"-18NC, FLANGE, WHIZLOCK)	083535	101, 123
NUT, HEX (5/16"-24NF)	035303	39
NUT, HEX (5/8-11NC)	429860	71
NUT, HEX (7/16"-14NC, WHIZLOC)	430132	183, 187
NUT, HEX (M10 X 1.5)	089474	153, 231, 233
NUT, HEX (M8 X 1.25)	053538	121, 175
NUT, HEX SEAL (3/8" NPT)	385858	209

ALPHABETICAL INDEX

DESCRIPTION	PART NUMBER	PAGE
NUT, HEX SLOTTED (3/8"-16NC)	V63168900	27
NUT, JAM (3/4"-16NF)	092460	27
NUT, JAM (3/4"-16NF, LEFT HAND)	V65010400	27
NUT, JAM (3/8"-24)	V23504500	25
NUT, LOCK	478096	19
NUT, LOCK (1/4"-20)	036392	81, 83
NUT, LOCK (3/8"-16 NC)	425793	259, 261
NUT, LOCK (3/8"-16NC)	441477	25, 41, 71, 81, 89
NUT, LOCK (5/16"-18NC, NYLON INSERT)	093799	109, 111
NUT, LUG (1/2"-20NF, 60 DEG, 13/16")	047782	27
NUT, PINION	435768	65
NUT, PLATED (M10-1.25)	478029	95
NUT, SLOTTED	026328	19, 27
NUT, SLOTTED (9/16"-18NF)	408047	27
NUT, TWO-WAY LOCK (3/8"-16NC)	052233	184, 188
O-RING	407593	71
	454157	141, 143, 145, 155, 157
	462051	173
O-RING (#10)	385360	205
O-RING (#6)	385962	205
O-RING (#8)	385961	205
O-RING (.5 X 14 X 1.2)	461806	121, 175
O-RING (2.62 X 75.87)	448423	153
O-RING (3.53 X 101.19)	436428	153
O-RING (3.6 X 14 X 1.2)	461798	121, 175
OUTER COVER ASSEMBLY	476408	221
PAD	331355	259, 261
PADDING, FRONT FOAM HEADLINER	272419	184, 188
PADDING, REAR FOAM HEADLINER	272427	184, 188
PADDING, REAR SIDE PANEL FOAM	272435	184, 188
PANEL, BACK	461616	53
PANEL, DOOR (STR)	299446	107
PANEL, DOOR (SWING OUT)	349258	47, 49, 123
PANEL, ENGINE COMPARTMENT DOOR	299455	109
PEDAL (LEFT HAND)	466474	121, 175
PEDAL (RIGHT HAND)	466482	121, 175
PEDAL, BRAKE	298810	25
PIN	408153	119
	9107064	19
PIN, BRAKE HOLD DOWN	418863	7, 9
PIN, BRAKE HOLD-DOWN	037895	11, 13
PIN, BROOM FRAME MOUNT	295238	31, 33, 35, 55
PIN, BROOM SWING (SM 250)	296194	55
PIN, CLEVIS (1" DIA. X 2.37")	033274	125, 127, 129
PIN, CLEVIS (1" DIA. X 3.00")	071266	125, 127, 129
PIN, CLIP	026633	125, 127, 129
PIN, COTTER	015347	27
	025882	27
	4001000	25
PIN, COTTER (1/8" X 1-3/4", FRONT AXLE NUT)	015164	19, 27
PIN, COTTER (3/16" X 2-1/2", STEEL)	015362	31, 33, 35
PIN, FRONT AXLE PIVOT	257220	27
PIN, PEDAL	V63137200	25
PIN, PEDAL PIVOT	461889	121, 175
PIN, RETAINING (3/8" X 2-1/4")	067025	107, 109, 123
PIN, ROLL (3/16" DIA X 5/8" LONG)	442277	183, 187
PIN, ROLL (5/32" X 7/8")	430157	183, 187
PIN, SHOCK	461541	53
PIPE, TAIL	342197	93, 95
PISTON	033191	125, 127, 129

ALPHABETICAL INDEX

DESCRIPTION	PART NUMBER	PAGE
PISTON	434134	131
PLATE, BACKING (LOWER)	378992	19
PLATE, BACKING (UPPER)	387272	19
PLATE, BRAKE SHOE GUIDE	449371	11, 13
PLATE, DRIVE HUB RETAINER	350652	89, 123
PLATE, PUMP MOUNT	460638	89
PLATE, R.H. VALVE PUMP	461715	155, 157
PLATE, SHOE GUIDE	409151	7, 9
PLATE, VALVE	454413	119
PLATE, WARE	454397	119
PLUG	075549	121, 175
	462044	173
PLUG (1.06 #12 SAE O-RING)	029363	166, 170
PLUG (1-1/16" DIA. HOLE)	409623	41
PLUG (7/16"-20 SAE O-RING)	406819	135, 159, 166, 170
PLUG (7/16-14SAE O-RING)	401174	161, 163
PLUG ASSEMBLY	408195	119
PLUG, AXLE FLANGE	449207	65
PLUG, COUNTERSUNK (3/4"NPT)	040691	97, 99
PLUG, COVER (3/4"-NPT)	031740	65
PLUG, HOLE (.437" DIA.)	417717	41
PLUG, MAGNETIC PIPE	442517	69
PLUG, PIPE (1/2"NPT)	040683	69
PLUG, PIPE (1/4")	071357	93
PRE-CLEANER ASSEMBLY	070383	83
	081067	81
PRIMARY CARRIER ASSEMBLY	442491	69
PULLEY	421214	239
PULLEY, ACCESSORY DRIVE	9107030	233
PULLEY, ACCESSORY DRIVE	409748	231
PULLEY, WATER PUMP ENGINE	9107029	233
PUMP (12V, 5 GPM)	416827	261
PUMP, AUXILIARY GEAR (06 AND UP PARKER)	440465(001)	89, 91, 166, 170
PUMP, FUEL (ELECTRIC)	9101888	99
PUMP, HYDROSTATIC (PILOT OPERATED)	457122(001)	89, 91, 166, 170
PUMP, WATER (12V, 1.2 GPM)	416826	259
QUADRINGS	478097	19
RADIATOR ASSEMBLY	407925	103
RADIATOR, OIL COOLER	478030	105, 170
RECEIVER/DRIER	463117	221
REDUCER, NIPPLE	476895	259
REDUCER, NIPPLE (1/2" MNPT X 3/8" MNPT)	477944	261
REDUCER, SPECIAL PIPE (1/2" X 3/8")	436923	225
RELAY (12V, 75 AMP)	460493	73, 77
RELIEF PLUG ASSEMBLY	462085	173
RETAINER, ENGINE COMPARTMENT	299457	109
RETAINER, PARKING BRAKE STRUT SPRING	468231	11, 13
RETAINING RING, SPIRAL	434142	131
RING	461996	173
RING, BALANCE	408146	119
RING, RETAINING	033332	125, 127, 129
	449378	11, 13
RING, SNAP	440099	69, 71
	441220	57
RIVET, HUCK (1/4" DIA X 13/16")	416701	227, 229
RIVET, HUCK (1/4"DIA X 9/16")	409482	255, 257
RIVET, POP (3/16 X 7/16)	416750	247, 249
ROD END, BALL JOINT	078378	25
ROTOR (L.H. AND R.H.)	378737	19
RUBBER, GLASS (1/8" OFFSET, 170")	476951	207
RUBBER, REAR WINDOW GLASS (1/8 OFFSET)	477850	207

ALPHABETICAL INDEX

DESCRIPTION	PART NUMBER	PAGE
RUBBER, RIGHT SIDE GLASS (1/8" OFFSET, 170")	476954	207
SCREEN (2" X 8")	464685	166, 170
SCREEN, FILTER	447979	166, 170
SCREEN, PRESSURE FILTER	9104063	4, 259
SCREEN, SPRAY NOZZLE	V70007388	4, 259, 261
SCREEN, SUCTION FILTER (GREEN)	9104062	4, 259, 261
SCREW	467662	214
SCREW AND WASHER ASSEMBLY	054411	11, 13
SCREW, ADJUST	461640	53
SCREW, FLAT HEAD SOCKET	096602	267
SCREW, HEX WASHER HEAD (1/4-20 X .50" SELF TAP)	V61018600	183
SCREW, NUT, WASHER AND SOCKET ASSEMBLY (LH)	436170	11
SCREW, NUT, WASHER AND SOCKET ASSEMBLY (RH)	436188	13
SCREW, SET	010637	43
	093575	43
SCREW, SET (BRASS TIP, 3/8"-16NC X 3/8")	031160	27
	031161	55
SCREW, SLOTTED (#10-24NC X 1/2")	423673	249
SCREW, SLOTTED PAN HEAD (10-24 X 1-3/4")	407502	123, 265, 267, 269, 271
SCREW, SLOTTED ROUND HEAD (#10-24NC X 3/4")	037010	255, 257
SCREW, SLOTTED WITH RUBBER WASHER	031852	97
	464727	99
SCREW, SOCKET HEAD BUTTON (1/4"-20NC X 1")	066977	183, 187
SEAL	407163	19, 27
SEAL, DISTRIBUTOR	441204	141, 143, 145, 155, 157
SEAL, DOOR GLASS (REQUIRED TO HOLD GLASS, 168")	385985	195, 199
SEAL, PINION	435743	65
SEAL, SERVO CONTROL	441196	141, 143, 145, 155, 157
SEAL, SHAFT (30 X 42 X 7-7.5)	462101	141, 143, 145, 155, 157
SEAL, SHAFT INBOARD	435792	65
SEAL, SHAFT OUTBOARD	435826	65
SEAL, SIDE BULB (1/4" MATERIAL, 161")	385746	195, 199
SEAL, SIDE BULB SEAL DOOR EDGE RUBBER (43")	447910	207
SEAL, SPOOL	441238	57
SEAL, TRIM (160.00")	274100	183, 187
SEALANT, MAGIC SEAL	417592	184, 188
SEAT (ADAPTER INCLUDED)	433045	51
SEAT BELT ASSEMBLY, RETRACTABLE (2")	458778	51
SENDER, FUEL	462176	73, 77, 97, 99
SENDER, HYDRAULIC TEMPERATURE	416131	73, 77
SENDER, OIL PRESSURE	041988	73, 77
SENDER, WATER TEMPERATURE	416156	73, 77
SERVO ASSEMBLY, CONTROL PUMP	457123	141, 143, 145, 155, 157
SETSCREW	039330	125, 127, 129
SETSCREW, LONG CUP POINT (M6-1.0CP X M6)	459859	121, 175
SHAFT, BROOM CORE SUPPORT	270736	31, 33, 35
SHAFT, BROOM CORE SUPPORT (PARKER)	386513	31, 33, 35
SHAFT, DRIVE	408096	119
SHIELD, STEERING CYLINDER	281238	47, 49
SHIM (5 X 10 X .3MM)	461897	121, 175
SHIM (5 X 10 X .5MM)	461905	121, 175
SHIM (8 X 14 X 1MM)	461913	121, 175
SHIM, WHELL	387292	19
SHOCK ABSORBER	461525	53
SIGNAL, FLASHER	63121300	249
SLEEVE, REAR COMPRESSOR MOUNT	460681	233



ALPHABETICAL INDEX

DESCRIPTION	PART NUMBER	PAGE
SLINGER, PINION BEARING OUTER	435735	65
SLOT FILL HEAD (#10-24NC X .75")	441527	184
SOCKET, METAL BALL	385772	195, 199
SOLENOID, SHUTOFF (2 WIRE)	447673	78
SONALERT, FAST PULSE	409318	245
SPACER	387269	19
	434118	125, 127
	461624	53
SPACER (1/2" X 3/4")	152850	15, 101, 123
SPACER, A/C BELT TIGHTENER (REV CODE -004 &	368720	231
SPACER, DIMMER SWITCH	335364	249
SPACER, DOOR HANDLE (NYLON)	385762	195, 199
SPACER, DOOR HINGE	385753	195, 199
SPACER, FAN	460662	89, 91
SPACER, FOOT PEDAL CONTROL VALVE	369249	184, 188
SPACER, HUB SECURING	460641	89
SPACER, PIN	461863	121, 175
SPACER, SWING CYLINDER PISTON END	386827	129
SPACER, SWING CYLINDER ROD END	386828	129
SPIN FUEL FILTER, KUBOTA	478038	3, 115
SPLICE (16-24GA WIRE, .750 FT)	466045	203
SPOOL, CENTER	462010	173
SPOOL, MOTOR	462028	173
SPOOL, SWING	462002	173
SPOOL, VALVE	461822	121, 175
SPRING	036178	17
	408161	119
SPRING, ADJUSTER	418855	7, 9
SPRING, ANCHOR TO SHOE (BLACK)	446253	11, 13
SPRING, ANCHOR TO SHOE (RED)	449280	11, 13
SPRING, ARM	461533	53
SPRING, AUTO ADJUSTMENT	436345	11, 13
SPRING, BRAKE PEDAL	034926	25
SPRING, COMPRESSION (.10ID X .30OD X 1.25)	461848	121, 175
SPRING, COMPRESSION (.53ID X .65OD X 1.63)	461855	121, 175
SPRING, COMPRESSION STRUT	449421	11, 13
SPRING, GAS (30LB)	385751	195, 199
SPRING, SADDLE	461434	53
SPRING, SHOE HOLD-DOWN	418871	7, 9
SPRING, SHOE RETURN	418848	7, 9
SPRING, SUSPENSION	461517	53
STEM, VALVE	029629	27
STR, ENGINE MOUN (FRONT)	460651	89
STR, ENGINE MOUNT (FRONT)	386996	91
STR, ENGINE MOUNT (LOWER)	460654	89, 91
STR, ENGINE MOUNT (REAR L.H. SIDE)	381063	91
STR, ENGINE MOUNT (REAR R.H. SIDE)	387051	91
STR, ENGINE MOUNT (REAR)	460672	89
STR. ENGINE GUARD	349233	123
STR., CAB TWO DOOR	292318	187
STRAP, CONNECTOR	V61019788	73, 77
STRAP, DOOR STOP	442913	183, 187
STRAP, GROUND	069807	89, 91
STRAP, HOLD DOWN	355404	259
	381723	261
STRIP, WEATHER (1/4" X 1" X 23")	278499	188
STRIP, WEATHER (1/4" X 1" X 6-1/2")	274118	183, 187
STRIP, WEATHER (SELF-SEALING)	274050	183, 187
STRUT, PARKING BRAKE LEVER (LEFT HAND)	449405	11
STRUT, PARKING BRAKE LEVER (RIGHT HAND)	449413	13
STUD (M10 X 30)	455659	153

ALPHABETICAL INDEX

DESCRIPTION	PART NUMBER	PAGE
STUD, BALL	385769	195, 199
STUD, WHEEL	473256	19
SUPPORT, BROOM COVER	V63134200	31, 33, 35
SUPPORT, PEDALS	466508	121, 175
SWITCH, 2-SPEED WIPER (W/PUSH TO WASH)	444703	265
SWITCH, 4-POSITION (5-PRONG)	409752	222
SWITCH, A/C ON-OFF	430218	177
SWITCH, BLOWER	430217	177
SWITCH, BLOWER TANDEM (12V)	468272	211
SWITCH, BRAKE LIGHT	049924	21, 73, 77
SWITCH, DIMMER	432344	73, 77, 249
SWITCH, HEATER	446633	73, 77
SWITCH, HIGH PRESSURE	468322	213
SWITCH, IGNITION (W/KEYS, F/KUBOTA ENGINE)	9101497	77
SWITCH, LIGHT	V61012700	73, 77
SWITCH, LIGHT (W/15 AMP BREAKER)	61012700	249
SWITCH, LOW PRESSURE	468330	213
SWITCH, MAGNETIC	082404	243
SWITCH, NEUTRAL START PRESSURE (3/16 SAE NC)	459800	159
SWITCH, PARKING BRAKE	413872	15, 73, 77
SWITCH, PRESSURE (2-6 PSI .12-NPT)	078063	73, 77, 227
SWITCH, PUSH BUTTON ELECTRICAL	444556	209
SWITCH, PUSHBUTTON (HORN)	450270	73, 77
SWITCH, REVERSE ALARM	459792	73, 77, 159, 167, 171
SWITCH, SYSTEM HI/LO PRESSURE	385979	205
SWITCH, THERMOSTAT PRE-SET	430215	177
SWITCH, TOGGLE (3-POSITION MOMENTARY)	436857	181
SWITCH, TRINARYTTM PRESSURE	462481	221
SWITCH, TURN SIGNAL	466698	73, 77, 203
	63115400	249
SWITCH, WIPER	444557	209
SWITCH,IGNITION (3 WIRE)	407825	73
SWITCHGAUGE, PRESSURE	082338	245
	082388	243
SWITCHGAUGE, WATER TEMPERATURE	409334	243, 245
TACHOMETER	448985	73, 77
TANK, FUEL (20 GALLON CAPACITY)	434274	97
TANK, FUEL (30 GALLON CAPACITY)	387040	99
TANK, HYDRAULIC	335125	161, 166
	387030	170
TANK, LOW PROFILE (180 GAL, POLY, BLACK)	354861	259, 261
TANK, LOW PROFILE (180 GAL, POLY, WHITE)	354860	259, 261
TAPE, AUTO GLASS (1/4 RD. BUTYL)	409458	188
TAPE, FOAM (9/16" X 1" X 52")	282061	183, 187
TAPE, PRESTITE (2" WIDE)	438762	184, 188
TAPE, REFLECTOR (RED)	436261	249
TEE (W/MOUNT)	282855	23
TEE, HOSE BARB (1/2")	477949	261
	V70006888	261
TEE, JET	V63036000	4, 259, 261
TERMINAL (1/4 MALE BLADE)	078584	73, 78
TERMINAL, FEMALE SLIDE (1/4")	431320	227, 265, 269
TERMINAL, INSULATED (#10 RING, 16-14 GA)	036467	203, 227, 237, 243, 247, 249, 255, 257, 265, 267, 269
TERMINAL, INSULATED (1/4" RING, 20-14 GA)	043760	265, 267, 269
TERMINAL, INSULATED (1/4"FEMALE, 20-14 GA)	046292	267, 271
TERMINAL, INSULATED BULLET (FEMALE, 14-16 GA)	068205	203, 249, 253, 255, 257
TERMINAL, INSULATED BULLET (MALE, 14-16 GA)	068197	249, 253, 255, 257, 265, 267, 269, 271

ALPHABETICAL INDEX

DESCRIPTION	PART NUMBER	PAGE
TERMINAL, SLIDE	442228	203
THERMOSTAT	468264	211
TIE, CABLE	047761	251
	066712	265, 267, 269, 271
TIE, CABLE (0.035" X 3-1/2")	066720	265, 267, 269, 271
TIE, CABLE (7-1/4" X 3/16", 1-3/4" DIA, BLACK)	041236	217, 231, 233, 251
TIMER, GLOW PLUG	478073	77
TIP OUT GLASS LATCH ASSEMBLY	385793	207
TIP OUT GLASS WINDOW HINGE ASSEMBLY	385791	207
TIP OUT WINDOW ASSEMBLY	447996	207
TRIM SEAL (94.00")	341735	183
TRIM, FLEXIBLE STEEL CORE	270140	183, 187
TRIM, SEAL (44")	341578	183, 187
TRIM, SEAL (86")	341685	183, 187
TUBE (3/16)	271999	21
TUBE (CLEAR PVC, 1/4"OD X 1/8" X 174")	293332	217, 265, 269
TUBE ASSEMBLY (EXTENSION TO FRONT AXLE)	271965	23
TUBE ASSEMBLY (LEFT REAR WHEEL, METAL)	298323	21, 23
TUBE ASSEMBLY (MASTER CYLINDER TO FRONT AXLE)	271973	23
TUBE ASSEMBLY (MASTER CYLINDER TO REAR FRAME)	271981	23
TUBE ASSEMBLY (RIGHT AND LEFT FRONT BRAKE)	271221	23
TUBE ASSEMBLY (RIGHT REAR WHEEL, METAL)	298331	21, 23
TUBE, AIR INTAKE	298570	81, 83
TUBE, GREASE	345843	55
TUBE, HEAT SHRINK (.25 ID)	445536	203
TUBE, INTAKE (3"OD X 3-1/2" LONG)	460671	81
TUBE, SUPPORT (PART OF MAINFRAME)	295279	55
TUBE, TIE ROD	271130	27
TUBING (1/4" OD X 1/16" WALL X 72")	293415	267
TUBING, MCL (STEEL, 5/16" OD X 7/8" LONG)	274811	265, 267, 269, 271
TUBING, MCL (STEEL, 7/8" OD X 7/8" LONG)	274803	265, 267, 269, 271
U-BOLT, PLATED (5/8"-11NC, AXLE MOUNTING)	449041	49, 71
UTILITY BLADE W/HYDRAULIC CONTROLS ASSEMBLY	381228	181
VALVE	454421	119
VALVE (3/8" BALL, BRASS)	469585	261
VALVE, 2 POSITION	443735	166
VALVE, ANTI-LEAK CHECK	459743	259
VALVE, BLOCK	468348	213
VALVE, BROOM SPEED CONTROL	440735(001)	170
VALVE, CHECK (45 PSI)	438812	166, 170
VALVE, CONTROL	457267(001)	166, 170
VALVE, COUNTER-BALANCE	406752	135
VALVE, EXPANSION	477232	221
VALVE, EXPANSION (CAB #3052)	430213	177
VALVE, HEATER SHUT-OFF	417329	225
VALVE, HYDRAULIC (DANFOSS SYSTEM)	457296	159
VALVE, RELIEF	443077	161, 163
VALVE, SOLENOID	443069	181
VALVE, SOLENOID OPERATED CONTROL	433069	161, 163
VALVE, STEERING	433029	170
	476770	39, 163, 166
VALVE, STEERING (W/POWER BEYOND VALVE)	476788	39, 181
VALVE, STEERING (W/POWER BEYOND)	451104	39, 161
VALVE, UNIT STEERING	385690	39
VALVE, UNIT STEERING (FOR TOW KIT OPTION)	457028	39
	477208	39
VALVE, WATER (SHORTENED STEM)	477750	179
V-BELT (V3600)	459965	91
V-BELT, 3.3	477534	89
V-CLAMP, EXHAUST (3")	460666	93
WAFER, BROOM (2 SETS OF 18 BRUSHES)	474791K	35

ALPHABETICAL INDEX

DESCRIPTION	PART NUMBER	PAGE
WAFER, COMBO (10" X 32")	475155	37
WAFER, COMBO (10" X 32") (BOX OF 24)	475155BX	37
WAFER, POLY (10" X 32") (BOX OF 25)	416057BX	37
WAFER, WIRE (10" X 32") (BOX OF 24)	416065BX	37
WASHER, BONDED SEALING	385855	209
WASHER, BONDED SEALING (3/8")	385802	179, 209
WASHER, DOOR HINGE	385754	195, 199
WASHER, FLAT	066605	19, 27
WASHER, FLAT (#10)	060723	123
WASHER, FLAT (1/2")	011325	47, 49, 71, 101, 123
	011650	47, 49, 89, 91, 105
WASHER, FLAT (1/4")	010298	81, 83, 113, 183, 187
	011321	15, 21, 41, 47, 49, 51
	385763	195, 199
WASHER, FLAT (3/8")	011031	25, 93, 105, 107, 231, 233, 259, 261
	011323	41, 47, 49, 51, 81, 83, 97, 99, 103
	070391	89, 91
WASHER, FLAT (5/16")	010579	15, 109, 111, 229
	011322	25, 31, 33, 35, 51, 71, 81, 101, 103, 123
WASHER, LOCK (#10)	031880	255, 257, 265, 267, 269, 271
WASHER, LOCK (1/2")	011643	31, 33, 35
WASHER, LOCK (1/4" THK.)	460360	97, 99
WASHER, LOCK (1/4")	010280	85, 87, 183, 187, 229, 249, 259, 261, 267
WASHER, LOCK (3/8")	011023	95, 107
WASHER, LOCK (5/16")	010561	25, 103, 105, 217, 225, 229, 253, 257
WASHER, LOCK (M10)	038380	231, 233
WASHER, LOCK (M12)	038414	235
WASHER, LOWER THRUST	296210	55
WASHER, PINION NUT	435750	65
WASHER, SCHNORR (DIA. 10)	455667	153
WASHER, SPRING (PARKING BRACKET)	449355	11, 13
WASHER, THRUST	409003	69
WASHER, THRUST (LOWER)	296442	27
WASHER, UPPER THRUST	296228	55
WEATHER STRIP, SELF-SEALING (130.00")	272385	183, 187
WEATHER STRIP, SELF-SEALING (145.00")	272377	183, 187
WEATHER STRIP, SELF-SEALING (71.00")	272351	183, 187
WEATHER STRIP, SELF-SEALING (85.00")	274068	183
WEDGE, LATCH	236125	107, 123
WELDMENT, DOOR GRAB HANDLE (LEFT HAND)	385745	195, 199
WELDMENT, DOOR HINGE (LH, UPPER AND LOWER)	385768	195, 199
WHEEL (15 X 6 FRONT AND REAR)	472506	27
WHEEL, BLOWER	468298	214
WHEEL, STEERING	074211	39, 41
WINDSHIELD WIPER ASSEMBLY	047910	267, 269, 271
WINDSHIELD WIPER ASSEMBLY (2-SPEED)	443788	265
WINGNUT (0.31-18)	096883	123
WIPER BLADE, HEAVY DUTY (18")	385853	209
WIRE (16 GA. BROWN X 14.00")	285346	243
WIRE (16 GAUGE, YELLOW W/WHITE STRIPE)	272476	265, 267, 269, 271
WIRE (BROWN, 16 GA, 120")	272559	253, 255, 257
WIRE (GRAY, 16 GA)	036608	227
WIRE (ORANGE, 10 GA, 25")	299628	249
WIRE (ORANGE/WHITE, 16 GA, 24")	294041	243
WIRE (RED, 10 GAUGE, 3")	237180	73, 77

ALPHABETICAL INDEX

DESCRIPTION	PART NUMBER	PAGE
WIRE (RED, 16 GA, 84")	036541	247
WIRE (WHITE/BLACK, 16GA, 132")	293365	265, 267, 269
WIRE (WHITE/BLACK, 16GA, 30")	293357	265, 267, 269
WIRE (WHITE/BLACK, 16GA, 8")	293340	265, 267, 269
WIRE, LOCK	434167	131
WIRING ASSEMBLY (BLACK, 30")	369181	73, 77
WIRING HARNESS ASSEMBLY	272187	245
	272724	235
WIRING HARNESS ASSEMBLY (2-WIRE WITH LOOM)	347625	225
WIRING HARNESS, 2-SPEED WIPER/WASHER	345991	265
WIRING HARNESS, BLADE CONTROL	352690	181