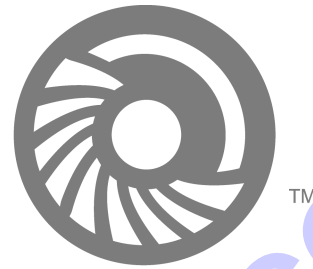


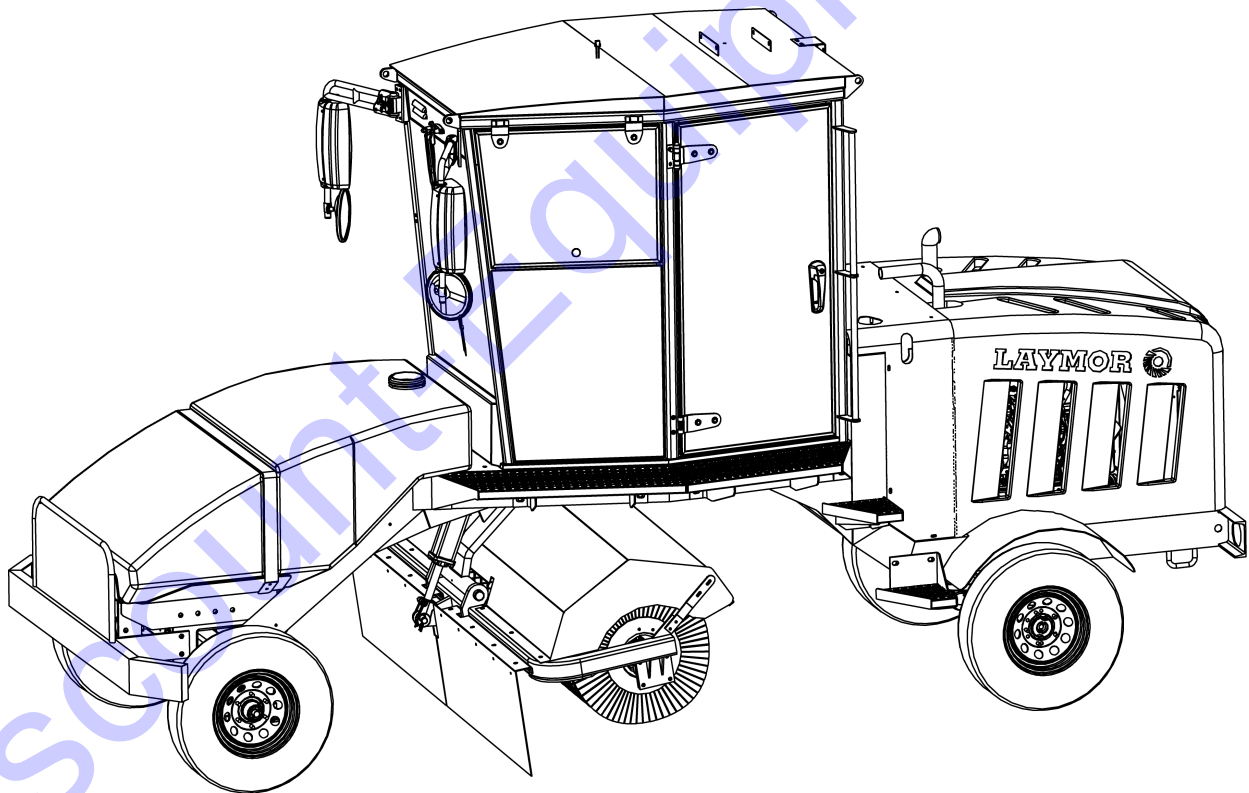
LAYMOR



REV GROUP

*DURABLE PRODUCTS
DEPENDABLE PEOPLE*

SM450 PARTS MANUAL



www.discount-equipment.com

SAFETY INFORMATION

California Proposition 65 Warning Diesel engines exhaust and some of its constituents are known to the State of California to cause cancer, birth defects, and other reproductive harm.

WARNING Battery posts, terminals, and related accessories contain lead and lead compounds, chemicals known to the State of California to cause cancer and birth defects or other reproductive harm. **WASH HANDS AFTER HANDLING THESE ITEMS.**

Discount-Equipment.com

Table of Contents

Section 1. Filters and Brush Kits

| | |
|-------------------------------|-----|
| Section 1. Filters List | 1-1 |
| 13 Brush Kits | 1-1 |

Section 2. Brush Kits

Section 3. Cab Assembly

| | |
|---------------------------------------|------|
| 3-1 Vista Cab Assembly | 3-2 |
| 3-2 Door Assembly | 3-6 |
| 3-3 Road Side Window Assembly | 3-8 |
| 3-4 Curb Side Window Assembly | 3-10 |
| 3-5 AC/Heater Assembly | 3-12 |
| 3-6 A/C Plumbing | 3-14 |
| 3-7 Windshield Wiper Assemblies | 3-15 |
| 3-8 Seat Assembly | 3-16 |
| 3-9 Mirror Kit | 3-18 |

Section 4. Chassis

| | |
|---------------------------------------|------|
| 4-1 Main Frame Assembly | 4-2 |
| 4-2 Fuel Tank Assembly | 4-4 |
| 4-3 Hydraulic Tank Assembly | 4-4 |
| 4-4 Cab Console and Instruments | 4-5 |
| 4-5 Steering Wheel Assembly | 4-7 |
| 4-6 Broom Support Assembly | 4-8 |
| 4-7 88-Inch Broom Assembly | 4-10 |
| 4-8 Front Axle Assembly | 4-12 |
| 4-9 Brush Kits | 4-14 |
| 4-10 Wheels and Tires | 4-14 |

Section 5. Engine and Drive Train

| | |
|---|------|
| 5-1 Diesel Engine Assembly | 5-2 |
| 5-2 Radiator and Battery | 5-4 |
| 5-3 Throttle Cable and Mount Assembly | 5-6 |
| 5-4 Air Cleaner Assembly | 5-7 |
| 5-5 Exhaust System | 5-9 |
| 5-6 Fuel System | 5-10 |
| 5-7 Rear Axle Assembly | 5-11 |
| 5-8 Drive Train | 5-14 |
| 5-9 Gear Box | 5-16 |

Section 6. Hydraulics

| | |
|----------------------------|-----|
| 6-1 Hydraulic System | 6-2 |
|----------------------------|-----|

Table of Contents - Cont.

| | | |
|---|--|------|
| 6-2 | Axle Drive Motor | 6-5 |
| 6-3 | Manifold Assembly | 6-8 |
| 6-4 | Broom Lift Cylinder | 6-10 |
| 6-5 | Broom Swing Cylinder | 6-11 |
| 6-6 | Steering Cylinder | 6-12 |
| 6-7 | Foot Pedal Control | 6-13 |
| 6-8 | Foot Pedal Pilot Control | 6-15 |
| 6-9 | Hydraulic Filters | 6-16 |
| 6-10 | Grader Blade Hydraulics | 6-17 |
| Section 7. Lights and Electrical | | |
| 7-1 | Main Electrical Schematic | 7-2 |
| 7-2 | Strobe Light | 7-5 |
| 7-3 | LED Light Kit | 7-5 |
| Section 8. Brakes | | |
| 8-1 | MC/Brake Pedal/Brake Line Assembly | 8-2 |
| 8-2 | Parking Brake Assembly | 8-3 |
| 8-3 | Front Drum Brake Assembly | 8-5 |
| Section 9. Decals | | |
| 9-1 | Exterior Decals | 9-2 |
| 9-2 | Interior Decals | 9-3 |
| Section 10. Sprinkler System | | |
| 10-1 | Sprinkler Kit | 10-1 |

Section 1. Filters and Brush Kits

Filters List

| Item | Part Number | Description | Qty | Notes |
|------|-------------|--|-----|---|
| 1 | 10349237 | FUEL FILTER (IN-LINE) | 1 | |
| 2 | 10350817 | ELEMENT, FUEL/WATER SEPARATOR | 1 | |
| 3 | 10348975 | HYDRAULIC FILTER (RETURN) (ELECTRIC) | | The Restriction Indicator Switch is not available separately. Order new assembly (P/N 424143) |
| 4 | | HEAD, FILTER ELECTRIC (25 PSI RELIEF) | 1 | |
| 5 | 10347454 | HYDRAULIC OIL FILTER (RETURN) | 1 | 25 Micron |
| 6 | 10349277 | HYDRAULIC FILTER WITH HEAD (CHARGE) (ELECTRIC) | | The Restriction Indicator Switch is not available separately. Order new assembly (P/N 437665) |
| 7 | | HEAD, FILTER ELECTRIC (25 PSI RELIEF) | 1 | |
| 8 | 10349282 | HYDRAULIC OIL FILTER (CHARGE) | 1 | 6 Micron |
| 9 | 10350185 | HEPA, AC 1.75 X 4 X 13.50 | 1 | |
| 10 | 424142 | HEAD, FILTER W/25 PSI BY-PASS - W/INDICATOR TERMINAL LUG | 1 | |
| 11 | 10350592 | KUBOTA V3600 ENGINE OIL | 1 | |
| 12 | 10350875 | SPIN FUEL FILTER, KUBOTA | | |
| 13 | 10349237 | INLINE FUEL FILTER, KUBOTA | 1 | |

Brush Kits

| Item | Part Number | Description |
|------|-------------|--|
| 1 | 416057 | Poly Wafer, 10" X 32" |
| 2 | 416057BX | Poly Wafer, 10" X 32", BOX OF 25 |
| 3 | 416065 | Wire Wafer, 10" X 32" |
| 4 | 416065BX | Wire Wafer, 10" X 32", BOX OF 24 |
| 5 | 475155 | Combo Wafer, 10" X 32" |
| 6 | 475155BX | Combo Wafer, 10" X 32", BOX OF 24 |
| 7 | 9104643K | Complete Brush Kit, Combo Wafer, 10" X 32" X 8' Wide |
| 8 | 416024K | Complete Brush Kit, 1/2 Poly & 1/2 Wire Wafer, 10" X 32" X 8' Wide |
| 9 | 416032K | Complete Brush Kit, Poly Wafer, 10" X 32" X 8' Wide |
| 10 | 416040K | Complete Brush Kit, Wire Wafer Brush Kit, 10" X 32" X 8' Wide |

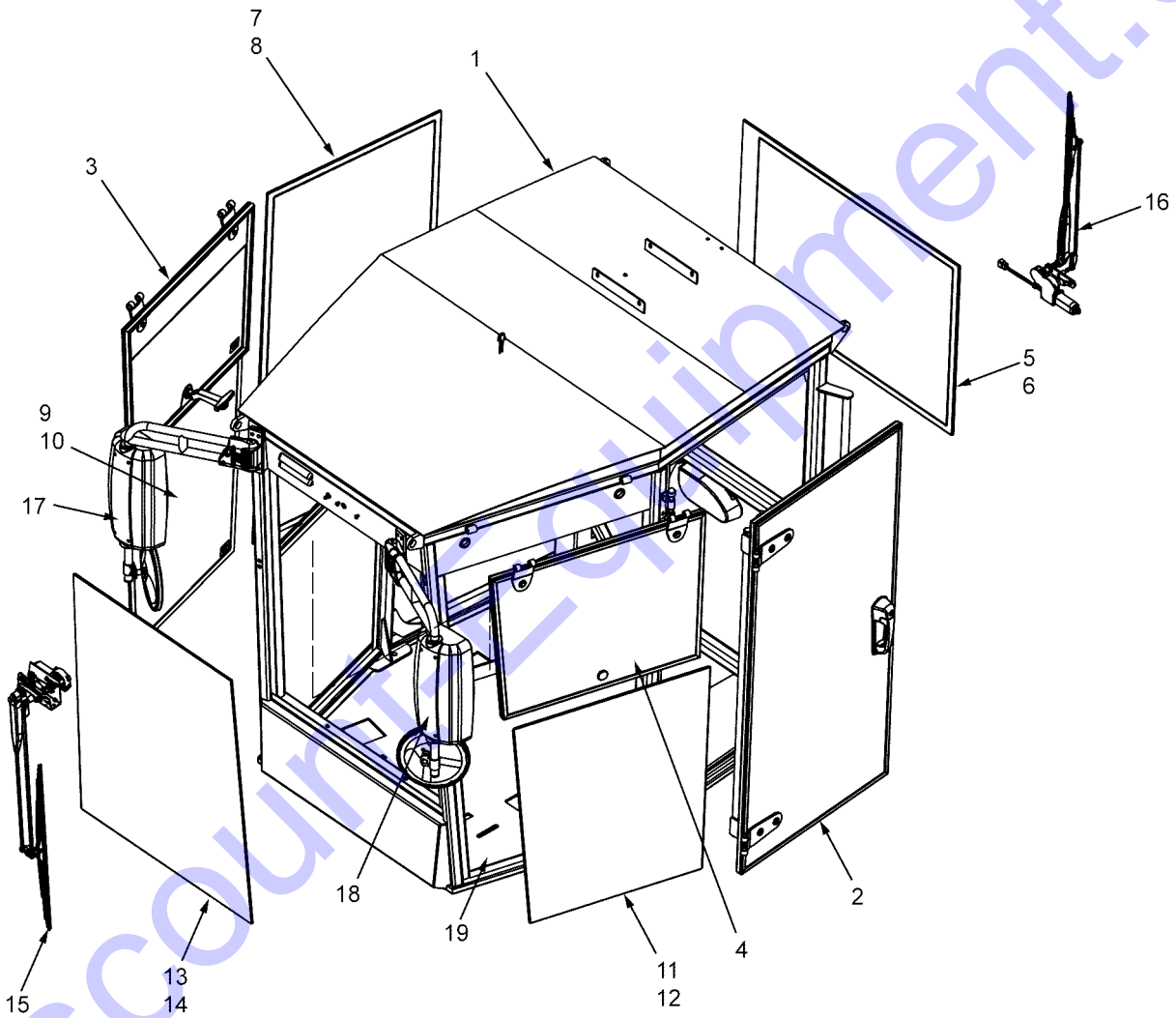
Section 2. Brush Kits

| Item | Part Number | Description |
|------|-------------|--|
| 1 | 10348771 | Poly Wafer, 10" X 32" |
| 2 | 10348772 | Poly Wafer, 10" X 32", Box of 25 |
| 3 | 10348773 | Wire Wafer, 10" X 32" |
| 4 | 10348774 | Wire Wafer, 10" X 32", Box of 24 |
| 5 | 10350533 | Combo Wafer, 10" X 32" |
| 6 | 10350534 | Combo Wafer, 10" X 32", Box of 24 |
| 7 | | Complete Brush Kit, Combo Wafer, 10" X 32" X 8' Wide |
| 8 | 10354524 | Complete Brush Kit, 1/2 Poly & 1/2 Wire Wafer, 10" X 32" X 8' Wide |
| 9 | 10354526 | Complete Brush Kit, Poly Wafer, 10" X 32" X 8' Wide |
| 10 | 10354526 | Complete Brush Kit, Wire Wafer Brush Kit, 10" X 32" X 8' Wide |

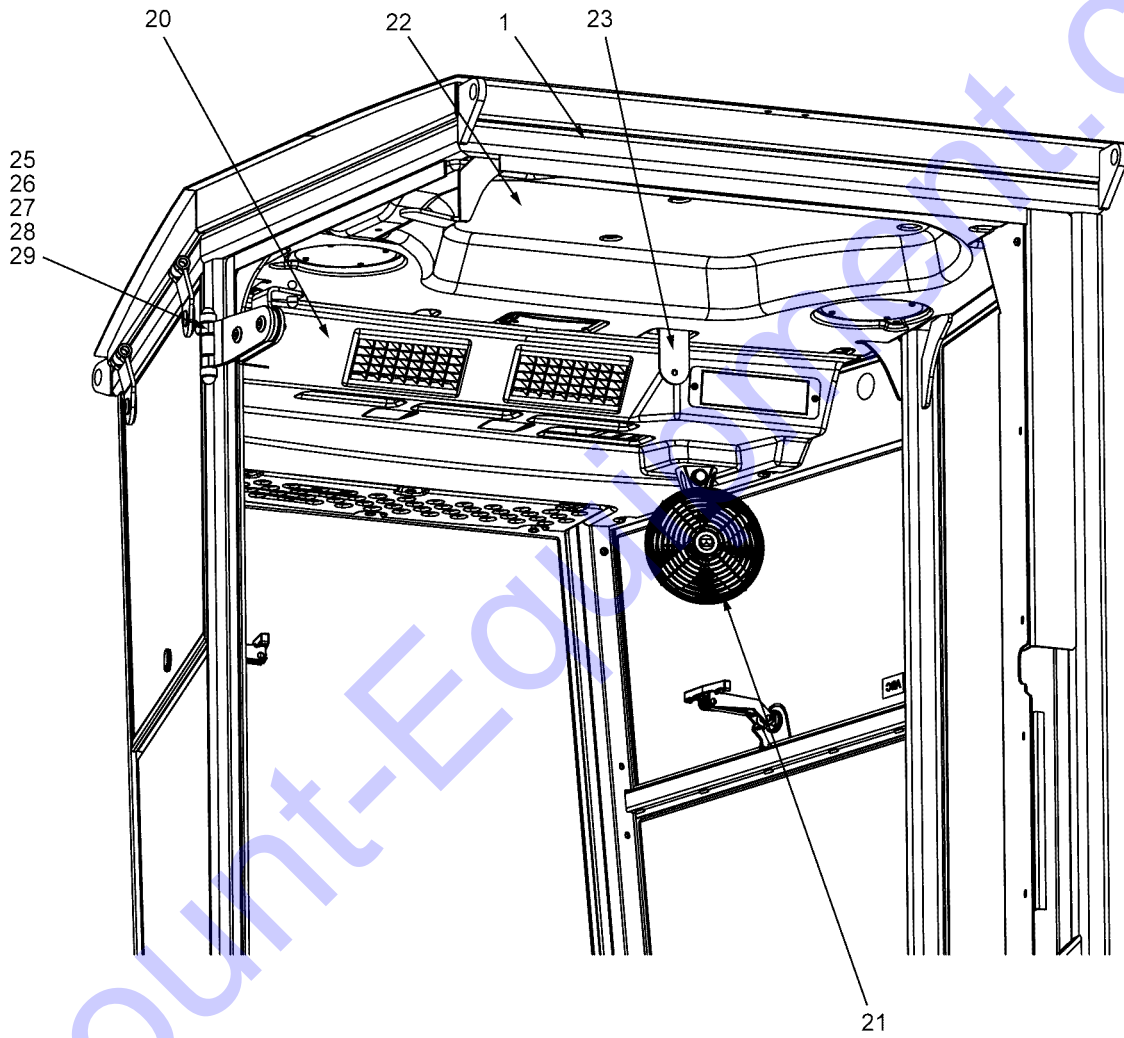
Section 3. Cab Assembly

| | | |
|-------------|-----------------------------------|----|
| Figure 3-1. | Vista Cab Assembly | 2 |
| Figure 3-2. | Door Assembly | 6 |
| Figure 3-3. | Road Side Window Assembly | 8 |
| Figure 3-4. | Curb Side Window Assembly | 10 |
| Figure 3-5. | AC/Heater Assembly | 12 |
| Figure 3-6. | A/C Plumbing | 14 |
| Figure 3-7. | Windshield Wiper Assemblies | 15 |
| Figure 3-8. | Seat Assembly | 16 |
| Figure 3-9. | Mirror Kit | 18 |

Figure 3-1. Vista Cab Assembly



LM-0011



LM-0017

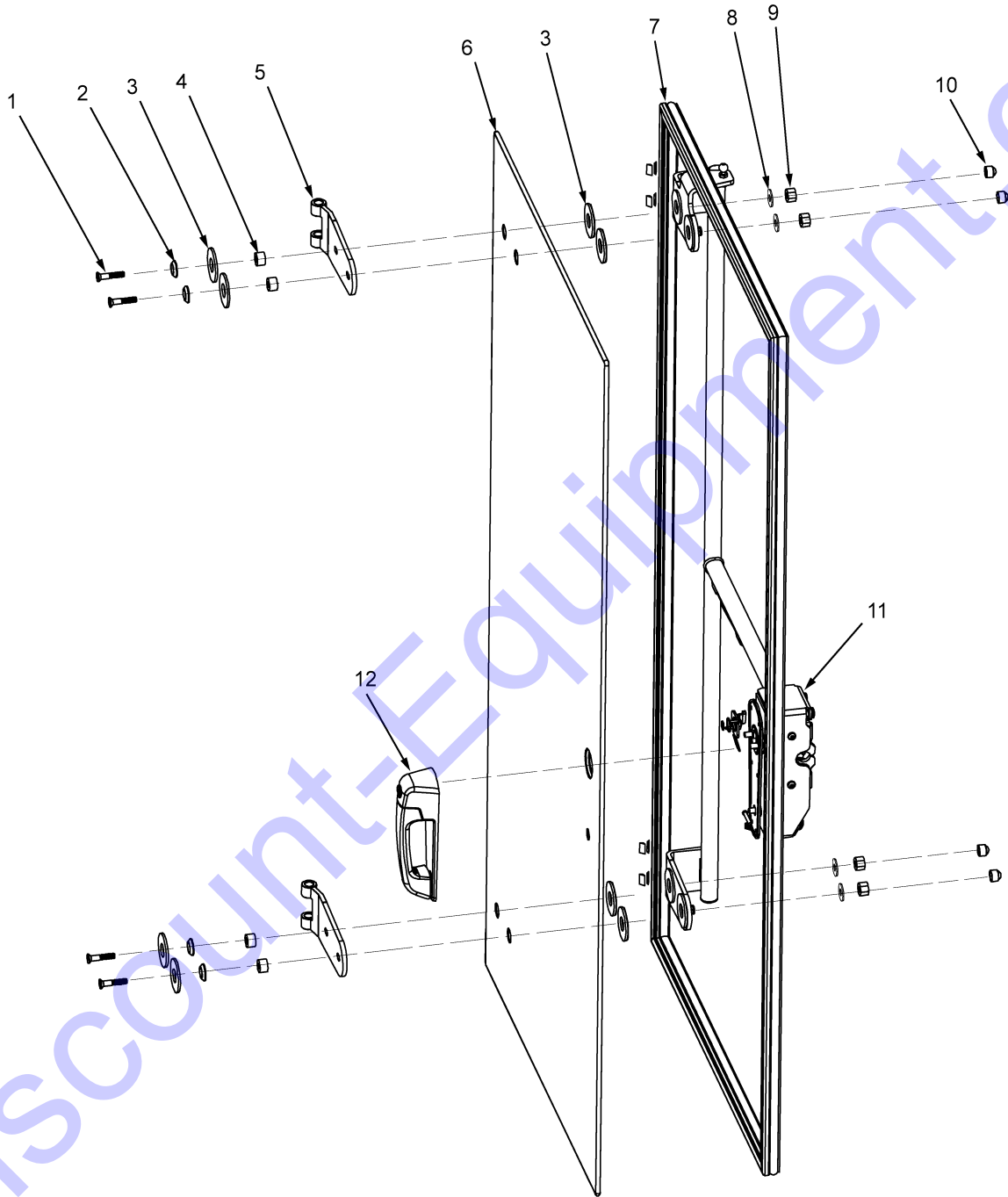
SM450 Parts Manual
Section 3. Cab Assembly

Parts List for Figure 3-1

| Item | Part Number | Description | Qty | Notes |
|------|----------------|---|-----|-----------|
| | 7113000 | VISTA CAB ASSEMBLY | | |
| 1 | 7113001 | CAB FRAME ASSEMBLY | 1 | |
| 2 | 70840-04 | DOOR ASSEMBLY (see Fig. 3-2 for breakdown) | 1 | |
| 3 | 10552675 | WINDOW ASSEMBLY, CURB SIDE (see Fig. 3-4 for breakdown) | 1 | |
| 4 | 10552699 | WINDOW ASSEMBLY, ROAD SIDE (see Fig. 3-3 for breakdown) | 1 | |
| 5 | 10327696 | REAR GLASS | 1 | |
| 6 | Not used | | | |
| 7 | 10349715 | RIGHT SIDE GLASS | 1 | |
| 8 | Not used | | | |
| 9 | 10552648 | LOWER RIGHT GLASS | 1 | |
| 10 | Not used | | | |
| 11 | 10501500 | LOWER LEFT GLASS | 1 | |
| 12 | Not used | | | |
| 13 | 10086480 | FRONT GLASS | 1 | |
| 14 | Not used | | | |
| 15 | Not used | | | |
| 16 | Not used | | | |
| 17 | 7113202 | MIRROR ASSEMBLY, RIGHT (see Fig. 3-9 for breakdown) | 1 | |
| 18 | 10504212 | MIRROR ASSEMBLY, LEFT (see Fig. 3-9 for breakdown) | 1 | |
| 19 | 7113501 | FLOOR MAT | 1 | |
| 20 | 10552610 | AC/HEATER ASSEMBLY (see Fig. 3-5 for breakdown) | 1 | |
| 21 | 166066 | FAN ASSMEBLY | 1 | |
| 22 | 10552629 | HEAD LINER | 1 | |
| 23 | 10552650 | MIRROR BRACKET | 1 | |
| 24 | Not used | | | |
| 25 | 70840-124 | HINGE MOUNT | 2 | |
| 26 | 10552634 | HINGE BOLT | 2 | |
| 27 | 10552636 | HINGE WASHER | 2 | |
| 28 | Not used | | | |
| 29 | 10552616 | BOLT CAP | 2 | |
| 30 | 10350405 | SEAT ASSEMBLY (see Fig. 3-8 for breakdown) | 1 | Not Shown |
| 31 | Not used | | | |
| 32 | 70840-105-2 | HOSE COVER - FR - LH | 1 | Not Shown |
| 33 | 70840-106 | LWR COVER - FR | 1 | Not Shown |
| 34 | | DOOR GAS SPRING | 1 | Not Shown |
| 35 | 414672 | CASE, LITERATURE (8.5 X 11) BL | 1 | Not Shown |
| 36 | 10552630 | HEADLINER, FRONT | 1 | Not Shown |
| 37 | 10552631 | HEADLINER ACCESS COVER | 1 | Not Shown |
| 38 | 10552639 | HOSE COVER - FR - RH | 1 | Not Shown |
| 39 | 10552620 | COVER - WASHER BOTTLE | 1 | Not Shown |
| 40 | 10552640 | HOSE COVER - REAR | 1 | Not Shown |
| 41 | 10552618 | BRACKET FOR WASHER BOTTLE | 1 | Not Shown |
| 42 | 10552638 | HOSE COVER - FR - LH | 1 | Not Shown |
| 43 | 10552649 | LOWER COVER, FR | 1 | Not Shown |

| Item | Part Number | Description | Qty | Notes |
|------|-------------|--------------------------------------|-----|-----------|
| 44 | 10552659 | STRIKER BOLT FOR DOOR LATCH | 1 | Not Shown |
| 45 | 10552628 | GROMMET - FOR WIRE HARNESS THRU ROOF | 1 | Not Shown |
| 46 | 10552656 | ROLL PIN - FOR HOLD OPEN LATCH | 1 | Not Shown |
| 47 | 10552637 | HOLE PLUG - TILT WINDOW BOLT ACCESS | 1 | Not Shown |
| 48 | 10552663 | WASHER BOTTLE ASSEMBLY | 1 | Not Shown |
| 49 | 10552666 | RIVET - FOR HEADLINERS | 1 | Not Shown |
| 50 | 10552674 | WIPER MOTOR COVER & BASE PLATE | 1 | Not Shown |

Figure 3-2. Door Assembly

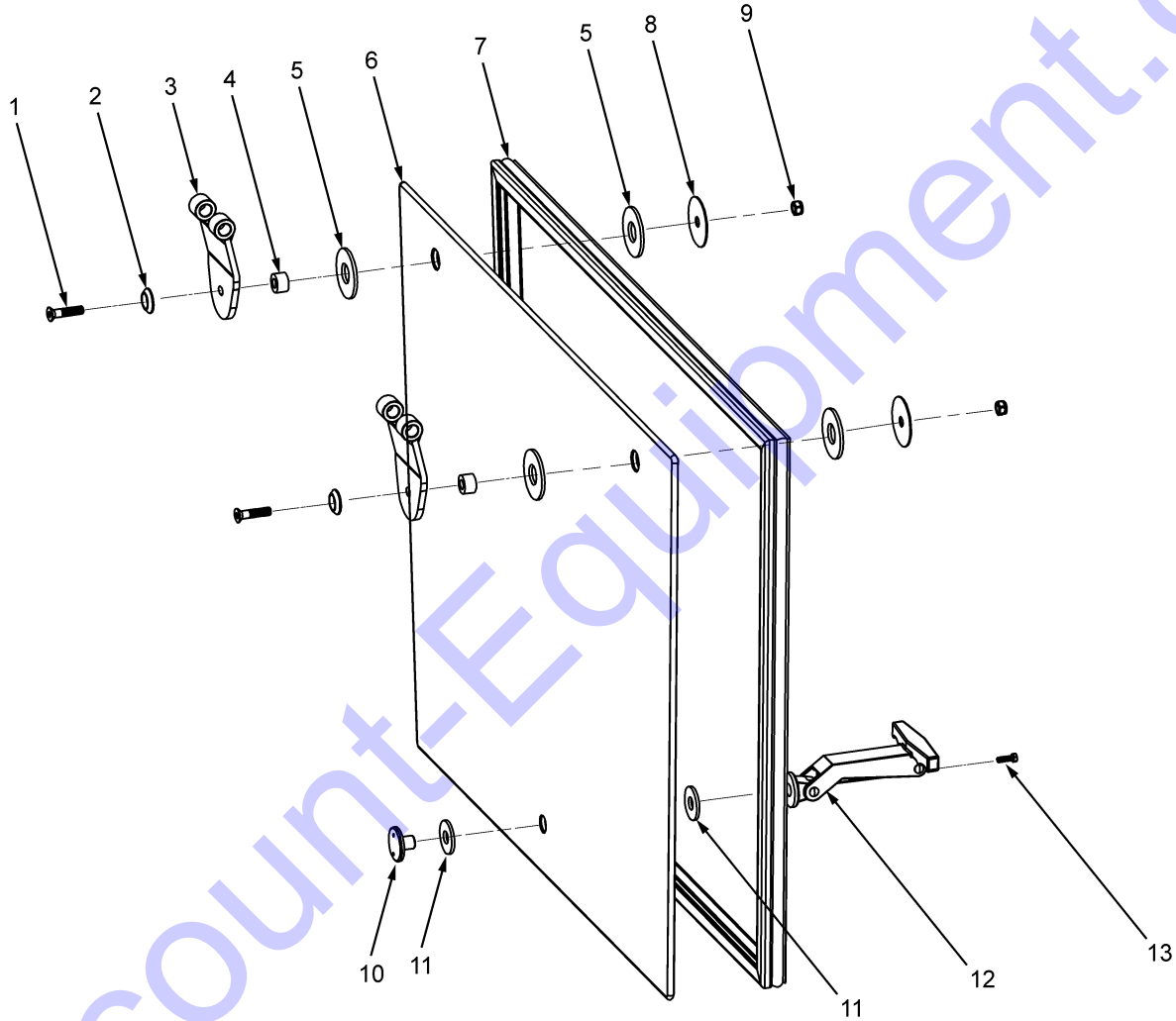


LM-0020

Parts List for Figure 3-2

| Item | Part Number | Description | Qty | Notes |
|------|-----------------|----------------------|-----|-------|
| | 10552621 | DOOR ASSEMBLY | | |
| 1 | 10552612 | BOLT | 4 | |
| 2 | 10552667 | WASHER, FINISHING | 4 | |
| 3 | 10552658 | WASHER, CUSHIONING | 8 | |
| 4 | | SPACER | 4 | |
| 5 | 10552632 | HINGE | 2 | |
| 6 | 7120134 | GLASS | 1 | |
| 7 | 10552622 | DOOR FRAME | 1 | |
| 8 | 10552665 | WASHER, FENDER | 4 | |
| 9 | 10552655 | LOCKNUT | 4 | |
| 10 | 10552619 | CAP, BOLT | 4 | |
| 11 | 10552643 | LATCH MECHANISM | 1 | |
| 12 | 10552654 | PULL HANDLE, KEYED | 1 | |

Figure 3-3. Road Side Window Assembly

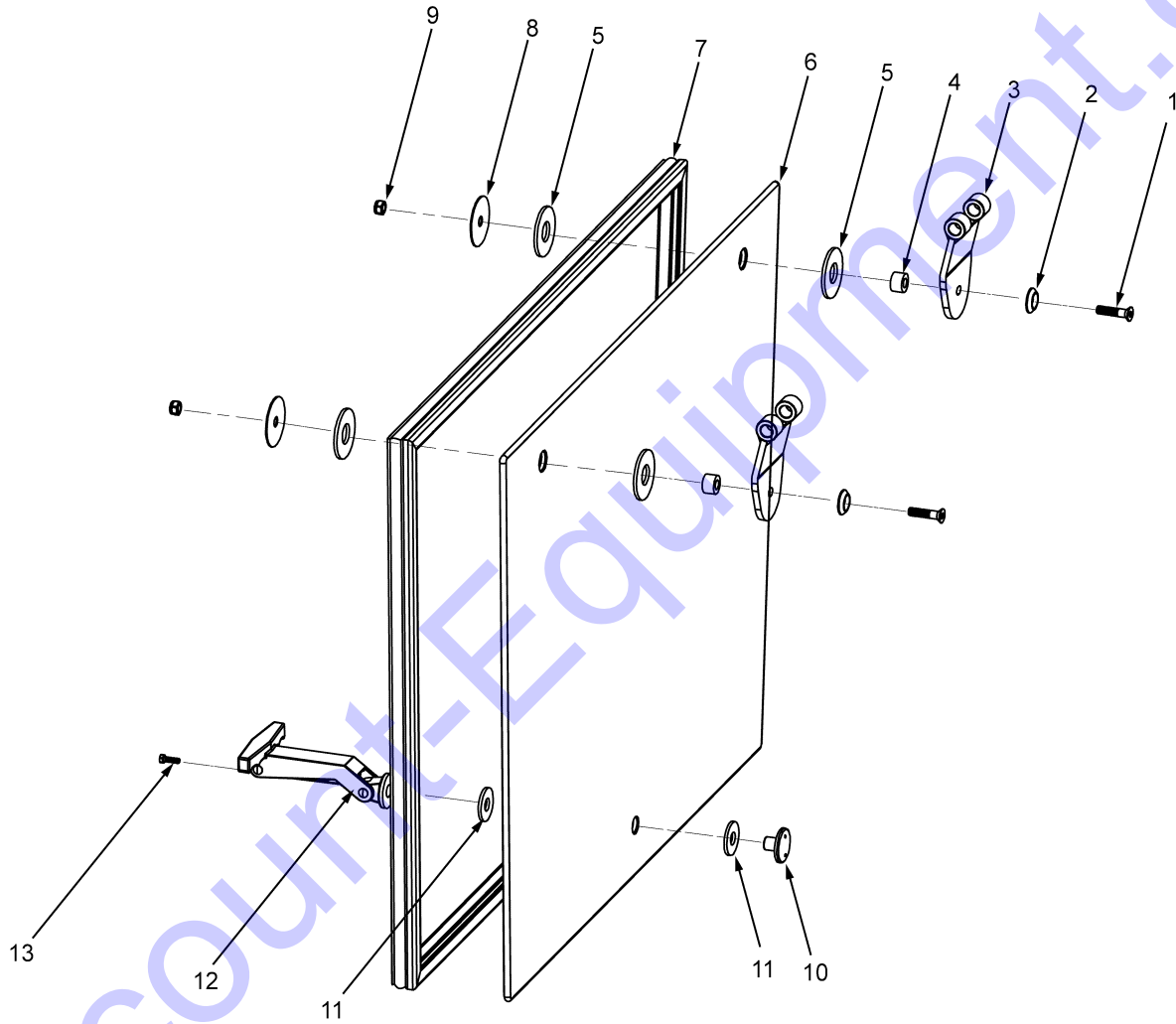


LM-0021

Parts List for Figure 3-3

| Item | Part Number | Description | Qty | Notes |
|------|-----------------|----------------------------------|-----|-------|
| | 10552699 | ROAD SIDE WINDOW ASSEMBLY | | |
| 1 | 10552661 | BOLT | 2 | |
| 2 | 10552667 | WASHER, FINISHING | 2 | |
| 3 | 10552708 | HINGE | 2 | |
| 4 | | SPACER | 2 | |
| 5 | 10552658 | WASHER, CUSHIONED | 4 | |
| 6 | 10552626 | GLASS | 1 | |
| 7 | 10552668 | WINDOW FRAME | 1 | |
| 8 | 10552647 | WASHER | 2 | |
| 9 | 10552655 | LOCKNUT | 2 | |
| 10 | | SCREW CAP | 1 | |
| 11 | | WASHER, RUBBER | 2 | |
| 12 | 10552664 | LATCH ASSEMBLY | 1 | |
| 13 | | BOLT | 1 | |

Figure 3-4. Curb Side Window Assembly

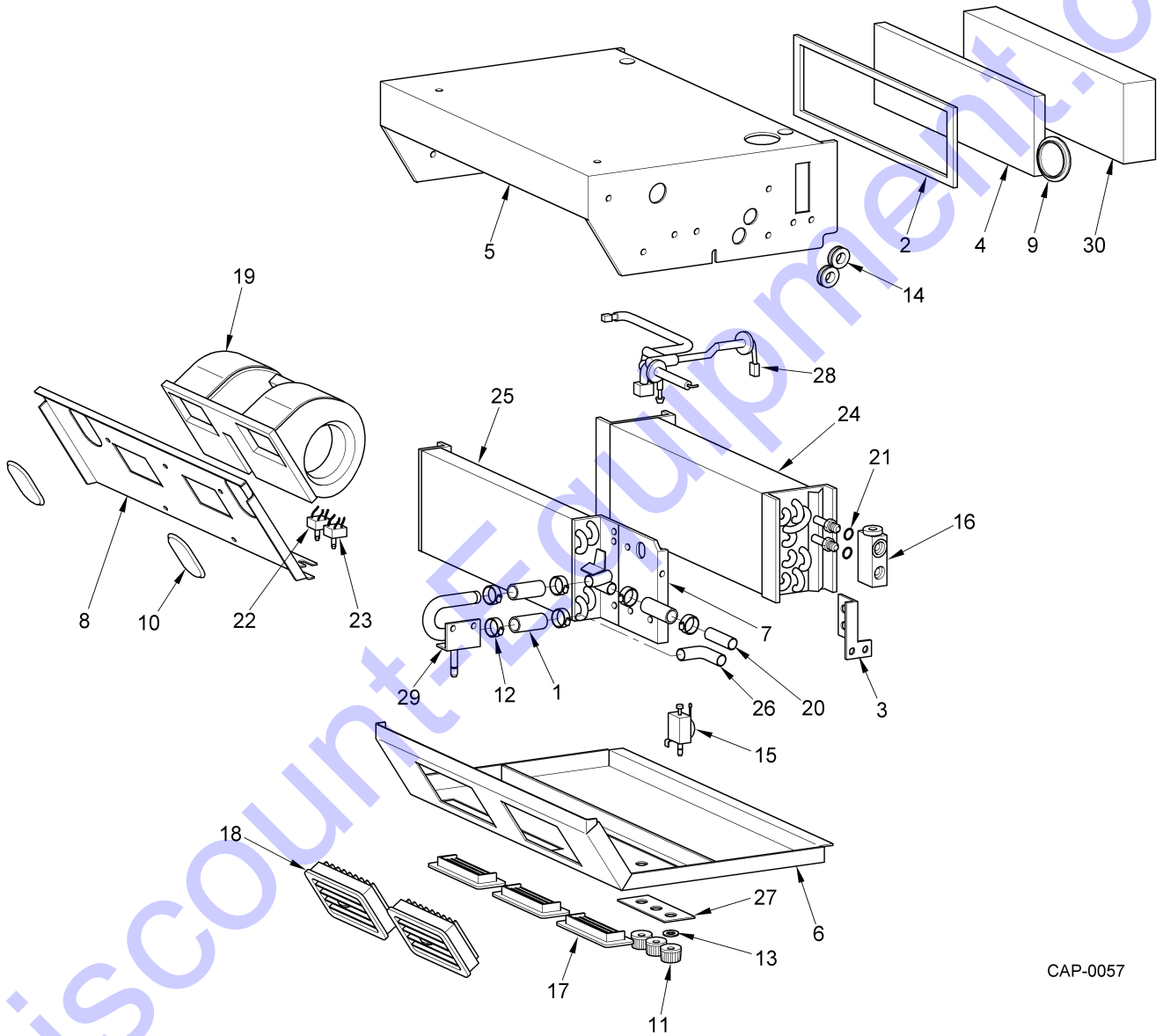


LM-0022

Parts List for Figure 3-4

| Item | Part Number | Description | Qty | Notes |
|------|-----------------|---------------------------------------|-----|-------|
| | 10552675 | CURB SIDE SIDE WINDOW ASSEMBLY | | |
| 1 | 10552661 | BOLT | 2 | |
| 2 | 10552667 | WASHER, FINISHING | 2 | |
| 3 | 10552708 | HINGE | 2 | |
| 4 | | SPACER | 2 | |
| 5 | 10552658 | WASHER, CUSHIONED | 4 | |
| 6 | 10552627 | GLASS | 1 | |
| 7 | 10552669 | WINDOW FRAME | 1 | |
| 8 | 10552647 | WASHER | 2 | |
| 9 | 10552655 | LOCKNUT | 2 | |
| 10 | | SCREW CAP | 1 | |
| 11 | | WASHER, RUBBER | 2 | |
| 12 | 10552664 | LATCH ASSEMBLY | 1 | |
| 13 | | BOLT | 1 | |

Figure 3-5. AC/Heater Assembly

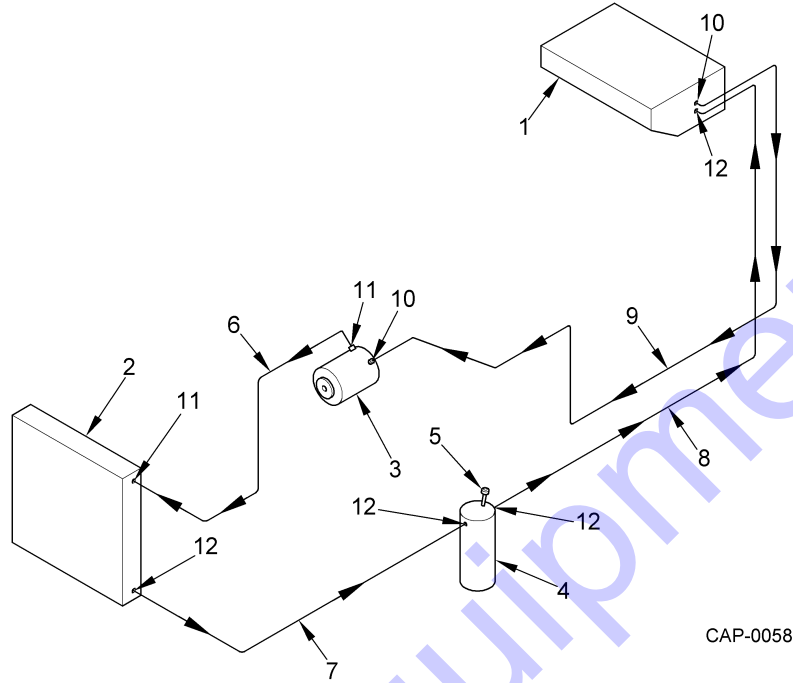


CAP-0057

Parts List for Figure 3-5

| Item | Part Number | Description | Qty | Notes |
|------|-------------|----------------------------|-----|-------|
| 1 | | HEATER HOSE, 5/8" ID | | |
| 2 | | FILTER FASTENER | | |
| 3 | | BRACKET, EXPANSION VALVE | | |
| 4 | 10348183 | FOAM FILTER, RECIRCULATION | 1 | |
| 5 | | HOUSING | 1 | |
| 6 | | COVER | 1 | |
| 7 | | BRACKET, HEATER COIL | 1 | |
| 8 | | BRACKET, BLOWER MOUNT | 1 | |
| 9 | | HOLE PLUG, 2-1/2" | | |
| 10 | | HOLE PLUG, 3" | | |
| 11 | 10349086 | CONTROLS KNOB | 3 | |
| 12 | | HOSE CLAMP, 5/8" | | |
| 13 | | GROMMET, 3/8" | | |
| 14 | | GROMMET, 1" | | |
| 15 | 10349087 | THERMOSTAT PRE-SET SWITCH | 1 | |
| 16 | 10349085 | EXPANSION VALVE | | |
| 17 | 10352014 | LOUVER, SMALL | 3 | |
| 18 | 10352011 | LOUVER, LARGE | 2 | |
| 19 | 10349083 | BLOWER, 12V | 1 | |
| 20 | | HARD PLUMBING, STR. | | |
| 21 | | O-RING, #8, HNBR | | |
| 22 | 430217 | BLOWER SWITCH | 1 | |
| 23 | 10349090 | A/C ON-OFF SWITCH | 1 | |
| 24 | 10349082 | EVAPORATOR COIL | 1 | |
| 25 | 10349151 | HEATER COIL | 1 | |
| 26 | | HARD PLUMBING, 90° | | |
| 27 | | CONTROLS DECAL | 1 | |
| 28 | | WIRE HARNESS | 1 | |
| 29 | 10349088 | HEATER VALVE | 1 | |
| 30 | 10348182 | FRESH AIR FILTER | 1 | |

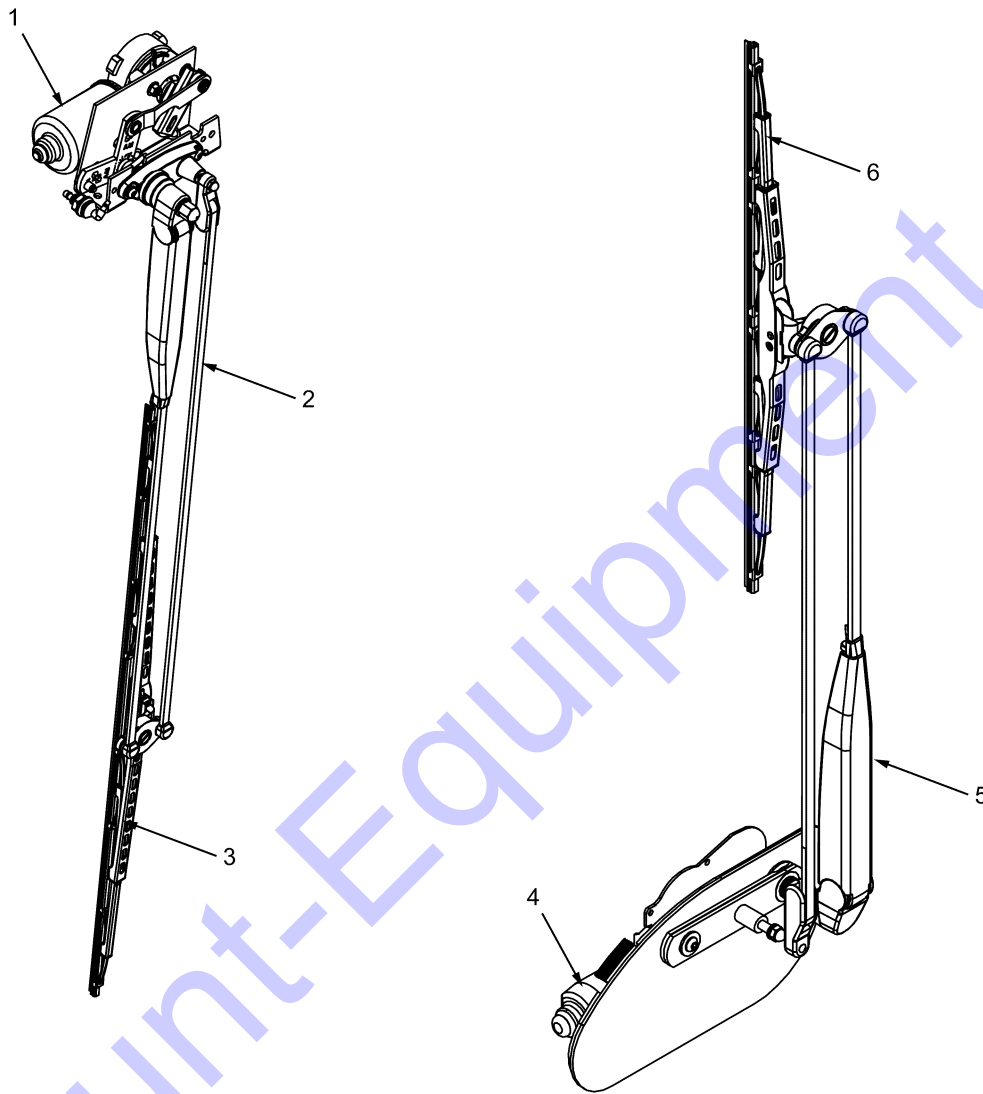
Figure 3-6. A/C Plumbing



Parts List for Figure 3-6

| Item | Part Number | Description | Qty | Notes |
|------|-------------|-------------------------------|-----|-------|
| 1 | 10348181 | A/C UNIT, ROOF MOUNTED | 1 | |
| 2 | 10348187 | CONDENSER COIL | 1 | |
| 3 | 10349620 | A/C COMPRESSOR | 1 | |
| 4 | 10350609 | DRIER | 1 | |
| 5 | 10348186 | PRESSURE SWITCH, SYSTEM HI/LO | 1 | |
| 6 | 10350699 | HOSE ASSEMBLY, #8 | 1 | |
| 7 | 10350698 | HOSE ASSEMBLY, #6 | 1 | |
| 8 | 10350700 | HOSE ASSEMBLY, #6 | 1 | |
| 9 | 10350701 | HOSE ASSEMBLY, #10 | 1 | |
| 10 | 10348179 | O-RING, #10 | 2 | |
| 11 | 10348180 | O-RING, #8 | 2 | |
| 12 | 10348181 | O-RING, #6 | 4 | |

Figure 3-7. Windshield Wiper Assemblies

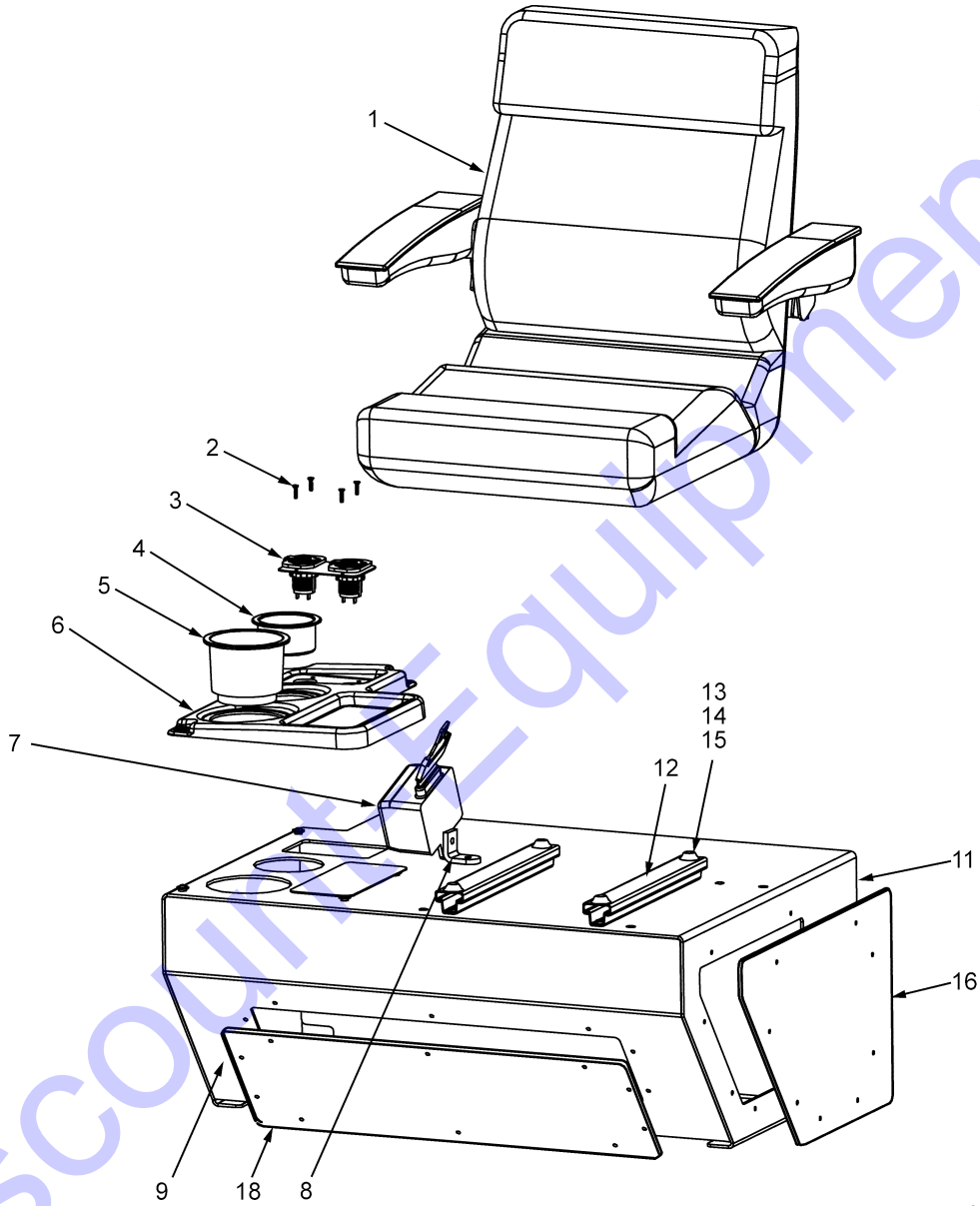


LM-0019

Parts List for Figure 3-7

| Item | Part Number | Description | Qty | Notes |
|------|-------------|---------------------|-----|-------|
| 1 | 10552651 | MOTOR, WIPER, FRONT | 1 | |
| 2 | 10552670 | WIPER ARM, FRONT | 1 | |
| 3 | 10552672 | WIPER BLADE, FRONT | 1 | |
| 4 | 10552652 | MOTOR, WIPER, REAR | 1 | |
| 5 | 10552671 | WIPER ARM, REAR | 1 | |
| 6 | 10552673 | WIPER BLADE, REAR | 1 | |

Figure 3-8. Seat Assembly

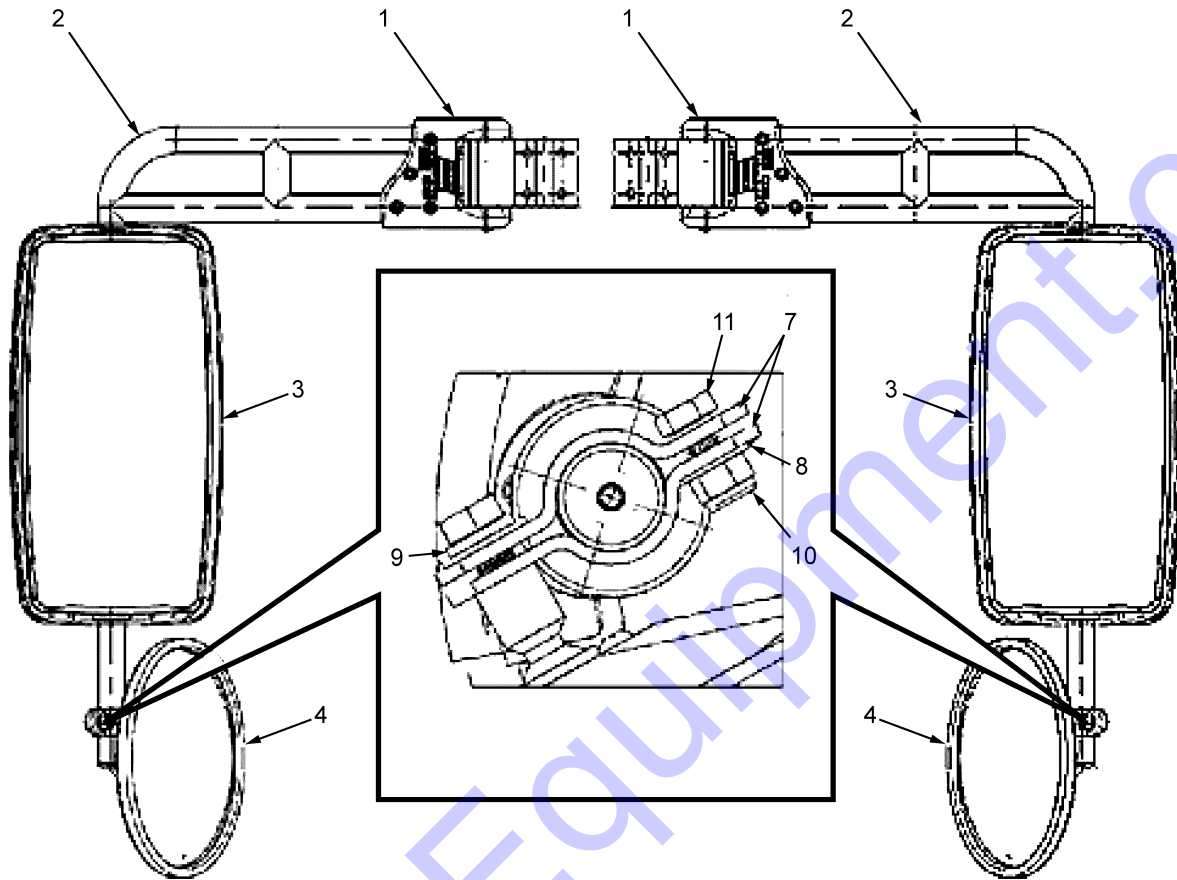


LM-0023

Parts List for Figure 3-8

| Item | Part Number | Description | Qty | Notes |
|------|---------------|-----------------------|-----|-------|
| | 472689 | SEAT ASSEMBLY | N/A | |
| 1 | | SEAT | 1 | |
| 2 | 10552657 | SCREW | 4 | |
| 3 | | POWER SOCKET ASSEMBLY | 1 | |
| 4 | | CUPHOLDER, SMALL | 1 | |
| 5 | | CUPHOLDER, LARGE | 1 | |
| 6 | | ACCESSORY TRAY | 1 | |
| 7 | 10349925 | SEAT BELT ASSEMBLY | 1 | |
| 8 | | PLATFORM FRONT PANEL | 1 | |
| 9 | 10347228 | BRACKET, SEAT BELT | 1 | |
| 10 | 7113401 | PLATFORM BASE | 1 | |

Figure 3-9 Mirror Kit



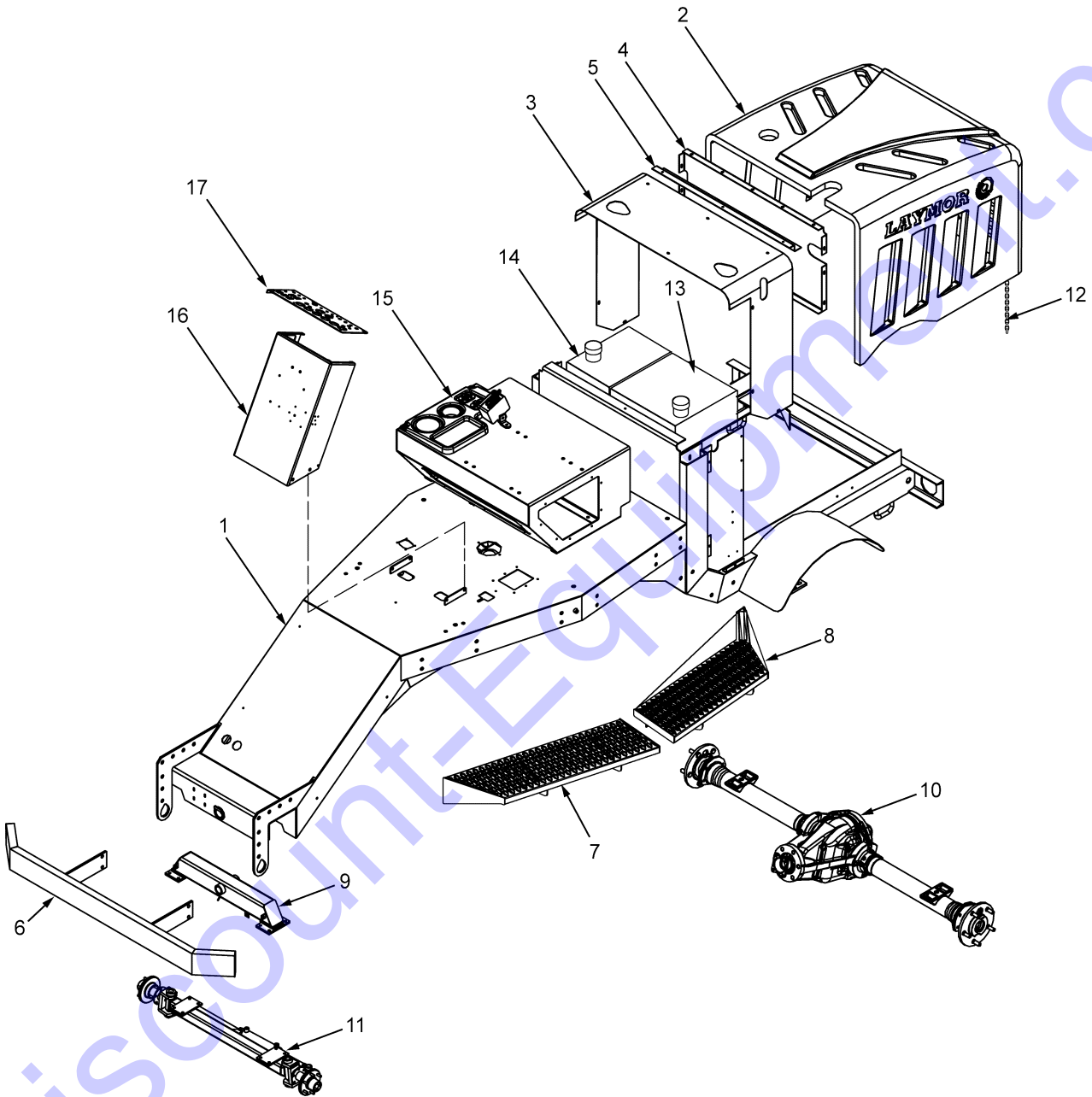
Parts List for Figure 3-9

| Item | Part Number | Description | Qty | Notes |
|--|----------------|-----------------------------|----------|-------|
| | 7113201 | MIRROR KIT, RIGHT | 1 | |
| | 7113202 | MIRROR KIT, LEFT | 1 | |
| 1 | 10552695 | BASE | 1 | |
| 2 | 10552694 | ARM, TUBULAR | 1 | |
| 3 | 10552697 | MIRROR HEAD | 1 | |
| 4 | 10552698 | MIRROR, ROUND CONVEX | 1 | |
| 5 | CAP2048 | GROMMET | 1 | |
| 6 | 10552696 | BRACKET ASSEMBLY, BREAKAWAY | 1 | |
| 7 | CLA2001 | CLAMP HALF | 2 | |
| 8 | WAS2001 | WASHER, FLAT | 2 | |
| 9 | WAS2203 | WASHER, FLAT | 1 | |
| 10 | NUT2001 | NUT, LOCK | 1 | |
| 11 | SCR3501 | SCREW | 1 | |
| QUANTITIES SHOWN ARE PER MIRROR ASSEMBLY | | | | |

Section 4. Chassis

| | | |
|--------------|----------------------------------|----|
| Figure 4-1. | Main Frame Assembly..... | 2 |
| Figure 4-2. | Fuel Tank Assembly..... | 4 |
| Figure 4-3. | Hydraulic Tank Assembly..... | 4 |
| Figure 4-4. | Cab Console and Instruments..... | 5 |
| Figure 4-5. | Steering Wheel Assembly..... | 7 |
| Figure 4-6. | Broom Support Assembly..... | 8 |
| Figure 4-7. | 88-Inch Broom Assembly..... | 10 |
| Figure 4-8. | Front Axle Assembly..... | 12 |
| Figure 4-9. | Brush Kits..... | 14 |
| Figure 4-10. | Wheels and Tires..... | 14 |

Figure 4-1. Main Frame Assembly



Parts List for Figure 4-1: Main Frame Assembly

| Item | Part Number | Description | Qty | Notes |
|------|-------------|--|-----|-------|
| 1 | 10552602 | FRAME ASSEMBLY, SM450 | 1 | |
| 2 | 10519829 | ENGINE COVER | 1 | |
| 3 | 10552690 | TANK COVER | 1 | |
| 4 | 10552701 | HEAT SHIELD | 1 | |
| 5 | 7111024 | HOOD SHELF | 1 | |
| 6 | 7111030 | FRONT BUMPER | 1 | |
| 7 | 10552605 | PLATFORM, FRONT | 1 | |
| 8 | 10552606 | PLATFORM, REAR | 1 | |
| 9 | 10552607 | SUPPORT, FRONT AXLE TUBE | 1 | |
| 10 | 7112200 | AXLE, REAR (see Fig. 5-7 for breakdown) | 1 | |
| 11 | 10552595 | FRONT AXLE ASSEMBLY (see Fig. 4-8 for breakdown) | 1 | |
| 12 | 7120005 | SAFETY CHAIN KIT, ENGINE COVER (Not Shown) | 1 | |
| 13 | 7120076 | HYDRAULIC TANK ASSEMBLY (see Fig. 4-3 for breakdown) | 1 | |
| 14 | 7120077 | FUEL TANK ASSEMBLY (see Fig. 4-2 for breakdown) | 1 | |
| 15 | 10552641 | SEAT PLATFORM ASSEMBLY (see Fig. 3-8 for breakdown) | 1 | |
| 16 | 10552633 | INSTRUMENT PEDESTAL | 1 | |
| 17 | 10552609 | INSTRUMENT PANEL | 1 | |

Figure 4-2. Fuel Tank Assembly

Not Illustrated

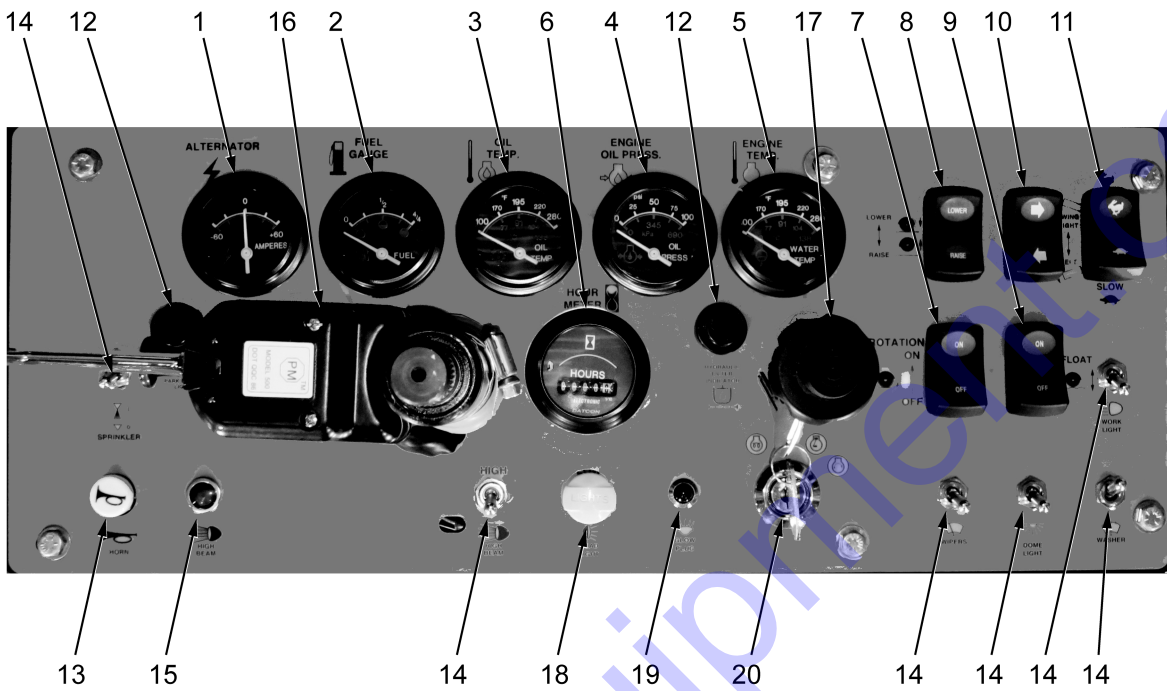
| Item | Part Number | Description | Qty | Notes |
|-------------|--------------------|--------------------------------------|------------|--------------|
| | 7120076 | FUEL TANK ASSEMBLY, 30 GALLON | 1 | |
| 1 | 031914 | HOSE CLAMP | 6 | |
| 2 | 052753 | ELBOW, BRASS | 1 | |
| 3 | 068544 | HOSE, FUEL LINE | 2 | |
| 4 | 10362808 | ELBOW, NPT X HOSE | 1 | |
| 5 | 10350067 | FUEL SENDER ASSEMBLY, W/GASKET | 1 | |
| 6 | 7119201 | FUEL TANK | 1 | |

Figure 4-3. Hydraulic Tank Assembly

Not Illustrated

| Item | Part Number | Description | Qty | Notes |
|-------------|--------------------|---|------------|--------------|
| | 7150077 | Hydraulic Tank Assembly, 22 Gallon | 1 | |
| 1 | 10349370 | BOLT, 1" | 4 | |
| 2 | 7119101 | TANK | 1 | |

Figure 4-4. Cab Console and Instruments



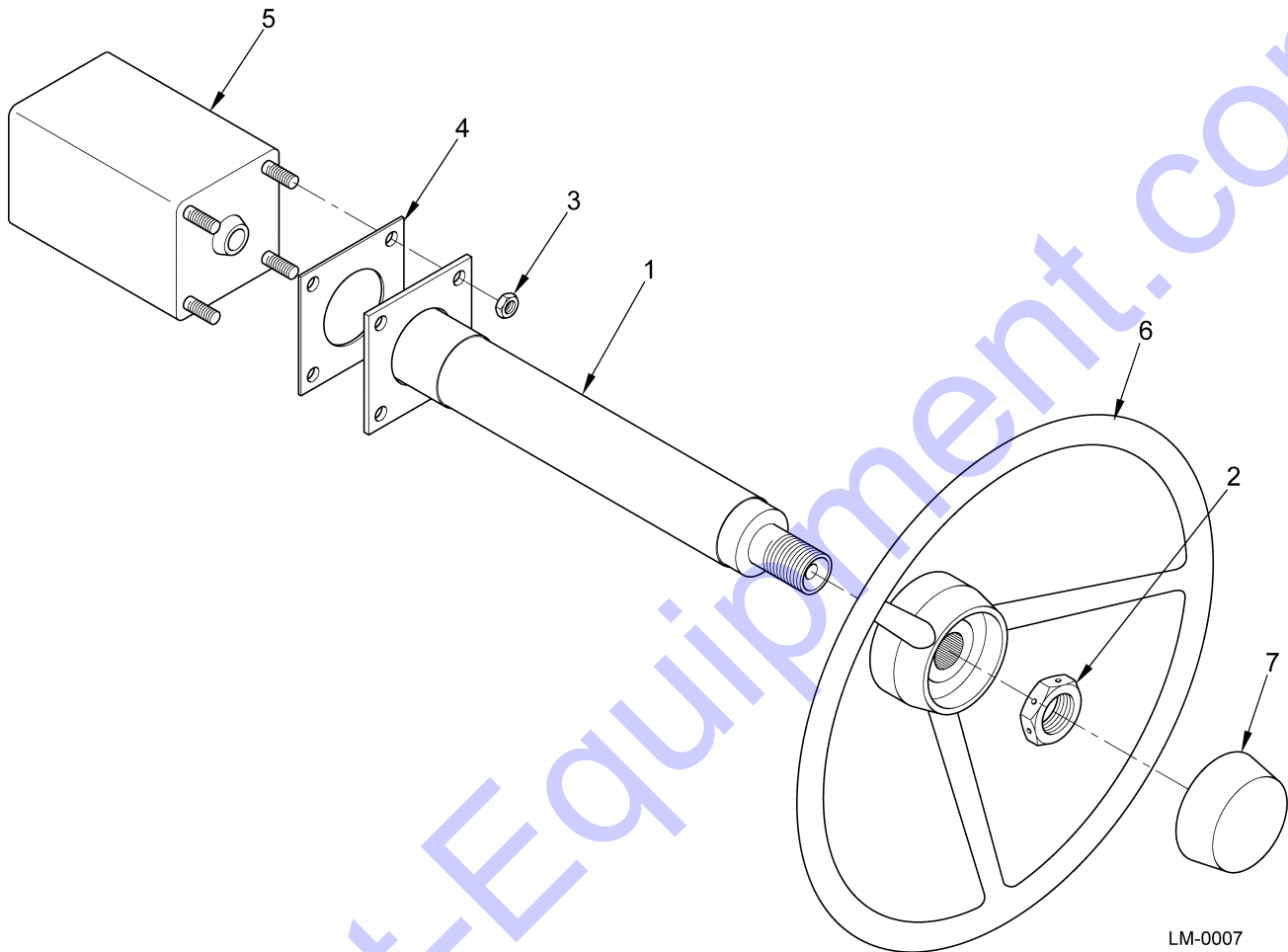
LM-0040

SM450 Parts Manual
Section 4. Chassis

Parts List for Figure 4-4: Cab Console and Instruments

| Item | Part Number | Description | Qty | Notes |
|------|----------------|------------------------------------|-----|-----------|
| | 7111020 | CAB CONSOLE AND INSTRUMENTS | N/A | |
| 1 | 078006 | GAUGE, AMMETER | 1 | |
| 2 | 077982 | GAUGE, FUEL | 1 | |
| 3 | 10348778 | GAUGE, OIL TEMP. 100-280 | 1 | |
| 4 | 078022 | GAUGE, ENGINE OIL PRESSURE | 1 | |
| 5 | 416115 | GAUGE, ENGINE TEMP | 1 | |
| 6 | 034892 | HOUR METER | 1 | |
| 7 | 10347041 | SWITCH ROCKER ON-OFF | 1 | |
| 8 | 10347042 | SWITCH ROCKER RAISE/LOWER BR | 1 | |
| 9 | 1000010 | SWITCH ROCKER ON-OFF | 1 | |
| 10 | 10347043 | SWITCH BROOM SWING ON-OFF-ON | 1 | |
| 11 | 7120014 | SWITCH ROCKER, SPEED ADJUST | 1 | |
| 12 | 10348868 | LIGHT, RED INDICATOR | 2 | |
| 13 | 10349638 | SWITCH, PUSH BUTTON HORN | 1 | |
| 14 | 10352586 | SWITCH, TOGGLE | 6 | |
| 15 | | LIGHT INDICATOR, BLUE | 1 | |
| 16 | V63115400 | TURN SIGNAL SWITCH KIT | 1 | |
| 17 | 10350583 | ALARM, REVERSE - ECCO 630 | 1 | |
| 18 | 10352542 | SWITCH, HEADLIGHTS | 1 | |
| 19 | Not used | | | |
| 20 | 9101497 | SWITCH, IGNITION | 1 | |
| 21 | 7111014 | FUSE BOX SM450-ST | 1 | Not Shown |
| 22 | 10348404 | BREAKER, 12V 50AMP CIRCUIT | 1 | Not Shown |
| 23 | 10349946 | SWITCH, PRESSURE .43 SAE N/O | 1 | Not Shown |
| 24 | 10349977 | RELAY, 12V 75A | 1 | Not Shown |
| 25 | 10350606 | KIT, HORN - 12V W/ L BRACKETS | 1 | Not Shown |

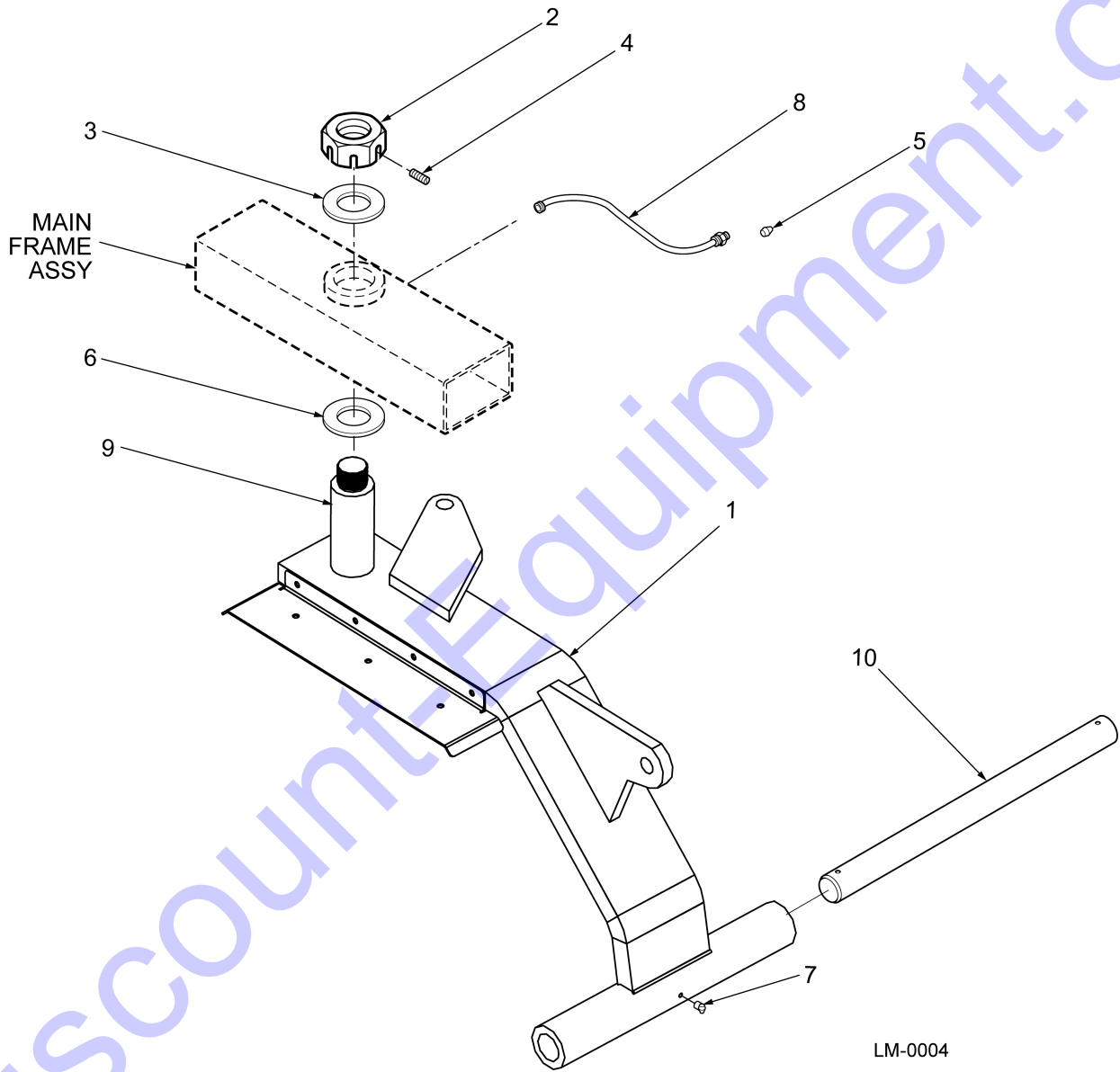
Figure 4-5. Steering Wheel Assembly



Parts List for Figure 4-5

| Item | Part Number | Description | Qty | Notes |
|------|-----------------------|--------------------------------|-----|-----------|
| | ST-500-050-001 | STEERING WHEEL ASSEMBLY | N/A | |
| 1 | 10349147 | COLUMN, STEERING 4 WHEEL | 1 | |
| 2 | 033886 | HEX NUT | 1 | |
| 3 | 035303 | HEX NUT | 4 | |
| 4 | 10349207 | GASKET | 1 | |
| 5 | 10350590 | VALVE, STEERING UNIT | 1 | |
| 6 | 10347100 | STEERING WHEEL | 1 | |
| 7 | 074229 | CAP, STEERING WHEEL | 1 | |
| 8 | 10349170 | SEAL KIT, VALVE | 1 | Not Shown |

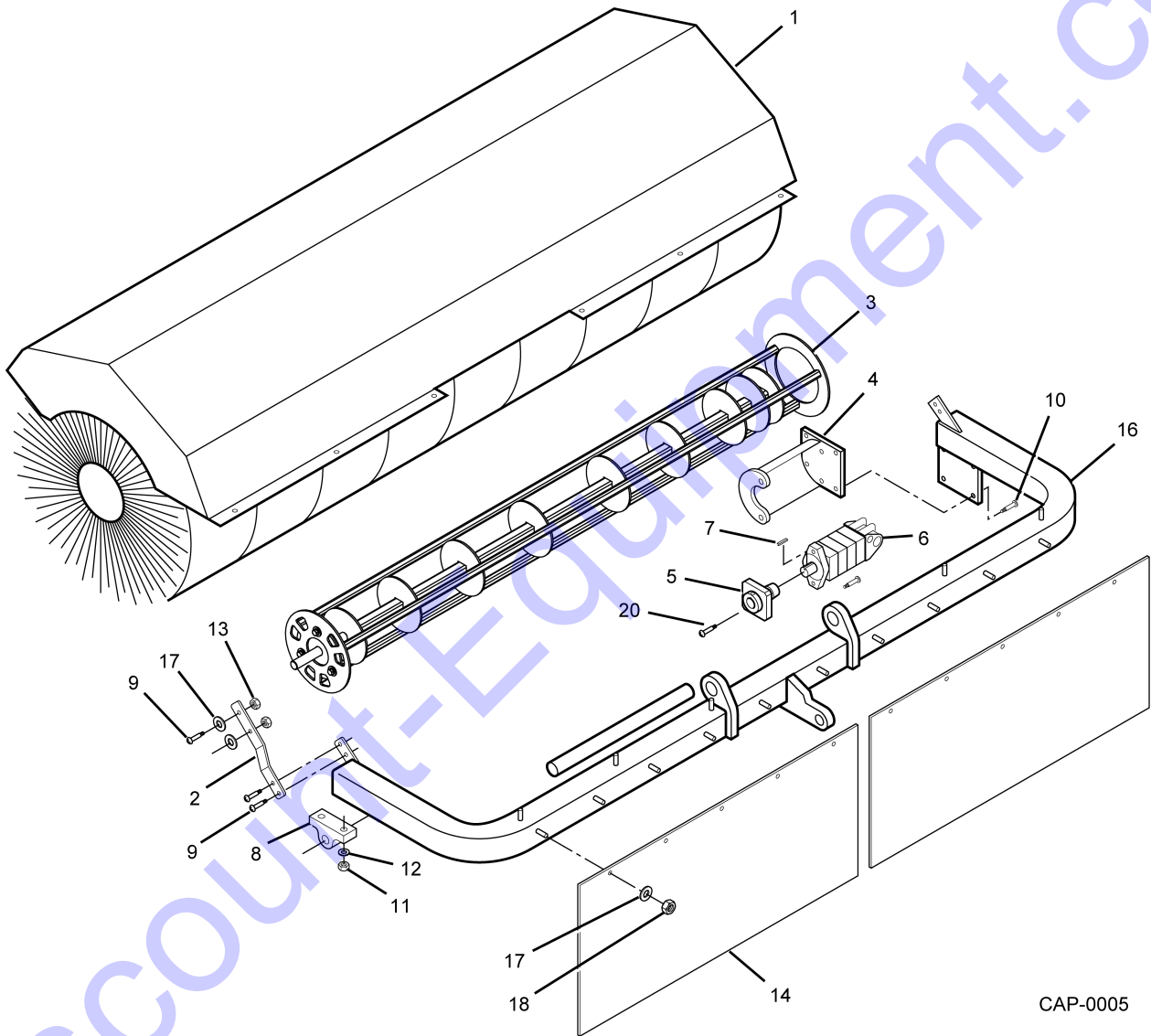
Figure 4-6. Broom Support Assembly



Parts List for Figure 4-6

| Item | Part Number | Description | Qty | Notes |
|-------------------------------|-------------|------------------------|------------|-------|
| BROOM SUPPORT ASSEMBLY | | | REF | |
| 1 | 10552642 | FRAME, BROOM SWING | 1 | |
| 2 | 10352570 | NUT | 1 | |
| 3 | 10347508 | THRUST WASHER, UPPER | 1 | |
| 4 | 031161 | SETSCREW | 1 | |
| 5 | 10347518 | LUBE FITTING | 1 | |
| 6 | 10347507 | THRUST WASHER, LOWER | 1 | |
| 7 | 033530 | LUBE FITTING | 1 | |
| 8 | 7120243 | TUBE, GREASE | 1 | |
| 9 | 10347505 | PIN, BROOM SWING | 1 | |
| 10 | 10347489 | PIN, BROOM FRAME MOUNT | 1 | |

Figure 4-7. 88-Inch Broom Assembly

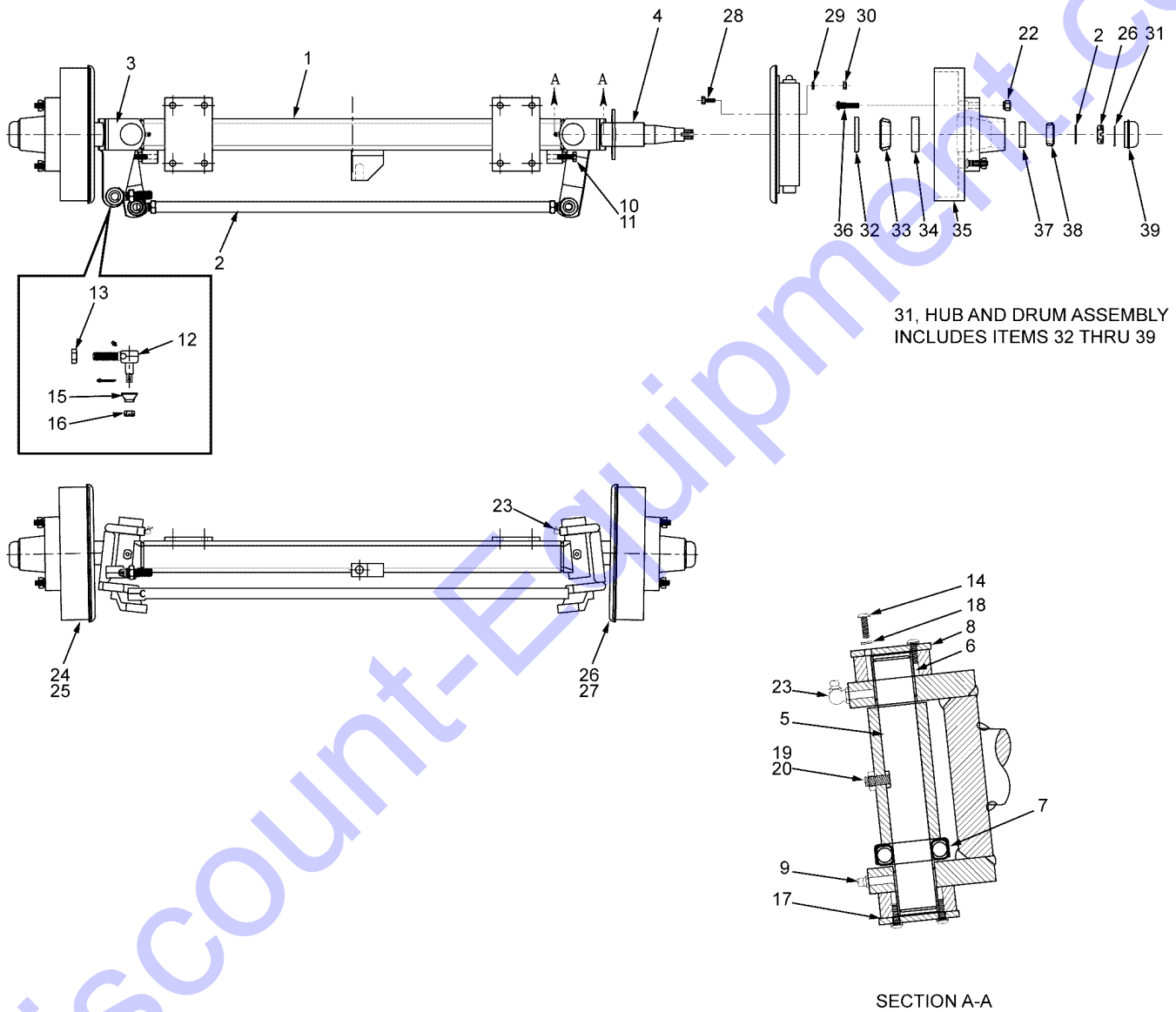


CAP-0005

Parts List for Figure 4-7

| Item | Part Number | Description | Qty | Notes |
|------|-----------------------|----------------------------------|-----|-----------|
| | ST-300-010-001 | BROOM ASSEMBLY, 88-INCH | | |
| 1 | 10347502 | COVER, BROOM | 1 | |
| 2 | 10352603 | SUPPORT, BROOM COVER | 2 | |
| 3 | 10544518 | CORE, BROOM | 1 | |
| 4 | 10347500 | MOUNT, BROOM MOTOR | 1 | |
| 5 | 9102713 | COUPLING, BROOM DRIVE MALE | 1 | |
| 6 | 7120122 | MOTOR, BROOM | 1 | |
| 7 | 9101779 | KEY | 1 | |
| 8 | 10349152 | BEARING, BROOM SHAFT | 1 | |
| 9 | 441600 | BOLT | 14 | |
| 10 | 441766 | BOLT | 4 | |
| 11 | 440644 | NUT | 2 | |
| 12 | 011643 | LOCKWASHER, 1/2" | 6 | |
| 13 | 083493 | NUT | 28 | |
| 14 | 298240 | DEFLECTOR, DIRT BELT | 2 | |
| 15 | 440370 | HOLDER, CLAMP HOSE | 1 | Not Shown |
| 16 | 10347495 | MOUNT, BROOM | 1 | |
| 17 | 011322 | FLAT WASHER, 5/16 | 58 | |
| 18 | 010553 | NUT | 58 | |
| 19 | 295238 | PIN, BROOM FRAME MOUNT | 1 | |
| 20 | 015362 | COTTER PIN, 3/16 X 2.50" (STEEL) | 2 | Not Shown |
| 21 | 010702 | CAPSCREW | 1 | |

Figure 4-8. Front Axle Assembly



Parts List for Figure 4-8

| Item | Part Number | Description | Qty | Notes |
|------|----------------|---|-----|--|
| | 7112101 | FRONT AXLE ASSEMBLY (WITH BRAKES) | | |
| | 7112100 | FRONT AXLE ASSEMBLY (WITHOUT BRAKES) | | |
| 1 | 10552569 | AXLE WELDMENT | 1 | |
| 2 | 10545249 | TIE ROD ASSEMBLY | 1 | |
| 3 | 10512142 | L.H. KNUCKLE WELDMENT | 1 | |
| 4 | 10552589 | R.H. KNUCKLE WELDMENT | 1 | |
| 5 | 10552580 | KING PIN | 2 | |
| 6 | 10552572 | BUSHING | 4 | |
| 7 | 10552594 | THRUST BEARING | 2 | |
| 8 | 10552581 | KING PIN CAP | 4 | |
| 9 | 10552578 | GREASE ZERK | 6 | |
| 10 | 10552573 | CAP SCREW | 2 | |
| 11 | 10552585 | NUT | 2 | |
| 12 | 10512143 | TIE ROD END | 1 | |
| 13 | 10512144 | NUT | 1 | |
| 14 | 10552574 | CAP SCREW | 8 | |
| 15 | 10552592 | SPINDLE WASHER | 2 | |
| 16 | 10552588 | NUT, SLOTTED HEX | 2 | |
| 17 | 10552577 | GASKET, KING PIN CAP | 4 | |
| 18 | 10552583 | LOCK WASHER | 8 | |
| 19 | 10552591 | SETSCREW | 2 | |
| 20 | 10552586 | NUT | 2 | |
| 21 | 10552576 | COTTER PIN | 2 | |
| 22 | 10545584 | NUT, TAPERED WHEEL | 12 | |
| 23 | 10552579 | GREASE ZERK | 2 | |
| 24 | 10552582 | LH SELF- ADJUSTING BRAKE, 12 X 2 | 1 | |
| 25 | 10552570 | BRAKE KIT, LH | 1 | |
| 26 | 10552590 | RH SELF- ADJUSTING BRAKE, 12 X 2 | 1 | |
| 27 | 10552571 | BRAKE KIT, RH | 1 | |
| 28 | 10552575 | CAPSCREW | 10 | |
| 29 | 10552584 | LOCK WASHER | 10 | |
| 30 | 10552587 | NUT | 10 | |
| 31 | 10545562 | HUB AND DRUM ASSEMBLY, COMPLETE | 2 | Includes items 32 thru 39. |
| 32 | 10545570 | GREASE SEAL | 1 | Qty. per wheel |
| 33 | 130580500 | INNER CONE | 1 | Qty. per wheel |
| 34 | 130405200 | INNER CUP | 1 | Qty. per wheel |
| 35 | 10545569 | HUB AND DRUM, CUPPED AND STUDED | 1 | Qty. per wheel. Includes items 34, 36, and 37. |
| 36 | 10552593 | STUD | 6 | Qty. per wheel |
| 37 | 130495200 | OUTER CUP | 1 | Qty. per wheel |
| 38 | 130500100 | OUTER CONE | 1 | Qty. per wheel |
| 39 | 06-60479 | GREASE CAP | 1 | Qty. per wheel |
| 40 | 10552570 | SELF ADJUSTING BRAKE KIT, LEFT | | Not Shown |
| 41 | 10552571 | SELF ADJUSTING BRAKE KIT, RIGHT | | Not Shown |

Figure 4-9. Brush Kits

Not Illustrated

| Item | Part Number | Description |
|------|-------------|--|
| 1 | 416057 | POLY WAFER, 10" X 32" |
| 2 | 416057BX | POLY WAFER, 10" X 32", BOX OF 25 |
| 3 | 416065 | WIRE WAFER, 10" X 32" |
| 4 | 416065BX | WIRE WAFER, 10" X 32", BOX OF 24 |
| 5 | 475155 | COMBO WAFER, 10" X 32" |
| 6 | 475155BX | COMBO WAFER, 10" X 32", BOX OF 24 |
| 7 | 9104643K | COMPLETE BRUSH KIT, COMBO WAFER, 10" X 32" X 8' WIDE |
| 8 | 416024K | COMPLETE BRUSH KIT, 1/2 POLY & 1/2 WIRE WAFER, 10" X 32" X 8' WIDE |
| 9 | 416032K | COMPLETE BRUSH KIT, POLY WAFER, 10" X 32" X 8' WIDE |
| 10 | 416040K | COMPLETE BRUSH KIT, WIRE WAFER BRUSH KIT, 10" X 32" X 8' WIDE |

Figure 4-10. Wheels and Tires

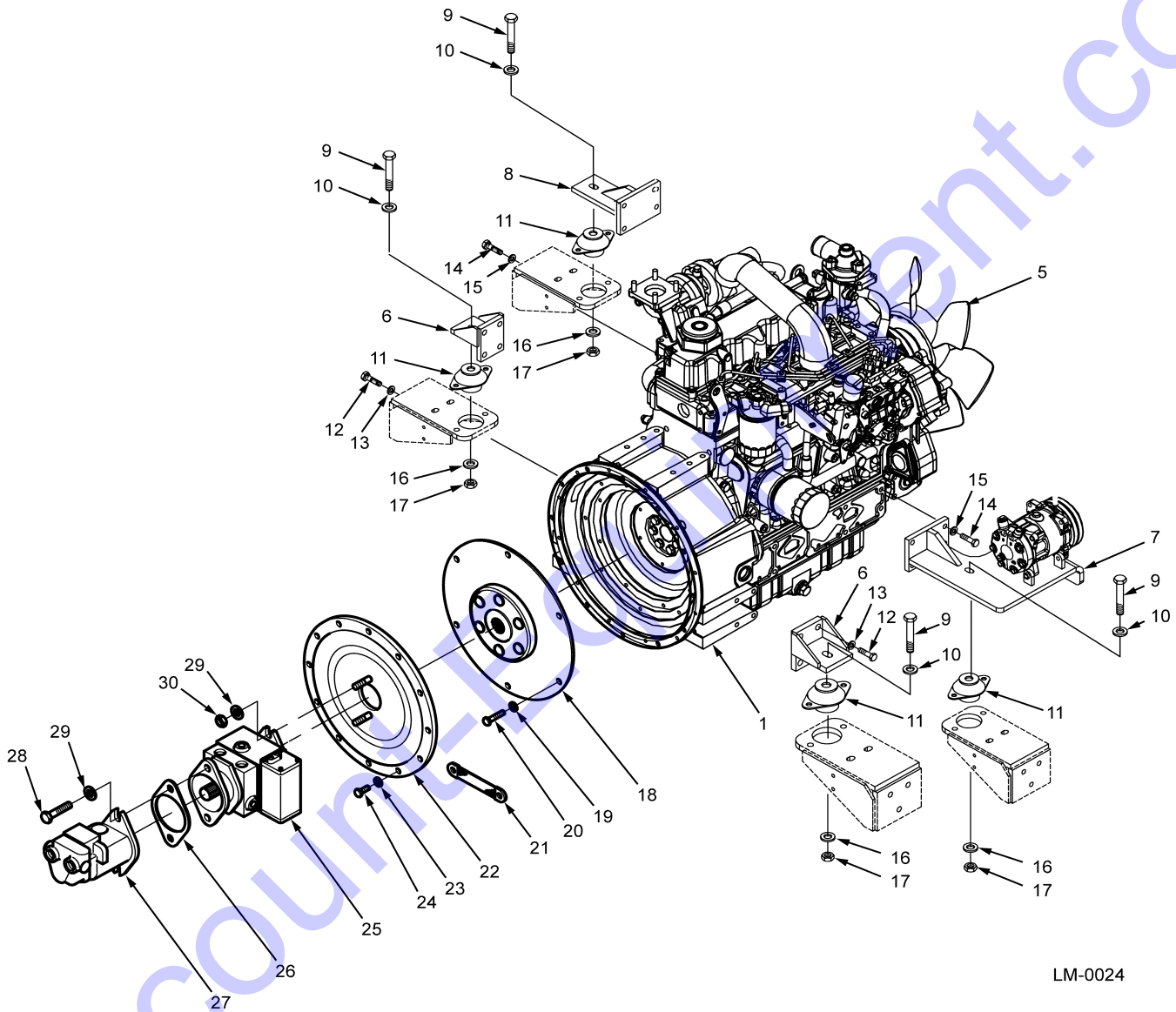
Not Illustrated

| Item | Part Number | Description | Qty | Notes |
|------|-----------------------|-------------------------|-----|-------|
| | ST-500-070-001 | WHEELS AND TIRES | N/A | |
| 1 | 10498038 | TIRE AND WHEEL KIT | 1 | |

Section 5. Engine and Drive Train

| | | |
|-------------|---|----|
| Figure 5-1. | Diesel Engine Assembly | 2 |
| Figure 5-2. | Radiator and Battery | 4 |
| Figure 5-3. | Throttle Cable and Mount Assembly | 6 |
| Figure 5-4. | Air Cleaner Assembly | 7 |
| Figure 5-5. | Exhaust System..... | 9 |
| Figure 5-6. | Fuel System | 10 |
| Figure 5-7. | Rear Axle Assembly..... | 11 |
| Figure 5-8. | Drive Train..... | 14 |
| Figure 5-9. | Gear Box..... | 16 |

Figure 5-1. Diesel Engine Assembly

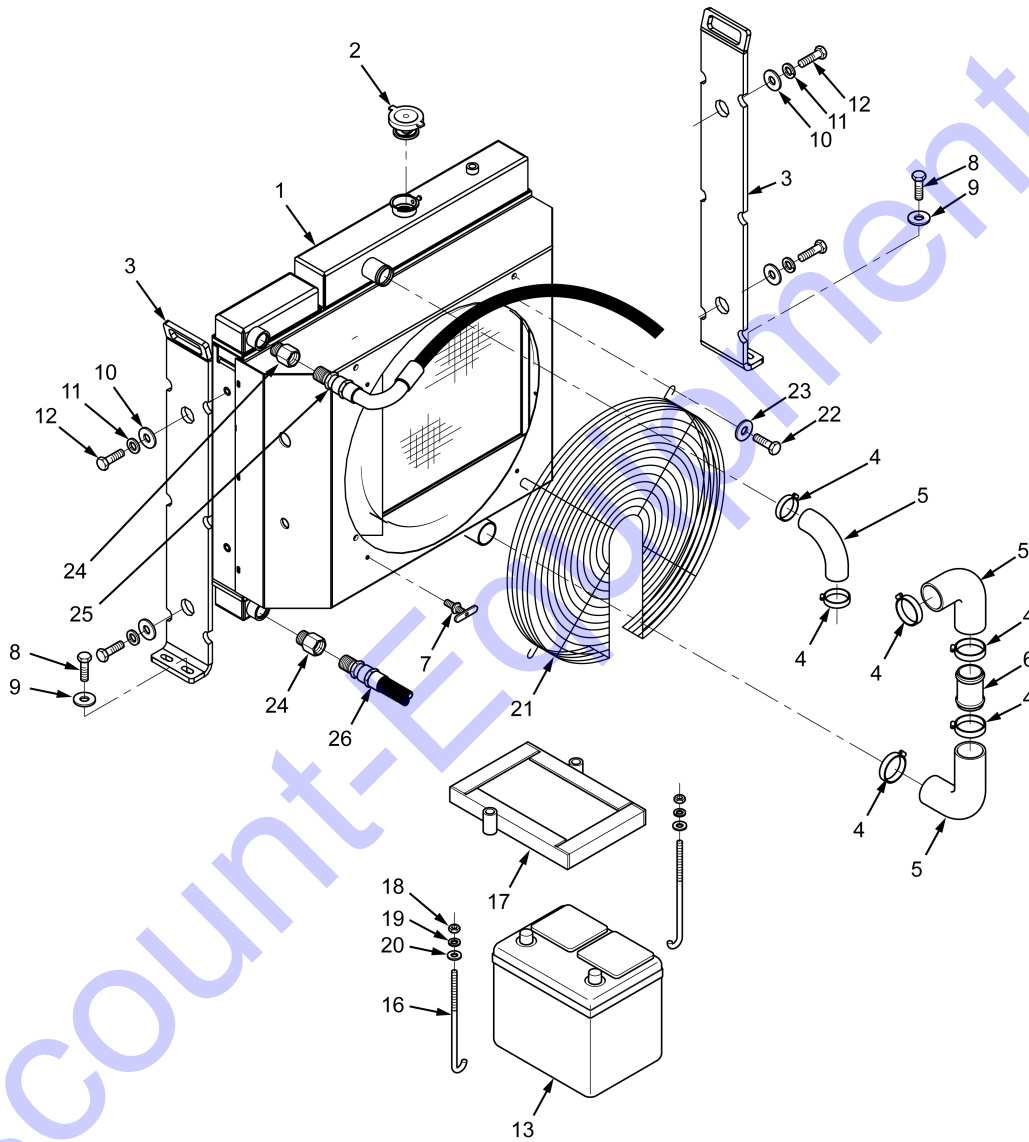


LM-0024

Parts List for Figure 5-1

| Item | Part Number | Description | Qty | Notes |
|------|-------------|---------------------------------------|-----|--|
| | | ENGINE ASSEMBLY, KUBOTA | 1 | |
| 1 | 10348335 | DIESEL ENGINE, KUBOTA, V3600-T, 74 HP | 1 | |
| 2 | 10552691 | THROTTLE CABLE ASSEMBLY | 1 | Not Shown. See Figure 5-3 for breakdown. |
| 3 | 387190 | AIR INTAKE ASSEMBLY | 1 | Not Shown. See Figure 5-4 for breakdown. |
| 4 | 10552682 | EXHAUST SYSTEM | 1 | Not Shown. See Figure 5-5 for breakdown. |
| 5 | 10350877 | FAN, KUBOTA MULTI-WING | 1 | |
| 6 | 10552597 | BRACKET, ENGINE MOUNT FRONT, L & R | 1 | |
| 7 | 10348282 | BRACKET, ENGINE MOUNT RH W/AC | 1 | |
| 8 | 10537899 | BRACKET, ENGINE MOUNT FT LH SM KUBOTA | 1 | |
| 9 | 011460 | BOLT | 4 | |
| 10 | 011650 | WASHER, FLAT | 4 | |
| 11 | 10349440 | MOUNT, ENGINE | 4 | |
| 12 | 478062 | BOLT | 2 | |
| 13 | 070391 | WASHER, FLAT | 2 | |
| 14 | 10458431 | BOLT | 2 | |
| 15 | 011650 | WASHER, FLAT | 2 | |
| 16 | 011650 | WASHER, FLAT | 4 | |
| 17 | 440664 | LOCKNUT | 4 | |
| 18 | 478024 | DRIVE PUMP COUPLING | 1 | Part of Item 1 |
| 19 | 070391 | WASHER, FLAT | 6 | |
| 20 | 10349370 | BOLT | 6 | |
| 21 | 069807 | GROUND STRAP | 1 | |
| 22 | 460638 | PLATE, PUMP MOUNT | 1 | |
| 23 | 070391 | WASHER, FLAT | 12 | |
| 24 | 038372 | BOLT | 12 | |
| 25 | 7110101 | PISTON PUMP, HYDRAULIC | 1 | See See Figure 6-1 for breakdown. |

Figure 5-2. Radiator and Battery

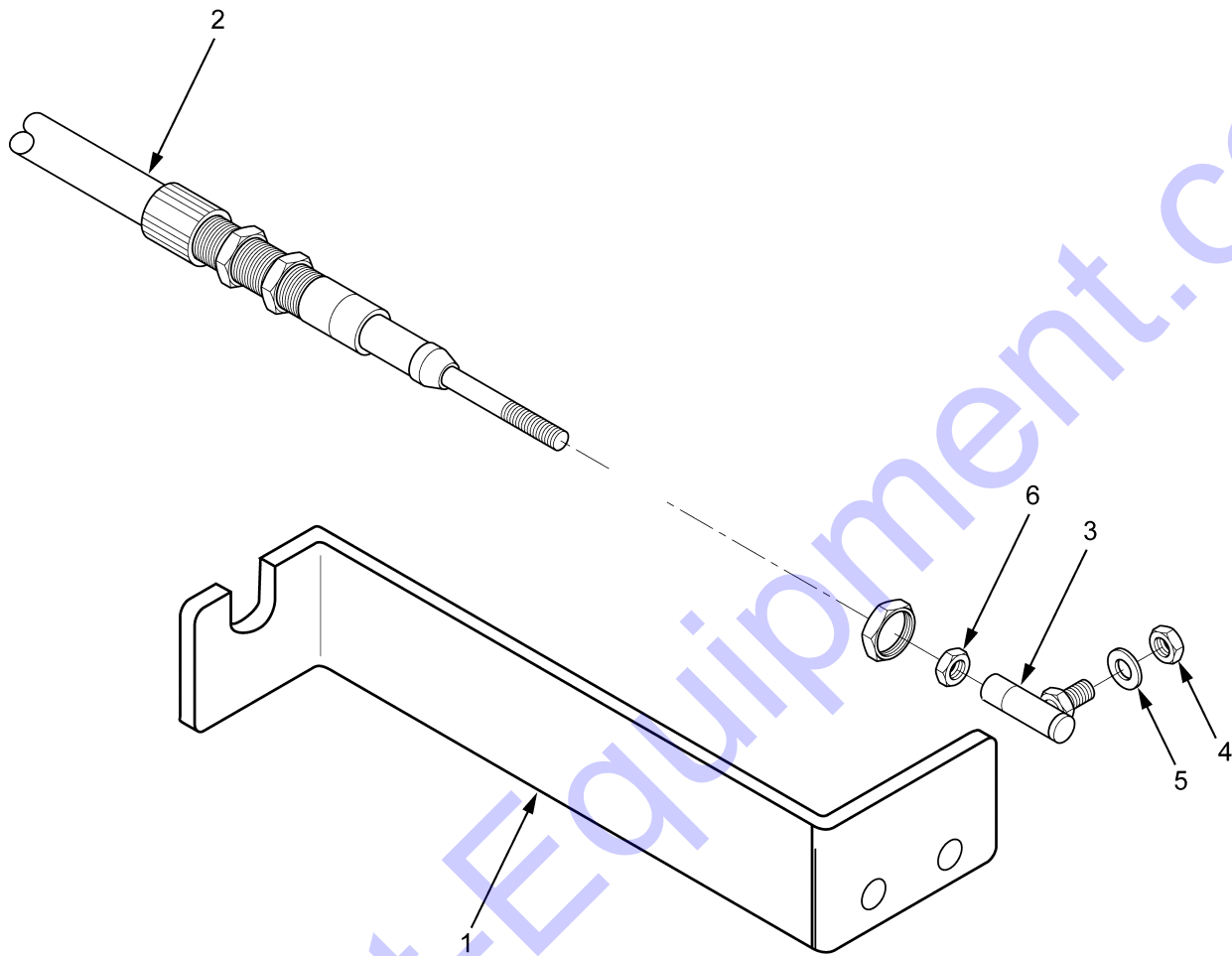


LM-0025

Parts List for Figure 5-2

| Item | Part Number | Description | Qty | Notes |
|-----------------------------|-------------|-----------------------------|-----|-----------|
| RADIATOR AND BATTERY | | | | |
| 1 | 10350873 | RADIATOR ASSEMBLY | 1 | |
| 2 | 047811 | RADIATOR CAP | 1 | |
| 3 | 10550348 | RADIATOR MOUNT | 2 | |
| 4 | 10352525 | HOSE CLAMP, UPPER RADIATOR | 5 | |
| 5 | 079780 | HOSE, RADIATOR, 90 DEGREE | 3 | |
| 6 | 10348529 | HOSE CONNECTOR | 1 | |
| 7 | 10348729 | DRAINCOCK | 1 | |
| 8 | 010645 | CAPSCREW | 4 | |
| 9 | 011031 | FLAT WASHER | 4 | |
| 10 | 10349870 | WASHER, ISOLATOR | 4 | |
| 11 | 011650 | WASHER, FLAT | 4 | |
| 12 | 011361 | CAPSCREW | 4 | |
| 13 | 433136 | BATTERY, 12V | 1 | |
| 14 | 078091 | CABLE, BATTERY (POSITIVE) | 1 | Not Shown |
| 15 | 078089 | CABLE, BATTERY (NEGATIVE) | 1 | Not Shown |
| 16 | 092767 | J-BOLT, BATTERY HOLD DOWN | 2 | |
| 17 | 10552596 | BATTERY HOLD DOWN | 1 | |
| 18 | 010553 | NUT | 2 | |
| 19 | 010561 | LOCKWASHER | 2 | |
| 20 | 011650 | FLAT WASHER | 2 | |
| 21 | 10350867 | FAN GUARD | 1 | |
| 22 | 010033 | BOLT | 4 | |
| 23 | 10347160 | WASHER, FLAT | 4 | |
| 24 | 056383 | ADAPTER | 2 | |
| 25 | 10552556 | HYDRAULIC HOSE, 1" X 63" | 1 | |
| 26 | 10552555 | HYDRAULIC HOSE, 1" X 59.25" | 1 | |

Figure 5-3. Throttle Cable and Mount Assembly

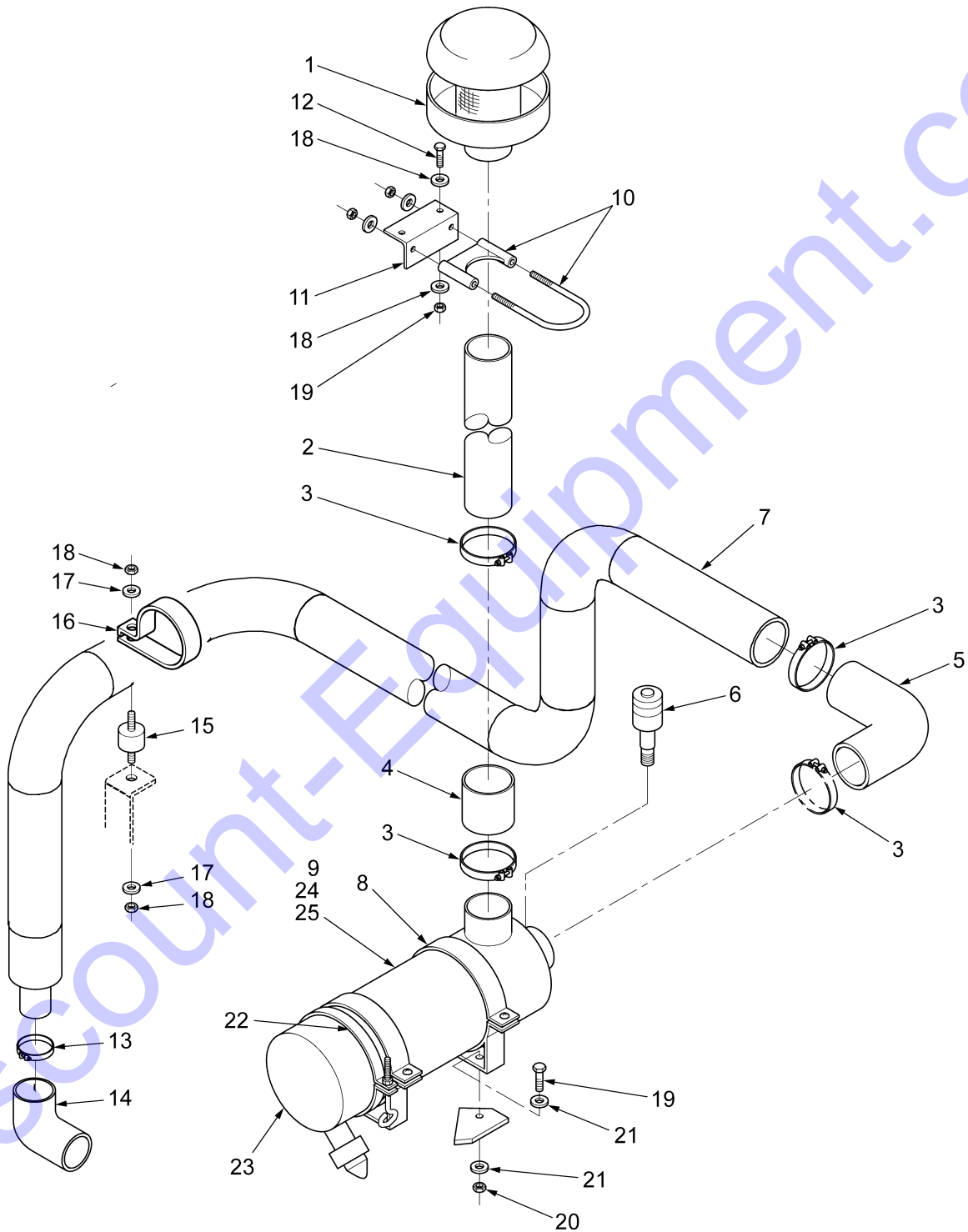


LM-0031

Parts List for Figure 5-3

| Item | Part Number | Description | Qty | Notes |
|---------------------------------|-------------|---------------------------|-----|-------|
| THROTTLE CABLE AND MOUNT | | | | |
| 1 | 387199 | MOUNT, CABLE | 1 | |
| 2 | 10350312 | CABLE, THROTTLE 118" LONG | 1 | |
| 3 | 077461 | JOINT, BALL | 1 | |
| 4 | 063511 | HEX NUT, 1/4-28NF | 1 | |
| 5 | 010280 | LOCKWASHER, 1/4 | 1 | |
| 6 | 035220 | HEX NUT, 10-32 | 1 | |

Figure 5-4. Air Cleaner Assembly



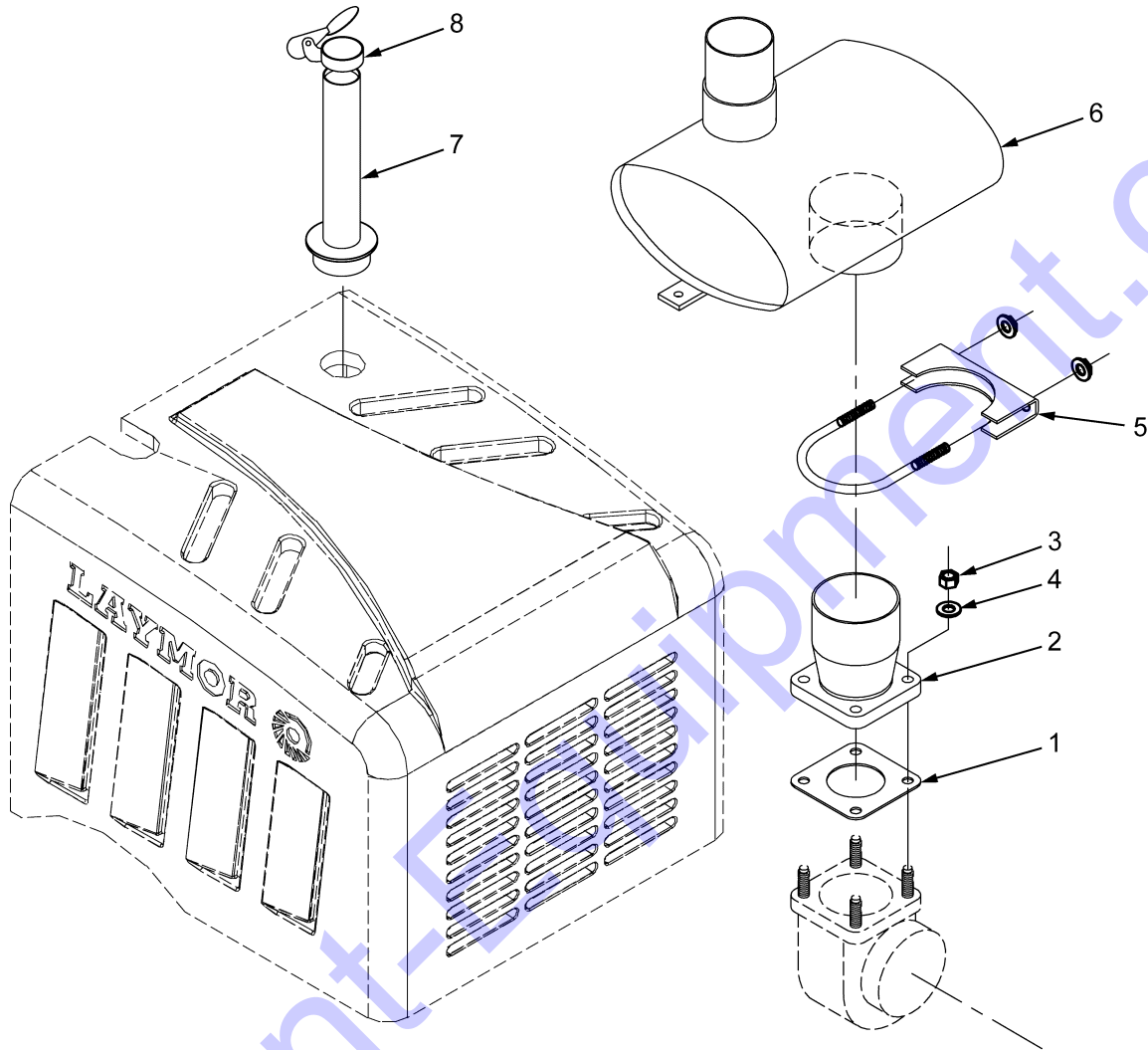
LM-0032

SM450 Parts Manual
Section 5. Engine and Drive Train

Parts List for Figure 5-4

| Item | Part Number | Description | Qty | Notes |
|-----------------------------|-------------|--------------------------|-----|----------------------|
| AIR CLEANER ASSEMBLY | | | | |
| 1 | 10116239 | PRE-CLEANER ASSEMBLY | 1 | |
| 2 | 298570 | TUBE, AIR INTAKE | 1 | |
| 3 | 10348664 | CLAMP | 4 | |
| 4 | 10552684 | HOSE | 1 | |
| 5 | 079780 | HOSE, 90° ELBOW | 1 | |
| 6 | 10350704 | INDICATOR, SERVICE | 1 | |
| 7 | 10552677 | AIR INTAKE | 1 | |
| 8 | 047738 | CLAMP, AIR CLEANER MOUNT | 2 | |
| 9 | 10350705 | DRY AIR CLEANER ASSEMBLY | 1 | |
| 10 | 077073 | CLAMP | 1 | |
| 11 | 711910 | MOUNT, INTAKE | 1 | |
| 12 | 10349364 | CAPSCREW | 2 | |
| 13 | 470826 | CLAMP, T-BOLT | 2 | |
| 14 | 387193 | ELBOW | 1 | Supplied with engine |
| 15 | 10349992 | BOLT, RUBBER INSULATOR | 1 | |
| 16 | 10340700 | CLAMP, EXHAUST | 1 | |
| 17 | 011323 | WASHER, FLAT | 4 | |
| 18 | 10347832 | NUT, LOCK | 2 | |
| 19 | 010033 | BOLT | 4 | |
| 20 | 036392 | LOCK NUT | 4 | |
| 21 | 10347160 | WASHER, FLAT | 8 | |
| 22 | 10350709 | CLAMP, FILTER HOUSING | 1 | |
| 23 | 10350711 | COVER | 1 | |
| 24 | 10350707 | PRIMARY FILTER | 1 | |
| 25 | 10350708 | SAFETY FILTER | 1 | |

Figure 5-5. Exhaust System

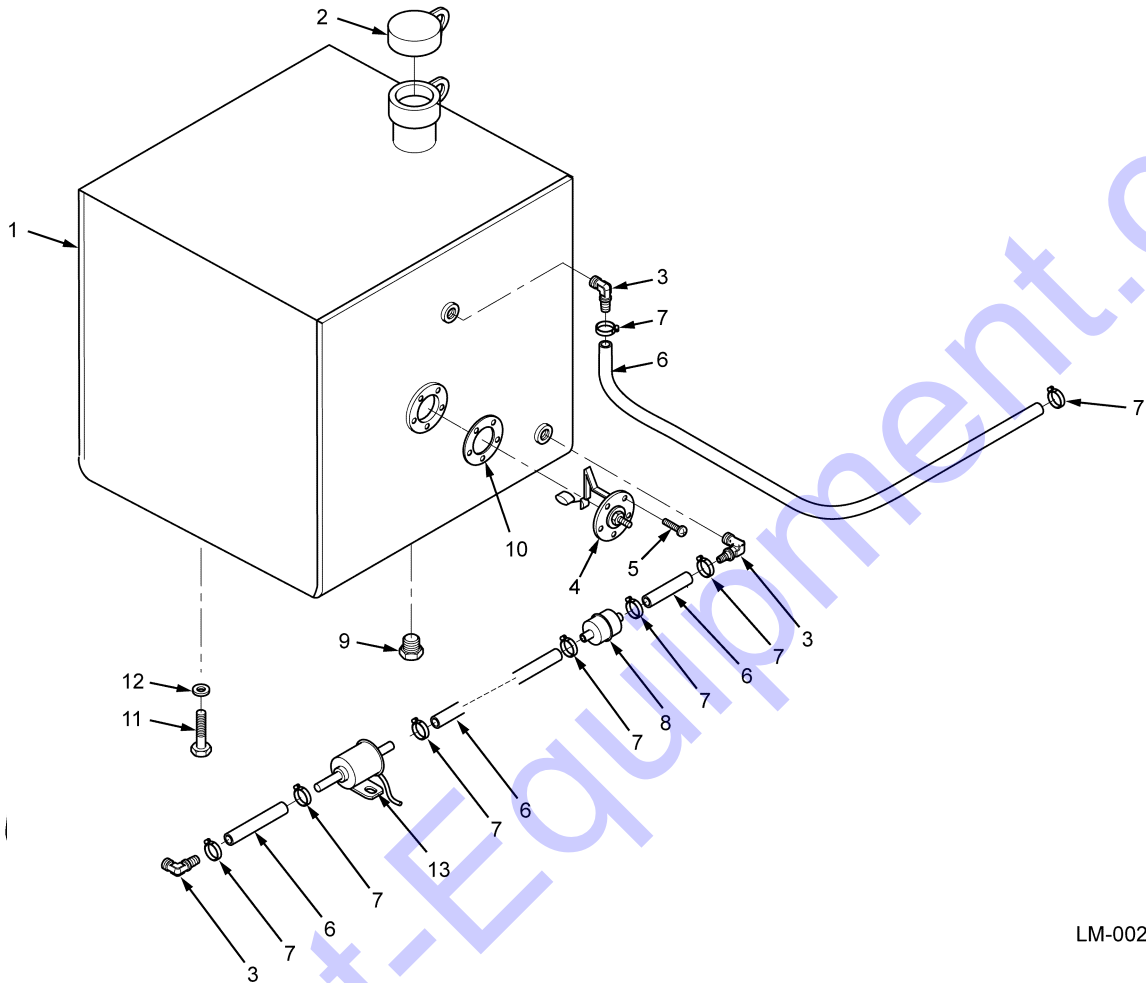


LM-0033

Parts List for Figure 5-5

| Item | Part Number | Description | Qty | Notes |
|------|---------------|-------------------------|-----|------------------------------|
| | 387300 | EXHAUST ASSEMBLY | | |
| 1 | 470819 | GASKET, EXHAUST | 1 | |
| 2 | 10348316 | EXHAUST HEADER | 1 | |
| 3 | 478037 | NUT | 4 | |
| 4 | 011023 | LOCKWASHER | 4 | |
| 5 | 077073 | EXHAUST CLAMP | 1 | Includes attaching hardware. |
| 6 | 444224 | MUFFLER | 1 | |
| 7 | 10552601 | EXHAUST PIPE | 1 | |
| 8 | 10349304 | RAIN CAP | 1 | |

Figure 5-6. Fuel System

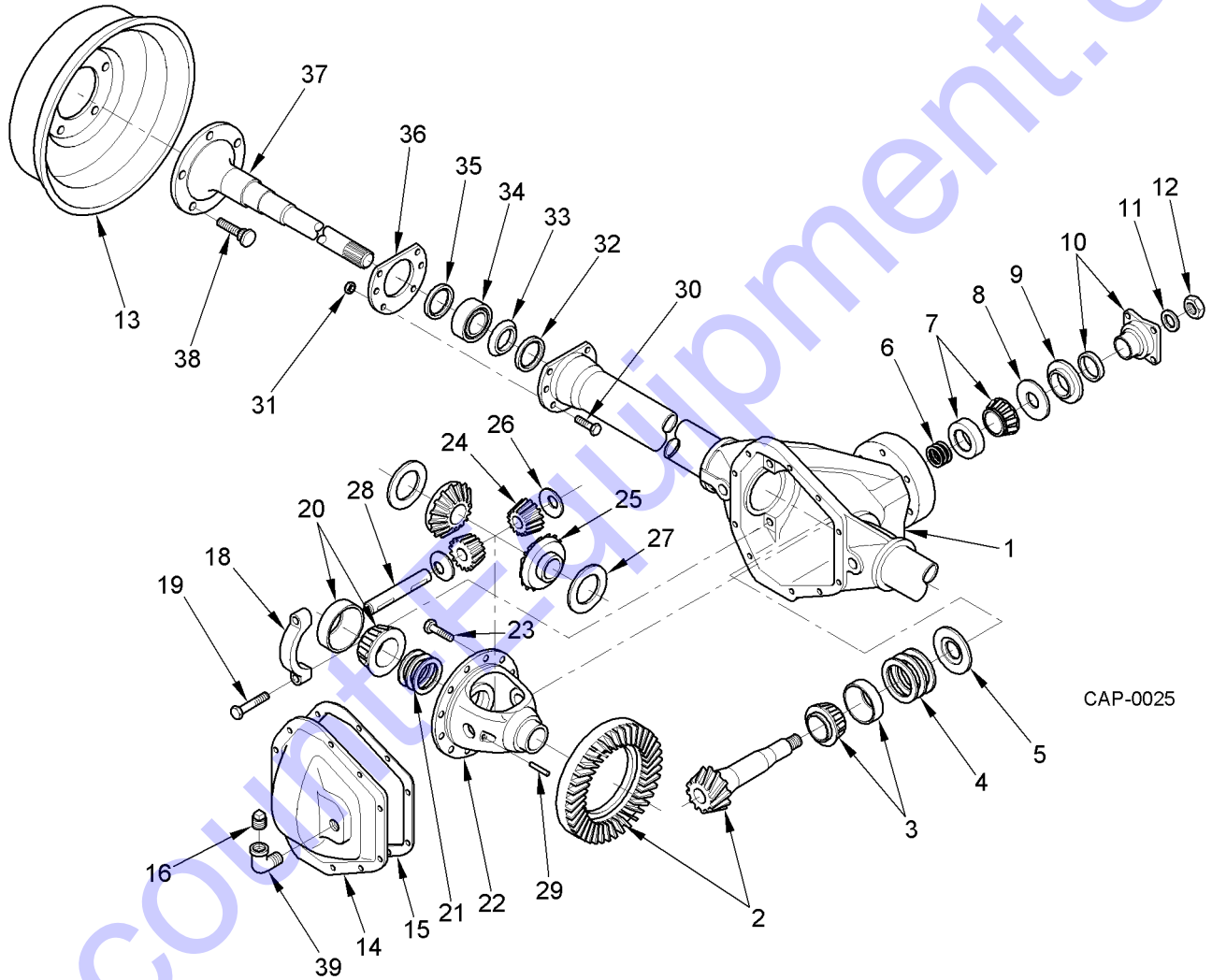


LM-0026

Parts List for Figure 5-6

| Item | Part Number | Description | Qty | Notes |
|--------------------|-------------|------------------------|-----|----------------------|
| FUEL SYSTEM | | | | |
| 1 | 7119201 | FUEL TANK, 30 GAL | 1 | |
| 2 | 10349303 | FUEL CAP | 1 | |
| 3 | 052753 | ELBOW, 90 DEGREE | 3 | |
| 4 | 10350067 | FUEL SENDER | 1 | |
| 5 | 10350118 | SCREW, W/RUBBER WASHER | 5 | |
| 6 | 068544 | HOSE, FUEL LINE, BULK | 1 | |
| 7 | 031914 | HOSE CLAMP | 8 | |
| 8 | 10349237 | FUEL FILTER, IN LINE | 1 | |
| 9 | 040691 | PLUG | 1 | |
| 10 | 031864 | GASKET, FUEL SENDER | 1 | Supplied with Item 4 |
| 11 | 10349370 | BOLT | 1 | |
| 12 | 460360 | LOCKWASHER | 1 | |
| 13 | 10351657 | FUEL PUMP, ELECTRIC | 1 | |

Figure 5-7. Rear Axle Assembly



CAP-0025

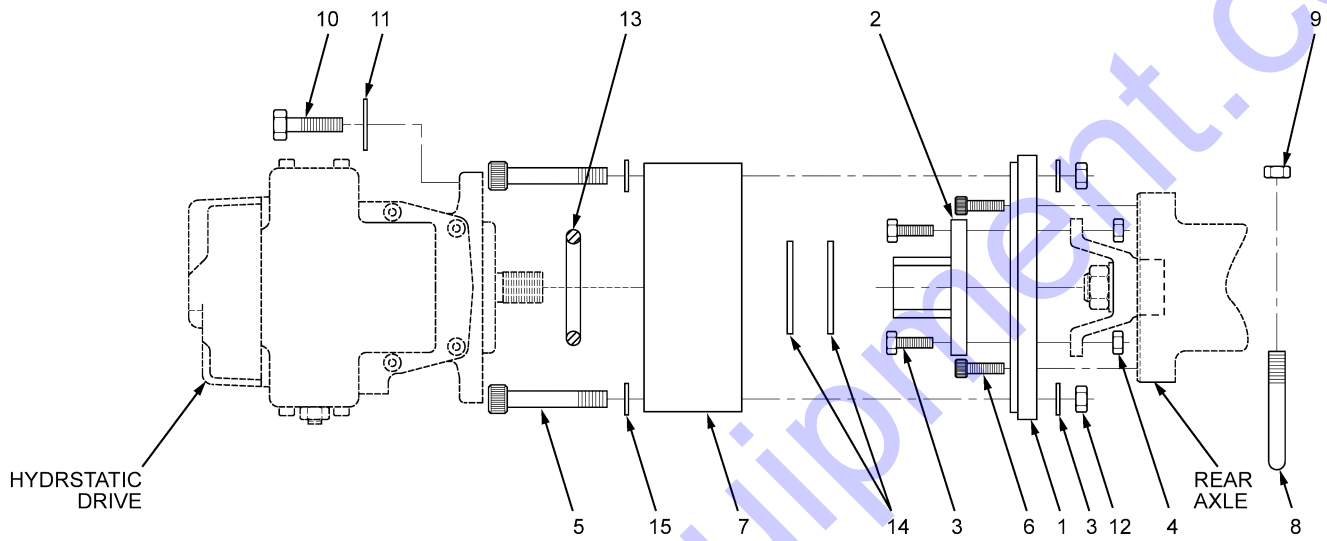
SM450 Parts Manual
Section 5. Engine and Drive Train

Parts List for Figure 5-7

| Item | Part Number | Description | Qty | Notes |
|------|----------------|----------------------------------|-----|-----------|
| | 7112200 | REAR AXLE ASSEMBLY | | |
| 1 | | HOUSING, AXLE | 1 | |
| 2 | | GEAR AND PINION ASSEMBLY - DRIVE | 1 | |
| 3 | | INNER PINION BEARING | 1 | |
| 4 | | SHIM, DRIVE PINION ADJUSTING | A/R | |
| 5 | 435727 | BAFFLE, PINION BEARING | 1 | |
| 6 | | SHIM, PINION BEARING ADJUSTING | A/R | |
| 7 | | OUTER PINION BEARING | 1 | |
| 8 | 10349222 | SLINGER, PINION BEARING OUTER | 1 | |
| 9 | 435743 | SEAL, PINION | 1 | |
| 10 | 10349214 | COMPANION FLANGE ASSEMBLY | 1 | |
| 11 | 10349224 | WASHER, PINION NUT | 1 | |
| 12 | 10349225 | NUT, PINION | 1 | |
| 13 | 10349610 | DRUM | 2 | |
| 14 | | COVER, CARRIER | 1 | |
| 15 | 066043 | GASKET | 1 | |
| 16 | 031740 | PLUG, COVER 3/4-NPT | 1 | |
| 17 | 10349230 | BOLT, CARRIER COVER | 10 | Not Shown |
| 18 | | CAP, DIFFERENTIAL BEARING | 2 | |
| 19 | 037622 | BOLT, DIFFERENTIAL BEARING CAP | 4 | |
| 20 | | KIT, DIFFERENTIAL BEARING | 2 | |
| 21 | | SHIM, DIFFERENTIAL BEARING | A/R | |
| 22 | | CASE, DIFFERENTIAL | 1. | |
| 23 | 10349226 | BOLT, DRIVE GEAR | 12 | |
| 24 | | PINION, DIFFERENTIAL | 2 | |
| 25 | | GEAR, DIFFERENTIAL | 2 | |
| 26 | | THRUST WASHER, PINION | 2 | |
| 27 | | THRUST WASHER, DIFFERENTIAL GEAR | 2 | |
| 28 | | SHAFT, DIFFERENTIAL | 1 | |
| 29 | | LOCK DIFFERENTIAL SHAFT | 1 | |
| 30 | 435966 | BOLT, BRAKE MOUNTING | 8 | |
| 31 | 10349231 | NUT, BRAKE MOUNTING | 12 | |
| 32 | 10349227 | SEAL, SHAFT INBOARD | 2 | |
| 33 | | RING, WHEEL BEARING RETAINER | 2 | |
| 34 | | BEARING ASSEMBLY | 2 | |
| 35 | 10349228 | SEAL, SHAFT OUTBOARD | 2 | |
| 36 | | RETAINER, AXLE SHAFT | 2 | |
| 37 | | SHAFT AXLE FLANGED | 2 | |
| 38 | 10349599 | BOLT, WHEEL | 12 | |
| 39 | 075796 | STREET EL 90° | 1 | |
| 40 | | ASSY., L.H. REAR BRAKE | 1 | Not Shown |
| 41 | | ASSY., R.H. REAR BRAKE | 1 | Not Shown |
| 42 | 449207 | PLUG, AXLE FLANGE | 2 | Not Shown |

| Item | Part Number | Description | Qty | Notes |
|---------------------------------|-------------|-------------------------------------|-----|--|
| AXLE KITS AND ASSEMBLIES | | | | |
| | 449157 | HOUSING AXLE | | Includes items 1, 18, and 19 |
| | 10349215 | KIT, DRIVE GEAR AND PINION ASSEMBLY | | Includes items 2 through 9, 11, 12, 15, 22, and 23 |
| | 10349216 | KIT, DIFFERENTIAL CASE ASSEMBLY | | Includes items 15 and 20 through 29 |
| | 10349600 | KIT, CARRIER COVER ASSEMBLY | | Includes items 14, 16, and 17 |
| | 435669 | KIT, DIFFERENTIAL CASE INNER PARTS | | Includes items 15, 23, 24, 25, 26, 27,28, and 29 |
| | 10349217 | KIT, UNIT BEARING & SEAL | | Includes items 32, 33, 34, 35 and 36 |
| | 10349218 | KIT, OUTER PINION BEARING | | Includes item 7 |
| | 10349219 | KIT, INNER PINION BEARING | | Includes item 3 |
| | 10349220 | KIT, DIFFERENTIAL BEARING | | Includes items 20 and 21 |
| | 10349221 | KIT, DIFFERENTIAL AND PINION SHIM | | Includes items 4, 6, 11, 12, 15 |
| | 10349601 | ASSEMBLY, AXLE SHAFT (COMPLETE) | | Includes items 32 through 38 |
| | 10349602 | KIT, RING GEAR, PINION & BOLTS | | Includes items 2, 11, 12, 23, 37, and 38 |
| | 10349603 | KIT, DIFFERENTIAL CASE | | Includes items 15, 21, 23, and 29 |
| | 10349604 | KIT, DIFFERENTIAL ADJUSTMENT SHIM | | Includes items 15 and 21 |

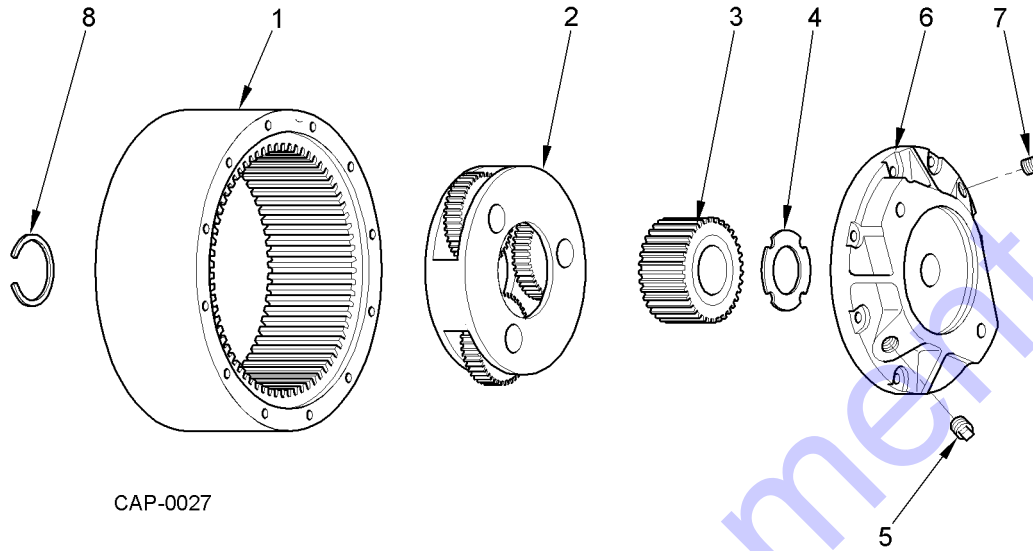
Figure 5-8. Drive Train



Parts List for Figure 5-8

| Item | Part Number | Description | Qty | Notes |
|--------------------|-------------|------------------|-----|-------------------------------|
| DRIVE TRAIN | | | | |
| 1 | 10347732 | MOUNT, GEAR BOX | 1 | |
| 2 | 10349312 | COUPLER, SPLINED | 1 | |
| 3 | 083527 | CAPSCREW | 4 | |
| 4 | 10349354 | LOCKNUT | 4 | |
| 5 | 010496 | CAPSCREW | 8 | |
| 6 | 011684 | CAPSCREW | 6 | |
| 7 | 10500651 | GEAR BOX | 1 | See Figure 5-9 for breakdown. |
| 8 | 10349595 | U-BOLT | 4 | |
| 9 | 429860 | NUT | 4 | |
| 10 | 10458431 | CAPSCREW | 2 | |
| 11 | 011325 | WASHER, FLAT | 2 | |
| 12 | 083493 | LOCKNUT | 8 | |
| 13 | 10348512 | O-RING | 1 | |
| 14 | 10349313 | SNAP RING | 2 | |
| 15 | 011322 | WASHER, FLAT | 16 | |

Figure 5-9. Gear Box



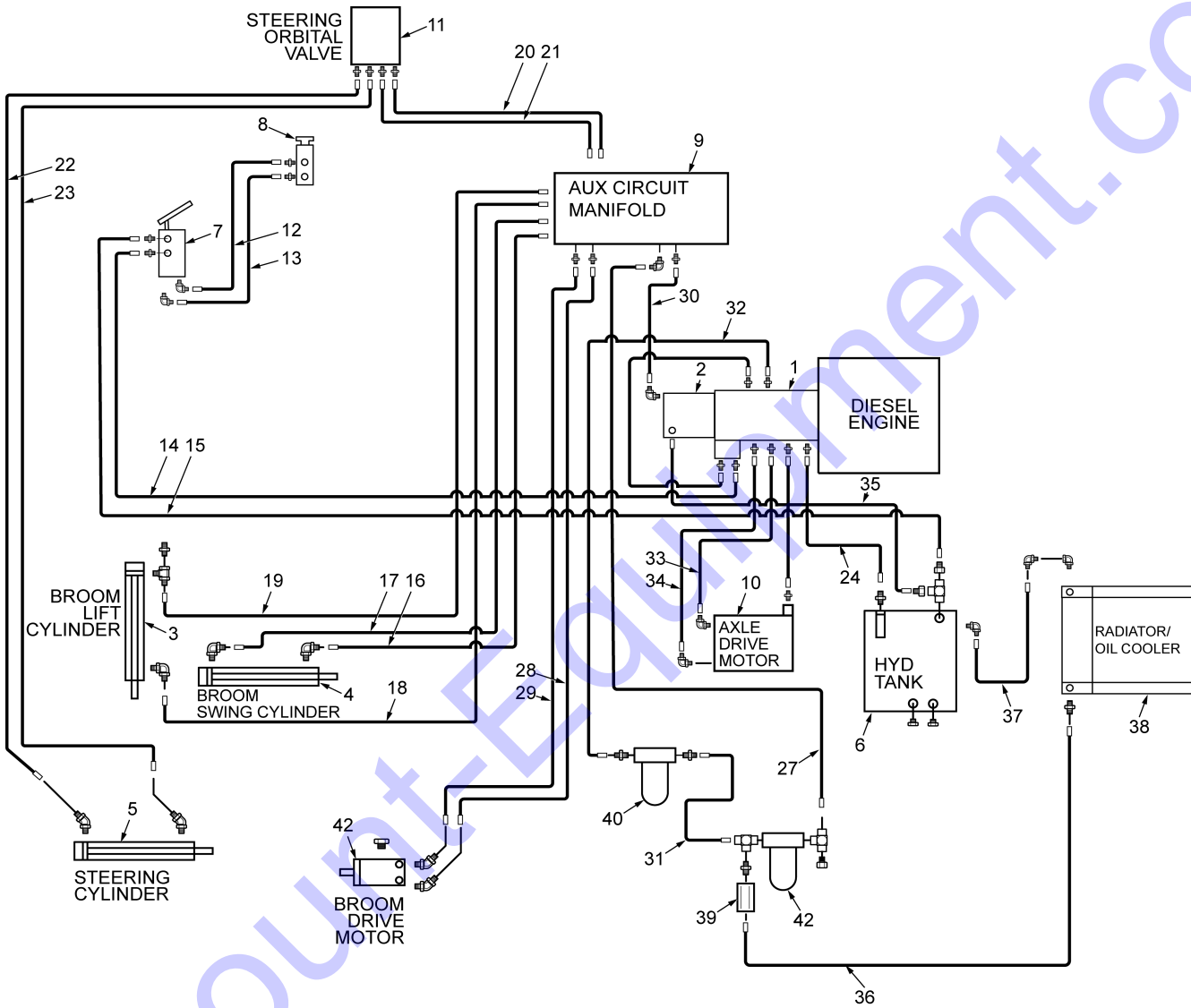
Parts List for Figure 5-9

| Item | Part Number | Description | Qty | Notes |
|------|----------------|------------------------|-----|-------|
| | 7119202 | Gear Box | | |
| 1 | 10349399 | GEAR/ RING | 1 | |
| 2 | 6659394 | ASSY., PRIMARY CARRIER | 1 | |
| 3 | 10349401 | GEAR, PRIMARY SUN GEAR | 1 | |
| 4 | 10348573 | THRUST WASHER | 1 | |
| 5 | 10349402 | PLUG, MAGNETIC PIPE | 1 | |
| 6 | 10349403 | COVER, LARGE | 1 | |
| 7 | 040683 | PLUG, PIPE 1/2-NPT | 1 | |
| 8 | 10349313 | RING, SNAP | 2 | |

Section 6. Hydraulics

| | | |
|--------------|-------------------------------|----|
| Figure 6-1. | Hydraulic System | 2 |
| Figure 6-2. | Axle Drive Motor | 5 |
| Figure 6-3. | Manifold Assembly | 8 |
| Figure 6-4. | Broom Lift Cylinder | 10 |
| Figure 6-5. | Broom Swing Cylinder | 11 |
| Figure 6-6. | Steering Cylinder | 12 |
| Figure 6-7. | Foot Pedal Control | 13 |
| Figure 6-8. | Foot Pedal Pilot Control..... | 15 |
| Figure 6-9. | Hydraulic Filters | 16 |
| Figure 6-10. | Grader Blade Hydraulics..... | 17 |

Figure 6-1. Hydraulic System



LM-0015

Parts List for Figure 6-1

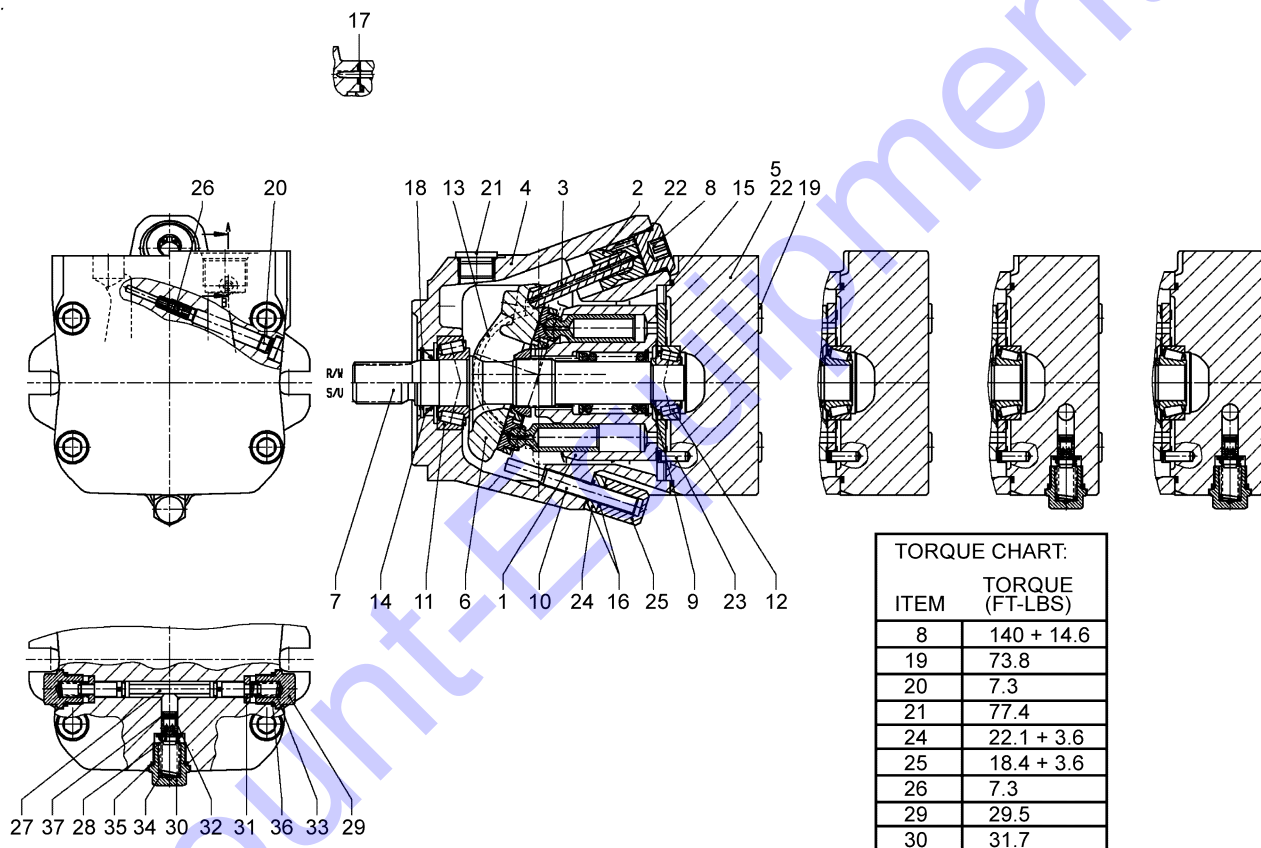
| Item | Part Number | Description | Qty | Notes |
|------|-------------|-------------------------------|-----|---|
| | N/A | Hydraulic System | | Hose lengths listed are approximate. |
| 1 | 10500646 | HYDROSTATIC MOTOR | 1 | |
| 2 | 10500649 | AUXILIARY PUMP | 1 | |
| 3 | 10500620 | BROOM LIFT CYLINDER | 1 | |
| 4 | 10500647 | BROOM SWING CYLINDER | 1 | |
| 5 | 10500648 | STEERING CYLINDER | 1 | |
| 6 | 7120077 | HYDRAULIC TANK ASSEMBLY | 1 | |
| | 447979 | SCREEN, FILLER | 1 | Not Shown |
| | 10350117 | SCREEN, 2.00 NPT x 1.25 NPT | 1 | Not Shown |
| | 10350898 | SIGHT GAUGE | 1 | Not Shown |
| 7 | 10349903 | VALVE, FOOT PEDAL | 1 | |
| 8 | 016217 | REVERSING VALVE | 1 | |
| 9 | 017818 | AUXILIARY CIRCUIT MANIFOLD | 1 | |
| 10 | 10500646 | AXLE DRIVE MOTOR | 1 | |
| 11 | 10350590 | STEERING ORBITAL VALVE | 1 | |
| 12 | 10552553 | HYDRAULIC HOSE, 1/4" X 64" | 1 | Foot pedal to F/R valve |
| 13 | 10552553 | HYDRAULIC HOSE, 1/4" X 64" | 1 | Foot pedal to F/R valve |
| 14 | 10552553 | HYDRAULIC HOSE, 1/4" X 64" | 1 | Foot pedal to hydrostatic pump |
| 15 | 10552567 | HYDRAULIC HOSE, 3/8" X 79.5" | 1 | Foot pedal to hydraulic tank |
| 16 | 10552561 | HYDRAULIC HOSE, 3/8" X 29.5" | 1 | Broom swing cylinder (rod) to manifold |
| 17 | 10552562 | HYDRAULIC HOSE, 3/8" X 44" | 1 | Broom swing cylinder (blind) to manifold |
| 18 | 10552564 | HYDRAULIC HOSE, 3/8" X 59.75" | 1 | Broom lift cylinder (bottom) to manifold |
| 19 | 10552563 | HYDRAULIC HOSE, 3/8" X 58.75" | 1 | Broom lift cylinder (top) to manifold |
| 20 | 10552565 | HYDRAULIC HOSE, 3/8" X 74.75" | 1 | Steering orbital to manifold |
| 21 | 10552566 | HYDRAULIC HOSE, 3/8" X 76" | 1 | Steering orbital to manifold |
| 22 | 10552568 | HYDRAULIC HOSE, 3/8" X 81.5" | 1 | Steering orbital (L) to steering cylinder |
| 23 | 10552568 | HYDRAULIC HOSE, 3/8" X 81.5" | 1 | Steering orbital (R) to steering cylinder |
| 24 | 10552508 | HYDRAULIC HOSE, 1/2" X 16.25" | 1 | Hydrostatic pump to hydraulic tank |
| 25 | 10552509 | HYDRAULIC HOSE, 1/2" X 23" | 1 | Hydrostatic pump to case drain on hydrostat |
| 26 | 10552510 | HYDRAULIC HOSE, 1/2" X 25.75" | 1 | Hydrostatic pump to axle drive motor |
| 27 | 10552551 | HYDRAULIC HOSE, 1/2" X 38" | 1 | Manifold to filter return |
| 28 | 10552507 | HYDRAULIC HOSE, 1/2" X 137" | 1 | Manifold to broom motor |
| 29 | 10552507 | HYDRAULIC HOSE, 1/2" X 137" | 1 | Broom motor to manifold |
| 30 | 10552552 | HYDRAULIC HOSE, 1/2" X 41" | 1 | Hydrostatic pump to manifold |
| 31 | 10552557 | HYDRAULIC HOSE, 3/4" X 27.25" | 1 | Filter to filter |
| 32 | 10552559 | HYDRAULIC HOSE, 3/4" X 35.25" | 1 | Hydrostatic pump to charge filter |
| 33 | 10552558 | HYDRAULIC HOSE, 3/4" X 32.75" | 1 | Hydrostatic pump to drive motor (shorter) |
| 34 | 10552560 | HYDRAULIC HOSE, 3/4" X 37.62" | 1 | Hydrostatic pump to drive motor (longer) |
| 35 | 10552554 | HYDRAULIC HOSE, 1" X 15.5" | 1 | Hydrostatic pump to hydraulic tank |
| 36 | 10552555 | HYDRAULIC HOSE, 1" X 59.25" | 1 | Check valve to oil cooler (bottom) |
| 37 | 10552556 | HYDRAULIC HOSE, 1" X 63" | 1 | Oil cooler (top) to hydraulic tank |
| 38 | 10350873 | RADIATOR/OIL COOLER | 1 | |
| 39 | 10349294 | CHECK VALVE (45 PSI) | 1 | |
| 40 | 10349277 | FILTER, 6 Micron | 2 | |

SM450 Parts Manual
Section 6. Hydraulics

| Item | Part Number | Description | Qty | Notes |
|------|-------------|-------------------|-----|-------|
| 41 | 10348975 | FILTER, 10 Micron | 1 | |
| 42 | 404538 | BROOM DRIVE MOTOR | 1 | |

Discount-Equipment.com

Figure 6-2. Axle Drive Motor



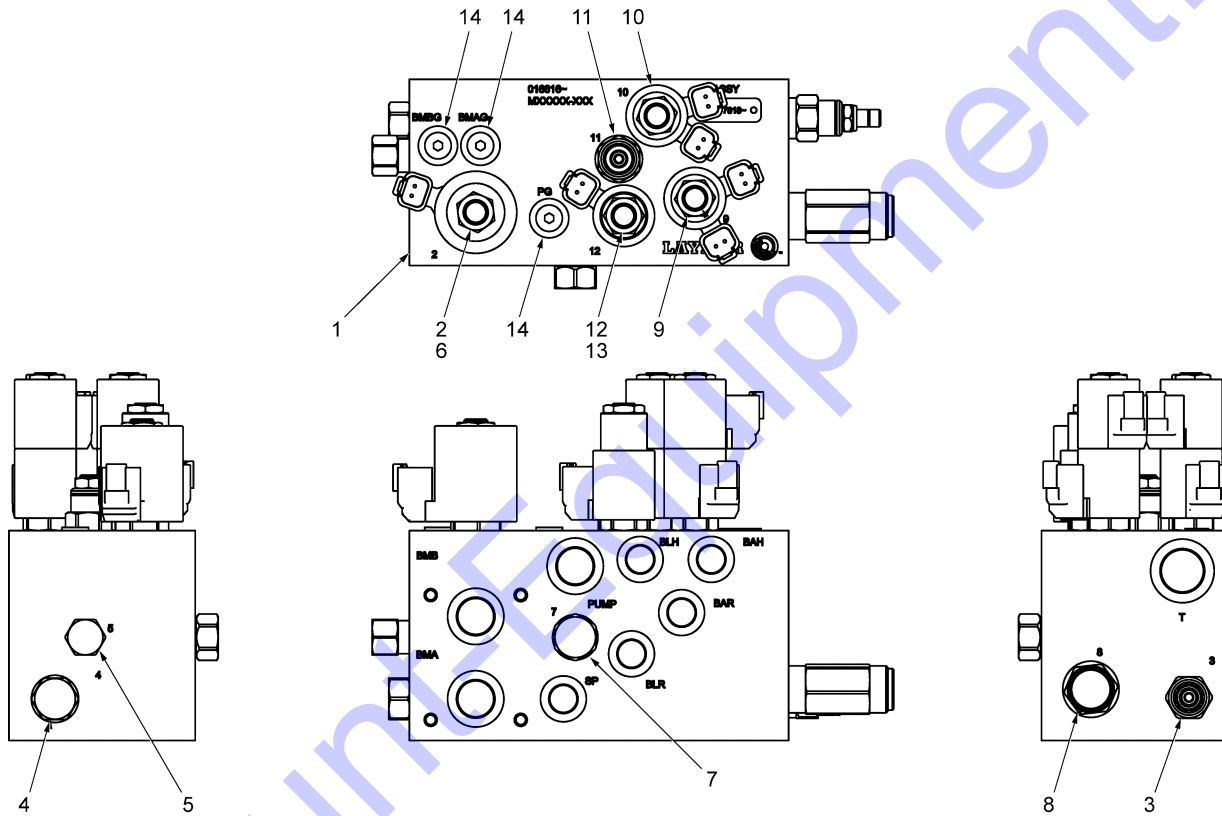
SM450 Parts Manual
Section 6. Hydraulics

Parts List for Figure 6-2

| Item | Part Number | Description | Qty | Notes |
|------|----------------|---------------------------|-----|-------|
| | 7110102 | AXLE DRIVE MOTOR | | |
| 1 | | BASE UNIT | 1 | |
| 2 | | DIRECTIONAL-CONTROL VALVE | 1 | |
| 3 | | VALVE HOUSING | 1 | |
| 4 | | ROTARY GROUP | 1 | |
| 5 | | ADJUSTING PISTON | 1 | |
| 6 | | PISTON ROD | 1 | |
| 7 | | MOTOR HOUSING | 1 | |
| 8 | | CONNECTION PLATE | 1 | |
| 9 | | SWASH PLATE | 1 | |
| 10 | | DRIVE SHAFT | 1 | |
| 11 | | SCREW PLUG | 1 | |
| 12 | | ADJUSTMENT SHIM | 1 | |
| 13 | | STOP SCREW | 1 | |
| 14 | | TAPERED-ROLLER BEARING | 1 | |
| 15 | | TAPERED-ROLLER BEARING | 1 | |
| 16 | | BEARING SHELL | 2 | |
| 17 | | SHAFT SEALING RING | 1 | |
| 18 | | O-RING | 1 | |
| 19 | | O-RING | 2 | |
| 20 | | R-RING | 1 | |
| 21 | | RETAINING RING | 1 | |
| 22 | | SOCKET HEAD CAP SCREW | 4 | |
| 23 | | SCREW PLUG | 1 | |
| 24 | | SCREW PLUG | 1 | |
| 25 | | DOUBLE BREAK-OFF PLUG | 2 | |
| 26 | | STRAIGHT PIN | 1 | |
| 27 | | NUT | 1 | |
| 28 | | CAP NUT | 1 | |
| 29 | | SHUTTLE VALVE | 1 | |
| 30 | | FLUSHING PISTON | 1 | |
| 31 | | VALVE SPOOL | 1 | |
| 32 | | SCREW PLUG | 2 | |
| 33 | | SCREW PLUG | 1 | |
| 34 | | WASHER | 2 | |
| 35 | | ORIFICE | 1 | |
| 36 | | COMPRESSION SPRING | 2 | |
| 37 | | COMPRESSION SPRING | 1 | |
| 38 | | O-RING | 1 | |
| 39 | | O-RING | 2 | |
| 40 | | RETAINING RING | 1 | |
| 41 | | ROTARY GROUP | 1 | |
| 42 | | DISTRIBUTOR PLATE | 1 | |
| 43 | | PISTON PAD | 9 | |

| Item | Part Number | Description | Qty | Notes |
|------|-------------|-----------------------|-----|-------|
| 44 | | CYLINDER | 1 | |
| 45 | | RETAINING PLATE | 1 | |
| 46 | | RETAINING BALL | 1 | |
| 47 | | COMPRESSION SPRING | 1 | |
| 48 | | PRESSURE PIN | 3 | |
| 49 | | V-RING | 1 | |
| 50 | | SUPPORTING DISC | 1 | |
| 51 | | SHUTTLE VALVE | 1 | |
| 52 | | VALVE HOUSING | 1 | |
| 53 | | O-RING | 3 | |
| 54 | | SOCKET HEAD CAP SCREW | 4 | |
| 55 | | DOUBLE BREAK-OFF PLUG | 1 | |
| 56 | | SCREW PLUG | 1 | |
| 57 | | THROTTLE SCREW | 1 | |
| 58 | | THROTTLE SCREW | 1 | |
| 59 | | THROTTLE PIN | 1 | |

Figure 6-3. Manifold Assembly

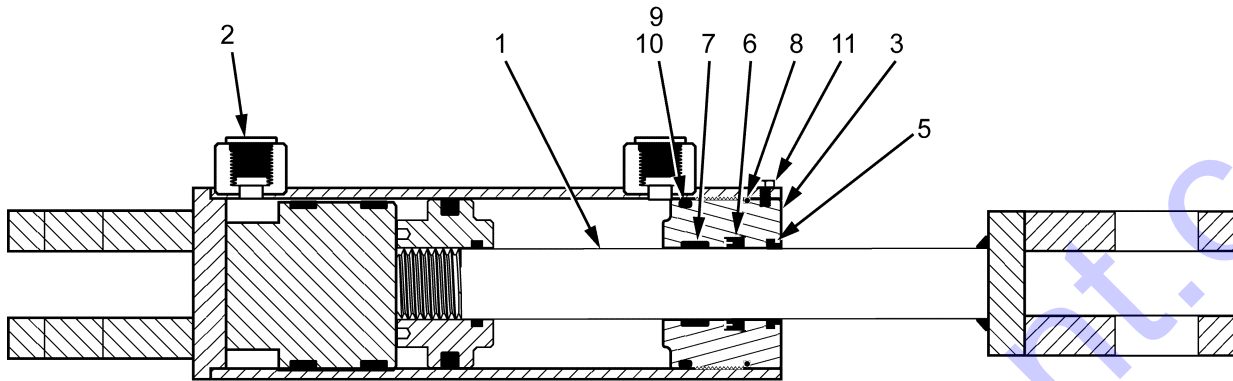


LM-0030

Parts List for Figure 6-3

| Item | Part Number | Description | Qty | Notes |
|------|----------------|--------------------------|-----|-------|
| | 7110402 | Manifold Assembly | | REF |
| 1 | 016616 | MANIFOLD | 1 | |
| 2 | 10352151 | SOLENOID VALVE | 1 | |
| 3 | 10352152 | RELIEVE VALVE | 1 | |
| 4 | 10352158 | MODULATING ELEMENT | 1 | |
| 5 | 10352159 | CHECK VALVE | 1 | |
| 6 | 10352149 | D-COIL | 1 | |
| 7 | 10352160 | FLOW CONTROL | 1 | |
| 8 | 10523855 | FLOW CONTROL | 1 | |
| 9 | 10352162 | SPOOL VALVE | 1 | |
| 10 | 10352163 | SOLENOID VALVE | 1 | |
| 11 | 10352164 | COUNTERBALANCE VALVE | 1 | |
| 12 | 10511643 | SOLENOID VALVE | 1 | |
| 13 | 10352150 | D-COIL | 5 | |
| 14 | 10352150 | COIL (FOR ITEM 9) | 1 | |
| 15 | 10352150 | COIL (FOR ITEM 10) | | |

Figure 6-4. Broom Lift Cylinder

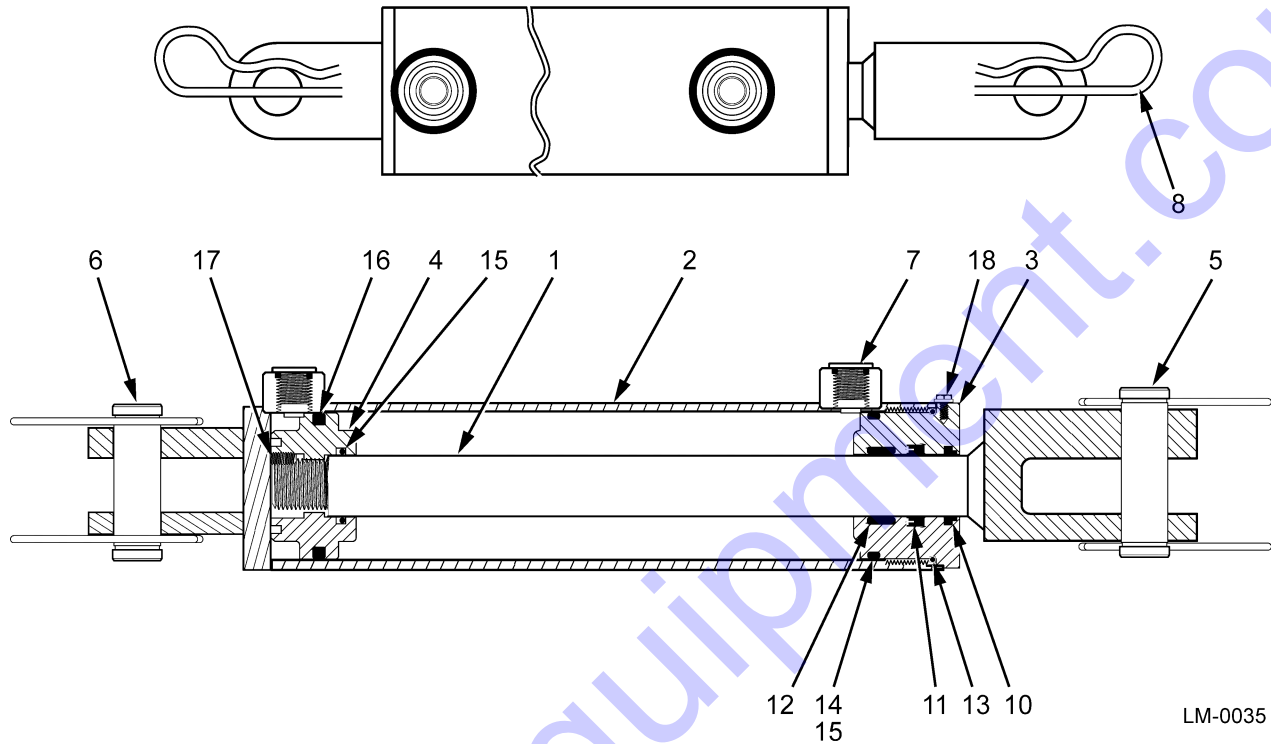


LM-0034

Parts List for Figure 6-4

| Item | Part Number | Description | Qty | Notes |
|------|-----------------|-------------------------------------|-----|---------------------------------------|
| | 10500620 | BROOM LIFT CYLINDER ASSEMBLY | | 3.00" ID X 3.00" Stroke |
| 1 | | ROD ASSEMBLY | 1 | |
| 2 | | STEEL PLUG | 2 | |
| 3 | | PACK HEAD | 1 | |
| 4 | 10552706 | SEAL KIT | 1 | Not Shown. Includes items 5 through 9 |
| 5 | | ROD WIPER | 1 | |
| 6 | | ROD SEAL | 1 | |
| 7 | | WEAR RING | 1 | |
| 8 | | O-RING | 1 | |
| 9 | | BACK UP RING | 1 | |
| 10 | | O-RING | 1 | |
| 11 | | SCREW, SELF-TAPPING | 1 | |

Figure 6-5. Broom Swing Cylinder

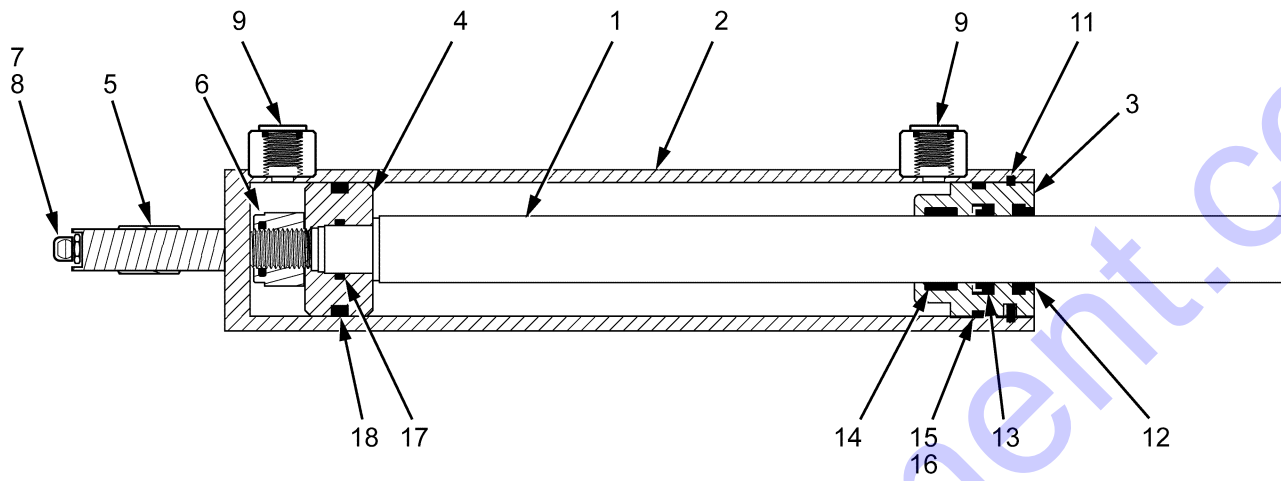


LM-0035

Parts List for Figure 6-5

| Item | Part Number | Description | Qty | Notes |
|------|----------------|--------------------------------------|-----|---|
| | 7110202 | BROOM SWING CYLINDER ASSEMBLY | | 3.00" ID X 10.00" Stroke |
| 1 | | ROD ASSEMBLY | 1 | |
| 2 | | WALL ASSEMBLY | 1 | |
| 3 | | PACK HEAD | 1 | |
| 4 | | PISTON | 1 | |
| 5 | 10558991 | CLEVIS PIN | 1 | |
| 6 | 10558992 | CLEVIS PIN | 1 | |
| 7 | | STEEL PLUG | 2 | |
| 8 | 10558995 | COTTER PIN | 4 | |
| 9 | 10552706 | SEAL KIT | 1 | Not Shown. Includes items 10 through 17 |
| 10 | | ROD WIPER | 1 | |
| 11 | | ROD SEAL | 1 | |
| 12 | | WEAR RING | 1 | |
| 13 | | O-RING | 1 | |
| 14 | | BACKUP RING | 1 | |
| 15 | | O-RING | 1 | |
| 16 | | PISTON SEAL | 1 | |
| 17 | | SET SCREW | 1 | |
| 18 | | SCREW, SELF-TAPPING | 1 | |

Figure 6-6. Steering Cylinder

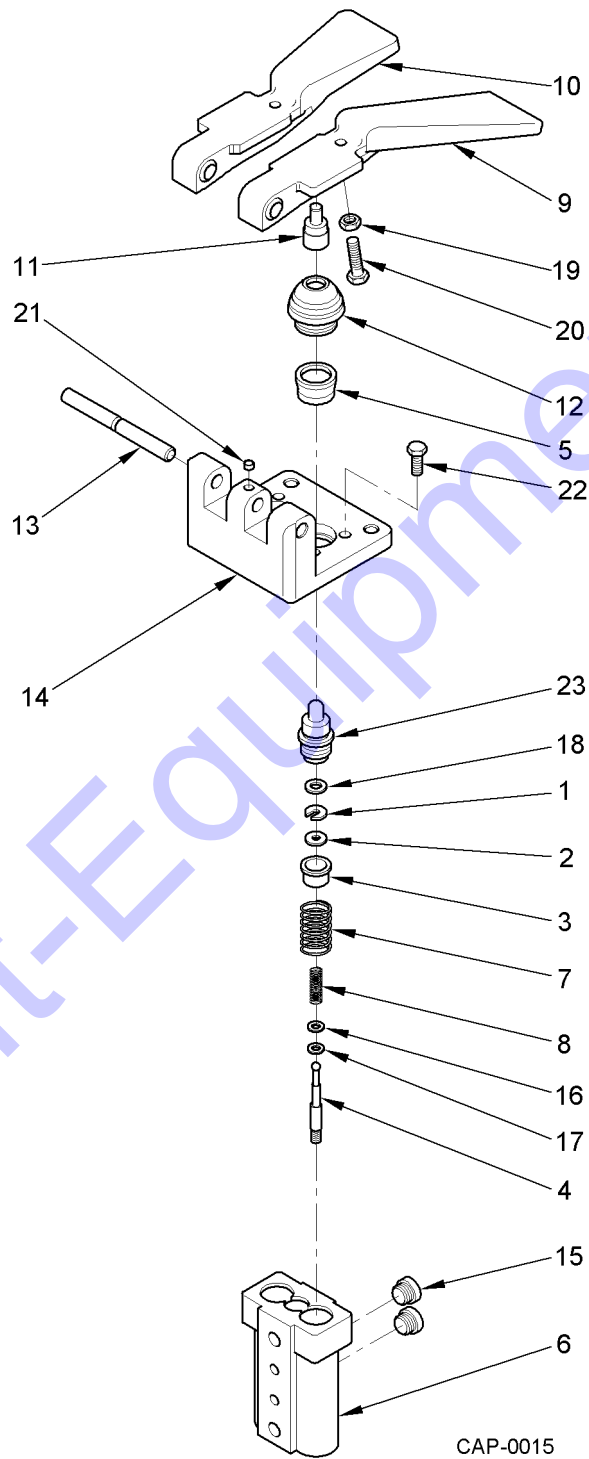


LM-0036

Parts List for Figure 6-6

| Item | Part Number | Description | Qty | Notes |
|------|----------------|-----------------------------------|-----|---|
| | 7110203 | STEERING CYLINDER ASSEMBLY | | 2.00" ID X 8.00" Stroke |
| 1 | | PISTON ROD | 1 | |
| 2 | | WALL ASSEMBLY | 1 | |
| 3 | | PACK HEAD | 1 | |
| 4 | | PISTON | 1 | |
| 5 | | S/A BEARING | 1 | |
| 6 | | LOCKNUT | 1 | |
| 7 | | GREASE FITTING | 1 | |
| 8 | | GREASE CAP | 1 | |
| 9 | | STEEL PLUG | 2 | |
| 10 | 10558993 | SEAL KIT | 1 | Not Shown. Includes items 11 through 18 |
| 11 | | KEY | 1 | |
| 12 | | ROD WIPER | 1 | |
| 13 | | ROD SEAL | 1 | |
| 14 | | WEAR RING | 1 | |
| 15 | | BACKUP RING | 1 | |
| 16 | | O-RING | 1 | |
| 17 | | O-RING | 1 | |
| 18 | | PISTON SEAL | 1 | |

Figure 6-7. Foot Pedal Control

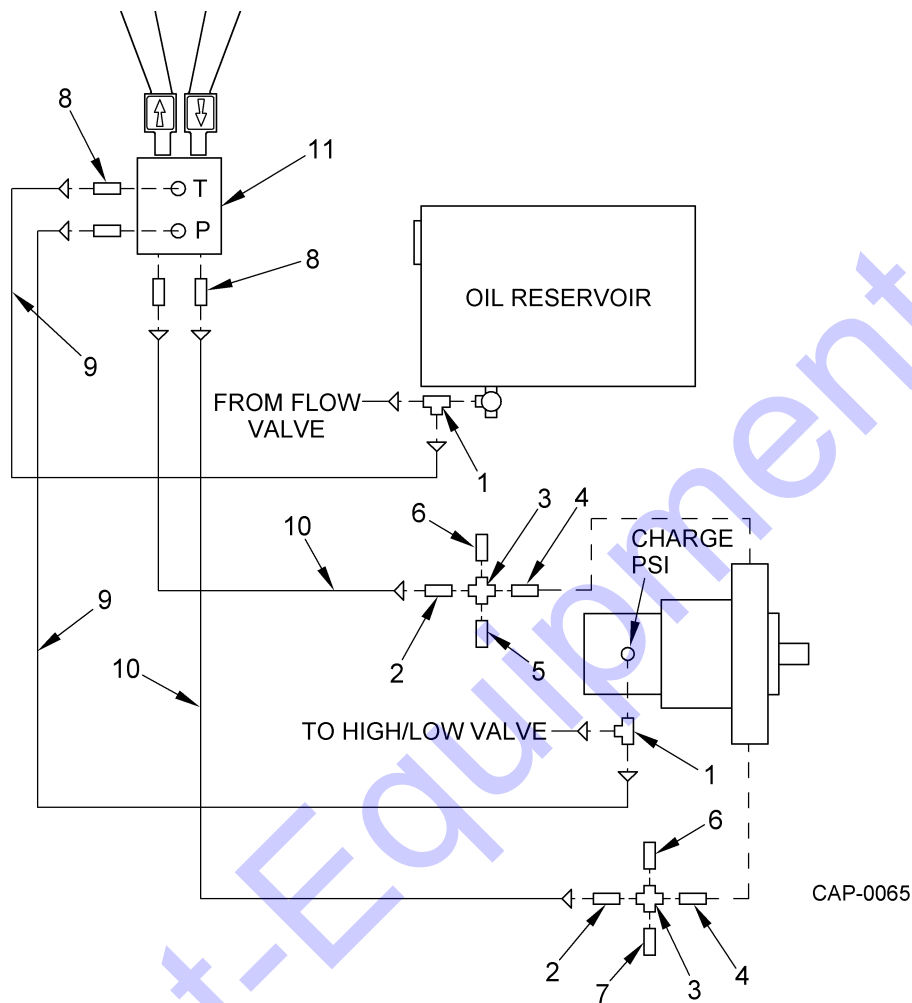


SM450 Parts Manual
Section 6. Hydraulics

Parts List for Figure 6-7

| Item | Part Number | Description | Qty | Notes |
|------|---------------|---------------------------|-----|---------------------------------|
| | 457275 | FOOT PEDAL CONTROL | | For SM250 and SM400 Models Only |
| 1 | 10350040 | O-RING | 2 | |
| 2 | 10350041 | O-RING | 2 | |
| 3 | 10350042 | GUIDE, SPRING | 2 | |
| 4 | 10350043 | SPOOL, VALVE | 2 | |
| 5 | 10350044 | BUSHING, POSITIONER | 2 | |
| 6 | 10350172 | BODY | 1 | |
| 7 | 10350045 | SPRING, COMPRESSION | 2 | |
| 8 | 10350046 | SPRING, COMPRESSION | 2 | |
| 9 | 10350168 | PEDAL, L.H. | 1 | |
| 10 | 10350169 | PEDAL, R.H. | 1 | |
| 11 | 10350047 | SPACER, PIN | 2 | |
| 12 | 10350048 | BELLOWS, RUBBER | 2 | |
| 13 | 10350049 | PIN, PEDAL PIVOT | 1 | |
| 14 | 10350171 | SUPPORT, PEDALS | 1 | |
| 15 | 10350050 | PLUG | 2 | |
| 16 | 10350051 | SHIM, 5 X 10 X .3MM | 2 | |
| 17 | 10350052 | SHIM, 5 X 10 X .5MM | 2 | |
| 18 | 10348447 | SHIM, 8 X 14 X 1MM | 2 | |
| 19 | 10349952 | NUT | 2 | |
| 20 | 10350053 | CAPSCREW | 2 | |
| 21 | 10350054 | SETSCREW | 1 | |
| 22 | 10350040 | CAPSCREW | 4 | |
| 23 | 10350041 | KIT, PLUNGER | 2 | |

Figure 6-8. Foot Pedal Pilot Control



Parts List for Figure 6-8

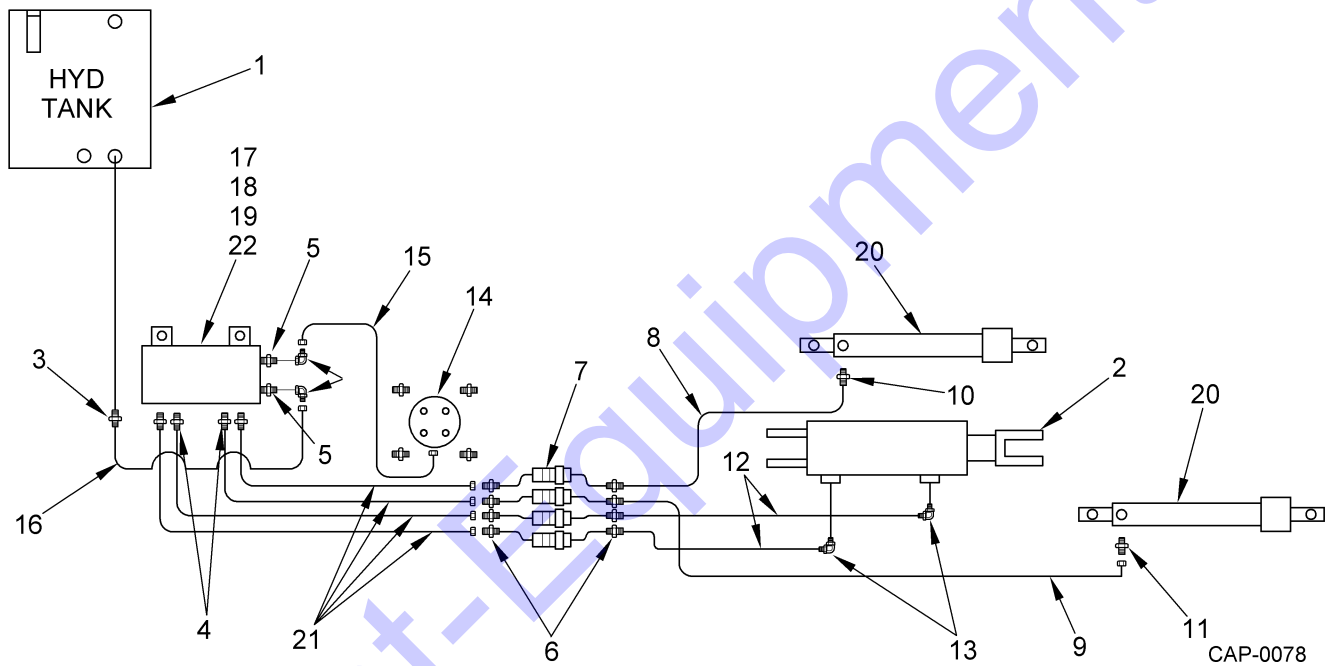
| Item | Part Number | Description | Qty | Notes |
|------|-------------|----------------------------------|-----|------------------------|
| 1 | 092957 | ADAPTER, SWIVEL RUN TEE | 2 | |
| 2 | 10348353 | ADAPTER, STRAIGHT | 2 | |
| 3 | Not used | | | |
| 4 | 10349945 | ADAPTER, UNION | 2 | |
| 5 | 10348485 | PLUG, O-RING | 1 | |
| 6 | 10349947 | SWITCH, PRESSURE (NEUTRAL START) | 2 | Rev. Code -008 & Prior |
| | 10348485 | PLUG, HEX HEAD | 3 | Rev. Code -009 & Later |
| 7 | Not used | | | |
| 8 | 10348988 | ADAPTER, STRAIGHT | 4 | |
| 9 | 10347770 | HOSE, 72" 100R1 | 1 | |
| 10 | 10347771 | HOSE, 67" 100R1 | 1 | |
| 11 | 10349903 | VALVE, HYDRAULIC | 1 | |

Figure 6-9. Hydraulic Filters

Not Illustrated

| Item | Part Number | Description | Qty | Notes |
|-------------|--------------------|---|------------|---|
| | 424143 | HYDRAULIC FILTER (RETURN) (ELECTRIC) | | The Restriction Indicator Switch is not available separately. Order new assembly (P/N 424143) |
| 1 | Not used | | | |
| 2 | 028639 | ELEMENT, REPLACEMENT (10 MICRON) | 1 | |
| | 437665 | HYDRAULIC FILTER (CHARGE) (ELECTRIC) | | The Restriction Indicator Switch is not available separately. Order new assembly (P/N 437665) |
| 3 | Not used | | | |
| 4 | 10349282 | ELEMENT, REPLACEMENT (10 MICRON) | 1 | |

Figure 6-10. Grader Blade Hydraulics



SM450 Parts Manual
Section 6. Hydraulics

Parts List for Figure 6-10

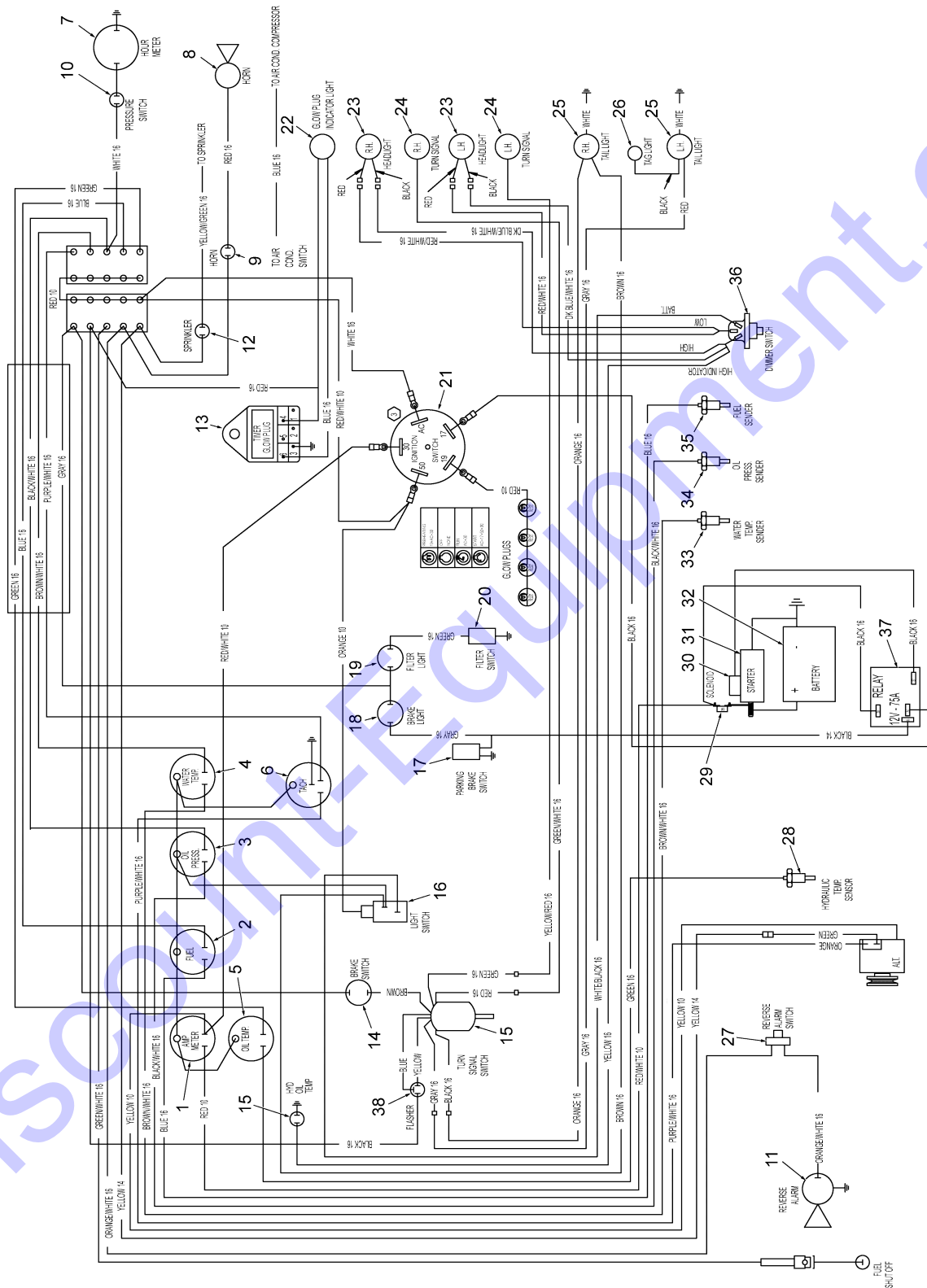
| Item | Part Number | Description | Qty | Notes |
|------|-------------|---|-----|---------------------------------|
| | | GRADER BLADE HYDRAULICS | | SM400 Models Only |
| 1 | 335125 | TANK, HYDRAULIC | REF | See Figure 6-1 Hydraulic System |
| 2 | 10349138 | CYLINDER | 1 | |
| 3 | 095513 | ADAPTER | 1 | |
| 4 | 093427 | ADAPTER | 4 | |
| 5 | 094326 | ADAPTER | 2 | |
| 6 | 092882 | ADAPTER | 8 | |
| 7 | 093416 | KIT, COUPLER 9/16-18 SAE O-RING QUICK | 4 | |
| 8 | 604868 | HOSE ASSEMBLY, 22" | 1 | |
| 9 | 294439 | HOSE ASSEMBLY, 30" | 1 | |
| 10 | V63015700 | ADAPTER | 1 | |
| 11 | 282988 | ADAPTER | 1 | |
| 12 | 294447 | HOSE ASSEMBLY, 13" | 2 | |
| 13 | V63143600 | ADAPTER | 2 | |
| 14 | 451104 | STEERING VALVE, W/POWER BEYOND | 1 | |
| 15 | 360842 | HOSE ASSEMBLY, 112" | 1 | |
| 16 | 372599 | HOSE ASSEMBLY, 28" | 1 | |
| 17 | 401174 | PLUG, O-RING | 2 | |
| 18 | 028654 | MANIFOLD, INLINE BAR W/1500/3000 RELIEF | 1 | |
| 19 | 433069 | VALVE, SOLENOID OPERATED CONTROL | 2 | |
| 20 | 10348875 | CYLINDER | 2 | |
| 21 | 343723 | HOSE ASSEMBLY, 192" | 4 | |
| 22 | 443077 | VALVE, RELIEF | 1 | |

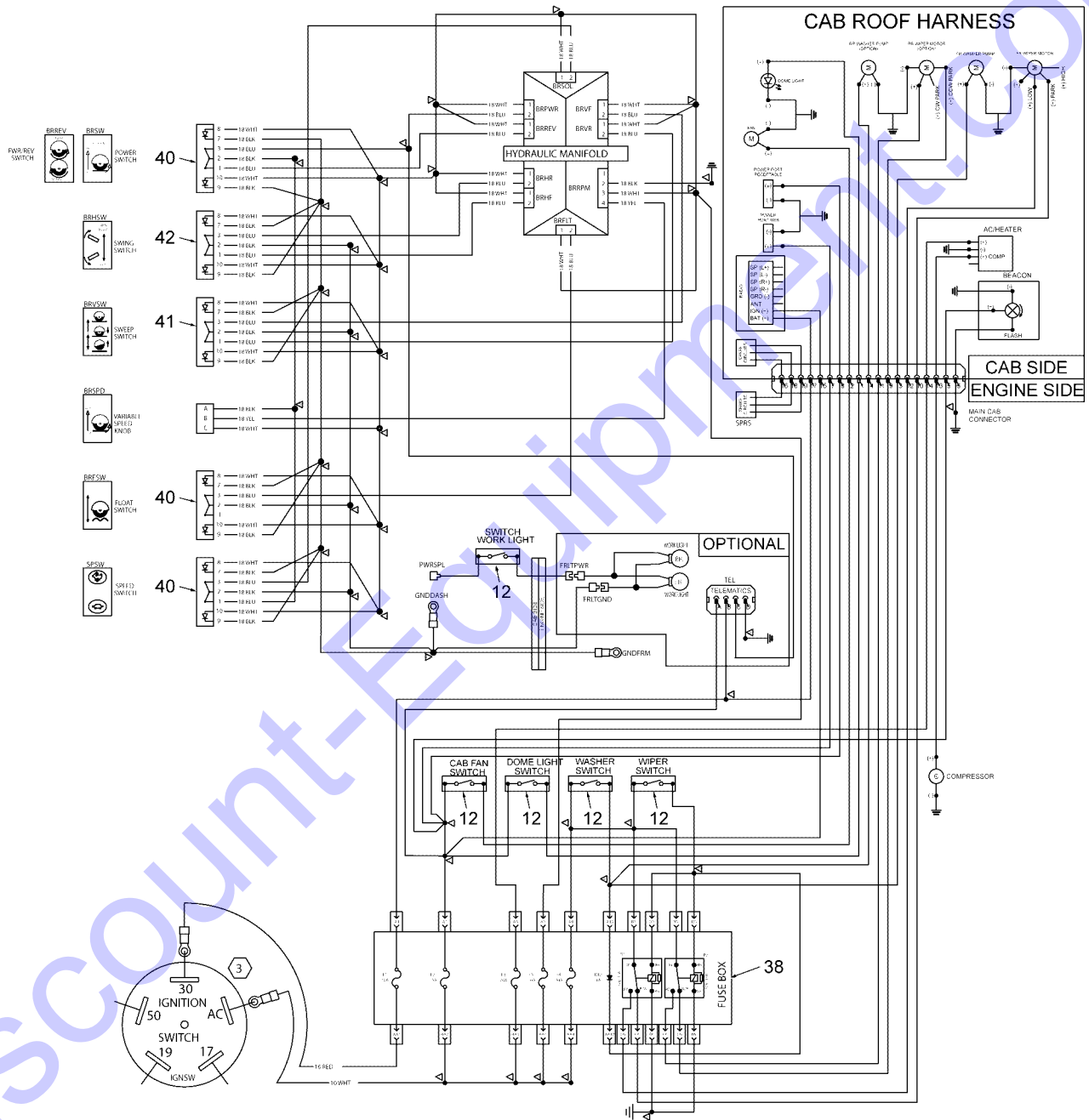
Section 7. Lights and Electrical

| | | |
|-------------|---------------------------------|---|
| Figure 7-1. | Main Electrical Schematic | 2 |
| Figure 7-2. | Strobe Light | 5 |
| Figure 7-3. | LED Light Kit..... | 5 |

Discount-Equipment.com

Figure 7-1. Main Electrical Schematic





SM450 Parts Manual
Section 7. Lights and Electrical

Parts List for Figure 7-1

| Item | Part Number | Description | Qty | Notes |
|----------------------------------|-------------|-----------------------------------|-----|-----------------------|
| MAIN ELECTRICAL SCHEMATIC | | | | |
| 1 | 078006 | GAUGE, ALTERNATOR | 1 | |
| 2 | 077982 | GAUGE, FUEL | 1 | |
| 3 | 078022 | GAUGE, OIL PRESSURE | 1 | |
| 4 | 10348777 | GAUGE, ENGINE WATER TEMP | 1 | |
| 5 | 10348778 | GAUGE, OIL TEMPERATURE | 1 | |
| 6 | Not used | | | |
| 7 | 034892 | HOUR METER | 1 | |
| 8 | 10350606 | HORN | 1 | Kit includes brackets |
| 9 | 10349638 | PUSHBUTTON SWITCH, HORN | 1 | |
| 10 | 10349946 | PRESSURE SWITCH | 1 | |
| 11 | 10350583 | REVERSE ALARM | 1 | |
| 12 | 10352586 | SWITCH, TOGGLE | 5 | |
| 13 | Not used | | | |
| 14 | 413872 | SWITCH, BRAKE | 1 | |
| 15 | 10350180 | SWITCH, TURN SIGNAL | 1 | |
| 16 | V61012700 | SWITCH, LIGHT (LOW BEAM) | 1 | |
| 17 | 413872 | SWITCH, PARKING BRAKE | 1 | |
| 18 | V63121300 | LIGHT, BRAKE | 1 | |
| 19 | V63121300 | LIGHT, FILTER | 1 | |
| 20 | | FILTER HEAD | 1 | |
| 21 | Not used | | | |
| 22 | Not used | | | |
| 23 | 10495290 | HEADLIGHT | 2 | |
| 24 | V6301700 | LIGHT, TURN SIGNAL | 2 | |
| 25 | 386577 | LIGHT, TAIL | 2 | |
| 26 | V6315300 | LIGHT, TAG | 1 | |
| 27 | 049916 | SWITCH, REVERSE ALARM | 1 | |
| 28 | 416131 | SENSOR, HYDRAULIC TEMP | 1 | |
| 29 | 403311 | FUSE, 50A | 1 | |
| 30 | Not used | | | |
| 31 | Not used | | | |
| 32 | Not used | | | |
| 33 | 10348779 | SENDER, WATER TEMP | 1 | |
| 34 | 041988 | SENDER, OIL PRESSURE | 1 | |
| 35 | 10350067 | SENDER, FUEL LEVEL | 1 | |
| 36 | V63059800 | SWITCH, DIMMER | 1 | |
| 37 | 10349977 | RELAY, STARTER | 1 | |
| 38 | 10348237 | FLASHER MODULE | 1 | |
| 39 | 7111014 | FUSE BOX | 1 | |
| 40 | 10347041 | SWITCH, ROCKER, ON/OFF | 3 | |
| 41 | 10347042 | SWITCH, ROCKER, BROOM RAISE/LOWER | 1 | |
| 42 | 10347043 | SWITCH, ROCKER, BROOM SWING | 1 | |

Figure 7-2. Strobe Light

Not Illustrated

| Item | Part Number | Description | Qty | Notes |
|------|-------------|-------------------------|-----|-------|
| 1 | 094623 | LIGHT, STROBE 12V AMBER | 1 | |
| 2 | 10347685 | MOUNT, STROBE | 1 | |

Figure 7-3. LED Light Kit

Not Illustrated

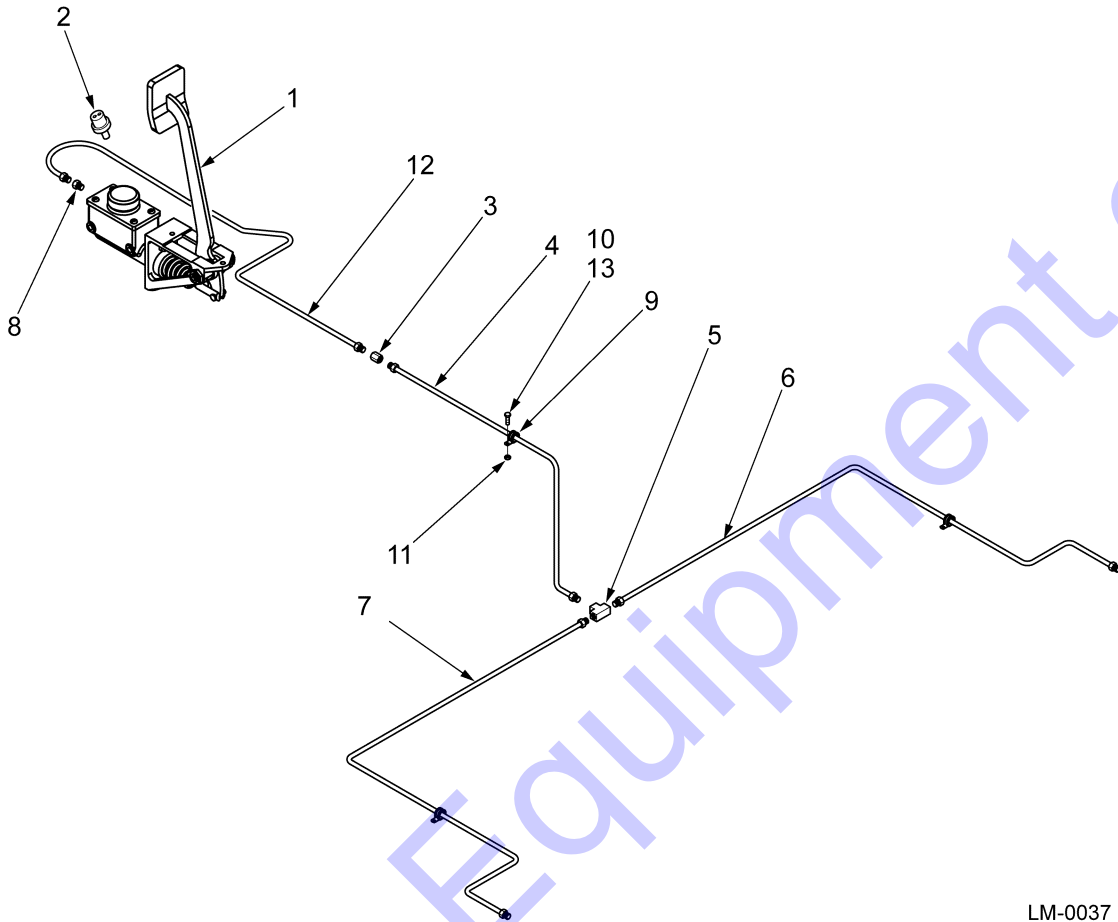
| Item | Part Number | Description | Qty | Notes |
|------|-----------------------|--|------|-------|
| | ST-400-060-001 | High/Low Beam Light Kit (Halogen) | | |
| 1 | V61012700 | SWITCH, LIGHT W/20 AMP BREAKER | 1 | |
| 2 | 10352566 | LIGHT, LICENSE PLATE | 1 | |
| 3 | V63115400 | KIT, TURN SIGNAL SWITCH | 1 | |
| 4 | 036467 | TERMINAL, #10 RING 16-14GA INS | 1 | |
| 5 | 10349477 | TUBE, HEAT SHRINK | 0.75 | |
| 6 | 466045 | SPLICE, 16-24GA WIRE | 1 | |
| 7 | 10350177 | HOLDER, INLINE FUSE - 14 AMP | 1 | |
| 8 | 10350180 | SWITCH, TURN SIGNAL | 1 | |
| 9 | 10352007 | TERMINAL, SLIDE | 3 | |
| 10 | 10347522 | BRACKET, HEADLIGHT - LH | 1 | |
| 11 | 10347523 | BRACKET, HEADLIGHT - RH | 1 | |
| 12 | 10348237 | REAR LED, RUBBER MT S,T,L LIGH | 2 | |
| 13 | 10348241 | FLASHER 3 TERMINAL 12V | 1 | |
| 14 | 10349119 | LAMP, BLUE INDICATOR | 1 | |
| 15 | 477675 | LIGHT, DOUBLE FACE LED RIGHT | 1 | |
| 16 | 477676 | LIGHT, DOUBLE FACE LED LEFT | 1 | |
| 17 | 10495290 | LED FT LIGHT HI/LOW SM450-ST | 2 | |

Section 8. Brakes

| | | |
|-------------|--|---|
| Figure 8-1. | MC/Brake Pedal/Brake Line Assembly | 2 |
| Figure 8-2. | Parking Brake Assembly | 3 |
| Figure 8-3. | Front Drum Brake Assembly | 5 |

Discount-Equipment.com

Figure 8-1. MC/Brake Pedal/Brake Line Assembly

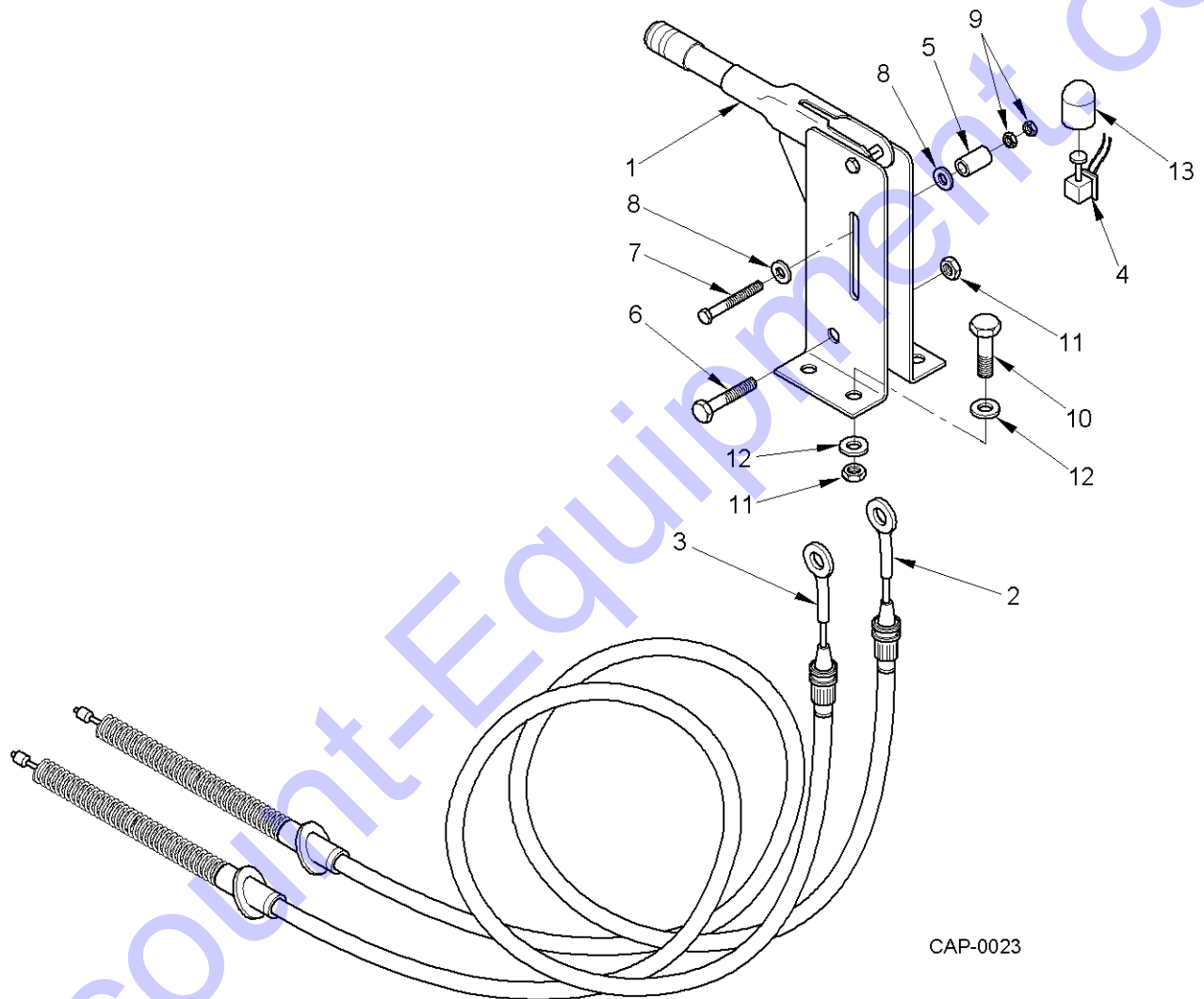


LM-0037

Parts List for Figure 8-1

| Item | Part Number | Description | Qty | Notes |
|---|-------------|--------------------------------------|-----|-----------|
| MC/BRAKE PEDAL/BRAKE LINE ASSEMBLY | | | | |
| 1 | 7110301 | MASTER CYLINDER/BRAKE PEDAL ASSEMBLY | 1 | |
| 2 | 049924 | SWITCH, BRAKE LIGHT | 1 | |
| 3 | 067561 | UNION 3/16 TUBE | 1 | |
| 4 | 10538388 | TUBE 3/16 | 1 | |
| 5 | 10349198 | TEE 3/16 W/ MOUNT | 1 | |
| 6 | 10544786 | TUBE, 3/16 OD RIGHT HAND REAR | 1 | |
| 7 | 10356212 | TUBE, 3/16 OD LEFT HAND REAR | 1 | |
| 8 | 054171 | ADAPTER 3/16 TUBE X 1/8-NPT STRAIGHT | 1 | |
| 9 | 028993 | CLAMP, 1/2 ID | 6 | |
| 10 | 010058 | CAPSCREW, 1/4-20NC X 1.00 | 4 | |
| 11 | 10349329 | LOCK NUT, 1/4-20NC | 7 | Not Shown |
| 12 | 10347769 | BRAKE LINE | 1 | |
| 13 | 011321 | FLAT WASHER, 1/4 | 9 | |

Figure 8-2. Parking Brake Assembly

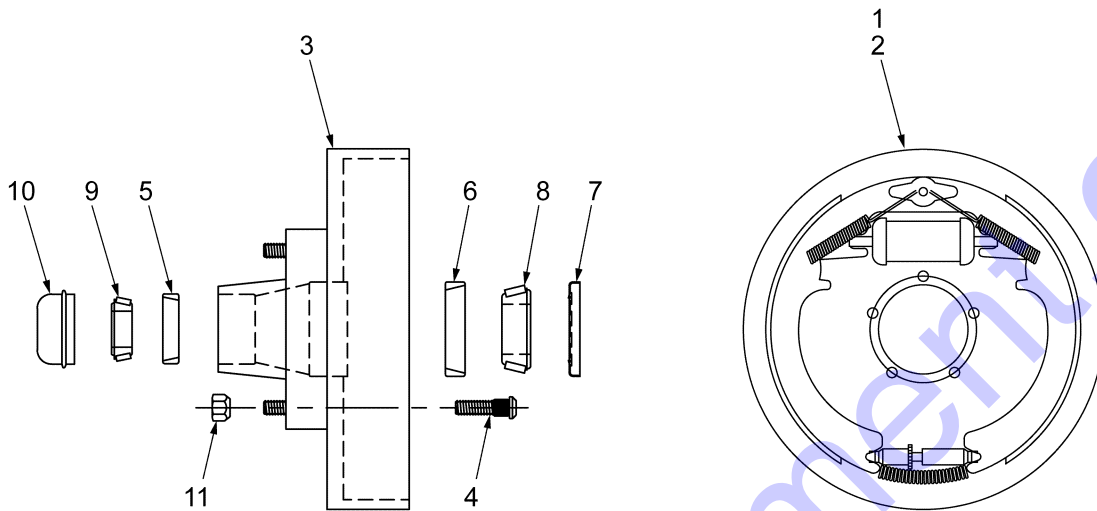


SM450 Parts Manual
Section 8. Brakes

Parts List for Figure 8-2

| Item | Part Number | Description | Qty | Notes |
|-------------------------------|-------------|-----------------------------|-----|-------|
| Parking Brake Assembly | | | | |
| 1 | 281287 | PARKING BRAKE LEVER | 1 | |
| 2 | 10349574 | CABLE, BRAKE SHORT | 1 | |
| 3 | 10349575 | CABLE, BRAKE LONG | 1 | |
| 4 | 413872 | SWITCH, PARKING LIGHT | 1 | |
| 5 | 10347271 | BUSHING | 1 | |
| 6 | 010389 | CAPSCREW, 5/16-18NC X 2.00" | 1 | |
| 7 | 010421 | CAPSCREW 5/16-18NC X 2.50" | 1 | |
| 8 | 010579 | FLAT,WASHER 5/16 | 2 | |
| 9 | 083493 | LOCK NUT, 5/16-18NC | 1 | |
| 10 | 10349358 | CAPSCREW, 1/4-20NC X 3/4" | 4 | |
| 11 | 10349329 | LOCK NUT, 1/4-20NC | 4 | |
| 12 | 011321 | FLAT WASHER, 1/4 | 8 | |
| 13 | 10348693 | BOOT, SWITCH WEATHERPROOF | 1 | |

Figure 8-3. Front Drum Brake Assembly



LM-0038

Parts List for Figure 8-3

| Item | Part Number | Description | Qty | Notes |
|------|-----------------|--|-----|---|
| | 10552570 | Front Drum Brake Assembly (Left) | | |
| | 10552571 | Front Drum Brake Assembly (Right) | | Quantities of items below is per wheel. |
| 1 | | SELF ADJUSTING BRAKE KIT, LEFT | 1 | Not Shown. |
| 2 | | SELF ADJUSTING BRAKE KIT, RIGHT | 1 | Not Shown. |
| 3 | | HUB AND DRUM, CUPPED AND STUDED | 1 | |
| 4 | | STUD, THREADED | 6 | |
| 5 | | OUTER CUP | 1 | |
| 6 | | INNER CUP | 1 | |
| 7 | | GREASE SEAL | 1 | |
| 8 | | INNER CONE | 1 | |
| 9 | | OUTER CONE | 1 | |
| 10 | | GREASE CAP | 1 | |
| 11 | | LUG NUT | 6 | |

Section 9. Decals

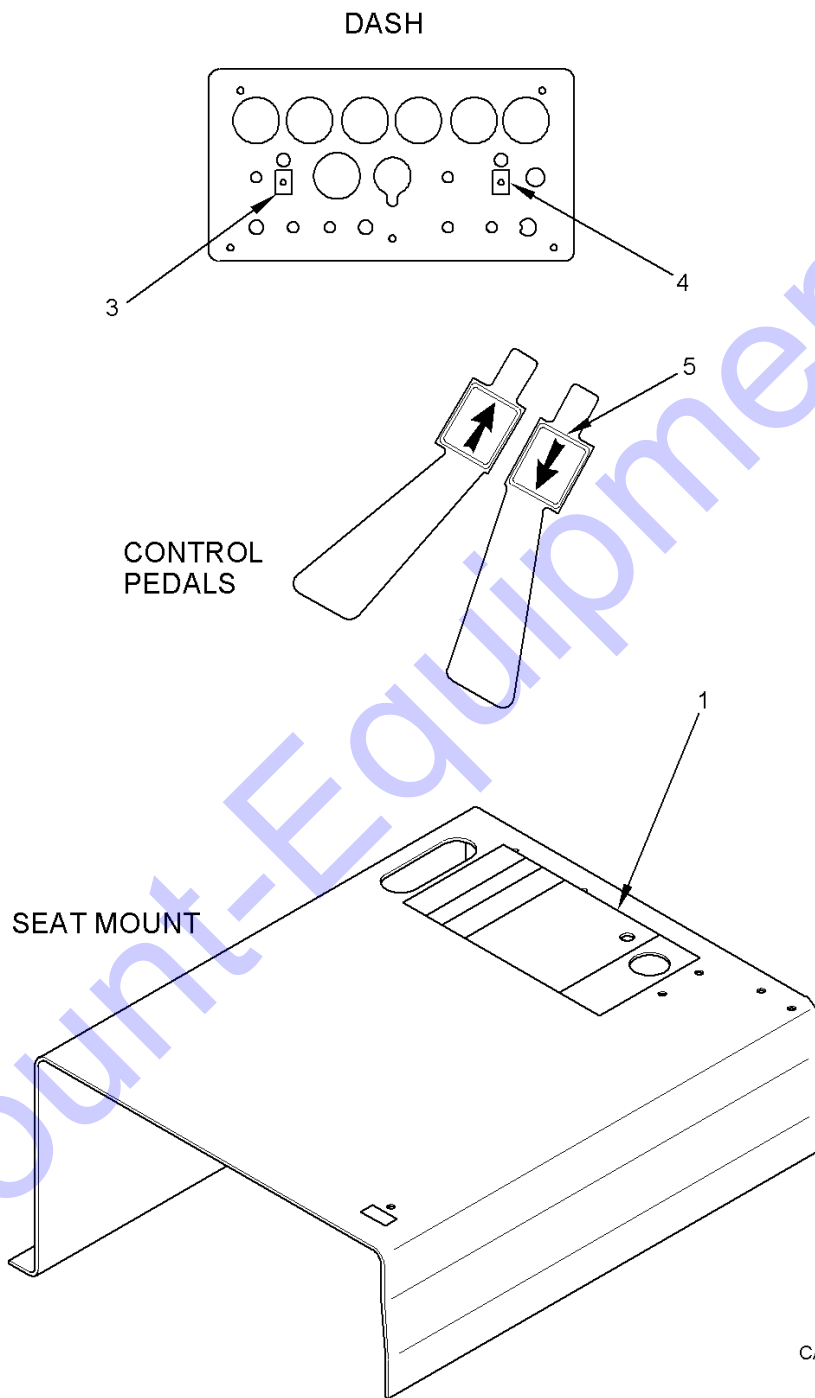
| | | |
|-------------|-----------------------|---|
| Figure 9-1. | Exterior Decals | 2 |
| Figure 9-2. | Interior Decals..... | 3 |

Figure 9-1. Exterior Decals

Not Illustrated

| Item | Part Number | Description | Qty | Notes |
|------|-----------------------|--------------------------------|-----|-------|
| | SM-500-120-001 | Decal Kit | | |
| 1 | 10347270 | DECAL, LONG LIFE COOLANT | 1 | |
| 2 | 10265708 | DECAL, SLOW MOVING VEHICLE | 1 | |
| 3 | 10349134 | MCL-SAFETY WALK, 11.00 X 12.50 | 4 | |
| 4 | 10349427 | DECAL, DANGER - ROTATING FAN | 2 | |
| 5 | 10349585 | DECAL, CALIFORNIA WARNING | 1 | |
| 6 | 10349630 | DECAL, DIESEL ONLY | 1 | |
| 7 | 10349631 | DECAL, HYDRAULIC OIL | 1 | |
| 8 | 10349917 | DECAL, ARROW - SM250 FOR/REV | 2 | |
| 9 | 10350075 | DECAL, LAY-MOR - STEERING CAP | 1 | |
| 10 | 10350202 | DECAL, WARNING - STAND CLEAR | 2 | |
| 11 | 10350208 | DECAL, DANGER - NO RIDERS -SWE | 2 | |
| 12 | 10350210 | DECAL, GREASE DAILY | 1 | |
| 13 | 10350245 | DECAL, DANGER - PINCH POINT | 2 | |
| 14 | 10363242 | DECAL, LAY-MOR | 2 | |
| 15 | 10552680 | DECAL, OPERATION SM450ST | 1 | |

Figure 9-2. Interior Decals



CAP-0047

SM450 Parts Manual
Section 9. Decals

Parts List for Figure 9-2

| Item | Part Number | Description | Qty | Notes |
|------------------------|-------------|---|-----|-----------|
| Interior Decals | | | | |
| 1 | 10350201 | DECAL, OPERATOR INSTRUCTIONS (R.H. SIDE SEAT MOUNT) | 1 | |
| 2 | 10350075 | DECAL, STEERING WHEEL | 1 | Not Shown |
| 3 | 10350204 | DECAL, PARKING BRAKE LIGHT (DASH) | 1 | |
| 4 | 10350205 | DECAL, HYDRAULIC OIL FILTER (DASH) | 1 | |
| 5 | 10349917 | DECAL, FORWARD/REVERSE ARROW | 2 | |

Section 10. Sprinkler System

Figure 10-1. Sprinkler Kit

Not Illustrated

| Item | Part Number | Description | Qty | Notes |
|------|-----------------------|--------------------------------|------|-------|
| | ST-400-070-001 | Sprinkler Kit | N/A | |
| 1 | 10352524 | CLAMP, HOSE - #8 | 21 | |
| 2 | 10352578 | NOZZLE, SPRINKLER JET | 8 | |
| 3 | 10352586 | SWITCH, TOGGLE | 1 | |
| 4 | 10352640 | CONNECTOR, HOSE DOUBLE | 6 | |
| 5 | 10352641 | SHANK, HOSE | 2 | |
| 6 | 10352643 | SCREEN, SPRAY NOZZLE | 8 | |
| 7 | 10352644 | CAP, BRASS NOZZLE | 8 | |
| 8 | 10350957 | GROMMET, WIRING HARNESS - .87 | 1 | |
| 9 | 10349509 | MCL-HOSE, .50 ID WATER X 11.25 | 2 | |
| 10 | 10347341 | HOSE, .50 ID LOW PRESSURE | 9.66 | |
| 11 | 10349509 | MCL-HOSE, .50 ID WATER X 5.50 | 3 | |
| 12 | 10347526 | HOSE, .50 ID LOW PRESSURE | 4.83 | |
| 13 | 10347527 | MOUNT, SPRINKLER - LH | 1 | |
| 14 | 10347652 | MOUNT, SPRINKLER - RH | 1 | |
| 15 | 10349509 | PAD, WATER TANK - SM250 | 1 | |
| 16 | 10348805 | MCL-HOSE, .50 ID WATER X 84.00 | 1 | |
| 17 | 10349508 | HOSE, .50 ID LOW PRESSURE | 12 | |
| 18 | 416827 | PUMP, 12V FLOJET 5.0 GPM | 1 | |
| 19 | 446930 | CLAMP, CRIMPING BAND -8 HOSE | 1 | |
| 20 | 7119310 | WATER TANK MOUNT SM450-ST | 1 | |
| 21 | 10339333 | RUBBER STRAP (USE COT 119581) | 2 | |
| 22 | 7119320 | STR TANK HOLD DOWN 4WH. 2017 | 1 | |
| 23 | 423046 | STRIP, .06 X 2.00 HR1020 X 10' | 1 | |
| 24 | 10351854 | FILTER, SUCTION WATER | 1 | |
| 25 | 10500652 | TANK, 160 GALLON | 1 | |

Discount Equipment

Discount-Equipment.com is your online resource for commercial and industrial quality parts and equipment sales.

Locations:

Florida (West Palm Beach): [561-964-4949](tel:561-964-4949)

Outside Florida TOLL FREE: [877-690-3101](tel:877-690-3101)

Need parts? Check out our website at www.discount-equipment.com

Can't find what you need?

Click on this link: <http://www.discount-equipment.com/category/5443-parts/> and fill out the request form.

Please have the machine model and serial number available in order to help us get you the correct parts. One of our experienced staff members will get back to you with a quote for the right part that your machine needs.

We sell worldwide for the brands: Genie, Terex, JLG, MultiQuip, Mayco, Toro/Stone, Diamond Products, Magnum, Airman, Mustang, Power Blanket, Nifty Lift, Atlas Copco, Chicago Pneumatic, Allmand Brothers, Essick, Miller Spreader, Skyjack, Lull, Skytrak, Tsurumi, Husquvarna/Target, Whiteman-Concrete/Mortar, Stow-Concrete/Mortar, Baldor, Wacker, Sakai, Snorkel, Upright, Mi-T-M, Sullair, Neal, Basic, Dynapac, MBW, Weber, Bartell, Bennar Newman, Haulotte, Ditch Runner, Blaw-Knox, Himoina, Best, Buddy, Crown, Edco, Wyco, Bomag, Laymor, Terremite, Barreto, EZ Trench, Takeuchi, Basic, Bil-Jax, Curtis, Gehl, Heli, Honda, ICS/PowerGrit, Puckett, Waldon, ASV, IHI, Partner, Imer, Clipper, MMD, Koshin, Rice, Gorman Rupp, CH&E, Cat Pumps, Comet, General Pump, Giant, AMida, Coleman, NAC, Gradall, Square Shooter, Kent, Stanley, Tamco, Toku, Hatz, Kohler, Robin, Wisconsin, Northrock, Oztec, Toker TK, Rol-Air, Small Line, Wanco, Yanmar

New Equipment - Used Equipment - Rental Equipment - Parts and Accessories

Discount Equipment

www.discount-equipment.com

561-964-4949

Parts: wbparts@Discount-Equipment.com

Sales: info@Discount-Equipment.com