



Mobile Products, Inc.

**PARTS CATALOG
SWEEPMASTER300**

Discount-Equipment.com



www.discount-equipment.com

Discount Equipment

Discount-Equipment.com is your online resource for commercial and industrial quality parts and equipment sales.

Locations:

Florida (West Palm Beach): [561-964-4949](tel:561-964-4949)

Outside Florida TOLL FREE: [877-690-3101](tel:877-690-3101)

Need parts? Check out our website at www.discount-equipment.com

Can't find what you need?

Click on this link: <http://www.discount-equipment.com/category/5443-parts/> and fill out the request form.

Please have the machine model and serial number available in order to help us get you the correct parts. One of our experienced staff members will get back to you with a quote for the right part that your machine needs.

We sell worldwide for the brands: Genie, Terex, JLG, MultiQuip, Mayco, Toro/Stone, Diamond Products, Magnum, Airman, Mustang, Power Blanket, Nifty Lift, Atlas Copco, Chicago Pneumatic, Allmand Brothers, Essick, Miller Spreader, Skyjack, Lull, Skytrak, Tsurumi, Husquvarna/Target, Whiteman-Concrete/Mortar, Stow-Concrete/Mortar, Baldor, Wacker, Sakai, Snorkel, Upright, Mi-T-M, Sullair, Neal, Basic, Dynapac, MBW, Weber, Bartell, Bennar Newman, Haulotte, Ditch Runner, Blaw-Knox, Himoina, Best, Buddy, Crown, Edco, Wyco, Bomag, Laymor, Terremite, Barreto, EZ Trench, Takeuchi, Basic, Bil-Jax, Curtis, Gehl, Heli, Honda, ICS/PowerGrit, Puckett, Waldon, ASV, IHI, Partner, Imer, Clipper, MMD, Koshin, Rice, Gorman Rupp, CH&E, Cat Pumps, Comet, General Pump, Giant, AMida, Coleman, NAC, Gradall, Square Shooter, Kent, Stanley, Tamco, Toku, Hatz, Kohler, Robin, Wisconsin, Northrock, Oztec, Toker TK, Rol-Air, Small Line, Wanco, Yanmar

New Equipment - Used Equipment - Rental Equipment - Parts and Accessories

Discount Equipment

www.discount-equipment.com

561-964-4949

Sales: info@Discount-Equipment.com

Parts: wbparts@Discount-Equipment.com

DESCRIPTION	PAGE	DESCRIPTION	PAGE
A QUICK REFERENCE		ELECTRICAL COMPONENTS (CONT...)	
BRUSH KITS (6-3/8 X 24")	2	TAIL LIGHT ASSEMBLY	56
WAFERS AND COMBO BOXES (6-3/8")	4	TAIL LIGHT HARNESS	58
		WIRING HARNESS ASSEMBLY	60
BRAKE COMPONENTS		ENGINE COMPONENTS	
BRAKE LINE ASSEMBLY	6	AIR CLEANER ASSEMBLY	62
GROUND DRIVE ASSEMBLY	8	ENGINE HOOD ASSEMBLY	64
HYDRAULIC DISCONNECT ASSEMBLY (W/BRAKE)	10	FUEL SYSTEM ASSEMBLY	66
PARKING BRAKE ASSEMBLY	12	MAIN DRIVETRAIN ASSEMBLY	68
SURGE BRAKE ACTUATOR	14	MUFFLER HANGER ASSEMBLY	72
		RADIATOR ASSEMBLY	74
BROOM COMPONENTS		FILTERS, REQUIRED	
BROOM ASSEMBLY (6')	16	FILTERS	76
BROOM ASSEMBLY (8')	18		
BROOM FRAME ASSEMBLY	20		
BROOM HOOD ASSEMBLY (6')	22	HYDRAULIC COMPONENTS	
BROOM HOOD ASSEMBLY (8')	24	AUXILLIARY PUMP ASSEMBLY	78
BROOM KITS (6 3/8")	26	BROOM DRIVE MOTOR ASSEMBLY	80
CHASSIS COMPONENTS		BROOM LIFT CYLINDER ASSEMBLY	82
BRAKE PEDAL ASSEMBLY	28	BROOM SWING CYLINDER ASSEMBLY	84
DASH ASSEMBLY	30	HIGH PRESSURE FILTER ASSEMBLY	86
FRAME ASSEMBLY	32	HYDRAULIC SYSTEM HOSES AND FITTINGS	88
FRONT FORK ASSEMBLY	34	LOW PRESSURE FILTER ASSEMBLY	92
IGNITION KEY IDENTIFICATION	36	LOW PRESSURE FILTER ASSEMBLY	94
ROPS	38	MANIFOLD BLOCK ASSEMBLY	96
SEAT ASSEMBLY	40	PISTON PUMP ASSEMBLY (HYDROSTATIC)	98
SPEED PEDAL LINKAGE ASSEMBLY	42	STEERING CYLINDER ASSEMBLY	100
STEERING ASSEMBLY	44	WHEEL DRIVE MOTOR ASSEMBLY	102
TIRE, WHEEL AND LUG NUT ASSEMBLY	46	WHEEL DRIVE MOTORS	104
DECALS		OPTIONAL COMPONENTS	
DECALS	48	HOSE KIT (6' BROOM)	106
		HOSE KIT (8' BROOM)	108
		LIGHT KIT (FRONT AND REAR)	110
ELECTRICAL COMPONENTS		SPRAY NOZZLE ASSEMBLY (L-BODY, BRASS)	112
BATTERY ASSEMBLY	50	SPRAY NOZZLE ASSEMBLY (T-BODY, BRASS)	114
EMERGENCY SHUTDOWN, ENGINE	52	SPRINKLER ASSY (6', SINGLE FILTER, BLACK TA)	116
HUB DISENGAGE WARNING SYSTEM	54	SPRINKLER ASSY (6', SINGLE FILTER, WHITE TA)	118

TABLE OF CONTENTS



DESCRIPTION	PAGE	DESCRIPTION	PAGE
OPTIONAL COMPONENTS (CONT...)			
SPRINKLER ASSY (8', SINGLE FILTER, BLACK TA)	120		
SPRINKLER ASSY (8', SINGLE FILTER, WHITE TA)	122		
TOW HITCH ASSEMBLY	124		
WATER TANK ASSEMBLY	126		

BRUSH KITS (6-3/8 X 24")

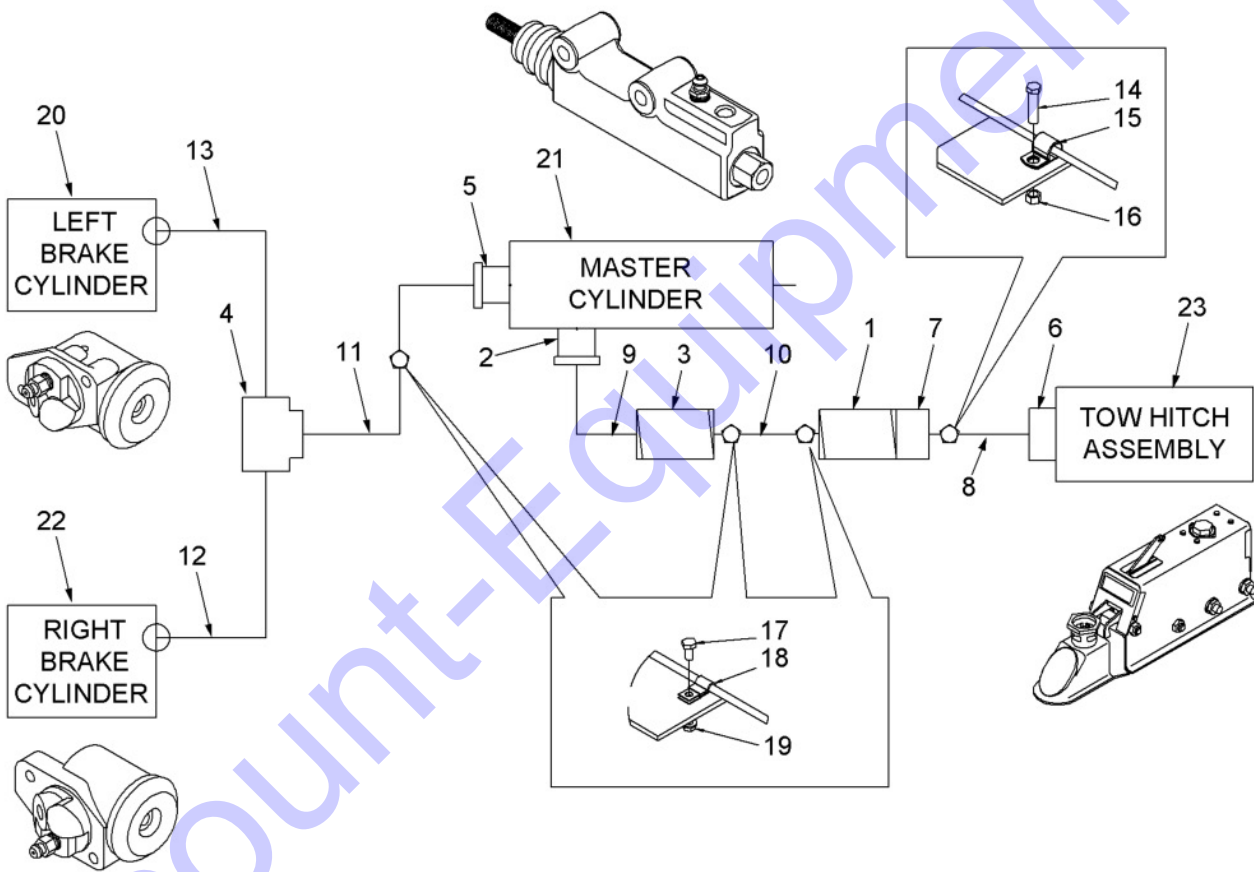
NON-ILLUSTRATED

BRUSH KITS (6-3/8 X 24")					
ITEM	PART NUMBER	F/N	DESCRIPTION	QTY	UOM
	9104403K		BRUSH KIT (6', CONVOL. POLY)	AR	EA
	9104641K		BRUSH KIT (6', CONVOL. POLY/WIRE)	AR	EA
	9103150K		BRUSH KIT (6', CONVOL. COMBO)	AR	EA
	9104404K		BRUSH KIT (6', CONVOL. WIRE)	AR	EA
	9104644K		BRUSH KIT (6', FLAT POLY, W/SPACERS)	AR	EA
	9104639K		BRUSH KIT (6', FLAT POLY/WIRE, W/SPACERS)	AR	EA
	9104650K		BRUSH KIT (6', FLAT WIRE, W/SPACERS)	AR	EA
	9104405K		BRUSH KIT (8', CONVOL. POLY)	AR	EA
	9104642K		BRUSH KIT (8', CONVOL. POLY/WIRE)	AR	EA
	9103151K		BRUSH KIT (8', CONVOL. COMBO)	AR	EA
	9104406K		BRUSH KIT (8', CONVOL. WIRE)	AR	EA
	9104651K		BRUSH KIT (8', FLAT POLY, W/SPACERS)	AR	EA
	9104654K		BRUSH KIT (8', FLAT POLY/WIRE, W/SPACERS)	AR	EA
	9104659K		BRUSH KIT (8', FLAT WIRE, W/SPACERS)	AR	EA

NON-ILLUSTRATED

WAFERS AND COMBO BOXES (6-3/8")					
ITEM	PART NUMBER	F/N	DESCRIPTION	QTY	UOM
	378978	F/N	CONVOLUTED POLY (24")	AR	EA
	378980	F/N	CONVOLUTED COMBO (24")	AR	EA
	9101467	F/N	CONVOLUTED WIRE (24")	AR	EA
	478077	F/N	FLAT POLY (24", SPACER REQUIRED)	AR	EA
	478078	F/N	FLAT WIRE (24", SPACER REQUIRED)	AR	EA
	478071	F/N	CONVOLUTED POLY (21")	AR	EA
	478156	F/N	CONVOLUTED COMBO (21")	AR	EA
	478072	F/N	CONVOLUTED WIRE (21")	AR	EA
	478140	F/N	FLAT POLY (21", SPACER REQUIRED)	AR	EA
	478152	F/N	FLAT WIRE (21", SPACER REQUIRED)	AR	EA
	478079	F/N	SPACER (6")	AR	EA
	378978BX	F/N	CONVOLUTED POLY (24", BOX OF 25)	AR	EA
	378980BX	F/N	CONVOLUTED COMBO (24", BOX OF 24)	AR	EA
	9101467BX	F/N	CONVOLUTED WIRE (24", BOX OF 24)	AR	EA
	478077BX	F/N	FLAT POLY (24", BOX OF 30)	AR	EA
	478078BX	F/N	FLAT WIRE (24", BOX OF 30)	AR	EA
	478071BX	F/N	CONVOLUTED POLY (21", BOX OF 30)	AR	EA
	478156BX	F/N	CONVOLUTED COMBO (21", BOX OF 30)	AR	EA
	478072BX	F/N	CONVOLUTED WIRE (21", BOX OF 30)	AR	EA
	478140BX	F/N	FLAT POLY (21", BOX OF 35)	AR	EA
	478152BX	F/N	FLAT WIRE (21", BOX OF 35)	AR	EA

374629A: BRAKE LINE ASSEMBLY

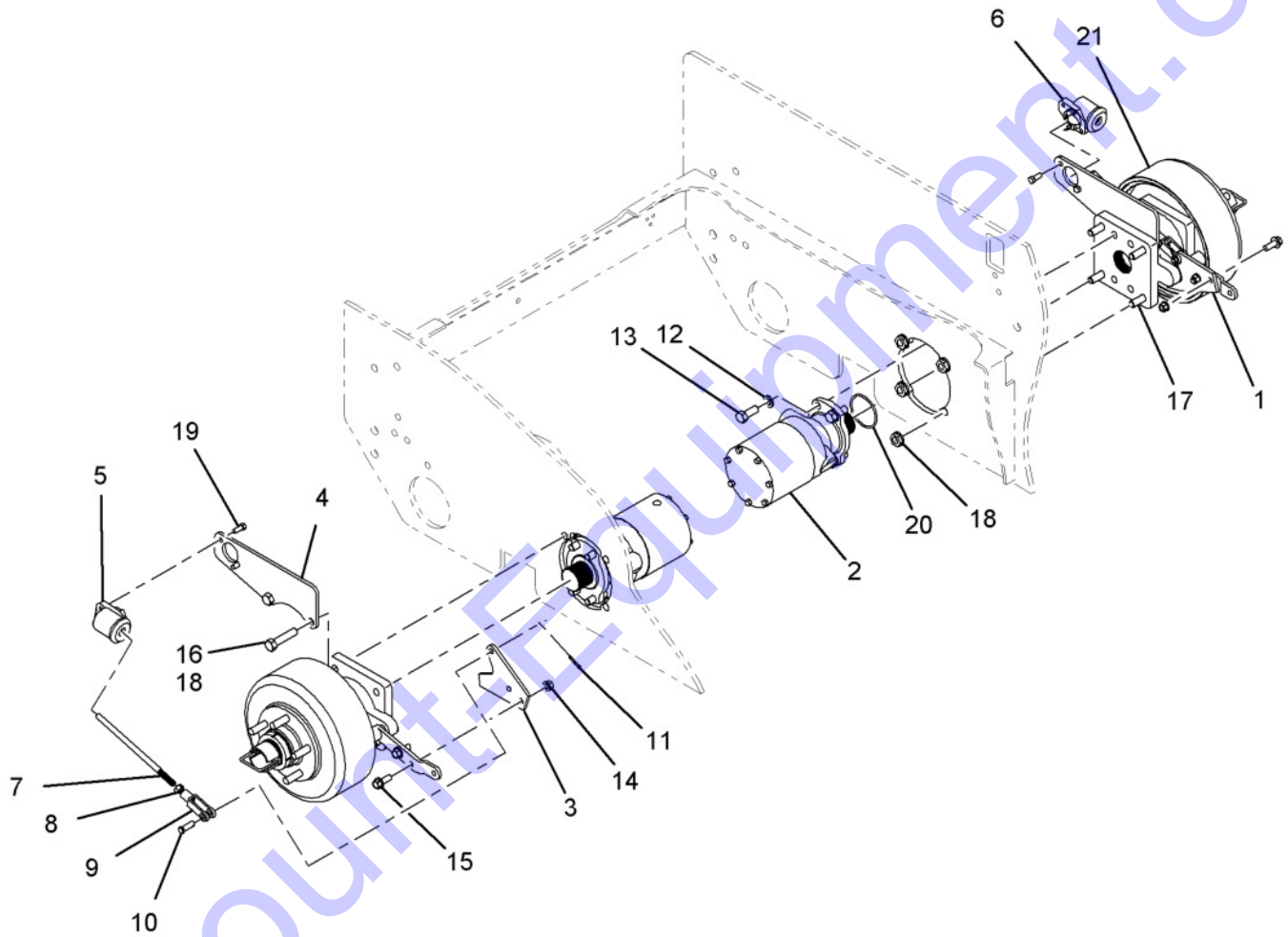


B-900-040-374629A-1

E15

374629A: BRAKE LINE ASSEMBLY					
ITEM	PART NUMBER	F/N	DESCRIPTION	QTY	UOM
1	448845		UNION (.25 TUBE INVERTED FLARE)	1	EA
2	054171		ADAPTER, STRAIGHT (3/16" TUBE X 1/8"NPT)	1	EA
3	067561		FITTING, UNION (3/16" TUBE X 3/16" TUBE)	1	EA
4	434944		ADAPTER, TEE (3/16" FEMALE)	1	EA
5	060533		FITTING	1	EA
6	044495		CONNECTOR (3/16"MIF TO 1/4"FIF)	1	EA
7	077495		CONNECTOR, STRAIGHT (1/4" TO 3/16")	1	EA
8	377382		HOSE (04-04MF04MF X 47.00" 100R1)	1	EA
9	377150		TUBE (.18 STEEL BRAKE X 60.00")	1	EA
10	067728		TUBE (3/16" STEEL BRAKE X 51")	1	EA
11	252148		LINE, BRAKE	1	EA
12	377168		TUBE (.18 STEEL BRAKE R.H. X 40.00")	1	EA
13	377176		TUBE (.18 STEEL BRAKE L.H. X 40.00")	1	EA
14	441618		CAPSCREW (5/16"-18NC X 1-1/4", FLANGE WHIZLOCK)	1	EA
15	028993		CLAMP, LOOP (1/2" ID)	1	EA
16	083493		NUT, HEX (5/16"-18NC PL)	3	EA
17	441501		CAPSCREW (1/4"-20NC, FLANGE WHIZLOCK)	3	EA
18	036715		CLAMP (1/4"DIA)	3	EA
19	440636		LOCKNUT (1/4"-20NC, FLANGE, WHIZLOCK)	3	EA
20	409110		CYLINDER, BRAKE (LEFT HAND)	1	EA
21	100086		CYLINDER, MASTER	1	EA
22	409128		CYLINDER, BRAKE (RIGHT HAND)	1	EA
23	374728		TOW HITCH ASSEMBLY (SEE PAGE 124)	1	EA

100249: GROUND DRIVE ASSEMBLY

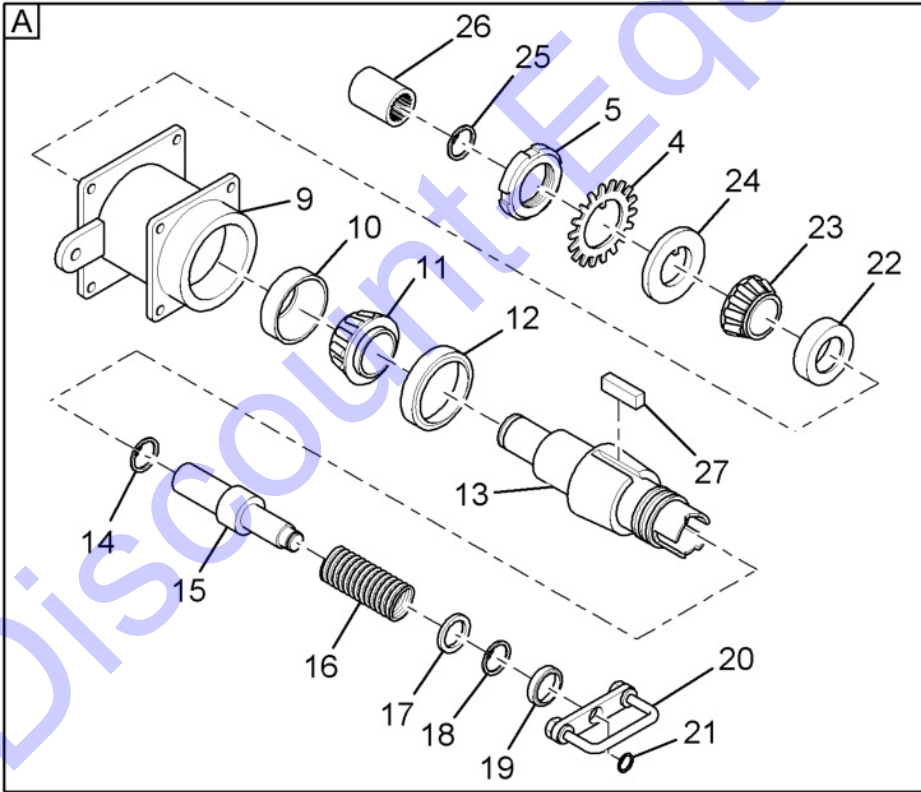
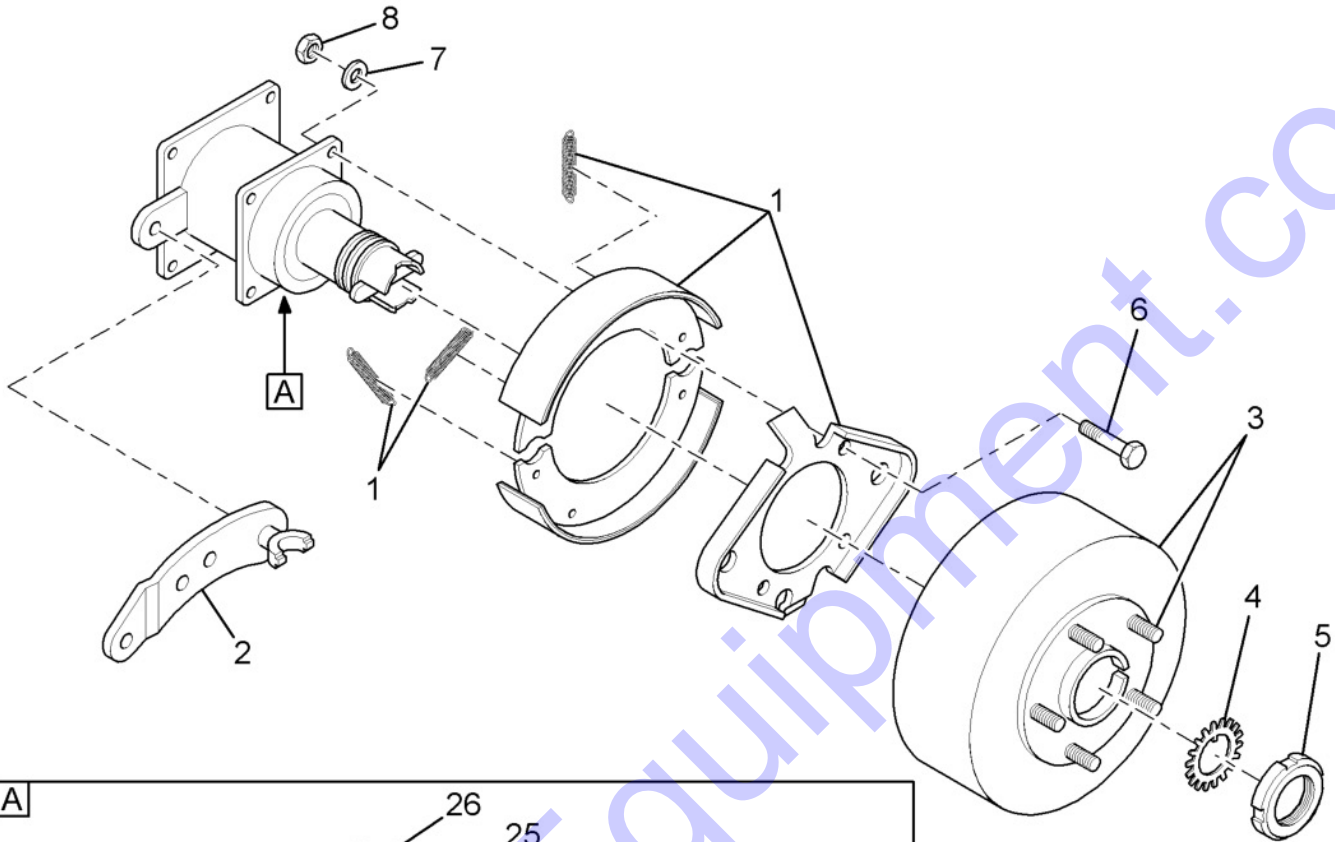


B-900-040-100249-1

F15

100249: GROUND DRIVE ASSEMBLY					
ITEM	PART NUMBER	F/N	DESCRIPTION	QTY	UOM
1	9104328		LEVER, BRAKE (RH)	1	EA
2	9103730		WHEEL DRIVE MOTOR ASSEMBLY (SEE PAGE 102)	2	EA
3	9104331		LEVER, BRAKE (LH)	1	EA
4	9104327		PLATE, WHEEL CYLINDER MOUNT	2	EA
5	409110		CYLINDER, BRAKE (LH)	1	EA
6	409128		CYLINDER, BRAKE (RH)	1	EA
7	9104334		ROD, WHEEL CYLINDER ACTUATOR	2	EA
8	031948		NUT, HEX (3/8"-24NF)	2	EA
9	031930		CLEVIS, ROD END (0.37"-24NF)	2	EA
10	025767		PIN, CLEVIS	2	EA
11	015131		PIN, COTTER	2	EA
12	011643		WASHER, LOCK (1/2")	8	EA
13	056879		BOLT, HEX HEAD (1/2"-20NF X 1-1/4")	8	EA
14	441477		LOCKNUT (3/8"-16NC)	4	EA
15	413856		BOLT, FLANGE	4	EA
16	011395		BOLT, HEX HEAD (1/2"-13NC X 2-1/4")	4	EA
17	011387		BOLT, HEX HEAD (1/2"-13NC X 2")	4	EA
18	440644		LOCKNUT (1/2"-13NC, FLANGE, WHIZLOCK)	8	EA
19	083485		BOLT (5/16"-18NC X 3/4", PL)	4	EA
20	9101452		O-RING	2	EA
21	9104349		HYDRAULIC DISCONNECT ASSEMBLY (W/BRAKE) (SEE PAGE 10)	2	EA

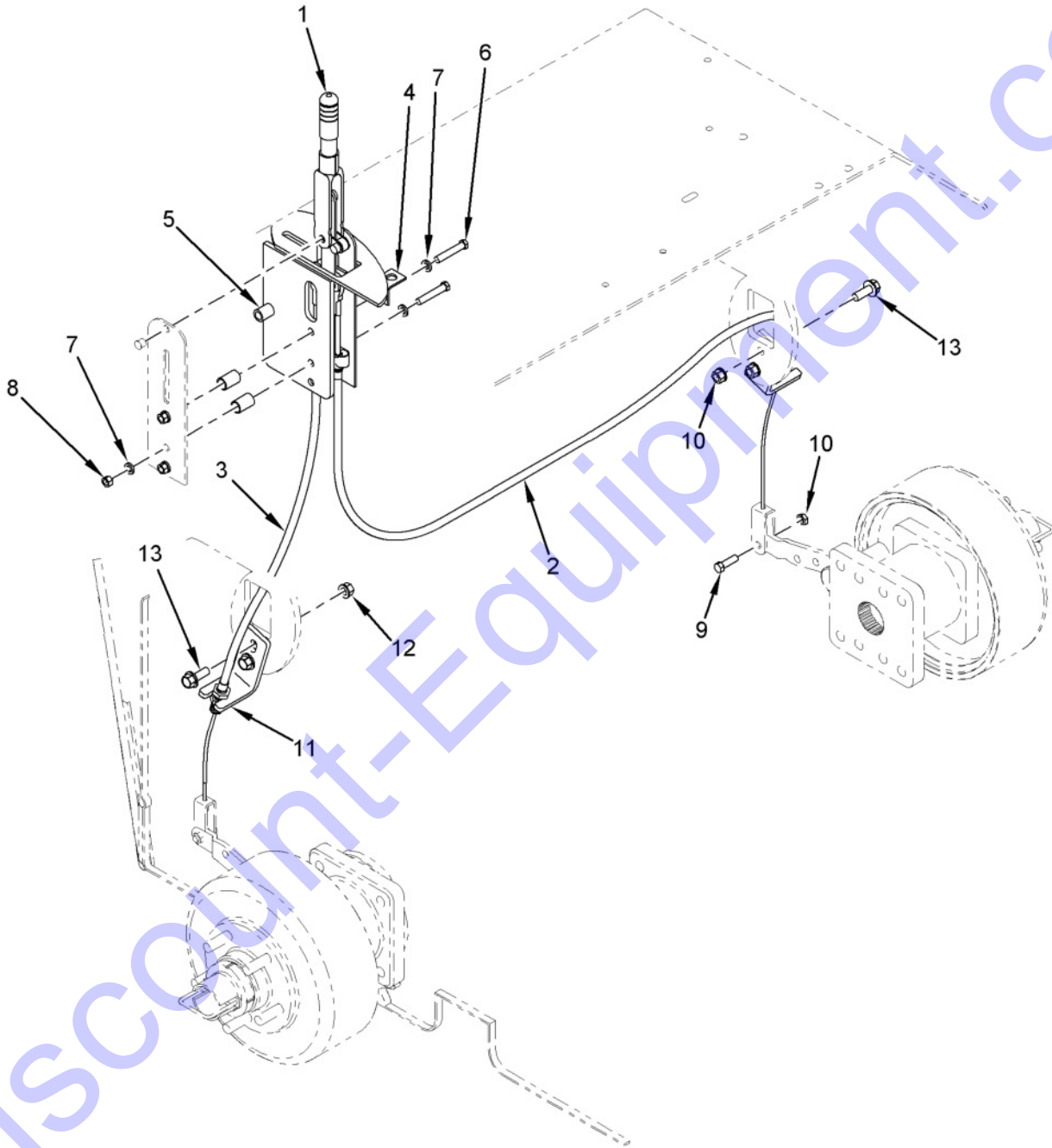
9104349: HYDRAULIC DISCONNECT ASSEMBLY (W/BRAKE)



B-900-040-9104349-1

9104349: HYDRAULIC DISCONNECT ASSEMBLY (W/BRAKE)					
ITEM	PART NUMBER	F/N	DESCRIPTION	QTY	UOM
1	9101879		BRAKE PAD ASSEMBLY	1	EA
2	9103170		ARM, DISCONNECT BRAKE	1	EA
3	9103171		DRUM, DISCONNECT BRAKE	1	EA
4	9102092		RING, DISCONNECT LOCK	2	EA
5	9102091		NUT, DISCONNECT LOCK	2	EA
6	056879		BOLT, HEX HEAD (1/2"-20NF X 1-1/4")	4	EA
7	011643		WASHER, LOCK (1/2")	4	EA
8	041582		NUT (1/2"-20NF)	4	EA
9	9103168		HOUSING (W/O BRAKE)	1	EA
10	V61011600		CUP, OUTER BEARING	1	EA
11	V61011700		CONE, OUTER BEARING	1	EA
12	9102975		SEAL, INNER BEARING	2	EA
13	9103159		SPINDLE SHAFT, DISCONNECT	1	EA
14	9103160		RING, SNAP (O.D.)	1	EA
15	9103161		SHAFT, INTERNAL SMALL	1	EA
16	9102945		SPRING, HYDRAULIC DISCONNECT	1	EA
17	9102976		WASHER, HYDRAULIC DISCONNECT	1	EA
18	9103162		RING, SNAP (HYDRAULIC DISCONNECT)	1	EA
19	9102974		OUTER SEAL, DISCONNECT SMALL	1	EA
20	9102094		EAR/HANDLE, DISCONNECT	1	EA
21	034660		SNAP RING, DISCONNECT EAR/HANDLE	1	EA
22	066993		BEARING CUP (INNER), DISCONNECT	1	EA
23	067017		BEARING CONE (INNER), DISCONNECT	1	EA
24	9103165		TONGUE WASHER, DISCONNECT BEARING (INNER)	1	EA
25	9103163		SNAP RING, DISCONNECT SPLINE COUPLER	1	EA
26	9101468		SPLINE COUPLER, DISCONNECT	1	EA
27	9103167		KEY, DISCONNECT WHEEL HUB	1	EA
	366914		WRENCH, HUB	1	EA
	042275		PLUG, COUNTERSUNK (1/8"NPT)	2	EA

PARKING BRAKE ASSEMBLY

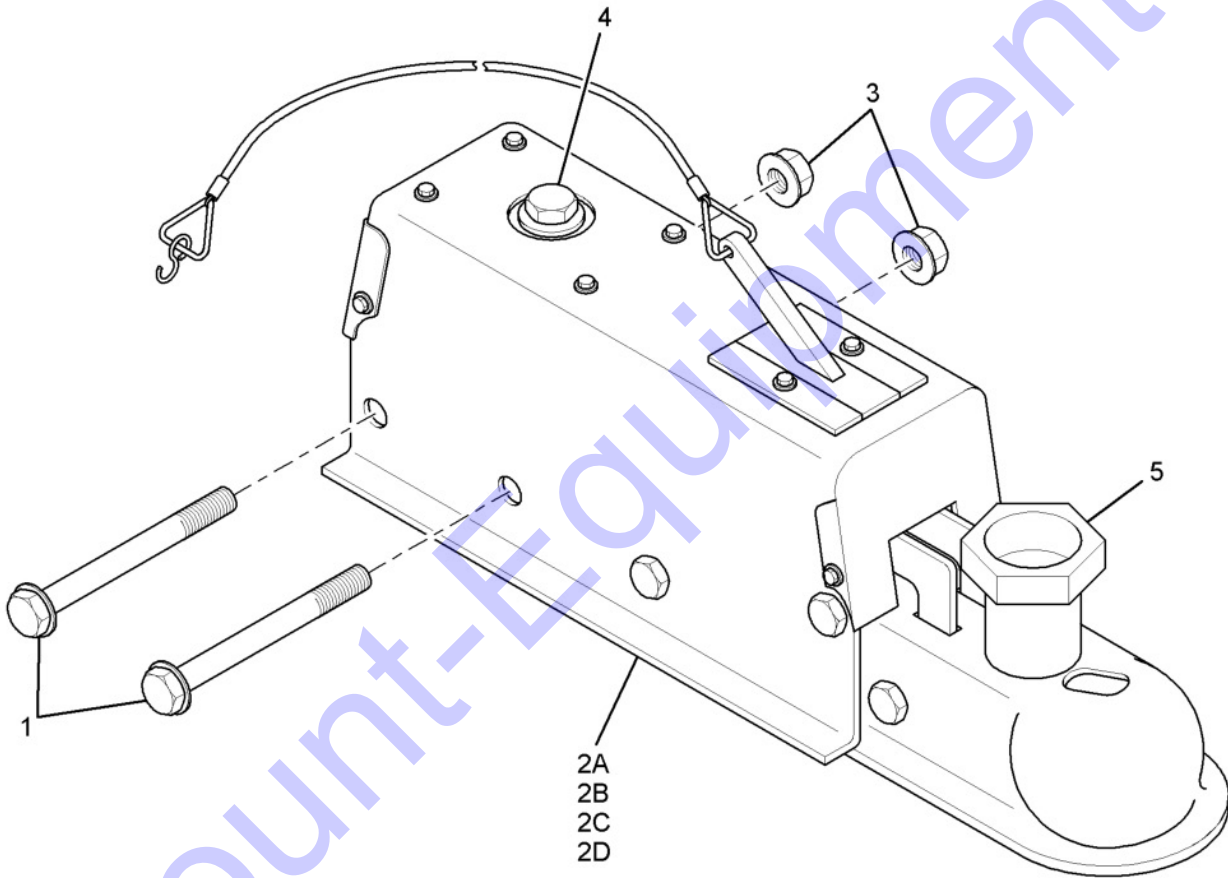


B-900-040-LM3-04-01-1

E15

PARKING BRAKE ASSEMBLY					
ITEM	PART NUMBER	F/N	DESCRIPTION	QTY	UOM
1	467600		413875	1	EA
2	467599		CABLE ASSEMBLY (56.13" LG.)	1	EA
3	467598		CABLE ASSEMBLY (33.75" LG.)	1	EA
4	352054		MOUNT, CLIP NUT	1	EA
5	460681		SLEEVE, REAR COMPRESSOR MOUNT	1	EA
6	441634		CAPSCREW (5/16"-18NC X 1-3/4", FLANGE WHIZLOCK)	3	EA
7	010579		WASHER, FLAT (5/16")	6	EA
8	083493		NUT, HEX (5/16"-18NC PL)	3	EA
9	441600		CAPSCREW (5/16"-18NC X 1", PL)	2	EA
10	093799		LOCKNUT (5/16"-18NC, NYLON INSERT)	2	EA
11	377648		BRACKET, BRAKE CABLE	2	EA
12	441477		LOCKNUT (3/8"-16NC)	4	EA
13	413856		BOLT	4	EA
	413875		SWITCH, NEUTRAL START	1	EA

SURGE BRAKE ACTUATOR

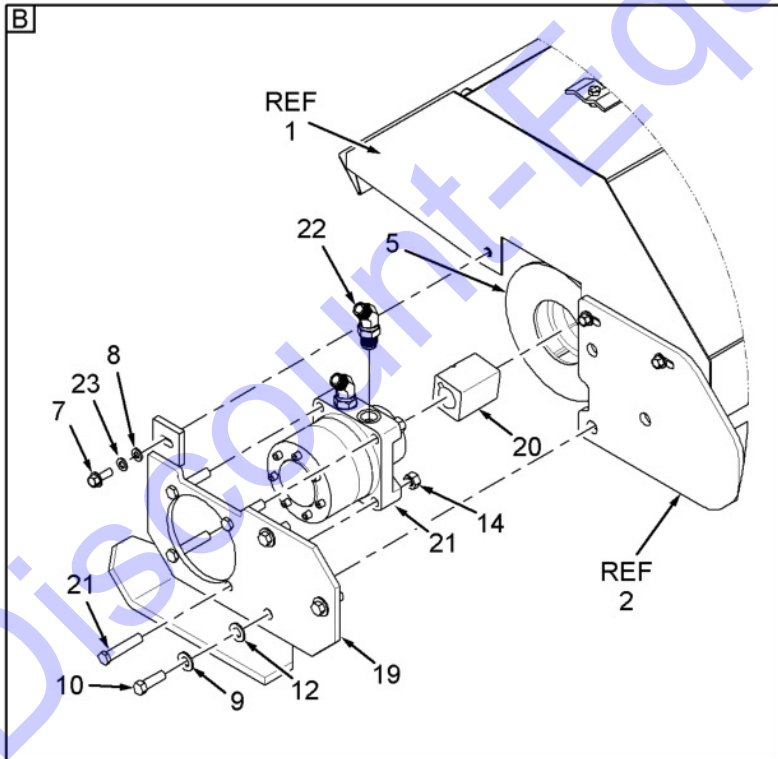
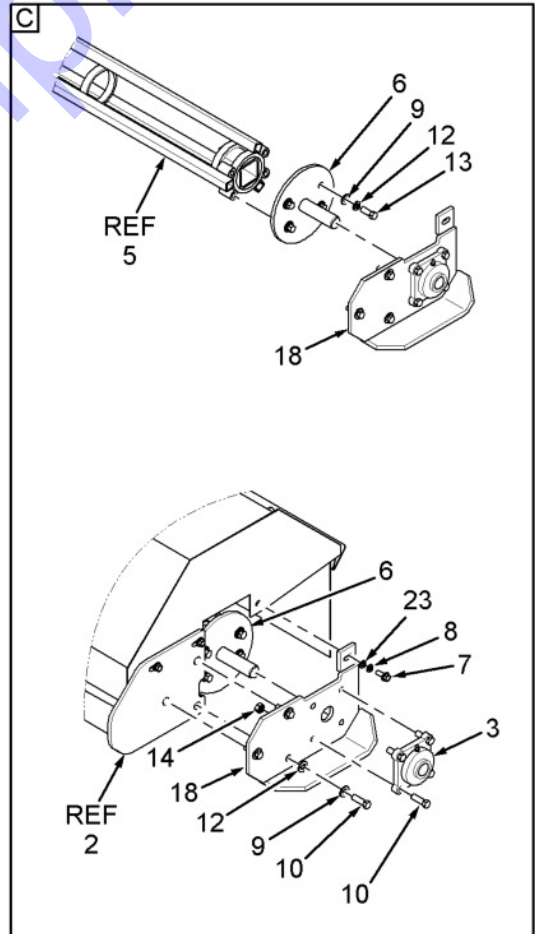
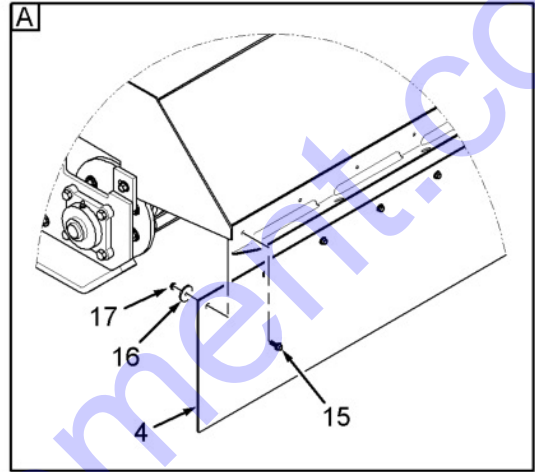
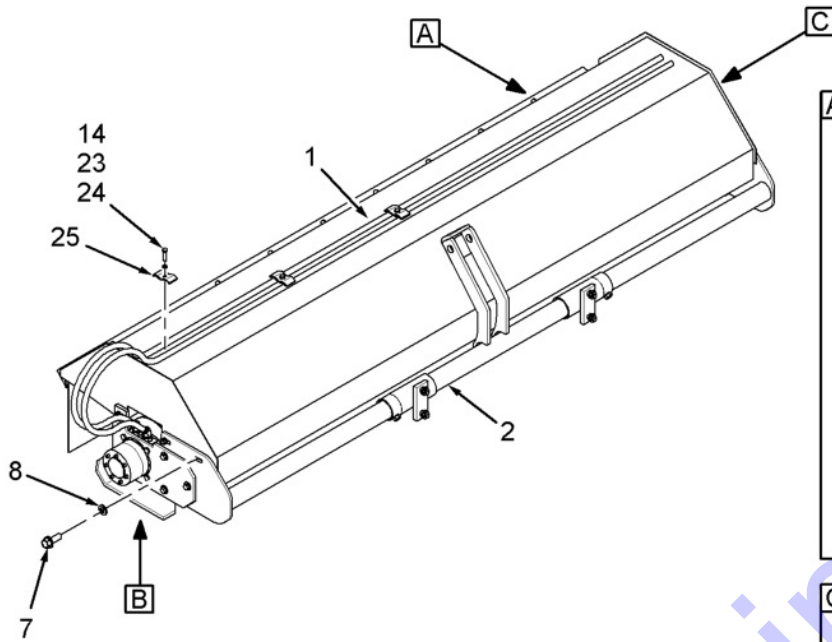


B-900-040-LM3-04-00-1

E15

SURGE BRAKE ACTUATOR					
ITEM	PART NUMBER	F/N	DESCRIPTION	QTY	UOM
1	011460		CAPSCREW (1/2"-13NC X 4" PL.)	2	EA
2A	447995		ACTUATOR, SURGE BRAKE (2" BALL)	AR	EA
2B	448084		ACTUATOR, SURGE BRAKE (2-5/16" BALL)	AR	EA
2C	448076		ACTUATOR, SURGE BRAKE (3" PINTLE EYE)	AR	EA
2D	448977		ACTUATOR, SURGE BRAKE (UNIVERSAL)	AR	EA
3	403907		LOCKNUT (1/2"-13NC, NYLON INSERT)	2	EA
4	374009		CAP, MASTER CYLINDER (MODIFIED)	1	EA
5	474338		NUT, ACTUATOR	1	EA
	9104396		ADAPTER, TONGUE (2", 2-5/16", AND 3")	AR	EA
	910450K		ADAPTER, TONGUE (UNIVERSAL)	AR	EA
	012153		CAPSCREW (5/8"-11NC X 4-1/2")	2	EA
	9102857		COUPLER (2" BALL, FOR 448977)	1	EA
	9103126		COUPLER (2-5/16" BALL, FOR 448977)	1	EA
	9101885		COUPLER (3" PINTLE EYE, FOR 448977)	1	EA
	406231		LOCKNUT (.62-11NC NYLOK)	2	EA
	377333		HARNESS, HITCH	1	EA
	461400		KIT, COUPLER REPAIR	1	EA
	464735		KIT, MASTER CYLINDER REPAIR (FOR 447995)	1	EA
	448142		KIT, MASTER CYLINDER REPAIR	1	EA

BROOM ASSEMBLY (6')

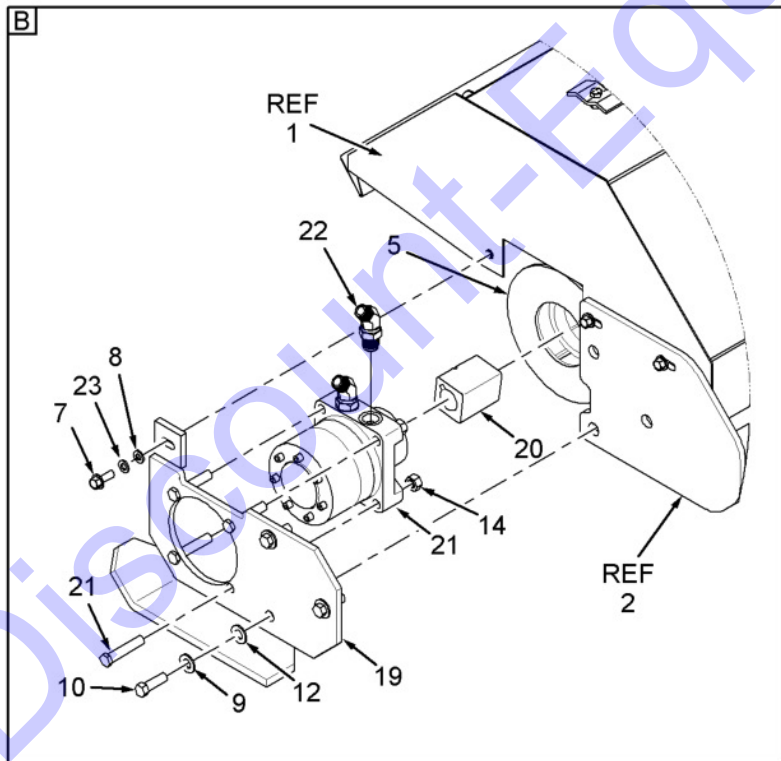
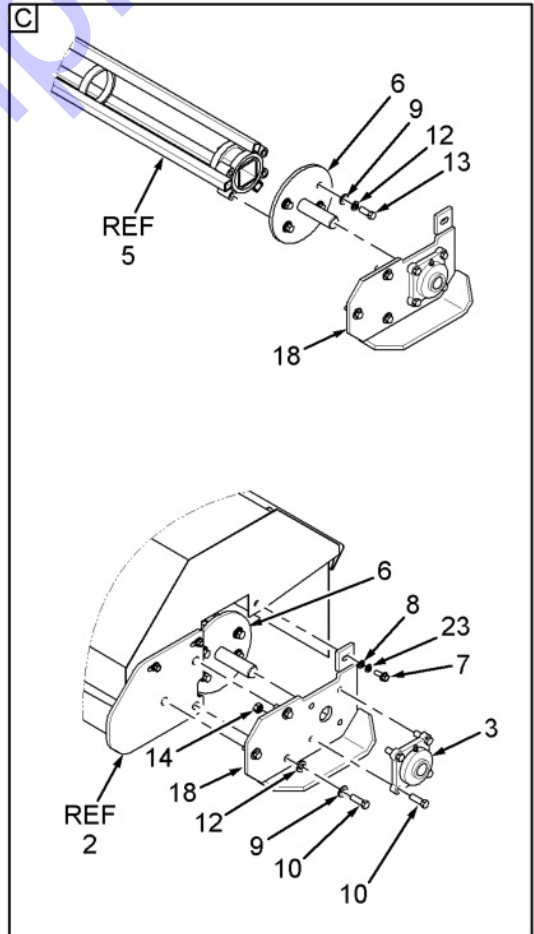
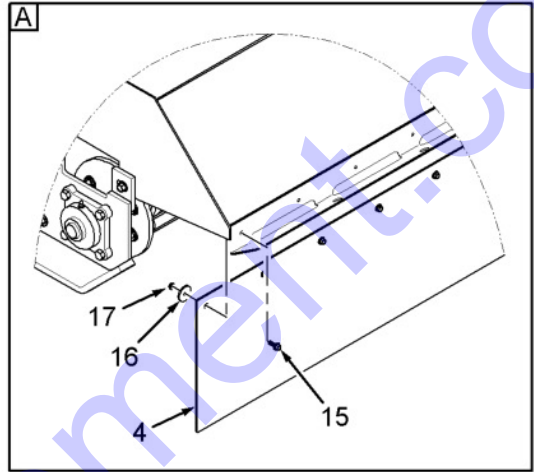
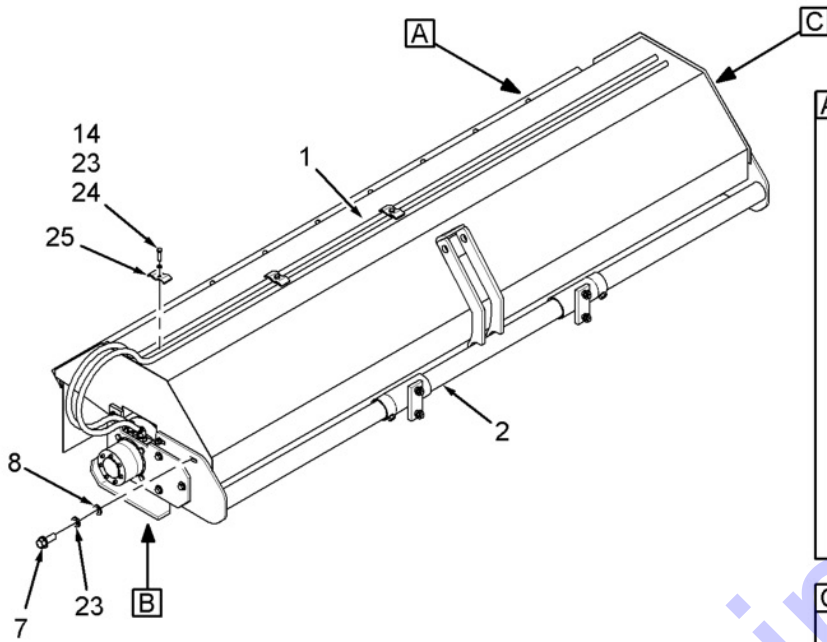


B-900-090-LM3-09-01A-1

E15

BROOM ASSEMBLY (6')					
ITEM	PART NUMBER	F/N	DESCRIPTION	QTY	UOM
1	391988		HOOD, BROOM (6')	1	EA
2	376574		BRACKET, BROOM MOUNT (6' BROOM)	1	EA
3	V66005800		BEARING, BROOM CARRIER	1	EA
4	377622		DEFLECTOR, DIRT BELT (6')	6	EA
5	9102691		CORE, BROOM (6')	1	EA
6	376285		MOUNT, BROOM CORE	6	EA
7	083527		CAPSCREW (3/8"-16NC X 1-1/4")	6	EA
8	011323		WASHER, FLAT (3/8")	22	EA
9	011325		WASHER, FLAT (1/2")	14	EA
10	441782		CAPSCREW (1/2"-13NC X 1-1/2", FLANGE, WHIZLOCK)	4	EA
11	440644		LOCKNUT (1/2"-13NC, FLANGE, WHIZLOCK)	10	EA
12	011643		WASHER, LOCK (1/2")	4	EA
13	441774		CAPSCREW (1/2"-13NC X 1-1/4")	11	EA
14	425801		LOCKNUT	16	EA
15	441550		CAPSCREW (1/4"-20NC X 3/4", FLANGE WHIZLOCK)	16	EA
16	010299		WASHER	16	EA
17	440636		LOCKNUT (1/4"-20NC, FLANGE, WHIZLOCK)	1	EA
18	376590		BRACKET, BROOM BEARING MOUNT (RH)	1	EA
19	1000051		BRACKET, BROOM BEARING MOUNT (LH)	1	EA
20	9102713		BLOCK, BROOM DRIVE MOTOR	1	EA
21	1000052		BROOM DRIVE MOTOR ASSEMBLY	1	EA
22	477647		ELBOW, 45 DEGREE	2	EA
23	011023		WASHER, LOCK (3/8")	3	EA
24	010645		CAPSCREW (3/8"-16NC X 1-1/2")	3	EA
25	9100716		CLAMP, HOSE	3	EA

BROOM ASSEMBLY (8')

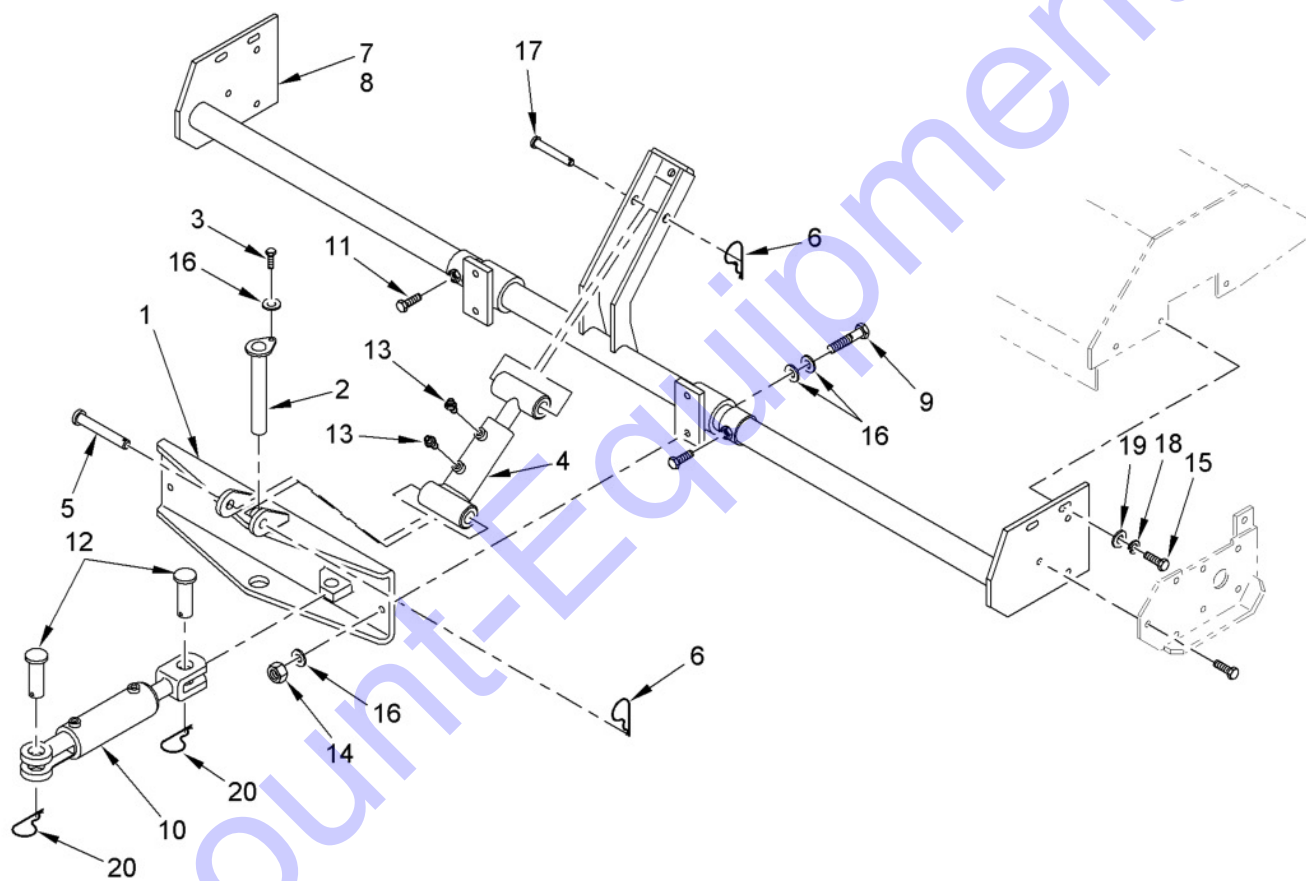


B-900-090-LM3-09-01B-1

E15

BROOM ASSEMBLY (8')					
ITEM	PART NUMBER	F/N	DESCRIPTION	QTY	UOM
1	382002		HOOD, BROOM (8')	1	EA
2	376582		BRACKET, BROOM MOUNT (8' BROOM)	1	EA
3	V66005800		BEARING, BROOM CARRIER	1	EA
4	377614		DEFLECTOR, DIRT BELT (8')	6	EA
5	9102693		CORE, BROOM (8')	1	EA
6	376285		MOUNT, BROOM CORE	6	EA
7	083527		CAPSCREW (3/8"-16NC X 1-1/4")	6	EA
8	011323		WASHER, FLAT (3/8")	22	EA
9	011325		WASHER, FLAT (1/2")	14	EA
10	441782		CAPSCREW (1/2"-13NC X 1-1/2", FLANGE, WHIZLOCK)	4	EA
11	440644		LOCKNUT (1/2"-13NC, FLANGE, WHIZLOCK)	10	EA
12	011643		WASHER, LOCK (1/2")	4	EA
13	441774		CAPSCREW (1/2"-13NC X 1-1/4")	11	EA
14	425801		LOCKNUT	16	EA
15	441550		CAPSCREW (1/4"-20NC X 3/4", FLANGE WHIZLOCK)	16	EA
16	010299		WASHER	16	EA
17	440636		LOCKNUT (1/4"-20NC, FLANGE, WHIZLOCK)	1	EA
18	376590		BRACKET, BROOM BEARING MOUNT (RH)	1	EA
19	1000051		BRACKET, BROOM BEARING MOUNT (LH)	1	EA
20	9102713		BLOCK, BROOM DRIVE MOTOR	1	EA
21	1000052		BROOM DRIVE MOTOR ASSEMBLY	1	EA
22	477647		ELBOW, 45 DEGREE	2	EA
23	011023		WASHER, LOCK (3/8")	9	EA
24	010645		CAPSCREW (3/8"-16NC X 1-1/2")	3	EA
25	9100716		CLAMP, HOSE	3	EA

BROOM FRAME ASSEMBLY

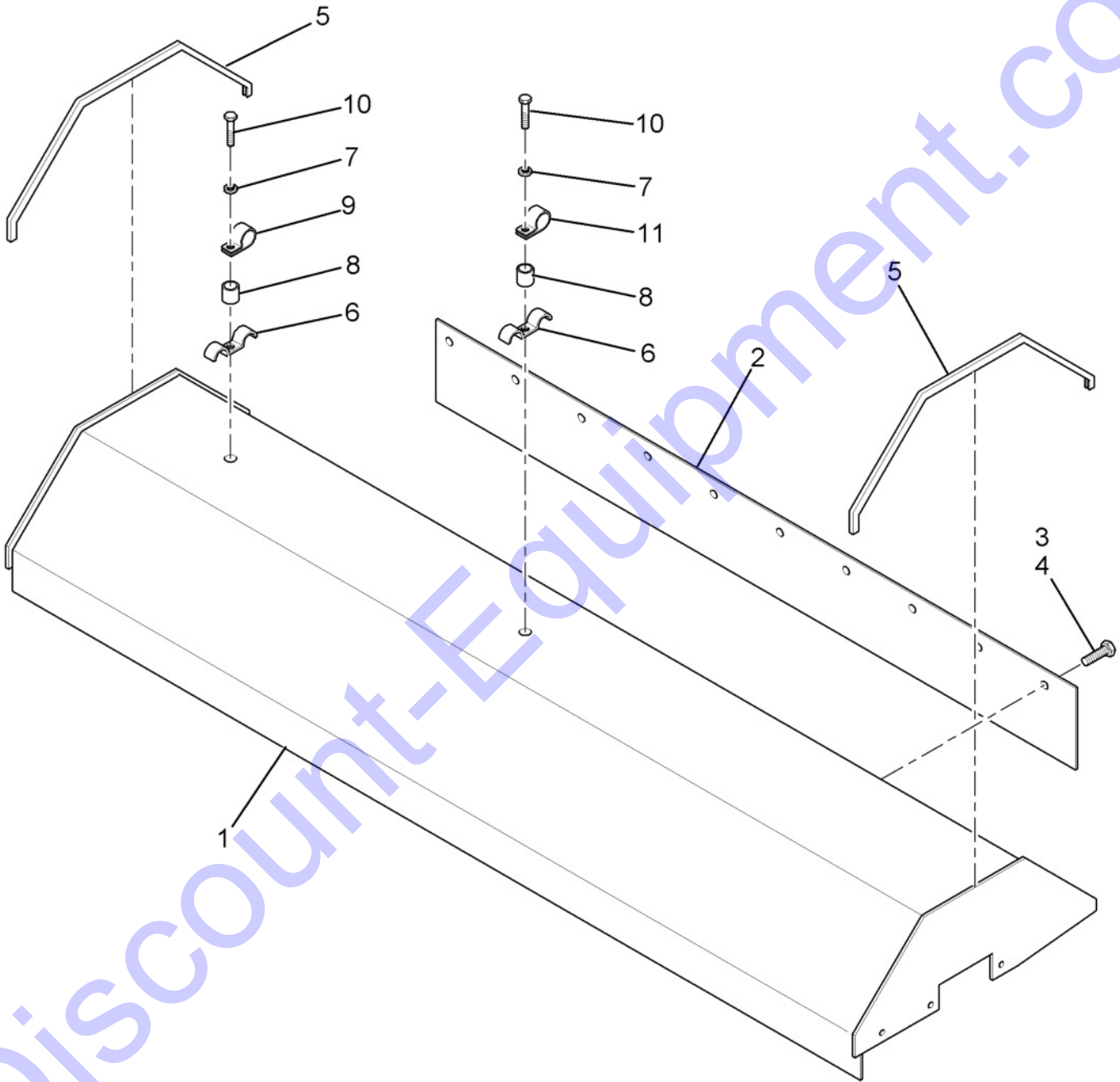


B-900-090-LM3-09-02-1

F15

BROOM FRAME ASSEMBLY					
ITEM	PART NUMBER	F/N	DESCRIPTION	QTY	UOM
1	376160		MOUNT, BROOM	1	EA
2	377028		PIN (1.75" X 8.25")	1	EA
3	441758		CAPSCREW (1/2"-13NC X 3/4", FLANGE, WHIZLOCK)	1	EA
4	376641		BROOM LIFT CYLINDER ASSEMBLY (SEE PAGE 82)	1	EA
5	100113		PIN, CLEVIS	1	EA
6	015768		CLIP, HAIR (3/16")	2	EA
7	376582		BRACKET, BROOM MOUNT (8' BROOM)	1	EA
8	376574		BRACKET, BROOM MOUNT (6' BROOM)	1	EA
9	441808		CAPSCREW	4	EA
10	467986		BROOM SWING CYLINDER ASSEMBLY (SEE PAGE 84)	1	EA
11	441766		CAPSCREW (1/2"-13NC X 1", FLANGE, WHIZLOCK)	2	EA
12	9103034		PIN, CLEVIS (1" OD X 2-3/4" LONG)	2	EA
13	092825		ADAPTER, 90 DEGREE (#6MSAE X #6MJIC)	2	EA
14	440644		LOCKNUT (1/2"-13NC, FLANGE, WHIZLOCK)	4	EA
15	083527		CAPSCREW (3/8"-16NC X 1-1/4")	6	EA
16	011325		WASHER, FLAT (1/2")	13	EA
17	100115		CLIP, HAIR	1	EA
18	011023		WASHER, LOCK (3/8")	6	EA
19	011323		WASHER, FLAT (3/8")	6	EA
20	039180		CLIP, HAIR	2	EA

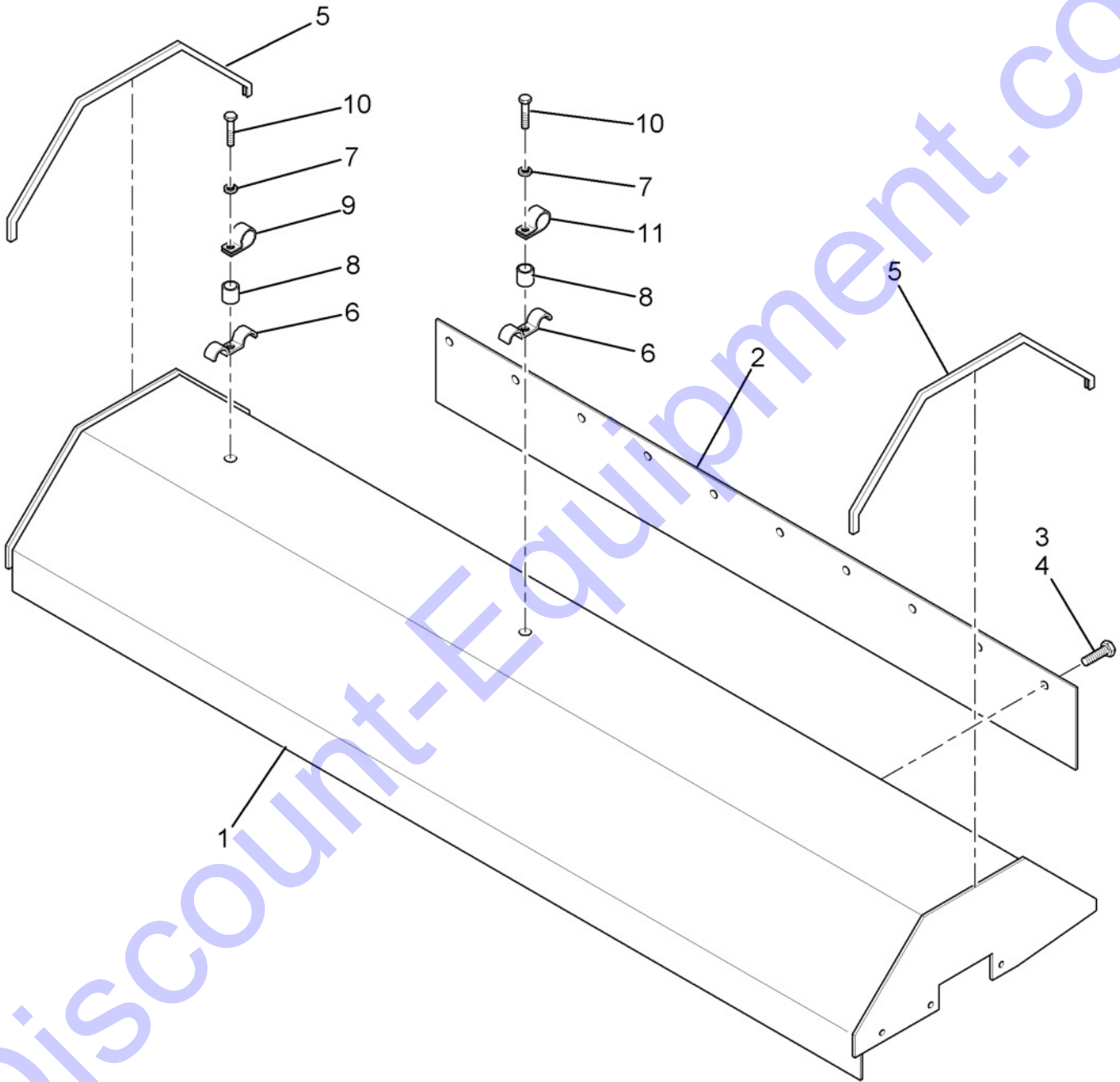
BROOM HOOD ASSEMBLY (6')



B-900-090-LM3-09-00A-1

BROOM HOOD ASSEMBLY (6')					
ITEM	PART NUMBER	F/N	DESCRIPTION	QTY	UOM
1	381988		HOOD, BROOM (6')	1	EA
2	377622		DEFLECTOR, DIRT BELT (6')	1	EA
3	441568		CAPSCREW (1/4"-20NC X 1", FLANGE WHIZLOCK)	12	EA
4	440636		LOCKNUT (1/4"-20NC, FLANGE, WHIZLOCK)	12	EA
5	074567		TRIM, FLEX CORE (0.06, 8.2FT)	AR	EA
6	9100716		CLAMP, HOSE	2	EA
7	011023		WASHER, LOCK (3/8")	2	EA
8	147322		TUBE (3/8 SCHED. 40 X 5/8")	2	EA
9	028993		CLAMP, LOOP (1/2" ID)	2	EA
10	010645		CAPSCREW (3/8"-16NC X 1-1/2")	2	EA
11	461384		CLAMP (13/16" ID WITH 13/32 BOLT HOLD VINYL)	1	EA

BROOM HOOD ASSEMBLY (8')



B-900-090-LM3-09-00B-1

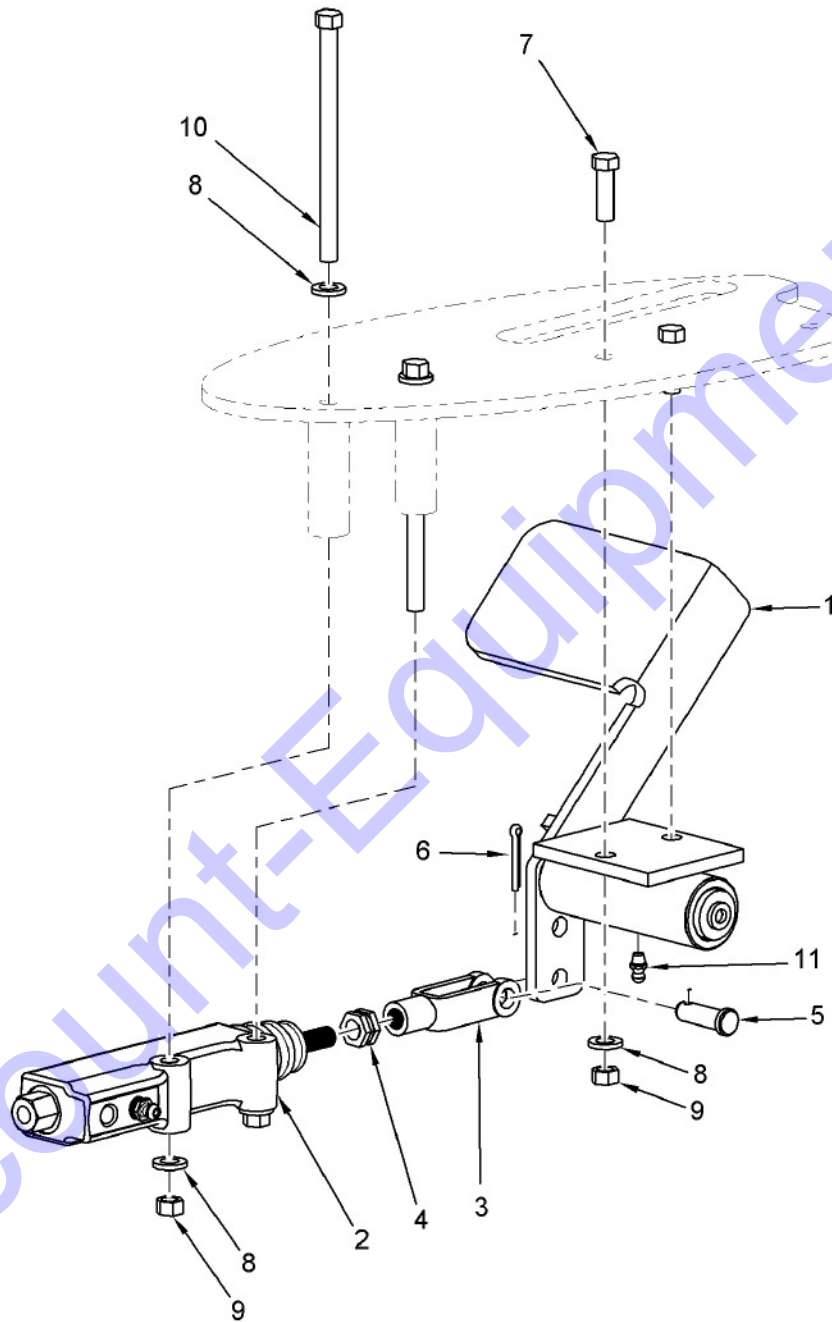
BROOM HOOD ASSEMBLY (8')					
ITEM	PART NUMBER	F/N	DESCRIPTION	QTY	UOM
1	382002		HOOD, BROOM (8')	1	EA
2	377614		DEFLECTOR, DIRT BELT (8')	1	EA
3	441568		CAPSCREW (1/4"-20NC X 1", FLANGE WHIZLOCK)	16	EA
4	440636		LOCKNUT (1/4"-20NC, FLANGE, WHIZLOCK)	16	EA
5	074567		TRIM, FLEX CORE (0.06, 8.2FT)	AR	EA
6	9100716		CLAMP, HOSE	3	EA
7	011023		WASHER, LOCK (3/8")	3	EA
8	147322		TUBE (3/8 SCHED. 40 X 5/8")	3	EA
9	028993		CLAMP, LOOP (1/2" ID)	3	EA
10	010645		CAPSCREW (3/8"-16NC X 1-1/2")	3	EA
11	461384		CLAMP (13/16" ID WITH 13/32 BOLT HOLD VINYL)	1	EA

BROOM KITS (6 3/8")

NON-ILLUSTRATED

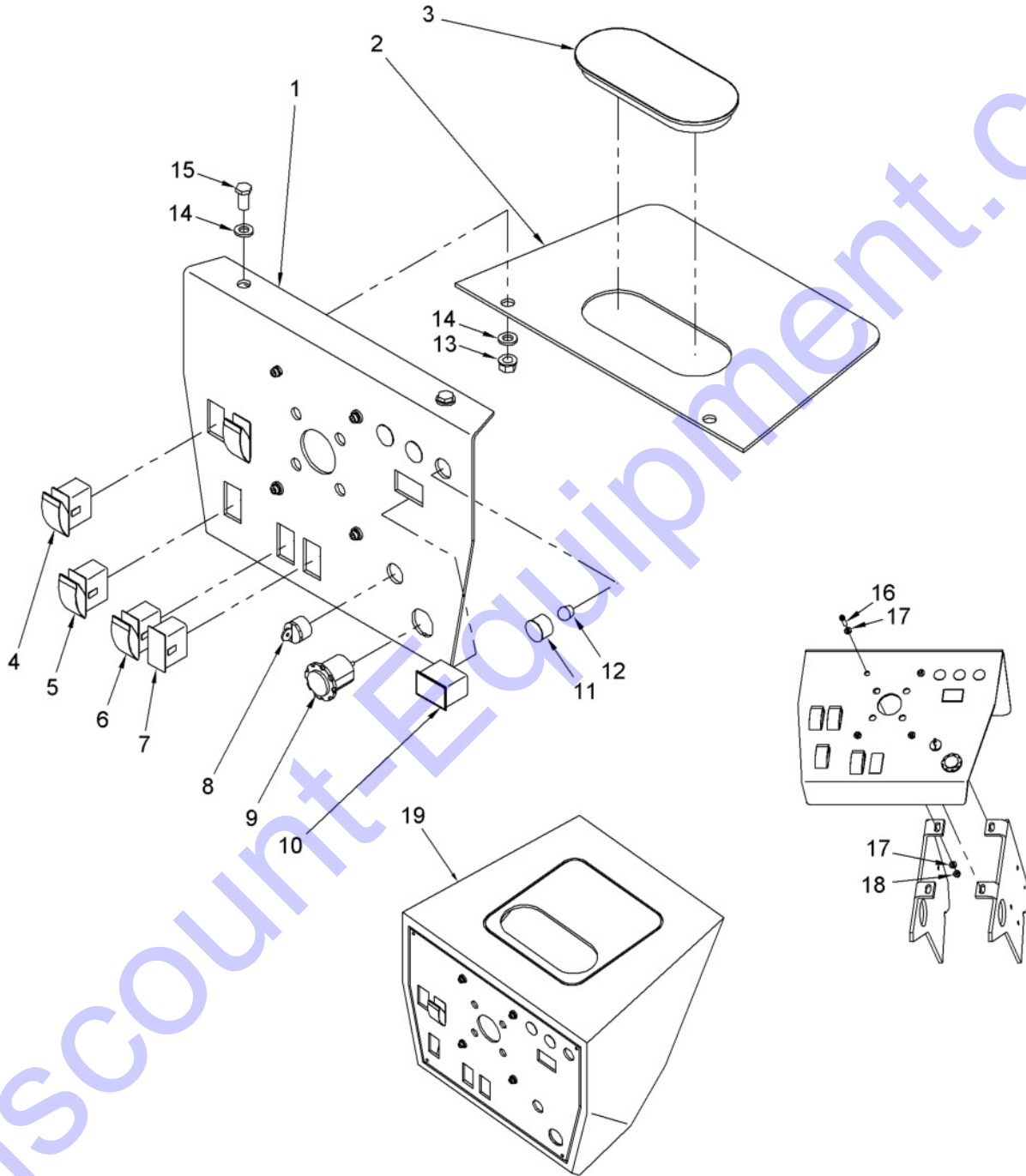
BROOM KITS (6 3/8")					
ITEM	PART NUMBER	F/N	DESCRIPTION	QTY	UOM
	378978		CONVOLUTED POLY (6 3/8" X 24")	AR	EA
	378978BX		CONVOLUTED POLY (6 3/8" X 24", BOX OF 25)	AR	EA
	9101467		CONVOLUTED WIRE (6 3/8" X 24")	AR	EA
	9101467BX		CONVOLUTED WIRE (6 3/8" X 24", BOX OF 24)	AR	EA
	378980		CONVOLUTED COMBO (6 3/8" X 24")	AR	EA
	378980BX		CONVOLUTED COMBO (6 3/8" X 24", BOX OF 24)	AR	EA
	9103150K		BRUSH KIT (CONVOL. COMBO, 6' X 24")	AR	EA
	9104641K		BRUSH KIT (CONVOL. POLY/WIRE, 6' X 24")	AR	EA
	9104403K		BRUSH KIT (CONVOL. POLY, 6' X 24")	AR	EA
	9104404K		BRUSH KIT (CONVOL. WIRE, 6' X 24")	AR	EA
	9103151K		BRUSH KIT (CONVOL. COMBO, 8' X 24")	AR	EA
	9104642K		BRUSH KIT (CONVOL. POLY/WIRE, 8' X 24")	AR	EA
	9104405K		BRUSH KIT (CONVOL. POLY, 8' X 24")	AR	EA
	9104406K		BRUSH KIT (CONVOL. WIRE, 8' X 24")	AR	EA

100241: BRAKE PEDAL ASSEMBLY



100241: BRAKE PEDAL ASSEMBLY					
ITEM	PART NUMBER	F/N	DESCRIPTION	QTY	UOM
1	100084		PEDAL, BRAKE	1	EA
2	100086		CYLINDER, MASTER	1	EA
3	031930		CLEVIS, ROD END (0.37"-24NF)	1	EA
4	V23404500		NUT	1	EA
5	025676		PIN, CLEVIS	1	EA
6	015131		PIN, COTTER	1	EA
7	441600		CAPSCREW (5/16"-18NC X 1", PL)	2	EA
8	011322		WASHER, FLAT (5/16")	6	EA
9	083493		NUT, HEX (5/16"-18NC PL)	4	EA
10	010478		BOLT	2	EA
11	031401		FITTING, GREASE (STRAIGHT, 1/4"-28NF)	1	EA

DASH ASSEMBLY

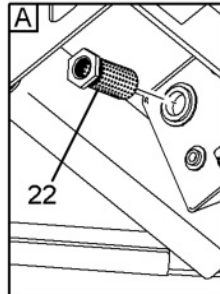
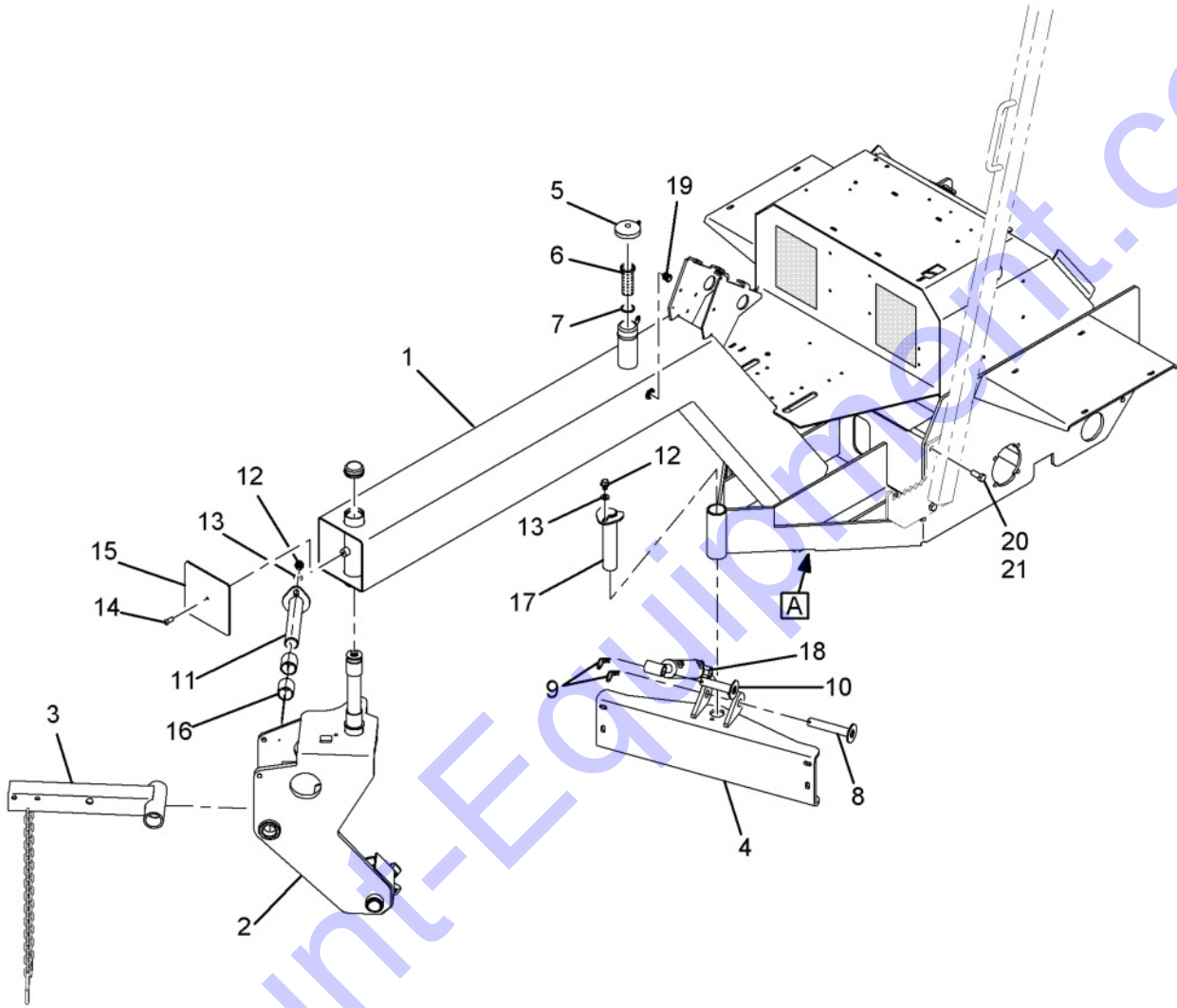


B-900-020-LM3-02-01-1

E15

DASH ASSEMBLY					
ITEM	PART NUMBER	F/N	DESCRIPTION	QTY	UOM
1	100091		PANEL, DASH	1	EA
2	100106		PANEL, DASH (REAR)	1	EA
3	446229		LIGHT, OVAL TAIL	1	EA
4	100135		SWITCH, 3-POSITION (MOMENTARY)	2	EA
5	100136		SWITCH, 2-POSITION (ON/OFF)	1	EA
6	460113		SWITCH, 2-POSITION (ON/OFF, W/ LIGHT)	1	EA
7	500983		SWITCH, DUMMY PLUG	1	EA
8	9101497		SWITCH, IGNITION (W/9101528 KEYS, KUBOTA ENGINE)	1	EA
9	9102266		THROTTLE HANDLE AND CABLE ASSEMBLY	1	EA
10	460485		METER, HOUR	1	EA
11	057448		LIGHT, RED INDICATOR	3	EA
12	060624		BULB (12V, 2-WATT)	3	EA
13	441477		LOCKNUT (3/8"-16NC)	2	EA
14	011323		WASHER, FLAT (3/8")	4	EA
15	441659		CAPSCREW (3/8"-16NC X 3/4", FLANGE WHIZLOCK)	2	EA
16	441568		CAPSCREW (1/4"-20NC X 1", FLANGE WHIZLOCK)	4	EA
17	011321		WASHER, FLAT (1/4")	8	EA
18	440636		LOCKNUT (1/4"-20NC, FLANGE, WHIZLOCK)	4	EA
19	100238		COVER, DASH	1	EA

100073: FRAME ASSEMBLY

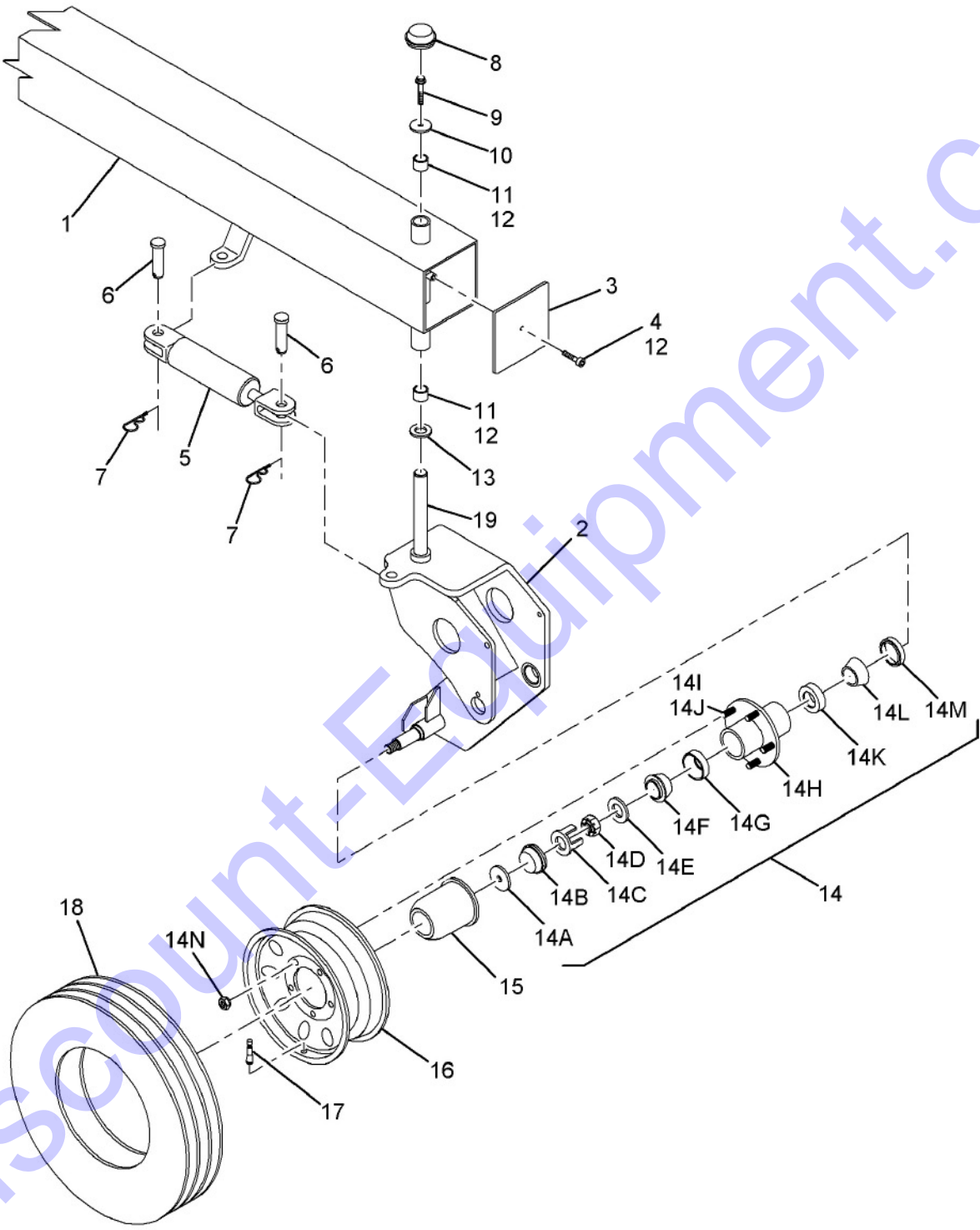


B-900-020-100073-1

F15

100073: FRAME ASSEMBLY					
ITEM	PART NUMBER	F/N	DESCRIPTION	QTY	UOM
1	100074		FRAME	1	EA
2	376005		FORK, FRONT	1	EA
3	376087		BAR, TOW	1	EA
4	376160		MOUNT, BROOM	1	EA
5	439182		CAP, HYDRAULIC FILLER (LOCKING TAB)	1	EA
6	447979		FILTER, HYDRAULIC TANK (SCREEN)	1	EA
7	9104574		WASHER (1.80 X 1.43 I.D. X .06" THK)	1	EA
8	100113		PIN, CLEVIS	1	EA
9	015768		CLIP, HAIR (3/16")	2	EA
10	100115		PIN, CLEVIS	1	EA
11	376509		PIN (1.75" X 9.25")	1	EA
12	441758		CAPSCREW (1/2"-13NC X 3/4", FLANGE, WHIZLOCK)	2	EA
13	011325		WASHER, FLAT (1/2")	2	EA
14	472936		CAPSCREW, SOCKET HEAD (5/16"-18UNC X 1")	1	EA
15	376252		COVER, FRAME TUBE (FRONT)	1	EA
16	V63023100		BUSHING (2"OD X 1-3/4"ID X 2" LONG, BRONZE)	2	EA
17	377028		PIN (1.75" X 8.25")	1	EA
18	376641		BROOM LIFT CYLINDER ASSEMBLY (SEE PAGE 82)	1	EA
19	9101942		FITTING, SIGHT GAUGE	1	EA
20	406231		LOCKNUT (.62-11NC NYLOK)	6	EA
21	012039		CAPSCREW (5/8"-11NC X 1-1/2")	6	EA
22	9100143		FILTER, HYDRAULIC TANK (SCREEN)	1	EA

FRONT FORK ASSEMBLY

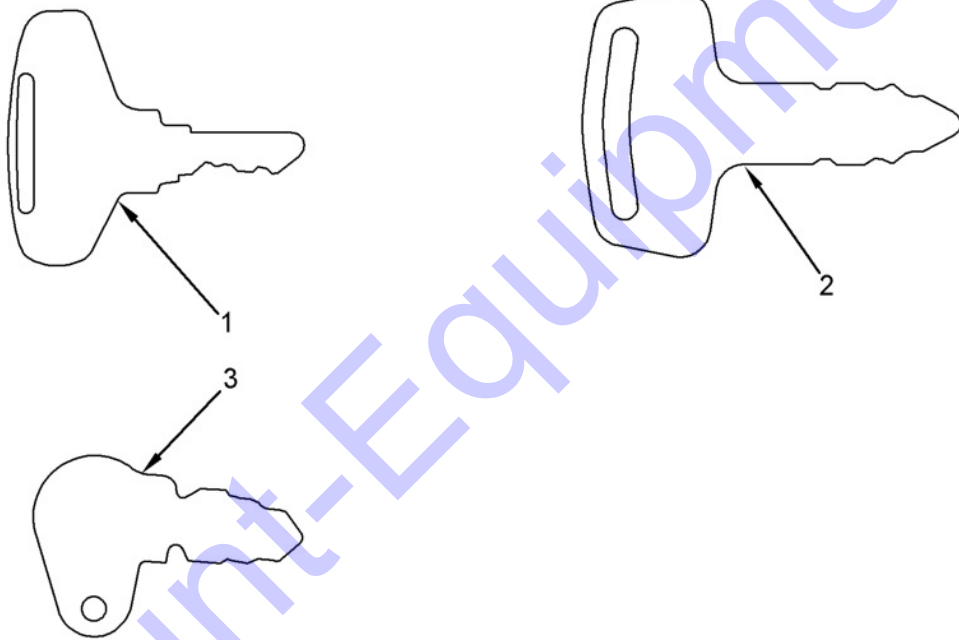


B-900-020-LM3-02-00-1

F15

FRONT FORK ASSEMBLY					
ITEM	PART NUMBER	F/N	DESCRIPTION	QTY	UOM
1	100074		FRAME	1	EA
2	376005		FORK, FRONT	1	EA
3	376252		COVER, FRAME TUBE (FRONT)	1	EA
4	472936		CAPSCREW, SOCKET HEAD (5/16"-18UNC X 1")	1	EA
5	467977		CYLINDER, STEERING	1	EA
6	9103034		PIN, CLEVIS (1" OD X 2-3/4" LONG)	2	EA
7	015768		CLIP, HAIR (3/16")	2	EA
8	440487		CAP, DUST	1	EA
9	441766		CAPSCREW (1/2"-13NC X 1", FLANGE, WHIZLOCK)	1	EA
10	459842		WASHER, PIN RETAINER (2" X 1/2" X 1/8")	1	EA
11	V63023100		BUSHING (2"OD X 1-3/4"ID X 2" LONG, BRONZE)	2	EA
12	047506		LOCTITE (RED #271)	AR	EA
13	376327		WASHER, THRUST (.125 X 2.50 X 1.765")	2	EA
14	421105		SPINDLE REPLACEMENT ASSEMBLY	1	EA
14A	375996		PLUG, BEARING CAP	1	EA
14B	375995		CAP, BEARING W/GREASE HOLE	1	EA
14C	375994		RETAINER, SPINDLE NUT	1	EA
14D	375993		NUT, SPINDLE	1	EA
14E	375992		WASHER	1	EA
14F	375986		HUB, BEARING	1	EA
14G	375987		OUTER RACE	1	EA
14H	375988		HUB (INCLUDES 375989, 9107069 & 375987)	1	EA
14I	375989		STUD, PRESS IN	5	EA
14J	375990		STUD, SCREW IN	5	EA
14K	9107069		INNER RACE	1	EA
14L	9107068		INNER BEARING	1	EA
14M	375985		SEAL, HUB	1	EA
14N	047480		LUG NUT	5	EA
15	472639		COVER, DUST CAP	1	EA
16	9104564		RIM, WHEEL	1	EA
17	029629		STEM, VALVE	1	EA
18	9104606		TIRE (P20575R14, NOT AVAILABLE FOR RESALE)	1	EA
	031401		FITTING, GREASE (STRAIGHT, 1/4"-28NF)	1	EA
19	375974		PIN, FRONT FORK (16" X 1 3/4 DIA.)	1	EA

IGNITION KEY IDENTIFICATION



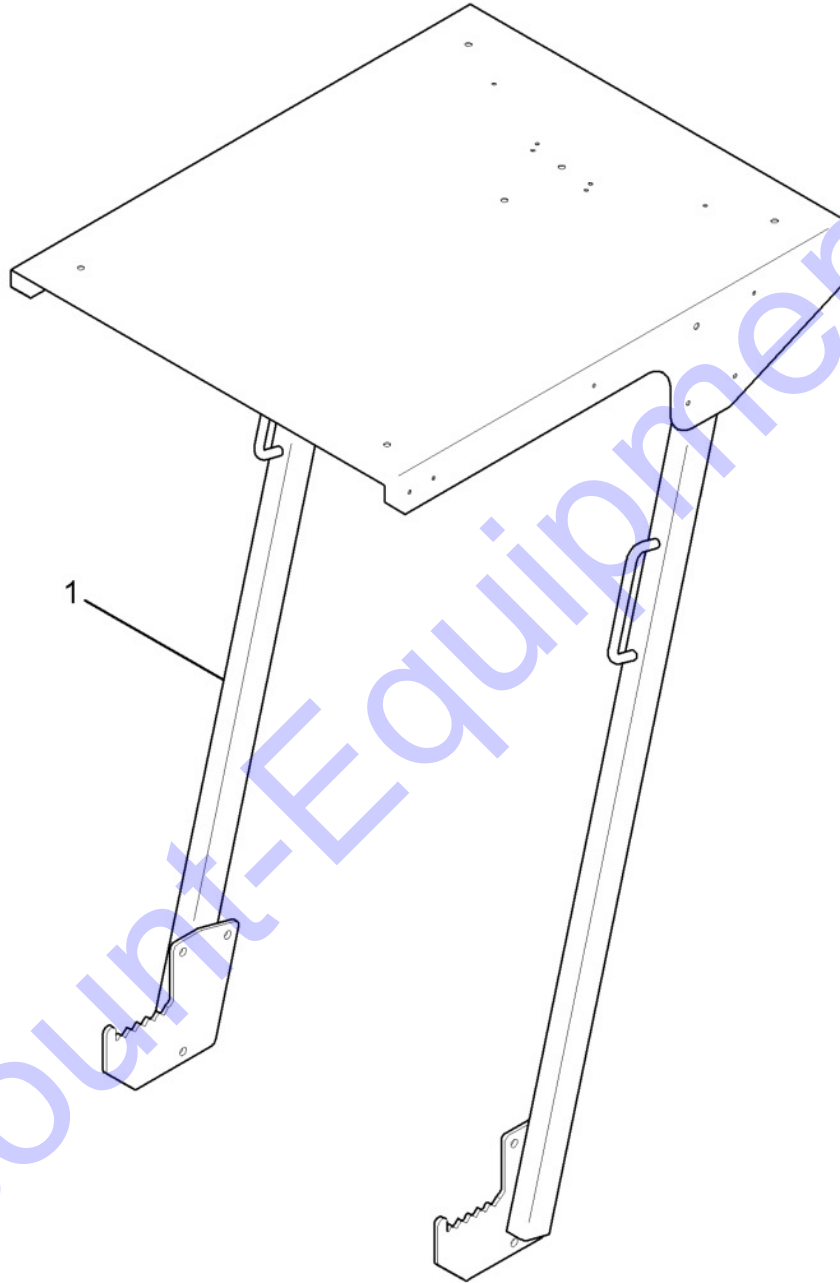
B-900-020-LM3-02-02-1

E15

IGNITION KEY IDENTIFICATION					
ITEM	PART NUMBER	F/N	DESCRIPTION	QTY	UOM
1	9101528		KEYS, IGNITION (KUBOTA ENGINE)	1	EA
	9101497		SWITCH, IGNITION (W/9101528 KEYS, KUBOTA ENGINE)	1	EA
2	468090		KEYS, IGNITION (KUBOTA ENGINE)	1	EA
	468082		SWITCH, IGNITION (W/468090 KEYS, KUBOTA ENGINE)	1	EA
3	468084		KEYS, IGNITION (KUBOTA ENGINE)	1	EA
	468083		SWITCH, IGNITION (W/468084 KEYS, KUBOTA ENGINE)	1	EA

Discount-Equipment.com

ROPS



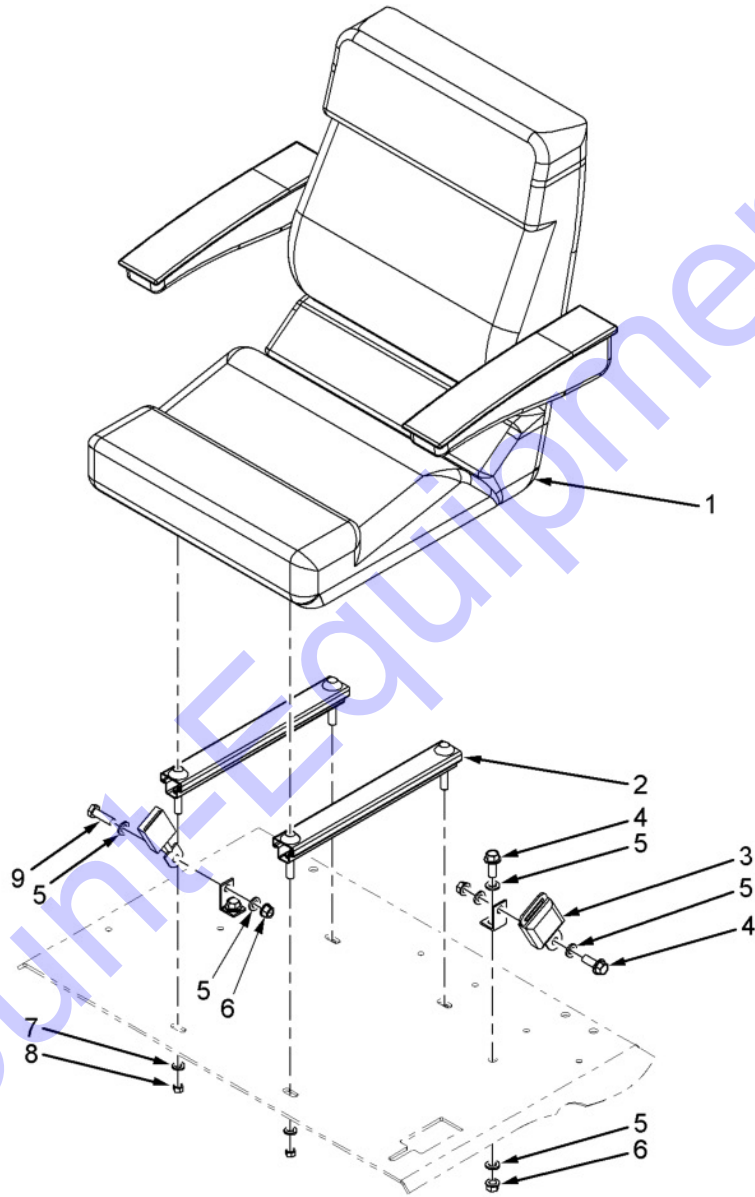
B-900-020-LM3-02-03-1

F15

ROPS					
ITEM	PART NUMBER	F/N	DESCRIPTION	QTY	UOM
1	100088		ROPS	1	EA

Discount-Equipment.com

472689: SEAT ASSEMBLY

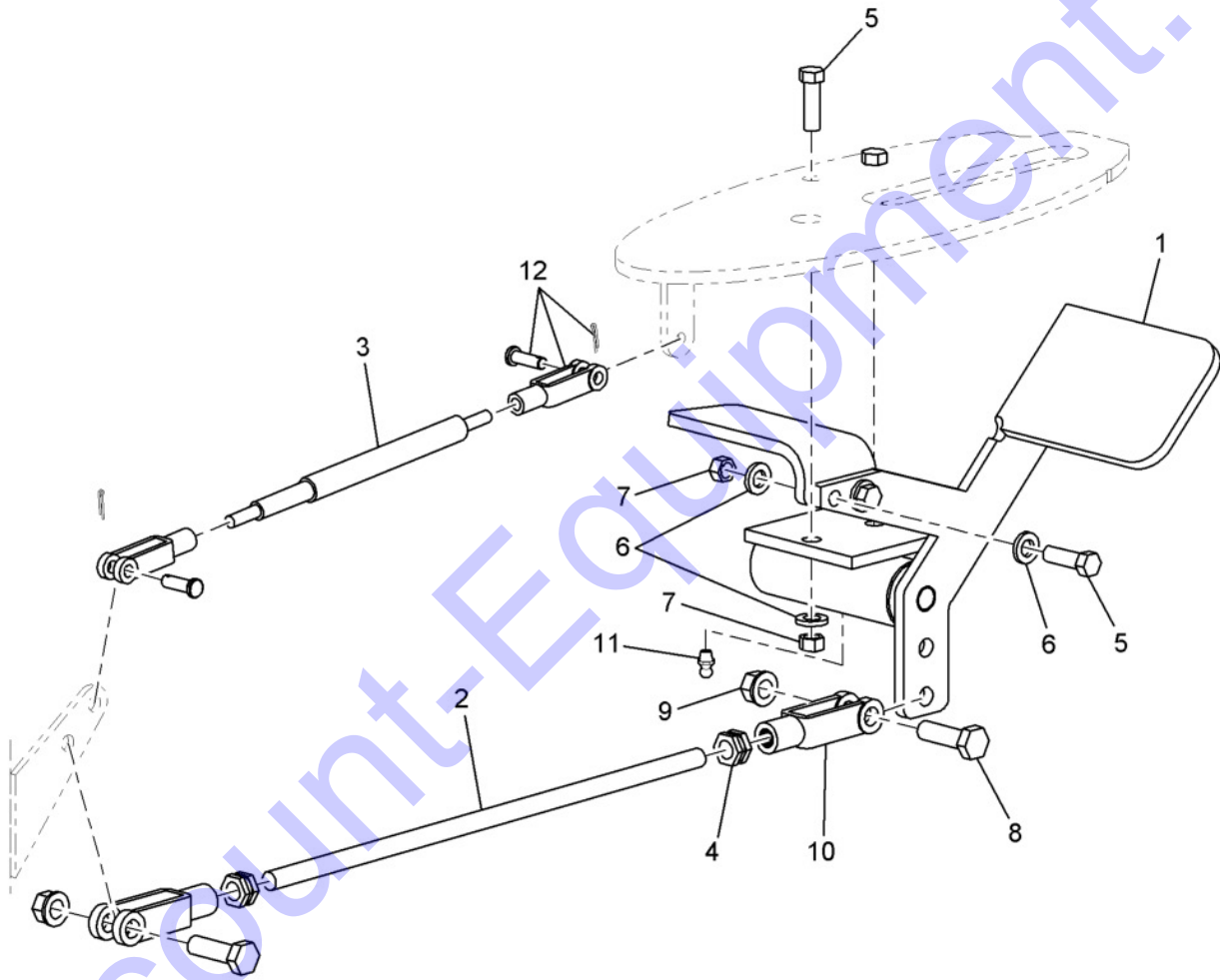


B-900-020-472689-1

472689: SEAT ASSEMBLY					
ITEM	PART NUMBER	F/N	DESCRIPTION	QTY	UOM
1	472688		SEAT	1	EA
2	035519		ADJUSTERS, SLIDE	1	EA
3	458778		RETRACTABLE SEAT BELT ASSEMBLY (2")	1	EA
4	413856		BOLT	3	EA
5	011323		WASHER, FLAT (3/8")	8	EA
6	441477		LOCKNUT (3/8"-16NC)	4	EA
7	011322		WASHER, FLAT (5/16")	4	EA
8	083493		NUT, HEX (5/16"-18NC PL)	4	EA
9	083527		CAPSCREW (3/8"-16NC X 1-1/4")	AR	EA

Discount-Equipment.com

100240: SPEED PEDAL LINKAGE ASSEMBLY

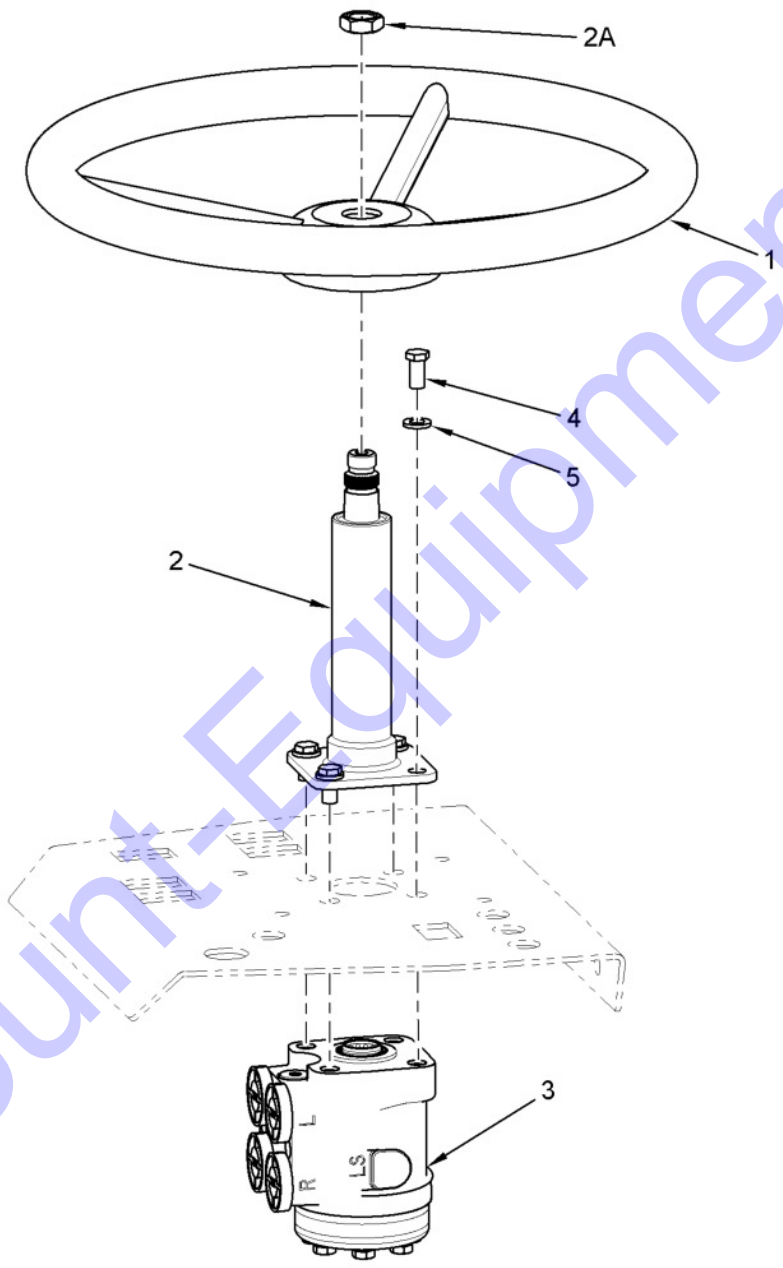


B-900-020-100240-1

E15

100240: SPEED PEDAL LINKAGE ASSEMBLY					
ITEM	PART NUMBER	F/N	DESCRIPTION	QTY	UOM
1	100104		PEDAL, VARIABLE SPEED	1	EA
2	100160		ROD, THREADED	1	EA
3	100200		ACTUATOR, PEDAL RETURN	1	EA
4	V23504500		NUT, JAM (3/8-24)	2	EA
5	441600		CAPSCREW (5/16"-18NC X 1", PL)	4	EA
6	011322		WASHER, FLAT (5/16")	6	EA
7	083493		NUT, HEX (5/16"-18NC PL)	4	EA
8	083527		CAPSCREW (3/8"-16NC X 1-1/4")	2	EA
9	441477		LOCKNUT (3/8"-16NC)	2	EA
10	10020		CLEVIS, ROD END (0.37"-24NF)	2	EA
11	031401		FITTING, GREASE (STRAIGHT, 1/4"-28NF)	1	EA
12	6071K410		CLEVIS, ROD END (FORGED, W/PIN AND COTTER PIN)	2	EA

100242: STEERING ASSEMBLY

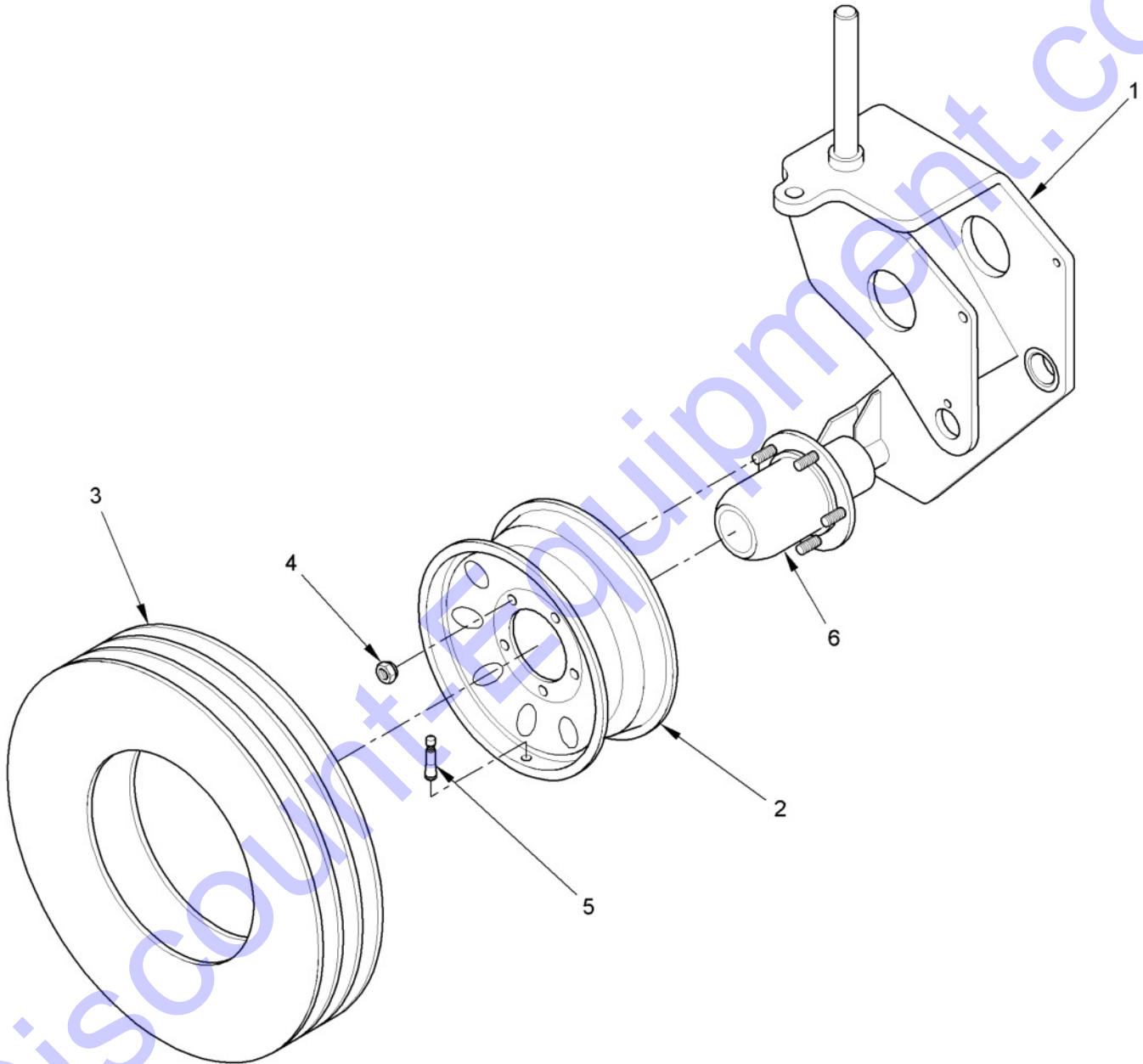


B-900-020-100242-1

E15

100242: STEERING ASSEMBLY					
ITEM	PART NUMBER	F/N	DESCRIPTION	QTY	UOM
1	100094		WHEEL, STEERING	1	EA
2	100097		COLUMN, STEERING (INCLUDES 9107146)	1	EA
2A	9107146		NUT	1	EA
3	100092		ORBITAL, STEERING	1	EA
4	441659		CAPSCREW (3/8"-16NC X 3/4", FLANGE WHIZLOCK)	4	EA
5	011323		WASHER, FLAT (3/8")	4	EA
	467563		COVER, STEERING WHEEL	1	EA

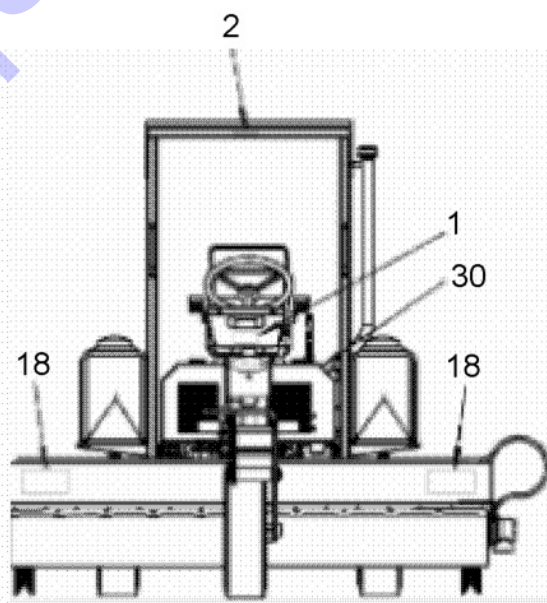
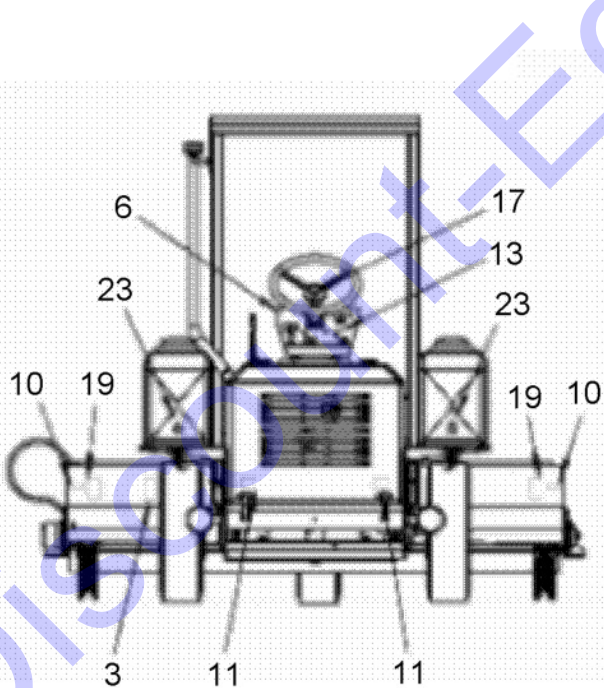
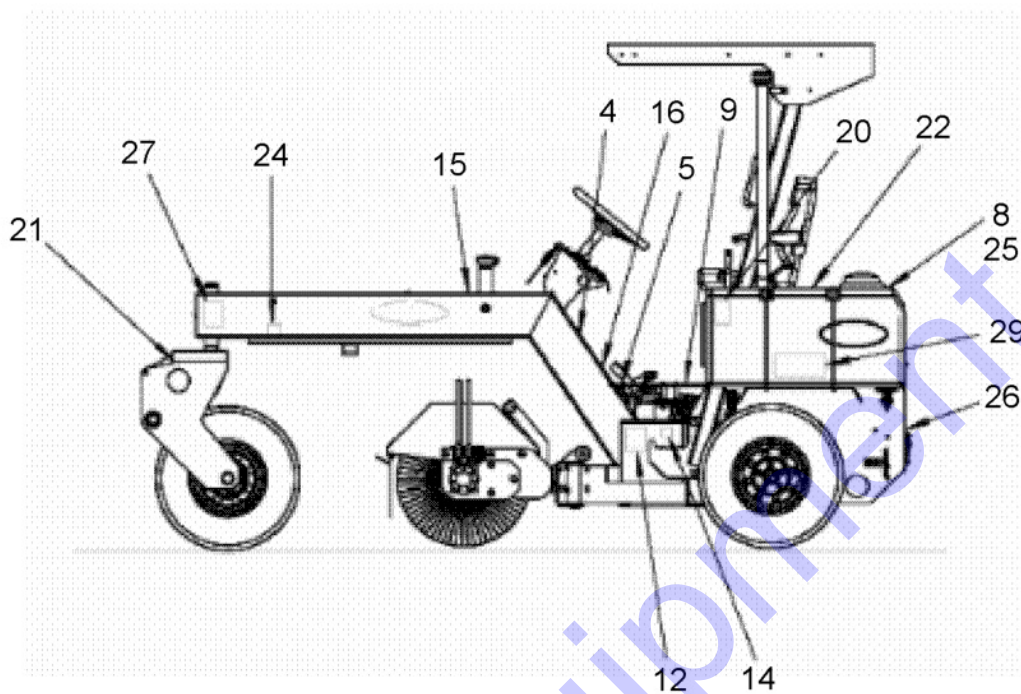
374694: TIRE, WHEEL AND LUG NUT ASSEMBLY



B-900-020-CAP3-0005-1

374694: TIRE, WHEEL AND LUG NUT ASSEMBLY					
ITEM	PART NUMBER	F/N	DESCRIPTION	QTY	UOM
1	376005		FORK, FRONT	1	EA
2	9104564		RIM, WHEEL	3	EA
3	9104606		TIRE (P20575R14, NOT AVAILABLE FOR RESALE)	3	EA
4	047480		NUT, LUG (1/2"-20NF, 60 DEG, 13/16")	15	EA
5	029629		STEM, VALVE	3	EA
6	472639		COVER, DUST CAP	1	EA

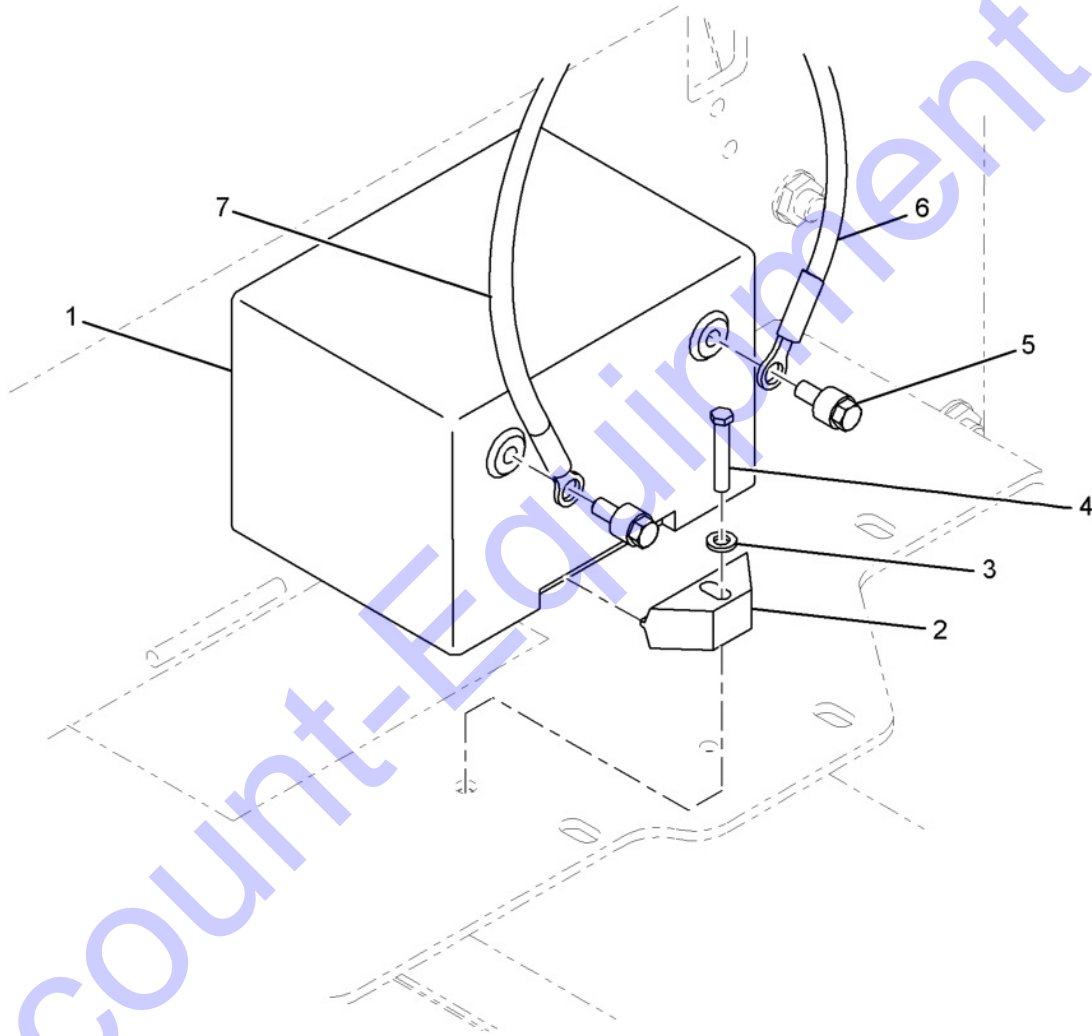
377002A: DECALS



B-900-060-377002A-1

377002A: DECALS					
ITEM	PART NUMBER	F/N	DESCRIPTION	QTY	UOM
1	100141		DECAL, WARNING (HUB)	1	EA
2	100142		DECAL, NAME PLATE	1	EA
3	100143		DECAL, LUBRICATION AND MAINTENANCE	1	EA
4	100144		DECAL, OPERATING INSTRUCTIONS	1	EA
5	100145		DECAL, DIRECTIONAL CONTROL	1	EA
6	100169		DECAL, DASH PANEL (SM300)	1	EA
7	100204		DECAL, WARNING (DIRECTIONAL)	1	EA
8	151660		DECAL, RADIATOR (EXTENDED LIFE)	1	EA
9	432955		SAFETY WALK (11.00" X 12.50")	1	EA
10	436261		TAPE, REFLECTOR (RED)	2	EA
11	443614		DECAL, DANGER (ROTATING FAN)	1	EA
12	446387		DECAL, DANGER (EXPLOSION HAZARD)	1	EA
13	448811		DECAL, WARNING (CALIFORNIA)	1	EA
14	450148		DECAL, DIESEL FUEL	1	EA
15	450155		DECAL, HYDRAULIC OIL	1	EA
16	460170		PAD, PEDAL	3	EA
17	462606		DECAL, STEERING WHEEL	1	EA
18	467266		DECAL, WARNING (STAND CLEAR OF BROOM)	2	EA
19	472720		DECAL, DANGER (PINCH POINT)	2	EA
20	472738		DECAL, DANGER (NO RIDERS)	2	EA
21	472746		DECAL, TIE DOWN	2	EA
22	472753		DECAL, WATER TANK	2	EA
23	472761		DECAL, WATER TANK DRAIN	2	EA
24	472779		DECAL, STEERING VALVE	1	EA
25	472795		DECAL, RADIATOR CAP	1	EA
26	472811		DECAL, FILTER SCREEN	1	EA
27	472829		DECAL, TOWING INSTRUCTIONS (BEFORE AND AFTER)	2	EA
28	472830		DECAL, FRONT FORK	1	EA
29	472837		DECAL, TOWING INSTRUCTIONS	2	EA
30	472838		DECAL, CAUTION (PARK)	1	EA

100246: BATTERY ASSEMBLY

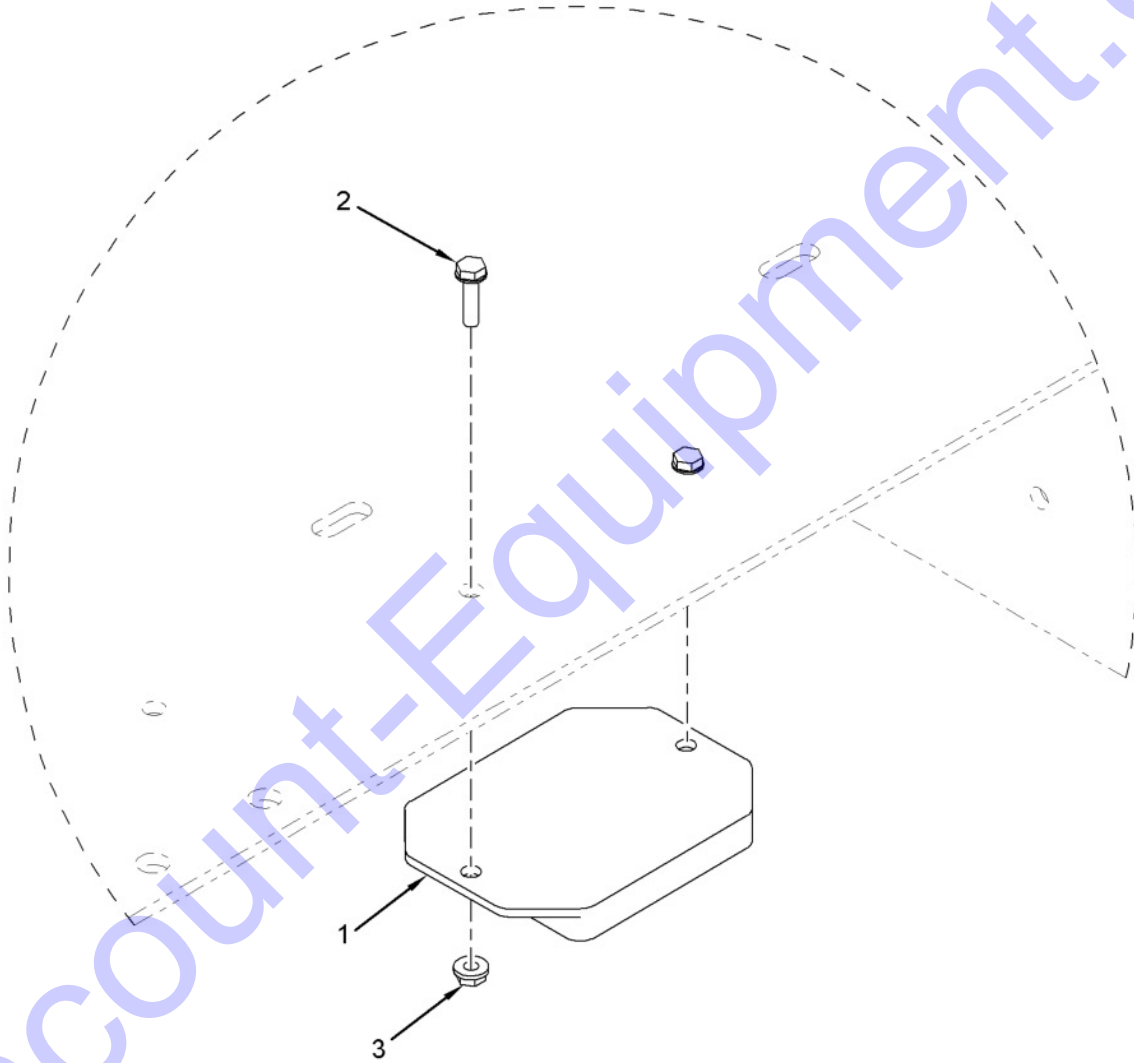


B-900-070-100246-1

E15

100246: BATTERY ASSEMBLY					
ITEM	PART NUMBER	F/N	DESCRIPTION	QTY	UOM
1	9101583		BATTERY (12C GROUP-78-60)	1	EA
2	474882		HOLD DOWN, BATTERY (LATER STYLE)	1	EA
3	011322		WASHER, FLAT (5/16")	1	EA
4	441634		CAPSCREW (5/16"-18NC X 1-3/4", FLANGE WHIZLOCK)	1	EA
5	477958		EXTENSION, BATTERY POST	2	EA
6	376822		CABLE, BATTERY (NEGATIVE)	1	EA
7	376830		CABLE, BATTERY (POSITIVE)	1	EA

374967: EMERGENCY SHUTDOWN, ENGINE



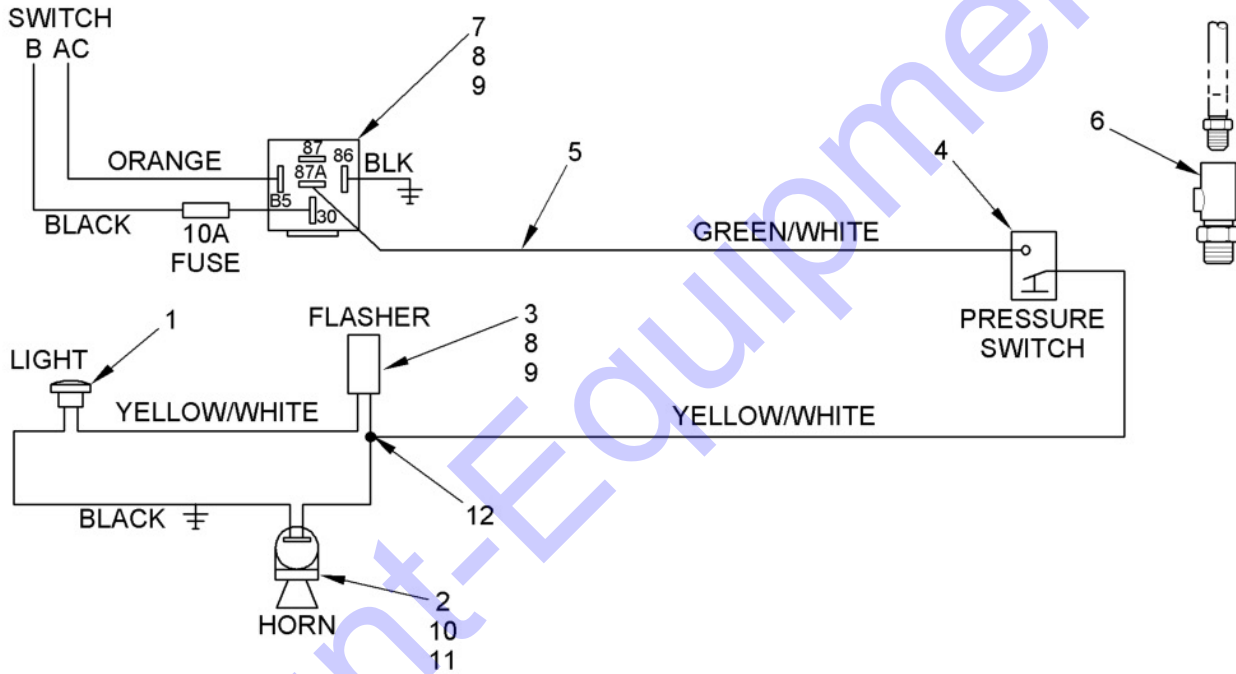
B-900-070-374967-1

E15

374967: EMERGENCY SHUTDOWN, ENGINE					
ITEM	PART NUMBER	F/N	DESCRIPTION	QTY	UOM
1	465229		MODULE, ENGINE PROTECTION	1	EA
2	441501		CAPSCREW (1/4"-20NC, FLANGE WHIZLOCK)	2	EA
3	440636		LOCKNUT (1/4"-20NC, FLANGE, WHIZLOCK)	2	EA

Discount-Equipment.com

331587: HUB DISENGAGE WARNING SYSTEM



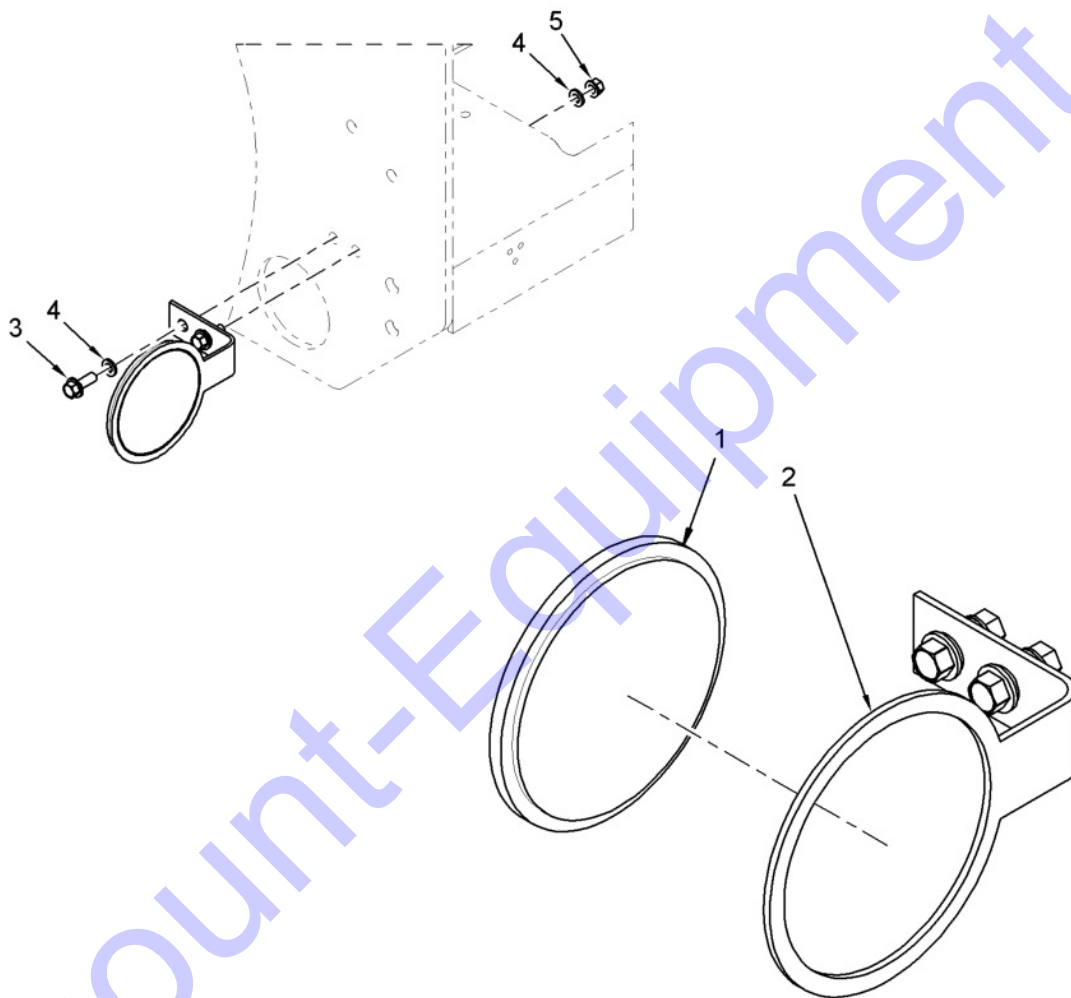
FWD


B-900-070-331587-1

E15

331587: HUB DISENGAGE WARNING SYSTEM					
ITEM	PART NUMBER	F/N	DESCRIPTION	QTY	UOM
1	446229		LIGHT, OVAL TAIL	1	EA
2	476937		HORN (12V, W/BACKET)	1	EA
3	V63121300		MODULE, FLASHER (3 PRONG)	1	EA
4	475889		SWITCH, PRESSURE	1	EA
5	331579		HARNESS, WIRING (UNLOCK HUBS)	1	EA
6	475871		ADAPTER, TEST PORT	1	EA
7	442095		RELAY (12V, 30AMP)	1	EA
8	465104		SCREW, PHILLIPS HEAD (8-32 X .50)	2	EA
9	465153		NUT, HEX (8-32 STAINLESS)	2	EA
10	441519		CAPSCREW, FLANGE HEAD (5/16"-18NC X 1/2")	1	EA
11	474734		NUT, HEX (5/16"-18NC)	1	EA
12	V01162800		TERMINAL, MALE SLIDE (.25)	1	EA
	041236		TIE, CABLE (7-1/4" X 3/16", 1-3/4" DIA, BLACK)	10	EA
	331561		COVER, DASH (W/LIGHT HOLE)	1	EA
	472704		DECAL ("DISENGAGE REAR HUBS")	1	EA

100244: TAIL LIGHT ASSEMBLY



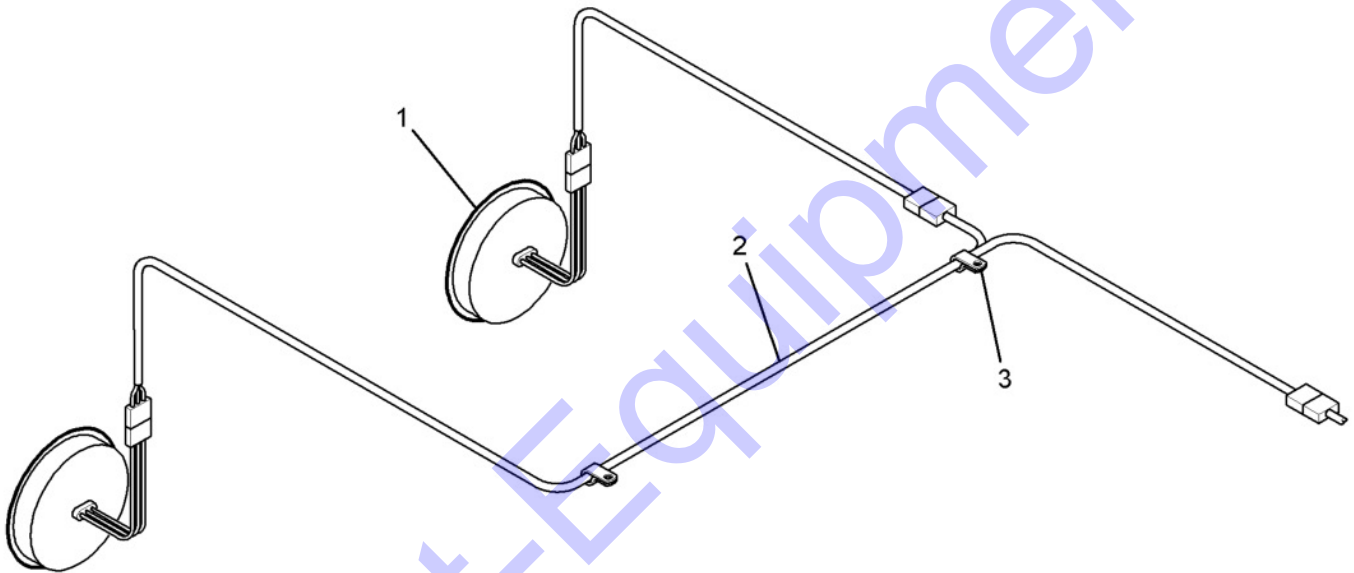
B-900-070-100244-1

E15

100244: TAIL LIGHT ASSEMBLY					
ITEM	PART NUMBER	F/N	DESCRIPTION	QTY	UOM
1	100134		LIGHT, TAIL	2	EA
2	100107		BRACKET, TAIL LIGHT	2	EA
3	413856		BOLT	4	EA
4	011323		WASHER, FLAT (3/8")	4	EA
5	441477		LOCKNUT (3/8"-16NC)	4	EA

Discount-Equipment.com

TAIL LIGHT HARNESS

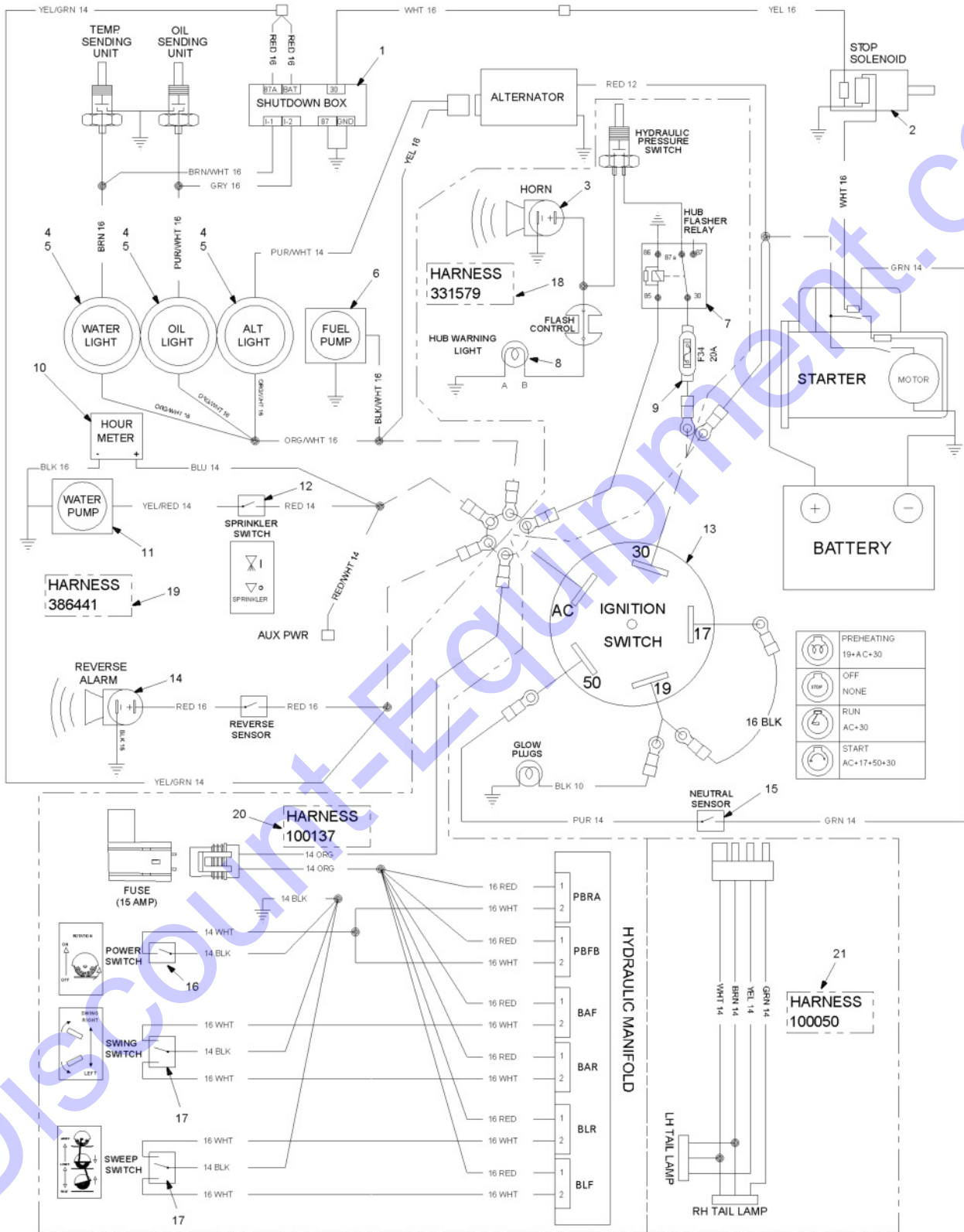


B-900-070-LM3-07-01-1

E15

TAIL LIGHT HARNESS					
ITEM	PART NUMBER	F/N	DESCRIPTION	QTY	UOM
1	100134		LIGHT, TAIL	2	EA
2	377051		HARNESS, WIRING	1	EA
3	028993		CLAMP, LOOP (1/2" ID)	2	EA
	377077		HARNESS, WIRING (MAIN)	1	EA
	377333		HARNESS, WIRING (HITCH)	1	EA
	377325		HARNESS, WIRING (TAIL LIGHT FRAME)	1	EA

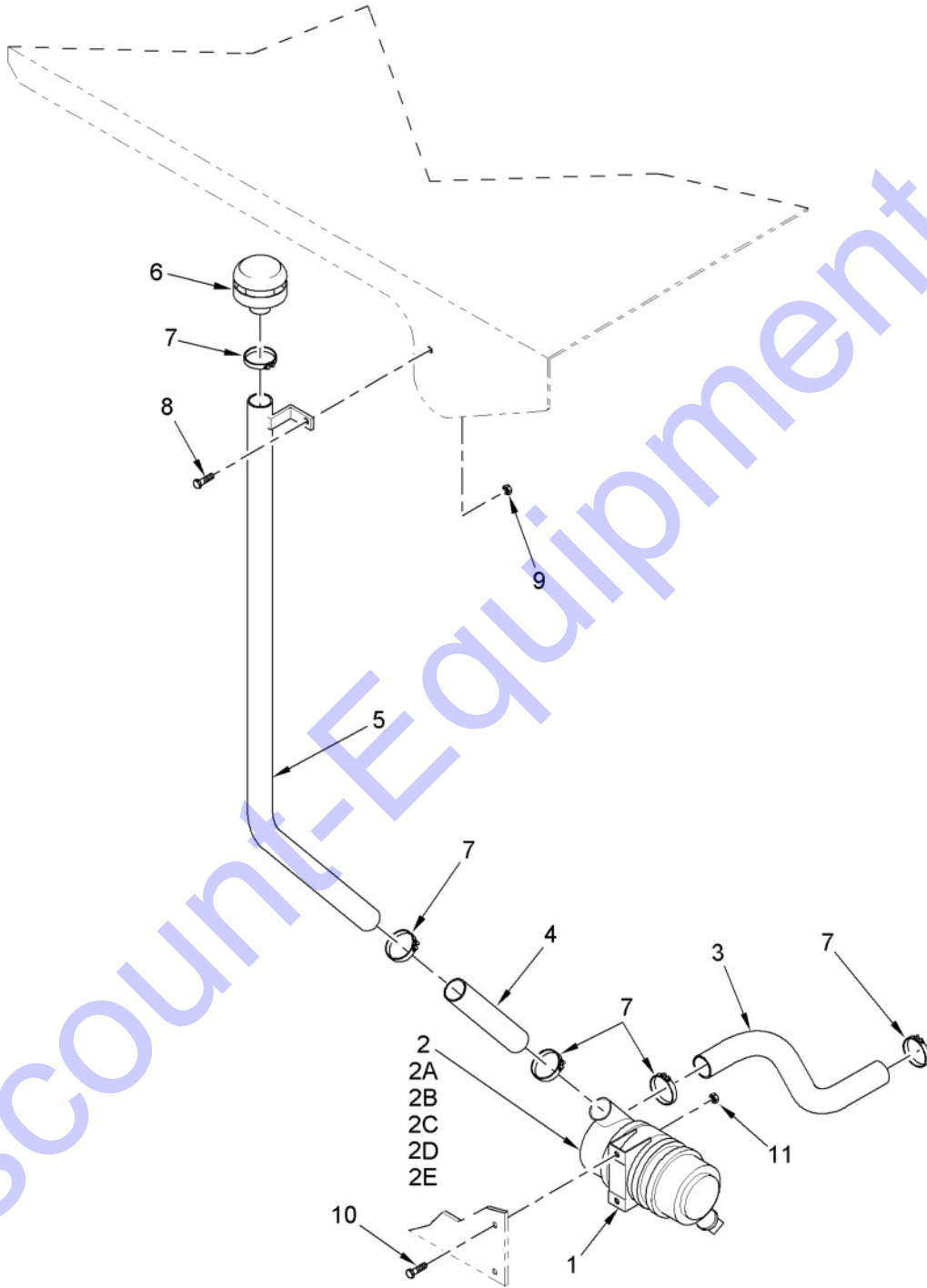
WIRING HARNESS ASSEMBLY



B-900-070-LM3-07-00-1

WIRING HARNESS ASSEMBLY					
ITEM	PART NUMBER	F/N	DESCRIPTION	QTY	UOM
1	465229		MODULE, ENGINE PROTECTION	1	EA
2	447673		SOLENOID, SHUTOFF (2 WIRE)	1	EA
3	476937		HORN (12V, W/BRACKET)	1	EA
4	057448		LIGHT, INDICATOR (RED)	3	EA
5	060624		BULB (12V, 2-WATT)	3	EA
6	9101888		PUMP, FUEL (ELECTRIC)	1	EA
7	442095		RELAY (12V, 30AMP)	1	EA
8	V63121300		MODULE, FLASHER (3 PRONG)	1	EA
9	077041		FUSE (20A)	1	EA
10	460485		METER, HOUR	1	EA
11	416826		PUMP, WATER (12V, 1.2 GPM)	1	EA
12	460113		SWITCH, 2-POSITION (ON/OFF, W/LIGHT)	1	EA
13	9101497		SWITCH, IGNITION (KUBOTA ENGINE, W/9101528 KEYS)	1	EA
14	473736		ALARM, REVERSE	1	EA
15	413875		SWITCH, NEUTRAL START	1	EA
16	100136		SWITCH, POWER	1	EA
17	100135		SWITCH, 3-POSITION	2	EA
18	331579		HARNESS, WIRING (HUB DISCONNECT WARNING)	1	EA
19	386441		HARNESS, WIRING (MAIN ENGINE)	1	EA
20	100137		HARNESS, WIRING (MANIFOLD)	1	EA
21	100050		HARNESS, WIRING (TAIL LIGHT)	1	EA
	9101528		KEYS, IGNITION (KUBOTA ENGINE)	1	EA
	094623		LAMP, STROBE (BULB)	1	EA
	100171		SWITCH, FLOORBOARD REVERSE ALARM	1	EA
	381418		KIT, STROBE LIGHT	1	EA
	473066		KIT, SOLENOID TERMINAL CONNECTOR	1	EA
	477406		KIT, SOLENOID TERMINAL CONNECTOR	1	EA
	381418		KIT, STROBE LIGHT	1	EA

AIR CLEANER ASSEMBLY

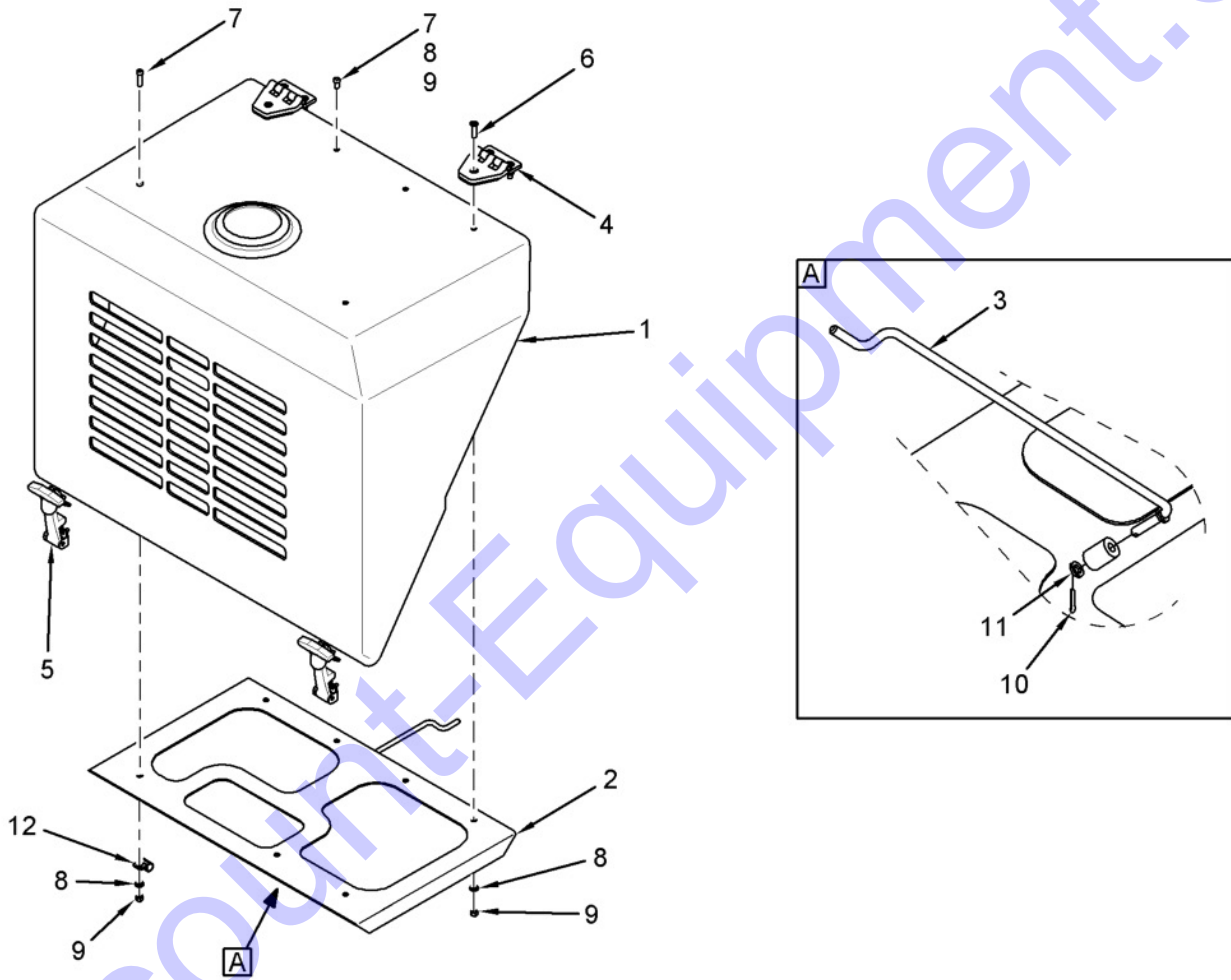


B-900-080-LM3-08-02-1

E15

AIR CLEANER ASSEMBLY					
ITEM	PART NUMBER	F/N	DESCRIPTION	QTY	UOM
1	467480		BRACKET, AIR CLEANER MOUNTING	1	EA
2	467472		CLEANER, AIR	1	EA
2A	467498		FILTER, AIR (PRIMARY)	1	EA
2B	467506		FILTER, AIR (SAFETY)	1	EA
2C	467514		VALVE, VACUATOR	1	EA
2D	467522		COVER, AIR CLEANER HOUSING	1	EA
2E	467530		LATCH, AIR CLEANER HOUSING	2	EA
3	467555		HOSE, INTAKE (KUBOTA)	1	EA
4	374785		HOSE, PRE-CLEANER (6.00")	1	EA
5	376657		PIPE, PRE-CLEANER	1	EA
6	467548		PRE-CLEANER, AIR	1	EA
7	V02026200		CLAMP, HOSE (#32)	5	EA
8	441568		CAPSCREW (1/4"-20NC X 1", FLANGE WHIZLOCK)	1	EA
9	440636		LOCKNUT (1/4"-20NC, FLANGE, WHIZLOCK)	1	EA
10	441618		CAPSCREW (5/16"-18NC X 1-1/4", FLANGE WHIZLOCK)	2	EA
11	083493		NUT, HEX (5/16"-18NC PL)	2	EA

100247: ENGINE HOOD ASSEMBLY

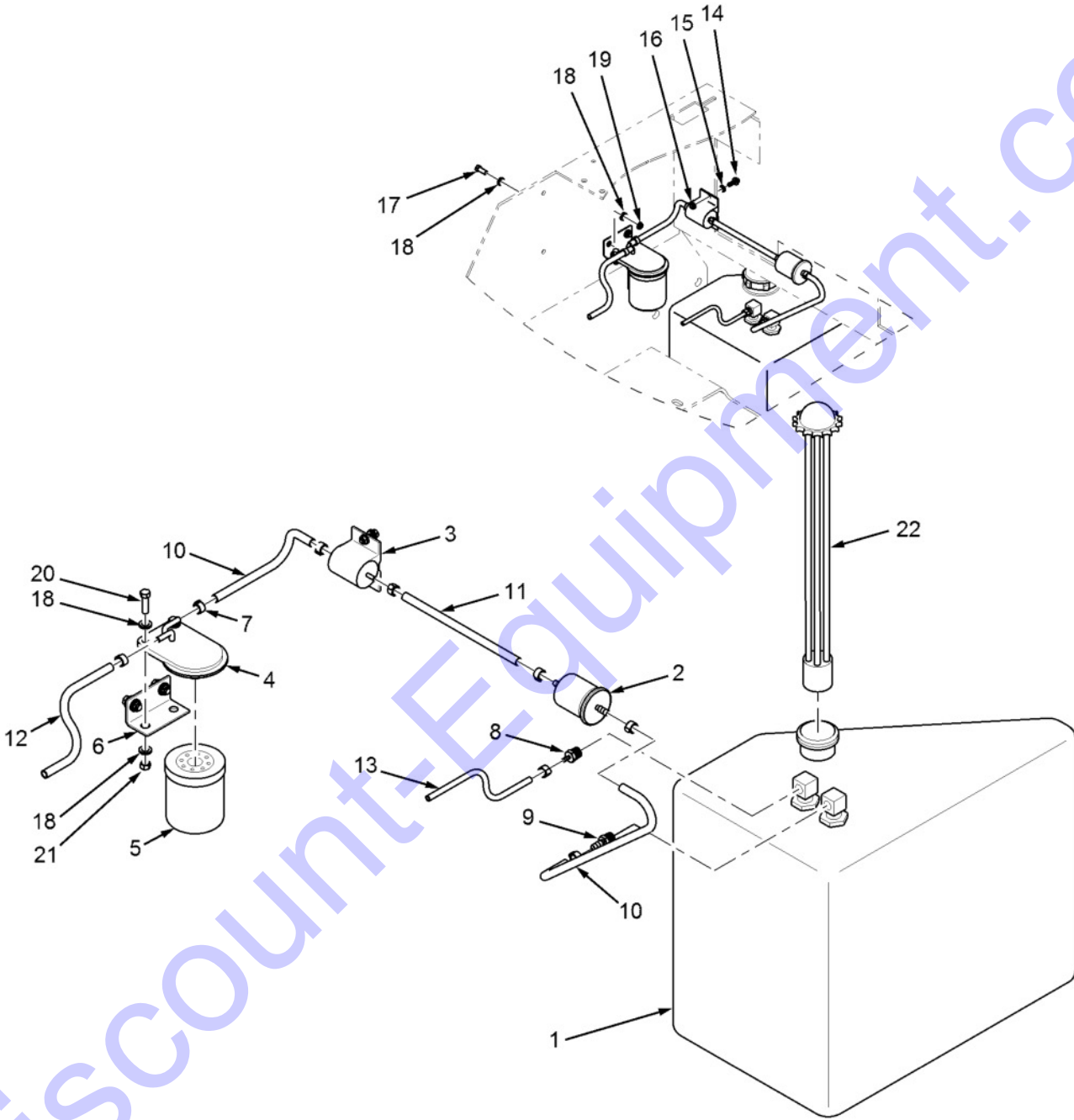


B-900-080-100247-1

E15

100247: ENGINE HOOD ASSEMBLY					
ITEM	PART NUMBER	F/N	DESCRIPTION	QTY	UOM
1	100175		HOOD, ENGINE (PLASTIC)	1	EA
2	100117		SUPPORT, HOOD	1	EA
3	100197		ROD, SUPPORT	1	EA
4	442269		HINGE (W/GROMMET AND BUSHING)	2	EA
5	V63013300		LATCH	2	EA
6	442285		BOLT, FLAT HEAD SOCKET (5/16"-18NC X 1-1/4")	6	EA
7	472902		CAPSCREW, BUTTON HEAD (5/16-18NC X .50", SS)	4	EA
8	010561		WASHER, LOCK (5/16")	8	EA
9	010553		NUT, HEX (5/16"-18NC)	10	EA
10	015123		PIN, COTTER (1/8" X 3/4", STEEL PL)	1	EA
11	010579		WASHER, FLAT (5/16")	1	EA
12	028993		CLAMP, LOOP (1/2" ID)	2	EA

100243: FUEL SYSTEM ASSEMBLY

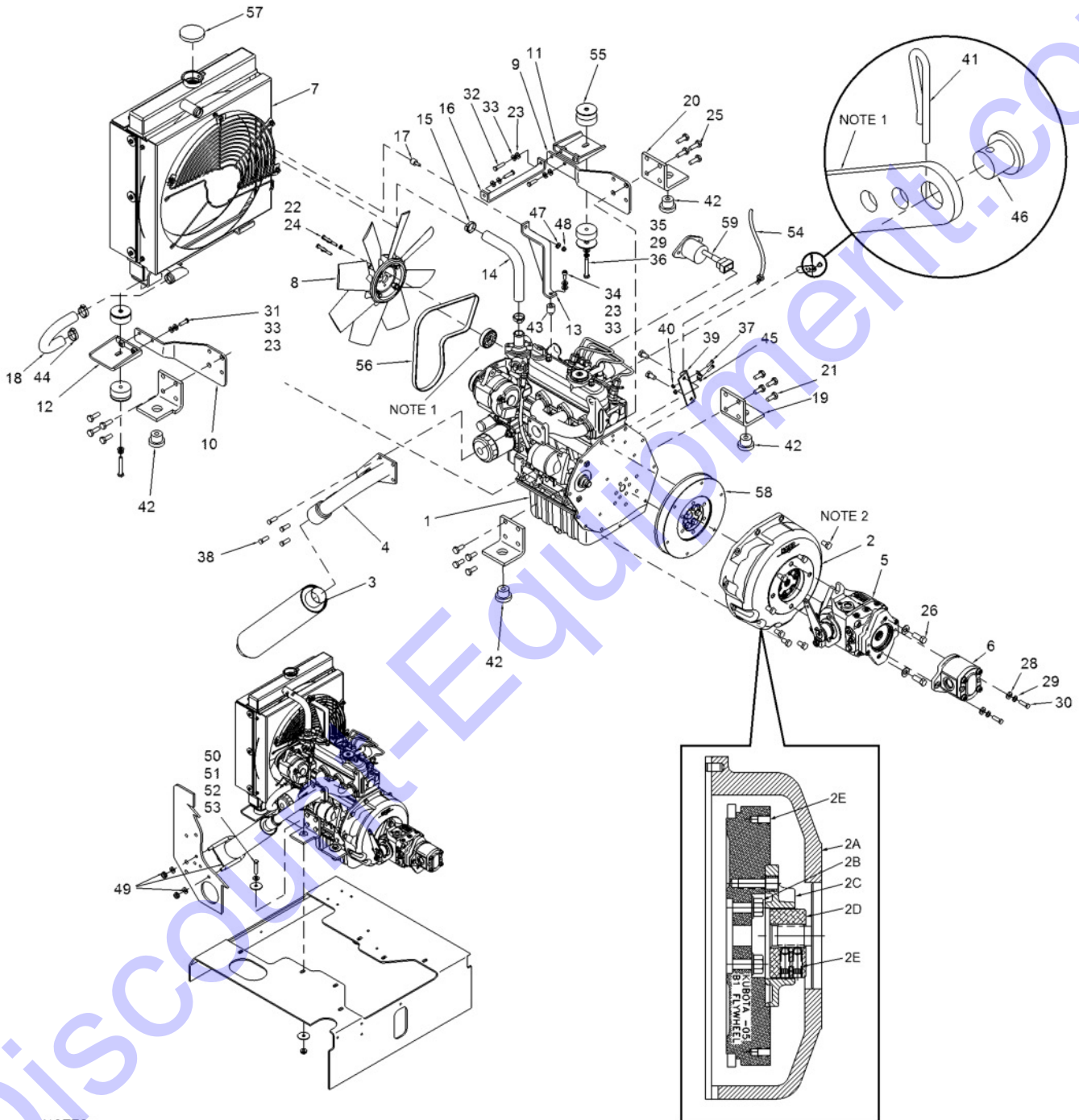


B-900-080-100243-1

E15

100243: FUEL SYSTEM ASSEMBLY					
ITEM	PART NUMBER	F/N	DESCRIPTION	QTY	UOM
1	376137		TANK, FUEL (PLASTIC)	1	EA
2	9101624		FILTER, FUEL (IN-LINE)	1	EA
3	9101888		PUMP, FUEL (ELECTRIC)	1	EA
4	473199		HOUSING, FUEL FILTER	1	EA
5	9102952		FILTER, FUEL (SPIN-ON)	1	EA
6	356949		BRACKET, FILTER HOUSING MOUNT	1	EA
7	029561		CLAMP, HOSE	8	EA
8	407189		FITTING (1/4-NPT MALE X 3/16 BARB, BRASS)	1	EA
9	068528		FITTING	1	EA
10	100151		LINE, FUEL (7")	2	EA
11	100152		LINE, FUEL (10")	1	EA
12	100153		LINE, FUEL (24")	1	EA
13	100147		HOSE, FUEL RETURN	1	EA
14	441550		CAPSCREW (1/4"-20NC X 3/4", FLANGE WHIZLOCK)	2	EA
15	011321		WASHER, FLAT (1/4")	2	EA
16	440636		LOCKNUT (1/4"-20NC, FLANGE, WHIZLOCK)	2	EA
17	083485		CAPSCREW (5/16"-18NC X 3/4", PL)	2	EA
18	011322		WASHER, FLAT (5/16")	8	EA
19	083535		NUT, HEX (5/16"-18NC, FLANGE, WHIZLOCK)	2	EA
20	441600		CAPSCREW (5/16"-18NC X 1", PL)	2	EA
21	083493		NUT, HEX (5/16"-18NC PL)	2	EA
22	467456		CAP, FUEL GAUGE	1	EA

MAIN DRIVETRAIN ASSEMBLY



NOTES:
 1. SUPPLIED WITH ENGINE KIT
 2. SUPPLIED WITH FLYWHEEL HOUSING

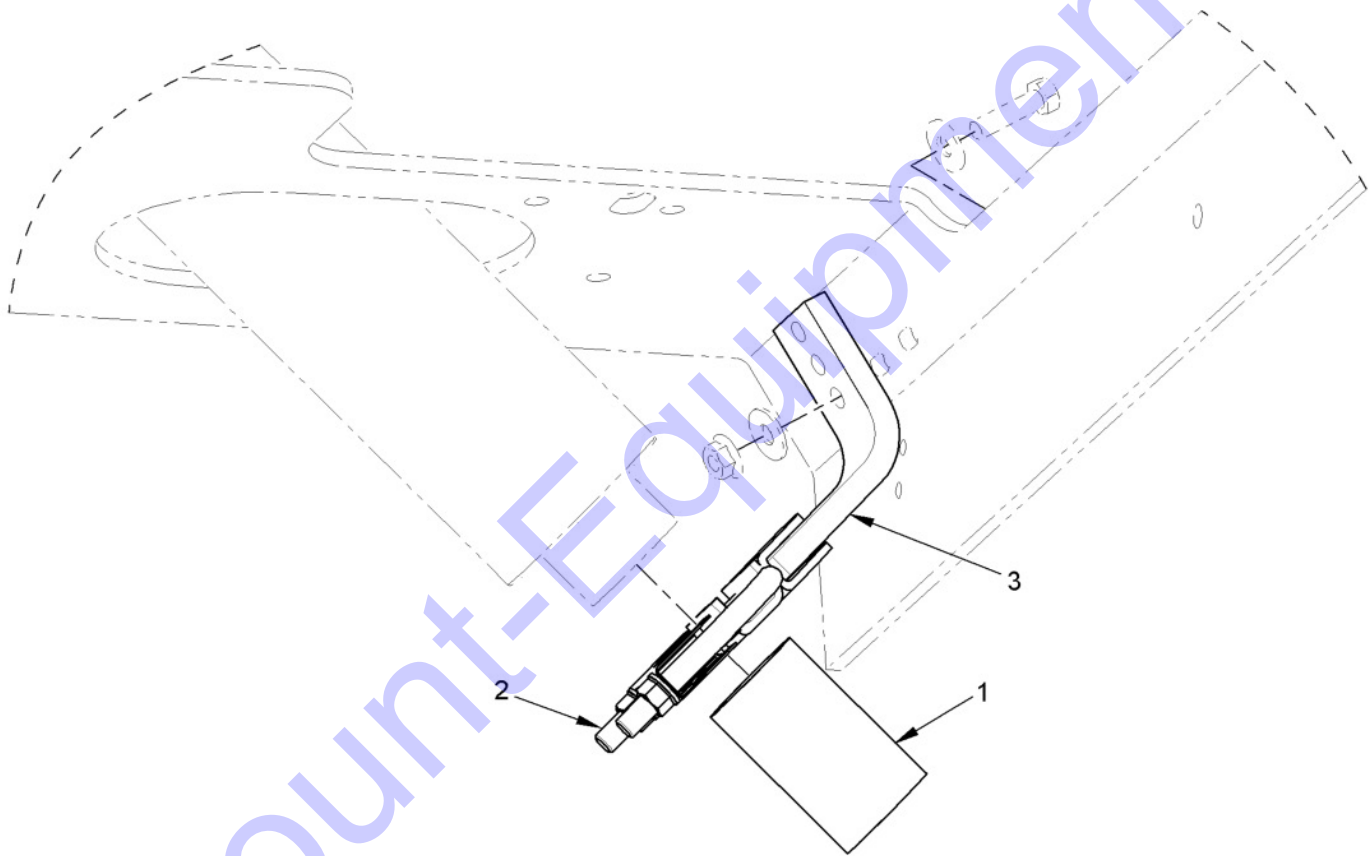
B-900-080-LM3-08-00-1

MAIN DRIVETRAIN ASSEMBLY					
ITEM	PART NUMBER	F/N	DESCRIPTION	QTY	UOM
1	100054		KIT, ENGINE (KUBOTA 1505)	1	EA
2	100100		KIT, FLYWHEEL HOUSING	1	EA
2A	9107112		HOUSING, FLYWHEEL	1	EA
2B	9107110		KIT, BOLT	1	EA
2C	9107114		PLATE, DRIVE	1	EA
2D	9107113		HUB, FLYWHEEL	1	EA
2E	9107111		PIN, DOWEL	2	EA
3	9101774		MUFFLER	1	EA
4	376806		HEADER, EXHAUST	1	EA
5	100065		PISTON PUMP ASSEMBLY (HYDROSTATIC) (SEE PAGE 98)	1	EA
6	9104033		AUXILLIARY PUMP ASSEMBLY (SEE PAGE 78)	1	EA
7	1000047		RADIATOR ASSEMBLY (SEE PAGE 74)	1	EA
8	100121		FAN, ENGINE SM300 D1105	1	EA
9	100109		BRACKET, MOUNTING (LH)	1	EA
10	100110		BRACKET, MOUNTING (RH)	1	EA
11	100127		BRACKET, ISOLATOR (LH)	1	EA
12	100128		BRACKET, ISOLATOR (RH)	1	EA
13	100174		BRACKET, RADIATOR SUPPORT	1	EA
14	100130		HOSE, RADIATOR (UPPER)	1	EA
15	56424		CLAMP, HOSE	2	EA
16	100133		BRACKET, MOUNT SUPPORT	1	EA
17	456806		ISOLATOR, SUPPORT BRACKET (RUBBER)	1	EA
18	100131		HOSE, RADIATOR (LOWER)	1	EA
19	376797		BRACKET, ENGINE MOUNT (REAR)	2	EA
20	376800		BRACKET, ENGINE MOUNT (FRONT)	2	EA
21	459486		BOLT	8	EA
22	122191		BOLT (HH M6 X 1.0 X 50MM GR10.9)	4	EA
23	173193		WASHER, LOCK	5	EA
24	173192		WASHER, LOCK	4	EA
25	459487		BOLT	8	EA
26	441774		CAPSCREW (1/2"-13NC X 1-1/4")	2	EA
27	33800		WASHER	2	EA
28	33115		WASHER	2	EA
29	011023		WASHER, LOCK (3/8")	4	EA
30	10107		BOLT	2	EA
31	10055		BOLT	2	EA
32	10057		BOLT	2	EA
33	33114		WASHER	5	EA
34	459453		CAPSCREW (M8 X 1.25-16MM)	1	EA
35	11323		WASHER	2	EA
36	10678		BOLT	2	EA
37	441527		BOLT (#10-24NC X .75")	2	EA
38	404673		CAPSCREW, SOCKET HEAD (M8 X 1.25CP-6G X M30)	4	EA

MAIN DRIVETRAIN ASSEMBLY

ITEM	PART NUMBER	F/N	DESCRIPTION	QTY	UOM
39	9104569		BRACKET, THROTTLE CABLE	1	EA
40	440628		NUT, HEX (#10-24NC)	2	EA
41	459826		PIN, HAIR (5/64" DIA.)	1	EA
42	456459		ISOLATOR (RUBBER)	4	EA
43	459818		STANDOFF, SUPPORT BRACKET	1	EA
44	100207		CLAMP, HOSE	2	EA
45	457184		CLAMP, THROTTLE	1	EA
46	457192		PIN, CLEVIS	1	EA
47	11322		WASHER	1	EA
48	440636		LOCKNUT (1/4"-20NC, FLANGE, WHIZLOCK)	1	EA
49	9101616		U-BOLT (2")	1	EA
50	100026		BOLT	4	EA
51	011325		WASHER, FLAT (1/2")	4	EA
52	459842		WASHER, PIN RETAINER (2" X 1/2" X 1/8")	8	EA
53	100036		LOCKNUT	4	EA
54	100198		CABLE, THROTTLE W/HANDLE	1	EA
55	386703		CUSHION, RADIATOR UPPER	4	EA
56	9107131		BELT, FAN	1	EA
57	9107106		CAP, RADIATOR	1	EA
58	910708K		FLYWHEEL, ENGINE	1	EA
59	447673		SOLENOID, FUEL STOP (2 WIRE)	1	EA
	9107134		KIT, UPPER ENGINE HEAD GASKET (D1105)	1	EA

1000063: MUFFLER HANGER ASSEMBLY



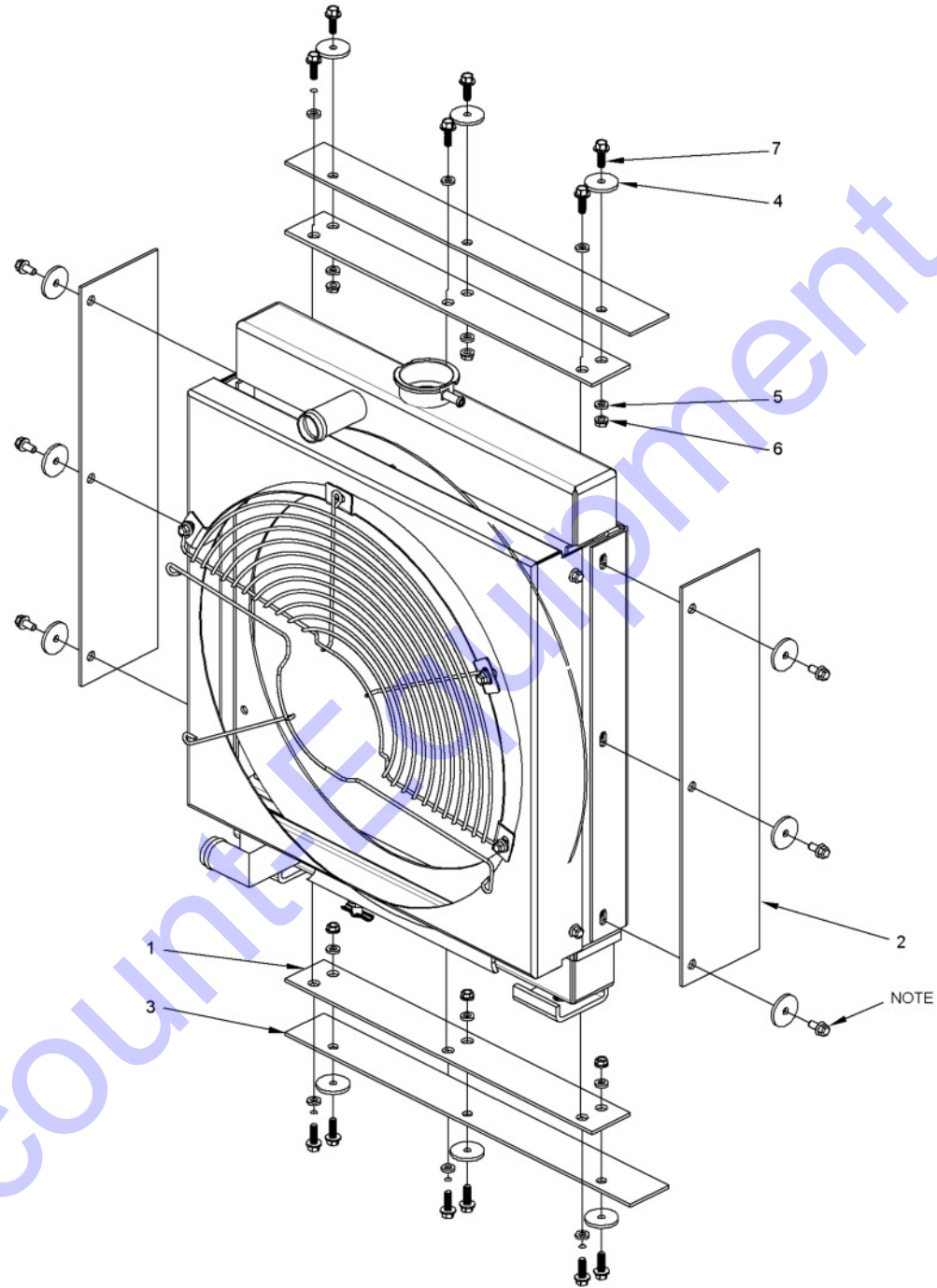
B-900-080-1000063-1

H15

1000063: MUFFLER HANGER ASSEMBLY

ITEM	PART NUMBER	F/N	DESCRIPTION	QTY	UOM
1	9104537		TUBE (1.75X16)		
2	V63004000		CLAMP (1.75)		
3	1000062		HANGER, EXHAUST		

1000047: RADIATOR ASSEMBLY



NOTE: SUPPLIED WITH RADIATOR ASSEMBLY

B-900-080-1000047-1

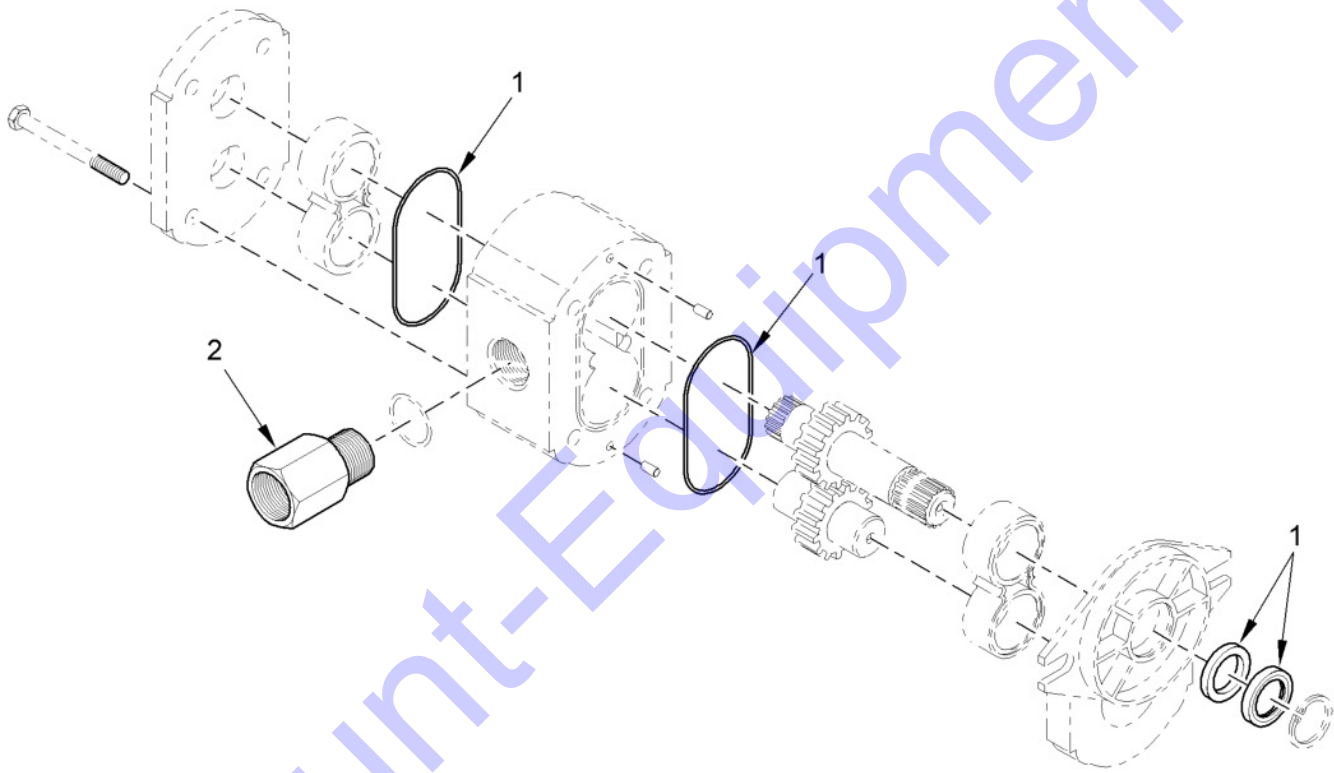
1000047: RADIATOR ASSEMBLY					
ITEM	PART NUMBER	F/N	DESCRIPTION	QTY	UOM
1	100108		BRACKET, RADIATOR	2	EA
2	100194		BAFFLE, RADIATOR (LEFT/RIGHT)	2	EA
3	100195		BAFFLE, RADIATOR (TOP/BOTTOM)	2	EA
4	010299		WASHER	12	EA
5	011321		WASHER, FLAT (1/4")	12	EA
6	440636		LOCKNUT (1/4"-20NC, FLANGE, WHIZLOCK)	6	EA
7	441550		CAPSCREW (1/4"-20NC X 3/4", FLANGE WHIZLOCK)	12	EA

FILTERS

NON-ILLUSTRATED

FILTERS					
ITEM	PART NUMBER	F/N	DESCRIPTION	QTY	UOM
	476092		FILTER, ENGINE OIL	1	EA
	476094		FILTER, FUEL (PRIMARY, SPIN-ON)	1	EA
	9101624		FILTER, FUEL (IN-LINE)	1	EA
	9101798		FILTER, HYDRAULIC (-10 MICRON, SPIN ON)	1	EA
	9107085		FILTER, HYDRAULIC (HIGH PRESSURE)	1	EA
	9107145		KIT, O-RING (FOR 100101 WHEN REPLACING 910785)	1	EA
	467498		FILTER, AIR (PRIMARY)	1	EA
	467506		FILTER, AIR (SAFETY)	1	EA

9104033: AUXILLIARY PUMP ASSEMBLY

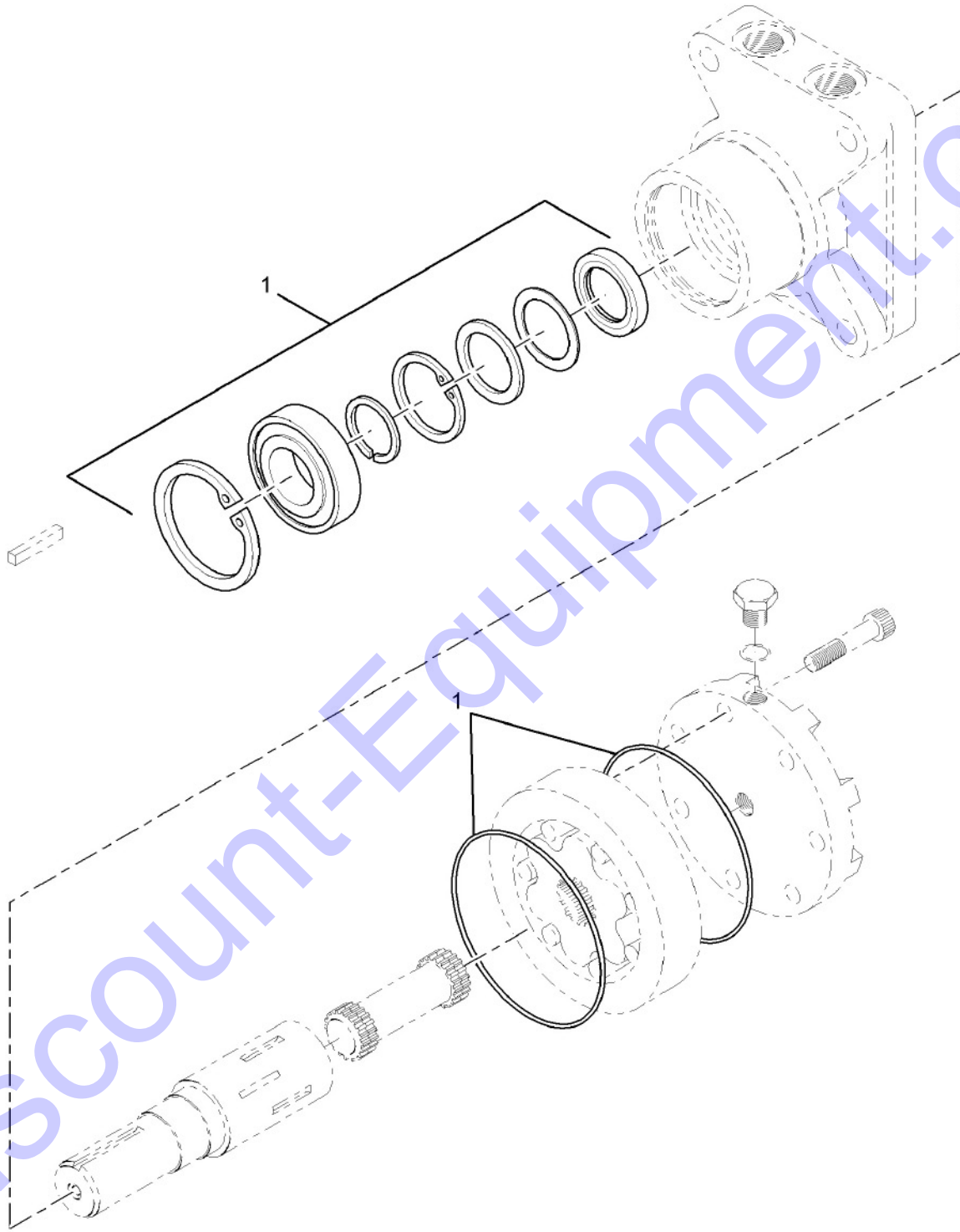


B-900-030-CAP3-0023-1

9104033: AUXILLIARY PUMP ASSEMBLY					
ITEM	PART NUMBER	F/N	DESCRIPTION	QTY	UOM
1	459693		KIT, COMPLETE SEAL	AR	EA
2	095216		ADAPTER, STRAIGHT (1/2"MNPT X 7/8"-14MSAE)	1	EA

Discount-Equipment.com

473464: BROOM DRIVE MOTOR ASSEMBLY



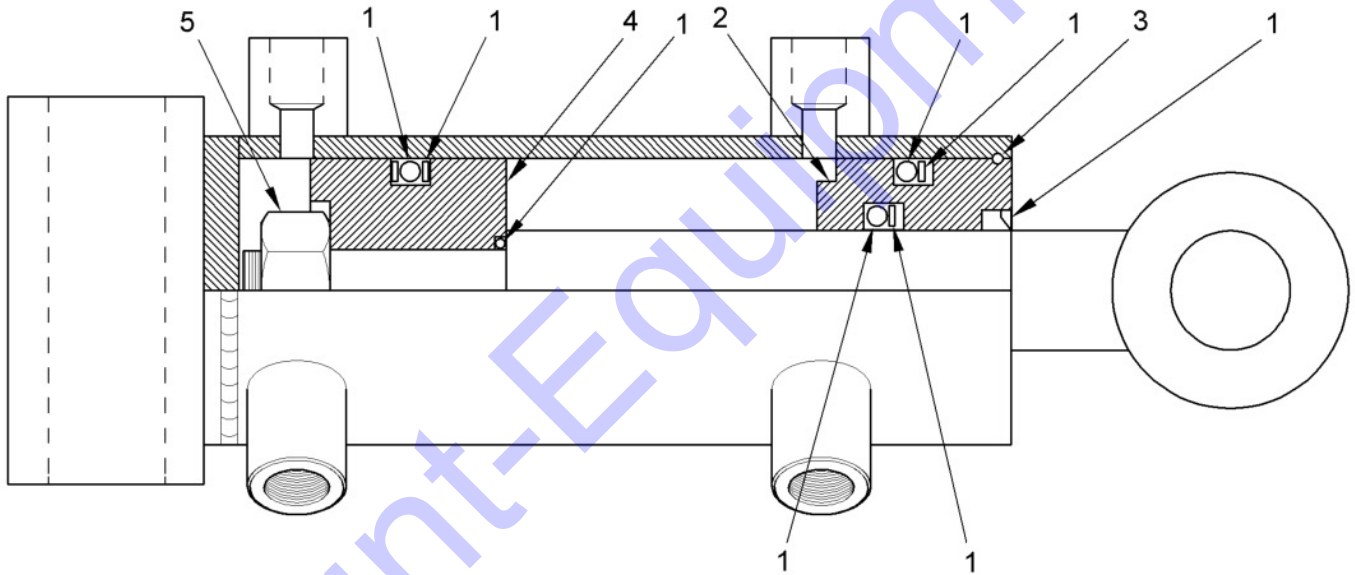
B-900-030-473464-1

E15

473464: BROOM DRIVE MOTOR ASSEMBLY

ITEM	PART NUMBER	F/N	DESCRIPTION	QTY	UOM
1	9107094		KIT, SEAL (BROOM DRIVE MOTOR)	1	EA

376641: BROOM LIFT CYLINDER ASSEMBLY



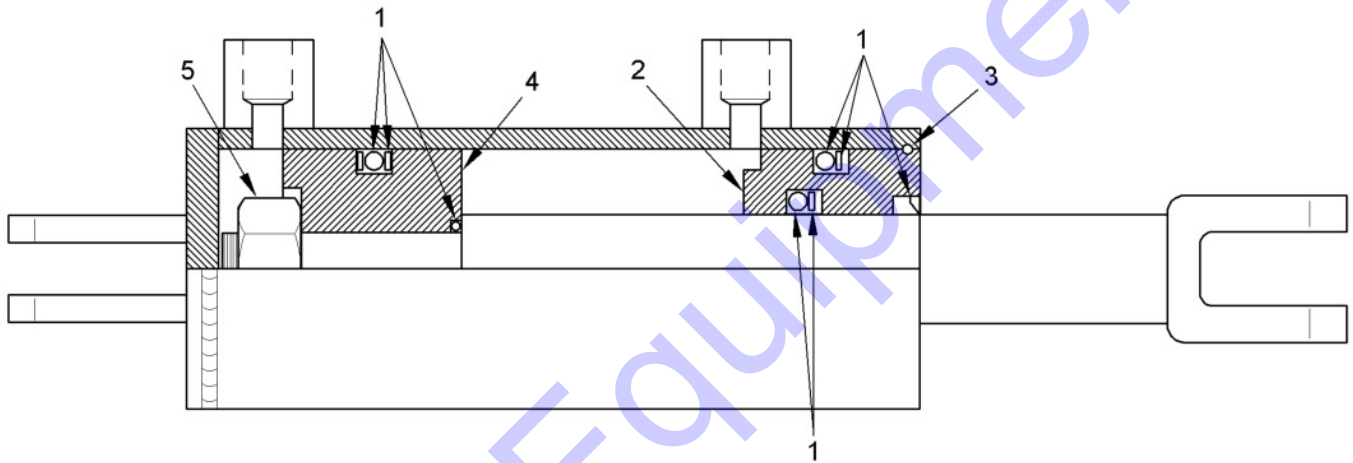
B-900-030-CAP3-0026-1

E15

376641: BROOM LIFT CYLINDER ASSEMBLY					
ITEM	PART NUMBER	F/N	DESCRIPTION	QTY	UOM
1	9104141		KIT, SEAL	1	EA
2	467993		GLAND, HEAD	1	EA
3	468017		RETAINER, ROUND	1	EA
4	468025		PISTON, CYLINDER	1	EA
5	092460		NUT, JAM (3/4"-16NF)	1	EA

Discount-Equipment.com

467986: BROOM SWING CYLINDER ASSEMBLY

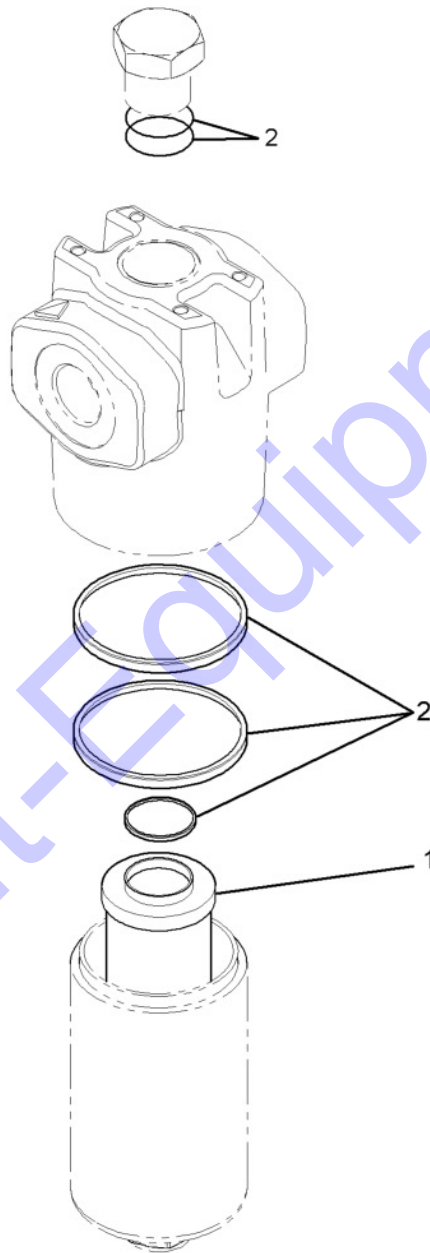


B-900-030-CAP3-0027-1

467986: BROOM SWING CYLINDER ASSEMBLY

ITEM	PART NUMBER	F/N	DESCRIPTION	QTY	UOM
1	9104141		KIT, SEAL		
2	467993		GLAND, HEAD	1	EA
3	468017		RETAINER, ROUND	1	EA
4	468025		PISTON, CYLINDER	1	EA
5	092460		NUT, JAM (3/4"-16NF)	1	EA

100101: HIGH PRESSURE FILTER ASSEMBLY



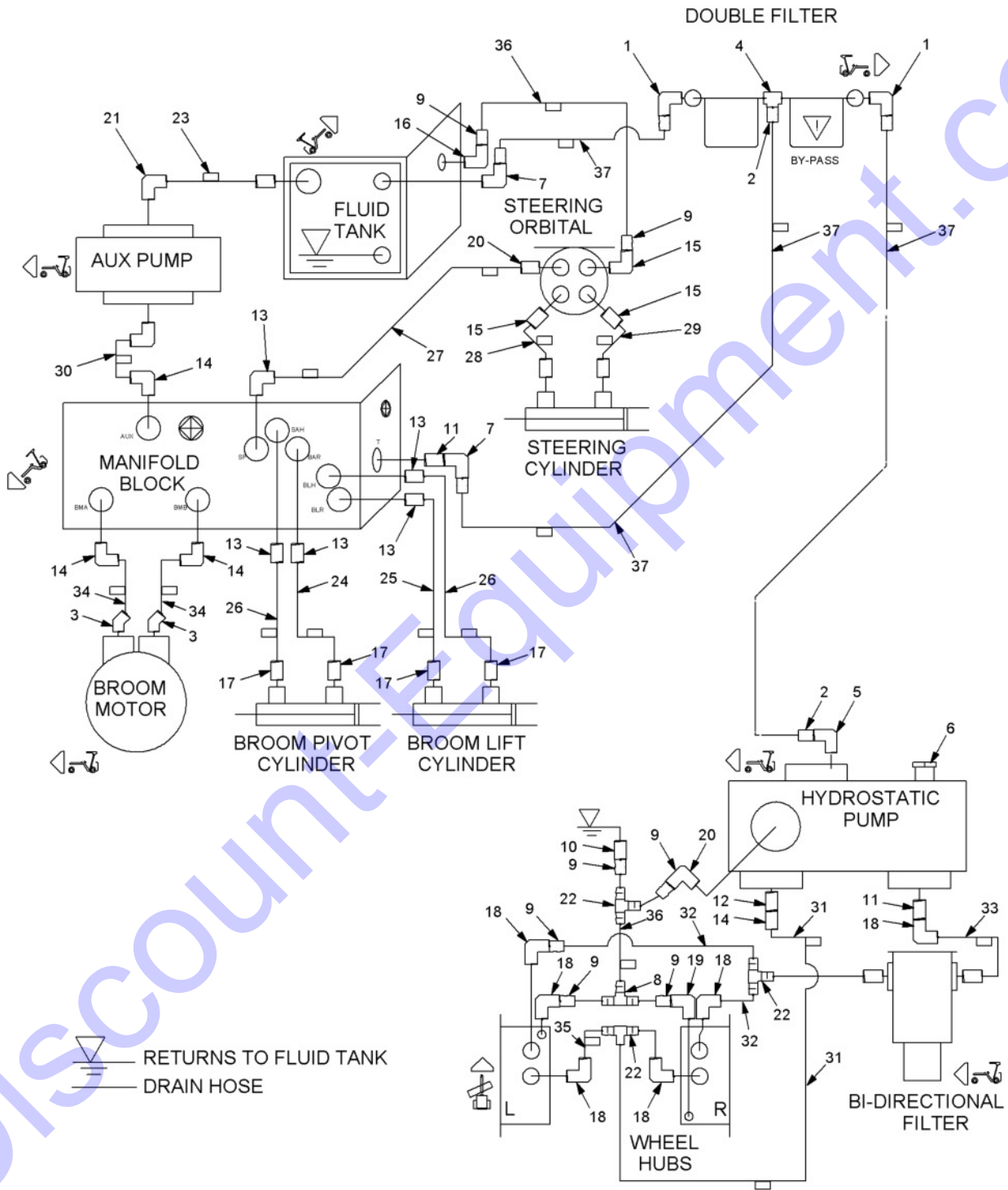
B-900-030-100101-1

E15

100101: HIGH PRESSURE FILTER ASSEMBLY					
ITEM	PART NUMBER	F/N	DESCRIPTION	QTY	UOM
1	9107085		FILTER, HYDRAULIC (HIGH PRESSURE)	1	EA
2	9107145		KIT, O-RING (FOR 100101 WHEN REPLACING 910785)	AR	EA

Discount-Equipment.com

HYDRAULIC SYSTEM HOSES AND FITTINGS



B-900-030-LM3-03-00-1

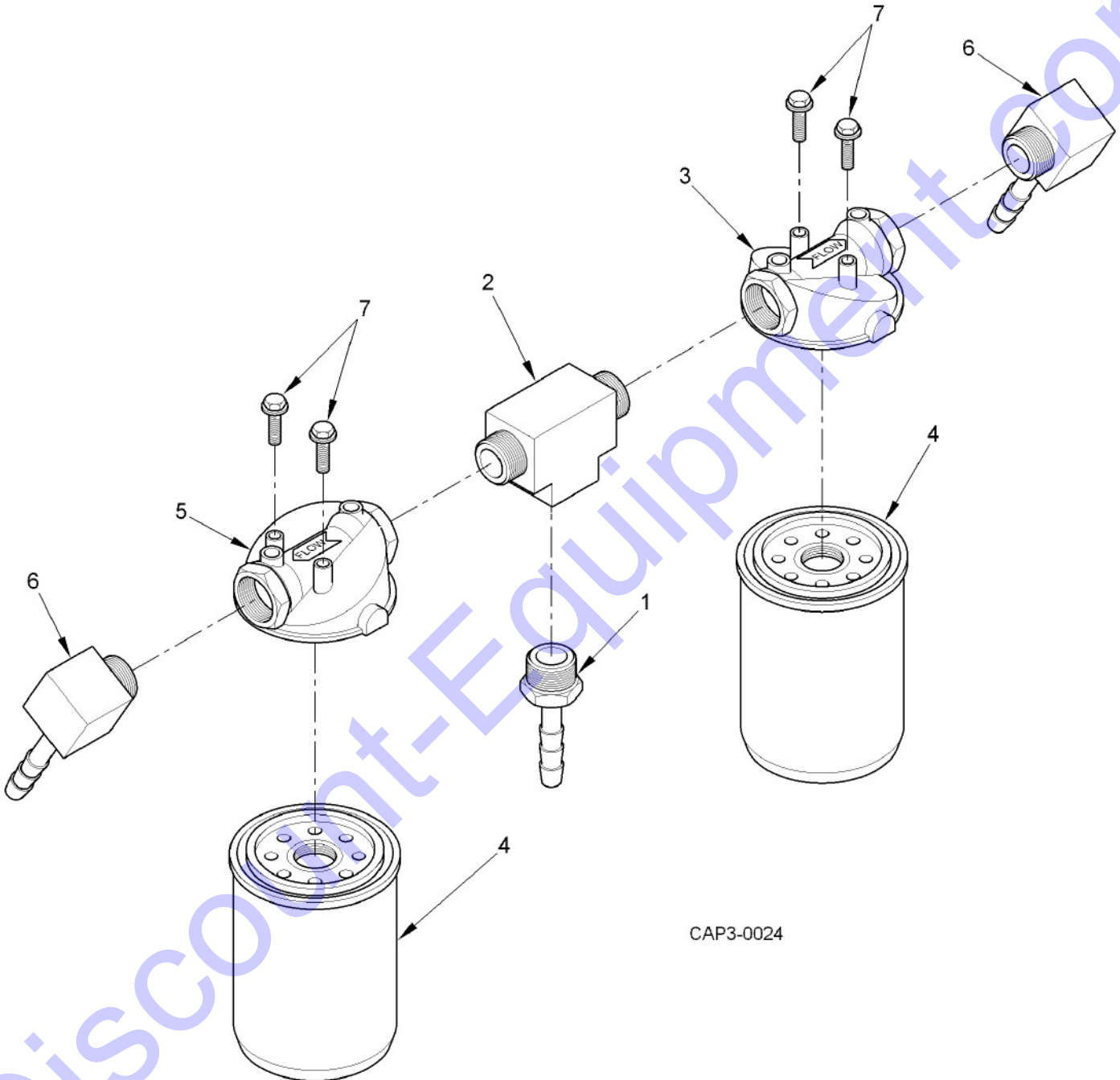
E15

HYDRAULIC SYSTEM HOSES AND FITTINGS					
ITEM	PART NUMBER	F/N	DESCRIPTION	QTY	UOM
1	467613		ADAPTER, 90 DEGREE (-12 NPTM X .50" HOSE BARB)	2	EA
2	467621		ADAPTER, STR. (-12 NPTM X .50" HOSE BARB)	2	EA
3	477647		ELBOW, 45 DEGREE	2	EA
4	467605		ADAPTER, TEE (-12 NPTM -12 NPTM -12 NPTM)	1	EA
5	9107127		ELBOW	1	EA
6	406819		PLUG (7/16"-20 SAE O-RING)	6	EA
7	447094		ADAPTER, 90 DEGREE (-8 SAEM TO .50 HOSE BARB)	2	EA
8	447128		TEE (3/8" ID HOSE BARB)	1	EA
9	447219		ADAPTER (-6 JICF SW. TO .37 HOSE BARB)	6	EA
10	425348		ADAPTER, 45 DEGREE (#6MOR TO #6MJIC)	1	EA
11	9107128		REDUCER	1	EA
12	9107126		REDUCER	1	EA
13	477637		FITTING, STRAIGHT (#6MORFS TO #6MSAE)	5	EA
14	477634		FITTING	4	EA
15	093427		FITTING	3	EA
16	092825		ADAPTER, 90 DEGREE (#6MSAE X #6MJIC)	1	EA
17	477639		ELBOW, 90 DEGREE	4	EA
18	477632		ELBOW, 90 DEGREE	5	EA
19	406645		ELBOW, 90 DEGREE	2	EA
20	V63143600		ADAPTER, 90 DEGREE (#8SAEM X #6JICM)	2	EA
21	386643		ADAPTER, 90 DEGREE (#12MORFS TO #12MSAE)	1	EA
22	477633		TEE (SWIVEL NUT)	2	EA
23	9107097		HOSE ASSEMBLY (15.5")	1	EA
24	9107115		HOSE ASSEMBLY (15.5")	1	EA
25	9107116		HOSE ASSEMBLY (16.25")	1	EA
26	9107117		HOSE ASSEMBLY (33.5")	1	EA
27	9107118		HOSE ASSEMBLY (35")	1	EA
28	9107119		HOSE ASSEMBLY (57")	1	EA
29	377416		HOSE (06-06JS06J9 X 57.00" 100R1)	1	EA
30	377408		HOSE (06-06JS06J9 X 67.00" 100R1)	1	EA
31	9107120		HOSE ASSEMBLY (16.75")	1	EA
32	9107121		HOSE ASSEMBLY (16.25")	1	EA
33	9107123		HOSE ASSEMBLY (16.75")	1	EA
34	9107124		HOSE ASSEMBLY (17.75")	1	EA
35	9107125		HOSE ASSEMBLY (120.5")	1	EA
36	377382		HOSE (04-04MF04MF X 47.00" 100R1)	1	EA
37	447474		HOSE, LOW PRESSURE (3/8" ID)	AR	EA
	092965		ELBOW, 90 DEGREE (SWIVEL NUT)	1	EA
	446948		HOSE, LOW PRESSURE WATER (1/2"ID)	AR	EA
	100064		MANIFOLD BLOCK ASSEMBLY (SEE PAGE 96)	AR	EA
	100101		HIGH PRESSURE FILTER ASSEMBLY (SEE PAGE 86)	1	EA
	467986		BROOM SWING CYLINDER ASSEMBLY (SEE PAGE 84)	1	EA
	467978		STEERING CYLINDER ASSEMBLY	1	EA

HYDRAULIC SYSTEM HOSES AND FITTINGS

ITEM	PART NUMBER	F/N	DESCRIPTION	QTY	UOM
	376442		LOW PRESSURE FILTER ASSEMBLY (SEE PAGE 92)	1	EA
	376641		BROOM LIFT CYLINDER ASSEMBLY (SEE PAGE 82)	1	EA
	100065		PISTON PUMP ASSEMBLY (HYDROSTATIC) (SEE PAGE 98)	1	EA
	9104033		AUXILLIARY PUMP ASSEMBLY (SEE PAGE 78)	1	EA
	473464		BROOM DRIVE MOTOR ASSEMBLY (SEE PAGE 80)	1	EA
	100092		ORBITAL, STEERING	1	EA
	9103730		WHEEL DRIVE MOTOR ASSEMBLY (SEE PAGE 102)	2	EA

376442: LOW PRESSURE FILTER ASSEMBLY



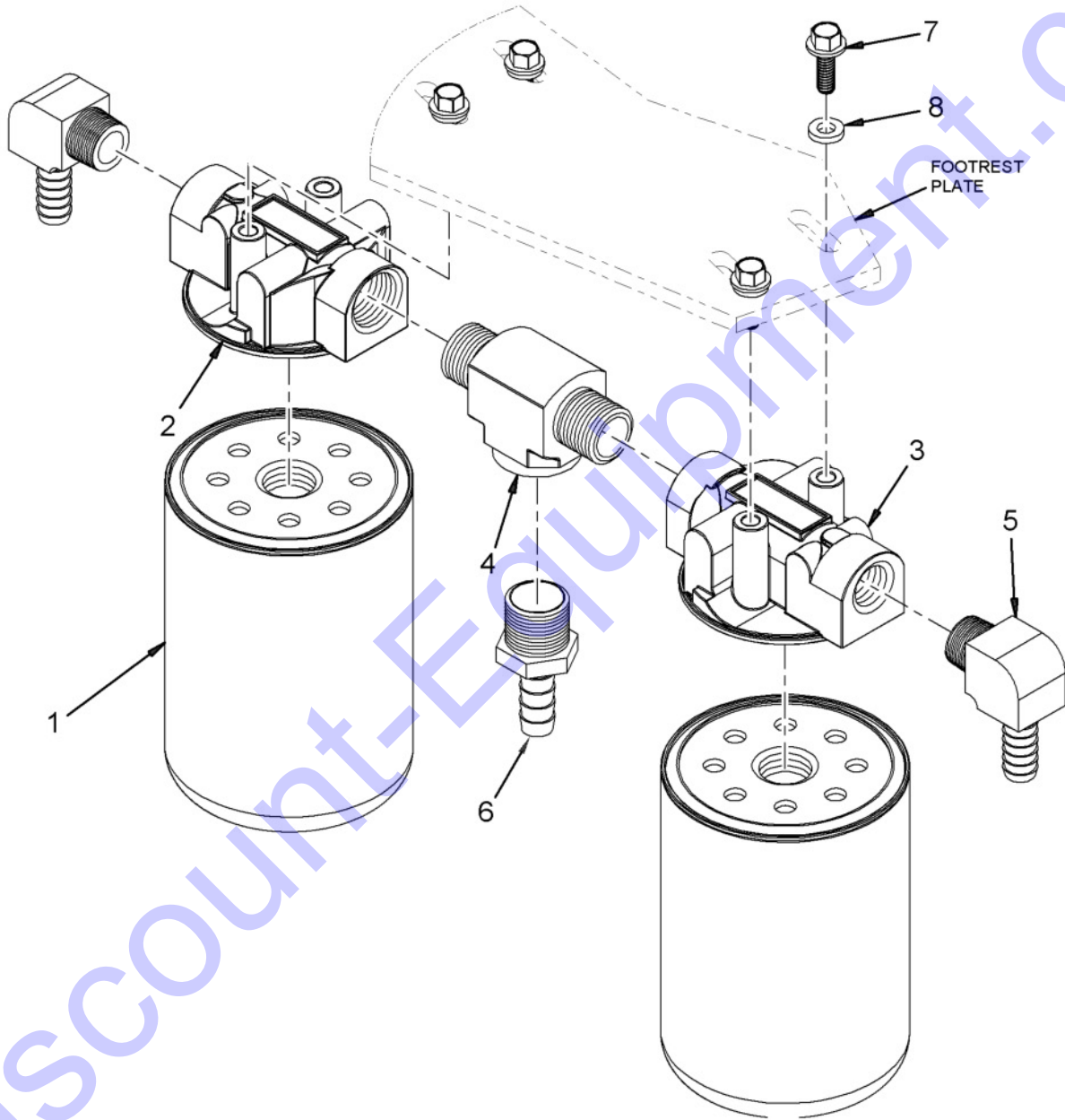
CAP3-0024

B-900-030-CAP3-0024-1

376442: LOW PRESSURE FILTER ASSEMBLY

ITEM	PART NUMBER	F/N	DESCRIPTION	QTY	UOM
1	467621		ADAPTER, STR. (-12 NPTM X .50" HOSE BARB)	1	EA
2	467605		ADAPTER, TEE (-12 NPTM -12 NPTM -12 NPTM)	1	EA
3	9101797		HEAD, FILTER (W/25 PSI RELIEF)	1	EA
4	9101798		ELEMENT, FILTER (-10 MICRON)	2	EA
5	9101796		HEAD, BLOCKED BYPASS FILTER	1	EA
6	467613		ADAPTER, 90 DEGREE (-12 NPTM X .50" HOSE BARB)	2	EA
7	441550		CAPSCREW (1/4"-20NC X 3/4", FLANGE WHIZLOCK)	4	EA

376442A: LOW PRESSURE FILTER ASSEMBLY

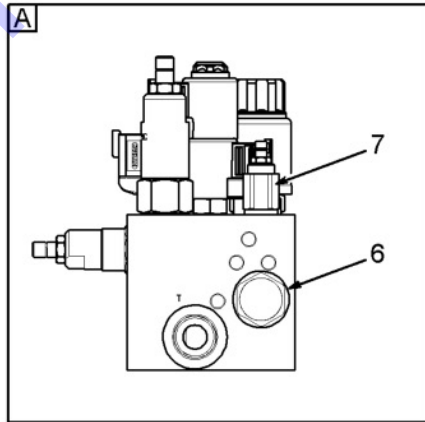
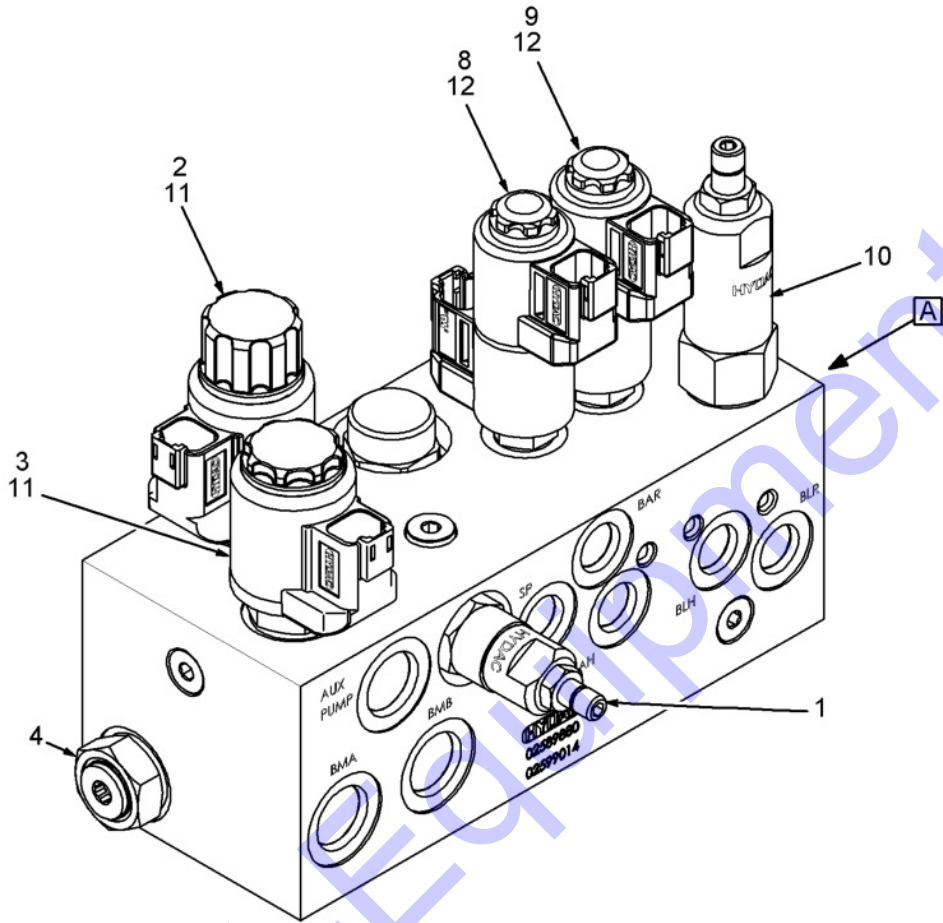


B-900-030-376442A-1

376442A: LOW PRESSURE FILTER ASSEMBLY

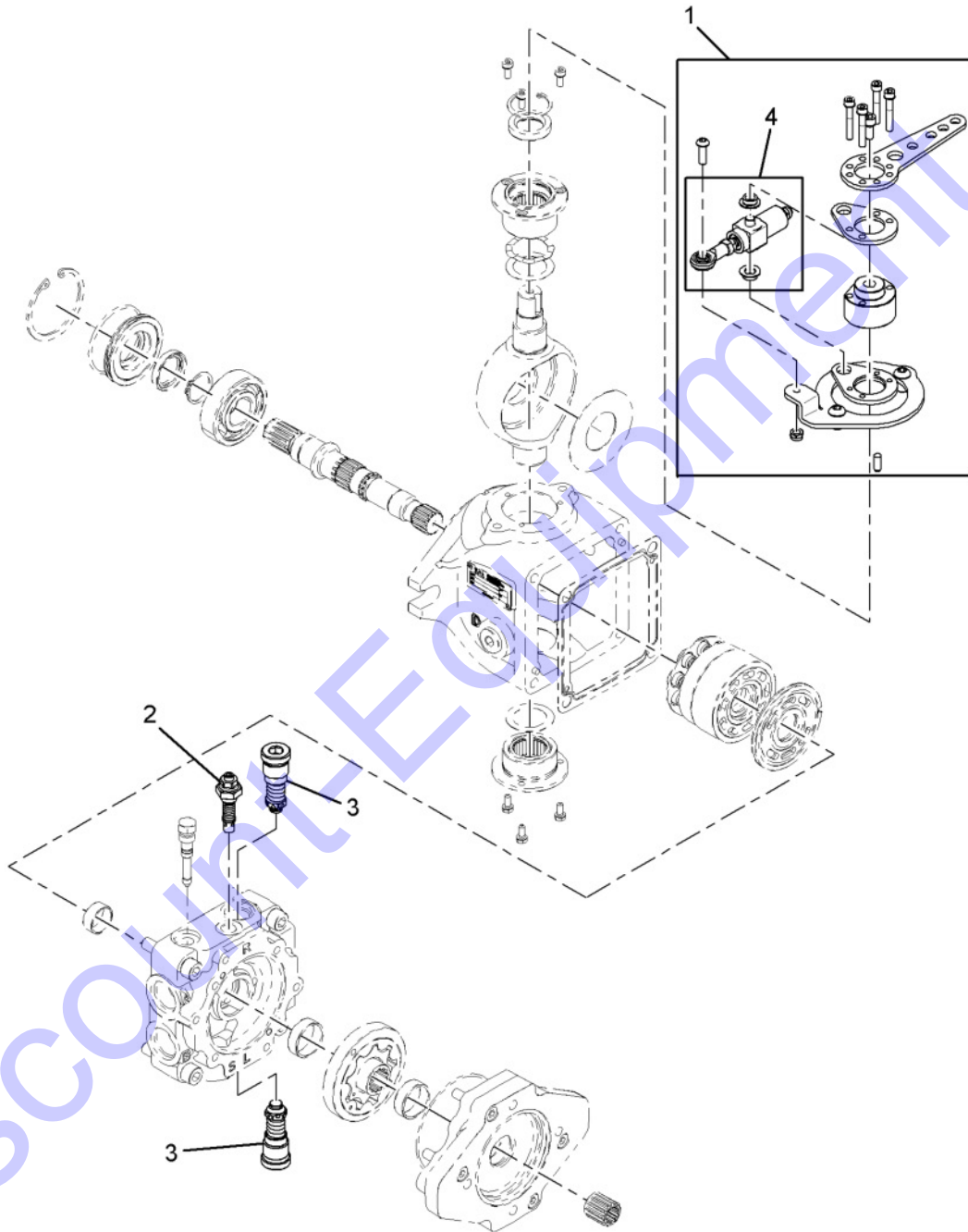
ITEM	PART NUMBER	F/N	DESCRIPTION	QTY	UOM
1	9101798		FILTER, HYDRAULIC (-10 MICRON, SPIN ON)	2	EA
2	9101796		HEAD, BLOCKED BYPASS FILTER	1	EA
3	9101797		HEAD, FILTER (W/25 PSI RELIEF)	1	EA
4	467605		ADAPTER, TEE (-12 NPTM -12 NPTM -12 NPTM)	1	EA
5	467613		ADAPTER, 90 DEGREE (-12 NPTM X .50" HOSE BARB)	2	EA
6	467621		ADAPTER, STR. (-12 NPTM X .50" HOSE BARB)	1	EA
7	441550		CAPSCREW (1/4"-20NC X 3/4", FLANGE WHIZLOCK)	4	EA
8	011321		WASHER, FLAT (1/4")	4	EA

100064: MANIFOLD BLOCK ASSEMBLY



100064: MANIFOLD BLOCK ASSEMBLY					
ITEM	PART NUMBER	F/N	DESCRIPTION	QTY	UOM
1	9107072		VALVE, RELIEF (BROOM MOTOR)	1	EA
2	9107073		VALVE, SOLENOID CARTRIDGE	1	EA
3	9107074		VALVE, SOLENOID CARTRIDGE	1	EA
4	9107075		VALVE, CHECK	1	EA
5	9107076		VALVE, FLOW CONTROL (3 GPM)	1	EA
6	9107077		VALVE, FLOW CONTROL (1 GPM)	1	EA
7	9107078		VALVE, PRESSURE RELIEF	1	EA
8	9107079		VALVE, SOLENOID CARTRIDGE (SWING)	1	EA
9	9107080		VALVE, SOLENOID CARTRIDGE (LIFT)	1	EA
10	9107081		VALVE, CHECK	1	EA
11	9107082		COILS, SOLENOID	2	EA
12	9107083		COILS, SOLENOID	4	EA

100065: PISTON PUMP ASSEMBLY (HYDROSTATIC)

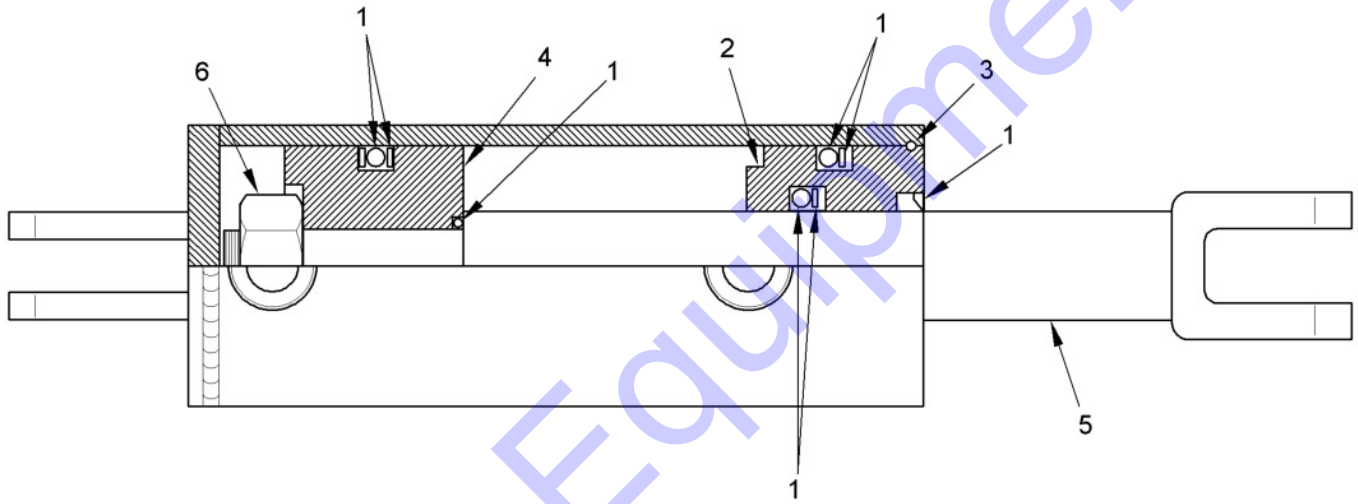


B-900-030-100065-1

E15

100065: PISTON PUMP ASSEMBLY (HYDROSTATIC)					
ITEM	PART NUMBER	F/N	DESCRIPTION	QTY	UOM
1	9107109		MECHANICAL ZEROING ASSEMBLY	1	EA
2	9107108		VALVE, CHARGE (ADJUSTABLE)	1	EA
3	9107107		VALVE, RELIEF	2	EA
4	9107164		TUBE (W/STANDARD SPRING AND BUSHINGS)	1	EA
	9107096		KIT, SEAL	AR	EA

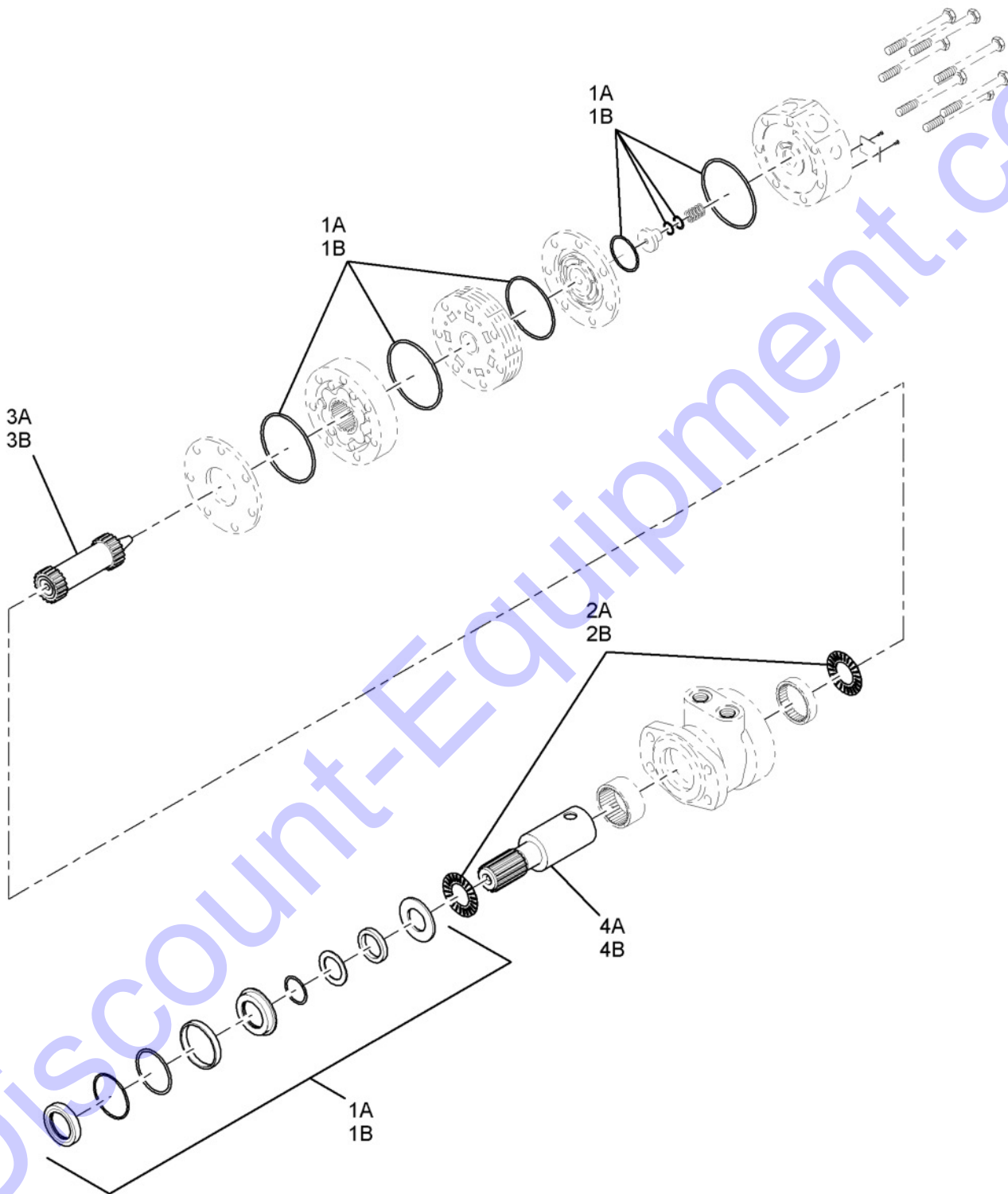
467978: STEERING CYLINDER ASSEMBLY



B-900-030-CAP3-0025-1

467978: STEERING CYLINDER ASSEMBLY					
ITEM	PART NUMBER	F/N	DESCRIPTION	QTY	UOM
1	9104141		KIT, SEAL	1	EA
2	468009		GLAND, HEAD	1	EA
3	468017		RETAINER, ROUND	1	EA
4	468025		PISTON, CYLINDER	1	EA
5	468041		ROD, PISTON	1	EA
6	092460		NUT, JAM (3/4"-16NF)	1	EA

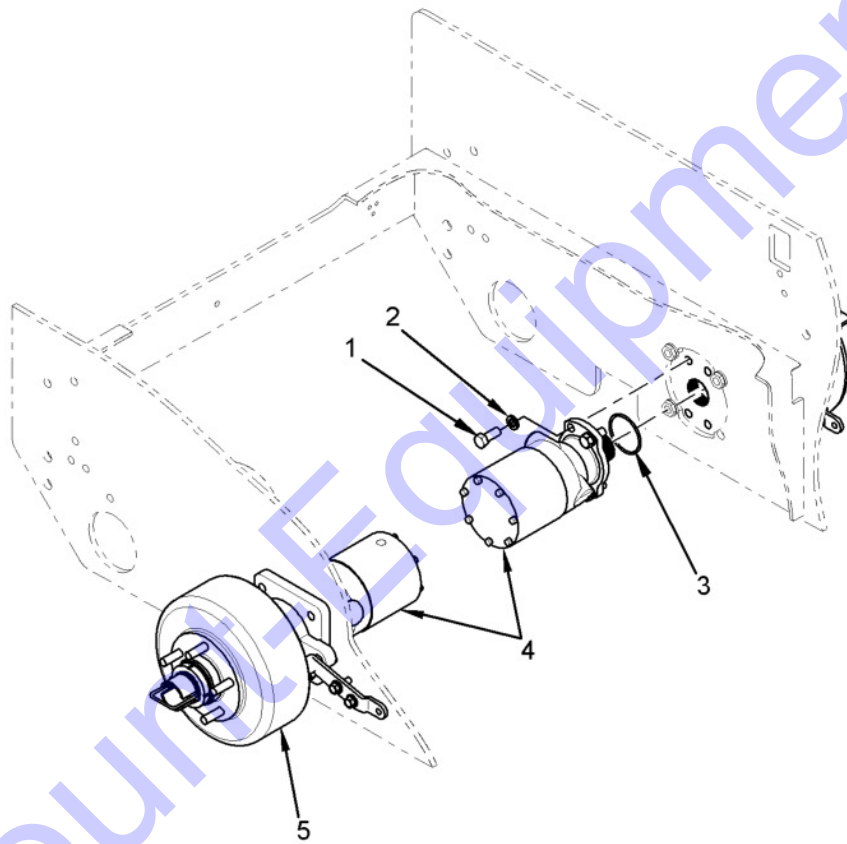
9103730: WHEEL DRIVE MOTOR ASSEMBLY



B-900-030-CAP3-0019-1

9103730: WHEEL DRIVE MOTOR ASSEMBLY					
ITEM	PART NUMBER	F/N	DESCRIPTION	QTY	UOM
1A	9101638		KIT, SEAL (500-RE)	1	EA
1B	511607		KIT, SEAL (600-DR)	1	EA
2A	9104422		BEARING, THRUST (500-RE)	2	EA
2B	380788		BEARING, THRUST (600-DR)	2	EA
3A	452771		LINK, DRIVE (500-RE)	1	EA
3B	380789		LINK, DRIVE (600-DR)	1	EA
4A	9104530		SHAFT (500-RE)	1	EA
4B	409940		SHAFT (600-DR)	1	EA

WHEEL DRIVE MOTORS

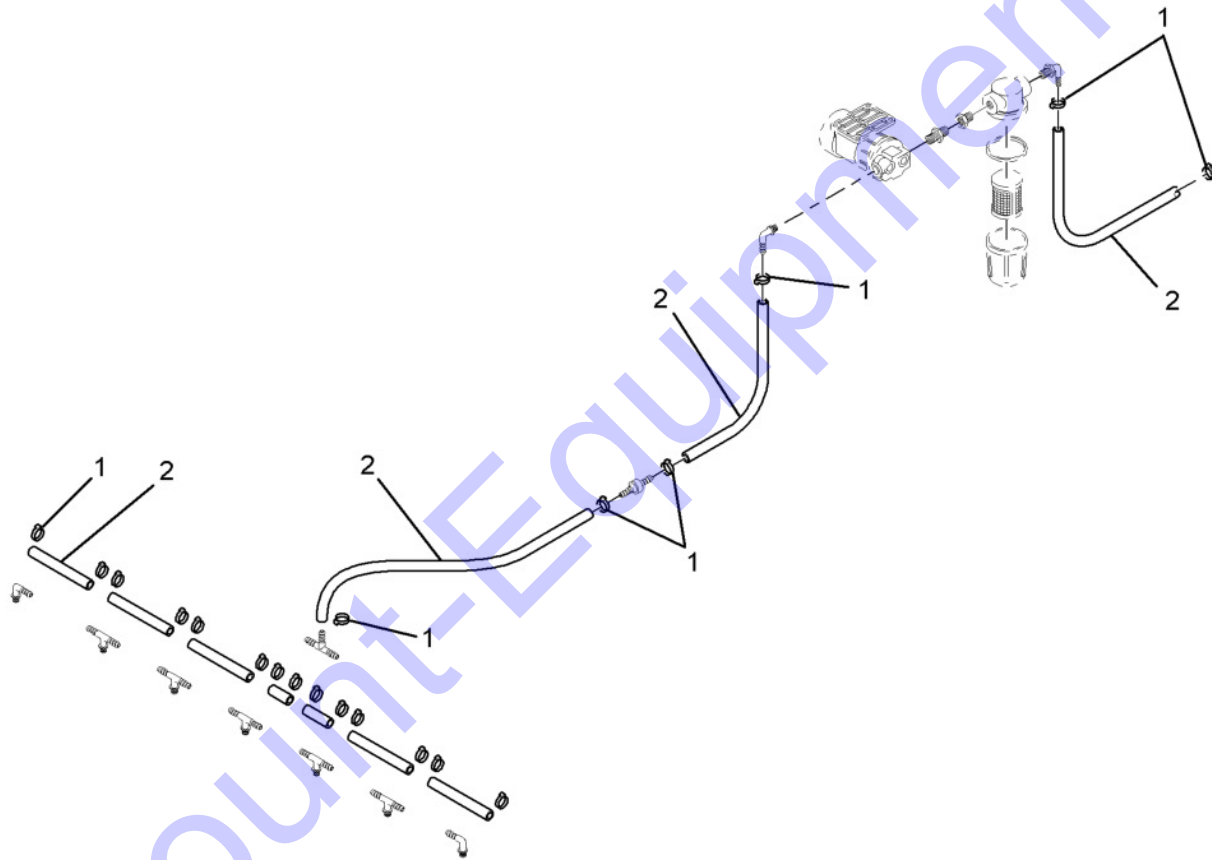


B-900-030-LM3-03-01-1

E15

WHEEL DRIVE MOTORS					
ITEM	PART NUMBER	F/N	DESCRIPTION	QTY	UOM
1	056879		CAPSCREW (1/2"-20NF X 1-1/4")	4	EA
2	011643		WASHER, LOCK (1/2")	4	EA
3	9101452		O-RING	1	EA
4	9103730		HYDRAULIC DRIVE MOTOR ASSEMBLY (SEE PAGE 102)	2	EA
5	9104349		HYDRAULIC DISCONNECT ASSEMBLY (W/BRAKE) (SEE PAGE 10)	2	EA

9101507: HOSE KIT (6' BROOM)

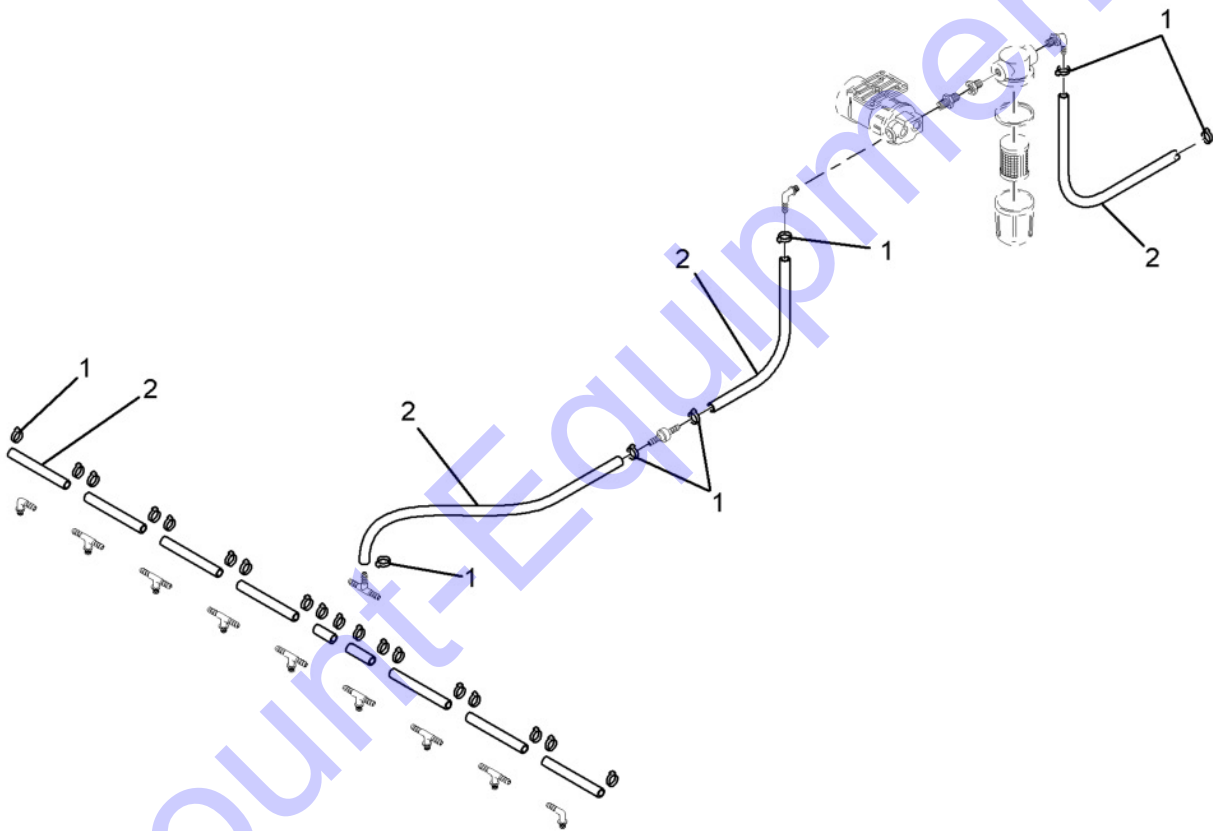


B-900-100-9101507-1

9101507: HOSE KIT (6' BROOM)					
ITEM	PART NUMBER	F/N	DESCRIPTION	QTY	UOM
1	447466		CLAMP, CRIMPING BAND (6 HOSE)	20	EA
2	447474		HOSE, LOW PRESSURE (3/8" ID)	AR	EA

Discount-Equipment.com

9101588: HOSE KIT (8' BROOM)

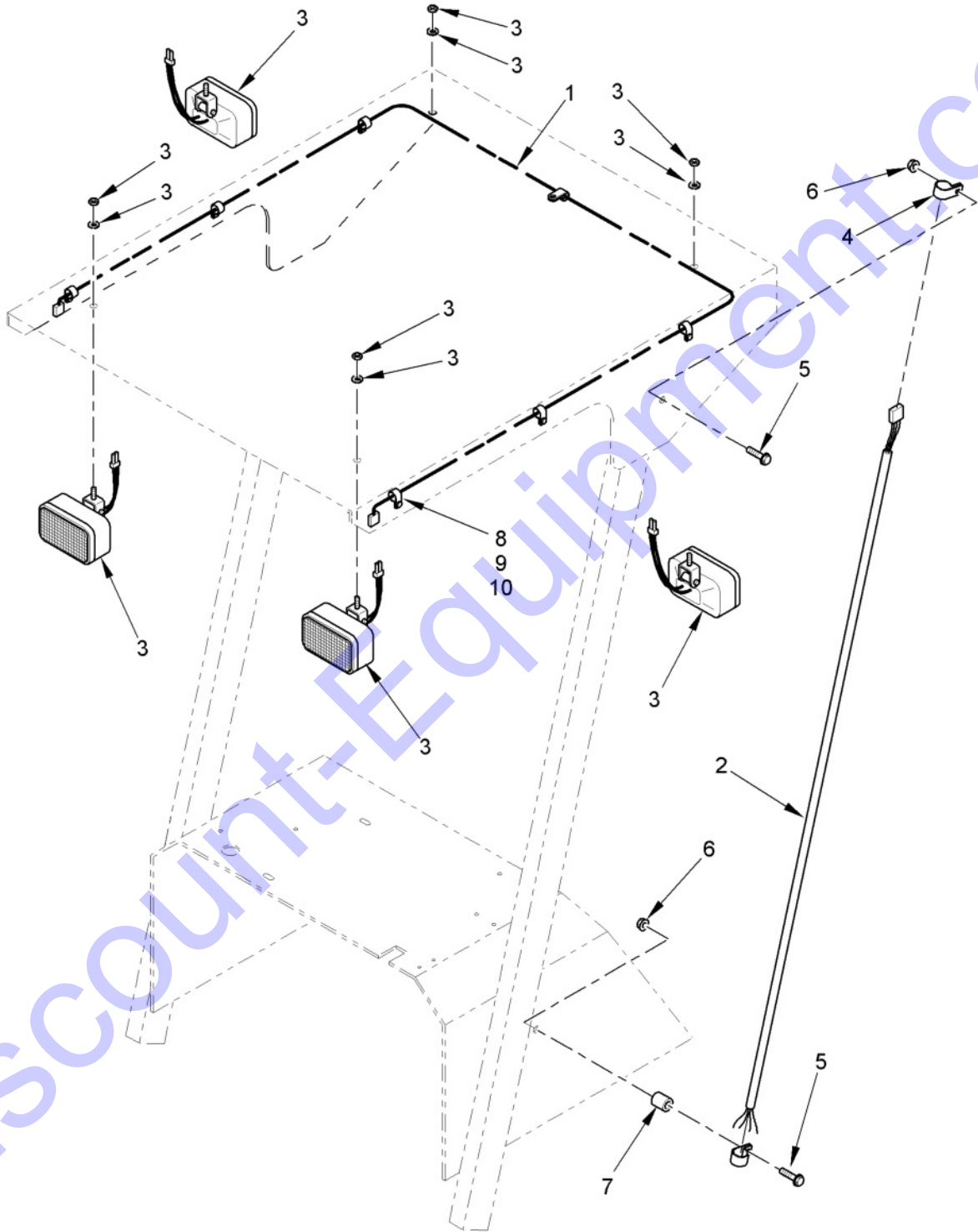


B-900-100-9101588-1

9101588: HOSE KIT (8' BROOM)					
ITEM	PART NUMBER	F/N	DESCRIPTION	QTY	UOM
1	447466		CLAMP, CRIMPING BAND (6 HOSE)	24	EA
2	447474		HOSE, LOW PRESSURE (3/8" ID)	AR	EA

Discount-Equipment.com

379024: LIGHT KIT (FRONT AND REAR)

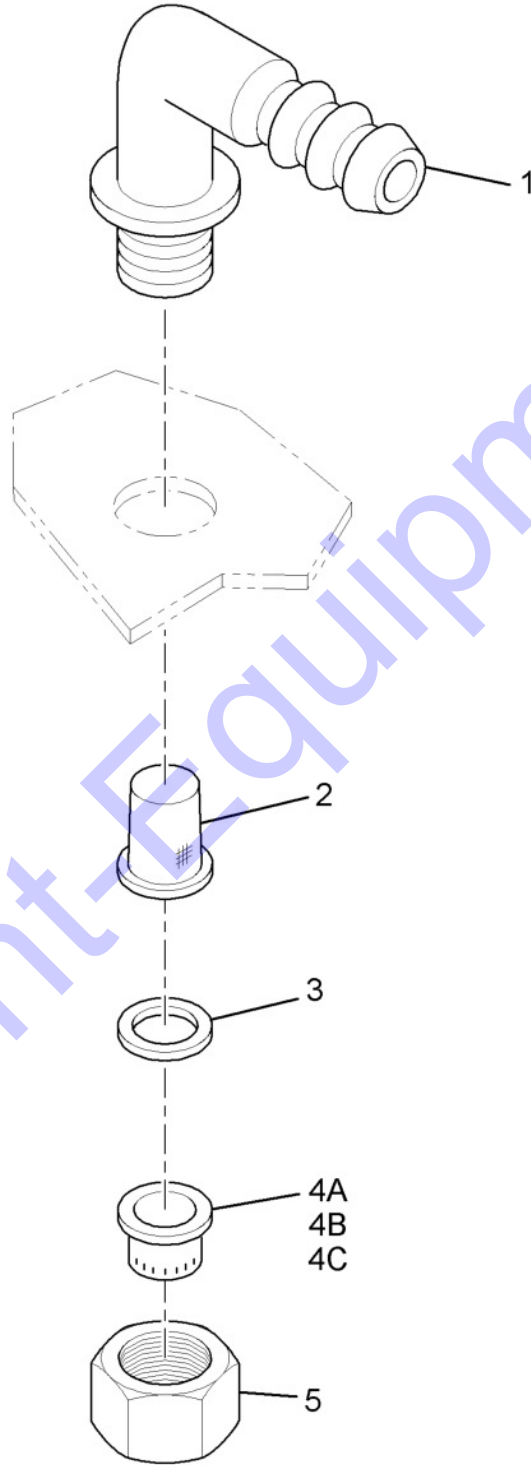


B-900-100-379024-1

F15

379024: LIGHT KIT (FRONT AND REAR)					
ITEM	PART NUMBER	F/N	DESCRIPTION	QTY	UOM
1	379032		HARNESS, LIGHT	1	EA
2	377598		HARNESS, LIGHT POWER	1	EA
3	373548		LIGHT WITH TERMINAL ENDS ASSEMBLY	4	EA
4	028993		CLAMP, LOOP (1/2" ID)	2	EA
5	441600		CAPSCREW (5/16"-18NC X 1", PL)	2	EA
6	083535		NUT, HEX (5/16"-18NC, FLANGE, WHIZLOCK)	2	EA
7	379115		SPACER (.50 O.D. X .058 X 1.75")	1	EA
8	441550		CAPSCREW (1/4"-20NC X 3/4", FLANGE WHIZLOCK)	7	EA
9	440636		LOCKNUT (1/4"-20NC, FLANGE, WHIZLOCK)	7	EA
10	070516		CLAMP (1/2")	7	EA
	460139		SWITCH, 3-POSITION (OFF/ON/ON)	1	EA

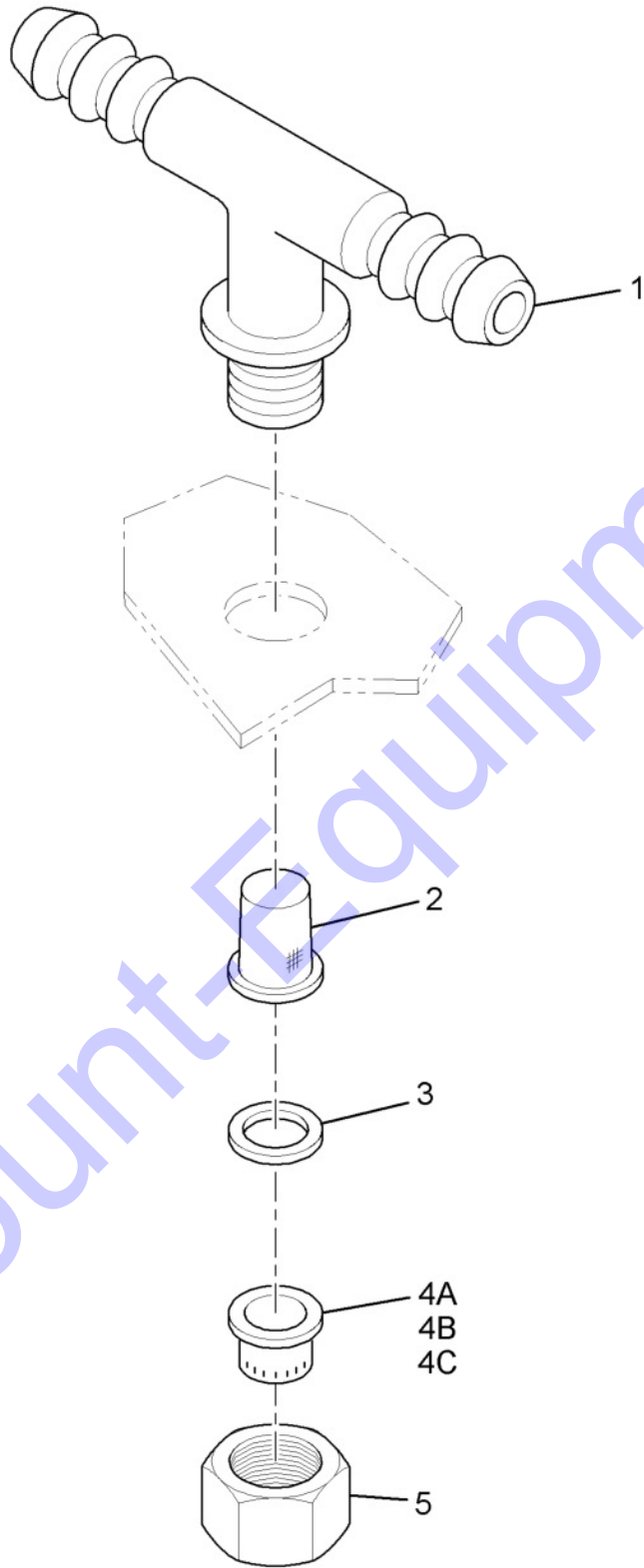
9104621K: SPRAY NOZZLE ASSEMBLY (L-BODY, BRASS)



B-900-100-9104621-1

9104621K: SPRAY NOZZLE ASSEMBLY (L-BODY, BRASS)					
ITEM	PART NUMBER	F/N	DESCRIPTION	QTY	UOM
1	9104059		BODY, SPRAY NOZZLE (90 DEGREE, BRASS)	1	EA
2	V70007388		SCREEN, SPRAY NOZZLE	1	EA
3	9104055		SEAL, ORIFICE CORE	1	EA
4A	9101539		ORIFICE (D-2, STANDARD)	1	EA
4B	9101834		ORIFICE (D-5, MORE WATER)	1	EA
4C	9101832		ORIFICE (D-8, MORE WATER)	1	EA
5	V70007488		CAP, NOZZLE (BRASS)	1	EA

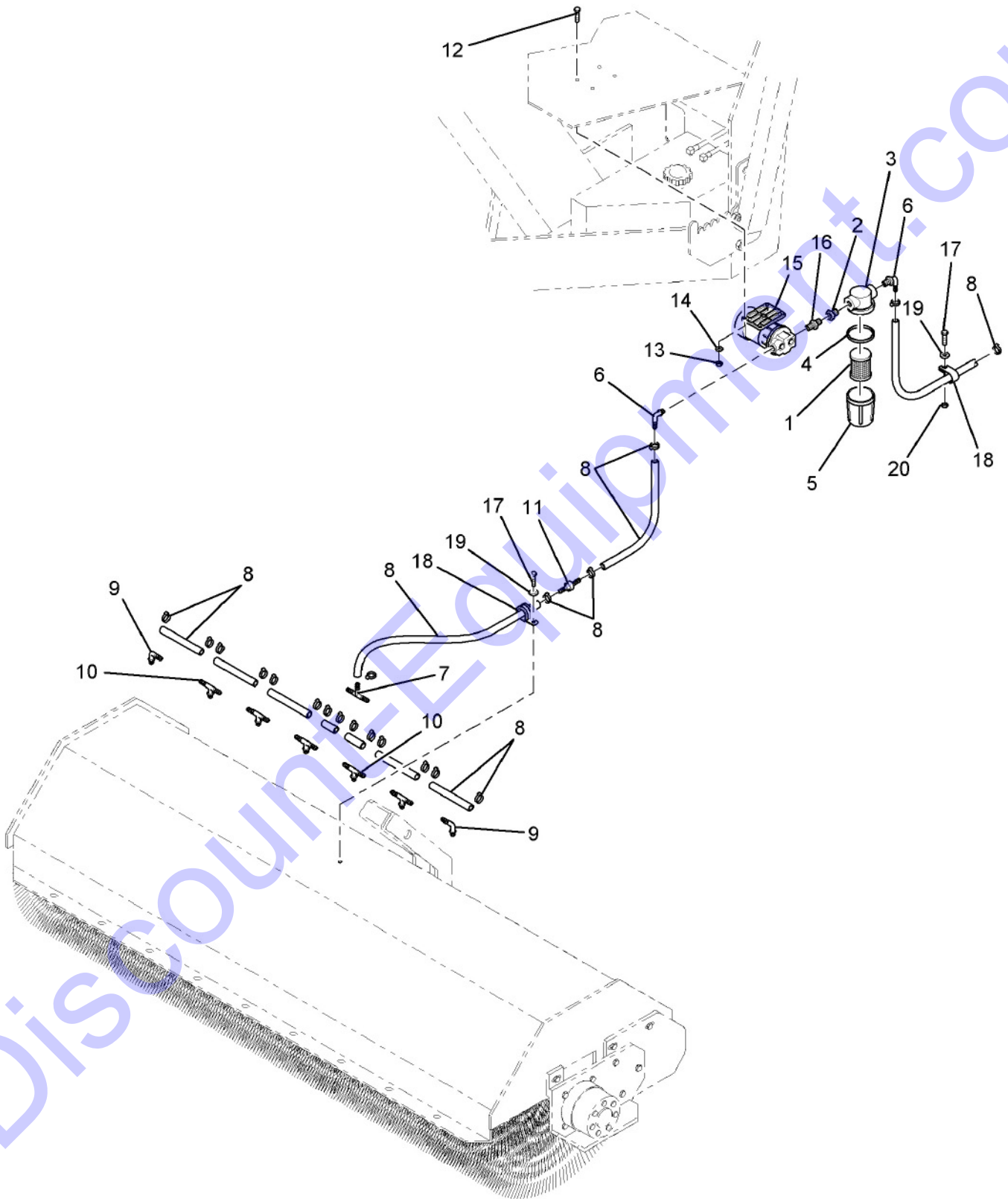
9104620K: SPRAY NOZZLE ASSEMBLY (T-BODY, BRASS)



B-900-100-9104620-1

9104620K: SPRAY NOZZLE ASSEMBLY (T-BODY, BRASS)					
ITEM	PART NUMBER	F/N	DESCRIPTION	QTY	UOM
1	9104058		BODY, SPRAY NOZZLE (T-BODY, BRASS)	1	EA
2	V70007388		SCREEN, SPRAY NOZZLE	1	EA
3	9104055		SEAL, ORIFICE CORE	1	EA
4A	9101539		ORIFICE (D-2, STANDARD)	1	EA
4B	9101834		ORIFICE (D-5, MORE WATER)	1	EA
4C	9101832		ORIFICE (D-8, MORE WATER)	1	EA
5	V70007488		CAP, NOZZLE (BRASS)	1	EA

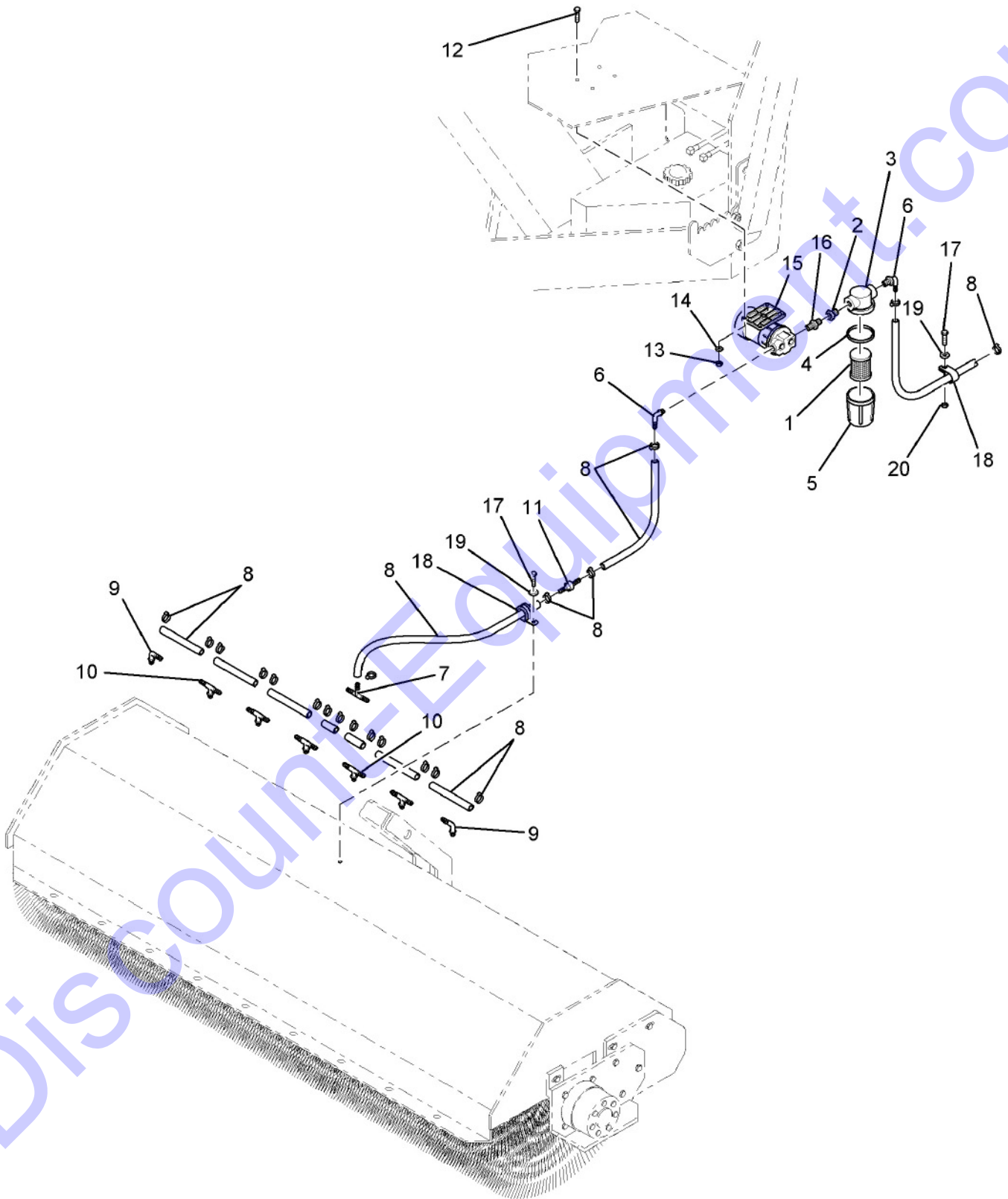
374646: SPRINKLER ASSY (6', SINGLE FILTER, BLACK TANKS)



B-900-100-374646B-1

374646: SPRINKLER ASSY (6', SINGLE FILTER, BLACK TANKS)					
ITEM	PART NUMBER	F/N	DESCRIPTION	QTY	UOM
1	9104062		SCREEN, SUCTION FILTER (GREEN)	1	EA
2	9101535		BUSHING (1/2"MNPT X 1/4"FNPT NYLON)	1	EA
3	9102321		HEAD, FILTER	1	EA
4	9102322		GASKET, FILTER HEAD	1	EA
5	9102329		BOWL, FILTER	1	EA
6	9103017		ELBOW, 90 DEGREE (1/2"MNPT X 3/8"BARB)	1	EA
7	447128		TEE (3/8" ID HOSE BARB)	1	EA
8	9101507		HOSE KIT (6' BROOM)	1	EA
			(SEE PAGE 106)		
9	9104621K		SPRAY NOZZLE ASSEMBLY (L-BODY, BRASS)	2	EA
			(SEE PAGE 112)		
10	9104620K		SPRAY NOZZLE ASSEMBLY (T-BODY, BRASS)	5	EA
			(SEE PAGE 114)		
11	459743		VALVE, CHECK	1	EA
12	441568		CAPSCREW (1/4"-20NC X 1", FLANGE WHIZLOCK)	4	EA
13	010272		NUT, HEX (1/4"-20NC, FLANGE WHIZLOCK GR.G)	4	EA
14	010280		WASHER, LOCK (1/4")	4	EA
15	416826		PUMP, WATER (12V, 1.2 GPM)	1	EA
16	9101534		NIPPLE (1/4" X 1-1/4", PLASTIC)	1	EA
17	441667		CAPSCREW (3/8"-16NC X 1", FLANGE WHIZLOCK)	2	EA
18	461384		CLAMP (13/16" ID WITH 13/32 BOLT HOLD VINYL)	2	EA
19	011031		WASHER, FLAT (3/8")	2	EA
20	083501		NUT, HEX (3/8"-16NC, FLANGE, WHIZLOCK)	1	EA
	477941		ELBOW, 90 DEGREE (3/8"NPT X 3/8", PLASTIC)	1	EA

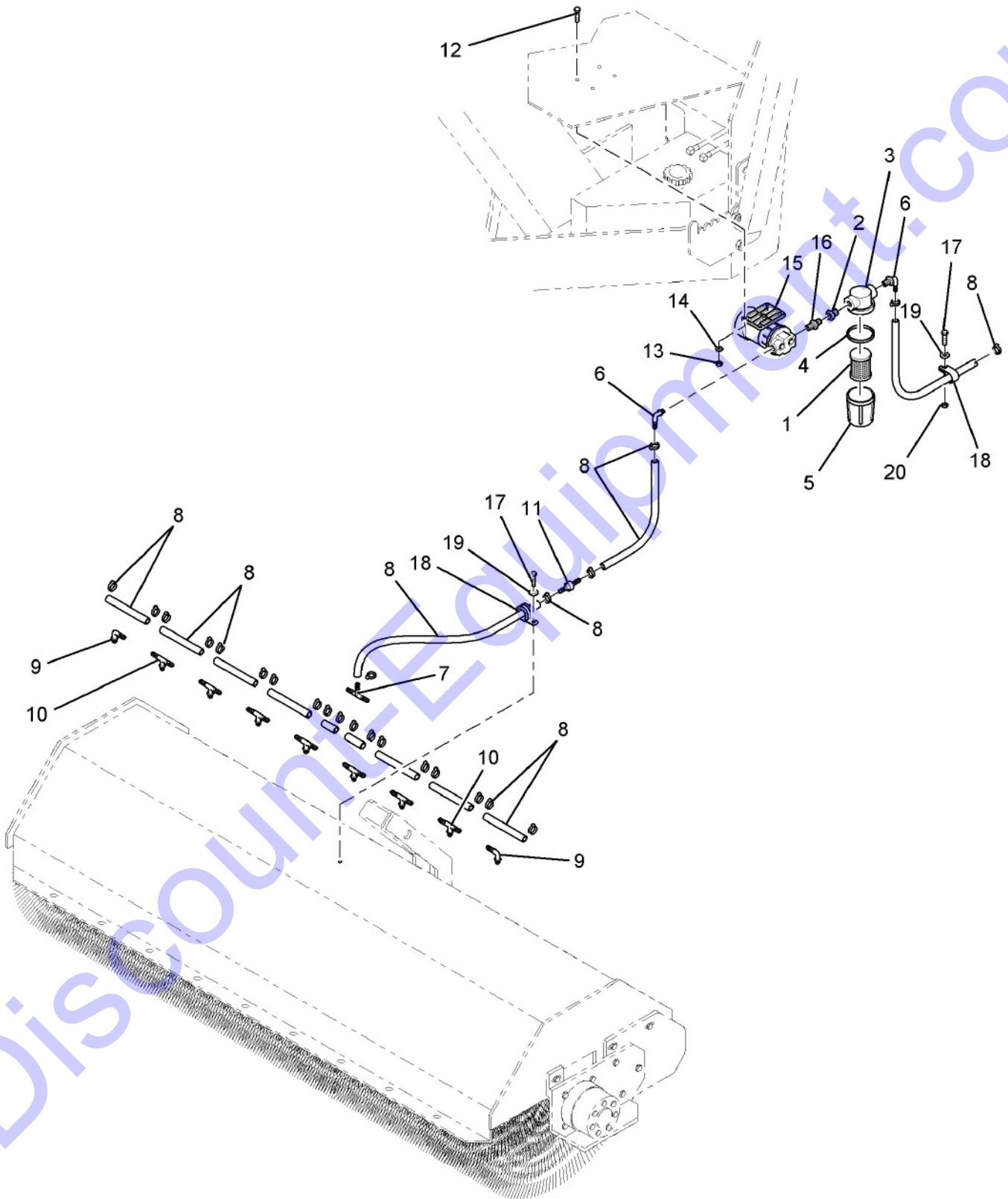
374645: SPRINKLER ASSY (6', SINGLE FILTER, WHITE TANKS)



B-900-100-374645-1

374645: SPRINKLER ASSY (6', SINGLE FILTER, WHITE TANKS)					
ITEM	PART NUMBER	F/N	DESCRIPTION	QTY	UOM
1	9104062		SCREEN, SUCTION FILTER (GREEN)	1	EA
2	9101535		BUSHING (1/2"MNPT X 1/4"FNPT NYLON)	1	EA
3	9102321		HEAD, FILTER	1	EA
4	9102322		GASKET, FILTER HEAD	1	EA
5	9102329		BOWL, FILTER	1	EA
6	9103017		ELBOW, 90 DEGREE (1/2"MNPT X 3/8"BARB)	1	EA
7	447128		TEE (3/8" ID HOSE BARB)	1	EA
8	9101507		HOSE KIT (6' BROOM)	1	EA
			(SEE PAGE 106)		
9	9104621K		SPRAY NOZZLE ASSEMBLY (L-BODY, BRASS)	2	EA
			(SEE PAGE 112)		
10	9104620K		SPRAY NOZZLE ASSEMBLY (T-BODY, BRASS)	5	EA
			(SEE PAGE 114)		
11	459743		VALVE, CHECK	1	EA
12	441568		CAPSCREW (1/4"-20NC X 1", FLANGE WHIZLOCK)	4	EA
13	010272		NUT, HEX (1/4"-20NC, FLANGE WHIZLOCK GR.G)	4	EA
14	010280		WASHER, LOCK (1/4")	4	EA
15	416826		PUMP, WATER (12V, 1.2 GPM)	1	EA
16	9101534		NIPPLE (1/4" X 1-1/4", PLASTIC)	1	EA
17	441667		CAPSCREW (3/8"-16NC X 1", FLANGE WHIZLOCK)	2	EA
18	461384		CLAMP (13/16" ID WITH 13/32 BOLT HOLD VINYL)	2	EA
19	011031		WASHER, FLAT (3/8")	2	EA
20	083501		NUT, HEX (3/8"-16NC, FLANGE, WHIZLOCK)	1	EA
	477941		ELBOW, 90 DEGREE (3/8"NPT X 3/8", PLASTIC)	1	EA

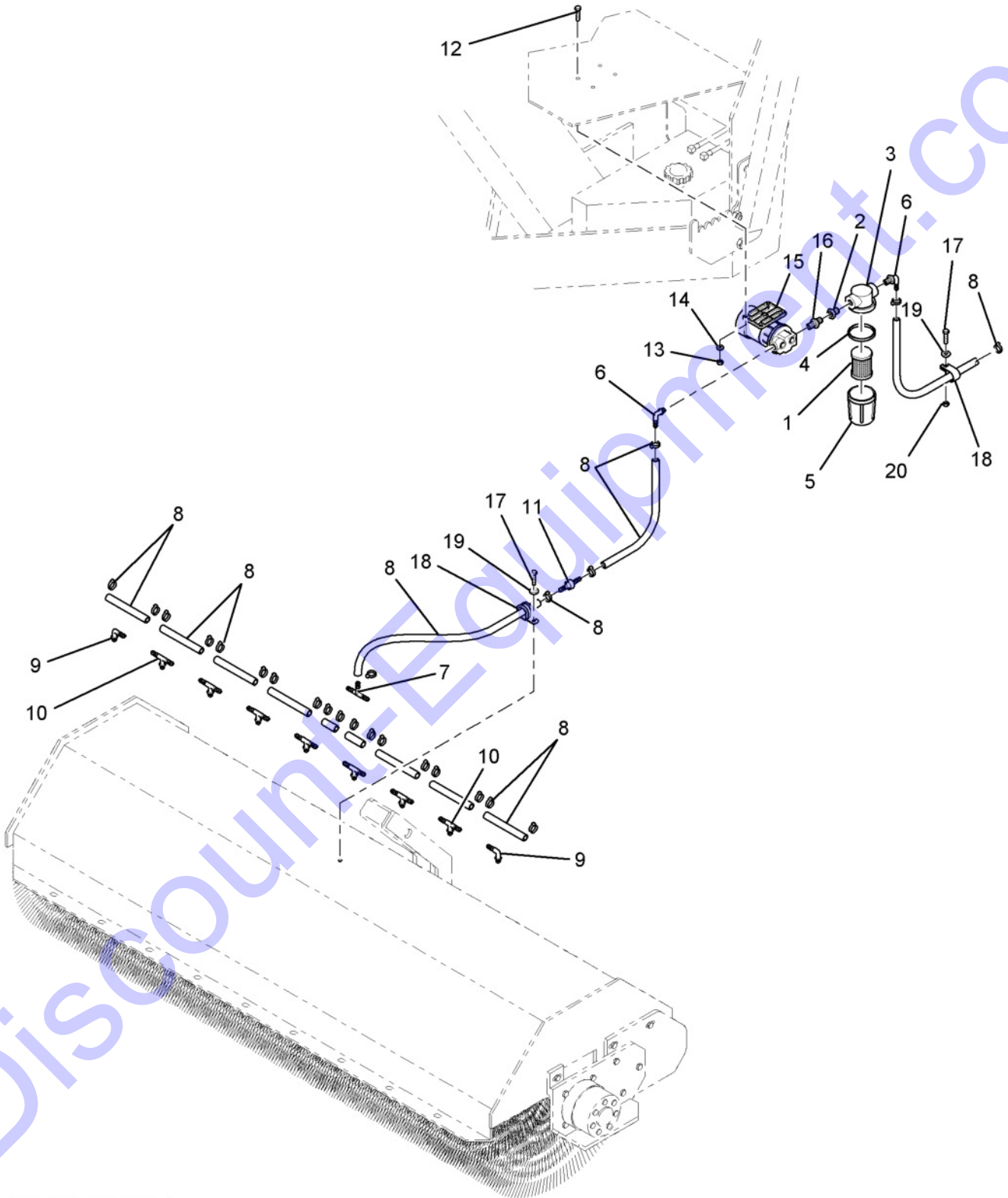
376922: SPRINKLER ASSY (8', SINGLE FILTER, BLACK TANKS)



B-900-100-376922B-1

376922: SPRINKLER ASSY (8', SINGLE FILTER, BLACK TANKS)					
ITEM	PART NUMBER	F/N	DESCRIPTION	QTY	UOM
1	9104062		SCREEN, SUCTION FILTER (GREEN)	1	EA
2	9101535		BUSHING (1/2"MNPT X 1/4"FNPT NYLON)	1	EA
3	9102321		HEAD, FILTER	1	EA
4	9102322		GASKET, FILTER HEAD	1	EA
5	9102329		BOWL, FILTER	1	EA
6	9103017		ELBOW, 90 DEGREE (1/2"MNPT X 3/8"BARB)	1	EA
7	447128		TEE (3/8" ID HOSE BARB)	1	EA
8	9101588		HOSE KIT (8' BROOM)	1	EA
			(SEE PAGE 108)		
9	9104621K		SPRAY NOZZLE ASSEMBLY (L-BODY, BRASS)	2	EA
			(SEE PAGE 112)		
10	9104620K		SPRAY NOZZLE ASSEMBLY (T-BODY, BRASS)	7	EA
			(SEE PAGE 114)		
11	459743		VALVE, CHECK	1	EA
12	441568		CAPSCREW (1/4"-20NC X 1", FLANGE WHIZLOCK)	4	EA
13	010272		NUT, HEX (1/4"-20NC, FLANGE WHIZLOCK GR.G)	4	EA
14	010280		WASHER, LOCK (1/4")	4	EA
15	416826		PUMP, WATER (12V, 1.2 GPM)	1	EA
16	9101534		NIPPLE (1/4" X 1-1/4", PLASTIC)	1	EA
17	441667		CAPSCREW (3/8"-16NC X 1", FLANGE WHIZLOCK)	2	EA
18	461384		CLAMP (13/16" ID WITH 13/32 BOLT HOLD VINYL)	2	EA
19	011031		WASHER, FLAT (3/8")	2	EA
20	083501		NUT, HEX (3/8"-16NC, FLANGE, WHIZLOCK)	1	EA
	477941		ELBOW, 90 DEGREE (3/8"NPT X 3/8", PLASTIC)	1	EA

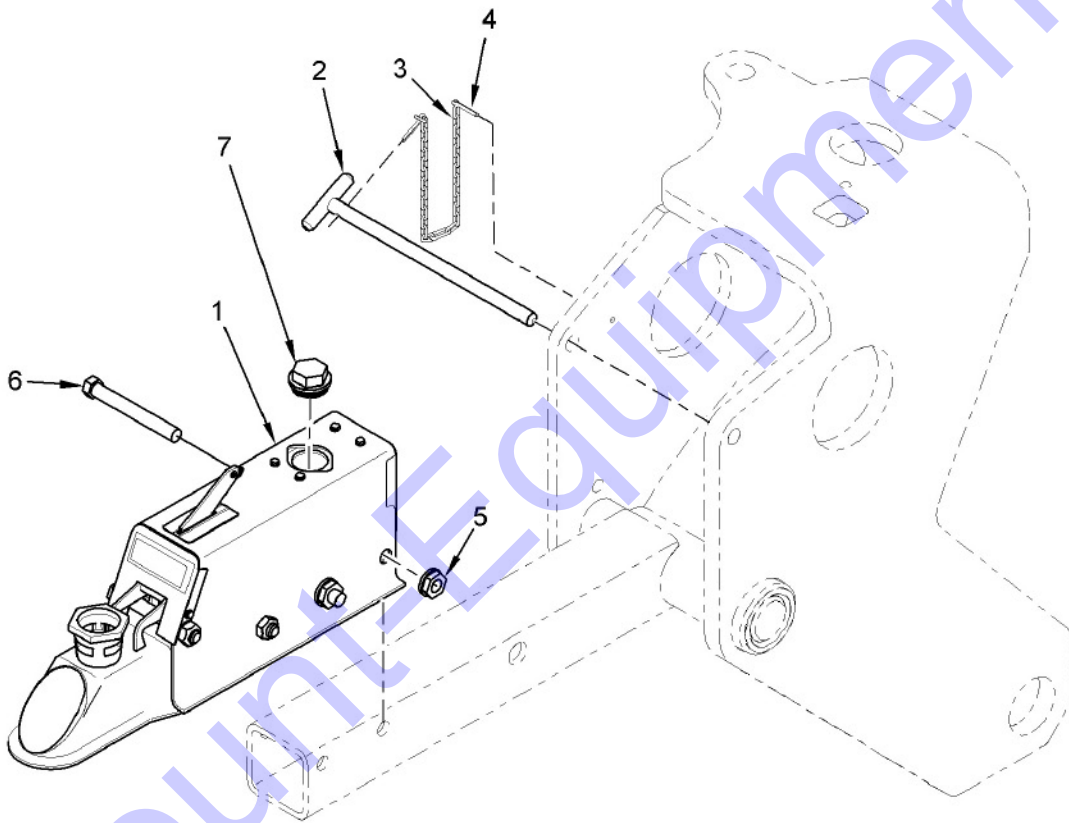
376921: SPRINKLER ASSY (8', SINGLE FILTER, WHITE TANKS)



B-900-100-376921-1

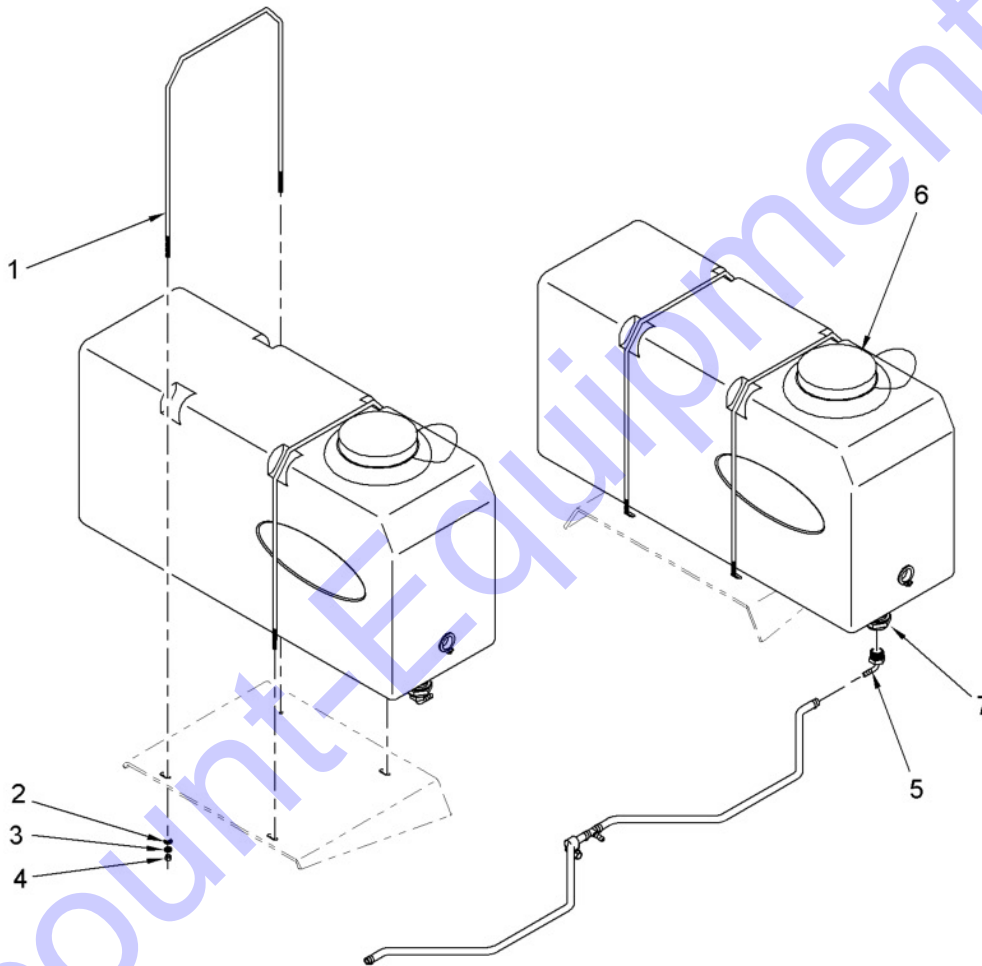
376921: SPRINKLER ASSY (8', SINGLE FILTER, WHITE TANKS)					
ITEM	PART NUMBER	F/N	DESCRIPTION	QTY	UOM
1	9104062		SCREEN, SUCTION FILTER (GREEN)	1	EA
2	9101535		BUSHING (1/2"MNPT X 1/4"FNPT NYLON)	1	EA
3	9102321		HEAD, FILTER	1	EA
4	9102322		GASKET, FILTER HEAD	1	EA
5	9102329		BOWL, FILTER	1	EA
6	9103017		ELBOW, 90 DEGREE (1/2"MNPT X 3/8"BARB)	1	EA
7	447128		TEE (3/8" ID HOSE BARB)	1	EA
8	9101588		HOSE KIT (8' BROOM)	1	EA
			(SEE PAGE 108)		
9	9104621K		SPRAY NOZZLE ASSEMBLY (L-BODY, BRASS)	2	EA
			(SEE PAGE 112)		
10	9104620K		SPRAY NOZZLE ASSEMBLY (T-BODY, BRASS)	7	EA
			(SEE PAGE 114)		
11	459743		VALVE, CHECK	1	EA
12	441568		CAPSCREW (1/4"-20NC X 1", FLANGE WHIZLOCK)	4	EA
13	010272		NUT, HEX (1/4"-20NC, FLANGE WHIZLOCK GR.G)	4	EA
14	010280		WASHER, LOCK (1/4")	4	EA
15	416826		PUMP, WATER (12V, 1.2 GPM)	1	EA
16	9101534		NIPPLE (1/4" X 1-1/4", PLASTIC)	1	EA
17	441667		CAPSCREW (3/8"-16NC X 1", FLANGE WHIZLOCK)	2	EA
18	461384		CLAMP (13/16" ID WITH 13/32 BOLT HOLD VINYL)	2	EA
19	011031		WASHER, FLAT (3/8")	2	EA
20	083501		NUT, HEX (3/8"-16NC, FLANGE, WHIZLOCK)	1	EA
	477941		ELBOW, 90 DEGREE (3/8"NPT X 3/8", PLASTIC)	1	EA

374728: TOW HITCH ASSEMBLY



374728: TOW HITCH ASSEMBLY					
ITEM	PART NUMBER	F/N	DESCRIPTION	QTY	UOM
1	447995		ACTUATOR, SURGE BRAKE (2" BALL)	1	EA
2	377135		PIN, TOW BAR STOW	1	EA
3	426627		CHAIN (#4 STRAIGHT LINK)	1	EA
4	015131		PIN, COTTER	2	EA
5	440644		LOCKNUT (1/2"-13NC, FLANGE, WHIZLOCK)	2	EA
6	011460		CAPSCREW (1/2"-13NC X 4" PL.)	2	EA
7	374009		CAP, MASTER CYLINDER (MODIFIED)	1	EA

WATER TANK ASSEMBLY



B-900-100-LM3-10-00-1

F15

WATER TANK ASSEMBLY					
ITEM	PART NUMBER	F/N	DESCRIPTION	QTY	UOM
1	376913		ROD, HOLD-DOWN	4	EA
2	011322		WASHER, FLAT (5/16")	8	EA
3	010561		WASHER, LOCK (5/16")	8	EA
4	010553		NUT, HEX (5/16"-18NC)	8	EA
5	9101674		ELBOW, 90 DEGREE (3/4"NPTM X 3/8"BARB, PLASTIC)	2	EA
6	9107089		LID, WATER TANK (W/LANYARD)	2	EA
7	9107090		FITTING, BULKHEAD	2	EA

ALPHABETICAL INDEX

DESCRIPTION	PART NUMBER	PAGE
ACTUATOR, PEDAL RETURN	100200	43
ACTUATOR, SURGE BRAKE (2" BALL)	447995	15, 125
ACTUATOR, SURGE BRAKE (2-5/16" BALL)	448084	15
ACTUATOR, SURGE BRAKE (3" PINTLE EYE)	448076	15
ACTUATOR, SURGE BRAKE (UNIVERSAL)	448977	15
ADAPTER (-6 JICF SW. TO .37 HOSE BARB)	447219	89
ADAPTER, 45 DEGREE (#6MOR TO #6MJIC)	425348	89
ADAPTER, 90 DEGREE (#12MORFS TO #12MSAE)	386643	89
ADAPTER, 90 DEGREE (#6MSAE X #6MJIC)	092825	21, 89
ADAPTER, 90 DEGREE (#8SAEM X 6#6JICM)	V63143600	89
ADAPTER, 90 DEGREE (-12 NPTM X .50" HOSE BARB)	467613	89, 93, 95
ADAPTER, 90 DEGREE (-8 SAEM TO .50 HOSE BARB)	447094	89
ADAPTER, STR. (-12 NPTM X .50" HOSE BARB)	467621	89, 93, 95
ADAPTER, STRAIGHT (1/2"MNPT X 7/8"-14MSAE)	095216	79
ADAPTER, STRAIGHT (3/16" TUBE X 1/8"NPT)	054171	7
ADAPTER, TEE (-12 NPTM -12 NPTM -12 NPTM)	467605	89, 93, 95
ADAPTER, TEE (3/16" FEMALE)	434944	7
ADAPTER, TEST PORT	475871	55
ADAPTER, TONGUE (2", 2-5/16", AND 3")	9104396	15
ADAPTER, TONGUE (UNIVERSAL)	910450K	15
ADJUSTERS, SLIDE	035519	41
ALARM, REVERSE	473736	61
ARM, DISCONNECT BRAKE	9103170	11
AUXILLIARY PUMP ASSEMBLY	9104033(001)	69, 90
BAFFLE, RADIATOR (LEFT/RIGHT)	100194	75
BAFFLE, RADIATOR (TOP/BOTTOM)	100195	75
BAR, TOW	376087	33
BATTERY (12C GROUP-78-60)	9101583	51
BEARING CONE (INNER), DISCONNECT	067017	11
BEARING CUP (INNER), DISCONNECT	066993	11
BEARING, BROOM CARRIER	V66005800	17, 19
BEARING, THRUST (500-RE)	9104422	103
BEARING, THRUST (600-DR)	380788	103
BELT, FAN	9107131	70
BLOCK, BROOM DRIVE MOTOR	9102713	17, 19
BODY, SPRAY NOZZLE (90 DEGREE, BRASS)	9104059	113
BODY, SPRAY NOZZLE (T-BODY, BRASS)	9104058	115
BOLT	010478	29
	100026	70
	10055	69
	10057	69
	10107	69
	10678	69
	413856	13, 41, 57
	459486	69
	459487	69
	441527	69
BOLT (#10-24NC X .75")	083485	9
BOLT (5/16"-18NC X 3/4", PL)	122191	69
BOLT (HH M6 X 1.0 X 50MM GR10.9)	413856	9
BOLT, FLANGE	442285	65
BOLT, FLAT HEAD SOCKET (5/16"-18NC X 1-1/4")	011387	9
BOLT, HEX HEAD (1/2"-13NC X 2")	011395	9
BOLT, HEX HEAD (1/2"-13NC X 2-1/4")	056879	9, 11
BOLT, HEX HEAD (1/2"-20NF X 1-1/4")	9102329	117, 119, 121, 123
BOWL, FILTER	467480	63
BRACKET, AIR CLEANER MOUNTING		

ALPHABETICAL INDEX

DESCRIPTION	PART NUMBER	PAGE
BRACKET, BRAKE CABLE	377648	13
BRACKET, BROOM BEARING MOUNT (LH)	1000051	17, 19
BRACKET, BROOM BEARING MOUNT (RH)	376590	17, 19
BRACKET, BROOM MOUNT (6' BROOM)	376574	17, 21
BRACKET, BROOM MOUNT (8' BROOM)	376582	19, 21
BRACKET, ENGINE MOUNT (FRONT)	376800	69
BRACKET, ENGINE MOUNT (REAR)	376797	69
BRACKET, FILTER HOUSING MOUNT	356949	67
BRACKET, ISOLATOR (LH)	100127	69
BRACKET, ISOLATOR (RH)	100128	69
BRACKET, MOUNT SUPPORT	100133	69
BRACKET, MOUNTING (LH)	100109	69
BRACKET, MOUNTING (RH)	100110	69
BRACKET, RADIATOR	100108	75
BRACKET, RADIATOR SUPPORT	100174	69
BRACKET, TAIL LIGHT	100107	57
BRACKET, THROTTLE CABLE	9104569	70
BRAKE LEVER ASSEMBLY	467600	13
BRAKE PAD ASSEMBLY	9101879	11
BROOM DRIVE MOTOR ASSEMBLY	1000052	17, 19
	473464(001)	90
BROOM LIFT CYLINDER ASSEMBLY	376641(001)	21, 33, 90
BROOM SWING CYLINDER ASSEMBLY	467986(001)	21, 89
BRUSH KIT (6', CONVOL. COMBO)	9103150K	3
BRUSH KIT (6', CONVOL. POLY)	9104403K	3
BRUSH KIT (6', CONVOL. POLY/WIRE)	9104641K	3
BRUSH KIT (6', CONVOL. WIRE)	9104404K	3
BRUSH KIT (6', FLAT POLY, W/SPACERS)	9104644K	3
BRUSH KIT (6', FLAT POLY/WIRE, W/SPACERS)	9104639K	3
BRUSH KIT (6', FLAT WIRE, W/SPACERS)	9104650K	3
BRUSH KIT (8', CONVOL. COMBO)	9103151K	3
BRUSH KIT (8', CONVOL. POLY)	9104405K	3
BRUSH KIT (8', CONVOL. POLY/WIRE)	9104642K	3
BRUSH KIT (8', CONVOL. WIRE)	9104406K	3
BRUSH KIT (8', FLAT POLY, W/SPACERS)	9104651K	3
BRUSH KIT (8', FLAT POLY/WIRE, W/SPACERS)	9104654K	3
BRUSH KIT (8', FLAT WIRE, W/SPACERS)	9104659K	3
BRUSH KIT (CONVOL. COMBO, 6' X 24")	9103150K	27
BRUSH KIT (CONVOL. COMBO, 8' X 24")	9103151K	27
BRUSH KIT (CONVOL. POLY, 6' X 24")	9104403K	27
BRUSH KIT (CONVOL. POLY, 8' X 24")	9104405K	27
BRUSH KIT (CONVOL. POLY/WIRE, 6' X 24")	9104641K	27
BRUSH KIT (CONVOL. POLY/WIRE, 8' X 24")	9104642K	27
BRUSH KIT (CONVOL. WIRE, 6' X 24")	9104404K	27
BRUSH KIT (CONVOL. WIRE, 8' X 24")	9104406K	27
BULB (12V, 2-WATT)	060624	31, 61
BUSHING (1/2"MNPT X 1/4"FNPT NYLON)	9101535	117, 119, 121, 123
BUSHING (2"OD X 1-3/4"ID X 2" LONG, BRONZE)	V63023100	33, 35
CABLE ASSEMBLY (33.75" LG.)	467598	13
CABLE ASSEMBLY (56.13" LG.)	467599	13
CABLE, BATTERY (NEGATIVE)	376822	51
CABLE, BATTERY (POSITIVE)	376830	51
CABLE, THROTTLE W/HANDLE	100198	70
CAP, BEARING W/GREASE HOLE	375995	35
CAP, DUST	440487	35
CAP, FUEL GAUGE	467456	67

ALPHABETICAL INDEX

DESCRIPTION	PART NUMBER	PAGE
CAP, HYDRAULIC FILLER (LOCKING TAB)	439182	33
CAP, MASTER CYLINDER (MODIFIED)	374009	15, 125
CAP, NOZZLE (BRASS)	V70007488	113, 115
CAP, RADIATOR	9107106	70
CAPSCREW	441808	21
CAPSCREW (1/2"-13NC X 1", FLANGE, WHIZLOCK)	441766	21, 35
CAPSCREW (1/2"-13NC X 1-1/2", FLANGE, WHIZLOCK)	441782	17, 19
CAPSCREW (1/2"-13NC X 1-1/4")	441774	17, 19, 69
CAPSCREW (1/2"-13NC X 3/4", FLANGE, WHIZLOCK)	441758	21, 33
CAPSCREW (1/2"-13NC X 4" PL.)	011460	15, 125
CAPSCREW (1/2"-20NF X 1-1/4")	056879	105
CAPSCREW (1/4"-20NC X 1", FLANGE WHIZLOCK)	441568	23, 25, 31, 63, 117, 119, 121, 123
CAPSCREW (1/4"-20NC X 3/4", FLANGE WHIZLOCK)	441550	17, 19, 67, 75, 93, 95, 111
CAPSCREW (1/4"-20NC, FLANGE WHIZLOCK)	441501	7, 53
CAPSCREW (3/8"-16NC X 1", FLANGE WHIZLOCK)	441667	117, 119, 121, 123
CAPSCREW (3/8"-16NC X 1-1/2")	010645	17, 19, 23, 25
CAPSCREW (3/8"-16NC X 1-1/4")	083527	17, 19, 21, 41, 43
CAPSCREW (3/8"-16NC X 3/4", FLANGE WHIZLOCK)	441659	31, 45
CAPSCREW (5/16"-18NC X 1", PL)	441600	13, 29, 43, 67, 111
CAPSCREW (5/16"-18NC X 1-1/4", FLANGE WHIZLOCK)	441618	7, 63
CAPSCREW (5/16"-18NC X 1-3/4", FLANGE WHIZLOCK)	441634	13, 51
CAPSCREW (5/16"-18NC X 3/4", PL)	083485	67
CAPSCREW (5/8"-11NC X 1-1/2")	012039	33
CAPSCREW (5/8"-11NC X 4-1/2")	012153	15
CAPSCREW (M8 X 1.25-16MM)	459453	69
CAPSCREW, BUTTON HEAD (5/16"-18NC X .50", SS)	472902	65
CAPSCREW, FLANGE HEAD (5/16"-18NC X 1/2")	441519	55
CAPSCREW, SOCKET HEAD (5/16"-18UNC X 1")	472936	33, 35
CAPSCREW, SOCKET HEAD (M8 X 1.25CP-6G X M30)	404673	69
CHAIN (#4 STRAIGHT LINK)	426627	125
CLAMP (1.75)	V63004000	73
CLAMP (1/2")	070516	111
CLAMP (1/4"DIA)	036715	7
CLAMP (13/16" ID WITH 13/32 BOLT HOLD VINYL)	461384	23, 25, 117, 119, 121, 123
CLAMP, CRIMPING BAND (6 HOSE)	447466	107, 109
CLAMP, HOSE	029561	67
	100207	70
	56424	69
	9100716	17, 19, 23, 25
CLAMP, HOSE (#32)	V02026200	63
CLAMP, LOOP (1/2" ID)	028993	7, 23, 25, 59, 65, 111
CLAMP, THROTTLE	457184	70
CLEANER, AIR	467472	63
CLEVIS, ROD END (0.37"-24NF)	031930	9, 29
	10020	43
CLEVIS, ROD END (FORGED, W/PIN AND COTTER PIN)	6071K410	43
CLIP, HAIR	039180	21
	100115	21
CLIP, HAIR (3/16")	015768	21, 33, 35
COILS, SOLENOID	9107082	97
	9107083	97
COLUMN, STEERING (INCLUDES 9107146)	100097	45

ALPHABETICAL INDEX

DESCRIPTION	PART NUMBER	PAGE
CONE, OUTER BEARING	V61011700	11
CONNECTOR (3/16" MIF TO 1/4" FIF)	044495	7
CONNECTOR, STRAIGHT (1/4" TO 3/16")	077495	7
CONVOLUTED COMBO (21")	478156	5
CONVOLUTED COMBO (21", BOX OF 30)	478156BX	5
CONVOLUTED COMBO (24")	378980	5
CONVOLUTED COMBO (24", BOX OF 24)	378980BX	5
CONVOLUTED COMBO (6 3/8" X 24")	378980	27
CONVOLUTED COMBO (6 3/8" X 24", BOX OF 24)	378980BX	27
CONVOLUTED POLY (21")	478071	5
CONVOLUTED POLY (21", BOX OF 30)	478071BX	5
CONVOLUTED POLY (24")	378978	5
CONVOLUTED POLY (24", BOX OF 25)	378978BX	5
CONVOLUTED POLY (6 3/8" X 24")	378978	27
CONVOLUTED POLY (6 3/8" X 24", BOX OF 25)	378978BX	27
CONVOLUTED WIRE (21")	478072	5
CONVOLUTED WIRE (21", BOX OF 30)	478072BX	5
CONVOLUTED WIRE (24")	9101467	5
CONVOLUTED WIRE (24", BOX OF 24)	9101467BX	5
CONVOLUTED WIRE (6 3/8" X 24")	9101467	27
CONVOLUTED WIRE (6 3/8" X 24", BOX OF 24)	9101467BX	27
CORE, BROOM (6')	9102691	17
CORE, BROOM (8')	9102693	19
COUPLER (2" BALL, FOR 448977)	9102857	15
COUPLER (2-5/16" BALL, FOR 448977)	9103126	15
COUPLER (3" PINTLE EYE, FOR 448977)	9101885	15
COVER, AIR CLEANER HOUSING	467522	63
COVER, DASH	100238	31
COVER, DASH (W/LIGHT HOLE)	331561	55
COVER, DUST CAP	472639	35, 47
COVER, FRAME TUBE (FRONT)	376252	33, 35
COVER, STEERING WHEEL	467563	45
CUP, OUTER BEARING	V61011600	11
CUSHION, RADIATOR UPPER	386703	70
CYLINDER, BRAKE (LEFT HAND)	409110	7
CYLINDER, BRAKE (LH)	409110	9
CYLINDER, BRAKE (RH)	409128	9
CYLINDER, BRAKE (RIGHT HAND)	409128	7
CYLINDER, MASTER	100086	7, 29
CYLINDER, STEERING	467977	35
DECAL ("DISENGAGE REAR HUBS")	472704	55
DECAL, CAUTION (PARK)	472838	49
DECAL, DANGER (EXPLOSION HAZARD)	446387	49
DECAL, DANGER (NO RIDERS)	472738	49
DECAL, DANGER (PINCH POINT)	472720	49
DECAL, DANGER (ROTATING FAN)	443614	49
DECAL, DASH PANEL (SM300)	100169	49
DECAL, DIESEL FUEL	450148	49
DECAL, DIRECTIONAL CONTROL	100145	49
DECAL, FILTER SCREEN	472811	49
DECAL, FRONT FORK	472830	49
DECAL, HYDRAULIC OIL	450155	49
DECAL, LUBRICATION AND MAINTENANCE	100143	49
DECAL, NAME PLATE	100142	49
DECAL, OPERATING INSTRUCTIONS	100144	49
DECAL, RADIATOR (EXTENDED LIFE)	151660	49

ALPHABETICAL INDEX

DESCRIPTION	PART NUMBER	PAGE
DECAL, RADIATOR CAP	472795	49
DECAL, STEERING VALVE	472779	49
DECAL, STEERING WHEEL	462606	49
DECAL, TIE DOWN	472746	49
DECAL, TOWING INSTRUCTIONS	472837	49
DECAL, TOWING INSTRUCTIONS (BEFORE AND AFTER)	472829	49
DECAL, WARNING (CALIFORNIA)	448811	49
DECAL, WARNING (DIRECTIONAL)	100204	49
DECAL, WARNING (HUB)	100141	49
DECAL, WARNING (STAND CLEAR OF BROOM)	467266	49
DECAL, WATER TANK	472753	49
DECAL, WATER TANK DRAIN	472761	49
DEFLECTOR, DIRT BELT (6')	377622	17, 23
DEFLECTOR, DIRT BELT (8')	377614	19, 25
DRUM, DISCONNECT BRAKE	9103171	11
EAR/HANDLE, DISCONNECT	9102094	11
ELBOW	9107127	89
ELBOW, 45 DEGREE	477647	17, 19, 89
ELBOW, 90 DEGREE	406645	89
	477632	89
	477639	89
ELBOW, 90 DEGREE (1/2"MNPT X 3/8"BARB)	9103017	117, 119, 121, 123
ELBOW, 90 DEGREE (3/4"NPTM X 3/8"BARB, PLASTIC)	9101674	127
ELBOW, 90 DEGREE (3/8"NPT X 3/8", PLASTIC)	477941	117, 119, 121, 123
ELBOW, 90 DEGREE (SWIVEL NUT)	092965	89
ELEMENT, FILTER (-10 MICRON)	9101798	93
EXTENSION, BATTERY POST	477958	51
FAN, ENGINE SM300 D1105	100121	69
FILTER, AIR (PRIMARY)	467498	63, 77
FILTER, AIR (SAFETY)	467506	63, 77
FILTER, ENGINE OIL	476092	77
FILTER, FUEL (IN-LINE)	9101624	67, 77
FILTER, FUEL (PRIMARY, SPIN-ON)	476094	77
FILTER, FUEL (SPIN-ON)	9102952	67
FILTER, HYDRAULIC (-10 MICRON, SPIN ON)	9101798	77, 95
FILTER, HYDRAULIC (HIGH PRESSURE)	9107085	77, 87
FILTER, HYDRAULIC TANK (SCREEN)	447979	33
	9100143	33
FITTING	060533	7
	068528	67
	093427	89
	477634	89
FITTING (1/4-NPT MALE X 3/16 BARB, BRASS)	407189	67
FITTING, BULKHEAD	9107090	127
FITTING, GREASE (STRAIGHT, 1/4"-28NF)	031401	29, 35, 43
FITTING, SIGHT GAUGE	9101942	33
FITTING, STRAIGHT (#6MORFS TO #6MSAE)	477637	89
FITTING, UNION (3/16" TUBE X 3/16" TUBE)	067561	7
FLAT POLY (21", BOX OF 35)	478140BX	5
FLAT POLY (21", SPACER REQUIRED)	478140	5
FLAT POLY (24", BOX OF 30)	478077BX	5
FLAT POLY (24", SPACER REQUIRED)	478077	5
FLAT WIRE (21", BOX OF 35)	478152BX	5
FLAT WIRE (21", SPACER REQUIRED)	478152	5
FLAT WIRE (24", BOX OF 30)	478078BX	5
FLAT WIRE (24", SPACER REQUIRED)	478078	5

ALPHABETICAL INDEX

DESCRIPTION	PART NUMBER	PAGE
FLYWHEEL, ENGINE	910708K	70
FORK, FRONT	376005	33, 35, 47
FRAME	100074	33, 35
FUSE (20A)	077041	61
GASKET, FILTER HEAD	9102322	117, 119, 121, 123
GLAND, HEAD	467993	83, 85
	468009	101
HANGER, EXHAUST	1000062	73
HARNESS, HITCH	377333	15
HARNESS, LIGHT	379032	111
HARNESS, LIGHT POWER	377598	111
HARNESS, WIRING	377051	59
HARNESS, WIRING (HITCH)	377333	59
HARNESS, WIRING (HUB DISCONNECT WARNING)	331579	61
HARNESS, WIRING (MAIN ENGINE)	386441	61
HARNESS, WIRING (MAIN)	377077	59
HARNESS, WIRING (MANIFOLD)	100137	61
HARNESS, WIRING (TAIL LIGHT FRAME)	377325	59
HARNESS, WIRING (TAIL LIGHT)	100050	61
HARNESS, WIRING (UNLOCK HUBS)	331579	55
HEAD, BLOCKED BYPASS FILTER	9101796	93, 95
HEAD, FILTER	9102321	117, 119, 121, 123
HEAD, FILTER (W/25 PSI RELIEF)	9101797	93, 95
HEADER, EXHAUST	376806	69
HIGH PRESSURE FILTER ASSEMBLY	100101(001)	89
HINGE (W/GROMMET AND BUSHING)	442269	65
HOLD DOWN, BATTERY (LATER STYLE)	474882	51
HOOD, BROOM (6')	381988	23
	391988	17
HOOD, BROOM (8')	382002	19, 25
HOOD, ENGINE (PLASTIC)	100175	65
HORN (12V, W/BRACKET)	476937	55, 61
HOSE (04-04MF04MF X 47.00" 100R1)	377382	7, 89
HOSE (06-06JS06J9 X 57.00" 100R1)	377416	89
HOSE (06-06JS06J9 X 67.00" 100R1)	377408	89
HOSE ASSEMBLY (120.5")	9107125	89
HOSE ASSEMBLY (15.5")	9107097	89
	9107115	89
HOSE ASSEMBLY (16.25")	9107116	89
	9107121	89
HOSE ASSEMBLY (16.75")	9107120	89
	9107123	89
HOSE ASSEMBLY (17.75")	9107124	89
HOSE ASSEMBLY (33.5")	9107117	89
HOSE ASSEMBLY (35")	9107118	89
HOSE ASSEMBLY (57")	9107119	89
HOSE KIT (6' BROOM)	9101507(001)	117, 119
HOSE KIT (8' BROOM)	9101588(001)	121, 123
HOSE, FUEL RETURN	100147	67
HOSE, INTAKE (KUBOTA)	467555	63
HOSE, LOW PRESSURE (3/8" ID)	447474	89, 107, 109
HOSE, LOW PRESSURE WATER (1/2"ID)	446948	89
HOSE, PRE-CLEANER (6.00")	374785	63
HOSE, RADIATOR (LOWER)	100131	69
HOSE, RADIATOR (UPPER)	100130	69
HOUSING (W/O BRAKE)	9103168	11

ALPHABETICAL INDEX

DESCRIPTION	PART NUMBER	PAGE
HOUSING, FLYWHEEL	9107112	69
HOUSING, FUEL FILTER	473199	67
HUB (INCLUDES 375989, 9107069 & 375987)	375988	35
HUB, BEARING	375986	35
HUB, FLYWHEEL	9107113	69
HYDRAULIC DISCONNECT ASSEMBLY (W/BRAKE)	9104349(001)	9, 105
HYDRAULIC DRIVE MOTOR ASSEMBLY	9103730(001)	105
INNER BEARING	9107068	35
INNER RACE	9107069	35
ISOLATOR (RUBBER)	456459	70
ISOLATOR, SUPPORT BRACKET (RUBBER)	456806	69
KEY, DISCONNECT WHEEL HUB	9103167	11
KEYS, IGNITION (KUBOTA ENGINE)	468084	37
	468090	37
	9101528	37, 61
KIT, BOLT	9107110	69
KIT, COMPLETE SEAL	459693	79
KIT, COUPLER REPAIR	461400	15
KIT, ENGINE (KUBOTA 1505)	100054	69
KIT, FLYWHEEL HOUSING	100100	69
KIT, MASTER CYLINDER REPAIR	448142	15
KIT, MASTER CYLINDER REPAIR (FOR 447995)	464735	15
KIT, O-RING (FOR 100101 WHEN REPLACING 910785)	9107145	77, 87
KIT, SEAL	9104141	83, 85, 101
	9107096	99
KIT, SEAL (500-RE)	9101638	103
KIT, SEAL (600-DR)	511607	103
KIT, SEAL (BROOM DRIVE MOTOR)	9107094	81
KIT, SOLENOID TERMINAL CONNECTOR	473066	61
	477406	61
KIT, STROBE LIGHT	381418	61
KIT, UPPER ENGINE HEAD GASKET (D1105)	9107134	70
LAMP, STROBE (BULB)	094623	61
LATCH	V63013300	65
LATCH, AIR CLEANER HOUSING	467530	63
LEVER, BRAKE (LH)	9104331	9
LEVER, BRAKE (RH)	9104328	9
LID, WATER TANK (W/LANYARD)	9107089	127
LIGHT WITH TERMINAL ENDS ASSEMBLY	373548	111
LIGHT, INDICATOR (RED)	057448	61
LIGHT, OVAL TAIL	446229	31, 55
LIGHT, RED INDICATOR	057448	31
LIGHT, TAIL	100134	57, 59
LINE, BRAKE	252148	7
LINE, FUEL (10")	100152	67
LINE, FUEL (24")	100153	67
LINE, FUEL (7")	100151	67
LINK, DRIVE (500-RE)	452771	103
LINK, DRIVE (600-DR)	380789	103
LOCKNUT	100036	70
	425801	17, 19
LOCKNUT (.62-11NC NYLOK)	406231	15, 33
LOCKNUT (1/2"-13NC, FLANGE, WHIZLOCK)	440644	9, 17, 19, 21, 125
LOCKNUT (1/2"-13NC, NYLON INSERT)	403907	15

ALPHABETICAL INDEX

DESCRIPTION	PART NUMBER	PAGE
LOCKNUT (1/4"-20NC, FLANGE, WHIZLOCK)	440636	7, 17, 19, 23, 25, 31, 53, 63, 67, 70, 75, 111
LOCKNUT (3/8"-16NC)	441477	9, 13, 31, 41, 43, 57
LOCKNUT (5/16"-18NC, NYLON INSERT)	093799	13
LOCTITE (RED #271)	047506	35
LOW PRESSURE FILTER ASSEMBLY	376442(001)	90
LUG NUT	047480	35
MANIFOLD BLOCK ASSEMBLY	100064(001)	89
MECHANICAL ZEROING ASSEMBLY	9107109	99
METER, HOUR	460485	31, 61
MODULE, ENGINE PROTECTION	465229 5	3, 61
MODULE, FLASHER (3 PRONG)	V63121300	55, 61
MOUNT, BROOM	376160	21, 33
MOUNT, BROOM CORE	376285	17, 19
MOUNT, CLIP NUT	352054	13
MUFFLER	9101774	69
NIPPLE (1/4" X 1-1/4", PLASTIC)	9101534	117, 119, 121, 123
NUT	9107146	45
	V23404500	29
NUT (1/2"-20NF)	041582	11
NUT, ACTUATOR	474338	15
NUT, DISCONNECT LOCK	9102091	11
NUT, HEX (#10-24NC)	440628	70
NUT, HEX (1/4"-20NC, FLANGE WHIZLOCK GR.G)	010272	117, 119, 121, 123
NUT, HEX (3/8"-16NC, FLANGE, WHIZLOCK)	083501	117, 119, 121, 123
NUT, HEX (3/8"-24NF)	031948	9
NUT, HEX (5/16"-18NC PL)	083493	7, 13, 29, 41, 43, 63, 67
NUT, HEX (5/16"-18NC)	010553	65, 127
	474734	55
NUT, HEX (5/16"-18NC, FLANGE, WHIZLOCK)	083535	67, 111
NUT, HEX (8-32 STAINLESS)	465153	55
NUT, JAM (3/4"-16NF)	092460	83, 85, 101
NUT, JAM (3/8"-24)	V23504500	43
NUT, LUG (1/2"-20NF, 60 DEG, 13/16")	047480	47
NUT, SPINDLE	375993	35
ORBITAL, STEERING	100092	45, 90
ORIFICE (D-2, STANDARD)	9101539	113, 115
ORIFICE (D-5, MORE WATER)	9101834	113, 115
ORIFICE (D-8, MORE WATER)	9101832	113, 115
O-RING	9101452	9, 105
OUTER RACE	375987	35
OUTER SEAL, DISCONNECT SMALL	9102974	11
PAD, PEDAL	460170	49
PANEL, DASH	100091	31
PANEL, DASH (REAR)	100106	31
PEDAL, BRAKE	100084	29
PEDAL, VARIABLE SPEED	100104	43
PIN (1.75" X 8.25")	377028	21, 33
PIN (1.75" X 9.25")	376509	33
PIN, CLEVIS	025676	29
	025767	9
	100113	21, 33
	100115	33
	457192	70

ALPHABETICAL INDEX

DESCRIPTION	PART NUMBER	PAGE
PIN, CLEVIS (1" OD X 2-3/4" LONG)	9103034	21, 35
PIN, COTTER	015131	9, 29, 125
PIN, COTTER (1/8" X 3/4", STEEL PL)	015123	65
PIN, DOWEL	9107111	69
PIN, FRONT FORK (16" X 1 3/4 DIA.)	375974	35
PIN, HAIR (5/64" DIA.)	459826	70
PIN, TOW BAR STOW	377135	125
PIPE, PRE-CLEANER	376657	63
PISTON PUMP ASSEMBLY (HYDROSTATIC)	100065(001)	69, 90
PISTON, CYLINDER	468025	83, 85, 101
PLATE, DRIVE	9107114	69
PLATE, WHEEL CYLINDER MOUNT	9104327	9
PLUG (7/16"-20 SAE O-RING)	406819	89
PLUG, BEARING CAP	375996	35
PLUG, COUNTERSUNK (1/8"NPT)	042275	11
PRE-CLEANER, AIR	467548	63
PUMP, FUEL (ELECTRIC)	9101888	61, 67
PUMP, WATER (12V, 1.2 GPM)	416826	61, 117, 119, 121, 123
RADIATOR ASSEMBLY	1000047(001)	69
REDUCER	9107126	89
	9107128	89
RELAY (12V, 30AMP)	442095	55, 61
RETAINER, ROUND	468017	83, 85, 101
RETAINER, SPINDLE NUT	375994	35
RETRACTABLE SEAT BELT ASSEMBLY (2")	458778	41
RIM, WHEEL	9104564	35, 47
RING, DISCONNECT LOCK	9102092	11
RING, SNAP (HYDRAULIC DISCONNECT)	9103162	11
RING, SNAP (O.D.)	9103160	11
ROD, HOLD-DOWN	376913	127
ROD, PISTON	468041	101
ROD, SUPPORT	100197	65
ROD, THREADED	100160	43
ROD, WHEEL CYLINDER ACTUATOR	9104334	9
ROPS	100088	39
SAFETY WALK (11.00" X 12.50")	432955	49
SCREEN, SPRAY NOZZLE	V70007388	113, 115
SCREEN, SUCTION FILTER (GREEN)	9104062	117, 119, 121, 123
SCREW, PHILLIPS HEAD (8-32 X .50)	465104	55
SEAL, HUB	375985	35
SEAL, INNER BEARING	9102975	11
SEAL, ORIFICE CORE	9104055	113, 115
SEAT	472688	41
SHAFT (500-RE)	9104530	103
SHAFT (600-DR)	409940	103
SHAFT, INTERNAL SMALL	9103161	11
SLEEVE, REAR COMPRESSOR MOUNT	460681	13
SNAP RING, DISCONNECT EAR/HANDLE	034660	11
SNAP RING, DISCONNECT SPLINE COUPLER	9103163	11
SOLENOID, FUEL STOP (2 WIRE)	447673	70
SOLENOID, SHUTOFF (2 WIRE)	447673	61
SPACER (.50 O.D. X .058 X 1.75")	379115	111
SPACER (6")	478079	5
SPINDLE REPLACEMENT ASSEMBLY	421105	35
SPINDLE SHAFT, DISCONNECT	9103159	11

ALPHABETICAL INDEX

DESCRIPTION	PART NUMBER	PAGE
SPLINE COUPLER, DISCONNECT	9101468	11
SPRAY NOZZLE ASSEMBLY (L-BODY, BRASS)	9104621K	117, 119, 121, 123
SPRAY NOZZLE ASSEMBLY (T-BODY, BRASS)	9104620K	117, 119, 121, 123
SPRING, HYDRAULIC DISCONNECT	9102945	11
STANDOFF, SUPPORT BRACKET	459818	70
STEERING CYLINDER ASSEMBLY	467978(001)	89
STEM, VALVE	029629	35, 47
STUD, PRESS IN	375989	35
STUD, SCREW IN	375990	35
SUPPORT, HOOD	100117	65
SWITCH, 2-POSITION (ON/OFF)	100136	31
SWITCH, 2-POSITION (ON/OFF, W/ LIGHT)	460113	31
SWITCH, 2-POSITION (ON/OFF, W/LIGHT)	460113	61
SWITCH, 3-POSITION	100135	61
SWITCH, 3-POSITION (MOMENTARY)	100135	31
SWITCH, 3-POSITION (OFF/ON/ON)	460139	111
SWITCH, DUMMY PLUG	500983	31
SWITCH, FLOORBOARD REVERSE ALARM	100171	61
SWITCH, IGNITION (KUBOTA ENGINE, W/9101528 KEYS)	9101497	61
SWITCH, IGNITION (W/468084 KEYS, KUBOTA ENGINE)	468083	37
SWITCH, IGNITION (W/468090 KEYS, KUBOTA ENGINE)	468082	37
SWITCH, IGNITION (W/9101528 KEYS, KUBOTA ENGINE)	9101497	31, 37
SWITCH, NEUTRAL START	413875	13, 61
SWITCH, POWER	100136	61
SWITCH, PRESSURE	475889	55
TANK, FUEL (PLASTIC)	376137	67
TAPE, REFLECTOR (RED)	436261	49
TEE (3/8" ID HOSE BARB)	447128	89, 117, 119, 121, 123
TEE (SWIVEL NUT)	477633	89
TERMINAL, MALE SLIDE (.25)	V01162800	55
THROTTLE HANDLE AND CABLE ASSEMBLY	9102266	31
TIE, CABLE (7-1/4" X 3/16", 1-3/4" DIA, BLACK)	041236	55
TIRE (P20575R14, NOT AVAILABLE FOR RESALE)	9104606	35, 47
TONGUE WASHER, DISCONNECT BEARING (INNER)	9103165	11
TOW HITCH ASSEMBLY	374728(001)	7
TRIM, FLEX CORE (0.06, 8.2FT)	074567	23, 25
TUBE (.18 STEEL BRAKE L.H. X 40.00")	377176	7
TUBE (.18 STEEL BRAKE R.H. X 40.00")	377168	7
TUBE (.18 STEEL BRAKE X 60.00")	377150	7
TUBE (1.75X16)	9104537	73
TUBE (3/16" STEEL BRAKE X 51")	067728	7
TUBE (3/8 SCHED. 40 X 5/8")	147322	23, 25
TUBE (W/STANDARD SPRING AND BUSHINGS)	9107164	99
U-BOLT (2")	9101616	70
UNION (.25 TUBE INVERTED FLARE)	448845	7
VALVE, CHARGE (ADJUSTABLE)	9107108	99
VALVE, CHECK	459743	117, 119, 121, 123
	9107075	97
	9107081	97
VALVE, FLOW CONTROL (1 GPM)	9107077	97
VALVE, FLOW CONTROL (3 GPM)	9107076	97
VALVE, PRESSURE RELIEF	9107078	97
VALVE, RELIEF	9107107	99
VALVE, RELIEF (BROOM MOTOR)	9107072	97
VALVE, SOLENOID CARTRIDGE	9107073	97

ALPHABETICAL INDEX

DESCRIPTION	PART NUMBER	PAGE
VALVE, SOLENOID CARTRIDGE (LIFT)	9107074	97
VALVE, SOLENOID CARTRIDGE (SWING)	9107080	97
VALVE, VACUATOR	9107079	97
	467514	63
WASHER	010299	17, 19, 75
	11322	70
	11323	69
	33114	69
	33115	69
	33800	69
	375992	35
WASHER (1.80 X 1.43 I.D. X .06" THK)	9104574	33
WASHER, FLAT (1/2")	011325	17, 19, 21, 33, 70
WASHER, FLAT (1/4")	011321	31, 67, 75, 95
WASHER, FLAT (3/8")	011031	117, 119, 121, 123
	011323	17, 19, 21, 31, 41, 45, 57
WASHER, FLAT (5/16")	010579	13, 65
	011322	29, 41, 43, 51, 67, 127
WASHER, HYDRAULIC DISCONNECT	9102976	11
WASHER, LOCK	173192	69
	173193	69
WASHER, LOCK (1/2")	011643	9, 11, 17, 19, 105
WASHER, LOCK (1/4")	010280	117, 119, 121, 123
WASHER, LOCK (3/8")	011023	17, 19, 21, 23, 25, 69
WASHER, LOCK (5/16")	010561	65, 127
WASHER, PIN RETAINER (2" X 1/2" X 1/8")	459842	35, 70
WASHER, THRUST (.125 X 2.50 X 1.765")	376327	35
WHEEL DRIVE MOTOR ASSEMBLY	9103730(001)	9, 90
WHEEL, STEERING	100094	45
WRENCH, HUB	366914	11

Discount Equipment

Discount-Equipment.com is your online resource for commercial and industrial quality parts and equipment sales.

Locations:

Florida (West Palm Beach): [561-964-4949](tel:561-964-4949)

Outside Florida TOLL FREE: [877-690-3101](tel:877-690-3101)

Need parts? Check out our website at www.discount-equipment.com

Can't find what you need?

Click on this link: <http://www.discount-equipment.com/category/5443-parts/> and fill out the request form.

Please have the machine model and serial number available in order to help us get you the correct parts. One of our experienced staff members will get back to you with a quote for the right part that your machine needs.

We sell worldwide for the brands: Genie, Terex, JLG, MultiQuip, Mayco, Toro/Stone, Diamond Products, Magnum, Airman, Mustang, Power Blanket, Nifty Lift, Atlas Copco, Chicago Pneumatic, Allmand Brothers, Essick, Miller Spreader, Skyjack, Lull, Skytrak, Tsurumi, Husquvarna/Target, Whiteman-Concrete/Mortar, Stow-Concrete/Mortar, Baldor, Wacker, Sakai, Snorkel, Upright, Mi-T-M, Sullair, Neal, Basic, Dynapac, MBW, Weber, Bartell, Bennar Newman, Haulotte, Ditch Runner, Blaw-Knox, Himoina, Best, Buddy, Crown, Edco, Wyco, Bomag, Laymor, Terremite, Barreto, EZ Trench, Takeuchi, Basic, Bil-Jax, Curtis, Gehl, Heli, Honda, ICS/PowerGrit, Puckett, Waldon, ASV, IHI, Partner, Imer, Clipper, MMD, Koshin, Rice, Gorman Rupp, CH&E, Cat Pumps, Comet, General Pump, Giant, AMida, Coleman, NAC, Gradall, Square Shooter, Kent, Stanley, Tamco, Toku, Hatz, Kohler, Robin, Wisconsin, Northrock, Oztec, Toker TK, Rol-Air, Small Line, Wanco, Yanmar

New Equipment - Used Equipment - Rental Equipment - Parts and Accessories

Discount Equipment

www.discount-equipment.com

561-964-4949

Parts: wbparts@Discount-Equipment.com

Sales: info@Discount-Equipment.com