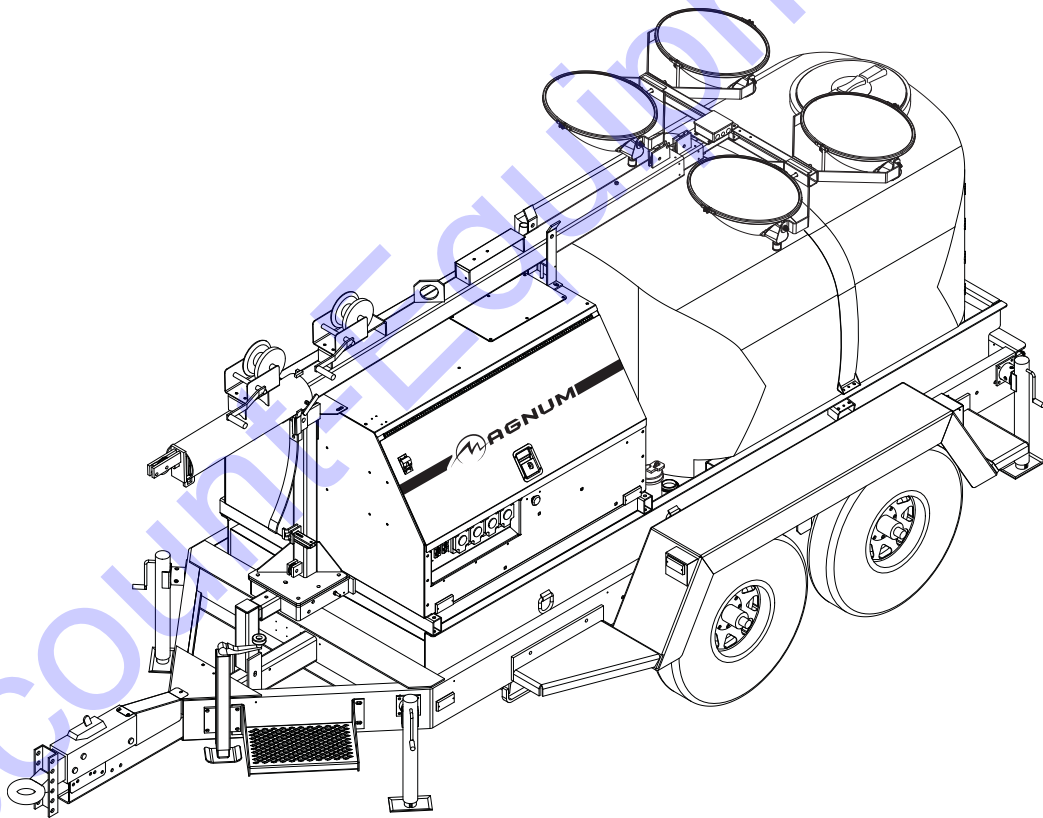




MAGNUM™

POWER PRODUCTS LLC

COMBINATION LIGHT TOWER GENERATOR & WATER TRAILER MTT20 PARTS MANUAL



www.discount-equipment.com

Discount Equipment

Discount-Equipment.com is your online resource for commercial and industrial quality parts and equipment sales.

Locations:

Florida (West Palm Beach): [561-964-4949](tel:561-964-4949)

Outside Florida TOLL FREE: [877-690-3101](tel:877-690-3101)

Need parts? Check out our website at www.discount-equipment.com

Can't find what you need?

Click on this link: <http://www.discount-equipment.com/category/5443-parts/> and fill out the request form.

Please have the machine model and serial number available in order to help us get you the correct parts. One of our experienced staff members will get back to you with a quote for the right part that your machine needs.

We sell worldwide for the brands: Genie, Terex, JLG, MultiQuip, Mayco, Toro/Stone, Diamond Products, Magnum, Airman, Mustang, Power Blanket, Nifty Lift, Atlas Copco, Chicago Pneumatic, Allmand Brothers, Essick, Miller Spreader, Skyjack, Lull, Skytrak, Tsurumi, Husquvarna/Target, Whiteman-Concrete/Mortar, Stow-Concrete/Mortar, Baldor, Wacker, Sakai, Snorkel, Upright, Mi-T-M, Sullair, Neal, Basic, Dynapac, MBW, Weber, Bartell, Bennar Newman, Haulotte, Ditch Runner, Blaw-Knox, Himoina, Best, Buddy, Crown, Edco, Wyco, Bomag, Laymor, Terremite, Barreto, EZ Trench, Takeuchi, Basic, Bil-Jax, Curtis, Gehl, Heli, Honda, ICS/PowerGrit, Puckett, Waldon, ASV, IHI, Partner, Imer, Clipper, MMD, Koshin, Rice, Gorman Rupp, CH&E, Cat Pumps, Comet, General Pump, Giant, AMida, Coleman, NAC, Gradall, Square Shooter, Kent, Stanley, Tamco, Toku, Hatz, Kohler, Robin, Wisconsin, Northrock, Oztec, Toker TK, Rol-Air, Small Line, Wanco, Yanmar

New Equipment - Used Equipment - Rental Equipment - Parts and Accessories

Discount Equipment

www.discount-equipment.com

561-964-4949

Sales: info@Discount-Equipment.com

Parts: wbparts@Discount-Equipment.com

INTRODUCTION

Before servicing this machine, make sure the engine start switch is turned to off "O", the circuit breakers are open (off, "O"), and the negative (-) terminal on battery is disconnected. Attach a "DO NOT START" sign to the control panel. This will notify everyone that the unit is being serviced and will reduce the chance of someone inadvertently trying to start the unit.

Engine Make: _____
Engine Serial Number: _____
Engine Model Number: _____
Generator Make: _____
Generator Model Number: _____
Generator Serial Number: _____
Unit Model Number: _____
Unit Serial Number: _____

▲ WARNING

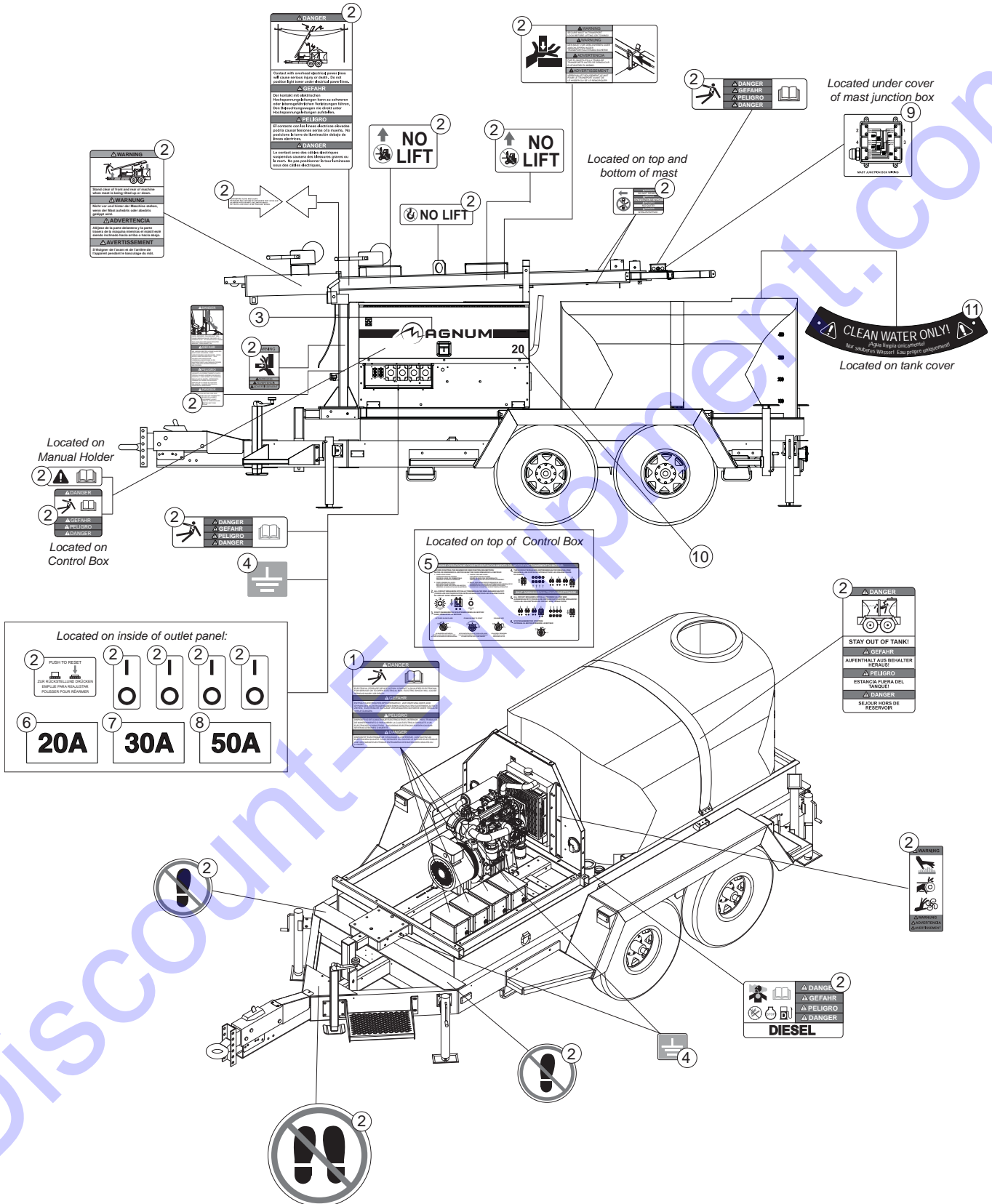
CALIFORNIA PROPOSITION 65 WARNING:

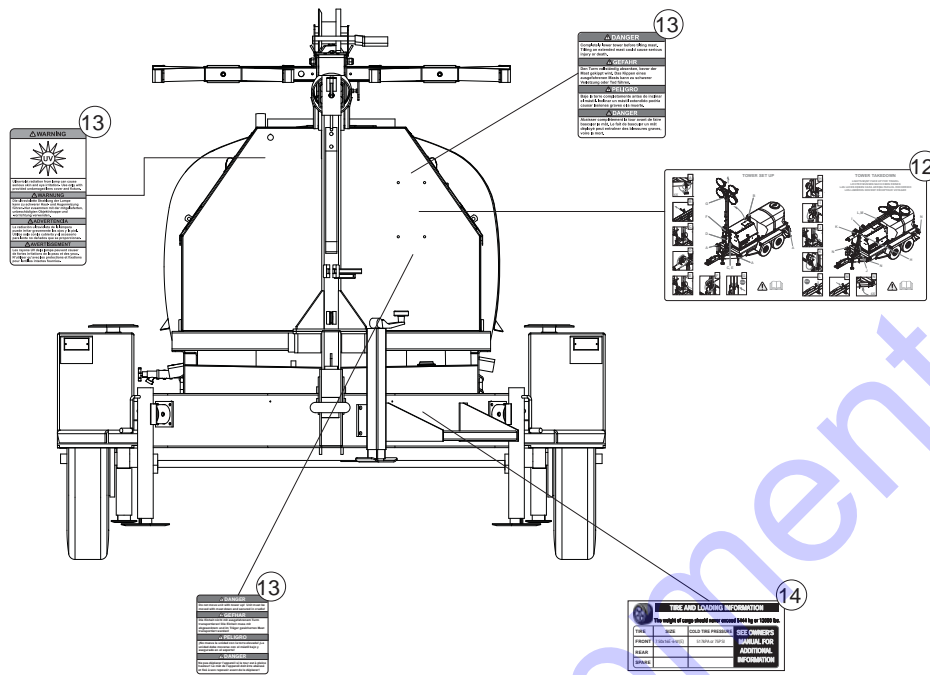
Diesel engine exhaust and some of its constituents are known to the state of California to cause cancer, birth defects and other reproductive harm.

TABLE OF CONTENTS

	Page
INTRODUCTION	2
TABLE OF CONTENTS	3
UNIT DECALS	4 - 6
METAL HALIDE BALLAST BOX ASSEMBLY	7
MANUAL WINCH MAST ASSEMBLY	8 - 9
ELECTRIC WINCH MAST ASSEMBLY	10 - 11
OVAL LIGHT ASSEMBLY	12 - 13
MAST JUNCTION BOX ASSEMBLY - HARD WIRED LIGHTS	14
MAST JUNCTION BOX ASSEMBLY - QUICK DISCONNECT LIGHTS	15
AUXILIARY OUTLET PANEL ASSEMBLY	16 - 17
AUXILIARY OUTLET PANEL OPTIONS	18 - 19
ENCLOSURE ASSEMBLY	20 - 21
LIGHT TOWER FRAME ASSEMBLY	22
WATER TANK ASSEMBLY	23
FUEL TANK AND MANIFOLD ASSEMBLY	24 - 25
WATER PUMP ASSEMBLY	26 - 27
COOLING SYSTEM ASSEMBLY	28 - 29
ENGINE ASSEMBLY	30 - 31
CONTROL BOX ASSEMBLY	32 - 33
GENERATOR ASSEMBLY	34
TRAILER BRAKE LINES	35
TRAILER ASSEMBLY	36 - 39

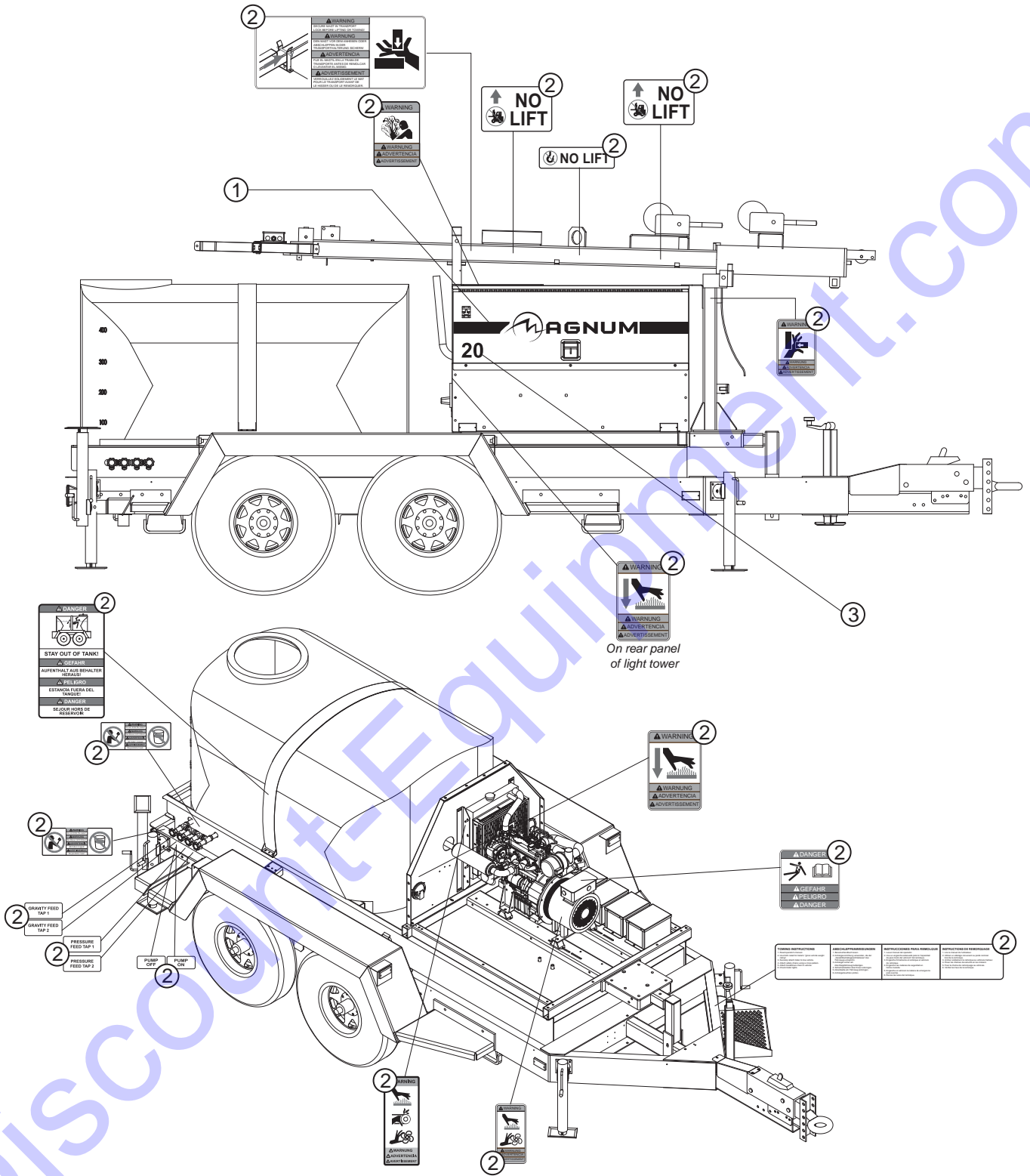
UNIT DECALS





ITEM	PART	QTY	DESCRIPTION	NOTES
1	10518	4	Decal, electrical storage device	
2	40065	1	Decal, MTT safety	
3	16488	1	Decal, Magnum logo w/ red stripe	
4	12142	2	Decal, ground	
5	40067	1	Decal, MTT starting instructions	
6	22960	1	Decal, breaker 20A	
7	23203	2	Decal, breaker 30A	
8	23204	2	Decal, breaker 50A	
9	13614	1	Decal, mast junction box wiring 4lt - new wago	
10	23316	1	Decal, number set 20	
11	40150	1	Plate, tank cover safety	
12	40066	1	Decal, MTT set-up	
13	40065	1	Decal, MTT safety	
14	29005	1	Decal, tire load	

UNIT DECALS

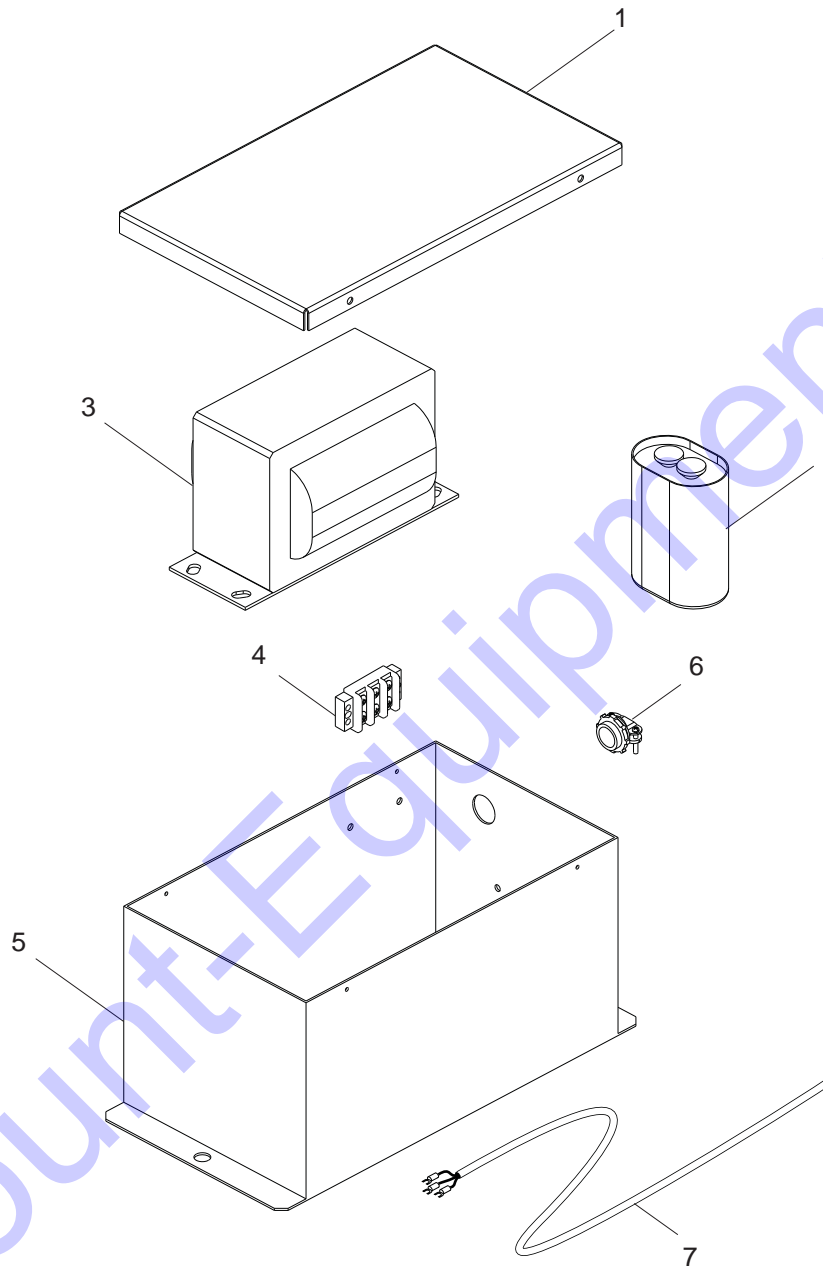


ITEM	PART	QTY	DESCRIPTION	NOTES
1	16488	1	Decal, Magnum logo w/ stripe red	
2	40065	1	Decal, MTT safety	
3	23316	1	Decal, number set 20	

METAL HALIDE BALLAST BOX ASSEMBLY

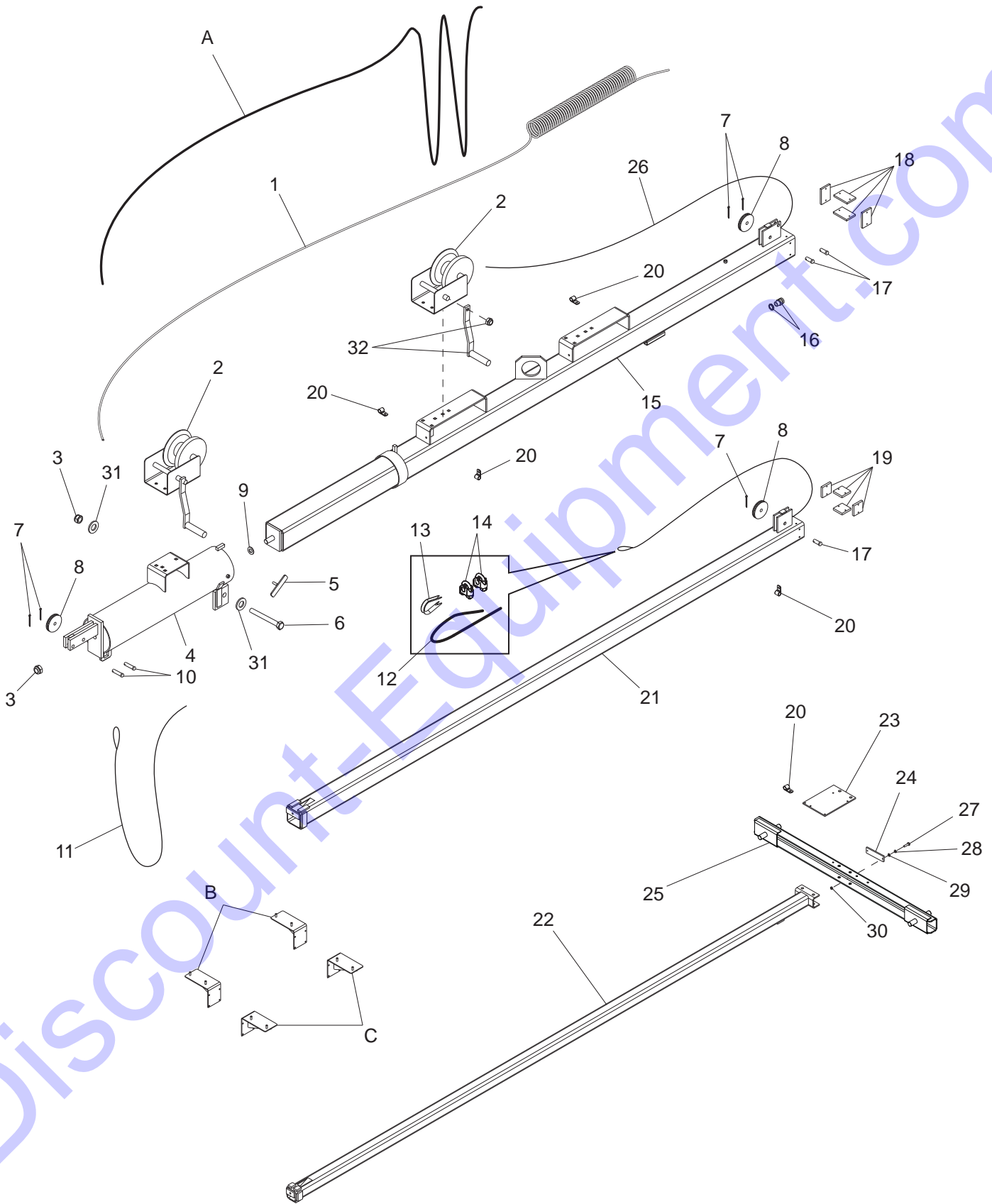
▲ WARNING

Do not mix metal halide and high pressure sodium ballast parts!

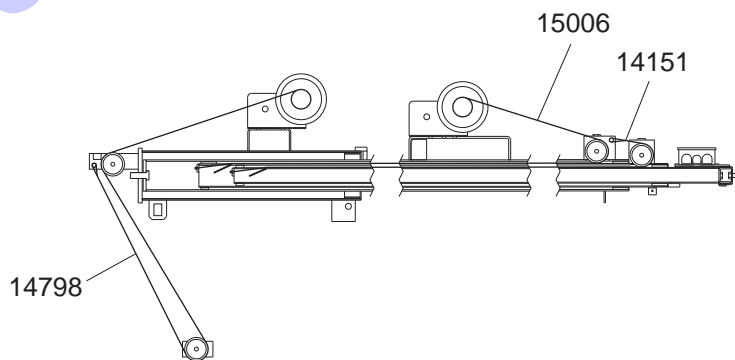


ITEM	PART	QTY	DESCRIPTION	NOTES
1	11079	1	Cover, ballast box	
2	14679	1	Capacitor, metal halide	
3	11166	1	Transformer, metal halide	
4	14158	1	Block, terminal	
5	11078	1	Box, ballast	
6	14202	1	Strain relief, 3/8"	
7	16214	1	Assembly, ballast cable	
-	10227	1	Assembly, transformer & cap set	

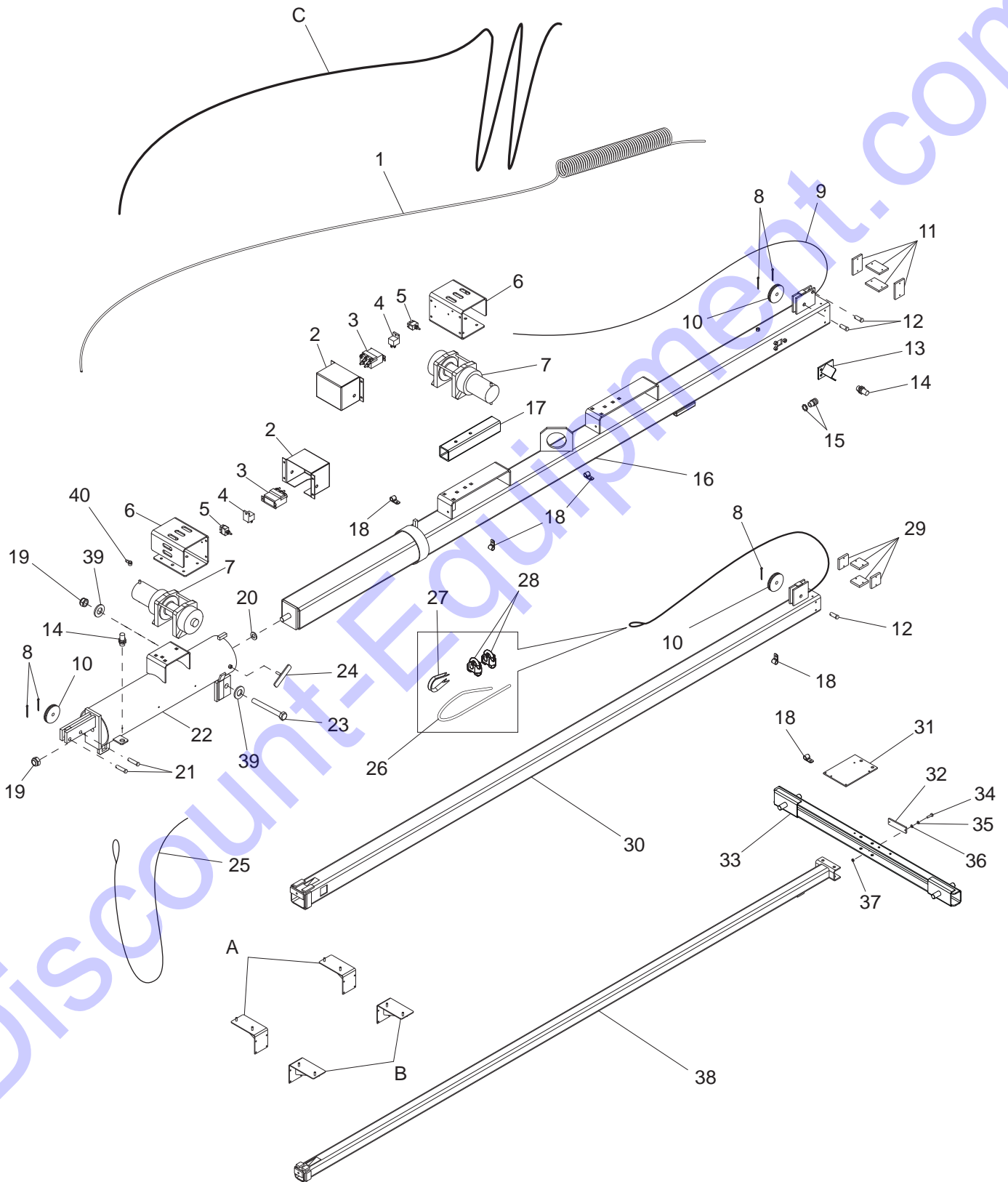
MANUAL WINCH MAST ASSEMBLY



ITEM	PART	QTY	DESCRIPTION	NOTES
1	11954	1	Coil cord, mast	
2	16600	2	Winch, manual	
3	60584	2	Nut, .750-10 nylock G5 yellow zinc	
4	11902B	1	Weldment, mast tube	
5	11649Z	1	Weldment, t-bolt	
6	15292	1	Screw, .750-10X6.500 hx hd SS	
7	15380	4	Pin, cotter - .125X1.250	
8	14262	2	Sheave, 3 in.	
9	60247	1	Washer, flat .750	
10	14234	2	Pin, clevis .500 x 2.00	
11	14798	1	Cable, .188 in. X 16 ft. steel w/teardrop	
12	14151	1	Cable, .188 in. X 11 ft. steel w/ball swedge	
13	15003	1	Thimble, cable - .188	
14	15002	2	Clip, wire rope .188	
15	11933B	1	Weldment, mast - 4.00	
16	14871	1	Strain, relief- .50 npt, .50 cord, w/tight non usmc	
17	15015	3	Pin, clevis .500 x 1.25	
18	15014	4	Shim, 2 x 3 x .281 GSM	
19	15013	4	Shim, 2 x 2 x .344 GSM	
20	16143	5	Clamp, tubing .500	
21	11934B	1	Weldment, mast - 3.00	
22	16257B	1	Weldment, mast - 2.00	
23	12095B	1	Bracket, junction box	
24	15829	1	Reflector, red	
25	13527B	1	Weldment, mast crossbar (3/4" studs)	
26	15006	1	Cable - .188 in. X 27 ft. galv steel w/swedge	
27	60397	1	Screw, 10-32X1.000 pan hd phil	
28	60252	2	Washer, split lock #10	
29	60237	2	Washer, flat #10	
30	14231	2	Nut, 10-32 hx	
31	60744	2	Washer, flat .750ID/1.25OD/.06th delrin	
32	15623	2	Winch handle, 9.00 in long	
A	15612	1	Cable, 16-7 cold mast drape	Option
B	13869B	2	Weldment, light storage (RH oval light)	Option
C	13870B	2	Weldment, light storage (LH oval light)	Option

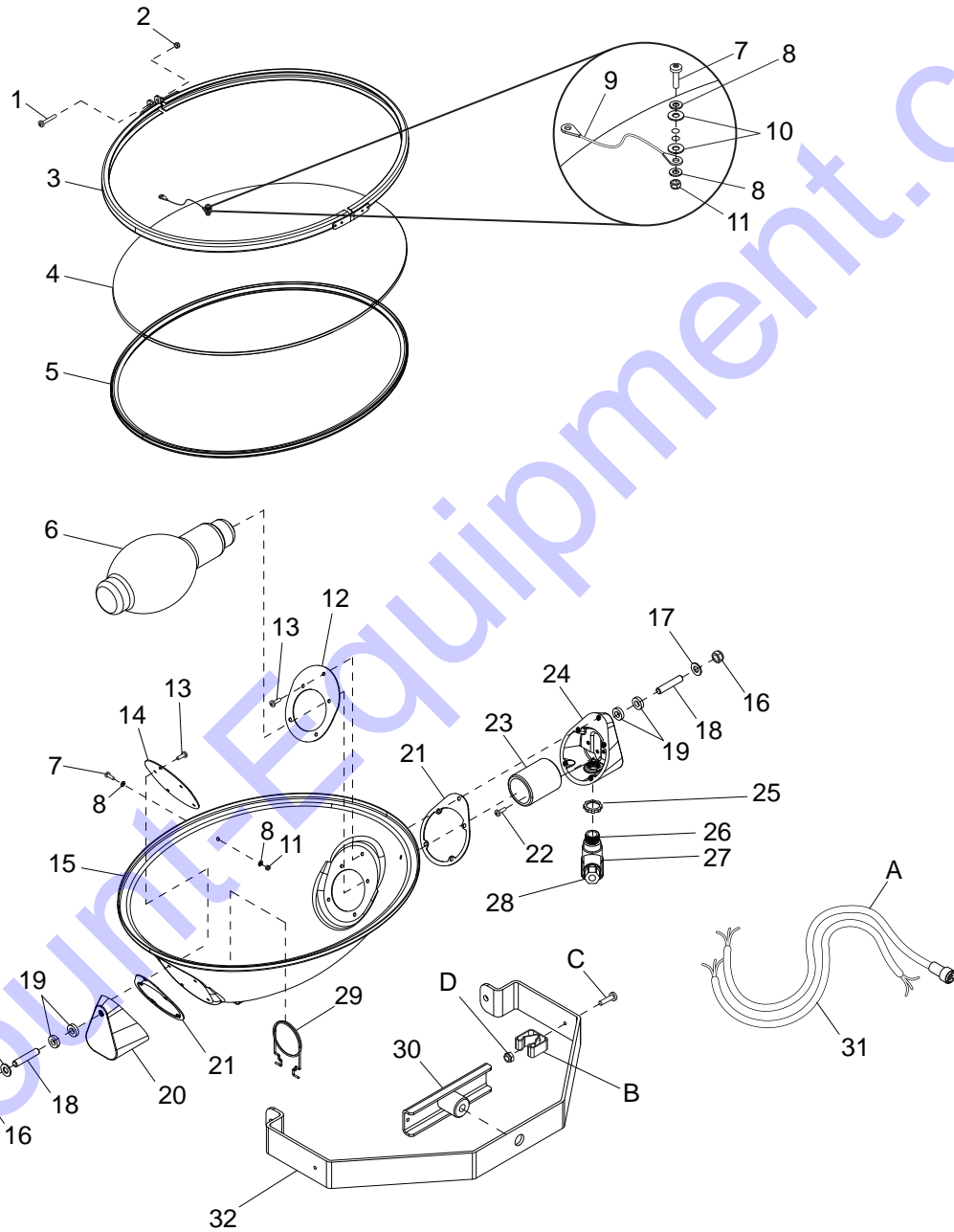


ELECTRIC WINCH MAST ASSEMBLY



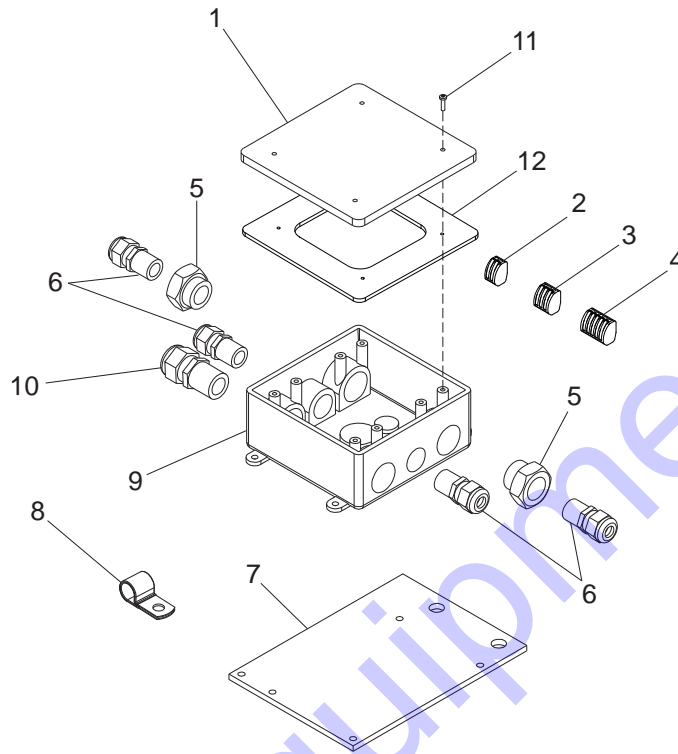
ITEM	PART	QTY	DESCRIPTION	NOTES
1	11954	1	Coil cord	
2	12875B	2	Cover, winch contactor	
3	11293	2	Contactora, electric winch - warn	
4	65049	2	Relay, 12V 30/40A N.O. w/diode	
5	65707	2	Switch, toggle - SPDT spring weatherproof	
6	12872B	2	Bracket, winch mounting	
7	12874	2	Winch, electric - 770 lb. hoist	
8	15380	5	Pin, cotter - .125X1.250	
9	15006	1	Cable, .188 in. x 27 ft. w/ball swedge	
10	14262	3	Sheave, 3 in.	
11	15014	4	Shim, 2 x 3 x .281 GSM	
12	15015	3	Pin, clevis .500 x 1.25	
13	65510B	1	Bracket, sensor mtg	
14	65511	2	Sensor, proximity	
15	14871	1	Strain, relief- .50 npt, .50 cord, w/tight non usmc	
16	12085B	1	Weldment, 4.00 mast - Electric Winch	
17	11967B	1	Channel, electric winch mount	
18	16143	2	Clamp, tubing .500	
19	60584	2	Nut, .750-10 nylock G5 yellow zinc	
20	60247	1	Washer, flat .750	
21	14234	2	Pin, clevis .500 x 2.00	
22	12876B	1	Weldment, mast tube - Electric Winch	
23	15292	1	Screw, 750-10 x 6.50 hx hd SS	
24	11649Z	1	Weldment, t-bolt	
25	14798	1	Cable - .188 in. X 16 ft. steel w/teardrop	
26	14151	1	Cable - .188 in. X 11 ft. steel w/swedge	
27	15003	1	Thimble, cable - .188	
28	15002	2	Clip, wire rope - .188 single saddle	
29	15013	4	Shim, 2 x 2 x .344 GSM	
30	12084B	1	Weldment, 3.00 mast	
31	12095	1	Bracket, junction box	
32	15829	1	Reflector, red	
33	13527B	1	Weldment, mast crossbar (3/4" studs)	
34	60397	1	Screw, 10-32X1.000 pan hd phil	
35	60252	2	Washer, split lock #10	
36	60237	2	Washer, flat #10	
37	14231	2	Nut, 10-32 hx	
38	16257B	1	Weldment, mast - 2"	
39	60744	2	Washer, flat .750ID/1.25OD/.06th delrin	
40	12922	4	Boot, battery cable - red	
A	13869B	2	Weldment, light storage	Option
B	13870B	2	Weldment, light storage	Option
C	15612	1	Cable, 16-7 cold mast drape	Option

OVAL LIGHT ASSEMBLY



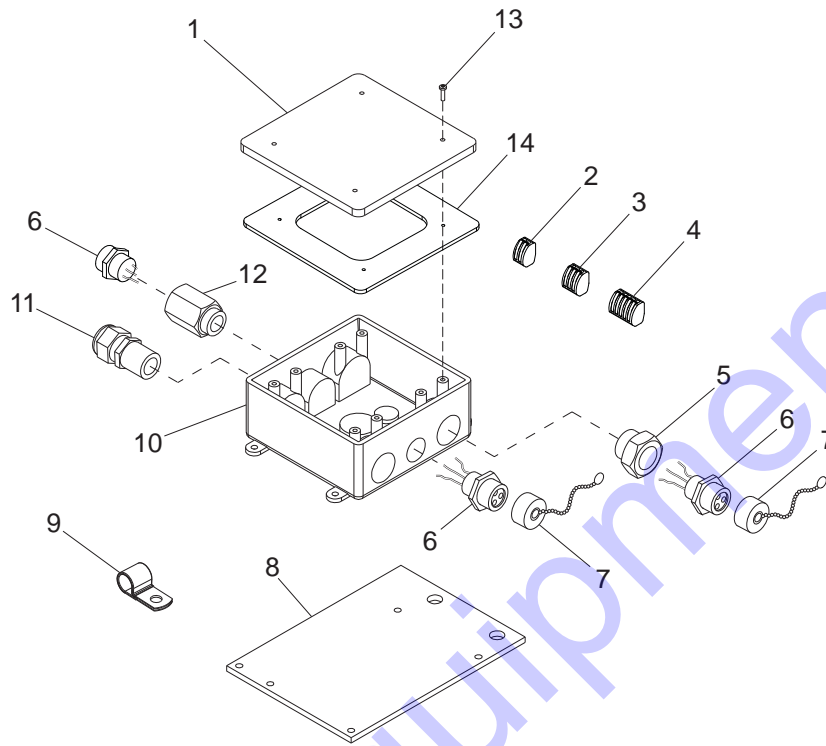
ITEM	PART	QTY	DESCRIPTION	NOTES
1	60304	1	Screw, M5 x 25 pan hd phillips	
2	60447	1	Nut, M5 nylock	
3	13367	1	Assembly, aluminum ring	
4	13369	1	Lens, glass oval	
5	13373	1	Gasket, lens oval	
6	11391	1	Bulb, 1000W MH short length	
7	13399	2	Screw, M4 x 18 pan hd phillips	
8	60067	4	Washer, #10 flat .435/.060 SS	
9	13370	1	Assembly, tether	
10	13372	2	Washer, #4 nylon	
11	60051	2	Nut, M4 nylock	
12	13376	1	Bracket, socket end plate	
13	13388	10	Screw, M5 x 12 slotted hex w/flange	
14	13377	1	Bracket, end plate	
15	13366	1	Housing	
16	60307	2	Nut, 500-13 nyk G5 ZC	
17	60309	2	Washer, .500 flat 1.060/.090 ZC SAE	
18	13392	2	Stud, trunnion	
19	13390	4	Washer, nylon (for part number 13392)	
20	13374	1	Support, housing/trunnion	
21	13378	2	Gasket, silicone	
22	13393	2	Screw, M5 x 12 phillips green	
23	13381	1	Socket, bulb	
24	13375	1	Support, housing/trunnion	
25	15861	1	Nut, special, .500 NPT lock (LN101SC)	
26	13386	1	Fitting, nipple	
27	13387	1	Connector, weather tight	
28	15864	1	Strain relief, .50 NPT watertight .270/.464 ID	
29	13892	1	Support, bulb - oval light	
30	13403	1	Handle, T - oval light (wing nut)	
31	13438	1	Cord, power hard wired	
32	13368	1	Trunnion, oval light	
--	13311	4	Assy, light fixture - 1000W hard wired	Items 1 - 32
A	13383	1	Cord, power quick disconnect	Option
B	19041	1	Clip, spring holder	Option
C	60398	1	Screw, 10-32X.500 pan phil18-8 ss	Option
D	60061	1	Nut, 10-32 nyk G5	Option
--	13601	4	Assy, light fixture/quick disconnect cord	Option

MAST JUNCTION BOX ASSEMBLY - HARD WIRED LIGHTS



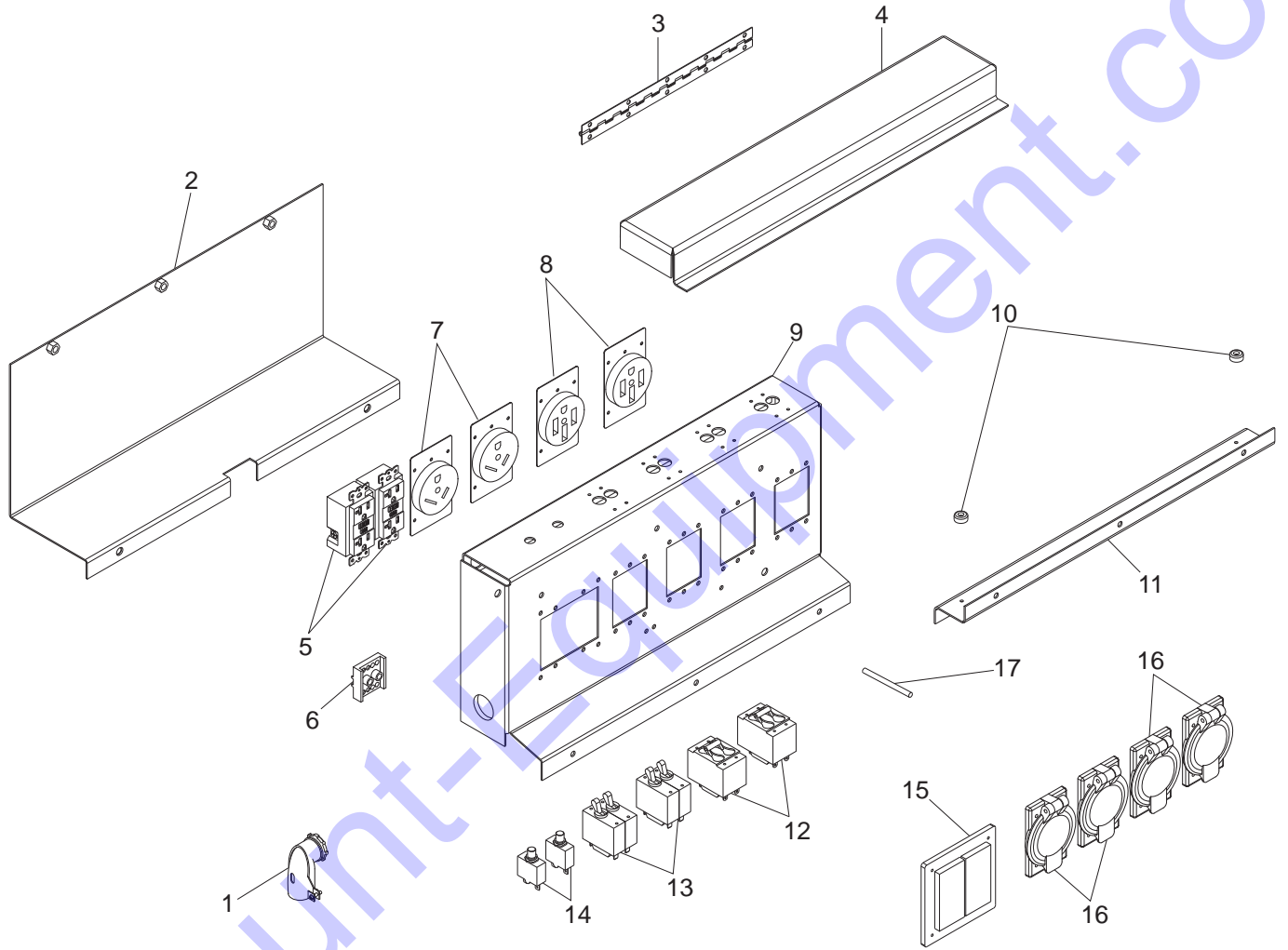
ITEM	PART	QTY	DESCRIPTION	NOTES
1	12109	1	Box cover, 2-gang plastic	
2	66100	4	Connector, 2 pos. Wago	
3	66101	2	Connector, 3 pos. Wago	
4	66102	1	Connector, 5 pos. Wago	
5	60755	2	Fitting, .750MNPT x .500FNPT nylon	
6	15864	4	Strain relief, .500NPT water tight	
7	12095B	1	Bracket, junction box	
8	16143	1	Clamp, tubing .500	
9	12094	1	Box, junction	
10	14656	1	Strain relief, .750NPT water tight	
11	60424	4	Screw, 6-32X.750 pan phil G2 ZC self threading	
12	13749	1	Gasket, junction box - HFI 281000	
-	11789	-	Assembly, mast junction box	

MAST JUNCTION BOX ASSEMBLY - QUICK DISCONNECT LIGHTS



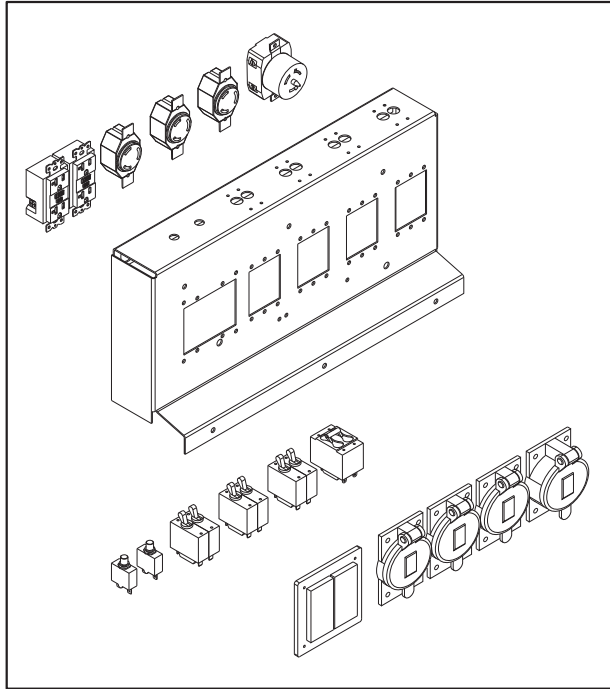
ITEM	PART	QTY	DESCRIPTION	NOTES
1	12109	1	Box cover, 2-gang plastic	
2	66100	4	Connector, 2 pos. Wago	
3	66101	2	Connector, 3 pos. Wago	
4	66102	1	Connector, 5 pos. Wago	
5	60755	2	Fitting, .750MNPT x .500FNPT nylon	
6	15403	4	Connector, quick disconnect (female)	
7	15404	4	Cap, receptacle w/chain	
8	12095B	1	Bracket, junction box	
9	16143	1	Clamp, tubing .500	
10	12094	1	Box, junction	
11	14656	1	Strain relief, .750NPT water tight	
12	12713	1	Fitting, adapter-1/2"-14 male to 1/2"-14 female	
13	60424	4	Screw, 6-32X.750 pan phil G2 ZC self threading	
14	13749	1	Gasket, junction box - HFI 281000	
-	11957	-	Assembly, mast junction box	

AUXILIARY OUTLET PANEL ASSEMBLY

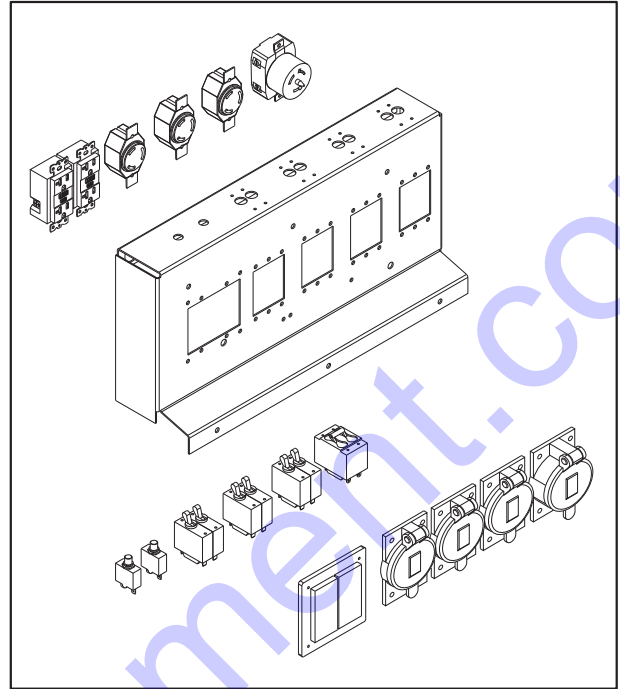


ITEM	PART	QTY	DESCRIPTION	NOTES
1	65535	1	Clamp, 90° 3/4" 2 screw	
2	12248B	1	Weldment, outlet cover	
3	10081	1	Hinge, continuous - 11.00 in.	
4	11484B	1	Cover, breaker	
5	14130	2	Receptacle, 120V/20A GFCI	
6	65530	2	Block, terminal - 2 pole lug type, 7 pos./pole	
7	65489	2	Receptacle, 120V/30A (TT-30R) RV	
8	65815	2	Receptacle, 240V/50A RV (14-50R)	
9	12246B	1	Weldment, outlet panel	
10	15215	2	Rubber bumper	
11	11485B	1	Angle, mounting support	
12	65492	2	Breaker, 50A, 250V, 2 pole aux contact	
13	65851	2	Breaker, 30A, 250V, 2 pole, screw term w/ aux	
14	65849	2	Breaker, 20A, 120V, 1-pole, push button	
15	15849	1	Cover, receptacle - weather proof	
16	65520	4	Cover, receptacle - weather proof 50A 3-wire	
17	18992	1	Stud, ground	
--	13893	1	Receptacle panel (2x5-20R, 2xTT-30R, 2x14 - 50)	

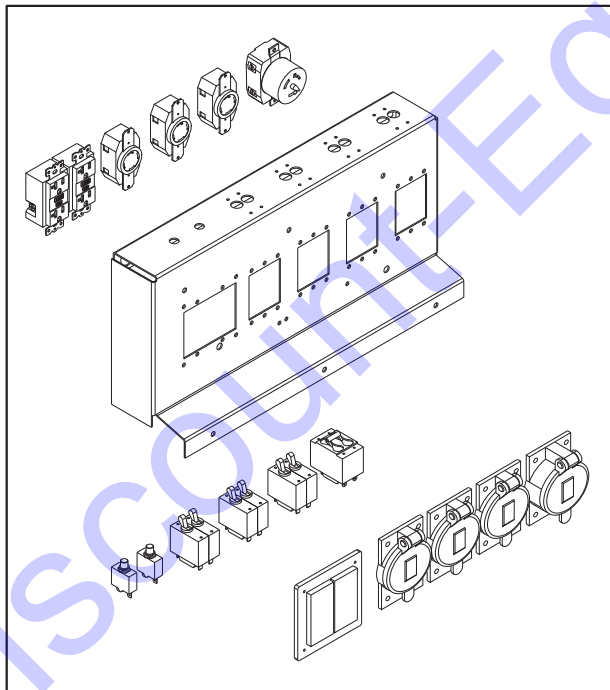
AUXILIARY OUTLET PANEL OPTIONS



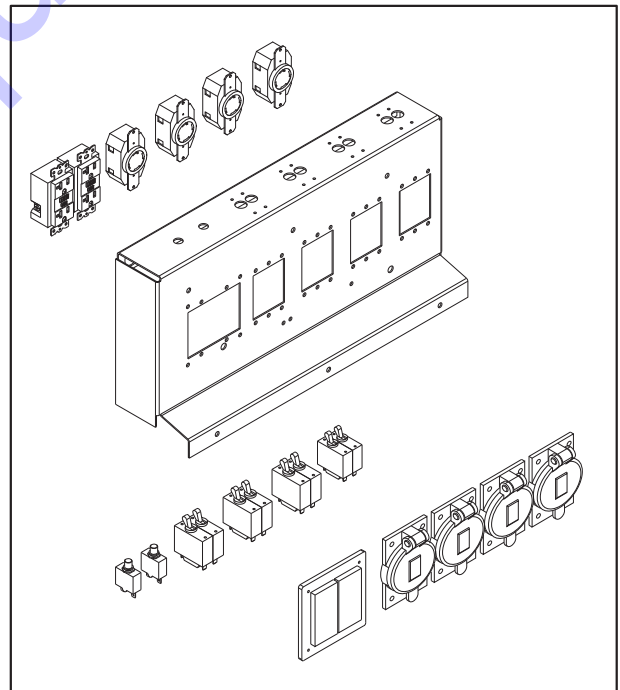
PART NUMBER 12399
Receptacle Panel (2x5-20R, 3xL6-30R, 1x50A)



PART NUMBER 12402
Receptacle Panel (2x5-20R, 3xL6-20R, 1x50A)

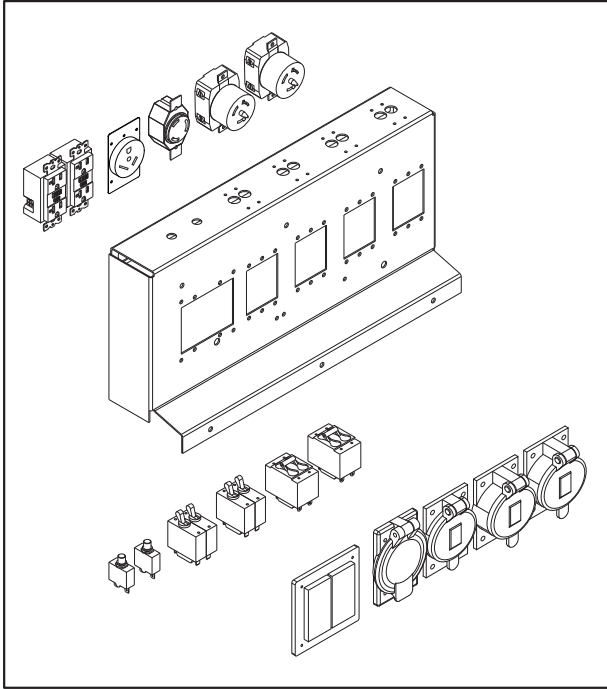


PART NUMBER 12400
Receptacle Panel (2x5-20R, 3xL14-30R, 1x50A)



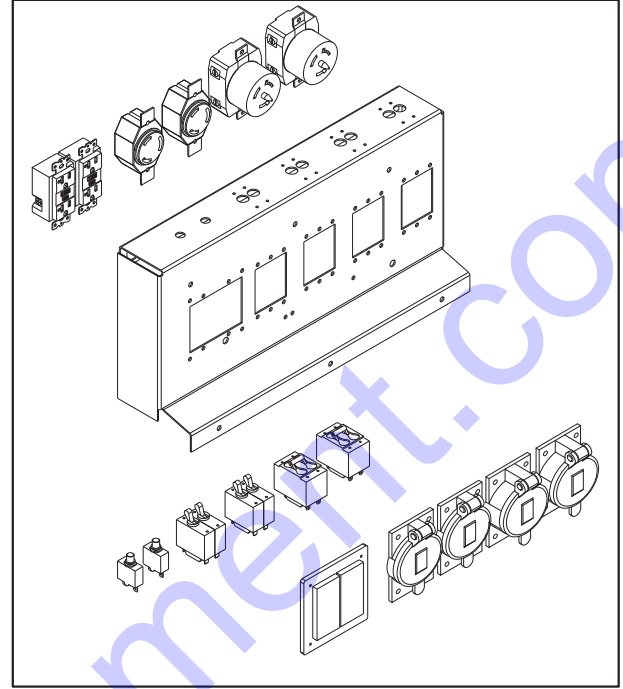
PART NUMBER 12401
Receptacle Panel (2x5-20R, 4xL14-30R)

AUXILIARY OUTLET PANEL OPTIONS



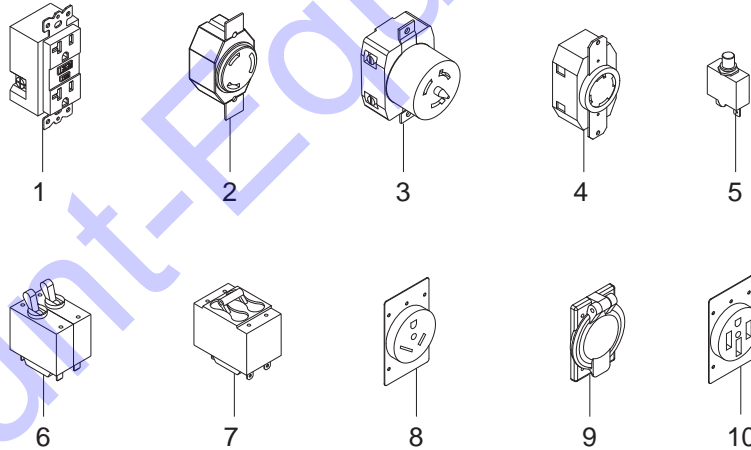
PART NUMBER 13540

Receptacle Panel (2x5-20R, 1xTT-30R, 1xL6-30R, 2x50A)



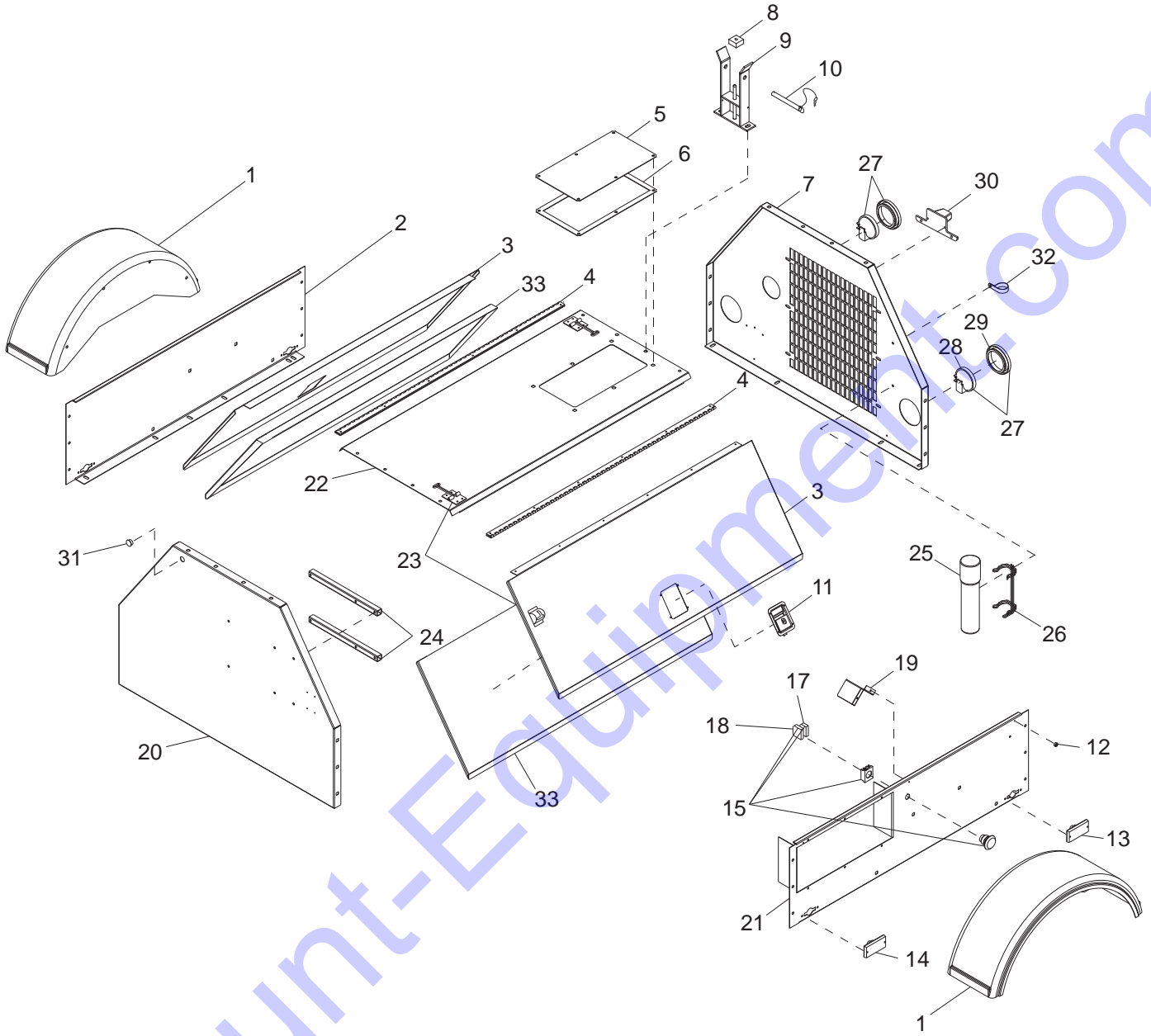
PART NUMBER 12398

Receptacle Panel (2x5-20R, 2xL6-30R, 2x50A)



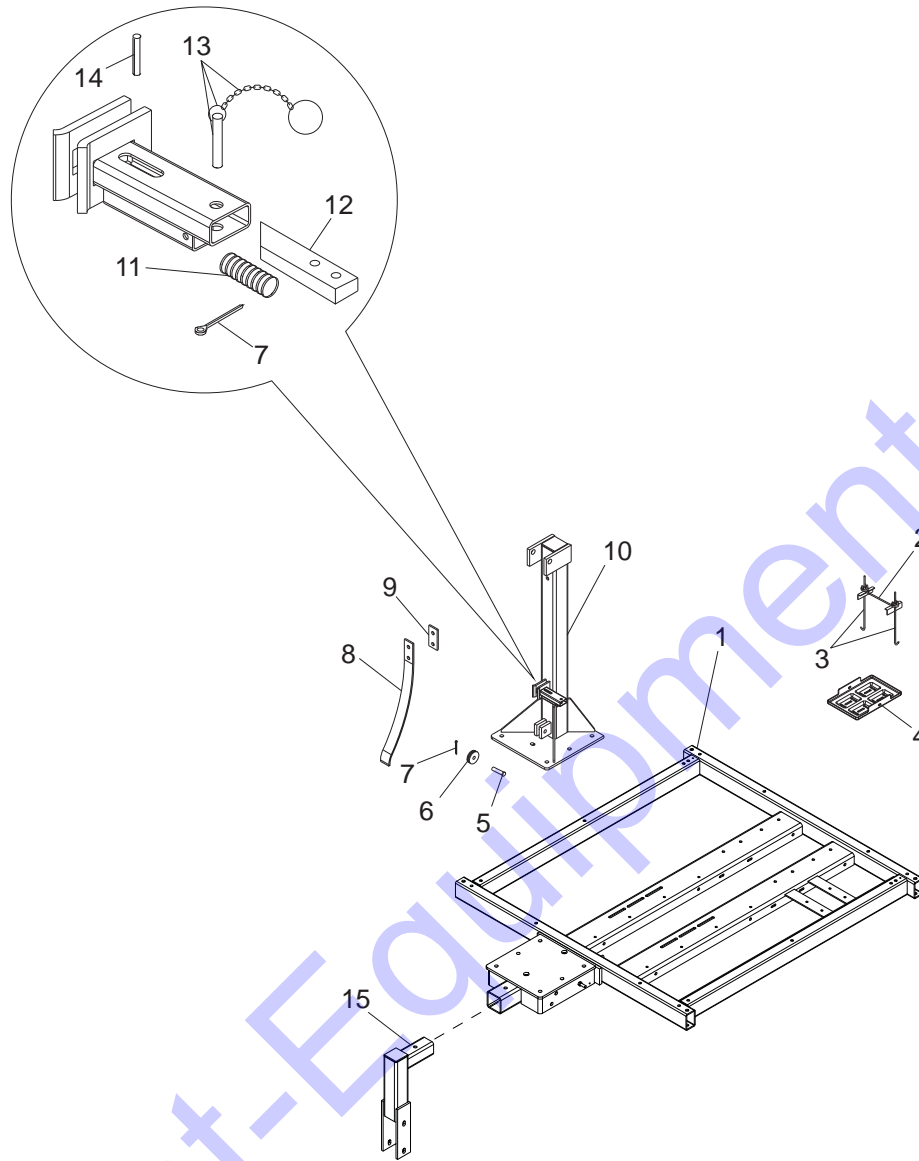
ITEM	PART	QTY	DESCRIPTION	NOTES
1	14130	2	Receptacle, 120V 20A GFCI	
2	14137	-	Receptacle, 240V 30A twist lock	
3	18089	-	Receptacle, 125/250V 50A twist lock	
4	65488	-	Receptacle, 240V 30A twist lock	
5	65849	2	Breaker, 20A, 120V, 1 pole, push button	
6	65851	2	Breaker, 30A 250V 2 pole (JA) screw term, w/aux	
7	65492	-	Breaker, 50A 250V 2 pole aux contact	
8	65489	1	Receptacle, 120V/30A (TT-30R) (RV)	
9	65520	1	Cover, receptacle - weather proof 50A 3-wire	
10	65815	-	Receptacle, 240V/50A (14-50R) (RV)	

ENCLOSURE ASSEMBLY



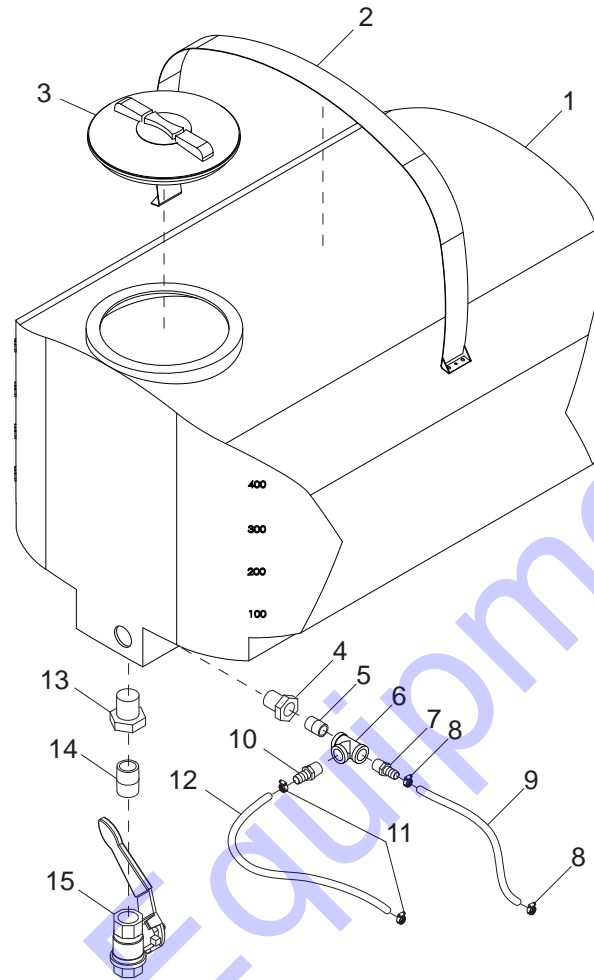
ITEM	PART	QTY	DESCRIPTION	NOTES
1	11381	2	Fender, plastic - single wall	
2	11507W	1	Panel, right side sheet metal	
3	16591W	2	Panel, door	
4	16598	2	Hinge, door - .188 pin, 48.5 long	
5	25333W	1	Panel, back access	
6	12195	1	Gasket radiator access plate	
7	10287W	1	Panel, rear - 4000 Isuzu	
8	11935	1	Pad, rubber 2.00 x 2.00 x 1.00	
9	12344ZN	1	Weldment, cradle - common mast	
10	16099	1	Assembly, cradle pin	
11	15123	2	Latch, paddle	
12	15215	6	Bumper, rubber	
13	65406	2	Light, clearance marker - red	
14	65407	2	Light, clearance marker - amber	
15	22550	1	Switch, e-stop, 2NO/1NC (assembly)	
16	65470	1	Switch, e-stop operator	
17	65580	1	Block, e-stop contactor - N.C.(low voltage)	
18	65584	1	Block, e-stop contactor - N.O / N.O	
19	12604	1	Bracket, e-stop guard	
20	12012W	1	Panel, front sheet metal	
21	12257W	1	Panel, left side sheet metal w/ e-stop	
22	10284W	1	Panel, roof w/access hole	
23	12605	2	Latch, door SS - T-style	
24	11543B	2	Spacer, control box	
25	11121	1	Tube, black manual holder, 14"	
26	11222	1	Bracket, manual holder	
27	10219	2	Assy, rear tail/turn light	
28	10220	2	Light, rear tail/turn, no grommet	
29	10221	2	Grommet, rear light, rubber 4.5"	
30	10223	1	Assy, license plate light/bracket	
31	60733	1	Plug, hole (white) - .875	
32	60716	3	Clamp, tubing - 1.50 lt duty	
33	11724	2	Foam, door	

LIGHT TOWER FRAME ASSEMBLY



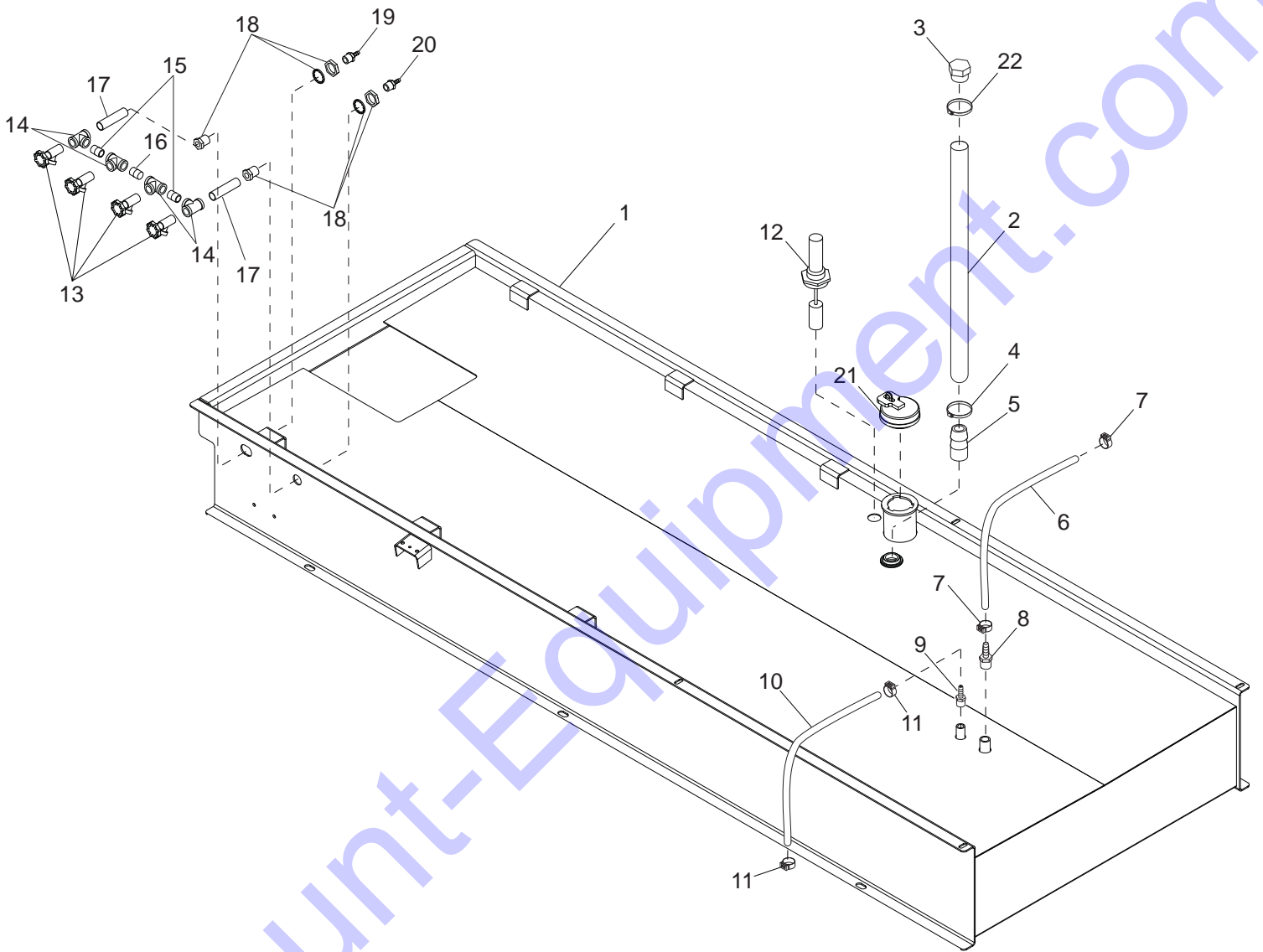
ITEM	PART	QTY	DESCRIPTION	NOTES
1	11563B	1	Weldment, chassis	
2	14682	1	Bracket, battery hold-down	
3	60820	2	Bolt, J - .250-20 X 9.00	
4	14145	1	Battery tray	
5	15015	1	Pin, clevis - .500 DIA X 1.250	
6	14261	1	Sheave - 2 in.	
7	15380	2	Pin, cotter - .125X1.250	
8	14845B	1	Spring, kickback - 50 lb.	
9	11554Z	1	Spacer plate - kick-back spring	
10	11057B	1	Weldment, mast post	
11	14275	1	Spring - 2.75	
12	14663Z	1	Bar, latch	
13	14403	1	Pin, catterless - .312 X 1.000	
-	60707	1	Chain, sash - no 8 stainless steel	
-	60706	1	Ring, split - 1.00 SS	
14	15165	1	Pin, roll - .250X1.250 plain	
15	13722B	1	Weldment, mast support	

WATER TANK ASSEMBLY



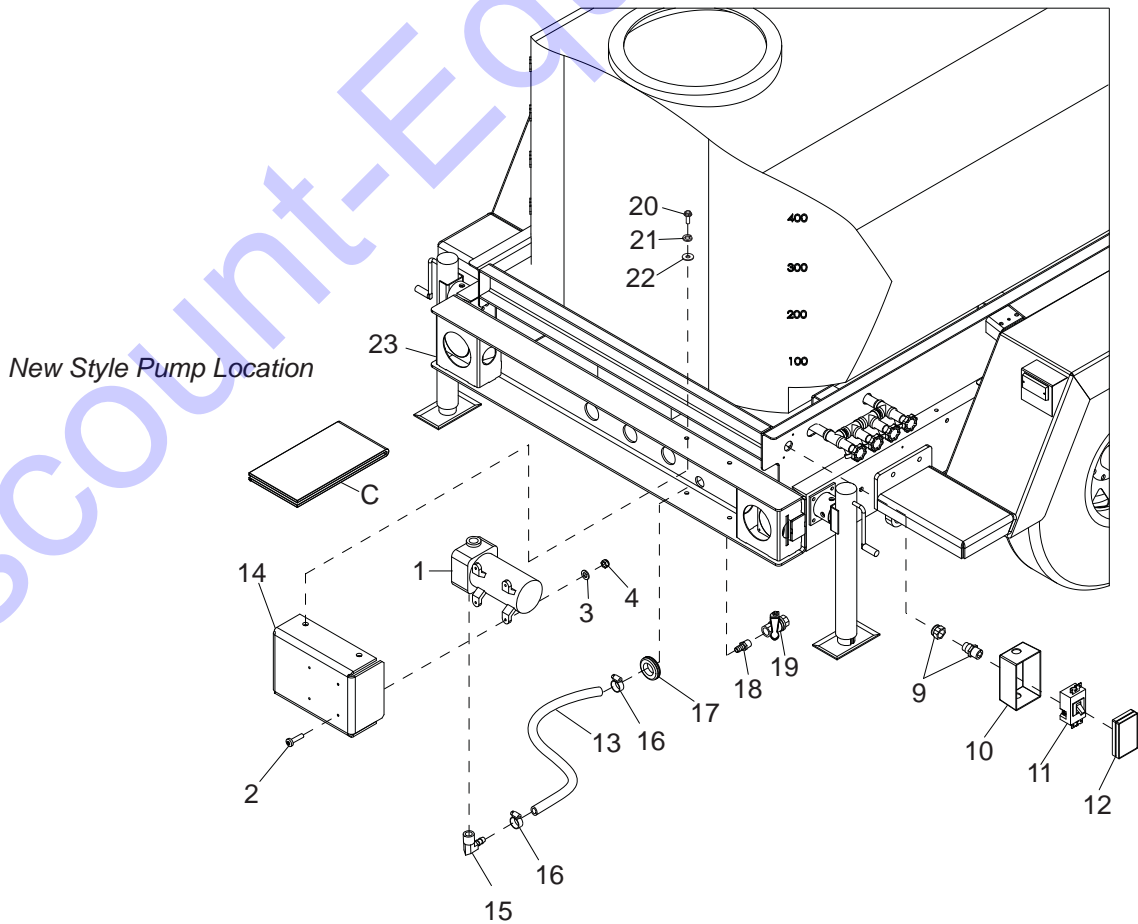
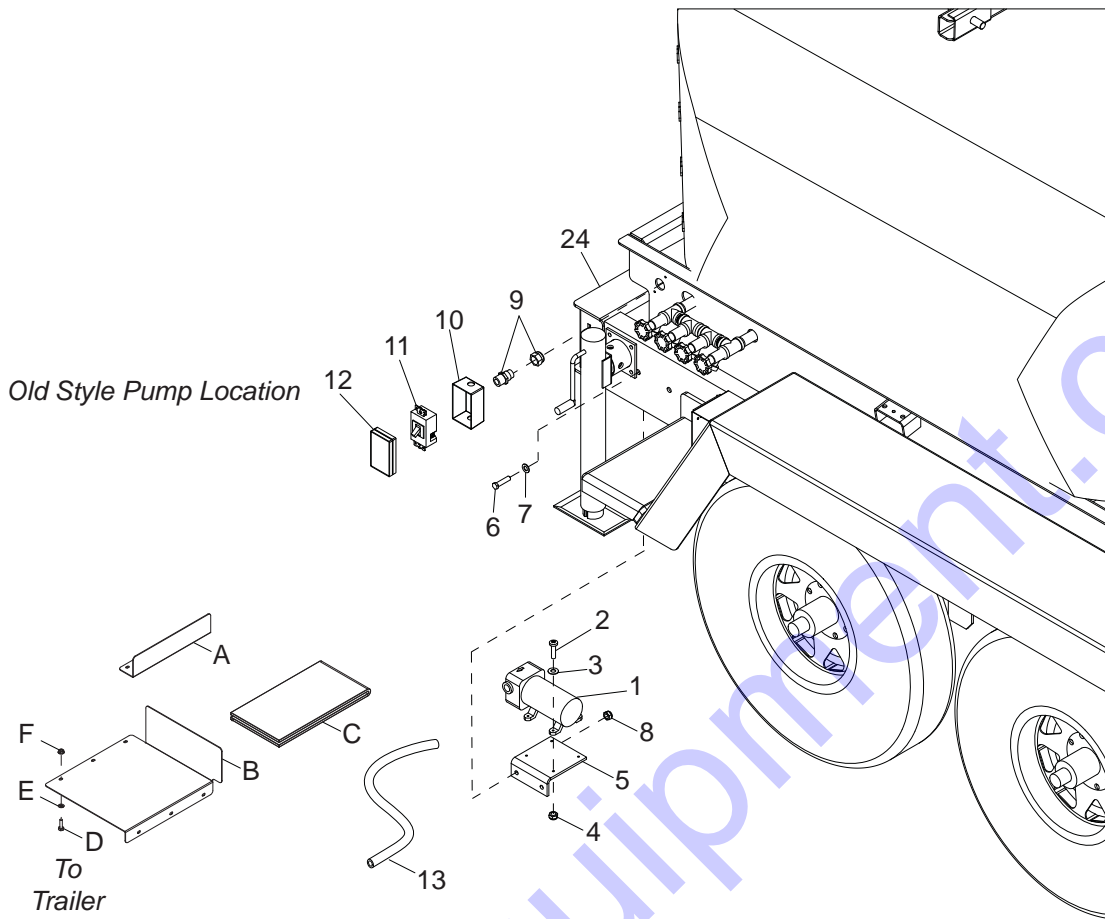
ITEM	PART	QTY	DESCRIPTION	NOTES
1	42605	1	Tank, water - 500 gallon black	
2	40789B	1	Weldment, tank strap	
3	40756	1	Cover, water tank - 16.00 MLT 0500	
4	24006	1	Fitting, reducer - 1.000 mnpt X .750fnpt bp	
5	25089	1	Fitting, nipple, pipe -.750npt X close	
6	61044	1	Fitting, tee - .750npt brs	
7	23810	1	Fitting, strt-.750npt X .750 barb bk nyl	
8	15422	2	Clamp, hose - sae 020 (.75-1.75)	
9	50332	1.33 ft.	Hose, fuel - .750 ID 175 psi sae 30R7	
10	40667	1.	Fitting, strt-.750mnpt X .500 barb brs	
11	19453	2	Clamp, hose - sae 006 (.37-.87)	
12	50206	1 ft.	Hose, fuel - .500 ID 50 psi sae 30R7	
13	40740	1	Fitting, bulkhead-2.000npt poly/3.000 hole	
14	21127	1	Pipe fitting, nipple, pipe - 2.000npt X close	
15	40229	1	Valve, ball 2.00 fnpt	

FUEL TANK AND MANIFOLD ASSEMBLY



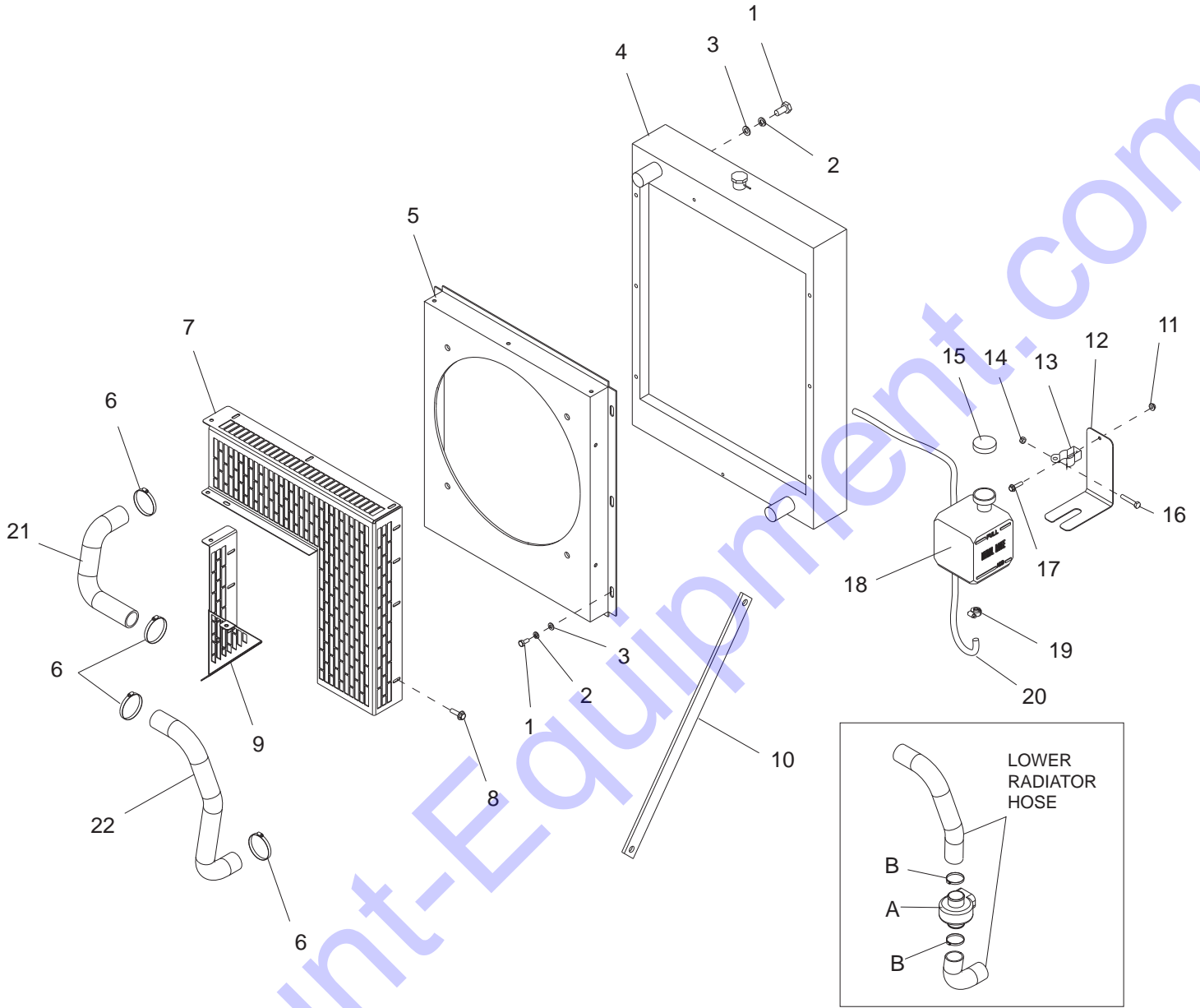
ITEM	PART	QTY	DESCRIPTION	NOTES
1	42616B	1	Weldment, fuel tank - MTT	
2	50169	3 ft.	Hose, 1.00" Goodyear chemigum class A - red	
3	26379	1	Vent, plastic fuel 1.00 I.D	
4	19338	1	Clamp, hose - SAE 016 (.68-1.50)	
5	21451	1	Fitting, strt-1.000mnpt X 1.000barb	
6	50018	5.5 ft.	Hose, fuel - .312 ID 50 PSI SAE 30R7	
7	60777	2	Clamp, hose - .312 fuel hose crimp style	
8	19180	1	Fitting, strt - .375mnpt X .312barb	
9	17896	1	Fitting, strt -.250npt X .188barb	
10	14211	4.5 ft.	Hose, fuel - .188 ID 50 PSI SAE 30R7	
11	60778	2	Clamp, hose - .188 fuel hose crimp style	
12	21129	1	Gauge, fuel - mechanical	
13	40234	4	Fitting, faucet .750npt brs	
14	61044	4	Fitting, tee-.750npt brs	
15	62027	2	Fitting, nipple, pipe-.750npt X close brs	
16	66104	1	Fitting, nipple, pipe-.750npt X close plugged brs	
17	62026	2	Fitting, nipple, pipe-.750npt X 4.00 brs	
18	62023	2	Fitting, bulkhead - .75fnpt X .75fnpt brs	
19	23810	1	Fitting, strt-.750npt X .750 barb bk nyl	
20	40667	1	Fitting, strt-.750mnpt X .500 barb brs	
34	23707	1	Cap, fuel fill- 3.50	
35	62040	1	Clamp, hose - 1.5" fuel hose crimp style	

WATER PUMP ASSEMBLY



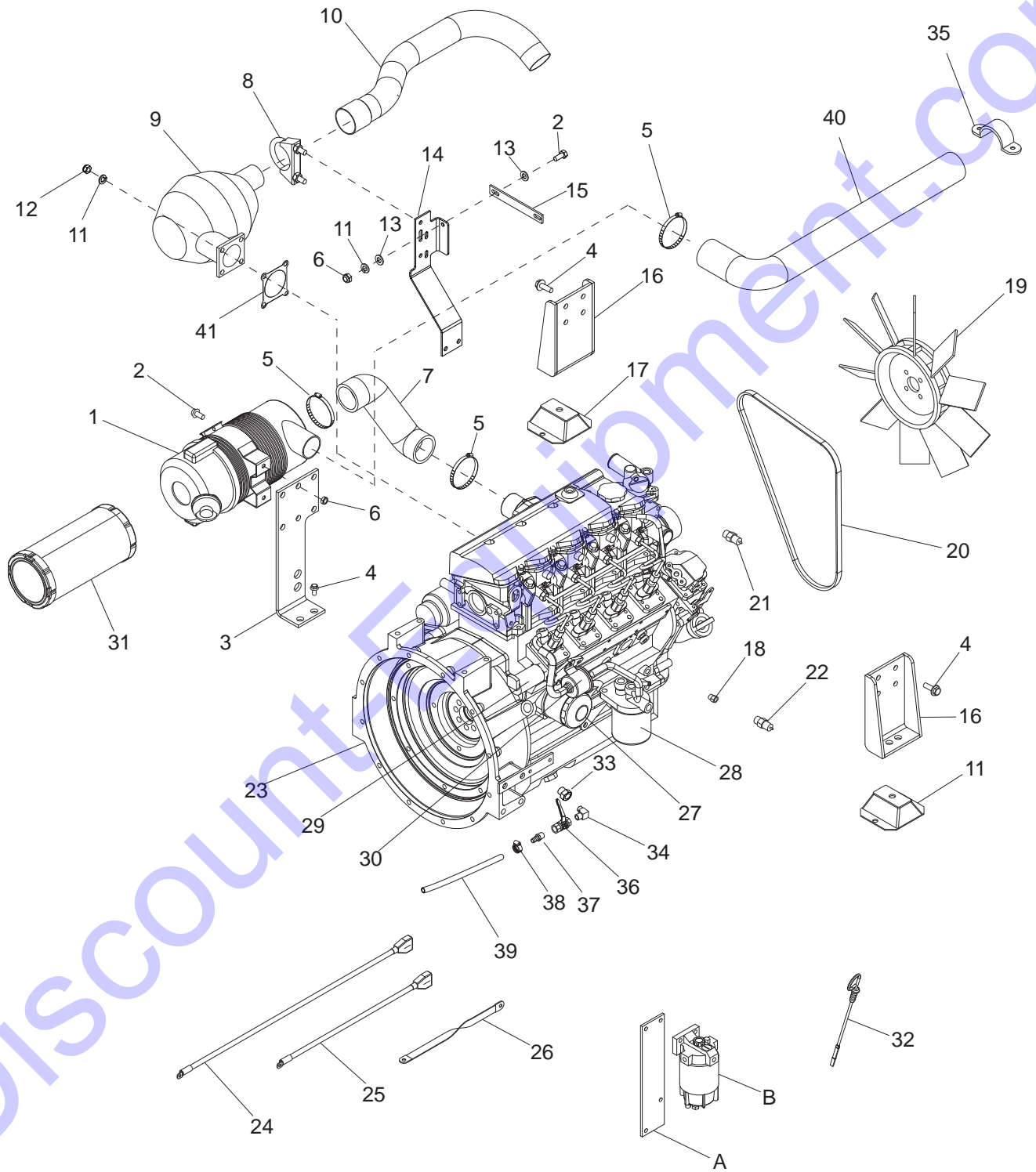
ITEM	PART	QTY	DESCRIPTION	NOTES
1	42142	1	Pump, multi-prpse water 115v 3.3gpm	
2	60396	4	Screw, 10-32 X 1.250 pan phil G2	
3	60067	4	Washer, #10 flat .435/.060 18-8 SS	
4	61116	4	Nut, 10-32 nylnk cap G2	
5	42631B	1	Bracket, pump mounting - MTT	Old Style
6	60690	2	Screw, .375-16X1.000 std hex 18-8 ss	
7	60698	2	Washer, .375 flat .875/.040 18-8 ss	
8	60358	2	Nut, .375-16 nylnk G5	
9	15863	1	Strain relief - .50 npt watertight .50 I.D.	
10	10150	1	Box, conduit - sgl gang wthprf 5 hole	
11	66248	1	Switch, light - 15A (on/off)	
12	66249	1	Cover, sgl gang light switch cvr-wthprf	
13	50206	2.0 ft.	Hose, fuel - .500 ID 50 psi sae 30R7	
14	49508B	1	Weldment, pump bracket - MTT	New Style
15	49506	1	Fitting, 90 - flowjet (for pump)	
16	60365	2	Clamp, hose - SAE 010 (.56 - 1.06)	
17	63169	2	Grommet, rbr 1.00 id x .25 pan. thx1.38	
18	40728	2	Fitting, strt - .500 nptx .500 barb	
19	60996	1	Valve, ball .50 nptf 3-port	
20	60817	4	Screw, .375-16x1.500 std hex 18-8 ss	
21	60703	4	Washer, .375 split lock 18-8 ss	
22	60698	4	Washer, .375 flat .875/.040 18-8 ss	
23	Page 28	1	Weldment, trailer frame MTT	W/pump on rear frame channel
24	Page 28	1	Weldment, trailer frame 125-235 sb	W/pump inside rear frame rail
A	42639B	1	Panel, pump enclosure - side	Option
B	42640B	1	Panel, pump enclosure - bottom	Option
C	66271	1	Heater, battery - 26" w/thermostat	Option
D	60393	9	Screw, .250-20 x 1" std hex	Option
E	60386	9	Washer, flat	Option
F	60161	9	Nut, .250-20 sflg	Option

COOLING SYSTEM ASSEMBLY



ITEM	PART	QTY	DESCRIPTION	NOTES
1	60034	12	Screw, .375-16X.750 hx ser flg	
2	60206	12	Washer, split lock .375	
3	60386	1	Washer, flat .375	
4	26305	1	Radiator, aluminum	
5	11626B	1	Weldment, fan shroud	
6	15422	4	Clamp, hose SAE 20	
7	11760B	1	Panel, fan guard - right	
8	60115	8	Screw, M6X1.0X12 hx ser flg	
9	11769B	1	Weldment, fan guard - left	
10	11596B	1	Strut, radiator support	
11	60144	1	Nut, .250-20 nylock	
12	22419B	1	Bracket, support overflow jug .5 gal.	
13	19726	1	Clamp, overflow bottle	
14	60047	1	Nut, M6 hx lock class 6 DIN985	
15	19714	1	Cap, overflow bottle	
16	60014	1	Screw, M6X1.0X35 hx GR8.8 DIN933	
17	60135	1	Screw, M6X1.0X20 hx ser flg	
18	20287	1	Jug, overflow 2 qt. (.5 gal.)	
19	14216	1	Clamp, hose SAE 04	
20	19220	1	Hose, overflow	
21	12064	1	Hose, radiator upper	
22	12356	1	Hose, radiator lower	
A	65650	1	Heater, engine - low rad hose 1.5"	Option
B	62245	2	Clamp, hose - cnst torque - .813-1.75	

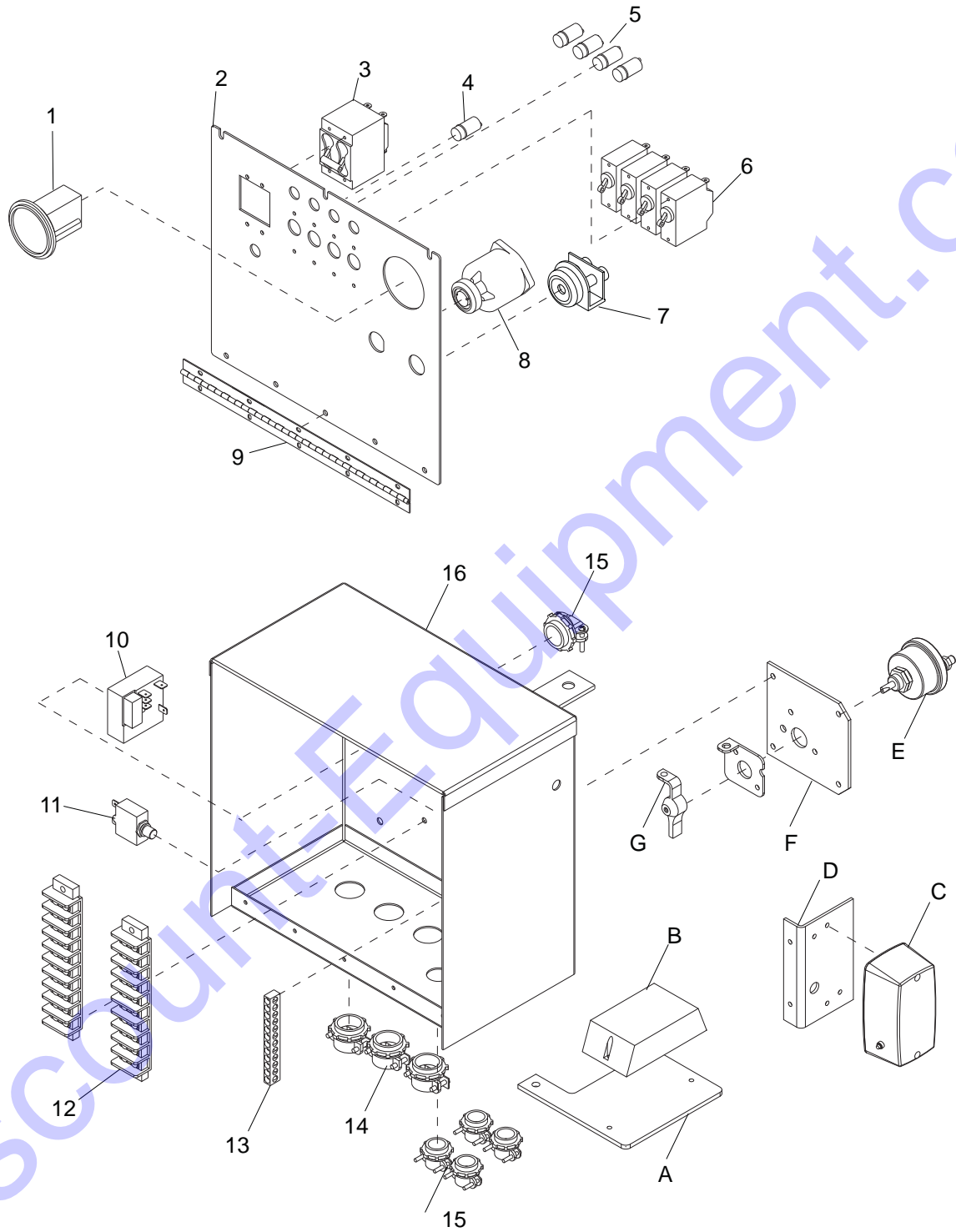
ENGINE ASSEMBLY



ITEM	PART	QTY	DESCRIPTION	NOTES
1	21505	1	Assembly, air filter	
2	60009	2	Screw, M8X1.25X25 hx ser flg	
3	12990B	1	Bracket, air filter	
4	60018	14	Screw, M10X1.25X20 hx ser flg	
5	60316	3	Clamp, hose - SAE 32	
6	60342	2	Nut, M8X1.25 hx SS	
7	22320	1	Hose, air filter	
8	18823	1	Clamp, 2.0" muffler	
9	10795	1	Muffler - isuzu 4lei (mac)	
10	17902BH	1	Pipe, exhaust - mac muffler 20kW 4000	
11	60271	4	Washer, .312 split-lock zc	
12	60032	4	Nut, m8-1.25 hex g8 zc din934 - 8	
13	60119	2	Washer, .312 flat .875/.070 zc	
14	14340B	1	Bracket, muffler mounting	
15	14341B	1	Bracket, muffler support	
16	11471B	2	Weldment, engine mount	
17	11524	2	Compression mount, 4.38x4.00x1.50	
18	19232	1	Fitting, .125NPTF X .125-28 BSP male	
19	19258	1	Fan, 15.75 in.	
20	22258	1	Belt, fan - 4LE1-PV05	
21	15370	1	Switch, water temp Isuzu	
22	16677	1	Switch, oil pressure	
23	10896	1	Engine, 4LE1NYGV-03	After SN: 1031216
-	21674	1	Engine, 4LE1NYGV-01	SN: 0900930 - 1031215
-	27293	1	Engine, 4LE2NYGV-01	SN: 0900278 - 0900930
-	21674	1	Engine, 4LE1NYGV-01	SN: 0832374 - 0900278
-	18064	1	Engine, 4LE1PV05	Before SN: 0832375
24	15074	1	Cable, battery - 4 AWG X 36 in. red	
25	15073	1	Cable, battery - 4 AWG X 25 in. blk	
26	19042	1	Strap, braided ground - 10 in.	
27	15183	1	Filter, oil - Isuzu	
28	15331	1	Fuel filter element	
29	15372	1	Solenoid, fuel shutdown - 4LE	
30	16205	1	Pump, fuel - Isuzu	
31	21937	1	Element, air filter	
32	23899	1	Dipstick, oil, Isuzu 4LEPV05	
33	62030	1	Fitting, strt-.375fnpt x M20 X 1.50 o-ring	
34	23069	1	Fitting, 90-.375mnpt brs	
35	60821	1	Strap, plastic - 2.375 O.D.	
36	19280	1	Valve, ball .375fnpt	
37	25931	1	Fitting, strt-.375npt x .625barb	
38	60365	1	Clamp, hose - SAE 010 (.56-1.06)	
39	50201	4 ft.	Hose, coolant - .625 I.D.	
40	12637	1	Hose, air inlet - 2" I.D. x 24" - 90°	
41	11042	1	Gasket, exhaust manifold - isuzu 3lb1	
-	26049	1	Isuzu, alternator4LE1-PV05 (not shown)	
A	11941B	1	Plate, fuel filter mount	Option
B	11607	1	Filter, fuel - heated	Option
-	12976	1	Element, fuel filter - heated (for 11607)	Option (not shown)
-	26306	1	Fan, 15.75 in. inc. arc	Option (not shown)

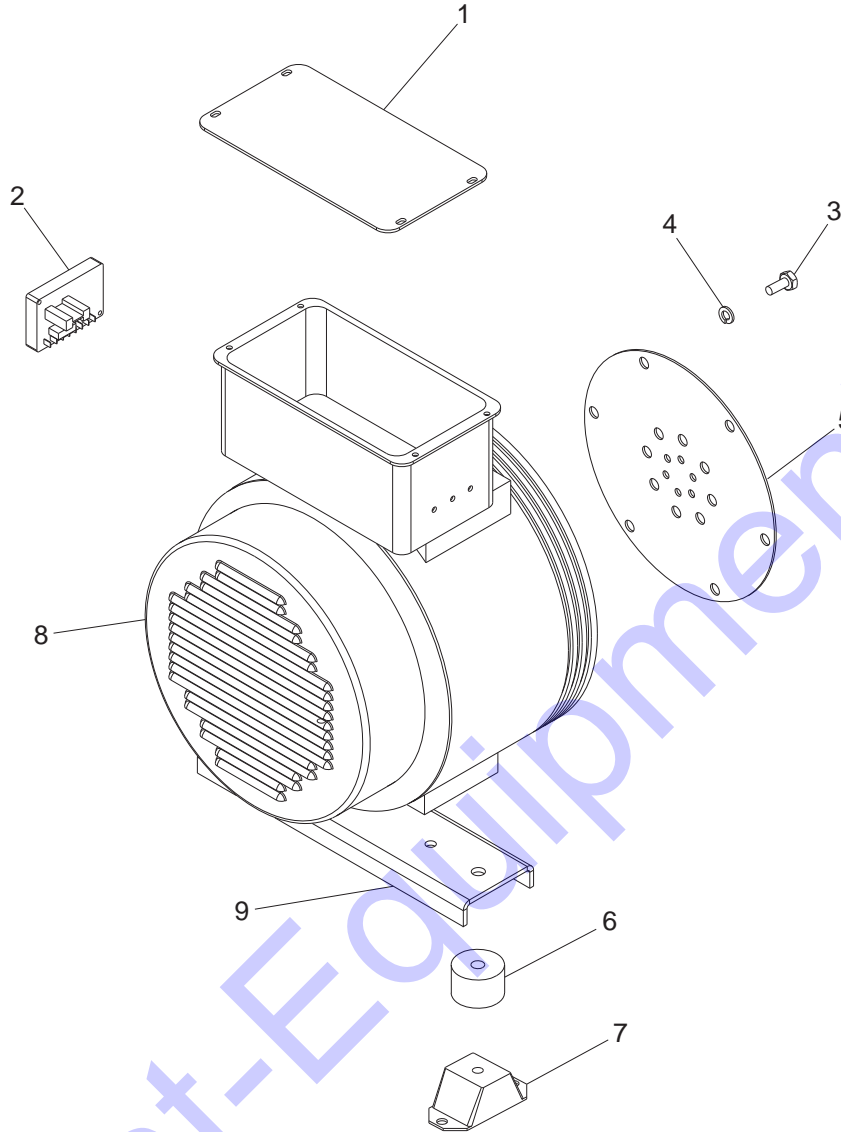
Note: Engine and generator parts used in all Magnum Power Products LLC equipment carry the Original Equipment Manufacturer (OEM) warranty unless otherwise stated. OEM warranty parts must be purchased through an OEM dealer.

CONTROL BOX ASSEMBLY



ITEM	PART	QTY	DESCRIPTION	NOTES
1	15085	1	Gauge, hourmeter	
2	11480	1	Panel, control	
3	65429	1	Breaker, 100A 250V 2 pole	
4	65388	1	Light, indicator red - w/wire 12 VDC	
5	65325	4	Light, indicator green - w/wire 12 VDC	
6	14249	4	Breaker, 15A 250V 1pole	
7	24008	1	Isuzu, glow plug indicator 4LE	
8	15195	1	Switch, key Isuzu, Mitsu	
9	10081	1	Hinge, 11 in.	
10	14201	1	Relay, 15 sec. fixed time delay 12VDC	
11	65850	1	Breaker, 10A, 240V, 1pole push button (airpax)	
12	14203	2	Block, terminal 10 pos	
13	14204	1	Kit, ground bar	
14	14219	3	Strain relief, 3/4" Romex	
15	14202	5	Strain relief, 3/8" Romex	
16	14257B	1	Box, control	
--	15309	1	Key - Mitsubishi/Isuzu (not shown)	
A	12429B	1	Bracket, battery charger	Option
B	65326	1	Charger, battery - 2 AMP, 3 Stage	Option
C	11947	1	Light, interior with switch	Option
D	11949B	1	Bracket, control box light mount	Option
E	65498	1	Switch, disconnect	Option
F	11929B	1	Bracket, battery lock-out switch	Option
G	65499	1	Switch, lock-out lever kit	Option

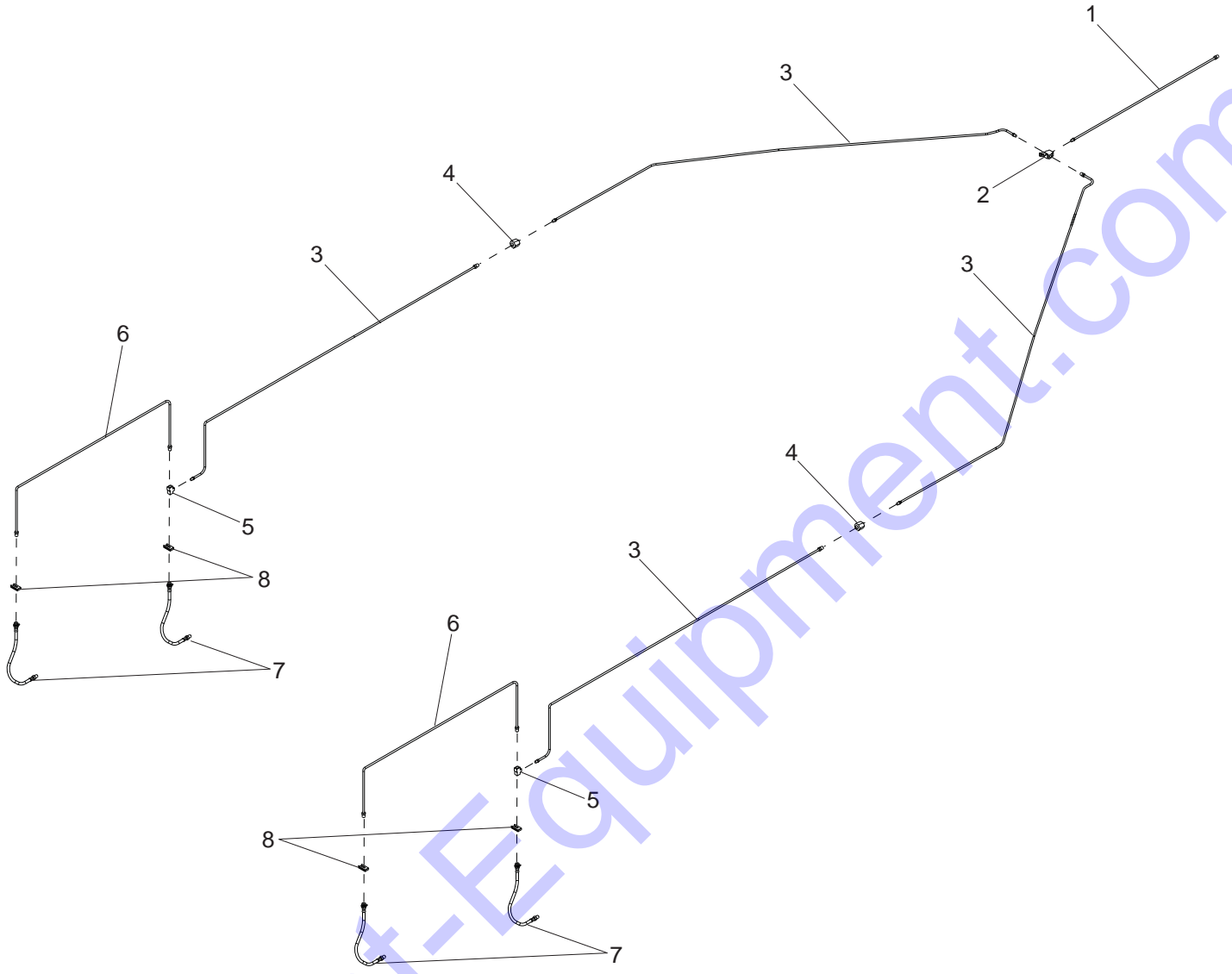
GENERATOR ASSEMBLY



ITEM	PART	QTY	DESCRIPTION	NOTES
1	12736	1	Cover, generator box	
2	18556	1	Regulator, voltage - SE 350	
3	60495	8	Screw, M10 x 16	
4	60026	8	Washer, split lock M10	
5	11000	1	Plate, drive	
6	11515B	2	Spacer, 2.00 dia x 1.00	
7	15241	2	Compression mount, engine	
8	11481	1	Generator, complete assembly (20 kW)	
9	11597B	1	Bracket, gen mount	

Note: Engine and generator parts used in all Magnum Power Products LLC equipment carry the Original Equipment Manufacturer (OEM) warranty unless otherwise stated. OEM warranty parts must be purchased through an OEM dealer.

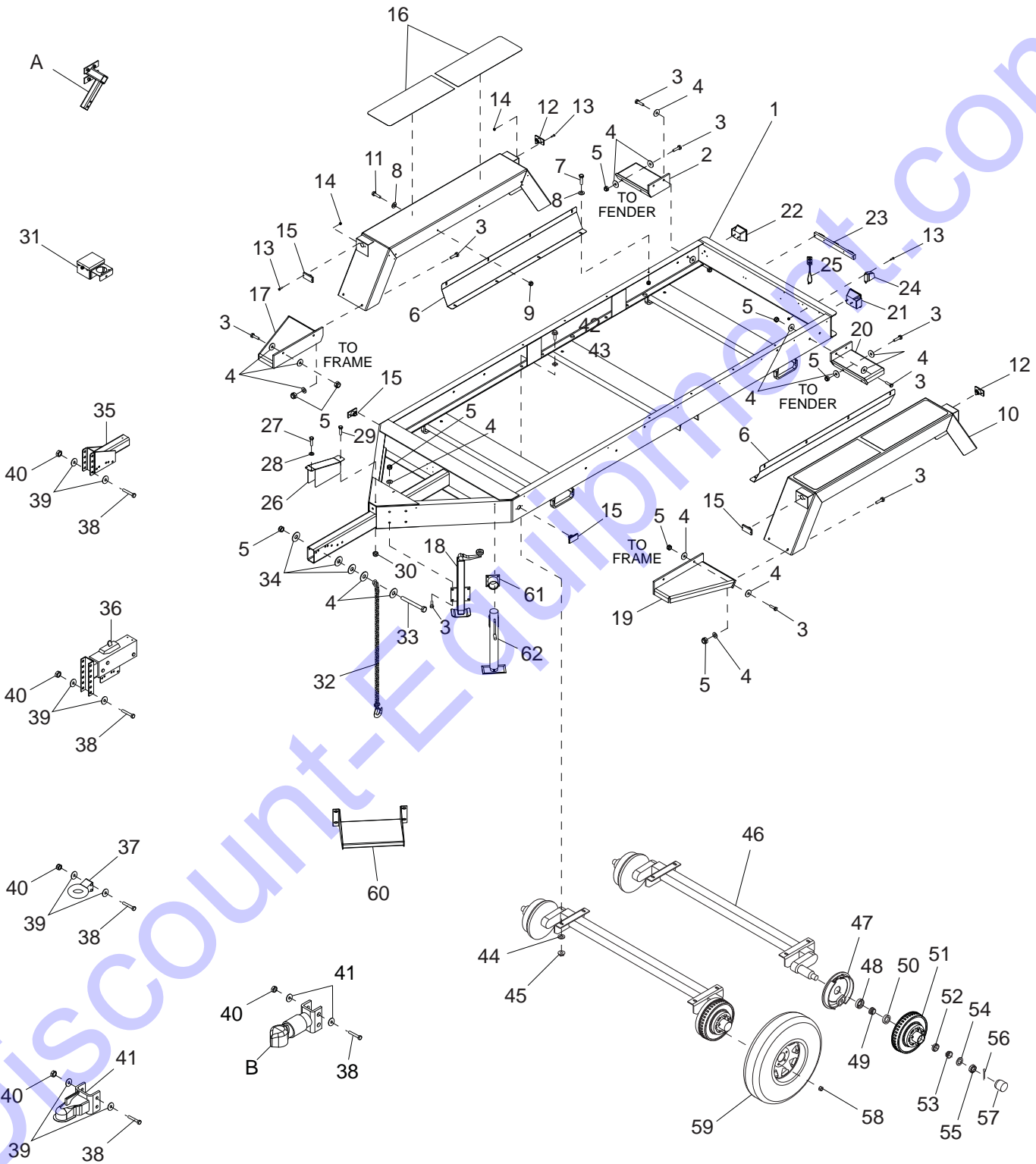
TRAILER BRAKE LINES



ITEM	PART	QTY	DESCRIPTION	NOTES
1	40495	1	Brake line, 3/16 x 20"	
2	19252	1	Fitting, T w/bracket	
3	22338	4	Brake line, 3/16 x 60"	
4	22339	2	Connector, brake line	
5	40498	2	Fitting, T	
6	40493	2	Brake line, 3/16 x 40"	
7	40497	4	Hose, brake	
8	40499	4	Clip, brake hose	

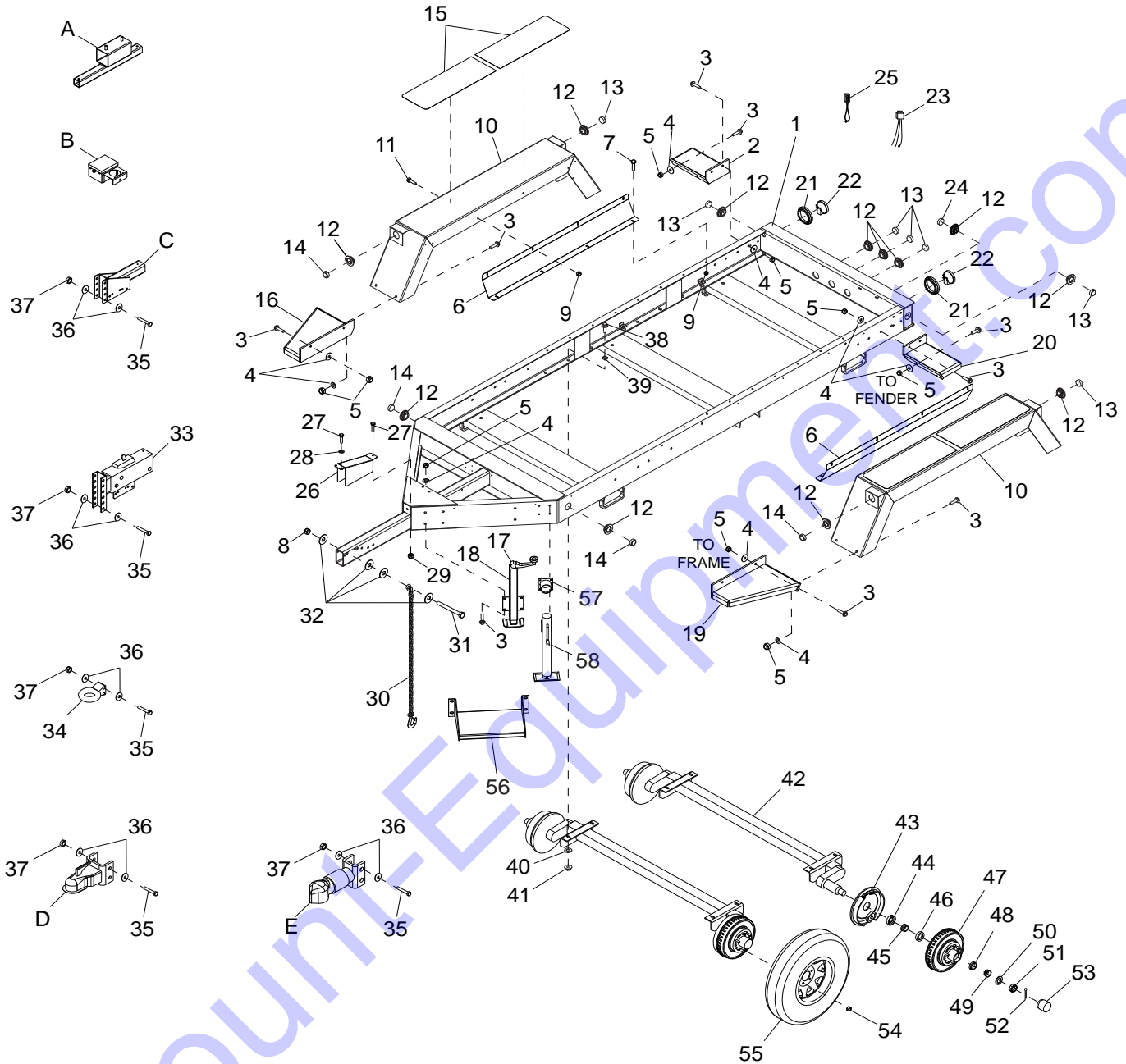
TRAILER ASSEMBLY

Units built before SN: 1040436



ITEM	PART	QTY	DESCRIPTION	NOTES
1	21887B	1	Weldment, trailer frame	
2	22358B	1	Weldment, rear step RH	
3	60481	20	Screw, .500-13X1.750 hx hd	
4	60671	44	Washer, flat .500 fender	
5	60307	22	Nut, .500-13 nylock	
6	22351B	2	Fender shield, large trailer	
7	60352	8	Screw, .375-16X1.250 hx hd	
8	60386	24	Washer, flat .375	
9	60358	16	Nut, .375-16 nylock	
10	22353B	2	Weldment, fender, large trailer	
11	60052	8	Screw, .375-16X.750 hx hd	
12	65406	2	Light, clearance marker - red	
13	60277	14	Screw, 10-32X.500 pan phil	
14	60061	14	Nut, 10-32 nylock	
15	65407	4	Light, clearance marker - amber	
16	22398	4	Pad, slip resistant 10.00 x 28.00	
17	22360B	1	Weldment, front step RH	
18	22317B	1	Weldment, jack large trailers	
19	22359B	1	Weldment, front step LH	
20	22357B	1	Weldment, rear step LH	
21	65449	1	Light, stop/turn/tail - LH	
22	65448	1	Light, stop/turn/tail - RH	
23	16337	1	Light bar - 3 lights	
24	65605	1	Light, license plate - 12V	
25	10226	1	Plug, 2 wire, license light	
26	22302B	1	Cover, brake guard	
27	60684	2	Screw, .250-20X.875 std hex 18-8 SS	
28	60286	2	Washer, split lock .250	
29	60684	1	Screw, .250-20X.875 hx hd SS	
30	60144	3	Nut, .250-20 nylock	
31	19417	1	Breakaway kit	
32	20159	2	Chain, trailer safety, hi test	
33	60376	2	Screw, .500-13X4.500 hx hd	
34	60309	6	Washer, flat .500 SAE	
35	19763B	1	Weldment, hitch elec. 4 pos adj - large	
36	18373	1	Actuator, trailer	
37	19335B	1	Hitch, pintle eye (adj) - 3.00 ID	
38	60239	1	Screw, .625-11X5.000 hx hd	
39	60180	2	Washer, flat .625	
40	60240	9	Nut, .625-11 nylock	
41	19519	1	Coupler, 2.31 ball for adjustable hitch	
42	61078	8	Screw, .625-11X2.000 flg hex G8 ZB	
43	60651	8	Washer, square bevel structural .625 galv	
44	60180	8	Washer, flat .625	
45	60531	8	Nut, .625 - 11 ser flg	
46	22145	2	Axle 6000# Torflex 57" frame hyd. brake	
-	22146	2	Axle 6000# Torflex 57" frame elec. brake	
47	26571	2	Surge free-backing brake assy, left	
-	26572	2	Surge free-backing brake assy, right	
-	26573	2	Electric brake assy, left	
-	26574	2	Electric brake assy, right	
48	26575	4	Inner grease seal 2.25"	
49	26576	4	Inner hub bearing	
50	26577	4	Inner bearing cup	
51	22387	4	Drum, large trailer brake - 6000# axle	
52	26584	4	Outer bearing cup	
53	26585	4	Outer hub bearing	
54	26581	4	Spindle washer	
55	12308	4	Spindle nut	
56	26583	4	Spindle nut - cotter pin	
57	26586	4	Dust cap	
58	60096	24	Nut, wheel lug	
59	20374	4	Wheel, 750-16 LTE	
60	13718B	1	Weldment, step	
61	11965Z	4	Weldment, jack adapter	
62	41133	4	Jack, side wind - 2000# tube mount	
A	24345B	1	Weldment, spare tire carrier	Option
B	41795	1	Coupler, 2.31" ball	Option: bulldog hitch

TRAILER ASSEMBLY
Units built after SN: 1040436



ITEM	PART	QTY	DESCRIPTION	NOTES
1	49510B	1	Weldment, trailer frame MTT	W/pump on rear frame channel
-	27655B	1	Weldment, trailer frame	
2	22358B	1	Weldment, rear step rh	
3	61103	20	Screw, .500-13X1.750 sflg hex	
4	60416	20	Washer, .500 flat 1.375/.090	
5	60307	20	Nut, .500-13 nylock	
6	22351B	2	Fender shield, large trailer	
7	60191	8	Screw, M16-2.00X90 std hex G10.9	
8	60668	2	Nut, .500-13 nylock G8	
9	60095	16	Nut, .312-18 sflg case hard	
10	27657B	2	Weldment, fender	
11	61091	8	Screw, .312-18X1.000 sflg hex G5	
12	66394	12	Grommet, 2.0"	

ITEM	PART	QTY	DESCRIPTION	NOTES
13	66397	7	Light, clearance - 2.0" red	
14	66396	4	Light, clearance - 2.0" amber	
15	22398	4	Pad, slip resistant 10" x 28"	
16	22360B	1	Weldment, front step rh	
17	22892	1	Jack, top wind - 5000lb	Jack only
18	22317B	1	Weldment, jack	Includes item 17
19	22359B	1	Weldment, front step lh	
20	22357B	1	Weldment, rear step lh	
21	10221	2	Grommet, 4.5"	
22	10220	2	Light, 4.0" red tail/turn	
23	10222	2	Plug, 3 wire	For tail/turn lights
24	66395	1	Light, utility 2.0"	
25	10226	12	Plug, 2 wire	For clearance lights
26	22302B	1	Cover, brake guard	
27	60684	3	Screw, .250-20X.875 std hex	
28	60286	2	Washer, split lock .250	
29	60144	1	Nut, .250-20 nylock	
30	20159	2	Chain, trailer safety	
31	61099	2	Screw, .500-13X5.00 std hex G8	
32	60671	8	Washer, flat .500 SAE	
33	18373	1	Actuator, trailer	
34	19335B	1	Hitch, pintle eye (adj) - 3" ID	
35	60239	1	Screw, .625-11X5.000 hx	
36	60180	2	Washer, flat .625	
37	60240	9	Nut, .625-11 nylock	
38	61078	8	Screw, .625-11X2.00 flg hex	
39	60651	8	Washer, sqr. bevel structural	.625 galvanized
40	60180	8	Washer, flat .625	
41	60531	8	Nut, .625 - 11 ser flg	
42	22145	2	Axle 6000# - 57" frame	Hydraulic brake
--	22146	2	Axle 6000# - 57" frame	Option: electric brake
43	26571	2	Surge free-backing brake	Left
--	26572	2	Surge free-backing brake	Right
--	26573	2	Electric brake assy	Option: left
--	26574	2	Electric brake assy	Option: right
44	26575	4	Inner grease seal 2.25"	
45	26576	4	Inner hub bearing	
46	26577	4	Inner bearing cup	
47	22387	4	Drum, large trailer brake	6000# axle
48	26584	4	Outer bearing cup	
49	26585	4	Outer hub bearing	
50	26581	4	Spindle washer	
51	12308	4	Spindle nut	
52	26583	4	Spindle nut - cotter pin	
53	26586	4	Dust cap	
54	60096	24	Nut, wheel lug	
55	20374	4	Wheel, 750-16 LTE	
56	13718B	1	Weldment, step	
57	11965Z	4	Weldment, jack adapter	
58	41133	4	Jack, side wind - 2000# tube mount	
--	27451	1	Decal, reflective tape kit	Not shown: white
--	27452	27.7ft.	Tape, conspicuity -2"	Not shown: red/white
--	27671	1	Harness, trailer	Not shown
A	24345B	1	Weldment, spare tire carrier	Option
B	19417	1	Breakaway kit	Option
C	19763B	1	Weldment, hitch elec.	Option: 4-pos adjustable
D	19519	1	Coupler, 2.31 ball	Option: adjustable hitch
E	41795	1	Coupler, 2.31 ball	Option: bulldog hitch

Discount Equipment

Discount-Equipment.com is your online resource for commercial and industrial quality parts and equipment sales.

Locations:

Florida (West Palm Beach): [561-964-4949](tel:561-964-4949)

Outside Florida TOLL FREE: [877-690-3101](tel:877-690-3101)

Need parts? Check out our website at www.discount-equipment.com

Can't find what you need?

Click on this link: <http://www.discount-equipment.com/category/5443-parts/> and fill out the request form.

Please have the machine model and serial number available in order to help us get you the correct parts. One of our experienced staff members will get back to you with a quote for the right part that your machine needs.

We sell worldwide for the brands: Genie, Terex, JLG, MultiQuip, Mayco, Toro/Stone, Diamond Products, Magnum, Airman, Mustang, Power Blanket, Nifty Lift, Atlas Copco, Chicago Pneumatic, Allmand Brothers, Essick, Miller Spreader, Skyjack, Lull, Skytrak, Tsurumi, Husquvarna/Target, Whiteman-Concrete/Mortar, Stow-Concrete/Mortar, Baldor, Wacker, Sakai, Snorkel, Upright, Mi-T-M, Sullair, Neal, Basic, Dynapac, MBW, Weber, Bartell, Bennar Newman, Haulotte, Ditch Runner, Blaw-Knox, Himoina, Best, Buddy, Crown, Edco, Wyco, Bomag, Laymor, Terremite, Barreto, EZ Trench, Takeuchi, Basic, Bil-Jax, Curtis, Gehl, Heli, Honda, ICS/PowerGrit, Puckett, Waldon, ASV, IHI, Partner, Imer, Clipper, MMD, Koshin, Rice, Gorman Rupp, CH&E, Cat Pumps, Comet, General Pump, Giant, AMida, Coleman, NAC, Gradall, Square Shooter, Kent, Stanley, Tamco, Toku, Hatz, Kohler, Robin, Wisconsin, Northrock, Oztec, Toker TK, Rol-Air, Small Line, Wanco, Yanmar

New Equipment - Used Equipment - Rental Equipment - Parts and Accessories

Discount Equipment

www.discount-equipment.com

561-964-4949

Parts: wbparts@Discount-Equipment.com

Sales: info@Discount-Equipment.com



www.discount-equipment.com

REV: ORG
PART NO: 13961
10.25.11