



RAMMER
BT1400, BT1600
PARTS BOOK



Doc. # PB-B19027
Orig. Rel. - 06/2016
Curr Rev. - 01

www.Discount-Equipment.com

Discount Equipment

Discount-Equipment.com is your online resource for commercial and industrial quality parts and equipment sales.

Locations:

Florida (West Palm Beach): [561-964-4949](tel:561-964-4949)

Outside Florida TOLL FREE: [877-690-3101](tel:877-690-3101)

Need parts? Check out our website at www.discount-equipment.com

Can't find what you need?

Click on this link: <http://www.discount-equipment.com/category/5443-parts/> and fill out the request form.

Please have the machine model and serial number available in order to help us get you the correct parts. One of our experienced staff members will get back to you with a quote for the right part that your machine needs.

We sell worldwide for the brands: Genie, Terex, JLG, MultiQuip, Mayco, Toro/Stone, Diamond Products, Magnum, Airman, Mustang, Power Blanket, Nifty Lift, Atlas Copco, Chicago Pneumatic, Allmand Brothers, Essick, Miller Spreader, Skyjack, Lull, Skytrak, Tsurumi, Husquvarna/Target, Whiteman-Concrete/Mortar, Stow-Concrete/Mortar, Baldor, Wacker, Sakai, Snorkel, Upright, Mi-T-M, Sullair, Neal, Basic, Dynapac, MBW, Weber, Bartell, Bennar Newman, Haulotte, Ditch Runner, Blaw-Knox, Himoina, Best, Buddy, Crown, Edco, Wyco, Bomag, Laymor, Terremite, Barreto, EZ Trench, Takeuchi, Basic, Bil-Jax, Curtis, Gehl, Heli, Honda, ICS/PowerGrit, Puckett, Waldon, ASV, IHI, Partner, Imer, Clipper, MMD, Koshin, Rice, Gorman Rupp, CH&E, Cat Pumps, Comet, General Pump, Giant, AMida, Coleman, NAC, Gradall, Square Shooter, Kent, Stanley, Tamco, Toku, Hatz, Kohler, Robin, Wisconsin, Northrock, Oztec, Toker TK, Rol-Air, Small Line, Wanco, Yanmar

New Equipment - Used Equipment - Rental Equipment - Parts and Accessories

Discount Equipment

www.discount-equipment.com

561-964-4949

Parts: wbparts@Discount-Equipment.com

Sales: info@Discount-Equipment.com

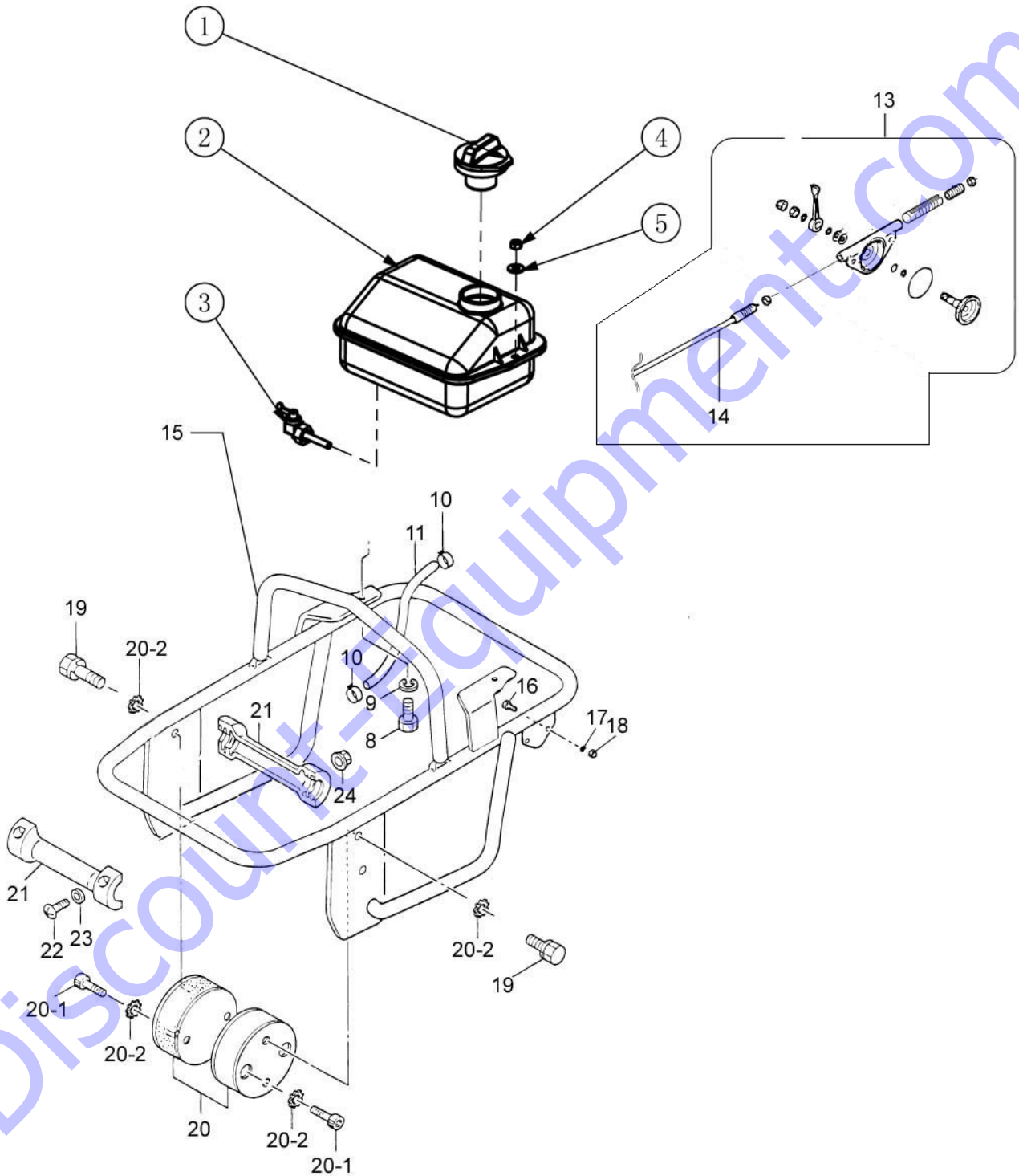
TABLE OF CONTENTS

TANK AND HANDLE ASSEMBLY DIAGRAM	1
○ TANK AND HANDLE PARTS LIST	2
CYLINDER AND FOOT ASSEMBLY DIAGRAM	3
○ CYLINDER AND FOOT ASSEMBLY PARTS LIST	4
CRANK CASE AND ENGINE DIAGRAM	5
○ CRANK AND CASE ENGINE PARTS LIST	6



www.Discount-Equipment.com

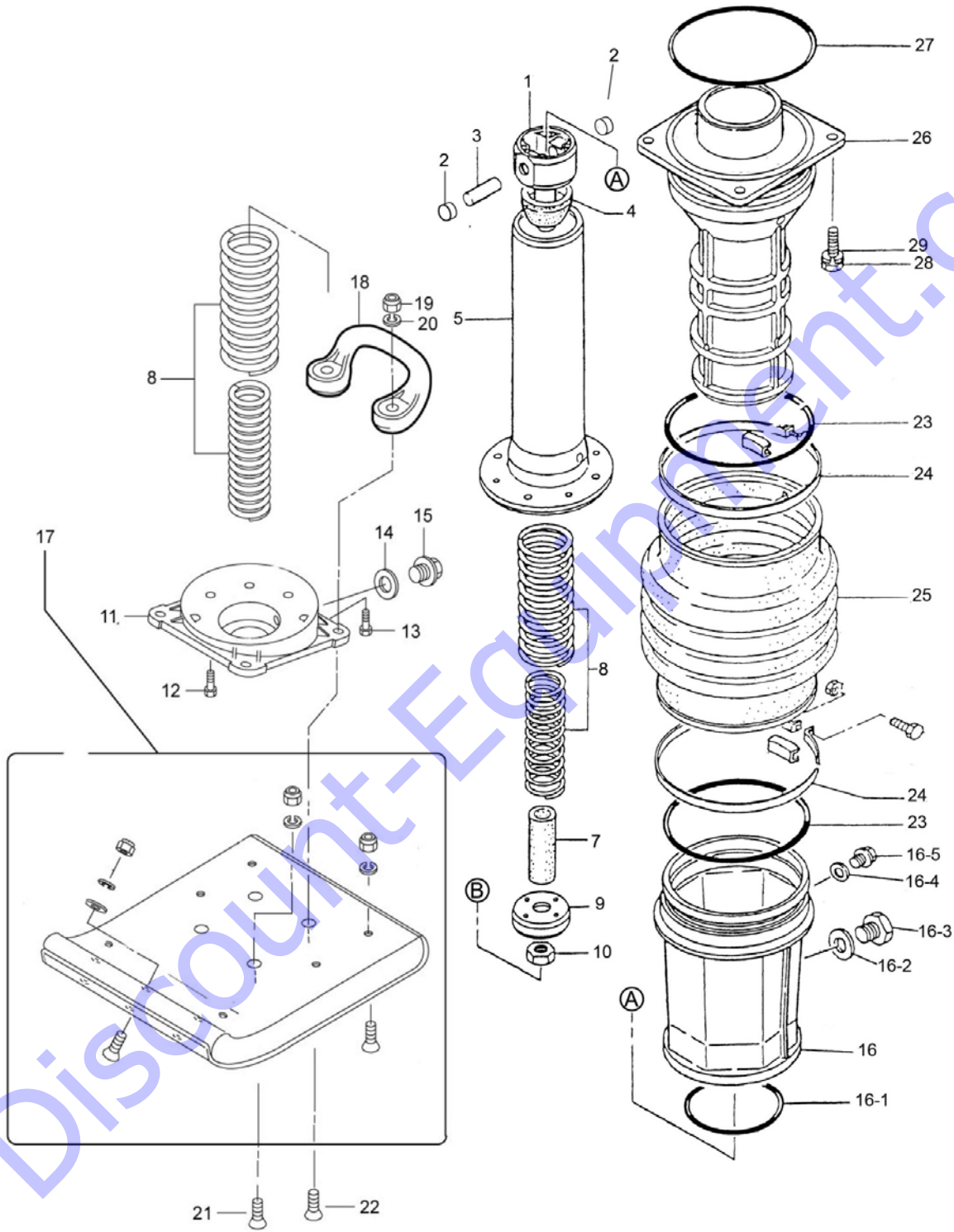
TANK AND HANDLE ASSEMBLY DIAGRAM



TANK AND HANDLE - PARTS LIST 1

Item	Part No.	Description	QTY	Remarks
1	CT-66P1-A	TANK CAP ASSEMBLY	1	
2	CT-66P1-01A	FUEL TANK	1	
3	CT-66P1-02A	FUEL VALVE AND SCREEN ASSEMBLY	1	
3a	CT-66P1-03A	EXTERNAL FUEL FILTER (NOT SHOWN)	1	
4	CT-66P1-04A	NYLON NUTS M8	2	
5	CT-66P1-05A	WASHER	2	
10	CT-66P1-06A	HOSE BAND	2	
11	CT-66P1-07A	FUEL HOSE	1	
12	CT-66P1-08A	FUEL COCK ASSEMBLY	1	
13	CT-66P1-13A	THROTTLE LEVER ASSEMBLY (INCLUDES ITEM 14)	1	
14	CT-66P1-14A	THROTTLE WIRE (INCLUDED IN ITEM 13)	1	
15	CT-66P1-11A	HANDLE	1	
16	CT-66P1-12A	BOLT M6X20T	2	
17	CT-66P1-13A	SPLIT WASHER M6	2	
18	CT-66P1-14A	CAP NUT M6	2	
19	CT-66P1-15A	BOLT M10X20	4	
20	CT-66P1-16A	SHOCK ABSORBER	2	
20-1	CT-66P1-17A	SOCKET HEAD BOLT M10X20T	4	
20-2	CT-66P1-18A	SPLIT WASHER M10	8	
21	CT-66P1-19A	ROLLER	2	
22	CT-66P1-20A	SCREW M5X25	4	
23	CT-66P1-21A	WASHER M5	4	
24	CT-66P1-22A	FLANGE NUT M5	4	

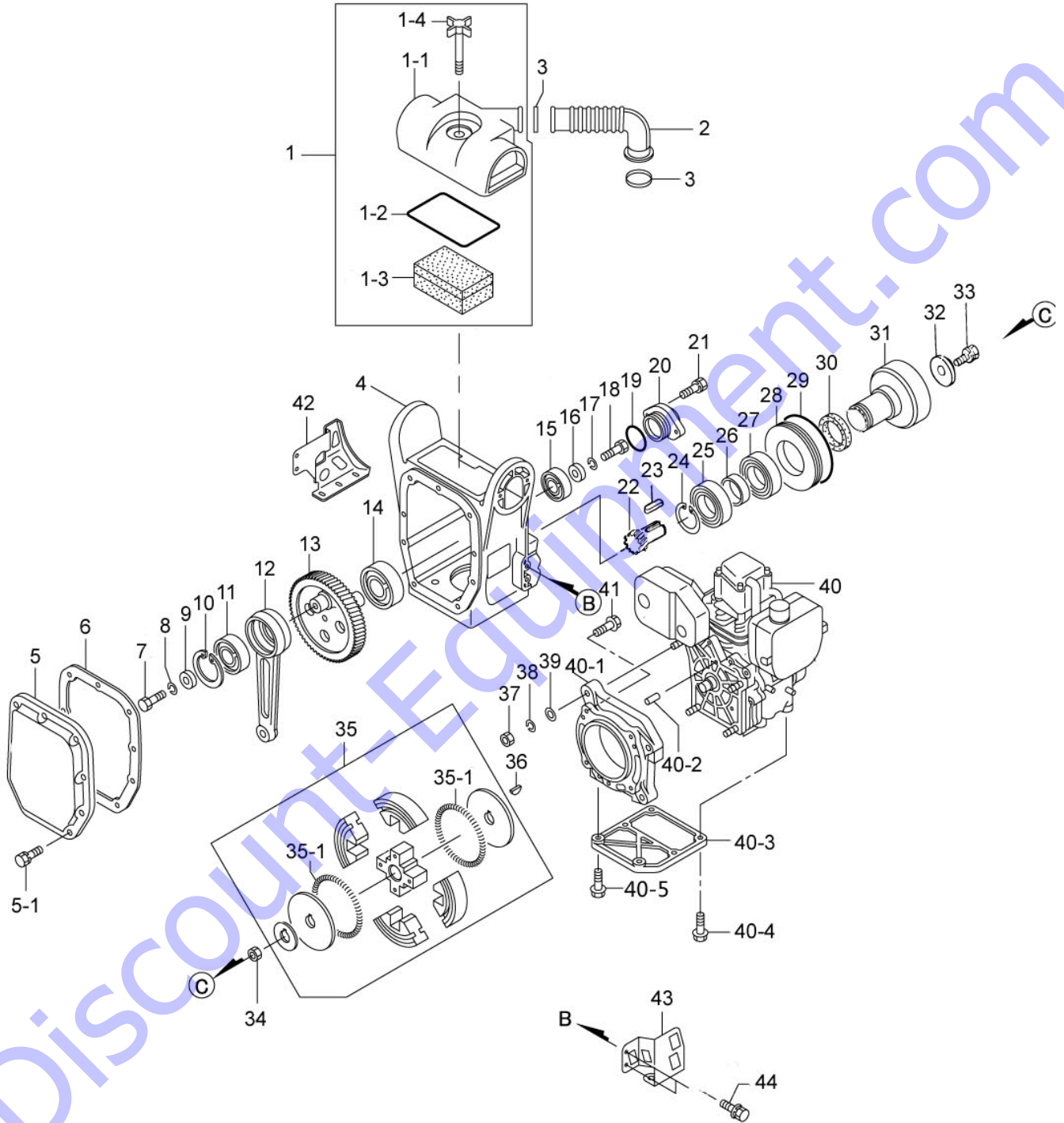
CYLINDER AND FOOT ASSEMBLY DIAGRAM



CYLINDER AND FOOT ASSEMBLY - PARTS LIST 2

Item	Part No.		Description	QTY	Remarks
	BT1400	BT1600			
1	CT-66P1-01C	CT-66P2-01C	PISTON ROD	1	
2	CT-66P1-02C	CT-66P2-02C	PLUG	2	
3	CT-66P1-03C	CT-66P2-03C	PISTON PIN	1	
4	CT-66P1-04C	CT-66P2-04C	STOPPER, UPPER	1	
5	CT-66P1-05C	CT-66P2-05C	SPRING CYLINDER	1	
6	CT-66P1-06C	CT-66P2-06C	O-RING G-75	1	
7	CT-66P1-07C	CT-66P2-07C	STOPPER, LOWER	1	
8	CT-66P1-08C	CT-66P2-08C	MAIN SPRING	2	
9	CT-66P1-09C	CT-66P2-09C	PISTON END	1	
10	CT-66P1-10C	CT-66P2-10C	NUT M16	1	
11	CT-66P1-11C	CT-66P1-11C	FOOT PLATE	1	
12	CT-66P1-12C	CT-66P1-12C	SOCKET HEAD BOLT M10X35T	4	
13	CT-66P1-13C	CT-66P1-13C	SOCKET HEAD BOLT M10X25T	4	
14	CT-66P1-14C	CT-66P1-14C	PACKING M10 (AL)	1	
15	CT-66P1-15C	CT-66P1-15C	PLUG M10X1.0X10	1	
16	CT-66P1-16C	CT-66P1-16C	PROTECTION SLEEVE	1	
16-1	CT-66P1-16-1C	CT-66P1-16-1C	O-RING JAS02085	1	
16-2	CT-66P1-16-2C	CT-66P1-16-2C	PACKING M20	1	
16-3	CT-66P1-16-3C	CT-66P1-16-3C	OIL LEVEL GAUGE G1/2	1	
16-4	CT-66P1-16-4C	CT-66P1-16-4C	PACKING M16	1	
16-5	CT-66P1-16-5C	CT-66P1-16-5C	PLUG M16X1.5X10	1	
17	CT-66P1-17C	CT-66P1-17C	FOOT ASSEMBLY	1	
18	CT-66P1-18C	CT-66P1-18C	GRIP HANDLEBAR	1	
19	CT-66P1-19C	CT-66P1-19C	NYLON NUT M12	4	
20	CT-66P1-20C	CT-66P1-20C	SPLIT WASHER M12	4	
21	CT-66P1-21C	CT-66P1-21C	SUNK HEAD BOLT M12X65T	2	
22	CT-66P1-22C	CT-66P1-22C	SUNK HEAD BOLT M12X70T	2	
23	CT-66P1-23C	CT-66P1-23C	O-RING G-95	2	
24	CT-66P1-24C	CT-66P1-24C	BELLOW CLAMP	2	
25	CT-66P1-25C	CT-66P1-25C	BELLOW	1	
26	CT-66P1-26C	CT-66P2-26C	GUIDE CYLINDER	1	
27	CT-66P1-27C	CT-66P1-27C	O-RING G-80	1	
28	CT-66P1-28C	CT-66P1-28C	BOLT M10X40	4	
29	CT-66P1-29C	CT-66P1-29C	SPLIT WASHER M10	4	

CRANK CASE AND ENGINE ASSEMBLY DIAGRAM



CRANK CASE AND ENGINE ASSEMBLY - PARTS LIST 3

Item	Part No.	Description	QTY	REMARK
1	CT-66P-01B	AIR CLEANER ASSEMBLY	1	
1-1	CT-66P-01-1B	COVER, AIR CLEANER	1	
1-2	CT-66P-01-2B	PACKING, AIR CLEANER	1	
1-3	CT-66P-01-3B	ELEMENT, AIR CLEANER	1	
1-4	CT-66P-01-4B	GRIP BOLT, AIR CLEANER	1	
2	CT-66P-02B	INTAKE PIPE	1	
3	CT-66P-03B	CLAMP	2	
4	CT-66P-04B	CRANK CASE	1	
5	CT-66P-05B	FRONT COVER	1	
5-1	CT-66P-05-1B	BOLT M6X20T	9	
6	CT-66P-06B	PACKING, FRONT COVER	1	
7	CT-66P-07B	BOLT M8X25T	1	
8	CT-66P-08B	SPLIT WASHER M8	1	
9	CT-66P-09B	WASHER 9X30X4	1	
10	CT-66P-10B	STOP RING R-52	1	
11	CT-66P-11B	BEARING 6304	1	
12	CT-66P-12B	CONNECTING ROD	1	
13	CT-66P-13B	CRANK GEAR	1	
14	CT-66P-14B	BEARING 6305	1	
15	CT-66P-15B	BEARING 6203	1	
16	CT-66P-16B	WASHER 8.5X22X3	1	
17	CT-66P-17B	SPLIT WASHER M8	1	
18	CT-66P-18B	BOLT M8X25T	1	
19	CT-66P-19B	O-RING G-35	1	
20	CT-66P-20B	BEARING COVER	1	
21	CT-66P-21B	BOLT M6X20T	2	
22	CT-66P-22B	PINION	1	
23	CT-66P-23B	KEY 5X5X19R	1	
24	CT-66P-24B	STOP RING S-35	1	
25	CT-66P-25B	BEARING 6007	1	
26	CT-66P-26B	SPACER 35.4-42.7-10	1	
27	CT-66P-27B	BEARING 6007Z	1	
28	CT-66P-28B	SPACER, CLUTCH DRUM	1	
29	CT-66P-29B	O-RING S-90	1	
30	CT-66P-30B	OIL SEAL TC-40528	1	
31	CT-66P-31B	CLUTCH DRUM	1	
32	CT-66P-32B	LOCK WASHER	1	
33	CT-66P-33B	BOLT M8X20T	1	
34	CT-66P-34B	LOCK NUT	1	
35	CT-66P-35B	CLUTCH ASSEMBLY	1	
35-1	CT-66P-35-1B	CLUTCH SPRING	2	
36	CT-66P-36B	WOODRUFF KEY	1	
37	CT-66P-37B	NUT M8	4	
38	CT-66P-38B	SPLIT WASHER M8	4	
39	CT-66P-39B	WASHER M8	4	
CONTINUED ON NEXT PAGE.				

CRANK CASE AND ENGINE ASSEMBLY – PARTS LIST 3 (CONTINUED)

Item	Part No.	Description	QTY	Remark
40	CT-66P-40B	ENGINE	1	
40-1	CT-66P-40-1B	ADAPTER, FLANGE	1	
40-2	CT-66P-40-2B	DOWEL PIN	2	
40-3	CT-66P-40-3B	STIFFENER	1	
40-4	CT-66P-40-4B	BOLT M8X25T	2	
40-5	CT-66P-40-5B	BOLT M8X20T	4	
41	CT-66P-41B	BOLT M8X30T	4	
42	CT-66P-42B	OIL GAUGE PROTECTOR	1	
43	CT-66P-43B	LINK PROTECTOR	1	
44	CT-66P-44B	BOLT M8X20T	4	

Discount-Equipment.com

Discount Equipment

Discount-Equipment.com is your online resource for commercial and industrial quality parts and equipment sales.

Locations:

Florida (West Palm Beach): [561-964-4949](tel:561-964-4949)

Outside Florida TOLL FREE: [877-690-3101](tel:877-690-3101)

Need parts? Check out our website at www.discount-equipment.com

Can't find what you need?

Click on this link: <http://www.discount-equipment.com/category/5443-parts/> and fill out the request form.

Please have the machine model and serial number available in order to help us get you the correct parts. One of our experienced staff members will get back to you with a quote for the right part that your machine needs.

We sell worldwide for the brands: Genie, Terex, JLG, MultiQuip, Mayco, Toro/Stone, Diamond Products, Magnum, Airman, Mustang, Power Blanket, Nifty Lift, Atlas Copco, Chicago Pneumatic, Allmand Brothers, Essick, Miller Spreader, Skyjack, Lull, Skytrak, Tsurumi, Husquvarna/Target, Whiteman-Concrete/Mortar, Stow-Concrete/Mortar, Baldor, Wacker, Sakai, Snorkel, Upright, Mi-T-M, Sullair, Neal, Basic, Dynapac, MBW, Weber, Bartell, Bennar Newman, Haulotte, Ditch Runner, Blaw-Knox, Himoina, Best, Buddy, Crown, Edco, Wyco, Bomag, Laymor, Terremite, Barreto, EZ Trench, Takeuchi, Basic, Bil-Jax, Curtis, Gehl, Heli, Honda, ICS/PowerGrit, Puckett, Waldon, ASV, IHI, Partner, Imer, Clipper, MMD, Koshin, Rice, Gorman Rupp, CH&E, Cat Pumps, Comet, General Pump, Giant, AMida, Coleman, NAC, Gradall, Square Shooter, Kent, Stanley, Tamco, Toku, Hatz, Kohler, Robin, Wisconsin, Northrock, Oztec, Toker TK, Rol-Air, Small Line, Wanco, Yanmar

New Equipment - Used Equipment - Rental Equipment - Parts and Accessories

Discount Equipment

www.discount-equipment.com

561-964-4949

Parts: wbparts@Discount-Equipment.com

Sales: info@Discount-Equipment.com