

BARTELL

CONCRETE EQUIPMENT



www.Discount-Equipment.com

PARTS *MANUAL* **SINGLE DIRECTION PLATE COMPACTORS**

B300



**ORIGINAL
LANGUAGE**

Doc. # PB-B09030
Orig. Rel. - 02/2011
Curr. Rev. - 06
Rev. Date - 07/2015

Discount Equipment

Discount-Equipment.com is your online resource for commercial and industrial quality parts and equipment sales.

Locations:

Florida (West Palm Beach): [561-964-4949](tel:561-964-4949)

Outside Florida TOLL FREE: [877-690-3101](tel:877-690-3101)

Need parts? Check out our website at www.discount-equipment.com

Can't find what you need?

Click on this link: <http://www.discount-equipment.com/category/5443-parts/> and fill out the request form.

Please have the machine model and serial number available in order to help us get you the correct parts. One of our experienced staff members will get back to you with a quote for the right part that your machine needs.

We sell worldwide for the brands: Genie, Terex, JLG, MultiQuip, Mayco, Toro/Stone, Diamond Products, Magnum, Airman, Mustang, Power Blanket, Nifty Lift, Atlas Copco, Chicago Pneumatic, Allmand Brothers, Essick, Miller Spreader, Skyjack, Lull, Skytrak, Tsurumi, Husquvarna/Target, Whiteman-Concrete/Mortar, Stow-Concrete/Mortar, Baldor, Wacker, Sakai, Snorkel, Upright, Mi-T-M, Sullair, Neal, Basic, Dynapac, MBW, Weber, Bartell, Bennar Newman, Haulotte, Ditch Runner, Blaw-Knox, Himoina, Best, Buddy, Crown, Edco, Wyco, Bomag, Laymor, Terremite, Barreto, EZ Trench, Takeuchi, Basic, Bil-Jax, Curtis, Gehl, Heli, Honda, ICS/PowerGrit, Puckett, Waldon, ASV, IHI, Partner, Imer, Clipper, MMD, Koshin, Rice, Gorman Rupp, CH&E, Cat Pumps, Comet, General Pump, Giant, AMida, Coleman, NAC, Gradall, Square Shooter, Kent, Stanley, Tamco, Toku, Hatz, Kohler, Robin, Wisconsin, Northrock, Oztec, Toker TK, Rol-Air, Small Line, Wanco, Yanmar

New Equipment - Used Equipment - Rental Equipment - Parts and Accessories

Discount Equipment

www.discount-equipment.com

561-964-4949

Parts: wbparts@Discount-Equipment.com

Sales: info@Discount-Equipment.com



www.Discount-Equipment.com

Revision	Date	Description	Approved by.
00	02/2011	Initial release	RL
01	09/2011	60854 was 10508	RL
02	07/2012	Revised description for part number 60718	AL
03	06/2014	Address Update	AL

PARTS BOOK B300

TABLE OF CONTENTS

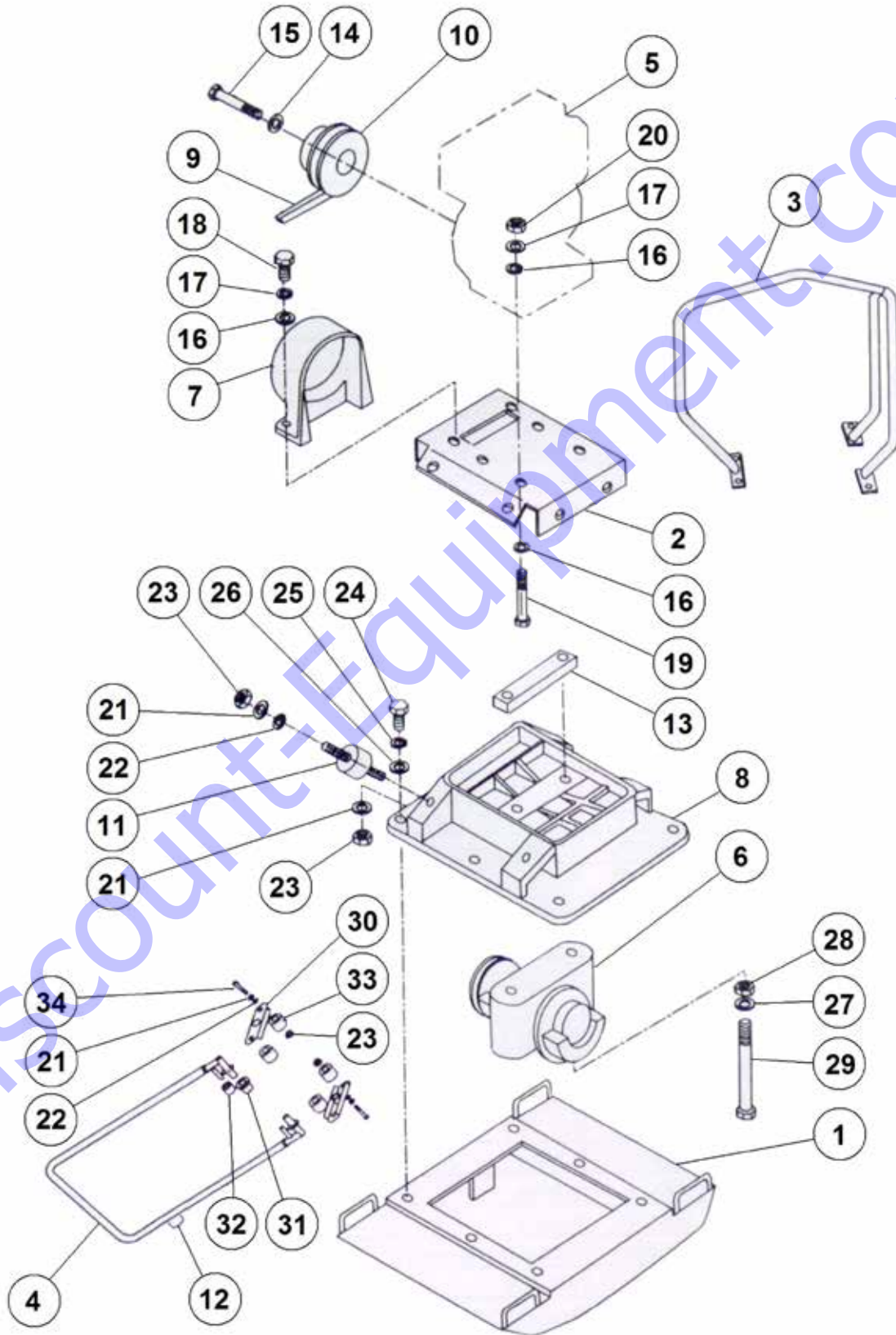
1. GENERAL ASSEMBLY 4
2. EXCITER ASSEMBLY 6

Discount-Equipment.com

PARTS LIST 1

B300

GENERAL ASSEMBLY



PARTS LIST 1

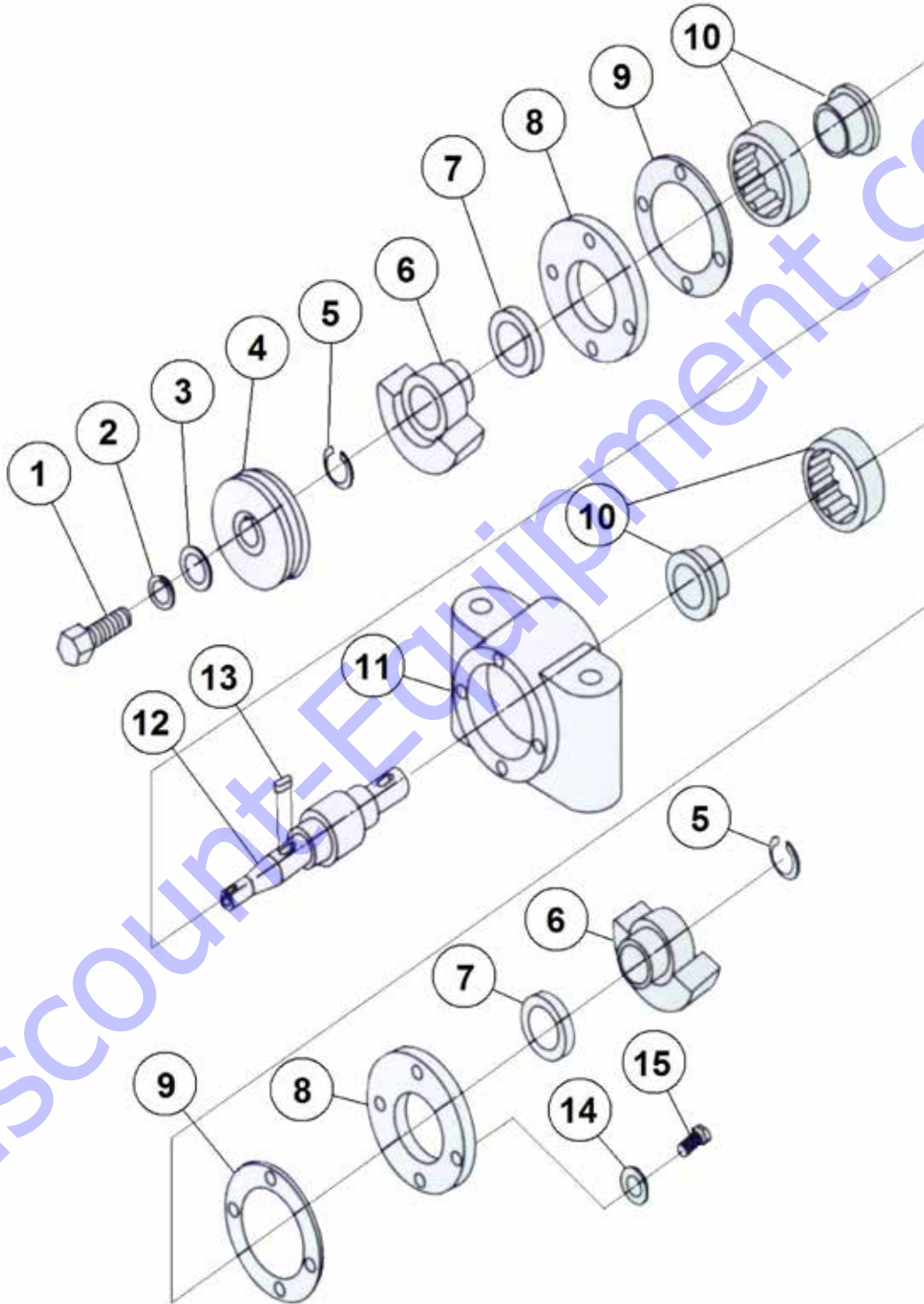
B300

GENERAL ASSEMBLY

ITEM NO.	PART NO.	DESCRIPTION	QTY.	REMARK
1	60711	BASE PLATE, B300 COMPACTOR	1	rev 00 - 04/2011
2	60712	BRIDGE, B300 COMPACTOR	1	rev 00 - 04/2011
3	60713	LIFTING FRAME	1	GX160 VERSION
	60740	LIFTING FRAME	1	GC160/B&S 6.5
4	60710	CONTROL HANDLE, RIGID	1	rev 00 - 04/2011
5	21333	ENGINE, HONDA GX160	1	N20006
	21386	ENGINE, VANGUARD 6.5HP	1	N20005
	21388	ENGINE, HONDA GC160	1	N20011
6	60714	EXCITER ASSEMBLY	1	SEE PAGE 6
7	60716	BELT GUARD	1	rev 00 - 04/2011
8	60717	EXCITER SUPPORT PLATE	1	rev 00 - 04/2011
9	60718	DRIVE BELT (13X737Li/AX29)	1	rev 00 - 04/2011
10	60819	CLUTCH ASSEMBLY	1	rev 00 - 04/2011
11	60720	ISOLATION MOUNT, RUBBER	4	rev 00 - 04/2011
12	60854	THROTTLE LEVER AND CABLE	1	rev 01 - 09/2011
13	60721	EXCITER MOUNT BEAM	1	rev 00 - 04/2011
14	30042	CLUTCH RETAINING WASHER	1	rev 00 - 04/2011
15	11256	FHSCS, 5/6" X 1"	1	rev 00 - 04/2011
16	11000	WASHER, FLAT, M8	10	rev 00 - 04/2011
17	10998	WASHER, LOCK, M8	6	rev 00 - 04/2011
18	10997	HHCS, M8 X 20MM	2	rev 00 - 04/2011
19	10452	HHCS, M8 X 40MM	4	rev 00 - 04/2011
20	11615	NUT, HEX, M8	4	rev 00 - 04/2011
21	11621	WASHER, LOCK, M10	12	rev 00 - 04/2011
22	10111	WASHER, FLAT, M10	12	rev 00 - 04/2011
23	60835	NUT, LOCK, M10	12	rev 00 - 04/2011
24	51032	HHCS, M12 X 45MM	6	rev 00 - 04/2011
25	10735	WASHER, LOCK, M12	6	rev 00 - 04/2011
26	10993	WASHER, FLAT, M12	6	rev 00 - 04/2011
27	60832	WASHER, LOCK, M16	2	rev 00 - 04/2011
28	60728	NUT, HEX, M16	2	rev 00 - 04/2011
29	60745	HHCS, M16 X 160MM	2	rev 00 - 04/2011
30	60722	PLATE, HANDLE MOUNT	2	rev 00 - 04/2011
31	60724	HANDLE BUSHING, RUBBER	2	rev 00 - 04/2011
32	60725-1	HANDLE STOPPER, RUBBER	2	rev 00 - 04/2011
33	60723	HANDLE MOUNT, RUBBER	4	rev 00 - 04/2011
34	60726	HHCS, M10 X 80MM	4	rev 00 - 04/2011

PARTS LIST 2 B300

EXCITER ASSEMBLY



PARTS LIST 2

B300

EXCITER ASSEMBLY

ITEM NO.	PART NO.	DESCRIPTION	QTY.	REMARK
1	60732	HHCS, M8 X 15MM	1	
2	10998	WASHER, LOCK, M8	1	
3	11000	WASHER, FLAT, M8	1	
4	60734	EXCITER PULLEY	1	
5	60743	CIRCLIP, EXCITER SHAFT	2	
6	60735	ECCENTRIC WEIGHT	2	
7	60742	GREASE SEAL	2	
8	60738	HOUSING COVER	2	
9	60739	COVER GASKET	2	
10	60733	EXCITER BEARING	2	
11	60736	EXCITER HOUSING	1	
12	60737	EXCITER SHAFT	1	
13	11638	KEY, ECCENTRIC WEIGHT	2	
14	14448	WASHER, LOCK, M6	8	
15	60731	SHCS, M6 X 20MM	8	

Discount Equipment

Discount-Equipment.com is your online resource for commercial and industrial quality parts and equipment sales.

Locations:

Florida (West Palm Beach): [561-964-4949](tel:561-964-4949)

Outside Florida TOLL FREE: [877-690-3101](tel:877-690-3101)

Need parts? Check out our website at www.discount-equipment.com

Can't find what you need?

Click on this link: <http://www.discount-equipment.com/category/5443-parts/> and fill out the request form.

Please have the machine model and serial number available in order to help us get you the correct parts. One of our experienced staff members will get back to you with a quote for the right part that your machine needs.

We sell worldwide for the brands: Genie, Terex, JLG, MultiQuip, Mayco, Toro/Stone, Diamond Products, Magnum, Airman, Mustang, Power Blanket, Nifty Lift, Atlas Copco, Chicago Pneumatic, Allmand Brothers, Essick, Miller Spreader, Skyjack, Lull, Skytrak, Tsurumi, Husquvarna/Target, Whiteman-Concrete/Mortar, Stow-Concrete/Mortar, Baldor, Wacker, Sakai, Snorkel, Upright, Mi-T-M, Sullair, Neal, Basic, Dynapac, MBW, Weber, Bartell, Bennar Newman, Haulotte, Ditch Runner, Blaw-Knox, Himoina, Best, Buddy, Crown, Edco, Wyco, Bomag, Laymor, Terremite, Barreto, EZ Trench, Takeuchi, Basic, Bil-Jax, Curtis, Gehl, Heli, Honda, ICS/PowerGrit, Puckett, Waldon, ASV, IHI, Partner, Imer, Clipper, MMD, Koshin, Rice, Gorman Rupp, CH&E, Cat Pumps, Comet, General Pump, Giant, AMida, Coleman, NAC, Gradall, Square Shooter, Kent, Stanley, Tamco, Toku, Hatz, Kohler, Robin, Wisconsin, Northrock, Oztec, Toker TK, Rol-Air, Small Line, Wanco, Yanmar

New Equipment - Used Equipment - Rental Equipment - Parts and Accessories

Discount Equipment

www.discount-equipment.com

561-964-4949

Parts: wbparts@Discount-Equipment.com

Sales: info@Discount-Equipment.com