

BARTELL

CONCRETE EQUIPMENT

REVERSIBLE HYDRAULIC PLATE COMPACTOR

BR5100
PARTS BOOK



BARTELL  GLOBAL

**Discount
Equipment**

Doc. # OI-B19025
Orig. Rel. - 10/2013
Curr Rev. - 05

Discount Equipment

Discount-Equipment.com is your online resource for commercial and industrial quality parts and equipment sales.

Locations:

Florida (West Palm Beach): [561-964-4949](tel:561-964-4949)

Outside Florida TOLL FREE: [877-690-3101](tel:877-690-3101)

Need parts? Check out our website at www.discount-equipment.com

Can't find what you need?

Click on this link: <http://www.discount-equipment.com/category/5443-parts/> and fill out the request form.

Please have the machine model and serial number available in order to help us get you the correct parts. One of our experienced staff members will get back to you with a quote for the right part that your machine needs.

We sell worldwide for the brands: Genie, Terex, JLG, MultiQuip, Mayco, Toro/Stone, Diamond Products, Magnum, Airman, Mustang, Power Blanket, Nifty Lift, Atlas Copco, Chicago Pneumatic, Allmand Brothers, Essick, Miller Spreader, Skyjack, Lull, Skytrak, Tsurumi, Husquvarna/Target, Whiteman-Concrete/Mortar, Stow-Concrete/Mortar, Baldor, Wacker, Sakai, Snorkel, Upright, Mi-T-M, Sullair, Neal, Basic, Dynapac, MBW, Weber, Bartell, Bennar Newman, Haulotte, Ditch Runner, Blaw-Knox, Himoina, Best, Buddy, Crown, Edco, Wyco, Bomag, Laymor, Terremite, Barreto, EZ Trench, Takeuchi, Basic, Bil-Jax, Curtis, Gehl, Heli, Honda, ICS/PowerGrit, Puckett, Waldon, ASV, IHI, Partner, Imer, Clipper, MMD, Koshin, Rice, Gorman Rupp, CH&E, Cat Pumps, Comet, General Pump, Giant, AMida, Coleman, NAC, Gradall, Square Shooter, Kent, Stanley, Tamco, Toku, Hatz, Kohler, Robin, Wisconsin, Northrock, Oztec, Toker TK, Rol-Air, Small Line, Wanco, Yanmar

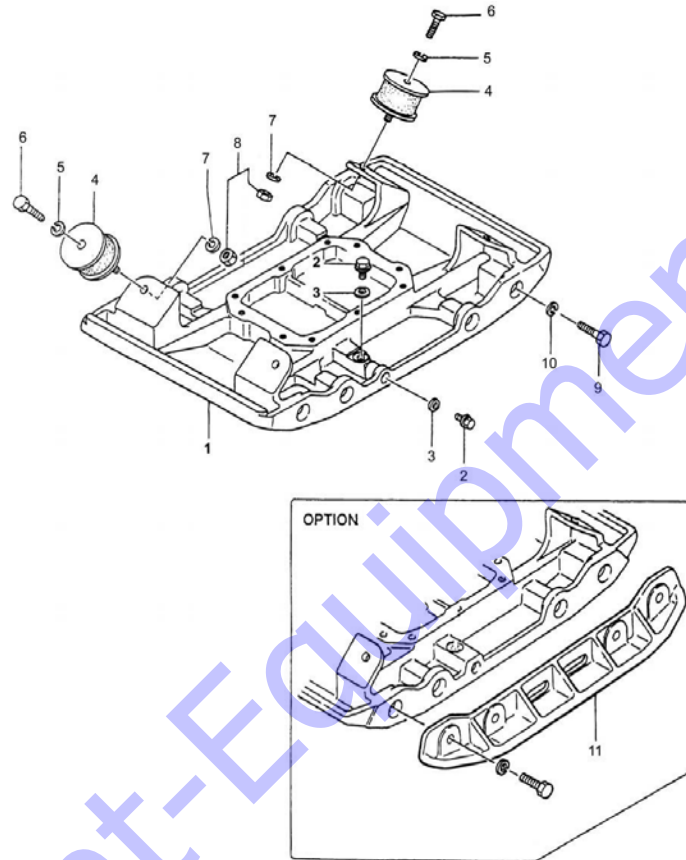


TABLE OF CONTENTS – PARTS BOOK

<u>PARTS LIST 1 – REVERSIBLE HYDRAULIC PLATE COMPACTORS</u>	3
VIBRATING PLATE	3
VIBRATING PLATE BR5100 - PARTS LIST 1	3
<u>PARTS LIST 2 – REVERSIBLE HYDRAULIC PLATE COMPACTORS</u>	4
BODY	5
MAIN BODY BR5100- PARTS LIST 2	6
<u>PARTS LIST 3 – REVERSIBLE HYDRAULIC PLATE COMPACTORS</u>	7
VIBRATOR	7
VIBRATOR BR5100 – PARTS LIST 3	8
<u>PARTS LIST 4 – REVERSIBLE HYDRAULIC PLATE COMPACTORS</u>	9
CONTROL	9
CONTROL BR5100 – PARTS LIST 4	11
<u>PARTS LIST 5-REVERSIBLE HYDRAULIC PLATE COMPACTORS</u>	12
HAND PUMP ASSEMBLY	12
HAND PUMP ASSEMBLY – BR5100 – PARTS LIST 5	13
<u>DECLARATION OF CONFORMITY</u>	14

PARTS LIST 1 – REVERSIBLE HYDRAULIC PLATE COMPACTORS

VIBRATING PLATE



VIBRATING PLATE BR5100 - PARTS LIST 1

Item #	Part #	Description	QTY	Remarks
1	CPC-405-1A	VIBRATING PLATE	1	
2	CPC-405-2A	DRAIN PLUG M16x1.5	2	
3	CPC-405-3A	PACKING 16	2	
4	CPC-405-4A	SHOCK ABSORBER	4	
5	CPC-405-5A	SW M16	4	
6	CPC-405-6A	BOLT M16x75T	4	
7	CPC-405-7A	SW M16	4	
8	CPC-405-8A	NUT M16	4	
9	CPC-405-9A	BOLT M16x50T	8	
10	CPC-405-010A	SW M16	8	
11	CPC-405-011A	EXTENSION PLATE	2	Option

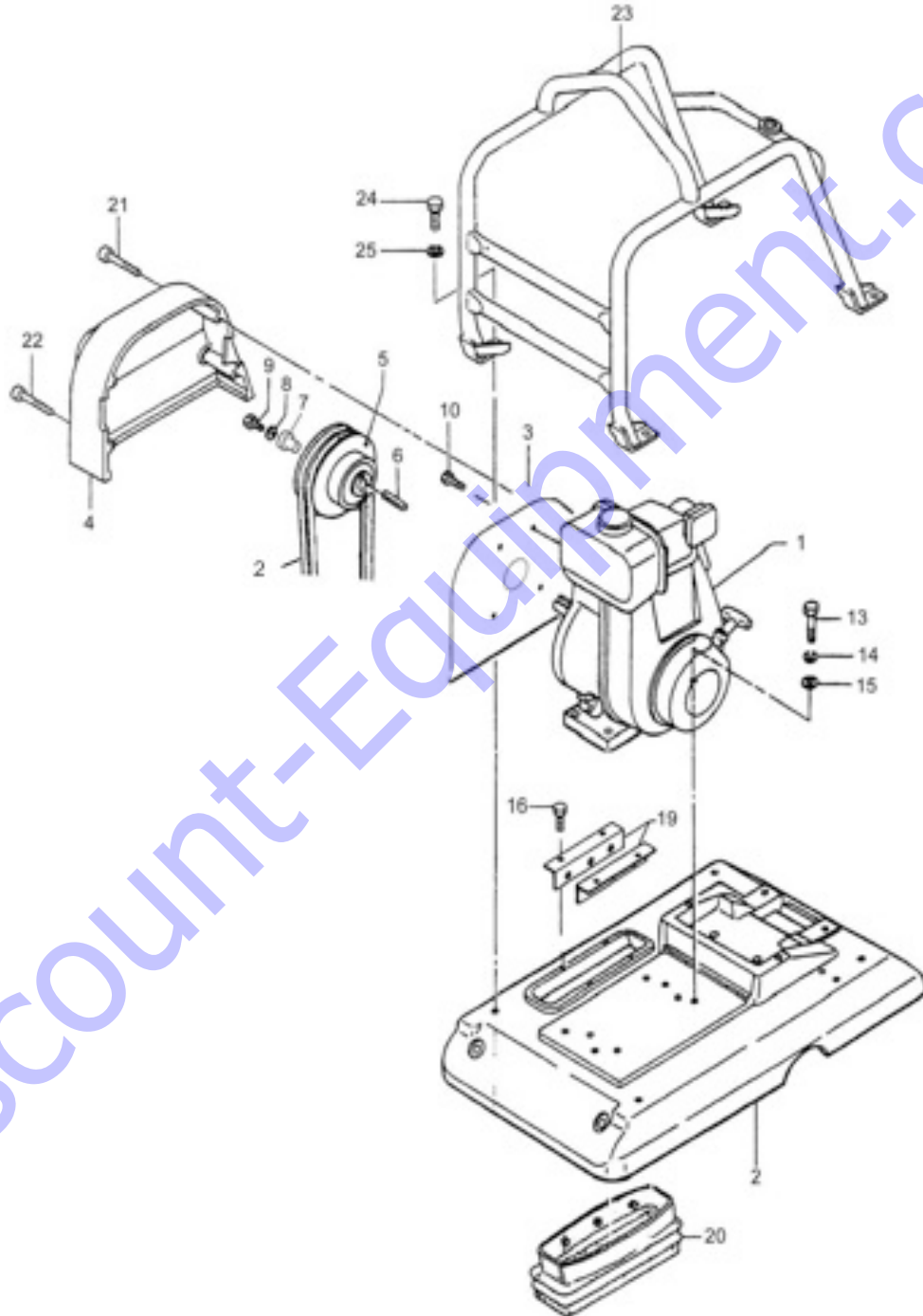


This Page Left Intentionally Blank

Discount-Equipment.com

PARTS LIST 2 – REVERSIBLE HYDRAULIC PLATE COMPACTORS

BODY





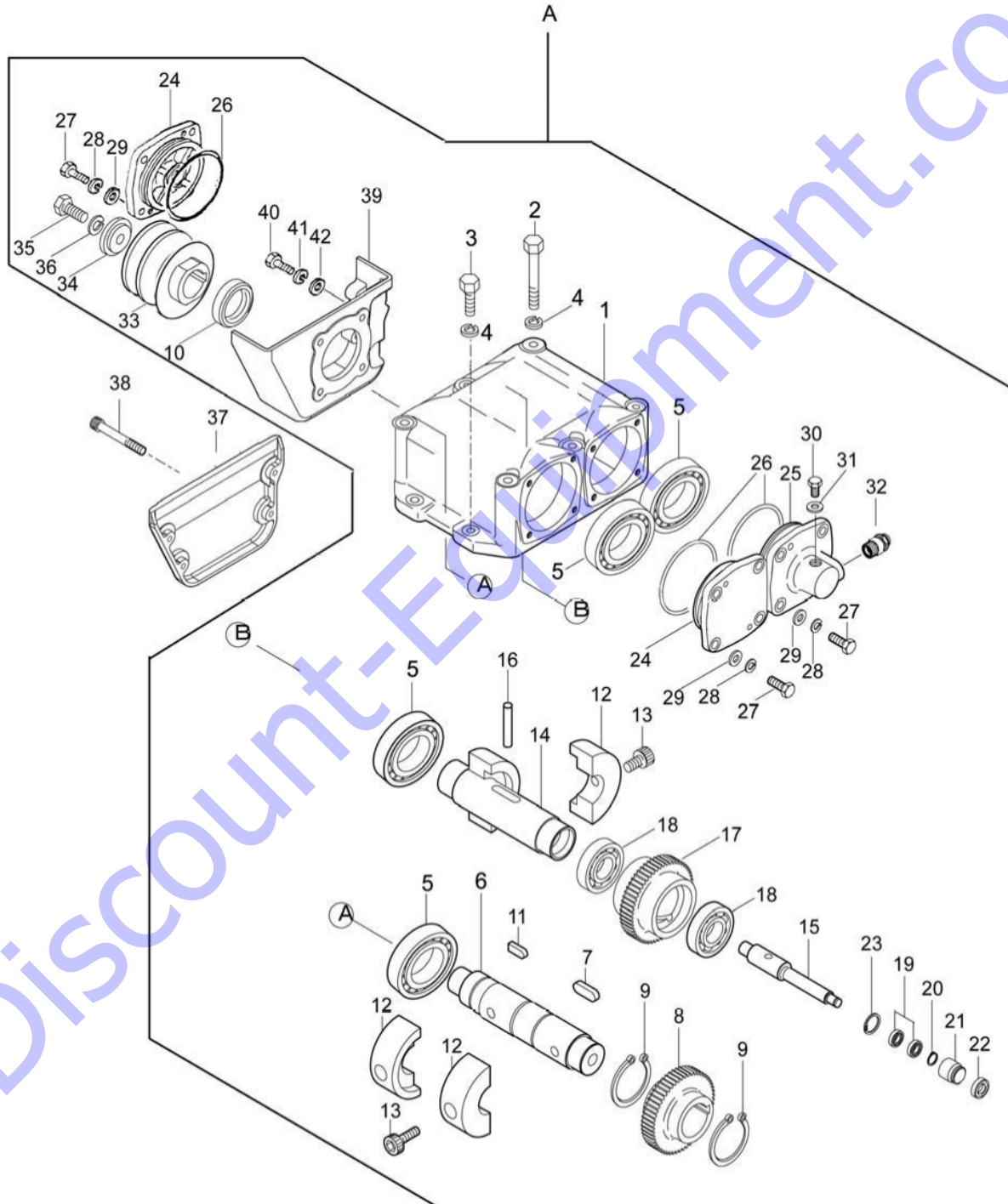
MAIN BODY BR5100– PARTS LIST 2

Item #	Part #	Description	QTY	Remarks
1	CPC-405-1B	ENGINE	1	
2	CPC-405-2B	BASE	1	
3	CPC-405-3B	BELT COVER (IN)	1	
4	CPC-405-4B	BELT COVER (OUT)	1	
5	CPC-405-5B	CLUTCH ASSY.	1	
6	CPC-405-6B	KEY 7x7x35	1	
7	CPC-405-7B	WASHER	1	
8	CPC-405-8B	SW M8	1	
9	CPC-405- 9B	BOLT M8x55T	1	
10	CPC-405-10B	BOLT M8x25T	4	
13	CPC-405-13B	BOLT M10x45T	4	
14	CPC-405-14B	SW M10	4	
15	CPC-405-15B	PW M10	4	
16	CPC-405-16B	BOLT M6x15T	4	
19	CPC-405-18B	HOLDER, DUST COVER	2	
20	CPC-405-20B	DUST COVER	1	
21	CPC-405-21B	SOCKET BOLT M10x80T	2	
22	CPC-405-22B	SOCKET BOLT M10x90T	2	
23	CPC-405-23B	GUARD FRAME	1	
24	CPC-405-24B	BOLT M14x30T	4	
25	CPC-405-25B	SW M14	4	
26	CPC-405-26B	V-BELT	1	

Discount-Equipment.com

PARTS LIST 3 – REVERSIBLE HYDRAULIC PLATE COMPACTORS

VIBRATOR





VIBRATOR BR5100 – PARTS LIST 3

Item #	Part #	Description	QTY	Remarks
C	CPC-405-C	VIBRATOR ASSEMBLY	1	
1	CPC-405-1C	VIBRATOR CASE	1	
2	CPC-405-2C	BOLT M14x160T	6	
3	CPC-405-3C	BOLT M14x60T	4	
4	CPC-405-4C	SW M14	10	
5	CPC-405-5C	ROLLER BEARING NJ310 C3	4	
6	CPC-405-6C	ROTARY SHAFT, DRIVE	1	
7	CPC-405-7C	KEY 16x10x40	1	
8	CPC-405-8C	GEAR (DRIVE)	1	
9	CPC-405-9C	STOP RING S-55	2	
10	CPC-405-10C	OIL SEAL SB-50729	1	
11	CPC-405-11C	KEY 12x8x30	1	
12	CPC-405-12C	ECCENT, ROTATOR	4	
13	CPC-350-13C	SOCKET HEAD BOLT 16x30	4	
14	CPC-405-14C	ROTARY SHAFT, DRIVEN	1	
15	CPC-405-15C	PISTON ROD	1	
16	CPC-405-16C	KNOCK PIN 10x70	1	
17	CPC-405-17C	GEAR (DRIVEN)	1	
18	CPC-405-18C	BEARING 6911	2	
19	CPC-405-19C	BEARING 6000ZZ	2	
20	CPC-405-20C	STOP RING S-10	1	
21	CPC-405-21C	PISTON 22.4D	1	
22	CPC-405-22C	PACKING	1	
23	CPC-405-23C	STOP RING R-26	1	
24	CPC-405-24C	BEARING COVER	2	
25	CPC-405-25C	CYLINDER	1	
26	CPC-405-26C	O-RING G-105	3	
27	CPC-405-27C	BOLT M10x25T	12	
28	CPC-405-28C	SW M10	12	
29	CPC-405-29C	PW M10	1	
30	CPC-405-30C	BOLT M8x12T	1	
31	CPC-405-31C	PACKING 8	1	
32	CPC-405-32C	ELBOW	1	
33	CPC-405-33C	PULLEY	1	
34	CPC-405-34C	WASHER, PULLEY	1	
35	CPC-405-35C	BOLT M12x40T	1	
36	CPC-405-36C	SW M12	1	
37	CPC-405-37C	BELT COVER (LOWER-OUT)	1	
38	CPC-405-38C	SOCKET HEAD BOLT M8x35	4	
39	CPC-405-39C	BELT COVER (LOWER-IN)	1	
40	CPC-405-40C	BOLT M10x35T	4	
41	CPC-405-41C	SW M10	4	

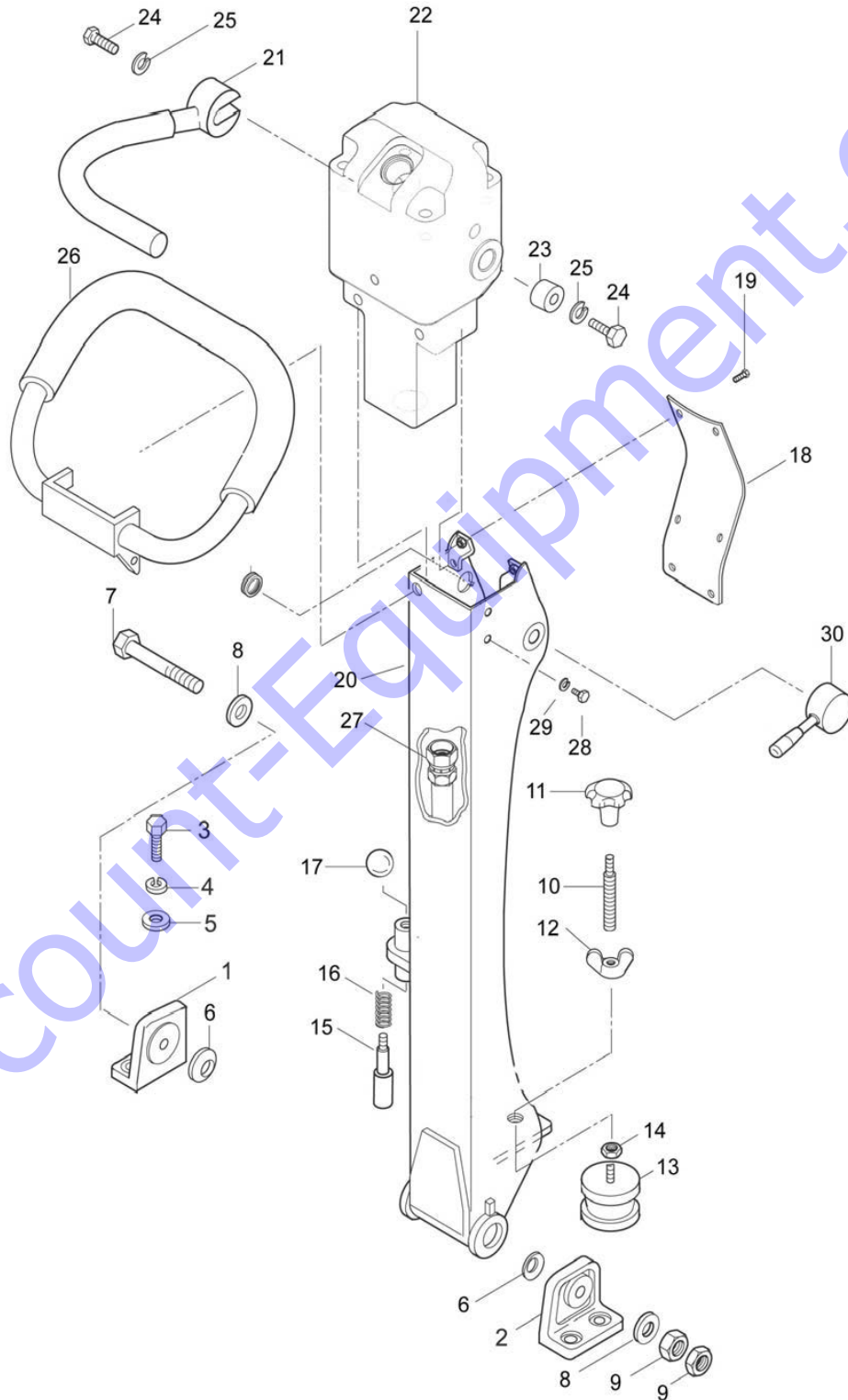


42	CPC-405-42C	PW M10	4	
----	-------------	--------	---	--

PARTS LIST 4 – REVERSIBLE HYDRAULIC PLATE COMPACTORS

CONTROL

Discount-Equipment.com





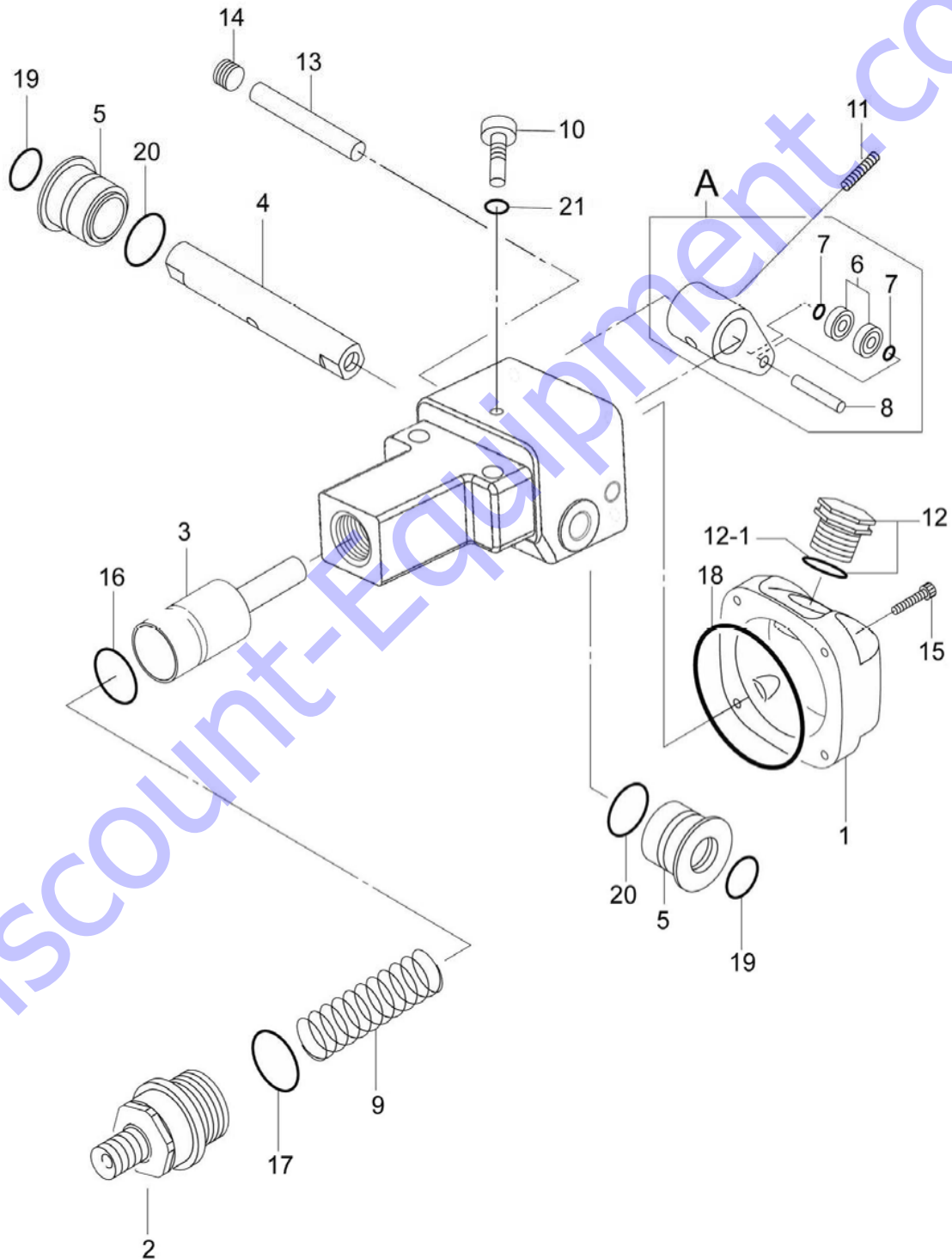
CONTROL BR5100 – PARTS LIST 4

Item #	Part #	Description	QTY	Remarks
1	CPC-405-1D	HANDLE BRACKET	1	
2	CPC-405-2D	HANDLE BRACKET (R)	1	
3	CPC-405-3D	BOLT M12x35T	4	
4	CPC-405-4D	SW M12	4	
5	CPC-405-5D	PW M12	4	
6	CPC-405-6D	CONICAL SPRING WASHER M24	2	
7	CPC-405-7D	BOLT M16x250T	1	
8	CPC-405-8D	PW M16	2	
9	CPC-405-9D	NUT M16	2	
10	CPC-405-10D	SPINDLE	1	
11	CPC-405-11D	KNOB	1	
12	CPC-405-12D	WING NUT M16	1	
13	CPC-405-13D	SHOCK ABSORBER	1	
14	CPC-405-14D	NUT M10, H=6	1	
15	CPC-405-15D	HANDLE STOPPER	1	
16	CPC-405-16D	SPRING/HANDLE (1.4x18x44)	1	
17	CPC-405-17D	BALL GRIP 32D-M10	1	
18	CPC-405-18D	HANDLE COVER	1	
19	CPC-405-19D	BOLT M6x15T	8	
20	CPC-405-20D	HANDLE	1	
21	CPC-405-21D	TRAVEL LEVER	1	
22	CPC-405-22D	HAND PUMP AY	1	
23	CPC-405-23D	HANDLE BOSS	1	
24	CPC-405-24D	BOLT M10x30T	2	
25	CPC-405-25D	SW M10	2	
26	CPC-405-26D	GRIP	1	
27	CPC-405-27D	OIL HOSE	1	
28	CPC-405-28D	BOLT M8x25T	2	
29	CPC-405-29D	SW M8	2	
30	CPC-405-30D	THROTTLE LEVER AY	1	
30-1	CPC-405-30-1D	THROTTLE WIRE	1	



PARTS LIST 5-REVERSIBLE HYDRAULIC PLATE COMPACTORS

HAND PUMP ASSEMBLY





HAND PUMP ASSEMBLY – BR5100 – PARTS LIST 5

Item #	Part #	Description	QTY	Remarks
1	CPC-350-1E	COVER (HAND PUMP)	1	
2	CPC-350-2E	CYLINDER CP (PUMP)	1	
3	CPC-350-3E	PISTON CP (PUMP)	1	
4	0CPC-350-4E	CONTROL SHAFT (PUMP)	1	
5	CPC-350-5E	BUSH	2	
6	CPC-350-6E	BEARING 6001zz	2	
7	CPC-350-7E	O-RING 7x2	2	
8	CPC-350-8E	PIN 7x30	1	
9	CPC-350-9E	PISTON SPRING (PUMP)	1	
10	CPC-350-10E	STOP PLUG	1	
11	CPC-350-11E	SPRING PIN	1	
12	CPC-350-12E	BREATHER (PUMP)	1	
12-1	CPC-350-12-1E	O-RING P-20	1	
13	CPC-350-13E	STOPPER	1	
14	CPC-350-14E	PLUG	1	
15	CPC-350-15E	SOCKET HEAD BOLT 8x35T	4	
16	CPC-350-16E	O-RING P-25	1	
17	CPC-350-17E	O-RING S-28	1	
18	CPC-350-18E	O-RING S-67	1	
19	CPC-350-19E	O-RING P-15	2	
20	CPC-350-20E	O-RING P-20	2	
21	CPC-350-21E	PACKING 8	1	

Discount-Equipment.com

Discount Equipment

Discount-Equipment.com is your online resource for commercial and industrial quality parts and equipment sales.

Locations:

Florida (West Palm Beach): [561-964-4949](tel:561-964-4949)

Outside Florida TOLL FREE: [877-690-3101](tel:877-690-3101)

Need parts? Check out our website at www.discount-equipment.com

Can't find what you need?

Click on this link: <http://www.discount-equipment.com/category/5443-parts/> and fill out the request form.

Please have the machine model and serial number available in order to help us get you the correct parts. One of our experienced staff members will get back to you with a quote for the right part that your machine needs.

We sell worldwide for the brands: Genie, Terex, JLG, MultiQuip, Mayco, Toro/Stone, Diamond Products, Magnum, Airman, Mustang, Power Blanket, Nifty Lift, Atlas Copco, Chicago Pneumatic, Allmand Brothers, Essick, Miller Spreader, Skyjack, Lull, Skytrak, Tsurumi, Husquvarna/Target, Whiteman-Concrete/Mortar, Stow-Concrete/Mortar, Baldor, Wacker, Sakai, Snorkel, Upright, Mi-T-M, Sullair, Neal, Basic, Dynapac, MBW, Weber, Bartell, Bennar Newman, Haulotte, Ditch Runner, Blaw-Knox, Himoina, Best, Buddy, Crown, Edco, Wyco, Bomag, Laymor, Terremite, Barreto, EZ Trench, Takeuchi, Basic, Bil-Jax, Curtis, Gehl, Heli, Honda, ICS/PowerGrit, Puckett, Waldon, ASV, IHI, Partner, Imer, Clipper, MMD, Koshin, Rice, Gorman Rupp, CH&E, Cat Pumps, Comet, General Pump, Giant, AMida, Coleman, NAC, Gradall, Square Shooter, Kent, Stanley, Tamco, Toku, Hatz, Kohler, Robin, Wisconsin, Northrock, Oztec, Toker TK, Rol-Air, Small Line, Wanco, Yanmar