

BARTELL

CONCRETE EQUIPMENT

BR4600 REVERSIBLE HYDRAULIC PLATE COMPACTORS PARTS BOOK



Doc. # OI-B19024
Orig. Rel. - 10/2013
Curr Rev. - 05

Discount Equipment

Discount-Equipment.com is your online resource for commercial and industrial quality parts and equipment sales.

Locations:

Florida (West Palm Beach): [561-964-4949](tel:561-964-4949)

Outside Florida TOLL FREE: [877-690-3101](tel:877-690-3101)

Need parts? Check out our website at www.discount-equipment.com

Can't find what you need?

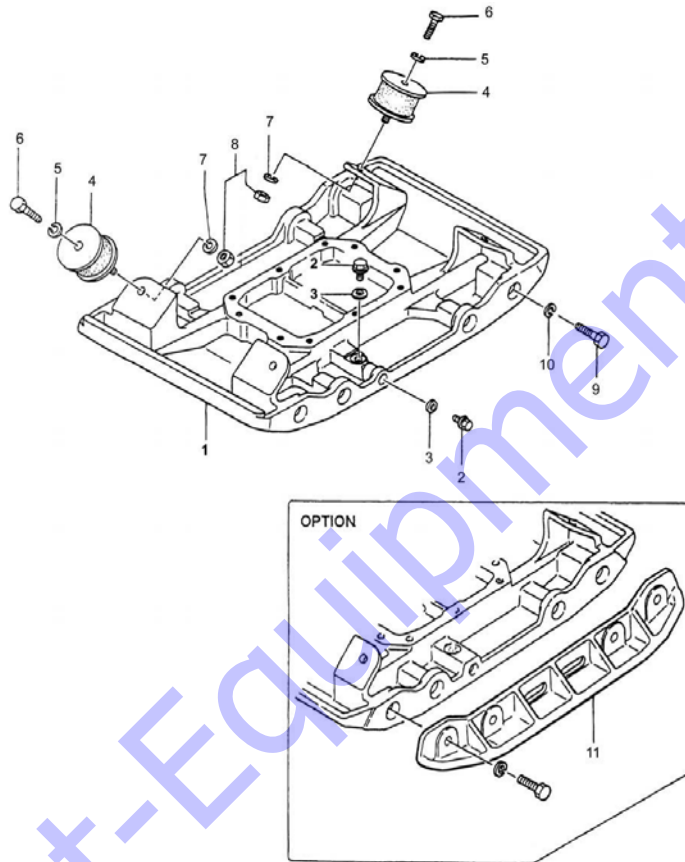
Click on this link: <http://www.discount-equipment.com/category/5443-parts/> and fill out the request form.

Please have the machine model and serial number available in order to help us get you the correct parts. One of our experienced staff members will get back to you with a quote for the right part that your machine needs.

We sell worldwide for the brands: Genie, Terex, JLG, MultiQuip, Mayco, Toro/Stone, Diamond Products, Magnum, Airman, Mustang, Power Blanket, Nifty Lift, Atlas Copco, Chicago Pneumatic, Allmand Brothers, Essick, Miller Spreader, Skyjack, Lull, Skytrak, Tsurumi, Husquvarna/Target, Whiteman-Concrete/Mortar, Stow-Concrete/Mortar, Baldor, Wacker, Sakai, Snorkel, Upright, Mi-T-M, Sullair, Neal, Basic, Dynapac, MBW, Weber, Bartell, Bennar Newman, Haulotte, Ditch Runner, Blaw-Knox, Himoina, Best, Buddy, Crown, Edco, Wyco, Bomag, Laymor, Terremite, Barreto, EZ Trench, Takeuchi, Basic, Bil-Jax, Curtis, Gehl, Heli, Honda, ICS/PowerGrit, Puckett, Waldon, ASV, IHI, Partner, Imer, Clipper, MMD, Koshin, Rice, Gorman Rupp, CH&E, Cat Pumps, Comet, General Pump, Giant, AMida, Coleman, NAC, Gradall, Square Shooter, Kent, Stanley, Tamco, Toku, Hatz, Kohler, Robin, Wisconsin, Northrock, Oztec, Toker TK, Rol-Air, Small Line, Wanco, Yanmar

PARTS LIST 1 – REVERSIBLE HYDRAULIC PLATE COMPACTORS

VIBRATING PLATE



VIBRATING PLATE: BR4600 – PARTS LIST 1

Item #	Part #	Description	QTY	Remarks
1	CPC-350-01A	VIBRATING PLATE	1	
2	CPC-350-02A	DRAIN PLUG M16x1.5	2	
3	CPC-350-03A	PACKING 16	2	
4	CPC-350-04A	SHOCK ABSORBER	4	
5	CPC-350-05A	SW & PACKING M16	4	
6	CPC-350-06A	BOLT M16x75T	4	
7	CPC-350-07A	SW & PACKING M16	4	
8	CPC-350-08A	NUT 16	4	
9	CPC-350-09A	BOLT M16x50T	8	
10	CPC-350-010A	SW & PACKING M16	8	
11	CPC-350-011A	EXTENSION PLATE	2	OPTION



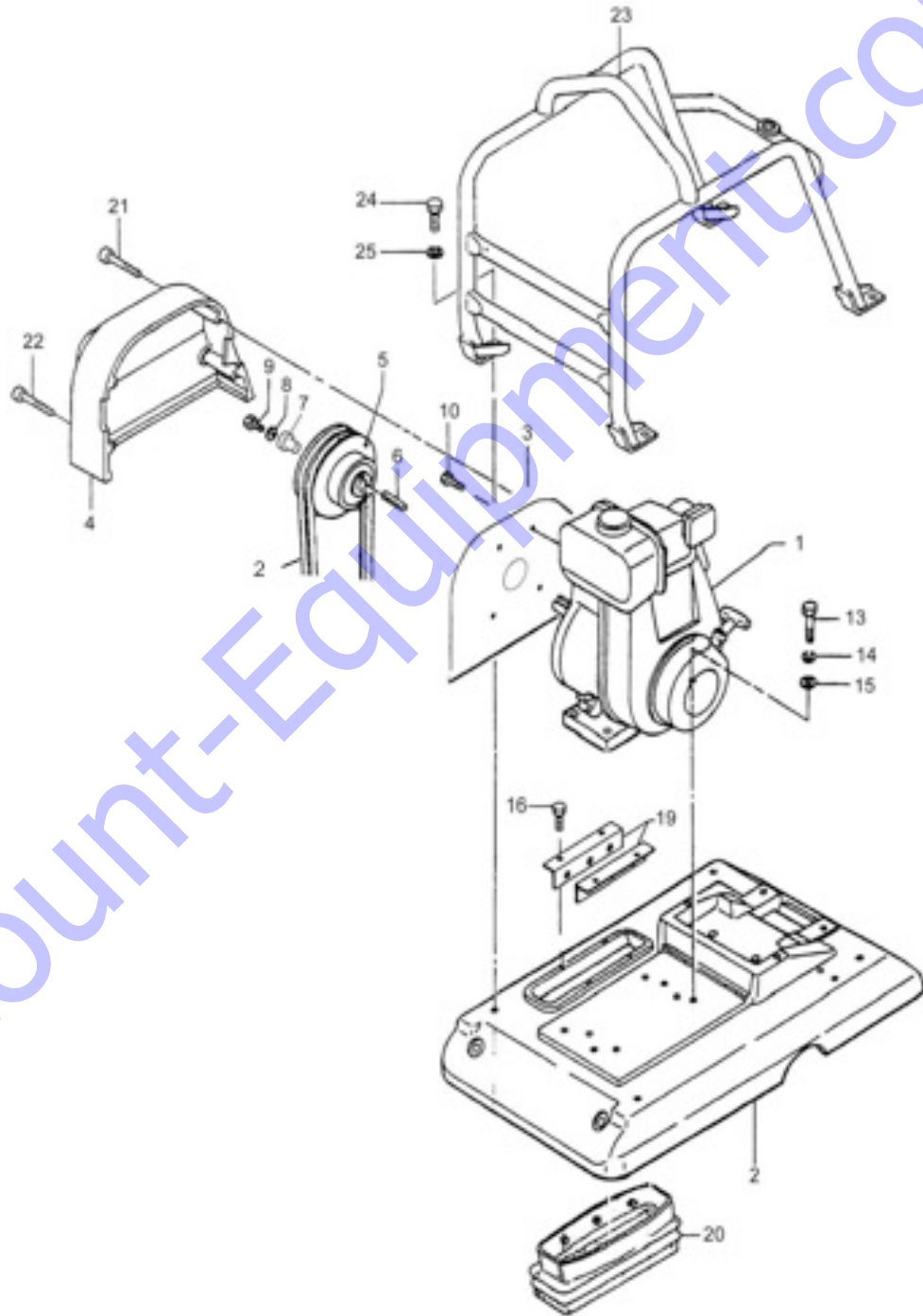
This Page Left Intentionally Blank

Discount-Equipment.com



PARTS LIST 2 – REVERSIBLE HYDRAULIC PLATE COMPACTORS

BODY





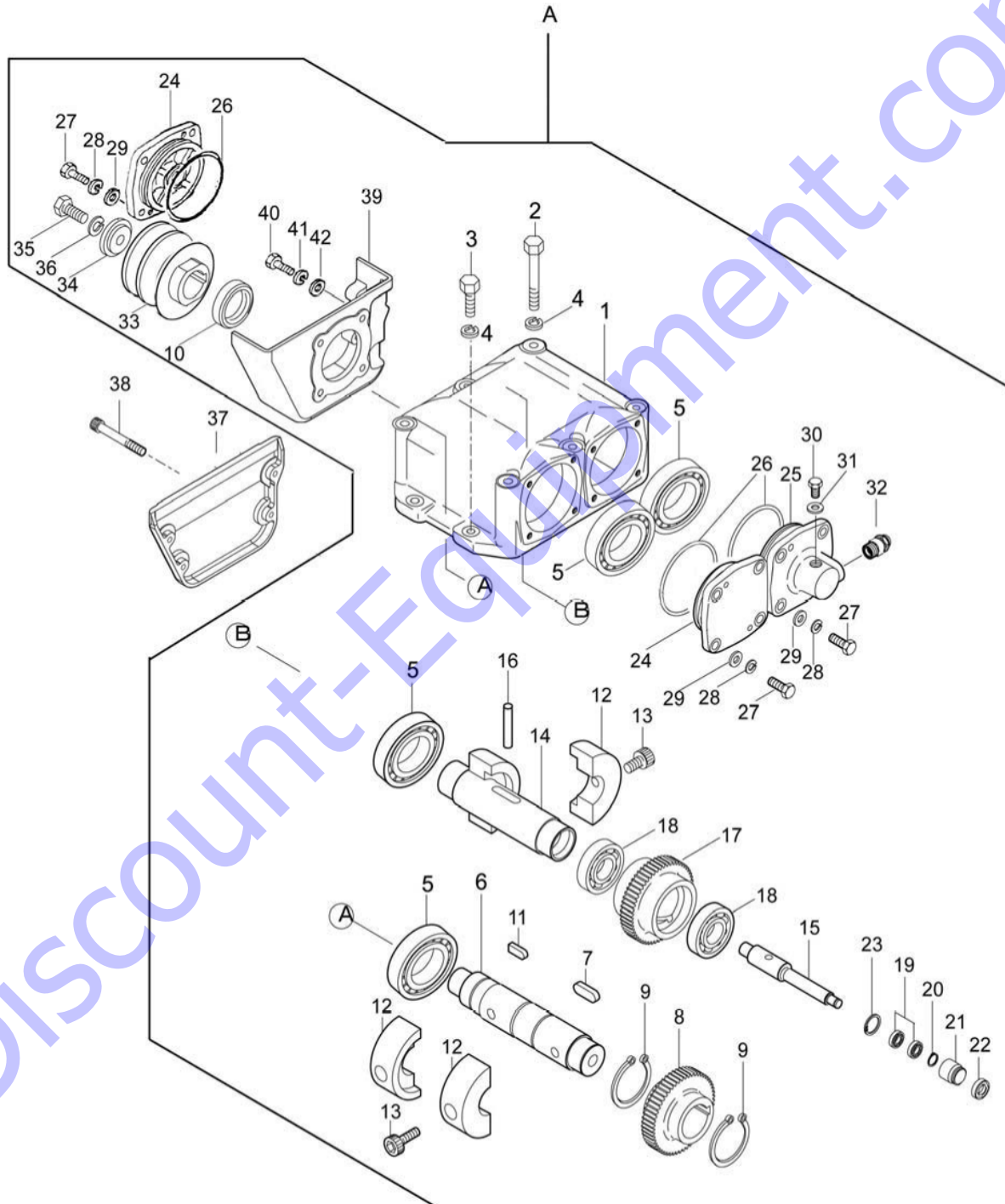
BODY: BR4600 – PARTS LIST 2

Item #	Part #	Description	QTY	Remarks
1	CPC-350-01B	ENGINE	1	
2	CPC-350-02B	BASE	1	
3	CPC-350-03B	BELT COVER (IN)	1	
4	CPC-350-04B	BELT COVER (OUT)	1	
5	CPC-350-05B	CLUTCH ASSY.	1	
6	CPC-350-06B	KEY 7x7x35	1	
7	CPC-350-07B	WASHER	1	
8	CPC-350-08B	SW M10	1	
9	CPC-350-09B	SOCKET HEAD BOLT M10x30T	1	
10	CPC-350-10B	SOCKET HEAD BOLT M8x25T	4	
13	CPC-350-13B	BOLT M10x45T	4	
14	CPC-350-14B	SW M10	4	
15	CPC-350-15B	PW M10	4	
16	CPC-350-16B	BOLT M6x15T	4	
19	CPC-350-18B	HOLDER, DUST COVER	2	
20	CPC-350-20B	DUST COVER	1	
21	CPC-350-21B	BOLT M10x100T	2	
22	CPC-350-22B	BOLT M10x100T	2	
23	CPC-350-23B	GUARD FRAME	1	
24	CPC-350-24B	BOLT M14x30T	4	
25	CPC-350-25B	SW & PACKING M14	4	
26	CPC-350-26B	V-BELT	1	

Discount-Equipment.com

PARTS LIST 3 – REVERSIBLE HYDRAULIC PLATE COMPACTORS

VIBRATOR





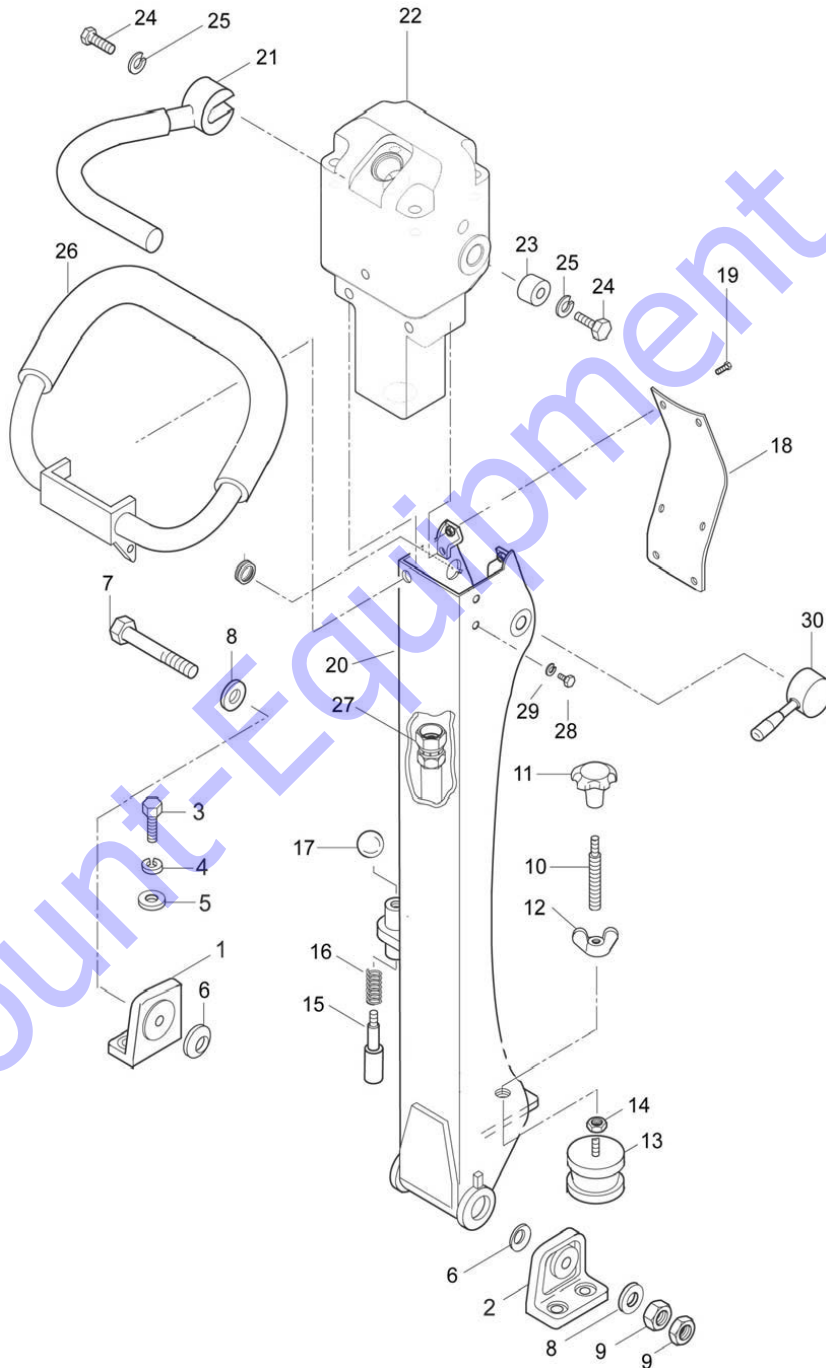
VIBRATOR: BR4600 – PARTS LIST 3

Item #	Part #	Description	QTY	Remarks
C	CPC-350-C	VIBRATOR ASSEMBLY	1	
1	CPC-350-01C	VIBRATOR CASE	1	
2	CPC-350-02C	BOLT M14x150T	6	
3	CPC-350-03C	BOLT M14x50T	4	
4	CPC-350-04C	SW & PACKING M14	10	
5	CPC-350-05C	ROLLER BEARING NJ310 C3	4	
6	CPC-350-06C	ROTARY SHAFT, DRIVE	1	
7	CPC-350-07C	KEY 16x10x40	1	
8	CPC-350-08C	GEAR (DRIVE)	1	
9	CPC-350-09C	STOP RING S-55	2	
10	CPC-350-10C	OIL SEAL SB-50720	1	
11	CPC-350-11C	KEY 12x8x30	1	
12	CPC-350-12C	ECCENT ROTATOR	4	
13	CPC-350-13C	SOCKET HEAD BOLT M16x1.5x30	2	
		SOCKET HEAD BOLT M16x1.5x40		
14	CPC-350-14C	ROTARY SHAFT, DRIVEN	1	
15	CPC-350-15C	PISTON ROD	1	
16	CPC-350-16C	KNOCK PIN 10x70	1	
17	CPC-350-17C	GEAR (DRIVEN)	1	
18	CPC-350-18C	BEARING 6911	2	
19	CPC-350-19C	BEARING 6000ZZ	2	
20	CPC-350-20C	STOP RING S-10	1	
21	CPC-350-21C	PISTON	1	
22	CPC-350-22C	OIL SEAL USH-22	1	
23	CPC-350-23C	STOP RING R-26	1	
24	CPC-350-24C	BEARING COVER	2	
25	CPC-350-25C	CYLINDER	1	
26	CPC-350-26C	O-RING 106x3.1	3	
27	CPC-350-27C	BOLT M10x25T	12	
28	CPC-350-28C	SW M10	12	
29	CPC-350-29C	PW M10	1	
30	CPC-350-30C	BOLT M8x12T	1	
31	CPC-350-31C	PACKING 8	1	
32	CPC-350-32C	ELBOW	1	
33	CPC-350-33C	PULLEY	1	
34	CPC-350-34C	WASHER, PULLEY	1	
35	CPC-350-35C	BOLT M12x40T	1	
36	CPC-350-36C	SW M12	1	
37	CPC-350-37C	BELT COVER (LOWER-OUT)	1	
38	CPC-350-38C	SOCKET HEAD BOLT M8x35	4	
39	CPC-350-39C	BELT COVER (LOWER-IN)	1	
40	CPC-350-40C	BOLT M10x35T	4	
41	CPC-350-41C	SW M10	4	
42	CPC-350-42C	PWM10	4	



PARTS LIST 4 – REVERSIBLE HYDRAULIC PLATE COMPACTORS

CONTROL



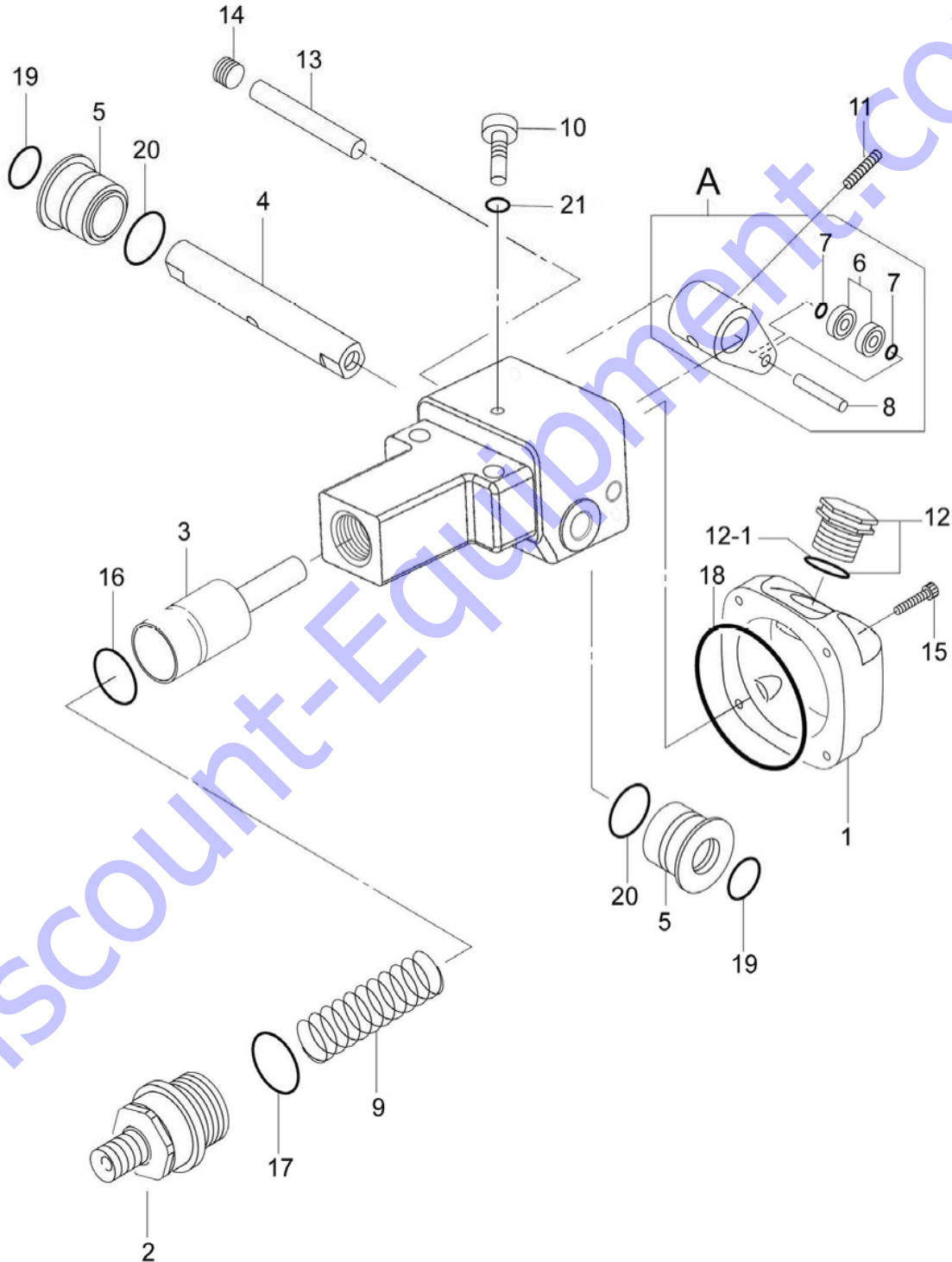


CONTROL: BR4600 – PARTS LIST 4

Item #	Part #	Description	QTY	Remarks
1	CPC-350-01D	HANDLE BRACKET	1	
2	CPC-350-02D	HANDLE BRACKET (R)	1	
3	CPC-350-03D	BOLT M12x35T	4	
4	CPC-350-04D	SW M12	4	
5	CPC-350-05D	PW M12	4	
6	CPC-350-06D	CONICAL SPRING WASHER M16	4	
7	CPC-350-07D	BOLT M16x180T	1	
8	CPC-350-08D	PW M16	2	
9	CPC-350-09D	LOCK NUT M16	1	
10	CPC-350-10D	SPINDLE M16	1	
11	CPC-350-11D	KNOB	1	
12	CPC-350-12D	WING NUT M16	1	
13	CPC-350-13D	SHOCK ABSORBER	1	
14	CPC-350-14D	NUT M10	1	
15	CPC-350-15D	HANDLE STOPPER	1	
16	CPC-350-16D	SPRING/HANDLE (1.4x18x44)	1	
17	CPC-350-17D	BALL GRIP 32D-M10	1	
18	CPC-350-18D	HANDLE COVER	1	
19	CPC-350-19D	BOLT M6x10T	8	
20	CPC-350-20D	HANDLE	1	
21	CPC-350-21D	TRAVEL LEVER	1	
22	CPC-350-22D	HAND PUMP AY	1	
23	CPC-350-23D	HANDLE BOSS	1	
24	CPC-350-24D	BOLT M8x25T	2	
25	CPC-350-25D	SW M10	2	
26	CPC-350-26D	GRIP	1	
27	CPC-350-27D	OIL HOSE	1	
28	CPC-350-28D	BOLT M10X25T	2	
29	CPC-350-29D	SW & PACKING M10	2	
30	CPC-350-30D	THROTTLING LEVER AY	1	
30-1	CPC-350-30-1D	THROTTLE WIRE	1	

PARTS LIST 5 – REVERSIBLE HYDRAULIC PLATE COMPACTORS

HAND PUMP ASSEMBLY





HAND PUMP ASSEMBLY: BR4600 – PARTS LIST 5

Item #	Part #	Description	QTY	Remarks
1	CPC-350-01E	COVER (HAND PUMP)	1	
2	CPC-350-02E	CYLINDER CP (PUMP)	1	
3	CPC-350-03E	PISTON CP (PUMP)	1	
4	CPC-350-04E	CONTROL SHAFT (PUMP)	1	
5	CPC-350-05E	BUSH	2	
6	CPC-350-06E	BEARING 607ZZ	2	
7	CPC-350-07E	O-RING 12x2.4	2	
8	CPC-350-08E	PIN 7x30	1	
9	CPC-350-09E	PISTON SPRING (PUMP)	1	
10	CPC-350-10E	STOP PLUG M8x30T	1	
11	CPC-350-11E	SPRING PIN (6x25, 4x25)	1	
12	CPC-350-12E	BREATHER (PUMP)	1	
12-1	CPC-350-12-1E	PACKING 20	1	
13	CPC-350-13E	STOPPER 12X80	1	
14	CPC-350-14E	PLUG G1/4	1	
15	CPC-350-15E	SOCKET HEAD BOLT M8x35T	4	
16	CPC-350-16E	OIL SEAL 22.4x4.8	1	
17	CPC-350-17E	PACKING 24	1	
18	CPC-350-18E	O-RING 70x20	1	
19	CPC-350-19E	O-RING 19x2.5	2	
20	CPC-350-20E	O-RING 24x2.5	2	
21	CPC-350-21E	PACKING 8	1	
1	CPC-350-01E	COVER (HAND PUMP)	1	
2	CPC-350-02E	CYLINDER CP (PUMP)	1	

Discount Equipment

Discount-Equipment.com is your online resource for commercial and industrial quality parts and equipment sales.

Locations:

Florida (West Palm Beach): [561-964-4949](tel:561-964-4949)

Outside Florida TOLL FREE: [877-690-3101](tel:877-690-3101)

Need parts? Check out our website at www.discount-equipment.com

Can't find what you need?

Click on this link: <http://www.discount-equipment.com/category/5443-parts/> and fill out the request form.

Please have the machine model and serial number available in order to help us get you the correct parts. One of our experienced staff members will get back to you with a quote for the right part that your machine needs.

We sell worldwide for the brands: Genie, Terex, JLG, MultiQuip, Mayco, Toro/Stone, Diamond Products, Magnum, Airman, Mustang, Power Blanket, Nifty Lift, Atlas Copco, Chicago Pneumatic, Allmand Brothers, Essick, Miller Spreader, Skyjack, Lull, Skytrak, Tsurumi, Husquvarna/Target, Whiteman-Concrete/Mortar, Stow-Concrete/Mortar, Baldor, Wacker, Sakai, Snorkel, Upright, Mi-T-M, Sullair, Neal, Basic, Dynapac, MBW, Weber, Bartell, Bennar Newman, Haulotte, Ditch Runner, Blaw-Knox, Himoina, Best, Buddy, Crown, Edco, Wyco, Bomag, Laymor, Terremite, Barreto, EZ Trench, Takeuchi, Basic, Bil-Jax, Curtis, Gehl, Heli, Honda, ICS/PowerGrit, Puckett, Waldon, ASV, IHI, Partner, Imer, Clipper, MMD, Koshin, Rice, Gorman Rupp, CH&E, Cat Pumps, Comet, General Pump, Giant, AMida, Coleman, NAC, Gradall, Square Shooter, Kent, Stanley, Tamco, Toku, Hatz, Kohler, Robin, Wisconsin, Northrock, Oztec, Toker TK, Rol-Air, Small Line, Wanco, Yanmar