



BR3570
REVERSIBLE HYDRAULIC PLATE COMPACTOR
PARTS BOOK



\ www.Discount-Equipment.com

Doc. # PB-B19023



Discount Equipment

Discount-Equipment.com is your online resource for commercial and industrial quality parts and equipment sales.

Locations:

Florida (West Palm Beach): [561-964-4949](tel:561-964-4949)

Outside Florida TOLL FREE: [877-690-3101](tel:877-690-3101)

Need parts? Check out our website at www.discount-equipment.com

Can't find what you need?

Click on this link: <http://www.discount-equipment.com/category/5443-parts/> and fill out the request form.

Please have the machine model and serial number available in order to help us get you the correct parts. One of our experienced staff members will get back to you with a quote for the right part that your machine needs.

We sell worldwide for the brands: Genie, Terex, JLG, MultiQuip, Mayco, Toro/Stone, Diamond Products, Magnum, Airman, Mustang, Power Blanket, Nifty Lift, Atlas Copco, Chicago Pneumatic, Allmand Brothers, Essick, Miller Spreader, Skyjack, Lull, Skytrak, Tsurumi, Husquvarna/Target, Whiteman-Concrete/Mortar, Stow-Concrete/Mortar, Baldor, Wacker, Sakai, Snorkel, Upright, Mi-T-M, Sullair, Neal, Basic, Dynapac, MBW, Weber, Bartell, Bennar Newman, Haulotte, Ditch Runner, Blaw-Knox, Himoina, Best, Buddy, Crown, Edco, Wyco, Bomag, Laymor, Terremite, Barreto, EZ Trench, Takeuchi, Basic, Bil-Jax, Curtis, Gehl, Heli, Honda, ICS/PowerGrit, Puckett, Waldon, ASV, IHI, Partner, Imer, Clipper, MMD, Koshin, Rice, Gorman Rupp, CH&E, Cat Pumps, Comet, General Pump, Giant, AMida, Coleman, NAC, Gradall, Square Shooter, Kent, Stanley, Tamco, Toku, Hatz, Kohler, Robin, Wisconsin, Northrock, Oztec, Toker TK, Rol-Air, Small Line, Wanco, Yanmar

New Equipment - Used Equipment - Rental Equipment - Parts and Accessories

Discount Equipment

www.discount-equipment.com

561-964-4949

Sales: info@Discount-Equipment.com

Parts: wbparts@Discount-Equipment.com



Orig. Rel. – 10/2013
Curr Rev. – 05

Discount-Equipment.com



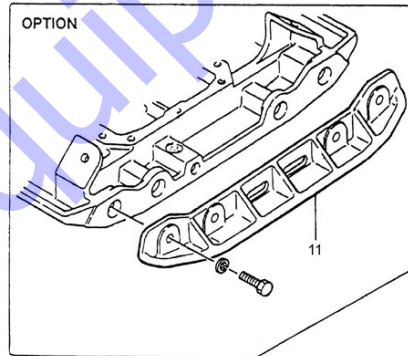
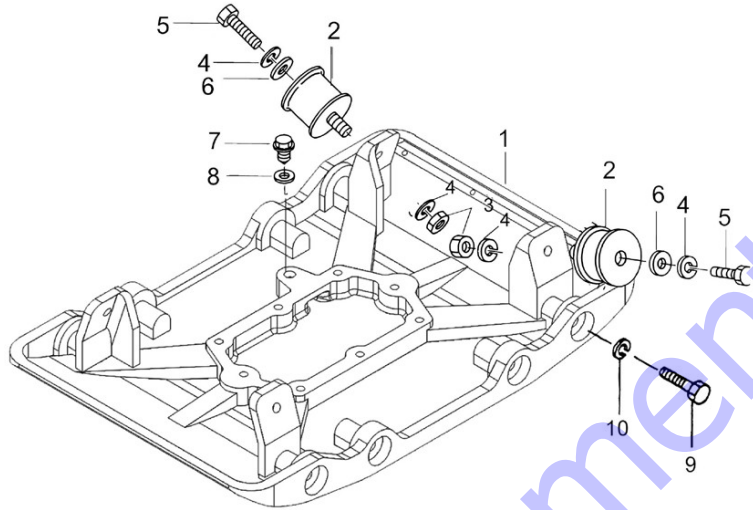
REV.	DATE	DESCRIPTION	APPROVED BY:
00	10/2013	Initial release	AL
01	02/2014	Part number updated	AL
02	02/2014	Cover page updated	AL
03	06/2014	Updated address	AL
04	07/2014	Cover page updated	AL
05	07/2017	Added part number for wheel kit, Address update, Format update	AN

TABLE OF CONTENTS

<u>PARTS LIST 1 – REVERSIBLE HYDRAULIC PLATE COMPACTORS</u>	5
VIBRATING PLATE: BR3570	5
VIBRATING PLATE: BR3570 – PARTS LIST 1	6
<u>PARTS LIST 2 – REVERSIBLE HYDRAULIC PLATE COMPACTORS</u>	7
BODY: BR3570	7
BODY: BR3570 - PARTS LIST 2	8
<u>PARTS LIST 3 – REVERSIBLE HYDRAULIC PLATE COMPACTORS</u>	9
VIBRATOR: BR3570	9
VIBRATOR: BR3570 – PARTS LIST 3	10
<u>PARTS LIST 4 – REVERSIBLE HYDRAULIC PLATE COMPACTORS</u>	13
CONTROL: BR3570	13
CONTROL: BR3570 – PARTS LIST 4	14
<u>PARTS LIST 5 – REVERSIBLE HYDRAULIC PLATE COMPACTORS</u>	15
HAND PUMP ASSEMBLY: BR3570	15
HAND PUMP ASSEMBLY: BR3570 – PARTS LIST 5	16

PARTS LIST 1 – REVERSIBLE HYDRAULIC PLATE COMPACTORS

VIBRATING PLATE: BR3570



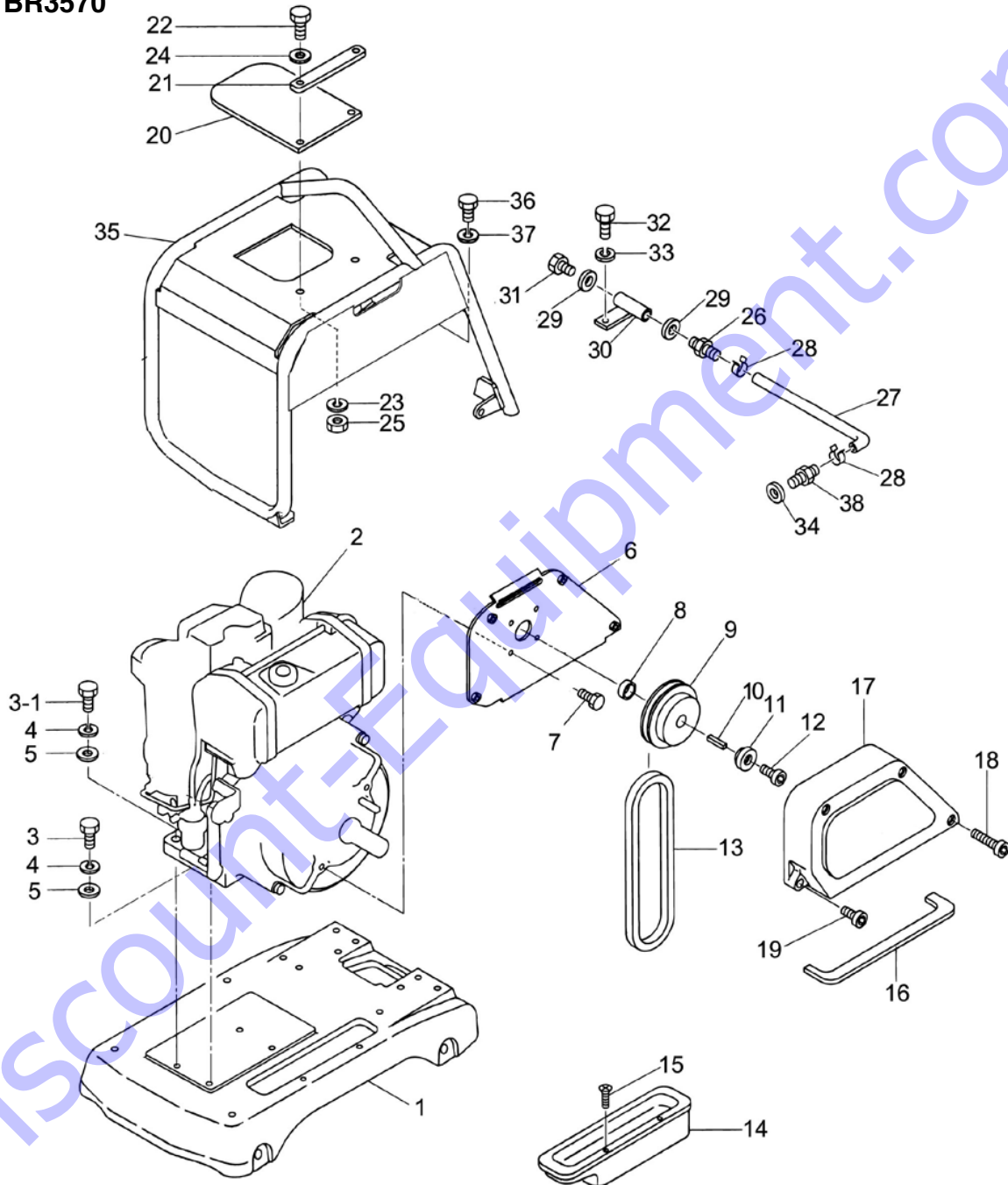
VIBRATING PLATE: BR3570 – PARTS LIST 1

Item #	Part #	Description	QTY	Remarks
1	CPC-240-01A	VIBRATING PLATE	1	
2	CPC-240-02A	SHOCK ABSORBER	4	
3	CPC-240-03A	LOCK NUT M12	4	
4	CPC-240-04A	SW M12	8	
5	CPC-240-05A	BOLT M12x35T	4	
6	CPC-240-06A	WASHER 12x40x4.5	4	
7	CPC-240-07A	OIL GAUGE M16x1.5	1	
8	CPC-240-08A	PACKING M16	1	
9	CPC-240-09A	BOLT	8	
10	CPC-240-010A	SW & PACKING M12	8	
11	CPC-240-011A	EXTENSION PLATE	2	

Discount-Equipment.com

PARTS LIST 2 – REVERSIBLE HYDRAULIC PLATE COMPACTORS

BODY: BR3570



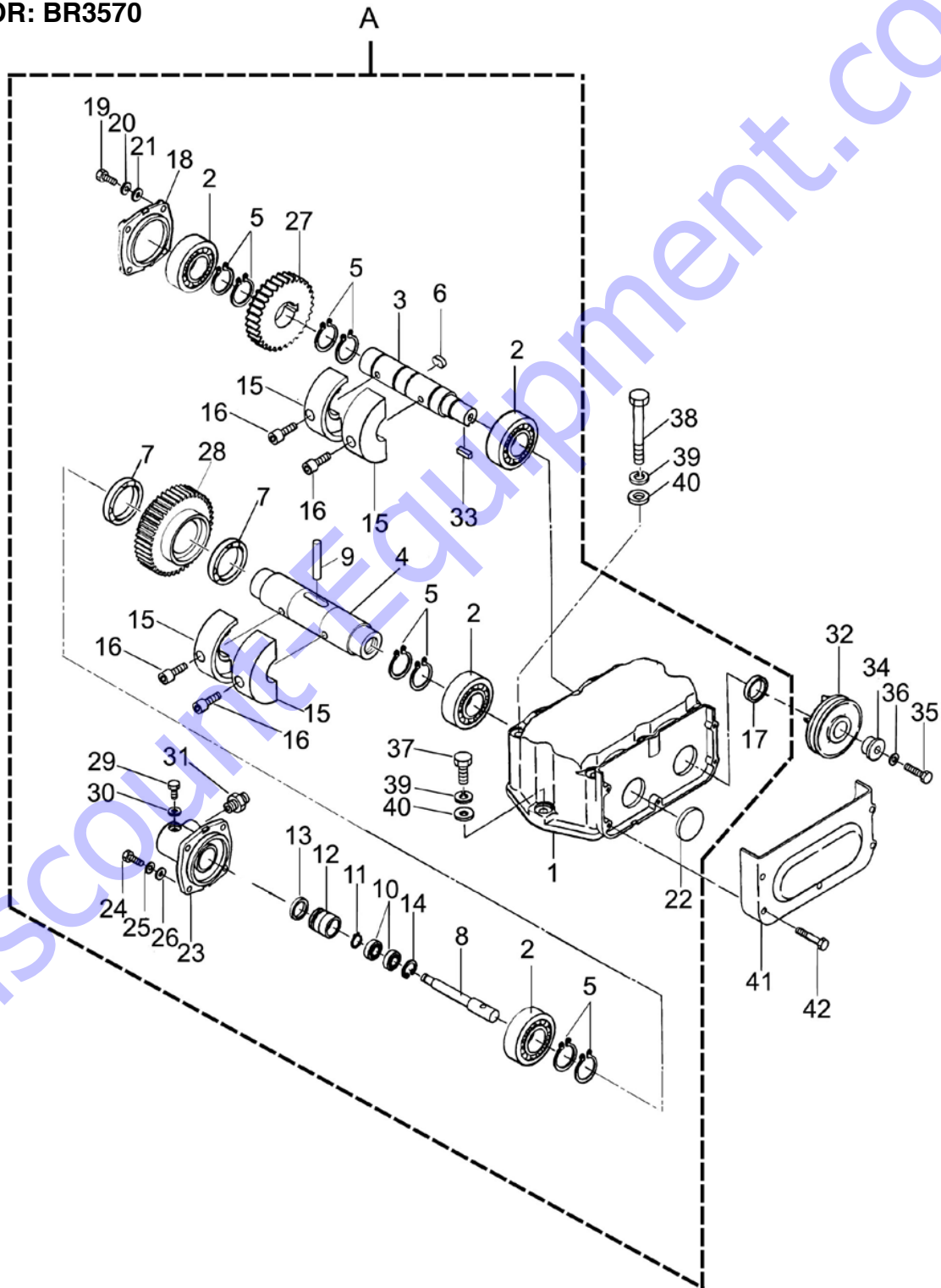
BODY: BR3570 - PARTS LIST 2

Item #	Part #	Description	QTY	Remarks
1	CPC-240-01B	BASE	1	
2	CPC-240-02B	ENGINE	4	
3	CPC-240-03B	BOLT M8x40T	4	
4	CPC-240-04B	SW M8	4	
5	CPC-240-05B	PW M8	1	
6	CPC-240-06B	BELT COVER PLATE	4	
7	CPC-240-07B	BOLT M8x20T	1	
9	CPC-240-09B	CLUTCH ASSEMBLY	1	
10	CPC-240-10B	KEY 5x5x30	1	
11	CPC-240-11B	CLUTCH WASHER	1	
12	CPC-240-12B	SOCKET HEAD BOLT M8x30T	1	
13	CPC-240-13B	V-BELT, AV13x890	1	
14	CPC-240-14B	DUST COVER	1	
15	CPC-240-15B	FLAT HEAD SCREW M6x16T	2	
16	CPC-240-16B	SPONGE, DUST COVER	1	
17	CPC-240-17B	BELT COVER OUT	1	
18	CPC-240-18B	SOCKET HEAD BOLT M8x60T	3	
19	CPC-240-19B	SOCKET HEAD BOLT M8x30T	1	
20	CPC-240-20B	RUBBER COVER	1	
21	CPC-240-21B	PLATE, RUBBER COVER	1	
22	CPC-240-22B	BOLT M6x25T	2	
23	CPC-240-23B	SW M6	2	
24	CPC-240-24B	PW M6	4	
25	CPC-240-25B	NYLON NUT M6	2	
27	CPC-240-27B	DRAIN HOSE	1	
28	CPC-240-28B	HOSE CLAMP	2	
29	CPC-240-29B	GASKET 10x18.1,5	1	
30	CPC-240-30B	PLUG	1	
31	CPC-240-31B	JOINT BLOCK M10x1.0	1	
32	CPC-240-32B	BOLT M8x20T	1	
33	CPC-240-33B	SW M8	1	
34	CPC-240-34B	SEAL WASHER	1	
35	CPC-240-35B	GUARD FRAME	1	
36	CPC-240-36B	BOLT M10x25T	4	
37	CPC-240-37B	SW & PACKING M10	4	

38	CPC-240-38B	UNION	1	
39	651105	WHEEL KIT (NOT SHOWN)	1	

PARTS LIST 3 – REVERSIBLE HYDRAULIC PLATE COMPACTORS

VIBRATOR: BR3570



VIBRATOR: BR3570 – PARTS LIST 3

Item #	Part #	Description	QTY	Remarks
C	CPC-240-C	VIBRATOR ASSEMBLY	1	
1	CPC-240-01C	VIBRATING CASE	1	
2	CPC-240-02C	ROLLER BEARING NJ307EM	4	
		ROLLER BEARING NJ307C4	3	
3	CPC-240-03C	ROTARY SHAFT, DRIVE	1	
4	CPC-240-04C	ROTARY SHAFT, DRIVEN	1	
5	CPC-240-05C	STOP RING S-35	8	
6	CPC-240-06C	KEY 10x8x19	1	
7	CPC-240-07C	BEARING 6907	2	
8	CPC-240-08C	PISTON ROD	1	
9	CPC-240-09C	PIN 8x50	1	
10	CPC-240-10C	BEARING 6000ZZ	2	
11	CPC-240-11C	STOP RING S-10	1	
12	CPC-240-12C	PISTON	1	
13	CPC-240-13C	PACKING 22.4x30x5	1	
14	CPC-240-14C	STOP RING R-26	1	
15	CPC-240-15C	ECCENTRIC ROTATOR	4	
16	CPC-240-16C	SOCKET HEAD BOLT M10x30T	4	
17	CPC-240-17C	OIL SEAL SC-28458	1	
18	CPC-240-18C	BEARING COVER	1	
19	CPC-240-19C	BOLT M8x25T	4	
20	CPC-240-20C	SW M8	4	
21	CPC-240-21C	PW M8	4	
22	CPC-240-22C	SEAL	1	
23	CPC-240-23C	CYLINDER	1	
24	CPC-240-24C	BOLT M8x25T	4	
25	CPC-240-25C	SW M8	4	
26	CPC-240-26C	PW M8	4	
27	CPC-240-27C	GEAR (DRIVE)	1	
28	CPC-240-28C	GEAR (DRIVEN)	1	
29	CPC-240-29C	BOLT M8x16T	1	
30	CPC-240-30C	COPPER PACKING 8	1	
31	CPC-240-31C	CONNECTOR	1	
32	CPC-240-32C	PULLEY	1	
33	CPC-240-33C	PULLEY	1	
34	CPC-240-34C	KEY 8x7x25	1	

35	CPC-240-35C	BOLT M8x40T	1	
36	CPC-240-36C	SW M8	1	
37	CPC-240-37C	BOLT M12x45T	2	
38	CPC-240-38C	BOLT M12x120T	6	
39	CPC-240-39C	SW M12	8	
40	CPC-240-40C	PW M12	8	
41	CPC-240-41C	BELT COVER (LOWER)	1	
42	CPC-240-42C	SOCKET HEAD BOLT M6x45T	5	

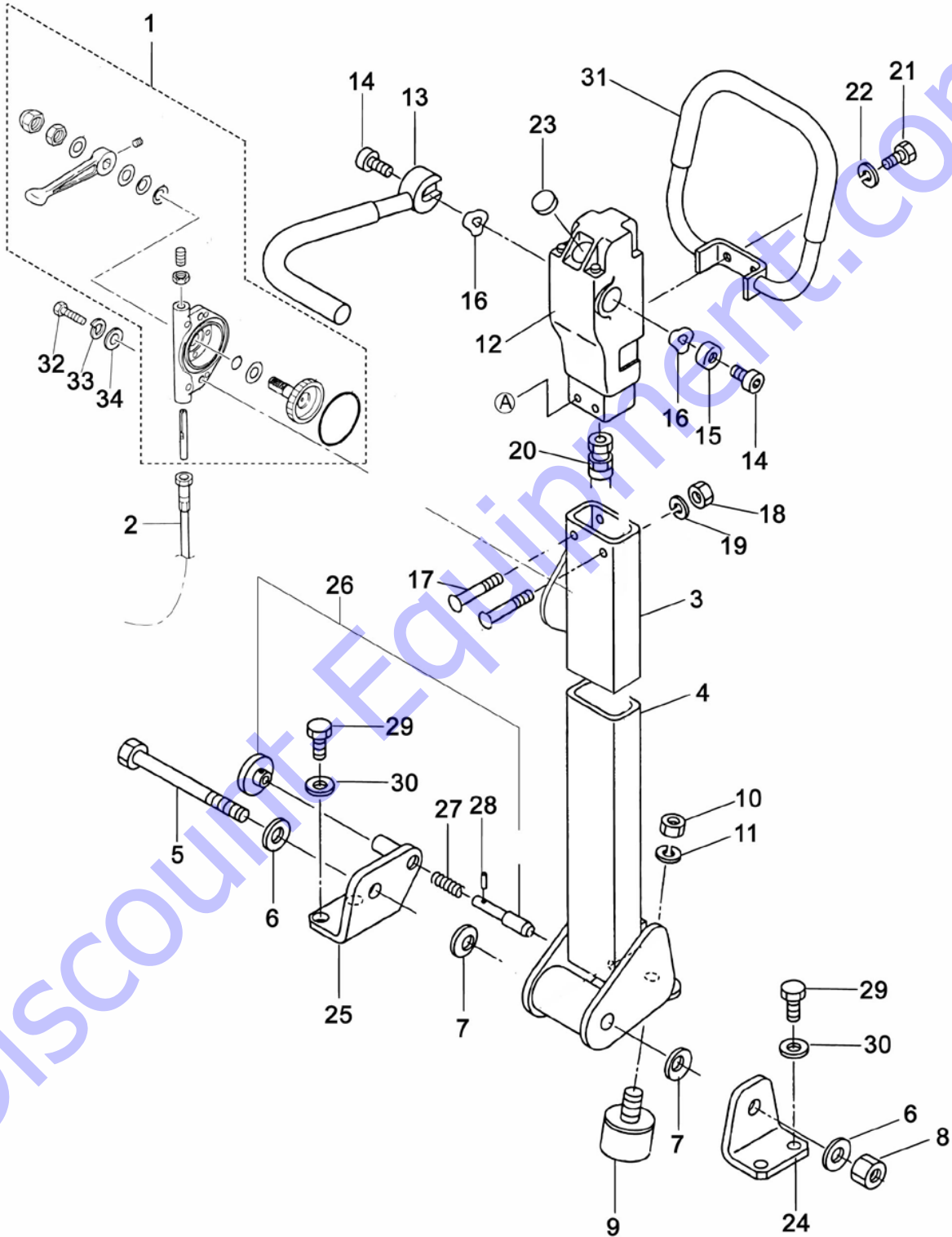
Discount-Equipment.com

This Page Left Intentionally Blank

Discount-Equipment.com

PARTS LIST 4 – REVERSIBLE HYDRAULIC PLATE COMPACTORS

CONTROL: BR3570

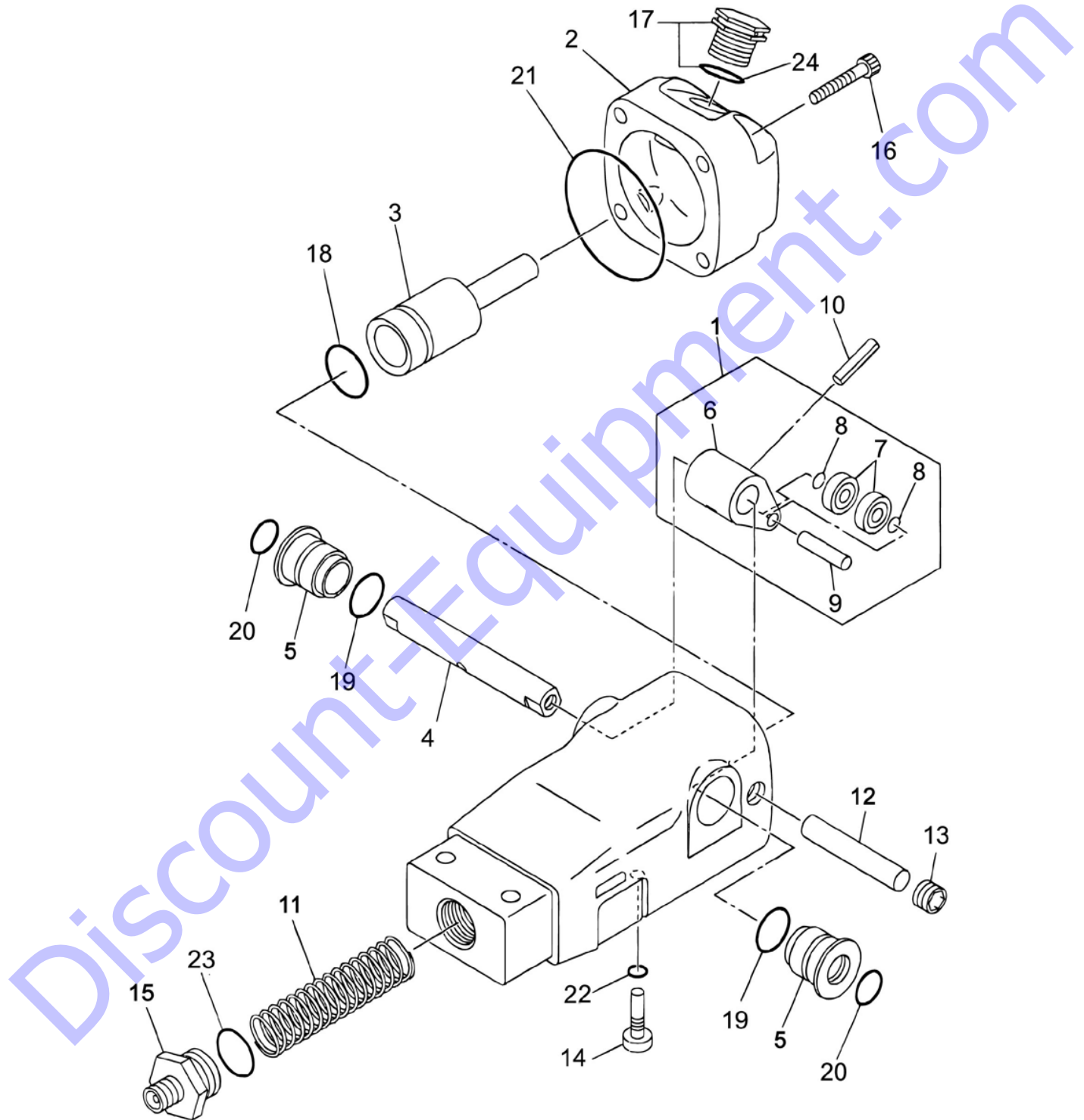


CONTROL: BR3570 – PARTS LIST 4

Item #	Part #	Description	QTY	Remarks
1	CPC-240-01D	THROTTLE LEVER ASSEMBLY	1	
2	CPC-240-02D	THROTTLE WIRE	1	
3	CPC-240-03D	HANDLE UPPER AY	1	
4	CPC-240-04D	HANDLE LOWER AY	1	
5	CPC-240-05D	BOLT M16x150T	1	
6	CPC-240-06D	PW M16	2	
7	CPC-240-07D	CONICAL SPRING WASHER M16	4	
8	CPC-240-08D	NUT M16	2	
9	CPC-240-09D	SHOCK ABSORBER, STOPPER	1	
10	CPC-240-10D	LOCK NUT M10	1	
11	CPC-240-11D	PACKING M10	1	
12	CPC-240-12D	HANDLE PUMP ASSEMBLY	1	
13	CPC-240-13D	TRAVEL LEVER	1	
14	CPC-240-14D	SOCKET HEAD BOLT M8x25T	2	
15	CPC-240-15D	COLLAR	1	
16	CPC-240-16D	WAVE WASHER 15.5x20x0.3	4	
17	CPC-240-17D	PUMP HOLDER M8x60T	2	
18	CPC-240-18D	NYLON NUT M8-1.25	2	
19	CPC-240-19D	SW, PACKING x2 M8	2	
20	CPC-240-20D	OIL HOSE	1	
21	CPC-240-21D	BOLT M8x16T	2	
22	CPC-240-22D	SW PACKING M8	2	
23	CPC-240-23D	BREATHING CAP	1	
24	CPC-240-24D	HANDLE BRACKET (L)	1	
25	CPC-240-25D	HANDLE BRACKET (R)	1	
26	CPC-240-26D	STOPPER	1	
27	CPC-240-27D	SPRING	1	
28	CPC-240-28D	SPRING PIN 2.5x16	1	
29	CPC-240-29D	BOLT M10x30T	4	
30	CPC-240-30D	SW, PACKING, M10	4	
31	CPC-240-31D	HANDLE GRIP	1	
32	CPC-240-32D	BOLT M6x25T	2	
33	CPC-240-33D	SW M6	2	
34	CPC-240-34D	PW M6	2	

PARTS LIST 5 – REVERSIBLE HYDRAULIC PLATE COMPACTORS

HAND PUMP ASSEMBLY: BR3570



HAND PUMP ASSEMBLY: BR3570 – PARTS LIST 5

Item #	Part #	Description	QTY	Remarks
1	CPC-240-01E	CAN COMP (PUMP)	1	
2	CPC-240-02E	COVER (HAND PUMP)	1	
3	CPC-240-03E	PISTON CP	1	
4	0CPC-240-04E	CONTROL SHAFT (PUMP)	1	
5	CPC-240-05E	BUSH	2	
6	CPC-240-06E	CAN (PUMP)	1	
7	CPC-240-07E	BEARING 607ZZ	2	
8	CPC-240-08E	SPACER	2	
9	CPC-240-09E	PIN 7x30	1	
10	CPC-240-10E	SPRING PIN 6x25	1	
11	CPC-240-11E	SPRING (PUMP)	1	
12	CPC-240-12E	STOPPER (PUMP) 12x60	1	
13	CPC-240-13E	PLUG	1	
14	CPC-240-14E	STOP PLUG M8x30	1	
15	CPC-240-15E	HOSE JOINT	1	
16	CPC-240-16E	SOCKET HEAD BOLT M6x40T	4	
17	CPC-240-17E	BREATHER (PUMP)	1	
18	CPC-240-18E	O-RING 22.4x30x4.8	1	
19	CPC-240-19E	O-RING 24x2.5	2	
20	CPC-240-20E	O-RING 19x2.5	2	
21	CPC-240-21E	O-RING 70x2	1	
22	CPC-240-22E	PACKING 8	1	
23	CPC-240-23E	PACKING 25	1	
24	CPC-240-24E	PACKING 20	1	

Discount Equipment

Discount-Equipment.com is your online resource for commercial and industrial quality parts and equipment sales.

Locations:

Florida (West Palm Beach): [561-964-4949](tel:561-964-4949)

Outside Florida TOLL FREE: [877-690-3101](tel:877-690-3101)

Need parts? Check out our website at www.discount-equipment.com

Can't find what you need?

Click on this link: <http://www.discount-equipment.com/category/5443-parts/> and fill out the request form.

Please have the machine model and serial number available in order to help us get you the correct parts. One of our experienced staff members will get back to you with a quote for the right part that your machine needs.

We sell worldwide for the brands: Genie, Terex, JLG, MultiQuip, Mayco, Toro/Stone, Diamond Products, Magnum, Airman, Mustang, Power Blanket, Nifty Lift, Atlas Copco, Chicago Pneumatic, Allmand Brothers, Essick, Miller Spreader, Skyjack, Lull, Skytrak, Tsurumi, Husquvarna/Target, Whiteman-Concrete/Mortar, Stow-Concrete/Mortar, Baldor, Wacker, Sakai, Snorkel, Upright, Mi-T-M, Sullair, Neal, Basic, Dynapac, MBW, Weber, Bartell, Bennar Newman, Haulotte, Ditch Runner, Blaw-Knox, Himoina, Best, Buddy, Crown, Edco, Wyco, Bomag, Laymor, Terremite, Barreto, EZ Trench, Takeuchi, Basic, Bil-Jax, Curtis, Gehl, Heli, Honda, ICS/PowerGrit, Puckett, Waldon, ASV, IHI, Partner, Imer, Clipper, MMD, Koshin, Rice, Gorman Rupp, CH&E, Cat Pumps, Comet, General Pump, Giant, AMida, Coleman, NAC, Gradall, Square Shooter, Kent, Stanley, Tamco, Toku, Hatz, Kohler, Robin, Wisconsin, Northrock, Oztec, Toker TK, Rol-Air, Small Line, Wanco, Yanmar

New Equipment - Used Equipment - Rental Equipment - Parts and Accessories

Discount Equipment

www.discount-equipment.com

561-964-4949

Parts: wbparts@Discount-Equipment.com

Sales: info@Discount-Equipment.com