

BARTELL

BARTELL  GLOBAL

**Discount
Equipment**

BR1570 REVERSIBLE HYDRAULIC PLATE COMPACTOR PARTS BOOK



BARTELL  GLOBAL

**Discount
Equipment**



Equipment-Equipment.com

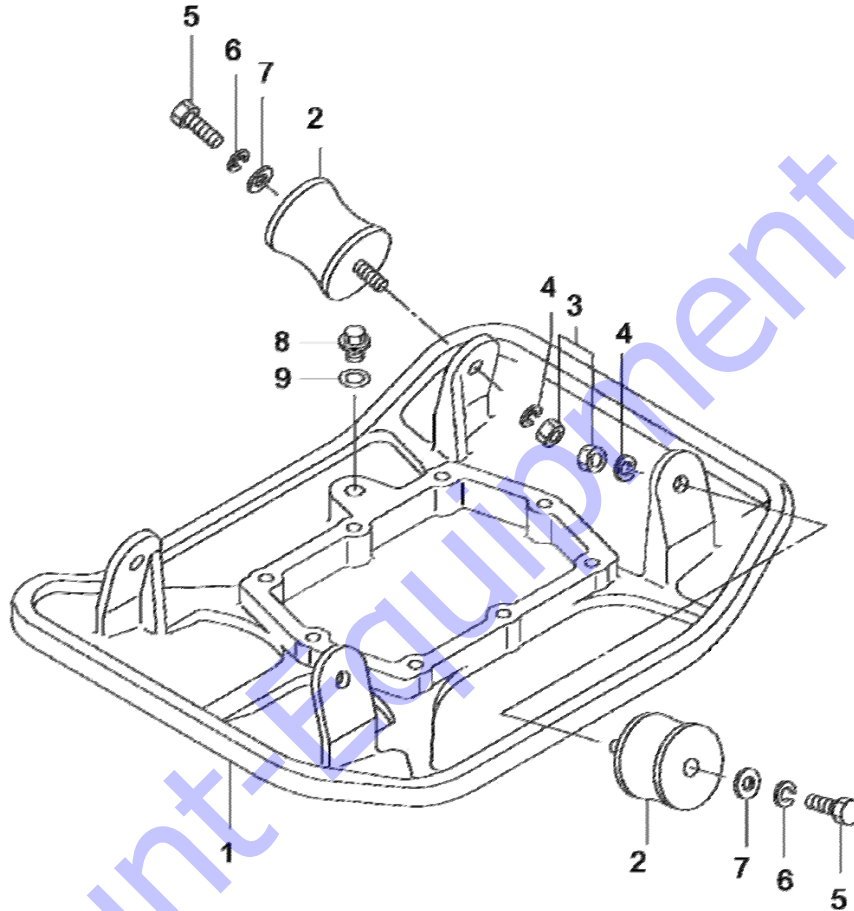
REV.	DATE	DESCRIPTION	APPROVED BY:
00	10/2013	Initial release	AL
01	01/2014	Cover photo updated	AL
02	02/2014	Part number updated	AL
03	05/2014	Part description updated	AL
04	07/2014	Cover page updated	AL
05	14/07/17	Address update, Format updated	AN

TABLE OF CONTENTS

<u>PARTS LIST 1 - REVERSIBLE HYDRAULIC PLATE COMPACTORS</u>	<u>4</u>
VIBRATING PLATE: BR1570	4
VIBRATING PLATE: BR1570 - PARTS LIST 1	4
<u>PARTS LIST 2 - REVERSIBLE HYDRAULIC PLATE COMPACTORS</u>	<u>6</u>
BODY: BR1570	6
	6
BODY: BR1570 - PARTS LIST 2	7
<u>PARTS LIST 3 - REVERSIBLE HYDRAULIC PLATE COMPACTORS</u>	<u>9</u>
VIBRATOR: BR1570	9
	9
VIBRATOR: BR1570 - PARTS LIST 3	10
<u>PARTS LIST 4 - REVERSIBLE HYDRAULIC PLATE COMPACTORS</u>	<u>12</u>
CONTROL: BR1570	12
CONTROL: BR1570 - PARTS LIST 4	12
<u>PARTS LIST 5 - REVERSIBLE HYDRAULIC PLATE COMPACTORS</u>	<u>14</u>
HAND PUMP ASSEMBLY: BR1570	14
HAND PUMP ASSEMBLY: BR1570 - PARTS LIST 5	15
<u>PARTS LIST 6 - REVERSIBLE HYDRAULIC PLATE COMPACTORS</u>	<u>16</u>
WATER TANK (OPTION): BR1570	16
WATER TANK (OPTION): BR1570 - PARTS LIST 6	16

PARTS LIST 1 – REVERSIBLE HYDRAULIC PLATE COMPACTORS

VIBRATING PLATE: BR1570



VIBRATING PLATE: BR1570 – PARTS LIST 1

Item #	Part #	Description	QTY	Remarks
1	CPC-60-1A	VIBRATING PLATE	1	
2	CPC-60-2A	SHOCK ABSORBER	4	
3	CPC-60-3A	NUT M10	4	
4	CPC-60-4A	SW M10	4	
5	CPC-60-5A	BOLT M10 x 30T	4	
6	CPC-60-6A	SW M10	4	
7	CPC-60-7A	WASHER	4	
8	CPC-60-8A	OIL GAUGE	1	

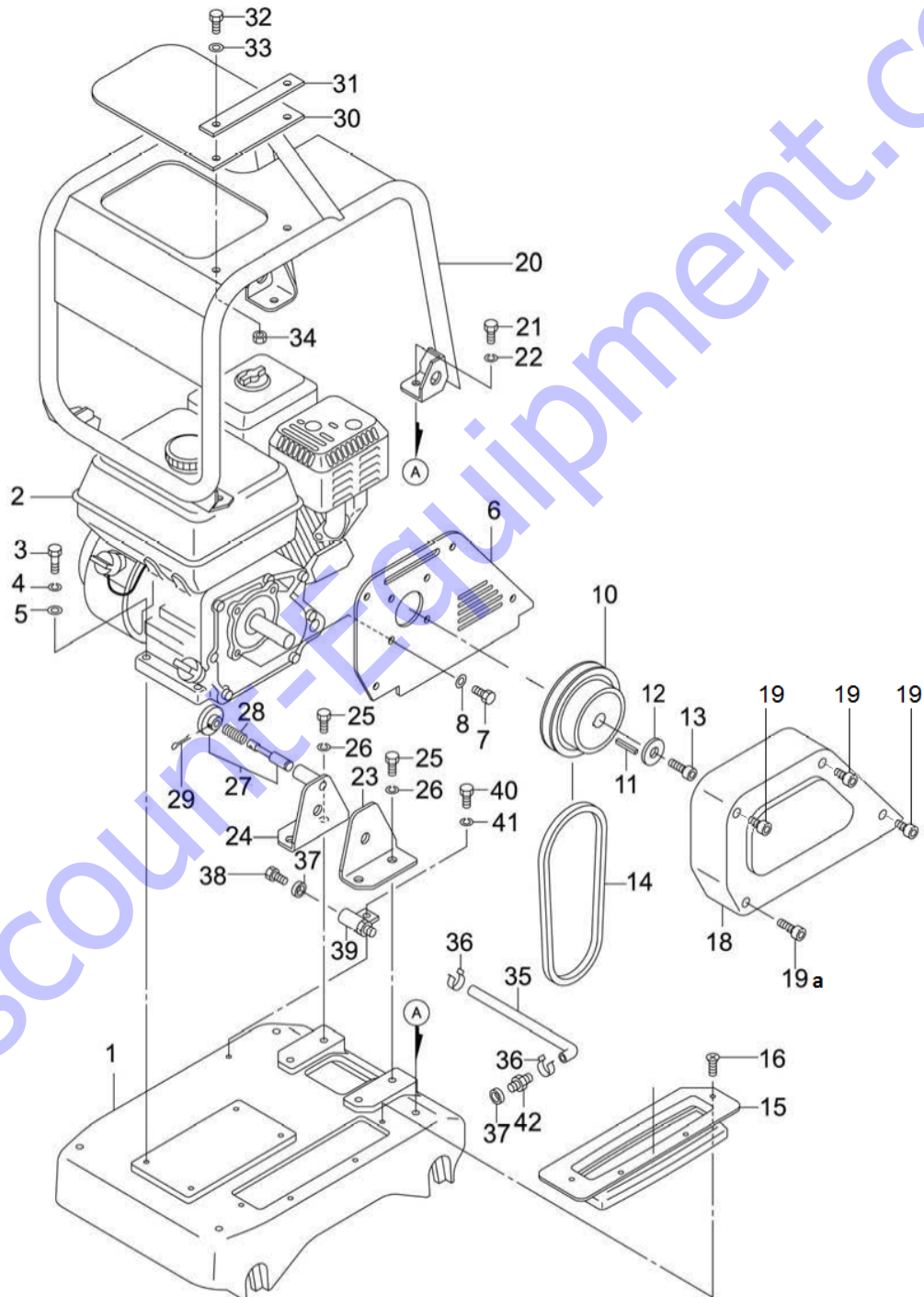


9	CPC-60-9A	PACKING	1	
---	-----------	---------	---	--

Discount-Equipment.com

PARTS LIST 2 – REVERSIBLE HYDRAULIC PLATE COMPACTORS

BODY: BR1570



BODY: BR1570 - PARTS LIST 2

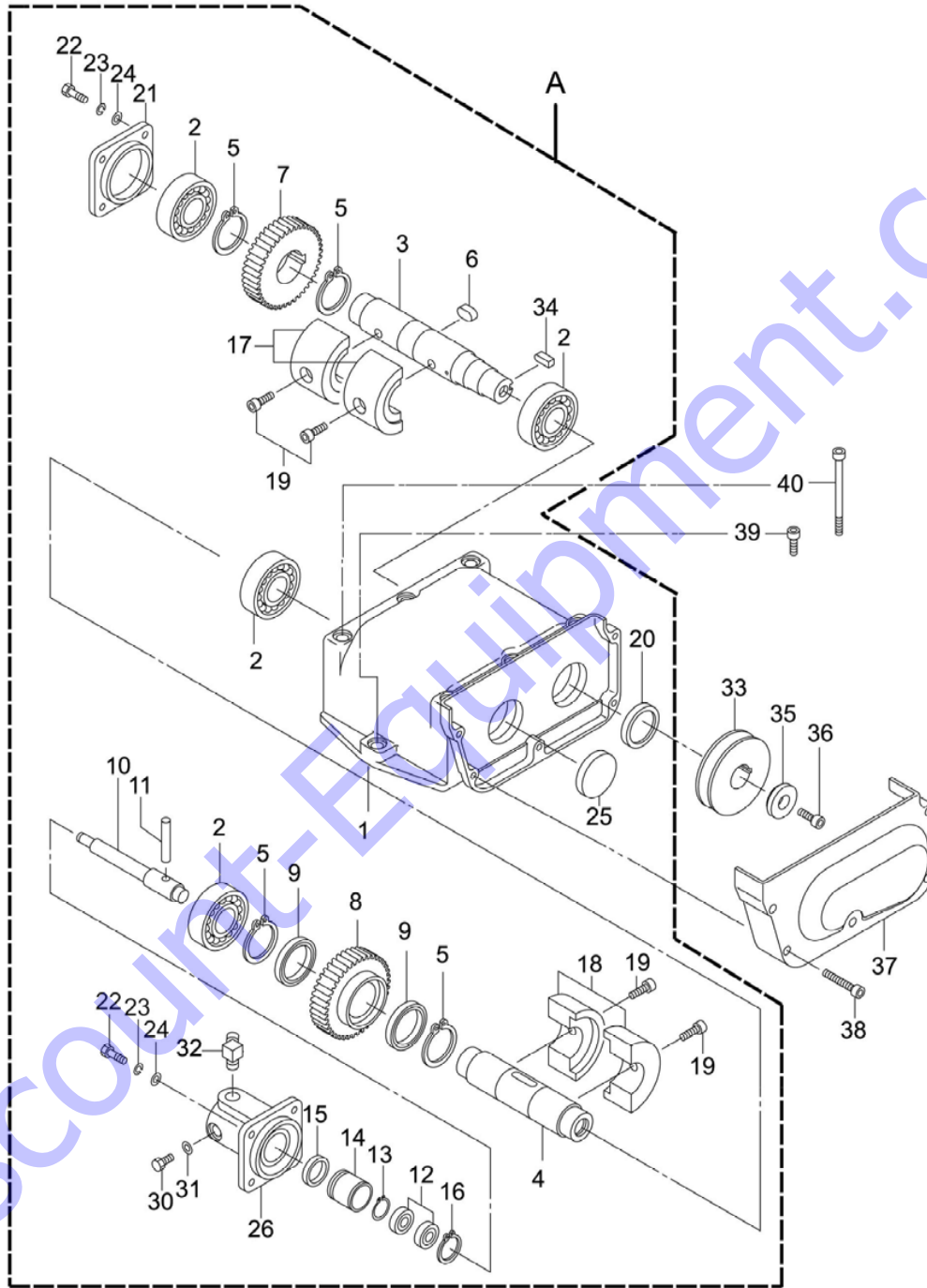
Item #	Part #	Description	QTY	Remarks
1	CPC-60-1B	BASE	1	
2	CPC-60-2B	ENGINE	1	
3	CPC-60-3B	BOLT M8 x 40T	4	
4	CPC-60-4B	SW M8	4	
5	CPC-60-5B	PW M8	4	
6	CPC-60-6B	BELT COVER PLATE	1	
7	CPC-60-7B	BOLT M8x20T	4	
8	CPC-60-8B	SW M8	4	
10	CPC-60-10B	CLUTCH ASSEMBLY	1	
11	CPC-60-11B	KEY	1	
12	CPC-60-12B	CLUTCH WASHER	1	
13	CPC-60-13B	SOCKET HEAD BOLT M8x25T	1	
14	CPC-60-14B	V-BELT	1	
15	CPC-60-15B	DUST COVER	1	
16	CPC-60-16B	FLAT HEAD SCREW M6 x 10T	4	
18	CPC-60-18B	BELT COVER OUT	1	
19	31105	SOCKET HEAD BOLT M8 x 1.25 x 60 mm	3	
19a	14986	SOCKET HEAD BOLT M8 x 1.25 x 30 mm	1	
20	CPC-60-20B	GUARD FRAME	1	
21	CPC-60-21B	BOLT M10 x 30T	4	
22	CPC-60-22B	SW M10	4	
23	CPC-60-23B	STAY (L) HANDLE	1	
24	CPC-60-24B	STAY (R) HANDLE	1	
25	CPC-60-25B	BOLT M10 x 30T	4	
26	CPC-60-26B	SW M10	4	
27	CPC-60-27B	STOPPER, GRIP SET	1	
28	CPC-60-28B	SPRING 1.2-10-29	1	
29	CPC-60-29B	SPRING PIN 2.5x16	1	
30	CPC-60-30B	RUBBER COVER	1	
31	CPC-60-31B	PLATE, RUBBER COVER	1	
32	CPC-60-32B	BOLT M6 x 25T	2	
33	CPC-60-33B	PW M6	2	
34	CPC-60-34B	NYLON NUT M6	2	
35	CPC-60-35B	DRAIN HOSE	1	
36	CPC-60-36B	HOSE BAND 11.5D	2	

37	CPC-60-37B	WASHER, DRAIN PLUG	2	
38	CPC-60-38B	BOLT, DRAIN PLUG	1	
39	CPC-60-40B	JOINT	1	
40	CPC-60-40B	BOLT M8x20T	1	
41	CPC-60-41B	SW M8	1	
42	CPC-60-42B	UNION	1	

Discount-Equipment.com

PARTS LIST 3 – REVERSIBLE HYDRAULIC PLATE COMPACTORS

VIBRATOR: BR1570



VIBRATOR: BR1570 – PARTS LIST 3

Item #	Part #	Description	QTY	Remarks
C	CPC-60-C	VIBRATOR ASSEMBLY	1	
1	CPC-60-1C	VIBRATOR CASE	1	
2	CPC-60-2C	ROLLER BEARING 6206C4	4	
3	CPC-60-3C	ROTARY SHAFT, DRIVE	1	
4	CPC-60-4C	ROTARY SHAFT, DRIVEN	1	
5	CPC-60-5C	STOP RING S-35	4	
6	CPC-60-6C	KEY 10x8x19	1	
7	CPC-60-7C	GEAR (DRIVE)	1	
8	CPC-60-8C	GEAR (DRIVEN)	1	
9	CPC-60-9C	BEARING 6807C3	2	
10	CPC-60-10C	PISTON ROD	1	
11	CPC-60-11C	PIN 8x45	1	
12	CPC-60-12C	BEARING 6000ZZSG	2	
13	CPC-60-13C	STOP RING S-10	1	
14	CPC-60-14C	PISTON, 30D	1	
15	CPC-60-15C	PACKING USH-22.4x30x5	1	
16	CPC-60-16C	STOP RING R-26	1	
17	CPC-60-17C	ECCENT ROTATOR, DRIVE	2	
18	CPC-60-18C	ECCENT ROTATOR, DRIVEN	2	
19	CPC-60-19C	SOCKET HEAD BOLT M10x25	4	
20	CPC-60-20C	OIL SEAL	1	
21	CPC-60-21C	BEARING COVER	1	
22	CPC-60-22C	BOLT M8x	8	
23	CPC-60-23C	SW M8	8	
24	CPC-60-24C	PW M8	8	
25	CPC-60-25C	SEAL CAP	1	
26	CPC-60-26C	CYLINDER	1	
30	CPC-60-30C	BOLT M8x12T	1	
31	CPC-60-31C	COPPER PACKING 8x16x2	1	
32	CPC-60-32C	ELBOW	1	
33	CPC-60-33C	PULLEY	1	
34	CPC-60-34C	KEY 7x7x19	1	
35	CPC-60-35C	WASHER	1	
36	CPC-60-36C	SOCKET HEAD BOLT M8x15T	1	
37	CPC06-37OIL	BELT COVER (LOWER-OUT)	1	
38	CPC-350-38C	SOCKET HEAD BOLT M6x40t	5	

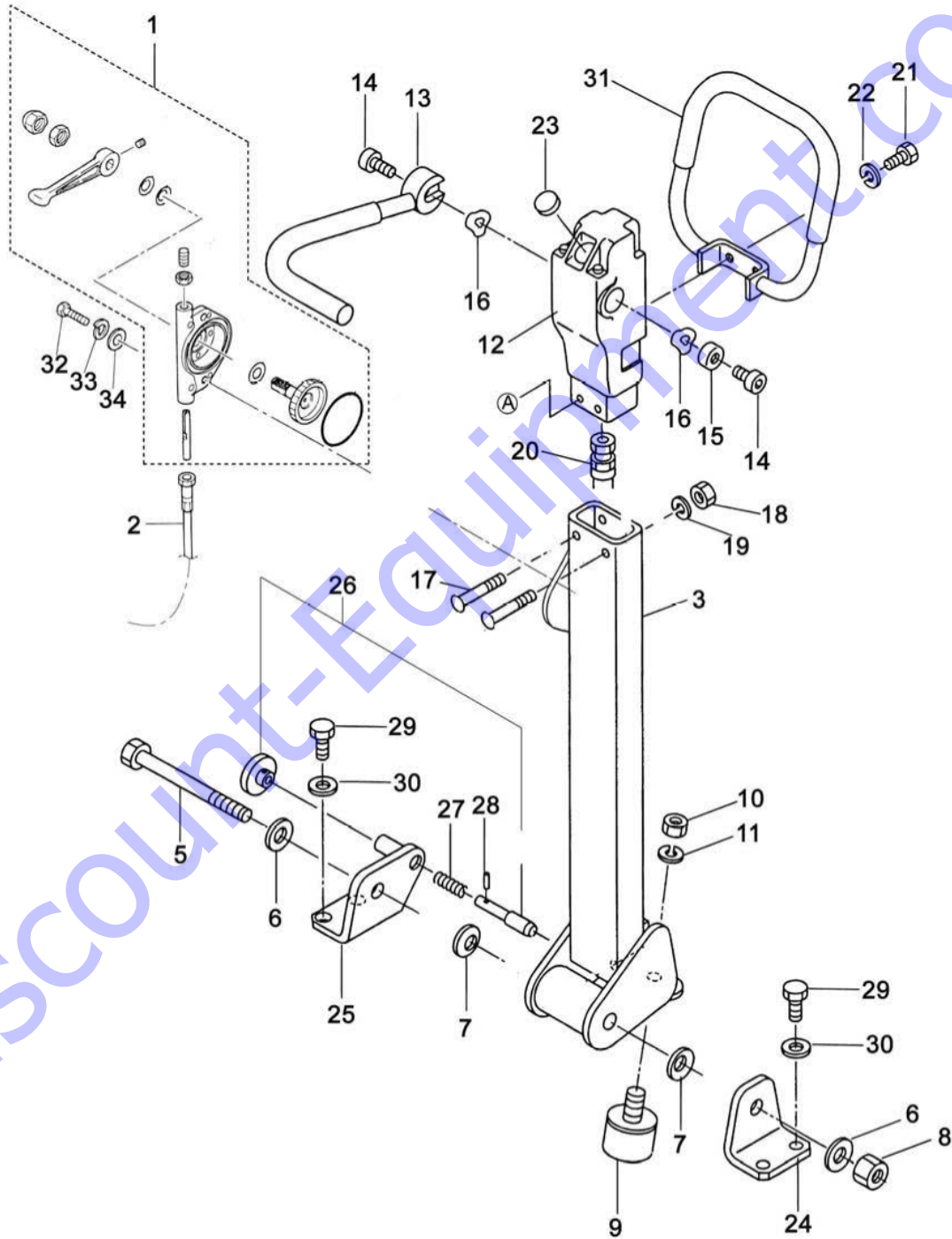


39	CPC-350-39C	BOLT M10x30T	2	
40	CPC-350-40C	BOLT M10x100T	6	

Discount-Equipment.com

PARTS LIST 4 – REVERSIBLE HYDRAULIC PLATE COMPACTORS

CONTROL: BR1570

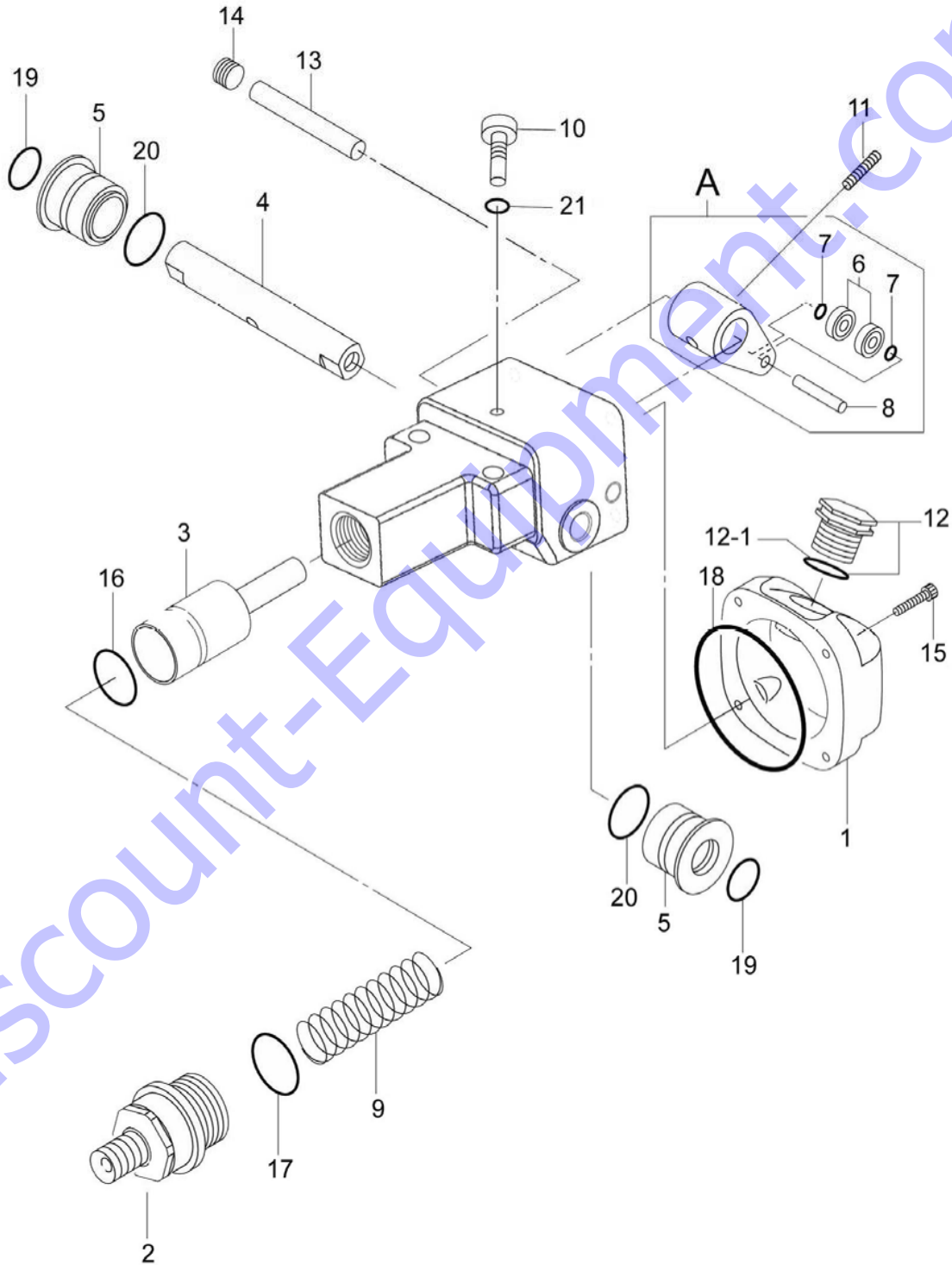


CONTROL: BR1570 – PARTS LIST 4

Item #	Part #	Description	QTY	Remarks
1	CPC-60-1D	THROTTLE LEVER ASSEMBLY	1	
2	CPC-60-2D	THROTTLE WIRE	1	
3	CPC-60-3D	HANDLE AY	1	
5	CPC-60-5D	BOLT M16x145T	1	
6	CPC-60-6D	PW M16	2	
7	CPC-60-7D	CONICAL SPRING WASHER M16	2	
8	CPC-60-8D	NUT M16	2	
9	CPC-60-9D	SHOCK ABSORBER, STOPPER	1	
10	CPC-60-10D	NUT M10	1	
11	CPC-60-11D	SW M10	1	
12	CPC-60-12D	HANDLE PUMP ASSEMBLY	1	
13	CPC-60-13D	TRAVEL LEVER	1	
14	CPC-60-14D	SOCKET HEAD BOLT M10x20	2	
15	CPC-60-15D	COLLAR	1	
16	CPC-60-16D	WAVE WASHER 15.5x20x3	4	
17	CPC-60-17D	PUMP HOLDER M8x50T	2	
18	CPC-60-18D	NYLON NUT M8	2	
19	CPC-60-19D	SW M8	2	
20	CPC-60-20D	OIL HOSE	1	
21	CPC-60-21D	BOLT M8x20T	2	
22	CPC-60-22D	SW M8	2	
23	CPC-60-23D	BREATHER CAP	1	
24	CPC-60-24D	HANDLE BRACKET (L)	1	
25	CPC-60-25D	HANDLE BRACKET (R)	1	
26	CPC-60-26D	STOPPER	1	
27	CPC-60-27D	SPRING	1	
28	CPC-60-28D	SPRING PINK 2.5x16	1	
29	CPC-60-29D	BOLT M10x30T	4	
30	CPC-60-30D	SW M10	4	
31	CPC-60-31D	HANDLE GRIP	1	
32	CPC-60-32D	BOLT M6x25T	2	
33	CPC-60-33D	SW M6	2	
34	CPC-60-34D	PW M6	2	

PARTS LIST 5 – REVERSIBLE HYDRAULIC PLATE COMPACTORS

HAND PUMP ASSEMBLY: BR1570

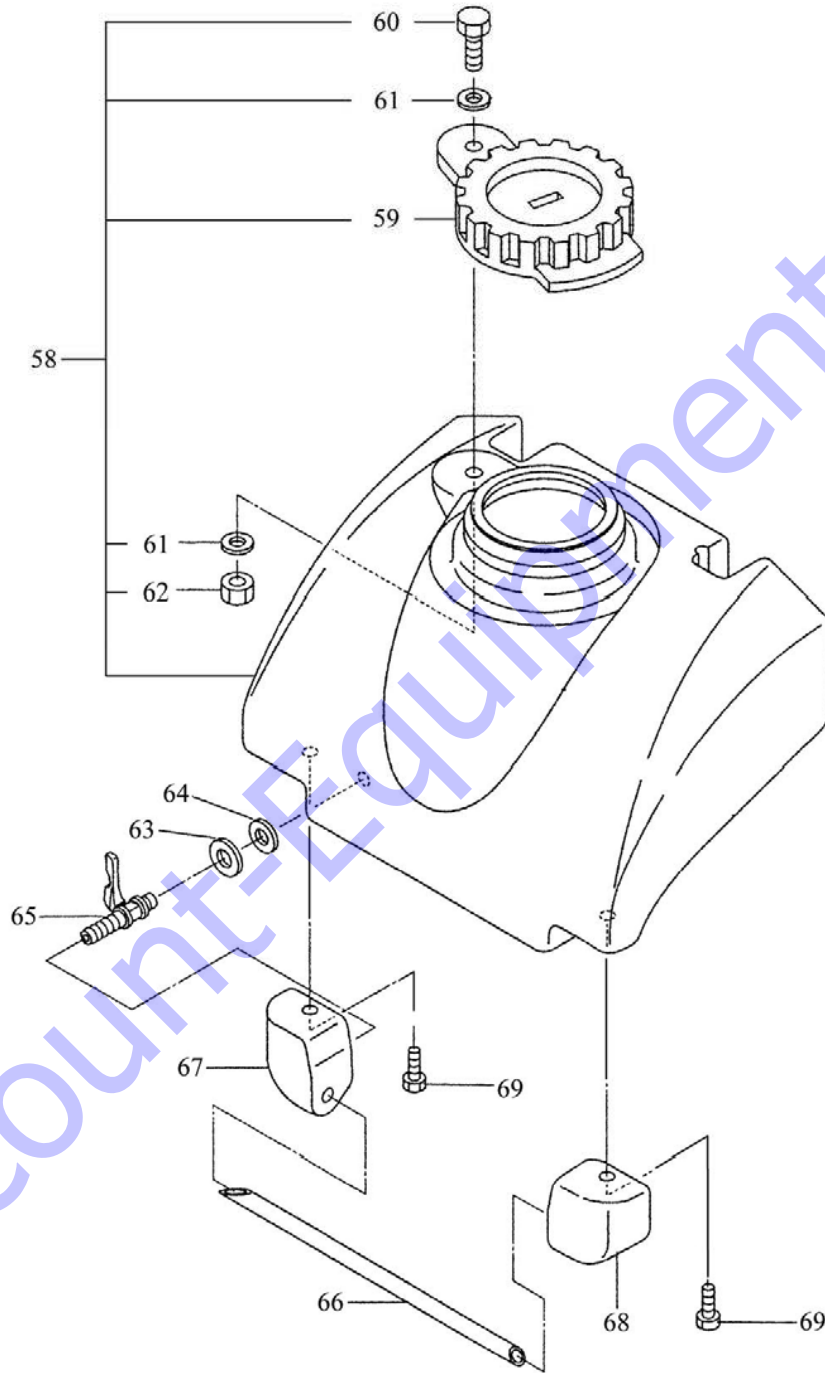


HAND PUMP ASSEMBLY: BR1570 – PARTS LIST 5

Item #	Part #	Description	QTY	Remarks
1	CPC-60-1E	CAN CAMP (PUMP)	1	1
2	CPC-60-2E	COVER (HAND PUMP)	1	2
3	CPC-60-3E	PISTON CP	1	3
4	CPC-60-4E	CONTROL SHAFT (PUMP)	1	4
5	CPC-60-5E	BUSH	2	5
6	CPC-60-6E	CAN (PUMP)	1	6
7	CPC-60-7E	BEARING 607ZZ	2	7
8	CPC-60-8E	SPACER	2	8
9	CPC-60-9E	PIN 7x30	1	9
10	CPC-60-10E	SPRING PIN	1	10
11	CPC-60-11E	SPRING (PUMP)	1	11
12	CPC-60-12E	STOPPER (PUMP)	1	12
13	CPC-60-13E	PLUG	1	13
14	CPC-60-14E	STOP PLUG	1	14
15	CPC-60-15E	HOSE JOINT	1	15
16	CPC-60-16E	SOCKET HEAD BOLT M6x35T	4	16
17	CPC-60-17E	BREATHER (PUMP)	1	17
18	CPC-60-18E	O-RING G-25	1	18
19	CPC-60-19E	O-RING P-20	2	19
20	CPC-60-20E	O-RING P-15	2	20
21	CPC-60-21E	O-RING S-67	1	21
22	CPC-60-22E	O-RING S-8	1	22
23	CPC-60-23E	O-RING S-22	1	23
24	CPC-60-24E	O-RING P-18	1	24

PARTS LIST 6 – REVERSIBLE HYDRAULIC PLATE COMPACTORS

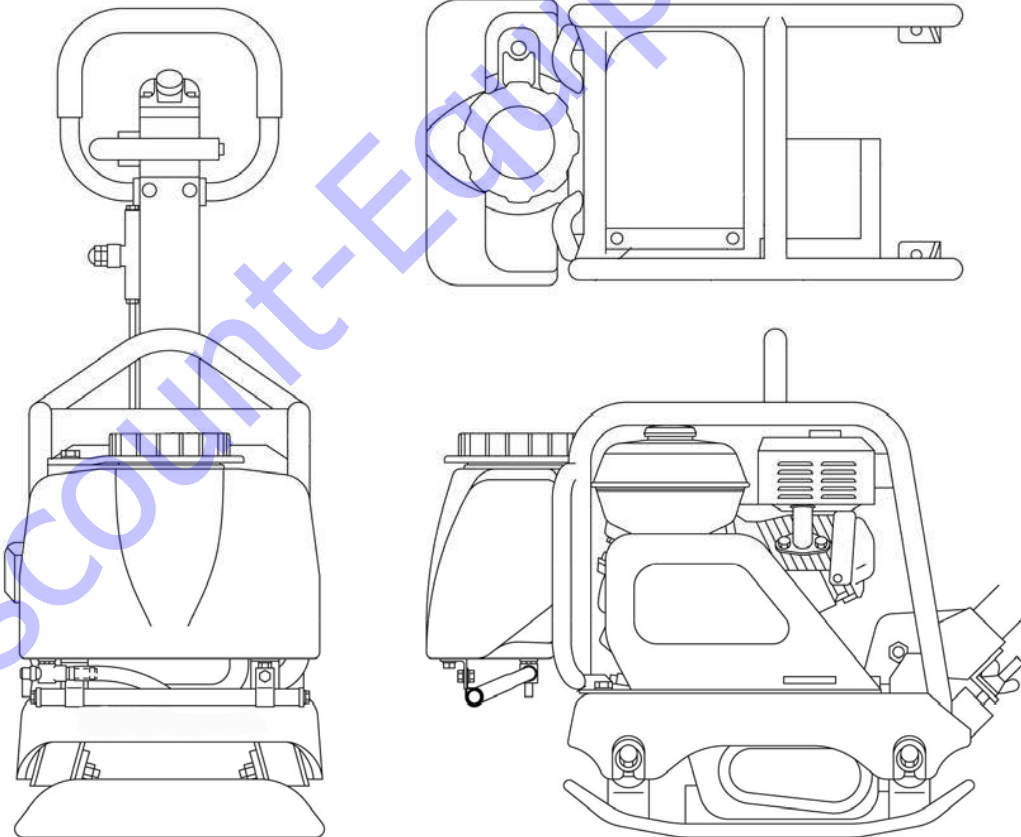
WATER TANK (OPTION): BR1570



DiscountEquipment.com

WATER TANK (OPTION): BR1570 – PARTS LIST 6

Item #	Part #	Description	QTY	Remarks
58	CPC-60-1E	WATER TANK ASSEMBLY	1	
59	CPC-60-2E	CAP, WATER TANK	1	
60	CPC-60-3E	BOLT, M10x30	1	
61	CPC-60-4E	WASHER 10.5x21x2	2	
62	CPC-60-5E	NYLON NUT M10	1	
63	CPC-60-6E	WASHER 14.5x30x1.6	1	
64	CPC-60-7E	PACKING 13x28x2	1	
65	CPC-60-8E	COCK	1	
66	CPC-60-9E	SPRINGLING PIPY	1	
67	CPC-60-10E	PIPE HOLDER LEFT	1	
68	CPC-60-11E	PIPE HOLDER RIGHT	1	
69	CPC-60-12E	FLANGE BOLT M8x25	2	



Discount Equipment

Discount-Equipment.com is your online resource for commercial and industrial quality parts and equipment sales.

Locations:

Florida (West Palm Beach): [561-964-4949](tel:561-964-4949)

Outside Florida TOLL FREE: [877-690-3101](tel:877-690-3101)

Need parts? Check out our website at www.discount-equipment.com

Can't find what you need?

Click on this link: <http://www.discount-equipment.com/category/5443-parts/> and fill out the request form.

Please have the machine model and serial number available in order to help us get you the correct parts. One of our experienced staff members will get back to you with a quote for the right part that your machine needs.

We sell worldwide for the brands: Genie, Terex, JLG, MultiQuip, Mayco, Toro/Stone, Diamond Products, Magnum, Airman, Mustang, Power Blanket, Nifty Lift, Atlas Copco, Chicago Pneumatic, Allmand Brothers, Essick, Miller Spreader, Skyjack, Lull, Skytrak, Tsurumi, Husquvarna/Target, Whiteman-Concrete/Mortar, Stow-Concrete/Mortar, Baldor, Wacker, Sakai, Snorkel, Upright, Mi-T-M, Sullair, Neal, Basic, Dynapac, MBW, Weber, Bartell, Bennar Newman, Haulotte, Ditch Runner, Blaw-Knox, Himoina, Best, Buddy, Crown, Edco, Wyco, Bomag, Laymor, Terremite, Barreto, EZ Trench, Takeuchi, Basic, Bil-Jax, Curtis, Gehl, Heli, Honda, ICS/PowerGrit, Puckett, Waldon, ASV, IHI, Partner, Imer, Clipper, MMD, Koshin, Rice, Gorman Rupp, CH&E, Cat Pumps, Comet, General Pump, Giant, AMida, Coleman, NAC, Gradall, Square Shooter, Kent, Stanley, Tamco, Toku, Hatz, Kohler, Robin, Wisconsin, Northrock, Oztec, Toker TK, Rol-Air, Small Line, Wanco, Yanmar