



BCF1570
FORWARD PLATE COMPACTORS
PARTS BOOK



www.Discount-Equipment.com



Doc. # OI-B00000
Orig. Rel. - 00/2015
Curr Rev. - 05

Discount Equipment

Discount-Equipment.com is your online resource for commercial and industrial quality parts and equipment sales.

Locations:

Florida (West Palm Beach): [561-964-4949](tel:561-964-4949)

Outside Florida TOLL FREE: [877-690-3101](tel:877-690-3101)

Need parts? Check out our website at www.discount-equipment.com

Can't find what you need?

Click on this link: <http://www.discount-equipment.com/category/5443-parts/> and fill out the request form.

Please have the machine model and serial number available in order to help us get you the correct parts. One of our experienced staff members will get back to you with a quote for the right part that your machine needs.

We sell worldwide for the brands: Genie, Terex, JLG, MultiQuip, Mayco, Toro/Stone, Diamond Products, Magnum, Airman, Mustang, Power Blanket, Nifty Lift, Atlas Copco, Chicago Pneumatic, Allmand Brothers, Essick, Miller Spreader, Skyjack, Lull, Skytrak, Tsurumi, Husquvarna/Target, Whiteman-Concrete/Mortar, Stow-Concrete/Mortar, Baldor, Wacker, Sakai, Snorkel, Upright, Mi-T-M, Sullair, Neal, Basic, Dynapac, MBW, Weber, Bartell, Bennar Newman, Haulotte, Ditch Runner, Blaw-Knox, Himoina, Best, Buddy, Crown, Edco, Wyco, Bomag, Laymor, Terremite, Barreto, EZ Trench, Takeuchi, Basic, Bil-Jax, Curtis, Gehl, Heli, Honda, ICS/PowerGrit, Puckett, Waldon, ASV, IHI, Partner, Imer, Clipper, MMD, Koshin, Rice, Gorman Rupp, CH&E, Cat Pumps, Comet, General Pump, Giant, AMida, Coleman, NAC, Gradall, Square Shooter, Kent, Stanley, Tamco, Toku, Hatz, Kohler, Robin, Wisconsin, Northrock, Oztec, Toker TK, Rol-Air, Small Line, Wanco, Yanmar

New Equipment - Used Equipment - Rental Equipment - Parts and Accessories

Discount Equipment

www.discount-equipment.com

561-964-4949

Parts: wbparts@Discount-Equipment.com

Sales: info@Discount-Equipment.com



www.Discount-Equipment.com

BARTELL

Bartell Morrison Inc.

Bartell Morrison USA LLC



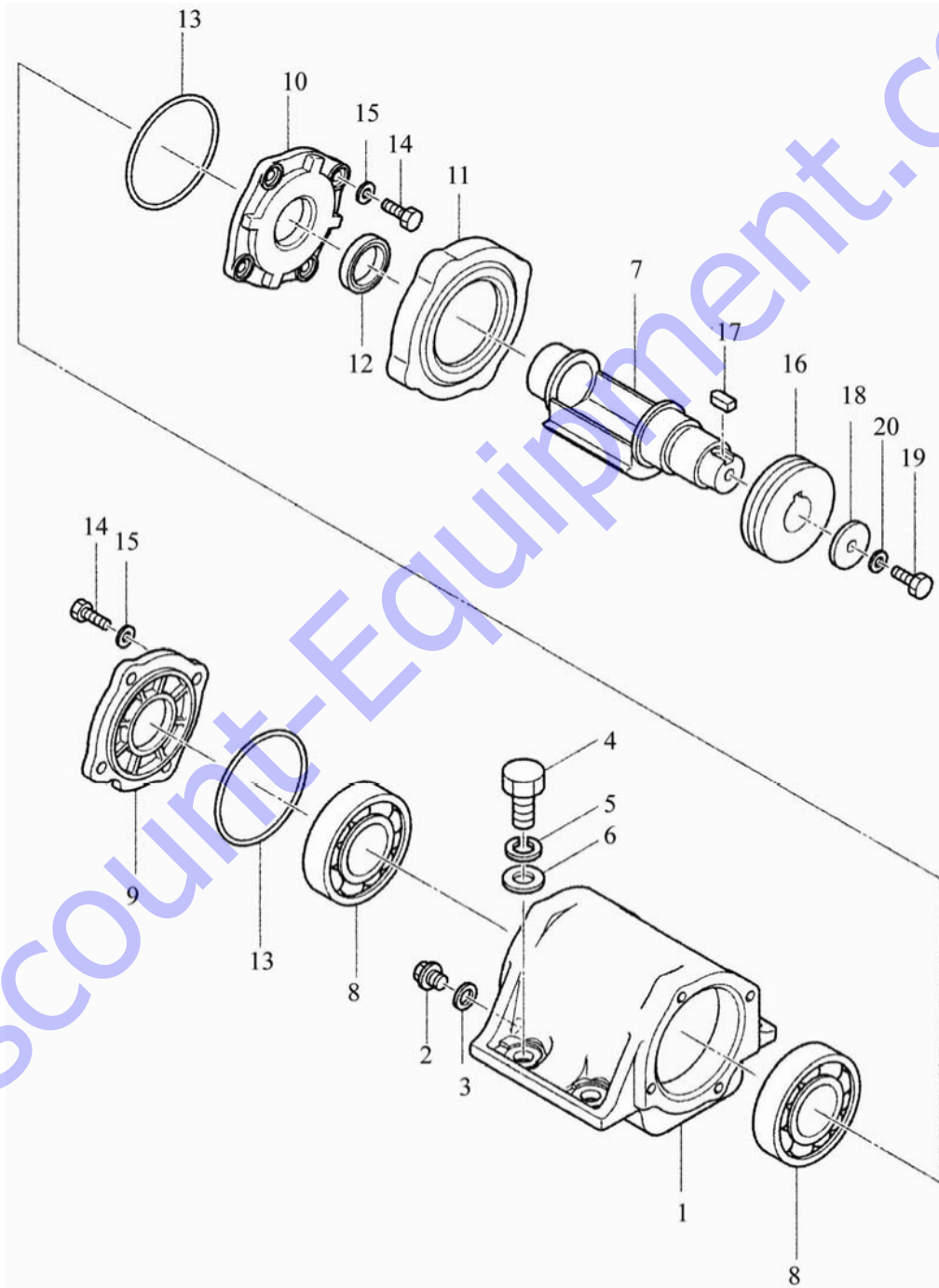
REV.	DATE	DESCRIPTION	APPROVED BY:
00	10/2013	Initial Release	AL
01	01/2014	Cover Photo Updated	AL
02	02/2014	Part Number Updated	AL
03	06/2014	Address Updated	AL
04	07/2014	Cover Page Updated	AL
05	06/2017	Format update, Part numbers updated, Address update	AN

TABLE OF CONTENTS

<u>PARTS LIST 1 – FORWARD PLATE COMPACTORS</u>	3
VIBRATOR: BCF1570	3
VIBRATOR: BCF1570 – PARTS LIST 1	4
<u>PARTS LIST 2 – FORWARD PLATE COMPACTORS</u>	5
BODY: BCF1570	5
BODY: BCF1570 – PARTS LIST 2	5
<u>PARTS LIST 3 – FORWARD PLATE COMPACTORS</u>	7
WATER TANK ASSEMBLY: BCF1570	7
WATER TANK ASSEMBLY: BCF1570 – PARTS LIST 3	8
<u>PARTS LIST 4 – FORWARD PLATE COMPACTORS</u>	9
WHEELS: BCF1570	9
WHEELS: BCF1570 – PARTS LIST 4	10
<u>DECLARATION OF CONFORMITY</u>	11

PARTS LIST 1 – FORWARD PLATE COMPACTORS

VIBRATOR: BCF1570



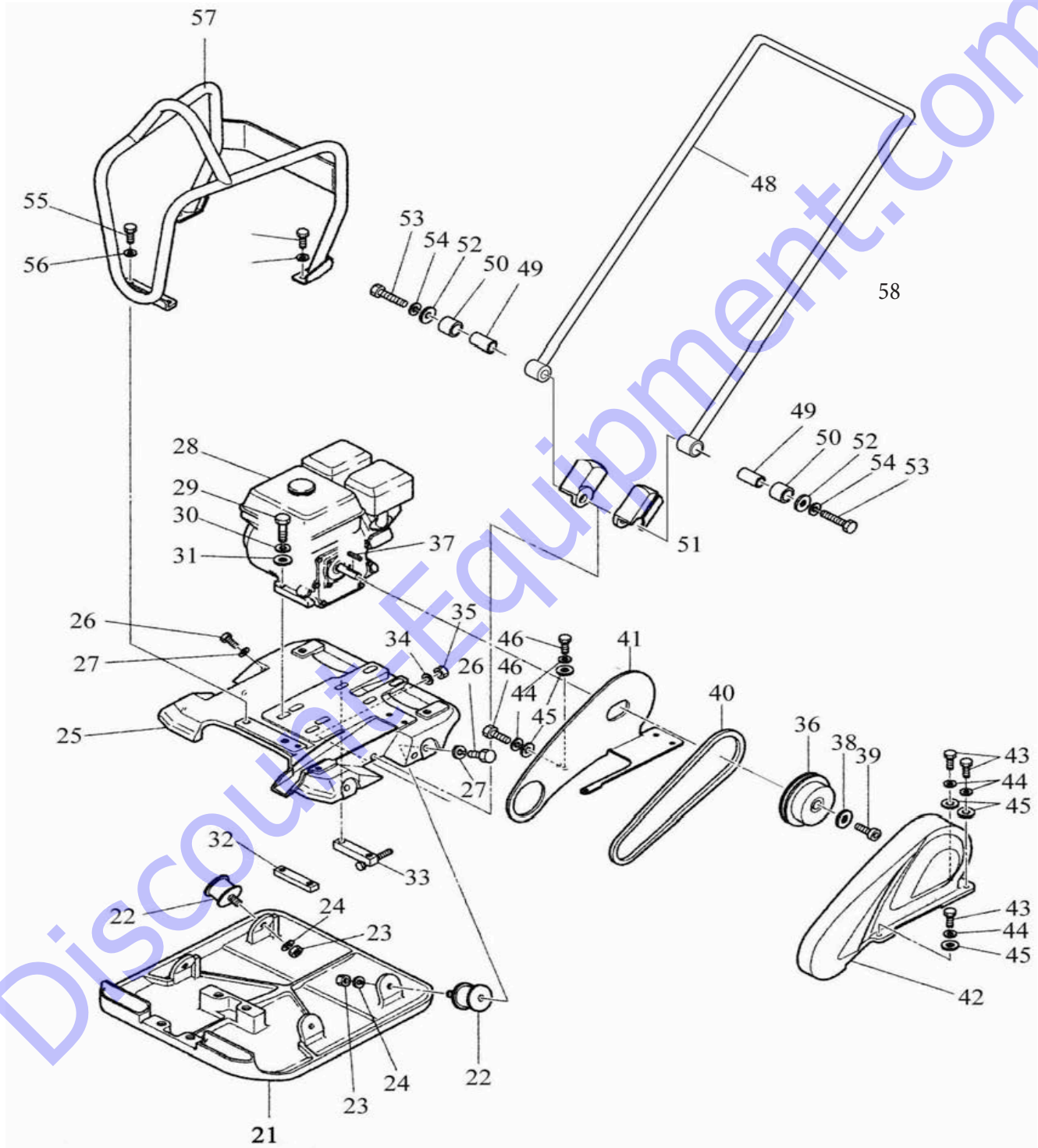
VIBRATOR: BCF1570 – PARTS LIST 1

Item #	Part #	Description	QTY	Remarks
-	CPC-95-A	VIBRATOR ASSEMBLY	1	
1	CPC-95-01A	VIBRATING CASE	1	
2	CPC-95-02A	BOLT M10x20T	1	
3	CPC-95-03A	PACKING	1	
4	CPC-95-04A	BOLT m16x45T	4	
5	CPC-95-05A	SW M16	4	
6	CPC-95-06A	PW M16	4	
7	CPC-95-07A	VIBRATOR	1	
8	CPC-95-08A	BEARING 6211	2	
9	CPC-95-09A	CASE RIGHT COVER	1	
10	CPC-95-010A	CASE LEFT COVER	1	
11	CPC-95-011A	BELT COVER GUARD	1	
12	CPC-95-012A	OIL SEAL 35x48x10	1	
13	CPC-95-013A	O-RING 100 (OD) x 3.1	2	
14	CPC-95-014A	BOLT M8x25T	8	
15	CPC-95-015A	WASHER AND SW M8	8	
16	CPC-95-016A	PULLEY	1	
17	CPC-95-017A	KEY 7x7x19	1	
18	CPC-95-018A	WASHER M10 x 4 x 40(OD)	1	
19	CPC-95-019A	BOLT M10x25T	1	
20	CPC-95-020A	SW M10	1	



PARTS LIST 2 – FORWARD PLATE COMPACTORS

BODY: BCF1570

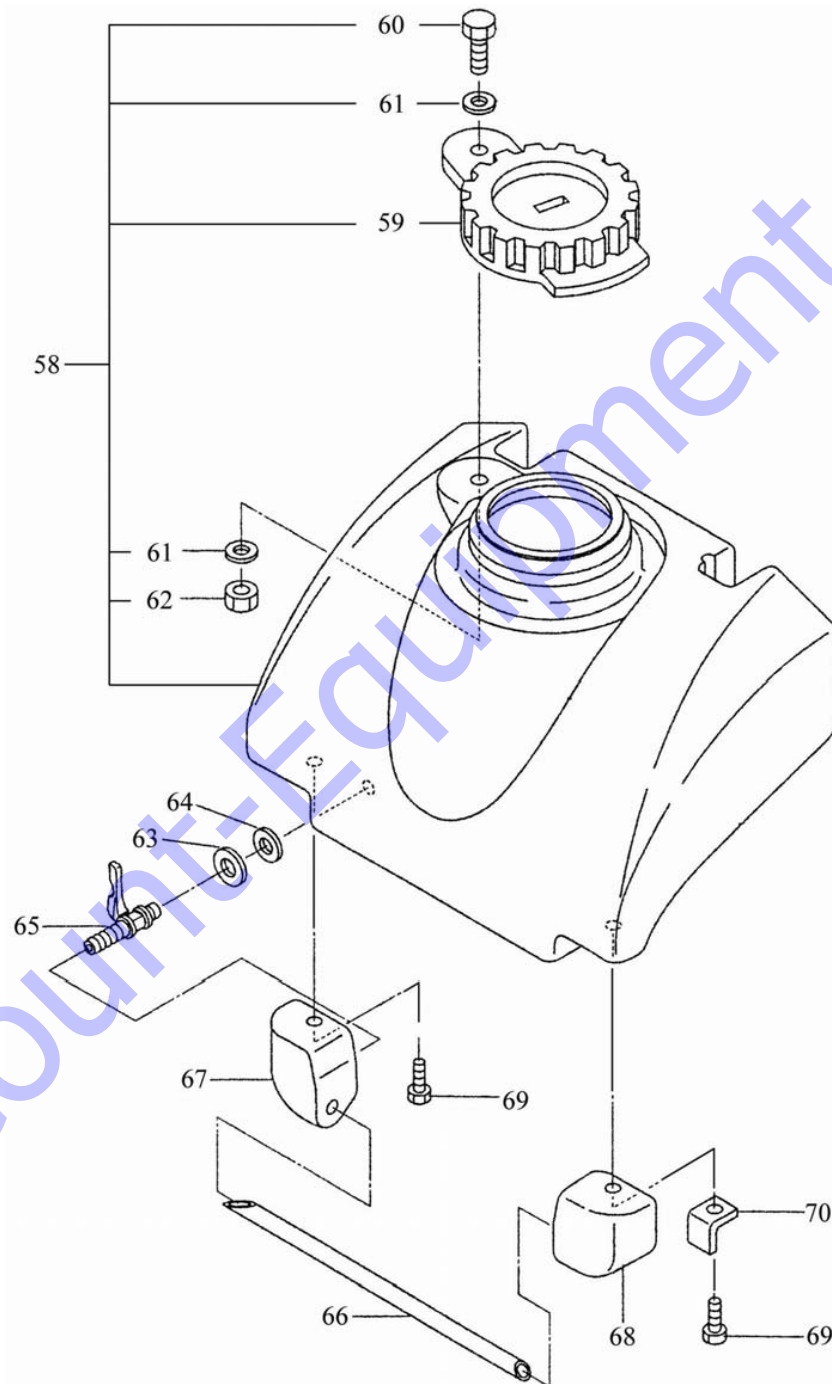


BODY: BCF1570 – PARTS LIST 2

Item #	Part #	Description	QTY	Remarks
21	CPC-95-1B	VIBRATING PLATE	1	
22	CPC-95-2B	SHOCK ABSORBER	4	
23	CPC-95-3B	NUT M10	4	
24	CPC-95-4B	SW M10	4	
25	CPC-95-5B	BASE	1	
26	CPC-95-6B	BOLT M10x30T	4	
27	CPC-95-7B	SW M10	4	
28	CPC-95-8B	ENGINE	1	
29	CPC-95-9B	BOLT M8 x 55T	4	
30	CPC-95-10B	SW M8	4	
31	CPC-95-11B	PW M8	4	
32	CPC-95-12B	ENGINE NUT	1	
33	CPC-95-13B	ENGINE NUT	1	
34	CPC-95-14B	PW M8	1	
35	CPC-95-15B	NYLON NUT M8	1	
36	CPC-95-16B	CLUTCH ASSEMBLY	1	
37	CPC-95-17B	KEY	1	
38	CPC-95-18B	WASHER	1	
39	CPC-95-19B	SOCKET HEAD BOLT	1	
40	CPC-95-20B	V-BELT	1	
41	CPC-95-21B	BASE FOR BELT	1	
42	CPC-95-22B	BELT COVER	1	
43	CPC-95-23B	BOLT M8x35T	3	
44	CPC-95-24B	SW M8	5	
45	CPC-95-25B	PW M8	5	
46	CPC-95-26B	BOLT M8 x 20T	2	
47	CPC-95-27B	THROTTLE ASSEMBLY	1	
48	CPC-95-28B	HANDLE	1	
49	CPC-95-29B	COLLAR 13-20-44	2	
50	CPC-95-30B	RUBBER 20 x 32 x 28.5	2	
51	CPC-95-31B	HANDLE STOPPER	2	
52	CPC-95-32B	WASHER 12.5 x 35 x 3	2	
53	CPC-95-33B	BOLT M12 x 75T	2	
54	CPC-95-34B	SW M12	2	
55	CPC-95-35B	BOLT M10 x 25T	4	
56	CPC-95-36B	SW M10	4	
57	CPC-95-37B	GUARD HOOK	1	
58	CPC-95-27B	THROTTLE LEVER WITH CABLE	1	
-	651133	HANDLE STOPS (NOT SHOWN)	2	

PARTS LIST 3 – FORWARD PLATE COMPACTORS

WATER TANK ASSEMBLY: BCF1570



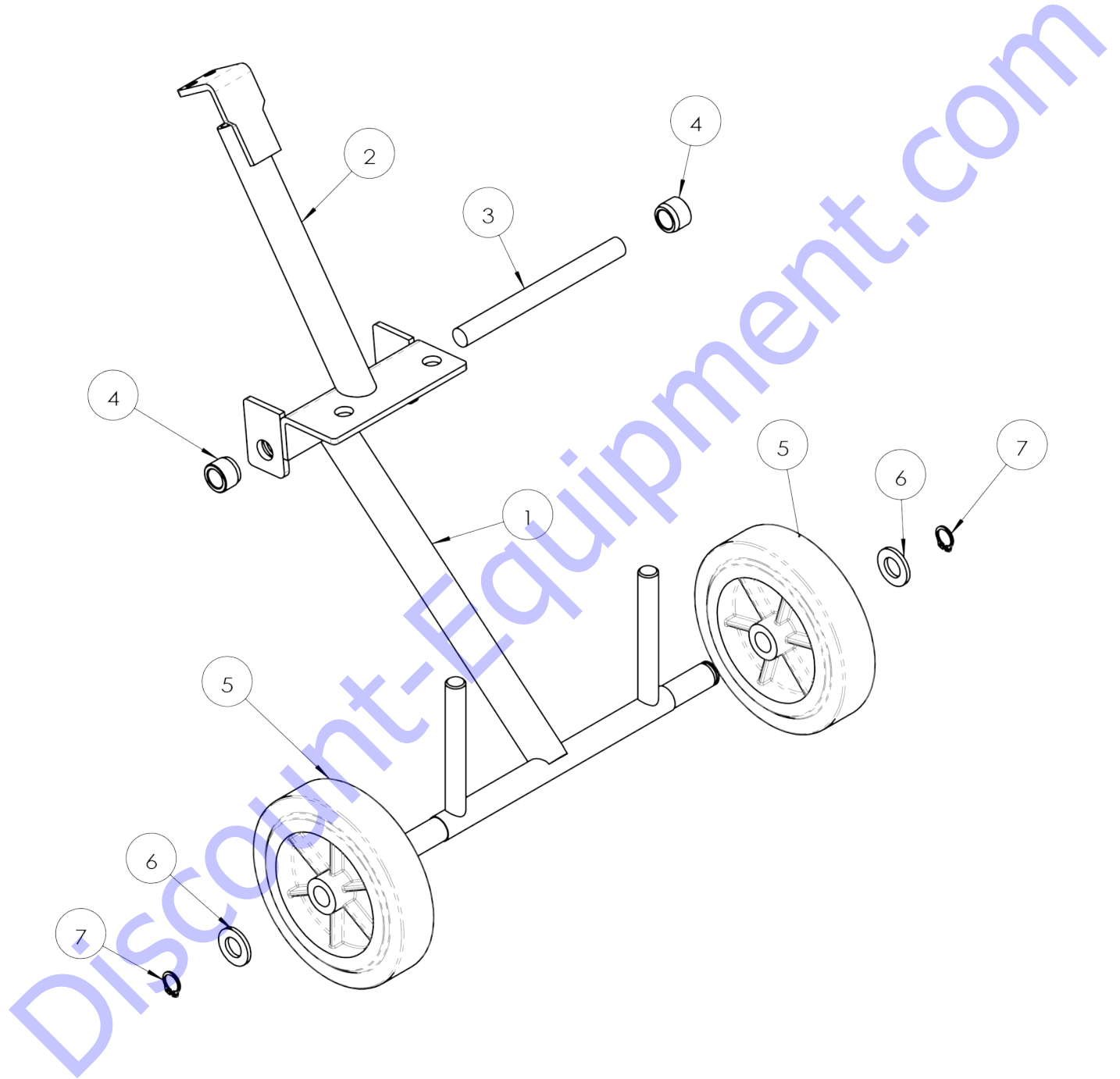
WATER TANK ASSEMBLY: BCF1570 – PARTS LIST 3

Item #	Part #	Description	QTY	Remarks
58	CPC-95-1C	WATER TANK ASSEMBLY	1	
59	CPC-95-1-1C	CAP, WATER TANK	1	
60	CPC-95-1-2C	BOLT M10 x 30	1	
61	CPC-95-1-3C	WASHER 10.5 x 21 x 2	2	
62	CPC-95-1-4C	NYLON NUT M10	1	
63	CPC-95-2C	WASHER 14.1 x 30 x 1.6	1	
64	CPC-95-3C	PACKING 13 x 28 x 2	1	
65	CPC-95-4C	COCK	1	
66	CPC-95-5C	SPRINKLING PIPY	1	
67	CPC-95-6C	PIPE HOLDER LEFT	1	
68	CPC-95-7C	PIPE HOLDER RIGHT	1	
69	CPC-95-8C	FLANGE BOLT M8 x 25	2	
70	CPC-95-9C	STAY, PIPE HOLDER	1	

Discount-Equipment.com

PARTS LIST 4 – FORWARD PLATE COMPACTORS

WHEELS: BCF1570





WHEELS: BCF1570 – PARTS LIST 4

Item #	Part #	Description	QTY	Remarks
1	CPC-95-01D	WHEELS FRAME 1	1	
2	CPC-95-1-02D	WHEELS FRAME 2	1	
3	CPC-95-1-03D	SHAFT	1	
4	CPC-95-1-04D	COLLAR	2	
5	CPC-95-1-05D	WHEELS	2	
6	CPC-95-06D	WASHER M12	2	
7	CPC-95-07D	CIRCLIP M12	2	

Discount-Equipment.com



This Page Left Intentionally Blank

Discount-Equipment.com

Discount Equipment

Discount-Equipment.com is your online resource for commercial and industrial quality parts and equipment sales.

Locations:

Florida (West Palm Beach): [561-964-4949](tel:561-964-4949)

Outside Florida TOLL FREE: [877-690-3101](tel:877-690-3101)

Need parts? Check out our website at www.discount-equipment.com

Can't find what you need?

Click on this link: <http://www.discount-equipment.com/category/5443-parts/> and fill out the request form.

Please have the machine model and serial number available in order to help us get you the correct parts. One of our experienced staff members will get back to you with a quote for the right part that your machine needs.

We sell worldwide for the brands: Genie, Terex, JLG, MultiQuip, Mayco, Toro/Stone, Diamond Products, Magnum, Airman, Mustang, Power Blanket, Nifty Lift, Atlas Copco, Chicago Pneumatic, Allmand Brothers, Essick, Miller Spreader, Skyjack, Lull, Skytrak, Tsurumi, Husquvarna/Target, Whiteman-Concrete/Mortar, Stow-Concrete/Mortar, Baldor, Wacker, Sakai, Snorkel, Upright, Mi-T-M, Sullair, Neal, Basic, Dynapac, MBW, Weber, Bartell, Bennar Newman, Haulotte, Ditch Runner, Blaw-Knox, Himoina, Best, Buddy, Crown, Edco, Wyco, Bomag, Laymor, Terremite, Barreto, EZ Trench, Takeuchi, Basic, Bil-Jax, Curtis, Gehl, Heli, Honda, ICS/PowerGrit, Puckett, Waldon, ASV, IHI, Partner, Imer, Clipper, MMD, Koshin, Rice, Gorman Rupp, CH&E, Cat Pumps, Comet, General Pump, Giant, AMida, Coleman, NAC, Gradall, Square Shooter, Kent, Stanley, Tamco, Toku, Hatz, Kohler, Robin, Wisconsin, Northrock, Oztec, Toker TK, Rol-Air, Small Line, Wanco, Yanmar

New Equipment - Used Equipment - Rental Equipment - Parts and Accessories

Discount Equipment

www.discount-equipment.com

561-964-4949

Sales: info@Discount-Equipment.com

Parts: wbparts@Discount-Equipment.com