



**BCF1080**  
**FORWARD PLATE COMPACTORS**

**PARTS BOOK**



[www.Discount-Equipment.com](http://www.Discount-Equipment.com)



Doc. # PB-B19017  
Orig. Rel. - 10/2013  
Curr Rev. - 06

# **Discount Equipment**

Discount-Equipment.com is your online resource for commercial and industrial quality parts and equipment sales.

## **Locations:**

Florida (West Palm Beach): [561-964-4949](tel:561-964-4949)

Outside Florida TOLL FREE: [877-690-3101](tel:877-690-3101)

**Need parts?** Check out our website at [www.discount-equipment.com](http://www.discount-equipment.com)

## **Can't find what you need?**

Click on this link: <http://www.discount-equipment.com/category/5443-parts/> and fill out the request form.

Please have the machine model and serial number available in order to help us get you the correct parts. One of our experienced staff members will get back to you with a quote for the right part that your machine needs.

We sell worldwide for the brands: Genie, Terex, JLG, MultiQuip, Mayco, Toro/Stone, Diamond Products, Magnum, Airman, Mustang, Power Blanket, Nifty Lift, Atlas Copco, Chicago Pneumatic, Allmand Brothers, Essick, Miller Spreader, Skyjack, Lull, Skytrak, Tsurumi, Husquvarna/Target, Whiteman-Concrete/Mortar, Stow-Concrete/Mortar, Baldor, Wacker, Sakai, Snorkel, Upright, Mi-T-M, Sullair, Neal, Basic, Dynapac, MBW, Weber, Bartell, Bennar Newman, Haulotte, Ditch Runner, Blaw-Knox, Himoina, Best, Buddy, Crown, Edco, Wyco, Bomag, Laymor, Terremite, Barreto, EZ Trench, Takeuchi, Basic, Bil-Jax, Curtis, Gehl, Heli, Honda, ICS/PowerGrit, Puckett, Waldon, ASV, IHI, Partner, Imer, Clipper, MMD, Koshin, Rice, Gorman Rupp, CH&E, Cat Pumps, Comet, General Pump, Giant, AMida, Coleman, NAC, Gradall, Square Shooter, Kent, Stanley, Tamco, Toku, Hatz, Kohler, Robin, Wisconsin, Northrock, Oztec, Toker TK, Rol-Air, Small Line, Wanco, Yanmar

**New Equipment - Used Equipment - Rental Equipment - Parts and Accessories**

# **Discount Equipment**

[www.discount-equipment.com](http://www.discount-equipment.com)

**561-964-4949**

Sales: [info@Discount-Equipment.com](mailto:info@Discount-Equipment.com)

Parts: [wbparts@Discount-Equipment.com](mailto:wbparts@Discount-Equipment.com)



[www.Discount-Equipment.com](http://www.Discount-Equipment.com)



REV.	DATE	DESCRIPTION	APPROVED BY:
00	10/2013	Initial Release	AL
01	01/2014	Cover Photo Updated	AL
02	02/2014	Address Updated	AL
03	06/2014	Cover Page Updated	AL
04	07/2014	Part number updated	AL
05	09/2014	Part number updated	AL
06	07/2017	Updated look, Part Number Updated Item 39 Parts List 1	AN



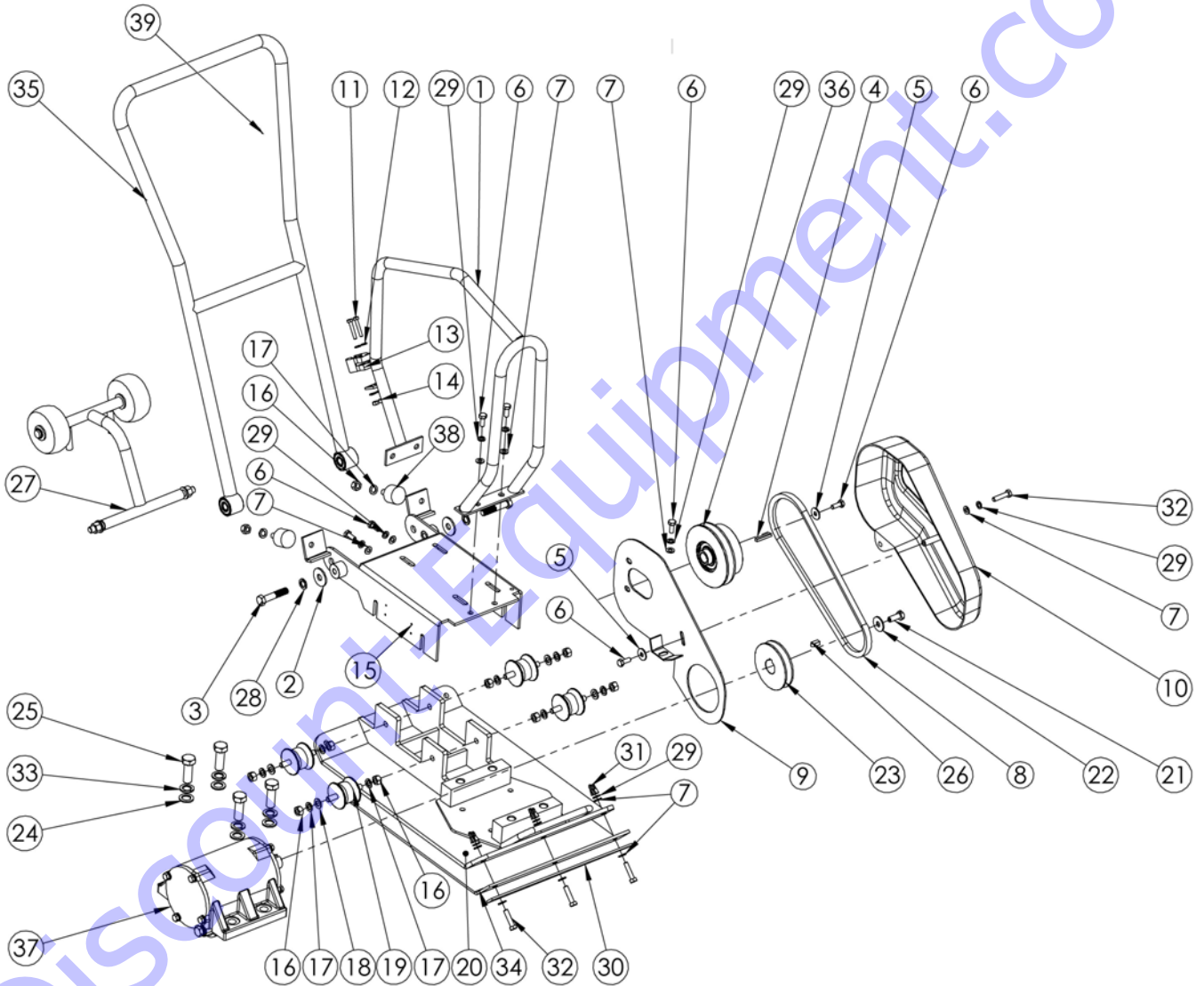
## TABLE OF CONTENTS

<b><u>PARTS LIST 1 – FORWARD PLATE COMPACTORS</u></b>	<b>3</b>
<b>FULL ASSEMBLY: BCF1080</b>	<b>3</b>
<b>FULL ASSEMBLY: BCF1080 – PARTS LIST 1</b>	<b>4</b>
<b><u>PARTS LIST 2 – FORWARD PLATE COMPACTORS</u></b>	<b>6</b>
<b>WHEELS: BCF1080</b>	<b>6</b>
<b>WHEELS: BCF1080 – PARTS LIST 2</b>	<b>7</b>
<b><u>DECLARATION OF CONFORMITY</u></b>	<b>8</b>

Discount-Equipment.com

## PARTS LIST 1 – FORWARD PLATE COMPACTORS

### FULL ASSEMBLY: BCF1080



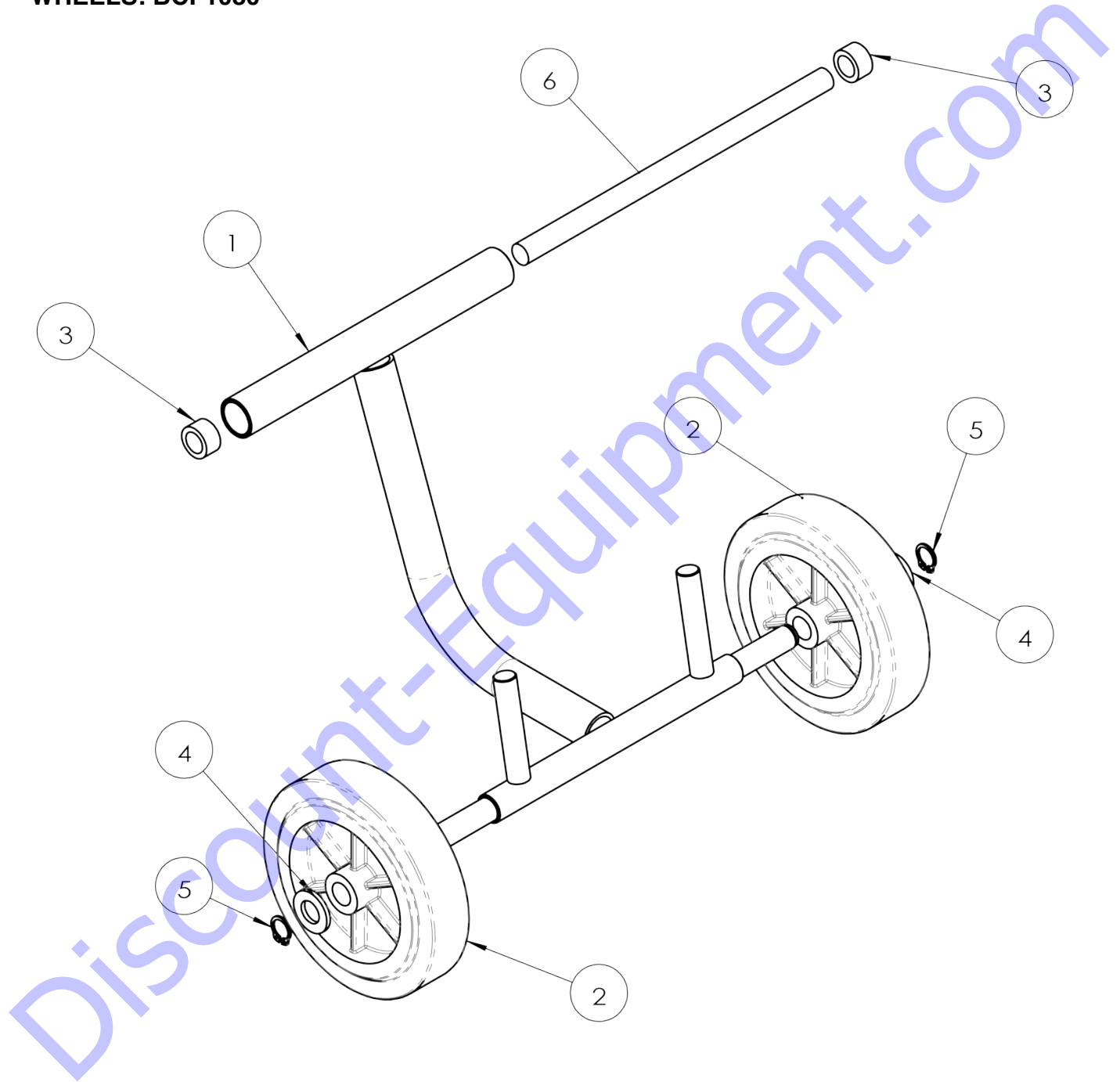
**FULL ASSEMBLY: BCF1080 – PARTS LIST 1**

Item #	Part #	Description	QTY	Remarks
1	101237-01001	ENGINE FRAME	1	
2	101237-01020	PLAIN WASHER M13	2	
3	101237-01021	HEX HEAD BOLT M12x60x30	2	
4	101237-01023	PARALLEL KEY	1	
5	101237-01030	PLAIN WASHER M8.4	2	
6	101237-01031	HEX HEAD BOLT M8x20	7	
7	101237-10133	PLAIN WASHER M8.4	12	
8	101237-01034	V-BELT	1	
9	101237-01035	BELT COVER	1	
10	101237-01036	COMPACT COVER ASSEMBLY	1	
11	101237-01046	HEX HEAD BOLT M6x35	2	
12	101237-01047	PLAIN WASHER M6.4	4	
13	101237-01048	CASTER HOLDERS	1	
14	101237-01050	HEX NUT M6	2	
15	101237-01070	ENGINE SUPPORT ASSEMBLY	1	
16	101237-01073	HEX NUT M10	10	
17	101237-01074	SPRING WASTER M10.2	10	
18	101237-01075	PLAIN WASHER M10.5	4	
19	101237-01076	VIBRATOR ISOLATOR BFR-BF2074	4	
20	101237-01083	COMPACTOR PLATE ASSEMBLY	1	
21	101237-01092	HEX HEAD BOLT M10x25	1	
22	101237-01093	PLAIN WASHER M10.5	1	
23	101237-01094	PULLEY	1	
24	101237-01102	PLAIN WASHER M17	4	
25	101237-01103	HEX HEAD BOLT M16x45	4	
26	101237-01104	PARALLEL KEY	1	
27	101237-01111	WHEEL ASSEMBLY	2	
28	101237-01112	SPRING WASHER M12.2	2	
29	101237-01113	SPRING WASHER M8.1	9	
30	101237-01114	MOUNTING STRIP	1	
31	101237-01115	WING NUT M8	3	
32	101237-01116	HEX HEAD BOLT M8	4	
33	101237-01117	SPRING WASHER M16.2	4	
34	101248-01024	COMPACTOR RUBBER	1	
35	101539-01005	HANDLE ASSEMBLY	1	
36	101539-01008	CLUTCH 130/20	1	
37	101539-01021	VIBRATOR ASSEMBLY	1	
38	101539-01030	VIBRATOR ISOLATOR BB-35/35-B	2	
39	651059	THROTTLE LEVER WITH CABLE ASSY	1	
	651172	BLACK TWIST KNOB (NOT SHOWN)	2	

[Discount-Equipment.com](http://Discount-Equipment.com)

**PARTS LIST 2 – FORWARD PLATE COMPACTORS**

**WHEELS: BCF1080**







**WHEELS: BCF1080 – PARTS LIST 2**

Item #	Part #	Description	QTY	Remarks
1	CPC-E60-W-001	WHEELS FRAME	1	
2	CPC-E60-W-002	WHEELS	2	
3	CPC-E60-W-003	COLLAR	2	
4	CPC-E60-W-004	WASHER M12	2	
5	CPC-E60-W-005	CIRCLIP M12	2	
6	CPC-E60-W-006	SHAFT	1	
1	CPC-E60-W-001	WHEELS FRAME	1	
2	CPC-E60-W-002	WHEELS	2	
3	CPC-E60-W-003	COLLAR	2	
4	CPC-E60-W-004	WASHER M12	2	
5	CPC-E60-W-005	CIRCLIP M12	2	
6	CPC-E60-W-006	SHAFT	1	
1	CPC-E60-W-001	WHEELS FRAME	1	
2	CPC-E60-W-002	WHEELS	2	

Discount-Equipment.com

# **Discount Equipment**

Discount-Equipment.com is your online resource for commercial and industrial quality parts and equipment sales.

## **Locations:**

Florida (West Palm Beach): [561-964-4949](tel:561-964-4949)

Outside Florida TOLL FREE: [877-690-3101](tel:877-690-3101)

**Need parts?** Check out our website at [www.discount-equipment.com](http://www.discount-equipment.com)

## **Can't find what you need?**

Click on this link: <http://www.discount-equipment.com/category/5443-parts/> and fill out the request form.

Please have the machine model and serial number available in order to help us get you the correct parts. One of our experienced staff members will get back to you with a quote for the right part that your machine needs.

We sell worldwide for the brands: Genie, Terex, JLG, MultiQuip, Mayco, Toro/Stone, Diamond Products, Magnum, Airman, Mustang, Power Blanket, Nifty Lift, Atlas Copco, Chicago Pneumatic, Allmand Brothers, Essick, Miller Spreader, Skyjack, Lull, Skytrak, Tsurumi, Husquvarna/Target, Whiteman-Concrete/Mortar, Stow-Concrete/Mortar, Baldor, Wacker, Sakai, Snorkel, Upright, Mi-T-M, Sullair, Neal, Basic, Dynapac, MBW, Weber, Bartell, Bennar Newman, Haulotte, Ditch Runner, Blaw-Knox, Himoina, Best, Buddy, Crown, Edco, Wyco, Bomag, Laymor, Terremite, Barreto, EZ Trench, Takeuchi, Basic, Bil-Jax, Curtis, Gehl, Heli, Honda, ICS/PowerGrit, Puckett, Waldon, ASV, IHI, Partner, Imer, Clipper, MMD, Koshin, Rice, Gorman Rupp, CH&E, Cat Pumps, Comet, General Pump, Giant, AMida, Coleman, NAC, Gradall, Square Shooter, Kent, Stanley, Tamco, Toku, Hatz, Kohler, Robin, Wisconsin, Northrock, Oztec, Toker TK, Rol-Air, Small Line, Wanco, Yanmar

**New Equipment - Used Equipment - Rental Equipment - Parts and Accessories**

# **Discount Equipment**

**[www.discount-equipment.com](http://www.discount-equipment.com)**

**561-964-4949**

Sales: [info@Discount-Equipment.com](mailto:info@Discount-Equipment.com)

Parts: [wbparts@Discount-Equipment.com](mailto:wbparts@Discount-Equipment.com)