

TT250 TACK TRAILER



Parts Manual



www.discount-equipment.com



August, 2014
S/N 1001 – UP
Part # 28200

Discount Equipment

Discount-Equipment.com is your online resource for commercial and industrial quality parts and equipment sales.

Locations:

Florida (West Palm Beach): [561-964-4949](tel:561-964-4949)

Outside Florida TOLL FREE: [877-690-3101](tel:877-690-3101)

Need parts? Check out our website at www.discount-equipment.com

Can't find what you need?

Click on this link: <http://www.discount-equipment.com/category/5443-parts/> and fill out the request form.

Please have the machine model and serial number available in order to help us get you the correct parts. One of our experienced staff members will get back to you with a quote for the right part that your machine needs.

We sell worldwide for the brands: Genie, Terex, JLG, MultiQuip, Mayco, Toro/Stone, Diamond Products, Magnum, Airman, Mustang, Power Blanket, Nifty Lift, Atlas Copco, Chicago Pneumatic, Allmand Brothers, Essick, Miller Spreader, Skyjack, Lull, Skytrak, Tsurumi, Husquvarna/Target, Whiteman-Concrete/Mortar, Stow-Concrete/Mortar, Baldor, Wacker, Sakai, Snorkel, Upright, Mi-T-M, Sullair, Neal, Basic, Dynapac, MBW, Weber, Bartell, Bennar Newman, Haulotte, Ditch Runner, Blaw-Knox, Himoina, Best, Buddy, Crown, Edco, Wyco, Bomag, Laymor, Terremite, Barreto, EZ Trench, Takeuchi, Basic, Bil-Jax, Curtis, Gehl, Heli, Honda, ICS/PowerGrit, Puckett, Waldon, ASV, IHI, Partner, Imer, Clipper, MMD, Koshin, Rice, Gorman Rupp, CH&E, Cat Pumps, Comet, General Pump, Giant, AMida, Coleman, NAC, Gradall, Square Shooter, Kent, Stanley, Tamco, Toku, Hatz, Kohler, Robin, Wisconsin, Northrock, Oztec, Toker TK, Rol-Air, Small Line, Wanco, Yanmar

New Equipment - Used Equipment - Rental Equipment - Parts and Accessories

Discount Equipment

www.discount-equipment.com

561-964-4949

Parts: wbparts@Discount-Equipment.com

Sales: info@Discount-Equipment.com

TT250 TABLE OF CONTENTS

DECALS

Decals - Domestic	1.1
-----------------------------	-----

ASPHALT TANK

Asphalt Tank Assembly	2.1
---------------------------------	-----

ENGINE AND PUMP

Engine and Pump Assembly	3.1
------------------------------------	-----

MAINFRAME

Mainframe Assembly	4.1
------------------------------	-----

PROPANE

Propane Assembly	5.1
----------------------------	-----

HOSE REEL AND SPRAY WAND

Hose Reel and Spray Wand Assembly	6.1
---	-----

WASHDOWN TANK

Washdown Tank Assembly	7.1
----------------------------------	-----

WHEEL AND AXLE

Wheel and Axle Assembly	8.1
-----------------------------------	-----

ELECTRICAL

Electrical Assembly	9.1
-------------------------------	-----

HOSE ROUTES

Hose Routes 10.1

OPTIONS

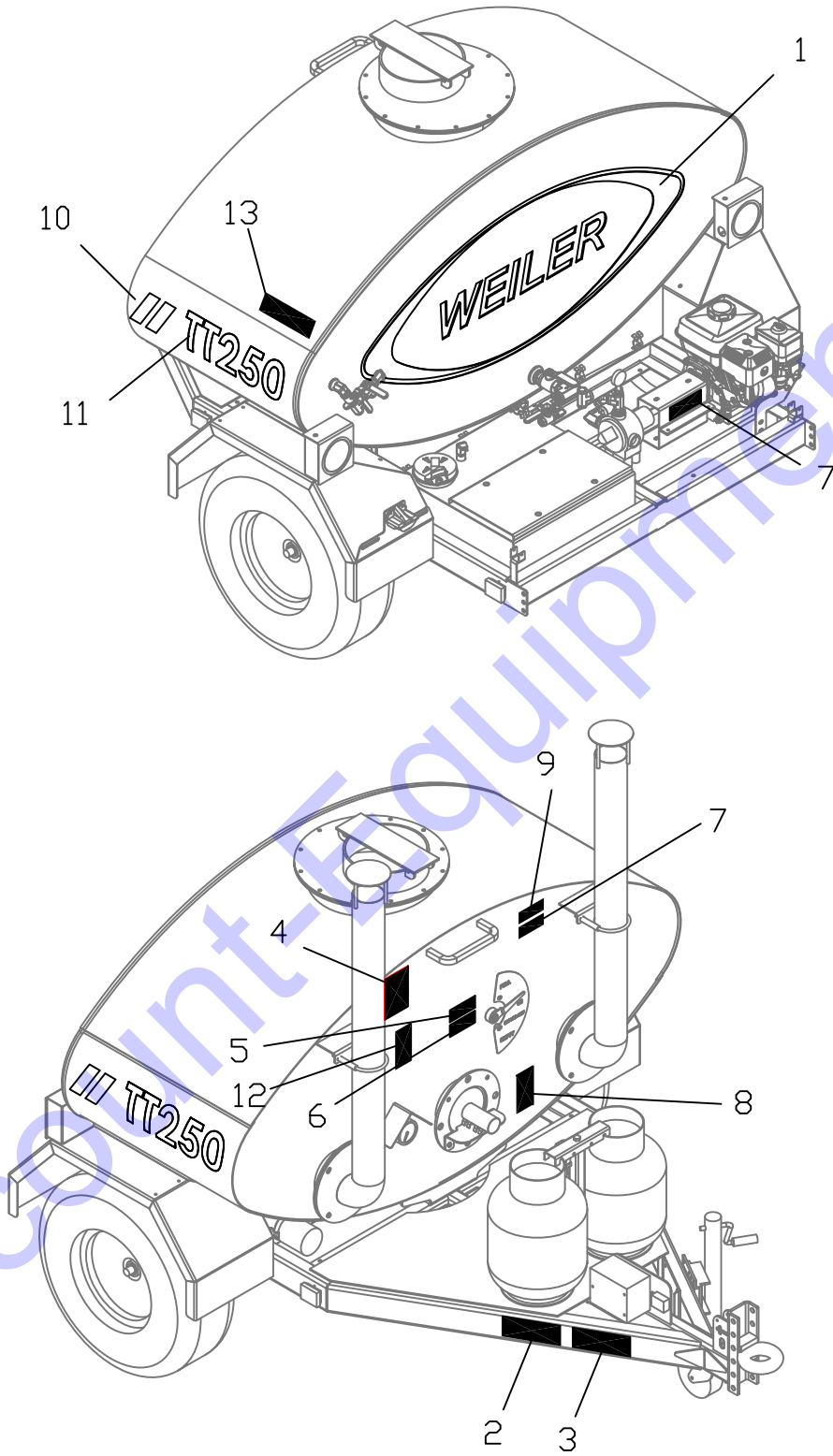
Electric Tank Heat Assembly 11.1
Spray Bar Option 11.2
Electric Start Assembly 11.3

REFERENCE

Deutsch Connector Breakdowns 12.1
Hydraulic Fitting Torque Specs 12.2
Fastener Torque Specs 12.3

Discount-Equipment.com

TT250 DECALS

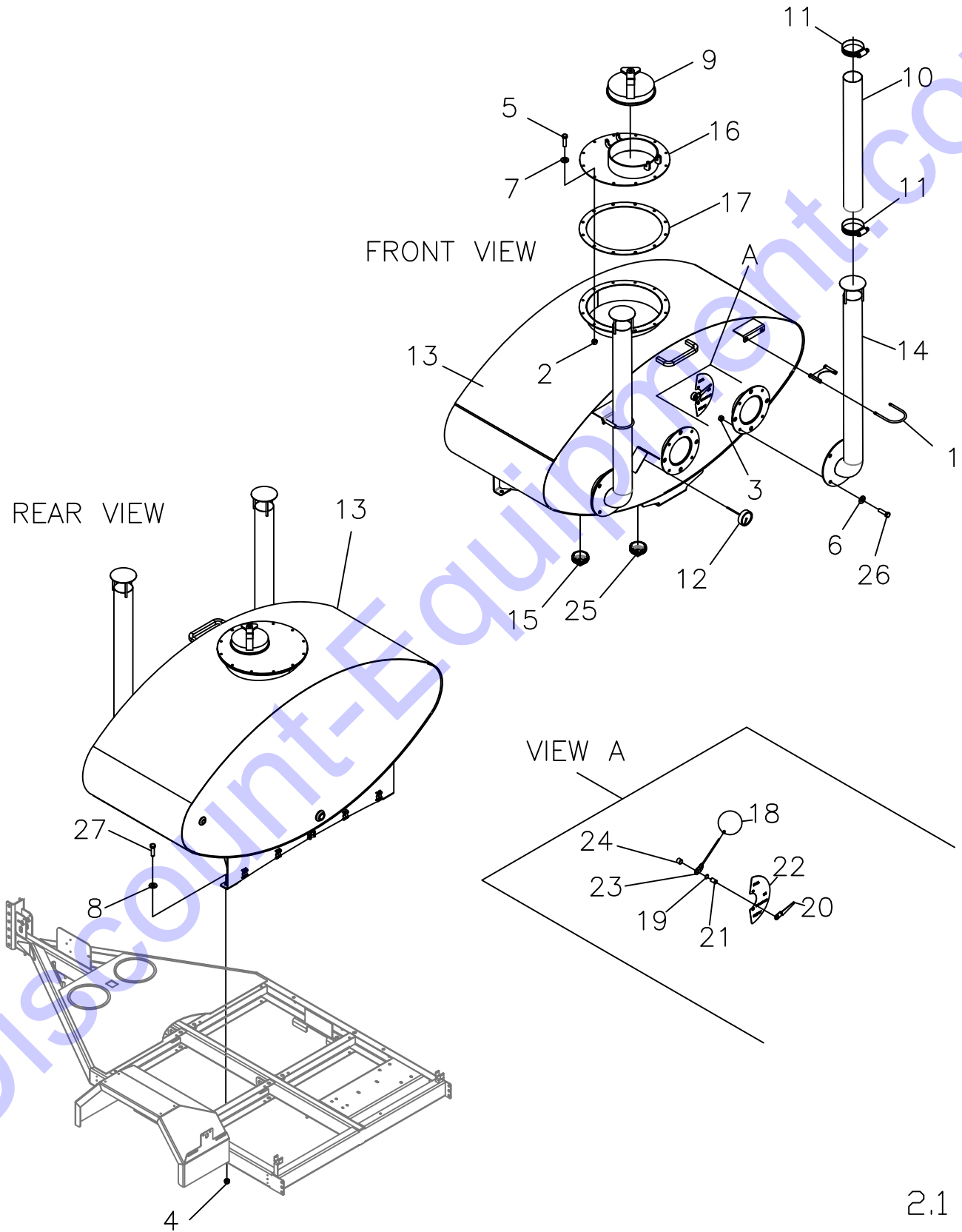


TT250 DECALS

ITEM NO.	PART NO.	DESCRIPTION	QTY	REMARKS
1	16848	DECAL - WEILER LOGO 60" X 23.4"	1	
2	25302	WEILER VIN NUMBER PLATE	1	
3	25409	DECAL - TIRE AND LOAD INFO	1	
4	25645	DECAL - EXPLOSION HAZARD	1	
5	25646	DECAL - FIRE HAZARD	1	
6	25647	DECAL - BURN HAZARD	1	
7	25648	DECAL - ROTATING HAZARD	2	
8	25649	DECAL - SLIP HAZARD	1	
9	25650	DECAL - READ MANUAL	1	
10	7678	DECAL - 3.5" STRIPE 2 SEGMENT	2	
11	25397	DECAL - TT250	3	
12	26989	DECAL - PROPANE OPERATION	1	
13	26988	DECAL - SPRAY BAR	1	

GROUP:24868

TT250 ASPHALT TANK

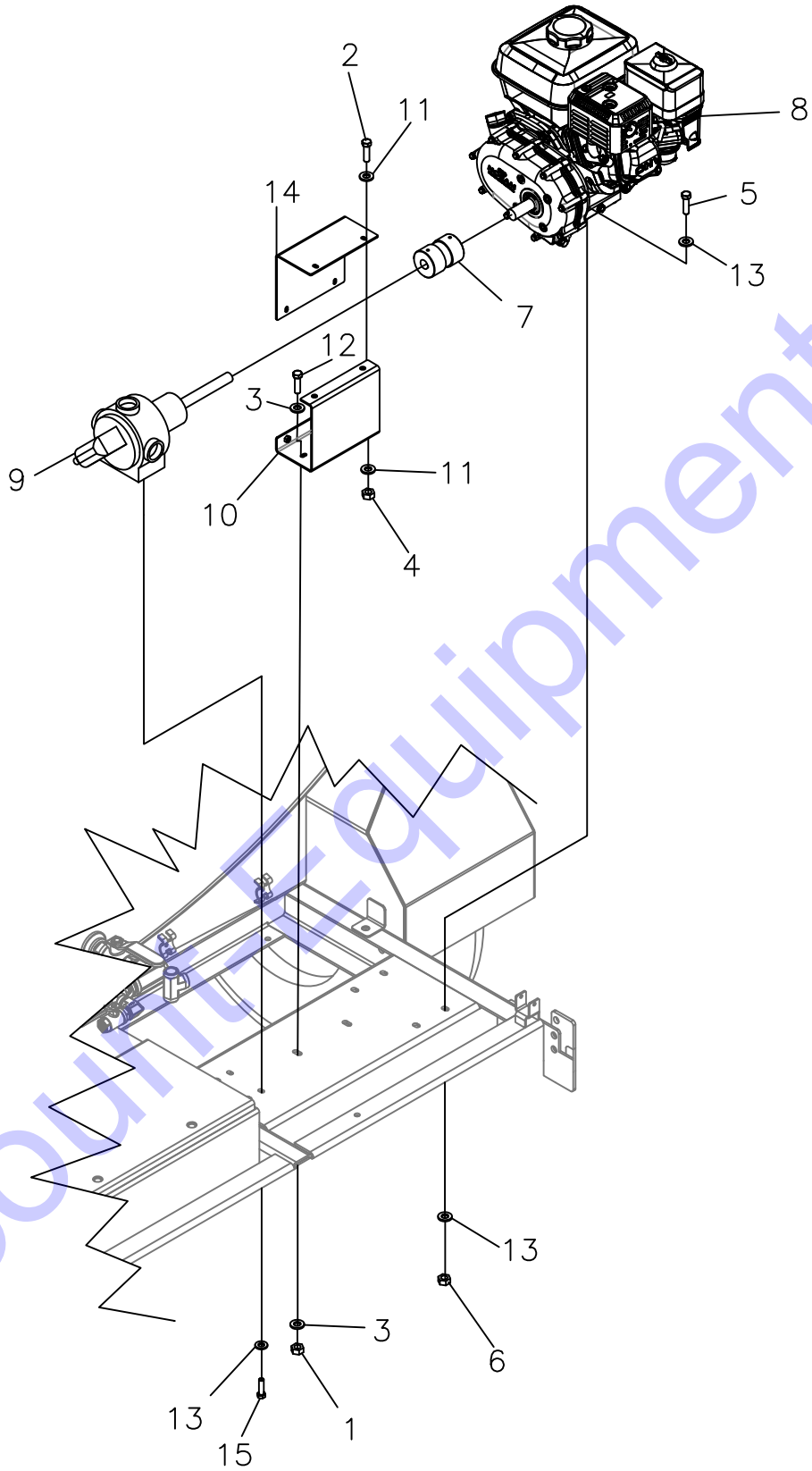


TT250 ASPHALT TANK

ITEM NO.	PART NO.	DESCRIPTION	QTY	REMARKS
1	1728	4" I.D. muffler clamp	2	
2	3756	LOCK NUT 3/8-16 GRB CENTER LOCK ZY	13	
3	3757	LOCK NUT 1/2-13 GRC TOPLOCK ZY	8	
4	3758	LOCK NUT 5/8-11 GC TOPLOCK ZY	4	
5	3768	BOLT 3/8-16 x 1.0 ZY	12	
6	3784	WASHER 1/2 HARD ZY	8	
7	4091	WASHER 3/8 HARD ZY	26	
8	4783	WASHER 5/8 1.25 HARD ZY	8	
9	25668	MANLID 10" FILL	1	
10	22214	FIBERGLASS SLEEVE 5" ID	7.7 FT	2 PCS
11	22341	WORM CLAMP 3.31 - 4.25 (#60) BLACK	4	
12	23618	DIAL THERMOMETER	1	
13	23850	250 GAL TACK TANK W/A	1	
14	23994	EXHAUST PIPE W/A	2	
15	24013	FITTING - 3" PIPE PLUG SQHD	1	
16	24626	TANK COVER W/A	1	
17	24635	GASKET	1	
18	25410	5" FLOAT BALL	1	
19	25411	SHAFT SEAL 3/4ID 1OD .158W	1	
20	25414	POINTER	1	
21	25415	PIVOT SHAFT	1	
22	25417	TACK GAUGE	1	
23	25418	BALL ROD W/A	1	
24	25425	BUSHING	1	
25	26414	FITTING - 2 1/2 NPT PLUG	1	
26	70923473	BOLT 1/2-13 x 1 1/4 GR8 ZY	8	
27	70924744	BOLT 5/8-11 x 1 1/2 ZC	4	

GROUP:24851

TT250 ENGINE AND PUMP

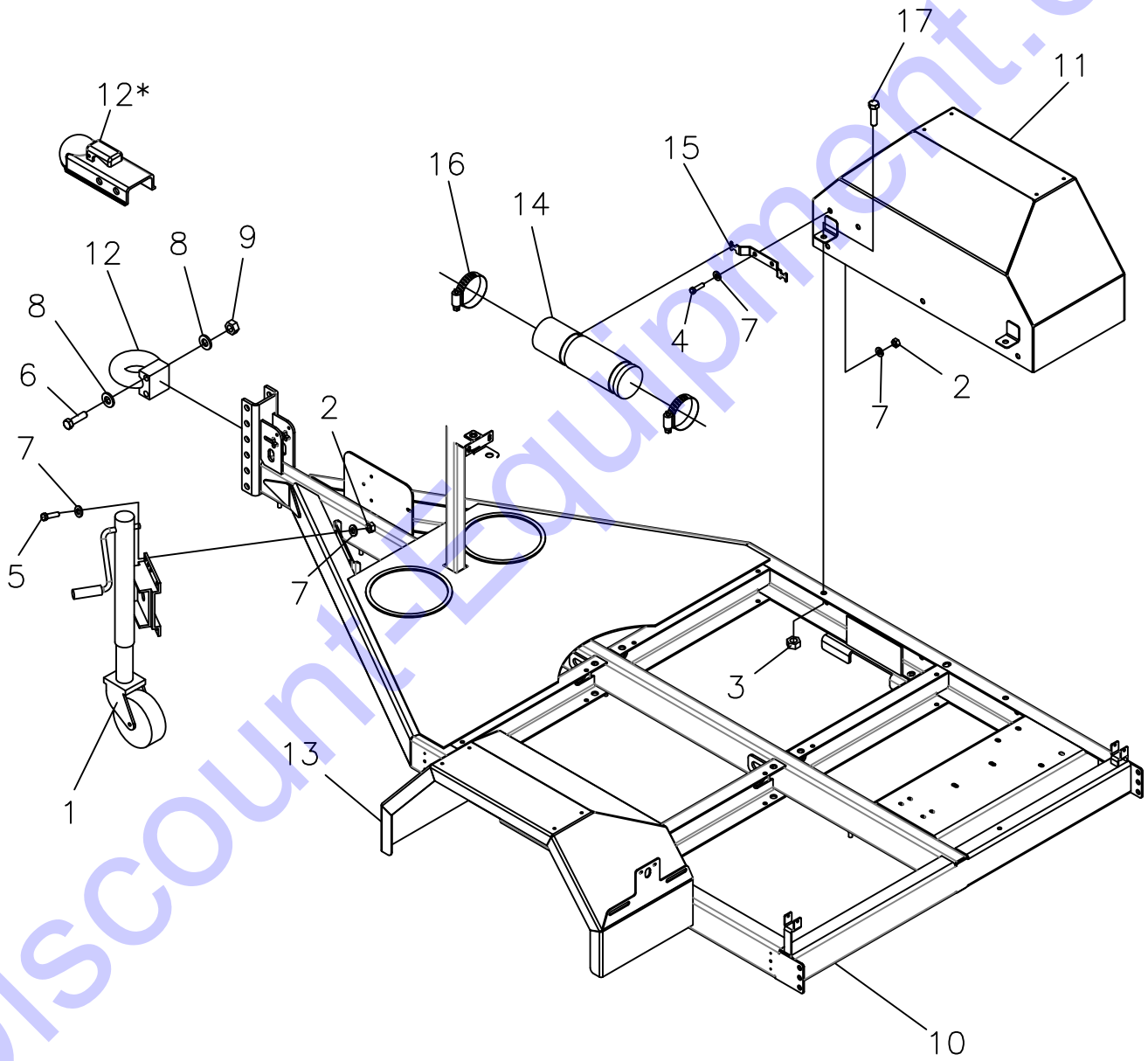


TT250 ENGINE AND PUMP

ITEM NO.	PART NO.	DESCRIPTION	QTY	REMARKS
1	3756	LOCK NUT 3/8-16 GRB CENTER LOCK ZY	2	
2	3759	BOLT 1/4-20 x 3/4 ZY	4	
3	4091	WASHER 3/8 HARD ZY	4	
4	14654	LOCK NUT 1/4-20 CNTRLK ZY	4	
5	20309	BOLT 5/16-18 x 1 3/4 ZY	4	
6	21009	NUT 5/16-18 CENTERLOCK ZY	12	
7	23612	ROTEX COUPLER 3/4"X 22mm	1	
8	23613	HONDA GX160 5.5HP ENGINE, 2:1 CLUTCH	1	
9	23614	VIKING ASPHALT PUMP	1	
10	27108	SHIELD W/A	1	
11	70918264	WASHER 1/4 ZY	4	
12	70923485	BOLT 3/8-16 x 7/8 GR8 ZY	2	
13	70911421	WASHER 5/16 HARD ZY	16	
14	27106	SHIELD	1	
15	27605	BOLT 5/16-18 X 2 G8 FULL THREAD ZY	4	

GROUP:24855

TT250 MAINFRAME

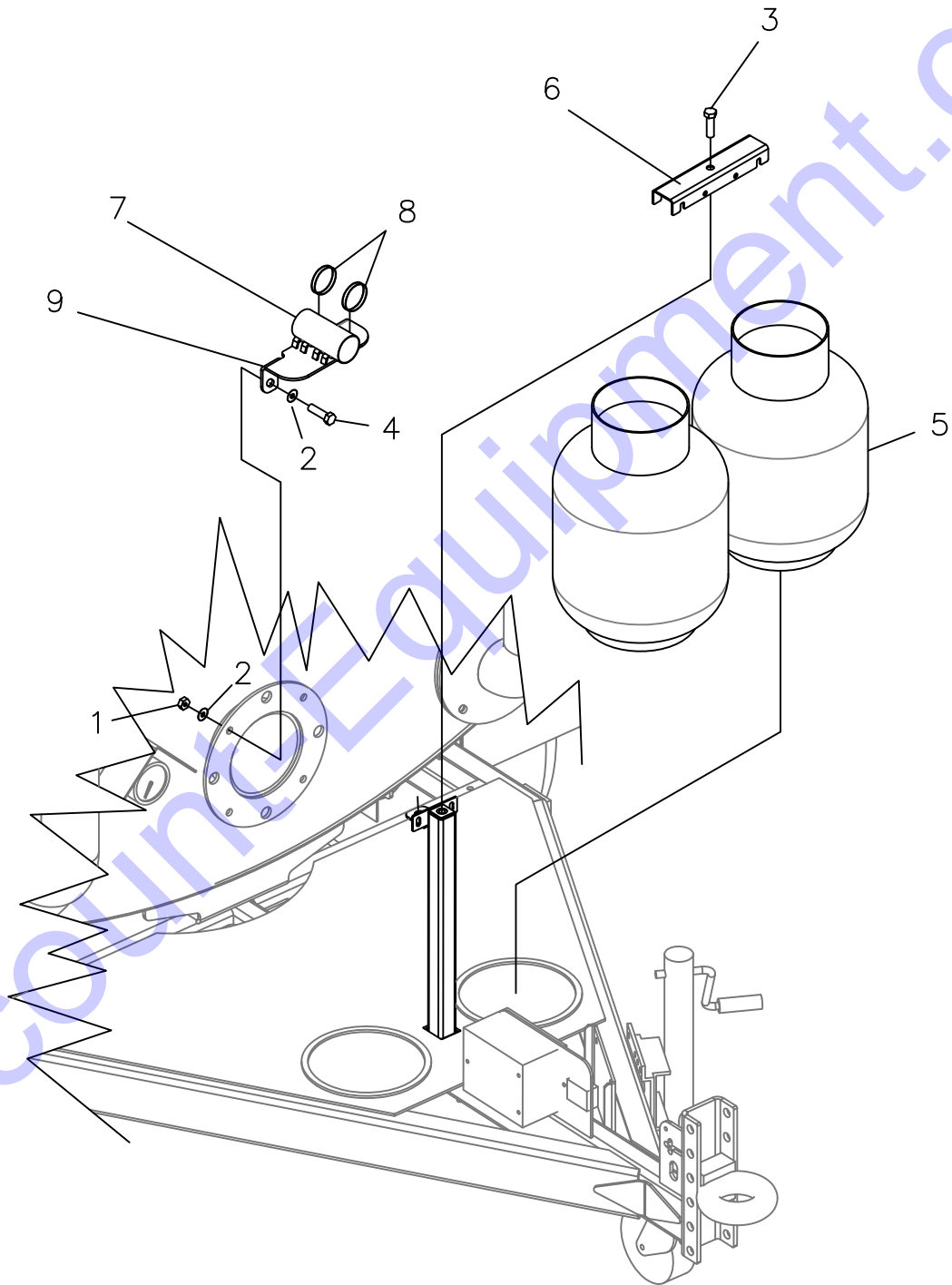


TT250 MAINFRAME

ITEM NO.	PART NO.	DESCRIPTION	QTY	REMARKS
1	3508	SWIVEL JACK	1	
2	3756	LOCK NUT 3/8-16 GRB CENTER LOCK ZY	4	
3	3757	LOCK NUT 1/2-13 GRC TOPLOCK ZY	10	
4	3768	BOLT 3/8-16 x 1.0 ZY	2	
5	3772	BOLT 3/8-16 x 3 ZY	4	
6	3792	BOLT 5/8-11 x 4 1/2 GR8 ZY	2	
7	4091	WASHER 3/8 HARD ZY	12	
8	4783	WASHER 5/8 1.25 HARD ZY	4	
9	7288	NUT 5/8-11 GR8 ZY	2	
10	23830	TACK WAGON FRAME W/A	1	
11	23844	FENDER RH W/A	1	
12	24817	TOW RING 2 1/2"	1	
12*	26620	BALL HITCH 2 5/16"	1	OPTION
13	24828	FENDER LH W/A	1	
14	24856	MANUAL CARRIER CYLINDER	1	
15	24857	MANUAL CARRIER PLATE	1	
16	70922200	WORM CLAMP 3.3 - 4.25	2	
17	70926154	BOLT 1/2-13 x 1 GR8 ZY	10	

GROUP:24853

TT250 PROPANE

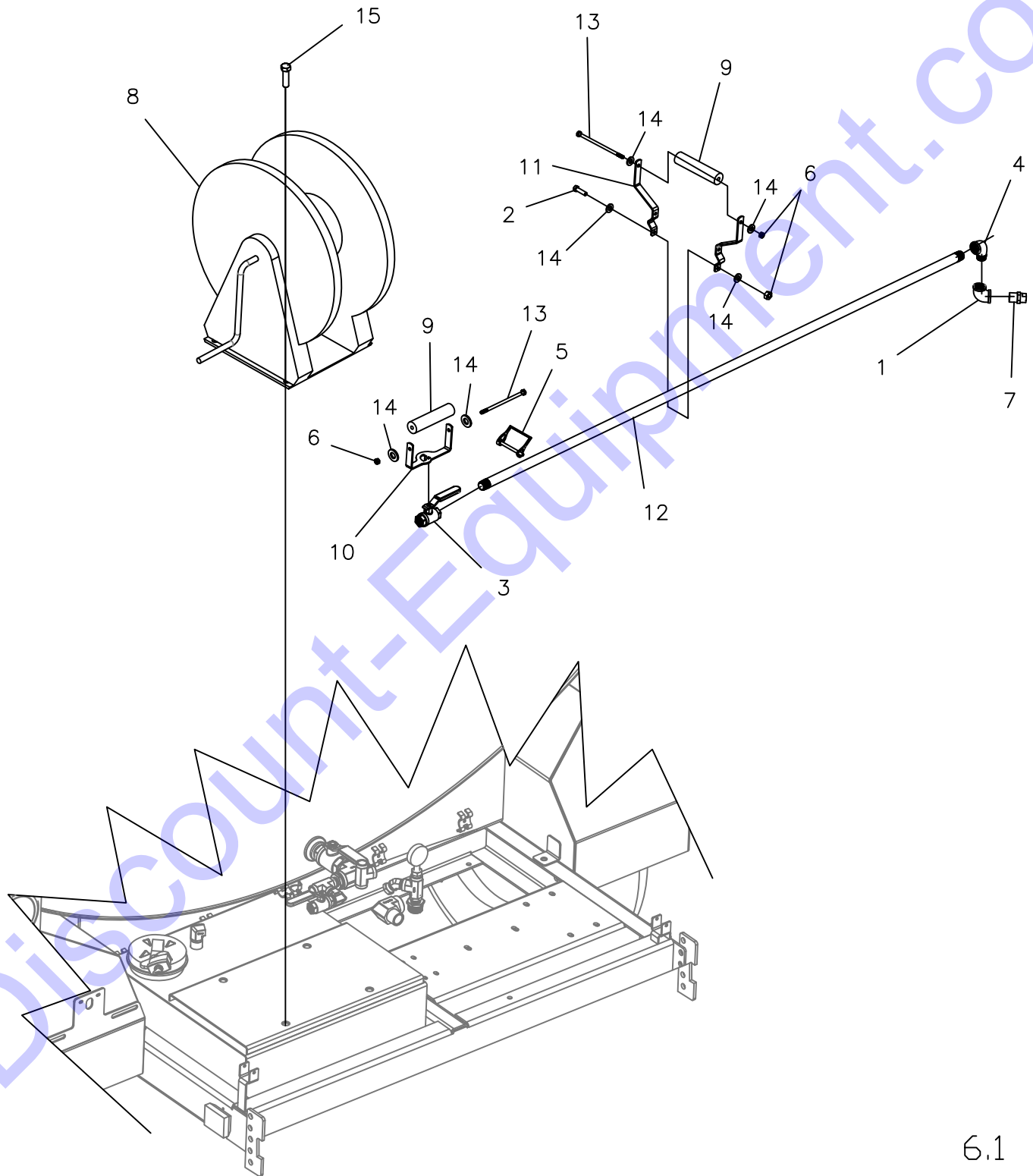


TT250 PROPANE

ITEM NO.	PART NO.	DESCRIPTION	QTY	REMARKS
1	3757	LOCK NUT 1/2-13 GRC TOPLOCK ZY	2	
2	3784	WASHER 1/2 HARD ZY	5	
3	70921525	BOLT 1/2-13 x 1 3/4 GR8 ZY	1	
4	70923473	BOLT 1/2-13 x 1 1/4 GR8 ZY	2	
5	20799	PROPANE CYLINDER 20#	2	
6	24784	PROPANE TANK HOLDER	1	
7	24816	TORCH TIP 2 1/8 300k BTU W/ IGNITER	1	
8	24821	WORM CLAMP 1 15/16 - 2 1/2 5/16 BAND WIDTH	2	
9	24826	BURNER MOUNT W/A	1	

GROUP:24854

TT250 HOSE REEL AND SPRAY WAND

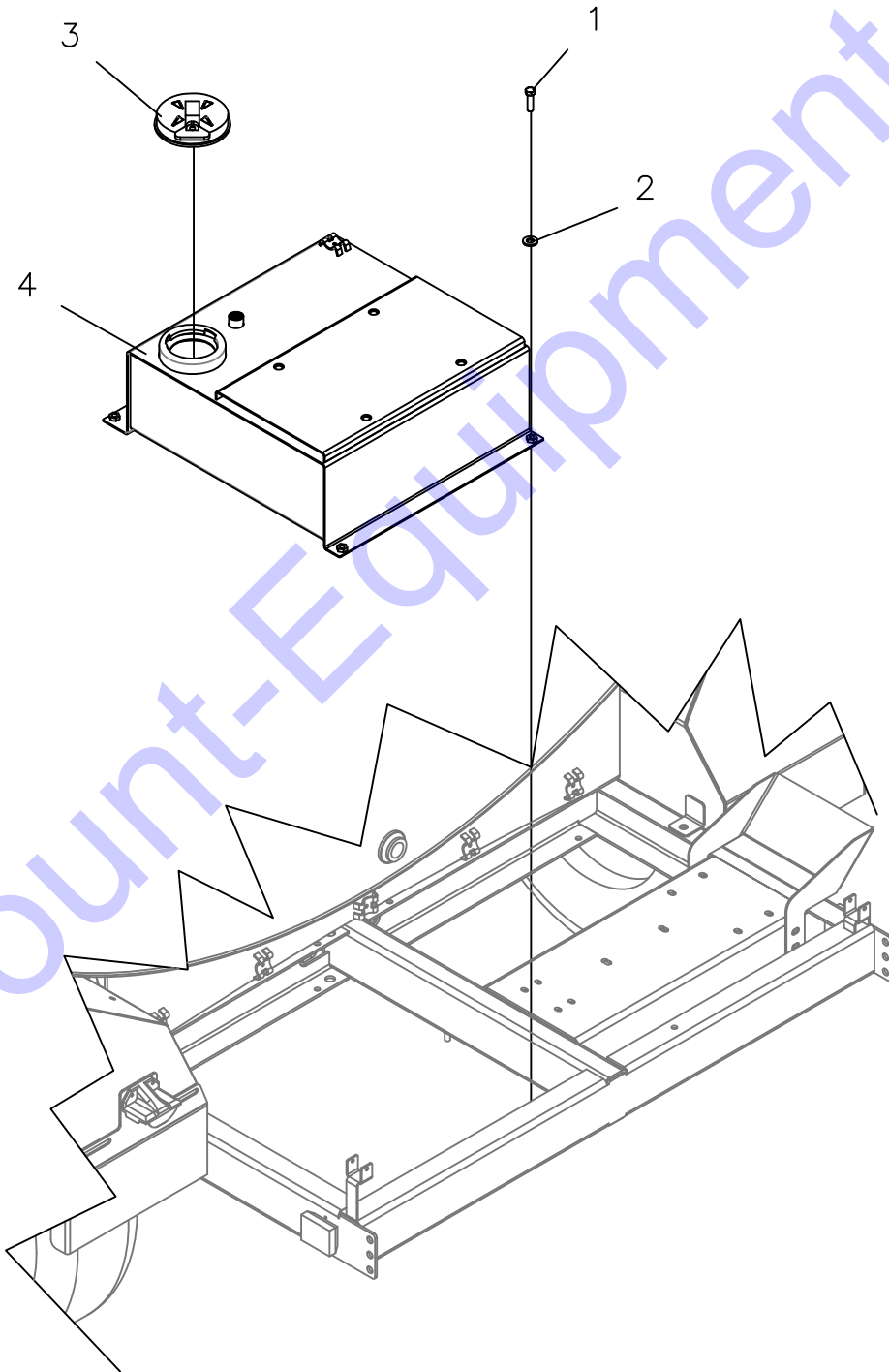


TT250 HOSE REEL AND SPRAY WAND

ITEM NO.	PART NO.	DESCRIPTION	QTY	REMARKS
1	3671	1/2 NPT ELBOW - BRASS	1	
2	3759	BOLT 1/4-20 x 3/4 ZY	2	
3	73159923	1/2" BALL VALVE	1	
4	9966	FITTING - 1/2 NPT STREET ELBOW BRASS	1	
5	14496	LYNCH PIN 1/4 x 2 1/4 ZC	1	
6	14654	LOCK NUT 1/4-20 CNTRLK ZY	4	
7	23603	ASPHALT NOZZLE SIZE 15	1	
8	23616	HAND CRANK HOSE REEL	1	
9	24001	SPRAY WAND HANDLE	2	
10	24002	WAND HANDLE	1	
11	24003	WAND HANDLE	2	
12	24004	SPRAY WAND TUBE	1	
13	24839	BOLT 1/4 x 5 1/2 ZY GR8	2	
14	70918264	WASHER 1/4 ZY	8	
15	70926115	BOLT 1/2-13 x 3/4 ZY	4	

GROUP:24842

TT250 WASHDOWN TANK

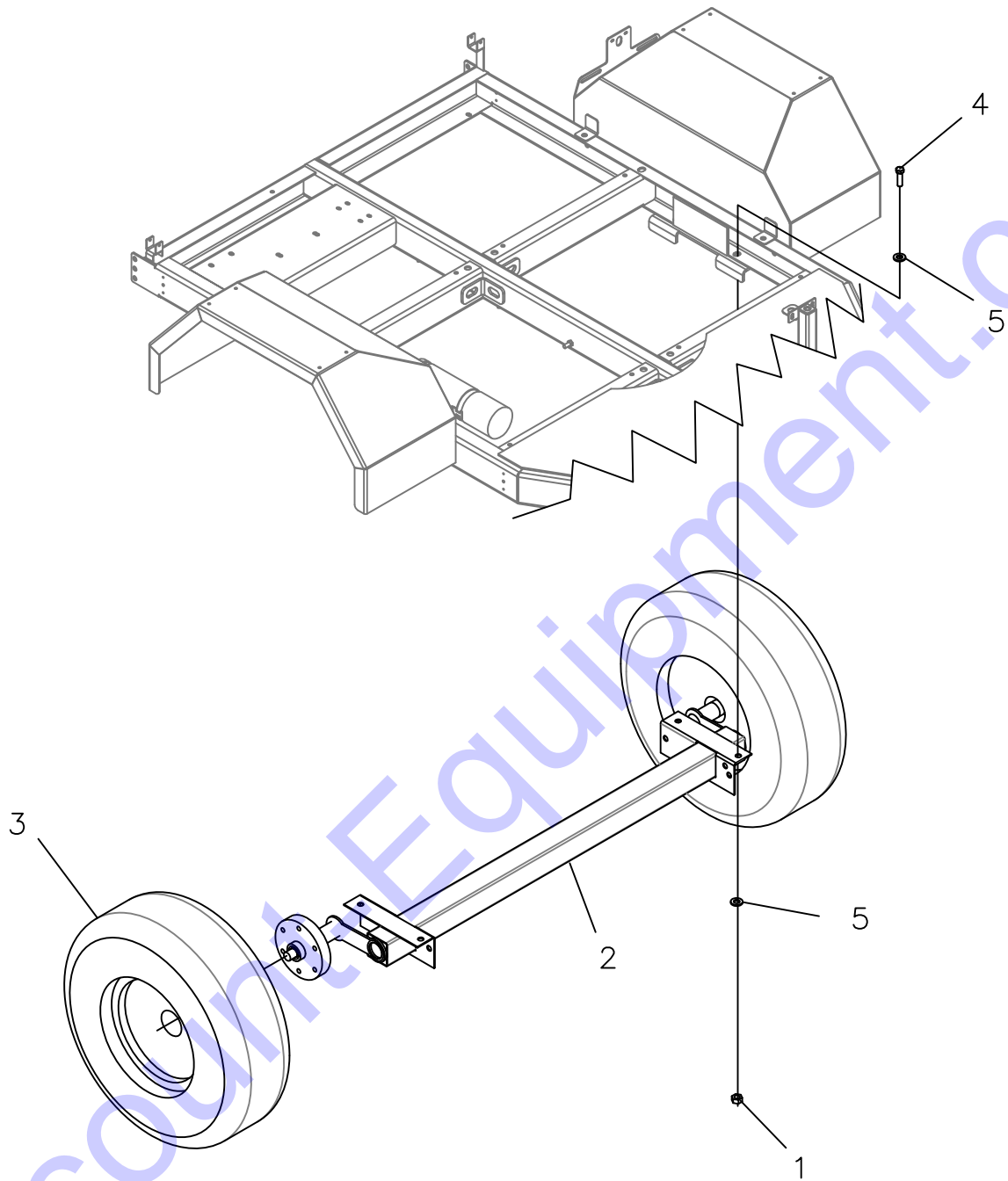


TT250 WASHDOWN TANK

ITEM NO.	PART NO.	DESCRIPTION	QTY	REMARKS
1	3768	BOLT 3/8-16 x 1.0 ZY	4	
2	4091	WASHER 3/8 HARD ZY	4	
3	C2761243	VENTED DIESEL FUEL CAP	2	
4	23880	WASHDOWN TANK W/A	1	

GROUP:24852

TT250 WHEEL AND AXLE

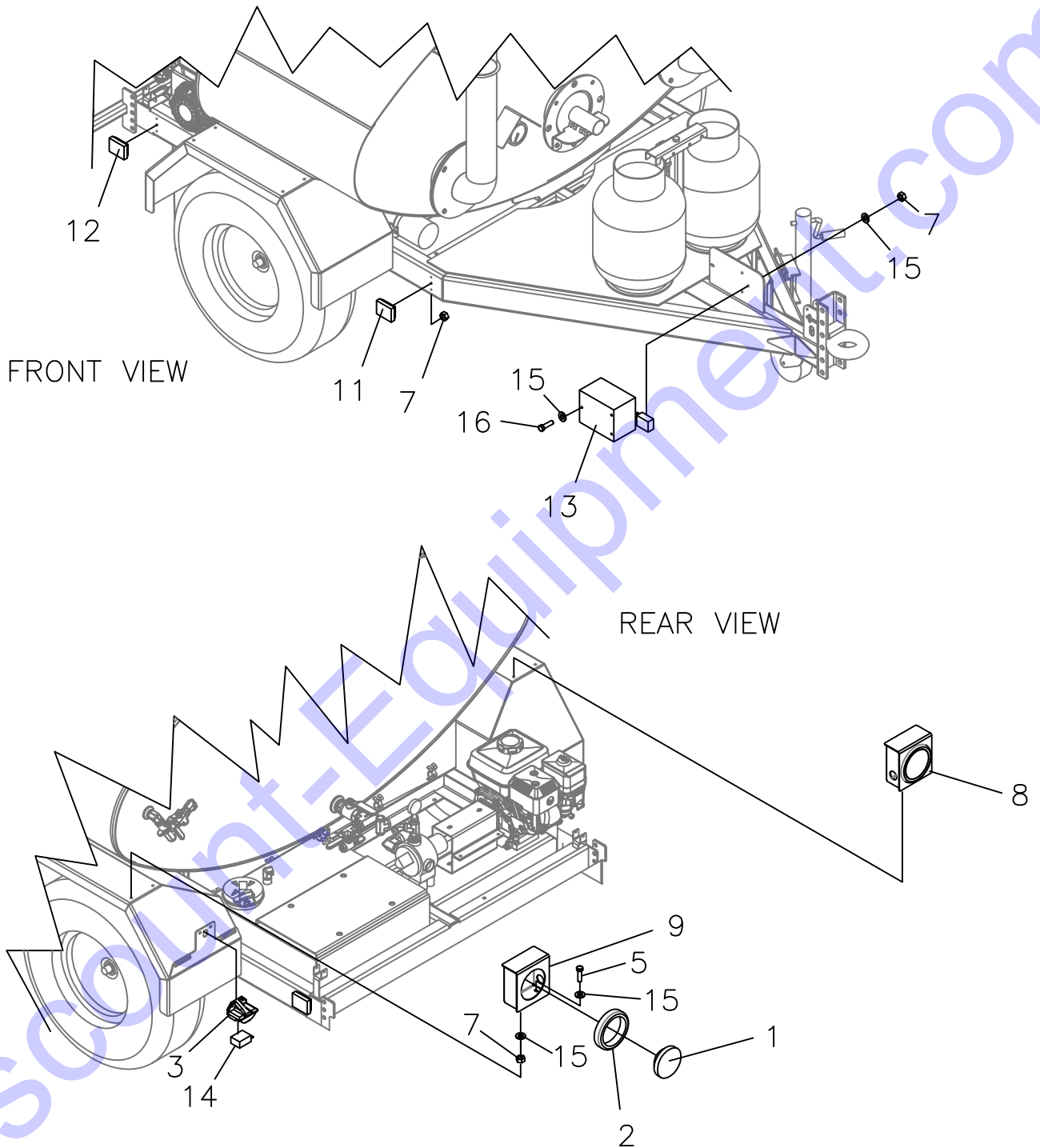


TT250 WHEEL AND AXLE

ITEM NO.	PART NO.	DESCRIPTION	QTY	REMARKS
1	3758	LOCK NUT 5/8-11 GC TOPLOCK ZY	4	
2	23611	TORFLEX AXLE ASM - 4000lb	4	
3	23615	ST225/75R15 TIRE & WHEEL ASM	2	
4	70921535	BOLT 5/8-11 x 1 3/4 G8 ZY	2	
5	4783	WASHER 5/8 1.25 HARD ZY	8	

GROUP:24849

TT250 ELECTRICAL ASSEMBLY



TT250 ELECTRICAL ASSEMBLY

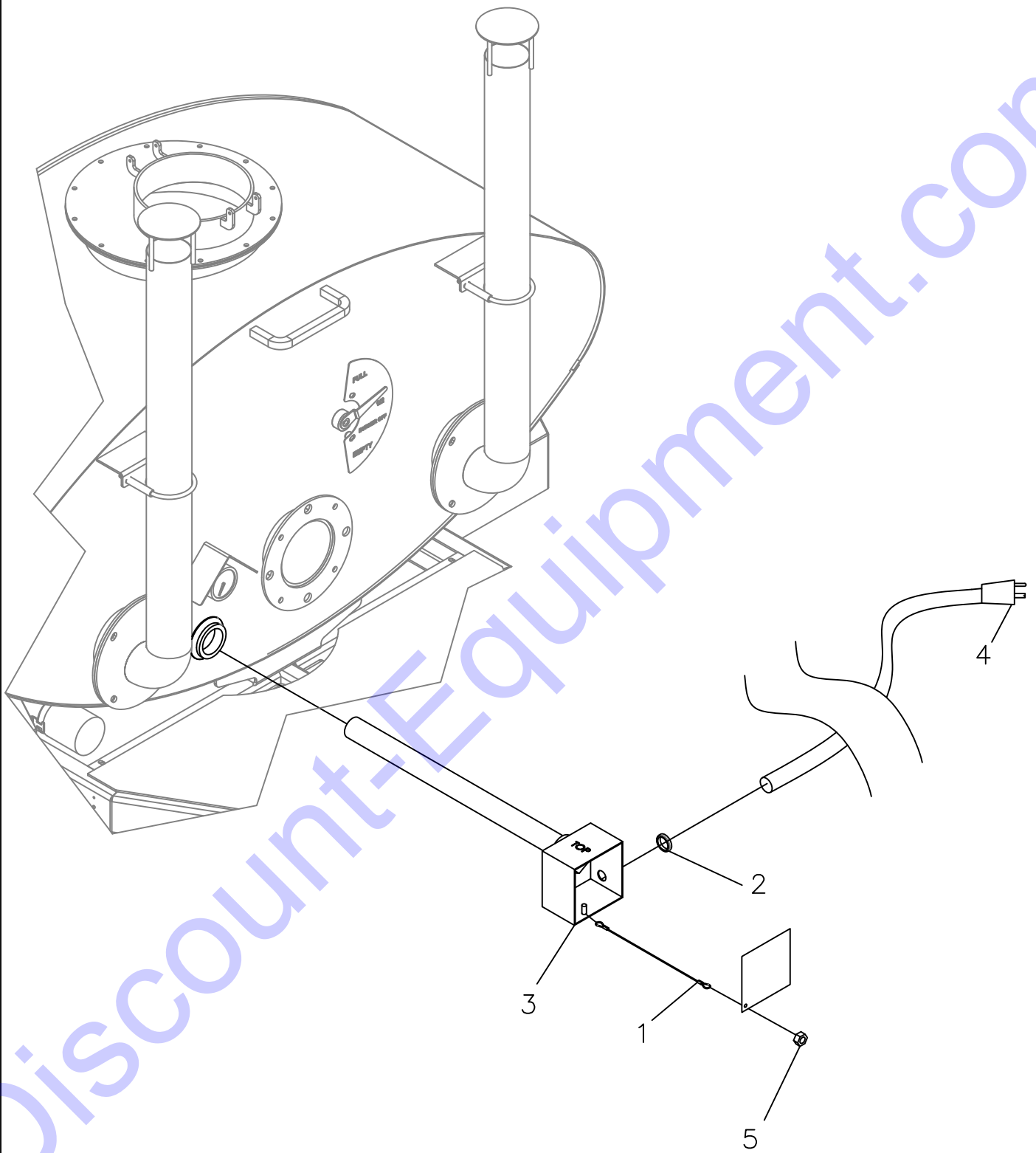
ITEM NO.	PART NO.	DESCRIPTION	QTY	REMARKS
1	2650	LIGHT 4" S/T/T w/REFLECTOR	2	
2	2652	4" LIGHT GROMMET	2	
3	2660	LICENSE PLATE LIGHT HOUSING	1	
4	3753	LOCK NUT 10-24 NYLOCK Z	2	
5	3759	BOLT 1/4-20 x 3/4 ZY	5	
6	7286	SCREW #10-24 x 3/4 PANHEAD PHILLIPS	2	
7	14654	LOCK NUT 1/4-20 CNTRLK ZY	8	
8	24523	BRAKE LIGHT BOX RH W/A	1	
9	24827	LIGHT BOX LH W/A	1	
10	24841	TT250 WIRE AY	1	
11	24845	AMBER SIDE MARKER w/2-PIN DEUTSCH	2	
12	24846	RED SIDE MARKER w/2-PIN DEUTSCH	2	
13	24847	BREAK-AWAY SYSTEM w/3-PIN DEUTSCH	1	
14	2653	LICENSE PLATE LIGHT	1	
15	70918264	WASHER 1/4 ZY	16	
16	70926771	BOLT 1/4-20 x 1 ZY	3	

GROUP:24850

TT250 HOSE ROUTES

ITEM NO.	PART NO.	DESCRIPTION	QTY	REMARKS
	3668	CLOSE NIPPLE 1/2NPT BRASS	2	
	4606	FITTING 1/2NPT x 1/2FNPT 90 SHORT	5	
	6895	FITTING - REDUCER 1/2 NPT/ 1/4 NPT	1	
	7045	FITTING - 1/4 CLOSE NIPPLE, BRASS	1	
	9834	BRASS BRANCH T, 1/2" NPT	1	
	9966	FITTING - 1/2 NPT STREET ELBOW BRASS	2	
	13722	BUSHING 1NPTx1/2NPT, STEEL	2	
	18785	FITTING 1/4FNPT TEE BRASS	1	
	19920	FITTING 1" NPT STREET 90	1	
	20065	1" BALL VALVE	1	
	20798	ADJUSTABLE REGULATOR 10-25#	1	
	23603	ASPHALT NOZZLE SIZE 15	2	
	23614	VIKING ASPHALT PUMP	1	
	23931	FITTING - 1/2" NPT PIPE TEE	5	
	24761	SPRAY BAR TUBE	1	
	24816	TORCH TIP 2 1/8 300k BTU W/ IGNITER	1	
	24818	PRESSURE GAUGE 0-300PSI	1	
	24822	BALL VALVE 3-WAY 1/2 NPT	1	
	24823	FITTING - 1/2" NPT 90 DEG LIVE SWIVEL	1	
	24829	FITTING - 1" NPT BRANCH TEE	1	
	24831	FITTING - 1/2" NPT 45 DEG PIPE SWIVEL	1	
	24832	HOSE - 1 X 22" - 16 NPT SWIVEL / 16 NPT SWIVEL 7399 HT	1	
	24833	HOSE - 1/2 X 32 - 8 NPT RIGID / 8 NPT SWIVEL	1	
	24834	HOSE - 1/2 X 40 - 8 NPT RIGID / 8 NPT SWIVEL	1	
	24835	HOSE - 1/2 X 46.5 - 8 NPT RIGID / 8 NPT SWIVEL	1	
	24836	HOSE - 1/2 X 30.5 - 8 NPT RIGID / 8 NPT SWIVEL	1	
	24837	HOSE - 1/2 X 13 - 8 NPT RIGID / 8 NPT SWIVEL	1	
	24838	HOSE - 1/2 X 600 - 8 NPT SWIVEL / 8 NPT SWIVEL	1	
	24840	BALL VALVE 12V DC	1	
	24874	HOSE - 1/2 X 37 - 8 NPT RIGID / 8 NPT SWIVEL	1	
	25018	HOSE - 1/4" X 12 1/8"NPT/1/4"NPT	1	
	25019	HOSE - 1/4" X 24" 1/4"NPT/1/4"NPT	2	
	25020	PROPANE TANK NIPPLE W/ CHECK VALVE	2	
	25028	TANK NIPPLE NUT	2	
	25029	FITTING 1/4 NPT BRASS 90 M/M	1	
	25030	FITTING 1/4 NPT BRASS 90 F/M	2	
	25031	FITTING - 3/16 SAE 45 DEG X 1/8" NPT BRASS	1	
	25032	FITTING 1/4 NPT STREET 90	2	
	26905	THERMOCOUPLE	1	
	26906	SAFETY VALVE	1	
	70901500	CLOSE NIPPLE 1/2 MNPT-1 1/8	12	
	70901520	CLOSE NIPPLE 1NPT	1	
	70912725	PLUG 1/2NPT SQR HEAD	2	
	70927547	PLUG 8ORB	1	
	73159923	1/2" BALL VALVE	5	
	FF2290340	BULKHEAD - 1/4" BRASS	1	

TT250 ELECTRIC TANK HEAT ASSEMBLY



TT250 ELECTRIC TANK HEAT

ITEM NO.	PART NO.	DESCRIPTION	QTY	REMARKS
1	4603	8" NYLON LANYARD	1	
2	6153	GROMMET .875id x 1.25groove	1	
3	26020	HEAT ELEMENT, 2 1/2 NPT, 1500W	1	
4	26922	HEATER CORD	1	
5	70917415	NUT 10-32 Z	1	

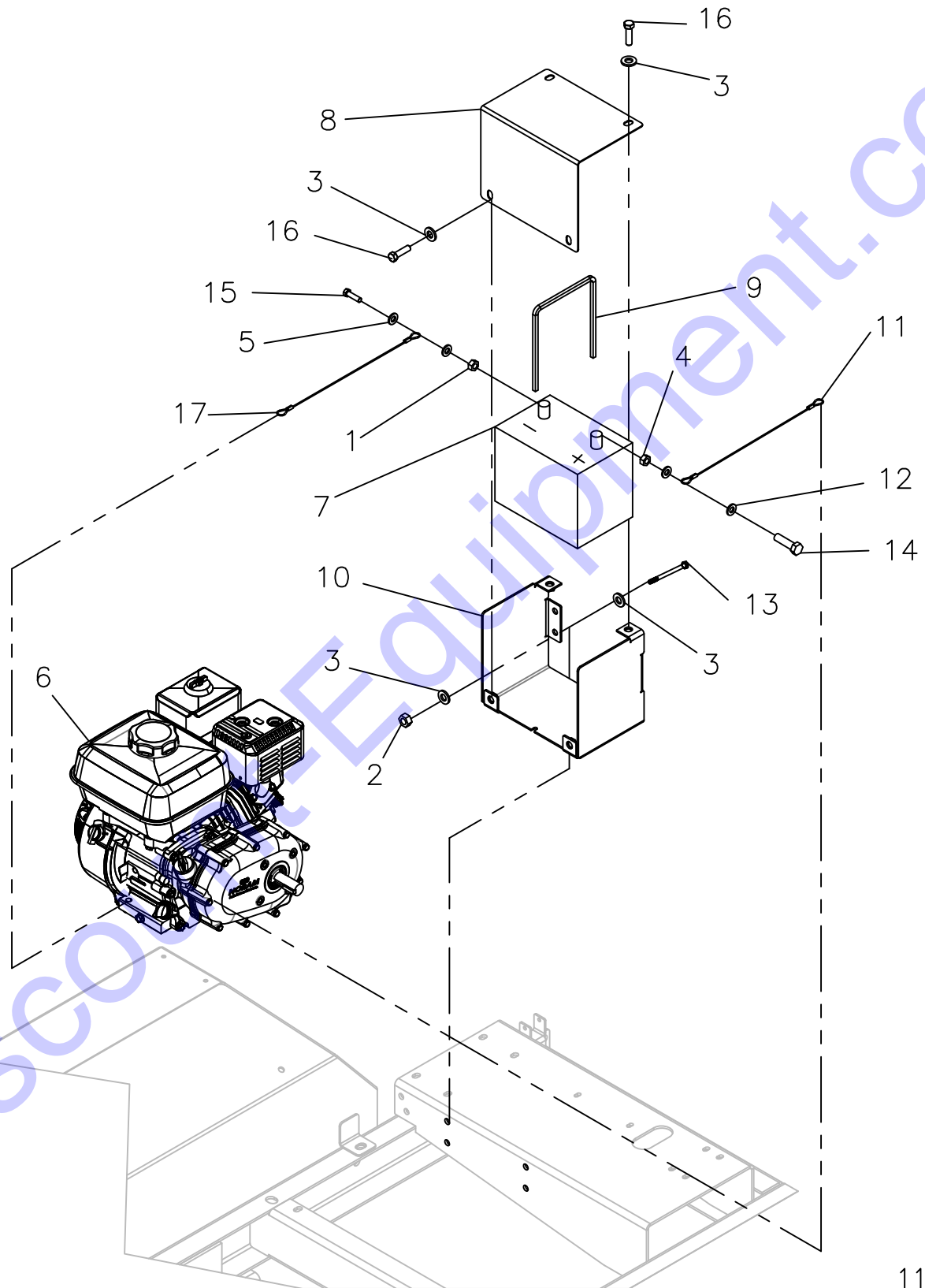
GROUP:TT250-261

TT250 SPRAY BAR

ITEM NO.	PART NO.	DESCRIPTION	QTY	REMARKS
1	14496	LYNCH PIN 1/4 x 2 1/4 ZC	2	
2	4091	WASHER 3/8 HARD ZY	8	
3	21009	NUT 5/16-18 CENTERLOCK ZY	4	
4	3784	WASHER 1/2 HARD ZY	8	
5	73066804	BUMPER	4	
6	70926149	BOLT 5/16-18 x 1 ZC	4	
7	24761	SPRAY BAR TUBE	2	
8	24810	SPRAY BAR W/A	1	
9	24815	BUMPER MOUNT PLATE	2	
10	24823	FITTING - 1/2" NPT 90 DEG LIVE SWIVEL	2	
11	70923473	BOLT 1/2-13 x 1 1/4 GR8 ZY	4	
12	70912725	PLUG 1/2NPT SQR HEAD	4	
13	70911421	WASHER 5/16 HARD ZY	4	
14	25388	ENGINE SHIELD	1	
15	3756	LOCK NUT 3/8-16 GRB CENTER LOCK ZY	4	
16	3757	LOCK NUT 1/2-13 GRC TOPLOCK ZY	4	
17	3768	BOLT 3/8-16 x 1.0 ZY	1	

GROUP:TT250-112

TT250 ELECTRIC START ASSEMBLY

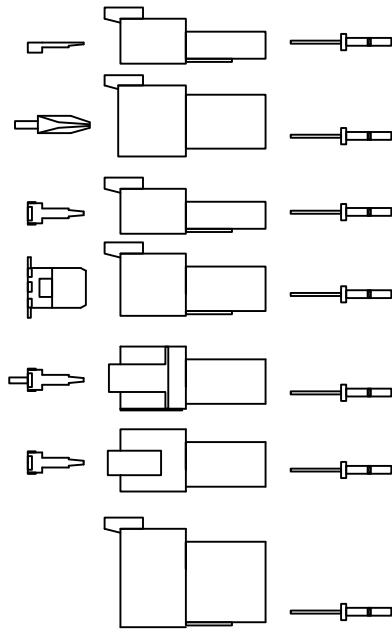


TT250 ELECTRIC START ASSEMBLY

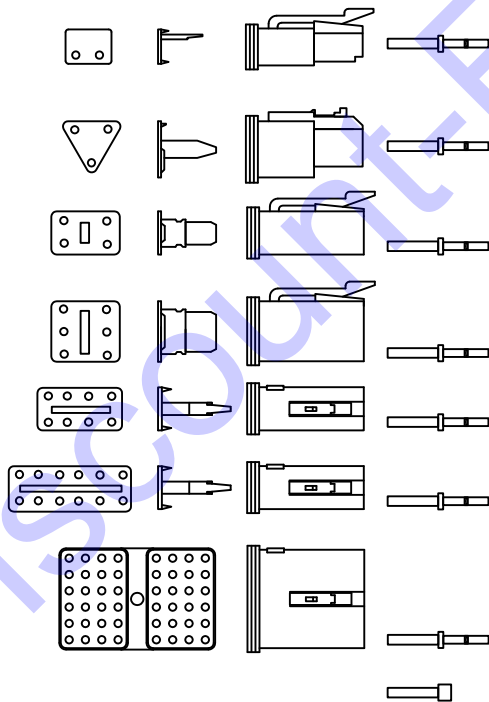
ITEM NO.	PART NO.	DESCRIPTION	QTY	REMARKS
1	3754	LOCK NUT 1/4-20 NYLOCK ZY	1	
2	3756	LOCK NUT 3/8-16 GRB CENTER LOCK ZY	4	
3	4091	WASHER 3/8 HARD ZY	12	
4	8148	NUT 5/16-18 NYLON	1	
5	9050	WASHER 1/4 .81 .06 HARD ZY	2	
6	26621	HONDA GX160 5.5HP ENGINE ELECTRIC START	1	
7	26622	BATTERY 300 CCA	1	
8	26715	BATTERY BOX LID	1	
9	26716	BATTERY HOLD DOWN	1	
10	26717	BATTERY MOUNT W/A	1	
11	26852	RED CABLE 4GAx18" 5/16 EYELETS	1	
12	70911421	WASHER 5/16 HARD ZY	2	
13	70923484	BOLT 3/8-16 x 3/4 GR8 ZY	4	
14	70926149	BOLT 5/16-18 x 1 ZC	1	
15	70926771	BOLT 1/4-20 x 1 ZY	1	
16	70928181	BOLT 3/8-16 x 5/8 GR8 ZY	4	
17	73126797	ALTERNATOR GROUND CABLE AY	1	

GROUP:TT250-260

DEUTSCH CONNECTOR BREAKDOWNS



PART NO.	DESCRIPTION	QTY.
4139	DEUTSCH CONNECTOR DT04-2P	1
4140	DEUTSCH WEDGE W2P	1
4138	DEUTSCH 14/16 GA PIN	2
4133	DEUTSCH CONNECTOR DT04-3P	1
4136	DEUTSCH WEDGE W3P	1
4138	DEUTSCH 14/16 GA PIN	3
4148	DEUTSCH CONNECTOR DT04-4P	1
4156	DEUTSCH WEDGE W4P	1
4138	DEUTSCH 14/16 GA PIN	4
4149	DEUTSCH CONNECTOR DT04-6P	1
4157	DEUTSCH WEDGE W6P	1
4138	DEUTSCH 14/16 GA PIN	6
4150	DEUTSCH CONNECTOR DT04-8P	1
4158	DEUTSCH WEDGE W8P	1
4138	DEUTSCH 14/16 GA PIN	8
4142	DEUTSCH RECEPTACLE DRC14-24PA	1
4159	DEUTSCH WEDGE W12P	1
4138	DEUTSCH 14/16 GA PIN	12
4161	DEUTSCH CONNECTOR DT04-12P	1
4138	DEUTSCH 14/16 GA PIN	24

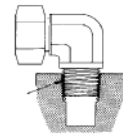


PART NO.	DESCRIPTION	QTY.
4134	DEUTSCH PLUG DT04-2S	1
4135	DEUTSCH WEDGE W2S	1
4137	DEUTSCH 14/16 GA SOCKET	2
4144	DEUTSCH PLUG DT06-3S	1
4151	DEUTSCH WEDGE W3S	1
4137	DEUTSCH 14/16 GA SOCKET	3
4145	DEUTSCH PLUG DT06-4S	1
4152	DEUTSCH WEDGE W4S	1
4137	DEUTSCH 14/16 GA SOCKET	4
4146	DEUTSCH PLUG DT06-6S	1
4153	DEUTSCH WEDGE W6S	1
4137	DEUTSCH 14/16 GA SOCKET	6
4147	DEUTSCH PLUG DT06-8S	1
4154	DEUTSCH WEDGE W8S	1
4137	DEUTSCH 14/16 GA SOCKET	8
4143	DEUTSCH PLUG DT06-12S	1
4155	DEUTSCH WEDGE W12S	1
4137	DEUTSCH 14/16 GA SOCKET	12
4162	DEUTSCH PLUG DRC16-24SA	1
4137	DEUTSCH 14/16 GA SOCKET	24
4160	SEALING PLUG	

HYDRAULIC FITTING TORQUE SPECS

Pipe Thread Fittings

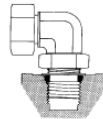
Make sure the threads are free from nicks, burrs, dirt, or any foreign material.
Tighten fitting approximately 3 turns past finger tight.
Using thread sealant is recommended over pipe dope or Teflon Tape.



O-Ring Fittings

Make sure the threads and sealing surfaces are free from nicks, burrs, scratches, or any foreign material.
Lubricate the O-Ring with a light coat of oil.
Adjustable O-Ring Fittings – Hold fitting, tighten nut.
Non-Adjustable O-Ring Fittings – Tighten Fitting

Size	Thread	Torque	
		ft-lb	Nm
2	5/16-24	7-8	10-11
3	3/8-24	14-16	19-21
4	7/16-20	16-18	21-24
5	1/2-20	22-24	29-32
6	9/16-18	24-26	33-35
8	3/4-16	40-43	54-59
10	7/8-14	68-70	93-95
12	1 1/16-12	98-102	133-138
16	1 5/16-12	146-154	197-209

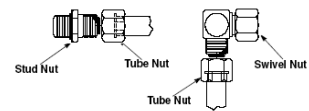


Face Seal Fittings with O-Rings

Tube Nut or Swivel Nut Torque

O-Ring fittings are not tapered.
Lubricate O-Ring with a light coat of oil and torque to the chart value below.
Values are given for both ends of the fitting.
Non-Adjustable O-Ring Fittings – Tighten Fitting

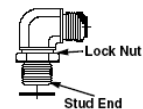
Tube OD or Hose ID			Face Seal Tube or Hose End of Fitting							
mm	Dash Size	Inch	Thread Dia	Threads per Inch	Tube Nut or Swivel Nut Torque					
					Min		Target		Max	
					ft-lb	Nm	ft-lb	Nm	ft-lb	Nm
6	-4	1/4	9/16	18	10	13	12	16	14	19
10	-6	3/8	11/16	16	14	19	18	24	21	29
12	-8	1/2	13/16	16	30	40	37	50	44	60
16	-10	5/8	1	14	41	55	50	69	61	83
19	-12	3/4	1-1/16	12	67	90	74	100	81	110
22	-14	7/8	1-3/16	12	61	82	75	102	89	122
25	-16	1	1-7/16	12	84	114	105	142	125	170
32	-20	1-1/14	1-11/16	12	112	152	140	190	168	228
38	-24	1-1/2	2	12	129	174	160	217	191	260



Straight Fitting or Lock Nut Torque

O-Ring fittings are not tapered.
Lubricate O-Ring with a light coat of oil and torque to the chart value below.
Values are given for both ends of the fitting.
Non-Adjustable O-Ring Fittings – Tighten Fitting

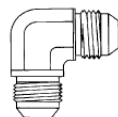
Tube OD or Hose ID					O-Ring End of Fitting					
mm	Dash Size	Inch	Thread Dia	Threads per Inch	Straight Fitting or Lock Nut Torque					
					Min		Target		Max	
					ft-lb	Nm	ft-lb	Nm	ft-lb	Nm
5	-3	3/16	3/8	24	5	6	6	8	7	10
6	-4	1/4	7/16	20	8	10	9	1	10	14
8	-5	5/16	1/2	20	10	13	12	16	14	19
10	-6	3/8	9/16	18	14	19	15	21	18	24
12	-8	1/2	3/4	16	28	37	34	46	40	55
16	-10	5/8	7/8	14	37	50	46	62	54	74
19	-12	3/4	1-1/16	12	67	90	74	100	81	110
22	-14	7/8	1-3/16	12	73	98	90	122	107	146
25	-16	1	1-5/16	12	84	114	105	142	125	170
32	-20	1-1/14	1-5/8	12	112	152	140	190	168	228
38	-24	1-7/8	1-7/8	12	129	174	160	217	191	260



JIC Fittings




Make sure the threads and sealing surfaces are free from nicks, burrs, scratches, or foreign material.
Tighten the fitting finger tight. Then tighten the fitting an additional number of flats as the chart indicates.
One flat equals 1/6 of a turn.
Over tightening the fitting may deform or break the female side of the fitting.

Flats From Finger Tight			
Size	Inch	New Fittings	Loose Fittings
4	1/4	2 - 2 1/2	3/4 - 1
6	3/8	2 - 2 1/4	1
8	1/2	1 1/2 - 1 3/4	1
10	5/8	2 1/2 - 1 3/4	3/4
12	3/4	1 1/2	3/4
14	7/8	2	1 1/4
16	1	1 1/4 - 1 1/2	3/4 - 1
20	1-1/14	1 1/2	3/4 - 1
24	1-1/2	1 1/4 - 1 1/2	1 - 1 1/4
32	2	1 1/4	3/4 - 1





FASTENER TORQUE SPECS

For SAE Grade 2, Grade 5, and Grade 8 Cap Screws and Bolts

Bolt Size	Grade 2 		Grade 5 		Grade 8 	
	Ft-Lb	Nm	Ft-Lb	Nm	Ft-Lb	Nm
1/4-20	4	5	6	8.5	10	13
1/4-28	5	6	8	11	11	15
5/16-88	9	12	13	18	20	27
5/16-24	10	13	15	20.5	22	29.5
3/8-16	16	22	25	35	35	47
3/8-24	18	24	30	40	40	55
7/16-14	25	35	40	55	55	75
7/16-20	30	40	45	60	65	88
1/2-13	40	55	60	80	90	120
1/2-20	45	60	70	95	95	130
9/16-12	55	75	90	120	120	165
9/16-18	60	80	95	130	135	185
5/8-11	75	100	120	165	180	245
5/8-18	80	110	145	200	195	265
3/4-10	130	175	210	285	300	405
3/4-16	145	200	240	325	340	460
7/8-9	150	205	320	435	500	680
7/8-14	170	230	350	475	560	760
1-8	180	245	480	650	800	1085
1-14	200	270	560	760	920	1250
1 1/8-7	240	325	700	950	1180	1600
1 1/8-12	275	375	780	1060	1340	1815
1 1/4-7	340	460	1020	1385	1720	2330
1 1/4-12	370	500	1140	1545	1900	2575
1 3/8-6	460	625	1360	1845	2280	3090
1 3/8-12	540	730	1580	2140	2620	3550
1 1/2-6	640	870	1840	2495	3060	4150
1 1/2-12	740	1000	2100	2850	3460	4690

For SAE Grade B and Grade C Nuts

Nut Size	Grade B(Grade 5) 		Grade C(Grade 8) 	
	Ft-Lb	Nm	Ft-Lb	Nm
1/4-20	7.5-10	10-13	10-14	14-19
1/4-28	8-10	11-14	10-14	14-19
5/16-88	14-17.5	19-24	17.5-22.5	24-30
5/16-24	15-18	20-25	18-23	25-32
3/8-16	21-27	28.5-37	29-37	29-50
3/8-24	27.5-38	37-51.5	22.5-31	30-42
7/16-14	31-40	42-54	39-53	53-72
7/16-20	39-51	53-69	41-56	56-76
1/2-13	49.5-62.5	67-85	62-79.5	84-108
1/2-20	50-60	68-88	67-87	91-118
9/16-12	67-87	91-118	95-120	129-163
9/16-18	74.5-94.5	101-128	95-120	129-163
5/8-11	95-120	129-163	125-157.5	169-214
5/8-18	97.5-122.5	132-166	125-160	169-217
3/4-10	160-200	217-271	200-255	271-346
3/4-16	155-200	210-271	200-255	271-346
7/8-9	235-300	319-407	295-382.5	400-519
7/8-14	250-320	339-434	295-382.5	400-519
1-8	345-445	468-603	450-512	610-695
1-14	370-470	502-637	450-590	617-800

Discount Equipment

Discount-Equipment.com is your online resource for commercial and industrial quality parts and equipment sales.

Locations:

Florida (West Palm Beach): [561-964-4949](tel:561-964-4949)

Outside Florida TOLL FREE: [877-690-3101](tel:877-690-3101)

Need parts? Check out our website at www.discount-equipment.com

Can't find what you need?

Click on this link: <http://www.discount-equipment.com/category/5443-parts/> and fill out the request form.

Please have the machine model and serial number available in order to help us get you the correct parts. One of our experienced staff members will get back to you with a quote for the right part that your machine needs.

We sell worldwide for the brands: Genie, Terex, JLG, MultiQuip, Mayco, Toro/Stone, Diamond Products, Magnum, Airman, Mustang, Power Blanket, Nifty Lift, Atlas Copco, Chicago Pneumatic, Allmand Brothers, Essick, Miller Spreader, Skyjack, Lull, Skytrak, Tsurumi, Husquvarna/Target, Whiteman-Concrete/Mortar, Stow-Concrete/Mortar, Baldor, Wacker, Sakai, Snorkel, Upright, Mi-T-M, Sullair, Neal, Basic, Dynapac, MBW, Weber, Bartell, Bennar Newman, Haulotte, Ditch Runner, Blaw-Knox, Himoinsa, Best, Buddy, Crown, Edco, Wyco, Bomag, Laymor, Terremite, Barreto, EZ Trench, Takeuchi, Basic, Bil-Jax, Curtis, Gehl, Heli, Honda, ICS/PowerGrit, Puckett, Waldon, ASV, IHI, Partner, Imer, Clipper, MMD, Koshin, Rice, Gorman Rupp, CH&E, Cat Pumps, Comet, General Pump, Giant, AMida, Coleman, NAC, Gradall, Square Shooter, Kent, Stanley, Tamco, Toku, Hatz, Kohler, Robin, Wisconsin, Northrock, Oztec, Toker TK, Rol-Air, Small Line, Wanco, Yanmar

New Equipment - Used Equipment - Rental Equipment - Parts and Accessories

Discount Equipment

www.discount-equipment.com

561-964-4949

Sales: info@Discount-Equipment.com

Parts: wbparts@Discount-Equipment.com