

1648

Asphalt Paver

Beginning with Serial Number 13101

GEHL®

Form No.
918217

Revision B
02/09



PARTS MANUAL

**Discount
Equipment**

www.discount-equipment.com

Discount Equipment

Discount-Equipment.com is your online resource for commercial and industrial quality parts and equipment sales.

Locations:

Florida (West Palm Beach): [561-964-4949](tel:561-964-4949)

Outside Florida TOLL FREE: [877-690-3101](tel:877-690-3101)

Need parts? Check out our website at www.discount-equipment.com

Can't find what you need?

Click on this link: <http://www.discount-equipment.com/category/5443-parts/> and fill out the request form.

Please have the machine model and serial number available in order to help us get you the correct parts. One of our experienced staff members will get back to you with a quote for the right part that your machine needs.

We sell worldwide for the brands: Genie, Terex, JLG, MultiQuip, Mayco, Toro/Stone, Diamond Products, Magnum, Airman, Mustang, Power Blanket, Nifty Lift, Atlas Copco, Chicago Pneumatic, Allmand Brothers, Essick, Miller Spreader, Skyjack, Lull, Skytrak, Tsurumi, Husquvarna/Target, Whiteman-Concrete/Mortar, Stow-Concrete/Mortar, Baldor, Wacker, Sakai, Snorkel, Upright, Mi-T-M, Sullair, Neal, Basic, Dynapac, MBW, Weber, Bartell, Bennar Newman, Haulotte, Ditch Runner, Blaw-Knox, Himoina, Best, Buddy, Crown, Edco, Wyco, Bomag, Laymor, Terremite, Barreto, EZ Trench, Takeuchi, Basic, Bil-Jax, Curtis, Gehl, Heli, Honda, ICS/PowerGrit, Puckett, Waldon, ASV, IHI, Partner, Imer, Clipper, MMD, Koshin, Rice, Gorman Rupp, CH&E, Cat Pumps, Comet, General Pump, Giant, AMida, Coleman, NAC, Gradall, Square Shooter, Kent, Stanley, Tamco, Toku, Hatz, Kohler, Robin, Wisconsin, Northrock, Oztec, Toker TK, Rol-Air, Small Line, Wanco, Yanmar

New Equipment - Used Equipment - Rental Equipment - Parts and Accessories

Discount Equipment

www.discount-equipment.com

561-964-4949

Parts: wbparts@Discount-Equipment.com

Sales: info@Discount-Equipment.com

INTRODUCTION

When ordering service parts, specify the correct part number, full description, quantity required, the unit model number and serial number. For your safety and continued proper operation, use only genuine GEHL service parts.

The model and serial number for this unit are on a tag located on the paver control panel.

"Right" and "left" are determined from a position sitting on the seat and facing forward.

GEHL Company reserves the right to make changes or improvements in the design or construction of any part of the unit without incurring the obligation to install such changes on any previously delivered units.

If grease fittings and common attaching hardware, such as cotter pins, set screws, woodruff keys, screws, nuts, etc., are not illustrated, they may be in the parts list indented below the part they are associated with. The hardware listed is for mounting purposes and is NOT included when the part is ordered for replacement.

Standard attaching hardware torque values are provided at the back of this manual. Unless otherwise specified, all capscrews are Grade 5, cadmium or zinc plated; hexagon nuts for Grade 5 capscrews and bolts are Grade A.

An hydraulic O-ring sizing chart is also provided on the inside cover of this manual.

The numbers shown in the parts page headers are Engineering tracking numbers only and should not be used for parts ordering purposes.

NOTE: *The following abbreviations may be used herein:*

ASSD.....	Assembled
ASY.....	Assembly
ASSY.....	Assembly
AR.....	As Required
CB.....	Carriage Bolt
CP.....	Cotter Pin
CS.....	Cap Screw (Hexagon Head)
CYL.....	Cylinder
DIA.....	Diameter
FHCS.....	Flat Head Cap Screw
FT.....	Foot or Feet
GR.....	Grade
HB.....	Hex Bolt
HLN.....	Hex Lock Nut
HN.....	Hex Nut
HP.....	High Pressure
HYD.....	Hydraulic
INS.....	Insert
LH.....	Left Hand
LN.....	Lock Nut
LT.....	Left
LW.....	Lock Washer
M.....	Metric
MM/mm.....	Millimeter
NPT.....	National Pipe Threaded
NSS.....	Not Sold Separately
RH.....	Right Hand
RT.....	Right
SHCS.....	Socket Head Cap Screw
SLTD.....	Slotted
SN.....	Serial Number or Slotted Nut
SQ.....	Square
W/.....	With

TABLE OF CONTENTS

Introduction	i	Model 4TNV88-XGP - Lub. Oil System (SN 13207 and before)	48
Table of Contents	1	Models 4TNV88-BDGP/4TNV88-XGP - Cooling System	50
Decal Locations	4	Models 4TNV88-BDGP/4TNV88-XGP - Exhaust Manifold	52
General	7	Models 4TNV88-BDGP/4TNV88-XGP - Fuel Injection Pump	53
Filters	7	Models 4TNV88-BDGP/4TNV88-XGP - Fuel Injection Valve	54
Chassis	8	Models 4TNV88-BDGP/4TNV88-XGP - Fuel Line	56
430030 - Main Screed	8	Models 4TNV88-BDGP/4TNV88-XGP - Governor	58
430032 - Pullarms	10	Models 4TNV88-BDGP/4TNV88-XGP Starter 59	59
430021 - Screed Extensions without Augers	11	Models 4TNV88-BDGP/4TNV88-XGP Generator	60
430030 - Screed Extensions with Augers	12	430337 - Engine Exhaust / Air Inlet	61
430042 - Flow Gate without Augers	14	Hydraulics	62
430015 - Flow Gate with Augers	15	Main Hydraulics	62
Screed Cutoff Option	16	Track Drive	64
430342 - Propane Kit	17	Screed Lift and Vibrator	66
430019 - Spraydown Tank	18	Screed Extension	67
430339 - Fuel System	19	Hopper	68
430013 - Hopper	20	Gate	69
430336 - Wings / Side Gates	21	Auger Motors on Screed	70
430335 - Chassis / Backwall	22	Auger Motors on Gate	72
430343 - Covers	23	Electrical	73
430012 - Track	24	430340 - Electrical Components	73
430350 - Hydrostatic Pump Linkage	25	Component Detail	74
430337 - Engine	26	P473265 - Screed Extend Cylinder	74
Yanmar Engine	28	P471225 - Side Gate Cylinder	75
Model 4TNV88-BDGP - Cylinder Block (SN 13208 and up)	28	100893 - Hopper Lift Cylinder	76
Model 4TNV88-XGP - Cylinder Block (SN 13207 and before)	30	P480118 - Track Tension Cylinder	77
Model 4TNV88-BDGP - Gear Housing (SN 13208 and up)	32	100713 - Gate Cylinder	78
Model 4TNV88-XGP - Gear Housing (SN 13207 and before)	34	101355 - Screed Lift Cylinder	79
Models 4TNV88-BDGP/4TNV88-XGP - Flywheel Housing and Oil Sump	36	P473287 - Hydraulic Pump - Front (Piston) Section	80
Models 4TNV88-BDGP/4TNV88-XGP - Cylinder Head and Cover	38	P700552 - Hydraulic Pump - Rear (Gear) Section	82
Model 4TNV88-BDGP - Intake Manifold (SN 13208 and up)	40	P271900 - Torque Hub	84
Model 4TNV88-XGP - Intake Manifold (SN 13207 and before)	41	P480071 - Auger Drive Motor	86
Model 4TNV88-BDGP - Camshaft and Driving Gear (SN 13208 and up)	42	P349450 - Screed Vibrator Motor	87
Model 4TNV88-XGP - Camshaft and Driving Gear (SN 13207 and before)	43	101282 - Track Drive Control Valve	88
Models 4TNV88-BDGP/4TNV88-XGP - Crankshaft and Piston	44	101280 - 7- Stack Control Valve with Relief	90
Model 4TNV88-BDGP - Lub. Oil System (SN 13208 and up)	46	101281 - Auger Control Valve	92
		Index	95
		Numerical Index	97

DECAL LOCATIONS

GENERAL INFORMATION

Decal location information is provided to assist in the proper selection and application of new decals, in the event the original decals become damaged or the machine is repainted. Refer to the listing for the illustration reference number, part number, description and quantity of each decal provided in the kit. Refer to the appropriate illustrations for replacement locations.

To ensure proper selection of the correct replacement decals, compare all of the various close-up location drawings to your machine before starting to refinish the unit. Then circle each decal shown (applicable to your machine) while checking off its part number in the listing. After you have verified all the decals needed for replacement, place any extra unnecessary decals aside for disposal.

NOTE: Refer to the SAFETY chapter of this Operator's Manual for the specific information provided on all of the various safety decals furnished in the decal kit. If there is any part being replaced that has a safety decal applied to it, be sure that the replacement part has the decal applied to it as well.

NEW DECAL APPLICATION

Surfaces MUST be free from dirt, dust, grease and other foreign material before applying the new decal. To apply, remove the smaller portion of the decal backing paper and apply this part of the exposed adhesive backing to the clean surface while maintaining proper position and alignment. Peel the other portion of the backing paper off slowly while applying hand pressure to smooth out the decal surface.



CAUTION

ALWAYS follow safety precautions on decals. Replace the decals if they are damaged, or if the unit is repainted. If repainting, **BE SURE** all applicable decals are affixed to your unit.

PAINT NOTICE

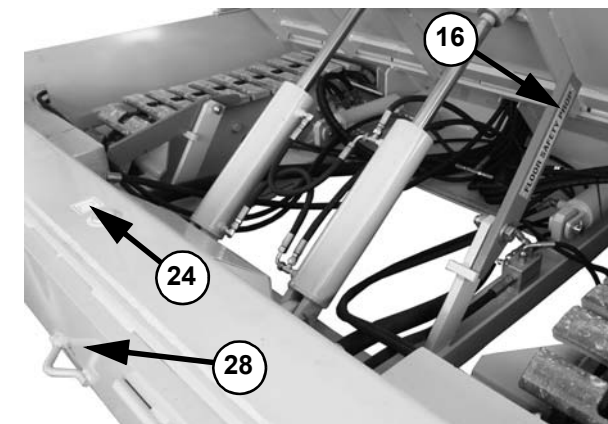
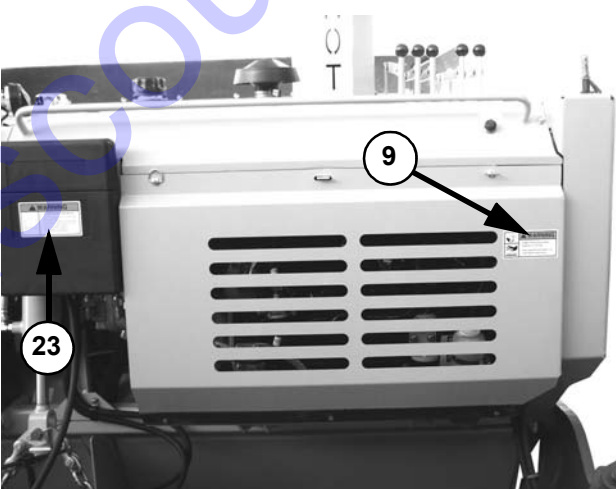
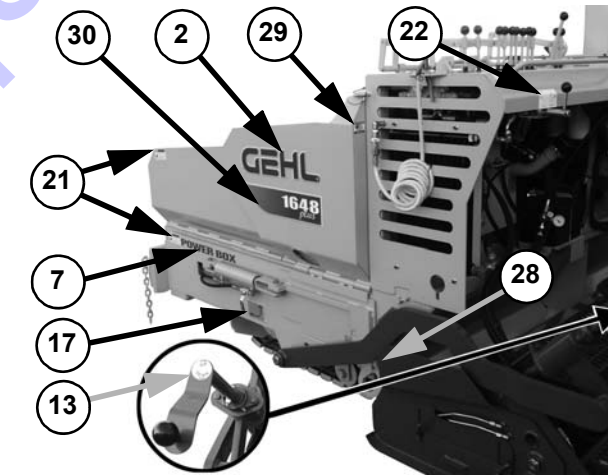
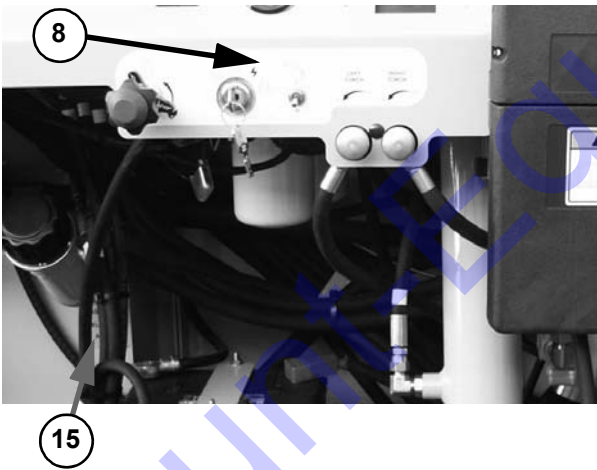
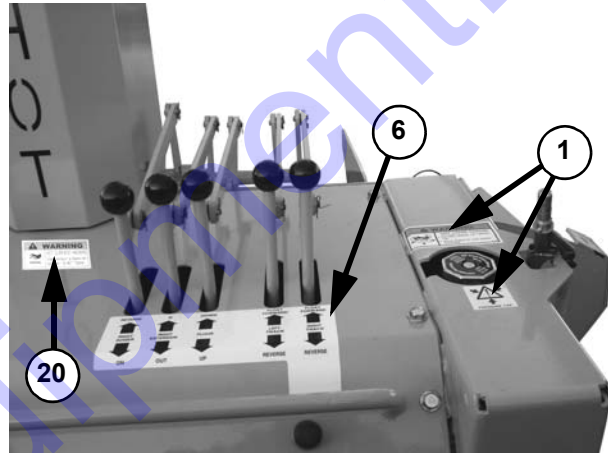
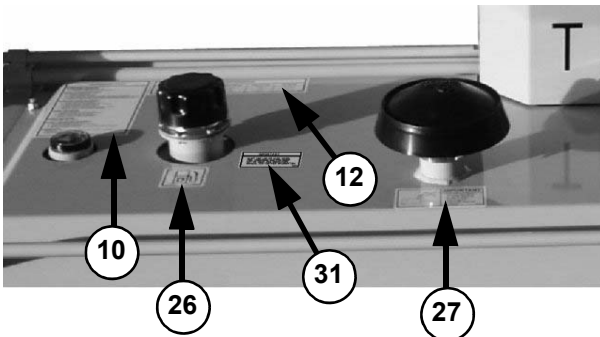
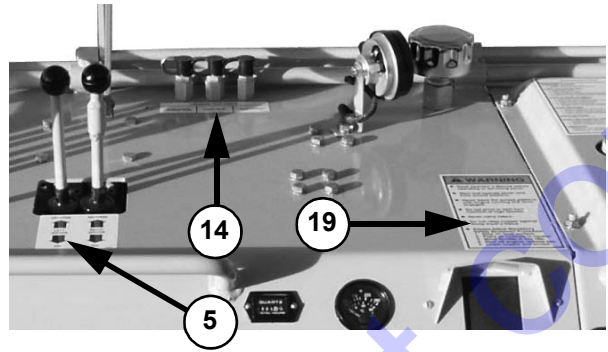
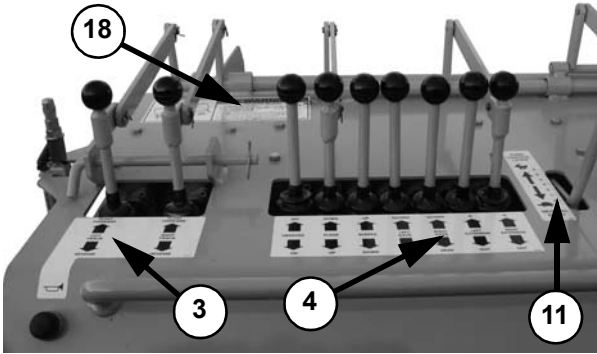
Use this list to order paint for refinishing:

167788	4 qts. Construction Yellow (GEHL)
167758	4 qts. Charcoal Gray (GEHL)
167789	6 (12.8 oz. Spray Cans) Yellow (GEHL)
167760	6 (12.8 oz. Spray Cans) Charcoal Gray (GEHL)

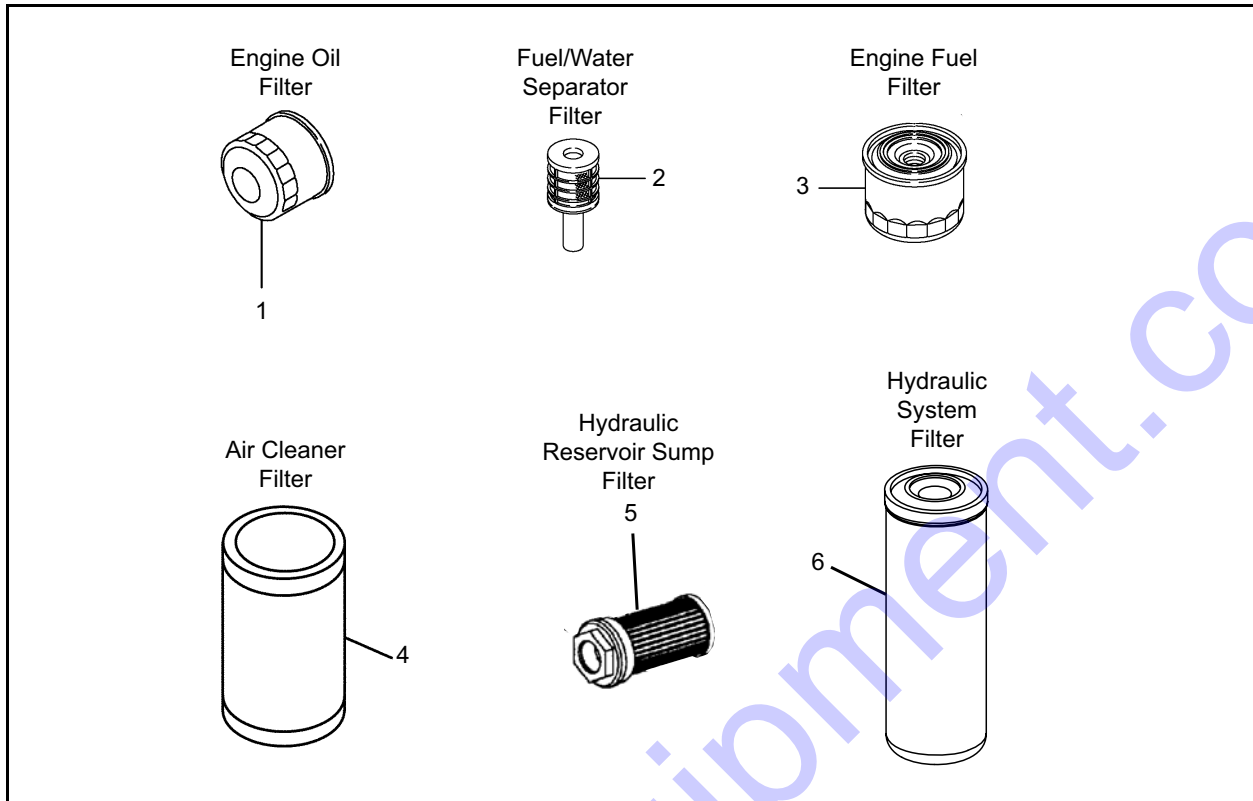
The decal kit for the model 1648 Paver is listed below:

Ref. No.	Part No.	Description & Quantity
	176063	Decal Kit - 1648 Plus
1	072798	WARNING - Coolant Under Pressure
2	184306	Gehl 4.75 X 20.16 (2 Places)
3	101115	Drive Control
4	101116	7 Stack Valve
5	101118	Auger Control
6	101119	5 Position Rt
7	101481	"Powerbox" corp gray (2 Places)
8	175774	Gauge Panel
9	L65924	DANGER - Rotating Components
10	175862	1648 Maintenance
11	175806	Pump Control
12	175805	Filter Reference
13	P480087	Depth Adj (2 Places)
14	P473204	1648 Pressure Test
15	P471816	Asphalt Release
16	P210200	Safety Prop (2 Places)
17	P207300	On/Off (2 Places)
18	P204101	WARNING - Tip-Over Hazard
19	P204100	WARNING
20	L65942	WARNING - Hot Surface
21	L65927	WARNING - Pinch Point (7 Places)
22	101986	Steer Valve
23	137628	WARNING - Read Manual
24	137632	Hydraulic Oil
26	137634	Diesel Fuel
27	137660	Ether
28	137661	Tie Down (3 Places)
29	140516	Flag
30	175900	1648 Right
	175932	1648 Left (not shown)
31	195775	Fuel Sulfur

DECAL LOCATIONS

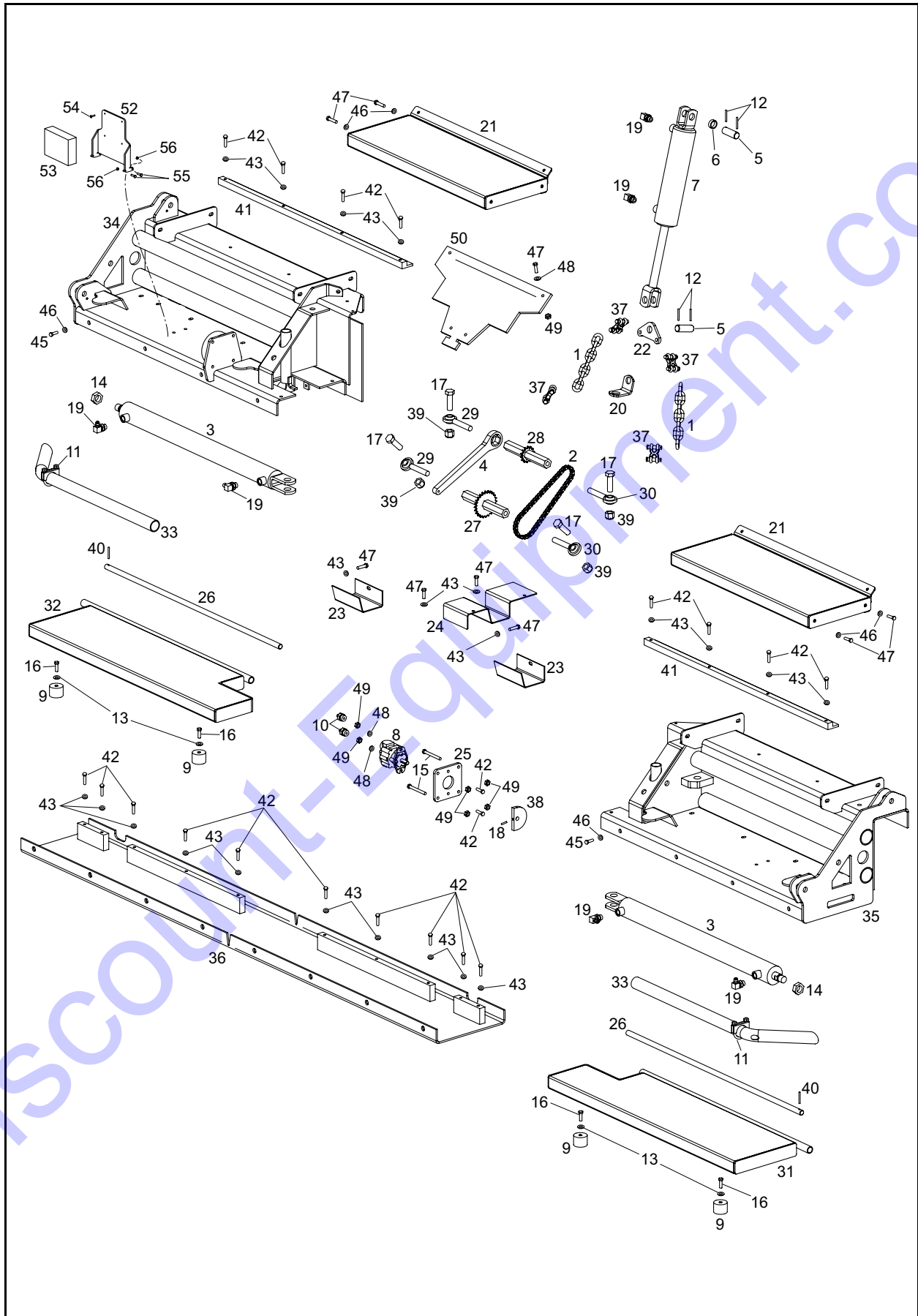


1648 - GENERAL FILTERS



Ref. No.	Part No.	Description	Qty.
1	195568	ENGINE OIL FILTER	1
2	186340	WATER SEPARATOR FILTER	1
3	203888	FUEL FILTER	1
4	420-36075	AIR CLEANER ELEMENT	1
5	128299	STRAINER/W/BY PASS	1
6	074830	HYDRAULIC OIL FILTER	2

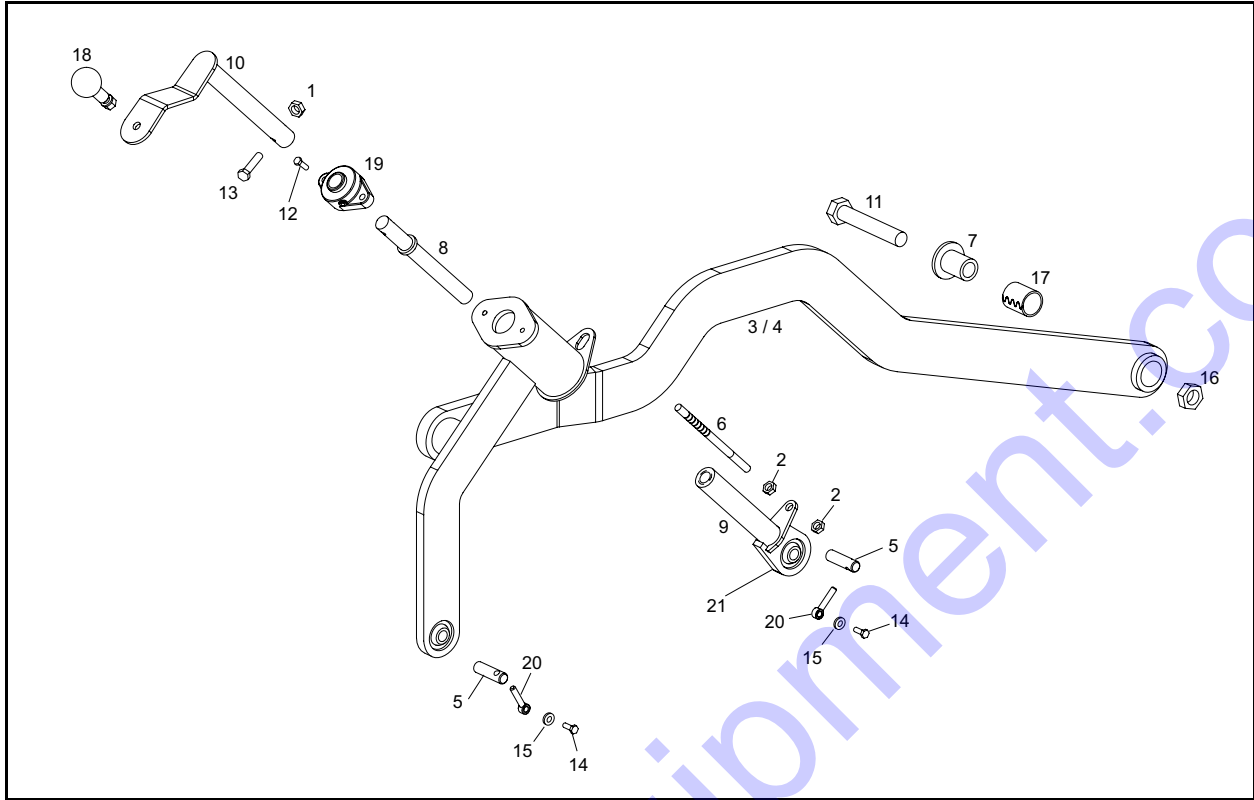
1648 - CHASSIS
430030 - MAIN SCREED



1648 - CHASSIS
430030 - MAIN SCREED

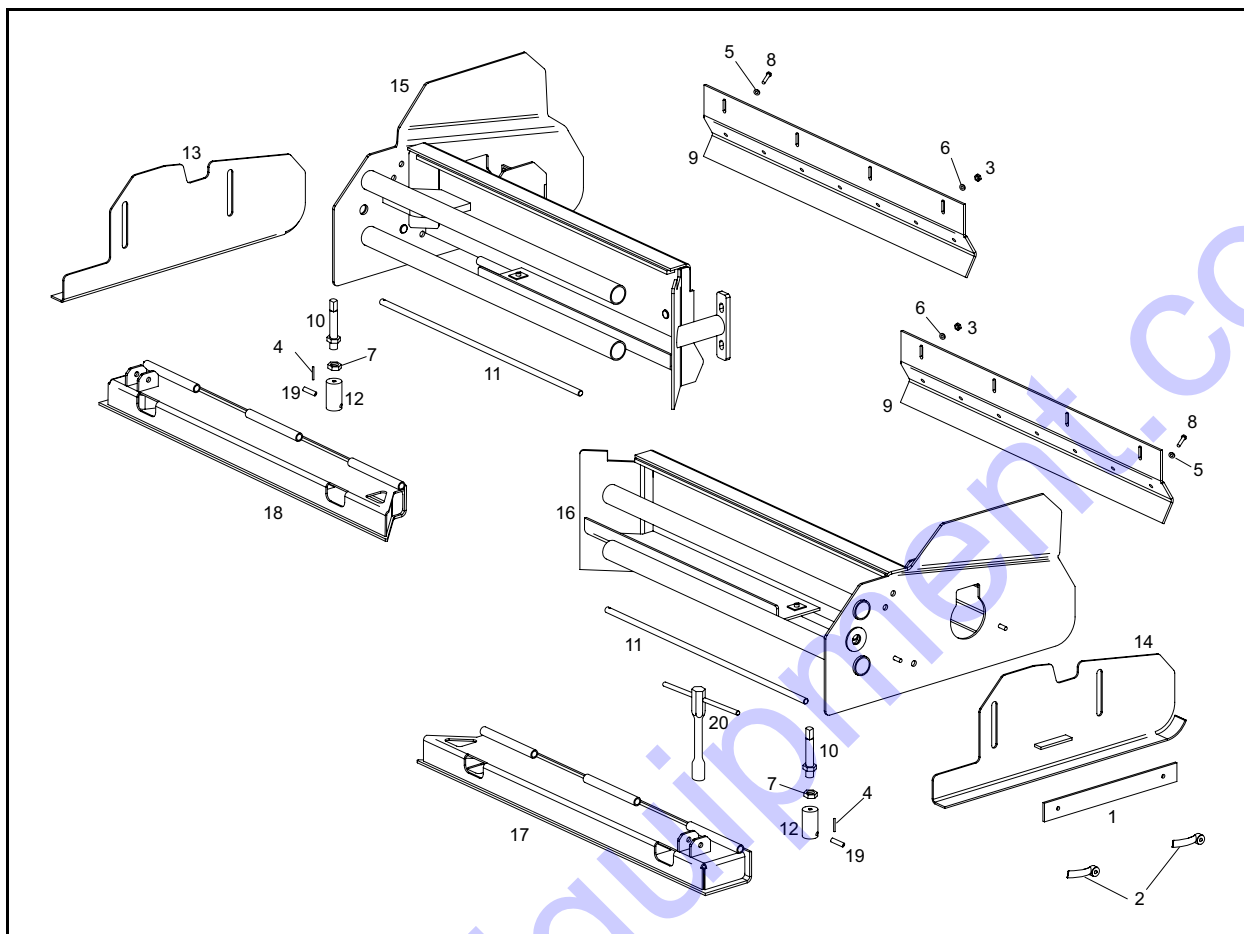
Ref. No.	Part No.	Description	Qty.	Ref. No.	Part No.	Description	Qty.
1	100930	CHAIN / SCREED LIFT	2	27	101272	CROWN ADJUST, LARGE	1
2	P473278	CHAIN	1	28	101271	CROWN ADJUST, SMALL	1
3	P473265	CYLINDER / SCREED EXTEND (SEE PAGE 74 FOR DETAIL)	2	29	100849	LEFT BALL JOINT	2
4	P472251	WRENCH / RACHET	1	30	100847	RIGHT BALL JOINT	2
5	P471297	PIN / CYLINDER END	2	31	100830	RIGHT PLATFORM	1
6	P471084	SPACER / SCREED CYLINDER	1	32	100828	LEFT PLATFORM	1
7	101355	CYLINDER / SCREED LIFT (SEE PAGE 79 FOR DETAIL)	1	33	100816	SCREED EXHAUST TUBE	2
8	P349450	MOTOR / VIBRATOR (SEE PAGE 87 FOR DETAIL)	1	34	101981	LEFT SCREED	1
9	P272700	ISOLATOR / BUMPER	4	35	101980	RIGHT SCREED	1
10	L60253	ADPTR / STRAIGHT	2	36	101977	WEAR PLATE	1
11	L50962	CLAMP / 1-3/4"	2	37	100592	CLEVIS / DOUBLE LINK	4
12	655024	COTTER PIN / 3/16 X 2	4	38	100504	VIBRATOR COUNTERWEIGHT	1
13	654030	LOCK WASHER 1/2"	4	39	079209	LOCK NUT / 3/4"	4
14	653116	HJN 1 F2ZY	2	40	040775	SPRING PIN / .25X1.25	2
15	650818	BOLT / 3/8 X 3	4	41	101228	SCREED ALIGNMENT BAR	2
16	650494	BOLT / 1/2 X 1	4	42	650491	BOLT / 3/8 X 1-1/4	18
17	650416	BOLT / 3/4 X 2-1/2	4	43	654026	LOCK WASHER / 3/8	22
18	650201	SHSS CP 5/16 X 5/16	1	45	650495	CS 1/2X1-1/4 C5ZY	8
19	110227	ADPTR / 90DEG	6	46	654030	LW 1/2 RZY	8
20	101161	WRENCH HOLDER	1	47	650490	CS 3/8X1 C5ZY	16
21	100978	TOP PLATFORM	2	48	654006	3/8 / FLAT WASHER	6
22	100865	CHAIN CLEVIS ANCHOR	1	49	L520022	FLEXLOCK NUT 3/8-16	20
23	100864	TORCH BOX	2	50	175275	GUARD/RUBBER	1
24	100863	MIDSCREED FLOOR COVER	1	52	176434	MOUNTING CHANNEL	1
25	100862	VIBRATOR MOUNT	1	53	L62459	HOLDER/MANUAL PLASTIC	1
26	100861	PLATFORM HINGE PIN	2	54	L50208	SCREW / HX HEAD .25-20 X .50	4
				55	072916	CS FL LOCK 1/4 X 3/4 C5ZY	4
				56	070634	LN LG. FL. SERR. 1/4 CZ	4

**1648 - CHASSIS
430032 - PULLARMS**



Ref. No.	Part No.	Description	Qty.	Ref. No.	Part No.	Description	Qty.
1	067847	LOCK NUT 3/8"	2	10	101103	ADJUSTER HANDLE	2
2	071706	LOCK NUT 1/2"	4	11	124976	BOLT, 1-8X6"	2
3	100772	LEFT PULLARM (Augers on flow gates)	1	12	650490	BOLT, 3/8-16X1	4
	100917	LEFT PULLARM (Augers on screed)	1	13	650528	BOLT, 3/8-16X2	2
4	100780	RIGHT PULLARM (Augers on flow gates)	1	14	650809	BOLT, 5/16-18X7/8	4
	100915	RIGHT PULLARM (Augers on screed)	1	15	654024	LOCK WASHER, 5/16"	4
5	100782	PIN, PULLARM	4	16	L50109	NUT, STOVER 1-8	2
6	100783	DEPTH INDICATOR	2	17	L68048	SPRING BUSHING	2
7	100784	PULLARM SWIVEL	2	18	L69597	SPINNER KNOB	2
8	100866	SCREED ADJUST ROD	2	19	P472066	SCREED ADJUST BEARING	2
9	100891	ADJUST BALL JOINT	2	20	P472798	ROD END	4
				21	P472101	BALL JOINT ONLY	1

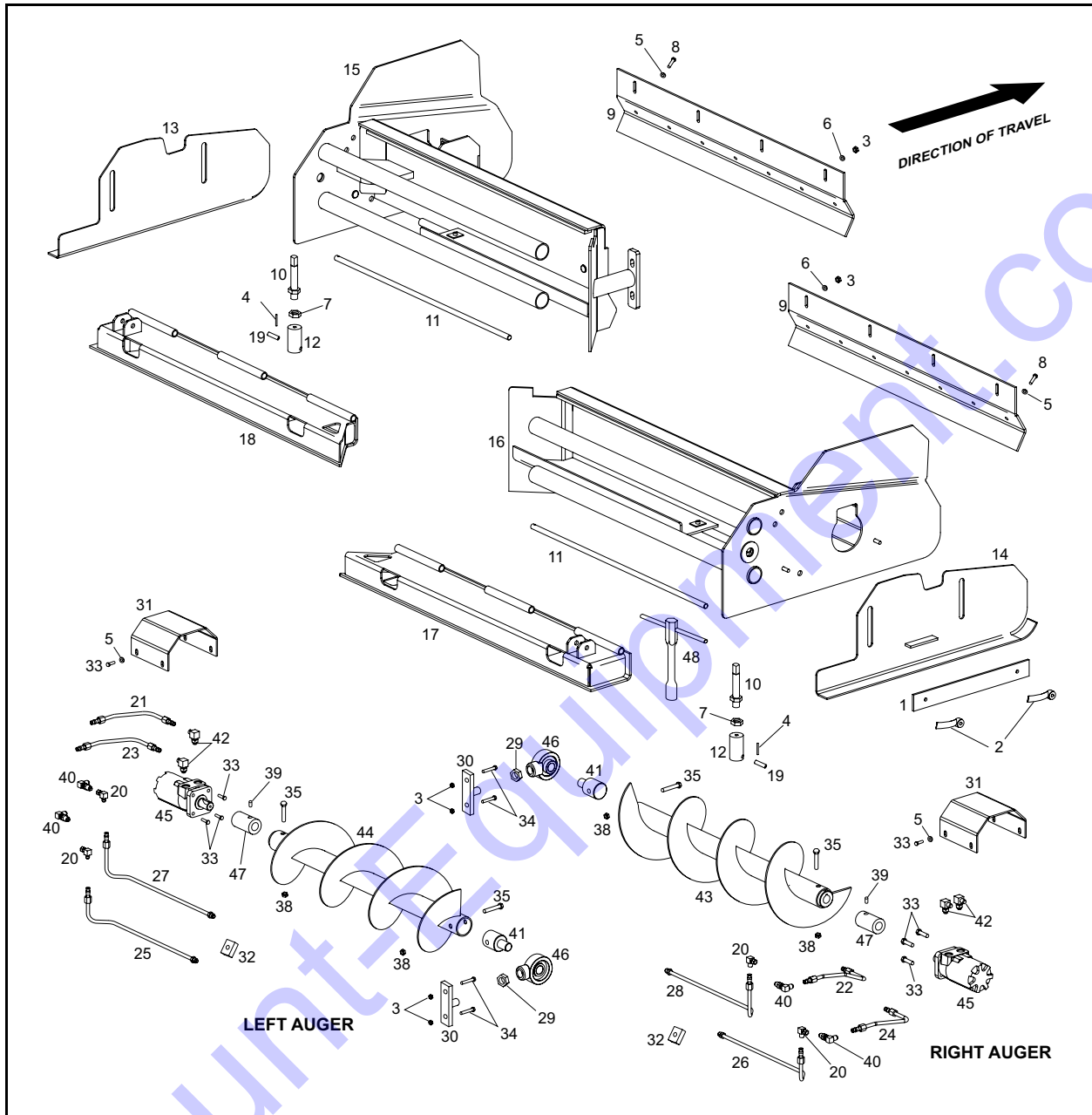
1648 - CHASSIS
430021 - SCREED EXTENSIONS WITHOUT AUGERS



Ref. No.	Part No.	Description	Qty.	Ref. No.	Part No.	Description	Qty.
1	P178000	SHOE TIGHTENER BAR	2	11	100860	SCREED EXTEN.HINGE PIN	2
2	P015900	HANDLE NUT	4	12	100859	EXT DEPTH ADJ TUBE	2
3	L520022	FLEXLOCK NUT 3/8-16	8	13	100845	LEFT EXTENSION SHOE	1
4	655006	COTTER PIN 1/8 X 1	2	14	100843	RIGHT EXTENSION SHOE	1
5	654026	LOCK WASHER 3/8"	14	15	100840	LEFT TOP EXTENSION	1
6	654006	FLAT WASHER 3/8"	8	16	100834	RIGHT TOP EXTENSION	1
7	650857	NUT 3/4"	4	17	100517	RIGHT SCREED EXTENSION	1
8	650490	BOLT 3/8 X 1	14	18	100516	LEFT SCREED EXTENSION	1
9	101217	STRIKE-OFF	2	19	076105	CLEVIS PIN 1/2 X 2-1/2	2
10	101160	DEPTH ADJUSTMENT	2	20	101140	T-HANDLE (FOR REF. 10)	1

1648 - CHASSIS

430030 - SCREED EXTENSIONS WITH AUGERS

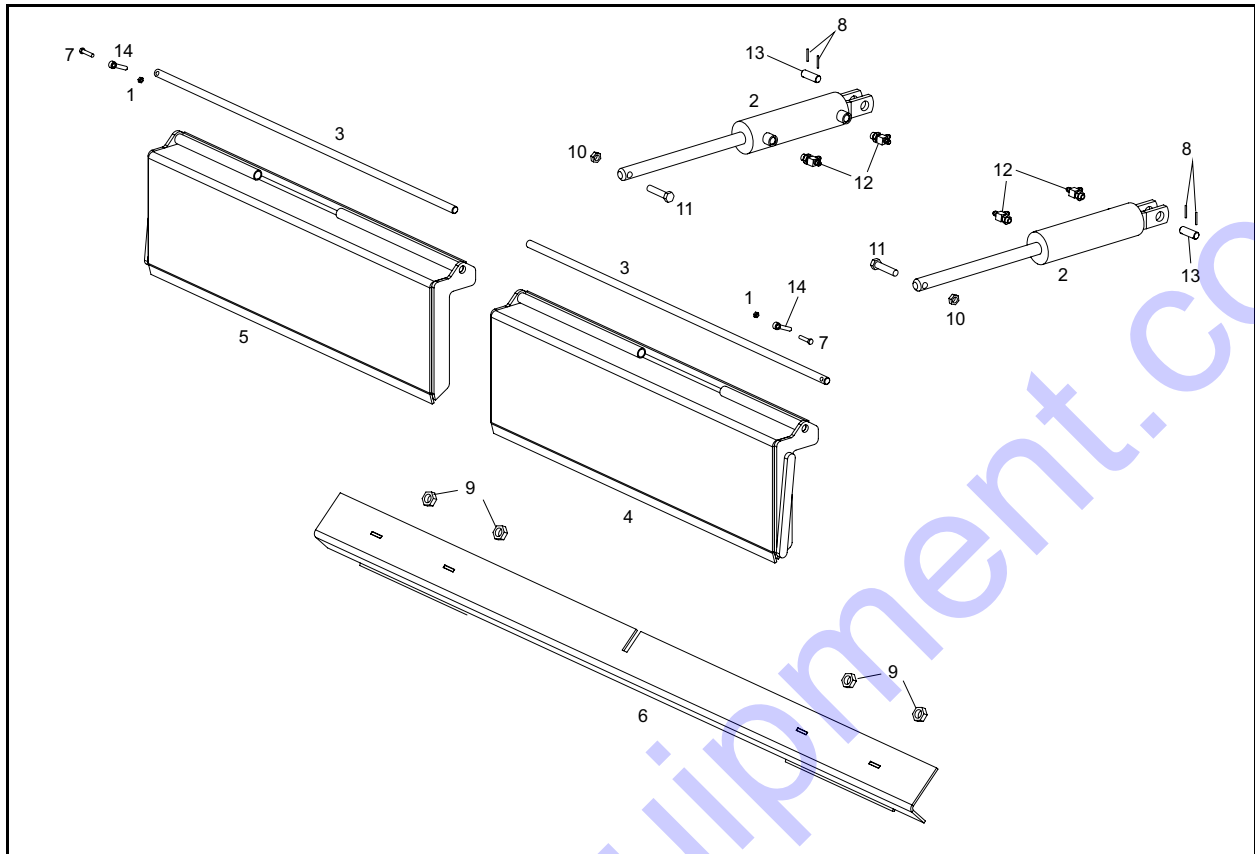


Ref. No.	Part No.	Description	Qty.	Ref. No.	Part No.	Description	Qty.
1	P178000	SHOE TIGHTENER BAR	2	13	100590	LEFT EXTENSION SHOE	1
2	P015900	HANDLE NUT	4	14	100589	RIGHT EXTENSION SHOE	1
3	L520022	FLEXLOCK NUT 3/8-16	12	15	175018	LEFT TOP EXTENSION	1
4	655006	COTTER PIN 1/8 X 1	2	16	175019	RIGHT TOP EXTENSION	1
5	654026	LOCK WASHER 3/8"	14	17	100517	RIGHT SCREED EXTENSION	1
6	654006	FLAT WASHER 3/8"	8	18	100516	LEFT SCREED EXTENSION	1
7	650857	NUT 3/4"	4	19	076105	CLEVIS PIN 1/2 X 2-1/2	2
8	650490	BOLT 3/8 X 1	14	20	091039	ADPTR, 90 DEG	4
9	101217	STRIKE-OFF	2	21	100593	TUBE/LT AUGER MOTOR	1
10	101160	DEPTH ADJUSTMENT	2	22	100594	TUBE/RT AUGER MOTOR	1
11	100860	SCREED EXTEN.HINGE PIN	2	23	100595	TUBE/LT AUGER MOTOR	1
12	100859	EXT DEPTH ADJ TUBE	2	24	100596	TUBE/RT AUGER MOTOR	1

1648 - CHASSIS
430030 - SCREED EXTENSIONS WITH AUGERS

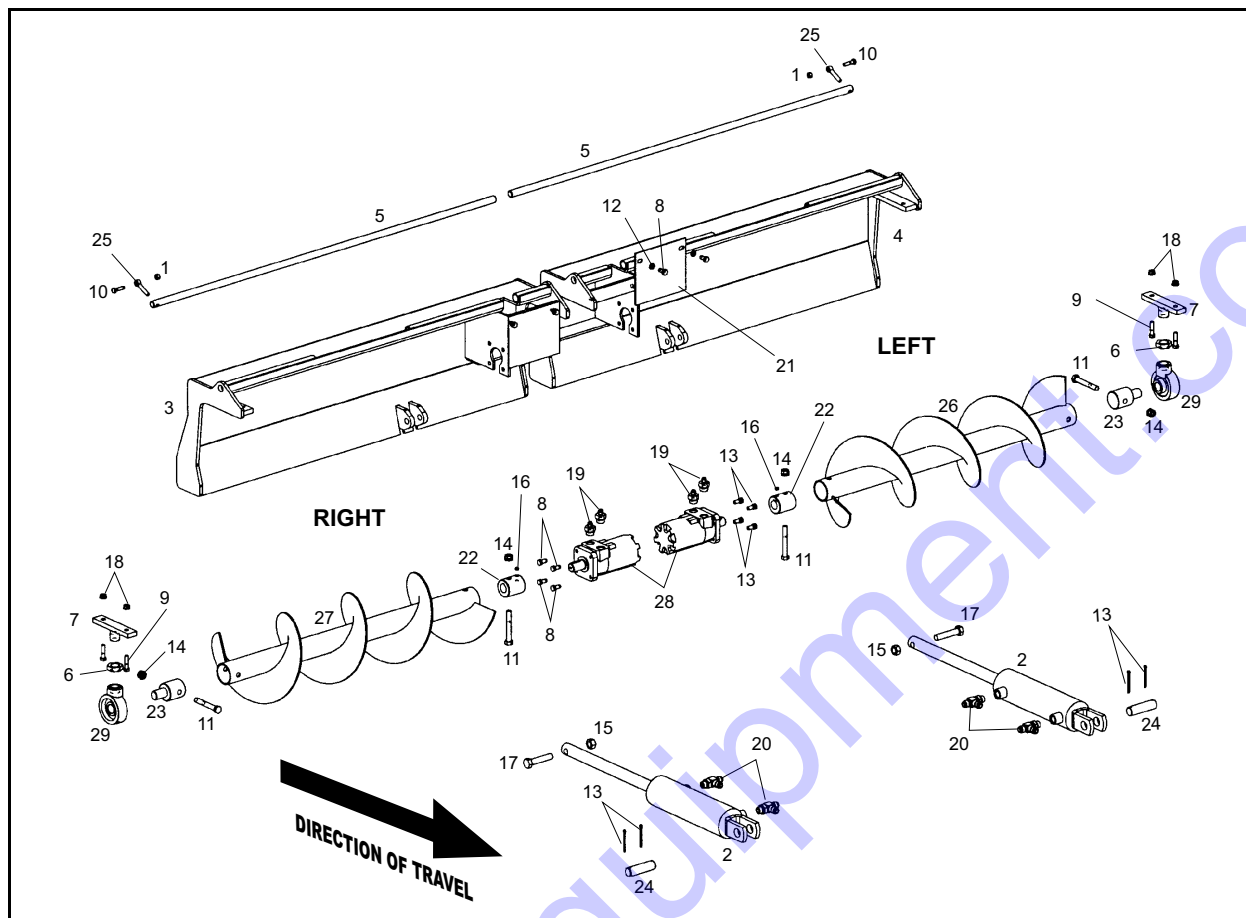
Ref. No.	Part No.	Description	Qty.	Ref. No.	Part No.	Description	Qty.
25	100597	TUBE/LT AUGER	1	39	L50426	SET SCREW 3/8-16	2
26	100598	TUBE/RT AUGER	1	40	L81195	ADPTR 90 DEG	8
27	100599	TUBE/LT AUGER	1	41	P311800	AUGER HUB, MALE	2
28	100600	TUBE/RT AUGER	1	42	P470406	ADPTR. 90 DEG	4
29	100875	NUT, 3/4-14	2	43	P473328	AUGER	1
30	100884	BEARING SUPPORT	2	44	P473327	AUGER	1
31	100919	AUGER MOTOR COVER	2	45	P480071	AUGER MOTOR (SEE PAGE 86 FOR DETAIL)	2
32	100932	TWIN CLAMP BODY, 3/8	2	46	P480177	BEARING	2
33	650488	BOLT, 3/8 X 3/4	16	47	P311600	AUGER HUB, FEMALE	2
34	650533	3/8 X 1-1/2	4	48	101140	T-HANDLE (FOR REF. 10)	1
35	650650	BOLT, 1/2 X 3-1/2	4				
38	L50070	NUT, 1/2-13 FLEXLOCK	4				

1648 - CHASSIS
430042 - FLOW GATE WITHOUT AUGERS



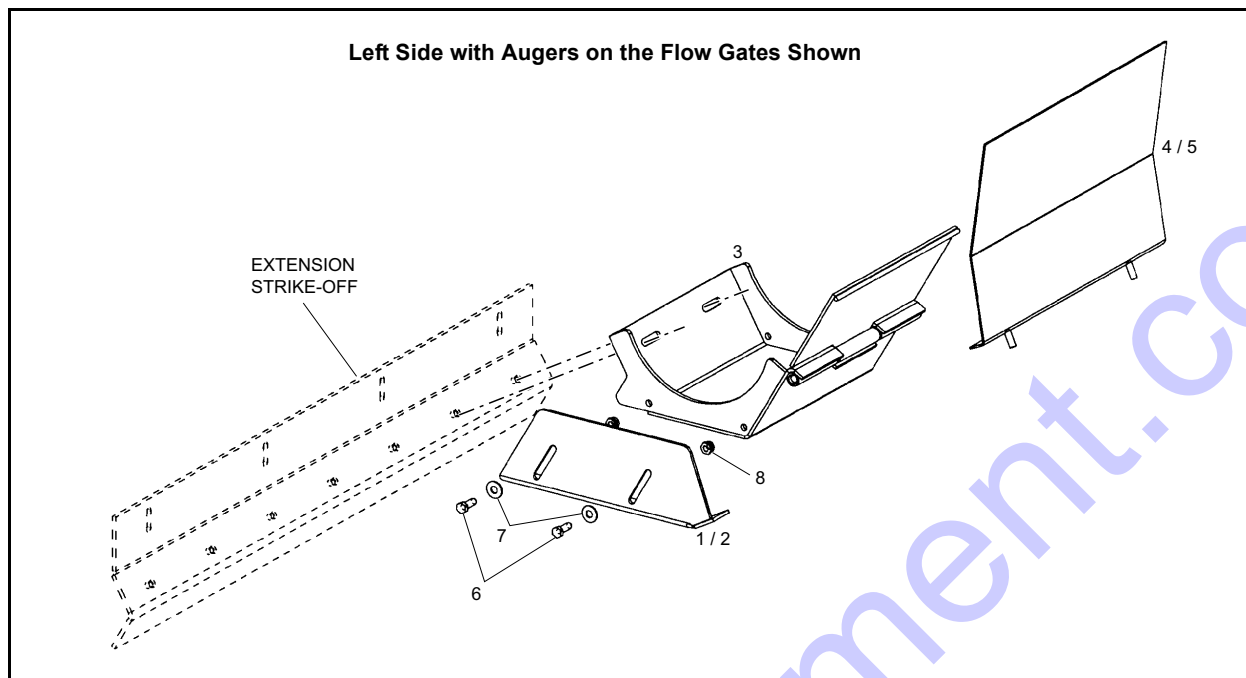
Ref. No.	Part No.	Description	Qty.	Ref. No.	Part No.	Description	Qty.
1	071701	LOCK NUT 5/16"	2	8	655024	COTTER PIN, 3/16X2	4
2	100713	GATE CYLINDER (SEE PAGE 78 FOR DETAIL)	2	9	L50070	FLEXLOC NUT, 1/2-13	4
3	100788	HINGE PIN	2	10	L50079	NUT, 5/8"	2
4	101415	RIGHT FLOW GATE	1	11	L50578	BOLT, 5/8-11X3	2
5	101408	LEFT FLOW GATE	1	12	L64660	ADAPTER, RUN TEE	4
6	101124	DEFLECTOR	1	13	P471296	PIN, CYLINDER END	2
7	650545	BOLT, 5/16-18X1-1/4	2	14	P472798	ROD END	2

1648 - CHASSIS
430015 - FLOW GATE WITH AUGERS



Ref. No.	Part No.	Description	Qty.	Ref. No.	Part No.	Description	Qty.
1	071701	LOCK NUT 5/16"	2	16	L50426	SET SCREW, 3/8-16	2
2	100713	GATE CYLINDER (SEE PAGE 78 FOR DETAIL)	2	17	L50578	BOLT, 5/8-11X3	2
3	100714	RIGHT FLOW GATE	1	18	L520022	FLEXLOC NUT, 3/8-16	4
4	100715	LEFT FLOW GATE	1	19	L60253	ADAPTER, STRAIGHT	4
5	100788	HINGE PIN	2	20	L64660	ADAPTER, RUN TEE	4
6	100875	NUT, 3/4-14	2	21	P136200	MOTOR COVER	2
7	100884	BEARING SUPPORT	2	22	P311600	FEMALE AUGER HUB	2
8	650488	BOLT, 3/8-16X3/4	12	23	P311800	MALE AUGER HUB	2
9	650533	BOT, 3/8-16X1-1/2	4	24	P471296	PIN, CYLINDER END	2
10	650545	BOLT, 5/16-18X1-1/4	2	25	P472798	ROD END	2
11	650650	BOLT, 1/2-13X3-1/2	4	26	P473327	AUGER	1
12	654026	LOCK WASHER, 3/8"	4	27	P473328	AUGER	1
13	655024	COTTER PIN, 3/16X2	4	28	P480071	AUGER MOTOR (SEE PAGE 86 FOR DETAIL)	2
14	L50070	FLEXLOC NUT, 1/2-13	4	29	P480177	BEARING	2
15	L50079	NUT, 5/8"	2				

**1648 - CHASSIS
SCREED CUTOFF OPTION**



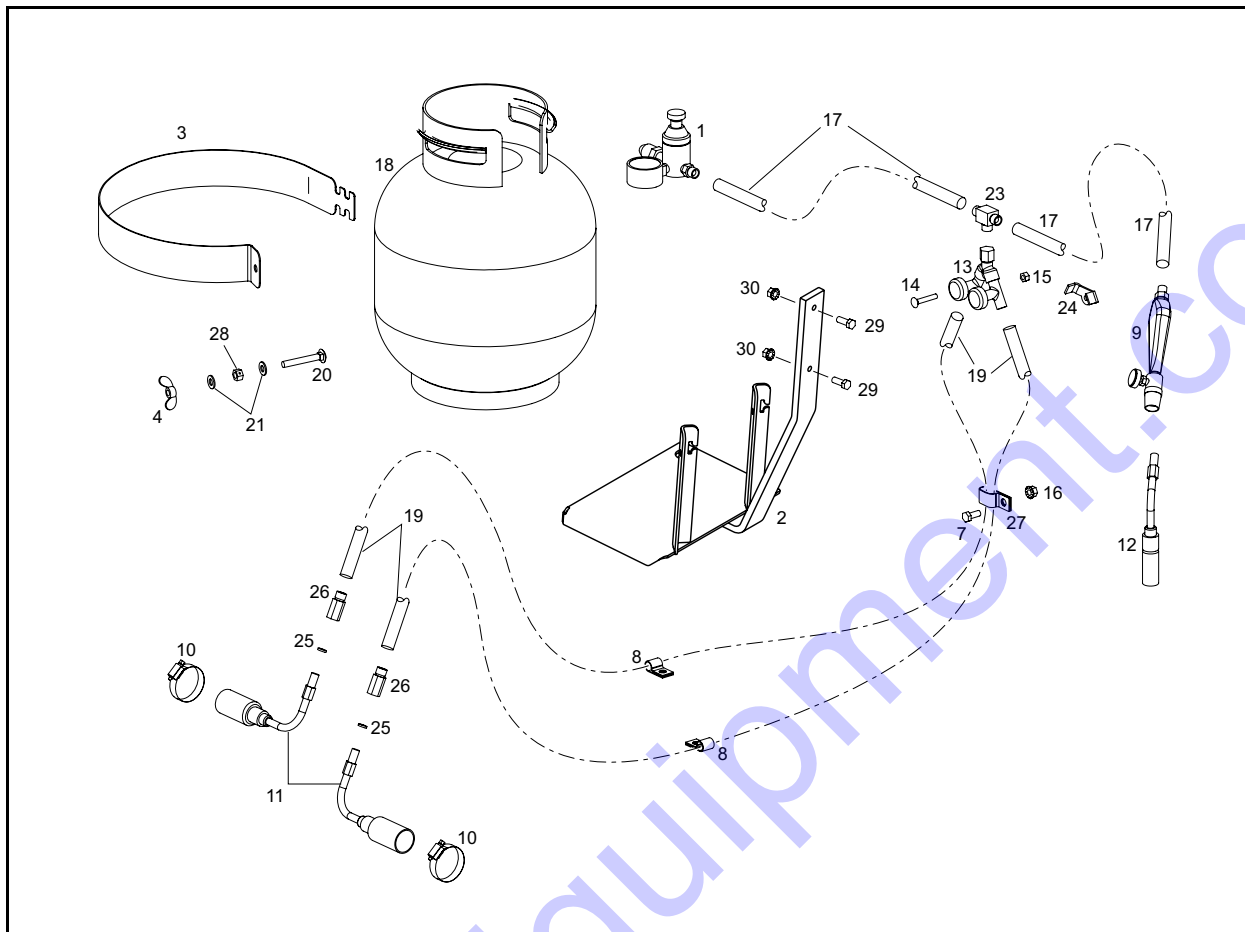
Pavers with Flow Gate Augers

Ref. No.	Part No.	Description	12" Cutoff Qty.	24" Cutoff Qty.
1	101197	LEFT SHOE	1	1
2	101196	RIGHT SHOE	1	1
3	101190	CUTOFF, 12"	1	2
4	101219	BLOCKOFF PLATE, 18"	1	0
5	101220	BLOCKOFF PLATE, 24"	0	1
6	650490	BOLT, 3/8-16X1	2	4
7	654006	FLAT WASHER, 3/8"	2	2
8	L520022	LOCK NUT, 3/8"	2	4

Pavers with Screed Extension Augers

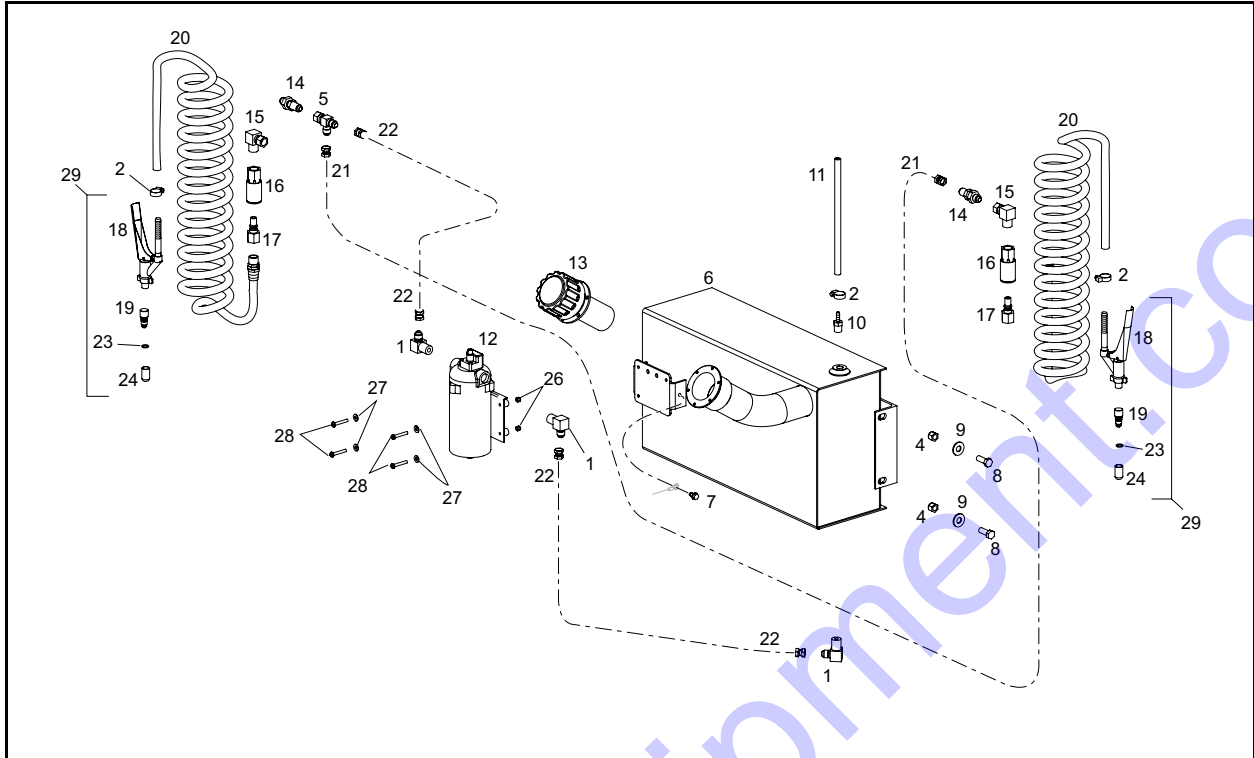
Ref. No.	Part No.	Description	12" Cutoff Qty.	24" Cutoff Qty.
1	101195	LEFT SHOE	1	1
2	101194	RIGHT SHOE	1	1
3	101190	CUTOFF, 12"	1	2
4	101219	BLOCKOFF PLATE, 18"	1	0
5	101220	BLOCKOFF PLATE, 24"	0	1
6	650490	BOLT, 3/8-16X1	2	4
7	654006	FLAT WASHER, 3/8"	2	2
8	L520022	LOCK NUT, 3/8"	2	4

**1648 - CHASSIS
430342 - PROPANE KIT**



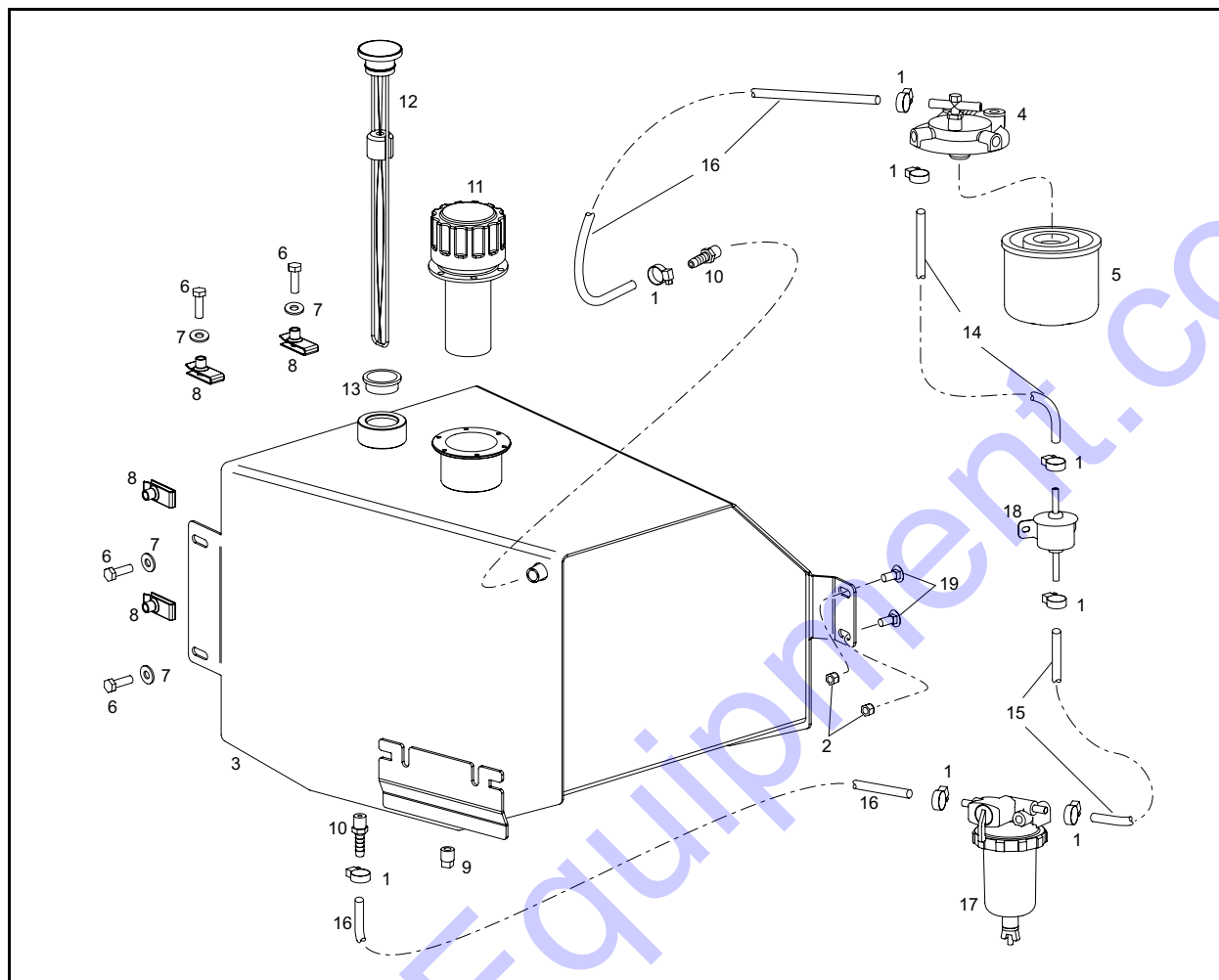
Ref. No.	Part No.	Description	Qty.	Ref. No.	Part No.	Description	Qty.
1	P380200	REGULATOR	1	17	100533	HOSE/PROPANE	2
2	176430	ASSY/MOUNTING LP TANK	1	18	*	20# PROPANE TANK	1
3	175494	BAND/LP	1	19	P270200	HOSE 6FT	2
4	653094	NUT/WING LIGHT 5/16 ACZY	1	20	650734	CB 5/16X2-1/4 C5ZY	1
7	650486	CS 5/16X3/4 C5ZY	1	21	650810	FW 5/16 ANZY	2
8	076147	CLAMP/HOSE	2	23	175562	LP TEE	1
9	P253000	HANDLE	1	24	175633	MANIFOLD BRACKET	1
10	061946	#24 SAE HOSE CLAMP	2	25	175674	GASKET/PLASTIC	2
11	101148	PROPANE TORCH TIP	2	26	175811	LP ADAPTER	2
12	100522	PROPANE TORCH TIP	1	27	097860	CLAMP/HOSE DOUBLE	1
13	175632	Y VALVE/LP	1	28	071701	LN 5/16 CBZY	1
14	137959	CB 1/4X1-1/2 CBC	1	29	650525	CS 5/16X1-1/4 C5	2
15	071700	LN 1/4 CBZY	1	30	650518	HN LG FL 5/16 C2ZY	2
16	210-19470	HN FL SLOC 5/16 CZY	2			* Serviced locally	

1648 - CHASSIS
430019 - SPRAYDOWN TANK



Ref. No.	Part No.	Description	Qty.	Ref. No.	Part No.	Description	Qty.
1	057650	ADP. -6JICM -6NPTM 90DEG	3	16	P471761	COUPLING, QUICK FEMALE	2
2	062023	HOSE CLAMP #M5	3	17	P471762	COUPLING, QUICK MALE	2
4	067847	HEX LOCK NUT 3/8"	4	18	175371	VALVE/THRUSTLESS	2
5	072806	ADP. -6FICFS -6JICM TEE	1	19	175373	BODY/NOZZLE	2
6	175388	SPRAYDOWN TANK	1	20	P471756	FLEXCOIL HOSE ASY	2
7	650315	SCREW THWH TC USL 1/4 X 1/2 CZY	1	21	101133	HOSE ASY	1
8	650490	CAP SCREW, 3/8 X 1 C5ZY	4	22	P470464	HOSE ASY	2
9	654006	FLAT WASHER, 3/8 AWZY	4	23	175372	O-RING	2
10	P022800	HOSE BARB, 1/4NPT X 1/4	1	24	175374	CAP/NOZZLE	2
11	P270900	HOSE, CLEAR 1/4 X 3/32 WALL	1	26	084175	HLN INST #1024 CZY	4
12	175375	PUMP	1	27	650584	FW #10 AZY	4
13	P470472	FILLER CAP ASY	1	28	651253	PHMS SLT #1024X1-1/4 ZY	4
14	P471759	ADP. -6JICM BLKHD STR	2	29	175394	VALVE/HAND APPLICATOR (INCL. 18, 19, 23, 24)	2
15	P471760	ADP. -6PM -6JFS 90	2				

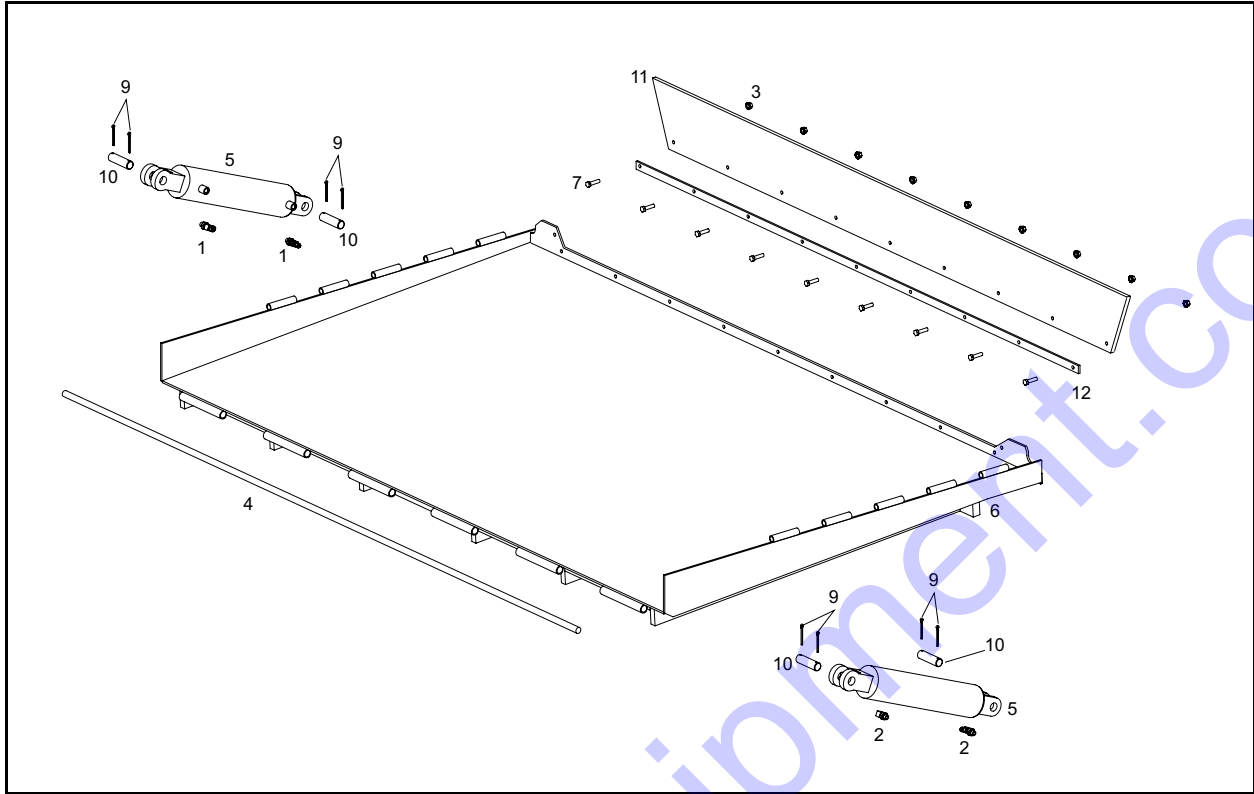
1648 - CHASSIS
430339 - FUEL SYSTEM



Ref. No.	Part No.	Description	Qty.
1	062023	CLAMP, HOSE #M5	8
2	070648	HEX NUT, SLOC 5/16	2
3	175646	FUEL TANK	1
4	186467	FUEL FILTER BRACKET	1
5	203888	FUEL FILTER	1
6	650487	CAP SCREW, 5/16 X 1 C5ZY	4
7	654024	LOCK WASHER, 5/16	4
8	L530004	NUT, RETAINING CLIP 5/16	4
9	L72019	PLUG, -4NPTM	1
10	133074	HOSE BARB, 1/4 NPT X 5/16	2

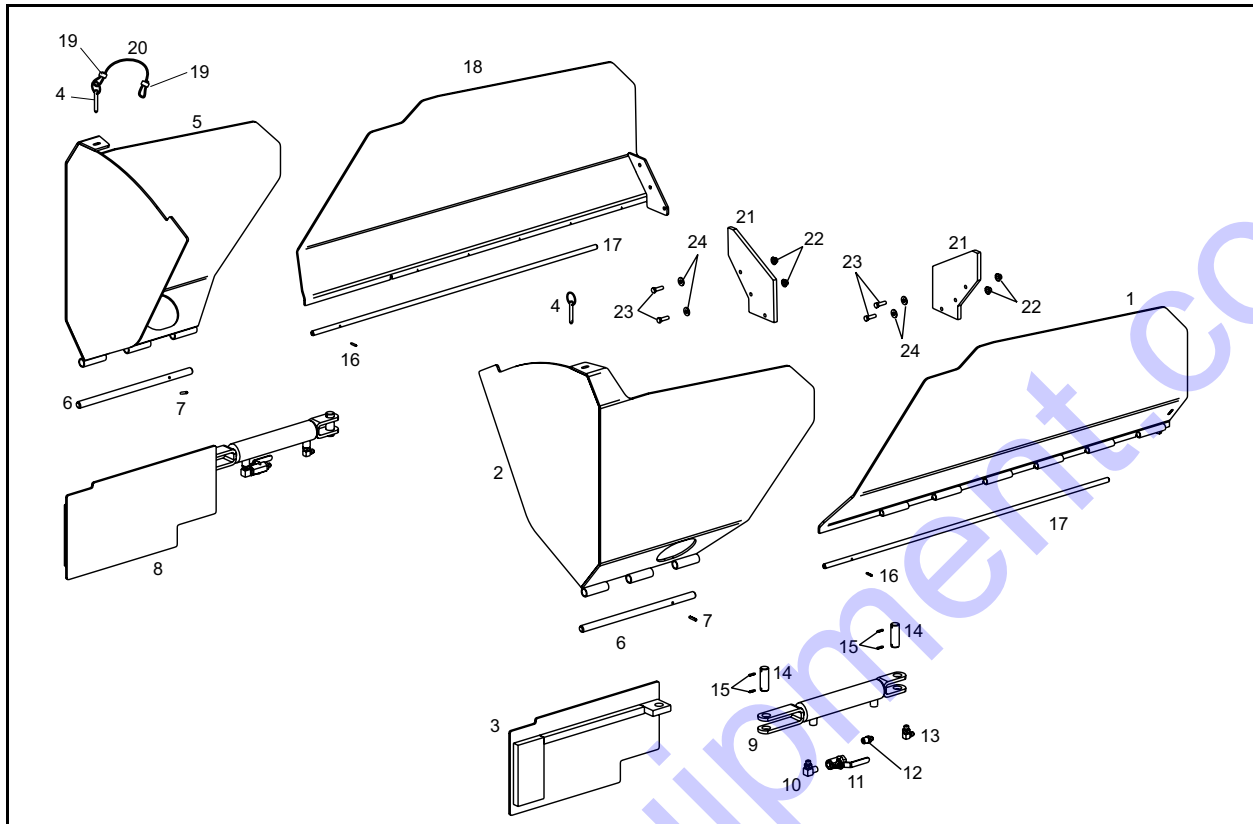
Ref. No.	Part No.	Description	Qty.
11	P470472	FILLER CAP	1
12	P473298	FUEL GAUGE 13"	1
13	P473303	GROMMET, FUEL GAUGE KELCH	1
14	175751	HOSE/FUEL5/16X8.5"	1
15	175752	HOSE/FUEL 5/16X10"	1
16	175767	HOSE/FUEL 5/16X12"	2
17	188492	SEPARATOR ASSY	1
18	186308	PUMP ASSY / FUEL FEED	1
19	650545	CB 5/16 X 1-1/4 C5Z4	2

1648 - CHASSIS
430013 - HOPPER



Ref. No.	Part No.	Description	Qty.	Ref. No.	Part No.	Description	Qty.
1	054820	ADP, ADJ TEE -6OPM -6JIC	2	7	650533	CS 3/8X1-1/2 C5ZY	9
2	068938	ADP, -6ORM -6JICM 90 DEG	2	9	655024	CP EPSC 3/16 X 2 Z	8
3	070856	HN LF SLOC 3/8 CZ	9	10	P471296	PIN / CYLINDER END	4
4	100687	PIN / HOPPER HINGE	1	11	175879	LIP / HOPPER	1
5	100893	CYLINDER / HOPPER (SEE PAGE 76 FOR DETAIL)	2	12	175887	BAR / HOPPER LIP	1
6	175886	HOPPER	1				

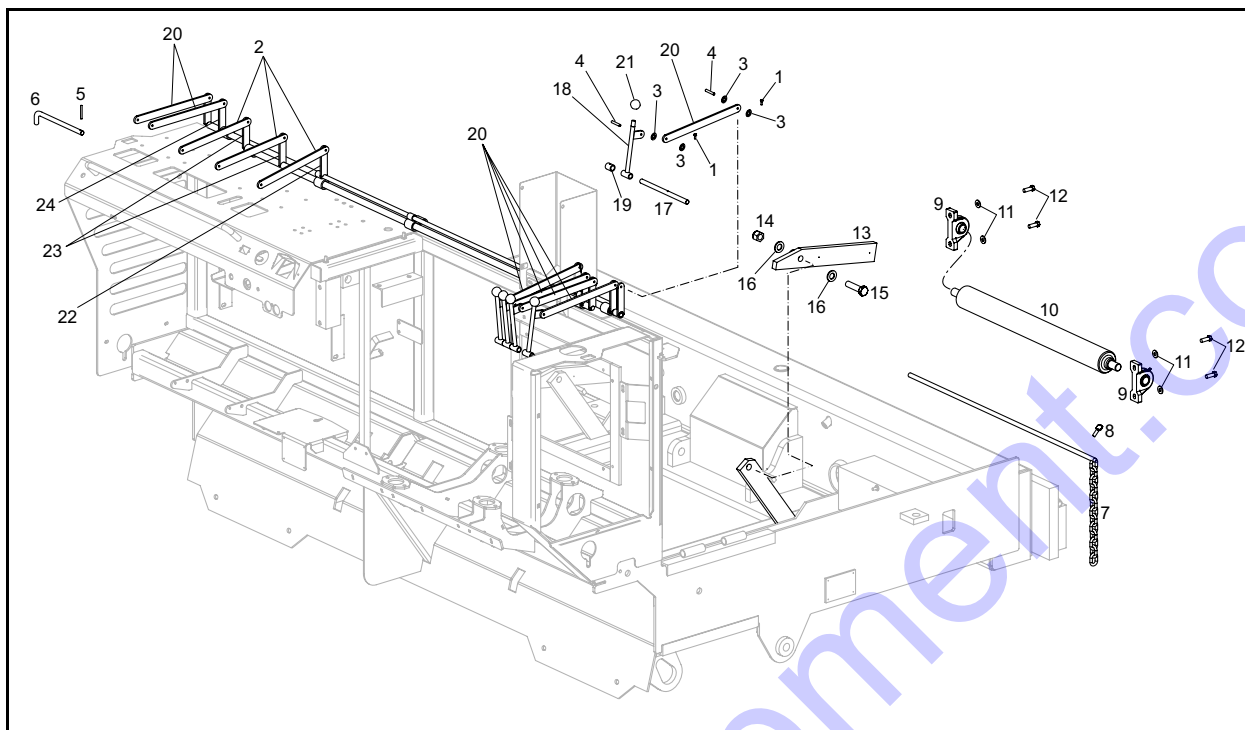
**1648 - CHASSIS
430336 - WINGS / SIDE GATES**



Ref. No.	Part No.	Description	Qty.	Ref. No.	Part No.	Description	Qty.
1	175661	WELD/RT FRONT WING	1	13	068938	ELBOW/90 DEG ADJUSTABLE	2
2	175043	WELD/RT REAR WING	1	14	P471297	PIN/CYLINDER CLEVIS END	4
3	100382	WELD/RT SIDE GATE	1	15	655024	CP EPSC 3/16 X 2 Z	8
4	P470609	PIN/QUICK RELEASE	2	16	057864	PIN/SPRING	2
5	175628	WELD/LT REAR WING	1	17	100670	PIN/1648 FRONT WING	2
6	100671	PIN/1648 REAR WING	2	18	175663	WELD/LT FRONT WING	1
7	L560002	PIN/ROLL .25X 1.25	2	19	122633	CRIMP SLEEVE	4
8	100381	WELD/LT SIDE GATE	1	20	P470610	WIRE/NYLON COATED	2
9	P471225	CYLINDER/SIDE GATE (SEE PAGE 75 FOR DETAIL)	2	21	175881	LIP/WING	2
10	P471227	ADP 90-6 ORING -6MP	2	22	070856	LN LG FL SERR 3/8 CZ	4
11	P414980	VALVE/.375"	2	23	650491	CS 3/8X1-1/4 C5ZY	4
12	062889	ADAPTER/STEEL PIPE	2	24	654006	FW 3/8 AWZY	4

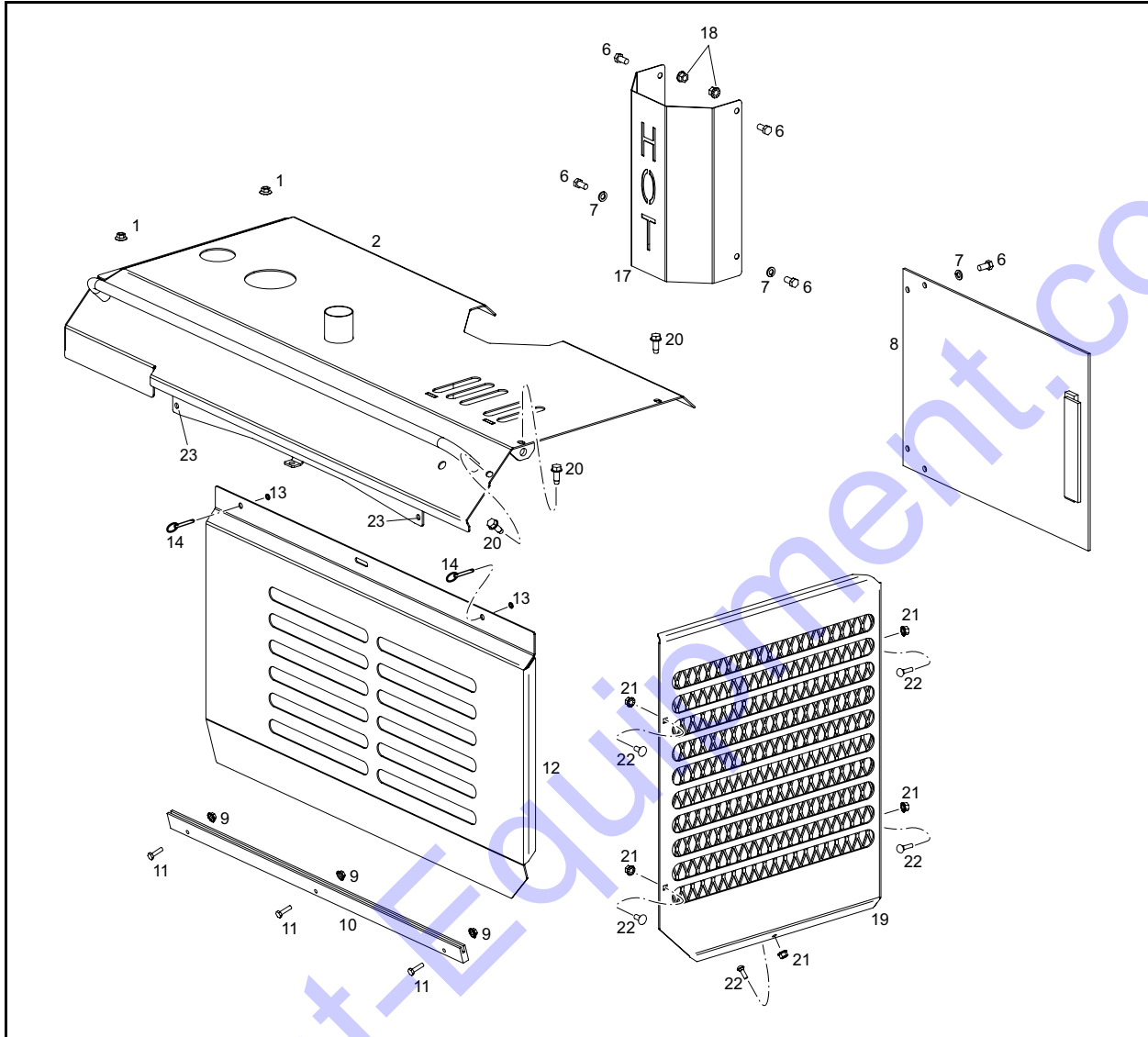
1648 - CHASSIS

430335 - CHASSIS / BACKWALL



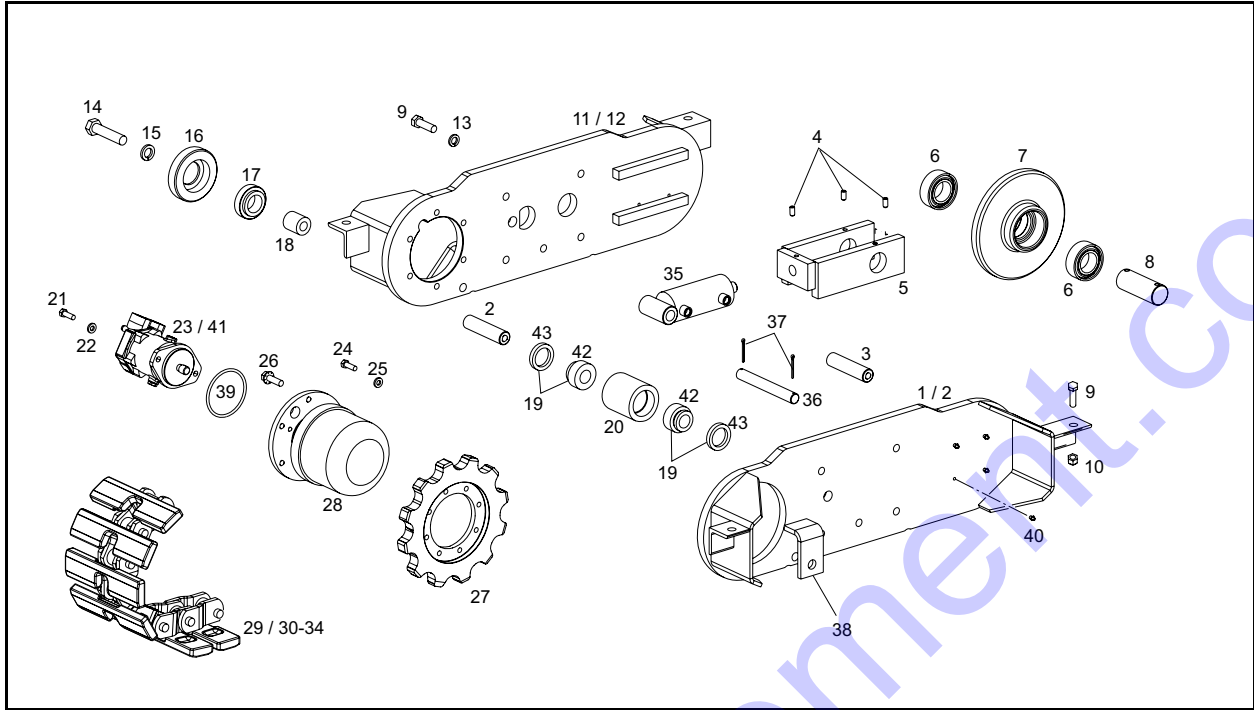
Ref. No.	Part No.	Description	Qty.	Ref. No.	Part No.	Description	Qty.
1	650551	CP EPSC 3/32 X 3/4 Z	20	13	P470025	FLOOR PROP	2
2	P143200	1/4" X1 X 12" DUAL CONTROL	3	14	079209	HLN INST 3/4 CZY	2
3	650584	FW #10 AZY	40	15	L50385	BOLT/HHCS .75-10X3.0 GR8	2
4	072425	CLEVIS PIN 1/4 X 51/64 ZY	20	16	L50157	WASHER/PLAIN .75	4
5	071858	PIN/HAIR	1	17	101126	PIN/RT CONTROLS	1
6	P470246	PIN/DRIVE CONTROL STOP	1	18	101083	WELD/CONTROL ARM	5
7	P470014	WELD ALIGNMENT SLIDE	2	19	101211	SPACER/RT CONTROLS	1
8	L277729	SCREW/THUMB .38-16 X 1	2	20	P137200	1/4" X 1 X 13" DUAL CONTROL	7
9	P024000	BEARING 1" PILLOW BLOCK	4	21	101099	KNOB/BALL 1-1/4 X 1/2-13	5
10	P470606	BAR/PUSH ROLLER	2	22	101089	WELD/AUGER CONTROL	1
11	654006	FW 3/8 AWZY	8	23	101087	WELD/EXTEN-FLOOR CONTROL	2
12	650558	CS 7/16X1-1/4 C5	8	24	101080	WELD/DUAL DRIVE CONTROL	1

**1648 - CHASSIS
430343 - COVERS**



Ref. No.	Part No.	Description	Qty.	Ref. No.	Part No.	Description	Qty.
1	070648	HN LF SLOC 5/16 CZ	2	13	L62721	FASTENER RETAINER	2
2	175533	WDMT/RT COVER	1	14	L62720	FASTENER/STUD	2
6	650488	CS 3/8X3/4 C5ZY	8	17	175678	COVER/MUFFLER	1
7	654026	LW 3/8 RZY	6	18	090666	LN FL SERR 3/8 CZY	2
8	P471547	ACCESS PANEL	1	19	175764	WDMT/COOLER COVER	1
9	070634	HN LF SLOC 1/4 CZ	3	20	072330	SCREW/THWH TF USL 3/8X1 CZY	3
10	P471855	NYLATRON GUIDE	1	21	210-19470	LN FL SERR 5/16 CZY	5
11	650835	CS 1/4X1 C5ZY	3	22	650687	CB 5/16X3/4 C5ZY	5
12	175535	COVER/ENGINE	1	23	L62722	FASTENER RECEPTACLE	2

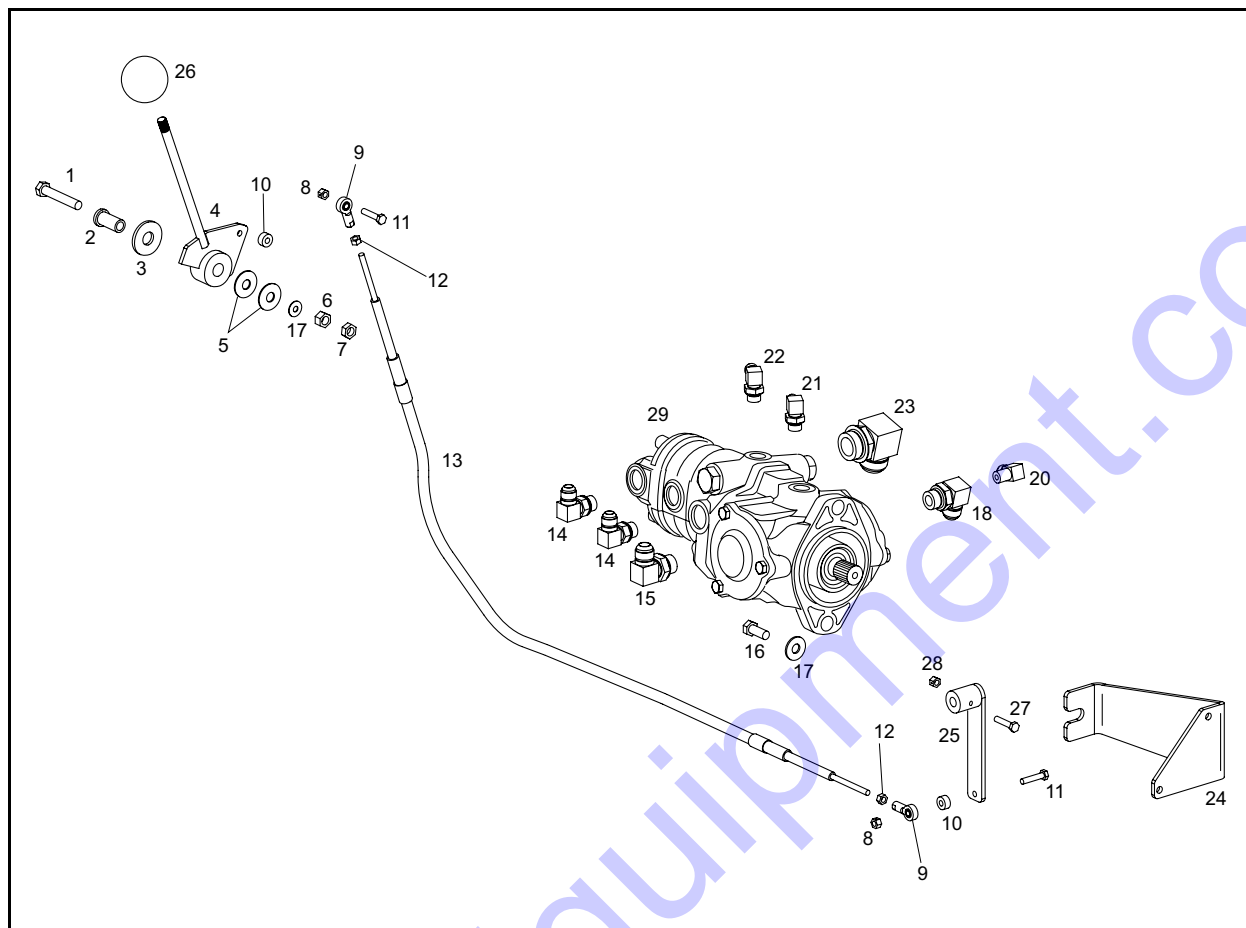
1648 - CHASSIS
430012 - TRACK



Quantities listed and drawing are shown for right track assembly only, except Refs. 2 & 12

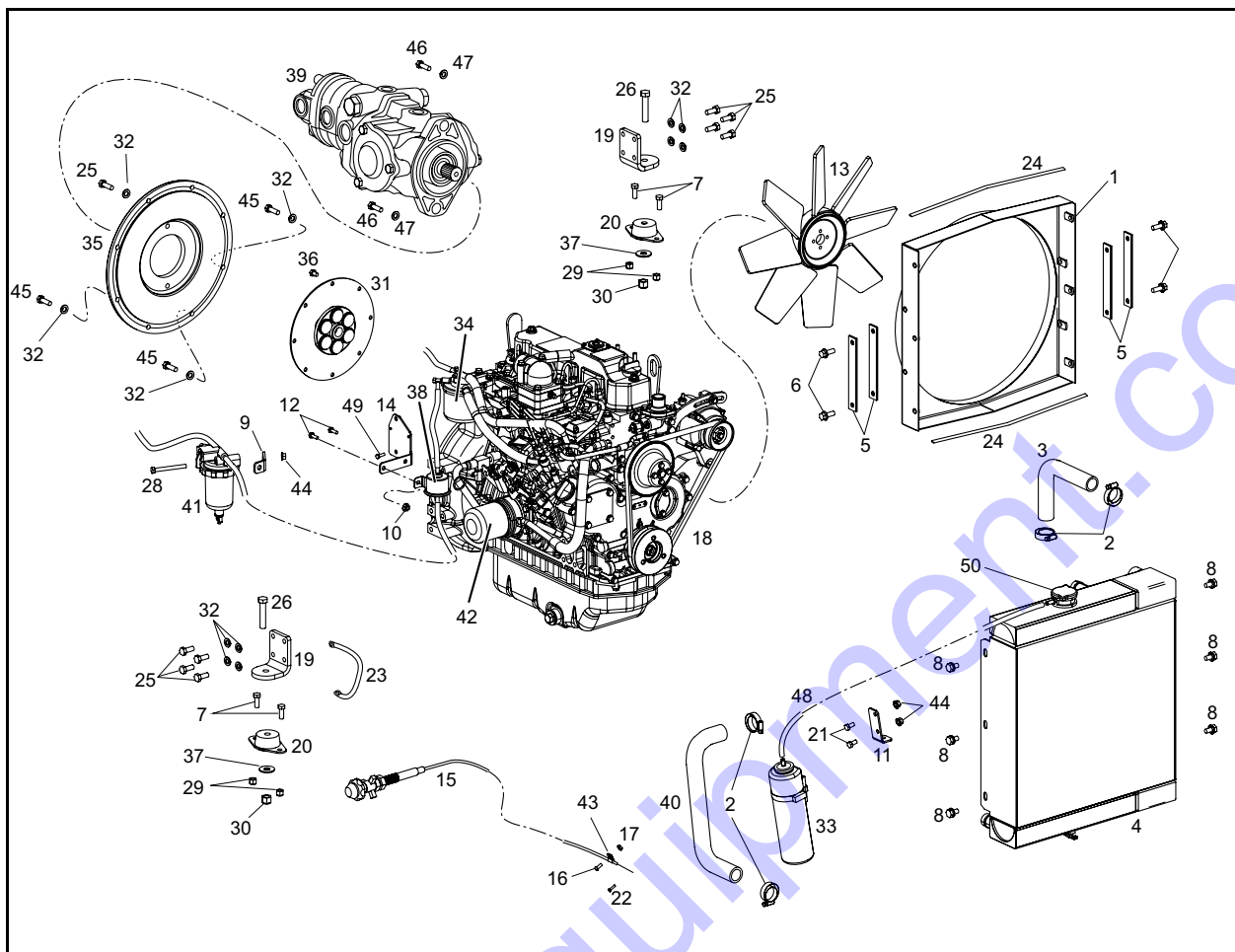
Ref. No.	Part No.	Description	Qty.	Ref. No.	Part No.	Description	Qty.
1	P470574	RIGHT TRACK FRAME	1	23	175123	MOTOR/DRIVE	1
2	P470572	LEFT TRACK FRAME (not shown, for left side track only)	1	24	P471549	BOLT/HHCS .50-20 X 1.50 G8Z	8
3	P480122	SHAFT/TRACK ROLLER	5	25	P471548	WASHER/HARD .50	8
4	P392450	SS .50 X 1	3	26	P471406	BOLT/FLANGE .625-11X 2	6
5	P471504	WELDMENT/TRACK YOKE	1	27	P471543	MACHINE/DRIVE SPROCKET	1
6	P471502	BEARING/IDLER HUB	2	28	P271900	HUB/TORQUE (SEE PAGE 84 FOR DETAIL)	1
7	P471448	MACHINED SPROCKET, IDLER	1	29	P473056	WELDMENT/TRACK (INCLUDES REFS 30-34)	1
8	P471501	AXLE/FRONT MACHINED	1	30	P700645	STANDARD PAD W/ LINK	27
9	650416	CS 3/4X2-1/2 C5ZY	14	31	P700646	LH PAD W/ LINK	1
10	079209	HLN INST 3/4 CZY	4	32	P700647	RH PAD W/ LINK	1
11	P470571	RIGHT TRACK MOTOR FRAME	1	33	P362400	PIN/LINKAGE	1
12	P470573	LEFT TRACK MOTOR FRAME (not shown, for left side track only)	1	34	P362500	PIN/COTTER	1
13	654034	LW 3/4 RZY	10	35	P480118	CYL.TRACK TENSION (SEE PAGE 77 FOR DETAIL)	1
14	P032600	BOLT 1-8X 4.50	2	36	P480124	PIN/TRACK CYL.	1
15	654057	LW 1 RZY	2	37	655024	CP EPSC 3/16 X 2 Z	2
16	P471479	ROLLER/OUTRIGGER	2	38	P471177	OUTRIGGER BRACKET	1
17	P024500	BEARING W/O COLLAR	2	39	101438	O-RING	1
18	P471182	SPACER	2	40	P234200	GREASE ZERK .312	8
19	201115	BEARING/1.44 DIA.	6	41	176123	SEAL KIT 3.02 MOTOR	1
20	P471186	ROLLER/TRACK	3	42	069485	BALL BEARING	6
21	650453	CS 1/2X1-1/2 C5ZY	2	43	520093	BEARING COLLAR	6
22	654009	FW 1/2 AWZY	2				

**1648 - CHASSIS
430350 - HYDROSTATIC PUMP LINKAGE**



Ref. No.	Part No.	Description	Qty.	Ref. No.	Part No.	Description	Qty.
1	650644	CS 1/2X3 C5ZY	1	15	055005	ELBW/HYD FIT 90°	1
2	175559	TUBE/PIVOT	1	16	650495	CS 1/2X1-1/4 C5ZY	2
3	081073	DISK/FRICTION	1	17	654009	FW 1/2 AWZY	3
4	175560	WDMT/DRIVE LEVER	1	18	P237000	ADAPTER .375 PIPE 90°	1
5	155220	WASHER/BELLEVILLE 1/2 (NOTE: washers assembled with concave sides facing)	2	20	P470673	ADAPTER 90°	1
6	653018	HN 1/2 C2ZY	1	21	110227	ELBOW/MALE 3/8	1
7	653044	HJN 1/2 C2ZY	1	22	054816	ELBOW 90 DEG STR THD "O"	1
8	071701	LN 5/16 CBZY	2	23	L62954	ADAPTER 90°	1
9	175705	ROD END/FEMALE 5/16	2	24	175563	BRKT/CABLE SPPT	1
10	175704	SPACER/.37 LONG	2	25	175556	WDMT/PUMP ARM	1
11	650577	CS 5/16X1-1/2 C5ZY	2	26	101099	KNOB/BALL 1-1/4 X 1/2-13	1
12	651062	HN 5/16 F2Z	2	27	L50065	NUT .375-24 FLEXLOCK Z	1
13	175689	CABLE/PUMP CONTROL	1	28	L50833	HC .375 X 2 C8 Z	1
14	067761	ELBOW/MALE 90°	2	29	P473287	PUMP/AXIAL GEAR (SEE PAGE 80 FOR DETAIL)	1

1648 - CHASSIS
430337 - ENGINE



Ref. No.	Part No.	Description	Qty.	Ref. No.	Part No.	Description	Qty.
1	175523	FAN SHROUD	1	17	650550	HN MS #1024 CZY	1
2	055335	HOSE CLAMP	4	18	176872	ENGINE/YANMAR 4TNV88-BDGP (SN 13208 AND UP)	1
3	175520	HOSE/UPPER RADIATOR	1		*	ENGINE/YANMAR 4TNV88-XGP (SN 13207 AND BEFORE)	1
4	175518	RADIATOR	1	19	175467	MOUNT/ENGINE	4
5	175551	RADIATOR SPACER	4	20	P471689	ISOLATION MOUNT	4
6	076589	CS FL LOCK 3/8 X 1 C5ZY	4	21	650485	CS 5/16X5/8 C5ZY	2
7	650491	CS 3/8X1-1/4 C5ZY	8	22	651421	CS M4-0.7X16 C8.8 ZY	1
8	139438	CS FL LOCK 3/8 X 5/8 C5ZY	6	23	L630004	STRAP GRND 4 GA X 14" SILVER	1
9	175634	BRKT/WATER SEPARATOR	1	24	132270	SHROUD SEAL	2
10	070634	HN LF SLOC 1/4 CZ	2	25	656007	CS M10-1.50 X 25 C8.8 ZO	21
11	175640	BRKT/WATER BOTTLE SPPT	1	26	650503	CS 1/2X2-1/2 C5ZY	4
12	650448	CS 1/4X3/4 C5ZY	2	28	650833	CS 5/16 X 3 C5ZY	1
13	189938	COOLING FAN	1	29	067847	HLN INST 3/8 CZY	8
14	175635	BRKT/FUEL PUMP	1	30	068034	HLN INST 1/2 CZY	4
15	P471410	CABLE/THROTTLE CONTROL	1	31	250-32577	FLEXIBLE DRIVE PLATE	1
16	650548	RHMS SLT #1024X1/2 CZY	1				

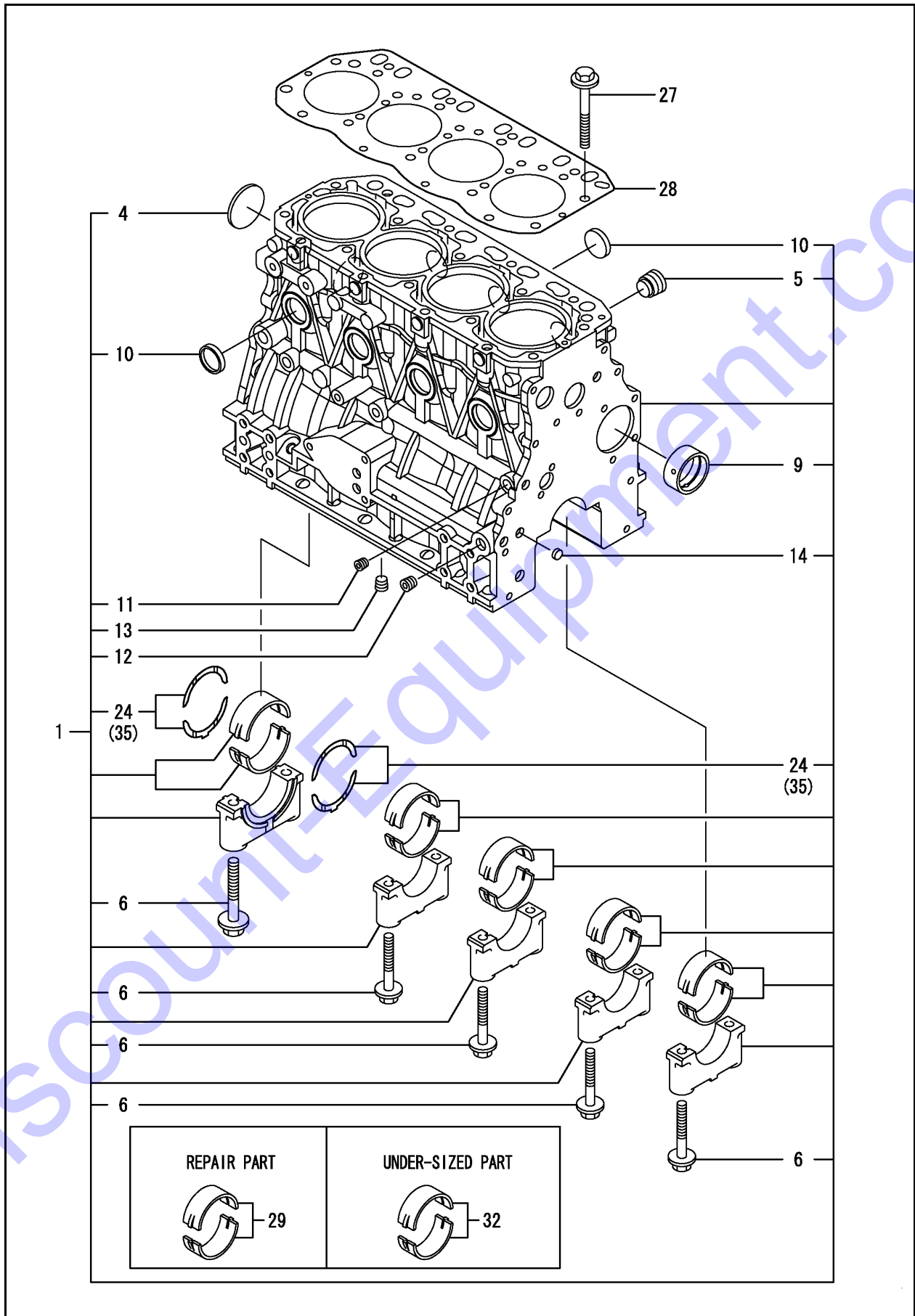
**1648 - CHASSIS
430337 - ENGINE**

Ref.	No.	Part No.	Description	Qty.
	32	654028	LW 7/16 RZY	24
	33	425-36233	OVERFLOW BOTTLE	1
	34	203888	FUEL FILTER	1
	35	160-32740	PLATE/PUMP MOUNT	1
	36	176658	CS M8-1.25X16 C8.8ZY SP DIN931	8
	37	654009	FW 1/2 AWZY	2
	38	186308	PUMP ASSY/FUEL FEED	1
	39	P473287	PUMP (SEE PAGE 80 FOR DETAIL)	1
	40	175519	HOSE/LOWER RADIATOR	1
	41	188492	SEPARATOR ASSY	1
	42	195568	OIL FILTER	1
	43	P471411	CLAMP/THROTTLE CABLE	1
	44	210-19470	HN FL SLOC 5/16 CZY	3
	45	656008	CS M10-1.5X30 C8.8 ZY	3
	46	650495	CS 1/2 X 1-1/4 C5ZY	2
	47	654009	FW 1/2 AWZY	2
	48	101132	OVERFLOW HOSE	1
	49	656001	CS M8-1.25X20 C8.8 ZY	2
	50	191030	PRESSURE CAP	1

* 175749 was replaced by 176872 for service

1648 - YANMAR ENGINE

MODEL 4TNV88-BDGP - CYLINDER BLOCK (SN 13208 AND UP)

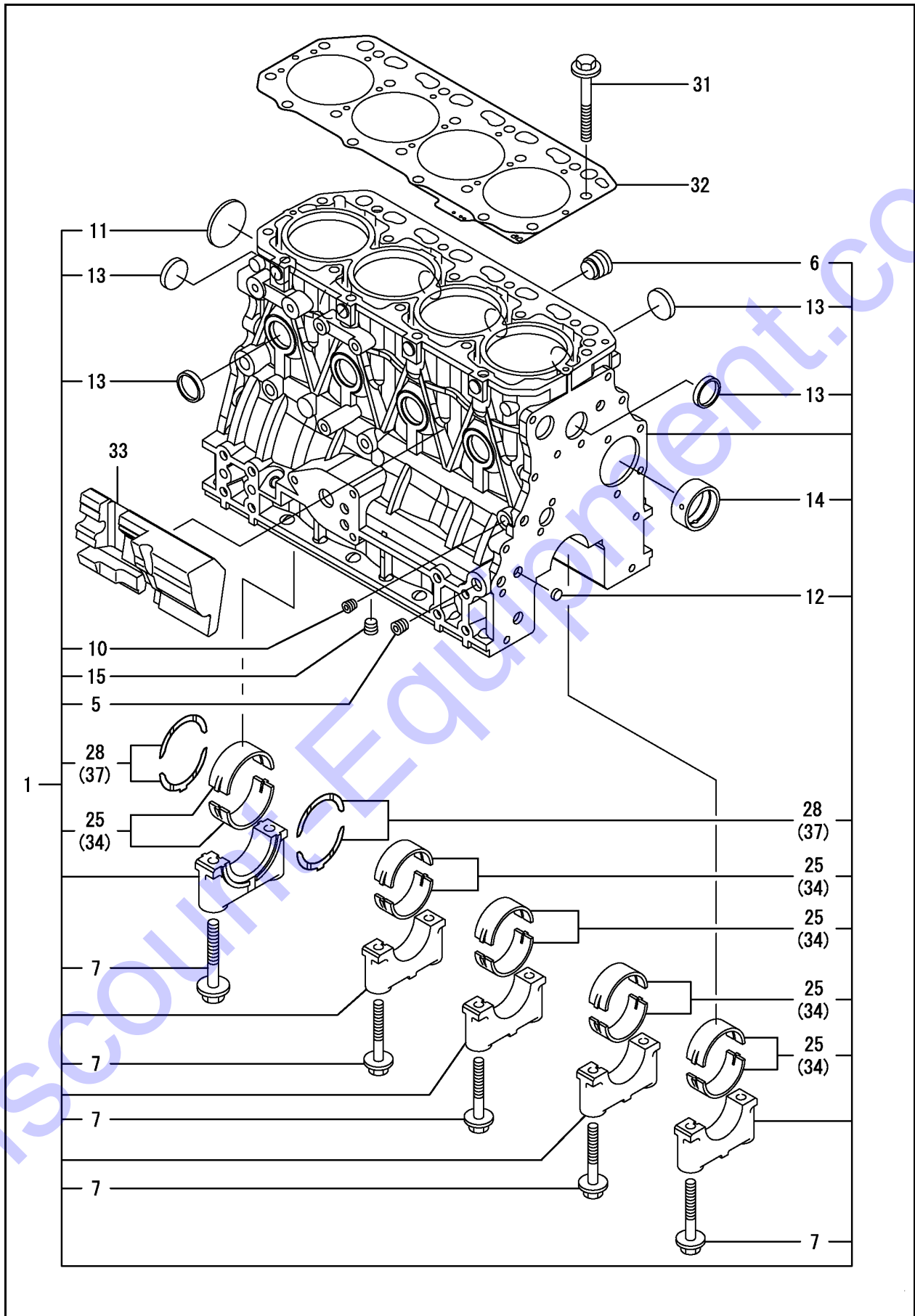


1648 - YANMAR ENGINE
MODEL 4TNV88-BDGP - CYLINDER BLOCK (SN 13208 AND UP)

Ref.	No.	Part No.	Description	Qty.
	1	188768	BLOCK ASSY/CYLINDER	1
	4	425-36240	PLUG	1
	5	425-34722	PLUG	1
	6	425-34730	BOLT	10
	9	197589	CAMSHAFT BEARING	1
	10	425-34726	PLUG 30	8
	11	425-34723	PLUG PT 1/8	1
	12	425-34721	PLUG PT 1/4	2
	13	425-34721	PLUG PT 1/4	1
	14	425-34725	PLUG 12 MM	2
	24	425-34731	THRUST BEARING	2
	27	425-34638	BOLT, CYLINDER HEAD	18
	28	425-36006	GASKET, CYLINDER HEAD	1
	29	425-35931	MAIN BEARING	5
	32	425-34734	MAIN BEARING (US=0.25)	5
	35	270944	THRUST BEARING (OS=0.25)	1

1648 - YANMAR ENGINE

MODEL 4TNV88-XGP - CYLINDER BLOCK (SN 13207 AND BEFORE)

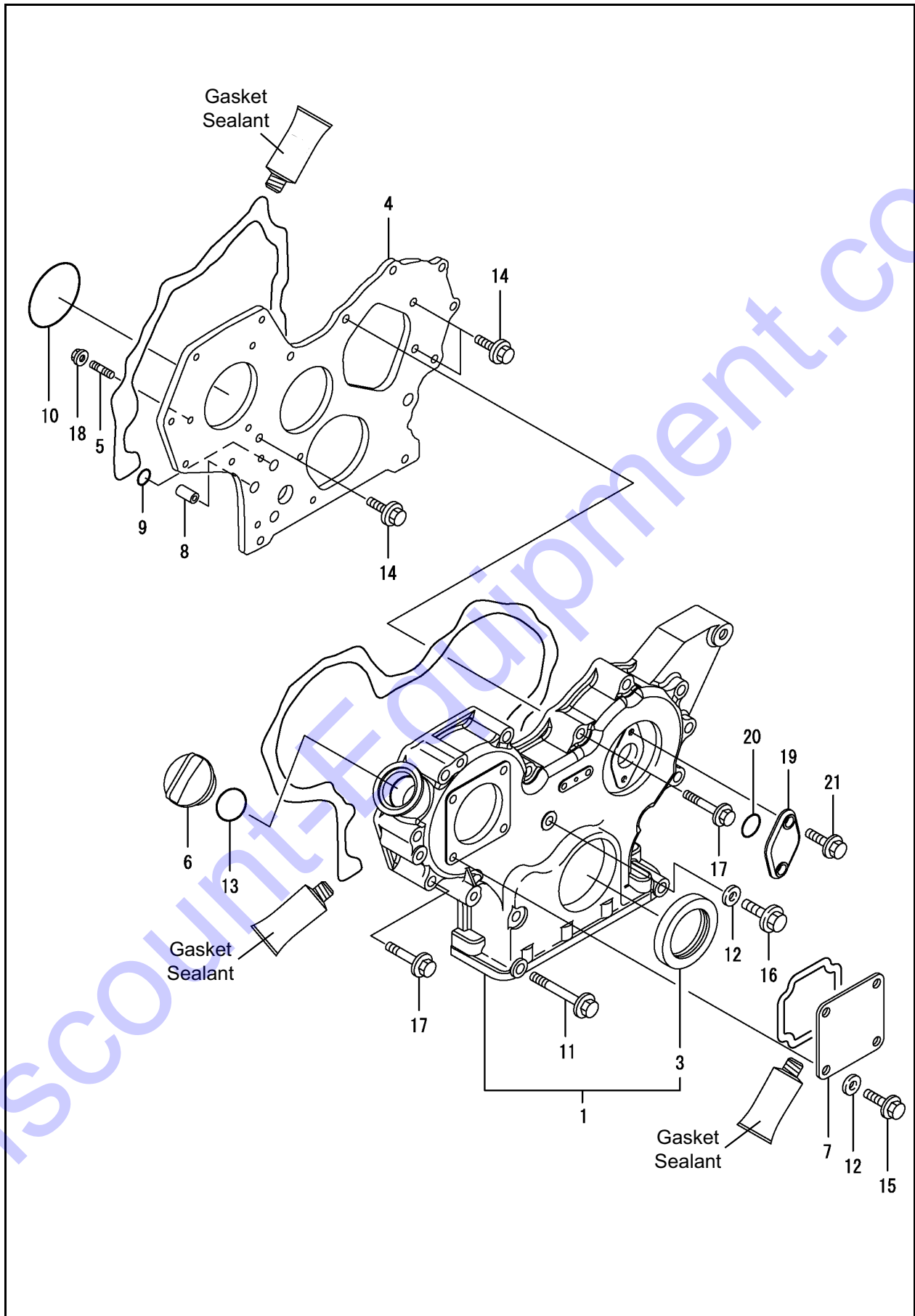


1648 - YANMAR ENGINE
MODEL 4TNV88-XGP - CYLINDER BLOCK (SN 13207 AND BEFORE)

Ref. No.	Part No.	Description	Qty.
5	425-34721	PLUG PT 1/4	2
6	425-34722	PLUG	1
7	425-34730	BOLT	10
10	425-34723	PLUG PT 1/8	1
11	425-36240	PLUG	1
12	425-34725	PLUG 12 MM	2
13	425-34726	PLUG 30 MM	8
14	197589	CAMSHAFT BUSHING	1
15	425-34721	PLUG PT 1/4	1
25	425-35931	MAIN BEARING (SET)	3
28	425-34731	THRUST BEARING	2
31	425-34638	BOLT, CYLINDER HEAD	18
32	425-36006	GASKET, CYLINDER HEAD	1
33	188538	SPACER	1
34	425-34734	MAIN BEARING .025 (US=0.25)	5
37	270944	THRUST BEARING (OS=0.25)	1

1648 - YANMAR ENGINE

MODEL 4TNV88-BDGP - GEAR HOUSING (SN 13208 AND UP)

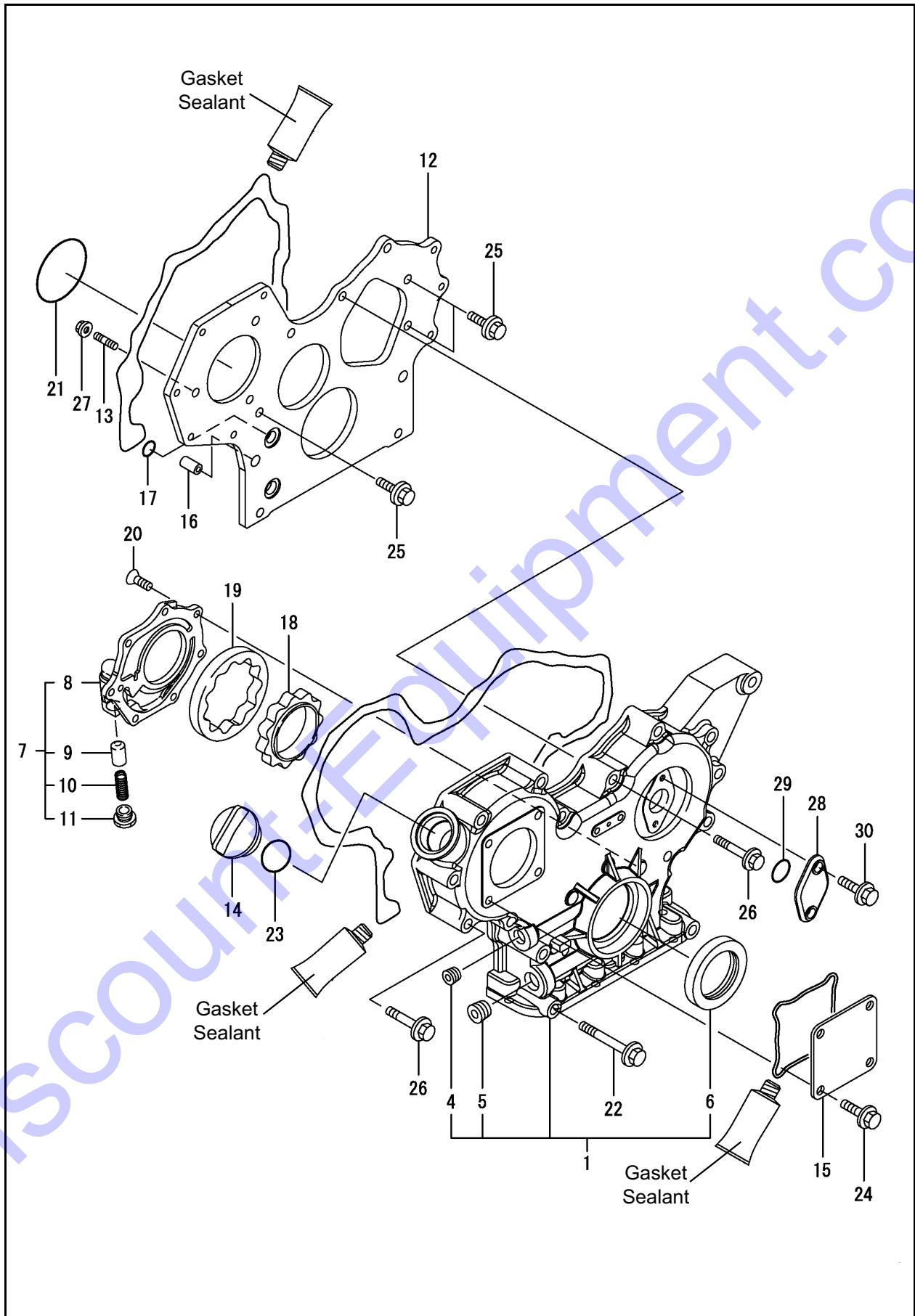


**1648 - YANMAR ENGINE
MODEL 4TNV88-BDGP - GEAR HOUSING (SN 13208 AND UP)**

Ref. No.	Part No.	Description	Qty.
1	197755	GEAR CASE ASSY	1
3	270946	SEAL/OIL	1
4	197771	FLANGE/GEAR CASE	1
5	270948	STUD M8 X 25	3
6	425-34740	FILLER CAP	1
7	425-34741	COVER	1
8	425-34743	KNOCK, PIPE	2
9	188452	O-RING P16	2
10	425-34681	O-RING, GEAR HOUSING	1
11	188537	BOLT/M8X85	3
12	425-34750	WASHER 8, SEAL	5
13	425-34745	O-RING 1A P-32.0	1
13	425-34745	O-RING 1A P-32.0	1
14	425-34733	BOLT M8 X 16 PLATED	3
15	425-34733	BOLT M8 X 16 PLATED	4
16	425-34760	BOLT M8 X 30 PLATED	1
17	425-34748	BOLT M8 X 55 PLATED	12
18	138140	NUT	3
19	270949	COVER	1
20	425-34763	O-RING 1A S-24.0	1
21	425-35164	BOLT M6 X 16 PLATED	2

1648 - YANMAR ENGINE

MODEL 4TNV88-XGP - GEAR HOUSING (SN 13207 AND BEFORE)

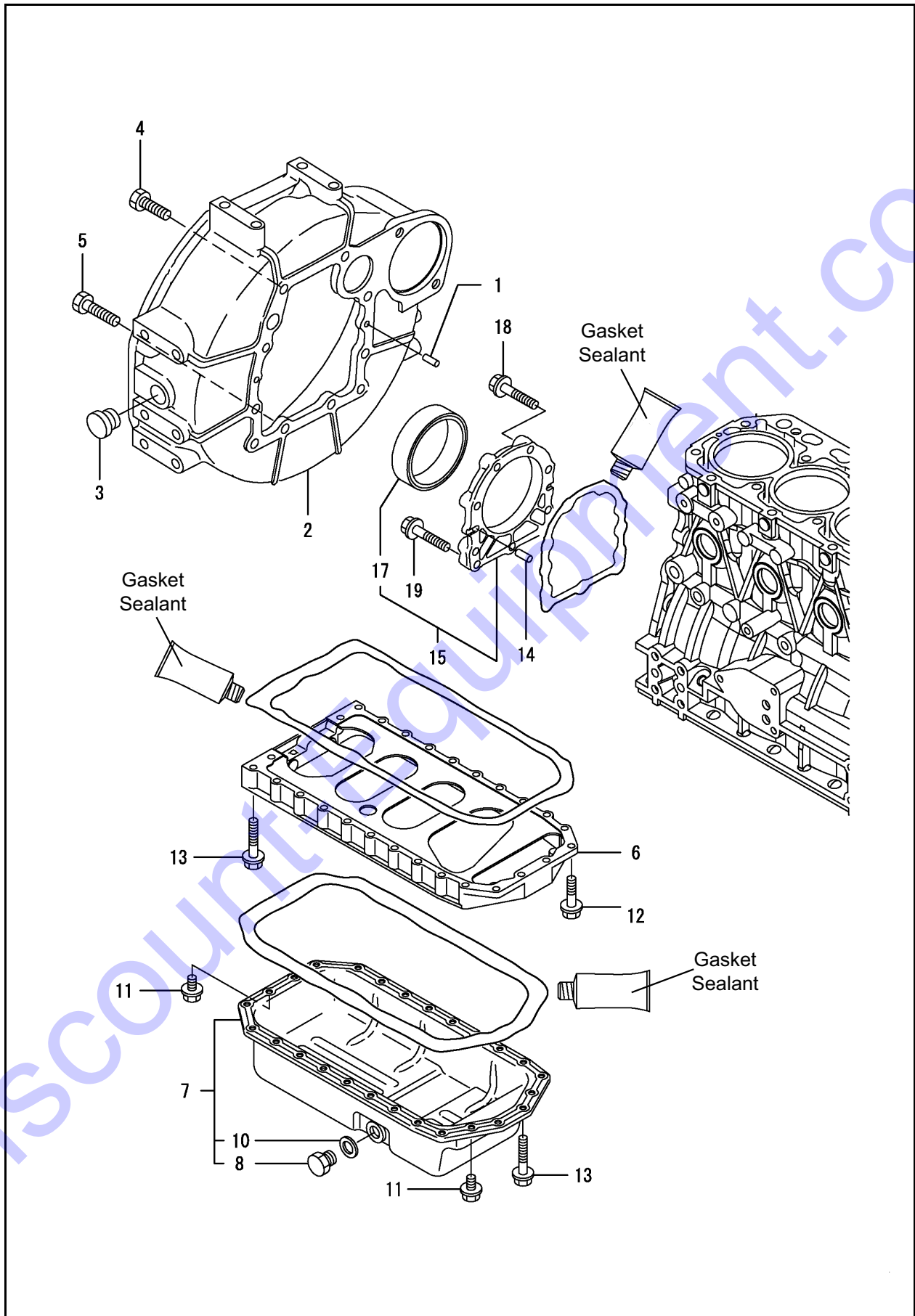


**1648 - YANMAR ENGINE
MODEL 4TNV88-XGP - GEAR HOUSING (SN 13207 AND BEFORE)**

Ref. No.	Part No.	Description	Qty.
1	188760	HOUSINGASSY/GEAR	1
4	425-36260	PLUG	1
5	188723	PLUG PT1/2	1
6	425-34673	SEAL, OIL	1
7	188481	COVER ASSY/PUMP	1
8	188480	COVER/LUB OIL PUMP	1
9	188680	RELIEF VALVE	1
10	188635	SPRING	1
11	188536	PLUG	1
12	188463	FLANGE/GEAR CASE	1
13	270948	STUD M8 X 25	3
14	425-34740	CAP, LUB.-OIL SUPPLY	1
15	425-34741	COVER	1
16	425-34743	PIPE	2
17	188452	O-RINGP16	4
18	188482	ROTOR/INNER	1
19	188483	ROTOR/OUTER	1
20	188484	SCREW/M6X16	7
21	425-34681	O-RING, GEAR HOUSING	1
22	188537	BOLT/M8X85	3
23	425-34745	O-RING 1A P-32.0	1
24	425-34733	BOLT M8 X 16 PLATED	4
25	425-34733	BOLT M8 X 16 PLATED	3
26	425-34748	BOLT M8 X 55 PLATED	12
27	138140	NUT	3
28	270949	COVER	1
29	425-34763	O-RING 1A S-24.0	1
30	425-35164	BOLT M6 X 16 PLATED	2

1648 - YANMAR ENGINE

MODELS 4TNV88-BDGP/4TNV88-XGP - FLYWHEEL HOUSING AND OIL SUMP

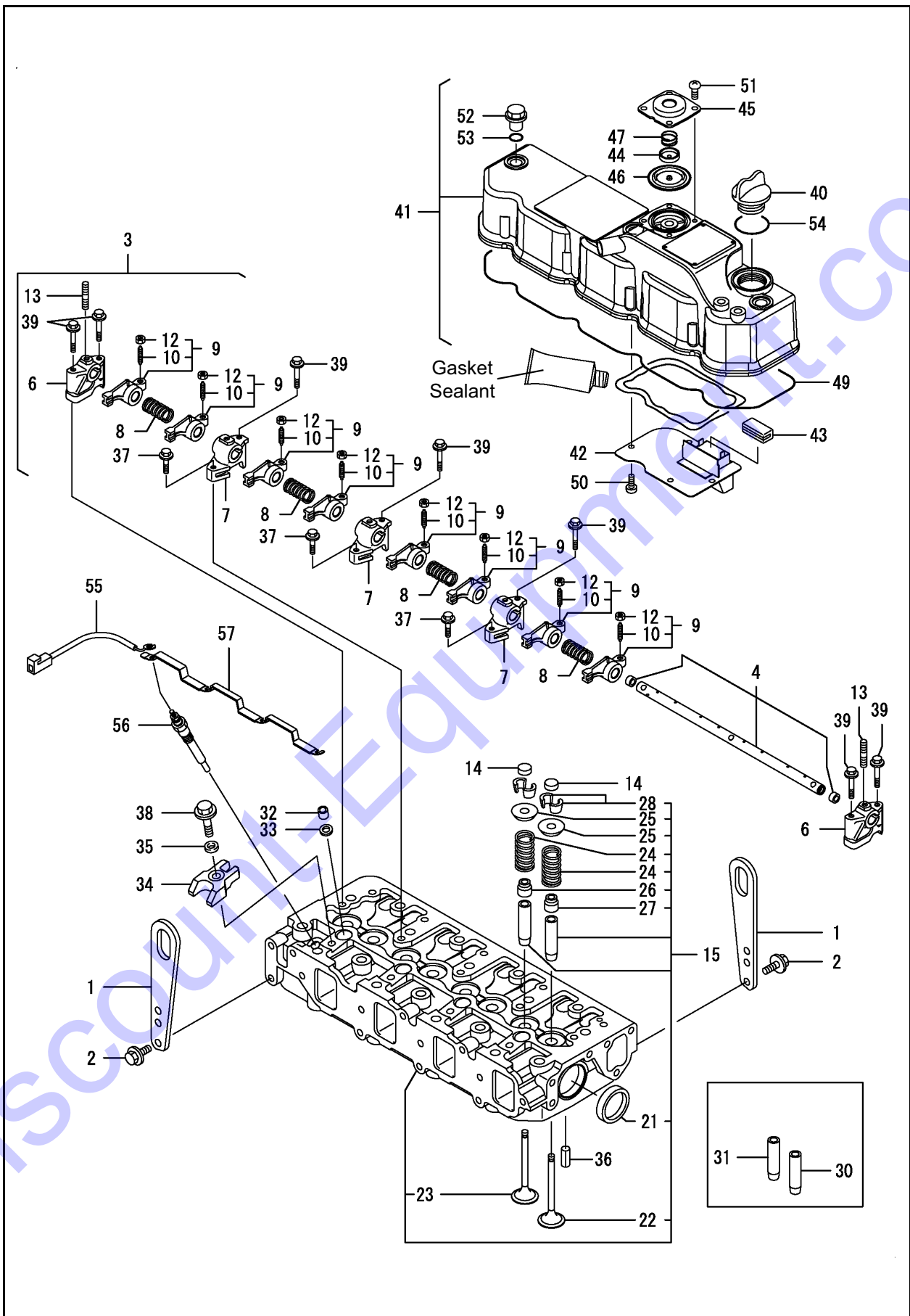


**1648 - YANMAR ENGINE
MODELS 4TNV88-BDGP/4TNV88-XGP - FLYWHEEL HOUSING AND OIL SUMP**

Ref. No.	Part No.	Description	Qty.
1	188573	PARALLEL PIN 8 X 16	2
2	425-34754	HOUSING, FLYWHEEL	1
3	425-34756	CAP, FILLER	1
4	188749	BOLT M10 X 25	6
5	188750	BOLT/M10X30	4
6	425-34764	SPACER, SUMP	1
7	425-36087	OIL PAN ASY	1
8	425-36121	SCREW	1
10	138113	SEAL WASHER	1
11	425-34733	BOLT M8 X 16 PLATED	4
12	425-34765	BOLT M8 X 25 PLATED	2
13	425-34747	BOLT M8 X 45 PLATED	24
14	188573	PARALLEL PIN 8 X 16	2
15	188574	ASSY/OIL SEAL	1
17	425-34759	OIL SEAL	1
18	188640	BOLT M8X30/COLLAR HEAD	6
19	425-34761	BOLT M8 X 35 PLATED	3

1648 - YANMAR ENGINE

MODELS 4TNV88-BDGP/4TNV88-XGP - CYLINDER HEAD AND COVER

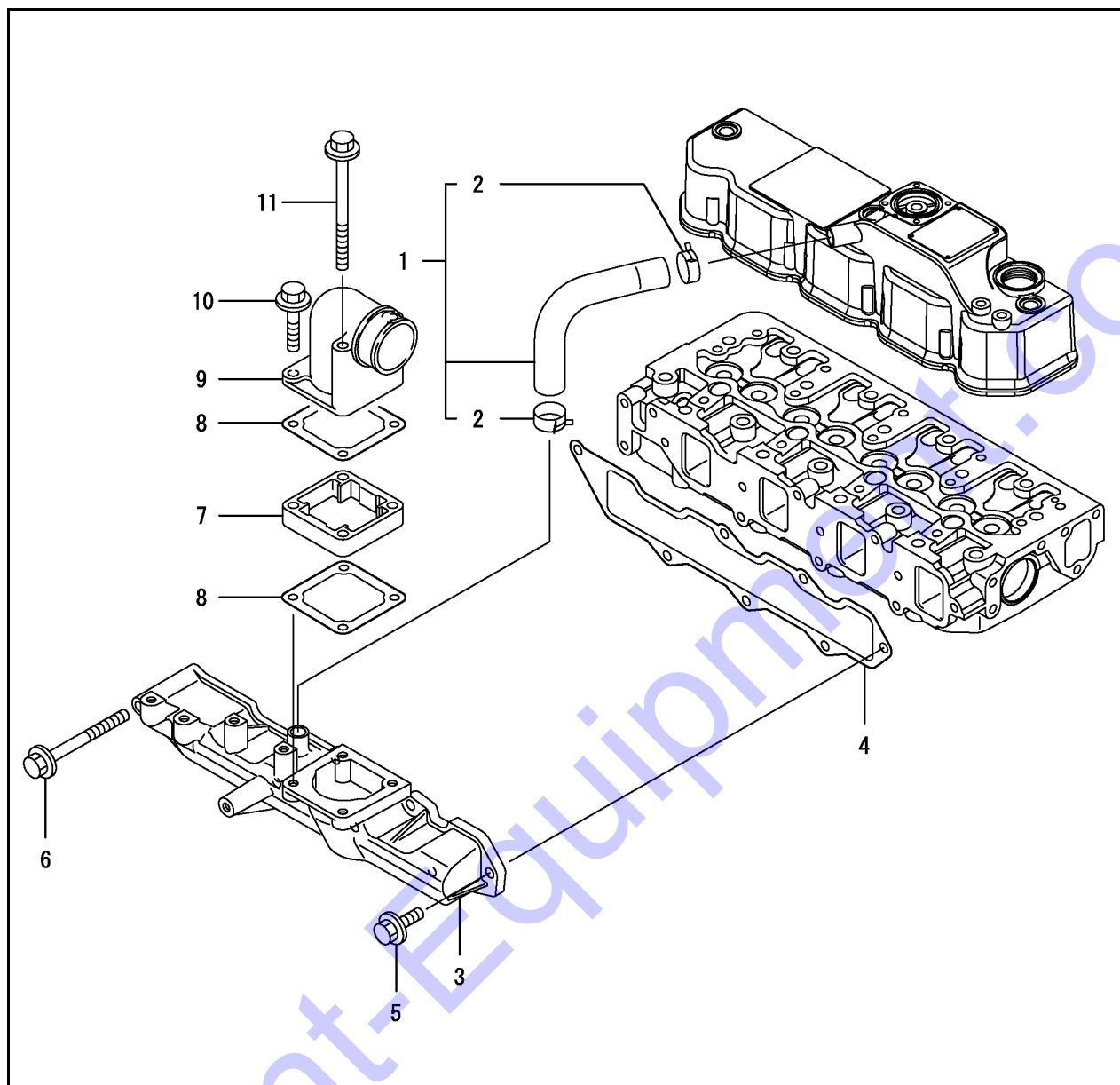


**1648 - YANMAR ENGINE
MODELS 4TNV88-BDGP/4TNV88-XGP - CYLINDER HEAD AND COVER**

Ref. No.	Part No.	Description	Qty.	Ref. No.	Part No.	Description	Qty.
1	188679	LIFT BRACKET	2	34	188545	RETAINER/NOZZLE	4
2	425-34733	BOLT M8 X 16 PLATED	4	35	188502	WASHER	4
3	188655	SHAFT ASSY/ROCKER	1	36	425-34783	SPRING PIN 6 X 12	2
4	188656	SHAFT	1	37	425-34765	BOLT M8 X 25 PLATED	3
6	188470	SUPPORT/ROCKER ARM	2	38	425-34761	BOLT M8 X 35 PLATED	4
7	188471	SUPPORT/ROCKER ARM	3	39	425-34766	BOLT M8 X 50 PLATED	7
8	188597	SPRING	4	40	425-34740	FILLER CAP	1
9	188544	ARM ASSY/ROCKER	8	41	188658	COVER ASSY	1
10	188596	SCREW, VALVE	8	42	188539	BAFFLE PLATE	1
12	425-34791	NUT M8 X P-1.0	8	43	425-34769	BAFFLE	1
13	425-34793	STUD M8 X 18 PLATED	3	44	188465	PLATE/DIAPHRAGM	1
14	425-34782	CAP, VALVE	8	45	188466	COVER/DIAPHRAGM	1
15	197815	HEAD ASSY, CYLINDER (YANMAR ENGINE MODEL 4TNV88-BDGP) (SN 13208 AND UP)	1	46	188467	DIAPHRAGM	1
15	188666	HEAD ASSY, CYLINDER (YANMAR ENGINE MODEL 4TNV88-XGP) (SN 13207 AND BEFORE)	1	47	188469	SPRING/DIAPHRAGM	1
21	425-34779	PLUG 40	2	49	188657	GASKET/COVER	1
22	188559	VALVE/INTAKE	4	50	186598	SCREW 5X10 TAPPING	4
23	425-34639	VALVE, EXHAUST	4	51	186598	SCREW 5X10 TAPPING	4
24	425-34643	SPRING, VALVE	8	52	425-34775	KNOB	3
25	425-34644	RETAINER, SPRING	8	53	425-34776	O-RING 1A P-12.0	3
26	188507	SEAL/VALVE STEM	4	54	425-34745	O-RING 1A P-32.0	1
27	425-34645	SEAL, VALVE STEM	4	55	270953	HARNESS/GLOW PLUG (YANMAR ENGINE MODEL 4TNV88-BDGP) (SN 13208 AND UP)	1
28	425-34646	COTTER 8	8	56	270951	PLUG/GLOW (YANMAR ENGINE MODEL 4TNV88-BDGP) (SN 13208 AND UP)	4
30	425-34642	GUIDE, SUCTION VALVE	4	57	197847	CONNECTOR/GLOW PLUG (YANMAR ENGINE MODEL 4TNV88-BDGP) (SN 13208 AND UP)	1
31	425-34641	GUIDE, EXHAUST VALVE	4				
32	186337	PROTECTOR NOZZLE	4				
33	425-34796	SEAL	4				

1648 - YANMAR ENGINE

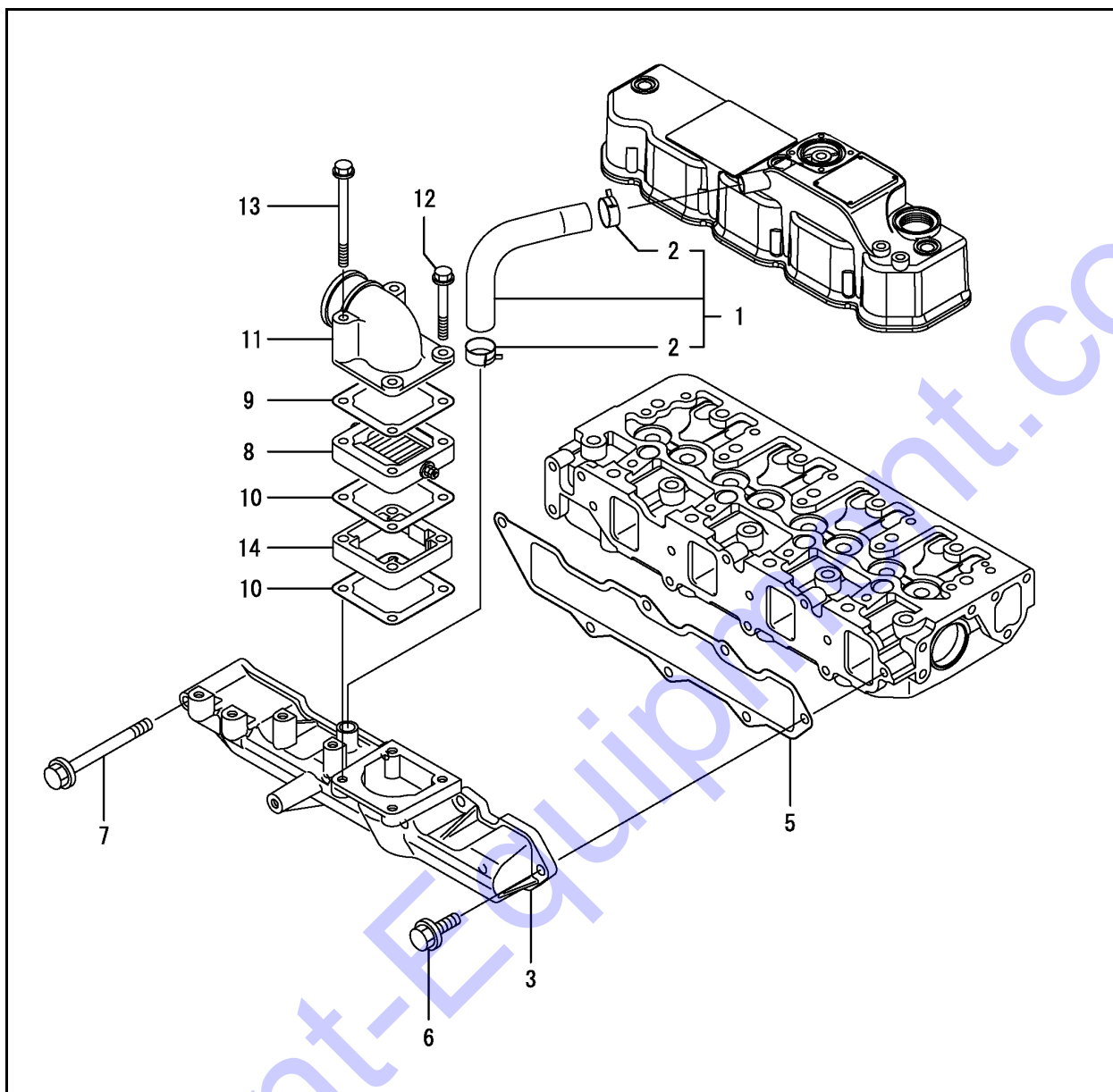
MODEL 4TNV88-BDGP - INTAKE MANIFOLD (SN 13208 AND UP)



Ref. No.	Part No.	Description	Qty.
1	188558	PIPE/BREATHER	1
2	188632	CLAMP, 24MM	2
3	203934	INTAKE MANIFOLD	1
4	425-35934	GASKET, INTAKE MANIFOLD	1
5	425-34746	BOLT M8 X 20 PLATED	6
6	425-34800	BOLT M8 X 80 PLATED	1

Ref. No.	Part No.	Description	Qty.
7	176145	SPACER	1
8	425-34649	GASKET/AIR HEATER	2
9	270954	BEND	1
10	188742	BOLT M8 X 40 PLATED	2
11	176144	BOLT M8 X 100 PLATED	2

**1648 - YANMAR ENGINE
MODEL 4TNV88-XGP - INTAKE MANIFOLD (SN 13207 AND BEFORE)**

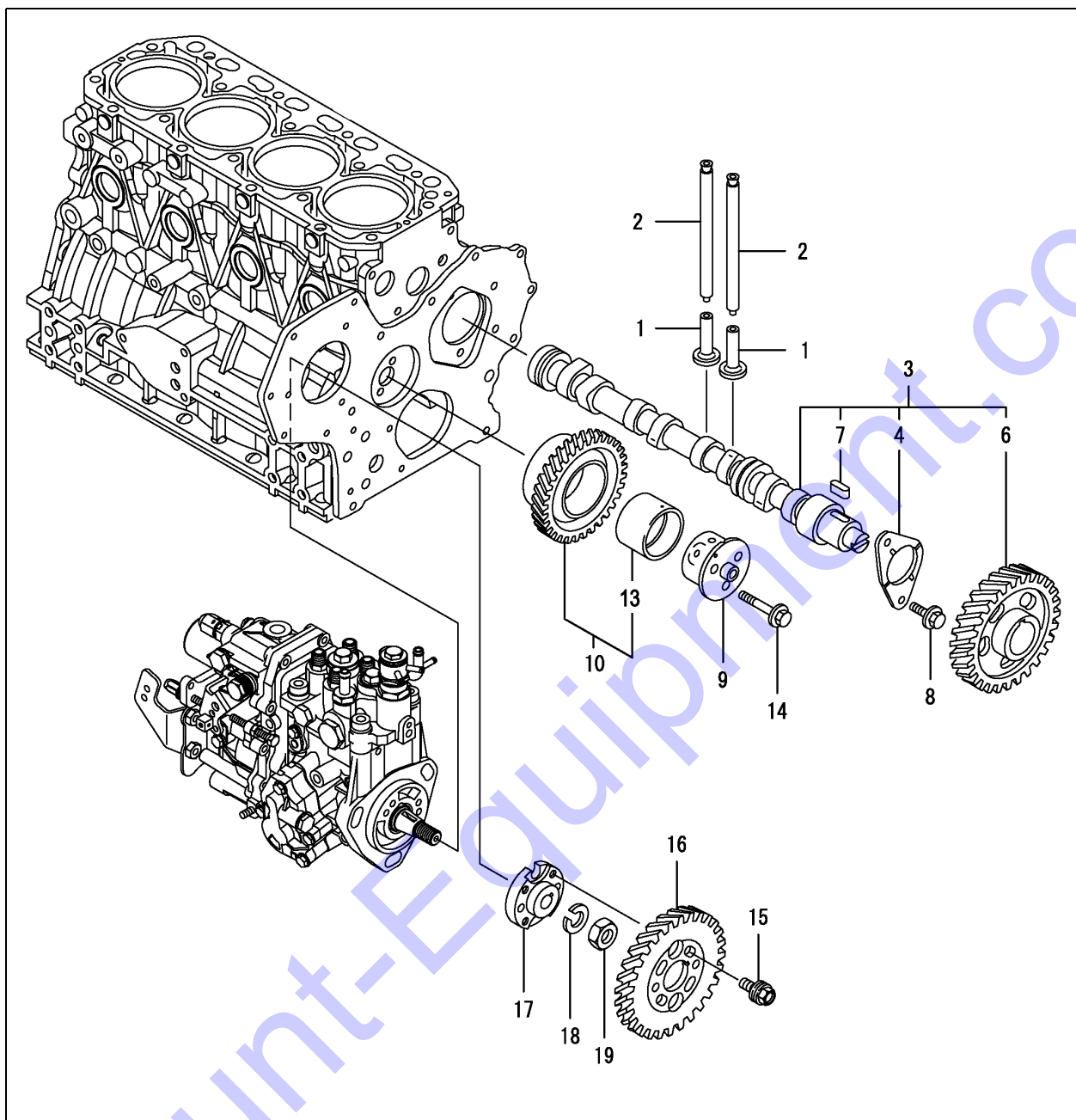


Ref. No.	Part No.	Description	Qty.
1	188558	PIPE/BREATHER	1
2	188632	CLAMP, 22 MM	2
3	192303	MANIFOLD/INTAKE	1
5	425-35934	GASKET, INTAKE MANIFOLD	1
6	425-34746	BOLT M8 X 20 PLATED	6
7	425-34800	BOLT M8 X 80 PLATED	1
8	197498	HEATER/AIR	1

Ref. No.	Part No.	Description	Qty.
9	425-34803	PACKING	1
10	425-34649	GASKET/AIR HEATER	2
11	425-34804	BEND	1
12	425-34838	BOLT M8 X 60 PLATED	2
13	176144	BOLT M8 X 100 PLATED	2
14	176145	SPACER	1

1648 - YANMAR ENGINE

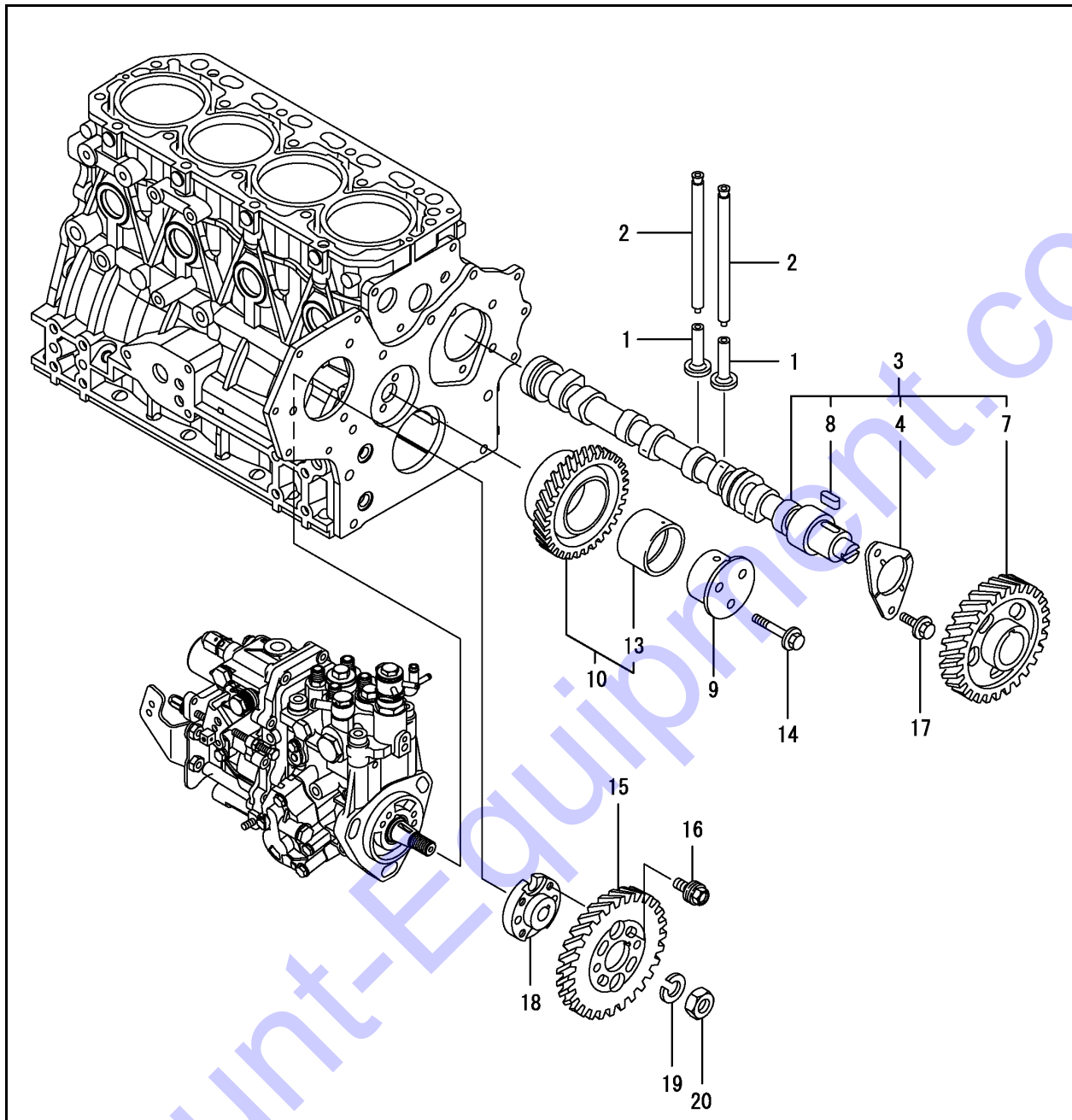
MODEL 4TNV88-BDGP - CAMSHAFT AND DRIVING GEAR (SN 13208 AND UP)



Ref. No.	Part No.	Description	Qty.	Ref. No.	Part No.	Description	Qty.
1	425-34808	TAPPET	8	10	270957	GEAR/IDLE ASSY	1
2	188603	ROD/PUSH	8	13	270958	BUSH/IDLE GEAR	1
3	425-34806	CAMSHAFT ASSEMBLY	1	14	188742	BOLT M8 X 40 PLATED	3
4	425-34656	BEARING THRUST	1	15	425-36187	BOLT	4
6	425-34807	GEAR, CAMSHAFT	1	16	188479	GEAR/PUMP	1
7	425-34810	KEY 7X14	1	17	188692	FLANGE	1
8	188736	BOLT/M8X14 PLATED	2	18	188712	SPRING/WASHER 14	1
9	270956	SHAFT/IDLE GEAR	1	19	188755	NUT/LOCK M14 PLATED	1

1648 - YANMAR ENGINE

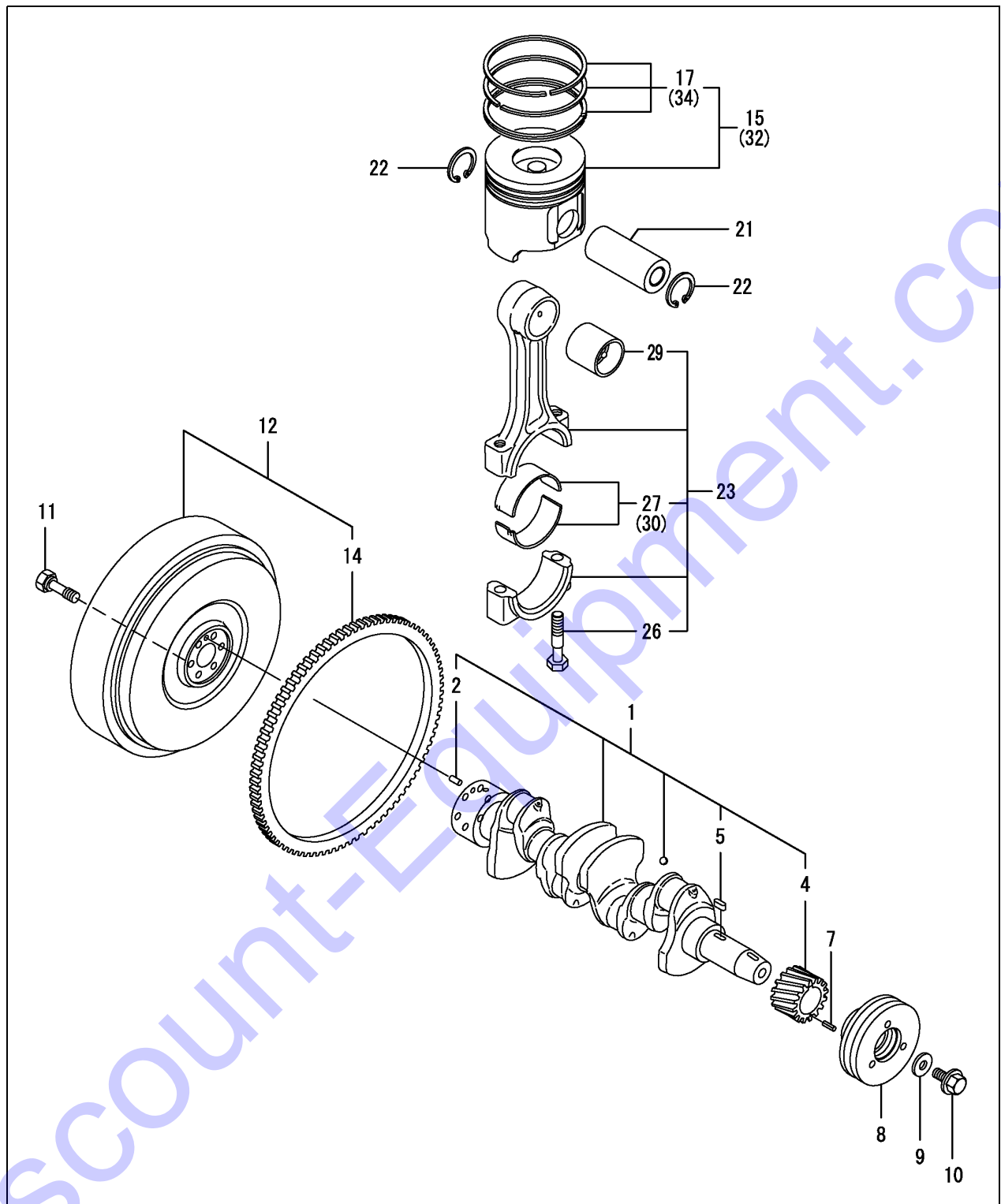
MODEL 4TNV88-XGP - CAMSHAFT AND DRIVING GEAR (SN 13207 AND BEFORE)



Ref. No.	Part No.	Description	Qty.	Ref. No.	Part No.	Description	Qty.
1	425-34808	TAPPET	8	13	270958	BUSH/IDLE GEAR	1
2	188603	ROD/PUSH	8	14	188742	BOLT M8 X 40 PLATED	3
3	425-34806	CAMSHAFT ASSEMBLY	1	15	188479	GEAR/PUMP	1
4	425-34656	THRUST BEARING	1	16	425-36187	BOLT	4
7	425-34807	GEAR, CAMSHAFT	1	17	188736	BOLT/M8X14 PLATED	2
8	425-34810	KEY 7X14	1	18	188692	FLANGE	1
9	188476	SHAFT/IDLE GEAR	1	19	188712	SPRING/WASHER 14	1
10	270957	GEAR/IDLE ASSY	1	20	188755	NUT/LOCK M14 PLATED	1

1648 - YANMAR ENGINE

MODELS 4TNV88-BDGP/4TNV88-XGP - CRANKSHAFT AND PISTON

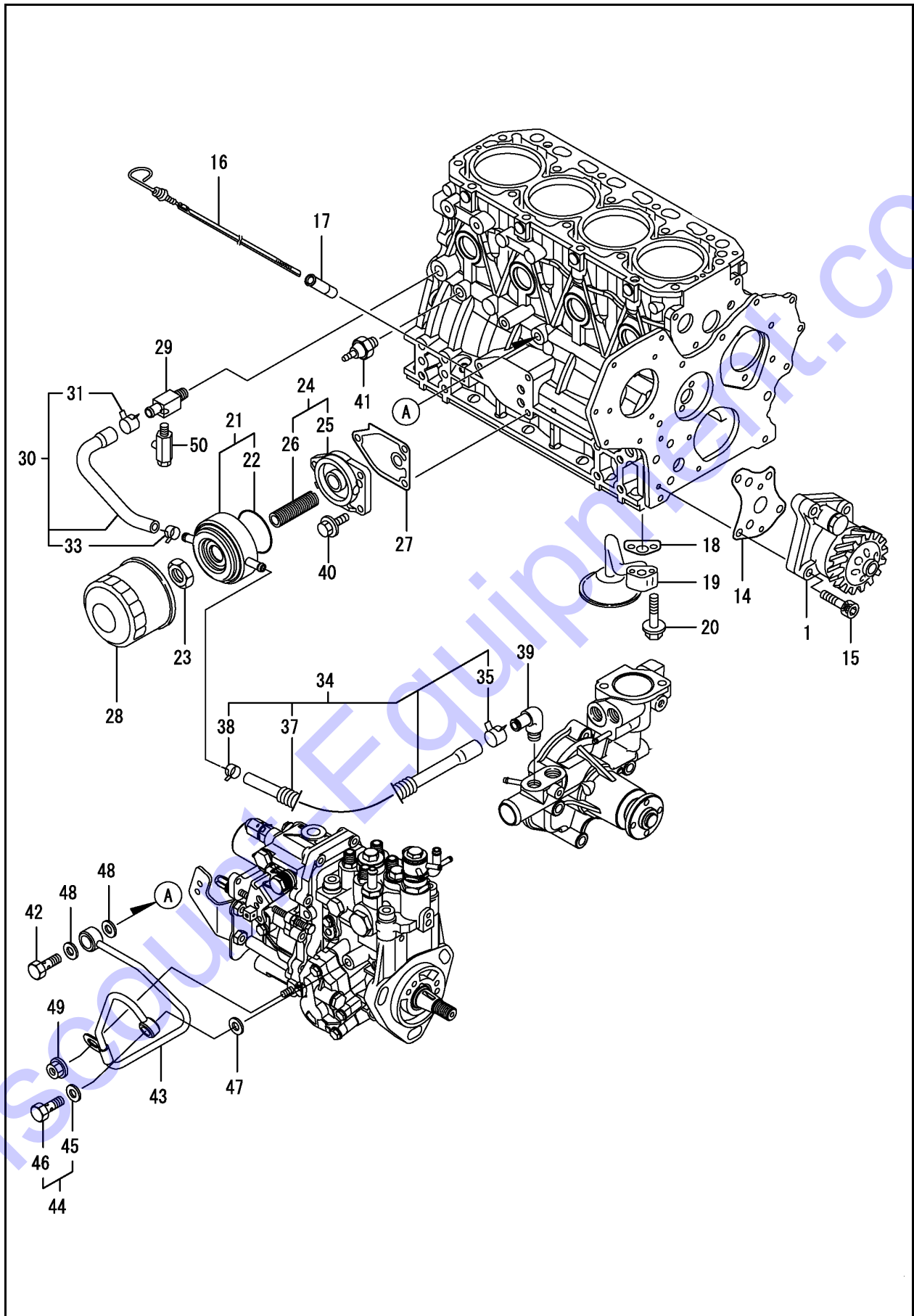


Ref. No.	Part No.	Description	Qty.	Ref. No.	Part No.	Description	Qty.
1	197851	CRANKSHAFT ASSY (YANMAR ENGINE MODEL 4TNV88-BDGP) (SN 13208 AND UP)	1	4	270960	GEAR/CRANKSHAFT (YANMAR ENGINE MODEL 4TNV88-BDGP) (SN 13208 AND UP)	1
1	188660	CRANKSHAFT ASSY (YANMAR ENGINE MODEL 4TNV88-XGP) (SN 13207 AND BEFORE)	1	4	188473	GEAR/CRANKSHAFT (YANMAR ENGINE MODEL 4TNV88-XGP) (SN 13207 AND BEFORE)	1
2	188573	PARALLEL PIN 8X16	1	5	425-34810	KEY 7 X 14	1

**1648 - YANMAR ENGINE
MODELS 4TNV88-BDGP/4TNV88-XGP - CRANKSHAFT AND PISTON**

Ref. No.	Part No.	Description	Qty.	Ref. No.	Part No.	Description	Qty.
7	138117	PIN/SPRING	1	21	425-35936	PIN, PISTON	4
8	188475	V-PULLEY/CRANKSHAFT	1	22	425-35937	CIRCLIP, 26	8
9	425-34817	WASHER	1	23	425-34698	CONNECTING ROD ASSEMBLY	4
10	425-34818	BOLT	1	26	425-34659	BOLT, ROD	8
11	425-34693	BOLT, FLYWHEEL MOUNT	6	27	270961	CRANKPIN/METAL	4
12	188707	FLYWHEEL ASSY	1	29	425-34699	BUSHING, PISTON PIN	4
14	425-34694	RING GEAR	1	30	270962	PIN/METAL (US=0.25)	4
15	188562	PISTON ASSY	4	32	188564	PISTON W/RING (US=0.25)	4
17	188563	RING SET/PISTON	4	34	188565	RING SET (OS=0.25)	4

1648 - YANMAR ENGINE
MODEL 4TNV88-BDGP - LUB. OIL SYSTEM (SN 13208 AND UP)

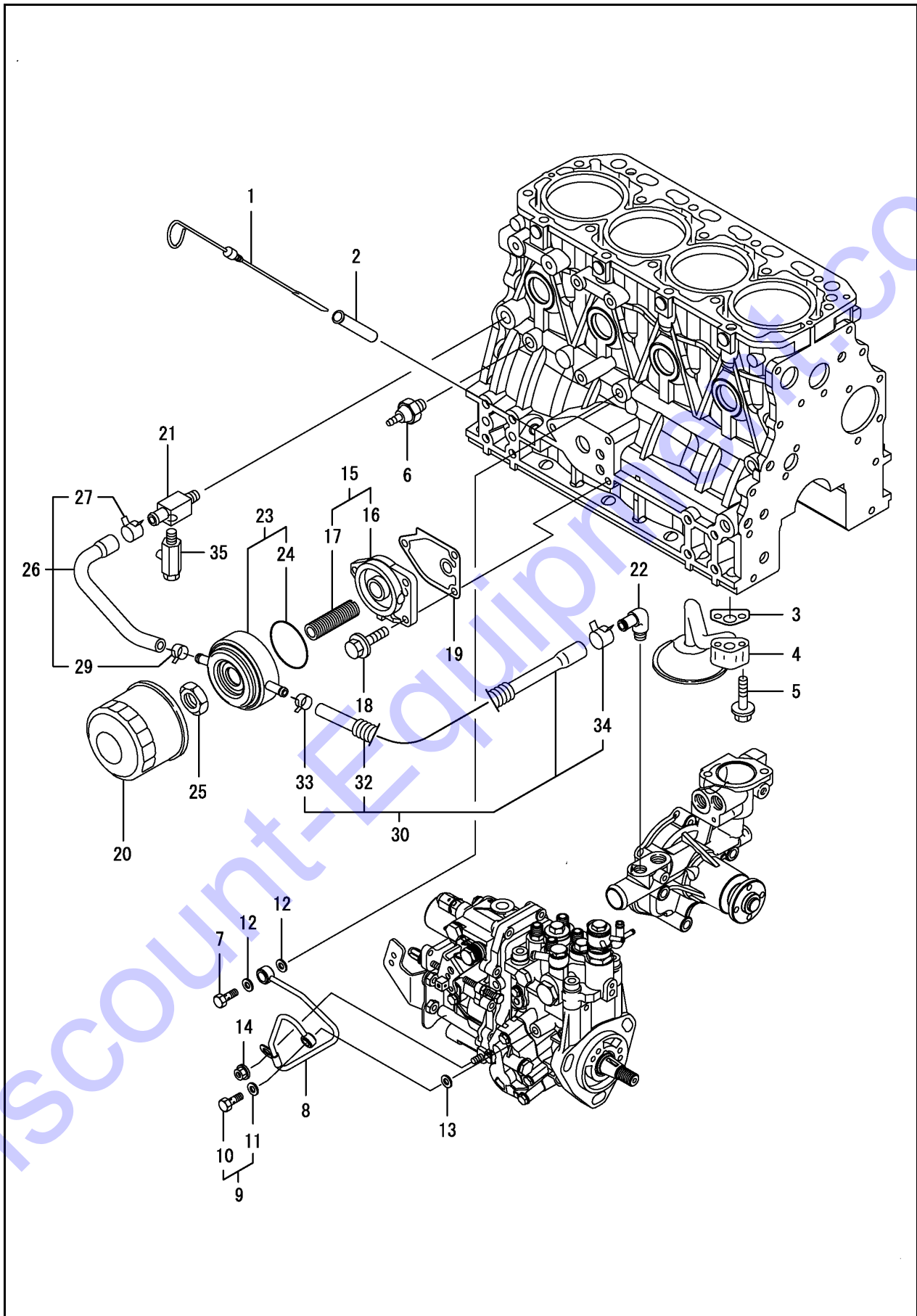


1648 - YANMAR ENGINE
MODEL 4TNV88-BDGP - LUB. OIL SYSTEM (SN 13208 AND UP)

Ref. No.	Part No.	Description	Qty.	Ref. No.	Part No.	Description	Qty.
1	425-34700	OIL PUMP ASSEMBLY	1	31	188693	CLAMP 18.5	1
14	425-34701	GASKET, OIL PUMP	1	33	188717	CLAMP	1
15	425-34823	BOLT M6 X 25	4	34	188651	PIPE	1
16	176147	DIPSTICK/LUBE OIL	1	35	188693	CLAMP 18.5	1
17	176148	GUIDE/DIPSTICK	1	37	188499	PROTECTOR/PIPE 19	1
18	425-34828	GASKET	1	38	188717	CLAMP	1
19	192277	PIPE ASSY/LUB. OIL	1	39	188584	ELBOW PT1/4	1
20	425-34761	BOLT M8 X 35 PLATED	2	40	425-34746	BOLT M8 X 20 PLATED	3
21	188649	OIL COOLER ASSY	1	41	425-34684	SWITCH, OIL PRESSURE	1
22	192279	O-RING	1	42	425-34835	BOLT, PIPE JOINT	1
23	188633	OIL COOLER NUT	1	43	188487	PIPE ASSY/LUB OIL	1
24	188566	BRACKET ASSY/FILTER	1	44	186468	BOLT ASSY JOINT	1
25	188486	BRACKET/FILTER	1	45	425-34750	WASHER 8, SEAL	1
26	188634	STUD	1	46	186600	JOINT BOLT 3	1
27	425-34831	GASKET	1	47	425-34750	WASHER 8, SEAL	1
28	195568	ENGINE OIL FILTER	1	48	425-35958	SEAL WASHER 10S	2
29	188567	JOINT	1	49	425-34781	NUT M6	1
30	188650	PIPE	1	50	425-36264	VALVE ASSY 1/4	1

1648 - YANMAR ENGINE

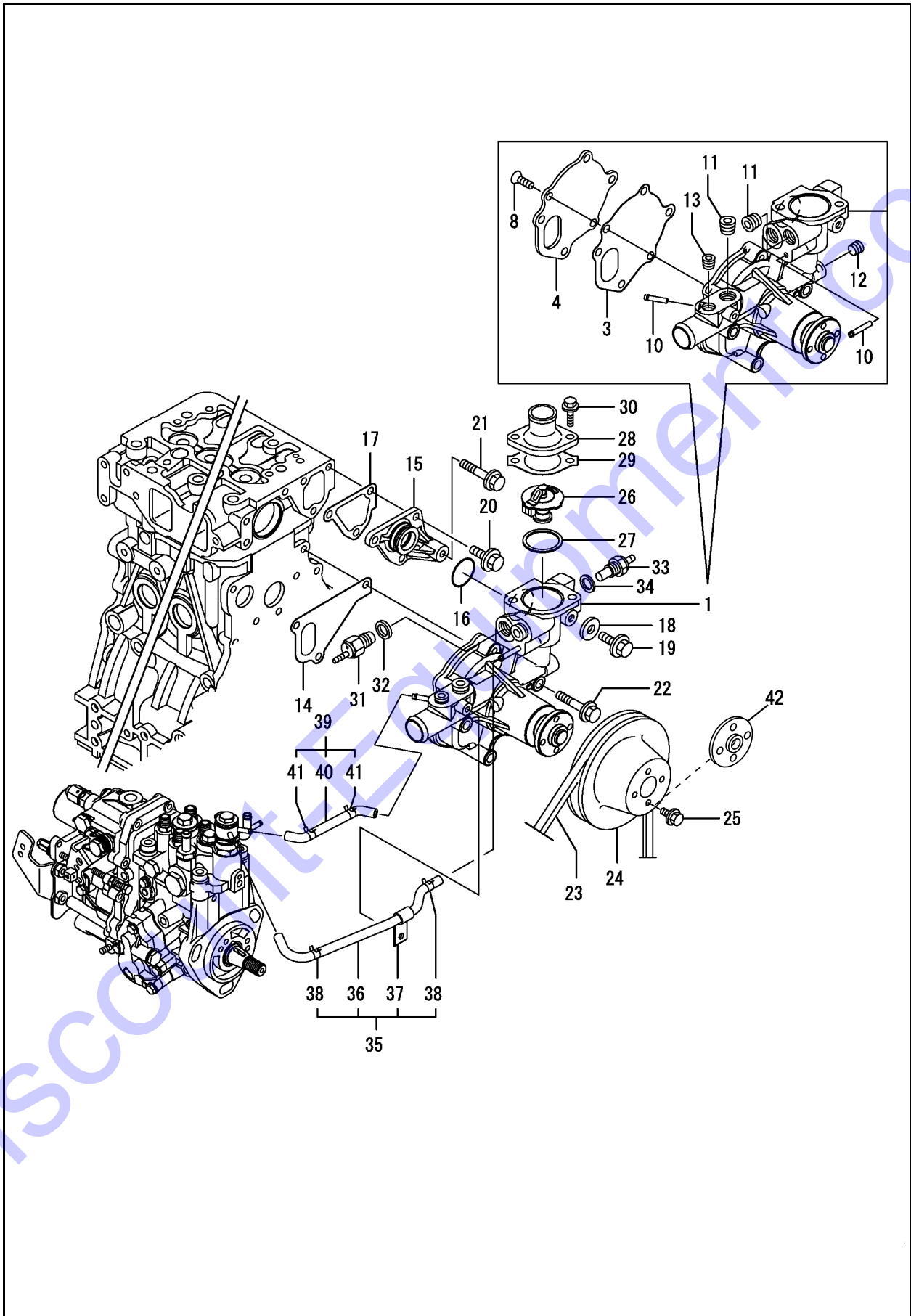
MODEL 4TNV88-XGP - LUB. OIL SYSTEM (SN 13207 AND BEFORE)



**1648 - YANMAR ENGINE
MODEL 4TNV88-XGP - LUB. OIL SYSTEM (SN 13207 AND BEFORE)**

Ref. No.	Part No.	Description	Qty.	Ref. No.	Part No.	Description	Qty.
1	176147	DIPSTICK/LUBE OIL	1	18	425-34746	BOLT M8 X 20 PLATED	3
2	176148	GUIDE/DIPSTICK	1	19	425-34831	GASKET	1
3	425-34828	GASKET	1	20	195568	ENGINE OIL FILTER	1
4	192277	PIPE ASSY/LUB. OIL	1	21	188567	JOINT	1
5	425-34761	BOLT M8 X 35 PLATED	2	22	188584	ELBOW PT 1/4	1
6	425-34684	SWITCH, OIL PRESSURE	1	23	188649	COOLER ASSY/OIL	1
7	425-34835	BOLT, PIPE JOINT	1	24	192279	O-RING	1
8	188487	PIPE ASSY/LUB OIL	1	25	188633	NUT	1
9	186468	BOLT ASSY JOINT	1	26	188650	PIPE/COOLER IN	1
10	186600	JOINT BOLT 3	1	27	188693	CLAMP 18.5	1
11	425-34750	WASHER 8, SEAL	1	29	188717	CLAMP	1
12	425-35958	SEAL WASHER 10S	2	30	188651	PIPE/COOLER OUT	1
13	425-34750	WASHER 8, SEAL	1	32	188499	PROTECTOR/PIPE 19	1
14	425-34781	NUT M6	1	33	188717	CLAMP	1
15	188566	BRACKET ASSY/FILTER	1	34	188718	CLAMP 18	1
16	188486	BRACKET/FILTER	1	35	425-36264	VALVE ASSY	1
17	188634	STUD	1				

1648 - YANMAR ENGINE
MODELS 4TNV88-BDGP/4TNV88-XGP - COOLING SYSTEM

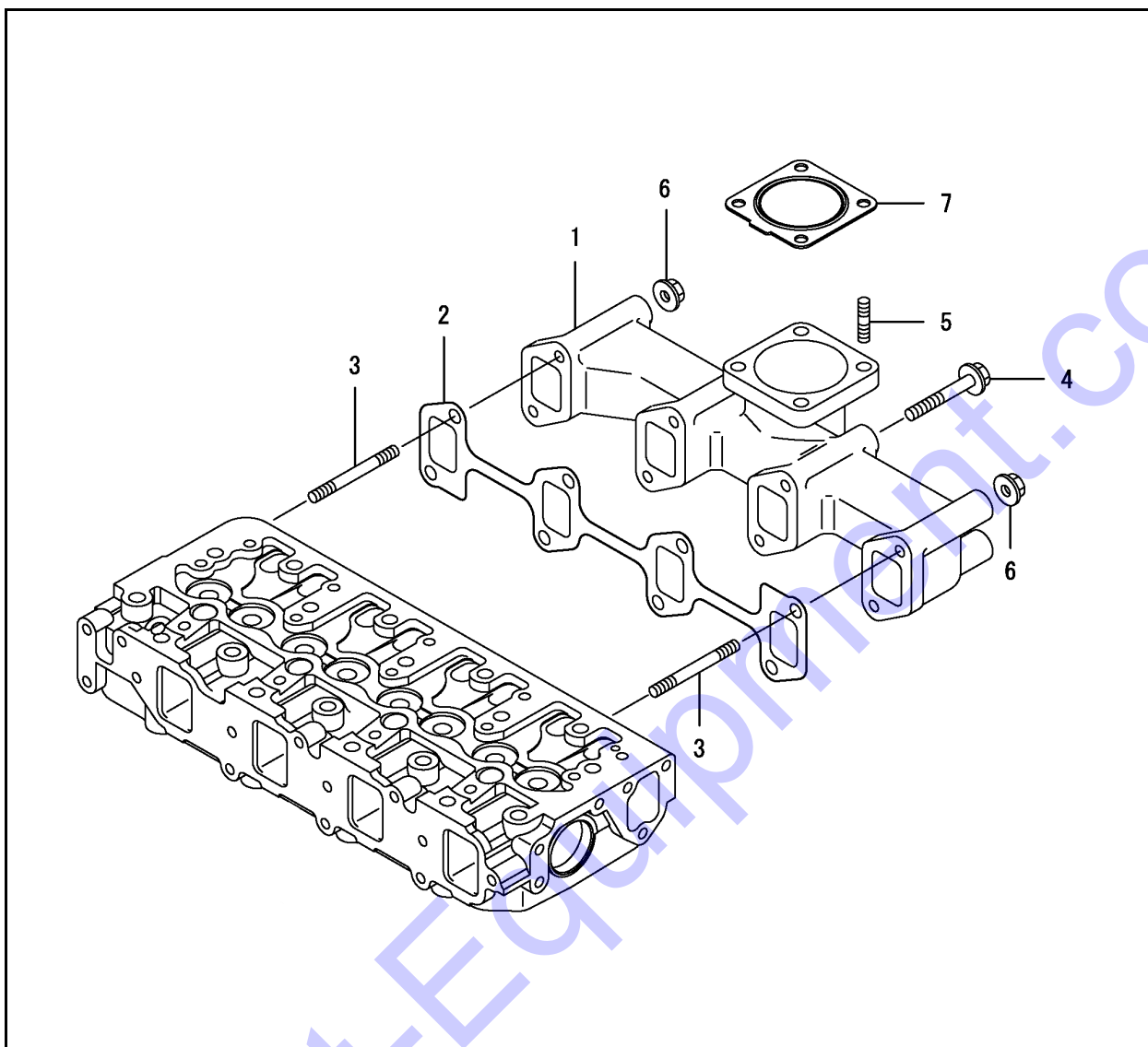


**1648 - YANMAR ENGINE
MODELS 4TNV88-BDGP/4TNV88-XGP - COOLING SYSTEM**

Ref. No.	Part No.	Description	Qty.	Ref. No.	Part No.	Description	Qty.
1	188549	PUMP ASSY/WATER	1	25	186615	BOLT M 6X 12 PLATED	4
3	188578	GASKET/NON-ASB	1	26	425-36018	THERMOSTAT	1
4	188579	PLATE	1	27	425-34705	GASKET, LOWER	1
8	188512	SCREW	3	28	425-34843	COVER, THERMOSTAT	1
10	188488	JOINT	2	29	425-34704	GASKET, UPPER	1
11	188686	PLUG/DRAIN	2	30	138520	BOLT M8X22 PLATED	2
12	425-36239	PLUG	1	31	425-34683	SWITCH, THERMOSTATE 110° C	1
13	186602	PLUG 1/4	1	32	160427	SEAL	1
14	425-36263	GASKET	1	33	138076	THERMOMETER	1
15	188550	JOINT	1	34	425-34707	SEAL RING	1
16	425-36262	O-RING	1	35	188551	PIPE ASSY/AMP2	1
17	425-34849	GASKET, CASE	1	36	188553	PIPE ASSY/AMP2	1
18	425-34727	PACKING 8	1	37	186339	CLAMP CW-T	1
19	425-34729	BOLT M8 X 12 PLATED	1	38	186464	CLAMP 9	2
20	425-34733	BOLT M8 X 16 PLATED	3	39	188552	PIPE ASSY/BMP2	1
21	425-34747	BOLT M8 X 45 PLATED	1	40	188554	PIPE/WATER BMP2	1
22	425-34838	BOLT M8 X 60 PLATED	3	41	186464	CLAMP 9	2
23	188730	V-BELT	1	42	203171	SPACER (18MM)	1
24	190814	PULLEY/V-GROOVED 130 MM	1				

1648 - YANMAR ENGINE

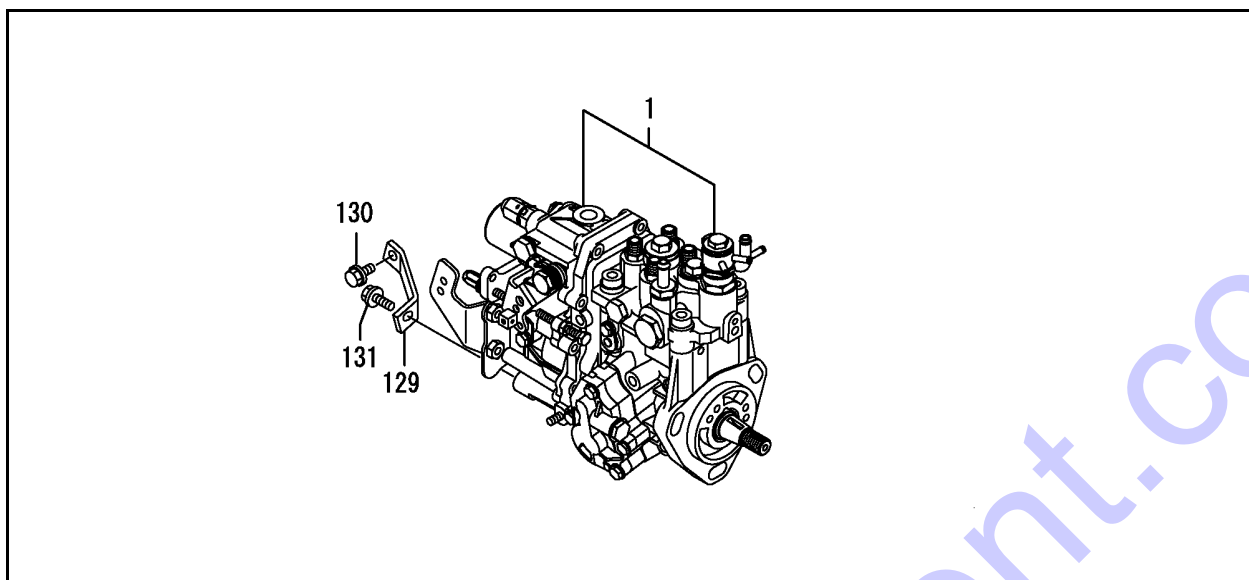
MODELS 4TNV88-BDGP/4TNV88-XGP - EXHAUST MANIFOLD



Ref. No.	Part No.	Description	Qty.
1	203935	MANIFOLD, EXHAUST	1
2	425-34653	GASKET, MANIFOLD	1
3	138474	BOLT/STUD M8X80	2
4	186375	BOLT 8X80	6

Ref. No.	Part No.	Description	Qty.
5	425-36249	BOLT M8 X 22	4
6	138140	NUT	2
7	138104	GASKET/MUFFLER	1

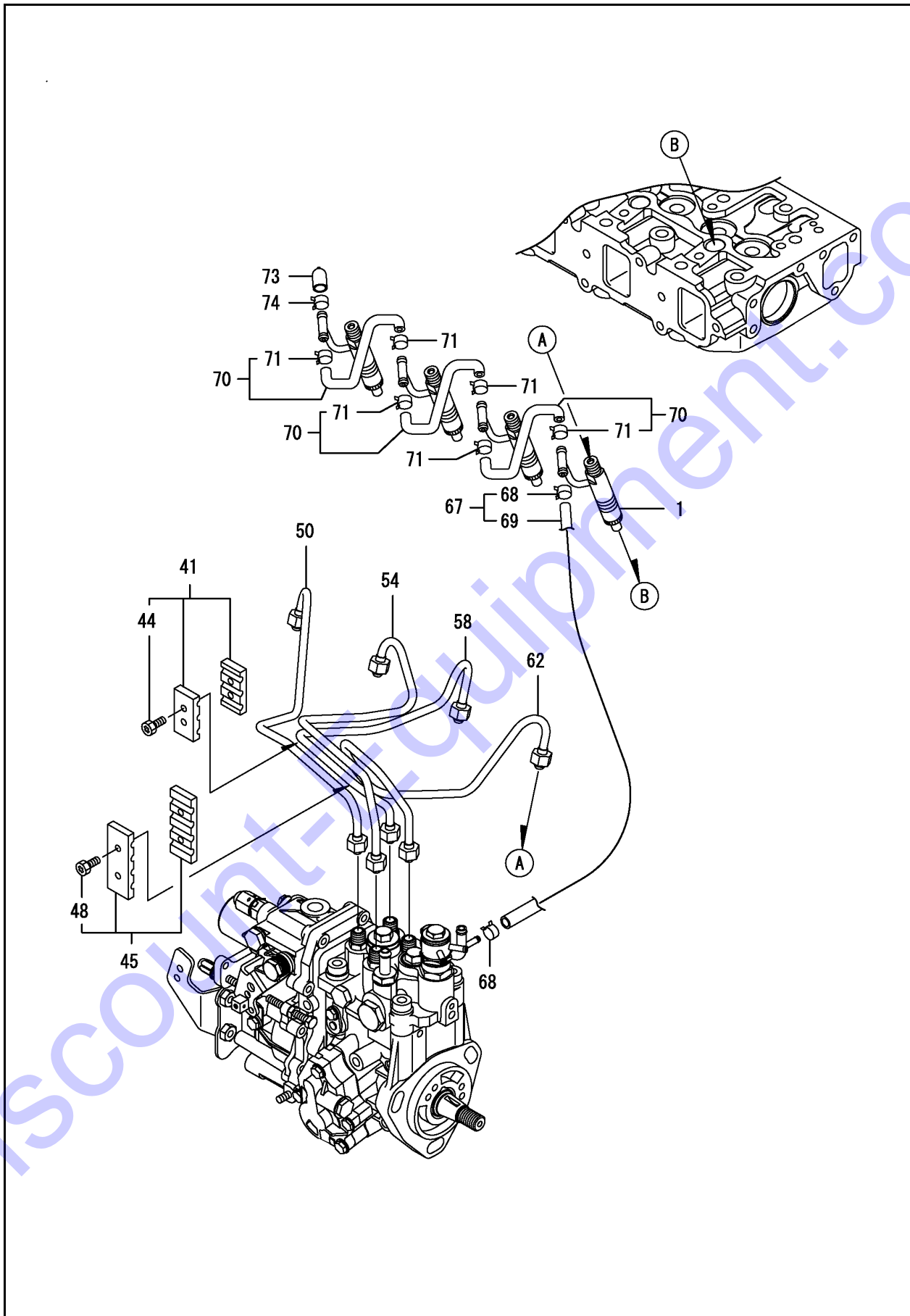
**1648 - YANMAR ENGINE
MODELS 4TNV88-BDGP/4TNV88-XGP - FUEL INJECTION PUMP**



Ref. No.	Part No.	Description	Qty.	Ref. No.	Part No.	Description	Qty.
1	203936	FUEL INJECTION PUMP (YANMAR ENGINE MODEL 4TNV88-BDGP) (SN 13208 AND UP)	1	129	188661	SUPPORT/FIP	1
				130	425-34733	BOLT M8 X 16 PLATED	1
1	203937	FUEL INJECTION PUMP (YANMAR ENGINE MODEL 4TNV88-XGP) (SN 13207 AND BEFORE)	1	131	425-34746	BOLT M8 X 20 PLATED	1

1648 - YANMAR ENGINE

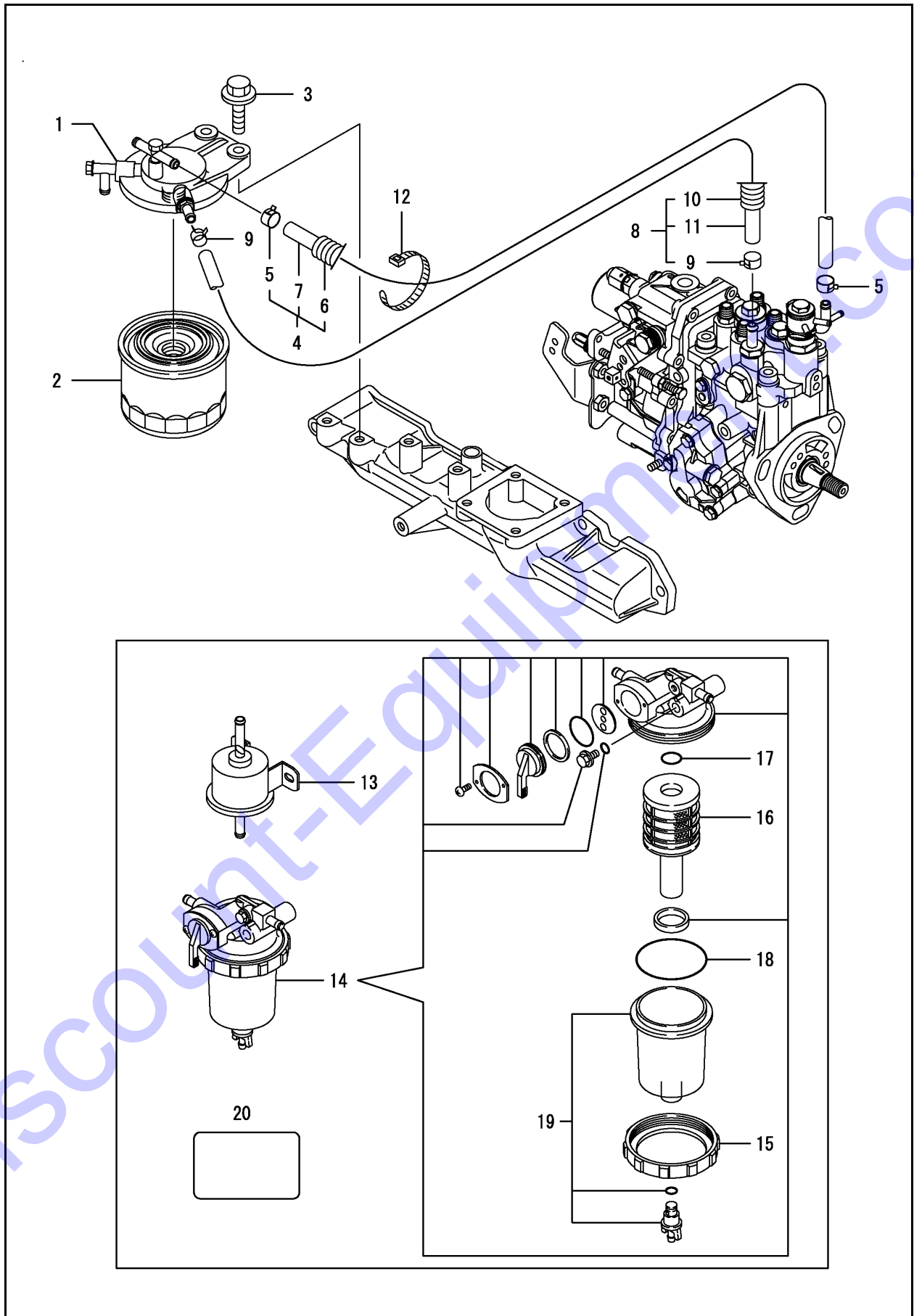
MODELS 4TNV88-BDGP/4TNV88-XGP - FUEL INJECTION VALVE



**1648 - YANMAR ENGINE
MODELS 4TNV88-BDGP/4TNV88-XGP - FUEL INJECTION VALVE**

Ref. No.	Part No.	Description	Qty.
1	270974	FUEL INJECTOR (YANMAR ENGINE MODEL 4TNV88-BDGP) (SN 13208 AND UP)	4
1	188770	FUEL INJECTOR (YANMAR ENGINE MODEL 4TNV88-XGP) (SN 13207 AND BEFORE)	4
41	425-35452	RETAINER, INJECTOR PIPE	1
44	186473	BOLT M4X14 HEX.SCKT.	2
45	425-34908	RETAINER	1
48	186473	BOLT M4X14 HEX.SCKT.	2
50	188662	PIPE ASSY/INJECTION	1
54	188663	PIPE ASSY/INJECTION	1
58	188664	PIPE ASSY/INJECTION	1
62	188665	PIPEASSY/INJECTION	1
67	188493	PIPE ASSY/RETURN	1
68	186464	CLAMP 9	2
69	188494	PIPE/FUELRETURN	1
70	186481	PIPE FUEL RETURN	3
71	186464	CLAMP 9	6
73	270977	CAP	1

1648 - YANMAR ENGINE
MODELS 4TNV88-BDGP/4TNV88-XGP - FUEL LINE

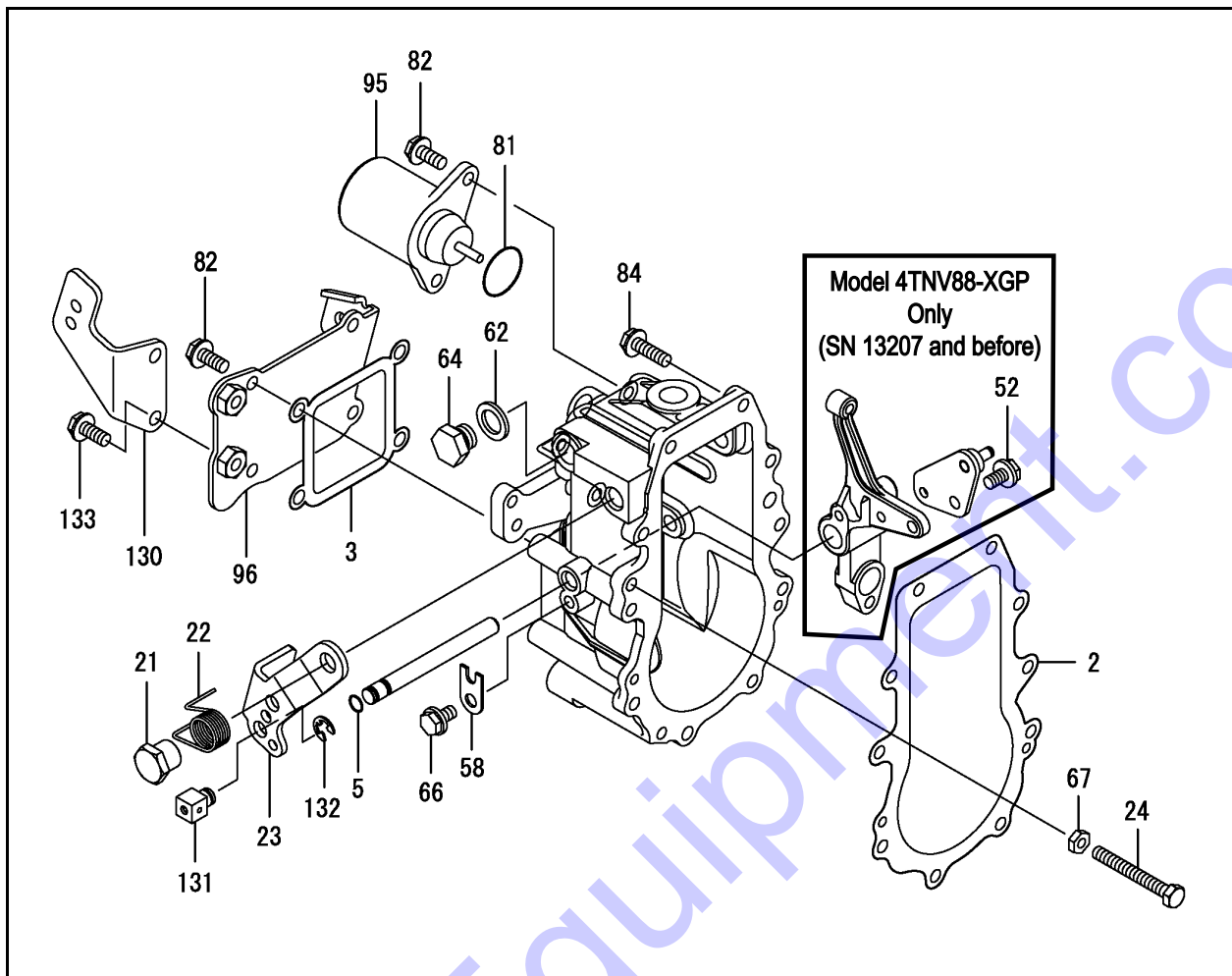


**1648 - YANMAR ENGINE
MODELS 4TNV88-BDGP/4TNV88-XGP - FUEL LINE**

Ref. No.	Part No.	Description	Qty.
1	186467	BRACKET FILTER	1
2	203888	FUEL FILTER	1
3	425-34760	BOLT M8 X 30 PLATED	2
4	188689	FO-TCMP	1
5	425-34916	CLAMP 12	2
6	188690	PROTECTOR/FUEL PIPE	1
7	188440	PIPE/FUEL OIL	1
8	188688	PIPE/FUEL	1
9	425-34916	CLAMP 12	2
10	188691	TUBE	1
11	188439	PIPE/FUEL OIL	1
12	137953	CLAMP	1
13	186308	PUMP ASSY FUEL FEED	1
14	270980	SEPARATOR ASSY	1
15	425-34924	RING, RETAINING	1
16	186340	FILTER	1
17	425-34744	O-RING 1A P-16.0	1
18	425-34927	O-RING 1A G65	1
19	270981	CUP ASSY	1
20	197868	DECAL	1

1648 - YANMAR ENGINE

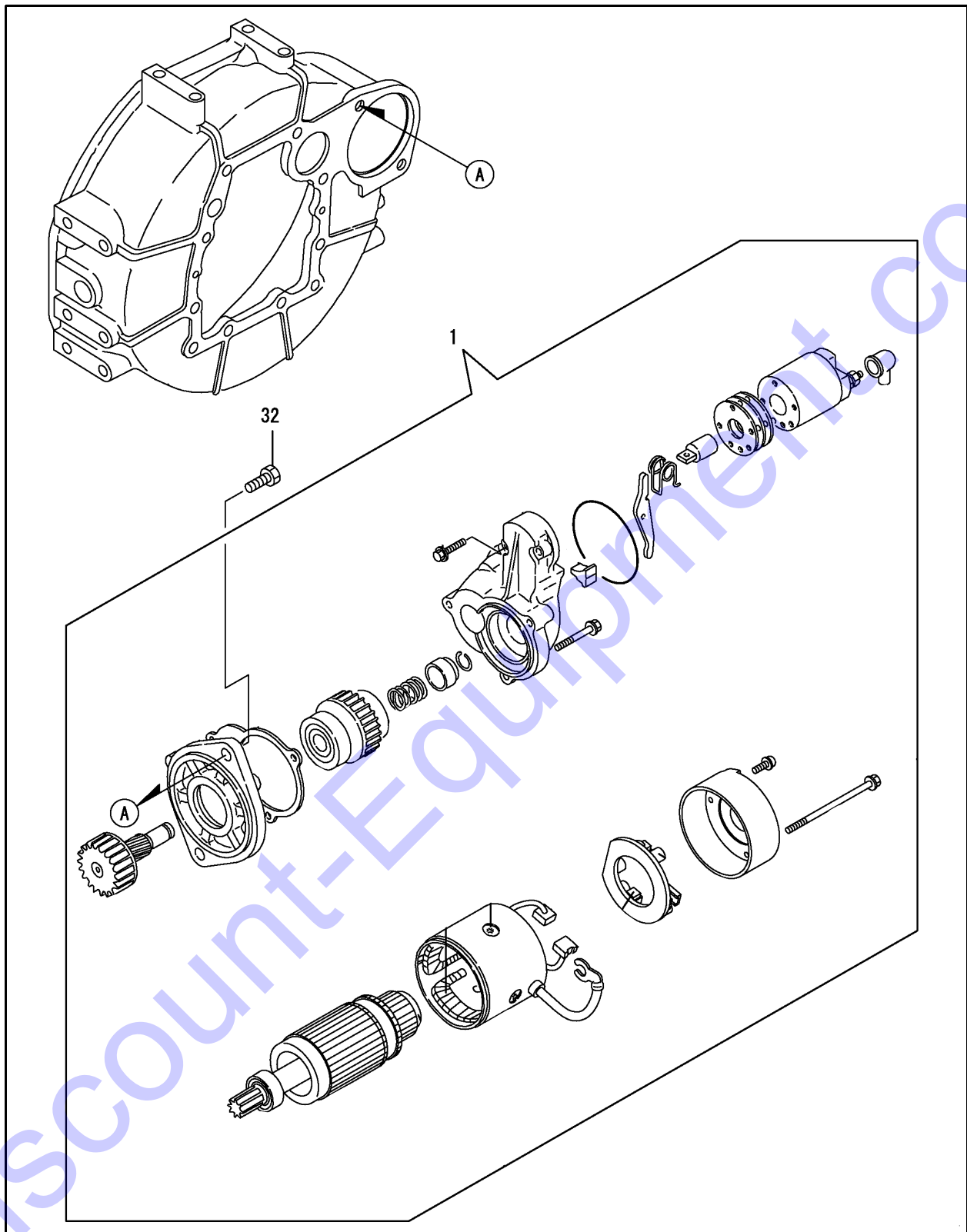
MODELS 4TNV88-BDGP/4TNV88-XGP - GOVERNOR



Ref. No.	Part No.	Description	Qty.
2	192280	GASKET	1
3	192281	GASKET	1
5	425-34678	O-RING	1
21	192283	NUT	1
22	192284	SPRING	1
23	192285	LEVER/REGULATOR	1
52	425-35263	BOLT M6 X 10 PLATED (YANMAR ENGINE MODEL 4TNV88-XGP) (SN 13207 AND BEFORE)	1
58	425-35352	RETAINER, SHAFT	1
62	270972	WASHER/SEAL 12	1
64	425-35174	PLUG 22	1

Ref. No.	Part No.	Description	Qty.
66	425-35263	BOLT M6 X 10 PLATED	1
67	425-34984	LOCK NUT M6 PLATED	1
81	270973	O-RING	1
82	425-35962	BOLT M6 X 14	2
84	188732	BOLT/M6X20 PLATED	10
95	425-35925	SOLENOID STOP	1
96	176149	COVER/CASE	1
130	176150	BRKT/CABLE SPPT	1
131	176151	RETAINER/WIRE	1
132	176152	CIRCLIP E-7	1
133	425-35962	BOLT M6 X 14	2

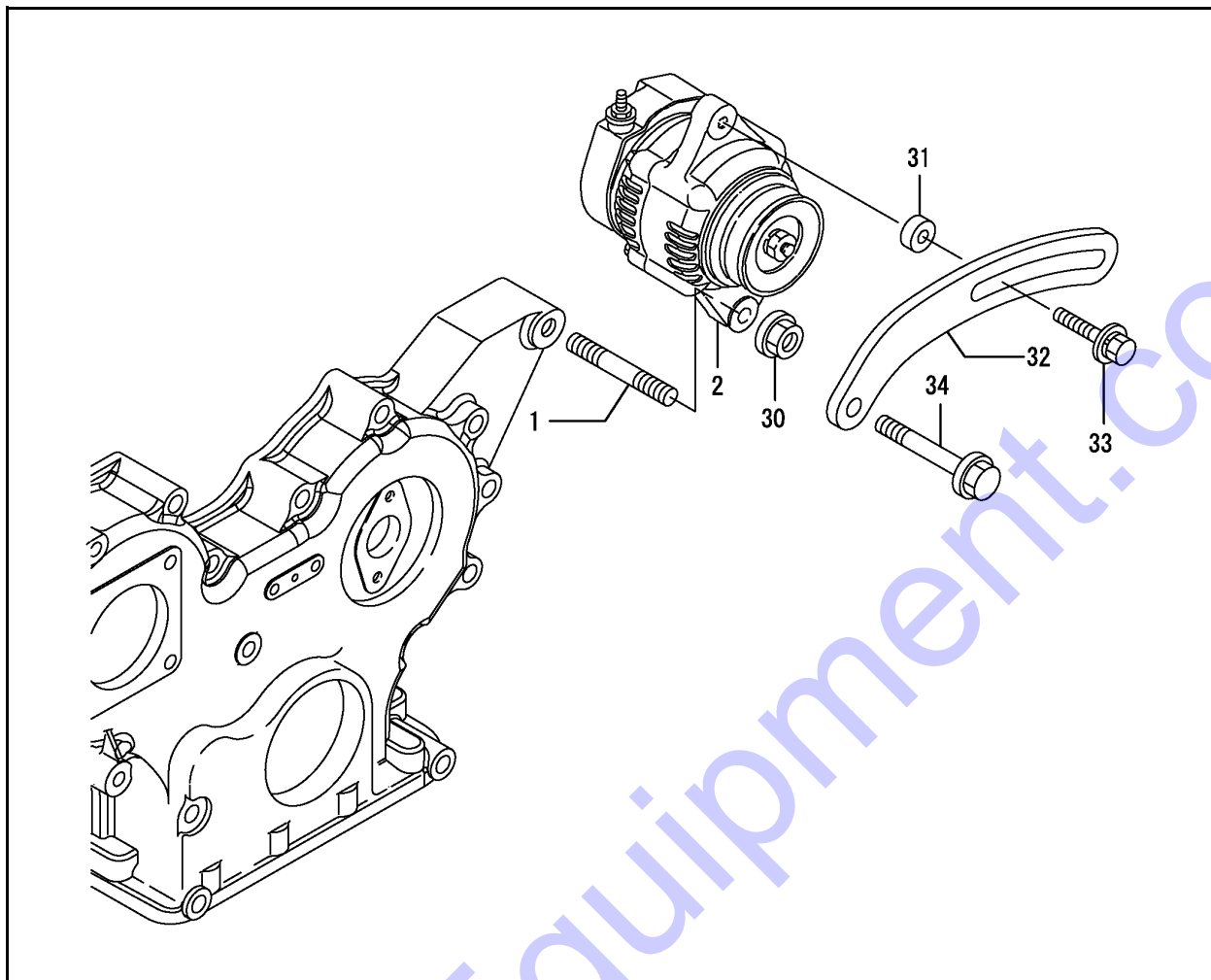
**1648 - YANMAR ENGINE
MODELS 4TNV88-BDGP/4TNV88-XGP STARTER**



Ref. No.	Part No.	Description	Qty.
1	188586	STARTER	1
32	188748	BOLT M12X 25 PLATED	2

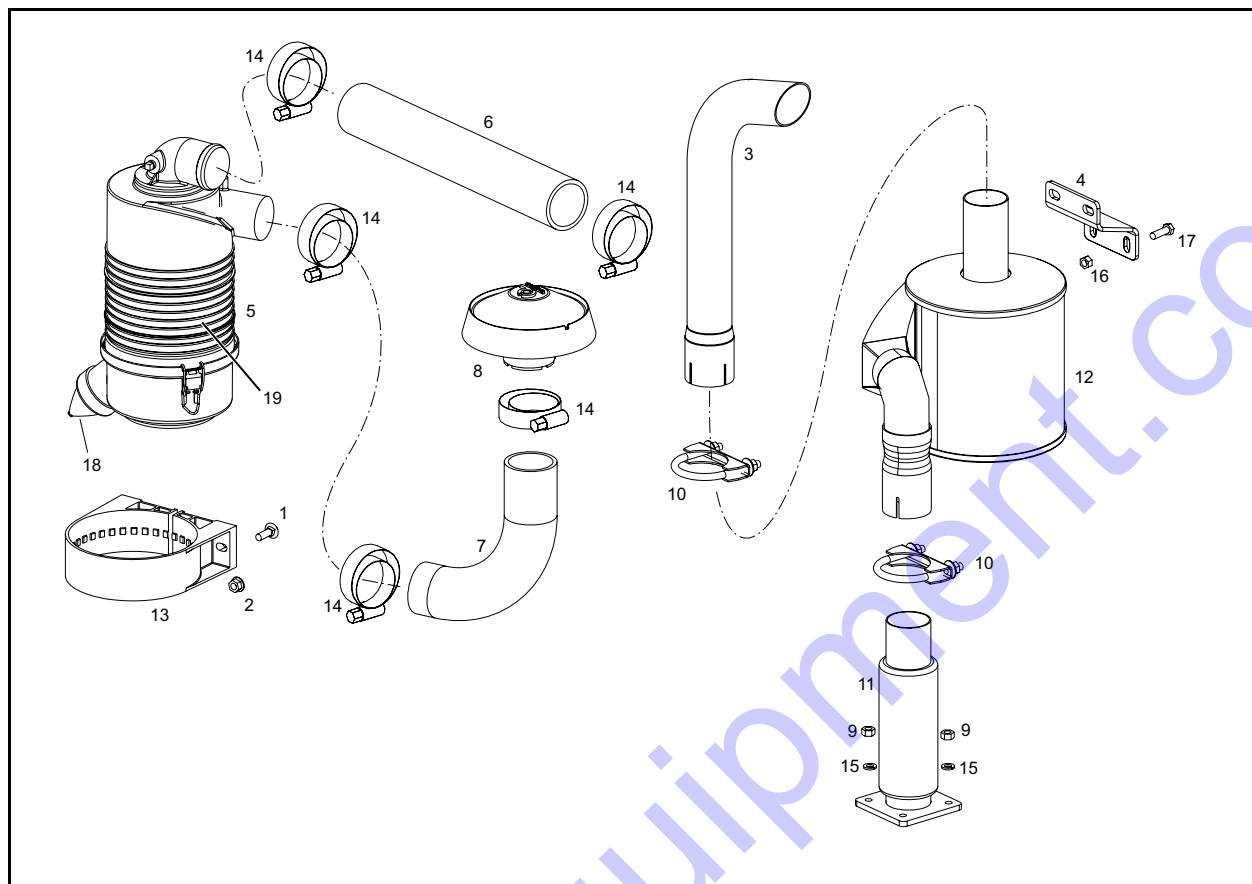
1648 - YANMAR ENGINE

MODELS 4TNV88-BDGP/4TNV88-XGP GENERATOR



Ref. No.	Part No.	Description	Qty.
1	186484	STUD	1
2	188636	GENERATOR	1
30	138141	NUT	1
31	188500	ADJUSTER/BELT	1
32	176153	ADJUSTER/BELT	1
33	192273	BOLT/ADJUSTER	1
34	425-34747	BOLT M8 X 45 PLATED	1

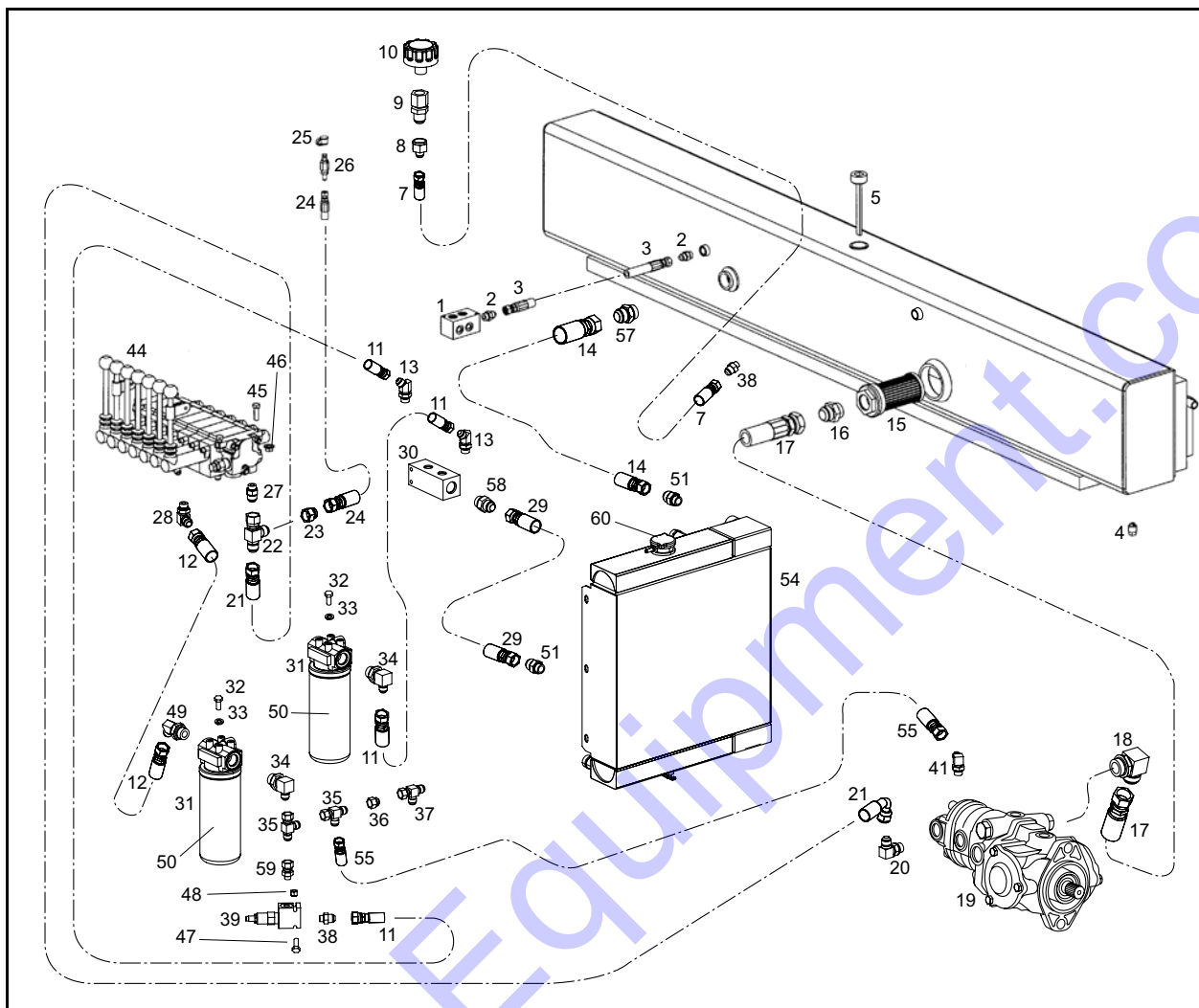
1648 - YANMAR ENGINE 430337 - ENGINE EXHAUST / AIR INLET



Ref. No.	Part No.	Description	Qty.	Ref. No.	Part No.	Description	Qty.
1	650573	CB 5/16X1 C5ZY	2	11	175629	TUBE/EXHAUST FLEXIBLE	1
2	210-19470	HN FL SLOC 5/16 CZY	3	12	175676	MUFFLER/TS20TL	1
3	175708	TUBE/EXHAUST 2"	1	13	175781	BRKT/PLASTIC 5" MOUNT	1
4	175715	BRKT/UPPER MUFFLER SPPT	1	14	087850	CLAMP/HOSE #40	4
5	175783	AIR CLEANER	1	15	654024	LW 5/16 RZY	4
6	175552	HOSE/AIR CLEANER	1	16	070856	LN LG FL SERR 3/8 CZ	2
7	175706	HOSE/AIR INTAKE 2"	1	17	650490	CS 3/8 X 1 C5ZY	2
8	175782	RAIN CAP/2"	1	18	176136	VAC VALVE	1
9	656048	HN M8-1.25 C8 ZY	4	19	420-36075	AIR FILTER ELEMENT	1
10	065042	CLAMP/MUFFLER 5/16 X 2 1	2				

1648 - HYDRAULICS

MAIN HYDRAULICS



Ref. No.	Part No.	Description	Qty.
1	100357	MANIFOLD/TRACK DRIVE	1
2	054626	ADAP-80RM-8JICM STR	2
3	100646	HOSE -8 A8/A8 24"	1
4	L43221	PLUG 1/2-14 MAGNETIC B.I.	1
5	P013150	WELDMENT / DIPSTICK	1
7	P471415	HOSE ASSY/-8	1
8	L446021	ADP -12JICF-8 JICM STRT	1
9	P471289	ADAP 12 BLKHD STR.	1
10	P471247	BREATHER/CAP PRESSURIZED	1
11	175725	HOSE-8 A8/A8 12"	2
12	175728	HOSE-10 A10/A10 14.5"	1
13	L445013	ADAP/-8ORM-8JICM 45DEG	2
14	175701	HOSE/-16 A12/A16X121.0	1
15	128299	RESERVOIR SUMP FILTER	1
16	079038	HYD/FITTING	1
17	101210	HOSE -20 A20/A20 86"	1
18	L62954	ADAP 20ORM 20JICM 90DEG	1
19	P473287	PUMP/AXIAL GEAR (SEE PAGE 80 FOR DETAIL)	1

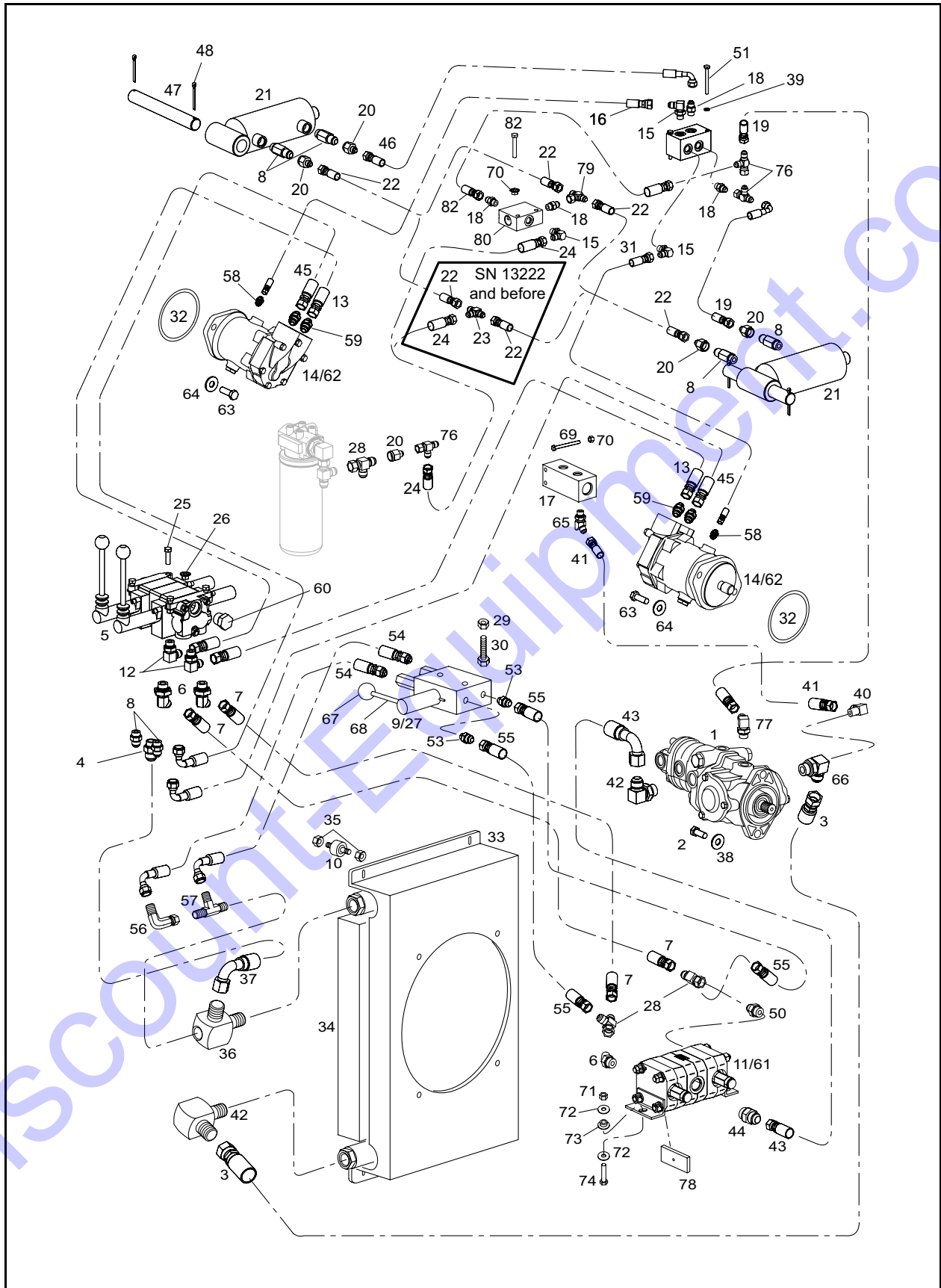
Ref. No.	Part No.	Description	Qty.
20	067761	ELBOW/MALE 90 DEG	1
21	100649	HOSE -10 A10/DS10 40"	1
22	058610	TEE/FEMALE RUN SWIVEL	1
23	129848	ST 10FLF 06FLM	1
24	100948	HOSE -4 A4/A6 15"	1
25	L62840	DUST/CAP QUICK	1
26	L62834	TESTPORT	1
27	230-30569	UNION/HYD FITTING	1
28	067455	ELBOW/HYD FITTING 90 DEG	1
29	175606	HOSE/-12 A12/A12 48"	1
30	175604	MANIFOLD/RETURN	1
31	074020	FILTER W/HEAD SEC	2
32	650490	CS 3/8X1 C5ZY	8
33	654006	FW 3/8 AWZY	8
34	121775	ELBOW/HYD FITTING	2
35	076143	TEE/FEMALE RUN SWIVEL	2
36	L60588	ADAPTER 37 REDUCING	1
37	072806	TEE/HYDR. FITTING	1

**1648 - HYDRAULICS
MAIN HYDRAULICS**

Ref. No.	Part No.	Description	Qty.
38	072803	UNION HYD FITTING	2
39	103497	RELIEF VALVE	1
41	054816	ELBOW 90 DEG STR	1
44	101280	VALVE 7 STACK (SEE PAGE 90 FOR DETAIL)	1
45	650491	CS 3/8X1-1/4 C5ZY	4
46	070856	HN LF SLOC 3/8 CZ	4
49	P471357	ADAP 12ORM -10JICM 45 DEG	1
50	074830	FILTER ELEMENT	2

Ref. No.	Part No.	Description	Qty.
51	054819	UNION/HYDRAUL. FITTING	2
54	175518	OIL COOLER / RADIATOR	1
55	175723	HOSE-8 A8/A8 23"	1
57	L51590	ADAP/16ORM-16JICM STR	1
58	072587	ST SA12 FL12	1
59	P471496	ADAPTER -60RM -8JICF	1
60	191030	CAP/PRESSURE	1

1648 - HYDRAULICS TRACK DRIVE

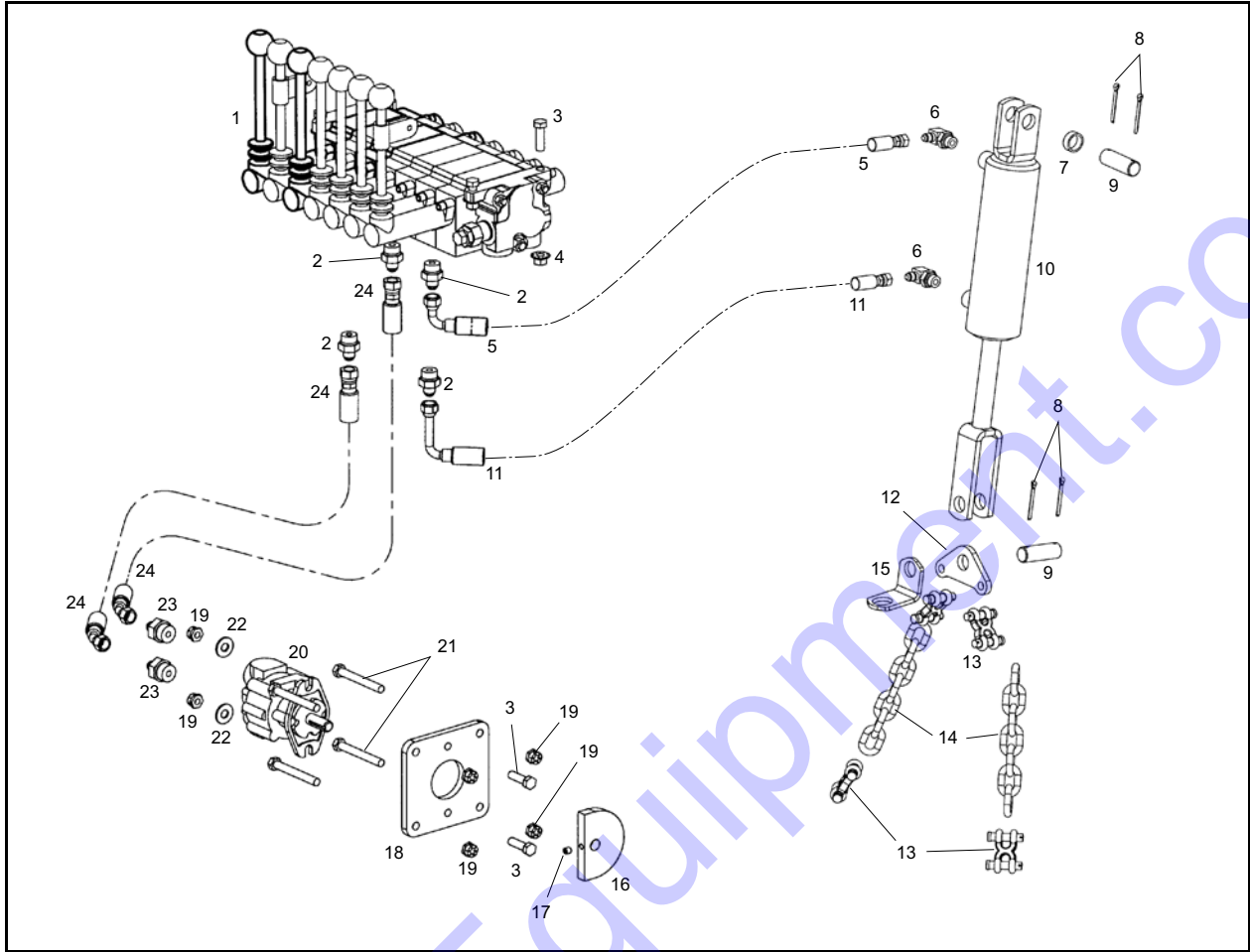


1648 - HYDRAULICS TRACK DRIVE

Ref. No.	Part No.	Description	Qty.	Ref. No.	Part No.	Description	Qty.
1	P473287	PUMP/AXIAL GEAR (SEE PAGE 80 FOR DETAIL)	1	42	055005	ELBOW/HYD FITTING 90 DEG.	2
2	650495	CS 1/2X1-1/4 C5ZY	2	43	175729	HOSE-12 A12/DS12 41"	1
3	100644	HOSE -12 A12/NS12 62"	1	44	072587	ST SA12 FL12	1
4	072580	UNION/HYDRAULIC. FITTING	1	45	100635	HOSE -8 A8/DS8 124"	2
5	101282	WELD/DRIVE VALVE (SEE PAGE 88 FOR DETAIL)	1	46	100632	HOSE -4 A6/DS6 15"	1
6	L51572	ADAPTER 10ORM-8JICM 45°	2	47	P480124	PIN/TRACK CYL.	2
7	175721	HOSE-8 A8/A8 14	2	48	655024	CP EPSC 3/16 X 2 Z	4
8	054626	ADAP-80RM-8JICM STR	6	50	089099	UNION/HYDRAULIC FITTING	1
9	175241	VALVE/STEERING	1	51	650449	CS 1/4X2-1/2 C5ZY	2
10	131706	ISOLATOR	4	53	054994	ADAPTER/STR THD MALE	2
11	175194	FLOW DIVIDER/HYDRAULIC	1	54	175278	HOSE/STEERING RETURN	2
12	054816	ELBOW 90 DEG STR THD	2	55	175280	HOSE/DIVIDER-STEER	2
13	100634	HOSE -8 A8/A8 120"	2	56	091039	ELBOW/HYDR. FITT 90 DEG	1
14	175123	MOTOR/3.02 CID PISTON	2	57	175377	FTG/6804-06-04-06-NWO-FG	1
15	068938	ELBOW/90 DEG ADJUSTABLE (SN 13223 AND UP)	3	58	L277484	ADAP-80RM-6JICM STR	2
		ELBOW/90 DEG ADJUSTABLE (SN 13222 AND BEFORE)	1	59	L444003	ADAP/-12ORM-8JICM STR	4
16	100637	HOSE -4 A6/A6 32"	1	60	L446047	PLUG-12 SAE O-RING	1
17	175604	MANIFOLD/RETURN	1	61	175376	SEAL KIT/FLOW DIVIDER	1
18	054994	ADAPTER/STR THD MALE (SN 13223 AND UP)	4	62	176123	SEAL KIT/MOTOR	
		ADAPTER/STR THD MALE (SN 13222 AND BEFORE)	2	63	650453	CS 1/2X1-1/2 C5ZY	4
19	100633	HOSE -4 A6/DS6 78"	2	64	654009	FW 1/2 AWZY	4
20	L60588	ADAPTER 37 REDUCING	5	65	L445004	ADAP/-6ORM-6JICM 45°	1
21	P480118	CYL.TRACK TENSION (SEE PAGE 77 FOR DETAIL)	2	66	P237000	ADAPTER, .38 PIPE 90°	1
22	100631	HOSE -4 A6/A6 36"	2	67	103524	HANDLE / STEER VALVE	1
23	087393	TEE FL06 (SN 13222 AND BEFORE)	1	68	103523	LEVER / STEER VALVE	1
24	175720	HOSE-6 A6/A6 51	1	69	650733	CS 5/16X2-1/2 C5ZY	2
25	650491	CS 3/8X1-1/4 C5ZY	4	70	070648	LN LG FL SERR 5/16 CZ (SN 13223 AND UP)	4
26	070856	HN LF SLOC 3/8 CZ	4			LN LG FL SERR 5/16 CZ (SN 13222 AND BEFORE)	2
27	175354	SEAL KIT/STEERING VALVE	1	71	067847	HLN INST 3/8 CZY	2
28	076143	TEE/FEMALE RUN SWIVEL	3	72	654006	FW 3/8 AWZY	4
29	210-19533	LN FL CTR 3/8 3FZY	2	73	175766	BUSHING/ISOLATION	2
30	650535	CS3/8 X 2-1/4	2	74	650579	CS 3/8X1-3/4 C5ZY	2
31	100636	HOSE -4 A6/A6 96"	1	76	072806	TEE/HYDR. FITTING	1
32	101438	O-RING	2	77	110227	ELBOW/MALE 3/8	1
33	175107	OIL COOLER SHROUD	1	78	175858	PAD/ISOLATION	2
34	L66119	COOLER/HEAT EXCHANGER	1	79	095457	TE MJ06 MJ06 FJS06 (SN 13223 AND UP)	1
35	210-19470	LN FL SERR 5/16 CZY36	8	80	271856	VALVE/RELIEF/CHECK (SN 13223 AND UP)	1
36	175276	HYD. FITTING	1	81	100637	HOSE, -4 A6/A6 32" (SN 13223 AND UP)	1
37	175164	HOSE ASSY	1	82	650568	CS 5/16X2 C5ZY (SN 13223 AND UP)	2
38	654009	FW 1/2 AWZY	2				
39	654022	LW 1/4 RZY	2				
40	P470673	ADP/.38NPT-8JICM 90D .031 DIA	1				
41	175726	HOSE-6 A6/A8 14"	1				

1648 - HYDRAULICS

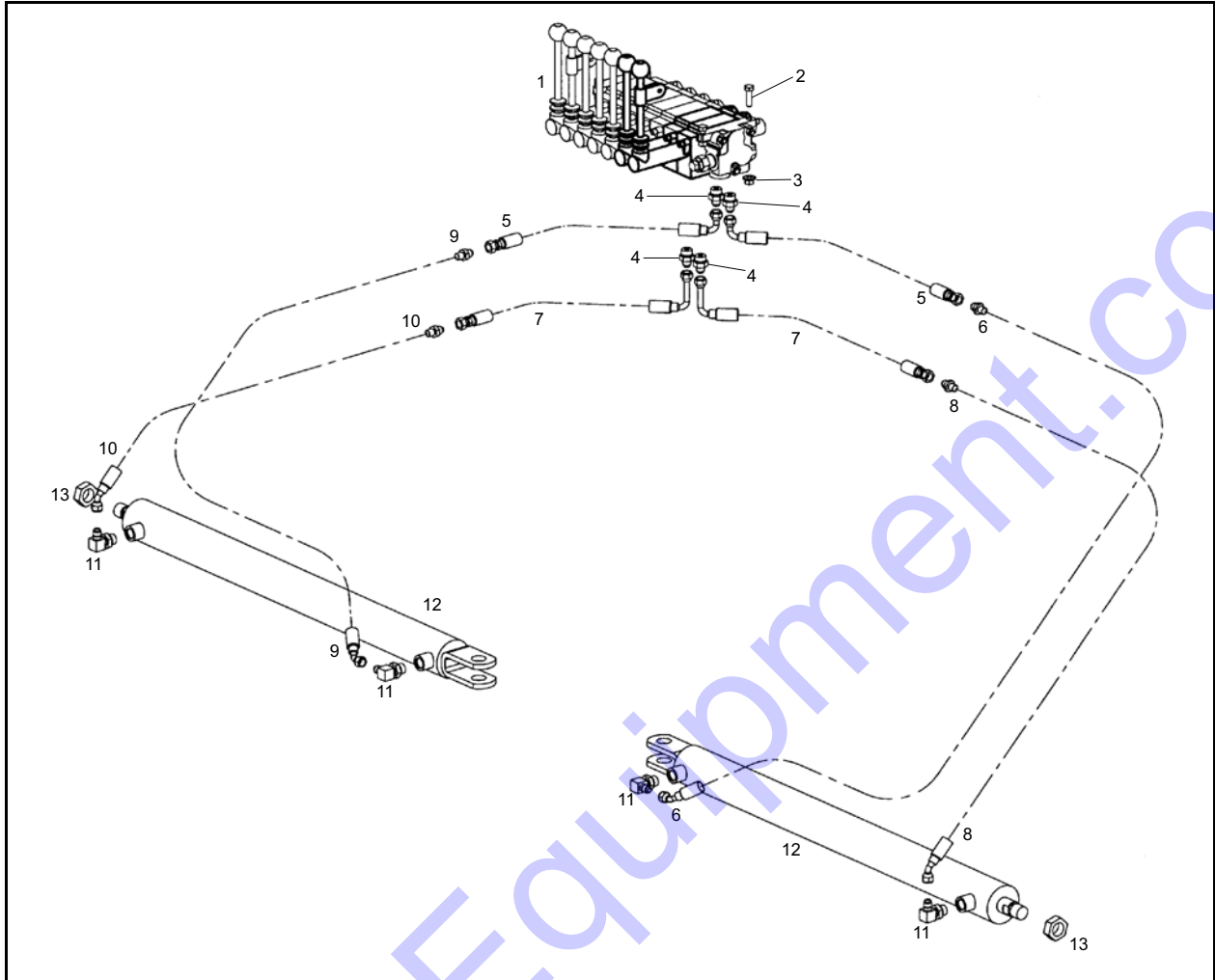
SCREED LIFT AND VIBRATOR



Ref. No.	Part No.	Description	Qty.
1	101280	VALVE (SEE PAGE 90 FOR DETAIL)	1
2	L277484	ADP-80RM-6JICM STR	4
3	650491	CS 3/8X1-1/4 C5ZY	6
4	070856	HN LF SLOC 3/8 CZ	4
5	100972	HOSE -6 A6/DS6 45"	1
6	110227	ELBOW/MALE 3/8 MJ-3/4-16	2
7	P471084	SPACER/SCREED CYL	1
8	655024	CP EPSC 3/16 X 2 Z	4
9	P471297	PIN/CYLINDER CLEVIS END	2
10	101355	CYL. SCREED LIFT (SEE PAGE 79 FOR DETAIL)	1
11	100973	HOSE -6 A6/DL6 45"	1
12	100865	ANCHOR/CHAIN CLEVIS	1

Ref. No.	Part No.	Description	Qty.
13	100592	CLEVIS/DOUBLE LINK 3/8	4
14	P473364	CHAIN/SCREED LIFT	2
15	101161	HOLDER/T-HANDLE WRENCH	1
16	100504	CNTRWT/VIBRATOR MOTOR	1
17	650201	SHSS CP 5/16X5/16	1
18	100862	MOUNT/1648 VIBRATOR	1
19	L520022	FLEX/LOCK NUT .375-16	6
20	P349450	MOTOR VIBRATOR (SEE PAGE 87 FOR DETAIL)	1
21	650818	CS 3/8X3 C5ZY	4
22	654006	FW 3/8 AWZY	2
23	L60253	ADP-100RM-6JICM	2
24	100949	HOSE -6 A6/NS6 80"	2

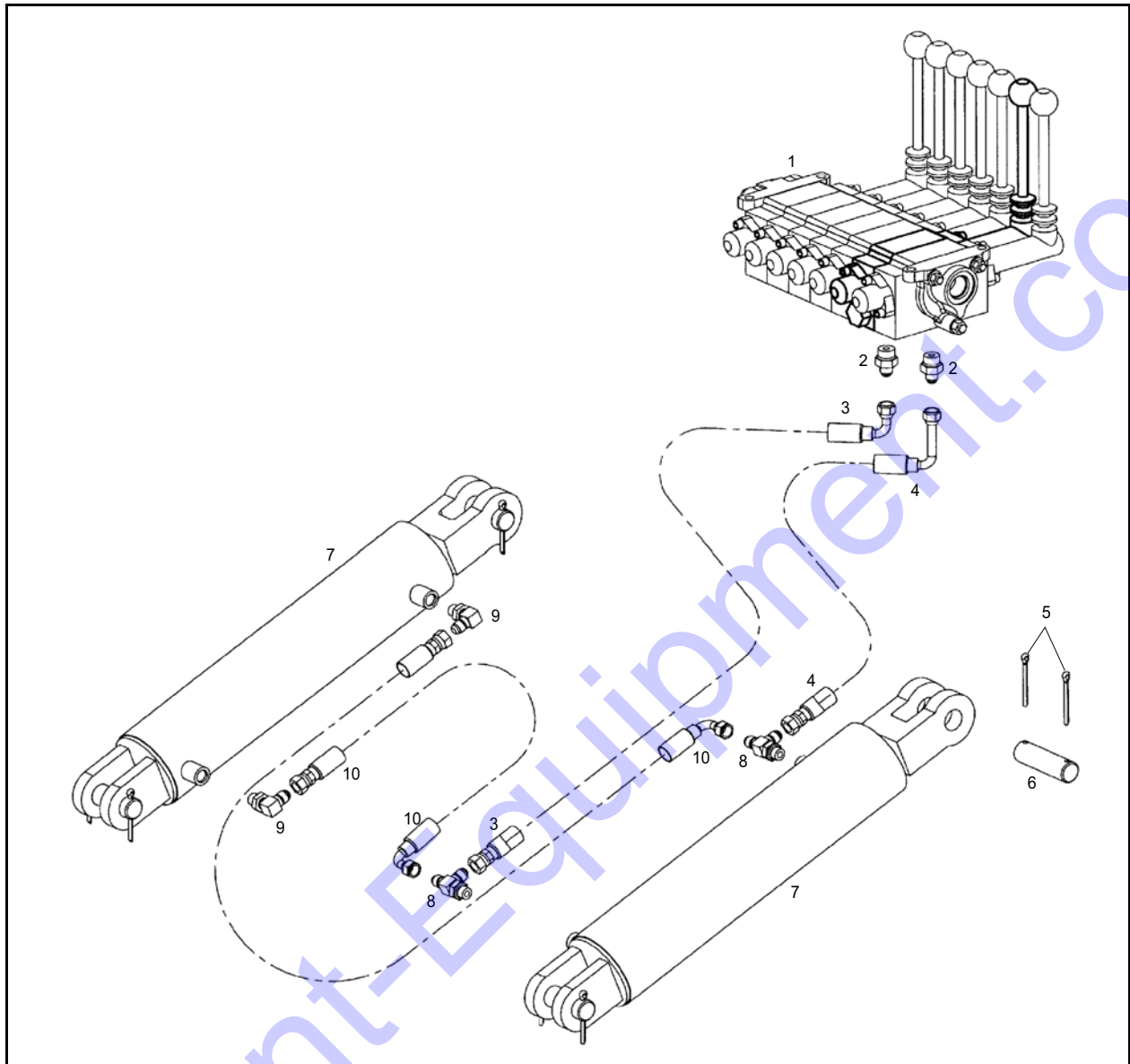
1648 - HYDRAULICS SCREED EXTENSION



Ref. No.	Part No.	Description	Qty.
1	101280	VALVE 7 STACK (SEE PAGE 90 FOR DETAIL)	1
2	650491	CS 3/8X1-1/4 C5ZY	4
3	070856	HN LF SLOC 3/8 CZ	4
4	L277484	ADP-80RM-6JICM STR	4
5	100358	HOSE -6 A6/DS6 20"	2
6	100954	HOSE -6 H6/NS6 122"	1
7	100955	HOSE -6 A6/DL6 20"	2

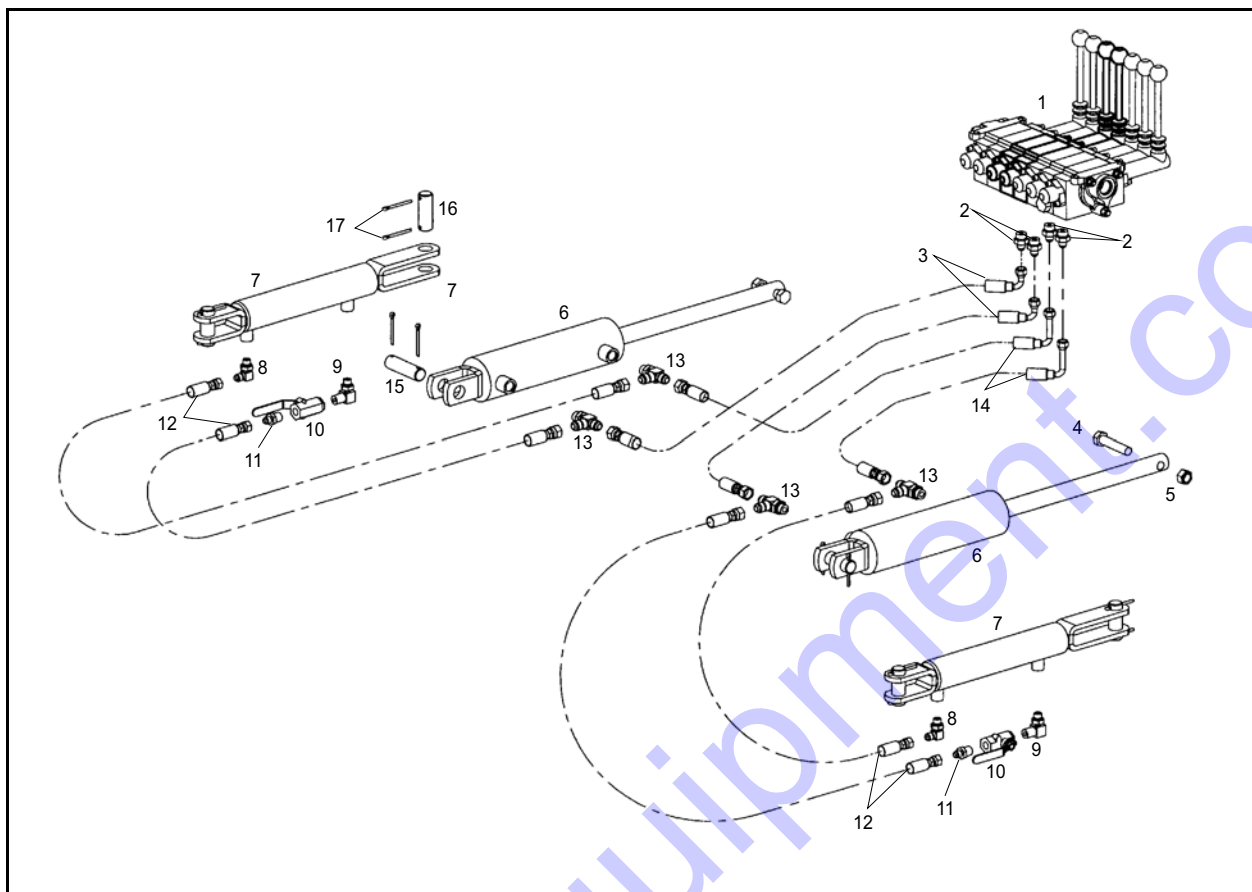
Ref. No.	Part No.	Description	Qty.
8	100953	HOSE -6 H6/NS6 98"	1
9	100952	HOSE -6 H6/NS6 86"	1
10	100951	HOSE -6 H6/NS6 62"	1
11	110227	ELBOW/MALE 3/8 MJ-3/4-16	4
12	P473265	CYL/1648 SCREED EXT. 30" (SEE PAGE 74 FOR DETAIL)	2
13	653116	HJN 1 F2ZY	2

1648 - HYDRAULICS HOPPER



Ref. No.	Part No.	Description	Qty.	Ref. No.	Part No.	Description	Qty.
1	101280	VALVE 7 STACK (SEE PAGE 90 FOR DETAIL)	1	7	100893	CYLINDER/HOPPER LIFT (SEE PAGE 76 FOR DETAIL)	2
2	L277484	ADP-80RM-6JICM STR	2	8	054820	TEE/HYD FITTING	2
3	100944	HOSE -6 A6/DS6 110"	1	9	068938	ELBOW/90 DEG ADJUSTABLE	2
4	100945	HOSE -6 A6/DL6 100"	1	10	100358	HOSE -6 A6/DS6 20"	2
5	655024	CP EPSC 3/16 X 2 Z	8				
6	P471296	PIN/CYLINDER	4				

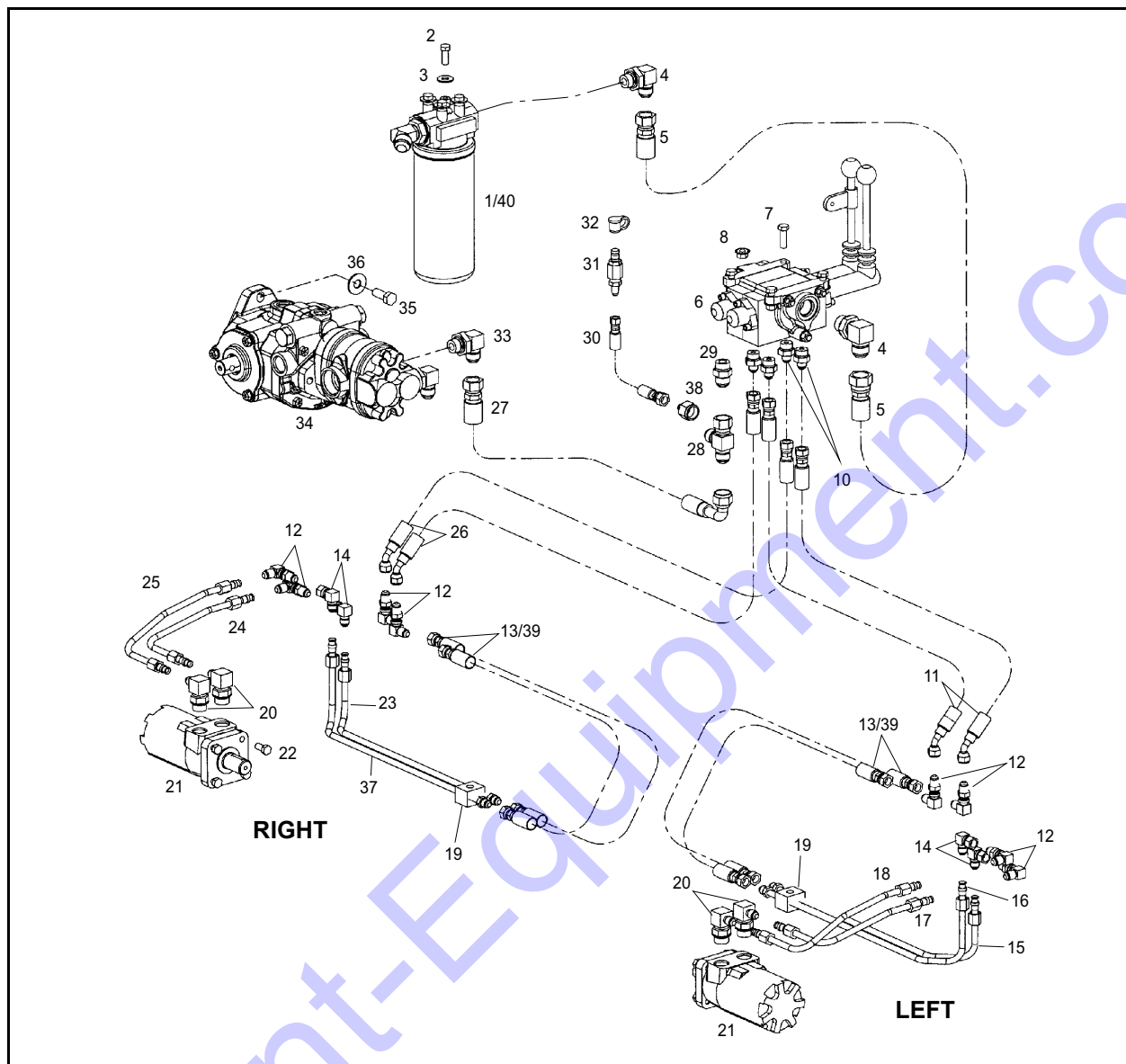
1648 - HYDRAULICS GATE



Ref. No.	Part No.	Description	Qty.	Ref. No.	Part No.	Description	Qty.
1	101280	7-STACK VALVE (SEE PAGE 90 FOR DETAIL)	1	9	P471227	ADP 90-6 O-RING -6MP	2
2	L277484	ADP-80RM-6JICM STR	4	10	P414980	VALVE/.375"	2
3	100474	HOSE -6 A8/DS6 89"	2	11	062889	ADAPTER/STEEL PIPE	2
4	L50578	CS 5/8X3 C8ZY	2	12	100946	HOSE -6 A6/A8 85"	4
5	L50079	NUT/STOVER LOCK .625-11	2	13	L64660	ADAPTER -8ORM 2X-8JICM TEE	4
6	100713	CYLINDER/GATE (SEE PAGE 78 FOR DETAIL)	2	14	100475	HOSE -6 A8/DL6 84"	2
7	P471225	CYLINDER/SIDE GATE (SEE PAGE 75 FOR DETAIL)	2	15	P471296	PIN/CYLINDER	2
8	068938	ELBOW/90 DEG ADJUSTABLE	2	16	P471297	PIN/CYLINDER	4
				17	655024	CP EPSC 3/16 X 2 Z	12

1648 - HYDRAULICS

AUGER MOTORS ON SCREED



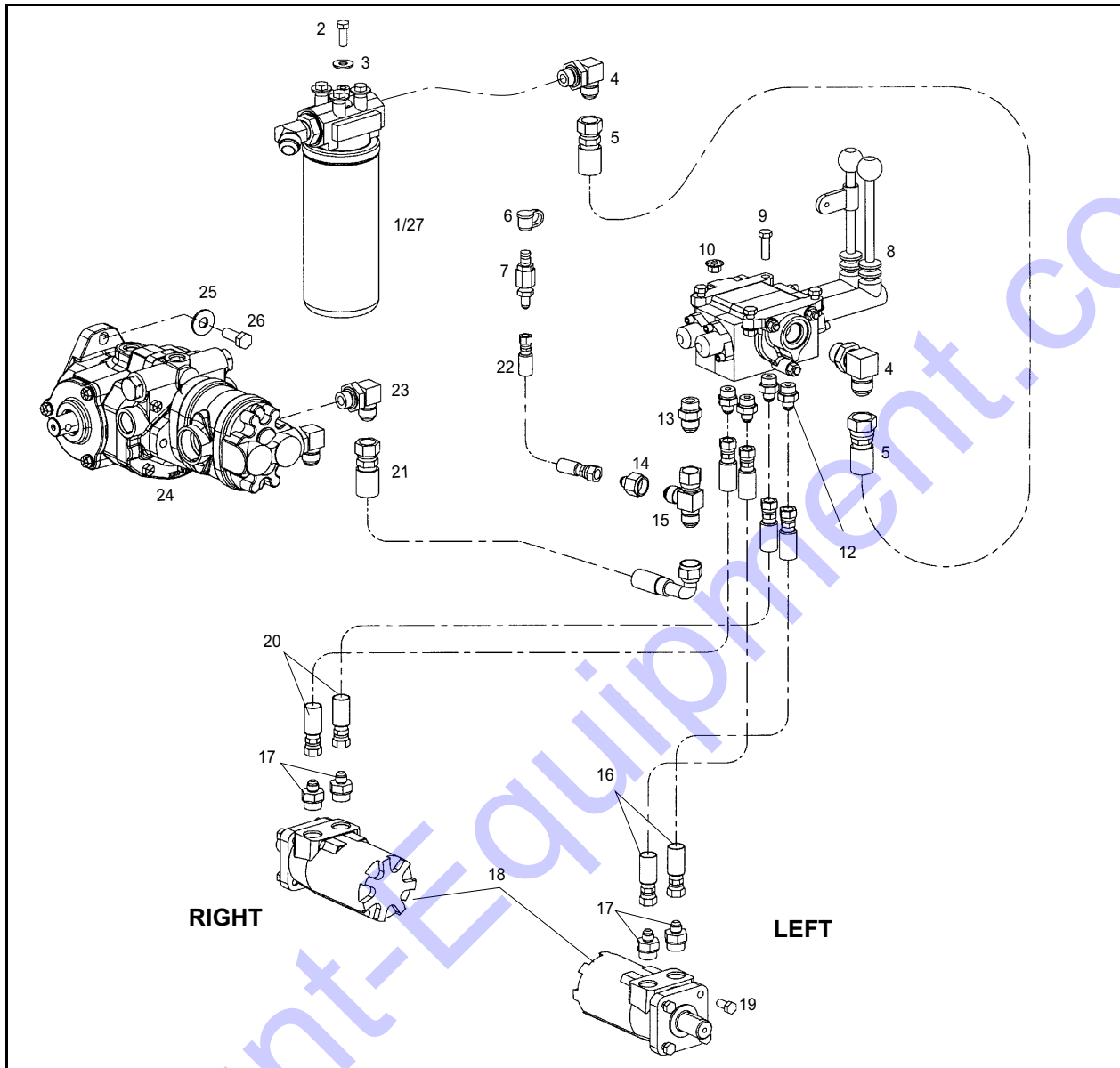
Ref. No.	Part No.	Description	Qty.	Ref. No.	Part No.	Description	Qty.
1	074020	FILTER W/HEAD SEC.	1	16	100599	TUBE/LT AUGER	1
2	650490	CS 3/8X1 C5ZY	4	17	100595	TUBE/LT AUGER MOTOR	1
3	654006	FW 3/8 AWZY	4	18	100593	TUBE/LT AUGER MOTOR	1
4	072615	ELBOW/HYD.FITTING 90°	2	19	100932	CLAMP BODY/TWIN 3/8	2
5	175727	HOSE-10 A10/A10 24"	1	20	P470406	ADP-10 ORM -6 90°	4
6	101281	AUGER VALVE (SEE PAGE 92 FOR DETAIL)	1	21	P480071	MOTOR/AUGER (SEE PAGE 86 FOR DETAIL)	2
7	650491	CS 3/8X1-1/4 C5ZY	4	22	650488	CS 3/8X3/4 C5ZY	8
8	070856	HN LF SLOC 3/8 CZ	4	23	100598	TUBE/RT AUGER	1
10	L277484	ADP-80RM-6JICM STR	4	24	100596	TUBE/RT AUGER MOTOR	1
11	100974	HOSE -6 A6/NS6 60"	2	25	100594	TUBE/RT AUGER MOTOR	1
12	L81195	BLKHD/-6JICM-6JICM 90°	8	26	100975	HOSE -6 A6/NS6 104"	2
13	100483	HOSE -6 A6/A6 36"	4	27	100647	HOSE -10 A10/DS10 35"	1
14	091039	ELBOW/HYDR. FITT. 90°	4	28	058610	TEE/FEMALE RUN 10	1
15	100597	TUBE/LT AUGER	1	29	072580	CONNECTOR,MALE	1

**1648 - HYDRAULICS
AUGER MOTORS ON SCREED**

Ref. No.	Part No.	Description	Qty.
30	100645	HOSE -4 A4/A6 8"	1
31	L62834	TESTPORT	1
32	L62840	DUST/CAP QUIK	1
33	067761	ELBOW/MALE 90 DEG	1
34	P473287	PUMP/AXIAL GEAR (SEE PAGE 80 FOR DETAIL)	1

Ref. No.	Part No.	Description	Qty.
35	650495	CS 1/2X1-1/4 C5ZY	2
36	654009	FW 1/2 AWZY	2
37	100600	TUBE/RT AUGER	1
39	101072	SLEEVE, HI-TEMP HOSE	2
40	074830	FILTER ELEMENT	1

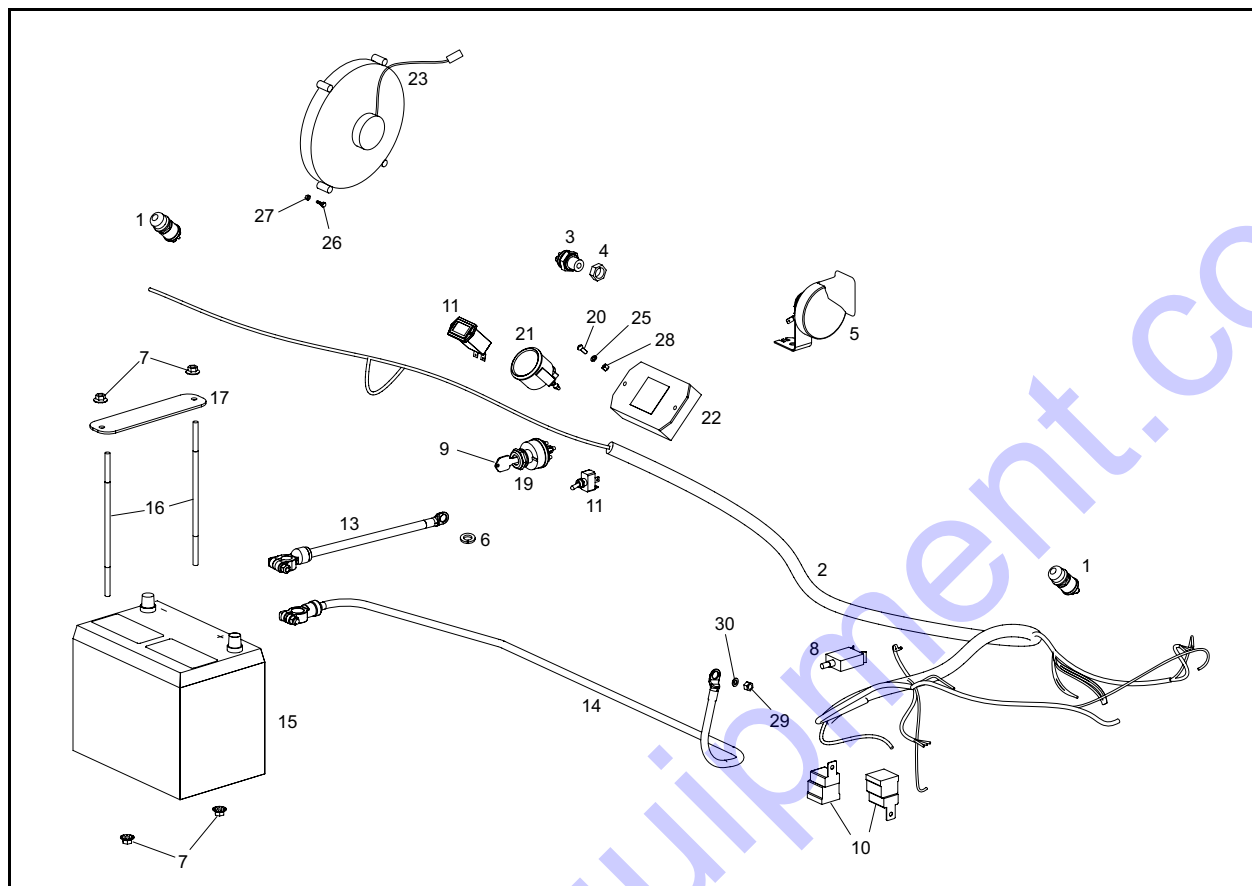
1648 - HYDRAULICS AUGER MOTORS ON GATE



Ref. No.	Part No.	Description	Qty.
1	074020	FILTER W/HEAD SEC.	1
2	650490	CS 3/8X1 C5ZY	4
3	654006	FW 3/8 AWZY	4
4	072615	ELBOW/HYD.FITTING 90°	2
5	175727	HOSE -10 A10/A10 24"	1
6	L62840	DUST/CAP QUIK	1
7	L62834	TESTPORT	1
8	101281	AUGER VALVE (SEE PAGE 92 FOR DETAIL)	1
9	650491	CS 3/8X1-1/4 C5ZY	4
10	070856	HN LF SLOC 3/8 CZ	4
12	L277484	ADP-80RM-6JICM STR	4
13	072580	CONNECTOR,MALE	1
14	129848	ST 10FLF 06FLM	1
15	058610	TEE/FEMALE RUN SWIVEL	1

Ref. No.	Part No.	Description	Qty.
16	100483	HOSE -6 A6/A6 36"	2
17	L60253	ADP-100RM-6JICM	4
18	P480071	MOTOR/AUGER (SEE PAGE 86 FOR DETAIL)	2
19	650488	CS 3/8X3/4 C5ZY	8
20	100484	HOSE -6 A6/NS6 48"	2
21	100647	HOSE -10 A10/DS10 35"	1
22	100645	HOSE -4 A4/A6 8"	1
23	067761	ELBOW/MALE 90°	1
24	P473287	PUMP/AXIAL GEAR (SEE PAGE 80 FOR DETAIL)	1
25	654009	FW 1/2 AWZY	2
26	650495	CS 1/2X1-1/4 C5ZY	2
27	074830	ELEMENT ONLY	1

1648 - ELECTRICAL
430340 - ELECTRICAL COMPONENTS

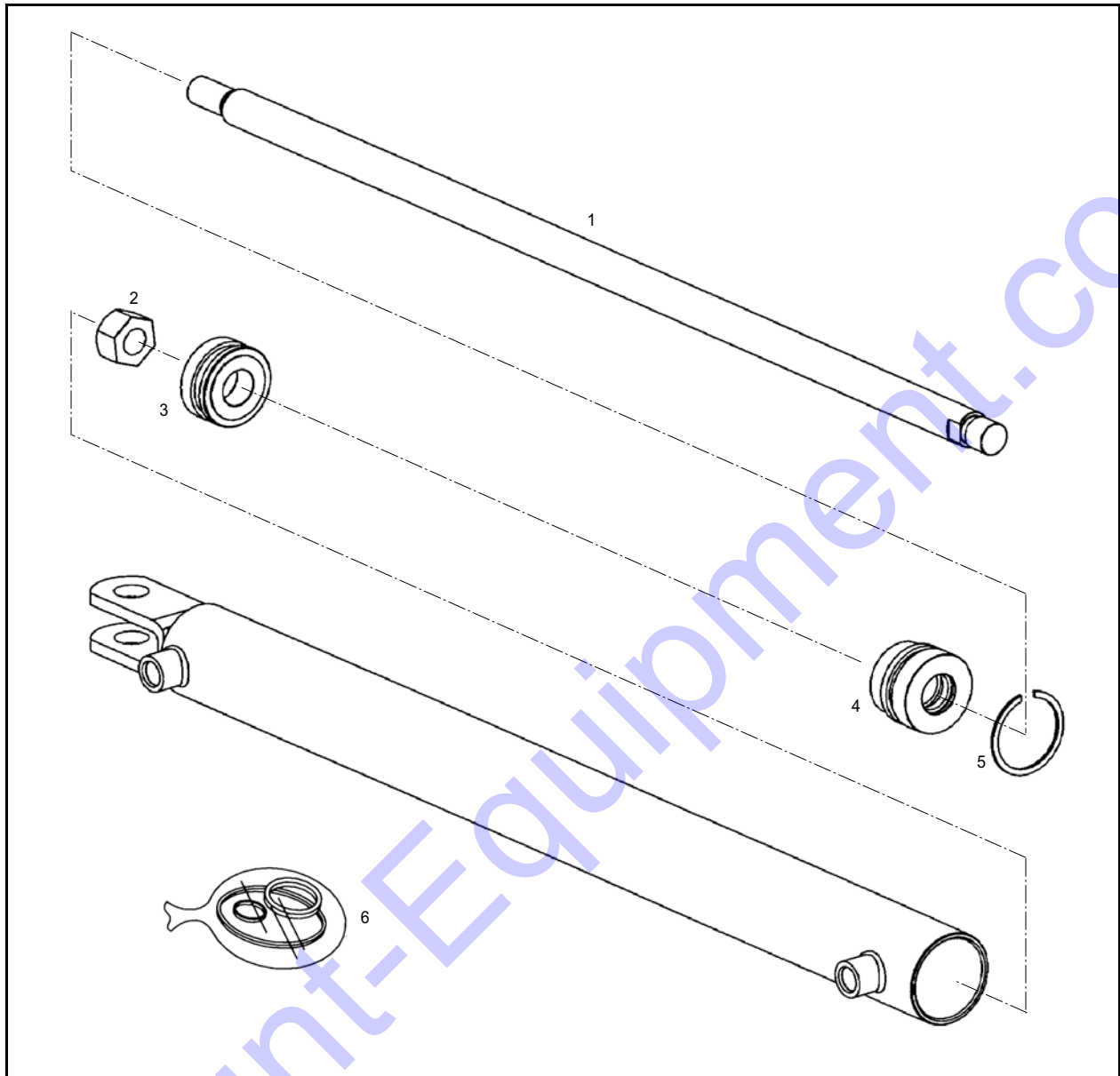


Ref. No.	Part No.	Description	Qty.
1	L41848	PUSHBUTTON SWITCH	2
2	270112	HARNES/ENGINE (SN 13208 AND UP)	1
	175739	HARNES/ENGINE (SN 13207 AND BEFORE)	1
3	L62277	SWITCH/NEUTRAL SAFETY	1
4	L50172	NUT/BULKHEAD .75-16	1
5	L41847	HORN 12V ELECT.	1
6	651087	LW INT T 3/8 AZY	1
7	070648	HN LF SLOC 5/16 CZ	4
8	420-35569	CIRCUIT BREAKER 35AMP	1
9	073694	KEY (WITHOUT SWITCH)	2
10	420-35602	RELAY	2
11	072340	GAUGE/HOURMETER	1
12	L48182	SWITCH ON-OFF TOGGLE	1
13	175620	BATTERY CABLE/NEGATIVE	1
14	175837	CABLE/BATTERY POS	1

Ref. No.	Part No.	Description	Qty.
15	*	BATTERY (OBTAIN LOCALLY. GROUP SIZE 24; 675 CCA)	1
16	P470348	ROD/BATTERY HOLDDOWN	2
17	175619	PLATE/BATTERY HOLD DOWN	1
19	195087	SWITCH/IGNITION (WITH KEY)	1
20	650815	RHMS SLT #1024X3/4 CZY	2
21	137113	GAUGE, WATER TEMP	1
22	175722	MODULE/CONTROL	1
23	L500594	FAN/OIL COOLER	1
25	651255	LW INT T #10 AZY	2
26	650448	CS1/4 X 3/4 C5ZY	4
27	210-32184	LN FL CTR 1/4 CZY	4
28	084175	HLN INST #1024 CZY	2
29	656048	HN M8-1.25 C8 ZY	1
30	654024	LW 5/16 RZY	1

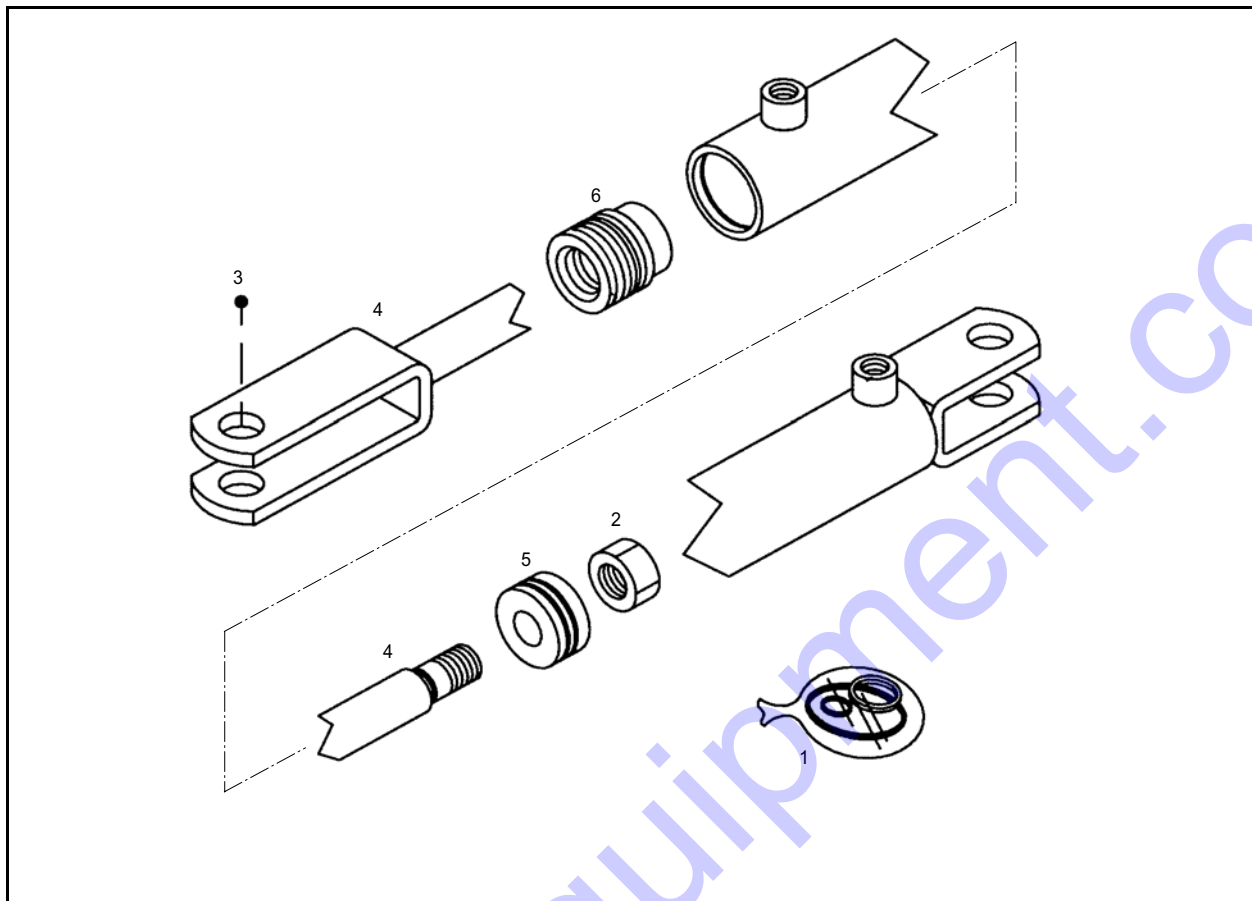
* Not serviced separately

1648 - COMPONENT DETAIL
P473265 - SCREED EXTEND CYLINDER



Ref. No.	Part No.	Description	Qty.	Ref. No.	Part No.	Description	Qty.
	P473265	COMPLETE ASSEMBLY	1	4	P700658	GUIDE	1
1	P700657	CYLINDER ROD	1	5	P700158	RETAINING RING	1
2	P700422	7/8-14 LOCK NUT	1	6	P700510	SEAL KIT (SEAL KIT ITEMS NOT SHOWN)	1
3	P700656	PISTON	1				

**1648 - COMPONENT DETAIL
P471225 - SIDE GATE CYLINDER**

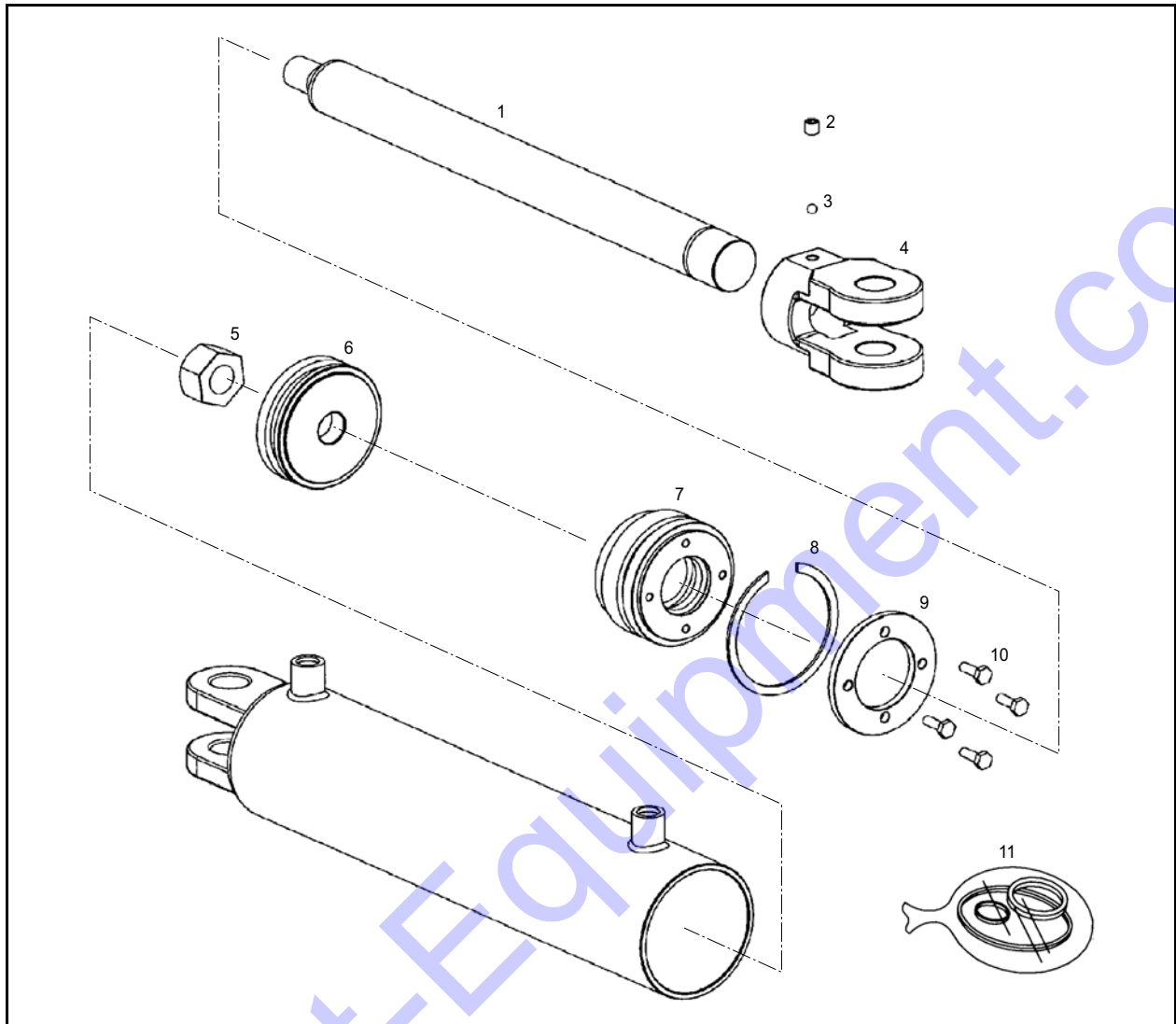


Ref. No.	Part No.	Description	Qty.
	P471225	COMPLETE ASSEMBLY	1
1	P280800	SEAL KIT (SEAL KIT ITEMS NOT SHOWN)	1
2	P700422	LOCKNUT 7/8-14	1
3	*	CLEVIS PIN W/CLIP	2

Ref. No.	Part No.	Description	Qty.
4	*	ROD W/CLEVIS	1
5	P700402	PISTON	1
6	P700403	END GLAND	1

* Not serviced separately

1648 - COMPONENT DETAIL
100893 - HOPPER LIFT CYLINDER

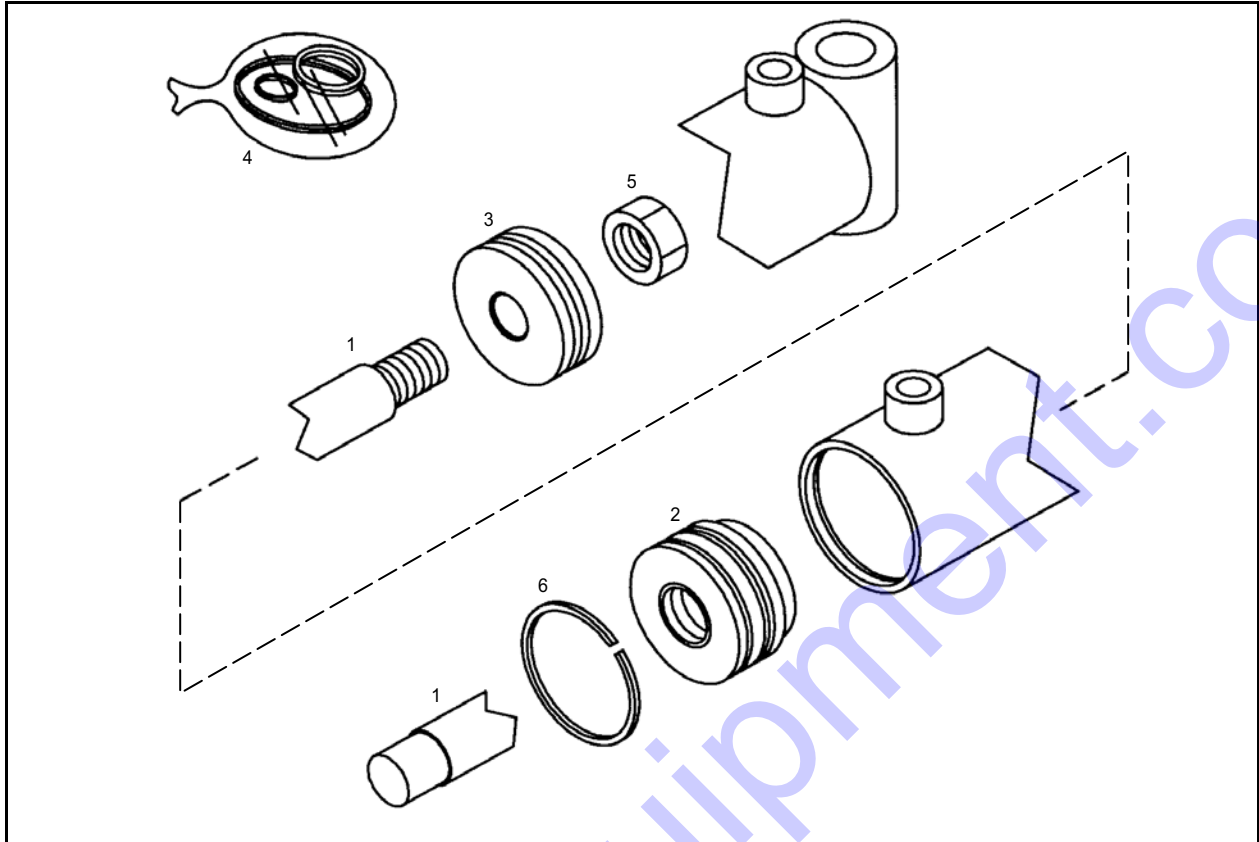


Ref. No.	Part No.	Description	Qty.
	100893	COMPLETE ASSEMBLY	1
1	P700661	CYLINDER ROD	1
2	P700666	3/8-16X3/8 SET SCREW	1
3	P700665	1/4" NYLON BALL	1
4	P700667	ROD CLEVIS	1
5	P700422	7/8-14 LOCK NUT	1
6	P700660	PISTON	1
7	P700662	GUIDE	1

Ref. No.	Part No.	Description	Qty.
8	*	RETAINER RING (INCLUDED IN ITEM 11)	1
9	P700664	RETAINING PLATE	1
10	650448	CS 1/4 X 3/4 C5ZY	4
11	P700659	SEAL KIT (SEAL KIT ITEMS NOT SHOWN)	1

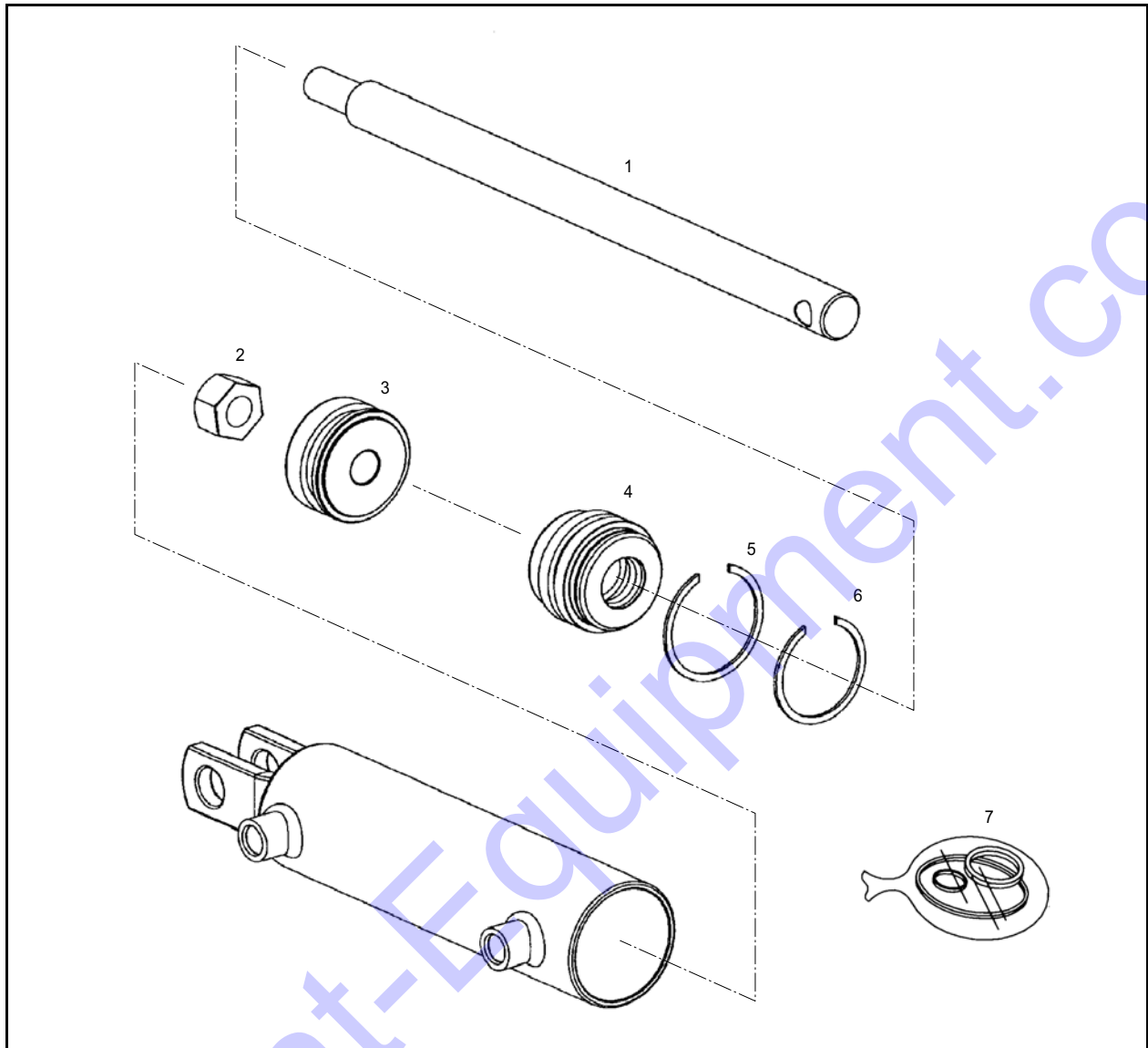
* Not serviced separately

**1648 - COMPONENT DETAIL
P480118 - TRACK TENSION CYLINDER**



Ref. No.	Part No.	Description	Qty.	Ref. No.	Part No.	Description	Qty.
	P480118	COMPLETE ASSEMBLY	1	4	P700583	SEAL KIT (SEAL KIT ITEMS NOT SHOWN)	1
1	*	ROD (INCLUDED IN ITEM 1)	1	5	P700422	LOCK NUT 7/8-14 UNF	1
2	*	END GLAND (INCLUDED IN ITEM 1)	1	6	*	RETAINER RING (INCLUDED IN ITEM 4)	1
3	*	PISTON (INCLUDED IN ITEM 1)	1			* Not serviced separately	

1648 - COMPONENT DETAIL
100713 - GATE CYLINDER

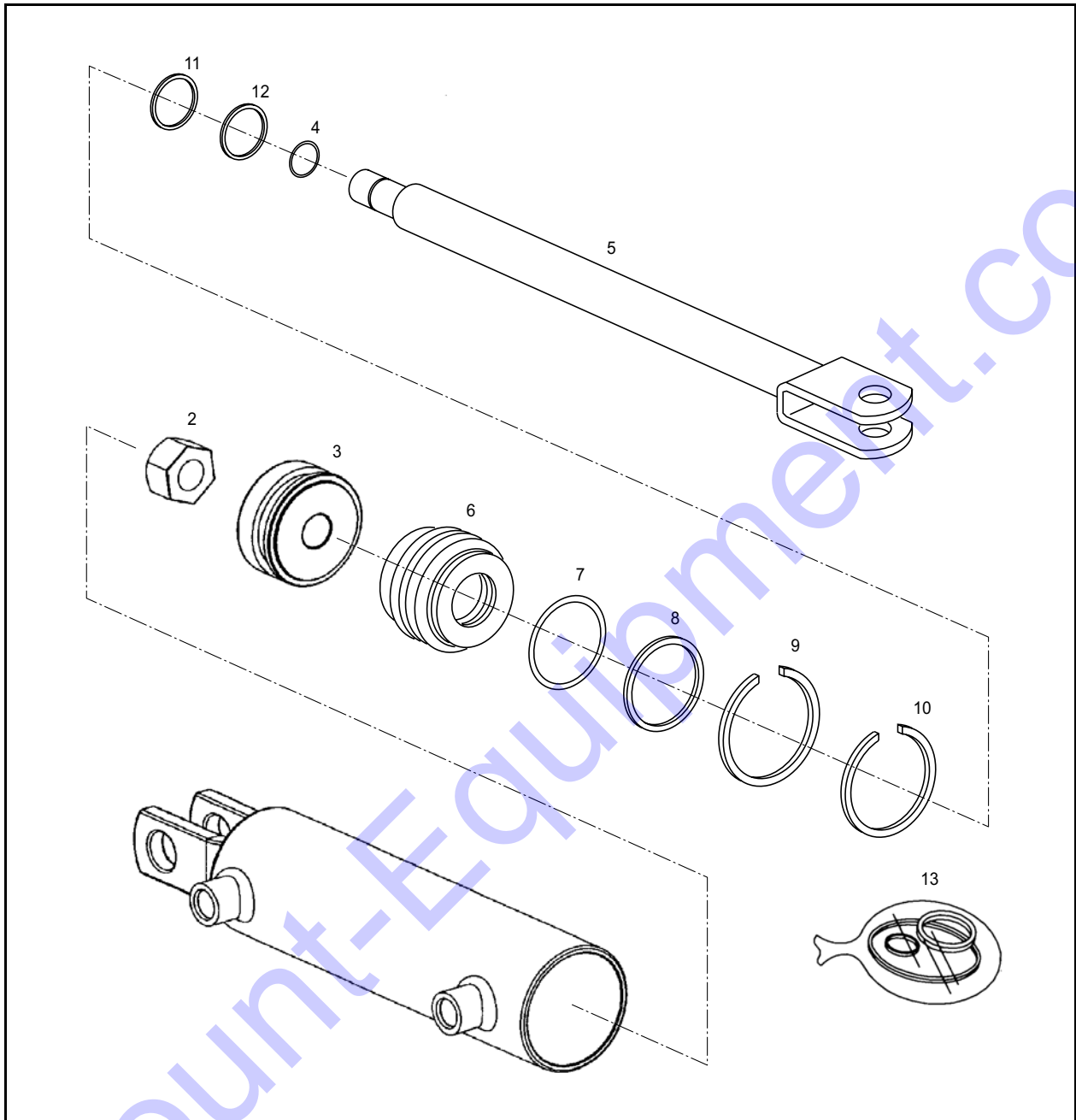


Ref. No.	Part No.	Description	Qty.
	100713	COMPLETE ASSEMBLY	1
1	P700663	CYLINDER ROD	1
2	P700422	7/8-14 LOCK NUT	1
3	P700436	PISTON	1
4	P700668	GUIDE	1
5	*	RETAINING RING/INTERNAL (INCLUDED IN ITEM 7)	1

Ref. No.	Part No.	Description	Qty.
6	*	RETAINING RING/EXTERNAL (INCLUDED IN ITEM 7)	1
7	P700669	SEAL KIT (SEAL KIT ITEMS NOT SHOWN)	1

* Not serviced separately

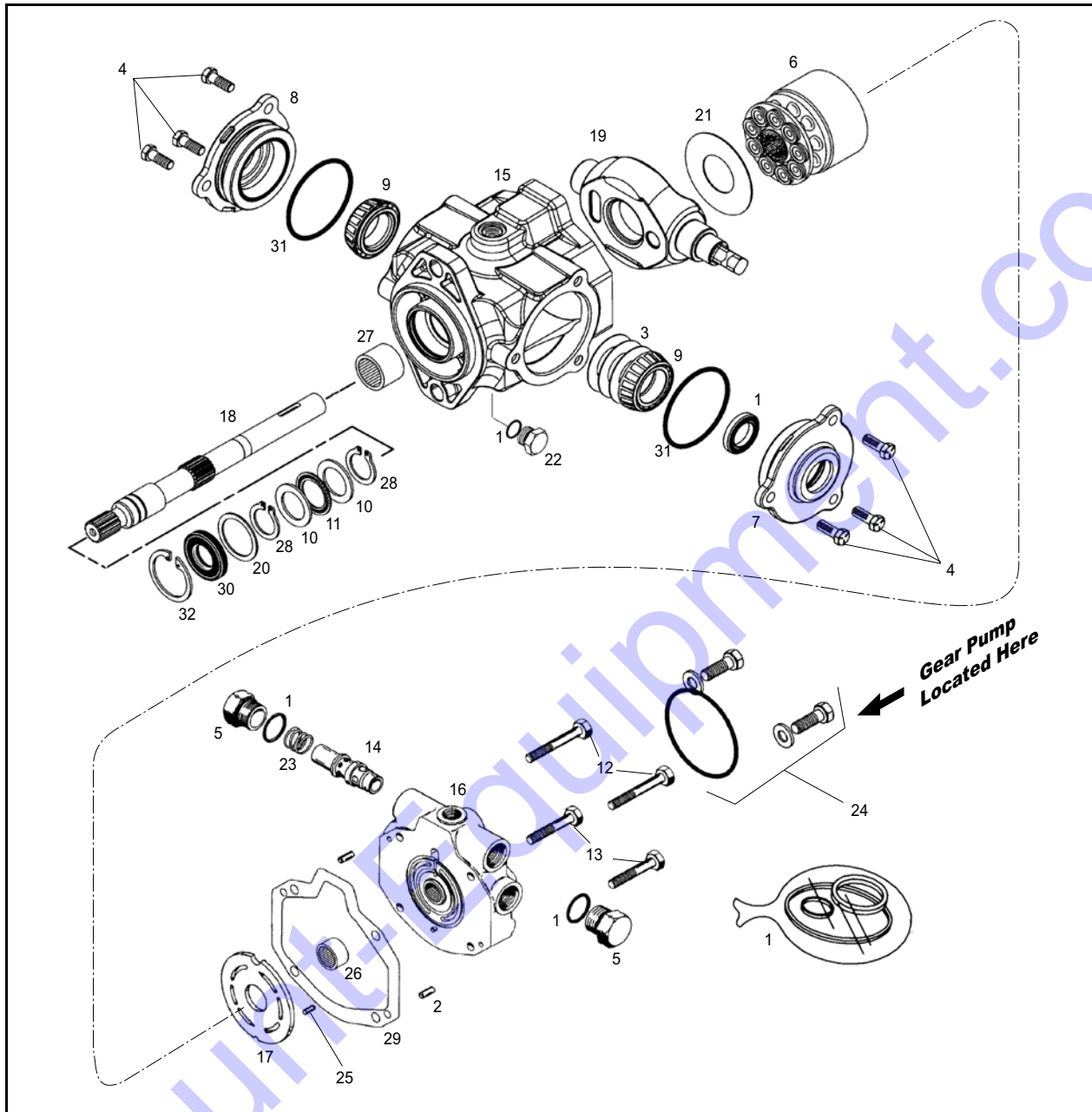
**1648 - COMPONENT DETAIL
101355 - SCREED LIFT CYLINDER**



Ref. No.	Part No.	Description	Qty.	Ref. No.	Part No.	Description	Qty.
	101355	COMPLETE ASSEMBLY	1	9	*	RETAINING RING, INT 3.0" (INCLUDED IN ITEM 13)	1
1	203930	LOCKNUT	1	10	*	RETAINING RING, EXT. 2.6" (INCLUDED IN ITEM 13)	1
2	203931	PISTON SEAL 3.00	1	11	*	CUP RING, 1.125 X 1.375 X 1.25" (INCLUDED IN ITEM 13)	1
3	P700436	PISTON/GATE CYL	1	12	*	WIPER RING, 1.125" (INCLUDED IN ITEM 13)	1
4	*	O-RING, 0.75 X 0.875 (INCLUDED IN ITEM 13)	1	13	P700430	SEAL KIT/GATE CYL	1
5	203932	ROD	1			* Not serviced separately	
6	P700437	GLAND/GATE CYL 1600	1				
7	*	O-RING, 2.6 X 3.0" (INCLUDED IN ITEM 13)	1				
8	*	BACKUP RING, 2.6 X 3.0" (INCLUDED IN ITEM 13)	1				

1648 - COMPONENT DETAIL

P473287 - HYDRAULIC PUMP - FRONT (PISTON) SECTION



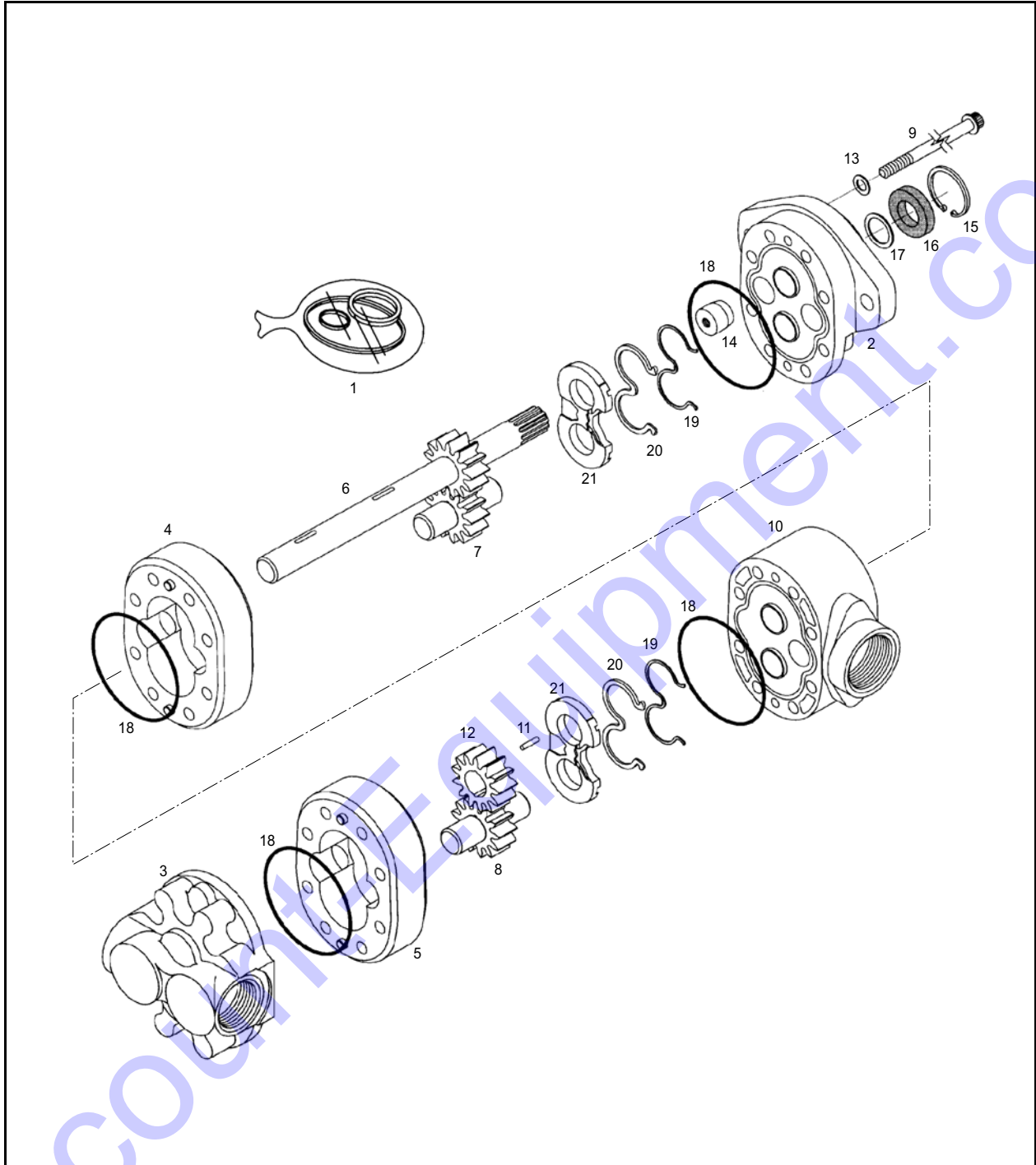
Ref. No.	Part No.	Description	Qty.	Ref. No.	Part No.	Description	Qty.
	P473287	COMPLETE ASSEMBLY (INCLUDES GEAR SECTION)	1	10	123081	THRUST PLATE	2
1	190-32866	SEAL REPAIR KIT (INCLUDES REFS. 28, 29, 30, 31, 32)	1	11	P700031	BEARING, NEEDLE THRUST	1
2	604260	PIN, DOWEL	2	12	P700679	SCREW, CAP	2
3	350-32622	RING, CRUSH	1	13	P700680	SCREW, CAP	2
4	P700675	SCREW, CAP	6	14	P700546	VALVE, RELIEF	1
5	088311	PLUG ASSEMBLY (INCLUDES O-RING)	2	15	*	HOUSING	1
6	123070	ROTATING KIT SUBASY	1	16	P700681	ENDCOVER, SUBASY	1
7	160-32876	PLATE, COVER SUBASY	1	17	*	PLATE, VALVE	1
8	P700677	PLATE, COVER SUBASY	1	18	P700532	SHAFT, DRIVE	1
9	P700678	CUP, BEARING	2	19	P700682	SWASHPLATE, SUBASY	1
				20	400-32296	WASHER	1
				21	400-32550	INSERT, CAMPLATE	1

**1648 - COMPONENT DETAIL
P473287 - HYDRAULIC PUMP - FRONT (PISTON) SECTION**

Ref. No.	Part No.	Description	Qty.	Ref. No.	Part No.	Description	Qty.
22	P700684	PLUG, SUBASSY (INCLUDES O-RING)	1	29	*	GASKET (INCLUDED IN REF. 1)	1
23	P700018	SPRING	1	30	*	SEAL, SHAFT (INCLUDED IN REF. 1)	1
24	P700548	GEAR PUMP MOUNT KIT (INCLUDES O-RING, WASHER AND CAPSCREWS)	1	31	*	O-RING (INCLUDED IN REF. 1)	2
25	123125	DOWEL PIN	1	32	*	RETAINING RING (INCLUDED IN REF. 1)	1
26	123124	BEARING	1				
27	P700394	BEARING	1				
28	*	RETAINING RING (INCLUDED IN REF. 1)	2				

* Not serviced separately

1648 - COMPONENT DETAIL
P700552 - HYDRAULIC PUMP - REAR (GEAR) SECTION

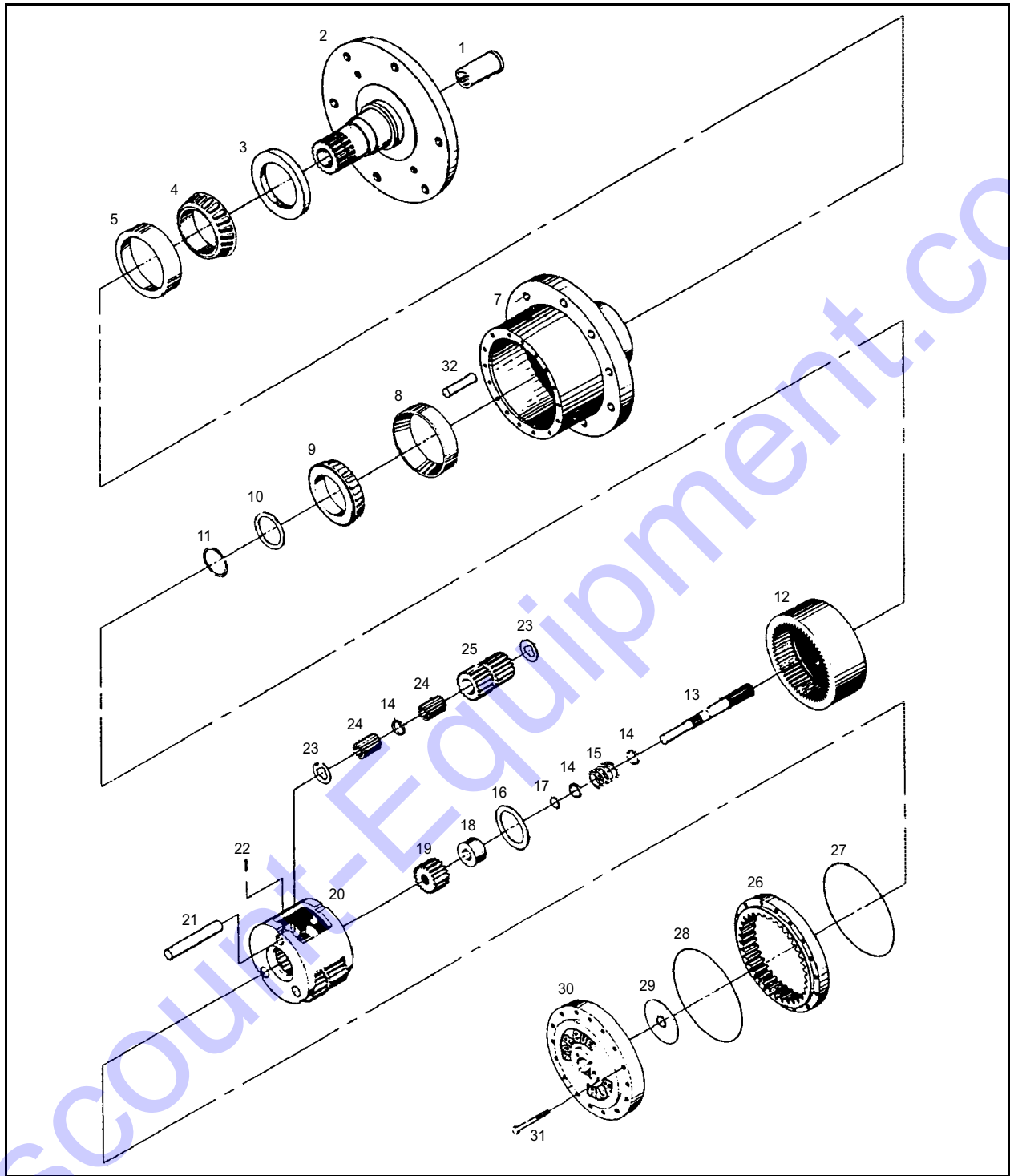


Ref. No.	Part No.	Description	Qty.	Ref. No.	Part No.	Description	Qty.
	P700552	COMPLETE GEAR PUMP ASY.	1	7	*	FRONT IDLER GEAR ASY.	1
1	130059	SEAL REPAIR KIT	1	8	*	REAR IDLER GEAR ASY.	1
2	130033	FRONT PLATE ASY.	1	9	122928	CAPSCREW	8
3	*	BACK PLATE	1	10	*	ADAPTER PLATE	1
4	P700558	FRONT BODY ASY.	1	11	129426	KEY	1
5	P700558	REAR BODY ASY.	1	12	*	REAR GEAR	1
6	*	DRIVE GEAR ASY.	1	13	*	WASHER	4

**1648 - COMPONENT DETAIL
P700552 - HYDRAULIC PUMP - REAR (GEAR) SECTION**

Ref. No.	Part No.	Description	Qty.	Ref. No.	Part No.	Description	Qty.
14	130046	PLUG	1	19	*	BACKUP GASKET	2
15	122008	RETAINING RING	1	20	*	SEAL	2
16	*	SHAFT SEAL	1	21	*	WEAR PLATE	2
17	*	WASHER	1			* Not serviced separately	
18	*	O-RING	4				

1648 - COMPONENT DETAIL
P271900 - TORQUE HUB

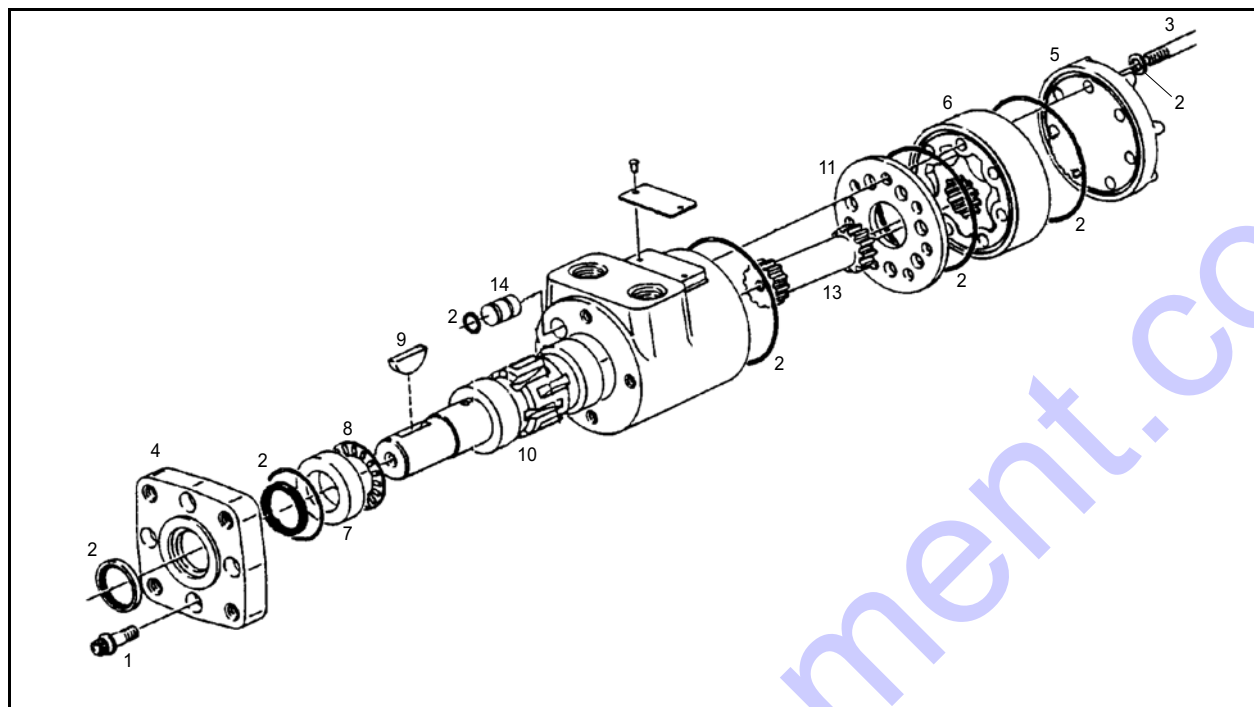


Ref. No.	Part No.	Description	Qty.	Ref. No.	Part No.	Description	Qty.
	P271900	COMPLETE TORQUE HUB ASSY.	1	7	P700100	HOUSING	1
1	P700670	COUPLING	1	8	P700063	BEARING CUP	1
2	*	SPINDLE	1	9	P700064	BEARING CONE	1
3	P700103	SEAL	1	10	P700068	THRUST WASHER	1
4	P700253	BEARING CONE	1	11	P384600	RETAINER RING	1
5	L97239	BEARING CUP	1	12	P700061	INTERNAL GEAR	1

**1648 - COMPONENT DETAIL
P271900 - TORQUE HUB**

Ref. No.	Part No.	Description	Qty.	Ref. No.	Part No.	Description	Qty.
13	*	INPUT SHAFT	1	24	P700072	NEEDLE ROLLERS	96
14	P700073	THRUST WASHER	3	25	P700105	CLUSTER GEAR	3
15	P700085	SPRING	1	26	P700106	RING GEAR	1
16	*	THRUST WASHER	1	27	P382100	O-RING	1
17	P700081	RETAINER RING	1	28	L500774	O-RING	1
18	P700111	INPUT SPACER	1	29	L500775	THRUST CAP	1
19	P700104	SUN GEAR	1	30	L500776	COVER ASSEMBLY	1
20	P700076	CARRIER	1	31	L500773	GR8 BOLT 5/16-18X2-1/4	12
21	P700070	PLANET SHAFT	3	32	L500777	DOWEL PIN	4
22	P700074	ANTI-ROLL PIN	3			* Not serviced separately	
23	P700071	THRUST WASHER	2				

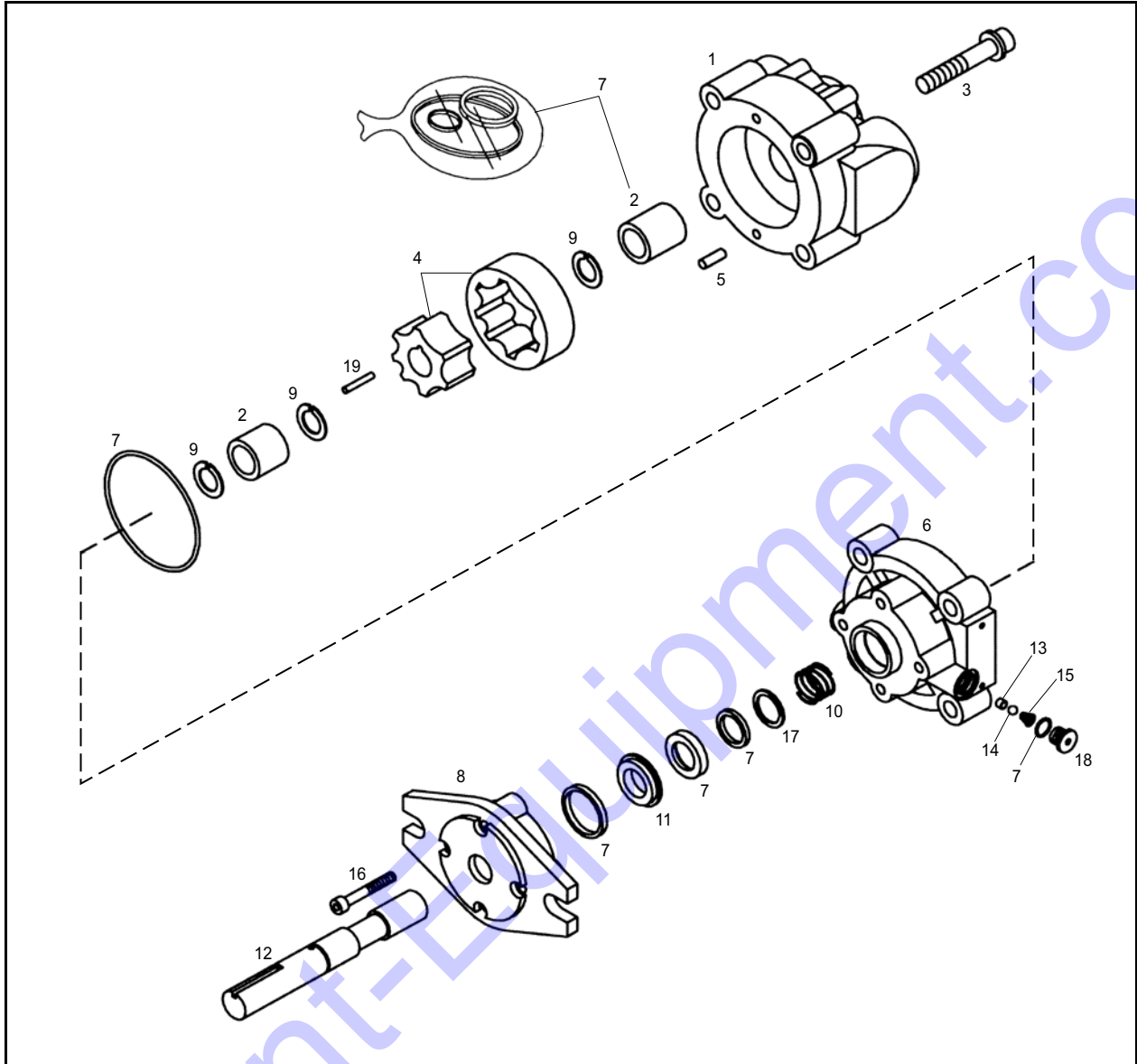
1648 - COMPONENT DETAIL
P480071 - AUGER DRIVE MOTOR



Ref. No.	Part No.	Description	Qty.	Ref. No.	Part No.	Description	Qty.
	P480071	COMPLETE ASSEMBLY	1	8	P700196	NEEDLE BEARING	1
1	*	CAPSCREW 12PT. DR. 5/16-24X7/8	4	9	P700472	KEY	1
2	P279009	SEAL KIT	1	10	*	OUTPUT SHAFT, SPLINED	1
3	*	CAPSCREW 12PT. DR. 5/16-24	7	11	*	SPACER PLATE	1
4	P243860	MOUNTING FLANGE	1	12	*	HOUSING	1
5	*	END CAP	1	13	*	DRIVE	1
6	P700222	GEROTOR SET	1	14	*	PLUG	1
7	P700199	BEARING RACE	1				

* Not serviced separately

**1648 - COMPONENT DETAIL
P349450 - SCREED VIBRATOR MOTOR**



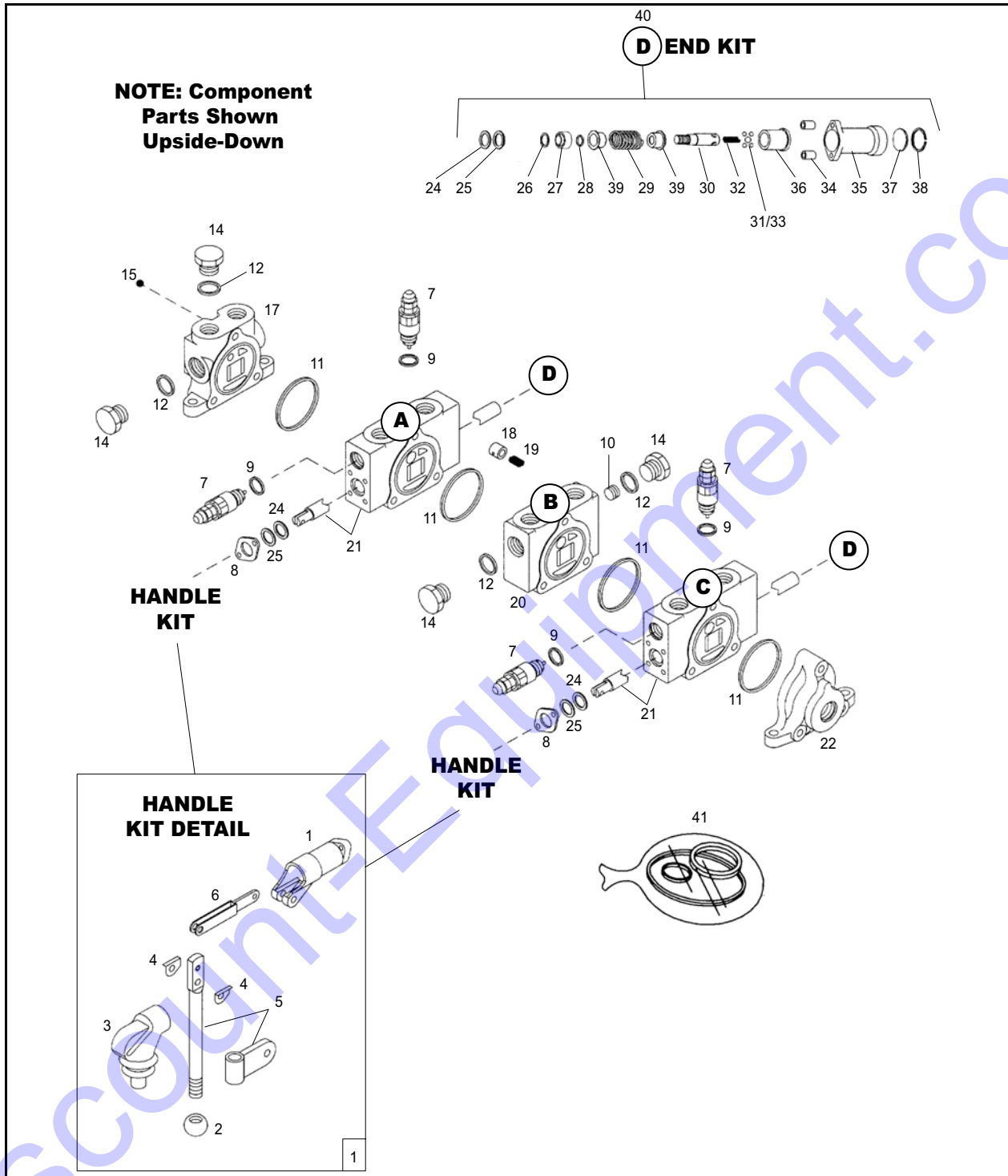
Ref. No.	Part No.	Description	Qty.
	P349450	COMPLETE VIBRATOR MOTOR ASSY	1
1	*	BODY	1
2	*	BEARING	2
3	*	BODY SCREW	4
4	*	GEROTOR ELEMENT	1
5	*	DOWEL PIN	2
6	*	COVER	1
7	P282400	SERVICE KIT (SEALS & REF. 2)	1
8	P700514	MOUNTING PLATE	1
9	P700185	RETAINING RING	3
10	P700181	SPRING	1

Ref. No.	Part No.	Description	Qty.
11	*	SEAT	1
12	*	SHAFT	1
13	*	SEAT	2
14	P700183	BALL	2
15	*	SPRING	2
16	*	SCREW #10-24X1	4
17	*	WASHER	1
18	*	PLUG	2
19	*	DRIVE PIN	1

* Not serviced separately

1648 - COMPONENT DETAIL

101282 - TRACK DRIVE CONTROL VALVE



Ref. No.	Part No.	Description	Qty.
	101282	COMPLETE TRACK DRIVE CONTROL ASSY	1
1	P045625	HANDLE PIVOT MOUNT	2
2	101099	KNOB	2
3	P700163	BOOT	2
4	P700164	SHIM	4
5	P470427	HANDLE W/TAB	2

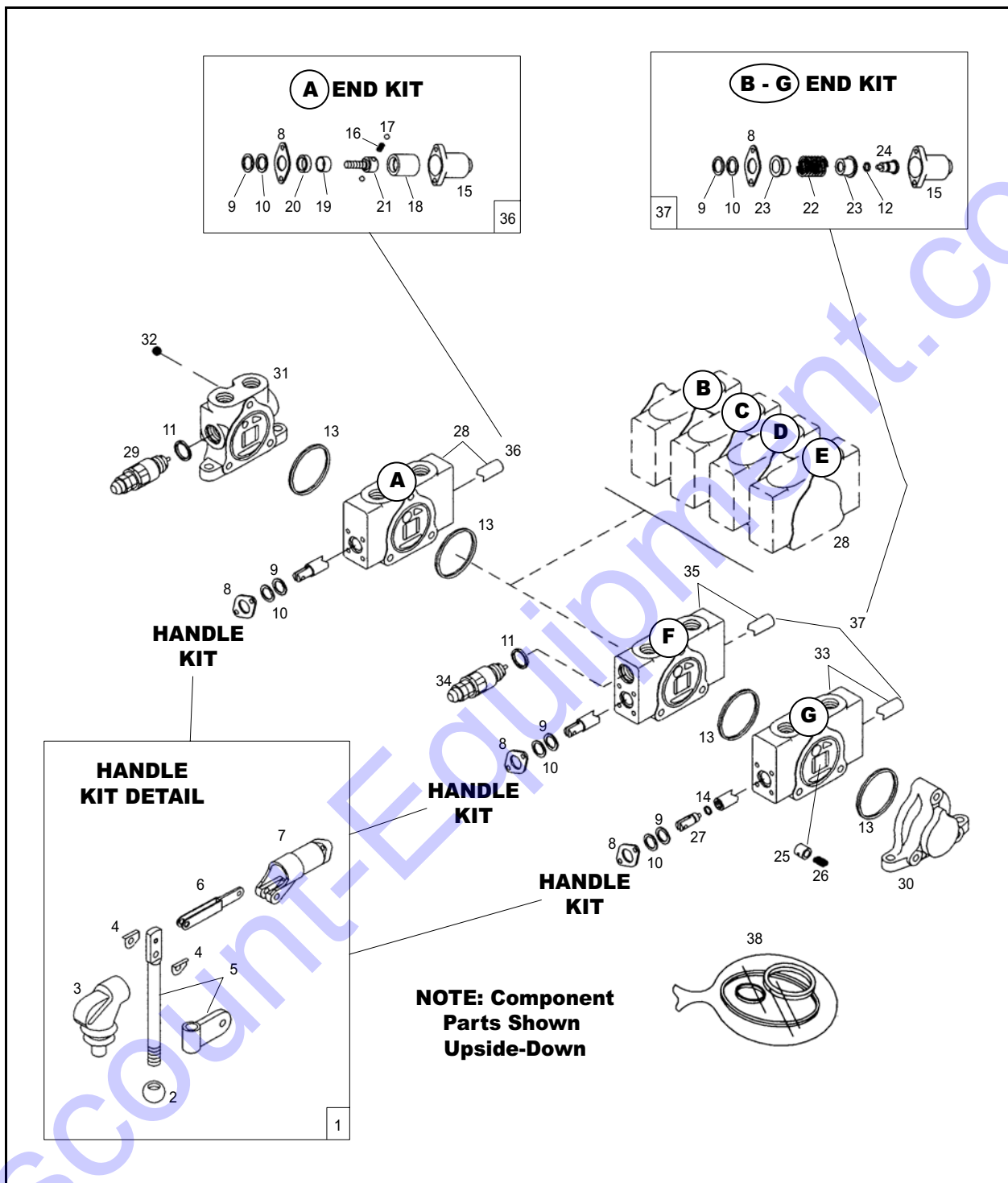
Ref. No.	Part No.	Description	Qty.
6	P700165	LINK	4
7	P471469	RELIEF, 3500 PSI	4
8	P700166	SEAL PLATE	2
9	*	RELIEF SEAL	4
10	*	PLUG (NPT)	1
11	P382900	BETWEEN SECT. SEAL	4

**1648 - COMPONENT DETAIL
101282 - TRACK DRIVE CONTROL VALVE**

Ref. No.	Part No.	Description	Qty.	Ref. No.	Part No.	Description	Qty.
12	P700563	PLUG SEAL, MID-SECT.	4	28	*	O-RING	1
14	093851	PLUG	4	29	*	SPRING	1
15	*	TIE ROD, LONG	2	30	*	SPOOL END-DETENT PIN	1
	*	TIE ROD, SHORT	1	31	*	BALL	4
17	*	INLET HOUSING	1	32	*	SPRING	1
18	*	POPPET, C.V.	2	33	*	BALL	1
19	P700115	SPRING	2	34	*	SPACER	2
20	*	MID-INLET HOUSING "B"	1	35	*	CAP-SPOOL	1
21	*	WORK SECT. HOUSING "A&C"	2	36	*	SLEEVE-DETENT	1
	*	SPOOL	2	37	*	SPACER	1
22	*	OUTLET HOUSING	1	38	*	RETAINING RING-INTERNAL	1
23	P286100	HANDLE KIT, LESS TAB (INCL. REFS. 1-6)	2	39	*	SPRING SEAT	2
24	P393400	SPOOL SEAL	4	40	P700686	END KIT (INCL. REFS. 26-39)	2
25	P424000	SPOOL WIPER	4	41	P700571	COMPLETE SEAL KIT	1
26	*	O-RING	1			* Not serviced separately	
27	*	SPACER, SPOOL CAP	1				

1648 - COMPONENT DETAIL

101280 - 7- STACK CONTROL VALVE WITH RELIEF



Ref. No.	Part No.	Description	Qty.
	101280	COMPLETE 7-STACK CONTROL VALVE ASSEMBLY	1
1	P286100	HANDLE KIT (INCL. REFS 2-7, EXCLUDING TAB)	7
2	101099	KNOB	7
3	P700163	BOOT	7
4	P700164	SHIM	14

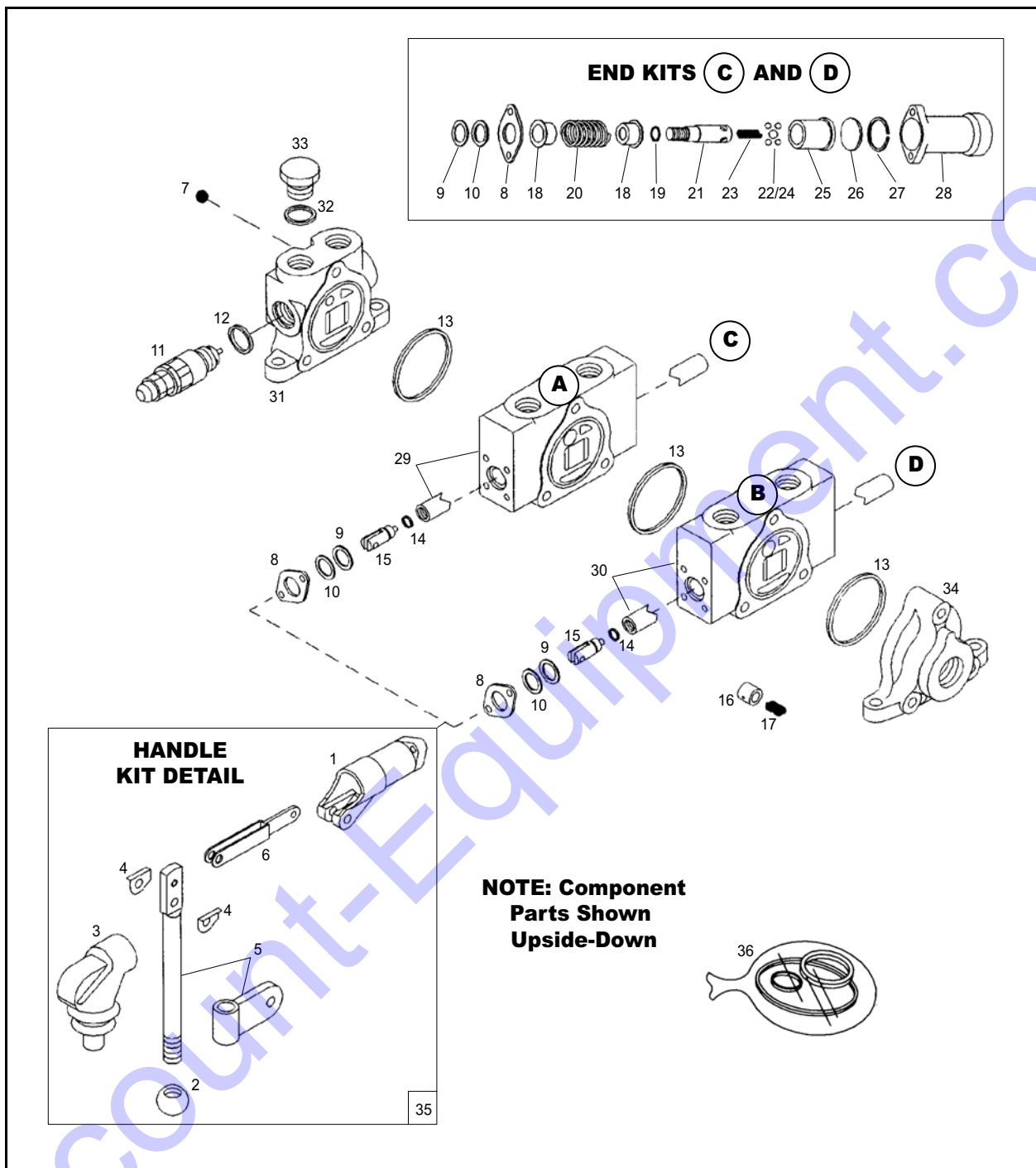
Ref. No.	Part No.	Description	Qty.
5	P470427	HANDLE W/TAB	2
6	P700165	LINK	14
7	P045625	HANDLE PIVOT MOUNT	7
8	P700166	SEAL PLATE	14
9	P393400	SPOOL SEAL	14
10	P424000	SPOOL WIPER	14
11	*	RELIEF SEAL	2

1648 - COMPONENT DETAIL
101280 - 7- STACK CONTROL VALVE WITH RELIEF

Ref. No.	Part No.	Description	Qty.	Ref. No.	Part No.	Description	Qty.
12	*	SPOOL END SEAL	1	26	P700115	SPRING	6
13	P382900	BETWEEN SECTS.SEAL	4	27	P700417	CLEVIS END	6
14	*	CLEVIS END SEAL	7	28	P418040	SPOOL WORK SECT. "A - E"	1
15	P700604	CAP	7	29	P418203	RELIEF	1
16	P700168	SPRING	1	30	*	END SECTION	1
17	*	BALL	1	31	P700506	INLET/OUTLET SECTION	1
18	*	DETENT SLEEVE	1	32	P700170	TIE ROD KIT	1
19	*	SPACER	1	33	P418035	SPOOL WORK SECT. "G"	1
20	*	SPACER	1	34	P700519	RELIEF	1
21	*	DETENT PIN	1	35	P700518	SPOOL WORK SECTION. "F"	1
22	P700220	SPRING	6	36	P277820	SPOOL END SERVICE KIT "A"	1
23	*	SPRING SEAT	12	37	P700469	SPOOL END SERV. KIT "B-G"	6
24	*	SPOOL END	6	38	P700471	COMPL. SEAL KIT	1
25	*	POPPET-C.V.	6			* Not serviced separately	

1648 - COMPONENT DETAIL

101281 - AUGER CONTROL VALVE



Ref. No.	Part No.	Description	Qty.
	101281	COMPLETE AUGER CONTROL VALVE ASSY	1
	P700533	END KIT "C"	1
	P700576	END KIT "D"	1
	P700578	COMPL. SPOOL SECT. "A" ASY.	1
	P700577	COMPL. SPOOL SECT. "B" ASY.	1
1	P045625	HANDLE PIVOT MOUNT	2
2	101099	KNOB	2

Ref. No.	Part No.	Description	Qty.
3	P700163	BOOT	2
4	P700164	SHIM	4
5	P470427	HANDLE W/TAB WELD	2
6	P700165	LINK	4
7	*	TIE ROD, LONG	2
	*	TIE ROD, SHORT	1
8	P700166	SEAL PLATE	4
9	P393400	SPOOL SEAL	4

**1648 - COMPONENT DETAIL
101281 - AUGER CONTROL VALVE**

Ref. No.	Part No.	Description	Qty.	Ref. No.	Part No.	Description	Qty.
10	P424000	SPOOL WIPER	4	25	*	DETENT SLEEVE	2
11	P418203	RELIEF ASY.	1	26	*	SPACER	2
12	*	RELIEF SEAL	1	27	*	INT. RETAINER RING	2
13	P382900	BETWEEN SECT. SEAL	2	28	*	SPOOL CAP	2
14	*	CLEVIS END SEAL	2	29	*	HOUSING, SECT. "A"/ SPOOL	1
15	P700417	CLEVIS END	2	30	*	HOUSING, SECT. "B"/ SPOOL	1
16	*	POPPET, C.V.	2	31	*	INLET HOUSING/SPOOL	1
17	P700115	SPRING	2	32	P700563	O-RING	1
18	*	SPRING SEAT	2	33	P700565	PLUG	1
19	*	O-RING	2	34	*	OUTLET HOUSING	1
20	P700220	SPRING	2	35	P286100	HANDLE KIT (INCLUDES REFS. 1, 2, 3, 4, 6)	2
21	*	DETENT PIN	2	36	P700571	COMPL. REPAIR KIT	1
22	*	BALL	8				
23	*	INNER SPRING	2				
24	*	BALL	2				

* Not serviced separately

Index

NUMERICIS

7-Stack Control Valve w/Relief 90

A

Auger Control Valve 92
Auger Drive Motor 86

B

Backwall 22

C

Covers 23
Cylinder, Gate 78
Cylinder, Hopper Lift 76
Cylinder, Screed Extend 74
Cylinder, Screed Lift 79
Cylinder, Side Gate 75
Cylinder, Track Tension 77

E

Electrical 73
Engine 26-60
Engine Exhaust 61
Engine Inlet 61

F

Filters 7
Flow Gate with Augers 15
Flow Gate without Augers 14
Fuel Tank 19

H

Hopper 20
Hydraulic Pump, Front (Piston) Section ... 80
Hydraulic Pump, Rear (Gear) Section 82
Hydraulics, Auger Motors on Gate 72
Hydraulics, Auger Motors on Screed 70
Hydraulics, Gate 69

Hydraulics, Hopper 68
Hydraulics, Main 62
Hydraulics, Screed Extension 67
Hydraulics, Screed Lift 66
Hydraulics, Track Drive 64
Hydrostatic Pump 25

M

Main Screed 8

O

O-Ring Table Inside Back Cover

P

Propane Kit 17
Pullarms 10

S

Screed Cutoff Option 16
Screed Extensions with Augers 12
Screed Extensions without Augers 11
Screed Vibrator Motor 87
Side Gates 21
Spraydown Tank 18

T

Torque Hub 84
Torque Specifications 118
Track 24
Track Drive Control Valve 88
Track Drive Hydraulics 64

V

Vibrator Hydraulics 66

W

Wings 21

Part No.	Page No.	Ref. No.	Part No.	Page No.	Ref. No.	Part No.	Page No.	Ref. No.
040775	9	40	069485	24	42	073694	73	9
054626	62	2	070634	9	56	074020	62	31
054626	65	8	070634	23	9	074020	70	1
054816	25	22	070634	26	10	074020	72	1
054816	63	41	070648	19	2	074830	7	6
054816	65	12	070648	23	1	074830	63	50
054819	63	51	070648	65	70	074830	71	40
054820	20	1	070648	73	7	074830	72	27
054820	68	8	070856	20	3	076105	11	19
054994	65	18	070856	21	22	076105	12	19
054994	65	53	070856	61	16	076143	62	35
055005	25	15	070856	63	46	076143	65	28
055005	65	42	070856	65	26	076147	17	8
055335	26	2	070856	66	4	076589	26	6
057650	18	1	070856	67	3	079038	62	16
057864	21	16	070856	70	8	079209	9	39
058610	62	22	070856	72	10	079209	22	14
058610	70	28	071700	17	15	079209	24	10
058610	72	15	071701	14	1	081073	25	3
061946	17	10	071701	15	1	084175	18	26
062023	18	2	071701	17	28	084175	73	28
062023	19	1	071701	25	8	087393	65	23
062889	21	12	071706	10	2	087850	61	14
062889	69	11	071858	22	5	088311	80	5
065042	61	10	072330	23	20	089099	65	50
067455	62	28	072340	73	11	090666	23	18
067761	25	14	072425	22	4	091039	12	20
067761	62	20	072580	65	4	091039	65	56
067761	71	33	072580	70	29	091039	70	14
067761	72	23	072580	72	13	093851	89	14
067847	10	1	072587	63	58	095457	65	79
067847	18	4	072587	65	44	097860	17	27
067847	26	29	072615	70	4	100357	62	1
067847	65	71	072615	72	4	100358	67	5
068034	26	30	072798	4	1	100358	68	10
068938	20	2	072803	63	38	100381	21	8
068938	21	13	072806	18	5	100382	21	3
068938	65	15	072806	62	37	100474	69	3
068938	68	9	072806	65	76	100475	69	14
068938	69	8	072916	9	55	100483	70	13

1648 - Numerical Index

Part No.	Page No.	Ref. No.	Part No.	Page No.	Ref. No.	Part No.	Page No.	Ref. No.
100483	72	16	100645	72	22	100865	66	12
100484	72	20	100646	62	3	100866	10	8
100504	9	38	100647	70	27	100875	13	29
100504	66	16	100647	72	21	100875	15	6
100516	11	18	100649	62	21	100884	13	30
100516	12	18	100670	21	17	100884	15	7
100517	11	17	100671	21	6	100891	10	9
100517	12	17	100687	20	4	100893	20	5
100522	17	12	100713	14	2	100893	68	7
100533	17	17	100713	15	2	100893	76	6
100589	12	14	100713	69	6	100915	10	4
100590	12	13	100713	78	5	100917	10	3
100592	9	37	100714	15	3	100919	13	31
100592	66	13	100715	15	4	100930	9	1
100593	12	21	100772	10	3	100932	13	32
100593	70	18	100780	10	4	100932	70	19
100594	12	22	100782	10	5	100944	68	3
100594	70	25	100783	10	6	100945	68	4
100595	12	23	100784	10	7	100946	69	12
100595	70	17	100788	14	3	100948	62	24
100596	12	24	100788	15	5	100949	66	24
100596	70	24	100816	9	33	100951	67	10
100597	13	25	100828	9	32	100952	67	9
100597	70	15	100830	9	31	100953	67	8
100598	13	26	100834	11	16	100954	67	6
100598	70	23	100840	11	15	100955	67	7
100599	13	27	100843	11	14	100972	66	5
100599	70	16	100845	11	13	100973	66	11
100600	13	28	100847	9	30	100974	70	11
100600	71	37	100849	9	29	100975	70	26
100631	65	22	100859	11	12	100978	9	21
100632	65	46	100859	12	12	101072	71	39
100633	65	19	100860	11	11	101080	22	24
100634	65	13	100860	12	11	101083	22	18
100635	65	45	100861	9	26	101087	22	23
100636	65	31	100862	9	25	101089	22	22
100637	65	16	100862	66	18	101099	22	21
100637	65	81	100863	9	24	101099	25	26
100644	65	3	100864	9	23	101099	88	2
100645	71	30	100865	9	22	101099	90	2

Part No.	Page No.	Ref. No.	Part No.	Page No.	Ref. No.	Part No.	Page No.	Ref. No.
101099	92	2	101281	70	6	130046	83	14
101103	10	10	101281	72	8	130059	82	1
101115	4	3	101281	92	38	131706	65	10
101116	4	4	101282	65	5	132270	26	24
101118	4	5	101282	88	14	133074	19	10
101119	4	6	101355	9	7	137113	73	21
101124	14	6	101355	66	10	137628	4	23
101126	22	17	101355	79	7	137632	4	24
101132	27	48	101408	14	5	137634	4	26
101133	18	21	101415	14	4	137660	4	27
101140	11	20	101438	24	39	137661	4	28
101140	13	48	101438	65	32	137953	57	12
101148	17	11	101481	4	7	137959	17	14
101160	11	10	101977	9	36	138076	51	33
101160	12	10	101980	9	35	138104	52	7
101161	9	20	101981	9	34	138113	37	10
101161	66	15	101986	4	22	138117	45	7
101190	16	3	103497	63	39	138140	33	18
101190	16	3	103523	65	68	138140	35	27
101194	16	2	103524	65	67	138140	52	6
101195	16	1	110227	9	19	138141	60	30
101196	16	2	110227	25	21	138474	52	3
101197	16	1	110227	65	77	138520	51	30
101210	62	17	110227	66	6	139438	26	8
101211	22	19	110227	67	11	140516	4	29
101217	11	9	121775	62	34	155220	25	5
101217	12	9	122008	83	15	160427	51	32
101219	16	4	122633	21	19	175018	12	15
101219	16	4	122928	82	9	175019	12	16
101220	16	5	123070	80	6	175043	21	2
101220	16	5	123081	80	10	175107	65	33
101228	9	41	123124	81	26	175123	24	23
101271	9	28	123125	81	25	175123	65	14
101272	9	27	124976	10	11	175164	65	37
101280	63	44	128299	7	5	175194	65	11
101280	66	1	128299	62	15	175241	65	9
101280	67	1	129426	82	11	175275	9	50
101280	68	1	129848	62	23	175276	65	36
101280	69	1	129848	72	14	175278	65	54
101280	90	41	130033	82	2	175280	65	55

1648 - Numerical Index

Part No.	Page No.	Ref. No.	Part No.	Page No.	Ref. No.	Part No.	Page No.	Ref. No.
175354	65	27	175663	21	18	175887	20	12
175371	18	18	175674	17	25	175900	4	30
175372	18	23	175676	61	12	175932	4	30
175373	18	19	175678	23	17	176063	4	
175374	18	24	175689	25	13	176123	24	41
175375	18	12	175701	62	14	176123	65	62
175376	65	61	175704	25	10	176136	61	18
175377	65	57	175705	25	9	176144	40	11
175388	18	6	175706	61	7	176144	41	13
175394	18	29	175708	61	3	176145	40	7
175467	26	19	175715	61	4	176145	41	14
175494	17	3	175720	65	24	176147	47	16
175518	26	4	175721	65	7	176147	49	1
175518	63	54	175722	73	22	176148	47	17
175519	27	40	175723	63	55	176148	49	2
175520	26	3	175725	62	11	176149	58	96
175523	26	1	175726	65	41	176150	58	130
175533	23	2	175727	70	5	176151	58	131
175535	23	12	175727	72	5	176152	58	132
175551	26	5	175728	62	12	176153	60	32
175552	61	6	175729	65	43	176430	17	2
175556	25	25	175739	73	2	176434	9	52
175559	25	2	175751	19	14	176658	27	36
175560	25	4	175752	19	15	176872	26	18
175562	17	23	175764	23	19	184306	4	2
175563	25	24	175766	65	73	186308	19	18
175604	62	30	175767	19	16	186308	27	38
175604	65	17	175774	4	8	186308	57	13
175606	62	29	175781	61	13	186337	39	32
175619	73	17	175782	61	8	186339	51	37
175620	73	13	175783	61	5	186340	7	2
175628	21	5	175805	4	12	186340	57	16
175629	61	11	175806	4	11	186375	52	4
175632	17	13	175811	17	26	186464	51	38
175633	17	24	175837	73	14	186464	51	41
175634	26	9	175858	65	78	186464	55	68
175635	26	14	175862	4	10	186464	55	71
175640	26	11	175879	20	11	186467	19	4
175646	19	3	175881	21	21	186467	57	1
175661	21	1	175886	20	6	186468	47	44

Part No.	Page No.	Ref. No.	Part No.	Page No.	Ref. No.	Part No.	Page No.	Ref. No.
186468	49	9	188494	55	69	188596	39	10
186473	55	44	188499	47	37	188597	39	8
186473	55	48	188499	49	32	188603	42	2
186481	55	70	188500	60	31	188603	43	2
186484	60	1	188502	39	35	188632	40	2
186598	39	50	188507	39	26	188632	41	2
186598	39	51	188512	51	8	188633	47	23
186600	47	46	188536	35	11	188633	49	25
186600	49	10	188537	33	11	188634	47	26
186602	51	13	188537	35	22	188634	49	17
186615	51	25	188538	31	33	188635	35	10
188439	57	11	188539	39	42	188636	60	2
188440	57	7	188544	39	9	188640	37	18
188452	33	9	188545	39	34	188649	47	21
188452	35	17	188549	51	1	188649	49	23
188463	35	12	188550	51	15	188650	47	30
188465	39	44	188551	51	35	188650	49	26
188466	39	45	188552	51	39	188651	47	34
188467	39	46	188553	51	36	188651	49	30
188469	39	47	188554	51	40	188655	39	3
188470	39	6	188558	40	1	188656	39	4
188471	39	7	188558	41	1	188657	39	49
188473	44	4	188559	39	22	188658	39	41
188475	45	8	188562	45	15	188660	44	1
188476	43	9	188563	45	17	188661	53	129
188479	42	16	188564	45	32	188662	55	50
188479	43	15	188565	45	34	188663	55	54
188480	35	8	188566	47	24	188664	55	58
188481	35	7	188566	49	15	188665	55	62
188482	35	18	188567	47	29	188666	39	15
188483	35	19	188567	49	21	188679	39	1
188484	35	20	188573	37	1	188680	35	9
188486	47	25	188573	37	14	188686	51	11
188486	49	16	188573	44	2	188688	57	8
188487	47	43	188574	37	15	188689	57	4
188487	49	8	188578	51	3	188690	57	6
188488	51	10	188579	51	4	188691	57	10
188492	19	17	188584	47	39	188692	42	17
188492	27	41	188584	49	22	188692	43	18
188493	55	67	188586	59	1	188693	47	31

1648 - Numerical Index

Part No.	Page No.	Ref. No.	Part No.	Page No.	Ref. No.	Part No.	Page No.	Ref. No.
188693	47	35	192303	41	3	270956	42	9
188693	49	27	195087	73	19	270957	42	10
188707	45	12	195568	7	1	270957	43	10
188712	42	18	195568	27	42	270958	42	13
188712	43	19	195568	47	28	270958	43	13
188717	47	33	195568	49	20	270960	44	4
188717	47	38	195775	4	31	270961	45	27
188717	49	29	197498	41	8	270962	45	30
188717	49	33	197589	29	9	270972	58	62
188718	49	34	197589	31	14	270973	58	81
188723	35	5	197755	33	1	270974	55	1
188730	51	23	197771	33	4	270977	55	73
188732	58	84	197815	39	15	270980	57	14
188736	42	8	197847	39	57	270981	57	19
188736	43	17	197851	44	1	271856	65	80
188742	40	10	197868	57	20	520093	24	43
188742	42	14	201115	24	19	604260	80	2
188742	43	14	203171	51	42	650201	9	18
188748	59	32	203888	7	3	650201	66	17
188749	37	4	203888	19	5	650315	18	7
188750	37	5	203888	27	34	650416	9	17
188755	42	19	203888	57	2	650416	24	9
188755	43	20	203930	79	1	650448	26	12
188760	35	1	203931	79	2	650448	73	26
188768	29	1	203932	79	5	650448	76	10
188770	55	1	203934	40	3	650449	65	51
189938	26	13	203935	52	1	650453	24	21
190814	51	24	203936	53	1	650453	65	63
191030	27	50	203937	53	1	650485	26	21
191030	63	60	270112	73	2	650486	17	7
192273	60	33	270944	29	35	650487	19	6
192277	47	19	270944	31	37	650488	13	33
192277	49	4	270946	33	3	650488	15	8
192279	47	22	270948	33	5	650488	23	6
192279	49	24	270948	35	13	650488	70	22
192280	58	2	270949	33	19	650488	72	19
192281	58	3	270949	35	28	650490	9	47
192283	58	21	270951	39	56	650490	10	12
192284	58	22	270953	39	55	650490	11	8
192285	58	23	270954	40	9	650490	12	8

Part No.	Page No.	Ref. No.	Part No.	Page No.	Ref. No.	Part No.	Page No.	Ref. No.
650490	16	6	650577	25	11	654006	70	3
650490	16	6	650579	65	74	654006	72	3
650490	18	8	650584	18	27	654009	24	22
650490	61	17	650584	22	3	654009	25	17
650490	62	32	650644	25	1	654009	27	37
650490	70	2	650650	13	35	654009	27	47
650490	72	2	650650	15	11	654009	65	38
650491	9	42	650687	23	22	654009	65	64
650491	21	23	650733	65	69	654009	71	36
650491	26	7	650734	17	20	654009	72	25
650491	63	45	650809	10	14	654022	65	39
650491	65	25	650810	17	21	654024	10	15
650491	66	3	650815	73	20	654024	19	7
650491	67	2	650818	9	15	654024	61	15
650491	70	7	650818	66	21	654024	73	30
650491	72	9	650833	26	28	654026	9	43
650494	9	16	650835	23	11	654026	11	5
650495	9	45	650857	11	7	654026	12	5
650495	25	16	650857	12	7	654026	15	12
650495	27	46	651062	25	12	654026	23	7
650495	65	2	651087	73	6	654028	27	32
650495	71	35	651253	18	28	654030	9	13
650495	72	26	651255	73	25	654030	9	46
650503	26	26	651421	26	22	654034	24	13
650518	17	30	653018	25	6	654057	24	15
650525	17	29	653044	25	7	655006	11	4
650528	10	13	653094	17	4	655006	12	4
650533	13	34	653116	9	14	655024	9	12
650533	15	9	653116	67	13	655024	14	8
650533	20	7	654006	9	48	655024	15	13
650535	65	30	654006	11	6	655024	20	9
650545	14	7	654006	12	6	655024	21	15
650545	15	10	654006	16	7	655024	24	37
650545	19	19	654006	16	7	655024	65	48
650548	26	16	654006	18	9	655024	66	8
650550	26	17	654006	21	24	655024	68	5
650551	22	1	654006	22	11	655024	69	17
650558	22	12	654006	62	33	656001	27	49
650568	65	82	654006	65	72	656007	26	25
650573	61	1	654006	66	22	656008	27	45

1648 - Numerical Index

Part No.	Page No.	Ref. No.	Part No.	Page No.	Ref. No.	Part No.	Page No.	Ref. No.
656048	61	9	425-34683	51	31	425-34740	33	6
656048	73	29	425-34684	47	41	425-34740	35	14
160-32740	27	35	425-34684	49	6	425-34740	39	40
160-32876	80	7	425-34693	45	11	425-34741	33	7
190-32866	80	1	425-34694	45	14	425-34741	35	15
210-19470	17	16	425-34698	45	23	425-34743	33	8
210-19470	23	21	425-34699	45	29	425-34743	35	16
210-19470	27	44	425-34700	47	1	425-34744	57	17
210-19470	61	2	425-34701	47	14	425-34745	33	13
210-19470	65	35	425-34704	51	29	425-34745	33	13
210-19533	65	29	425-34705	51	27	425-34745	35	23
210-32184	73	27	425-34707	51	34	425-34745	39	54
230-30569	62	27	425-34721	29	12	425-34746	40	5
250-32577	26	31	425-34721	29	13	425-34746	41	6
350-32622	80	3	425-34721	31	5	425-34746	47	40
400-32296	80	20	425-34721	31	15	425-34746	49	18
400-32550	80	21	425-34722	29	5	425-34746	53	131
420-35569	73	8	425-34722	31	6	425-34747	37	13
420-35602	73	10	425-34723	29	11	425-34747	51	21
420-36075	7	4	425-34723	31	10	425-34747	60	34
420-36075	61	19	425-34725	29	14	425-34748	33	17
425-34638	29	27	425-34725	31	12	425-34748	35	26
425-34638	31	31	425-34726	29	10	425-34750	33	12
425-34639	39	23	425-34726	31	13	425-34750	47	45
425-34641	39	31	425-34727	51	18	425-34750	47	47
425-34642	39	30	425-34729	51	19	425-34750	49	11
425-34643	39	24	425-34730	29	6	425-34750	49	13
425-34644	39	25	425-34730	31	7	425-34754	37	2
425-34645	39	27	425-34731	29	24	425-34756	37	3
425-34646	39	28	425-34731	31	28	425-34759	37	17
425-34649	40	8	425-34733	33	14	425-34760	33	16
425-34649	41	10	425-34733	33	15	425-34760	57	3
425-34653	52	2	425-34733	35	24	425-34761	37	19
425-34656	42	4	425-34733	35	25	425-34761	39	38
425-34656	43	4	425-34733	37	11	425-34761	47	20
425-34659	45	26	425-34733	39	2	425-34761	49	5
425-34673	35	6	425-34733	51	20	425-34763	33	20
425-34678	58	5	425-34733	53	130	425-34763	35	29
425-34681	33	10	425-34734	29	32	425-34764	37	6
425-34681	35	21	425-34734	31	34	425-34765	37	12

Part No.	Page No.	Ref. No.	Part No.	Page No.	Ref. No.	Part No.	Page No.	Ref. No.
425-34765	39	37	425-34916	57	5	L277484	65	58
425-34766	39	39	425-34916	57	9	L277484	66	2
425-34769	39	43	425-34924	57	15	L277484	67	4
425-34775	39	52	425-34927	57	18	L277484	68	2
425-34776	39	53	425-34984	58	67	L277484	69	2
425-34779	39	21	425-35164	33	21	L277484	70	10
425-34781	47	49	425-35164	35	30	L277484	72	12
425-34781	49	14	425-35174	58	64	L277729	22	8
425-34782	39	14	425-35263	58	52	L41847	73	5
425-34783	39	36	425-35263	58	66	L41848	73	1
425-34791	39	12	425-35352	58	58	L43221	62	4
425-34793	39	13	425-35452	55	41	L444003	65	59
425-34796	39	33	425-35925	58	95	L445004	65	65
425-34800	40	6	425-35931	29	29	L445013	62	13
425-34800	41	7	425-35931	31	25	L446021	62	8
425-34803	41	9	425-35934	40	4	L446047	65	60
425-34804	41	11	425-35934	41	5	L48182	73	12
425-34806	42	3	425-35936	45	21	L500594	73	23
425-34806	43	3	425-35937	45	22	L50065	25	27
425-34807	42	6	425-35958	47	48	L50070	13	38
425-34807	43	7	425-35958	49	12	L50070	14	9
425-34808	42	1	425-35962	58	82	L50070	15	14
425-34808	43	1	425-35962	58	133	L500773	85	31
425-34810	42	7	425-36006	29	28	L500774	85	28
425-34810	43	8	425-36006	31	32	L500775	85	29
425-34810	44	5	425-36018	51	26	L500776	85	30
425-34817	45	9	425-36087	37	7	L500777	85	32
425-34818	45	10	425-36121	37	8	L50079	14	10
425-34823	47	15	425-36187	42	15	L50079	15	15
425-34828	47	18	425-36187	43	16	L50079	69	5
425-34828	49	3	425-36233	27	33	L50109	10	16
425-34831	47	27	425-36239	51	12	L50157	22	16
425-34831	49	19	425-36240	29	4	L50172	73	4
425-34835	47	42	425-36240	31	11	L50208	9	54
425-34835	49	7	425-36249	52	5	L50385	22	15
425-34838	41	12	425-36260	35	4	L50426	13	39
425-34838	51	22	425-36262	51	16	L50426	15	16
425-34843	51	28	425-36263	51	14	L50578	14	11
425-34849	51	17	425-36264	47	50	L50578	15	17
425-34908	55	45	425-36264	49	35	L50578	69	4

1648 - Numerical Index

Part No.	Page No.	Ref. No.	Part No.	Page No.	Ref. No.	Part No.	Page No.	Ref. No.
L50833	25	28	L68048	10	17	P286100	90	1
L50962	9	11	L69597	10	18	P286100	93	35
L51572	65	6	L72019	19	9	P311600	13	47
L51590	63	57	L81195	13	40	P311600	15	22
L520022	9	49	L81195	70	12	P311800	13	41
L520022	11	3	L97239	84	5	P311800	15	23
L520022	12	3	P013150	62	5	P349450	9	8
L520022	15	18	P015900	11	2	P349450	66	20
L520022	16	8	P015900	12	2	P349450	87	9
L520022	16	8	P022800	18	10	P362400	24	33
L520022	66	19	P024000	22	9	P362500	24	34
L530004	19	8	P024500	24	17	P380200	17	1
L560002	21	7	P032600	24	14	P382100	85	27
L60253	9	10	P045625	88	1	P382900	88	11
L60253	15	19	P045625	90	7	P382900	91	13
L60253	66	23	P045625	92	1	P382900	93	13
L60253	72	17	P136200	15	21	P384600	84	11
L60588	62	36	P137200	22	20	P392450	24	4
L60588	65	20	P143200	22	2	P393400	89	24
L62277	73	3	P178000	11	1	P393400	90	9
L62459	9	53	P178000	12	1	P393400	92	9
L62720	23	14	P204100	4	19	P414980	21	11
L62721	23	13	P204101	4	18	P414980	69	10
L62722	23	23	P207300	4	17	P418035	91	33
L62834	62	26	P210200	4	16	P418040	91	28
L62834	71	31	P234200	24	40	P418203	91	29
L62834	72	7	P237000	25	18	P418203	93	11
L62840	62	25	P237000	65	66	P424000	89	25
L62840	71	32	P243860	86	4	P424000	90	10
L62840	72	6	P253000	17	9	P424000	93	10
L62954	25	23	P270200	17	19	P470014	22	7
L62954	62	18	P270900	18	11	P470025	22	13
L630004	26	23	P271900	24	28	P470246	22	6
L64660	14	12	P271900	84	15	P470348	73	16
L64660	15	20	P272700	9	9	P470406	13	42
L64660	69	13	P277820	91	36	P470406	70	20
L65924	4	9	P279009	86	2	P470427	88	5
L65927	4	21	P280800	75	1	P470427	90	5
L65942	4	20	P282400	87	7	P470427	92	5
L66119	65	34	P286100	89	23	P470464	18	22







Part No.	Page No.	Ref. No.	Part No.	Page No.	Ref. No.	Part No.	Page No.	Ref. No.
P470472	18	13	P471496	63	59	P473328	15	27
P470472	19	11	P471501	24	8	P473364	66	14
P470571	24	11	P471502	24	6	P480071	13	45
P470572	24	2	P471504	24	5	P480071	15	28
P470573	24	12	P471543	24	27	P480071	70	21
P470574	24	1	P471547	23	8	P480071	72	18
P470606	22	10	P471548	24	25	P480071	86	32
P470609	21	4	P471549	24	24	P480087	4	13
P470610	21	20	P471689	26	20	P480118	24	35
P470673	25	20	P471756	18	20	P480118	65	21
P470673	65	40	P471759	18	14	P480118	77	11
P471084	9	6	P471760	18	15	P480122	24	3
P471084	66	7	P471761	18	16	P480124	24	36
P471177	24	38	P471762	18	17	P480124	65	47
P471182	24	18	P471816	4	15	P480177	13	46
P471186	24	20	P471855	23	10	P480177	15	29
P471225	21	9	P472066	10	19	P700018	81	23
P471225	69	7	P472101	10	21	P700031	80	11
P471225	75	6	P472251	9	4	P700061	84	12
P471227	21	10	P472798	10	20	P700063	84	8
P471227	69	9	P472798	14	14	P700064	84	9
P471247	62	10	P472798	15	25	P700068	84	10
P471289	62	9	P473056	24	29	P700070	85	21
P471296	14	13	P473204	4	14	P700071	85	23
P471296	15	24	P473265	9	3	P700072	85	24
P471296	20	10	P473265	67	12	P700073	85	14
P471296	68	6	P473265	74	30	P700074	85	22
P471296	69	15	P473278	9	2	P700076	85	20
P471297	9	5	P473287	25	29	P700081	85	17
P471297	21	14	P473287	27	39	P700085	85	15
P471297	66	9	P473287	62	19	P700100	84	7
P471297	69	16	P473287	65	1	P700103	84	3
P471357	63	49	P473287	71	34	P700104	85	19
P471406	24	26	P473287	72	24	P700105	85	25
P471410	26	15	P473287	80	13	P700106	85	26
P471411	27	43	P473298	19	12	P700111	85	18
P471415	62	7	P473303	19	13	P700115	89	19
P471448	24	7	P473327	13	44	P700115	91	26
P471469	88	7	P473327	15	26	P700115	93	17
P471479	24	16	P473328	13	43	P700158	74	5

1648 - Numerical Index

Part No.	Page No.	Ref. No.	Part No.	Page No.	Ref. No.	Part No.	Page No.	Ref. No.
P700163	88	3	P700506	91	31	P700675	80	4
P700163	90	3	P700510	74	6	P700677	80	8
P700163	92	3	P700514	87	8	P700678	80	9
P700164	88	4	P700518	91	35	P700679	80	12
P700164	90	4	P700519	91	34	P700680	80	13
P700164	92	4	P700532	80	18	P700681	80	16
P700165	88	6	P700533	92	38	P700682	80	19
P700165	90	6	P700546	80	14	P700684	81	22
P700165	92	6	P700548	81	24	P700686	89	40
P700166	88	8	P700552	82	27			
P700166	90	8	P700558	82	4			
P700166	92	8	P700558	82	5			
P700168	91	16	P700563	89	12			
P700170	91	32	P700563	93	32			
P700181	87	10	P700565	93	33			
P700183	87	14	P700571	89	41			
P700185	87	9	P700571	93	36			
P700196	86	8	P700576	92	38			
P700199	86	7	P700577	92	38			
P700220	91	22	P700578	92	38			
P700220	93	20	P700583	77	4			
P700222	86	6	P700604	91	15			
P700253	84	4	P700645	24	30			
P700394	81	27	P700646	24	31			
P700402	75	5	P700647	24	32			
P700403	75	6	P700656	74	3			
P700417	91	27	P700657	74	1			
P700417	93	15	P700658	74	4			
P700422	74	2	P700659	76	11			
P700422	75	2	P700660	76	6			
P700422	76	5	P700661	76	1			
P700422	77	5	P700662	76	7			
P700422	78	2	P700663	78	1			
P700430	79	13	P700664	76	9			
P700436	78	3	P700665	76	3			
P700436	79	3	P700666	76	2			
P700437	79	6	P700667	76	4			
P700469	91	37	P700668	78	4			
P700471	91	38	P700669	78	7			
P700472	86	9	P700670	84	1			

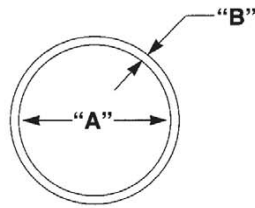
TORQUE SPECIFICATIONS

Use these torque values when tightening hardware (excluding locknuts, and self-tapping, thread-forming, and sheet metal screws) unless otherwise specified.

UNIFIED NATIONAL THREAD	GRADE 2 		GRADE 5 		GRADE 8 	
	DRY	LUBED	DRY	LUBED	DRY	LUBED
8-32	19*	14*	30*	22*	41*	31*
8-36	20*	15*	31*	23*	43*	32*
10-24	27*	21*	43*	32*	60*	45*
10-32	31*	23*	49*	36*	68*	51*
1/4-20	66*	50*	9	75*	12	9
1/4-28	76*	56*	10	86*	14	10
5/16-18	11	9	17	13	25	18
5/16-24	12	9	19	14	25	20
3/8-16	20	15	30	23	45	35
3/8-24	23	17	35	25	50	35
7/16-14	32	24	50	35	70	55
7/16-20	36	27	55	40	80	60
1/2-13	50	35	75	55	110	80
1/2-20	55	40	90	65	120	90
9/16-12	70	55	110	80	150	110
9/16-18	80	60	120	90	170	130
5/8-11	100	75	150	110	220	170
5/8-18	110	85	180	130	240	180
3/4-10	175	130	260	200	380	280
3/4-16	200	150	300	220	420	320
7/8-9	170	125	430	320	600	460
7/8-14	180	140	470	360	660	500
1-8	250	190	640	480	900	680
1-12	270	210	710	530	1000	740
METRIC COARSE THREAD	GRADE 8.8 		GRADE 10.9 		GRADE 12.9 	
	DRY	LUBED	DRY	LUBED	DRY	LUBED
M6-1	8	6	11	8	13.5	10
M8-1.25	19	14	27	20	32.5	24
M10-1.5	37.5	28	53	39	64	47
M12-1.75	65	48	91.5	67.5	111.5	82
M14-2	103.5	76.5	145.5	108	176.5	131
M16-2	158.5	117.5	223.5	165.5	271	200

*All torque values are in ft-lbs except those marked with an * which are in lbs.
For metric torque value (N-m) multiply ft-lbs value by 1.355 or the in-lbs value by 0.113.

O-RING TABLE



FITTING THREAD SIZE	DIAMETER "A"	DIAMETER "B"	GEHL PART NUMBER
9/16 - 18	0.468	0.078	055897
3/4 - 16	0.644	0.087	055896
7/8 - 14	0.755	0.097	055898
1-1/16 - 12	0.924	0.116	048953
1-5/16 - 12	1.171	0.116	058674
1-5/8 - 12	1.475	0.118	077970

Recommended Coupling & Adapter Installation Torque Specifications

For SAE "O" Ring Boss (Steel)

Size		Ft-Lbs (N·m)	
Dash	Fractional (In.)	Minimum	Maximum
-3	3/16	8 (11)	10 (14)
-4	1/4	14 (19)	16 (22)
-5	5/16	18 (24)	20 (27)
-6	3/8	24 (33)	26 (35)
-8	1/2	50 (68)	60 (81)
-10	5/8	72 (98)	80 (108)
-12	3/4	125 (169)	135 (183)
-14	7/8	160 (217)	180 (244)
-16	1	200 (271)	220 (298)
-20	1-1/4	210 (285)	280 (380)
-24	1-1/2	270 (366)	360 (488)

For JIC 37° and 45° (Machined or Flared)

Steel			
Size		Ft-Lbs (N·m)	
Dash	Fractional (In.)	Minimum	Maximum
-4	1/4	10 (14)	11 (15)
-5	5/16	13 (18)	15 (20)
-6	3/8	17 (23)	19 (26)
-8	1/2	34 (46)	38 (52)
-10	5/8	50 (68)	56 (76)
-12	3/4	70 (95)	78 (106)
-16	1	94 (127)	104 (141)
-20	1-1/4	124 (168)	138 (187)
-24	1-1/2	156 (212)	173 (235)
-32	2	219 (297)	243 (330)

Discount Equipment

Discount-Equipment.com is your online resource for commercial and industrial quality parts and equipment sales.

Locations:

Florida (West Palm Beach): [561-964-4949](tel:561-964-4949)

Outside Florida TOLL FREE: [877-690-3101](tel:877-690-3101)

Need parts? Check out our website at www.discount-equipment.com

Can't find what you need?

Click on this link: <http://www.discount-equipment.com/category/5443-parts/> and fill out the request form.

Please have the machine model and serial number available in order to help us get you the correct parts. One of our experienced staff members will get back to you with a quote for the right part that your machine needs.

We sell worldwide for the brands: Genie, Terex, JLG, MultiQuip, Mayco, Toro/Stone, Diamond Products, Magnum, Airman, Mustang, Power Blanket, Nifty Lift, Atlas Copco, Chicago Pneumatic, Allmand Brothers, Essick, Miller Spreader, Skyjack, Lull, Skytrak, Tsurumi, Husquvarna/Target, Whiteman-Concrete/Mortar, Stow-Concrete/Mortar, Baldor, Wacker, Sakai, Snorkel, Upright, Mi-T-M, Sullair, Neal, Basic, Dynapac, MBW, Weber, Bartell, Bennar Newman, Haulotte, Ditch Runner, Blaw-Knox, Himoina, Best, Buddy, Crown, Edco, Wyco, Bomag, Laymor, Terremite, Barreto, EZ Trench, Takeuchi, Basic, Bil-Jax, Curtis, Gehl, Heli, Honda, ICS/PowerGrit, Puckett, Waldon, ASV, IHI, Partner, Imer, Clipper, MMD, Koshin, Rice, Gorman Rupp, CH&E, Cat Pumps, Comet, General Pump, Giant, AMida, Coleman, NAC, Gradall, Square Shooter, Kent, Stanley, Tamco, Toku, Hatz, Kohler, Robin, Wisconsin, Northrock, Oztec, Toker TK, Rol-Air, Small Line, Wanco, Yanmar

New Equipment - Used Equipment - Rental Equipment - Parts and Accessories

Discount Equipment

www.discount-equipment.com

561-964-4949

Parts: wbparts@Discount-Equipment.com

Sales: info@Discount-Equipment.com



www.discount-equipment.com

GEHL®