

# 1648

## Asphalt Paver

Serial Number 13100 and before

# GEHL®

Form No.  
908481

Revision C  
01/07



# PARTS MANUAL

**Discount  
Equipment**

[www.discount-equipment.com](http://www.discount-equipment.com)

# **Discount Equipment**

Discount-Equipment.com is your online resource for commercial and industrial quality parts and equipment sales.

## **Locations:**

Florida (West Palm Beach): [561-964-4949](tel:561-964-4949)

Outside Florida TOLL FREE: [877-690-3101](tel:877-690-3101)

**Need parts?** Check out our website at [www.discount-equipment.com](http://www.discount-equipment.com)

## **Can't find what you need?**

Click on this link: <http://www.discount-equipment.com/category/5443-parts/> and fill out the request form.

Please have the machine model and serial number available in order to help us get you the correct parts. One of our experienced staff members will get back to you with a quote for the right part that your machine needs.

We sell worldwide for the brands: Genie, Terex, JLG, MultiQuip, Mayco, Toro/Stone, Diamond Products, Magnum, Airman, Mustang, Power Blanket, Nifty Lift, Atlas Copco, Chicago Pneumatic, Allmand Brothers, Essick, Miller Spreader, Skyjack, Lull, Skytrak, Tsurumi, Husquvarna/Target, Whiteman-Concrete/Mortar, Stow-Concrete/Mortar, Baldor, Wacker, Sakai, Snorkel, Upright, Mi-T-M, Sullair, Neal, Basic, Dynapac, MBW, Weber, Bartell, Bennar Newman, Haulotte, Ditch Runner, Blaw-Knox, Himoinsa, Best, Buddy, Crown, Edco, Wyco, Bomag, Laymor, Terremite, Barreto, EZ Trench, Takeuchi, Basic, Bil-Jax, Curtis, Gehl, Heli, Honda, ICS/PowerGrit, Puckett, Waldon, ASV, IHI, Partner, Imer, Clipper, MMD, Koshin, Rice, Gorman Rupp, CH&E, Cat Pumps, Comet, General Pump, Giant, AMida, Coleman, NAC, Gradall, Square Shooter, Kent, Stanley, Tamco, Toku, Hatz, Kohler, Robin, Wisconsin, Northrock, Oztec, Toker TK, Rol-Air, Small Line, Wanco, Yanmar

**New Equipment - Used Equipment - Rental Equipment - Parts and Accessories**

# **Discount Equipment**

[www.discount-equipment.com](http://www.discount-equipment.com)

**561-964-4949**

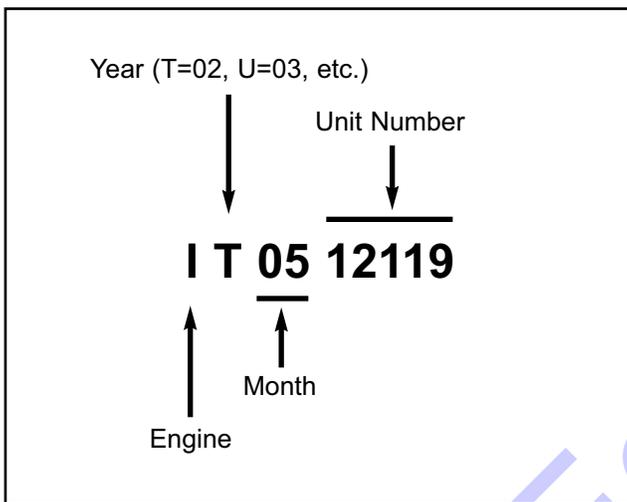
Sales: [info@Discount-Equipment.com](mailto:info@Discount-Equipment.com)

Parts: [wbparts@Discount-Equipment.com](mailto:wbparts@Discount-Equipment.com)

The table of contents pages show the page location of various component groups on the machine.

When ordering service parts, specify the correct part number, full description, quantity required, and the unit model and serial number.

Serial numbers for the unit are stamped on a plate located on the battery support tray. The serial number is also stamped on the left top backwall plate. The following reference shows the breakdown of the serial number:



“Right” and “Left” are determined from a position standing behind the screed and facing the direction of travel.

GEHL Company reserves the right to make changes or improvements in the design or construction of any part of the unit without incurring the obligation to install such changes on any unit previously delivered.

Grease fittings and common attaching hardware, such as cotter pins, set screws, woodruff keys, screws, nuts, etc., are included in the parts list, indented below the part it is (they are) associated with, but NOT illustrated, except where a particular routing or special fastening arrangement MUST be maintained. The hardware listed is for mounting purposes and is NOT included when the part is ordered for replacement.

Standard attaching hardware torque of values are provided on the inside front cover of this manual. Unless otherwise specified, all cap screws are Grade 5, cadmium or zinc plated; hexagon nuts for Grade 5 cap screws or bolts are Grade A.

### List of Abbreviations Used in this Manual

AR	As Required
ASY	Assembly
CYL	Cylinder
DIA	Diameter
FT	Foot or Feet
GR	Grade
HYD	Hydraulic
LH	Left Hand
LT	Left
NPT	National Pipe Threaded Fitting
NSS	Not Sold Separately
RH	Right Hand
RT	Right
SQ	Square
W/	With

### FILTER REFERENCE

TYPE	PART NUMBER
Engine Oil	P700113
Engine Fuel	123828
Engine Air	055017
Hydraulic Oil	074830

Hardware Torque Specifications .....	Inside Back Cover
<b>Introduction</b> .....	A
List of Abbreviations .....	A
Filter Reference Chart .....	A
Table of Contents .....	1
<b>Decals</b>	
General Information .....	3
New Decal Application .....	3
Decal Kit .....	3
Backwall and Console Decals .....	4
Lower Frame, Hopper and Screed Decals .....	6
<b>Chassis</b>	
Main Screed Assembly .....	8
Screed Extensions Assembly w/o Augers .....	10
Screed Extensions Assembly w/ Augers .....	12
Pullarm Assembly .....	14
Propane Kit Assembly .....	15
Flow Gates Assembly w/o Augers .....	16
Flow Gates Assembly w/ Augers .....	17
Screed Cutoff Option .....	18
Spraydown Tank Assembly .....	20
Fuel Tank Assembly .....	21
Hopper Assembly .....	22
Wings / Side Gates Assembly .....	23
Chassis / Backwall Assembly .....	24
Covers Assembly .....	26
Track Assembly .....	28
Engine Assembly .....	30
Engine Exhaust / Air Inlet Assembly .....	32
Electrical Assembly .....	34
<b>Hydraulic Assemblies</b>	
Main Hydraulics .....	36
Track Drive Hydraulics .....	38
Screed Lift and Vibrator Hydraulics .....	40
Screed Extension Cylinder Hydraulics .....	42
Hopper Cylinders .....	43
Auger Motors on Gates Hydraulic .....	44
Auger Motors on Screed Hydraulics .....	45

Gate Cylinders Hydraulic .....46

**Hydraulic Components Section**

Screed Extend Cylinder .....47  
Screed Lift Cylinder .....48  
Side Gate Cylinder .....49  
Hopper Lift Cylinder .....50  
Track Tension Cylinder .....51  
Gate Cylinder .....52  
Track Drive Motor .....53  
Hydraulic Pump - Front Section .....54  
Hydraulic Pump - Rear Section .....56  
Torque Hub .....58  
Auger Drive Motor .....60  
Screed Vibrator Motor .....61  
Track Drive Control Valve .....62  
7-Stack Control Valve .....64  
Auger Control Valve .....66  
Steer Valve .....68  
Speed Selector Valve .....69

**Miscellaneous Section**

Numerical Index .....70  
Torque Specifications .....Inside Back Cover

## GENERAL INFORMATION

### CAUTION

**ALWAYS** read and follow the safety rules and information shown on decals. If any decals are damaged or unreadable, or if the unit is repainted, the decals must be replaced. If repainting, **BE SURE** that all decals that apply to your machine are affixed in their proper locations.

Decal locations information is provided to assist in the proper selection and application of new decals, in the event the original decal become damaged or the machine is repainted.

For correct replacement of decal, compare the location photographs to your machine before starting to refinish the unit. Check off each required decal using the illustration reference number to find the part number, description and quantity in the list. Refer to the appropriate illustration for replacement location.

## NEW DECAL APPLICATION

Before applying the new decals, surfaces must be free from dirt, dust, grease and other foreign material. To apply a solid-formed decal, remove the smaller portion of the decal backing paper and apply this part of the exposed adhesive backing to the clean surface while maintaining proper position and alignment. Slowly peel off the other portion of the backing paper while applying hand pressure to smooth out decal surface. To apply a pre-mask decal, first remove the backing paper to expose the adhesive side of the decal. Then, properly orient and position the decal onto the clean mounting surface. After the decal is firmly applied and smoothly pressed down, peel off the top covering paper.

### PAINT FINISH

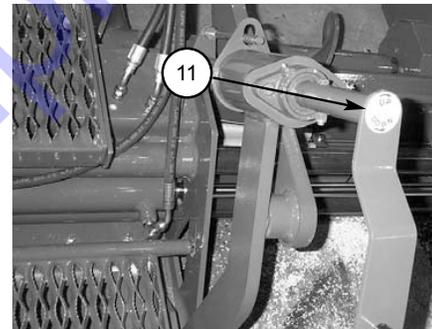
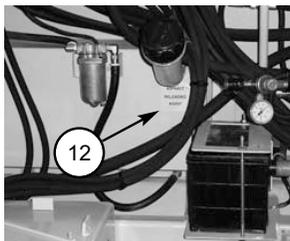
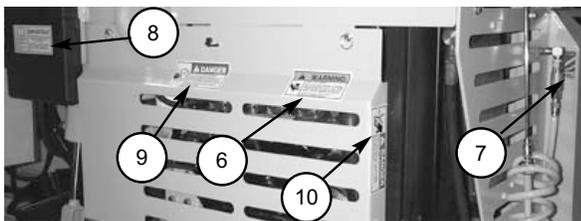
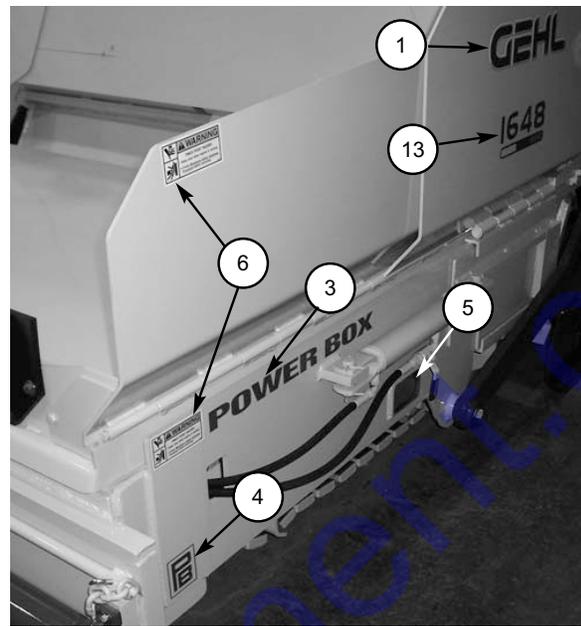
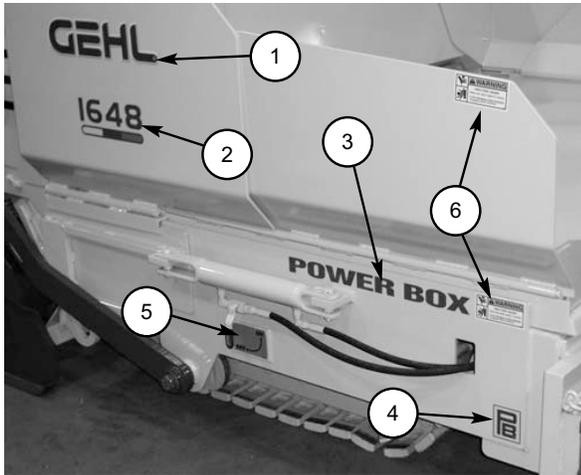
**Use this list to order paint for refinishing:**

167788	4 (qt. cans) Yellow
167789	6 (12.8 oz. spray cans) Yellow
167758	4 (qt. cans) Charcoal Gray
167760	6 (12 oz. spray cans) Charcoal Gray
167754	4 (qt. cans) Gunmetal Gray
167755	6 (12 oz. spray cans) Gunmetal Gray

### COMPLETE DECAL KIT

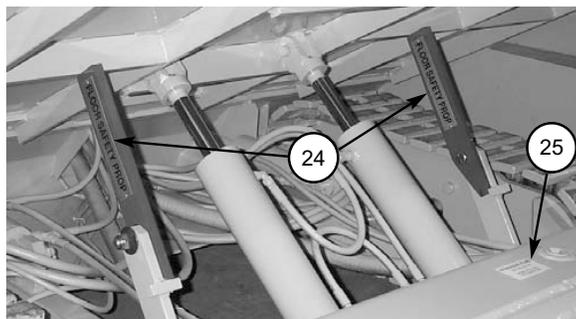
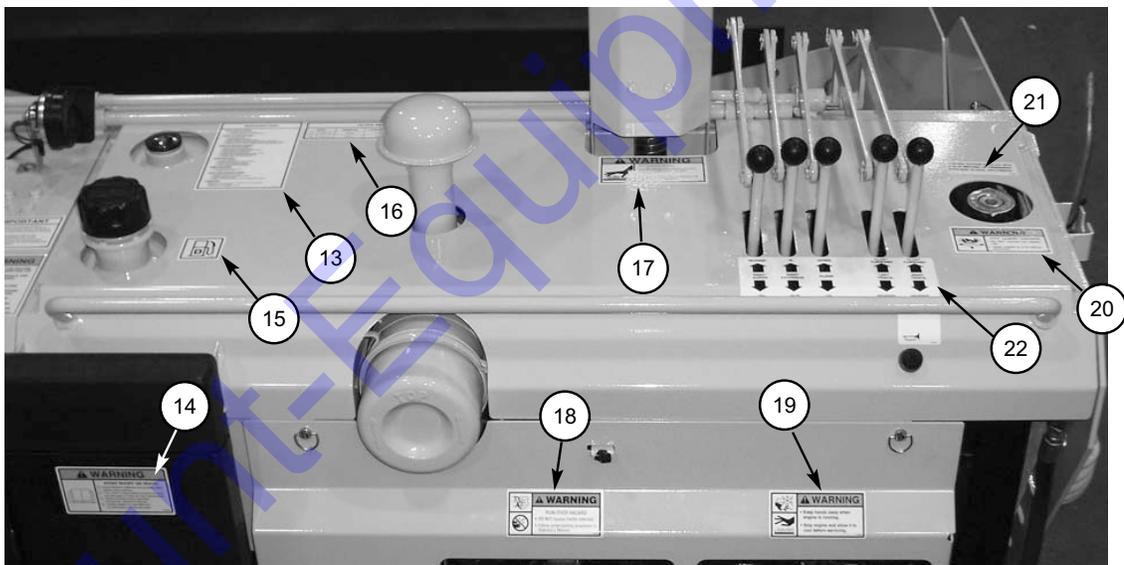
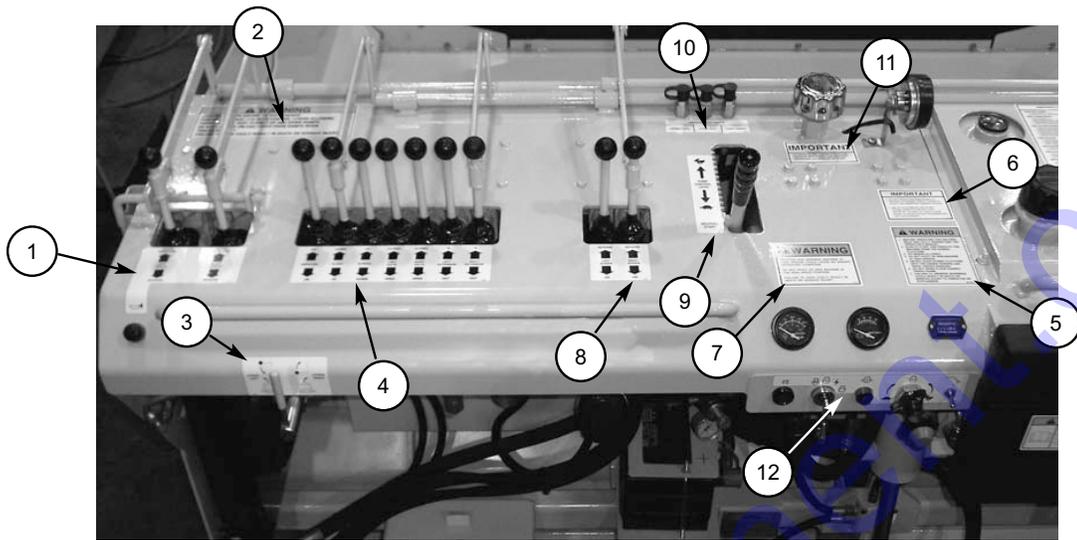
L500659      Model 1648

**NOTE:** *Decals may be purchased in a kit or individually.*



**DECAL LIST - LOWER FRAME, HOPPER and SCREED AREAS**

REF. NO.	DESCRIPTION	1648
01	Gehl , 3-3/8"	183963
02	1648	101484
03	PowerBox	101481
04	PowerBox Logo	101482
05	On/Off Arrows	P207300
06	Pinch Point Warning	L65927
07	Made in USA	140516
08	Important-Operator Manual	L65922
09	Jump-start Warning	L65933
10	Rotating Parts Warning	L65924
11	Depth Adjustment	P480087
12	Asphalt Releasing Agent	P471816
13	1648	101484

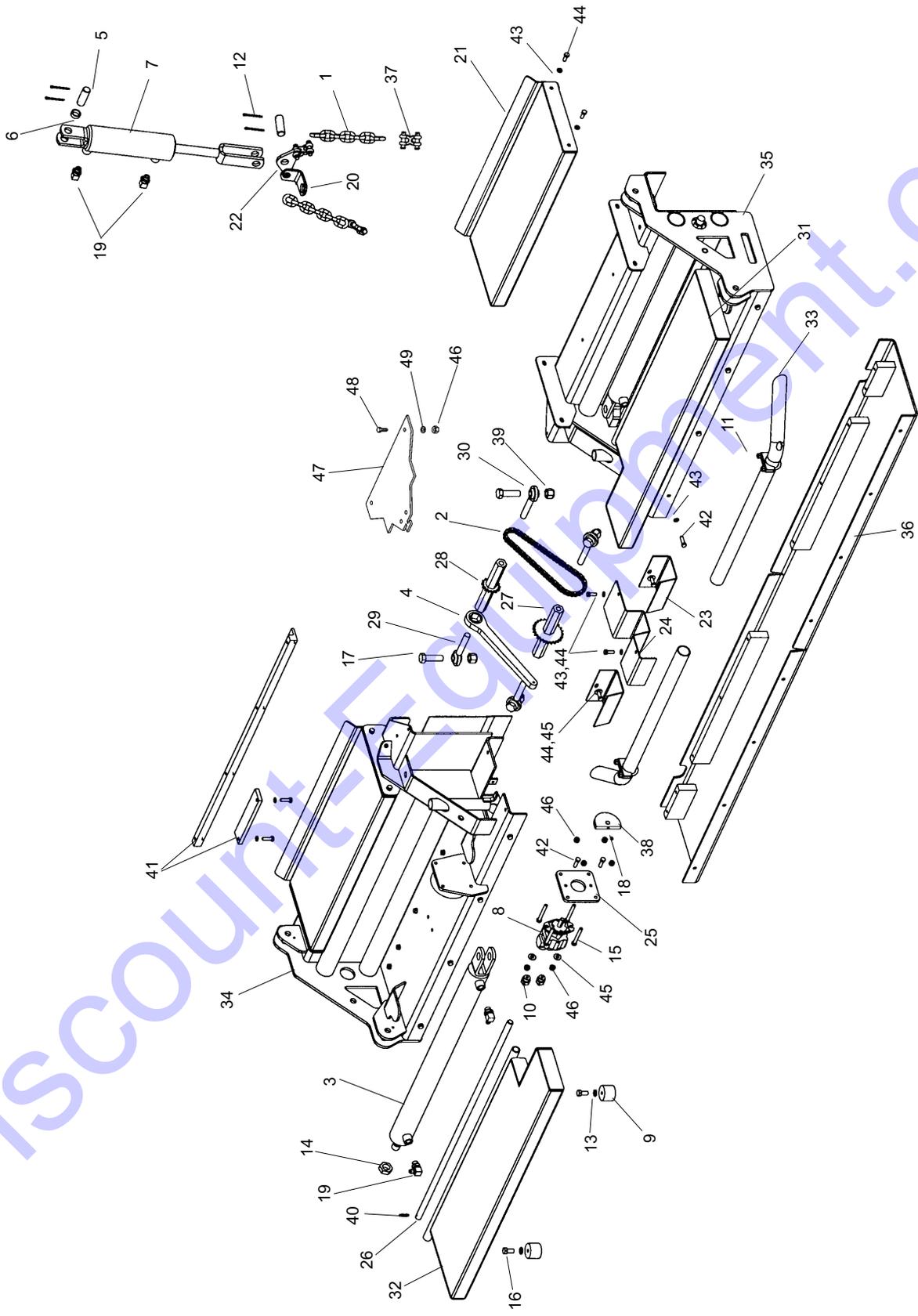




**Backwall and Console Area**

REF. NO.	DESCRIPTION	PART NUMBER
01	Drive Control w/Float	101115
02	Load/Unload Warning	P204113
03	Steer Valve (S/N 12188 and after)	101986
	Steer Valve (S/N 12187 and before)	101096
04	LH 7-Stack Controls	101116
05	Operator Warnings	P204100
06	Operator Instructions	L277594
07	High Speed Warning	100983
08	Auger Control	101118
09	Pump Speed Control	101120
10	Pressure Setting	P473204
11	Hydraulic Oil Under Pressure	P471310
12	Switch Plate	101094
13	Maintenance Chart	101164
14	Operators Manual	137634
15	Diesel Fuel Only	137634
16	Filter Reference Chart	101502
17	Hot Surface Warning	L65942
18	Jump-start Warning	L65933
19	Pinch Point Warning	L65927
20	Coolant Under Pressure	072798
21	Anti-Freeze	056859
22	RH 5-Position Controls	101119
23	Safety Prop	P210200
24	Hydraulic Fluid	137632
Not Shown	Two Speed Selector (S/N 12315 and before)	101095

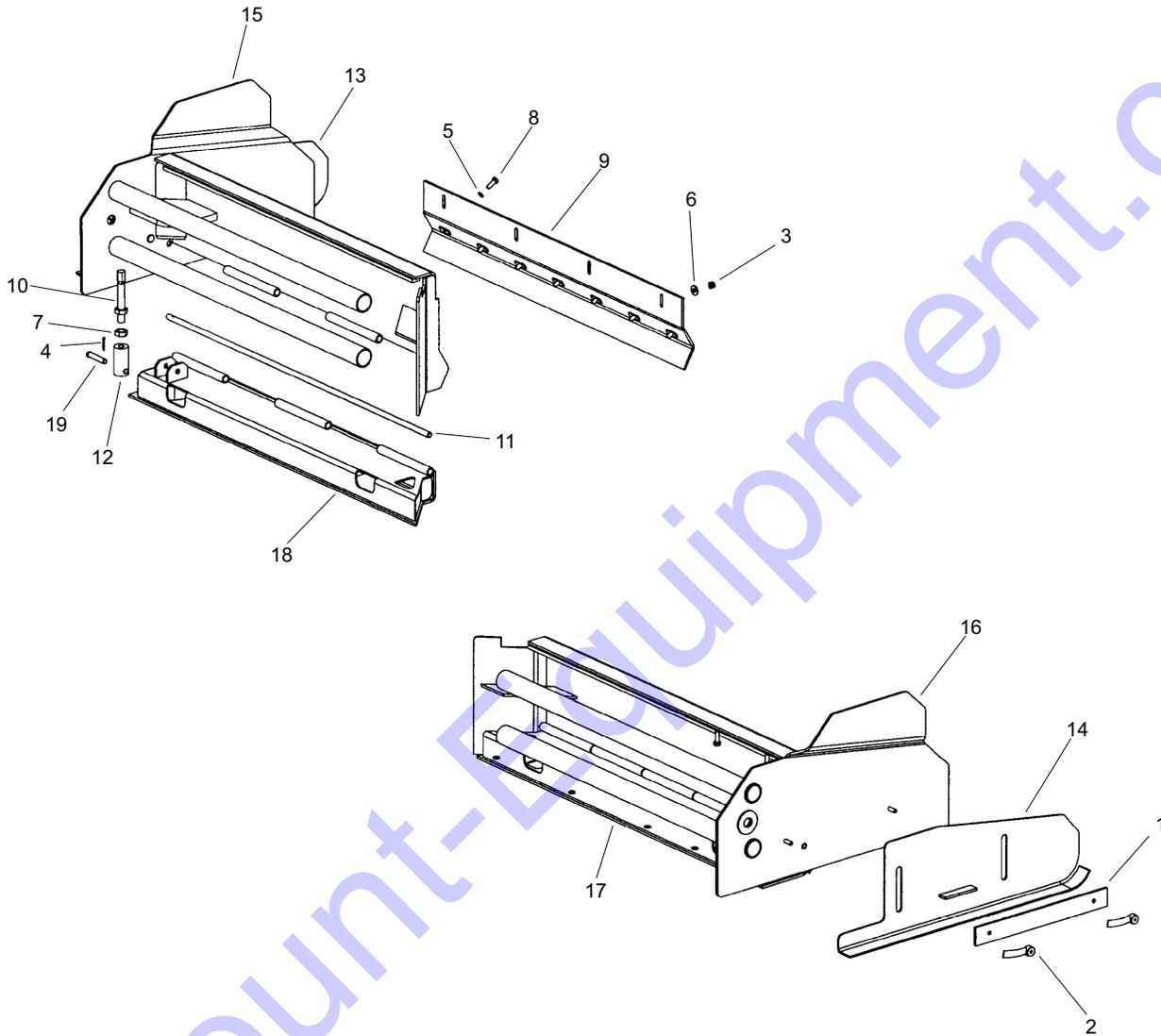
Main Screed Assembly



**Main Screed Assembly**

Ref. No.	Part No.	Description	Qty. Req.	Ref. No.	Part No.	Description	Qty. Req.
01	P473364	CHAIN / SCREED LIFT.....	2	27	101272	CROWN ADJUST, LARGE .....	1
02	P473278	CHAIN .....	1	28	101271	CROWN ADJUST, SMALL .....	1
03	P473265	CYLINDER / SCREED EXTEND....	2	29	100849	LEFT BALL JOINT.....	2
04	P472251	WRENCH / RACHET.....	1	30	100847	RIGHT BALL JOINT .....	2
05	P471297	PIN / CYLINDER END.....	2	31	100830	RIGHT PLATFORM.....	1
06	P471084	SPACER / SCREED CYLINDER... 1		32	100828	LEFT PLATFORM .....	1
07	101355	CYLINDER / SCREED LIFT		33	100816	SCREED EXHAUST TUBE.....	2
		(S/N 12163 and after) .....	1	34	101981	LEFT SCREED .....	1
	P470204	CYLINDER / SCREED LIFT		35	101980	RIGHT SCREED .....	1
		(S/N 12125 and before).....	1	36	102007	WEAR PLATE .....	1
08	P349450	MOTOR / VIBRATOR .....	1	37	100592	CLEVIS / DOUBLE LINK.....	4
09	P272700	ISOLATOR / BUMPER .....	4	38	100504	VIBRATOR COUNTERWEIGHT ...	1
10	L60253	ADPTR / STRAIGHT .....	2	39	079209	LOCK NUT / 3/4".....	4
11	L50962	CLAMP / 1-3/4" .....	2	40	040775	SPRING PIN / .25X1.25 .....	2
12	655024	COTTER PIN / 3/16 X 2 .....	4	41		SCREED ALIGNMENT BAR	
13	654030	LOCK WASHER 1/2".....	4		101228	(S/N 12126 and up).....	2
14	653116	NUT 1".....	2		650491	BOLT / 3/8 X 1-1/4 .....	8
15	650818	BOLT / 3/8 X 3.....	4		654026	LOCK WASHER / 3/8.....	8
16	650494	BOLT / 1/2 X 1.....	4		100478	(S/N 12125 and before).....	2
17	650416	BOLT / 3/4 X 2-1/2.....	4		650491	BOLT / 3/8 X 1-1/4 .....	4
18	650201	SET SCREW / 5/16 X 5/16 .....	1		654026	LOCK WASHER / 3/8.....	4
19	110227	ADPTR / 90DEG .....	6	42	650495	CS 1/2x1-1/4 C5ZY.....	10
20	101161	WRENCH HOLDER .....	1	43	654030	LW 1/2 RZY.....	18
21	100978	TOP PLATFORM.....	2	44	650490	BOLT 3/8 X 1.....	12
22	100865	CHAIN CLEVIS ANCHOR.....	1	45	654006	3/8 / FLAT WASHER .....	4
23	100864	TORCH BOX .....	2	46	L520022	FLEXLOCK NUT 3/8-16 .....	10
24	100863	MIDSCREED FLOOR COVER ... 1		47	175275	GUARD/RUBBER .....	1
25	100862	VIBRATOR MOUNT .....	1	48	650490	CS 3/8x1 C5ZY .....	4
26	100861	PLATFORM HINGE PIN .....	2	49	654006	FW 3/8 AWZY .....	4

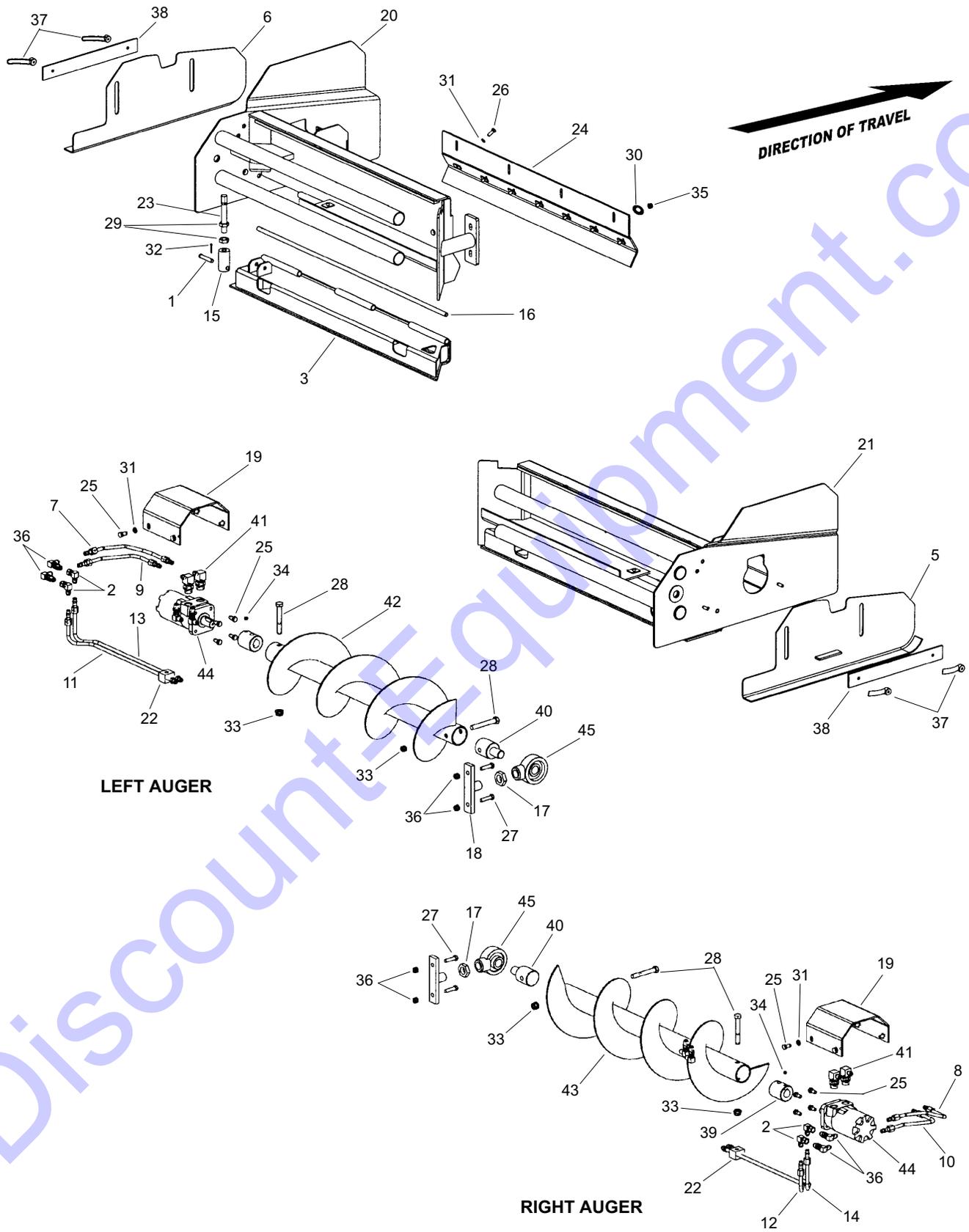
**Screed Extensions Assembly w/o Augers**



***Screed Extensions Assembly w/o Augers***

Ref. No.	Part No.	Description	Qty. Req.	Ref. No.	Part No.	Description	Qty. Req.
01	P178000	SHOE TIGHTENER BAR .....	2		101140	T-HANDLE (for Ref. 10) .....	1
02	P015900	HANDLE NUT .....	4	11	100860	SCREED EXTEN.HINGE PIN .....	2
03	L520022	FLEXLOCK NUT 3/8-16 .....	8	12	100859	EXT DEPTH ADJ TUBE .....	2
04	655006	COTTER PIN 1/8 X 1 .....	2	13	100845	LEFT EXTENSION SHOE .....	1
05	654026	LOCK WASHER 3/8" .....	14	14	100843	RIGHT EXTENSION SHOE .....	1
06	654006	FLAT WASHER 3/8" .....	8	15	100840	LEFT TOP EXTENSION .....	1
07	650857	NUT 3/4" .....	4	16	100834	RIGHT TOP EXTENSION .....	1
08	650490	BOLT 3/8 X 1 .....	14	17	100517	RIGHT SCREED EXTENSION .....	1
09	101217	STRIKE-OFF .....	2	18	100516	LEFT SCREED EXTENSION .....	1
10	101160	DEPTH ADJUSTMENT .....	2	19	076105	CLEVIS PIN 1/2 X 2-1/2 .....	2

Screed Extensions Assembly w/ Augers

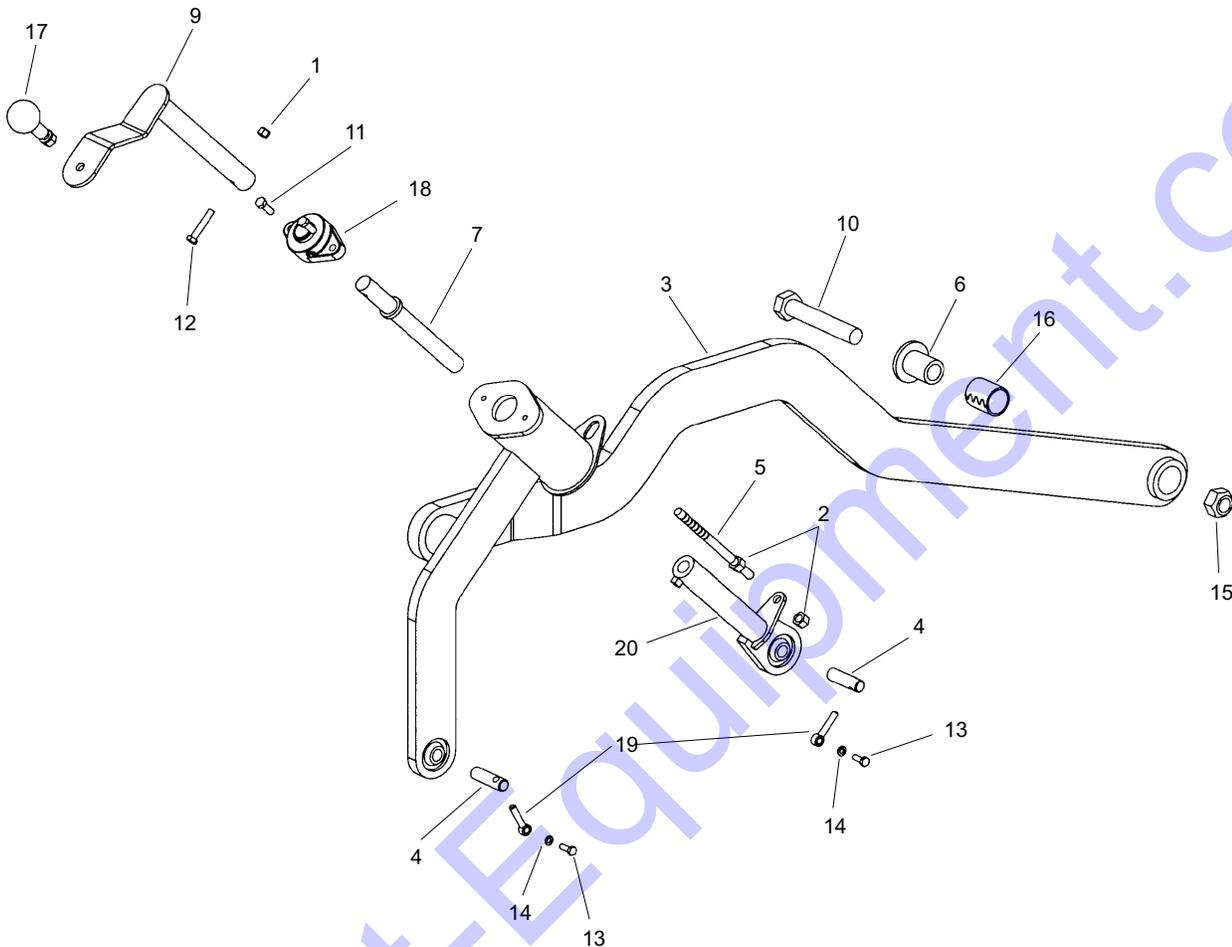


**Screed Extensions Assembly w/ Augers**

Ref. No.	Part No.	Description	Qty. Req.	Ref. No.	Part No.	Description	Qty. Req.
01	076105	CLEVIS PIN 1/2 X 2-1/2	2	24	101217	STRIKE-OFF	2
02	091039	ADPTR, 90 DEG	4	25	650488	BOLT, 3/8 X 3/4	16
03	100516	LEFT SCREED EXTENSION	1	26	650490	BOLT 3/8 X 1	14
04	100517	RIGHT SCREED EXTENSION	1	27	650533	3/8 X 1-1/2	4
05	100589	RIGHT EXTENSION SHOE	1	28	650650	BOLT, 1/2 X 3-1/2	4
06	100590	LEFT EXTENSION SHOE	1	29	650857	NUT 3/4"	4
07	100593	LEFT AUGER MOTOR TUBE	1	30	654006	FLAT WASHER 3/8"	8
08	100594	RIGHT AUGER MOTOR TUBE	1	31	654026	LOCK WASHER 3/8"	14
09	100595	LEFT AUGER MOTOR TUBE	1	32	655006	COTTER PIN 1/8 X 1	2
10	100596	RIGHT AUGER MOTOR TUBE	1	33	L50070	NUT, 1/2-13 FLEXLOCK	4
11	100597	LEFT AUGER TUBE	1	34	L50426	SET SCREW 3/8-16	2
12	100598	RIGHT AUGER TUBE	1	35	L520022	FLEXLOCK NUT 3/8-16	12
13	100599	LEFT AUGER TUBE	1	36	L81195	ADPTR 90 DEG	8
14	100600	RIGHT AUGER TUBE	1	37	P015900	HANDLE NUT	4
15	100859	EXT DEPTH ADJ TUBE	2	38	P178000	SHOE TIGHTENER BAR	2
16	100860	SCREED EXTEN.HINGE PIN	2	39	P311600	AUGER HUB, FEMALE	2
17	100875	NUT, 3/4-14	2	40	P311800	AUGER HUB, MALE	2
18	100884	BEARING SUPPORT	2	41	P470406	ADPTR. 90 DEG	4
19	100919	AUGER MOTOR COVER	2	42	P473327	AUGER	1
20	175018	LT TOP EXTENSION W/ AUGER	1	43	P473328	AUGER	1
21	175019	RT TOP EXTENSION W/ AUGER	1	44	P480071	AUGER MOTOR	2
22	100932	TWIN CLAMP BODY, 3/8	2	45	P480177	BEARING	2
23	101160	DEPTH ADJUSTMENT	2				
	101140	T-HANDLE (for Ref. 23)	1				

**Pullarm Assembly**

**Left Hand Shown**



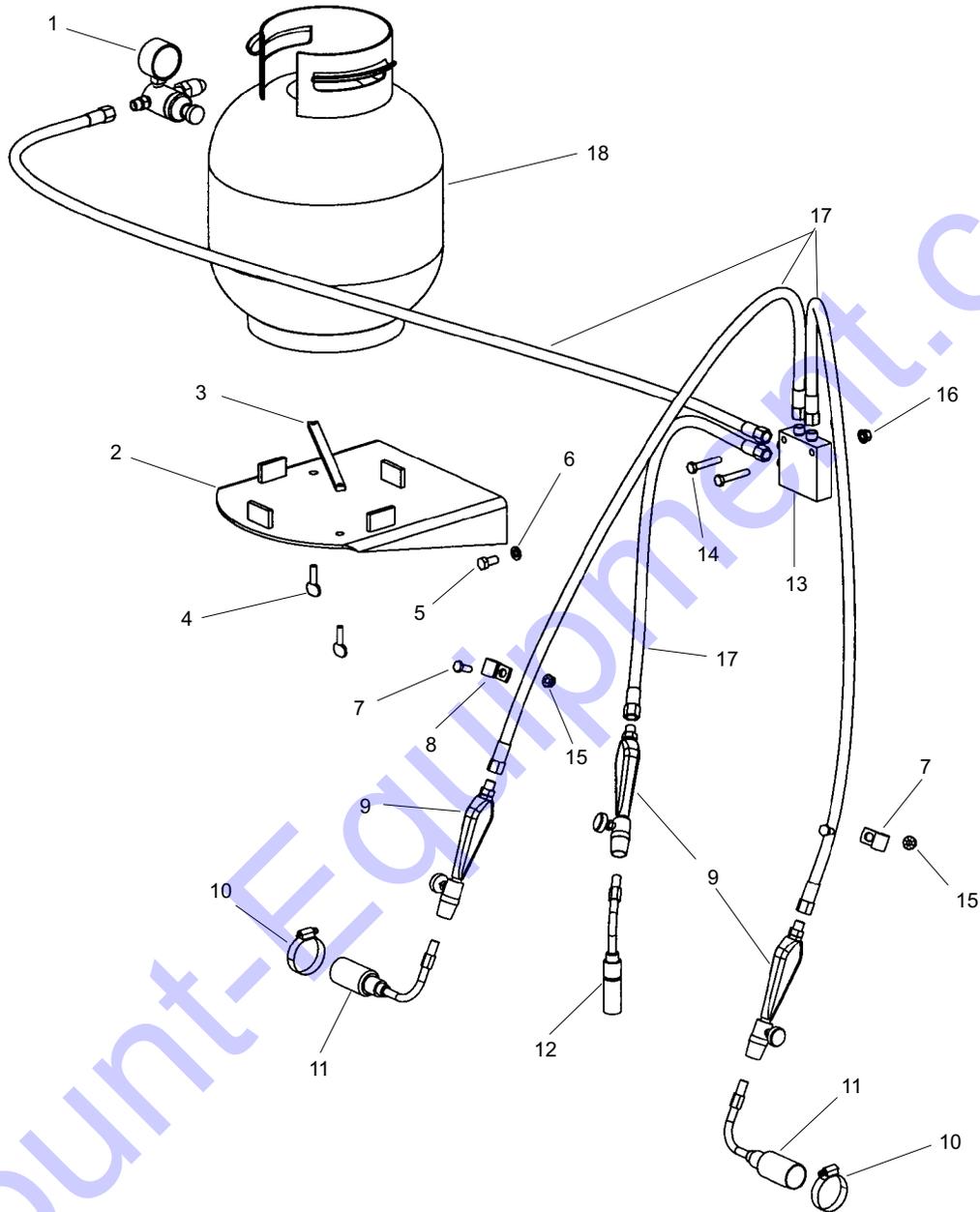
Ref. No.	Part No.	Description	Qty. Req.	Ref. No.	Part No.	Description	Qty. Req.
01	067847	LOCK NUT 3/8"	2	13	650809	BOLT, 5/16-18X7/8	4
02	071706	LOCK NUT 1/2"	4	14	654024	LOCK WASHER, 5/16"	4
03 <sup>a</sup>	100772	LEFT PULLARM	1	15	L50109	NUT, STOVER 1-8.	2
	100780	RIGHT PULLARM	1	16	L68048	SPRING BUSHING	2
03 <sup>b</sup>	100917	LEFT PULLARM	1	17	L69597	SPINNER KNOB	2
	100915	RIGHT PULLARM	1	18	P472066	SCREED ADJUST BEARING	2
04	100782	PIN, PULLARM	4	19	P472798	ROD END	4
05	100783	DEPTH INDICATOR	2	20	100891	WELD/ADJ. BALL JOINT	2
06	100784	PULLARM SWIVEL	2		P472101	BALL JOINT ONLY.	1
07	100866	SCREED ADJUST ROD	2				
08	100891	ADJUST BALL JOINT	2				
09	101103	ADJUSTER HANDLE	2				
10	124976	BOLT, 1-8X6"	2				
11	650490	BOLT, 3/8-16X1	4				
12	650528	BOLT, 3/8-16X2	2				

a) Used on pavers equipped with the augers located on the flow gates.

b) Used on pavers equipped with the augers located on the screed.

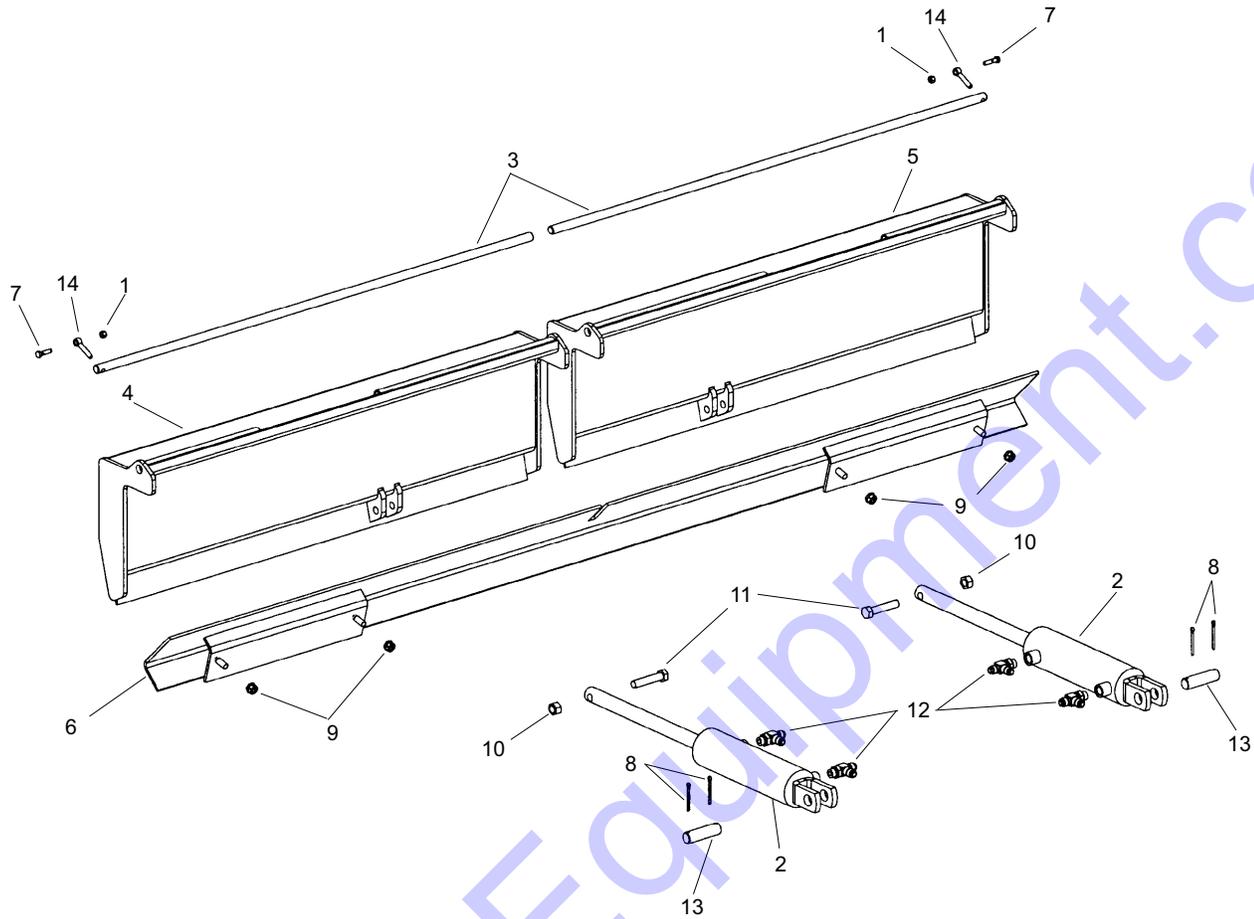


**Propane Kit Assembly**



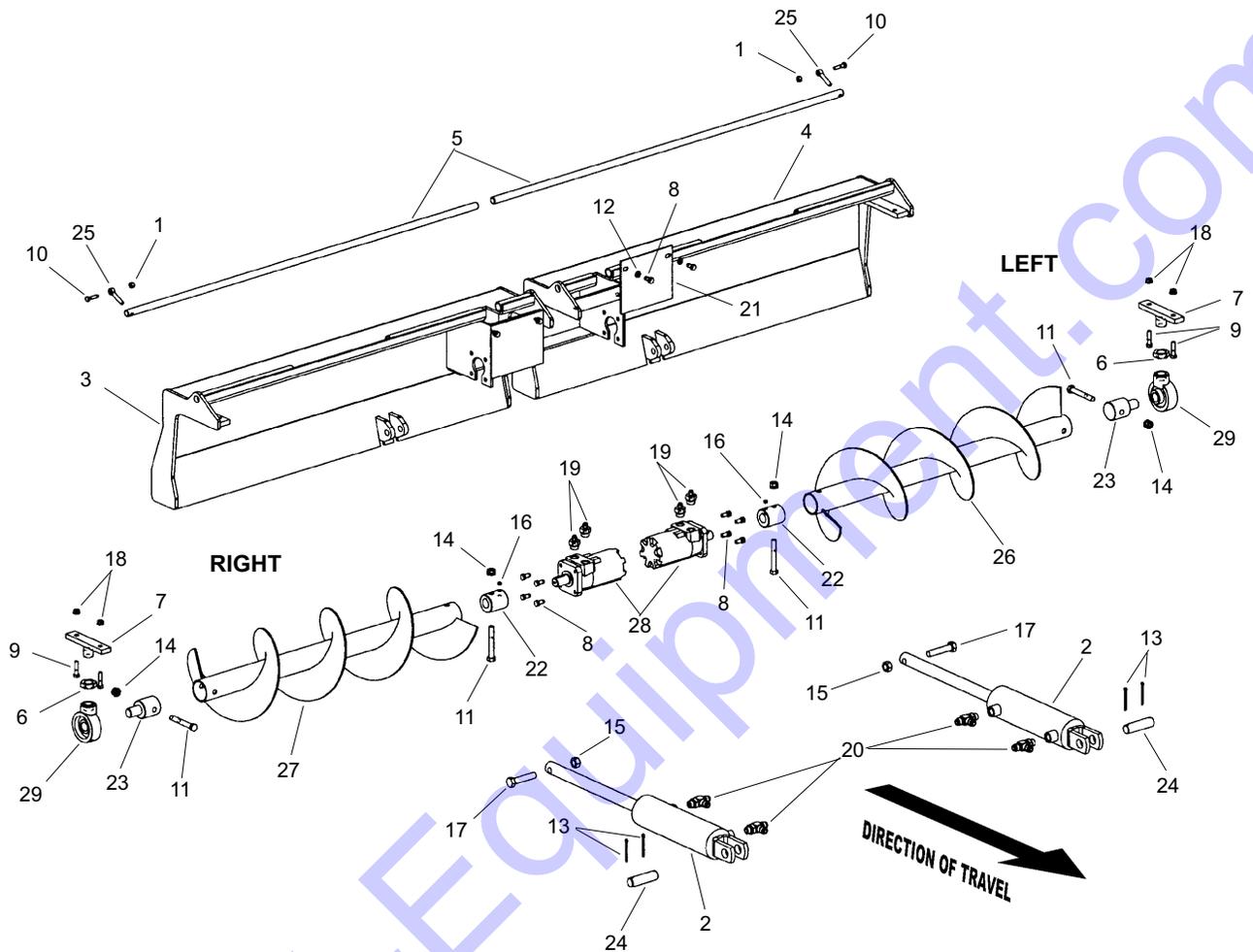
Ref. No.	Part No.	Description	Qty. Req.	Ref. No.	Part No.	Description	Qty. Req.
01	P380200	REGULATOR.....	1	10	061946	#24 SAE HOSE CLAMP.....	2
02	101362	WELD/PROPANE TANK MNT.....	1	11	101148	PROPANE TORCH TIP.....	2
03	P470723	BAR/TANK HOLDDOWN.....	1	12	100522	PROPANE TORCH TIP.....	1
04	L50355	SCREW/THUMB .31-18x1.....	2	13	100511	MANIFOLD/PROPANE.....	1
05	650488	CS 3/8x3/4 C5ZY.....	2	14	650692	CS 5/16x1-3/4 C5ZY.....	2
06	654026	LW 3/8 RZY.....	2	15	L50056	NUT/.31-18 UNC WHIZ LOCc.....	2
07	650486	CS 5/16x3/4 C5ZY.....	2	16	210-19470	HN FL SLOC 5/16 CZY.....	2
08	076147	CLAMP/HOSE.....	2	17	100533	HOSE/PROPANE.....	4
09	P253000	HANDLE.....	3	18	NSS	20# PROPANE TANK.....	1

Flow Gates Assembly w/o Augers



Ref. No.	Part No.	Description	Qty. Req.	Ref. No.	Part No.	Description	Qty. Req.
01	071701	LOCK NUT 5/16"	2	08	655024	COTTER PIN, 3/16X2	4
02	100713	GATE CYLINDER	2	09	L50070	FLEXLOC NUT, 1/2-13	4
03	100788	HINGE PIN	2	10	L50079	NUT, 5/8"	2
04	101415	RIGHT FLOW GATE	1	11	L50578	BOLT, 5/8-11X3	2
05	101408	LEFT FLOW GATE	1	12	L64660	ADAPTER, RUN TEE	4
06	101124	DEFLECTOR	1	13	P471296	PIN, CYLINDER END	2
07	650545	BOLT, 5/16-18X1-1/4	2	14	P472798	ROD END	2

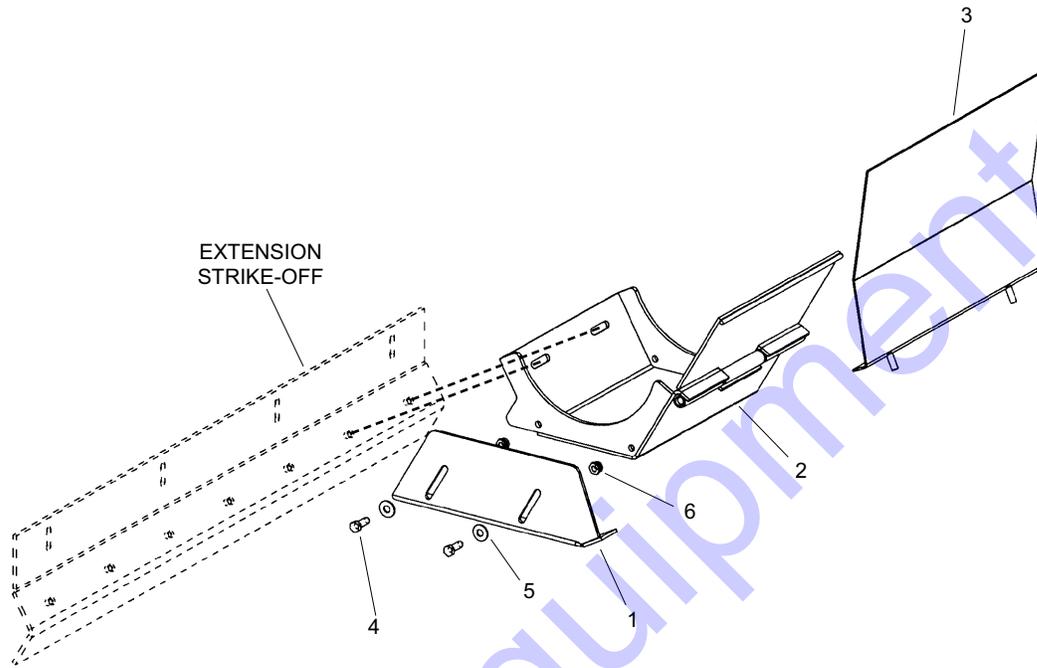
Flow Gates Assembly w/ Augers



Ref. No.	Part No.	Description	Qty. Req.	Ref. No.	Part No.	Description	Qty. Req.
01	071701	LOCK NUT 5/16"	2	16	L50426	SET SCREW, 3/8-16	2
02	100713	GATE CYLINDER	2	17	L50578	BOLT, 5/8-11X3	2
03	100714	RIGHT FLOW GATE	1	18	L520022	FLEXLOC NUT, 3/8-16	4
04	100715	LEFT FLOW GATE	1	19	L60253	ADAPTER, STRAIGHT	4
05	100788	HINGE PIN	2	20	L64660	ADAPTER, RUN TEE	4
06	100875	NUT, 3/4-14	2	21	P136200	MOTOR COVER	2
07	100884	BEARING SUPPORT	2	22	P311600	FEMALE AUGER HUB	2
08	650488	BOLT, 3/8-16X3/4	12	23	P311800	MALE AUGER HUB	2
09	650533	BOT, 3/8-16X1-1/2	4	24	P471296	PIN, CYLINDER END	2
10	650545	BOLT, 5/16-18X1-1/4	2	25	P472798	ROD END	2
11	650650	BOLT, 1/2-13X3-1/2	4	26	P473327	AUGER	1
12	654026	LOCK WASHER, 3/8"	4	27	P473328	AUGER	1
13	655024	COTTER PIN, 3/16X2	4	28	P480071	AUGER MOTOR	2
14	L50070	FLEXLOC NUT, 1/2-13	4	29	P480177	BEARING	2
15	L50079	NUT, 5/8"	2				

**Screed Cutoff Option**

*Left Side with Augers on the Flow Gates Shown*

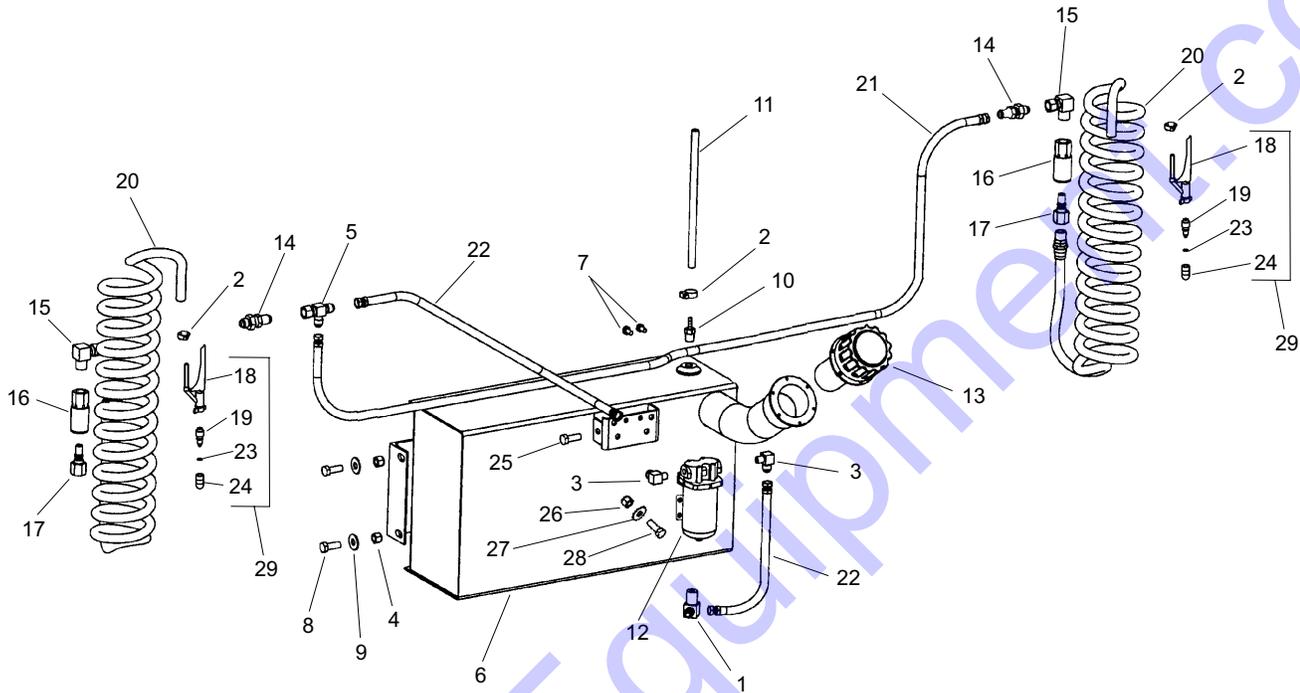


***Screed Cutoff Option***

<b><i>Pavers with Augers on the Flow Gates</i></b>				
<b>REF. NO.</b>	<b>PART NO.</b>	<b>DESCRIPTION</b>	<b>12" CUTOFF QTY.</b>	<b>24" CUTOFF QTY.</b>
01	101197	LEFT SHOE	1	1
	101196	RIGHT SHOE	1	1
02	101190	CUTOFF, 12"	1	2
03	101219	BLOCKOFF PLATE, 18"	1	0
	101220	BLOCKOFF PLATE, 24"	0	1
04	650490	BOLT, 3/8-16X1	2	4
05	654006	FLAT WASHER, 3/8"	2	2
06	L520022	LOCK NUT, 3/8"	2	4

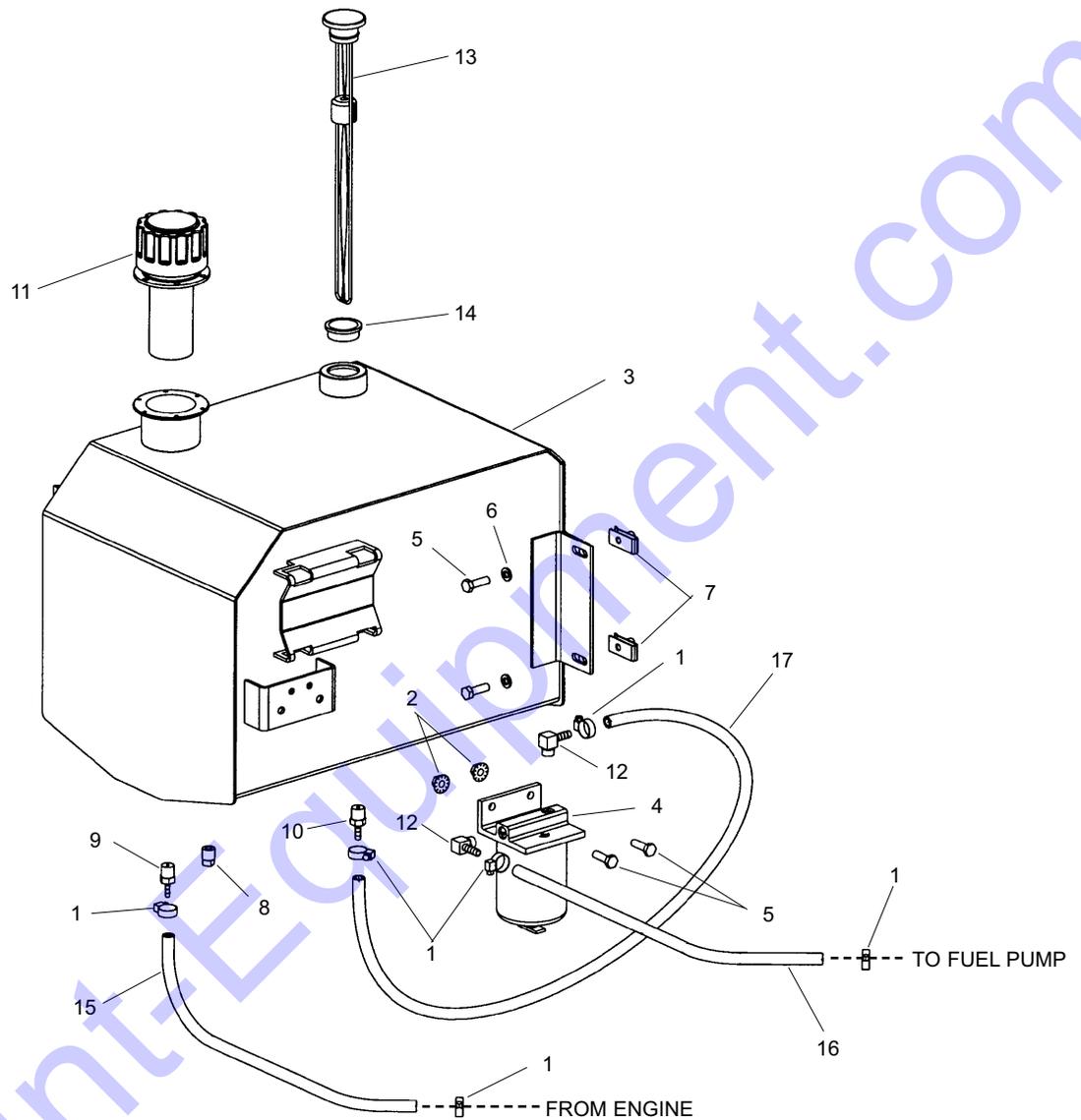
<b><i>Pavers with Augers on the Screed Extensions</i></b>				
<b>REF. NO.</b>	<b>PART NO.</b>	<b>DESCRIPTION</b>	<b>12" CUTOFF QTY.</b>	<b>24" CUTOFF QTY.</b>
01	101195	LEFT SHOE	1	1
	101194	RIGHT SHOE	1	1
02	101190	CUTOFF, 12"	1	2
03	101219	BLOCKOFF PLATE, 18"	1	0
	101220	BLOCKOFF PLATE, 24"	0	1
04	650490	BOLT, 3/8-16X1	2	4
05	654006	FLAT WASHER, 3/8"	2	2
06	L520022	LOCK NUT, 3/8"	2	4

Spraydown Tank Assembly



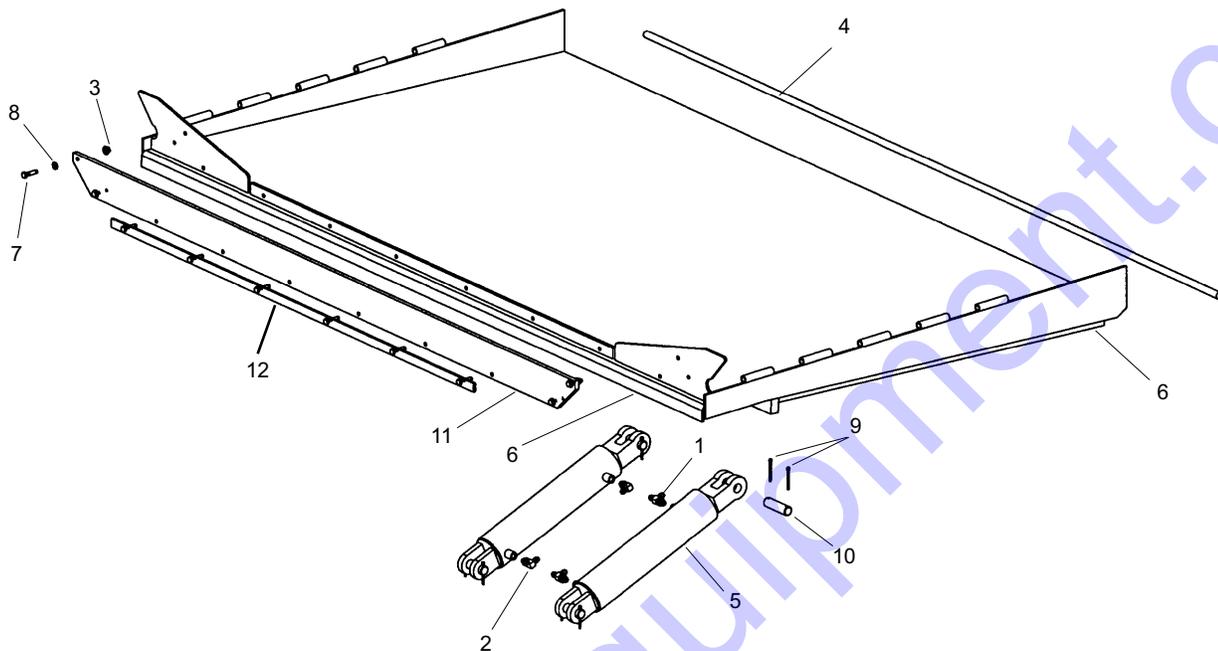
Ref. No.	Part No.	Description	Qty. Req.	Ref. No.	Part No.	Description	Qty. Req.
01	057650	ADP, -6JICM -6NPTM 90DEG. ....	1	15	P471760	ADP, -6PM -6JFS 90 .....	2
02	062023	HOSE CLAMP #M5 .....	3	16	P471761	COUPLING, QUICK FEMALE .....	2
03	057650	ADP, -6JICM -2NPTM 90 (S/N 12316 and after) .....	2	17	P471762	COUPLING, QUICK MALE .....	2
03	065350	ADP, -6JICM -2NPTM 90. (S/N 12315 and before).....	2	18	175371	VALVE/THRUSTLESS .....	2
04	067847	HEX LOCK NUT 3/8".....	4	19	175373	BODY/NOZZLE .....	2
05	072806	ADP, -6FICFS -6JICM TEE .....	1	20	P471756	FLEXCOIL HOSE ASY .....	2
06	175388	SPRAYDOWN TANK .....	1	21	101133	HOSE ASY .....	1
07	650481	CAP SCREW, 1/4 X 1/2 C5 (S/N 12315 and before) .....	2	22	P470464	HOSE ASY .....	2
08	650490	CAP SCREW, 3/8 X 1 C5ZY .....	4	23	175372	O-RING .....	2
09	654006	FLAT WASHER, 3/8 AWZY .....	4	24	175374	CAP/NOZZLE .....	2
10	P022800	HOSE BARB, 1/4NPT X 1/4 .....	1	25	650934	SCREW/THWH TC USL 3/8X1 CZY (S/N 12316 and after) .....	1
11	P270900	HOSE, CLEAR 1/4 X 3/32 WALL ..	1	26	084175	HLN INST #1024 CZY (S/N 12316 and after) .....	4
12	175375	PUMP .....	1	27	650584	FW #10 AZY (S/N 12316 and after) .....	5
		(S/N 12316 and after) .....	2	28	084175	HLN INST #1024 CZY (S/N 12316 and after) .....	4
	175396	PUMP KIT .....	1	29	175394	VALVE/HAND APPLICATOR (Incl. 18, 19, 23, 24) .....	2
		(S/N 12315 and before).....	2				
13	P470472	FILLER CAP ASY .....	1				
14	P471759	ADP, -6JICM BLKHD STR. ....	2				

**Fuel Tank Assembly**



Ref. No.	Part No.	Description	Qty. Req.	Ref. No.	Part No.	Description	Qty. Req.
01	062023	CLAMP, HOSE #M5	6	09	P022300	HOSE BARB, 1/4 NPT X 3/16	1
02	070648	HEX NUT, SLOC 5/16	2	10	P022800	HOSE BARB, 1/4 NPT X 1/4	1
03	100665	FUEL TANK	1	11	P470472	FILLER CAP	1
04	123827	FUEL FILTER ASY	1	12	P471159	HOSE BARB, -6OM X 5/16 90	2
	123828	FUEL FILTER	1	13	P473298	FUEL GAUGE 13"	1
05	650487	CAP SCREW, 5/16 X 1 C5ZY	8	14	P473303	GROMMET, FUEL GAUGE KELCH	1
06	654024	LOCK WASHER, 5/16	6	15	101130	FUEL HOSE, 3/16 X 24	1
07	L530004	NUT, RETAINING CLIP 5/16	6	16	101131	FUEL HOSE, 5/16 X 20	1
08	L72019	PLUG, -4NPTM	1	17	101132	FUEL HOSE, 5/16 X 28	1

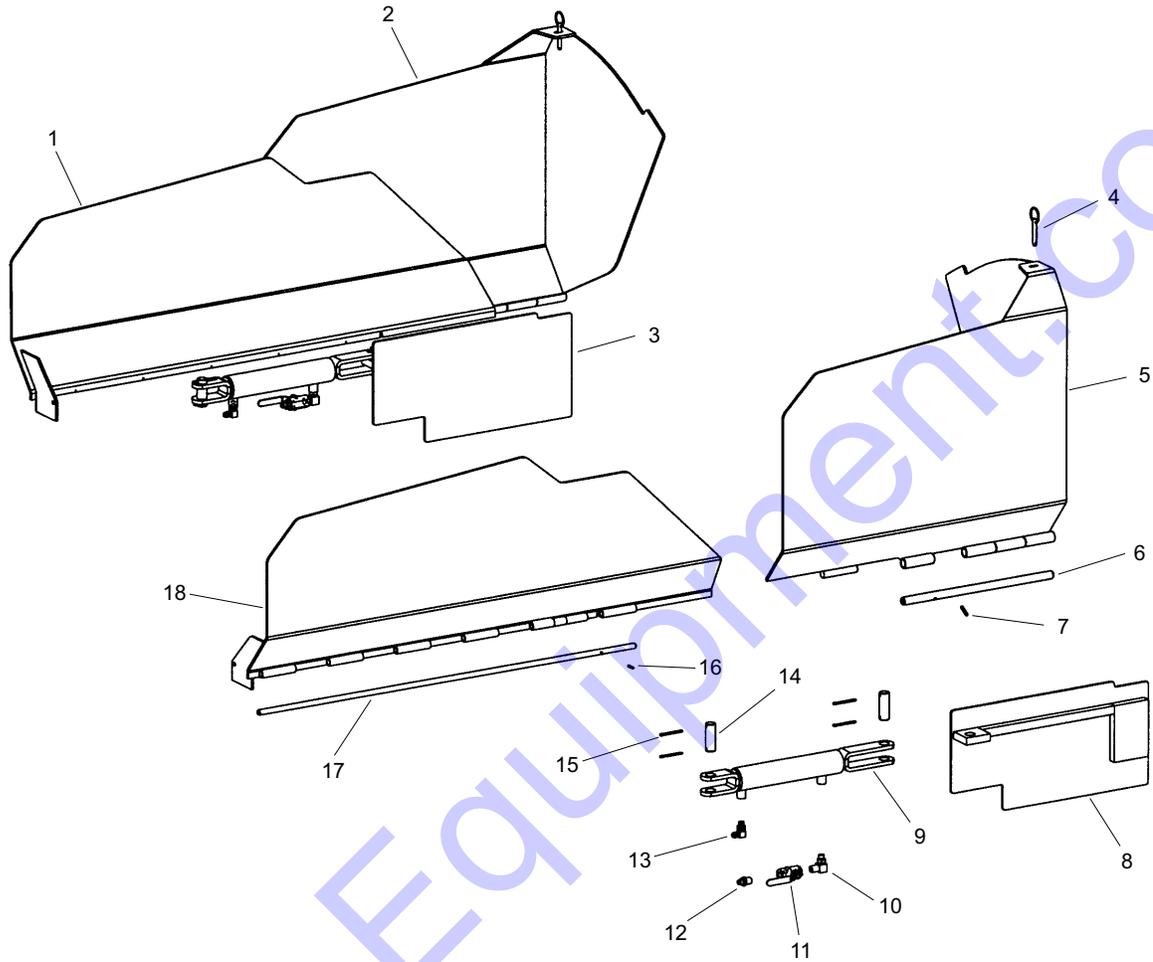
Hopper Assembly



Ref. No.	Part No.	Description	Qty. Req.	Ref. No.	Part No.	Description	Qty. Req.
01	054820	ADP, ADJ TEE -6OPM -6JIC	2	07	650533	CS 3/8X1-1/2 C5ZY	10
02	068938	ADP, -6ORM -6JICM 90 DEG	2	08	654049	FW 3/8 ANZY	4
03	070856	HN LF SLOC 3/8 CZ	10	09	655024	CP EPSC 3/16 X 2 Z	8
04	100687	PIN / HOPPER HINGE	1	10	P471296	PIN / CYLINDER END	4
05	100893	CYLINDER / HOPPER	2	11	102134	LIP / HOPPER	1
06	100898	HOPPER	1	12	P471474	BAR / HOPPER LIP	1

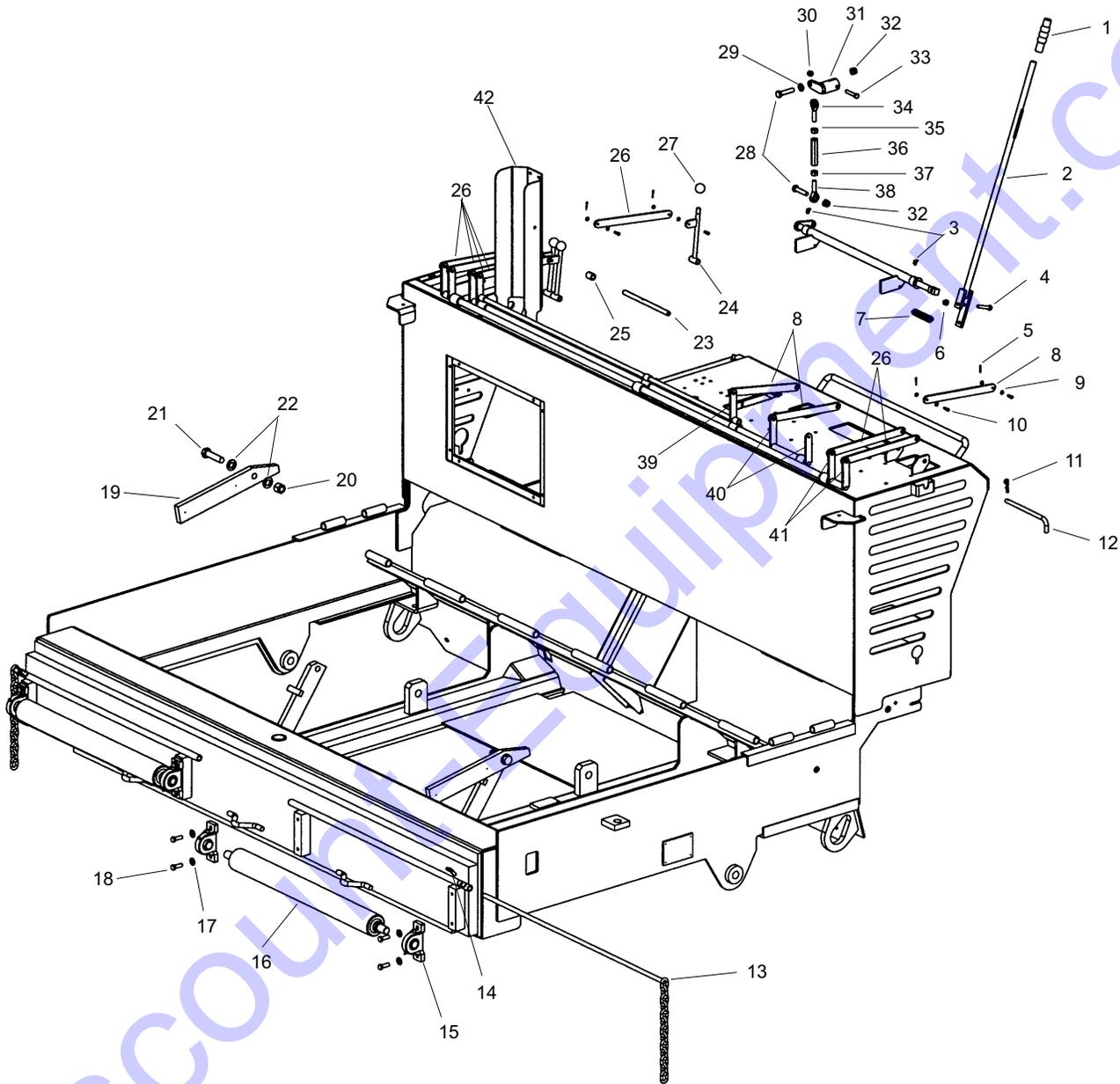


Wings / Side Gates Assembly



Ref. No.	Part No.	Description	Qty. Req.	Ref. No.	Part No.	Description	Qty. Req.
01	100906	WELD/RT FRONT WING	1	09	P471225	CYLINDER/SIDE GATE	2
02	100910	WELD/RT REAR WING	1	10	P471227	ADP 90-6 ORING -6MP	2
03	100382	WELD/RT SIDE GATE	1	11	P414980	VALVE/.375"	2
04	P470609	PIN/QUICK RELEASE	2	12	062889	ADAPTER/STEEL PIPE	2
	122633	CRIMP SLEEVE	4	13	068938	ELBOW/90 DEG ADJUSTABLE	2
	P470610	WIRE/NYLON COATED	2	14	P471297	PIN/CYLINDER CLEVIS END	4
05	100913	WELD/LT REAR WING	1	15	655024	CP EPSC 3/16 x 2 Z	8
06	100671	PIN/1648 REAR WING	2	16	057864	PIN/SPRING	2
07	L560002	PIN/ROLL .25x 1.25	2	17	100670	PIN/1648 FRONT WING	2
08	100381	WELD/LT SIDE GATE	1	18	100909	WELD/LT FRONT WING	1

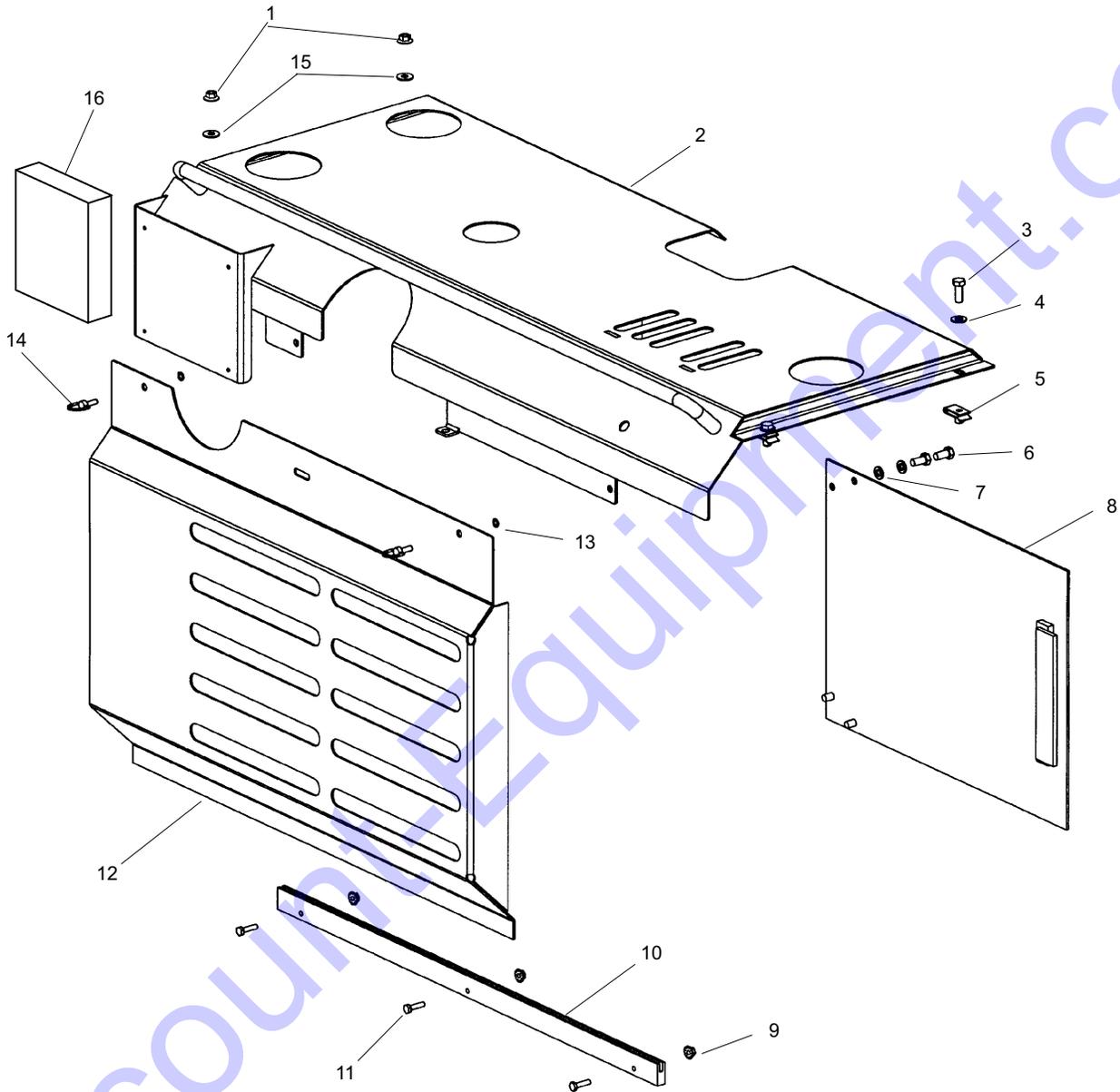
Chassis/Backwall Assembly



**Chassis/Backwall Assembly**

Ref. No.	Part No.	Description	Qty. Req.	Ref. No.	Part No.	Description	Qty. Req.
01	P252400	GRIP 3/4 RUBBER	1	22	L50157	WASHER/PLAIN .75	4
02	P470519	WELD/PUMP CONTROL ARM	1	23	101126	PIN/RT CONTROLS	1
03	076002	ZERK, GREASE 1/4-28 90 DEG	2	24	101083	WELD/CONTROL ARM	5
04	650932	CS 3/8x2 F5ZY	1	25	101211	SPACER/RT CONTROLS	1
05	650551	CP EPSC 3/32 x 3/4 Z	20	26	P137200	1/4" X 1 X 13" DUAL CONTROL	7
06	L50065	NUT .375-24 FLECKLOC Z	2	27	101099	KNOB/BALL 1-1/4 X 1/2-13	5
07	L561003	SPRING/EXT 13GA X .73OD	1	28	650502	CS 1/2x2-1/4 C5ZY	2
08	P143200	1/4" X1 X 12" DUAL CONTROL	3	29	062335	FW 7/16	2
09	650584	FW #10 AZY	40	30	L50065	NUT .375-24 FLEXLOCK Z	2
10	072425	CLEVIS PIN 1/4 X 51/64 ZY	20	31	P470564	WELD, PUMP SPEED CONTROL	1
11	071858	PIN/HAIR	1	32	L50070	NUT/FL .50-13 CLSA	2
12	P470246	PIN/DRIVE CONTROL STOP	1	33	L50833	HC .375 X 2 C8 Z .375-24	1
13	P470014	WELD ALIGNMENT SLIDE	2	34	P221850	END, ROD 1/2 " MALE RH	1
14	L277729	SCREW/THUMB .38-16 X 1	2	35	061826	HN 1/2 F2ZY LH	1
15	P024000	BEARING 1" PILLOW BLOCK	4	36	P471024	ROD/ADJ PUMP SPEED CTRL	1
16	P470606	BAR/PUSH ROLLER	2	37	653019	HN 1/2 F2ZY	1
17	654006	FW 3/8 AWZY	8	38	P221650	END, ROD 1/2" MALE LH	1
18	650558	CS 7/16x1-1/4 C5	8	39	101089	WELD/DUAL AUGER CNTRL	1
19	P470025	FLOOR PROP	2	40	101087	WELD/EXTEN-FLOOR CNTRL	1
20	079209	HLN INST 3/4 CZY	2	41	101080	WELD/DUAL DRIVE CNTL	1
21	L50385	BOLT/HHCS .75-10x3.0 GR8	2	42	P470816	MUFFLER SHEILD/MOUNT	1

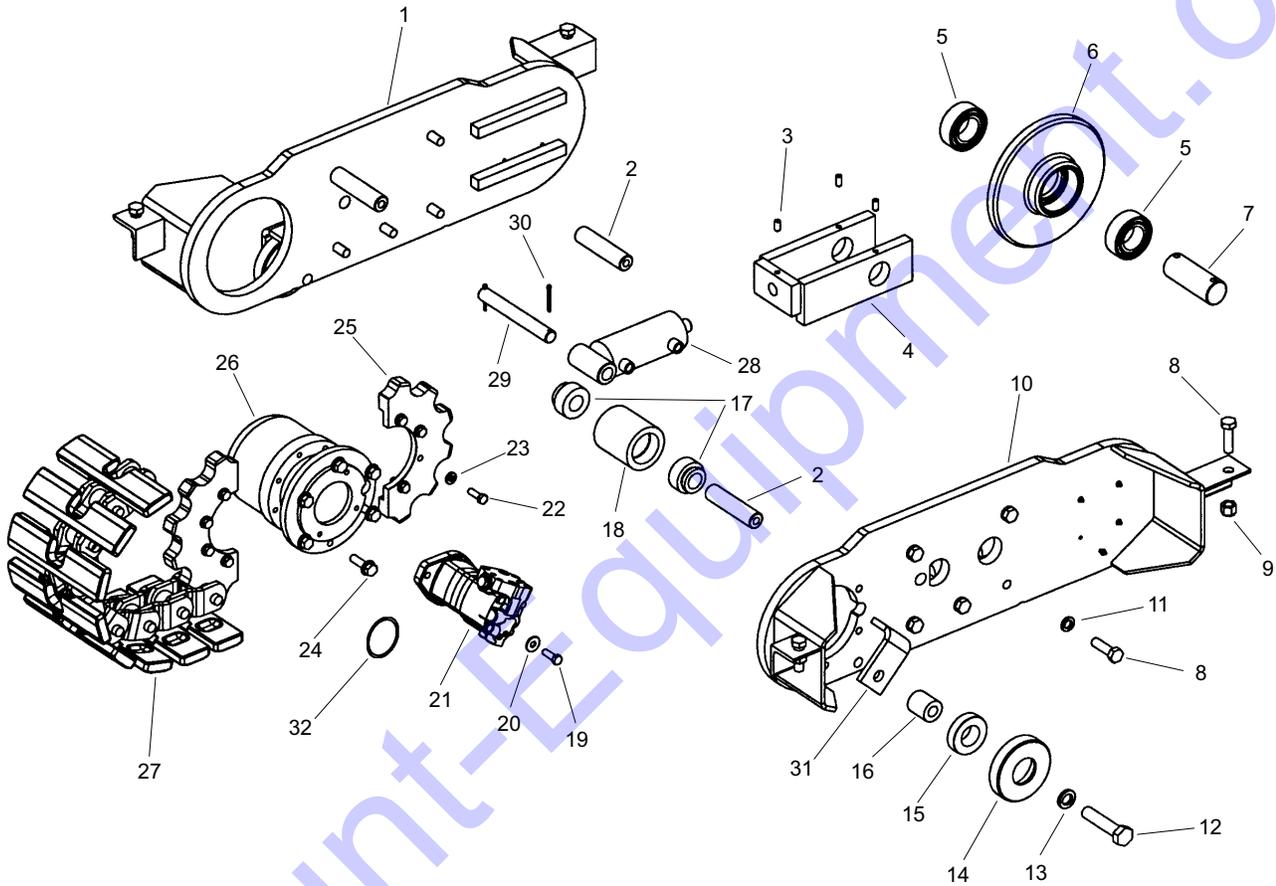
Covers Assembly



**Covers Assembly**

Ref. No.	Part No.	Description	Qty. Req.	Ref. No.	Part No.	Description	Qty. Req.
01	070648	HN LF SLOC 5/16 CZ	2	11	650835	CS 1/4x1 C5ZY	3
02	100888	WELD/ ENGINE COVER 1648	1	12		ENGINE GUARD	
03	650490	CS 3/8x1 C5ZY	2		101770	(S/N 12260 and after)	1
04	654049	FW 3/8 ANZY	2		P471856	(S/N 12259 and before)	1
05	L65211	NUT CLIP RETAINING 3/8-16	2	13	L62721	FASTENER RETAINER	2
06	650488	CS 3/8x3/4 C5ZY	4		L62722	FASTENER RETAINER	2
07	654026	LW 3/8 RZY	4	14	L62720	FASTENER/STUD	2
08	P471547	WELDMENT/ACCESS PANEL	1	15	654004	FW 5/16 AWZY	2
09	070634	HN LF SLOC 1/4 CZ	3	16	L62459	HOLDER/MANUAL PLASTIC	1
10	P471855	NYLATRON GUIDE	1				

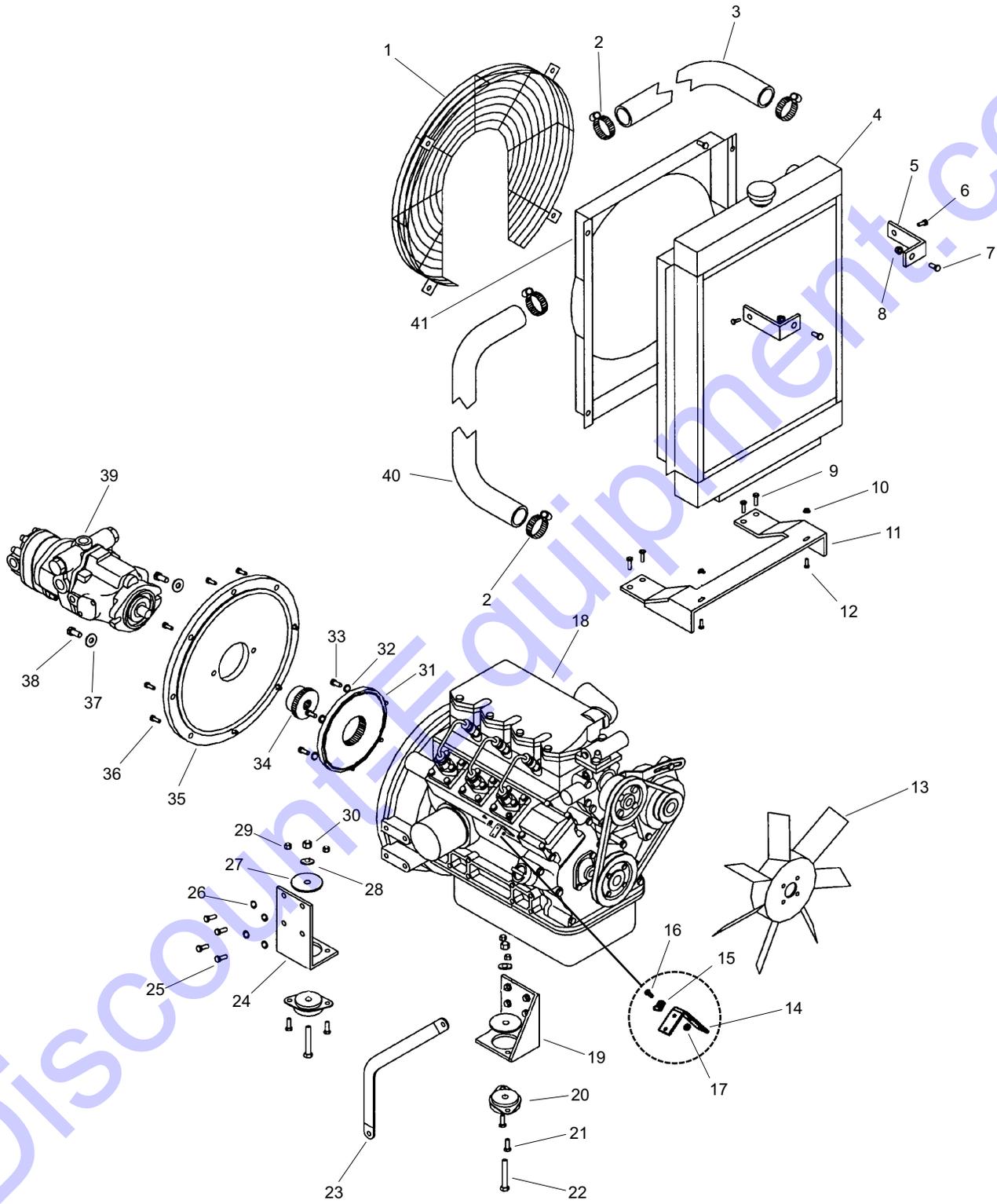
Track Assembly



**Track Assembly**

Ref. No.	Part No.	Description	Qty. Req.	Ref. No.	Part No.	Description	Qty. Req.
<b>Quantities listed are for one track assembly.</b>				19	650453	CS 1/2x1-1/2 C5ZY	2
01		WELD/TRACK FRAME (HUB)	1	20	654009	FW 1/2 AWZY	2
	P470574	RIGHT TRACK ASSEMBLY		21		MOTOR/DRIVE	
	P470572	LEFT TRACK ASSEMBLY			175123	(S/N 12316 and after)	1
02	P480122	SHAFT/TRACK ROLLER	5		P473285	(S/N 12315 and before)	1
03	P392450	SS .50 X 1	3	22	P471549	BOLT/HHCS .50-20 X 1.50 G8Z	8
04	P471504	WELDMENT/TRACK YOKE	1	23	P471548	WASHER/HARD .50	8
05	P471502	BEARING/IDLER HUB	2	24	P471406	BOLT/FLANGE .625-11x 2	6
06	P471448	MACHINED SPROCKET, IDLER	1	25	P471543	MACHINE/DRIVE SPROCKET	1
07	P471501	AXLE/FRONT MACHINED	1	26	P271900	HUB/TORQUE	1
08	650416	CS 3/4x2-1/2 C5ZY	14	27	P473056	WELDMENT/TRACK	1
09	079209	HLN INST 3/4 CZY	4		P700645	STANDARD PAD W/ LINK	27
10		WELD/TRACK FRAME (MOTOR)	1		P700646	LH PAD W/ LINK	1
	P470571	RIGHT TRACK ASSEMBLY			P700647	RH PAD W/ LINK	1
	P470573	LEFT TRACK ASSEMBLY			P362400	PIN/LINKAGE	1
11	654034	LW 3/4 RZY	10		P362500	PIN/COTTER	1
12	P032600	BOLT 1-8x 4.50	2	28	P480118	CYL.TRACK TENSION	1
13	654057	LW 1 RZY	2	29	P480124	PIN/TRACK CYL.	1
14	P471479	ROLLER/OUTRIGGER	2	30	655024	CP EPSC 3/16 x 2 Z	2
15	P024500	BEARING W/O COLLAR	2	31	P471177	OUTRIGGER BRACKET	1
16	P471182	SPACER	2	32	101438	O-RING	1
17	P480176	BEARING/1.44 DIA.	6				
18	P471186	ROLLER/TRACK	3				

Engine Assembly

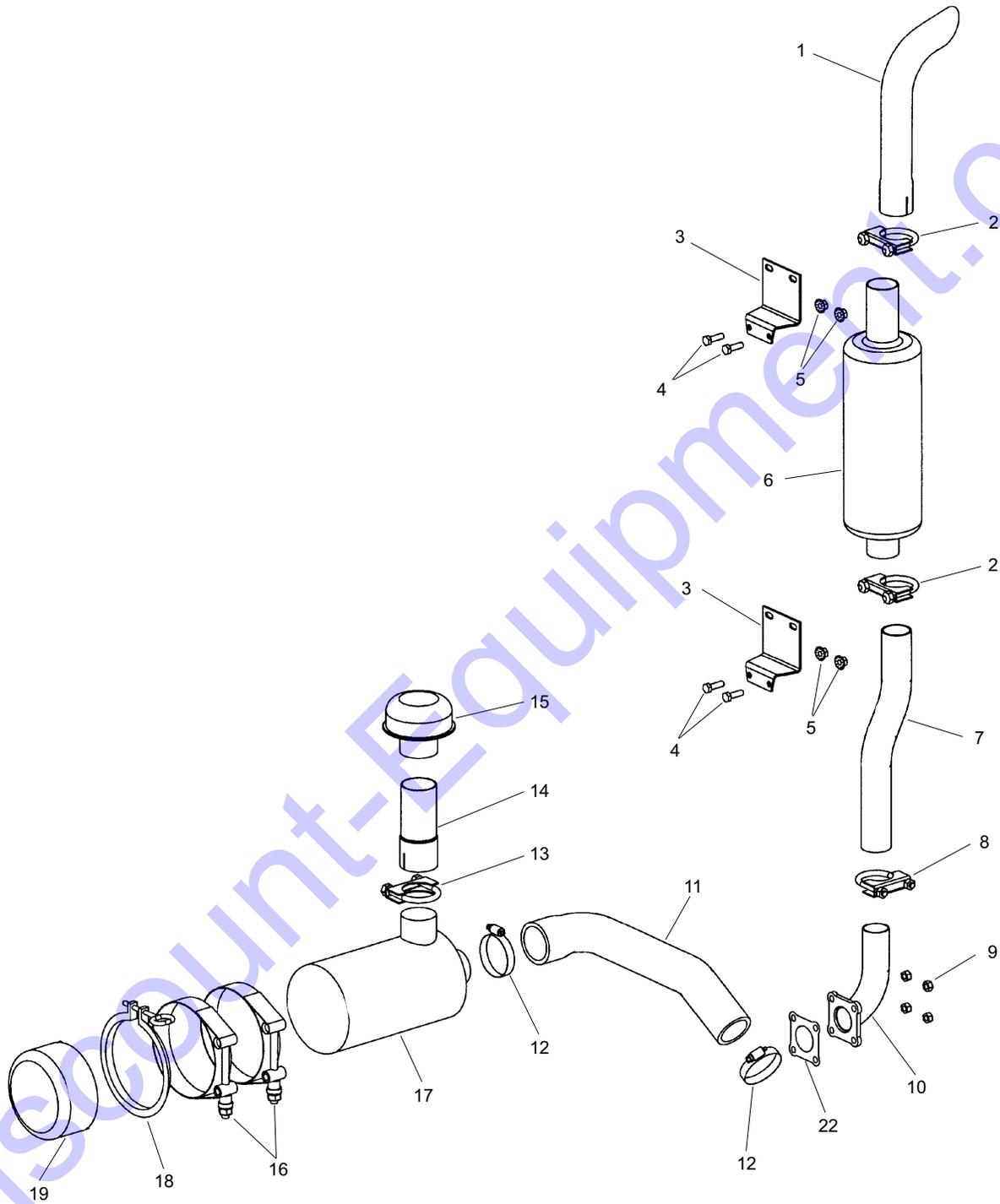




**Engine Assembly**

Ref. No.	Part No.	Description	Qty. Req.	Ref. No.	Part No.	Description	Qty. Req.
01	P700590	GUARD/FAN	1	21	650490	CS 3/8x1 C5ZY	8
02	L76084	CLAMP/#24 SAE HOSE	4	22	650644	CS 1/2x3 C5ZY	4
03	P700586	HOSE/UPPER RADIATOR	1	23	L630004	STRAP GRND 4 GA X 14" SILVER	1
04	P700592	RADIATOR	1	24	101127	MNT/LT ENGINE ( <i>shown</i> )	1
05	P471643	ANGLE/RADIATOR MOUNT	2		101045	MNT/LT ENGINE ( <i>opposite side</i> )	1
06	656001	CS M6-1.25 X 20 C8.8 ZO	2	25	656007	CS M10-1.50 X 25 C8.8 ZO	16
07	650490	CS 3/8x1 C5ZY	2	26	654028	LW 7/16 RZY	16
08	070856	HN LF SLOC 3/8 CZ	2	27	L64197	WASHER ISOLATOR MOUNT	4
09	650487	CS 5/16x1 C5ZY	4	28	654009	FW 1/2 AWZY	4
10	070634	HN LF SLOC 1/4 CZ	2	29	067847	HLN INST 3/8 CZY	8
11	P471812	RADIATOR MOUNT	1	30	068034	HLN INST 1/2 CZY	4
12	650448	CS 1/4x3/4 C5ZY	2	31	P700539	PLATE/FLYWHEEL COUPLING	1
13	P471694	BLADE/FAN,400mm	1	32	654028	LW 7/16 RZY	6
14	P470871	BRACKET/CABLE CLAMP	1	33	656007	CS M10-1.50 X 25 C8.8 ZO	6
15	P471411	CLAMP/THROTTLE CABLE	1	34	P700536	HUB/PUMP COUPLING	1
	P471410	CABLE/THROTTLE CONTROL	1	35	P700535	PLATE/PUMP MOUNT	1
16	650548	RHMS SLT #1024x1/2 CZY	1	36	L50713	M8 X 1.25 X 25 Hx Bolt G8	8
17	650550	HN MS #1024 CZY	1	37	654009	FW 1/2 AWZY	2
18	P471649	ENGINE/ISUZU 4LC1 ( <i>includes items 1-4, 13,40,41</i> )	1	38	650495	CS 1/2x1-1/4 C5ZY	2
19	101044	MOUNT/RT ENGINE	2	39	P473287	PUMP	1
20	P471689	ISOLATION MOUNT	4	40	P700587	HOSE/LOWER RADIATOR	1
				41	P700591	SHROUD/FAN ( <i>includes hardware</i> )	1

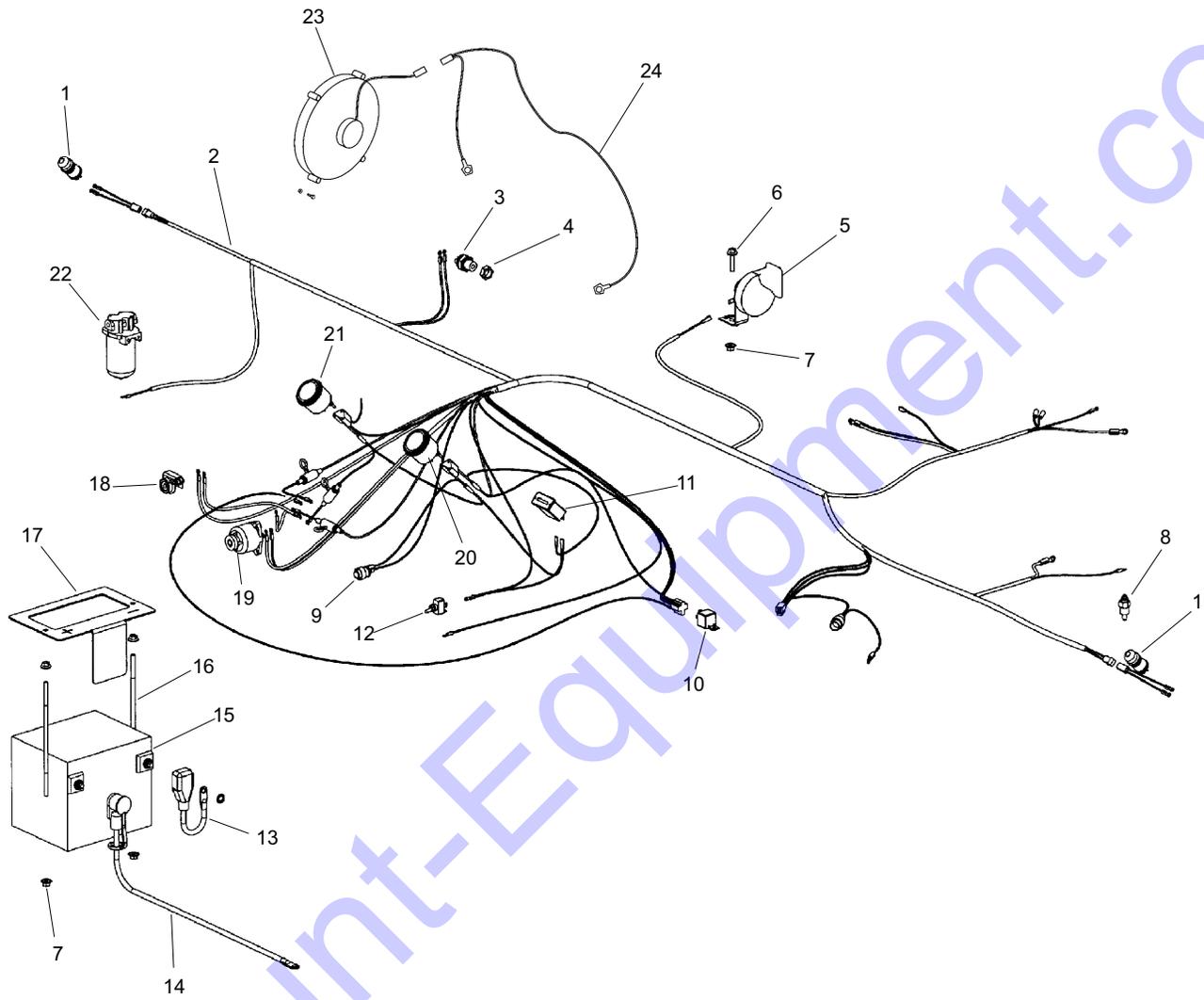
Engine Exhaust / Air Inlet Assembly



**Engine Exhaust / Air Inlet Assembly**

Ref. No.	Part No.	Description	Qty. Req.	Ref. No.	Part No.	Description	Qty. Req.
01	P470848	PIPE/EXHAUST EXT. ....	1	12	L76020	CLAMP/HOSE SAE #32 ....	2
02	L50962	1.75 MUFFLER CLAMP ....	2	13	L4500	CLAMP/MUFFLER 2- 3/8" DIA ....	1
03	P471059	STANDOFF/MUFFLER CLAMP ...	2	14	P470936	EXT/AIR INLET ....	1
04	650487	CS 5/16x1 C5ZY ....	4	15	P470975	CAP/RAIN AIR CLEANER.....	1
05	070648	HN LF SLOC 5/16 CZ ....	4	16	121275	T-BOLT CLAMP.....	2
06	072401	MUFFLER/EXHAUST ....	1	17	096231	AIR CLEANER (incl. 18-21) ....	1
07	100940	CONDUIT/FLEX EXHAUST 13" ...	1	18	115034	CLAMP/ASSEMBLY ....	1
08	P055200	CLAMP, 1 5/8 MUFFLER ....	1	19	096233	CUP/ASSEMBLY.....	1
09	656048	NUT/HEX M8 1.25. ....	4		096234	BAFFLE.....	1
10	P470820	WELD/EXHAUST PIPE.....	1	20	078936	NUT/ASSEMBLY (not shown) ....	1
11	P471867	HOSE/AIR CLEANER INLET ....	1	21	055017	AIR FILTER (not shown) ....	1
				22	P700650	EXHAUST GASKET ....	1

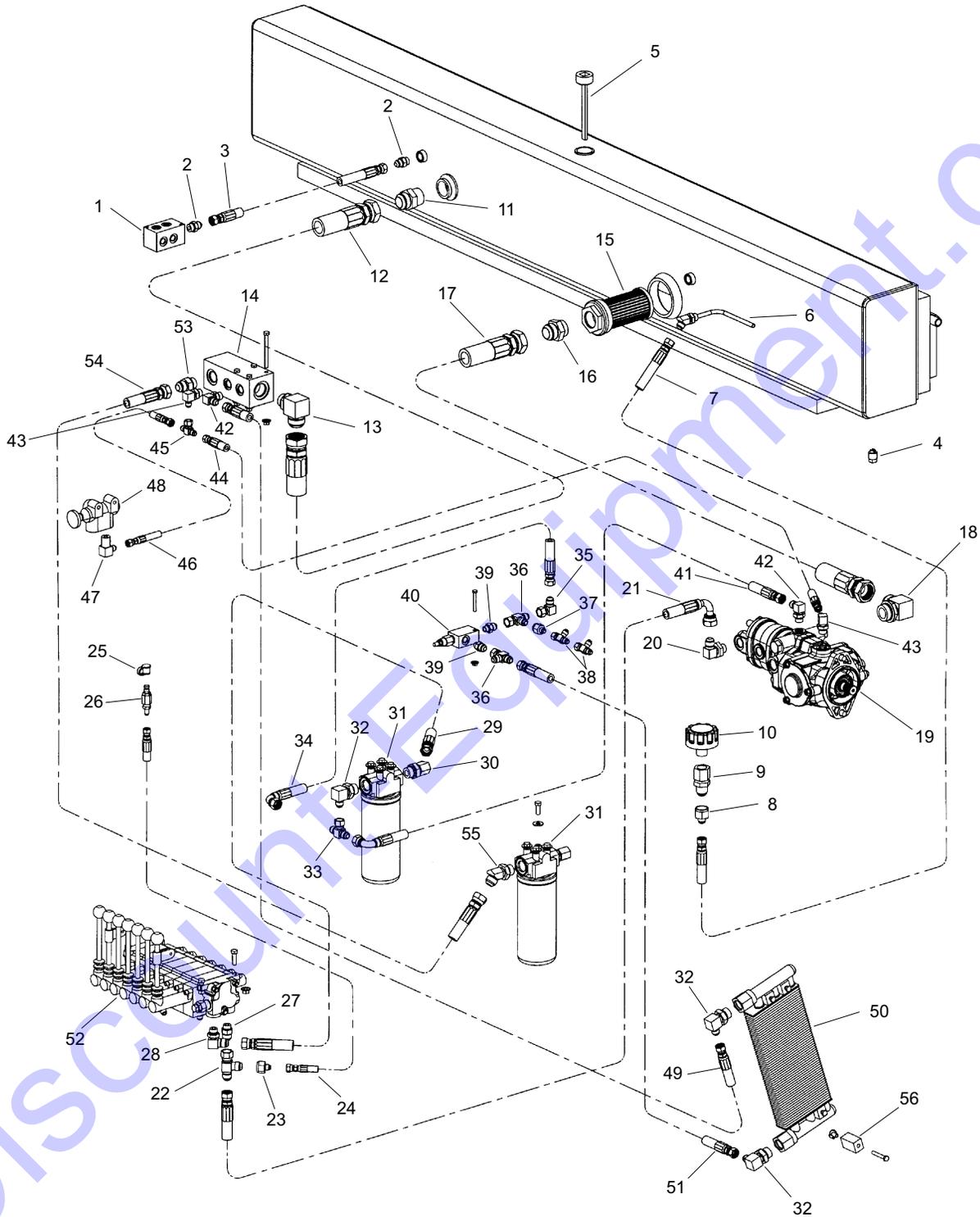
**Electrical Assembly**



**Electrical Assembly**

Ref. No.	Part No.	Description	Qty. Req.	Ref. No.	Part No.	Description	Qty. Req.
01	L41848	PUSHBUTTON SWITCH.....	2	18	P700511	INDICATOR/GLOW PLUG .....	1
02	100473	WIRE HARNESS.....	1	19	P700297	KEY SWITCH/ISUZU.....	1
03	L62277	SWITCH/NEUTRAL SAFETY .....	1		P700298	KEY/ISUZU.....	1
04	L50172	NUT/BULKHEAD .75-16 .....	1	20	P470536	GAUGE/VOLTMETER.....	1
05	L41847	HORN 12V ELECT.....	1	21	L66437	GUAGE/WATER TEMP.....	1
06	650486	CS 5/16x3/4 C5ZY.....	1	22	175375	PUMP .....	1
07	070648	HN LF SLOC 5/16 CZ.....	5			(S/N 12316 and after).....	2
08	P470880	SENDER/WATER TEMP.....	1		175396	PUMP KIT .....	1
09	L66427	ENGINE OIL PRESSURE LAMP ..	1			(S/N 12315 and before).....	2
10	L63335	SPDT RELAY.....	1	23	L500594	FAN/OIL COOLER.....	1
11	072340	GAUGE/HOURMETER.....	1			(S/N 12316 and after).....	1
12	L48182	SWITCH ON-OFF TOGGLE .....	1		650448	CS1/4 x 3/4 C5ZY.....	4
13	101042	CABLE/NEG. BLACK.....	1		210-32184	LN FL CTR 1/4 CZY .....	4
14	101041	CABLE/POS. RED .....	1	24	175159	WIRE HARNESS.....	1
15	NSS	BATTERY (Obtain locally. BCI Type 70; side post).....	1			(S/N 12316 and after).....	1
16	P470348	ROD/BATTERY HOLDDOWN.....	2				
17	P470343	COVER/BATTERY SUPPORT .....	1				

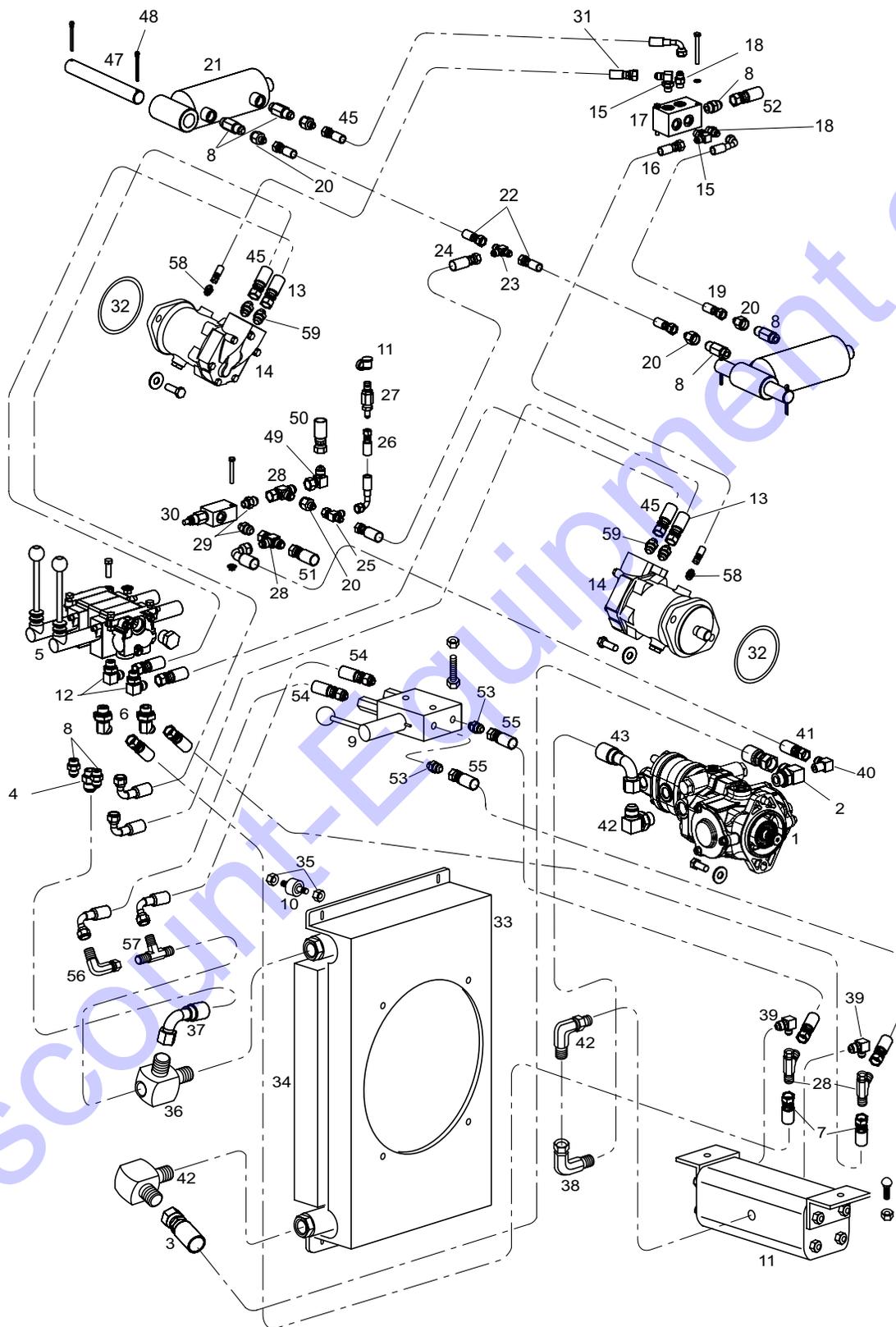
Main Hydraulics



Main Hydraulics

Ref. No.	Part No.	Description	Qty. Req.	Ref. No.	Part No.	Description	Qty. Req.
01	100357	MANIFOLD/TRACK DRIVE-CYL. . . . .	1	33	088935	TEE FL08 FLFSW. . . . .	1
	650449	CS 1/4x2-1/2 C5ZY . . . . .	2	34	100653	HOSE -8 A8/DS8 22". . . . .	1
	654022	LW 1/4 RZY . . . . .	2	35	088442	ELBOW,SWIVEL . . . . .	1
02	054626	ADAP-80RM-8JICM STR . . . . .	2	36	076143	TEE/FEMALE RUN SWIVEL . . . . .	2
03	100646	HOSE -8 A8/A8 24" . . . . .	1	37	L60588	ADAPTER 37 REDUCING . . . . .	1
04	L43221	PLUG 1/2-14 MAGNETIC B.I. . . . .	1	38	072806	TEE/HYDR. FITTING . . . . .	2
05	P013150	WELDMENT / DIPSTICK . . . . .	1			(S/N 12315 and before). . . . .	1
06	P471339	ASSY/STANDPIPE . . . . .	1	39	072803	UNION HYD FITTING . . . . .	2
07	P471415	HOSE ASSY/-8 . . . . .	1	40	103497	RELIEF VALVE . . . . .	1
08	L446021	ADP -12JICF-8 JICM STRT . . . . .	1			(S/N 12306 and after) . . . . .	1
09	P471289	ADAP 12 BLKHD STR. . . . .	1		P471535	RELIEF VALVE . . . . .	1
10	P471247	BREATHER/CAP PRESSURIZED . . . . .	1			(S/N 12305 and before). . . . .	1
11	P227700	ADPT 1-1/4 MP -20 JICM STP . . . . .	1		650706	CS 1/4x2 C5ZY . . . . .	1
12	101209	HOSE -20 A20/A20 82" . . . . .	1		070634	HN LF SLOC 1/4 CZ . . . . .	1
13	P470952	ADP -16ORM-20JICM 90 DEG . . . . .	1	41	100643	HOSE -8 A8/DS8 34". . . . .	1
14	P471574	MANIFOLD/ O RING . . . . .	1	42	054816	ELBOW 90 DEG STR . . . . .	2
	650547	CS 5/16x3-1/2 C5ZY . . . . .	4	43	110227	ELBOW/MALE 3/8 MJ-3/4-16 . . . . .	2
	070648	HN LF SLOC 5/16 CZ . . . . .	4	44	100650	HOSE -6 A6/A6 21" . . . . .	1
15	128299	STRAINER/W/BY PASS . . . . .	1	45	095457	TEE/HYD.FITTING . . . . .	1
16	079038	HYD/FITTING . . . . .	1			(S/N 12315 and before). . . . .	1
17	101210	HOSE -20 A20/A20 86" . . . . .	1	46	100651	HOSE -4 A6/A6 24" . . . . .	1
18	L62954	ADAP 20ORM 20JICM 90DEG . . . . .	1			(S/N 12315 and before). . . . .	1
19	P473287	PUMP/AXIAL GEAR . . . . .	1	47	054997	ELBOW/90DEG MP ST THRD . . . . .	1
	650495	CS 1/2x1-1/4 C5ZY . . . . .	2			(S/N 12315 and before). . . . .	1
	654009	FW 1/2 AWZY. . . . .	2	48	P420700	VALVE SELECTOR . . . . .	1
20	067761	ELBOW/MALE 90 DEG . . . . .	1		650692	(S/N 12315 and before). . . . .	1
21	100649	HOSE -10 A10/DS10 44". . . . .	1		070648	CS 5/16x1-3/4 C5ZY . . . . .	2
22	058610	TEE/FEMALE RUN SWIVEL. . . . .	1		070648	HN LF SLOC 5/16 CZ . . . . .	2
23	129848	ST 10FLF 06FLM . . . . .	1	49	100655	HOSE -8 A8/A8 80" . . . . .	1
24	100948	HOSE -4 A4/A6 15" . . . . .	1	50	P471634	COOLER/HYDRAULIC . . . . .	1
25	L62840	DUST/CAP QUICK . . . . .	1		P471771	GROMMET/RUBBER . . . . .	4
26	L62834	TESTPORT . . . . .	1		650568	GROMMET/RUBBER . . . . .	4
27	230-30569	UNION/HYD FITTING . . . . .	1	51	P261375	HOSE -8 A8/A8 68". . . . .	1
28	067455	ELBOW/HYD FITTING 90 DEG . . . . .	1	52	101280	VALVE 7 STACK . . . . .	1
29	100654	HOSE -10 A10/A10 21". . . . .	1		650491	CS 3/8x1-1/4 C5ZY . . . . .	4
30	P471357	ADAP 12ORM -10JICM 45 DEG. . . . .	1		072587	HN LF SLOC 3/8 CZ . . . . .	4
31	074020	FILTER W/HEAD SEC. . . . .	2	53	072587	ST SA12 FL12. . . . .	1
	650490	CS 3/8x1 C5ZY . . . . .	8	54	100947	HOSE -10 A12/A12 27". . . . .	1
	654006	FW 3/8 AWZY. . . . .	8	55	055064	45 SA12 FL12 . . . . .	1
	074830	FILTER ONLY. . . . .	2	56	P471771	GROMMET/RUBBER . . . . .	4
32	121775	ELBOW/HYD FITTING . . . . .	3		650568	CS 5/16x2 C5ZY . . . . .	4

## Track Drive Hydraulics (S/N 12316 and after)

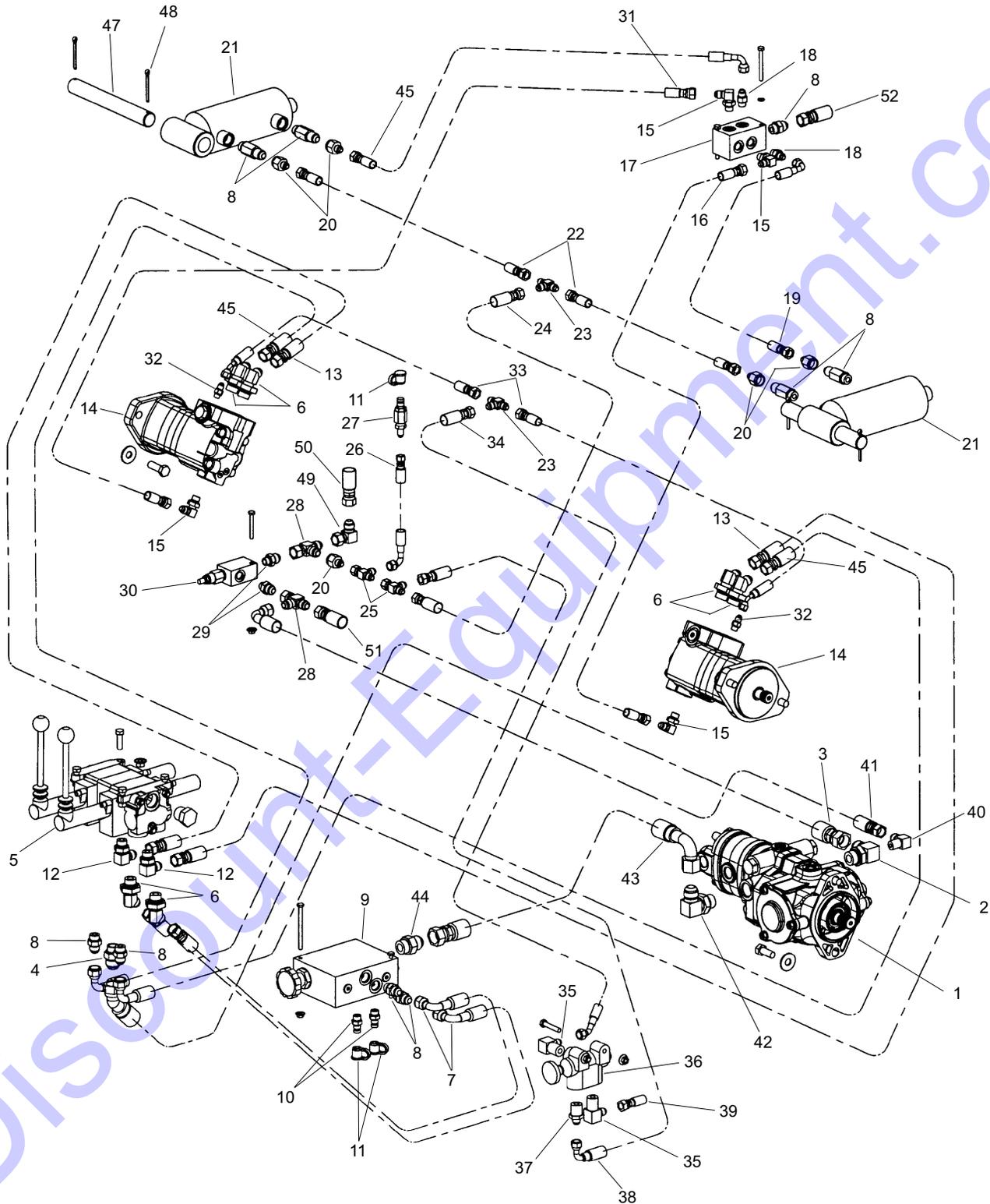




**Track Drive Hydraulics (S/N 12316 and after)**

Ref. No.	Part No.	Description	Qty. Req.	Ref. No.	Part No.	Description	Qty. Req.
01	P473287	PUMP/AXIAL GEAR	1	25	072806	TEE/HYD. FITTING	1
	650495	CS 1/2x1-1/4 C5ZY	2	26	100652	HOSE -4 A4/DS6 20"	1
	654009	FW 1/2 AWZY	2	27	L62834	TESTPORT	1
02	P237000	ADAPTER .38 PIPE 90DEG	1	28	076143	TEE/FEMALE RUN SWIVEL	2
03	100644	HOSE -12 A12/NS12 90"	1	29	072803	UNION HYD FITTING	2
04	072580	UNION/HYDRAULIC. FITTING	1	30	103497	RELIEF VALVE	1
05	101282	VALVE/DIRECTIONAL CONTROL	1		650706	CS 1/4x2 C5ZY	1
	650491	CS 3/8x1-1/4 C5ZY	4		070634	HN LF SLOC 1/4 CZ	1
	070856	HN LF SLOC 3/8 CZ	4	31	100636	HOSE -4 A6/A6 96"	1
06	L51572	ADAPTER 10ORM-8JICM 45DEG	2	32	101438	O-RING	2
07	100642	HOSE -8 A8/DS8 25"	2	33	175107	OIL COOLER SHROUD	1
08	054626	ADAP-80RM-8JICM STR	9	34	L66119	COOLER/HEAT EXCHANGER	1
09	175241	VALVE/STEERING	1	35	210-19470	LN FL SERR 5/16 CZY36	8
	175354	SEAL KIT	1	36	175276	HYD. FITTING	1
	210-19533	LN FL CTR 3/8 3FZY	2	37	175164	HOSE ASSY	1
	650535	CS3/8 x 2-1/4	2	38	L446020	ELBOW/90 DEG SWVL	1
10	101438	ISOLATOR	4	39	076031	ELBOW/90 DG MALE 7/8-14	2
11	175194	FLOW DIVIDER/HYDRAULIC	1	40	P470673	ADP/.38NPT-8JICM 90D .031 DIA	1
	175376	SEAL KIT	1	41	100648	HOSE -8 A8/DS8 16"	1
12	054816	ELBOW 90 DEG STR THD	2	42	055005	ELBOW/HYD FITTING 90 DEG	2
13	100634	HOSE -8 A8/A8 120"	2	43	100641	HOSE -12 A12/DS12 66"	1
14	175123	MOTOR/3.02 CID PISTON	2	44	072587	ST SA12 FL12	1
	P700393	SEAL KIT	1	45	100635	HOSE -8 A8/DS8 124"	2
	650453	CS 1/2x1-1/2 C5ZY	4	46	100632	HOSE -4 A6/DS6 15"	1
	654009	FW 1/2 AWZY	4	47	P480124	PIN/TRACK CYL	2
15	068938	ELBOW/90 DEG ADJUSTABLE	2	48	655024	CP EPSC 3/16 X 2 Z	4
16	100637	HOSE -4 A6/A6 32"	1	49	088442	ELBOW,SWIVEL	1
17	100357	MANIFOLD/TRACK DRIVE	1	50	100653	HOSE -8 A8/DS8 22"	1
	650449	CS 1/4x2-1/2 C5ZY	2	51	P261375	HOSE -8 A8/A8 68"	1
	654022	LW 1/4 RZY	2	52	100646	HOSE -8 A8/A8 24"	1
18	054994	ADAPTER/STR THD MALE	2	53	054994	ADAPTER/STR THD MALE	2
19	100633	HOSE -4 A6/DS6 78"	1	54	175278	HOSE/STEERING RETURN	2
20	L60588	ADAPTER 37 REDUCING	5	55	175280	HOSE/DIVIDER-STEER	2
21	P480118	CYL.TRACK TENSION	2	56	091039	ELBOW/HYDR. FITT 90 DEG	1
22	100631	HOSE -4 A6/A6 36"	2	57	175377	FTG/6804-06-04-06-NWO-FG	1
23	087393	TE FL06 FL06 FL06	1	58	L277484	ADAP-80RM-6JICM STR	2
24	100483	HOSE -6 A6/A6 36"	1	59	L444003	ADAP/-12ORM-8JICM STR	4

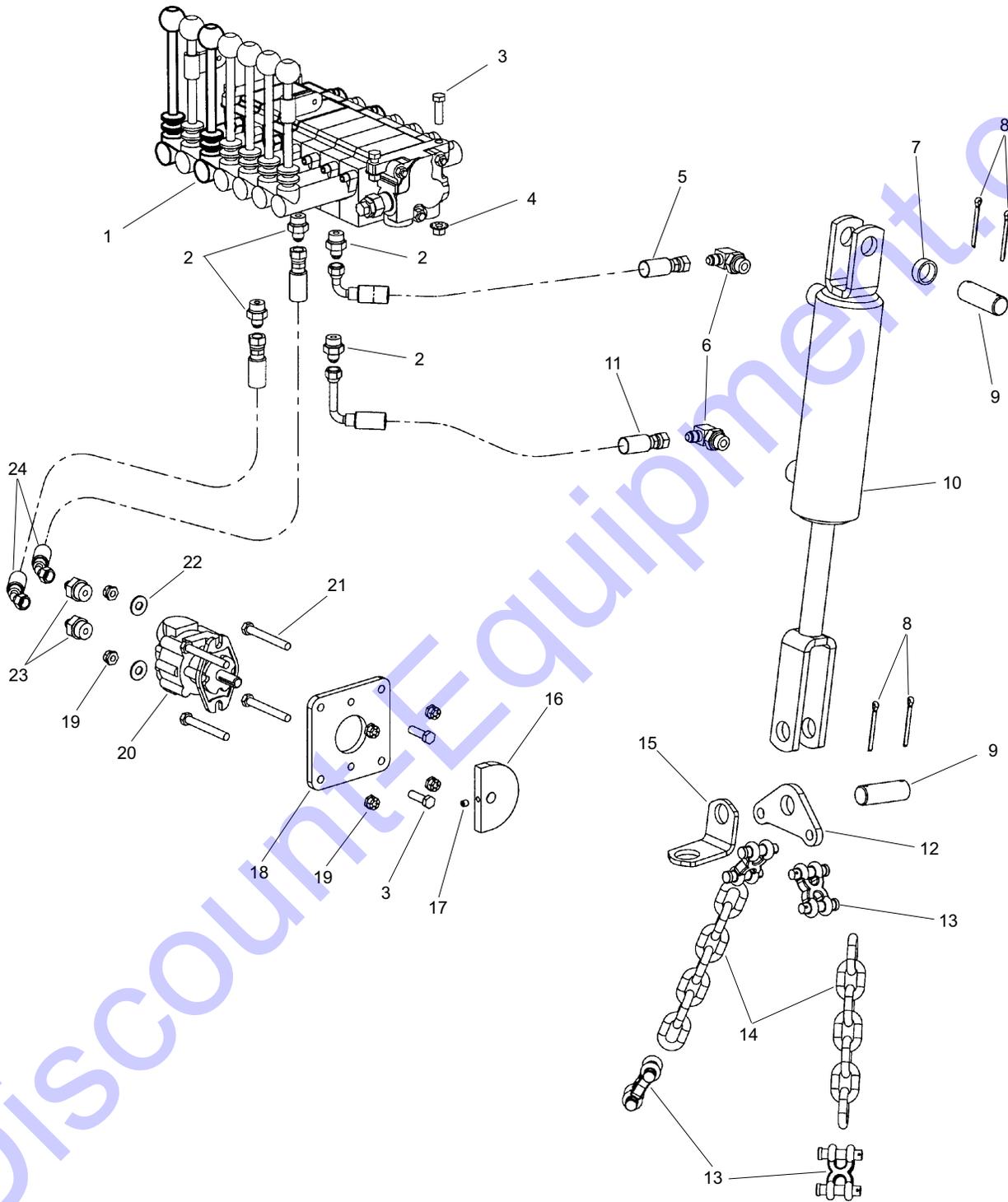
Track Drive Hydraulics (S/N 12315 and before)



**Track Drive Hydraulics (S/N 12315 and before)**

Ref. No.	Part No.	Description	Qty. Req.	Ref. No.	Part No.	Description	Qty. Req.
01	P473287	PUMP/AXIAL GEAR	1	23	087393	TE FL06 FL06 FL06	2
	650495	CS 1/2x1-1/4 C5ZY	2	24	100483	HOSE -6 A6/A6 36"	1
	654009	FW 1/2 AWZY	2	25	072806	TEE/HYD. FITTING	2
02	P237000	ADAPTER .38 PIPE 90DEG	1	26	100652	HOSE -4 A4/DS6 20"	1
03	100644	HOSE -12 A12/NS12 90"	1	27	L62834	TESTPORT	1
04	054819	UNION/HYDRAULIC. FITTING	1	28	076143	TEE/FEMALE RUN SWIVEL	2
05	101282	VALVE/DIRECTIONAL CONTROL	1	29	072803	UNION HYD FITTING	2
	650491	CS 3/8x1-1/4 C5ZY	4	30	P471535	RELIEF VALVE	1
	070856	HN LF SLOC 3/8 CZ	4		650706	CS 1/4x2 C5ZY	1
06	L51572	ADAPTER 10ORM-8JICM 45DEG	6		070634	HN LF SLOC 1/4 CZ	1
07	100642	HOSE -8 A8/DS8 25"	2	31	100636	HOSE -4 A6/A6 96"	1
08	054626	ADAP-80RM-8JICM STR	9	32	L444005	ADAP/-4ORM-4JICM STR	2
09		VALVE/STEERING		33	100638	HOSE -4 A6/NS4 48"	2
	101988	(S/N 12187 — 12315	1	34	100639	HOSE -4 A6/NS6 60"	1
	P471685	(S/N 12187 and before	1	35	054997	ELBOW/90DEG MP ST.THD.	2
	651173	CS 1/4x3-1/2 C5ZY	2	36	P420700	VALVE SELECTOR	1
	070634	HN LF SLOC 1/4 CZ	2		650692	CS 5/16x1-3/4 C5ZY	2
10	P471997	DIAGNOSTIC COUPLING	2		070648	HN LF SLOC 5/16 CZ	2
11	L62840	DUST/CAP QUIK.	3	37	054995	UNION/HYD. FITTING	1
12	054816	ELBOW 90 DEG STR THD	2	38	100640	HOSE -6 A6/DS6 29"	1
13	100634	HOSE -8 A8/A8 120"	2	39	100651	Hose -4 A6/A6 24"	1
14	P473285	MOTOR/DRIVE	2	40	P470673	ADP/.38NPT-8JICM 90D .031 DIA	1
	650453	CS 1/2x1-1/2 C5ZY	4	41	100648	HOSE -8 A8/DS8 16"	1
	654009	FW 1/2 AWZY	4	42	055005	ELBOW/HYD FITTING 90 DEG.	1
15	068938	ELBOW/90 DEG ADJUSTABLE	4	43	100641	HOSE -12 A12/DS12 66"	1
16	100637	HOSE -4 A6/A6 32"	1	44	072587	ST SA12 FL12	1
17	100357	MANIFOLD/TRACK DRIVE	1	45	100635	HOSE -8 A8/DS8 124"	2
	650449	CS 1/4x2-1/2 C5ZY	2	46	100632	HOSE -4 A6/DS6 15"	1
	654022	LW 1/4 RZY	2	47	P480124	PIN/TRACK CYL.	2
18	054994	ADAPTER/STR THD MALE	2	48	655024	CP EPSC 3/16 X 2 Z	4
19	100633	HOSE -4 A6/DS6 78"	1	49	088442	ELBOW,SWIVEL	1
20	L60588	ADAPTER 37 REDUCING	5	50	100653	HOSE -8 A8/DS8 22"	1
21	P480118	CYL.TRACK TENSION	2	51	P261375	HOSE -8 A8/A8 68"	1
22	100631	HOSE -4 A6/A6 36"	2	52	100646	HOSE -8 A8/A8 24"	1

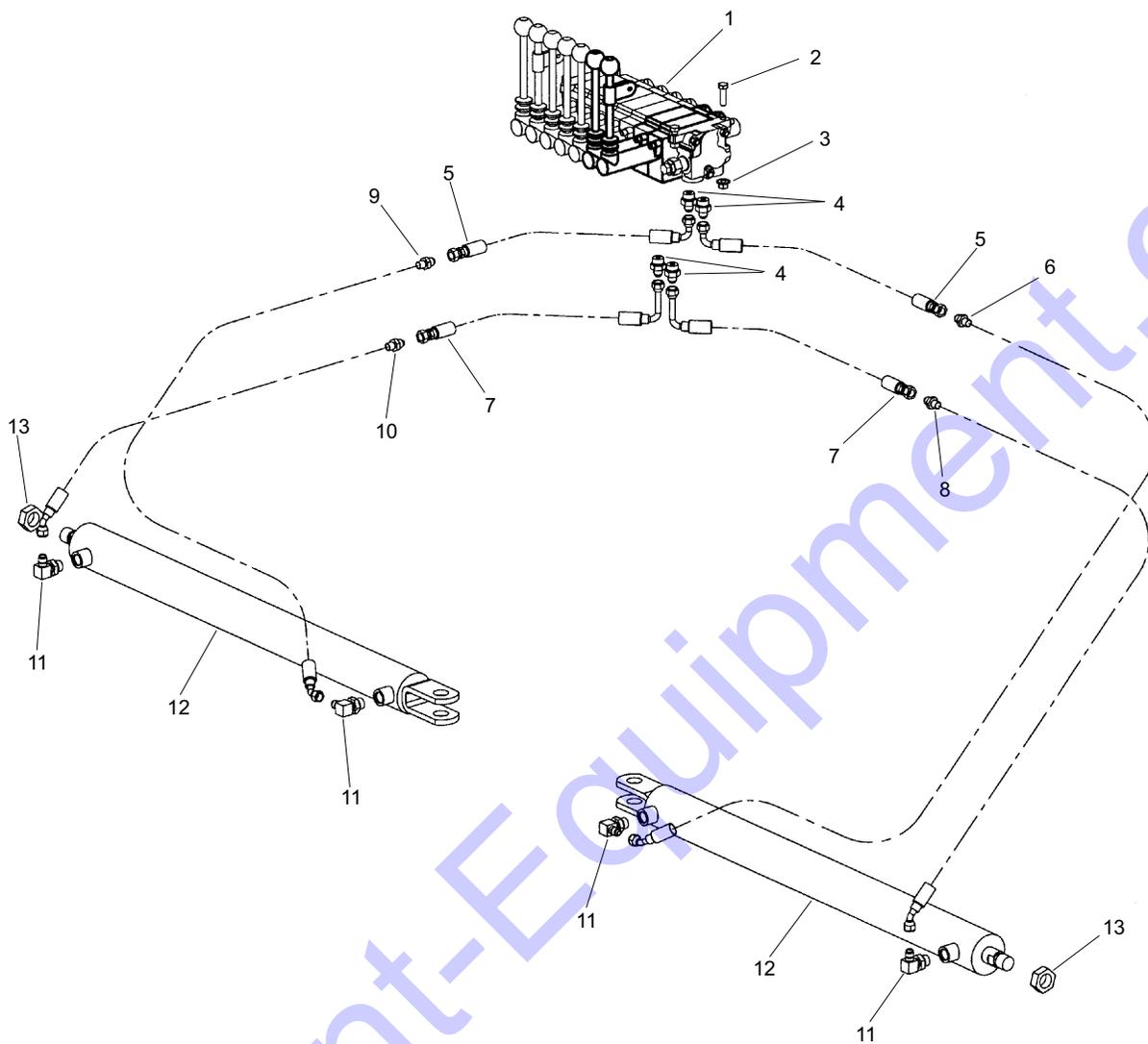
Screed Lift and Vibrator Hydraulics



***Screed Lift and Vibrator Hydraulics***

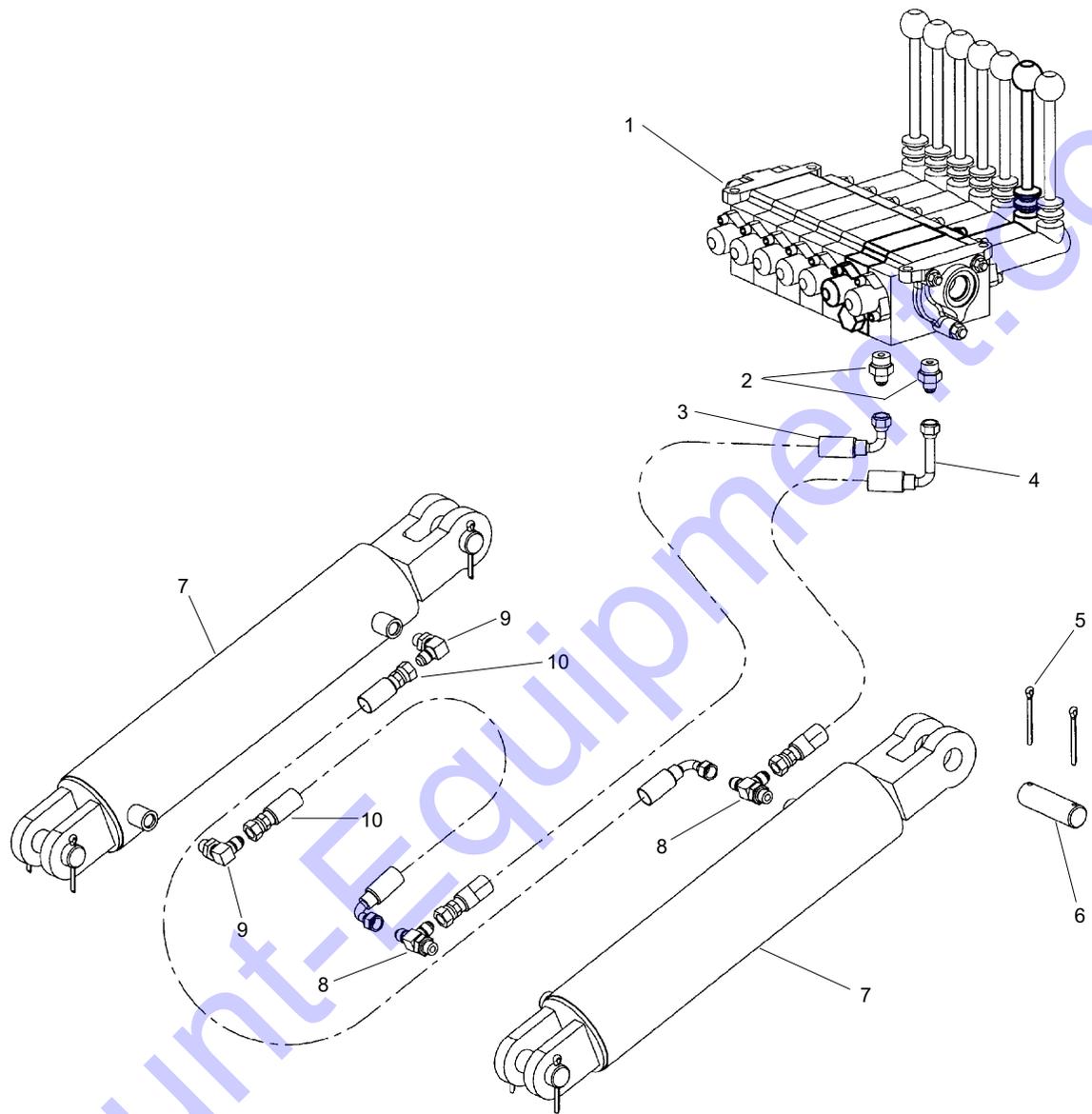
Ref. No.	Part No.	Description	Qty. Req.	Ref. No.	Part No.	Description	Qty. Req.
01	101280	VALVE .....	1	13	100592	CLEVIS/DOUBLE LINK 3/8.....	4
02	L277484	ADP-80RM-6JICM STR.....	4	14	P473364	CHAIN/SCREED LIFT .....	2
03	650491	CS 3/8x1-1/4 C5ZY .....	6	15	101161	HOLDER/T-HANDLE WRENCH ...	1
04	070856	HN LF SLOC 3/8 CZ .....	4	16	100504	CNTRWT/VIBRATOR MOTOR ...	1
05	100972	HOSE -6 A6/DS6 45".....	1	17	650201	SHSS CP 5/16x5/16 .....	1
06	110227	ELBOW/MALE 3/8 MJ-3/4-16 .....	2	18	100862	MOUNT/1648 VIBRATOR .....	1
07	P471084	SPACER/SCREED CYL .....	1	19	L520022	FLEX/LOCK NUT .375-16.....	6
08	655024	CP EPSC 3/16 x 2 Z .....	4	20	P349450	MOTOR VIBRATOR .....	1
09	P471297	PIN/CYLINDER CLEVIS END.....	2	21	650818	CS 3/8x3 C5ZY .....	4
10		CYL. SCREED LIFT		22	654006	FW 3/8 AWZY .....	2
	101355	(S/N 12163 and after) .....	1	23	L60253	ADP-100RM-6JICM.....	2
	P470204	(S/N 12162 and before).....	1	24	100949	HOSE -6 A6/NS6 80".....	2
11	100973	HOSE -6 A6/DL6 45" .....	1				
12	100865	ANCHOR/CHAIN CLEVIS.....	1				

## Screed Extension Cylinder Hydraulics



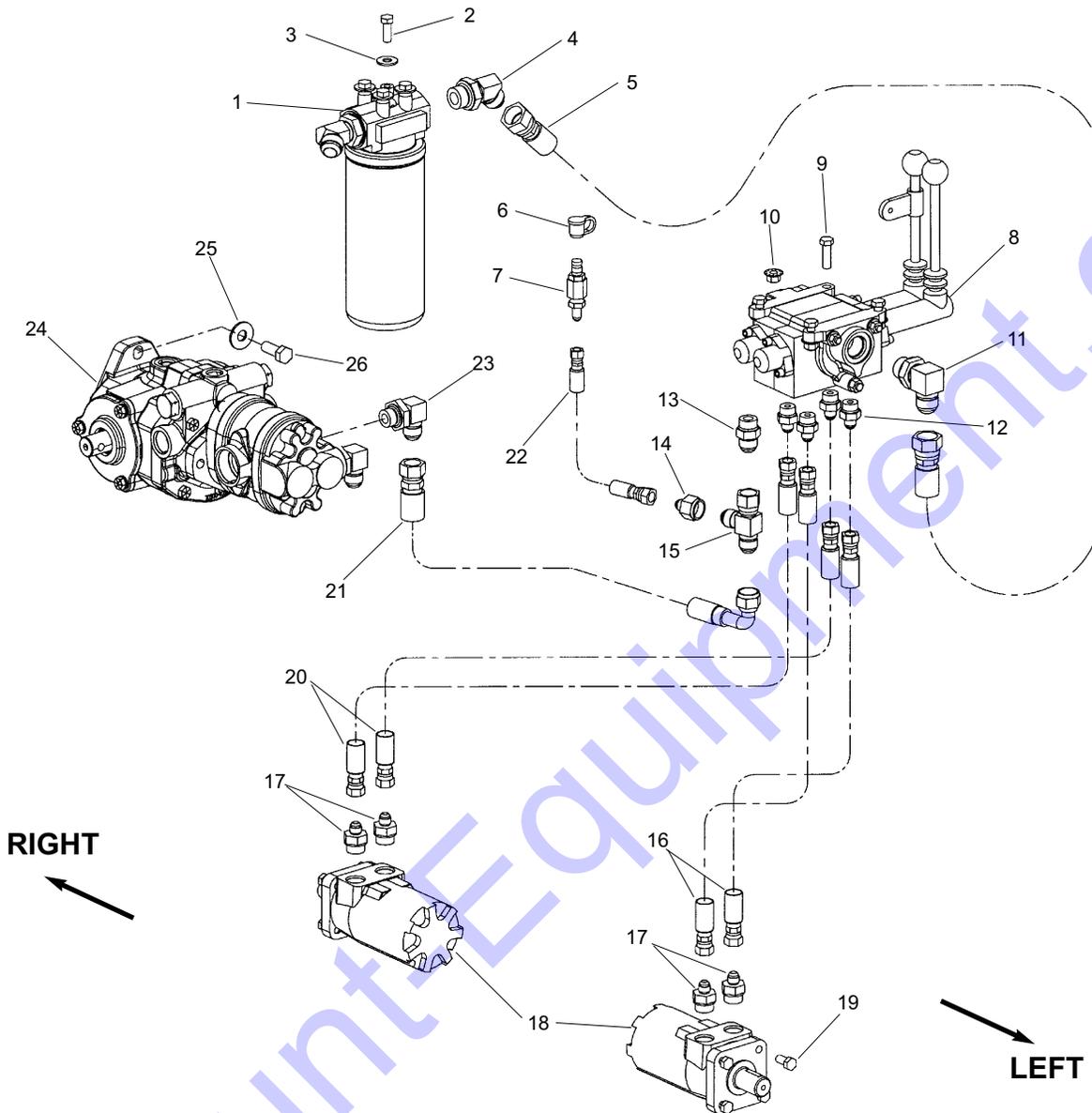
Ref. No.	Part No.	Description	Qty. Req.	Ref. No.	Part No.	Description	Qty. Req.
01	101280	VALVE 7 STACK .....	1	08	100953	HOSE -6 H6/NS6 98" .....	1
02	650491	CS 3/8x1-1/4 C5ZY .....	4	09	100952	HOSE -6 H6/NS6 86" .....	1
03	070856	HN LF SLOC 3/8 CZ .....	4	10	100951	HOSE -6 H6/NS6 62" .....	1
04	L277484	ADP-80RM-6JICM STR.....	4	11	110227	ELBOW/MALE 3/8 MJ-3/4-16 .....	4
05	100358	HOSE -6 A6/DS6 20".....	2	12	P473265	CYL/1648 SCREED EXT. 30" .....	2
06	100954	HOSE -6 H6/NS6 122".....	1	13	653116	HJN 1 F2ZY.....	2
07	100955	HOSE -6 A6/DL6 20".....	2				

Hopper Cylinders



Ref. No.	Part No.	Description	Qty. Req.	Ref. No.	Part No.	Description	Qty. Req.
01	101280	VALVE 7 STACK	1	06	P471296	PIN/CYLINDER	4
02	L277484	ADP-80RM-6JICM STR.	2	07	100893	CYLINDER/HOPPER LIFT	2
03	100944	HOSE -6 A6/DS6 110"	1	08	054820	TEE/HYD FITTING	2
04	100945	HOSE -6 A6/DL6 100"	1	09	068938	ELBOW/90 DEG ADJUSTABLE	2
05	655024	CP EPSC 3/16 x 2 Z	8	10	100358	HOSE -6 A6/DS6 20"	2

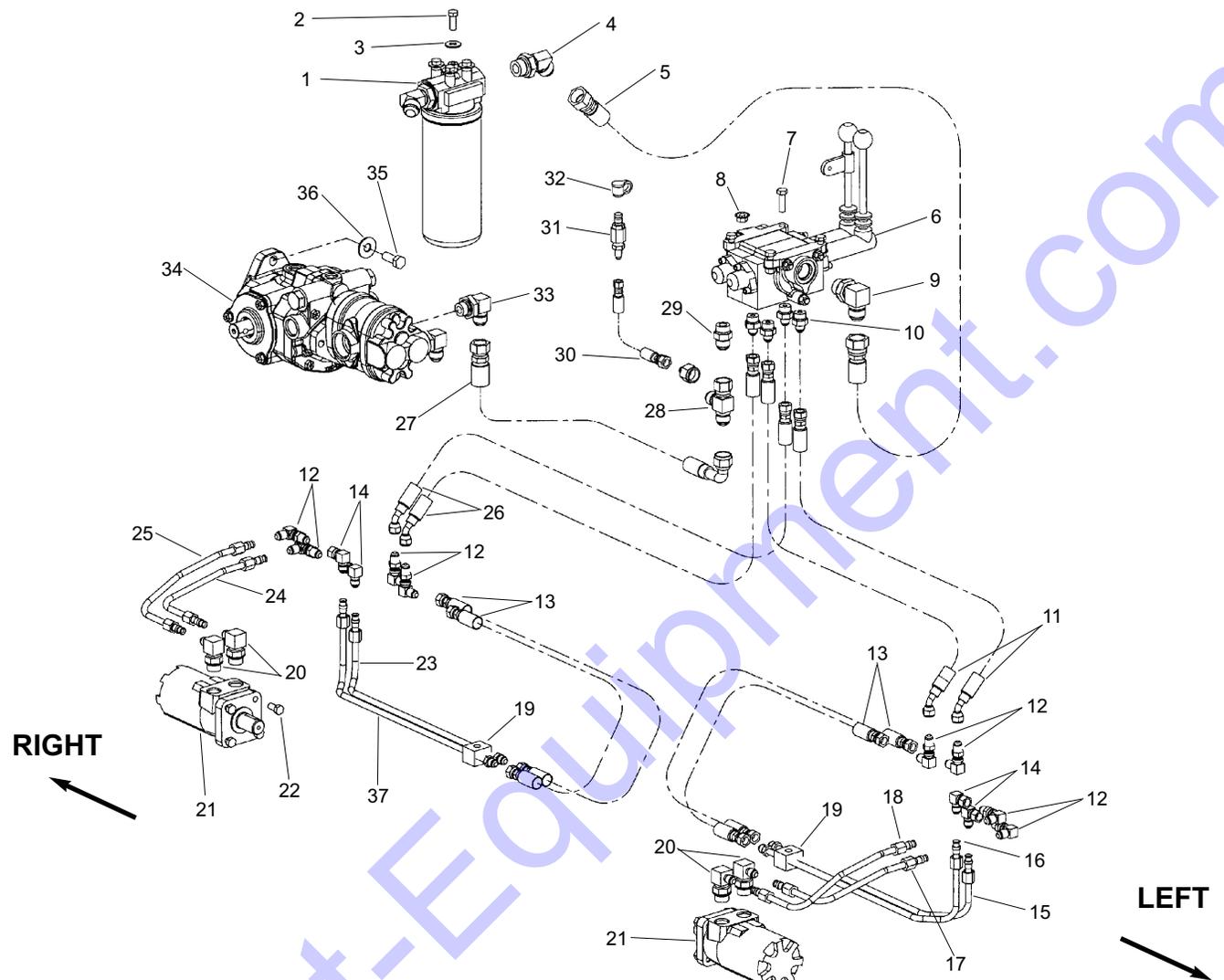
## Auger Motors on Gates Hydraulics



Ref. No.	Part No.	Description	Qty. Req.	Ref. No.	Part No.	Description	Qty. Req.
01	074020	FILTER W/HEAD SEC.	1	14	129848	ST 10FLF 06FLM	1
	074830	ELEMENT ONLY	1	15	P471783	TEE/FEMALE RUN 10	1
02	650490	CS 3/8x1 C5ZY	4	16	100483	HOSE -6 A6/A6 36"	2
03	654006	FW 3/8 AWZY	4	17	L60253	ADP-100RM-6JICM	4
04	055064	45 SA12 FL12	1	18	P480071	MOTOR/AUGER	2
05	100947	HOSE -10 A12/A12 27"	1	19	650488	CS 3/8x3/4 C5ZY	8
06	L62840	DUST/CAP QUIK.	1	20	100484	HOSE -6 A6/NS6 48"	2
07	L62834	TESTPORT	1	21	100647	HOSE -10 A10/DS10 38"	1
08	101281	AUGER VALVE	1	22	100645	HOSE -4 A4/A6 8"	1
09	650491	CS 3/8x1-1/4 C5ZY	4	23	067761	ELBOW/MALE 90 DEG	1
10	070856	HN LF SLOC 3/8 CZ	4	24	P473287	PUMP/AXIAL GEAR	1
11	055005	ELBOW/HYD FIT 90 DEG	1	25	654009	FW 1/2 AWZY	2
12	L277484	ADP-80RM-6JICM STR	4	26	650495	CS 1/2x1-1/4 C5ZY	2
13	072580	CONNECTOR,MALE	1				

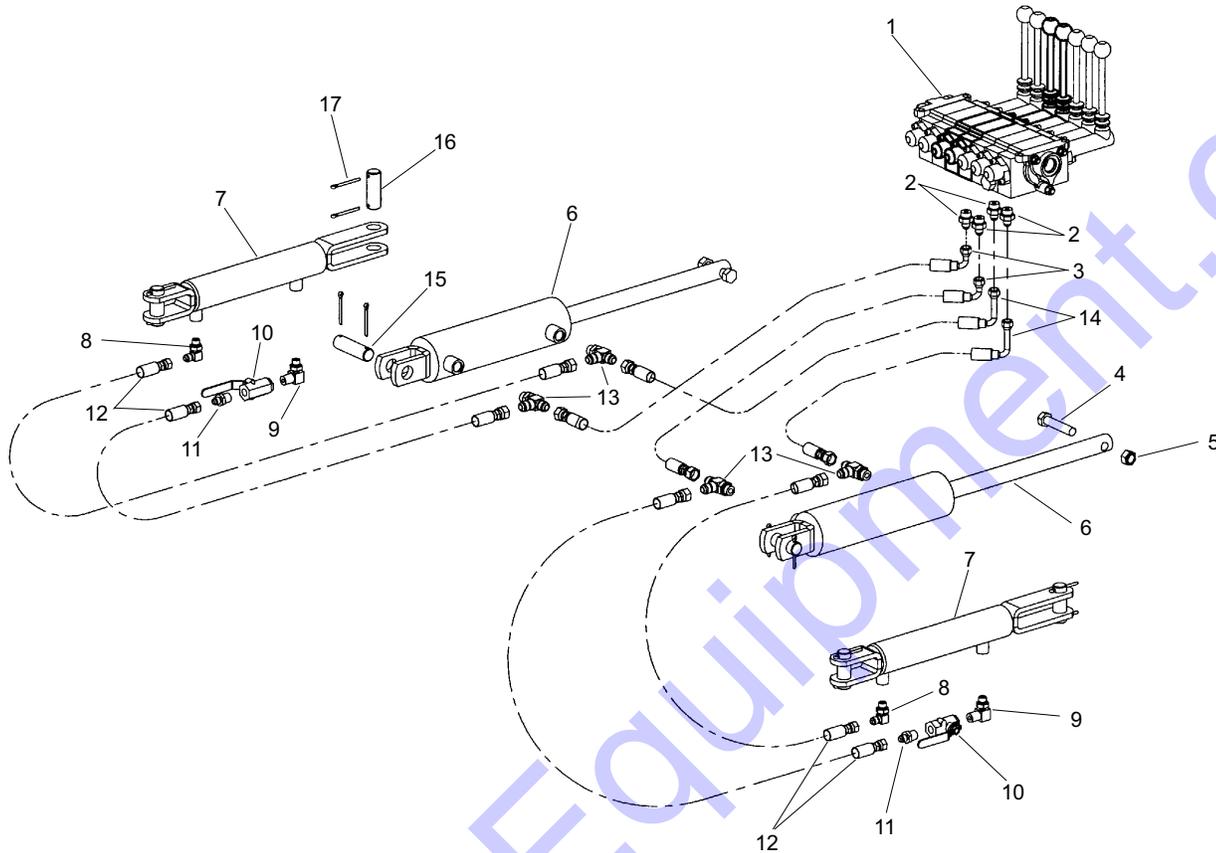


Auger Motors on Screed Hydraulics



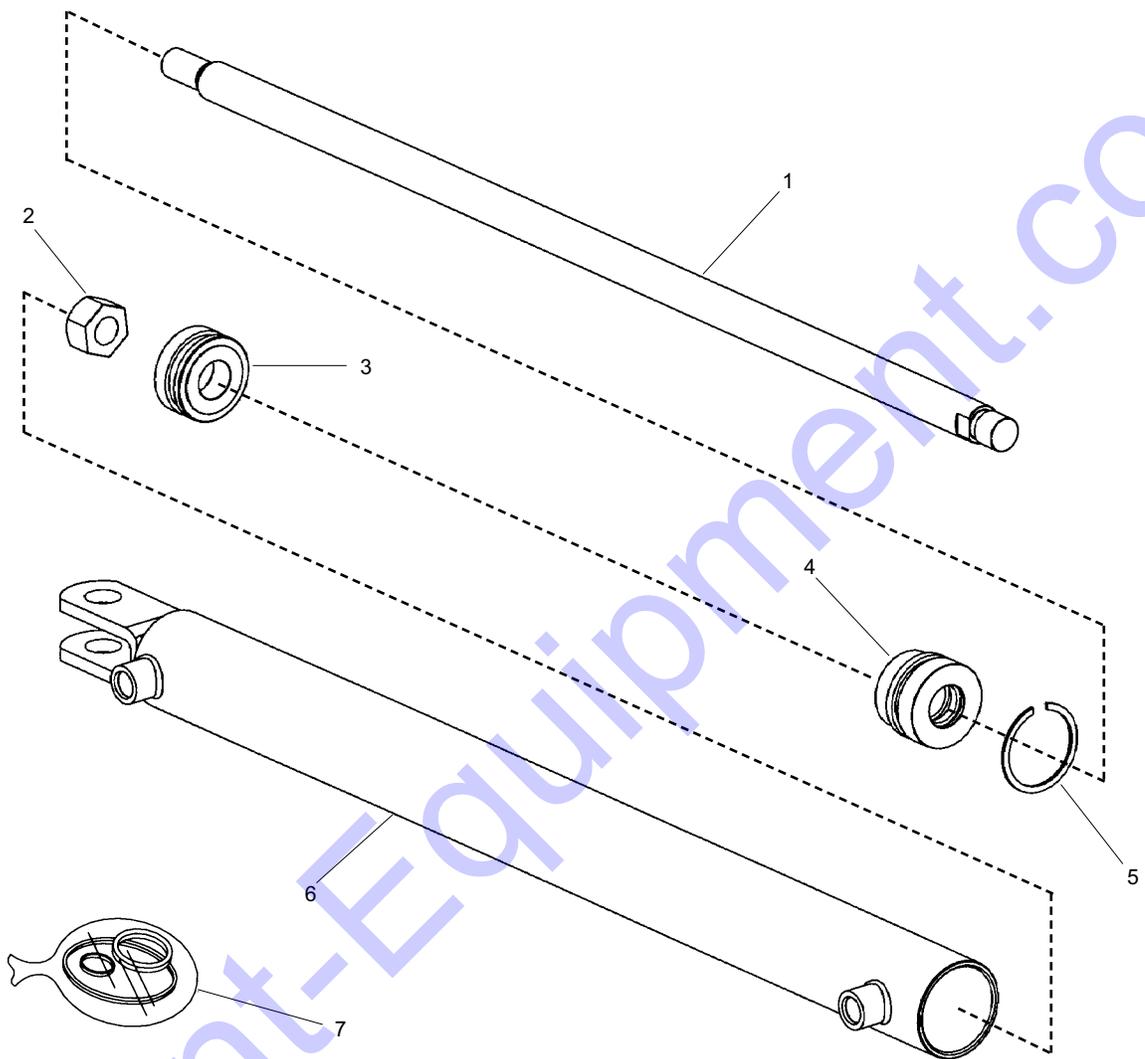
Ref. No.	Part No.	Description	Qty. Req.	Ref. No.	Part No.	Description	Qty. Req.
01	074020	FILTER W/HEAD SEC. ....	1	19	100932	CLAMP BODY/TWIN 3/8. ....	2
	074830	ELEMENT ONLY ....	1	20	P470406	ADP-10 ORM -6 90 DEG ....	4
02	650490	CS 3/8x1 C5ZY ....	4	21	P480071	MOTOR/AUGER ....	2
03	654006	FW 3/8 AWZY ....	4	22	650488	CS 3/8x3/4 C5ZY. ....	8
04	055064	45 SA12 FL12 ....	1	23	100598	TUBE/RT AUGER ....	1
05	100947	HOSE -10 A12/A12 27" ....	1	24	100596	TUBE/RT AUGER MOTOR. ....	1
06	101281	AUGER VALVE ....	1	25	100594	TUBE/RT AUGER MOTOR. ....	1
07	650491	CS 3/8x1-1/4 C5ZY ....	4	26	100975	HOSE -6 A6/NS6 104" ....	2
08	070856	HN LF SLOC 3/8 CZ ....	4	27	100647	HOSE -10 A10/DS10 38" ....	1
09	055005	ELBOW/HYD FIT 90 DEG. ....	1	28	P471783	TEE/FEMALE RUN 10 ....	1
10	L277484	ADP-80RM-6JICM STR. ....	4	29	072580	CONNECTOR,MALE. ....	1
11	100974	HOSE -6 A6/NS6 60" ....	2	30	100645	HOSE -4 A4/A6 8" ....	1
12	L81195	BLKHD/-6JICM-6JICM 90 DEG. ...	8	31	L62834	TESTPORT ....	1
13	100483	HOSE -6 A6/A6 36" ....	4	32	L62840	DUST/CAP QUIK. ....	1
	101072	SLEEVE, HI-TEMP HOSE ....	4	33	067761	ELBOW/MALE 90 DEG. ....	1
14	091039	ELBOW/HYDR. FITT. 90 DEG ....	4	34	P473287	PUMP/AXIAL GEAR ....	1
15	100597	TUBE/LT AUGER. ....	1	35	650495	CS 1/2x1-1/4 C5ZY ....	2
16	100599	TUBE/LT AUGER. ....	1	36	654009	FW 1/2 AWZY ....	2
17	100595	TUBE/LT AUGER MOTOR ....	1	37	100600	TUBE/RT AUGER ....	1
18	100593	TUBE/LT AUGER MOTOR ....	1				

## Gate Cylinders Hydraulics



Ref. No.	Part No.	Description	Qty. Req.	Ref. No.	Part No.	Description	Qty. Req.
01	101280	7-STACK VALVE	1	09	P471227	ADP 90-6 O-RING -6MP	2
	650491	CS 3/8x1-1/4 C5ZY	4	10	P414980	VALVE/.375"	2
	070856	HN LF SLOC 3/8 CZ	4	11	062889	ADAPTER/STEEL PIPE	2
02	L277484	ADP-80RM-6JICM STR.	4	12	100946	HOSE -6 A6/A8 85"	4
03	100474	HOSE -6 A8/DS6 80"	2	13	L64660	ADAPTER -8ORM 2X-8JICM TEE	4
04	L50578	CS 5/8x3 C8ZY	2	14	100475	HOSE -6 A8/DL6 80"	2
05	L50079	NUT/STOVER LOCK .625-11	2	15	P471296	PIN/CYLINDER	2
06	100713	CYLINDER/GATE	2	16	P471297	PIN/CYLINDER	4
07	P471225	CYLINDER/SIDE GATE.	2	17	655024	CP EPSC 3/16 x 2 Z	12
08	068938	ELBOW/90 DEG ADJUSTABLE	2				

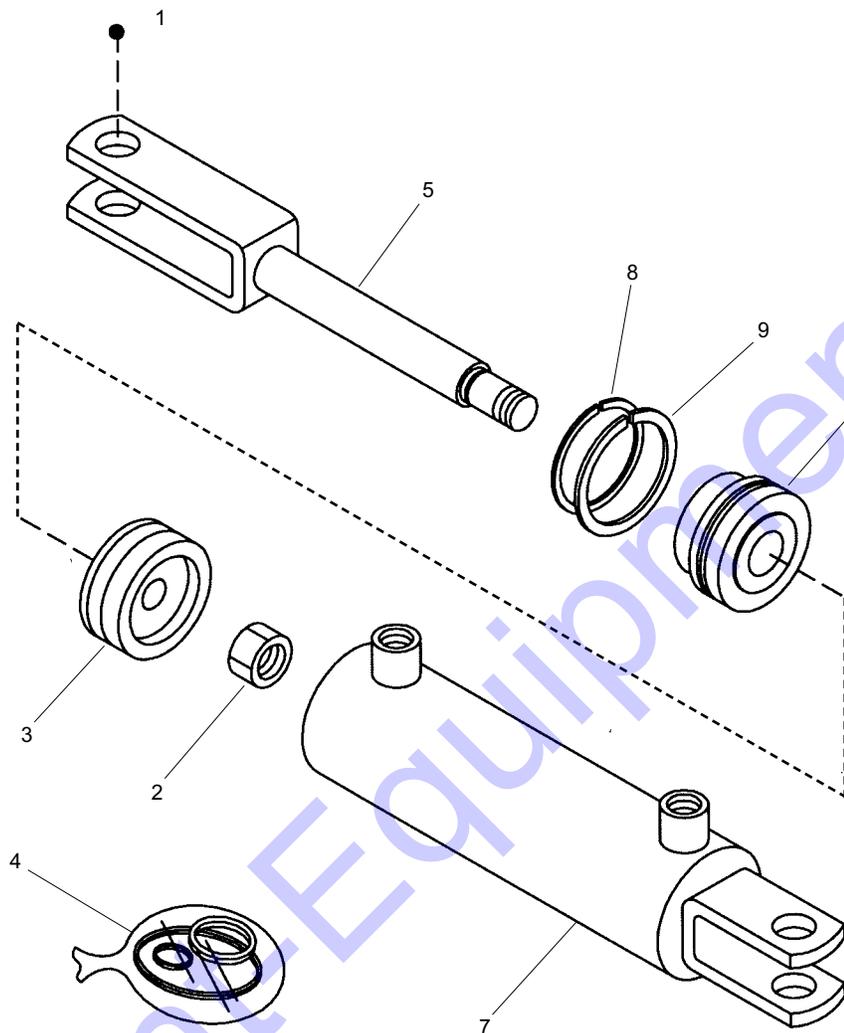
**Screed Extend Cylinder**



Ref. No.	Part No.	Description	Qty. Req.	Ref. No.	Part No.	Description	Qty. Req.
	P473265	COMPLETE ASSEMBLY	1	05	P700158	RETAINING RING	1
01	P700657	CYLINDER ROD	1	06	NSS	CYLINDER TUBE	1
02	P700422	7/8-14 LOCK NUT	1	07 <sup>a</sup>	P700510	SEAL KIT	1
03	P700656	PISTON	1				
04	P700658	GUIDE	1				

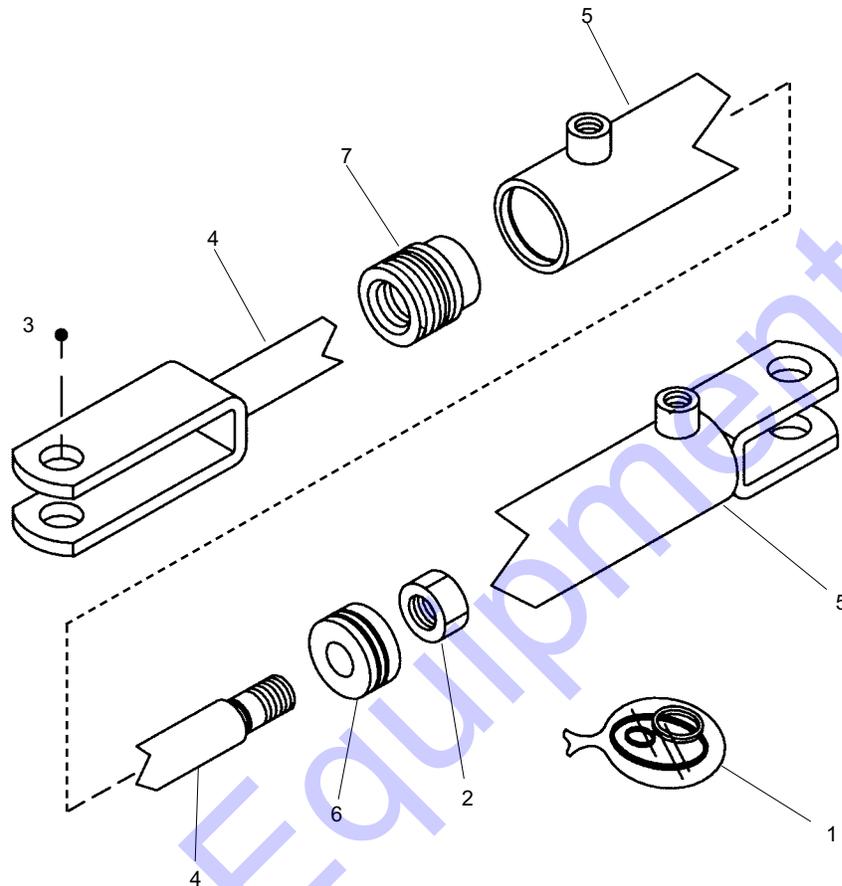
<sup>a</sup> Items included in the seal kit are not shown.

**Screed Lift Cylinder (S/N 12162 and before)**



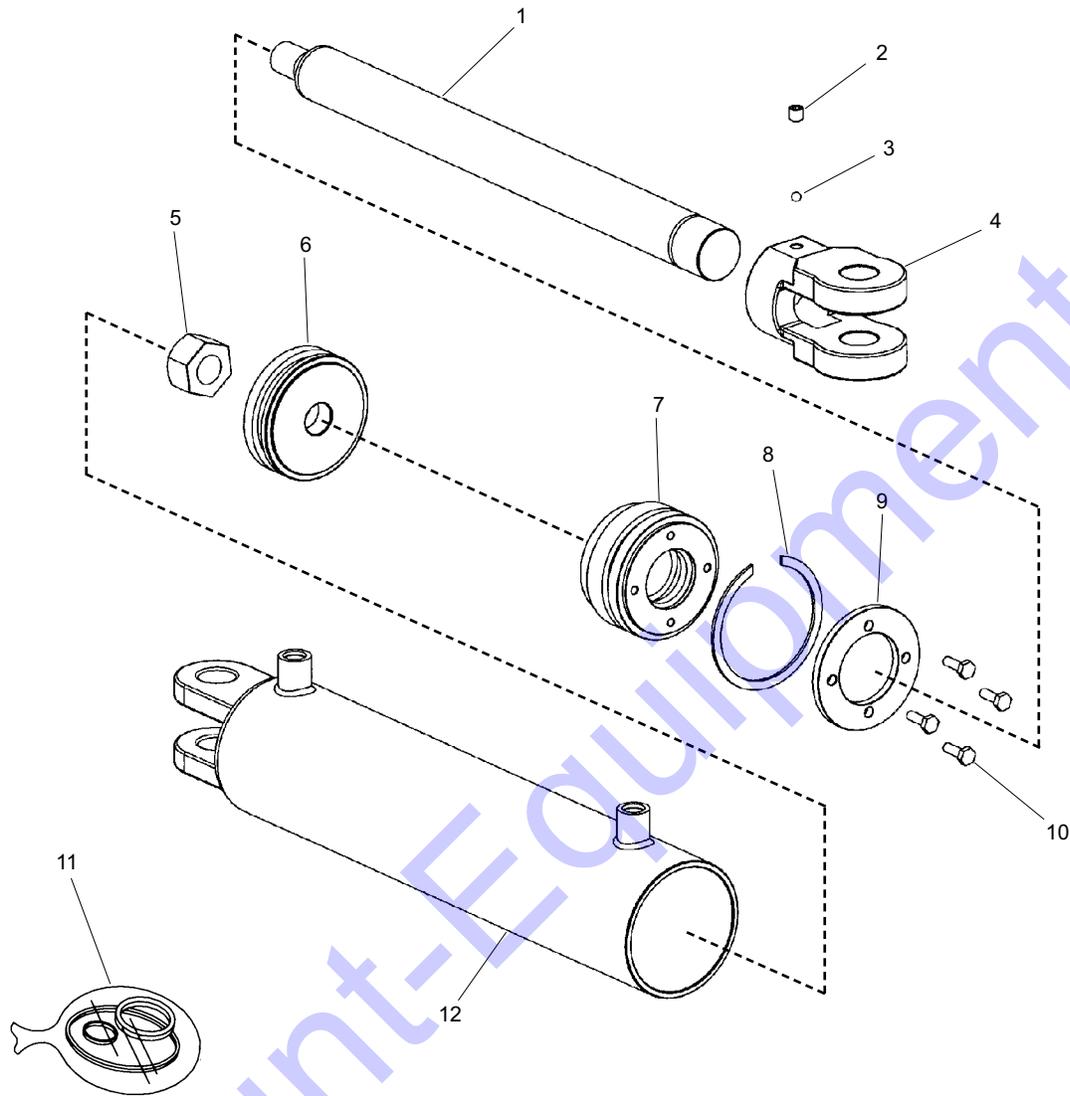
Ref. No.	Part No.	Description	Qty. Req.	Ref. No.	Part No.	Description	Qty. Req.
	P470204	COMPLETE ASSEMBLY	1	05	P700397	ROD W/CLEVIS	1
01	P700400	CLEVIS PIN W/CLIP	2	06	P700399	END GLAND	1
02	P700422	LOCK NUT 7/8-14	1	07	NSS	BODY	1
03	P368675	PISTON	1	08	See 4	INTERNAL RETAINER RING	1
04	P281800	SEAL KIT (Incl. 8, 9)	1	09	See 4	EXTERNAL RETAINER RING	1

Side Gate Cylinder



Ref. No.	Part No.	Description	Qty. Req.	Ref. No.	Part No.	Description	Qty. Req.
	P471225	COMPLETE ASSEMBLY	1	04	P700401	ROD W/CLEVIS	1
01	P280800	SEAL KIT	1	05	NSS	BODY W/CLEVIS	1
02	P700422	LOCKNUT 7/8-14	1	06	P700402	PISTON	1
03	P700404	CLEVIS PIN W/CLIP	2	07	P700403	END GLAND	1

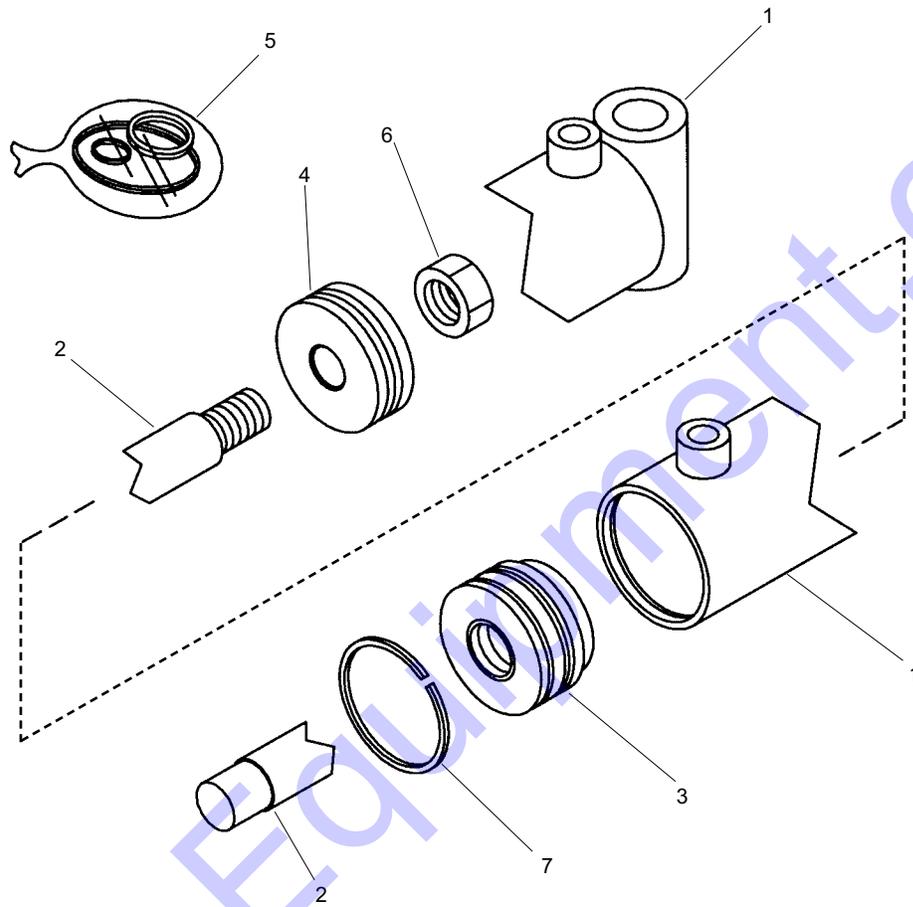
## Hopper Lift Cylinder



Ref. No.	Part No.	Description	Qty. Req.	Ref. No.	Part No.	Description	Qty. Req.
	100893	COMPLETE ASSEMBLY	1	08	NSS	RETAINER RING	1
01	P700661	CYLINDER ROD	1			<i>(included with item 11)</i>	
02	P700666	3/8-16X3/8 SET SCREW	1	09	P700664	RETAINING PLATE	1
03	P700665	1/4" NYLON BALL	1	10	650448	CS 1/4 X 3/4 C5ZY	4
04	P700667	ROD CLEVIS	1	11 <sup>a</sup>	P700659	SEAL KIT	1
05	P700422	7/8-14 LOCK NUT	1	12	NSS	CYLINDER TUBE	1
06	P700660	PISTON	1				
07	P700662	GUIDE	1				

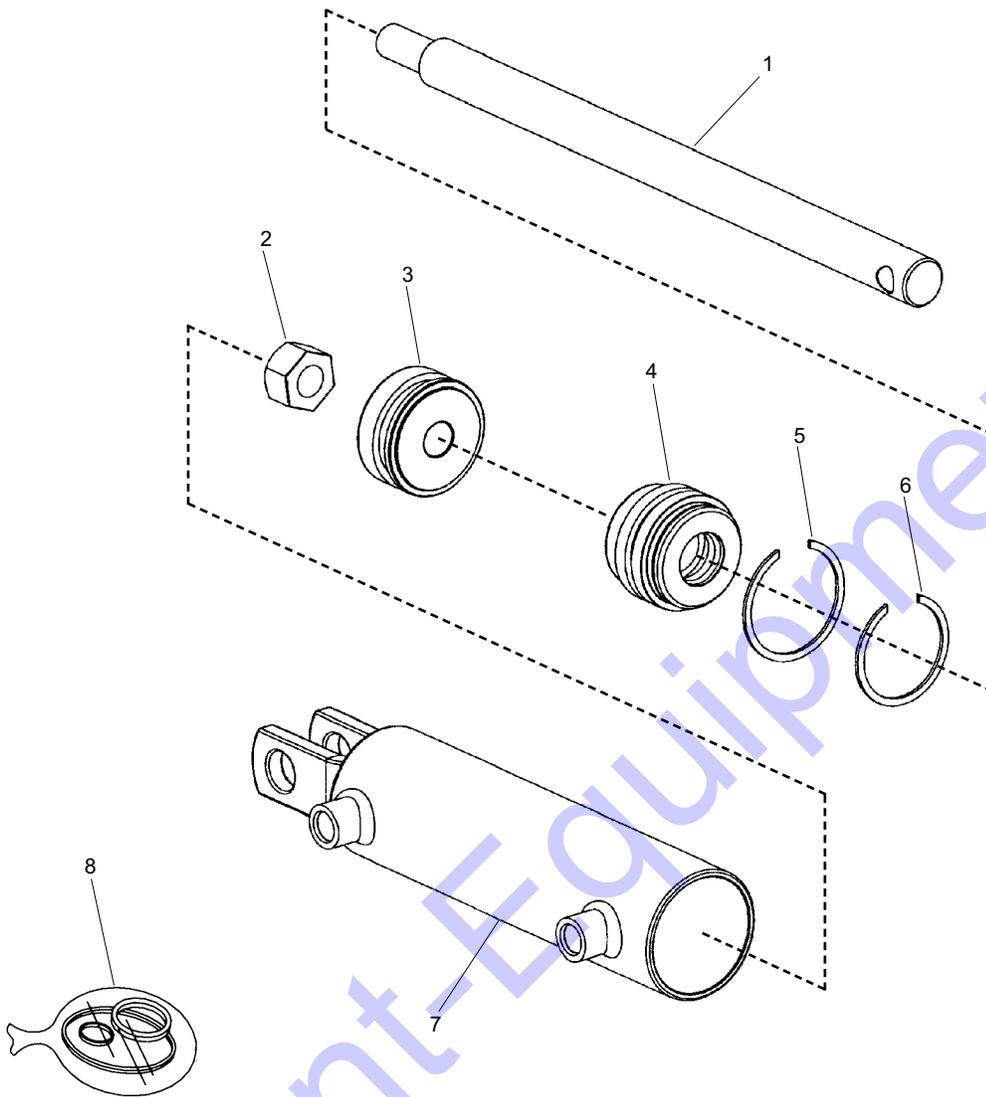
*a Items included in the seal kit are not shown.*

**Track Tension Cylinder**



Ref. No.	Part No.	Description	Qty. Req.	Ref. No.	Part No.	Description	Qty. Req.
	P480118	COMPLETE ASSEMBLY.....	1	05	P700583	SEAL KIT.....	1
01	NSS	BODY.....	1	06	P700422	LOCK NUT 7/8-14 UNF.....	1
02	P700581	ROD.....	1	07	NSS	RETAINER RING.....	1
03	P700580	END GLAND.....	1			(included with item 5)	
04	P700582	PISTON.....	1				

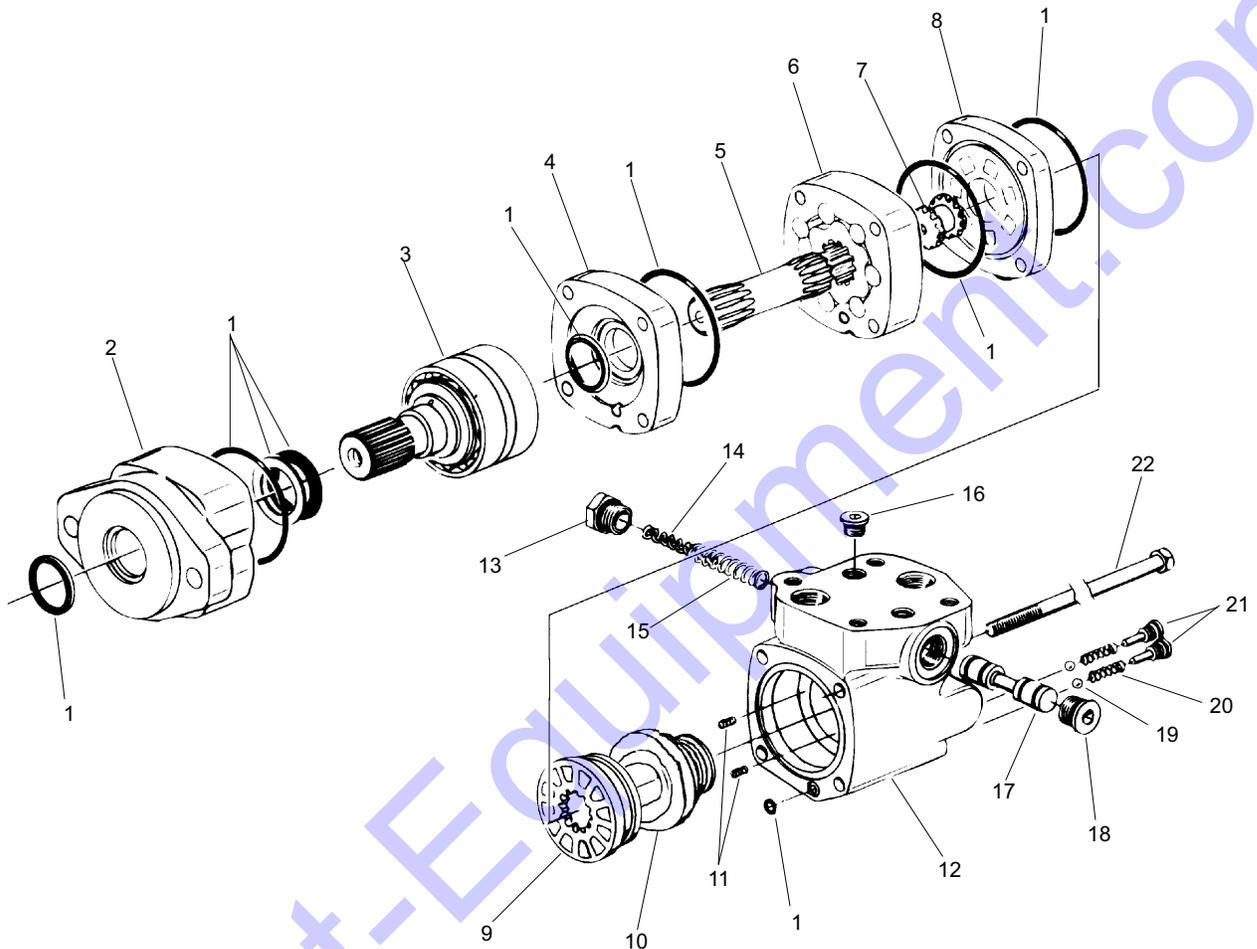
Gate Cylinder



Ref. No.	Part No.	Description	Qty. Req.	Ref. No.	Part No.	Description	Qty. Req.
	100713	COMPLETE ASSEMBLY	1	06	NSS	RETAINING RING/EXTERNAL <i>(included with item 8)</i>	1
01	P700663	CYLINDER ROD	1	07	NSS	CYLINDER TUBE	1
02	P700422	7/8-14 LOCK NUT	1	08 <sup>a</sup>	P700669	SEAL KIT	1
03	P700436	PISTON	1				
04	P700668	GUIDE	1				
05	NSS	RETAINING RING/INTERNAL <i>(included with item 8)</i>	1				
				a		<i>Items included in the seal kit are not shown.</i>	

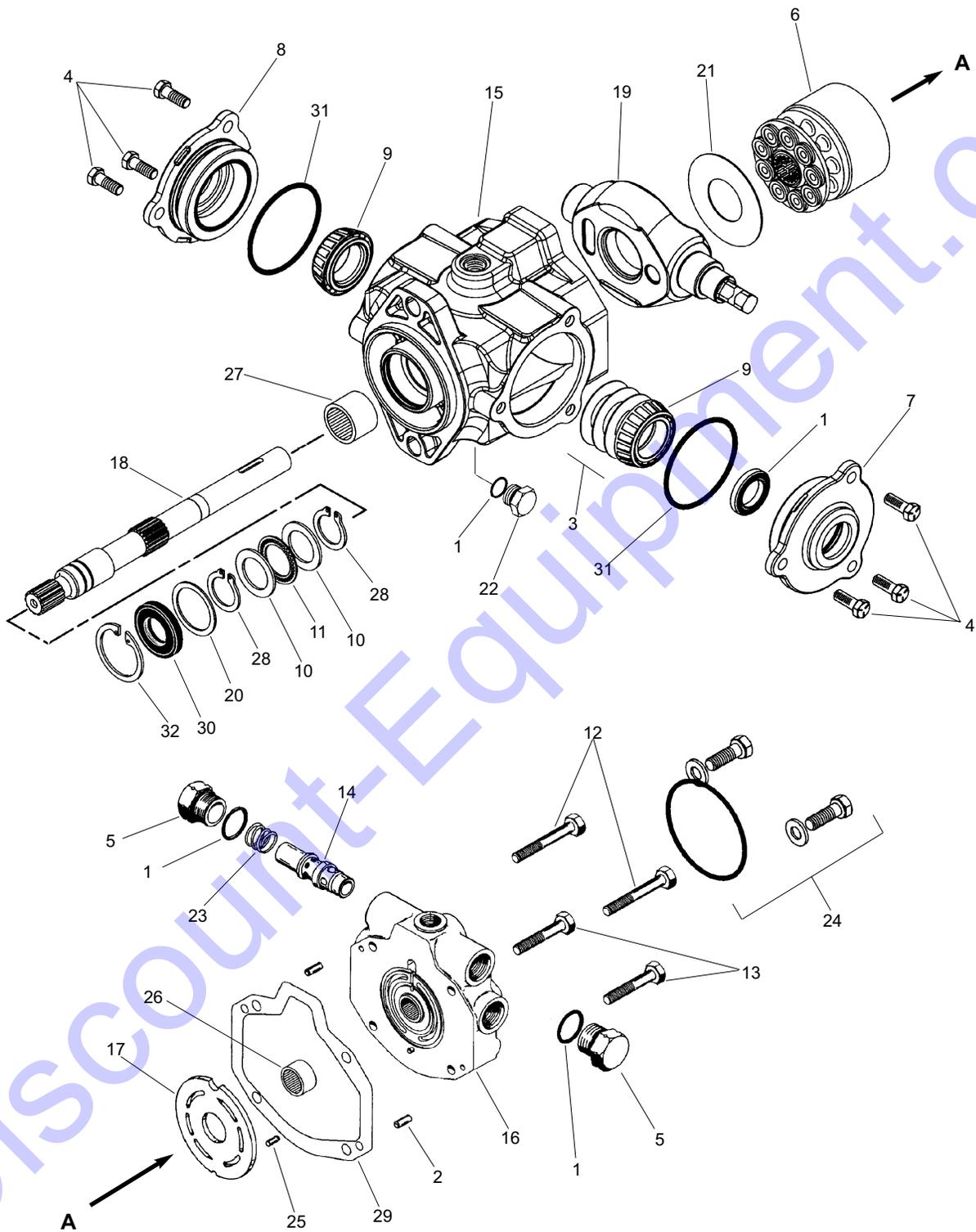


Track Drive Motor (S/N 12315 and before)



Ref. No.	Part No.	Description	Qty. Req.	Ref. No.	Part No.	Description	Qty. Req.
	P473285	COMPLETE ASSEMBLY	1	12	NSS	HOUSING, VALVE	1
01	P700188	SEAL KIT	1	13	NSS	PLUG W/ O-RING	1
02	P700525	HOUSING, BEARING	1	14	P700502	SPRING, COMPRESSION	1
03	P700671	SHAFT AND BEARING/SPLINED	1	15	P700501	SPRING, COMPRESSION	1
04	NSS	WEAR PLATE	1	16	NSS	PLUD W/ O-RING	1
05	P700672	DRIVE	1	17	NSS	SPOOL, CONTROL	1
06	P700673	GEROLER®	1	18	NSS	PLUG W/O-RING	1
07	NSS	DRIVE, MAIN	1	19	P700192	BALL, STEEL	2
08	NSS	PLATE, VALVE	1	20	P700191	SPRING, COMPRESSION	2
09	P700193	VALVE	1	21	NSS	PLUG W/ O-RING	2
10	NSS	BALANCE RING	1	22	NSS	BOLT	4
11	P700189	SPRING	2				

Hydraulic Pump - Front (Piston) Section



**Hydraulic Pump - Front (Piston) Section**

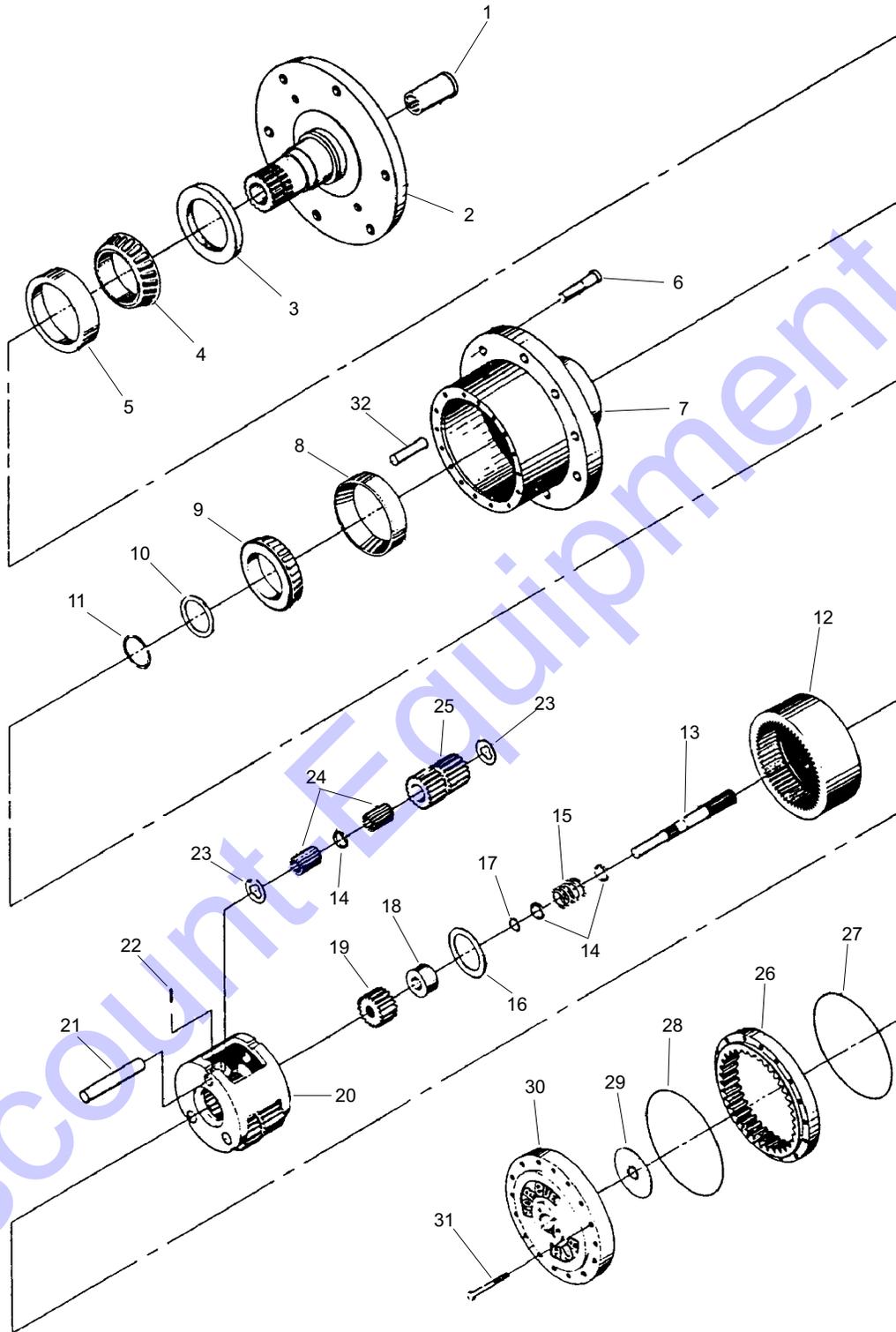
Ref. No.	Part No.	Description	Qty. Req.	Ref. No.	Part No.	Description	Qty. Req.
	P473287	COMPLETE ASSEMBLY .....1 <i>(includes gear section)</i>	1	20	P421500	WASHER .....1	1
01	P700685	SEAL REPAIR KIT .....1	1	21	P700683	INSERT, CAMPLATE .....1	1
02	604260	PIN, DOWEL .....2	2	22	P700684	PLUG, SUBASY .....1 <i>(includes o-ring)</i>	1
03	P700674	RING, CRUSH .....1	1	23	P700018	SPRING .....1	1
04	P700675	SCREW, CAP .....6	6	24	P700548	GEAR PUMP MOUNT KIT .....1	1
05	088311	PLUG ASSEMBLY .....2 <i>(includes o-ring)</i>	2		NSS	O-RING .....1	1
06	123070	ROTATING KIT SUBASY .....1	1		NSS	WASHER .....2	2
07	P700676	PLATE, COVER SUBASY .....1	1		NSS	CAPSCREW .....2	2
08	P700677	PLATE, COVER SUBASY .....1	1	25	123125	DOWEL PIN .....1	1
09	P700678	CUP, BEARING .....2	2	26	123124	BEARING .....1	1
10	P700030	RACE, THRUST .....2	2	27	P700394	BEARING .....1	1
11	P700031	BEARING, NEEDLE THRUST .....1	1	28	NSS	RETAINING RING .....2 <i>(included in item 1)</i>	2
12	P700679	SCREW, CAP .....2	2	29	NSS	GASKET .....1 <i>(included in item 1)</i>	1
13	P700680	SCREW, CAP .....2	2	30	NSS	SEAL, SHAFT .....1 <i>(included in item 1)</i>	1
14	P700546	VALVE, RELIEF 3500 .....1	1		NSS	O-RING .....2 <i>(included in item 1)</i>	2
15	NSS	HOUSING .....1	1	31	NSS	RETAINING RING .....1 <i>(included in item 1)</i>	1
16	P700681	ENDCOVER, SUBASY .....1	1	32	NSS	RETAINING RING .....1 <i>(included in item 1)</i>	1
17	P700545	PLATE, VALVE .....1	1				
18	P700532	SHAFT, DRIVE .....1	1				
19	P700682	SWASHPLATE, SUBASY .....1	1				



**Hydraulic Pump - Rear (Gear) Section**

Ref. No.	Part No.	Description	Qty. Req.	Ref. No.	Part No.	Description	Qty. Req.
-	P700552	COMPL. ASY. (Gear Pump only)...	1	14	130046	PLUG.....	1
01	130059	SEAL REPAIR KIT.....	1	15	122008	RETAINING RING.....	1
02	130033	FRONT PLATE ASY. ....	1	16	NSS	SHAFT SEAL.....	1
03	NSS	BACK PLATE.....	1			(included in item 1)	
04	P700558	FRONT BODY ASY. ....	1	17	NSS	WASHER.....	1
05	P700558	REAR BODY ASY. ....	1			(included in item 1)	
06	NSS	DRIVE GEAR ASY.....	1	18	NSS	O-RING.....	4
07	NSS	FRONT IDLER GEAR ASY.....	1			(included in item 1)	
08	NSS	REAR IDLER GEAR ASY.....	1	19	NSS	BACKUP GASKET.....	2
09	122928	CAPSCREW.....	8			(included in item 1)	
10	NSS	ADAPTER PLATE.....	1	20	NSS	SEAL.....	2
11	129426	KEY.....	1			(included in item 1)	
12	NSS	REAR GEAR.....	1	21	NSS	WEAR PLATE.....	2
13	NSS	WASHER.....	4			(included in item 1)	

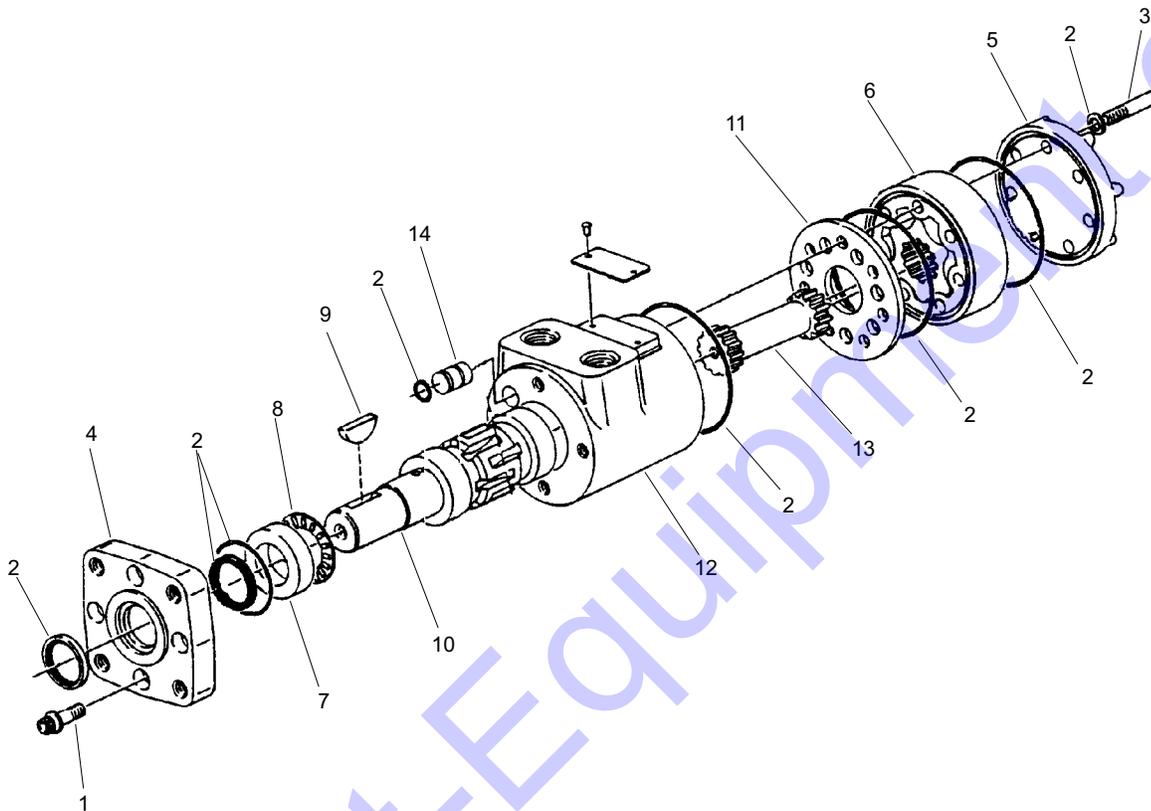
**Torque Hub**



**Torque Hub**

Ref. No.	Part No.	Description	Qty. Req.	Ref. No.	Part No.	Description	Qty. Req.
-	P271900	COMPL. ASY. ....	1	16	P421200	THRUST WASHER ....	1
01	P700670	COUPLING ....	1	17	P700081	RETAINER RING ....	1
02	P700110	SPINDLE ....	1	18	P700111	INPUT SPACER ....	1
03	P700103	SEAL ....	1	19	P700104	SUN GEAR ....	1
04	P700253	BEARING CONE ....	1	20	P700076	CARRIER ....	1
05	L97239	BEARING CUP ....	1	21	P700070	PLANET SHAFT ....	3
06	P407000	MOUNT STUD ....	8	22	P700074	ANTI-ROLL PIN ....	3
	P356800	LUGNUT ....	8	23	P700071	THRUST WASHER ....	2
07	P700100	HOUSING ....	1	24	P700072	NEEDLE ROLLERS ....	96
08	P700063	BEARING CUP ....	1	25	P700105	CLUSTER GEAR ....	3
09	P700064	BEARING CONE ....	1	26	P700106	RING GEAR ....	1
10	P700068	THRUST WASHER ....	1	27	P382100	O-RING ....	1
11	P384600	RETAINER RING ....	1	28	L500774	O-RING ....	1
12	P700061	INTERNAL GEAR ....	1	29	L500775	THRUST CAP ....	1
13	P700108	INPUT SHAFT ....	1	30	L500776	COVER ASSEMBLY ....	1
14	P700073	THRUST WASHER ....	3	31	L500773	GR8 BOLT 5/16-18X2-1/4 ....	12
15	P700085	SPRING ....	1	32	L500777	DOWEL PIN ....	4

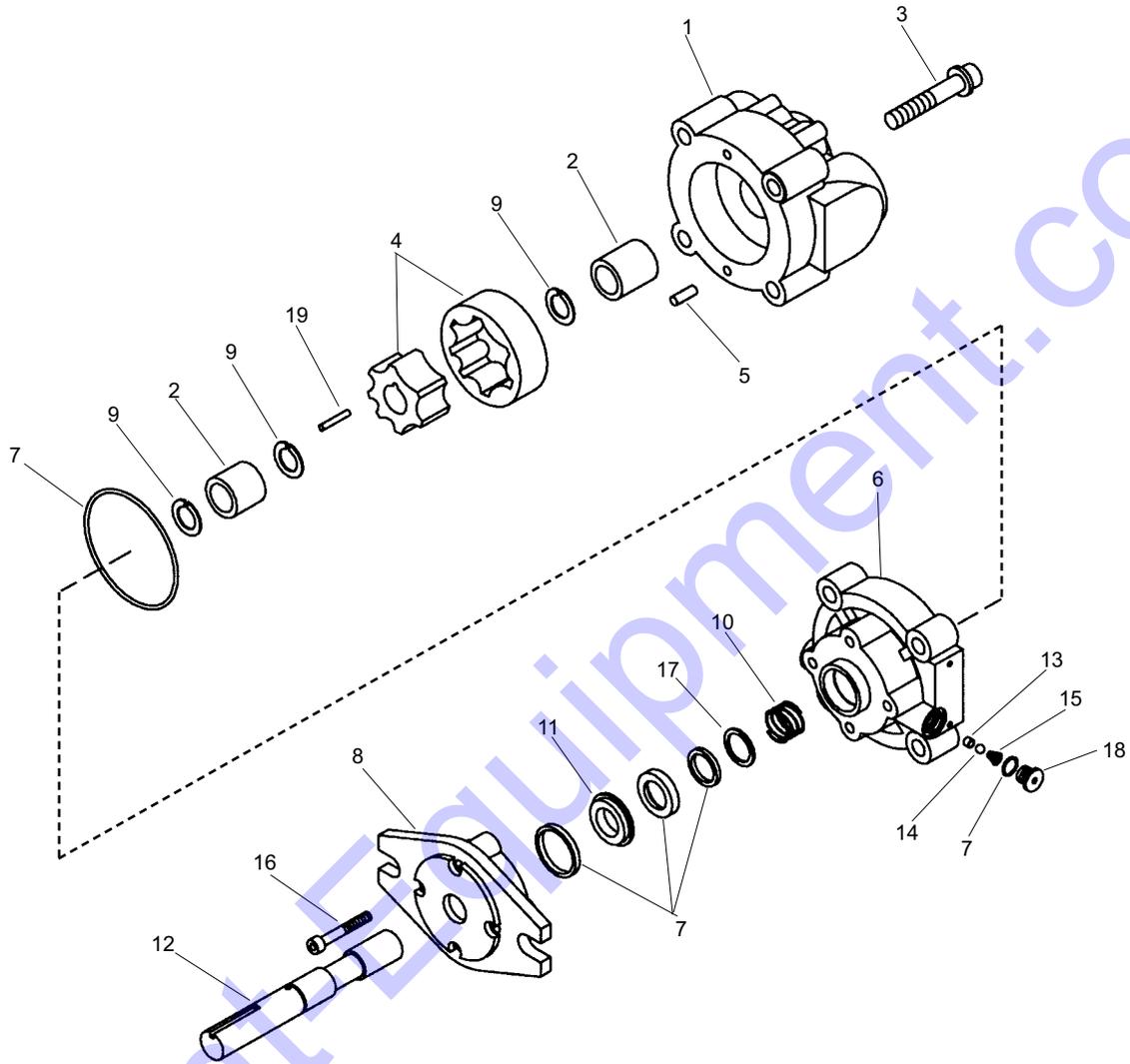
## Auger Drive Motor



Ref. No.	Part No.	Description	Qty. Req.	Ref. No.	Part No.	Description	Qty. Req.
01	P480071 NSS	COMPLETE ASSEMBLY	1	07	P700199	BREARING RACE	1
		CAPSCREW 12PT. DR. 5/16-24X7/8	4	08	P700196	NEEDLE BEARING	1
02	P279009	SEAL KIT	1	09	P700472	KEY	1
03	NSS	CAPSCREW 12PT. DR. 5/16-24	7	10	NSS	OUTPUT SHAFT, SPLINED	1
04	P243860	MOUNTING FLANGE	1	11	NSS	SPACER PLATE	1
05	NSS	END CAP	1	12	NSS	HOUSING	1
06	P700222	GEROTOR SET	1	13	NSS	DRIVE	1
				14	NSS	PLUG	1

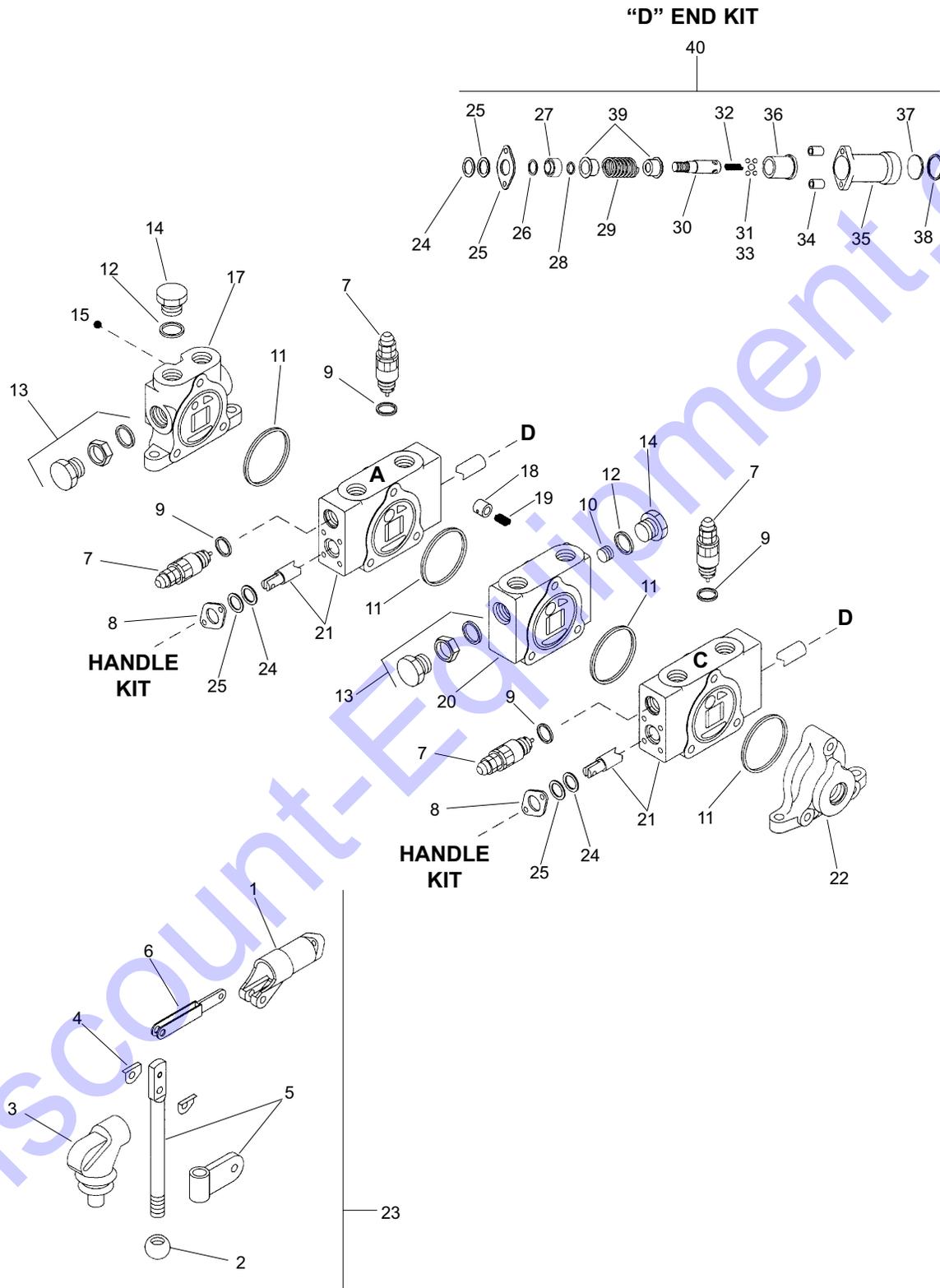


**Screed Vibrator Motor**



Ref. No.	Part No.	Description	Qty. Req.	Ref. No.	Part No.	Description	Qty. Req.
	P349450	COMPLETE ASSEMBLY	1	10	P700181	SPRING	1
01	NSS	BODY	1	11	NSS	SEAT	1
02	P700180	BEARING	2	12	NSS	SHAFT	1
03	NSS	BODY SCREW	4	13	P700184	SEAT	2
04	NSS	GEROTOR ELEMENT	1	14	P700183	BALL	2
05	P700186	DOWEL PIN	2	15	P700182	SPRING	2
06	NSS	COVER	1	16		SCREW #10-24X1	4
07	P282400	SERVICE KIT (Seals & Item 2)	1	17	NSS	WASHER	1
08	P700514	MOUNTING PLATE	1	18	P700584	PLUG	2
09	P700185	RETAINING RING	3	19	P700187	DRIVE PIN	1

Track Drive Control Valve



Track Drive Control Valve

Ref. No.	Part No.	Description	Qty. Req.	Ref. No.	Part No.	Description	Qty. Req.
-	101690	COMPLETE ASSEMBLY.	1	20	NSS	MID-INLET HOUSING "B"	1
-	P700571	COMPLETE SEAL KIT	1	21	NSS	WORK SECT. HOUSING "A&C"	2
01	P045625	HANDLE PIVOT MOUNT	2		NSS	SPOOL	2
02	P700162	KNOB	2	22	NSS	OUTLET HOUSING	1
03	P700163	BOOT	2	23	P286100	HANDLE KIT, LESS TAB	
04	P700164	SHIM	4			(Incl. 1-6)	2
05	NSS	HANDLE W/TAB WELD.	2	24	P393400	SPOOL SEAL	4
	P470427	TAB ONLY	1	25	P424000	SPOOL WIPER	4
	NSS	CLEVIS PIN	2	26	NSS	O-RING	1
	NSS	LOCK	2	27	NSS	SPACER, SPOOL CAP	1
06	P700165	LINK	4	28	NSS	O-RING	1
07	P471469	RELIEF, 3000 PSI	4	29	NSS	SPRING	1
08	P700166	SEAL PLATE	2	30	NSS	SPOOL END-DETENT PIN	1
09	NSS	RELIEF SEAL	4	31	NSS	BALL	4
10	P700562	PLUG (NPT)	1	32	NSS	SPRING	1
11	P382900	BETWEEN SECT. SEAL	4	33	NSS	BALL	1
12	P700563	PLUG SEAL, MID-SECT.	2	34	NSS	SPACER	2
13	101670	ADJUSTABLE PLUG W/O-RING	2	35	NSS	CAP-SPOOL	1
14	P700565	PLUG	2	36	NSS	SLEEVE-DETENT	1
15	NSS	TIE ROD, LONG	2	37	NSS	SPACER	1
	NSS	TIE ROD, SHORT	1	38	NSS	RETAINING RING-INTERNAL	1
17	P700566	INLET HOUSING	1	39	NSS	SPRING SEAT	2
18	P700567	POPPET, C.V.	2	40	P700686	END KIT (Incl. 26-39)	2
19	P700115	SPRING	2				

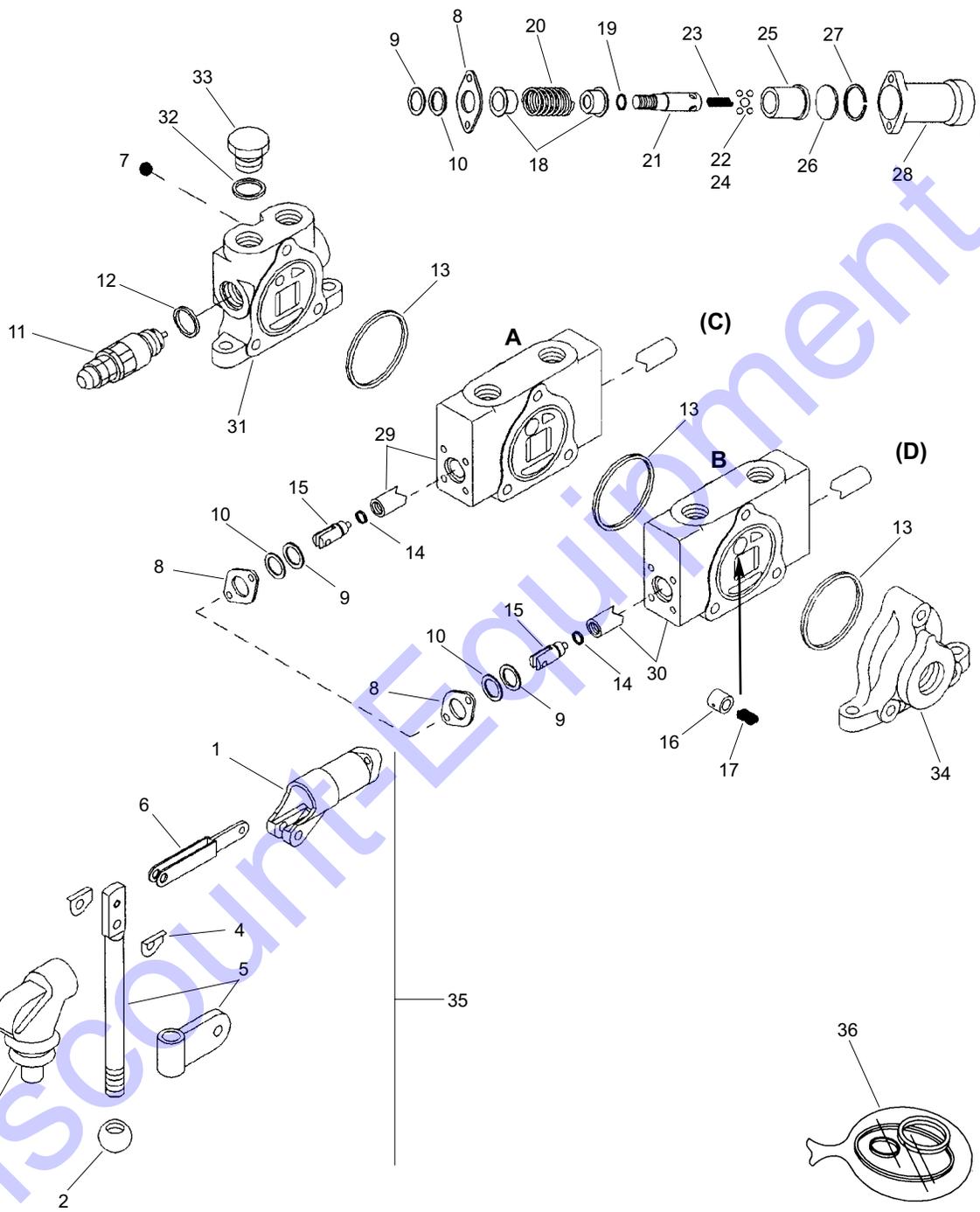


**7-Stack Control Valve w/ Relief**

Ref. No.	Part No.	Description	Qty. Req.	Ref. No.	Part No.	Description	Qty. Req.
-	101280	COMPL. ASY. ....	1	18	NSS	DETENT SLEEVE ....	1
01	P286100	HANDLE KIT (Incl. 2-7, Less Tab) ..	7	19	NSS	SPACER ....	1
02	P700162	KNOB .....	7	20	NSS	SPACER .....	1
03	P700163	BOOT .....	7	21	NSS	DETENT PIN .....	1
04	P700164	SHIM .....	14	22	P700220	SPRING .....	6
05	NSS	HANDLE W/TAB .....	7	23	NSS	SPRING SEAT .....	12
	P470427	TAB ONLY .....	2	24	NSS	SPOOL END .....	6
	NSS	CLEVIS PIN .....	7	25	NSS	POPPET-C.V. ....	6
	NSS	LOCK .....	7	26	P700115	SPRING .....	6
06	P700165	LINK .....	14	27	P700417	CLEVIS END .....	6
	NSS	PIN .....	7	28	P418040	SPOOL WORK SECT. "A - E" ....	1
07	P045625	HANDLE PIVOT MOUNT .....	7	29	P418203	RELIEF .....	1
08	P700166	SEAL PLATE .....	14	30	P418025	END SECTION .....	1
09	P393400	SPOOL SEAL .....	14	31	P700506	INLET/OUTLET SECTION .....	1
10	P424000	SPOOL WIPER .....	14	32	P700170	TIE ROD KIT .....	1
11	NSS	RELIEF SEAL .....	1	33	P418035	SPOOL WORK SECT. "G" .....	1
12	NSS	SPOOL END SEAL .....	1	34	P700519	RELIEF .....	1
13	P382900	BETWEEN SECTS.SEAL .....	4	35	P700518	SPOOL WORK SECTION. "F" ....	1
14	NSS	CLEVIS END SEAL .....	7	36	P277820	SPOOL END SERVICE KIT "A" ...	1
15	P700604	CAP .....	7	37	P700469	SPOOL END SERV. KIT "B-G" ....	1
16	P700168	SPRING .....	1	38	P700471	COMPL. SEAL KIT .....	1
17	NSS	BALL .....	1				

Auger Control Valve

END KIT C and D

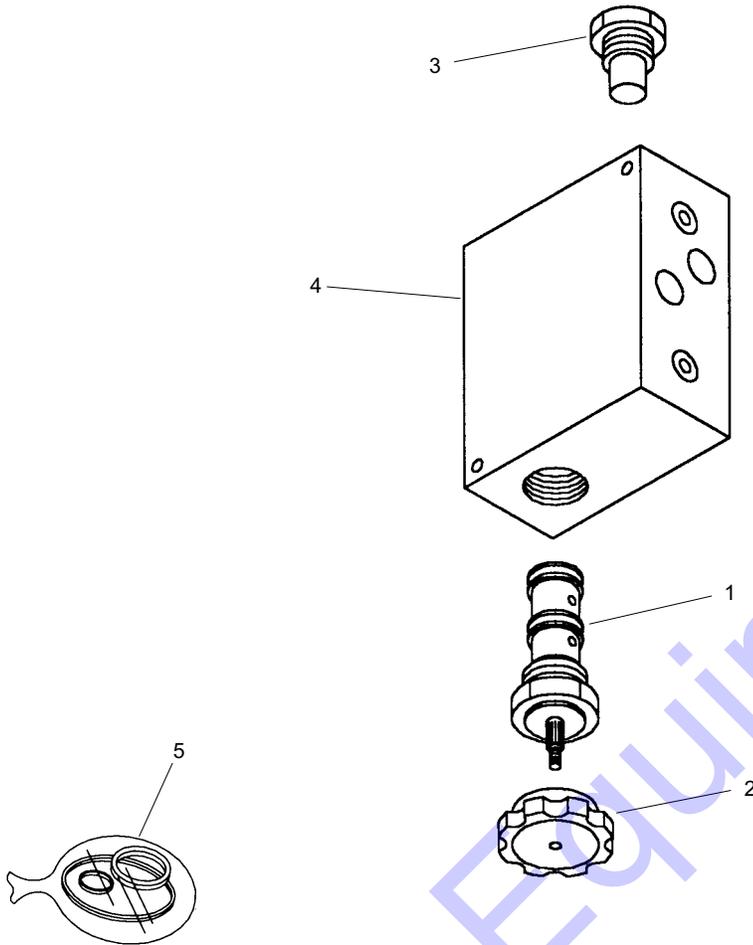


**Auger Control Valve**

Ref. No.	Part No.	Description	Qty. Req.	Ref. No.	Part No.	Description	Qty. Req.
-	P471672	COMPLETE ASSEMBLY	1	15	P700417	CLEVIS END	2
-	P700533	END KIT "C"	1	16	P700567	POPPET, C.V.	2
-	P700576	END KIT "D"	1	17	P700115	SPRING	2
-	P700578	COMPL. SPOOL SECT. "A" ASY.	1	18	NSS	SPRING SEAT	2
	P700577	COMPL. SPOOL SECT. "B" ASY.	1	19	NSS	O-RING	2
01	P045625	HANDLE PIVOT MOUNT	2	20	P700220	SPRING	2
02	P700162	KNOB	2	21	NSS	DETENT PIN	2
03	P700163	BOOT	2	22	NSS	BALL	8
04	P700164	SHIM	4	23	NSS	INNER SPRING	2
05	NSS	HANDLE W/TAB WELD.	2	24	NSS	BALL	2
	P470427	TAB ONLY	1	25	NSS	DETENT SLEEVE	2
	NSS	CLEVIS PIN	2	26	NSS	SPACER	2
	NSS	LOCK	2	27	NSS	INT. RETAINER RING	2
06	P700165	LINK	4	28	NSS	SPOOL CAP	2
07	NSS	TIE ROD, LONG	2		NSS	CAPSCREW, SOC. HD.	8
	NSS	TIE ROD, SHORT	1	29	NSS	HOUSING, SECT. "A"	1
	NSS	NUT, LONG	4		NSS	SPOOL	1
	NSS	NUT, SHORT	2	30	NSS	HOUSING, SECT. "B"	1
08	P700166	SEAL PLATE	4		NSS	SPOOL	1
09	P393400	SPOOL SEAL	4	31	P700573	INLET HOUSING	1
10	P424000	SPOOL WIPER	4	32	P700563	O-RING	1
11	P418203	RELIEF ASY.	1	33	P700565	PLUG	1
12	NSS	RELIEF SEAL	1	34	P700574	OUTLET HOUSING	1
13	P382900	BETWEEN SECT. SEAL	2	35	P286100	HANDLE KIT (Incl. 1-6)	2
14	NSS	CLEVIS END SEAL	2	36	P700571	COMPL. REPAIR KIT	1

**Steer Valve**

(Complete Valve P471685 shown — S/N 12187 and before)

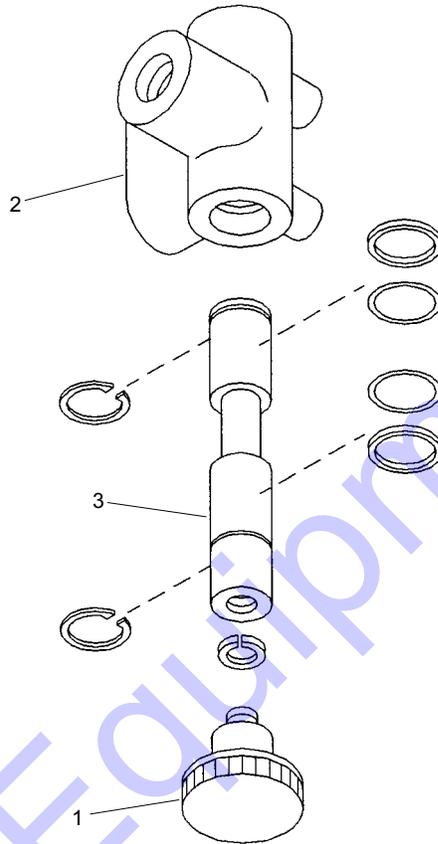


Ref. No.	Part No.	Description	Qty. Req.
-	P471685	COMPLETE ASSEMBLY.....	1
01	P700613	3-WAY FLOW CONTROL (Incl. 2)...	1
	P700654	SEAL KIT .....	1
02	P700614	KNOB ONLY .....	1
03	P700612	CARTRIDGE .....	1
	P700655	SEAL KIT .....	1
04	NSS	MANIFOLD .....	1
05	P700644	SEAL KIT.....	1
		(Incl. P700654 and P700655)	

<b>NOT PICTURED: Complete Valve 101988 (S/N 12188 — 12315)</b>		
Part No.	Description	Qty. Req.
101986	DECAL/ STEER VALVE .....	1
103375	MANIFOLD/ STEER VALVE JEM2. ....	1
650490	CS 3/8x1 C5ZY.....	3
654026	LW 3/8 RZY .....	3
913214	INSTR. SHEET, STEER VALVE .....	1
L444003	ADAP/-12ORM-8JICM STR .....	1
L61092	ADAP/ -16ORM-12JICM 90 DEG.....	2



**Speed Selector Valve (S/N 12315 and before)**



Ref. No.	Part No.	Description	Qty. Req.
-	P420700	COMPLETE ASSEMBLY.....	1
01	NSS	KNOB.....	1
02	NSS	HOUSING.....	1
03	NSS	SPOOL.....	1

# Numerical Index

# 1648 Asphalt Paver

Part No.	Page No.	Ref. No.	Part No.	Page No.	Ref. No.	Part No.	Page No.	Ref. No.	Part No.	Page No.	Ref. No.
040775	9	40	070648	35	7	087393	39	23	100599	47	16
054626	37	2	070648	37		087393	41	23	100600	13	14
054626	39	8	070648	37		088311	57	5	100600	47	37
054626	41	8	070856	22	3	088442	37	35	100631	39	22
054816	37	42	070856	31	8	088442	39	49	100631	41	22
054816	39	12	070856	37		088442	41	49	100632	39	46
054816	41	12	070856	39		088935	37	33	100632	41	46
054820	22	1	070856	41		091039	13	2	100633	39	19
054820	45	8	070856	43	4	091039	39	56	100633	41	19
054994	39	18	070856	44	3	091039	41	56	100634	39	13
054994	39	53	070856	46	10	091039	47	14	100634	41	13
054994	41	18	070856	47	8	095457	37	45	100635	39	45
054994	41	53	070856	48		096231	33	17	100635	41	45
054997	37	47	071701	16	1	096233	33	19	100636	39	31
055005	39	42	071701	17	1	096234	33		100636	41	31
055005	41	42	071706	14	2	100357	37	1	100637	39	16
055005	46	11	071858	25	11	100357	39	17	100637	41	16
055005	47	9	072340	35	11	100357	41	17	100641	39	43
055017	33	21	072401	33	6	100358	44	5	100641	41	43
055064	37	55	072425	25	10	100358	45	10	100642	39	7
055064	46	4	072580	39	4	100381	23	8	100642	41	7
055064	47	4	072580	41	4	100382	23	3	100643	37	41
056859	5	22	072580	46	13	100473	35	2	100644	39	3
057650	20	1	072580	47	29	100474	48	3	100644	41	3
057650	20	3	072587	37	53	100475	48	14	100645	46	22
057864	23	16	072587	39	44	100478	9	41	100645	47	30
058610	37	22	072587	41	44	100483	39	24	100646	37	3
061826	25	35	072798	5	21	100483	41	24	100646	39	52
061946	15	10	072803	37	39	100483	46	16	100646	41	52
062023	20	2	072803	39	29	100483	47	13	100647	46	21
062023	21	1	072803	41	29	100484	46	20	100647	47	27
062335	25	29	072806	20	5	100504	9	38	100648	39	41
062889	23	12	072806	37	38	100504	43	16	100648	41	41
062889	48	11	072806	39	25	100511	15	13	100649	37	21
065350	20	3	072806	41	25	100516	11	18	100650	37	44
067455	37	28	074020	37	31	100516	13	3	100651	37	46
067761	37	20	074020	46	1	100517	11	17	100652	39	26
067761	46	23	074020	47	1	100517	13	4	100652	41	26
067761	47	33	074830	37		100522	15	12	100653	37	34
067847	14	1	074830	46		100533	15	17	100653	39	50
067847	20	4	074830	47		100589	13	5	100653	41	50
067847	31	29	076002	25	3	100590	13	6	100654	37	29
068034	31	30	076031	39	39	100592	9	37	100655	37	49
068938	22	2	076031	41	39	100592	43	13	100665	21	3
068938	23	13	076105	11	19	100593	13	7	100670	23	17
068938	39	15	076105	13	1	100593	47	18	100671	23	6
068938	41	15	076143	37	36	100594	13	8	100687	22	4
068938	45	9	076143	39	28	100594	47	25	100713	16	2
068938	48	8	076143	41	28	100595	13	9	100713	17	2
070634	27	9	076147	15	8	100595	47	17	100713	48	6
070634	31	10	078936	33	20	100596	13	10	100713	54	
070634	37		079038	37	16	100596	47	24	100714	17	3
070634	39		079209	9	39	100597	13	11	100715	17	4
070634	41		079209	25	20	100597	47	15	100772	14	3a
070648	21	2	079209	29	9	100598	13	12	100780	14	
070648	27	1	084175	20	26	100598	47	23	100782	14	4
070648	33	5	084175	20	28	100599	13	13	100783	14	5

Part No.	Page No.	Ref. No.	Part No.	Page No.	Ref. No.	Part No.	Page No.	Ref. No.	Part No.	Page No.	Ref. No.
100784	14	6	100955	44	7	101228	9	41	129426	59	11
100788	16	3	100972	43	5	101271	9	28	129848	37	23
100788	17	5	100973	43	11	101272	9	27	129848	46	14
100816	9	33	100974	47	11	101280	37	52	130033	59	2
100828	9	32	100975	47	26	101280	43	1	130046	59	14
100830	9	31	100978	9	21	101280	44	1	130059	59	1
100834	11	16	100983	5	7	101280	45	1	137632	5	24
100840	11	15	101041	35	14	101280	48	1	137634	5	15
100843	11	14	101042	35	13	101280	67		137634	5	16
100845	11	13	101044	31	19	101281	46	8	140516	4	7
100847	9	30	101045	31	24	101281	47	6	167754	3	
100849	9	29	101072	47		101282	39	5	167755	3	
100859	11	12	101080	25	41	101282	41	5	167758	3	
100859	13	15	101083	25	24	101355	9	7	167760	3	
100860	11	11	101087	25	40	101355	43	10	167788	3	
100860	13	16	101089	25	39	101362	15	2	167789	3	
100861	9	26	101094	5	13	101408	16	5	175018	13	20
100862	9	25	101095	5	11	101415	16	4	175019	13	21
100862	43	18	101095	5		101438	29	32	175107	39	33
100863	9	24	101096	5	3	101438	39	10	175107	41	33
100864	9	23	101096	5	3	101438	39	32	175123	29	21
100865	9	22	101099	25	27	101438	41	10	175123	39	14
100865	43	12	101103	14	9	101438	41	32	175123	41	14
100866	14	7	101116	5	4	101481	4	3	175159	35	24
100875	13	17	101118	5	8	101482	4	4	175164	39	37
100875	17	6	101119	5	23	101484	4	2	175164	41	37
100884	13	18	101120	5	9	101484	4	13	175194	39	11
100884	17	7	101124	16	6	101502	5	17	175194	41	11
100888	27	2	101126	25	23	101670	65	13	175241	39	9
100891	14	8	101127	31	24	101690	65		175241	41	9
100891	14	20	101130	21	15	101770	27	12	175275	9	47
100893	22	5	101131	21	16	101980	9	35	175276	39	36
100893	45	7	101132	21	17	101981	9	34	175276	41	36
100893	52		101133	20	21	101986	70		175278	39	54
100898	22	6	101140	11		102007	9	36	175278	41	54
100906	23	1	101140	13		102134	22	11	175280	39	55
100909	23	18	101148	15	11	103375	70		175280	41	55
100910	23	2	101160	11	10	103497	37	40	175354	39	
100913	23	5	101160	13	23	103497	39	30	175354	41	
100915	14		101161	9	20	103497	41	30	175371	20	18
100917	14	3b	101161	43	15	110227	9	19	175372	20	23
100919	13	19	101164	5	14	110227	37	43	175373	20	19
100932	13	22	101190	19	2	110227	43	6	175374	20	24
100932	47	19	101190	19	2	110227	44	11	175375	20	12
100940	33	7	101194	19	1	115034	33	18	175375	35	22
100944	45	3	101195	19	1	121275	33	16	175376	39	
100945	45	4	101196	19	1	121775	37	32	175376	41	
100946	48	12	101197	19	1	122008	59	15	175377	39	57
100947	37	54	101209	37	12	122633	23		175377	41	57
100947	46	5	101210	37	17	122928	59	9	175388	20	6
100947	47	5	101211	25	25	123070	57	6	175394	20	29
100948	37	24	101217	11	9	123124	57	26	175396	20	12
100949	43	24	101217	13	24	123125	57	25	175396	35	22
100951	44	10	101219	19	3	123827	21	4	183963	4	1
100952	44	9	101219	19	3	123828	21		604260	57	2
100953	44	8	101220	19	3	124976	14	10	650201	9	18
100954	44	6	101220	19	3	128299	37	15	650201	43	17

Part No.	Page No.	Ref. No.	Part No.	Page No.	Ref. No.	Part No.	Page No.	Ref. No.	Part No.	Page No.	Ref. No.
650416	9	17	650528	14	12	654009	46	25	L277729	25	14
650416	29	8	650533	13	27	654009	47	36	L41847	35	5
650448	31	12	650533	17	9	654022	37		L41848	35	1
650448	35		650533	22	7	654022	39		L43221	37	4
650448	52	10	650535	39		654022	41		L444003	39	59
650449	37		650535	41		654024	14	14	L444003	41	59
650449	39		650545	16	7	654024	21	6	L444003	70	
650449	41		650545	17	10	654026	9		L446020	39	38
650453	29	19	650547	37		654026	9		L446020	41	38
650453	39		650548	31	16	654026	11	5	L446021	37	8
650453	41		650550	31	17	654026	13	31	L4500	33	13
650481	20	7	650551	25	5	654026	15	6	L48182	35	12
650486	15	7	650558	25	18	654026	17	12	L50056	15	15
650486	35	6	650568	37		654026	27	7	L500594	35	23
650487	21	5	650568	37		654026	70		L50065	25	6
650487	31	9	650584	20	27	654028	31	26	L50065	25	30
650487	33	4	650584	25	9	654028	31	32	L500659	3	
650488	13	25	650644	31	22	654030	9	13	L50070	13	33
650488	15	5	650650	13	28	654030	9	43	L50070	16	9
650488	17	8	650650	17	11	654034	29	11	L50070	17	14
650488	27	6	650692	15	14	654049	22	8	L50070	25	32
650488	46	19	650692	37		654049	27	4	L500773	61	31
650488	47	22	650706	37		654057	29	13	L500774	61	28
650490	9	44	650706	39		655006	11	4	L500775	61	29
650490	9	48	650706	41		655006	13	32	L500776	61	30
650490	11	8	650809	14	13	655024	9	12	L500777	61	32
650490	13	26	650818	9	15	655024	16	8	L50079	16	10
650490	14	11	650818	43	21	655024	17	13	L50079	17	15
650490	19	4	650835	27	11	655024	22	9	L50079	48	5
650490	19	4	650857	11	7	655024	23	15	L50109	14	15
650490	20	8	650857	13	29	655024	29	30	L50157	25	22
650490	27	3	650932	25	4	655024	39	48	L50172	35	4
650490	31	7	650934	20	25	655024	41	48	L50355	15	4
650490	31	21	653019	25	37	655024	43	8	L50385	25	21
650490	37		653116	9	14	655024	45	5	L50426	13	34
650490	46	2	653116	44	13	655024	48	17	L50426	17	16
650490	47	2	654004	27	15	656001	31	6	L50578	16	11
650490	70		654006	9	45	656007	31	25	L50578	17	17
650491	9		654006	9	49	656007	31	33	L50578	48	4
650491	9		654006	11	6	656048	33	9	L50713	31	36
650491	37		654006	13	30	913214	70		L50833	25	33
650491	39		654006	19	5	210-19470	15	16	L50962	9	11
650491	41		654006	19	5	210-19470	39	35	L50962	33	2
650491	43	3	654006	20	9	210-19470	41	35	L51572	39	6
650491	44	2	654006	25	17	210-19533	39		L51572	41	6
650491	46	9	654006	37		210-19533	41		L520022	9	46
650491	47	7	654006	43	22	210-32184	35		L520022	11	3
650491	48		654006	46	3	230-30569	37	27	L520022	13	35
650494	9	16	654006	47	3	L277484	39	58	L520022	17	18
650495	9	42	654009	29	20	L277484	41	58	L520022	19	6
650495	31	38	654009	31	28	L277484	43	2	L520022	19	6
650495	37		654009	31	37	L277484	44	4	L520022	43	19
650495	39		654009	37		L277484	45	2	L530004	21	7
650495	41		654009	39		L277484	46	12	L560002	23	7
650495	46	26	654009	39		L277484	47	10	L561003	25	7
650495	47	35	654009	41		L277484	48	2	L60253	9	10
650502	25	28	654009	41		L277594	5	6	L60253	17	19

# 1648 Asphalt Paver

# Numerical Index

Part No.	Page No.	Ref. No.	Part No.	Page No.	Ref. No.	Part No.	Page No.	Ref. No.	Part No.	Page No.	Ref. No.
L60253	43	23	P055200	33	8	P418025	67	30	P471225	23	9
L60253	46	17	P136200	17	21	P418035	67	33	P471225	48	7
L60588	37	37	P137200	25	26	P418040	67	28	P471225	51	
L60588	39	20	P143200	25	8	P418203	67	29	P471227	23	10
L60588	41	20	P178000	11	1	P418203	69	11	P471227	48	9
L61092	70		P178000	13	38	P420700	37	48	P471247	37	10
L62277	35	3	P204100	5	5	P420700	71		P471289	37	9
L62720	27	14	P204113	5	2	P421200	61	16	P471296	16	13
L62721	27	13	P207300	4	5	P421500	57	20	P471296	17	24
L62722	27		P210200	5	23	P424000	65	25	P471296	22	10
L62834	37	26	P221650	25	38	P424000	67	10	P471296	45	6
L62834	39	27	P221850	25	34	P424000	69	10	P471296	48	15
L62834	41	27	P227700	37	11	P470014	25	13	P471297	9	5
L62834	46	7	P237000	39	2	P470025	25	19	P471297	23	14
L62834	47	31	P237000	41	2	P470204	9	7	P471297	43	9
L62840	37	25	P243860	62	4	P470204	43	10	P471297	48	16
L62840	46	6	P252400	25	1	P470204	50		P471310	5	12
L62840	47	32	P253000	15	9	P470246	25	12	P471339	37	6
L62954	37	18	P261375	37	51	P470343	35	17	P471357	37	30
L630004	31	23	P261375	39	51	P470348	35	16	P471406	29	24
L63335	35	10	P261375	41	51	P470406	13	41	P471410	31	
L64197	31	27	P270900	20	11	P470406	47	20	P471411	31	15
L64660	16	12	P271900	29	26	P470427	65		P471415	37	7
L64660	17	20	P271900	61		P470427	67		P471448	29	6
L64660	48	13	P272700	9	9	P470427	69		P471469	65	7
L65211	27	5	P277820	67	36	P470464	20	22	P471474	22	12
L65922	4	8	P279009	62	2	P470472	20	13	P471479	29	14
L65924	4	10	P280800	51	1	P470472	21	11	P471501	29	7
L65927	4	6	P281800	50	4	P470519	25	2	P471502	29	5
L65927	5	20	P282400	63	7	P470536	35	20	P471504	29	4
L65933	4	9	P286100	65	23	P470564	25	31	P471535	37	40
L65933	5	19	P286100	67	1	P470571	29	10	P471535	39	30
L65942	5	18	P286100	69	35	P470572	29	1	P471543	29	25
L66119	39	34	P311600	13	39	P470573	29	10	P471547	27	8
L66119	41	34	P311600	17	22	P470574	29	1	P471548	29	23
L66427	35	9	P311800	13	40	P470606	25	16	P471549	29	22
L66437	35	21	P311800	17	23	P470609	23	4	P471574	37	14
L68048	14	16	P349450	9	8	P470610	23		P471634	37	50
L69597	14	17	P349450	43	20	P470673	39	40	P471643	31	5
L72019	21	8	P349450	63		P470673	41	40	P471649	31	18
L76020	33	12	P356800	61		P470723	15	3	P471672	69	
L76084	31	2	P362400	29		P470816	25	42	P471685	70	
L81195	13	36	P362500	29		P470820	33	10	P471689	31	20
L81195	47	12	P368675	50	3	P470848	33	1	P471694	31	13
L97239	61	5	P380200	15	1	P470871	31	14	P471756	20	20
P013150	37	5	P382100	61	27	P470880	35	8	P471759	20	14
P015900	11	2	P382900	65	11	P470936	33	14	P471760	20	15
P015900	13	37	P382900	67	13	P470952	37	13	P471761	20	16
P022300	21	9	P382900	69	13	P470975	33	15	P471762	20	17
P022800	20	10	P384600	61	11	P471024	25	36	P471771	37	
P022800	21	10	P392450	29	3	P471059	33	3	P471771	37	56
P024000	25	15	P393400	65	24	P471084	9	6	P471783	46	15
P024500	29	15	P393400	67	9	P471084	43	7	P471783	47	28
P032600	29	12	P393400	69	9	P471159	21	12	P471812	31	11
P045625	65	1	P407000	61	6	P471177	29	31	P471816	4	12
P045625	67	7	P414980	23	11	P471182	29	16	P471855	27	10
P045625	69	01	P414980	48	10	P471186	29	18	P471856	27	12

Part No.	Page No.	Ref. No.	Part No.	Page No.	Ref. No.	Part No.	Page No.	Ref. No.	Part No.	Page No.	Ref. No.
P471867	33	11	P700073	61	14	P700397	50	5	P700583	53	5
P472066	14	18	P700074	61	22	P700399	50	6	P700584	63	18
P472101	14		P700076	61	20	P700400	50	1	P700586	31	3
P472251	9	4	P700081	61	17	P700401	51	4	P700587	31	40
P472798	14	19	P700085	61	15	P700402	51	6	P700590	31	1
P472798	16	14	P700100	61	7	P700403	51	7	P700591	31	41
P472798	17	25	P700103	61	3	P700404	51	3	P700592	31	4
P473056	29	27	P700104	61	19	P700417	67	27	P700604	67	15
P473204	5	10	P700105	61	25	P700417	69	15	P700612	70	3
P473265	9	3	P700106	61	26	P700422	49	2	P700613	70	1
P473265	44	12	P700108	61	13	P700422	50	2	P700614	70	2
P473265	49		P700110	61	2	P700422	51	2	P700644	70	5
P473278	9	2	P700111	61	18	P700422	52	5	P700645	29	
P473285	29	21	P700115	65	19	P700422	53	6	P700646	29	
P473285	55		P700115	67	26	P700422	54	2	P700647	29	
P473287	31	39	P700115	69	17	P700436	54	3	P700650	33	22
P473287	37	19	P700158	49	5	P700469	67	37	P700654	70	
P473287	39	1	P700162	65	2	P700471	67	38	P700655	70	
P473287	41	1	P700162	67	2	P700472	62	9	P700656	49	3
P473287	46	24	P700162	69	2	P700501	55	15	P700657	49	1
P473287	47	34	P700163	65	3	P700502	55	14	P700658	49	4
P473287	57		P700163	67	3	P700506	67	31	P700659	52	11
P473298	21	13	P700163	69	3	P700510	49		P700660	52	6
P473303	21	14	P700164	65	4	P700511	35	18	P700661	52	1
P473327	13	42	P700164	67	4	P700514	63	8	P700662	52	7
P473327	17	26	P700164	69	4	P700518	67	35	P700663	54	1
P473328	13	43	P700165	65	6	P700519	67	34	P700664	52	9
P473328	17	27	P700165	67	6	P700525	55	2	P700665	52	3
P473364	9	1	P700165	69	6	P700532	57	18	P700666	52	2
P473364	43	14	P700166	65	8	P700533	69		P700667	52	4
P480071	13	44	P700166	67	8	P700535	31	35	P700668	54	4
P480071	17	28	P700166	69	8	P700536	31	34	P700669	54	8
P480071	46	18	P700168	67	16	P700539	31	31	P700670	61	1
P480071	47	21	P700170	67	32	P700545	57	17	P700671	55	3
P480071	62		P700180	63	2	P700546	57	14	P700672	55	5
P480087	4	11	P700181	63	10	P700548	57	24	P700673	55	6
P480118	29	28	P700182	63	15	P700552	59		P700674	57	3
P480118	39	21	P700183	63	14	P700558	59	4	P700675	57	4
P480118	41	21	P700184	63	13	P700558	59	5	P700676	57	7
P480118	53		P700185	63	9	P700562	65	10	P700677	57	8
P480122	29	2	P700186	63	5	P700563	65	12	P700678	57	9
P480124	29	29	P700187	63	19	P700563	69	32	P700679	57	12
P480124	39	47	P700188	55	1	P700565	65	14	P700680	57	13
P480124	41	47	P700189	55	11	P700565	69	33	P700681	57	16
P480176	29	17	P700191	55	20	P700566	65	17	P700682	57	19
P480177	13	45	P700193	55	9	P700567	65	18	P700683	57	21
P480177	17	29	P700196	62	8	P700567	69	16	P700684	57	22
P700018	57	23	P700199	62	7	P700571	65		P700685	57	1
P700030	57	10	P700220	67	22	P700571	69	36	P700686	65	40
P700031	57	11	P700220	69	20	P700573	69	31			
P700061	61	12	P700222	62	6	P700574	69	34			
P700063	61	8	P700253	61	4	P700576	69				
P700064	61	9	P700297	35	19	P700576	69				
P700068	61	10	P700298	35		P700577	69				
P700070	61	21	P700393	39		P700578	69				
P700071	61	23	P700393	41		P700580	53	3			
P700072	61	24	P700394	57	27	P700581	53	2			
						P700582	53	4			

## Torque Specifications

Use these torque values when tightening hardware (excluding: locknuts and self-tapping, thread-forming and metal screws) unless otherwise specified.

Unified National Thread	Grade 2 		Grade 5 		Grade 8 	
	Dry	Lubed	Dry	Lubed	Dry	Lubed
8-32	19*	14*	30*	22*	41*	31*
8-36	20*	15*	31*	23*	43*	32*
10-24	27*	21*	43*	32*	60*	45*
10-32	31*	23*	49*	36*	68*	51*
1/4-20	66*	50*	9	75*	12	9
1/4-28	76*	56*	10	86*	14	10
5/16-18	11	9	17	13	25	18
5/16-24	12	9	19	14	25	20
3/8-16	20	15	30	23	45	35
3/8-24	23	17	35	25	50	35
7/16-14	32	24	50	35	70	55
7/16-20	36	27	55	40	80	60
1/2-13	35	35	75	55	110	80
1/2-20	40	40	90	65	120	90
9/16-12	55	55	110	80	150	110
9/16-18	60	60	120	90	170	130
5/8-11	75	75	150	110	220	170
5/8-18	85	85	180	130	240	180
3/4-10	130	130	260	200	380	280
3/4-16	150	150	300	220	420	320
7/8-9	125	125	430	320	600	460
7/8-14	140	140	470	360	660	500
1-8	190	190	640	480	900	680
1-14	210	210	710	530	1000	740

Metric Course Thread	Grade 8.8 		Grade 10.9 		Grade 12.9 	
	Dry	Lubed	Dry	Lubed	Dry	Lubed
M6-1	8	6	11	7	13.5	10*
24M8-1.25	19	14	27	20	32.5	24*
M10-1.5	37.5	28	53	39	64	47
M12-1.75	65	48	91.5	67.5	111.5	82
M14-2	103.5	76.5	145.5	108	176.5	131
M16-2	158.5	117.5	223.5	165.5	271	200

\* All torque values are in lb-ft, except those marked with an \*, which are in lb-in.  
For metric torque values (Nm) multiply lb-ft value x 1.355, or lb-in value x 0.113.

# **Discount Equipment**

Discount-Equipment.com is your online resource for commercial and industrial quality parts and equipment sales.

## **Locations:**

Florida (West Palm Beach): [561-964-4949](tel:561-964-4949)

Outside Florida TOLL FREE: [877-690-3101](tel:877-690-3101)

**Need parts?** Check out our website at [www.discount-equipment.com](http://www.discount-equipment.com)

## **Can't find what you need?**

Click on this link: <http://www.discount-equipment.com/category/5443-parts/> and fill out the request form.

Please have the machine model and serial number available in order to help us get you the correct parts. One of our experienced staff members will get back to you with a quote for the right part that your machine needs.

We sell worldwide for the brands: Genie, Terex, JLG, MultiQuip, Mayco, Toro/Stone, Diamond Products, Magnum, Airman, Mustang, Power Blanket, Nifty Lift, Atlas Copco, Chicago Pneumatic, Allmand Brothers, Essick, Miller Spreader, Skyjack, Lull, Skytrak, Tsurumi, Husquvarna/Target, Whiteman-Concrete/Mortar, Stow-Concrete/Mortar, Baldor, Wacker, Sakai, Snorkel, Upright, Mi-T-M, Sullair, Neal, Basic, Dynapac, MBW, Weber, Bartell, Bennar Newman, Haulotte, Ditch Runner, Blaw-Knox, Himoina, Best, Buddy, Crown, Edco, Wyco, Bomag, Laymor, Terremite, Barreto, EZ Trench, Takeuchi, Basic, Bil-Jax, Curtis, Gehl, Heli, Honda, ICS/PowerGrit, Puckett, Waldon, ASV, IHI, Partner, Imer, Clipper, MMD, Koshin, Rice, Gorman Rupp, CH&E, Cat Pumps, Comet, General Pump, Giant, AMida, Coleman, NAC, Gradall, Square Shooter, Kent, Stanley, Tamco, Toku, Hatz, Kohler, Robin, Wisconsin, Northrock, Oztec, Toker TK, Rol-Air, Small Line, Wanco, Yanmar

**New Equipment - Used Equipment - Rental Equipment - Parts and Accessories**

# **Discount Equipment**

[www.discount-equipment.com](http://www.discount-equipment.com)

**561-964-4949**

Sales: [info@Discount-Equipment.com](mailto:info@Discount-Equipment.com)

Parts: [wbparts@Discount-Equipment.com](mailto:wbparts@Discount-Equipment.com)





[www.discount-equipment.com](http://www.discount-equipment.com)

**GEHL**®