

# 1448 PLUS POWERBOX PAVER



Parts Manual



[www.discount-equipment.com](http://www.discount-equipment.com)

January, 2015  
S/N 1001 – UP  
Part # 30953

# **Discount Equipment**

Discount-Equipment.com is your online resource for commercial and industrial quality parts and equipment sales.

## **Locations:**

Florida (West Palm Beach): [561-964-4949](tel:561-964-4949)

Outside Florida TOLL FREE: [877-690-3101](tel:877-690-3101)

**Need parts?** Check out our website at [www.discount-equipment.com](http://www.discount-equipment.com)

## **Can't find what you need?**

Click on this link: <http://www.discount-equipment.com/category/5443-parts/> and fill out the request form.

Please have the machine model and serial number available in order to help us get you the correct parts. One of our experienced staff members will get back to you with a quote for the right part that your machine needs.

We sell worldwide for the brands: Genie, Terex, JLG, MultiQuip, Mayco, Toro/Stone, Diamond Products, Magnum, Airman, Mustang, Power Blanket, Nifty Lift, Atlas Copco, Chicago Pneumatic, Allmand Brothers, Essick, Miller Spreader, Skyjack, Lull, Skytrak, Tsurumi, Husquyarna/Target, Whiteman-Concrete/Mortar, Stow-Concrete/Mortar, Baldor, Wacker, Sakai, Snorkel, Upright, Mi-T-M, Sullair, Neal, Basic, Dynapac, MBW, Weber, Bartell, Bennar Newman, Haulotte, Ditch Runner, Blaw-Knox, Himoina, Best, Buddy, Crown, Edco, Wyco, Bomag, Laymor, Terremite, Barreto, EZ Trench, Takeuchi, Basic, Bil-Jax, Curtis, Gehl, Heli, Honda, ICS/PowerGrit, Puckett, Waldon, ASV, IHI, Partner, Imer, Clipper, MMD, Koshin, Rice, Gorman Rupp, CH&E, Cat Pumps, Comet, General Pump, Giant, AMida, Coleman, NAC, Gradall, Square Shooter, Kent, Stanley, Tamco, Toku, Hatz, Kohler, Robin, Wisconsin, Northrock, Oztec, Toker TK, Rol-Air, Small Line, Wanco, Yanmar

# INTRODUCTION

When ordering service parts, specify the correct part number, full description, quantity required, the unit model number and serial number. For your safety and continued proper operation, use only genuine POWERBOX service parts.

The model and serial number for this unit are on a tag located on the paver control panel.

"Right" and "left" are determined from the operator's position facing forward.

POWERBOX reserves the right to make changes or improvements in the design or construction of any part of the unit without incurring the obligation to install such changes on any previously delivered units.

If grease fittings and common attaching hardware, such as cotter pins, set screws, woodruff keys, screws, nuts, etc., are not illustrated, they may be in the parts list indented below the part they are associated with. The hardware listed is for mounting purposes and is NOT included when the part is ordered for replacement.

Standard attaching hardware torque values are provided at the back of this manual. Unless otherwise specified, all capscrews are Grade 5, cadmium or zinc plated; hexagon nuts for Grade 5 capscrews and bolts are Grade A.

An hydraulic O-ring sizing chart is also provided on the inside cover of this manual.

The numbers shown in the parts page headers are Engineering tracking numbers only and should not be used for parts ordering purposes.

**NOTE:** *The following abbreviations may be used herein:*

ASSD.....	Assembled
ASY.....	Assembly
ASSY.....	Assembly
AR.....	As Required
CB.....	Carriage Bolt
CP.....	Cotter Pin
CS.....	Cap Screw (Hexagon Head)
CYL.....	Cylinder
DIA.....	Diameter
FHCS.....	Flat Head Cap Screw
FT.....	Foot or Feet
GR.....	Grade
HB.....	Hex Bolt
HLN.....	Hex Lock Nut
HN.....	Hex Nut
HP.....	High Pressure
HYD.....	Hydraulic
INS.....	Insert
LH.....	Left Hand
LN.....	Lock Nut
LT.....	Left
LW.....	Lock Washer
M.....	Metric
MM/mm.....	Millimeter
NPT.....	National Pipe Threaded
NSS.....	Not Sold Separately
RH.....	Right Hand
RT.....	Right
SHCS.....	Socket Head Cap Screw
SLTD.....	Slotted
SN.....	Serial Number or Slotted Nut
SQ.....	Square
W/.....	With

# 1448 PLUS

## TABLE OF CONTENT

### DECALS

Decal Locations . . . . .	3
---------------------------	---

### SERVICE PARTS

Filters . . . . .	6
-------------------	---

### CHASSIS

Pullarms . . . . .	7
Main Screed . . . . .	8
Screed Extensions . . . . .	10
Screed Cutoff Option . . . . .	11
Propane Kit (Optional) . . . . .	12
Spraydown Tank . . . . .	13
Fuel Tank . . . . .	14
Hopper . . . . .	15
Wings / Side Gates . . . . .	16
Flow Gate . . . . .	17
Chassis Backwall . . . . .	18
Covers . . . . .	20
Track . . . . .	21

### ENGINE

Engine . . . . .	22
Starter . . . . .	24
Alternator . . . . .	25
Engine Exhaust / Air Inlet . . . . .	26

### ELECTRICAL

Electrical Assembly . . . . .	28
-------------------------------	----

### HYDRAULICS

Main Hydraulics . . . . .	29
Screed and Vibrator . . . . .	31
Track Drive . . . . .	33
Hopper and Gates . . . . .	35

**COMPONENT DETAIL**

Hydraulic Pump - Front (Piston) Section . . . . .	37
Track Drive Control Valve . . . . .	39
9-Stack Control Valve . . . . .	40
9-Stack Control Valve Cap Ends . . . . .	42

**TORQUE SPECIFICATIONS**

Torque Specifications . . . . .	43
O-Ring Table . . . . .	44

Discount-Equipment.com

# DECAL LOCATIONS

## GENERAL INFORMATION

Decal location information is provided to assist in the proper selection and application of new decals, in the event the original decals become damaged or the machine is repainted. Refer to the listing for the illustration reference number, part number, description and quantity of each decal provided in the kit. Refer to the illustrations for appropriate replacement locations.

To ensure proper selection of the correct replacement decals, compare all of the various close-up location drawings to the machine before starting to refinish the unit. Then circle each decal shown (applicable to the machine) while checking off its part number in the listing. After verifying all the decals needed for replacement, place any extra unnecessary decals aside for disposal. If there is a decal on a part that is to be replaced, be sure that the replacement part has the decal applied to it.

**NOTE:** Refer to the SAFETY chapter of this Operator's Manual for the specific information provided on the various safety decals furnished in the decal kit.

## NEW DECAL APPLICATION

Surfaces MUST be free from dirt, dust, grease and other foreign material before applying the new decal. To apply, remove the smaller portion of the decal backing paper and apply this part of the exposed adhesive backing to the clean surface while maintaining proper position and alignment. Slowly peel off the other portion of the backing paper while applying hand pressure to smooth out the decal surface.

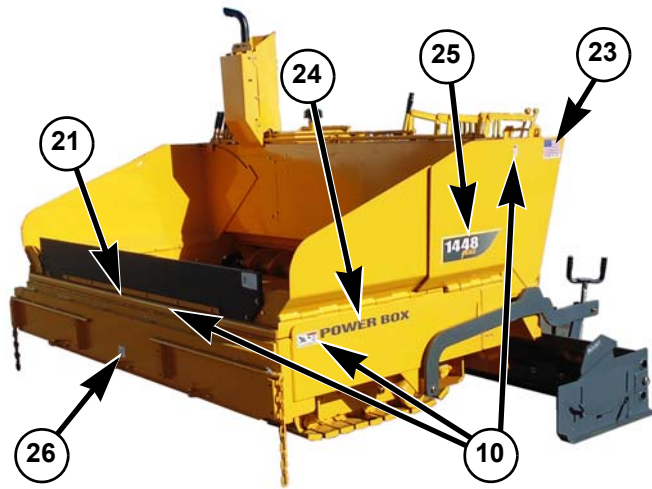
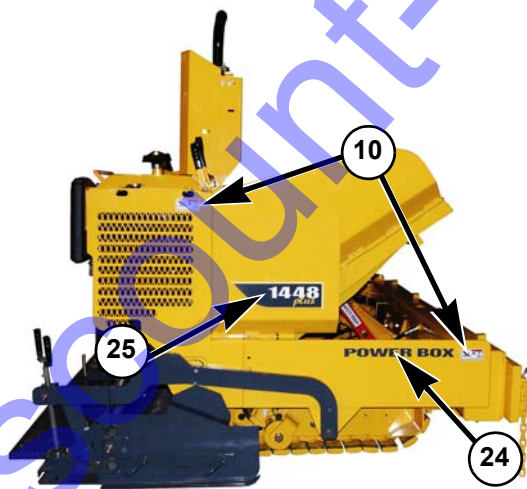
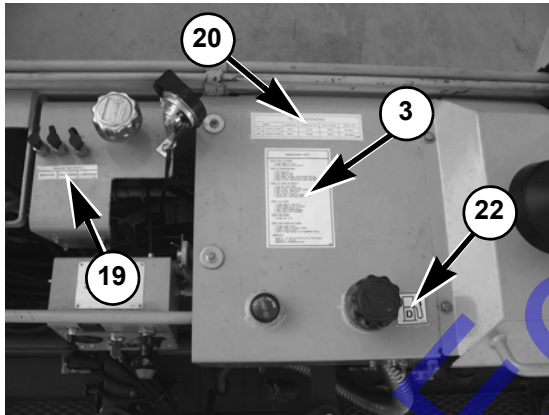
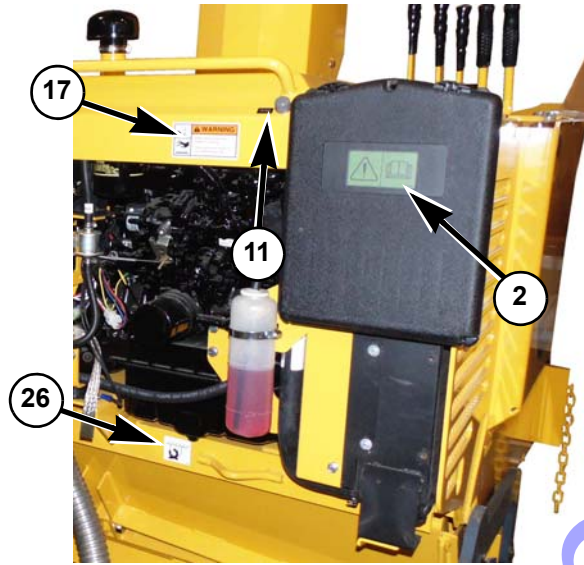


**ALWAYS** follow safety precautions on decals. Replace the decals if they are damaged, or if the unit is repainted. If repainting, **BE SURE** all applicable decals are affixed to the unit.

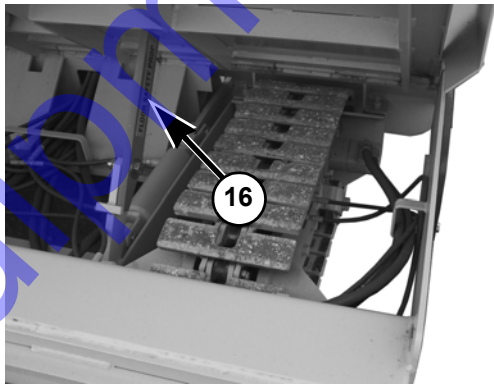
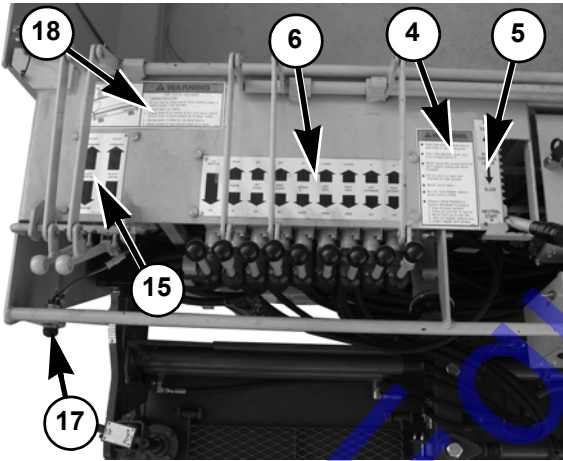
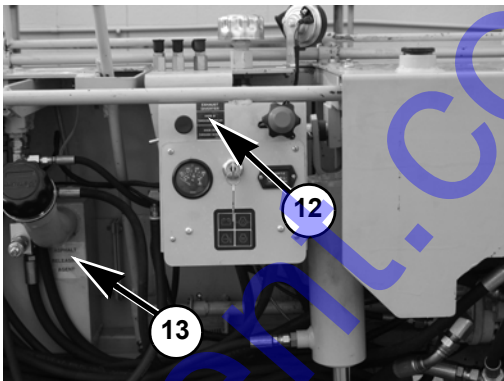
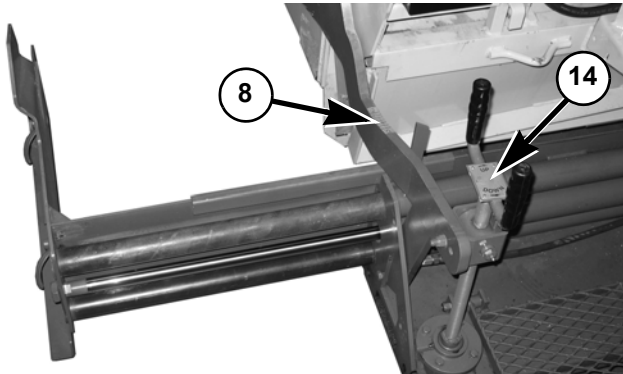
The decal kit for the model 1448 Plus Paver is listed below:

Ref. No.	Part No.	Description & Quantity
	P176060	Decal Kit - 1448 Plus
1	V2326315	WARNING - Coolant Under Pressure
2	21956	WARNING - Avoid Injury or Death
3	P175862	Maintenance Chart
4	P204100	WARNING - Read Manual
5	P204015	Pump Variable Speed Control
6	P204012	Left Side Control Levers
7	P204013	Right Side Control Levers
8	P201400	Indicator (2 Places)
9	PL65942	WARNING - Hot Surface
10	27350	WARNING - Pinch Point (5 Places)
11	PL65924	DANGER - Rotating Components
12	P471840	Exhaust Diverter
13	9794	Asphalt Release
14	P214000	Up-Down (2 Places)
15	P212750	Drive Control
16	P210200	Safety Prop (2 Places)
17	P204107	Horn (2 Places)
18	P204101	WARNING - Tip-Over Hazard
19	P175981	Pressure Test Points
20	P175805	Filter Reference
21	V23261756	Hydraulic Oil
22	14884	Diesel Fuel
23	73162772	Flag
24	P101481	Power Box (2 Places)
25	P175899	1448 Plus/Right
	P175933	1448 Plus/Left
26	6937	Tie Down Point (3 places)

# DECAL LOCATIONS

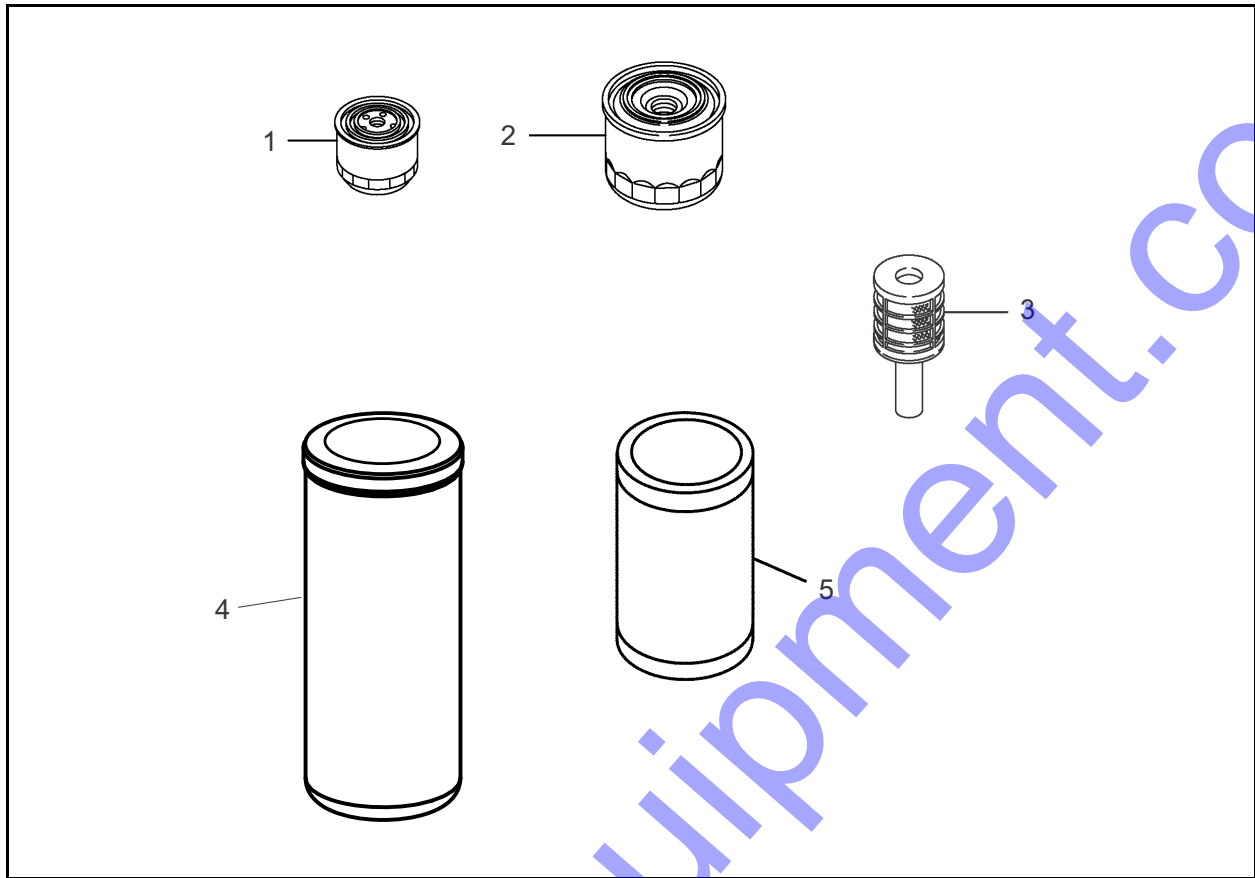


# DECAL LOCATIONS



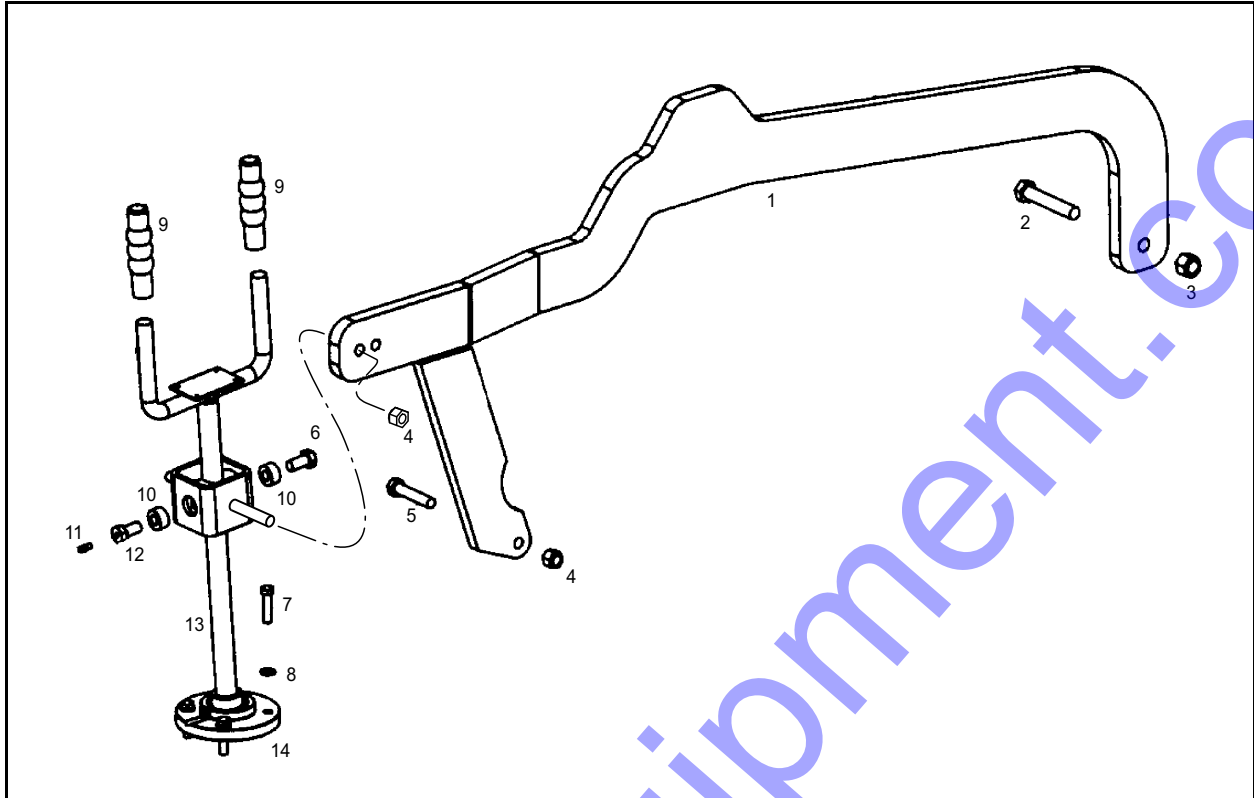


# 1448 - SERVICE PARTS FILTERS



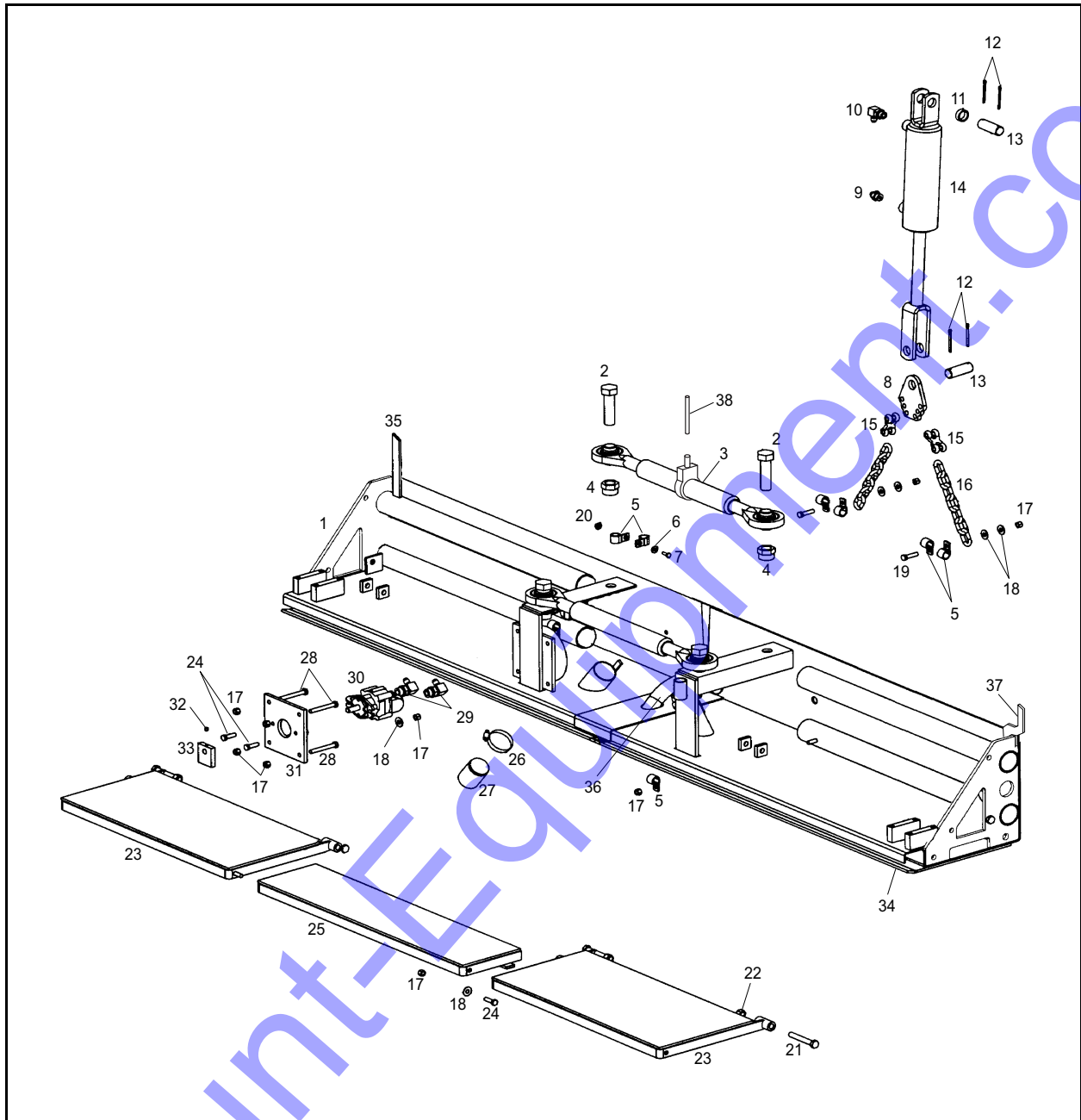
Ref. No.	Part No.	Description	Qty.
1	P270979	FILTER/FUEL OIL	1
2	P195568	ENGINE OIL FILTER (ENGINE)	1
3	P203822	FUEL SEPARATOR FILTER ELEMENT	1
4	P074830	HYDRAULIC FILTER	1
5	P175783C1	AIR CLEANER ELEMENT	1

1448 - CHASSIS  
P400301 - PULLARMS



Ref. No.	Part No.	Description	Qty.	Ref. No.	Part No.	Description	Qty.
1	P470065	LH. PULL ARM WELD.	1	8	70919312	LW 3/8 RZY	8
	P470066	RH. PULL ARM WELD.	1	9	P252400	GRIP 3/4 RUBBER	4
2	3775	CS 5/8X3-1/2 C5ZY	2	10	P142175	SPACER, DEPTH ADJ SCREED	4
3	3758	HLN INST 5/8 CZY	2	11	C271287	ZERK, GREASE STRAIGHT	2
4	10475	HLN INST 1/2 CZY	2	12	P289010	MACH. 1/2X 1 BOLT	2
5	70923752	CS 1/2X2-1/2 C5ZY	2	13	P470070	WELD/SCREED ADJ HANDLE	2
6	70926154	CS 1/2X1 C5ZY	2	14	P471567	ASY/BEARING DEPTH CONT.	2
7	3770	CS 3/8X1-1/2 C5ZY	8				

**1448 - CHASSIS**  
**P400301 - MAIN SCREED**



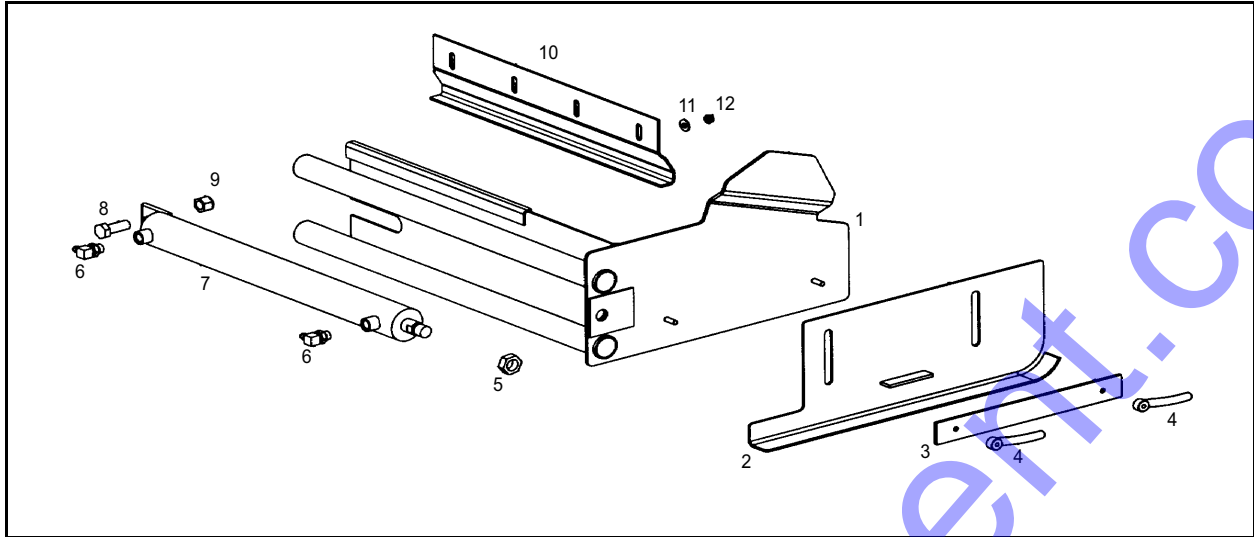
Ref. No.	Part No.	Description	Qty.	Ref. No.	Part No.	Description	Qty.
1	P175897	SCREED WELDMENT	1	7	3759	CS 1/4X3/4 C5ZY	2
2	C7X0408	CS 1X3-1/2 C5ZY	4	8	P471455	ANCHOR / CHAIN CLEVIS	1
3	P470205	TURN BUCKLE TOPLINK W/END	2	9	P230-24749	ST MJ06-MORB08	1
4	C6K3632	HLN INST 1 CZY	4	10	P110227	ELBOW/MALE 3/8 MJ-3/4-16	1
5	70926049	CLAMP/HOSE .75 X .41 HOLE	10	11	P471084	SPACER/SCREED CYL	1
6	70918264	FW 1/4 AWZY	2	12	26812	CP EPSC 3/16 X 2 Z	4

**1448 - CHASSIS  
P400301 - MAIN SCREED**

Ref. No.	Part No.	Description	Qty.
13	P471297	PIN/CYLINDER CLEVIS END	2
14	P50304622	CYL/ SCREED LIFT	1
*	P50290093	SEAL KIT	1
15	P471454	CLEVIS/DOUBLE LINK	2
16	P471203	CHAIN/SCREED LIFT	2
17	12027	HLN INST 3/8 CZY	12
18	70918266	FW 3/8 AWZY	8
19	3770	CS 3/8X1-1/2 C5ZY	2
20	27146	LN LG FL SERR 1/4 CZ	2
21	4931	CS 1/2X3-1/2 C5ZY	4
22	10475	HLN INST 1/2 CZY	4
23	P470080	WLDMNT, SCREED PLATFORM	2
24	3769	CS 3/8X1-1/4 C5ZY	4
25	P470121	WLDMNT CENTER PLATFORM	1

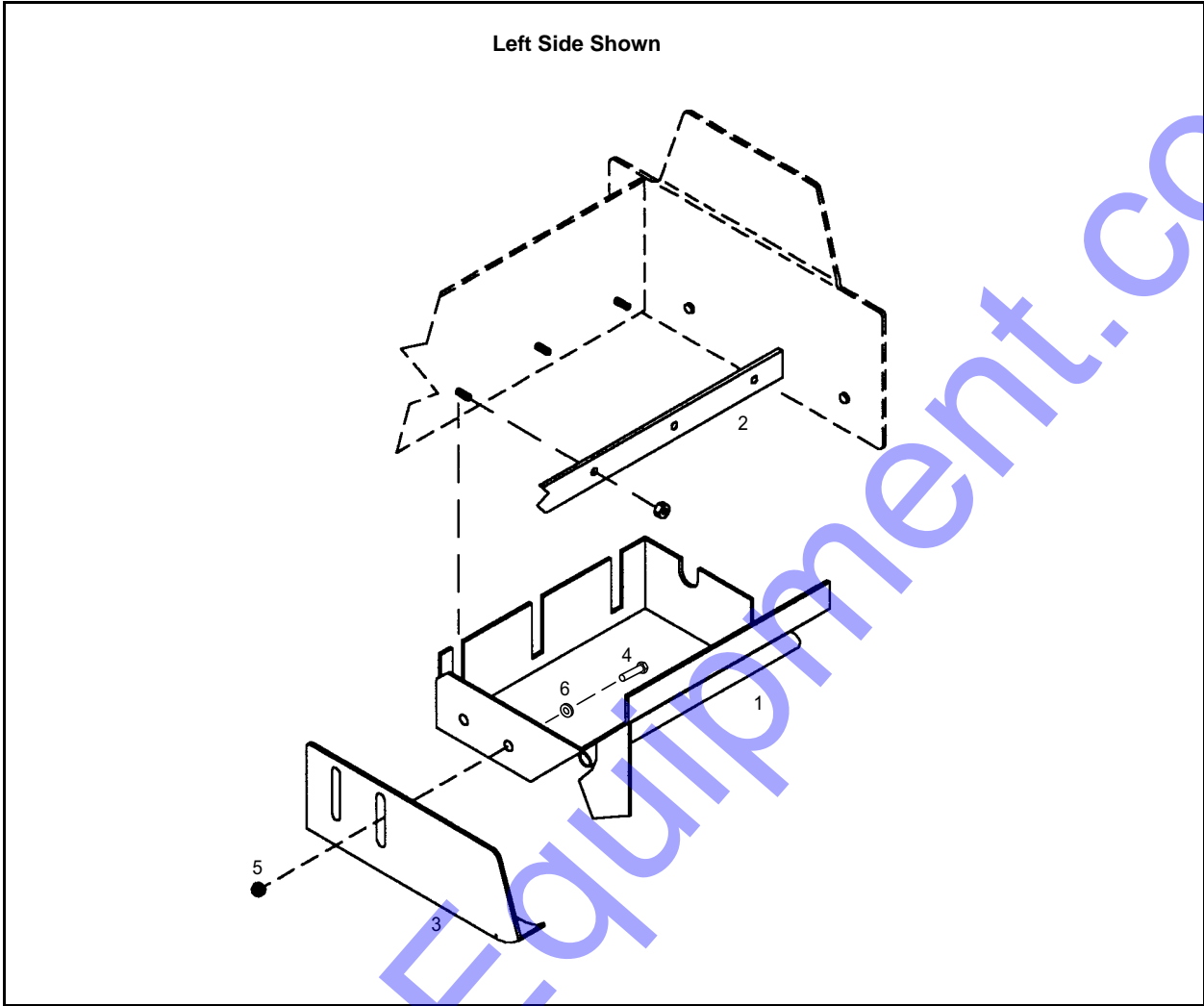
Ref. No.	Part No.	Description	Qty.
26	30308	CLAMP/HOSE SAE #32	2
27	P018700	WLDMNT, BURNER CAP	2
28	3772	CS 3/8X3 C5ZY	4
29	P470406	ADP-10 ORM -6 90 DEG	2
30	P349450	MOTOR VIBRATOR	1
*	P282400	SERVICE KIT (SEALS & BEARINGS)	1
31	P316100	PLATE, VIBR. MOTOR MNT.	1
32	30091	SHSS CP 5/16X5/16	1
33	P316400	BAR, CNTRWT. VIBR. MOTOR	1
34	P471392	SCREED/WEAR PLATE (WELD ON)	1
35	P470468	BAR/INDICATOR (WELD ON)	1
36	P470143	PIPE EXHAUST (WELD ON)	1
37	175895	BAR/POINTER (WELD ON)	1
38	P700459	RATCHET HANDLE	1

**1448 - CHASSIS**  
**P400301 - SCREED EXTENSIONS**



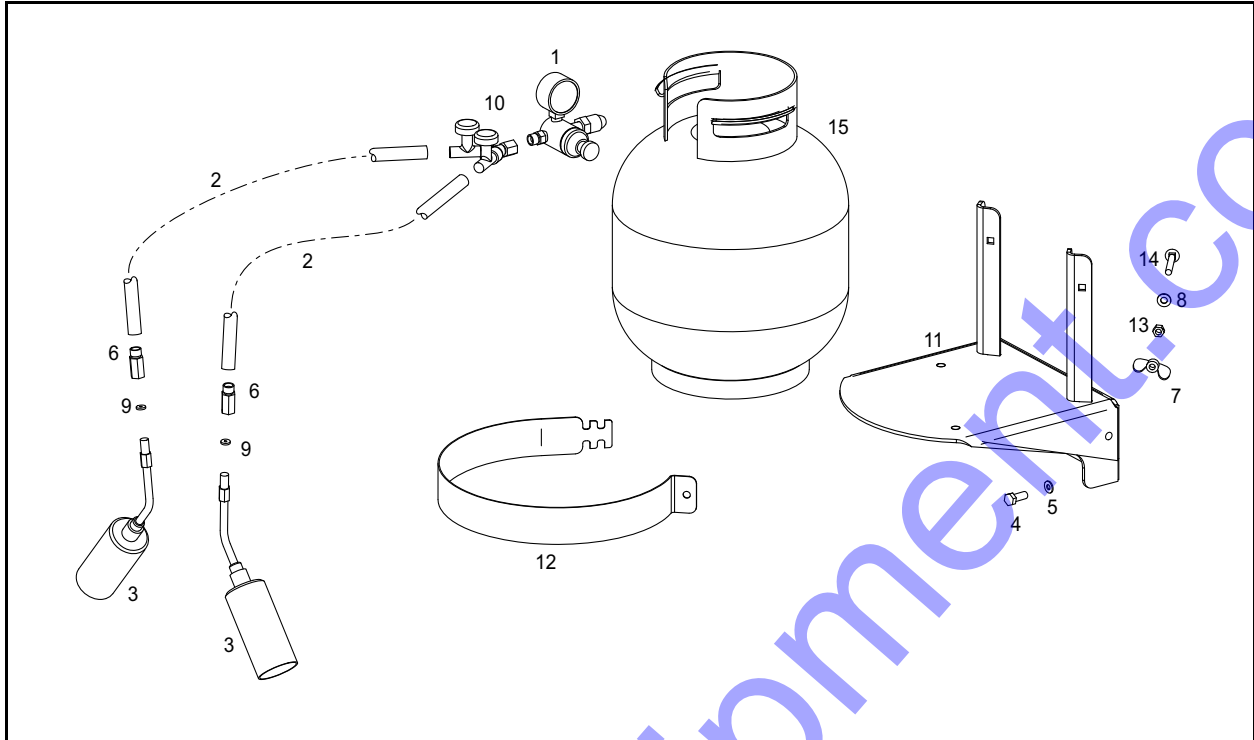
Ref. No.	Part No.	Description	Qty.	Ref. No.	Part No.	Description	Qty.
1	P471507	LH.SCREED EXT.WELD.	1	7	P50304621	CYL/SCREED EXTENSION.	2
	P471508	RH.SCREED EXT.WELD.	1	*	P50290092	SEAL KIT	1
2	P470057	LH. EXTEND SHOE WELD.	1	8	4283	CS 3/4X2 C5ZY	2
	P470058	RH. EXTEND SHOE WELD.	1	9	70916170	HLN INST 3/4 CZY	2
3	P178000	TIGHTENER BAR	2	10	P470051	PLATE, LOWER EXT. STRIKE	2
4	P015900	TIGHTENER HANDLE	4	11	70918266	FW 3/8 AWZY	8
5	9599	HJN 1 F2ZY	2	12	PL520022	FLEX/LOCK NUT .375-16	8
6	P110227	ELBOW/MALE 3/8 MJ-3/4-16	4				

**1448 - CHASSIS  
SCREED CUTOFF OPTION**



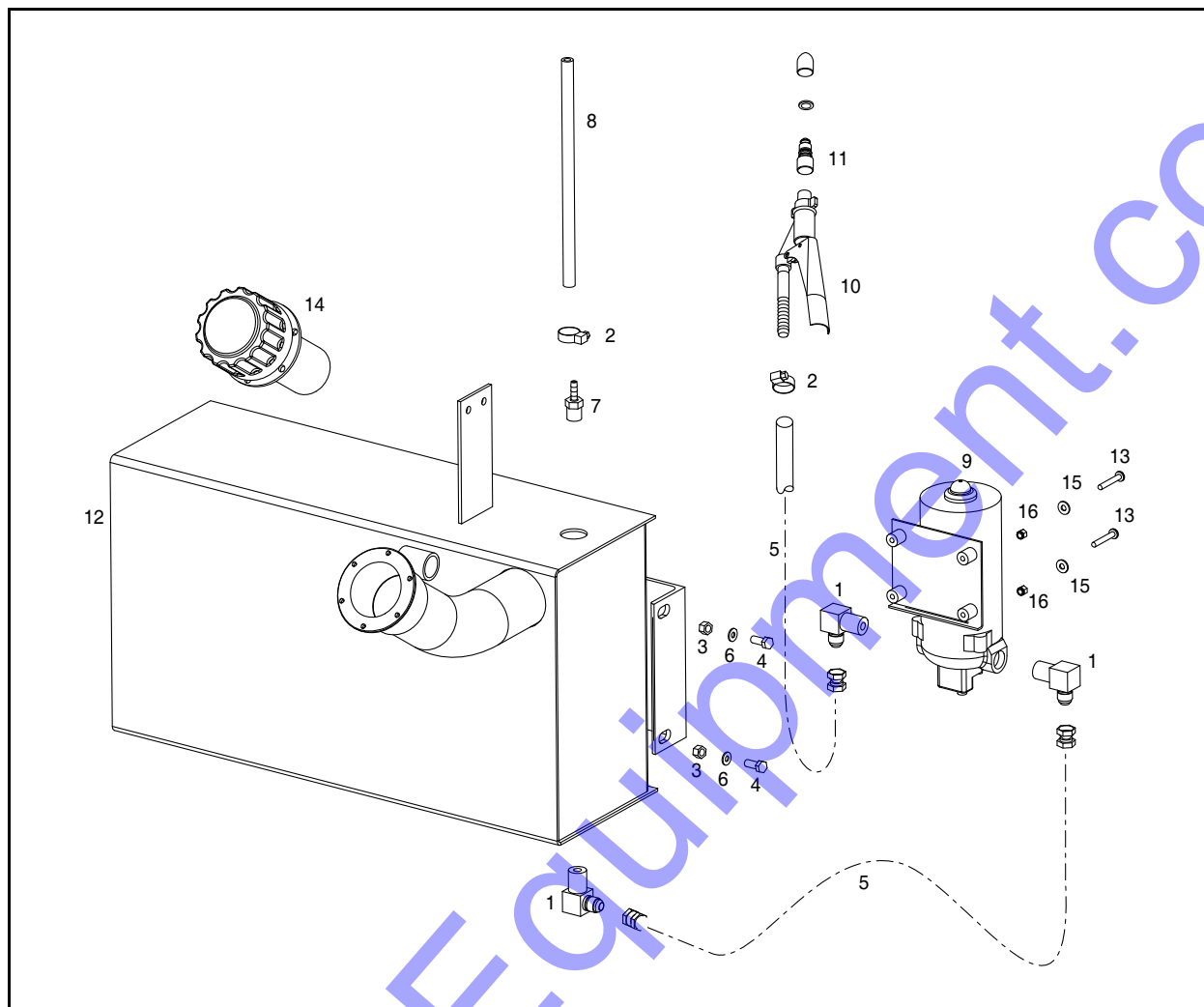
Ref. No.	Part No.	Description	Qty.	Ref. No.	Part No.	Description	Qty.
1	P473002	CUT-OFF PLATE 6" LEFT SIDE	1	P473010	CUT-OFF PLATE 30" LEFT SIDE	1	
	P473001	CUT-OFF PLATE 6" RIGHT SIDE	1	P473009	CUT-OFF PLATE 30" RIGHT SIDE	1	
	P473004	CUT-OFF PLATE 12" LEFT SIDE	1	2	P101866	MOUNT BAR 6"	1
	P473003	CUT-OFF PLATE 12" RIGHT SIDE	1		P101867	MOUNT BAR 12"	1
	P473006	CUT-OFF PLATE 18" LEFT SIDE	1		P101868	MOUNT BAR 18"	1
	P473005	CUT-OFF PLATE 18" RIGHT SIDE	1		P471428	MOUNT BAR 24"	1
	P473008	CUT-OFF PLATE 24" LEFT SIDE	1	3	P471577	LH CUT-OFF SHOE	1
	P473007	CUT-OFF PLATE 24" RIGHT SIDE	1		P471579	RH CUT-OFF SHOE	1
				4	70926154	CS 1/2X1 C5ZY	2
				5	70916951	HN 1/2 C2ZY	2
				6	3784	FW1/2 AWZY	2

**1448 - CHASSIS**  
**P1448-265 - PROPANE KIT (OPTION)**



Ref. No.	Part No.	Description	Qty.	Ref. No.	Part No.	Description	Qty.
	P1448-265	PROPANE KIT COMPLETE	1	9	P175674	GASKET/PLASTIC	2
1	P380200	REGULATOR	1	10	P175632	Y VALVE/LP	1
2	P270200	HOSE	2	11	P175572	TANK/SUPPORT	1
3	P412000	TORCH TIP	2	12	P175494	BAND/LP	1
4	3767	CS 3/8X3/4 C5ZY	2	13	21009	LN 5/16 CBZY	1
5	70919312	LW 3/8 RZY	2	14	24632	CB 5/16X2-1/4 C5ZY	1
6	P175811	LP ADAPTER	2	15	*	PROPANE TANK 20#	1
7	17840	NUT/WING LIGHT 5/16 ACZY	1			* Purchase Locally	
8	70911421	FW 5/16 ANZY	2				

**1448 - CHASSIS  
P430087 - SPRAYDOWN TANK**

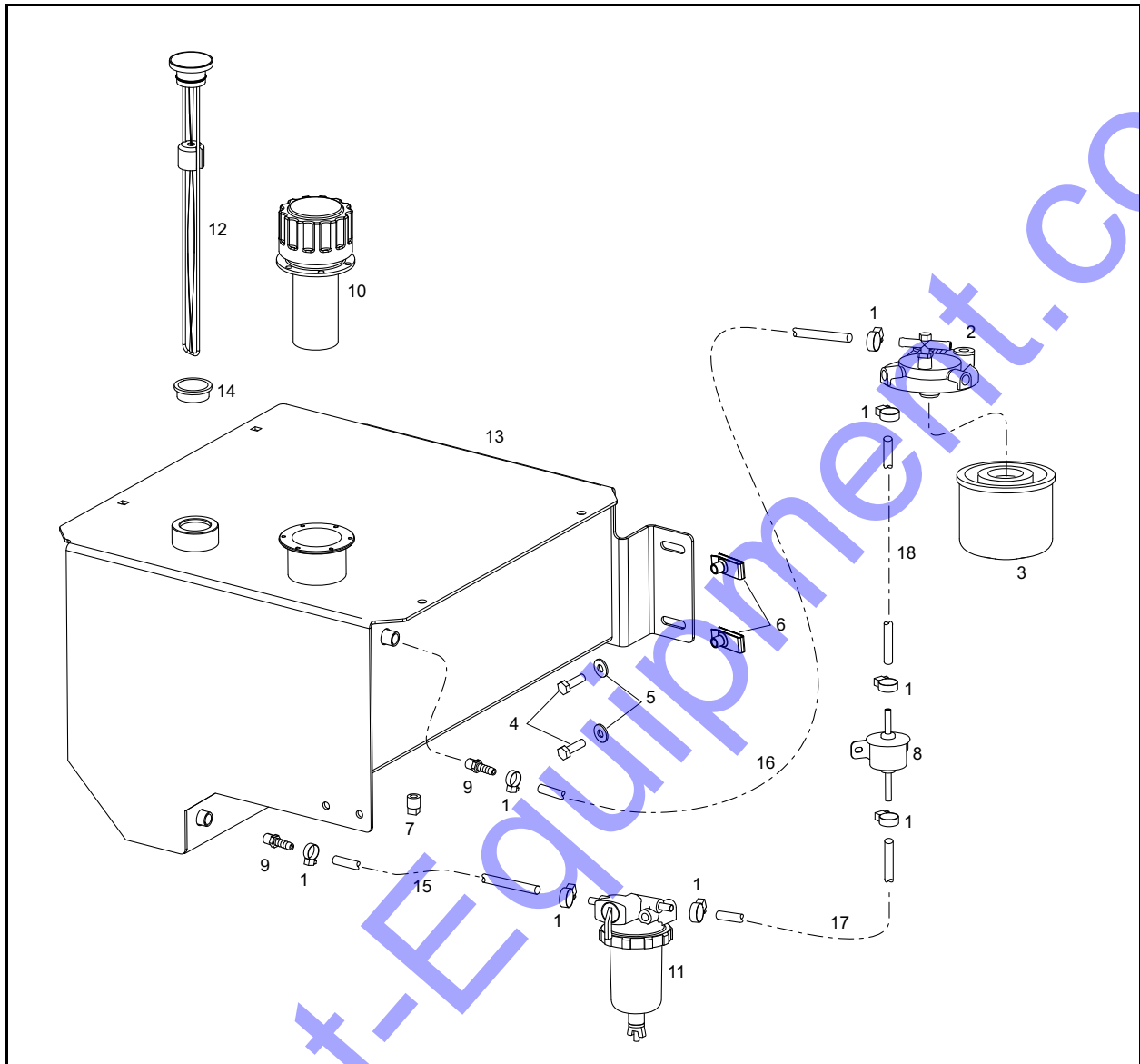


Ref. No.	Part No.	Description	Qty.
1	P057650	ADP -6JICM -6NPTM 90	3
2	73162655	CLAMP / HOSE	2
3	12027	HLN INST 3/8 CZY	4
4	70923490	CS 3/8X1 C5ZY	4
5	P470463	HOSE/ASSY SPRAYDOWN	2
6	70918266	FW 3/8 AWZY	4
7	7244	HOSE BARB 1/4NPT X 1/4	1
8	29988	HOSE / CLEAR 1/4 X 3/32	1
9	30294	PUMP/12V RELEASE AGENT	1

Ref. No.	Part No.	Description	Qty.
10	11859	HAND APPLICATOR VALVE	1
11	11860	NOZZLE ASSEMBLY	1
12	P470341	SPRAYTANK	1
13	3776	PHMS SLT #1024X1-1/4 ZY	4
14	1223	FILLER CAP	1
15	3779	FW #10 AZY	4
16	3753	HLN INST #1024 CZY	4



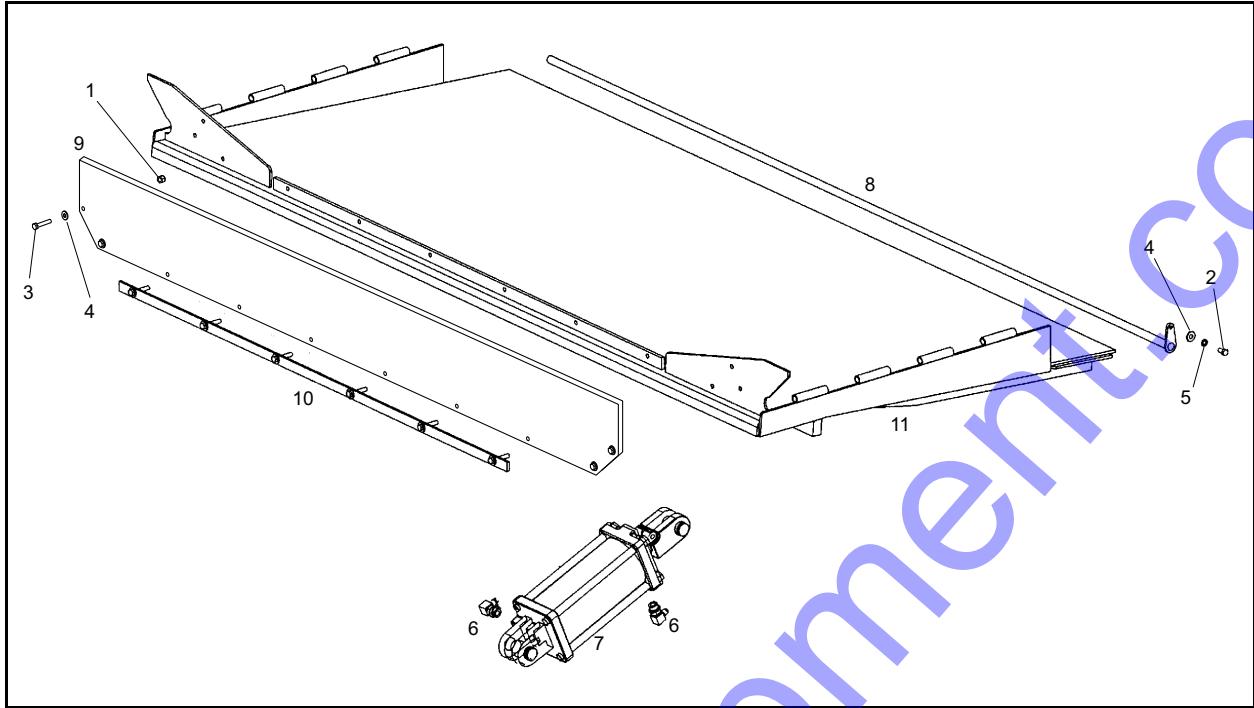
**1448 - CHASSIS**  
**P430352 - FUEL TANK**



Ref. No.	Part No.	Description	Qty.
1	73162655	CLAMP / HOSE	8
2	P186467	FUEL FILTER BRACKET	1
3	P270979	FILTER/FUEL OIL	1
4	24633	CB SN 5/16 X 1 C5ZY	4
5	3778	LOCK WASHER, 5/16	4
6	30309	NUT/CLIP RETAINING 5/16	4
7	70901652	PLUG -4NPTM	1
8	P186308	PUMP ASSY / FUEL FEED	1
9	7393	HOSE BARB 1/4NPT X 5/16	2

Ref. No.	Part No.	Description	Qty.
10	1223	FILLER CAP	1
11	P188492	SEPARATOR ASSY	1
12	P473298	FUEL GAUGE	1
13	P175675	FUEL TANK	1
14	P473303	GROMMET FUEL GAUGE	1
15	P175885	FUEL LINE, 5/16 (20" LENGTH)	1
16	P175882	FUEL LINE, 5/16 (9.5" LENGTH)	1
17	P175884	FUEL LINE, 5/16 (5.5" LENGTH)	1
18	P175883	FUEL LINE, 5/16 (8.25" LENGTH)	1

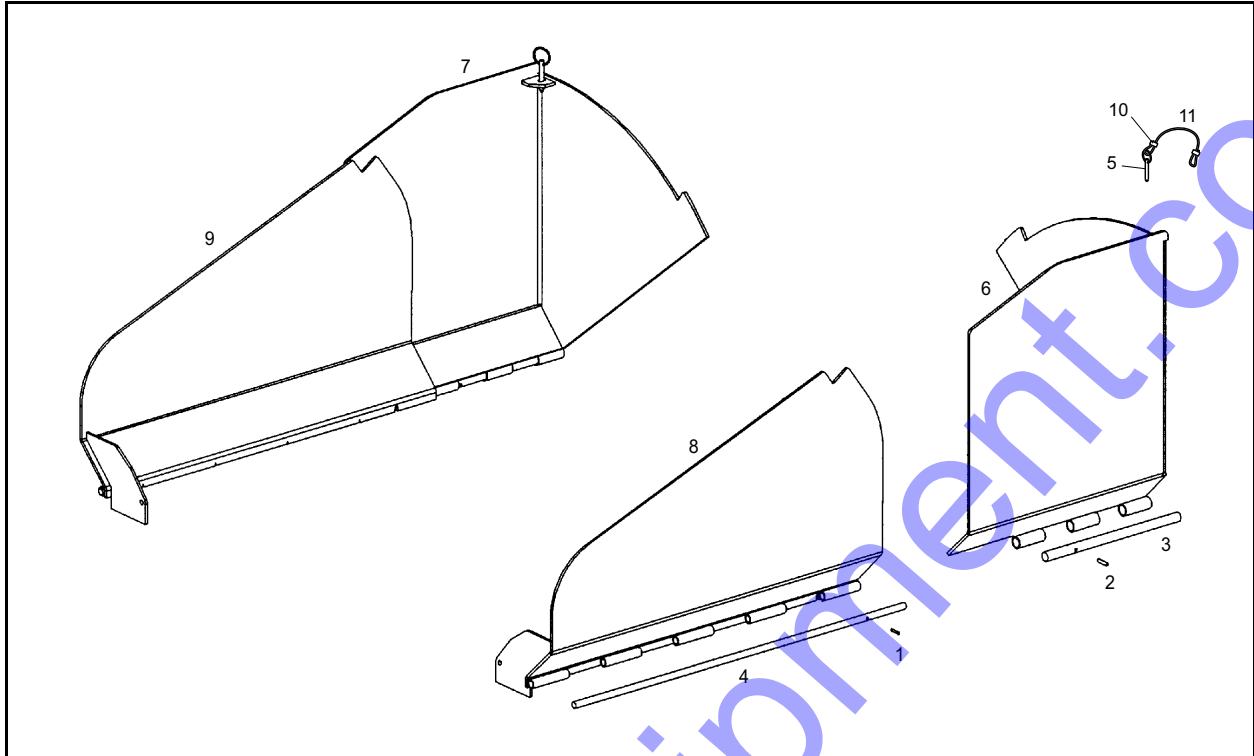
1448 - CHASSIS  
P430083 - HOPPER



Ref. No.	Part No.	Description	Qty.	Ref. No.	Part No.	Description	Qty.
1	18939	HN LF SLOC 3/8 CZ	10	7	P470939	CYLINDER	1
2	3767	CS 3/8 X 3/4 C5ZY	1	*	P700239	SEAL KIT	1
3	70923701	CS 3/8 X 2 C5ZY	10	8	P471057	FLOOR HINGE PIN	1
4	70918266	FW 3/8 AWZY	11	9	P471427	LIP / HOPPER	1
5	70919312	LW 3/8 RZY	1	10	P471474	BAR / HOPPER LIP	1
6	P470406	ADP -10ORM -6JICM 90	2	11	P473090	HOPPER FLOOR	1

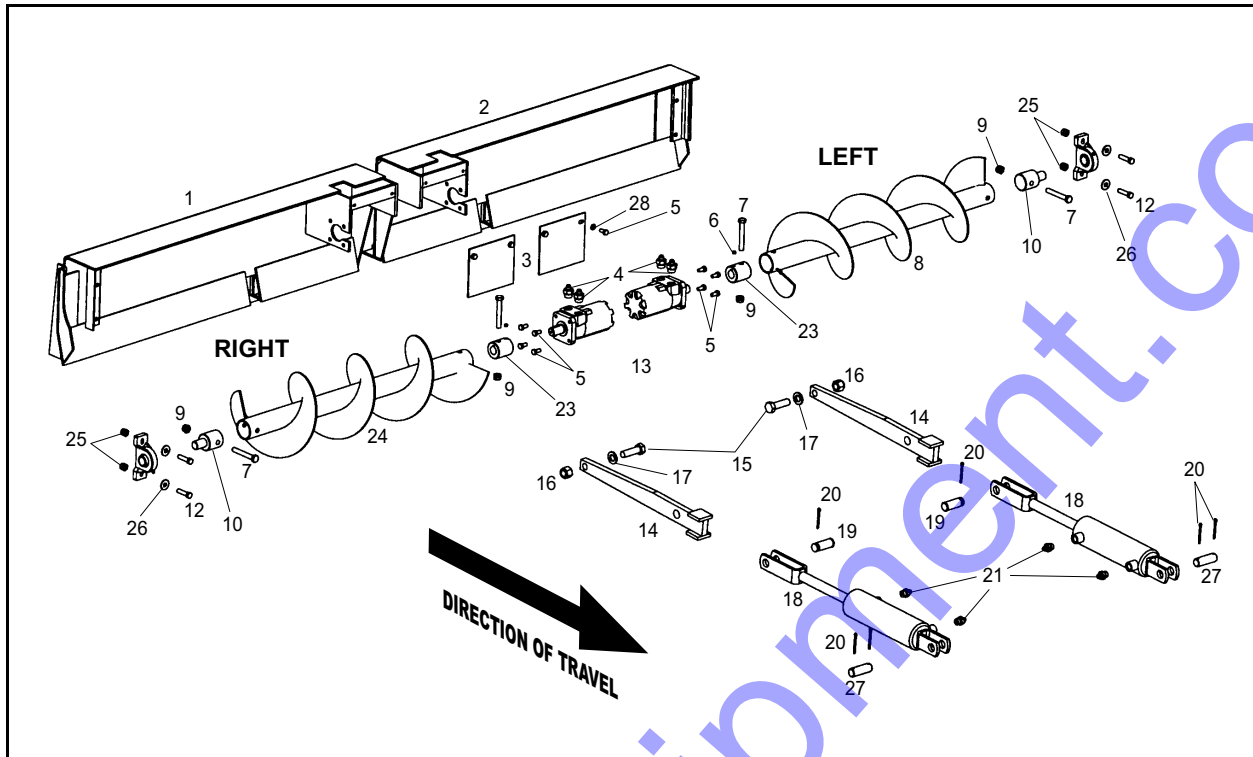
# 1448 - CHASSIS

## P430084 - WINGS / SIDE GATES



Ref. No.	Part No.	Description	Qty.	Ref. No.	Part No.	Description	Qty.
1	26471	PIN / SPRING 3/16 X 1	2	7	P471130	RIGHT REAR WING	1
2	15580	PIN / SPRING 1/4 X 1-1/4	2	8	P471131	LEFT FRONT WING	1
3	P470088	HINGE PIN REAR HOPPER	2	9	P471132	RIGHT FRONT WING	1
4	P470100	HINGE PIN HOPPER WING	2	10	P122633	CRIMP SLEEVE	4
5	P470609	PIN / QUICK RELEASE	2	11	P470610	WIRE / NYLON COATED	2
6	P471129	LEFT REAR WING	1				

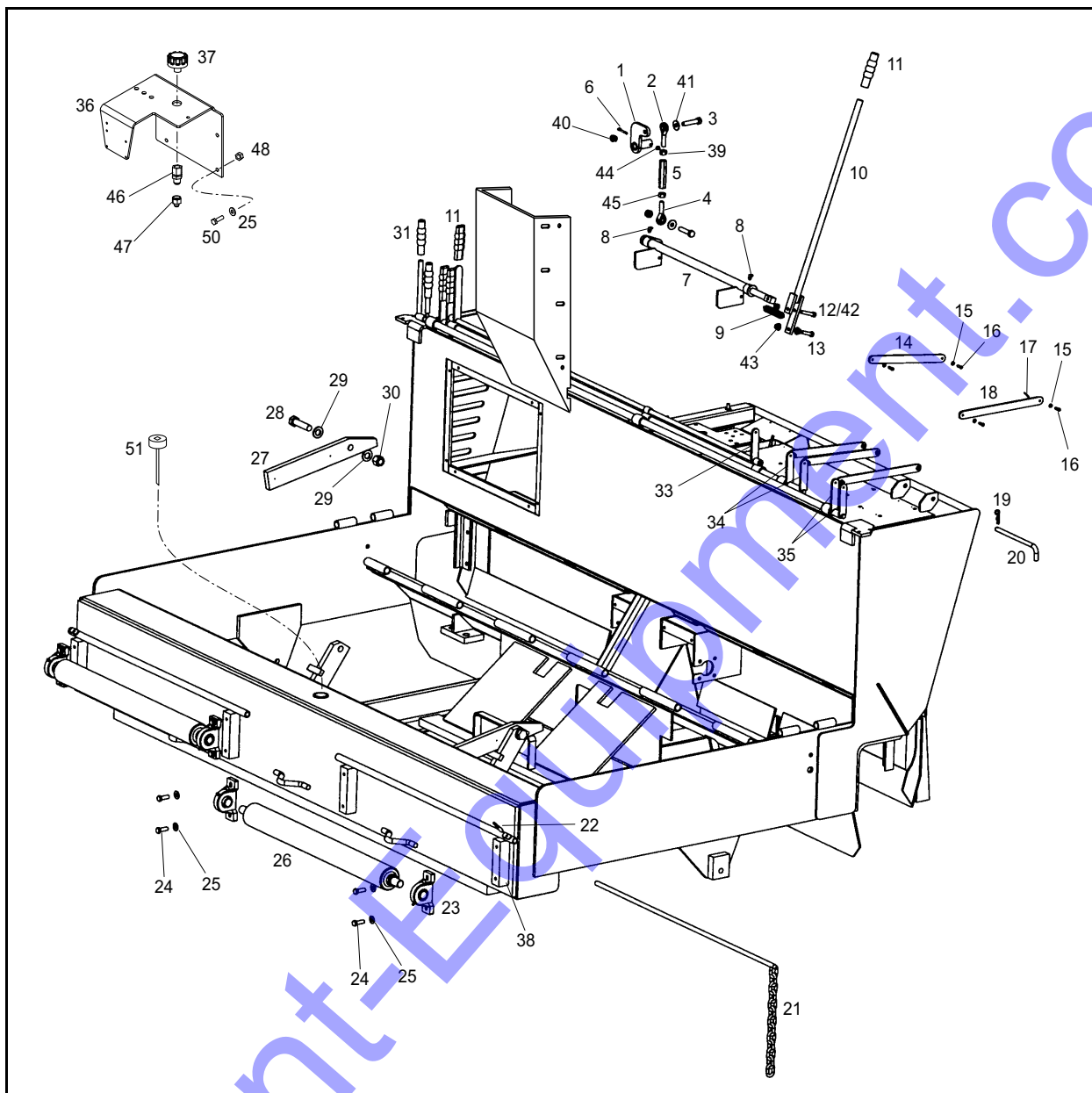
1448 - CHASSIS  
P430138 - FLOW GATE



Ref. No.	Part No.	Description	Qty.	Ref. No.	Part No.	Description	Qty.
1	P471045	WLDMT/RH GATE	1	15	70922744	CS 3/4X2-1/2 C5ZY	2
2	P471044	WLDMT/LH GATE	1	16	70916170	HLN INST 3/4 CZY	2
3	P136200	AUGER MOTOR COVER	2	17	70929188	FW 3/4 AWZY	2
4	PL60253	ADP-10ORM -6JICM	4	18	P50306475	CYLINDER	2
5	3767	CS 3/8X3/4 C5ZY	12	*	P50290602	SEAL/REPAIR KIT	1
6	6086	SS ALAN .38-16 X .25	2	19	P471297	PIN/CYLINDER CLEVIS END	2
7	4931	CS 1/2X3-1/2 C5ZY	4	20	26812	CP EPSC 3/16 X 2 Z	6
8	P473327	AUGER	1	21	P230-24749	ST MJ06-MORB08	4
9	29759	NUT/FL .50-13 CLSA	4	23	P311600	AUGER HUB FEMALE	2
10	P311800	AUGER HUB / MALE	2	24	P473328	AUGER	1
11	P471466	BEARING/1" PILLOW BLOCK	2	25	PL50071	NUT/FLEX LOCK .434-14	4
12	26106	BOLT/HHCS .44-14X1.75 G8 Z	4	26	18832	FW 7/16 AWZY	4
13	P480071	MOTOR/AUGER	2	27	P700400	PIN	2
*	P279009	SEAL KIT	1	28	70919312	LW 3/8 RZY	4
14	P471052	GATE EXT. ARM	2				

# 1448 - CHASSIS

## P430355 - CHASSIS BACKWALL



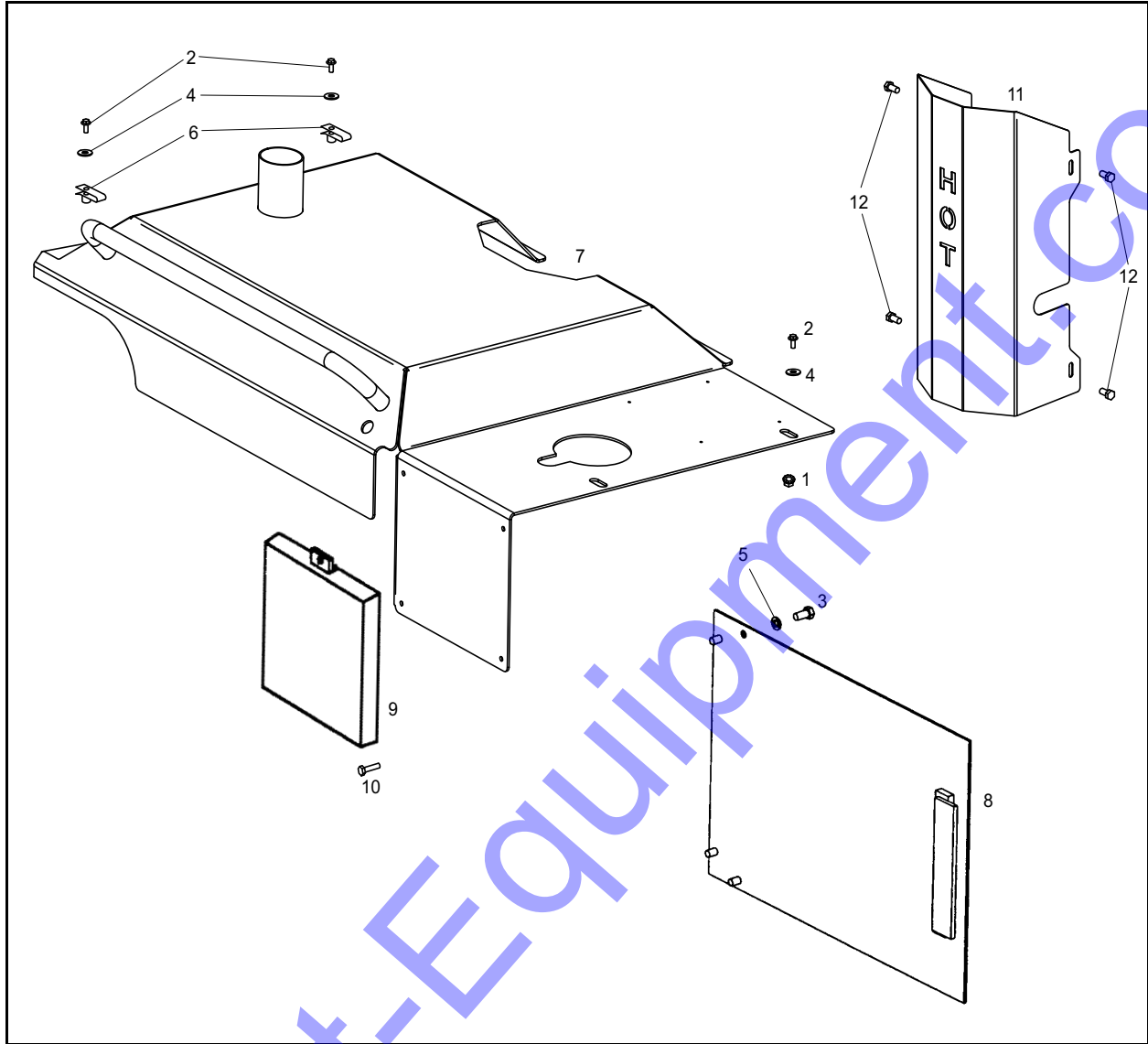
Ref. No.	Part No.	Description	Qty.	Ref. No.	Part No.	Description	Qty.
1	P175898	LINK-PUMP CONTROL	1	13	3770	CS 3/8X1-1/2 C5ZY	1
2	24453	END/ROD BALL-J LH-THRD	1	14	P143200	LEG/CNTRL 12" DUAL	3
3	70927469	CS 1/2X2-1/4 C5ZY	2	15	3779	FW #10 AZY	20
4	C2J5038	END, ROD 1/2 " MALE RH	1	16	30088	CL PIN 1/4 X 51/64 ZY	10
5	30212	ROD/ADJ PUMP SPEED CTRL	1	17	70919313	CP EPSC 3/32 X 3/4 Z	10
6	70926148	CS 1/4X1-1/2 C8ZY	1	18	P137200	DUAL CONTROL LEG - 13	"2
7	P470836	WELD/PUMP LINKAGE	1	19	11147	COTTER PIN/HAIR	1
8	30210	ZERK, GREASE 1/4-28 90 DEG	2	20	P470246	PIN/DRIVE CONTROL STOP	1
9	PL561003	SPRING/EXT 13GA X .73OD	1	21	P470014	ALIGNMENT SLIDE	2
10	P470320	WLDMNT/PUMP CONTROL ARM	1	22	30089	SCREW/THUMB 3/8X1 CZY	2
11	P252400	GRIP 3/4 RUBBER	4	23	P024000	BEARING 1" PILLOW BLOCK	4
12	26822	HC .375 X 2 C8 Z	1	24	C8T9382	CS 7/16X1-1/4 C5	8

**1448 - CHASSIS  
P430355 - CHASSIS BACKWALL**

Ref. No.	Part No.	Description	Qty.
25	70918266	FW 3/8 AWZY	12
26	P470606	BAR/PUSH ROLLER	2
27	P470025	FLOOR PROP	2
28	17980	BOLT/HHCS .75-10X3.0 GR8	2
29	70929188	FW 3/4 AWZY	4
30	70916170	HLN INST 3/4 CZY	2
31	P252600	GRIP 5/8 RUBBER	2
33	P470299	WLDMT/EXT DUAL CONTROL	1
34	P470294	WLDMT AUGER FLOOR CNTRL	1
35	P470289	WLDMT/DUAL DRIVE CNTRL	1
36	P175807	CHANNEL / MOUNT	1
37	P471247	BREATHER CAP	1
38	P470006	MOUNT PUSHM ROLLER BRG.	4

Ref. No.	Part No.	Description	Qty.
39	30085	HN 1/2 F2ZY LH	1
40	29759	NUT/FL .50-13 CLSA	2
41	18832	FW 7/16 AWZY	2
42	PL50065	NUT .375-24 FLEXLOCK Z	1
43	18939	LN LG FL SERR 3/8 CZ	2
44	PL50113	NUT/FL .25-20 Z	1
45	20311	HN 1/2 F2ZY	1
46	P471289	ADAP 12 BLKHD STR.	1
47	P230-32672	REDUCER FJ12-MJ08	1
48	12027	HLN INST 3/8 CZY	4
50	70923490	CS 3/8X1 C5ZY	4
51	P013150	HYDRAULIC TANK DIPSTICK	1

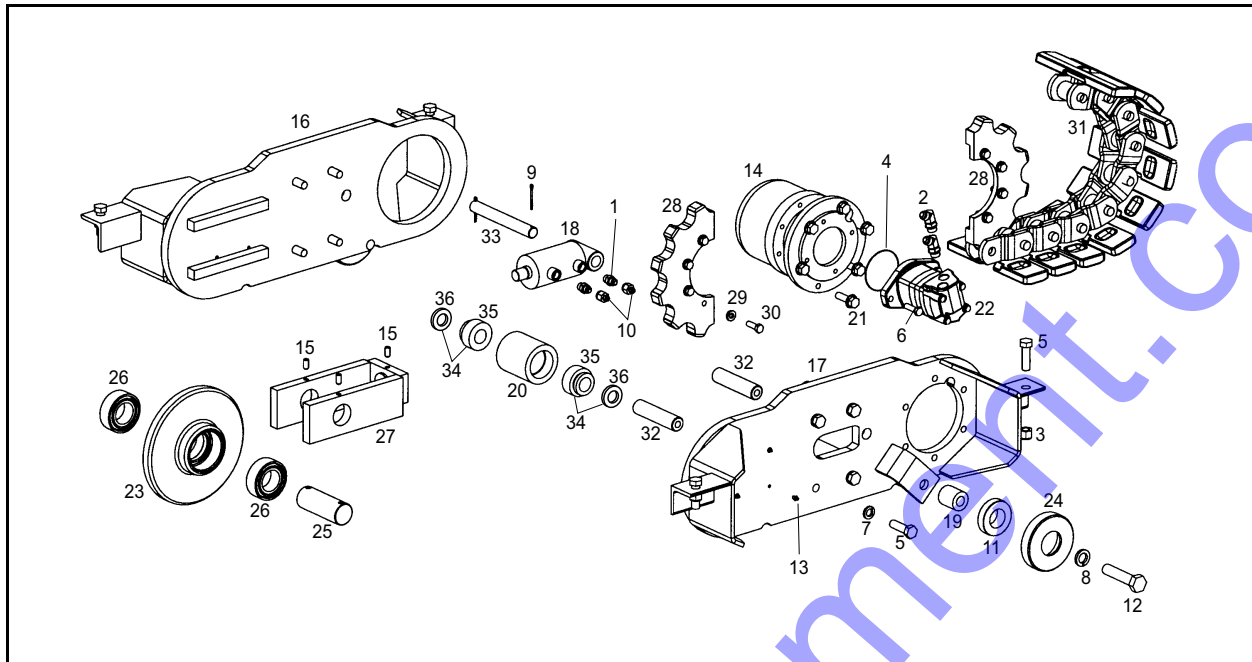
**1448 - CHASSIS**  
**P430356 - COVERS**



Ref. No.	Part No.	Description	Qty.
1	13585	LN LG FL SERR 5/16 CZ	2
2	70922126	CS 5/16X3/4 C5ZY	2
3	3767	CS 3/8X3/4 C5ZY	4
4	3782	FW 5/16 AWZY	2
5	70919312	LW 3/8 RZY	4
6	30309	FASTENER RETAINED NUT	2

Ref. No.	Part No.	Description	Qty.
7	P175815	ENGINE COVER	1
8	P471547	ACCESS PANEL	1
9	7185	HOLDER/MANUAL PLASTIC	1
10	9675	SCREW/THWH TC USL 1/4X1/2 CZY	4
11	P175724	MUFFLER COVER	1
12	9675	SCREW/THWH TC USL 1/4X1/2 CZY	4

1448 - CHASSIS  
P430132, P430133 - TRACK

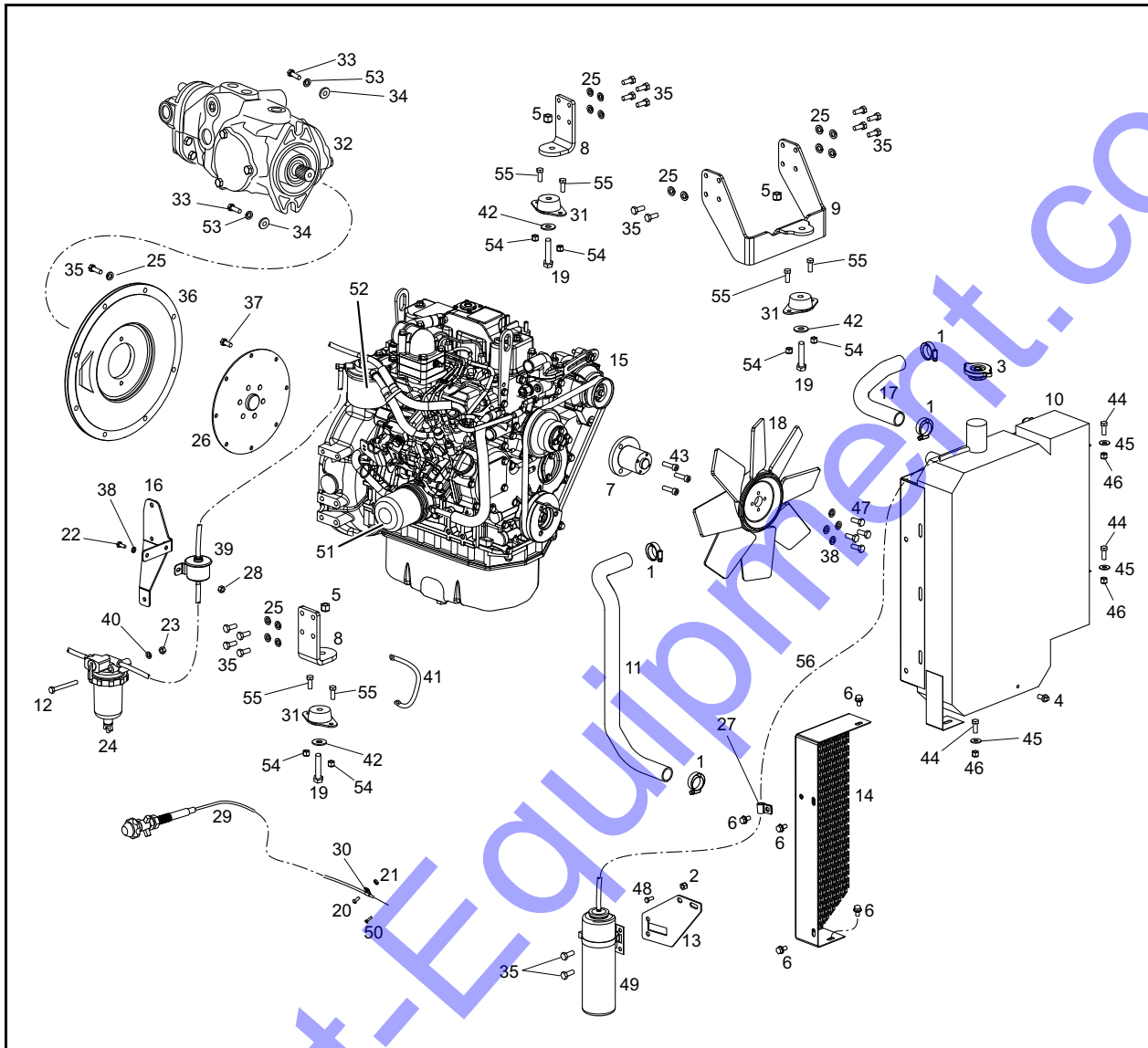


Ref. No.	Part No.	Description	Qty.	Ref. No.	Part No.	Description	Qty.
	P430132	COMPLETE LEFT TRACK ASSY	1	19	P471182	SPACER	2
	P430133	COMPLETE RIGHT TRACK ASSY	1	20	P471186	ROLLER/TRACK	2
1	P054626	ADP-80RM-8JICM STR	2	21	30094	BOLT/FLANGE .625-11X 2	6
2	P062397	ELBOW/45 DEG MALE	2	22	P471429	MOTOR/LSHT	1
3	70916170	HLN INST 3/4 CZY	4	*	PL500727	SEAL KIT	1
4	7746	O-RING/2-045	1	23	P471448	MACHINED SPROCKET, IDLER	1
5	70922744	CS 3/4X2-1/2 C5ZY	12	24	P471479	ROLLER/OUTRIGGER	2
6	70921525	CS 1/2X1-3/4 C5	2	25	P471501	AXLE/FRONT MACHINED	1
7	70928455	LW 3/4 RZY	8	26	P471502	BEARING/IDLER HUB	2
8	5351	LW 1 RZY	2	27	P471532	WELDMENT/YOKE	1
9	26812	CP EPSC 3/16 X 2 Z	2	28	P471543	DRIVE SPROCKET	1
10	PL60588	ADP 37 REDUCING	2	29	3784	WASHER/HARD .50	8
11	P024500	BEARING W/O COLLAR	2	30	24634	CS 1/2X1-1/2 F8ZY	8
12	30095	BOLT 1-8X 4.50	2	31	P473055	WELDMENT/TRACK	1
13	30097	GREASE/ZERK .312	8		P700645	TRACK PAD/STANDARD	24
14	P271900	HUB/TORQUE	1		P700646	LEFT TRACK PAD, NOTCHED	1
15	28204	SS .50 X 1	3		P700647	RIGHT TRACK PAD, NOTCHED	1
16	P470587	LEFT WELD/TRACK FRAME HUB	1	32	P480122	SHAFT/TRACK ROLLER	4
	P470589	RIGHT WELD/TRACK FRAME HUB	1	33	P480124	PIN/TRACK CYL.	1
17	P470588	LEFT WELD/TRACK FRM MOTOR	1	34	P069485	BEARING/COLLAR KIT	4
	P470590	RIGHT WELD/TRACK FRM MOTOR	1	35	P069485	BALL BEARING	4
18	P470593	CYL/TRACK TENSION	1	36	P069485	KIT/BEARING/COLLAR	4
*	P102121	SEAL KIT	1				



# 1448 - ENGINE

## P430353 - ENGINE



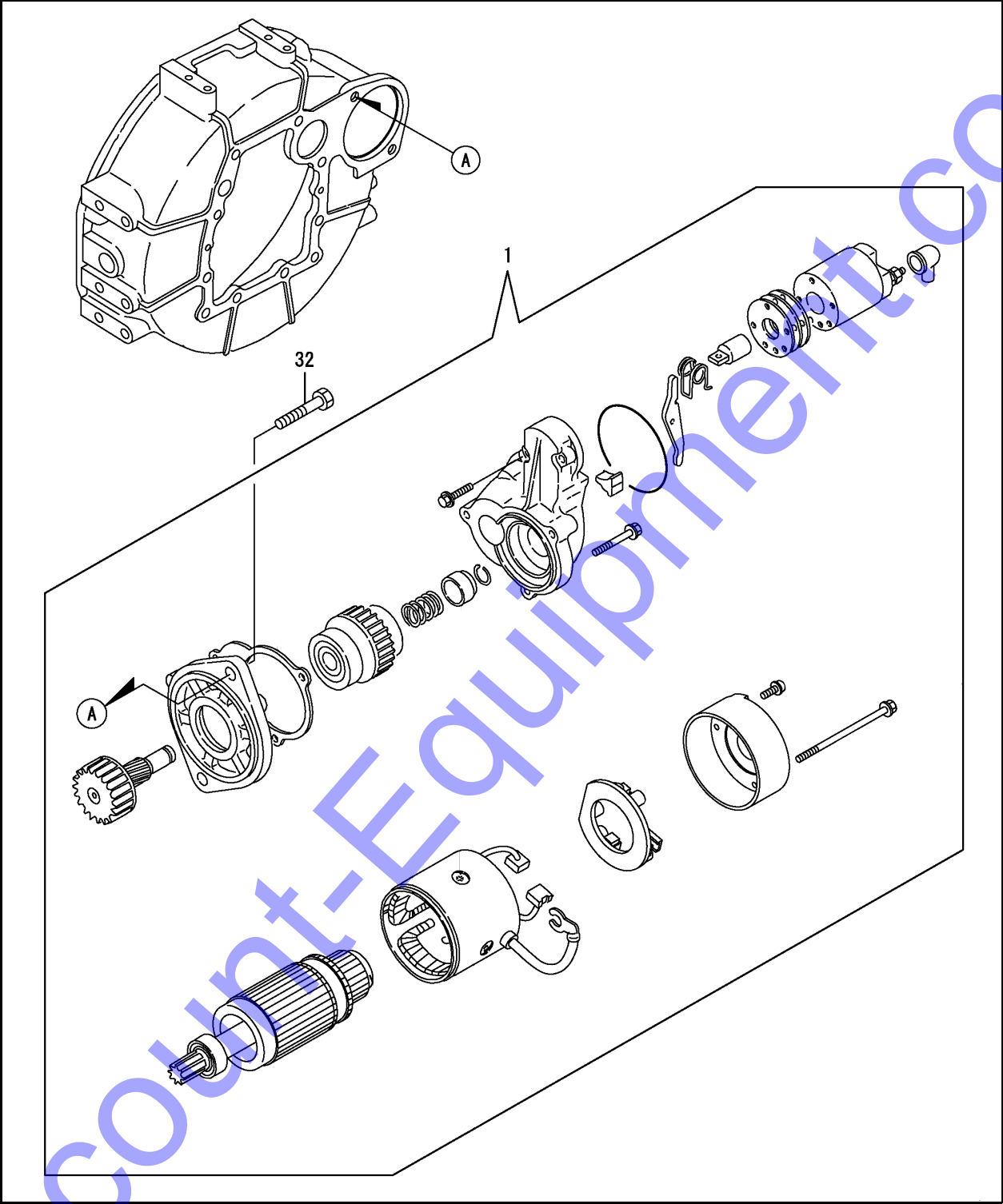
Ref. No.	Part No.	Description	Qty.	Ref. No.	Part No.	Description	Qty.
1	70921912	#24 SAE HOSE CLAMP	4	16	P175777	BRACKET/FUEL PUMP	1
2	21009	HLN INST 5/16 CZY	2	17	P175855	RADIATOR HOSE/UPPER	1
3	P067684	RAD/PRESS CAP	1	18	P186998	FAN COOLING	1
4	P067685	RADIATOR DRAIN	1	19	70923752	CS 1/2X2-1/2 C5ZY	3
5	10475	HLN INST 1/2 CZY	3	20	18702	RHMS SLT #1024X1/2 CZY	1
6	27200	CS FL LOCK 5/16X5/8 C5ZY	5	21	70916621	HN MS #1024 CZY	1
7	P175272	SPACER/FAN	1	22	70935105	CS 1/4X5/8 C5ZY	2
8	P175414	MOUNT/ENGINE	2	23	70917372	HN 5/16 C2	1
9	P175515	BRACKET / ENGINE	1	24	P188492	SEPARATOR ASSY	1
10	P175566	COOLER ASSY	1	25	3785	LW 7/16 RZY	28
11	P175568	HOSE / LOWER	1	26	P250-32602	FLEXIBLE DRIVE PLATE	1
12	70926771	CS 5/16 X 3 C5ZY	1	27	70926917	CLAMP/HOSE .38 X .41 HOLE	1
13	P176471	BRACKET/OVERFLOW BOTTLE	1	28	70916622	HN 1/4 C2ZY	2
14	P175735	WELDMENT/FAN GUARD	1	29	P471410	CABLE/THROTTLE CONTROL	1
15	P176871	YANMAR/3TNV88-BDGP	1				

**1448 - ENGINE**  
**P430353 - ENGINE**

Ref. No.	Part No.	Description	Qty.
30	P471411	CLAMP/THROTTLE CABLE	1
31	11441	ISOLATION MOUNT	3
32	P473286	PUMP/AXIAL GEAR (SEE PAGES 37 - 38 FOR DETAILS)	1
33	3770	CS 3/8X1-1/2 C5ZY	2
34	70918266	FW 3/8 AWZY	2
35	5218	CS M10-1.5X25 C8.8 ZY	32
36	P175214	PUMP MOUNTING PLATE	1
37	3929	CS M8-1.25X16 C8.8ZY SP DIN931	8
38	70919310	LW 1/4 RZY	6
39	P186308	PUMP ASSY / FUEL FEED	1
40	3778	LW 5/16 RZY	1
41	PL630004	STRAP GRND 4 GA X 14INCH SILVER	1
42	3784	FW 1/2 AWZY	3
43	30090	SHCS M10-1.5X20 C12.9 ZY	3
44	70926149	CS 5/16X1 C5ZY	3
45	3782	FW 5/16 AWZY	3

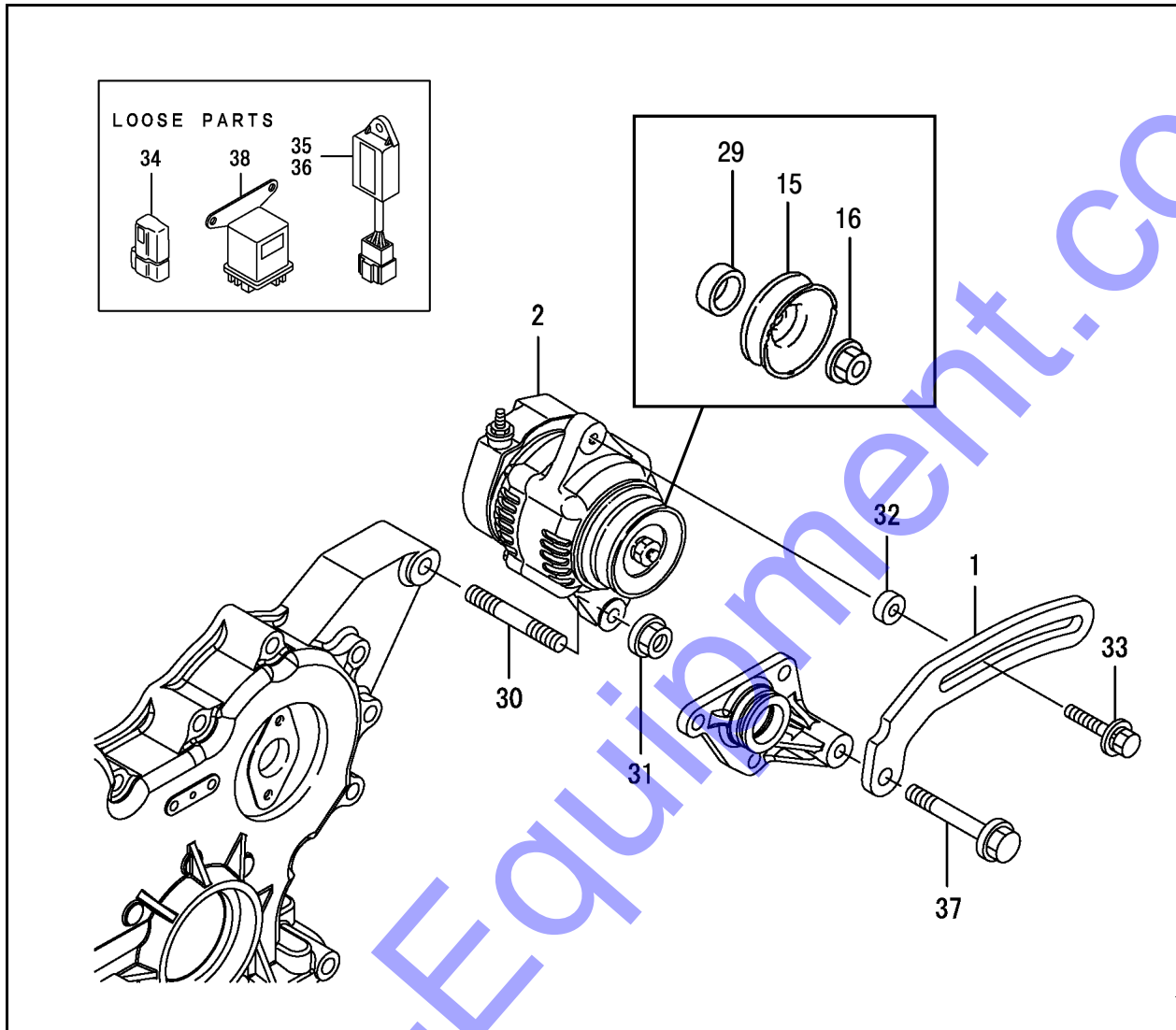
Ref. No.	Part No.	Description	Qty.
46	13585	LN LG FL SERR 5/16 CZ	4
47	3759	CS 1/4X3/4 C5ZY	4
48	70922126	CS 5/16X3/4 C5ZY	2
49	P425-36233	WATER BOTTLE	1
50	27210	CS M4-0.7X16 C8.8 ZY	1
51	P195568	OIL FILTER	1
52	P270979	FILTER/FUEL OIL	1
53	70919312	LW 3/8 RZY	2
54	12027	HLN INST 3/8 CZY	6
55	70923490	CS 3/8X1 C5ZY	6
56	P101132	OVERFLOW HOSE	1

**1448 - ENGINE  
STARTER**



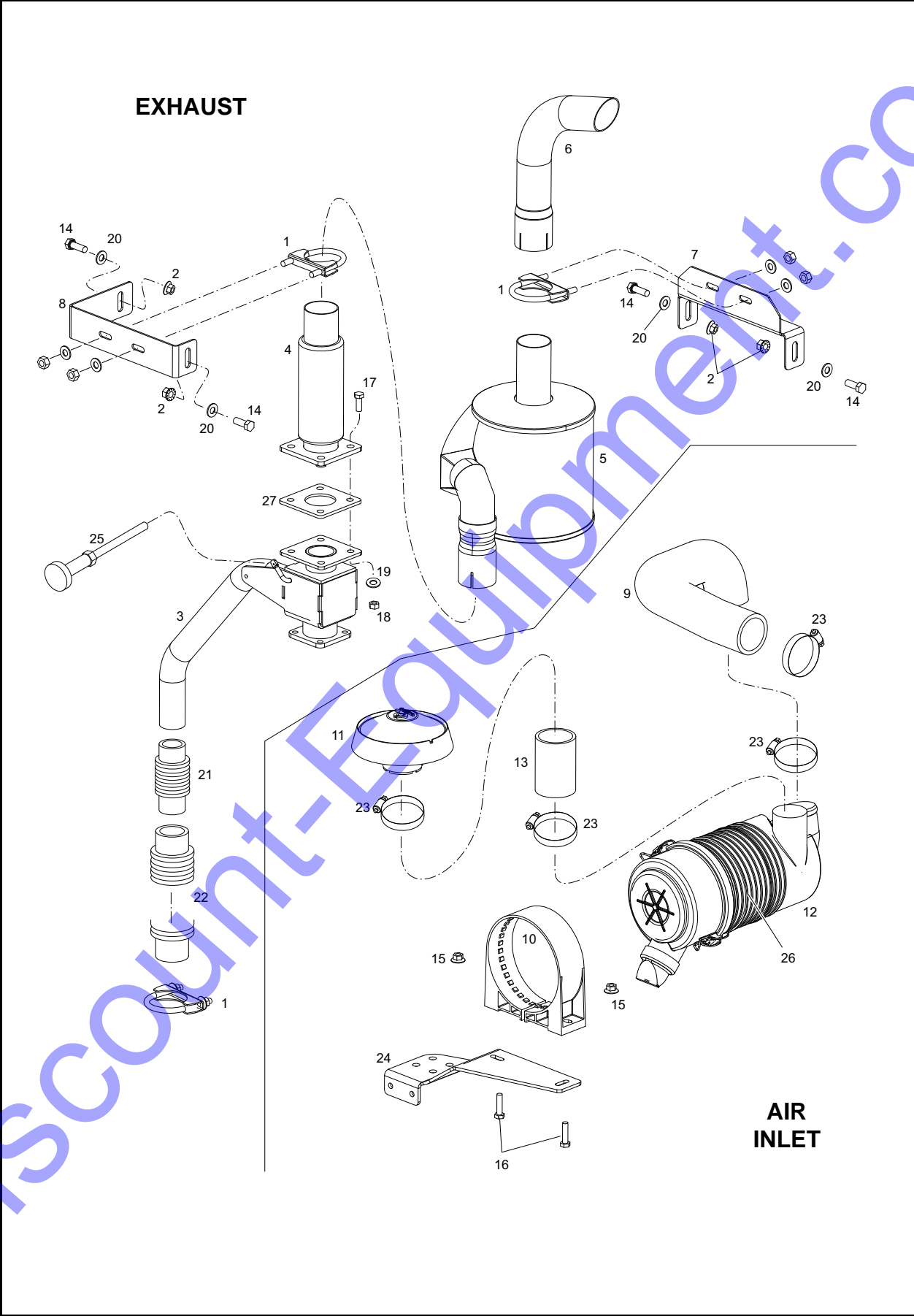
Ref. No.	Part No.	Description	Qty.
1	P188586	STARTER	1
32	P188748	BOLT, M12X25	2

# 1448 - ENGINE ALTERNATOR



Ref. No.	Part No.	Description	Qty.	Ref. No.	Part No.	Description	Qty.
1	P176153	ADJUSTER/BELT	1	33	P192273	ADJUSTER BOLT	1
2	P188636	ALTERNATOR	1	34	P137945	DIODE	1
15	P186318	PULLEY	1	35	P160891	RELAY 10 A	1
16	P186319	NUT	1	36	P138089	TIMER	1
29	P186320	COLLAR	1	37	P425-34747	BOLT M8 X 45 PLATED	1
30	P186484	STUD	1	38	P137946	RELAY/GLOW	1
31	P138141	NUT	1				
32	P188500	ADJUSTER/BELT	1				

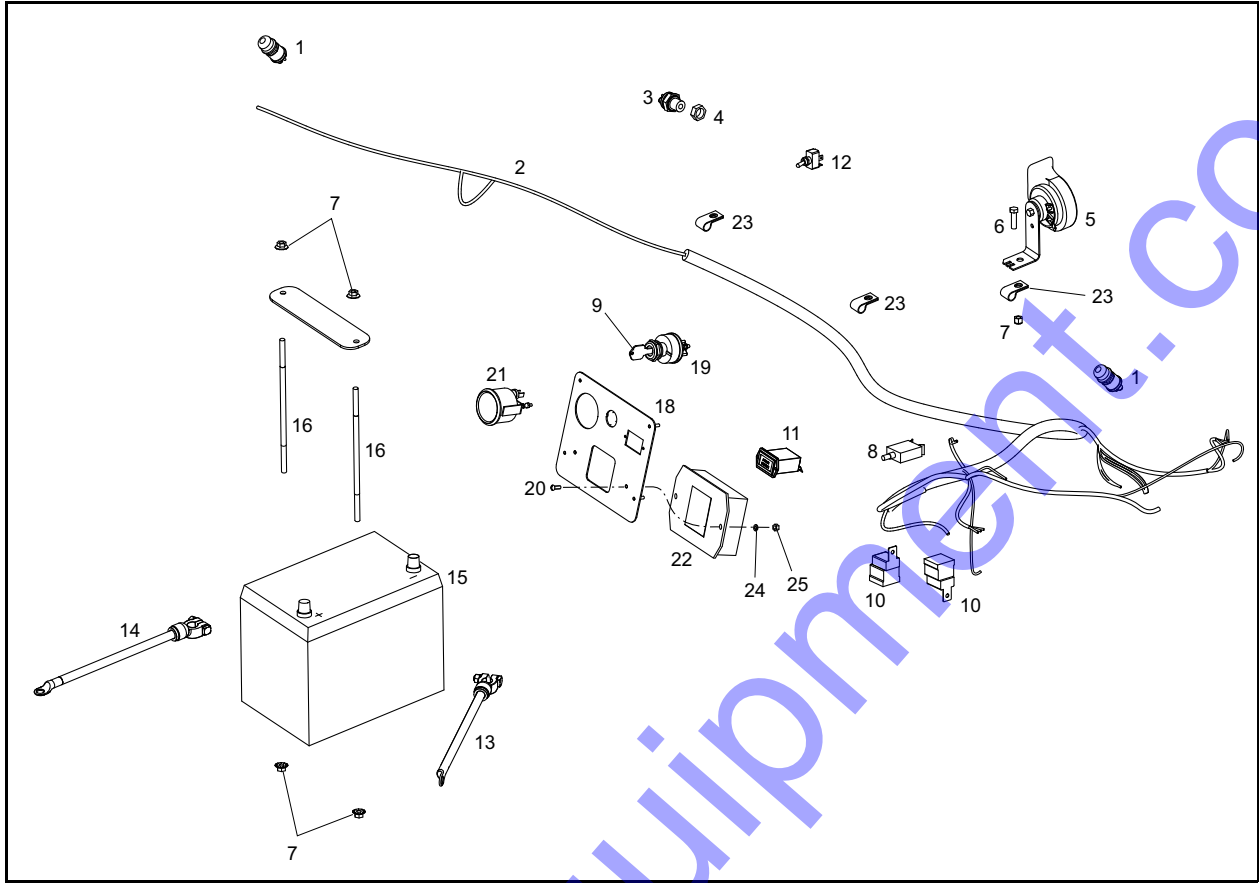
1448 - ENGINE  
P430353 - ENGINE EXHAUST / AIR INLET



**1448 - ENGINE**  
**P430353 - ENGINE EXHAUST / AIR INLET**

Ref. No.	Part No.	Description	Qty.	Ref. No.	Part No.	Description	Qty.
1	30208	CLAMP/MUFFLER, 5/16 X 2 1	3	15	13585	HN LG FL 5/16 C2ZY	2
2	18939	LN FL SERR 3/8 CZY	4	16	4490	CS 5/16X1-1/4 C5ZY	2
3	P175471	WELDMENT/MUFFLER VALVE	1	17	14679	CS 5/16X7/8 C5ZY	4
4	P175629	TUBE/EXHAUST FLEXIBLE	1	18	70917372	HN 5/16 C2	4
5	P175676	MUFFLER/TS20TL	1	19	3778	LW 5/16 RZY	4
6	P175734	TUBE/EXHAUST 2" SHORT	1	20	70918266	FW 3/8 ANZY	4
7	P175771	BRACKET/MUFFLER	1	21	P059600	CONDUIT, 1/50" S.STEEL, 1-1/2"	1
8	P175772	MUFFLER BRACKET/LOWER	1	22	P060200	CONDUIT, 2" FLEX ALUM.	1
9	P175775	AIR CLEANER HOSE	1	23	30308	CLAMP/HOSE SAE #32	4
10	P175781	BRKT/PLASTIC 5" MOUNT	1	24	P175812	BRACKET/FILTER	1
11	P175782	RAIN CAP/2"	1	25	P471818	DIVERTER/CABLE CONTROL	1
12	P175783	AIR CLEANER	1	26	P175783C1	AIR CLEANER ELEMENT	1
13	P175850	HOSE/AIR INTAKE 2"	1	27	P138104	GASKET	1
14	70923490	CS 3/8X1 C5	4				

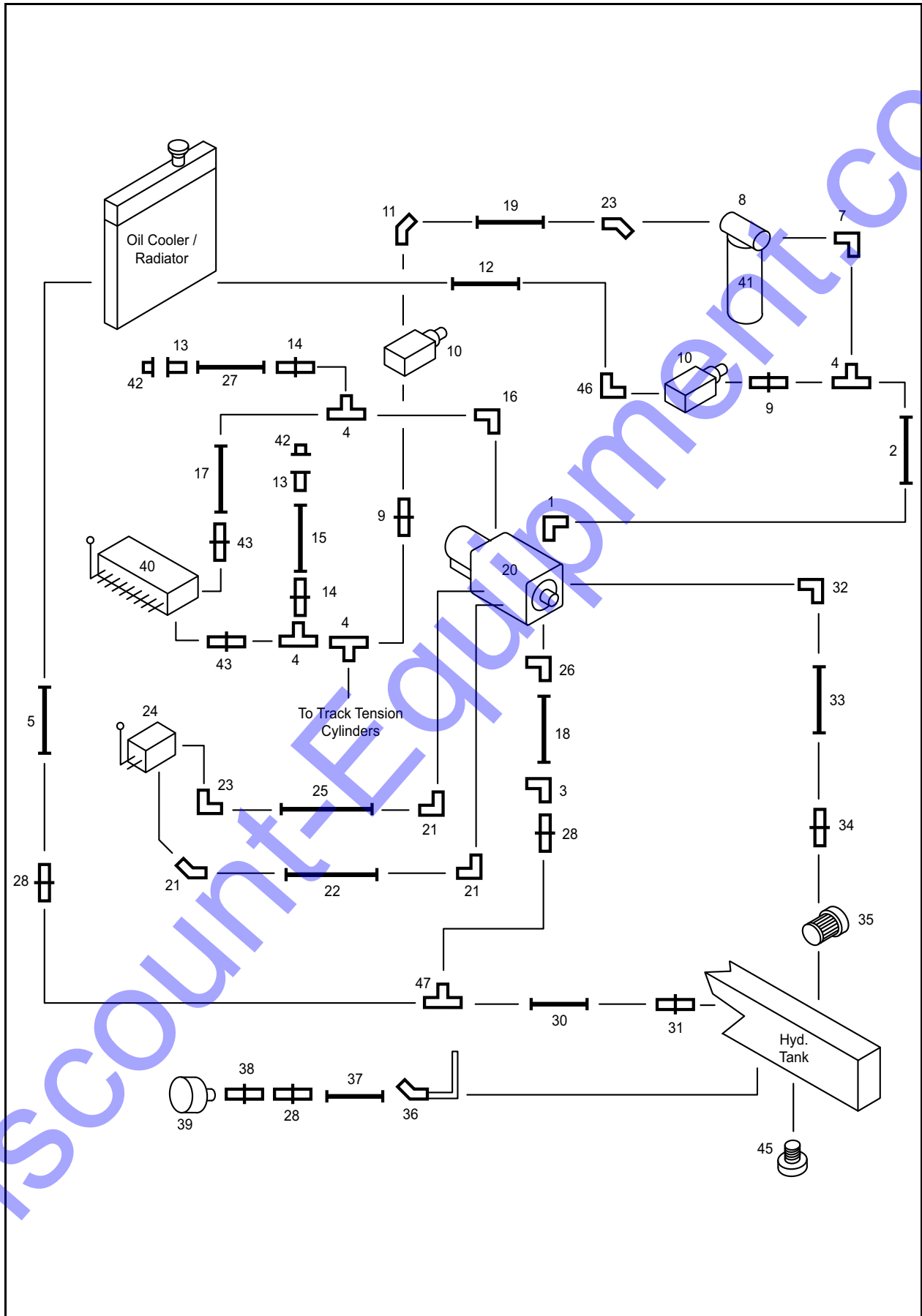
**1448 - ELECTRICAL**  
**P430357**



Ref. No.	Part No.	Description	Qty.	Ref. No.	Part No.	Description	Qty.
1	C3D9718	PUSHBUTTON SWITCH	2	14	P175733	CABLE/BATTERY POS	1
2	P270112	HARNES/ENGINE	1	15	*	BATTERY (OBTAIN LOCALLY. GROUP SIZE 34; 680 CCA)	1
3	PL62277	SWITCH/NEUTTRAL SAFETY	1	16	P470348	ROD/BATTERY HOLDDOWN	2
4	PL50172	NUT/BULKHEAD .75-16	1	17	P175619	PLATE/BATTERY HOLD DOWN	1
5	PL41847	HORN 12V ELECT.	1	18	P175741	PANEL / GAUGE	1
6	70922126	CS 5/16X3/4 C5ZY	1	19	P195087	SWITCH, IGNITION (WITH KEY)	1
7	13585	HN LF SLOC 5/16 CZ	5	20	70917388	RHMS SLT #10-24X3/4 CZY	2
8	P420-35569	CIRCUIT BREAKER 35AMP	1	21	P137113	GAUGE, WATER TEMP	1
9	P700298	KEY (WITHOUT SWITCH)	1	22	P175722	MODULE/CONTROL	1
10	P420-35602	RELAY	2	23	4645	CLAMP / HOSE	3
11	P072340	GAUGE/HOURMETER	1	24	30086	LW INT T #10 AZY	2
12	6129	SWITCH ON-OFF TOGGLE	1	25	3753	HLN INST #10-24 CZY	2
13	P175620	BATTERY CABLE/NEGATIVE	1				

\* Not serviced separately

1448 - HYDRAULICS  
P430354 - MAIN HYDRAULICS

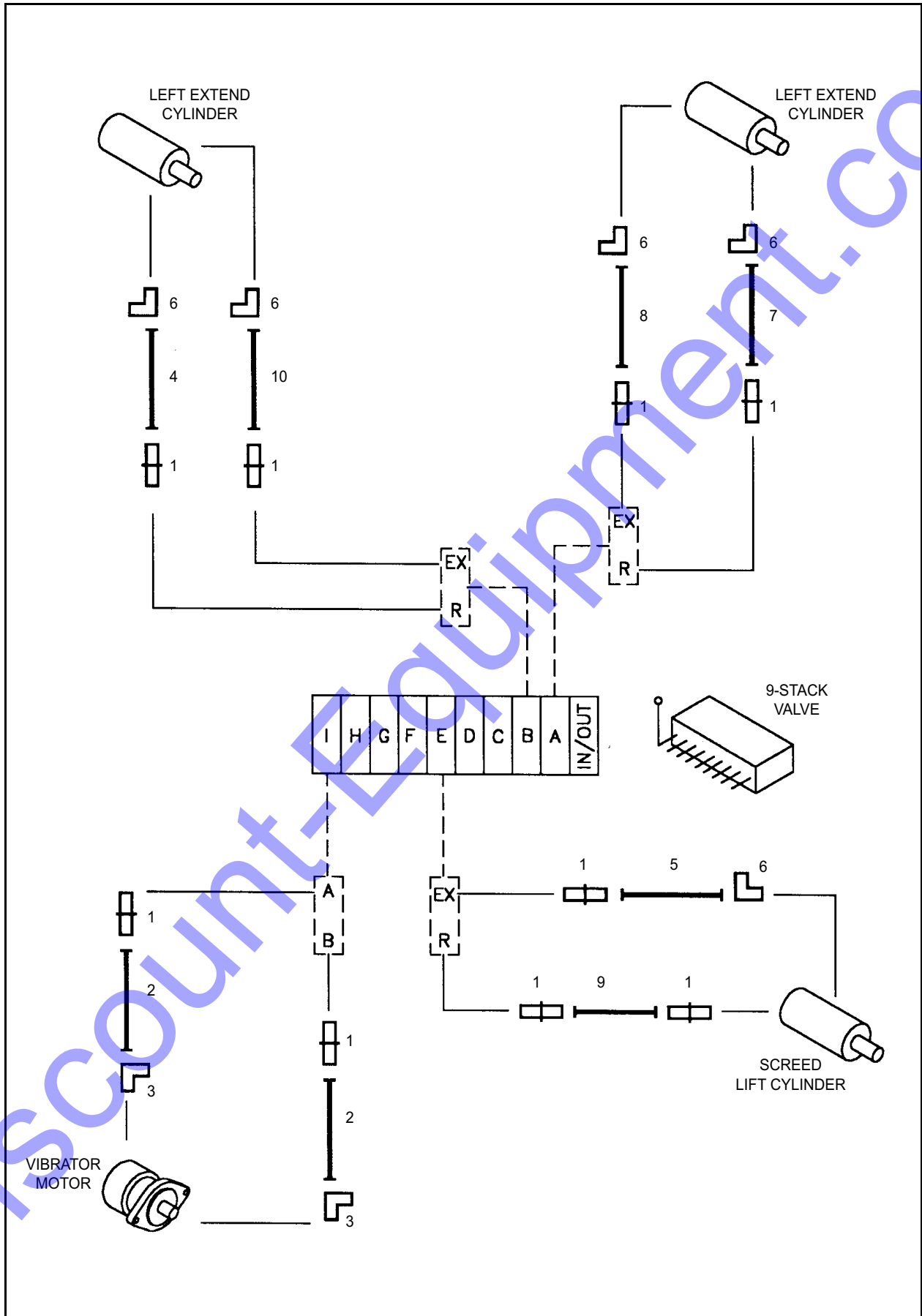




**1448 - HYDRAULICS**  
**P430354 - MAIN HYDRAULICS**

Ref. No.	Part No.	Description	Qty.	Ref. No.	Part No.	Description	Qty.
1	P054816	ELBOW 90 DEG	1	24	P471467	VALVE 2 STACK (SEE PAGE 39 FOR DETAIL)	1
2	P175893	HOSE-6 A8/A8 18"	1	25	P175889	HOSE-10 A10/DS10 68"	1
3	P088442	ELBOW,SWIVEL	4	26	110227	ELBOW/90 DEG ADJUSTABLE	1
4	P076143	TEE/FEMALE RUN SWIVEL	6	27	P175890	HOSE-4 A4/A4 27"	1
5	P175874	HOSE-8 A8/DS10 55"	1	28	P230-32672	REDUCER FJ12-MJ08	3
7	P121775	ADAP/ -12ORM -8JICM 90 DEG	1	30	P256450	HOSE ASY.	
8	P131838	HYDRAULIC FILTER ASSEMBLY	1	31	P121774	ST MJ12-MORB16	1
9	P471496	ADAPTER -60RM -8JICF	2	32	P121684	90 MJ12-MAORB16	1
10	30299	RELIEF VALVE, 125 PSI	2	33	P175888	HOSE-12 A12/DS12 76"	1
11	P230-32739	45 MJ08-MAORB06	2	34	PL277944	ADP-20 ORM 12 JICM	1
12	P175875	HOSE-8 A10/A10 48"	1	35	P128299	STRAINER/W/BY PASS	1
13	PL62834	TESTPORT	2	36	P471339	ASY/STANDPIPE	1
14	PL60534	ADP-8JICFSWVL -4 JICM	2	37	P470533	HOSE ASY, -8 42" A8/A8	1
15	P471499	HOSE ASY, - 4 18" A4/A4	1	38	P471289	ADAP 12 BLKHD STR.	1
16	P076031	ELBOW/90 DEG	1	39	P471247	BREATHER/CAP	1
17	P470928	HOSE ASY, -8 45" A8/A8	2	40	P101283	(9-STACK VALVE (SEE PAGE 40 FOR DETAIL)	1
18	P175892	HOSE-6 A6/A8 18"	1	41	P074830	ELEMENT ONLY	1
19	P175891	HOSE-8 A8/A8 45"	1	42	73162660	DUST CAP	2
20	P473286	PUMP/AXIAL GEAR (SEE PAGES 37 - 38 FOR DETAILS)	1	43	P054626	ADAP-80RM-8JICM STR	1
21	P072615	ELBOW/HYD.FITTING 90 DEG	3	45	PL43221	PLUG 1/2-14 MAGNETIC B.I	1
22	P471349	HOSE ASY, -10 64" A10/A10	1	46	P114824	ELBOW/HYD FITTING 90°	1
23	P471357	ADAP 12ORM -10JICM 45 DEG	1	47	P079115	TEE/12JMDK - 12JM - 12JM	1

1448 - HYDRAULICS  
P430354 - SCREED AND VIBRATOR



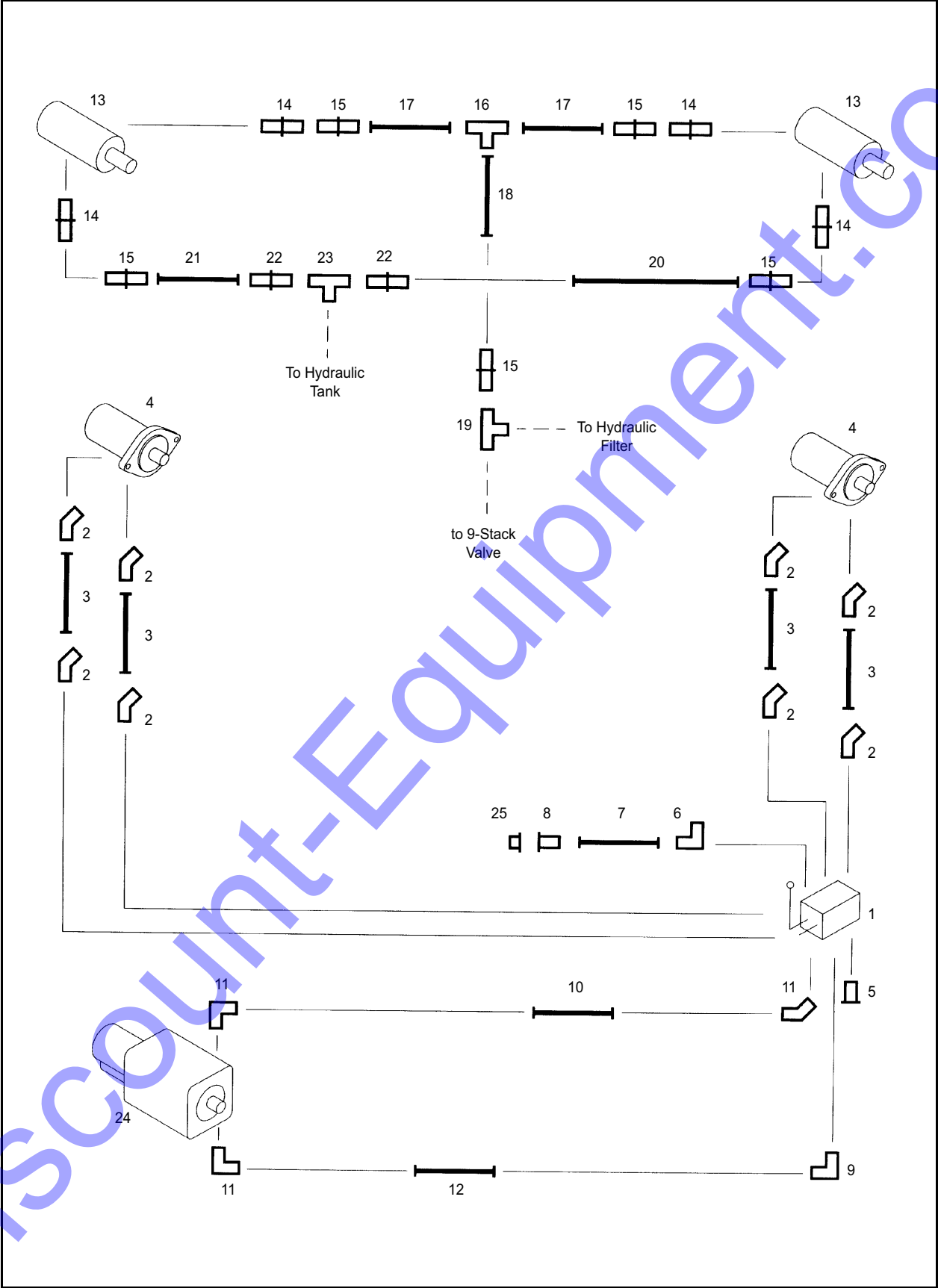
**1448 - HYDRAULICS  
P430354 - SCREED AND VIBRATOR**

Ref. No.	Part No.	Description	Qty.	Ref. No.	Part No.	Description	Qty.
1	P230-24749	ST MJ06-MORB08	9	6	P110227	90 MJ06-MAORB08	5
2	P470453	HOSE ASY. -6X66"	2	7	P254055	HOSE ASY. -6X41"	1
3	P470406	MALE 90 ELBOW (-10OR/-6JIC)	2	8	P254074	HOSE ASY. -6X109"	1
4	P470460	HOSE ASY. -6X89"	1	9	P470458	HOSE ASY. -6X38"	1
5	P470408	HOSE ASY. -6X46"	1	10	P470459	HOSE ASY. -6X61"	1

Discount-Equipment.com

1448 - HYDRAULICS

P430354 - TRACK DRIVE

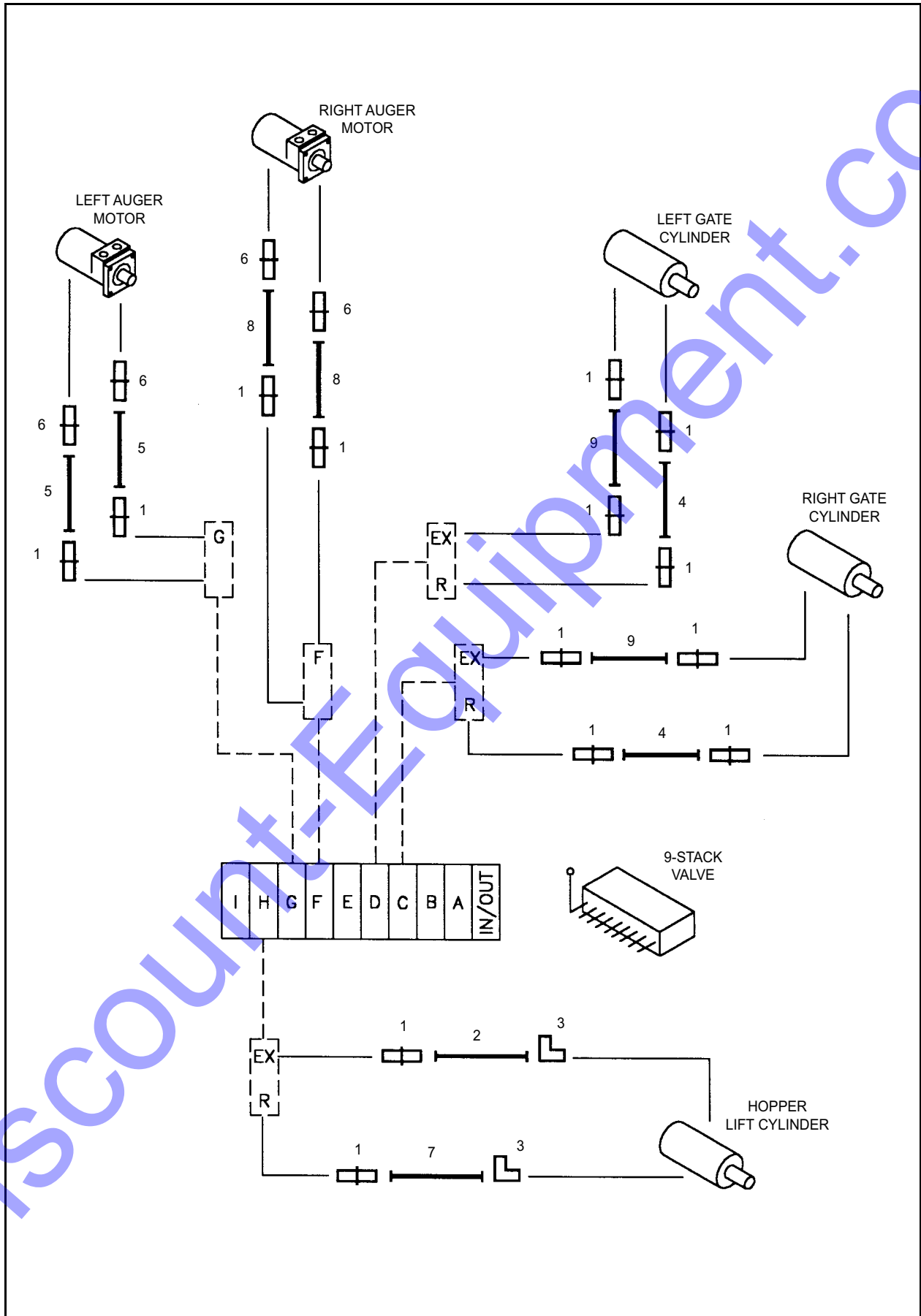


**1448 - HYDRAULICS  
P430354 - TRACK DRIVE**

Ref. No.	Part No.	Description	Qty.
1	P471467	VALVE/2 STACK ( SEE PAGE 39 FOR DETAIL)	1
2	P062397	ELBOW/45 DEG MALE	8
3	P471440	HOSE ASY, -10 174" A10/A10	4
4	P471429	DRIVE MOTOR	2
*	PL500727	SEAL KIT	2
5	7337	PLUG MORB12	1
6	P187677	90 MJ04-MP04	1
7	P471500	HOSE ASY, -4 60" A4/A4	1
8	PL62834	TESTPORT	1
9	P471357	ADP 12ORM -10JICM 45 DEG	1
10	P471349	HOSE ASY, -10 64" A10/A10	1
11	P072615	ELBOW/HYD.FITTING 90 DEG	3
12	P175889	HOSE ASY, -10 68" A10/A10	1
13	P470593	CYL/TRACK TENSION	2
*	P102121	SEAL KIT	1

Ref. No.	Part No.	Description	Qty.
14	P054626	ADP-80RM-8JICM STR	4
15	PL60588	ADP 37 REDUCING	5
16	P231050	ADP 4JICM-4JICM-4JICM	1
17	P471484	HOSE ASY, -4 84" A4/A6	2
18	P471218	HOSE ASY, -6 94" A4/A6	1
19	P076143	TEE/FEMALE RUN SWIVEL	1
20	P471443	HOSE ASY, -4 104" A4/A6	20
21	P471369	HOSE ASY, -4 64" A4/A6	1
22	PL60534	ADP -8JICFSWL -4 JICM	2
23	P114742	TEE RUN MJ08-MAORB08-MJ08	1
24	P473286	PUMP/AXIAL GEAR (SEE PAGES 37 - 38 FOR DETAILS)	1
25	73162660	DUSTCAP	1

1448 - HYDRAULICS  
P430354 - HOPPER AND GATES



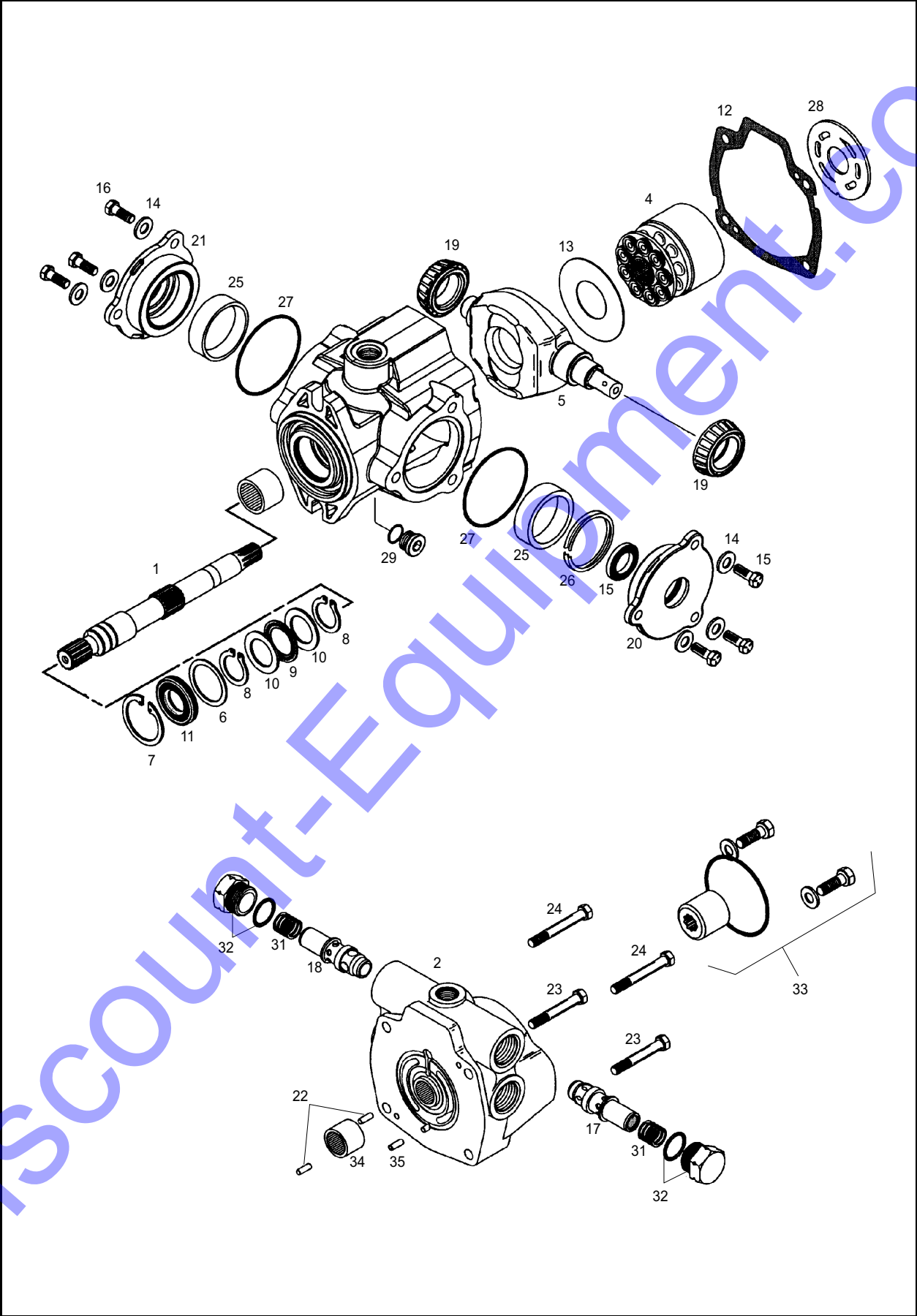
**1448 - HYDRAULICS**  
**P430354 - HOPPER AND GATES**

Ref. No.	Part No.	Description	Qty.
1	P230-24749	ST MJ06-MORB08	14
2	P254075	HOSE ASY. -6X98"	1
3	P470406	MALE 90 ELBOW (-10OR/-6JIC)	2
4	P254072	HOSE ASY. -6X91"	2
5	P254040	HOSE ASY. -6X41"	2

Ref. No.	Part No.	Description	Qty.
6	PL60253	MALE STR. CONNTR. (-10OR/-8JIC)	3
7	P254074	HOSE ASY. -6X95"	1
8	PL66950	HOSE / .38 A6 59"	2
9	P254070	HOSE ASY. -6X93"	2

Discount-Equipment.com

1448 - COMPONENT DETAIL  
P473286 - HYDRAULIC PUMP - FRONT (PISTON) SECTION



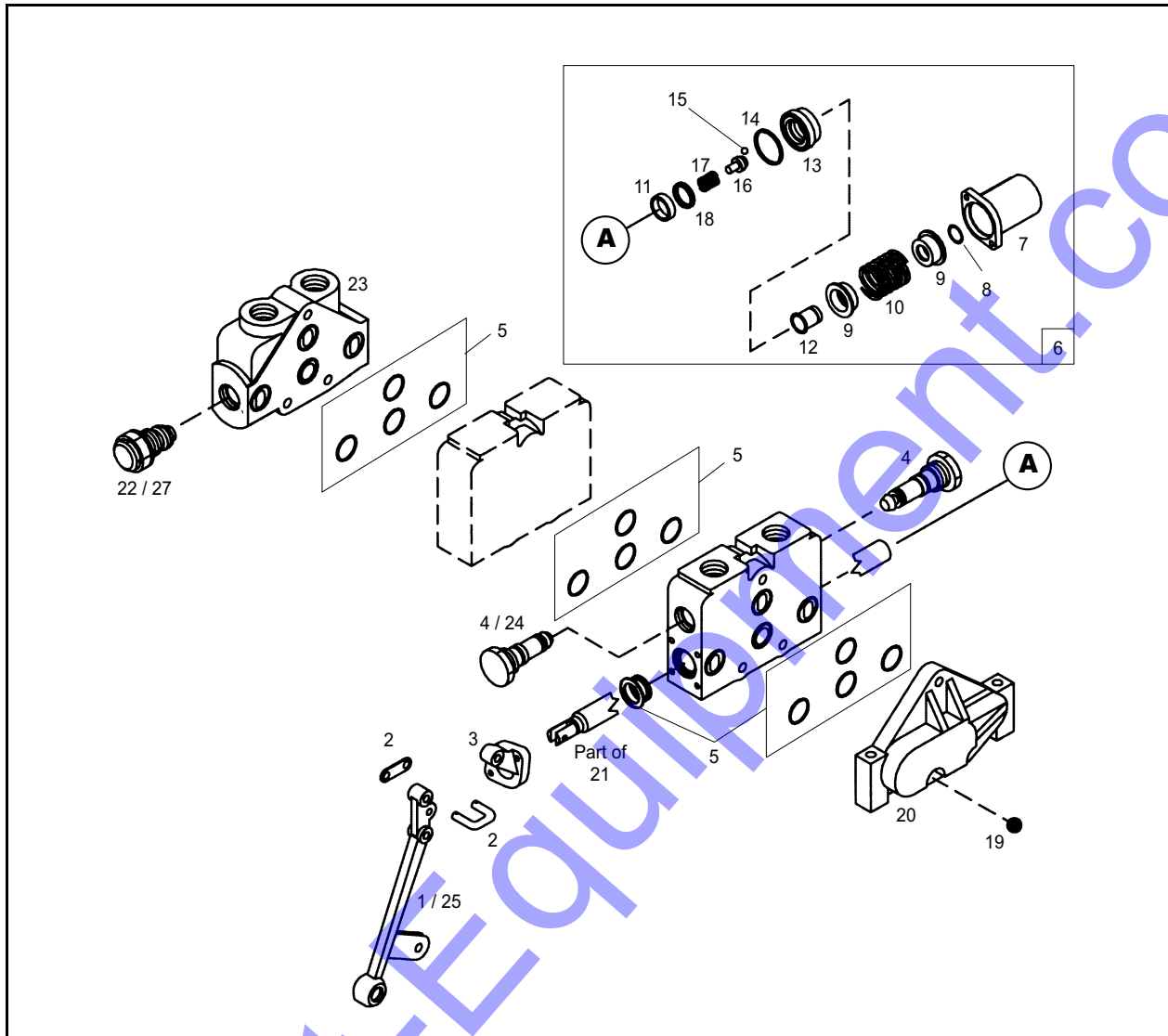


**1448 - COMPONENT DETAIL**  
**P473286 - HYDRAULIC PUMP - FRONT (PISTON) SECTION**

Ref. No.	Part No.	Description	Qty.	Ref. No.	Part No.	Description	Qty.
	P473286	COMPLETE PUMP (INCLUDES GEAR PUMP)	1	18	P700692	RELIEF VALVE, SUBASY	1
	P700687	COMPLETE PISTON PUMP ONLY	1	19	P700693	BEARING, CONE	2
1	P700418	SHAFT, DRIVE	1	20	*	PLATE, COVER	1
2	*	ENDCOVER SUBASY	1	21	*	PLATE, COVER	1
3	*	HOUSING SUBASY	1	22	*	PIN, DOWEL	2
4	P700688	ROTATING KIT SUBASY	1	23	*	SCREW, CAP	2
5	*	SWASHPLATE	1	24	*	SCREW, CAP	2
6	*	WASHER	1	25	*	CUP, BEARING	2
7	*	RING, RETAINING (INCLUDED IN REF. 36)	1	26	*	RING, CRUSH	1
8	*	RING, RETAINING (INCLUDED IN REF. 36)	2	27	*	O-RING	2
9	P700689	BEARING, THRUST	1	28	P700694	PLATE, VALVE	1
10	P700690	RACE, BEARING	2	29	*	PLUG, SUBASY	1
11	P392700	SEAL, SHAFT (INCLUDED IN REF. 36)	1	30	P700210	BEARING	1
12	*	GASKET, HOUSING	1	31	P700018	SPRING	2
13	P700691	INSERT, SWASHPLATE	1	32	088311	PLUG ASSEMBLY	2
14	*	WASHER	6	33	P700200	GEAR PUMP MOUNT KIT	1
15	*	SEAL, SHAFT (INCLUDED IN REF. 36)	1	34	P700201	BEARING	1
16	*	SCREW, CAP	6	35	P700207	ROLL PIN	1
17	P700692	RELIEF VALVE, SUBASY	1	36	P700695	SEAL KIT (INCL. REFS. 7, 8, 11, 12 AND 15)	1

\* Not serviced separately

# 1448 - COMPONENT DETAIL P471467 - TRACK DRIVE CONTROL VALVE

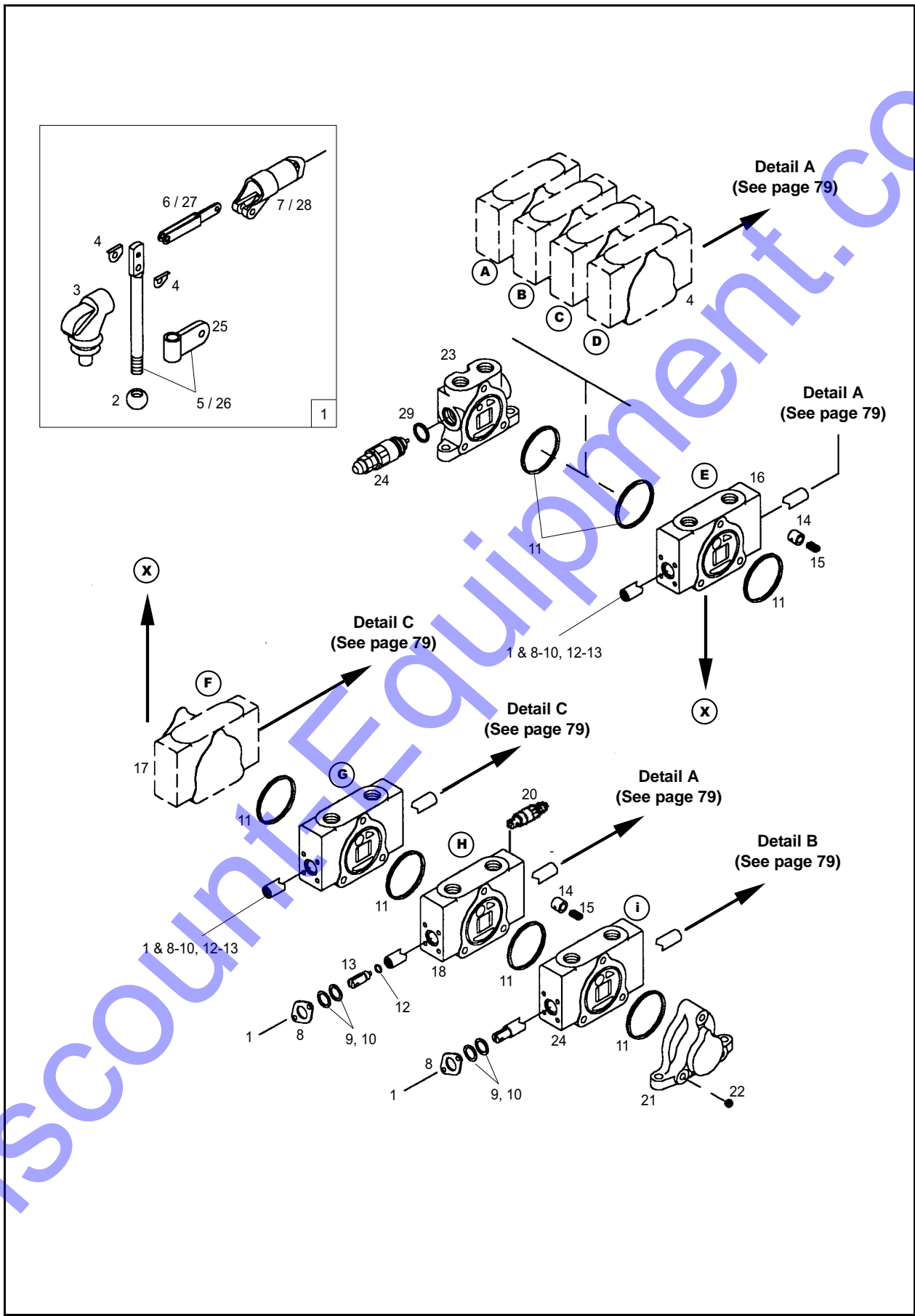


Ref. No.	Part No.	Description	Qty.
	P471467	COMPLETE DRIVE VALVE ASSY	1
1	P283150	HANDLE & LINK KIT (INCLUDES REF. 2)	2
2	P700174	LINK KIT	2
3	P045000	BRACKET	2
4	P088311	PLUG	2
5	PL98886	COMPLETE SECTION SEAL KIT (INCLUDES SPOOL,CHECK PLUG SEALS)	3
6	P700178	POSITIONER KIT (INCLUDES REFS. 7-18)	2
07	P700606	BONNET	1
08	*	RETAINER	1
09	*	COLLAR	2
10	*	CENTERING SPRING	1
11	*	SLEEVE RETAINER	1
12	*	SPOOL COLLAR	1
13	*	SLEEVE	1

Ref. No.	Part No.	Description	Qty.
14	*	O-RING	1
15	*	BALL	2
16	*	FOLLOWER	1
17	*	DETENT SPRING	1
18	*	SEAL	1
19	*	TIE ROD KIT	1
20	*	END COVER	1
21	P418235	WORK SECTION W/SPOOL	2
22	*	MAIN RELIEF	1
23	*	IN/OUT SECTION	1
24	P700176	CHECK SEAL KIT	2
25	P470407	TAB (WELD ON)	2
26	P283200	SPOOL SEAL KIT	2per
27	P700136	RELIEF SEAL KIT	1

\* Not serviced separately

1448 - COMPONENT DETAIL  
P101283 - 9-STACK CONTROL VALVE



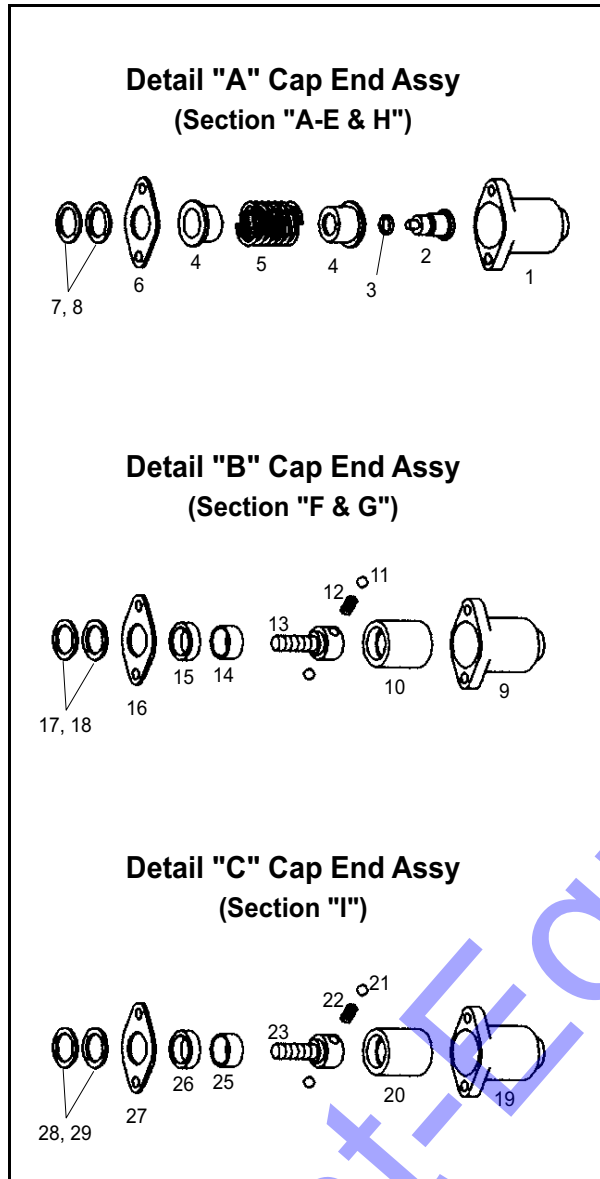
**1448 - COMPONENT DETAIL**  
**P101283 - 9-STACK CONTROL VALVE**

Ref. No.	Part No.	Description	Qty.
	P101283	COMPLETE 9-STACK CONTROL VALVE ASSEMBLY	1
	P700480	COMPLETE SEAL KIT	1
1	P286100	HANDLE KIT (INCL. 2-7)	9
2	P284750	KNOB	9
3	P700163	BOOT	9
4	P700164	SHIM	18
5	*	HANDLE	9
6	P700165	LINK	18
7	P045625	PIVOT MOUNT	9
8	P700166	SEAL PLATE, CLEVIS END	9
9	74995327	SPOOL WIPER, CLEVIS END	9
10	*	SPOOL O-RING, CLEVIS END	9
11	P382900	BETWEEN SECTS. O-RING	9
12	*	O-RING, CLEVIS	8
13	P700417	CLEVIS END	8
14	P700416	POPPET, C.V.	8
15	P135369	SPRING	8

Ref. No.	Part No.	Description	Qty.
16	P418040	COMPL. SPOOL SECT. (W/DETAIL "A" CAP END)	5
17	*	COMPL. SPOOL SECT. (W/DETAIL "B" CAP END)	2
18	*	COMPL. SPOOL SECT. (W/DETAIL "A" CAP END)	1
19	*	COMPL. SPOOL SECT. (W/DETAIL "B" CAP END)	1
20	P700642	RELIEF VALVE	1
21	P700643	END SECTION	1
22	P700170	TIE ROD KIT	1
23	P700506	IN/OUT SECTION	1
24	P700519	MAIN RELIEF VALVE	1
25	P470427	TAB ONLY (WELD-ON "A,F & H" HANDLES)	3
26	*	CLEVIS PIN	9
27	*	PIN	9
28	*	SOC. HD. CAPSCREW	18
29	*	O-RING	1

\* Not serviced separately

# 1448 - COMPONENT DETAIL 9-STACK CONTROL VALVE CAP ENDS



## DETAIL "A" CAP END ASSY

Ref. No.	Part No.	Description	Qty.
	P700173	COMPLETE ASSEMBLY	
1	P700604	CAP	1
	*	SOC. HD. CAPSCREW	2
2	*	SPOOL END	1
3	*	O-RING, SPOOL END	1
4	*	SPRING SEAT	2
5	P700220	SPRING	1
6	P700166	SEAL PLATE, CAP END	1
7	74995327	SPOOL WIPER, CAP END	1
8	*	SPOOL O-RING, CAP END	1

\* Not serviced separately

## DETAIL "B" CAP END ASSY

Ref. No.	Part No.	Description	Qty.
	P700171	COMPLETE ASSEMBLY	
9	P700604	CAP	1
	*	SOC. HD. CAPSCREW	2
10	*	DETENT SLEEVE	1
11	*	BALL	2
12	P700168	SPRING	1
13	*	DETENT PIN	1
14	*	SPACER	1
15	*	SPACER	1
16	P700166	SEAL PLATE, CAP END	1
17	74995327	SPOOL WIPER, CAP END	1
18	*	SPOOL O-RING, CAP END	1

\* Not serviced separately







## DETAIL "C" CAP END ASSY

Ref. No.	Part No.	Description	Qty.
	P700172	COMPLETE ASSEMBLY	
19	P700604	CAP	1
	*	SOC. HD. CAPSCREW	2
20		DETENT SLEEVE	1
21	*	BALL	2
22	P700168	SPRING	1
23	*	SPOOL END	1
24	*	O-RING, SPOOL END	1
25	*	SPACER	1
26	*	SPACER	1
27	P700166	SEAL PLATE, CAP END	1
28	74995327	SPOOL WIPER, CAP END	1
29	*	SPOOL O-RING, CAP END	1

\* Not serviced separately

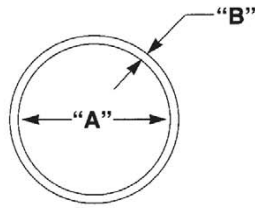
# TORQUE SPECIFICATIONS

Use these torque values when tightening hardware (excluding locknuts, and self-tapping, thread-forming, and sheet metal screws) unless otherwise specified.

UNIFIED NATIONAL THREAD	GRADE 2 		GRADE 5 		GRADE 8 	
	DRY	LUBED	DRY	LUBED	DRY	LUBED
8-32	19*	14*	30*	22*	41*	31*
8-36	20*	15*	31*	23*	43*	32*
10-24	27*	21*	43*	32*	60*	45*
10-32	31*	23*	49*	36*	68*	51*
1/4-20	66*	50*	9	75*	12	9
1/4-28	76*	56*	10	86*	14	10
5/16-18	11	9	17	13	25	18
5/16-24	12	9	19	14	25	20
3/8-16	20	15	30	23	45	35
3/8-24	23	17	35	25	50	35
7/16-14	32	24	50	35	70	55
7/16-20	36	27	55	40	80	60
1/2-13	50	35	75	55	110	80
1/2-20	55	40	90	65	120	90
9/16-12	70	55	110	80	150	110
9/16-18	80	60	120	90	170	130
5/8-11	100	75	150	110	220	170
5/8-18	110	85	180	130	240	180
3/4-10	175	130	260	200	380	280
3/4-16	200	150	300	220	420	320
7/8-9	170	125	430	320	600	460
7/8-14	180	140	470	360	660	500
1-8	250	190	640	480	900	680
1-12	270	210	710	530	1000	740
METRIC COARSE THREAD	GRADE 8.8 		GRADE 10.9 		GRADE 12.9 	
	DRY	LUBED	DRY	LUBED	DRY	LUBED
M6-1	8	6	11	8	13.5	10
M8-1.25	19	14	27	20	32.5	24
M10-1.5	37.5	28	53	39	64	47
M12-1.75	65	48	91.5	67.5	111.5	82
M14-2	103.5	76.5	145.5	108	176.5	131
M16-2	158.5	117.5	223.5	165.5	271	200

\*All torque values are in ft.-lbs., except those marked with an \*, which are in.-lbs.  
For metric torque value (N-m), multiply ft.-lbs. value by 1.355, or the in.-lbs. value by 0.113.

## O-RING TABLE



FITTING THREAD SIZE	DIAMETER "A"	DIAMETER "B"
9/16 - 18	0.468	0.078
3/4 - 16	0.644	0.087
7/8 - 14	0.755	0.097
1-1/16 - 12	0.924	0.116
1-5/16 - 12	1.171	0.116
1-5/8 - 12	1.475	0.118

### Recommended Coupling & Adapter Installation Torque Specifications

#### For SAE "O" Ring Boss (Steel)

Size		Ft-Lbs (N·m)	
Dash	Fractional (In.)	Minimum	Maximum
-3	3/16	8 (11)	10 (14)
-4	1/4	14 (19)	16 (22)
-5	5/16	18 (24)	20 (27)
-6	3/8	24 (33)	26 (35)
-8	1/2	50 (68)	60 (81)
-10	5/8	72 (98)	80 (108)
-12	3/4	125 (169)	135 (183)
-14	7/8	160 (217)	180 (244)
-16	1	200 (271)	220 (298)
-20	1-1/4	210 (285)	280 (380)
-24	1-1/2	270 (366)	360 (488)

#### For JIC 37° and 45° (Machined or Flared)

Steel			
Size		Ft-Lbs (N·m)	
Dash	Fractional (In.)	Minimum	Maximum
-4	1/4	10 (14)	11 (15)
-5	5/16	13 (18)	15 (20)
-6	3/8	17 (23)	19 (26)
-8	1/2	34 (46)	38 (52)
-10	5/8	50 (68)	56 (76)
-12	3/4	70 (95)	78 (106)
-16	1	94 (127)	104 (141)
-20	1-1/4	124 (168)	138 (187)
-24	1-1/2	156 (212)	173 (235)
-32	2	219 (297)	243 (330)

# **Discount Equipment**

Discount-Equipment.com is your online resource for commercial and industrial quality parts and equipment sales.

## **Locations:**

Florida (West Palm Beach): [561-964-4949](tel:561-964-4949)

Outside Florida TOLL FREE: [877-690-3101](tel:877-690-3101)

**Need parts?** Check out our website at [www.discount-equipment.com](http://www.discount-equipment.com)

## **Can't find what you need?**

Click on this link: <http://www.discount-equipment.com/category/5443-parts/> and fill out the request form.

Please have the machine model and serial number available in order to help us get you the correct parts. One of our experienced staff members will get back to you with a quote for the right part that your machine needs.

We sell worldwide for the brands: Genie, Terex, JLG, MultiQuip, Mayco, Toro/Stone, Diamond Products, Magnum, Airman, Mustang, Power Blanket, Nifty Lift, Atlas Copco, Chicago Pneumatic, Allmand Brothers, Essick, Miller Spreader, Skyjack, Lull, Skytrak, Tsurumi, Husquyarna/Target, Whiteman-Concrete/Mortar, Stow-Concrete/Mortar, Baldor, Wacker, Sakai, Snorkel, Upright, Mi-T-M, Sullair, Neal, Basic, Dynapac, MBW, Weber, Bartell, Bennar Newman, Haulotte, Ditch Runner, Blaw-Knox, Himoina, Best, Buddy, Crown, Edco, Wyco, Bomag, Laymor, Terremite, Barreto, EZ Trench, Takeuchi, Basic, Bil-Jax, Curtis, Gehl, Heli, Honda, ICS/PowerGrit, Puckett, Waldon, ASV, IHI, Partner, Imer, Clipper, MMD, Koshin, Rice, Gorman Rupp, CH&E, Cat Pumps, Comet, General Pump, Giant, AMida, Coleman, NAC, Gradall, Square Shooter, Kent, Stanley, Tamco, Toku, Hatz, Kohler, Robin, Wisconsin, Northrock, Oztec, Toker TK, Rol-Air, Small Line, Wanco, Yanmar