

OPERATION AND PARTS MANUAL



Mikasa **SERIES**

MODEL MVC82VH/VHW
ONE-WAY PLATE COMPACTOR
(HONDA GX160U1SM12, GX160U1SMX4,
GX160UT2QMXC, GX160UT2SMXC and
GX160UT2SCM GASOLINE ENGINES)

Revision #3 (12/21/17)



www.discount-equipment.com

THIS MANUAL MUST ACCOMPANY THE EQUIPMENT AT ALL TIMES.

Discount Equipment

Discount-Equipment.com is your online resource for commercial and industrial quality parts and equipment sales.

Locations:

Florida (West Palm Beach): [561-964-4949](tel:561-964-4949)

Outside Florida TOLL FREE: [877-690-3101](tel:877-690-3101)



Need parts? Check out our website at www.discount-equipment.com

Can't find what you need?

Click on this link: <http://www.discount-equipment.com/category/5443-parts/> and fill out the request form.

Please have the machine model and serial number available in order to help us get you the correct parts. One of our experienced staff members will get back to you with a quote for the right part that your machine needs.

We sell worldwide for the brands: Genie, Terex, JLG, MultiQuip, Mayco, Toro/Stone, Diamond Products, Magnum, Airman, Mustang, Power Blanket, Nifty Lift, Atlas Copco, Chicago Pneumatic, Allmand Brothers, Essick, Miller Spreader, Skyjack, Lull, Skytrak, Tsurumi, Husquyarna/Target, Whiteman-Concrete/Mortar, Stow-Concrete/Mortar, Baldor, Wacker, Sakai, Snorkel, Upright, Mi-T-M, Sullair, Neal, Basic, Dynapac, MBW, Weber, Bartell, Bennar Newman, Haulotte, Ditch Runner, Blaw-Knox, Himoinsa, Best, Buddy, Crown, Edco, Wyco, Bomag, Laymor, Terremite, Barreto, EZ Trench, Takeuchi, Basic, Bil-Jax, Curtis, Gehl, Heli, Honda, ICS/PowerGrit, Puckett, Waldon, ASV, IHI, Partner, Imer, Clipper, MMD, Koshin, Rice, Gorman Rupp, CH&E, Cat Pumps, Comet, General Pump, Giant, AMida, Coleman, NAC, Gradall, Square Shooter, Kent, Stanley, Tamco, Toku, Hatz, Kohler, Robin, Wisconsin, Northrock, Oztec, Toker TK, Rol-Air, Small Line, Wanco, Yanmar

 **WARNING** 

CALIFORNIA — Proposition 65 Warning

Engine exhaust and some of its constituents are known to the State of California to cause cancer, birth defects and other reproductive harm.

TABLE OF CONTENTS

MVC82VH/VHW

Plate Compactor

| | |
|--|-------|
| Proposition 65 Warning | 2 |
| Table Of Contents | 4 |
| Parts Ordering Procedures..... | 5 |
| Safety Information | 6-10 |
| Specifications | 11 |
| Noise And Vibration Emissions..... | 12 |
| Dimensions..... | 13 |
| General Information..... | 14 |
| Components | 15 |
| Basic Engine..... | 16 |
| Inspection | 17-19 |
| Operation..... | 20-21 |
| Maintenance..... | 22-27 |
| Troubleshooting (Engine)..... | 28-29 |
| Troubleshooting (Compactor) | 30 |
| Explanation Of Code In Remarks Column..... | 32 |
| Suggested Spare Parts | 33 |

Compactor Component Drawings

| | |
|--|-------|
| Nameplate And Decals..... | 34-35 |
| Body Assembly..... | 36-39 |
| Vibrator Assembly | 40-41 |
| Water Tank Assembly (MVC82VHW Only)..... | 42-43 |

HONDA GX160 Series Engines

| | |
|---|-------|
| Cylinder Head Assembly | 44-45 |
| Cylinder Barrel Assembly | 46-47 |
| Crankcase Cover Assembly | 48-49 |
| Crankshaft Assembly..... | 50-51 |
| Piston Assembly | 52-53 |
| Camshaft Assembly..... | 54-55 |
| Recoil Starter Assembly | 56-57 |
| Fan Cover Assembly..... | 58-59 |
| Carburetor Assembly | 60-61 |
| Air Cleaner Assembly (Standard) | 62-63 |
| Air Cleaner Assembly (Cyclone Type 1) | 64-65 |
| Air Cleaner Assembly (Cyclone Type 2) | 66-67 |
| Muffler Assembly | 68-69 |
| Fuel Tank Assembly..... | 70-71 |
| Flywheel Assembly..... | 72-73 |
| Ignition Coil Assembly..... | 74-75 |
| Control Assembly | 76-77 |
| Decals Assembly | 78-79 |
| Terms And Conditions Of Sale — Parts | 80 |

NOTICE

Specifications and part numbers are subject to change without notice.

SAFETY INFORMATION

Do not operate or service the equipment before reading the entire manual. Safety precautions should be followed at all times when operating this equipment. Failure to read and understand the safety messages and operating instructions could result in injury to yourself and others.



SAFETY MESSAGES

The four safety messages shown below will inform you about potential hazards that could injure you or others. The safety messages specifically address the level of exposure to the operator and are preceded by one of four words: **DANGER**, **WARNING**, **CAUTION** or **NOTICE**.

SAFETY SYMBOLS

! **DANGER**

Indicates a hazardous situation which, if not avoided, **WILL** result in **DEATH** or **SERIOUS INJURY**.

! **WARNING**

Indicates a hazardous situation which, if not avoided, **COULD** result in **DEATH** or **SERIOUS INJURY**.

! **CAUTION**

Indicates a hazardous situation which, if not avoided, **COULD** result in **MINOR** or **MODERATE INJURY**.

NOTICE

Addresses practices not related to personal injury.

Potential hazards associated with the operation of this equipment will be referenced with hazard symbols which may appear throughout this manual in conjunction with safety messages.

| Symbol | Safety Hazard |
|--------|-----------------------------|
| | Lethal exhaust gas hazards |
| | Explosive fuel hazards |
| | Burn hazards |
| | Respiratory hazards |
| | Accidental starting hazards |
| | Eye and hearing hazards |
| | Rotating parts hazards |

SAFETY INFORMATION

GENERAL SAFETY

CAUTION

- **NEVER** operate this equipment without proper protective clothing, shatterproof glasses, respiratory protection, hearing protection, steel-toed boots and other protective devices required by the job or city and state regulations.



- **NEVER** operate this equipment when not feeling well due to fatigue, illness or when under medication.



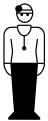
- **NEVER** operate this equipment under the influence of drugs or alcohol.



- **ALWAYS** check the equipment for loosened threads or bolts before starting.
- **DO NOT** use the equipment for any purpose other than its intended purposes or applications.
- **ALWAYS** clear the work area of any debris, tools, etc. that would constitute a hazard while the equipment is in operation.

NOTICE

- This equipment should only be operated by trained and qualified personnel 18 years of age and older.
- Whenever necessary, replace nameplate, operation and safety decals when they become difficult read.
- Manufacturer does not assume responsibility for any accident due to equipment modifications. Unauthorized equipment modification will void all warranties.
- **NEVER** use accessories or attachments that are not recommended by Multiquip for this equipment. Damage to the equipment and/or injury to user may result.
- **ALWAYS** know the location of the nearest **fire extinguisher**.
- **ALWAYS** know the location of the nearest **first aid kit**.
- **ALWAYS** know the location of the nearest phone or **keep a phone on the job site**. Also, know the phone numbers of the nearest **ambulance, doctor and fire department**. This information will be invaluable in the case of an emergency.



SAFETY INFORMATION

COMPACTOR SAFETY

DANGER

- **NEVER** operate the equipment in an explosive atmosphere or near combustible materials. An explosion or fire could result causing severe **bodily harm or even death.**



WARNING

- **NEVER** disconnect any **emergency or safety devices.** These devices are intended for operator safety. Disconnection of these devices can cause severe injury, bodily harm or even death. Disconnection of any of these devices will void all warranties.

CAUTION

- **NEVER** lubricate components or attempt service on a running machine.

NOTICE

- **ALWAYS** keep the machine in proper running condition.
- Fix damage to machine and replace any broken parts immediately.
- **ALWAYS** store equipment properly when it is not being used. Equipment should be stored in a clean, dry location out of the reach of children and unauthorized personnel.

ENGINE SAFETY

DANGER

- The engine fuel exhaust gases contain poisonous carbon monoxide. This gas is colorless and odorless, and can cause death if inhaled.
- The engine of this equipment requires an adequate free flow of cooling air. **NEVER** operate this equipment in any enclosed or narrow area where free flow of the air is restricted. If the air flow is restricted it will cause injury to people and property and serious damage to the equipment or engine.



WARNING

- **DO NOT** place hands or fingers inside engine compartment when engine is running.
- **NEVER** operate the engine with heat shields or guards removed.
- Keep fingers, hands hair and clothing away from all moving parts to prevent injury.
- **DO NOT** remove the radiator cap while the engine is hot. High pressure boiling water will gush out of the radiator and severely scald any persons in the general area of the compactor.
- **DO NOT** remove the coolant drain plug while the engine is hot. Hot coolant will gush out of the coolant tank and severely scald any persons in the general area of the compactor.
- **DO NOT** remove the engine oil drain plug while the engine is hot. Hot oil will gush out of the oil tank and severely scald any persons in the general area of the compactor.



CAUTION

- **NEVER** touch the hot exhaust manifold, muffler or cylinder. Allow these parts to cool before servicing equipment.



NOTICE

- **NEVER** run engine without an air filter or with a dirty air filter. Severe engine damage may occur. Service air filter frequently to prevent engine malfunction.
- **NEVER** tamper with the factory settings of the engine or engine governor. Damage to the engine or equipment can result if operating in speed ranges above the maximum allowable.
- **NEVER** tip the engine to extreme angles during lifting as it may cause oil to gravitate into the cylinder head, making the engine start difficult.

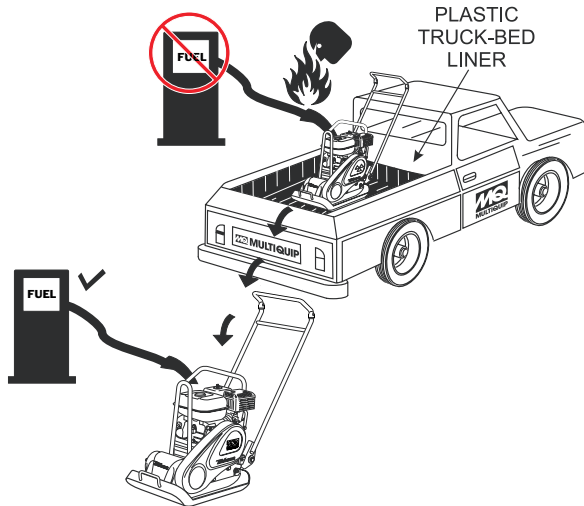



SAFETY INFORMATION

FUEL SAFETY

DANGER


- **DO NOT** add fuel to equipment if it is placed inside truck bed with plastic liner. Possibility exists of explosion or fire due to static electricity.




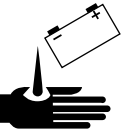
- **DO NOT** start the engine near spilled fuel or combustible fluids. Diesel fuel is extremely flammable and its vapors can cause an explosion if ignited.
- **ALWAYS** refuel in a well-ventilated area, away from sparks and open flames.
- **ALWAYS** use extreme caution when working with **flammable** liquids.
- **DO NOT** fill the fuel tank while the engine is running or hot.
- **DO NOT** overfill tank, since spilled fuel could ignite if it comes into contact with hot engine parts or sparks from the ignition system.
- Store fuel in appropriate containers, in well-ventilated areas and away from sparks and flames.
- **NEVER** use fuel as a cleaning agent.
- **DO NOT** smoke around or near the equipment. Fire or explosion could result from fuel vapors or if fuel is spilled on a hot engine. 

BATTERY SAFETY (ELECTRIC START ONLY)

DANGER

- **DO NOT** drop the battery. There is a possibility that the battery will explode.
- **DO NOT** expose the battery to open flames, sparks, cigarettes, etc. The battery contains combustible gases and liquids. If these gases and liquids come into contact with a flame or spark, an explosion could occur. 

WARNING

- **ALWAYS** wear safety glasses when handling the battery to avoid eye irritation. The battery contains acids that can cause injury to the eyes and skin. 
- Use well-insulated gloves when picking up the battery.
- **ALWAYS** keep the battery charged. If the battery is not charged, combustible gas will build up.
- **DO NOT** charge battery if frozen. Battery can explode. When frozen, warm the battery to at least 61°F (16°C).
- **ALWAYS** recharge the battery in a well-ventilated environment to avoid the risk of a dangerous concentration of combustible gases.
- If the battery liquid (dilute sulfuric acid) comes into contact with **clothing or skin**, rinse skin or clothing immediately with plenty of water. 
- If the battery liquid (dilute sulfuric acid) comes into contact with **eyes**, rinse eyes immediately with plenty of water and contact the nearest doctor or hospital to seek medical attention.

CAUTION

- **ALWAYS** disconnect the **NEGATIVE** battery terminal before performing service on the equipment.
- **ALWAYS** keep battery cables in good working condition. Repair or replace all worn cables.

SAFETY INFORMATION

TRANSPORTING SAFETY

⚠ CAUTION


- NEVER allow any person or animal to stand underneath the equipment while lifting.

NOTICE

- Before lifting, make sure that the equipment parts (hook and vibration insulator) are not damaged and screws are not loose or missing.
- Always make sure crane or lifting device has been properly secured to the lifting bail (hook) of the equipment.
- **ALWAYS** shutdown engine before transporting.
- **NEVER** lift the equipment while the engine is running.
- Tighten fuel tank cap securely and close fuel cock to prevent fuel from spilling.
- Use adequate lifting cable (wire or rope) of sufficient strength.
- Use one point suspension hook and lift straight upwards.
- **DO NOT** lift machine to unnecessary heights.
- **ALWAYS** tie down equipment during transport by securing the equipment with rope.

ENVIRONMENTAL SAFETY

NOTICE

- Dispose of hazardous waste properly. Examples of potentially hazardous waste are used motor oil, fuel and fuel filters. 
- **DO NOT** use food or plastic containers to dispose of hazardous waste.
- **DO NOT** pour waste, oil or fuel directly onto the ground, down a drain or into any water source.

SPECIFICATIONS

Table 1. Compactor Specifications

| | |
|--------------------------------------|----------------------------------|
| Models | MVC82VH MVC82VHW |
| Handle | HAV (Center Handle) |
| Centrifugal Force | 3080 lbf. (13.7 kN) |
| Number of Vibrations | 5,600 vibrations/min (93 Hz) |
| Traveling Speed | 72 ft./min (22 meters/min) |
| Plate Size (LxW) | 22.4 x 17.7 in. (570 x 450 mm) |
| Length (Including Handle) | 38.2 in. (970 mm) |
| Height (Including Handle) | 22.4 in. (570 mm) |
| Operating Weight (VH) | 175 lbs. (79 kg.) |
| Operating Weight (VHW) | 181 lbs. (82 kg.) |
| Water Tank Capacity (VHW Model Only) | 11.5 qt. (10.9 liters) |
| Max. Area Of Compaction | 7,262 sq. ft./hr. (675 sq. m/hr) |
| Vibrator Oil Capacity | 0.15 qt. (0.14 liters) |

Table 2. Engine Specifications

| | | | | | |
|-----------------------|---|-------------|------------------------|--------------|-------------|
| Make | Honda | | | | |
| Model | GX160U1SM12 | GX160U1SMX4 | GX160UT2QMXC | GX160UT2SMXC | GX160UT2SCM |
| Type | Air-cooled 4 stroke, Single Cylinder, OHV Horizontal Shaft Gasoline Engine | | | | |
| Bore X Stroke | 2.7 in. x 1.8 in. (68 mm x 45 mm) | | | | |
| Displacement | 163 cc (9.9 cu. in) | | | | |
| Max Output | 4.8 H.P./3600 R.P.M. | | | | |
| Fuel Tank Capacity | Approx. 0.95 U.S. gallons (3.6 liters) | | | | |
| Fuel | Unleaded Automobile Gasoline | | | | |
| Lube Oil Capacity | 0.63 qts (0.60 liters) | | | | |
| Air Cleaner | Dual Filter Element | | Cyclone Filter Element | | |
| Speed Control Method | Centrifugal Fly-weight Type | | | | |
| Starting Method | Recoil Start | | | | |
| Dimension (L x W x H) | 12.0 x 14.2 x 13.2 in. (304 x 362 x 335 mm) | | | | |
| Dry Net Weight | 23.1 lbs (10.48 Kg.) | | | | |

NOISE AND VIBRATION EMISSIONS

Table 3. Noise and Vibration Emissions

| | |
|--|-----|
| Measured Sound Power Level in dB(A) | 101 |
| Guaranteed Sound Power Level in dB(A) | 105 |
| Guaranteed Sound Pressure Level at Operator Station in dB(A) | 90 |
| Hand-Arm Vibration in m/s ² | 3.5 |

NOTES:

1. *Products are tested for sound pressure level in accordance with European Directives 2000/14/EC and 2005/88/EC, relating to Noise Emission in the Environment by equipment for use outdoors.*
2. *Products are tested for hand/arm vibration (HAV) level in accordance with European Directives 2002/44/EC and EN500-4 and ISO 5349-1:2001, ISO 5349-2:2001.*

DIMENSIONS

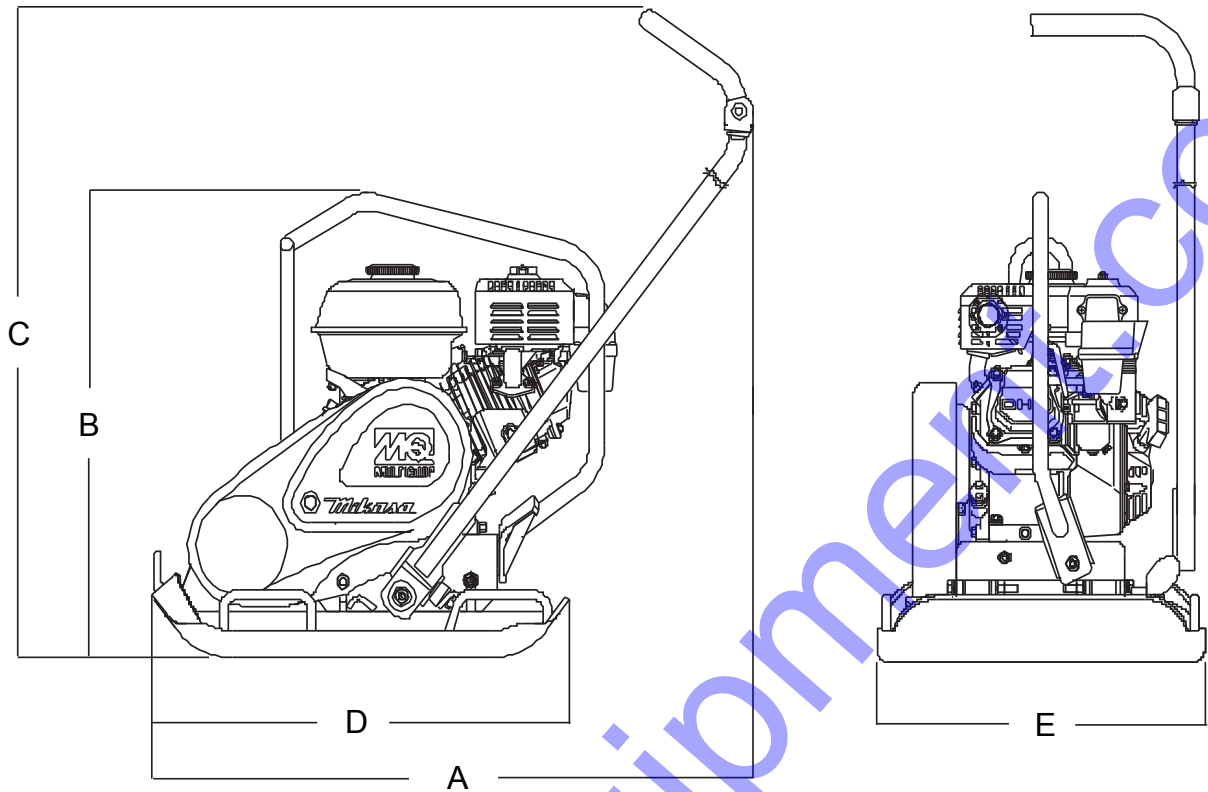


Table 4. Dimensions

| Reference Letter | Description | Dimension |
|------------------|---------------------------|----------------------|
| A | Length (including handle) | 38.2 inches (970 mm) |
| B | Height (without handle) | 22.4 inches (570 mm) |
| C | Height (including handle) | 38 inches (965 mm) |
| D | Plate Length | 22.4 inches (570 mm) |
| E | Plate Width | 17.7 inches (450 mm) |

GENERAL INFORMATION

DEFINITION OF PLATE COMPACTOR

The Mikasa MVC82VH/VHW is a walk-behind, one-way plate compactor designed for the compaction of sand, mixed soils and asphalt. This plate compactor is a powerful compacting tool capable of applying a tremendous force in consecutive high frequency vibrations to a soil surface. Its applications include compacting for road, embankments and reservoirs as well as backfilling for gas pipelines, water pipelines and cable installation work.

VIBRATORY PLATES

The vibratory plates of the MVC82VH/VHW produce low amplitude high frequency vibrations, designed to compact granular soils and asphalt.

The resulting vibrations cause forward motion. The engine and handle are vibration-isolated from the vibrating plate.

FREQUENCY/SPEED

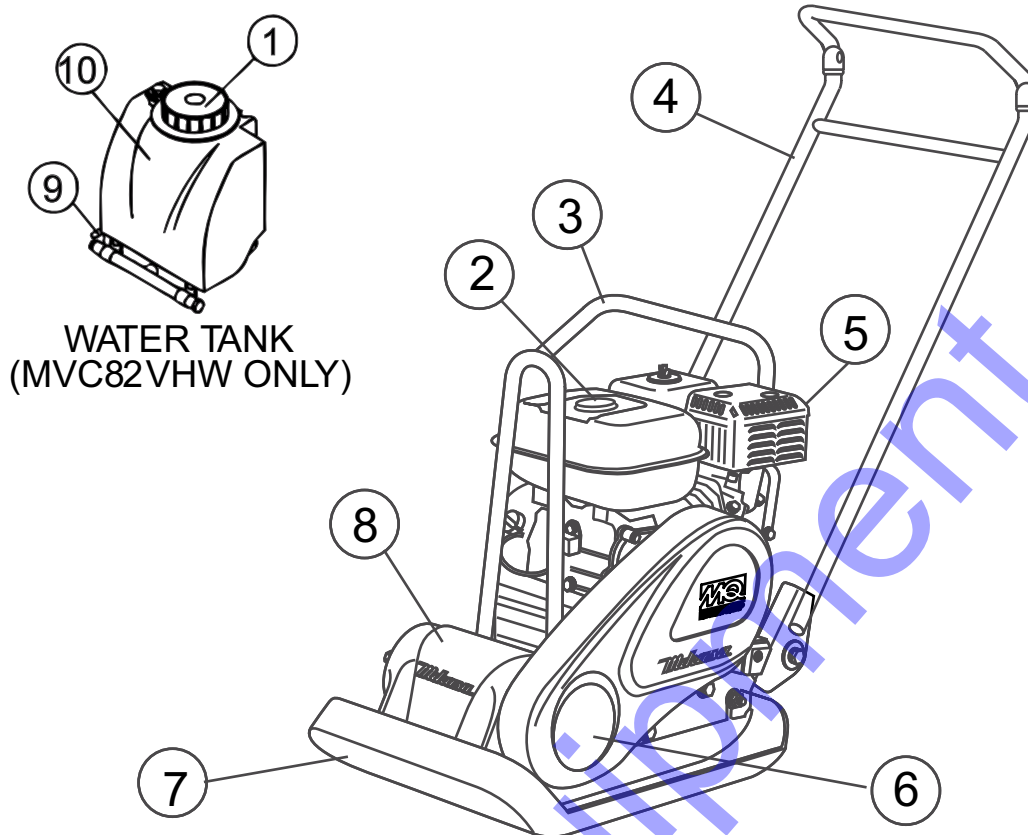
The compactor's vibrating plate has a frequency range of 5600 vpm (vibrations per minute). The travel speed of the compactor is approximately 72 feet/minute (22 meters/minute).

ENGINE

These plate compactors are equipped with a Honda GX160 series air cooled, 4-cycle gasoline engine. Reference Table 2 for complete specifications. The engine drives an eccentric weight at a high speed to develop a compaction force.

CONTROLS

Before starting the plate compactor, identify and understand the function of all the controls and components.



WATER TANK
(MVC82VHW ONLY)

Figure 1. Plate Compactor Components

Figure 1 shows the location of the basic controls and components of the MVC82VH/VHW Plate Compactor. The function of each control is described below:

1. **Water Tank Cap (VHW Only)** — Remove this cap to add water to the water tank.
2. **Fuel Tank Cap** — Remove this cap to add unleaded gasoline to the fuel tank.
3. **Lifting Bale** — When lifting of the compactor is required either by forklift, crane, etc., tie rope or chain around this lifting point.
4. **Handle Bar** — When operating the compactor use this handle bar to maneuver the compactor.
5. **Gasoline Engine** — This plate compactor uses a HONDA 4.8 HP GX160 series, air-cooled 4 stroke gasoline engine. Refer to the owner's manual for engine information.
6. **Belt Cover** — Remove this cover to gain access to the V-belts. **NEVER** run the compactor without the V-belt cover. If the V-belt cover is not installed, the possibility exists that your hand may get caught between the V-belt and clutch, causing serious injury and bodily harm.
7. **Vibrating Plate** — A flat, open plate made of durable cast iron construction used in the compacting of soil.
8. **Vibration Case** — Encloses the eccentric, gears and counter weights.
9. **Water Shut-Off Valve (VHW only)** — Turn this valve downward to let water flow from the water tank to the water tube.
10. **Water Tank (VHW only)** — Holds 13.8 quarts of water (removable, no tools required).

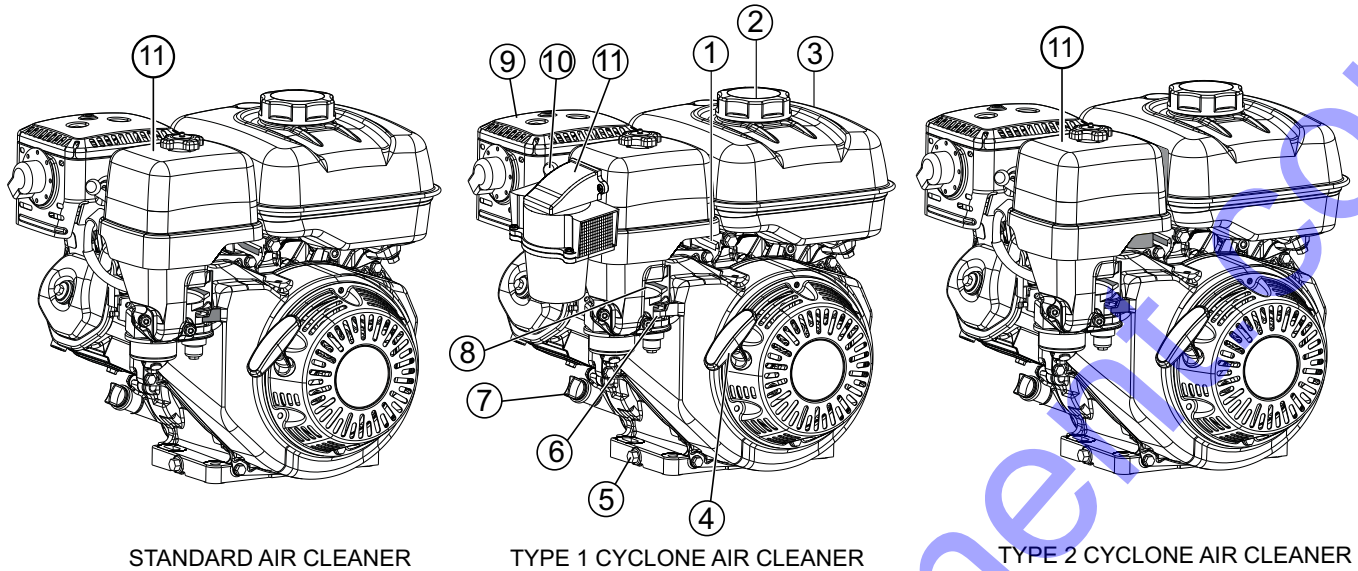



Figure 2. Engine Components

The engine (Figure 2) must be checked for proper lubrication and filled with fuel prior to operation. Refer to the manufacturer's engine manual for instructions and details of operation and servicing.

1. **Throttle Lever** – Used to adjust engine RPM speed. For normal operation this lever should always be placed in the **RUN** position.
2. **Fuel Cap** – Remove this cap to add unleaded gasoline to the fuel tank. Fill with unleaded gasoline.
3. **Fuel Tank** – Refer to Table 2 for fuel tank capacity. Make sure cap is tightened securely. **DO NOT** over fill. For additional information refer to Honda engine owner's manual.

4. **Recoil Starter (Pull Rope)** – Manual-starting method. Pull the starter grip until resistance is felt, then pull briskly and smoothly.
5. **Oil Drain Plug** – Remove this plug to remove oil from the engine's crankcase.
6. **Fuel Valve Lever** – **OPEN** to let fuel flow, **CLOSE** to stop the flow of fuel.
7. **Dipstick/Oil Filler Cap** – Remove this cap to determine if the engine oil is low. Add oil through this filler port as recommended in (Table 5).
8. **Choke Lever** – Used in the starting of a cold engine, or in cold weather conditions. The choke enriches the fuel mixture.
9. **Muffler** – Used to reduce noise and emissions. **NEVER** touch when **hot!**
10. **Spark Plug** – Provides spark to the ignition system. Set spark plug gap according to engine manufacturer's instructions. Clean spark plug once a week.
11. **Air Cleaner** – Prevents dirt and other debris from entering the fuel system. Remove wing-nut on top of air filter cover to gain access to filter element. Reference the maintenance section in this manual for servicing.

⚠ DANGER



Add fuel to the tank **only** when the engine is stopped and has had an opportunity to cool down. In the event of a fuel spill, **DO NOT** attempt to start the engine until the fuel residue has been completely wiped up and the area surrounding the engine is dry.

BEFORE STARTING

1. Read all safety instructions at the beginning of manual.
2. Clean the compactor, removing dirt and dust, particularly the engine cooling air inlet, carburetor and air cleaner.
3. Check the air filter for dirt and dust. If air filter is dirty, replace air filter with a new one as required.
4. Check carburetor for external dirt and dust. Clean with dry compressed air.
5. Check fastening nuts and bolts for tightness.

ENGINE OIL CHECK

1. To check the engine oil level, place the compactor on secure level ground with the engine stopped.
2. Remove the dipstick from the engine oil filler hole (Figure 3) and wipe clean.

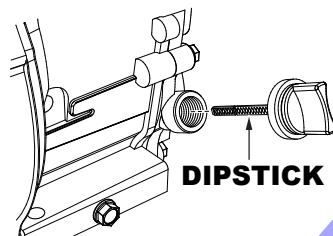


Figure 3. Engine Oil Dipstick Removal

3. Insert and remove the dipstick without screwing it into the filler neck. Check the oil level shown on the dipstick.
4. If the oil level is low (Figure 4), fill to the edge of the oil filler hole with the recommended oil type as listed in Table 5. Refer to Table 2 for maximum engine oil capacity.

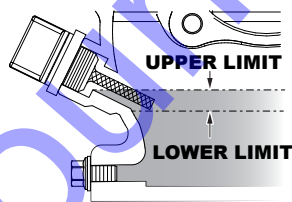


Figure 4. Engine Oil Dipstick (Oil Level)

Table 5. Oil Type

| Season | Temperature | Oil Type |
|-------------|----------------|---------------|
| Summer | 25°C or Higher | SAE 10W-30 |
| Spring/Fall | 25°C~10°C | SAE 10W-30/20 |
| Winter | 0°C or Lower | SAE 10W-10 |

WARNING



Adding fuel to the tank should be accomplished only when the engine is stopped and has had an opportunity to cool down. In the event of a fuel spill, **DO NOT** attempt to start the engine until the fuel residue has been completely wiped up, and the area surrounding the engine is dry.

FUEL CHECK

1. Visually inspect (Figure 5) to see if fuel level is low. If fuel is low, replenish with unleaded fuel.

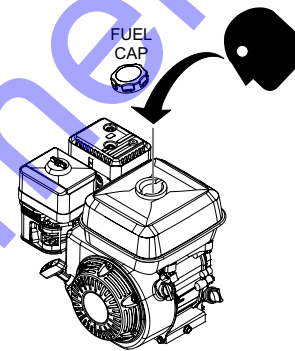


Figure 5. Fuel Check

2. When refueling, be sure to use a strainer for filtration. **DO NOT** top-off fuel. Wipe up any spilled fuel immediately.

Water Tank (Option)

If your unit is equipped with a water tank (Figure 6) and your application requires water, fill water tank.

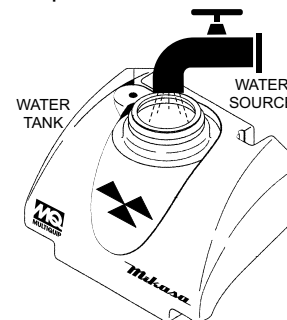


Figure 6. Water Tank Filling

V-BELT CHECK

CAUTION

NEVER attempt to check the V-belt with the engine running. Severe injury can occur if your hand (Figure 7) gets caught between the V-belt and the clutch. Always use safety gloves.

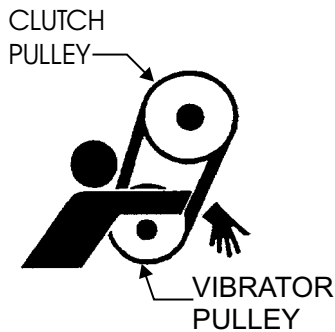


Figure 7. V-Belt Hazard

1. To check the V-belt tension, remove the three bolts that secure the belt cover to the frame as shown in Figure 8.

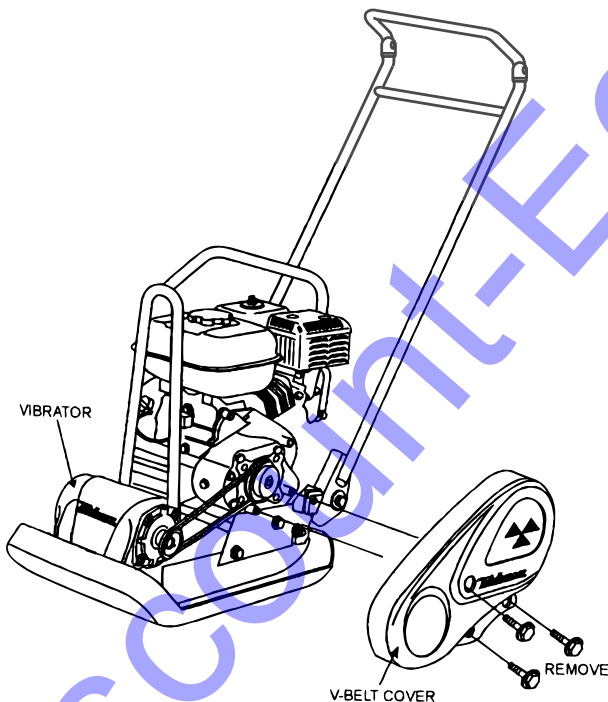


Figure 8. V-Belt Cover Removal

V-BELT INSPECTION

Visually examine the V-belt (Figure 9) and determine if it is full of tiny cracks, frayed, has pieces of rubber missing, is peeling or otherwise damaged.

Also, examine the belt and determine if it is **oil soaked** or **"glazed"** (hard shiny appearance on the sides of the belt). Either of these two conditions can cause the belt to run hot, which can weaken it and increase the danger of it breaking.

If the V-belt exhibits any of the referenced wear conditions replace the V-belt immediately

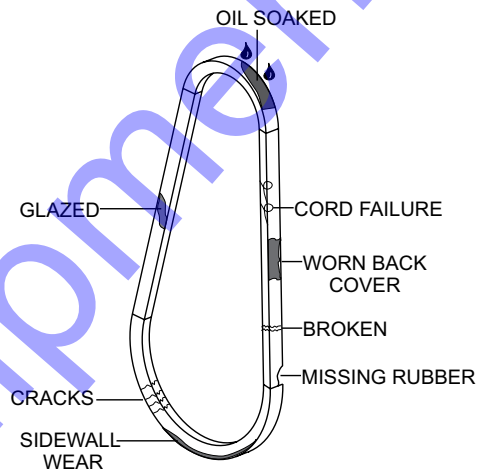


Figure 9. Drive Belt Inspection

V-BELT TENSION

1. The V-belt tension is proper if the V-belt bends 10 to 15 mm (Figure 10) when depressed with finger at midway between the clutch and vibrator pulleys.

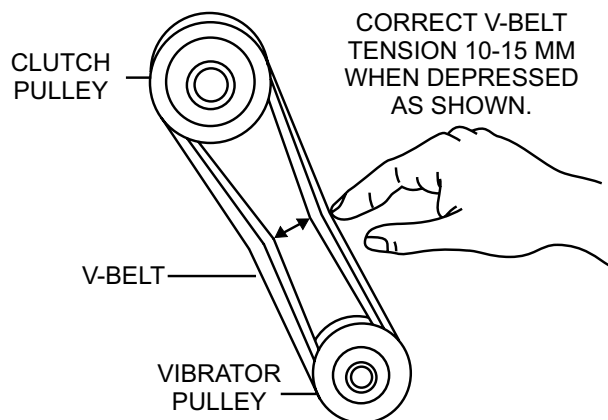


Figure 10. V-Belt Tension

2. A loose V-belt will decrease the power transmission output causing reduced compaction and premature wear of the belt.
3. If the V-belt becomes worn or loose, replace it.

VIBRATOR OIL CHECK

1. Place the plate compactor horizontally on a flat surface. Make sure the compactor is level when checking the oil in the vibrator assembly.
2. Check vibrator oil level by removing the oil plug (vibrator oil gauge) as shown in Figure 11. The oil level should be up to the oil plug. The vibrator holds 140 cc (approximately 0.3 pint). **IMPORTANT**, if oil is required, replace using only SAE10W-30 motor oil.

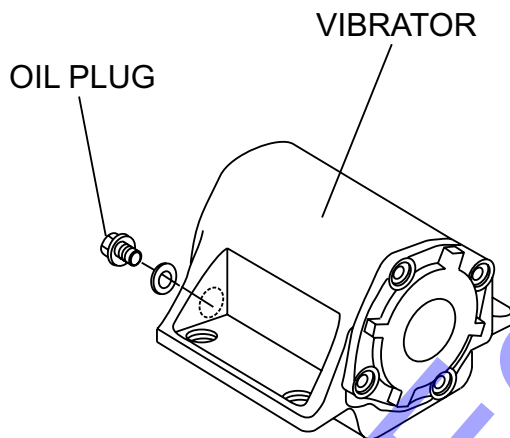


Figure 11. Vibrator Oil Plug

OPERATION

INITIAL START-UP

1. Place the fuel valve lever (Figure 12) in the **ON** position.

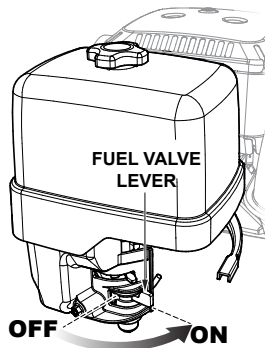


Figure 12. Fuel Valve Lever (ON)

2. Place the engine ON/OFF switch (Figure 13) in the **ON** position.

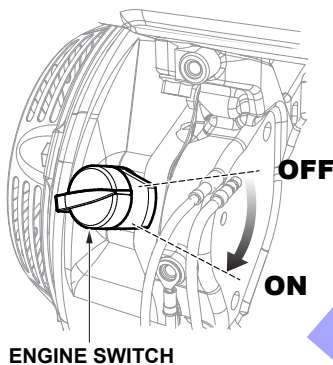


Figure 13. Engine ON/OFF Switch

3. Place the choke lever (Figure 14) in the **OPEN** position.

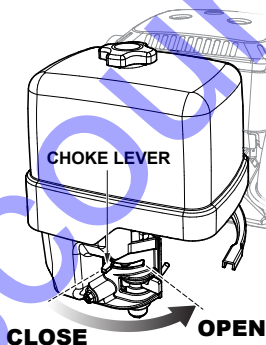


Figure 14. Choke Lever

NOTICE

The **CLOSED** position of the choke lever enriches the fuel mixture for starting a **COLD** engine. The **OPEN** position provides the correct fuel mixture for normal operation after starting, and for restarting a warm engine.

4. Place the throttle lever (Figure 15) in the **IDLE** position.

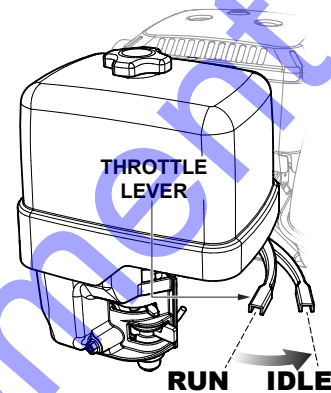


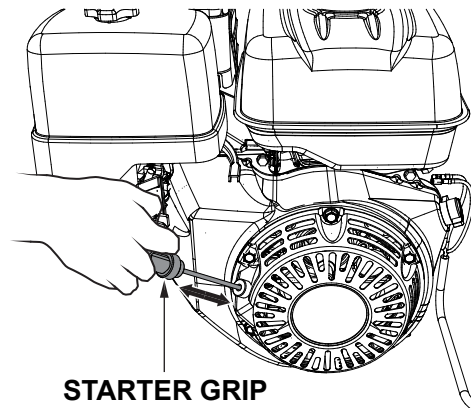
Figure 15. Throttle Lever (Idle Position)

5. Grasp the starter grip (Figure 16) and slowly pull it out. The resistance becomes the hardest at a certain position, corresponding the compression point. Rewind the rope a little from that point and pull out sharply.

NOTICE

DO NOT pull the starter rope all the way to the end.

DO NOT release the starter rope after pulling. Allow it to rewind as soon as possible.



STARTER GRIP

Figure 16. Starter Grip

6. If the choke lever was moved to the **CLOSED** position, slowly return the choke lever to the **OPEN** position.
7. If the engine has not started, repeat steps 1 through 5.
8. Before the compactor is put into operation, run the engine for 3-5 minutes.
9. Check for abnormal engine noises or fuel leaks.

OPERATION

CAUTION

Make sure to follow all safety rules referenced in the safety information section of this manual before operating compactor. Keep work area clear of debris and other objects that could cause damage to the compactor or bodily injury.

1. Once the engine has started, move the engine throttle lever quickly to the **RUN** position.

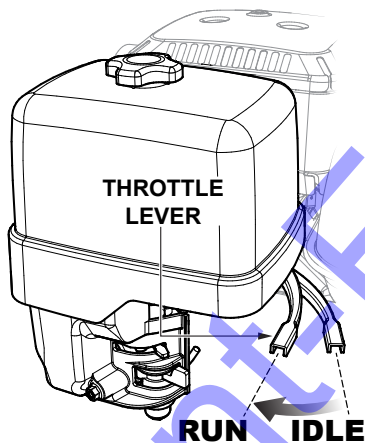


Figure 17. Throttle Lever (Run Position)

2. With the throttle lever in the **RUN** position, the engine speed should be around 2,300 RPM therefore engaging the centrifugal clutch.

NOTICE

ALWAYS move the throttle lever quickly without hesitation, because increasing the engine speed slowly causes the clutch to slip.

3. Firmly grasp the compactor's handle bar with both hands. The compactor will begin moving forward.
4. Slowly walk behind the compactor and be on the lookout for any large objects or foreign matter that might cause damage to the compactor or bodily injury.
5. Compactor traveling speed may drop on soils which contain clay. However, there may be cases where traveling speed drops because the compaction plate does not leave the ground surface easily due to the composition of the soil. To rectify this problem, do the following:
 - a. Check the bottom plate to see if clay or equivalent material has been lodged in the plate mechanism. If so, wash with water and remove.
 - b. Remember the compactor does not work as efficiently on clay or soils that have a high moisture content level. If the soil has a high moisture level, dry soil to appropriate moisture content level or carry out compaction twice.

STOPPING THE ENGINE

CAUTION

NEVER stop the engine suddenly while working at high speeds.

Normal Shutdown

1. Place the throttle lever (Figure 15) in the **IDLE** position, and listen for the engine speed to decrease.
2. Place the engine **ON/OFF** switch (Figure 10) in the **OFF** position.
3. Place the fuel valve lever (Figure 9) in the **OFF** position.

Emergency Shutdown

Move the throttle lever quickly to the **IDLE** position, and place the engine **ON/OFF** switch in the **OFF** position.

MAINTENANCE

NOTICE

Inspection and other services should always be carried out on hard and level ground with the engine shutdown.

NOTICE

Fuel piping and connections should be replaced every 2 years.

NOTICE

The inspection intervals listed in the maintenance tables are for operation under normal conditions. Adjust your inspection intervals based on the number hours plate compactor is in use, and particular working conditions.

Table 6. Engine Maintenance Schedule

| DESCRIPTION (3) | OPERATION | BEFORE | FIRST MONTH OR 10 HRS. | EVERY 3 MONTHS OR 25 HRS. | EVERY 6 MONTHS OR 50 HRS. | EVERY YEAR OR 100 HRS. | EVERY 2 YEARS OR 200 HRS. |
|--------------------|------------------------|--|------------------------------|---------------------------------|---------------------------------|------------------------------|---------------------------------|
| Engine Oil | Check | X | | | | | |
| | Change | | X | | | | |
| Air Cleaner | Check | X | | | | | |
| | Change | | | X (1) | | | |
| All Nuts and Bolts | Retighten if necessary | X | | | | | |
| Spark Plugs | Check/Clean | | | | X | | |
| | Replace | | | | | | X |
| Cooling Fins | Check | | | | X | | |
| Spark Arrester | Clean | | | | | X | |
| Fuel Tank | Clean | | | | | X | |
| Fuel Filter | Check | | | | | X | |
| Idle Speed | Check/ Adjust | | | | | X (2) | |
| Valve Clearance | Check/ Adjust | | | | | | X (2) |
| Fuel Lines | Check | Every 2 years (replace if necessary) (2) | | | | | |

(1) Service more frequently when used in **DUSTY** areas.

(2) These items should be serviced by your service dealer, unless you have the proper tools and are mechanically proficient. Refer to the **HONDA** Shop Manual for service procedures.

(3) For commercial use, log hours of operation to determine proper maintenance intervals.

MACHINE INSPECTION

Perform machine inspection as listed in Table 7.

| Interval | Check | Solution |
|-----------------------|-------------------------|---|
| Daily Before Starting | Machine | Clean if necessary. |
| | Fuel Tank For Leaks | Repair fuel leaks. |
| | Fuel System for Leaks | Repair fuel leaks. |
| | Engine Oil | Add oil if necessary. |
| | Vibrator Oil | Add oil if necessary. |
| | Air Cleaner Element | Clean/Replace |
| | Guard Frame | Inspect/deformations |
| | Shock Absorber | Replace if damaged. |
| | Hydraulic pump | Check/Repair Leaks |
| | Hydraulic Pipe System | Check/Repair leaks, Inspect for wear |
| | Direction Control Lever | Check bolts/nuts, Inspect for wear |
| Duct Hose | Check for crack/damage | |
| Every 20 Hours | Engine Oil/Oil Filter | Replace only after first 20 hrs. |
| Every 100 Hours | Engine Oil | Change |
| | Engine Oil Filter | Wash |
| | Vibrator Oil | Check oil level. Check for leaks/dirt. |
| | Hydraulic Oil | Check oil level. Check for leaks. |
| Every 200 hours | V-Belt | Inspect, replace if damaged or worn. |
| | Clutch | Inspect, replace if not working properly. |
| | Engine Bolts | Replace bolts if deformed or elongated. |
| Every 300 hours | Vibrator Oil | Change |
| | Fuel Filter | Change |
| | Hydraulic Oil | Change |
| | Engine Oil Filter | Change |
| Every 2 years | Fuel Lines | Replace |

TIGHTENING TORQUE

Reference Table 8 below (Tightening Torque), for retightening of nuts and bolts.

| Material | 6 mm | 8 mm | 10mm | 12mm | 14mm | 16mm | 18mm | 20mm |
|--|--|------|------|-------|-------|-------|-------|-------|
| 4T | 70 | 150 | 300 | 500 | 750 | 1,100 | 1,400 | 2,000 |
| 6-8T | 100 | 250 | 500 | 800 | 1,300 | 2,000 | 2,700 | 3,800 |
| 11T | 150 | 400 | 800 | 1,200 | 2,000 | 2,900 | 4,200 | 5,600 |
| * | 100 (6mm) 300 ~ 350 (8mm) 650 ~ 700 (10mm) | | | | | | | |
| * In case counterpart is of aluminum | | | | | | | | |
| Threads in use with this machine are all right handed. | | | | | | | | |
| Material and quality of material is marked on each bolt and screw. | | | | | | | | |

ENGINE OIL

1. Replace the engine oil in first 20 hours of operation and every 100 hours afterwards.
2. Drain the engine oil when the oil is warm after operation. Remove the oil filler cap then unscrew the engine oil drain plug located at the base of the engine. Drain the old oil into a pan (Figure 18).

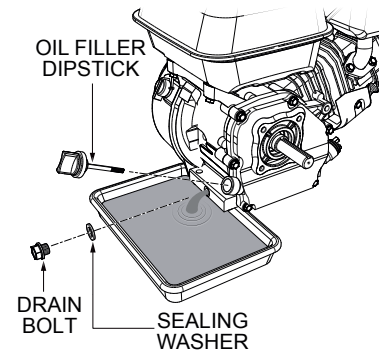


Figure 18. Engine Oil (Draining)

3. Replace engine oil with recommended type oil as listed in Table 5. For engine oil capacity, see Table 2 (engine specifications). **DO NOT** overfill.
4. Reinstall drain bolt with sealing washer and tighten securely.

STANDARD FILTER ELEMENT

NOTICE

Operating the engine with loose or damaged air cleaner components could allow unfiltered air into the engine causing premature wear and failure.

The Honda GX160U1SM12 and GX160U1SMX4 engines are equipped with a replaceable, high-density paper air cleaner element. See (Figure 19) for air cleaner components.

1. Remove the air cleaner cover and foam filter element.
2. Tap the paper filter element several times on a hard surface to remove dirt, or blow compressed air not exceeding 30 psi (207 kPa, 2.1 kgf/cm²) through the filter element from the inside out. **NEVER** brush off dirt. Brushing will force dirt into the fibers. Replace the paper filter element if it is excessively dirty.

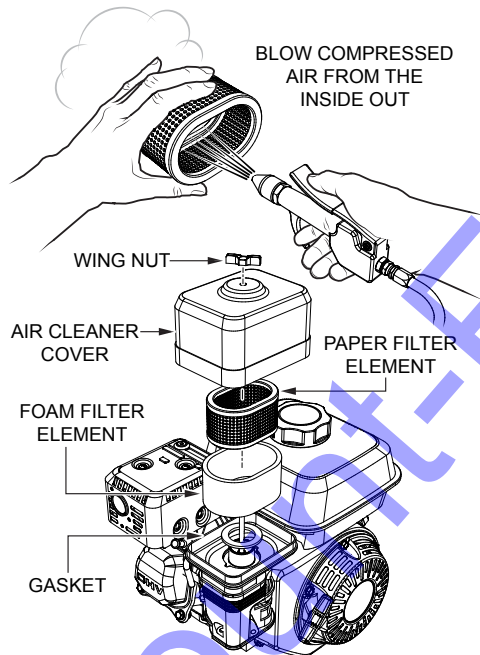


Figure 19. Engine Air Filter (Standard)

CYCLONE FILTER ELEMENT TYPE 1

! DANGER



DO NOT use gasoline or low flash point solvents for cleaning the air cleaner. The possibility exists of fire or explosion which can cause damage to the equipment and severe bodily harm or even **DEATH!**

! CAUTION



Wear protective equipment such as approved safety glasses or face shields and dust masks or respirators when cleaning air filters with compressed air.

The Honda GX160UT2QMXC and GX160UT2SMXC engines are equipped with a replaceable, high-density paper air cleaner element. See (Figure 20) for air cleaner components.

1. Remove the air cleaner cover and foam filter element.
2. Tap the paper filter element several times on a hard surface to remove dirt, or blow compressed air not exceeding 30 psi (207 kPa, 2.1 kgf/cm²) through the filter element from the inside out. **NEVER** brush off dirt. Brushing will force dirt into the fibers. Replace the paper filter element if it is excessively dirty.

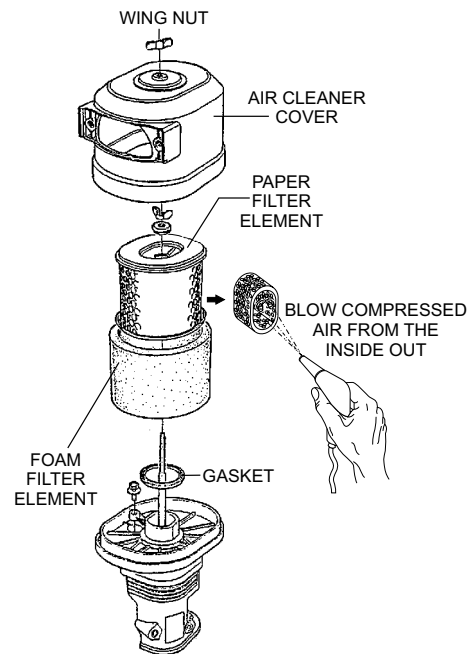


Figure 20. Engine Air Filter

DUST POT

NOTICE

When reinstalling cyclone housing, be sure that the air intake tab fits properly into the groove in the pre-cleaner cap. Also make sure air guide is properly aligned before inserting into pre-cleaner cap.

Always clean the dust pot. A clogged dust pot reduces cyclone effect with cleaner element wearing easily.

1. Remove the four pan head screws that secure the dust pot to pre air cleaner case cover (Figure 21).

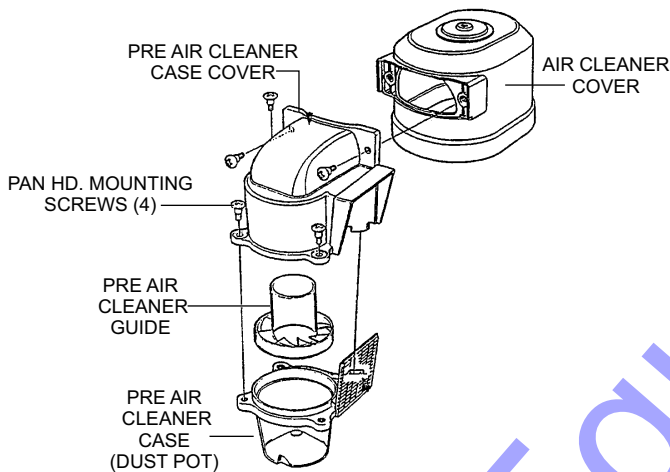


Figure 21. Removing Dust Pot

CYCLONE FILTER ELEMENT TYPE 2

The Honda GX160UT2SCM engines are equipped with a replaceable, high-density paper air cleaner element. See (Figure 22) for air cleaner components.

1. Follow steps 1 through 3 as outlined in the "Dual Filter Element" section.

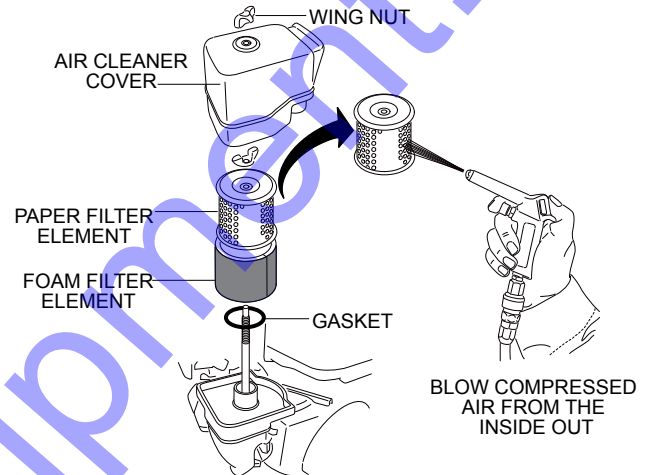


Figure 22. Engine Air Filter (Cyclone Type 2)

2. Blow compressed air through the air cleaner cover as shown in Figure 23. Clean inside of air filter cover with warm, soapy water or nonflammable solvent. Rinse and dry thoroughly.

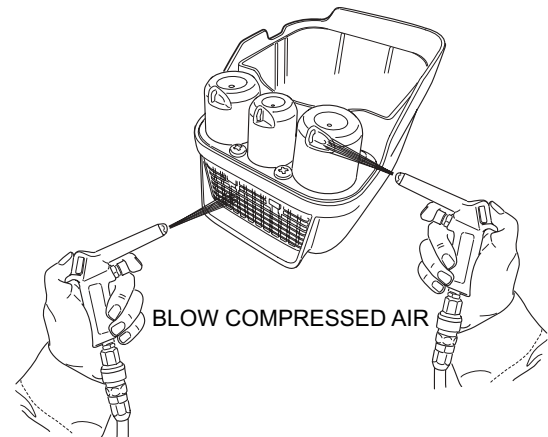


Figure 23. Engine Air Filter Cover

SPARK PLUG

1. Remove and clean the spark plug (Figure 16).

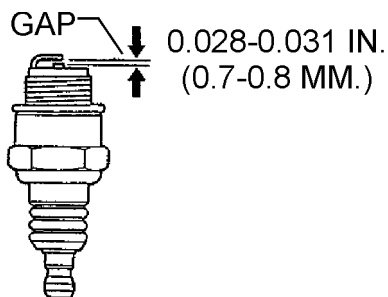


Figure 24. Spark Plug Gap

2. Adjust the spark gap to 0.028~0.031 inch (0.6~0.7 mm). This unit has electronic ignition which requires no adjustments.

CHANGING VIBRATOR OIL

1. When changing the vibrator oil, remove the drain plug.
2. Tip the compactor to drain the oil. Note that the oil will drain more easily while it is hot.
3. Remember to use only 10W-30 motor oil when replacing vibrator oil.

CHECKING/REPLACING THE V-BELT AND CLUTCH

After 200 hours of operation, remove the upper belt cover to check the V-belt tension. Tension is proper if the belt bends about 10 mm when depressed strongly with finger between shafts. Loose or worn V-belts reduces power transmission efficiency, causing weak compaction and reduces the life of the belt itself.

CHECKING V-BELT

Visually examine the V-belt (Figure 25) and determine if it is full of tiny cracks, frayed, has pieces of rubber missing, is peeling or otherwise damaged.

Also, examine the belt and determine if it is **oil soaked** or **"glazed"** (hard shiny appearance on the sides of the belt). Either of these two conditions can cause the belt to run hot, which can weaken it and increase the danger of it breaking.

If the V-belt exhibits any of the above wear conditions replace the V-belt immediately.

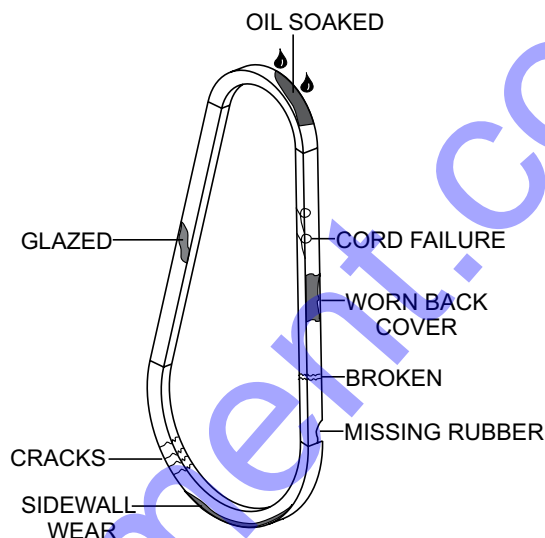


Figure 25. V-Belt Inspection

REPLACING THE V-BELT

Remove the upper and lower belt covers. Engage an offset wrench (13 mm) or the like to vibrator pulley (lower) fastening bolt. Engage waste cloth or the like at midway of V-belt on the left side and while pulling it back strongly, rotate the offset wrench clockwise so that the V-belt will come off.

REINSTALLING THE V-BELT

Engage V-belt to lower vibrator pulley and push the V-belt to left side of upper clutch and, in the same manner as in removal, rotate offset wrench clockwise so that the V-belt goes back on.

CHECKING CLUTCH

Check the clutch simultaneously with V-belt checking. With belt removed, visually check outer drum of the clutch for seizure and "V" groove for wear or damage. Clean the "V" groove as necessary. Wear of lining or shoe should be checked regularly. If the shoe is worn, power transmission becomes deficient and slipping will result.

WARNING

NEVER attempt to check the V-belt with the engine running. Severe injury can occur if your hand (Figure 7) gets caught between the V-belt and the clutch. Always use safety gloves.

SPARK ARRESTER CLEANING

Clean the spark arrester every 6 months or 100 hours.

1. Remove the 4 mm screw (3) from the exhaust deflector, then remove the deflector. See (Figure 26).
2. Remove the 5 mm screw (4) from the muffler protector, then remove the muffler protector.
3. Remove the 4 mm screw from the spark arrester, then remove the spark arrester.

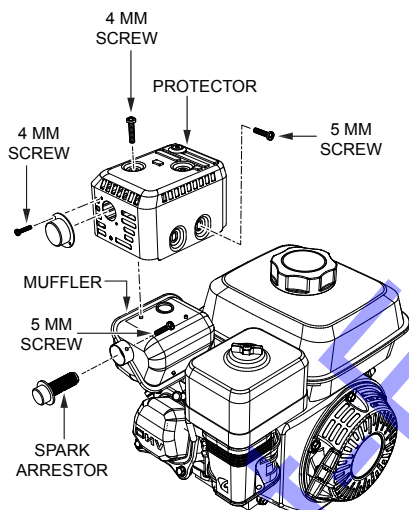


Figure 26. Spark Arrester Removal

4. Carefully remove carbon deposits from the spark arrester screen (Figure 27) with a wire brush.

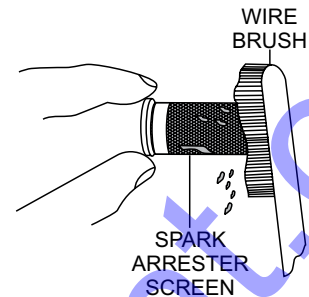


Figure 27. Cleaning The Spark Arrester

5. If the spark arrester is damaged and has breaks or holes, replace with a new one.
6. Reinstall the spark arrester and muffler protector in reverse order of disassembly.

PLATE COMPACTOR STORAGE

For storage of the plate compactor for over 30 days, the following is required:

- Drain the fuel tank completely or add STA-BIL to the fuel.
- Run the engine until the fuel is completely consumed.
- Completely drain the oil from the engine crankcase and follow procedures described in the HONDA engine Owner's Manual for engine storage.
- Completely drain the compactor's hydraulic oil from the vibrating case.
- Clean entire plate compactor, especially the bottom plate removing all dirt and foreign matter.
- Cover plate compactor and engine with plastic covering or equivalent and store in a clean, dry place.

TROUBLESHOOTING (ENGINE)

| Troubleshooting (Engine) | | |
|--|---|---|
| Symptom | Possible Problem | Solution |
| Difficult to start, fuel is available, but no spark at spark plug. | Spark plug bridging? | Check gap, insulation or replace spark plug. |
| | Carbon deposit on spark plug? | Clean or replace spark plug. |
| | Short circuit due to deficient spark plug insulation? | Check spark plug insulation, replace if worn. |
| | Improper spark plug gap? | Set to proper gap. |
| | Spark plug is red? | Check transistor ignition unit. |
| | Spark plug is bluish white? | If insufficient compression, repair or replace engine. If injected air leaking, correct leak. If carburetor jets clogged, clean carburetor. |
| | No spark present at tip of spark plug? | Check transistor ignition unit is broken, and replace defective unit. Check if voltage cord cracked or broken and replace. Check if spark plug if fouled and replace. |
| | No oil? | Add oil as required. |
| | Oil pressure alarm lamp blinks upon starting? (if applicable) | Check automatic shutdown circuit, "oil sensor". (if applicable) |
| Difficult to start, fuel is available, and spark is present at the spark plug. | ON/OFF switch is shorted? | Check switch wiring, replace switch. |
| | Ignition coil defective? | Replace ignition coil. |
| | Improper spark gap, points dirty? | Set correct spark gap and clean points. |
| | Condenser insulation worn or short circuiting? | Replace condenser. |
| | Spark plug wire broken or short circuiting? | Replace defective spark plug wiring. |
| Difficult to start, fuel is available, spark is present and compression is normal. | Wrong fuel type? | Flush fuel system, replace with correct type of fuel. |
| | Water or dust in fuel system? | Flush fuel system. |
| | Air cleaner dirty? | Clean or replace air cleaner. |
| | Choke open? | Close choke. |
| Difficult to start, fuel is available, spark is present and compression is low. | Suction/exhaust valve stuck or protruded? | Reseat valves. |
| | Piston ring and/or cylinder worn? | Replace piston rings and/or piston. |
| | Cylinder head and/or spark plug not tightened properly? | Torque cylinder head bolts and spark plug. |
| | Head gasket and/or spark plug gasket damaged? | Replace head and spark plug gaskets. |
| No fuel present at carburetor. | No fuel in fuel tank? | Fill with correct type of fuel. |
| | Fuel cock does not open properly? | Apply lubricant to loosen fuel cock lever, replace if necessary. |
| | Fuel filter/lines clogged? | Replace fuel filter. |
| | Fuel tank cap breather hole clogged? | Clean or replace fuel tank cap. |
| | Air in fuel line? | Bleed fuel line. |

TROUBLESHOOTING (ENGINE)

| Troubleshooting (Engine) - continued | | |
|--|---|---|
| Symptom | Possible Problem | Solution |
| Weak in power, compression is proper and does not misfire. | Air cleaner dirty? | Clean or replace air cleaner. |
| | Improper level in carburetor? | Check float adjustment, rebuild carburetor. |
| | Defective spark plug? | Clean or replace spark plug. |
| | Improper spark plug? | Set to proper gap. |
| Weak in power, compression is proper but misfires. | Water in fuel system? | Flush fuel system and replace with correct type of fuel. |
| | Dirty spark plug? | Clean or replace spark plug. |
| | Ignition coil defective? | Replace ignition coil. |
| Engine overheats | Wrong type of fuel? | Replace with correct type of fuel. |
| | Cooling fins dirty? | Clean cooling fins. |
| | Intake air restricted? | Clear intake of dirt and debris. Replace air cleaner elements as necessary. |
| | Oil level too low or too high? | Adjust oil to proper level. |
| Rotational speed fluctuates. | Governor adjusted incorrectly? | Adjust governor. |
| | Governor spring defective? | Replace governor spring. |
| | Fuel flow restricted? | Check entire fuel system for leaks or clogs. |
| Recoil starter malfunctions. (if applicable) | Recoil mechanism clogged with dust and dirt? | Clean recoil assembly with soap and water. |
| | Spiral spring loose? | Replace spiral spring. |
| Starter malfunctions. | Loose, damaged wiring? | Ensure tight, clean connections on battery and starter. |
| | Battery insufficiently charged? | Recharge or replace battery. |
| | Starter damaged or internally shorted? | Replace starter. |
| Burns too much fuel. | Over-accumulation of exhaust products? | Check and clean valves. Check muffler and replace if necessary. |
| | Wrong spark plug? | Replace spark plug with manufacturer's suggested type. |
| Exhaust color is continuously "white". | Lubricating oil is wrong viscosity? | Replace lubricating oil with correct viscosity. |
| | Worn rings? | Replace rings. |
| Exhaust color is continuously "black". | Air cleaner clogged? | Clean or replace air cleaner. |
| | Choke valve set to incorrect position? | Adjust choke valve to correct position. |
| | Carburetor defective, seal on carburetor broken? | Replace carburetor or seal. |
| | Poor carburetor adjustment, engine runs too rich? | Adjust carburetor. |
| Will not start, no power with key "ON". (if applicable) | ON/OFF device not activated ON? | Turn on ON/OFF device. |
| | Battery disconnected or discharged? | Check cable connections. Charge or replace battery. |
| | Ignition switch/wiring defective? | Replace ignition switch. Check wiring. |

TROUBLESHOOTING (COMPACTOR)

| Troubleshooting (Plate Compactor) | | |
|--|----------------------------------|---|
| Symptom | Possible Problem | Solution |
| Travel speed too low, and vibration is weak. | Engine speed too low? | Set engine speed to correct RPM. |
| | Clutch slips? | Check or replace clutch. |
| | V-belt slips? | Adjust or replace V-belt. |
| | Excessive oil in vibrator? | Drain excess oil and fill to proper level. |
| | Malfunction in vibrator housing? | Check eccentric, gears and counter weights. |
| | Bearing Failure? | Replace bearing. |
| | Insufficient engine output? | Check engine, compression etc. |

EXPLANATION OF CODE IN REMARKS COLUMN

The following section explains the different symbols and remarks used in the Parts section of this manual. Use the help numbers found on the back page of the manual if there are any questions.

NOTICE

The contents and part numbers listed in the parts section are subject to change **without notice**. Multiquip does not guarantee the availability of the parts listed.

SAMPLE PARTS LIST

| NO. | PART NO. | PART NAME | QTY. | REMARKS |
|-----|----------|----------------------|------|---------------------|
| 1 | 12345 | BOLT | 1 | INCLUDES ITEMS W/% |
| 2% | | WASHER, 1/4 IN. | | NOT SOLD SEPARATELY |
| 2% | 12347 | WASHER, 3/8 IN. ... | 1 | MQ-45T ONLY |
| 3 | 12348 | HOSE | A/R | MAKE LOCALLY |
| 4 | 12349 | BEARING | 1 | S/N 2345B AND ABOVE |

NO. Column

Unique Symbols — All items with same unique symbol (@, #, +, %, or >) in the number column belong to the same assembly or kit, which is indicated by a note in the “Remarks” column.

Duplicate Item Numbers — Duplicate numbers indicate multiple part numbers, which are in effect for the same general item, such as different size saw blade guards in use or a part that has been updated on newer versions of the same machine.

NOTICE

When ordering a part that has more than one item number listed, check the remarks column for help in determining the proper part to order.

PART NO. Column

Numbers Used — Part numbers can be indicated by a number, a blank entry, or TBD.

TBD (To Be Determined) is generally used to show a part that has not been assigned a formal part number at the time of publication.

◆ A blank entry generally indicates that the item is not sold separately or is not sold by Multiquip. Other entries will be clarified in the “Remarks” Column.

QTY. Column

Numbers Used — Item quantity can be indicated by a number, a blank entry, or A/R.

A/R (As Required) is generally used for hoses or other parts that are sold in bulk and cut to length.

A blank entry generally indicates that the item is not sold separately. Other entries will be clarified in the “Remarks” Column.

REMARKS Column

Some of the most common notes found in the “Remarks” Column are listed below. Other additional notes needed to describe the item can also be shown.

Assembly/Kit — All items on the parts list with the same unique symbol will be included when this item is purchased.

Indicated by:

“INCLUDES ITEMS W/(unique symbol)”

Serial Number Break — Used to list an effective serial number range where a particular part is used.

Indicated by:

“S/N XXXXX AND BELOW”

“S/N XXXX AND ABOVE”

“S/N XXXX TO S/N XXX”

Specific Model Number Use — Indicates that the part is used only with the specific model number or model number variant listed. It can also be used to show a part is NOT used on a specific model or model number variant.

Indicated by:

“XXXXX ONLY”

“NOT USED ON XXXX”

“Make/Obtain Locally” — Indicates that the part can be purchased at any hardware shop or made out of available items. Examples include battery cables, shims, and certain washers and nuts.

“Not Sold Separately” — Indicates that an item cannot be purchased as a separate item and is either part of an assembly/kit that can be purchased, or is not available for sale through Multiquip.

SUGGESTED SPARE PARTS

MVC82VH/VHW PLATE COMPACTOR

1 to 3 units

| Qty. | P/N | Description |
|------|---------------------|----------------|
| 3 |070100312..... | V-BELT |
| 4 |939010254..... | SHOCK ABSORBER |

NOTICE

Part numbers on this Suggested Spare Parts list may supersede/replace the part numbers shown in the following parts lists.

HONDA GX160U1SM12 ENGINE

1 to 3 units

| Qty. | P/N | Description |
|------|-----------------------|------------------------|
| 3 |9807956846..... | SPARK PLUG |
| 1 |28462ZH8003..... | ROPE, RECOIL STARTER |
| 3 |17210ZE1517..... | ELEMENT, AIR CLEANER |
| 1 |17620Z4H000..... | CAP, FUEL TANK |
| 1 |17672ZE2W01..... | FUEL FILTER, FUEL TANK |

HONDA GX160U1SMX4 ENGINE

1 to 3 units

| Qty. | P/N | Description |
|------|-----------------------|------------------------|
| 3 |0650140480..... | SPARK PLUG |
| 1 |28462ZH8003..... | ROPE, RECOIL STARTER |
| 3 |17210ZE1517..... | ELEMENT, AIR CLEANER |
| 1 |17620Z4H020..... | CAP, FUEL TANK |
| 1 |17672Z4H000..... | FUEL FILTER, FUEL TANK |

HONDA GX160UT2QMXC ENGINE

1 to 3 units

| Qty. | P/N | Description |
|------|-----------------------|------------------------|
| 3 |0650140480..... | SPARK PLUG |
| 1 |28462ZH8003..... | ROPE, RECOIL STARTER |
| 3 |17210ZE1517..... | ELEMENT, AIR CLEANER |
| 1 |17620Z4H900..... | CAP, FUEL TANK |
| 1 |17672Z4H000..... | FUEL FILTER, FUEL TANK |

HONDA GX160UT2SMXC ENGINE

1 to 3 units

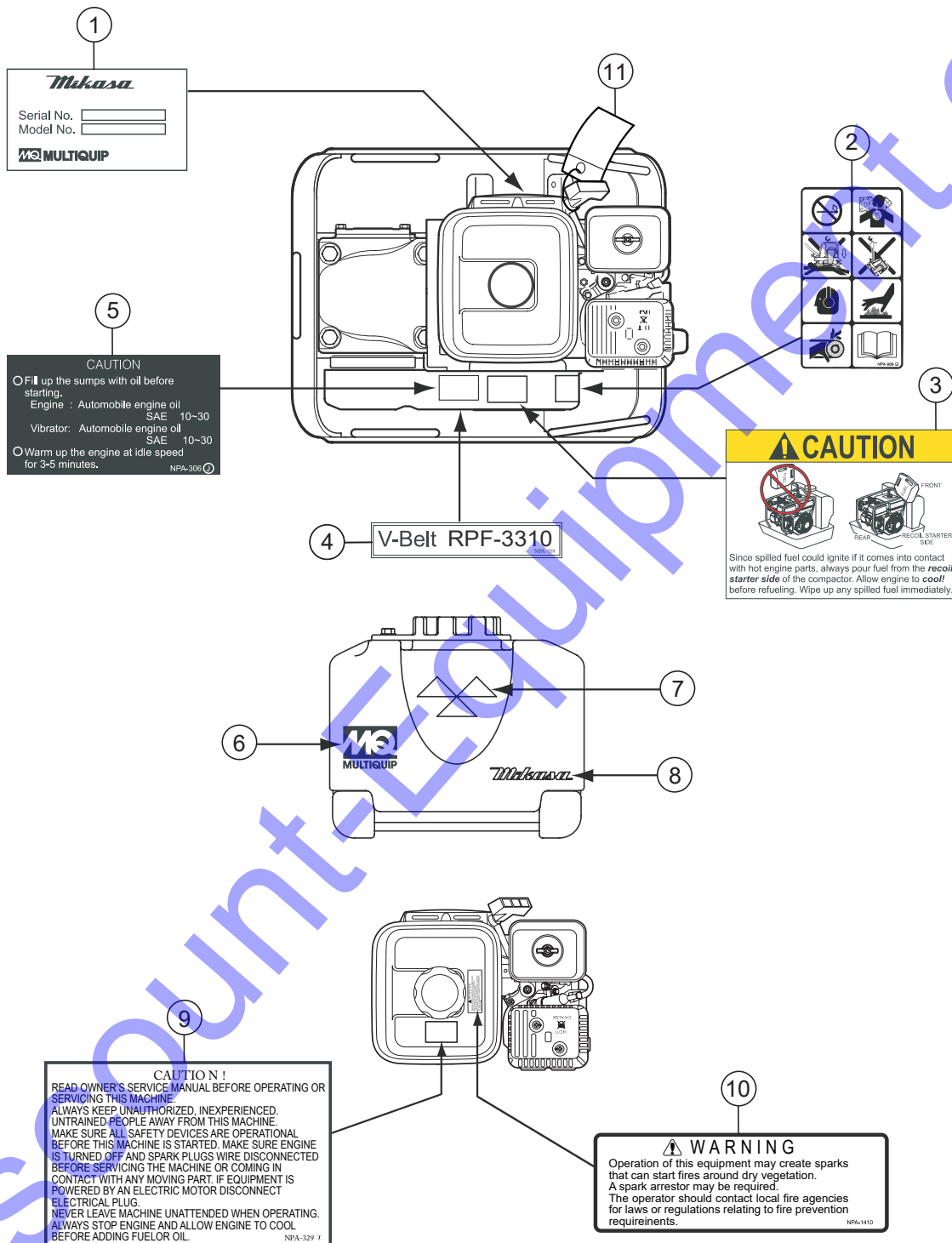
| Qty. | P/N | Description |
|------|-----------------------|------------------------|
| 3 |0650140480..... | SPARK PLUG |
| 1 |28462ZH8003..... | ROPE, RECOIL STARTER |
| 3 |17210ZE1517..... | ELEMENT, AIR CLEANER |
| 1 |17620Z4H900..... | CAP, FUEL TANK |
| 1 |17672Z4H000..... | FUEL FILTER, FUEL TANK |

HONDA GX160UT2SCM ENGINE

1 to 3 units

| Qty. | P/N | Description |
|------|-----------------------|------------------------|
| 3 |0650140480..... | SPARK PLUG |
| 1 |28462ZH8003..... | ROPE, RECOIL STARTER |
| 3 |17210Z0V781..... | ELEMENT, AIR CLEANER |
| 1 |17620Z4H900..... | CAP, FUEL TANK |
| 1 |17672Z4H000..... | FUEL FILTER, FUEL TANK |

NAMEPLATE AND DECALS



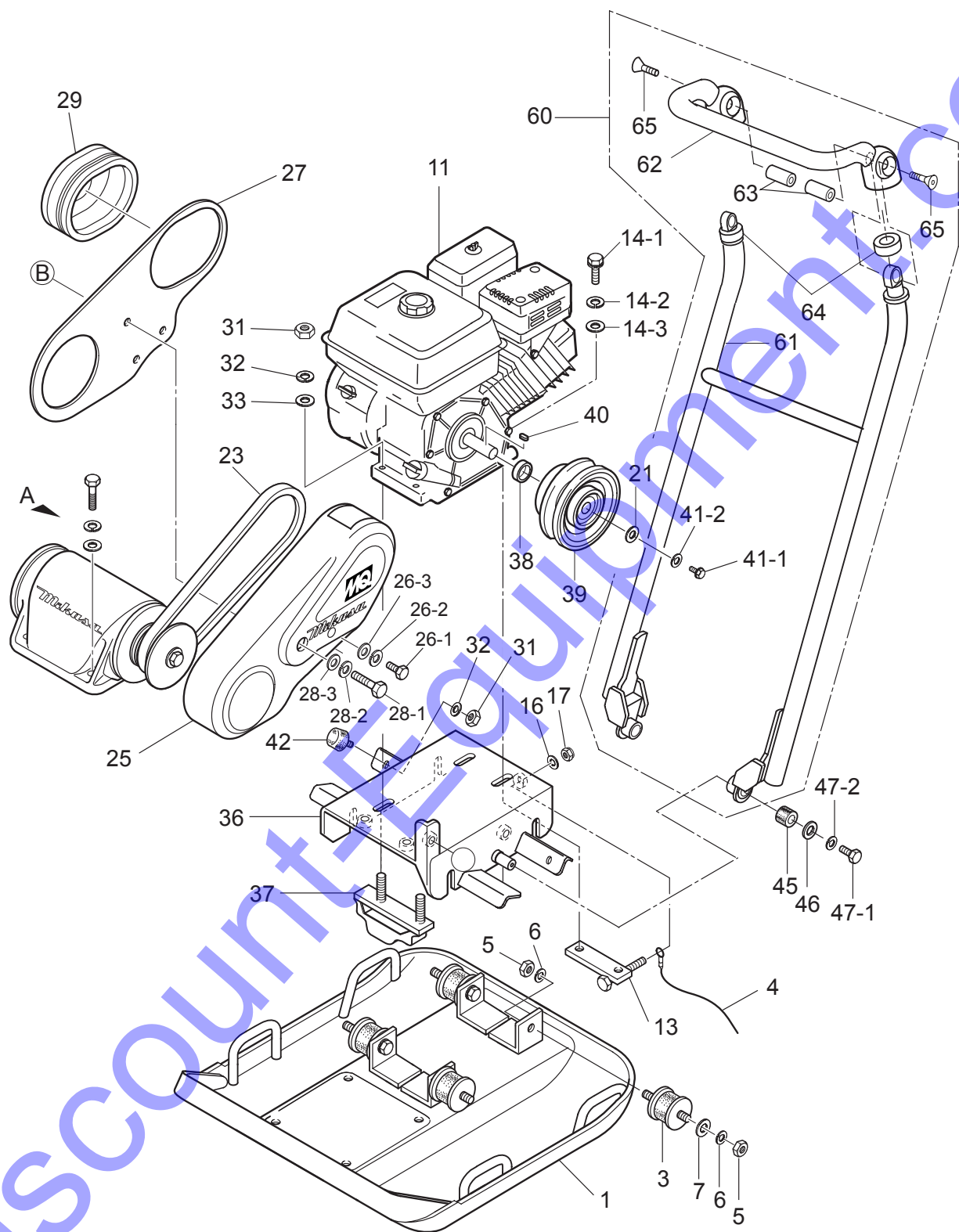
NAMEPLATE AND DECALS

| NO. | PART NO. | PART NAME | QTY. | REMARKS |
|-----|-----------|---------------------------------|--------|------------------------|
| 1 | | PLATE, SERIAL NO..... | 1..... | CONTACT MQ PARTS DEPT. |
| 2 | 920209890 | DECAL, CAUTION (ICON)..... | 1..... | NPA-989 |
| 3 | 920212320 | DECAL, FUEL CAUTION..... | 1..... | NPA-1232 |
| 4 | 920207590 | DECAL, V-BELT (RPF-3310) | 1..... | NPA-759 |
| 5 | 920203060 | DECAL, CAUTION..... | 1..... | NPA-306 |
| 6 | 920201580 | DECAL, MQ MARK 71X55 | 1 | |
| 7 | 920101410 | DECAL, MIKASA MARK 120X60 | 1 | |
| 8 | 920105070 | DECAL, MIKASA MARK 125MM | 1 | |
| 9 | 920203290 | DECAL, CAUTION..... | 1..... | NPA-329 |
| 10 | 920214100 | DECAL, ENGINE FIRE WARNING..... | 1..... | NPA-1410 |
| 11 | 920200870 | DECAL, WITHOUT ENGINE OIL..... | 1..... | NPA-87 |

NOTICE

- ◆ GX160U1SM12
- ◇ GX160U1SMX4
- ▷ GX160UT2QMXC
- ♣ GX160UT2SMXC
- ♣ GX160UT2SCM

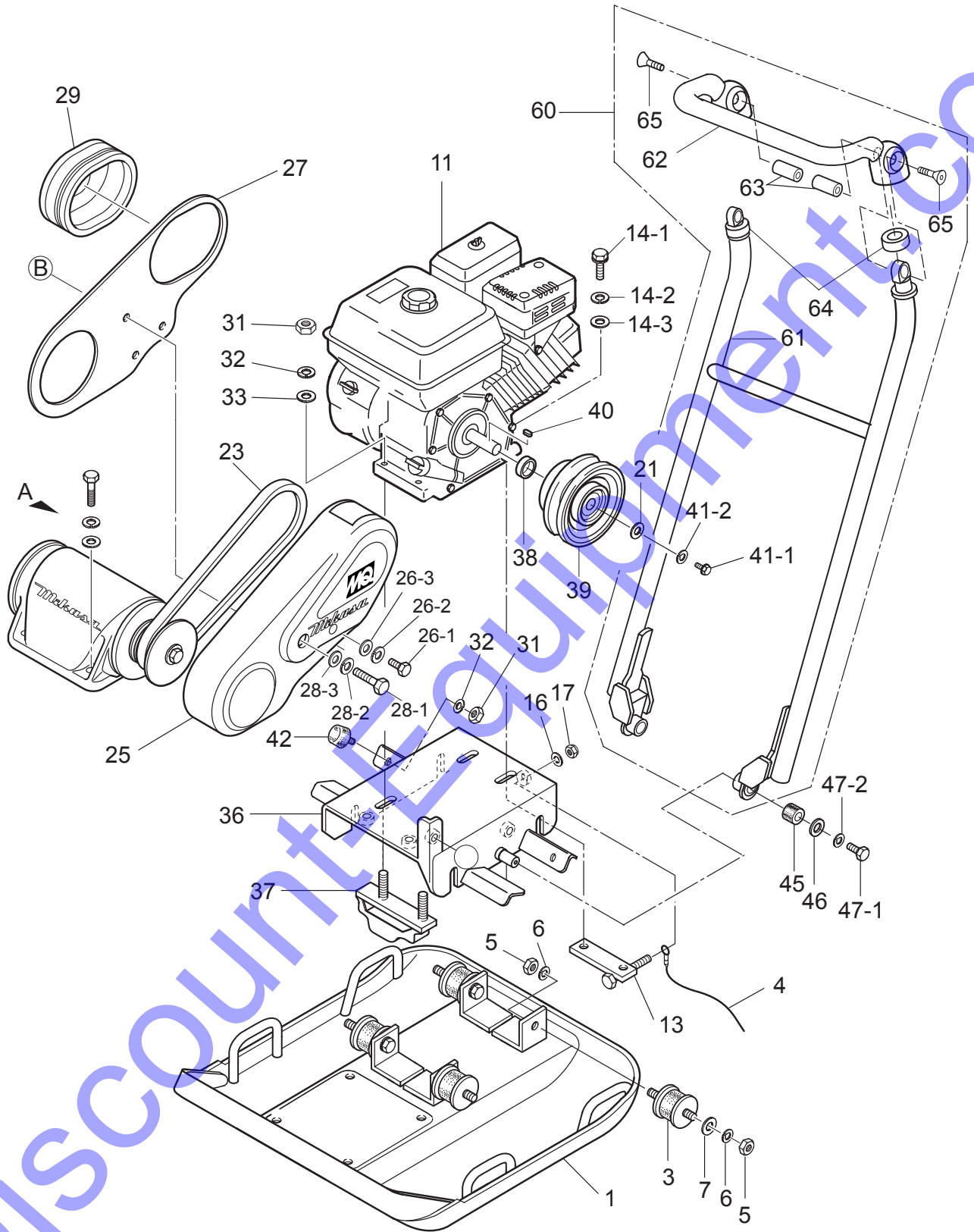
BODY ASSY.



BODY ASSY.

| <u>NO.</u> | <u>PART NO.</u> | <u>PART NAME</u> | <u>QTY.</u> | <u>REMARKS</u> |
|------------|-----------------|--------------------------------|-------------|---------------------|
| 1 | 419119550 | VIB. PLATE 570X450 | 1 | |
| 3 | 939010254 | SHOCK ABSORBER D45H41 | 4 | |
| 4 | 959404350 | EARTH WIRE | 1 | |
| 5 | 020310080 | NUT M10 | 8 | |
| 6 | 030210250 | WASHER, LOCK M10 | 8 | |
| 7 | 031110160 | WASHER, FLAT M10 | 4 | |
| 11 | 912216004 | ENGINE ASSY., GX160U1SM12..... | 1 | NO LONGER AVAILABLE |
| 11 | 912216010 | ENGINE ASSY., GX160U1SMX4 | 1 | |
| 11 | 912216021 | ENGINE ASSY., GX160UT2QMXC | 1 | |
| 11 | 912216022 | ENGINE ASSY., GX160UT2SMXC | 1 | |
| 11 | 912216023 | ENGINE ASSY., GX160UT2SCM | 1 | |
| 13 | 413436870 | ENGINE NUT, REAR | 1 | |
| 14-1 | 001220840 | BOLT 8X40 | 2 | |
| 14-2 | 030208200 | WASHER, LOCK M8 | 2 | |
| 14-3 | 0401450080 | WASHER, FLAT M8..... | 2 | REPLACES 031108160 |
| 16 | 0401450080 | WASHER, FLAT M8..... | 1 | REPLACES 031108160 |
| 17 | 022710809 | NYLON NUT M8 | 1 | |
| 21 | 952400130 | WASHER | 1 | |
| 23 | 070100312 | V-BELT RPF3310 | 1 | |
| 25 | 418216470 | BELT COVER | 1 | |
| 26-1 | 012210035 | BOLT 10X35..... | 1 | REPLACES 001221035 |
| 26-2 | 030210250 | WASHER, LOCK M10 | 1 | |
| 26-3 | 031110160 | WASHER, FLAT M10 | 1 | |
| 27 | 418216480 | BELT COVER (IN) | 1 | |
| 28-1 | 001221053 | BOLT 10X65 | 1 | |
| 28-2 | 030210250 | WASHER, LOCK M10 | 1 | |
| 28-3 | 031110160 | WASHER, FLAT M10 | 1 | |
| 29 | 418343420 | COVER SEAL (E/G) | 1 | |
| 31 | 020108060 | NUT M8..... | 4 | REPLACES 020308060 |
| 32 | 030208200 | WASHER, LOCK M8 | 4 | |
| 33 | 0401450080 | WASHER, FLAT M8..... | 2 | REPLACES 031108160 |
| 36 | 419217800 | BASE | 1 | |
| 37 | 418457750 | BOLT, ENGINE | 1 | |
| 38 | 408421270 | CLUTCH SPACER 20.2X25X9.4 | 1 | |
| 39 | 413332920 | CLUTCH ASSY. | 1 | |
| 40 | 0053005201 | KEY | 1 | |
| 41-1 | 014208020 | BOLT 8X20..... | 1 | REPLACES 001220820 |
| 41-2 | 030208200 | WASHER, LOCK M8 | 1 | |
| 42 | 939010290 | RUBBER, HANDLE | 2 | |

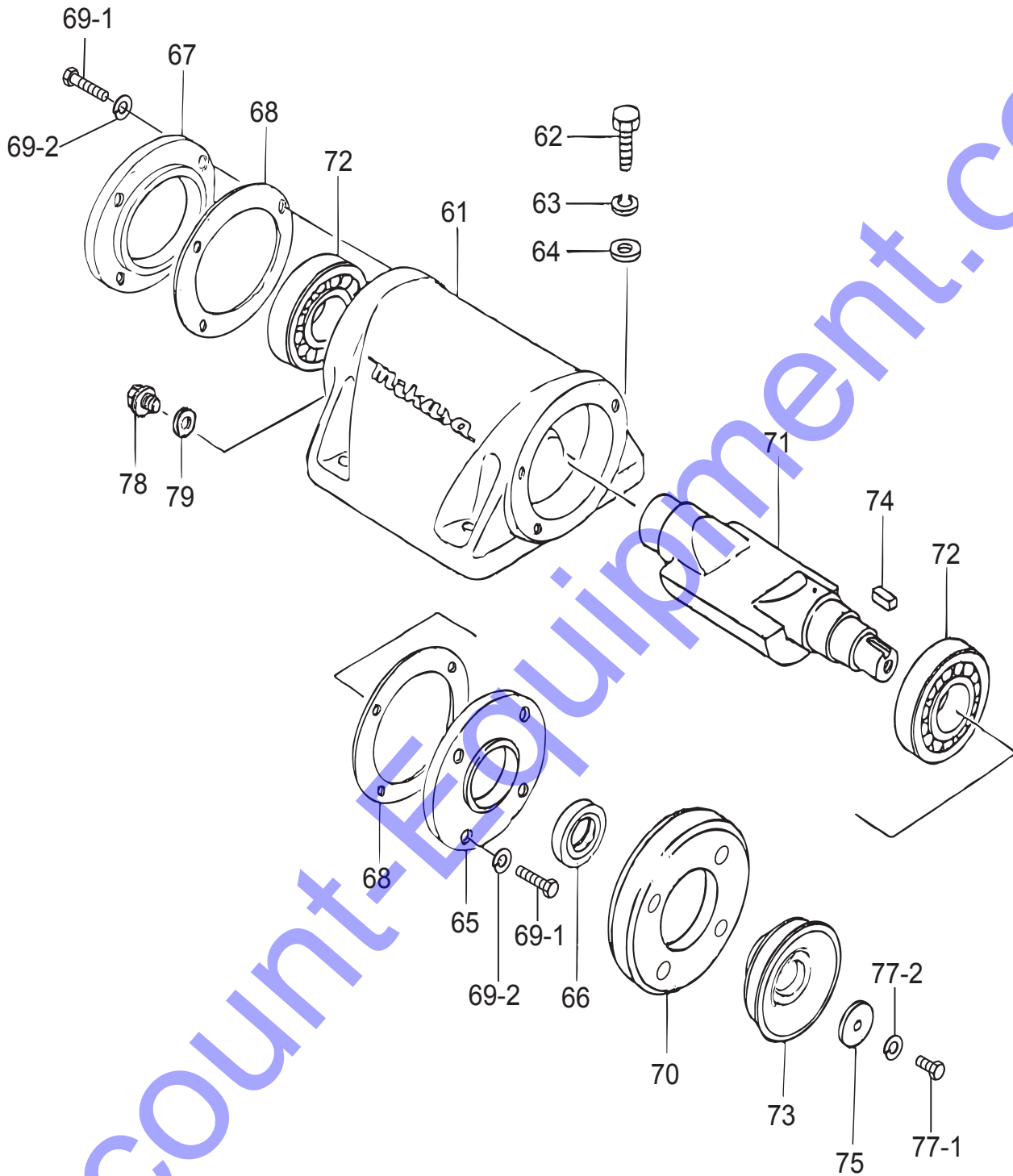
BODY ASSY. (CONT'D.)



BODY ASSY. (CONT'D.)

| <u>NO.</u> | <u>PART NO.</u> | <u>PART NAME</u> | <u>QTY.</u> | <u>REMARKS</u> |
|------------|-----------------|------------------------|-------------|--------------------|
| 45 | 404433430 | RUBBER 20X32X28.5/52H | 2 | |
| 46 | 952403450 | WASHER 11X35X4.5 | 2 | |
| 47-1 | 012210020 | BOLT 10X20 | 2..... | REPLACES 001221020 |
| 47-2 | 030210250 | WASHER, LOCK M10 | 1 | |
| 60 | 419910010 | VAS HANDLE ASSY..... | 1..... | INCLUDES ITEMS W/# |
| 61# | 419219560 | VAS HANDLE BODY | 1 | |
| 62# | 419217810 | GRIP, VAS HANDLE | 1 | |
| 63# | 416459320 | HANDLE NUT, VAS HANDLE | 2 | |
| 64# | 416459340 | RUBBER, VAS HANDLE | 2 | |
| 65# | 009120407 | SUNK HEAD BOLT 10X20 | 2 | |

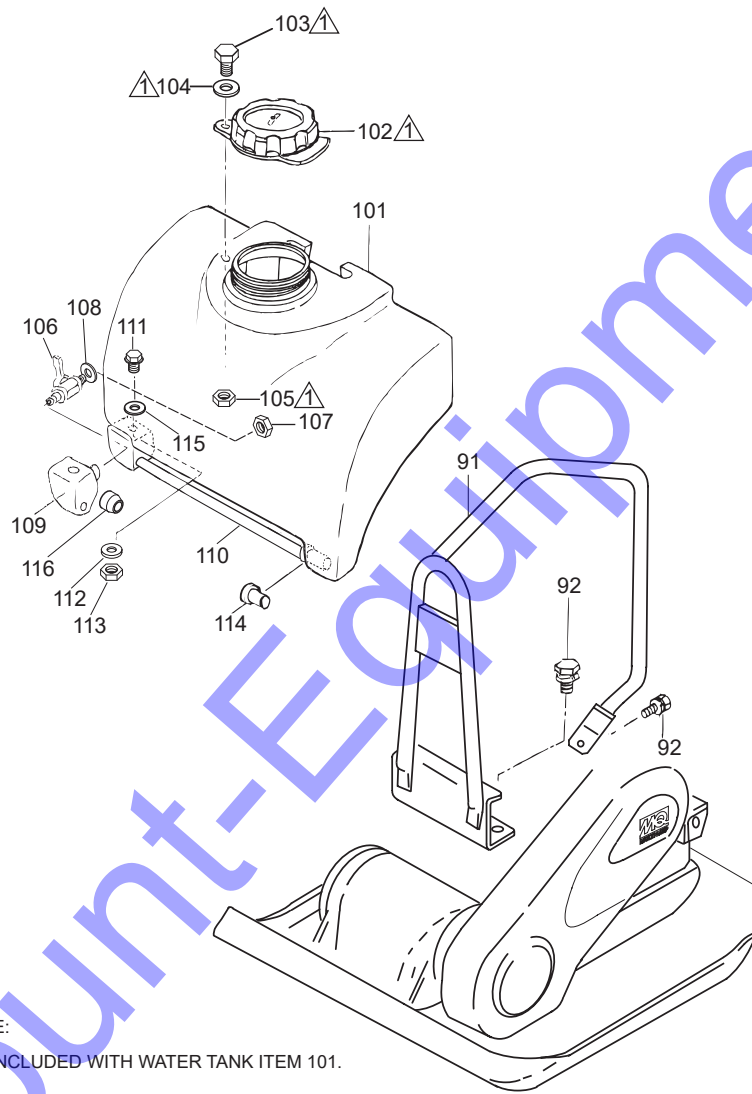
VIBRATOR ASSY.



VIBRATOR ASSY.

| <u>NO.</u> | <u>PART NO.</u> | <u>PART NAME</u> | <u>QTY.</u> | <u>REMARKS</u> |
|------------|-----------------|-----------------------|-------------|--------------------|
| 61 | 418117730 | VIBRATING CASE | 1 | |
| 62 | 001221445 | BOLT 14X45 | 4 | |
| 63 | 030214350 | WASHER, LOCK M14 | 4 | |
| 64 | 031114260 | WASHER, FLAT M14 | 4 | |
| 65 | 418456950 | CASE COVER/PULLEY | 1 | |
| 66 | 060403020 | OIL SEAL | 1 | |
| 67 | 418456960 | CASE COVER/SHUT OFF | 1 | |
| 68 | 418456970 | PACKING | 2 | |
| 69-1 | 014208020 | BOLT 8X20..... | 8 | REPLACES 001220820 |
| 69-2 | 030208200 | WASHER, LOCK M8 | 8 | |
| 70 | 418460130 | COVER SEAL, VIBRATOR | 1 | |
| 71 | 418343630 | ECCENTRIC ROTOR SHAFT | 1 | |
| 72 | 040306307 | BEARING 6307C4 | 2 | REPLACES 040406307 |
| 73 | 418456981 | PULLEY/VIB. | 1 | |
| 74 | 951401920 | KEY 7X7X30 | 1 | |
| 75 | 952403450 | WASHER 11X35X4.5 | 1 | |
| 77-1 | 012010030 | BOLT 10X30..... | 1 | REPLACES 001221030 |
| 77-2 | 030210250 | WASHER, LOCK M10 | 1 | |
| 78 | 953400270 | PLUG 1/4X14 10L | 1 | |
| 79 | 953405260 | PACKING 1/4 (CU) | 1 | |

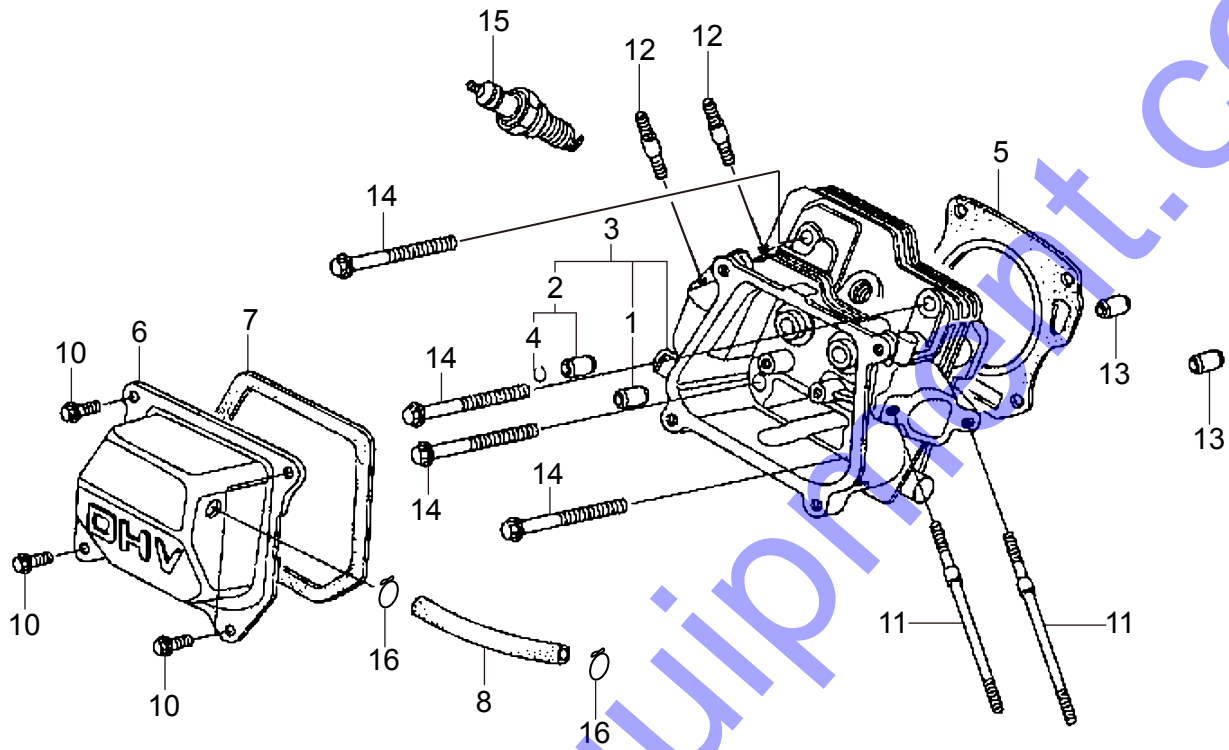
WATER TANK ASSY. (MVC82VHW ONLY)



WATER TANK ASSY. (MVC82VHW ONLY)

| <u>NO.</u> | <u>PART NO.</u> | <u>PART NAME</u> | <u>QTY.</u> | <u>REMARKS</u> |
|------------|-----------------|--------------------------------|-------------|--------------------|
| 91 | 418118581 | GUARD HOOK | 1 | |
| 92 | 012210025 | BOLT 10X25..... | 3..... | REPLACES 002211025 |
| 101 | 418117740 | WATER TANK W/CAP (ORANGE)..... | 1..... | INCLUDES ITEMS W/# |
| 102# | 954300342 | CAP, WATER TANK | 1 | |
| 103# | 01241030 | BOLT 10X30 | 1 | |
| 104# | 033910010 | WASHER 10.5X21X2 | 2 | |
| 105# | 022910180 | NYLON NUT M10 | 1 | |
| 106 | 954403241 | COCK PT1/4, ALUMINUM | 1 | |
| 107 | 959403790 | NUT PS-1/4 | 1 | |
| 108 | 953408270 | PACKING 11.5X19.5 | 1 | |
| 109 | 416338940 | PIPE HOLDER | 1 | |
| 110 | 418344110 | SPRINKLING PIPE | 1 | |
| 111 | 001740825 | BOLT, FLANGE 8X25 | 1 | |
| 112 | 030208200 | WASHER, FLAT M8..... | 2..... | REPLACES 033910110 |
| 113 | 020108060 | NUT M8 | 1..... | REPLACES 020308064 |
| 114 | 418457010 | RUBBER CAP | 1 | |
| 115 | 953407410 | PACKING 8X19X2 | 1..... | REPLACES 416453780 |
| 116 | 418457890 | RUBBER INSERT, SPRINKLER PIPE | 2 | |

HONDA GX160 SERIES ENGINES — CYLINDER HEAD ASSY.



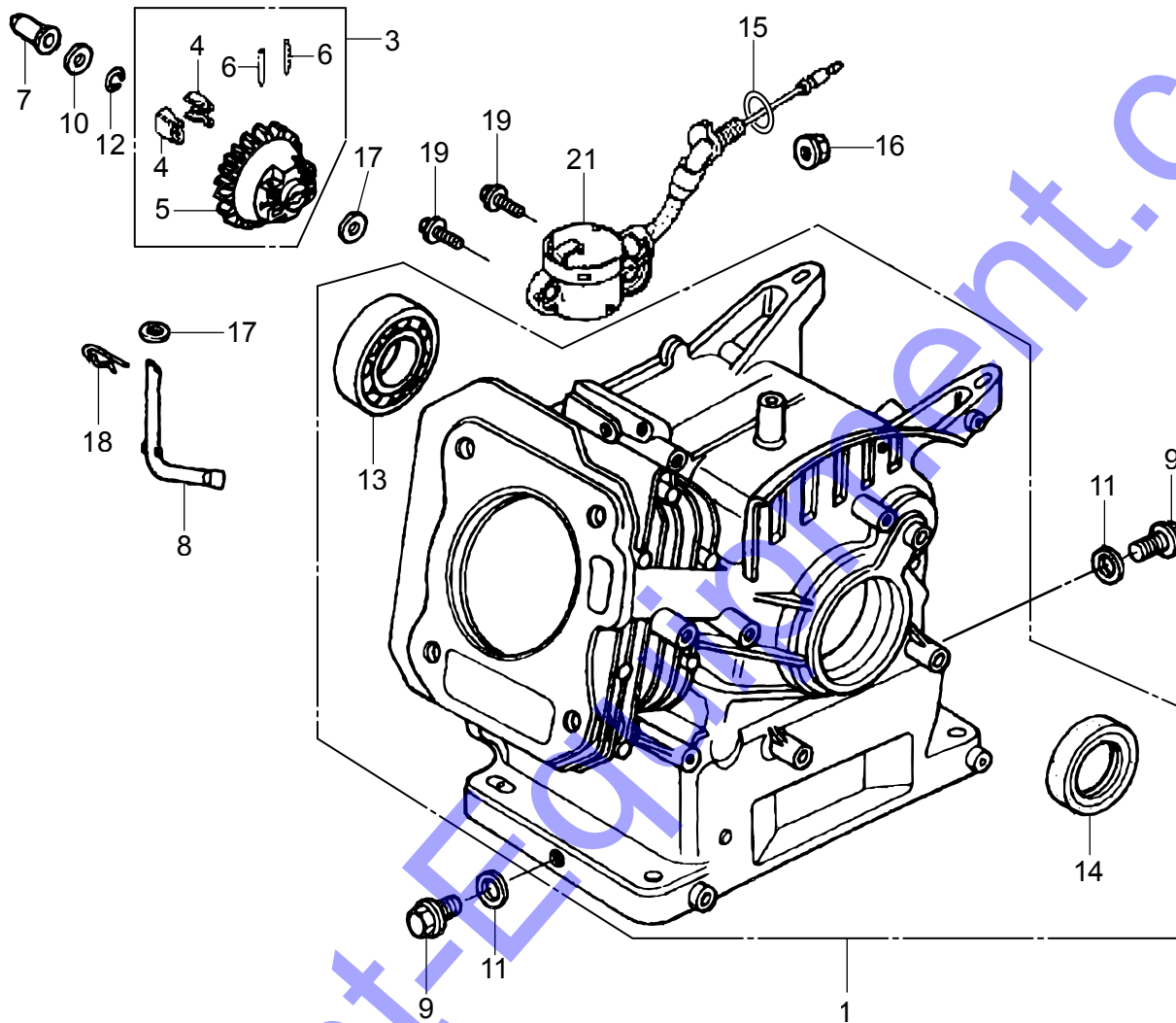
HONDA GX160 SERIES ENGINES — CYLINDER HEAD ASSY.

| NO. | PART NO. | PART NAME | QTY. | REMARKS |
|-------|--------------|------------------------------|------|----------------------|
| 1% | 12204ZE1306 | GUIDE, INLET VALVE (O.S.) | 1 | |
| 2% | 12205ZE1315 | GUIDE, EXHAUST VALVE (O. S.) | 1 | INCLUDES ITEMS W/\$ |
| 3♦ | 12210ZH8405 | HEAD COMP., CYLINDER | 1 | INCLUDES ITEMS W/% |
| 3◇ | 12210ZH8415 | HEAD COMP., CYLINDER | 1 | INCLUDES ITEMS W/% |
| 3♣♣♣ | 12210Z4M405 | HEAD COMP., CYLINDER | 1 | INCLUDES ITEMS W/% |
| 4\$ | 12216ZE5300 | CLIP, VALVE GUIDE | 1 | |
| 5♦◇ | 12251ZH7800 | GASKET, CYLINDER HEAD | 1 | REPLACES 12251ZH1800 |
| 5♣♣♣ | 12251ZL0003 | GASKET, CYLINDER HEAD | 1 | |
| 6♦◇ | 12310ZE1020 | COVER, CP HEAD | 1 | |
| 6♣♣♣ | 12310Z4M840 | COVER, CP HEAD | 1 | |
| 7 | 12391ZE1000 | GASKET, CYLINDER HEAD COVER | 1 | |
| 8♦◇ | 15721ZH8000 | TUBE, BREATHER | 1 | |
| 8♣♣ | 15721ZH1840 | TUBE, BREATHER | 1 | |
| 8♣ | 15721ZE1840 | TUBE, BREATHER | 1 | |
| 10 | 90013883000 | BOLT, FLANGE 6X12 | 4 | |
| 11 | 90043ZE1020 | STUD, BOLT 6X112 | 2 | |
| 12 | 90047ZE1000 | STUD, BOLT 8X32 | 2 | |
| 13 | 9430110160 | KNOCK PIN 10X16 | 2 | |
| 14 | 957010806000 | BOLT, FLANGE 8X60 | 4 | |
| 15♦ | 9807956846 | SPARK PLUG, BPR6ES (NGK) | 1 | |
| 15 | 0650140480 | SPARK PLUG, EY45V | 1 | |
| 16♣♣♣ | 9500280000 | CLIP, TUBE | 2 | |

NOTICE

- ♦ GX160U1SM12
- ◇ GX160U1SMX4
- ♣ GX160UT2QMXC
- ♣ GX160UT2SMXC
- ♣ GX160UT2SCM

HONDA GX160 SERIES ENGINES — CYLINDER BARREL ASSY.



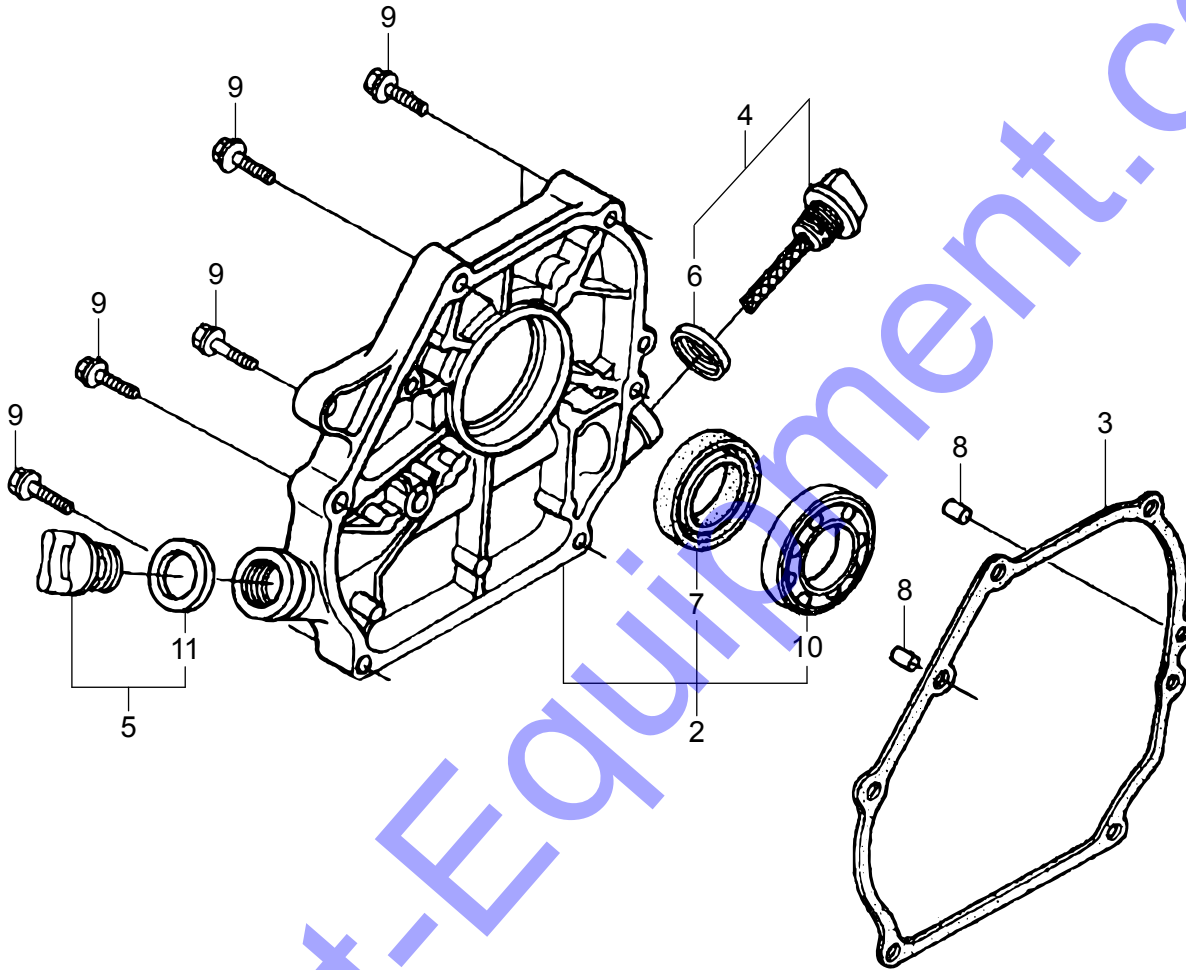
HONDA GX160 SERIES ENGINES — CYLINDER BARREL ASSY.

| NO. | PART NO. | PART NAME | QTY. | REMARKS |
|-------|--------------|--|------|----------------------|
| 1♦♦ | 12000ZH8426 | CYLINDER BARREL ASSY. (OIL ALERT)..... | 1 | INCLUDES ITEMS W/\$ |
| 1♦♣♠ | 12000Z4M416 | CYLINDER BARREL ASSY. (OIL ALERT)..... | 1 | INCLUDES ITEMS W/\$ |
| 3♦♦ | 16510ZE1000 | GOVERNOR ASSY. | 1 | |
| 3♦♣♠ | 16510Z4M000 | GOVERNOR ASSY..... | 1 | INCLUDES ITEMS W/% |
| 4%♠ | 16511Z4M000 | WEIGHT, GOVERNOR | 2 | |
| 5%♠ | 16512Z4M000 | HOLDER, GOVERNOR WEIGHT | 1 | |
| 6%♠ | 16513ZE1000 | PIN, GOVERNOR WEIGHT | 2 | |
| 7♦♦ | 16531ZE1000 | SLIDER, GOVERNOR | 1 | |
| 7♦♣♠ | 16531Z4M000 | SLIDER, GOVERNOR | 1 | |
| 8♦♦ | 16541ZE1000 | SHAFT, GOVERNOR ARM | 1 | |
| 8♦♣♠ | 16541Z4M000 | SHAFT, GOVERNOR ARM | 1 | |
| 9 | 90131ZE1000 | BOLT, DRAIN PLUG | 2 | |
| 10♦♦ | 90451ZE1000 | WASHER, THRUST 6MM | 1 | |
| 11 | 90601ZE1000 | WASHER, DRAIN PLUG | 2 | |
| 12 | 90602ZE1000 | CLIP, GOVERNOR HOLDER | 1 | |
| 13\$ | 91001ZF1003 | BALL BEARING 6205 | 1 | |
| 14\$ | 91201Z0T801 | OIL SEAL 25X41X6 | 1 | |
| 15◇ | 91353671003 | O-RING, 14 MM..... | 1 | REPLACES 91353671004 |
| 16 | 9405010000 | FLANGE NUT M10 | 1 | |
| 17 | 58176 | WASHER, FLAT 6MM..... | 2 | REPLACES 9410106800 |
| 18 | 9425108000 | LOCK PIN 8MM | 1 | |
| 19 | 957010601200 | BOLT, FLANGE 6X12 | 2 | |
| 21♦ | 15510ZE1033 | SWITCH ASSY., OIL LEVEL | 1 | |
| 21♦♣♠ | 35480Z0T003 | SWITCH ASSY., OIL LEVEL | 1 | |

NOTICE

- ♦ GX160U1SM12
- ◇ GX160U1SMX4
- ♠ GX160UT2QMXC
- ♣ GX160UT2SMXC
- ♠ GX160UT2SCM

HONDA GX160 SERIES ENGINES — CRANKCASE COVER ASSY.



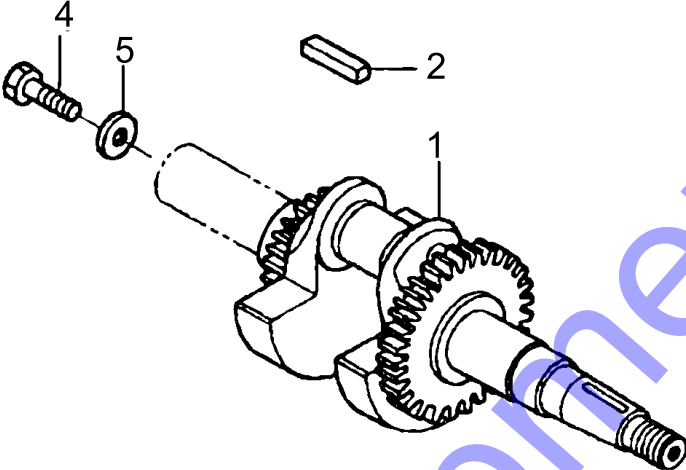
HONDA GX160 SERIES ENGINES — CRANKCASE COVER ASSY.

| NO. | PART NO. | PART NAME | QTY. | REMARKS |
|-------|--------------|-------------------------------------|--------|---------------------|
| 2♦ | 11300ZE1632 | COVER ASSY., CRANKCASE | 1..... | INCLUDES ITEMS W/# |
| 2◇ | 11300ZE1634 | COVER ASSY., CRANKCASE | 1..... | INCLUDES ITEMS W/# |
| 2▷ | 11300Z4M640 | COVER ASSY., CRANKCASE | 1..... | INCLUDES ITEMS W/# |
| 2♠♣ | 11300Z4M630 | COVER ASSY., CRANKCASE | 1..... | INCLUDES ITEMS W/# |
| 3 | 11381ZH8801 | GASKET, CRANKCASE..... | 1 | |
| 4♦◇ | 15600ZE1003 | CAP ASSY., OIL FILLER, (GRAY)..... | 1..... | INCLUDES ITEMS W/\$ |
| 4▷♠♣ | 15600Z0T810 | CAP ASSY., OIL FILLER, (GRAY) | 1..... | INCLUDES ITEMS W/& |
| 5♦◇ | 15600ZG4003 | CAP ASSY., OIL FILLER, (GRAY)..... | 1..... | INCLUDES ITEMS W/% |
| 5▷♠♣ | 15600Z0T820 | CAP ASSY., OIL FILLER..... | 1..... | INCLUDES ITEMS W/❖ |
| 6\$♦◇ | 15625ZE1003 | GASKET, OIL FILLER CAP | 1 | |
| 6&▷♠ | 15625Z0T800 | GASKET, OIL FILLER CAP | 1 | |
| 7# | 91201Z0T801 | OIL SEAL 25X41X6 | 1 | |
| 8 | 9430108140 | PIN A, DOWEL 8X14 | 2 | |
| 9 | 957010803200 | BOLT, FLANGE 8X32 | 6 | |
| 10# | 961006205000 | BALL BEARING 6205 | 1 | |
| 11%♦◇ | 15625ZE1003 | GASKET, OIL FILLER CAP | 1 | |
| 11❖▷♠ | 15625Z0T800 | GASKET, OIL FILLER CAP | 1 | |

NOTICE

- ♦ GX160U1SM12
- ◇ GX160U1SMX4
- ▷ GX160UT2QMXC
- ♠ GX160UT2SMXC
- ♣ GX160UT2SCM

HONDA GX160 SERIES ENGINES — CRANKSHAFT ASSY.



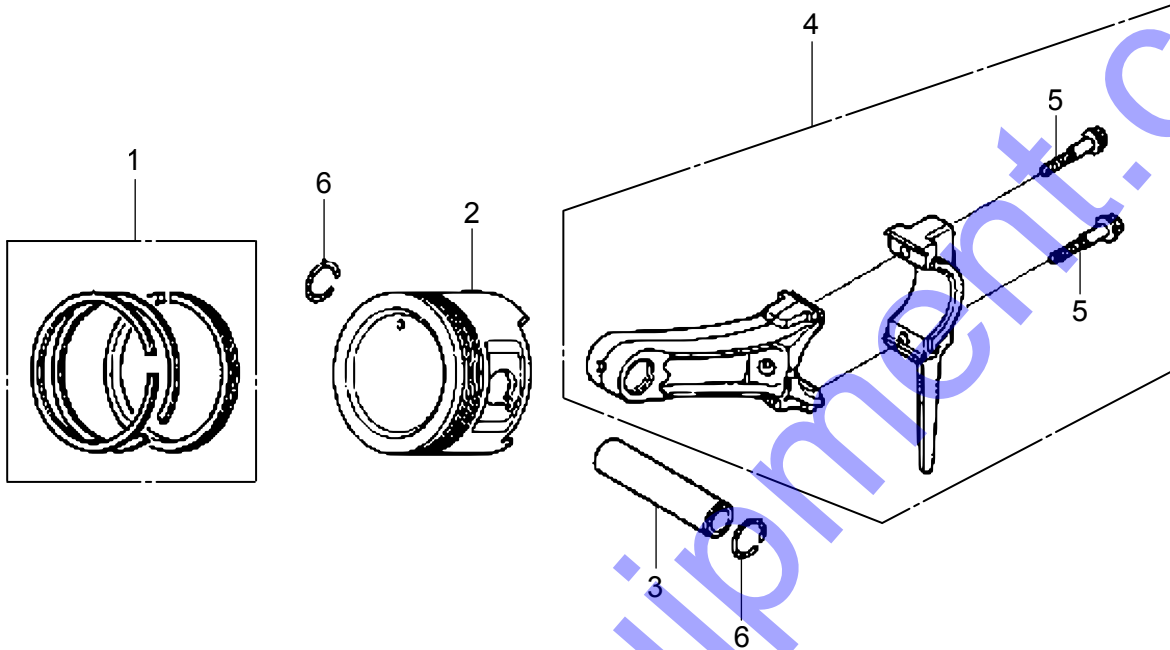
HONDA GX160 SERIES ENGINES — CRANKSHAFT ASSY.

| <u>NO.</u> | <u>PART NO.</u> | <u>PART NAME</u> | <u>QTY.</u> | <u>REMARKS</u> |
|------------|-----------------|----------------------|-------------|----------------|
| 1♦♦ | 13310ZE1000 | CRANK SHAFT COMPLETE | 1 | |
| 1▷ | 13310Z4M800 | CRANK SHAFT COMPLETE | 1 | |
| 1♣♣ | 13310Z4M880 | CRANK SHAFT COMPLETE | 1 | |
| 2 | 90741883810 | KEY 5X5X33 | 1 | |
| 2▷ | 90745ZE1600 | KEY 4.78X4.78X38 | 1 | |
| 4◇ | 92101080250A | BOLT 8X25 | 1 | |
| 5◇ | 90473842000 | WASHER 8MM | 1 | |

NOTICE

- ◆ GX160U1SM12
- ◇ GX160U1SMX4
- ▷ GX160UT2QMXC
- ♣ GX160UT2SMXC
- ♣ GX160UT2SCM

HONDA GX160 SERIES ENGINES — PISTON ASSY.



HONDA GX160 SERIES ENGINES — PISTON ASSY.

| NO. | PART NO. | PART NAME(SMX4) | QTY. | REMARKS |
|-------|-------------|----------------------------|------|---------------------|
| 1♦ | 13010ZL0003 | RING SET, PISTON (STD) | 1 | |
| 1◇ | 13010Z4K004 | RING SET, PISTON (STD) | 1 | |
| 1♠♣ | 13010Z4M801 | RING SET, PISTON (STD) | 1 | |
| 1♦ | 13011ZL0003 | RING SET, PISTON (OS 0.25) | 1 | |
| 1◇ | 13011Z4K004 | RING SET, PISTON (OS 0.25) | 1 | |
| 1♠♣ | 13011Z4M003 | RING SET, PISTON (OS 0.25) | 1 | |
| 1♦ | 13012ZL0003 | RING SET, PISTON (OS 0.50) | 1 | |
| 1◇ | 13012Z4K004 | RING SET, PISTON (OS 0.50) | 1 | |
| 1♠♣ | 13012Z4M003 | RING SET, PISTON (OS 0.50) | 1 | |
| 1♦ | 13013ZL0003 | RING SET, PISTON (OS 0.75) | 1 | |
| 1◇ | 13013Z4K004 | RING SET, PISTON (OS 0.75) | 1 | |
| 2♦ | 13101ZH8010 | PISTON (STD) | 1 | |
| 2◇ | 13101ZH8020 | PISTON (STD) | 1 | |
| 2♠♣ | 13101Z4M800 | PISTON (STD) | 1 | |
| 2♦ | 13102ZH8010 | PISTON (OS 0.25) | 1 | |
| 2◇ | 13102ZH8020 | PISTON (OS 0.25) | 1 | |
| 2♠♣ | 13102Z4M800 | PISTON (OS 0.25) | 1 | |
| 2♦ | 13103ZH8010 | PISTON (OS 0.50) | 1 | |
| 2◇ | 13103ZH8020 | PISTON (OS 0.50) | 1 | |
| 2♠♣ | 13103Z4M800 | PISTON (OS 0.50) | 1 | |
| 2♦ | 13104ZH8010 | PISTON (0.75) | 1 | |
| 2◇ | 13104ZH8020 | PISTON (0.75) | 1 | |
| 3◇ | 13111ZE1000 | PIN, PISTON | 1 | |
| 3♠♣ | 13111Z4M000 | PIN, PISTON | 1 | |
| 4♦ | 13111ZE1000 | ROD ASSY., CONNECTING..... | 1 | INCLUDES ITEMS W/\$ |
| 4◇ | 13200ZE1020 | ROD ASSY., CONNECTING..... | 1 | INCLUDES ITEMS W/\$ |
| 4♠♣ | 13200Z0T900 | ROD ASSY., CONNECTING..... | 2 | INCLUDES ITEMS W/# |
| 5\$♦◇ | 90001ZE1000 | BOLT, CONNECTING ROD | 2 | |
| 5#♠♣ | 90001Z4M000 | BOLT, CONNECTING ROD | 2 | |
| 6 | 90551ZE1000 | CLIP, PISTON PIN 18MM | 2 | |

NOTICE

- ♦ GX160U1SM12
- ◇ GX160U1SMX4
- ♠ GX160UT2QMXC
- ♣ GX160UT2SMXC
- ♣ GX160UT2SCM

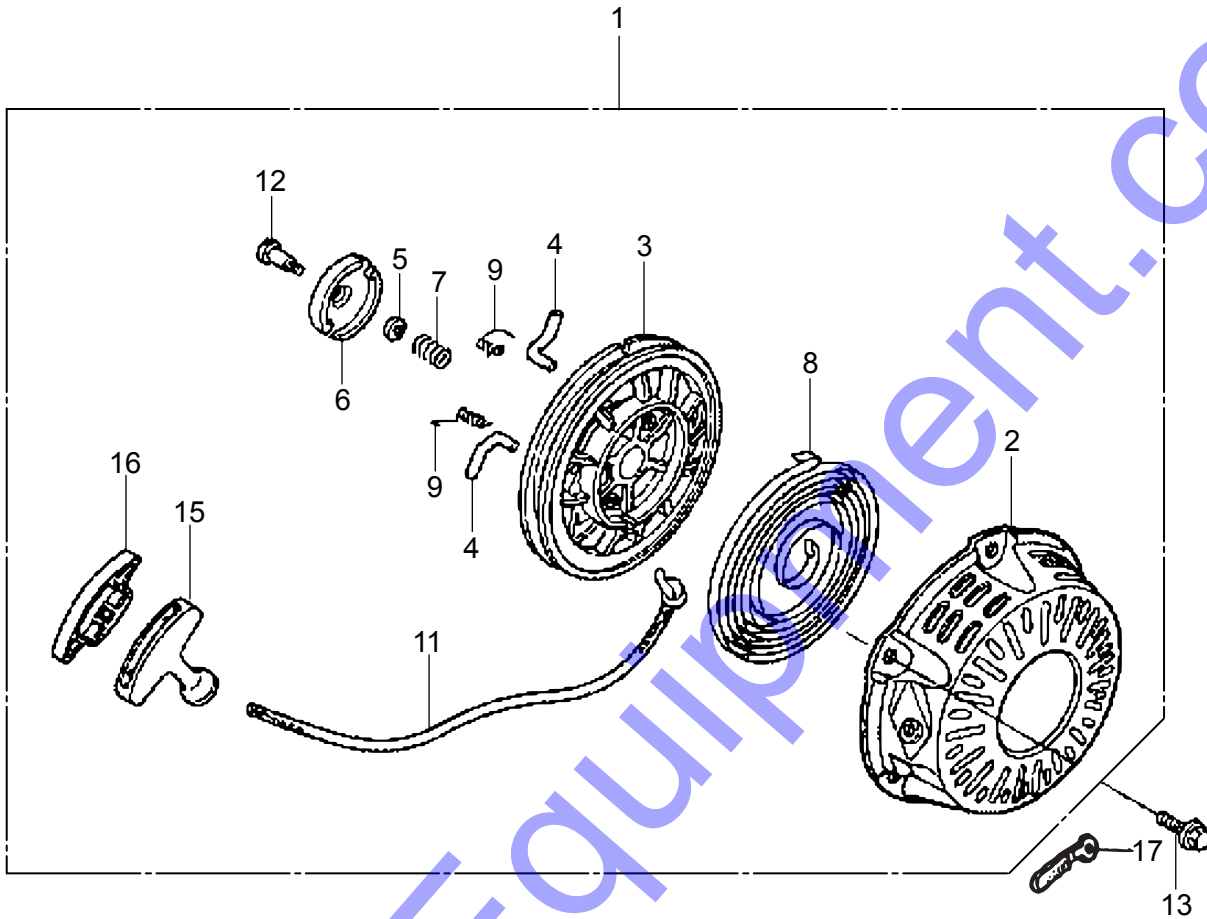
HONDA GX160 SERIES ENGINES — CAMSHAFT ASSY.

| NO. | PART NO. | PART NAME | QTY. | REMARKS |
|------|-------------|--------------------------------|------|--------------------|
| 1♦♦ | 12209ZH8003 | SEAL, VALVE STEM | 1 | |
| 1♦♣ | 12209Z4M801 | SEAL, VALVE STEM | 1 | |
| 2♦♦ | 14100ZE1812 | CAMSHAFT ASSY..... | 1 | INCLUDES ITEM W/\$ |
| 2♦♣ | 14100Z4M000 | CAMSHAFT ASSY..... | 1 | INCLUDES ITEM W/\$ |
| 3♦♦ | 14410ZE1010 | ROD, PUSH CP | 2 | |
| 3♦♣ | 14410Z4M000 | ROD, PUSH CP | 2 | |
| 4 | 14431ZE1000 | ARM, VALVE ROCKER | 2 | |
| 5 | 14441ZE1010 | LIFTER, VALVE | 2 | |
| 6♦♦ | 14451ZE1013 | PIVOT, ROCKER ARM | 2 | |
| 6♦♣ | 14451Z4M000 | PIVOT, ROCKER ARM | 2 | |
| 7\$ | 14568ZE1000 | SPRING, WEIGHT RETURN | 1 | |
| 8♦♦ | 14711ZF1000 | VALVE, INTAKE | 1 | |
| 8♦♣ | 14711Z4M000 | VALVE, INTAKE | 1 | |
| 9♦♦ | 14721ZF0000 | VALVE, EXHAUST | 1 | |
| 9♦♣ | 14721Z4M000 | VALVE, EXHAUST | 1 | |
| 10 | 14751ZF1000 | SPRING, VALVE | 2 | |
| 11♦♦ | 14771ZE1000 | RETAINER, INTAKE VALVE | 1 | |
| 11♦♣ | 14771Z0T900 | RETAINER, INTAKE/EXHAUST VALVE | 2 | |
| 12♦♦ | 14773ZE1000 | RETAINER, EXHAUST VALVE | 1 | |
| 14♦♦ | 14791ZE1010 | PLATE, PUSH ROD GUIDE | 1 | |
| 14♦♣ | 14791Z4M000 | PLATE, PUSH ROD GUIDE | 1 | |
| 15 | 90012ZE0010 | BOLT, PIVOT 8MM | 2 | |
| 16 | 90206ZE1000 | NUT, PIVOT ADJUSTING | 2 | |
| 17♦♦ | 14781ZE1000 | ROTATOR, VALVE | 1 | |

NOTICE

- ♦ GX160U1SM12
- ◇ GX160U1SMX4
- ▷ GX160UT2QMXC
- ♣ GX160UT2SMXC
- ♣ GX160UT2SCM

HONDA GX160 SERIES ENGINES — RECOIL STARTER ASSY.



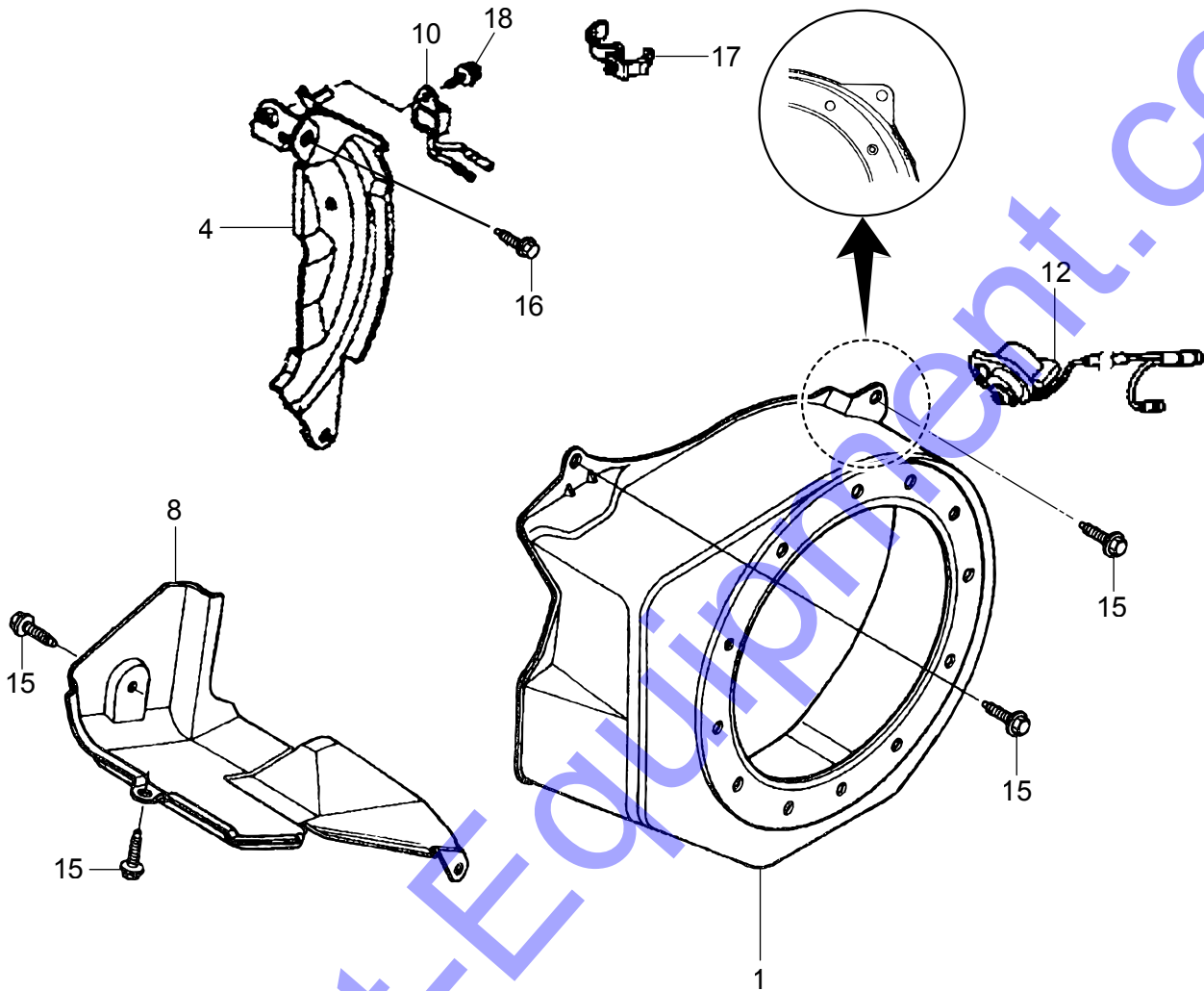
HONDA GX160 SERIES ENGINES — RECOIL STARTER ASSY.

| NO. | PART NO. | PART NAME | QTY. | REMARKS |
|-------|---------------|-----------------------------|------|---------------------|
| 1♦ | 28400ZH8023ZB | STARTER ASSY., RECOIL | 1 | INCLUDES ITEMS W/\$ |
| 1♠ | 28400Z4M305ZD | STARTER ASSY., RECOIL | 1 | INCLUDES ITEMS W/# |
| 1♣ | 28400Z4M305ZD | STARTER ASSY., RECOIL | 1 | INCLUDES ITEMS W/% |
| 2\$ | 28410ZH8003ZB | CASE CP, STARTER (BLACK) | 1 | |
| 2#% | 28410Z4M003ZD | CASE CP, STARTER (BLACK) | 1 | |
| 3\$ | 28421ZH8801 | REEL, RECOIL STARTER | 1 | |
| 3# | 28421Z0T003 | REEL, RECOIL STARTER | 1 | |
| 3% | 28421Z1T702 | REEL, RECOIL STARTER | 1 | |
| 4\$# | 28422ZH8801 | RATCHET, STARTER | 2 | |
| 4% | 28422Z1T701 | RATCHET, STARTER | 2 | |
| 5\$#% | 28431ZH8801 | PLATE, FRICTION | 1 | |
| 6\$# | 28433ZH8801 | RATCHET GUIDE | 1 | |
| 6% | 28433Z1T702 | RATCHET GUIDE | 1 | |
| 7\$#% | 28441ZH8801 | FRICTION SPRING | 1 | |
| 8\$#% | 28442ZH8003 | SPRING, RECOIL STARTER | 1 | |
| 9\$# | 28443ZH8801 | SPRING, RETURN | 2 | |
| 9% | 28443Z1T701 | SPRING, RETURN | 2 | |
| 11\$# | 28462ZH8003 | ROPE, RECOIL STARTER | 1 | |
| 12\$# | 90003ZH8801 | SCREW SETTING | 1 | |
| 13 | 90008ZE2003 | BOLT, FLANGE 6X10 | 3 | |
| 13♣ | 957010600800 | BOLT, FLANGE 6X8 | 3 | |
| 15\$ | 28461ZH8003 | KNOB, RECOIL STARTER | 1 | |
| 15#% | 28461Z4M305 | KNOB, RECOIL STARTER | 1 | |
| 16\$# | 28463Z4M003 | KNOB, REINFORCEMENT | 1 | |
| 17♦ | 90003ZH8801 | CLIP, CORD | 1 | |
| 17◇ | 32901MA1000 | CLIP, CORD | 1 | OPTION |

NOTICE

- ◆ GX160U1SM12
- ◇ GX160U1SMX4
- ♠ GX160UT2QMXC
- ♣ GX160UT2SMXC
- ♣ GX160UT2SCM

HONDA GX160 SERIES ENGINES — FAN COVER ASSY.



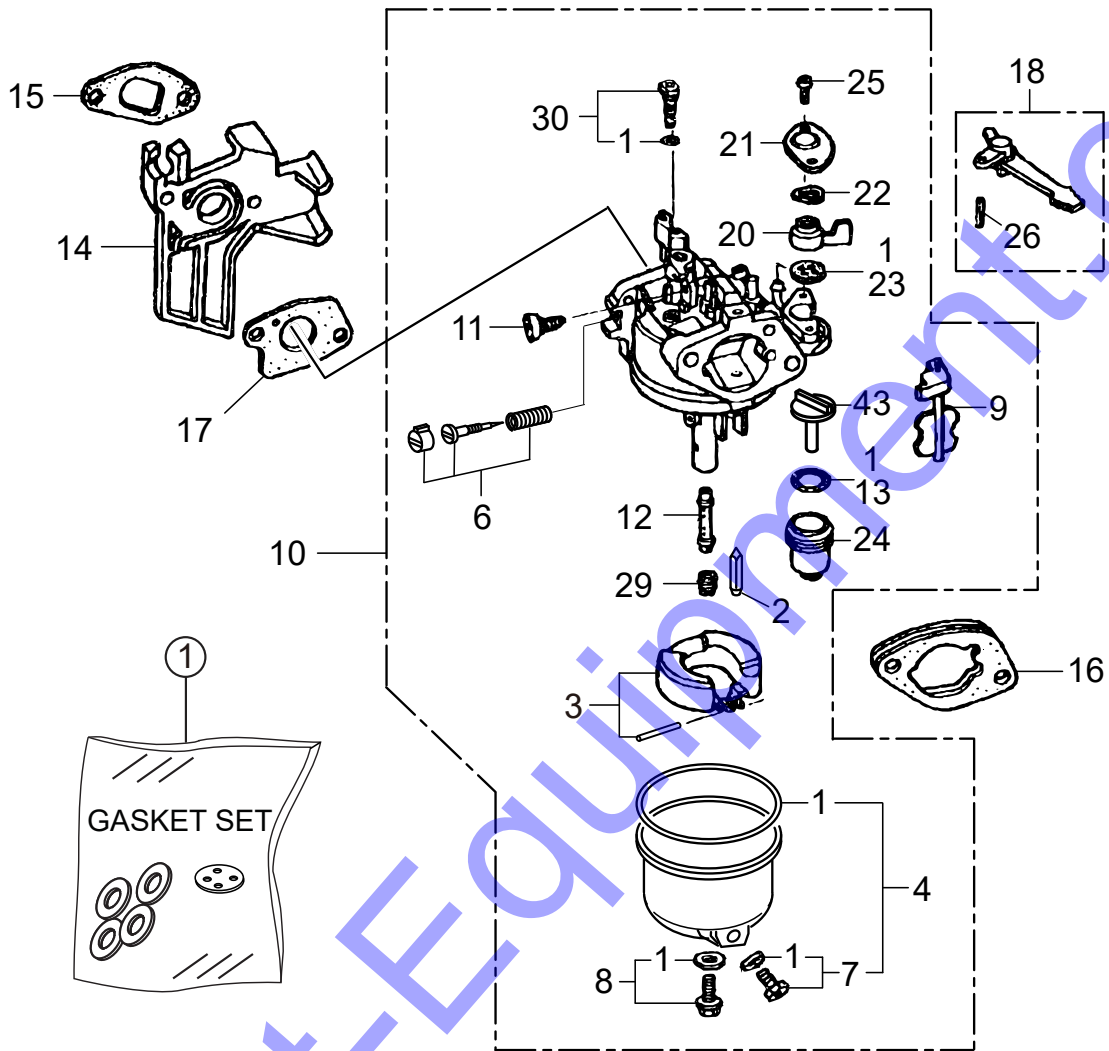
HONDA GX160 SERIES ENGINES — FAN COVER ASSY.

| NO. | PART NO. | PART NAME | QTY. | REMARKS |
|------|---------------|----------------------------|------|---------|
| 1♦ | 19610ZE1000ZC | COVER, FAN (BLACK) | 1 | |
| 1◇ | 19610ZE1010ZC | COVER, FAN (BLACK) | 1 | |
| 1♠♣ | 19610Z4M000ZB | COVER, FAN (BLACK) | 1 | |
| 4♦◇ | 19611ZH8810 | PLATE CP, SIDE (OIL ALERT) | 1 | |
| 4♠♣ | 19611Z4M810 | PLATE CP, SIDE (OIL ALERT) | 1 | |
| 8♦◇ | 19630ZH8000 | SHROUD, COMPLETE | 1 | |
| 8♠♣ | 19630Z4M000 | SHROUD, COMPLETE | 1 | |
| 10♦ | 34150ZH7003 | ALERT UNIT, OIL | 1 | |
| 10◇ | 34150ZH7013 | ALERT UNIT, OIL | 1 | |
| 10♠♣ | 34150-ZH7023 | ALERT UNIT, OIL | 1 | |
| 12♦ | 36100ZF6P81 | SWITCH ASSY., ENGINE STOP | 1 | |
| 12◇ | 36100ZF6P82 | SWITCH ASSY., ENGINE STOP | 1 | |
| 12♠ | 35120Z0T851 | SWITCH ASSY., ENGINE STOP | 1 | |
| 12♠♣ | 35120Z0T831 | SWITCH ASSY., ENGINE STOP | 1 | |
| 15 | 90013883000 | BOLT, FLANGE 6X12 | 6 | |
| 16 | 90022888010 | BOLT, FLANGE 6X20 | 1 | |
| 17 | 90601ZH7013 | CLIP, HARNESS | 1 | |
| 18 | 957010600800 | BOLT, FLANGE 6X8 | 1 | |

NOTICE

- ♦ GX160U1SM12
- ◇ GX160U1SMX4
- ♠ GX160UT2QMXC
- ♠ GX160UT2SMXC
- ♣ GX160UT2SCM

HONDA GX160 SERIES ENGINES — CARBURETOR ASSY.



NOTICE

Gasket set, item 1 included with items 4, 7, 8, 13, 23 and 30.

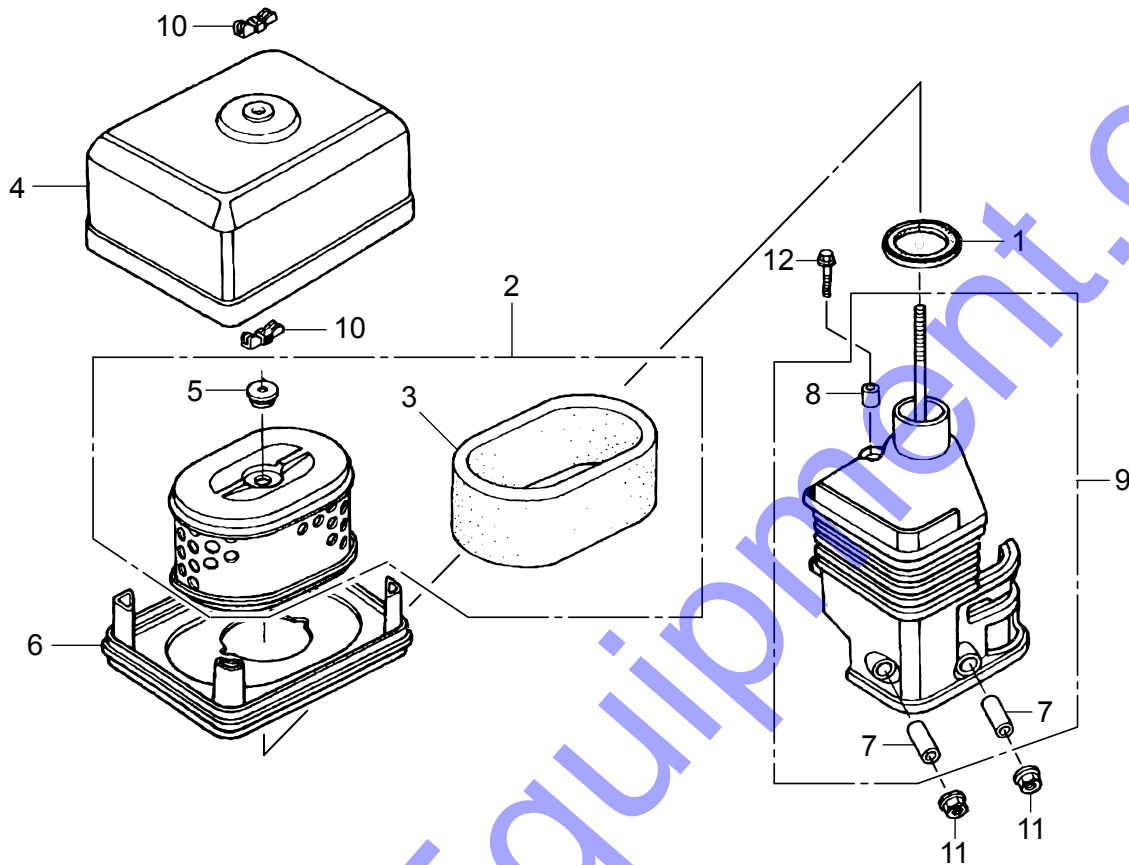
HONDA GX160 SERIES ENGINES — CARBURETOR ASSY.

| NO. | PART NO. | PART NAME | QTY. | REMARKS |
|----------|--------------|-----------------------------|------|---------------------------|
| 1#\$\$%❖ | 16010ZE1812 | GASKET SET | 1 | |
| 2#\$\$% | 16011ZE0005 | FLOAT, VALVE SET | 1 | |
| 3# | 16013ZE0005 | FLOAT SET | 1 | |
| 3#\$\$% | 16013Z0SB01 | FLOAT SET | 1 | |
| 4# | 16015ZE0831 | CHAMBER SET, FLOAT | 1 | INCLUDES ITEM W/❖, ▲ |
| 4#\$\$% | 16015Z4M911 | CHAMBER SET, FLOAT | 1 | INCLUDES ITEM W/❖, ▲ |
| 6# | 16016ZH7W01 | SCREW SET, PILOT | 1 | |
| 7#▲ | 16024ZE1811 | SCREW SET, DRAIN | 1 | INCLUDES ITEM W/❖ |
| 7#%▲ | 16024Z5T901 | SCREW SET, DRAIN | 1 | INCLUDES ITEM W/❖ |
| 8# | 16028ZK7591 | SCREW SET B | 1 | INCLUDES ITEM W/❖ |
| 8#\$\$% | 16028Z5T901 | SCREW SET B | 1 | INCLUDES ITEM W/❖ |
| 9# | 16044ZE0005 | CHOKE SET | 1 | |
| 9#\$\$% | 16044Z4M911 | CHOKE SET | 1 | |
| 10♦♦ | 16100ZH8W51 | CARBURETOR ASSY., (BE65B B) | 1 | INCLUDES ITEMS W/# |
| 10♦🍏 | 16100Z4MV22 | CARBURETOR ASSY., (BE54E A) | 1 | INCLUDES ITEMS W/\$ |
| 10♣ | 16100Z4M781 | CARBURETOR ASSY. | 1 | INCLUDES ITEMS W/% |
| 11#\$\$% | 16124ZE0005 | SCREW, THROTTLE STOP | 1 | |
| 12# | 16166ZH8W50 | NOZZLE, MAIN | 1 | |
| 12\$ | 16166Z4MV21 | NOZZLE, MAIN | 1 | |
| 12% | 16166Z4M781 | NOZZLE, MAIN | 1 | |
| 13#\$\$% | 16955283000 | O-RING, CUP | 1 | INCLUDES ITEMS W/❖ |
| 14♦♦ | 16211ZE1000 | INSULATOR, CARBURETOR | 1 | |
| 14♦🍏♣ | 16211Z4M000 | INSULATOR, CARBURETOR | 1 | |
| 15 | 16212ZH8800 | GASKET, INSULATOR | 1 | |
| 16 | 16220ZE1020 | SPACER COMP., CARBURETOR | 1 | |
| 17 | 16221ZH8801 | GASKET, CARBURETOR | 1 | |
| 18 | 16610ZE1000 | CHOKE LEVER, COMP. | 1 | INCLUDES ITEMS W/@ |
| 20#\$\$% | 16953ZE1812 | LEVER, COCK | 1 | |
| 21#\$\$% | 16954ZE1812 | PLATE, LEVER SETTING | 1 | |
| 22#\$\$% | 16956ZE1811 | SPRING, COCK LEVER | 1 | |
| 23#\$\$% | 16957ZE1812 | GASKET, FUEL COCK | 1 | INCLUDES ITEM W/❖ |
| 24#\$\$% | 16967ZE0811 | CUP, FUEL STRAINER | 1 | |
| 25#\$\$% | 93500030060H | SCREW 3X6 | 2 | REPLACES P/N 93500030061H |
| 26@ | 9430520122 | PIN, SPRING 2X12 | 1 | |
| 29#\$ | 99101ZH80700 | MAIN JET #70 | 1 | |
| 29% | 99101ZH80720 | MAIN JET #72 | 1 | |
| 30#\$ | 99204ZE00350 | PILOT JET SET #35 | 1 | INCLUDES ITEM W/❖ |
| 30#\$ | 99204ZE00380 | PILOT JET SET #38 | 1 | INCLUDES ITEM W/❖ |
| 30% | 99204ZE20400 | PILOT JET SET #40 | 1 | INCLUDES ITEM W/❖ |
| 43#\$\$% | 16959Z5T901 | FILTER, CUP | 1 | |

NOTICE

- ♦ GX160U1SM12
- ◇ GX160U1SMX4
- ▶ GX160UT2QMXC
- 🍏 GX160UT2SMXC
- ♣ GX160UT2SCM

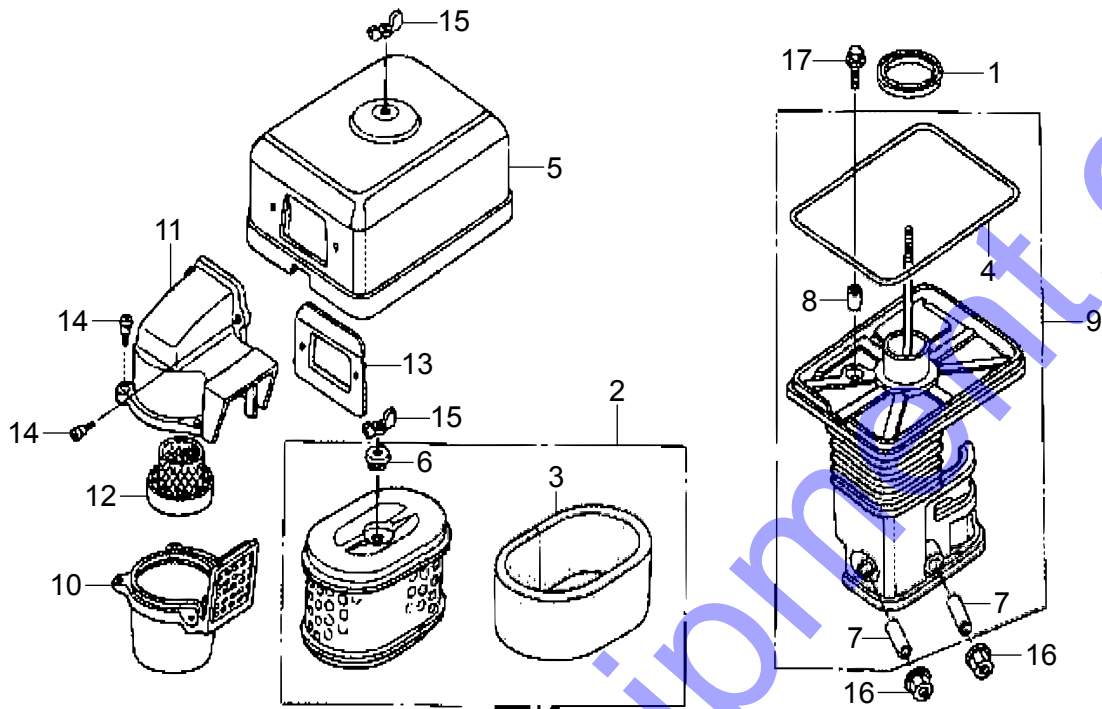
HONDA GX160U1SM12/SMX4 ENGINES — AIR CLEANER ASSY.



HONDA GX160U1SM12/SMX4 ENGINES — AIR CLEANER ASSY.

| <u>NO.</u> | <u>PART NO.</u> | <u>PART NAME</u> | <u>QTY.</u> | <u>REMARKS</u> |
|------------|-----------------|----------------------------|-------------|--------------------|
| 1 | 16271ZE1000 | GASKET, ELBOW | 1 | |
| 2 | 17210ZE1517 | ELEMENT, AIR CLEANER | 1 | INCLUDES ITEMS W/# |
| 3# | 17218ZE1507 | FILTER (OUTER) | 1 | |
| 4 | 17230ZE1820 | COVER, AIR CLEANER | 1 | |
| 5# | 17232891000 | GROMMET, AIR CLEANER | 1 | |
| 6 | 17235Z4M831 | NOSE, SILENCER | 1 | |
| 7% | 17238ZE7010 | COLLAR, AIR CLEANER | 2 | |
| 8% | 17239ZE1000 | COLLAR (B), AIR CLEANER | 1 | |
| 9 | 17410ZE1020 | ELBOW CP, AIR CLEANER..... | 1 | INCLUDES ITEMS W/% |
| 10 | 90325044000 | NUT, TOOL BOX SETTING | 2 | |
| 11 | 9405006000 | FLANGE NUT 6MM | 2 | |
| 12 | 957010602000 | BOLT, FLANGE 6X20 | 1 | |

HONDA GX160UT2QMXC/SMXC ENG. — AIR CLEANER ASSY.



HONDA GX160UT2QMXC/SMXC ENG. — AIR CLEANER ASSY.

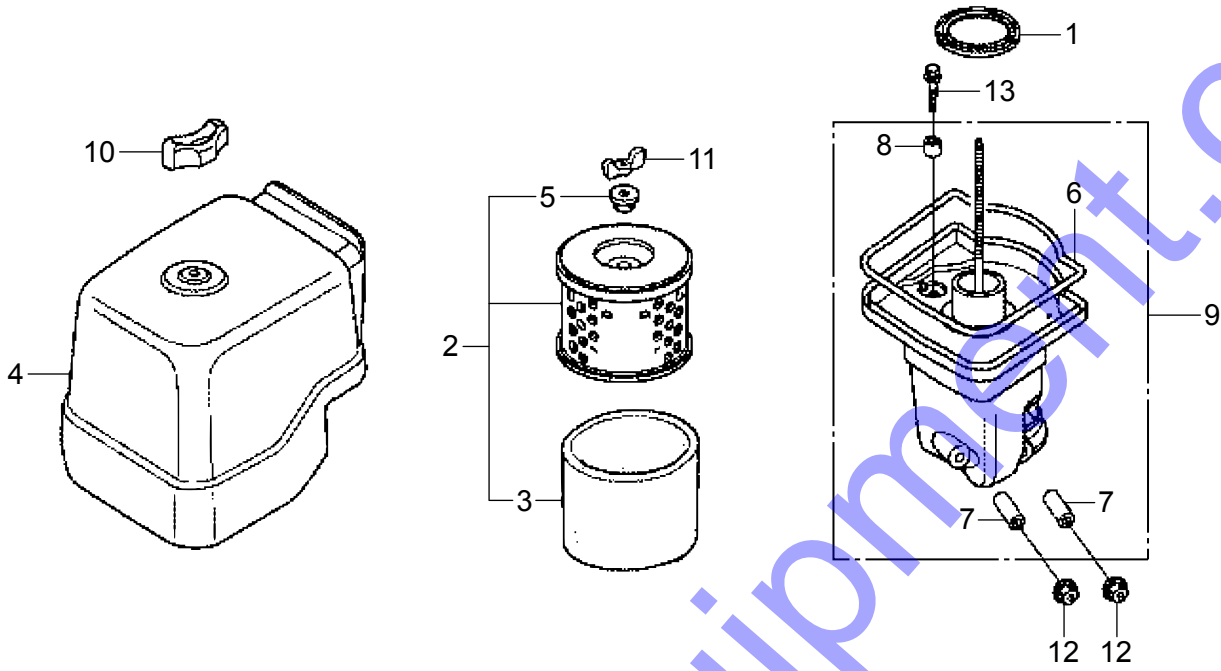
| NO. | PART NO. | PART NAME | QTY. | REMARKS |
|-----|--------------|--------------------------------|------|--------------------|
| 1 | 16271ZE1000 | PACKING, ELBOW | 1 | |
| 2 | 17210ZE1517 | CLEANER ELEMENT | 1 | INCLUDES ITEMS W/# |
| 3# | 17218ZE1507 | OUTER ELEMENT | 1 | |
| 4% | 17219733010 | PACKING, CLEANER COVER | 1 | |
| 5 | 17230ZE1841 | COVER, AIR CLEANER | 1 | |
| 6# | 17232891000 | GROMMET, AIR CLEANER | 1 | |
| 7% | 17238ZE7010 | COLLAR, AIR CLEANER | 2 | |
| 8% | 17239733000 | COLLAR (B), AIR CLEANER | 1 | |
| 9D | 17410ZE1840 | ELBOW, COMP. AIR CLEANER | 1 | INCLUDES ITEMS W/% |
| 9A | 17410ZE1841 | ELBOW, COMP. AIR CLEANER | 1 | INCLUDES ITEMS W/% |
| 10 | 17470ZE1842 | CASE, PRE-CLEANER | 1 | |
| 11 | 17475ZE1841 | CAP, PRE-CLEANER | 1 | |
| 12 | 17476ZE1841 | GUIDE, PRE-CLEANER | 1 | |
| 13 | 17478ZE1841 | PLATE, PRE-CLEANER | 1 | |
| 14 | 90300GB0900 | BOLT, MUD GUARD | 5 | |
| 15 | 90325044000 | NUT, TOOL BOX SETTING | 2 | |
| 16 | 9405006000 | FLANGE NUT 6MM | 2 | |
| 17 | 957010602000 | BOLT, FLANGE 6X20 | 1 | |

NOTICE

▶ GX160UT2QMXC

▶ GX160UT2SMXC

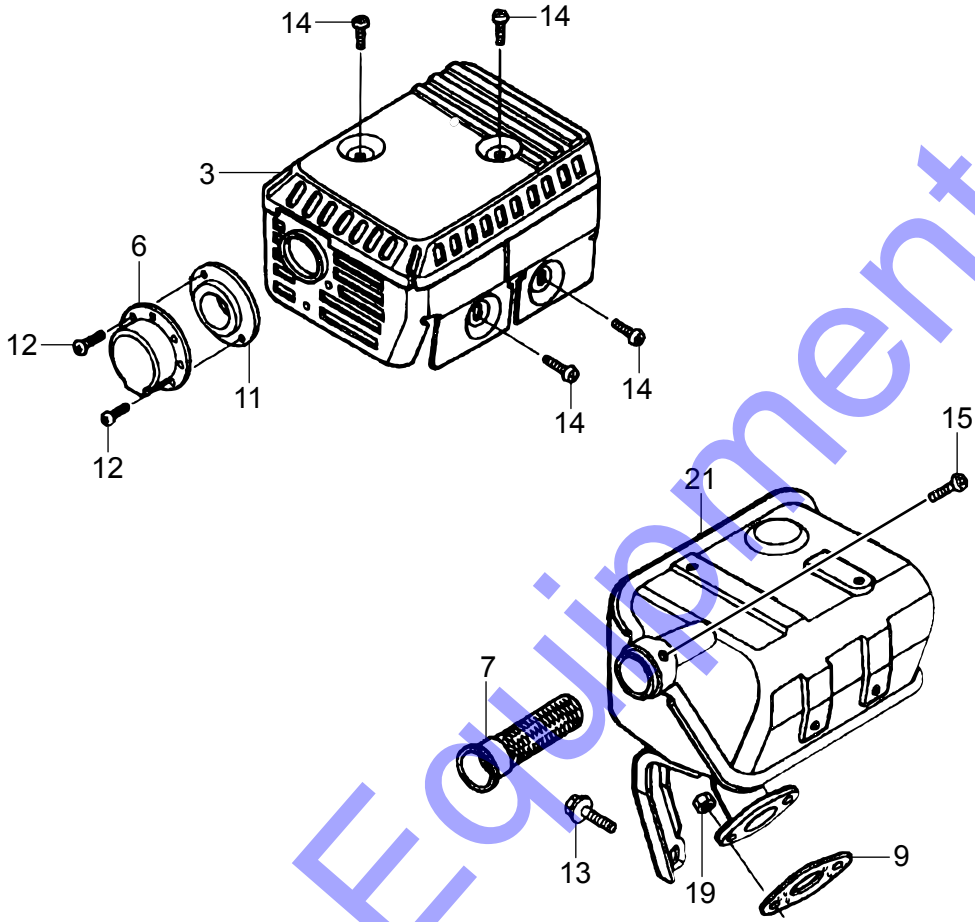
HONDA GX160UT2SCM ENG. — AIR CLEANER ASSY. (CYCLONE)



HONDA GX160UT2SCM ENG. — AIR CLEANER ASSY. (CYCLONE)

| <u>NO.</u> | <u>PART NO.</u> | <u>PART NAME</u> | <u>QTY.</u> | <u>REMARKS</u> |
|------------|-----------------|-----------------------------------|-------------|--------------------|
| 1 | 16271ZE1000 | PACKING, ELBOW | 1 | |
| 2 | 17210Z0V781 | ELEMENT, AIR CLEANER | 1 | INCLUDES ITEMS W/# |
| 3# | 17218Z0V780 | FILTER, OUTER | 1 | |
| 4 | 17230Z0V78 | COVER ASSY., AIR CLEANER | 1 | |
| 5# | 17232891000 | GROMMET, AIR CLEANER | 1 | |
| 6% | 17233Z0V780 | SEAL, AIR CLEANER COVER | 1 | |
| 7% | 17238ZE7010 | COLLAR, AIR CLEANER | 2 | |
| 8% | 17239ZE3840 | COLLAR B, AIR CLEANER | 1 | |
| 9 | 17410Z0V780 | ELBOW COMPLETE, AIR CLEANER | 1 | INCLUDES ITEMS W/% |
| 10 | 90300Z4M800 | NUT, AIR CLEANER | 1 | |
| 11 | 90325044000 | NUT, TOOL BOX SETTING | 1 | |
| 12 | 9405006000 | FLANGE NUT 6MM | 2 | |
| 13 | 957010602000 | FLANGE BOLT 6X20 | 1 | |

HONDA GX160 SERIES ENGINES — MUFFLER ASSY.



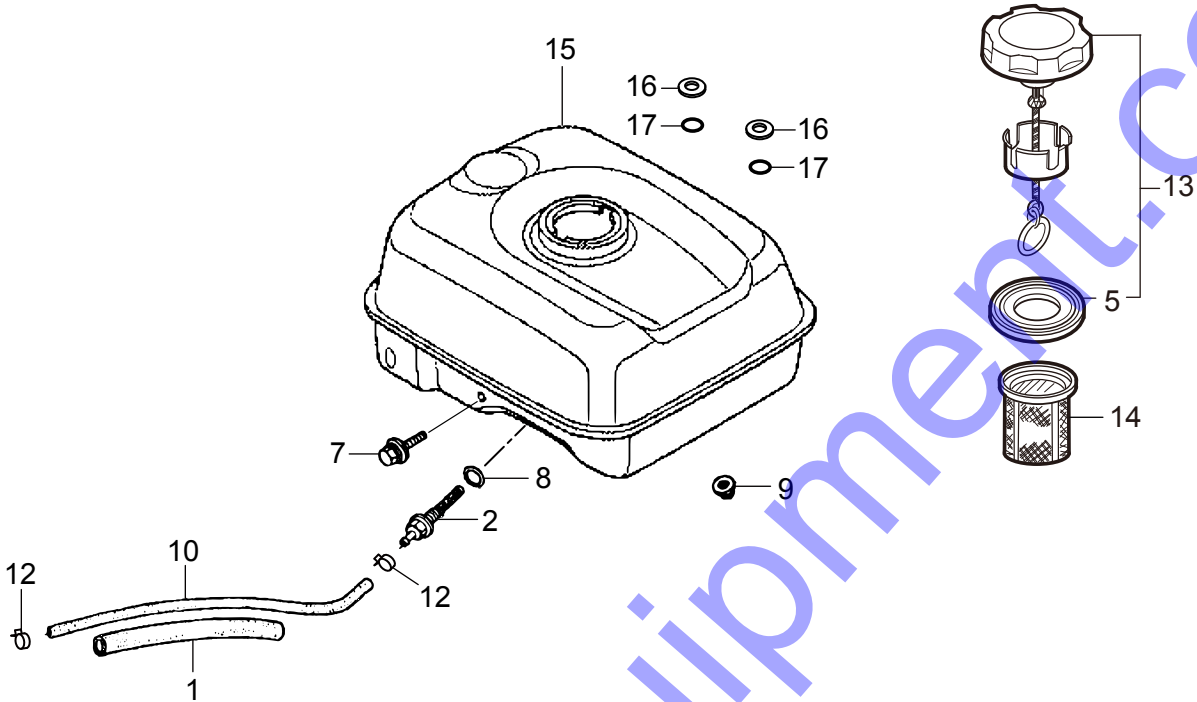
HONDA GX160 SERIES ENGINES — MUFFLER ASSY.

| NO. | PART NO. | PART NAME | QTY. | REMARKS |
|-------|--------------|--------------------|------|---------|
| 3♦ | 18320ZF1H01 | PROTECTOR, MUFFLER | 1 | |
| 3◇ | 18320ZF1H02 | PROTECTOR, MUFFLER | 1 | |
| 3▷ | 18320Z4M811 | PROTECTOR, MUFFLER | 1 | |
| 3♣♣ | 18320Z4M000 | PROTECTOR, MUFFLER | 1 | |
| 6 | 18340ZE1010 | DEFLECTOR CP | 1 | |
| 7 | 18355ZE1000 | ARRESTER, SPARK | 1 | |
| 9♦ | 18381ZH8800 | GASKET, MUFFLER | 1 | |
| 9◇ | 18381ZH8801 | GASKET, MUFFLER | 1 | |
| 9▷♣♣ | 18381Z0T801 | GASKET, MUFFLER | 1 | |
| 11 | 18522ZE1000 | GUIDE, MUFFLER | 1 | |
| 12♦◇ | 90002ZG0003 | SCREW, TAPPING 4X8 | 2 | |
| 12▷♣♣ | 90002Z0T800 | SCREW, TAPPING 4X8 | 2 | |
| 13 | 90016ZE1000 | BOLT, FLANGE 6X13 | 1 | |
| 14 | 90050ZE1000 | TAPPING SCREW 5X8 | 4 | |
| 15 | 90055ZE1000 | TAPPING SCREW 4X6 | 4 | |
| 19 | 94001080000S | NUT, HEX 8MM | 2 | |
| 21♦ | 18310ZH8810 | MUFFLER COMPLETE | 1 | |
| 21◇ | 18310ZH7V90 | MUFFLER COMPLETE | 1 | |
| 21▷♣♣ | 18310Z4MV51 | MUFFLER COMPLETE | 1 | |

NOTICE

- ♦ GX160U1SM12
- ◇ GX160U1SMX4
- ▷ GX160UT2QMXC
- ♣ GX160UT2SMXC
- ♣ GX160UT2SCM

HONDA GX160 SERIES ENGINES — FUEL TANK ASSY.



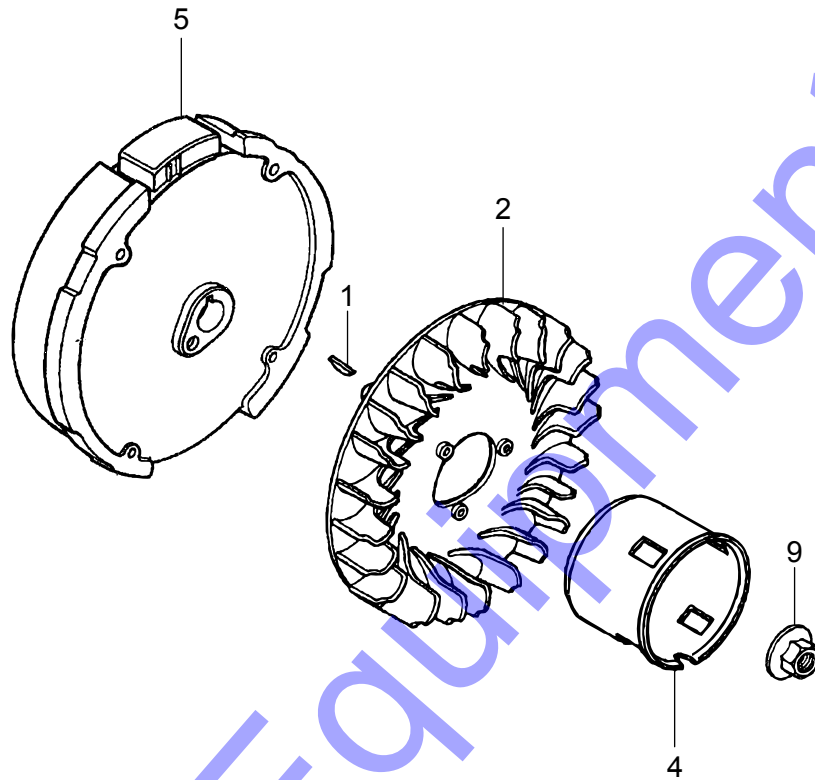
HONDA GX160 SERIES ENGINES — FUEL TANK ASSY.

| NO. | PART NO. | PART NAME | QTY. | REMARKS |
|-------|---------------|------------------------------|------|--------------------------|
| 1 | 16854ZH8000 | RUBBER, SUPPORT 107MM | 1 | |
| 2♦♦ | 16955ZE1000 | JOINT, FUEL TANK | 1 | |
| 2♠♣ | 16955ZE1010 | JOINT, FUEL TANK | 1 | |
| 5%♦ | 17631Z0T812 | GASKET, FUEL FILLER CAP | 1 | |
| 5#♦ | 17631Z0T802 | GASKET, FUEL FILLER CAP | 1 | |
| 5\$♠♣ | 17631Z0T801 | GASKET, FUEL FILLER CAP | 1 | |
| 7 | 90004ZH7003 | BOLT, FLANGE 6X29 | 1 | |
| 8 | 91353671003 | O-RING 14MM..... | 1 | REPLACES P/N 91353671004 |
| 9 | 9405006000 | FLANGE NUT 6MM | 2 | |
| 10♦♦ | 950014500160M | TUBE, FUEL 4.5X1M | 1 | |
| 10♠♣ | 91424Z4M003 | TUBE, FUEL 4.5X145 | 1 | |
| 12♦ | 9500202080 | CLAMP, TUBE (D8) | 2 | |
| 12♦♠♣ | 950024080008 | CLAMP, TUBE (D8) | 2 | |
| 13♦ | 17620Z4H000 | CAP COMP., FUEL FILLER | 1 | INCLUDES ITEM W/% |
| 13♦ | 17620Z4H020 | CAP COMP., FUEL FILLER | 1 | INCLUDES ITEM W/# |
| 13♠♣ | 17620Z4H900 | CAP COMP., FUEL FILLER | 1 | INCLUDES ITEM W/\$ |
| 14♦ | 17672ZE2W01 | FILTER, FUEL | 1 | |
| 14♦♠♣ | 17672Z4H000 | FILTER, FUEL | 1 | |
| 15♦ | 17510ZE1020ZF | TANK, FUEL (BLACK) | 1 | |
| 15♦ | 17510ZE1030ZF | TANK, FUEL (BLACK) | 1 | |
| 15♠♣ | 17510Z4M000ZB | TANK, FUEL (BLACK) | 1 | |
| 16♦♦ | 90404680000 | WASHER, 6.5X25X1.5 | 2 | |
| 16♠♣ | 90503898000 | WASHER, 6.5X25X1.5 | 2 | |
| 17♦♦ | 91319ME5003 | O-RING 5.5X1.4 | 2 | |
| 17♠♣ | 91302Z4M003 | O-RING 5.5X1.5 | 2 | |

NOTICE

- ♦ GX160U1SM12
- ◇ GX160U1SMX4
- ♠ GX160UT2QMXC
- ♣ GX160UT2SMXC
- ♣ GX160UT2SCM

HONDA GX160 SERIES ENGINES — FLYWHEEL ASSY.



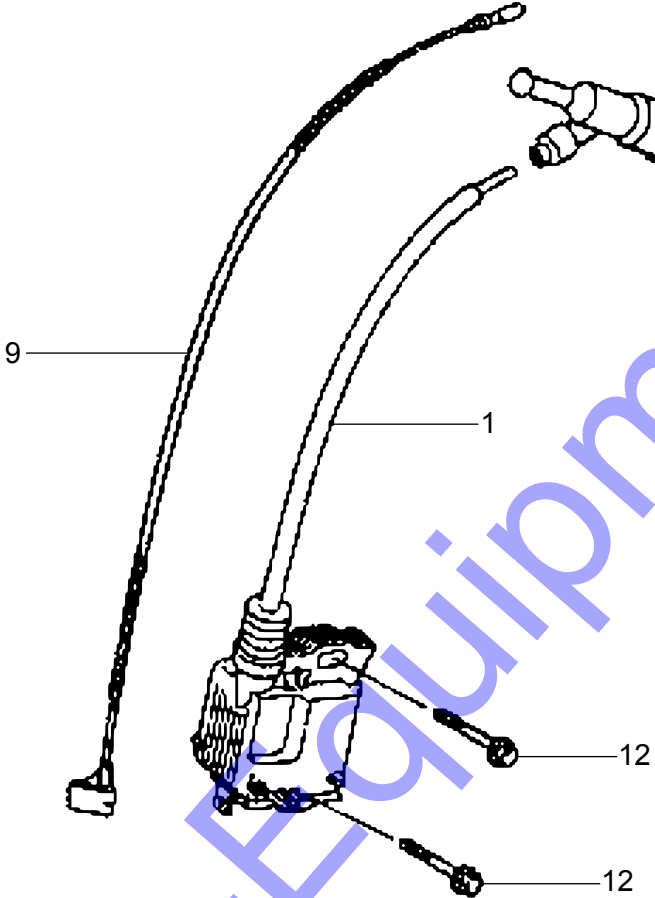
HONDA GX160 SERIES ENGINES — FLYWHEEL ASSY.

| <u>NO.</u> | <u>PART NO.</u> | <u>PART NAME</u> | <u>QTY.</u> | <u>REMARKS</u> |
|------------|-----------------|---------------------|-------------|----------------|
| 1 | 13331357000 | KEY, WOODRUFF 25X18 | 1 | |
| 2 | 19511ZE1000 | FAN, COOLING | 1 | |
| 4♦ | 28451ZH8001 | PULLEY, STARTER | 1 | |
| 4♠ | 28451ZH8801 | PULLEY, STARTER | 1 | |
| 4♣ | 28451Z4M003 | PULLEY, STARTER | 1 | |
| 5♦ | 31100ZE1010 | FLYWHEEL | 1 | |
| 5♠♣ | 31110Z4M000 | FLYWHEEL | 1 | |
| 9♦ | 90201878003 | NUT, SPECIAL 14MM | 1 | |
| 9♠♣ | 90201Z0T800 | NUT, SPECIAL 14MM | 1 | |

NOTICE

- ◆ GX160U1SM12
- ◇ GX160U1SMX4
- ▷ GX160UT2QMXC
- ♠ GX160UT2SMXC
- ♣ GX160UT2SCM

HONDA GX160 SERIES ENGINES — IGNITION COIL ASSY.



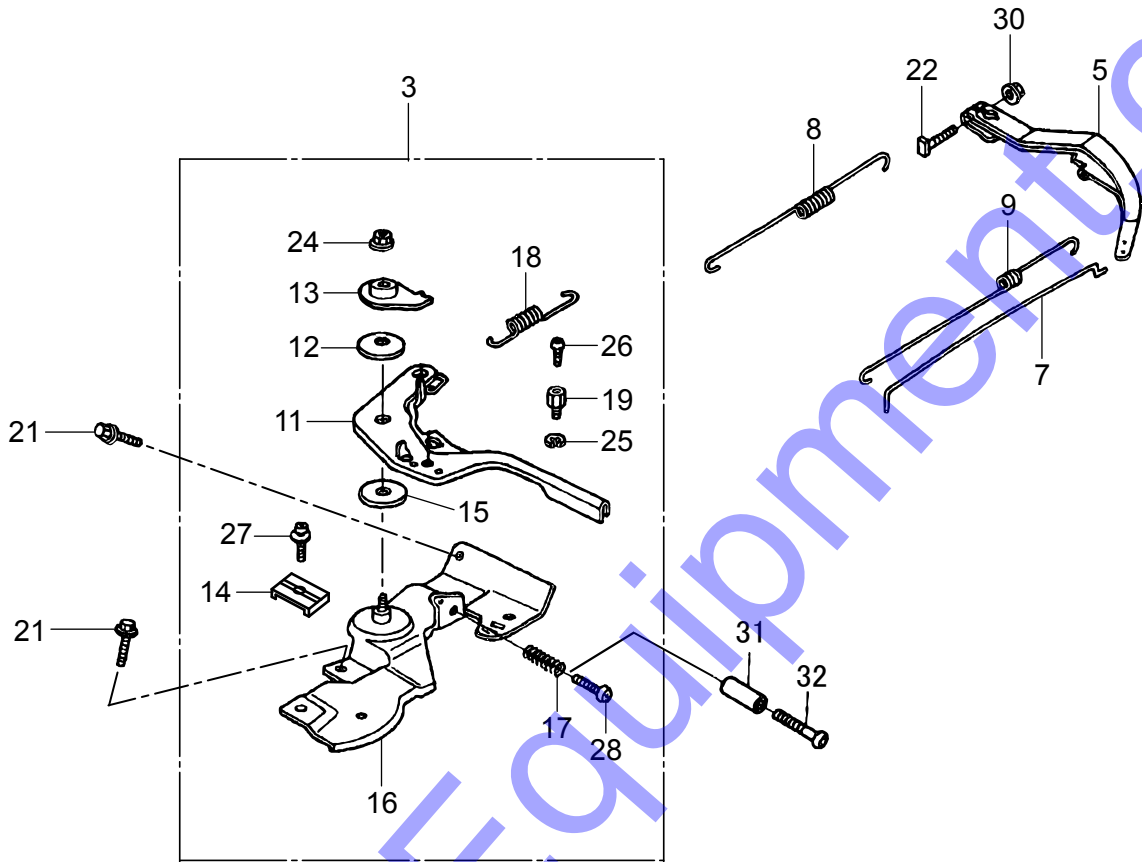
HONDA GX160 SERIES ENGINES — IGNITION COIL ASSY.

| NO. | PART NO. | PART NAME | QTY. | REMARKS |
|------|--------------|----------------------------|--------|----------------------|
| 1♦♦ | 30500ZE1073 | COIL ASSY., IGNITION | 1..... | REPLACES 30500ZE1063 |
| 1▷ | 30500ZOT802 | COIL ASSY., IGNITION | 1 | |
| 1♣♣ | 30500ZOT003 | COIL ASSY., IGNITION | 1 | |
| 2♦♦ | 30700ZE1013 | CAP ASSY. | 1 | |
| 2▷♣♣ | 30700ZOT812 | CAP ASSY. | 1 | |
| 9♦♦▷ | 36101ZE1010 | CORD, STOP SWITCH 370MM | 1 | |
| 9♣♣♣ | 32195ZOT003 | CORD, STOP SWITCH 370MM | 1 | |
| 12 | 957010602500 | BOLT, FLANGE 6X25..... | 2..... | REPLACES 90121952000 |

NOTICE

- ◆ GX160U1SM12
- ◇ GX160U1SMX4
- ▷ GX160UT2QMXC
- ♣ GX160UT2SMXC
- ♣ GX160UT2SCM

HONDA GX160 SERIES ENGINES — CONTROL ASSY.



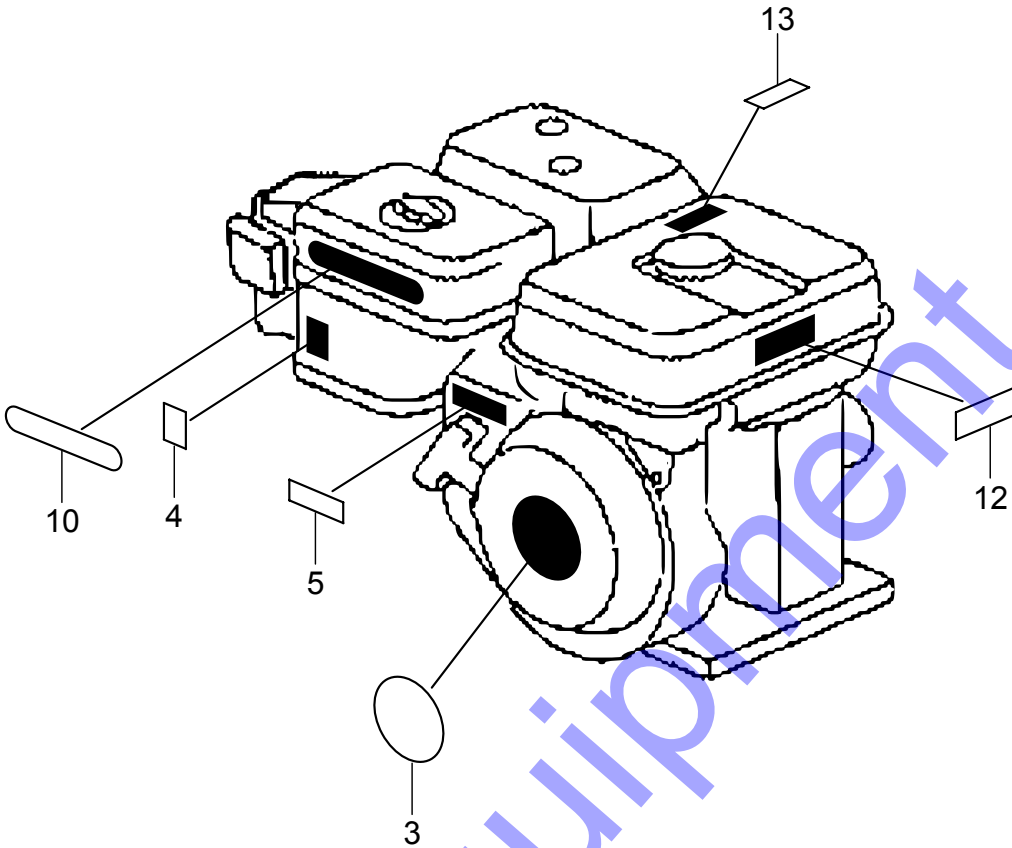
HONDA GX160 SERIES ENGINES — CONTROL ASSY.

| NO. | PART NO. | PART NAME | QTY. | REMARKS |
|----------|--------------|----------------------------|--------|-----------------------|
| 3♦♦ | 16500ZH8U43 | CONTROL ASSY..... | 1..... | INCLUDES ITEMS W/# |
| 3D | 16500Z4M306 | CONTROL ASSY..... | 1..... | INCLUDES ITEMS W/\$ |
| 3♣ | 16500Z4M407 | CONTROL ASSY..... | 1..... | INCLUDES ITEMS W/% |
| 3♣ | 16500Z0V780 | CONTROL ASSY..... | 1..... | INCLUDES ITEMS W/& |
| 5♦♦ | 16551ZE0010 | ARM, GOVERNOR | 1 | |
| 5D♣♣ | 16551Z4M000 | ARM, GOVERNOR | 1 | |
| 7♦♦ | 16555ZE1000 | ROD, GOVERNOR | 1 | |
| 7D♣♣ | 16555Z4M000 | ROD, GOVERNOR | 1 | |
| 8♦♦ | 16561ZE1020 | SPRING, GOVERNOR | 1 | |
| 8D♣♣ | 16561Z4M010 | SPRING, GOVERNOR | 1 | |
| 9♦♦ | 16562ZE1020 | SPRING, THROTTLE RETURN | 1 | |
| 9D♣♣ | 16562Z4M000 | SPRING, THROTTLE RETURN | 1 | |
| 11# | 16571ZH8020 | LEVER, CONTROL | 1 | |
| 11\$%& | 16571Z4M000 | LEVER, CONTROL | 1 | |
| 12#\$\$& | 16574ZE1000 | LEVER, SPRING | 1 | |
| 13#\$\$& | 16575ZH8000 | WASHER, CONTROL LEVER | 1 | |
| 14#\$\$& | 16576891000 | HOLDER, CABLE | 1 | |
| 15#\$\$& | 16578ZE1000 | SPACER, CONTROL LEVER | 1 | |
| 16# | 16580ZH8813 | BASE CP, CONTROL | 1 | |
| 16\$% | 16580Z4M850 | BASE CP, CONTROL | 1 | |
| 16& | 16580Z0V780 | BASE CP, CONTROL | 1 | |
| 17#\$\$& | 16584883300 | SPRING, ADJUSTING | 1 | |
| 18#\$\$& | 16592ZE1810 | SPRING, CABLE, RETURN | 1 | |
| 19#\$\$& | 16594883010 | HOLDER, WIRE | 1 | |
| 21 | 90013883000 | BOLT, FLANGE 6X12 | 2 | |
| 22♦♦ | 90015ZE5010 | BOLT, GOVERNOR ARM | 1 | |
| 22D♣♣ | 90015Z5T000 | BOLT, GOVERNOR ARM | 1 | |
| 24#\$\$% | 90114SA0000 | LOCK NUT 6MM | 1 | |
| 25#\$\$& | 90605230000 | CIR CLIP | 1 | |
| 26 | 0043504060 | SCREW, PAN 4X6 | 2..... | REPLACES 93500040060H |
| 27#\$\$& | 0202005T125 | SCREW, PAN 5X16 | 1..... | REPLACES 93500050160A |
| 28#\$\$& | 93500050250H | SCREW 5X25 | 1 | |
| 30 | 9405006000 | FLANGE NUT 6MM | 1 | |
| 31♦ | 16599ZG1M10 | COLLAR, STOPPER..... | 1..... | OPTION |
| 32♦ | 90016ZG9N30 | SCREW, RECESSED 5X25 | 1..... | OPTION |

NOTICE

- ♦ GX160U1SM12
- ◇ GX160U1SMX4
- D GX160UT2QMXC
- ♣ GX160UT2SMXC
- ♣ GX160UT2SCM

HONDA GX160 SERIES ENGINES — DECALS ASSY.



HONDA GX160 SERIES ENGINES — DECALS ASSY.

| NO. | PART NO. | PART NAME | QTY. | REMARKS |
|--------|-------------|---------------------------|------|---------|
| 3♦ | 87521ZH8030 | EMBLEM (GX160) | 1 | |
| 3◇ | 87521ZH8040 | EMBLEM (GX160) | 1 | |
| 3♣♣♣ | 87521Z4M000 | EMBLEM (GX160) | 1 | |
| 4♦♦ | 87528ZH7000 | MARK, CHOKE | 1 | |
| 4♣♣♣ | 87528Z4M000 | MARK, CHOKE | 1 | |
| 5 | 87532ZH7000 | MARK, THROTTLE INDICATION | 1 | |
| 10▷ | 87535ZE1841 | MARK, AIR CLEANER | 1 | |
| 12♦ | 87516ZH7000 | MARK, OPERATOR CAUTION | 1 | |
| 12◇ | 87516ZH7010 | MARK, OPERATOR CAUTION | 1 | |
| 12▷♣♣♣ | 87516Z4H010 | MARK, OPERATOR CAUTION | 1 | |
| 13◇ | 87539Z0J000 | MARK, EX. CAUTION | 1 | |
| 13▷♣♣♣ | 87539Z4M000 | MARK, EX. CAUTION | 1 | |

NOTICE

- ♦ GX160U1SM12
- ◇ GX160U1SMX4
- ▷ GX160UT2QMXC
- ♣ GX160UT2SMXC
- ♣ GX160UT2SCM

Discount Equipment

Discount-Equipment.com is your online resource for commercial and industrial quality parts and equipment sales.

Locations:

Florida (West Palm Beach): [561-964-4949](tel:561-964-4949)

Outside Florida TOLL FREE: [877-690-3101](tel:877-690-3101)

Need parts? Check out our website at www.discount-equipment.com

Can't find what you need?

Click on this link: <http://www.discount-equipment.com/category/5443-parts/> and fill out the request form.

Please have the machine model and serial number available in order to help us get you the correct parts. One of our experienced staff members will get back to you with a quote for the right part that your machine needs.

We sell worldwide for the brands: Genie, Terex, JLG, MultiQuip, Mayco, Toro/Stone, Diamond Products, Magnum, Airman, Mustang, Power Blanket, Nifty Lift, Atlas Copco, Chicago Pneumatic, Allmand Brothers, Essick, Miller Spreader, Skyjack, Lull, Skytrak, Tsurumi, Husquyarna/Target, Whiteman-Concrete/Mortar, Stow-Concrete/Mortar, Baldor, Wacker, Sakai, Snorkel, Upright, Mi-T-M, Sullair, Neal, Basic, Dynapac, MBW, Weber, Bartell, Bennar Newman, Haulotte, Ditch Runner, Blaw-Knox, Himoinsa, Best, Buddy, Crown, Edco, Wyco, Bomag, Laymor, Terremite, Barreto, EZ Trench, Takeuchi, Basic, Bil-Jax, Curtis, Gehl, Heli, Honda, ICS/PowerGrit, Puckett, Waldon, ASV, IHI, Partner, Imer, Clipper, MMD, Koshin, Rice, Gorman Rupp, CH&E, Cat Pumps, Comet, General Pump, Giant, AMida, Coleman, NAC, Gradall, Square Shooter, Kent, Stanley, Tamco, Toku, Hatz, Kohler, Robin, Wisconsin, Northrock, Oztec, Toker TK, Rol-Air, Small Line, Wanco, Yanmar