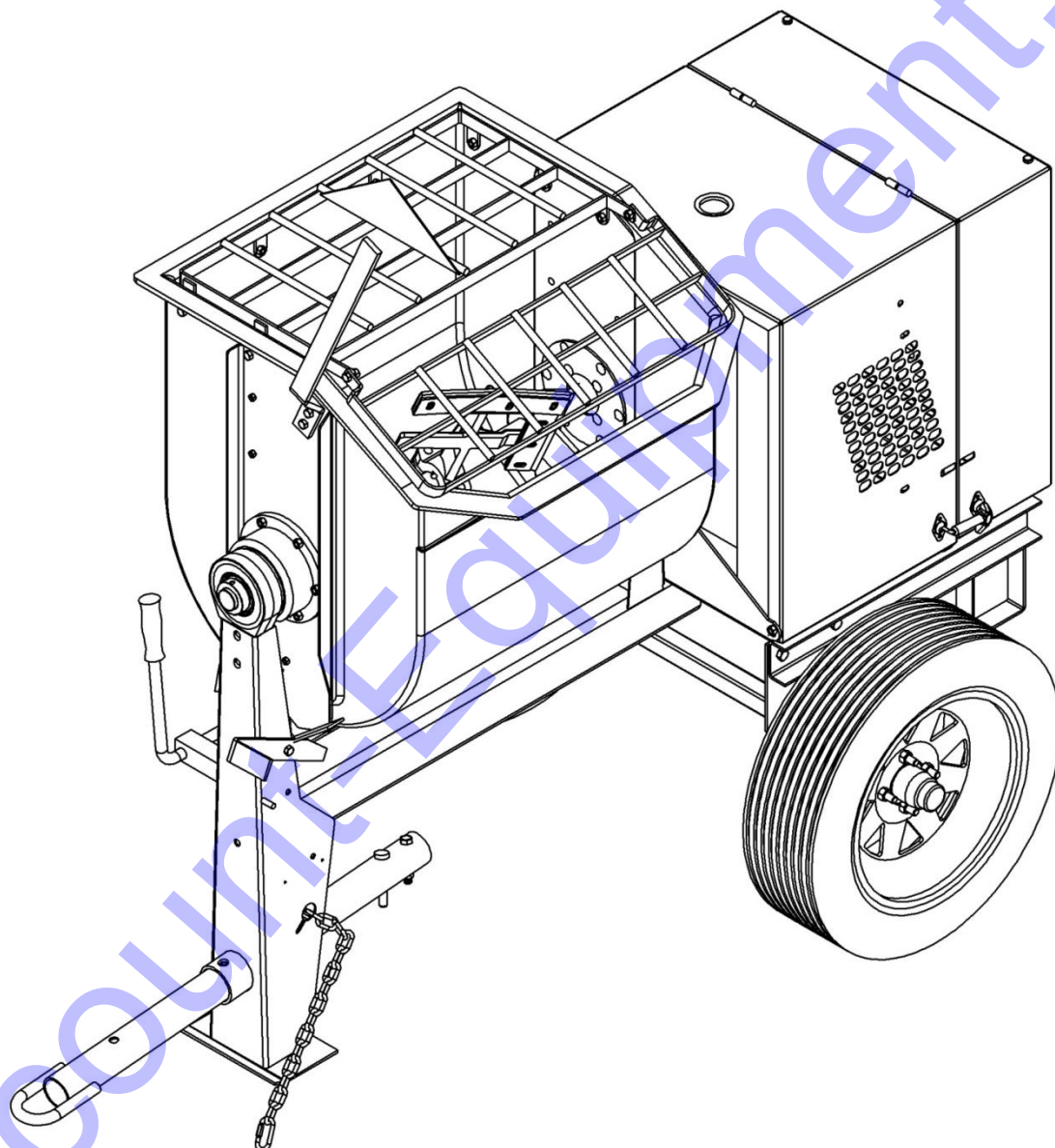


REPAIR PARTS MANUAL MORTAR & PLASTER MIXERS 6-PR, 8-P

SERIES	MM-Mech
BULLETIN No.	200089R6
SUPERSEDES	200089R5
DATE	April 2015

Last Rev: July 2015

Rev. 20082015



CROWN
CONSTRUCTION EQUIPMENT

*When ordering parts please always specify the model and serial number of the mixers as a reference.

**Discount
Equipment**

www.discount-equipment.com

Discount Equipment

Discount-Equipment.com is your online resource for commercial and industrial quality parts and equipment sales.

Locations:

Florida (West Palm Beach): [561-964-4949](tel:561-964-4949)

Outside Florida TOLL FREE: [877-690-3101](tel:877-690-3101)

Need parts? Check out our website at www.discount-equipment.com

Can't find what you need?

Click on this link: <http://www.discount-equipment.com/category/5443-parts/> and fill out the request form.

Please have the machine model and serial number available in order to help us get you the correct parts. One of our experienced staff members will get back to you with a quote for the right part that your machine needs.

We sell worldwide for the brands: Genie, Terex, JLG, MultiQuip, Mayco, Toro/Stone, Diamond Products, Magnum, Airman, Mustang, Power Blanket, Nifty Lift, Atlas Copco, Chicago Pneumatic, Allmand Brothers, Essick, Miller Spreader, Skyjack, Lull, Skytrak, Tsurumi, Husquvarna/Target, Whiteman-Concrete/Mortar, Stow-Concrete/Mortar, Baldor, Wacker, Sakai, Snorkel, Upright, Mi-T-M, Sullair, Neal, Basic, Dynapac, MBW, Weber, Bartell, Bennar Newman, Haulotte, Ditch Runner, Blaw-Knox, Himoina, Best, Buddy, Crown, Edco, Wyco, Bomag, Laymor, Terremite, Barreto, EZ Trench, Takeuchi, Basic, Bil-Jax, Curtis, Gehl, Heli, Honda, ICS/PowerGrit, Puckett, Waldon, ASV, IHI, Partner, Imer, Clipper, MMD, Koshin, Rice, Gorman Rupp, CH&E, Cat Pumps, Comet, General Pump, Giant, AMida, Coleman, NAC, Gradall, Square Shooter, Kent, Stanley, Tamco, Toku, Hatz, Kohler, Robin, Wisconsin, Northrock, Oztec, Toker TK, Rol-Air, Small Line, Wanco, Yanmar

New Equipment - Used Equipment - Rental Equipment - Parts and Accessories

Discount Equipment

www.discount-equipment.com

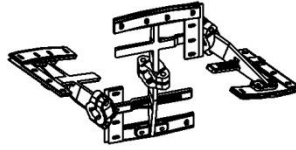
561-964-4949

Parts: wbparts@Discount-Equipment.com

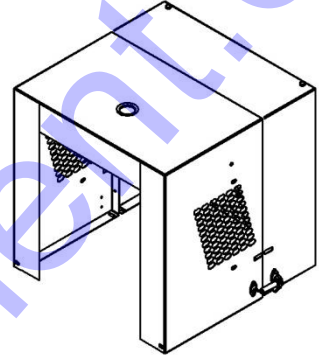
Sales: info@Discount-Equipment.com

MORTAR & PLASTER MIXERS 6-PR, 8-P

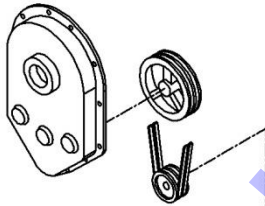
PADDLE
Page 6



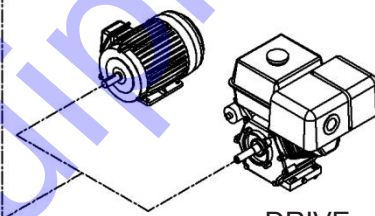
HOOD
Page 8



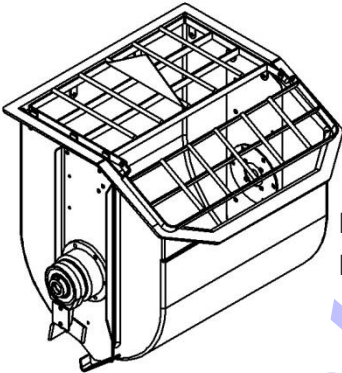
GEAR BOX
Page 7



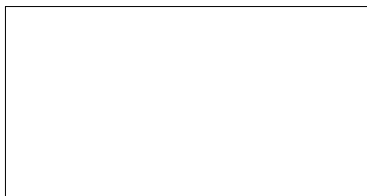
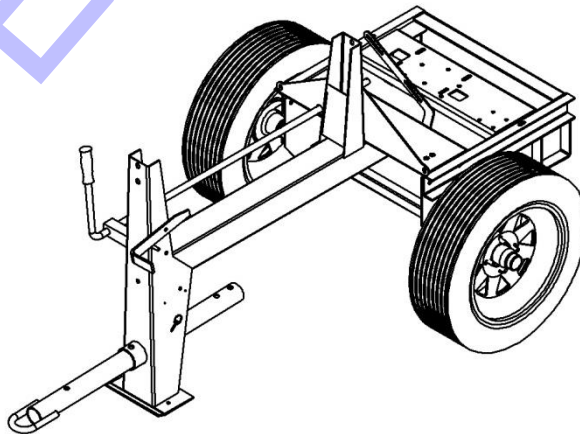
DRIVE
Page 9



DRUM
Page 3

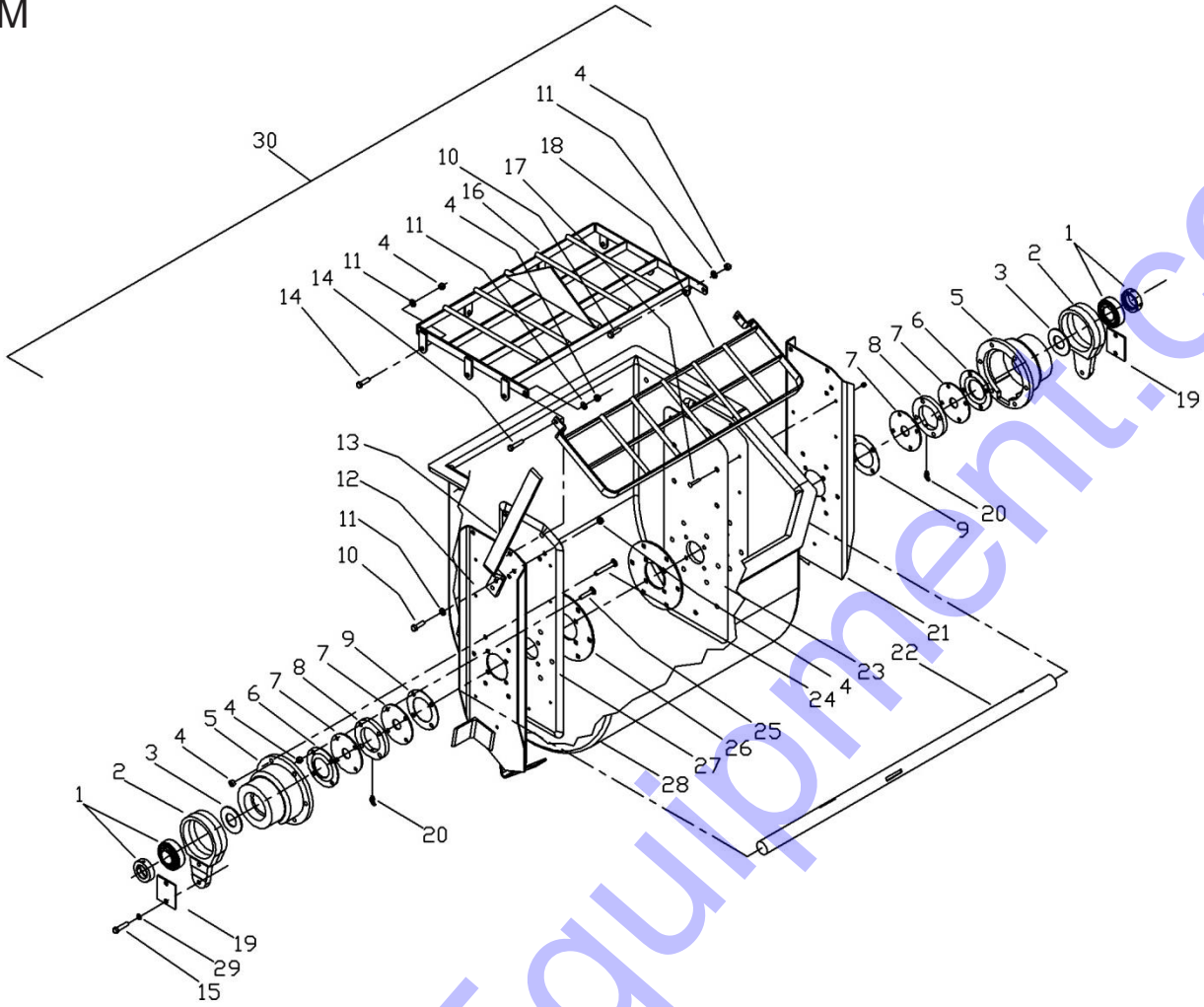


FRAME
Page 4



*When ordering parts please always specify the model and serial number of the mixers as a reference.

DRUM

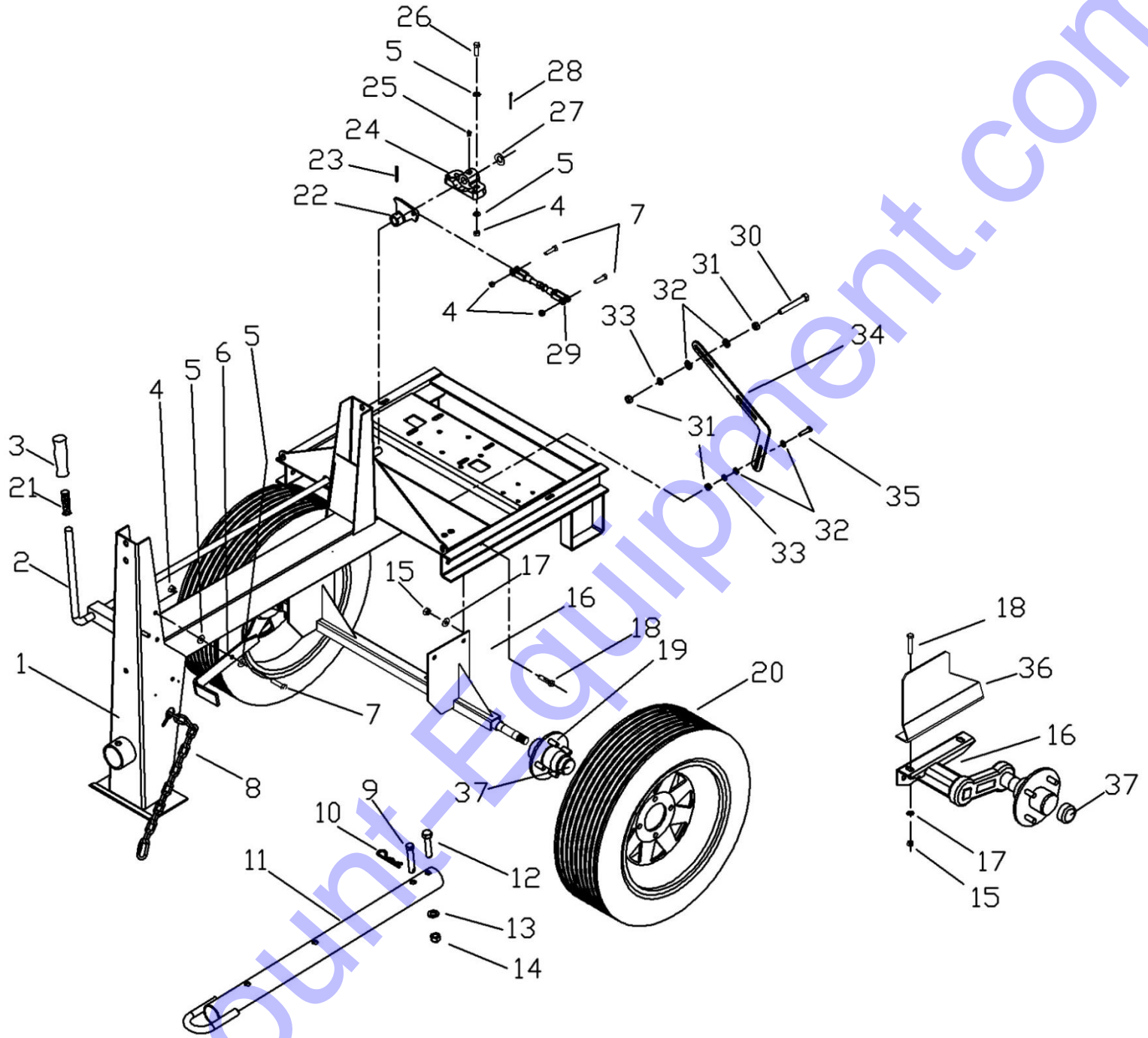


Item	Part #	Description	6P	8P
1	110450	Ball Bearing, 208-24 (0000BA20824)	2	2
2	496070	Pivot	2	2
3	190854	Flinger, 3.00 x 1.47 x .13	2	2
4	227830	Nut, Hex, Lock 3/8 (TCCS038GAL)	30	32
5	496080	Trunnion (4S - 10S)	2	2
6	496042	Seal Ring	2	2
7	192923	Drum Seal	4	4
8	496177	Seal Plate	2	2
9	190751	Gasket 4-1/2 Dia. 0.06 Thk	2	2
10	226250	Bolt, HexHd, 3/8 X 2 (TOCD038200)	4	4
11	174986	Washer, Plain 3/8 (RNPX038GAL)	10	12
12	412086	Front Side Channel, 6P	1	*
	412177	Front Side Channel, 8P	*	1
13	496224	Dump Lever	1	1
14	226230	Bolt, HexHd, 3/8 X 1-1/2 (TOCD038112)	6	6
15	226650	Bolt, HexHd, 1/2 x 1-1/2 (TOCD012112)	4	4
16	412095	Grill, Fixed 6PR	1	*
	412175	Grill, Fixed 8P	*	1

17	139790	Bolt, AllenHd, 1/4 x 1-1/2	14	14
18	412099	Grill, Hinged 6PR	1	*
	412174	Grill, Hinged 8P	*	1
19	496000	Shim - Drum Locator (a/r) (optional)	2	2
20	110689	Grease Fitting 45° 1/8 NPT	2	2
	412087	Rear Side Channel 6PR	1	*
21	412161	Rear Side Channel 8P	*	1
	496230	Main Shaft, 6PR includes Keys	1	*
22	412162	Main Shaft, 8P includes Keys	*	1
	257686	Rear Drum Filler Plate 6PR	1	*
23	496352	Rear Drum Filler Plate 8P	*	1
	117771	Bolt, Carriage 3/8 x 1-1/2 (TOCL038112)	12	12
25	701011	Bolt, Carriage 3/8 x 2 (TOCL038200)	8	8
26	412184	Inner Seal Plate	2	2
27	412086	Front Drum Filler Plate 6PR	1	*
	257684	Front Drum Filler Plate 8P	*	1
28	201447	Drum, 6PR	1	*
	201448	Drum 8P	*	1
29	176250	Washer, Spring 1/2 (RNRX012GAL)	4	4
30	609988	Kit, 6PR Drum	1	*
	609989	Kit, 8P Drum	*	1

*When ordering parts please always specify the model and serial number of the mixers as a reference.

FRAME ASSEMBLY



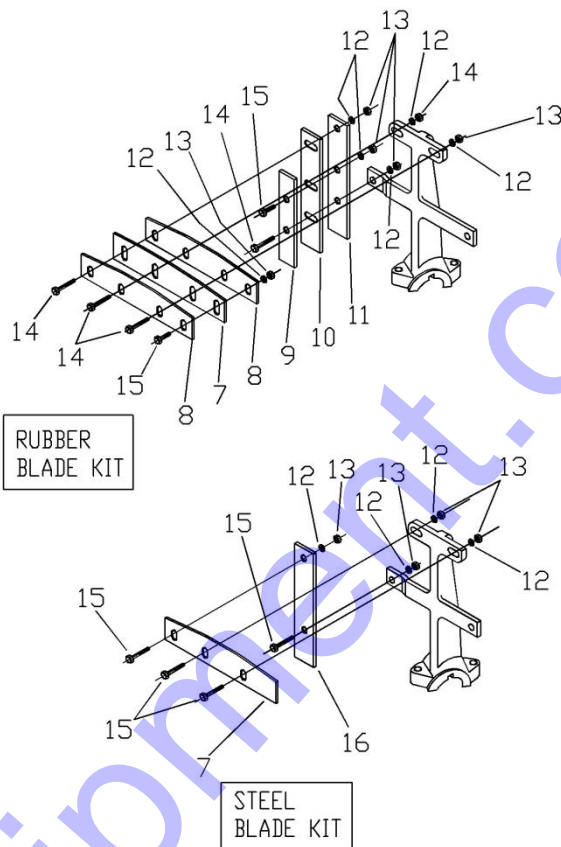
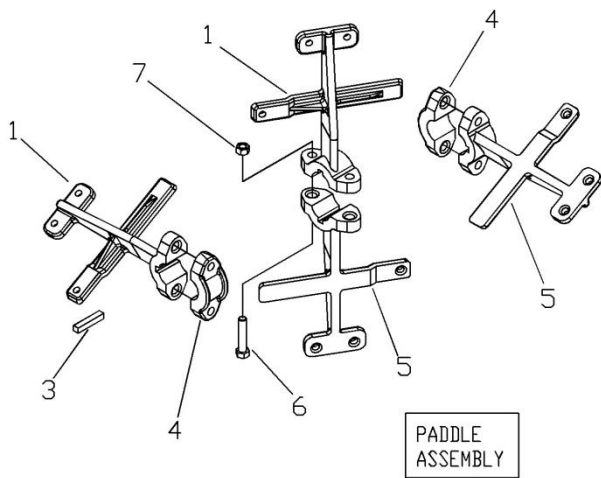
*When ordering parts please always specify the model and serial number of the mixers as a reference.

FRAME

Item	Part #	Description	QTY
1	412089	Frame, 6PR	1
	412163	Frame, 8P	1
2	496206	Lever, 6SR, 8P	1
	496319	Lever, 10S, 6PR	1
3	139350	Hand Grip (0000RF01RJ)	1
4	227830	Nut, Hex Lock 3/8 (TCCS038GAL)	5
5	174986	Washer, Plain 3/8 (RNPX038GAL)	6
6	496244	Latch Plate	1
7	226230	Bolt, HexHd, 3/8 x 1-1/2 (TOCD038112)	3
8	701012	Safety Chain 5/16" (CA03516GAL) Includes Oval Snap Hook	1
9	702078	Lock Pin (0000CR01LZ)	1
10	134955	Hitch Pin Clip (SR00036EXT)	1
11	702069	Drawbar, Pintel (0000CO03LZ) since November 15, 2013	1
	702070	Drawbar, 2" Ball Hitch (optional) (0000CO04LZ) since November 15, 2013	1
12	226272	Bolt, HexHd, 3/4 x 3-1/2 NF (TOFD034312)	1
13	174510	Washer, Spring 3/4 (RNRX034GAL)	1
14	701028	Nut, Hex 3/4 NF (TCFN034GAL)	1
15	227854	Nut, Hex Lock 1/2 (TCCS012GAL)	4
16	464961	Axle Assembly (0200CO06RD) Includes #19	1
	464945	Axle before the June 09, 2014 (Without Hubs)	1
	702096	Axle since June 09, 2014 (Without Hubs)	1
	607916	Torsion Axle (optional)	1
17	174470	Washer, Plain 1/2 (RNPX012GAL)	4
18	226660	Bolt, HexHd, 1/2 x 1-3/4 (TOCD012134)	4
19	201731	Hub Assembly before June 09, 2014	2
	702071	Hub Assembly 4 Bolt, since June 09, 2014 (0200KI03RD)	2
20	431081	Wheel & Tire 13 (0000CO01RD)	2
	431063	Wheel & Tire 12 (0000CO02RD)	2
21	701023	Child hand Grip (0000RF02TQ)	1
22	496049	Lever Arm 6SR - 12S	1
23	135282	Pin, Spr SI 5/16 x 1-1/2 NC (00PE056112)	1
24	496048	Lever Bracket, 6SR - 12S	1
25	110680	Grase Fitting 1/8 NPT (0000GRH200)	1
26	226250	Bolt, HexHd, 3/8 x 2 (TOCD038200)	2
27	174996	Washer, Plain 3/4 (RNPX034GAL)	1
28	135810	Cotter Pin, 1/8 x 1-1/2 (SC18112NOR)	1
29	119225	Turnbuckle includes Yokes	1
30	701009	Bolt, HexHd 5/16 x 3 (TOCD056300)	2
31	227820	Nut, Hex 5/16 (TCCN056GAL)	6
32	174990	Washer, Plain 5/16 (RNPX056GAL)	8
33	176220	Washer, Spring 5/16 (RNRX056GAL)	4
34	464933	Belt Guide	1
35	225980	Bolt, HexHd 5/16 x 1 (TOCD056100)	2
36	496204	Axle Bracket-Torsion Axle only Lft & Rght.	2
37	702087	Dust Cap (0000RF06RD)	2

*When ordering parts please always specify the model and serial number of the mixers as a reference.

PADDLE ASSEMBLY 6PR ~ 610550



STEEL BLADE KIT - OPTIONAL-609803

PADDLE ASSEMBLY

Ref	Part #	Description	Qty
1	96019	Paddle 4S - 6PR Left	2
3	701013	Key, 3/8 x 1-3/4 (1000CC01ED)	4
4	96010	Paddle Cap	8
5	96018	Paddle 4S - 6PR Right	2
6	226711	Bolt, HexHd, 1/2 x 3 (TOCD012300)	6
7	227854	Nut, Hex, Lock 1/2 (TCCS012GAL)	6

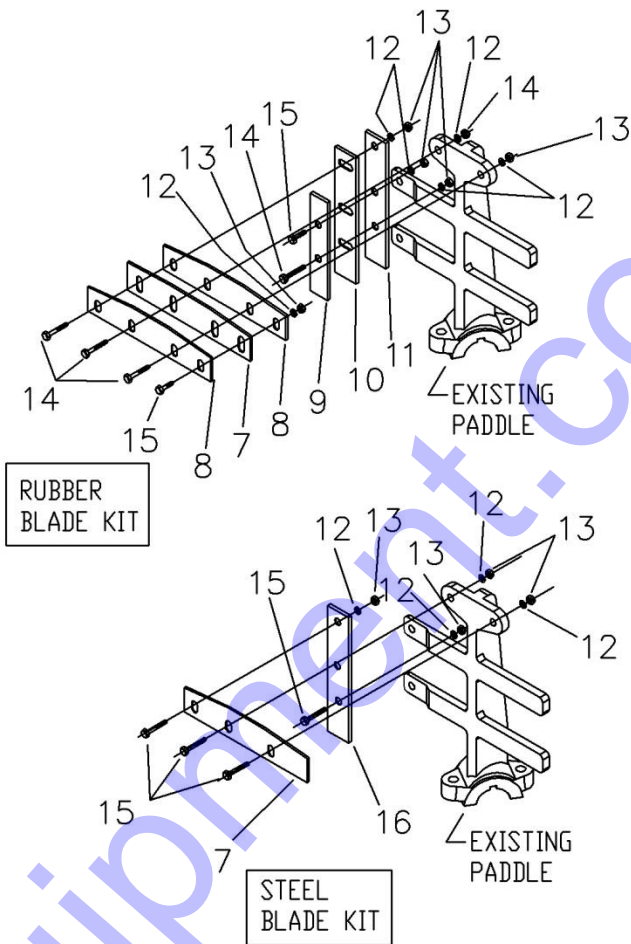
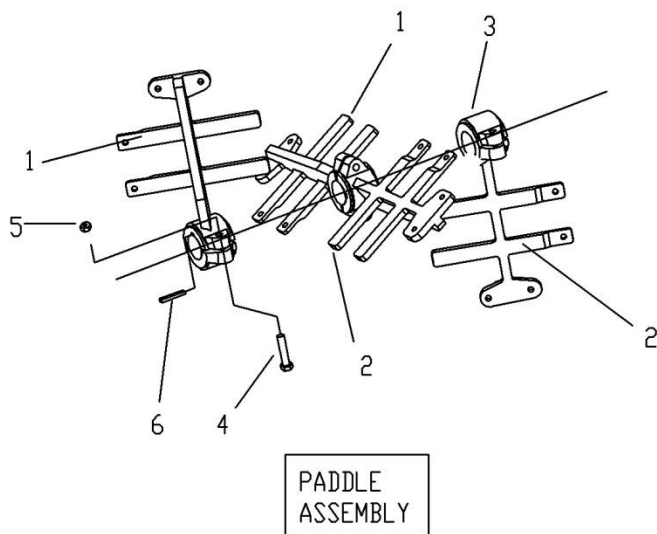
Ref	Part #	Description	Qty
7	436280	Blade Top 4s-6s	4
16	436300	Blade Side 4s-6s	2
12	174986	Washer, Plain 3/8 (RNPX038GAL)	24
13	227830	Nut, Hex, Lock 3/8 (TCCS038GAL)	12
15	226230	Bolt, HexHd, 3/8 x 1-1/2 (TOCD038112)	12

RUBBER BLADE KIT - STANDARD-609802

Ref	Part #	Description	Qty
7	190970	Top Wiper	4
8	436290	Blade, Top	8
9	436320	Blade 4S - 6PR, Side	2
10	192680	Wiper 4S - 6PR Side	2
11	436310	Blade 4S - 6PR, Side	2
12	174986	Washer, Plain 3/8 (RNPX038GAL)	44
13	227830	Nut, Hex, Lock 3/8 (TCCS038GAL)	22
14	226250	Bolt, HexHd, 3/8 x 2 (TOCD038200)	12
15	226230	Bolt, HexHd, 3/8 x 1-1/2 (TOCD038112)	10

*When ordering parts please always specify the model and serial number of the mixers as a reference.

PADDLE 8P ~ 610555



PADDLE ASSEMBLY

Ref	Part #	Description	Qty
1	096305	Paddle 8S - 10S Left	2
2	096304	Paddle 8S - 10S Right	2
3	096010	Paddle Cap	8
4	226711	Bolt, HexHd, 1/2 x 3 (TOCD012300)	6
5	227854	Nut, Hex, Lock 1/2 (TCCS012GAL)	6
6	701013	Key, 3/8 x 1-3/4	4

STEEL BLADE KIT - 609909 OPTIONAL

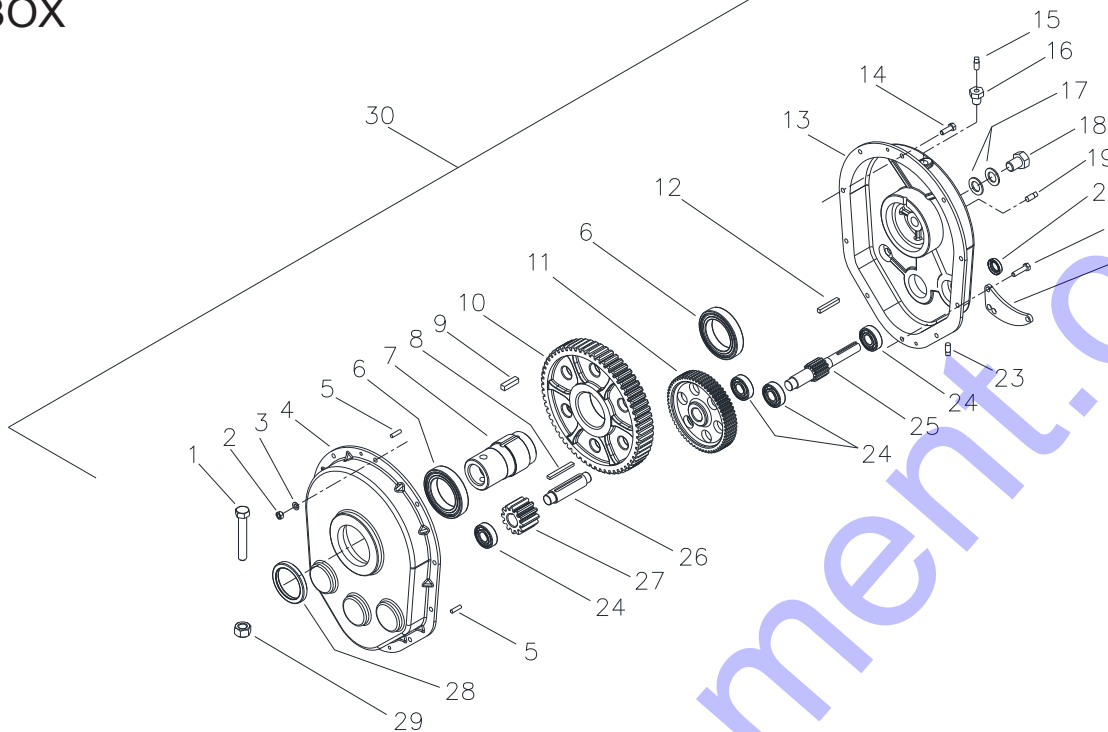
Ref	Part #	Description	Qty
7	436280	Blade, Top 4s-10s	4
	496075	Blade, Top 12s	4
16	496076	Blade Side 8S - 12S	2
12	174986	Washer, Plain 3/8 (RNPX038GAL)	28
13	227830	Nut, Hex, Lock 3/8 (TCCS038GAL)	14
15	226230	Bolt, HexHd, 3/8 x 1-1/2 (TOCD038112)	14

RUBBER BLADE KIT - STANDARD-609910

Ref	Part #	Description	Qty
7	190970	Top Wiper	4
8	436290	Blade, Top	8
9	496099	Blade 8S - 12S, Side	2
10	190974	Wiper 8S - 12S, Side	2
11	496098	Blade 8S - 12S, Side	2
12	174986	Washer, Plain 3/8 (RNPX038GAL)	40
13	227830	Nut, Hex, Lock 3/8 (TCCS038GAL)	20
14	226250	Bolt, HexHd, 3/8 x 2 (TOCD038200)	14
15	226230	Bolt, HexHd, 3/8 x 1-1/2 (TOCD038112)	6

*When ordering parts please always specify the model and serial number of the mixers as a reference.

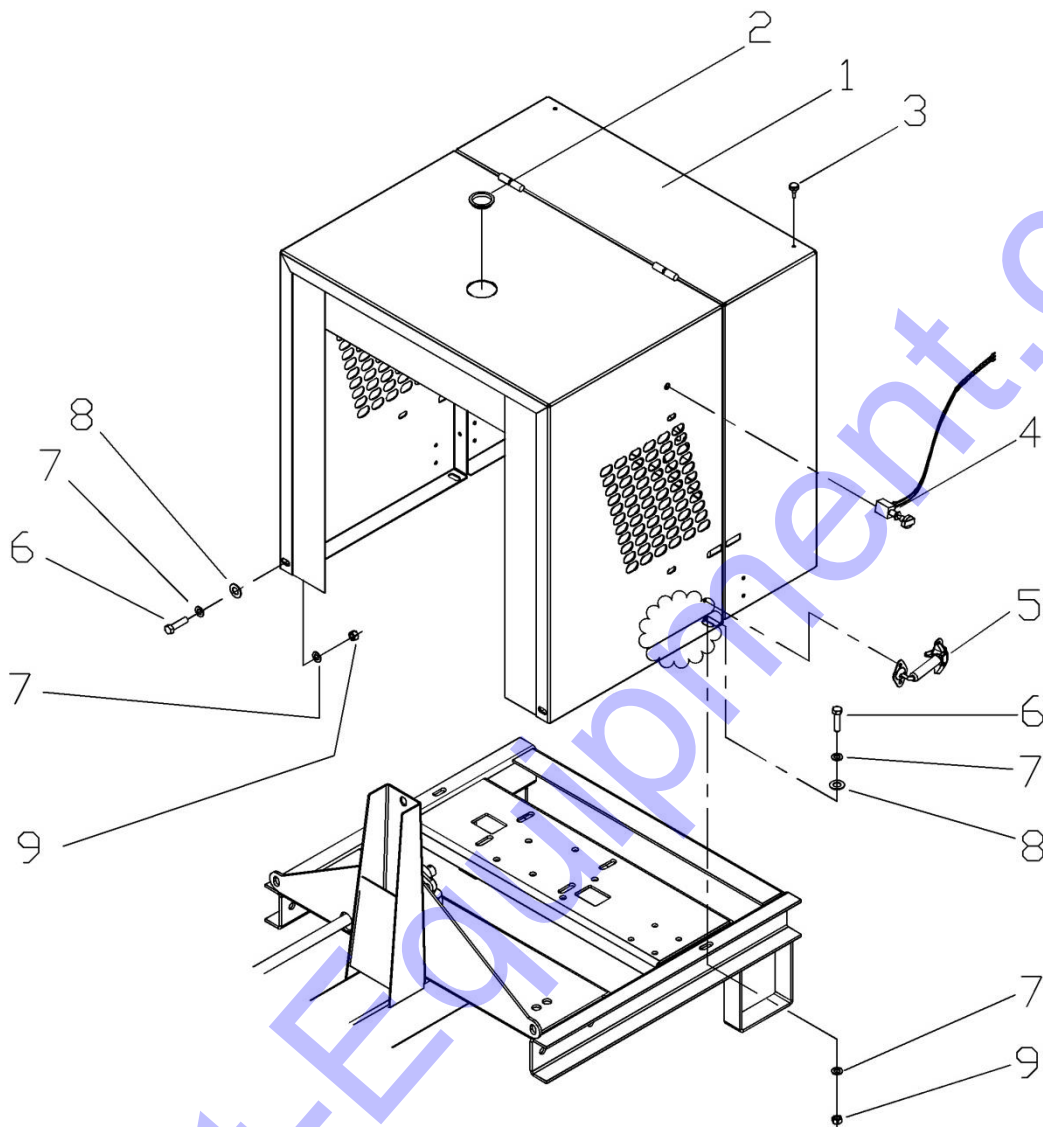
GEAR BOX



Ref	Part #	Description	Qty.
1	226711	Bolt, HexHd, Shear, 1/2 x 3 (TOCD012300)	1
2	227820	Nut, Hex, 5/16 (TCCN056GAL)	10
3	176220	Washer, Spring 5/16 (RNRX056GAL)	10
4	496320	Case, Front Half	1
5	135470	Spring Pin, 1/4 x 5/8	2
6	110105	Ball Bearing, 6013-2RS	2
7	496642	Sleeve	1
8	432290	Key 1/4 x 2-1/2	1
9	432150	Key 3/8 x 1-3/8	1
10	496641	Gear, 60T, 6DP, (10" dia)	1
11	496322	Gear, 60T, 10DP (6" dia)	1
12	432050	Key 3/16 x 1-5/8	1
13	496640	Case, Rear Half	1
14	225980	Bolt, HexHd, 5/16 x 1 (TOCD056100)	8
15	110550	Breather	1
16	187411	Bushing, Reducer 3/8 x 1/8 NPT	1
17	174996	Washer, 3/4 (RNPX034GAL)	2
18	227236	Bolt, HexHd, 3/4 x 1	1
19	185630	Plug, Pipe 3/8 NPT	1
20	199380	Oil Seal, C/R 7440	1
21	225990	Bolt, HexHd, 5/16 x 1-1/4	2
22	496045	Link, Lever	1
23	185632	Pipe Plug, Magnetic 3/8 NPT	1
24	110410	Ball Bearing, 6204	4
25	496324	Pinion/Shaft, 12T, 6DP /2" dia)	1
26	496131	Shaft, Pinion	1
27	496333	Pinion, 12T, 6DP (2" dia)	1
28	199491	Oil Seal, C/R 24897	1
29	227854	Nut, Hex, Lock, 1/2	1
30	496645	Gear Box (complete)	1

*When ordering parts please always specify the model and serial number of the mixers as a reference.

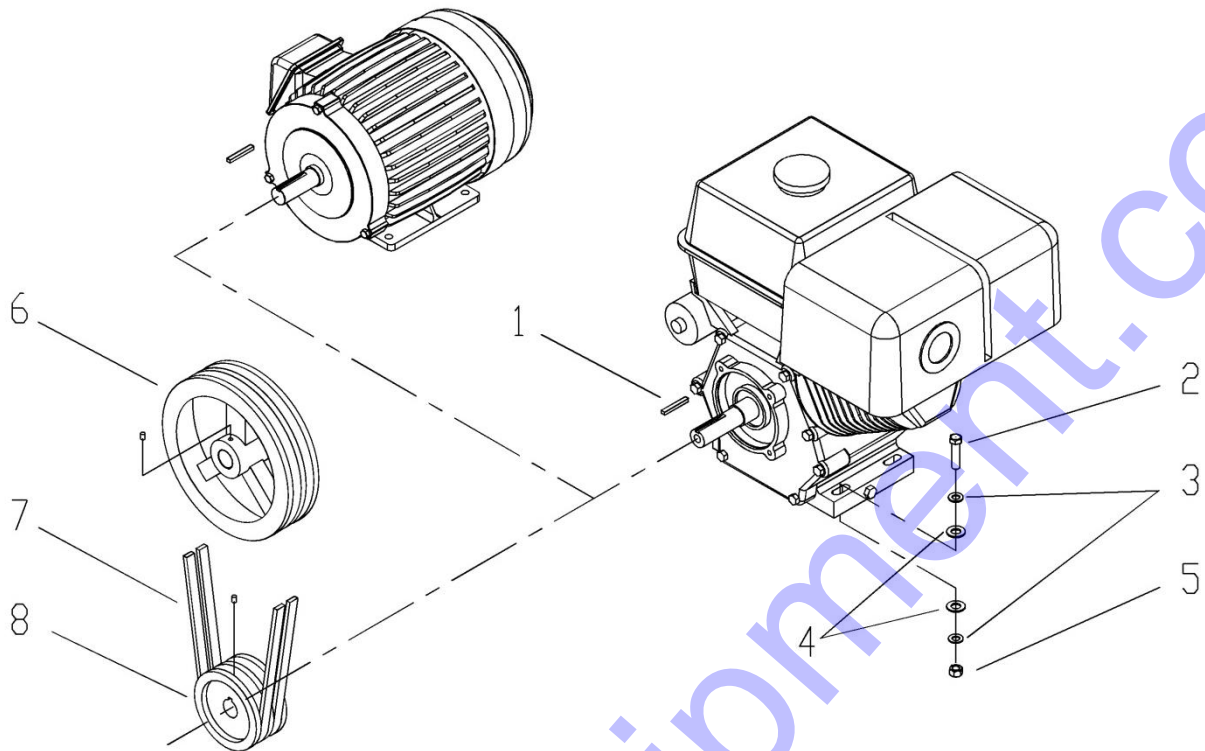
HOOD



Item	Part #	Description	Qty
1	702118	* Hood, 6S - 10S *(3A9S23M12F1168001) Since 27-11-14	1
	464978	Old Hood, 6S-10S	1
2	701008	Snap (317333) (1000RF01GA)	1
3	201544	Rubber Bumper	4
4	701007	Complete, Push Stop (1000KI04GA)	1
5	701004	Hook (0000RF02GA)	2
6	226230	Bolt, HexHd, 3/8" x 1-1/2" (TOCD038112)	4
7	174986	Washer Plain, 3/8" (RNPX038GAL)	8
8	174470	Washer Plain, 1/2" (RNPX012GAL)	4
9	227830	Lock Nut, 3/8" (TCCS038GAL)	4

*When ordering parts please always specify the model and serial number of the mixers as a reference.

DRIVE KIT ASSEMBLY



HORSE POWER							
Ref	Part #	Description	GAS DRIVE		ELECTRIC DRIVE		
			5.5 HP	8 HP	0.5 - 1.5 HP	1 - 2 HP	3 HP
1	432050	Key, 3/16 x 1-5/8	1	*	1	1	
	432340	Key, 1/4 x 1-7/8	*	1	*	*	1
2	701022	Bolt, HexHd, 5/16 x 2" (TOCD056200)	4	*	*	*	*
	226250	Bolt, HexHd, 3/8 x 2" (TOCD038200)	*	4	*	*	*
	225980	Bolt, HexHd, 5/16 x 1 (TOCD056100)	*	*	4	*	*
	226210	Bolt, HexHd, 3/8 x 1 (TOCD038100)	*	*	*	4	4
3	174990	Washer, Plain 5/16 (RNPX056GAL)	8	*	8	8	8
	174986	Washer, Plain 3/8 (RNPX038GAL)	*	8	*	*	*
4	174470	Washer, Plain 1/2 (RNPX012GAL)	8	8	8	8	8
5	227821	Nut, Hex, Lock 5/16 (TCCS056GAL)	4	*	4	4	4
	227830	Nut, Hex, Lock 3/8 (TCCS038GAL)	*	4	*	*	*
6	496160	Pulley, 10 x 3/4	1	1	1	1	1
7	702024	Belt, A40 (0000BNA40)	2	2	*	*	*
	702013	Belt, A44 (0000BNA44)	*	*	2	2	2
8	702025	Pulley, Engine, 3-3/4 x 3/4 (POFG3340342R)	1	*	*	*	*
	702010	Pulley, Engine, 3-3/4 x 1 (POFG3341002R)	*	1	*	*	*
	702026	Pulley, Elec Motor, 4-1/4 x 5/8 (POFG4140582R) includes Allen Screw 3/8" x 1/2"	*	*	1	*	*
	702095	Pulley, Elec Motor, 4-1/4 x 7/8 (POFG4140782R) includes Allen Screw 3/8" x 1/2"	*	*	*	1	*
	702011	Pulley, Elec Motor, 4-1/4 x 1-1/8 (POFG4141182R)	*	*	*	*	1

*When ordering parts please always specify the model and serial number of the mixers as a reference.

Discount Equipment

Discount-Equipment.com is your online resource for commercial and industrial quality parts and equipment sales.

Locations:

Florida (West Palm Beach): [561-964-4949](tel:561-964-4949)

Outside Florida TOLL FREE: [877-690-3101](tel:877-690-3101)

Need parts? Check out our website at www.discount-equipment.com

Can't find what you need?

Click on this link: <http://www.discount-equipment.com/category/5443-parts/> and fill out the request form.

Please have the machine model and serial number available in order to help us get you the correct parts. One of our experienced staff members will get back to you with a quote for the right part that your machine needs.

We sell worldwide for the brands: Genie, Terex, JLG, MultiQuip, Mayco, Toro/Stone, Diamond Products, Magnum, Airman, Mustang, Power Blanket, Nifty Lift, Atlas Copco, Chicago Pneumatic, Allmand Brothers, Essick, Miller Spreader, Skyjack, Lull, Skytrak, Tsurumi, Husquvarna/Target, Whiteman-Concrete/Mortar, Stow-Concrete/Mortar, Baldor, Wacker, Sakai, Snorkel, Upright, Mi-T-M, Sullair, Neal, Basic, Dynapac, MBW, Weber, Bartell, Bennar Newman, Haulotte, Ditch Runner, Blaw-Knox, Himoina, Best, Buddy, Crown, Edco, Wyco, Bomag, Laymor, Terremite, Barreto, EZ Trench, Takeuchi, Basic, Bil-Jax, Curtis, Gehl, Heli, Honda, ICS/PowerGrit, Puckett, Waldon, ASV, IHI, Partner, Imer, Clipper, MMD, Koshin, Rice, Gorman Rupp, CH&E, Cat Pumps, Comet, General Pump, Giant, AMida, Coleman, NAC, Gradall, Square Shooter, Kent, Stanley, Tamco, Toku, Hatz, Kohler, Robin, Wisconsin, Northrock, Oztec, Toker TK, Rol-Air, Small Line, Wanco, Yanmar

New Equipment - Used Equipment - Rental Equipment - Parts and Accessories

Discount Equipment

www.discount-equipment.com

561-964-4949

Parts: wbparts@Discount-Equipment.com

Sales: info@Discount-Equipment.com