

AIRMAN

SG

PARTS CATALOG

ENGINE GENERATOR

SDG100S-8B1

SDG125S-8B1

SDG150S-8B1 ←



www.discount-equipment.com

HOKUETSU INDUSTRIES CO., LTD.

Discount Equipment

Discount-Equipment.com is your online resource for commercial and industrial quality parts and equipment sales.

Locations:

Florida (West Palm Beach): [561-964-4949](tel:561-964-4949)

Outside Florida TOLL FREE: [877-690-3101](tel:877-690-3101)

Need parts? Check out our website at www.discount-equipment.com

Can't find what you need?

Click on this link: <http://www.discount-equipment.com/category/5443-parts/> and fill out the request form.

Please have the machine model and serial number available in order to help us get you the correct parts. One of our experienced staff members will get back to you with a quote for the right part that your machine needs.

We sell worldwide for the brands: Genie, Terex, JLG, MultiQuip, Mayco, Toro/Stone, Diamond Products, Magnum, Airman, Mustang, Power Blanket, Nifty Lift, Atlas Copco, Chicago Pneumatic, Allmand Brothers, Essick, Miller Spreader, Skyjack, Lull, Skytrak, Tsurumi, Husquvarna/Target, Whiteman-Concrete/Mortar, Stow-Concrete/Mortar, Baldor, Wacker, Sakai, Snorkel, Upright, Mi-T-M, Sullair, Neal, Basic, Dynapac, MBW, Weber, Bartell, Bennar Newman, Haulotte, Ditch Runner, Blaw-Knox, Himoina, Best, Buddy, Crown, Edco, Wyco, Bomag, Laymor, Terremite, Barreto, EZ Trench, Takeuchi, Basic, Bil-Jax, Curtis, Gehl, Heli, Honda, ICS/PowerGrit, Puckett, Waldon, ASV, IHI, Partner, Imer, Clipper, MMD, Koshin, Rice, Gorman Rupp, CH&E, Cat Pumps, Comet, General Pump, Giant, AMida, Coleman, NAC, Gradall, Square Shooter, Kent, Stanley, Tamco, Toku, Hatz, Kohler, Robin, Wisconsin, Northrock, Oztec, Toker TK, Rol-Air, Small Line, Wanco, Yanmar

New Equipment - Used Equipment - Rental Equipment - Parts and Accessories

Discount Equipment

www.discount-equipment.com

561-964-4949

Parts: wbparts@Discount-Equipment.com

Sales: info@Discount-Equipment.com

適用型式
FOR MODEL

型式 MODEL	適用号機 SER. NO.
SDG100S-8B1	1538B10051~
SDG125S-8B1	1268B10051~
SDG150S-8B1	1728B10051~



NOTICE

1. This parts catalog contains all the parts and assemblies of "AIRMAN" brand products. The complete unit is divided into several parts groups, the details of which are clearly illustrated, and completely listed. So desired part number, name and quantity can be easily determined referring to Ref. No.

2. When you place order for service parts, please be sure to advise us of the following information.

- (1) Part number.
- (2) Quantity required.
- (3) Part name.
- (4) Model name and Serial number.

3. How to read parts catalog.

(1) Ref. No.

Reference number (Ref. No.) is to be used for locating the part number and name from the illustrations. (However some parts such as bolts and nuts etc., are not illustrated but their reference numbers only listed.)

Ref. No. 1, 1-1, 1-2, shows history of part modifications; namely ref. No. 1 changed to No. 1-1 and then 1-2.

Example: Ref. No.	Part No.
1.	21101 00101
1-1.	21101 00103

(2) Part No.

Every part has its own proper number.

Even if a part has the same shape as an other part and if its number different, it is not interchangeable at all in many cases.

(3) Interchangeability

A. B. C. D. Q. X. Y. and Z. in column "Interchangeability" show the following.

A : A new part is replaceable with an old part, but the old part is not replaceable with the new one.

B : Not interchangeable.

C : Disused.

D : Newly added.

Q : Quantity per unit changed.

X : Included in this set of parts, this part is not used for this model.

Y : Part to be selected.

Z : This part can not be supplied as an individual part.

(4) Part name

Every part has its own proper name.

(5) Q'ty

The number shown in the column of Q'TY indicates the quantity of parts used per one unit machine.

(6) Change column

M1,M2,M3,.....Mn mentioned in the column indicate the change of part number. and the serial number of the unit,the part of which was modified.

To check the serial number, refer to "LIST OF MACHINE SERIAL NUMBERS & CHANGED PART NUMBERS" mentioned in the front part of this book.

4. Abbreviations used in this catalog.

ass'y	assembly	L	Length
A	Ampere	OPT.	Option
AUTO.	Automatic	SPC/S.	Special specifications
C/H	Change column	STD.	Standards
Const.	Consisting of	sw.	switch
Cont.	Control	T or t	Thickness
Eng.	Engine	V	Volt
EXP.	Export	W	Watt
GEN.	Generator	w.	with
Incl.	Including	w/o	without

5. HOW TO READ MODELS

Example: S D G 2 5 S - 3 A 1

SDG : SKID-MOUNTED DIESEL GENERATOR

PDG : PORTABLE DIESEL GENERATOR

SPG : SKID-MOUNTED POWER TAKE OFF GENERATOR

ATS : AUTOMATIC TRANSFER SWITCHES

25 : OUTPUT(kVA)

S : SILENT TYPE

w/o S: UNSILENCED TYPE

A S : ADVANCED SILENT TYPE

3 : BOX TYPE

4 : SUPER SLIM TYPE

5 : FREQUENCY

6 : NORTH AMERICA TYPE

7 : w.OIL FENCE

8 : NORTH AMERICA TYPE(w.OIL FENCE)

In case of ATS: 1~4•••12V TYPE,5~8•••24V TYPE

NOTE: We are always engaged in improving our products. So there may be some changes of the product which are not yet mentioned in this parts catalog.

Therefore, in necessary case, we issue a revision in which such changes are added.

When you have any question on the parts catalog, please ask your nearest dealer or directly us.

For engine parts, please refer to separate engine parts catalog.

MODEL CHANGE MARK

No mark: POWER TAKE OFF GENERATOR

VARIATION MARK

No mark: w/o METAL CONSENT

M : w. METAL CONSENT

A : TRIPLE-V (TYPE A)

B : w. METAL CONSENT (TYPE B)

C : w. SAFETY SYSTEM (TYPE C)

E : w. ATS

D : w. OIL FENCE & TRIPLE-V (TYPE A)

F : w. OIL FENCE &

w. SAFETY SYSTEM (TYPE C)

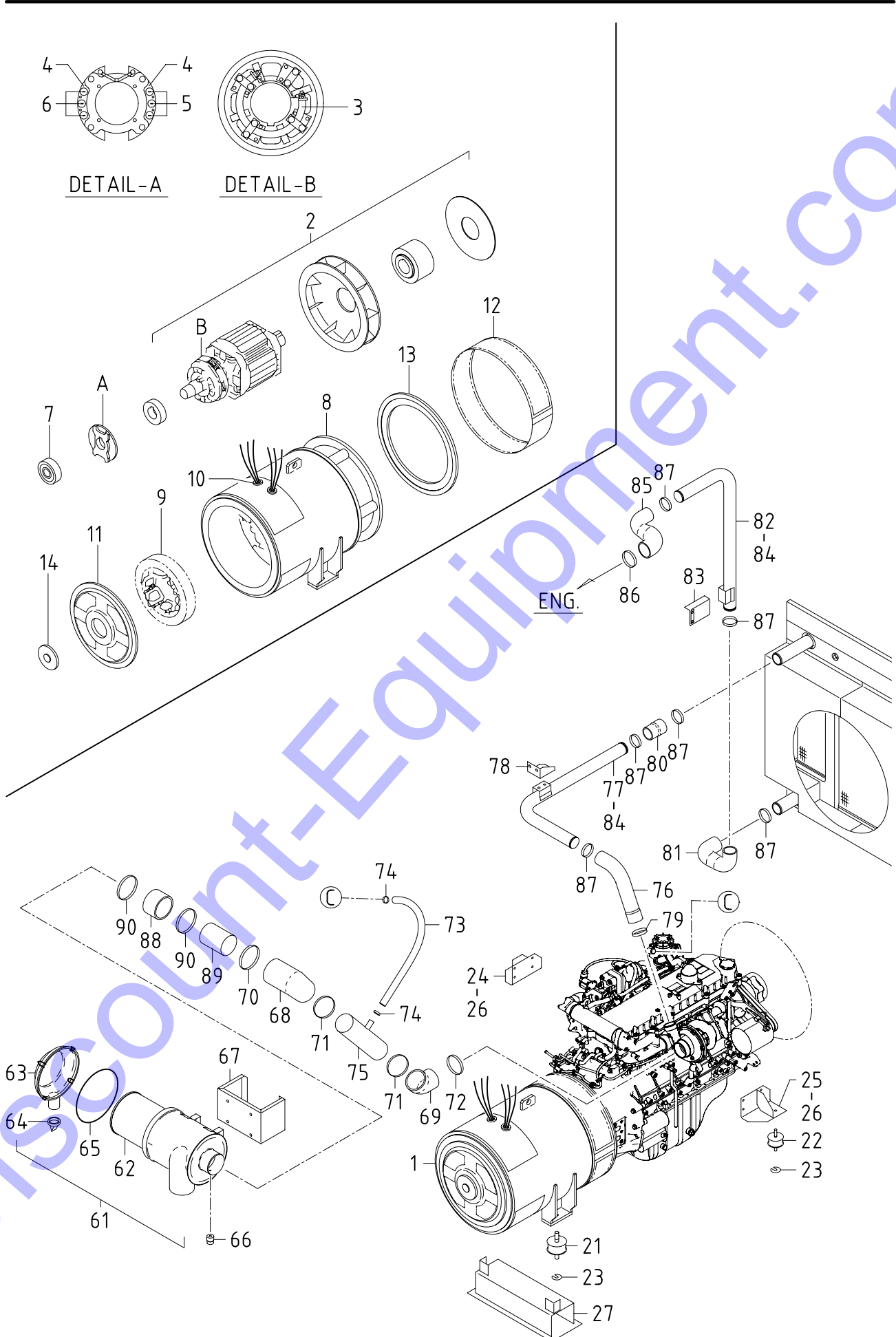
G : w. OIL FENCE & w. ATS

部品番号変更時期一覧表
LIST OF MACHINE SERIAL NUMBERS & CHANGED PART NUMBERS

変更 C/H	型 式 と 実 施 号 機					
	MODEL NAME & SER. NO. OF THE UNIT, THE PART OF WHICH WAS CHANGED					
	SDG100S-8B1	SDG125S-8B1	SDG150S-8B1			
M 1	0051~	0051~	0054~			
M 3	0051~	0051~	0078~			
M 3-1	0051~	0051~	0096~			
M 3-2	0051~	0051~	0108~			
M 4	UNCONVERTED	UNCONVERTED	0108~			
M180	0052~	0052~	0092~			
M184	0052~	0052~	UNCONVERTED			
M187	0056~	0052~	UNCONVERTED			
M188	0056~	0052~	UNCONVERTED			
M189	UNCONVERTED	UNCONVERTED	0156~			
M190	0056~	0052~	0144~			
M193	0058~	0055~	0171~			
M200	0060~	0055~	0171~			
M204	0057~	0055~	0171~			
M216	0060~	0055~	0171~			

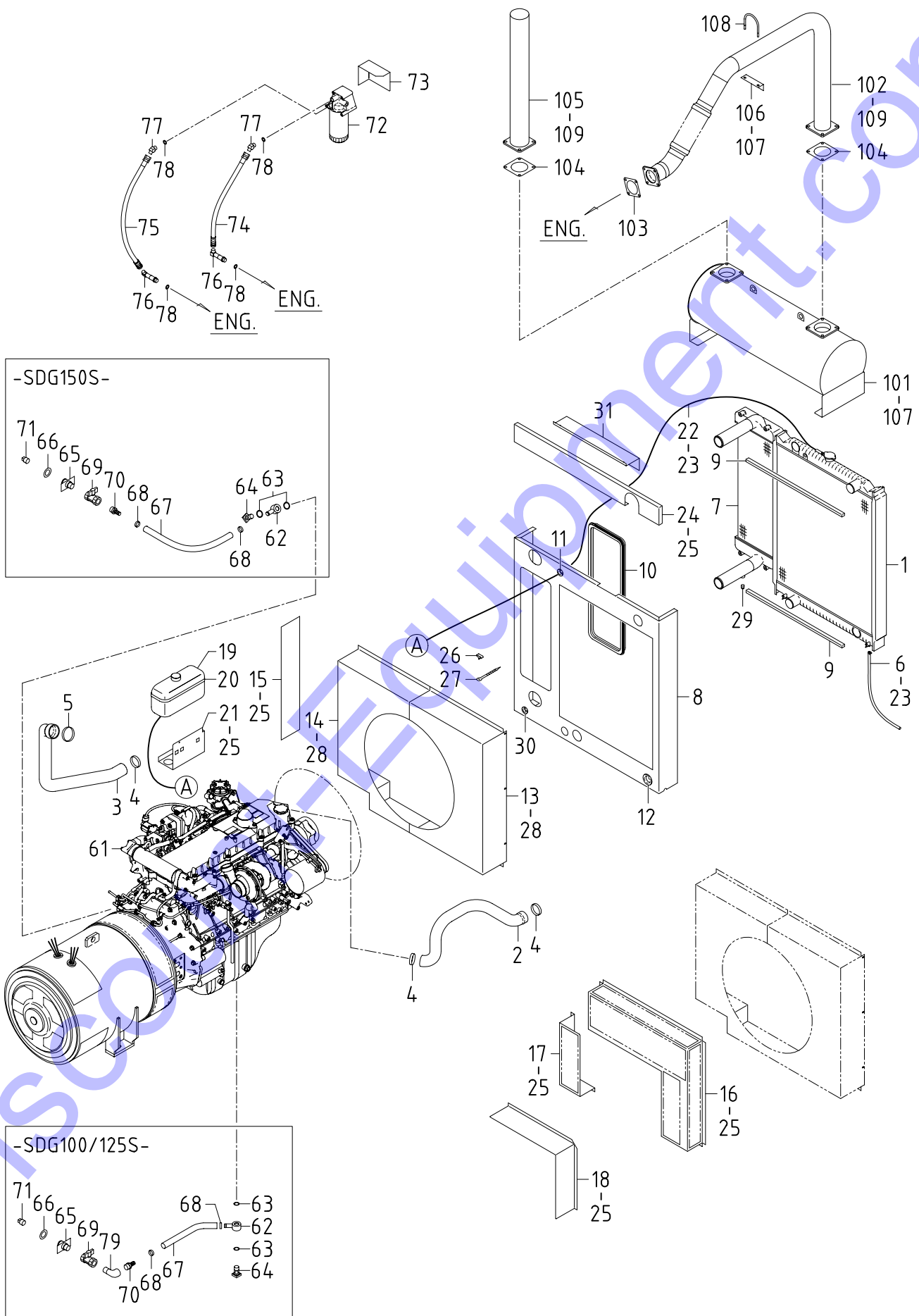
目 次
CONTENTS

図 番 号 FIG. NO.	図 名 称 FIG. NAME	頁 PAGE
20 - 00	GENERATOR, MOUNTING & INTAKE	ゼネレータ, マウンティング, インテーク 20- 1~2
38 - 00	COOLING, ENGINE & EXHAUST	クーリング, エンジン, エキゾースト 38- 1~2
39 - 00	NAME PLATE	ネームプレート 39- 1~2
43 - 00	FUEL LINE	フュエルライン 43- 1~3
44 - 00	ELECTRIC	エレクトリック 44- 1~3
51 - 00	FRAME & BONNET	フレーム, ボンネット 51- 1~3
51 - 01	OIL FENCE	オイルフェンス 51- 4~5
52 - 00	LINING	ライニング 52- 1



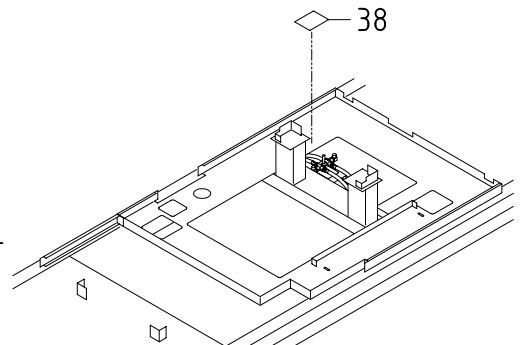
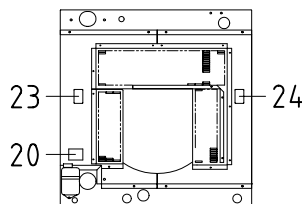
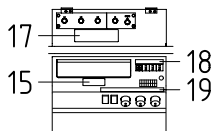
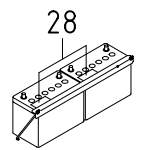
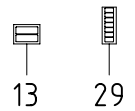
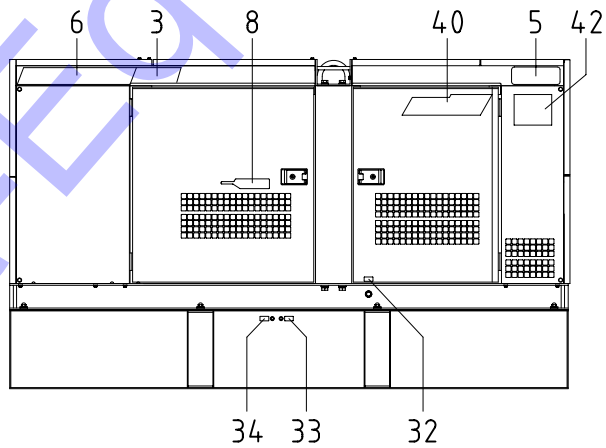
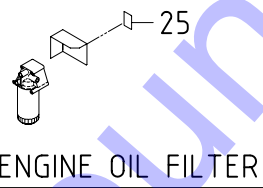
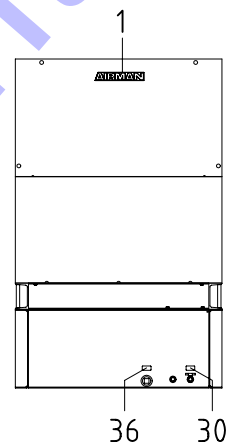
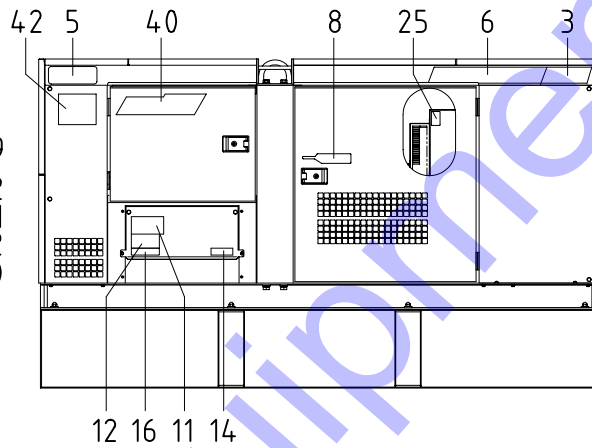
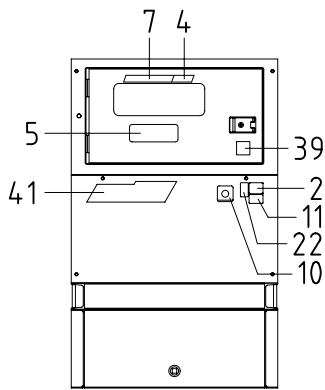
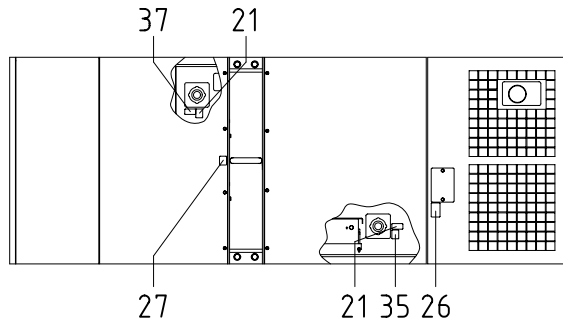
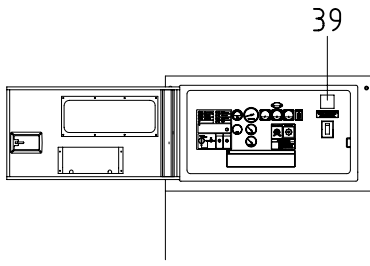
20 - 00 GENERATOR, MOUNTING & INTAKE

Ref. NO.	Part NO.	Inter-change ability	Part Name	Q'ty	C/H	Remarks	Ref. NO.	Part NO.	Inter-change ability	Part Name	Q'ty	C/H	Remarks
20 - 00 GENERATOR GROUP						100 125 150	100 125 150						
1	20003 61400		Generator (Const. No. 2~12)	1		⊙	26	02135 10025		Bolt	8		
1	20003 61500		Generator (Const. No. 2~12)	1		⊙		03115 02010		Spring washer	8		
1	20003 59200		Generator (Const. No. 2~14)	1		⊙		03116 12010		Plain washer	8		
	02135 10020		Bolt (for coupling)	8			27	31110 02211	C	Bracket	1		M188 ⊙
	03115 40010		Spring washer (")	8		⊙ ⊙	27	31110 01810	C	Bracket	1		M188 ⊙
	03115 02010		Spring washer (")	8		⊙		02201 10020	C	Flange bolt	6		M188 ⊙ ⊙
	02248 10030		Bolt, w/w (for casing)	12		⊙ ⊙	32 - 00 INTAKE GROUP						
	02248 10035		Bolt, w/w (for casing)	12		⊙	61	32100 43900		Air filter ass'y	1		⊙ ⊙
2	25100 09500		A. C. G. rotor ass'y	1		⊙	61	32100 42000		Air filter ass'y	1		⊙
2	25100 09400		A. C. G. rotor ass'y	1		⊙		(Const. No. 62~65)					
2	25100 08000		A. C. G. rotor ass'y	1		⊙		02201 10020		Flange bolt	4		
3	25650 00400		Surge absorber	1		⊙ ⊙	62	32143 16200		Element	1		⊙ ⊙
3	25650 01600		Surge absorber	1		⊙	62	32143 12500		Element	1		⊙
	02248 06020		Bolt, w/w	4			63	32142 11200		Cup	1		⊙ ⊙
4	25641 01200		Belt	2		⊙ ⊙	63	32142 10700		Cup	1		⊙
	02138 06025		Bolt	2		⊙ ⊙		39148 05300		Plate (TOP)	1		
	02138 06016		Bolt	2		⊙ ⊙	64	32151 01600		Vacuator valve	1		
4	25641 01600		Belt	2		⊙	65	32147 03400		O-ring	1		⊙ ⊙
	02138 06020		Bolt	4		⊙	65	32147 03100		O-ring	1		⊙
	02912 08006		Nut	4			66	32148 03000		Filter, service indicator	1		
	03115 02006		Spring washer	4			67	32240 38400		Bracket	1		⊙ ⊙
	03116 12006		Plain washer	4				02201 08020		Flange bolt	4		⊙ ⊙
5	46921 09000		Silicon rectifier	3	(SKN26)		67 -1	32240 39600	B	Bracket	1		M187 ⊙ ⊙
6	46921 08900		Silicon rectifier	3	(SKR26)			02201 08020	Q	Flange bolt	2		M187 ⊙ ⊙
7	21472 00100		Bearing (6311ZZCM)	1		⊙ ⊙		02915 00008	D	Hexagon flange nut	2		M187 ⊙ ⊙
7	21472 09700		Bearing (6314XZZ)	1		⊙	67	32240 37000		Bracket	1		⊙
8	25200 11400		A. C. G. stator ass'y	1		⊙		02201 08030		Flange bolt	4		⊙
8	25200 11300		A. C. G. stator ass'y	1		⊙	68	32331 72101		Hose	1		⊙ ⊙
8	25200 10600		A. C. G. stator ass'y	1		⊙	68 -1	32331 73800	B	Hose	1		M184 ⊙ ⊙
9	25700 08000		Ex. stator ass'y	1		⊙	68	32331 60500		Hose	1		⊙
	02138 06050		Bolt	3		⊙	69	32331 72200		Hose	1		⊙ ⊙
9	25700 07900		Ex. stator ass'y	1		⊙	69	32331 72600		Hose	1		⊙
	02138 06060		Bolt	3		⊙	70	03511 20120		Hose clip	1		⊙ ⊙
	03115 02006		Spring washer	3		⊙ ⊙	70	03511 20140		Hose clip	1		⊙
	03116 12006		Plain washer	3		⊙ ⊙	71	03511 20120		Hose clip	2		
9	25700 06600		Ex. stator ass'y	1		⊙	72	03511 20090		Hose clip	1		⊙ ⊙
	02138 08050		Bolt	4		⊙	72	03511 20100		Hose clip	1		⊙
	03115 02008		Spring washer	4		⊙	73	03591 25120		Hose	1		⊙ ⊙
	03116 12008		Plain washer	4		⊙	73	03591 25110		Hose	1		⊙
10	52728 22810		Cushion rubber	2		⊙	74	03511 20040		Hose clip	2		
10	52728 22710		Cushion rubber	2		⊙	75	32320 67600		Pipe, intake	1		⊙ ⊙
10	52728 05210		Cushion rubber	2		⊙	75	32320 67300		Pipe, intake	1		⊙
11	25310 09800		Casing	1		⊙ ⊙	76	32331 72300		Hose	1		⊙ ⊙
11	25310 09100		Casing	1		⊙	76	32331 70700		Hose	1		⊙
	02238 10025		Bolt, w/w	6			77	32320 67400		Pipe	1		⊙ ⊙
12	25360 07400		Cover	1		⊙ ⊙	77	32320 66800		Pipe	1		⊙
12	25360 06100		Cover	1		⊙	78	32270 04400		Bracket	1		
13	25330 00700		Spacer	1		⊙		02201 08030		Flange bolt	2		
	02138 10030		Bolt	12		⊙		02915 00008		Hexagon flange nut	2		
	03115 02010		Spring washer	12		⊙	79	03511 20070		Hose clip	1		⊙ ⊙
14	21468 15700		Cover	1		⊙	79	03511 20080		Hose clip	1		⊙
	02138 06020		Bolt	4		⊙	80	32332 08101		Hose	1		
	03115 02006		Spring washer	4		⊙	81	32331 72400		Hose	1		⊙ ⊙
31 - 00 MOUNTING GROUP							81	32331 72700		Hose	1		⊙
21	31130 09600		Vibration isolator ass'y	2		⊙	82	32320 67500		Pipe	1		⊙ ⊙
							82	32320 66900		Pipe	1		⊙
21	31130 09100		Vibration isolator ass'y	2		⊙	83	32270 04602		Bracket	1		⊙ ⊙
	02915 00012		Hexagon flange nut	4		⊙ ⊙		02201 08020		Flange bolt	2		⊙ ⊙
21	31130 09200		Vibration isolator ass'y	2		⊙	83	32270 04500		Bracket	1		⊙
	02912 08016		Nut	4		⊙		02201 10020		Flange bolt	2		⊙
	03115 02016		Spring washer	4		⊙	84	02138 12025		Bolt	4		⊙ ⊙
	03116 12016		Plain washer	4		⊙	84	02138 12020		Bolt	4		⊙
22	31130 09600		Vibration isolator ass'y	2		⊙ ⊙		03115 02012		Spring washer	4		
								03116 12012		Plain washer	4		
22	31130 09100		Vibration isolator ass'y	2		⊙	85	32331 72501		Hose	1		⊙ ⊙
	02915 00012		Hexagon flange nut	4		⊙	85	32331 70900		Hose	1		⊙
23	31120 08900		Shim	1			86	03511 20100		Hose clip	1		⊙ ⊙
24	31110 99601		Bracket	1			86	03511 20090		Hose clip	1		⊙
25	31110 01610		Bracket	1		⊙ ⊙	87	03511 20080		Hose clip	6		
25	31110 99900		Bracket	1		⊙	88	32331 73900	D	Hose	1		M184 ⊙ ⊙
							89	32320 68100	D	Pipe	1		M184 ⊙ ⊙
							90	03511 20120	D	Hose clip	2		M184 ⊙ ⊙



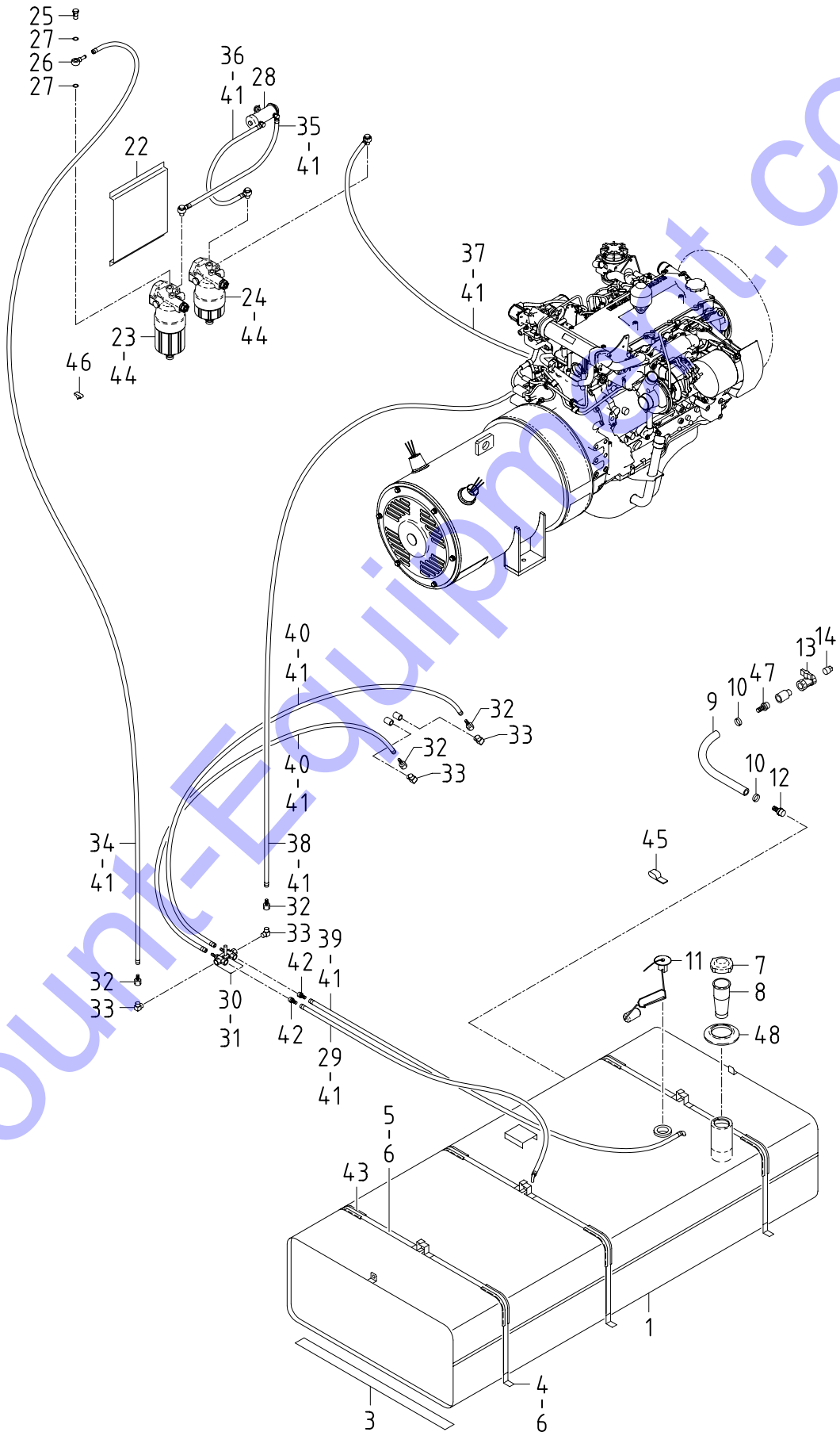
38 - 00 COOLING, ENGINE & EXHAUST

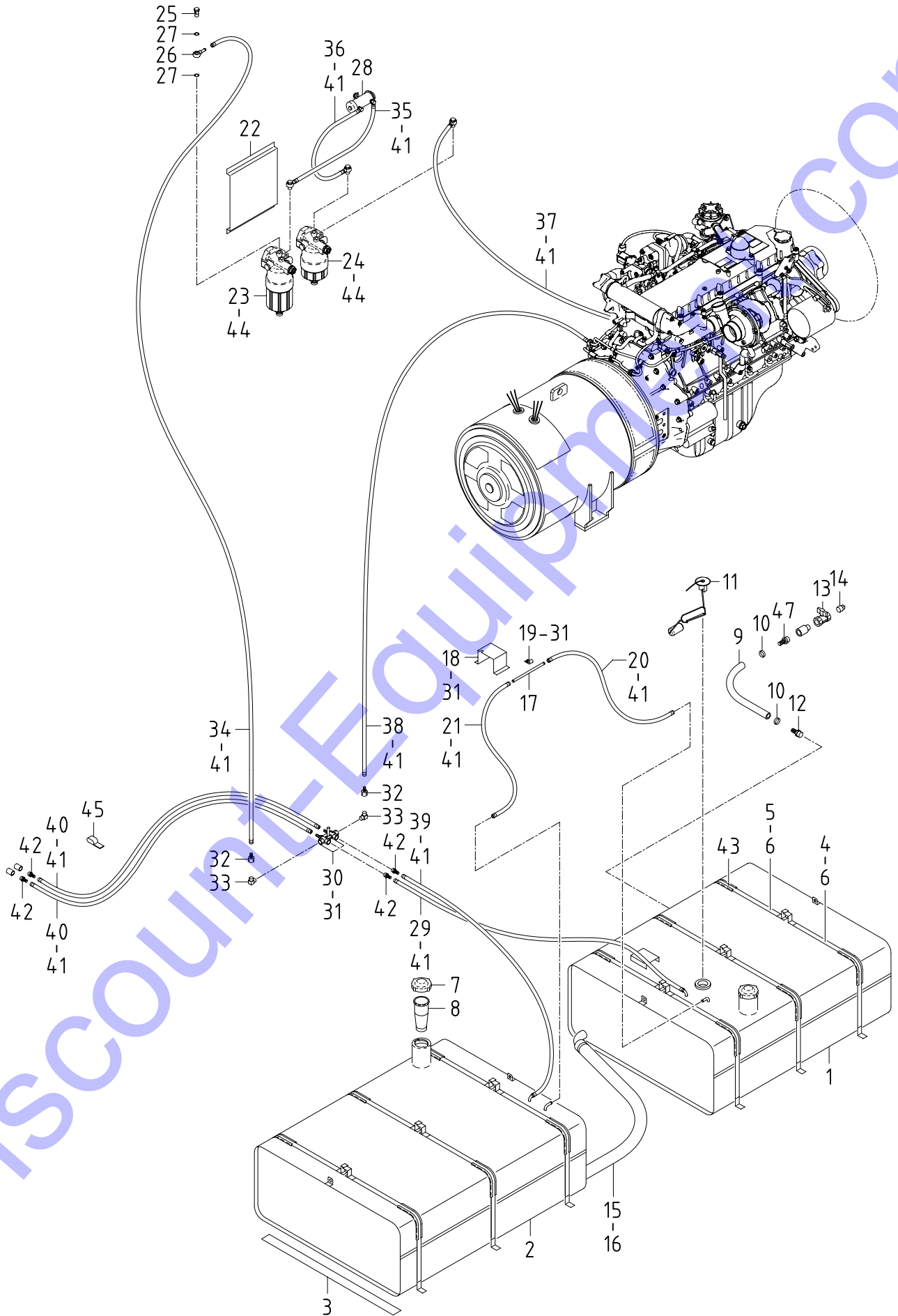
Ref. NO.	Part NO.	Inter-change ability	Part Name	Q'ty	C/H	Remarks	Ref. NO.	Part NO.	Inter-change ability	Part Name	Q'ty	C/H	Remarks
						100 125 150							100 125 150
38 - 00						COOLING GROUP	42 - 00						EXHAUST GROUP
1	38100 41100		Radiator	1		⊙ ⊙	72	41290 00800		Filter ass'y, Eng. oil	1		(ISUZU 897324 3861)
1	38100 42900		Radiator	1		⊙	41291 00500		Element	1			(ISUZU 113240 2322)
	38410 05800		Cap	1			02138 10140		Bolt	2			
	38469 01400		Valve	2		(drain)	02138 10110		Bolt	2			
	02201 08012		Flange bolt	6		⊙ ⊙	03115 02010		Spring washer	4			
	02201 08012		Flange bolt	8		⊙	03116 12010		Plain washer	4			
2	38524 67400		Hose	1		⊙ ⊙	73	41250 05100		Bracket	1		⊙ ⊙
2	38524 66400		Hose	1		⊙	73	41250 04900		Bracket	1		⊙
3	38524 67500		Hose	1		⊙ ⊙	73 -1	41250 05100	A	Bracket	1	M189	⊙
3	38524 66501		Hose	1		⊙		02201 08020		Flange bolt	2		⊙
4	03511 20070		Hose clip	3			74	37160 79800		Pipe	1	⊙	⊙
5	03511 20070		Hose clip	1		⊙ ⊙	74	37160 71300		Pipe	1		⊙
5	03511 20080		Hose clip	1		⊙	75	37160 79900		Pipe	1	⊙	⊙
6	38594 02300		Hose	1		(drain)	75	37160 90200		Pipe	1		⊙
7	38920 02700		Inter cooler	1			76	03734 84060		Nipple elbow (Incl. No. 78)	2	⊙	⊙
	02201 10020		Flange bolt	4			76	6D920 18300		Nipple elbow (Incl. No. 78)	2		⊙
8	52350 35522		Cover	1		⊙ ⊙	77	03734 84060		Nipple elbow (Incl. No. 78)	2		⊙
8	52350 28621		Cover	1		⊙	78	03402 25024		O-ring	4		
	02201 08020		Flange bolt	4			79	03731 21006		Elbow	1	⊙	⊙
9	03407 67313		Seal rubber	2									
10	03407 67533		Seal rubber	1									
11	03403 00303		Grommet	1									
12	03403 00512		Grommet	1									
13	38440 01311		Shroud, fan	1		⊙ ⊙	101	42100 78200		Exhaust muffler	1		
13	38440 99000		Shroud, fan	1		⊙	52744 01200	D	Washer	4	M188	⊙	⊙
14	38440 01411		Shroud, fan	1		⊙ ⊙	52744 01200		Washer	4			⊙
14	38440 99100		Shroud, fan	1		⊙	102	42310 92100		Pipe, exhaust	1	⊙	⊙
15	52350 35621		Cover	1		⊙ ⊙		02915 01008		Hexagon flange nut	4	⊙	⊙
15	52350 66010		Cover	1		⊙	102	42310 89900		Pipe, exhaust	1		⊙
16	38450 78801		Guard, fan	1		⊙ ⊙		02911 03010		Nut	8		⊙
16	38450 76000		Guard, fan	1		⊙	103	42324 14300		Gasket (ISUZU 114145 1840)	1	⊙	⊙
17	38450 78901		Guard, fan	1		⊙ ⊙	103	42324 14100		Gasket (ISUZU 114145 1920)	1		⊙
17	38450 76700		Guard, fan	1		⊙	104	42323 04500		Gasket	2		
18	38450 79101		Guard, fan	1		⊙ ⊙	105	42310 92200		Pipe, exhaust	1	⊙	⊙
18	38450 78300		Guard, fan	1		⊙	105	42310 90000		Pipe, exhaust	1		⊙
19	38590 00300		Reserve tank ass'y	1			106	42240 24700		Bracket	1	⊙	⊙
20	03511 30245		Hose clip	1			106	42240 28300		Bracket	1		⊙
21	38860 28901		Bracket	1		⊙ ⊙	107	02201 08020		Flange bolt	6		
21	38860 28600		Bracket	1		⊙	108	03830 08025		U-bolt	1	⊙	⊙
22	38594 02400		Hose	1			108	03830 08026		U-bolt	1		⊙
23	03511 40016		Hose clip	3				02915 00008		Hexagon flange nut	2		
24	52350 35720		Cover	1		⊙ ⊙	109	02135 10035		Bolt	8		
24	52350 28320		Cover	1		⊙		02912 04010		Nut	8		
25	02201 06016		Flange bolt	32		⊙ ⊙		03115 06010		Spring washer	8		
25	02201 06016		Flange bolt	30		⊙		03116 15010		Plain washer	16		
26	44243 05500		Holder	3									
27	03425 00001		Vinyl clip	3									
28	02248 06016		Bolt, w/w	14									
28 -1	02201 06016	B	Flange bolt	6	M 1								
	02915 00006	D	Hexagon flange nut	8	M 1								
29	03620 41003		Plug	1									
30	03403 00303		Grommet	1		⊙ ⊙							
31	52350 52420	D	Cover	1	M188	⊙ ⊙							
41 - 00						ENGINE GROUP							
61	* * *		Engine (ISUZU 4HK1X)	1		⊙ ⊙							
61	* * *		Engine (ISUZU 6HK1X)	1		⊙							
			(Fan belt : ISUZU 898062 7130)			⊙ ⊙							
			(Fan belt : ISUZU 109337 0170)			⊙							
			(Breather separator: ISUZU 898030 5320)										
62	43534 02102		Ring connector (Nipple)	1									
63	03407 16024		Gasket	2									
64	43532 05500		Nipple (Bolt)	1									
65	52160 32600		Bracket	1									
	02201 06016		Flange bolt	2									
66	52728 19910		Cushion rubber	1									
67	03580 19052		Hose	1		⊙ ⊙							
67	03580 19050		Hose	1		⊙							
68	03511 20035		Hose clip	2									
69	03735 13006		Valve	1									
70	37170 14200		Joint	1									
71	03620 41006		Plug	1									



39 - 00 NAME PLATE

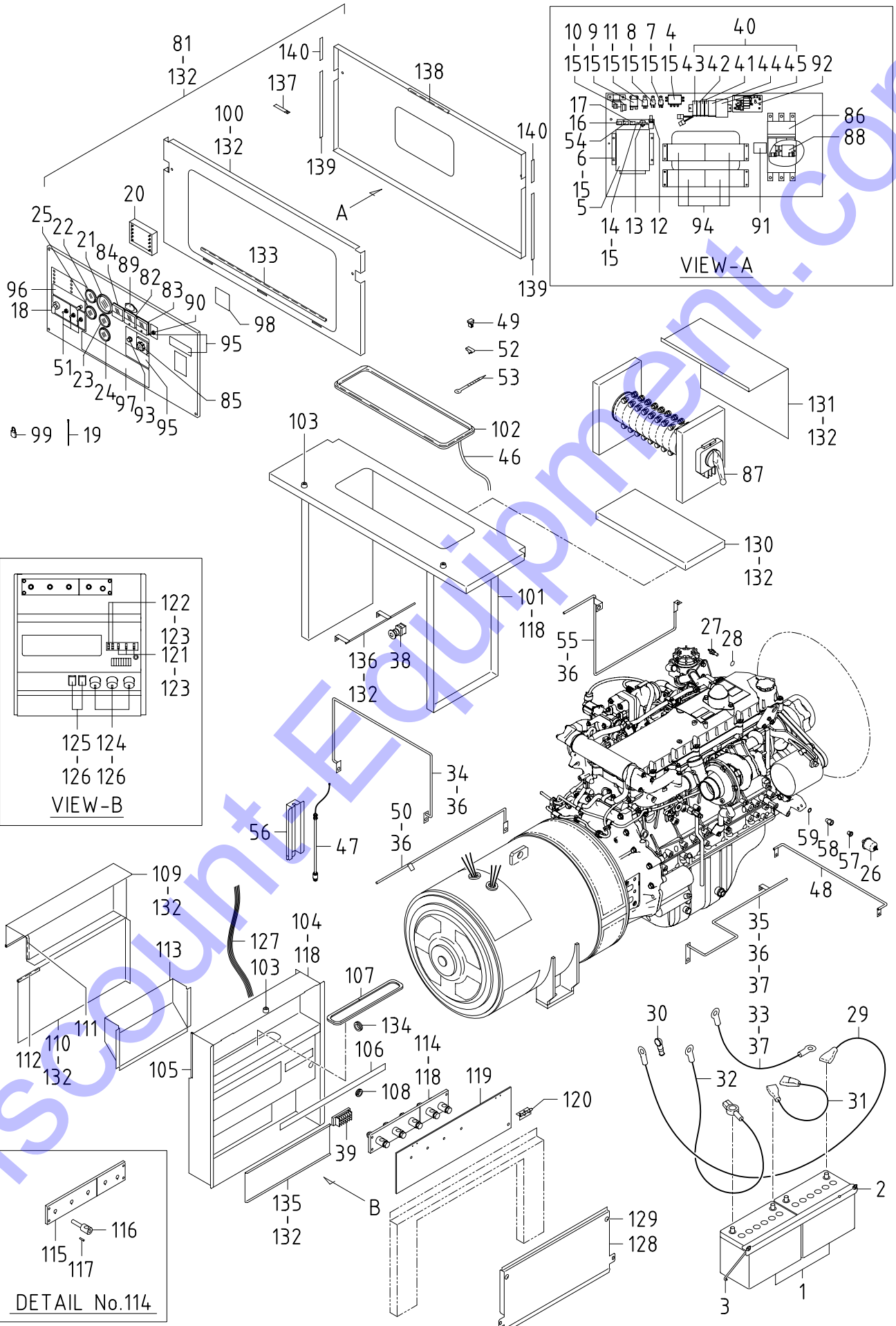
Ref. NO.	Part NO.	Inter-change ability	Part Name	Q'ty	C/H	Remarks	Ref. NO.	Part NO.	Inter-change ability	Part Name	Q'ty	C/H	Remarks
	39 - 00		ACCESSORY GROUP			100 125 150							100 125 150
	39600 86822		Instruction book				39	39178 80820	C	Plate(DELTA DEMAND)	2	M190	⊙
	39615 06100		Instruction book(Eng.)			⊙ ⊙	39 -1	39178 80820	D	Plate(DELTA DEMAND)	2	M204	⊙
	39615 05700		Instruction book(Eng.)				40	39178 28420	D	Plate(SDG100)	2	M190	⊙
	39616 03800		Parts catalog(Eng.)			⊙ ⊙	40 -1	39178 28420	C	Plate(SDG100)	2	M204	⊙
	39616 03600		Parts catalog(Eng.)				40	39178 78120	D	Plate(SDG125)	2	M190	⊙
							40 -1	39178 78120	C	Plate(SDG125)	2	M204	⊙
1	39170 02000	C	Mark (AIRMAN)	1	M180		40	39178 21120	D	Plate(SDG150)	2	M190	⊙
1 -1	39170 02000	D	Mark (AIRMAN)	1	M190		40 -1	39178 21120	C	Plate(SDG150)	2	M204	⊙
1 -2	39170 02000	C	Mark (AIRMAN)	1	M204		41	39178 28420	D	Plate(SDG100)	1	M190	⊙
2	39103 46801		Plate(SER. NO.)	1			41 -1	39178 28420	C	Plate(SDG100)	1	M204	⊙
	03260 03010		Blind rivet	4			41	39178 78120	D	Plate(SDG125)	1	M190	⊙
3	39178 21930	C	Plate(100)	2	M190	⊙	41 -1	39178 78120	C	Plate(SDG125)	1	M204	⊙
3 -1	39178 21930	D	Plate(100)	2	M204	⊙	41	39178 21220	D	Plate(SDG150)	1	M190	⊙
3	39178 21830	C	Plate(125)	2	M190	⊙	41 -1	39178 21220	C	Plate(SDG150)	1	M204	⊙
3 -1	39178 21830	D	Plate(125)	2	M204	⊙	42	39178 23420	D	Plate(EQ)	2	M190	
3	39178 13530	C	Plate(150)	2	M190	⊙	42 -1	39178 23420	C	Plate(EQ)	2	M204	
3 -1	39178 13530	D	Plate(150)	2	M204	⊙							
4	39178 62420	C	Plate(100)	1	M190	⊙							
4 -1	39178 62420	D	Plate(100)	1	M204	⊙							
4	39178 62620	C	Plate(125)	1	M190	⊙							
4 -1	39178 62620	D	Plate(125)	1	M204	⊙							
4	39178 76520	C	Plate(150)	1	M190	⊙							
4 -1	39178 76520	D	Plate(150)	1	M204	⊙							
5	39178 53720	C	Plate(MMD EQUIPMENT)	3	M190								
5 -1	39178 53720	D	Plate(MMD EQUIPMENT)	3	M216								
6	39178 54721		Plate(Power Pro)	2									
6 -1	39178 78920	B	Plate(AIRMAN)	2	M190								
6 -2	39178 54721	B	Plate(Power Pro)	2	M204								
7	39178 54820	C	Plate(Power Pro)	1	M190								
7 -1	39178 54820	D	Plate(Power Pro)	1	M204								
8	39178 53620	C	Plate(QUIETECH)	2	M190								
8 -1	39178 53620	D	Plate(QUIETECH)	2	M204								
9	39178 43110		Plate(california)	1									
10	39178 47610		Plate(emargency sw.)	1									
11	39176 89700		Plate(output)	1									
11 -1	39176 88300	B	Plate(output)	1	M184								
12	39176 62400		Plate (danger, high voltage)	1									
13	39173 02000		Plate, complete	1		Const. No. 14~15							
14	39176 85800	Z	Plate(terminal in)	1									
15	39176 85900	Z	Plate(terminal in)	1									
16	39176 62900		Plate (warning, electric shock)	1									
17	39152 23401		Plate(wiring diagram)	1									
18	39178 87210		Plate(breaker)	1									
19	39178 50620		Plate(socket)	1									
20	39178 00310		Plate(LLC)	1									
21	39176 35600		Plate(No fire)	1		⊙ ⊙							
21	39176 35600		Plate(No fire)	2		⊙							
22	39176 73300		Plate (warning, exhaust gases)	1									
23	39176 73500		Plate (warning, cooling fan)	1									
24	39176 73800		Plate(warning, pulley)	1									
25	39176 69500		Plate (caution, high temp.)	2									
26	39176 69600		Plate (caution, radiator cap)	1									
27	39176 69300		Plate(lift position)	1									
28	39176 50000		Plate (warning, battery)	1		⊙ ⊙							
28	39176 50000		Plate (warning, battery)	2		⊙							
29	39173 03300		Plate, complete	1		Const. No. 30~36							
30	39189 21300	Z	Plate(fuel drain)	1									
31	39189 21400	Z	Plate(radiator drain)	1									
32	39189 21500	Z	Plate(eng. oil drain)	1									
33	39178 90520	Z	Plate(fuel inlet)	1									
34	39178 90620	Z	Plate(fuel return)	1									
35	39178 90720	Z	Plate(deasel fuel)	1									
36	39189 21100	Z	Plate (containment drain)	1									
37	39178 72500		Plate(deasel fuel)	1		⊙							
38	39178 49120		Plate (changed fuel refill)	1									





43 - 00 FUEL LINE

Ref. NO.	Part NO.	Inter-change ability	Part Name	Q'ty	C/H	Remarks	Ref. NO.	Part NO.	Inter-change ability	Part Name	Q'ty	C/H	Remarks
43 - 00 FUEL GROUP						100 125 150	100 125 150						
1	43100 68801		Fuel tank	1		⊙ ⊙	36	03570 09040		Hose	1		⊙ ⊙
1	43100 66301		Fuel tank	1		⊙	36	03570 09040		Hose	1		⊙
2	43100 66501		Fuel tank	1		⊙	36 - 1	03570 09030	B	Hose	1	M 1	⊙
3	38465 16000		Cushion rubber	3		⊙ ⊙	37	03570 09037		Hose	1		⊙
3	38465 16000		Cushion rubber	6		⊙	37 - 1	03570 09030	B	Hose	1	M 1	⊙
4	43310 27000		Belt	3		⊙ ⊙	38	03570 09120		Hose	1		⊙ ⊙
4 - 1	43310 29000	B	Belt	3	M184	⊙ ⊙	38	03570 09170		Hose	1		⊙
4	43310 27000		Belt	6		⊙	39	03570 09070		Hose	1		⊙ ⊙
5	43310 27100		Belt	3		⊙ ⊙	39	03570 09120		Hose	1		⊙
	02138 10055		Bolt	3		⊙ ⊙	39 - 1	03570 09055	B	Hose	1	M 1	⊙
5 - 1	43310 29100	B	Belt	3	M184	⊙ ⊙	40	03570 09120		Hose	2		⊙ ⊙
	02138 10060	B	Bolt	3	M184	⊙ ⊙	40	03570 09060		Hose	2		⊙
	03116 12010		Plain washer	3		⊙ ⊙	41	03511 10018		Hose clip	18		⊙ ⊙
	02915 20010		Nut, w/w	3		⊙ ⊙	41	03511 10018		Hose clip	22		⊙
5	43310 27100		Belt	6		⊙	42	37170 12700		Joint	2		⊙ ⊙
	02138 10055		Bolt	6		⊙	42	37170 12700		Joint	4		⊙
	03116 12010		Plain washer	6		⊙	43	43322 06700		Cushion	6		⊙ ⊙
	02915 20010		Nut, w/w	6		⊙	43	43322 06700		Cushion	12		⊙
6	02915 00010		Hexagon flange nut	6		⊙ ⊙	44	02201 10030		Flange bolt	4		⊙
6	02915 00010		Hexagon flange nut	12		⊙	44 - 1	02283 10040	A	Bolt	4	M 1	⊙
7	43220 01300		Cap, fuel tank	1		⊙ ⊙		02283 10070	D	Bolt	2	M 1	⊙
7	43220 01300		Cap, fuel tank	2		⊙		03115 40010	D	Spring washer	6	M 1	⊙
8	43210 01301		Strainer	1		⊙ ⊙	45	03424 80036		Clip	1		⊙
8	43210 01301		Strainer	2		⊙ ⊙	46	44243 05500		Holder	2		⊙ ⊙
9	03570 19052		Hose	1		⊙ ⊙	47	37170 14200		Joint	1		⊙
9 - 1	03570 19044	B	Hose	1	M193	⊙ ⊙	47 - 1	37170 21700	B	Joint	1	M193	⊙
9	03570 19050		Hose	1		⊙	48	43440 04600		Cover	1		⊙ ⊙
9 - 1	03570 19042	B	Hose	1	M193	⊙							
10	03511 20035		Hose clip	2		⊙							
11	36159 00600		Sending unit	1		⊙							
	02345 65012		Screw	5		⊙							
12	37170 14200		Joint	1		⊙							
13	03735 13006		Valve	1		⊙							
14	03620 41006		Plug	1		⊙							
15	03570 38095		Hose	1		⊙							
16	03511 20060		Hose clip	2		⊙							
17	43525 02600		Pipe	1		⊙							
18	43570 07900		Bracket	1		⊙							
19	37181 07000		Clip	2		⊙							
20	03570 09045		Hose	1		⊙							
20 - 1	03570 09029	B	Hose	1	M 1	⊙							
21	03570 09022		Hose	1		⊙							
21 - 1	03570 09018	B	Hose	1	M 1	⊙							
22	43340 31600		Bracket	1		⊙ ⊙							
22	43340 30401		Bracket	1		⊙							
	02201 08020		Flange bolt	4		⊙							
23	43540 07600		Filter ass'y	1		(ISUZU 898075 8551)							
	43543 00900		Filter, cartridge	1		(ISUZU 898075 8540)							
24	43540 07700		Filter ass'y	1		(ISUZU 898143 8260)							
	43543 01000		Filter, cartridge	1		(ISUZU 898143 0410)							
25	43532 09000		Nipple	4		⊙							
26	43534 04800		Ring connector	4		⊙							
27	43531 01900		Gasket	8		⊙							
28	43650 02600		Fuel pump	1		⊙ ⊙							
	(ISUZU 898068 2750) (Filter: ISUZU 898071 4010)												
28	43650 02500		Fuel pump	1		⊙							
	(ISUZU 898009 3971) (Filter: ISUZU 898071 4010)												
	02138 06030		Bolt	2		⊙							
	03115 02006		Spring washer	2		⊙							
	03116 12006		Plain washer	2		⊙							
29	03570 09028		Hose	1		⊙ ⊙							
29	03570 09033		Hose	1		⊙							
29 - 1	03570 09029	B	Hose	1	M 1	⊙							
30	35483 10101		Stop valve	1		⊙							
31	02201 06016		Flange bolt	2		⊙ ⊙							
31	02201 06016		Flange bolt	6		⊙							
32	37170 20200		Joint	4		⊙ ⊙							
32	37170 20200		Joint	2		⊙							
33	03734 44003		Nipple elbow	4		⊙ ⊙							
33	03734 44003		Nipple elbow	2		⊙							
34	03570 09080		Hose	1		⊙ ⊙							
34	03570 09120		Hose	1		⊙							
34 - 1	03570 09110	B	Hose	1	M 1	⊙							
35	03570 09025		Hose	1		⊙							

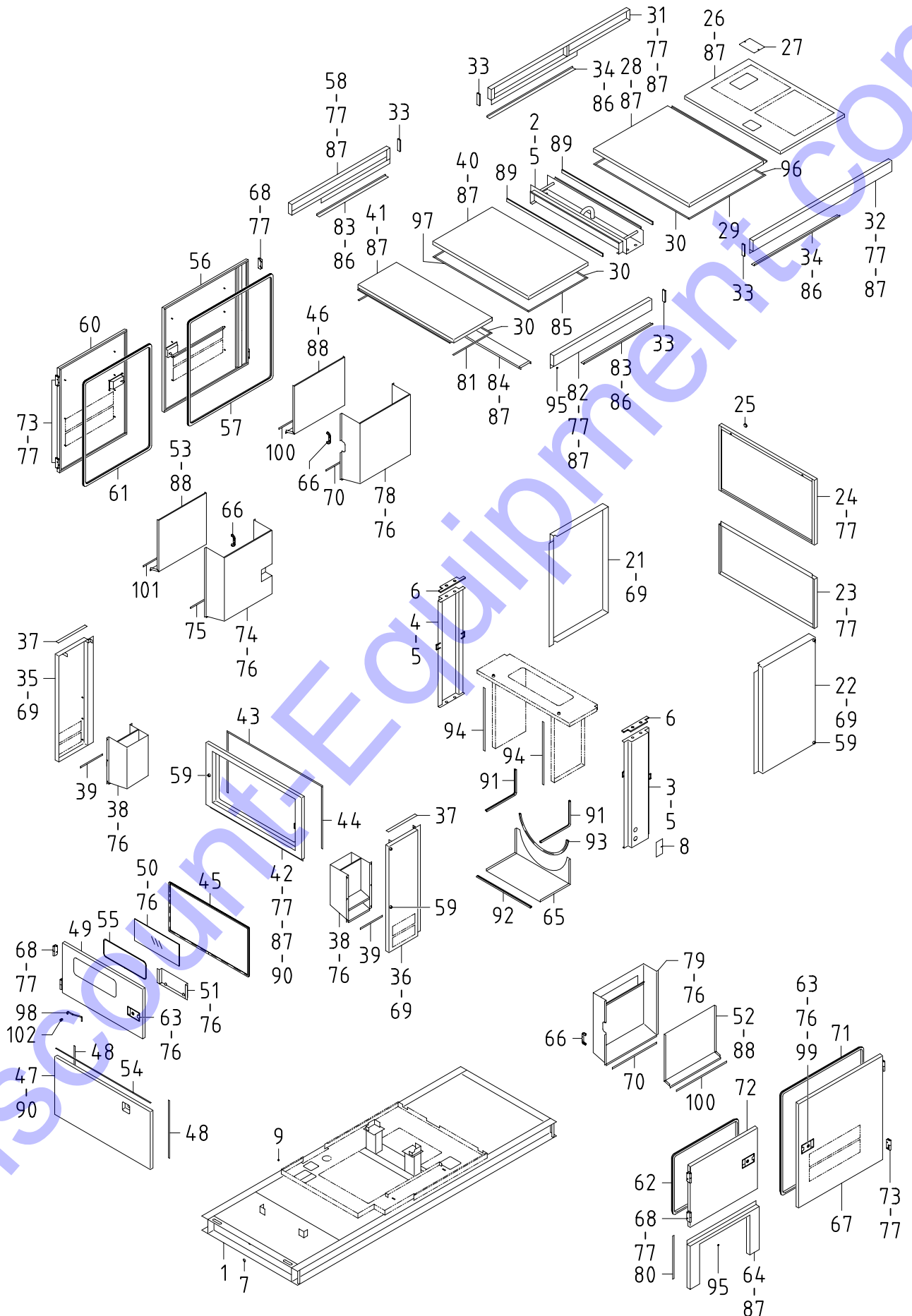


44 - 00 ELECTRIC

Ref. NO.	Part NO.	Inter-change ability	Part Name	Q'ty	C/H	Remarks	Ref. NO.	Part NO.	Inter-change ability	Part Name	Q'ty	C/H	Remarks
44 - 00 ELECTRIC GROUP						100 125 150							100 125 150
1	44210 02300		Battery (170F51)	1		⊙ ⊙	31	07605 34040		Cable	1		⊙
1	44210 06700		Battery (95031R)	2		⊙ ⊙ ⊙		44462 02500		Insulator (red)	1		⊙
2	44220 04300		Cover	1		⊙ ⊙		44462 00501		Insulator (black)	1		⊙
2	44220 16600		Cover	1		⊙	31 -1	07805 34040	A	Cable	1	M 3-2	⊙
3	44243 04701		Holder	2		⊙ ⊙		44462 05500	B	Insulator (red)	1	M 3-2	⊙
3 -1	44243 03100	B	Holder	2	M184	⊙ ⊙		44462 05600	B	Insulator (black)	1	M 3-2	⊙
3	44243 03100		Holder	2		⊙	32	07808 48060		Cable (batt. ~Eng. earth)	1		⊙ ⊙
	02915 00008		Hexagon flange nut	2				44462 05600		Insulator (black)	1		⊙ ⊙
4	44346 13200		Relay (charge)	1		⊙ ⊙		02201 10020		Flange bolt	1		⊙ ⊙
4	44335 01100		Magnetic switch	1		(charge) ⊙	32	05108 28035		Cable (batt. ~Eng. earth)	1		⊙
5	44390 02400		Controller	1		⊙ ⊙		44462 00501		Insulator (black)	1		⊙
			(ISUZU 898071 0281)				32 -1	07808 51035	A	Cable (batt. ~Eng. earth)	1	M 3-2	⊙
5	44390 02300		Controller	1		⊙		44462 05600	B	Insulator (black)	1	M 3-2	⊙
			(ISUZU 898124 5481)				33	05138 22050		Cable (Eng. earth~frame)	1		⊙ ⊙
6	44250 26410		Bracket	2				02201 08020		Flange bolt	1		⊙ ⊙
7	44324 08500		Relay (main)	1		⊙ ⊙	33	05068 22050		Cable (Eng. earth~frame)	1		⊙
			(ISUZU 582550 0290)				34	44290 41200		Guide	1		⊙
7	44324 05800		Relay (main)	1		⊙	35	44290 41901		Guide	1		⊙
			(ISUZU 898013 7900)				36	02138 16025		Bolt	1		⊙ ⊙
8	44324 08500		Relay (starter out)	1		⊙ ⊙		03115 02016		Spring washer	1		⊙ ⊙
			(ISUZU 582550 0290)					03116 12016		Plain washer	1		⊙ ⊙
8	44324 05800		Relay (starter out)	1		⊙		02201 08020		Flange bolt	1		⊙ ⊙
			(ISUZU 898013 7900)				36	02915 00008		Hexagon flange nut	1		⊙ ⊙
9	44346 15700		Relay (glow)	1		⊙ ⊙		02138 12025		Bolt	4		⊙
			(ISUZU 582553 0444)					03115 02012		Spring washer	4		⊙
9	44346 15500		Relay (glow)	1		⊙	36 -1	03116 12012		Plain washer	4		⊙
			(ISUZU 894460 7061)					02138 12025	Q	Bolt	5	M 1	⊙
10	44346 15900		Relay (starter)	1		⊙ ⊙		03115 02012	Q	Spring washer	5	M 1	⊙
10	44346 15600		Relay (starter)	1		⊙ ⊙		03116 12012	Q	Plain washer	5	M 1	⊙
			(ISUZU 898005 6310)				37	02201 10020		Flange bolt	1		⊙ ⊙
11	44346 08500		Relay (fuel pump)	1		⊙ ⊙	37	02201 10020		Flange bolt	2		⊙
			(ISUZU 582550 0290)				38	44336 03001		Button switch	1		
11	44346 07500		Relay (fuel pump)	1		⊙	39	44311 65600		Terminal plate	1		
			(ISUZU 582550 0300)					02345 24020		Screw	2		
12	44328 21500		Pressure switch	1		(ISUZU 897217 7780)		03115 03004		Spring washer	2		
13	44364 06600		Thermo sensor	1		(ISUZU 812146 8300)		03116 18004		Plain washer	2		
	02345 65020		Screw	2			40	46760 46210		Control panel	1		⊙ ⊙
	03115 02005		Spring washer	2			40	46760 43810		Control panel	1		⊙
	03116 12005		Plain washer	2						(Incl. No. 41~45)			
14	44250 26311		Bracket	1				46921 08600		Silicon rectifier	2		
15	02248 06016		Bolt, w/w	19		⊙ ⊙		02345 65016		Screw	2		
15	02248 06016		Bolt, w/w	20		⊙ ⊙		03115 02005		Spring washer	2		
16	44470 01600		Fuse box	1				03116 12005		Plain washer	2		
	46934 03200		Fuse (10A)	1			41	46177 08300		Relay (DC12V)	2		⊙ ⊙
17	44470 01900		Fuse box	1			41	46177 08600		Relay (DC24V)	2		⊙
	46934 04400		Fuse (15A)	1			42	46177 08400		Relay (DC12V)	1		⊙ ⊙
18	44322 02800		Starter switch	1		(ISUZU 894402 5000)	42	46177 08700		Relay (DC24V)	1		⊙
	52739 00600		Key	2			43	46177 08500		Relay (AC220V)	1		
19	52660 04700		Hook	1			44	46872 01300		Dc power supply	1		
	03260 03010		Blind rivet	1				46948 00900		Surge absorber	1		
20	46870 47901		Controler (emergency lamp)	1		⊙ ⊙	45	46879 45800		Controller complete	1		
20	46870 47401		Controler (emergency lamp)	1		⊙ ⊙	46	44490 60630		Wiring harness (main)	1		⊙ ⊙
21	36146 05901		Tachometer (12V)	1		⊙ ⊙	46	44490 55631		Wiring harness (main)	1		⊙
21	36146 06200		Tachometer (24V)	1		⊙ ⊙		02201 06016	D	Flange bolt	2	M 1	⊙
22	36158 00500		Gauge, fuel (12V)	1		⊙ ⊙		02201 08012		Flange bolt	1		⊙
22	36158 00601		Gauge, fuel (24V)	1		⊙ ⊙	47	46813 08000		Level switch	1		
23	36143 03600		Gauge, oil press. (12V)	1		⊙ ⊙	48	44290 42300		Guide	1		⊙ ⊙
23	36143 03800		Gauge, oil press. (24V)	1		⊙ ⊙		02201 08020		Flange bolt	2		⊙ ⊙
24	36145 06500		Thermometer, water (12V)	1		⊙ ⊙		02915 00008		Hexagon flange nut	2		⊙ ⊙
24	36145 06700		Thermometer, water (24V)	1		⊙ ⊙	49	44470 02300		Fuse box (60A)	1		
25	46154 15300		Ammeter (12V)	1		⊙ ⊙	50	44290 43100	D	Guide	1	M 1	⊙
25	46154 15500		Ammeter (24V)	1		⊙ ⊙	51	44500 02700		Switch panel ass'y	1		
26	44365 00300		Oil pressure sender	1			52	44243 05500	D	Holder	2	M 1	
27	44364 00100		Thermo sensor	1		(water temp.)	53	03425 00001		Vinyl clip	1		
28	* * *		Gasket	1		(ISUZU 909571 4160)	53 -1	03425 00001	Q	Vinyl clip	3	M 1	
29	07805 29120		Cable (batt. ~starter)	1		⊙ ⊙	54	44470 01700		Fuse box	1		⊙ ⊙
	44462 05500		Insulator (red)	1		⊙ ⊙		46934 03300		Fuse (20A)	1		⊙ ⊙
	06540 15100		Corrugated tube	1		⊙ ⊙	54	44470 01600		Fuse box	1		⊙
29	07605 29075		Cable (batt. ~starter)	1		⊙		46934 03200		Fuse (10A)	1		⊙
	44462 02500		Insulator (red)	1		⊙	55	44290 42201		Guide	1		⊙ ⊙
29 -1	07805 29075	A	Cable (batt. ~starter)	1	M 3-2	⊙	56	43350 02000		Bracket	1		⊙ ⊙
	44462 05500	B	Insulator (red)	1	M 3-2	⊙		02201 06016		Flange bolt	2		⊙ ⊙
	06540 15065		Corrugated tube	1		⊙		03407 20106		Gasket	2		⊙ ⊙
30	44462 00700		Insulator	1		⊙		52744 01100		Washer	2		⊙ ⊙
							57	03732 00201	D	Bush	1	M184	⊙ ⊙
							58	37189 32400	D	Bushing	1	M184	⊙ ⊙
							59	03407 14014	D	Gasket	1	M184	⊙ ⊙

44 - 00 ELECTRIC

Ref. NO.	Part NO.	Inter-change ability	Part Name	Q'ty	C/H	Remarks	Ref. NO.	Part NO.	Inter-change ability	Part Name	Q'ty	C/H	Remarks
46 - 00 ELECTRIC GROUP						100 125 150	100 125 150						
81	46900 91100		Switch board ass'y	1		⊙	119	52416 27202		Window glass	1		⊙ ⊙
81	46900 91200		Switch board ass'y	1		⊙	119	52416 26900		Window glass	1		⊙
81	46900 85401		Switch board ass'y (Const. No. 82~98)	1		⊙		52640 05200		Bolt	1		
	02401 36025		Screw	4		(for cover)	120	52480 13300		Hinge	2		
	45214 01400		Washer	4		(for cover)		02401 26020		Screw	8		
82	46153 03100		Voltmeter (AC)	1				02915 00006		Hexagon flange nut	8		
83	46154 13700		Ammeter (AC)	1		⊙ ⊙	121	46120 26900		Circuit breaker	3		
83	46154 12500		Ammeter (AC)	1		⊙	122	46120 26800		Circuit breaker	2		
84	46911 01200		Frequency meter	1			123	02345 23008		Screw	16		
85	46913 01400		Transfer device	1				03115 03003		Spring washer	16		
86	46120 31300		Circuit breaker	1		⊙		03116 18003		Plain washer	16		
86	46120 31200		Circuit breaker	1		⊙	124	44312 02800		Socket	3		
86	46120 30900		Circuit breaker	1		⊙	125	44312 02900		Socket	2		
87	46917 03200		Change device, voltage	1		⊙ ⊙	126	02345 24020		Screw	10		
87	46917 03100		Change device, voltage	1		⊙		02912 09004		Nut	10		
88	46923 04600		Current transformer	2		⊙ ⊙		03115 03004		Spring washer	10		
88	46923 04100		Current transformer	2		⊙	127	44550 22400		Cable kit	1		
89	46929 01200		Illuminator	1		⊙ ⊙	128	52400 89911		Side cover	1		⊙
	46939 01300		Bulb (12V)	1		⊙ ⊙	128	52400 83610		Side cover	1		⊙
89	46929 00600		Illuminator	1		⊙	128 -1	52400 94810	B	Side cover	1	M 3-1	⊙
	46939 00900		Bulb (24V)	1		⊙		02201 08030		Flange bolt	2		(side)
90	46167 02400		Select switch	1				GH245 00600		Washer	8		(side)
91	46928 01500		Thermal relay	1				02912 08008		Nut	2		(side)
	46921 02500		Silicon rectifier	1				03116 12008		Plain washer	4		(side)
92	46950 02600		A. V. R ass'y	1				02246 08016		Bolt, w/w	2		(front)
93	46918 01400		Controller	1			129	03403 10010		Grommet	2		
	46991 01100		Knob	1			130	46450 92201		Bracket	1		⊙ ⊙
94	44311 07600		Terminal plate	1		⊙ ⊙	130	46450 90100		Bracket	1		⊙
	46311 02400		Plate	1		⊙ ⊙	131	46480 49201		Cover	1		⊙ ⊙
94	44311 58900		Terminal plate	4		⊙	131	46480 47001		Cover	1		⊙
95	39178 50820		Plate (caution, switch)	1			132	02201 06016		Flange bolt	39		⊙ ⊙
96	39178 22530		Plate (warning, electric)	1		⊙ ⊙	132	02201 06016		Flange bolt	30		⊙
96	39178 13730		Plate (warning, electric)	1		⊙	132 -1	02201 06016	Q	Flange bolt	36	M 3-1	⊙
96 -1	39178 22530	B	Plate (warning, electric)	1	M 3-2	⊙	133	03407 66710	D	Seal rubber	1	M 1	
97	39153 64900		Plate (notice)	1		⊙ ⊙	134	03403 00303	D	Grommet	1	M 1	⊙
97	39153 64400		Plate (notice)	1		⊙	135	46480 50200	D	Bracket	1	M 3-1	
97 -1	39153 64900	B	Plate (notice)	1	M 3-2	⊙	136	44290 43401		Guide	1		⊙ ⊙
98	39178 38220		Plate (caution, AVR)	1				02915 00006		Hexagon flange nut	2		⊙ ⊙
99	52723 00100		Lock ass'y	1		(w. key)	137	03424 82006		Clip	2		
100	36120 14101		Plate	1			138	03407 66003		Seal rubber	1		
101	46450 91801		Bracket	1		⊙ ⊙	139	03407 66849		Seal rubber	2		
101	46450 88702		Bracket	1		⊙	140	03407 66871		Seal rubber	2		
102	03407 64719		Seal rubber	1		⊙ ⊙							
102	03407 64780		Seal rubber	1		⊙							
103	31131 04100		Rubber, vibration isolator	2									
103 -1	31131 04100	Q	Rubber, vibration isolator	3	M 1								
104	46470 85902		Box	1		⊙ ⊙							
104	46470 81701		Box	1		⊙							
104 -1	46470 87700	B	Box	1	M 3-1	⊙							
105	03407 66714		Seal rubber	1									
106	03407 67031		Seal rubber	1									
107	03407 66710		Seal rubber	1		⊙ ⊙							
107	03407 66701		Seal rubber	1		⊙							
108	03403 00252		Grommet	1									
109	44260 36400		Cover	1		⊙ ⊙							
109	44260 34800		Cover	1		⊙							
110	44260 36300		Cover	1		⊙ ⊙							
110	44260 34900		Cover	1		⊙							
111	03407 66714		Seal rubber	1		⊙ ⊙							
111	03407 66713		Seal rubber	1		⊙							
112	03407 66703		Seal rubber	1		⊙ ⊙							
112	03407 66712		Seal rubber	1		⊙							
113	46480 49100		Cover	1		⊙ ⊙							
113	46480 46801		Cover	1		⊙							
	02401 26016		Screw	4									
114	44311 56101		Terminal plate	1		Const. No. 115~117							
115	46305 09100		Plate	1									
116	46312 05100		Bolt	5									
	35208 04500		Bolt	5									
	02912 03014		Nut	10									
	03115 02014		Spring washer	15									
	03116 14014		Plain washer	20									
117	03316 03016		Pin	10									
118	02201 08020		Flange bolt	12									



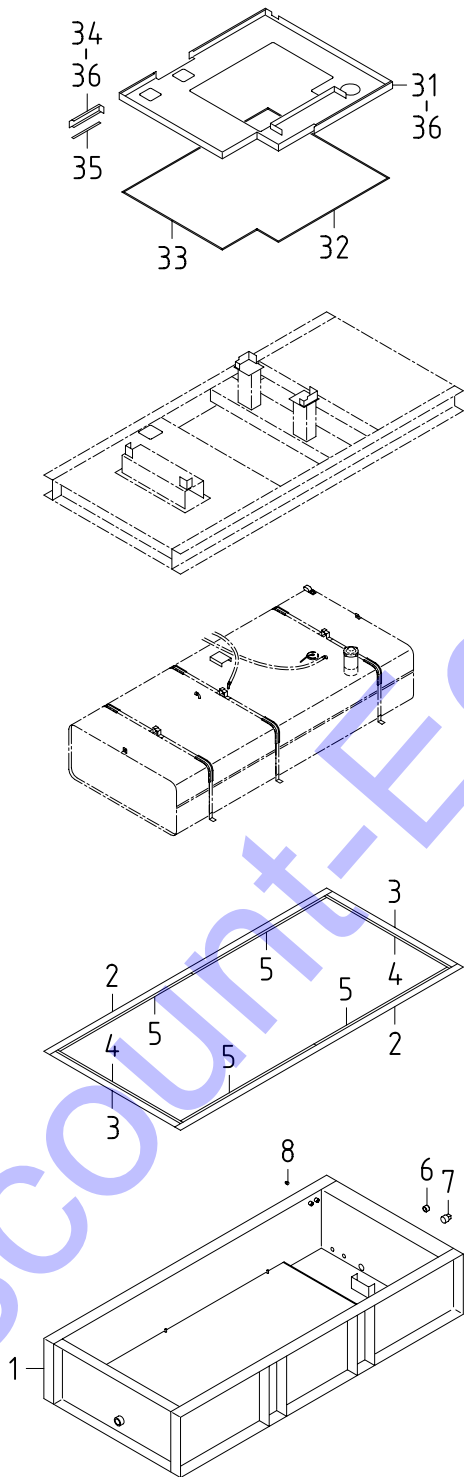
51 - 00 FRAME & BONNET

Ref. NO.	Part NO.	Inter-change ability	Part Name	Q'ty	C/H	Remarks	Ref. NO.	Part NO.	Inter-change ability	Part Name	Q'ty	C/H	Remarks
51 - 00 FRAME GROUP						100 125 150	100 125 150						
1	51100 07941		Frame	1		⊙ ⊙	40	52300 96110		Top cover	1		⊙
1-1	51100 20040	B	Frame	1	M188	⊙	40-1	52300 03420	B	Top cover	1	M 3-1	⊙
1-2	51100 21840	B	Frame	1	M200	⊙	41	52300 97210		Top cover	1		⊙
1-1	51100 19840	B	Frame	1	M188	⊙	41-1	52300 03520	B	Top cover	1	M 3-1	⊙
1-2	51100 21940	B	Frame	1	M200	⊙	42	52100 63820		Cover	1		⊙ ⊙
1	51100 02040		Frame	1		⊙	42	52100 54320		Cover	1		⊙
1-1	51100 12341	B	Frame	1	M 3-1	⊙	43	03407 66864		Seal rubber	1		⊙
1-2	51100 22040	B	Frame	1	M200	⊙	44	03407 66816		Seal rubber	2		⊙ ⊙
2	51500 39202		Bracket	1		⊙ ⊙	44	03407 66803		Seal rubber	2		⊙
2-1	51500 41200	B	Bracket	1	M187	⊙ ⊙	45	03407 64735		Seal rubber	1		⊙
2	51500 38700		Bracket	1		⊙	46	52370 63401		Duct	1		⊙ ⊙
2-1	51500 40100	B	Bracket	1	M 3-1	⊙	46	52370 62901		Duct	1		⊙
3	51500 39302		Bracket	1		⊙ ⊙	47	52230 43600		Cover	1		⊙ ⊙
3	51500 38801		Bracket	1		⊙	47	52230 43300		Cover	1		⊙
3-1	51500 40200	B	Bracket	1	M 3-1	⊙	48	03407 66831		Seal rubber	2		⊙
4	51500 39402		Bracket	1		⊙ ⊙	49	52450 89221		Door	1		⊙
4	51500 38901		Bracket	1		⊙	50	52416 24400		Window glass	1		⊙
4-1	51500 40300	B	Bracket	1	M 3-1	⊙	51	39200 04302		Tool box	1		⊙
5	02138 20055		Bolt	8		⊙ ⊙	52	52370 63601		Duct	1		⊙ ⊙
5	02135 20055		Bolt	8		⊙	52	52370 63001		Duct	1		⊙
	03115 06020		Spring washer	8			53	52370 63801		Duct	1		⊙ ⊙
	02912 04020	D	Nut	4	M 3-1		53	52370 62801		Duct	1		⊙
	03116 15020		Plain washer	12			54	03407 68118		Seal rubber	1		⊙ ⊙
6	52728 20010		Cushion rubber	2			54-1	03407 66864	B	Seal rubber	1	M188	⊙ ⊙
7	03403 10017		Grommet	4			54	03407 68118		Seal rubber	1		⊙
8	52350 41920	D	Cover	1	M 3-1		55	03407 67605		Seal rubber	2		⊙
	02401 45016	D	Screw	4	M 3-1		56	52450 00630		Door	1		⊙ ⊙
	02915 00005	D	Hexagon flange nut	4	M 3-1		56	52450 89520		Door	1		⊙
9	03403 10010	D	Grommet	2	M188	⊙ ⊙	57	03407 64769		Seal rubber	1		⊙ ⊙
							57	03407 64743		Seal rubber	1		⊙
52 - 00 BONNET GROUP							58	52550 16112		Side plate	1		⊙ ⊙
21	52100 63421		Cover	1		⊙ ⊙	58	52550 15311		Side plate	1		⊙
21	52100 54120		Cover	1		⊙ ⊙	59	31131 04100		Rubber, vibration isolator	9		⊙
22	52100 63520		Cover	1		⊙ ⊙	60	52450 00830		Door	1		⊙ ⊙
22	52100 54220		Cover	1		⊙ ⊙	60	52450 89420		Door	1		⊙
23	52830 40000		Cover	1		⊙ ⊙	61	03407 64745		Seal rubber	1		⊙ ⊙
23	52830 38400		Cover	1		⊙ ⊙	61	03407 64768		Seal rubber	1		⊙
	02201 08030		Flange bolt	2		⊙ ⊙	62	03407 64727		Seal rubber	1		⊙ ⊙
24	52830 40100		Cover	1		⊙ ⊙	62	03407 64735		Seal rubber	1		⊙
24	52830 38500		Cover	1		⊙	63	52710 03601		Latch ass'y	5		Incl. key
25	52746 02100		Cap	4				52739 03700		Key (R200)	5		
26	52300 02720		Top cover	1		⊙	64	52160 37902		Bracket	1		⊙ ⊙
26	52300 00920		Top cover	1		⊙	64	52160 32401		Bracket	1		⊙
26	52300 95910		Top cover	1		⊙	64-1	52160 40000	B	Bracket	1	M 3-1	⊙
27	52350 89010		Cover	1		⊙	65	52350 42620		Cover	1		⊙ ⊙
	02246 08016		Bolt, w/w	2				02201 06016		Flange bolt	4		⊙ ⊙
28	52300 01021		Top cover	1		⊙ ⊙	65	52350 34320		Cover	1		⊙
28	52300 95810		Top cover	1		⊙		02138 06035		Bolt	4		⊙
28-1	52300 03320	B	Top cover	1	M 3-1	⊙		03115 02006		Spring washer	4		⊙
29	03407 66841		Seal rubber	2		⊙ ⊙		03116 12006		Plain washer	4		⊙
29	03407 66850		Seal rubber	2		⊙ ⊙	66	03407 67213		Seal rubber	3		⊙
30	03407 66854		Seal rubber	2		⊙ ⊙	67	52450 00730		Door	1		⊙ ⊙
30	03407 66854		Seal rubber	3		⊙ ⊙	67	52450 89320		Door	1		⊙
31	52550 15912		Side plate	1		⊙ ⊙	68	52480 12500		Hinge	6		⊙
31	52550 15011		Side plate	1		⊙ ⊙	69	02201 08030		Flange bolt	8		⊙ ⊙
32	52550 16012		Side plate	1		⊙ ⊙	69	02201 08030		Flange bolt	10		⊙
32	52550 15111		Side plate	1		⊙	70	03407 66801		Seal rubber	2		⊙ ⊙
33	52728 06810		Cushion rubber	4			70	03407 66816		Seal rubber	2		⊙
34	52160 37501		Bracket	2		⊙ ⊙	71	03407 64769		Seal rubber	1		⊙ ⊙
34	52160 37001		Bracket	2		⊙ ⊙	71	03407 64743		Seal rubber	1		⊙
35	52100 63621		Cover	1		⊙ ⊙	72	52450 00930		Door	1		⊙ ⊙
35	52100 54021		Cover	1		⊙	72	52450 89120		Door	1		⊙
36	52100 63721		Cover	1		⊙ ⊙	73	52480 12600		Hinge	4		⊙
36	52100 53921		Cover	1		⊙	74	52370 63701		Duct	1		⊙ ⊙
37	52728 20210		Cushion rubber	2			74	52370 60601		Duct	1		⊙
37-1	52728 23810	B	Cushion rubber	2	M184	⊙ ⊙	75	03407 66819		Seal rubber	1		⊙ ⊙
38	52370 63200		Duct	2		⊙ ⊙	75	03407 66802		Seal rubber	1		⊙
38	52370 60400		Duct	2		⊙	76	02915 00006		Hexagon flange nut	65		⊙
39	03407 66852		Seal rubber	2		⊙ ⊙	77	02201 08020		Flange bolt	60		⊙ ⊙
39	03407 66838		Seal rubber	2		⊙ ⊙	77	02201 08020		Flange bolt	58		⊙
40	52300 01121		Top cover	1		⊙ ⊙	78	52370 63301		Duct	1		⊙ ⊙
40-1	52300 07420	B	Top cover	1	M187	⊙ ⊙	78	52370 61401		Duct	1		⊙
	02248 06012		Bolt, w/w	2		⊙ ⊙	79	52370 63501		Duct	1		⊙ ⊙
	52652 00400		Nut	2		⊙ ⊙	79	52370 60501		Duct	1		⊙

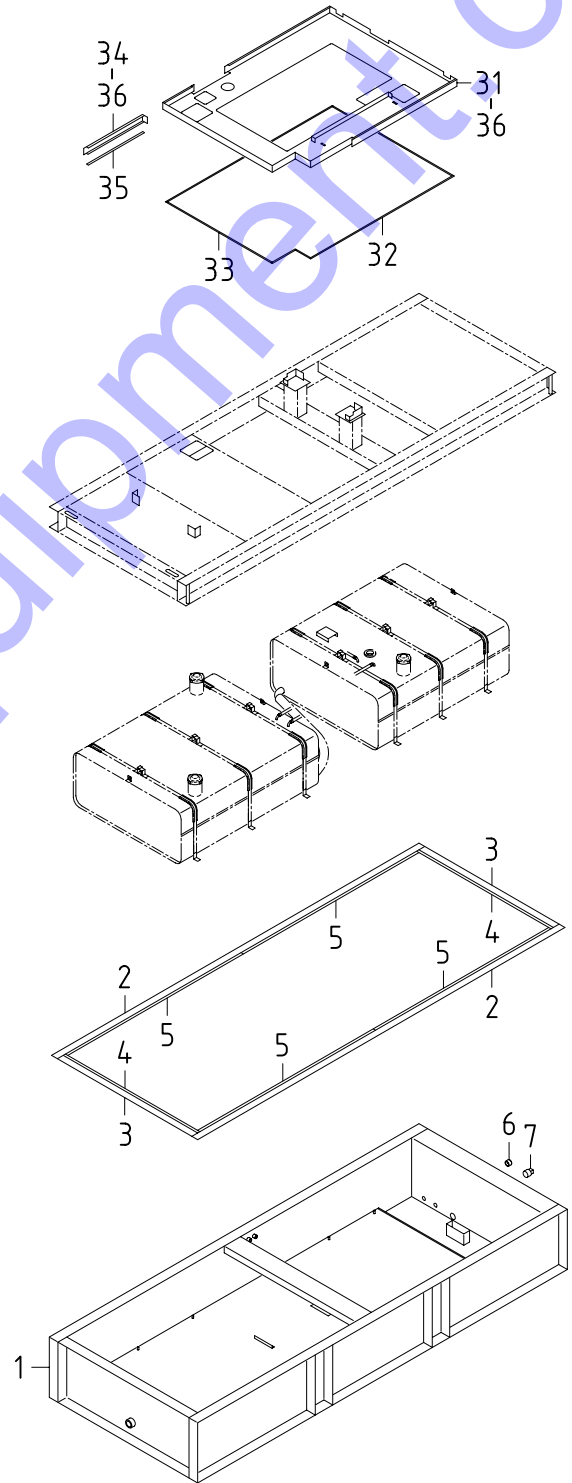
51 - 00 FRAME & BONNET

Ref. NO.	Part NO.	Inter-change ability	Part Name	Q' ty	C/H	Remarks	Ref. NO.	Part NO.	Inter-change ability	Part Name	Q' ty	C/H	Remarks
						100 125 150							
80	03407 68045		Seal rubber	2		⊙ ⊙							
80	03407 68050		Seal rubber	2		⊙							
81	03407 66842		Seal rubber	2		⊙							
82	52550 16212		Side plate	1		⊙ ⊙							
82	52550 15211		Side plate	1		⊙							
83	52160 37601		Bracket	2		⊙ ⊙							
83	52160 36901		Bracket	2		⊙							
84	52540 56800		Support	1		⊙							
84 -1	52540 58700	B	Support	1	M 3-1	⊙							
85	03407 66862		Seal rubber	2		⊙ ⊙							
85	03407 66828		Seal rubber	2		⊙							
86	52640 05600		Bolt	18		⊙ ⊙							
86	52640 05600		Bolt	20		⊙							
87	02201 06016		Flange bolt	42		⊙ ⊙							
87	02201 06016		Flange bolt	52		⊙							
88	52640 05100		Bolt	24									
89	52728 06910		Cushion rubber	2									
90	02246 08050		Bolt, w/w	6									
91	03407 64722		Seal rubber	2		⊙							
92	03407 67212		Seal rubber	1		⊙							
93	03407 67224		Seal rubber	1		⊙							
94	03407 67321		Seal rubber	2		⊙							
95	03403 10010		Grommet	9		⊙ ⊙							
95	03403 10010	D	Grommet	9	M 1	⊙							
96	03407 67024		Seal rubber	1		⊙ ⊙							
96	03407 66854		Seal rubber	1		⊙							
97	03407 66854		Seal rubber	1		⊙							
98	52870 12600	D	Stay	1	M 3-1								
	52726 00500	D	Distance piece	1	M 3-1								
	03413 30070	D	E-ring	1	M 3-1								
99	52728 14810		Cushion rubber	4		⊙ ⊙							
100	03407 66816		Seal rubber	2		⊙							
101	03407 66802		Seal rubber	1		⊙							
102	37181 03300		Clip	1		⊙ ⊙							

-SDG100/125S-



-SDG150S-

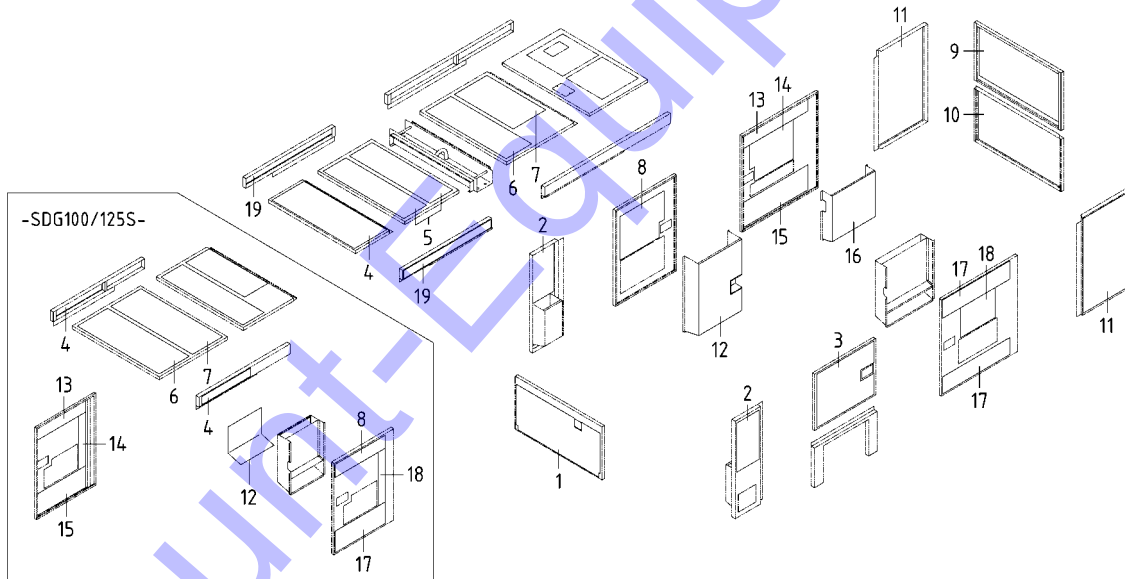


51 - 01 OIL FENCE

Ref. NO.	Part NO.	Inter-change ability	Part Name	Q' ty	C/H	Remarks	Ref. NO.	Part NO.	Inter-change ability	Part Name	Q' ty	C/H	Remarks
						100 125 150							
51 - 01		FRAME GROUP											
1	51100 08042		Frame	1		⊙ ⊙							
1-1	51100 20540	B	Frame	1	M193	⊙ ⊙							
1	51100 02941		Frame	1			⊙						
1-1	51100 20640	B	Frame	1	M193		⊙						
	02473 16040	C	Stud bolt	8	M 3								
	02162 16060	D	Bolt	8	M 3								
	52744 01700		Washer	8									
	02914 20016		Cap nut	8									
	03115 02016		Spring washer	16		⊙ ⊙							
	03115 02016		Spring washer	8			⊙						
	03116 12016		Plain washer	8									
2	52728 22510		Cushion rubber	2		⊙ ⊙							
2	52728 19810		Cushion rubber	2			⊙						
3	38465 16500		Cushion rubber	2									
4	52728 20110		Cushion rubber	2									
5	52728 22610		Cushion rubber	4		⊙ ⊙							
5	52728 21210		Cushion rubber	4			⊙						
6	03731 60006		Cap	1									
7	03620 41012		Plug	2									
8	03620 41003		Plug	2		⊙ ⊙							
52 - 01		BONNET GROUP											
31	52160 37702		Bracket	1		⊙ ⊙							
31-1	52160 47700	B	Bracket	1	M200	⊙ ⊙							
31	52160 34102		Bracket	1			⊙						
31-1	52160 47800	B	Bracket	1	M200		⊙						
32	03407 68144		Seal rubber	2			⊙						
33	03407 68104		Seal rubber	2			⊙						
34	52160 37801		Bracket	1		⊙ ⊙							
34	52160 34200		Bracket	1			⊙						
35	03407 66865		Seal rubber	1		⊙ ⊙							
35	03407 66842		Seal rubber	1			⊙						
36	02201 06016		Flange bolt	15		⊙ ⊙							
36	02201 06016		Flange bolt	16			⊙						

52 - 00 LINING

Ref. NO.	Part NO.	Inter-change ability	Part Name	Q'ty	C/H	Remarks	Ref. NO.	Part NO.	Inter-change ability	Part Name	Q'ty	C/H	Remarks
[SDG100/125S]							[SDG150S]						
	52900 84910		URETHANE FOAM KIT					52900 77511		URETHANE FOAM KIT			
								52900 86610	B	URETHANE FOAM KIT	M 4		
1	52931 73820		Lining	1			1	52989 30500		Lining	1		
2	52959 00250		Lining	2			2	52959 39250		Lining	2		
3	52989 32700		Lining	1			3	52989 30700		Lining	1		
4	52959 42150		Lining	2			4	52959 39350		Lining	1		
5	52959 42250		Lining	2			5	52959 39450		Lining	2		
6	52959 42350		Lining	1			6	52959 39550		Lining	1		
7	52959 42450		Lining	1			7	52959 39650		Lining	1		
8	52988 32700		Lining	1			8	52989 32100	C	Lining	1 M 4		
9	52919 90900		Lining	1			9	52919 01330		Lining	1		
10	52926 24300		Lining	1			9-1	52919 00930	A	Lining	1 M 4		
11	52919 27710		Lining	2			10	52919 01430		Lining	1		
12	52988 47000		Lining	1			10-1	52919 01030	A	Lining	1 M 4		
13	52988 32700		Lining	1			11	52919 01530		Lining	2		
14	52988 46700		Lining	1			11-1	52919 01130	A	Lining	2 M 4		
15	52988 46800		Lining	1			12	52989 30600		Lining	1		
16	52988 46900		Lining	1			13	52988 45000		Lining	1		
17	52988 46800		Lining	1			14	52989 32200	C	Lining	1 M 4		
18	52988 46700		Lining	1			15	52988 45100		Lining	1		
19	52959 66920		Lining	2			16	52988 45200		Lining	1		
							17	52988 45300		Lining	2		
							18	52989 32600	C	Lining	1 M 4		
							19	52959 41250		Lining	2		



I N D E X

PART NO.	PAGE	REF. NO.	PART NO.	PAGE	REF. NO.	PART NO.	PAGE	REF. NO.
02135 10020	20 - 2	1	02201 08020	43 - 3	22	02912 08008	44 - 3	128-1
02135 10025	20 - 2	26	02201 08020	44 - 2	33	02912 08016	20 - 2	21
02135 10035	38 - 2	109	02201 08020	44 - 2	36	02912 09004	44 - 3	126
02135 20055	51 - 2	5	02201 08020	44 - 2	48	02914 20016	51 - 5	1-1
02138 06016	20 - 2	4	02201 08020	44 - 3	118	02915 00005	51 - 2	8
02138 06020	20 - 2	4	02201 08020	51 - 2	77	02915 00006	38 - 2	28-1
02138 06020	20 - 2	14	02201 08020	51 - 2	77	02915 00006	44 - 3	120
02138 06025	20 - 2	4	02201 08030	20 - 2	67	02915 00006	44 - 3	136
02138 06030	43 - 3	28	02201 08030	20 - 2	78	02915 00006	51 - 2	76
02138 06035	51 - 2	65	02201 08030	44 - 3	128-1	02915 00008	20 - 2	67-1
02138 06050	20 - 2	9	02201 08030	51 - 2	23	02915 00008	20 - 2	78
02138 06060	20 - 2	9	02201 08030	51 - 2	69	02915 00008	38 - 2	108
02138 08050	20 - 2	9	02201 08030	51 - 2	69	02915 00008	44 - 2	3
02138 10030	20 - 2	13	02201 10020	20 - 2	27	02915 00008	44 - 2	36
02138 10055	43 - 3	5	02201 10020	20 - 2	61	02915 00008	44 - 2	48
02138 10055	43 - 3	5	02201 10020	20 - 2	83	02915 00010	43 - 3	6
02138 10060	43 - 3	5-1	02201 10020	38 - 2	7	02915 00010	43 - 3	6
02138 10110	38 - 2	72	02201 10020	44 - 2	32	02915 00012	20 - 2	21
02138 10140	38 - 2	72	02201 10020	44 - 2	37	02915 00012	20 - 2	22
02138 12020	20 - 2	84	02201 10020	44 - 2	37	02915 01008	38 - 2	102
02138 12025	20 - 2	84	02201 10030	43 - 3	44	02915 20010	43 - 3	5-1
02138 12025	44 - 2	36	02238 10025	20 - 2	11	02915 20010	43 - 3	5
02138 12025	44 - 2	36-1	02246 08016	44 - 3	128-1	03115 02005	44 - 2	13
02138 16025	44 - 2	36	02246 08016	51 - 2	27	03115 02005	44 - 2	40
02138 20055	51 - 2	5	02246 08050	51 - 3	90	03115 02006	20 - 2	4
02162 16060	51 - 5	1-1	02248 06012	51 - 2	40-1	03115 02006	20 - 2	9
02201 06016	38 - 2	25	02248 06016	38 - 2	28	03115 02006	20 - 2	14
02201 06016	38 - 2	25	02248 06016	44 - 2	15	03115 02006	43 - 3	28
02201 06016	38 - 2	28-1	02248 06016	44 - 2	15	03115 02006	51 - 2	65
02201 06016	38 - 2	65	02248 06020	20 - 2	3	03115 02008	20 - 2	9
02201 06016	43 - 3	31	02248 10030	20 - 2	1	03115 02010	20 - 2	1
02201 06016	43 - 3	31	02248 10035	20 - 2	1	03115 02010	20 - 2	13
02201 06016	44 - 2	46	02283 10040	43 - 3	44-1	03115 02010	20 - 2	26
02201 06016	44 - 2	56	02283 10070	43 - 3	44-1	03115 02010	38 - 2	72
02201 06016	44 - 3	132	02345 23008	44 - 3	123	03115 02012	20 - 2	84
02201 06016	44 - 3	132	02345 24020	44 - 2	39	03115 02012	44 - 2	36
02201 06016	44 - 3	132-1	02345 24020	44 - 3	126	03115 02012	44 - 2	36-1
02201 06016	51 - 2	65	02345 65012	43 - 3	11	03115 02014	44 - 3	116
02201 06016	51 - 3	87	02345 65016	44 - 2	40	03115 02016	20 - 2	21
02201 06016	51 - 3	87	02345 65020	44 - 2	13	03115 02016	44 - 2	36
02201 06016	51 - 5	36	02401 26016	44 - 3	113	03115 02016	51 - 5	1-1
02201 06016	51 - 5	36	02401 26020	44 - 3	120	03115 02016	51 - 5	1-1
02201 08012	38 - 2	1	02401 36025	44 - 3	81	03115 03003	44 - 3	123
02201 08012	38 - 2	1	02401 45016	51 - 2	8	03115 03004	44 - 2	39
02201 08012	44 - 2	46	02473 16040	51 - 5	1-1	03115 03004	44 - 3	126
02201 08020	20 - 2	67	02911 03010	38 - 2	102	03115 06010	38 - 2	109
02201 08020	20 - 2	67-1	02912 03014	44 - 3	116	03115 06020	51 - 2	5
02201 08020	20 - 2	83	02912 04010	38 - 2	109	03115 40010	20 - 2	1
02201 08020	38 - 2	8	02912 04020	51 - 2	5	03115 40010	43 - 3	44-1
02201 08020	38 - 2	73-1	02912 08006	20 - 2	4	03116 12005	44 - 2	13
02201 08020	38 - 2	107						

I N D E X

PART NO.	PAGE	REF. NO.	PART NO.	PAGE	REF. NO.	PART NO.	PAGE	REF. NO.
03116 12005	44 - 2	40	03407 64780	44 - 3	102	03407 68144	51 - 5	32
03116 12006	20 - 2	4	03407 66003	44 - 3	138	03413 30070	51 - 3	98
03116 12006	20 - 2	9	03407 66701	44 - 3	107	03424 80036	43 - 3	45
03116 12006	43 - 3	28	03407 66703	44 - 3	112	03424 82006	44 - 3	137
03116 12006	51 - 2	65	03407 66710	44 - 3	107	03425 00001	38 - 2	27
03116 12008	20 - 2	9	03407 66710	44 - 3	133	03425 00001	44 - 2	53
03116 12008	44 - 3	128-1	03407 66712	44 - 3	112	03425 00001	44 - 2	53-1
03116 12010	20 - 2	26	03407 66713	44 - 3	111	03511 10018	43 - 3	41
03116 12010	38 - 2	72	03407 66714	44 - 3	105	03511 10018	43 - 3	41
03116 12010	43 - 3	5-1	03407 66714	44 - 3	111	03511 20035	38 - 2	68
03116 12010	43 - 3	5	03407 66801	51 - 2	70	03511 20035	43 - 3	10
03116 12012	20 - 2	84	03407 66802	51 - 2	75	03511 20040	20 - 2	74
03116 12012	44 - 2	36	03407 66802	51 - 3	101	03511 20060	43 - 3	16
03116 12012	44 - 2	36-1	03407 66803	51 - 2	44	03511 20070	20 - 2	79
03116 12016	20 - 2	21	03407 66816	51 - 2	44	03511 20070	38 - 2	4
03116 12016	44 - 2	36	03407 66816	51 - 2	70	03511 20070	38 - 2	5
03116 12016	51 - 5	1-1	03407 66816	51 - 3	100	03511 20080	20 - 2	79
03116 14014	44 - 3	116	03407 66819	51 - 2	75	03511 20080	20 - 2	87
03116 15010	38 - 2	109	03407 66828	51 - 3	85	03511 20080	38 - 2	5
03116 15020	51 - 2	5	03407 66831	51 - 2	48	03511 20090	20 - 2	72
03116 18003	44 - 3	123	03407 66838	51 - 2	39	03511 20090	20 - 2	86
03116 18004	44 - 2	39	03407 66841	51 - 2	29	03511 20100	20 - 2	72
03260 03010	39 - 2	2	03407 66842	51 - 3	81	03511 20100	20 - 2	86
03260 03010	44 - 2	19	03407 66842	51 - 5	35	03511 20120	20 - 2	70
03316 03016	44 - 3	117	03407 66849	44 - 3	139	03511 20120	20 - 2	71
03402 25024	38 - 2	78	03407 66850	51 - 2	29	03511 20120	20 - 2	90
03403 00252	44 - 3	108	03407 66852	51 - 2	39	03511 20140	20 - 2	70
03403 00303	38 - 2	11	03407 66854	51 - 2	30	03511 30245	38 - 2	20
03403 00303	38 - 2	30	03407 66854	51 - 2	30	03511 40016	38 - 2	23
03403 00303	44 - 3	134	03407 66854	51 - 3	96	03570 09018	43 - 3	21-1
03403 00512	38 - 2	12	03407 66854	51 - 3	97	03570 09022	43 - 3	21
03403 10010	44 - 3	129	03407 66862	51 - 3	85	03570 09025	43 - 3	35
03403 10010	51 - 2	9	03407 66864	51 - 2	43	03570 09028	43 - 3	29
03403 10010	51 - 3	95	03407 66864	51 - 2	54-1	03570 09029	43 - 3	20-1
03403 10010	51 - 3	95	03407 66865	51 - 5	35	03570 09029	43 - 3	29-1
03403 10017	51 - 2	7	03407 66871	44 - 3	140	03570 09030	43 - 3	36-1
03407 14014	44 - 2	59	03407 67024	51 - 3	96	03570 09030	43 - 3	37-1
03407 16024	38 - 2	63	03407 67031	44 - 3	106	03570 09033	43 - 3	29
03407 20106	44 - 2	56	03407 67212	51 - 3	92	03570 09037	43 - 3	37
03407 64719	44 - 3	102	03407 67213	51 - 2	66	03570 09040	43 - 3	36
03407 64722	51 - 3	91	03407 67224	51 - 3	93	03570 09040	43 - 3	36
03407 64727	51 - 2	62	03407 67313	38 - 2	9	03570 09045	43 - 3	20
03407 64735	51 - 2	45	03407 67321	51 - 3	94	03570 09055	43 - 3	39-1
03407 64735	51 - 2	62	03407 67533	38 - 2	10	03570 09060	43 - 3	40
03407 64743	51 - 2	57	03407 67605	51 - 2	55	03570 09070	43 - 3	39
03407 64743	51 - 2	71	03407 68045	51 - 3	80	03570 09080	43 - 3	34
03407 64745	51 - 2	61	03407 68050	51 - 3	80	03570 09110	43 - 3	34-1
03407 64768	51 - 2	61	03407 68104	51 - 5	33	03570 09120	43 - 3	34
03407 64769	51 - 2	57	03407 68118	51 - 2	54	03570 09120	43 - 3	38
03407 64769	51 - 2	71	03407 68118	51 - 2	54	03570 09120	43 - 3	39

I N D E X

PART NO.	PAGE	REF. NO.	PART NO.	PAGE	REF. NO.	PART NO.	PAGE	REF. NO.
03570 09120	43 - 3	40	25200 11400	20 - 2	8	32331 60500	20 - 2	68
03570 09170	43 - 3	38	25310 09100	20 - 2	11	32331 70700	20 - 2	76
03570 19042	43 - 3	9-1	25310 09800	20 - 2	11	32331 70900	20 - 2	85
03570 19044	43 - 3	9-1	25330 00700	20 - 2	13	32331 72101	20 - 2	68
03570 19050	43 - 3	9	25360 06100	20 - 2	12	32331 72200	20 - 2	69
03570 19052	43 - 3	9	25360 07400	20 - 2	12	32331 72300	20 - 2	76
03570 38095	43 - 3	15	25641 01200	20 - 2	4	32331 72400	20 - 2	81
03580 19050	38 - 2	67	25641 01600	20 - 2	4	32331 72501	20 - 2	85
03580 19052	38 - 2	67	25650 00400	20 - 2	3	32331 72600	20 - 2	69
03591 25110	20 - 2	73	25650 01600	20 - 2	3	32331 72700	20 - 2	81
03591 25120	20 - 2	73	25700 06600	20 - 2	9	32331 73800	20 - 2	68-1
03620 41003	38 - 2	29	25700 07900	20 - 2	9	32331 73900	20 - 2	88
03620 41003	51 - 5	8	25700 08000	20 - 2	9	32332 08101	20 - 2	80
03620 41006	38 - 2	71	31110 01610	20 - 2	25	35208 04500	44 - 3	116
03620 41006	43 - 3	14	31110 01810	20 - 2	27	35483 10101	43 - 3	30
03620 41012	51 - 5	7	31110 02211	20 - 2	27	36120 14101	44 - 3	100
03731 21006	38 - 2	79	31110 99601	20 - 2	24	36143 03600	44 - 2	23
03731 60006	51 - 5	6	31110 99900	20 - 2	25	36143 03800	44 - 2	23
03732 00201	44 - 2	57	31120 08900	20 - 2	23	36145 06500	44 - 2	24
03734 44003	43 - 3	33	31130 09100	20 - 2	21	36145 06700	44 - 2	24
03734 44003	43 - 3	33	31130 09100	20 - 2	22	36146 05901	44 - 2	21
03734 84060	38 - 2	76	31130 09200	20 - 2	21	36146 06200	44 - 2	21
03734 84060	38 - 2	77	31130 09600	20 - 2	21	36158 00500	44 - 2	22
03735 13006	38 - 2	69	31130 09600	20 - 2	22	36158 00601	44 - 2	22
03735 13006	43 - 3	13	31131 04100	44 - 3	103	36159 00600	43 - 3	11
03830 08025	38 - 2	108	31131 04100	44 - 3	103-1	37160 71300	38 - 2	74
03830 08026	38 - 2	108	31131 04100	51 - 2	59	37160 79800	38 - 2	74
05068 22050	44 - 2	33	32100 42000	20 - 2	61	37160 79900	38 - 2	75
05108 28035	44 - 2	32	32100 43900	20 - 2	61	37160 90200	38 - 2	75
05138 22050	44 - 2	33	32142 10700	20 - 2	63	37170 12700	43 - 3	42
06540 15065	44 - 2	29-1	32142 11200	20 - 2	63	37170 12700	43 - 3	42
06540 15100	44 - 2	29	32143 12500	20 - 2	62	37170 14200	38 - 2	70
07605 29075	44 - 2	29	32143 16200	20 - 2	62	37170 14200	43 - 3	12
07605 34040	44 - 2	31	32147 03100	20 - 2	65	37170 14200	43 - 3	47
07805 29075	44 - 2	29-1	32147 03400	20 - 2	65	37170 20200	43 - 3	32
07805 29120	44 - 2	29	32148 03000	20 - 2	66	37170 20200	43 - 3	32
07805 34040	44 - 2	31-1	32151 01600	20 - 2	64	37170 21700	43 - 3	47-1
07808 48060	44 - 2	32	32240 37000	20 - 2	67	37181 03300	51 - 3	102
07808 51035	44 - 2	32-1	32240 38400	20 - 2	67	37181 07000	43 - 3	19
20003 59200	20 - 2	1	32240 39600	20 - 2	67-1	37189 32400	44 - 2	58
20003 61400	20 - 2	1	32270 04400	20 - 2	78	38100 41100	38 - 2	1
20003 61500	20 - 2	1	32270 04500	20 - 2	83	38100 42900	38 - 2	1
21468 15700	20 - 2	14	32270 04602	20 - 2	83	38410 05800	38 - 2	1
21472 00100	20 - 2	7	32320 66800	20 - 2	77	38440 01311	38 - 2	13
21472 09700	20 - 2	7	32320 66900	20 - 2	82	38440 01411	38 - 2	14
25100 08000	20 - 2	2	32320 67300	20 - 2	75	38440 99000	38 - 2	13
25100 09400	20 - 2	2	32320 67400	20 - 2	77	38440 99100	38 - 2	14
25100 09500	20 - 2	2	32320 67500	20 - 2	82	38450 76000	38 - 2	16
25200 10600	20 - 2	8	32320 67600	20 - 2	75	38450 76700	38 - 2	17
25200 11300	20 - 2	8	32320 68100	20 - 2	89	38450 78300	38 - 2	18

I N D E X

PART NO.	PAGE	REF. NO.	PART NO.	PAGE	REF. NO.	PART NO.	PAGE	REF. NO.
38450 78801	38 - 2	16	39178 21220	39 - 2	41	39200 04302	51 - 2	51
38450 78901	38 - 2	17	39178 21220	39 - 2	41-1	41250 04900	38 - 2	73
38450 79101	38 - 2	18	39178 21830	39 - 2	3	41250 05100	38 - 2	73
38465 16000	43 - 3	3	39178 21830	39 - 2	3-1	41250 05100	38 - 2	73-1
38465 16000	43 - 3	3	39178 21930	39 - 2	3	41290 00800	38 - 2	72
38465 16500	51 - 5	3	39178 21930	39 - 2	3-1	41291 00500	38 - 2	72
38469 01400	38 - 2	1	39178 22530	44 - 3	96	42100 78200	38 - 2	101
38524 66400	38 - 2	2	39178 22530	44 - 3	96-1	42240 24700	38 - 2	106
38524 66501	38 - 2	3	39178 23420	39 - 2	42	42240 28300	38 - 2	106
38524 67400	38 - 2	2	39178 23420	39 - 2	42-1	42310 89900	38 - 2	102
38524 67500	38 - 2	3	39178 28420	39 - 2	40	42310 90000	38 - 2	105
38590 00300	38 - 2	19	39178 28420	39 - 2	40-1	42310 92100	38 - 2	102
38594 02300	38 - 2	6	39178 28420	39 - 2	41	42310 92200	38 - 2	105
38594 02400	38 - 2	22	39178 28420	39 - 2	41-1	42323 04500	38 - 2	104
38860 28600	38 - 2	21	39178 38220	44 - 3	98	42324 14100	38 - 2	103
38860 28901	38 - 2	21	39178 43110	39 - 2	9	42324 14300	38 - 2	103
38920 02700	38 - 2	7	39178 47610	39 - 2	10	43100 66301	43 - 3	1
39103 46801	39 - 2	2	39178 49120	39 - 2	38	43100 66501	43 - 3	2
39148 05300	20 - 2	63	39178 50620	39 - 2	19	43100 68801	43 - 3	1
39152 23401	39 - 2	17	39178 50820	44 - 3	95	43210 01301	43 - 3	8
39153 64400	44 - 3	97	39178 53620	39 - 2	8	43210 01301	43 - 3	8
39153 64900	44 - 3	97	39178 53620	39 - 2	8-1	43220 01300	43 - 3	7
39153 64900	44 - 3	97-1	39178 53720	39 - 2	5	43220 01300	43 - 3	7
39170 02000	39 - 2	1	39178 53720	39 - 2	5-1	43310 27000	43 - 3	4
39170 02000	39 - 2	1-1	39178 54721	39 - 2	6	43310 27000	43 - 3	4
39170 02000	39 - 2	1-2	39178 54721	39 - 2	6-2	43310 27100	43 - 3	5
39173 02000	39 - 2	13	39178 54820	39 - 2	7	43310 27100	43 - 3	5
39173 03300	39 - 2	29	39178 54820	39 - 2	7-1	43310 29000	43 - 3	4-1
39176 35600	39 - 2	21	39178 62420	39 - 2	4	43310 29100	43 - 3	5-1
39176 35600	39 - 2	21	39178 62420	39 - 2	4-1	43322 06700	43 - 3	43
39176 50000	39 - 2	28	39178 62620	39 - 2	4	43322 06700	43 - 3	43
39176 50000	39 - 2	28	39178 62620	39 - 2	4-1	43340 30401	43 - 3	22
39176 62400	39 - 2	12	39178 72500	39 - 2	37	43340 31600	43 - 3	22
39176 62900	39 - 2	16	39178 76520	39 - 2	4	43350 02000	44 - 2	56
39176 69300	39 - 2	27	39178 76520	39 - 2	4-1	43440 04600	43 - 3	48
39176 69500	39 - 2	25	39178 78120	39 - 2	40	43525 02600	43 - 3	17
39176 69600	39 - 2	26	39178 78120	39 - 2	40-1	43531 01900	43 - 3	27
39176 73300	39 - 2	22	39178 78120	39 - 2	41	43532 05500	38 - 2	64
39176 73500	39 - 2	23	39178 78120	39 - 2	41-1	43532 09000	43 - 3	25
39176 73800	39 - 2	24	39178 78920	39 - 2	6-1	43534 02102	38 - 2	62
39176 85800	39 - 2	14	39178 80820	39 - 2	39	43534 04800	43 - 3	26
39176 85900	39 - 2	15	39178 80820	39 - 2	39-1	43540 07600	43 - 3	23
39176 88300	39 - 2	11-1	39178 87210	39 - 2	18	43540 07700	43 - 3	24
39176 89700	39 - 2	11	39178 90520	39 - 2	33	43543 00900	43 - 3	23
39178 00310	39 - 2	20	39178 90620	39 - 2	34	43543 01000	43 - 3	24
39178 13530	39 - 2	3	39178 90720	39 - 2	35	43570 07900	43 - 3	18
39178 13530	39 - 2	3-1	39189 21100	39 - 2	36	43650 02500	43 - 3	28
39178 13730	44 - 3	96	39189 21300	39 - 2	30	43650 02600	43 - 3	28
39178 21120	39 - 2	40	39189 21400	39 - 2	31	44210 02300	44 - 2	1
39178 21120	39 - 2	40-1	39189 21500	39 - 2	32	44210 06700	44 - 2	1

I N D E X

PART NO.	PAGE	REF. NO.	PART NO.	PAGE	REF. NO.	PART NO.	PAGE	REF. NO.			
44220	04300	44 - 2	2	44462	02500	44 - 2	31	46760	46210	44 - 2	40
44220	16600	44 - 2	2	44462	05500	44 - 2	29	46813	08000	44 - 2	47
44243	03100	44 - 2	3-1	44462	05500	44 - 2	29-1	46870	47401	44 - 2	20
44243	03100	44 - 2	3	44462	05500	44 - 2	31-1	46870	47901	44 - 2	20
44243	04701	44 - 2	3	44462	05600	44 - 2	31-1	46872	01300	44 - 2	44
44243	05500	38 - 2	26	44462	05600	44 - 2	32	46879	45800	44 - 2	45
44243	05500	43 - 3	46	44462	05600	44 - 2	32-1	46900	85401	44 - 3	81
44243	05500	44 - 2	52	44470	01600	44 - 2	16	46900	91100	44 - 3	81
44250	26311	44 - 2	14	44470	01600	44 - 2	54	46900	91200	44 - 3	81
44250	26410	44 - 2	6	44470	01700	44 - 2	54	46911	01200	44 - 3	84
44260	34800	44 - 3	109	44470	01900	44 - 2	17	46913	01400	44 - 3	85
44260	34900	44 - 3	110	44470	02300	44 - 2	49	46917	03100	44 - 3	87
44260	36300	44 - 3	110	44490	55631	44 - 2	46	46917	03200	44 - 3	87
44260	36400	44 - 3	109	44490	60630	44 - 2	46	46918	01400	44 - 3	93
44290	41200	44 - 2	34	44500	02700	44 - 2	51	46921	02500	44 - 3	91
44290	41901	44 - 2	35	44550	22400	44 - 3	127	46921	08600	44 - 2	40
44290	42201	44 - 2	55	45214	01400	44 - 3	81	46921	08900	20 - 2	6
44290	42300	44 - 2	48	45214	01400	44 - 3	119	46921	09000	20 - 2	5
44290	43100	44 - 2	50	46120	26800	44 - 3	122	46923	04100	44 - 3	88
44290	43401	44 - 3	136	46120	26900	44 - 3	121	46923	04600	44 - 3	88
44311	07600	44 - 3	94	46120	30900	44 - 3	86	46928	01500	44 - 3	91
44311	56101	44 - 3	114	46120	31200	44 - 3	86	46929	00600	44 - 3	89
44311	58900	44 - 3	94	46120	31300	44 - 3	86	46929	01200	44 - 3	89
44311	65600	44 - 2	39	46153	03100	44 - 3	82	46934	03200	44 - 2	16
44312	02800	44 - 3	124	46154	12500	44 - 3	83	46934	03200	44 - 2	54
44312	02900	44 - 3	125	46154	13700	44 - 3	83	46934	03300	44 - 2	54
44322	02800	44 - 2	18	46154	15300	44 - 2	25	46934	04400	44 - 2	17
44324	05800	44 - 2	7	46154	15500	44 - 2	25	46939	00900	44 - 3	89
44324	05800	44 - 2	8	46167	02400	44 - 3	90	46939	01300	44 - 3	89
44324	08500	44 - 2	7	46177	08300	44 - 2	41	46948	00900	44 - 2	44
44324	08500	44 - 2	8	46177	08400	44 - 2	42	46950	02600	44 - 3	92
44328	21500	44 - 2	12	46177	08500	44 - 2	43	46991	01100	44 - 3	93
44335	01100	44 - 2	4	46177	08600	44 - 2	41	51100	02040	51 - 2	1
44336	03001	44 - 2	38	46177	08700	44 - 2	42	51100	02941	51 - 5	1
44346	07500	44 - 2	11	46305	09100	44 - 3	115	51100	07941	51 - 2	1
44346	08500	44 - 2	11	46311	02400	44 - 3	94	51100	08042	51 - 5	1
44346	13200	44 - 2	4	46312	05100	44 - 3	116	51100	12341	51 - 2	1-1
44346	15500	44 - 2	9	46450	88702	44 - 3	101	51100	19840	51 - 2	1-1
44346	15600	44 - 2	10	46450	90100	44 - 3	130	51100	20040	51 - 2	1-1
44346	15700	44 - 2	9	46450	91801	44 - 3	101	51100	20540	51 - 5	1-1
44346	15900	44 - 2	10	46450	92201	44 - 3	130	51100	20640	51 - 5	1-1
44364	00100	44 - 2	27	46470	81701	44 - 3	104	51100	21840	51 - 2	1-2
44364	06600	44 - 2	13	46470	85902	44 - 3	104	51100	21940	51 - 2	1-2
44365	00300	44 - 2	26	46470	87700	44 - 3	104-1	51100	22040	51 - 2	1-2
44390	02300	44 - 2	5	46480	46801	44 - 3	113	51500	38700	51 - 2	2
44390	02400	44 - 2	5	46480	47001	44 - 3	131	51500	38801	51 - 2	3
44462	00501	44 - 2	31	46480	49100	44 - 3	113	51500	38901	51 - 2	4
44462	00501	44 - 2	32	46480	49201	44 - 3	131	51500	39202	51 - 2	2
44462	00700	44 - 2	30	46480	50200	44 - 3	135	51500	39302	51 - 2	3
44462	02500	44 - 2	29	46760	43810	44 - 2	40	51500	39402	51 - 2	4

I N D E X

PART NO.	PAGE	REF. NO.	PART NO.	PAGE	REF. NO.	PART NO.	PAGE	REF. NO.
51500 40100	51 - 2	2-1	52350 52420	38 - 2	31	52660 04700	44 - 2	19
51500 40200	51 - 2	3-1	52350 66010	38 - 2	15	52710 03601	51 - 2	63
51500 40300	51 - 2	4-1	52350 89010	51 - 2	27	52723 00100	44 - 3	99
51500 41200	51 - 2	2-1	52370 60400	51 - 2	38	52726 00500	51 - 3	98
52100 53921	51 - 2	36	52370 60501	51 - 2	79	52728 05210	20 - 2	10
52100 54021	51 - 2	35	52370 60601	51 - 2	74	52728 06810	51 - 2	33
52100 54120	51 - 2	21	52370 61401	51 - 2	78	52728 06910	51 - 3	89
52100 54220	51 - 2	22	52370 62801	51 - 2	53	52728 14810	51 - 3	99
52100 54320	51 - 2	42	52370 62901	51 - 2	46	52728 19810	51 - 5	2
52100 63421	51 - 2	21	52370 63001	51 - 2	52	52728 19910	38 - 2	66
52100 63520	51 - 2	22	52370 63200	51 - 2	38	52728 20010	51 - 2	6
52100 63621	51 - 2	35	52370 63301	51 - 2	78	52728 20110	51 - 5	4
52100 63721	51 - 2	36	52370 63401	51 - 2	46	52728 20210	51 - 2	37
52100 63820	51 - 2	42	52370 63501	51 - 2	79	52728 21210	51 - 5	5
52160 32401	51 - 2	64	52370 63601	51 - 2	52	52728 22510	51 - 5	2
52160 32600	38 - 2	65	52370 63701	51 - 2	74	52728 22610	51 - 5	5
52160 34102	51 - 5	31	52370 63801	51 - 2	53	52728 22710	20 - 2	10
52160 34200	51 - 5	34	52400 83610	44 - 3	128	52728 22810	20 - 2	10
52160 36901	51 - 3	83	52400 89911	44 - 3	128	52728 23810	51 - 2	37-1
52160 37001	51 - 2	34	52400 94810	44 - 3	128-1	52739 00600	44 - 2	18
52160 37501	51 - 2	34	52416 24400	51 - 2	50	52739 03700	51 - 2	63
52160 37601	51 - 3	83	52416 26900	44 - 3	119	52744 01100	44 - 2	56
52160 37702	51 - 5	31	52416 27202	44 - 3	119	52744 01200	38 - 2	101
52160 37801	51 - 5	34	52450 00630	51 - 2	56	52744 01200	38 - 2	101
52160 37902	51 - 2	64	52450 00730	51 - 2	67	52744 01700	51 - 5	1-1
52160 40000	51 - 2	64-1	52450 00830	51 - 2	60	52746 02100	51 - 2	25
52160 47700	51 - 5	31-1	52450 00930	51 - 2	72	52830 38400	51 - 2	23
52160 47800	51 - 5	31-1	52450 89120	51 - 2	72	52830 38500	51 - 2	24
52230 43300	51 - 2	47	52450 89221	51 - 2	49	52830 40000	51 - 2	23
52230 43600	51 - 2	47	52450 89320	51 - 2	67	52830 40100	51 - 2	24
52300 00920	51 - 2	26	52450 89420	51 - 2	60	52870 12600	51 - 3	98
52300 01021	51 - 2	28	52450 89520	51 - 2	56	52900 77511	52 - 1	19
52300 01121	51 - 2	40	52480 12500	51 - 2	68	52900 86610	52 - 1	19
52300 02720	51 - 2	26	52480 12600	51 - 2	73	52919 00930	52 - 1	9-1
52300 03320	51 - 2	28-1	52480 13300	44 - 3	120	52919 01030	52 - 1	10-1
52300 03420	51 - 2	40-1	52540 56800	51 - 3	84	52919 01130	52 - 1	11-1
52300 03520	51 - 2	41-1	52540 58700	51 - 3	84-1	52919 01330	52 - 1	9
52300 07420	51 - 2	40-1	52550 15011	51 - 2	31	52919 01430	52 - 1	10
52300 95810	51 - 2	28	52550 15111	51 - 2	32	52919 01530	52 - 1	11
52300 95910	51 - 2	26	52550 15211	51 - 3	82	52919 27710	52 - 1	11
52300 96110	51 - 2	40	52550 15311	51 - 2	58	52919 90900	52 - 1	9
52300 97210	51 - 2	41	52550 15912	51 - 2	31	52926 24300	52 - 1	10
52350 28320	38 - 2	24	52550 16012	51 - 2	32	52931 73820	52 - 1	1
52350 28621	38 - 2	8	52550 16112	51 - 2	58	52959 00250	52 - 1	2
52350 34320	51 - 2	65	52550 16212	51 - 3	82	52959 39250	52 - 1	2
52350 35522	38 - 2	8	52640 05100	51 - 3	88	52959 39350	52 - 1	4
52350 35621	38 - 2	15	52640 05200	44 - 3	119	52959 39450	52 - 1	5
52350 35720	38 - 2	24	52640 05600	51 - 3	86	52959 39550	52 - 1	6
52350 41920	51 - 2	8	52640 05600	51 - 3	86	52959 39650	52 - 1	7
52350 42620	51 - 2	65	52652 00400	51 - 2	40-1	52959 41250	52 - 1	19

I N D E X

PART NO.	PAGE	REF. NO.	PART NO.	PAGE	REF. NO.	PART NO.	PAGE	REF. NO.
52959	42150	52 - 1			4			
52959	42250	52 - 1			5			
52959	42350	52 - 1			6			
52959	42450	52 - 1			7			
52959	66920	52 - 1			19			
52988	32700	52 - 1			8			
52988	32700	52 - 1			13			
52988	45000	52 - 1			13			
52988	45100	52 - 1			15			
52988	45200	52 - 1			16			
52988	45300	52 - 1			17			
52988	46700	52 - 1			14			
52988	46700	52 - 1			18			
52988	46800	52 - 1			15			
52988	46800	52 - 1			17			
52988	46900	52 - 1			16			
52988	47000	52 - 1			12			
52989	30500	52 - 1			1			
52989	30600	52 - 1			12			
52989	30700	52 - 1			3			
52989	32100	52 - 1			8			
52989	32200	52 - 1			14			
52989	32600	52 - 1			18			
52989	32700	52 - 1			3			
GD920	18300	38 - 2			76			
GH245	00600	44 - 3			128-1			

Discount Equipment

Discount-Equipment.com is your online resource for commercial and industrial quality parts and equipment sales.

Locations:

Florida (West Palm Beach): [561-964-4949](tel:561-964-4949)

Outside Florida TOLL FREE: [877-690-3101](tel:877-690-3101)

Need parts? Check out our website at www.discount-equipment.com

Can't find what you need?

Click on this link: <http://www.discount-equipment.com/category/5443-parts/> and fill out the request form.

Please have the machine model and serial number available in order to help us get you the correct parts. One of our experienced staff members will get back to you with a quote for the right part that your machine needs.

We sell worldwide for the brands: Genie, Terex, JLG, MultiQuip, Mayco, Toro/Stone, Diamond Products, Magnum, Airman, Mustang, Power Blanket, Nifty Lift, Atlas Copco, Chicago Pneumatic, Allmand Brothers, Essick, Miller Spreader, Skyjack, Lull, Skytrak, Tsurumi, Husquvarna/Target, Whiteman-Concrete/Mortar, Stow-Concrete/Mortar, Baldor, Wacker, Sakai, Snorkel, Upright, Mi-T-M, Sullair, Neal, Basic, Dynapac, MBW, Weber, Bartell, Bennar Newman, Haulotte, Ditch Runner, Blaw-Knox, Himoinsa, Best, Buddy, Crown, Edco, Wyco, Bomag, Laymor, Terremite, Barreto, EZ Trench, Takeuchi, Basic, Bil-Jax, Curtis, Gehl, Heli, Honda, ICS/PowerGrit, Puckett, Waldon, ASV, IHI, Partner, Imer, Clipper, MMD, Koshin, Rice, Gorman Rupp, CH&E, Cat Pumps, Comet, General Pump, Giant, AMida, Coleman, NAC, Gradall, Square Shooter, Kent, Stanley, Tamco, Toku, Hatz, Kohler, Robin, Wisconsin, Northrock, Oztec, Toker TK, Rol-Air, Small Line, Wanco, Yanmar

New Equipment - Used Equipment - Rental Equipment - Parts and Accessories

Discount Equipment

www.discount-equipment.com

561-964-4949

Parts: wbparts@Discount-Equipment.com

Sales: info@Discount-Equipment.com