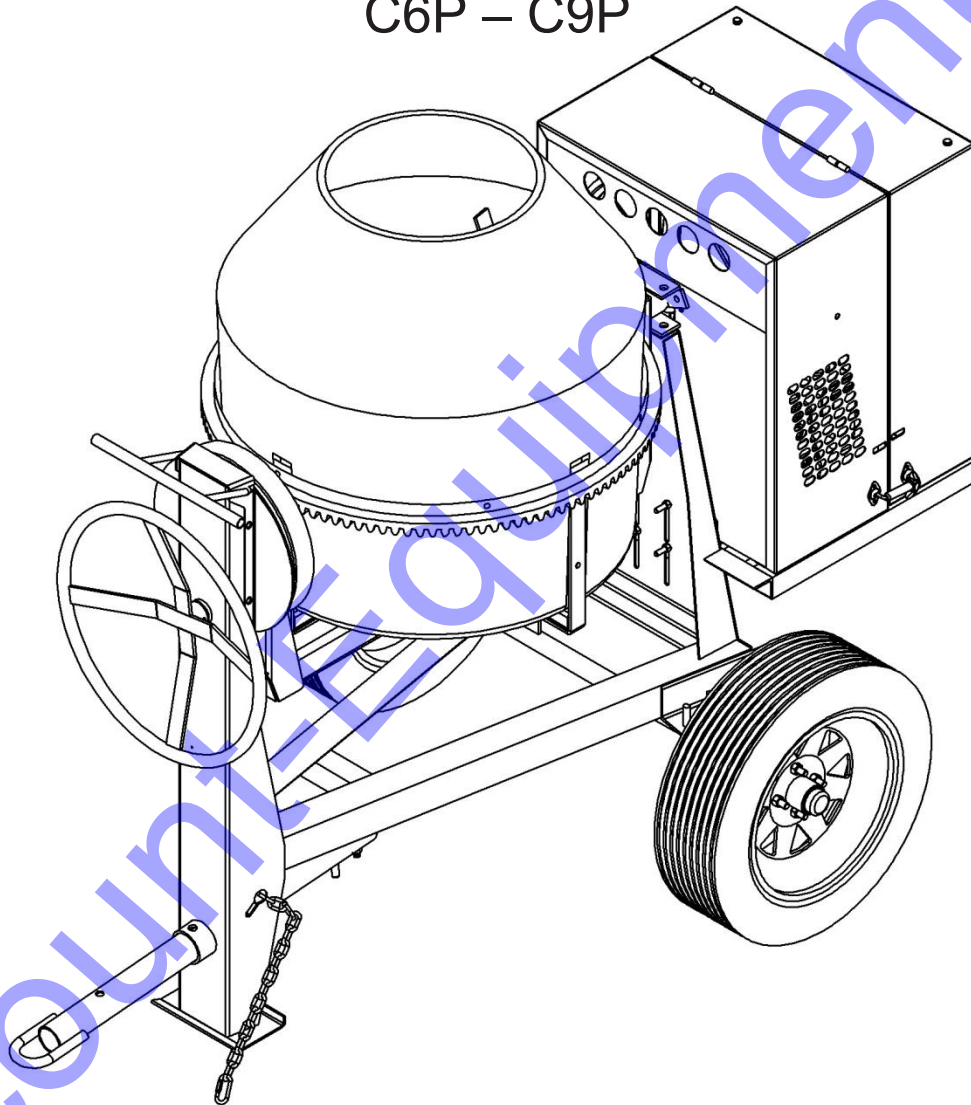


# REPAIR PARTS MANUAL CONCRET MIXERS

SERIES	MM-Mech
BULLETIN No.	200089R6
SUPERSEDES	200089R5
DATE	Oct 2007
29/09/15	

C6P – C9P



**CROWN**  
CONSTRUCTION EQUIPMENT

\*When ordering parts please always specify the model and serial number of the mixers as a reference.

**Discount  
Equipment**

[www.discount-equipment.com](http://www.discount-equipment.com)

# **Discount Equipment**

Discount-Equipment.com is your online resource for commercial and industrial quality parts and equipment sales.

## **Locations:**

Florida (West Palm Beach): [561-964-4949](tel:561-964-4949)

Outside Florida TOLL FREE: [877-690-3101](tel:877-690-3101)

**Need parts?** Check out our website at [www.discount-equipment.com](http://www.discount-equipment.com)

## **Can't find what you need?**

Click on this link: <http://www.discount-equipment.com/category/5443-parts/> and fill out the request form.

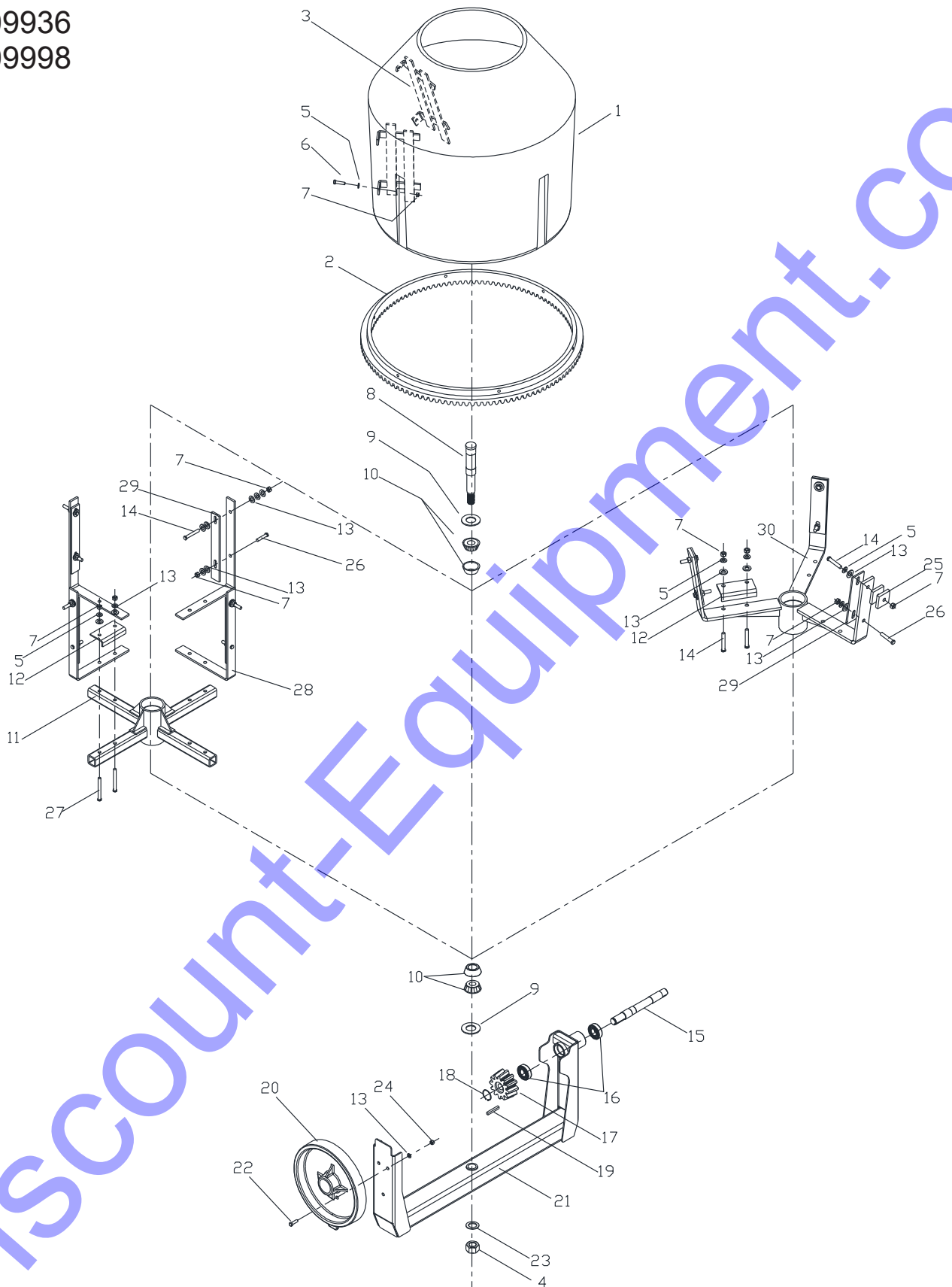
Please have the machine model and serial number available in order to help us get you the correct parts. One of our experienced staff members will get back to you with a quote for the right part that your machine needs.

We sell worldwide for the brands: Genie, Terex, JLG, MultiQuip, Mayco, Toro/Stone, Diamond Products, Magnum, Airman, Mustang, Power Blanket, Nifty Lift, Atlas Copco, Chicago Pneumatic, Allmand Brothers, Essick, Miller Spreader, Skyjack, Lull, Skytrak, Tsurumi, Husquyarna/Target, Whiteman-Concrete/Mortar, Stow-Concrete/Mortar, Baldor, Wacker, Sakai, Snorkel, Upright, Mi-T-M, Sullair, Neal, Basic, Dynapac, MBW, Weber, Bartell, Bennar Newman, Haulotte, Ditch Runner, Blaw-Knox, Himoina, Best, Buddy, Crown, Edco, Wyco, Bomag, Laymor, Terremite, Barreto, EZ Trench, Takeuchi, Basic, Bil-Jax, Curtis, Gehl, Heli, Honda, ICS/PowerGrit, Puckett, Waldon, ASV, IHI, Partner, Imer, Clipper, MMD, Koshin, Rice, Gorman Rupp, CH&E, Cat Pumps, Comet, General Pump, Giant, AMida, Coleman, NAC, Gradall, Square Shooter, Kent, Stanley, Tamco, Toku, Hatz, Kohler, Robin, Wisconsin, Northrock, Oztec, Toker TK, Rol-Air, Small Line, Wanco, Yanmar

# DRUM ASSEMBLY

\*\*\*609936

\*\*\*609998



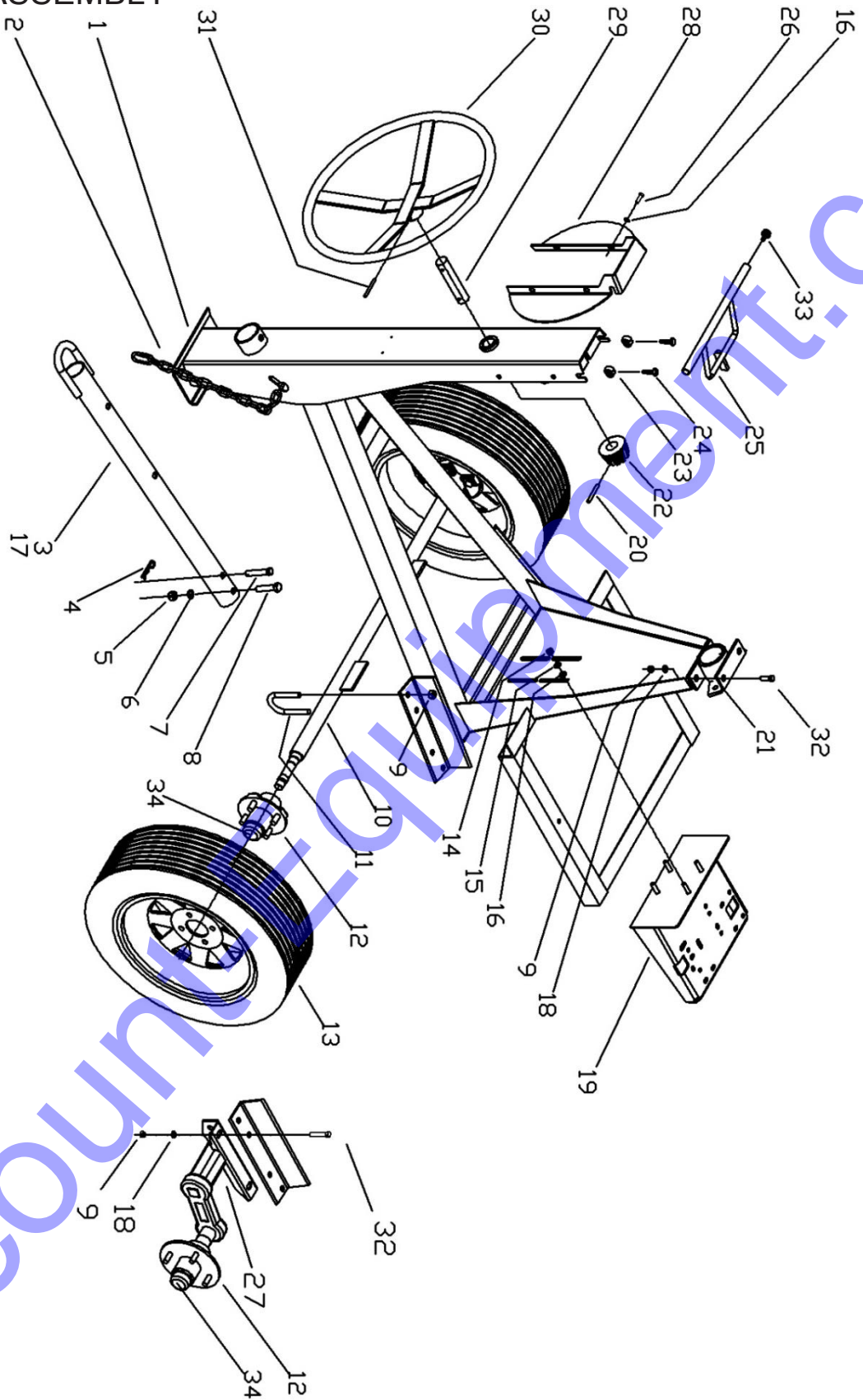
\*When ordering parts please always specify the model and serial number of the mixers as a reference.

# DRUM ASSEMBLY

Item	Part #	Description	C6P	C9P
***	609936	Drum Kit C9P	-	1
	609998	Drum Kit C6P	1	-
1	201449	Drum C6P (0903CO01TQ) Includes Paddles	1	-
	702085	Drum C9P (0906CO0TQ) Includes Paddles	-	1
2	702040	Gear Ring (115TH) (0100FG02TQ)**	-	1
	411810	Bowl Gear Ring (96TH)	1	-
3	702107	Paddle (0100SC01AS)	3	6
4	227920	Nut Hex, 1" UNF	1	1
5	174986	Washer Plain, 3/8" (RNPX038GAL)	24	20
6	226230	Bolt, HexHd, 3/8" x 1-1/2" (TOCD038112)	6	12
7	227830	Lock Nut, 3/8" (TCCS038GAL)	18	28
8	702064	Shaft, Bowl C6P (0903CR01YU)	1	-
	702065	Shaft, Bowl C9P (0906CR01YU)	-	1
9	702046	Central Washer (0100LA03TQ)	2	2
10	701014	Ball Bearing, Cone & Cup, 2788 (0000BA2788)	2	2
11	702120	Base Drum Support CM9P (0100CO01AD)	*	1
12	702121	Clamp Drum Support (0100PL03AD)	3	4
13	144470	Washer Plain, 1/2" (RNPX012GAL)	15	39
14	226270	Bolt, HexHd, 3/8" x 2-1/2"	9	4
15	702041	Drive Shaft (0900CR01YU)	-	1
	702074	Drive Shaft C3-C6P	1	-
16	701016	BRG; Ball 6205 (0000BA6205)	2	2
17	702068	Pinion (12TH) (0100FG02YU) **	-	1
	702075	Pinion (8TH) **	1	-
18	701029	Retaining Ring 15/16" (SM00156EXT)	1	1
19	701027	Key, 1/4" x 1-1/4" (0000CU01TR)	1	1
20	496760	Gear, Tilting	1	1
21	411840	Yoke C6P	1	-
	702109	Yoke C9P	-	1
22	226640	Bolt, HexHd, 1/2" x 1-1/4" (TOCD012114)	3	3
23	176290	Washer Spring, 1" (RNRX100GAL)	1	1
24	227854	Lock Nut, 1/2" (TCCS012GAL)	3	3
25	702106	Bracket - Drum Support (0110PL01TQ)	6	-
26	226240	Bolt, HexHd, 3/8" x 1-3/4" (TOCD038134)	3	4
27	226275	Bolt, HexHd, 3/8" x 3-1/2" (TOCD038312)	-	8
28	702122	Bracket Support Arm C9P (0100SO02AD)	-	4
29	702123	Bracket support Inner C6P (0110SO01AD)	3	-
	702124	Bracket support Inner C9P (0100SO01AD)	-	4
30	702125	Drum Support CM6P since Agust 2015 (0110CO01TQ-1)	1	-

\*When ordering parts please always specify the model and serial number of the mixers as a reference.

# FRAME ASSEMBLY



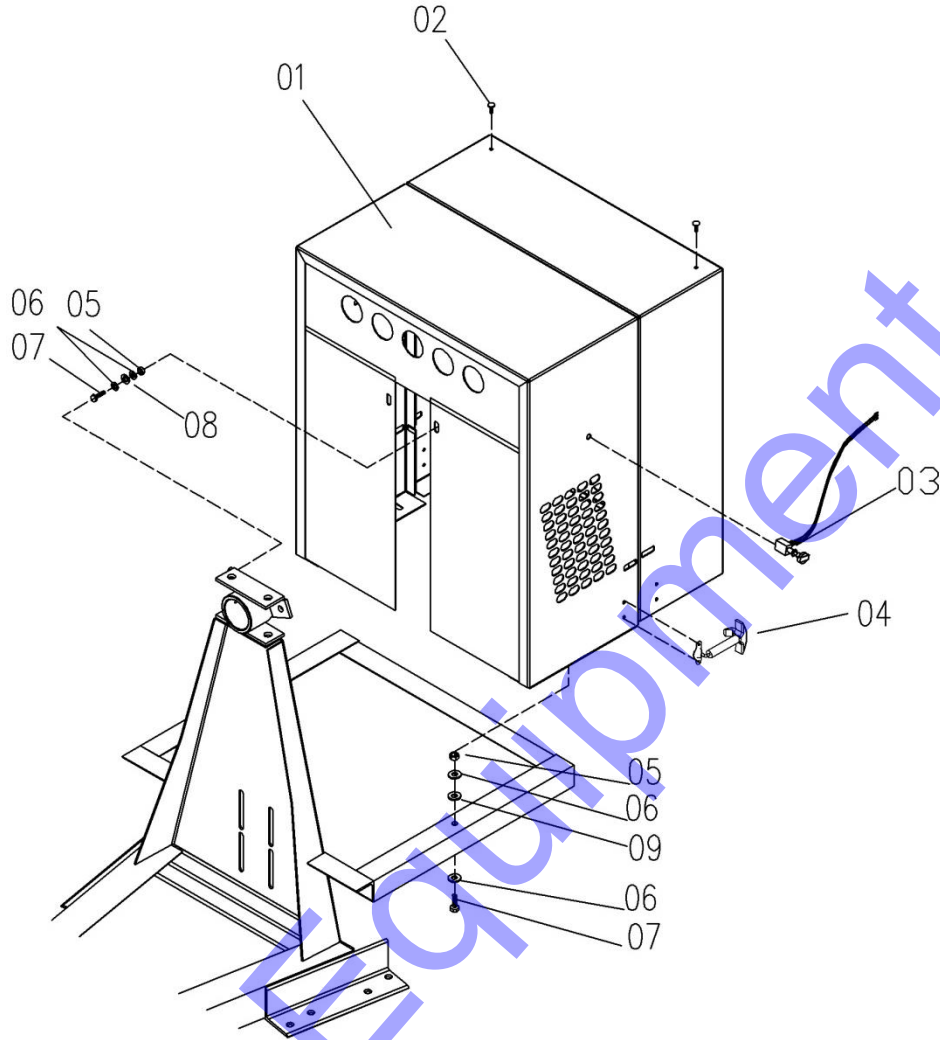
\*When ordering parts please always specify the model and serial number of the mixers as a reference.

# FRAME ASSEMBLY

ITEM	PART#	DESCRIPTION	C6P	C9P
1	702055	Frame C9P (0905CO01CH)	-	1
	702110	Frame C6P (0903CO01CH)	1	-
2	701012	Safety Chain 5/16" (CA03516GAL) Includes Oval Snap Hook	1	1
3	702056	Drawbar, Pintle Hitch (Horizontal Hole) (0000CO01LZ)	STD	STD
	702069	Drawbar, Pintle Hitch (Vertical Hole) (0000CO03LZ) since November 15, 2013	STD	STD
4	134955	Hitch Pin Clip (SR00036EXT)	1	1
5	701028	Nut, Hex 3/4" NF (TCNF034GAL)	1	1
6	174510	Washer, Spring 3/4" (RNRX034GAL)	1	1
7	702078	Lock Pin (0000CR01LZ) since November 15, 2013	1	1
8	226272	Bolt, HexHd, 3/4" x 3-1/2" (TOCD034312)	1	1
9	227854	Nut, Hex Lock 1/2" (TCCS012GAL)	6	6
10	702058	Axle, Assy (0130SC02RD) Includes Hubs	1	-
11	702059	Clamp U (0170CO02CH)	2	-
12	702071	Hub Assembly 4 Bolt (0200KI03RD) since June 09, 2014	2	2
	201731	Hub Assembly before June 09, 2014	2	2
13	431081	Wheel & Tire Assy RIM 13" (0000CO01RD)	OPT	OPT
	431063	Wheel & Tire Assy RIM 12" (0000CO02RD)	2	2
14	227830	Nut, Hex Lock 3/8" (TCCS038GAL)	4	4
15	176230	Washer, Spring 3/8" (RNRX038GAL)	4	4
16	174986	Washer, Plain 3/8" (RNPX038GAL)	6	6
17	702060	Drawbar, 2" Ball Hitch (Horizontal Hole) (0000CO02LZ)	OPT	OPT
	702070	Drawbar, 2" Ball Hitch (Vertical Hole) (0000CO04LZ) since November 15, 2013	OPT	OPT
18	174470	Washer, Plain 1/2" (RNPX12GAL)	2	6
19	496720	Assy, Base Plate Old Style	1	1
	702062	Assy, Base Plate New Style (0900CO01BM) since 2011	1	1
20	135215	Pin Coiled 5/16" x 1-3/4" (00PE056134)	1	1
21	496767	Swivel Bracket (0900CO01CH)	1	1
22	412420	Pinion, Tilting	1	1
23	136000	Gripper Clip, 5/16"	2	2
24	162830	Bolt, 1/8"x 3/4" (TOCU018034)	2	2
25	702067	Lever Assy Since January 05, 2015 and the series 3A9S33M16F1168001	1	1
	496775	Lever Assy before January 05, 2015	1	1
26	226210	Bolt, HexHd, 3/8" x 1" (TOCD038100)	2	2
27	607916	Axle, Rubber Torsion - 4 Bolt	OPT	1
28	496778	Guard, Tilt Gear	1	1
29	412551	Tilting Shaft	1	1
30	496779	Handwheel	1	1
31	135216	Pin Coiled 5/16" x 2"	1	1
32	226660	Bolt, HexHd, 1/2" x 1-3/4" (TOCD012134)	6	6
33	701020	Rubber Screw 1/2"	2	2
34	702087	Dust Cap (0000RF06RD)	2	2

\*When ordering parts please always specify the model and serial number of the mixers as a reference.

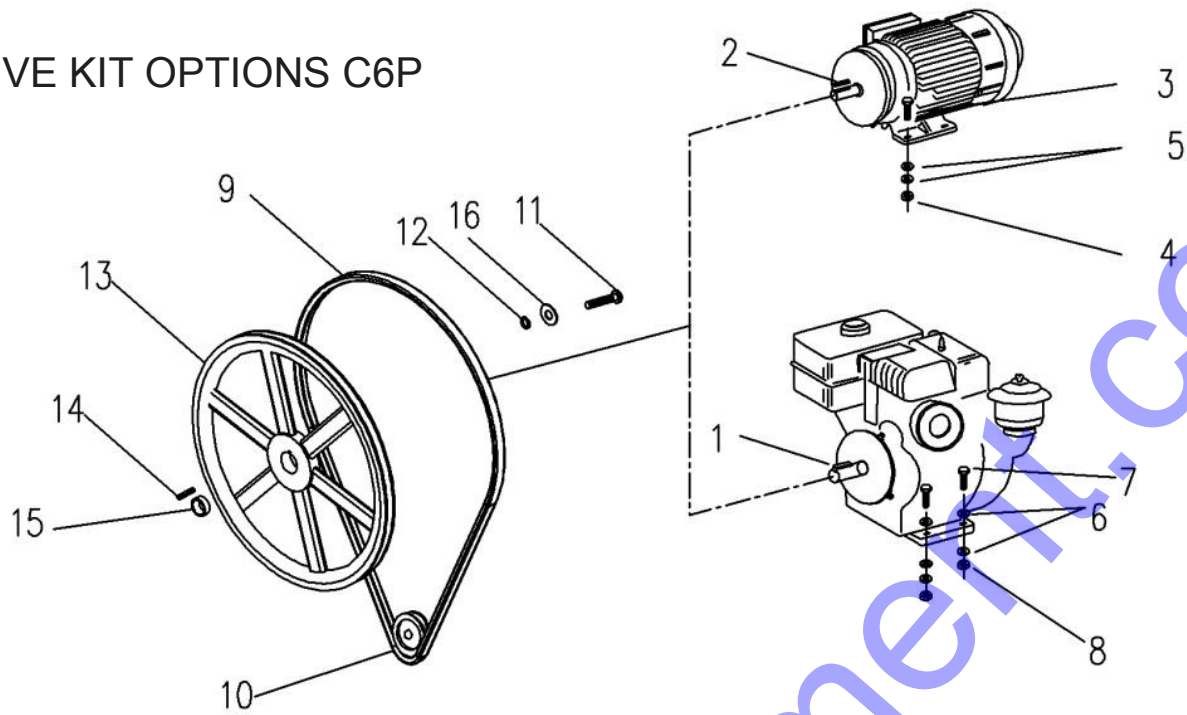
# HOOD ASSEMBLY



ITEM	PART #	DESCRIPTION	C6P	C9P
1	702047	Assy Hood (0900CO01GA-1) since January 2015, and the series (3A9S23M12F1168001)	1	1
	496700	Old Assy Hood	1	1
2	201544	Rubber Screw 1/4 (0000RF01GA)	2	2
3	701007	Shroud Assembly Push Stop (0200KI01GA)	1	1
4	701004	Shroud Hook Assembly (0000RF02GA)	2	2
5	227830	Nut, Hex Lock 3/8 (TCCS038GAL)	4	4
6	174986	Washer, Plain 3/8 (RNPX038GAL)	8	8
7	226230	Bolt, HexHd, 3/8 x 1-1/2 (TOCD038112)	4	4
8	174470	Washer, Plain 1/2 (RNPX012GAL)	2	2
9	701030	Neoprene Washer, 1/2	2	2

\*When ordering parts please always specify the model and serial number of the mixers as a reference.

# DRIVE KIT OPTIONS C6P

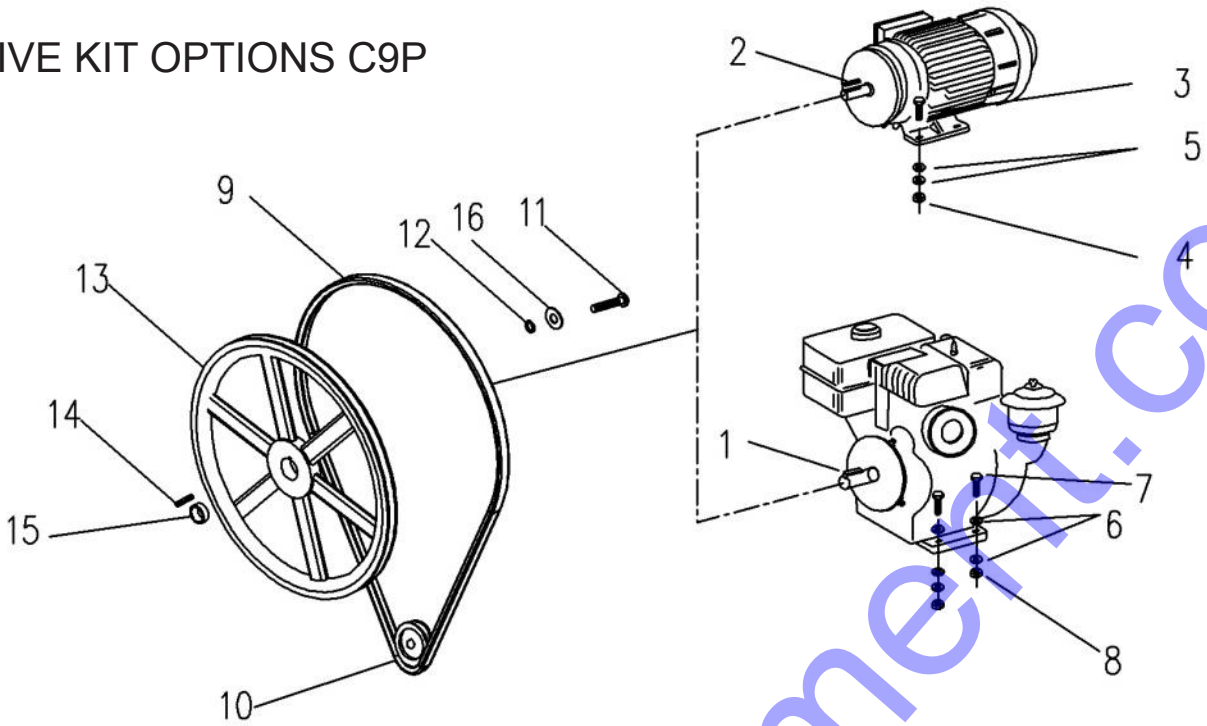


HORSE POWER							
Item	Part	Description	GAS DRIVE		ELECTRIC DRIVE		
			5.5 HP	8 HP	.5 - 1.5 HP	1 - 2 HP	3 HP
1	432090	Key, 1/4 x 2 (0905CC01YU)	-	1	-	-	1
2	432060	Key, 3/16 x 2	1	-	1	1	-
	432310	Key, 5/16 x 2	-	-	-	-	-
3	225980	Bolt, HexHd, 5/16 x 1 (TOCD056100)	-	-	4	4	-
	226230	Bolt, HexHd, 3/8 x 1-1/2 (TOCD038112)	-	-	-	-	4
4	227820	Nut, 5/16 Nylon Lock (TCCS056GAL)	4	-	4	4	-
5	174990	Plain Washer, 5/16 (RNPX056GAL)	8	-	8	8	-
6	174986	Plain Washer, 3/8 (RNPX038GAL)	-	8	-	-	8
7	226250	Bolt, HexHd, 3/8 x 2 (TOCD038200)	-	4	-	-	-
	701022	Bolt, HexHd, 5/16 x 2 (TOCD056200)	4	-	-	-	-
8	227830	Nut, 3/8 Lock (TCCS038GAL)	-	4	-	-	4
9	701018	Belt, B71 (0000BNB71)	1	1	1	1	1
10	702049	Pulley Engine 2-1/2 x 3/4 (POFG212034) Include screw and nut	1	-	-	-	-
	702050	Pulley Engine 2-1/2 x 1 (POFG212100) Include screw and nut	-	1	-	-	-
	702103	Pulley Engine 3-3/4 x 5/8 (POFG334058) Include screw and nut	-	-	1	-	-
	702104	Pulley Engine 3-3/4 x 7/8 (POFG334078) Include screw and nut	-	-	-	1	-
	702105	Pulley Engine 3-3/4 x 1-1/8 (POFG334118) Include screw and nut	-	-	-	-	1
11	226210	Bolt, HexHd, 3/8 X 1 (TOCD038100)	1	1	1	1	1
12	176230	Washer, Spring 3/8 (RNRX038GAL)	1	1	1	1	1
13	702044	Pulley, 19" X 15/16 (POFG190516)	1	1	1	1	1
14	701025	Key, 1/4 X 1-3/4 (0905CC01YU)	1	1	1	1	1
15	702048	Bushing Spacer 7/8 (0900TU01TR)	1	1	1	1	1
16	701017	Washer Plain 3/8 x 1-1/4 (RNP038ESP)	1	1	1	1	1

\*When ordering parts please always specify the model and serial number of the mixers as a reference.



# DRIVE KIT OPTIONS C9P



HORSE POWER								
Item	Part	Description	Gas Drive			Electric Drive		
			5.5 HP	8 HP	13HP	.5 - 1.5 HP	1 - 2 HP	3 - 5 HP
1	432090	Key, 1/4 x 2 (0905CC01YU)	-	1	1	-	-	1
2	432060	Key, 3/16 x 2	1	-	-	-	-	-
	432310	Key, 5/16 x 2	-	-	-	-	1	-
3	225980	Bolt, HexHd, 5/16 x 1 (TOCD056100)	-	-	-	4	4	-
	226230	Bolt, HexHd, 3/8 x 1-1/2 (TOCD038112)	-	-	-	-	-	4
4	227820	Nut, 5/16 Nylon Lock (TCCS056GAL)	4	-	-	4	4	-
5	174990	Plain Washer, 5/16 (RNPX056GAL)	8	-	-	8	8	-
6	174986	Plain Washer, 3/8 (RNPX038GAL)	1	9	9	1	1	9
7	226250	Bolt, HexHd, 3/8 x 2 (TOCD038200)	-	4	4	-	-	-
	701022	Bolt, HexHd, 5/16 x 2 (TOCD056200)	4	-	-	-	-	-
8	227830	Nut, 3/8 Lock (TCCS038GAL)	-	4	4	-	-	4
9	701018	Belt, B71 (0000BNB71)	1	1	1	1	1	1
10	702049	Pulley Engine 2-1/2 x 3/4 (POFG212034)	1	-	-	-	-	-
		Include screw and nut						
	702050	Pulley Engine 2-1/2 x 1 (POFG212100)	-	1	1	-	-	-
		Include screw and nut						
	702051	Pulley Engine 2-1/2 x 5/8 (POFG212058)	-	-	-	1	-	-
		Include screw and nut						
	702052	Pulley Engine 2-1/2 x 7/8 (POFG212078)	-	-	-	-	1	-
Include screw and nut								
702053	Pulley Engine 2-1/2 x 1-1/8 (POFG212118)	-	-	-	-	-	1	
	Include screw and nut							
11	226210	Bolt, HexHd, 3/8 X 1 (TOCD038100)	1	1	1	1	1	1
12	176230	Washer, Spring 3/8 (RNRX038GAL)	1	1	1	1	1	1
13	702044	Pulley, 19" X 15/16 (POFG190516)	1	1	1	1	1	1
14	701025	Key, 1/4 X 1-3/4 (0905CC01YU)	1	1	1	1	1	1
15	702048	Bushing Spacer 7/8 (0900TU01TR)	1	1	1	1	1	1
16	701017	Washer Plain 3/8 x 1-1/4 (RNPN038ESP)	1	1	1	1	1	1

\*When ordering parts please always specify the model and serial number of the mixers as a reference.



[www.discount-equipment.com](http://www.discount-equipment.com)

\*When ordering parts please always specify the model and serial number of the mixers as a reference.