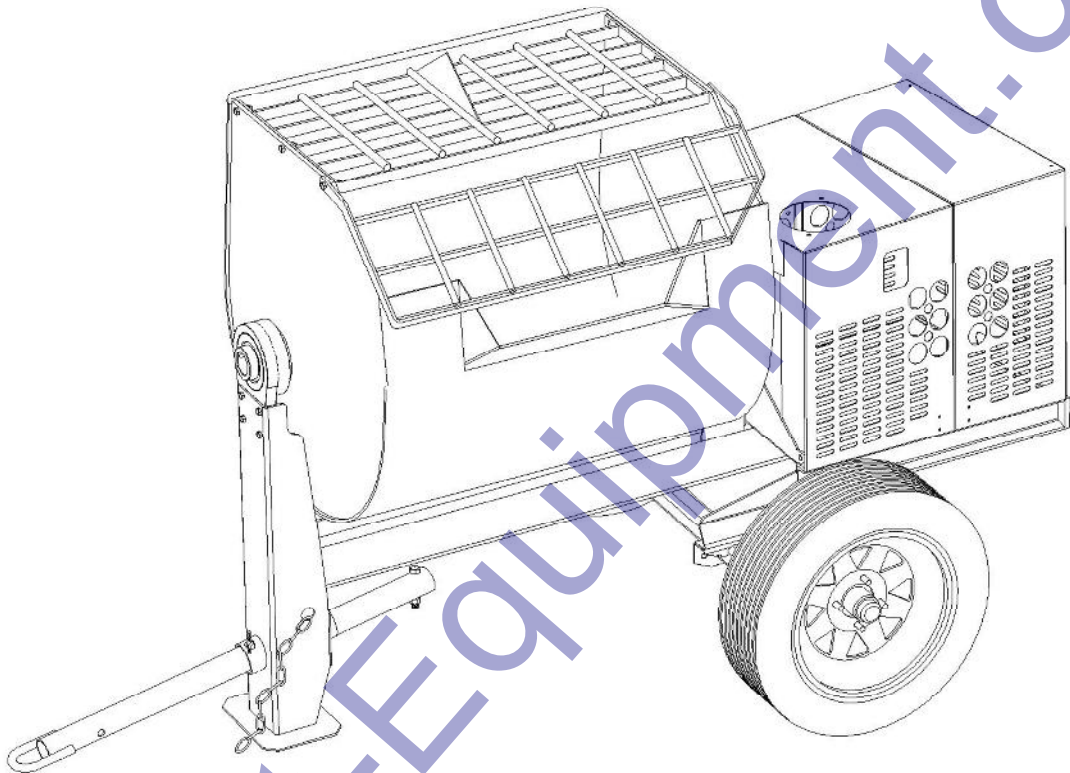


MORTAR MIXER

HYDRAULIC

HM16



Parts List	Page
Drum Assembly	2
Frame Assembly	3
Hood Assembly	4
Paddle Assembly	5
Drive Kit Assembly	6
Hydraulic Schematic	7
Hydraulic Hoses & Fittings	8
Options	9

Discount Equipment

Discount-Equipment.com is your online resource for commercial and industrial quality parts and equipment sales.

Locations:

Florida (West Palm Beach): [561-964-4949](tel:561-964-4949)

Outside Florida TOLL FREE: [877-690-3101](tel:877-690-3101)

Need parts? Check out our website at www.discount-equipment.com

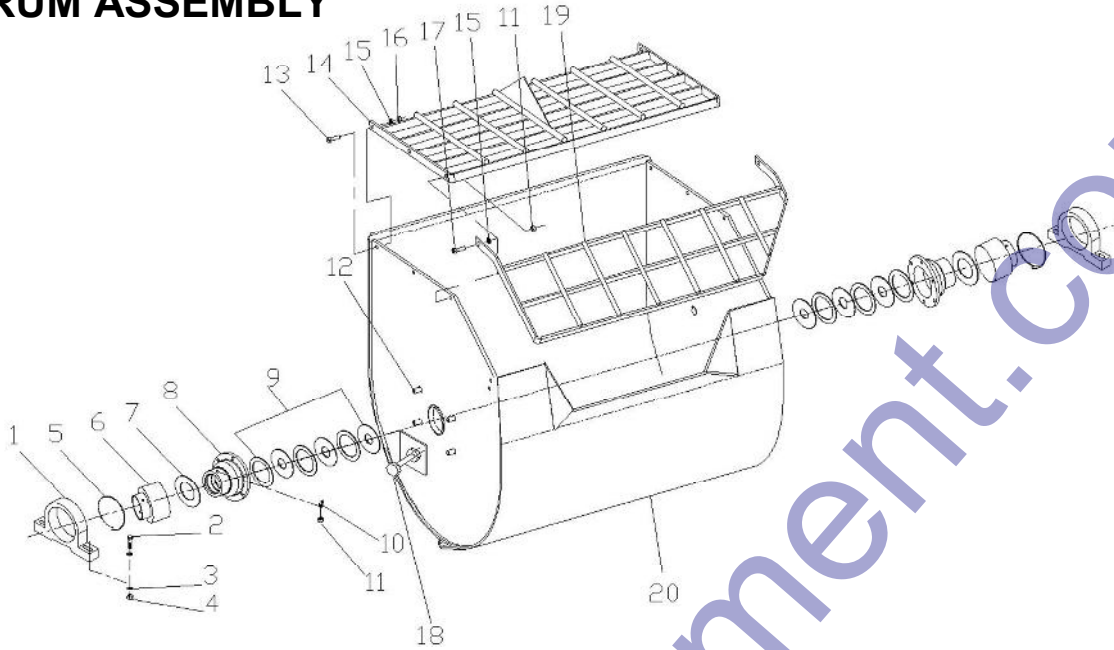
Can't find what you need?

Click on this link: <http://www.discount-equipment.com/category/5443-parts/> and fill out the request form.

Please have the machine model and serial number available in order to help us get you the correct parts. One of our experienced staff members will get back to you with a quote for the right part that your machine needs.

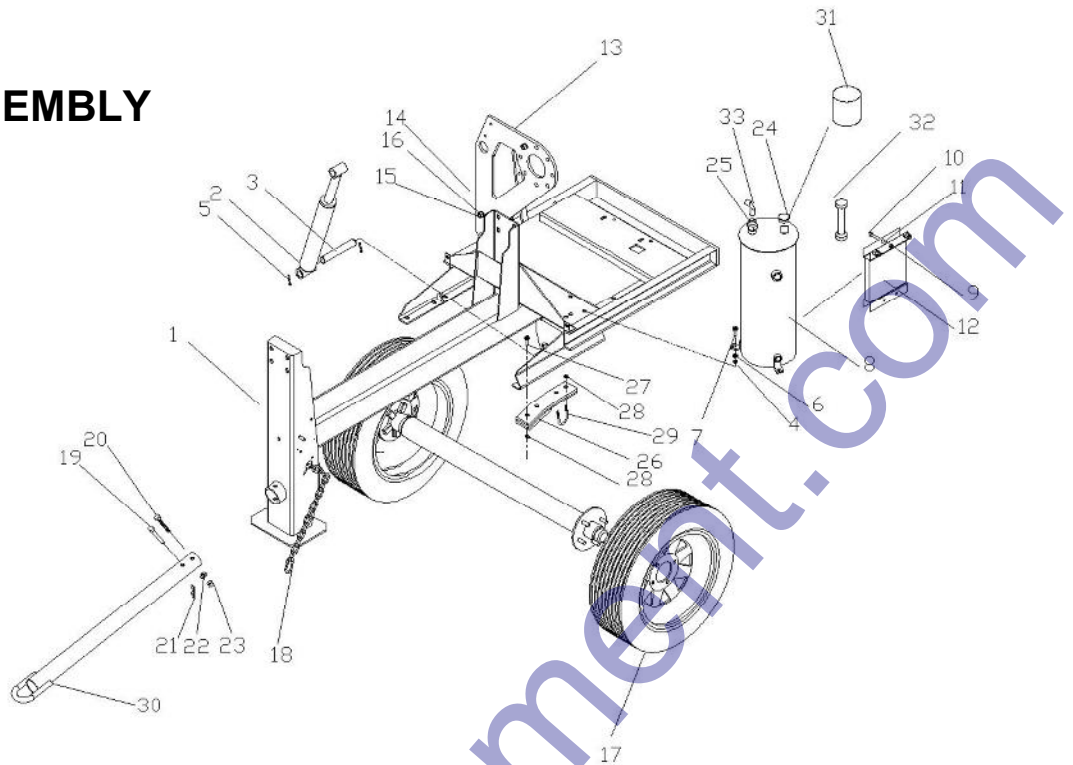
We sell worldwide for the brands: Genie, Terex, JLG, MultiQuip, Mayco, Toro/Stone, Diamond Products, Magnum, Airman, Mustang, Power Blanket, Nifty Lift, Atlas Copco, Chicago Pneumatic, Allmand Brothers, Essick, Miller Spreader, Skyjack, Lull, Skytrak, Tsurumi, Husquvarna/Target, Whiteman-Concrete/Mortar, Stow-Concrete/Mortar, Baldor, Wacker, Sakai, Snorkel, Upright, Mi-T-M, Sullair, Neal, Basic, Dynapac, MBW, Weber, Bartell, Bennar Newman, Haulotte, Ditch Runner, Blaw-Knox, Himoinsa, Best, Buddy, Crown, Edco, Wyco, Bomag, Laymor, Terremite, Barreto, EZ Trench, Takeuchi, Basic, Bil-Jax, Curtis, Gehl, Heli, Honda, ICS/PowerGrit, Puckett, Waldon, ASV, IHI, Partner, Imer, Clipper, MMD, Koshin, Rice, Gorman Rupp, CH&E, Cat Pumps, Comet, General Pump, Giant, AMida, Coleman, NAC, Gradall, Square Shooter, Kent, Stanley, Tamco, Toku, Hatz, Kohler, Robin, Wisconsin, Northrock, Oztec, Toker TK, Rol-Air, Small Line, Wanco, Yanmar

DRUM ASSEMBLY



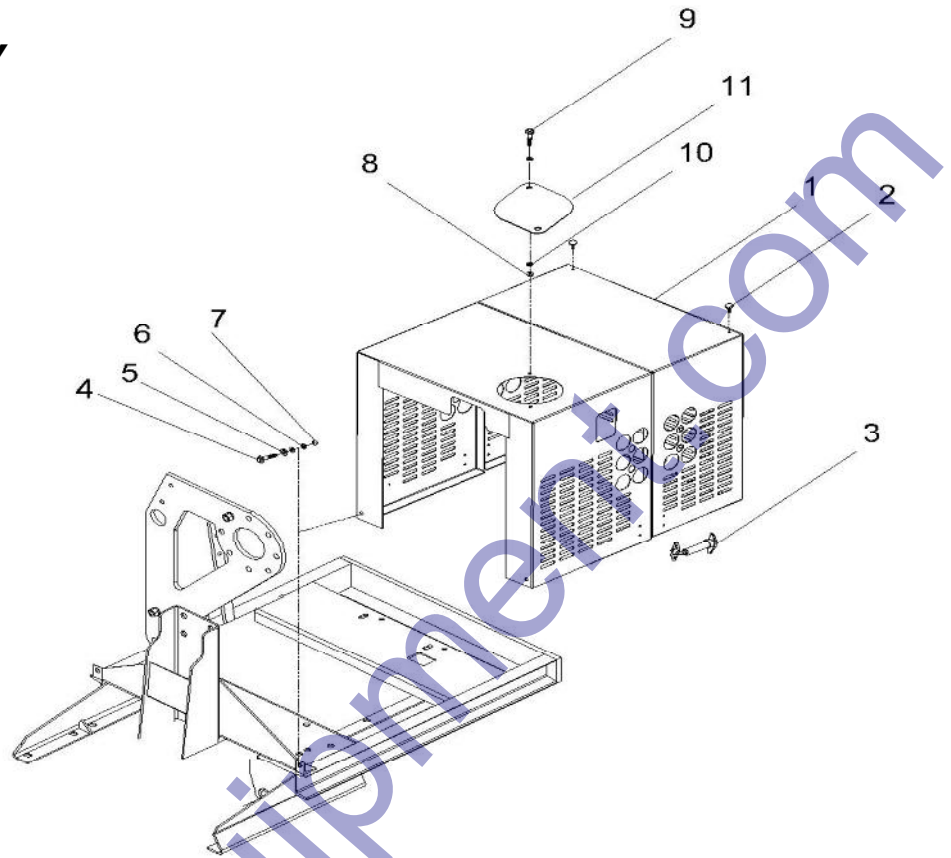
REF	HM16	Description	Qty
1	00CHPI2300	Pillow Block, 3"	2
2	TOCD012212	Hex Head Bolt, 1/2 x 2 1/2	4
3	RNPX012GAL	Flat Washer 1/2 SAE	10
4	TCCS012GAL	Lock Nut, 1/2"	4
5	SM00300INT	Retaining Ring 3" External	2
6	0200KI02TN	Ball Bearing 208-24	2
7		Steel Seal C-29	2
8	0200CO01TN	Trunnion	1
9	0200KI01TN	Kit, Rubber Seal	2
10	0000GRH045	Fitting, Grease 45 Deg.	2
11	TCCS038GAL	Lock, Nut, 3/8	3
12	TOCL012112	Bolt, Carriage 1/2 x 1-1/2	8
13	TOCD038114	Bolt, HexHd, 3/8 x 1-1/4	4
14	465024	Grill, Fixed	1
15	RNPX038GAL	Washer, 3/8	6
16	TCCN038GAL	Nut, Hex, 3/8"	6
17	TOCD038112	Bolt,HexHd, 3/8 x 1-1/2	2
18	TOCD100412	Bolt, HexHd, 1 x 4-1/2	1
19	465036	Grill, Hinged	1
20	412866	Drum Assembly	1

FRAME ASSEMBLY



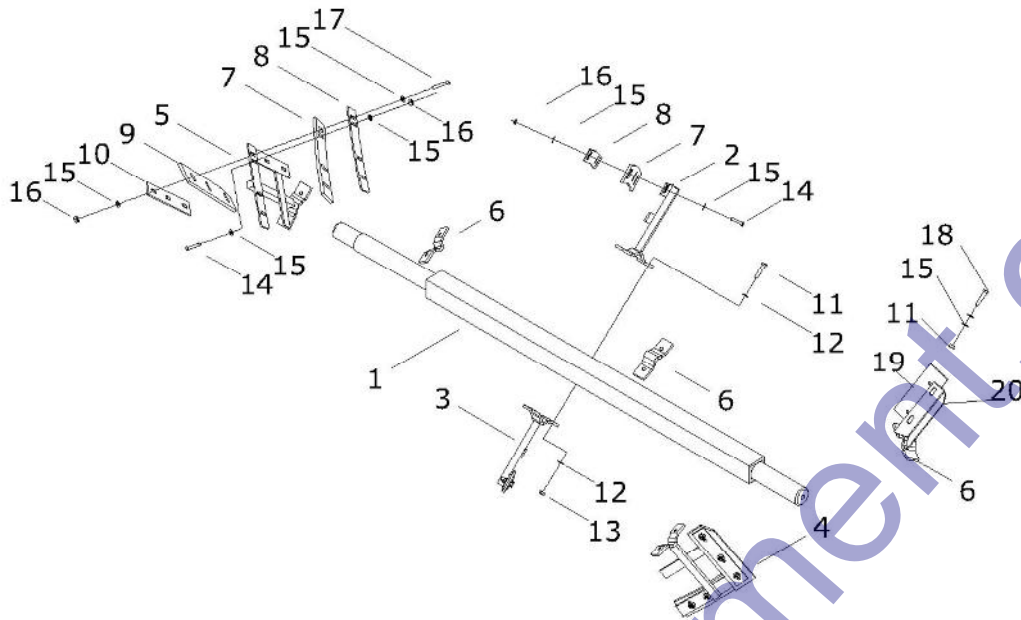
REF	HM16	DESCRIPTION	HM16
1	412863	Frame assembly	1
2	412915	Cylinder, HYD 2" x 10"	1
3	412855	Pin, Cylinder 1 x6.5"	1
4	TCCS038GAL	Lock Nut, Hex, 3/8"	3
5	SC018112GAL	Cotter Pin 3/16 x 1-1/2	2
6	RNRX038GAL	LockWasher, 3/8	3
7	TOCD038100	Bolt, HexHd, 3/8 x 1 "	3
8	412801	Reservoir Assembly	1
9	TCCS056GAL	Lock Nut,Hex,5/16	2
10	TOCD056300	Bolt, HexHd,5/16 x 3"	2
11	412167	Spacer	4
12	412902	Hydraulic Oil Cooler	1
13	412810	Reaction Arm	1
14	412940	Spacer, Reaction Arm	1
15	TOCD012200	Bolt,HexHd,1/2x2	4
16	TCCN012GAL	Nut, Hex 1/2, Top Lock	4
17	431081	Wheel & Tire Assy 5.5 x 13	2
18	609686	Safety Chain	1
19	0000CR01LZ	Pin Locking	1
20	TOFD034312	Hex Head Screw 3/4 x 3-1/2 NF	1
21	SR00036ET	Pin,Hair 3/16"	1
22	RNRX034GAL	Lock Washer 3/4"	1
23	TCCN034GAL	Nut,Hex, 3/4" NF	1
24		Breather Filters-BF-12P-5 10MIC	1
25	412948	Adapter	1
26	0000RF01CH	Axle Spring Assembly	2
27	TOCD012134	Bolt,HexHd,1/2x1-3/4	4
28	TCCS012GAL	Lock Nut, 1/2"	8
29	0200CR03RD	U Clamp	2
30	0000CO03LZ	Pintle Hitch Vertical Hole	1
31	HF6056	Filter	1
32	485115	Oil Level	1
33	412919	Adapter, 90°	1

HOOD ASSEMBLY



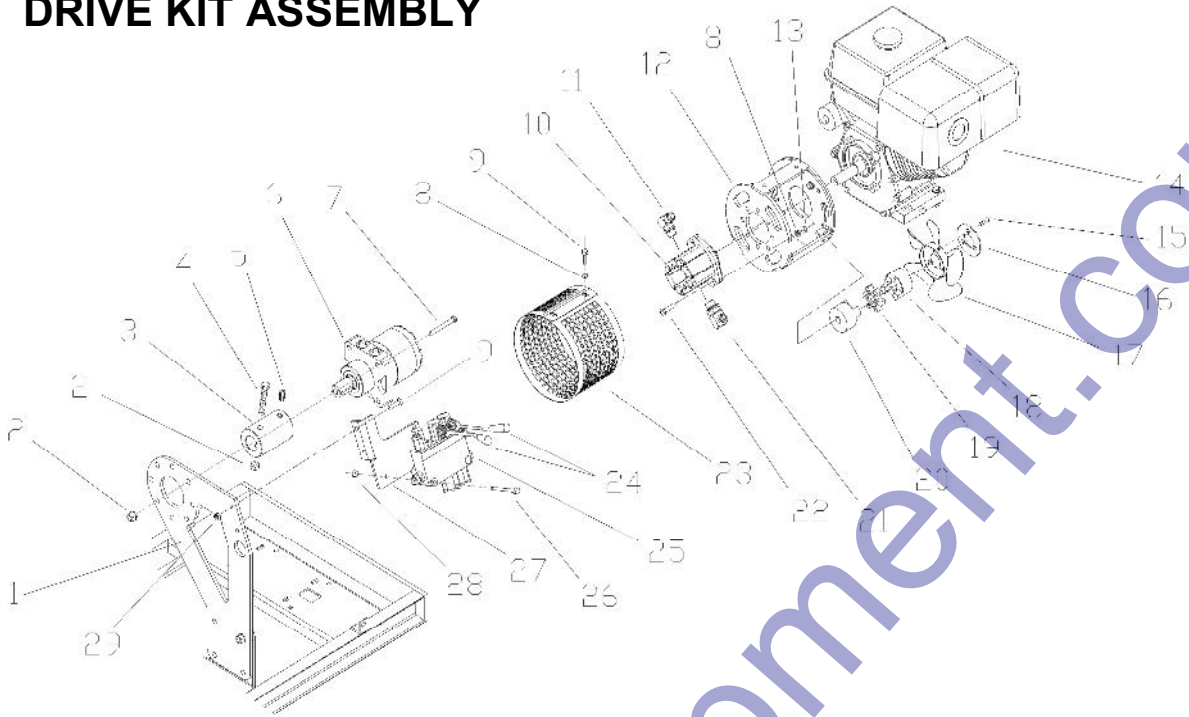
REF	HM16	DESCRIPTION	HM16
1	0222CO01GA	Hood Assembly	1
2	0000RF01GA	Ruber Screw	4
3	0000RF02GA	Hook Assembly	1
4	TOCD038114	Bolt,HexHd, 3/8 x 1-1/4	4
5	RNPX038ESP	Plain Washer 3/8	8
6	RNPX012ESP	Plain Washer 1/2	4
7	TCCS038GAL	Lock Nut 3/8	4
8	TOCD056100	Bolt,HexHd, 5/16 x 1	2
9	RNPX056GAL	Plain Washer 5/16	4
10	TCCS056GAL	Lock Nut 5/16	2

PADDLE ASSEMBLY



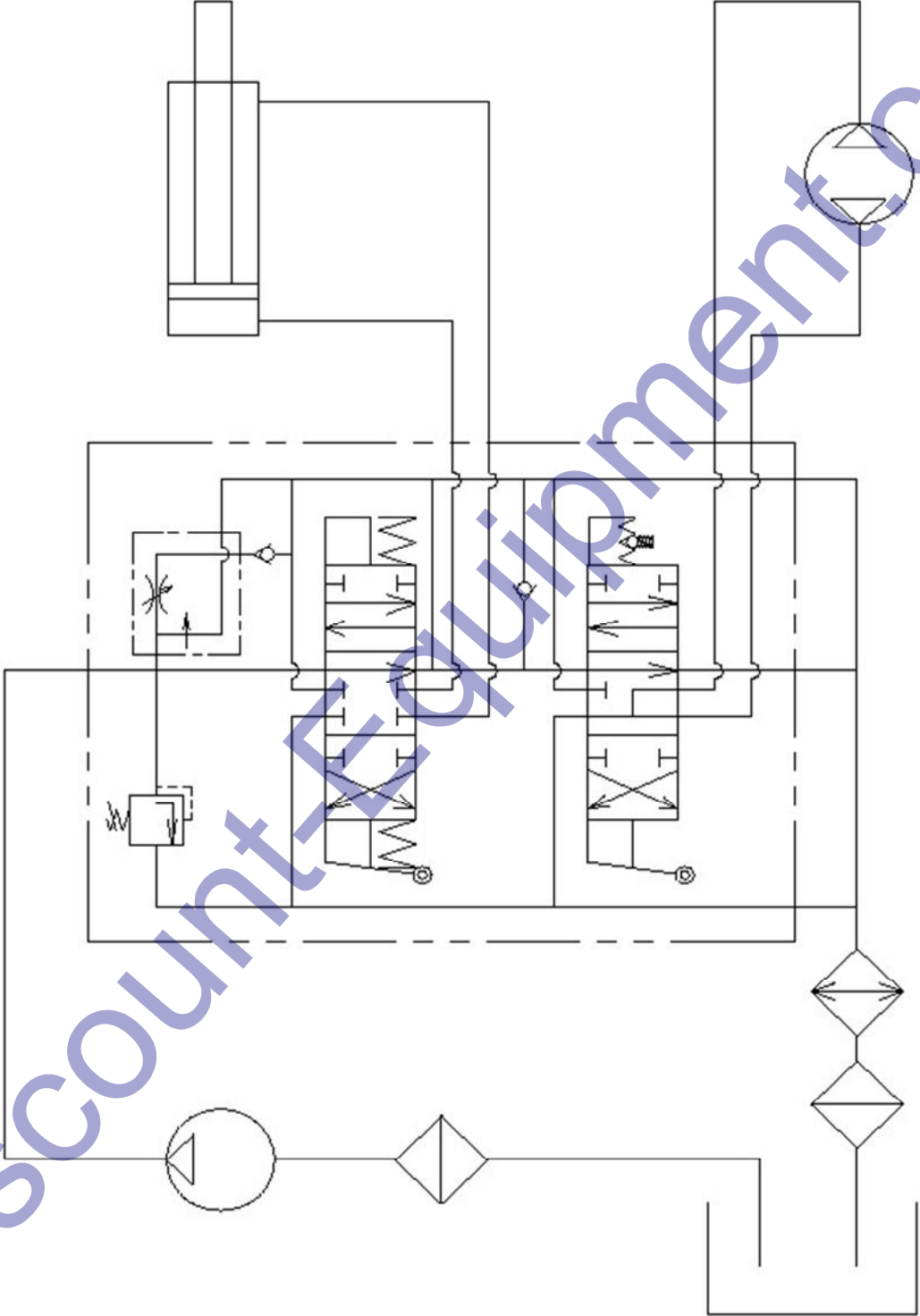
No.	Número de Parte	Description	Qty
1	0222CC01CH	Main Shaft, HM16	1
2	0200CO01AS	Paddle, Middle right	1
3	0200CO02AS	Paddle, Middle Left	1
4	0200CO03AS	Paddle, Right Arm	1
5	0200CO04AS	Paddle, Left Arm	1
6	0200SO05AS	Paddle Arm Bracket	2
7	0200RF01AS	Rubber, Center Blade	4
8	0200SO01AS	Center Blade	4
9	0200RF02AS	Rubber, Side Blade	2
10	0200SO02AS	Side Blade	2
11	TOCD012134	Hex Head Bolt, 1/2 x 1-3/4	10
12	RNPX012GAL	Flat Washer, 1/2 SAE	12
13	TCCS012GAL	Lock Nut, 1/2	10
14	TOCD038134	Hex Head Bolt, 3/8 x 1-3/4	18
15	RNPX038GAL	Flat Washer, 3/8 SAE	48
16	TCCS038GAL	Lock Nut, 3/8	24
17	TOCD038212	Hex Head Bolt, 3/8 x 2-1/2	2
18	TOCD038114	Hex Head Bolt, 3/8 x 1-1/4	4
19	0200PL03ES		2
20	0200PL01ES/0200PL02ES	Scraper LH/RH	2

DRIVE KIT ASSEMBLY



Ref	HM16	Description	HM16
1	412,810	Reaction Arm	1
2	TCCS038GAL	Nut, Hex 1/2, Top Lock, Gr5	5
3	412,814	Coupler, 1.5" W/Pkey	1
4	226,745	Bolt UNC 1/2 x 3-1/2 Gr 9	1
5	228,028	Set Screw, 5/16 x 3/8	1
6	412,950	Motor, Hyd 32.7 In ³ /Rev	1
7	TOCD012234	Bolt, HexHd, 1/2 x 2-3/4	4
8	RNRX038GAL	Washer, Spring, 3/8	4
9	TOCD038100	Bolt, HexHd, 3/8 x 1	4
10	412,927	Pump, Hyd .366 In ³ Rev, Gas Engine	a/r
10	412,928	Pump, Hyd .659 In ³ Rev, Elec Motor	a/r
11	412,926	Adapter, 90° #10 ORB Male ~ #10 JIC	1
12	412,800	Pump Mount W.A ~ 'A' Flange	1
13	TCCS038GAL	Nut, Hex, 3/8	2
14		Motor/Engine, See page 9	a/r
15	142,532	SHCS 5/16 x 3/4, CSK	3
16	412,815	Fan Collar, 2" BCD	1
17	412,851	Fan, 8" CCW	1
18	412,856	Coupler, L100 x 1" dia	1
19	412,854	Insert, L099-100U Blue	1
20	412,853	Coupler, L100 x 3/4" Dia	1
21	412,920	Adapter, 90° #12 ORB ~ #10 JIC	1
22	TOCD038112	Bolt, HexHD, 3/8 x 1-1/2	2
23	412,820	Guard, 9" Dia	1
24	485,704	Lever, Valve Control	2
25	412,914	Valve, 2 Spool Press Comp	1
26	TOCD056212	Bolt, HexHd, 5/16 x 2-1/2	2
27	412,818	Valve Mounting Bracket	1
28	227,821	Nut, 5/16, Nylon lock	2
29	TCCS038GAL	Nut, Hex, Lock, 3/8	4

HIDRAULIC SCHEMATIC

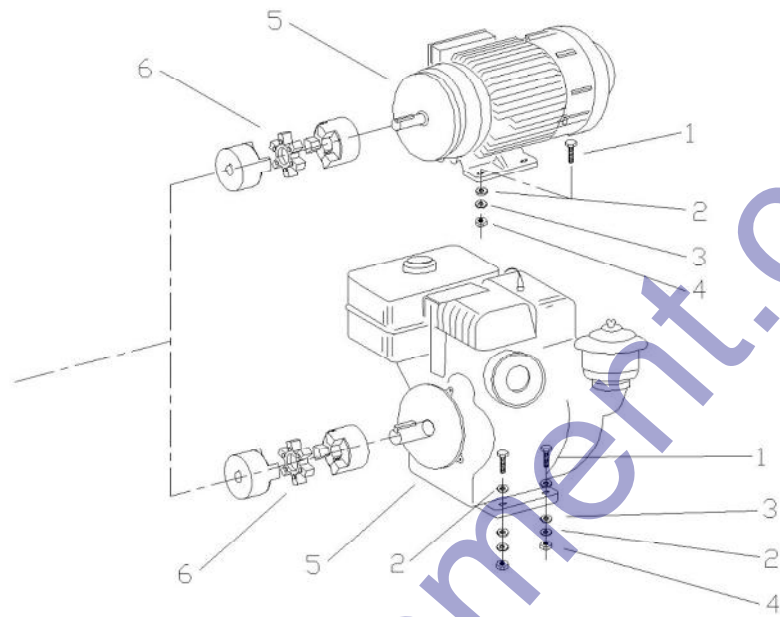


DiscountEquipment.com

HYDRAULIC HOSES & FITTINGS

Part	Description	Qty	Location
412858	Detent Kit	1	Valve
412903	Hose, 3/4 x 16" #10 JIC ~ #10 JIC	1	Reservoir To Pump Btm
412904	Hose, 1/2 x 18" #10 JIC ~ #10 JIC	1	Valve To Pump - Side
412905	Hose, 3/8 x 72" #6 JIC ~ #6 JIC	2	Valve To Cylinder
412906	Hose, 1/2 x 24" #10 JIC ~ #10 JIC	2	Valve To Motor
412907	Hose, 1/2 x 18" #8 JIC ~ #8 JIC	2	Cooler To Valve & Filter
412909	Adapter, 90° #4 NPT ~ #6 JIC	2	Cylinder Valve
412910	Adapter, #8 ORB ~ #10 JIC	2	Valve
412911	Adapter, #12 ORB ~ #8 JIC	1	Valve
412912	Adapter, 45° #8 NPT ~ #8 JIC	1	Filter
412913	Adapter, 45° #8 NPT ~ #10 JIC	1	Reservoir ~ Btm
412916	Adapter, #8 ORB ~ #6 JIC	2	Valve
412917	Adapter, Plug #10	1	Valve
412918	Adapter, Plug #8	1	Valve
412919	Adapter, 90° #8 JIC Fern ~ #8 JIC Male	2	Filter
412922	Adapter, 45° #10 ORB ~ #10 JIC	2	Hyd. Motor (pdl/spri shft)
412925	Adapter, Hyd #8 ORB ~ #8 JIC	1	Valve
412932	Ftg, Plug, #8 NPT	2	Reservoir
485104	Adapter, 90° #10 JIC Fern ~ #10 JIC Male	1	Valve
485115	Screen, Sucton - 100 Mesh 1" NPT	1	Reservoir

OPTIONS



Ref	HM16	Description	HM16
1	TOCD038200	Bolt, Hex Hd, 3/8 x 2	4
2	RNPX038GAL	Plain Washer, 3/8	8
3	RNPX012GAL	Plain Washer, 1/2	4
4	TCCN038GAL	Nut, hex, 3/8	4
2	RNPX038GAL	Plain Washer, 3/8	2
5	202020	Eng. Hon, 13 Hp, GX 390 K1QA6	1
6	412856	Coupler, L100 x 1" Dia	1
5	*	Motor, 5 Hp, 1-115/230, Ext Shaft	*
6	*	Coupler, L100 x 1.125" Dia	*
5	219993	Motor, 7.5 Hp, 3-575, Ext Shaft, 1" C Fl	1
6	412871	Coupler, L100 x 1.375" Dia	1
5	219999	Motor, 7.5 Hp, 1-115/230, 1" C Flg	1
6	412859	Coupler, L100 x 1.125" Dia	1
5	220000	Motor, 7.5 Hp, 3-239/460, Ext Shaft	1
6	412871	Coupler, L100 x 1.375" Dia	1