



**Count on it.**

**Parts Catalog**

**PT-46PP**

**Power Trowel**

Model No. 68051—Serial No. 404320000 and Up

Go to [Discount-Equipment.com](http://Discount-Equipment.com) to order your parts



[www.discount-equipment.com](http://www.discount-equipment.com)



# PARTS FINDER

**Search Website  
by Part Number**



**Search Manual  
Library For Parts  
Manual & Lookup Part  
Numbers – Purchase  
or Request Quote**

**Search Manuals**

Enter your information to search for a manual or parts manual for your equipment.

\* Brand:

\* Model:

\* Serial:

\* Part Number:

SEARCH

**Can't Find Part or  
Manual? Request Help  
by Manufacturer,  
Model & Description**

**Parts Order Form**

Please fill in the following information to request help finding a part or manual.

Manufacturer:

Model:

Description:

Quantity:

Part Number:

Part Name:

Part Description:

Part Location:

Part Condition:

Part Status:

Part Color:

Part Material:

Part Weight:

Part Dimensions:

Part Price:

Part Notes:

Submit

Discount-Equipment.com is your online resource for quality parts & equipment.

Florida: **561-964-4949** Outside Florida TOLL FREE: **877-690-3101**

**Need parts?**

Click on this link: <http://www.discount-equipment.com/category/5443-parts/> and choose one of the options to help get the right parts and equipment you are looking for. Please have the machine model and serial number available in order to help us get you the correct parts. If you don't find the part on the website or on one of the online manuals, please fill out the request form and one of our experienced staff members will get back to you with a quote for the right part that your machine needs.

We sell worldwide for the brands: Genie, Terex, JLG, MultiQuip, Mikasa, Essick, Whiteman, Mayco, Toro Stone, Diamond Products, Generac Magnum, Airman, Haulotte, Barreto, Power Blanket, Nifty Lift, Atlas Copco, Chicago Pneumatic, Allmand, Miller Curber, Skyjack, Lull, Skytrak, Tsurumi, Husquvarna Target, Stow, Wacker, Sakai, Mi-T-M, Sullair, Basic, Dynapac, MBW, Weber, Bartell, Bennar Newman, Haulotte, Ditch Runner, Menegotti, Morrison, Contec, Buddy, Crown, Edco, Wyco, Bomag, Laymor, EZ Trench, Bil-Jax, F.S. Curtis, Gehl Pavers, Heli, Honda, ICS/PowerGrit, IHI, Partner, Imer, Clipper, MMD, Koshin, Rice, CH&E, General Equipment, Amida, Coleman, NAC, Gradall, Square Shooter, Kent, Stanley, Tamco, Toku, Hatz, Kohler, Robin, Wisconsin, Northrock, Oztec, Toker TK, Rol-Air, APT, Wylie, Ingersoll Rand / Doosan, Innovatech, Con X, Ammann, Mecalac, Makinex, Smith Surface Prep, Small Line, Wanco, Yanmar

# Ordering Replacement Parts

To order replacement parts, please supply the part number, the quantity, and the description of each part desired.

## Understanding Reference Numbers

Each identified part in an illustration has a reference number. The reference number for a part also appears in the parts list, along with other information about the part.

This catalog uses two special reference number formats, one to indicate parts in a service assembly and another to indicate the quantity of a given part in an illustration.

## Service Assembly Reference Numbers

Parts in service assemblies have reference numbers in the form a:b. The a represents the reference number of the entire service assembly and the b represents a sequential number unique to each part within the service assembly.

For example, a wheel assembly might be identified by reference number 6, the tire by 6:1, the valve by 6:2, and the wheel by 6:3. When you order the assembly identified by reference number 6, you receive all parts identified by reference numbers 6:1, 6:2, and 6:3. However, you may also order any part individually. Reference numbers of this type appear in illustration and in parts lists.

## Reference Numbers Indicating Quantity

In an illustration, if a reference number indicates more than one part, the reference number has the form nX y. The n represents the quantity of the part, the X is the multiplication symbol, and the y represents the reference number.

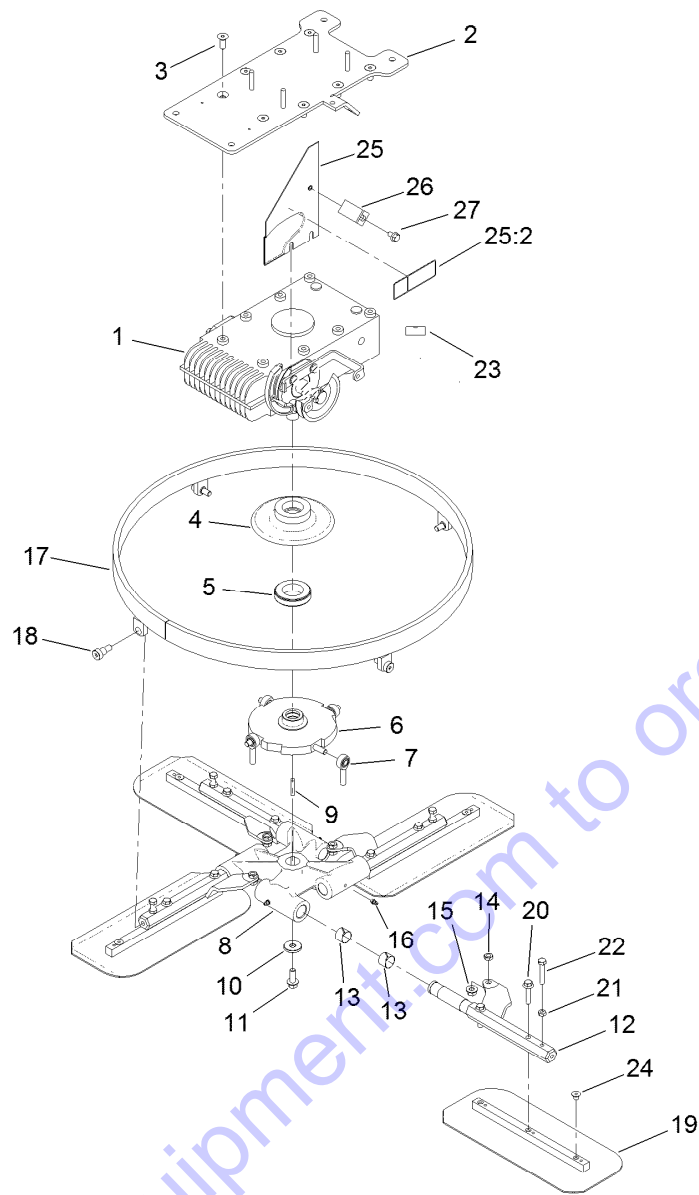
For example, in an illustration, the reference number 2X 37 means that two of the parts identified by reference number 37 are indicated.

Go to Discount-Equipment.com to order your parts

# Contents

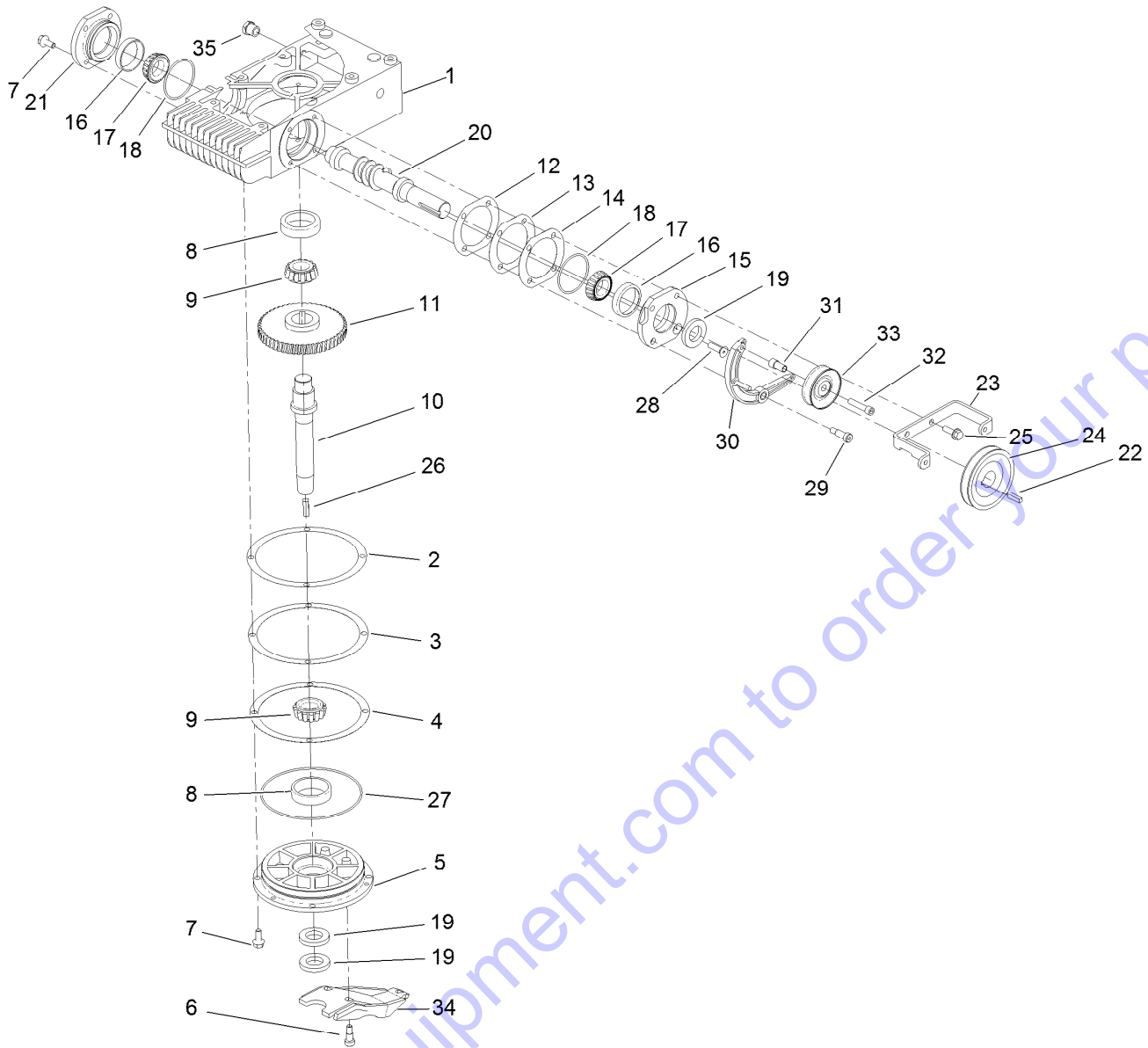
46 Inch Rotating Ring, Blade and Gearbox Assembly .....	4
Gearbox Assembly No. 125-4991 .....	5
46 Inch Pro-Pitch Handle and Guard Assembly .....	6
Pro-Pitch Handle Assembly No. 125-6200.....	7
Pro-Pitch Handle Assembly No. 125-6200 Handle Locking Guide Assembly .....	8
Engine Assembly .....	9

Go to [Discount-Equipment.com](http://Discount-Equipment.com) to order your parts



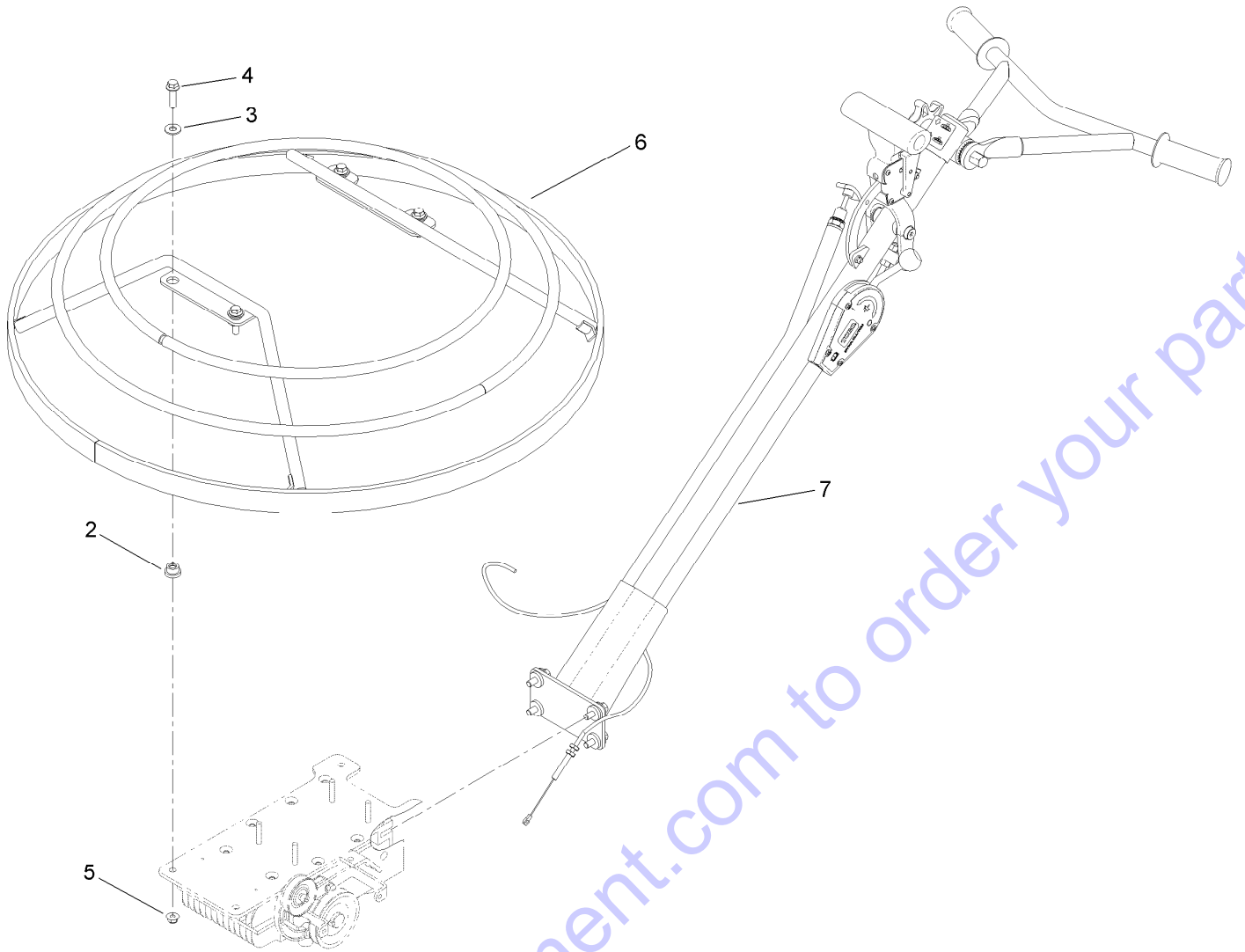
## 46 Inch Rotating Ring, Blade and Gearbox Assembly

Ref.	Part Number	Qty.	Description	Ref.	Part Number	Qty.	Description
1	125-4991	1	Gearbox ASM	15	127-6852	4	Nut-Flange, Lock
2	125-6248	1	Engine Base Assembly	16	ST46042	4	Fitting-Grease
3	ST80068	8	Screw	17	ST22172-01	1	Rotating-Ring
4	ST22200-01	1	Cover-Plate, Thrust	18	ST80066	4	Screw-HSBH
5	ST32123	1	Bearing-Ball	19	125-4996	4	Blade-Combination
6	ST21684	1	Plate-Tilt	20	115-1794	8	Screw-HHF
7	2411-36	4	Bearing-End, Rod	21	3218-2	4	Nut-Jam
8	ST28283	1	Spider-4 Arm	22	322-41	4	Screw-HH
9	79-3370	1	Key	23	ST28022	1	Rod-Pivot, Cable
10	ST28435	1	Washer-Flat	24	ST47183	4	Carplug-Red
11	3234-42	1	Screw-HHF	25	127-2802	1	Rear Belt Guard ASM
12	ST22184-03	4	Arm	25:2	117-4979	1	Decal-Warning
13	ST32180	8	Bushing-Sleeve, Nylon	26	ST28431-01	1	Guide-Belt
14	3220-3	4	Nut-HJ	27	100-1719	1	Screw-Flange



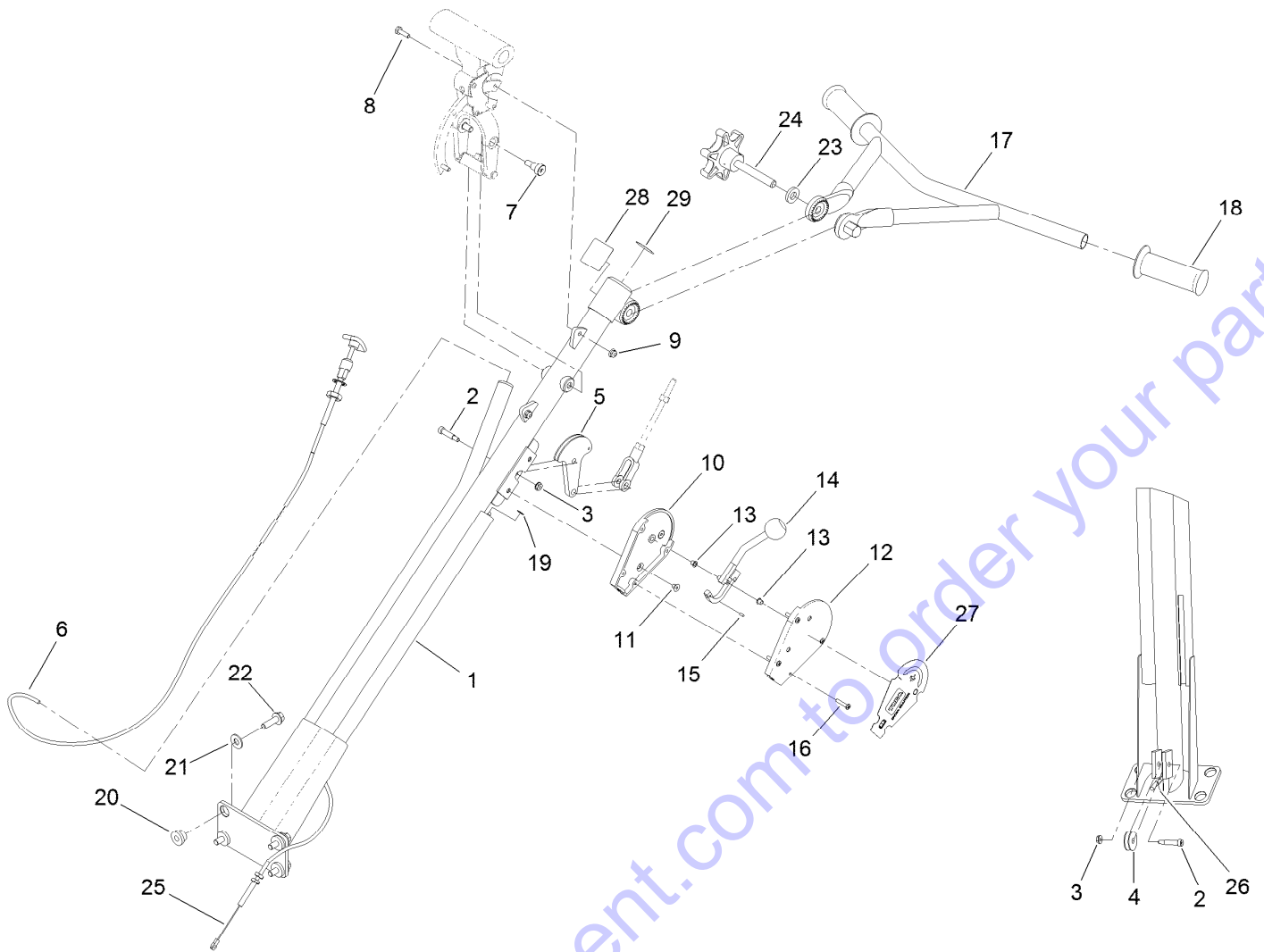
## Gearbox Assembly No. 125-4991

Ref.	Part Number	Qty.	Description	Ref.	Part Number	Qty.	Description
1	ST39547	1	Gearcase	16	254-72	2	Bearing-Cup, Tapered
2	ST47333	3	Shim-Cover, Bottom (.001 Inch)	17	254-94	2	Bearing-Cone, Tapered
3	ST47334	1	Shim-Cover, Bottom (.005 Inch)	18	400-0261	2	O-Ring
4	ST47335	5	Shim-Cover, Bottom (.010 Inch)	19	ST39014	3	Seal-Shaft
5	ST42720	1	Cap-Bearing, Bottom	20	ST42712	1	Shaft-Input
6	ST80285	2	Screw-HSBH	21	ST42719	1	Cover-Bearing, Blind End
7	3234-47	8	Screw-HHF	22	5-7280	1	Key
8	127-5561	2	Bearing-Cup	23	ST42787-01	1	Bracket-Guard, Belt
9	127-5560	2	Bearing-Cone	24	ST34835	1	Sheave
10	ST42715	1	Shaft-Output	25	3234-17	2	Screw-HHF
11	ST39009	1	Gear-Worm	26	ST80744	1	Key-Hardened
12	ST47336	3	Shim-Cover, Side (.001 Inch)	27	ST32272	1	O-Ring
13	ST47337	1	Shim-Cover, Side (.005 Inch)	28	ST80105	1	Screw
14	ST47338	5	Shim-Cover, Side (.010 Inch)	29	119-6915	1	Screw-Shoulder, HSH
15	ST42718	1	Cover-Bearing, Sheave End	30	127-1662	1	Clutch Lever ASM
				31	127-7628	1	Spacer-Idler, Trowel
				32	3274-83	1	Screw-HSH
				33	127-7629	1	Idler-V, Trowel
				34	125-8707-01	1	Lever-Tilt
				35	ST34096	1	Plug-Sight, Oil



## 46 Inch Pro-Pitch Handle and Guard Assembly

Ref.	Part Number	Qty.	Description
2	ST47355	4	Mount-Shock
3	3256-4	4	Washer-Flat
4	114-4681	4	Screw-HHF
5	104-8301	4	Nut-HF, NI
6	127-2804-01	1	Guard-Stationary
7	125-6200	1	Pro-Pitch Handle ASM

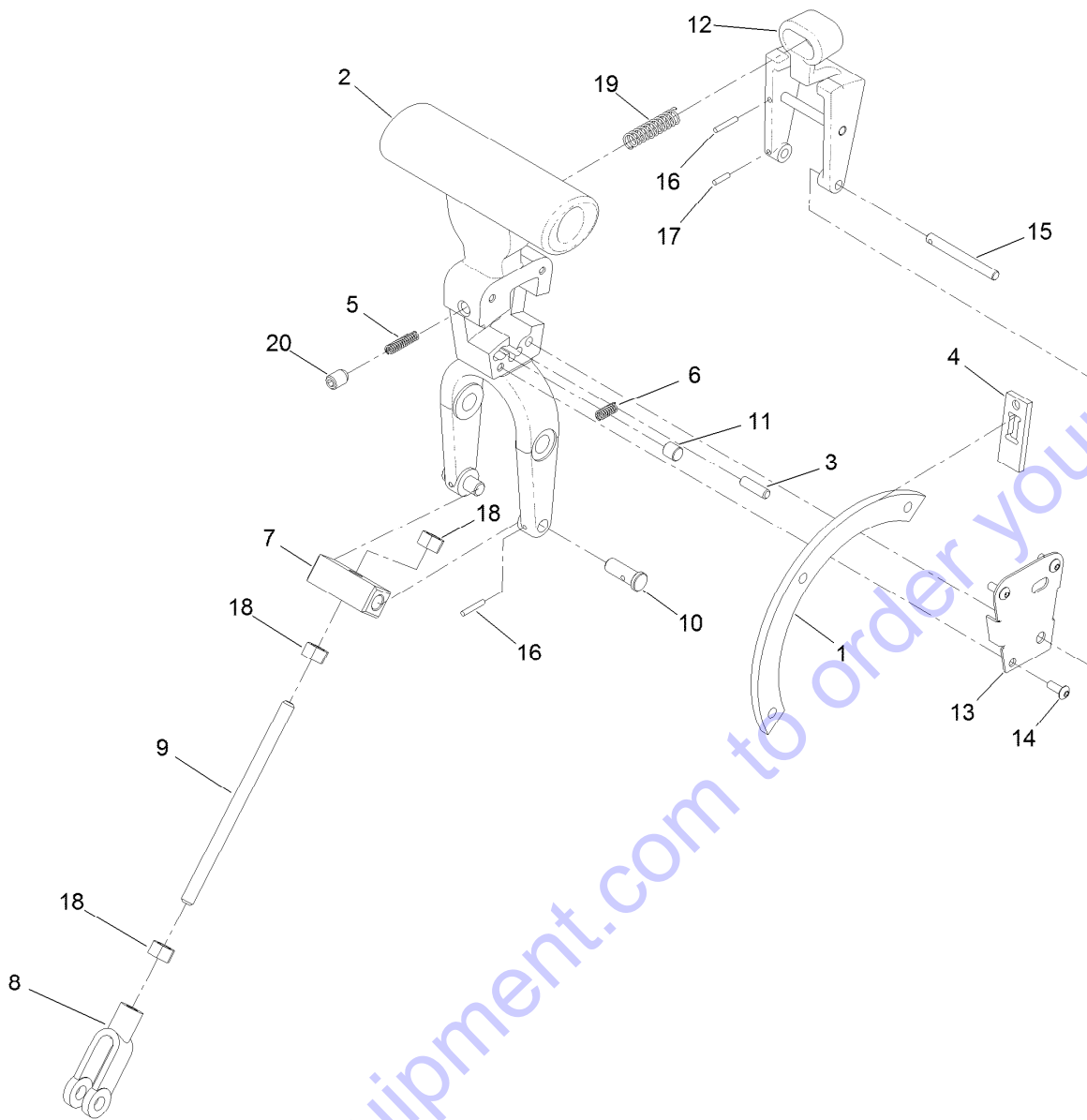


## Pro-Pitch Handle Assembly No. 125-6200

Ref.	Part Number	Qty.	Description
1	ST36739-01	1	Handle-Column, Main
2	ST80275	2	Screw-HSBH
3	32149-2	2	Nut-Keps
4	ST36767	1	Pulley-Pivot
5	ST36753	1	Cam-Cable, Tilt Pivot
6	ST36763	1	Cable-Throttle, Push/Pull
7	ST80066	2	Screw-HSBH
8	321-5	2	Screw-HH
9	104-7201	2	Nut-HF
10	ST27353	1	Housing-Clutch
11	ST80422	2	Screw
12	ST27355	1	Cover-Clutch
13	ST32117	2	Bushing-Flange
14	ST21977	1	Lever ASM
15	ST80305	1	Pin

Ref.	Part Number	Qty.	Description
16	ST80070	4	Screw-PPH
17	127-2809-01	1	Handle-Adjustable
18	ST47125	2	Grip-Handle
19	ST80069	1	Ring-External
20	ST47355	4	Mount-Shock
21	3256-4	4	Washer-Flat
22	119-4061	4	Screw-HHF
23	ST80125	1	Washer-Flat
24	ST21844	1	Knob-Adjustment
25	ST36764	1	Cable-Clutch
26	ST36762	1	Cable-Tilt
27	125-4934	1	Decal
28	125-4935	1	Decal-Raise, Lower
29	125-8215	1	Decal-Pro Pitch

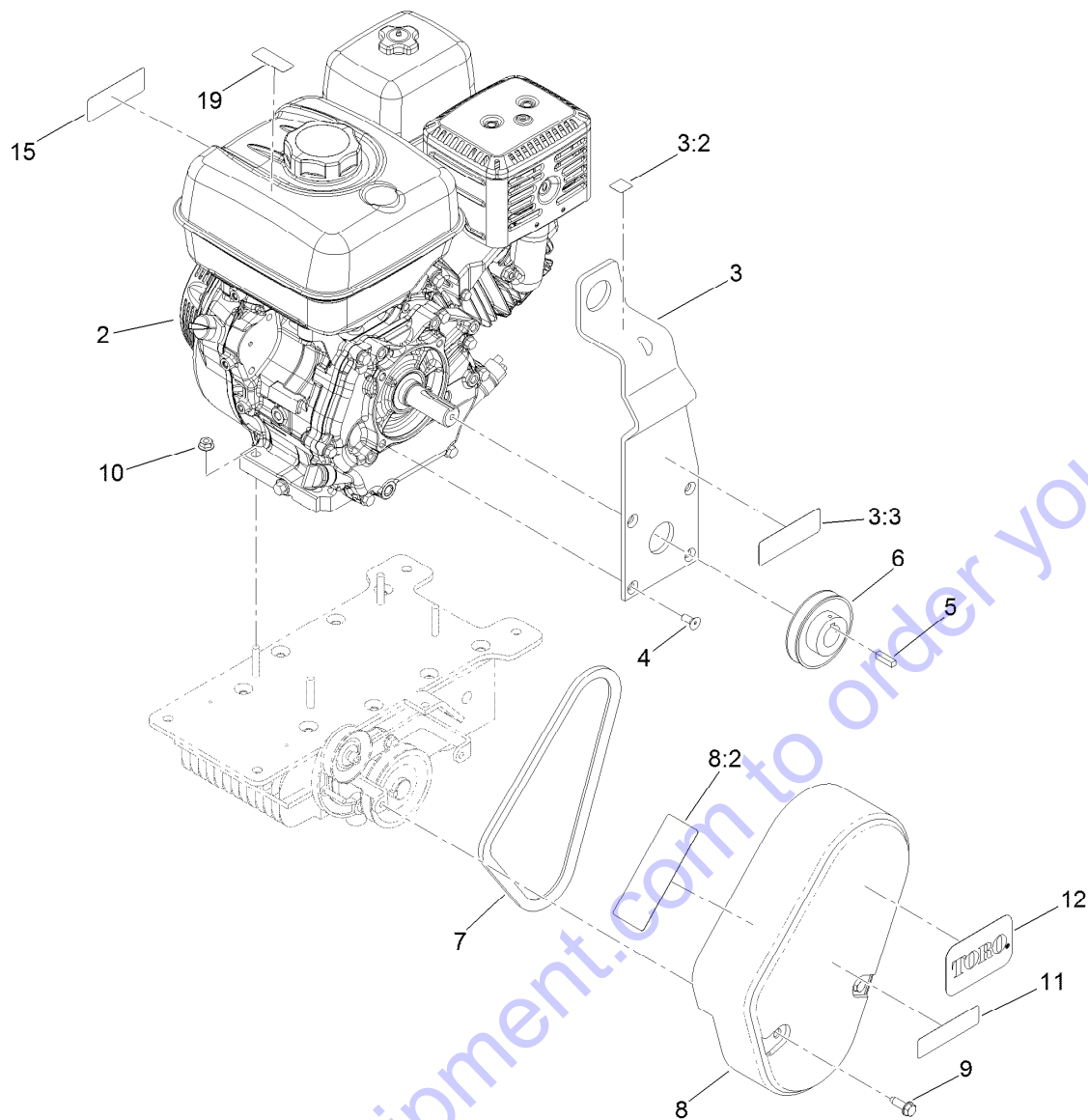




## Pro-Pitch Handle Assembly No. 125-6200 Handle Locking Guide Assembly

Ref.	Part Number	Qty.	Description
1	ST36741	1	Guide-Locking, Pitch
2	ST36747	1	Handle-Pitch
3	ST80006	1	Pin
4	ST36742	1	Plate-Locking, Pitch
5	ST36773	1	Spring-Compression
6	ST36757	1	Spring-Compression
7	ST36743	1	Swivel-Rod, Linkage
8	1-633131	1	Yoke-Linkage, Brake
9	ST36744	1	Rod-Linkage
10	ST36745	2	Pin-Swivel, Linkage

Ref.	Part Number	Qty.	Description
11	ST36758	1	Plug
12	ST36750	1	Handle-Trip
13	ST36748	1	Cover-Handle, Inspection
14	ST81074	3	Screw-HSBH
15	ST36759	2	Pin-Release, Pivot
16	ST81076	3	Pin
17	ST81077	1	Pin
18	3219-3	3	Nut-Hex
19	ST36772	1	Spring-Compression
20	ST80511	1	Screw-Set, HSH



## Engine Assembly

Ref.	Part Number	Qty.	Description	Ref.	Part Number	Qty.	Description
2		1	Engine-Honda, Gx240	8	127-2801	1	Belt Guard ASM
3	127-5586	1	Plate-Eye, Lift	8:2	125-4933	1	Decal-Warning
3:2	93-9084	1	Decal-Point, Lift	9	701243	2	Screw-Thd Roll, HWH
3:3	117-4979	1	Decal-Warning	10	32128-26	4	Nut-Flange
4	ST80171	4	Screw	11	125-4932	1	Decal
5	ST80674	1	Key-Square	12	105-6971	1	Decal
6	ST34834	1	Sheave	15	133-8062	1	Decal-Arrestor, Spark
7	ST35333	1	Belt-V	19	130-8322	1	Decal-Warning, Ethanol



[www.discount-equipment.com](http://www.discount-equipment.com)



**Count on it.**

Go to [Discount-Equipment.com](http://Discount-Equipment.com) to order your parts

# PARTS FINDER

**Search Website  
by Part Number**



**Search Manual  
Library For Parts  
Manual & Lookup Part  
Numbers – Purchase  
or Request Quote**

**Search Manuals**

Enter your information to help us find the right parts manual for your machine.

\* Brand:

\* Model:

\* Serial:

\* Part Number:

SEARCH

**Can't Find Part or  
Manual? Request Help  
by Manufacturer,  
Model & Description**

**Parts Order Form**

Please fill in the following information to help us find the right part for your machine.

Manufacturer:	<input type="text"/>
Model:	<input type="text"/>
Description:	<input type="text"/>
Part Number:	<input type="text"/>
Quantity:	<input type="text"/>
Notes:	<input type="text"/>

Discount-Equipment.com is your online resource for quality parts & equipment.

Florida: **561-964-4949** Outside Florida TOLL FREE: **877-690-3101**

**Need parts?**

Click on this link: <http://www.discount-equipment.com/category/5443-parts/> and choose one of the options to help get the right parts and equipment you are looking for. Please have the machine model and serial number available in order to help us get you the correct parts. If you don't find the part on the website or on one of the online manuals, please fill out the request form and one of our experienced staff members will get back to you with a quote for the right part that your machine needs.

We sell worldwide for the brands: Genie, Terex, JLG, MultiQuip, Mikasa, Essick, Whiteman, Mayco, Toro Stone, Diamond Products, Generac Magnum, Airman, Haulotte, Barreto, Power Blanket, Nifty Lift, Atlas Copco, Chicago Pneumatic, Allmand, Miller Curber, Skyjack, Lull, Skytrak, Tsurumi, Husquvarna Target, Stow, Wacker, Sakai, Mi-T-M, Sullair, Basic, Dynapac, MBW, Weber, Bartell, Bennar Newman, Haulotte, Ditch Runner, Menegotti, Morrison, Contec, Buddy, Crown, Edco, Wyco, Bomag, Laymor, EZ Trench, Bil-Jax, F.S. Curtis, Gehl Pavers, Heli, Honda, ICS/PowerGrit, IHI, Partner, Imer, Clipper, MMD, Koshin, Rice, CH&E, General Equipment, Amida, Coleman, NAC, Gradall, Square Shooter, Kent, Stanley, Tamco, Toku, Hatz, Kohler, Robin, Wisconsin, Northrock, Oztec, Toker TK, Rol-Air, APT, Wylie, Ingersoll Rand / Doosan, Innovatech, Con X, Ammann, Mecalac, Makinex, Smith Surface Prep, Small Line, Wanco, Yanmar