



---

# Illustrated Parts Manual

**Model**  
**3369LE**  
**4069LE**  
**M3369**  
**M4069**

**PVC**  
**1911**  
**2004**

**P/N**  
**31215086**

March 15, 2020 - Rev B

**ANSI**



**AS/NZS**



An Oshkosh Corporation Company



[www.discount-equipment.com](http://www.discount-equipment.com)

# PARTS FINDER

**Search Website  
by Part Number**



**Search Manual  
Library For Parts  
Manual & Lookup Part  
Numbers – Purchase  
or Request Quote**

**Can't Find Part or  
Manual? Request Help  
by Manufacturer,  
Model & Description**

Discount-Equipment.com is your online resource for quality parts & equipment.

Florida: **561-964-4949** Outside Florida TOLL FREE: **877-690-3101**

**Need parts?**

Click on this link: <http://www.discount-equipment.com/category/5443-parts/> and choose one of the options to help get the right parts and equipment you are looking for. Please have the machine model and serial number available in order to help us get you the correct parts. If you don't find the part on the website or on one of the online manuals, please fill out the request form and one of our experienced staff members will get back to you with a quote for the right part that your machine needs.

We sell worldwide for the brands: Genie, Terex, JLG, MultiQuip, Mikasa, Essick, Whiteman, Mayco, Toro Stone, Diamond Products, Generac Magnum, Airman, Haulotte, Barreto, Power Blanket, Nifty Lift, Atlas Copco, Chicago Pneumatic, Allmand, Miller Curber, Skyjack, Lull, Skytrak, Tsurumi, Husquvarna Target, Stow, Wacker, Sakai, Mi-T-M, Sullair, Basic, Dynapac, MBW, Weber, Bartell, Bennar Newman, Haulotte, Ditch Runner, Menegotti, Morrison, Contec, Buddy, Crown, Edco, Wyco, Bomag, Laymor, EZ Trench, Bil-Jax, F.S. Curtis, Gehl Pavers, Heli, Honda, ICS/PowerGrit, IHI, Partner, Imer, Clipper, MMD, Koshin, Rice, CH&E, General Equipment, Amida, Coleman, NAC, Gradall, Square Shooter, Kent, Stanley, Tamco, Toku, Hatz, Kohler, Robin, Wisconsin, Northrock, Oztec, Toker TK, Rol-Air, APT, Wylie, Ingersoll Rand / Doosan, Innovatech, Con X, Ammann, Mecalac, Makinex, Smith Surface Prep, Small Line, Wanco, Yanmar

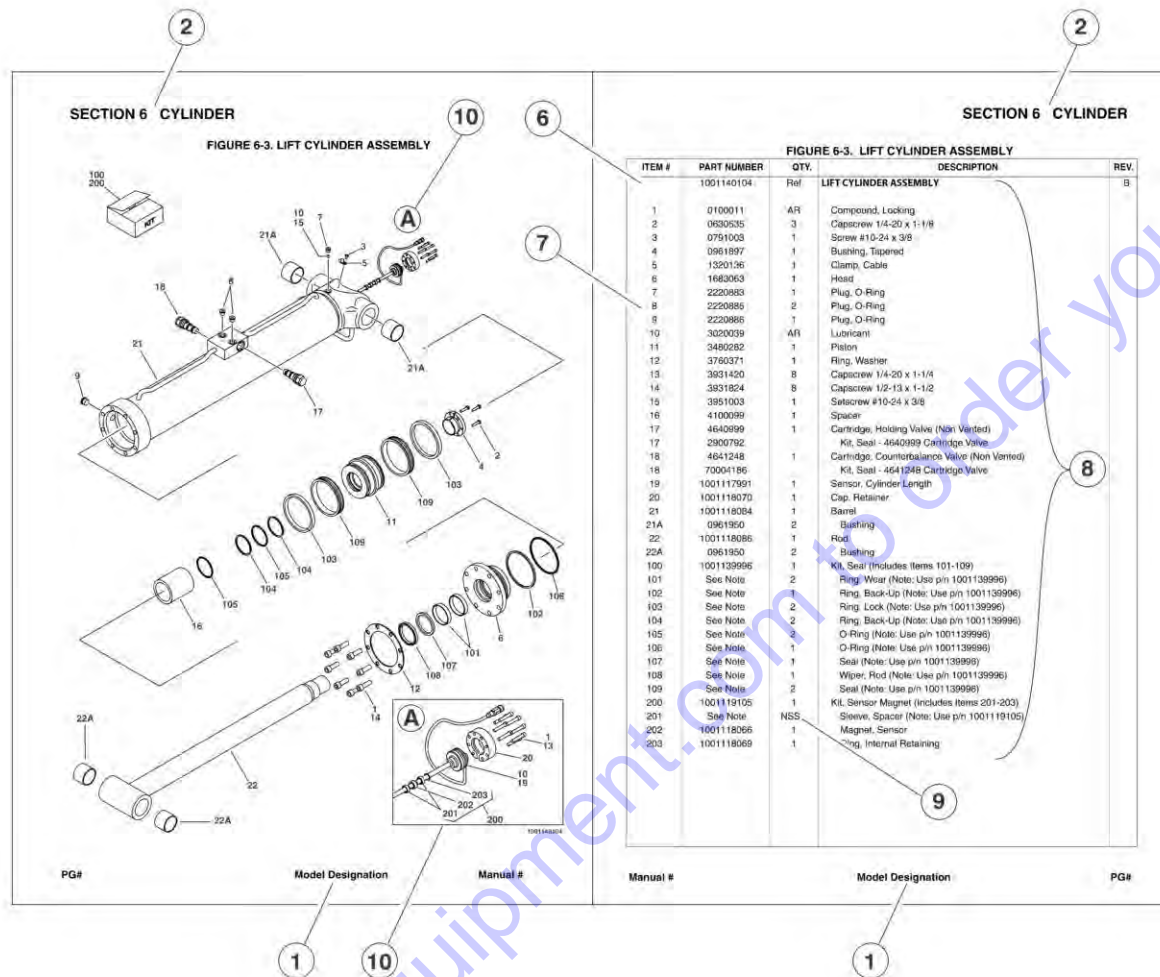
## REVISION LOG

November 18, 2019 - A - Original Issue Of Manual

March 15, 2020 - B - Revised Manual (Edited to B/M 1001249142 Revision D)

Go to [Discount-Equipment.com](http://Discount-Equipment.com) to order your parts

## GENERAL INFORMATION



### 1) MACHINE IDENTIFICATION

Machines are identified by model and in some cases a combination of models, serial number (SN) or regional standard (i.e ANSI, CE, CSA). Components may also be identified by SN or manufacturer. Common components that may be identified by these characteristics are engines and hydraulic components.

### 2) PARTS MANUAL ORGANIZATION

Product information in this manual is organized under section titles. Frame, Cylinder, Hydraulic and Electrical are a few examples. Each section is organized by figure and page number. The information within the Figure is then organized by item number, part number, description and corresponding illustration (s).

### 3) TABLE OF CONTENTS

A table of contents is found toward the beginning of the manual. Figure number, description and page number are provided for quick reference to the page containing the related information.

### 4) RECOMMENDED SPARE PARTS

The Recommended Spare Parts, located near the end of the manual, reference most frequently used maintenance parts.

### 5) PART NUMBER INDEX

A numerical index listing all part numbers and the corresponding page number(s) appears at the back of the manual.



## GENERAL INFORMATION

### 6) NON-SERVICED PARTS

In some instances, it is necessary to display non-serviced parts, assemblies or installations. In the case of assemblies and installations there will be a Ref in the Qty column. In case of parts that are not available for service within assemblies or components, there will be a NSS (Not Sold Separately) or NLA (No Longer Available) listed in the Qty. column of the manual.

### 7) PARTS LIST ITEM NUMBERS

Numbers shown in the item# column correspond to numbers used in the associated illustration (s). Item numbers which missing from the sequence in the parts list are not used on that page

### 8) INDENTED PARTS DESCRIPTION

An indented part description is included in the item under which it is indented.

### 9) ABB REVIATION AND SYMBOLS

AC.....	.. Alternating Current	LCD.....	Liquid Crystal Display
ADE.....	Advanced Design Electronics	LED.....	Light Emitting Diodes
ANSI.....	..American National Standards Institute	LH.....	Left Hand
AR.....	..As Required	LSS.....	..Load Sensing System
ASSY.....	Assembly	M(m).....	Metric/Meter
AUX.....	Auxiliary	MM (mm).....	Milimeter
AWG.....	..American Wire Gauge	mA.....	Miliamps
B/M.....	..Bill of Material	NLA.....	..No Longer Available
CE.....	..European Conformity	NPT.....	National Pipe Threads
CCW.....	..Counter Clockwise	NSS.....	..Not Sold Separately
cm.....	Centimeter	OD.....	..Outside Diameter
CW.....	..Clockwise	ORB.....	O-Ring Boss
CSA.....	..Canadian Standard Association	ORFS.....	O-Ring Face Seal
CYL.....	Cylinder	OZ (oz).....	..Ounces
DIA.....	Diameter	PG.....	..Page
DC.....	Direct Current	P/N.....	..Part Number
EMS.....	Emergency Stop	qt.....	..Quarts
ENG.....	Engine	QTY.....	..Quantity
FT (ft).....	Feet	REF.....	..Reference
GA (Ga).....	Gauge	REV.....	..Revision Level
HYD.....	Hydraulic	RH.....	..Right Hand
Hz.....	Hertz	SAE.....	..Society of Automotive Engineers
ID.....	Inside Diameter	SN.....	..Serial Number
in.....	inches	SPEC(S).....	..Specifications
ISO.....	..International Organization for Standards	T/T.....	..Turntable
JIC.....	Joint Industry Council	UGM.....	..Universal Ground Module
KG.....	..Kilogram	V.....	..Volts
L.....	Liter	W.....	..Watts
LB.....	Pounds	#.....	..Number

### 10) ILLUSTRATION REFERENCE LETTERS

When necessary, illustrations may contain reference letters that are intended to track information (i. e. hoses, harnesses) from one point to another or to track visual enlargement of components to show details that may be located in another area on the illustration.

*Note: Due to continuous product improvements, JLG Industries, Inc. reserves the right to make specification changes without prior notification. Contact JLG Industries, Inc. for updated information.*

# TABLE OF CONTENTS

SECTION 1 - FRAME.....	11
FIGURE 1-1. REAR AXLE INSTALLATION - FIXED.....	12
FIGURE 1-2. REAR AXLE INSTALLATION - OSCILLATING (ALL SPECS EXCEPT CE SPEC).....	14
FIGURE 1-3. OSCILLATING AXLE VALVE ASSEMBLY (ALL SPECS EXCEPT CE SPEC).....	16
FIGURE 1-4. REAR AXLE INSTALLATION - OSCILLATING (CE SPEC).....	18
FIGURE 1-5. OSCILLATING AXLE VALVE ASSEMBLY (CE SPEC).....	20
FIGURE 1-6. STEERING INSTALLATION - 2WD.....	22
FIGURE 1-7. STEERING INSTALLATION - 4WD.....	24
FIGURE 1-8. STEERING AND FRONT DRIVE INSTALLATION - 4WD FRONT.....	26
FIGURE 1-9. STEERING INSTALLATION - WITH TOW BAR (M3369 CE SPECS ONLY).....	28
FIGURE 1-10. WHEEL DRIVE AND CONTROLLER INSTALLATION - 2WD/4WD REAR.....	30
FIGURE 1-11. HUB ASSEMBLY - 2WD FRONT.....	32
FIGURE 1-12. DRIVE HUB ASSEMBLY - 2WD/4WD REAR.....	34
FIGURE 1-13. DRIVE BRAKE ASSEMBLY - 2WD/4WD REAR.....	38
FIGURE 1-14. DRIVE MOTOR ASSEMBLY - OPERATORS POSITION RH SIDE - 4WD FRONT.....	40
FIGURE 1-15. DRIVE MOTOR ASSEMBLY - OPERATORS POSITION LH SIDE - 4WD FRONT.....	42
FIGURE 1-16. DRIVE MOTOR ASSEMBLY - 2WD/4WD REAR.....	44
FIGURE 1-17. DRIVE VALVE ASSEMBLY - 4WD ONLY.....	46
FIGURE 1-18. FLOW DIVIDER VALVE ASSEMBLY - 4WD ONLY.....	48
FIGURE 1-19. TIRE AND WHEEL INSTALLATION - IN240/55 X 17.5 FOAM-FILLED.....	50
FIGURE 1-20. TIRE AND WHEEL INSTALLATION - IN240/55 X 17.5 NON-MARKING FOAM FILLED.....	52
FIGURE 1-21. TIRE AND WHEEL INSTALLATION - 27.2/10.5LL X 15 TURF FOAM-FILLED.....	54
FIGURE 1-22. LEVELING JACKS INSTALLATION - OPTIONAL.....	56
FIGURE 1-23. LEVELING JACK CONTROL VALVE ASSEMBLY.....	58
FIGURE 1-24. BATTERY CHARGER INSTALLATION - 110V/60HZ (3369LE & 4069LE ANSI, ANSI EXPORT, CSA AND JAPANESE SPECS).....	60
FIGURE 1-25. BATTERY CHARGER INSTALLATION - 110V/60HZ (M3369 & M4069 ANSI, ANSI EXPORT, CSA AND JAPANESE SPECS).....	62
FIGURE 1-26. BATTERY CHARGER INSTALLATION - 120-240V/50-60HZ (3369LE & 4069LE ANSI, ANSI EXPORT, CSA AND CE SPECS).....	64
FIGURE 1-27. BATTERY CHARGER INSTALLATION - 120-240V/50-60HZ (M3369 & M4069 ANSI, ANSI EXPORT, CSA AND CE SPECS).....	66
FIGURE 1-28. BATTERY CHARGER INSTALLATION - 250V/50HZ (3369LE & 4069LE ANSI EXPORT AND AUSTRALIAN SPECS).....	68
FIGURE 1-29. BATTERY CHARGER INSTALLATION - 250V/50HZ (M3369 & M4069 ANSI EXPORT AND AUSTRALIAN SPECS).....	70
FIGURE 1-30. BATTERY CHARGER ASSEMBLY.....	72
FIGURE 1-31. BATTERY CHARGER DOOR ASSEMBLY - 3369LE & 4069LE.....	74
FIGURE 1-32. INVERTER INSTALLATION - OPTIONAL.....	76
FIGURE 1-33. BEACON INSTALLATION.....	78
FIGURE 1-34. LADDER INSTALLATION WITHOUT LEVELING JACKS - 3369LE/M3369 (ALL SPEC EXCEPT CE SPEC).....	80
FIGURE 1-35. LADDER INSTALLATION WITHOUT LEVELING JACKS - 3369LE/M3369 (CE SPEC).....	82
FIGURE 1-36. LADDER INSTALLATION WITHOUT LEVELING JACKS - 4069LE/M4069 (ALL SPECS EXCEPT CE SPEC).....	84
FIGURE 1-37. LADDER INSTALLATION WITHOUT LEVELING JACKS - 4069LE/M4069 (CE SPECS).....	86
FIGURE 1-38. LADDER INSTALLATION WITH LEVELING JACKS.....	88
FIGURE 1-39. FRAME COVER INSTALLATION (STANDARD).....	90
FIGURE 1-40. FRAME COVER INSTALLATION (M3369/M4069) (HOSTILE ENVIRONMENT).....	92
FIGURE 1-41. FRAME COVER INSTALLATION (3369LE/40369LE) (HOSTILE ENVIRONMENT).....	94
FIGURE 1-42. TOW BAR INSTALLATION (M3369 CE SPECS ONLY).....	96
FIGURE 1-43. TOW BAR ASSEMBLY (M3369 CE SPECS ONLY).....	98
SECTION 2 - GROUND COMPONENTS.....	101
FIGURE 2-1. MAIN CONTROL VALVE INSTALLATION.....	102
FIGURE 2-2. MAIN CONTROL VALVE ASSEMBLY.....	104
FIGURE 2-3. HYDRAULIC COMPARTMENT INSTALLATION.....	106
FIGURE 2-4. MOTOR ASSEMBLY.....	108
FIGURE 2-5. GROUND CONTROL BOX AND HORN INSTALLATIONS - 3369LE/4069LE WITHOUT LEVELING JACKS (ALL SPECS EXCEPT CE SPEC).....	110
FIGURE 2-6. GROUND CONTROL BOX AND HORN INSTALLATIONS - 3369LE/4069LE WITHOUT LEVELING JACKS (CE SPEC).....	112
FIGURE 2-7. GROUND CONTROL BOX AND HORN INSTALLATIONS - 3369LE/4069LE WITH LEVELING JACKS (ALL SPECS EXCEPT CE SPEC).....	114
FIGURE 2-8. GROUND CONTROL BOX AND HORN INSTALLATIONS - 3369LE/4069LE WITH LEVELING JACKS (CE SPEC).....	116

# TABLE OF CONTENTS

FIGURE 2-9. GROUND CONTROL BOX AND HORN INSTALLATIONS - M3369/M4069 (2WD - ALL SPECS EXCEPT CE SPEC).....	118
FIGURE 2-10. GROUND CONTROL BOX AND HORN INSTALLATIONS - M3369/M4069 (2WD - CE SPEC).....	120
FIGURE 2-11. GROUND CONTROL BOX AND HORN INSTALLATIONS - M3369/M4069 (4WD - ALL SPECS EXCEPT CE SPEC).....	122
FIGURE 2-12. GROUND CONTROL BOX AND HORN INSTALLATIONS - M3369/M4069 (4WD - CE SPEC).....	124
FIGURE 2-13. GROUND CONTROL BOX AND HORN INSTALLATIONS - M4069 (DRIVE AT FULL HEIGHT).....	126
FIGURE 2-14. GROUND CONTROL BOX ASSEMBLY - 3369LE/4069LE (ALL SPECS EXCEPT CE SPEC).....	128
FIGURE 2-15. GROUND CONTROL BOX ASSEMBLY - 3369LE/4069LE (CE SPEC).....	130
FIGURE 2-16. GROUND CONTROL BOX ASSEMBLY - M3369/M4069 (ALL SPECS EXCEPT CE SPEC).....	132
FIGURE 2-17. GROUND CONTROL BOX ASSEMBLY - M3369/M4069 (CE SPECS).....	134
FIGURE 2-18. GROUND CONTROL BOX ASSEMBLY - M4069 DRIVE AT FULL HEIGHT.....	136
FIGURE 2-19. GROUND CONTROL BOX COMPONENTS.....	138
FIGURE 2-20. BATTERY BOX INSTALLATION - 370A-H BATTERIES.....	140
FIGURE 2-21. BATTERY BOX INSTALLATION - 390A-H AGM BATTERIES.....	142
FIGURE 2-22. ALARM INSTALLATION.....	144
FIGURE 2-23. ALARM INSTALLATION - MOTION.....	146
FIGURE 2-24. COVERS INSTALLATION.....	148
FIGURE 2-25. TANK INSTALLATION - M3369/M4069 (MACHINES WITH STANDARD BATTERY).....	152
FIGURE 2-26. TANK INSTALLATION - M3369/M4069 (MACHINES WITH AGM BATTERY).....	154
 SECTION 3 - ENGINE.....	 157
FIGURE 3-1. KUBOTA ENGINE/GENERATOR INSTALLATION - M3369/M4069 (WITH STANDARD BATTERY).....	158
FIGURE 3-2. KUBOTA ENGINE/GENERATOR INSTALLATION - M3369/M4069 (WITH AGM BATTERY).....	160
FIGURE 3-3. KUBOTA MOTOR/GENERATOR ASSEMBLY.....	162
FIGURE 3-4. KUBOTA MOTOR/GENERATOR COMPONENTS.....	164
 SECTION 4 - SCISSORS ARMS.....	 167
FIGURE 4-1. SCISSORS ARMS INSTALLATION WITH LSS - 3369LE/M3369.....	168
FIGURE 4-2. SCISSORS ARMS ASSEMBLY WITH LSS - 3369LE/M3369.....	170
FIGURE 4-3. SCISSORS ARMS INSTALLATION WITH LSS - 4069LE/M4069.....	174
FIGURE 4-4. SCISSORS ARMS ASSEMBLY WITH LSS - 4069LE/M4069.....	176
FIGURE 4-5. SCISSORS ARM GUARDS INSTALLATION (CE SPECS ONLY).....	180
FIGURE 4-6. SCISSORS ARM GUARDS INSTALLATION - WITH TOW BAR (CE SPECS ONLY).....	182
 SECTION 5 - PLATFORM.....	 185
FIGURE 5-1. PLATFORM INSTALLATION WITHOUT D-RINGS AND WITH LSS.....	186
FIGURE 5-2. PLATFORM INSTALLATION WITH D-RINGS AND WITH LSS.....	190
FIGURE 5-3. HANDRAILS INSTALLATION WITH SELF-CLOSING GATE.....	194
FIGURE 5-4. 3FT PLATFORM EXTENSION W/RAILS.....	196
FIGURE 5-5. CONSOLE BOX ASSEMBLY - 3369LE/4069LE NO LEVELING.....	198
FIGURE 5-6. CONSOLE BOX ASSEMBLY - 3369LE/4069LE WITH LEVELING JACKS.....	200
FIGURE 5-7. CONSOLE BOX ASSEMBLY - M3369/M4069 2WD NO LEVELING JACKS.....	202
FIGURE 5-8. CONSOLE BOX ASSEMBLY - M3369/M4069 2WD WITH LEVELING JACKS.....	204
FIGURE 5-9. CONSOLE BOX ASSEMBLY - M3369/M4069 4WD NO LEVELING JACKS.....	206
FIGURE 5-10. CONSOLE BOX ASSEMBLY - M3369/M4069 4WD WITH LEVELING JACKS.....	208
FIGURE 5-11. CONSOLE BOX ASSEMBLY - M3369/M4069 2WD NO LEVELING JACKS AND WITH OPTIONAL SPOT LIGHT.....	210
FIGURE 5-12. DRIVE/STEER CONTROLLER ASSEMBLY.....	212
 SECTION 6 - CYLINDER.....	 215
FIGURE 6-1. AXLE LOCKOUT CYLINDER ASSEMBLY.....	216
FIGURE 6-2. LEVELING JACK CYLINDER ASSEMBLY.....	218
FIGURE 6-3. LIFT CYLINDER ASSEMBLY - 3369LE/M3369.....	220
FIGURE 6-4. LIFT (LOWER) CYLINDER ASSEMBLY - 4069LE/M4069.....	222
FIGURE 6-5. LIFT (UPPER) CYLINDER ASSEMBLY - 4069LE/M4069.....	224
FIGURE 6-6. STEER CYLINDER ASSEMBLY.....	226
 SECTION 7 - HYDRAULIC.....	 229
FIGURE 7-1. HYDRAULIC DIAGRAM - 4WD.....	230
FIGURE 7-2. HYDRAULIC DIAGRAM - LEVELING JACKS (OPTIONAL).....	232
FIGURE 7-3. HYDRAULIC DIAGRAM - LIFT CYLINDER - 3369LE/M3369 WITH LSS.....	234



# TABLE OF CONTENTS

FIGURE 7-4. HYDRAULIC DIAGRAM - LIFT CYLINDER - 4069LE/M4069 WITH LSS .....	236
FIGURE 7-5. HYDRAULIC DIAGRAM - STANDARD - 3369LE/M3369 WITH FIXED AXLE .....	238
FIGURE 7-6. HYDRAULIC DIAGRAM - STANDARD - 3369LE/M3369 WITH OSCILLATING AXLE (ALL SPECS EXCEPT CE SPEC) .....	240
FIGURE 7-7. HYDRAULIC DIAGRAM - STANDARD - 4069LE/M4069 WITH FIXED AXLE .....	242
FIGURE 7-8. HYDRAULIC DIAGRAM - STANDARD - 4069LE/M4069 WITH OSCILLATING AXLE (ALL SPECS EXCEPT CE SPEC) .....	244
FIGURE 7-9. HYDRAULIC DIAGRAM - STANDARD - 3369LE/M3369 WITH OSCILLATING AXLE (CE SPEC) .....	246
FIGURE 7-10. HYDRAULIC DIAGRAM - STANDARD - 4069LE/M4069 WITH OSCILLATING AXLE (CE SPEC) .....	250
FIGURE 7-11. HYDRAULIC DIAGRAM - TOW BAR .....	254
<b>SECTION 8 - ELECTRICAL .....</b>	<b>257</b>
FIGURE 8-1. AC TO PLATFORM INSTALLATION - 110V GFI (3369LE/M3369) .....	258
FIGURE 8-2. AC TO PLATFORM INSTALLATION - 110V GFI (4069LE/M4069) .....	260
FIGURE 8-3. AC TO PLATFORM INSTALLATION - 110V IEC YELLOW (CE SPEC ONLY) .....	262
FIGURE 8-4. AC TO PLATFORM INSTALLATION - 220V IEC BLUE (CE SPEC ONLY) .....	264
FIGURE 8-5. AC TO PLATFORM INSTALLATION - 220V AFSINT107 (CE SPEC ONLY) .....	266
FIGURE 8-6. AC TO PLATFORM INSTALLATION - 220V CEE7 SIDE GROUND (CE SPEC ONLY) .....	268
FIGURE 8-7. AC TO PLATFORM INSTALLATION - 220V CEE7 POST GROUND (CE SPEC ONLY) .....	270
FIGURE 8-8. ALARM HARNESS .....	272
FIGURE 8-9. BEACON LIGHT HARNESS .....	274
FIGURE 8-10. BREAKER BOX KIT WITH TWO BREAKERS - CE SPEC ONLY .....	276
FIGURE 8-11. BREAKER BOX KIT WITH THREE BREAKERS - CE SPEC ONLY .....	278
FIGURE 8-12. CHARGER CORD PLUG INSTALLATION - 110V IEC YELLOW PLUG (CE SPEC) .....	280
FIGURE 8-13. CHARGER CORD PLUG INSTALLATION - 220V IEC BLUE PLUG (CE SPEC) .....	282
FIGURE 8-14. CHARGER CORD PLUG INSTALLATION - 220V AFSINT 107 KEYED GROUND (CE SPEC) .....	284
FIGURE 8-15. CHARGER CORD PLUG INSTALLATION - 220V CEE7 POST GROUND (CE SPEC) .....	286
FIGURE 8-16. CHARGER CORD PLUG INSTALLATION - 220V CEE7 SIDE GROUND (CE SPEC) .....	288
FIGURE 8-17. FRONT WHEEL ASSIST (4WD) HARNESS .....	290
FIGURE 8-18. GENERATOR HARNESS - M3369/M4069 ONLY .....	292
FIGURE 8-19. GROUND CONTROL BOX HARNESS - 3369LE/4069LE .....	294
FIGURE 8-20. GROUND CONTROL BOX HARNESS - M3369/M4069 .....	296
FIGURE 8-21. GROUND CONTROL BOX HARNESS (M4069 DRIVE AT FULL HEIGHT) .....	298
FIGURE 8-22. GROUND CONTROL BOX TO BULKHEAD HARNESS INSTALLATION - 3369LE/M3369 .....	300
FIGURE 8-23. GROUND CONTROL BOX TO BULKHEAD HARNESS INSTALLATION - 4069LE/M4069 .....	302
FIGURE 8-24. GROUND CONTROL BOX TO BULKHEAD HARNESS .....	304
FIGURE 8-25. LEVELING JACK HARNESS .....	306
FIGURE 8-26. LEVELING JACK N.C. HARNESS .....	308
FIGURE 8-27. LEVELING JACK N.O. HARNESS .....	310
FIGURE 8-28. LEVELING JACK VALVE HARNESS .....	312
FIGURE 8-29. LIFT DOWN HARNESS - LOWER .....	314
FIGURE 8-30. LIFT DOWN HARNESS - 3369LE/M3369 UPPER .....	316
FIGURE 8-31. LIFT DOWN HARNESS - 4069LE/M4069 UPPER .....	318
FIGURE 8-32. PLATFORM CABLE HARNESS - 3369LE/M3369 .....	320
FIGURE 8-33. PLATFORM CABLE HARNESS - 4069LE/M4069 .....	322
FIGURE 8-34. PLATFORM CONSOLE BOX HARNESS WITHOUT LEVELING JACKS .....	324
FIGURE 8-35. PLATFORM CONSOLE BOX HARNESS WITH LEVELING JACKS .....	326
FIGURE 8-36. RECEPTACLE BOX KIT - 110V GFI .....	328
FIGURE 8-37. RECEPTACLE BOX KIT - 110V IEC YELLOW (CE SPEC) .....	330
FIGURE 8-38. RECEPTACLE BOX KIT - 220V IEC BLUE (CE SPEC) .....	332
FIGURE 8-39. RECEPTACLE BOX KIT - 220V AFSINT 107 (CE SPEC) .....	334
FIGURE 8-40. RECEPTACLE BOX KIT - 220V CEE7 SIDE GROUND (CE SPEC) .....	336
FIGURE 8-41. RECEPTACLE BOX KIT - 220V CEE7 POST GROUND (CE SPEC) .....	338
FIGURE 8-42. VALVE HARNESS .....	340
<b>SECTION 9 - DECALS .....</b>	<b>343</b>
FIGURE 9-1. DECAL INSTALLATION - ANSI SPEC (ENGLISH) .....	344
FIGURE 9-2. DECAL INSTALLATION - AUSTRALIAN AND CE SPECS - 3369LE & 4069LE .....	346
FIGURE 9-3. DECAL INSTALLATION - AUSTRALIAN AND CE SPECS - M3369 & M4069 .....	348
FIGURE 9-4. DECAL INSTALLATION - BRAZIL SPEC (DUAL LANGUAGE - PORTUGUESE/SPANISH) .....	350
FIGURE 9-5. DECAL INSTALLATION - CHINESE SPEC (DUAL LANGUAGE - ENGLISH/CHINESE) .....	352
FIGURE 9-6. DECAL INSTALLATION - CSA SPEC (DUAL LANGUAGE - ENGLISH/FRENCH) .....	354
FIGURE 9-7. DECAL INSTALLATION - JAPANESE SPEC (DUAL LANGUAGE - ENGLISH/JAPANESE) .....	356
FIGURE 9-8. DECAL INSTALLATION - KOREAN SPEC (DUAL LANGUAGE - ENGLISH/KOREAN) .....	358
FIGURE 9-9. DECAL INSTALLATION - LATIN AMERICAN SPEC (DUAL LANGUAGE - ENGLISH/SPANISH) .....	360



# TABLE OF CONTENTS

FIGURE 9-10. DECAL INSTALLATION - OPTIONS .....	362
SECTION 10 - RECOMMENDED SERVICE PARTS STOCK .....	365
FIGURE 10-1. RECOMMENDED SERVICE PARTS STOCK .....	366
SECTION 11 - SPECIAL OPTIONS .....	367
FIGURE 11-1. SPECIAL OPTIONS .....	368
PART NUMBER INDEX .....	371

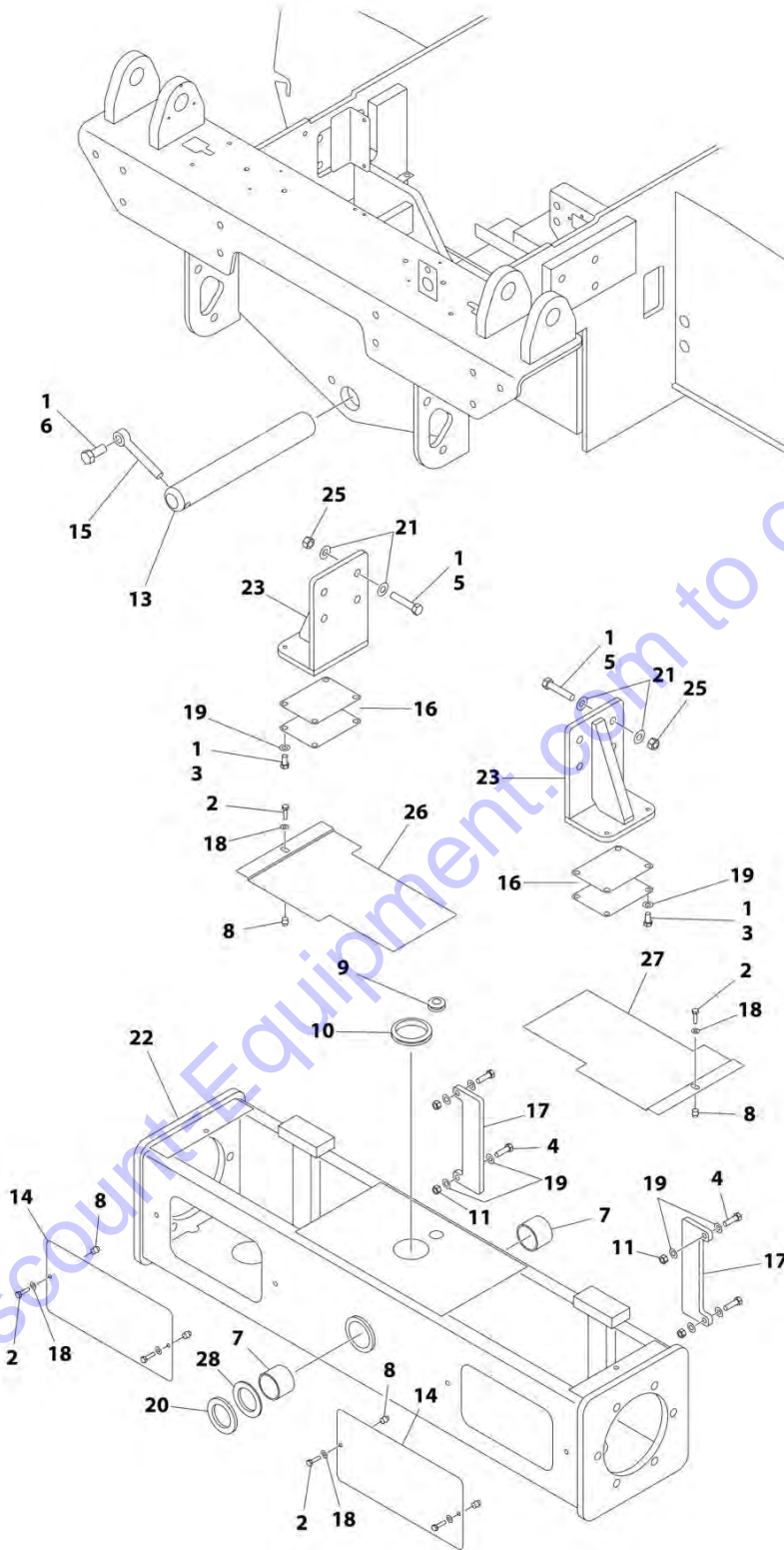
Go to Discount-Equipment.com to order your parts

SECTION 1 - FRAME

Go to Discount-Equipment.com to order your parts

# SECTION 1 - FRAME

## FIGURE 1-1. REAR AXLE INSTALLATION - FIXED



ART\_1001165760\_D

## SECTION 1 - FRAME

**FIGURE 1-1. REAR AXLE INSTALLATION - FIXED**

ITEM	PART NUMBER	QTY	DESCRIPTION	REV
	1001165760	Ref	REAR AXLE INSTALLATION - FIXED	D
1	0100011	AR	Compound, Locking	
2	0641408	6	Bolt 1/4 x 1	
3	0641606	4	Bolt 3/8 x 3/4	
4	0641610	4	Bolt 3/8 x 1-1/4	
5	0641820	8	Bolt 1/2 x 2-1/2	
6	0642012	1	Bolt 5/8 x 1-1/2	
7	0961950	2	Bearing	
8	2080061	6	Fastener	
9	2540038	1	Grommet	
10	2540039	1	Grommet	
11	3311605	4	Nut 3/8	
13	3422900	1	Pin	
14	3572554	2	Plate, Cover	
15	3841258	1	Keeper, Pin	
16	4070932	4	Shim 16Ga	
17	4071008	2	Shim	
18	4711400	6	Washer 1/4	
19	4711600	12	Washer 3/8	
20	4740158	1	Washer	
21	4891800	16	Washer 1/2	
22	1001164150	1	Axle	
23	1001165629	2	Support	
25	3311805	8	Nut 1/2	
26	1001180299	1	Plate, Cover (LH)	
27	1001180300	1	Plate, Cover (RH)	
28	4740541	AR	Washer, Thrust	





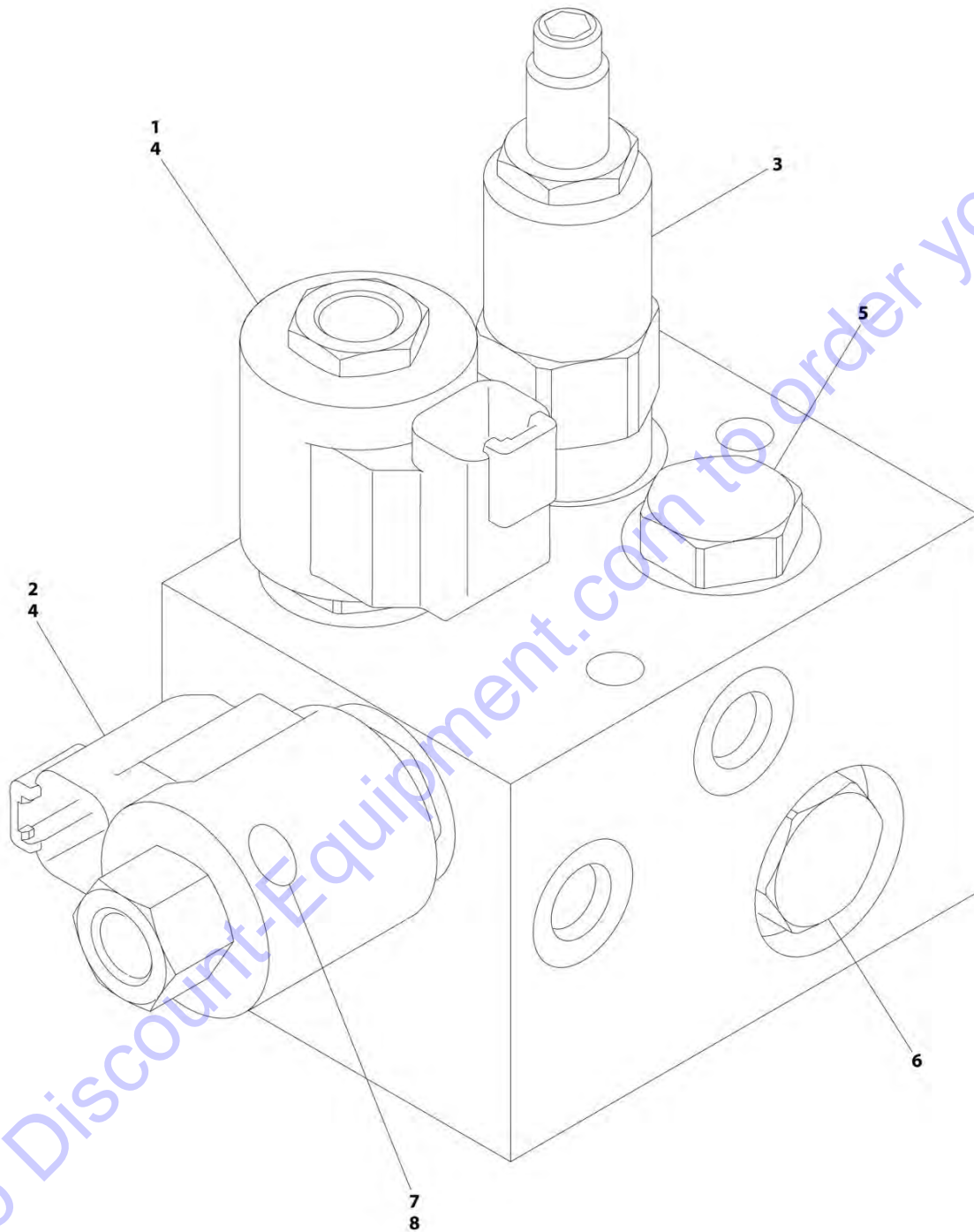
## SECTION 1 - FRAME

**FIGURE 1-2. REAR AXLE INSTALLATION - OSCILLATING (ALL SPECS EXCEPT CE SPEC)**

ITEM	PART NUMBER	QTY	DESCRIPTION	REV
	1001165761	Ref	REAR AXLE INSTALLATION - OSCILLATING	F
1	0100011	AR	Compound, Locking	
2	0100038	AR	Primer, Locking	
3	0641408	6	Bolt 1/4 x 1	
4	0641610	4	Bolt 3/8 x 1-1/4	
5	0701217	8	Bolt M12 x 45	
6	0642012	1	Bolt 5/8 x 1-1/2	
7	0961950	2	Bearing	
8	1001163580	2	Axle Lockout Cylinder Assembly (See Separate Breakdown in CYLINDER SECTION)	
9	2080061	6	Fastener	
10	2540038	1	Grommet	
11	2540039	1	Grommet	
12	3311605	4	Nut 3/8	
13	3422900	1	Pin	
14	3572554	2	Plate, Cover	
15	3841258	1	Keeper, Pin	
16	4071008	2	Shim	
17	4711400	6	Washer 1/4	
18	4711600	8	Washer 3/8	
19	4740158	1	Washer 1/4	
20	5241200	8	Washer M12	
21	1001164150	1	Axle	
23	0641530	2	Bolt 5/16 x 3-3/4	
24	3311505	2	Nut 5/16	
25	4711500	4	Washer 5/16	
26	1001166487	1	Oscillating Axle Valve Assembly (See Separate Breakdown in this Section)	
27	1001180299	1	Plate, Cover (LH)	
28	1001180300	1	Plate, Cover (RH)	
29	4740541	AR	Washer, Thrust	

# SECTION 1 - FRAME

FIGURE 1-3. OSCILLATING AXLE VALVE ASSEMBLY (ALL SPECS EXCEPT CE SPEC)



ART\_1001166487

## SECTION 1 - FRAME

**FIGURE 1-3. OSCILLATING AXLE VALVE ASSEMBLY (ALL SPECS EXCEPT CE SPEC)**

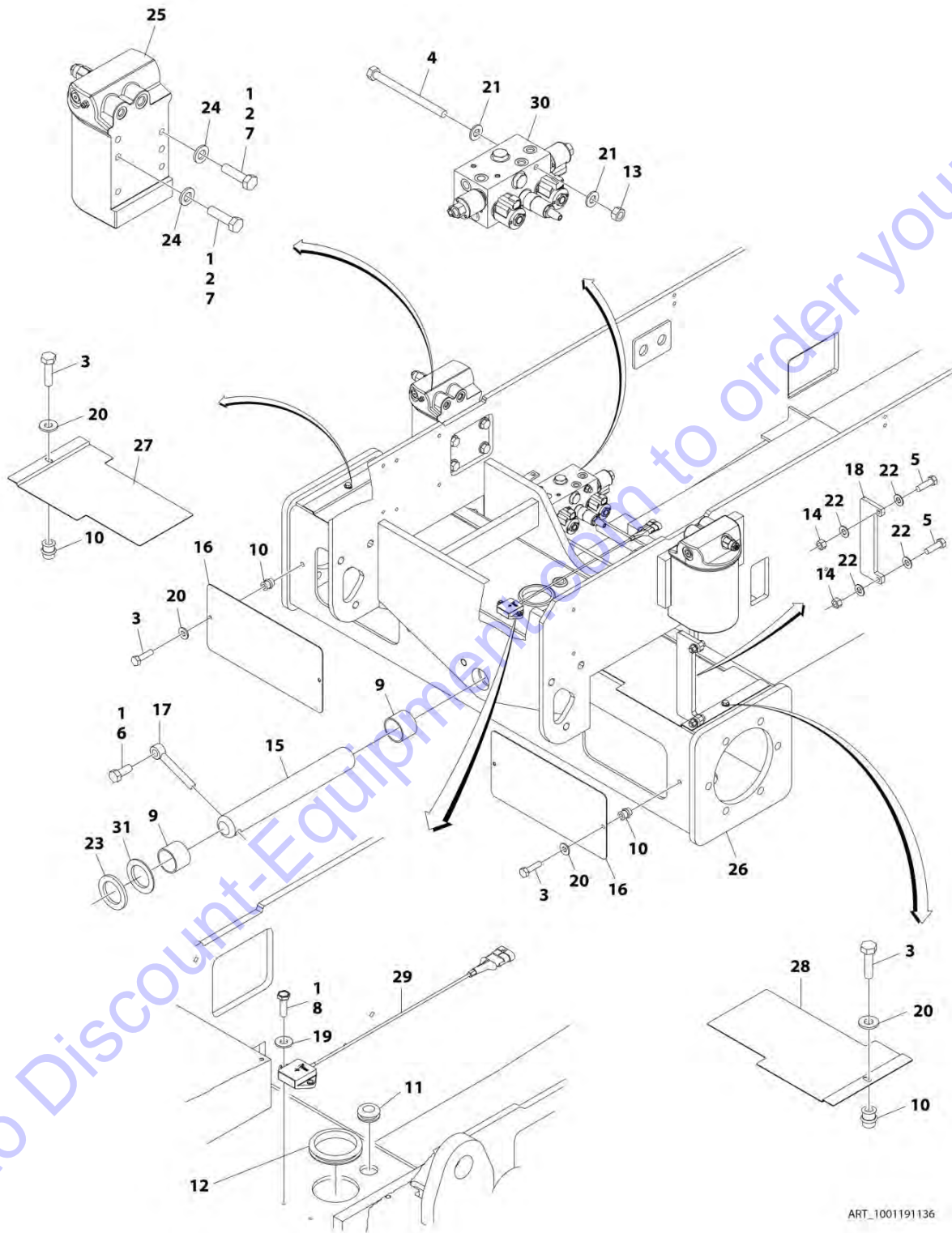
ITEM	PART NUMBER	QTY	DESCRIPTION	REV
	1001166487	Ref	OSCILLATING AXLE VALVE ASSEMBLY	D
1	70004387	1	Cartridge Less Coil	
1	7010543	1	Seal Kit - 70004387 Valve	
2	7017410	1	Cartridge Less Coil	
2	7012967	1	Seal Kit - 7017410 Valve	
2	70003978	1	Nut, Coil	
3	70004388	1	Cartridge, Valve	
3	7021653	1	Seal Kit - 70004388 Valve	
4	70002963	2	Coil	
5	7023976	1	Cartridge, Valve	
5	7012967	1	Seal Kit - 7023976 Valve	
6	7012955	1	Cartridge, Valve	
6	7012967	1	Seal Kit - 7012955 Cartridge	
7	70004389	1	Orifice	
8	7017406	1	Plug	

Go to Discount-Equipment.com to order your parts



# SECTION 1 - FRAME

## FIGURE 1-4. REAR AXLE INSTALLATION - OSCILLATING (CE SPEC)



ART\_1001191136

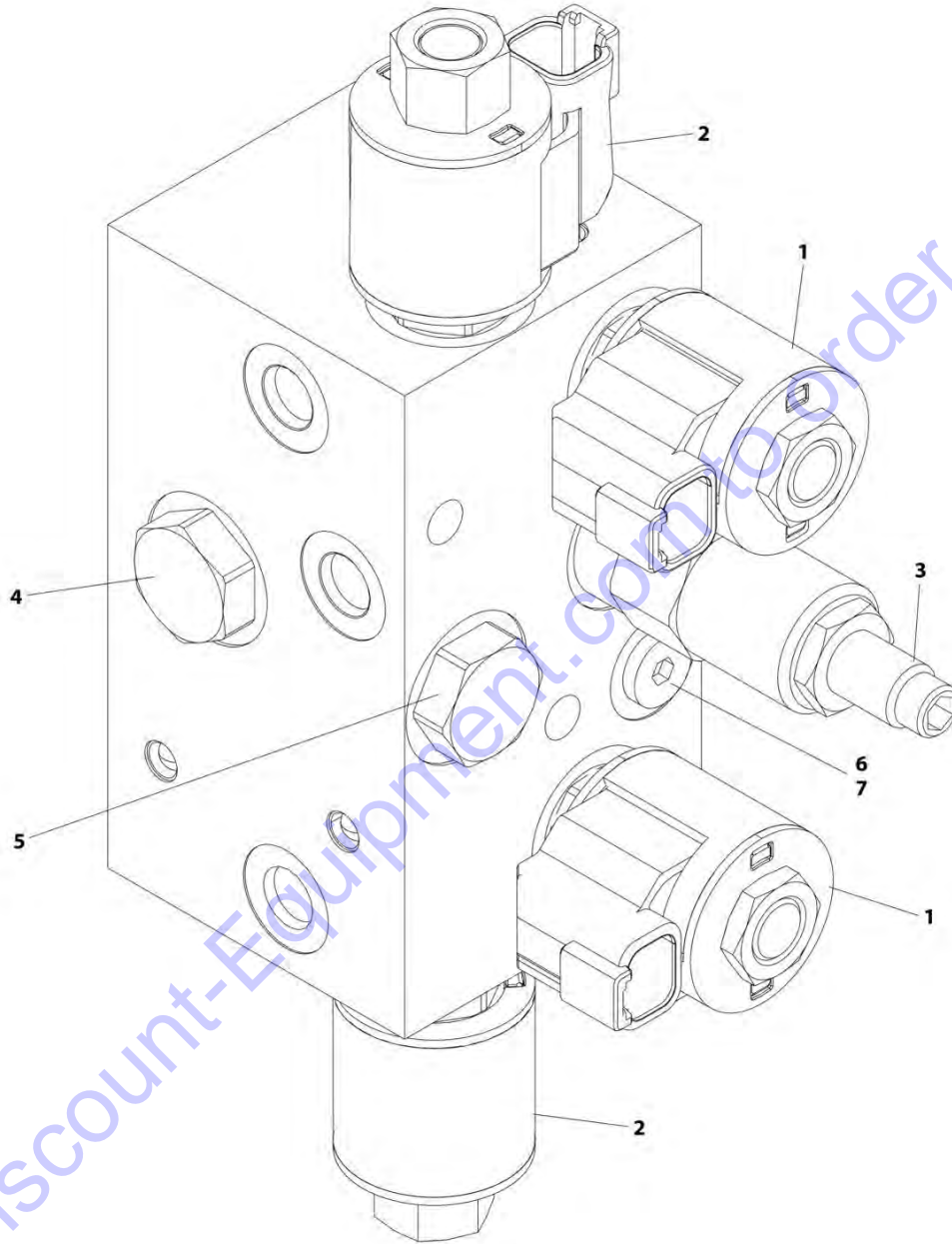
## SECTION 1 - FRAME

**FIGURE 1-4. REAR AXLE INSTALLATION - OSCILLATING (CE SPEC)**

ITEM	PART NUMBER	QTY	DESCRIPTION	REV
	1001191136	Ref	REAR AXLE INSTALLATION - OSCILLATING	C
1	0100011	AR	Compound, Locking	
2	0100038	AR	Primer, Locking	
3	0641408	6	Bolt 1/4 x 1	
4	0641532	2	Bolt 1/4 x 1	
5	0641610	4	Bolt 5/16 x 4	
6	0642012	1	Bolt 5/8 x 1-1/2	
7	0701217	8	Bolt M12 x 45	
8	0721005	2	Bolt 10 x 0.625	
9	0961950	2	Bearing	
10	2080061	6	Fastener	
11	2540038	1	Grommet	
12	2540039	1	Grommet	
13	3311505	2	Nut 5/16	
14	3311605	4	Nut 3/8	
15	3422900	1	Pin	
16	3572554	2	Plate, Cover	
17	3841258	1	Keeper, Pin	
18	4071008	2	Shim	
19	4711000	2	Washer #10	
20	4711400	6	Washer 1/4	
21	4711500	4	Washer 5/16	
22	4711600	8	Washer 3/8	
23	4740158	1	Washer 1/4	
24	5241200	8	Washer M12	
25	1001163580	2	Axle Lockout Cylinder Assembly (See Separate Breakdown in CYLINDER SECTION)	
26	1001164150	1	Axle	
27	1001180299	1	Plate, Cover (LH)	
28	1001180300	1	Plate, Cover (RH)	
29	1001186467	1	Sensor	
30	1001186548	1	Oscillating Axle Valve Assembly (See Separate Breakdown in this Section)	
31	4740541	AR	Washer, Thrust	

# SECTION 1 - FRAME

FIGURE 1-5. OSCILLATING AXLE VALVE ASSEMBLY (CE SPEC)



ART\_1001186548

**SECTION 1 - FRAME**

**FIGURE 1-5. OSCILLATING AXLE VALVE ASSEMBLY (CE SPEC)**

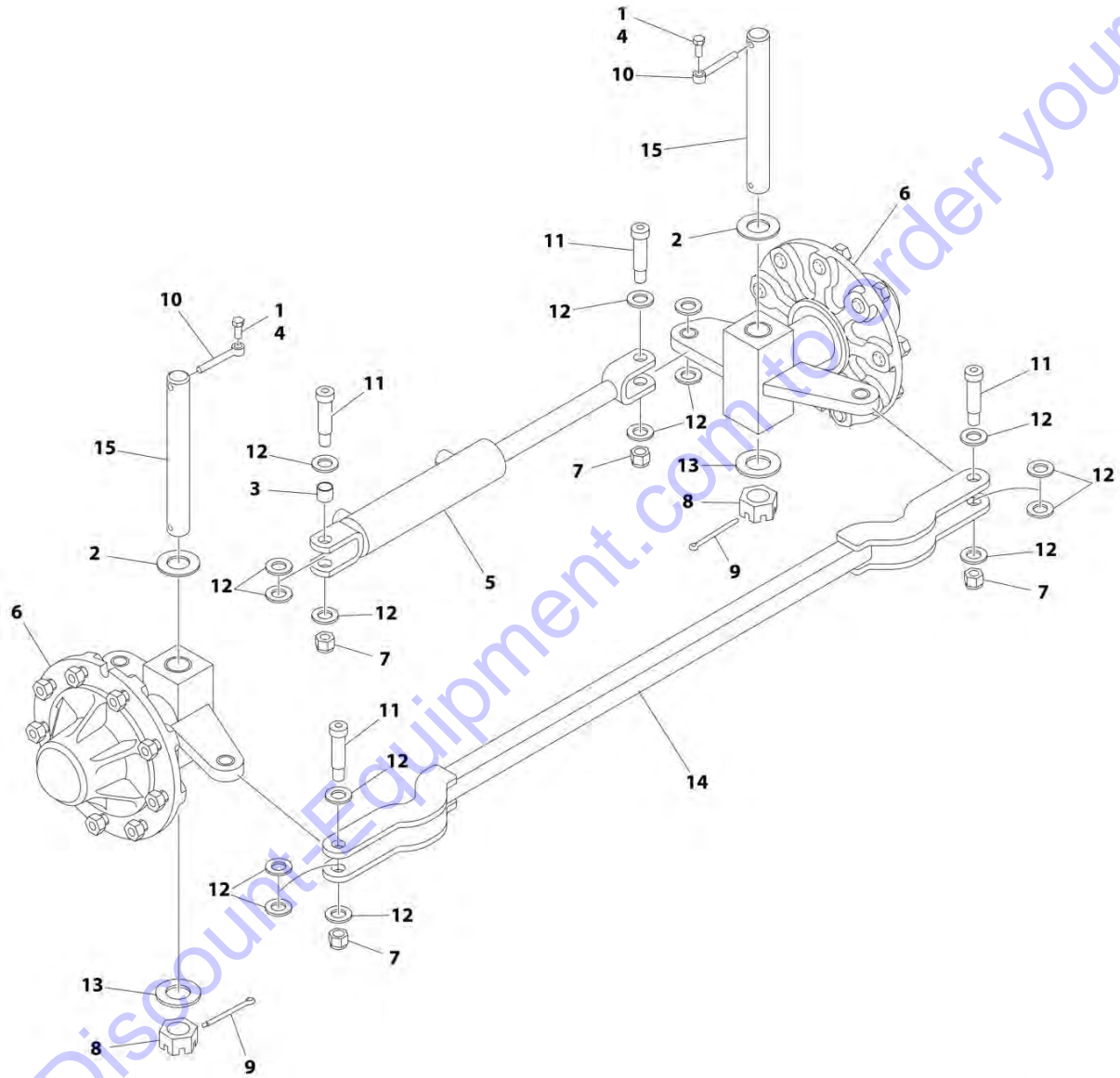
ITEM	PART NUMBER	QTY	DESCRIPTION	REV
	1001186548	Ref	OSCILLATING AXLE VALVE ASSEMBLY	A
1	70004387	2	Cartridge, Check	
1A	7010543	1	Seal Kit - 70004387 Valve	
1B	70002963	2	Coil	
2	7017410	2	Cartridge, Check	
2A	7012967	1	Seal Kit - 7017410 Valve	
2B	70003978	1	Nut, Coil	
2C	70002963	2	Coil	
3	70004388	1	Cartridge, Check	
3A	7021653	1	Seal Kit - 7014388 Valve	
4	7023976	1	Cartridge, Check	
4A	7012967	1	Seal Kit - 7013976 Valve	
5	7012955	1	Cartridge, Check	
5A	7012967	1	Seal Kit - 7012955 Valve	
6	70004389	1	Orifice	
7	2220883	1	Plug	

Go to Discount-Equipment.com to order your parts



# SECTION 1 - FRAME

## FIGURE 1-6. STEERING INSTALLATION - 2WD



ART\_1001165838

## SECTION 1 - FRAME

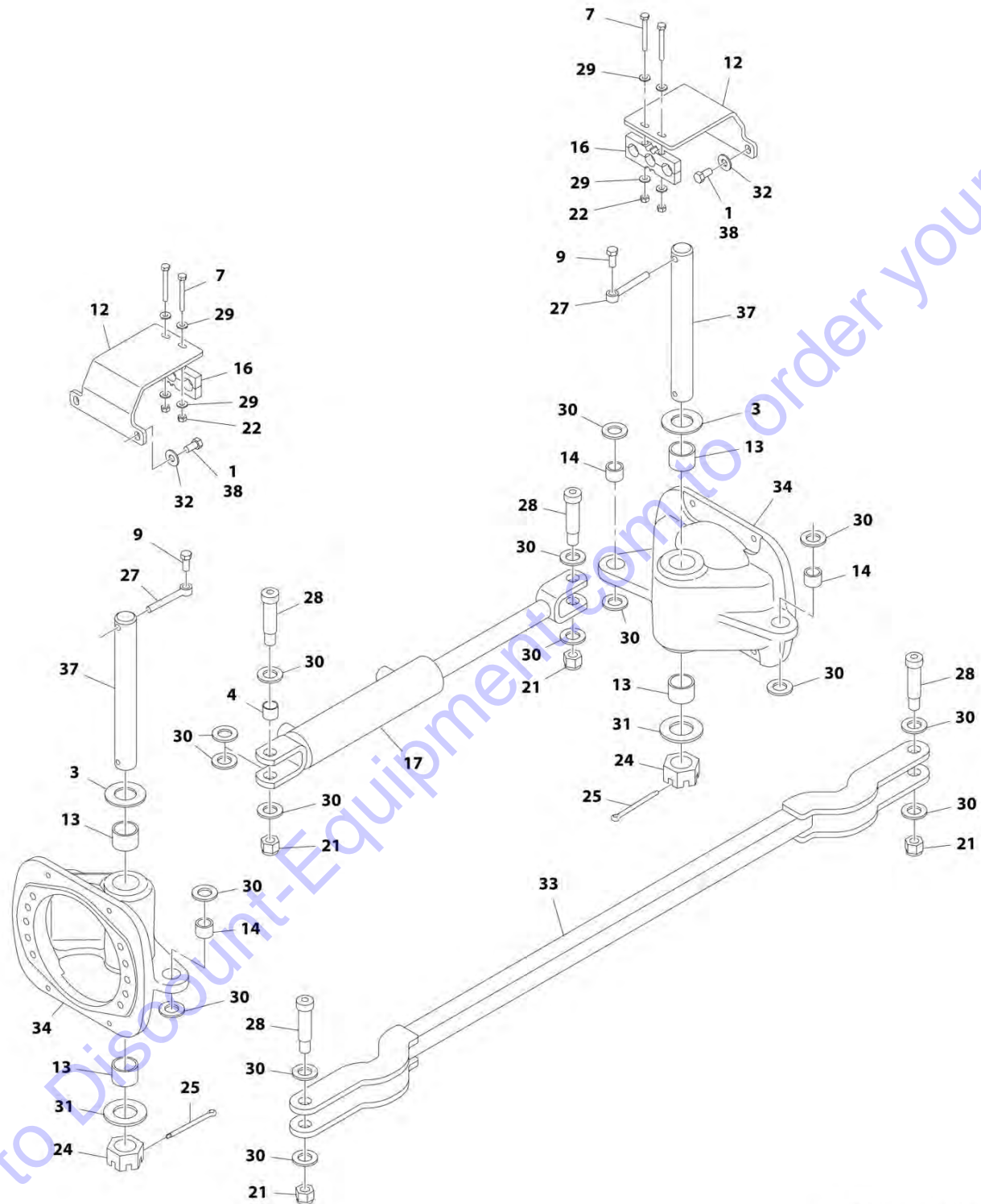
**FIGURE 1-6. STEERING INSTALLATION - 2WD**

ITEM	PART NUMBER	QTY	DESCRIPTION	REV
	1001165838	Ref	STEERING INSTALLATION - 2WD	C
1	0100011	AR	Compound, Locking	
2	0440162	2	Bearing	
3	0440247	1	Bearing	
4	0641607	2	Bolt 3/8 x 7/8	
5	1683994	1	Steer Cylinder Assembly (See Separate Breakdown in CYLINDER SECTION)	
6	2780234	2	Hub Assembly (See Separate Breakdown in this Section)	
7	3300240	4	Nut 5/8	
8	3313003	2	Nut 1-1/4	
9	3450812	2	Pin, Cotter	
10	3841143	2	Keeper, Pin	
11	3900266	4	Screw	
12	4712200	16	Washer 3/4	
13	4713000	2	Washer 1-1/4	
14	4846301	1	Tie-Rod	
15	1001165819	2	Kingpin	

Go to Discount-Equipment.com to order your parts

# SECTION 1 - FRAME

## FIGURE 1-7. STEERING INSTALLATION - 4WD



ART\_1001165839\_E\_10F2

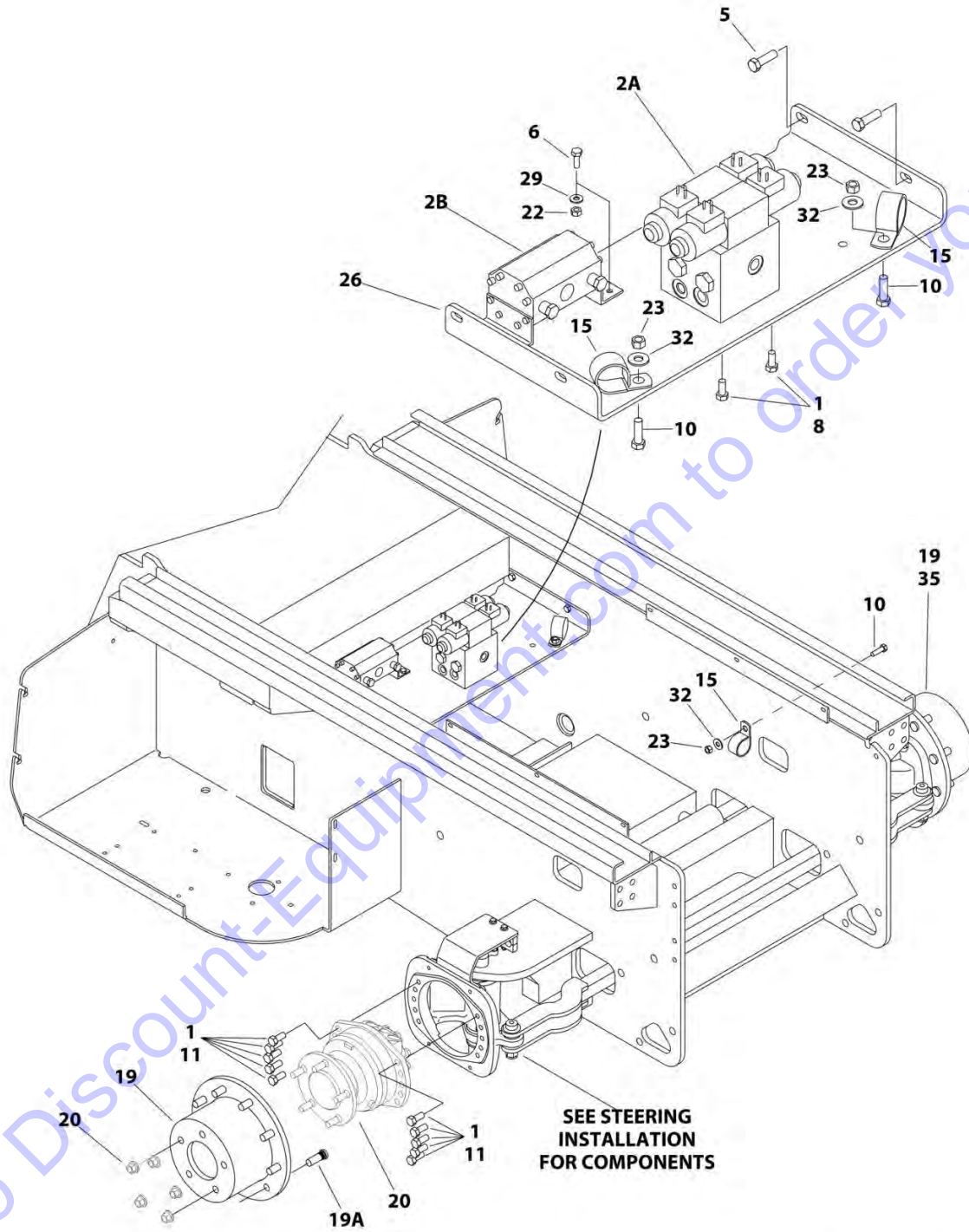
## SECTION 1 - FRAME

**FIGURE 1-7. STEERING INSTALLATION - 4WD**

ITEM	PART NUMBER	QTY	DESCRIPTION	REV
	1001165839	Ref	STEERING INSTALLATION - 4WD	E
1	0100011	1	Compound, Locking	
3	0440162	2	Bearing, Thrust	
4	0440247	1	Bearing	
7	0641418	4	Bolt 1/4 x 2-1/4	
9	0641607	2	Bolt 3/8 x 7/8	
12	0902704	2	Bracket	
13	0961951	4	Bushing	
14	0962140	3	Bearing	
16	1320292	1	Clamp	
17	1683994	1	Steer Cylinder Assembly (See Separate Breakdown in CYLINDER SECTION)	
21	3300240	4	Nut 5/8	
22	3311405	8	Nut 1/4	
24	3313003	2	Nut 1-1/4	
25	3450812	2	Pin, Cotter	
27	3841143	2	Keeper, Pin	
28	3900266	4	Capscrew 5/8 x 2-1/4	
29	4711400	12	Washer 1/4	
30	4712200	16	Washer 3/4	
31	4713000	2	Washer 1-1/4	
32	4751600	10	Washer 3/8	
33	4846301	1	Tie-Rod	
34	1001097815	2	Spindle	
37	1001165819	2	Pin	
38	0641606	4	Bolt 3/8 x 3/4	

# SECTION 1 - FRAME

## FIGURE 1-8. STEERING AND FRONT DRIVE INSTALLATION - 4WD FRONT



ART\_1001165839\_E\_20F2



## SECTION 1 - FRAME

**FIGURE 1-8. STEERING AND FRONT DRIVE INSTALLATION - 4WD FRONT**

ITEM	PART NUMBER	QTY	DESCRIPTION	REV
	1001165839	Ref	STEERING AND FRONT DRIVE INSTALLATION - 4WD FRONT	E
1	0100011	AR	Compound, Locking	
2	0270991	NSS	Valves Installation (Not Shown - See Separate Breakdown in HYDRAULIC SECTION)	D
2A	1001092586	1	Drive Valve Assembly (See Separate Breakdown in this Section)	
2B	4641148	1	Flow Divider Valve Assembly (See Separate Breakdown in this Section)	
5	0630549	4	Capscrew 3/8 x 1-1/4	
6	0641406	4	Bolt 1/4 x 3/4	
8	0641506	4	Bolt 5/16 x 3/4	
10	0641610	4	Bolt 3/8 x 1-1/4	
11	0681809	20	Bolt 1/2 x 1-1/8 Grade 8	
15	1320095	4	Clamp	
18	1704998	2	Decal - All Wheel Drive (Not Shown - Located on side of Platform)	
19	2780260	2	Drive Hub Assembly	
19A	4300145	18	Stud, Wheel (9 per Hub)	
20	1001228233	1	Drive Motor Assembly (See Separate Breakdown in this Section)	
22	3311405	4	Nut 1/4	
23	3311605	4	Nut 3/8	
26	3572850	1	Plate, Mounting	
29	4711400	12	Washer 1/4	
32	4751600	10	Washer 3/8	
35	1001228231	1	Drive Motor Assembly (See Separate Breakdown in this Section)	
36	1001101989	1	Harness, 4WD (Not Shown - See Separate Breakdown in ELECTRICAL SECTION)	



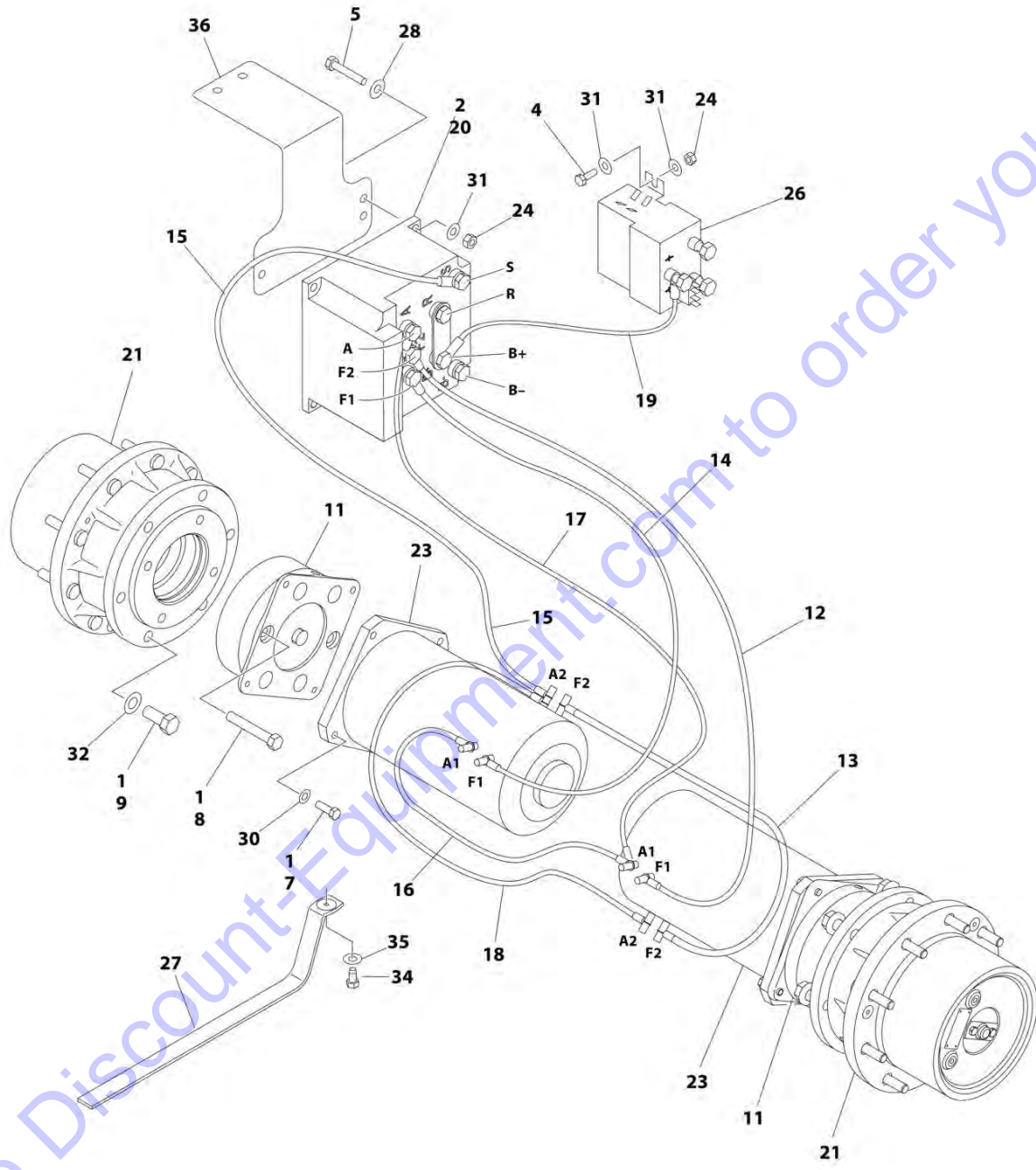
## SECTION 1 - FRAME

**FIGURE 1-9. STEERING INSTALLATION - WITH TOW BAR (M3369 CE SPECS ONLY)**

ITEM	PART NUMBER	QTY	DESCRIPTION	REV
	1001191712	Ref	STEERING INSTALLATION – WITH TOW BAR	B
1	0100011	1	Compound, Locking	
2	0440162	2	Bearing, Thrust	
3	0440247	1	Bearing	
4	0641607	2	Bolt 3/8 x 7/8	
5	1683994	1	Steer Cylinder Assembly (See Separate Breakdown in CYLINDER SECTION)	
6	2780234	2	Hub Assembly (See Separate Breakdown in this Section)	
7	3300240	4	Nut 5/8	
8	3313003	2	Nut 1-1/4	
9	3450812	2	Pin, Cotter	
10	3841143	3	Keeper, Pin	
11	3900266	3	Screw	
12	4712200	17	Washer 3/4	
13	4713000	2	Washer 1-1/4	
14	4846301	1	Tie-Rod	
15	1001165819	2	Kingpin	
16	0641608	1	Bolt 3/8 x 1	
17	0962140	2	Bearing	
18	0962292	2	Bearing	
19	3422848	1	Pin	
20	3574235	1	Plate	
21	3900254	1	Capscrew 3/4 x 4	
22	3900284	1	Capscrew 1 x 2	
23	4740155	2	Washer	
24	4740491	1	Washer	
25	1001191819	1	Link, Tow Bar	

# SECTION 1 - FRAME

## FIGURE 1-10. WHEEL DRIVE AND CONTROLLER INSTALLATION - 2WD/4WD REAR



ART\_1001099375

## SECTION 1 - FRAME

**FIGURE 1-10. WHEEL DRIVE AND CONTROLLER INSTALLATION - 2WD/4WD REAR**

ITEM	PART NUMBER	QTY	DESCRIPTION	REV
	1001099375	Ref	WHEEL DRIVE AND CONTROLLER INSTALLATION - 2WD/4WD REAR	D
1	0100019	AR	Compound, Locking	
2	0100083	AR	Grease, Heat Transfer	
4	0641406	2	Bolt 1/4 x 3/4	
5	0641412	4	Bolt 1/4 x 1-1/2	
7	0641609	8	Bolt 3/8 x 1-1/8	
8	0641826	4	Bolt 1/2 x 3-1/4	
9	0682012	12	Bolt 5/8 x 1-1/2 Grade 8	
11	0920118	1	Drive Brake Assembly (See Separate Breakdown in this Section)	
12	1060888	1	Cable, Electrical (Controller F2 to Right Motor F1)	
13	1060889	1	Cable, Electrical (RH Motor F2 to LH Motor F2)	
14	1060890	1	Cable, Electrical (Controller F1 to LH Motor F1)	
15	1060891	1	Cable, Electrical (Controller S to LH Motor A2)	
16	1060892	1	Cable, Electrical (RH Motor A1 to LH Motor A1)	
17	1060893	1	Cable, Electrical (Controller A to RH Motor A1)	
18	1060894	1	Cable, Electrical (LH Motor A2 to RH Motor A2)	
19	1060895	1	Cable, Electrical (Controller B+ to Contactor ++)	
20	1600421	1	Controller	
21	2780282	2	Drive Hub Assembly (See Separate Breakdown in this Section)	
23	3160256	2	Drive Motor Assembly - Rear (See Separate Breakdown in this Section)	
24	3311405	6	Nut 1/4	
26	3740135	1	Contactor	
27	4240084	1	Strap, Anti-Static	
28	4711400	4	Washer 1/4	
30	4711600	8	Washer 3/8	
31	4751400	8	Washer 1/4	
32	4892000	1	Washer 5/8	
34	3941606	1	Screw 3/8 x 3/4	
35	4751600	1	Washer 3/8	
36	0903273	1	Bracket	





## SECTION 1 - FRAME

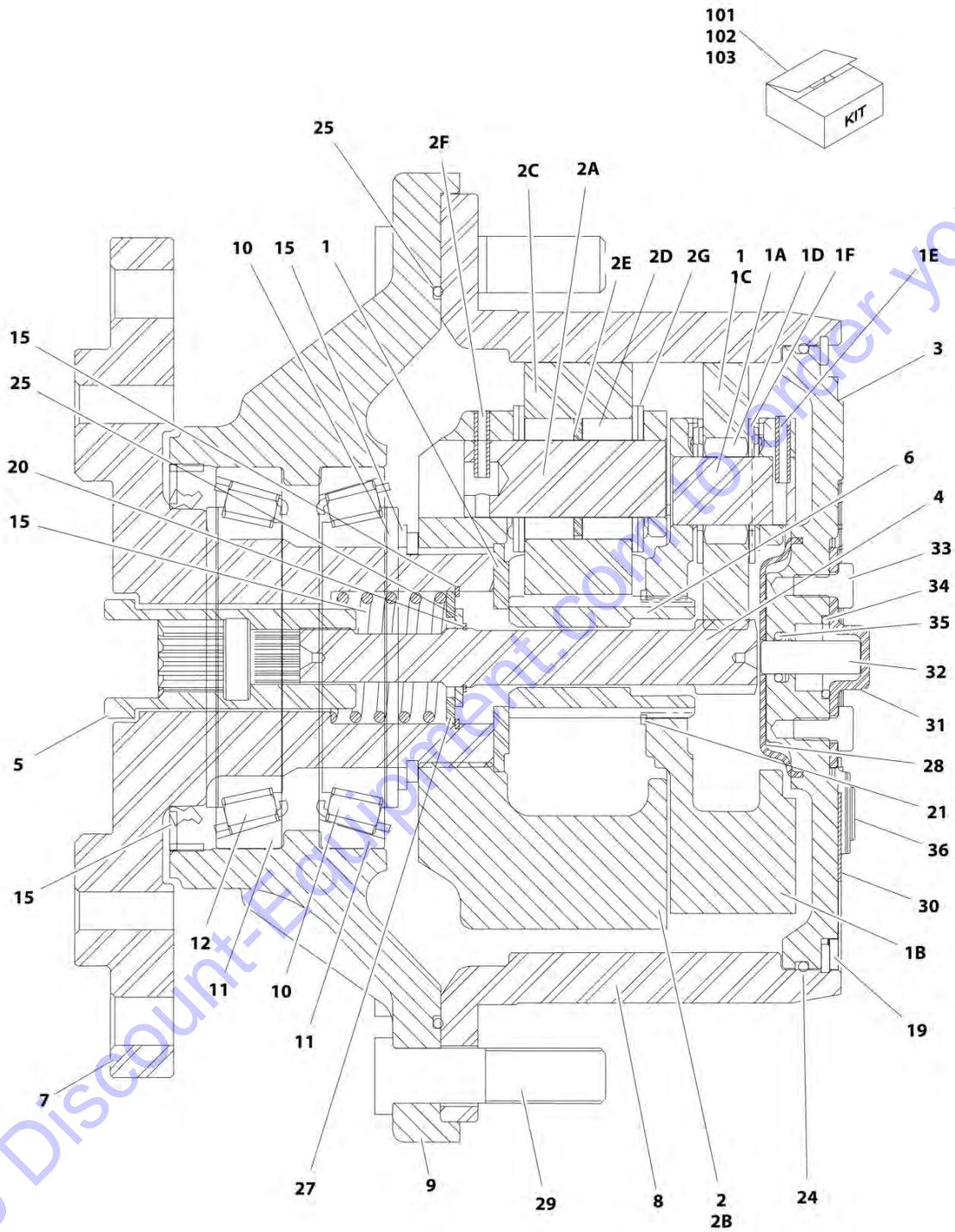
**FIGURE 1-11. HUB ASSEMBLY - 2WD FRONT**

ITEM	PART NUMBER	QTY	DESCRIPTION	REV
	2780234	Ref	HUB ASSEMBLY - 2WD FRONT	F
1	7020033	1	Cap, Dust	
2	0961951	1	Bushing	
3	0962140	2	Bushing	
4	7020035	2	Hub	
5	7020036	1	Cup, Bearing - Inner	
6	7020037	1	Cone, Bearing - Inner	
7	7020038	1	Cup, Bearing - Outer	
8	7020039	1	Cone, Bearing - Outer	
9	7020148	1	Spindle	
10	7020140	1	Pin, Cotter	
11	7020040	1	Seal	
12	7020054	1	Nut 1-1/4	
13	7020041	9	Stud, Wheel 5/8-18	
14	7020042	1	Nut 5/8	
15	7020055	1	Washer, Tanged 1-1/4	

Go to Discount-Equipment.com to order your parts

# SECTION 1 - FRAME

## FIGURE 1-12. DRIVE HUB ASSEMBLY - 2WD/4WD REAR



ART\_2780282

## SECTION 1 - FRAME

### FIGURE 1-12. DRIVE HUB ASSEMBLY - 2WD/4WD REAR

ITEM	PART NUMBER	QTY	DESCRIPTION	REV
	2780282	Ref	DRIVE HUB ASSEMBLY	C
1	70001366	1	Carrier Sub Assembly	
1A	See Note	NSS	Shaft, Planet (Note: Use Item 1)	
1B	See Note	NSS	Carrier (Note: Use Item 1)	
1C	See Note	NSS	Gear, Planet (Note: Use Item 1)	
1D	See Note	NSS	Bearing, Needle (Note: Use Item 1)	
1E	See Note	NSS	Rollpin (Note: Use Item 1)	
1F	See Note	NSS	Washer, Thrust (Note: Use Item 1)	
2	70001367	1	Carrier, Input	
2A	See Note	NSS	Shaft, Planet (Note: Use Item 2)	
2B	See Note	NSS	Carrier (Note: Use Item 2)	
2C	See Note	NSS	Gear, Planet (Note: Use Item 2)	
2D	See Note	NSS	Bearing, Needle (Note: Use Item 2)	
2E	See Note	NSS	Spacer, Thrust (Note: Use Item 2)	
2F	See Note	NSS	Rollpin (Note: Use Item 2)	
2G	See Note	NSS	Washer, Thrust (Note: Use Item 2)	
2H	See Note	NSS	Washer, Thrust (Note: Use Item 2)	
3	See Note	NSS	Cover (Note: Use Item 103)	
4	70001369	1	Shaft, Input	
5	70001370	1	Coupling	
6	70001371	1	Shaft, Sun Gear	
7	70001372	1	Spindle	
8	70001373	1	Gear, Ring	
9	See Note	NSS	Housing (Note: Not Available - Purchase Complete Assembly)	
10	See Note	NSS	Cone, Bearing (Note: Use Item 101)	
11	See Note	NSS	Cup, Bearing (Note: Use Item 101)	
12	See Note	NSS	Cone, Bearing (Note: Use Item 101)	
13	7017009	1	Washer, Thrust	
15	See Note	NSS	Seal, Lip (Note: Use Item 102)	
16	70001374	1	Spring	
17	70001375	1	Ring, Retaining (Internal)	
18	See Note	NSS	Ring, Retaining (Note: Use Item 102)	
19	7024738	1	Ring, Retaining (Note: Use Item 102)	
20	70001376	1	Ring, Retaining (External)	
21	70001377	1	Ring, Retaining (External)	
22	7000281	4	Screw (Not Shown - ID Plate Screws)	
23	7017022	3	Screw (Not Shown - Located on Front of Hub)	
24	See Note	NSS	O-Ring (Note: Use Item 102)	
25	See Note	NSS	O-Ring (Note: Use Item 102)	
26	70001378	1	Spacer, Thrust	
27	70001379	1	Washer, Thrust	
28	7024741	1	Spacer, Thrust	
29	7007640	9	Stud, Wheel	
30	See Note	NSS	Flange, Plate (Note: Use Item 103)	
31	See Note	NSS	Cap, Disengage (Note: Use Item 103)	
32	See Note	NSS	Pin, Dowel (Note: Use Item 103)	
33	See Note	NSS	Bolt (Note: Use Item 103)	
34	See Note	NSS	O-Ring (Note: Use Item 103)	
35	See Note	NSS	O-Ring (Note: Use Item 103)	
36	See Note	NSS	O-Ring (Note: Use Item 103)	

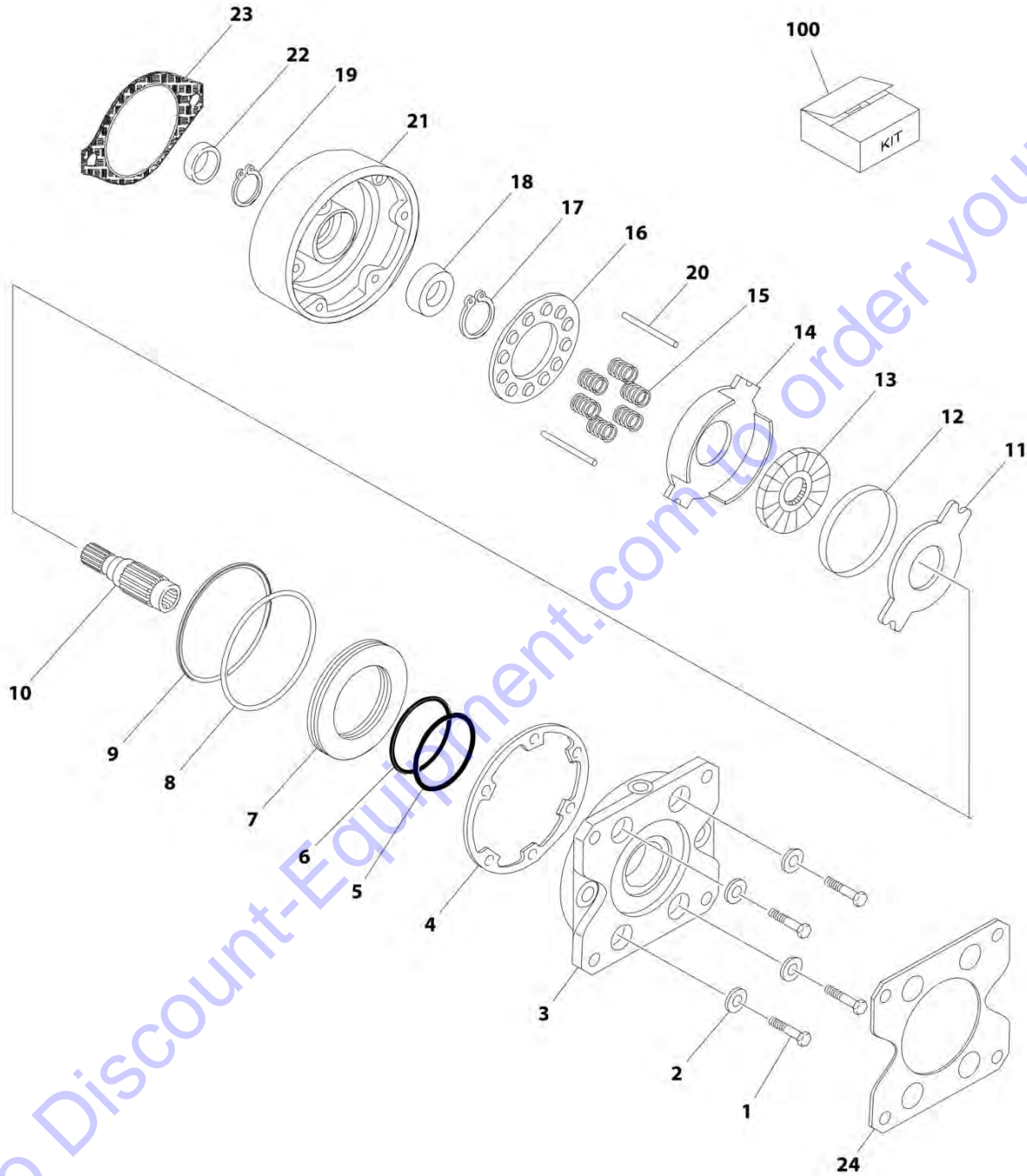
## SECTION 1 - FRAME

ITEM	PART NUMBER	QTY	DESCRIPTION	REV
101	7017007	1	Planet Gear Bearing Kit (Includes Items 10-12)	
102	70001380	1	Planet Gear Seal Kit (Includes Items 15, 18, 24 & 25)	
103	70001368	1	Cover/Cap/Disengage Kit (Includes Items 3 & 30-36)	

Go to [Discount-Equipment.com](http://Discount-Equipment.com) to order your parts

# SECTION 1 - FRAME

## FIGURE 1-13. DRIVE BRAKE ASSEMBLY - 2WD/4WD REAR



ART\_0920118

## SECTION 1 - FRAME

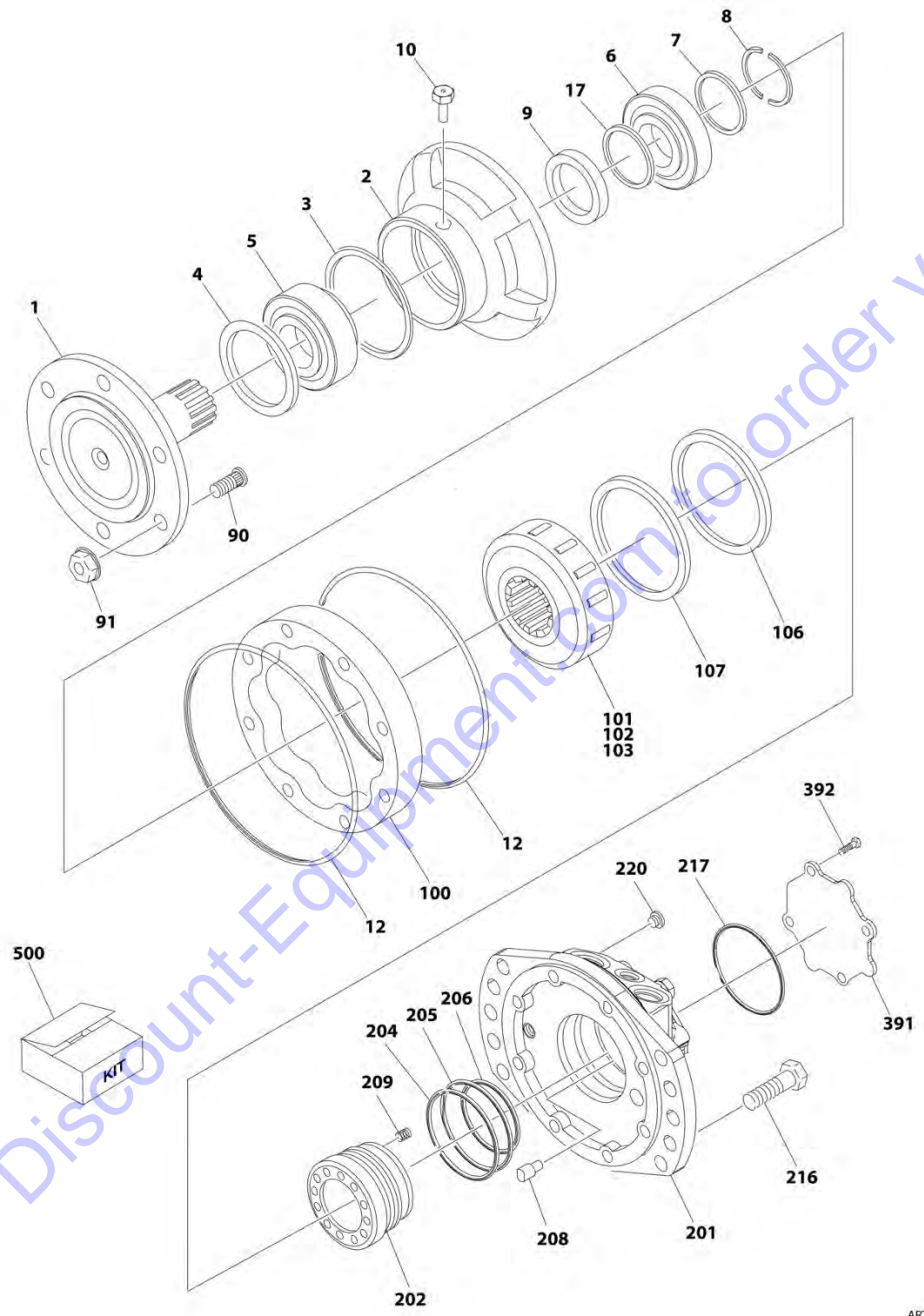
**FIGURE 1-13. DRIVE BRAKE ASSEMBLY - 2WD/4WD REAR**

ITEM	PART NUMBER	QTY	DESCRIPTION	REV
	0920118	Ref	DRIVE BRAKE ASSEMBLY - 2WD/4WD REAR	C
1	7007913	4	Bolt	
2	See Note	NSS	Washer (Note: Not Available at Time of Printing)	
3	See Note	NSS	Plate, Pressure (Note: Use p/n 0920118)	
4	See Note	NSS	Seal, Case (Note: Use Item 100)	
5	See Note	NSS	O-Ring (Note: Use Item 100)	
6	See Note	NSS	Ring, Back-up (Note: Use Item 100)	
7	See Note	NSS	Piston (Note: Use p/n 0920118)	
8	See Note	NSS	O-Ring (Note: Use Item 100)	
9	See Note	NSS	Ring, Back-up (Note: Use Item 100)	
10	See Note	NSS	Shaft (Note: Use p/n 0920118)	
11	See Note	NSS	Stator (Note: Use Item 100)	
12	See Note	NSS	Ring, Sensor (Note: Use p/n 0920118)	
13	See Note	NSS	Rotor (Note: Use Item 100)	
14	See Note	NSS	Plate, Return (Note: Use Item 100)	
15	See Note	AR	Spring (Note: Use Item 100)	
16	See Note	NSS	Guide, Spring (Note: Use Item 100)	
17	7007977	1	Ring, Retaining	
18	2900768	1	Bearing Kit (Part of Repair Kit)	
19	7011716	1	Ring, Retaining	
20	7007987	2	Pin, Dowel	
21	See Note	NSS	Cover (Note: Use p/n 0920118)	
22	7007900	1	Seal, Oil - Front (Part of Repair Kit)	
23	7007933	1	Gasket, Brake to Hub (Part of Repair Kit)	
24	70002408	1	Gasket, Brake to Motor (Note: Not part of Repair Kit - Must be Purchased Separately)	
100	7011757	1	Repair Kit (Includes Items 4, 5, 6, 8, 9, 11, 13, 14, 15, 16, 18, 22 & 23)	



# SECTION 1 - FRAME

FIGURE 1-14. DRIVE MOTOR ASSEMBLY - OPERATORS POSITION RH SIDE - 4WD FRONT



ART\_1001228233

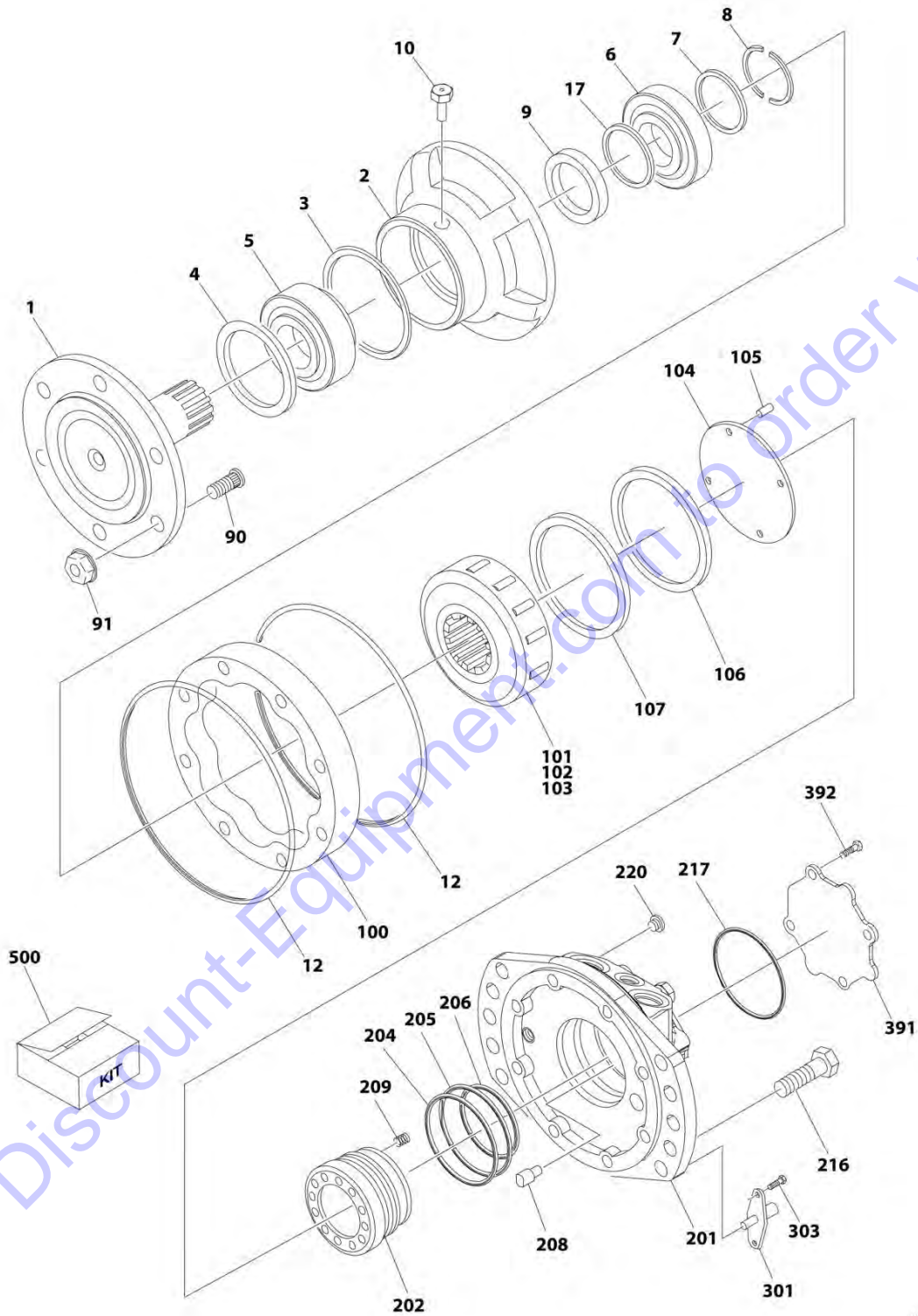
## SECTION 1 - FRAME

**FIGURE 1-14. DRIVE MOTOR ASSEMBLY - OPERATORS POSITION RH SIDE - 4WD FRONT**

ITEM	PART NUMBER	QTY	DESCRIPTION	REV
	1001228233	Ref	DRIVE MOTOR ASSEMBLY	A
1	70006744	1	Shaft	
2	See Note	1	Casting, Front (Note: Purchase Complete Motor)	
3	See Note	NSS	Seal, Face (Note: Use Item 500)	
4	70006745	1	Spacer	
5	70006746	1	Bearing, Front	
6	7022588	1	Bearing, Rear	
7	70006747	1	Washer	
8	7022589	1	Ring, Split	
9	See Note	NSS	Seal, Shaft (Note: Use Item 500)	
10	70006748	1	Plug, Zero-Leak	
12	See Note	NSS	Seal, Square (Note: Use Item 500)	
17	70006749	1	Retainer, Seal	
90	7023807	5	Stud, Wheel	
91	7023806	5	Lugnut	
100	70006750	1	CAM	
101	70006763	1	Block, Cylinder	
102	70006752	8	Piston	
103	70006753	8	Roller	
106	70006756	2	Circlip	
107	70006757	2	Ring, Retaining	
201	See Note	1	Housing, Rear (Note: Purchase Complete Motor)	
202	70006764	1	Ring, Distribution	
204	See Note	NSS	Seal, Nylon (Note: Use Item 500)	
205	See Note	NSS	Seal, Nylon (Note: Use Item 500)	
206	See Note	NSS	Seal, Nylon (Note: Use Item 500)	
208	70006759	1	Pin, Stop	
209	7023872	9	Spring	
216	70001091	6	Capscrew	
217	See Note	NSS	Seal, Square (Note: Use Item 500)	
220	70002759	1	Plug	
391	See Note	NSS	Plate, Rear Cover	
392	70002264	4	Capscrew	
500	70006765	1	Seal Kit (Includes Items 3, 9, 12, 204-206 & 217)	

# SECTION 1 - FRAME

FIGURE 1-15. DRIVE MOTOR ASSEMBLY - OPERATORS POSITION LH SIDE - 4WD FRONT



ART\_1001228231

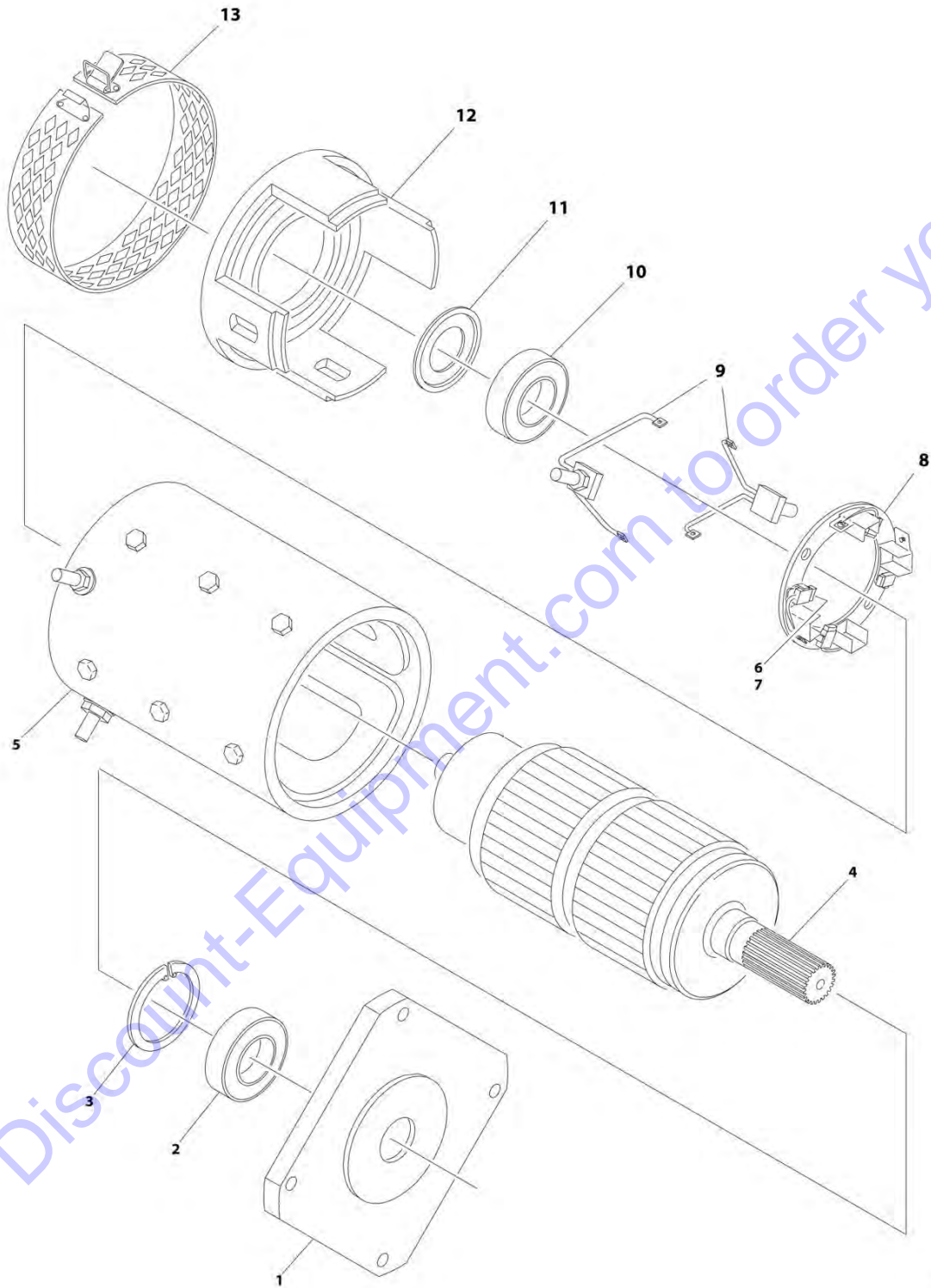
## SECTION 1 - FRAME

**FIGURE 1-15. DRIVE MOTOR ASSEMBLY - OPERATORS POSITION LH SIDE - 4WD FRONT**

ITEM	PART NUMBER	QTY	DESCRIPTION	REV
	1001228231	Ref	DRIVE MOTOR ASSEMBLY	A
1	70006744	1	Shaft	
2	See Note	1	Casting, Front (Note: Purchase Complete Motor)	
3	See Note	NSS	Seal, Face (Note: Use Item 500)	
4	70006745	1	Spacer	
5	70006746	1	Bearing, Front	
6	7022588	1	Bearing, Rear	
7	70006747	1	Washer	
8	7022589	1	Ring, Split	
9	See Note	NSS	Seal, Shaft (Note: Use Item 500)	
10	70006748	1	Plug, Zero-Leak	
12	See Note	NSS	Seal, Square (Note: Use Item 500)	
17	70006749	1	Retainer, Seal	
90	7023807	5	Stud, Wheel	
91	7023806	5	Lugnut	
100	70006750	1	CAM	
101	70006763	1	Block, Cylinder	
102	70006752	8	Piston	
103	70006753	8	Roller	
104	70006754	1	Disc	
105	70006755	4	Rollpin	
106	70006756	2	Circlip	
107	70006757	2	Ring, Retaining	
201	See Note	1	Housing, Rear (Note: Purchase Complete Motor)	
202	70006764	1	Ring, Distribution	
204	See Note	NSS	Seal, Nylon (Note: Use Item 500)	
205	See Note	NSS	Seal, Nylon (Note: Use Item 500)	
206	See Note	NSS	Seal, Nylon (Note: Use Item 500)	
208	70006759	1	Pin, Stop	
209	7023872	9	Spring	
216	70001091	6	Capscrew	
217	See Note	NSS	Seal, Square (Note: Use Item 500)	
220	70002759	1	Plug	
301	70006760	1	Sensor, Speed	
303	70006761	2	Capscrew	
391	See Note	NSS	Plate, Rear Cover	
392	70002264	4	Capscrew	
500	70006765	1	Seal Kit (Includes Items 3, 9, 12, 204-206 & 217)	

# SECTION 1 - FRAME

## FIGURE 1-16. DRIVE MOTOR ASSEMBLY - 2WD/4WD REAR



ART\_3160256

Go to Discount-Equipment.com to order your parts

## SECTION 1 - FRAME

**FIGURE 1-16. DRIVE MOTOR ASSEMBLY - 2WD/4WD REAR**

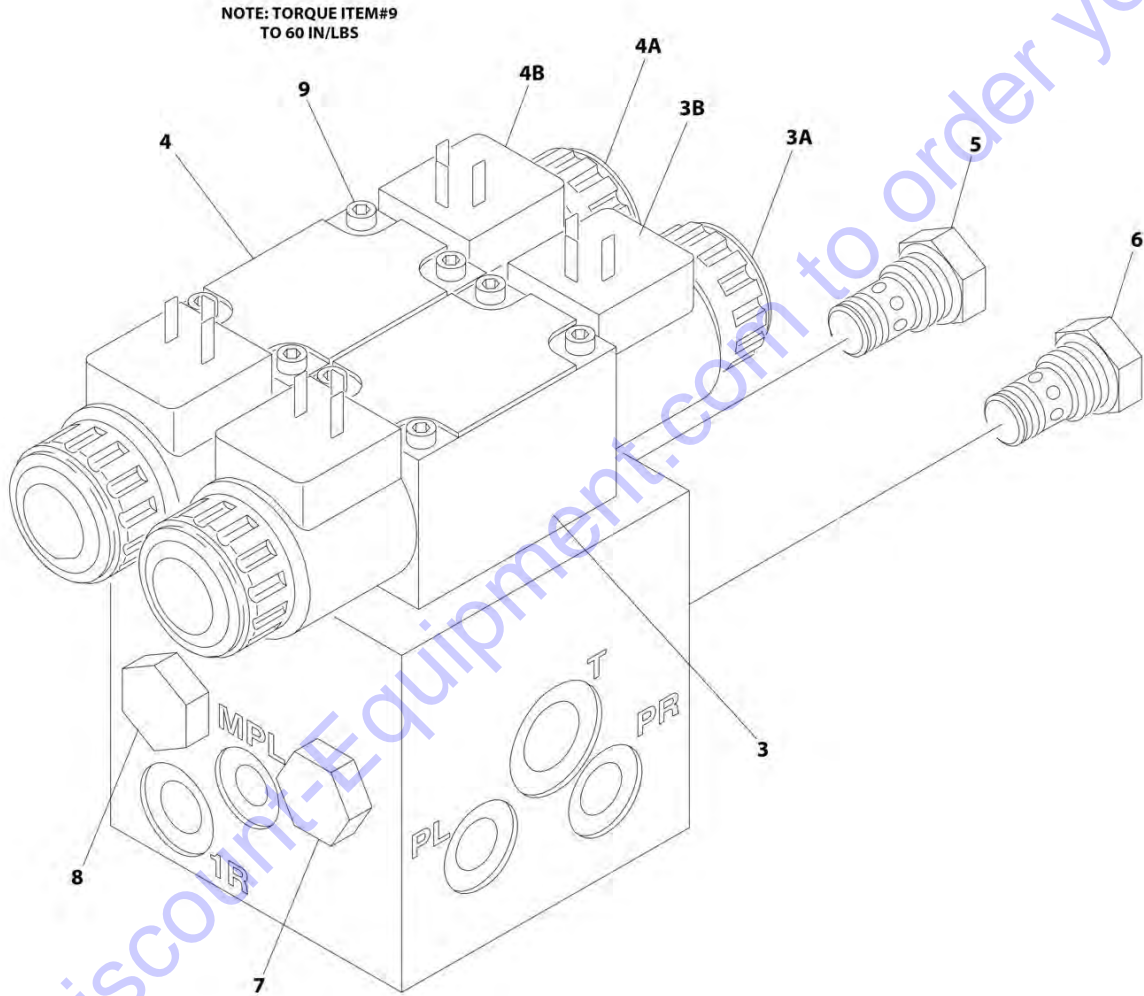
ITEM	PART NUMBER	QTY	DESCRIPTION	REV
	3160256	Ref	DRIVE MOTOR ASSEMBLY - 2WD/4WD REAR	D
1	7020184	1	Plate, End	
2	7012545	1	Bearing	
3	7020185	1	Ring, Retaining	
4	7023343	1	Armature	
5	See Note	NSS	Frame/Field Assembly (Note: Not Available - Purchase Complete Motor)	
6	7012548	4	Spring, Brush	
7	7012547	4	Brush	
8	7023344	1	Holder, Brush	
9	7023229	2	Brush Lead Assembly Kit	
10	7012545	1	Bearing	
11	7012549	1	Washer, Wavy	
12	7020189	1	End, Commutator	
13	7019609	1	Headband Assembly	

Go to Discount-Equipment.com to order your parts



# SECTION 1 - FRAME

## FIGURE 1-17. DRIVE VALVE ASSEMBLY - 4WD ONLY



ART\_1001092586

## SECTION 1 - FRAME

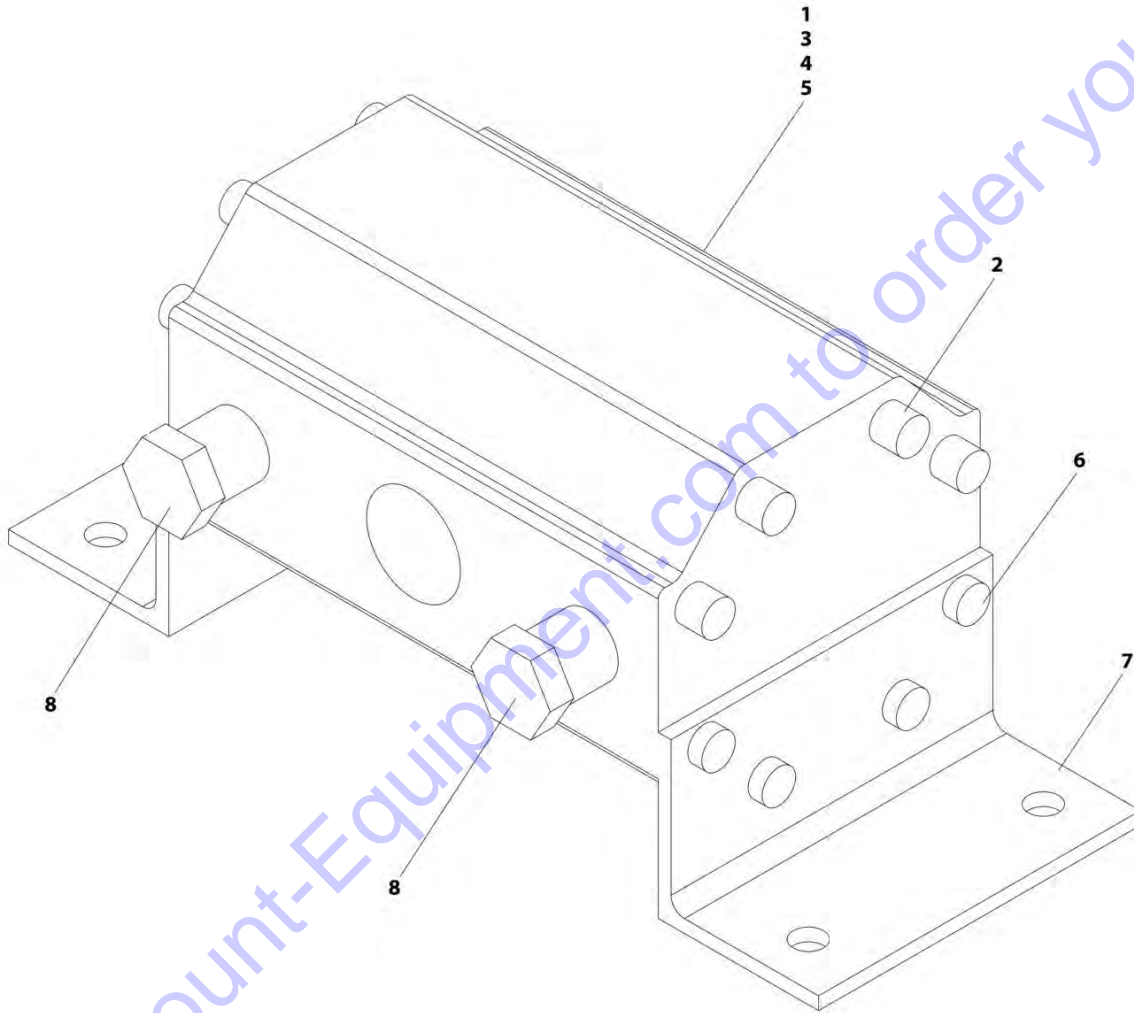
**FIGURE 1-17. DRIVE VALVE ASSEMBLY - 4WD ONLY**

ITEM	PART NUMBER	QTY	DESCRIPTION	REV
	1001092586	Ref	DRIVE VALVE ASSEMBLY	B
3	70001422	1	Control Valve Assembly	
3	7012773	1	Seal Kit - 70001422 Valve	
3A	7021375	1	Nut, Coil	
3B	70002947	1	Coil	
4	70001422	1	Control Valve Assembly	
4	7012773	1	Seal Kit - 70001422 Valve	
4A	7021375	1	Nut, Coil	
4B	70002947	1	Coil	
5	7012969	1	Cartridge, Check	
5	7012540	1	Seal Kit - 7012969 Valve	
6	7012969	1	Cartridge, Check	
6	7012540	1	Seal Kit - 7012969 Valve	
7	7012969	1	Cartridge, Check	
7	7012540	1	Seal Kit - 7012969 Valve	
8	7012969	1	Cartridge, Check	
8	7012540	1	Seal Kit - 7012969 Valve	
9	7018942	8	Capscrew #10 x 2	

Go to Discount-Equipment.com to order your parts

# SECTION 1 - FRAME

FIGURE 1-18. FLOW DIVIDER VALVE ASSEMBLY - 4WD ONLY



ART\_4641148

## SECTION 1 - FRAME

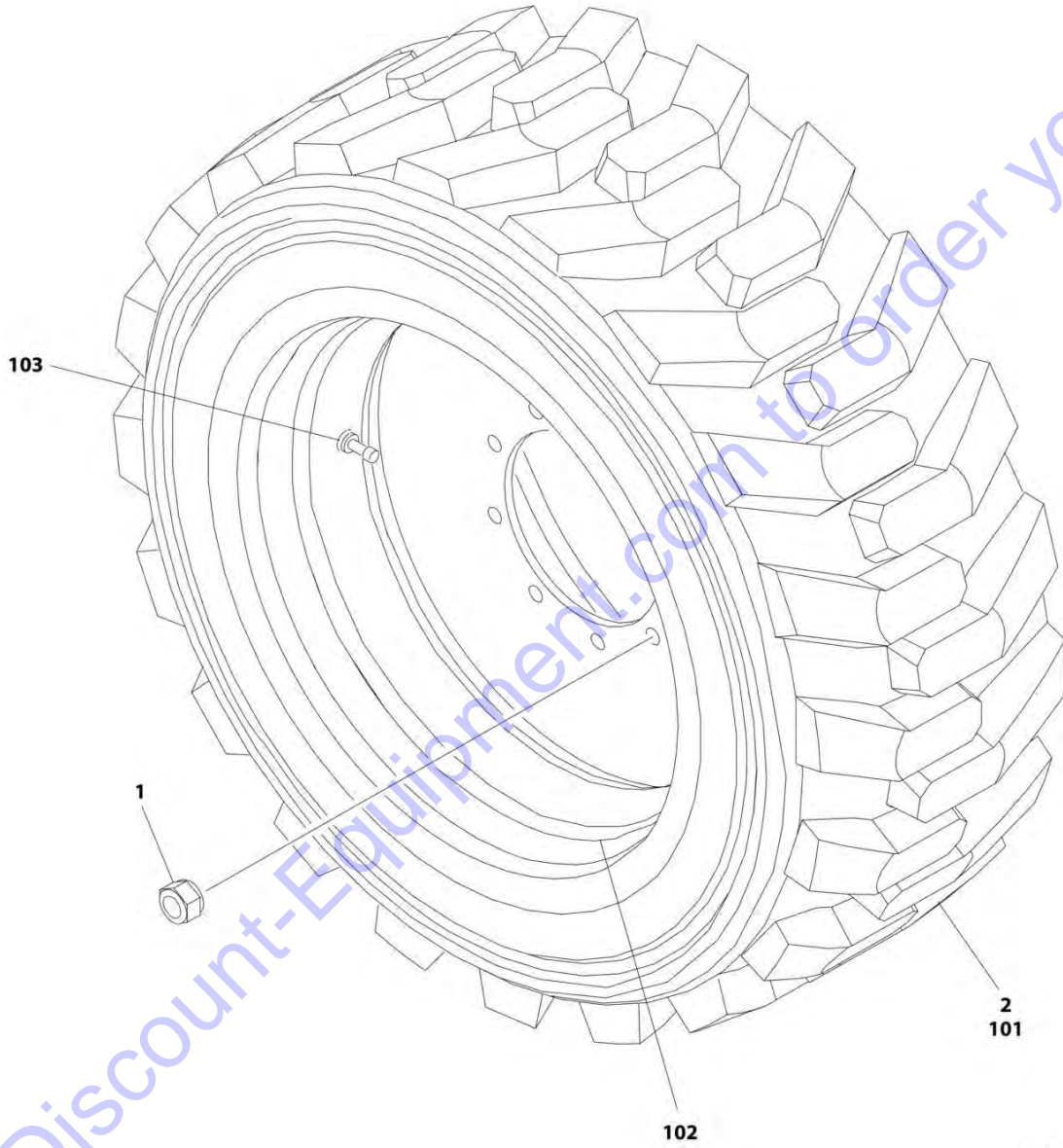
**FIGURE 1-18. FLOW DIVIDER VALVE ASSEMBLY - 4WD ONLY**

ITEM	PART NUMBER	QTY	DESCRIPTION	REV
	4641148	Ref	FLOW DIVIDER VALVE ASSEMBLY - 4WD ONLY	C
1	7010921	AR	Seal	
2	7010928	8	Screw 1/4 x 2	
3	7010911	AR	Pin, Shear	
4	7010920	AR	Plate, Seal	
5	7010919	AR	Plate, Wear	
6	See Note	NSS	Screw 1/4 x 2-1/8 (Note: Not Available - Purchase Locally)	
7	See Note	NSS	Bracket (Note: Not Available for Purchase)	
8	See Note	NSS	Valve, Relief (Note: Not Available for Purchase)	

Go to Discount-Equipment.com to order your parts

# SECTION 1 - FRAME

FIGURE 1-19. TIRE AND WHEEL INSTALLATION - IN240/55 X 17.5 FOAM-FILLED



ART\_0270570

Go to Discount-Equipment.com to order your parts

## SECTION 1 - FRAME

**FIGURE 1-19. TIRE AND WHEEL INSTALLATION - IN240/55 X 17.5 FOAM-FILLED**

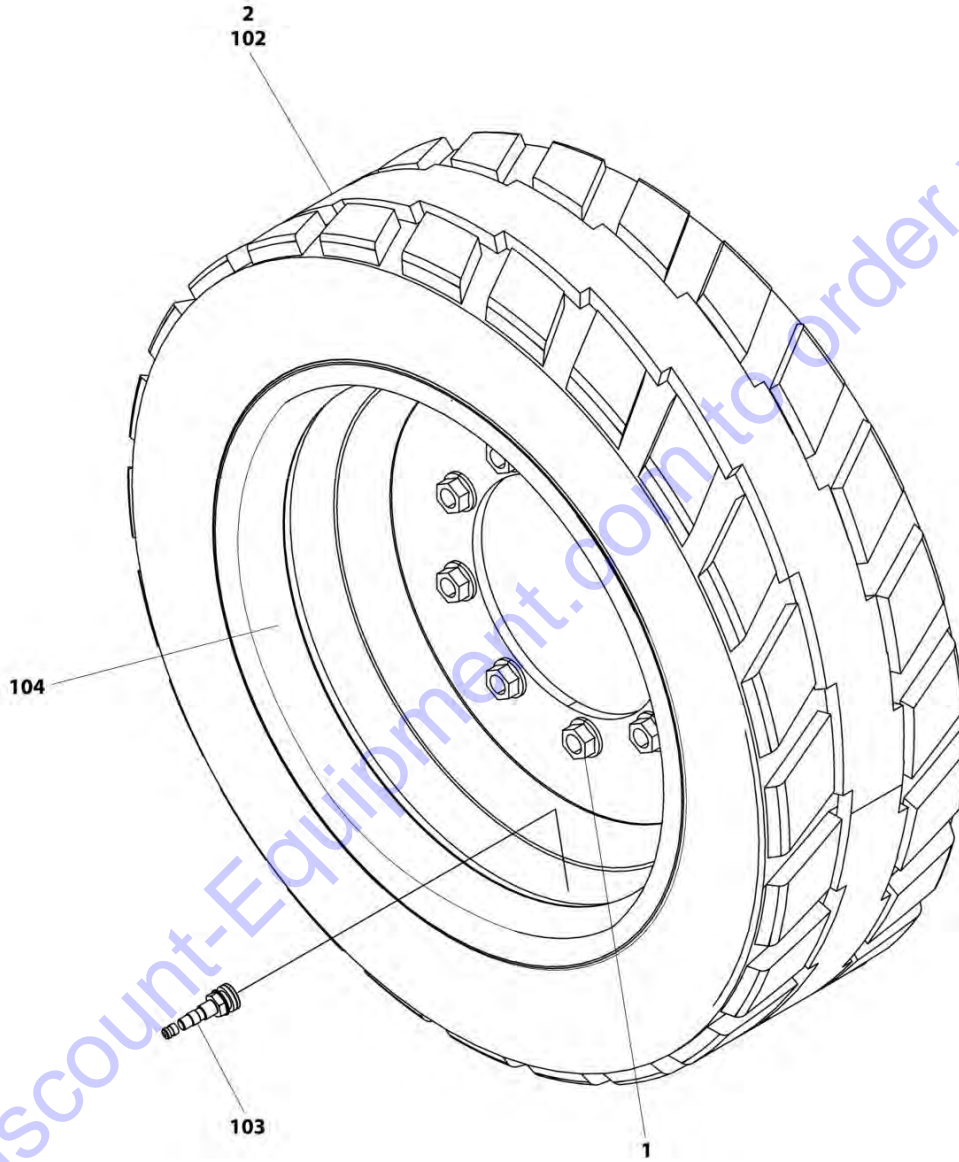
ITEM	PART NUMBER	QTY	DESCRIPTION	REV
	0270570	Ref	TIRE AND WHEEL INSTALLATION - IN240/55 X 17.5 FOAM-FILLED	C
1	3300426	36	Lugnut	
2	0258997	4	Tire and Wheel Assembly - IN240/55 x 17.5 Foam-Filled	F
101	4520209	1	Tire IN240/55 x 17.5	
102	4860191	1	Rim, Wheel	
103	4641122	1	Valve	
		Ref	Note: Assemblies require ballast/foam filling to manufacturer's specification prior to installing on a machine. Refer to Operation and Safety or Service and Maintenance Manuals. Purchase individual tire and/or rim only if able to foam fill tire and wheel assembly, otherwise, purchase complete assembly.	

Go to Discount-Equipment.com to order your parts



## SECTION 1 - FRAME

FIGURE 1-20. TIRE AND WHEEL INSTALLATION - IN240/55 X 17.5 NON-MARKING FOAM FILLED



ART\_0273477

## SECTION 1 - FRAME

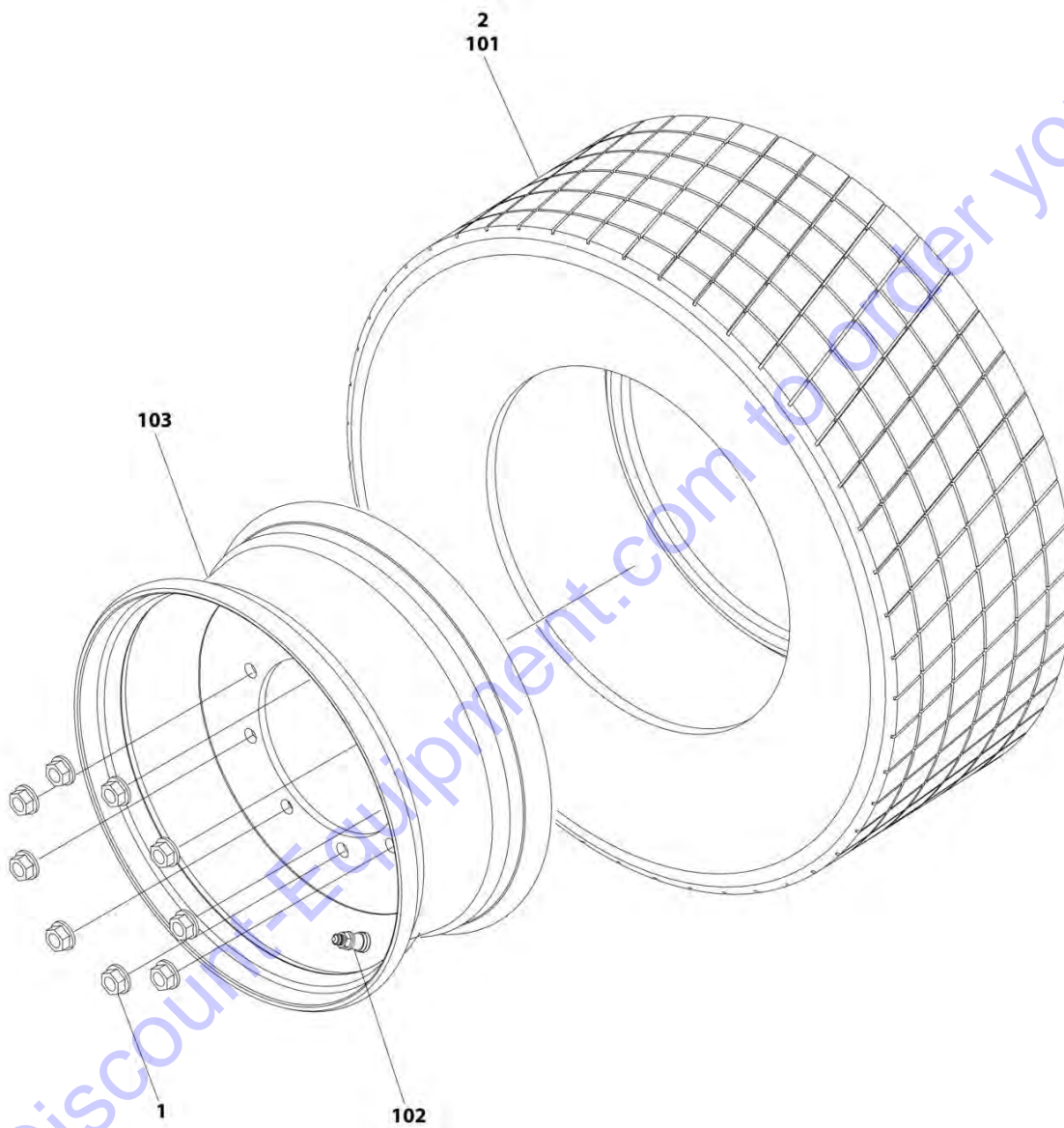
**FIGURE 1-20. TIRE AND WHEEL INSTALLATION - IN240/55 X 17.5 NON-MARKING FOAM FILLED**

ITEM	PART NUMBER	QTY	DESCRIPTION	REV
	0273477	Ref	TIRE AND WHEEL INSTALLATION - IN240/55 X 17.5 NON-MARKING FOAM FILLED	B
1	3300426	36	Lugnut	
2	0273468	4	Tire and Wheel Assembly - IN240/55 x 17.5 Non-Marking Foam-Filled	H
102	4520269	1	Tire IN240/55 x 17.5 Non-Marking	
103	4641122	1	Valve	
104	4860191	1	Rim, Wheel	
		Ref	Note: Assemblies require ballast/foam filling to manufacturer's specification prior to installing on a machine. Refer to Operation and Safety or Service and Maintenance Manuals. Purchase individual tire and/or rim only if able to foam fill tire and wheel assembly, otherwise, purchase complete assembly.	

Go to Discount-Equipment.com to order your parts

## SECTION 1 - FRAME

FIGURE 1-21. TIRE AND WHEEL INSTALLATION - 27.2/10.5LL X 15 TURF FOAM-FILLED



ART\_0270627

## SECTION 1 - FRAME

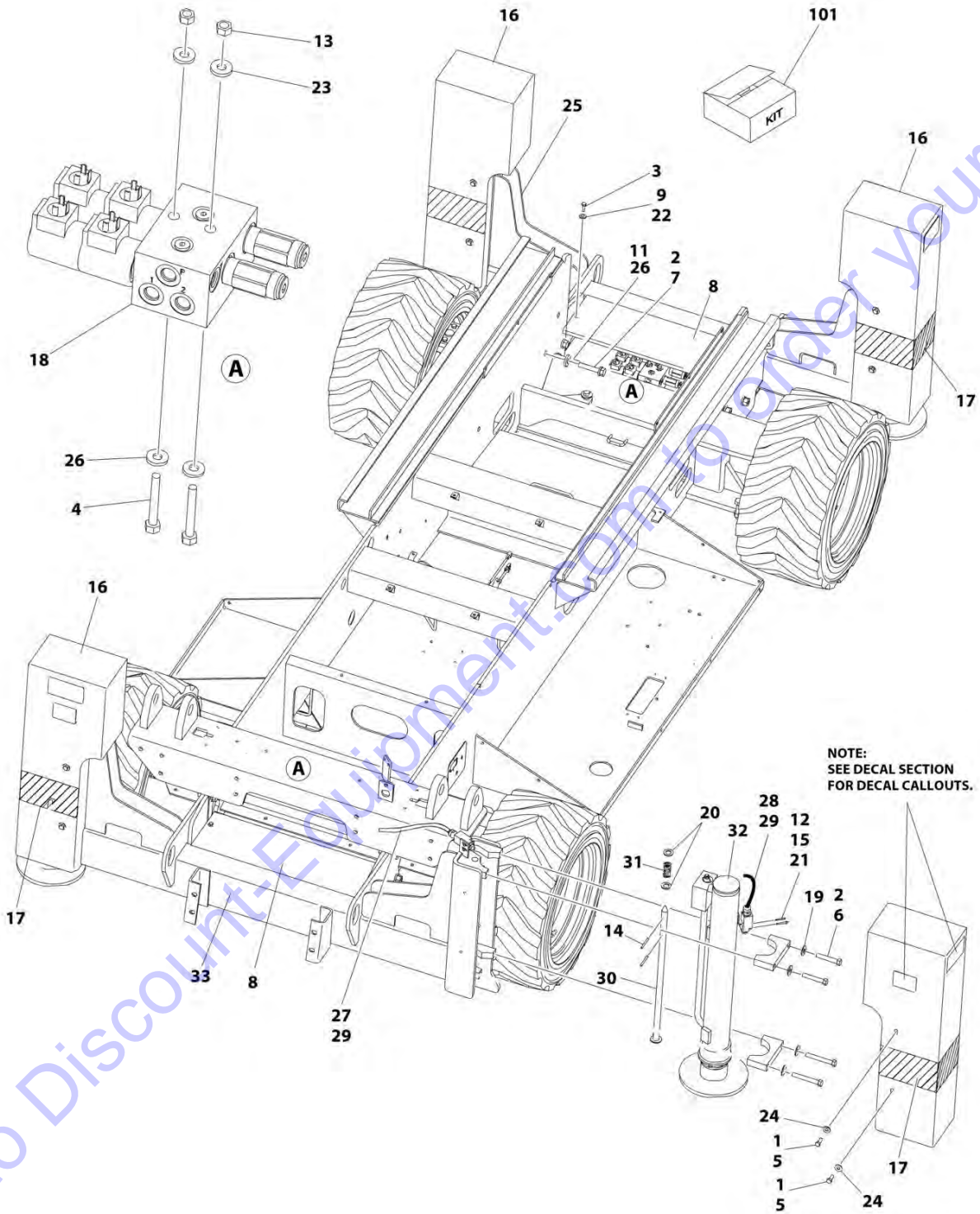
**FIGURE 1-21. TIRE AND WHEEL INSTALLATION - 27.2/10.5LL X 15 TURF FOAM-FILLED**

ITEM	PART NUMBER	QTY	DESCRIPTION	REV
	0270627	Ref	TIRE AND WHEEL INSTALLATION - 27.2/10.5LL X 15 TURF FOAM-FILLED	C
1	3300426	36	Lugnut	
2	0270530	4	Tire and Wheel Assembly - 27.2/10.5LL x 15 Turf Foam-Filled	F
101	4520249	1	Tire 27.2/10.5LL x 15.0 Turf	
102	4640113	1	Valve	
103	4860221	1	Rim, Wheel	
		Ref	Note: Assemblies require ballast/foam filling to manufacturer's specification prior to installing on a machine. Refer to Operation and Safety or Service and Maintenance Manuals. Purchase individual tire and/or rim only if able to foam fill tire and wheel assembly, otherwise, purchase complete assembly.	

Go to Discount-Equipment.com to order your parts

# SECTION 1 - FRAME

## FIGURE 1-22. LEVELING JACKS INSTALLATION - OPTIONAL



ART\_1001172714

## SECTION 1 - FRAME

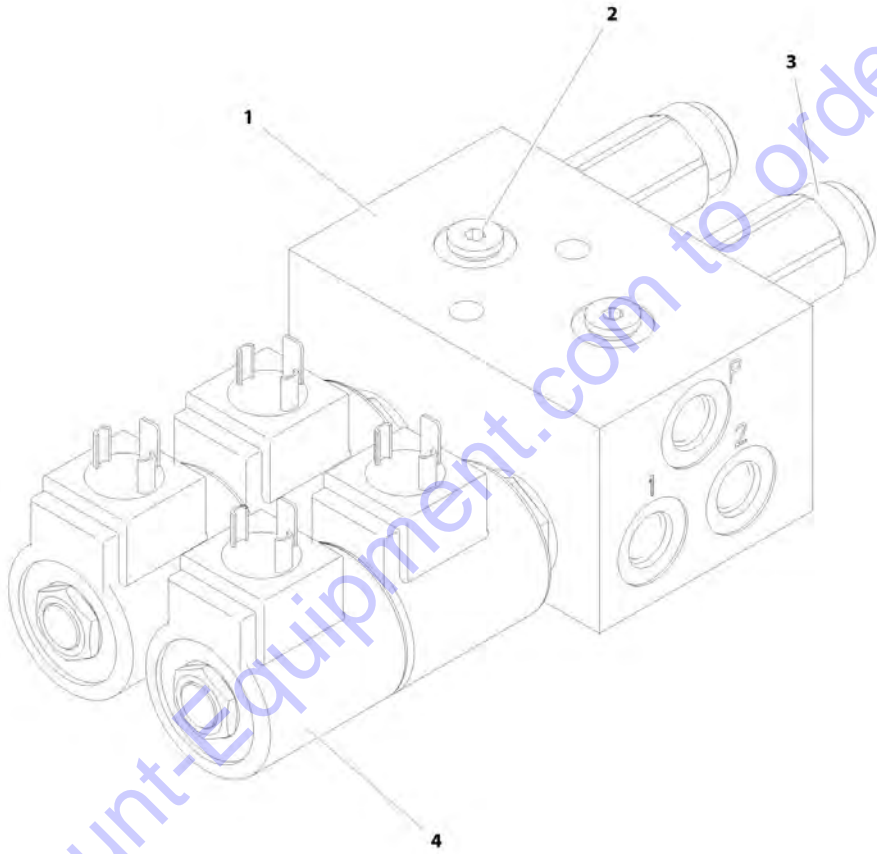
**FIGURE 1-22. LEVELING JACKS INSTALLATION - OPTIONAL**

ITEM	PART NUMBER	QTY	DESCRIPTION	REV
	1001172714	Ref	LEVELING JACKS INSTALLATION - OPTIONAL	B
1	0100011	AR	Compound, Locking	
2	0100019	AR	Compound, Locking	
3	0641406	4	Bolt 1/4 x 3/4	
4	0641528	4	Bolt 5/16 x 3-1/2	
5	0641608	16	Bolt 3/8 x 1	
6	0641828	16	Bolt 1/2 x 3-1/2	
7	0682016	12	Bolt 5/8 x 2 Grade 8	
8	1670971	2	Cover, Valve	
9	2080052	4	Fastener	
10	2792494	1	Hydraulic Diagram - Leveling Jacks (Not Shown - See Separate Breakdown in HYDRAULIC SECTION)	
11	3272001	12	Nut 5/8 Grade 8	
12	3310805	16	Nut #8	
13	3311505	4	Nut 5/16	
14	3440420	8	Rollpin	
15	3930820	16	Capscrew #8 x 1-1/4	
16	4061003	4	Cover	
17	4420051	8.3 ft /2.5m	Tape, Safety	
18	4641150	2	Leveling Jack Control Valve Assembly (See Separate Breakdown in this Section)	
19	4711800	16	Washer 1/2	
20	4740415	4	Washer	
21	4750800	16	Washer #8	
22	4751400	4	Washer 1/4	
23	4751500	4	Washer 5/16	
24	4751600	16	Washer 3/8	
25	4846224	1	Frame, Leveling Jack (Front)	
26	4892000	16	Washer 5/8	
27	4922454	2	Harness, Leveling Jack (N.O.) (See Separate Breakdown in ELECTRICAL SECTION)	
28	4922455	2	Harness, Leveling Jack (N.C.) (See Separate Breakdown in ELECTRICAL SECTION)	
29	4922456	1	Harness, Leveling Jack (See Separate Breakdown in ELECTRICAL SECTION)	
30	1001128736	4	Rod	
31	1001128890	4	Spring	
32	1001140600	4	Leveling Jack Cylinder Assembly (See Separate Breakdown in CYLINDER SECTION)	
33	1001172562	1	Frame, Leveling Jack (Rear)	
101	1001131751	1	Rod Replacement Kit (Includes Items 1, 2, 6, 14, 20, 30 & 31)	A



**SECTION 1 - FRAME**

**FIGURE 1-23. LEVELING JACK CONTROL VALVE ASSEMBLY**



Go to Discount-Equipment.com to order your parts

ART\_4641150

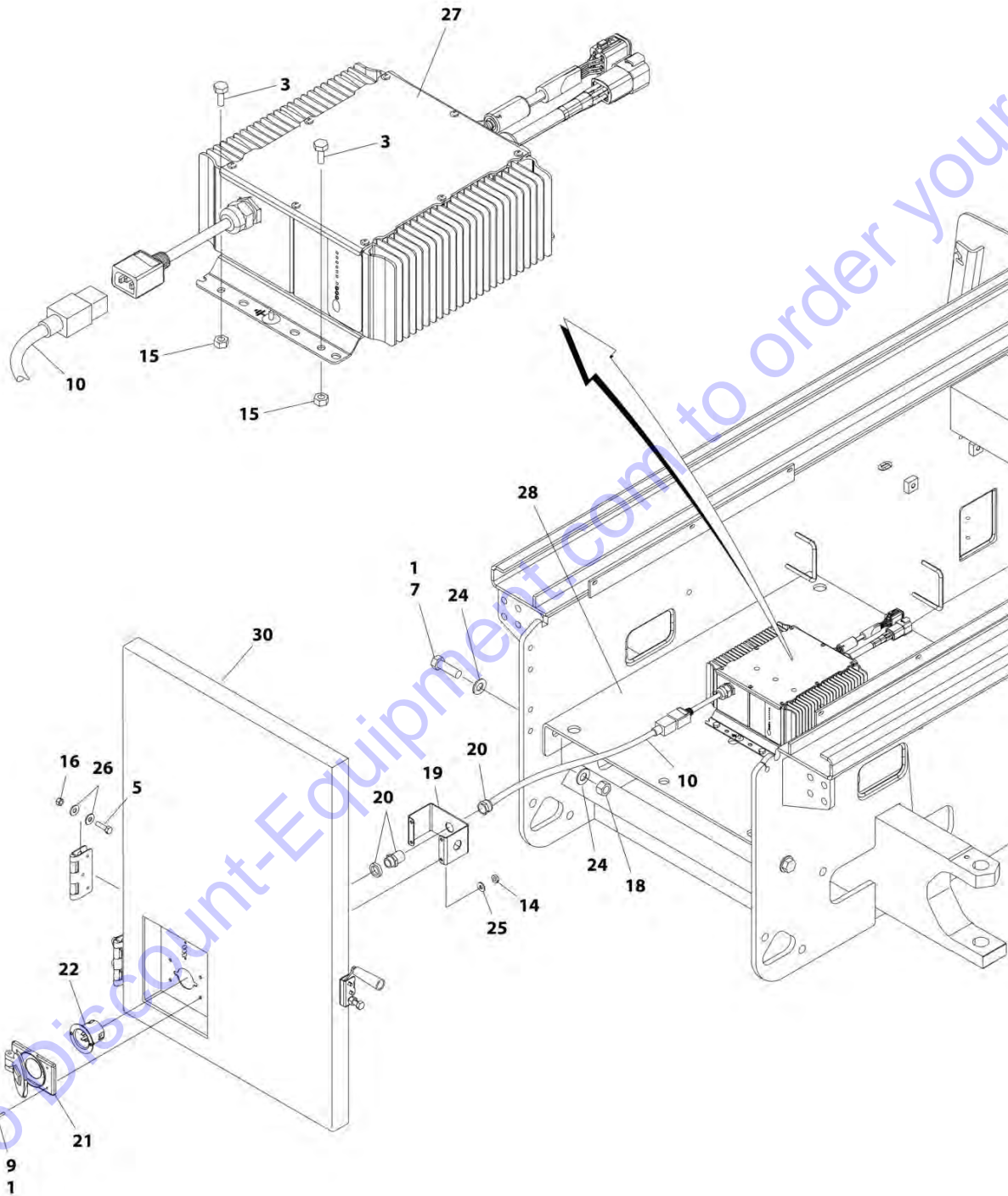
FIGURE 1-23. LEVELING JACK CONTROL VALVE ASSEMBLY

ITEM	PART NUMBER	QTY	DESCRIPTION	REV
	4641150	Ref	LEVELING JACK CONTROL VALVE ASSEMBLY	B
1	0561407	1	Block, Valve	
2	2220883	2	Plug with O-Ring	
3	4641151	2	Cartridge, Relief Valve	
3	7021653	2	Seal Kit - 4641151 Valve (1 Per Cartridge)	
4	4641152	2	Cartridge, 4 Way Valve	
4	7012903	2	Seal Kit - 4641152 Valve (1 Per Cartridge)	
4	7012943	4	Coil (2 Per Cartridge)	

Go to Discount-Equipment.com to order your parts

# SECTION 1 - FRAME

FIGURE 1-24. BATTERY CHARGER INSTALLATION - 110V/60HZ (3369LE & 4069LE ANSI, ANSI EXPORT, CSA AND JAPANESE SPECS)



ART\_1001165767

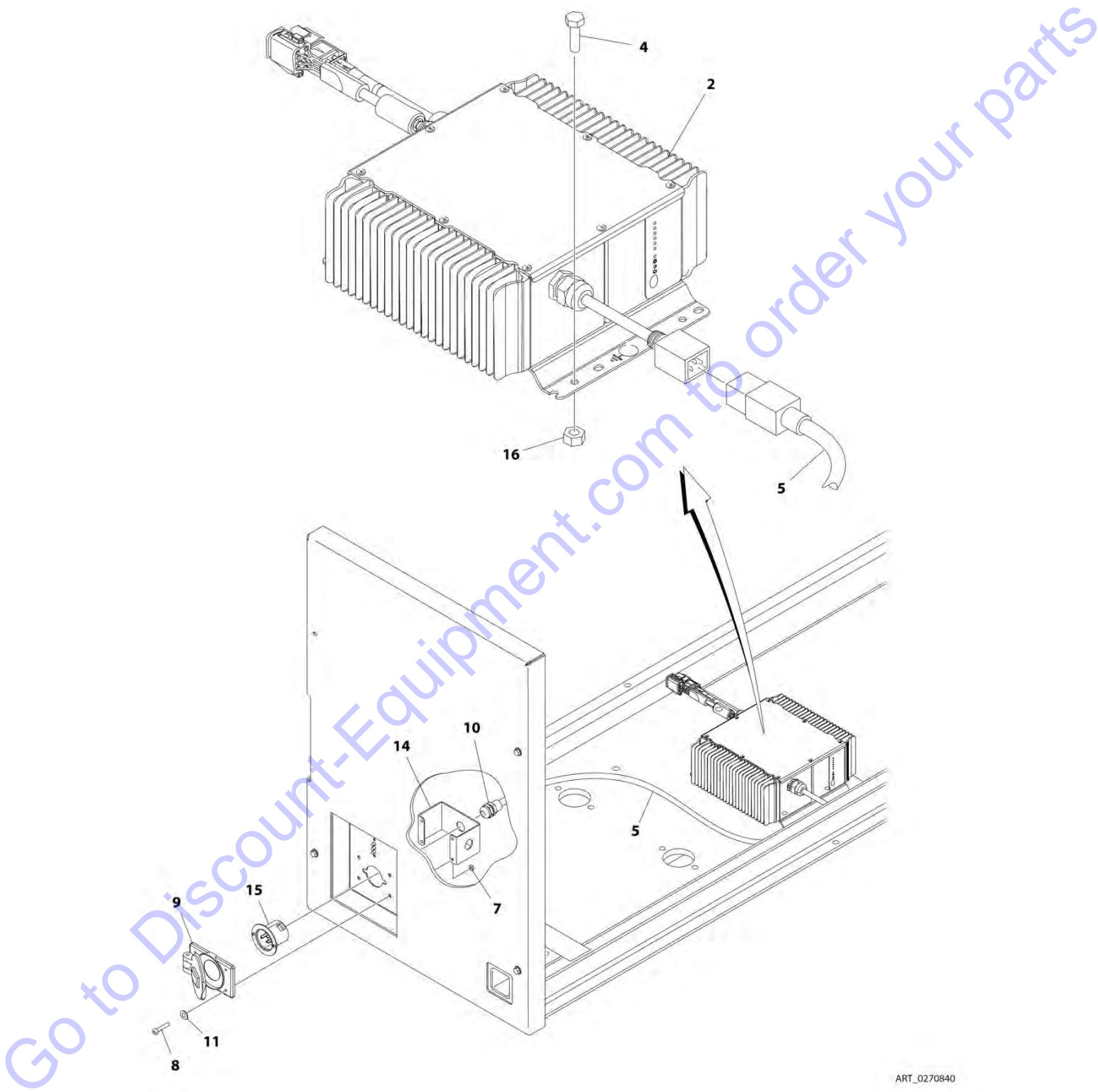
## SECTION 1 - FRAME

**FIGURE 1-24. BATTERY CHARGER INSTALLATION - 110V/60HZ (3369LE & 4069LE ANSI, ANSI EXPORT, CSA AND JAPANESE SPECS)**

ITEM	PART NUMBER	QTY	DESCRIPTION	REV
	1001165767	Ref	BATTERY CHARGER INSTALLATION - 110V/60HZ	C
1	0100011	AR	Compound, Locking	
3	0641405	4	Bolt 1/4 x 5/8	
5	0641509	4	Bolt 5/16 x 1-1/8	
7	0642016	4	Bolt 5/8 x 2	
9	0721008	4	Bolt #10	
10	1060689	1	Cord, Electrical	
14	3311001	4	Nut #10	
15	3311405	4	Nut 1/4	
16	3311505	1	Nut 5/16	
18	3312005	4	Nut 5/8	
19	3571584	1	Plate, Plug Inlet	
20	4460428	1	Connector, Strain Relief	
21	4460802	1	Cover, Weatherproof	
22	4460803	1	Plug	
24	4712000	8	Washer 5/8	
25	4751000	4	Washer #10	
26	4751500	8	Washer 5/16	
27	1001103105	1	Battery Charger Assembly (See Separate Breakdown in this Section)	
28	1001165370	1	Plate, Support	
30	1001166234	1	Battery Charger Door Assembly (See Separate Breakdown in this Section)	

# SECTION 1 - FRAME

FIGURE 1-25. BATTERY CHARGER INSTALLATION - 110V/60HZ (M3369 & M4069 ANSI, ANSI EXPORT, CSA AND JAPANESE SPECS)



ART\_0270840

## SECTION 1 - FRAME

**FIGURE 1-25. BATTERY CHARGER INSTALLATION - 110V/60HZ (M3369 & M4069 ANSI, ANSI EXPORT, CSA AND JAPANESE SPECS)**

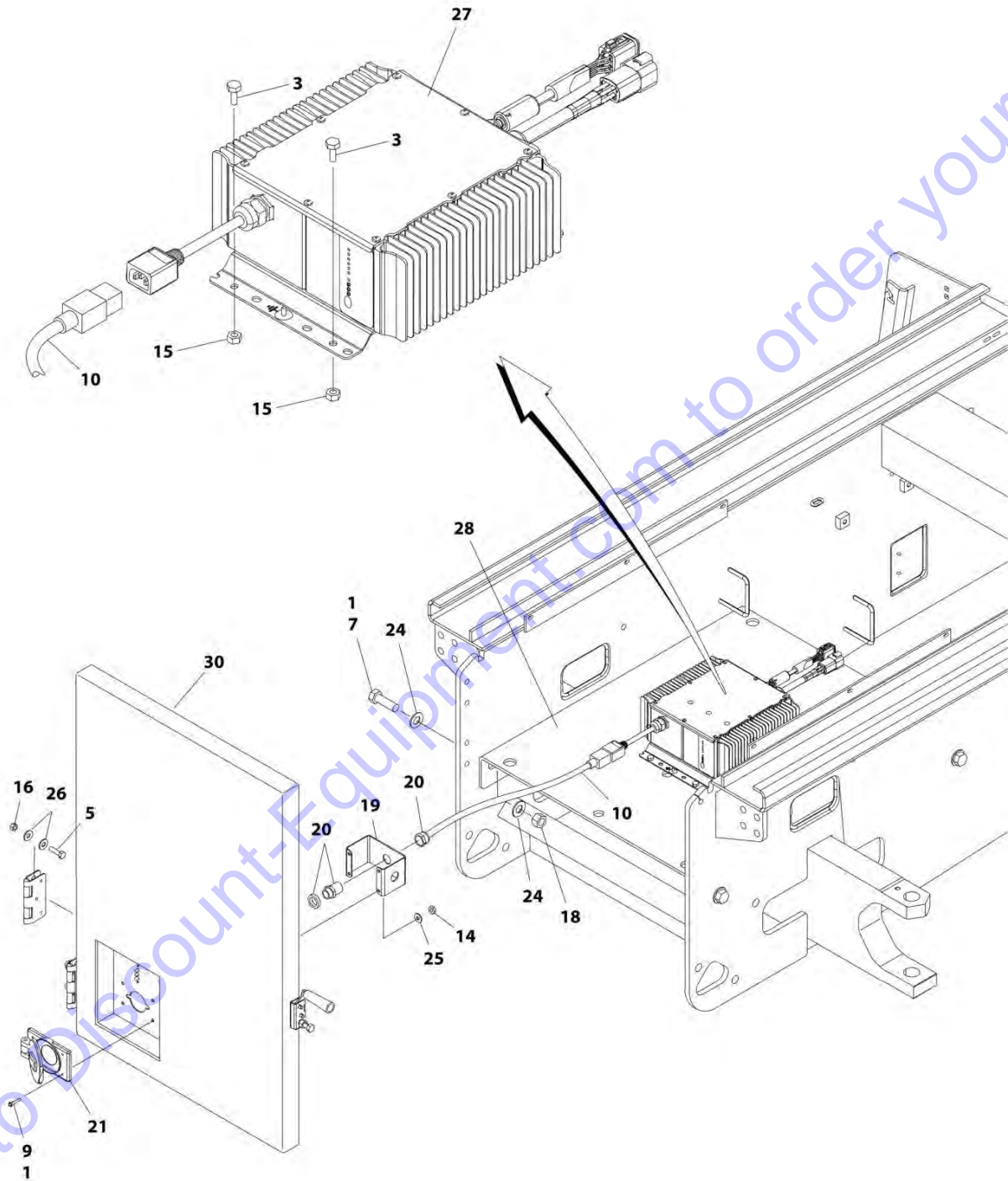
ITEM	PART NUMBER	QTY	DESCRIPTION	REV
		Ref	NOTE: AVAILABLE ON M3369 & M4069 ANSI, ANSI EXPORT, CSA AND JAPANESE SPECS.	
	0270840	Ref	BATTERY CHARGER INSTALLATION - 110V/60HZ	F
2	1001103105	1	Battery Charger Assembly (See Separate Breakdown in this Section)	
4	0641407	4	Bolt 1/4 x 7/8	
5	1060689	1	Cord, Electrical	
7	3311005	4	Nut #10	
8	3911014	4	Screw #10 x 7/8	
9	4460802	1	Cover, Weatherproof	
10	4460428	1	Connector, Strain Relief	
11	4751000	4	Washer #10	
14	3571584	1	Plate, Plug Inlet	
15	4460803	1	Plug	
16	3311405	4	Nut 1/4	

Go to Discount-Equipment.com to order your parts



# SECTION 1 - FRAME

FIGURE 1-26. BATTERY CHARGER INSTALLATION - 120-240V/50-60HZ (3369LE & 4069LE ANSI, ANSI EXPORT, CSA AND CE SPECS)



ART\_1001166240

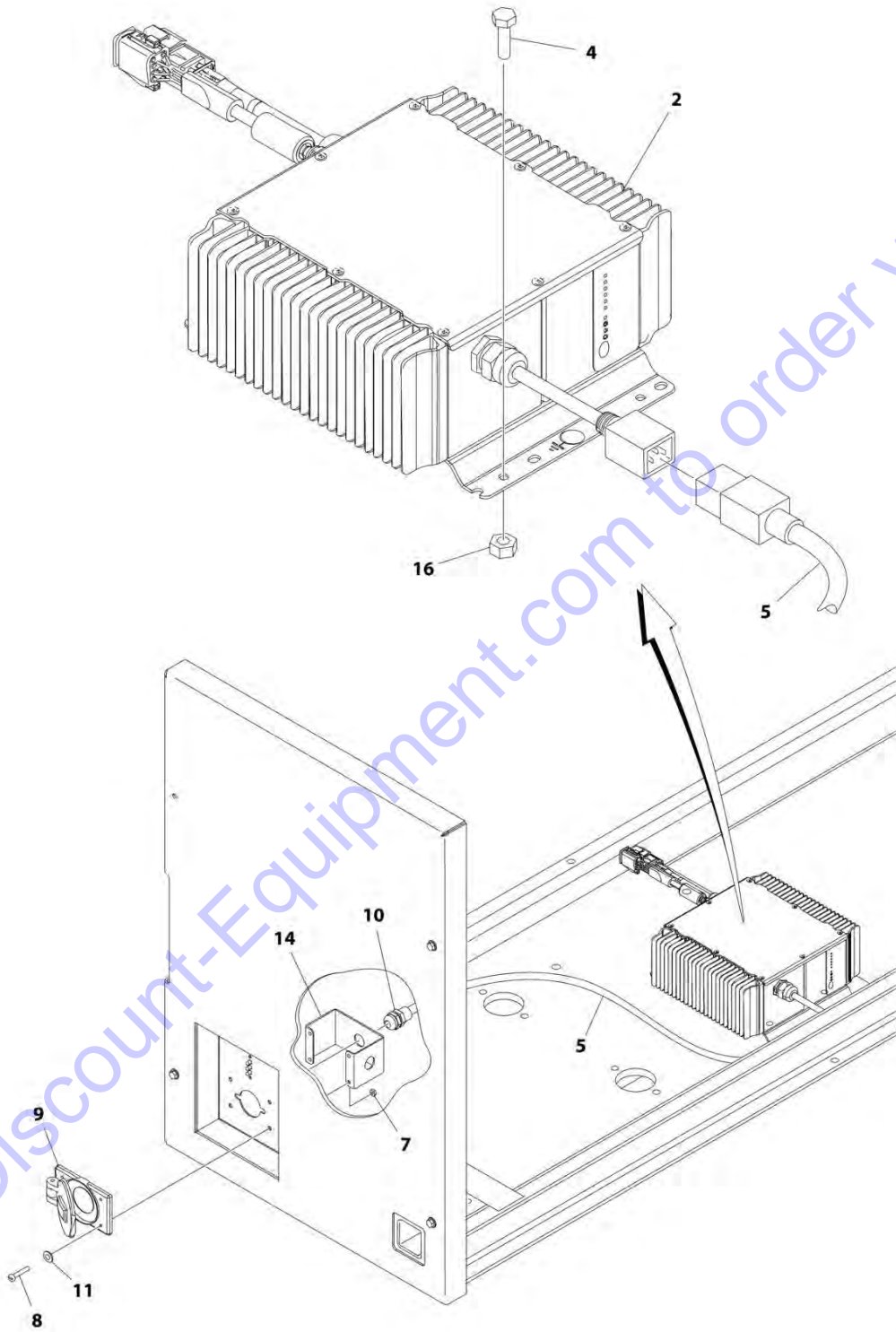
## SECTION 1 - FRAME

**FIGURE 1-26. BATTERY CHARGER INSTALLATION - 120-240V/50-60HZ (3369LE & 4069LE ANSI, ANSI EXPORT, CSA AND CE SPECS)**

ITEM	PART NUMBER	QTY	DESCRIPTION	REV
	1001166240	Ref	BATTERY CHARGER INSTALLATION - 120-240V/50-60HZ	C
1	0100011	AR	Compound, Locking	
3	0641405	4	Bolt 1/4 x 5/8	
5	0641509	4	Bolt 5/16 x 1-1/8	
7	0642016	4	Bolt 5/8 x 2	
9	0721008	4	Bolt #10 x 1	
10	1060689	1	Cord, Electrical	
14	3311001	4	Nut #10	
15	3311405	4	Nut 1/4	
16	3311505	4	Nut 5/16	
18	3312005	4	Nut 5/8	
19	3571584	1	Plate, Plug Inlet	
20	4460428	1	Connector, Strain Relief	
21	4460802	1	Cover, Weatherproof	
23	4712000	8	Washer 5/8	
24	4751000	4	Washer #10	
25	4751500	8	Washer 5/16	
26	1001103105	1	Battery Charger Assembly (See Separate Breakdown in this Section)	
27	1001165370	1	Plate, Support	
29	1001166234	1	Battery Charger Door Assembly (See Separate Breakdown in this Section)	

## SECTION 1 - FRAME

FIGURE 1-27. BATTERY CHARGER INSTALLATION - 120-240V/50-60HZ (M3369 & M4069 ANSI, ANSI EXPORT, CSA AND CE SPECS)



ART\_0270841

## SECTION 1 - FRAME

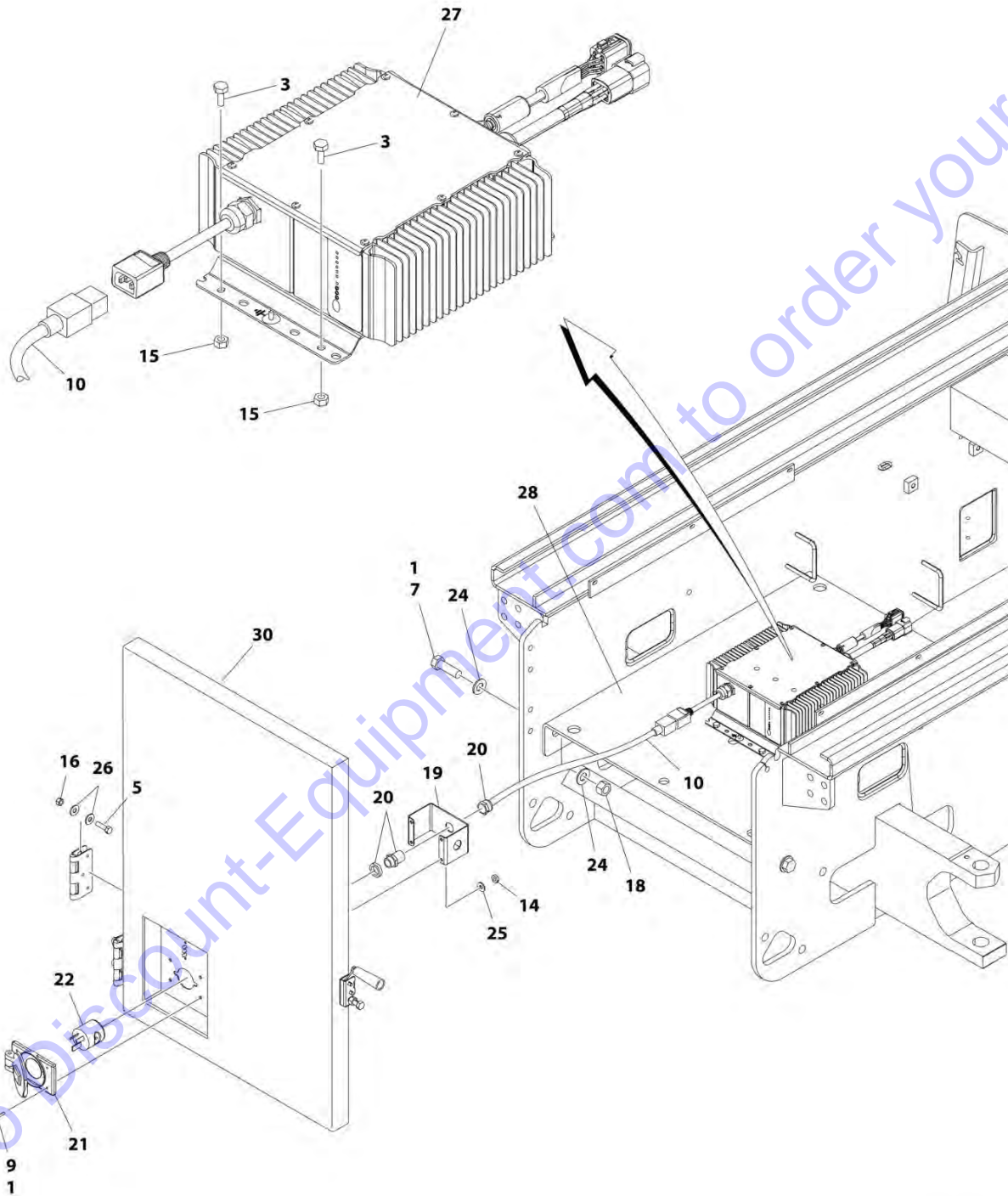
**FIGURE 1-27. BATTERY CHARGER INSTALLATION - 120-240V/50-60HZ (M3369 & M4069 ANSI, ANSI EXPORT, CSA AND CE SPECS)**

ITEM	PART NUMBER	QTY	DESCRIPTION	REV
	0270841	Ref	BATTERY CHARGER INSTALLATION - 120-240V/50-60HZ	F
4	0641407	4	Bolt 1/4 x 7/8	
7	3311005	4	Nut #10	
8	3911014	4	Screw #10 x 7/8	
9	4460802	1	Cover, Weatherproof	
11	4751000	4	Washer #10	
14	3571584	1	Plate, Plug Inlet	
15	4460428	1	Connector, Strain Relief	
16	1001103105	1	Battery Charger Assembly (See Separate Breakdown in this Section)	
17	1060689	1	Cord, Electrical	
18	3311405	4	Nut 1/4	

Go to Discount-Equipment.com to order your parts

# SECTION 1 - FRAME

FIGURE 1-28. BATTERY CHARGER INSTALLATION - 250V/50HZ (3369LE & 4069LE ANSI EXPORT AND AUSTRALIAN SPECS)



ART\_1001166241

## SECTION 1 - FRAME

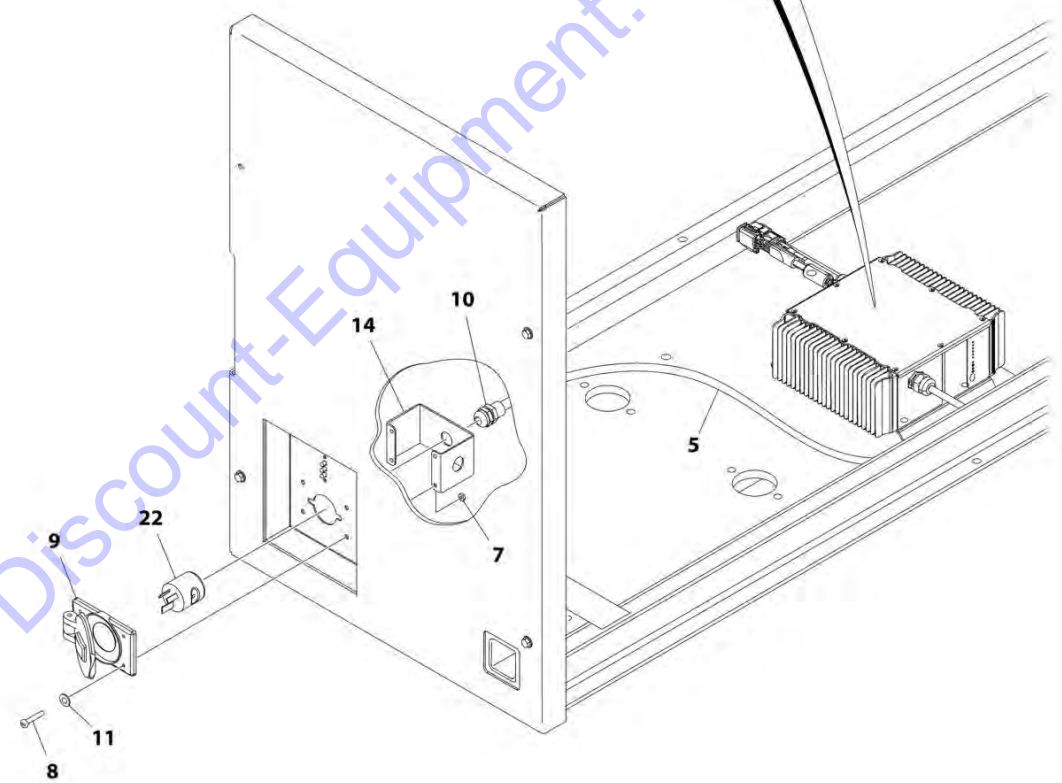
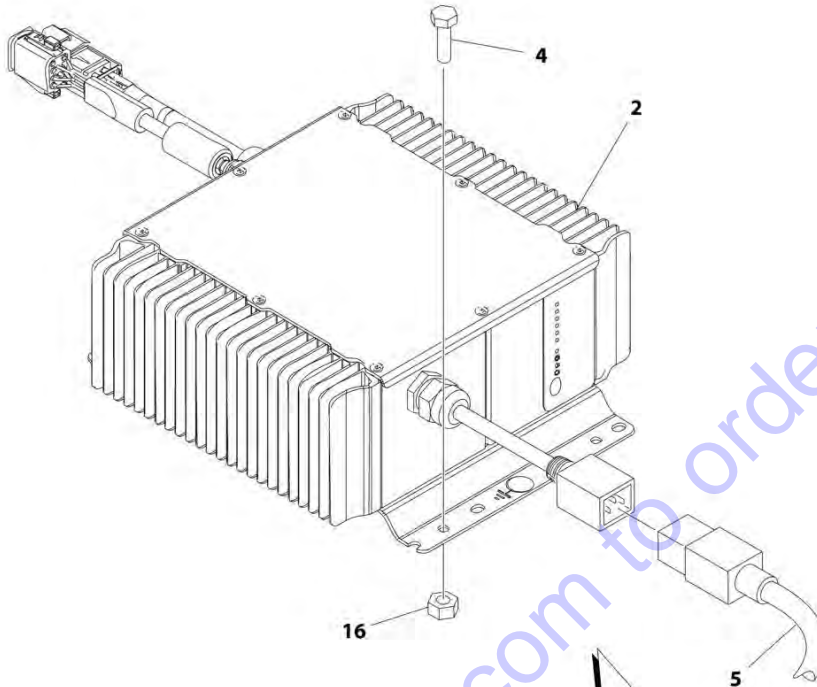
**FIGURE 1-28. BATTERY CHARGER INSTALLATION - 250V/50HZ (3369LE & 4069LE ANSI EXPORT AND AUSTRALIAN SPECS)**

ITEM	PART NUMBER	QTY	DESCRIPTION	REV
	1001166241	Ref	BATTERY CHARGER INSTALLATION - 250V/50HZ	C
1	0100011	AR	Compound, Locking	
3	0641405	4	Bolt 1/4 x 5/8	
5	0641509	4	Bolt 5/16 x 1-1/8	
7	0642016	4	Bolt 5/8 x 2	
9	0721008	4	Bolt #10 x 1	
10	1060689	1	Cord, Electrical	
14	3311001	4	Nut #10	
15	3311405	4	Nut 1/4	
16	3311505	4	Nut 5/16	
18	3312005	4	Nut 5/8	
19	3571584	1	Plate, Plug Inlet	
20	4460428	1	Connector, Strain Relief	
21	4460802	1	Cover, Weatherproof	
22	4460805	1	Plug	
24	4712000	8	Washer 5/8	
25	4751000	4	Washer #10	
26	4751500	8	Washer 5/16	
27	1001103105	1	Battery Charger Assembly (See Separate Breakdown in this Section)	
28	1001165370	1	Plate, Support	
30	1001166234	1	Battery Charger Door Assembly (See Separate Breakdown in this Section)	



# SECTION 1 - FRAME

FIGURE 1-29. BATTERY CHARGER INSTALLATION - 250V/50HZ (M3369 & M4069 ANSI EXPORT AND AUSTRALIAN SPECS)



Go to Discount-Equipment.com to order your parts

ART\_0270842

## SECTION 1 - FRAME

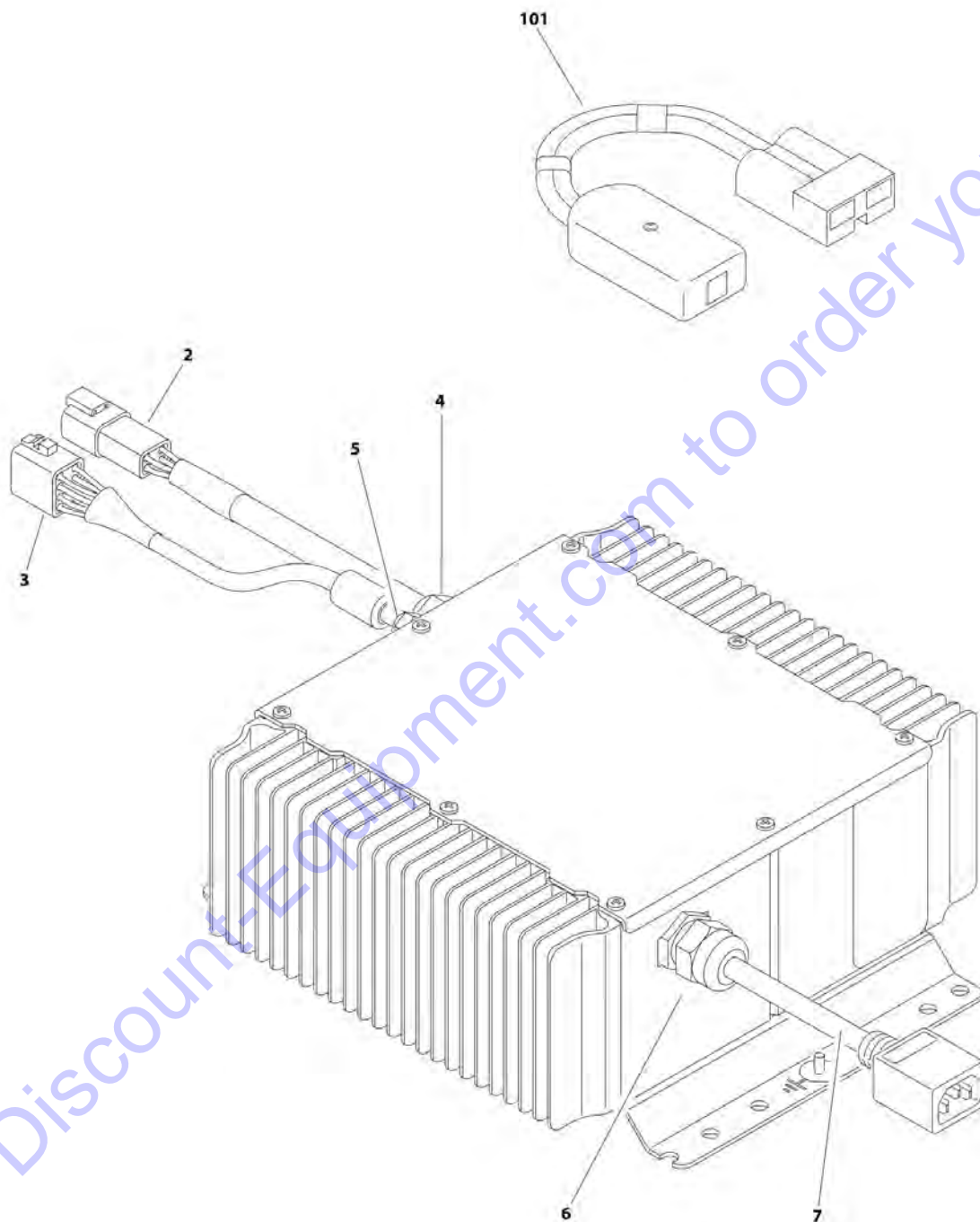
**FIGURE 1-29. BATTERY CHARGER INSTALLATION - 250V/50HZ (M3369 & M4069 ANSI EXPORT AND AUSTRALIAN SPECS)**

ITEM	PART NUMBER	QTY	DESCRIPTION	REV
	0270842	Ref	BATTERY CHARGER INSTALLATION - 250V/50HZ	F
2	1001103105	1	Battery Charger Assembly (See Separate Breakdown in this Section)	
4	0641407	1	Bolt 1/4 x 7/8	
5	1060689	1	Cord, Electrical	
7	3311005	1	Nut #10	
8	3911014	1	Screw #10 x 7/8	
9	4460802	1	Cover, Weatherproof	
10	4460805	1	Plug	
11	4751000	1	Washer #10	
14	3571584	1	Plate, Plug Inlet	
15	4460428	1	Connector, Strain Relief	
16	3311405	1	Nut 1/4	

Go to Discount-Equipment.com to order your parts

# SECTION 1 - FRAME

## FIGURE 1-30. BATTERY CHARGER ASSEMBLY



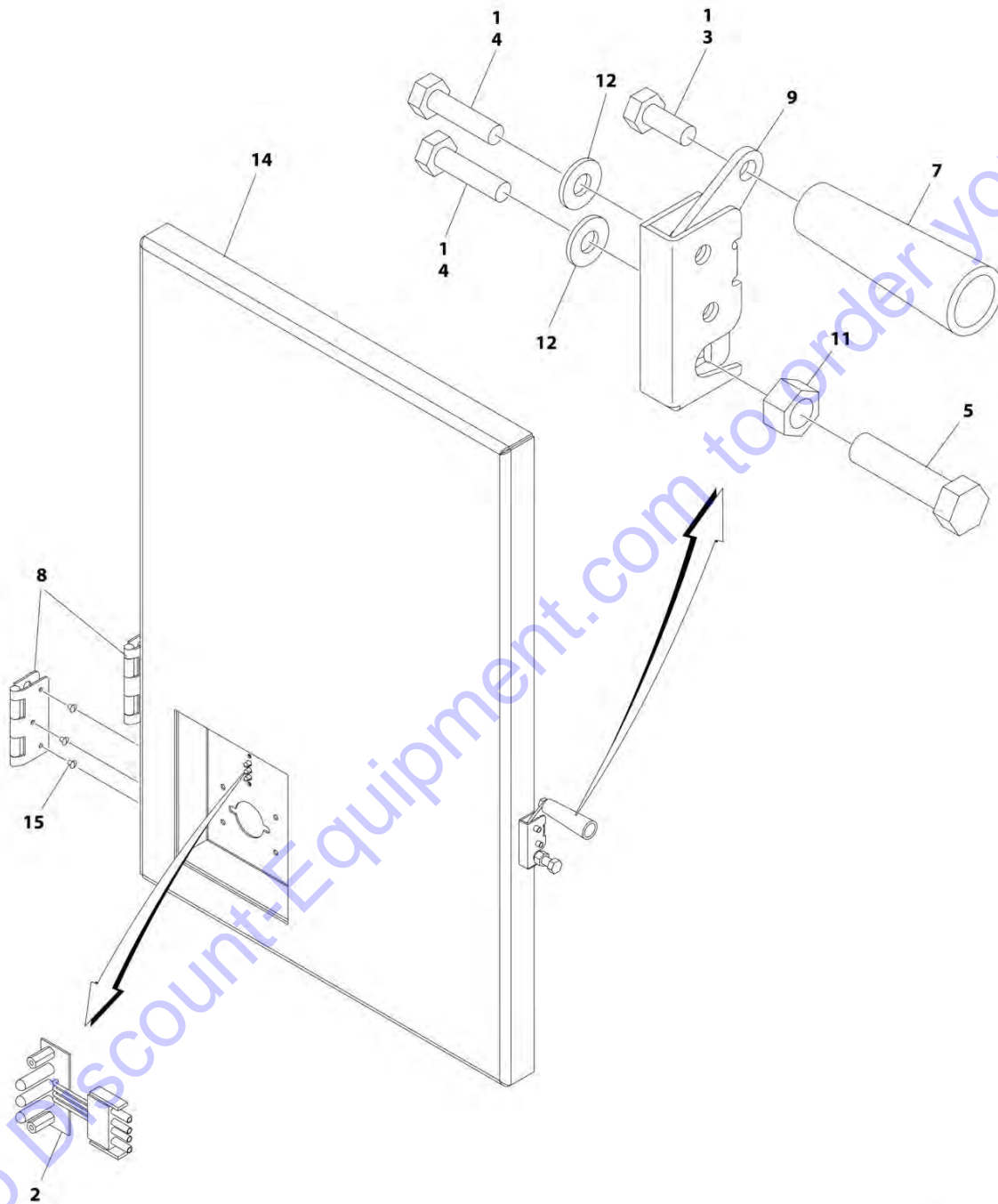
ART\_1001103105

FIGURE 1-30. BATTERY CHARGER ASSEMBLY

ITEM	PART NUMBER	QTY	DESCRIPTION	REV
	1001103105	Ref	BATTERY CHARGER ASSEMBLY	D
2	See Note	1	Harness with Connector (Note: Not Available for Purchase)	
2	1001116811	1	Receptacle, Female - 4 Position	
2	4460508	4	Pin, Male	
3	See Note	1	Harness with Connector (Note: Not Available for Purchase)	
3	4460930	1	Plug, Male - 8 Position	
3	4460464	7	Socket, Female	
4	See Note	1	Connector, Strain Relief (Note: Not Available for Purchase)	
5	See Note	1	Connector, Strain Relief (Note: Not Available for Purchase)	
6	See Note	1	Connector, Strain Relief (Note: Not Available for Purchase)	
7	See Note	1	Harness with Connector (Note: Not Available for Purchase)	
101	1600466	NLA	Battery Charger Reprogram Controller (Use p/n 2915230)	

# SECTION 1 - FRAME

FIGURE 1-31. BATTERY CHARGER DOOR ASSEMBLY - 3369LE & 4069LE



ART\_1001166234

## SECTION 1 - FRAME

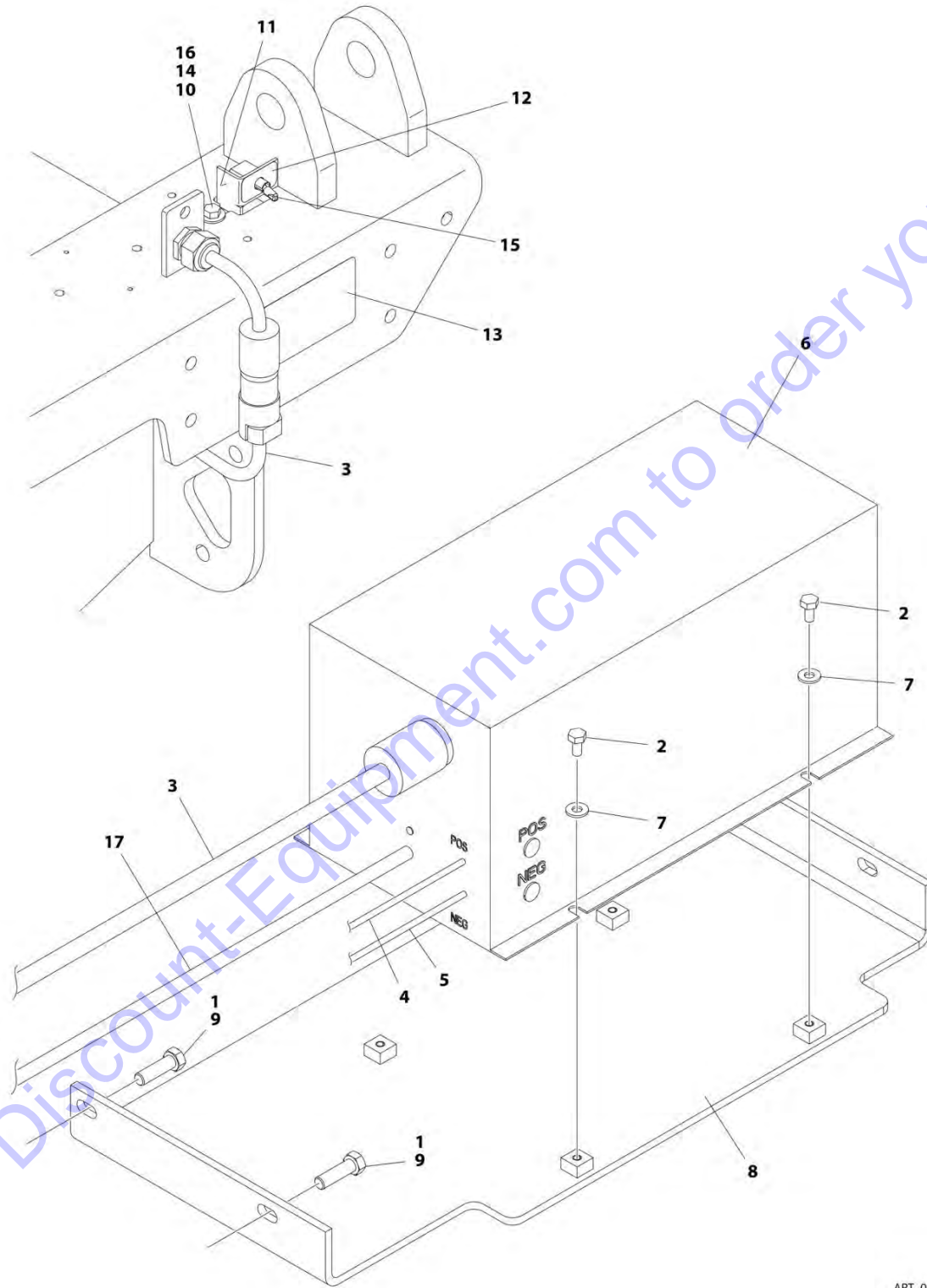
**FIGURE 1-31. BATTERY CHARGER DOOR ASSEMBLY - 3369LE & 4069LE**

ITEM	PART NUMBER	QTY	DESCRIPTION	REV
	1001166234	Ref	BATTERY CHARGER DOOR ASSEMBLY - 3369LE & 4069LE	B
1	0100011	AR	Compound, Locking	
2	0610131	1	Board, PC	
3	0641405	1	Bolt 1/4 x 5/8	
4	0641408	2	Bolt 1/4 x 1	
5	0641612	1	Bolt 3/8 x 1-1/2	
7	2560137	1	Handle	
8	2600258	2	Hinge	
9	2940098	1	Latch	
11	3311605	1	Nut 3/8	
12	4711400	4	Washer 1/4	
14	1001165636	1	Door	
15	3820019	6	Rivet	

Go to Discount-Equipment.com to order your parts

# SECTION 1 - FRAME

## FIGURE 1-32. INVERTER INSTALLATION - OPTIONAL





## SECTION 1 - FRAME

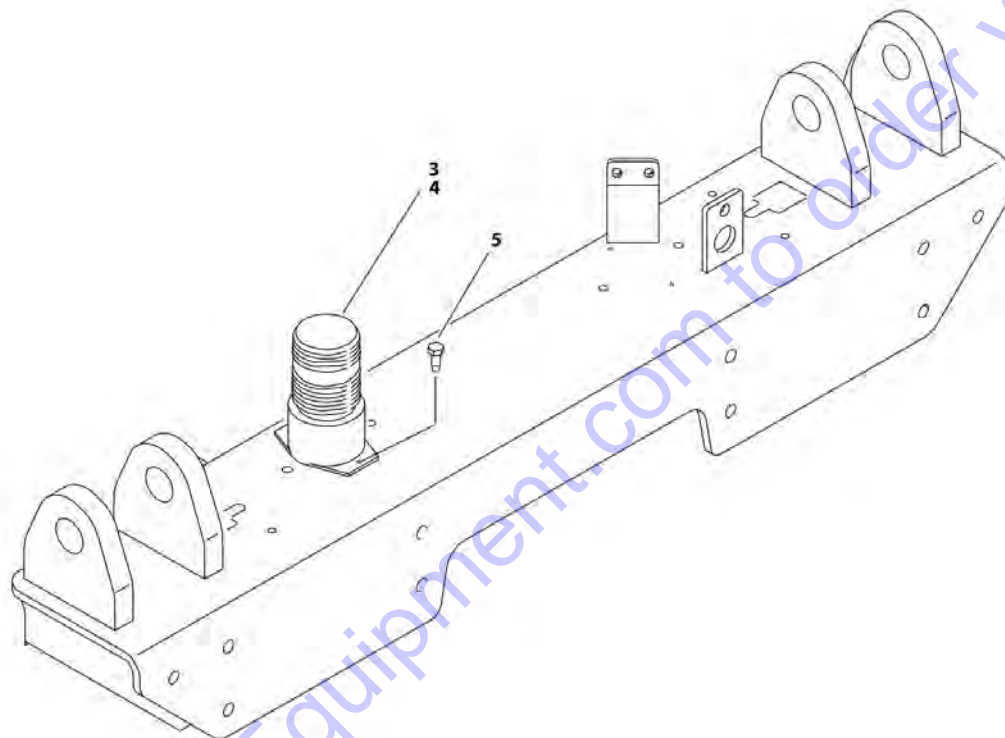
**FIGURE 1-32. INVERTER INSTALLATION - OPTIONAL**

ITEM	PART NUMBER	QTY	DESCRIPTION	REV
	0271344	Ref	INVERTER INSTALLATION - OPTIONAL	D
1	0100011	AR	Compound, Locking	
2	0641404	4	Bolt 1/4 x 1/2	
3	1060933	1	Cord, Electrical	
3	4460138	1	Plug, Male	
3	4460779	1	Receptacle, Female	
4	1060934	1	Harness, Positive Inverter	
5	1060935	1	Harness, Negative Inverter	
6	2460037	1	Inverter	
7	4711400	4	Washer 1/4	
8	4846520	1	Bracket, Mounting	
9	0630549	4	Bolt 3/8 x 1-1/4	
10	0641608	1	Bolt 3/8 x 1	
11	0902780	1	Bracket, Mounting	
12	1705052	1	Decal - Inverter On-Off	
13	1705051	1	Decal - Inverter	
14	3311605	1	Nut 3/8	
15	4360482	1	Switch, Toggle	
16	4751600	1	Washer 3/8	
17	4922668	1	Harness, Inverter Switch	

Go to Discount-Equipment.com to order your parts

# SECTION 1 - FRAME

## FIGURE 1-33. BEACON INSTALLATION



ART. 0259593

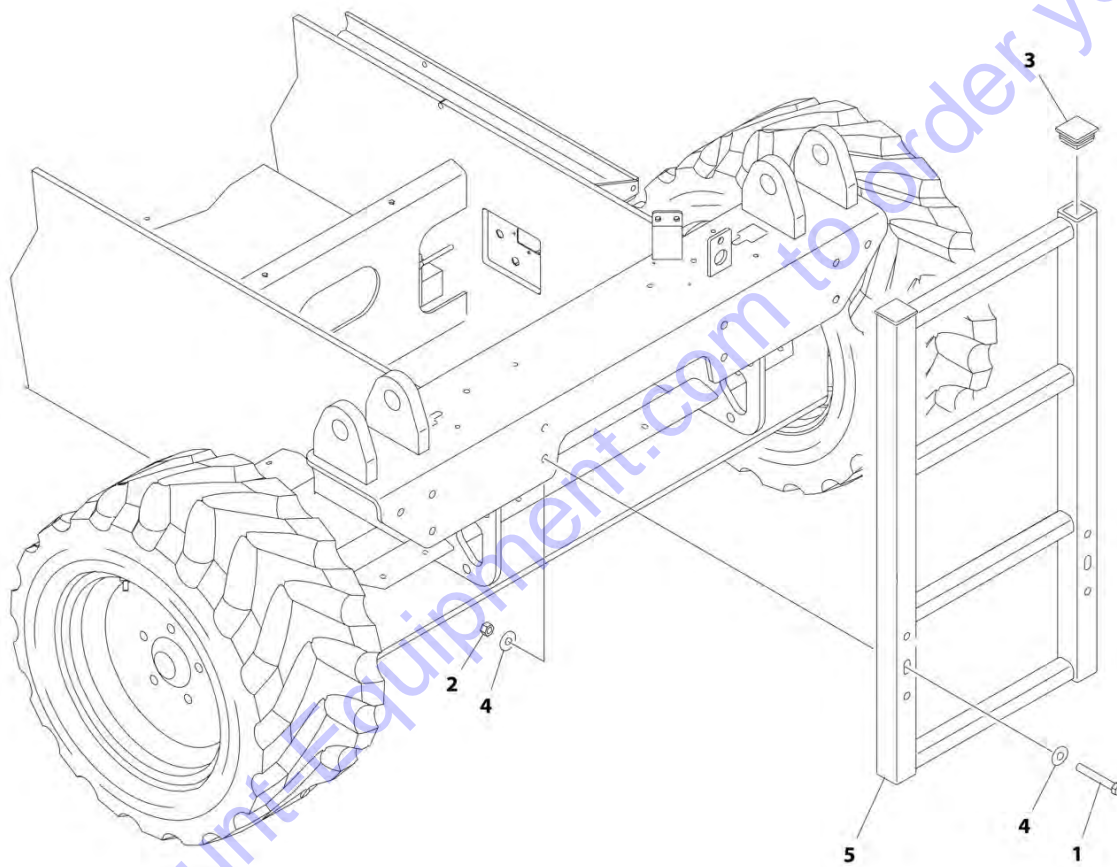
FIGURE 1-33. BEACON INSTALLATION

ITEM	PART NUMBER	QTY	DESCRIPTION	REV
	0259593	Ref	BEACON INSTALLATION	D
3	2820018	AR	Heat Shrink	
4	2920146	1	Beacon Light Assembly	
4	7016319	1	Bulb	
4	7016372	1	Lens	
5	3941004	2	Screw #10 x 1/2	
11	4922426	1	Harness, Beacon (Not Shown - See Separate Breakdown in ELECTRICAL SECTION)	

Go to Discount-Equipment.com to order your parts

## SECTION 1 - FRAME

FIGURE 1-34. LADDER INSTALLATION WITHOUT LEVELING JACKS - 3369LE/M3369 (ALL SPEC EXCEPT CE SPEC)



ART\_0259576

## SECTION 1 - FRAME

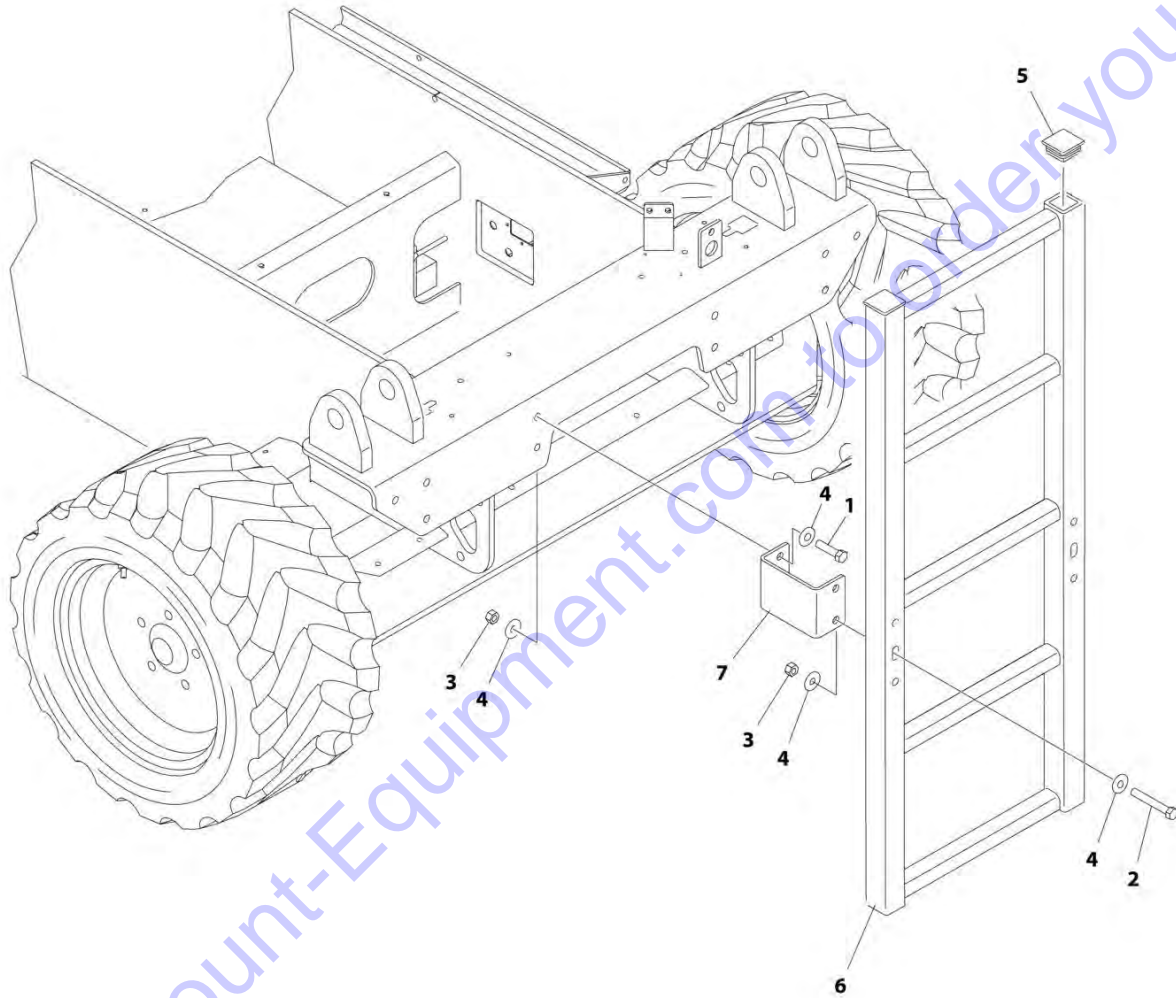
**FIGURE 1-34. LADDER INSTALLATION WITHOUT LEVELING JACKS - 3369LE/M3369 (ALL SPEC EXCEPT CE SPEC)**

ITEM	PART NUMBER	QTY	DESCRIPTION	REV
	0259576	Ref	LADDER INSTALLATION WITHOUT LEVELING JACKS	F
1	0641828	4	Bolt 1/2 x 3-1/2	
2	3311805	4	Nut 1/2	
3	1001109533	8	Cap-Plug	
4	4751800	2	Washer 1/2	
5	4846159	1	Ladder	

Go to Discount-Equipment.com to order your parts

# SECTION 1 - FRAME

FIGURE 1-35. LADDER INSTALLATION WITHOUT LEVELING JACKS - 3369LE/M3369 (CE SPEC)



ART\_1001172397

Go to Discount-Equipment.com to order your parts

## SECTION 1 - FRAME

**FIGURE 1-35. LADDER INSTALLATION WITHOUT LEVELING JACKS - 3369LE/M3369 (CE SPEC)**

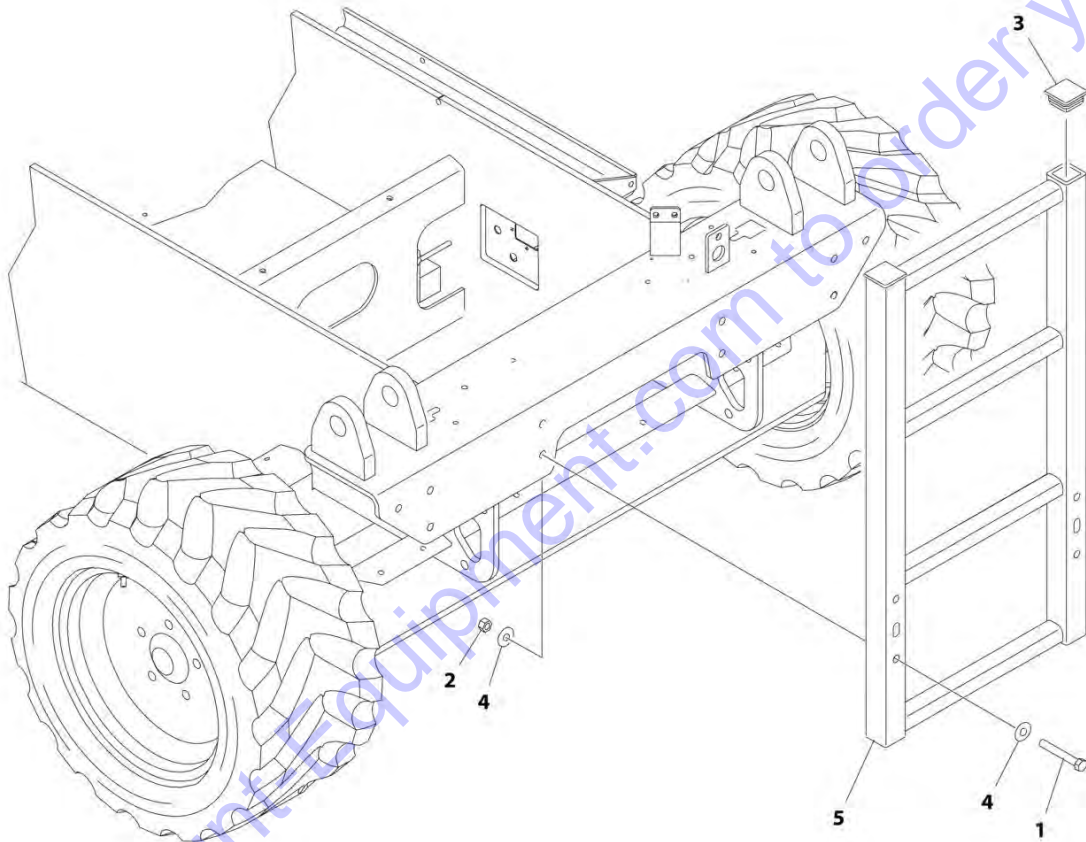
ITEM	PART NUMBER	QTY	DESCRIPTION	REV
	1001172397	Ref	LADDER INSTALLATION WITHOUT LEVELING JACKS	B
1	0641814	4	Bolt 1/2 x 1-3/4	
2	0641824	4	Bolt 1/2 x 3	
3	3311805	8	Nut 1/2	
4	4751800	16	Washer 1/2	
5	1001109533	2	Cap-Plug	
6	1001172415	1	Ladder	
7	1001172416	2	Bracket	

Go to Discount-Equipment.com to order your parts



## SECTION 1 - FRAME

FIGURE 1-36. LADDER INSTALLATION WITHOUT LEVELING JACKS - 4069LE/M4069 (ALL SPECS EXCEPT CE SPEC)



ART\_0259577

## SECTION 1 - FRAME

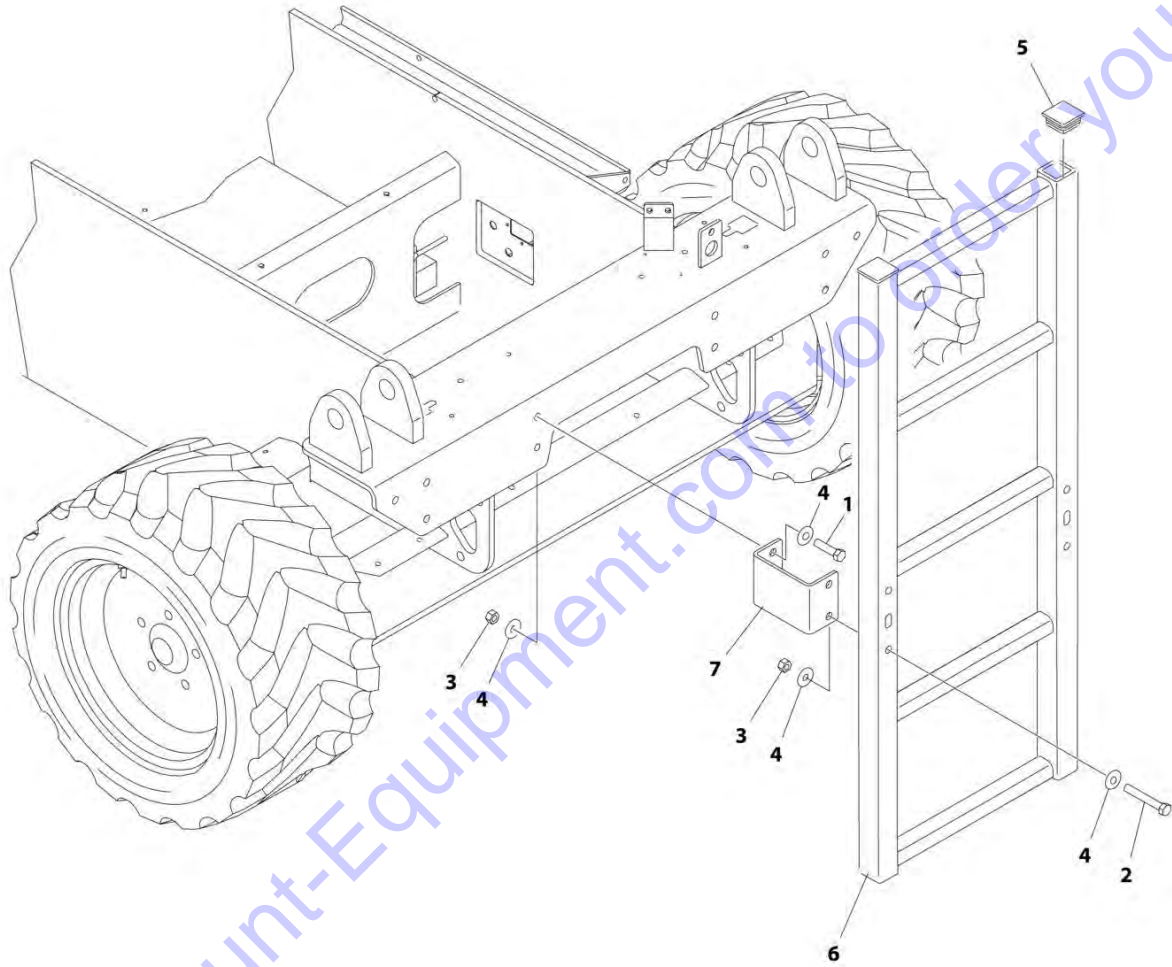
**FIGURE 1-36. LADDER INSTALLATION WITHOUT LEVELING JACKS - 4069LE/M4069 (ALL SPECS EXCEPT CE SPEC)**

ITEM	PART NUMBER	QTY	DESCRIPTION	REV
	0259577	Ref	LADDER INSTALLATION WITHOUT LEVELING JACKS	F
1	0641828	4	Bolt 1/2 x 3-1/2	
2	3311805	4	Nut 1/2	
3	1001109533	2	Cap-Plug	
4	4751800	8	Washer 1/2	
5	4846159	1	Ladder	

Go to Discount-Equipment.com to order your parts

# SECTION 1 - FRAME

FIGURE 1-37. LADDER INSTALLATION WITHOUT LEVELING JACKS - 4069LE/M4069 (CE SPECS)



ART\_1001172768

## SECTION 1 - FRAME

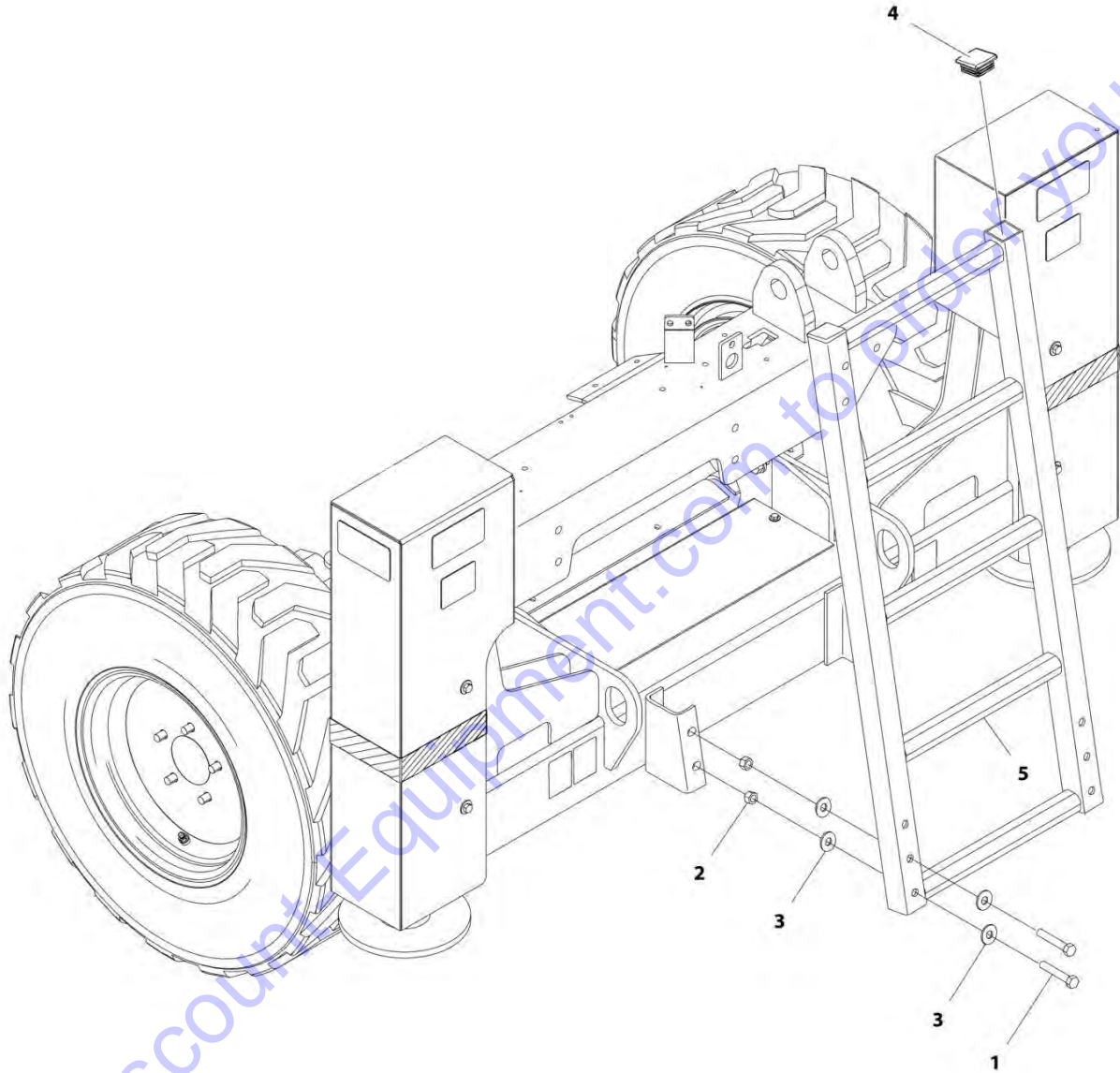
**FIGURE 1-37. LADDER INSTALLATION WITHOUT LEVELING JACKS - 4069LE/M4069 (CE SPECS)**

ITEM	PART NUMBER	QTY	DESCRIPTION	REV
	1001172768	Ref	LADDER INSTALLATION WITHOUT LEVELING JACKS	B
1	0641814	4	Bolt 1/2 x 1-3/4	
2	0641824	4	Bolt 1/2 x 3	
3	3311805	8	Nut 1/2	
4	4751800	16	Washer 1/2	
5	1001109533	2	Cap-Plug	
6	1001172415	1	Ladder	
7	1001172416	2	Bracket	

Go to Discount-Equipment.com to order your parts

# SECTION 1 - FRAME

## FIGURE 1-38. LADDER INSTALLATION WITH LEVELING JACKS



ART\_1001172393

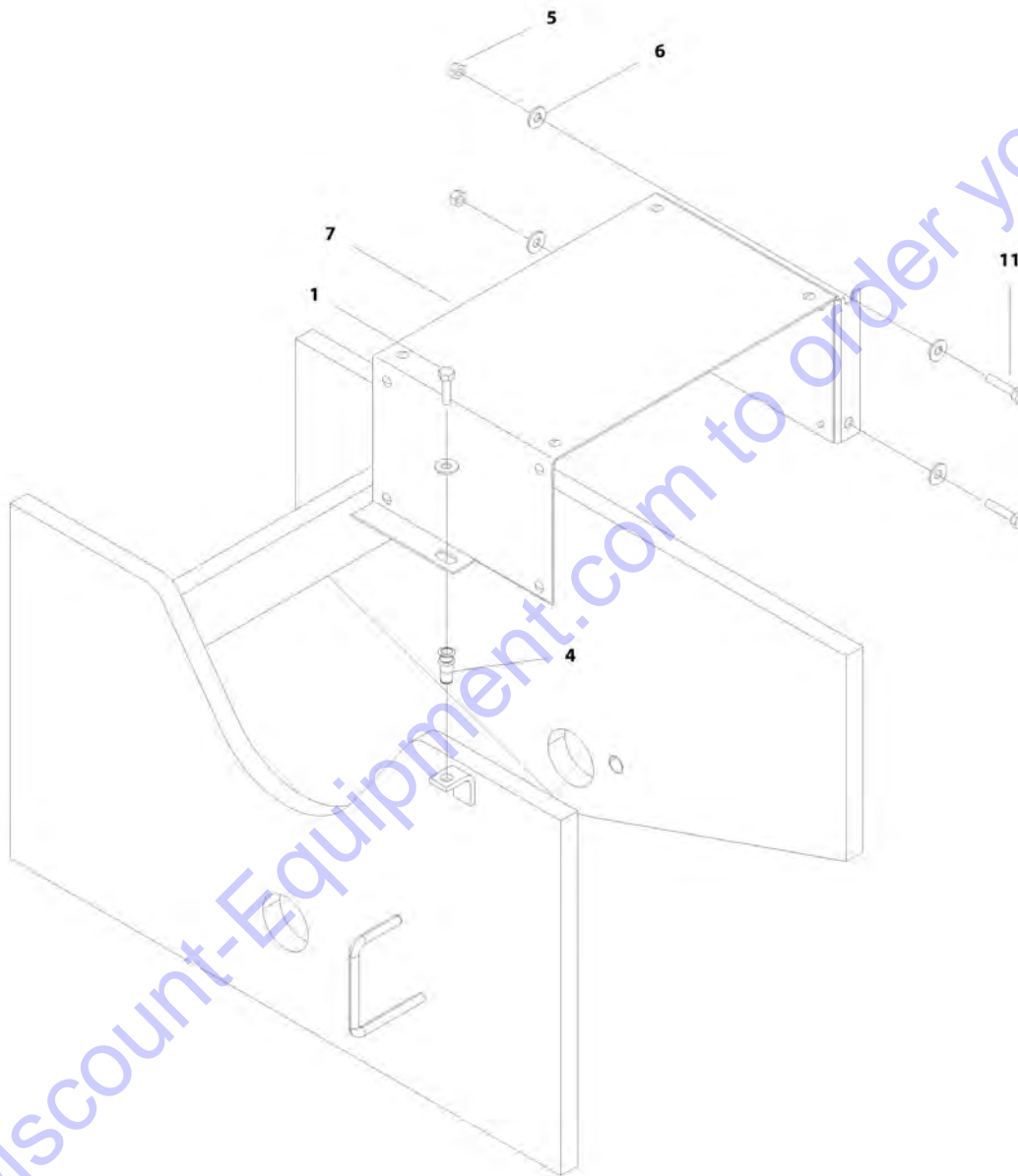
FIGURE 1-38. LADDER INSTALLATION WITH LEVELING JACKS

ITEM	PART NUMBER	QTY	DESCRIPTION	REV
	1001172393	Ref	LADDER INSTALLATION WITH LEVELING JACKS	B
1	0641824	4	Bolt 1/2 x 3	
2	3311805	4	Nut 1/2	
3	4751800	8	Washer 1/2	
4	1001109533	2	Cap-Plug	
5	1001172413	1	Ladder	

Go to Discount-Equipment.com to order your parts

# SECTION 1 - FRAME

FIGURE 1-39. FRAME COVER INSTALLATION (STANDARD)



ART\_1001165824



## SECTION 1 - FRAME

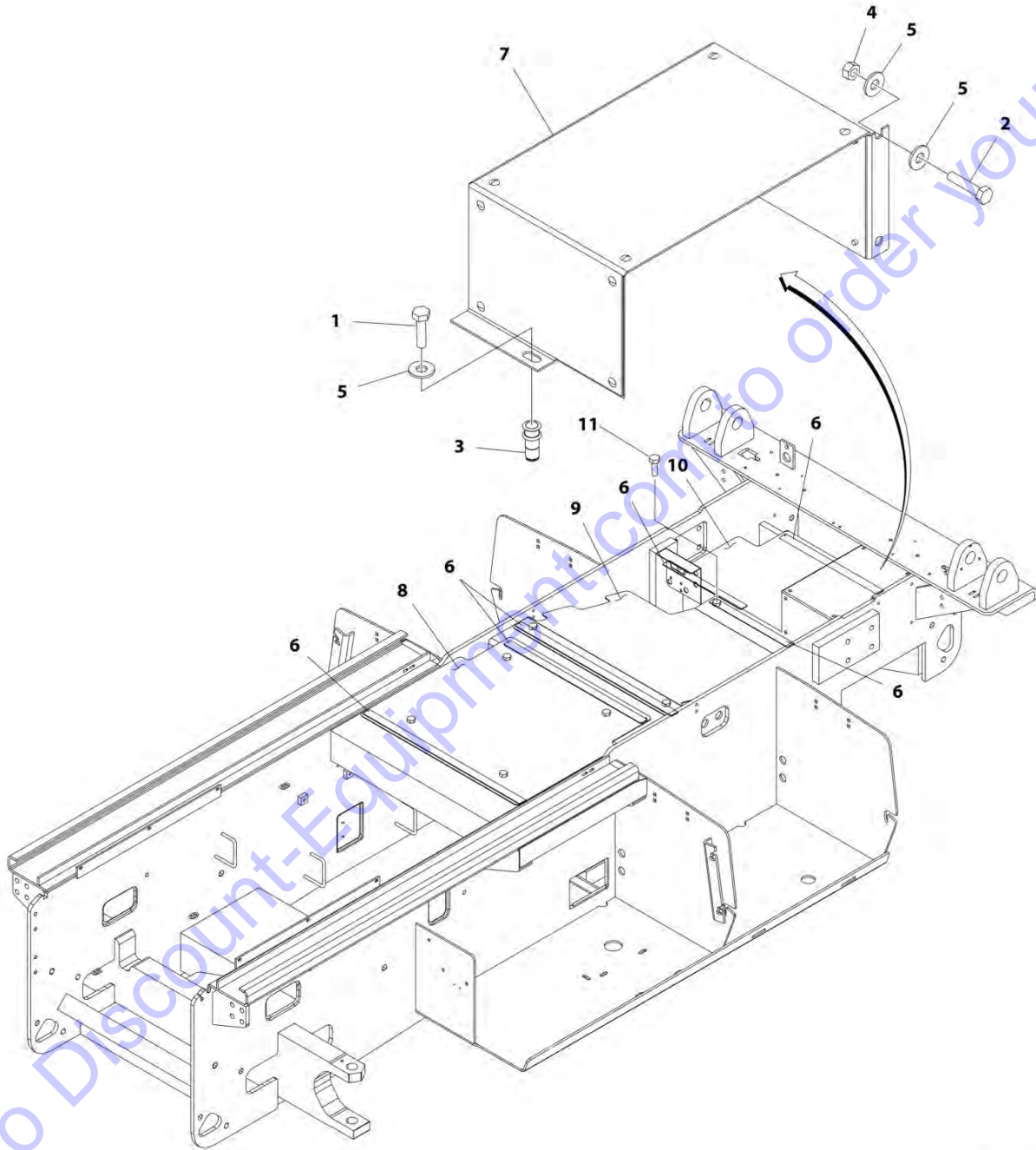
**FIGURE 1-39. FRAME COVER INSTALLATION (STANDARD)**

ITEM	PART NUMBER	QTY	DESCRIPTION	REV
	1001165824	Ref	FRAME COVER INSTALLATION (STANDARD)	C
1	0641408	1	Bolt 1/4 x 1	
4	2080052	1	Fastener 1/4	
5	3311405	2	Nut 1/4	
6	4751400	5	Washer 1/4	
7	1001165628	1	Cover	
11	0641410	2	Bolt 1/4 x 1-1/4	

Go to Discount-Equipment.com to order your parts

# SECTION 1 - FRAME

FIGURE 1-40. FRAME COVER INSTALLATION (M3369/M4069) (HOSTILE ENVIRONMENT)



ART\_1001207524

## SECTION 1 - FRAME

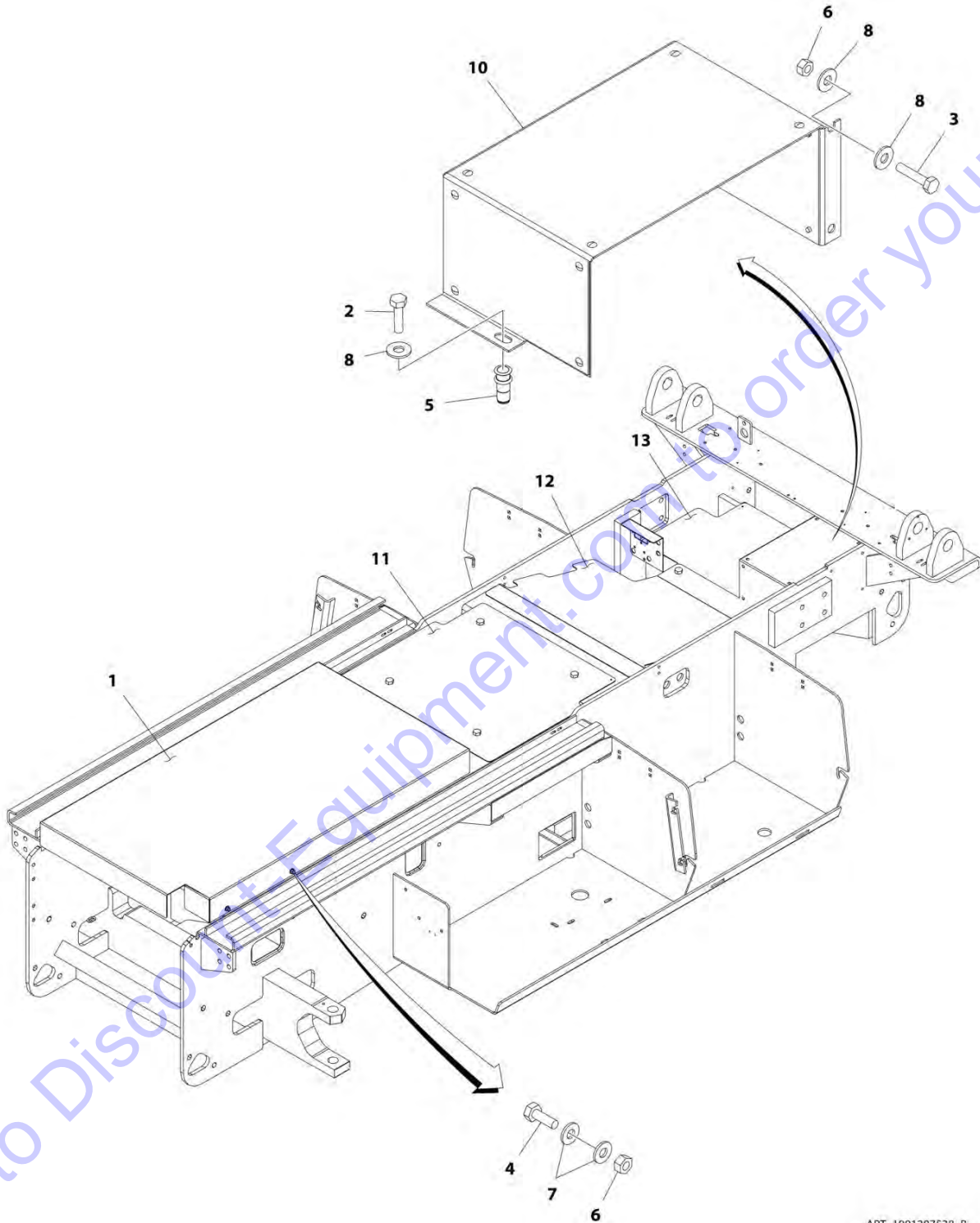
**FIGURE 1-40. FRAME COVER INSTALLATION (M3369/M4069) (HOSTILE ENVIRONMENT)**

ITEM	PART NUMBER	QTY	DESCRIPTION	REV
	1001207524	Ref	FRAME COVER INSTALLATION (HOSTILE ENVIRONMENT)	B
1	0641408	8	Bolt 1/4 x 1	
2	0641410	2	Bolt 1/4 x 1-1/4	
3	2080052	8	Fastener 1/4	
4	3311405	3	Nut 1/4	
5	4751400	14	Washer 1/4	
6	1001104090	8.5 ft /2.6m	Tape	
7	1001165628	1	Cover	
8	1001207527	1	Cover	
9	1001207528	1	Cover	
10	1001207529	1	Cover	
11	0641406	1	Bolt 1/4 x 3/4	

Go to Discount-Equipment.com to order your parts

# SECTION 1 - FRAME

FIGURE 1-41. FRAME COVER INSTALLATION (3369LE/40369LE) (HOSTILE ENVIRONMENT)



ART\_1001207538\_B

## SECTION 1 - FRAME

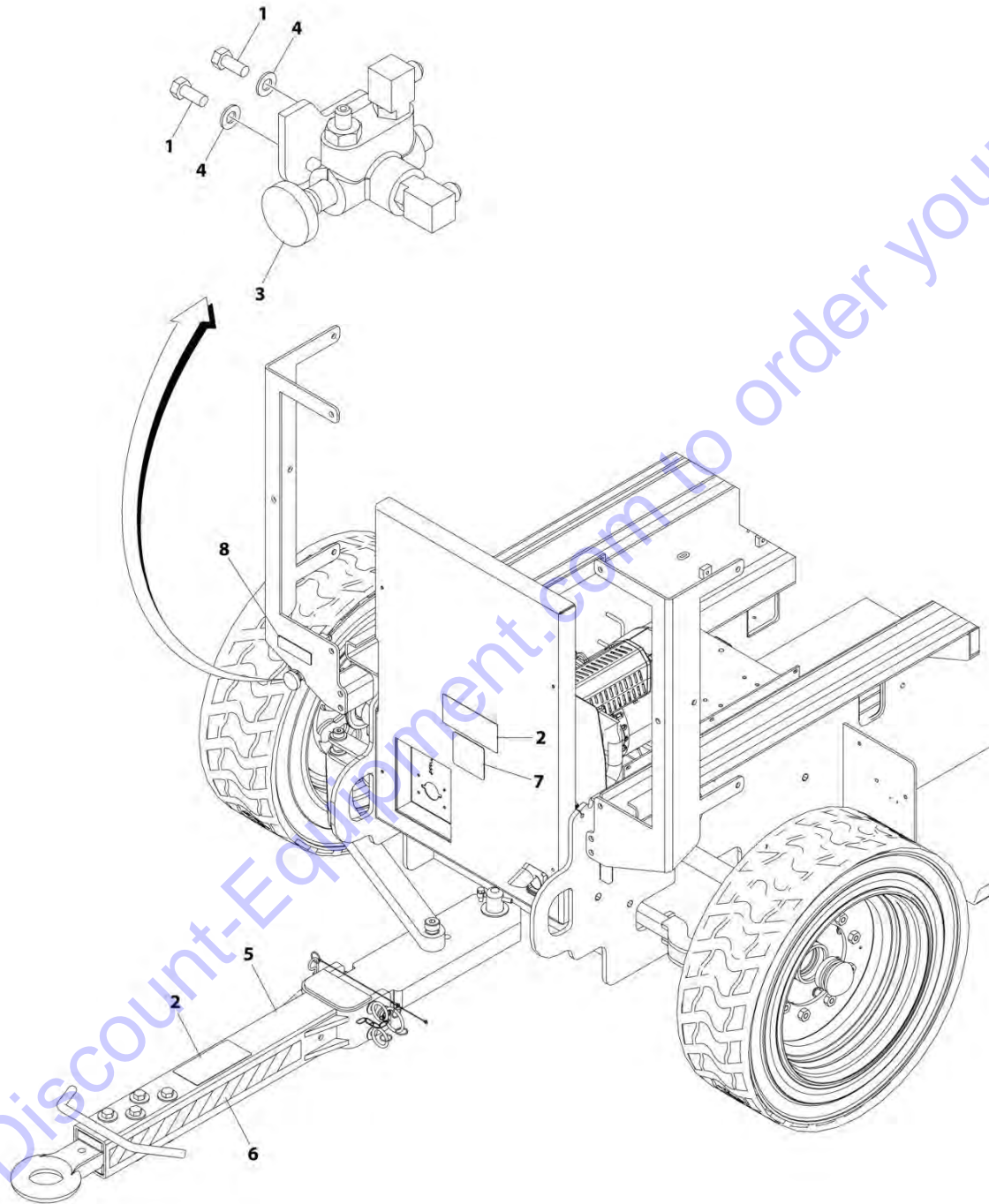
**FIGURE 1-41. FRAME COVER INSTALLATION (3369LE/40369LE) (HOSTILE ENVIRONMENT)**

ITEM	PART NUMBER	QTY	DESCRIPTION	REV
	1001207538	Ref	FRAME COVER INSTALLATION (HOSTILE ENVIRONMENT)	B
1	1670990	1	Cover	
2	0641408	8	Bolt 1/4 x 1	
3	0641410	2	Bolt 1/4 x 1-1/4	
4	0641406	5	Bolt 1/4 x 3/4	
5	2080052	8	Fastener 1/4	
6	3311405	7	Nut 1/4	
7	4711400	8	Washer 1/4	
8	4751400	14	Washer 1/4	
10	1001165628	1	Cover	
11	1001207527	1	Cover	
12	1001207528	1	Cover	
13	1001207529	1	Cover	

Go to Discount-Equipment.com to order your parts

# SECTION 1 - FRAME

FIGURE 1-42. TOW BAR INSTALLATION (M3369 CE SPECS ONLY)



ART\_1001195036

## SECTION 1 - FRAME

**FIGURE 1-42. TOW BAR INSTALLATION (M3369 CE SPECS ONLY)**

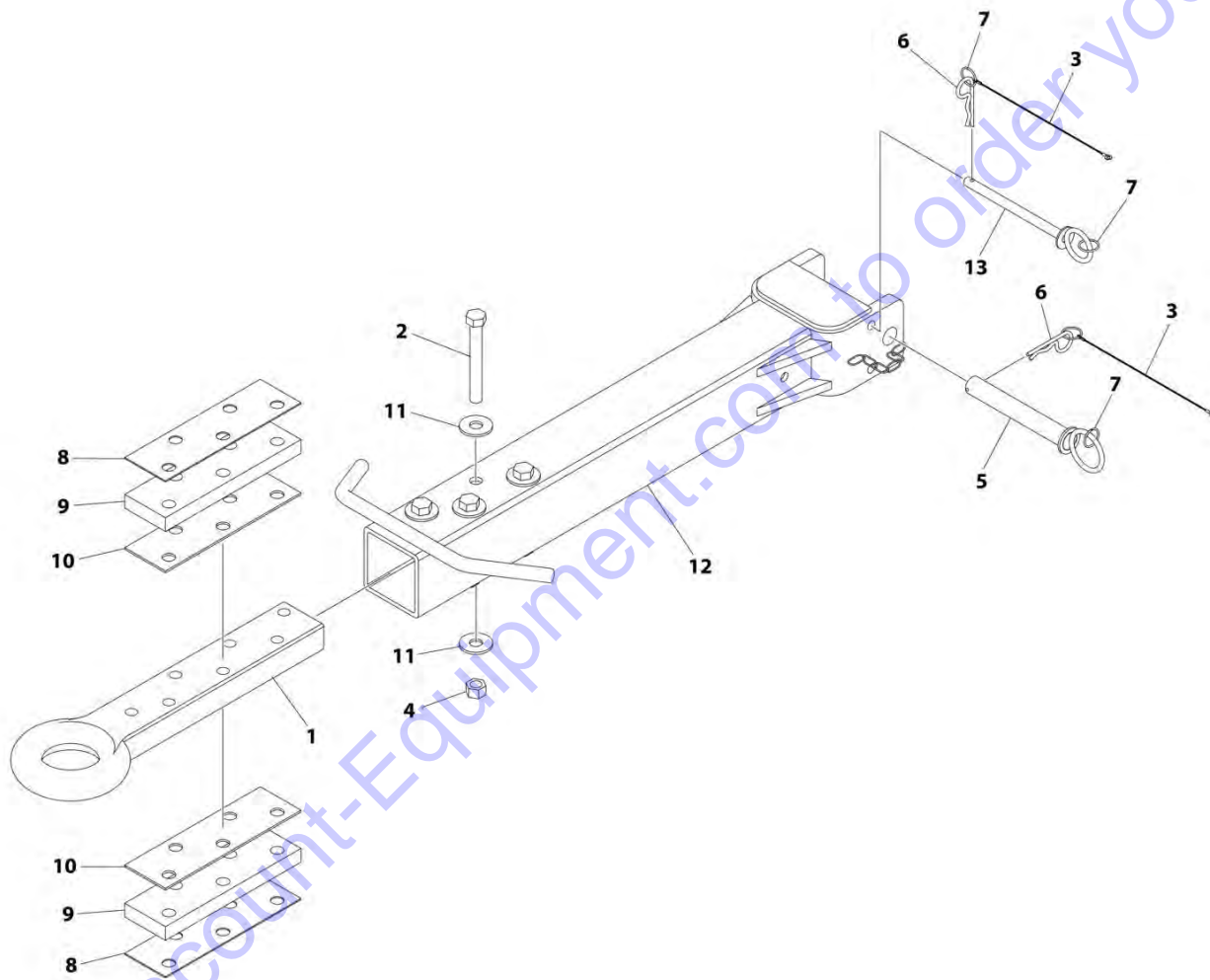
ITEM	PART NUMBER	QTY	DESCRIPTION	REV
	1001195036	Ref	TOW BAR INSTALLATION	A
1	0641506	2	Bolt 5/16 x 3/4	
2	1704578	3	Decal - Crushing	
3	4640261	1	Steer/Tow Select Valve	
4	4711500	2	Washer 5/16	
5	1001110267	1	Tow Bar Assembly (See Separate Breakdown in this Section)	
6	1001195754	48 in/ 1.22m	Tape, Safety	
7	1001196120	1	Decal - Towing Instructions	
8	1001196122	1	Decal – Steer/Tow Select Valve	

Go to Discount-Equipment.com to order your parts



# SECTION 1 - FRAME

## FIGURE 1-43. TOW BAR ASSEMBLY (M3369 CE SPECS ONLY)



ART\_1001110267

## SECTION 1 - FRAME

**FIGURE 1-43. TOW BAR ASSEMBLY (M3369 CE SPECS ONLY)**

ITEM	PART NUMBER	QTY	DESCRIPTION	REV
	1001110267	Ref	TOW BAR ASSEMBLY	C
1	0360406	1	Bar, Draw	
2	0682040	4	Bolt 5/8 x 5	
3	1060584	2	Lanyard	
4	3312005	4	Nut 5/8in	
5	3420352	1	Pin, Tow Hitch	
6	3420372	2	Pin, Cotter	
7	3760170	5	Ring, Split	
8	4070450	2	Shim #14 Gauge (.075)	
9	4070560	2	Shim (.88)	
10	4070561	2	Shim #11 Gauge	
11	4752000	8	Washer 5/8	
12	1001110285	1	Arm, Towing	
13	1001110384	1	Pin	

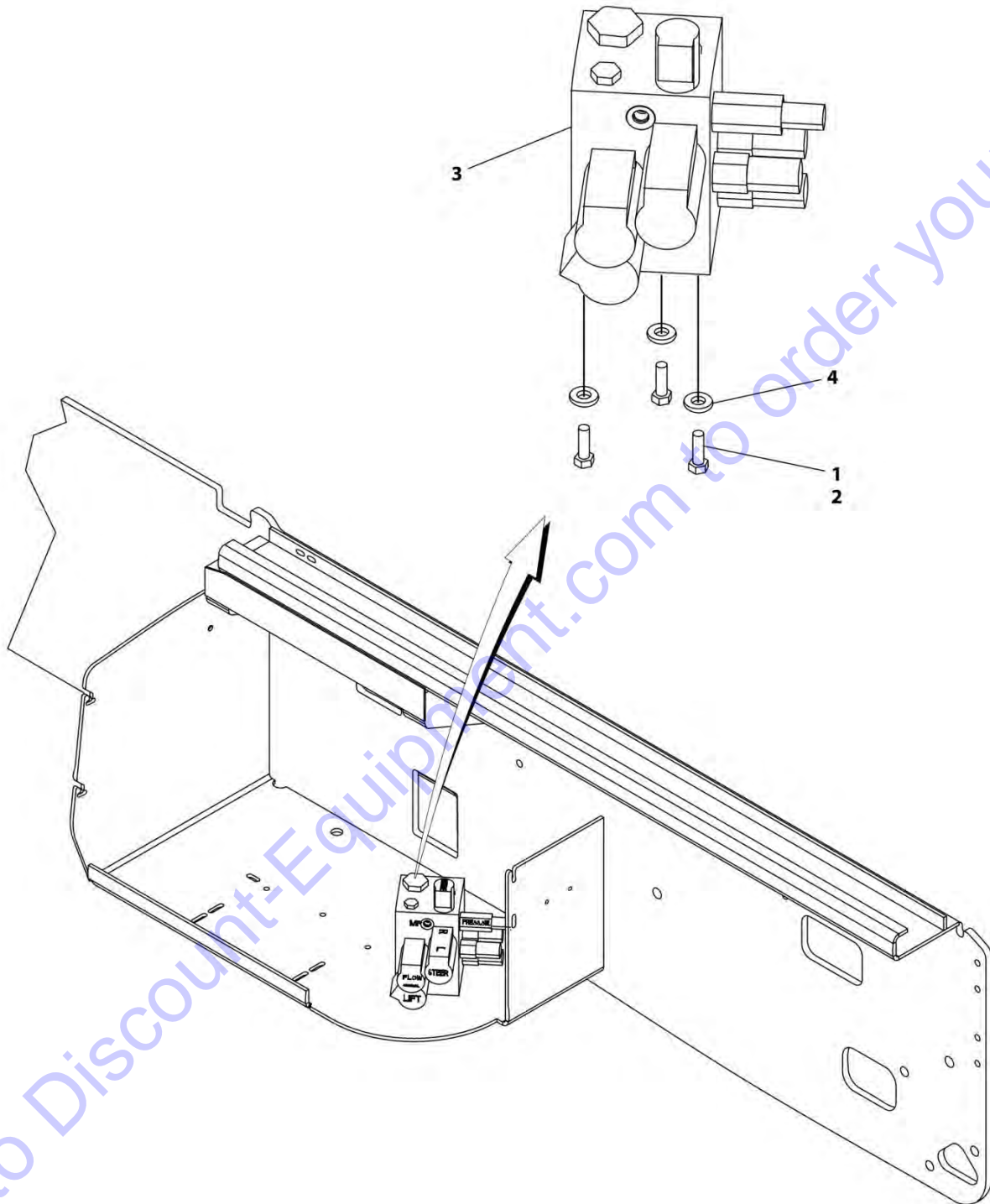
Go to Discount-Equipment.com to order your parts

**SECTION 2 - GROUND COMPONENTS**

Go to Discount-Equipment.com to order your parts

## SECTION 2 - GROUND COMPONENTS

FIGURE 2-1. MAIN CONTROL VALVE INSTALLATION



ART\_0270692

## SECTION 2 - GROUND COMPONENTS

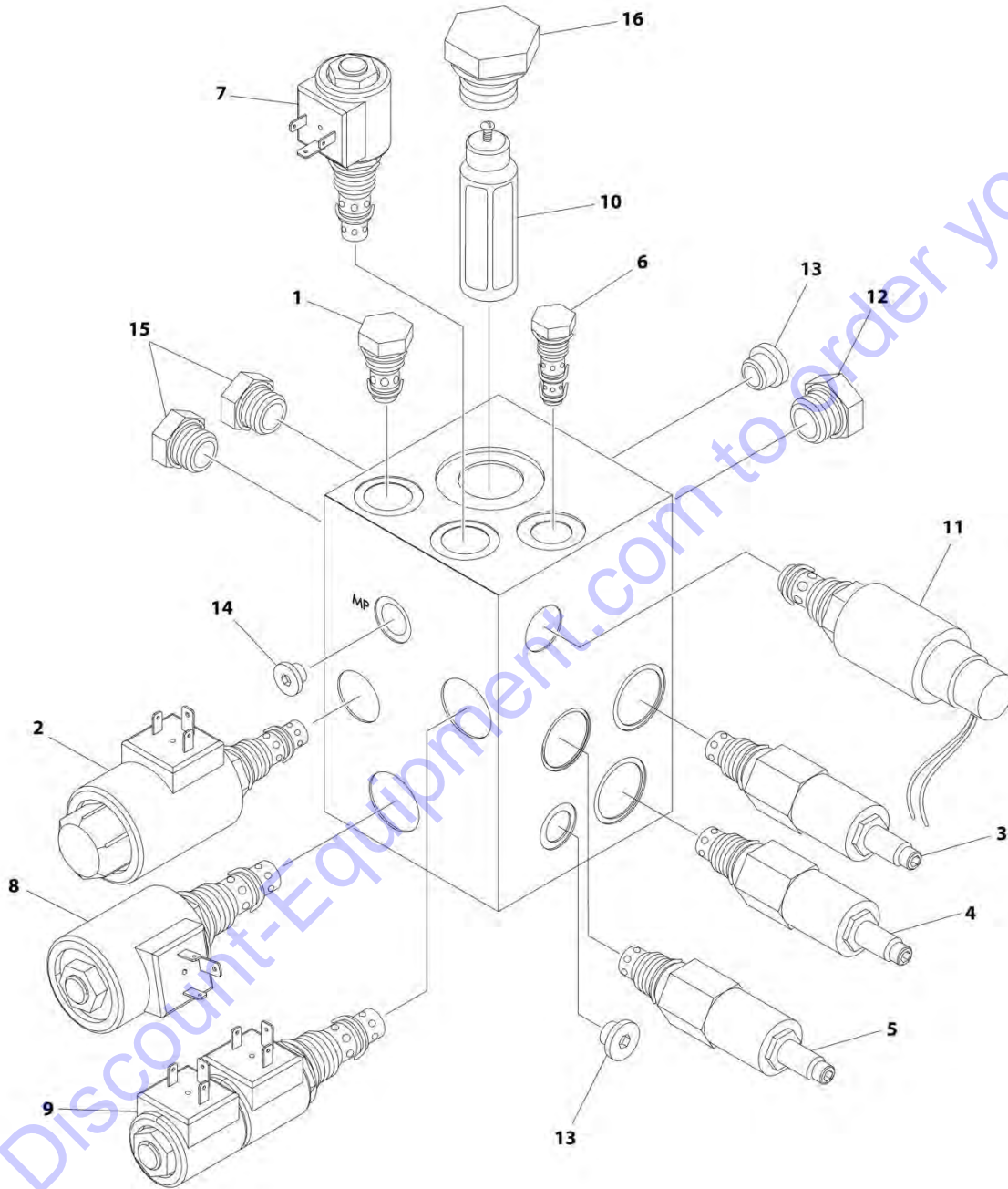
FIGURE 2-1. MAIN CONTROL VALVE INSTALLATION

ITEM	PART NUMBER	QTY	DESCRIPTION	REV
	0270692	Ref	MAIN CONTROL VALVE INSTALLATION	C
1	0100011	Ref	Compound, Locking	
2	0641508	3	Bolt 5/16 x 1	
3	4641178	1	Main Control Valve Assembly (See Separate Breakdown in this Section)	
4	4891600	3	Washer 3/8	

Go to Discount-Equipment.com to order your parts

# SECTION 2 - GROUND COMPONENTS

## FIGURE 2-2. MAIN CONTROL VALVE ASSEMBLY



ART\_4641178

## SECTION 2 - GROUND COMPONENTS

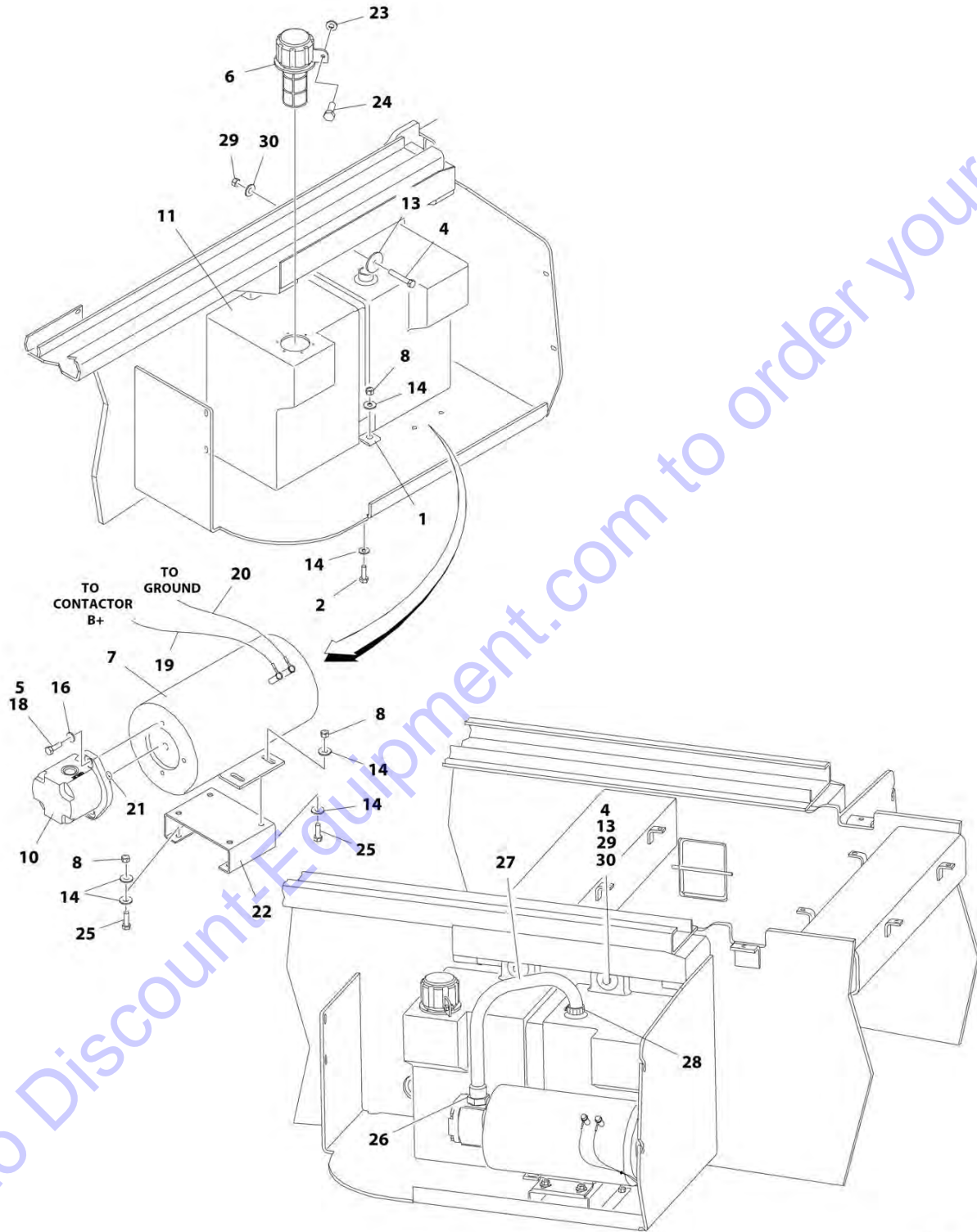
**FIGURE 2-2. MAIN CONTROL VALVE ASSEMBLY**

ITEM	PART NUMBER	QTY	DESCRIPTION	REV
	4641178	Ref	MAIN CONTROL VALVE ASSEMBLY	H
1	7022391	1	Cartridge, Check (Brake)	
1	7012967	1	Seal Kit - 7022391 Cartridge	
2	7023904	1	Cartridge, Solenoid (Flow Control) (Cartridge Only)	
2	7012518	1	Seal Kit - 7023904 Cartridge	
2	7017451	1	Coil	
3	70006422	1	Cartridge, Relief (Main)	
3	7017496	1	Seal Kit - 70006422 Cartridge	
4	70006423	1	Cartridge, Relief (Lift)	
4	7017496	1	Seal Kit - 70006423 Cartridge	
5	7017428	1	Cartridge, Relief (Steer)	
5	7012998	1	Seal Kit - 7017428 Cartridge	
6	10837580	1	Cartridge, Shuttle (Steer)	
6	7010543	1	Seal Kit - 10837580 Cartridge	
7	7012941	1	Cartridge, Solenoid (Brake) (Cartridge Only)	
7	7010543	1	Seal Kit - 7012941 Cartridge	
7	7012944	1	Coil	
8	7022394	1	Cartridge, Solenoid (Lift) (Cartridge Only)	
8	7012518	1	Seal Kit - 7022394 Cartridge	
8	7012943	1	Coil	
9	7017433	1	Cartridge, Check (Steer) (Cartridge Only)	
9	7017402	1	Seal Kit - 7017433 Cartridge	
9	7012944	2	Coil	
10	7021616	1	Cartridge, Filter	
11	7021619	1	Cartridge, Pressure Switch	
12	7024832	1	Plug	
13	70006424	2	Plug	
14	70005833	1	Plug	
15	2220883	2	Plug	
16	2220885	1	Plug	



## SECTION 2 - GROUND COMPONENTS

FIGURE 2-3. HYDRAULIC COMPARTMENT INSTALLATION



ART\_0270518

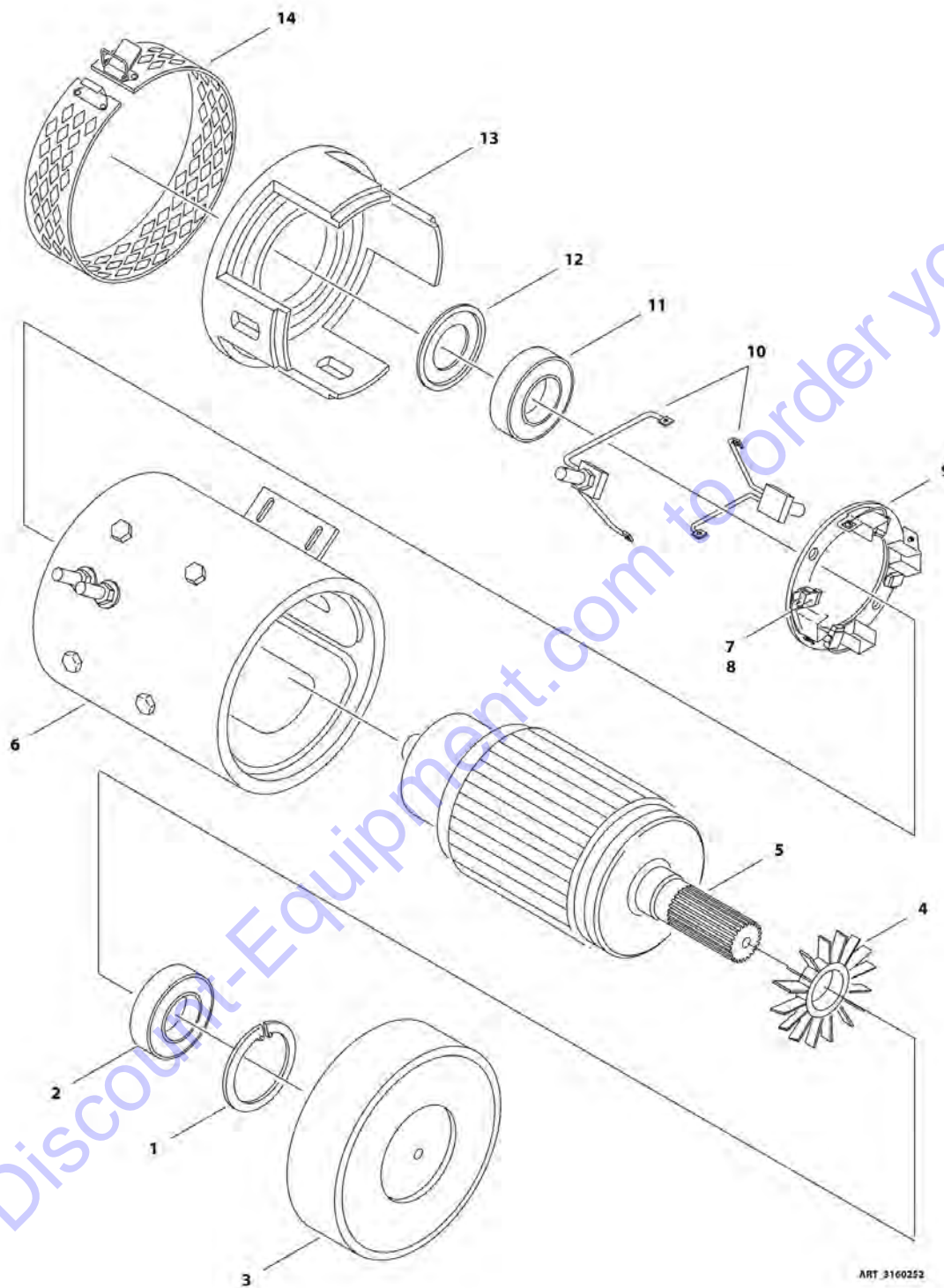
## SECTION 2 - GROUND COMPONENTS

**FIGURE 2-3. HYDRAULIC COMPARTMENT INSTALLATION**

ITEM	PART NUMBER	QTY	DESCRIPTION	REV
	0270518	Ref	HYDRAULIC COMPARTMENT INSTALLATION	I
1	0182014	1	Angle	
2	0641507	1	Bolt 5/16 x 7/8	
4	0641618	2	Bolt 3/8 x 2-1/4	
5	0700812	2	Bolt M8 x 25	
6	1120534	1	Cap/Breather	
7	3160252	1	Motor Assembly (See Separate Breakdown in this Section)	
8	3311505	9	Nut 5/16	
10	3600367	1	Pump Assembly	
10	7024960	1	Seal Kit (Note: If repairs beyond seal kit are required, replace complete pump)	
11	4400433	1	Tank, Hydraulic	
13	4740076	2	Washer	
14	4751500	10	Washer 5/16	
16	4891500	2	Washer 5/16	
18	0100011	AR	Compound, Locking	
19	1060900	1	Cable, Contactor (B+ to Pump)	
20	1060901	1	Cable, Contactor (Pump to Ground)	
22	0902701	1	Bracket, Pump/Motor	
23	3311401	1	Nut 1/4	
24	0641404	1	Bolt 1/4 x 1/2	
25	0641506	8	Bolt 5/16 x 3/4	
26	2220377	1	Fitting, Straight JIC/ORB	
27	4568203	1	Tube	
28	1320033	1	Clamp	
29	3311605	2	Nut 3/8	
30	4711600	2	Washer 3/8	

## SECTION 2 - GROUND COMPONENTS

FIGURE 2-4. MOTOR ASSEMBLY



## SECTION 2 - GROUND COMPONENTS

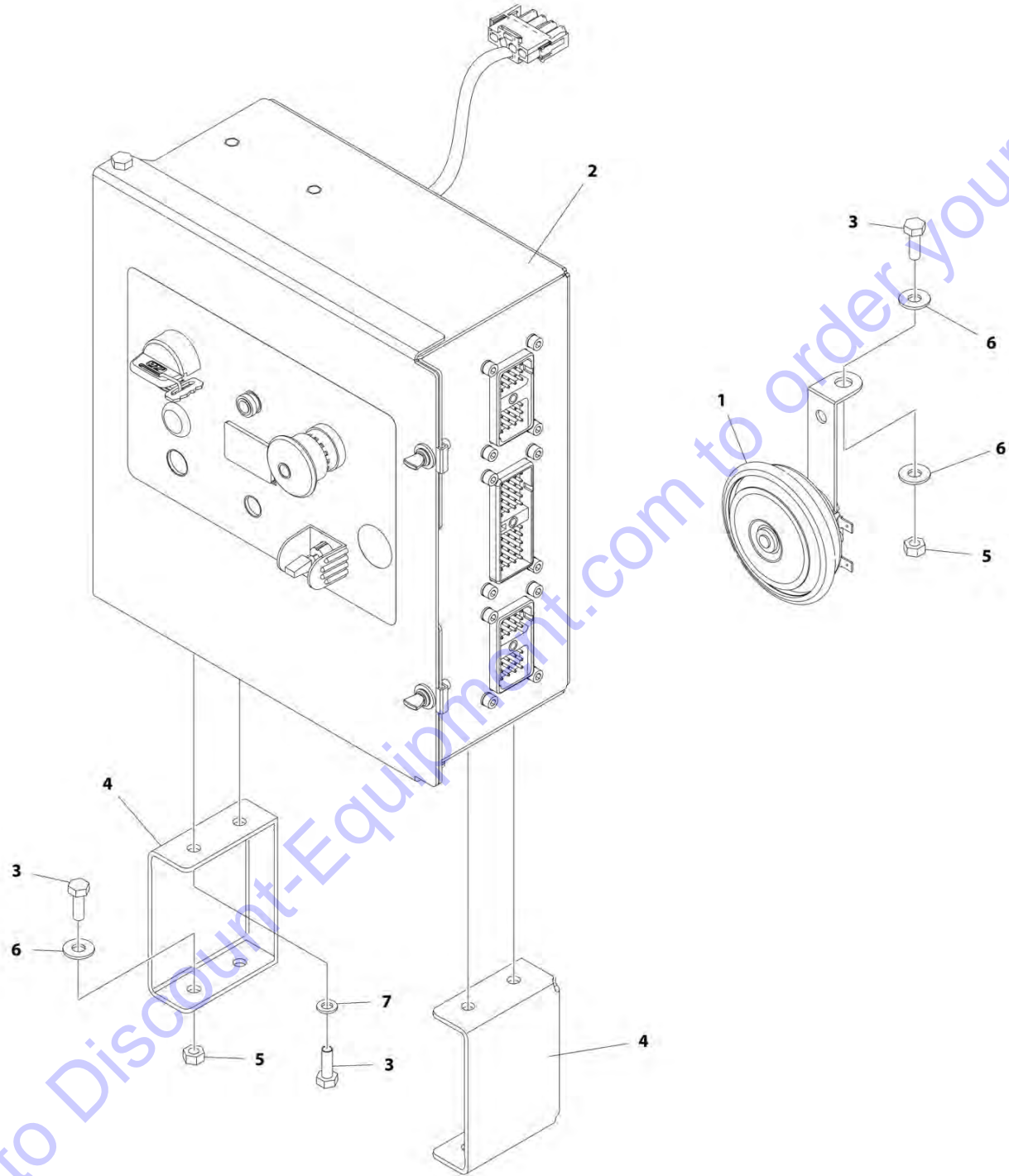
**FIGURE 2-4. MOTOR ASSEMBLY**

ITEM	PART NUMBER	QTY	DESCRIPTION	REV
	3160252	Ref	MOTOR ASSEMBLY	B
1	7020291	1	Ring, Retaining	
2	7020292	1	Bearing (Shaft End)	
3	7020293	1	Endhead, Shaft	
4	7020294	1	Fan	
5	7020295	1	Armature Assembly	
6	7020296	1	Field Coil/Case Kit	
7	7012548	8	Spring, Brush	
8	7020297	8	Brush	
9	7020298	1	Box Assembly - Brush	
10	7020299	1	Lead Kit, Brush Wire	
11	7012545	1	Bearing (Commutator End)	
12	7012549	1	Washer	
13	7023200	1	Endhead, Commutator	
14	7023272	1	Headband Assembly	

Go to Discount-Equipment.com to order your parts

## SECTION 2 - GROUND COMPONENTS

FIGURE 2-5. GROUND CONTROL BOX AND HORN INSTALLATIONS - 3369LE/4069LE WITHOUT LEVELING JACKS (ALL SPECS EXCEPT CE SPEC)



ART\_1001167499\_E

## SECTION 2 - GROUND COMPONENTS

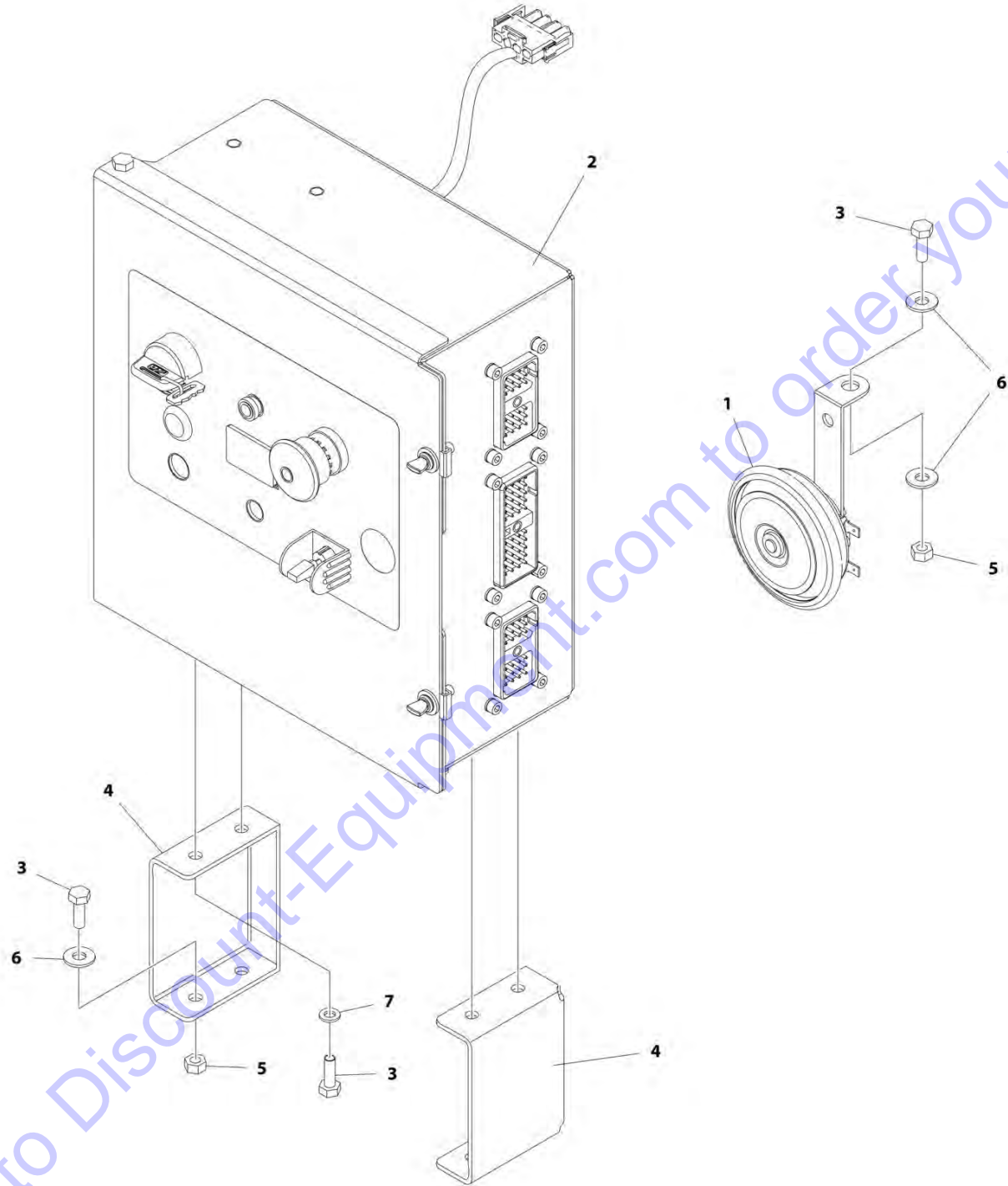
**FIGURE 2-5. GROUND CONTROL BOX AND HORN INSTALLATIONS - 3369LE/4069LE WITHOUT LEVELING JACKS (ALL SPECS EXCEPT CE SPEC)**

ITEM	PART NUMBER	QTY	DESCRIPTION	REV
	1001167499	Ref	GROUND CONTROL BOX AND HORN INSTALLATIONS	E
1	0140028	1	Alarm	
2	0270544	1	Ground Control Box Assembly (See Separate Breakdown in this Section)	
3	0641406	10	Bolt 1/4 x 3/4	
4	0902696	2	Bracket	
5	3311405	5	Nut 1/4	
6	4751400	6	Washer 1/4	
7	4761400	6	Washer 1/4	
8	1001171103	1	Valve Harness (Not Shown - See Separate Breakdown in ELECTRICAL SECTION)	
9	3311401	1	Nut 1/4 (Not Shown)	
10	4460234	1	Terminal, Mount (Not Shown)	

Go to Discount-Equipment.com to order your parts

## SECTION 2 - GROUND COMPONENTS

FIGURE 2-6. GROUND CONTROL BOX AND HORN INSTALLATIONS - 3369LE/4069LE WITHOUT LEVELING JACKS (CE SPEC)



ART\_1001167501



## SECTION 2 - GROUND COMPONENTS

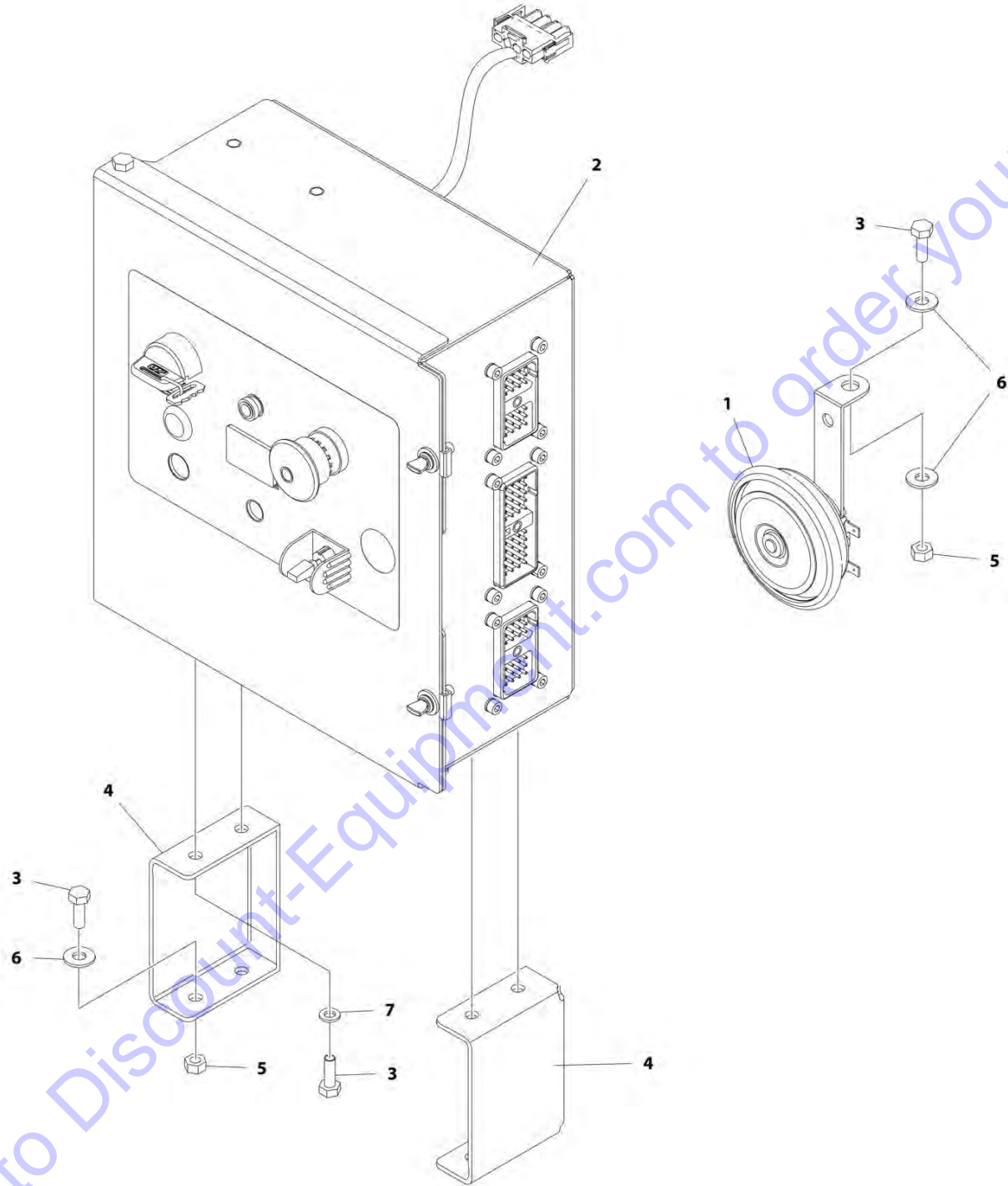
**FIGURE 2-6. GROUND CONTROL BOX AND HORN INSTALLATIONS - 3369LE/4069LE WITHOUT LEVELING JACKS (CE SPEC)**

ITEM	PART NUMBER	QTY	DESCRIPTION	REV
	1001167501	Ref	GROUND CONTROL BOX AND HORN INSTALLATIONS	D
1	0140028	1	Alarm	
2	0270768	1	Ground Control Box Assembly (See Separate Breakdown in this Section)	
3	0641406	9	Bolt 1/4 x 3/4	
4	0902696	2	Bracket	
5	3311405	5	Nut 1/4	
6	4751400	6	Washer 1/4	
7	4761400	4	Washer 1/4	
8	1001171103	1	Valve Harness (Not Shown - See Separate Breakdown in ELECTRICAL SECTION)	

Go to Discount-Equipment.com to order your parts

## SECTION 2 - GROUND COMPONENTS

FIGURE 2-7. GROUND CONTROL BOX AND HORN INSTALLATIONS - 3369LE/4069LE WITH LEVELING JACKS (ALL SPECS EXCEPT CE SPEC)



ART\_1001167500

## SECTION 2 - GROUND COMPONENTS

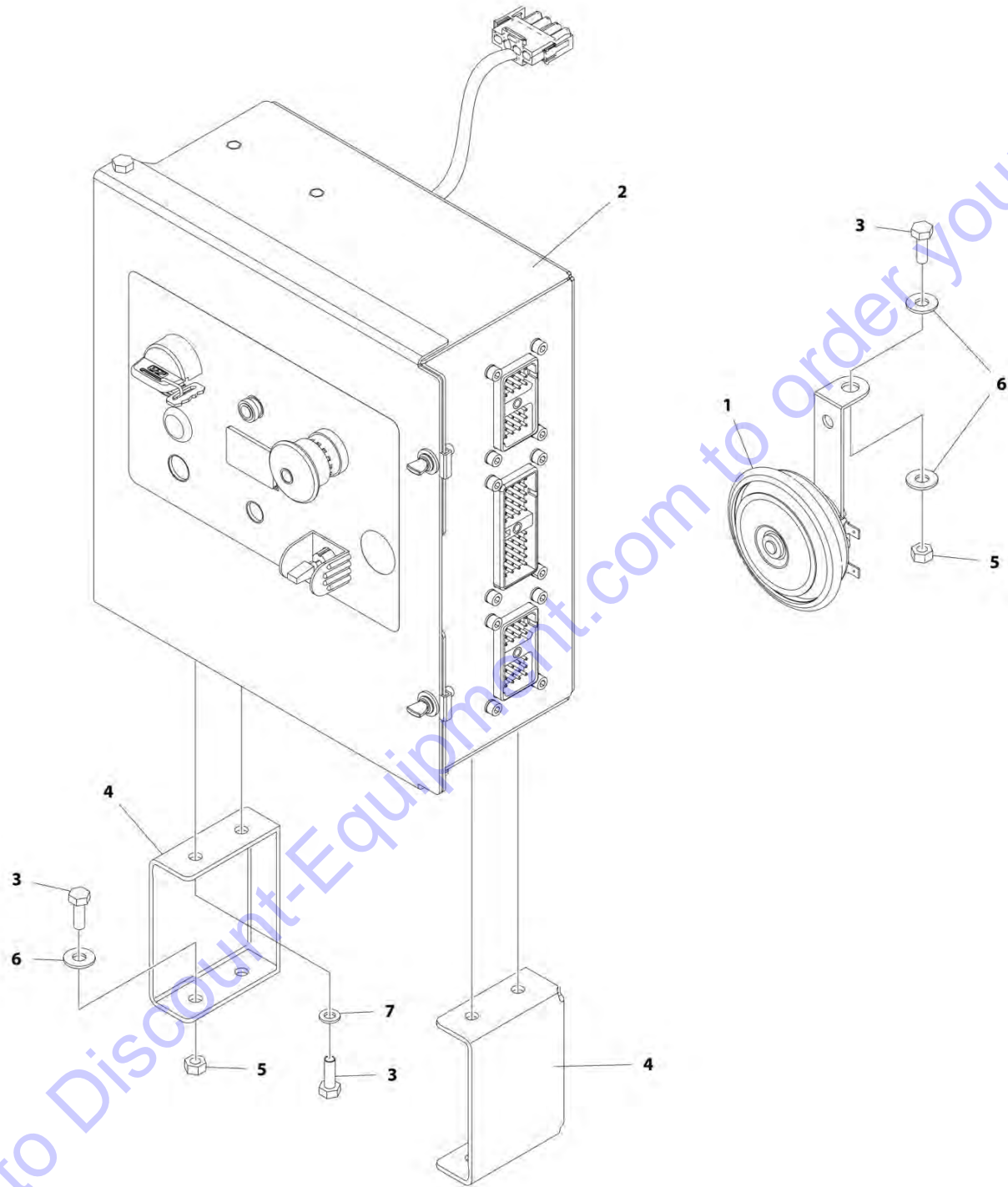
**FIGURE 2-7. GROUND CONTROL BOX AND HORN INSTALLATIONS - 3369LE/4069LE WITH LEVELING JACKS (ALL SPECS EXCEPT CE SPEC)**

ITEM	PART NUMBER	QTY	DESCRIPTION	REV
	1001167500	Ref	GROUND CONTROL BOX AND HORN INSTALLATIONS	C
1	0140028	1	Alarm	
2	0270544	1	Ground Control Box Assembly (See Separate Breakdown in this Section)	
3	0641406	9	Bolt 1/4 x 3/4	
4	0902696	2	Bracket	
5	3311405	5	Nut 1/4	
6	4751400	6	Washer 1/4	
7	4761400	4	Washer 1/4	
8	4922529	1	Leveling Jacks Harness (Not Shown - See Separate Breakdown in ELECTRICAL SECTION)	
9	1001171103	1	Valve Harness (Not Shown - See Separate Breakdown in ELECTRICAL SECTION)	

Go to Discount-Equipment.com to order your parts

## SECTION 2 - GROUND COMPONENTS

FIGURE 2-8. GROUND CONTROL BOX AND HORN INSTALLATIONS - 3369LE/4069LE WITH LEVELING JACKS (CE SPEC)



ART\_1001167502

## SECTION 2 - GROUND COMPONENTS

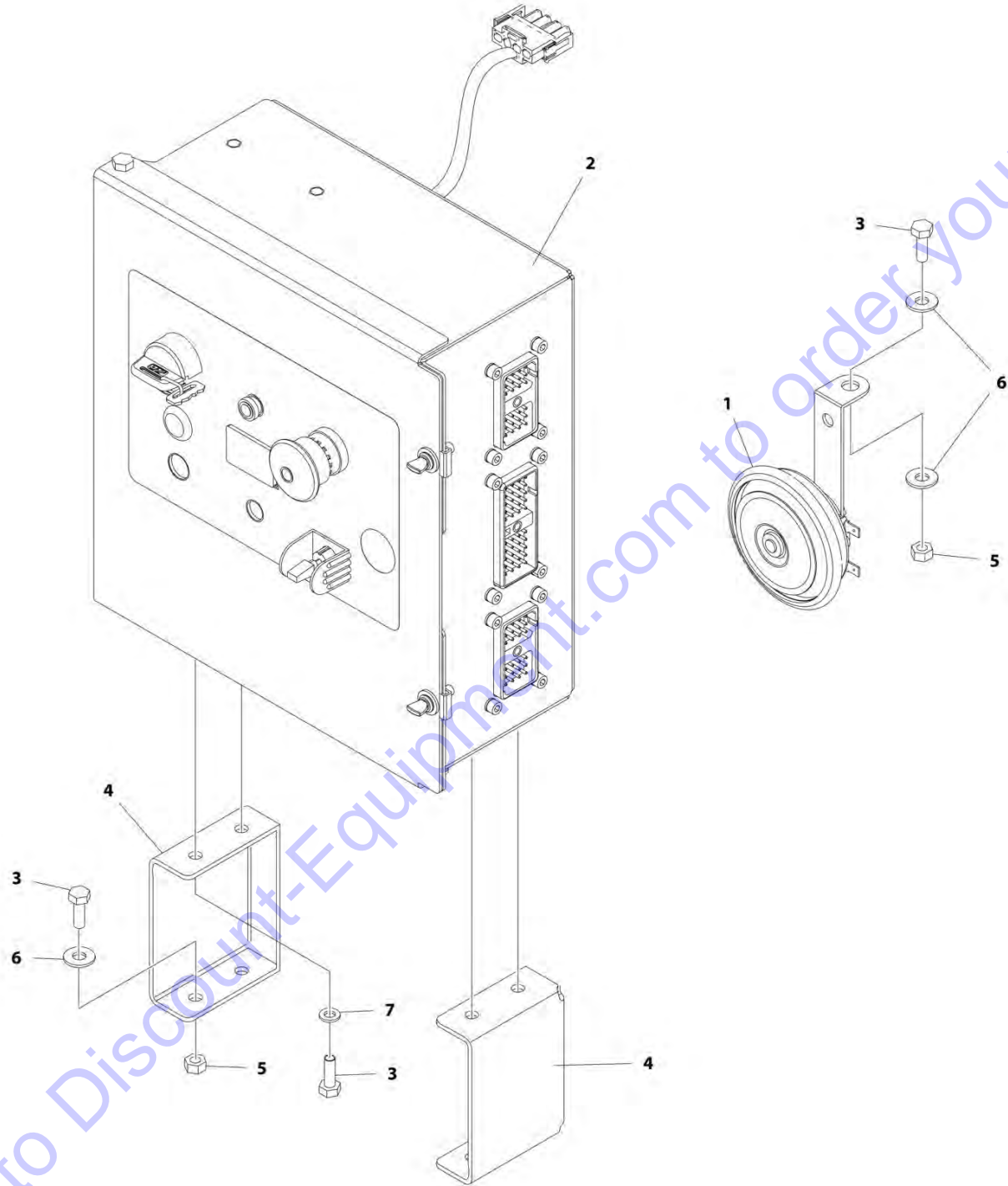
**FIGURE 2-8. GROUND CONTROL BOX AND HORN INSTALLATIONS - 3369LE/4069LE WITH LEVELING JACKS (CE SPEC)**

ITEM	PART NUMBER	QTY	DESCRIPTION	REV
	1001167502	Ref	GROUND CONTROL BOX AND HORN INSTALLATIONS	D
1	0140028	1	Alarm	
2	0270768	1	Ground Control Box Assembly (See Separate Breakdown in this Section)	
3	0641406	9	Bolt 1/4 x 3/4	
4	0902696	2	Bracket	
5	3311405	5	Nut 1/4	
6	4751400	6	Washer 1/4	
7	4761400	4	Washer 1/4	
8	4922529	1	Leveling Jacks Harness (Not Shown - See Separate Breakdown in ELECTRICAL SECTION)	
9	1001171103	1	Valve Harness (Not Shown - See Separate Breakdown in ELECTRICAL SECTION)	

Go to Discount-Equipment.com to order your parts

## SECTION 2 - GROUND COMPONENTS

FIGURE 2-9. GROUND CONTROL BOX AND HORN INSTALLATIONS - M3369/M4069 (2WD - ALL SPECS EXCEPT CE SPEC)



ART\_1001171072

## SECTION 2 - GROUND COMPONENTS

**FIGURE 2-9. GROUND CONTROL BOX AND HORN INSTALLATIONS - M3369/M4069 (2WD - ALL SPECS EXCEPT CE SPEC)**

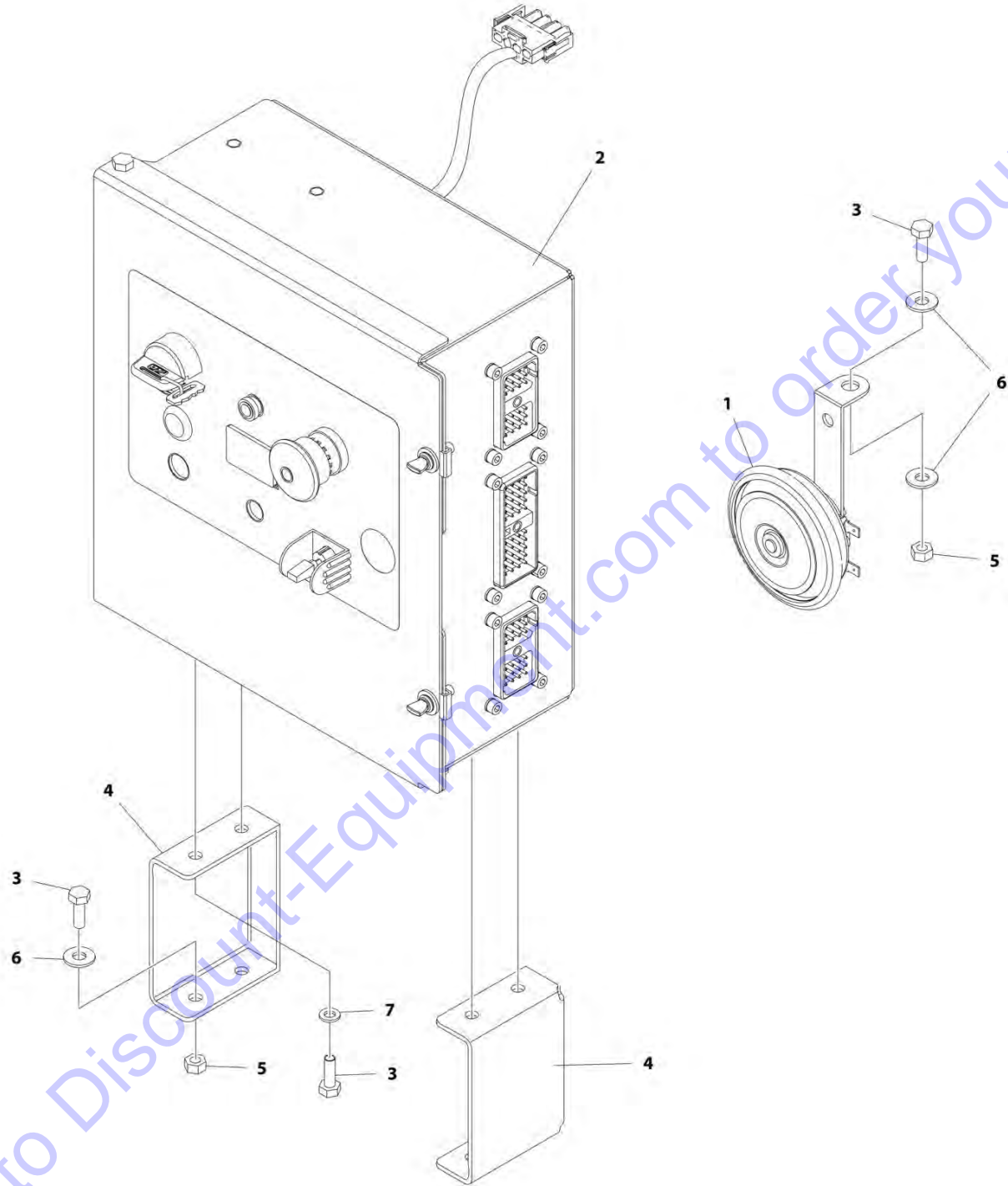
ITEM	PART NUMBER	QTY	DESCRIPTION	REV
	1001171072	Ref	GROUND CONTROL BOX AND HORN INSTALLATIONS	C
1	0140028	1	Alarm	
2	0271442	1	Ground Control Box Assembly (See Separate Breakdown in this Section)	
3	0641406	9	Bolt 1/4 x 3/4	
4	0902696	2	Bracket	
5	3311405	5	Nut 1/4	
6	4751400	6	Washer 1/4	
7	4761400	4	Washer 1/4	
8	4922602	1	Generator Harness (Not Shown - See Separate Breakdown in ELECTRICAL SECTION)	
9	1001171103	1	Valve Harness (Not Shown - See Separate Breakdown in ELECTRICAL SECTION)	

Go to Discount-Equipment.com to order your parts



## SECTION 2 - GROUND COMPONENTS

FIGURE 2-10. GROUND CONTROL BOX AND HORN INSTALLATIONS - M3369/M4069 (2WD - CE SPEC)



ART\_1001171073

## SECTION 2 - GROUND COMPONENTS

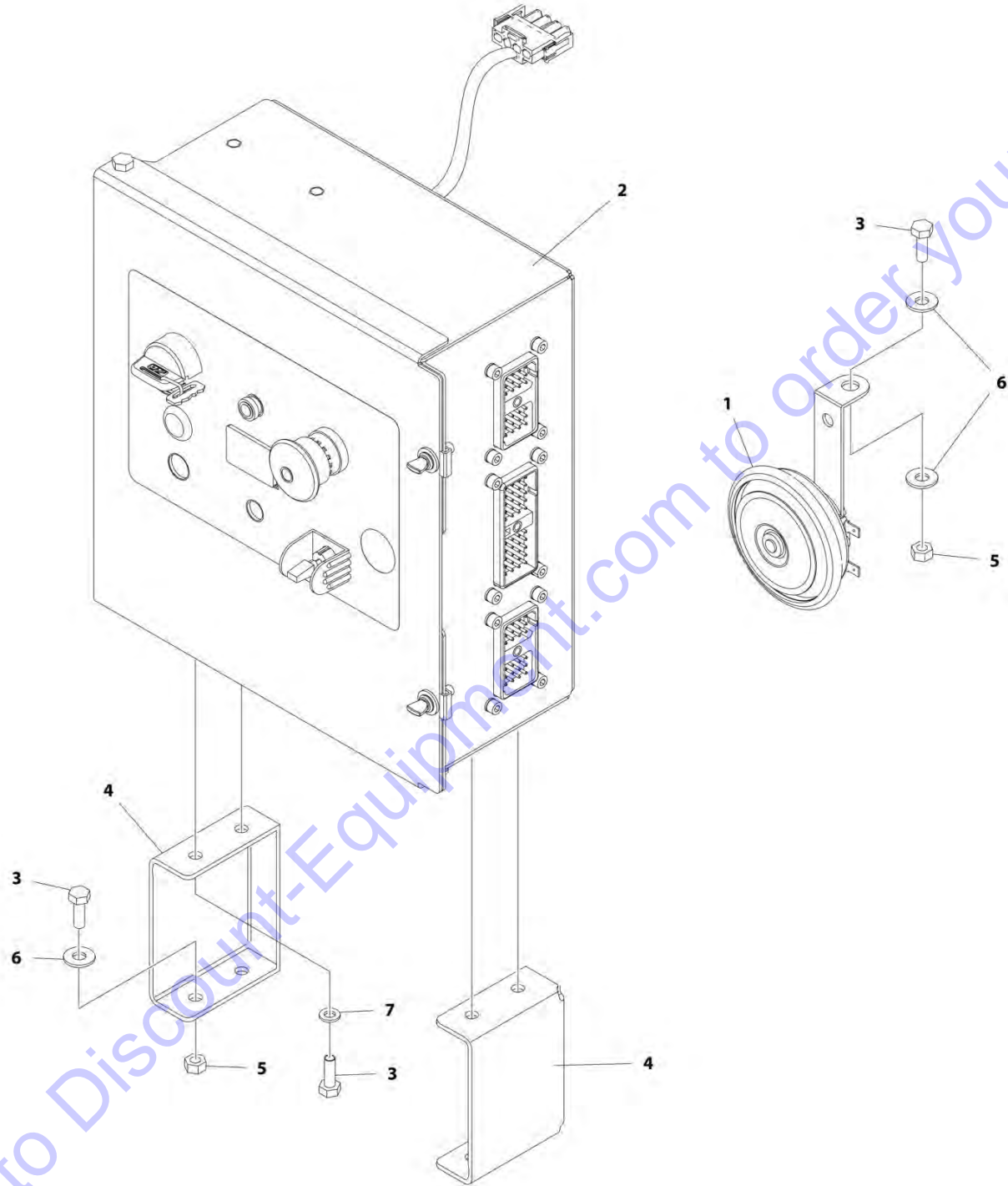
**FIGURE 2-10. GROUND CONTROL BOX AND HORN INSTALLATIONS - M3369/M4069 (2WD - CE SPEC)**

ITEM	PART NUMBER	QTY	DESCRIPTION	REV
	1001171073	Ref	GROUND CONTROL BOX AND HORN INSTALLATIONS	D
1	0140028	1	Alarm	
2	0271447	1	Ground Control Box Assembly (See Separate Breakdown in this Section)	
3	0641406	9	Bolt 1/4 x 3/4	
4	0902696	2	Bracket	
5	3311405	5	Nut 1/4	
6	4751400	6	Washer 1/4	
7	4761400	4	Washer 1/4	
8	4922602	1	Generator Harness (Not Shown - See Separate Breakdown in ELECTRICAL SECTION)	
9	1001171103	1	Valve Harness (Not Shown - See Separate Breakdown in ELECTRICAL SECTION)	

Go to Discount-Equipment.com to order your parts

## SECTION 2 - GROUND COMPONENTS

FIGURE 2-11. GROUND CONTROL BOX AND HORN INSTALLATIONS - M3369/M4069 (4WD - ALL SPECS EXCEPT CE SPEC)



ART\_1001171070

## SECTION 2 - GROUND COMPONENTS

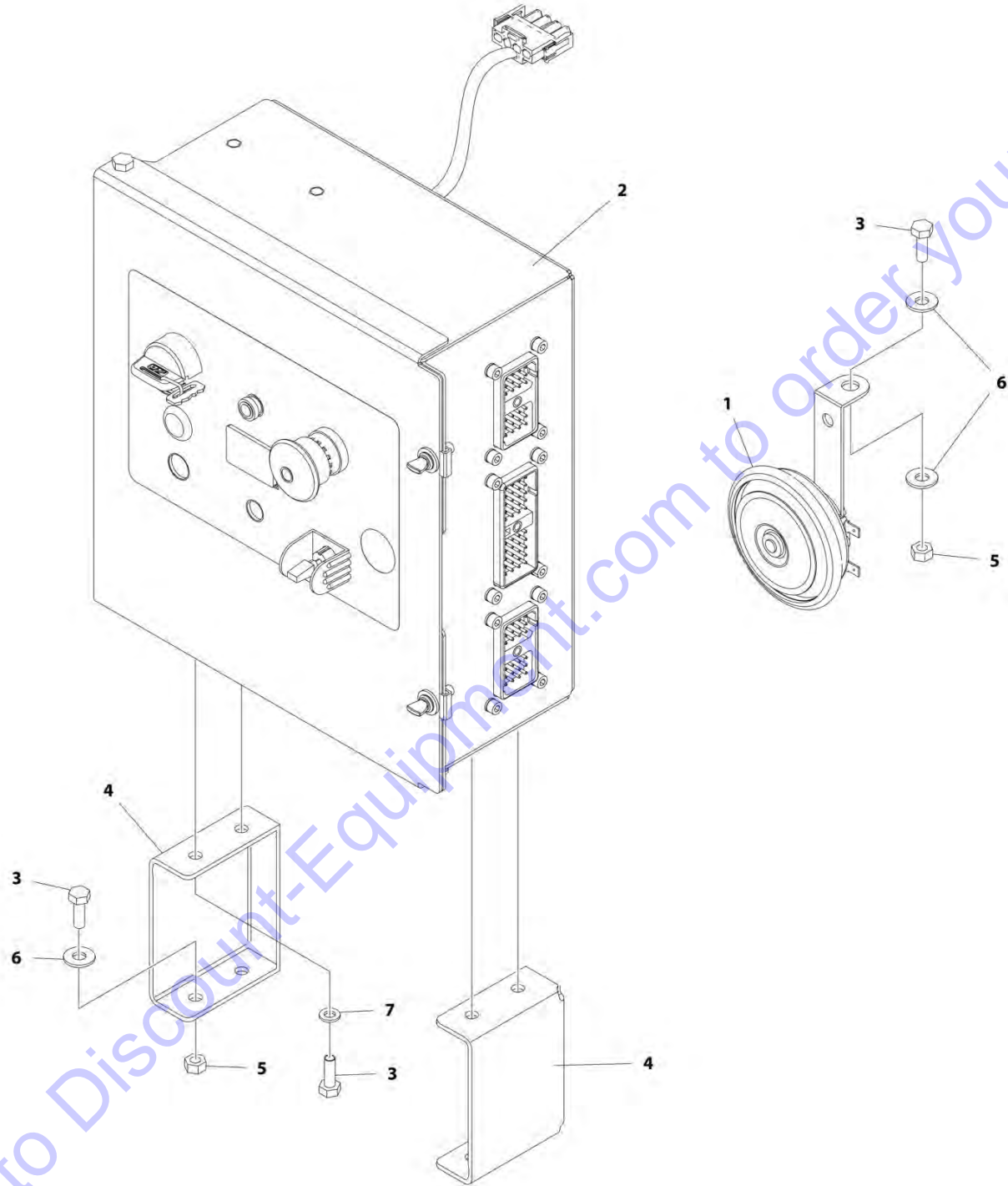
**FIGURE 2-11. GROUND CONTROL BOX AND HORN INSTALLATIONS - M3369/M4069 (4WD - ALL SPECS EXCEPT CE SPEC)**

ITEM	PART NUMBER	QTY	DESCRIPTION	REV
	1001171070	Ref	GROUND CONTROL BOX AND HORN INSTALLATIONS	D
1	0140028	1	Alarm	
2	0271442	1	Ground Control Box Assembly (See Separate Breakdown in this Section)	
3	0641406	10	Bolt 1/4 x 3/4	
4	0902696	2	Bracket	
5	3311405	5	Nut 1/4	
6	4751400	6	Washer 1/4	
7	4761400	6	Washer 1/4	
8	4922529	1	Leveling Jacks Harness (Not Shown - See Separate Breakdown in ELECTRICAL SECTION)	
9	1001171103	1	Valve Harness (Not Shown - See Separate Breakdown in ELECTRICAL SECTION)	
10	3311401	1	Nut 1/4 (Not Shown)	

Go to Discount-Equipment.com to order your parts

## SECTION 2 - GROUND COMPONENTS

FIGURE 2-12. GROUND CONTROL BOX AND HORN INSTALLATIONS - M3369/M4069 (4WD - CE SPEC)



ART\_1001171071

## SECTION 2 - GROUND COMPONENTS

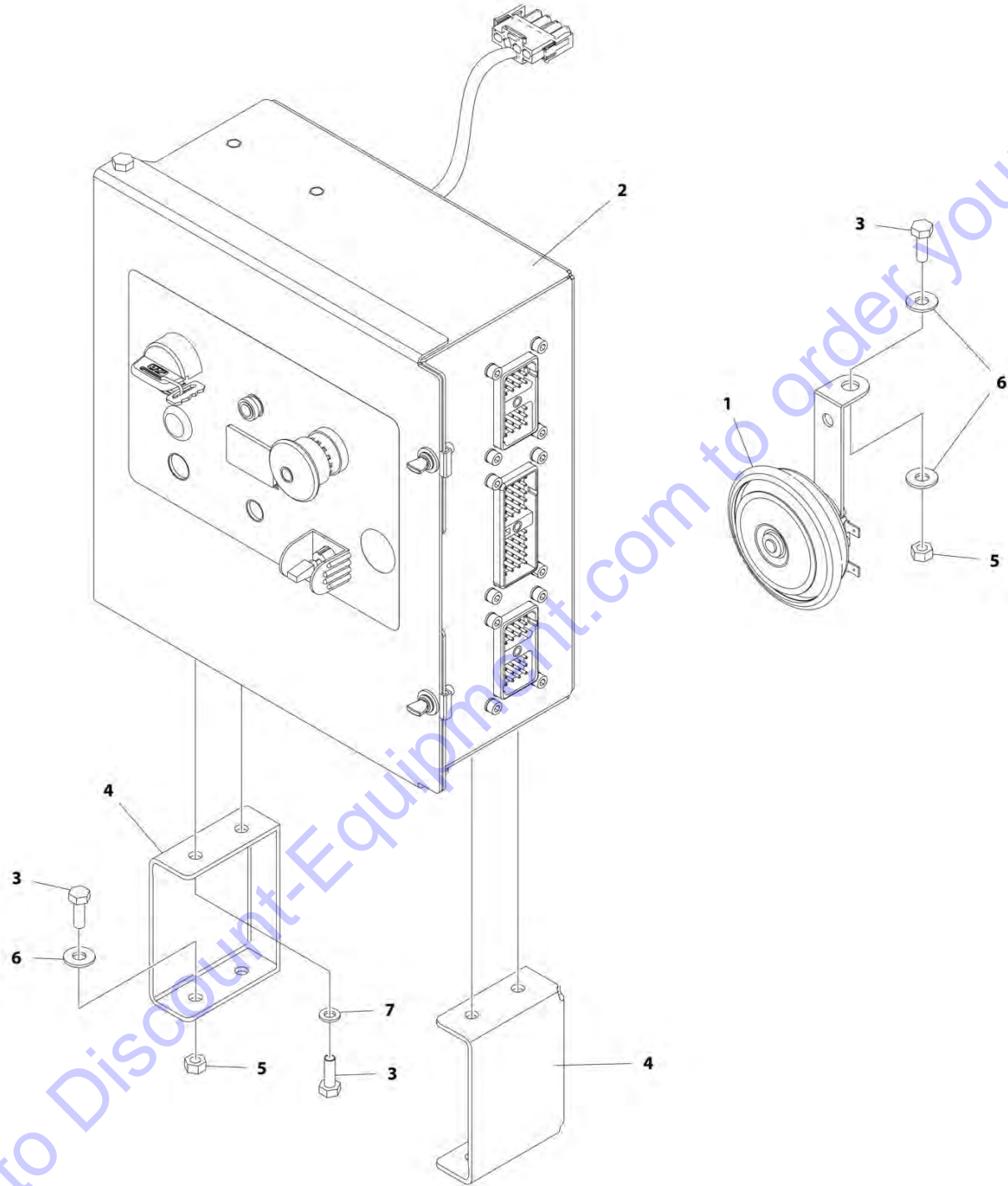
**FIGURE 2-12. GROUND CONTROL BOX AND HORN INSTALLATIONS - M3369/M4069 (4WD - CE SPEC)**

ITEM	PART NUMBER	QTY	DESCRIPTION	REV
	1001171071	Ref	GROUND CONTROL BOX AND HORN INSTALLATIONS	D
1	0140028	1	Alarm	
2	0271447	1	Ground Control Box Assembly (See Separate Breakdown in this Section)	
3	0641406	9	Bolt 1/4 x 3/4	
4	0902696	2	Bracket	
5	3311405	5	Nut 1/4	
6	4751400	6	Washer 1/4	
7	4761400	4	Washer 1/4	
8	4922529	1	Leveling Jacks Harness (Not Shown - See Separate Breakdown in ELECTRICAL SECTION)	
9	1001171103	1	Valve Harness (Not Shown - See Separate Breakdown in ELECTRICAL SECTION)	

Go to Discount-Equipment.com to order your parts

## SECTION 2 - GROUND COMPONENTS

FIGURE 2-13. GROUND CONTROL BOX AND HORN INSTALLATIONS - M4069 (DRIVE AT FULL HEIGHT)



ART\_1001171074



## SECTION 2 - GROUND COMPONENTS

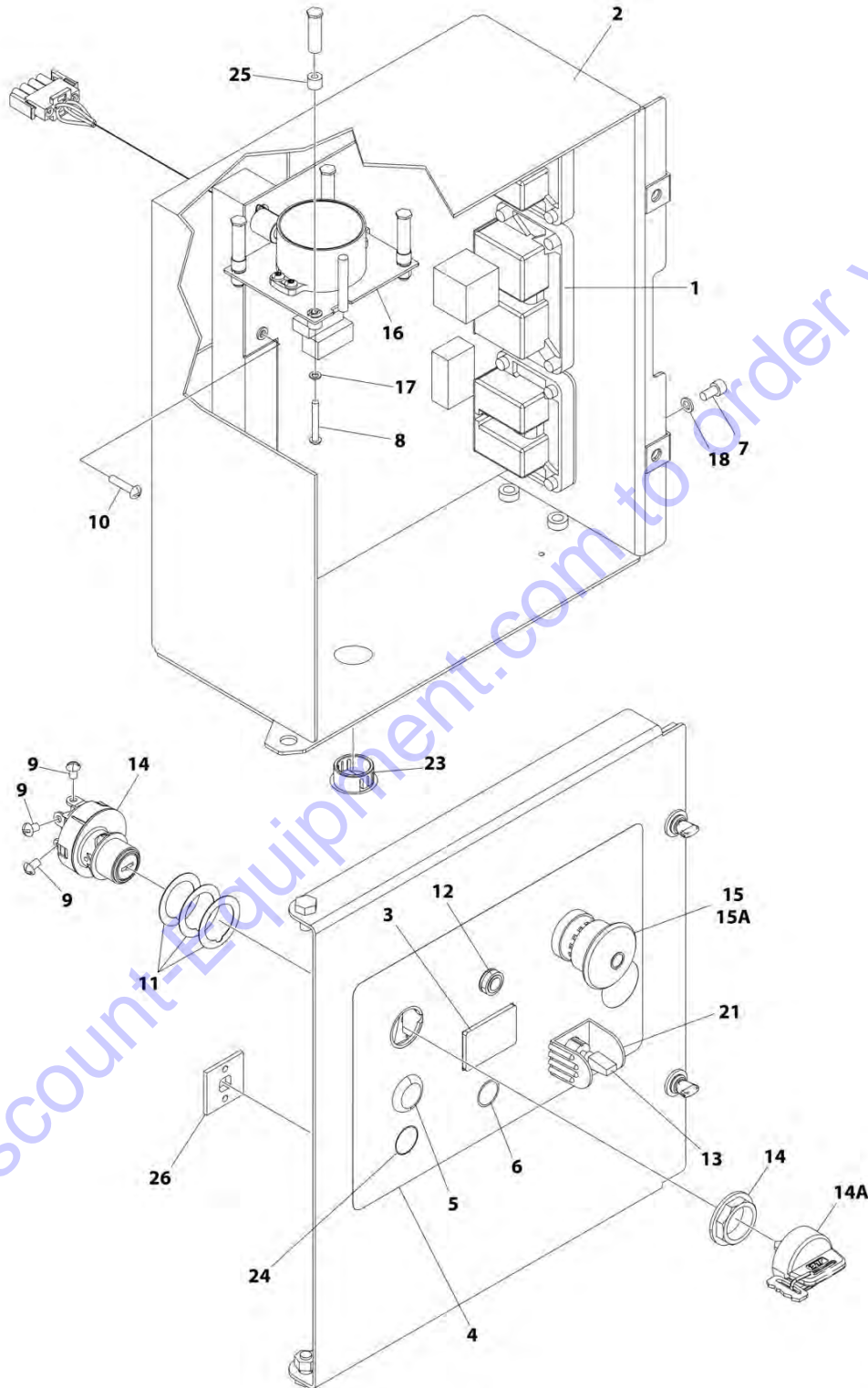
**FIGURE 2-13. GROUND CONTROL BOX AND HORN INSTALLATIONS - M4069 (DRIVE AT FULL HEIGHT)**

ITEM	PART NUMBER	QTY	DESCRIPTION	REV
	1001171074	Ref	GROUND CONTROL BOX AND HORN INSTALLATIONS - M4069 (DRIVE AT FULL HEIGHT) (NOTE: ONLY AVAILABLE ON AUSTRALIAN SPEC MACHINES)	C
1	0140028	1	Alarm	
2	0275787	1	Ground Control Box Assembly (See Separate Breakdown in this Section)	
3	0641406	9	Bolt 1/4 x 3/4	
4	0902696	2	Bracket	
5	3311405	5	Nut 1/4	
6	4751400	6	Washer 1/4	
7	4761400	4	Washer 1/4	
8	4922529	1	Leveling Jacks Harness (Not Shown - See Separate Breakdown in ELECTRICAL SECTION)	
9	1001171103	1	Valve Harness (Not Shown - See Separate Breakdown in ELECTRICAL SECTION)	

Go to Discount-Equipment.com to order your parts

## SECTION 2 - GROUND COMPONENTS

FIGURE 2-14. GROUND CONTROL BOX ASSEMBLY - 3369LE/4069LE (ALL SPECS EXCEPT CE SPEC)



ART\_0270544\_Z

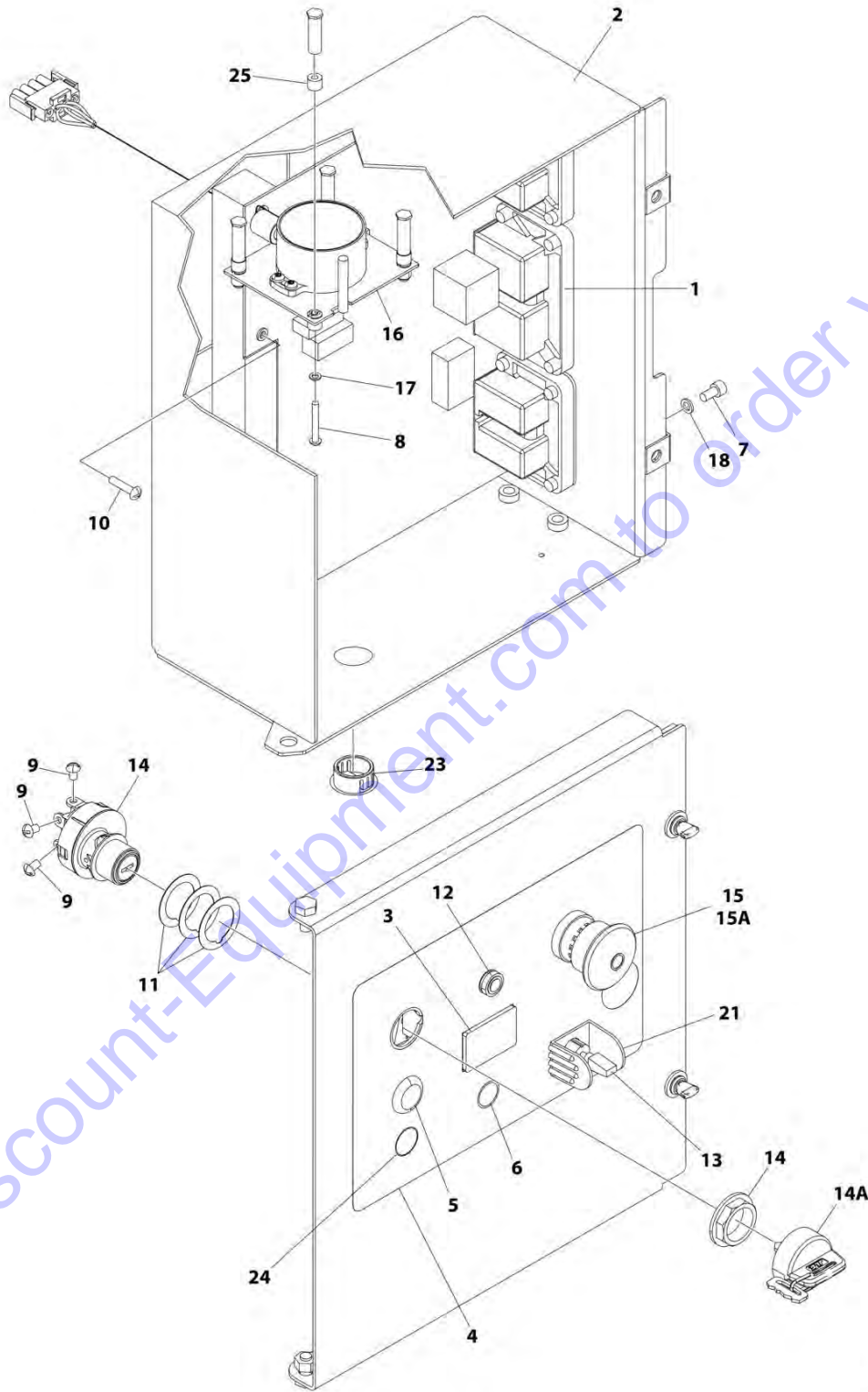
## SECTION 2 - GROUND COMPONENTS

**FIGURE 2-14. GROUND CONTROL BOX ASSEMBLY - 3369LE/4069LE (ALL SPECS EXCEPT CE SPEC)**

ITEM	PART NUMBER	QTY	DESCRIPTION	REV
	0270544	Ref	GROUND CONTROL BOX ASSEMBLY	Z
1	1001099428	NLA	Module, Control (Use p/n 1001155878) (Note: Re-calibration Required when Replaced)	
2	1001181087	1	Box (See Separate Breakdown in this Section)	
3	2420172	1	Hourmeter	
4	1705710	1	Nameplate	
5	3520193	1	Plug	
6	3520079	1	Plug	
7	3900300	12	Capscrew	
8	3910616	4	Screw #6 x 1	
9	3910804	3	Screw #8 x 1/4	
10	3900128	2	Screw #10 x 7/8	
11	4070987	3	Shim .015	
12	4360069	1	Breaker, Circuit - 10Amp	
13	4360328	1	Switch, Toggle	
14	4360469	1	Switch, Key	
14A	2860030	1 Set	Key, Replacement	
15	4360475	1	Switch, Emergency Stop	
15	7020175	1	Cap	
15A	7020176	1	Block, Contact	
16	1810140	1	Switch, Dual Axis	
		Ref	Note: Control System Must be Re-calibrated when replaced.	
16	4460321	1	Plug, Male - 4 Position	
16	4460267	1	Pin, Male	
17	4760600	4	Washer #6	
18	4761000	14	Washer #10	
20	4922480	1	Harness, Ground Control Box (Not Shown - See Separate Breakdown in ELECTRICAL SECTION)	
21	4060802	1	Guard, Switch	
23	3520030	1	Plug, Hole	
24	3520080	1	Plug, Hole	
25	1001102512	4	Washer	
26	4460234	4	Terminal, Mount	

## SECTION 2 - GROUND COMPONENTS

FIGURE 2-15. GROUND CONTROL BOX ASSEMBLY - 3369LE/4069LE (CE SPEC)



ART\_0270768\_Y

## SECTION 2 - GROUND COMPONENTS

**FIGURE 2-15. GROUND CONTROL BOX ASSEMBLY - 3369LE/4069LE (CE SPEC)**

ITEM	PART NUMBER	QTY	DESCRIPTION	REV
	0270768	Ref	GROUND CONTROL BOX ASSEMBLY	Y
1	1001099428	NLA	Module, Control (Use p/n 1001155878) (Note: Re-calibration Required when Replaced)	
2	1001181087	1	Box (See Separate Breakdown in this Section)	
3	2420172	1	Hourmeter	
4	1705710	1	Nameplate	
5	3520193	1	Plug	
6	3520079	1	Plug	
7	3900300	12	Capscrew	
8	3910616	4	Screw #6 x 1	
9	3910804	3	Screw #8 x 1/4	
10	3900128	2	Screw #10 x 7/8	
11	4070987	3	Shim .015	
12	4360069	1	Breaker, Circuit - 10Amp	
13	4360328	1	Switch, Toggle	
14	4360469	1	Switch, Key	
14A	2860030	1 Set	Key, Replacement	
15	4360475	1	Switch, Emergency Stop	
15	7020175	1	Cap	
15A	7020176	1	Block, Contact	
16	1810140	1	Switch, Dual Axis	
		Ref	Note: Control System Must be Re-calibrated when replaced.	
16	4460321	1	Plug, Male - 4 Position	
16	4460267	1	Pin, Male	
17	4760600	4	Washer #6	
18	4761000	14	Washer #10	
20	4922480	1	Harness, Ground Control Box (Not Shown - See Separate Breakdown in ELECTRICAL SECTION)	
21	4060802	1	Guard, Switch	
23	3520030	1	Plug, Hole	
24	3520080	1	Plug, Hole	
25	1001102512	4	Washer	



## SECTION 2 - GROUND COMPONENTS

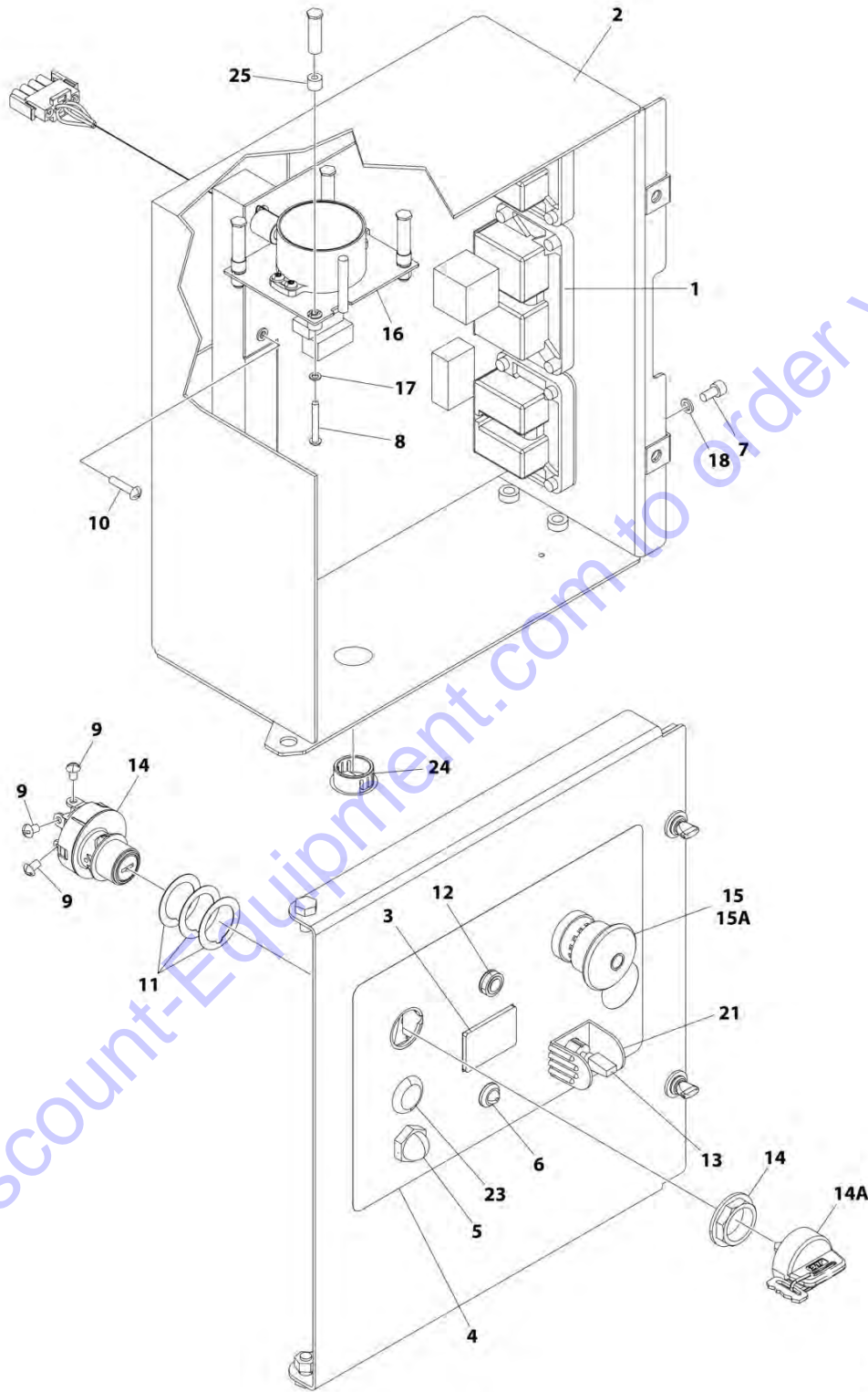
**FIGURE 2-16. GROUND CONTROL BOX ASSEMBLY - M3369/M4069 (ALL SPECS EXCEPT CE SPEC)**

ITEM	PART NUMBER	QTY	DESCRIPTION	REV
	0271442	Ref	GROUND CONTROL BOX ASSEMBLY	V
1	1001099428	NLA	Module, Control (Use p/n 1001155878) (Note: Re-calibration Required when Replaced)	
2	1001181087	1	Box (See Separate Breakdown in this Section)	
3	2420172	1	Hourmeter	
4	1705710	1	Nameplate	
5	2920151	1	Light, LED	
6	4360387	1	Switch, Push Button	
7	3900300	12	Capscrew	
8	3910616	4	Screw #6 x 1	
9	3910804	3	Screw #8 x 1/4	
10	3900128	2	Screw #10 x 7/8	
11	4070987	3	Shim .015	
12	4360069	1	Breaker, Circuit - 10Amp	
13	4360328	1	Switch, Toggle	
14	4360469	1	Switch, Key	
14A	2860030	1 Set	Key, Replacement	
15	4360475	1	Switch, Emergency Stop	
15	7020175	1	Cap	
15A	7020176	1	Block, Contact	
16	1810140	1	Switch, Dual Axis	
		Ref	Note: Control System Must be Re-calibrated when replaced.	
16	4460321	1	Plug, Male - 4 Position	
16	4460267	4	Pin, Male	
17	4760600	4	Washer #6	
18	4761000	14	Washer #10	
20	4922604	1	Harness, Ground Control Box (Not Shown - See Separate Breakdown in ELECTRICAL SECTION)	
21	4060802	1	Guard, Switch	
23	3520193	1	Plug, Hole	
24	3520030	1	Plug, Hole	
25	1001102512	4	Washer	



## SECTION 2 - GROUND COMPONENTS

FIGURE 2-17. GROUND CONTROL BOX ASSEMBLY - M3369/M4069 (CE SPECS)



ART\_0271447\_U

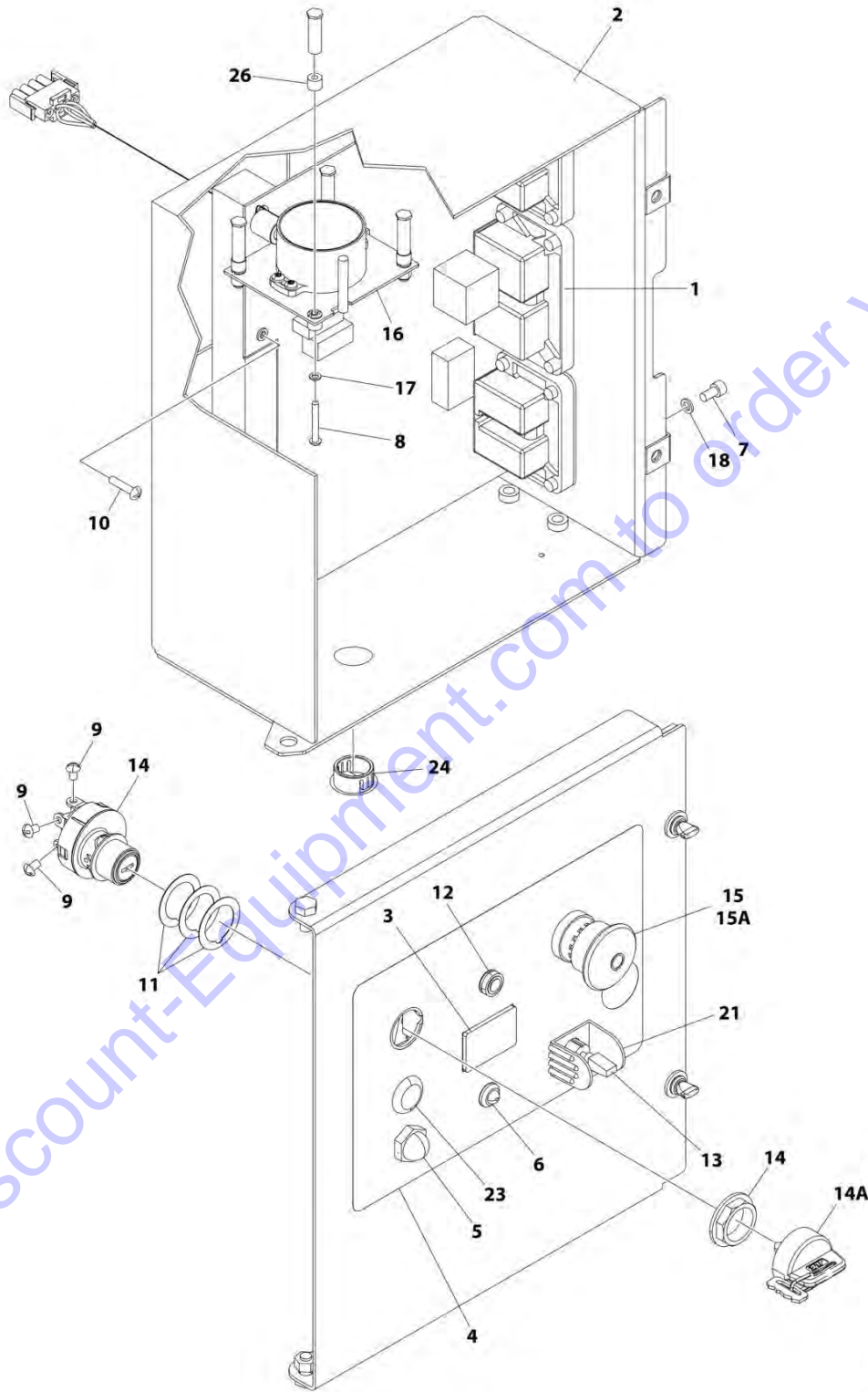
## SECTION 2 - GROUND COMPONENTS

**FIGURE 2-17. GROUND CONTROL BOX ASSEMBLY - M3369/M4069 (CE SPECS)**

ITEM	PART NUMBER	QTY	DESCRIPTION	REV
	0271447	Ref	GROUND CONTROL BOX ASSEMBLY	U
1	1001099428	NLA	Module, Control (Use p/n 1001155878) (Note: Re-calibration Required when Replaced)	
2	1001181087	1	Box (See Separate Breakdown in this Section)	
3	2420172	1	Hourmeter	
4	1705710	1	Nameplate	
5	4360387	1	Switch, Push Button	
6	2920151	1	Light, LED	
7	3900300	12	Capscrew	
8	3910616	4	Screw #6 x 1	
9	3910804	3	Screw #8 x 1/4	
10	3900128	2	Screw #10 x 7/8	
11	4070987	3	Shim .015	
12	4360069	1	Breaker, Circuit - 10Amp	
13	4360328	1	Switch, Toggle	
14	4360469	1	Switch, Key	
14A	2860030	1 Set	Key, Replacement	
15	4360475	1	Switch, Emergency Stop	
15	7020175	1	Cap	
15A	7020176	1	Block, Contact	
16	1810140	1	Switch, Dual Axis	
		Ref	Note: Control System Must be Re-calibrated when replaced.	
16	4460321	1	Plug, Male - 4 Position	
16	4460267	4	Pin, Male	
17	4760600	4	Washer #6	
18	4761000	14	Washer #10	
20	4922604	1	Harness, Ground Control Box (Not Shown - See Separate Breakdown in ELECTRICAL SECTION)	
21	4060802	1	Guard, Switch	
23	3520193	1	Plug, Hole	
24	3520030	1	Plug, Hole	
25	1001102512	4	Washer	

## SECTION 2 - GROUND COMPONENTS

FIGURE 2-18. GROUND CONTROL BOX ASSEMBLY - M4069 DRIVE AT FULL HEIGHT



ART\_0275787\_J

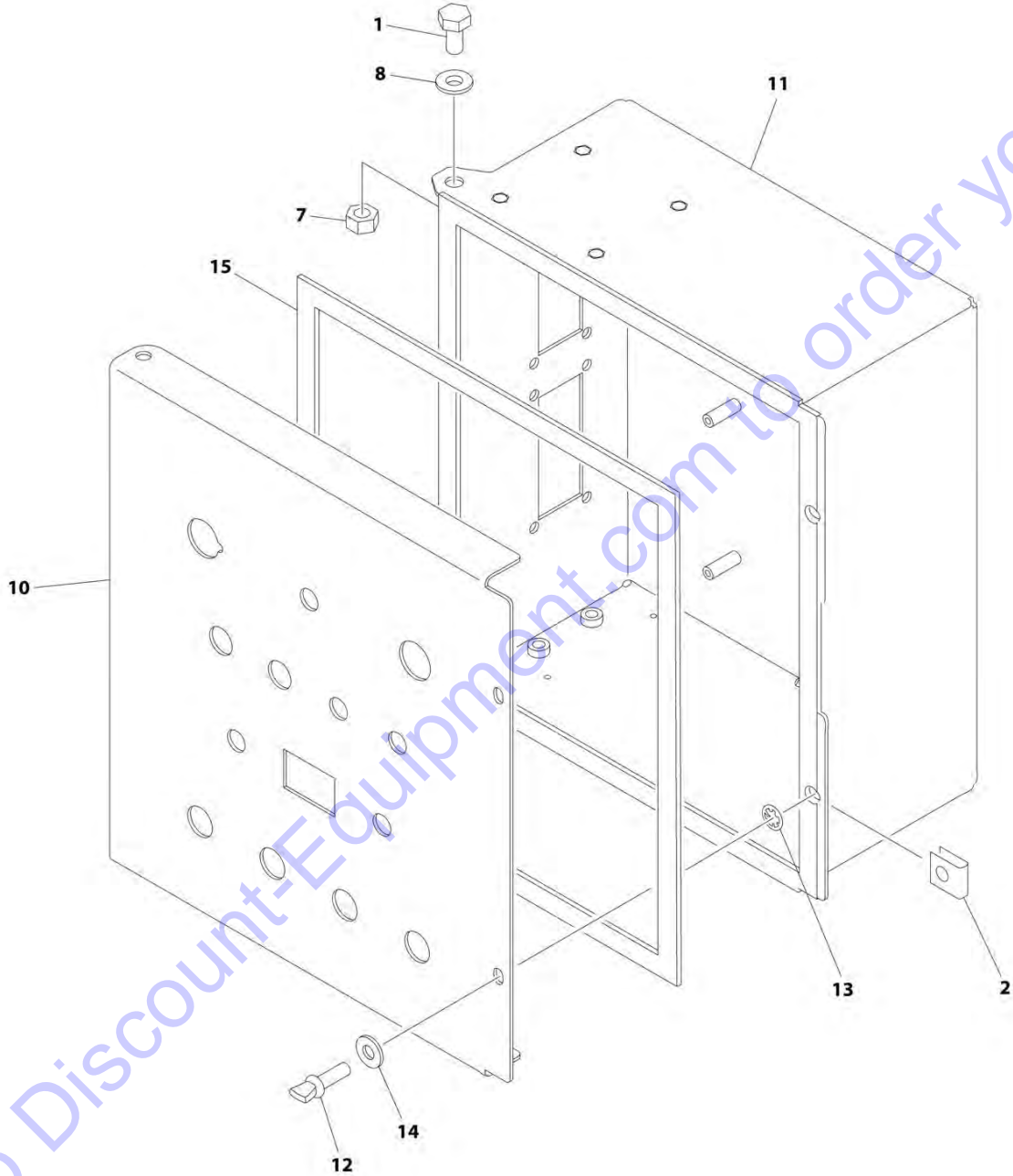
## SECTION 2 - GROUND COMPONENTS

**FIGURE 2-18. GROUND CONTROL BOX ASSEMBLY - M4069 DRIVE AT FULL HEIGHT**

ITEM	PART NUMBER	QTY	DESCRIPTION	REV
	0275787	Ref	GROUND CONTROL BOX ASSEMBLY - M4069 DRIVE AT FULL HEIGHT	J
1	1001099428	NLA	Module, Control (Use p/n 1001155878) (Note: Re-calibration Required when Replaced)	
2	1001181087	1	Box (See Separate Breakdown in this Section)	
3	2420172	1	Hourmeter	
4	1705710	1	Nameplate	
5	4360387	1	Switch, Push Button	
6	2920151	1	Light, LED	
7	3900300	12	Capscrew	
8	3910616	4	Screw #6 x 1	
9	3910804	3	Screw #8 x 1/4	
10	3900128	2	Screw #10 x 7/8	
11	4070987	3	Shim .015	
12	4360069	1	Breaker, Circuit - 10Amp	
13	4360328	1	Switch, Toggle	
14	4360470	1	Switch, Key	
14A	2860030	1 Set	Key, Replacement	
15	4360475	1	Switch, Emergency Stop	
15	7020175	1	Cap	
15A	7020176	1	Block, Contact	
16	1810140	1	Switch, Dual Axis	
		Ref	Note: Control System Must be Re-calibrated when replaced.	
16A	4460321	1	Plug, Male - 4 Position	
16B	4460267	4	Pin, Male	
17	4760600	4	Washer #6	
18	4761000	14	Washer #10	
21	4060802	1	Guard, Switch	
23	3520193	1	Plug, Hole	
24	3520030	1	Plug, Hole	
25	1001102512	4	Washer	
26	4923619	1	Harness, Ground Control Box (Not Shown - See Separate Breakdown in ELECTRICAL SECTION)	

## SECTION 2 - GROUND COMPONENTS

FIGURE 2-19. GROUND CONTROL BOX COMPONENTS



ART\_1001181087\_G

## SECTION 2 - GROUND COMPONENTS

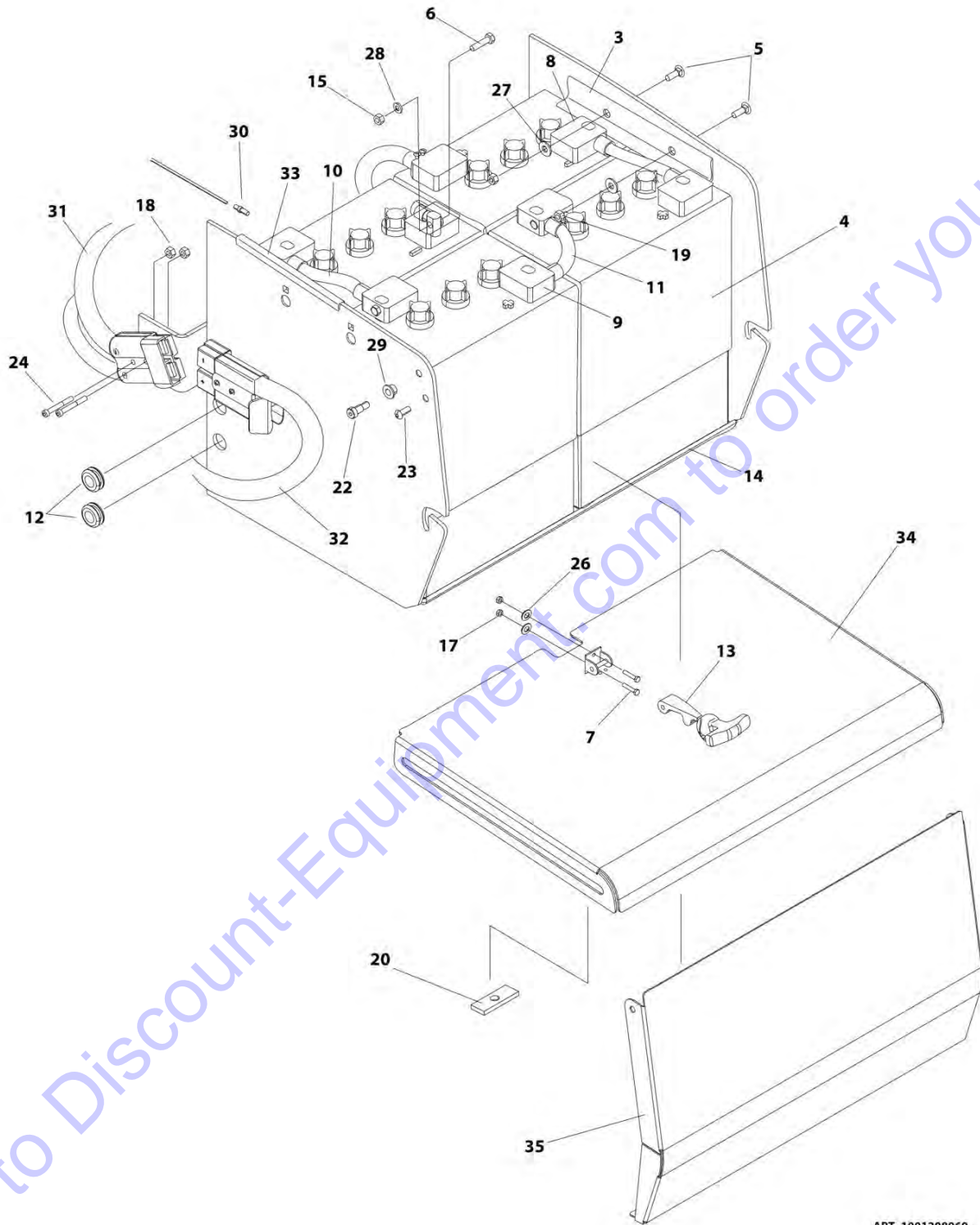
**FIGURE 2-19. GROUND CONTROL BOX COMPONENTS**

ITEM	PART NUMBER	QTY	DESCRIPTION	REV
	1001181087	Ref	GROUND CONTROL BOX COMPONENTS	G
1	0641404	2	Bolt 1/4 x 1/2	
2	3300353	2	Nut, Tinnerman	
7	3311405	2	Nut 1/4	
8	4740518	2	Washer	
10	1001181089	1	Lid	
11	See Note	NSS	Box (Note: Use p/n 1001181087)	
12	1001103308	2	Screw 1/4 x 3/4	
13	1001188874	2	Nut, Push	
14	4711400	2	Washer 1/4	
15	1001165734	44 in/1.1m	Seal	

Go to Discount-Equipment.com to order your parts

## SECTION 2 - GROUND COMPONENTS

FIGURE 2-20. BATTERY BOX INSTALLATION - 370A-H BATTERIES



ART\_1001208069



## SECTION 2 - GROUND COMPONENTS

**FIGURE 2-20. BATTERY BOX INSTALLATION - 370A-H BATTERIES**

ITEM	PART NUMBER	QTY	DESCRIPTION	REV
	1001208069	Ref	BATTERY BOX INSTALLATION - 370A-H BATTERIES	A
1	0100011	AR	Compound, Locking	
2	0100051	AR	Grease, Terminal	
3	0182017	4	Angle, Battery Hold-Down	
4	0400055	8	Battery, 370A-HR Wet	
5	0630462	8	Bolt	
6	0630526	16	Bolt 5/16 x 1-1/4	
7	0721008	4	Bolt #10 x 1	
8	0840048	6	Boot, Terminal - "d" Shaped	
9	0840049	10	Boot, Terminal - "b" Shaped	
10	1060884	4	Cable, Battery	
11	1060885	2	Cable, Battery	
12	2540038	4	Grommet	
13	2940095	2	T-Handle and Latch Plate	
14	3000018	2	Liner, Battery Box	
15	3300429	16	Nut 5/16	
16	3311001	4	Nut #10	
17	3311401	2	Nut 1/4	
18	3311501	12	Nut 5/16	
19	3311505	4	Locknut 5/16	
20	3340861	2	Pad, Rubber	
21	3900190	4	Screw, Shoulder	
22	3900210	4	Screw, Button-Head	
23	3820019	4	Rivet	
24	3931430	2	Capscrew 1/4 x 1-7/8	
25	4420037	1.2 m	Tape, Insulation (Not Shown)	
26	4711000	4	Washer #10	
27	4711500	12	Washer 5/16	
28	4740474	16	Washer 5/16	
29	4740480	4	Washer, Plastic Insert	
30	1001114496	1	Sensor, Battery Temperature	
31	1001165355	1	Cable, Battery	
31	4460335	1	Connector, Anderson	
32	1001170081	1	Cable, Battery	
32	4460335	1	Connector, Anderson	
33	1001177536	4	Pad, Slide	
34	1001207981	2	Cover, Battery	
35	1001207982	2	Plate, Battery Cover	



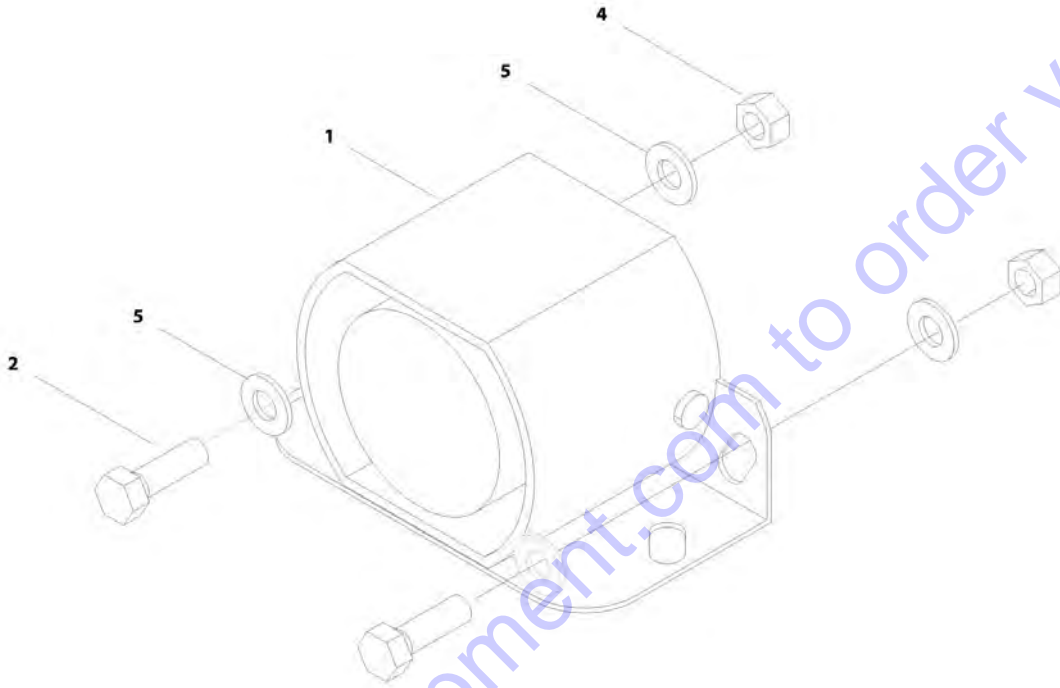
## SECTION 2 - GROUND COMPONENTS

**FIGURE 2-21. BATTERY BOX INSTALLATION - 390A-H AGM BATTERIES**

ITEM	PART NUMBER	QTY	DESCRIPTION	REV
	1001208070	Ref	BATTERY BOX INSTALLATION - 390A-H AGM BATTERIES	C
1	0100011	AR	Compound, Locking	
2	0100051	AR	Grease, Terminal	
3	0182017	4	Angle, Battery Hold-Down	
4	0630462	8	Bolt	
5	0721008	4	Bolt #10 x 1	
6	0840048	6	Boot, Terminal - "d" Shaped	
7	0840049	10	Boot, Terminal - "b" Shaped	
8	1001228395	6	Cable, Battery	
9	2540038	4	Grommet	
10	2940095	2	T-Handle and Latch Plate	
11	3000018	2	Liner, Battery Box	
12	3311001	4	Nut #10	
13	3311401	2	Nut 1/4	
14	3311501	12	Nut 5/16	
15	3311505	4	Locknut 5/16	
16	3340861	2	Pad, Rubber	
17	3820019	4	Rivet	
18	3900190	4	Screw, Shoulder	
19	3900210	4	Buttonhead Screw 5/16 x 3/4	
20	3931430	2	Capscrew 1/4 x 1-7/8	
21	4420037	1.2 m	Tape, Insulation (Not Shown)	
22	4711000	4	Washer #10	
23	4711500	12	Washer 5/16	
24	4740480	4	Washer, Plastic Insert	
25	1001228392	8	Battery	
26	1001114496	1	Sensor, Battery Temperature	
27	1001228394	1	Cable, Battery	
28	1001228393	1	Cable, Battery	
28	4460335	1	Connector, Anderson	
29	1001177536	4	Pad, Slide	
30	1001207981	2	Cover, Battery Box Lid	
31	1001207982	2	Plate, Battery Cover	
32	1001218766	2	Stop, Battery Spacer	

## SECTION 2 - GROUND COMPONENTS

FIGURE 2-22. ALARM INSTALLATION



ART\_0273968

## SECTION 2 - GROUND COMPONENTS

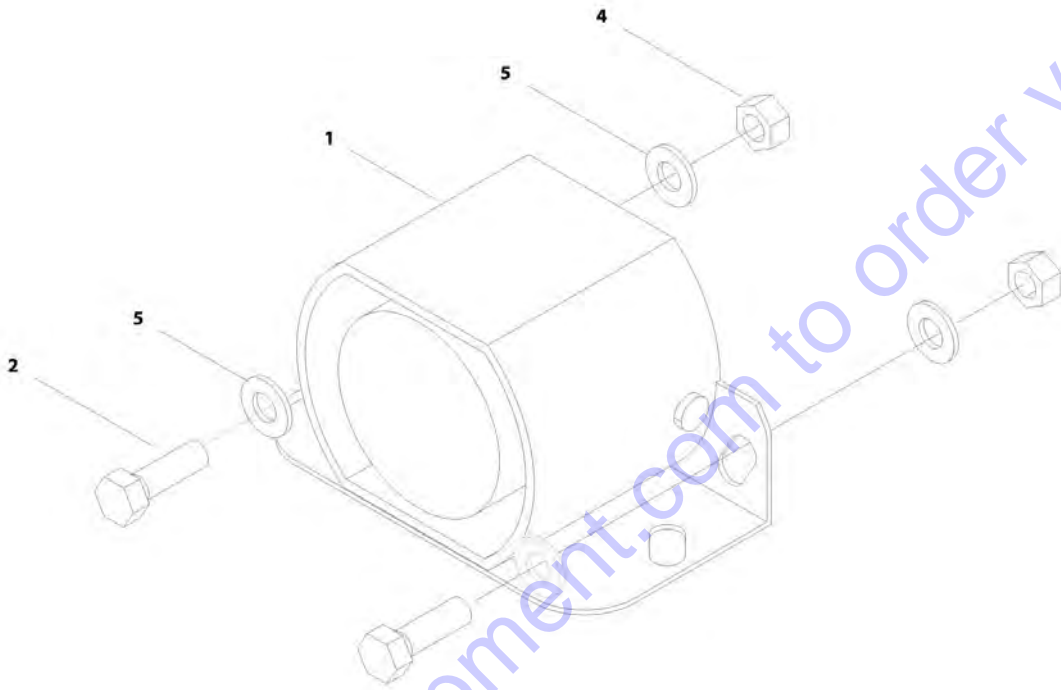
FIGURE 2-22. ALARM INSTALLATION

ITEM	PART NUMBER	QTY	DESCRIPTION	REV
	0273968	Ref	ALARM INSTALLATION	C
1	0140032	1	Alarm	
2	0641508	2	Bolt 5/16 x 1	
3	2820018	AR	Heat Shrink	
4	3311505	2	Nut 5/16	
5	4711500	4	Washer 5/16	
6	4922517	1	Alarm Harness (Not Shown - See Separate Breakdown in ELECTRICAL SECTION)	

Go to Discount-Equipment.com to order your parts

## SECTION 2 - GROUND COMPONENTS

FIGURE 2-23. ALARM INSTALLATION - MOTION



ART\_0270942

## SECTION 2 - GROUND COMPONENTS

FIGURE 2-23. ALARM INSTALLATION - MOTION

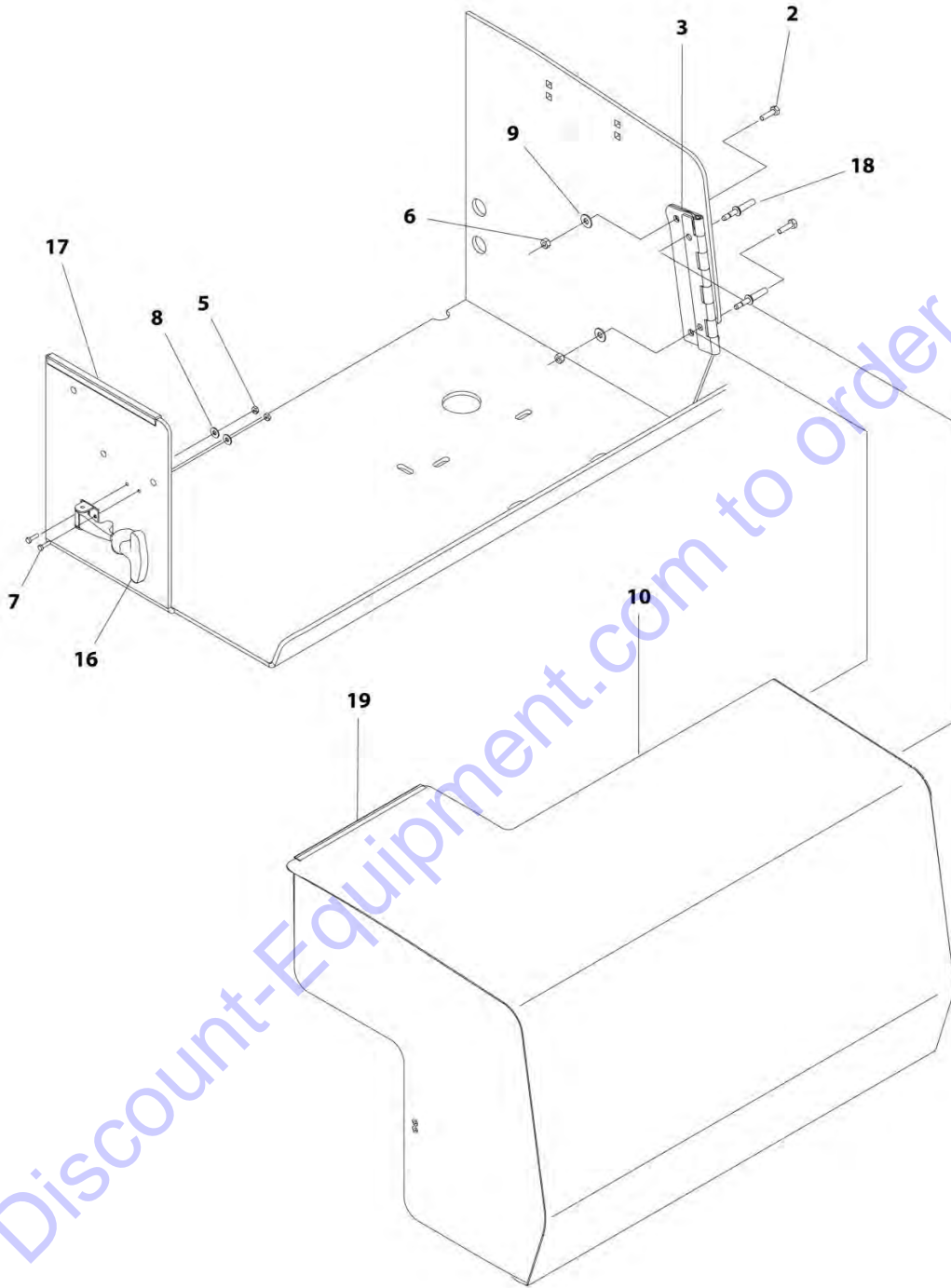
ITEM	PART NUMBER	QTY	DESCRIPTION	REV
	0270942	Ref	ALARM INSTALLATION - MOTION	D
1	0140032	1	Alarm	
2	0641508	2	Bolt 5/16 x 1	
3	2820018	AR	Heat Shrink	
4	3311505	2	Nut 5/16	
5	4711500	4	Washer 5/16	
6	4922517	1	Alarm Harness (Not Shown - See Separate Breakdown in ELECTRICAL SECTION)	

Go to Discount-Equipment.com to order your parts



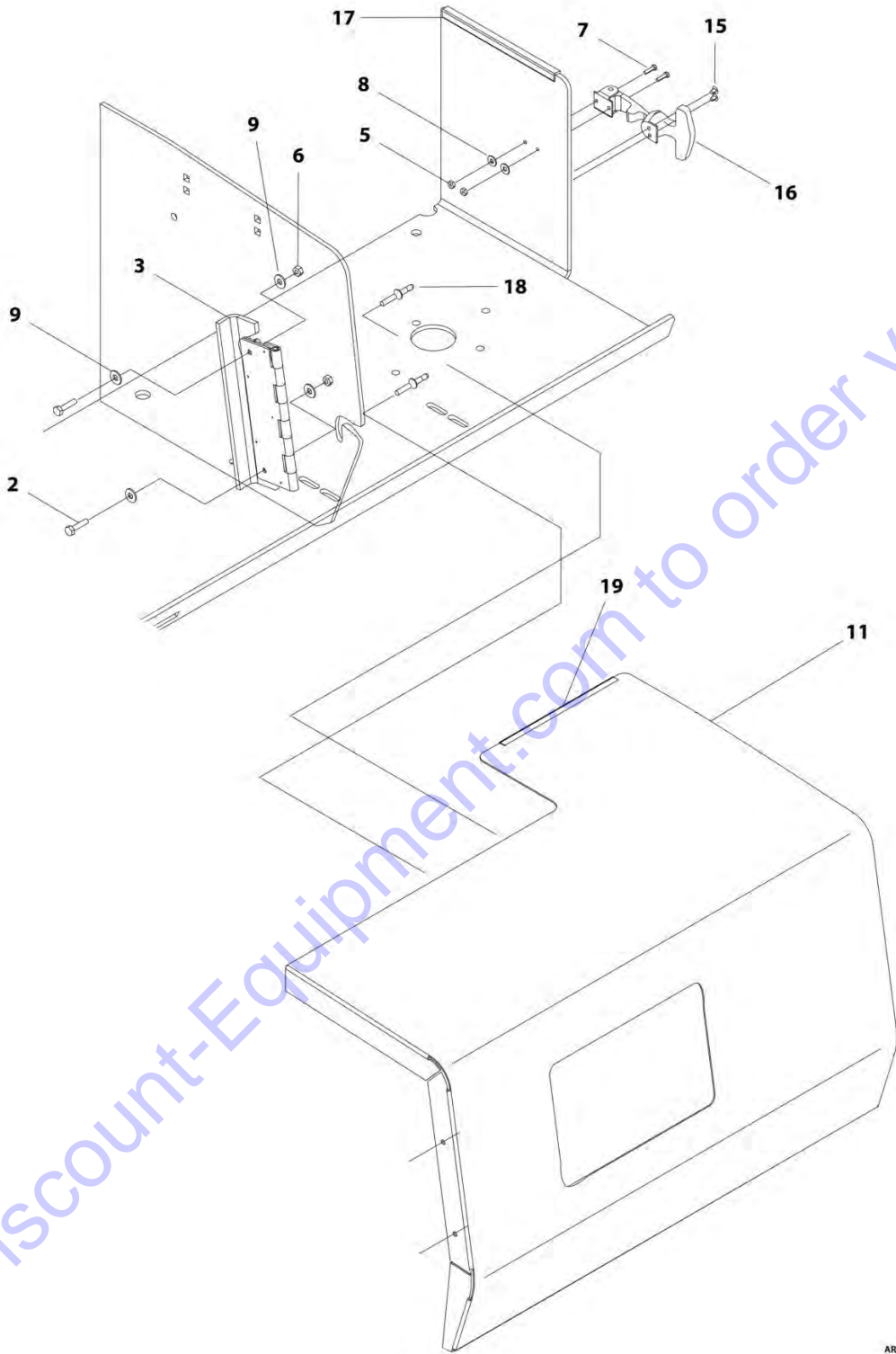
## SECTION 2 - GROUND COMPONENTS

FIGURE 2-24. COVERS INSTALLATION



ART\_1001165822\_10F2

## SECTION 2 - GROUND COMPONENTS



ART\_1001165822\_20F2

## SECTION 2 - GROUND COMPONENTS

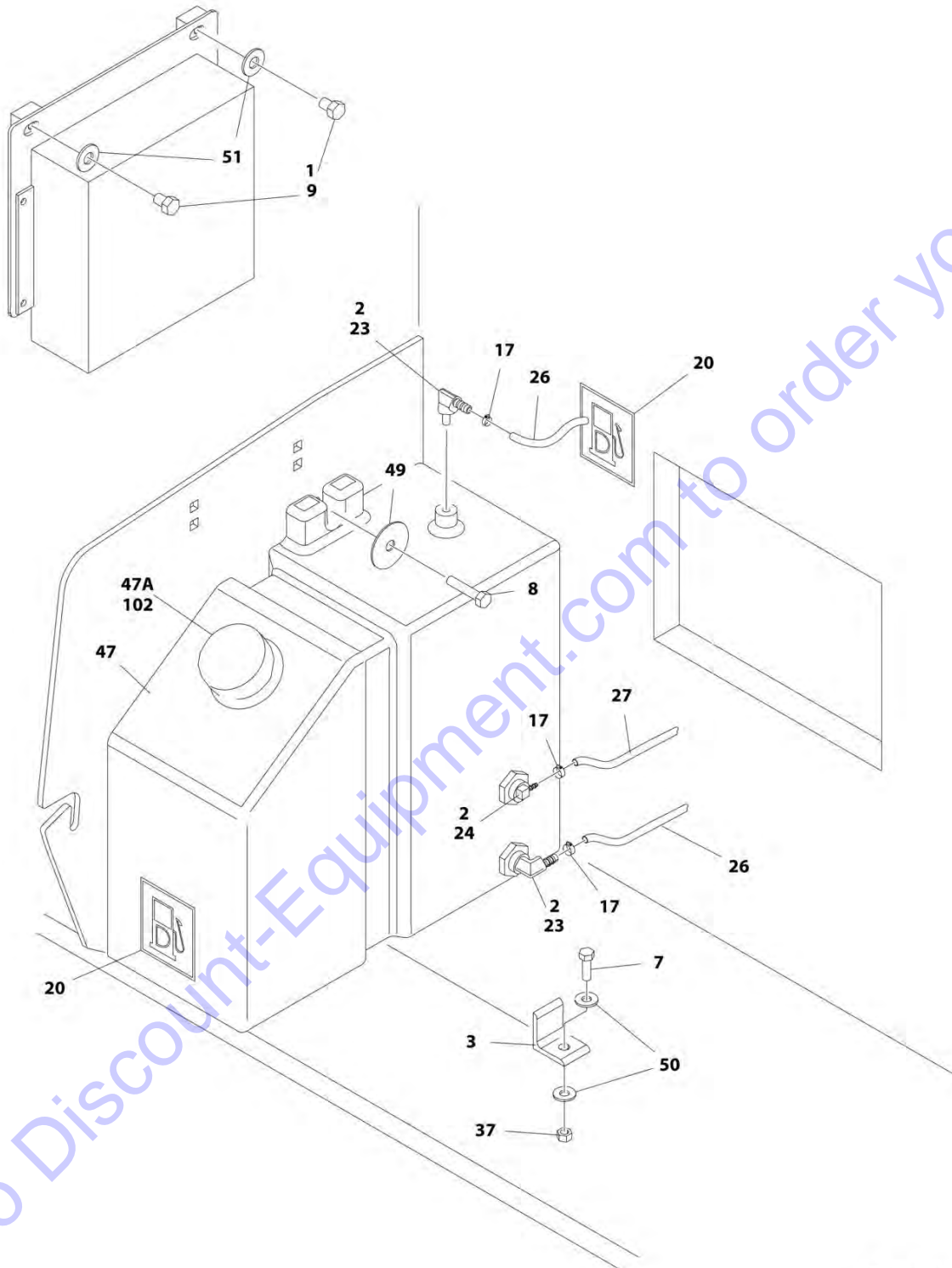
FIGURE 2-24. COVERS INSTALLATION

ITEM	PART NUMBER	QTY	DESCRIPTION	REV
	1001165822	1	COVERS INSTALLATION	D
2	0641407	4	Bolt 1/4 x 7/8	
3	2600275	2	Hinge	
5	3310801	4	Nut #8	
6	3311405	4	Nut 1/4	
7	3900305	4	Screw #8	
8	4711000	4	Washer #10	
9	4751400	8	Washer 1/4	
10	1001164975	1	Plate, Left Side Cover	
11	1001164977	1	Plate, Right Side Cover	
15	3820019	4	Rivet	
16	2940095	2	T-Handle and Latch Plate	
17	1001177536	2	Pad, Slide	
18	2080040	4	Fastener, Huck	
19	4060803	32 in /81cm	Flex-Trim	

Go to Discount-Equipment.com to order your parts

## SECTION 2 - GROUND COMPONENTS

FIGURE 2-25. TANK INSTALLATION - M3369/M4069 (MACHINES WITH STANDARD BATTERY)



ART\_1001165843\_G\_10F2

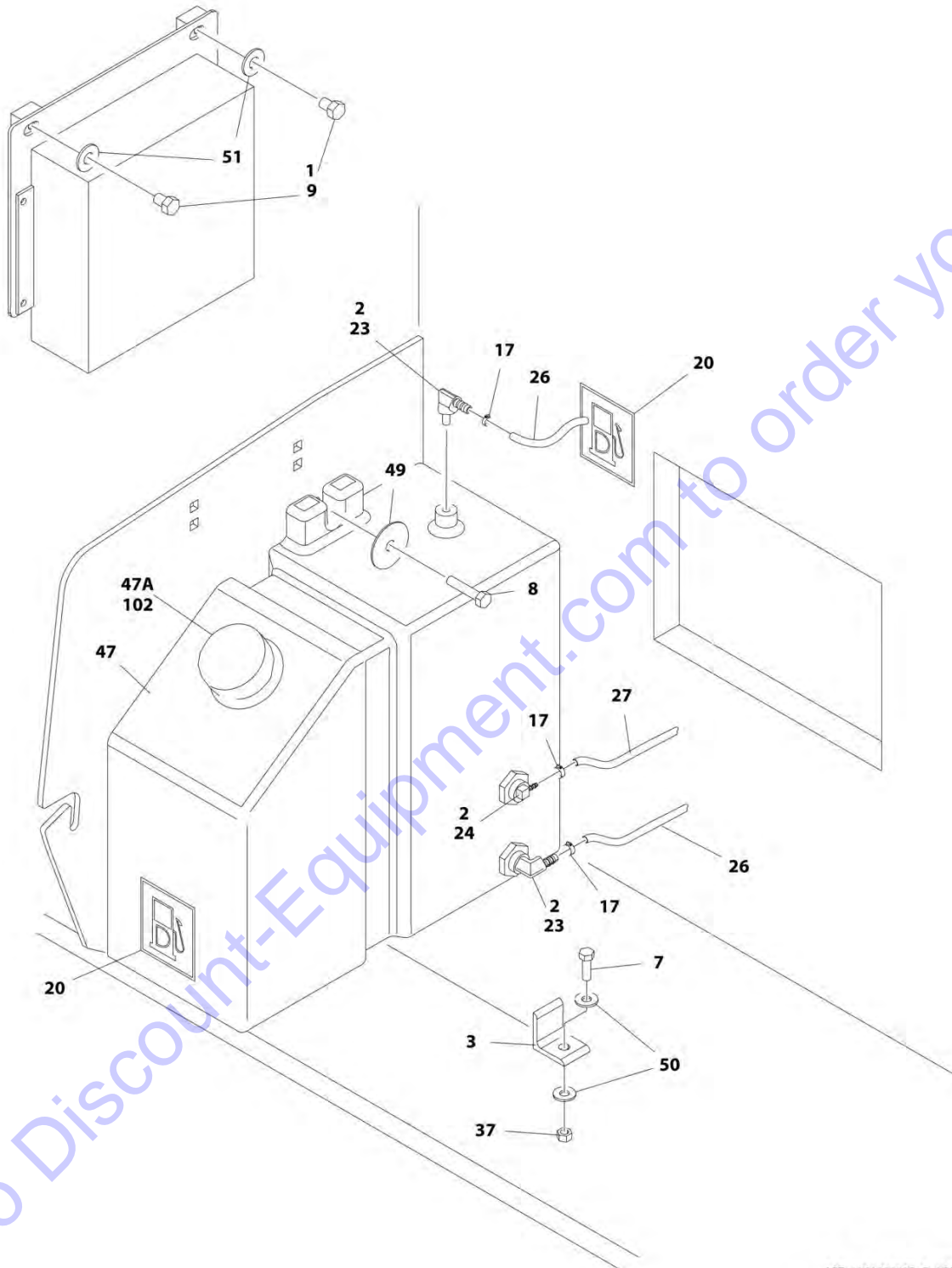
## SECTION 2 - GROUND COMPONENTS

**FIGURE 2-25. TANK INSTALLATION - M3369/M4069 (MACHINES WITH STANDARD BATTERY)**

ITEM	PART NUMBER	QTY	DESCRIPTION	REV
	1001165843	Ref	TANK INSTALLATION - M3369/M4069 (MACHINES WITH STANDARD BATTERY)	G
1	0100011	AR	Compound, Locking	
2	0100020	AR	Sealant, Pipe	
3	0182014	1	Angle	
7	0641508	1	Bolt 5/16 x 1	
8	0641512	1	Bolt 5/16 x 1-1/2	
9	0641604	2	Bolt 3/8 x 1/2	
17	1320022	5	Clamp	
20	1701505	2	Decal - Diesel Fuel	
23	2221046	2	Fitting, 90 NPT/Barbed	
24	2221047	1	Fitting, 90 NPT/Barbed	
26	2720058	10 ft /3m	Hose	
27	2720271	10 ft /3m	Hose	
37	3311505	1	Nut 5/16	
47	4400434	1	Tank, Fuel	
47A	7016314	1	Cap, Fuel (Standard Non-Locking)	
49	4740076	1	Washer	
50	4751500	2	Washer 5/16	
51	4751600	6	Washer 3/8	
	0259613	Ref	LOCKABLE FUEL CAP INSTALLATION - OPTIONAL	C
102	1120485	1	Cap, Fuel (Optional - Lockable)	

## SECTION 2 - GROUND COMPONENTS

FIGURE 2-26. TANK INSTALLATION - M3369/M4069 (MACHINES WITH AGM BATTERY)



ART\_1001202685\_C\_10F2

## SECTION 2 - GROUND COMPONENTS

**FIGURE 2-26. TANK INSTALLATION - M3369/M4069 (MACHINES WITH AGM BATTERY)**

ITEM	PART NUMBER	QTY	DESCRIPTION	REV
	1001202685	Ref	TANK INSTALLATION	C
1	0100011	AR	Compound, Locking	
2	0100020	AR	Sealant, Pipe	
3	0182014	1	Angle	
7	0641508	1	Bolt 5/16 x 1	
8	0641512	1	Bolt 5/16 x 1-1/2	
9	0641604	2	Bolt 3/8 x 1/2	
17	1320022	5	Clamp	
20	1701505	2	Decal - Diesel Fuel	
23	2221046	2	Fitting, 90 NPT/Barbed	
24	2221047	1	Fitting, 90 NPT/Barbed	
26	2720058	10 ft /3m	Hose	
27	2720271	10 ft /3m	Hose	
37	3311505	1	Nut 5/16	
47	4400434	1	Tank, Fuel	
47A	7016314	1	Cap, Fuel (Standard Non-Locking)	
49	4740076	1	Washer	
50	4751500	2	Washer 5/16	
51	4751600	6	Washer 3/8	
	0259613	Ref	LOCKABLE FUEL CAP INSTALLATION - OPTIONAL	C
102	1120485	1	Cap, Fuel (Optional - Lockable)	

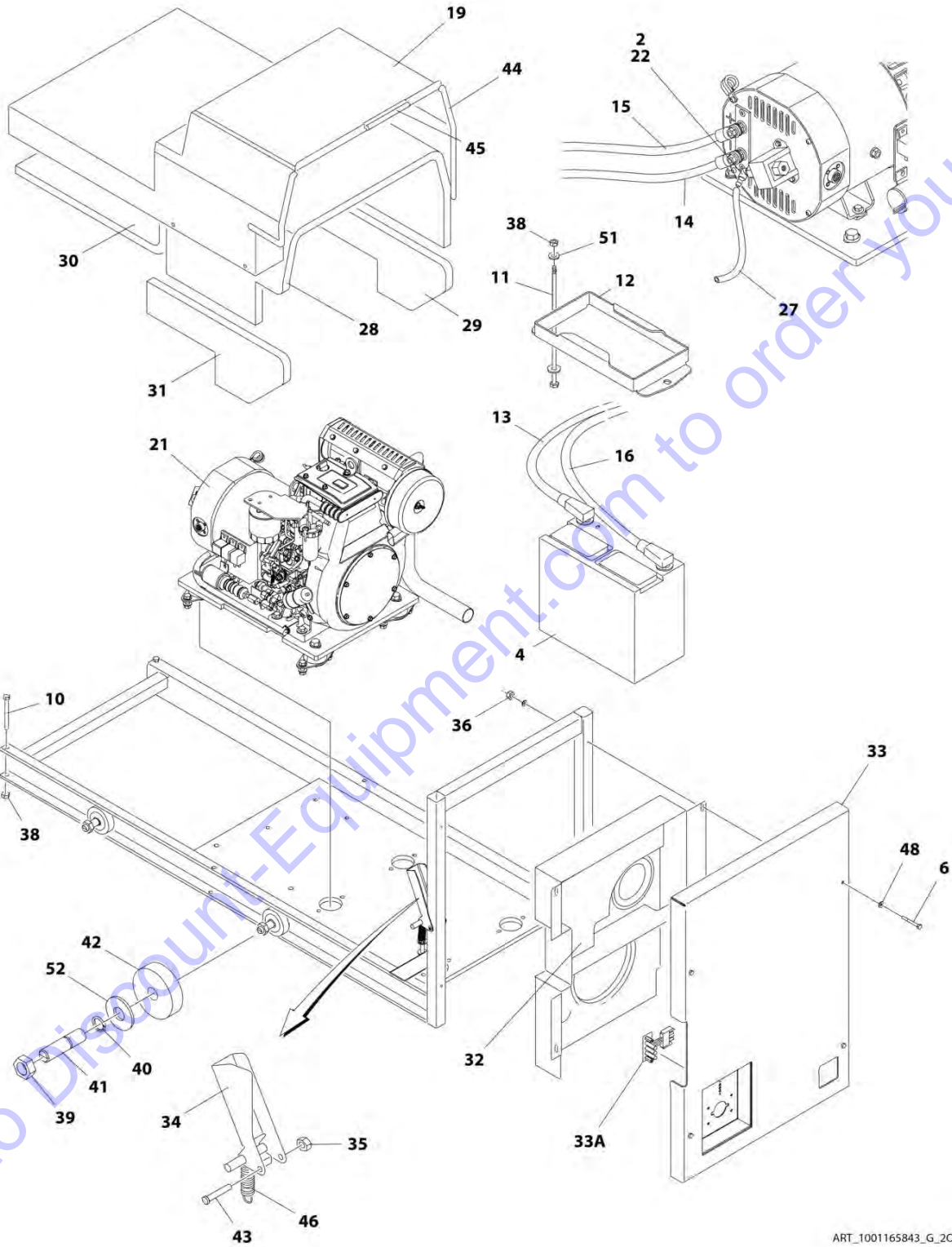
**SECTION 3 - ENGINE**

Go to Discount-Equipment.com to order your parts



# SECTION 3 - ENGINE

## FIGURE 3-1. KUBOTA ENGINE/GENERATOR INSTALLATION - M3369/M4069 (WITH STANDARD BATTERY)



ART\_1001165843\_G\_20F2

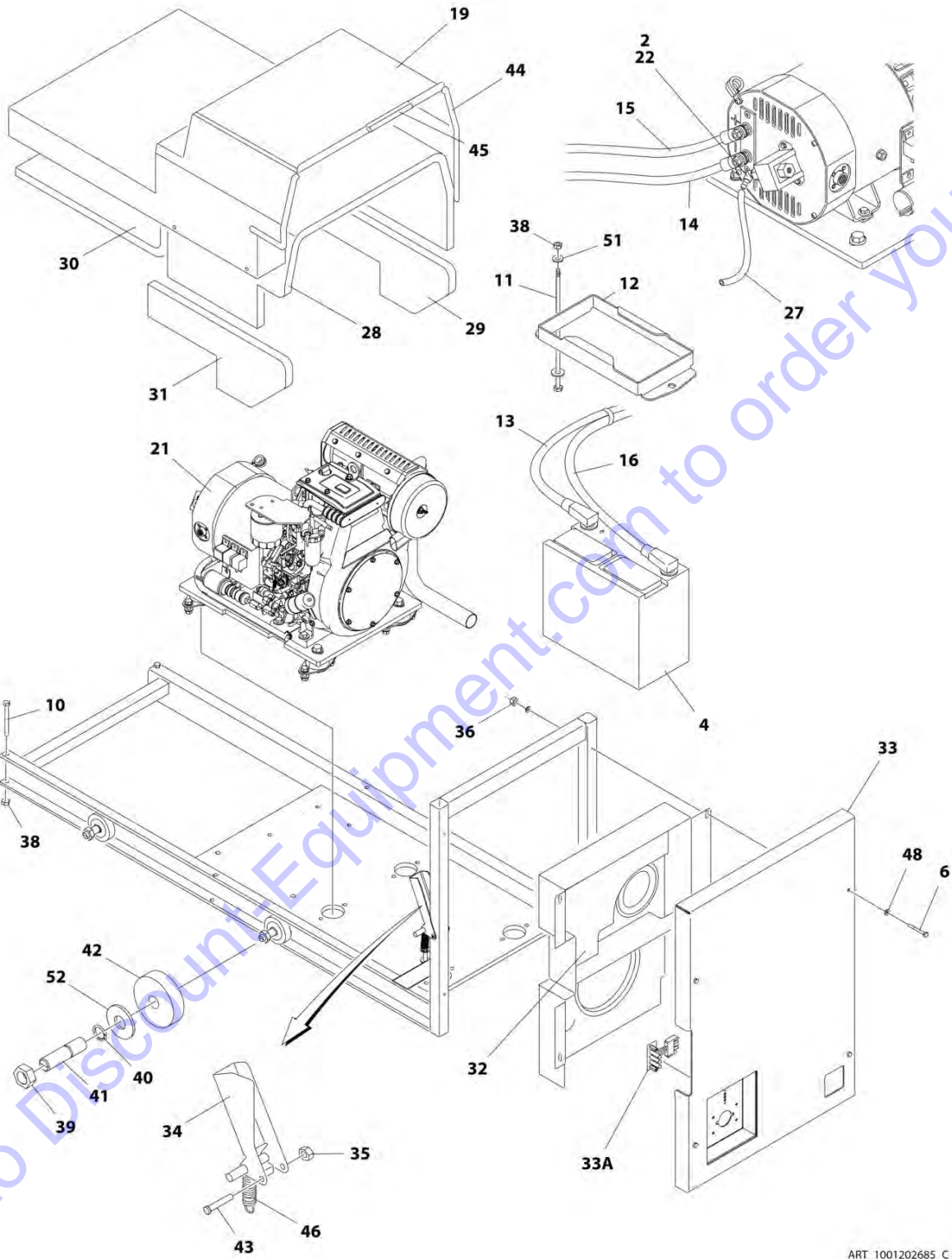
## SECTION 3 - ENGINE

**FIGURE 3-1. KUBOTA ENGINE/GENERATOR INSTALLATION - M3369/M4069 (WITH STANDARD BATTERY)**

ITEM	PART NUMBER	QTY	DESCRIPTION	REV
	1001165843	Ref	KUBOTA ENGINE/GENERATOR INSTALLATION - M3369/M4069 (WITH STANDARD BATTERY)	G
1	0100011	AR	Compound, Locking	
2	0100020	AR	Sealant, Pipe	
4	0400201	1	Battery	
6	0641418	4	Bolt 1/4 x 2-1/4	
10	0641632	2	Bolt 3/8 x 4	
11	0641660	2	Bolt 3/8 x 7-1/2	
12	0902659	1	Bracket, Hold-Down	
13	1060820	1	Cable, Battery (Battery + to Starter)	
14	1060916	1	Cable, Battery (Generator – to Controller –)	
15	1060917	1	Cable, Battery (Lower Generator + to Contactor +)	
16	1060950	1	Cable, Battery (Battery – to Ground)	
17	1320022	5	Clamp	
19	1671010	1	Cover, Engine	
21	1001248084	1	Kubota Motor/Generator Assembly (See Separate Breakdown in this Section)	
22	2220805	1	Fitting, 90 NPT/Barbed	
27	2720271	10 ft /3m	Hose	
28	2820135	1	Insulation	
29	2820136	1	Insulation	
30	2820137	1	Insulation	
31	2820138	1	Insulation	
32	2820228	1	Insulation	
33	1001166302	1	Cover, Front (Includes PC Board)	
33	1001165794	1	Cover, Front (Less PC Board)	
33A	0610131	1	PC Board, LED Light	
34	2940137	1	Latch	
35	3300374	1	Nut	
36	3311405	4	Nut 1/4	
38	3311605	4	Nut 3/8	
39	3322202	5	Nut	
40	3760348	4	Ring, Retaining	
41	3841233	4	Rod, Roller	
42	3860059	4	Roller, Extension	
43	3900184	1	Screw #10 x 5/8	
44	3960389	2 ft /60cm	Seal	
45	3960418	2 ft /60cm	Seal	
46	4160189	1	Spring	
48	4711400	8	Washer 1/4	
51	4751600	6	Washer 3/8	
52	4752200	4	Washer 3/4	

# SECTION 3 - ENGINE

FIGURE 3-2. KUBOTA ENGINE/GENERATOR INSTALLATION - M3369/M4069 (WITH AGM BATTERY)



ART\_1001202685\_C\_20F2

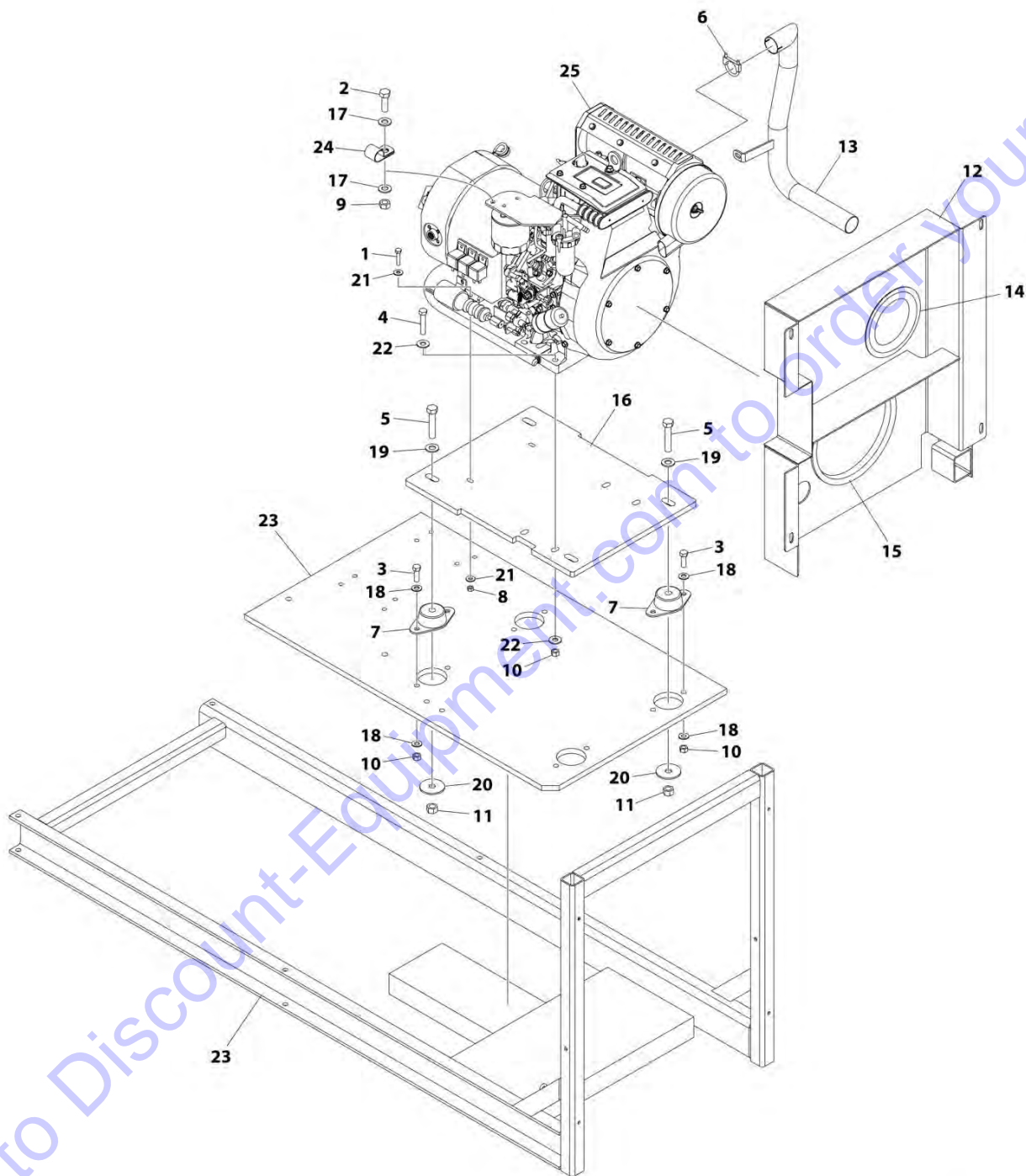
## SECTION 3 - ENGINE

**FIGURE 3-2. KUBOTA ENGINE/GENERATOR INSTALLATION - M3369/M4069 (WITH AGM BATTERY)**

ITEM	PART NUMBER	QTY	DESCRIPTION	REV
	1001202685	Ref	KUBOTA ENGINE/GENERATOR INSTALLATION - M3369/M4069 (WITH AGM BATTERY)	C
1	0100011	AR	Compound, Locking	
2	0100020	AR	Sealant, Pipe	
4	1001196117	1	Battery	
6	0641418	4	Bolt 1/4 x 2-14	
10	0641432	2	Bolt 3/8 x 4	
11	0641660	2	Bolt 3/8 x 7-1/2	
12	0902659	1	Bracket, Hold-Down	
13	1060820	1	Cable, Battery (Battery + to Starter)	
14	1060916	1	Cable, Battery (Generator – to Controller –)	
15	1060917	1	Cable, Battery (Lower Generator + to Contactor +)	
16	1060950	1	Cable, Battery (Battery – to Ground)	
17	1320022	5	Clamp	
19	1671010	1	Cover, Engine	
21	1001248084	1	Kubota Motor/Generator Assembly (See Separate Breakdown in this Section)	
22	2220805	1	Fitting, 90 NPT/Barbed	
27	2720271	10 ft /3m	Hose	
28	2820135	1	Insulation	
29	2820136	1	Insulation	
30	2820137	1	Insulation	
31	2820138	1	Insulation	
32	2820228	1	Insulation	
33	1001166302	1	Cover, Front (Includes PC Board)	
33	1001165794	1	Cover, Front (Less PC Board)	
33A	0610131	1	PC Board, LED Light	
34	2940137	1	Latch	
35	3300374	1	Nut	
36	3311405	4	Nut 1/4	
38	3311605	4	Nut 3/8	
39	3322202	5	Nut	
40	3760348	4	Ring, Retaining	
41	3841233	4	Rod, Roller	
42	3860059	4	Roller, Extension	
43	3900184	1	Screw #10 x 5/8	
44	3960389	2 ft /60cm	Seal	
45	3960418	2 ft /60cm	Seal	
46	4160189	1	Spring	
48	4711400	8	Washer 1/4	
51	4751600	6	Washer 3/8	
52	4752200	4	Washer 3/4	

# SECTION 3 - ENGINE

## FIGURE 3-3. KUBOTA MOTOR/GENERATOR ASSEMBLY



ART\_1001248084



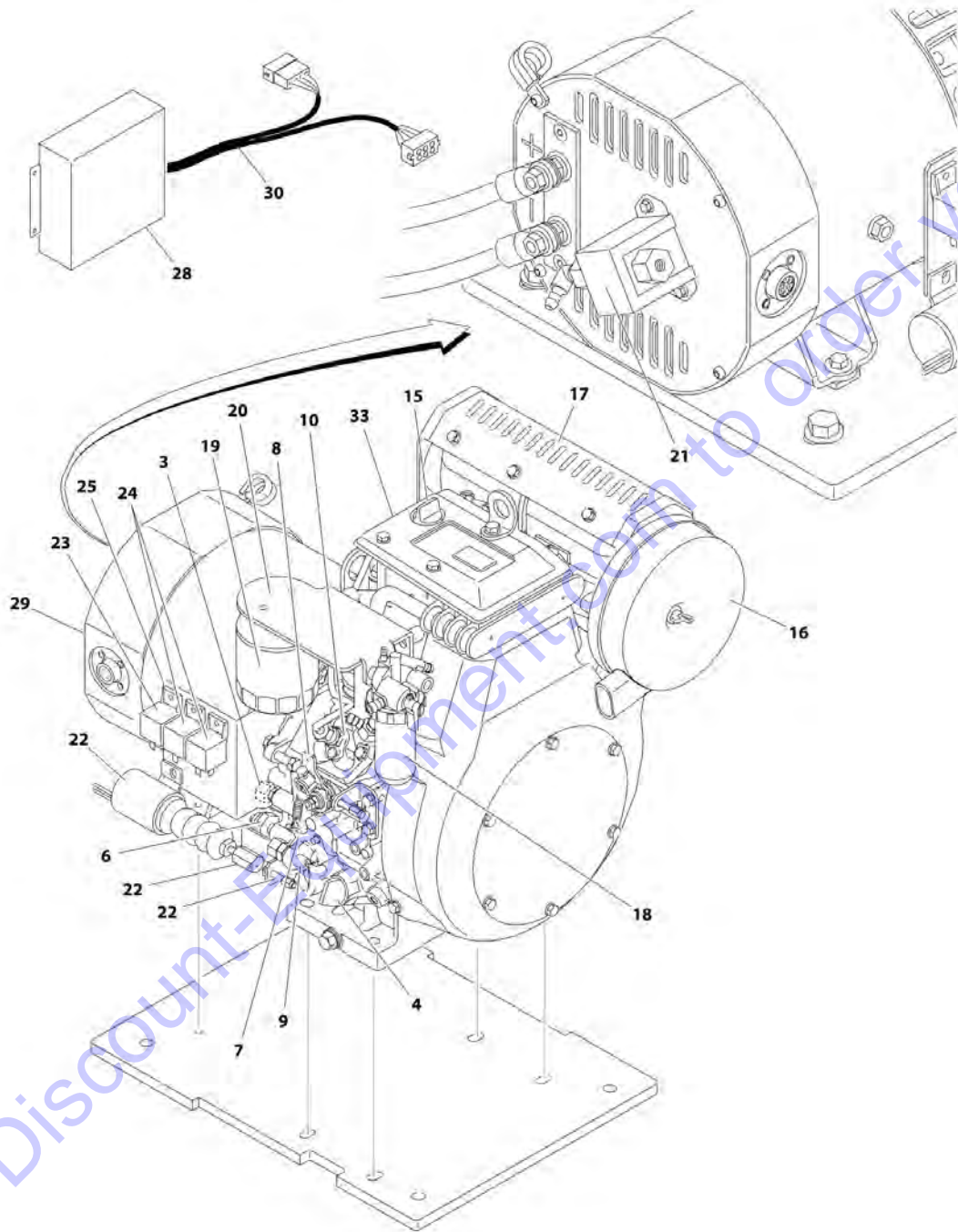
## SECTION 3 - ENGINE

**FIGURE 3-3. KUBOTA MOTOR/GENERATOR ASSEMBLY**

ITEM	PART NUMBER	QTY	DESCRIPTION	REV
	1001248084	Ref	KUBOTA MOTOR/GENERATOR ASSEMBLY	A
1	0641410	2	Bolt 1/4 x 1-1/4	
2	0641508	1	Bolt 5/16 x 1	
3	0641609	8	Bolt 3/8 x 1-1/8	
4	0641616	4	Bolt 3/8 x 2	
5	0641820	4	Bolt 1/2 x 2-1/2	
6	1320135	1	Clamp	
7	3200425	4	Mount Engine	
8	3311405	2	Nut 1/4	
9	3311505	1	Nut 5/16	
10	3311605	12	Nut 3/8	
11	3311805	4	Nut 1/2	
12	3380609	1	Plate, Baffle	
13	3460475	1	Pipe, Exhaust	
14	3960389	20 in/ 150cm	Seal	
15	3960418	28 in/ 170cm	Seal	
16	4341095	1	Plate, Mounting	
17	4711500	2	Washer 5/16	
18	4711600	16	Washer 3/8	
19	4711800	4	Washer 1/2	
20	4740274	4	Washer	
21	4751400	4	Washer 1/4	
22	4751600	8	Washer 3/8	
23	4846317	1	Tray	
24	8406101	1	Clip	
25	1001248083	1	Engine, Kubota (See Separate Breakdown in this Section)	

# SECTION 3 - ENGINE

## FIGURE 3-4. KUBOTA MOTOR/GENERATOR COMPONENTS



ART 1001248083

## SECTION 3 - ENGINE

**FIGURE 3-4. KUBOTA MOTOR/GENERATOR COMPONENTS**

ITEM	PART NUMBER	QTY	DESCRIPTION	REV
	1001248083	Ref	KUBOTA MOTOR/GENERATOR COMPONENTS	C
1	70000290	1	Glow Plug (Not Shown)	
1	70000291	1	Harness, Glow Plug (Not Shown)	
2	70000292	1	Screen, Oil Sump (Includes O-Ring)	
3	70000293	1	Cap, Oil Filler (Includes O-Ring)	
4	70000294	1	Dipstick	
5	70000295	1	Pump, Oil Rotor (Not Shown - Located beside Item 6)	
5	70000296	1	O-Ring Oil Rotor Pump (Not Shown)	
6	70000297	1	Switch, Oil	
7	70000298	1	Lever, Governor	
7	70000299	1	Pin, Governor Lever	
7	70000300	1	Spring, Governor Lever	
8	70000301	1	Spring, Idling	
8	70000304	1	Lever, Spring Control	
8	70000305	1	Spring, Stop (Speed Control Lever)	
9	70000302	1	Valve, Fuel Limit (Not Shown)	
9	70000303	1	Gasket, Fuel Limit (Not Shown)	
10	70000306	1	Pump, Injection	
10	70000307	1	Kit, Pump Adjustment Shim	
11	70000308	1	Flywheel/Ring Gear Assembly (Not Shown - Located Behind Front Cover)	
11	70000309	1	Ring Gear (Not Shown)	
11	70001121	1	Stator, Engine (Not Shown - Located Behind Flywheel) (Includes Coil and Grommet)	
12	70003557	1	Regulator, Voltage (Not Shown - Located on Opposite Side of Engine)	
13	70000310	1	Starter (Not Shown - Located on Opposite of Engine)	
14	70000311	1	Solenoid, Starter (Not Shown - Located on Opposite Side of Engine)	
15	70002244	1	Cap, Oil Filler (Includes O-Ring)	
16	70000312	1	Air Filter Assembly	
16	70000313	1	Element, Air Cleaner	
16	70000314	1	Gasket, Air Cleaner	
17	70000315	1	Muffler Assembly	
17	70000316	1	Gasket, Muffler	
18	70000317	1	Inline Fuel Check Valve Assembly	
18	70000967	1	Fuel Filter Assembly	
18	70000318	1	Element, Fuel Filter	
19	70000319	1	Element, Oil Filter	
19	70001144	1	Head, Oil Filter Head (Note: Does Not Include Element)	
20	70002545	1	Bracket, Oil Filter Mount	
21	70000320	1	Pump, Fuel	
22	70000321	1	Solenoid, Fuel	
22	70003618	1	Adapter, Solenoid	
22	70003619	1	Screw	
23	70000322	1	Relay	
24	70000323	2	Relay	
25	70002083	1	Bracket, Solenoid/Relay	
26	70000324	1	Sensor, Speed (Not Shown - Located Inside Front Cover)	
26	70004265	1	Bracket, Speed Sensor (Not Show - Located Inside Front Cover)	



### SECTION 3 - ENGINE

ITEM	PART NUMBER	QTY	DESCRIPTION	REV
27	70000325	1	Sensor, Oil Temperature (Not Shown - Located on Opposite Side of Engine Base)	
28	70000326	1	Module, Engine Control	
29	70000327	1	Alternator	
29	70000382	1	Stator, Alternator	
29	70004394	1	Lead, Field Terminal Block Diode	
30	70000328	1	Harness, Generator	
31	70000329	1	Fuse 15Amp (Not Shown)	
32	70000330	1	Fuse 20Amp (Not Shown)	
33	70002543	1	Engine, Kubota (Without Generator)	
34	70000289	1	Regulator, Voltage (Not Shown - Located on Opposite Side of Engine)	

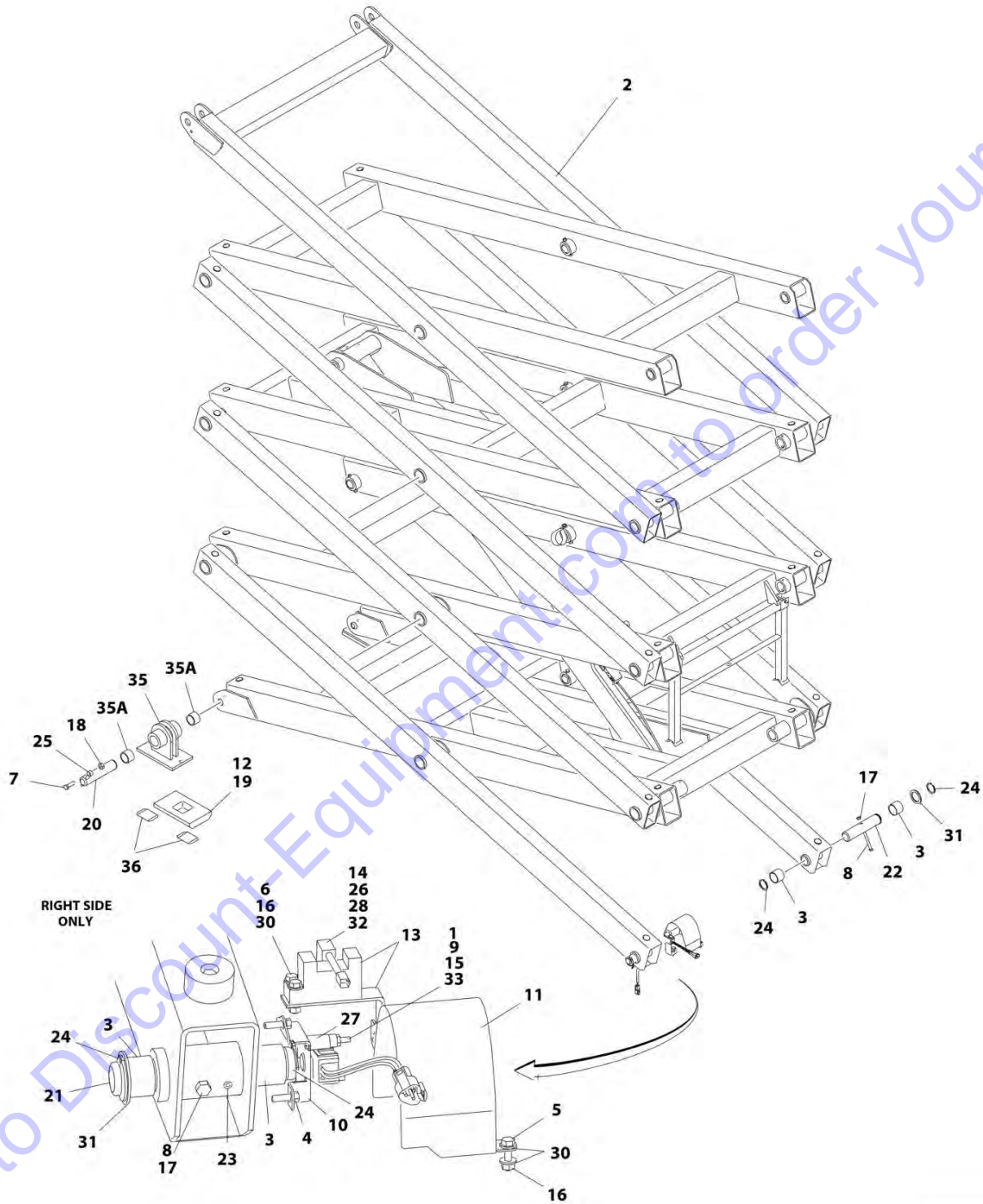
Go to Discount-Equipment.com to order your parts

**SECTION 4 - SCISSORS ARMS**

Go to Discount-Equipment.com to order your parts

# SECTION 4 - SCISSORS ARMS

FIGURE 4-1. SCISSORS ARMS INSTALLATION WITH LSS - 3369LE/M3369



ART\_0275552

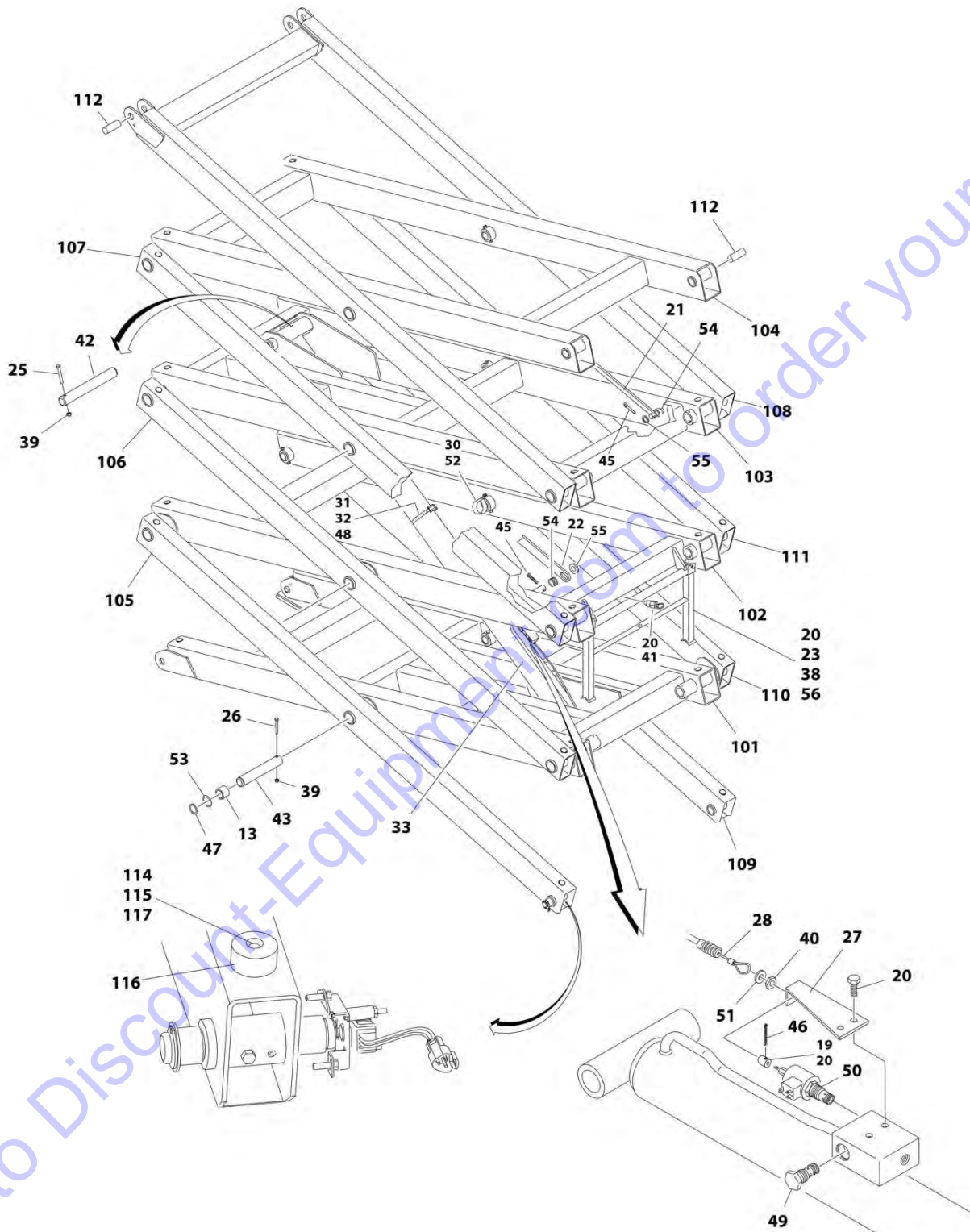
## SECTION 4 - SCISSORS ARMS

**FIGURE 4-1. SCISSORS ARMS INSTALLATION WITH LSS - 3369LE/M3369**

ITEM	PART NUMBER	QTY	DESCRIPTION	REV
	0275552	Ref	SCISSORS ARMS INSTALLATION WITH LSS - 3369LE/M3369	H
1	0100035	AR	Compound, Locking	
2	0275525	1	Scissors Arms Assembly (See Separate Breakdown in this Section)	
3	0440234	4	Bushing	
4	0791406	3	Screw 1/4 x 3/4	
5	0641408	2	Bolt 1/4 x 1	
6	0641410	2	Bolt 1/4 x 1-1/4	
7	0641610	2	Bolt 3/8 x 1-1/4	
8	0681520	2	Bolt 5/16 x 2-1/2 Grade 8	
9	0721014	2	Screw #10 x 1-3/4	
9	0731012	2	Screw #10 x 1-1/2	
10	0902713	1	Bracket, Limit Switch	
11	1670965	1	Cover, Limit Switch	
13	3200453	1	Block, Mounting	
13	0903273	1	Bracket, Switch	
14	3300455	2	Nut #10	
15	3311001	2	Nut #10	
15	3321001	2	Nut #10	
16	3311405	4	Nut 1/4	
17	3311505	2	Nut 5/16	
18	3311605	2	Nut 3/8	
19	3340856	2	Pad, Slide	
20	3422822	2	Pin	
21	3422905	1	Pin	
22	3422907	1	Pin	
23	3422927	1	Rollpin	
24	3760387	4	Ring, Retaining	
25	3841143	2	Keeper, Pin	
26	3900325	2	Screw #10 x 1/2	
27	4360500	1	Switch, Rotary Angle Sensor	
27	77363243	1	Receptacle, Female - 3 Position	
27	4460464	3	Pin, Male	
28	4360502	1	Switch, Proximity Sensor	
28	4460897	1	Connector, Female - 2 Position	
28	4460464	2	Pin, Male	
29	1271441	1	Channel, Arm Retainer (Not Shown)	
30	4711400	8	Washer 1/4	
31	4740438	2	Washer	
32	4740506	2	Washer	
33	4751000	4	Washer #10	
34	4922543	1	Harness, Lift Down (Lower) (Not Shown - See Separate Breakdown in ELECTRICAL SECTION)	
35	1001099550	2	Slider (Bottom)	
35A	0440234	4	Bushing (2 Per Assembly)	
36	1001125245	1	Decal Kit - Calibration (Includes 2 Decals)	

# SECTION 4 - SCISSORS ARMS

FIGURE 4-2. SCISSORS ARMS ASSEMBLY WITH LSS - 3369LE/M3369



ART\_0275525\_G\_10F2

## SECTION 4 - SCISSORS ARMS

**FIGURE 4-2. SCISSORS ARMS ASSEMBLY WITH LSS - 3369LE/M3369**

ITEM	PART NUMBER	QTY	DESCRIPTION	REV
	0275525	Ref	SCISSORS ARMS ASSEMBLY WITH LSS - 3369LE/M3369	G
19	0080228	1	Adapter, Cable	
20	0100011	AR	Compound, Locking	
21	0362840	1	Bar, Cable Carrier	
22	0362841	1	Bar, Cable Carrier	
23	0641418	2	Bolt 1/4 x 2-1/4	
24	0641506	2	Bolt 5/16 x 3/4	
25	0681622	2	Bolt 3/8 x 2-3/4 Grade 8	
26	0681624	20	Bolt 3/8 x 3 Grade 8	
27	0902421	1	Bracket, Cable	
28	1060846	1	Cable, Manual Descent	
29	1060866	1	Cable, Electrical - 12/3 (Not Shown)	
30	1320110	1	Clamp, Support	
31	1320122	1	Clamp	
32	1670995	1	Cover, Hose/Cable	
33	1684119	1	Lift Cylinder Assembly (See Separate Breakdown in CYLINDER SECTION)	
38	3300151	2	Nut 1/4	
39	3311605	22	Nut 3/8	
40	3321402	2	Nut 1/4	
41	3422369	1	Pin, Plunger	
42	3422778	2	Pin, Pivot	
43	3422825	16	Pin, Pivot	
44	3422826	4	Pin, Pivot	
45	3450304	4	Pin, Cotter 3/32 x 1	
46	3450405	1	Pin, Cotter	
47	3760420	20	Ring, Retaining	
48	4280295	6 in/15cm	Strip, Protective	
49	4641002	1	Cartridge, Check/Restrictor Valve	
49	7012953	1	Seal Kit - 4641002 Valve	
50	4641172	1	Cartridge, Solenoid Valve	
50	7017445	1	Cartridge, Valve Less Coil	
50	7012967	1	Seal Kit - 7017445 Valve	
50	7012943	1	Coil	
51	4711400	1	Washer 1/4	
52	4711600	1	Washer 3/8	
53	4740332	20	Washer, Special	
54	4740480	4	Washer, Plastic Insert	
55	4751500	4	Washer 5/16	
56	4846020	1	Prop, Safety	
57	4922477	1	Platform Harness (Not Shown - See Separate Breakdown in ELECTRICAL SECTION)	
58	4922544	1	Lift Down Harness (Upper) (Not Shown - See Separate Breakdown in ELECTRICAL SECTION)	
59	4922903	1	Load Sense Harness (Not Shown - See Separate Breakdown in Platform Section)	
100	2902253	1	Arm Kit (Includes Items 101-117)	D
101	0200654	1	Arm Weldment (Bottom Inboard)	
102	0200655	1	Arm Weldment (Lower Mid Inboard)	
103	0200656	1	Arm Weldment (Upper Mid Inboard)	

## SECTION 4 - SCISSORS ARMS

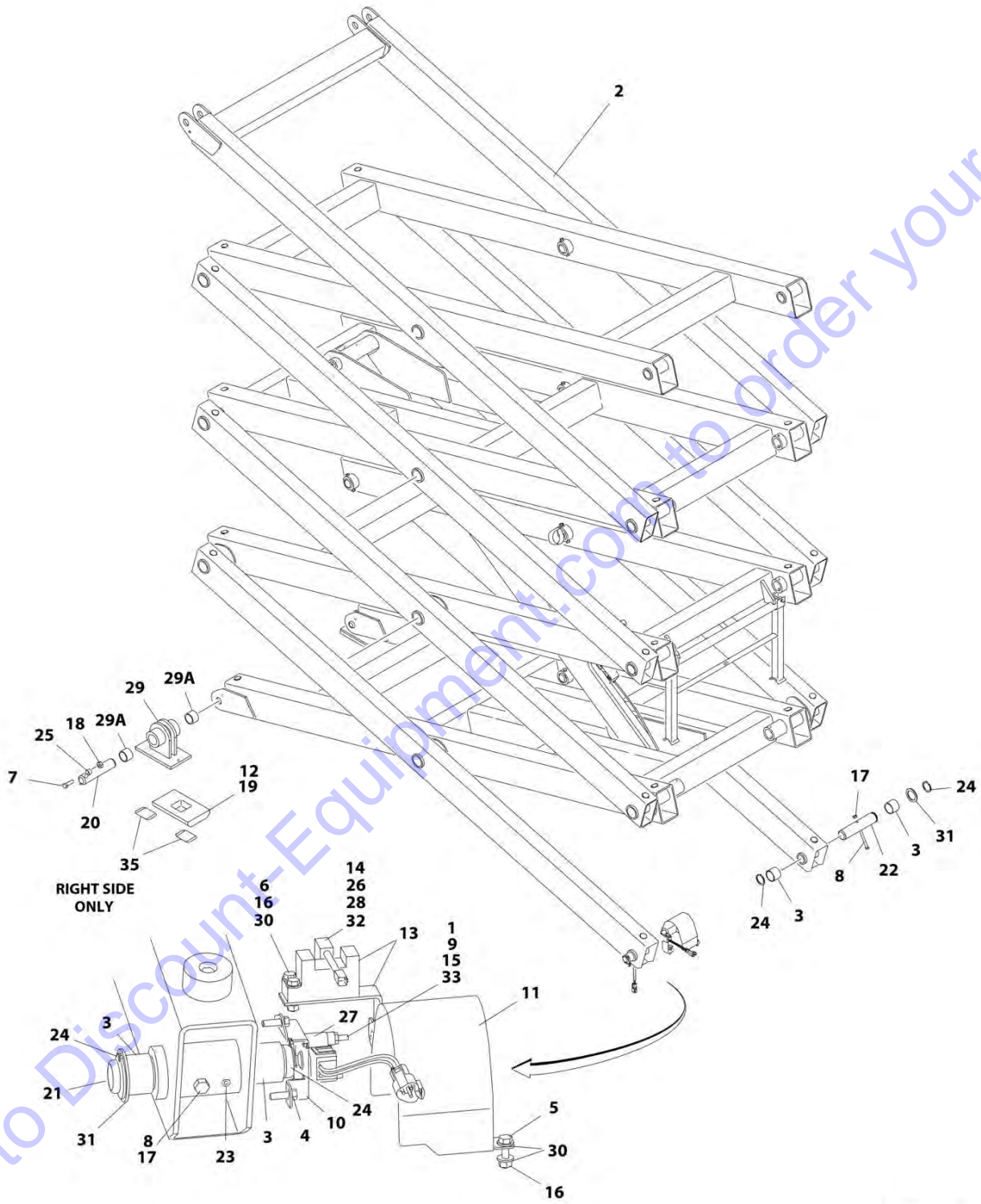
ITEM	PART NUMBER	QTY	DESCRIPTION	REV
104	0200724	1	Arm Weldment (Top Inboard)	
105	0200658	1	Arm Weldment (Bottom Left Side Outboard)	
106	0200659	1	Arm Weldment (Lower Mid Left Side Outboard)	
107	0200660	1	Arm Weldment (Upper Mid Left Side Outboard)	
108	0200725	1	Arm Weldment (Top Outboard)	
109	0200667	1	Arm Weldment (Bottom Right Side Outboard)	
110	0200668	1	Arm Weldment (Lower Mid Right Side Outboard)	
111	0200669	1	Arm Weldment (Upper Mid Right Side Outboard)	
112	0440250	4	Bushing	
113	0440236	40	Bushing	
114	0641510	24	Bolt 5/16 x 1-1/4	
115	3311505	24	Nut 5/16	
116	3340866	24	Pad, Arm	
117	4711500	24	Washer 5/16	

Go to Discount-Equipment.com to order your parts



# SECTION 4 - SCISSORS ARMS

## FIGURE 4-3. SCISSORS ARMS INSTALLATION WITH LSS - 4069LE/M4069



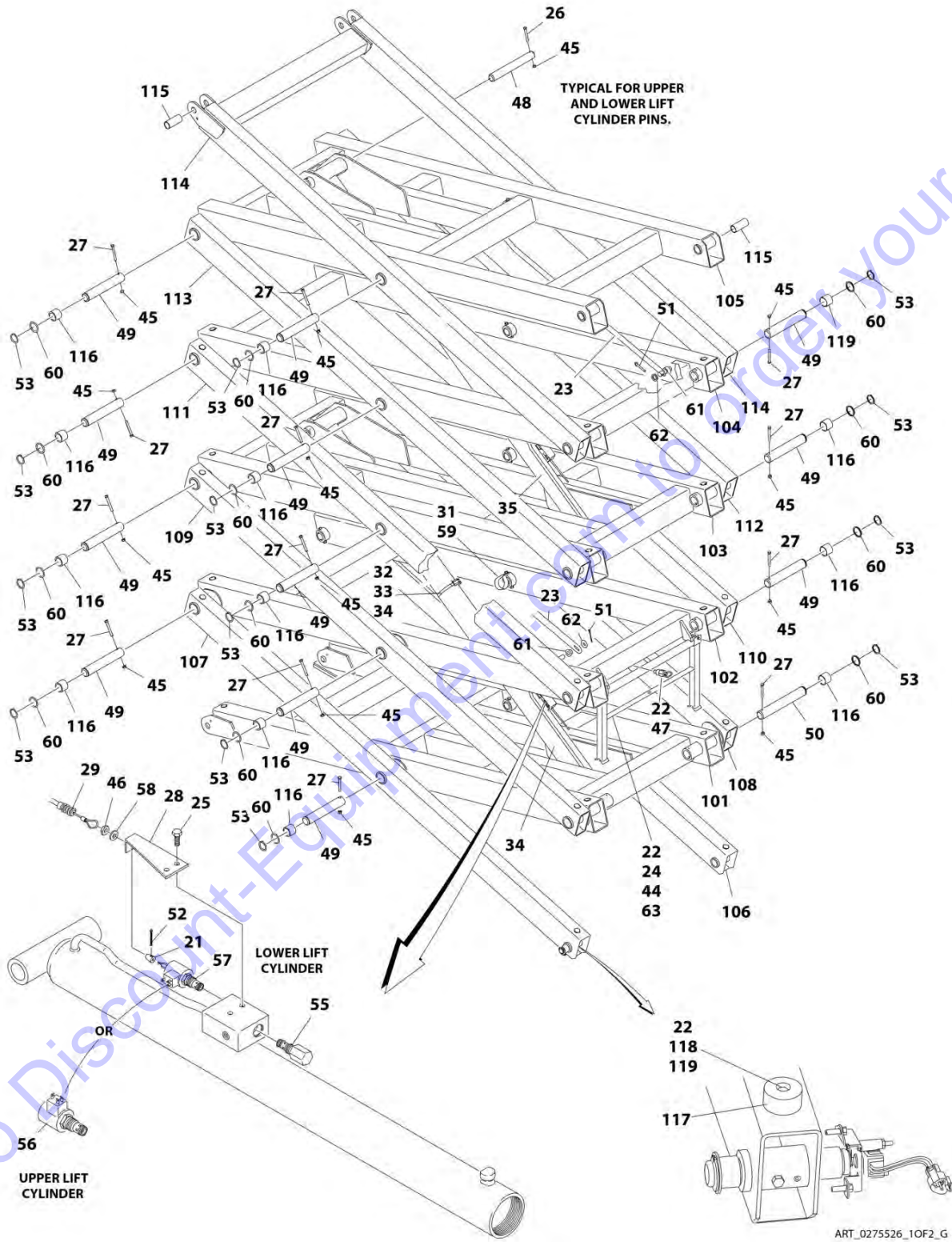
## SECTION 4 - SCISSORS ARMS

**FIGURE 4-3. SCISSORS ARMS INSTALLATION WITH LSS - 4069LE/M4069**

ITEM	PART NUMBER	QTY	DESCRIPTION	REV
	0275553	Ref	SCISSORS ARMS INSTALLATION WITH LSS - 4069LE/M4069	H
1	0100035	AR	Compound, Locking	
2	0275526	1	Scissors Arms Assembly (See Separate Breakdown in this Section)	
3	0440234	4	Bushing	
4	0791406	3	Screw 1/4 x 3/4	
5	0641408	2	Bolt 1/4 x 1	
6	0641410	2	Bolt 1/4 x 1-1/4	
7	0641610	2	Bolt 3/8 x 1-1/4	
8	0681520	2	Bolt 5/16 x 2-1/2 Grade 8	
9	0721014	2	Screw #10 x 1-3/4	
9	0731012	2	Screw #10 x 1-1/2	
10	0902713	1	Bracket, Limit Switch	
11	1670965	1	Cover, Limit Switch	
12	3020022	AR	Lubricant	
13	3200453	1	Block	
13	0903273	1	Bracket	
14	3300455	2	Nut #10	
15	3311001	2	Nut #10	
15	3321001	2	Nut #10	
16	3311405	4	Nut 1/4	
17	3311505	2	Nut 5/16	
18	3311605	2	Nut 3/8	
19	3340856	2	Pad, Slide	
20	3422822	2	Pin, Pivot	
21	3422905	1	Pin, Pivot	
22	3422907	1	Pin, Pivot	
23	3422927	1	Rollpin	
24	3760387	4	Ring, Retaining	
25	3841143	2	Keeper, Pin	
26	3900325	2	Screw #10	
27	4360500	1	Switch, Rotary Angle Sensor	
27	77363243	1	Receptacle, Female - 3 Position	
27	4460464	3	Pin, Male	
28	4360502	1	Switch, Proximity Sensor	
28	4460897	1	Receptacle, Female - 2 Position	
28	4460464	2	Pin, Male	
29	1001099550	2	Slider	
29A	0440234	4	Bushing	
30	4711400	8	Washer 1/4	
31	4740438	2	Washer	
32	4740506	2	Washer #10	
33	4751000	8	Washer #10	
34	4922543	1	Harness, Lift Down (Lower) (Not Shown - See Separate Breakdown in ELECTRICAL SECTION)	
35	1001125244	1	Decal Kit - Calibration (Includes 2 Decals)	

# SECTION 4 - SCISSORS ARMS

## FIGURE 4-4. SCISSORS ARMS ASSEMBLY WITH LSS - 4069LE/M4069



## SECTION 4 - SCISSORS ARMS

**FIGURE 4-4. SCISSORS ARMS ASSEMBLY WITH LSS - 4069LE/M4069**

ITEM	PART NUMBER	QTY	DESCRIPTION	REV
	0275526	Ref	SCISSORS ARMS ASSEMBLY WITH LSS	G
21	0080228	1	Adpater, Cable	
22	0100011	AR	Compound, Locking	
23	0362841	2	Bar, Cable Carrier	
24	0641418	2	Bolt 1/4 x 2-1/4	
25	0641506	2	Bolt 5/16 x 3/4	
26	0681622	4	Bolt 3/8 x 2-3/4 Grade 8	
27	0681624	26	Bolt 3/8 x 3 Grade 8	
28	0902421	1	Bracket, Cable Mounting	
29	1060846	1	Cable, Manual Descent	
30	1060867	1	Cable, Electrical -12/3 (Not Shown)	
31	1320110	1	Clamp, Support	
32	1320122	1	Clamp	
33	1670995	1	Cover, Hose/Cable	
34	1684120	1	Lift Cylinder Assembly - Lower (See Separate Breakdown in CYLINDER SECTION)	
35	1684121	1	Lift Cylinder Assembly - Upper (See Separate Breakdown in CYLINDER SECTION)	
44	3300151	2	Nut 1/4	
45	3311605	30	Nut 3/8	
46	3321402	2	Nut 1/4	
47	3422369	1	Pin, Plunger	
48	3422778	4	Pin, Pivot	
49	3422825	24	Pin, Pivot	
50	3422826	2	Pin, Pivot	
51	3450304	4	Pin, Cotter 3/32 x 1	
52	3450405	1	Pin, Cotter	
53	3760420	26	Ring, Retaining	
54	4280295	6 in/15cm	Strip, Protective	
55	4641118	2	Cartridge, Relief Valve (Lower and Upper Cylinders (1 Per Cylinder)	
55	7012998	2	Seal Kit - 4641118 Valve (1 Per Cartridge)	
56	4641168	1	Cartridge, Solenoid Valve with Coil (Upper Cylinder)	
56	7017467	1	Seal Kit - 4641168 Valve	
56	7012944	1	Coil	
57	4641172	1	Cartridge, Solenoid Valve with Coil (Lower Cylinder)	
57	7017445	1	Cartridge, Solenoid Valve Less Coil	
57	7012967	1	Seal Kit - 4641172 Valve	
57	7012943	1	Coil	
58	4711400	2	Washer 1/4	
59	4711600	1	Washer 3/8	
60	4740332	26	Washer	
61	4740480	4	Washer, Plastic Insert	
62	4751500	4	Washer 5/16	
63	4846020	1	Prop, Safety	
64	4922478	1	Platform Harness (Not Shown - See Separate Breakdown in ELECTRICAL SECTION)	
65	4922545	1	Lift Down Harness (Upper) (Not Shown - See Separate Breakdown in ELECTRICAL SECTION)	
66	4922903	1	Load Sense Harness (Not Shown - See Separate Breakdown in Platform Section)	

## SECTION 4 - SCISSORS ARMS

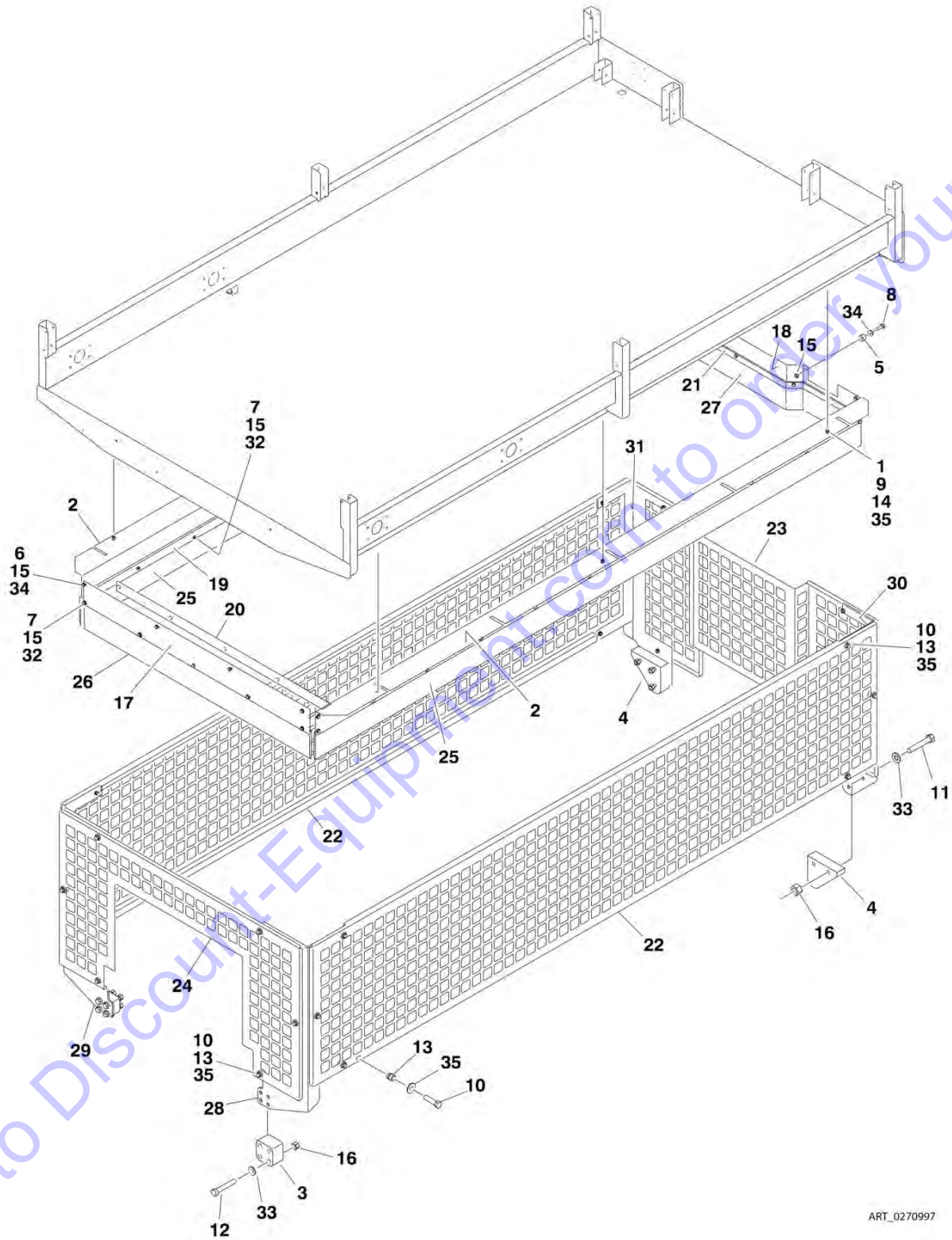
ITEM	PART NUMBER	QTY	DESCRIPTION	REV
100	2902254	1	Arm Kit (Includes Items 101-119)	C
101	0200683	1	Arm Weldment (Bottom Inboard)	
102	0200684	1	Arm Weldment (Lower Mid Inboard)	
103	0200685	1	Arm Weldment (Center Mid Inboard)	
104	0200686	1	Arm Weldment (Upper Mid Inboard)	
105	0200726	1	Arm Weldment (Top Inboard)	
106	0200688	1	Arm Weldment (Bottom Right Side Outboard)	
107	0200689	1	Arm Weldment (Bottom Left Side Outboard)	
108	0200690	1	Arm Weldment (Lower Mid Right Side Outboard)	
109	0200691	1	Arm Weldment (Lower Mid Left Side Outboard)	
110	0200692	1	Arm Weldment (Center Mid Right Side Outboard)	
111	0200693	1	Arm Weldment (Center Mid Left Side Outboard)	
112	0200694	1	Arm Weldment (Upper Mid Right Side Outboard)	
113	0200695	1	Arm Weldment (Upper Mid Left Side Outboard)	
114	0200727	1	Arm Weldment (Top Outboard)	
115	0440250	1	Bushing	
116	0440236	52	Bushing	
117	0940090	32	Bumper, Arm Spacer	
118	3311401	32	Nut 1/4	
119	4711500	32	Washer 5/16	

Go to Discount-Equipment.com to order your parts



# SECTION 4 - SCISSORS ARMS

## FIGURE 4-5. SCISSORS ARM GUARDS INSTALLATION (CE SPECS ONLY)



ART\_0270997

## SECTION 4 - SCISSORS ARMS

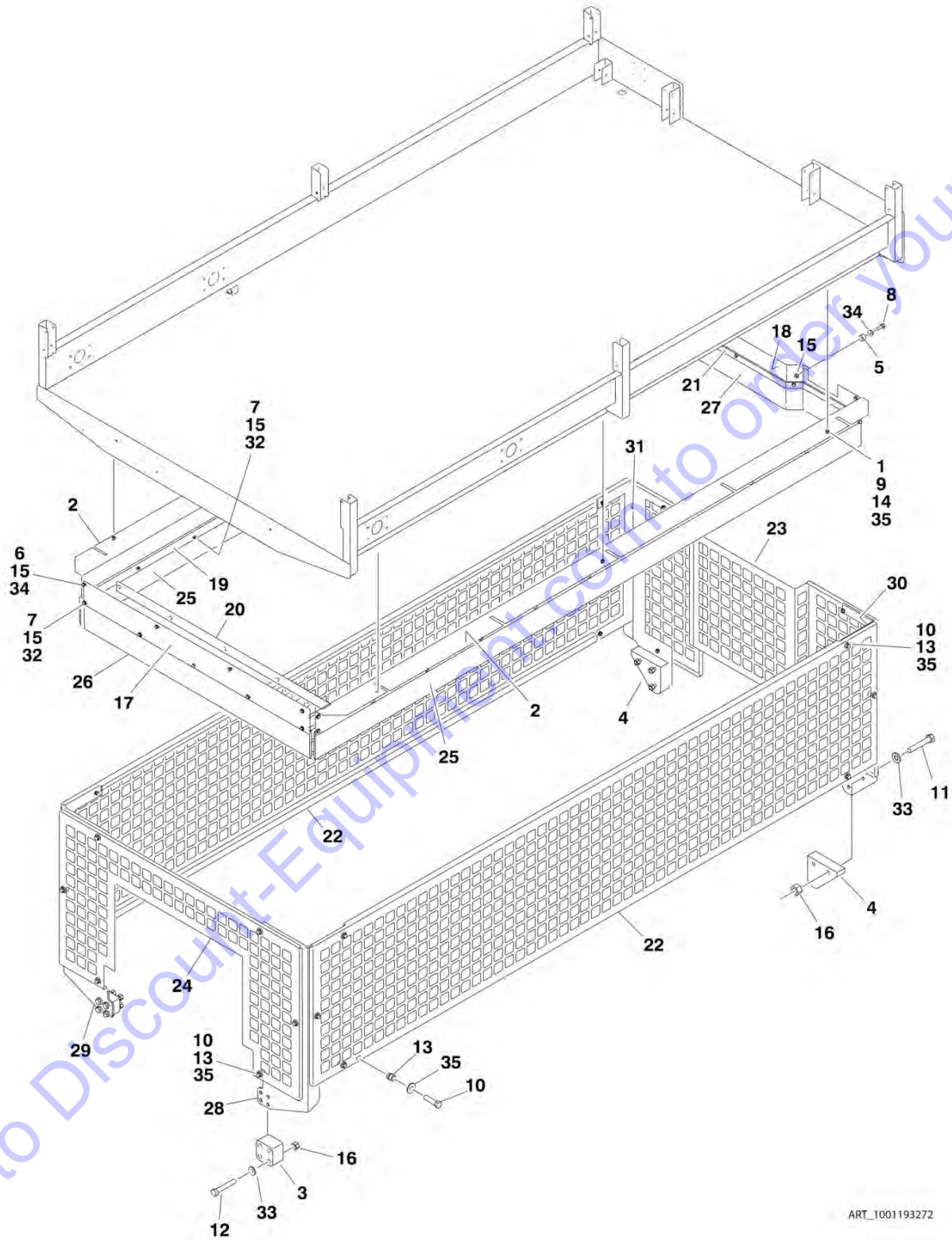
**FIGURE 4-5. SCISSORS ARM GUARDS INSTALLATION (CE SPECS ONLY)**

ITEM	PART NUMBER	QTY	DESCRIPTION	REV
	0270997	Ref	SCISSORS ARM GUARDS INSTALLATION	C
1	0100011	AR	Compound, Locking	
2	0182008	2	Angle	
3	0561410	2	Block, Spacer	
4	0561411	2	Block, Spacer	
5	0561415	4	Block, Spacer	
6	0641405	4	Bolt 1/4 x 5/8	
7	0641407	32	Bolt 1/4 x 7/8	
8	0641409	4	Bolt 1/4 x 1-1/8	
9	0641607	6	Bolt 3/8 x 7/8	
10	0641612	24	Bolt 3/8 x 1-1/2	
11	0641824	6	Bolt 1/2 x 3	
12	0641826	4	Bolt 1/2 x 3-1/4	
13	2080056	24	Fastener 3/8 x 5/16	
14	2080058	6	Fastener 3/8 x 5/32	
15	3311405	40	Nut 1/4	
16	3311805	10	Nut 1/2	
17	3572410	1	Plate	
18	3572411	1	Plate	
19	3572449	2	Plate, Backing	
20	3572450	1	Plate, Backing	
21	3572452	1	Plate, Backing	
22	4061013	2	Shield	
23	4061015	1	Shield	
24	4061022	1	Shield	
25	4280311	2	Strip, Rubber	
26	4280312	1	Strip, Rubber	
27	4280313	1	Strip, Rubber	
28	4340715	1	Support	
29	4340716	1	Support	
30	4340717	1	Support	
31	4340718	1	Support	
32	4711400	32	Washer 1/4	
33	4711800	10	Washer 1/2	
34	4751400	8	Washer 1/4	
35	4751600	30	Washer 3/8	
100	2902126	1	Kit, Support Arm Guard (Includes Items 28-31) (Not Shown)	
100	2902128	1	Kit, Arm Guard (Includes Items 2 & 17-24) (Not Shown)	



# SECTION 4 - SCISSORS ARMS

FIGURE 4-6. SCISSORS ARM GUARDS INSTALLATION – WITH TOW BAR (CE SPECS ONLY)



ART\_1001193272

## SECTION 4 - SCISSORS ARMS

**FIGURE 4-6. SCISSORS ARM GUARDS INSTALLATION – WITH TOW BAR (CE SPECS ONLY)**

ITEM	PART NUMBER	QTY	DESCRIPTION	REV
	1001193272	Ref	SCISSORS ARM GUARDS INSTALLATION – WITH TOW BAR	A
1	0100011	AR	Compound, Locking	
2	0182008	2	Angle	
3	1001193280	2	Block, Spacer	
4	0561411	2	Block, Spacer	
5	0561415	4	Block, Spacer	
6	0641405	4	Bolt 1/4-20 x 5/8	
7	0641407	32	Bolt 1/4-20 x 7/8	
8	0641409	4	Bolt 1/4-20 x 1-1/8	
9	0641607	6	Bolt 3/8-16 x 7/8	
10	0641612	24	Bolt 3/8-16 x 1-1/2	
11	0641824	6	Bolt 1/2-13 x 3	
13	2080056	24	Fastener 3/8-16 x 5/16	
14	2080058	6	Fastener 3/8-16 x 5/32	
15	3311405	40	Nut 1/4-20	
16	3311805	10	Nut 1/2-13	
17	3572410	1	Plate	
18	3572411	1	Plate	
19	3572449	2	Plate, Backing	
20	3572450	1	Plate, Backing	
21	3572452	1	Plate, Backing	
22	4061013	2	Shield	
23	4061015	1	Shield	
24	4061022	1	Shield	
25	4280311	2	Strip, Rubber	
26	4280312	1	Strip, Rubber	
27	4280313	1	Strip, Rubber	
28	1001193279	1	Support	
29	1001193298	1	Support	
30	4340717	1	Support	
31	4340718	1	Support	
32	4711400	32	Washer 1/4	
33	4711800	10	Washer 1/2	
34	4751400	8	Washer 1/4	
35	4751600	30	Washer 3/8	
36	1001195096	1	Kit, Support Arm Guard (Includes Items 28-31) (Not Shown)	
37	2902128	1	Kit, Arm Guard (Includes Items 2 & 17-24) (Not Shown)	
38	0641838	4	Bolt 1/2 x 4-3/4	

# PARTS FINDER

**Search Website  
by Part Number**



**Search Manual  
Library For Parts  
Manual & Lookup Part  
Numbers – Purchase  
or Request Quote**

**Can't Find Part or  
Manual? Request Help  
by Manufacturer,  
Model & Description**

Discount-Equipment.com is your online resource for quality parts & equipment.

Florida: **561-964-4949** Outside Florida TOLL FREE: **877-690-3101**

**Need parts?**

Click on this link: <http://www.discount-equipment.com/category/5443-parts/> and choose one of the options to help get the right parts and equipment you are looking for. Please have the machine model and serial number available in order to help us get you the correct parts. If you don't find the part on the website or on one of the online manuals, please fill out the request form and one of our experienced staff members will get back to you with a quote for the right part that your machine needs.

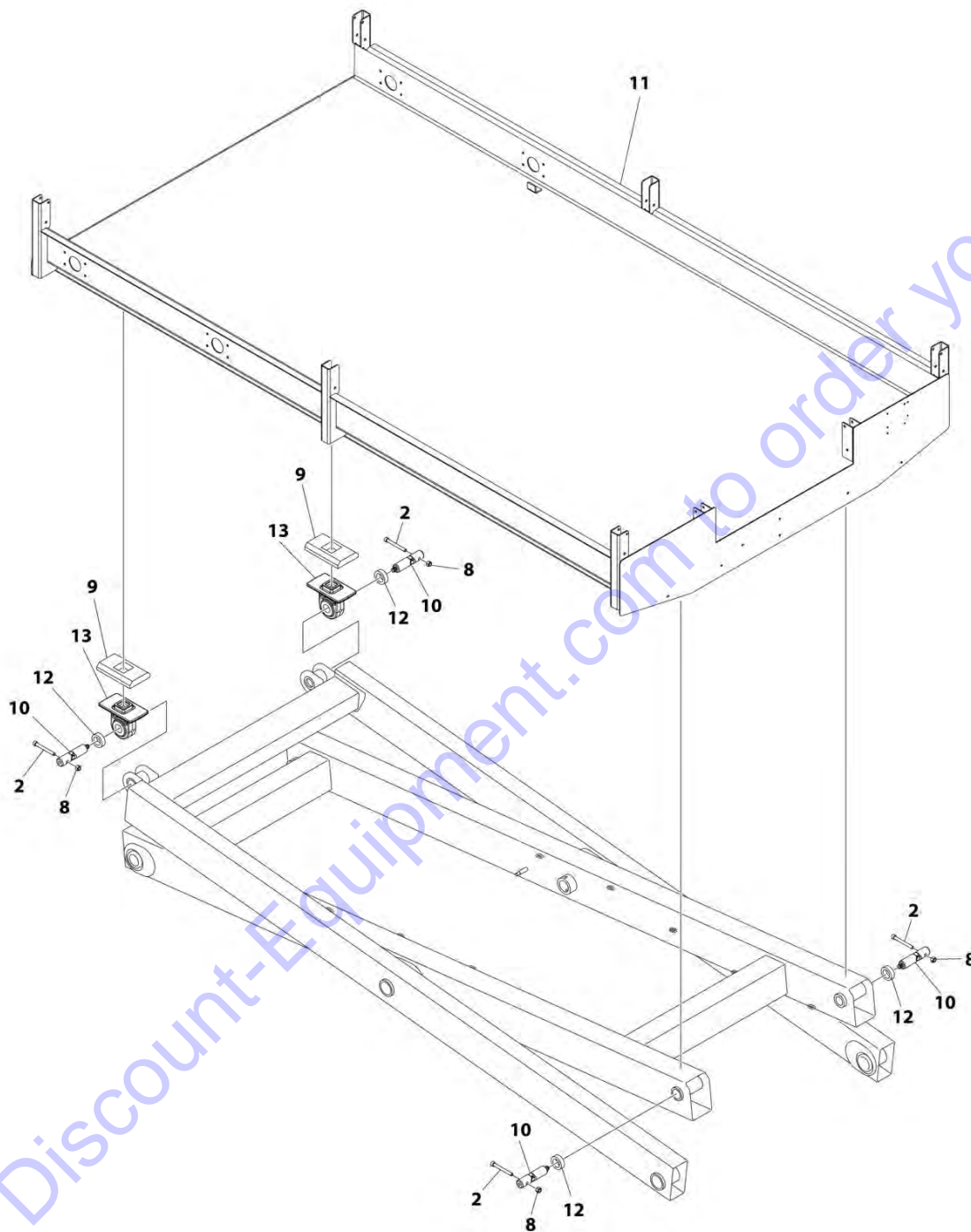
We sell worldwide for the brands: Genie, Terex, JLG, MultiQuip, Mikasa, Essick, Whiteman, Mayco, Toro Stone, Diamond Products, Generac Magnum, Airman, Haulotte, Barreto, Power Blanket, Nifty Lift, Atlas Copco, Chicago Pneumatic, Allmand, Miller Curber, Skyjack, Lull, Skytrak, Tsurumi, Husquvarna Target, Stow, Wacker, Sakai, Mi-T-M, Sullair, Basic, Dynapac, MBW, Weber, Bartell, Bennar Newman, Haulotte, Ditch Runner, Menegotti, Morrison, Contec, Buddy, Crown, Edco, Wyco, Bomag, Laymor, EZ Trench, Bil-Jax, F.S. Curtis, Gehl Pavers, Heli, Honda, ICS/PowerGrit, IHI, Partner, Imer, Clipper, MMD, Koshin, Rice, CH&E, General Equipment, Amida, Coleman, NAC, Gradall, Square Shooter, Kent, Stanley, Tamco, Toku, Hatz, Kohler, Robin, Wisconsin, Northrock, Oztec, Toker TK, Rol-Air, APT, Wylie, Ingersoll Rand / Doosan, Innovatech, Con X, Ammann, Mecalac, Makinex, Smith Surface Prep, Small Line, Wanco, Yanmar

**SECTION 5 - PLATFORM**

Go to Discount-Equipment.com to order your parts

# SECTION 5 - PLATFORM

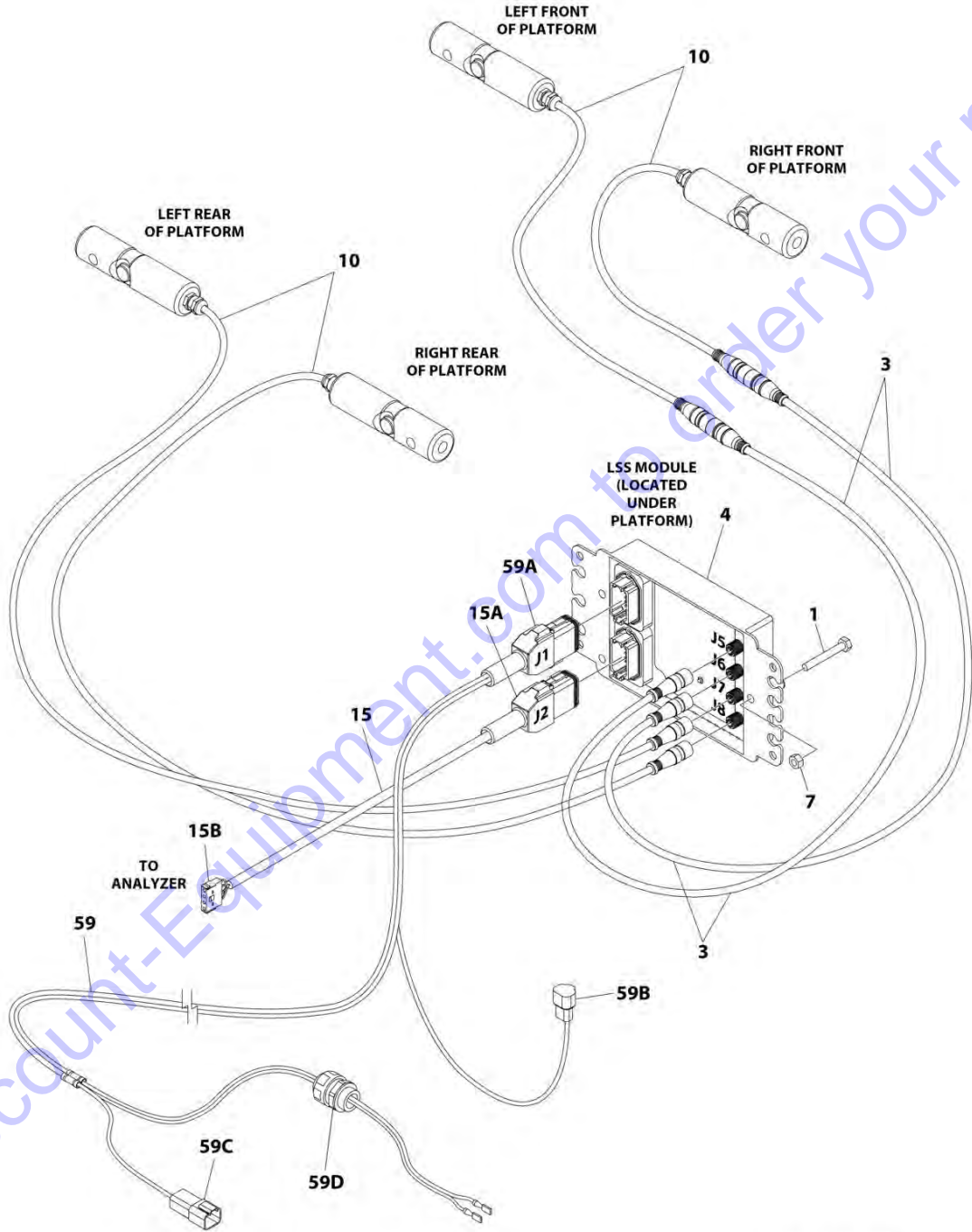
## FIGURE 5-1. PLATFORM INSTALLATION WITHOUT D-RINGS AND WITH LSS



ART\_0272930\_10F2



# SECTION 5 - PLATFORM



ART\_0272930\_20F2

## SECTION 5 - PLATFORM

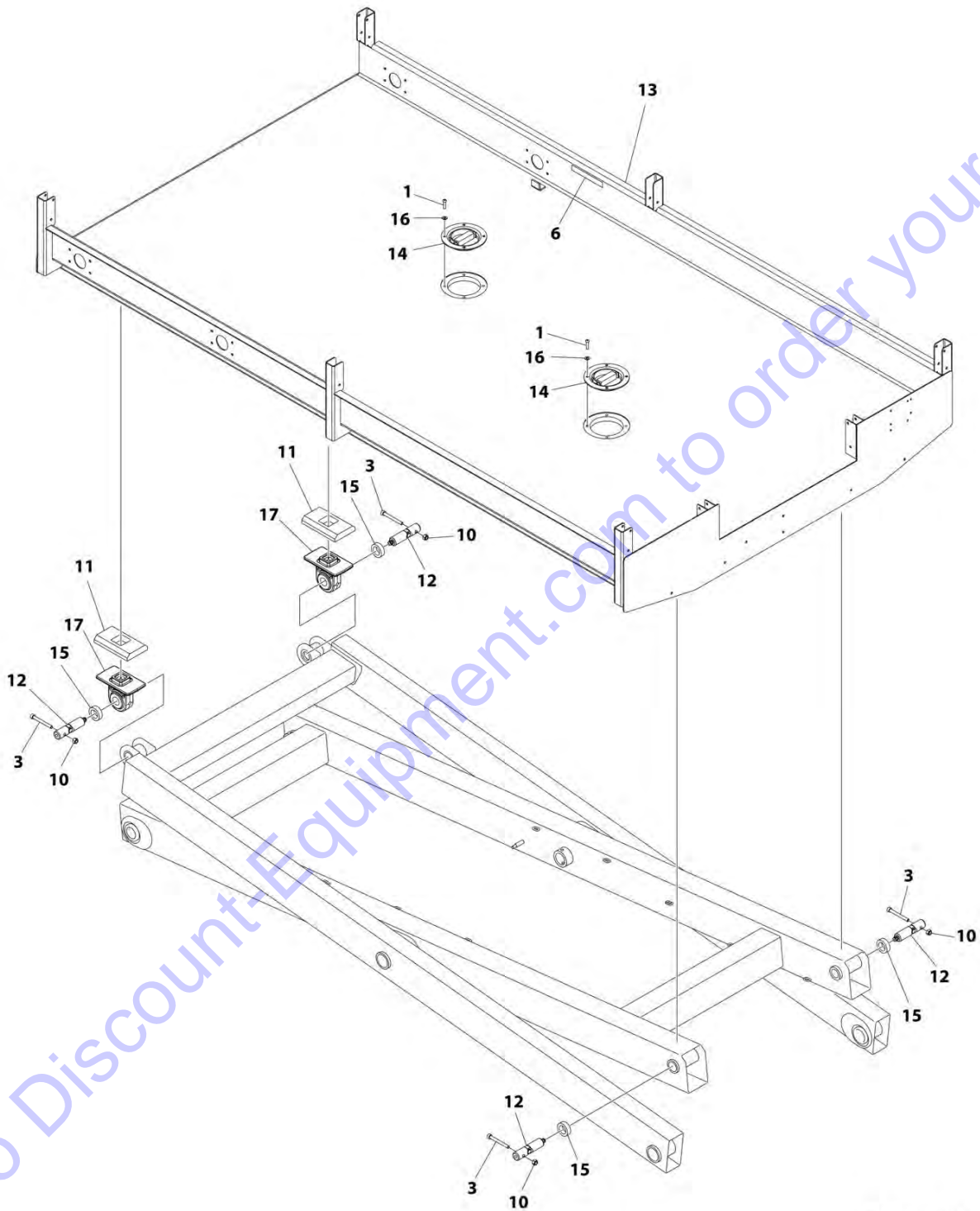
FIGURE 5-1. PLATFORM INSTALLATION WITHOUT D-RINGS AND WITH LSS

ITEM	PART NUMBER	QTY	DESCRIPTION	REV
	0272930	Ref	PLATFORM INSTALLATION WITHOUT D-RINGS AND WITH LSS	J
1	0641414	3	Bolt 1/4 x 1-3/4	
2	4032022	4	Capscrew M10 x 90	
3	1061020	2	Cable, Extension	
4	1600387	1	Module, Load Sense (Note: Re-Calibration Required when Replaced)	
5	2920026	2	Lamp, Indicator (Not Shown - Located on Platform and Ground Control Boxes)	
6	2920029	2	Lamp, Bulb (Not Shown - Located on Platform and Ground Control Boxes)	
7	3311405	3	Nut 1/4	
8	3291005	4	Nut M10	
9	3340856	2	Pad	
10	3422938	4	Pin, Load Management (Includes Harness)	
11	3510795	1	Platform	
12	4568295	4	Tube, Spacer	
13	1001099533	2	Slider	
15	4922904	1	Harness, LSS to Analyzer	B
15A	4460836	1	Plug, Male 12 Position	
15A	4460465	4	Socket, Female	
15A	4460466	8	Seal, Plug	
15A	0840055	1	Boot	
15B	4460761	1	Connector, Female 4 Position	
15B	4460294	4	Pin, Male	
59	4922903	1	Main Load Sensing Harness	E
59A	4460836	1	Plug, Male 12 Position	
59A	4460465	4	Socket, Female	
59A	4460466	8	Seal, Plug	
59A	0840055	1	Boot	
59B	4460897	2	Connector, Female 2 Position	
59A	4460464	2	Pin, Male	
59C	4460932	1	Connector, Female 4 Position	
59C	4460464	4	Pin, Male	
59D	4460049	1	Connector, Strain Relief	
59D	3300047	1	Nut	



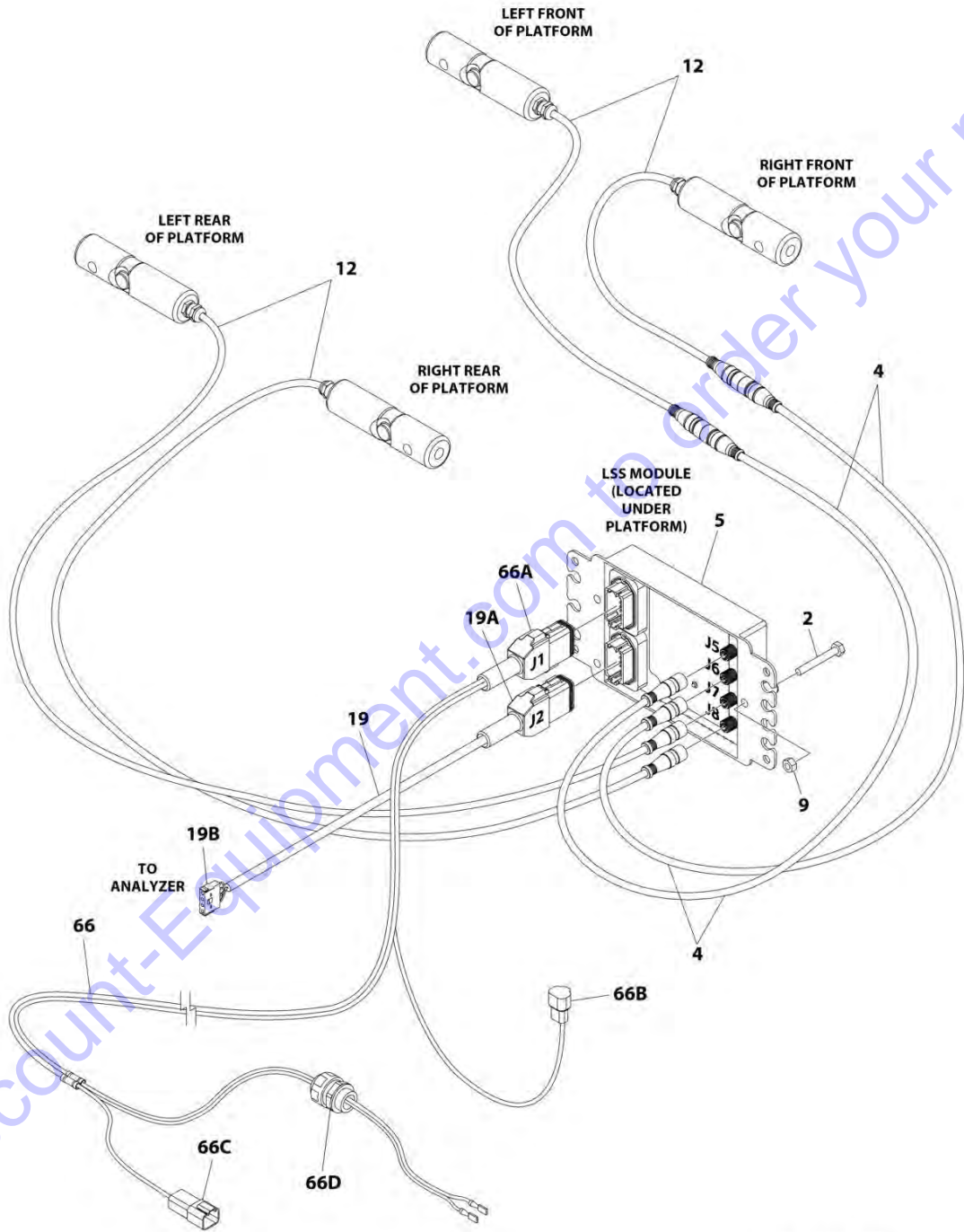
# SECTION 5 - PLATFORM

## FIGURE 5-2. PLATFORM INSTALLATION WITH D-RINGS AND WITH LSS



ART\_0272931\_10F2

# SECTION 5 - PLATFORM



ART\_0272931\_2OF2

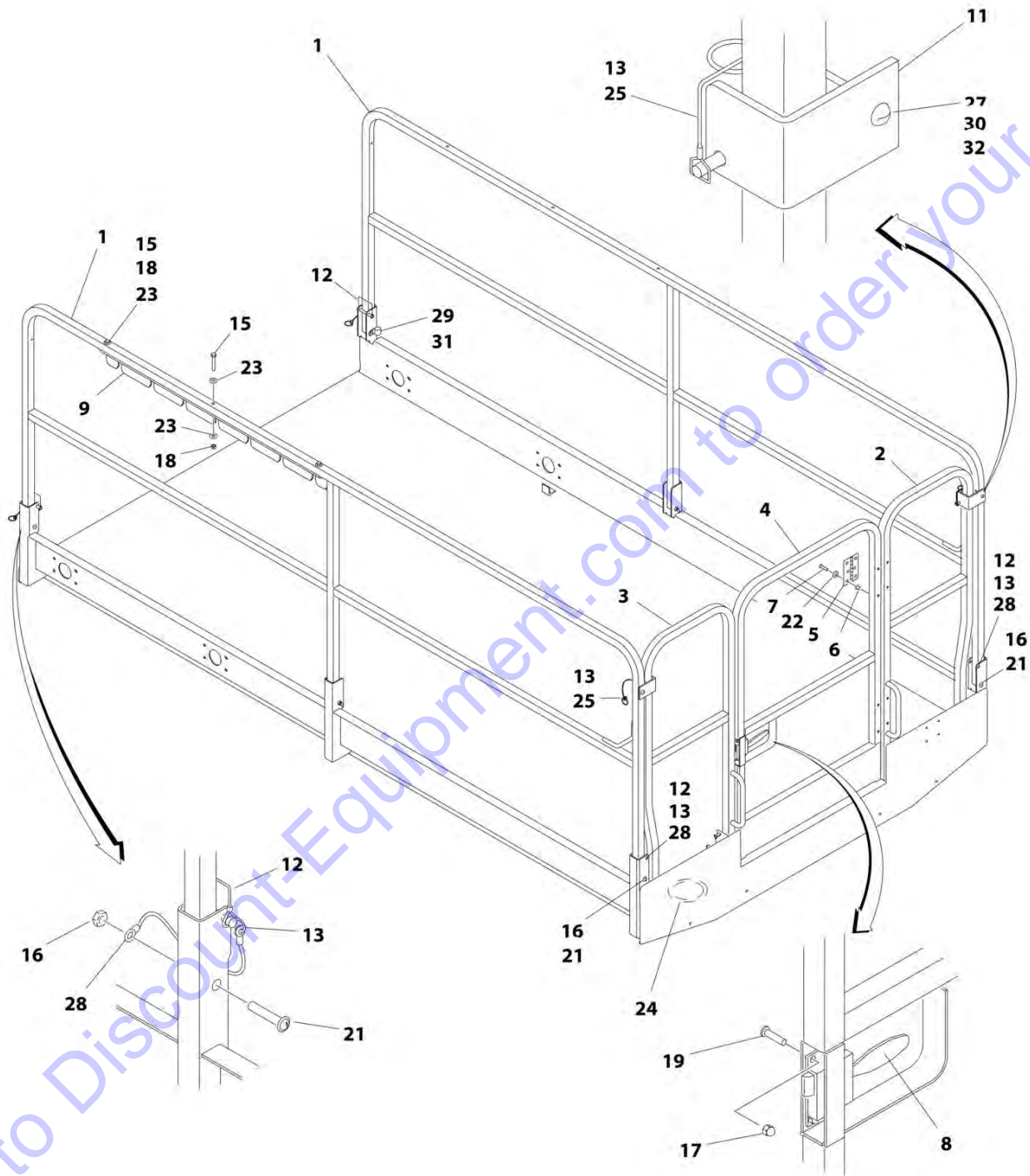
## SECTION 5 - PLATFORM

**FIGURE 5-2. PLATFORM INSTALLATION WITH D-RINGS AND WITH LSS**

ITEM	PART NUMBER	QTY	DESCRIPTION	REV
	0272931	Ref	PLATFORM INSTALLATION WITH D-RINGS AND WITH LSS	J
1	0630476	8	Screw 5/16 x 1-1/4	
2	0641414	3	Bolt 1/4 x 1-3/4	
3	4032022	4	Capscrew M10 x 90	
4	1061020	2	Cable, Extension	
5	1600387	1	Module, Load Sense (Note: Re-Calibration Required when Replaced)	
6	1703175	2	Decal - Lanyard	
7	2920026	2	Lamp, Indicator (Not Shown - Located on Platform and Ground Control Boxes)	
8	2920029	2	Lamp, Bulb (Not Shown - Located on Platform and Ground Control Boxes)	
9	3311405	3	Nut 1/4	
10	3291005	4	Nut M10	
11	3340856	2	Pad, Slide	
12	3422938	4	Pin, Load Management (Includes Harness)	
13	3510796	1	Platform with D-Rings	
14	3760321	2	D-Ring, Swivel	
15	4568295	4	Tube, Spacer	
16	4711500	8	Washer 5/16	
17	1001099533	2	Slider	
19	4922904	1	Harness, LSS to Analyzer	B
19A	4460836	1	Plug, Male 12 Position	
19A	4460465	4	Socket, Female	
19A	4460466	8	Seal, Plug	
19A	0840055	1	Boot	
19B	4460761	1	Connector, Female 4 Position	
19B	4460294	4	Pin, Male	
66	4922903	1	Main Load Sensing Harness	E
66A	4460836	1	Plug, Male 12 Position	
66A	4460465	4	Socket, Female	
66A	4460466	8	Seal, Plug	
66A	0840055	1	Boot	
66B	4460897	1	Connector, Female 2 Position	
66B	4460464	2	Pin, Male	
66C	4460932	1	Connector, Female 4 Position	
66C	4460464	4	Pin, Male	
66D	4460049	1	Connector, Strain Relief	
66D	3300047	1	Nut	

# SECTION 5 - PLATFORM

## FIGURE 5-3. HANDRAILS INSTALLATION WITH SELF-CLOSING GATE



ART\_0259568

## SECTION 5 - PLATFORM

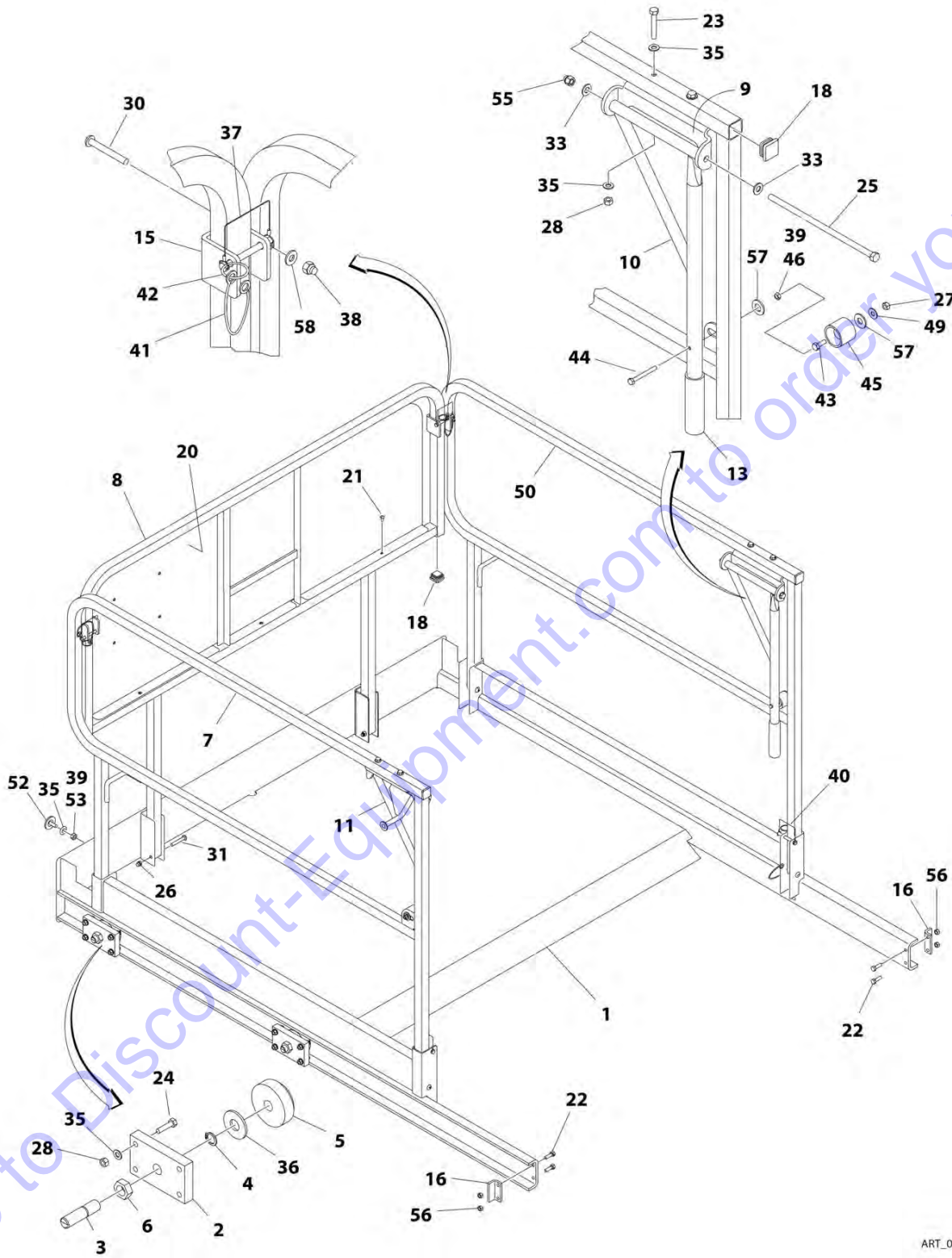
**FIGURE 5-3. HANDRAILS INSTALLATION WITH SELF-CLOSING GATE**

ITEM	PART NUMBER	QTY	DESCRIPTION	REV
	0259568	Ref	HANDRAILS INSTALLATION	J
1	4846123	2	Rail, Side	
2	4846125	1	Rail, Rear (Right Side)	
3	4846124	1	Rail, Rear (Left Side)	
4	4846122	1	Gate	
5	2600253	2	Hinge	
6	2080069	1	Fastener #10	
7	3900267	1	Capscrew	
8	2940074	1	Latch	
9	3571829	1	Plate, Latch	
11	0901870	2	Bracket	
12	3421565	4	Pin, Snap	
13	3760170	5	Ring, Split	
15	0641516	3	Bolt 5/16 x 2	
16	2080064	10	Nut 5/16	
17	3300432	4	Nut #10	
18	3311505	3	Nut 5/16	
19	3911010	4	Screw #10 x 5/8	
21	3900323	9	Screw 5/16 x 2	
22	4751000	1	Washer #10	
23	4751500	6	Washer 5/16	
24	2540020	1	Grommet	
25	3422219	2	Pin, Snap	
26	0100011	AR	Compound, Locking (Not Shown)	
27	2080063	8	Nut 1/4	
28	1060808	5	Lanyard	
29	3911536	1	Screw 5/16 x 2-1/4	
30	3900318	2	Screw 1/4 x 2	
31	1320061	1	Clamp	
32	4711400	14	Washer 1/4	



# SECTION 5 - PLATFORM

## FIGURE 5-4. 3FT PLATFORM EXTENSION W/RAILS



ART\_0259565

## SECTION 5 - PLATFORM

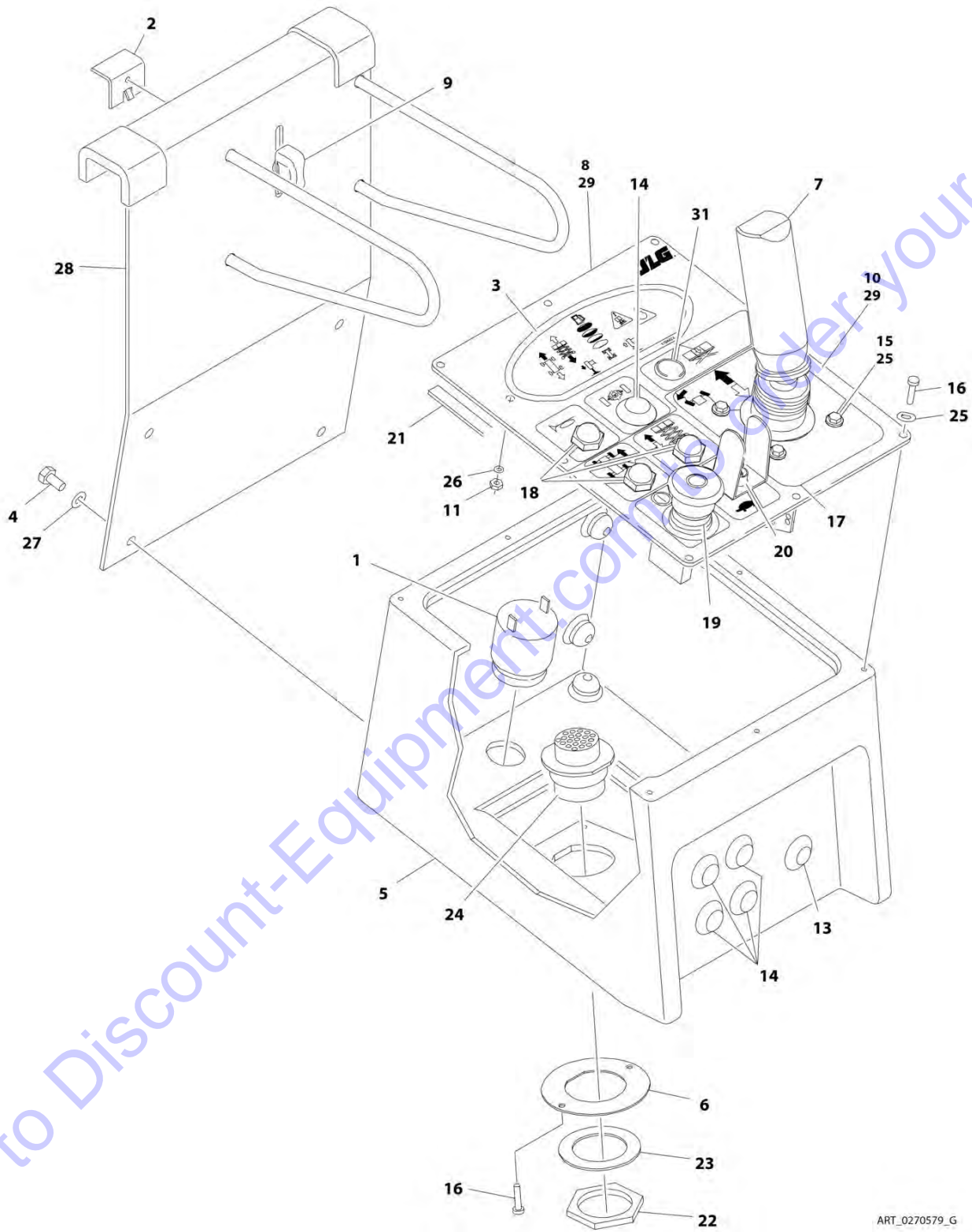
**FIGURE 5-4. 3FT PLATFORM EXTENSION W/RAILS**

ITEM	PART NUMBER	QTY	DESCRIPTION	REV
	0259565	Ref	3FT PLATFORM EXTENSION W/RAILS	M
1	4846117	1	Extension, Platform	
2	3537619	4	Mount, Roller	
3	3841233	4	Rod, Roller	
4	3760348	4	Ring, Retaining	
5	3860059	4	Roller, Extension	
6	3322202	4	Nut 3/4	
7	4846121	1	Rail, Side (Left Side)	
8	4846120	1	Rail, Front	
9	3537609	2	Plate, Pivot	
10	4846191	1	Handle (Right Side)	
11	4846181	1	Handle (Left Side)	
13	2560088	2	Grip, Handle	
15	0901870	2	Bracket	
16	0182035	2	Angle, Stop	
17	3020022	AR	Grease, Lithium (Not Shown)	
18	3520072	4	Cap-Plug	
20	3571862	1	Plate, Placard	
21	3820020	7	Rivet	
22	0681508	4	Bolt 5/16 x 1	
23	0641516	4	Bolt 5/16 x 2	
24	0641510	16	Bolt 5/16 x 1-1/4	
25	0641676	2	Bolt 3/8 x 9-1/2	
26	2080064	6	Nut 5/16	
27	3311405	2	Nut 1/4	
28	3311505	20	Nut 5/16	
30	3900318	2	Screw 1/4 x 2	
31	3900323	6	Screw 5/16 x 2	
33	4711600	4	Washer 3/8	
35	4711500	26	Washer 5/16	
36	4752200	4	Washer 3/4	
37	3422219	2	Pin, Snap	
38	2080063	2	Nut 1/4	
39	0100011	AR	Compound, Locking	
40	3421565	2	Pin, Snap	
41	1060808	4	Lanyard	
42	3760170	4	Ring, Split	
43	0641406	2	Bolt 1/4 x 3/4	
44	0700619	2	Screw M6 x 55	
45	2940127	2	Latch, Rubber	
46	3290601	2	Nut M6	
49	4751400	2	Washer 1/4	
50	4846256	1	Rail, Side (Right Side)	
52	0940090	2	Bumper	
53	3311401	2	Nut 1/4	
55	3300467	2	Nut 3/8	
56	3271505	1	Nut 5/16	
57	4751600	2	Washer 3/8	
58	4711400	2	Washer 1/4	



# SECTION 5 - PLATFORM

## FIGURE 5-5. CONSOLE BOX ASSEMBLY - 3369LE/4069LE NO LEVELING



## SECTION 5 - PLATFORM

**FIGURE 5-5. CONSOLE BOX ASSEMBLY - 3369LE/4069LE NO LEVELING**

ITEM	PART NUMBER	QTY	DESCRIPTION	REV
	0270579	Ref	CONSOLE BOX ASSEMBLY - NO LEVELING JACKS	G
1	0140011	1	Alarm	
2	0181847	1	Angle, Latch	
3	0610169	1	PC Board	
4	0641404	4	Bolt 1/4 x 1/2	
5	0861357	1	Box	
6	0902499	1	Bracket, "D" Slot	
7	1600403	1	Drive/Steer Controller Assembly (See Separate Breakdown in this Section)	
8	1705911	1	Decal - Platform Box (Upper)	
9	2560141	1	Thumbscrew	
10	1705912	1	Decal - Platform Box (Lower)	
11	3310601	4	Nut #6	
13	3520079	1	Plug	
14	3520080	5	Plug	
15	3900178	4	Screw #10 x 1/2	
16	3900265	10	Screw #8 x 3/4	
17	4060802	1	Guard, Switch	
18	4360387	3	Switch, Push Button	
19	4360475	1	Switch, Emergency Stop	
19	7020175	1	Ring, Sealing	
19	7020176	1	Block, Contact	
20	4360482	1	Switch, Toggle	
21	4420008	38 in /96cm	Tape, Insulation	
22	4460470	1	Nut, Terminal	
23	4460471	1	Lockwasher, Terminal	
24	4460480	1	Connector, Terminal	
25	4740120	12	Washer	
26	4760600	4	Washer #6	
27	4791400	4	Washer 1/4	
28	4845938	1	Bracket, Box Hanger	
29	4846249	1	Lid	
30	4922526	1	Platform Console Box Harness (Not Shown - See Separate Breakdown in ELECTRICAL SECTION)	
31	3520193	1	Plug	



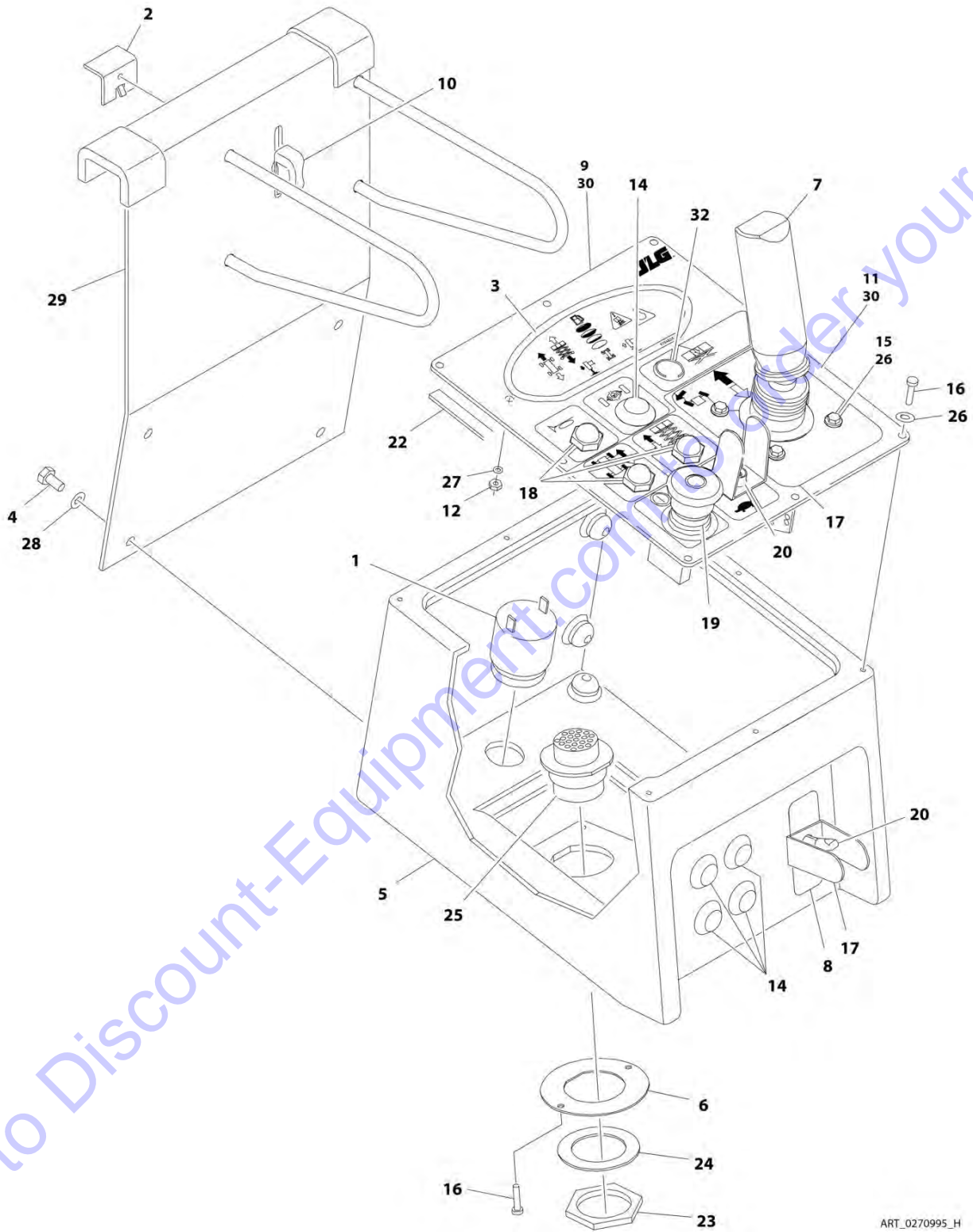
## SECTION 5 - PLATFORM

**FIGURE 5-6. CONSOLE BOX ASSEMBLY - 3369LE/4069LE WITH LEVELING JACKS**

ITEM	PART NUMBER	QTY	DESCRIPTION	REV
	0270580	Ref	CONSOLE BOX ASSEMBLY - WITH LEVELING JACKS	G
1	0140011	1	Alarm	
2	0181847	1	Angle, Latch	
3	0610169	1	PC Board	
4	0641404	4	Bolt 1/4 x 1/2	
5	0861357	1	Box	
6	0902499	1	Bracket, "D" Slot	
7	1600403	1	Drive/Steer Controller Assembly (See Separate Breakdown in this Section)	
8	1704574	1	Decal - Outrigger	
9	1705911	1	Decal - Platform Box (Upper)	
10	2560141	1	Thumbscrew	
11	1705912	1	Decal - Platform Box (Lower)	
12	3310601	4	Nut #6	
14	3520079	1	Plug	
15	3520080	1	Plug	
16	3900178	4	Screw #10 x 1/2	
17	3900265	10	Screw #8 x 3/4	
18	4060802	2	Guard, Switch	
19	4360387	7	Switch, Push Button	
20	4360475	1	Switch, Emergency Stop	
20	7020175	1	Ring, Sealing	
20	7020176	1	Block, Contact	
21	4360482	1	Switch, Toggle	
22	4420008	38 in /96cm	Tape, Insulation	
23	4460470	1	Nut, Terminal	
24	4460471	1	Lockwasher, Terminal	
25	4460480	1	Connector, Terminal	
26	4740120	12	Washer	
27	4760600	4	Washer #6	
28	4791400	4	Washer 1/4	
29	4845938	1	Bracket, Box Hanger	
30	4846249	1	Lid	
31	4922527	1	Platform Console Box Harness (Not Shown - See Separate Breakdown in ELECTRICAL SECTION)	
32	3520193	1	Plug	

# SECTION 5 - PLATFORM

FIGURE 5-7. CONSOLE BOX ASSEMBLY - M3369/M4069 2WD NO LEVELING JACKS



ART\_0270995\_H

## SECTION 5 - PLATFORM

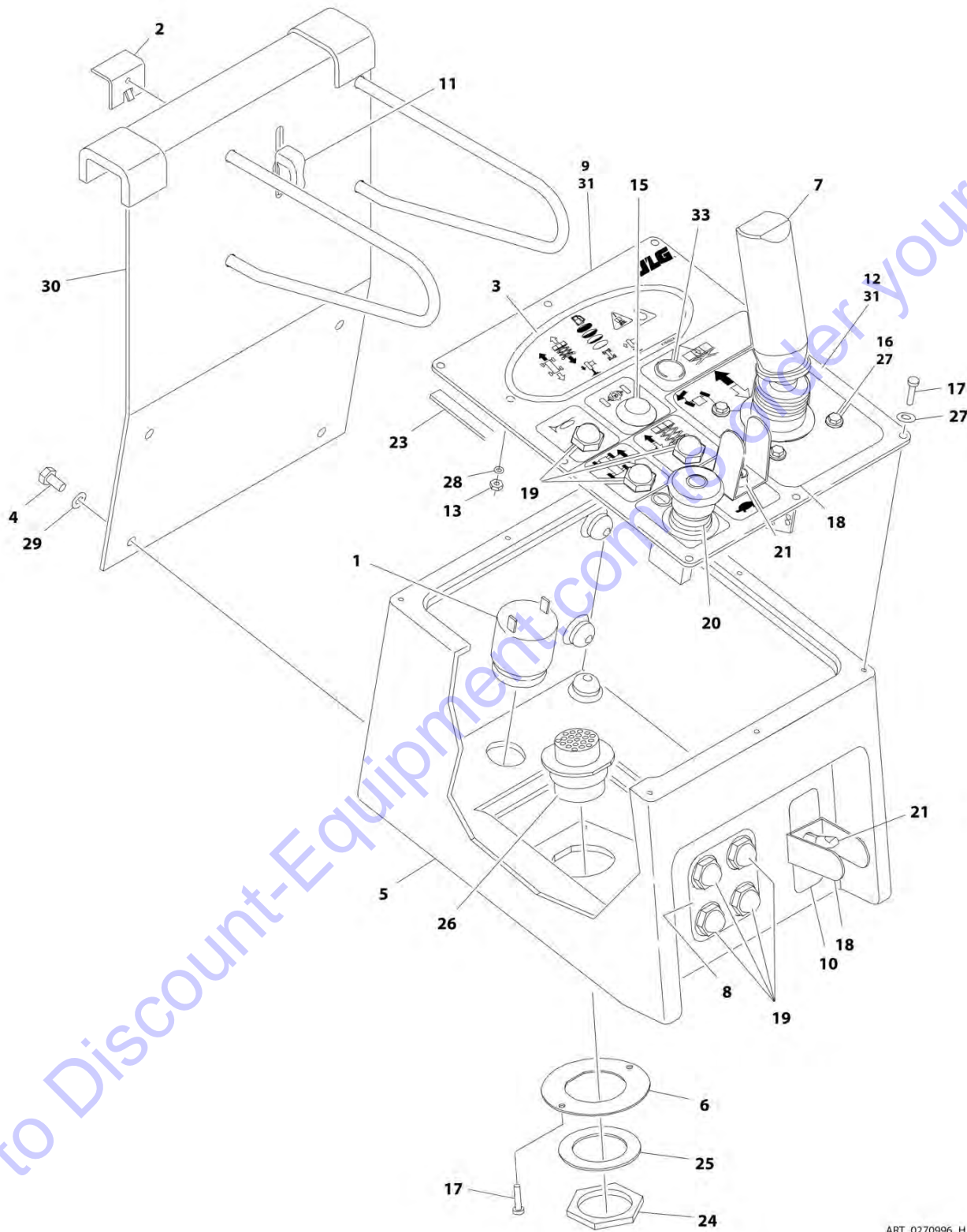
**FIGURE 5-7. CONSOLE BOX ASSEMBLY - M3369/M4069 2WD NO LEVELING JACKS**

ITEM	PART NUMBER	QTY	DESCRIPTION	REV
	0270995	Ref	CONSOLE BOX ASSEMBLY - 2WD NO LEVELING JACKS	H
1	0140011	1	Alarm	
2	0181847	1	Angle, Latch	
3	0610169	1	PC Board	
4	0641404	4	Bolt 1/4 x 1/2	
5	0861357	1	Box	
6	0902499	1	Bracket, "D" Slot	
7	1600403	1	Drive/Steer Controller Assembly (See Separate Breakdown in this Section)	
8	1704921	1	Decal - Generator Enable M3369 & M4069	
9	1705911	1	Decal - Platform Box (Upper)	
10	2560141	1	Thumbscrew	
11	1705912	1	Decal - Platform Box (Lower)	
12	3310601	4	Nut #6	
14	3520080	5	Plug	
15	3900178	4	Screw #10 x 1/2	
16	3900265	10	Screw #8 x 3/4	
17	4060802	2	Guard, Switch	
18	4360387	3	Switch, Push Button	
19	4360475	1	Switch, Emergency Stop	
19	7020175	1	Ring, Sealing	
19	7020176	1	Block, Contact	
20	4360482	1	Switch, Toggle	
22	4420008	38 in /96cm	Tape, Insulation	
23	4460470	1	Nut, Terminal	
24	4460471	1	Lockwasher, Terminal	
25	4460480	1	Connector, Terminal	
26	4740120	12	Washer	
27	4760600	4	Washer #6	
28	4791400	4	Washer 1/4	
29	4845938	1	Bracket, Box Hanger	
30	4846249	1	Lid	
31	4922526	1	Platform Console Box Harness (Not Shown - See Separate Breakdown in ELECTRICAL SECTION)	
32	3520193	1	Plug	



# SECTION 5 - PLATFORM

## FIGURE 5-8. CONSOLE BOX ASSEMBLY - M3369/M4069 2WD WITH LEVELING JACKS



ART\_0270996\_H



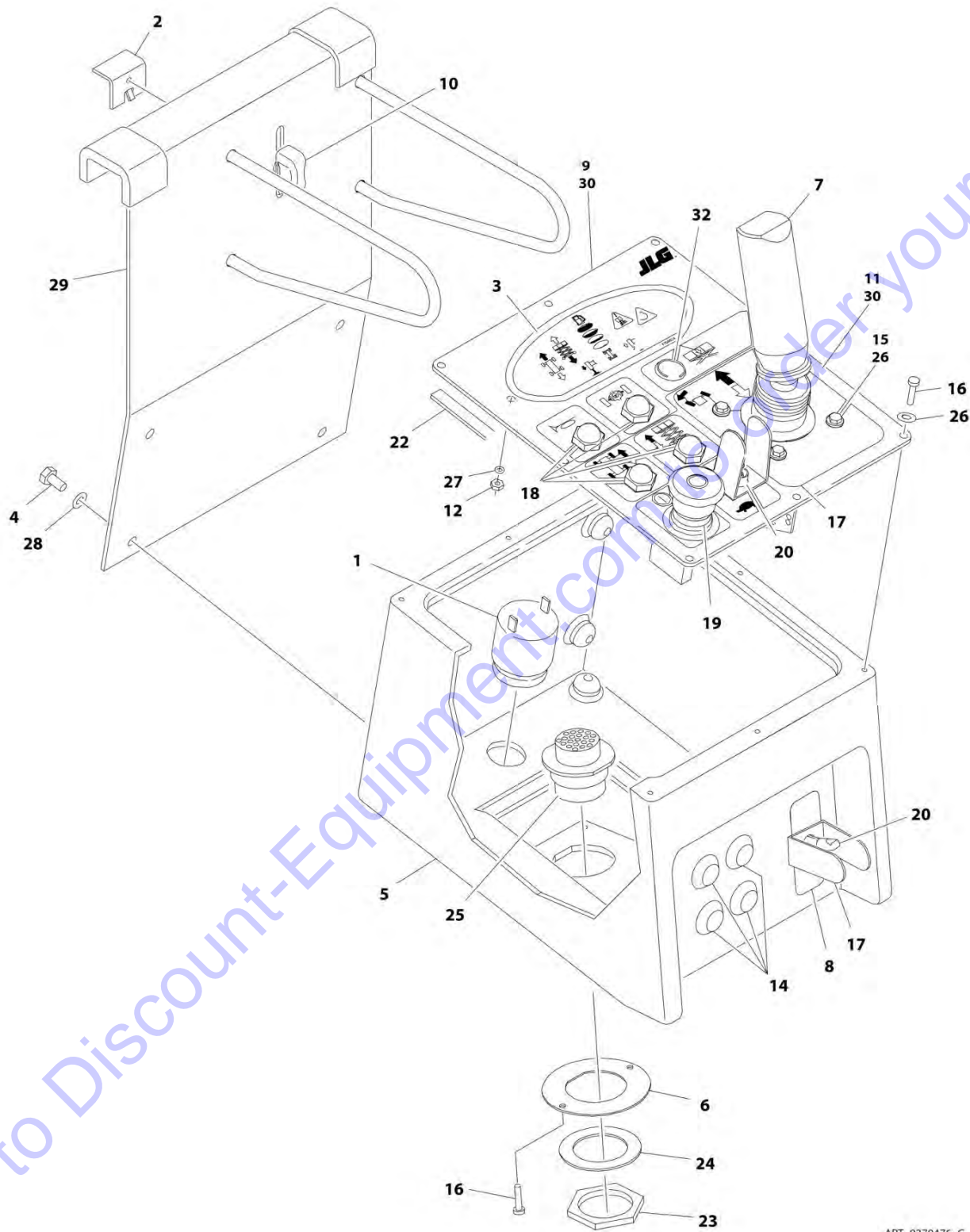
## SECTION 5 - PLATFORM

**FIGURE 5-8. CONSOLE BOX ASSEMBLY - M3369/M4069 2WD WITH LEVELING JACKS**

ITEM	PART NUMBER	QTY	DESCRIPTION	REV
	0270996	Ref	CONSOLE BOX ASSEMBLY - 2WD WITH LEVELING JACKS	H
1	0140011	1	Alarm	
2	0181847	1	Angle, Latch	
3	0610169	1	PC Board	
4	0641404	4	Bolt 1/4 x 1/2	
5	0861357	1	Box	
6	0902499	1	Bracket, "D" Slot	
7	1600403	1	Drive/Steer Controller Assembly (See Separate Breakdown in this Section)	
8	1704574	1	Decal - Outrigger	
9	1705911	1	Decal - Platform Box (Upper)	
10	1704921	1	Decal - Generator Enable M3369 & M4069	
11	2560141	1	Thumbscrew	
12	1705912	1	Decal - Platform Box (Lower)	
13	3310601	4	Nut #6	
15	3520080	1	Plug	
16	3900178	4	Screw #10 x 1/2	
17	3900265	10	Screw #8 x 3/4	
18	4060802	2	Guard, Switch	
19	4360387	7	Switch, Push Button	
20	4360475	1	Switch, Emergency Stop	
20	7020175	1	Ring, Sealing	
20	7020176	1	Block, Contact	
21	4360482	1	Switch, Toggle	
23	4420008	38 in /96cm	Tape, Insulation	
24	4460470	1	Nut, Terminal	
25	4460471	1	Lockwasher, Terminal	
26	4460480	1	Connector, Terminal	
27	4740120	12	Washer	
28	4760600	4	Washer #6	
29	4791400	4	Washer 1/4	
30	4845938	1	Bracket, Box Hanger	
31	4846249	1	Lid	
32	4922527	1	Platform Console Box Harness (Not Shown - See Separate Breakdown in ELECTRICAL SECTION)	
33	3520193	1	Plug	

# SECTION 5 - PLATFORM

FIGURE 5-9. CONSOLE BOX ASSEMBLY - M3369/M4069 4WD NO LEVELING JACKS



ART\_0270476\_G

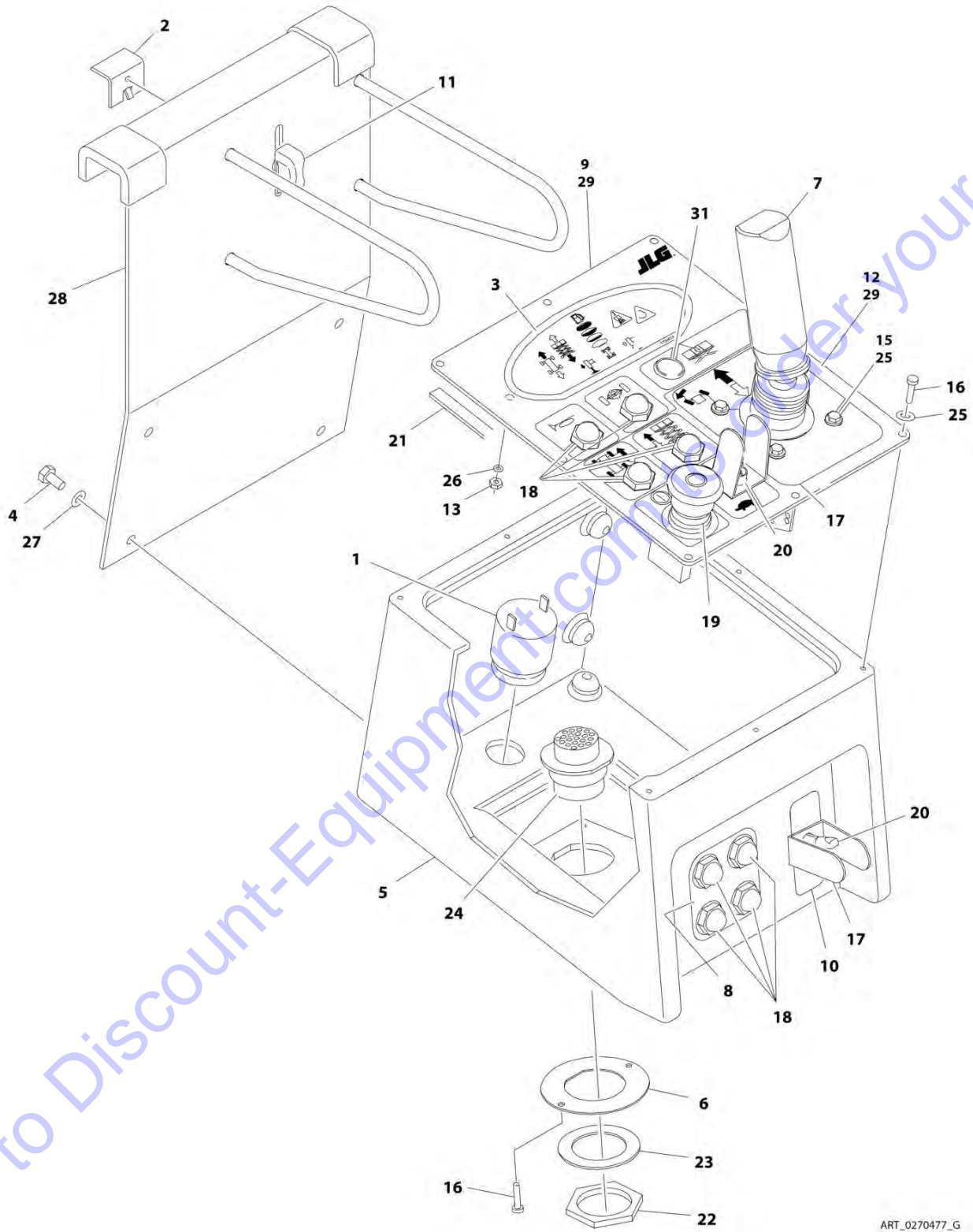
## SECTION 5 - PLATFORM

**FIGURE 5-9. CONSOLE BOX ASSEMBLY - M3369/M4069 4WD NO LEVELING JACKS**

ITEM	PART NUMBER	QTY	DESCRIPTION	REV
	0270476	Ref	CONSOLE BOX ASSEMBLY - 4WD NO LEVELING JACKS	G
1	0140011	1	Alarm	
2	0181847	1	Angle, Latch	
3	0610169	1	PC Board	
4	0641404	4	Bolt 1/4 x 1/2	
5	0861357	1	Box	
6	0902499	1	Bracket, "D" Slot	
7	1600403	1	Drive/Steer Controller Assembly (See Separate Breakdown in this Section)	
8	1704921	1	Decal - Generator Enable M3369 & M4069	
9	1705911	1	Decal - Platform Box (Upper)	
10	2560141	1	Thumbscrew	
11	1705912	1	Decal - Platform Box (Lower)	
12	3310601	4	Nut #6	
14	3520080	4	Plug	
15	3900178	4	Screw #10 x 1/2	
16	3900265	10	Screw #8 x 3/4	
17	4060802	2	Guard, Switch	
18	4360387	4	Switch, Push Button	
19	4360475	1	Switch, Emergency Stop	
19	7020175	1	Ring, Sealing	
19	7020176	1	Block, Contact	
20	4360482	1	Switch, Toggle	
22	4420008	38 in /96cm	Tape, Insulation	
23	4460470	1	Nut, Terminal	
24	4460471	1	Lockwasher, Terminal	
25	4460480	1	Connector, Terminal	
26	4740120	12	Washer	
27	4760600	4	Washer #6	
28	4791400	4	Washer 1/4	
29	4845938	1	Bracket, Box Hanger	
30	4846249	1	Lid	
31	4922526	1	Platform Console Box Harness (Not Shown - See Separate Breakdown in ELECTRICAL SECTION)	
32	3520193	1	Plug	

# SECTION 5 - PLATFORM

## FIGURE 5-10. CONSOLE BOX ASSEMBLY - M3369/M4069 4WD WITH LEVELING JACKS



ART\_0270477\_G

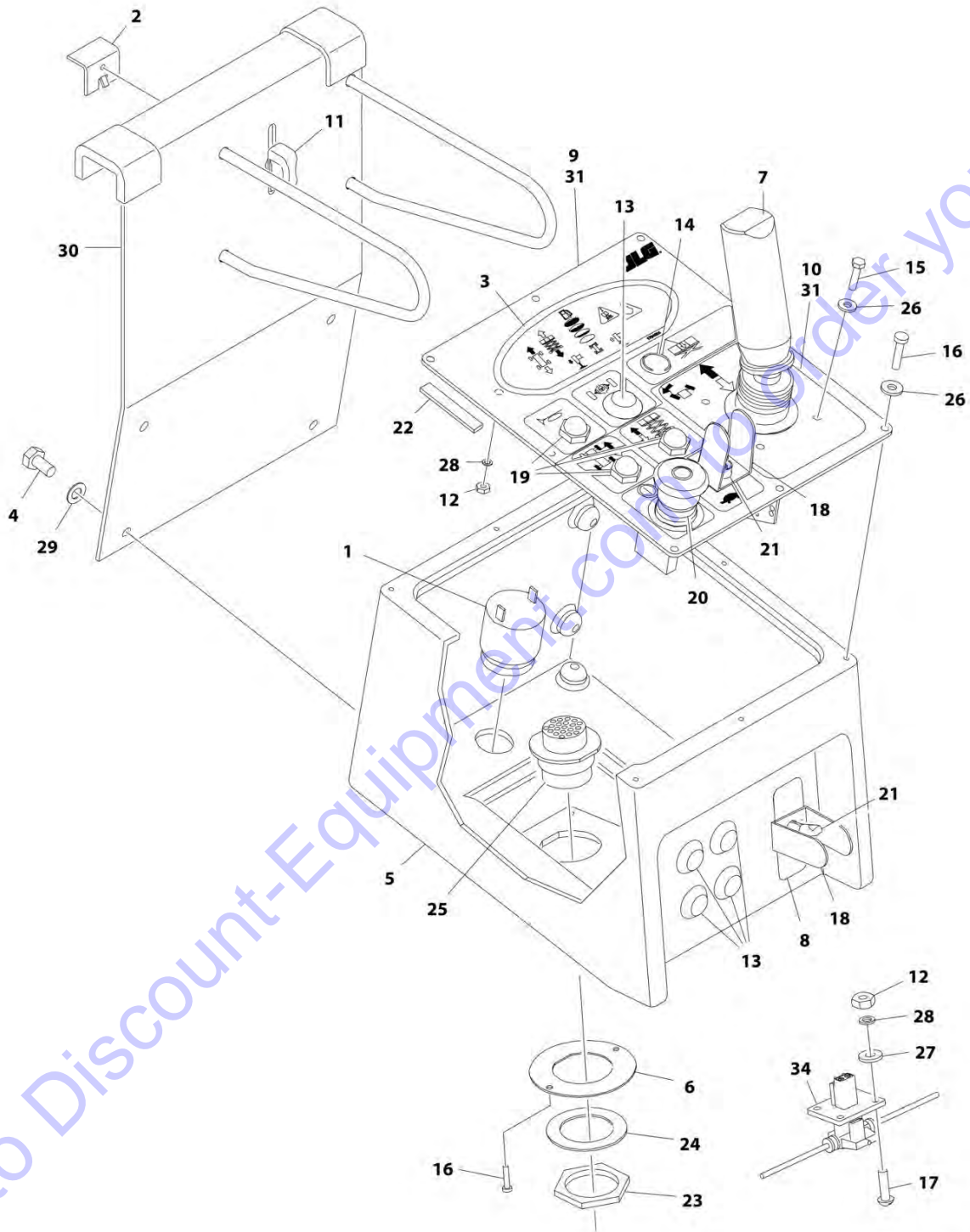
## SECTION 5 - PLATFORM

**FIGURE 5-10. CONSOLE BOX ASSEMBLY - M3369/M4069 4WD WITH LEVELING JACKS**

ITEM	PART NUMBER	QTY	DESCRIPTION	REV
	0270477	Ref	CONSOLE BOX ASSEMBLY - 4WD WITH LEVELING JACKS	G
1	0140011	1	Alarm	
2	0181847	1	Angle, Latch	
3	0610169	1	PC Board	
4	0641404	4	Bolt 1/4 x 1/2	
5	0861357	1	Box	
6	0902499	1	Bracket, "D" Slot	
7	1600403	1	Drive/Steer Controller Assembly (See Separate Breakdown in this Section)	
8	1704574	1	Decal - Outrigger	
9	1705911	1	Decal - Platform Box (Upper)	
10	1704921	1	Decal - Generator Enable M3369 & M4069	
11	2560141	1	Thumbscrew	
12	1705912	1	Decal - Platform Box (Lower)	
13	3310601	4	Nut #6	
15	3900178	4	Screw #10 x 1/2	
16	3900265	10	Screw #8 x 3/4	
17	4060802	2	Guard, Switch	
18	4360387	8	Switch, Push Button	
19	4360475	1	Switch, Emergency Stop	
20	7020175	1	Ring, Sealing	
20	7020176	1	Block, Contact	
20	4360482	1	Switch, Toggle	
21	4420008	38 in /96cm	Tape, Insulation	
22	4460470	1	Nut, Terminal	
23	4460471	1	Lockwasher, Terminal	
24	4460480	1	Connector, Terminal	
25	4740120	12	Washer	
26	4760600	4	Washer #6	
27	4791400	4	Washer 1/4	
28	4845938	1	Bracket, Box Hanger	
29	4846249	1	Lid	
30	4922527	1	Platform Console Box Harness (Not Shown - See Separate Breakdown in ELECTRICAL SECTION)	
31	3520193	1	Plug	

# SECTION 5 - PLATFORM

FIGURE 5-11. CONSOLE BOX ASSEMBLY - M3369/M4069 2WD NO LEVELING JACKS AND WITH OPTIONAL SPOT LIGHT



ART\_1001201464



## SECTION 5 - PLATFORM

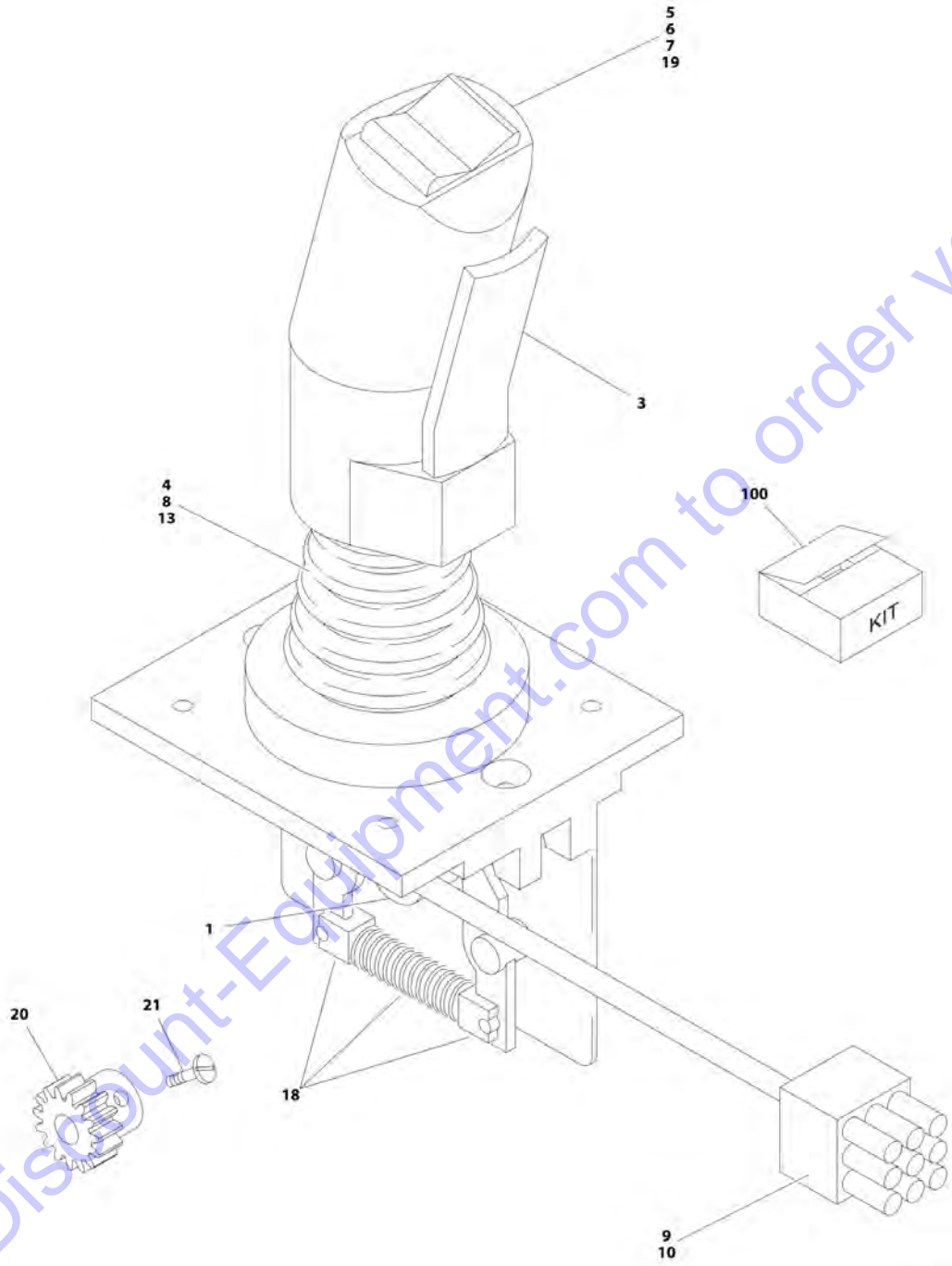
**FIGURE 5-11. CONSOLE BOX ASSEMBLY - M3369/M4069 2WD NO LEVELING JACKS AND WITH OPTIONAL SPOT LIGHT**

ITEM	PART NUMBER	QTY	DESCRIPTION	REV
	1001201464	Ref	PLATFORM CONSOLE BOX ASSEMBLY	A
1	0140011	1	Alarm	
2	0181847	1	Angle, Latch	
3	0610169	1	PC Board	
4	0641404	4	Bolt 1/4 x 1/2	
5	0861357	1	Box	
6	0902499	1	Bracket, "D" Slot	
7	1600403	1	Controller Assembly (See CONTROLLER ASSEMBLY for Breakdown)	
8	1704921	1	Decal - Generator Enable	
9	1705911	1	Decal - Platform Box (Upper)	
10	1705912	1	Decal - Platform Box (Lower)	
11	2560141	1	Thumbscrew	
12	3310601	8	Nut #6	
13	3520080	5	Plug	
14	3520193	1	Plug	
15	3900178	4	Screw #10 x 1/2	
16	3900265	10	Screw #8 x 3/4	
17	3910608	4	Screw #6 x 1/2	
18	4060802	2	Guard, Switch	
19	4360387	3	Switch, Push Button	
20	4360475	1	Switch, Emergency Stop	
20	7020175	1	Cap	
20	7020176	1	Block, Contact	
21	4360482	2	Switch, Toggle	
22	4420008	38 in /96cm	Tape, Insulation	
23	4460470	1	Nut, Terminal	
24	4460471	1	Lockwasher, Terminal	
25	4460480	1	Connector, Terminal	
26	4740120	12	Washer	
27	4750600	4	Washer #6	
28	4760600	8	Washer #6	
29	4791400	4	Washer 1/4	
30	4845938	1	Bracket, Box Hanger	
31	4846249	1	Lid	
32	4922526	1	Platform Console Box Harness (Not Shown - See Separate Breakdown in ELECTRICAL SECTION)	
34	1001201771	1	Spotlight Harness (See ELECTRICAL SECTION for Breakdown)	



# SECTION 5 - PLATFORM

## FIGURE 5-12. DRIVE/STEER CONTROLLER ASSEMBLY



ART\_160040J

Go to Discount-Equipment.com to order your parts

## SECTION 5 - PLATFORM

**FIGURE 5-12. DRIVE/STEER CONTROLLER ASSEMBLY**

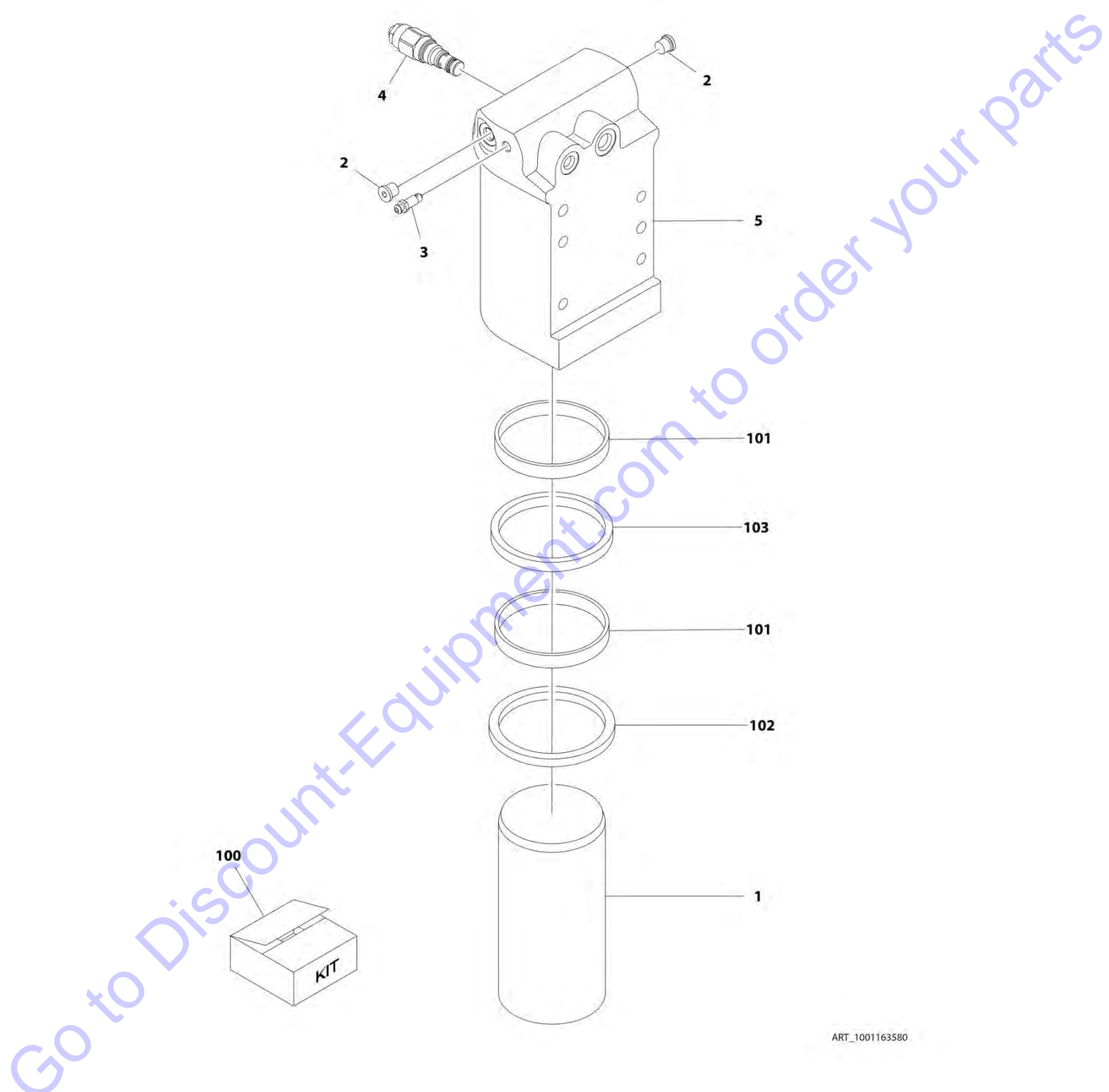
ITEM	PART NUMBER	QTY	DESCRIPTION	REV
	1600403	Ref	DRIVE/STEER CONTROLLER ASSEMBLY	G
1	70000081	1	Potentiometer	
2	7027367	1	Switch, Push Button (Not Shown - Located Behind #3)	
3	7027765	1	Lever, Enabler	
4	7027766	1	Ring, Retaining	
5	70000082	1	Microswitch	
6	70000083	1	Coupler, Microswitch	
7	70000084	1	Cap, Rubber	
8	70000085	1	Boot, Rubber	
9	4460265	1	Plug, Male - 9 Pin	
10	4460226	8	Socket, Female	
11	4460266	1	Connector, Receptacle - 9 Pin (Not Shown - Part of Console Harness)	
12	4460267	8	Pin, Male (Not Shown - Part of Console Harness)	
13	70000685	1	Washer, Plastic Bushing	
14	70000684	AR	Screw, Handle (Not Shown)	
15	Not Available	AR	Nut, Handle (Not Shown)	
16	70000683	AR	Washer, Neoprene (Not Shown)	
17	70000686	AR	Screw, Handle (Not Shown)	
18	70004194	1	Return Spring Kit	
19	7027365	1	Actuator, Switch	
20	70005484	1	Gear, Potentiometer	
21	70005485	1	Setscrew	
100	70003650	1	Handle Repair Kit (Includes handle gasket, push button, lever, front handle half, back handle half, top actuator, boot and hardware.	

**SECTION 6 - CYLINDER**

Go to Discount-Equipment.com to order your parts

# SECTION 6 - CYLINDER

## FIGURE 6-1. AXLE LOCKOUT CYLINDER ASSEMBLY



ART\_1001163580

## SECTION 6 - CYLINDER

**FIGURE 6-1. AXLE LOCKOUT CYLINDER ASSEMBLY**

ITEM	PART NUMBER	QTY	DESCRIPTION	REV
	1001163580	Ref	AXLE LOCKOUT CYLINDER ASSEMBLY	1
		Ref	Note: Original Cylinder May Have Been Replaced with Service Replacement. Identify PN Stamped on Cylinder Before Ordering Parts.	
1	1684290	1	Rod	
2	2220883	2	Plug #4	
3	4640858	1	Valve, Bleeder	
4	1001117372	1	Cartridge, Valve	
4	70002842	1	Seal Kit - 1001117372 Valve	
5	1001164817	1	Barrel	
100	2902266	NLA	Seal Kit - 1001163590 Cylinder (Includes Items 101-103)	
101	See Note	NSS	Ring, Wear (Note: Use Item 100)	
102	See Note	NSS	Seal (Note: Use Item 100)	
103	See Note	NSS	Wiper (Note: Use Item 100)	

Go to Discount-Equipment.com to order your parts



## SECTION 6 - CYLINDER

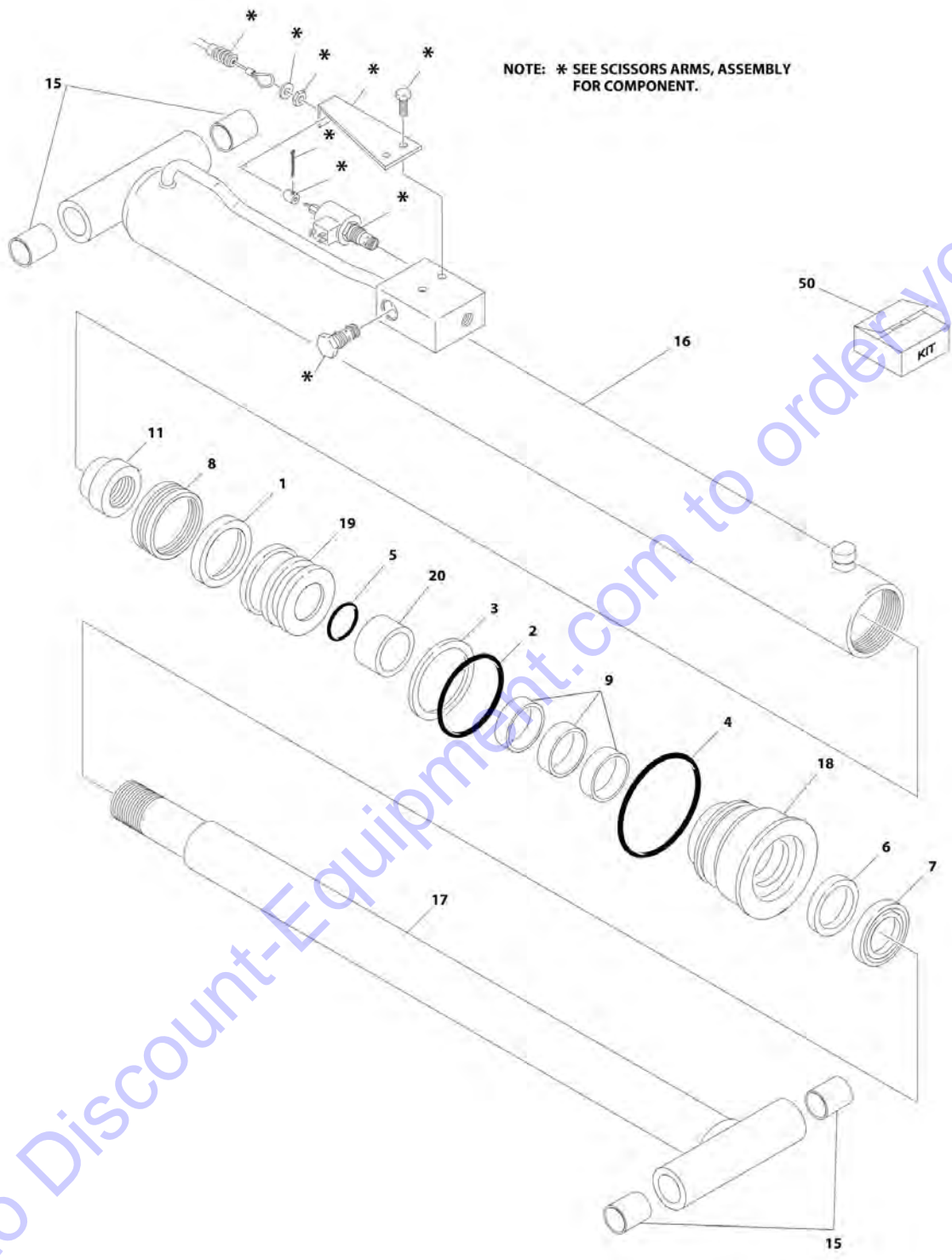
**FIGURE 6-2. LEVELING JACK CYLINDER ASSEMBLY**

ITEM	PART NUMBER	QTY	DESCRIPTION	REV
	1001140600	Ref	LEVELING JACK CYLINDER ASSEMBLY	B
1	70003826	1	Barrel	
2	70003827	1	Rod	
4	70003818	1	Head	
5	70003819	1	Piston	
6	See Note	NSS	Seal, Piston (Note: Use Item 50)	
7	70002216	1	Retainer	
8	See Note	NSS	Seal, Rod (Note: Use Item 50)	
10	See Note	NSS	Seal, Wiper (Note: Use Item 50)	
11	See Note	NSS	O-Ring (Note: Use Item 50)	
12	See Note	NSS	Ring, Back-up (Note: Use Item 50)	
13	70003820	1	O-Ring	
16	See Note	NSS	O-Ring (Note: Use Item 50)	
17	See Note	NSS	O-Ring (Note: Use Item 50)	
19	7017406	2	Plug	
20	7024844	2	Plug	
21	4641156	1	Valve, Check	
21	2900770	1	Seal Kit - 4641156 Valve	
22	4640495	1	Valve, Counter Balance	
22	2900770	1	Seal Kit - 4640495 Valve	
24	70003828	1	Pad, Jack	
25	70003821	1	Plate	
26	70003822	2	Ring, Retaining	
27	70003823	3	Screw 1/2 x 1-1/4	
28	70003824	1	Spacer	
30	70002219	1	Ring, Retaining	
31	70003825	3	Washer	
32	See Note	NSS	Ring, Wear (Note: Use Item 50)	
50	70003829	1	Seal Kit (Includes Items 6, 8-12, 16, 17 & 32)	



# SECTION 6 - CYLINDER

## FIGURE 6-3. LIFT CYLINDER ASSEMBLY - 3369LE/M3369



ART\_1684119

## SECTION 6 - CYLINDER

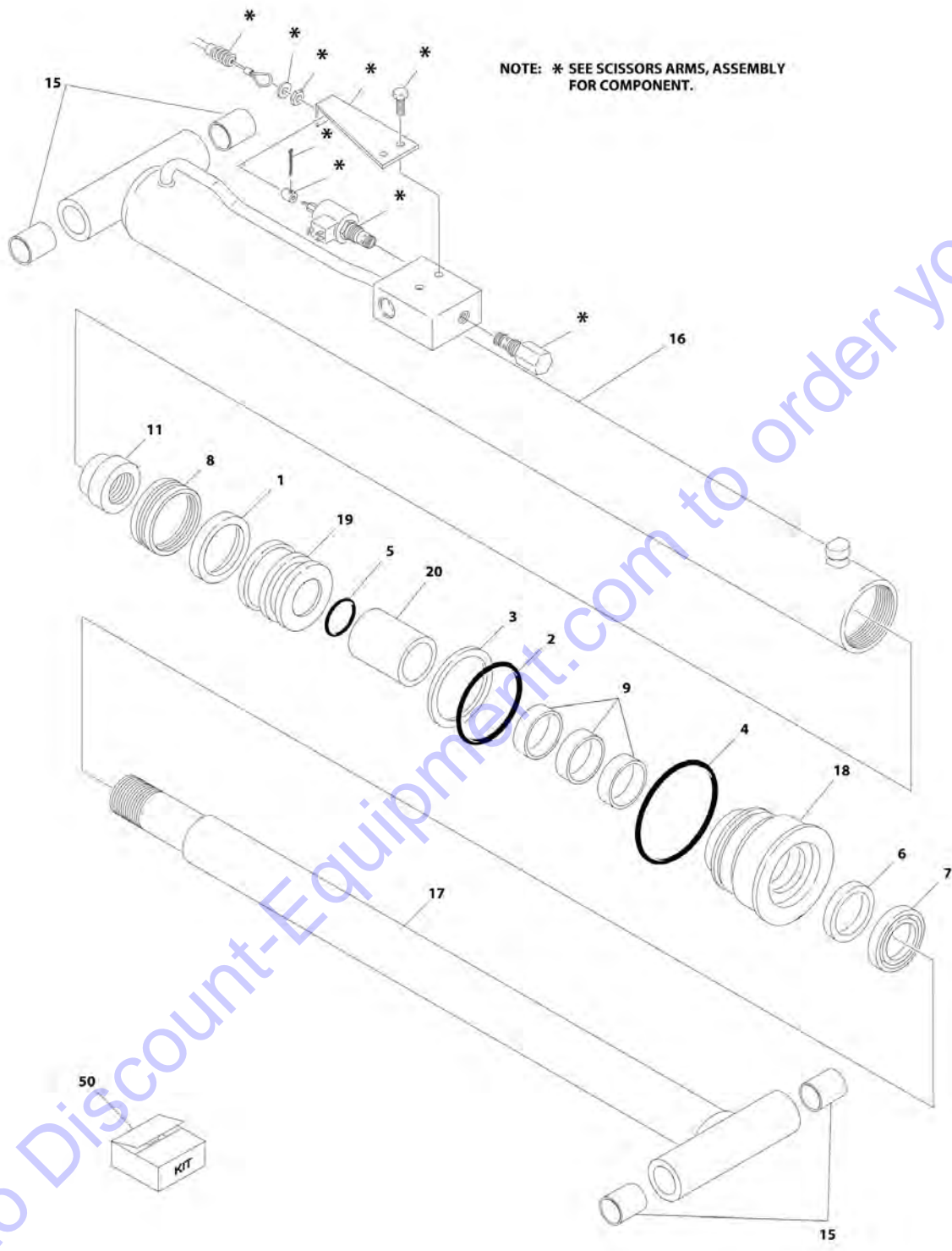
**FIGURE 6-3. LIFT CYLINDER ASSEMBLY - 3369LE/M3369**

ITEM	PART NUMBER	QTY	DESCRIPTION	REV
	1684119	Ref	LIFT CYLINDER ASSEMBLY	D
1	See Note	NSS	Seal (Note: Use Item 50)	
2	See Note	NSS	O-Ring (Note: Use Item 50)	
3	See Note	NSS	Ring, Back-up (Note: Use Item 50)	
4	See Note	NSS	O-Ring (Note: Use Item 50)	
5	See Note	NSS	O-Ring (Note: Use Item 50)	
6	See Note	NSS	Seal (Note: Use Item 50)	
7	See Note	NSS	Wiper (Note: Use Item 50)	
8	See Note	NSS	Ring, Wear (Note: Use Item 50)	
9	See Note	NSS	Ring, Wear (Note: Use Item 50)	
11	7003226	1	Locknut	
15	0962012	4	Bushing	
16	7019898	1	Barrel	
17	70001358	1	Rod	
18	7019886	1	Head	
19	7024101	1	Piston	
20	70001357	1	Spacer	
50	7024103	1	Seal Kit (Includes Items 1-9)	

Go to Discount-Equipment.com to order your parts

# SECTION 6 - CYLINDER

## FIGURE 6-4. LIFT (LOWER) CYLINDER ASSEMBLY - 4069LE/M4069



ART\_1684120

## SECTION 6 - CYLINDER

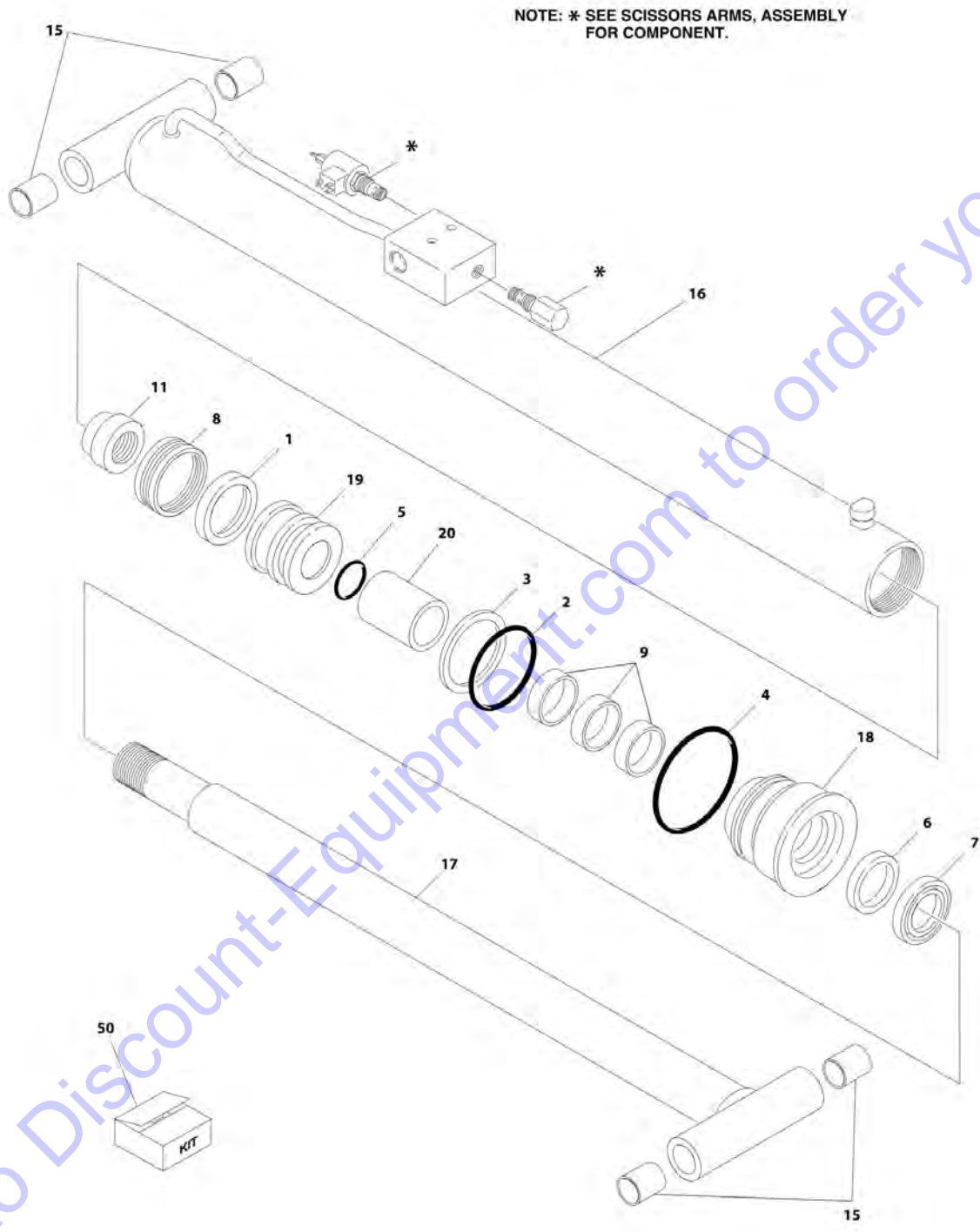
**FIGURE 6-4. LIFT (LOWER) CYLINDER ASSEMBLY - 4069LE/M4069**

ITEM	PART NUMBER	QTY	DESCRIPTION	REV
	1684120	Ref	LIFT (LOWER) CYLINDER ASSEMBLY	C
1	See Note	NSS	Seal (Note: Use Item 50)	
2	See Note	NSS	O-Ring (Note: Use Item 50)	
3	See Note	NSS	Ring, Back-up (Note: Use Item 50)	
4	See Note	NSS	O-Ring (Note: Use Item 50)	
5	See Note	NSS	O-Ring (Note: Use Item 50)	
6	See Note	NSS	Seal (Note: Use Item 50)	
7	See Note	NSS	Wiper (Note: Use Item 50)	
8	See Note	NSS	Ring, Wear (Note: Use Item 50)	
9	See Note	NSS	Ring, Wear (Note: Use Item 50)	
11	7003226	1	Locknut	
15	7019889	4	Bushing	
16	7019888	1	Barrel	
17	7023505	1	Rod	
18	7019886	1	Head	
19	7024101	1	Piston	
20	7023509	1	Spacer	
50	7024103	1	Seal Kit (Includes Items 1-9)	

Go to Discount-Equipment.com to order your parts

# SECTION 6 - CYLINDER

## FIGURE 6-5. LIFT (UPPER) CYLINDER ASSEMBLY - 4069LE/M4069



ART\_1684121

## SECTION 6 - CYLINDER

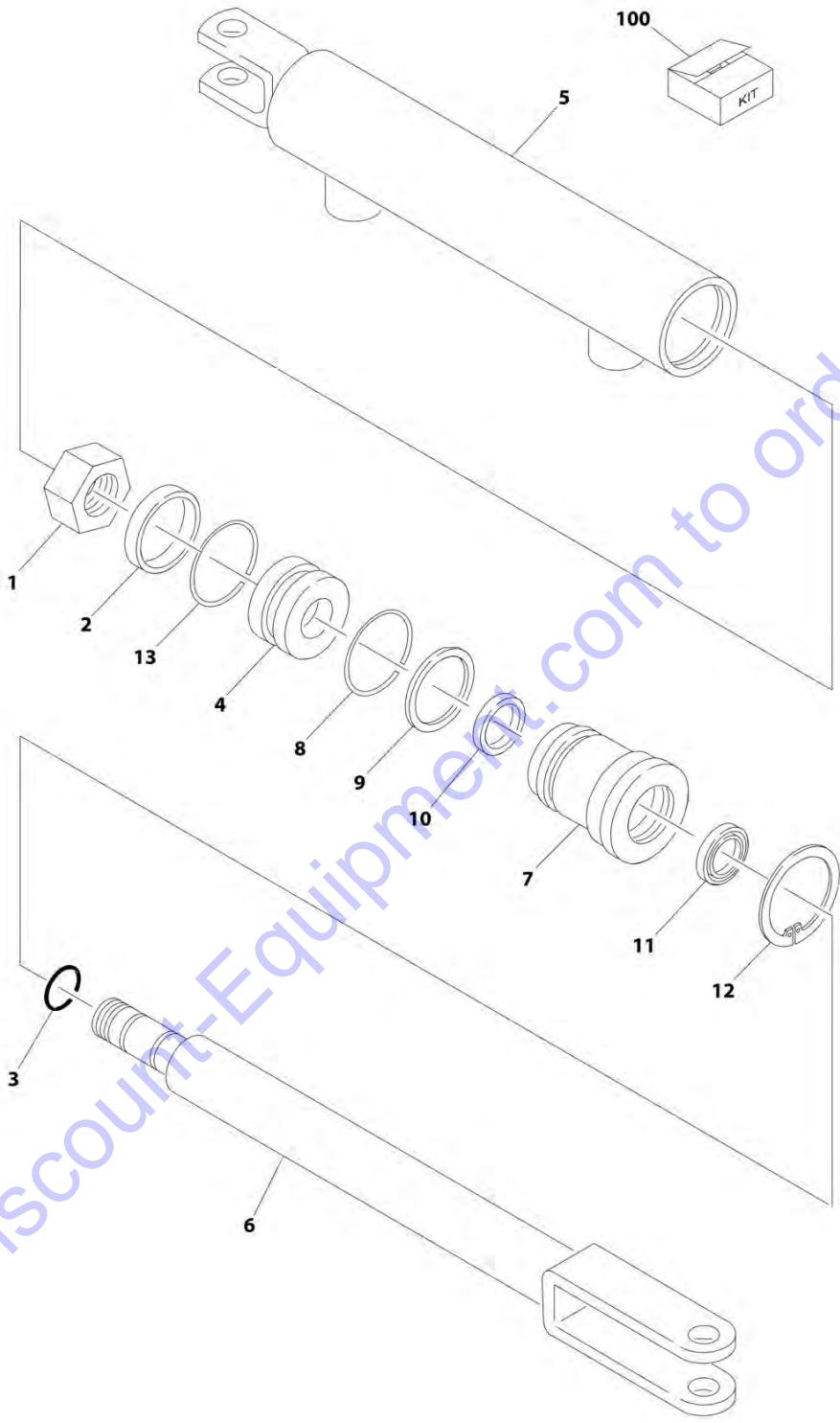
**FIGURE 6-5. LIFT (UPPER) CYLINDER ASSEMBLY - 4069LE/M4069**

ITEM	PART NUMBER	QTY	DESCRIPTION	REV
	1684121	Ref	LIFT (UPPER) CYLINDER ASSEMBLY	C
1	See Note	NSS	Seal (Note: Use Item 50)	
2	See Note	NSS	O-Ring (Note: Use Item 50)	
3	See Note	NSS	Ring, Back-up (Note: Use Item 50)	
4	See Note	NSS	O-Ring (Note: Use Item 50)	
5	See Note	NSS	O-Ring (Note: Use Item 50)	
6	See Note	NSS	Seal (Note: Use Item 50)	
7	See Note	NSS	Wiper (Note: Use Item 50)	
8	See Note	NSS	Ring, Wear (Note: Use Item 50)	
9	See Note	NSS	Ring, Wear (Note: Use Item 50)	
11	7003212	1	Nut	
15	7019889	4	Bushing	
16	7019895	1	Barrel	
17	7023508	1	Rod	
18	7019893	1	Head	
19	7019862	1	Piston	
20	7023510	1	Spacer	
50	7024102	1	Seal Kit (Includes Items 1-9)	

Go to Discount-Equipment.com to order your parts

# SECTION 6 - CYLINDER

## FIGURE 6-6. STEER CYLINDER ASSEMBLY



Go to Discount-Equipment.com to order your parts

ART\_1683994



## SECTION 6 - CYLINDER

**FIGURE 6-6. STEER CYLINDER ASSEMBLY**

ITEM	PART NUMBER	QTY	DESCRIPTION	REV
	1683994	Ref	STEER CYLINDER ASSEMBLY	D
1	7001626	1	Locknut	
2	See Note	NSS	Seal, Piston (Note: Use Item 50)	
3	See Note	NSS	O-Ring (Note: Use Item 50)	
4	70002518	1	Piston	
5	7023022	1	Barrel	
6	7023021	1	Rod	
7	7017294	1	Guide	
8	See Note	NSS	O-Ring (Note: Use Item 50)	
9	See Note	NSS	Ring, Back-up (Note: Use Item 50)	
10	See Note	NSS	Seal (Note: Use Item 50)	
11	See Note	NSS	Wiper (Note: Use Item 50)	
12	See Note	NSS	Ring, Retaining (Note: Use Item 50)	
13	See Note	NSS	O-Ring (Note: Use Item 50)	
100	70002517	1	Seal Kit (Includes Items 2, 3 & 8-13)	

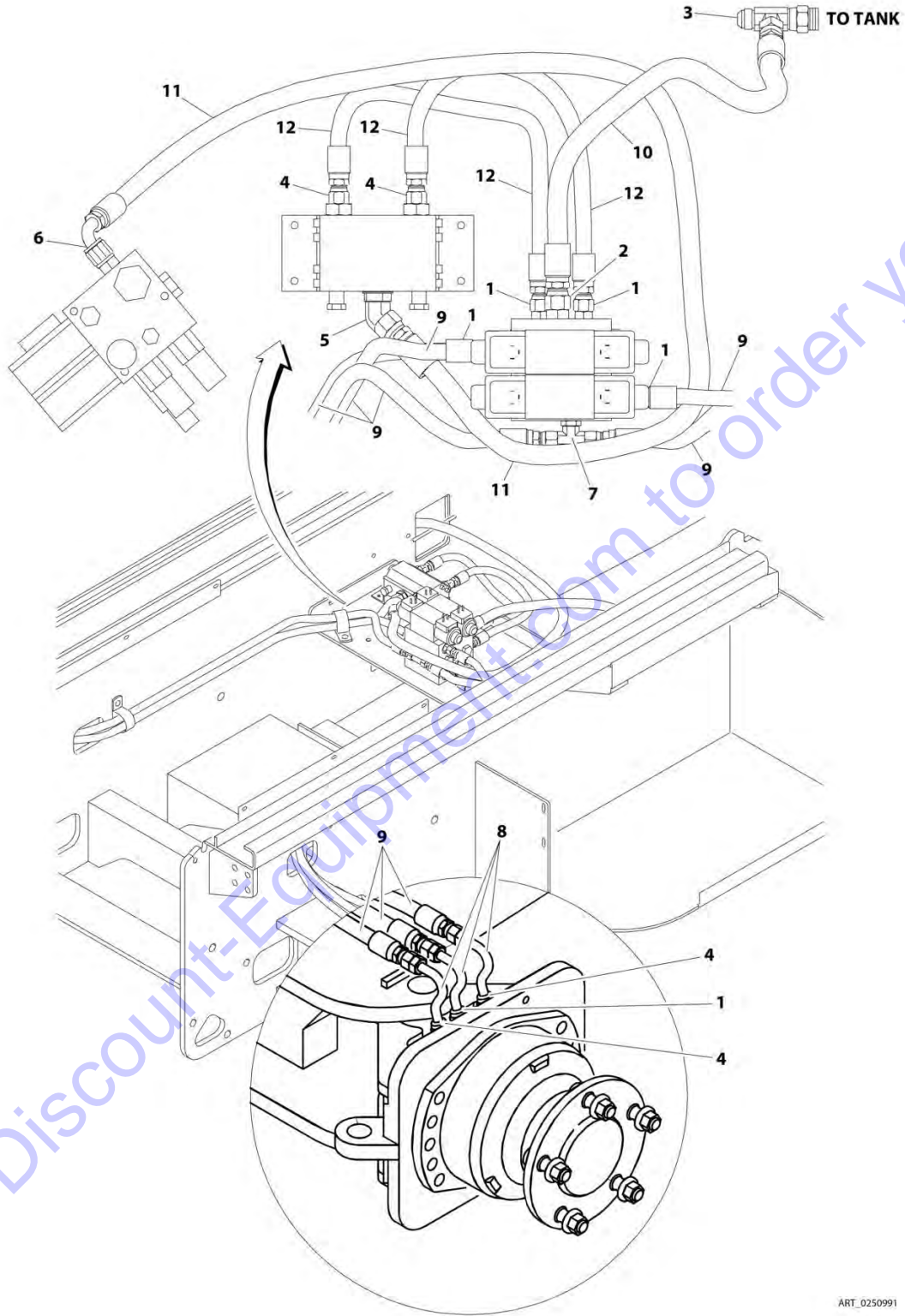
Go to Discount-Equipment.com to order your parts

SECTION 7 - HYDRAULIC

Go to Discount-Equipment.com to order your parts

# SECTION 7 - HYDRAULIC

## FIGURE 7-1. HYDRAULIC DIAGRAM - 4WD



ART. 0250991

Go to Discount-Equipment.com to order your parts

## SECTION 7 - HYDRAULIC

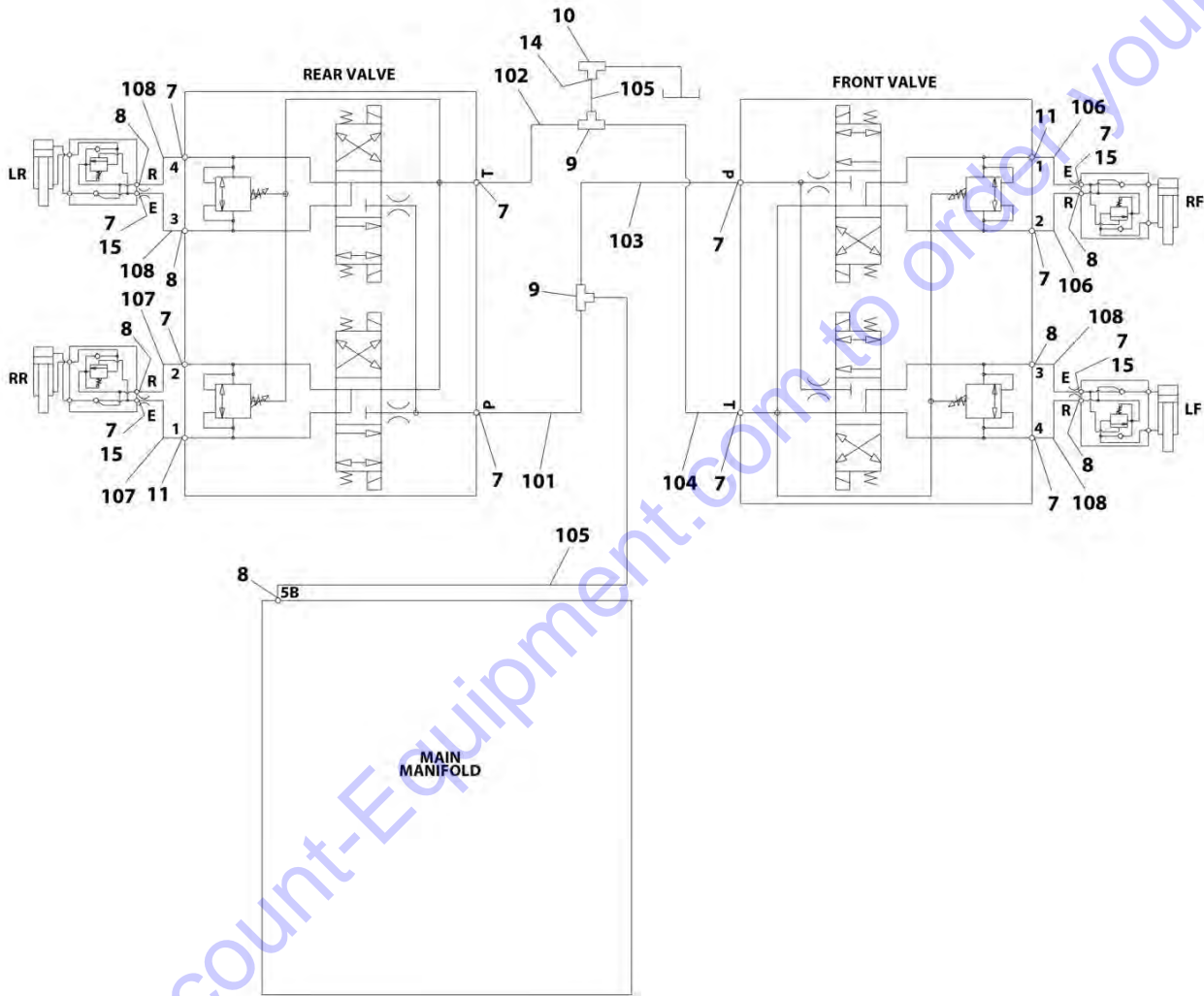
**FIGURE 7-1. HYDRAULIC DIAGRAM - 4WD**

ITEM	PART NUMBER	QTY	DESCRIPTION	REV
	0270991	Ref	HYDRAULIC DIAGRAM - 4WD	E
1	2220371	8	Fitting, Straight JIC/ORB	
2	2220373	1	Fitting, Straight JIC/ORB	
3	2220385	1	Fitting, Tee JIC/JIC/JIC	
4	2220497	6	Fitting, Straight JIC/ORB	
5	2220499	1	Fitting, 45 JIC/ORB	
6	2220600	1	Fitting, Straight FL/ORB	
7	2220899	1	Fitting, Tee JIC/ORB/JIC	
8	2230087	6	Fitting	
9	2752966	6	Hose	
10	2752516	1	Hose	
11	2752497	1	Hose	
12	2753118	2	Hose	

Go to Discount-Equipment.com to order your parts

# SECTION 7 - HYDRAULIC

## FIGURE 7-2. HYDRAULIC DIAGRAM - LEVELING JACKS (OPTIONAL)



ART\_2792494\_F

## SECTION 7 - HYDRAULIC

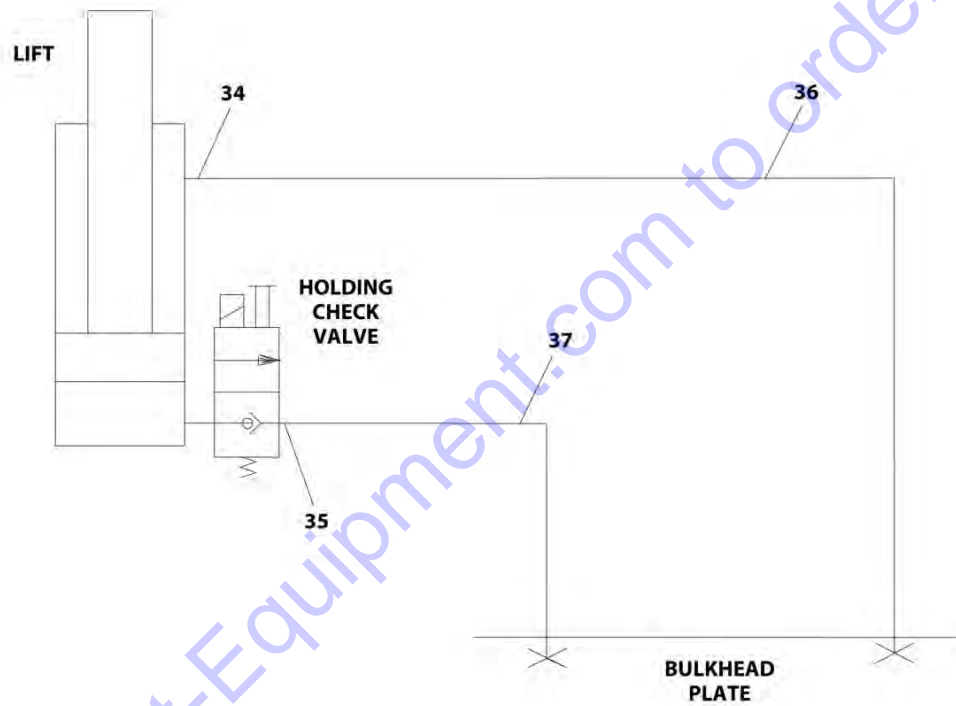
**FIGURE 7-2. HYDRAULIC DIAGRAM - LEVELING JACKS (OPTIONAL)**

ITEM	PART NUMBER	QTY	DESCRIPTION	REV
	2792494	Ref	HYDRAULIC DIAGRAM - LEVELING JACKS (OPTIONAL)	F
7	2220371	12	Fitting, Straight JIC/ORB	
8	2220473	7	Fitting, 90 JIC/ORB	
9	2220490	2	Fitting, Tee JIC/JIC/JIC	
10	2220385	1	Fitting, Tee JIC/JIC/JIC	
11	2220819	2	Fitting, 90 JIC/ORB	
14	2220619	1	Fitting, Reducer JIC/JIC	
15	2221089	4	Orifice (.0625)	
100	1001230581	Ref	Kit, Fixed Axle Hose	
101	See Note	1	Hose (Note: Use p/n 1001230581)	
102	See Note	1	Hose (Note: Use p/n 1001230581)	
103	See Note	1	Hose (Note: Use p/n 1001230581)	
104	See Note	1	Hose (Note: Use p/n 1001230581)	
105	See Note	2	Hose (Note: Use p/n 1001230581)	
106	See Note	1	Hose (Note: Use p/n 1001230581)	
107	See Note	1	Hose (Note: Use p/n 1001230581)	
108	See Note	1	Hose (Note: Use p/n 1001230581)	

Go to Discount-Equipment.com to order your parts

# SECTION 7 - HYDRAULIC

FIGURE 7-3. HYDRAULIC DIAGRAM - LIFT CYLINDER - 3369LE/M3369 WITH LSS



ART\_0275525\_G\_20F2



## SECTION 7 - HYDRAULIC

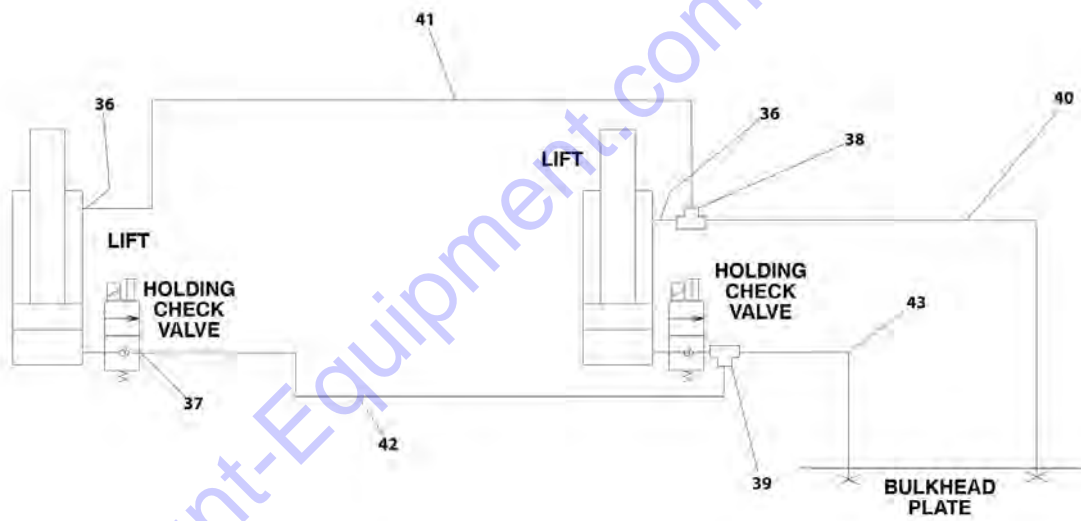
FIGURE 7-3. HYDRAULIC DIAGRAM - LIFT CYLINDER - 3369LE/M3369 WITH LSS

ITEM	PART NUMBER	QTY	DESCRIPTION	REV
	0275525	Ref	HYDRAULIC DIAGRAM - LIFT CYLINDER - WITH LSS	G
34	2220371	1	Fitting, Straight JIC/ORB	
35	2220473	1	Fitting, 90 JIC/ORB	
36	2753137	1	Hose	
37	2753526	1	Hose	

Go to Discount-Equipment.com to order your parts

# SECTION 7 - HYDRAULIC

FIGURE 7-4. HYDRAULIC DIAGRAM - LIFT CYLINDER - 4069LE/M4069 WITH LSS



ART\_0255526\_20F1

Go to Discount-Equipment.com to order your parts

## SECTION 7 - HYDRAULIC

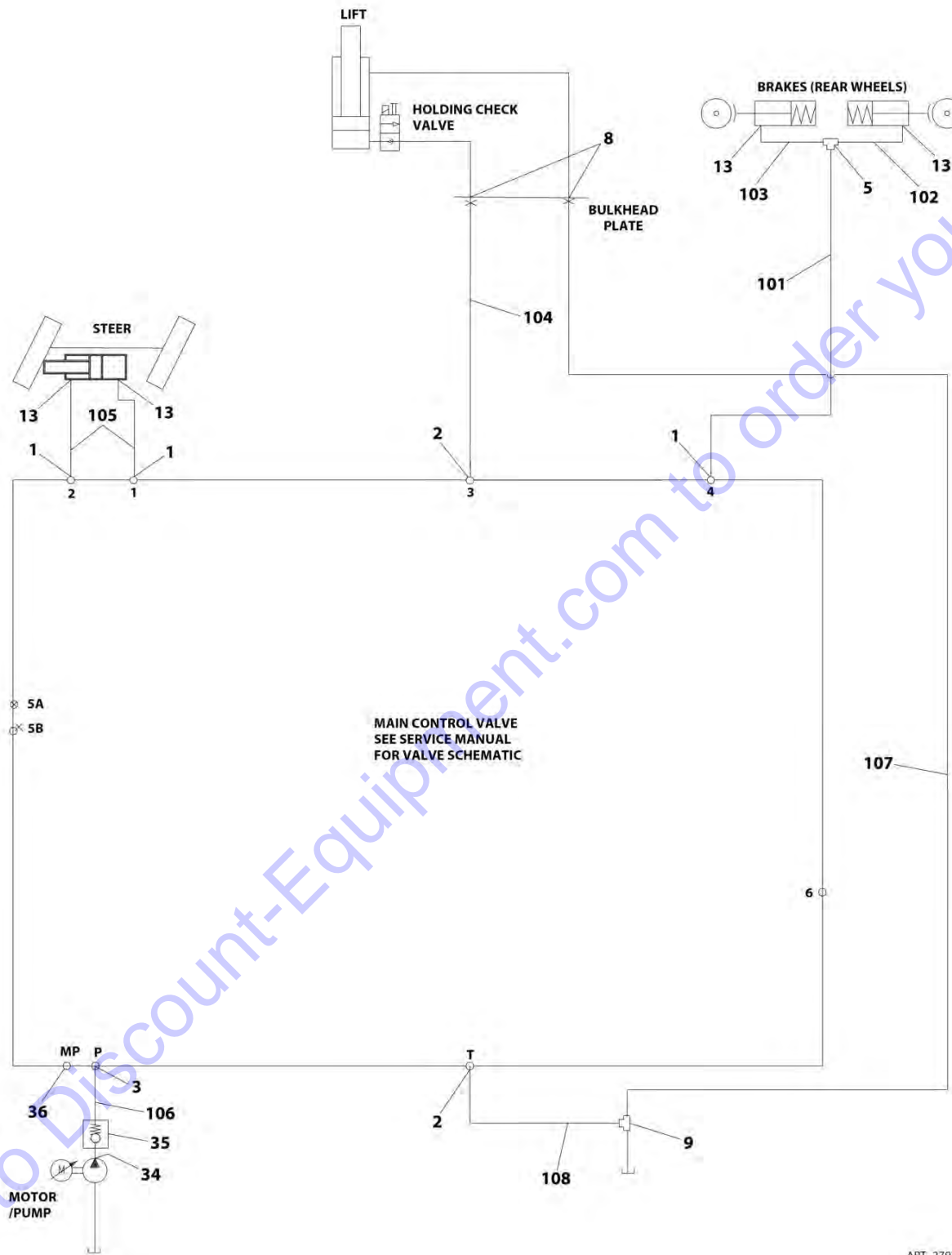
**FIGURE 7-4. HYDRAULIC DIAGRAM - LIFT CYLINDER - 4069LE/M4069 WITH LSS**

ITEM	PART NUMBER	QTY	DESCRIPTION	REV
	0275526	1	HYDRAULIC DIAGRAM - LIFT CYLINDER - WITH LSS	G
36	2220371	2	Fitting, Straight JIC/ORB	
37	2220473	1	Fitting, 90 JIC/ORB	
38	2220635	1	Fitting, Tee JIC/JIC/JIC	
39	2220899	1	Fitting, Tee JIC/ORB/JIC	
40	2753137	1	Hose	
41	2753414	1	Hose	
42	2753415	1	Hose	
43	2753526	1	Hose	

Go to Discount-Equipment.com to order your parts

# SECTION 7 - HYDRAULIC

## FIGURE 7-5. HYDRAULIC DIAGRAM - STANDARD - 3369LE/M3369 WITH FIXED AXLE



## SECTION 7 - HYDRAULIC

**FIGURE 7-5. HYDRAULIC DIAGRAM - STANDARD - 3369LE/M3369 WITH FIXED AXLE**

ITEM	PART NUMBER	QTY	DESCRIPTION	REV
	2792443	Ref	HYDRAULIC DIAGRAM - STANDARD - WITH FIXED AXLE	F
1	2220415	3	Fitting, Straight JIC/ORB	
2	2220371	2	Fitting, Straight JIC/ORB	
3	2220373	1	Fitting, Straight JIC/ORB	
5	2220504	1	Fitting, Tee JIC/JIC/JIC	
8	2230024	2	Fitting, Bulkhead JIC/JIC	
9	2221041	1	Fitting, Tee	
13	2220466	4	Fitting, 90 JIC/ORB	
34	2220810	1	Fitting, Straight ORB/ORB	
35	4640744	1	Valve, Inline Check	
36	2221086	1	Fitting, Test Port	
100	1001230578	Ref	Kit, Fixed Axle Hose	
101	See Note	1	Hose (Note: Use p/n 1001230578)	
102	See Note	1	Hose (Note: Use p/n 1001230578)	
103	See Note	1	Hose (Note: Use p/n 1001230578)	
104	See Note	1	Hose (Note: Use p/n 1001230578)	
105	See Note	2	Hose (Note: Use p/n 1001230578)	
106	See Note	1	Hose (Note: Use p/n 1001230578)	
107	See Note	1	Hose (Note: Use p/n 1001230578)	
108	See Note	1	Hose (Note: Use p/n 1001230578)	

Go to Discount-Equipment.com to order your parts



## SECTION 7 - HYDRAULIC

**FIGURE 7-6. HYDRAULIC DIAGRAM - STANDARD - 3369LE/M3369 WITH OSCILLATING AXLE (ALL SPECS EXCEPT CE SPEC)**

ITEM	PART NUMBER	QTY	DESCRIPTION	REV
	1001167496	Ref	HYDRAULIC DIAGRAM - STANDARD - WITH OSCILLATING AXLE	F
1	2220415	3	Fitting, Straight	
2	2220371	2	Fitting, Straight	
3	2220373	1	Fitting, Straight	
4	2220504	2	Fitting, Tee	
5	2230024	2	Fitting, Bulkhead	
6	2221041	1	Fitting, Tee	
7	2220466	5	Fitting, 90	
21	2220923	2	Fitting, Straight JIC/ORB	
22	2220998	1	Fitting, Straight JIC/ORB	
23	2220603	1	Fitting, Straight JIC/ORB	
24	2220579	1	Fitting, Tee JIC/JIC/JIC	
25	2220502	1	Fitting, 45 JIC/ORB	
26	2220605	1	Fitting, Tee JIC/JIC/JIC	
27	2220635	1	Fitting, Tee JIC/JIC/JIC	
28	2220810	1	Fitting, Straight ORB/ORB	
29	4640744	1	Valve, Inline Check	
30	2221086	1	Fitting, Test Port	
31	2220775	1	Fitting, 90 JIC/ORB	
100	1001230577	Ref	Kit, Frame Hose	
101	See Note	1	Hose (Note: Use p/n 1001230577)	
102	See Note	1	Hose (Note: Use p/n 1001230577)	
103	See Note	1	Hose (Note: Use p/n 1001230577)	
104	See Note	1	Hose (Note: Use p/n 1001230577)	
200	1001230579	Ref	Kit, Hosing Station	
201	See Note	2	Hose (Note: Use p/n 1001230579)	
202	See Note	1	Hose (Note: Use p/n 1001230579)	
203	See Note	1	Hose (Note: Use p/n 1001230579)	
204	See Note	2	Hose (Note: Use p/n 1001230579)	
205	See Note	1	Hose (Note: Use p/n 1001230579)	
206	See Note	2	Hose (Note: Use p/n 1001230579)	
207	See Note	1	Hose (Note: Use p/n 1001230579)	
208	See Note	1	Hose (Note: Use p/n 1001230579)	
209	See Note	1	Hose (Note: Use p/n 1001230579)	
210	See Note	1	Hose (Note: Use p/n 1001230579)	
211	See Note	1	Hose (Note: Use p/n 1001230579)	





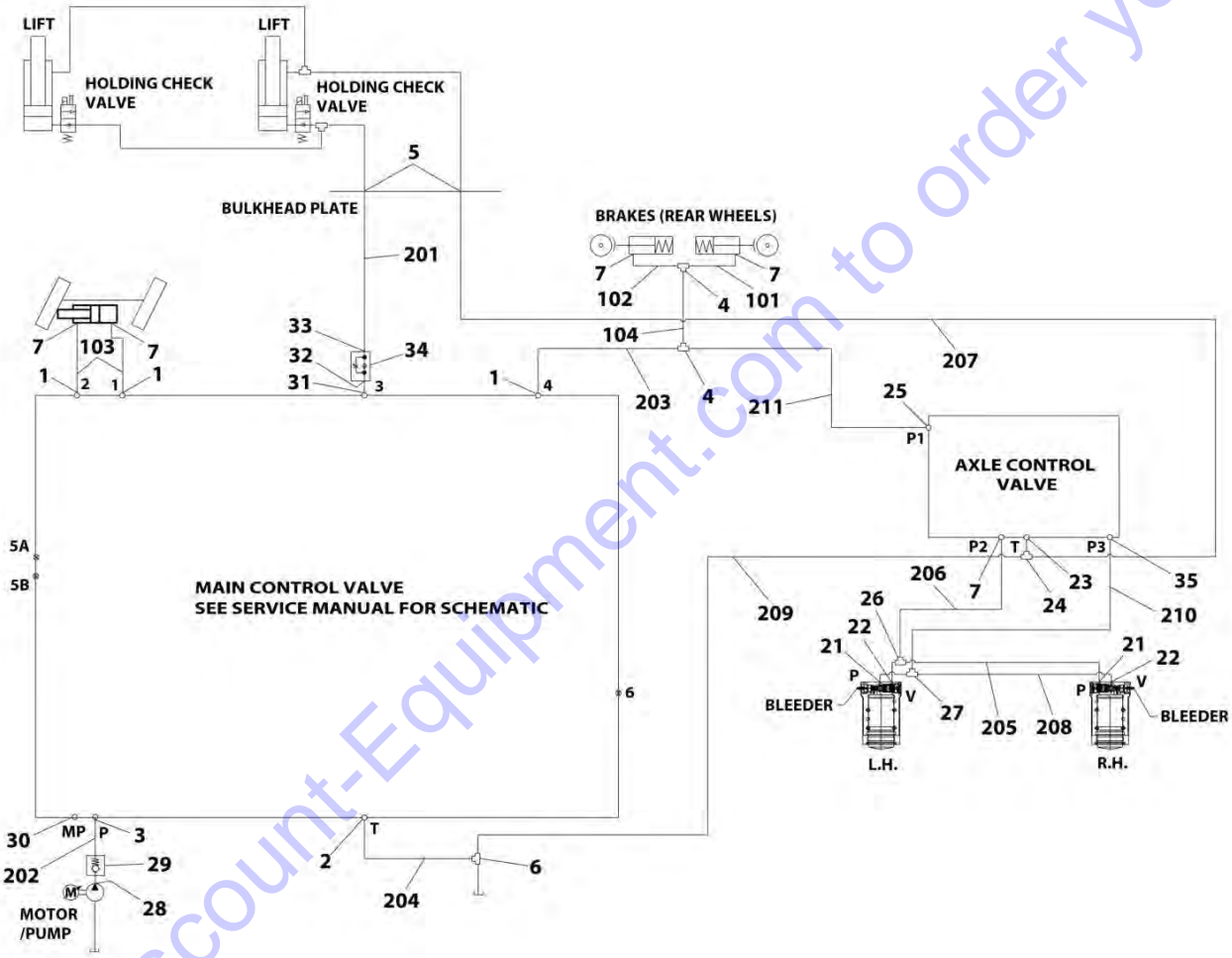
## SECTION 7 - HYDRAULIC

**FIGURE 7-7. HYDRAULIC DIAGRAM - STANDARD - 4069LE/M4069 WITH FIXED AXLE**

ITEM	PART NUMBER	QTY	DESCRIPTION	REV
	2792445	Ref	HYDRAULIC DIAGRAM - STANDARD - WITH FIXED AXLE	G
1	2220415	3	Fitting, Straight JIC/ORB	
2	2220371	1	Fitting, Straight JIC/ORB	
3	2220373	1	Fitting, Straight JIC/ORB	
5	2220504	1	Fitting, Tee JIC/JIC/JIC	
8	2230024	2	Fitting, Bulkhead JIC/JIC	
9	2221041	1	Fitting, Tee	
13	2220466	4	Fitting, 90 JIC/ORB	
34	2220810	1	Fitting, Straight ORB/ORB	
35	2220600	1	Fitting, Straight ORB	
36	2220651	1	Fitting, Straight	
37	2221044	1	Fitting, 45	
38	4640757	1	Valve, Color Flow	
39	4640744	1	Valve, Inline Check	
40	2221086	1	Fitting, Test Port	
100	1001230578	Ref	Kit, Fixed Axle Hose	
101	See Note	1	Hose (Note: Use p/n 1001230578)	
102	See Note	1	Hose (Note: Use p/n 1001230578)	
103	See Note	1	Hose (Note: Use p/n 1001230578)	
104	See Note	1	Hose (Note: Use p/n 1001230578)	
105	See Note	2	Hose (Note: Use p/n 1001230578)	
106	See Note	1	Hose (Note: Use p/n 1001230578)	
107	See Note	1	Hose (Note: Use p/n 1001230578)	
108	See Note	1	Hose (Note: Use p/n 1001230578)	

# SECTION 7 - HYDRAULIC

FIGURE 7-8. HYDRAULIC DIAGRAM - STANDARD - 4069LE/M4069 WITH OSCILLATING AXLE (ALL SPECS EXCEPT CE SPEC)



ART\_1001167498\_E

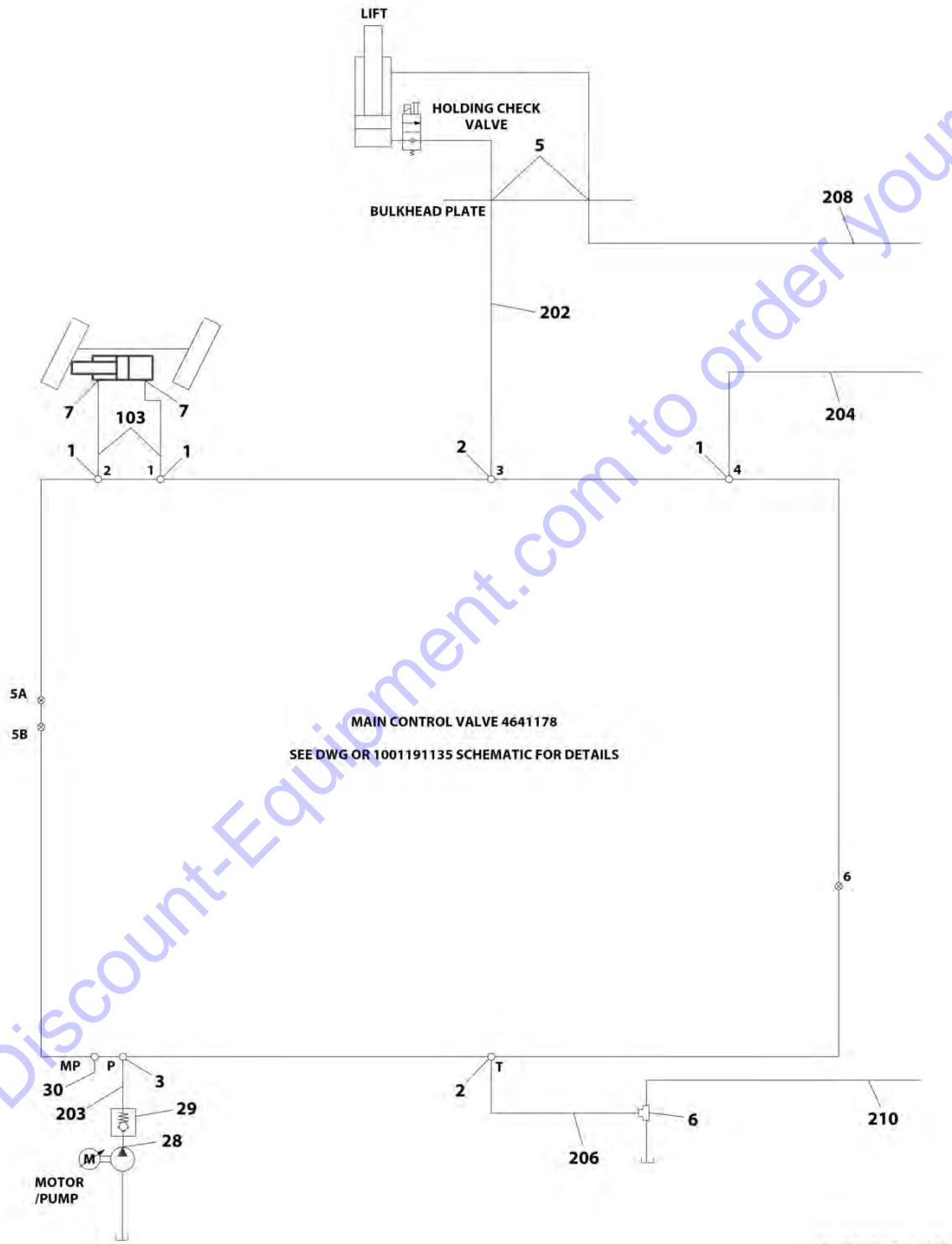
## SECTION 7 - HYDRAULIC

**FIGURE 7-8. HYDRAULIC DIAGRAM - STANDARD - 4069LE/M4069 WITH OSCILLATING AXLE (ALL SPECS EXCEPT CE SPEC)**

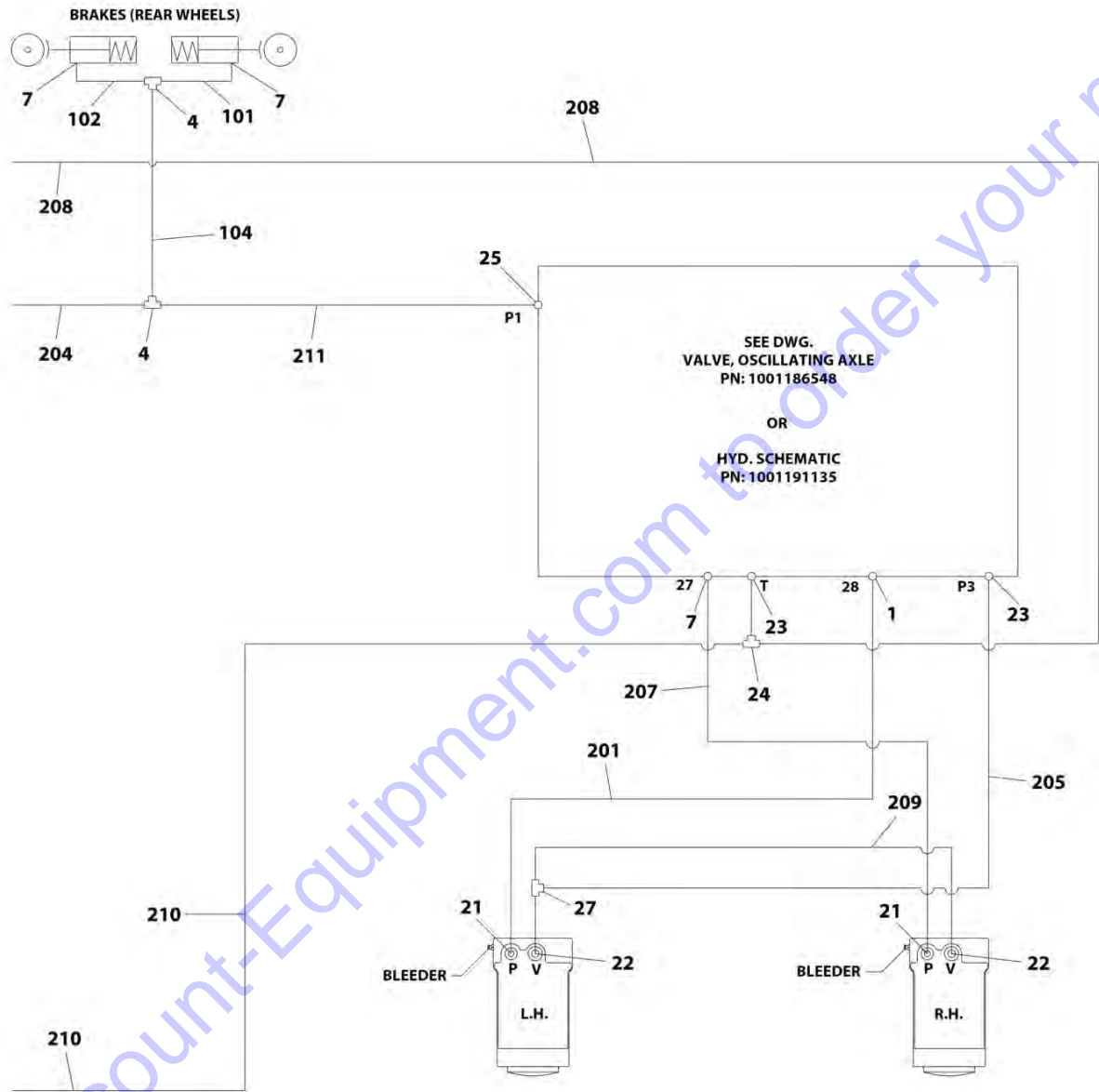
ITEM	PART NUMBER	QTY	DESCRIPTION	REV
	1001167498	Ref	HYDRAULIC DIAGRAM - STANDARD - WITH OSCILLATING AXLE	E
1	2220415	3	Fitting, Straight	
2	2220371	1	Fitting, Straight	
3	2220373	1	Fitting, Straight	
4	2220504	2	Fitting, Tee	
5	2230024	2	Fitting, Bulkhead	
6	2221041	1	Fitting, Tee	
7	2220466	5	Fitting, 90	
21	2220923	2	Fitting, Straight JIC/ORB	
22	2220998	1	Fitting, Straight JIC/ORB	
23	2220603	1	Fitting, Straight JIC/ORB	
24	2220579	1	Fitting, Tee JIC/JIC/JIC	
25	2220502	1	Fitting, 45 JIC/ORB	
26	2220605	1	Fitting, Tee JIC/JIC/JIC	
27	2220635	1	Fitting, Tee JIC/JIC/JIC	
28	2220810	1	Fitting, Straight ORB/ORB	
29	4640744	1	Valve, Inline Check	
30	2221086	1	Fitting, Test Port	
31	2220600	1	Fitting, Straight ORB	
32	2220651	1	Fitting, Straight	
33	2221044	1	Fitting, 45	
34	4640757	1	Valve, Color Flow	
35	2220775	1	Fitting, 90 JIC/ORB	
100	1001230577	Ref	Kit, Frame Hose	
101	See Note	1	Hose (Note: Use p/n 1001230577)	
102	See Note	1	Hose (Note: Use p/n 1001230577)	
103	See Note	1	Hose (Note: Use p/n 1001230577)	
104	See Note	1	Hose (Note: Use p/n 1001230577)	
200	1001230579	Ref	Kit, Hosing Station	
201	See Note	2	Hose (Note: Use p/n 1001230579)	
202	See Note	1	Hose (Note: Use p/n 1001230579)	
203	See Note	1	Hose (Note: Use p/n 1001230579)	
204	See Note	2	Hose (Note: Use p/n 1001230579)	
205	See Note	1	Hose (Note: Use p/n 1001230579)	
206	See Note	2	Hose (Note: Use p/n 1001230579)	
207	See Note	1	Hose (Note: Use p/n 1001230579)	
208	See Note	1	Hose (Note: Use p/n 1001230579)	
209	See Note	1	Hose (Note: Use p/n 1001230579)	
210	See Note	1	Hose (Note: Use p/n 1001230579)	
211	See Note	1	Hose (Note: Use p/n 1001230579)	

# SECTION 7 - HYDRAULIC

## FIGURE 7-9. HYDRAULIC DIAGRAM - STANDARD - 3369LE/M3369 WITH OSCILLATING AXLE (CE SPEC)



# SECTION 7 - HYDRAULIC



ART\_1001191137\_C\_20F2

## SECTION 7 - HYDRAULIC

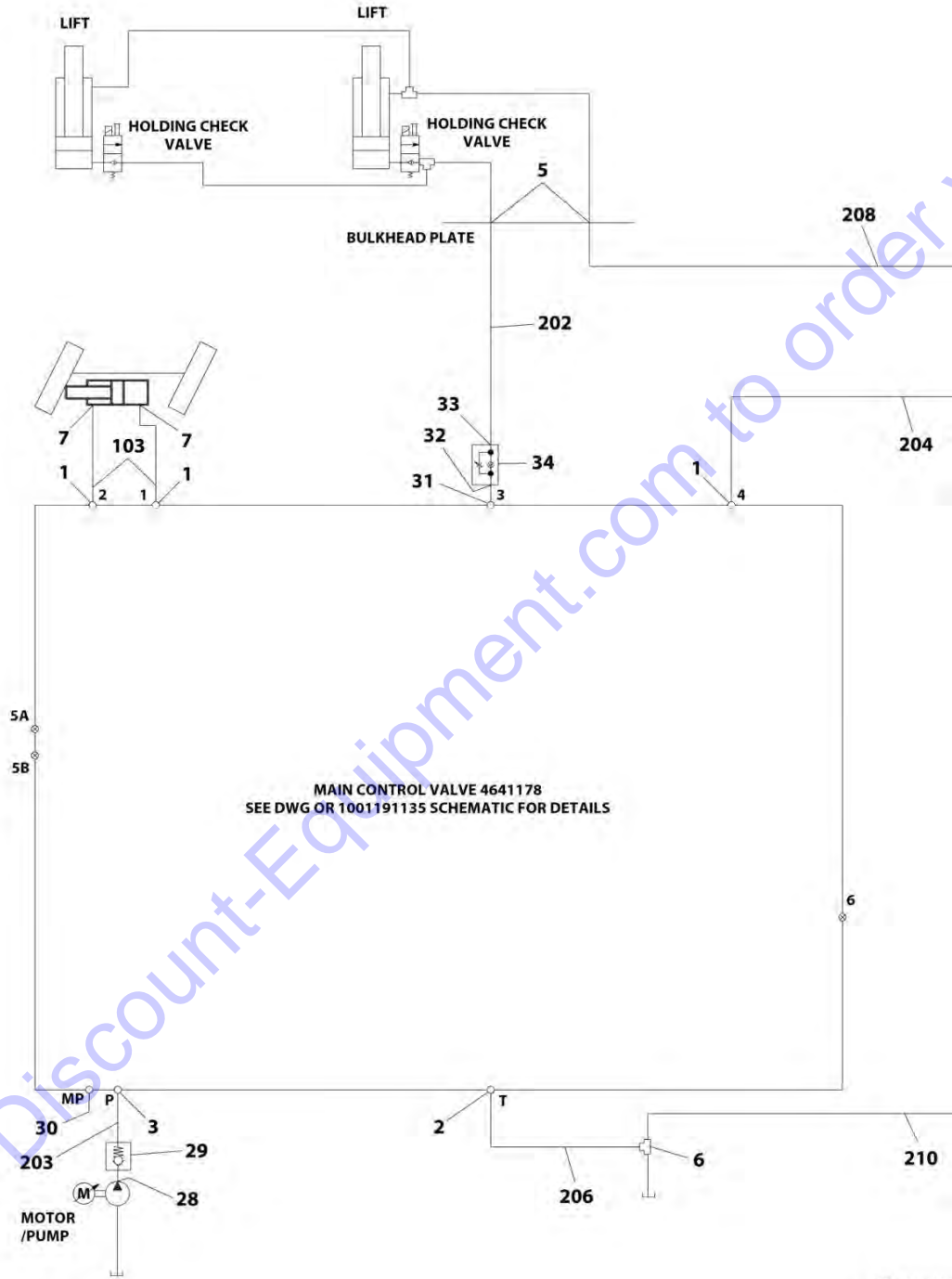
**FIGURE 7-9. HYDRAULIC DIAGRAM - STANDARD - 3369LE/M3369 WITH OSCILLATING AXLE (CE SPEC)**

ITEM	PART NUMBER	QTY	DESCRIPTION	REV
	1001191137	Ref	HYDRAULIC DIAGRAM - STANDARD - WITH OSCILLATING AXLE	C
1	2220415	4	Fitting, Straight	
2	2220371	2	Fitting, Straight	
3	2220373	1	Fitting, Straight	
4	2220504	2	Fitting, Tee	
5	2230024	2	Fitting, Bulkhead	
6	2221041	1	Fitting, Tee	
7	2220466	5	Fitting, 90	
21	2220923	2	Fitting, Straight JIC/ORB	
22	2220998	2	Fitting, Straight JIC/ORB	
23	2220603	2	Fitting, Straight JIC/ORB	
24	2220579	1	Fitting, Tee JIC/JIC/JIC	
25	2220502	1	Fitting, 45 JIC/ORB	
27	2220635	1	Fitting, Tee JIC/JIC/JIC	
28	2220810	1	Fitting, Straight ORB/ORB	
29	4640744	1	Valve, Inline Check	
30	2221086	1	Fitting, Test Port	
100	1001230577	Ref	Kit, Frame Hose	
101	See Note	1	Hose (Note: Use p/n 1001230577)	
102	See Note	1	Hose (Note: Use p/n 1001230577)	
103	See Note	1	Hose (Note: Use p/n 1001230577)	
104	See Note	1	Hose (Note: Use p/n 1001230577)	
200	1001230580	Ref	Kit, Hosing Station	
201	See Note	2	Hose (Note: Use p/n 1001230580)	
202	See Note	1	Hose (Note: Use p/n 1001230580)	
203	See Note	1	Hose (Note: Use p/n 1001230580)	
204	See Note	2	Hose (Note: Use p/n 1001230580)	
205	See Note	1	Hose (Note: Use p/n 1001230580)	
206	See Note	2	Hose (Note: Use p/n 1001230580)	
207	See Note	1	Hose (Note: Use p/n 1001230580)	
208	See Note	1	Hose (Note: Use p/n 1001230580)	
209	See Note	1	Hose (Note: Use p/n 1001230580)	
210	See Note	1	Hose (Note: Use p/n 1001230580)	
211	See Note	1	Hose (Note: Use p/n 1001230580)	



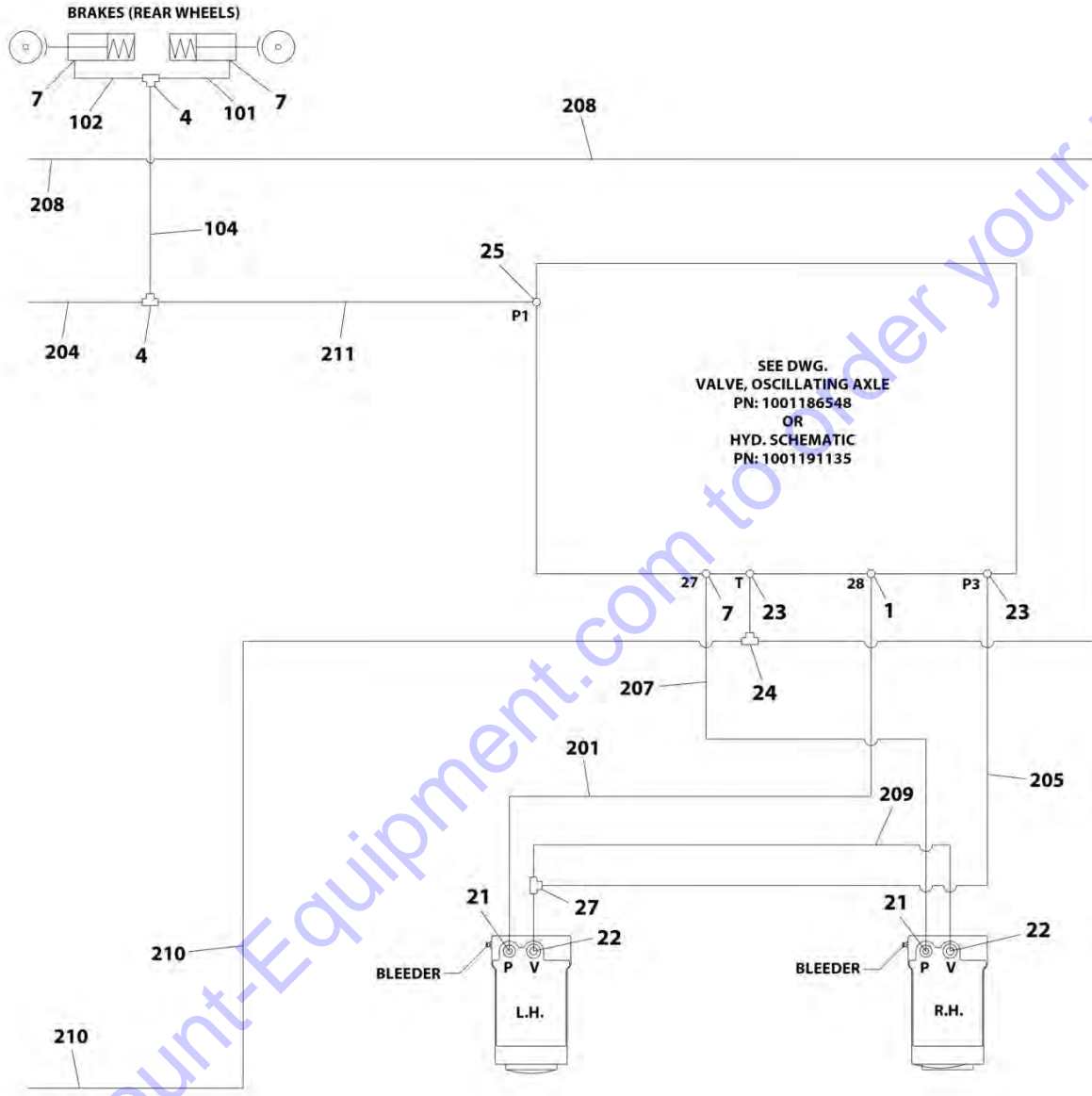
# SECTION 7 - HYDRAULIC

FIGURE 7-10. HYDRAULIC DIAGRAM - STANDARD - 4069LE/M4069 WITH OSCILLATING AXLE (CE SPEC)



ART\_1001191141\_C\_10F2

# SECTION 7 - HYDRAULIC



ART\_1001191141\_C\_20F2

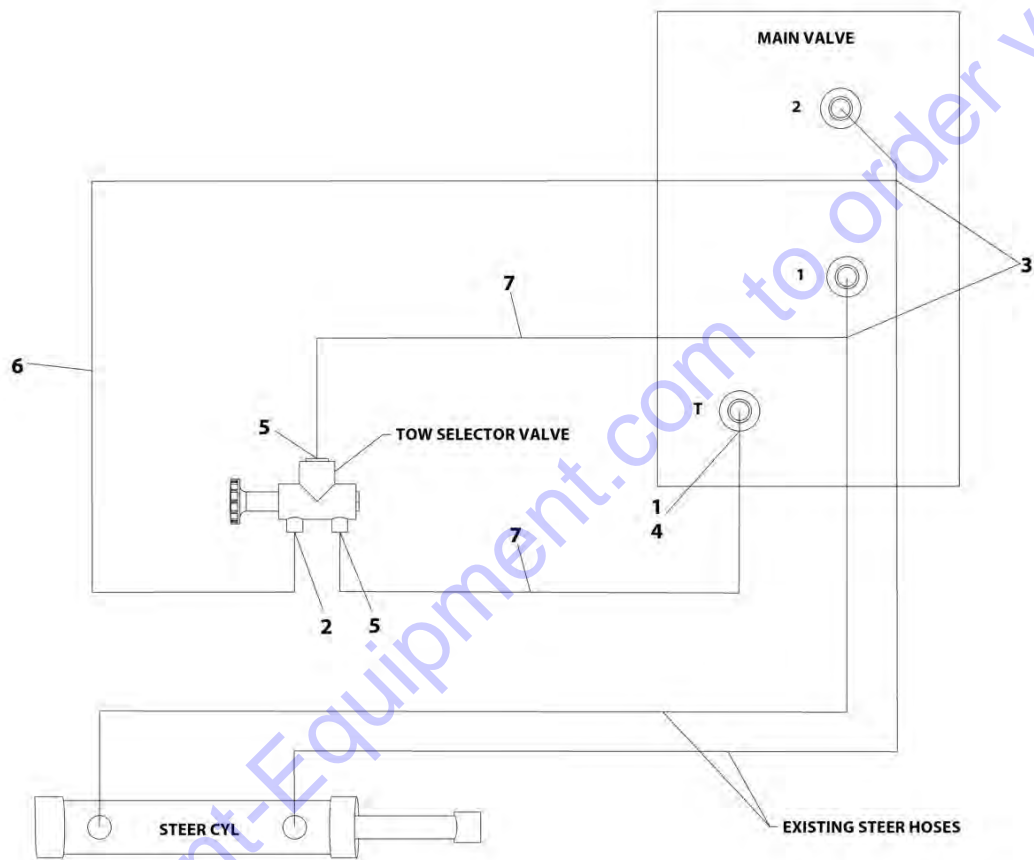
## SECTION 7 - HYDRAULIC

**FIGURE 7-10. HYDRAULIC DIAGRAM - STANDARD - 4069LE/M4069 WITH OSCILLATING AXLE (CE SPEC)**

ITEM	PART NUMBER	QTY	DESCRIPTION	REV
	1001191141	Ref	HYDRAULIC DIAGRAM - STANDARD - WITH OSCILLATING AXLE	C
1	2220415	4	Fitting, Straight	
2	2220371	1	Fitting, Straight	
3	2220373	1	Fitting, Straight	
4	2220504	2	Fitting, Tee	
5	2230024	2	Fitting, Bulkhead	
6	2221041	1	Fitting, Tee	
7	2220466	5	Fitting, 90	
21	2220923	2	Fitting, Straight JIC/ORB	
22	2220998	2	Fitting, Straight JIC/ORB	
23	2220603	2	Fitting, Straight JIC/ORB	
24	2220579	1	Fitting, Tee JIC/JIC/JIC	
25	2220502	1	Fitting, 45 JIC/ORB	
27	2220635	1	Fitting, Tee JIC/JIC/JIC	
28	2220810	1	Fitting, Straight ORB/ORB	
29	4640744	1	Valve, Inline Check	
30	2221086	1	Fitting, Test Port	
31	2220600	1	Fitting, Straight ORB	
32	2220651	1	Fitting, Straight	
33	2221044	1	Fitting, 45	
34	4640757	1	Valve, Color Flow	
100	1001230577	Ref	Kit, Frame Hose	
101	See Note	1	Hose (Note: Use p/n 1001230577)	
102	See Note	1	Hose (Note: Use p/n 1001230577)	
103	See Note	1	Hose (Note: Use p/n 1001230577)	
104	See Note	1	Hose (Note: Use p/n 1001230577)	
200	1001230580	Ref	Kit, Hosing Station	
201	See Note	2	Hose (Note: Use p/n 1001230580)	
202	See Note	1	Hose (Note: Use p/n 1001230580)	
203	See Note	1	Hose (Note: Use p/n 1001230580)	
204	See Note	2	Hose (Note: Use p/n 1001230580)	
205	See Note	1	Hose (Note: Use p/n 1001230580)	
206	See Note	2	Hose (Note: Use p/n 1001230580)	
207	See Note	1	Hose (Note: Use p/n 1001230580)	
208	See Note	1	Hose (Note: Use p/n 1001230580)	
209	See Note	1	Hose (Note: Use p/n 1001230580)	
210	See Note	1	Hose (Note: Use p/n 1001230580)	
211	See Note	1	Hose (Note: Use p/n 1001230580)	

# SECTION 7 - HYDRAULIC

## FIGURE 7-11. HYDRAULIC DIAGRAM – TOW BAR



ART\_1001200469

## SECTION 7 - HYDRAULIC

**FIGURE 7-11. HYDRAULIC DIAGRAM – TOW BAR**

ITEM	PART NUMBER	QTY	DESCRIPTION	REV
	1001200469	Ref	HYDRAULIC DIAGRAM – TOW BAR	B
1	2220635	1	Fitting, Tee JIC/JIC/JIC	
2	2220468	1	Fitting, Straight JIC/ORB	
3	2220605	2	Fitting, Tee JIC/JIC/JIC	
4	2220609	1	Fitting, Straight JIC/JIC	
5	2220628	2	Fitting, 90 JIC/ ORB	
6	2752607	1	Hose	
7	84719157	2	Hose	

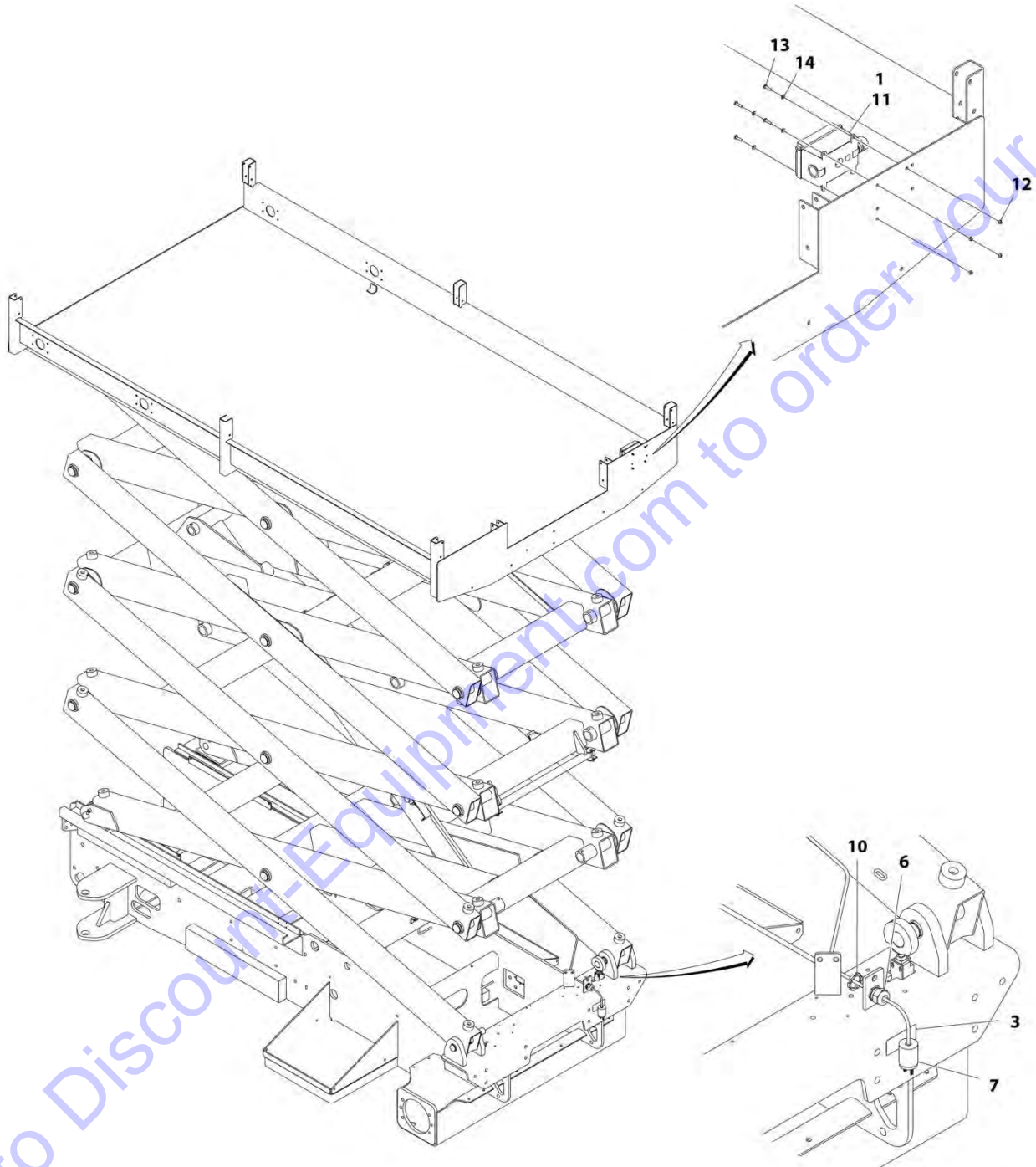
Go to Discount-Equipment.com to order your parts

SECTION 8 - ELECTRICAL

Go to Discount-Equipment.com to order your parts

# SECTION 8 - ELECTRICAL

## FIGURE 8-1. AC TO PLATFORM INSTALLATION - 110V GFI (3369LE/M3369)



ART\_0259587

Go to DiscountEquipment.com to order your parts



## SECTION 8 - ELECTRICAL

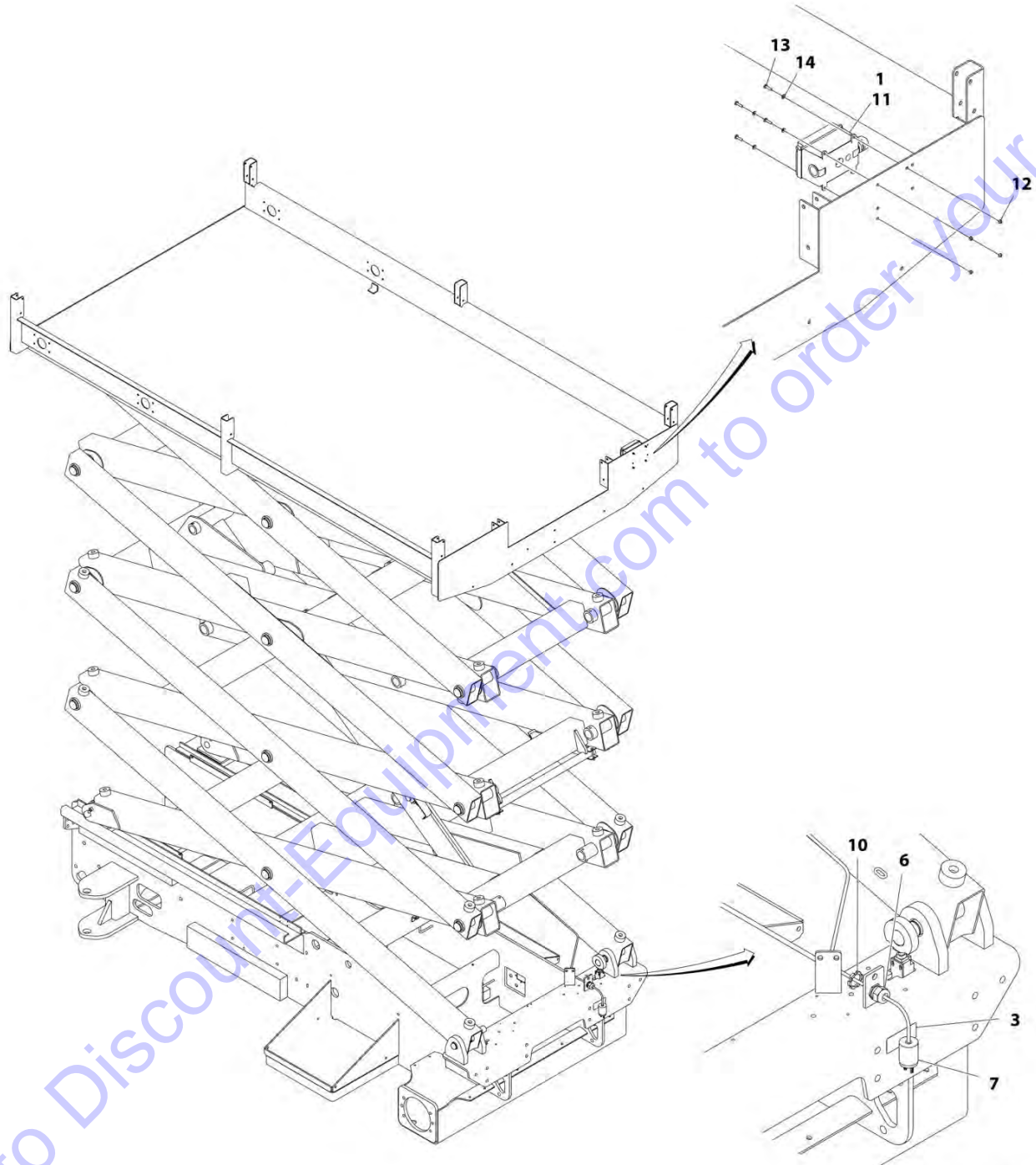
**FIGURE 8-1. AC TO PLATFORM INSTALLATION - 110V GFI (3369LE/M3369)**

ITEM	PART NUMBER	QTY	DESCRIPTION	REV
	0259587	Ref	AC TO PLATFORM INSTALLATION - 110V GFI	J
1	2902431	1	Receptacle Box Kit - 110V GFI (See Separate Breakdown in this Section)	
3	1703464	1	Decal - 120V-60Hz AC Power to Platform	
6	4460071	1	Connector, Strain Relief	
7	4460138	1	Plug, Male	
10	3300048	1	Nut 3/4	
11	4460315	3	Terminal	
12	3290405	4	Nut M4	
13	4010408	4	Screw M4 x 16	
14	4811400	4	Washer M4	

Go to Discount-Equipment.com to order your parts

# SECTION 8 - ELECTRICAL

## FIGURE 8-2. AC TO PLATFORM INSTALLATION - 110V GFI (4069LE/M4069)



ART\_0270109

Go to DiscountEquipment.com to order your parts

## SECTION 8 - ELECTRICAL

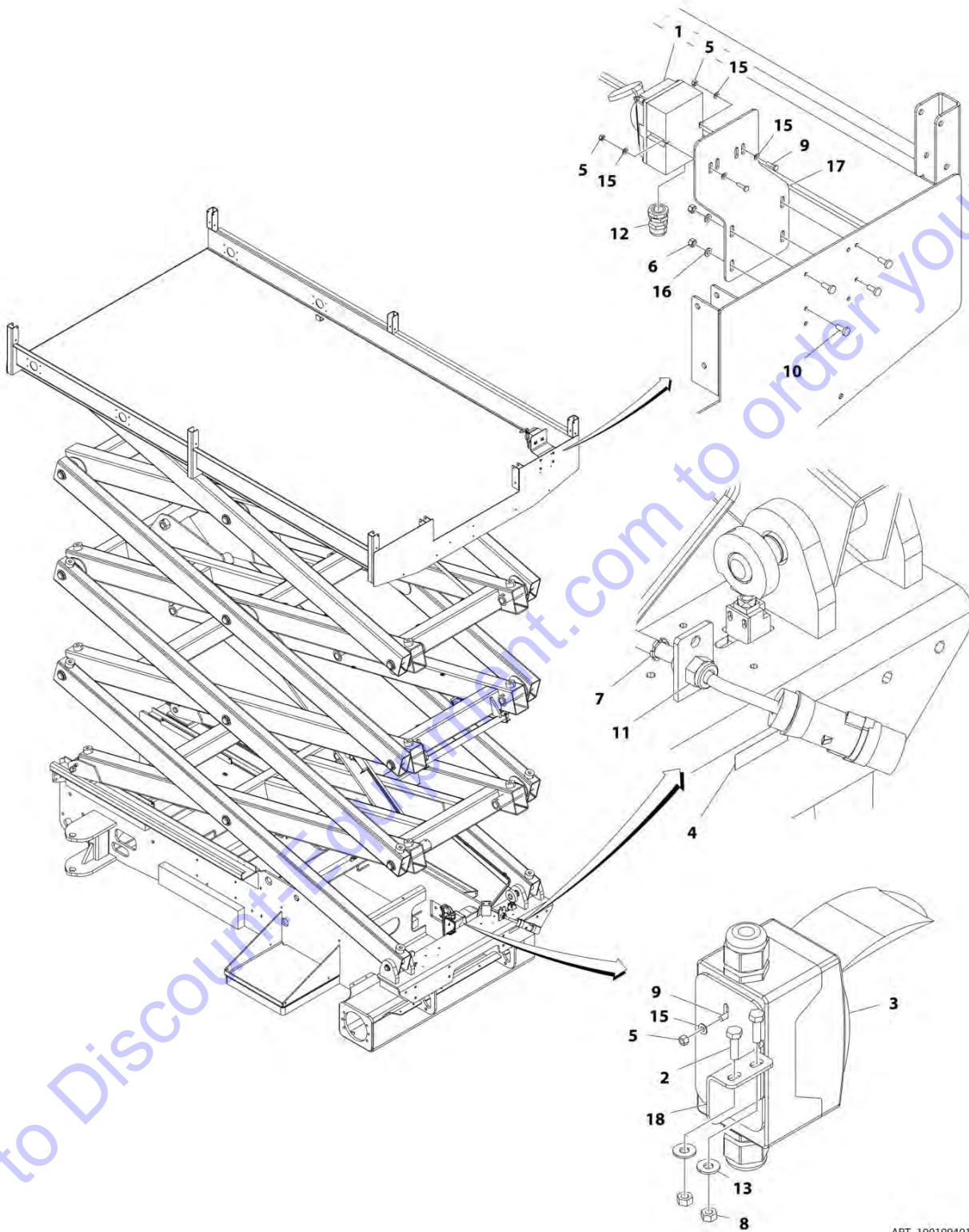
**FIGURE 8-2. AC TO PLATFORM INSTALLATION - 110V GFI (4069LE/M4069)**

ITEM	PART NUMBER	QTY	DESCRIPTION	REV
	0270109	Ref	AC TO PLATFORM INSTALLATION - 110V GFI	I
1	2902431	1	Receptacle Box Kit - 110V GFI (See Separate Breakdown in this Section)	
3	1703464	1	Decal - 120V-60Hz AC Power to Platform	
6	4460071	1	Connector, Strain Relief	
7	4460138	1	Plug, Male	
10	3300048	1	Nut 3/4	
11	4460315	3	Terminal	
12	3290405	4	Nut M4	
13	4010408	4	Screw M4 x 16	
14	4811400	4	Washer M4	

Go to Discount-Equipment.com to order your parts

# SECTION 8 - ELECTRICAL

## FIGURE 8-3. AC TO PLATFORM INSTALLATION - 110V IEC YELLOW (CE SPEC ONLY)



## SECTION 8 - ELECTRICAL

**FIGURE 8-3. AC TO PLATFORM INSTALLATION - 110V IEC YELLOW (CE SPEC ONLY)**

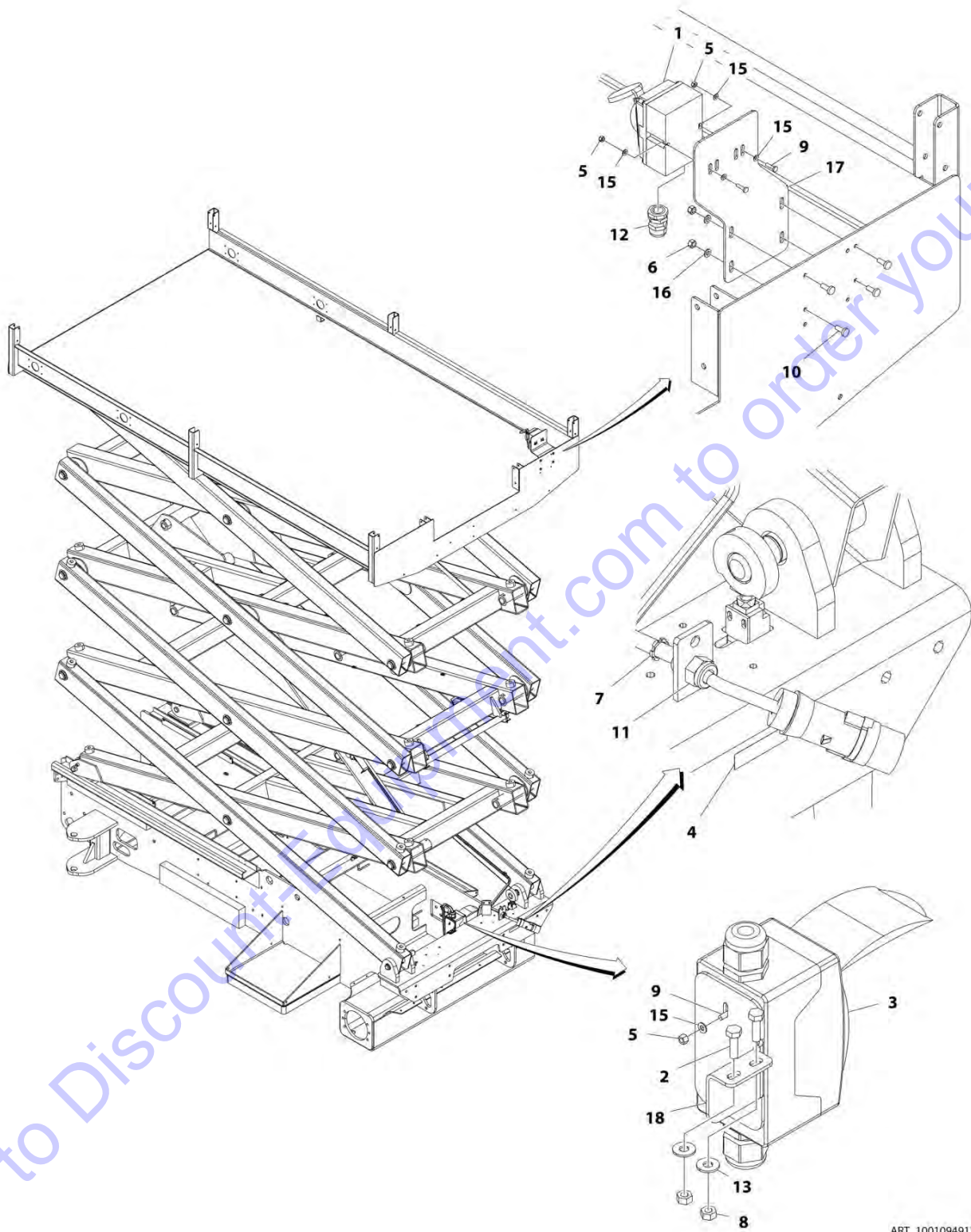
ITEM	PART NUMBER	QTY	DESCRIPTION	REV
	1001094911	Ref	AC TO PLATFORM INSTALLATION - 110V IEC YELLOW	B
1	0275216	1	Receptacle Box Kit - 110V IEC Yellow (See Separate Breakdown in this Section)	
2	0641407	2	Bolt 1/4 x 7/8	
3	2902549	1	Breaker Box Kit (See Separate Breakdown in this Section)	
4	3252507	1	Decal - 220V - 50/60Hz	
5	3290405	4	Nut M4	
6	3290605	4	Nut M6	
7	3300048	1	Nut 3/4	
8	3311405	2	Nut 1/4	
9	4010408	4	Screw M4 x 16	
10	4010608	4	Screw M6 x 16	
11	4460071	1	Connector, Strain Relief	
12	4460968	1	Connector, Strain Relief	
13	4751400	2	Washer 1/4	
15	4811400	8	Washer M4	
16	4811700	4	Washer M6	
17	1001151377	1	Bracket	
18	1001094915	1	Bracket	

Go to Discount-Equipment.com to order your parts



# SECTION 8 - ELECTRICAL

## FIGURE 8-4. AC TO PLATFORM INSTALLATION - 220V IEC BLUE (CE SPEC ONLY)



ART\_1001094912

Go to DiscountParts.com to order your parts

## SECTION 8 - ELECTRICAL

**FIGURE 8-4. AC TO PLATFORM INSTALLATION - 220V IEC BLUE (CE SPEC ONLY)**

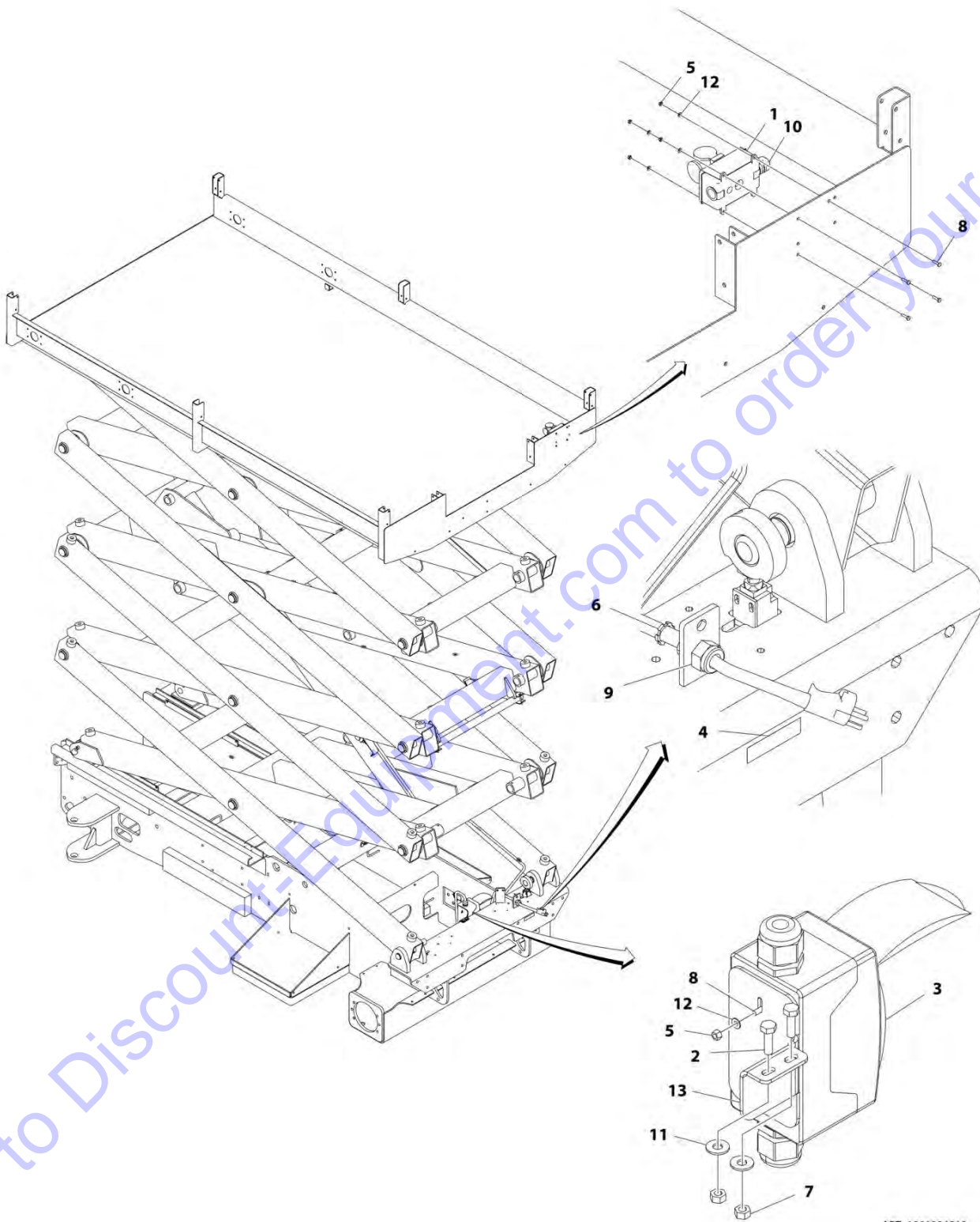
ITEM	PART NUMBER	QTY	DESCRIPTION	REV
	1001094912	Ref	AC TO PLATFORM INSTALLATION - 220V IEC BLUE	B
1	0275217	1	Receptacle Box Kit - 220V IEC Blue (See Separate Breakdown in this Section)	
2	0641407	2	Bolt 1/4 x 7/8	
3	2902549	1	Breaker Box Kit (See Separate Breakdown in this Section)	
4	3252507	1	Decal - 220V - 50/60Hz	
5	3290405	4	Nut M4	
6	3290605	4	Nut M6	
7	3300048	1	Nut 3/4	
8	3311405	2	Nut 1/4	
9	4010408	4	Screw M4 x 16	
10	4010608	4	Screw M6 x 16	
11	4460071	1	Connector, Strain Relief	
12	4460968	1	Connector, Strain Relief	
13	4751400	2	Washer 1/4	
15	4811400	8	Washer M4	
16	4811700	4	Washer M6	
17	1001151377	1	Bracket	
18	1001094915	1	Bracket	

Go to Discount-Equipment.com to order your parts



# SECTION 8 - ELECTRICAL

FIGURE 8-5. AC TO PLATFORM INSTALLATION - 220V AFSINT107 (CE SPEC ONLY)



## SECTION 8 - ELECTRICAL

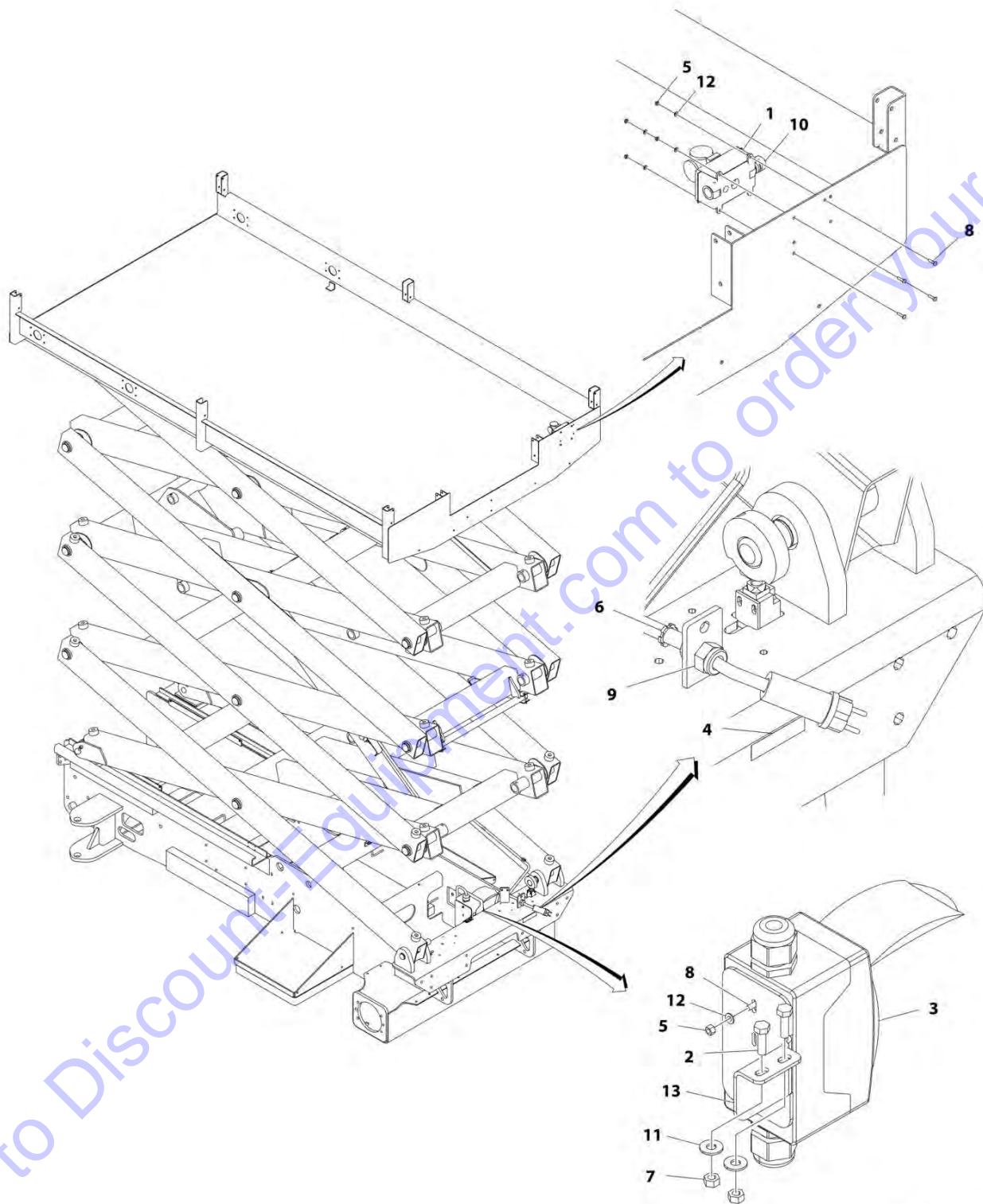
**FIGURE 8-5. AC TO PLATFORM INSTALLATION - 220V AFSINT107 (CE SPEC ONLY)**

ITEM	PART NUMBER	QTY	DESCRIPTION	REV
	1001094910	Ref	AC TO PLATFORM INSTALLATION - 220V AFSINT107	A
1	0275454	1	Receptacle Box Kit - 220V AFSINT107 (See Separate Breakdown in this Section)	
2	0641407	2	Bolt 1/4 x 7/8	
3	2902549	1	Breaker Box Kit (See Separate Breakdown in this Section)	
4	3252507	1	Decal - 220V - 50/60Hz	
5	3290405	6	Nut M4	
6	3300048	1	Nut 3/4	
7	3311405	2	Nut 1/4	
8	4010408	6	Screw M4 x 16	
9	4460071	1	Connector, Strain Relief	
10	4460662	1	Connector, Strain Relief	
11	4751400	2	Washer 1/4	
12	4811400	8	Washer M4	
13	1001094915	1	Bracket	

Go to Discount-Equipment.com to order your parts

# SECTION 8 - ELECTRICAL

FIGURE 8-6. AC TO PLATFORM INSTALLATION - 220V CEE7 SIDE GROUND (CE SPEC ONLY)



ART\_1001162452

## SECTION 8 - ELECTRICAL

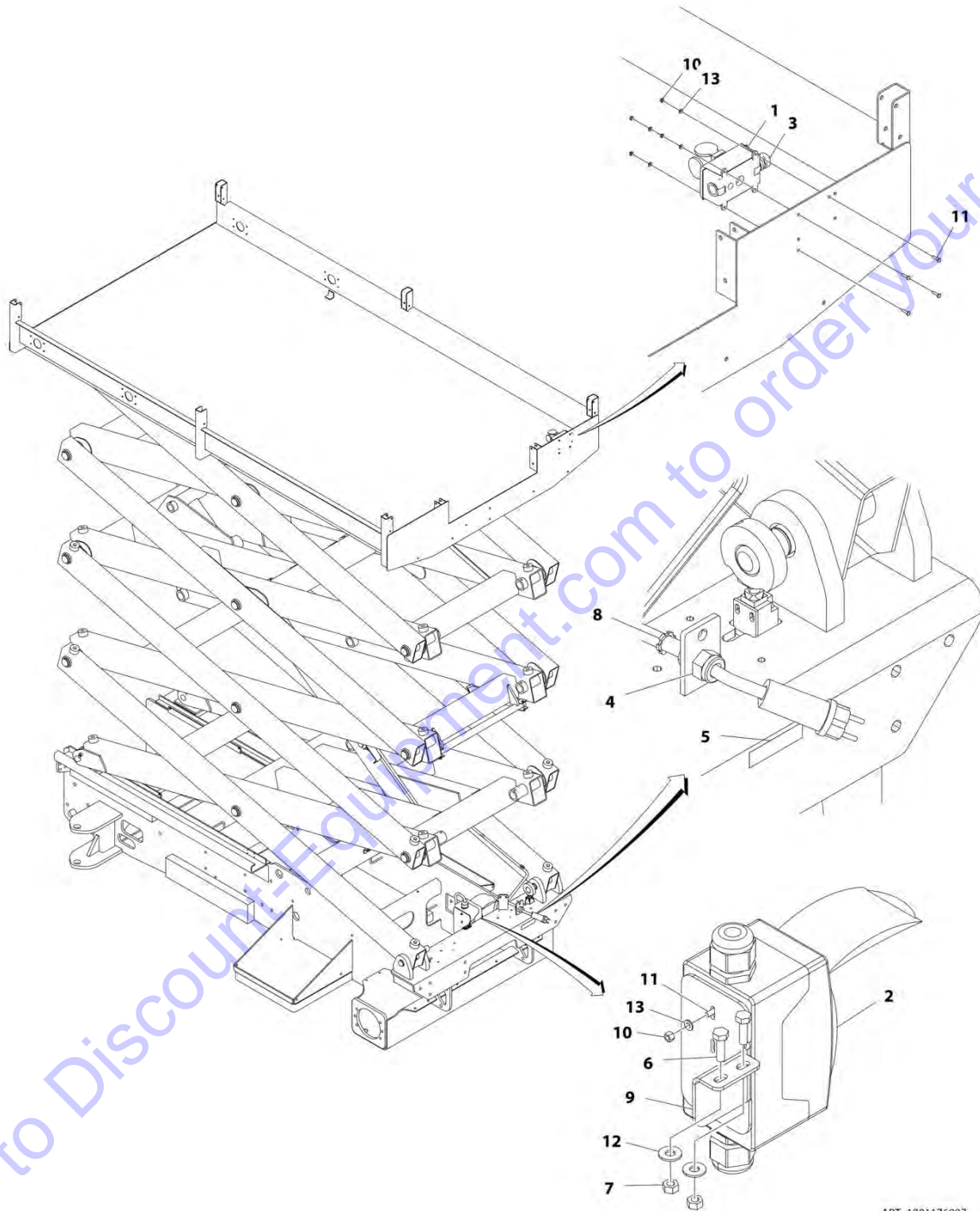
**FIGURE 8-6. AC TO PLATFORM INSTALLATION - 220V CEE7 SIDE GROUND (CE SPEC ONLY)**

ITEM	PART NUMBER	QTY	DESCRIPTION	REV
	1001162452	Ref	AC TO PLATFORM INSTALLATION - 220V CEE7 SIDE GROUND	B
1	0275453	1	Receptacle Box Kit - 220V CEE7 Side Ground (See Separate Breakdown in this Section)	
2	0641407	2	Bolt 1/4 x 7/8	
3	1001152485	1	Breaker Box Kit (See Separate Breakdown in this Section)	
4	3252507	1	Decal - 220V - 50/60Hz	
5	3290405	6	Nut M4	
6	3300048	1	Nut 3/4	
7	3311405	2	Nut 1/4	
8	4010408	6	Screw M4 x 16	
9	4460071	1	Connector, Strain Relief	
10	4460662	1	Connector, Strain Relief	
11	4751400	2	Washer 1/4	
12	4811400	8	Washer M4	
13	1001162456	1	Bracket	

Go to Discount-Equipment.com to order your parts

# SECTION 8 - ELECTRICAL

## FIGURE 8-7. AC TO PLATFORM INSTALLATION - 220V CEE7 POST GROUND (CE SPEC ONLY)



ART\_1001176007

## SECTION 8 - ELECTRICAL

**FIGURE 8-7. AC TO PLATFORM INSTALLATION - 220V CEE7 POST GROUND (CE SPEC ONLY)**

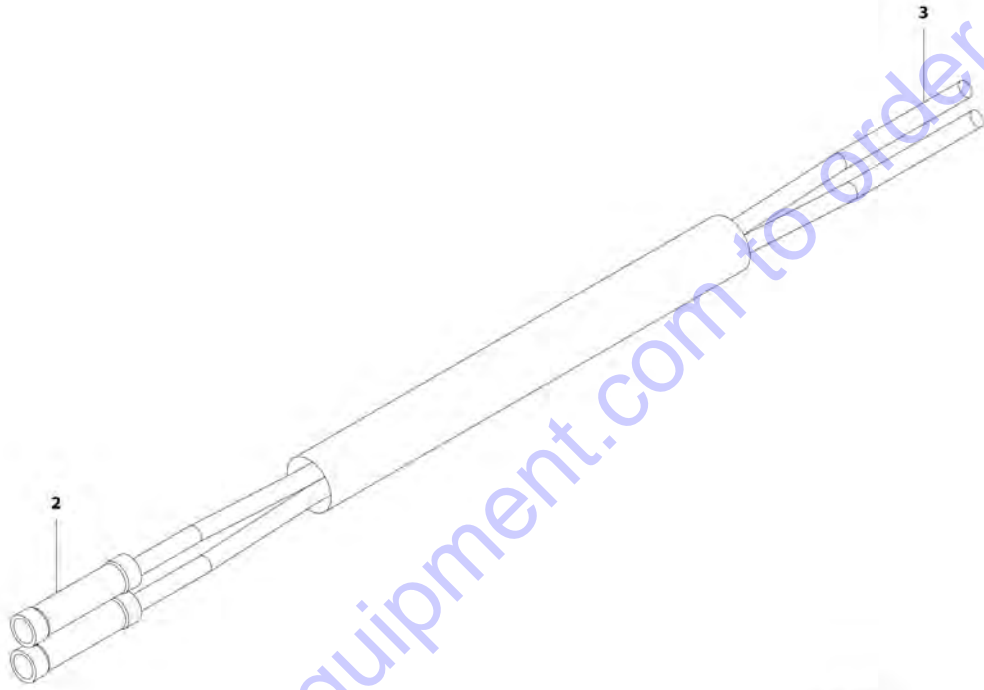
ITEM	PART NUMBER	QTY	DESCRIPTION	REV
	1001176007	Ref	AC TO PLATFORM INSTALLATION - 220V CEE7 POST GROUND	B
1	0275452	1	Receptacle Box Kit - CEE7 Post Ground (See Separate Breakdown in this Section)	
2	1001152485	1	Breaker Box Kit (See Separate Breakdown in this Section)	
3	4460662	1	Connector, Strain Relief	
4	4460071	1	Connector, Strain Relief	
5	3252507	1	Decal - 220V - 50/60Hz	
6	0641407	2	Bolt 1/4 x 7/8	
7	3311405	2	Nut 1/4	
8	3300048	1	Nut 3/4	
9	1001162456	1	Bracket	
10	3290405	6	Nut M4	
11	4010408	6	Screw M4 x 16	
12	4751400	2	Washer 1/4	
13	4811400	8	Washer M4	

Go to Discount-Equipment.com to order your parts



## SECTION 8 - ELECTRICAL

FIGURE 8-8. ALARM HARNESS



ART\_4922517

Go to Discount-Equipment.com to order your parts



## SECTION 8 - ELECTRICAL

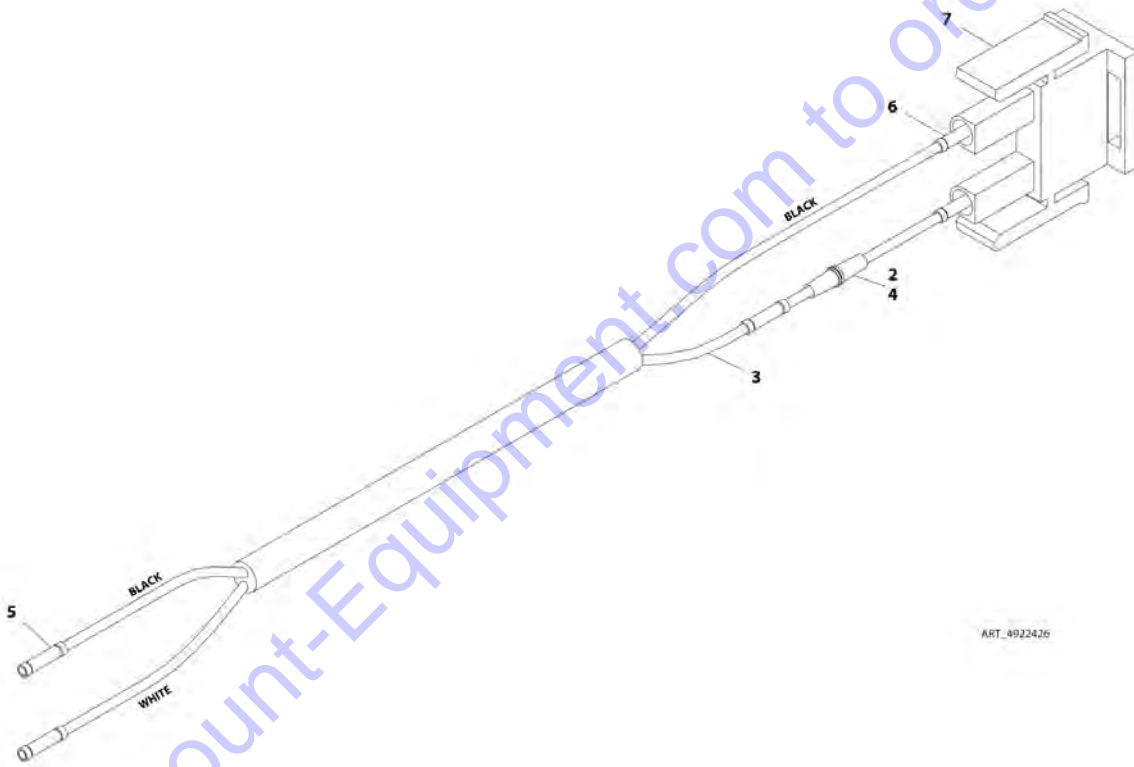
### FIGURE 8-8. ALARM HARNESS

ITEM	PART NUMBER	QTY	DESCRIPTION	REV
	4922517	Ref	ALARM HARNESS	C
2	4460248	2	Connector	
3	4460465	2	Socket, Female	

Go to Discount-Equipment.com to order your parts

SECTION 8 - ELECTRICAL

FIGURE 8-9. BEACON LIGHT HARNESS



ART\_4922426

Go to Discount-Equipment.com to order your parts

## SECTION 8 - ELECTRICAL

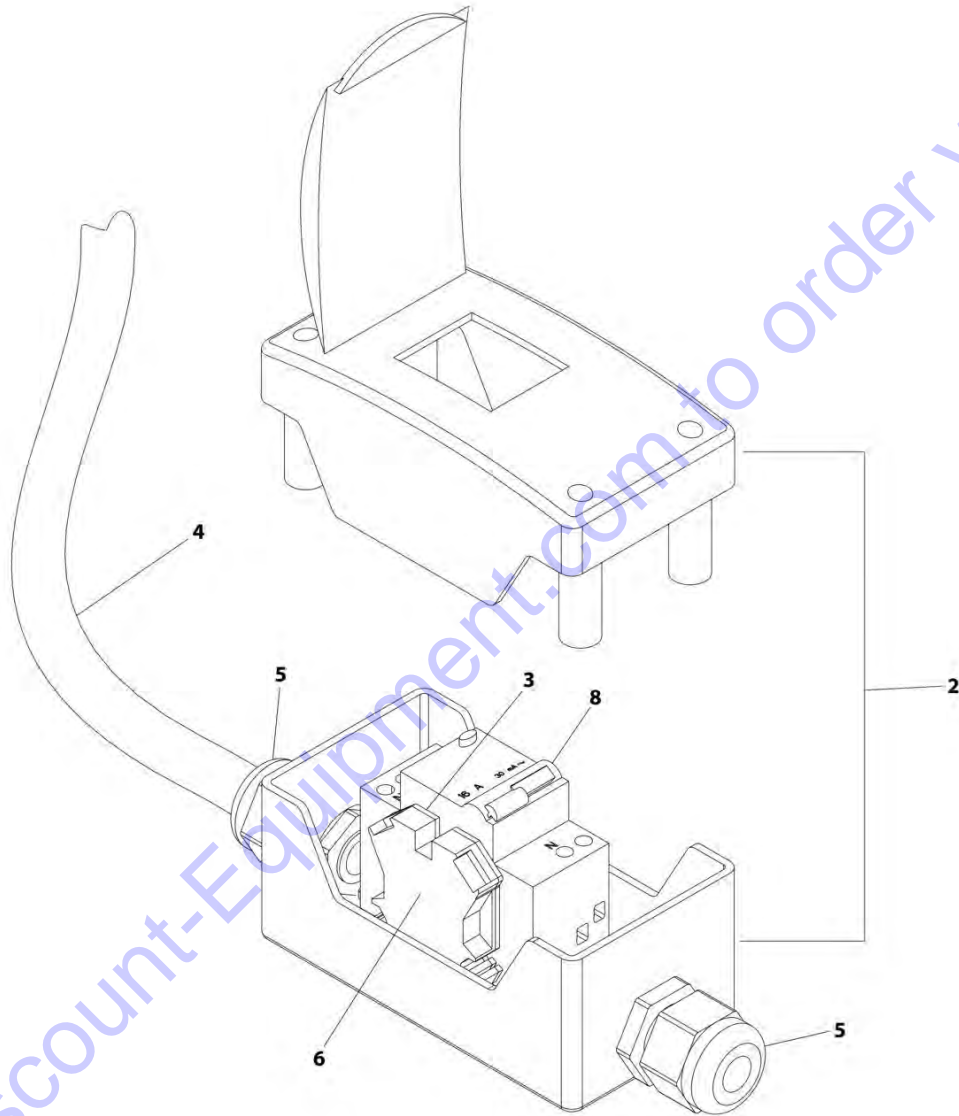
### FIGURE 8-9. BEACON LIGHT HARNESS

ITEM	PART NUMBER	QTY	DESCRIPTION	REV
	4922426	Ref	BEACON LIGHT HARNESS	B
2	2400056	1	Fuse .5Amp	
3	2820018	AR	Heat Shrink	
4	4460044	1	Fuseholder	
5	4460248	3	Terminal, Splice	
6	4460268	2	Socket, Female	
7	4460320	1	Plug, Male - 2 Position	

Go to Discount-Equipment.com to order your parts

## SECTION 8 - ELECTRICAL

FIGURE 8-10. BREAKER BOX KIT WITH TWO BREAKERS - CE SPEC ONLY



ART\_2902549\_F

## SECTION 8 - ELECTRICAL

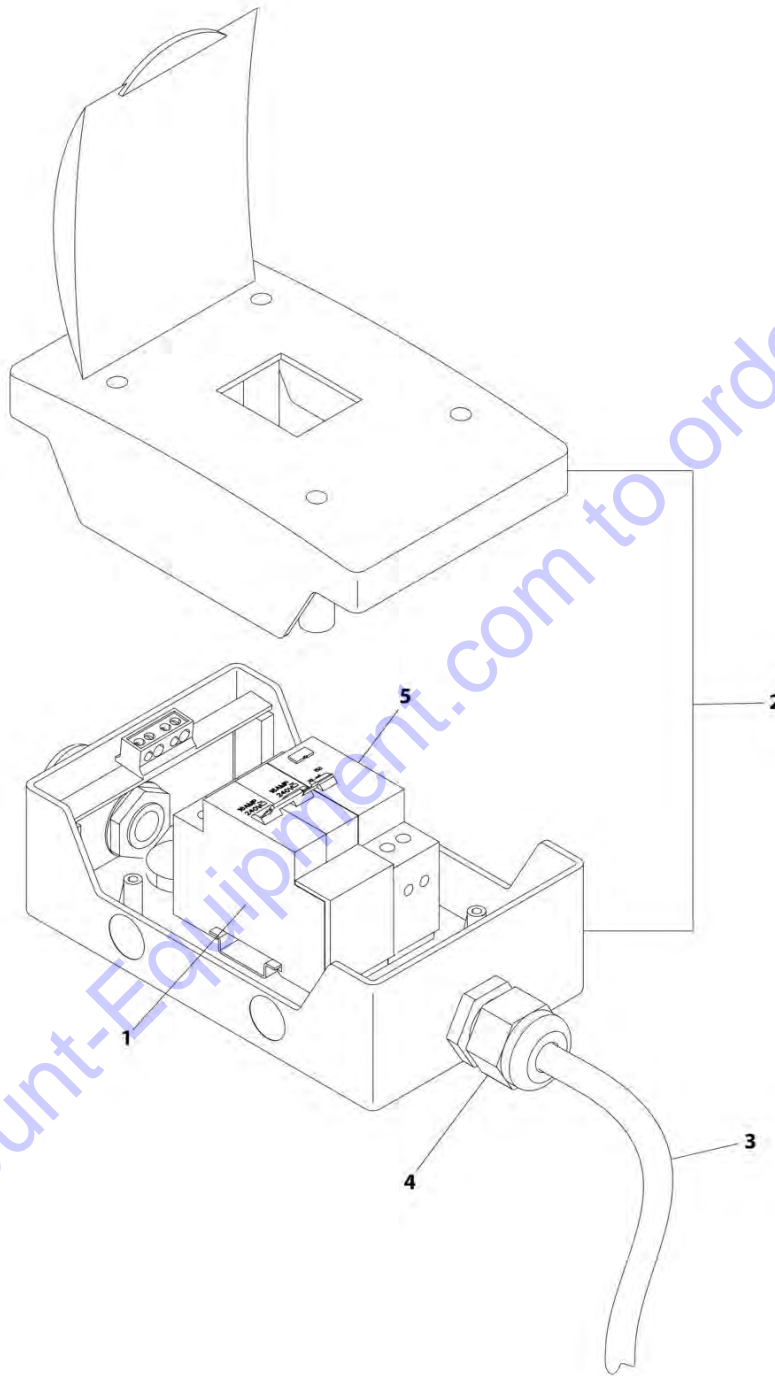
**FIGURE 8-10. BREAKER BOX KIT WITH TWO BREAKERS - CE SPEC ONLY**

ITEM	PART NUMBER	QTY	DESCRIPTION	REV
	2902549	Ref	BREAKER BOX KIT	F
2	0861880	1	Box	
3	4460956	1	Barrier, Terminal	
4	1060908	6 ft/1.8m	Cable, 12/3	
5	1001097150	2	Connector, Strain Relief	
6	4460957	1	Block, Terminal	
8	1001181045	1	Breaker, 16Amp	

Go to Discount-Equipment.com to order your parts

## SECTION 8 - ELECTRICAL

FIGURE 8-11. BREAKER BOX KIT WITH THREE BREAKERS - CE SPEC ONLY



ART\_1001152485\_E

## SECTION 8 - ELECTRICAL

**FIGURE 8-11. BREAKER BOX KIT WITH THREE BREAKERS - CE SPEC ONLY**

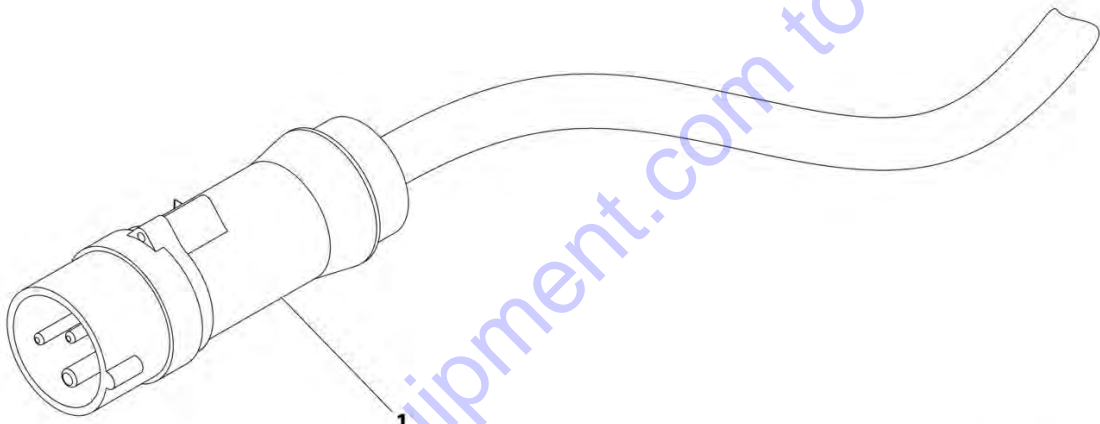
ITEM	PART NUMBER	QTY	DESCRIPTION	REV
	1001152485	Ref	BREAKER BOX KIT WITH TWO BREAKERS	E
1	1001189172	1	Breaker 16Amp Double	
2	1001152483	1	Box	
3	1060908	6 ft/1.8m	Cable, 12/3	
4	1001097150	1	Connector, Strain Relief	
5	1001189171	1	Breaker, 30mA	

Go to Discount-Equipment.com to order your parts



**SECTION 8 - ELECTRICAL**

**FIGURE 8-12. CHARGER CORD PLUG INSTALLATION - 110V IEC YELLOW PLUG (CE SPEC)**



ART\_0275666

## SECTION 8 - ELECTRICAL

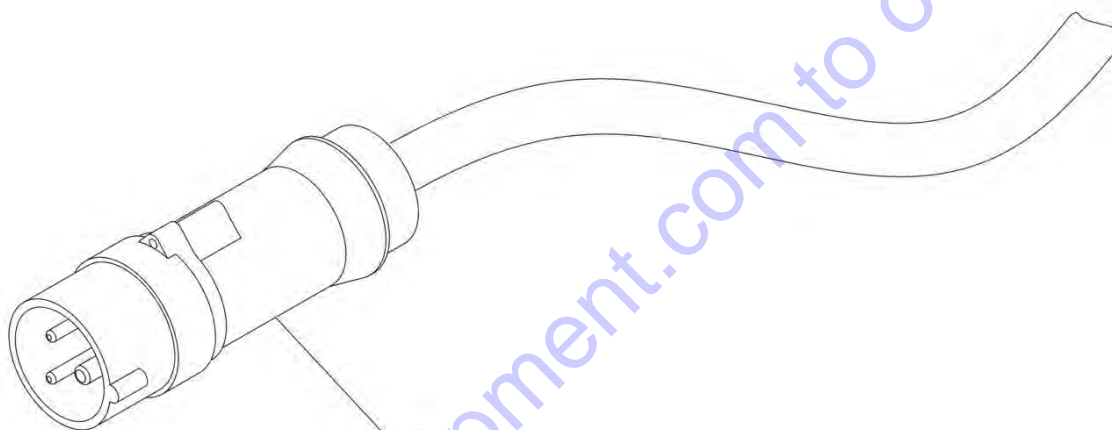
**FIGURE 8-12. CHARGER CORD PLUG INSTALLATION - 110V IEC YELLOW PLUG (CE SPEC)**

ITEM	PART NUMBER	QTY	DESCRIPTION	REV
	0275666	Ref	CHARGER CORD PLUG INSTALLATION - 110V IEC YELLOW	A
1	4461196	1	PLUG Plug	

Go to Discount-Equipment.com to order your parts

## SECTION 8 - ELECTRICAL

FIGURE 8-13. CHARGER CORD PLUG INSTALLATION - 220V IEC BLUE PLUG (CE SPEC)



ART\_0275667

## SECTION 8 - ELECTRICAL

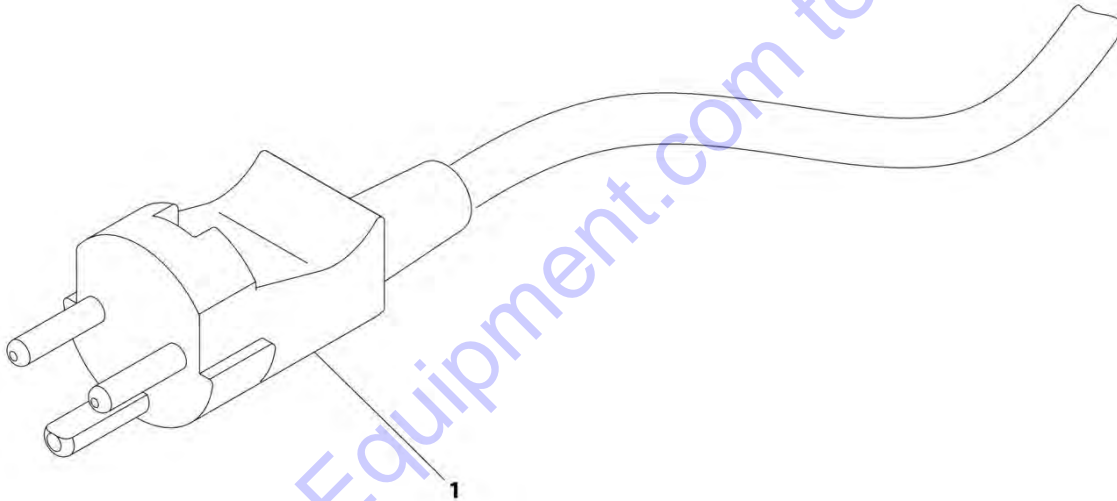
FIGURE 8-13. CHARGER CORD PLUG INSTALLATION - 220V IEC BLUE PLUG (CE SPEC)

ITEM	PART NUMBER	QTY	DESCRIPTION	REV
1	0275667 4461199	Ref 1	CHARGER CORD PLUG INSTALLATION - 220V IEC BLUE PLUG Plug	A

Go to Discount-Equipment.com to order your parts

## SECTION 8 - ELECTRICAL

FIGURE 8-14. CHARGER CORD PLUG INSTALLATION - 220V AFSINT 107 KEYED GROUND (CE SPEC)



ART\_0275665

## SECTION 8 - ELECTRICAL

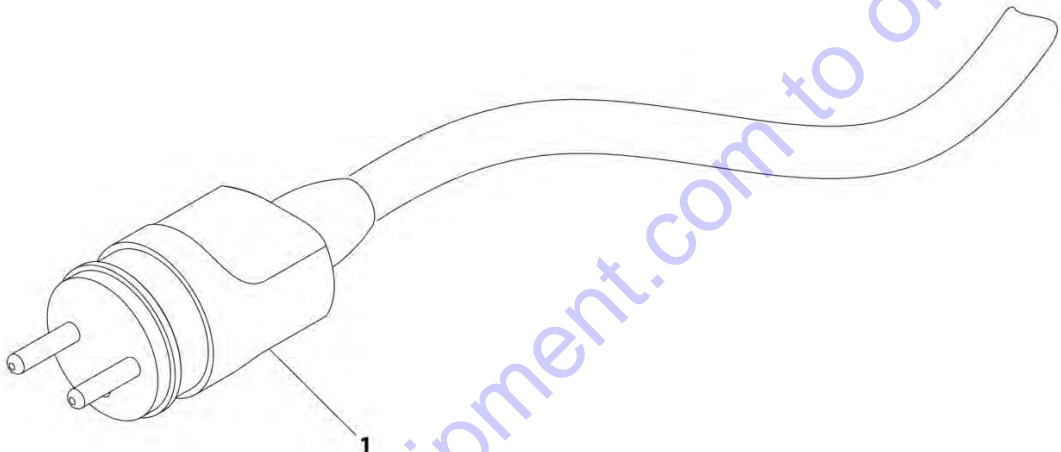
**FIGURE 8-14. CHARGER CORD PLUG INSTALLATION - 220V AFSINT 107 KEYED GROUND (CE SPEC)**

ITEM	PART NUMBER	QTY	DESCRIPTION	REV
	0275665	Ref	CHARGER CORD PLUG INSTALLATION - 220V AFSINT 107 KEYED GROUND	A
1	4461249	1	Plug	

Go to Discount-Equipment.com to order your parts

**SECTION 8 - ELECTRICAL**

**FIGURE 8-15. CHARGER CORD PLUG INSTALLATION - 220V CEE7 POST GROUND (CE SPEC)**



ART\_0275663-C

Go to Discount-Equipment.com to order your parts



## SECTION 8 - ELECTRICAL

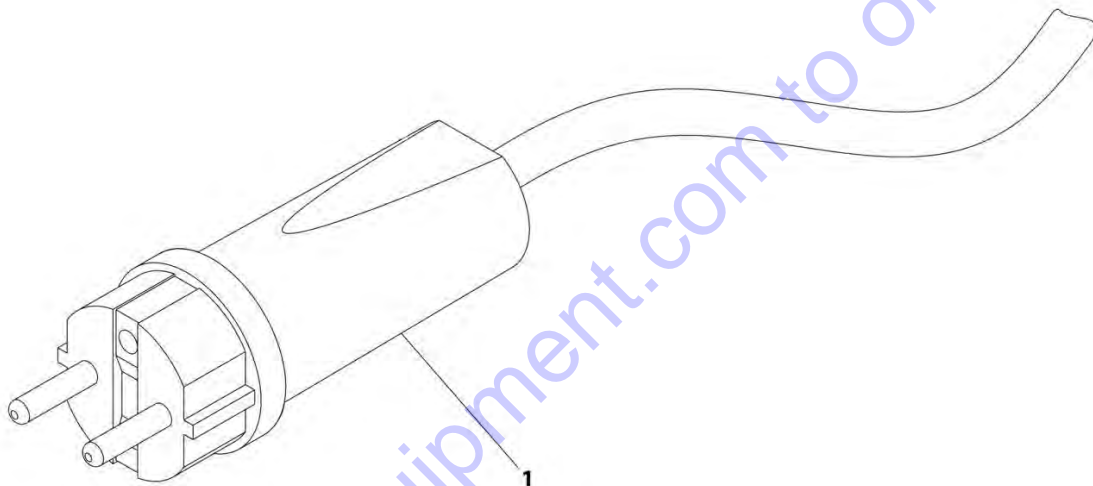
**FIGURE 8-15. CHARGER CORD PLUG INSTALLATION - 220V CEE7 POST GROUND (CE SPEC)**

ITEM	PART NUMBER	QTY	DESCRIPTION	REV
1	0275663 4461205	Ref 1	CHARGER CORD PLUG INSTALLATION - 220V POST GROUND Plug	C

Go to Discount-Equipment.com to order your parts

## SECTION 8 - ELECTRICAL

FIGURE 8-16. CHARGER CORD PLUG INSTALLATION - 220V CEE7 SIDE GROUND (CE SPEC)



ART\_0275664

## SECTION 8 - ELECTRICAL

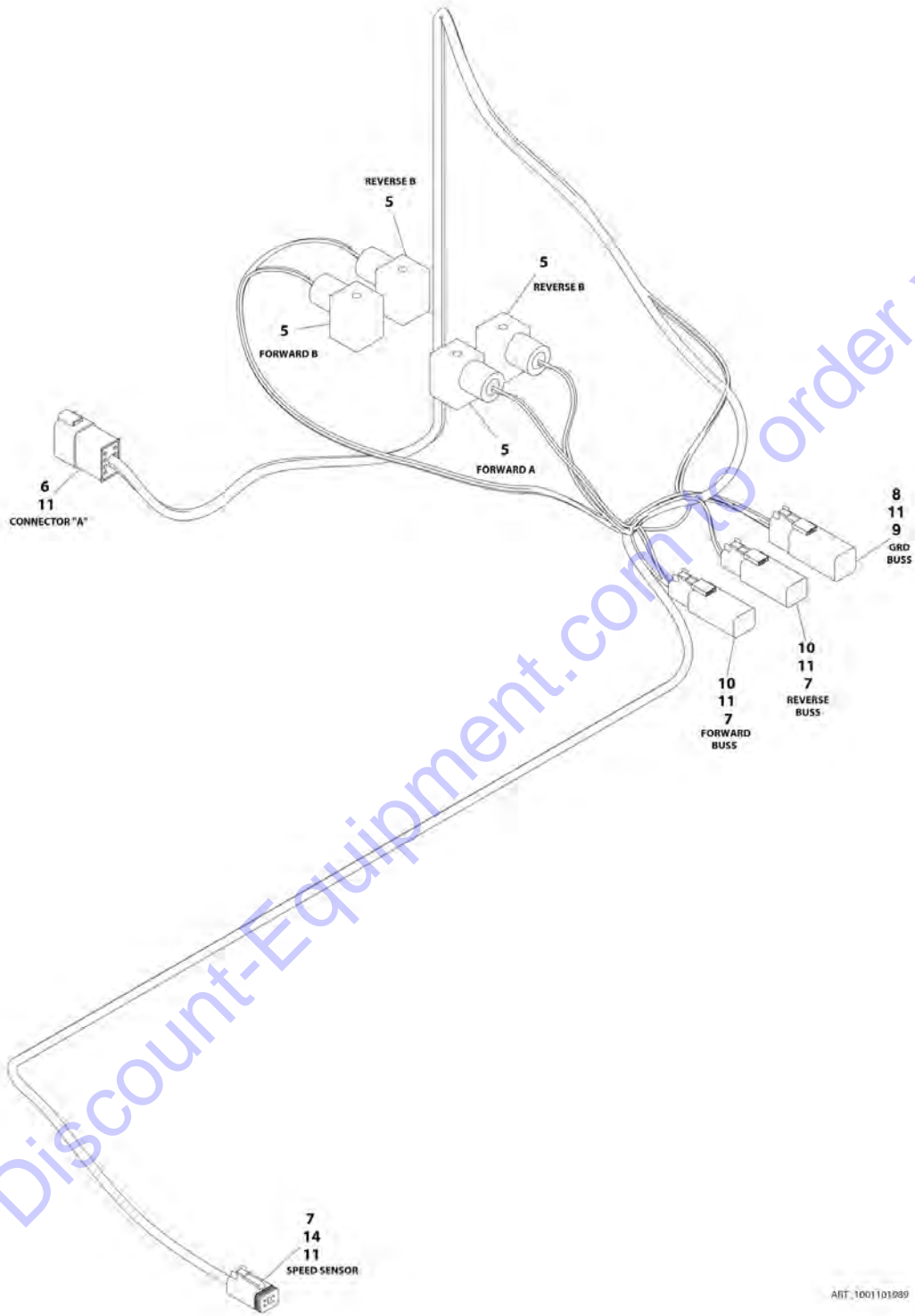
**FIGURE 8-16. CHARGER CORD PLUG INSTALLATION - 220V CEE7 SIDE GROUND (CE SPEC)**

ITEM	PART NUMBER	QTY	DESCRIPTION	REV
	0275664	Ref	CHARGER CORD PLUG INSTALLATION - 220V CEE7 SIDE GROUND	A
1	4461205	1	Plug	

Go to Discount-Equipment.com to order your parts

# SECTION 8 - ELECTRICAL

## FIGURE 8-17. FRONT WHEEL ASSIST (4WD) HARNESS



## SECTION 8 - ELECTRICAL

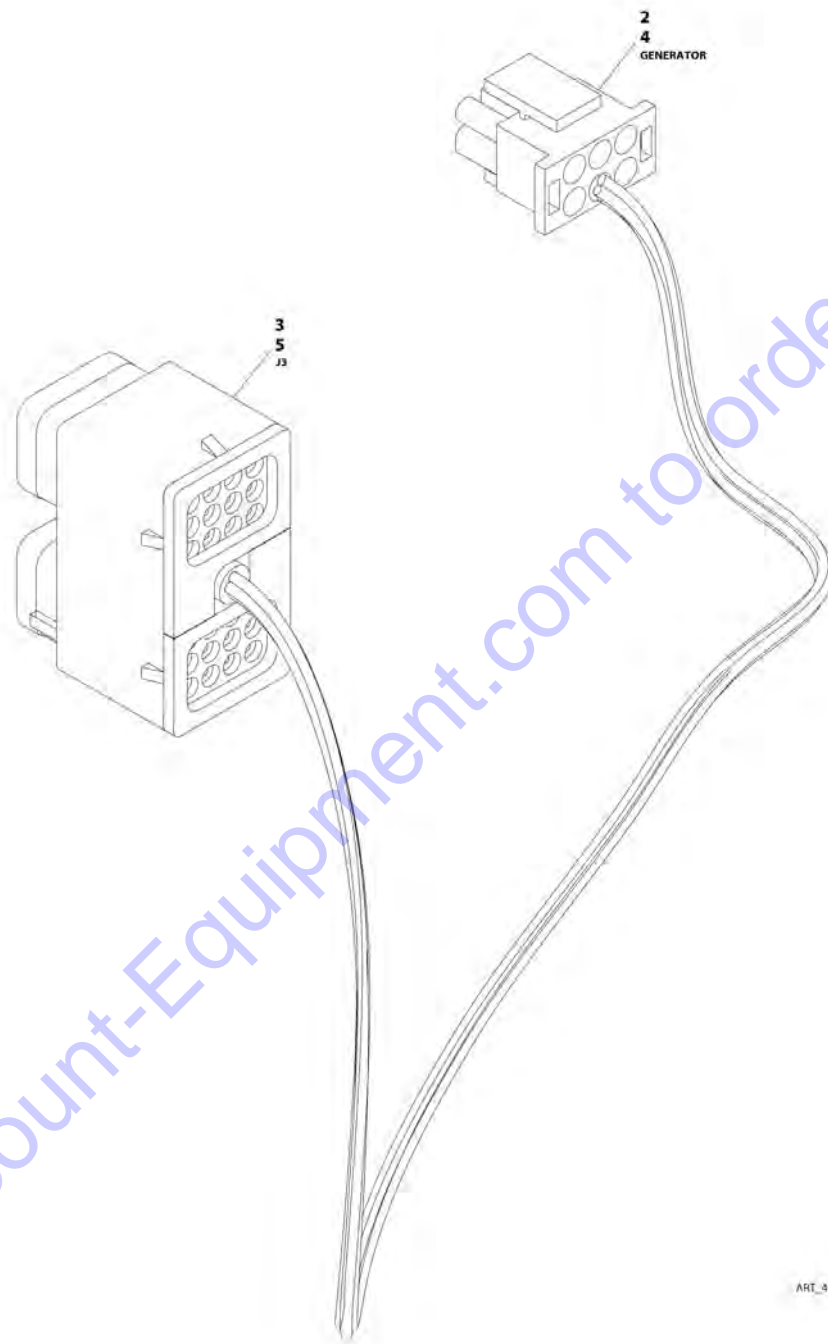
### FIGURE 8-17. FRONT WHEEL ASSIST (4WD) HARNESS

ITEM	PART NUMBER	QTY	DESCRIPTION	REV
	1001101989	Ref	FRONT WHEEL ASSIST (4WD) HARNESS	B
5	4460499	4	Connector, DIN	
6	4460931	1	Receptacle, Female - 8 Position	
7	4460884	3	Plug, Male - 4 Position	
8	4460894	1	Plug, Male - 6 Position	
9	4460892	1	Buss Bar - 6 Position	
10	4460893	2	Buss Bar - 4 Position	
11	4460465	22	Socket, Female	
14	4460466	1	Plug, Seal	

Go to Discount-Equipment.com to order your parts

# SECTION 8 - ELECTRICAL

FIGURE 8-18. GENERATOR HARNESS - M3369/M4069 ONLY



## SECTION 8 - ELECTRICAL

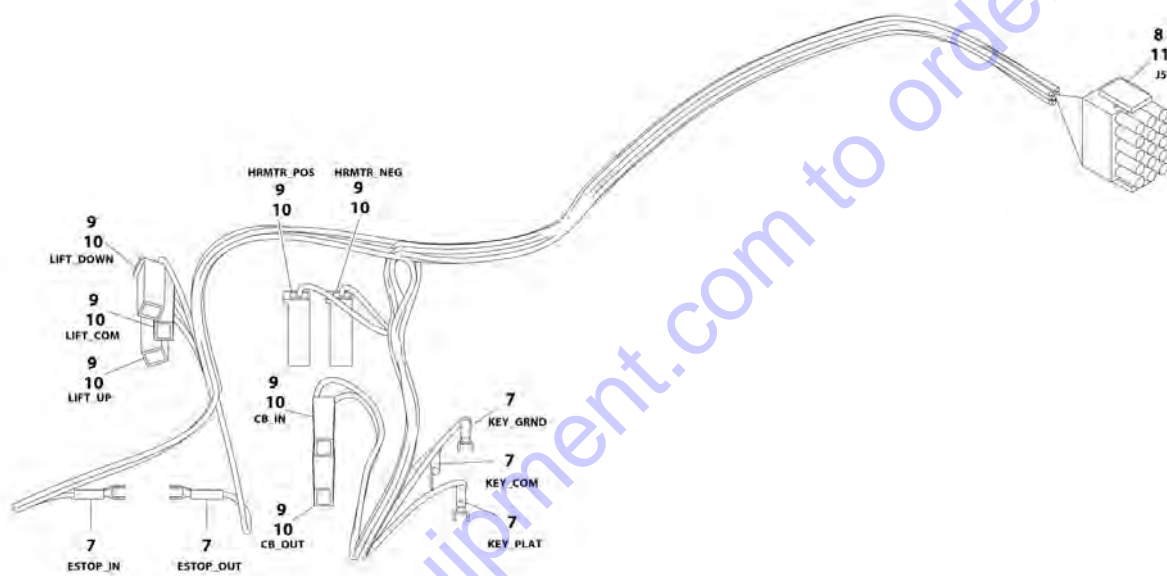
FIGURE 8-18. GENERATOR HARNESS - M3369/M4069 ONLY

ITEM	PART NUMBER	QTY	DESCRIPTION	REV
	4922602	Ref	GENERATOR HARNESS	B
2	4460225	1	Plug, Male - 6 Position	
3	4460896	1	Plug, Male - 24 Position	
4	4460267	4	Pin, Male	
5	4460465	4	Socket, Female	

Go to Discount-Equipment.com to order your parts

# SECTION 8 - ELECTRICAL

## FIGURE 8-19. GROUND CONTROL BOX HARNESS - 3369LE/4069LE



ART\_4922480



## SECTION 8 - ELECTRICAL

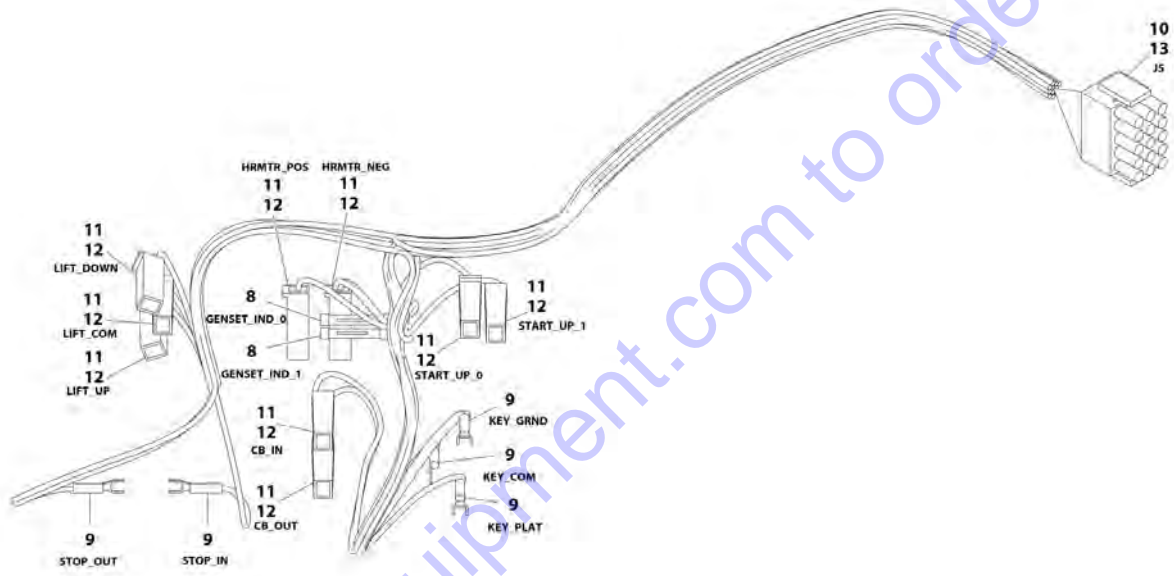
**FIGURE 8-19. GROUND CONTROL BOX HARNESS - 3369LE/4069LE**

ITEM	PART NUMBER	QTY	DESCRIPTION	REV
	4922480	Ref	GROUND CONTROL BOX HARNESS	B
7	4460183	5	Terminal, Fork	
8	4460434	1	Plug, Male - 15 Position	
9	4460260	7	Housing, Terminal	
10	4460259	7	Terminal	
11	4460268	8	Socket, Female	

Go to Discount-Equipment.com to order your parts

# SECTION 8 - ELECTRICAL

FIGURE 8-20. GROUND CONTROL BOX HARNESS - M3369/M4069



ART\_4922004

## SECTION 8 - ELECTRICAL

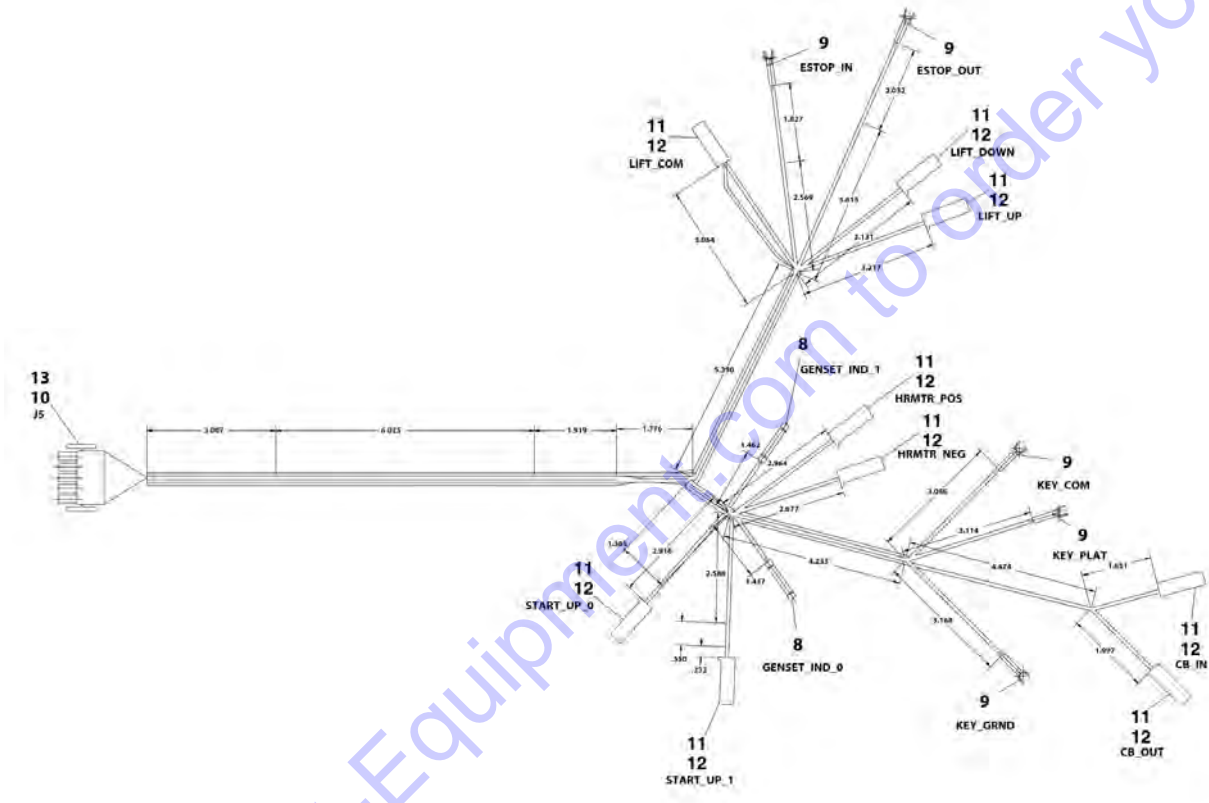
FIGURE 8-20. GROUND CONTROL BOX HARNESS - M3369/M4069

ITEM	PART NUMBER	QTY	DESCRIPTION	REV
	4922604	Ref	GROUND CONTROL BOX HARNESS	A
8	4460248	2	Terminal, Splice	
9	4460183	5	Terminal, Fork	
10	4460434	1	Plug, Male - 15 Position	
11	4460260	9	Housing, Terminal	
12	4460259	9	Terminal	
13	4460268	8	Socket, Female	

Go to Discount-Equipment.com to order your parts

# SECTION 8 - ELECTRICAL

FIGURE 8-21. GROUND CONTROL BOX HARNESS (M4069 DRIVE AT FULL HEIGHT)



Go to Discount-Equipment.com to order your parts

## SECTION 8 - ELECTRICAL

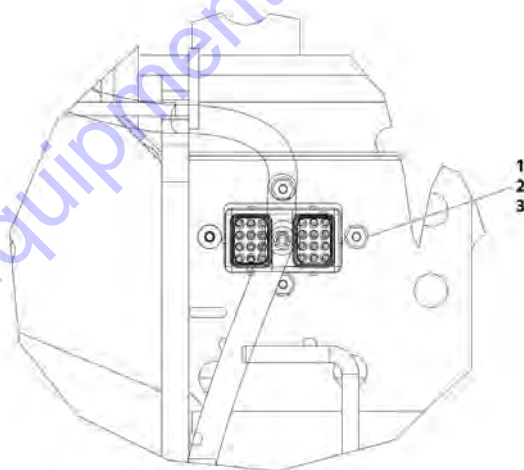
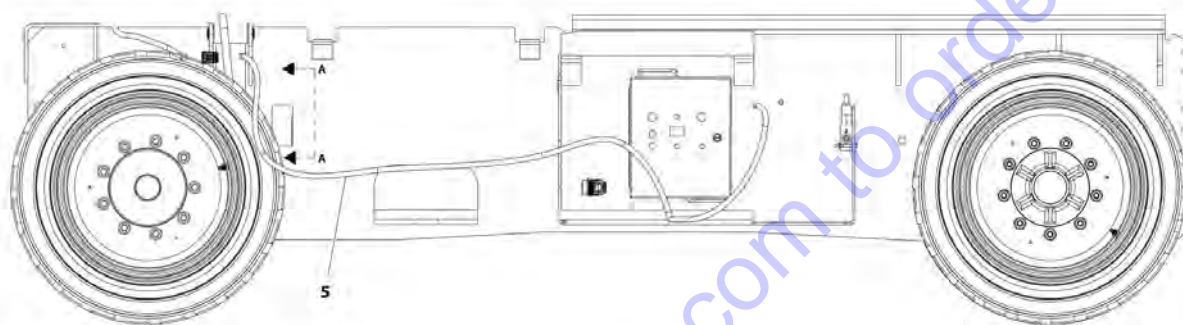
**FIGURE 8-21. GROUND CONTROL BOX HARNESS (M4069 DRIVE AT FULL HEIGHT)**

ITEM	PART NUMBER	QTY	DESCRIPTION	REV
	4923619	Ref	GROUND CONTROL BOX HARNESS (M4069 DRIVE AT FULL HEIGHT)	B
8	4460248	2	Terminal, Splice	
9	4460183	5	Terminal, Fork	
10	4460434	1	Plug, Male - 15 Position	
11	4460260	9	Housing, Terminal	
12	4460259	9	Terminal	
13	4460268	9	Socket, Female	

Go to Discount-Equipment.com to order your parts

## SECTION 8 - ELECTRICAL

FIGURE 8-22. GROUND CONTROL BOX TO BULKHEAD HARNESS INSTALLATION - 3369LE/M3369



DETAIL A-A

ART\_0270572

## SECTION 8 - ELECTRICAL

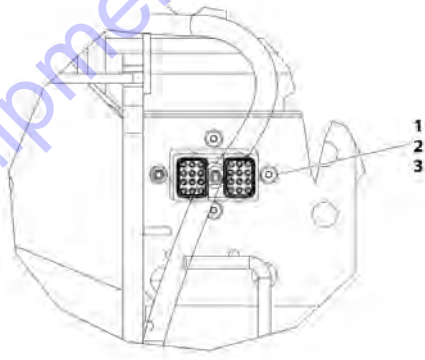
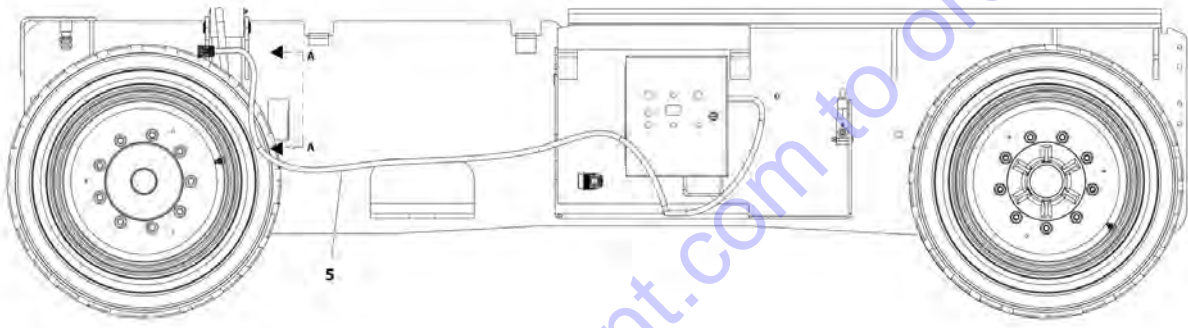
FIGURE 8-22. GROUND CONTROL BOX TO BULKHEAD HARNESS INSTALLATION - 3369LE/M3369

ITEM	PART NUMBER	QTY	DESCRIPTION	REV
	0270572	Ref	GROUND CONTROL BOX TO BULKHEAD HARNESS INSTALLATION	C
1	0720805	4	Screw #8 x 5/8	
2	3310805	4	Nut #8	
3	4750800	4	Washer #8	
5	4922479	1	Ground Control Box to Bulkhead Harness (See Separate Breakdown in this Section)	

Go to Discount-Equipment.com to order your parts

# SECTION 8 - ELECTRICAL

FIGURE 8-23. GROUND CONTROL BOX TO BULKHEAD HARNESS INSTALLATION - 4069LE/M4069



DETAIL A-A

ART\_0270573

Go to Discount-Equipment.com to order your parts



## SECTION 8 - ELECTRICAL

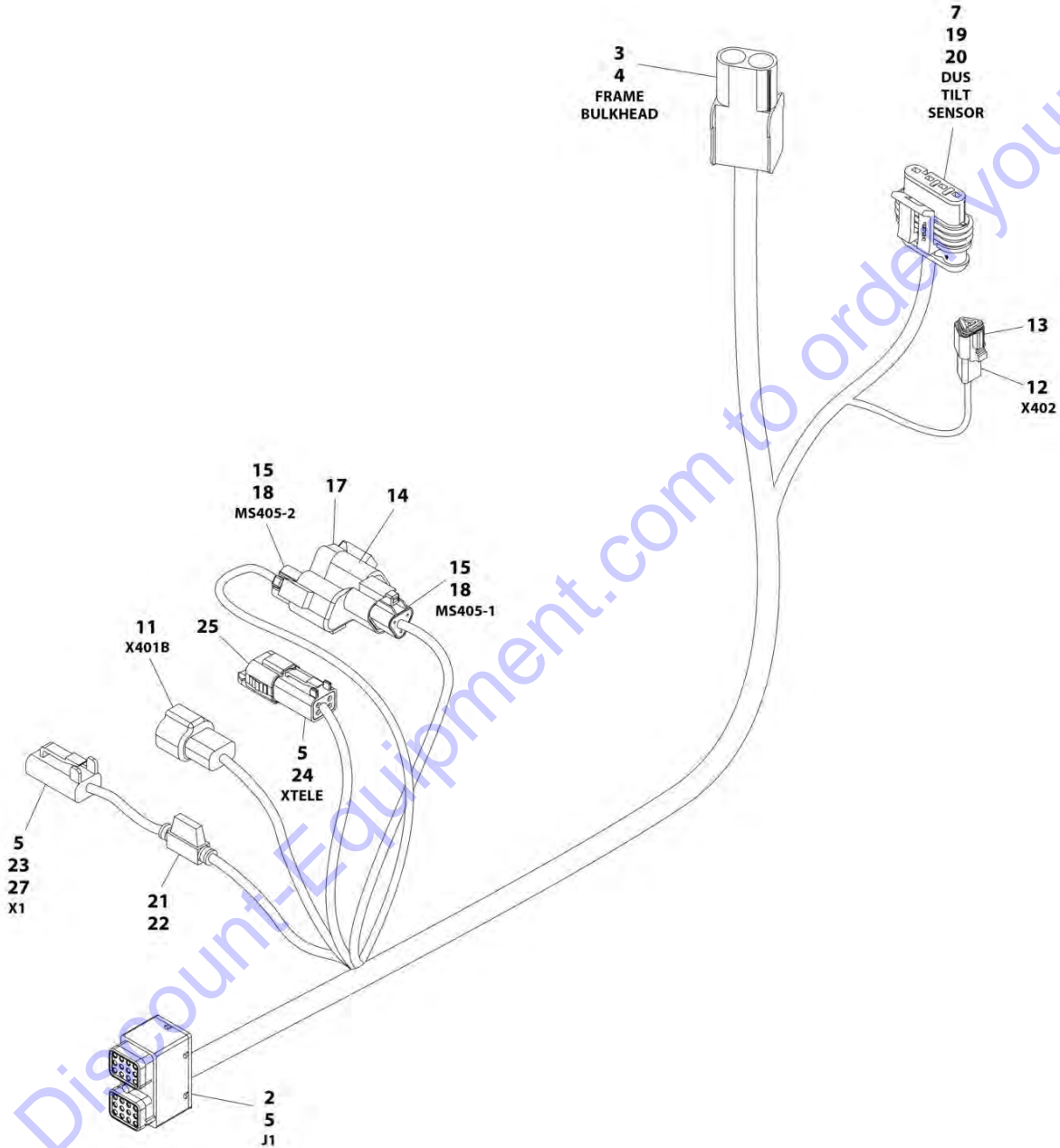
FIGURE 8-23. GROUND CONTROL BOX TO BULKHEAD HARNESS INSTALLATION - 4069LE/M4069

ITEM	PART NUMBER	QTY	DESCRIPTION	REV
	0270573	Ref	GROUND CONTROL BOX TO BULKHEAD HARNESS INSTALLATION	C
1	0720805	4	Screw #8 x 5/8	
2	3310805	4	Nut #8	
3	4750800	4	Washer #8	
5	4922479	1	Ground Control Box to Bulkhead Harness (See Separate Breakdown in this Section)	

Go to Discount-Equipment.com to order your parts

# SECTION 8 - ELECTRICAL

## FIGURE 8-24. GROUND CONTROL BOX TO BULKHEAD HARNESS



ART\_4922479\_E

## SECTION 8 - ELECTRICAL

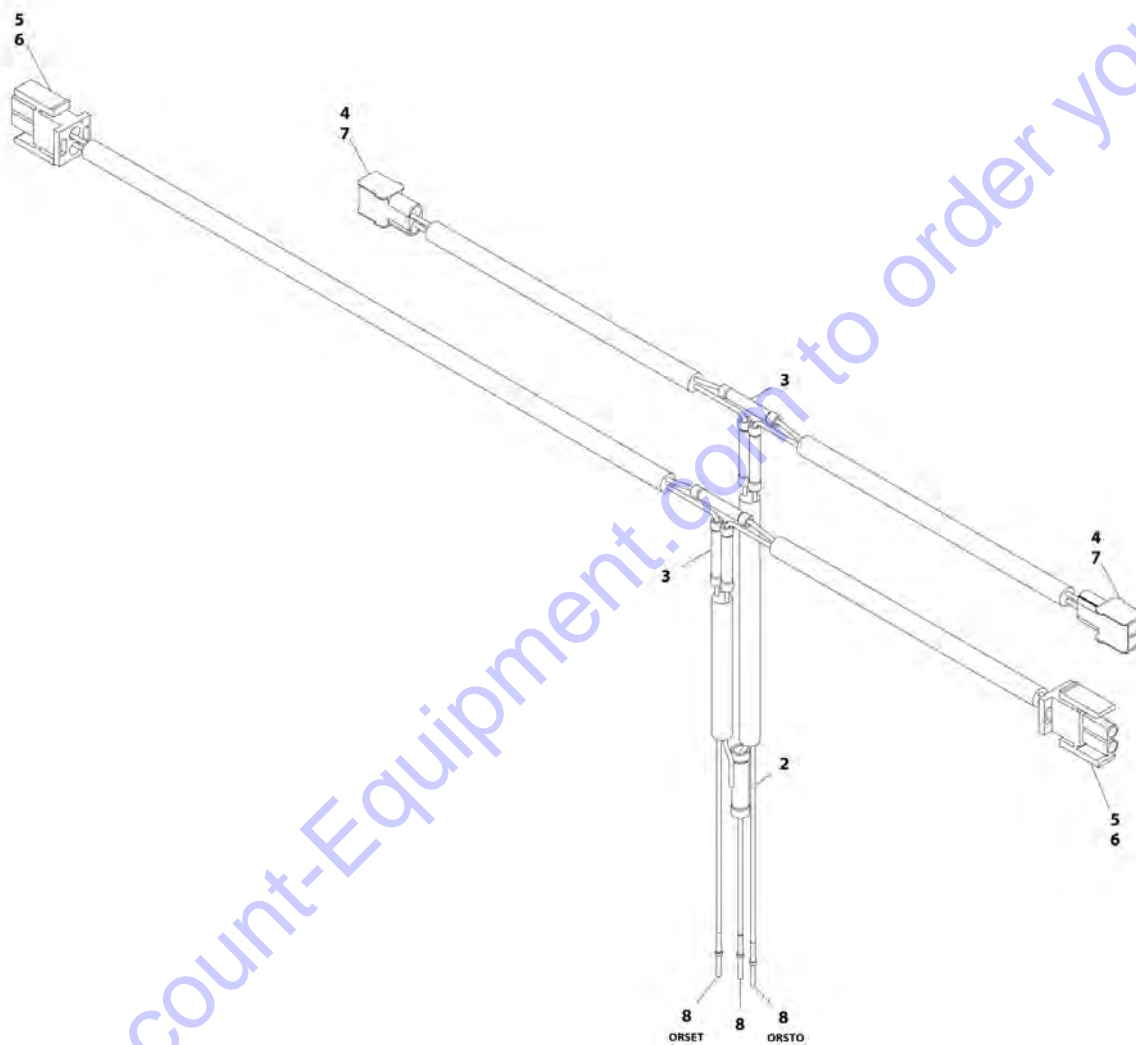
**FIGURE 8-24. GROUND CONTROL BOX TO BULKHEAD HARNESS**

ITEM	PART NUMBER	QTY	DESCRIPTION	REV
	4922479	Ref	GROUND CONTROL BOX TO BULKHEAD HARNESS	E
2	4460812	1	Plug, Male - 24 Position	
3	4460846	1	Receptacle, Female - 24 Position	
4	4460464	21	Pin, Male	
5	4460465	26	Socket, Female	
7	1001103012	1	Plug, Male - 4 Position	
11	4460897	1	Receptacle, Female - 2 Position	
12	4461095	1	Plug, Male - 3 Position	
13	4461070	1	Connector - 3 Position	
14	4460945	1	Receptacle, Tee	
15	1001116812	2	Plug, Male - 3 Position	
17	1001130615	1	Plug, Male - 3 Position	
18	4460944	8	Socket, Female	
19	1001107854	4	Socket, Female	
20	1001197457	4	Seal, Terminal	
21	2400060	1	Fuseholder with Cover	
22	8229242	1	Fuse 5Amp	
23	4460891	1	Plug, Male - 2 Position	
24	4460884	1	Plug, Male - 4 Position	
25	1001192401	1	Cap, Dust	
27	4460466	1	Plug, Terminal	

Go to Discount-Equipment.com to order your parts

# SECTION 8 - ELECTRICAL

## FIGURE 8-25. LEVELING JACK HARNESS



## SECTION 8 - ELECTRICAL

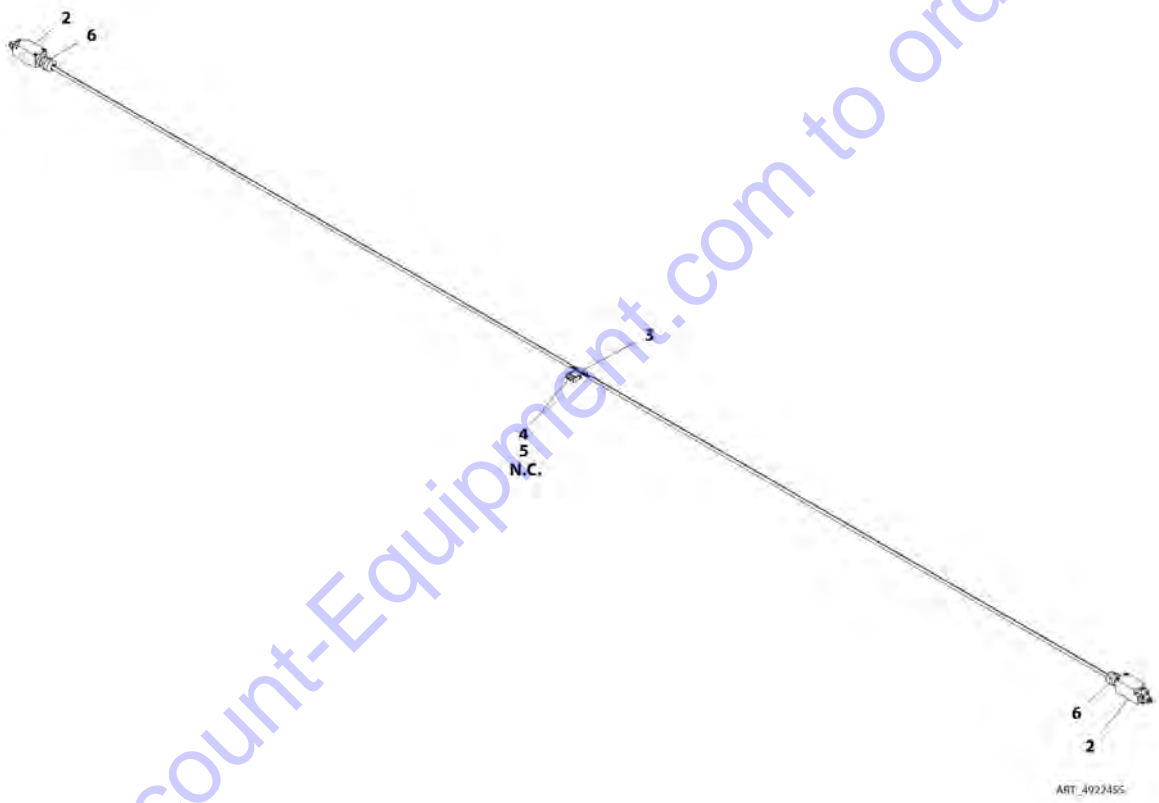
**FIGURE 8-25. LEVELING JACK HARNESS**

ITEM	PART NUMBER	QTY	DESCRIPTION	REV
	4922456	Ref	LEVELING JACK HARNESS	B
2	4460335	1	Terminal, Splice	
3	4460248	6	Terminal, Splice	
4	4460267	4	Pin, Male	
5	4460268	4	Socket, Female	
6	4460320	2	Plug, Male - 2 Position	
7	4460424	2	Receptacle, Female - 2 Position	
8	4460465	3	Socket, Female	

Go to Discount-Equipment.com to order your parts

# SECTION 8 - ELECTRICAL

## FIGURE 8-26. LEVELING JACK N.C. HARNESS



## SECTION 8 - ELECTRICAL

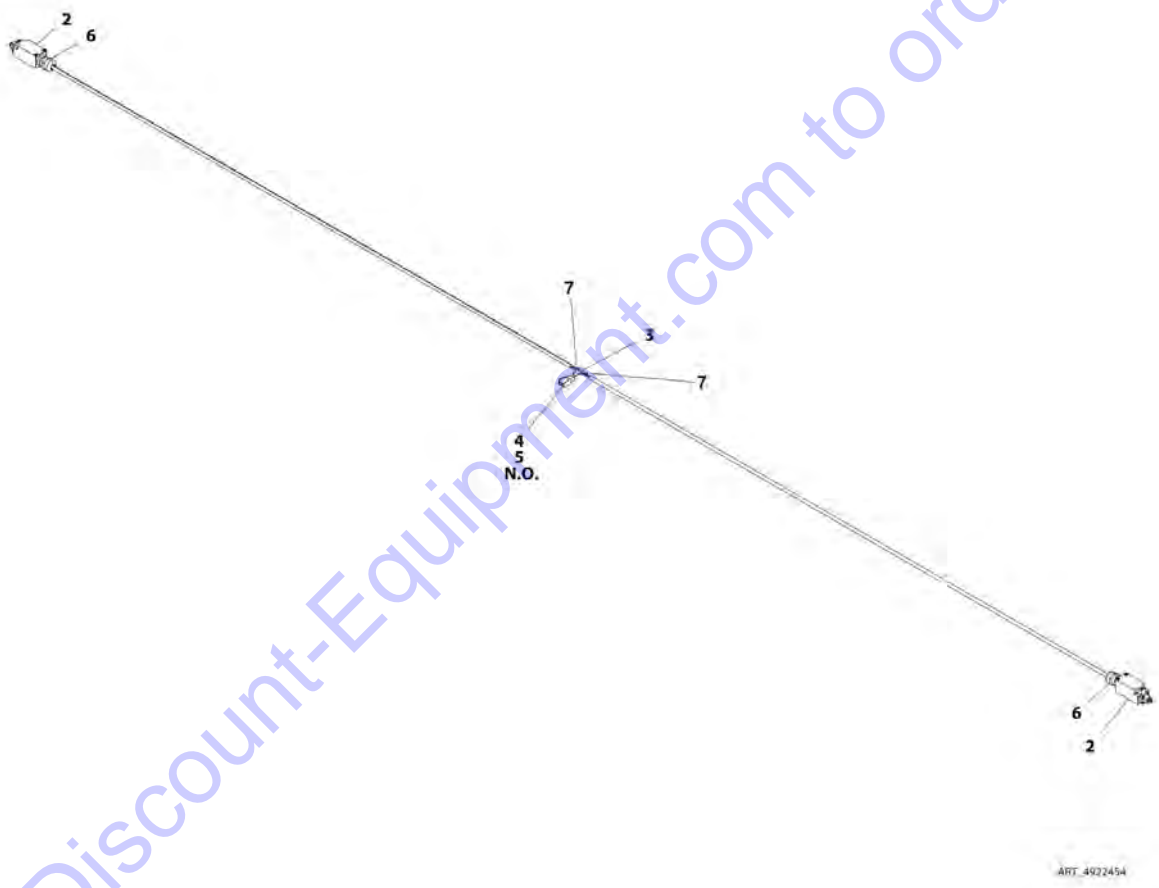
### FIGURE 8-26. LEVELING JACK N.C. HARNESS

ITEM	PART NUMBER	QTY	DESCRIPTION	REV
	4922455	Ref	LEVELING JACK N.C. HARNESS	D
2	4360548	2	Switch, Limit	
3	4460248	1	Terminal, Splice	
4	4460268	2	Socket, Female	
5	4460320	1	Plug, Male - 2 Position	
6	4460968	2	Connector, Strain Relief	

Go to Discount-Equipment.com to order your parts

# SECTION 8 - ELECTRICAL

## FIGURE 8-27. LEVELING JACK N.O. HARNESS





## SECTION 8 - ELECTRICAL

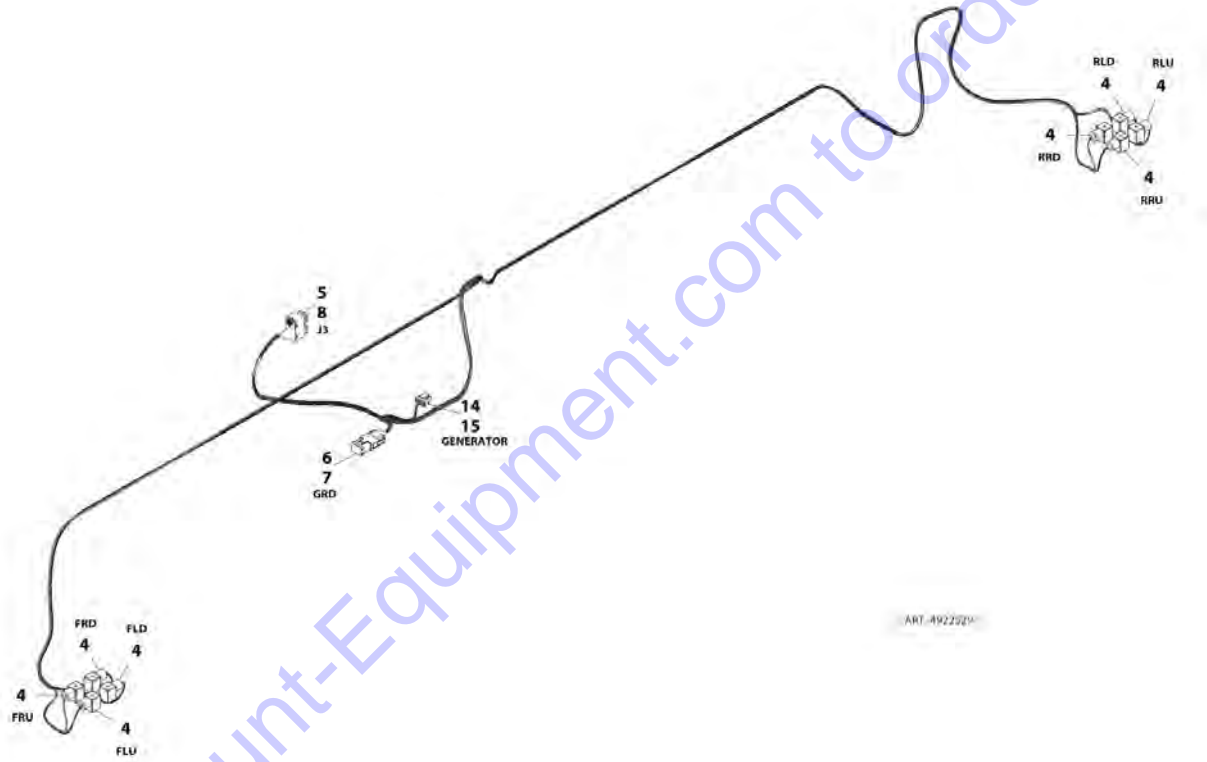
### FIGURE 8-27. LEVELING JACK N.O. HARNESS

ITEM	PART NUMBER	QTY	DESCRIPTION	REV
	4922454	Ref	LEVELING JACK N.O. HARNESS	F
2	4360548	2	Switch, Limit	
3	4460248	1	Terminal, Splice	
4	4460267	2	Pin, Male	
5	4460424	1	Receptacle, Female - 2 Position	
6	4460968	2	Connector, Strain Relief	
7	2820171	AR	Heat Shrink	

Go to Discount-Equipment.com to order your parts

# SECTION 8 - ELECTRICAL

## FIGURE 8-28. LEVELING JACK VALVE HARNESS



Go to Discount-Equipment.com to order your parts

## SECTION 8 - ELECTRICAL

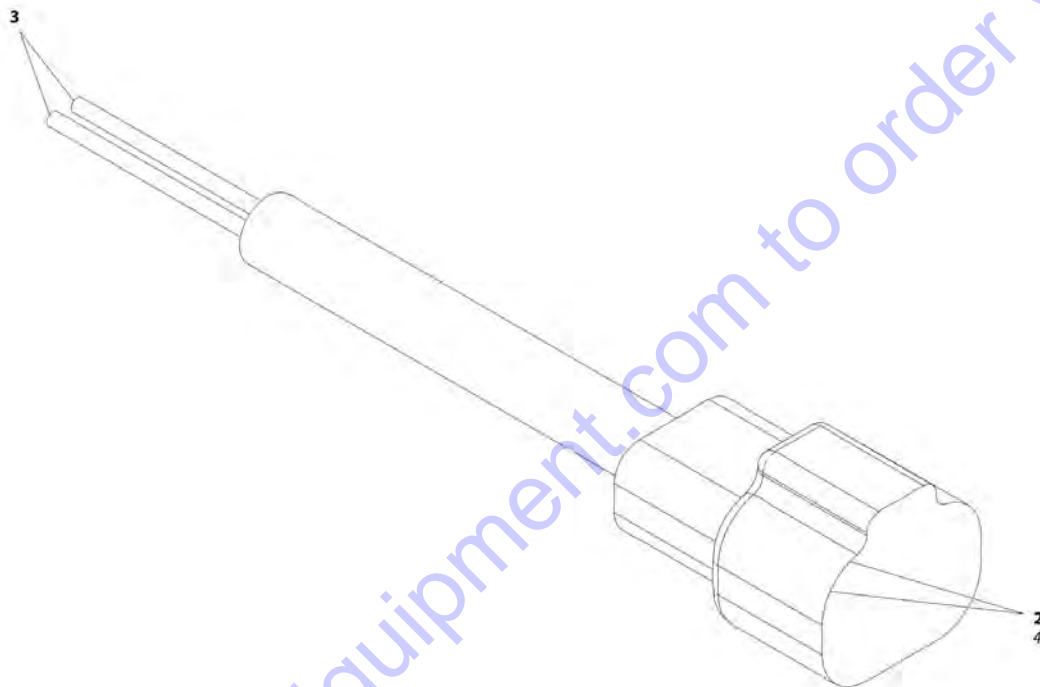
### FIGURE 8-28. LEVELING JACK VALVE HARNESS

ITEM	PART NUMBER	QTY	DESCRIPTION	REV
	4922529	Ref	LEVELING JACK VALVE HARNESS	B
4	4460499	8	Connector, DIN	
5	4460896	1	Plug, Male - 24 Position	
6	4460836	1	Receptacle, Female - 12 Position	
7	4460837	1	Plug, Male - 12 Position	
8	4460465	18	Socket, Female	
9	4460466	3	Plug, Seal	
14	4460225	1	Plug, Male - 6 Position	
15	4460267	4	Pin, Male	

Go to Discount-Equipment.com to order your parts

# SECTION 8 - ELECTRICAL

FIGURE 8-29. LIFT DOWN HARNESS - LOWER



ART\_4922543

## SECTION 8 - ELECTRICAL

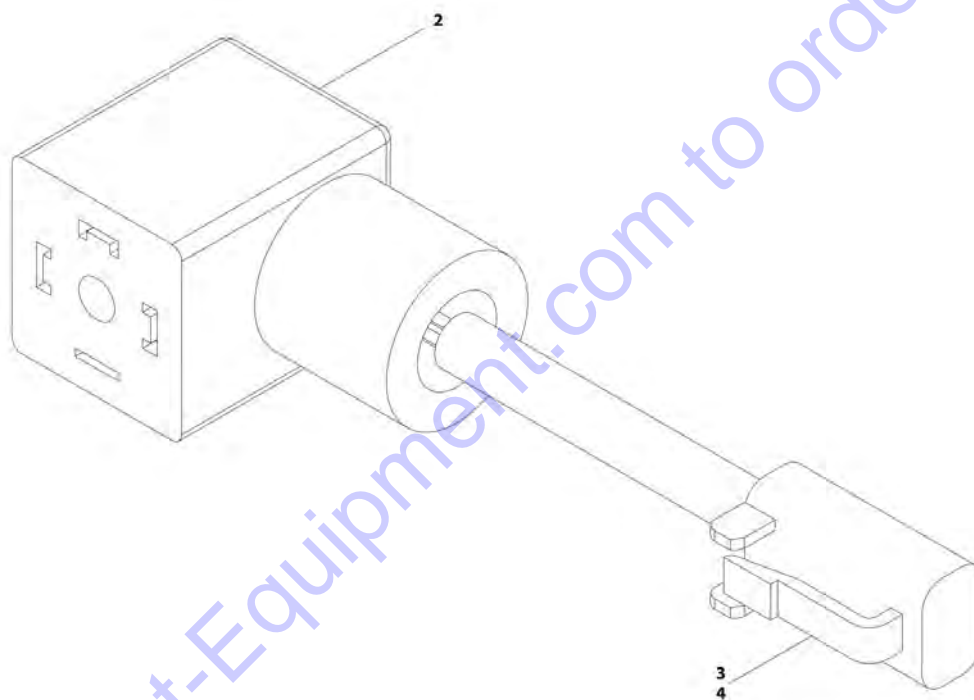
### FIGURE 8-29. LIFT DOWN HARNESS - LOWER

ITEM	PART NUMBER	QTY	DESCRIPTION	REV
	4922543	Ref	LIFT DOWN HARNESS - LOWER	C
2	4460464	2	Pin, Male	
3	4460465	2	Socket, Female	
4	4460897	1	Receptacle, Female - 2 Position	

Go to Discount-Equipment.com to order your parts

## SECTION 8 - ELECTRICAL

FIGURE 8-30. LIFT DOWN HARNESS - 3369LE/M3369 UPPER



ART. 4922544

## SECTION 8 - ELECTRICAL

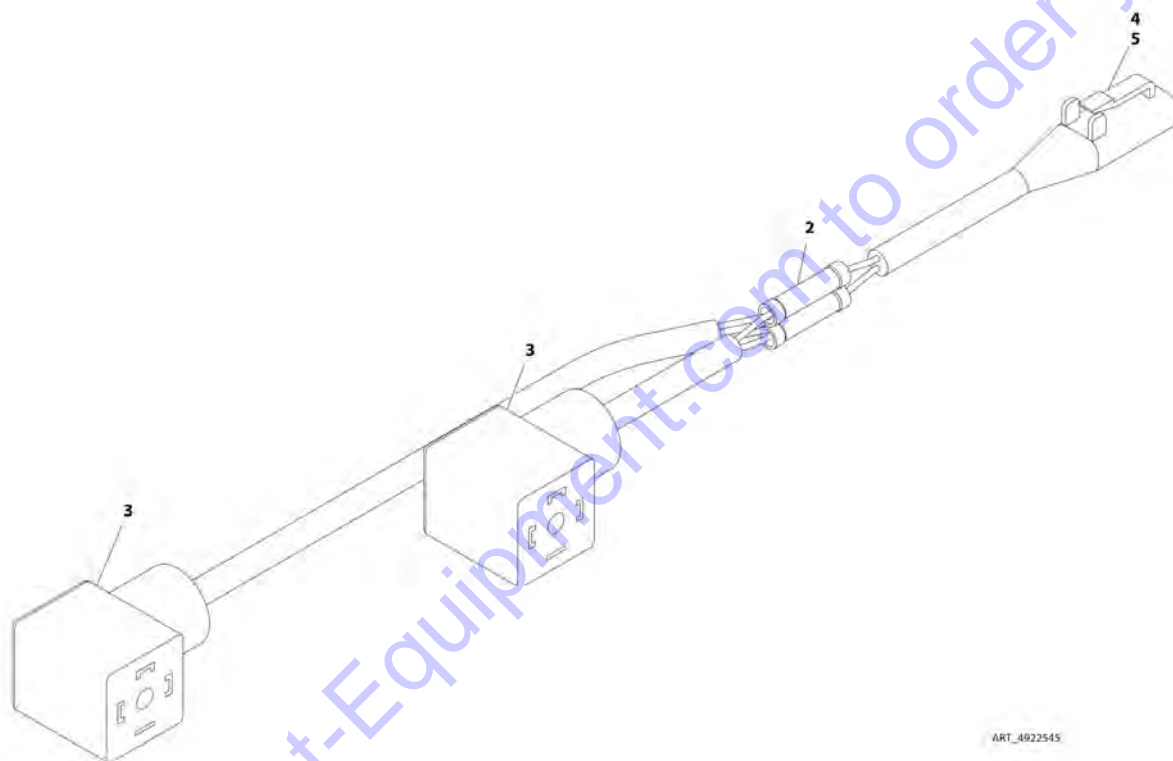
FIGURE 8-30. LIFT DOWN HARNESS - 3369LE/M3369 UPPER

ITEM	PART NUMBER	QTY	DESCRIPTION	REV
	4922544	Ref	LIFT DOWN HARNESS - UPPER	B
2	4460499	1	Connector, DIN	
3	4460465	2	Socket, Female	
4	4460891	1	Plug, Male - 2 Position	

Go to Discount-Equipment.com to order your parts

# SECTION 8 - ELECTRICAL

FIGURE 8-31. LIFT DOWN HARNESS - 4069LE/M4069 UPPER





## SECTION 8 - ELECTRICAL

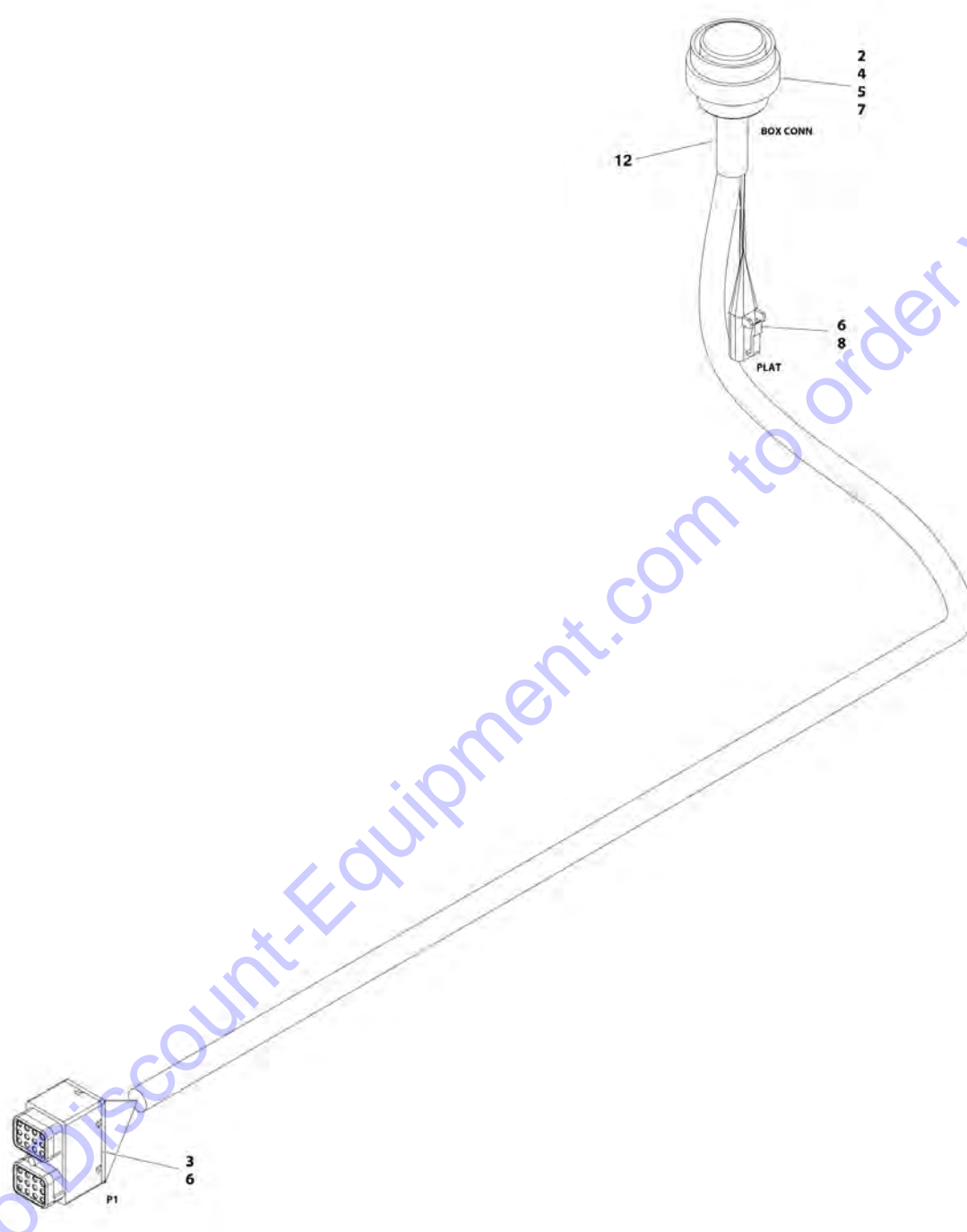
FIGURE 8-31. LIFT DOWN HARNESS - 4069LE/M4069 UPPER

ITEM	PART NUMBER	QTY	DESCRIPTION	REV
	4922545	Ref	LIFT DOWN HARNESS - UPPER	B
2	4460035	1	Terminal, Splice	
3	4460499	2	Connector, DIN	
4	4460465	2	Socket, Female	
5	4460891	1	Plug, Male - 2 Position	

Go to Discount-Equipment.com to order your parts

# SECTION 8 - ELECTRICAL

## FIGURE 8-32. PLATFORM CABLE HARNESS - 3369LE/M3369



ART\_492247\_C

## SECTION 8 - ELECTRICAL

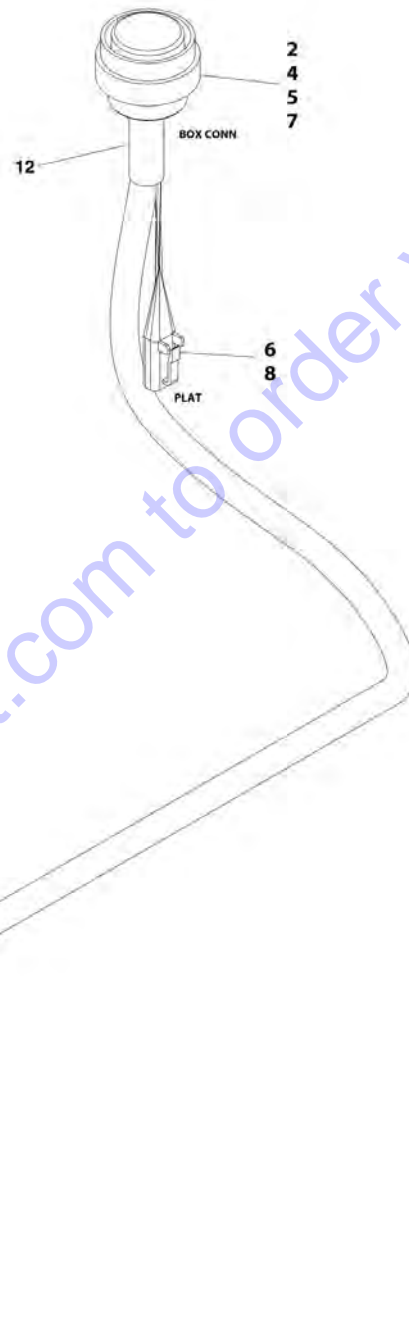
### FIGURE 8-32. PLATFORM CABLE HARNESS - 3369LE/M3369

ITEM	PART NUMBER	QTY	DESCRIPTION	REV
	4922477	Ref	PLATFORM CABLE HARNESS	C
2	4460481	1	Connector - 23 Position	
3	4460812	1	Plug, Male - 24 Position	
4	4460468	1	Cap, Dust	
5	4460473	1	Cable/Clamp Assembly	
6	4460465	21	Socket, Female	
7	4460464	20	Pin, Male	
8	4460891	1	Plug, Male - 2 Position	
12	1001226400	1	Heat Shrink	

Go to Discount-Equipment.com to order your parts

# SECTION 8 - ELECTRICAL

FIGURE 8-33. PLATFORM CABLE HARNESS - 4069LE/M4069



ART\_4922478\_B

Go to Discount-Equipment.com to order your parts

## SECTION 8 - ELECTRICAL

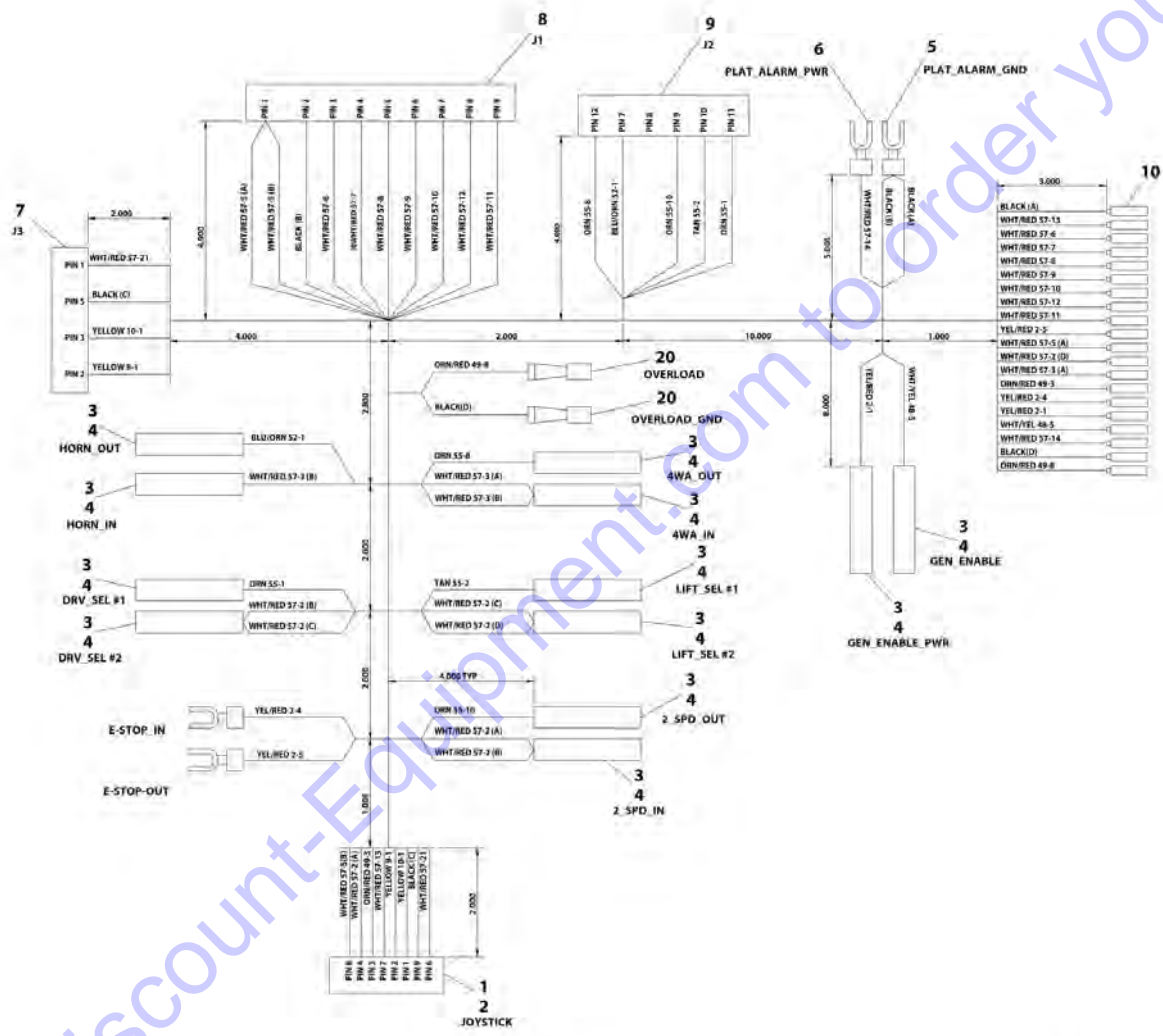
FIGURE 8-33. PLATFORM CABLE HARNESS - 4069LE/M4069

ITEM	PART NUMBER	QTY	DESCRIPTION	REV
	4922478	Ref	PLATFORM CABLE HARNESS	B
2	4460481	1	Connector - 23 Position	
3	4460812	1	Plug, Male - 24 Position	
4	4460468	1	Cap, Dust	
5	4460473	1	Cable/Clamp Assembly	
6	4460465	21	Socket, Female	
7	4460464	20	Pin, Male	
8	4460891	1	Plug, Male - 2 Position	
12	1001226400	1	Heat Shrink	

Go to Discount-Equipment.com to order your parts

# SECTION 8 - ELECTRICAL

## FIGURE 8-34. PLATFORM CONSOLE BOX HARNESS WITHOUT LEVELING JACKS



ART 49235/6

## SECTION 8 - ELECTRICAL

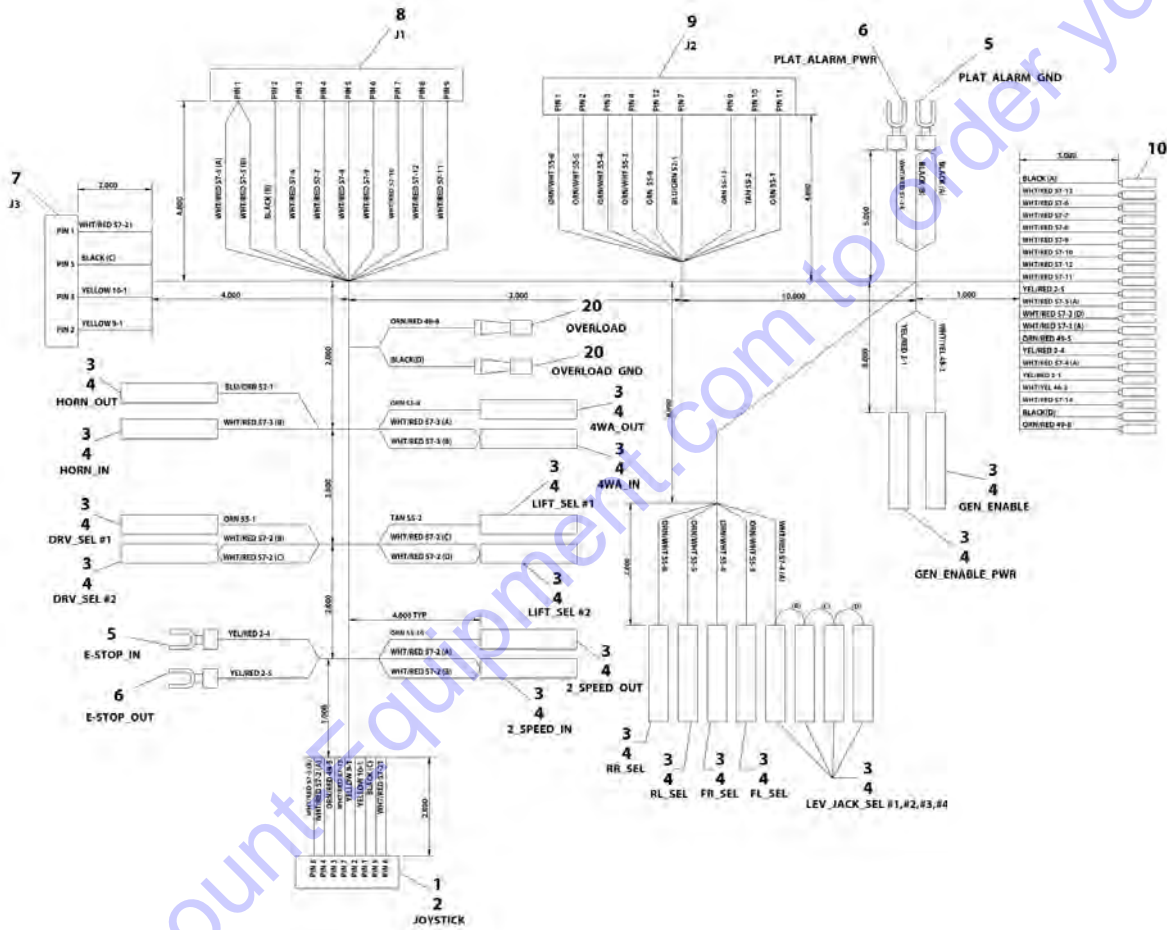
**FIGURE 8-34. PLATFORM CONSOLE BOX HARNESS WITHOUT LEVELING JACKS**

ITEM	PART NUMBER	QTY	DESCRIPTION	REV
	4922526	Ref	PLATFORM CONSOLE BOX HARNESS WITHOUT LEVELING JACKS	D
1	4460266	1	Receptacle, Female - 9 Position	
2	4460267	8	Pin, Male	
3	4460259	12	Terminal	
4	4460260	12	Housing, Terminal	
5	4460115	2	Terminal, Fork	
6	4460183	2	Terminal, Fork	
7	4460817	1	Plug, Male - 5 Position	
8	4460818	1	Plug, Male - 10 Position	
9	4460895	1	Plug, Male - 12 Position	
10	4460465	18	Socket, Female	
20	4460016	2	Terminal, Receptacle	

Go to Discount-Equipment.com to order your parts

# SECTION 8 - ELECTRICAL

## FIGURE 8-35. PLATFORM CONSOLE BOX HARNESS WITH LEVELING JACKS



ART\_4922527



## SECTION 8 - ELECTRICAL

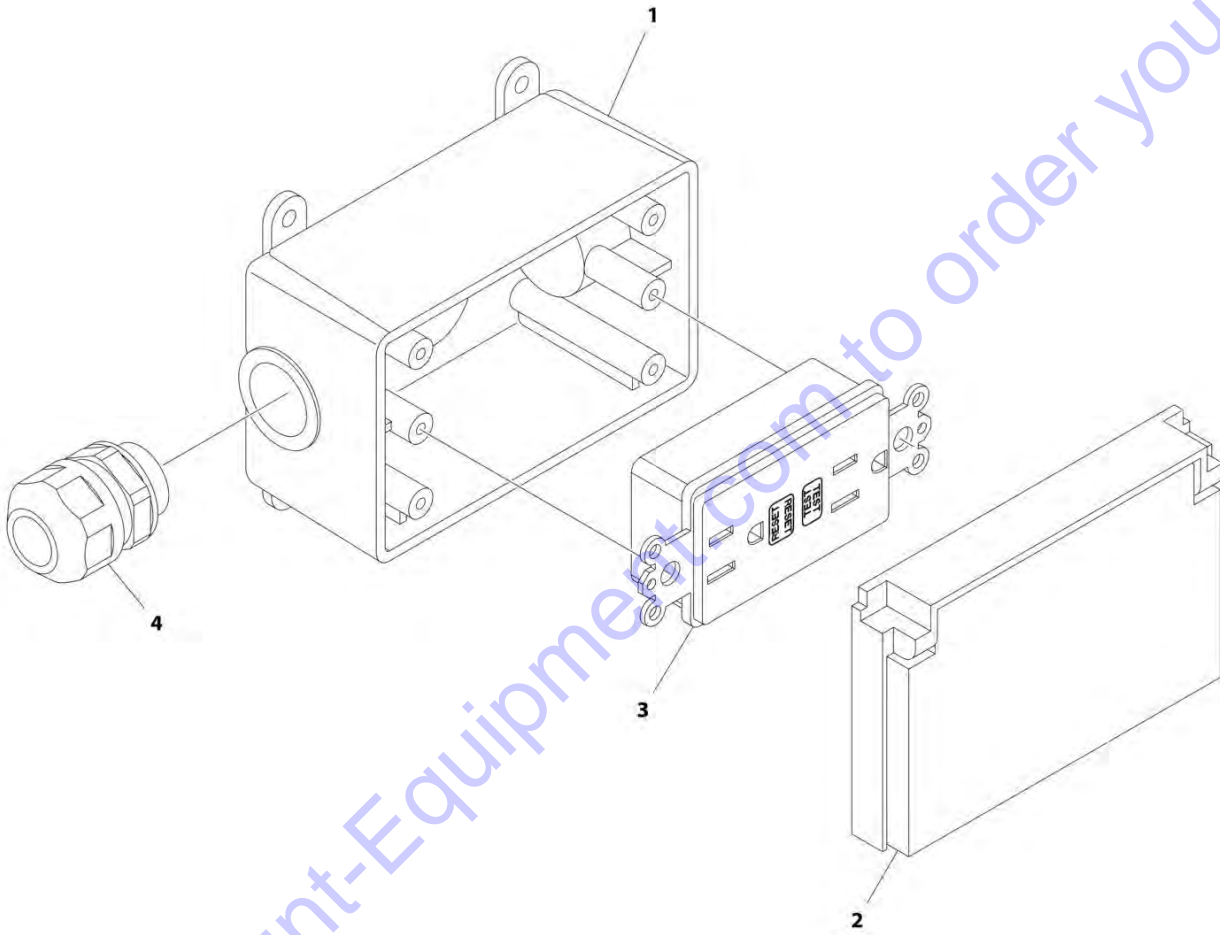
**FIGURE 8-35. PLATFORM CONSOLE BOX HARNESS WITH LEVELING JACKS**

ITEM	PART NUMBER	QTY	DESCRIPTION	REV
	4922527	Ref	PLATFORM CONSOLE BOX HARNESS WITH LEVELING JACKS	C
1	4460266	1	Receptacle, Female - 9 Position	
2	4460267	8	Pin, Male	
3	4460259	16	Terminal	
4	4460260	20	Housing, Terminal	
5	4460115	2	Terminal, Fork	
6	4460183	2	Terminal, Fork	
7	4460817	1	Plug, Male - 5 Position	
8	4460818	1	Plug, Male - 10 Position	
9	4460895	1	Plug, Male - 12 Position	
10	4460465	19	Socket, Female	
20	4460016	2	Terminal, Receptacle	

Go to Discount-Equipment.com to order your parts

# SECTION 8 - ELECTRICAL

FIGURE 8-36. RECEPTACLE BOX KIT - 110V GFI



ART\_2902431

## SECTION 8 - ELECTRICAL

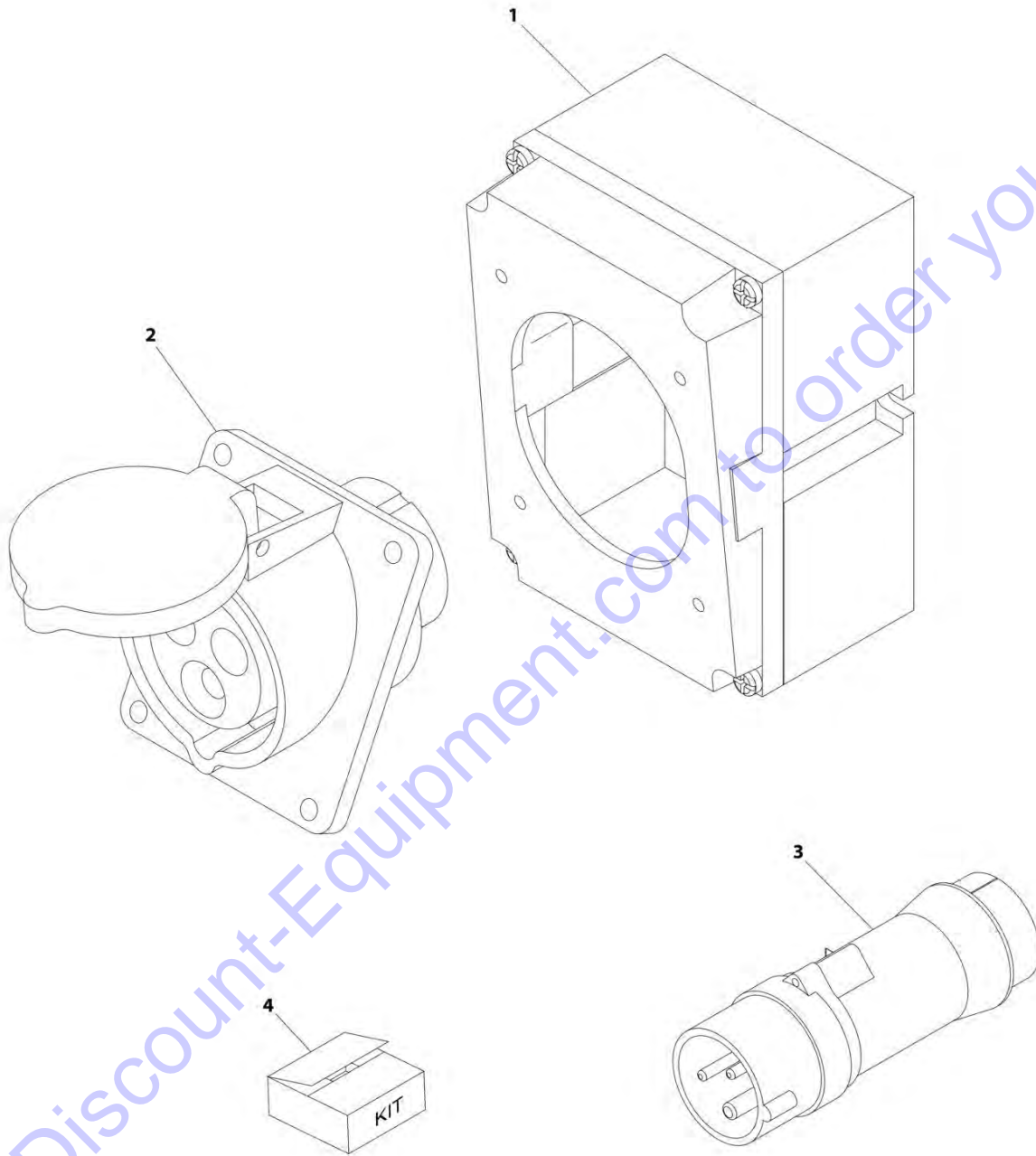
FIGURE 8-36. RECEPTACLE BOX KIT - 110V GFI

ITEM	PART NUMBER	QTY	DESCRIPTION	REV
	2902431	Ref	RECEPTACLE BOX KIT - 110V GFI	D
1	0861731	1	Box, Receptacle	
2	1671207	1	Cover, Receptacle	
3	4460346	1	Receptacle	
4	4460662	1	Connector, Strain Relief	

Go to Discount-Equipment.com to order your parts

# SECTION 8 - ELECTRICAL

FIGURE 8-37. RECEPTACLE BOX KIT - 110V IEC YELLOW (CE SPEC)



ART\_0275216

## SECTION 8 - ELECTRICAL

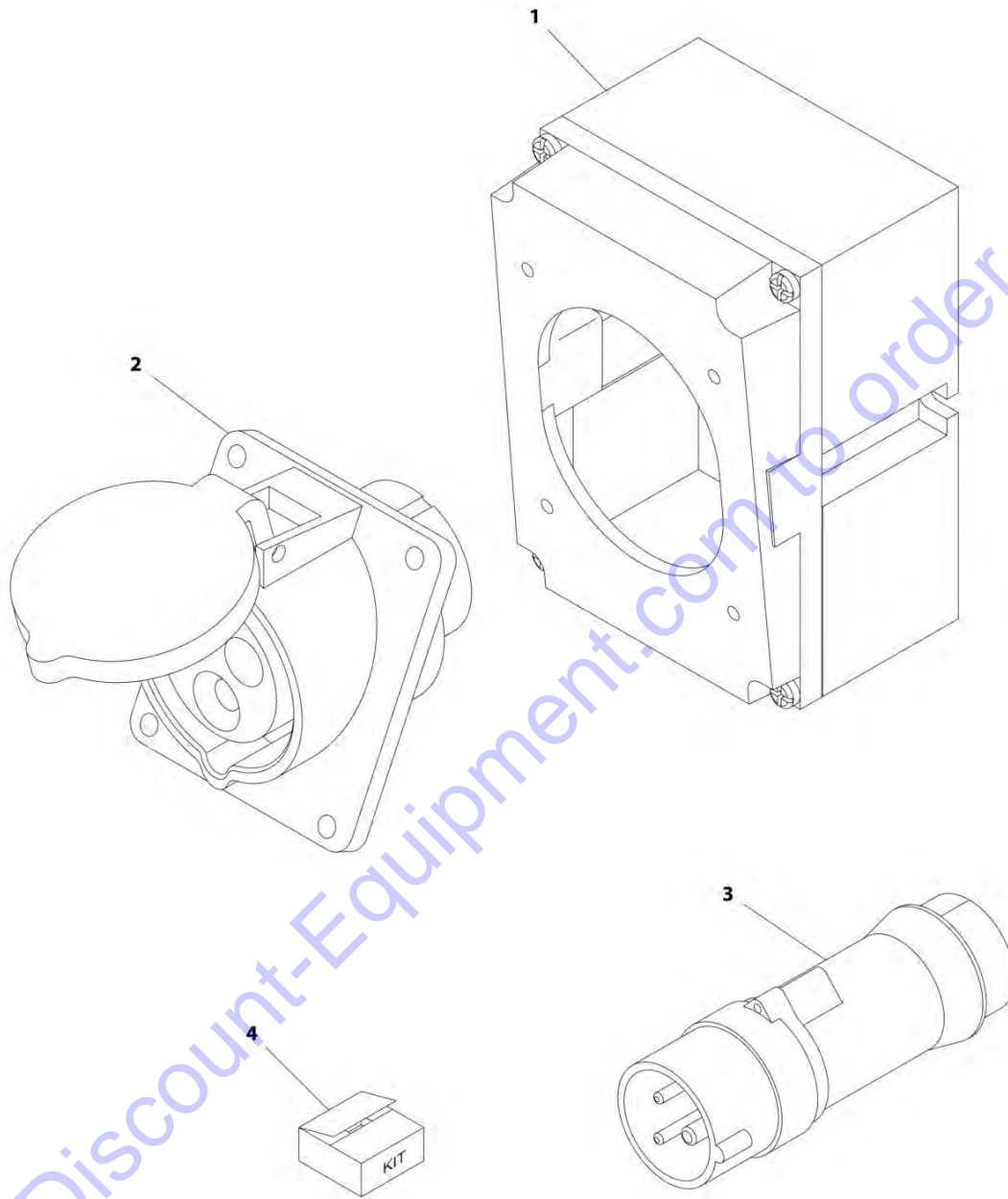
**FIGURE 8-37. RECEPTACLE BOX KIT - 110V IEC YELLOW (CE SPEC)**

ITEM	PART NUMBER	QTY	DESCRIPTION	REV
	0275216	Ref	RECEPTACLE BOX KIT - 110V IEC YELLOW	1
1	0861781	1	Box, Switch	
2	4461198	1	Receptacle	
3	4461196	1	Plug, Male	
4	1001100341	1	Plug and Socket Kit (Includes Items 1-3 and Female Plug p/n 4461197)	

Go to Discount-Equipment.com to order your parts

## SECTION 8 - ELECTRICAL

FIGURE 8-38. RECEPTACLE BOX KIT - 220V IEC BLUE (CE SPEC)



ART\_0275217

## SECTION 8 - ELECTRICAL

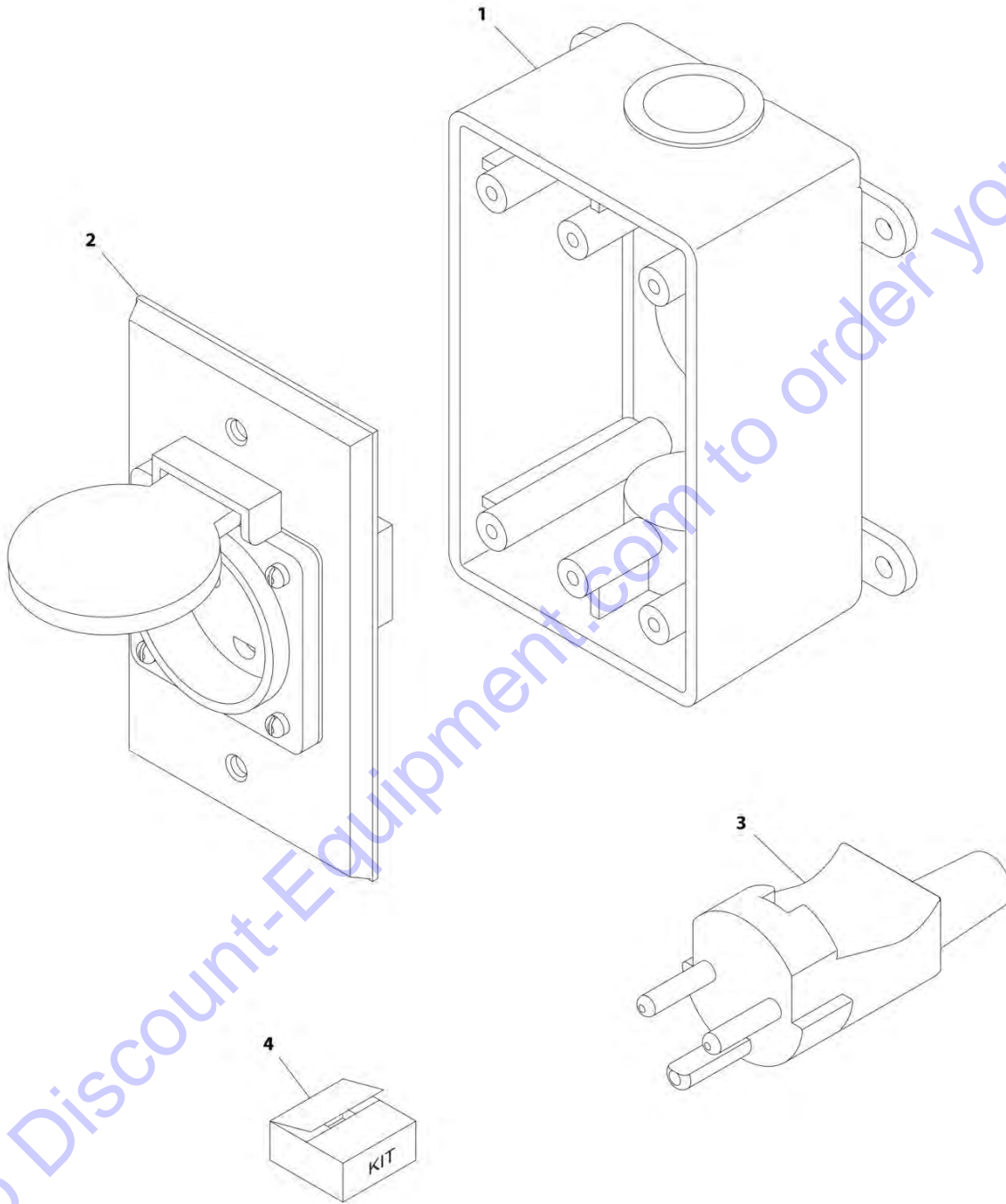
**FIGURE 8-38. RECEPTACLE BOX KIT - 220V IEC BLUE (CE SPEC)**

ITEM	PART NUMBER	QTY	DESCRIPTION	REV
	0275217	Ref	RECEPTACLE BOX KIT - 220V IEC BLUE	1
1	0861781	1	Box, Switch	
2	4461201	1	Receptacle	
3	4461199	1	Plug, Male	
4	1001100342	1	Plug and Socket Kit (Includes Items 1-3 and Female Plug p/n 4461200)	

Go to Discount-Equipment.com to order your parts

# SECTION 8 - ELECTRICAL

FIGURE 8-39. RECEPTACLE BOX KIT - 220V AFSINT 107 (CE SPEC)



ART\_0275454



## SECTION 8 - ELECTRICAL

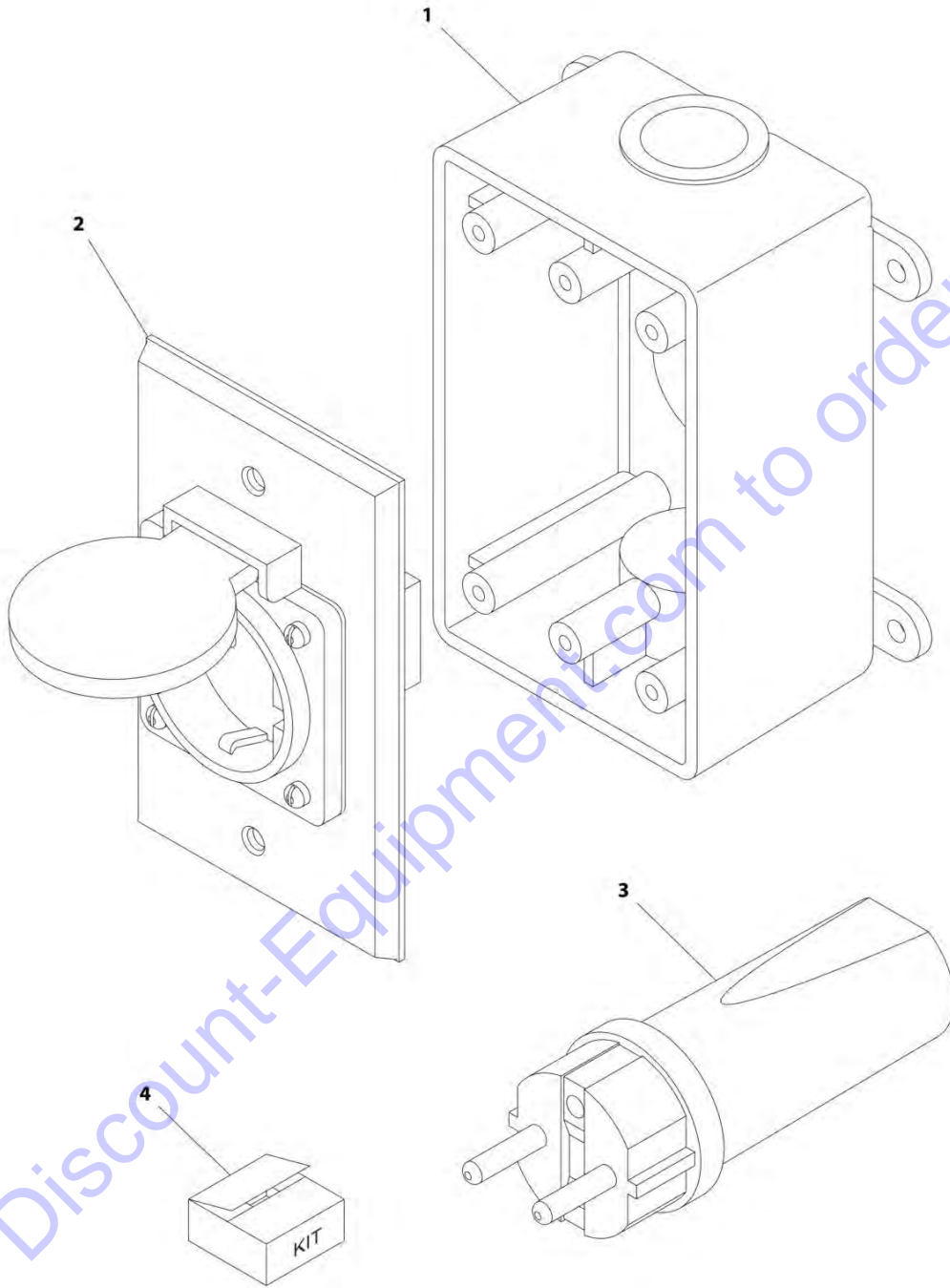
**FIGURE 8-39. RECEPTACLE BOX KIT - 220V AFSINT 107 (CE SPEC)**

ITEM	PART NUMBER	QTY	DESCRIPTION	REV
	0275454	Ref	RECEPTACLE BOX KIT - 220V AFSINT 107	1
1	0861731	1	Box, Switch	
2	4461246	1	Receptacle	
3	4461249	1	Plug, Male	
4	1001100346	1	Plug and Socket Kit (Includes Items 1-3 and Female Plug p/n 4461250)	

Go to Discount-Equipment.com to order your parts

# SECTION 8 - ELECTRICAL

FIGURE 8-40. RECEPTACLE BOX KIT - 220V CEE7 SIDE GROUND (CE SPEC)



ART\_0275453

## SECTION 8 - ELECTRICAL

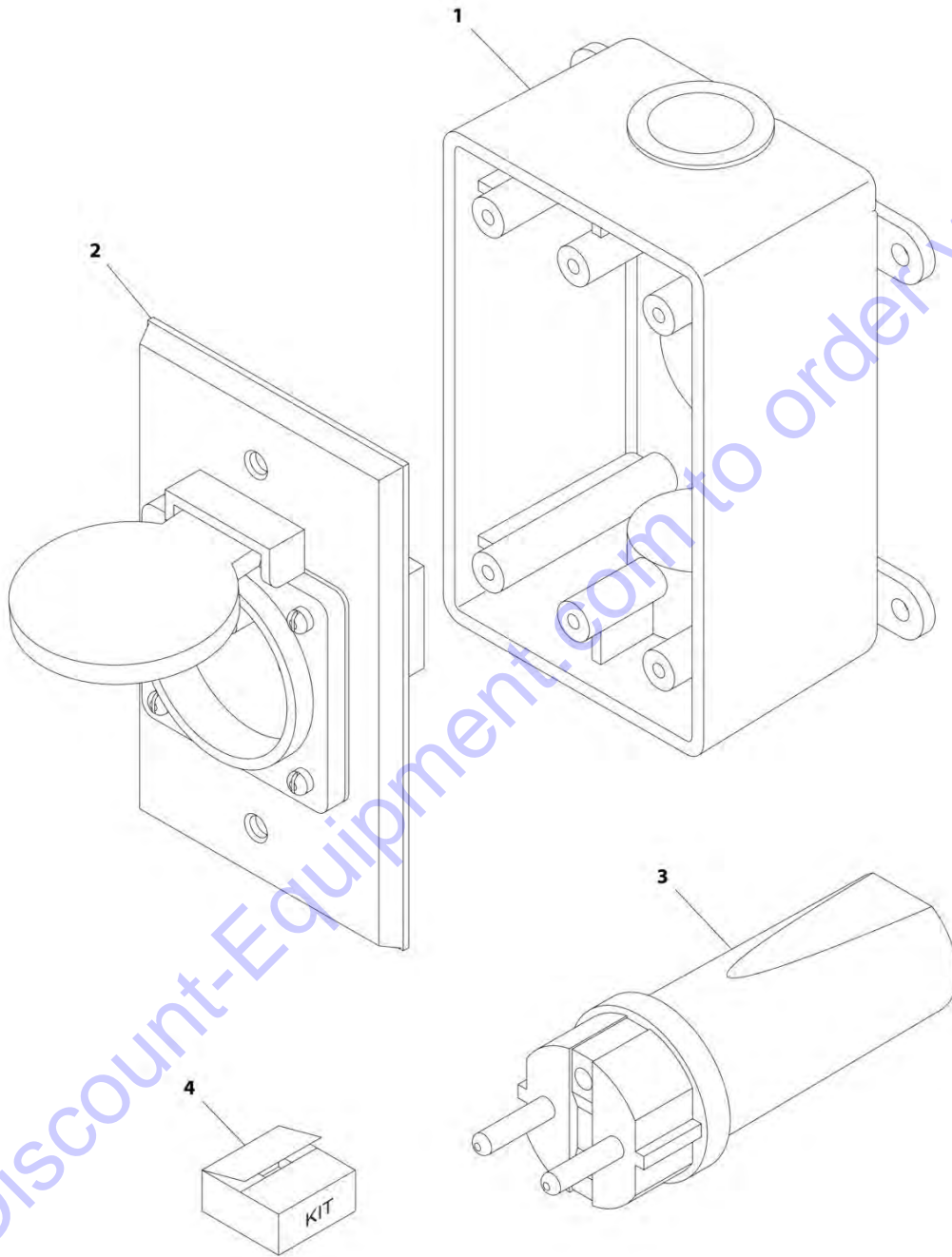
**FIGURE 8-40. RECEPTACLE BOX KIT - 220V CEE7 SIDE GROUND (CE SPEC)**

ITEM	PART NUMBER	QTY	DESCRIPTION	REV
	0275453	Ref	RECEPTACLE BOX KIT - 220V CEE7 SIDE GROUND	1
1	0861731	1	Box, Switch	
2	4461245	1	Receptacle	
3	4461205	1	Plug, Male	
4	1001100347	1	Plug and Socket Kit (Includes Items 1-3 and Female Plug p/n 4461206)	

Go to Discount-Equipment.com to order your parts

## SECTION 8 - ELECTRICAL

FIGURE 8-41. RECEPTACLE BOX KIT - 220V CEE7 POST GROUND (CE SPEC)



ART\_0275452

## SECTION 8 - ELECTRICAL

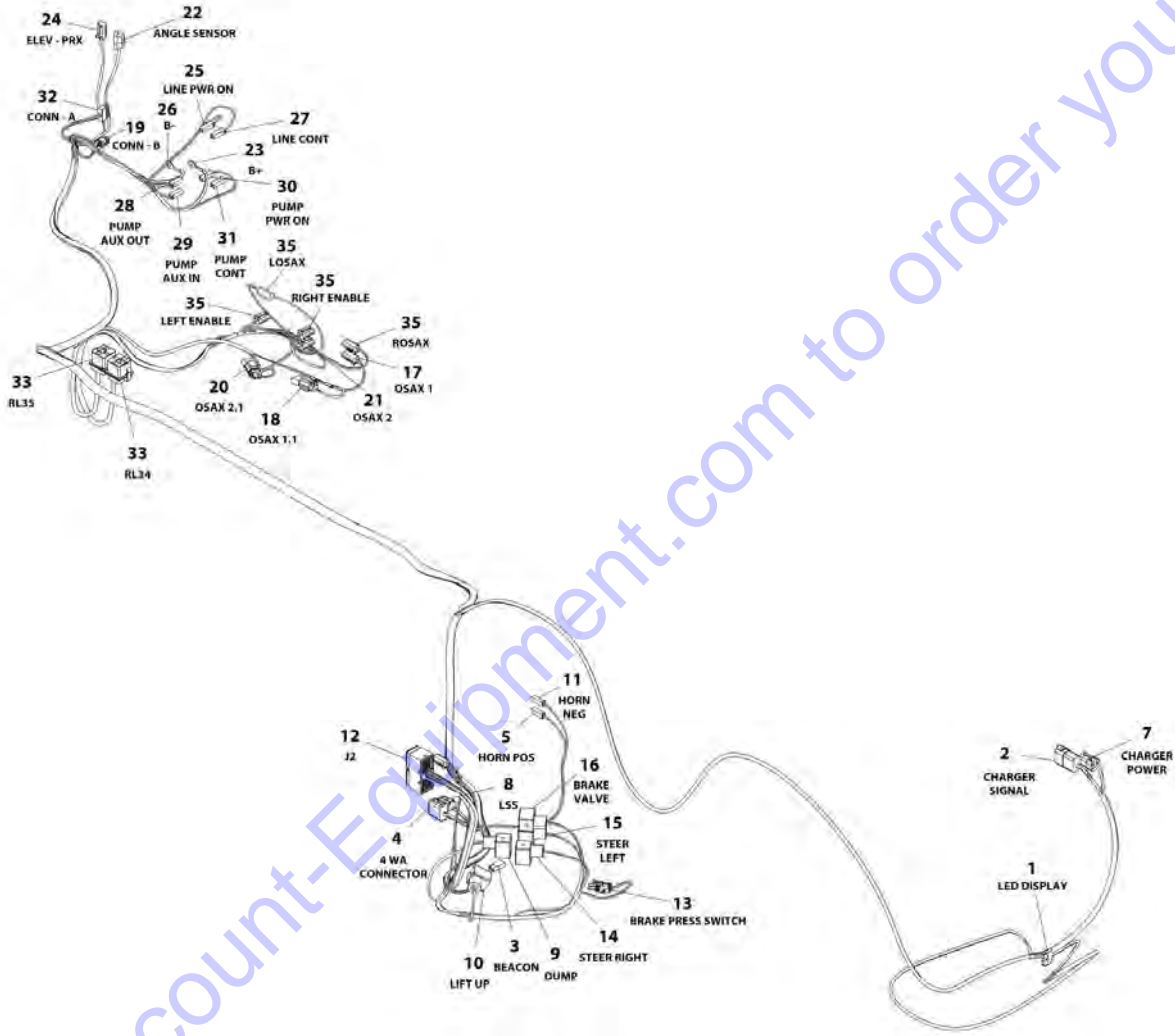
**FIGURE 8-41. RECEPTACLE BOX KIT - 220V CEE7 POST GROUND (CE SPEC)**

ITEM	PART NUMBER	QTY	DESCRIPTION	REV
	0275452	Ref	RECEPTACLE BOX KIT - 220V CEE7 POST GROUND	C
1	0861731	1	Box, Switch	
2	4461244	1	Receptacle	
3	4461205	1	Plug, Male	
4	1001100345	1	Plug and Socket Kit (Includes Items 1-3 and Female Plug p/n 4461206)	

Go to Discount-Equipment.com to order your parts

# SECTION 8 - ELECTRICAL

## FIGURE 8-42. VALVE HARNESS



ART\_1001171103\_5

Go to Discount-Equipment.com to order your parts

## SECTION 8 - ELECTRICAL

### FIGURE 8-42. VALVE HARNESS

ITEM	PART NUMBER	QTY	DESCRIPTION	REV
	1001171103	Ref	VALVE HARNESS	G
1	4460761	1	Receptacle, Female - 4 Position	
1	4460226	4	Socket, Female	
2	4460931	1	Receptacle, Female - 8 Position	
2	4460464	6	Pin, Male	
2	4460466	2	Plug, Seal	
3	4460424	1	Plug, Male - 2 Position	
3	4460267	3	Pin, Male	
4	4460930	1	Plug, Male - 8 Position	
4	4460465	7	Socket, Female	
4	4460466	1	Plug, Seal	
5	4460260	1	Housing, Terminal	
5	4460259	1	Terminal	
7	1001096188	1	Plug, Male - 4 Position	
7	4460509	2	Socket, Female	
7	4460466	2	Plug, Seal	
8	4460884	1	Plug, Male - 4 Position	
8	4460465	4	Socket, Female	
9	4460499	1	Connector, DIN	
10	4460499	1	Connector, DIN	
11	4460260	1	Housing, Terminal	
11	4460259	1	Terminal	
12	4460814	1	Connector - 40 Position	
12	4460465	32	Socket, Female	
12	4460466	8	Plug, Seal	
13	4460742	1	Plug, Male - 2 Position	
13	4460743	2	Socket, Female	
14	4460499	1	Connector, DIN	
15	4460499	1	Connector, DIN	
16	4460499	1	Connector, DIN	
17	4460891	1	Plug, Male - 2 Position	
17	4460465	2	Socket, Female	
18	4460891	1	Plug, Male - 2 Position	
18	4460465	2	Socket, Female	
18	1001116816	1	Receptacle, Female - 2 Position with Diode	
19	4460870	1	Plug, Male - 12 Position	
19	4460877	4	Terminal	
20	4460891	1	Plug, Male - 2 Position	
20	4460465	2	Socket, Female	
21	4460891	1	Plug, Male - 2 Position	
21	4460465	2	Socket, Female	
21	1001116816	1	Receptacle, Female - 2 Position with Diode	
22	4460539	1	Plug, Male - 3 Position	
22	4460465	3	Socket, Female	
23	4460019	1	Terminal, Ring	
24	4460891	1	Plug, Male - 2 Position	
24	4460465	2	Socket, Female	
25	4460260	1	Housing, Terminal	
25	4460259	1	Terminal	
26	4460019	1	Terminal, Ring	

## SECTION 8 - ELECTRICAL

ITEM	PART NUMBER	QTY	DESCRIPTION	REV
27	4460260	1	Housing, Terminal	
27	4460259	1	Terminal	
28	4460260	1	Housing, Terminal	
28	4460259	1	Terminal	
29	4460260	1	Housing, Terminal	
29	4460259	1	Terminal	
30	4460260	1	Housing, Terminal	
30	4460259	1	Terminal	
31	4460260	1	Housing, Terminal	
31	4460259	1	Terminal	
32	4460868	1	Plug, Male - 6 Position	
32	4460877	1	Terminal	
33	4460374	2	Plug, Relay	
33	4460375	8	Terminal	
33	3740080	2	Relay	
35	4460891	4	Plug, Male - 2 Position	
35	4460465	8	Socket, Female	

Go to Discount-Equipment.com to order your parts

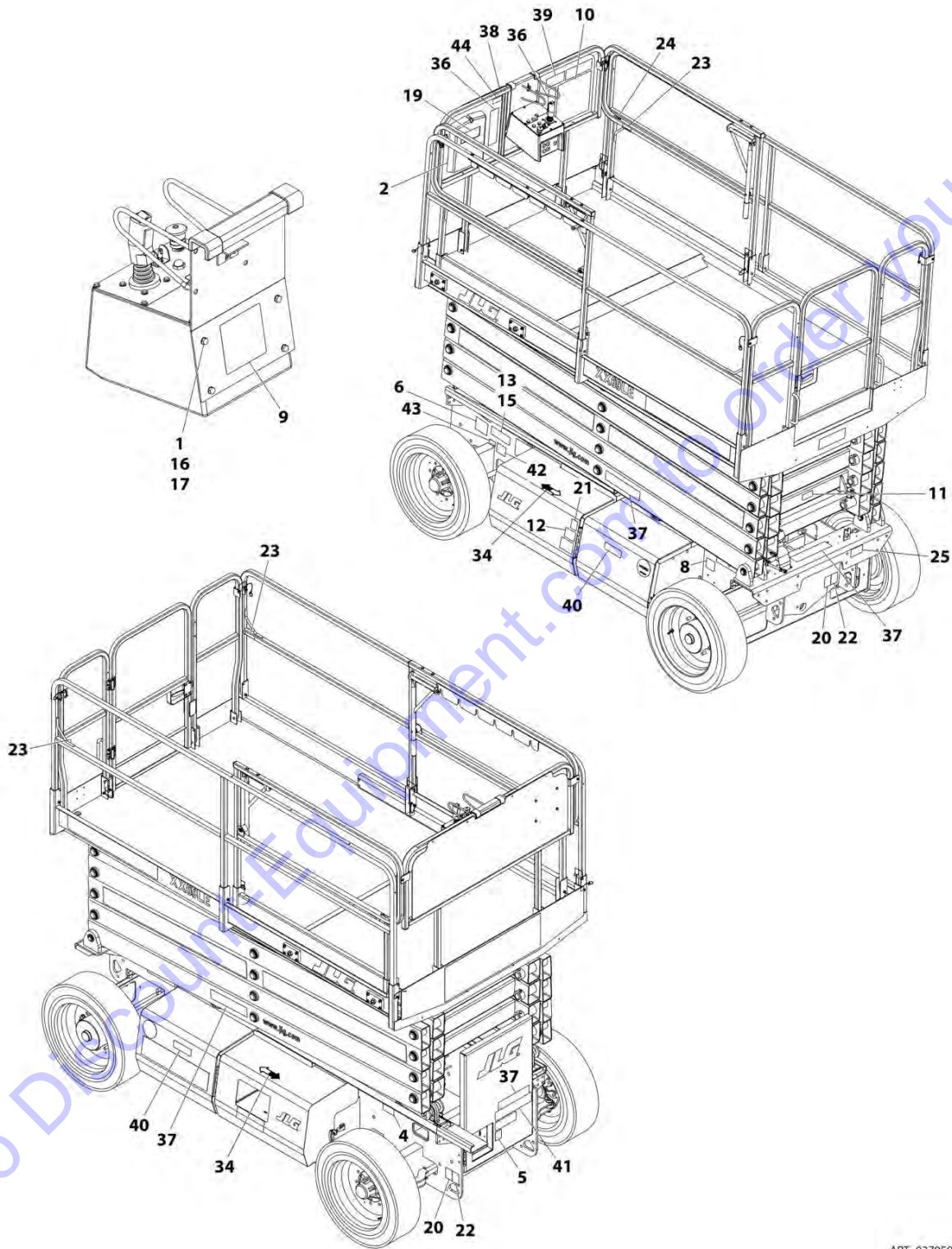


SECTION 9 - DECALS

Go to Discount-Equipment.com to order your parts

# SECTION 9 - DECALS

## FIGURE 9-1. DECAL INSTALLATION - ANSI SPEC (ENGLISH)



ART\_0270591\_J

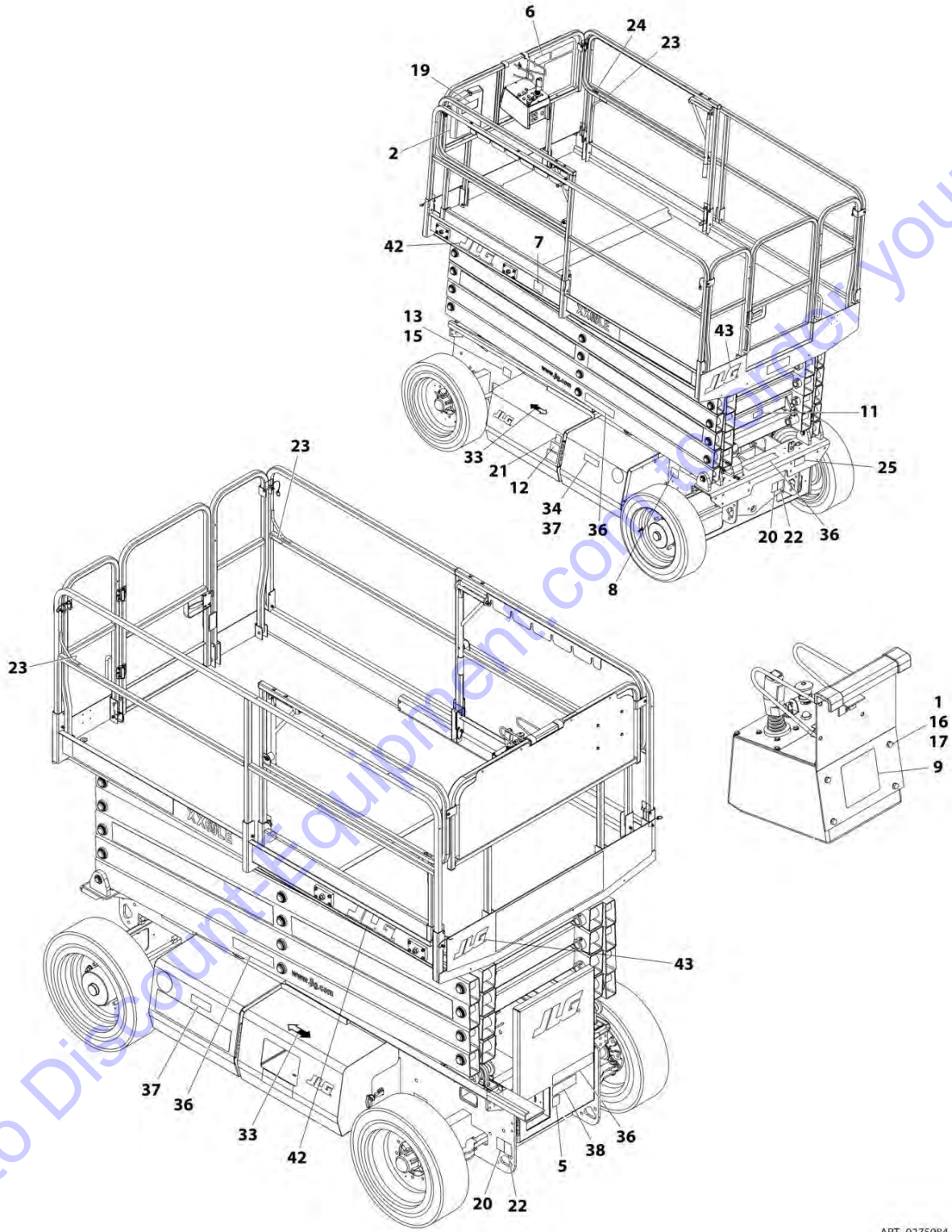
## SECTION 9 - DECALS

**FIGURE 9-1. DECAL INSTALLATION - ANSI SPEC (ENGLISH)**

ITEM	PART NUMBER	QTY	DESCRIPTION	REV
	1283217	Ref	DECAL INSTALLATION - REFERENCE CHART	S
	0270591	Ref	DECAL INSTALLATION	I
1	0641405	4	Bolt 1/4 x 5/8	
2	0860520	1	Box, Manual Storage	
4	1001131270	1	Decal - Patent	
5	1701644	1	Decal - Battery Charger	
6	1705303	1	Decal - CSA	
8	1702155	1	Decal - Battery Disconnect	
9	See Note	NSS	Decal - Barcode (Note: Not Available for Purchase)	
10	1703816	1	Decal - Danger/Warning	
11	1704211	1	Decal - Safety Prop	
12	1704412	1	Decal - Hydraulic Oil	
13	2080057	4	Fastener	
15	See Note	NSS	Nameplate - Serial Number (Note: Not Available for Purchase)	
16	3311405	4	Nut 1/4	
17	4711400	8	Washer 1/4	
19	1701509	1	Decal - Manual	
20	1703811	4	Decal - Lifting Lugs	
21	1703812	1	Decal - Hydraulic Oil	
22	1703814	4	Decal - Tie Down	
23	1704277	8	Decal - Attach Lanyard Here	
24	1703819	2	Decal - Directional Arrow	
25	1703822	1	Decal - Manual Descent	
34	1703687	2	Decal - Directional Arrow	
36	1704911	1	Decal - Legend	
37	1703818	4	Decal - Warning Crushing Hazard/Danger Electrocution	
38	1703821	1	Decal - Control Box Location	
39	1704903	1	Decal - Gradeability	
40	1703813	2	Decal - Battery Warning	
41	1704248	1	Decal - Battery Charger Instructions	
42	1001223055	1	Decal -Yearly Inspection (DOM)	
43	1001228370	1	Decal - ICES (CAN)	
44	1001231801	1	Decal - Prop 65	

# SECTION 9 - DECALS

## FIGURE 9-2. DECAL INSTALLATION - AUSTRALIAN AND CE SPECS - 3369LE & 4069LE



ART\_0275084\_E

## SECTION 9 - DECALS

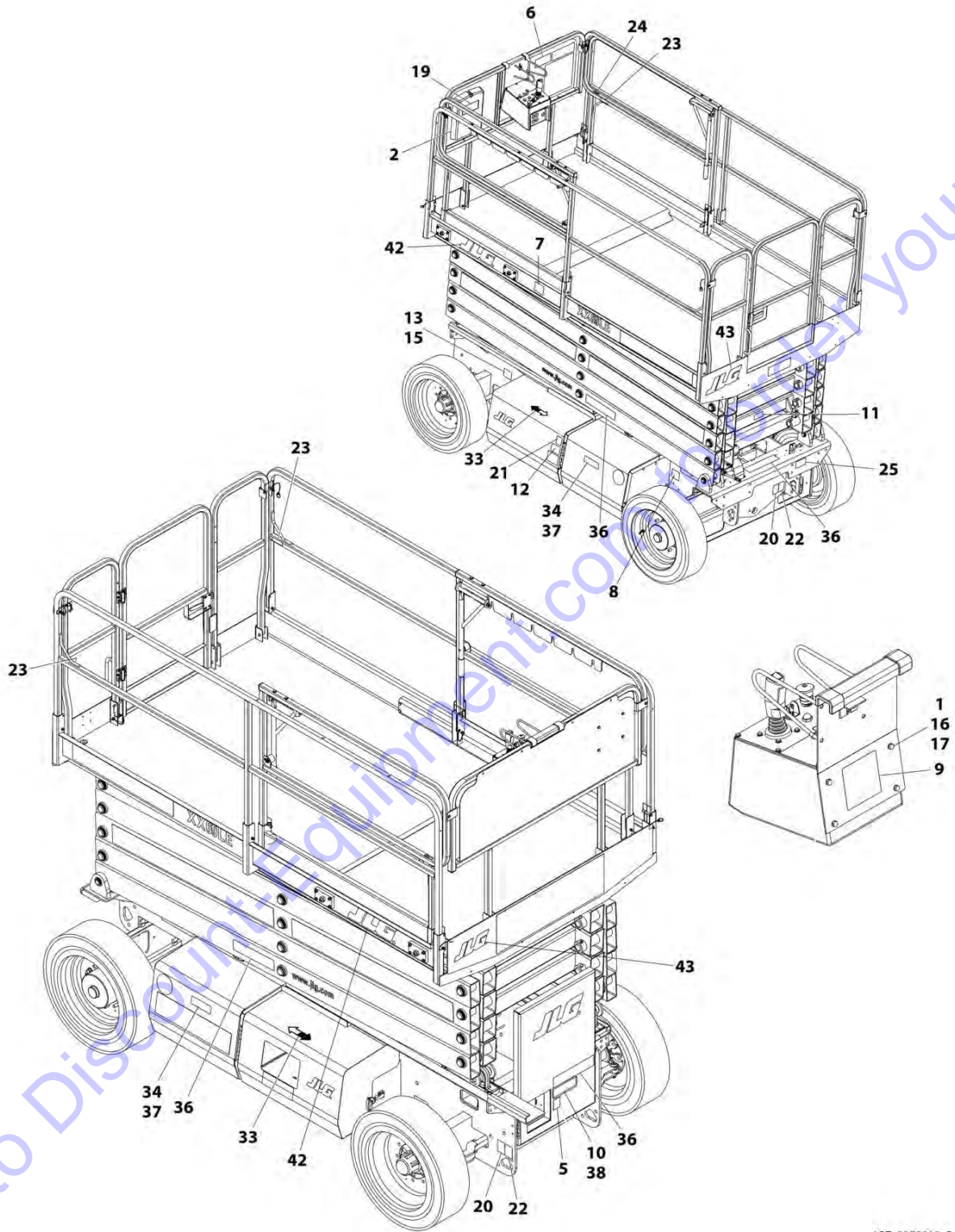
**FIGURE 9-2. DECAL INSTALLATION - AUSTRALIAN AND CE SPECS - 3369LE & 4069LE**

ITEM	PART NUMBER	QTY	DESCRIPTION	REV
	1283249	Ref	DECAL INSTALLATION - REFERENCE CHART	O
	0275084	Ref	DECAL INSTALLATION	E
1	0641405	4	Bolt 1/4 x 5/8	
2	0860520	1	Box, Manual Storage	
5	1701644	1	Decal - Battery Charger	
6	1706338	1	Decal - Warning Crushing Hazard/Danger Electrocution	
8	1702155	1	Decal - Battery Disconnect	
9	See Note	NSS	Decal - Barcode (Note: Not Available for Purchase)	
11	1704211	1	Decal - Safety Prop	
12	1704412	1	Decal - Hydraulic Oil	
13	2080057	2	Fastener	
15	See Note	NSS	Nameplate - Serial Number (Note: Not Available for Purchase)	
16	3311405	4	Nut 1/4	
17	4711400	8	Washer 1/4	
19	1701509	1	Decal - Manual Reference	
20	1703811	4	Decal - Lifting Lugs	
21	1703812	1	Decal - Hydraulic Oil	
22	1703814	4	Decal - Tie Down	
23	1704277	4	Decal - Attach Lanyard Here	
24	1703819	2	Decal - Directional Arrow	
25	1703822	1	Decal - Manual Descent	
33	1703687	2	Decal - Directional Arrow	
36	1706338	AR	Decal - Warning Crushing Hazard/Danger Electrocution	
37	1705670	2	Decal - Battery Warning	
38	1706492	1	Decal - Battery Charger Instructions	
42	1702773	2	Decal - JLG (5in Height)	
43	1701435	2	Decal - JLG (3.5in Height)	



# SECTION 9 - DECALS

## FIGURE 9-3. DECAL INSTALLATION - AUSTRALIAN AND CE SPECS - M3369 & M4069



ART\_0275085\_E

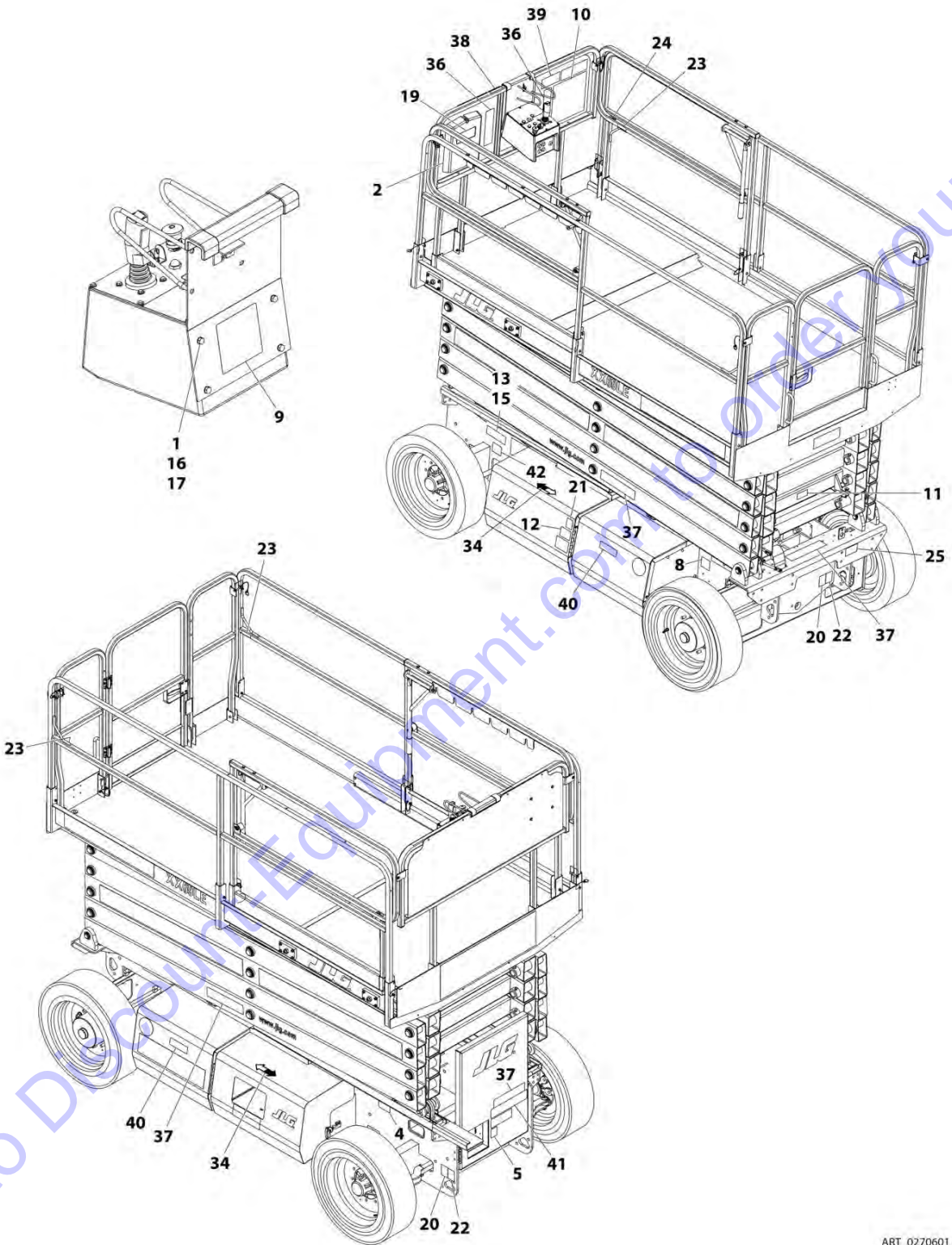
## SECTION 9 - DECALS

**FIGURE 9-3. DECAL INSTALLATION - AUSTRALIAN AND CE SPECS - M3369 & M4069**

ITEM	PART NUMBER	QTY	DESCRIPTION	REV
	1283249	Ref	DECAL INSTALLATION - REFERENCE CHART	O
	0275085	Ref	DECAL INSTALLATION	E
		Ref	Note: For UK MOD Machines, refer to JLG Manual p/n 3121698.	
1	0641405	4	Bolt 1/4 x 5/8	
2	0860520	1	Box, Manual Storage	
5	1701644	1	Decal - Battery Charger	
6	1706338	1	Decal - Warning Crushing Hazard/Danger Electrocutation	
7	1705084	2	Decal - Sound Power Level	
8	1702155	1	Decal - Battery Disconnect	
9	See Note	NSS	Decal - Barcode (Note: Not Available for Purchase)	
11	1704211	1	Decal - Safety Prop	
12	1704412	1	Decal - Hydraulic Oil	
13	2080057	2	Fastener	
15	See Note	NSS	Nameplate - Serial Number (Note: Not Available for Purchase)	
16	3311405	4	Nut 1/4	
17	4711400	8	Washer 1/4	
19	1701509	1	Decal - Manual Reference	
20	1703811	4	Decal - Lifting Lugs	
21	1703812	1	Decal - Hydraulic Oil	
22	1703814	4	Decal - Tie Down	
23	1704277	4	Decal - Attach Lanyard Here	
24	1703819	2	Decal - Directional Arrow	
25	1703822	1	Decal - Manual Descent	
33	1703687	2	Decal - Directional Arrow	
36	1706338	AR	Decal - Warning Crushing Hazard/Danger Electrocutation	
37	1705670	2	Decal - Battery Warning	
38	1706492	1	Decal - Battery Charger Instructions	
42	1702773	2	Decal - JLG (5in Height)	
43	1701435	2	Decal - JLG (3.5in Height)	

# SECTION 9 - DECALS

FIGURE 9-4. DECAL INSTALLATION - BRAZIL SPEC (DUAL LANGUAGE - PORTUGUESE/SPANISH)



ART\_0270601\_H



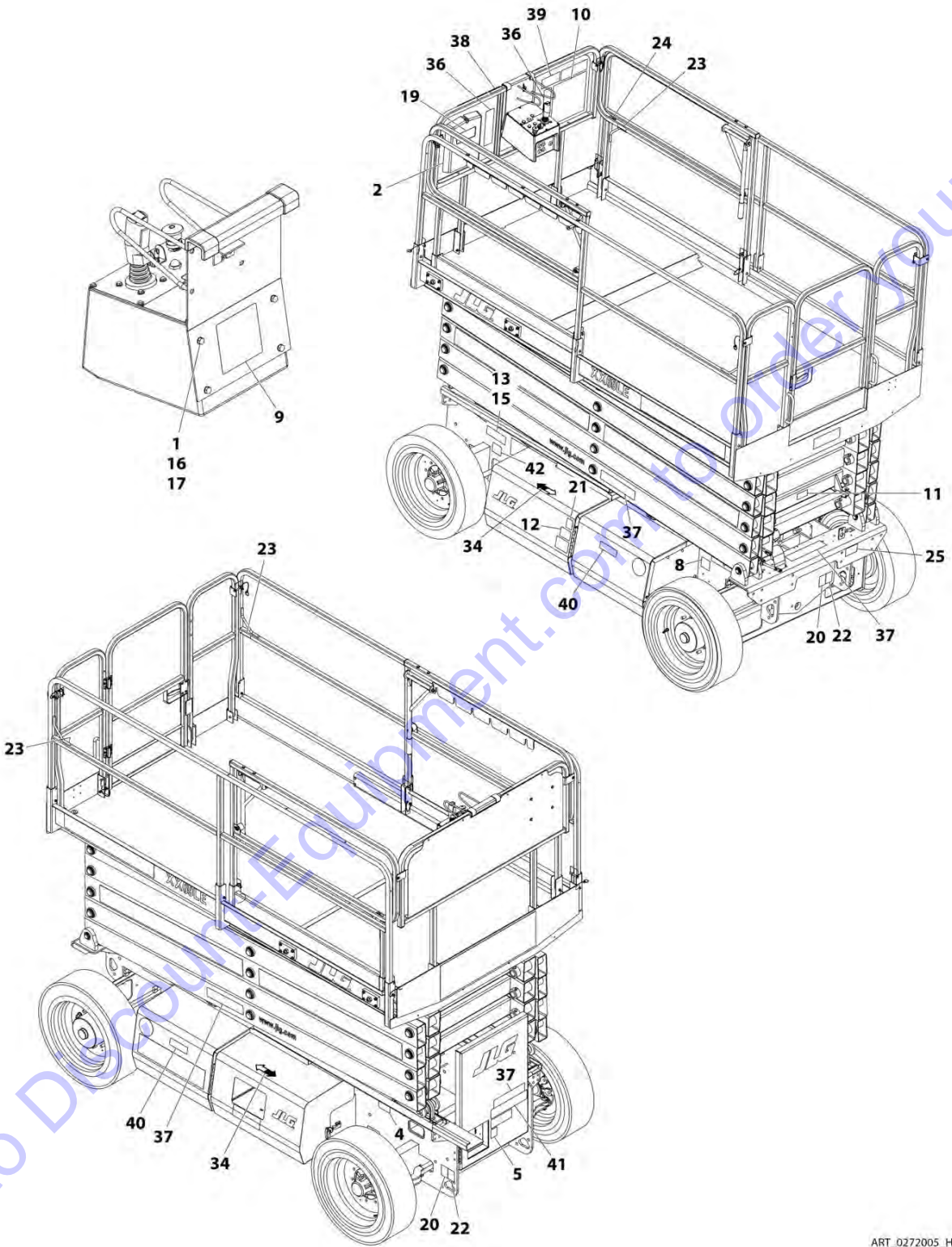
## SECTION 9 - DECALS

**FIGURE 9-4. DECAL INSTALLATION - BRAZIL SPEC (DUAL LANGUAGE - PORTUGUESE/SPANISH)**

ITEM	PART NUMBER	QTY	DESCRIPTION	REV
	1283217	Ref	DECAL INSTALLATION - REFERENCE CHART	S
	0270601	Ref	DECAL INSTALLATION	H
1	0641405	4	Bolt 1/4 x 5/8	
2	0860520	1	Box, Manual Storage	
5	1701644	1	Decal - Battery Charger	
8	1702155	1	Decal - Battery Disconnect	
9	See Note	NSS	Decal - Barcode (Note: Not Available for Purchase)	
10	1704699	1	Decal - Danger/Warning	
11	1704211	1	Decal - Safety Prop	
12	1704412	1	Decal - Hydraulic Oil	
13	2080057	4	Fastener	
15	See Note	NSS	Nameplate - Serial Number (Note: Not Available for Purchase)	
16	3311405	4	Nut 1/4	
17	4711400	8	Washer 1/4	
19	1701509	1	Decal - Manual	
20	1703811	4	Decal - Lifting Lugs	
21	1703812	1	Decal - Hydraulic Oil	
22	1703814	4	Decal - Tie Down	
23	1704277	8	Decal - Attach Lanyard Here	
24	1703819	2	Decal - Directional Arrow	
25	1703822	1	Decal - Manual Descent	
34	1703687	2	Decal - Directional Arrow	
36	1704915	1	Decal - Legend	
37	1704701	4	Decal - Crushing Hazard/Electrocution	
38	1704702	1	Decal - Console Box Location	
39	1704916	1	Decal - Gradeability	
40	1704341	1	Decal - Warning Battery Ventilation	
41	1704330	1	Decal - Battery Charger Instructions	
42	1001224052	1	Decal - Yearly Inspection	

# SECTION 9 - DECALS

## FIGURE 9-5. DECAL INSTALLATION - CHINESE SPEC (DUAL LANGUAGE - ENGLISH/CHINESE)



ART\_0272005\_H

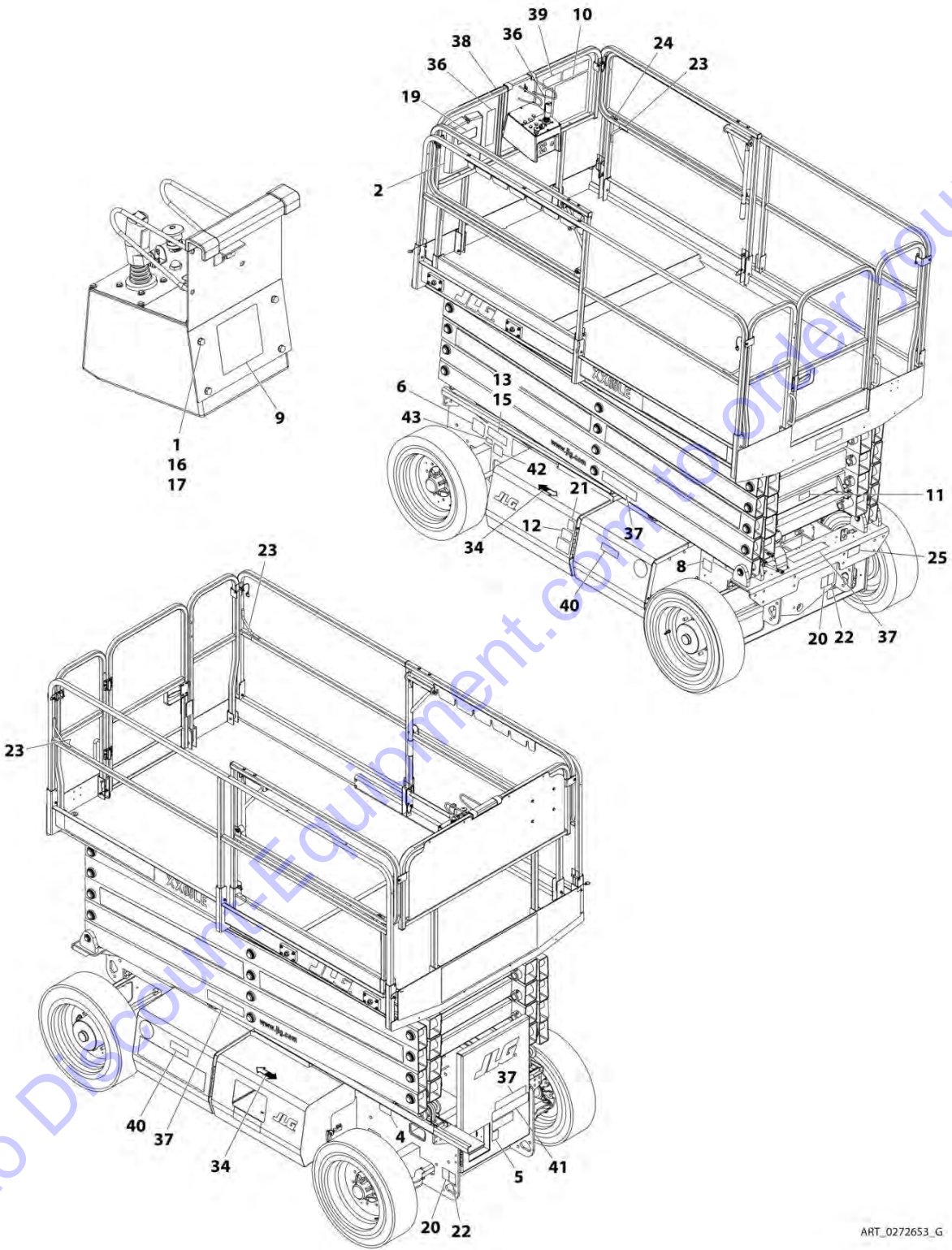
## SECTION 9 - DECALS

**FIGURE 9-5. DECAL INSTALLATION - CHINESE SPEC (DUAL LANGUAGE - ENGLISH/CHINESE)**

ITEM	PART NUMBER	QTY	DESCRIPTION	REV
	1283217	Ref	DECAL INSTALLATION - REFERENCE CHART	S
	0272005	Ref	DECAL INSTALLATION	H
1	0641405	4	Bolt 1/4 x 5/8	
2	0860520	1	Box, Manual Storage	
5	1701644	1	Decal - Battery Charger	
8	1702155	1	Decal - Battery Disconnect	
9	See Note	1	Decal - Barcode (Note: Not Available for Purchase)	
10	1705195	1	Decal - Danger/Warning	
11	1704211	1	Decal - Safety Prop	
12	1704412	1	Decal - Hydraulic Oil	
13	2080057	4	Fastener	
15	See Note	1	Nameplate - Serial Number (Note: Not Available for Purchase)	
16	3311405	4	Nut 1/4	
17	4711400	8	Washer 1/4	
19	1701509	1	Decal - Manual	
20	1703811	4	Decal - Lifting Lugs	
21	1703812	1	Decal - Hydraulic Oil	
22	1703814	4	Decal - Tie Down	
23	1704277	8	Decal - Attach Lanyard Here	
24	1703819	2	Decal - Directional Arrow	
25	1703822	1	Decal - Manual Descent	
34	1703687	2	Decal - Directional Arrow	
36	1705097	1	Decal - Legend	
37	1705193	4	Decal - Warning	
38	1705194	1	Decal - Control Box Location	
39	1705098	1	Decal - Gradeability	
40	1704344	2	Decal - Warning Battery Ventilation	
41	1704333	1	Decal - Battery Charging Instructions	
42	1001224050	1	Decal - Yearly Inspection	

# SECTION 9 - DECALS

## FIGURE 9-6. DECAL INSTALLATION - CSA SPEC (DUAL LANGUAGE - ENGLISH/FRENCH)



ART\_0272653\_G

## SECTION 9 - DECALS

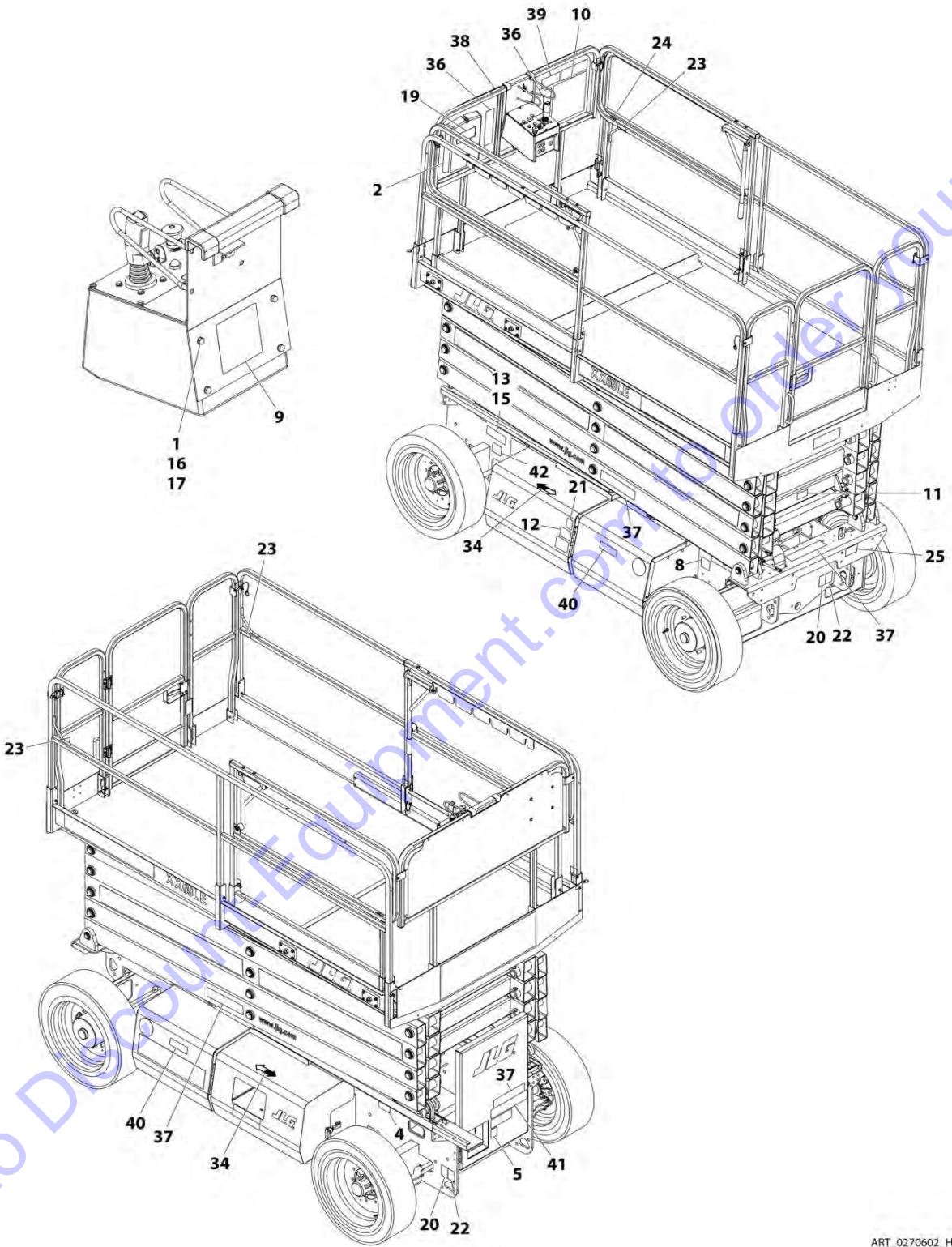
**FIGURE 9-6. DECAL INSTALLATION - CSA SPEC (DUAL LANGUAGE - ENGLISH/FRENCH)**

ITEM	PART NUMBER	QTY	DESCRIPTION	REV
	1283217	Ref	DECAL INSTALLATION - REFERENCE CHART	S
	0272653	Ref	DECAL INSTALLATION	G
1	0641405	4	Bolt 1/4 x 5/8	
2	0860520	1	Box, Manual Storage	
4	1001131270	1	Decal - Patent	
5	1701644	1	Decal - Battery Charger	
6	1705303	1	Decal - CSA	
8	1702155	1	Decal - Battery Disconnect	
9	See Note	NSS	Decal - Barcode (Note: Not Available for Purchase)	
10	1704684	1	Decal - Danger/Warning	
11	1704211	1	Decal - Safety Prop	
12	1704412	1	Decal - Hydraulic Oil	
13	2080057	4	Fastener	
15	See Note	NSS	Nameplate - Serial Number (Note: Not Available for Purchase)	
16	3311405	4	Nut 1/4	
17	4711400	8	Washer 1/4	
19	1701509	1	Decal- Manual	
20	1703811	4	Decal - Lifting Lugs	
21	1703812	1	Decal - Hydraulic Oil	
22	1703814	4	Decal - Tie Down	
23	1704277	8	Decal - Attach Lanyard Here	
24	1703819	2	Decal - Directional Arrow	
25	1703822	1	Decal - Manual Descent	
34	1703687	2	Decal - Directional Arrow	
36	1704904	1	Decal - Legend	
37	1704686	4	Decal - Warning	
38	1704687	1	Decal - Control Box Location	
39	1704912	1	Decal - Gradeability	
40	1704340	2	Decal - Warning Battery Ventilation	
41	1704329	1	Decal - Battery Charging Instructions	
42	1001223971	1	Decal - Yearly Inspection	
43	1001228370	1	Decal - ICES	



# SECTION 9 - DECALS

FIGURE 9-7. DECAL INSTALLATION - JAPANESE SPEC (DUAL LANGUAGE - ENGLISH/JAPANESE)



ART\_0270602\_H

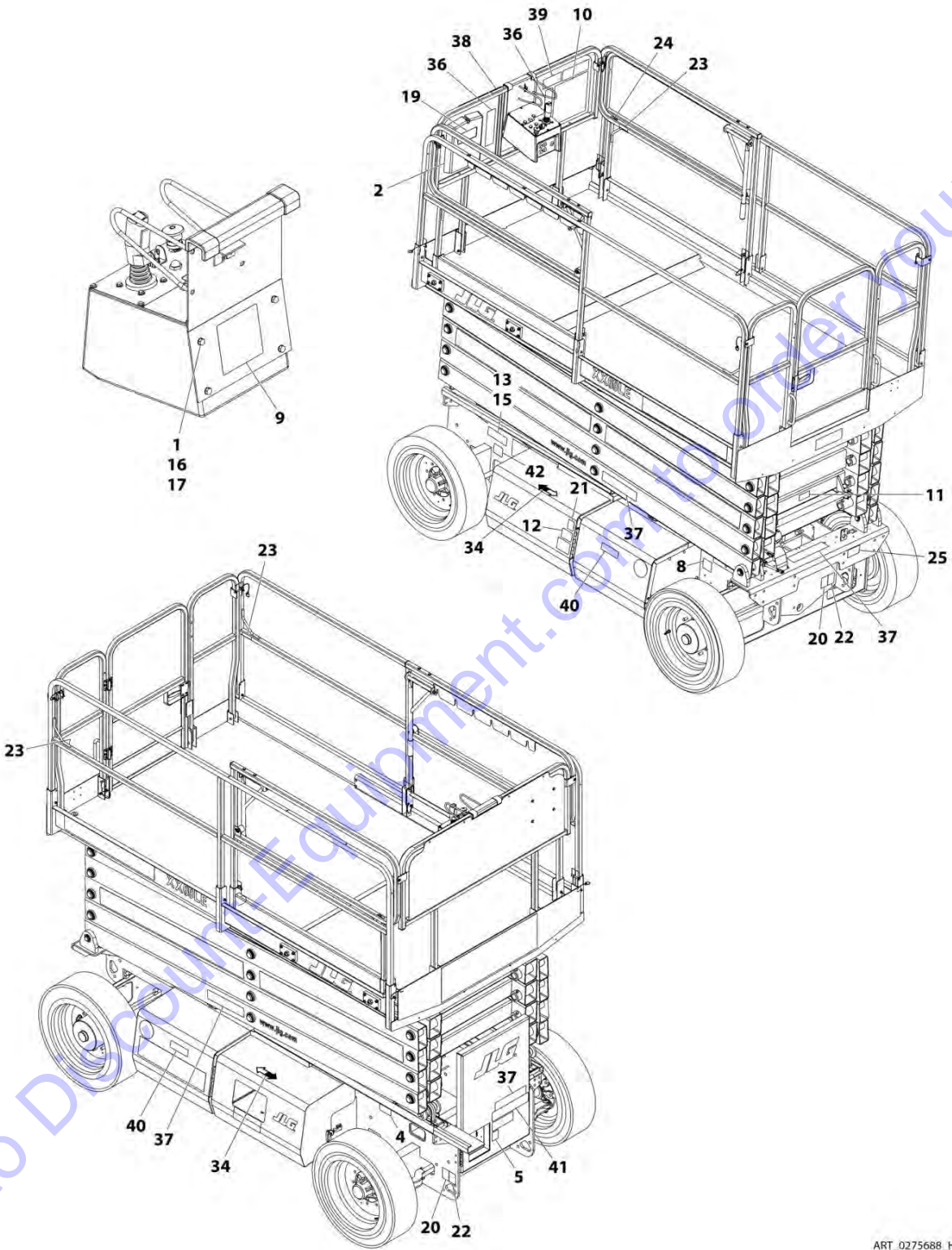
## SECTION 9 - DECALS

**FIGURE 9-7. DECAL INSTALLATION - JAPANESE SPEC (DUAL LANGUAGE - ENGLISH/JAPANESE)**

ITEM	PART NUMBER	QTY	DESCRIPTION	REV
	1283217	Ref	DECAL INSTALLATION - REFERENCE CHART	S
	0270602	Ref	DECAL INSTALLATION	H
1	0641405	4	Bolt 1/4 x 5/8	
2	0860520	1	Box, Manual Storage	
5	1701644	1	Decal - Battery Charger	
8	1702155	1	Decal - Battery Disconnect	
9	See Note	NSS	Decal - Barcode (Note: Not Available for Purchase)	
10	1704278	1	Decal - Danger/Warning	
11	1704211	1	Decal - Safety Prop	
12	1704412	1	Decal - Hydraulic Oil	
13	2080057	2	Fastener	
15	See Note	NSS	Nameplate - Serial Number (Note: Not Available for Purchase)	
16	3311405	4	Nut 1/4	
17	4711400	8	Washer 1/4	
19	1701509	1	Decal - Manual	
20	1703811	4	Decal - Lifting Lugs	
21	1703812	1	Decal - Hydraulic Oil	
22	1703814	4	Decal - Tie Down	
23	1704277	8	Decal - Attach Lanyard Here	
24	1703819	2	Decal - Directional Arrow	
25	1703822	1	Decal - Manual Descent	
34	1703687	2	Decal - Directional Arrow	
36	1704917	1	Decal - Legend	
37	1705394	4	Decal - Warning	
38	1705398	1	Decal - Control Box Location	
39	1704918	1	Decal - Gradeability	
40	1704342	2	Decal - Warning Battery Ventilation	
41	1704331	1	Decal - Battery Charging Instruction	
42	1001224053	1	Decal - Yearly Inspection	

# SECTION 9 - DECALS

FIGURE 9-8. DECAL INSTALLATION - KOREAN SPEC (DUAL LANGUAGE - ENGLISH/KOREAN)



ART\_0275688\_H



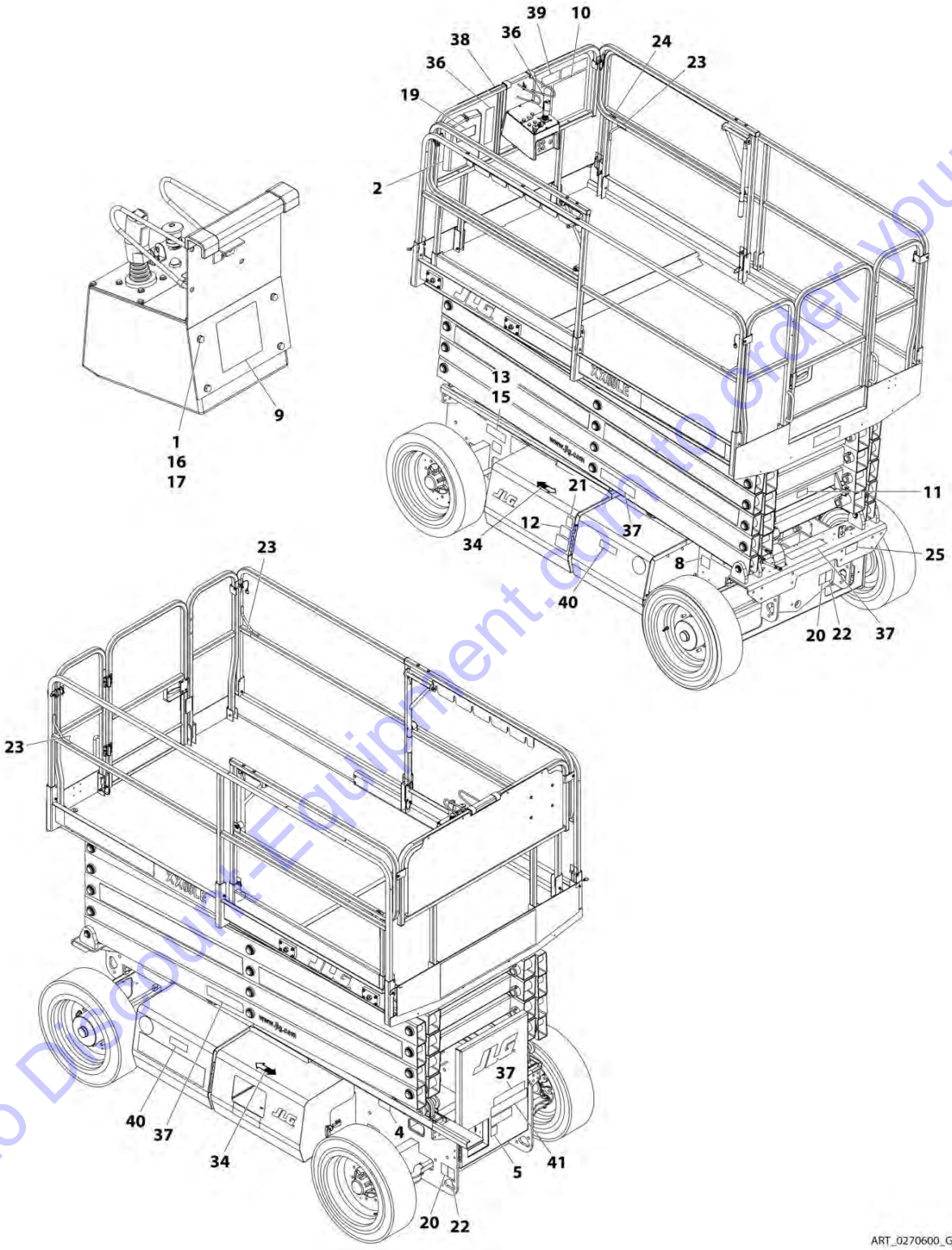
## SECTION 9 - DECALS

**FIGURE 9-8. DECAL INSTALLATION - KOREAN SPEC (DUAL LANGUAGE - ENGLISH/KOREAN)**

ITEM	PART NUMBER	QTY	DESCRIPTION	REV
	1283217	Ref	DECAL INSTALLATION - REFERENCE CHART	S
	0275688	Ref	DECAL INSTALLATION	H
1	0641405	4	Bolt 1/4 x 5/8	
2	0860520	1	Box, Manual Storage	
5	1701644	1	Decal - Battery Charger	
8	1702155	1	Decal - Battery Disconnect	
9	See Note	1	Decal - Barcode (Note: Not Available for Purchase)	
10	1707021	1	Decal - Danger/Warning	
11	1704211	1	Decal - Safety Prop	
12	1704412	1	Decal - Hydraulic Oil	
13	2080057	4	Fastener	
15	See Note	1	Nameplate - Serial Number (Note: Not Available for Purchase)	
16	3311405	4	Nut 1/4	
17	4711400	8	Washer 1/4	
19	1701509	1	Decal - Manual	
20	1703811	4	Decal - Lifting Lugs	
21	1703812	1	Decal - Hydraulic Oil	
22	1703814	4	Decal - Tie Down	
23	1704277	8	Decal - Attach Lanyard Here	
24	1703819	2	Decal - Directional Arrow	
25	1703822	1	Decal - Manual Descent	
34	1703687	2	Decal - Directional Arrow	
36	1707026	1	Decal - Legend	
37	1707018	4	Decal - Warning	
38	1707020	1	Decal - Control Box Location	
39	1707024	1	Decal - Gradeability	
40	1707022	2	Decal - Warning Battery Ventilation	
41	1707025	1	Decal - Battery Charging Instructions	
42	1001223055	1	Decal - Yearly Inspection	

# SECTION 9 - DECALS

## FIGURE 9-9. DECAL INSTALLATION - LATIN AMERICAN SPEC (DUAL LANGUAGE - ENGLISH/SPANISH)



ART\_0270600\_G

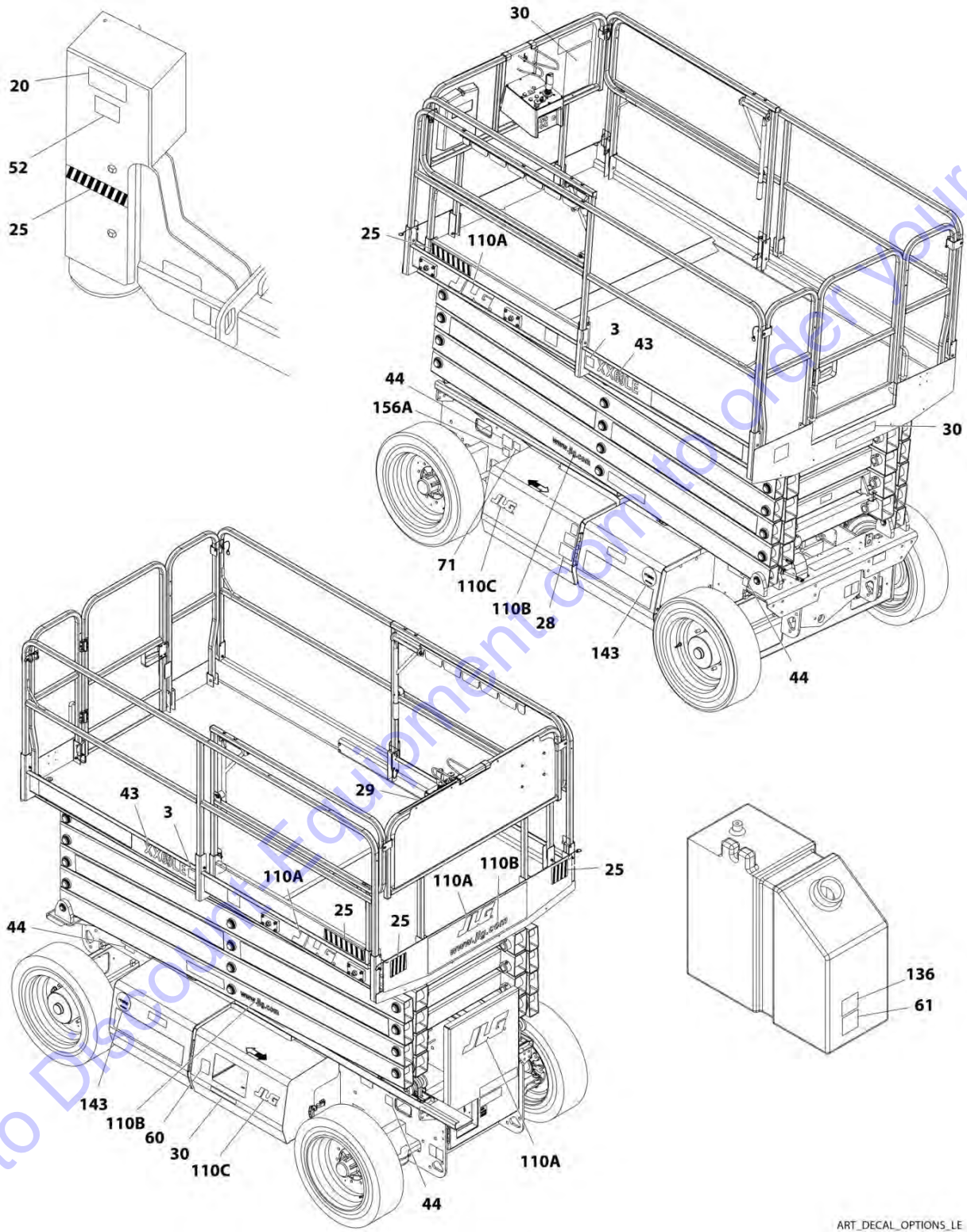
## SECTION 9 - DECALS

**FIGURE 9-9. DECAL INSTALLATION - LATIN AMERICAN SPEC (DUAL LANGUAGE - ENGLISH/SPANISH)**

ITEM	PART NUMBER	QTY	DESCRIPTION	REV
	1283217	Ref	DECAL INSTALLATION - REFERENCE CHART	S
	0270600	Ref	DECAL INSTALLATION	G
1	0641405	4	Bolt 1/4 x 5/8	
2	0860520	1	Box, Manual Storage	
5	1701644	1	Decal - Battery Charger	
8	1702155	1	Decal - Battery Disconnect	
9	See Note	NSS	Decal - Barcode (Note: Not Available for Purchase)	
10	1704691	1	Decal - Danger/Warning	
11	1704211	1	Decal - Safety Prop	
12	1704412	1	Decal - Hydraulic Oil	
13	2080057	4	Fastener	
15	See Note	NSS	Nameplate - Serial Number (Note: Not Available for Purchase)	
16	3311405	4	Nut 1/4	
17	4711400	8	Washer 1/4	
19	1701509	1	Decal - Manual	
20	1703811	4	Decal - Lifting Lugs	
21	1703812	1	Decal - Hydraulic Oil	
22	1703814	4	Decal - Tie Down	
23	1704277	8	Decal - Attach Lanyard Here	
24	1703819	2	Decal - Directional Arrow	
25	1703822	1	Decal - Manual Descent	
34	1703687	2	Decal - Directional Arrow	
36	1704913	1	Decal - Legend	
37	1704693	4	Decal - Warning	
38	1704694	1	Decal - Control Box Location	
39	1704914	1	Decal - Gradeability	
40	1704339	2	Decal - Warning Battery Ventilation	
41	1704328	1	Decal - Battery Charging Instruction	
42	1001224049	1	Decal - Yearly Inspection	

# SECTION 9 - DECALS

## FIGURE 9-10. DECAL INSTALLATION - OPTIONS



ART\_DECAL\_OPTIONS\_LE



## SECTION 9 - DECALS

**FIGURE 9-10. DECAL INSTALLATION - OPTIONS**

ITEM	PART NUMBER	QTY	DESCRIPTION	REV
	1283217	Ref	DECAL INSTALLATION - REFERENCE CHART (ALL SPECS EXCEPT AUSTRALIAN AND CE SPECS)	S
	1283249	Ref	DECAL INSTALLATION - REFERENCE CHART (AUSTRALIAN AND CE SPECS ONLY)	O
	1001249142	Ref	DECAL INSTALLATION - OPTIONS	
3	1704998	2	Decal - All Wheel Drive (4WD Only)	
20	1701214	8	Decal - Outrigger Warning (ANSI and ANSI Export Specs) (English)	
20	1701785	AR	Decal - Outrigger Warning (Australian and CE Specs)	
20	1704698	8	Decal - Outrigger Warning (Brazil Specs) (Portuguese/Spanish)	
20	1704690	8	Decal - Outrigger Warning (CSA Specs) (English/French)	
20	1704536	8	Decal - Outrigger Warning (Japanese Specs) (English/Japanese)	
20	1704697	8	Decal - Outrigger Warning (Latin America Specs) (English/Spanish)	
25	0251642	Ref	Corner Stripes Installation	D
25	4420051	4 ft/1.2m	Tape, Safety	
28	1704174	1	Decal - Biodegradable Oil (Optional - All Specs except German Spec)	
28	1704175	1	Decal - Biodegradable Hydraulic Fluid (German Spec Only)	
29	1001231801	1	Decal - Warning Prop 65 (M3369 & M4069 ANSI Spec Only)	
30	1001125438	3	Decal - Capacity 1000LBS/454KG (3369LE/M3369 All Specs except Australian and CE Specs)	
30	1704530	1	Decal - Capacity 450KG (3369LE/M3369 Australian and CE Specs)	
30	1706491	1	Decal - Capacity 450KG (CE Machines with 60KPH Wind Specs)	
30	1001125437	3	Decal - Capacity 800LBS/363KG (4069LE/M4069 All Specs except Australian and CE Specs)	
30	1704580	1	Decal - Capacity 360KG (Australian and CE Specs)	
43	1704783	2	Decal - 3369LE	
43	1704784	2	Decal - 4069LE	
43	1704908	2	Decal - M3369	
43	1704909	2	Decal - M4069	
44	1703490	4	Decal - Max Tire Load (3369LE & M3369)	
44	1704953	4	Decal - Max Tire Load (4069LE & M4069)	
52	1704955	4	Decal - Max Jack Load (3369LE/M3369)	
52	1704954	4	Decal - Max Jack Load (4069LE/M4069)	
60	1704286	1	Decal - Generator (M3369 & M4069 ANSI and ANSI Export Specs Only)	
60	1001093687	1	Decal - Generator (M3369 & M4069 ANSI Export, Australian, CE and Japanese Specs Only) (Pictogram)	
60	1704371	1	Decal - Generator (M3369 & M4069 ANSI Export Specs Only) (Dual Language English/ Spanish)	
60	1704373	1	Decal - Generator (M3369 & M4069 Brazil Spec Only) (Portuguese/Spanish)	
60	1704368	1	Decal - Generator (M3369 & M4069 CSA Specs Only) (Dual Language English/French)	
61	1701505	2	Decal - Diesel Fuel	
110	1001166308	Ref	JLG Decals Installation (All Specs except CE Specs) (Not Shown)	A
110A	1702773	4	Decal - JLG	
110B	1704885	3	Decal - Website	
110C	1705781	2	Decal - JLG	
136	1001108923	1	Decal - Fuel Spec (M3369/M4069 ANSI and CSA Specs Only)	

## SECTION 9 - DECALS

ITEM	PART NUMBER	QTY	DESCRIPTION	REV
136	1001139654	1	Decal - Fuel Spec (M3369/M4069 CE and JAPANESE Specs Only)	
143	1001121510	2	Decal - Hybrid (M3369/M4069 Only)	
156	1001214029	1	Decal - EAC Installation (CIS and Russia Specs)	
156A	1001173703	1	Decal - EAC	

Go to Discount-Equipment.com to order your parts

**SECTION 10 - RECOMMENDED SERVICE PARTS STOCK**

**SECTION 10 - RECOMMENDED SERVICE PARTS STOCK**

Go to [Discount-Equipment.com](http://Discount-Equipment.com) to order your parts

## SECTION 10 - RECOMMENDED SERVICE PARTS STOCK

FIGURE 10-1. RECOMMENDED SERVICE PARTS STOCK

ITEM	PART NUMBER	QTY	DESCRIPTION	REV
		Ref	Note: The following list will service one machine (built to current production per date on the front cover) with emergency repair parts which can be installed in the field. Parts from the list should be replaced when inventory is depleted to keep service parts stock supplied. For further information, contact your JLG dealer or the JLG Industries Parts Department.	
		Ref	STANDARD PARTS	
	70002963	1	Coil	
	70002947	1	Coil	
	7012943	1	Coil	
	7017451	1	Coil	
	7012944	1	Coil	
	7021619	1	Switch, Pressure	
	1120534	1	Cap, Filler/Breather	
	4360069	1	Breaker, Circuit - 10Amp	
	4360328	1	Switch, Toggle	
	2860030	1	Key, Replacement	
	4360475	1	Switch, Emergency Stop	
	4360387	1	Switch, Push Button	
	4360482	1	Switch, Toggle	
	1600403	1	Controller Assembly	
		Ref	VARIABLE PARTS	
	1600421	1	Controller, Power Pack	
	3740135	1	Contactactor	
	0610131	1	PC Board - Battery Charger	
	1001155878	1	Module, Ground Control	
	4360469	1	Switch, Key (All Specs except CE Spec)	
	4360470	1	Switch, Key (CE Spec)	
	1810140	1	Module, Tilt	
	7016314	1	Cap, Fuel (M3369/M4069)	
	70000313	12	Element, Air Cleaner (M3369/M4069)	
	70000318	12	Element, Fuel Filter (M3369/M4069)	
	70000319	12	Element, Oil Filter (M3369/M4069)	
	4360500	1	Switch, Rotary Angle Sensor	
	4360502	1	Switch, Proximity Sensor	
	2940074	1	Latch (Self Closing Gate)	
	0610169	1	PC Board Platform Console Box	
	2400056	2	Fuse .5Amp (Beacon Light Option)	
	1001181045	1	Breaker 16Amp/30mAmp Combination (CE Spec with 2 Breaker Box)	
	1001189172	1	Breaker 16Amp (Box with 3 Breakers)	
	1001189171	1	Breaker 30mAmp (Box with 3 Breakers)	
	4360548	1	Switch, Limit (Leveling Jacks)	



SECTION 11 - SPECIAL OPTIONS

Go to Discount-Equipment.com to order your parts

## SECTION 11 - SPECIAL OPTIONS

FIGURE 11-1. SPECIAL OPTIONS

ITEM	PART NUMBER	QTY	DESCRIPTION	REV
		Ref	Note: This list is to accommodate machines ordered with special equipment. Options may not be applicable to all models. For more specific parts information contact the JLG Parts Department.	
		Ref	SPECIAL OPTIONS	
	0274808	Ref	Airline to Platform Installation (3369LE/M3369)	
	1001096087	Ref	Airline to Platform Installation (4069LE/M4069)	
	1001197891	Ref	Battery (Trickle) Charger Installation	
	0270543	Ref	Bubble Level Installation	
	1001239667	Ref	ClearSky (Telematics) Installation (Factory Installed) 3-Wire Connection (ANSI and CSA Specs)	
	1001239668	Ref	ClearSky (Telematics) Installation (Factory Installed) 3-Wire Connection (ANSI Export and CE Specs)	
	1001243224	Ref	ClearSky (Telematics) Add-on Kit (North America Specs)	
	1001243225	Ref	ClearSky (Telematics) Add-on Kit (CE Specs)	
	1001262959	Ref	ClearSky Voltage Regulator Kit	
		Ref	Decals:	
	1001241282	Ref	Decal - ClearSky	
		Ref	Decal Kits:	
	1001125245	Ref	Decal Kit - Calibration (3369LE/M3369)	
	1001125244	Ref	Decal Kit - Calibration (4069LE/M4069)	
	2902040	Ref	Decal Kit - Country Spec (ANSI Spec) (English Language)	
	2902043	Ref	Decal Kit - Country Spec (Brazil) (Portuguese/Spanish)	
	2902124	Ref	Decal Kit - Country Spec (Chinese) (English/Chinese)	
	2902041	Ref	Decal Kit - Country Spec (CSA) (English/French)	
	2902045	Ref	Decal Kit - Country Spec (Japanese) (English/Japanese)	
	2902553	Ref	Decal Kit - Country Spec (Korean) (English/Korean)	
	2902042	Ref	Decal Kit - Country Spec (Latin American) (English/Spanish)	
	2901912	Ref	Decal Kit - Master	
		Ref	Electrical Connector Kits:	
	1001148902	Ref	Electrical Connector Kit (Amp/Tyco Connectors)	
	1001148903	Ref	Electrical Connector Kit (Deutsch DT Connectors)	
	1001148904	Ref	Electrical Connector Kit (Deutsch HD Connectors)	
	1001148905	Ref	Electrical Connector Kit (Packard Connectors)	
	1001148906	Ref	Electrical Connector Kit (Various Connectors)	
	1001111710	Ref	Filter Kit (Without Hydraulic Breather) - Kubota Engine	
	1001111699	Ref	Filter Kit (Without Hydraulic Breather) - Yanmar Engine	
	0274849	Ref	Fire Extinguisher Installation (ANSI Spec)	
	1001195035	Ref	Ground Control Box Illumination Light Installation	
	1001195035	Ref	Platform Console Illumination Light Installation	
	0274793	Ref	Platform Padding Installation (ANSI, ANSI Export and CSA Specs)	
	0274794	Ref	Platform Padding and Deck Bumpers Installation (ANSI, ANSI Export and CSA Specs)	
	1001177623	Ref	Platform Padding, Deck Bumpers Installation and Soft Touch Switches	
	1001262560	Ref	Platform Self Closing Gate Kit	
	0271125	Ref	Platform Worklights Installation (3369LE/M3369)	
	0271126	Ref	Platform Worklights Installation (4069LE/M4069)	
	1001166511	Ref	Security Lock (Programmable) Installation (CE Spec)	
	1001185245	Ref	Soft Touch Ground Harness Installation	

## SECTION 11 - SPECIAL OPTIONS

ITEM	PART NUMBER	QTY	DESCRIPTION	REV
	1001201091	Ref	Spotlight Installation	
	0272946	Ref	Tie-Strap Installation (3369LE/M3369)	
	0272947	Ref	Tie-Strap Installation (4069LE/M4069)	
		Ref	Tools for Service:	
	2901443	Ref	Analyzer and Cable Kit	
	2915230	Ref	Battery Charger Reprogram Controller	
	7002821	Ref	Crimper (For Wire to Pin/Socket Connections)	
	4460510	Ref	Extractor, Pin (Yellow 12-14 Gauge) (For Removal of Pin/Socket)	
	4460467	Ref	Extractor, Pin (Blue 16-18 Gauge) (For Removal of Pin/Socket)	
	7002823	Ref	Extractor, Pin - Universal (For Removal of Pin/Socket)	
	7016654	Ref	Screwdriver, Magnetic	
	7002822	Ref	Screwdriver, Pontimeter (To Adjust Drive Controller)	
	7004275	Ref	Seal Tool 1 (For Cylinders)	
	7004276	Ref	Seal Tool 1-1/2 (For Cylinders)	
	7002826	Ref	Seal Tool 2 (For Cylinders)	
	1001137005	Ref	Software USB Cable Kit	
	7002828	Ref	Stripper, Wire	

Go to Discount-Equipment.com to order your parts

**PART NUMBER INDEX**

Go to Discount-Equipment.com to order your parts

## SECTION 11 - SPECIAL OPTIONS

0080228.....171, 177	0270544 .... 111, 115, 129	0440250 ..... 172, 178	0641824..83, 87, 89, 181, 183
0100011.... 13, 15, 19, 23, 25, 27, 29, 57, 61, 65, 69, 75, 77, 103, 107, 141, 143, 153, 155, 159, 161, 171, 177, 181, 183, 195, 197	0270570 ..... 51	0561407 ..... 59	0641826..... 31, 181
0100019.....31, 57	0270572 ..... 301	0561410 ..... 181	0641828..... 57, 81, 85
0100020.... 153, 155, 159, 161	0270573 ..... 303	0561411 ..... 181, 183	0641838..... 183
0100035..... 169, 175	0270579 ..... 199	0561415 ..... 181, 183	0642012..... 13, 15, 19
0100038..... 15, 19	0270580 ..... 201	0610131 .... 75, 159, 161, 366	0642016..... 61, 65, 69
0100051..... 141, 143	0270591 ..... 345	0610169 ... 199, 201, 203, 205, 207, 209, 211, 366	0681508..... 197
0100083..... 31	0270600 ..... 361	0630462 ..... 141, 143	0681520..... 169, 175
0140011.... 199, 201, 203, 205, 207, 209, 211	0270601 ..... 351	0630476 ..... 192	0681622..... 171, 177
0140028.... 111, 113, 115, 117, 119, 121, 123, 125, 127	0270602 ..... 357	0630526 ..... 141	0681624..... 171, 177
0140032..... 145, 147	0270627 ..... 55	0630549 ..... 27, 77	0681809..... 27
0181847.... 199, 201, 203, 205, 207, 209, 211	0270692 ..... 103	0641404 .... 77, 107, 139, 199, 201, 203, 205, 207, 209, 211	0682012..... 31
0182008..... 181, 183	0270768 .... 113, 117, 131	0641405 ... 61, 65, 69, 75, 181, 183, 345, 347, 349, 351, 353, 355, 357, 359, 361	0682016..... 57
0182014.... 107, 153, 155	0270840 ..... 63	0641406 ... 27, 31, 57, 93, 95, 111, 113, 115, 117, 119, 121, 123, 125, 127, 197	0682040..... 99
0182017..... 141, 143	0270841 ..... 67	0641407 . 63, 67, 71, 150, 181, 183, 263, 265, 267, 269, 271	0700619..... 197
0182035..... 197	0270842 ..... 71	0641408 ... 13, 15, 19, 75, 91, 93, 95, 169, 175	0700812..... 107
0200654..... 171	0270942 ..... 147	0641409 ..... 181, 183	0701217..... 15, 19
0200655..... 171	0270991 ..... 27, 231	0641410 . 91, 93, 95, 163, 169, 175	0720805..... 301, 303
0200656..... 171	0270995 ..... 203	0641412 ..... 31	0721005..... 19
0200658..... 172	0270996 ..... 205	0641414 ..... 188, 192	0721008..61, 65, 69, 141, 143
0200659..... 172	0270997 ..... 181	0641418 .... 25, 159, 161, 171, 177	0721014..... 169, 175
0200660..... 172	0271125 ..... 368	0641432 ..... 161	0731012..... 169, 175
0200667..... 172	0271126 ..... 368	0641506 27, 97, 107, 171, 177	0791406..... 169, 175
0200668..... 172	0271344 ..... 77	0641507 ..... 107	0840048..... 141, 143
0200669..... 172	0271442 .... 119, 123, 133	0641508 ... 103, 145, 147, 153, 155, 163	0840049..... 141, 143
0200683..... 178	0271447 .... 121, 125, 135	0641509 ..... 61, 65, 69	0840055..... 188, 192
0200684..... 178	0272005 ..... 353	0641510 ..... 172, 197	0860520.... 345, 347, 349, 351, 353, 355, 357, 359, 361
0200685..... 178	0272653 ..... 355	0641512 ..... 153, 155	0861357.... 199, 201, 203, 205, 207, 209, 211
0200686..... 178	0272930 ..... 188	0641516 ..... 195, 197	0861731.... 329, 335, 337, 339
0200688..... 178	0272931 ..... 192	0641528 ..... 57	0861781..... 331, 333
0200689..... 178	0272946 ..... 369	0641530 ..... 15	0861880..... 277
0200690..... 178	0272947 ..... 369	0641532 ..... 19	0901870..... 195, 197
0200691..... 178	0273468 ..... 53	0641604 ..... 153, 155	0902421..... 171, 177
0200692..... 178	0273477 ..... 53	0641606 ..... 13, 25	0902499.... 199, 201, 203, 205, 207, 209, 211
0200693..... 178	0273968 ..... 145	0641607 . 23, 25, 29, 181, 183	0902659..... 159, 161
0200694..... 178	0274793 ..... 368	0641608 ..... 29, 57, 77	0902696.... 111, 113, 115, 117, 119, 121, 123, 125, 127
0200695..... 178	0274794 ..... 368	0641609 ..... 31, 163	0902701..... 107
0200724..... 172	0274808 ..... 368	0641610 ... 13, 15, 19, 27, 169, 175	0902704..... 25
0200725..... 172	0274849 ..... 368	0641612 ..... 75, 181, 183	0902713..... 169, 175
0200726..... 178	0275084 ..... 347	0641616 ..... 163	0902780..... 77
0200727..... 178	0275085 ..... 349	0641618 ..... 107	0903273..... 31, 169, 175
0251642..... 363	0275216 ..... 263, 331	0641632 ..... 159	0902118..... 31, 39
0258997..... 51	0275217 ..... 265, 333	0641660 ..... 159, 161	0940090..... 178, 197
0259565..... 197	0275452 ..... 271, 339	0641676 ..... 197	0961950..... 13, 15, 19
0259568..... 195	0275453 ..... 269, 337	0641814 ..... 83, 87	0961951..... 25, 33
0259576..... 81	0275454 ..... 267, 335	0641820 ..... 13, 163	0962012..... 221
0259577..... 85	0275525 .... 169, 171, 235	0641824 ..... 83, 87, 89, 181, 183	0962140..... 25, 29, 33
0259587..... 259	0275526 .... 175, 177, 237	0641826..... 31, 181	0962292..... 29
0259593..... 79	0275552 ..... 169	0641828..... 57, 81, 85	1001092586 ..... 27, 47
0259613..... 153, 155	0275553 ..... 175	0641838..... 183	1001093687 ..... 363
0270109..... 261	0275563 ..... 287	0642012..... 13, 15, 19	1001094910 ..... 267
0270476..... 207	0275663 ..... 287	0642016..... 61, 65, 69	1001094911 ..... 263
0270477..... 209	0275664 ..... 289	0681508..... 197	1001094912 ..... 265
0270518..... 107	0275665 ..... 285	0681520..... 171, 177	1001094915 ..... 263, 265, 267
0270530..... 55	0275666 ..... 281	0681622..... 171, 177	1001096087 ..... 368
0270543..... 368	0275667 ..... 283	0681624..... 171, 177	1001096188 ..... 341
	0275688 ..... 359	0681809..... 27	
	0275787 ..... 127, 137	0681624..... 171, 177	
	0360406 ..... 99	0681809..... 27	
	0362840 ..... 171	0682012..... 31	
	0362841 ..... 171, 177	0682016..... 57	
	0400055 ..... 141	0682040..... 99	
	0400201 ..... 159	0700619..... 197	
	0440162 ..... 23, 25, 29	0700812..... 107	
	0440234 ..... 169, 175	0701217..... 15, 19	
	0440236 ..... 172, 178	0720805..... 301, 303	
	0440247 ..... 23, 25, 29	0721005..... 19	

## SECTION 11 - SPECIAL OPTIONS

1001097150.....	277, 279	1001165629.....	13	1001193272.....	183	1060866.....	171
1001097815.....	25	1001165636.....	75	1001193279.....	183	1060867.....	177
1001099375.....	31	1001165734.....	139	1001193280.....	183	1060884.....	141
1001099428.....	129, 131, 133, 135, 137	1001165760.....	13	1001193298.....	183	1060885.....	141
1001099533.....	188, 192	1001165761.....	15	1001195035.....	368	1060888.....	31
1001099550.....	169, 175	1001165767.....	61	1001195036.....	97	1060889.....	31
1001100341.....	331	1001165794.....	159, 161	1001195096.....	183	1060890.....	31
1001100342.....	333	1001165819.....	23, 25, 29	1001195754.....	97	1060891.....	31
1001100345.....	339	1001165822.....	150	1001196117.....	161	1060892.....	31
1001100346.....	335	1001165824.....	91	1001196120.....	97	1060893.....	31
1001100347.....	337	1001165838.....	23	1001196122.....	97	1060894.....	31
1001101989.....	27, 291	1001165839.....	25, 27	1001197457.....	305	1060895.....	31
1001102512.....	129, 131, 133, 135, 137	1001165843.....	153, 159	1001197891.....	368	1060900.....	107
1001103012.....	305	1001166234.....	61, 65, 69, 75	1001200469.....	255	1060901.....	107
1001103105.....	61, 63, 65, 67, 69, 71, 73	1001166240.....	65	1001201091.....	369	1060908.....	277, 279
1001103308.....	139	1001166241.....	69	1001201464.....	211	1060916.....	159, 161
1001104090.....	93	1001166302.....	159, 161	1001201771.....	211	1060917.....	159, 161
1001107854.....	305	1001166308.....	363	1001202685.....	155, 161	1060933.....	77
1001108923.....	363	1001166487.....	15, 17	1001207524.....	93	1060934.....	77
1001109533.....	81, 83, 85, 87, 89	1001166511.....	368	1001207527.....	93, 95	1060935.....	77
1001110267.....	97, 99	1001167496.....	241	1001207528.....	93, 95	1060950.....	159, 161
1001110285.....	99	1001167498.....	245	1001207529.....	93, 95	1061020.....	188, 192
1001110384.....	99	1001167499.....	111	1001207538.....	95	10837580.....	105
1001111699.....	368	1001167500.....	115	1001207981.....	141, 143	1120485.....	153, 155
1001111710.....	368	1001167501.....	113	1001207982.....	141, 143	1120534.....	107, 366
1001114496.....	141, 143	1001167502.....	117	1001208069.....	141	1271441.....	169
1001116811.....	73	1001170081.....	141	1001208070.....	143	1283217... 345, 351, 353, 355, 357, 359, 361, 363	
1001116812.....	305	1001171070.....	123	1001214029.....	364	1283249.....	347, 349, 363
1001116816.....	341	1001171071.....	125	1001218766.....	143	1320022... 153, 155, 159, 161	
1001117372.....	217	1001171072.....	119	1001223055.....	345, 359	1320033.....	107
1001121510.....	364	1001171073.....	121	1001223971.....	355	1320061.....	195
1001125244.....	175, 368	1001171074.....	127	1001224049.....	361	1320095.....	27
1001125245.....	169, 368	1001171103.....	111, 113, 115, 117, 119, 121, 123, 125, 127, 341	1001224050.....	353	1320110.....	171, 177
1001125437.....	363	1001172393.....	89	1001224052.....	351	1320122.....	171, 177
1001125438.....	363	1001172397.....	83	1001224053.....	357	1320135.....	163
1001128736.....	57	1001172413.....	89	1001226400.....	321, 323	1320292.....	25
1001128890.....	57	1001172415.....	83, 87	1001228231.....	27, 43	1600387.....	188, 192
1001130615.....	305	1001172416.....	83, 87	1001228233.....	27, 41	1600403... 199, 201, 203, 205, 207, 209, 211, 213, 366	
1001131270.....	345, 355	1001172562.....	57	1001228370.....	345, 355	1600421.....	31, 366
1001131751.....	57	1001172714.....	57	1001228392.....	143	1600466.....	73
1001137005.....	369	1001172768.....	87	1001228393.....	143	1670965.....	169, 175
1001139654.....	364	1001173703.....	364	1001228394.....	143	1670971.....	57
1001140600.....	57, 219	1001176007.....	271	1001228395.....	143	1670990.....	95
1001148902.....	368	1001177536.....	141, 143, 150	1001230577.....	241, 245, 248, 252	1670995.....	171, 177
1001148903.....	368	1001177623.....	368	1001230578.....	239, 243	1671010.....	159, 161
1001148904.....	368	1001180299.....	13, 15, 19	1001230579.....	241, 245	1671207.....	329
1001148905.....	368	1001180300.....	13, 15, 19	1001230580.....	248, 252	1683994... 23, 25, 29, 227	
1001148906.....	368	1001181045.....	277, 366	1001230581.....	233	1684119.....	171, 221
1001151377.....	263, 265	1001181087.....	129, 131, 133, 135, 137, 139	1001231801.....	345, 363	1684120.....	177, 223
1001152483.....	279	1001181089.....	139	1001239667.....	368	1684121.....	177, 225
1001152485.....	269, 271, 279	1001181807.....	139	1001239668.....	368	1684290.....	217
1001155878.....	366	1001185245.....	368	1001241282.....	368	1701214.....	363
1001162452.....	269	1001186467.....	19	1001243224.....	368	1701435.....	347, 349
1001162456.....	269, 271	1001186548.....	19, 21	1001243225.....	368	1701505... 153, 155, 363	
1001163580... 15, 19, 217		1001188874.....	139	1001248083.....	163, 165	1701509... 345, 347, 349, 351, 353, 355, 357, 359, 361	
1001164150... 13, 15, 19		1001189171.....	279, 366	1001248084.....	159, 161, 163	1701644... 345, 347, 349, 351, 353, 355, 357, 359, 361	
1001164817.....	217	1001189172.....	279, 366	1001249142.....	363	1701785.....	363
1001164975.....	150	1001191136.....	19	1001262560.....	368		
1001164977.....	150	1001191137.....	248	1001262959.....	368		
1001165355.....	141	1001191141.....	252	1060584.....	99		
1001165370... 61, 65, 69		1001191712.....	29	1060689... 61, 63, 65, 67, 69, 71			
1001165628... 91, 93, 95		1001191819.....	29	1060808.....	195, 197		
		1001192401.....	305	1060820.....	159, 161		
				1060846.....	171, 177		

## SECTION 11 - SPECIAL OPTIONS

1702155.....345, 347, 349, 351, 353, 355, 357, 359, 361	1704694 ..... 361	2080064 ..... 195, 197	2560088.....197
1702773.....347, 349, 363	1704697 ..... 363	2080069 ..... 195	2560137.....75
1703175.....192	1704698 ..... 363	2220371 ... 231, 233, 235, 237, 239, 241, 243, 245, 248, 252	2560141....199, 201, 203, 205, 207, 209, 211
1703464.....259, 261	1704699 ..... 351	2220373 ... 231, 239, 241, 243, 245, 248, 252	2600253.....195
1703490.....363	1704701 ..... 351	2220377 ..... 107	2600258.....75
1703687....345, 347, 349, 351, 353, 355, 357, 359, 361	1704702 ..... 351	2220385 ..... 231, 233	2600275.....150
1703811....345, 347, 349, 351, 353, 355, 357, 359, 361	1704783 ..... 363	2220415 ... 239, 241, 243, 245, 248, 252	2720058.....153, 155
1703812....345, 347, 349, 351, 353, 355, 357, 359, 361	1704784 ..... 363	2220466 ... 239, 241, 243, 245, 248, 252	2720271....153, 155, 159, 161
1703813.....345	1704885 ..... 363	2220468 ..... 255	2752497.....231
1703814....345, 347, 349, 351, 353, 355, 357, 359, 361	1704903 ..... 345	2220473 .... 233, 235, 237	2752516.....231
1703816.....345	1704904 ..... 355	2220490 ..... 233	2752607.....255
1703818.....345	1704908 ..... 363	2220497 ..... 231	2752966.....231
1703819....345, 347, 349, 351, 353, 355, 357, 359, 361	1704909 ..... 363	2220499 ..... 231	2753118.....231
1703821.....345	1704911 ..... 345	2220502 ... 241, 245, 248, 252	2753137.....235, 237
1703822....345, 347, 349, 351, 353, 355, 357, 359, 361	1704912 ..... 355	2220504 ... 239, 241, 243, 245, 248, 252	2753414.....237
1704174.....363	1704913 ..... 361	2220579 ... 241, 245, 248, 252	2753415.....237
1704175.....363	1704914 ..... 361	2220600 ... 231, 243, 245, 252	2753526.....235, 237
1704211....345, 347, 349, 351, 353, 355, 357, 359, 361	1704915 ..... 351	2220603 ... 241, 245, 248, 252	2780234.....23, 29, 33
1704248.....345	1704916 ..... 351	2220605 .... 241, 245, 255	2780260.....27
1704277....345, 347, 349, 351, 353, 355, 357, 359, 361	1704917 ..... 357	2220609 ..... 255	2780282.....31, 35
1704278.....357	1704918 ..... 357	2220619 ..... 233	2792443.....239
1704286.....363	1704921 ... 203, 205, 207, 209, 211	2220628 ..... 255	2792445.....243
1704328.....361	1704953 ..... 363	2220635 ... 237, 241, 245, 248, 252, 255	2792494.....57, 233
1704329.....355	1704954 ..... 363	2220651 .... 243, 245, 252	2820018.....79, 145, 147, 275
1704330.....351	1704955 ..... 363	2220775 ..... 241, 245	2820135.....159, 161
1704331.....357	1704998 ..... 27, 363	2220805 ..... 159, 161	2820136.....159, 161
1704333.....353	1705051 ..... 77	2220810 ... 239, 241, 243, 245, 248, 252	2820137.....159, 161
1704339.....361	1705052 ..... 77	2220819 ..... 233	2820138.....159, 161
1704340.....355	1705084 ..... 349	2220883 21, 59, 105, 217	2820171.....311
1704341.....351	1705097 ..... 353	2220885 ..... 105	2820228.....159, 161
1704342.....357	1705098 ..... 353	2220899 ..... 231, 237	2860030....129, 131, 133, 135, 137, 366
1704344.....353	1705193 ..... 353	2220923 ... 241, 245, 248, 252	2900768.....39
1704368.....363	1705194 ..... 353	2220998 ... 241, 245, 248, 252	2900770.....219
1704371.....363	1705195 ..... 353	2221041 ... 239, 241, 243, 245, 248, 252	2901443.....369
1704373.....363	1705303 ..... 345, 355	2221044 .... 243, 245, 252	2901912.....368
1704412....345, 347, 349, 351, 353, 355, 357, 359, 361	1705394 ..... 357	2221046 ..... 153, 155	2902040.....368
1704530.....363	1705398 ..... 357	2221047 ..... 153, 155	2902041.....368
1704536.....363	1705670 ..... 347, 349	2221086 ... 239, 241, 243, 245, 248, 252	2902042.....368
1704574....201, 205, 209	1705710 ... 129, 131, 133, 135, 137	2221089 ..... 233	2902043.....368
1704578.....97	1705781 ..... 363	2230024 ... 239, 241, 243, 245, 248, 252	2902045.....368
1704580.....363	1705911 ... 199, 201, 203, 205, 207, 209, 211	2230087 ..... 231	2902124.....368
1704684.....355	1705912 ... 199, 201, 203, 205, 207, 209, 211	2400056 ..... 275, 366	2902126.....181
1704686.....355	1706338 ..... 347, 349	2400060 ..... 305	2902128.....181, 183
1704687.....355	1706491 ..... 363	2420172 ... 129, 131, 133, 135, 137	2902253.....171
1704688.....355	1706492 ..... 347, 349	2460037 ..... 77	2902254.....178
1704689.....363	1707018 ..... 359	2540020 ..... 195	2902266.....217
1704691.....361	1707020 ..... 359	2540038 . 13, 15, 19, 141, 143	2902431....259, 261, 329
1704693.....361	1707022 ..... 359	2540039 ..... 13, 15, 19	2902549....263, 265, 267, 277
	1707024 ..... 359		2902553.....368
	1707025 ..... 359		2915230.....369
	1707026 ..... 359		2920026.....188, 192
	1810140 ... 129, 131, 133, 135, 137, 366		2920029.....188, 192
	2080040 ..... 150		2920146.....79
	2080052 .... 57, 91, 93, 95		2920151....133, 135, 137
	2080056 ..... 181, 183		2940074 ..... 195, 366
	2080057 ... 345, 347, 349, 351, 353, 355, 357, 359, 361		2940095....141, 143, 150
	2080058 ..... 181, 183		2940098.....75
	2080061 ..... 13, 15, 19		2940127.....197
	2080063 ..... 195, 197		2940137.....159, 161
			3000018.....141, 143
			3020022.....175, 197
			3160252.....107, 109



## SECTION 11 - SPECIAL OPTIONS

3160256 .....	31, 45	3421565 .....	195, 197	3900254 .....	29	4360475 ...	129, 131, 133,
3200425 .....	163	3422219 .....	195, 197	3900265....	199, 201, 203,	135, 137, 199, 201,	
3200453 .....	169, 175	3422369 .....	171, 177	205, 207, 209, 211		203, 205, 207, 209,	
3252507 ...	263, 265, 267,	3422778 .....	171, 177	3900266.....	23, 25, 29	211, 366	
269, 271		3422822 .....	169, 175	3900267.....	195	4360482 ....	77, 199, 201,
3271505 .....	197	3422825 .....	171, 177	3900284.....	29	203, 205, 207, 209,	
3272001 .....	57	3422826 .....	171, 177	3900300....	129, 131, 133,	211, 366	
3290405 ...	259, 261, 263,	3422848 .....	29	135, 137		4360500 ....	169, 175, 366
265, 267, 269, 271		3422900 .....	13, 15, 19	3900305.....	150	4360502 ...	169, 175, 366
3290601 .....	197	3422905 .....	169, 175	3900318.....	195, 197	4360548 ...	309, 311, 366
3290605 .....	263, 265	3422907 .....	169, 175	3900323.....	195, 197	4400433 .....	107
3291005 .....	188, 192	3422927 .....	169, 175	3900325.....	169, 175	4400434 .....	153, 155
3300047 .....	188, 192	3422938 .....	188, 192	3910608.....	211	4420008 ...	199, 201, 203,
3300048 ...	259, 261, 263,	3440420 .....	57	3910616....	129, 131, 133,	205, 207, 209, 211	
265, 267, 269, 271		3450304 .....	171, 177	135, 137		4420037 .....	141, 143
3300151 .....	171, 177	3450405 .....	171, 177	3910804....	129, 131, 133,	4420051 .....	57, 363
3300240 .....	23, 25, 29	3450812 .....	23, 25, 29	135, 137		4460016 .....	325, 327
3300353 .....	139	3460475 .....	163	3911010.....	195	4460019 .....	341
3300374 .....	159, 161	3510795 .....	188	3911014.....	63, 67, 71	4460035 .....	319
3300426 .....	51, 53, 55	3510796 .....	192	3911536.....	195	4460044 .....	275
3300429 .....	141	3520030 ...	129, 131, 133,	3930820.....	57	4460049 .....	188, 192
3300432 .....	195	135, 137		3931430.....	141, 143	4460071 ...	259, 261, 263,
3300455 .....	169, 175	3520072 .....	197	3941004.....	79	265, 267, 269, 271	
3300467 .....	197	3520079 ...	129, 131, 199,	3941606.....	31	4460115 .....	325, 327
3310601 ...	199, 201, 203,	201		3960389....	159, 161, 163	4460138 .....	77, 259, 261
205, 207, 209, 211		3520080 ...	129, 131, 199,	3960418....	159, 161, 163	4460183 ...	295, 297, 299,
3310801 .....	150	201, 203, 205, 207, 211		4010408....	259, 261, 263,	325, 327	
3310805 .....	57, 301, 303	3520193 ...	129, 131, 133,	265, 267, 269, 271		4460225 .....	293, 313
3311001 .	61, 65, 69, 141,	135, 137, 199, 201,		4010608.....	263, 265	4460226 .....	213, 341
143, 169, 175		203, 205, 207, 209, 211		4032022.....	188, 192	4460234 .....	111, 129
3311005 .....	63, 67, 71	3537609 .....	197	4060802....	129, 131, 133,	4460248 ...	273, 275, 297,
3311401 ...	107, 111, 123,	3537619 .....	197	135, 137, 199, 201,		299, 307, 309, 311	
141, 143, 178, 197		3571584 ...	61, 63, 65, 67,	203, 205, 207, 209, 211		4460259 ...	295, 297, 299,
3311405 ...	25, 27, 31, 61,	69, 71		4060803.....	150	325, 327, 341, 342	
63, 65, 67, 69, 71, 91,		3571829 .....	195	4061003.....	57	4460260 ...	295, 297, 299,
93, 95, 111, 113, 115,		3571862 .....	197	4061013.....	181, 183	325, 327, 341, 342	
117, 119, 121, 123,		3572410 .....	181, 183	4061015.....	181, 183	4460265 .....	213
125, 127, 139, 150,		3572411 .....	181, 183	4061022.....	181, 183	4460266 ...	213, 325, 327
159, 161, 163, 169,		3572449 .....	181, 183	4070450.....	99	4460267 ...	129, 131, 133,
175, 181, 183, 188,		3572450 .....	181, 183	4070560.....	99	135, 137, 213, 293,	
192, 197, 263, 265,		3572452 .....	181, 183	4070561.....	99	307, 311, 313, 325,	
267, 269, 271, 345,		3572554 .....	13, 15, 19	4070932.....	13	327, 341	
347, 349, 351, 353,		3572850 .....	27	4070987 ...	129, 131, 133,	4460268 ...	275, 295, 297,
355, 357, 359, 361		3574235 .....	29	135, 137		299, 307, 309	
3311501 .....	141, 143	3600367 .....	107	4071008.....	13, 15, 19	4460294 .....	188, 192
3311505 ...	15, 19, 57, 61,	3740080 .....	342	4160189.....	159, 161	4460315 .....	259, 261
65, 69, 107, 141, 143,		3740135 .....	31, 366	4240084.....	31	4460320 ....	275, 307, 309
145, 147, 153, 155,		3760170 .....	99, 195, 197	4280295.....	171, 177	4460321 ...	129, 131, 133,
163, 169, 172, 175,		3760321 .....	192	4280311.....	181, 183	135, 137	
195, 197		3760348 ....	159, 161, 197	4280312.....	181, 183	4460335 ....	141, 143, 307
3311605 ...	13, 15, 19, 27,	3760387 .....	169, 175	4280313.....	181, 183	4460346 .....	329
75, 77, 107, 159, 161,		3760420 .....	171, 177	4300145.....	27	4460374 .....	342
163, 169, 171, 175, 177		3820019 ....	75, 141, 143,	4340715.....	181	4460375 .....	342
3311805 ...	13, 81, 83, 85,	150		4340716.....	181	4460424 ....	307, 311, 341
87, 89, 163, 181, 183		3820020 .....	197	4340717.....	181, 183	4460428 ...	61, 63, 65, 67,
3312005 ....	61, 65, 69, 99	3841143 .	23, 25, 29, 169,	4340718.....	181, 183	69, 71	
3313003 .....	23, 25, 29	175		4341095.....	163	4460434 ....	295, 297, 299
3321001 .....	169, 175	3841233 ....	159, 161, 197	4360069....	129, 131, 133,	4460464 ....	73, 169, 175,
3321402 .....	171, 177	3841258 .....	13, 15, 19	135, 137, 366		188, 192, 305, 315,	
3322202 ....	159, 161, 197	3860059 ....	159, 161, 197	4360328....	129, 131, 133,	321, 323, 341	
3340856 ...	169, 175, 188,	3900128 ...	129, 131, 133,	135, 137, 366		4460465 ...	188, 192, 273,
192		135, 137		4360387 ...	133, 135, 137,	291, 293, 305, 307,	
3340861 .....	141, 143	3900178 ...	199, 201, 203,	199, 201, 203, 205,		313, 315, 317, 319,	
3340866 .....	172	205, 207, 209, 211		207, 209, 211, 366		321, 323, 325, 327,	
3380609 .....	163	3900184 .....	159, 161	4360469....	129, 131, 133,	341, 342	
3420352 .....	99	3900190 .....	141, 143	135, 366		4460466 ...	188, 192, 291,
3420372 .....	99	3900210 .....	141, 143	4360470.....	137, 366	305, 313, 341	



## SECTION 11 - SPECIAL OPTIONS

4460467.....369	4520209..... 51	183, 197, 263, 265,	4922544..... 171, 317
4460468.....321, 323	4520249..... 55	267, 269, 271	4922545..... 177, 319
4460470.... 199, 201, 203,	4520269..... 53	4751500 ... 57, 61, 65, 69,	4922602.... 119, 121, 293
205, 207, 209, 211	4568203..... 107	107, 153, 155, 171,	4922604.... 133, 135, 297
4460471.... 199, 201, 203,	4568295..... 188, 192	177, 195	4922668..... 77
205, 207, 209, 211	4640113..... 55	4751600 ... 25, 27, 31, 57,	4922903.... 171, 177, 188,
4460473.....321, 323	4640261..... 97	77, 153, 155, 159, 161,	192
4460480.... 199, 201, 203,	4640495..... 219	163, 181, 183, 197	4922904..... 188, 192
205, 207, 209, 211	4640744 ... 239, 241, 243,	4751800 ... 81, 83, 85, 87,	4923619..... 137, 299
4460481.....321, 323	245, 248, 252	89	5241200..... 15, 19
4460499.... 291, 313, 317,	4640757 ... 243, 245, 252	4752000 ..... 99	70000081..... 213
319, 341	4640858 ..... 217	4752200 .... 159, 161, 197	70000082..... 213
4460508.....73	4641002 ..... 171	4760600 ... 129, 131, 133,	70000083..... 213
4460509.....341	4641118 ..... 177	135, 137, 199, 201,	70000084..... 213
4460510.....369	4641122 ..... 51, 53	203, 205, 207, 209, 211	70000085..... 213
4460539.....341	4641148 ..... 27, 49	4761000 ... 129, 131, 133,	70000289..... 166
4460662.... 267, 269, 271,	4641150 ..... 57, 59	135, 137	70000290..... 165
329	4641151 ..... 59	4761400 ... 111, 113, 115,	70000291..... 165
4460742.....341	4641152 ..... 59	117, 119, 121, 123,	70000292..... 165
4460743.....341	4641156 ..... 219	125, 127	70000293..... 165
4460761.... 188, 192, 341	4641168 ..... 177	4791400 ... 199, 201, 203,	70000294..... 165
4460779.....77	4641172 ..... 171, 177	205, 207, 209, 211	70000295..... 165
4460802.... 61, 63, 65, 67,	4641178 ..... 103, 105	4811400 ... 259, 261, 263,	70000296..... 165
69, 71	4711000 .... 19, 141, 143,	265, 267, 269, 271	70000297..... 165
4460803.....61, 63	150	4811700 ..... 263, 265	70000298..... 165
4460805.....69, 71	4711400 ... 13, 15, 19, 25,	4845938 ... 199, 201, 203,	70000299..... 165
4460812.... 305, 321, 323	27, 31, 75, 77, 95, 139,	205, 207, 209, 211	70000300..... 165
4460814.....341	159, 161, 169, 171,	4846020 .... 171, 177	70000301..... 165
4460817.....325, 327	175, 177, 181, 183,	4846117 ..... 197	70000302..... 165
4460818.....325, 327	195, 197, 345, 347,	4846120 ..... 197	70000303..... 165
4460836.... 188, 192, 313	349, 351, 353, 355,	4846121 ..... 197	70000304..... 165
4460837.....313	357, 359, 361	4846122 ..... 195	70000305..... 165
4460846.....305	4711500 . 15, 19, 97, 141,	4846123 ..... 195	70000306..... 165
4460868.....342	143, 145, 147, 163,	4846124 ..... 195	70000307..... 165
4460870.....341	172, 178, 192, 197	4846125 ..... 195	70000308..... 165
4460877.....341, 342	4711600 ... 13, 15, 19, 31,	4846159 ..... 81, 85	70000309..... 165
4460884.... 291, 305, 341	107, 163, 171, 177, 197	4846181 ..... 197	70000310..... 165
4460891.... 305, 317, 319,	4711800 .... 57, 163, 181,	4846191 ..... 197	70000311..... 165
321, 323, 341, 342	183	4846224 ..... 57	70000312..... 165
4460892.....291	4712000 ..... 61, 65, 69	4846249 ... 199, 201, 203,	70000313..... 165, 366
4460893.....291	4712200 ..... 23, 25, 29	205, 207, 209, 211	70000314..... 165
4460894.....291	4713000 ..... 23, 25, 29	4846256 ..... 197	70000315..... 165
4460895.....325, 327	4740076 .... 107, 153, 155	4846301 ..... 23, 25, 29	70000316..... 165
4460896.....293, 313	4740120 ... 199, 201, 203,	4846317 ..... 163	70000317..... 165
4460897.... 169, 175, 188,	205, 207, 209, 211	4846520 ..... 77	70000318..... 165, 366
192, 305, 315	4740155 ..... 29	4860191 ..... 51, 53	70000319..... 165, 366
4460930.....73, 341	4740158 ..... 13, 15, 19	4860221 ..... 55	70000320..... 165
4460931.....291, 341	4740274 ..... 163	4891500 ..... 107	70000321..... 165
4460932.... 188, 192	4740332 ..... 171, 177	4891600 ..... 103	70000322..... 165
4460944.....305	4740415 ..... 57	4891800 ..... 13	70000323..... 165
4460945.....305	4740438 ..... 169, 175	4892000 ..... 31, 57	70000324..... 165
4460956.....277	4740474 ..... 141	4922426 ..... 79, 275	70000325..... 166
4460957.....277	4740480 ... 141, 143, 171,	4922454 ..... 57, 311	70000326..... 166
4460968.... 263, 265, 309,	177	4922455 ..... 57, 309	70000327..... 166
311	4740491 ..... 29	4922456 ..... 57, 307	70000328..... 166
4461070.....305	4740506 ..... 169, 175	4922477 ..... 171, 321	70000329..... 166
4461095.....305	4740518 ..... 139	4922478 ..... 177, 323	70000330..... 166
4461196.....281, 331	4740541 ..... 13, 15, 19	4922479 .... 301, 303, 305	70000382..... 166
4461198.....331	4750600 ..... 211	4922480 .... 129, 131, 295	70000683..... 213
4461199.....283, 333	4750800 .... 57, 301, 303	4922517 ... 145, 147, 273	70000684..... 213
4461201.....333	4751000 ... 61, 63, 65, 67,	4922526 ... 199, 203, 207,	70000685..... 213
4461205.... 287, 289, 337,	69, 71, 169, 175, 195	211, 325	70000686..... 213
339	4751400 ... 31, 57, 91, 93,	4922527 ... 201, 205, 209,	70000967..... 165
4461244.....339	95, 111, 113, 115, 117,	327	70001091..... 41, 43
4461245.....337	119, 121, 123, 125,	4922529 ... 115, 117, 123,	70001121..... 165
4461246.....335	127, 150, 163, 181,	125, 127, 313	70001144..... 165
4461249.....285, 335		4922543 .... 169, 175, 315	70001357..... 221

## SECTION 11 - SPECIAL OPTIONS

70001358 ..... 221	70005484 ..... 213	7012773 ..... 47	7020176 ... 129, 131, 133,
70001366 ..... 35	70005485 ..... 213	7012903 ..... 59	135, 137, 199, 201,
70001367 ..... 35	70005833 ..... 105	7012941 ..... 105	203, 205, 207, 209, 211
70001368 ..... 36	70006422 ..... 105	7012943 ..... 59, 105, 171,	7020184 ..... 45
70001369 ..... 35	70006423 ..... 105	177, 366	7020185 ..... 45
70001370 ..... 35	70006424 ..... 105	7012944 ..... 105, 177, 366	7020189 ..... 45
70001371 ..... 35	70006744 ..... 41, 43	7012953 ..... 171	7020291 ..... 109
70001372 ..... 35	70006745 ..... 41, 43	7012955 ..... 17, 21	7020292 ..... 109
70001373 ..... 35	70006746 ..... 41, 43	7012967 17, 21, 105, 171,	7020293 ..... 109
70001374 ..... 35	70006747 ..... 41, 43	177	7020294 ..... 109
70001375 ..... 35	70006748 ..... 41, 43	7012969 ..... 47	7020295 ..... 109
70001376 ..... 35	70006749 ..... 41, 43	7012998 ..... 105, 177	7020296 ..... 109
70001377 ..... 35	70006750 ..... 41, 43	7016314 ..... 153, 155, 366	7020297 ..... 109
70001378 ..... 35	70006752 ..... 41, 43	7016319 ..... 79	7020298 ..... 109
70001379 ..... 35	70006753 ..... 41, 43	7016372 ..... 79	7020299 ..... 109
70001380 ..... 36	70006754 ..... 43	7016654 ..... 369	7021375 ..... 47
70001422 ..... 47	70006755 ..... 43	7017007 ..... 36	7021616 ..... 105
70002083 ..... 165	70006756 ..... 41, 43	7017009 ..... 35	7021619 ..... 105, 366
70002216 ..... 219	70006757 ..... 41, 43	7017022 ..... 35	7021653 ..... 17, 21, 59
70002219 ..... 219	70006759 ..... 41, 43	7017294 ..... 227	7022391 ..... 105
70002244 ..... 165	70006760 ..... 43	7017402 ..... 105	7022394 ..... 105
70002264 ..... 41, 43	70006761 ..... 43	7017406 ..... 17, 219	7022588 ..... 41, 43
70002408 ..... 39	70006763 ..... 41, 43	7017410 ..... 17, 21	7022589 ..... 41, 43
70002517 ..... 227	70006764 ..... 41, 43	7017428 ..... 105	7023021 ..... 227
70002518 ..... 227	70006765 ..... 41, 43	7017433 ..... 105	7023022 ..... 227
70002543 ..... 166	7001626 ..... 227	7017445 ..... 171, 177	7023200 ..... 109
70002545 ..... 165	7002821 ..... 369	7017451 ..... 105, 366	7023229 ..... 45
70002759 ..... 41, 43	7002822 ..... 369	7017467 ..... 177	7023272 ..... 109
7000281 ..... 35	7002823 ..... 369	7017496 ..... 105	7023343 ..... 45
70002842 ..... 217	7002826 ..... 369	7018942 ..... 47	7023344 ..... 45
70002947 ..... 47, 366	7002828 ..... 369	7019609 ..... 45	7023505 ..... 223
70002963 ..... 17, 21, 366	7003212 ..... 225	7019862 ..... 225	7023508 ..... 225
70003557 ..... 165	7003226 ..... 221, 223	7019886 ..... 221, 223	7023509 ..... 223
70003618 ..... 165	7004275 ..... 369	7019888 ..... 223	7023510 ..... 225
70003619 ..... 165	7004276 ..... 369	7019889 ..... 223, 225	7023806 ..... 41, 43
70003650 ..... 213	7007640 ..... 35	7019893 ..... 225	7023807 ..... 41, 43
70003818 ..... 219	7007900 ..... 39	7019895 ..... 225	7023872 ..... 41, 43
70003819 ..... 219	7007913 ..... 39	7019898 ..... 221	7023904 ..... 105
70003820 ..... 219	7007933 ..... 39	7020033 ..... 33	7023976 ..... 17, 21
70003821 ..... 219	7007977 ..... 39	7020035 ..... 33	7024101 ..... 221, 223
70003822 ..... 219	7007987 ..... 39	7020036 ..... 33	7024102 ..... 225
70003823 ..... 219	7010543 ..... 17, 21, 105	7020037 ..... 33	7024103 ..... 221, 223
70003824 ..... 219	7010911 ..... 49	7020038 ..... 33	7024738 ..... 35
70003825 ..... 219	7010919 ..... 49	7020039 ..... 33	7024741 ..... 35
70003826 ..... 219	7010920 ..... 49	7020040 ..... 33	7024832 ..... 105
70003827 ..... 219	7010921 ..... 49	7020041 ..... 33	7024844 ..... 219
70003828 ..... 219	7010928 ..... 49	7020042 ..... 33	7024960 ..... 107
70003829 ..... 219	7011716 ..... 39	7020054 ..... 33	7027365 ..... 213
70003978 ..... 17, 21	7011757 ..... 39	7020055 ..... 33	7027367 ..... 213
70004194 ..... 213	7012518 ..... 105	7020140 ..... 33	7027765 ..... 213
70004265 ..... 165	7012540 ..... 47	7020148 ..... 33	7027766 ..... 213
70004387 ..... 17, 21	7012545 ..... 45, 109	7020175 ... 129, 131, 133,	77363243 ..... 169, 175
70004388 ..... 17, 21	7012547 ..... 45	135, 137, 199, 201,	8229242 ..... 305
70004389 ..... 17, 21	7012548 ..... 45, 109	203, 205, 207, 209, 211	8406101 ..... 163
70004394 ..... 166	7012549 ..... 45, 109		84719157 ..... 255



[www.discount-equipment.com](http://www.discount-equipment.com)



Go to [Discount-Equipment.com](http://Discount-Equipment.com) to order your parts

# PARTS FINDER

Search Website  
by Part Number



Search Manual  
Library For Parts  
Manual & Lookup Part  
Numbers – Purchase  
or Request Quote

Can't Find Part or  
Manual? Request Help  
by Manufacturer,  
Model & Description

Discount-Equipment.com is your online resource for quality parts & equipment.

Florida: [561-964-4949](tel:561-964-4949) Outside Florida TOLL FREE: [877-690-3101](tel:877-690-3101)

Need parts?

Click on this link: <http://www.discount-equipment.com/category/5443-parts/> and choose one of the options to help get the right parts and equipment you are looking for. Please have the machine model and serial number available in order to help us get you the correct parts. If you don't find the part on the website or on one of the online manuals, please fill out the request form and one of our experienced staff members will get back to you with a quote for the right part that your machine needs.

We sell worldwide for the brands: Genie, Terex, JLG, MultiQuip, Mikasa, Essick, Whiteman, Mayco, Toro Stone, Diamond Products, Generac Magnum, Airman, Haulotte, Barreto, Power Blanket, Nifty Lift, Atlas Copco, Chicago Pneumatic, Allmand, Miller Curber, Skyjack, Lull, Skytrak, Tsurumi, Husquvarna Target, Stow, Wacker, Sakai, Mi-T-M, Sullair, Basic, Dynapac, MBW, Weber, Bartell, Bennar Newman, Haulotte, Ditch Runner, Menegotti, Morrison, Contec, Buddy, Crown, Edco, Wyco, Bomag, Laymor, EZ Trench, Bil-Jax, F.S. Curtis, Gehl Pavers, Heli, Honda, ICS/PowerGrit, IHI, Partner, Imer, Clipper, MMD, Koshin, Rice, CH&E, General Equipment, Amida, Coleman, NAC, Gradall, Square Shooter, Kent, Stanley, Tamco, Toku, Hatz, Kohler, Robin, Wisconsin, Northrock, Oztec, Toker TK, Rol-Air, APT, Wylie, Ingersoll Rand / Doosan, Innovatech, Con X, Ammann, Mecalac, Makinex, Smith Surface Prep, Small Line, Wanco, Yanmar