



Illustrated Parts Manual

Models
R1532i
R1932
R1932i

PVC
1910
2004

P/N
31215089

March 15, 2020 - Rev B

ANSI

CE



AS/NZS



An Oshkosh Corporation Company



www.discount-equipment.com

REVISION LOG

NOTES:

NOTE: Country of Assembly - The R Scissor Lifts are assembled by JLG Industries in the following countries: Mexico or China. Refer to the Serial Number Tag to identify the country of assembly. R Scissors assembled in Mexico will have a serial number prefix of M2 (i.e. M2XXXXXXXX) and R Scissors manufactured in China will have a serial number prefix of B2 or G2 (i.e. B2XXXXXXXX or G2XXXXXXXX).

REVISION LOG:

November 1, 2019- A -Original Issue of Manual (1001250332 Rev G & 1001250333 Rev I)

March 15, 2020 - B - Revised Manual (Edited to B/M 1001250332 Rev F and 1001250333 Rev G)

Go to Discount-Equipment.com to order your parts

GENERAL INFORMATION

SECTION 6 CYLINDER

FIGURE 6-3. LIFT CYLINDER ASSEMBLY

PG# Model Designation Manual #

SECTION 6 CYLINDER

FIGURE 6-3. LIFT CYLINDER ASSEMBLY

ITEM #	PART NUMBER	QTY.	DESCRIPTION	REV.
	1001140104	Ref	LIFT CYLINDER ASSEMBLY	B
1	0100011	AR	Compound, Locking	
2	0630535	3	Capscrew 1/4-20 x 1-1/8	
3	0791003	1	Screw #10-24 x 3/8	
4	0961897	1	Bushing, Tapered	
5	1320136	1	Clamp, Cable	
6	1683063	1	Head	
7	2220883	1	Plug, O-Ring	
8	2220885	2	Plug, O-Ring	
9	2220886	1	Plug, O-Ring	
10	3020039	AR	Lubricant	
11	3480282	1	Piston	
12	3760371	1	Ring, Washer	
13	3931420	8	Capscrew 1/4-20 x 1-1/4	
14	3931824	8	Capscrew 1/2-13 x 1-1/2	
15	3951003	1	Setscrew #10-24 x 3/8	
16	4100099	1	Spacer	
17	4640999	1	Cartridge, Holding Valve (Non Vented)	
17	2900792	1	Kit, Seal - 4640999 Cartridge Valve	
18	4641248	1	Cartridge, Counterbalance Valve (Non Vented)	
18	70004186	1	Kit, Seal - 4641248 Cartridge Valve	
19	100117991	1	Sensor, Cylinder Length	
20	100118070	1	Cap, Retainer	
21	100118084	1	Barrel	
21A	0961950	2	Bushing	
22	100118086	1	Rod	
22A	0961950	2	Bushing	
100	1001139996	1	Kit, Seal (Includes Items 101-109)	
101	See Note	2	Ring, Wear (Note: Use p/n 1001139996)	
102	See Note	1	Ring, Back-Up (Note: Use p/n 1001139996)	
103	See Note	2	Ring, Lock (Note: Use p/n 1001139996)	
104	See Note	2	Ring, Back-Up (Note: Use p/n 1001139996)	
105	See Note	2	O-Ring (Note: Use p/n 1001139996)	
106	See Note	1	O-Ring (Note: Use p/n 1001139996)	
107	See Note	1	Seal (Note: Use p/n 1001139996)	
108	See Note	1	Wiper, Rod (Note: Use p/n 1001139996)	
109	See Note	2	Seal (Note: Use p/n 1001139996)	
200	100119105	1	Kit, Sensor Magnet (Includes Items 201-203)	
201	See Note	NSS	Sleeve, Spacer (Note: Use p/n 100119105)	
202	100118066	1	Magnet, Sensor	
203	100118069	1	Ring, Internal Retaining	

Manual # Model Designation PG#

1) MACHINE IDENTIFICATION

Machines are identified by model and in some cases a combination of models, serial number (SN) or regional standard (i.e. ANSI, CE, CSA). Components may also be identified by SN or manufacturer. Common components that may be identified by these characteristics are engines and hydraulic components.

2) PARTS MANUAL ORGANIZATION

Product information in this manual is organized under section titles. Frame, Cylinder, Hydraulic and Electrical are a few examples. Each section is organized by figure and page number. The information within the figure is then organized by item number, part number, description and corresponding illustration(s).

3) TABLE OF CONTENTS

A table of contents is found toward the beginning of the manual. Figure number, description and page number are provided for quick reference to the page containing the related information.

4) RECOMMENDED SPARE PARTS

The Recommended Spare Parts, located near the end of the manual, reference most frequently used maintenance parts.

5) PART NUMBER INDEX

A numerical index listing all part numbers and the corresponding page number(s) appears at the back of the manual.

GENERAL INFORMATION

6) NON-SERVICED PARTS

In some instances, it is necessary to display non-serviced parts, assemblies or installations. In the case of assemblies and installations there will be a Ref in the Qty column. In case of parts that are not available for service within assemblies and components, there will be a NSS (Not Sold Separately) or NLA (No Longer Available) listed in the Qty. column of the manual.

7) PARTS LIST ITEM NUMBERS

Numbers shown in the item# column correspond to numbers used in the associated illustration (s). Item numbers which are missing from the sequence in the parts list are not used on that page

8) INDENTED PARTS DESCRIPTION

An indented part description is included in the item under which it is indented.

9) ABB REVIATION AND SYMBOLS

AC.....	.. Alternating Current	LCD.....	Liquid Crystal Display
ADE.....	Advanced Design Electronics	LED.....	Light Emitting Diodes
ANSI.....	..American National Standards Institute	LH.....	Left Hand
AR.....	..As Required	LSS.....	..Load Sensing System
ASSY.....	Assembly	M(m).....	Metric/Meter
AUX.....	Auxiliary	MM (mm).....	Milimeter
AWG.....	..American Wire Gauge	mA.....	Miliamps
B/M.....	..Bill of Material	NLA.....	No Longer Available
CE.....	..European Conformity	NPT.....	National Pipe Threads
CCW.....	..Counter Clockwise	NSS.....	Not Sold Separately
cm.....	Centimeter	OD.....	..Outside Diameter
CW.....	..Clockwise	ORB.....	O-Ring Boss
CSA.....	..Canadian Standard Association	ORFS.....	O-Ring Face Seal
CYL.....	Cylinder	OZ (oz).....	..Ounces
DIA.....	Diameter	PG.....	..Page
DC.....	Direct Current	P/N.....	..Part Number
EMS.....	Emergency Stop	qt.....	..Quarts
ENG.....	Engine	QTY.....	..Quantity
FT (ft).....	Feet	REF.....	..Reference
GA (Ga).....	Gauge	REV.....	..Revision Level
HYD.....	Hydraulic	RH.....	..Right Hand
Hz.....	Hertz	SAE.....	Society of Automotive Engineers
ID.....	Inside Diameter	SN.....	..Serial Number
in.....	inches	SPEC(S).....	..Specifications
ISO.....	International Organization for Standards	T/T.....	..Turntable
JIC.....	Joint Industry Council	UGM.....	..Universal Ground Module
KG.....	..Kilogram	V.....	..Volts
L.....	..Liter	W.....	..Watts
LB.....	..Pounds	#.....	..Number

10) ILLUSTRATION REFERENCE LETTERS

When necessary, illustrations may contain reference letters that are intended to track information (i. e. hoses, harness) from one point to another or to track visual enlargement of components to show details that may be located in another area on the illustration.

Note: Due to continuous product improvements, JLG Industries, Inc. reserves the right to make specification changes without prior notification. Contact JLG Industries, Inc. for updated information.

TABLE OF CONTENTS

SECTION 1 - FRAME.....	11
FIGURE 1-1. STEER INSTALLATION.....	12
FIGURE 1-2. DRIVE/BRAKE INSTALLATION	14
FIGURE 1-3. DRIVE MOTOR ASSEMBLY	16
FIGURE 1-4. TIRE AND WHEEL INSTALLATION	18
FIGURE 1-5. POTHOLE PROTECTION SYSTEM INSTALLATION	20
FIGURE 1-6. TILT SENSOR INSTALLATION	22
FIGURE 1-7. BATTERY CHARGER INSTALLATION - DELTA-Q (WITHOUT COMMUNICATION PORT) (LOCALLY SUPPLIED PLUG).....	24
FIGURE 1-8. BATTERY CHARGER INSTALLATION - DELTA-Q (WITH COMMUNICATION PORT) (LOCALLY SUPPLIED PLUG).....	26
FIGURE 1-9. BATTERY CHARGER INSTALLATION - DELTA-Q (WITHOUT COMMUNICATION PORT) (110V PLUG)	28
FIGURE 1-10. BATTERY CHARGER INSTALLATION - DELTA-Q (WITH COMMUNICATION PORT) (110V PLUG).....	30
FIGURE 1-11. BATTERY CHARGER INSTALLATION - DELTA-Q (WITHOUT COMMUNICATION PORT) (AUSTRALIAN PLUG) (R1932).....	32
FIGURE 1-12. BATTERY CHARGER INSTALLATION - DELTA-Q (WITH COMMUNICATION PORT) (AUSTRALIAN PLUG) (R1932).....	34
FIGURE 1-13. BATTERY CHARGER INSTALLATION - DELTA-Q (WITHOUT COMMUNICATION PORT) (KOREAN PLUG) ...	36
FIGURE 1-14. BATTERY CHARGER INSTALLATION - DELTA-Q (WITH COMMUNICATION PORT) (KOREAN PLUG)	38
FIGURE 1-15. BATTERY CHARGER INSTALLATION - GREEN POWER (CHINA PLUG) (CHINA BUILT MACHINES)	40
FIGURE 1-16. BATTERY CHARGER INSTALLATION - EAGLE PERFORMANCE (110V PLUG) (MEXICO BUILT MACHINES)	42
FIGURE 1-17. BATTERY CHARGER INSTALLATION - GREEN POWER (LOCALLY SUPPLIED PLUG) (CHINA BUILT MACHINES)	44
FIGURE 1-18. STROBE LIGHT INSTALLATION - SINGLE SANMAK BRAND (AMBER) (WITH GUARD)	46
FIGURE 1-19. STROBE LIGHT INSTALLATION - DAUL SANMAK BRAND (AMBER) (WITH GUARD).....	48
FIGURE 1-20. ALARM INSTALLATION (AMBIENT/WHITE NOISE) (OPTIONAL)	50
FIGURE 1-21. LADDER INSTALLATION	52
FIGURE 1-22. FRAME COVERS INSTALLATION - FRONT AND REAR (R1532I/R1932I).....	54
FIGURE 1-23. FRAME COVERS INSTALLATION - FRONT (R1932).....	56
SECTION 2 - GROUND CONTROLS	59
FIGURE 2-1. HYDRAULIC COMPONENTS INSTALLATION	60
FIGURE 2-2. VALVE ASSEMBLY	62
FIGURE 2-3. ELECTRICAL COMPONENTS INSTALLATION.....	64
FIGURE 2-4. ELECTRICAL COMPONENTS INSTALLATION - #1 (EUROPEAN BUILT MACHINES)	66
FIGURE 2-5. ELECTRICAL COMPONENTS INSTALLATION - #2 (EUROPEAN BUILT MACHINES)	68
FIGURE 2-6. MDI INSTALLATION	70
FIGURE 2-7. BATTERIES INSTALLATION - STANDARD BATTERIES WITH DISCONNECT	72
FIGURE 2-8. BATTERIES INSTALLATION - AGM BATTERIES WITH DISCONNECT (MEXICO BUILT MACHINES)	74
FIGURE 2-9. BATTERIES INSTALLATION - AGM EVCG BATTERIES WITH DISCONNECT (CHINA BUILT MACHINES)	76
FIGURE 2-10. BATTERIES INSTALLATION - TROJAN BATTERIES WITH DISCONNECT (CHINA BUILT MACHINES) (PVC 1910)	78
FIGURE 2-11. BATTERIES INSTALLATION - TROJAN BATTERIES WITH DISCONNECT (CHINA BUILT MACHINES) (PVC 2004)	80
FIGURE 2-12. INVERTER INSTALLATION (OPTIONAL) (MEXICO BUILT MACHINES).....	82
FIGURE 2-13. DOORS INSTALLATION	84
SECTION 3 - SCISSORS ARMS	87
FIGURE 3-1. SCISSORS ARMS INSTALLATION – R1532I (PVC 1910).....	88
FIGURE 3-2. SCISSORS ARMS INSTALLATION – R1532I (PVC 2004).....	92
FIGURE 3-3. SCISSORS ARMS INSTALLATION – R1932/R1932I (PVC 1910)	96
FIGURE 3-4. SCISSORS ARMS INSTALLATION – R1932/R1932I (PVC 2004)	100
FIGURE 3-5. SCISSORS ARMS KIT - R1532I.....	104
FIGURE 3-6. SCISSORS ARMS KIT - R1932/R1932I	106
FIGURE 3-7. ARM GUARD INSTALLATION.....	108
SECTION 4 - PLATFORM.....	111
FIGURE 4-1. PLATFORM INSTALLATION – R1532I.....	112
FIGURE 4-2. PLATFORM INSTALLATION - R1932/R1932I.....	114
FIGURE 4-3. PLATFORM EXTENSION INSTALLATION	116
FIGURE 4-4. RAILS INSTALLATION - FIXED RAILS/GATE ENTRY (INSIDE TUBE SLIDER).....	118
FIGURE 4-5. RAIL KIT - FIXED RAILS (INSIDE TUBE SLIDER).....	120

TABLE OF CONTENTS

FIGURE 4-6. RAILS INSTALLATION - FOLD-DOWN RAILS/GATE ENTRY (INSIDE TUBE SLIDER).....	122
FIGURE 4-7. RAIL KIT - FOLD-DOWN RAILS (INSIDE TUBE SLIDER).....	124
FIGURE 4-8. RAILS INSTALLATION - FOLD-DOWN RAILS/GATE ENTRY (QUIK FOLD) (INSIDE TUBE SLIDER).....	126
FIGURE 4-9. RAILS INSTALLATION - FOLD-DOWN RAILS/GATE ENTRY (OUTSIDE TUBE SLIDER).....	128
FIGURE 4-10. RAILS INSTALLATION – FOLD-DOWN RAILS/GATE ENTRY (NARROW ACCESS).....	130
FIGURE 4-11. HANDLE EXTENSION INSTALLATION (OPTIONAL).....	134
FIGURE 4-12. GATE LATCH INSTALLATION - OPTIONAL.....	136
FIGURE 4-13. PLATFORM CONTROL BOX INSTALLATION (R1532I/R1932I).....	138
FIGURE 4-14. PLATFORM CONTROL BOX INSTALLATION (R1932).....	140
FIGURE 4-15. DRIVE/STEER CONTROLLER ASSEMBLY.....	142
FIGURE 4-16. OVERHEAD PROTECTION INSTALLATION (KOREAN SPECS).....	144
FIGURE 4-17. PANEL CARRIER INSTALLATION (R1932).....	146
FIGURE 4-18. PIPE RACK INSTALLATION (R1932).....	148
SECTION 5 - CYLINDER.....	151
FIGURE 5-1. LIFT CYLINDER ASSEMBLY.....	152
FIGURE 5-2. STEER CYLINDER ASSEMBLY.....	154
SECTION 6 - HYDRAULIC.....	157
FIGURE 6-1. HYDRAULIC DIAGRAM.....	158
SECTION 7 - ELECTRICAL.....	161
FIGURE 7-1. AC BOX AT PLATFORM INSTALLATION - 110V GFI (ANSI, ANSI EXPORT, CHINA, CSA, JAPANESE AND KOREA SPECS).....	162
FIGURE 7-2. AC BOX AT PLATFORM INSTALLATION - 110V IEC YELLOW (CE SPECS).....	164
FIGURE 7-3. AC BOX AT PLATFORM INSTALLATION - 220V IEC BLUE (CE SPECS).....	166
FIGURE 7-4. AC BOX AT PLATFORM INSTALLATION - 220V CEE7 POST GROUND (CE SPECS).....	168
FIGURE 7-5. AC BOX AT PLATFORM INSTALLATION - 220V CEE7 SIDE GROUND (CE SPECS).....	170
FIGURE 7-6. AC BOX AT PLATFORM INSTALLATION - 220V AFSINT 107 (CE SPECS).....	172
FIGURE 7-7. AC BOX AT PLATFORM INSTALLATION - 220V CHINA PLUG (CHINA SPECS).....	174
FIGURE 7-8. AC BOX AT PLATFORM INSTALLATION - 220V LOCALLY SUPPLIED COMPONENTS (ALL SPECS).....	176
FIGURE 7-9. BREAKER BOX KIT WITH 1 DOUBLE BREAKER.....	178
FIGURE 7-10. BREAKER BOX KIT WITH 3 BREAKERS.....	180
FIGURE 7-11. CAN SPLICE HARNESS.....	182
FIGURE 7-12. CHARGER HARNESS.....	184
FIGURE 7-13. CHASSIS HARNESS.....	186
FIGURE 7-14. GROUND TO PLATFORM CABLE INSTALLATION - R1532I WITHOUT PLATFORM COIL CABLE.....	190
FIGURE 7-15. GROUND TO PLATFORM CABLE INSTALLATION - R1532I WITH PLATFORM COIL CABLE.....	192
FIGURE 7-16. GROUND TO PLATFORM CABLE INSTALLATION - R1532I WITHOUT PLATFORM COIL CABLE AND WITH FOOTSWITCH.....	194
FIGURE 7-17. GROUND TO PLATFORM CABLE INSTALLATION - R1532I WITH PLATFORM COIL CABLE AND FOOTSWITCH.....	196
FIGURE 7-18. GROUND TO PLATFORM CABLE INSTALLATION – R1932I/R1932 WITHOUT PLATFORM COIL CABLE (ALL SPECS EXCEPT AUSTRALIAN AND KOREA SPECS).....	198
FIGURE 7-19. GROUND TO PLATFORM CABLE INSTALLATION - R1932 WITHOUT PLATFORM COIL CABLE (AUSTRALIAN SPECS).....	200
FIGURE 7-20. GROUND TO PLATFORM CABLE INSTALLATION - R1932I/R1932 WITH PLATFORM COIL CABLE (ALL SPECS EXCEPT AUSTRALIAN SPECS).....	202
FIGURE 7-21. GROUND TO PLATFORM CABLE INSTALLATION - R1932 WITH PLATFORM COIL CABLE (AUSTRALIAN SPECS).....	204
FIGURE 7-22. GROUND TO PLATFORM CABLE INSTALLATION - R1932I/R1932 WITHOUT PLATFORM COIL CABLE AND WITH FOOTSWITCH.....	206
FIGURE 7-23. GROUND TO PLATFORM CABLE INSTALLATION - R1932I/R1932 WITH PLATFORM COIL CABLE AND FOOTSWITCH.....	208
FIGURE 7-24. GROUND TO PLATFORM CABLE INSTALLATION - R1932 (EUROPEAN BUILT MACHINES).....	210
FIGURE 7-25. GROUND TO PLATFORM CABLE INSTALLATION - R1932I/R1932 WITH PLATFORM STRAIGHT CABLE ONLY (EUROPEAN BUILT MACHINES).....	212
FIGURE 7-26. GROUND TO PLATFORM CABLE INSTALLATION - R1932I/R1932 WITH PLATFORM COIL CABLE ONLY (EUROPEAN BUILT MACHINES).....	214
FIGURE 7-27. LIFT DOWN HARNESS - WITH LSS.....	216
FIGURE 7-28. PLATFORM BOX HARNESS.....	218
FIGURE 7-29. RECEPTACLE BOX KIT - 110V GFI.....	220
FIGURE 7-30. RECEPTACLE BOX KIT - 110V IEC YELLOW (CE SPEC).....	222
FIGURE 7-31. RECEPTACLE BOX KIT - 220V IEC BLUE (CE SPEC).....	224

TABLE OF CONTENTS

FIGURE 7-32. RECEPTACLE BOX KIT - 220V CEE7 POST GROUND (CE SPEC).....	226
FIGURE 7-33. RECEPTACLE BOX KIT - 220V CEE7 SIDE GROUND (CE SPEC).....	228
FIGURE 7-34. RECEPTACLE BOX KIT - 220V AFSINT 107 (CE SPEC).....	230
SECTION 8 - DECALS.....	233
FIGURE 8-1. DECAL INSTALLATION (ANSI SPEC).....	234
FIGURE 8-2. DECAL INSTALLATION (AUSTRALIAN SPECS).....	236
FIGURE 8-3. DECAL INSTALLATION (BRAZIL SPECS).....	238
FIGURE 8-4. DECAL INSTALLATION (CE SPECS).....	240
FIGURE 8-5. DECAL INSTALLATION (CHINA SPECS).....	242
FIGURE 8-6. DECAL INSTALLATION (CSA SPECS).....	244
FIGURE 8-7. DECAL INSTALLATION (KOREAN SPECS).....	246
FIGURE 8-8. DECAL INSTALLATION (LATIN AMERICAN SPECS).....	248
FIGURE 8-9. DECAL INSTALLATION - OPTIONS.....	250
SECTION 9 - RECOMMENDED SERVICE PARTS STOCK.....	253
FIGURE 9-1. RECOMMENDED SERVICE PARTS STOCK.....	254
SECTION 10 - SPECIAL OPTIONS.....	255
FIGURE 10-1. SPECIAL OPTIONS.....	256
PART NUMBER INDEX.....	259

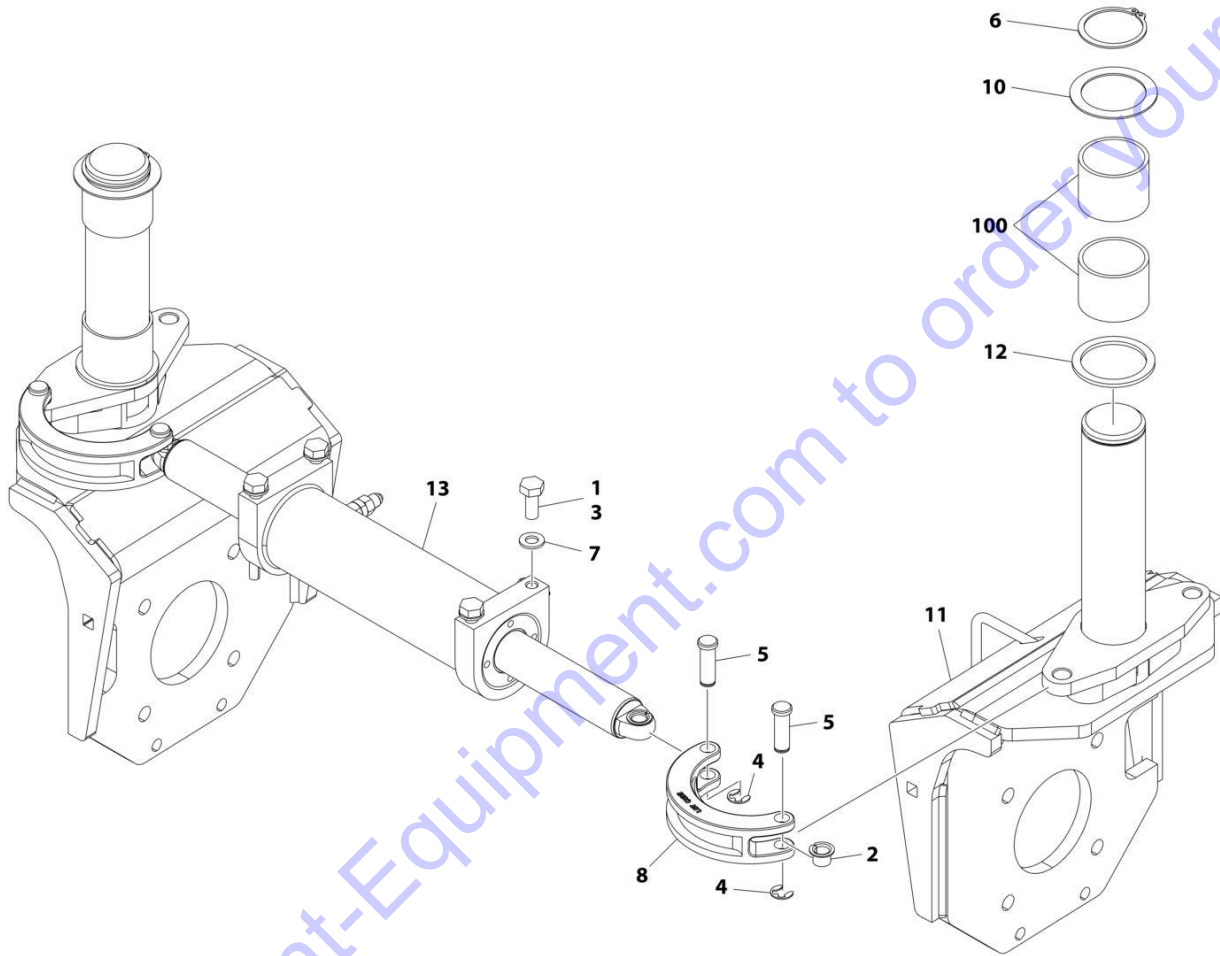
Go to Discount-Equipment.com to order your parts

SECTION 1 - FRAME

Go to Discount-Equipment.com to order your parts

SECTION 1 - FRAME

FIGURE 1-1. STEER INSTALLATION



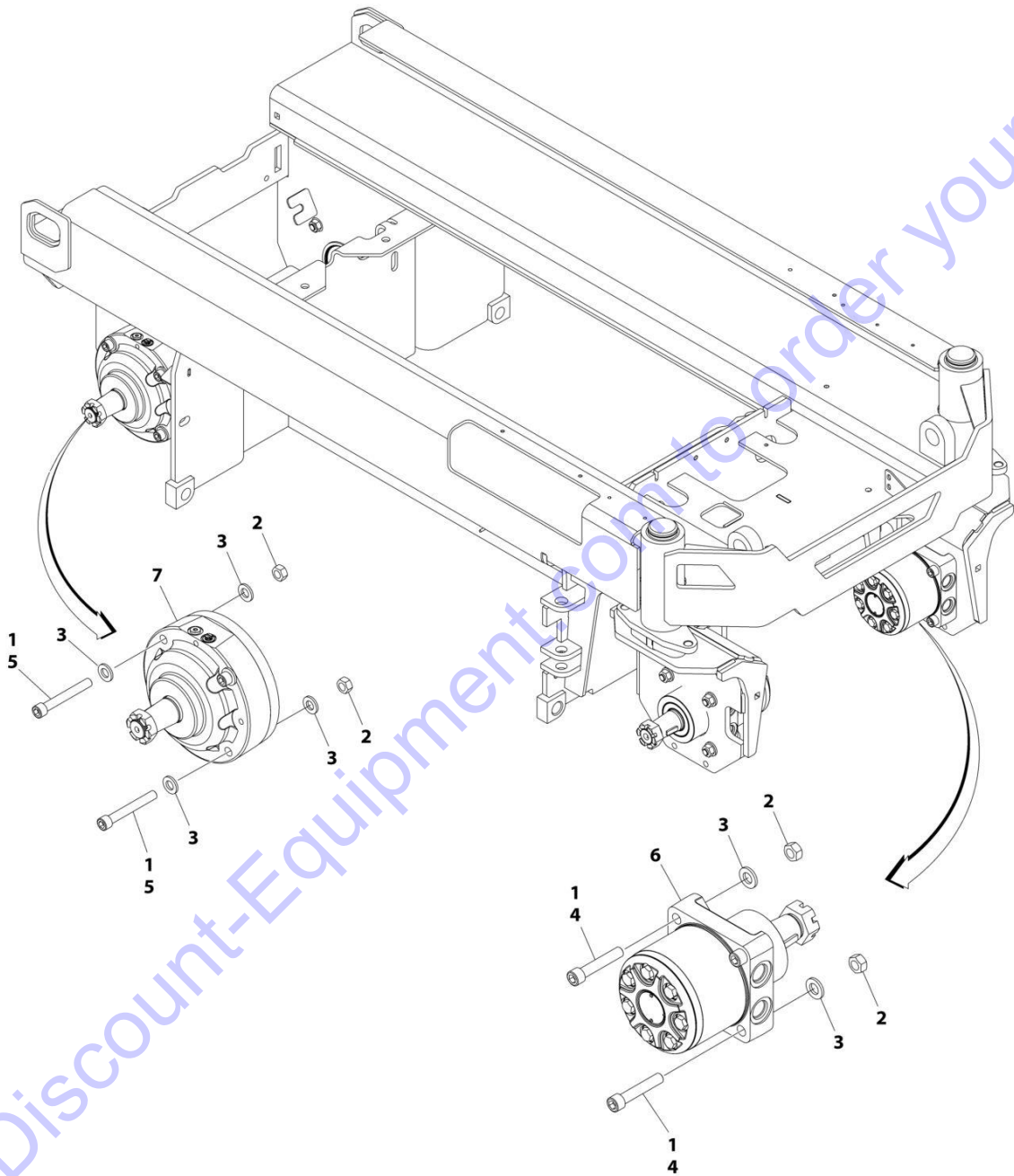
ART_1001202300

FIGURE 1-1. STEER INSTALLATION

ITEM	PART NUMBER	QTY	DESCRIPTION	REV
	1001202300	Ref	STEER INSTALLATION	D
1	0100011	AR	Compound, Locking	
2	0440259	2	Bearing	
3	0761012	4	Bolt M10 x 25	
4	1380153	4	Clip	
5	3423037	4	Pin	
6	3760217	2	Ring, Retaining	
7	4812000	4	Washer M10	
8	4846757	2	Lug, Steering	
10	1001197396	2	Washer	
11	1001201248	2	Spindle	
12	1001205751	2	Washer	
13	1001220570	1	Steer Cylinder Assembly (See Separate Breakdown in CYLINDER SECTION)	
100	1001153785	4	Bearing (Part of Frame)	

SECTION 1 - FRAME

FIGURE 1-2. DRIVE/BRAKE INSTALLATION



ART_1001202689

SECTION 1 - FRAME

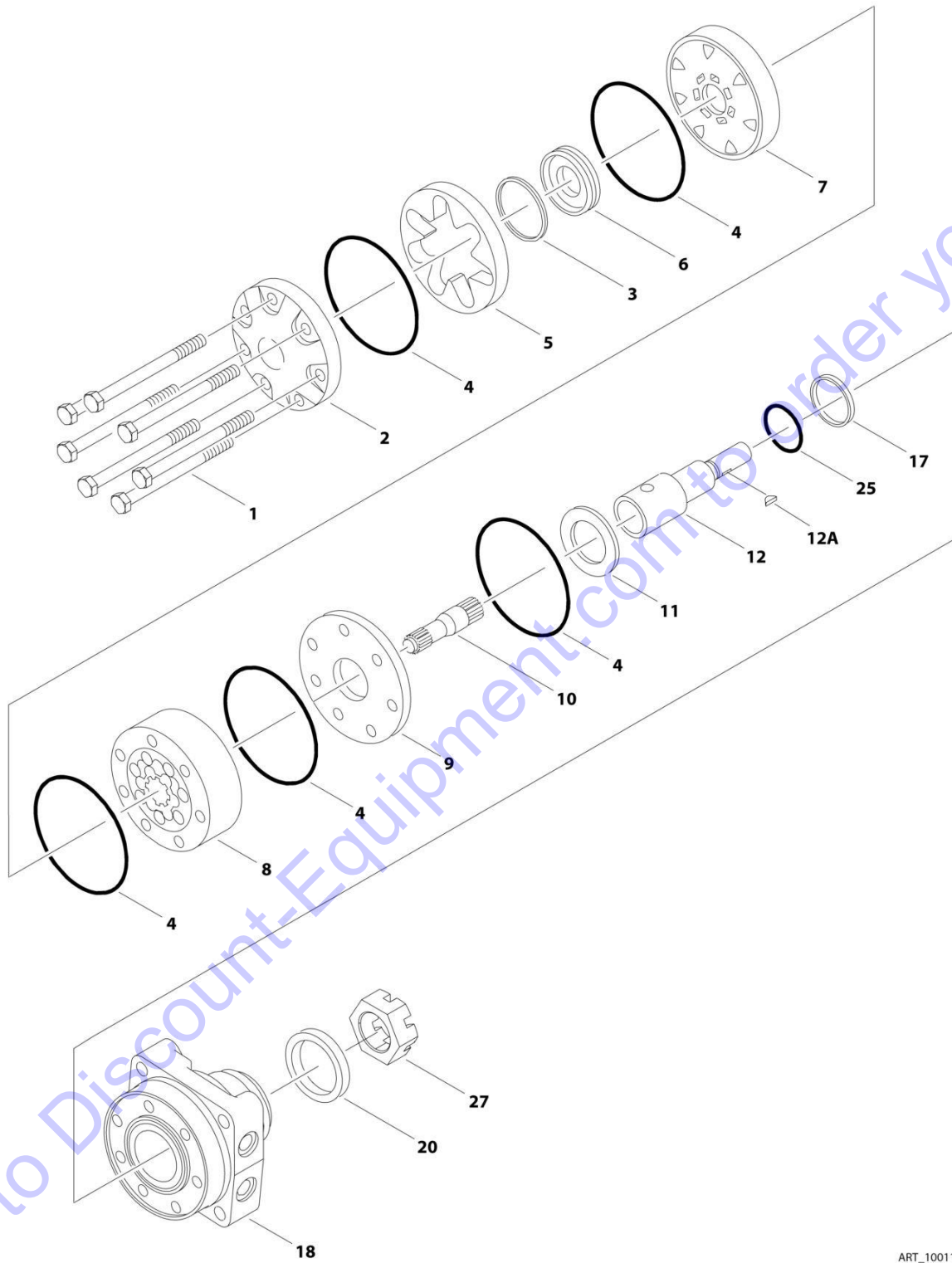
FIGURE 1-2. DRIVE/BRAKE INSTALLATION

ITEM	PART NUMBER	QTY	DESCRIPTION	REV
	1001202689	Ref	DRIVE/BRAKE INSTALLATION	B
1	0100011	AR	Compound, Locking	
2	3331211	16	Nut M12	
3	5241200	24	Washer M12	
4	5272117	8	Capscrew M12 x 65	
5	5272122	8	Capscrew M12 x 90	
6	1001199937	2	Drive Motor Assembly (See Separate Breakdown in this Section)	
7	1001202773	2	Drive Brake Assembly (Note: No Internal Service Parts Available.)	
7	70005918	1	Key, Shaft	
7	70005919	1	Nut 1-1/8	

Go to Discount-Equipment.com to order your parts

SECTION 1 - FRAME

FIGURE 1-3. DRIVE MOTOR ASSEMBLY



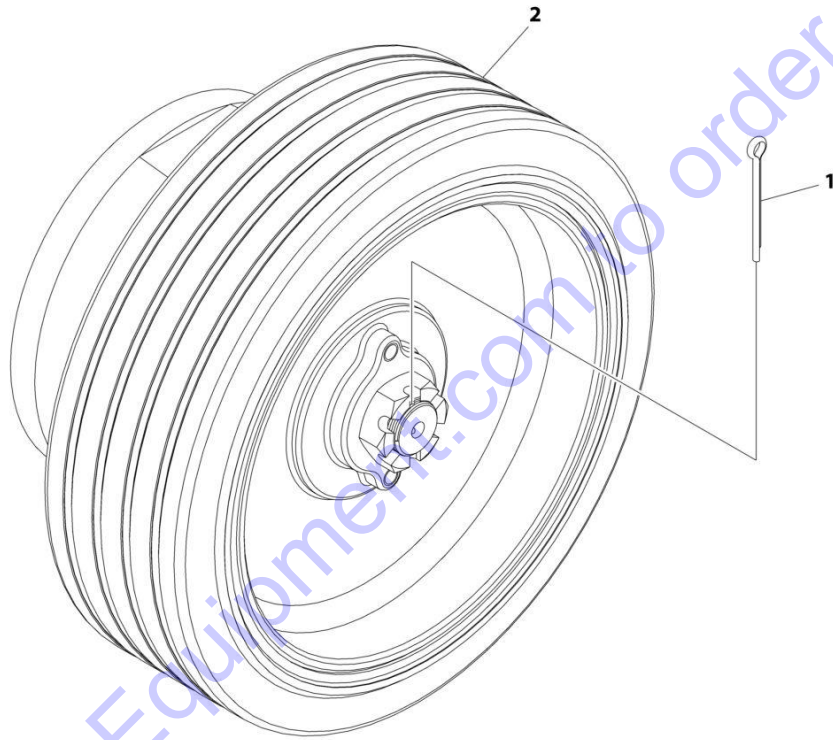
ART_1001199937

FIGURE 1-3. DRIVE MOTOR ASSEMBLY

ITEM	PART NUMBER	QTY	DESCRIPTION	REV
	1001199937	Ref	DRIVE MOTOR ASSEMBLY	D
1	70005806	7	Bolt	
2	7023328	1	Cover	
3	7023318	1	Seal, Commutator	
4	7023310	5	Ring, Seal	
5	7023315	1	Commutator (Includes Item 6)	
6	See Note	NSS	Ring, Commutator (Use p/n 7023315)	
7	70005812	1	Manifold	
8	70000278	1	Rotor Set	
9	7023311	1	Plate, Wear	
10	70005814	1	Link, Drive	
11	7023308	1	Bearing, Thrust	
12	70005813	1	Shaft	
12A	7023324	1	Key, Shaft	
17	70005809	1	Washer, Backup	
18	See Note	NSS	Housing Assembly (Use p/n 1001199937)	
20	7023319	1	Seal, Dirt and Water	
25	70005808	1	Ring, Backup	
27	70005807	1	Nut	

SECTION 1 - FRAME

FIGURE 1-4. TIRE AND WHEEL INSTALLATION



ART_1001202731

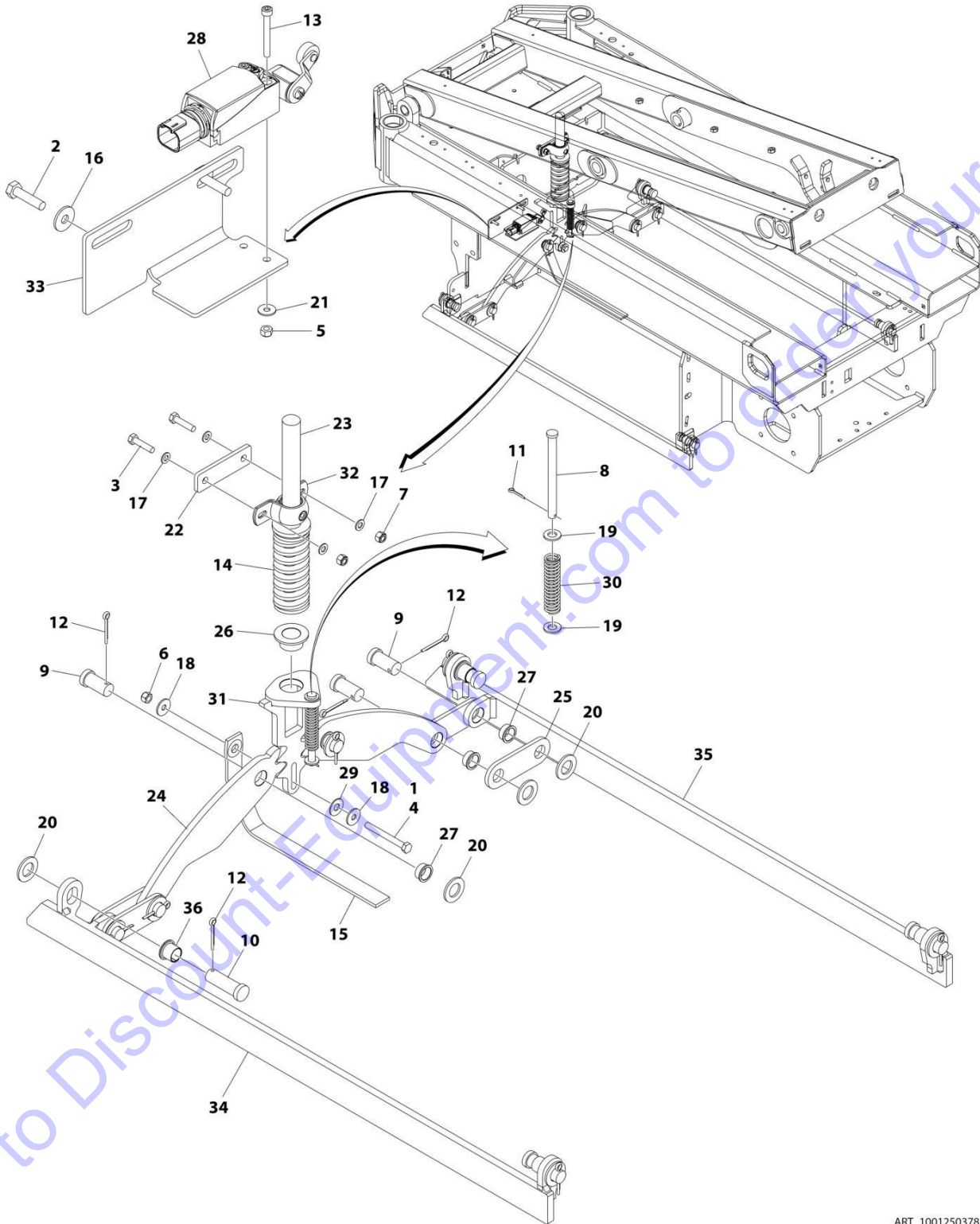
FIGURE 1-4. TIRE AND WHEEL INSTALLATION

ITEM	PART NUMBER	QTY	DESCRIPTION	REV
	1001202731	Ref	TIRE AND WHEEL INSTALLATION	B
		Ref	Note: Must Replace Tire and Wheel Assemblies in pairs per axle.	
1	3450508	4	Pin, Cotter 5/32 x 2	
2	1001200441	4	Tire and Wheel	

Go to Discount-Equipment.com to order your parts

SECTION 1 - FRAME

FIGURE 1-5. POTHOLE PROTECTION SYSTEM INSTALLATION



ART_1001250378

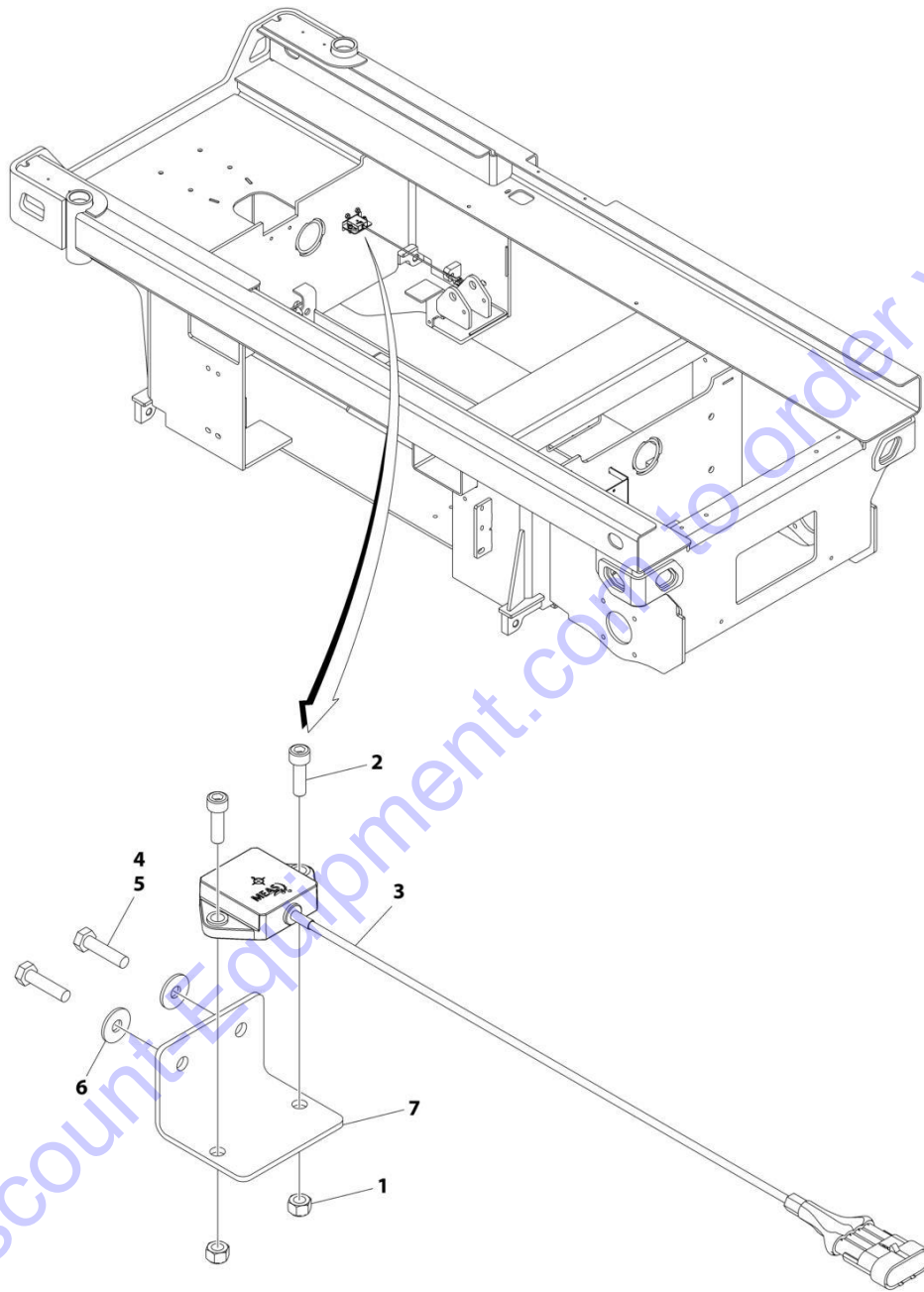
SECTION 1 - FRAME

FIGURE 1-5. POTHOLE PROTECTION SYSTEM INSTALLATION

ITEM	PART NUMBER	QTY	DESCRIPTION	REV
	1001250378	Ref	POTHOLE PROTECTION INSTALLATION	B
1	0100011	AR	Compound, Locking	
2	0700612	2	Bolt M6 x 25	
3	0700815	2	Bolt M8 x 35	
4	0700823	1	Bolt M8 x 75	
5	3290405	2	Nut M4	
6	3290801	1	Nut M8	
7	3290805	2	Nut M8	
8	3430636	1	Pin	
9	3431212	6	Pin	
10	3431218	4	Pin	
11	3450302	1	Pin, Cotter 7/8 x 1/2	
12	3450505	10	Pin, Cotter 5/32 x 1/2	
13	4031511	2	Capscrew M4 x 35	
14	4160202	1	Spring	
15	4240147	1	Strap, Anti-Static	
16	4811702	2	Washer M6	
17	4811900	4	Washer M8	
18	4811902	2	Washer M8	
19	4812000	2	Washer M10	
20	4812500	10	Washer M20	
21	1001091102	2	Washer M4	
22	1001202987	1	Plate, Mounting	
23	1001202988	1	Actuator (Upper)	
24	1001202994	2	Plate, Pinion	
25	1001202999	4	Link	
26	1001203869	1	Bearing	
27	1001203870	6	Bearing	
28	1001203871	1	Switch, Limit	
29	1001203872	1	Washer 3/8	
30	1001212068	1	Spring	
31	1001214526	1	Actuator (Lower)	
32	1001215953	1	Bearing	
33	1001218307	1	Plate, Sensor Mount	
34	1001251436	1	Bar (LH)	
35	1001251437	1	Bar (RH)	
36	0440263	4	Bearing	

SECTION 1 - FRAME

FIGURE 1-6. TILT SENSOR INSTALLATION



ART_1001214217

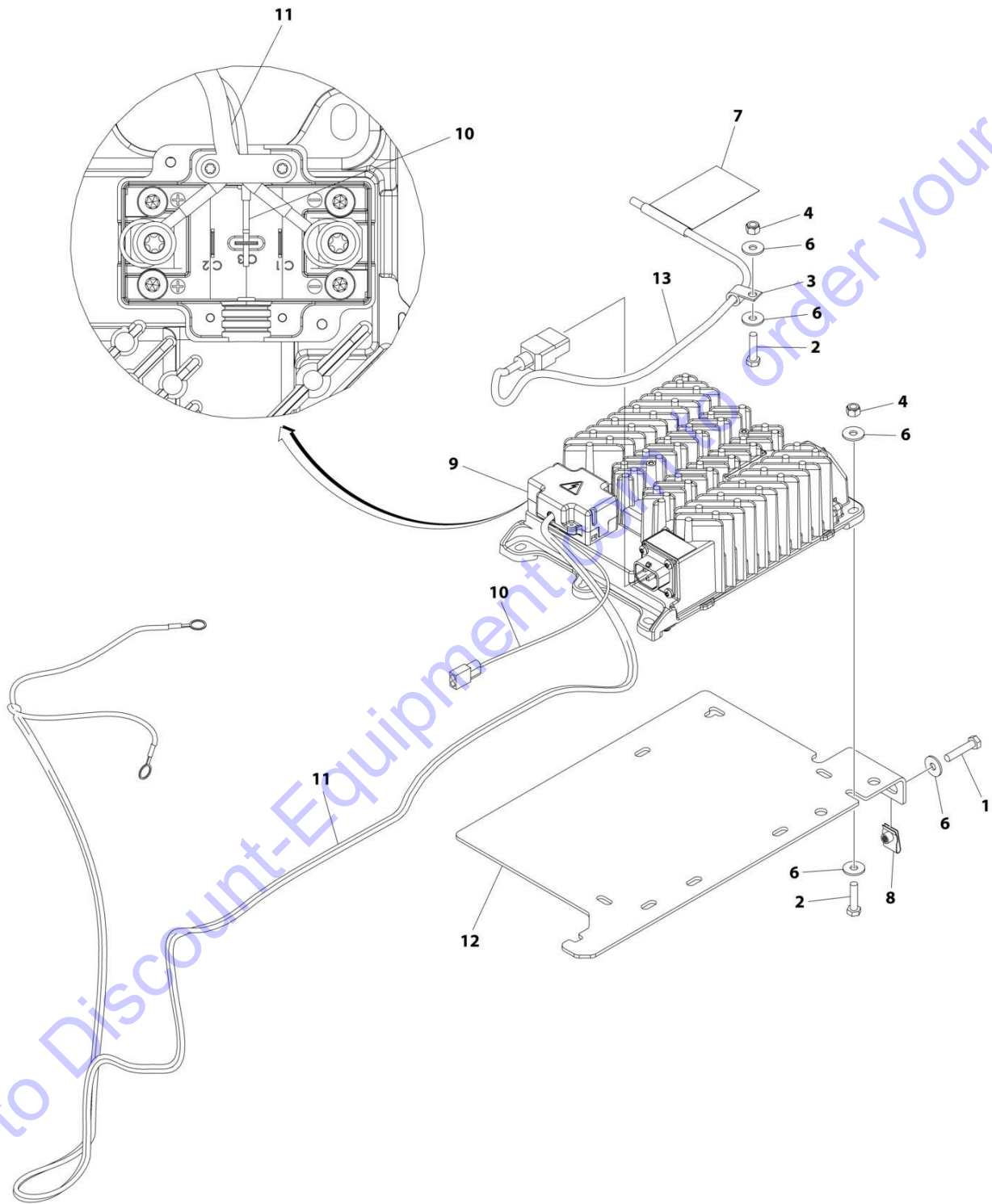
FIGURE 1-6. TILT SENSOR INSTALLATION

ITEM	PART NUMBER	QTY	DESCRIPTION	REV
	1001214217	Ref	TILT SENSOR INSTALLATION	C
1	3290601	2	Nut M6	
2	4031708	2	Capscrew M6 x 20	
3	1001186466	1	Sensor, Tilt	
4	0100011	AR	Compound, Locking	
5	0700612	2	Bolt M6 x 25	
6	4811702	2	Washer M6	
7	1001217059	1	Plate, Mounting	

Go to Discount-Equipment.com to order your parts

SECTION 1 - FRAME

FIGURE 1-7. BATTERY CHARGER INSTALLATION - DELTA-Q (WITHOUT COMMUNICATION PORT)
(LOCALLY SUPPLIED PLUG)



ART_1001235153

SECTION 1 - FRAME

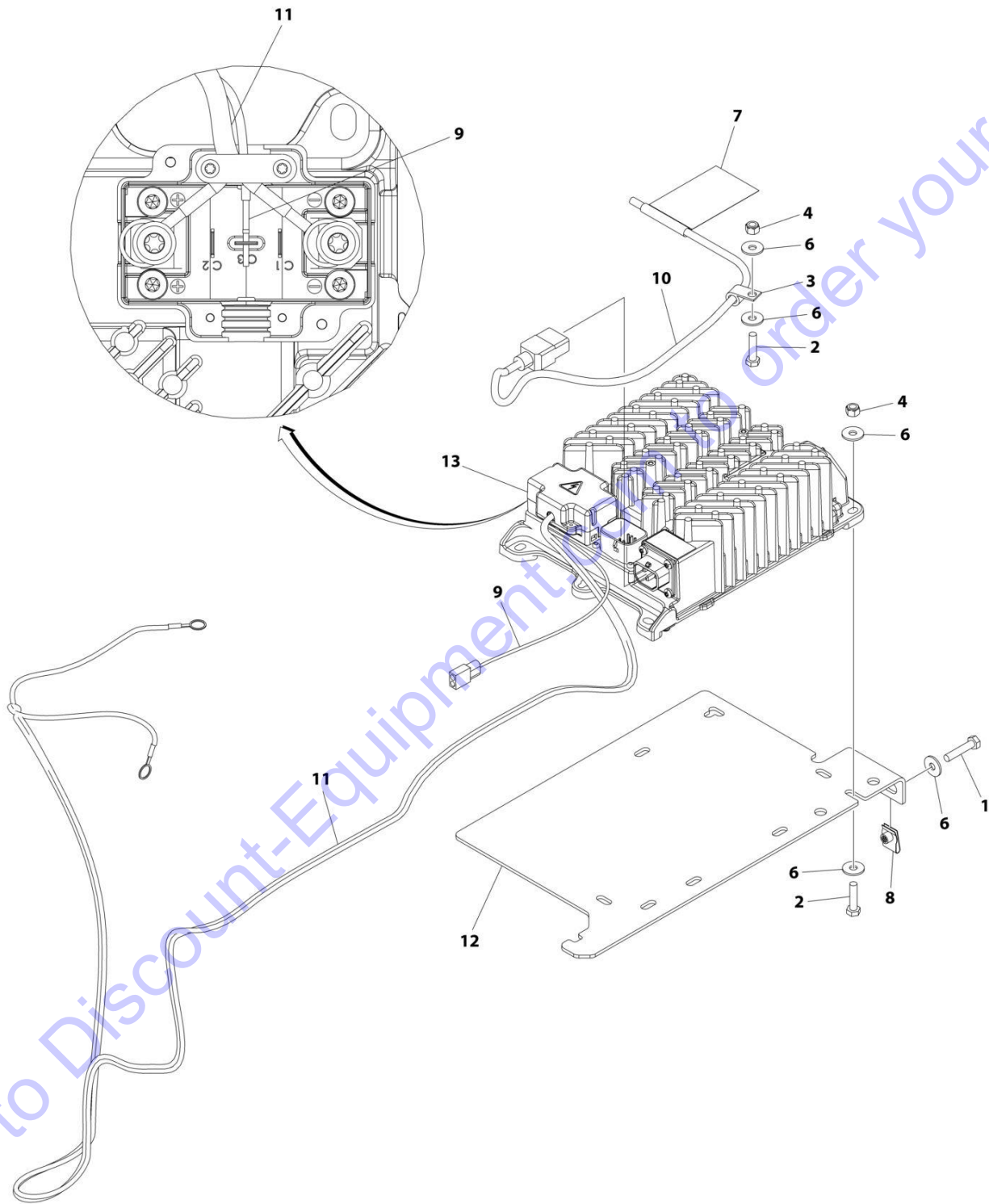
**FIGURE 1-7. BATTERY CHARGER INSTALLATION - DELTA-Q (WITHOUT COMMUNICATION PORT)
(LOCALLY SUPPLIED PLUG)**

ITEM	PART NUMBER	QTY	DESCRIPTION	REV
	1001235153	Ref	BATTERY CHARGER INSTALLATION - DELTA-Q (LOCALLY SUPPLIED PLUG)	C
1	0700614	2	Bolt M6 x 30	
2	0760612	3	Bolt M6 x 25	
3	1321293	1	Clamp	
4	3290605	3	Nut M6	
5	4240017	AR	Tie-Strap (Not Shown)	
6	4811702	8	Washer M6	
7	1001102489	1	Decal - Charger	
8	1001130220	2	Nut, Tinnerman M6	
9	1001200561	1	Charger, Battery - Delta-Q	
10	1001207009	1	Charger Interlock Harness	
10	4460424	1	Receptacle, Female - 2 Position	
10	4460227	2	Pin, Male	
11	1001235105	1	Charger DC Connection Harness	
12	1001236139	1	Bracket	
13	1001207974	1	Cable, Charger AC Input	

Go to Discount-Equipment.com to order your parts

SECTION 1 - FRAME

FIGURE 1-8. BATTERY CHARGER INSTALLATION - DELTA-Q (WITH COMMUNICATION PORT) (LOCALLY SUPPLIED PLUG)



ART_1001253654

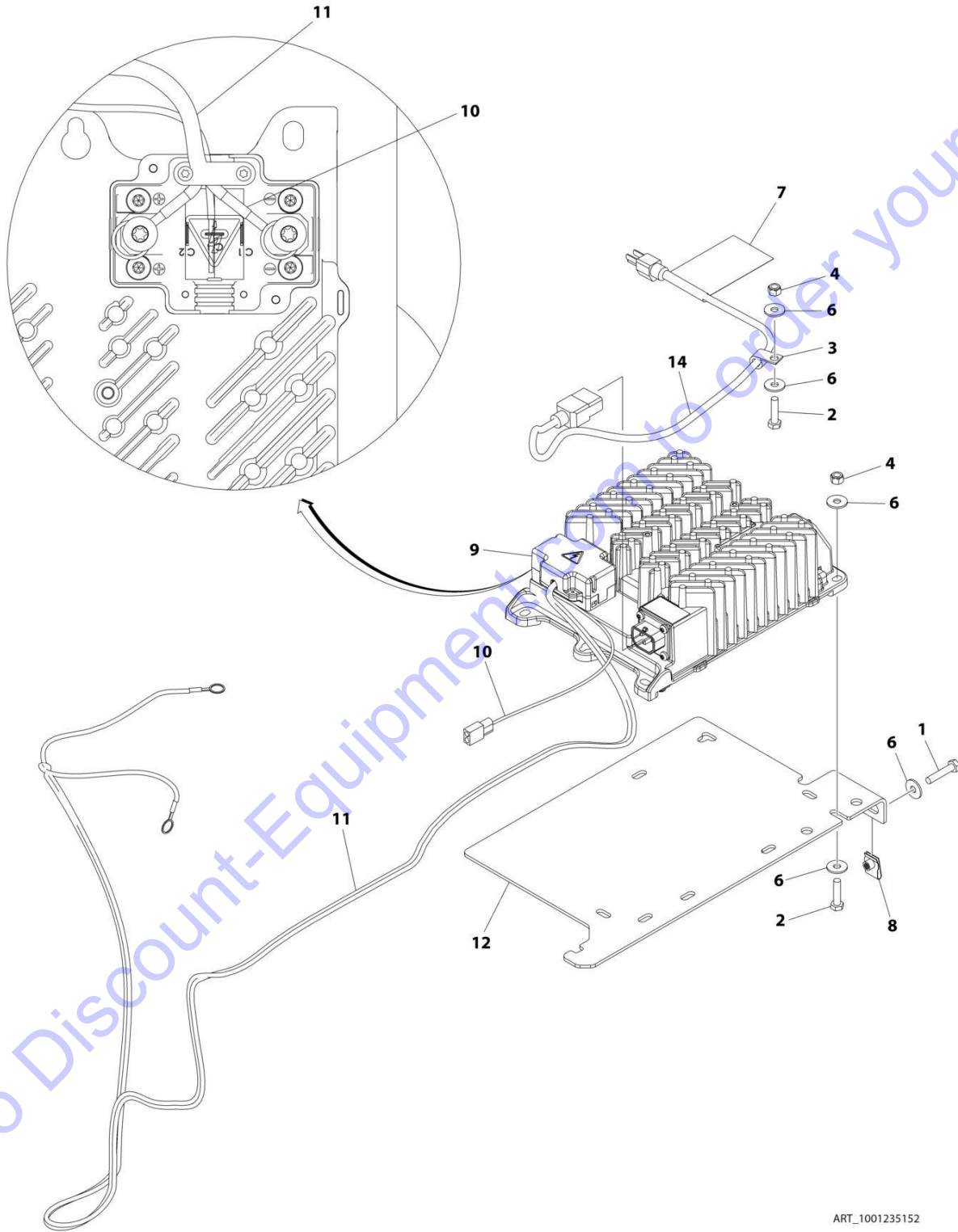
SECTION 1 - FRAME

**FIGURE 1-8. BATTERY CHARGER INSTALLATION - DELTA-Q (WITH COMMUNICATION PORT)
(LOCALLY SUPPLIED PLUG)**

ITEM	PART NUMBER	QTY	DESCRIPTION	REV
	1001253654	Ref	BATTERY CHARGER INSTALLATION - DELTA-Q (LOCALLY SUPPLIED PLUG)	A
1	0700614	2	Bolt M6 x 30	
2	0760612	3	Bolt M6 x 25	
3	1321293	1	Clamp	
4	3290605	3	Nut M6	
5	4240017	AR	Tie-Strap (Not Shown)	
6	4811702	8	Washer M6	
7	1001102489	1	Decal - Charger Label	
8	1001130220	2	Nut, Tinnerman M6	
9	1001207009	1	Charger Interlock Harness	
9	4460424	1	Receptacle, Female - 2 Position	
9	4460227	2	Pin, Male	
10	1001207974	1	Battery Charger to AC Connection Cable	
11	1001235105	1	Battery Charger to DC Connection Cable	
12	1001236139	1	Bracket	
13	1001253952	1	Charger, Battery - Delta-Q	
14	1001254027	1	Can Splice Harness (Not Shown - See Separate Breakdown in ELECTRICAL SECTION)	
15	1001254028	1	Charger To Battery Harness (Not Shown - See Separate Breakdown in ELECTRICAL SECTION)	

SECTION 1 - FRAME

FIGURE 1-9. BATTERY CHARGER INSTALLATION - DELTA-Q (WITHOUT COMMUNICATION PORT)
(110V PLUG)



ART_1001235152

SECTION 1 - FRAME

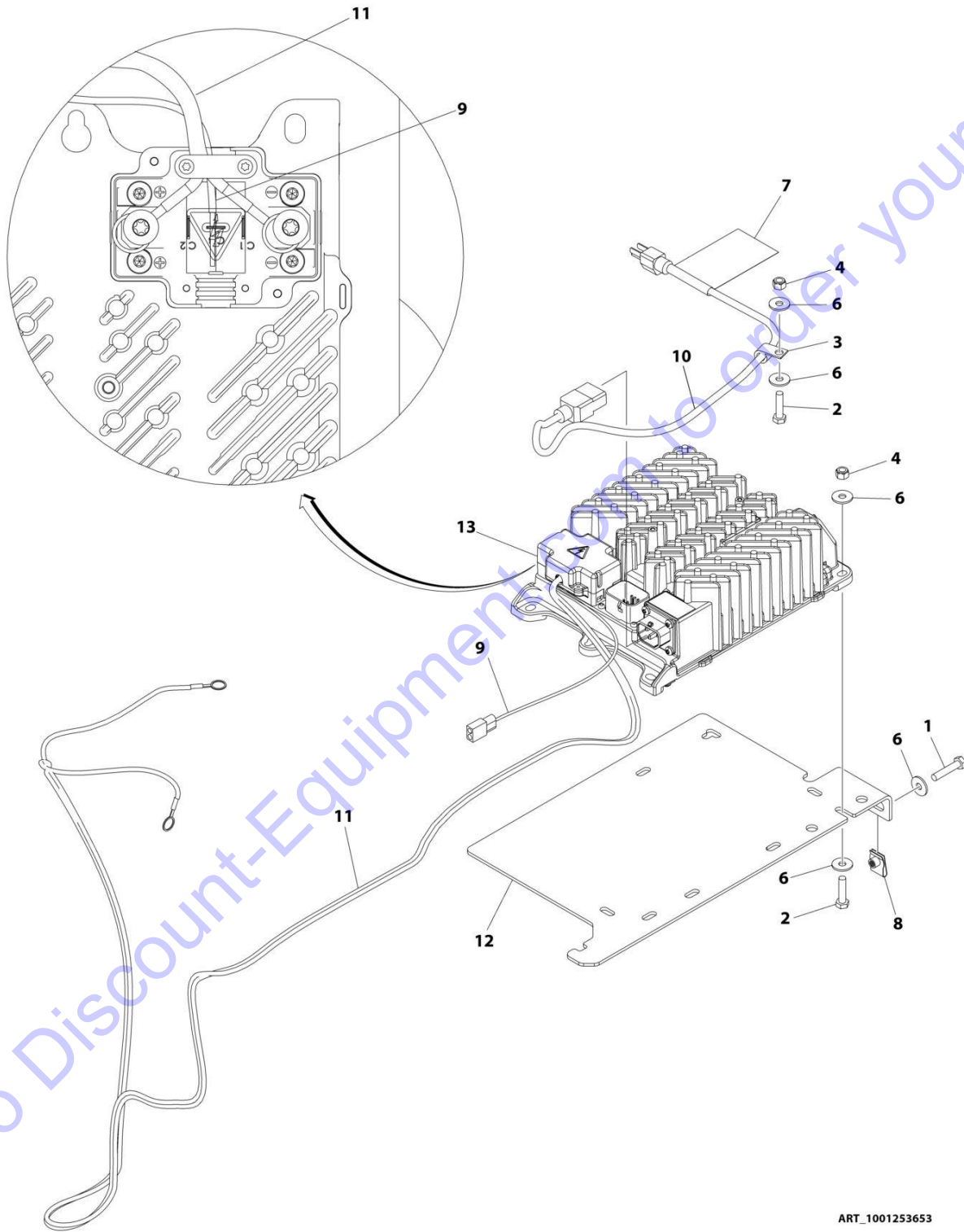
**FIGURE 1-9. BATTERY CHARGER INSTALLATION - DELTA-Q (WITHOUT COMMUNICATION PORT)
(110V PLUG)**

ITEM	PART NUMBER	QTY	DESCRIPTION	REV
	1001235152	Ref	BATTERY CHARGER INSTALLATION - DELTA-Q (110V PLUG)	B
1	0700614	2	Bolt M6 x 30	
2	0760612	3	Bolt M6 x 25	
3	1321293	1	Clamp	
4	3290605	3	Nut M6	
5	4240017	AR	Tie-Strap (Not Shown)	
6	4811702	8	Washer M6	
7	1001102489	1	Decal - Charger	
8	1001130220	2	Nut Tinnerman, M6	
9	1001200561	1	Charger, Battery - Delta-Q	
10	1001207009	1	Charger Interlock Harness	
10	4460424	1	Receptacle, Female - 2 Position	
10	4460227	2	Pin, Male	
11	1001235105	1	Charger DC Connection Harness	
12	1001236139	1	Bracket	
14	1001207970	1	Charger AC Input Cable	

Go to Discount-Equipment.com to order your parts

SECTION 1 - FRAME

FIGURE 1-10. BATTERY CHARGER INSTALLATION - DELTA-Q (WITH COMMUNICATION PORT) (110V PLUG)



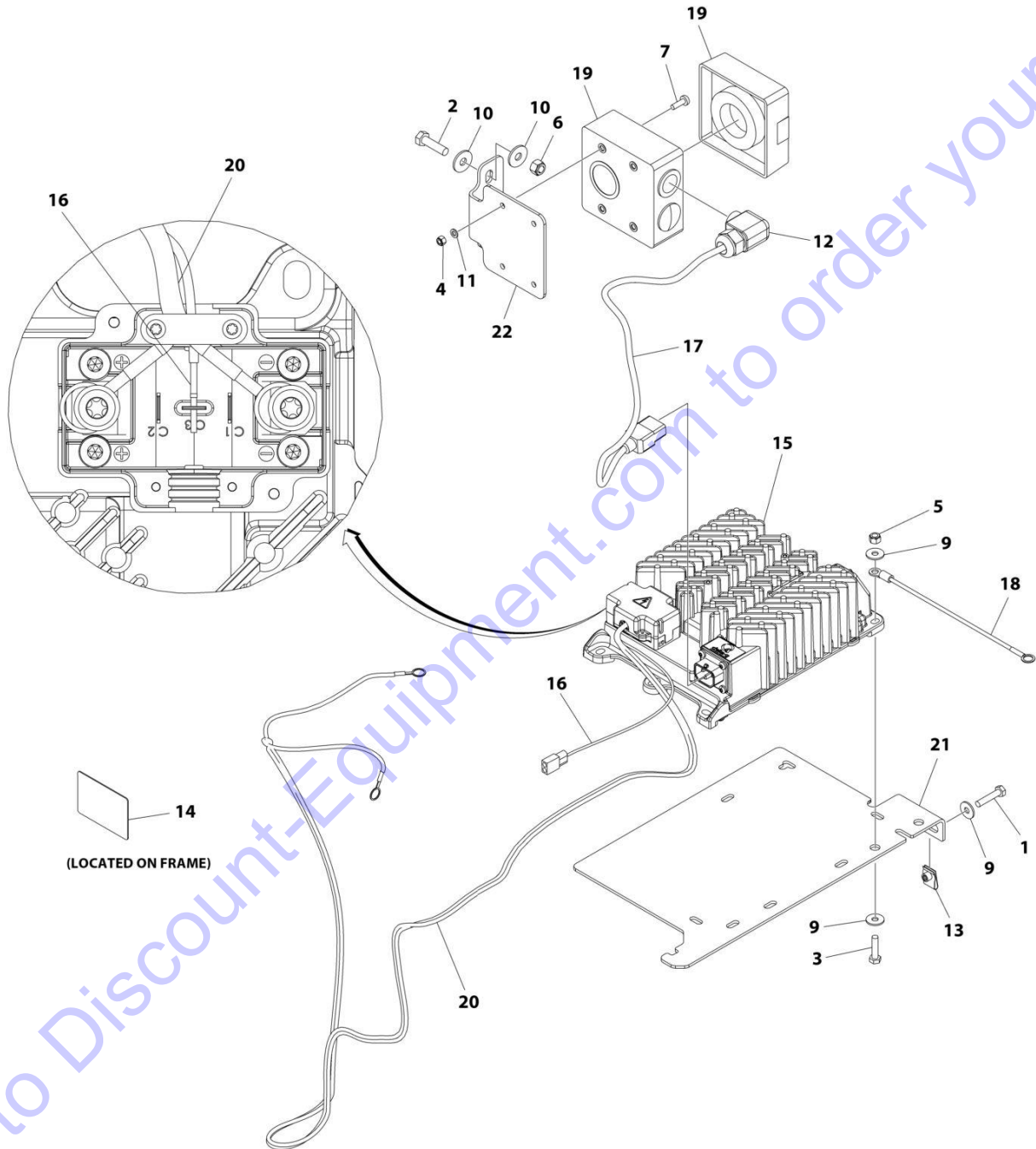
SECTION 1 - FRAME

**FIGURE 1-10. BATTERY CHARGER INSTALLATION - DELTA-Q (WITH COMMUNICATION PORT)
(110V PLUG)**

ITEM	PART NUMBER	QTY	DESCRIPTION	REV
	1001253653	Ref	BATTERY CHARGER INSTALLATION - DELTA-Q (110V PLUG)	A
1	0700614	2	Bolt M6 x 30	
2	0760612	3	Bolt M6 x 25	
3	1321293	1	Clamp	
4	3290605	3	Nut M6	
5	4240017	AR	Tie-Strap (Not Shown)	
6	4811702	8	Washer M6	
7	1001102489	1	Decal - Charger Label	
8	1001130220	2	Nut, Tinnerman M6	
9	1001207009	1	Charger Interlock Harness	
9	4460424	1	Receptacle, Female - 2 Position	
9	4460227	2	Pin, Male	
10	1001207970	1	Battery Charger to AC Connection Cable	
11	1001235105	1	Battery Charger to DC Connection Cable	
12	1001236139	1	Bracket	
13	1001253952	1	Charger, Battery - Delta-Q	
14	1001254027	1	Can Splice Harness (Not Shown - See Separate Breakdown in ELECTRICAL SECTION)	
15	1001254028	1	Charger To Battery Harness (Not Shown - See Separate Breakdown in ELECTRICAL SECTION)	

SECTION 1 - FRAME

FIGURE 1-11. BATTERY CHARGER INSTALLATION - DELTA-Q (WITHOUT COMMUNICATION PORT)
(AUSTRALIAN PLUG) (R1932)



ART_1001253647

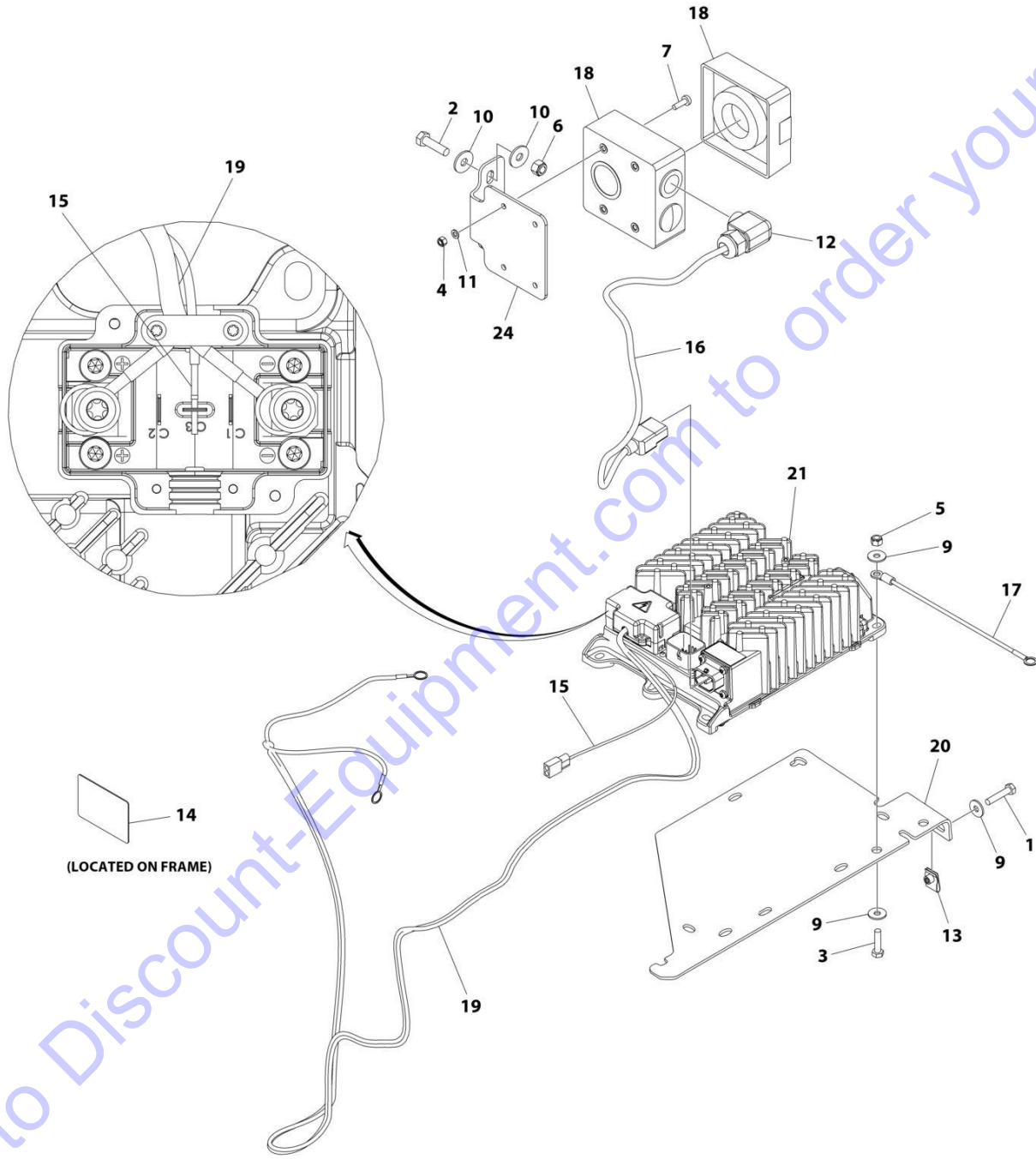
SECTION 1 - FRAME

**FIGURE 1-11. BATTERY CHARGER INSTALLATION - DELTA-Q (WITHOUT COMMUNICATION PORT)
(AUSTRALIAN PLUG) (R1932)**

ITEM	PART NUMBER	QTY	DESCRIPTION	REV
	1001253647	Ref	BATTERY CHARGER INSTALLATION - DELTA-Q (AUSTRALIAN PLUG)	A
1	0700614	2	Bolt M6 x 30	
2	0700814	2	Bolt M8 x 30	
3	0760612	3	Bolt M6 x 25	
4	3290505	4	Nut M5	
5	3290605	3	Nut M6	
6	3290805	2	Nut M8	
7	3900381	4	Screw M5 x 16	
8	4240017	AR	Tie-Strap (Not Shown)	
9	4811702	8	Washer M6	
10	4811902	4	Washer M8	
11	4831600	4	Washer M5	
12	1001103471	1	Connector Strain Relief 90	
13	1001130220	2	Nut Tinnerman M6	
14	1001134280	1	Decal - Charger	
15	1001200561	1	Charger, Battery - Delta-Q	
16	1001207009	1	Charger Interlock Harness	
16	4460424	1	Receptacle, Female - 2 Position	
16	4460227	2	Pin, Male	
17	1001207974	1	Cable, Charger AC Input	
18	1001227219	1	Ground Harness	
19	1001227267	1	Receptacle Australian - 230V	
20	1001235105	1	Charger DC Connection Harness	
21	1001236139	1	Bracket	
22	1001256503	1	Bracket	

SECTION 1 - FRAME

FIGURE 1-12. BATTERY CHARGER INSTALLATION - DELTA-Q (WITH COMMUNICATION PORT) (AUSTRALIAN PLUG) (R1932)



ART_1001253648

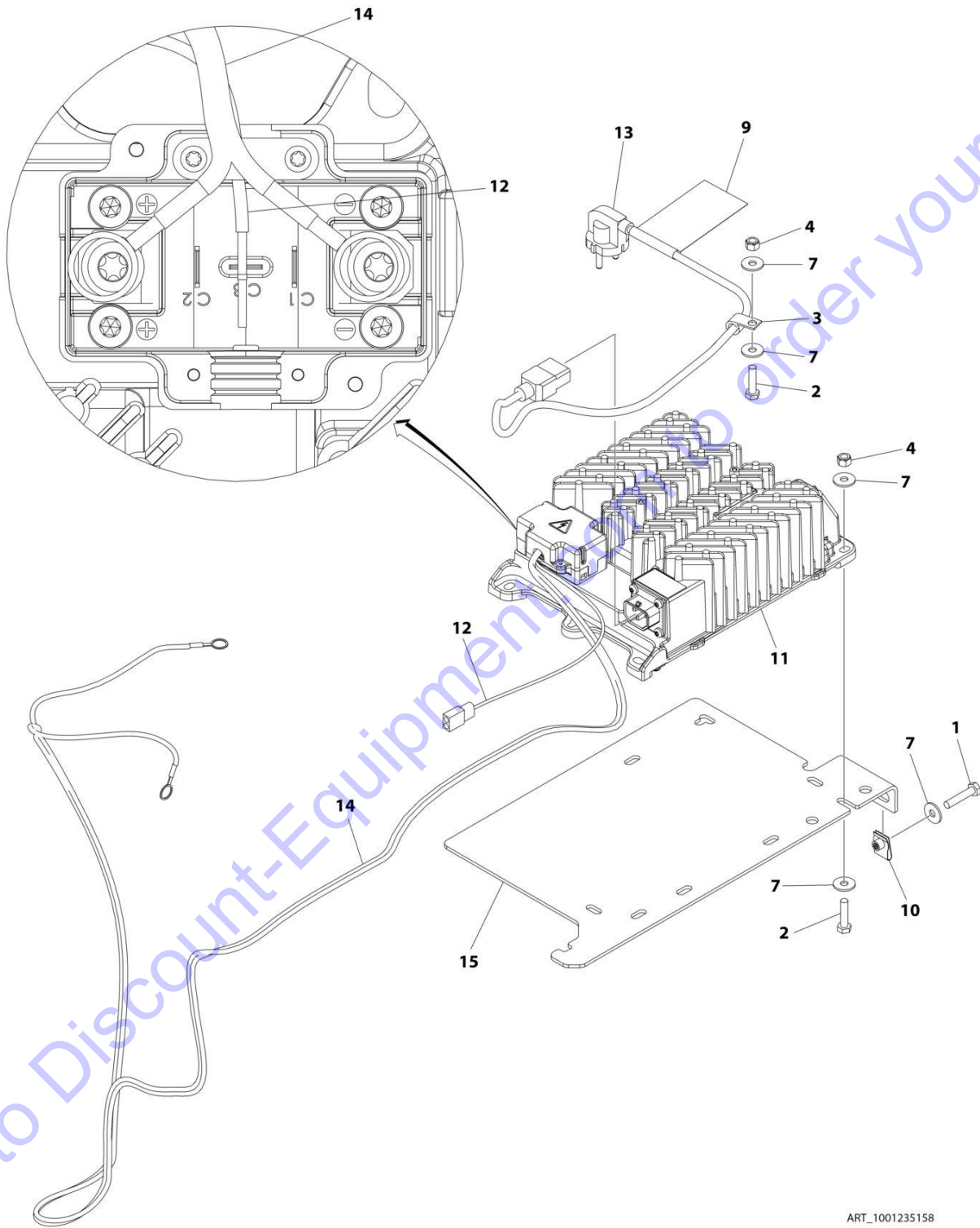
SECTION 1 - FRAME

**FIGURE 1-12. BATTERY CHARGER INSTALLATION - DELTA-Q (WITH COMMUNICATION PORT)
(AUSTRALIAN PLUG) (R1932)**

ITEM	PART NUMBER	QTY	DESCRIPTION	REV
	1001253648	Ref	BATTERY CHARGER INSTALLATION - DELTA-Q (AUSTRALIAN PLUG)	A
1	0700614	2	Bolt M6 x 30	
2	0700814	2	Bolt M8 x 30	
3	0760612	3	Bolt M6 x 25	
4	3290505	4	Nut M5	
5	3290605	3	Nut M6	
6	3290805	2	Nut M8	
7	3900381	4	Screw M5 x 16	
8	4240017	AR	Tie-Strap (Not Shown)	
9	4811702	8	Washer M6	
10	4811902	4	Washer M8	
11	4831600	4	Washer M5	
12	1001103471	1	Connector Strain Relief 90	
13	1001130220	2	Nut Tinnerman M6	
14	1001134280	1	Decal - Charger	
15	1001207009	1	Charger Interlock Harness	
15	4460424	1	Receptacle, Female - 2 Position	
15	4460227	2	Pin, Male	
16	1001207974	1	Cable, Charger AC Input	
17	1001227219	1	Ground Harness	
18	1001227267	1	Receptacle Australian - 230V	
19	1001235105	1	Charger DC Connection Harness	
20	1001236139	1	Bracket	
21	1001253952	1	Charger, Battery - Delta-Q	
22	1001254027	1	Can Splice Harness (Not Shown - See Separate Breakdown in ELECTRICAL SECTION)	
23	1001254028	1	Charger To Battery Harness (Not Shown - See Separate Breakdown in ELECTRICAL SECTION)	
24	1001256503	1	Bracket	

SECTION 1 - FRAME

FIGURE 1-13. BATTERY CHARGER INSTALLATION - DELTA-Q (WITHOUT COMMUNICATION PORT)
(KOREAN PLUG)



ART_1001235158

SECTION 1 - FRAME

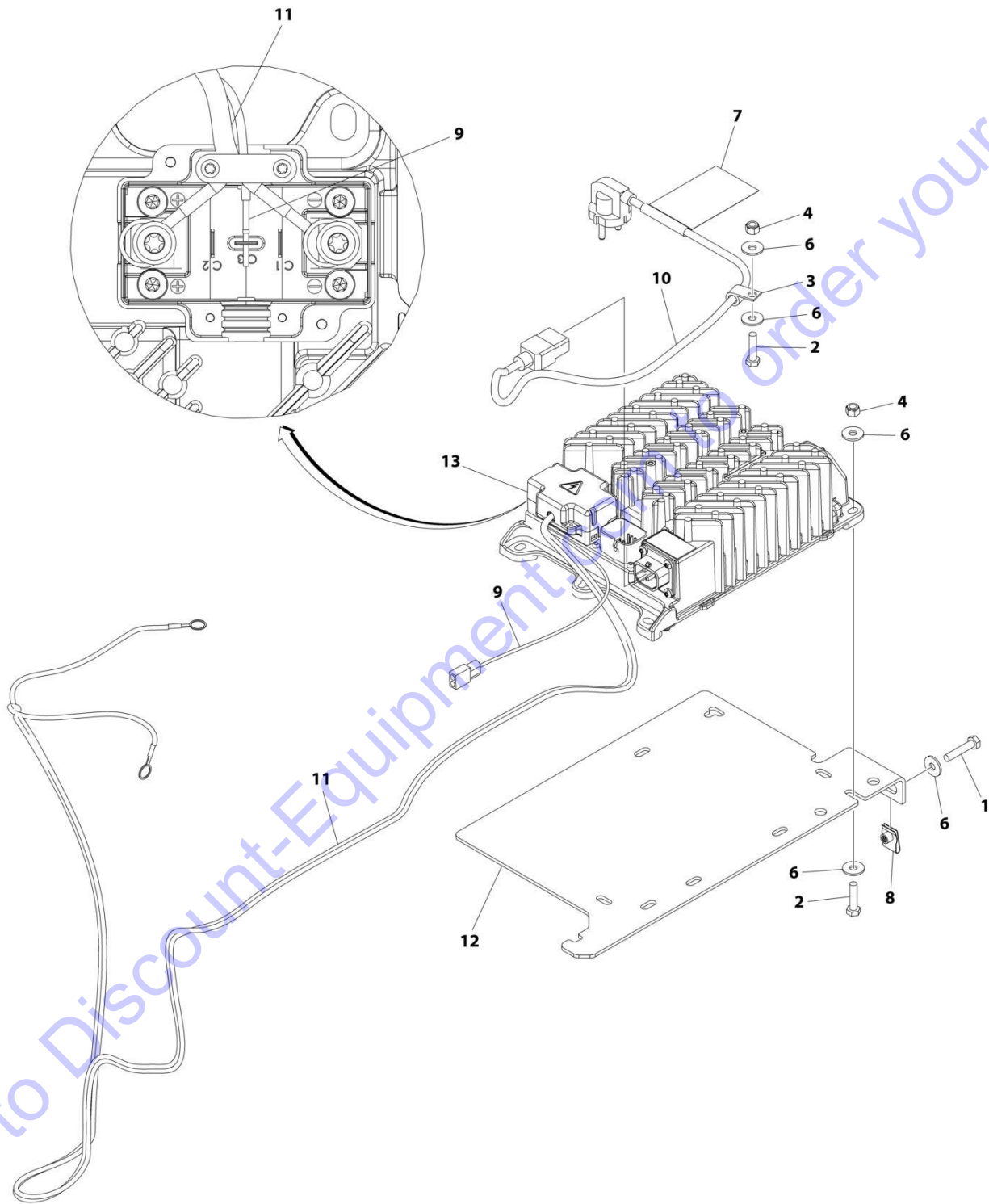
**FIGURE 1-13. BATTERY CHARGER INSTALLATION - DELTA-Q (WITHOUT COMMUNICATION PORT)
(KOREAN PLUG)**

ITEM	PART NUMBER	QTY	DESCRIPTION	REV
	1001235158	Ref	BATTERY CHARGER INSTALLATION - DELTA-Q (KOREAN PLUG)	C
1	0700614	2	Bolt M6 x 30	
2	0760612	3	Bolt M6 x 25	
3	1321293	1	Clamp	
4	3290605	3	Nut M6	
6	4240017	AR	Tie-Strap (Not Shown)	
7	4811702	8	Washer M6	
9	1001102489	1	Decal - Charger	
10	1001130220	2	Nut, Tinnerman M6	
11	1001200561	1	Charger, Battery - Delta-Q	
12	1001207009	1	Charger Interlock Harness	
12	4460424	1	Receptacle, Female - 2 Position	
12	4460227	2	Pin, Male	
13	1001221949	1	Cable, Charger AC Input (With Korean Plug)	
14	1001235105	1	Charger DC Connection Harness	
15	1001236139	1	Bracket	

Go to Discount-Equipment.com to order your parts

SECTION 1 - FRAME

FIGURE 1-14. BATTERY CHARGER INSTALLATION - DELTA-Q (WITH COMMUNICATION PORT) (KOREAN PLUG)



ART_1001253655

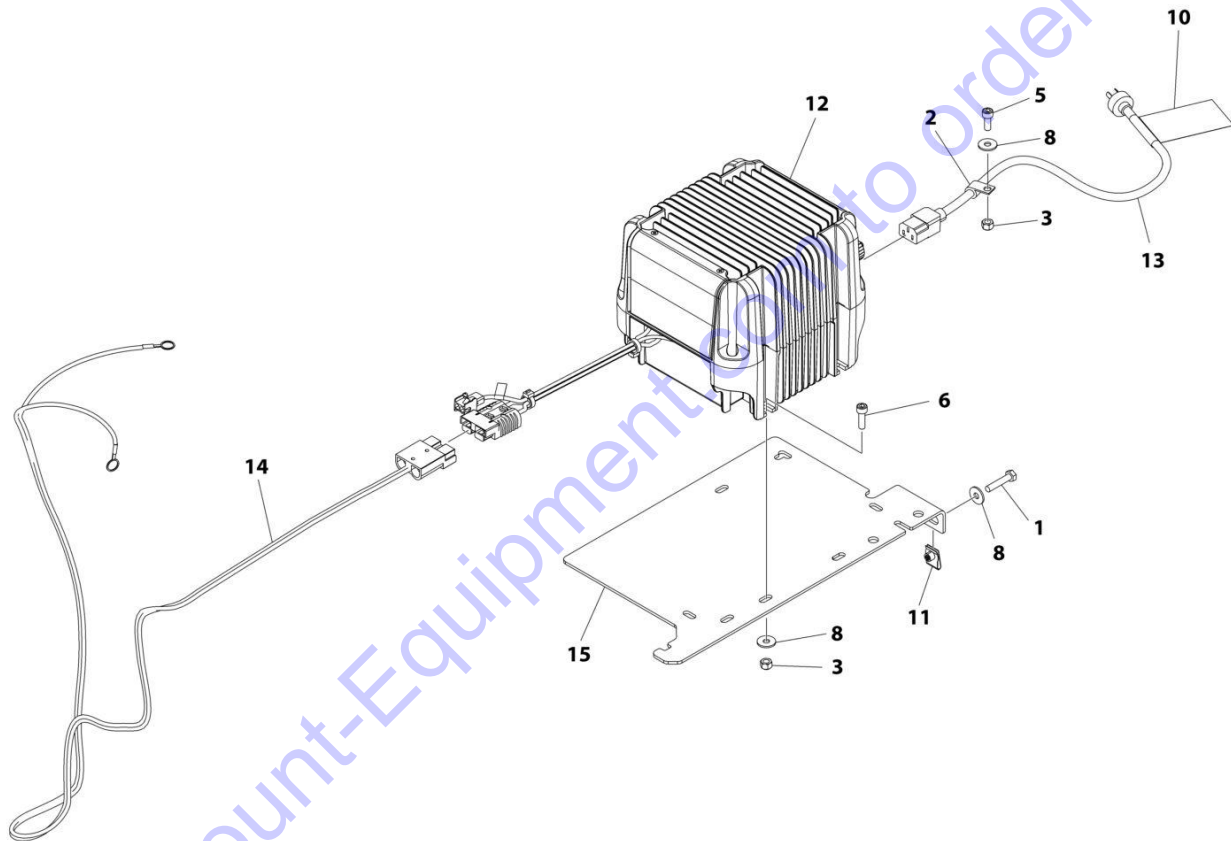
SECTION 1 - FRAME

**FIGURE 1-14. BATTERY CHARGER INSTALLATION - DELTA-Q (WITH COMMUNICATION PORT)
(KOREAN PLUG)**

ITEM	PART NUMBER	QTY	DESCRIPTION	REV
	1001253655	Ref	BATTERY CHARGER INSTALLATION - DELTA-Q (KOREAN PLUG)	A
1	0700614	2	Bolt M6 x 30	
2	0760612	3	Bolt M6 x 25	
3	1321293	1	Clamp	
4	3290605	3	Nut M6	
5	4240017	AR	Tie-Strap (Not Shown)	
6	4811702	8	Washer M6	
7	1001102489	1	Decal - Charger Label	
8	1001130220	2	Nut, Tinnerman M6	
9	1001207009	1	Charger Interlock Harness	
9	4460424	1	Receptacle, Female - 2 Position	
9	4460227	2	Pin, Male	
10	1001221949	1	Battery Charger to AC Connection Cable	
11	1001235105	1	Battery Charger to DC Connection Cable	
12	1001236139	1	Bracket	
13	1001253952	1	Charger, Battery - Delta-Q	
14	1001254027	1	Can Splice Harness (Not Shown - See Separate Breakdown in ELECTRICAL SECTION)	
15	1001254028	1	Charger to Battery Harness (Not Shown - See Separate Breakdown in ELECTRICAL SECTION)	

SECTION 1 - FRAME

FIGURE 1-15. BATTERY CHARGER INSTALLATION - GREEN POWER (CHINA PLUG) (CHINA BUILT MACHINES)



ART_1001235154

SECTION 1 - FRAME

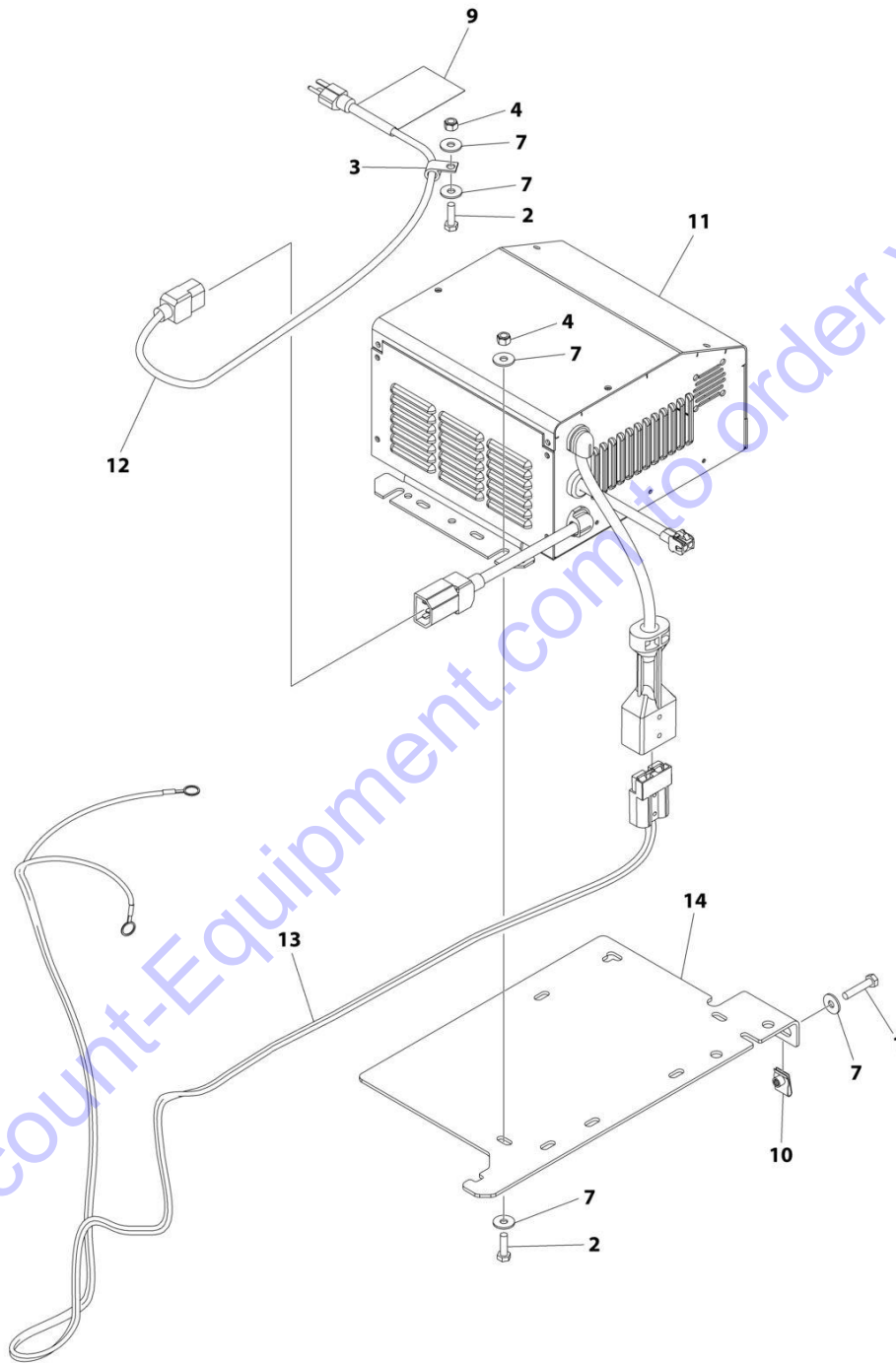
FIGURE 1-15. BATTERY CHARGER INSTALLATION - GREEN POWER (CHINA PLUG) (CHINA BUILT MACHINES)

ITEM	PART NUMBER	QTY	DESCRIPTION	REV
	1001235154	Ref	BATTERY CHARGER INSTALLATION - GREEN POWER (CHINA PLUG)	C
1	0700614	2	Bolt M6 x 30	
2	1321293	1	Clamp, Cable	
3	3290605	4	Nut, M6	
5	4031707	1	Capscrew M6 x 16	
6	4031708	3	Capscrew M6 x 20	
7	4240017	AR	Tie-Strap (Not Shown)	
8	4811702	6	Washer M6	
10	1001102489	1	Decal - Charger	
11	1001130220	2	Nut, Tinnerman M6	
12	1001205598	1	Charger, Battery Green Power	
13	1001207973	1	Cable, Charger AC Input	
14	1001235946	1	Charger DC Connection Harness	
15	1001236139	1	Bracket	

Go to Discount-Equipment.com to order your parts

SECTION 1 - FRAME

FIGURE 1-16. BATTERY CHARGER INSTALLATION - EAGLE PERFORMANCE (110V PLUG) (MEXICO BUILT MACHINES)



ART_1001235157

SECTION 1 - FRAME

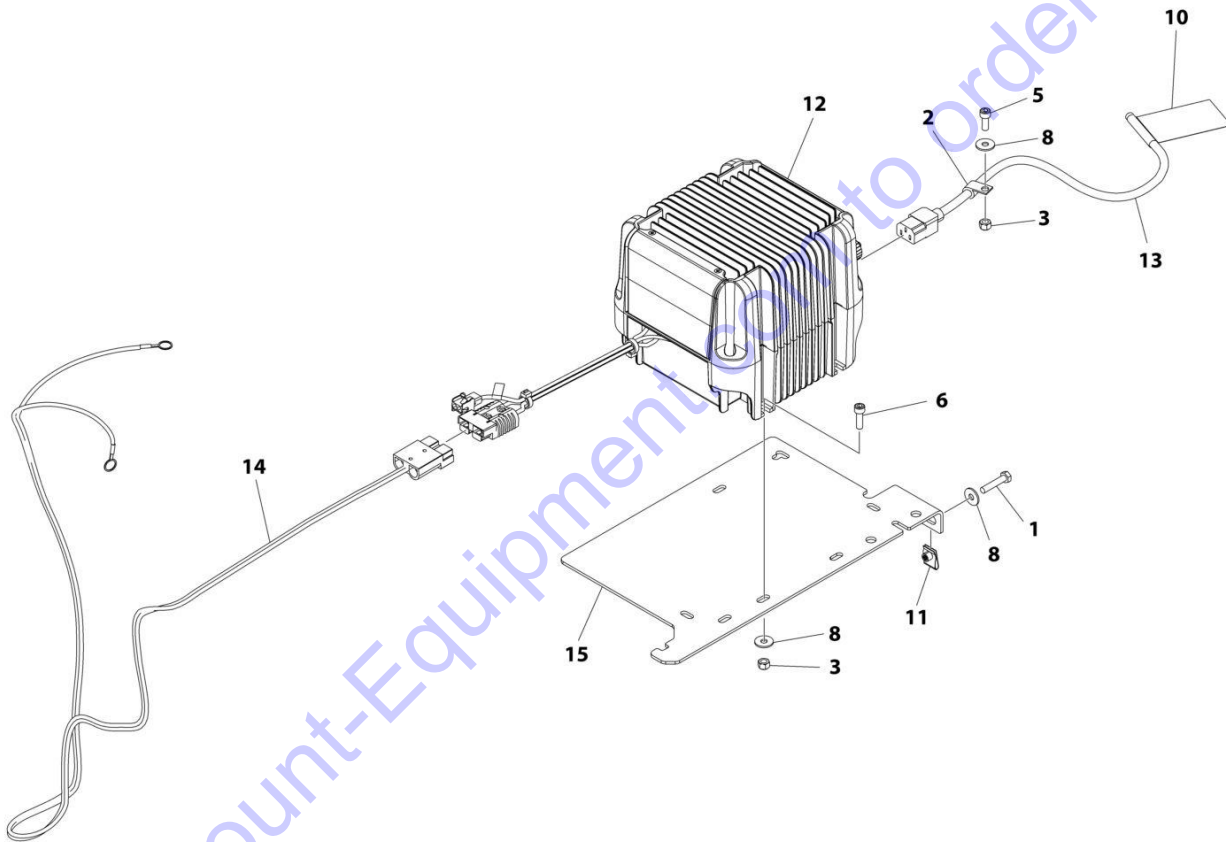
FIGURE 1-16. BATTERY CHARGER INSTALLATION - EAGLE PERFORMANCE (110V PLUG) (MEXICO BUILT MACHINES)

ITEM	PART NUMBER	QTY	DESCRIPTION	REV
	1001235157	Ref	BATTERY CHARGER INSTALLATION - EAGLE PERFORMANCE (110V PLUG)	C
1	0700614	2	Bolt M6 x 30	
2	0760610	3	Bolt M6 x 20	
3	1321293	1	Clamp	
4	3290605	3	Nut M6	
6	4240017	AR	Tie-Strap (Not Shown)	
7	4811702	8	Washer M6	
9	1001102489	1	Decal - Charger	
10	1001130220	2	Nut, Tinnerman M6	
11	1001206995	1	Charger, Battery - Eagle Performance	
12	1001207970	1	Cable, Charger AC Input	
13	1001235946	1	Charger DC Connection Harness	
14	1001236139	1	Bracket	

Go to Discount-Equipment.com to order your parts

SECTION 1 - FRAME

FIGURE 1-17. BATTERY CHARGER INSTALLATION - GREEN POWER (LOCALLY SUPPLIED PLUG)
(CHINA BUILT MACHINES)



ART_1001235156

SECTION 1 - FRAME

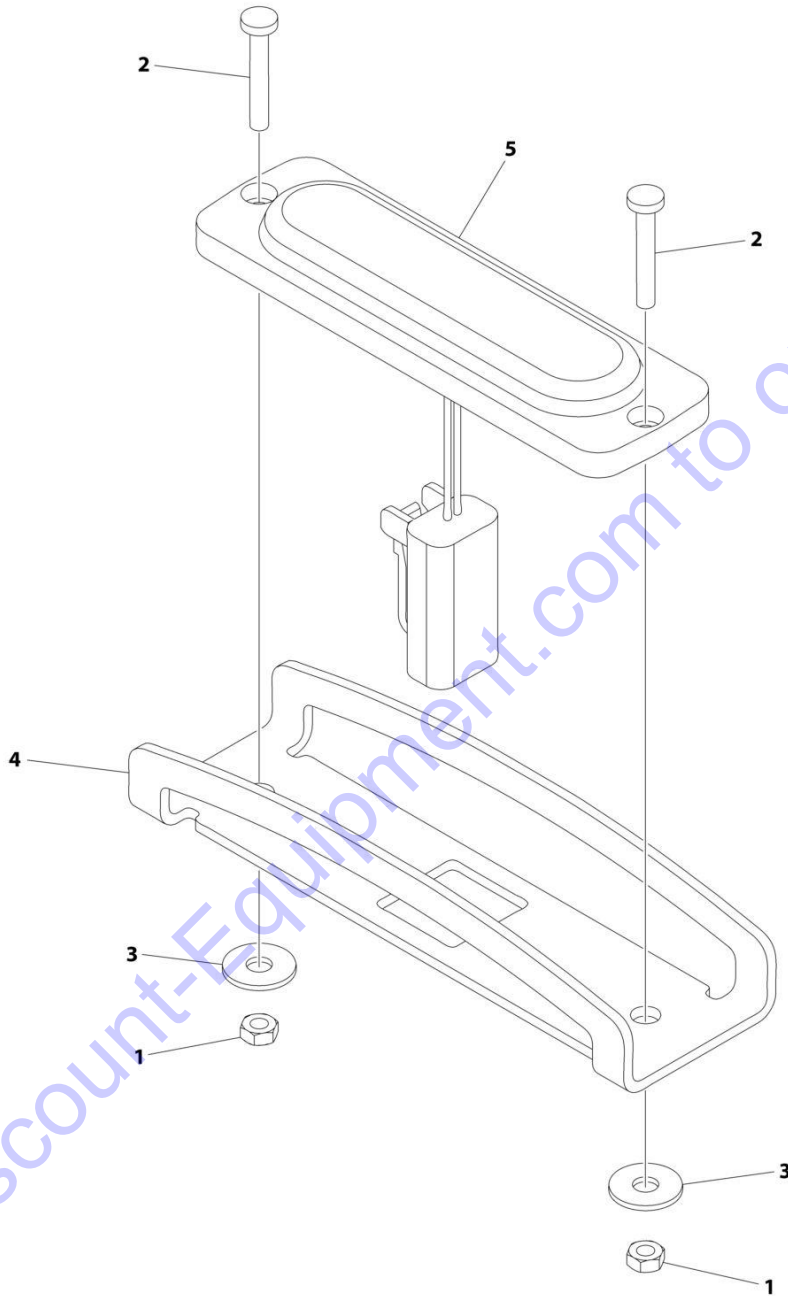
**FIGURE 1-17. BATTERY CHARGER INSTALLATION - GREEN POWER (LOCALLY SUPPLIED PLUG)
(CHINA BUILT MACHINES)**

ITEM	PART NUMBER	QTY	DESCRIPTION	REV
	1001235156	Ref	BATTERY CHARGER INSTALLATION - GREEN POWER (LOCALLY SUPPLIED PLUG)	C
1	0700614	2	Bolt M6 x 30	
2	1321293	1	Clamp, Cable	
3	3290605	4	Nut M6	
5	4031707	1	Capscrew M6 x 16	
6	4031708	3	Capscrew M6 x 20	
7	4240017	AR	Tie-Strap (Not Shown)	
8	4811702	6	Washer M6	
10	1001102489	1	Decal - Charger	
11	1001130220	2	Nut, Tinnerman M6	
12	1001205598	1	Charger, Battery Green Power	
13	1001207974	1	Cable, Charger AC Input	
14	1001235946	1	Charger DC Connection Harness	
15	1001236139	1	Bracket	

Go to Discount-Equipment.com to order your parts

SECTION 1 - FRAME

FIGURE 1-18. STROBE LIGHT INSTALLATION - SINGLE SANMAK BRAND (AMBER) (WITH GUARD)



ART_1001242697

SECTION 1 - FRAME

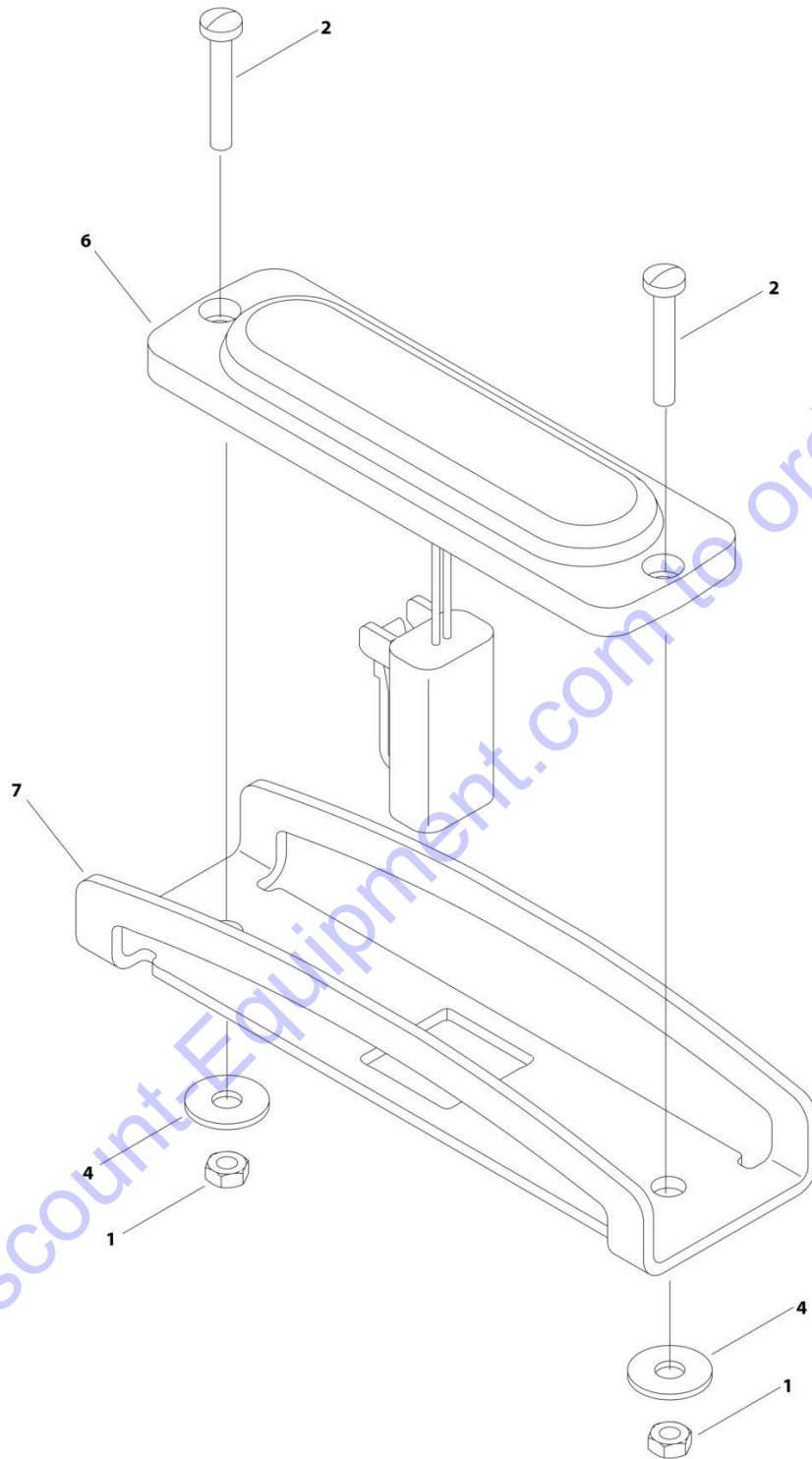
FIGURE 1-18. STROBE LIGHT INSTALLATION - SINGLE SANMAK BRAND (AMBER) (WITH GUARD)

ITEM	PART NUMBER	QTY	DESCRIPTION	REV
	1001242697	Ref	STROBE LIGHT INSTALLATION - SINGLE (AMBER) (WITH GUARD)	C
1	3290305	2	Nut M3	
2	4010310	2	Screw M3 x 20	
3	1001091102	2	Washer M4	
4	1001242539	1	Guard	
5	1001239224	1	Light, Strobe	
5	4460891	1	Plug, Male - 2 Position	
5	4460465	2	Socket, Female	

Go to Discount-Equipment.com to order your parts

SECTION 1 - FRAME

FIGURE 1-19. STROBE LIGHT INSTALLATION - DAUL SANMAK BRAND (AMBER) (WITH GUARD)



ART_1001247862

Go to DiscountEquipment.com to order your parts

SECTION 1 - FRAME

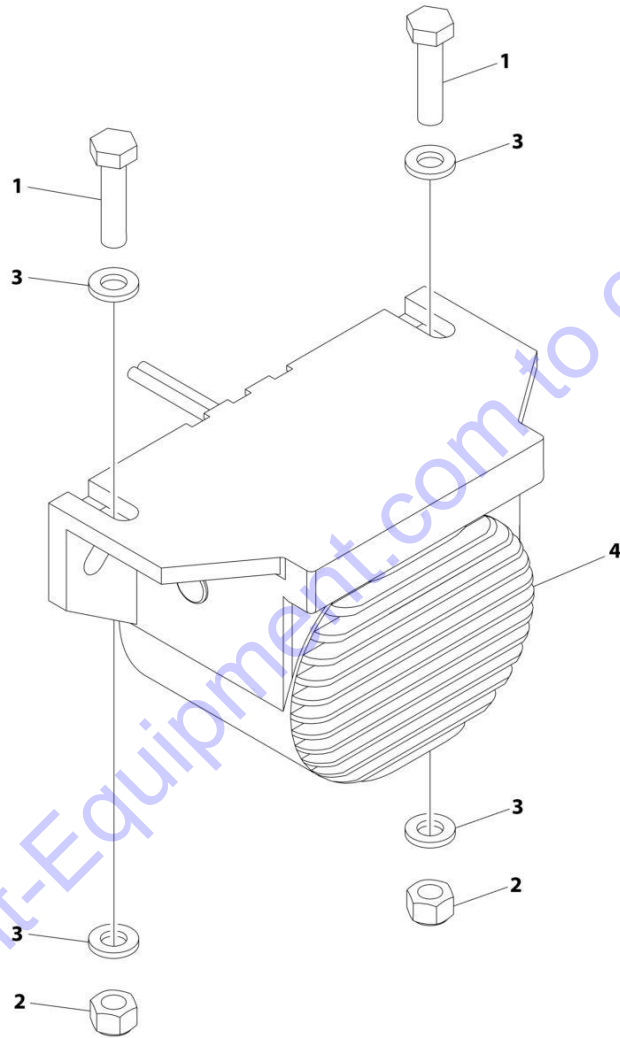
FIGURE 1-19. STROBE LIGHT INSTALLATION - DAUL SANMAK BRAND (AMBER) (WITH GUARD)

ITEM	PART NUMBER	QTY	DESCRIPTION	REV
	1001247862	Ref	STROBE LIGHT INSTALLATION - DUAL (AMBER) (WITH GUARD)	B
1	3290305	4	Nut M3	
2	4010310	4	Screw M3 x 20	
3	4240018	AR	Tie-Strap (Not Shown)	
4	1001091102	4	Washer M4	
5	1001201707	1	Strobe Light Jumper Harness (Not Shown)	
6	1001239224	1	Light, Strobe	
6	4460891	1	Plug, Male - 2 Position	
6	4460465	2	Socket, Female	
7	1001242539	1	Guard	

Go to Discount-Equipment.com to order your parts

SECTION 1 - FRAME

FIGURE 1-20. ALARM INSTALLATION (AMBIENT/WHITE NOISE) (OPTIONAL)



ART_1001204495

SECTION 1 - FRAME

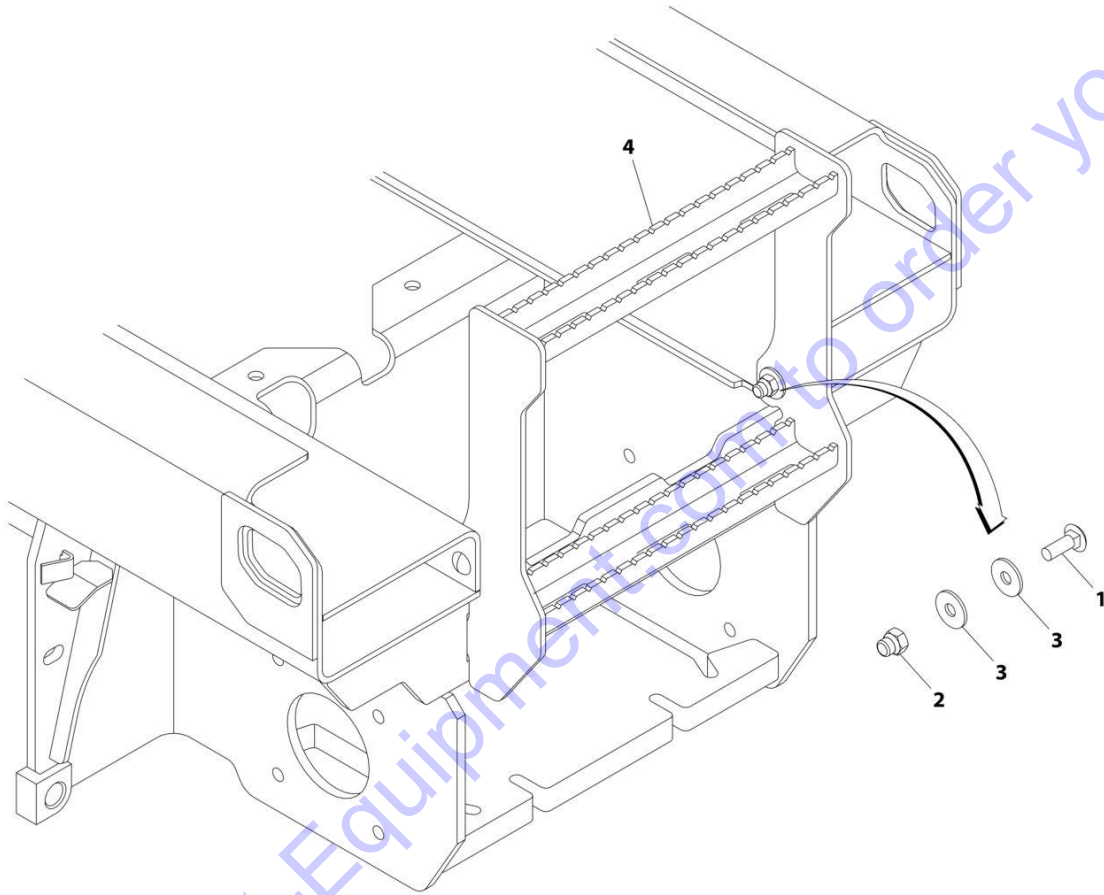
FIGURE 1-20. ALARM INSTALLATION (AMBIENT/WHITE NOISE) (OPTIONAL)

ITEM	PART NUMBER	QTY	DESCRIPTION	REV
	1001204495	Ref	ALARM INSTALLATION (AMBIENT/WHITE NOISE)	B
1	0760612	2	Bolt M6 x 25	
2	3290605	2	Nut M6	
3	4811700	4	Washer M6	
4	1001182806	1	Alarm	
4	4460897	1	Receptacle, Female - 2 Position	
4	4460464	2	Pin, Male	

Go to Discount-Equipment.com to order your parts

SECTION 1 - FRAME

FIGURE 1-21. LADDER INSTALLATION



ART_1001203453

Go to Discount-Equipment.com to order your parts

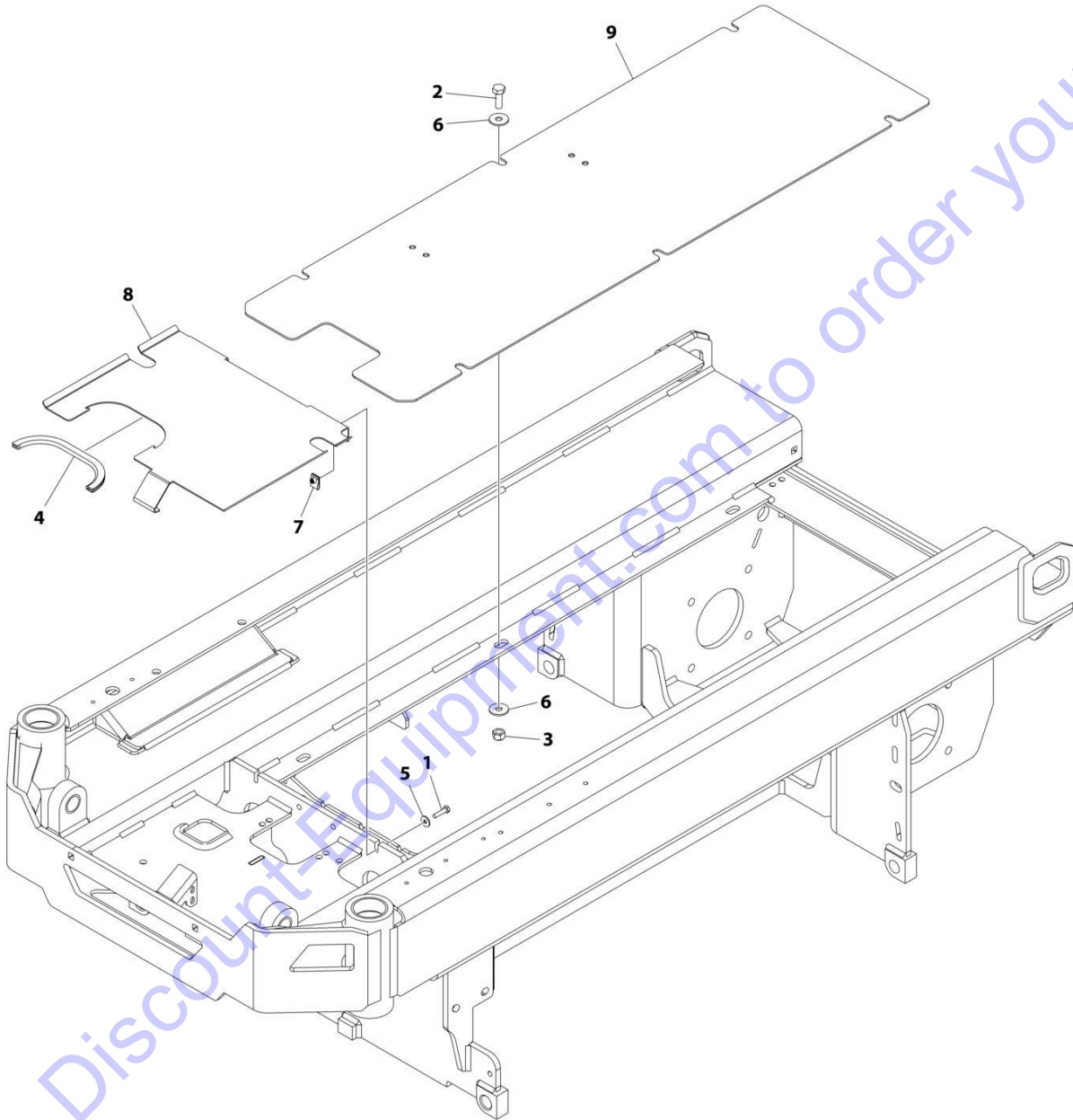
FIGURE 1-21. LADDER INSTALLATION

ITEM	PART NUMBER	QTY	DESCRIPTION	REV
	1001203453	Ref	LADDER INSTALLATION	C
1	0630613	2	Bolt M10 x 30	
2	3291006	2	Nut M10	
3	4812002	AR	Washer M10	
4	1001203457	1	Ladder	

Go to Discount-Equipment.com to order your parts

SECTION 1 - FRAME

FIGURE 1-22. FRAME COVERS INSTALLATION - FRONT AND REAR (R1532I/R1932I)



ART_1001253359

Go to DiscountEquipment.com to order your parts

SECTION 1 - FRAME

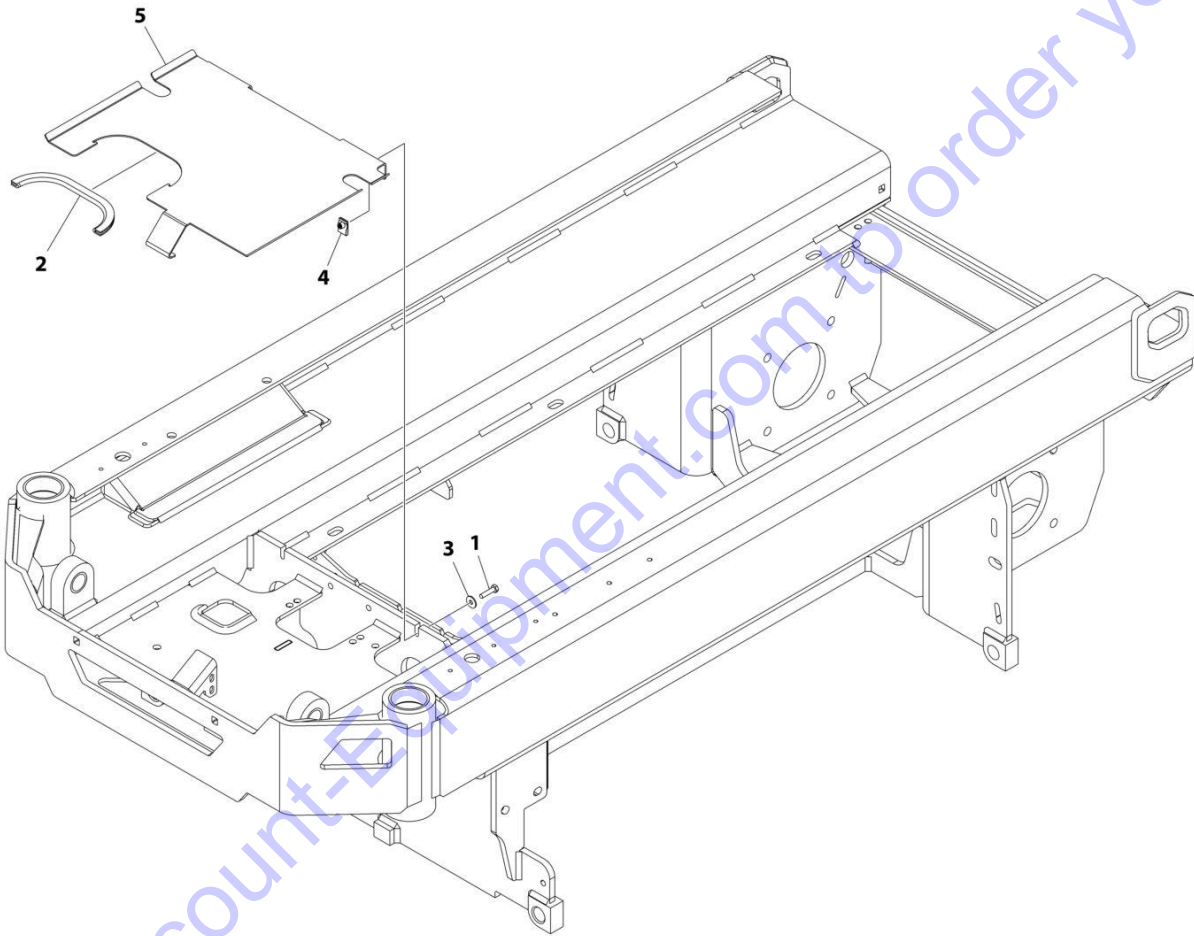
FIGURE 1-22. FRAME COVERS INSTALLATION - FRONT AND REAR (R1532I/R1932I)

ITEM	PART NUMBER	QTY	DESCRIPTION	REV
	1001253359	Ref	FRAME COVERS INSTALLATION	A
1	0700612	2	Bolt M6 x 25	
2	0701014	6	Bolt M10 x 30	
3	3291005	6	Nut M10	
4	4060803	12.99 in /33cm	Flex-Trim	
5	4811702	2	Washer M6	
6	4812002	12	Washer M10	
7	1001130220	2	Nut, Tinnerman M6	
8	1001227966	1	Cover	
9	1001253039	1	Cover	

Go to Discount-Equipment.com to order your parts

SECTION 1 - FRAME

FIGURE 1-23. FRAME COVERS INSTALLATION - FRONT (R1932)



ART_1001250431

SECTION 1 - FRAME

FIGURE 1-23. FRAME COVERS INSTALLATION - FRONT (R1932)

ITEM	PART NUMBER	QTY	DESCRIPTION	REV
	1001250431	Ref	FRAME COVERS INSTALLATION	A
1	0700612	2	Bolt M6 x 25	
2	4060803	12.99 in /33cm	Flex-Trim	
3	4811702	2	Washer M6	
4	1001130220	2	Nut, Tinnerman M6	
5	1001227966	1	Cover	

Go to Discount-Equipment.com to order your parts

PARTS FINDER

**Search Website
by Part Number**



**Search Manual
Library For Parts
Manual & Lookup Part
Numbers – Purchase
or Request Quote**

Search Manuals

Enter your information to help us find the right parts manual for your machine.

* Brand:

* Model:

* Serial:

* Part Number:

SEARCH

**Can't Find Part or
Manual? Request Help
by Manufacturer,
Model & Description**

Parts Order Form

Please fill in the following information to help us find the right part for your machine.

MANUFACTURER:

MODEL:

DESCRIPTION:

DATE:

NAME:

PHONE:

EMAIL:

ADDRESS:

CITY:

STATE:

ZIP:

REQUEST QUOTE

Discount-Equipment.com is your online resource for quality parts & equipment.

Florida: **561-964-4949** Outside Florida TOLL FREE: **877-690-3101**

Need parts?

Click on this link: <http://www.discount-equipment.com/category/5443-parts/> and choose one of the options to help get the right parts and equipment you are looking for. Please have the machine model and serial number available in order to help us get you the correct parts. If you don't find the part on the website or on one of the online manuals, please fill out the request form and one of our experienced staff members will get back to you with a quote for the right part that your machine needs.

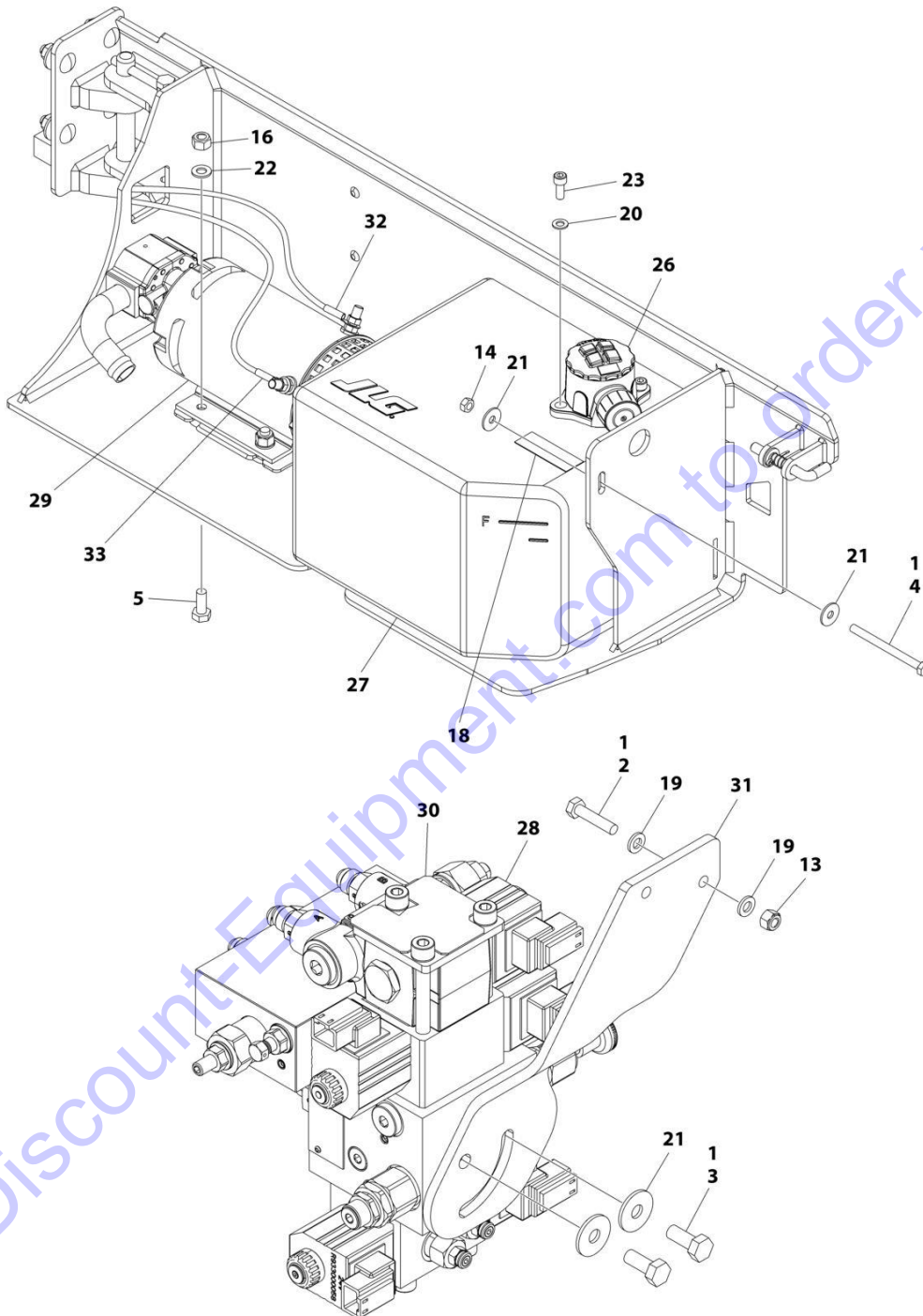
We sell worldwide for the brands: Genie, Terex, JLG, MultiQuip, Mikasa, Essick, Whiteman, Mayco, Toro Stone, Diamond Products, Generac Magnum, Airman, Haulotte, Barreto, Power Blanket, Nifty Lift, Atlas Copco, Chicago Pneumatic, Allmand, Miller Curber, Skyjack, Lull, Skytrak, Tsurumi, Husquvarna Target, Stow, Wacker, Sakai, Mi-T-M, Sullair, Basic, Dynapac, MBW, Weber, Bartell, Bennar Newman, Haulotte, Ditch Runner, Menegotti, Morrison, Contec, Buddy, Crown, Edco, Wyco, Bomag, Laymor, EZ Trench, Bil-Jax, F.S. Curtis, Gehl Pavers, Heli, Honda, ICS/PowerGrit, IHI, Partner, Imer, Clipper, MMD, Koshin, Rice, CH&E, General Equipment, Amida, Coleman, NAC, Gradall, Square Shooter, Kent, Stanley, Tamco, Toku, Hatz, Kohler, Robin, Wisconsin, Northrock, Oztec, Toker TK, Rol-Air, APT, Wylie, Ingersoll Rand / Doosan, Innovatech, Con X, Ammann, Mecalac, Makinex, Smith Surface Prep, Small Line, Wanco, Yanmar

SECTION 2 - GROUND CONTROLS

Go to Discount-Equipment.com to order your parts

SECTION 2 - GROUND CONTROLS

FIGURE 2-1. HYDRAULIC COMPONENTS INSTALLATION



ART_1001253358_10F2

SECTION 2 - GROUND CONTROLS

FIGURE 2-1. HYDRAULIC COMPONENTS INSTALLATION

ITEM	PART NUMBER	QTY	DESCRIPTION	REV
	1001253358	Ref	HYDRAULIC COMPONENTS INSTALLATION	B
1	0100011	AR	Compound, Locking	
2	0760613	2	Bolt M6 x 28	
3	0760810	2	Bolt M8 x 20	
4	0760827	1	Bolt M8 x 100	
5	0761012	2	Bolt M10 x 25	
13	3290605	2	Nut M6	
14	3290801	1	Nut M8	
16	3291005	2	Nut M10	
18	4420062	AR	Tape	
19	4811700	4	Washer M6	
20	4811900	2	Washer M8	
21	4811902	4	Washer M8	
22	4812000	2	Washer M10	
23	5271808	2	Capscrew M8 x 20	
26	1001202851	1	Filter, Hydraulic	
26	70005423	1	Filter Element Kit (Includes Element, Cap O-Ring and Bowl O-Ring)	
27	1001203450	1	Tank, Hydraulic	
28	1001204174	1	Valve Assembly (See Separate Breakdown in this Section)	
29	1001204719	1	Motor/Pump Assembly	
29	70005815	1	Replacement Motor	
29	70005817	1	Replacement Pump	
29	70005816	1	Seal and Mounting Kit (Includes Shaft Seal, Retaining Ring, Gasket and Pump Mounting Hardware)	
30	1001212294	1	Decal - Valve Rotate	
31	1001253038	1	Bracket	
32	1001254173	1	Cable, Pump (-)	
33	1001254174	1	Cable, Pump (+)	

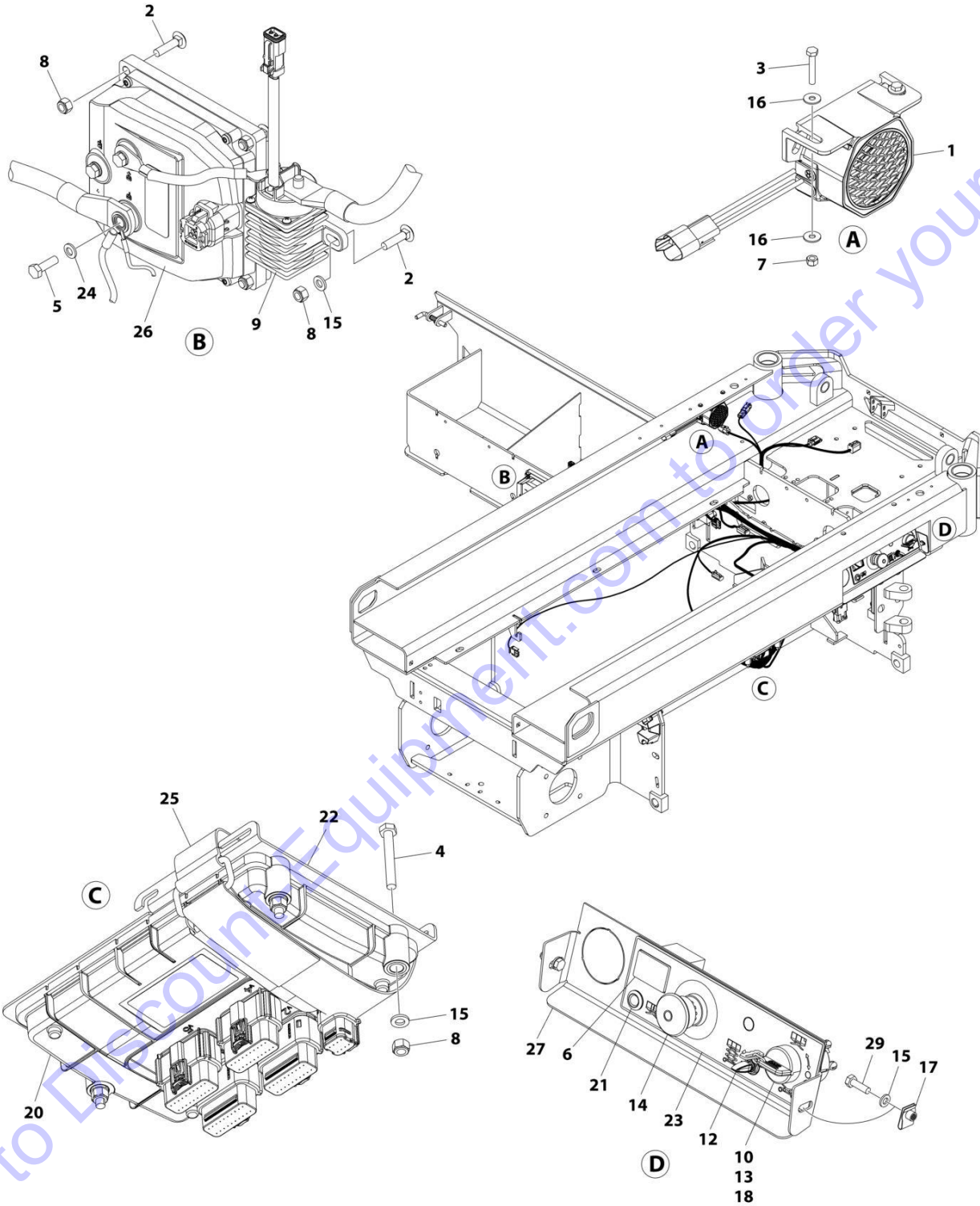
SECTION 2 - GROUND CONTROLS

FIGURE 2-2. VALVE ASSEMBLY

ITEM	PART NUMBER	QTY	DESCRIPTION	REV
	1001204174	Ref	VALVE ASSEMBLY	E
1	70005891	1	Assembly Kit (Includes Assembly Hardware and Seals Between Valve Blocks)	
2	70005892	1	Valve Assembly Less Coils (Steer)	
3	70021209	5	Coil Retainer Kit	
4	70005893	5	Coil	
5	2220415	2	Fitting, Straight	
6	70005895	2	Valve, Cartridge (Steer)	
7	See Note	NSS	Block, Valve (Entry Valve) (Note: Use p/n 1001204174)	
8	70005896	1	Valve, Cartridge	
9	2221086	1	Fitting, Hydraulic Test	
10	70005898	1	Valve, Cartridge	
11	70005899	1	Valve, Cartridge	
12	70005900	1	Valve, Cartridge	
13	2220374	2	Fitting, Straight JIC/ORB	
14	2220582	1	Fitting, Straight JIC/ORB	
15	70005903	1	Valve Assembly Less Coils (Lower Drive Valve)	
16	70005904	1	Seal Kit	
17	70005905	1	Valve Assembly (Upper Drive Valve)	
17A	See Note	NSS	Valve, Cartridge (Note: Use p/n 70005905)	
17B	See Note	NSS	Valve, Cartridge (Note: Use p/n 70005905)	
18	2220372	2	Fitting, Straight JIC/ORB	
19	70005907	1	Hardware Kit - Valve Mounting	
20	70005908	1	Valve Assembly Less Coil (Lift)	
21	70005909	1	Valve, Cartridge	
22	2220371	2	Fitting, Straight JIC/ORB	
23	70005911	1	Plate, End	
24	70005912	1	Plug	
25	70005913	2	Plug	
26	70005914	1	Valve, Cartridge	

SECTION 2 - GROUND CONTROLS

FIGURE 2-3. ELECTRICAL COMPONENTS INSTALLATION



ART_1001254444

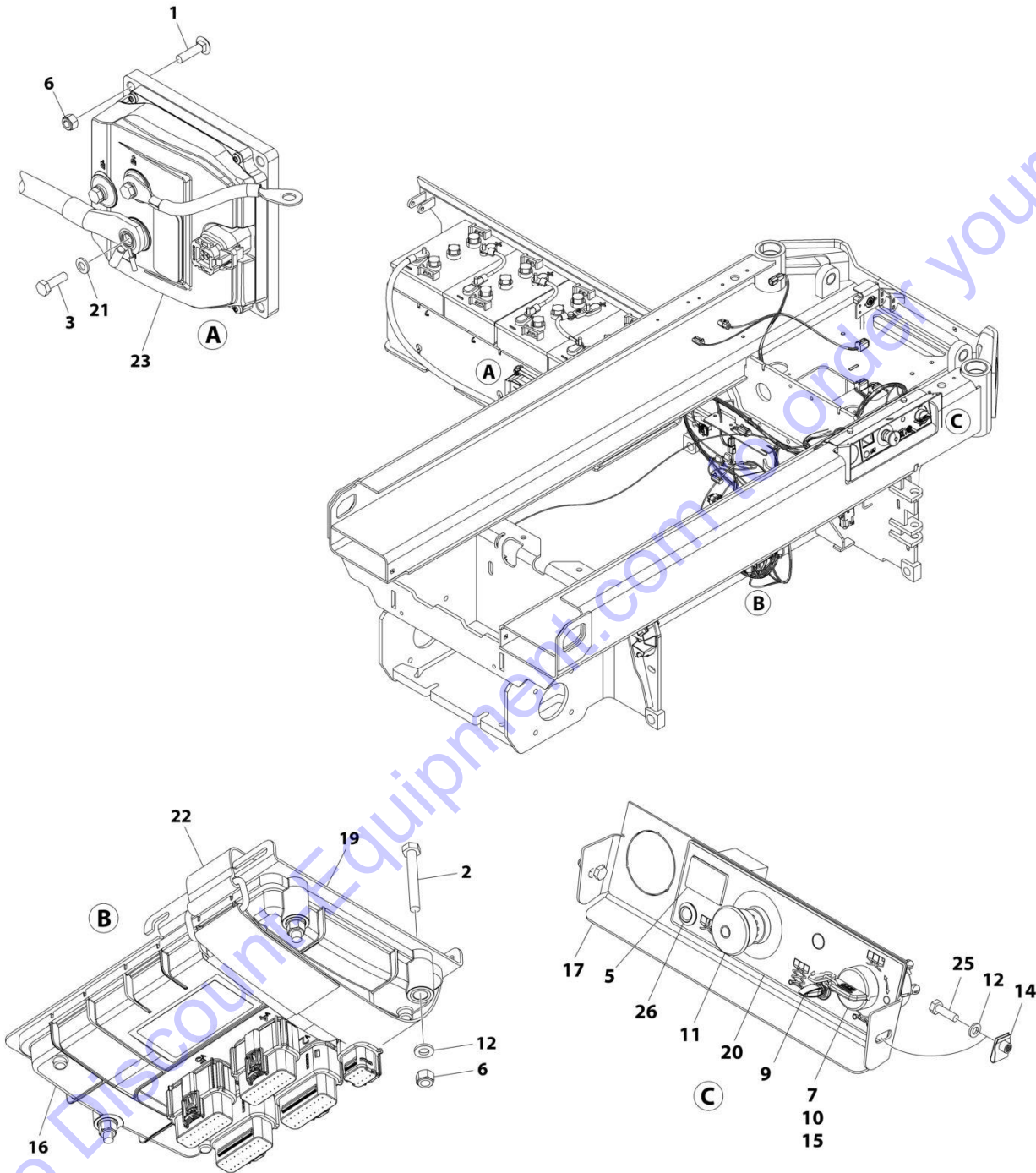
SECTION 2 - GROUND CONTROLS

FIGURE 2-3. ELECTRICAL COMPONENTS INSTALLATION

ITEM	PART NUMBER	QTY	DESCRIPTION	REV
	1001254444	Ref	ELECTRICAL COMPONENTS INSTALLATION	B
1	0140043	1	Alarm	
2	0630587	4	Bolt M6 x 25	
3	0700412	2	Bolt M4 x 25	
4	0700617	3	Bolt M6 x 45	
5	0760610	3	Bolt M6 x 20	
6	2420172	1	Hourmeter	
7	3290405	2	Nut M4	
8	3290605	7	Nut M6	
9	3740150	1	Relay	
10	3910804	3	Screw #8 x 1/4	
11	4240017	AR	Tie-Strap (Not Shown)	
12	4360328	1	Switch, Toggle	
13	4360469	1	Switch, Key	
13	2860030	1 Set	Key, Replacement	
14	4360475	1	Switch, Emergency Stop	
14	7020175	1	Cap	
14	7020176	1	Block, Contact	
15	4811700	7	Washer M6	
16	1001091102	4	Washer M4	
17	1001130220	2	Nut, Tinnerman M6	
18	1001130590	1	Plate, Key Switch	
19	1001187781	1	Tie-Strap (Not Shown)	
20	1001200629	1	Module, Control (Note: Re-calibration Required when Replaced)	
21	1001200631	1	Lamp	
22	1001207494	1	Bracket	
23	1001209682	1	Decal - Ground Control	
24	1001210966	3	Washer	
25	1001215762	1	Strap, Cinch	
26	1001216062	1	Module, Power (Note: Re-calibration Required when Replaced)	
27	1001235559	1	Support	
28	1001254114	1	Chassis Harness (Not Shown - See Separate Breakdown in ELECTRICAL SECTION)	
29	0760608	2	Bolt M6 x 16	

SECTION 2 - GROUND CONTROLS

FIGURE 2-4. ELECTRICAL COMPONENTS INSTALLATION - #1 (EUROPEAN BUILT MACHINES)



ART_1001253871

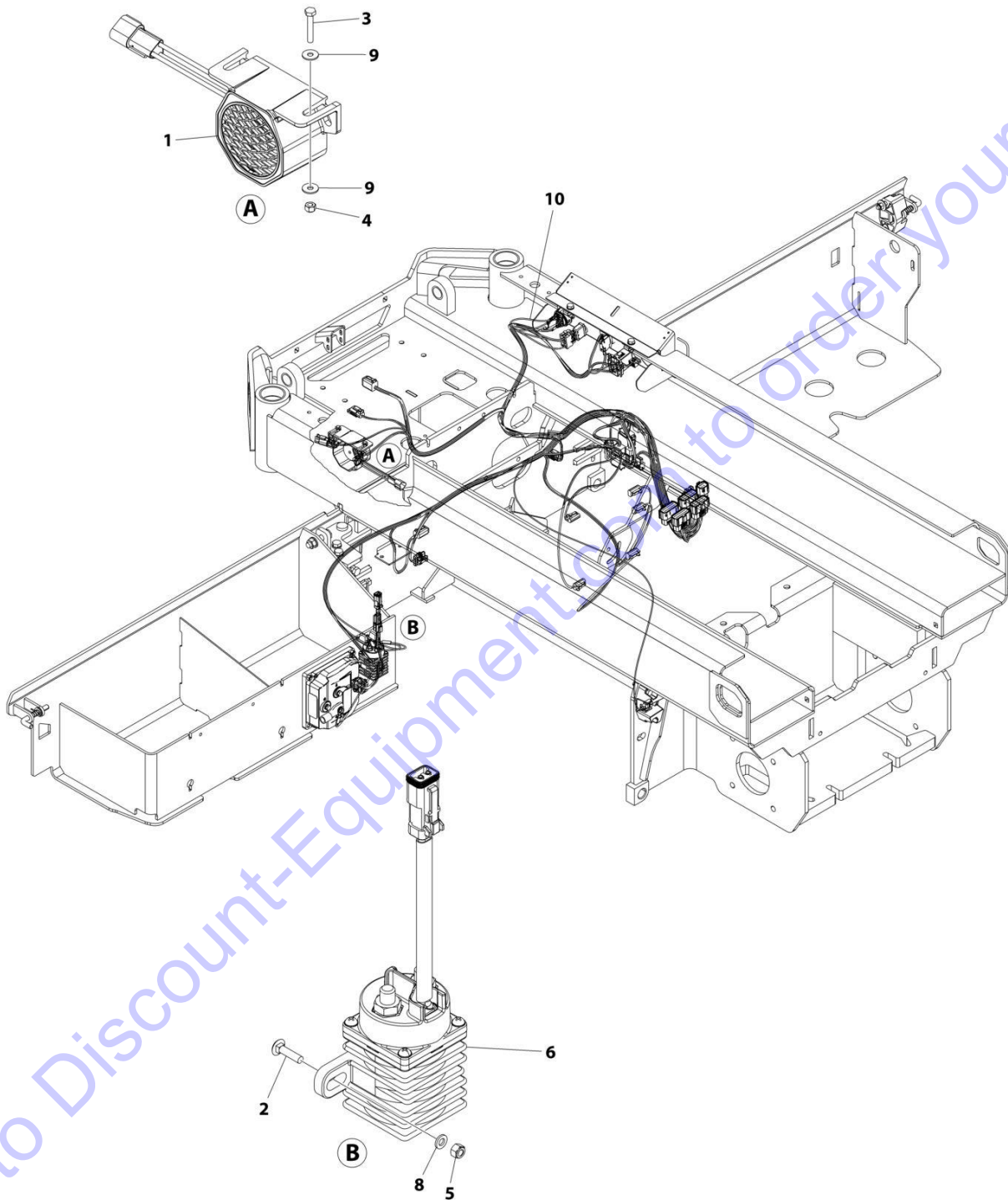
SECTION 2 - GROUND CONTROLS

FIGURE 2-4. ELECTRICAL COMPONENTS INSTALLATION - #1 (EUROPEAN BUILT MACHINES)

ITEM	PART NUMBER	QTY	DESCRIPTION	REV
	1001253871	Ref	ELECTRICAL COMPONENTS INSTALLATION	B
1	0630587	4	Bolt M6 x 25	
2	0700617	3	Bolt M6 x 45	
3	0760610	3	Bolt M6 x 20	
5	2420172	1	Hourmeter	
6	3290605	5	Nut M6	
7	3910804	3	Screw #8 x 1/4	
8	4240017	AR	Tie-Strap (Not Shown)	
9	4360328	1	Switch, Toggle	
10	4360469	1	Switch, Key	
10	2860030	1 Set	Key, Replacement	
11	4360475	1	Switch, Emergency Stop	
11	7020175	1	Cap	
11	7020176	1	Block, Contact	
12	4811700	5	Washer M6	
14	1001130220	2	Nut, Tinnerman M6	
15	1001130590	1	Plate, Key Switch	
16	1001200629	1	Module, Control (Note: Re-calibration Required when Replaced)	
17	1001235559	1	Support	
19	1001207494	1	Bracket	
20	1001209682	1	Decal - Ground Control	
21	1001210966	3	Washer	
22	1001215762	1	Strap, Cinch	
23	1001216062	1	Module, Power (Note: Re-calibration Required when Replaced)	
25	0760608	2	Bolt M6 x 16	
26	1001200631	1	Lamp	

SECTION 2 - GROUND CONTROLS

FIGURE 2-5. ELECTRICAL COMPONENTS INSTALLATION - #2 (EUROPEAN BUILT MACHINES)



ART_1001253730

SECTION 2 - GROUND CONTROLS

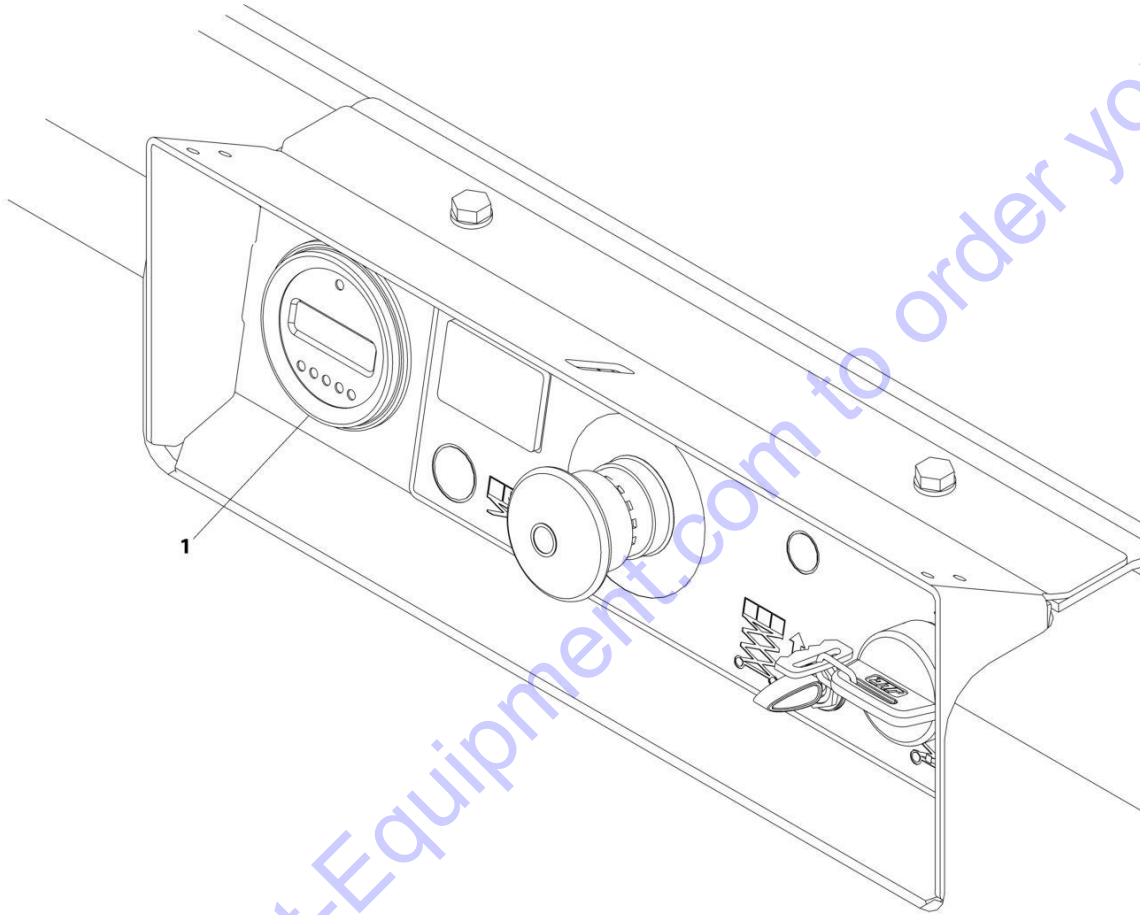
FIGURE 2-5. ELECTRICAL COMPONENTS INSTALLATION - #2 (EUROPEAN BUILT MACHINES)

ITEM	PART NUMBER	QTY	DESCRIPTION	REV
	1001253730	Ref	ELECTRICAL COMPONENTS INSTALLATION	B
1	0140043	1	Alarm	
2	0630587	2	Bolt M6 x 25	
3	0700412	2	Bolt M4 x 25	
4	3290405	2	Nut M4	
5	3290605	2	Nut M6	
6	3740150	1	Relay	
7	4240017	AR	Tie-Strap (Not Shown)	
8	4811700	2	Washer M6	
9	1001091102	4	Washer M4	
10	1001254114	1	Chassis Harness (See Separate Breakdown in ELECTRICAL SECTION)	

Go to Discount-Equipment.com to order your parts

SECTION 2 - GROUND CONTROLS

FIGURE 2-6. MDI INSTALLATION



ART_1001207293

Go to Discount-Equipment.com to order your parts

SECTION 2 - GROUND CONTROLS

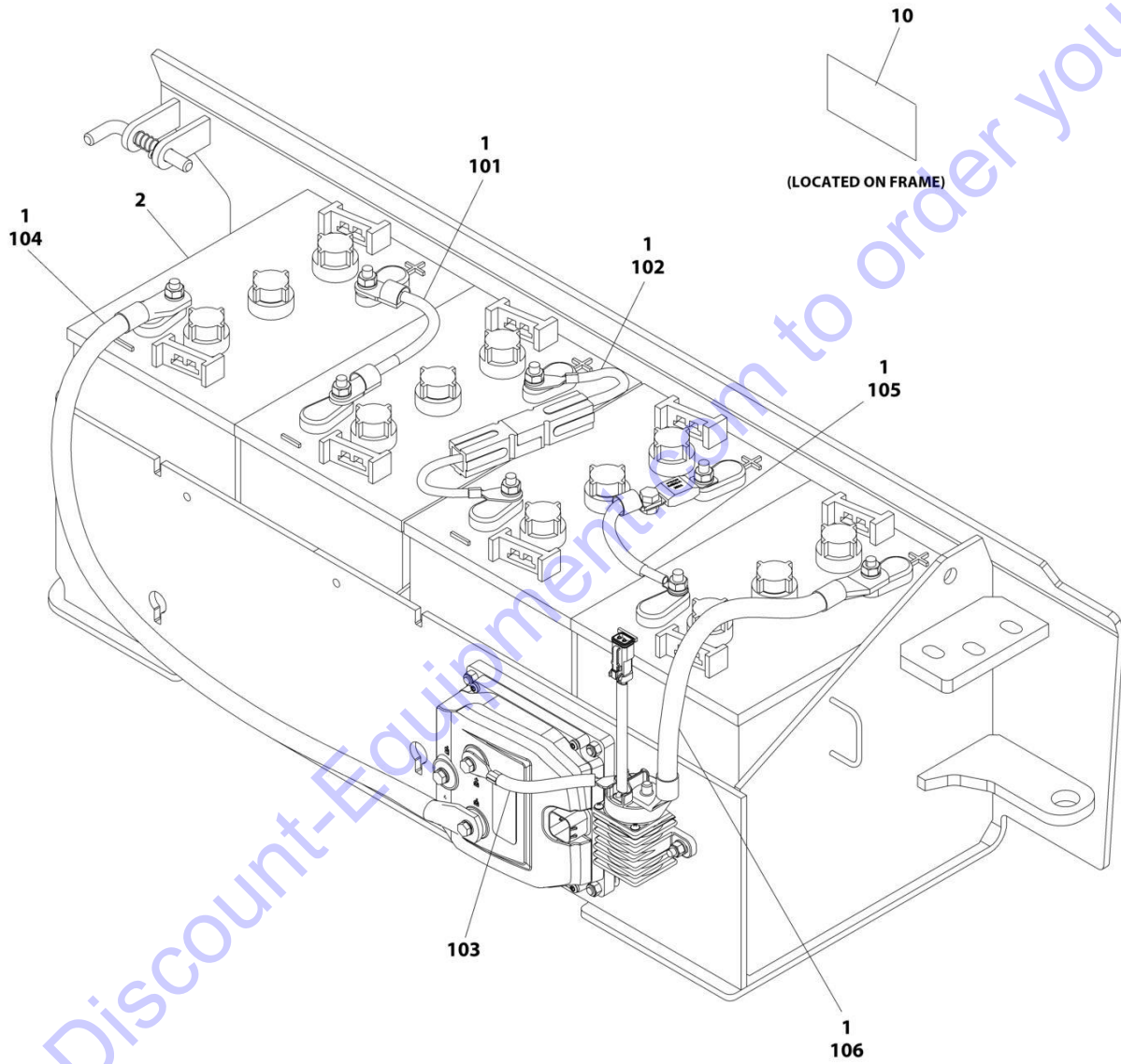
FIGURE 2-6. MDI INSTALLATION

ITEM	PART NUMBER	QTY	DESCRIPTION	REV
1	1001207293	Ref	MDI INSTALLATION	B
	1001200632	1	Gauge, MDI	

Go to Discount-Equipment.com to order your parts

SECTION 2 - GROUND CONTROLS

FIGURE 2-7. BATTERIES INSTALLATION - STANDARD BATTERIES WITH DISCONNECT



ART_1001208057_F

SECTION 2 - GROUND CONTROLS

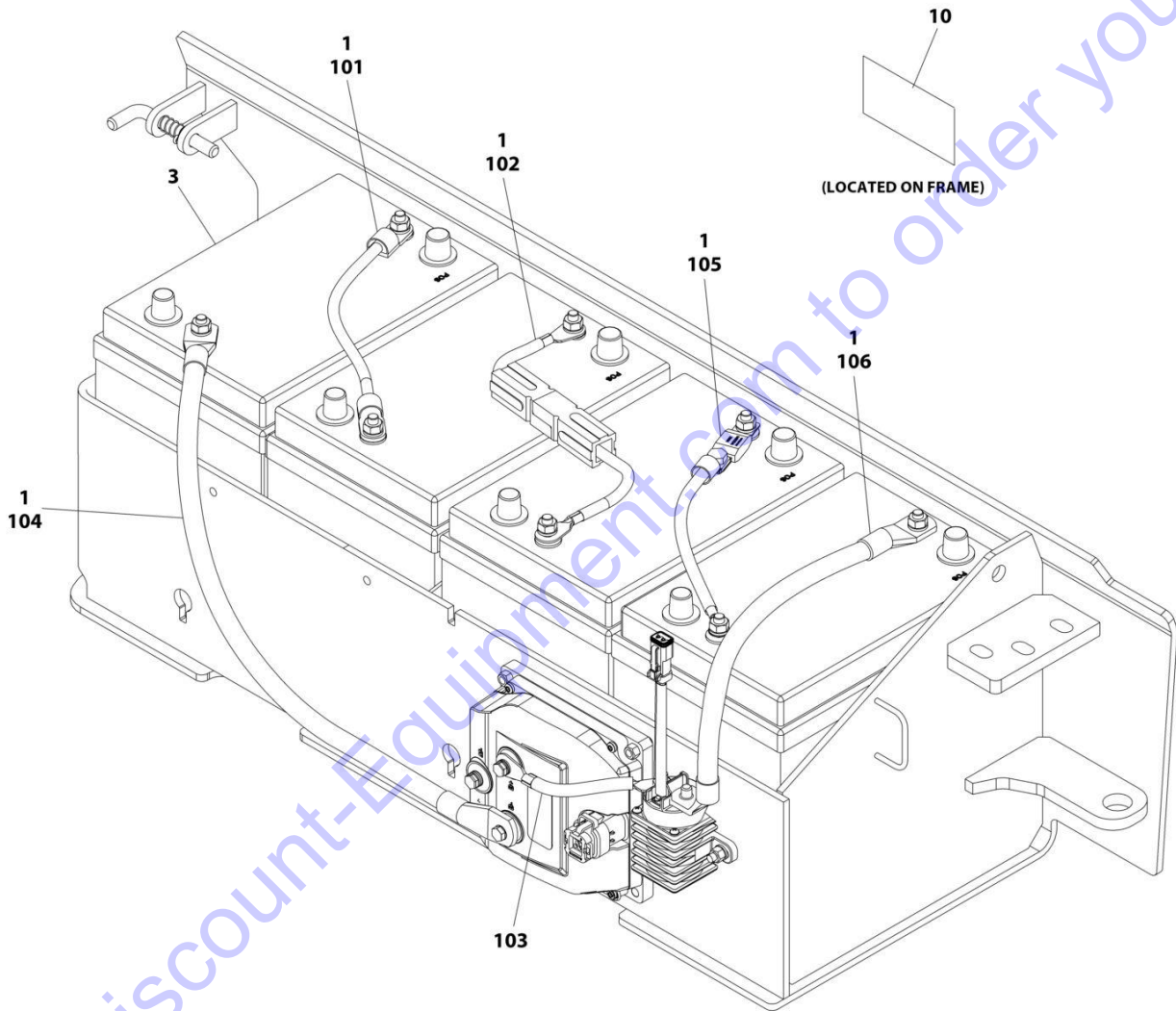
FIGURE 2-7. BATTERIES INSTALLATION - STANDARD BATTERIES WITH DISCONNECT

ITEM	PART NUMBER	QTY	DESCRIPTION	REV
	1001208057	Ref	BATTERIES INSTALLATION - STANDARD BATTERIES WITH DISCONNECT	F
1	0100051	AR	Grease, Terminal	
2	1001216180	4	Battery	
9	4240017	AR	Tie-Strap (Not Shown)	
10	1702155	1	Decal - Battery Disconnect	
100	1001228123	1	Battery Cable Kit (Not Shown)	A
101	1060998	2	Cable, Positive to Negative	
102	4923328	1	Cable, Positive to Negative	
103	1001201708	1	Cable, Contactor to Pump Control B+	
104	1001201711	1	Cable, Battery Negative to Pump Control B-	
105	1001210401	1	Cable, Battery Fuse	
106	1001229110	1	Cable, Battery Positive to Contactor	

Go to Discount-Equipment.com to order your parts

SECTION 2 - GROUND CONTROLS

FIGURE 2-8. BATTERIES INSTALLATION - AGM BATTERIES WITH DISCONNECT (MEXICO BUILT MACHINES)



ART_1001208058_F

SECTION 2 - GROUND CONTROLS

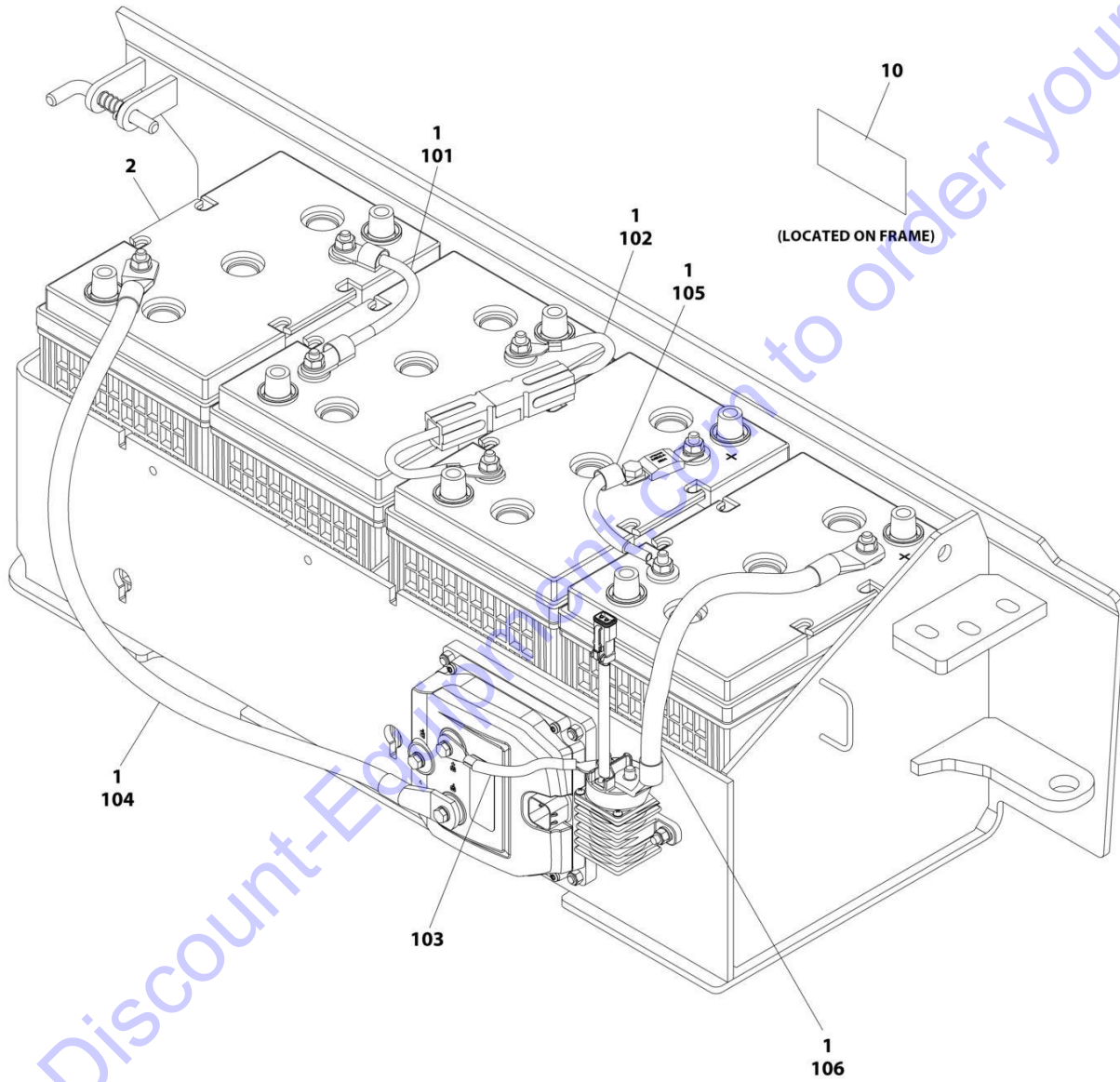
FIGURE 2-8. BATTERIES INSTALLATION - AGM BATTERIES WITH DISCONNECT (MEXICO BUILT MACHINES)

ITEM	PART NUMBER	QTY	DESCRIPTION	REV
	1001208058	Ref	BATTERIES INSTALLATION - AGM BATTERIES WITH DISCONNECT (MEXICO BUILT MACHINES)	F
1	0100051	AR	Grease, Terminal	
3	1001112112	4	Battery	
9	4240017	AR	Tie-Strap (Not Shown)	
10	1702155	1	Decal - Battery Disconnect	
100	1001228123	1	Battery Cable Kit (Not Shown)	A
101	1060998	2	Cable, Positive to Negative	
102	4923328	1	Cable, Positive to Negative	
103	1001201708	1	Cable, Contactor to Pump Control B+	
104	1001201711	1	Cable, Battery Negative to Pump Control B-	
105	1001210401	1	Cable, Battery Fuse	
106	1001229110	1	Cable, Battery Positive to Contactor	

Go to Discount-Equipment.com to order your parts

SECTION 2 - GROUND CONTROLS

FIGURE 2-9. BATTERIES INSTALLATION - AGM EVCG BATTERIES WITH DISCONNECT (CHINA BUILT MACHINES)



ART_1001216250_E

SECTION 2 - GROUND CONTROLS

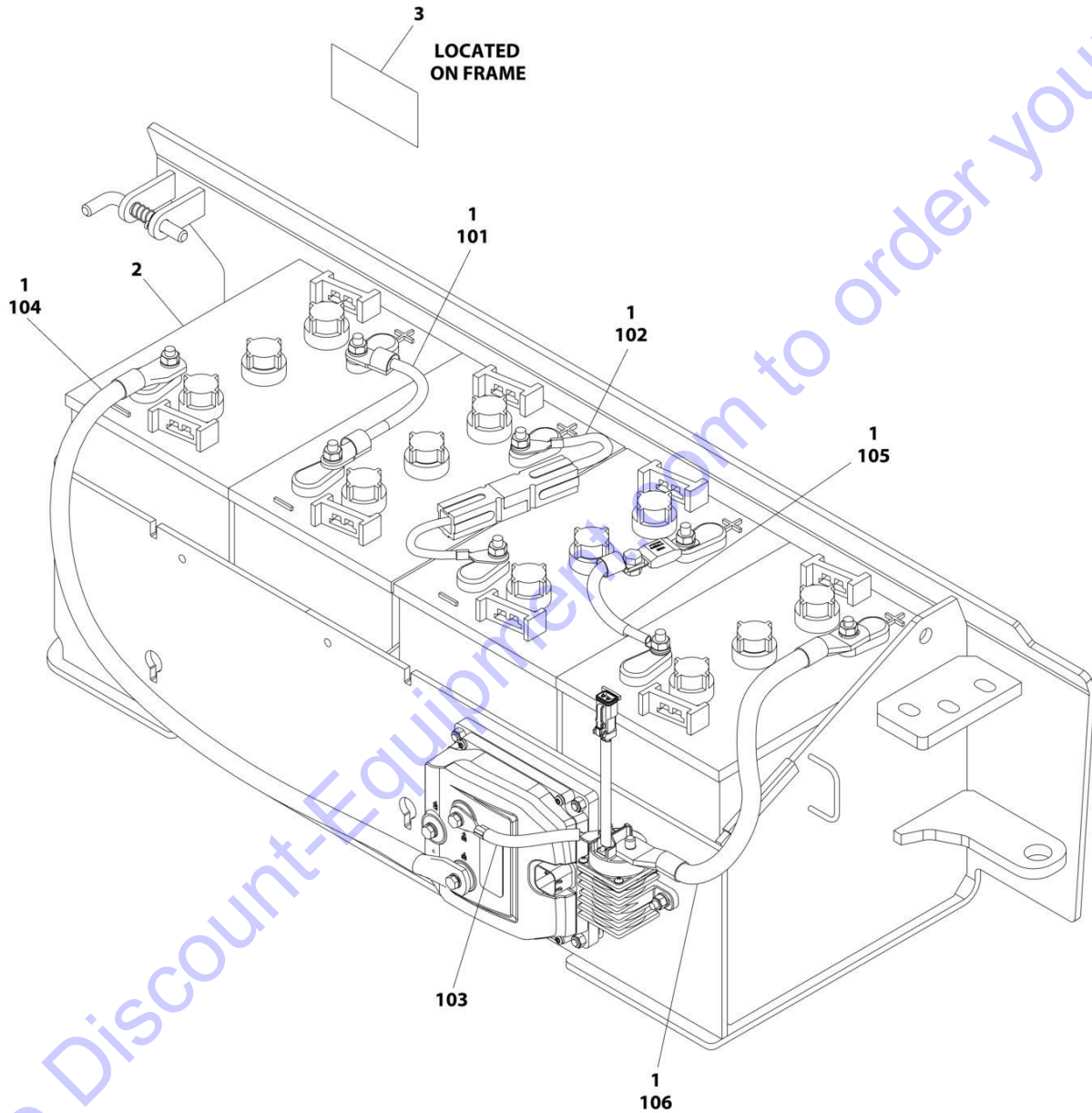
FIGURE 2-9. BATTERIES INSTALLATION - AGM EVCG BATTERIES WITH DISCONNECT (CHINA BUILT MACHINES)

ITEM	PART NUMBER	QTY	DESCRIPTION	REV
	1001216250	Ref	BATTERIES INSTALLATION - AGM EVCG BATTERIES WITH DISCONNECT (CHINA BUILT MACHINES)	E
1	0100051	AR	Grease, Terminal	
2	1001214347	4	Battery	
9	4240017	AR	Tie-Strap (Not Shown)	
10	1702155	1	Decal - Battery Disconnect	
100	1001228123	1	Battery Cable Kit (Not Shown)	A
101	1060998	1	Cable, Positive to Negative	
102	4923328	1	Cable, Positive to Negative	
103	1001201708	1	Cable, Contactor to Pump Control B+	
104	1001201711	1	Cable, Battery Negative to Pump Control B-	
105	1001210401	1	Cable, Battery Fuse	
106	1001229110	1	Cable, Battery Positive to Contactor	

Go to Discount-Equipment.com to order your parts

SECTION 2 - GROUND CONTROLS

FIGURE 2-10. BATTERIES INSTALLATION - TROJAN BATTERIES WITH DISCONNECT (CHINA BUILT MACHINES) (PVC 1910)



ART_1001247926

SECTION 2 - GROUND CONTROLS

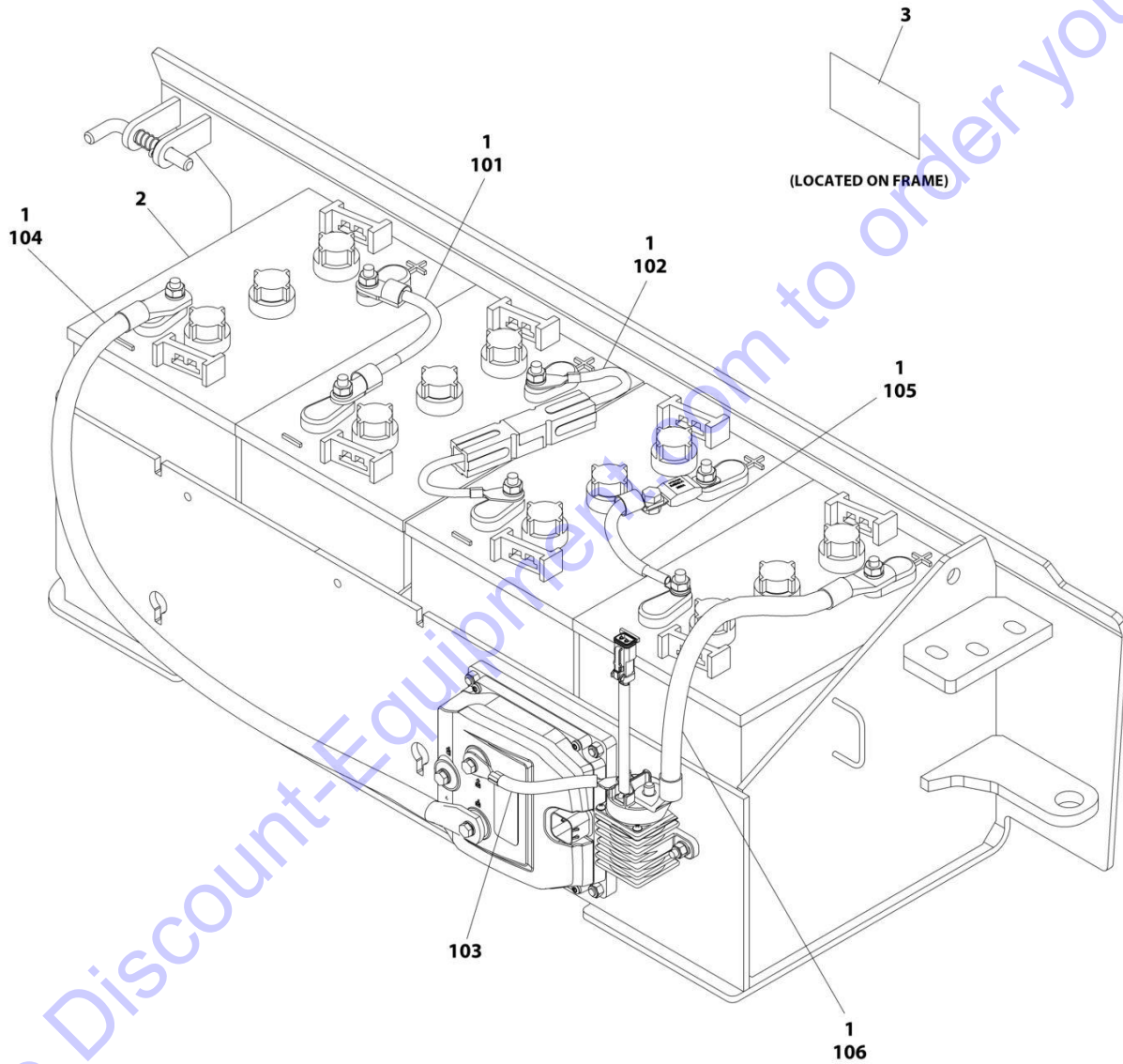
FIGURE 2-10. BATTERIES INSTALLATION - TROJAN BATTERIES WITH DISCONNECT (CHINA BUILT MACHINES) (PVC 1910)

ITEM	PART NUMBER	QTY	DESCRIPTION	REV
	1001247926	Ref	BATTERIES INSTALLATION - TROJAN BATTERIES WITH DISCONNECT	A
1	0100051	AR	Grease, Terminal	
2	0400215	4	Battery	
3	1702155	1	Decal - Battery Disconnect	
4	4240017	AR	Tie-Strap (Not Shown)	
100	1001228123	1	Battery Cable Kit (Not Shown)	A
101	1060998	2	Cable, Positive to Negative	
102	4923328	1	Cable, Positive to Negative	
103	1001201708	1	Cable, Contactor to Pump Control B+	
104	1001201711	1	Cable, Battery Negative to Pump Control B-	
105	1001210401	1	Cable, Battery Fuse	
106	1001229110	1	Cable, Battery Positive to Contactor	

Go to Discount-Equipment.com to order your parts

SECTION 2 - GROUND CONTROLS

FIGURE 2-11. BATTERIES INSTALLATION - TROJAN BATTERIES WITH DISCONNECT (CHINA BUILT MACHINES) (PVC 2004)



ART_1001247926_B

SECTION 2 - GROUND CONTROLS

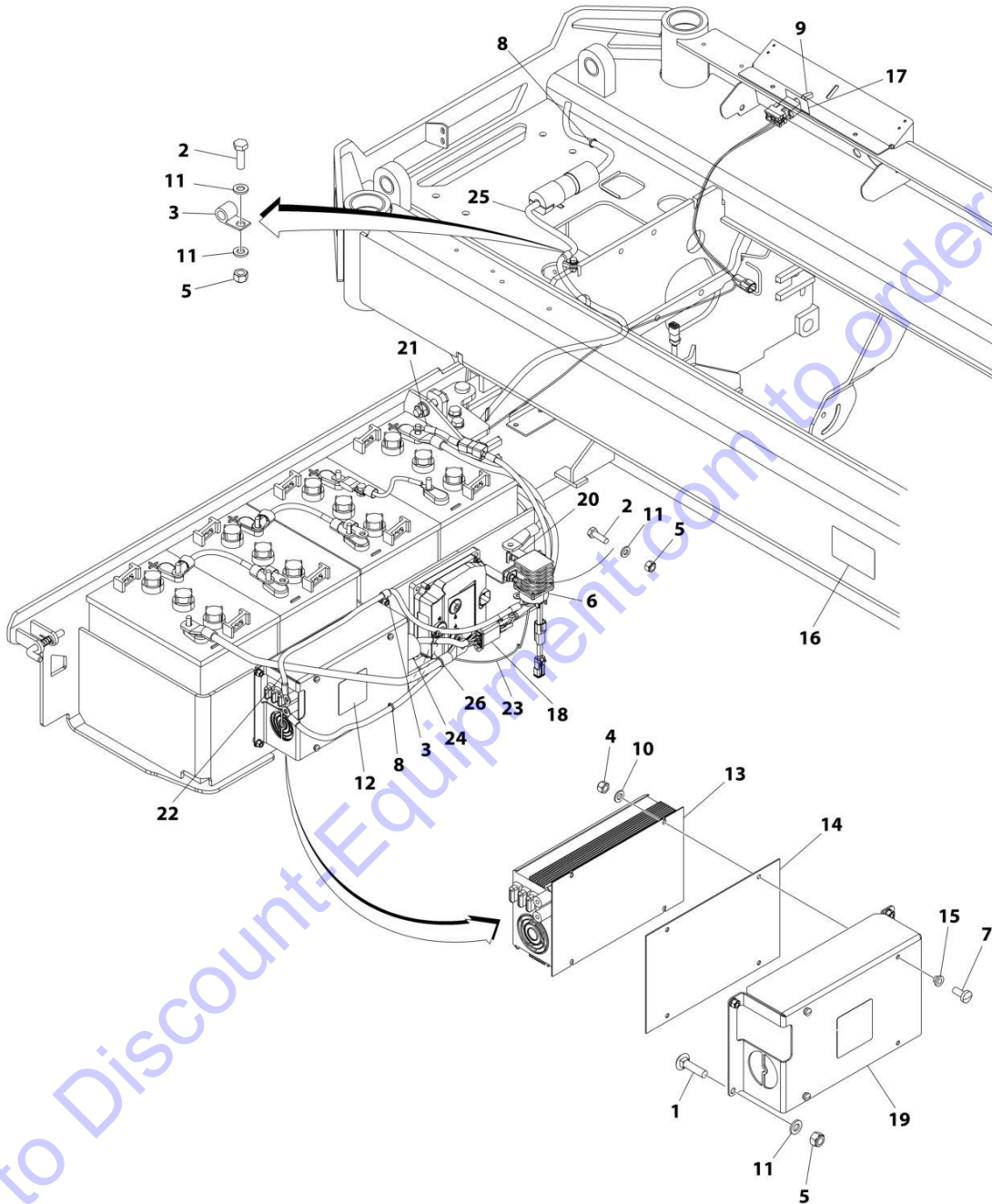
FIGURE 2-11. BATTERIES INSTALLATION - TROJAN BATTERIES WITH DISCONNECT (CHINA BUILT MACHINES) (PVC 2004)

ITEM	PART NUMBER	QTY	DESCRIPTION	REV
	1001247926	Ref	BATTERIES INSTALLATION - TROJAN BATTERIES WITH DISCONNECT	B
1	0100051	AR	Grease, Terminal	
2	1001258498	4	Battery	
3	1702155	1	Decal - Battery Disconnect	
4	4240017	AR	Tie-Strap (Not Shown)	
100	1001228123	1	Battery Cable Kit (Not Shown)	A
101	1060998	2	Cable, Positive to Negative	
102	4923328	1	Cable, Positive to Negative	
103	1001201708	1	Cable, Contactor to Pump Control B+	
104	1001201711	1	Cable, Battery Negative to Pump Control B-	
105	1001210401	1	Cable, Battery Fuse	
106	1001229110	1	Cable, Battery Positive to Contactor	

Go to Discount-Equipment.com to order your parts

SECTION 2 - GROUND CONTROLS

FIGURE 2-12. INVERTER INSTALLATION (OPTIONAL) (MEXICO BUILT MACHINES)



ART_1001209920

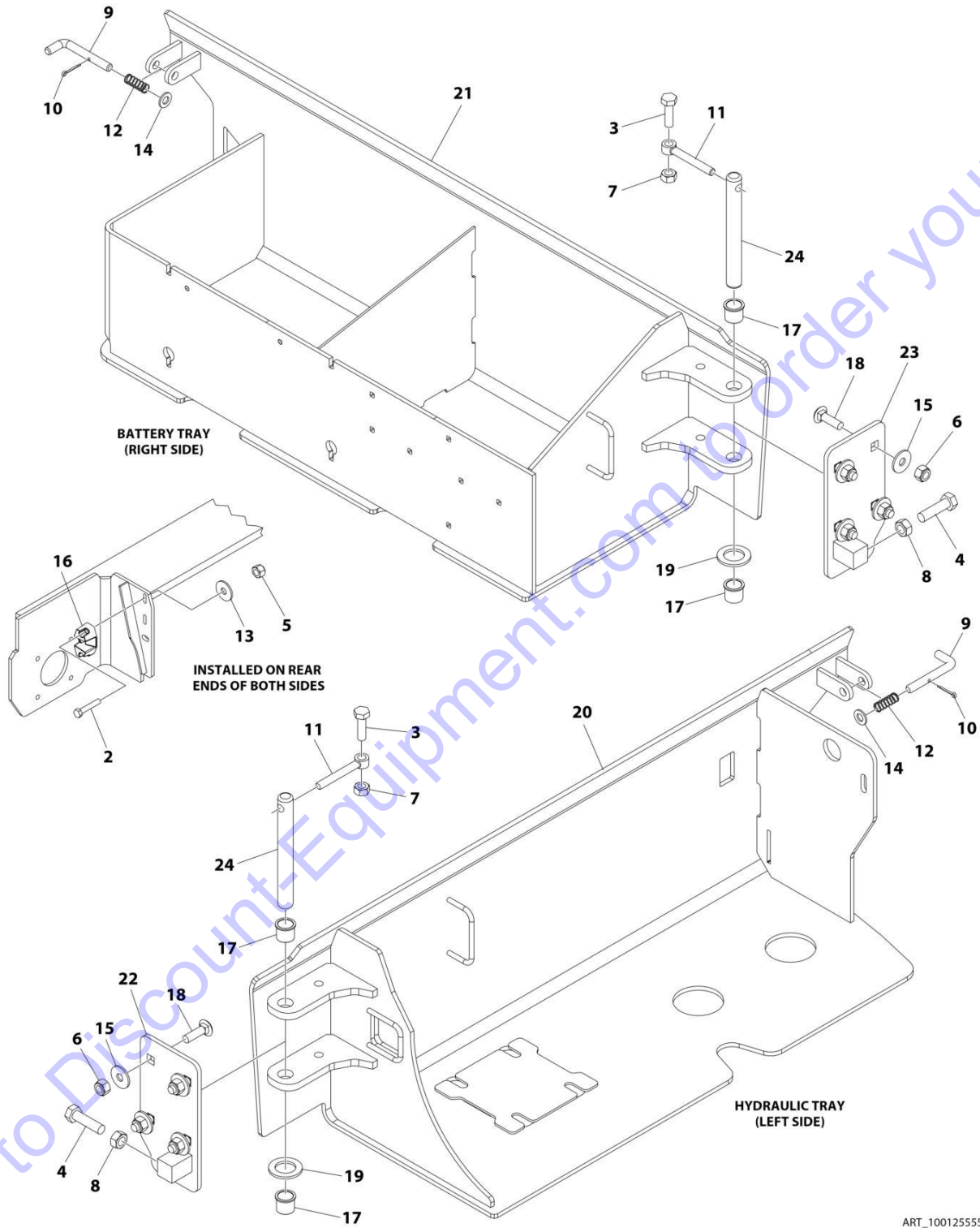
SECTION 2 - GROUND CONTROLS

FIGURE 2-12. INVERTER INSTALLATION (OPTIONAL) (MEXICO BUILT MACHINES)

ITEM	PART NUMBER	QTY	DESCRIPTION	REV
	1001209920	Ref	INVERTER INSTALLATION (OPTIONAL)	B
1	0630587	4	Bolt M6 x 25	
2	0760610	3	Bolt M6 x 20	
3	1321293	2	Clamp	
4	3290405	3	Nut M4	
5	3290605	7	Nut M6	
6	3740150	1	Relay	
7	1001101540	3	Screw M4 x 14	
8	4240017	AR	Tie-Strap	
9	4360336	1	Switch, Toggle	
10	4811400	3	Washer M4	
11	4811700	8	Washer M6	
12	1001125483	1	Decal - Pressure Wash	
13	1001136757	1	Inverter	
14	1001142173	1	Insulate	
15	1001142174	3	Washer 1/8	
16	1001143009	1	Decal - Inverter	
17	1001143010	1	Decal - On/Off Inverter	
18	1001157547	1	Filter, AC	
19	1001210440	1	Support	
20	1001210605	1	Support	
21	1001210878	1	Cable, Battery + to Inverter Contactor	
22	1001210879	1	Cable, Inverter Contactor to Inverter +	
23	1001210880	1	Inverter Harness	
23	4460897	2	Receptacle, Female - 2 Position	
23	4460464	4	Pin, Male	
23	4460418	1	Plug, Male - 6 Position	
23	4460419	2	Terminal	
24	1001210881	1	Cable, Inverter to AC Filter	
25	1001210882	1	Cable, AC Filter to AC Plug	
26	1001210967	1	Cable, Pump Control B- to Inverter	

SECTION 2 - GROUND CONTROLS

FIGURE 2-13. DOORS INSTALLATION



ART_100125555

SECTION 2 - GROUND CONTROLS

FIGURE 2-13. DOORS INSTALLATION

ITEM	PART NUMBER	QTY	DESCRIPTION	REV
	1001255555	Ref	DOORS INSTALLATION	C
2	0700817	4	Bolt M8 x 45	
3	0701015	2	Bolt M10 x 35	
4	0761217	2	Bolt M12 x 45	
5	3290805	4	Nut M8	
6	3291005	8	Nut M10	
7	3291007	2	Nut M10	
8	3291201	2	Nut M12	
9	3423243	2	Pin	
10	3450303	2	Pin, Cotter 3/32 x 3/4	
11	3841143	2	Keeper, Pin	
12	4160214	2	Spring	
13	4811902	4	Washer M8	
14	4812000	AR	Washer M10	
15	4812002	8	Washer M10	
16	1001214810	2	Support, Door Latch	
17	1001218573	4	Bearing	
18	1001228406	8	Bolt M10 x 35	
19	1001229792	2	Washer	
20	1001251232	1	Tray, Hydraulic	
21	1001251233	1	Tray, Battery	
22	1001251234	1	Hinge (Right)	
23	1001251235	1	Hinge (Left)	
24	1001251242	2	Pin	

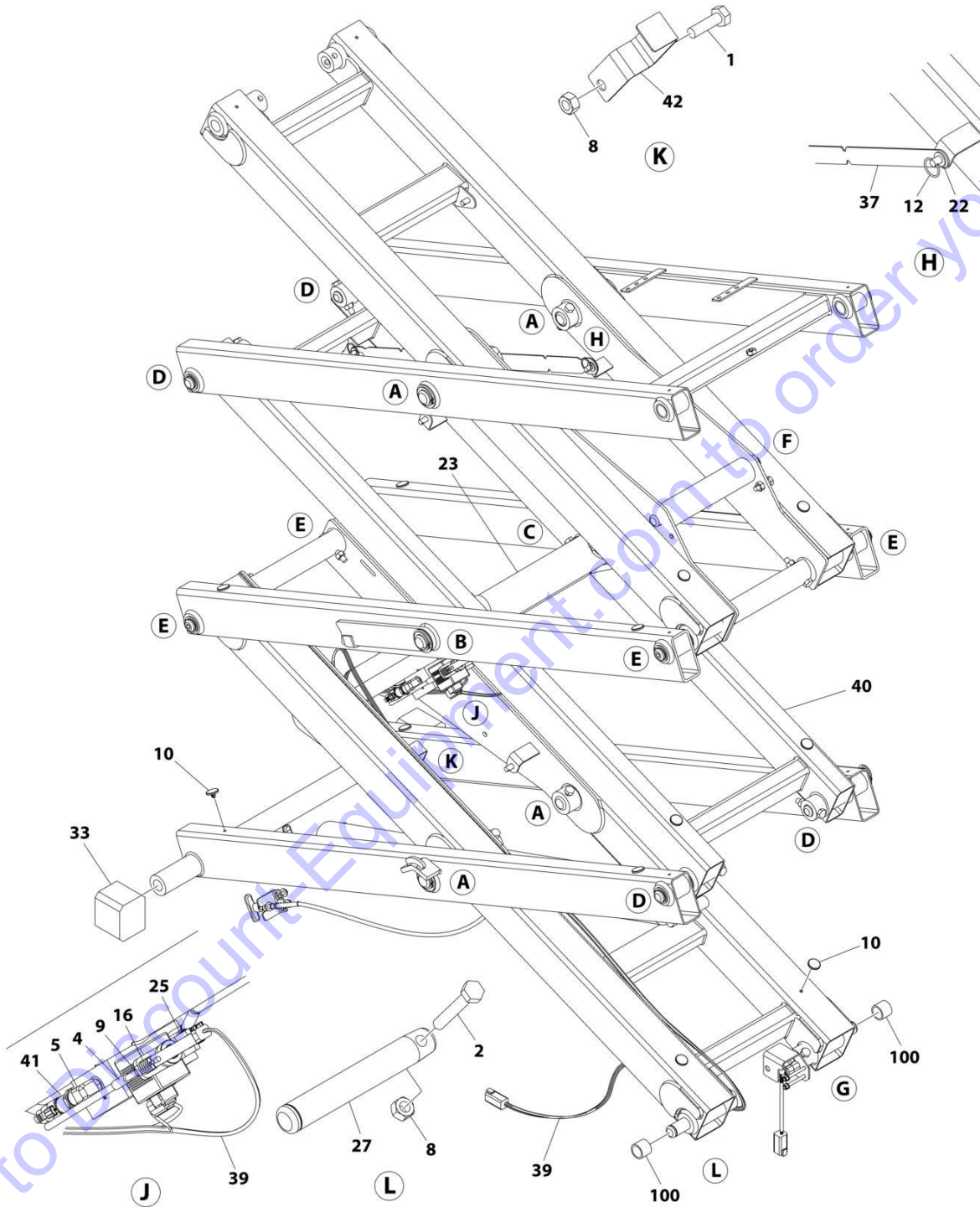
Go to Discount-Equipment.com to order your parts

SECTION 3 - SCISSORS ARMS

Go to Discount-Equipment.com to order your parts

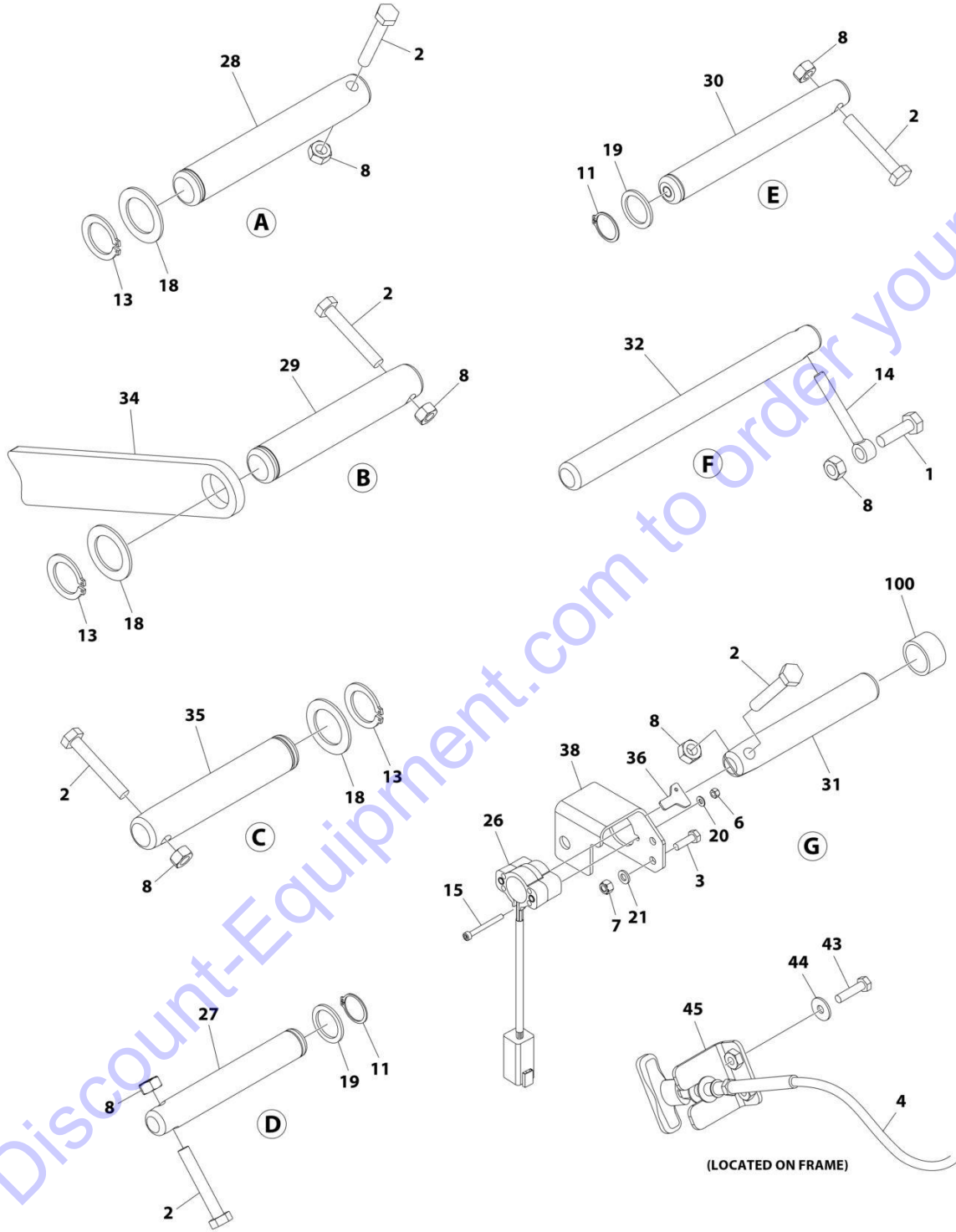
SECTION 3 - SCISSORS ARMS

FIGURE 3-1. SCISSORS ARMS INSTALLATION – R1532I (PVC 1910)



ART_1001235060_D_10F2

SECTION 3 - SCISSORS ARMS



ART_1001235060_D_20F2

SECTION 3 - SCISSORS ARMS

FIGURE 3-1. SCISSORS ARMS INSTALLATION – R1532I (PVC 1910)

ITEM	PART NUMBER	QTY	DESCRIPTION	REV
	1001235060	Ref	SCISSORS ARMS INSTALLATION	D
1	0701015	3	Bolt M10 x 35	
2	0701021	16	Bolt M10 x 65	
3	0700620	2	Bolt M6 x 60	
4	1061034	1	Cable, Manual Descent	
4	7020218	1	T-Handle (1/4 Threads)	
4	70001878	1	T-Handle (M5 Threads)	
5	2221116	1	Fitting, 90 ORB/ORB	
6	3290405	2	Nut M4	
7	3290605	2	Nut M6	
8	3291007	19	Nut M10	
9	3321402	1	Nut 1/4	
10	3340962	18	Pad	
11	3760115	8	Ring, Retaining	
12	3760170	2	Ring, Split	
13	3760387	6	Ring, Retaining	
14	3841143	2	Keeper, Pin	
15	4031512	2	Capscrew M4 x 40	
16	4160078	1	Spring	
17	4240017	5	Tie-Strap (Not Shown)	
18	4740438	6	Washer	
19	4740531	8	Washer	
20	4811400	2	Washer M4	
21	4811700	2	Washer M6	
22	4812000	2	Washer M10	
23	1001198935	1	Lift Cylinder Assembly (See Separate Breakdown in CYLINDER SECTION)	
25	1001235104	1	Transducer, Pressure	
26	1001146963	1	Sensor, Angle	
26	4460899	1	Receptacle, Female - 6 Position	
26	4460464	6	Pin, Male	
27	1001203443	5	Pin	
28	1001203444	4	Pin	
29	1001203445	1	Pin	
30	1001203446	4	Pin	
31	1001203447	1	Pin	
32	1001203448	2	Pin	
33	1001204311	2	Block, Slide	
34	1001204312	1	Plate, Prop	
35	1001204994	1	Pin	
36	1001205345	1	Key, Angle Sensor	
37	1001206487	1	Support	
38	1001231268	1	Mount, Sensor	
39	1001222687	1	Lift Down Harness (See Separate Breakdown in ELECTRICAL SECTION)	
40	1001235059	1	Scissors Arms Kit (See Separate Breakdown in this Section)	
41	1001225164	1	Transducer, Pressure	
42	1001226791	1	Bracket	
43	0760612	2	Bolt M6 x 25	
44	4811702	2	Washer M6	

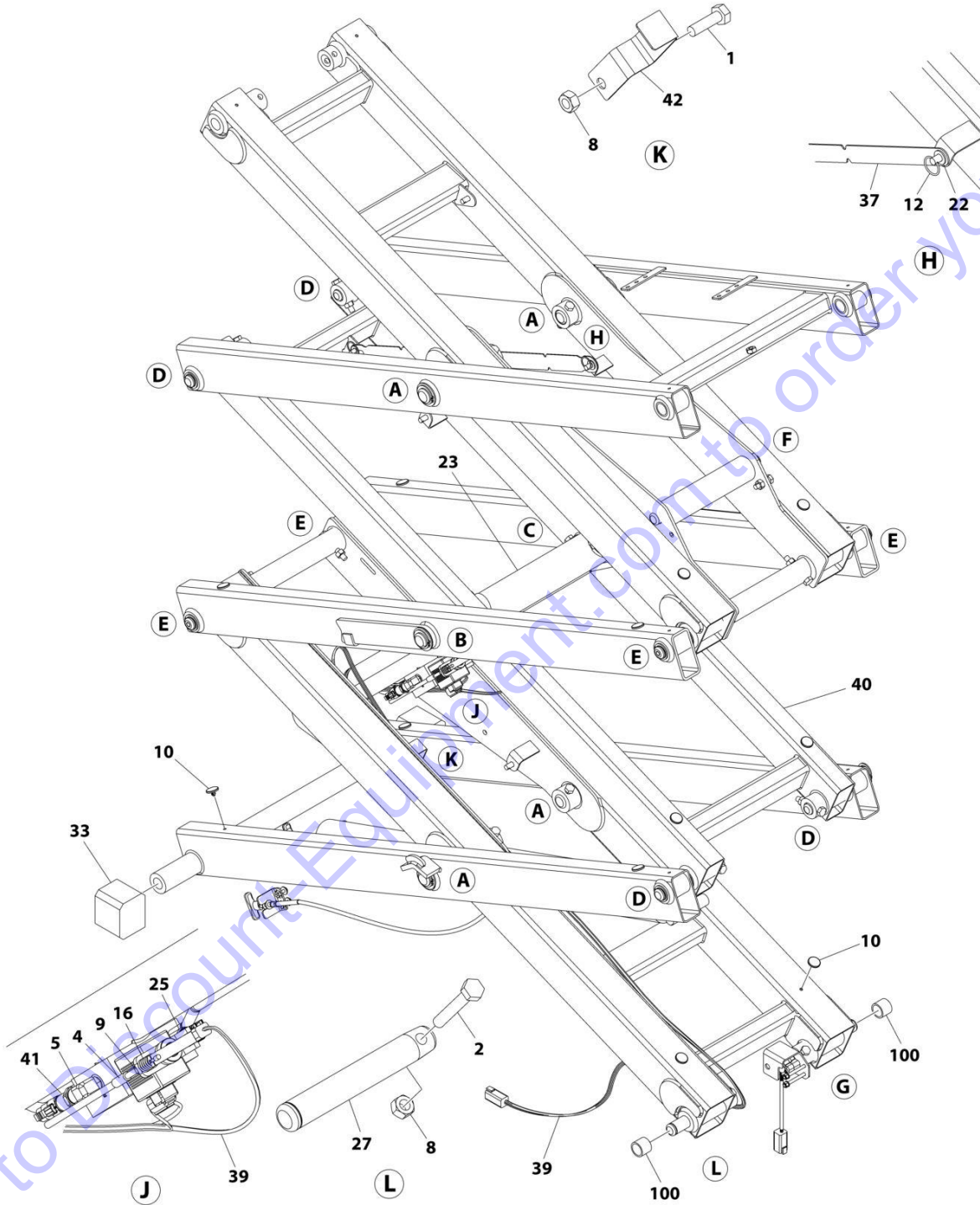
SECTION 3 - SCISSORS ARMS

ITEM	PART NUMBER	QTY	DESCRIPTION	REV
45	1001253153	1	Mount	
100	1001134289	2	Bearing (Part of Frame)	

Go to Discount-Equipment.com to order your parts

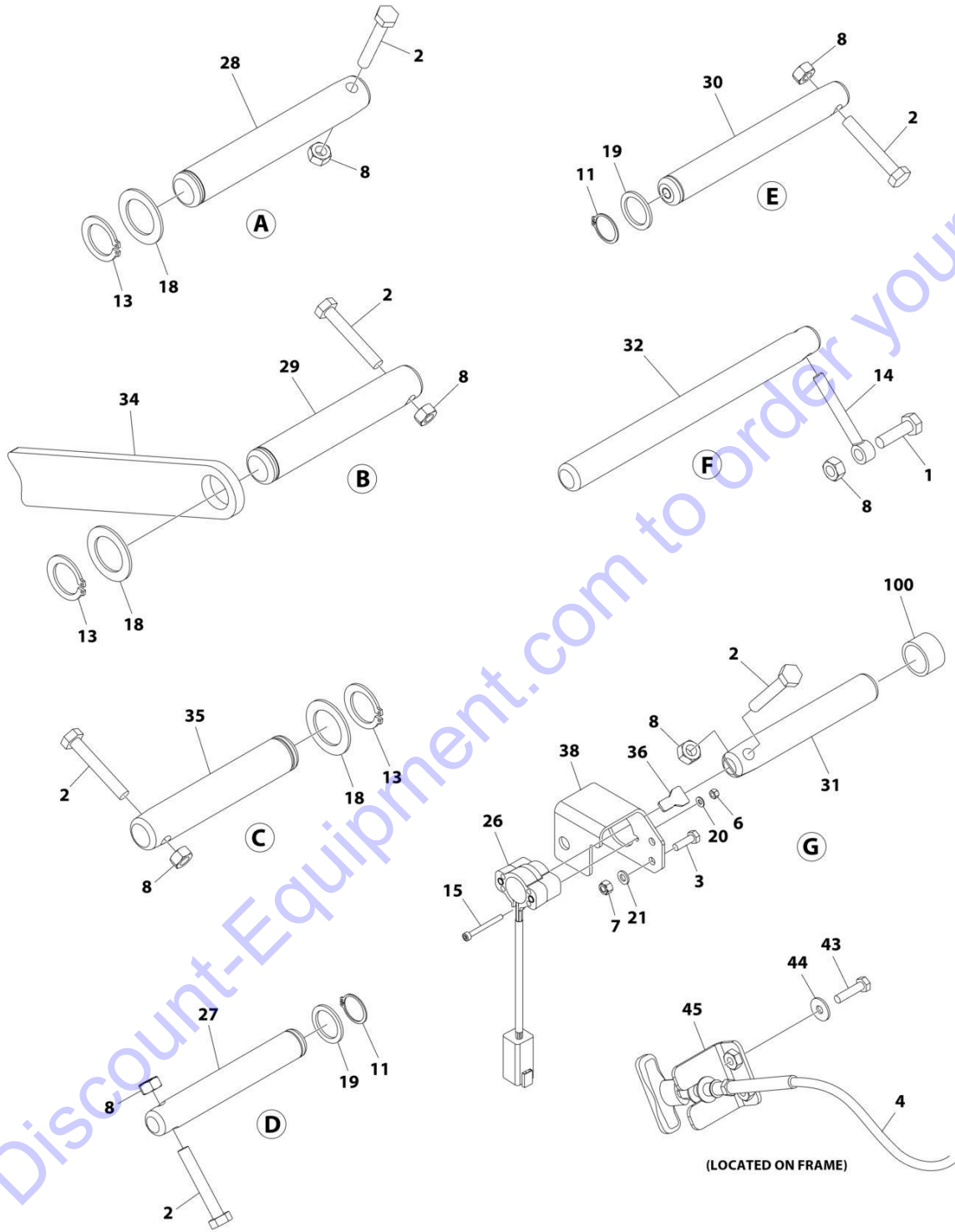
SECTION 3 - SCISSORS ARMS

FIGURE 3-2. SCISSORS ARMS INSTALLATION – R1532I (PVC 2004)



ART_1001235060_E_10F2

SECTION 3 - SCISSORS ARMS



ART_1001235060_E_2OF2

SECTION 3 - SCISSORS ARMS

FIGURE 3-2. SCISSORS ARMS INSTALLATION – R1532I (PVC 2004)

ITEM	PART NUMBER	QTY	DESCRIPTION	REV
	1001235060	Ref	SCISSORS ARMS INSTALLATION	E
1	0701015	3	Bolt M10 x 35	
2	0701021	16	Bolt M10 x 65	
3	0700620	2	Bolt M6 x 60	
4	1061034	1	Cable, Manual Descent	
4	7020218	1	T-Handle (1/4 Threads)	
4	70001878	1	T-Handle (M5 Threads)	
5	2221116	1	Fitting, 90 ORB/ORB	
6	3290405	2	Nut M4	
7	3290605	2	Nut M6	
8	3291007	19	Nut M10	
9	3321402	1	Nut 1/4	
10	3340962	18	Pad	
11	3760115	8	Ring, Retaining	
12	3760170	2	Ring, Split	
13	3760387	6	Ring, Retaining	
14	3841143	2	Keeper, Pin	
15	4031512	2	Capscrew M4 x 40	
16	4160078	1	Spring	
17	4240017	5	Tie-Strap (Not Shown)	
18	4740438	6	Washer	
19	4740531	8	Washer	
20	4811400	2	Washer M4	
21	4811700	2	Washer M6	
22	4812000	2	Washer M10	
23	1001198935	1	Lift Cylinder Assembly (See Separate Breakdown in CYLINDER SECTION)	
25	1001235104	1	Transducer, Pressure	
26	1001146963	1	Sensor, Angle	
26	4460899	1	Receptacle, Female - 6 Position	
26	4460464	6	Pin, Male	
27	1001203443	5	Pin	
28	1001203444	4	Pin	
29	1001203445	1	Pin	
30	1001203446	4	Pin	
31	1001203447	1	Pin	
32	1001203448	2	Pin	
33	1001204311	2	Block, Slide	
34	1001204312	1	Plate, Prop	
35	1001204994	1	Pin	
36	1001234204	1	Key, Angle Sensor	
37	1001206487	1	Support	
38	1001231268	1	Mount, Sensor	
39	1001222687	1	Lift Down Harness (See Separate Breakdown in ELECTRICAL SECTION)	
40	1001235059	1	Scissors Arms Kit (See Separate Breakdown in this Section)	
41	1001225164	1	Transducer, Pressure	
42	1001226791	1	Bracket	
43	0760612	2	Bolt M6 x 25	
44	4811702	2	Washer M6	

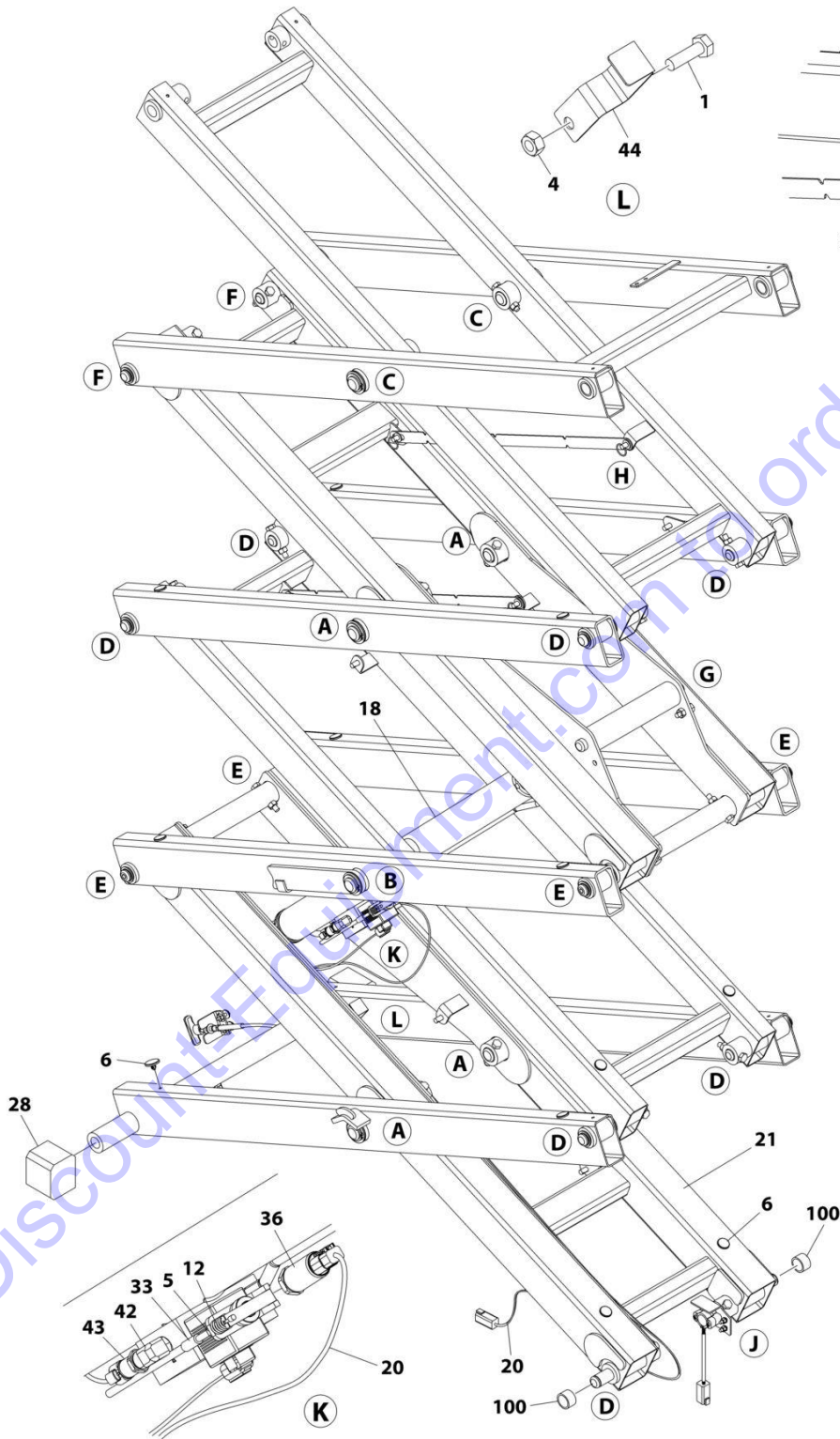
SECTION 3 - SCISSORS ARMS

ITEM	PART NUMBER	QTY	DESCRIPTION	REV
45	1001253153	1	Mount	
100	1001134289	2	Bearing (Part of Frame)	

Go to Discount-Equipment.com to order your parts

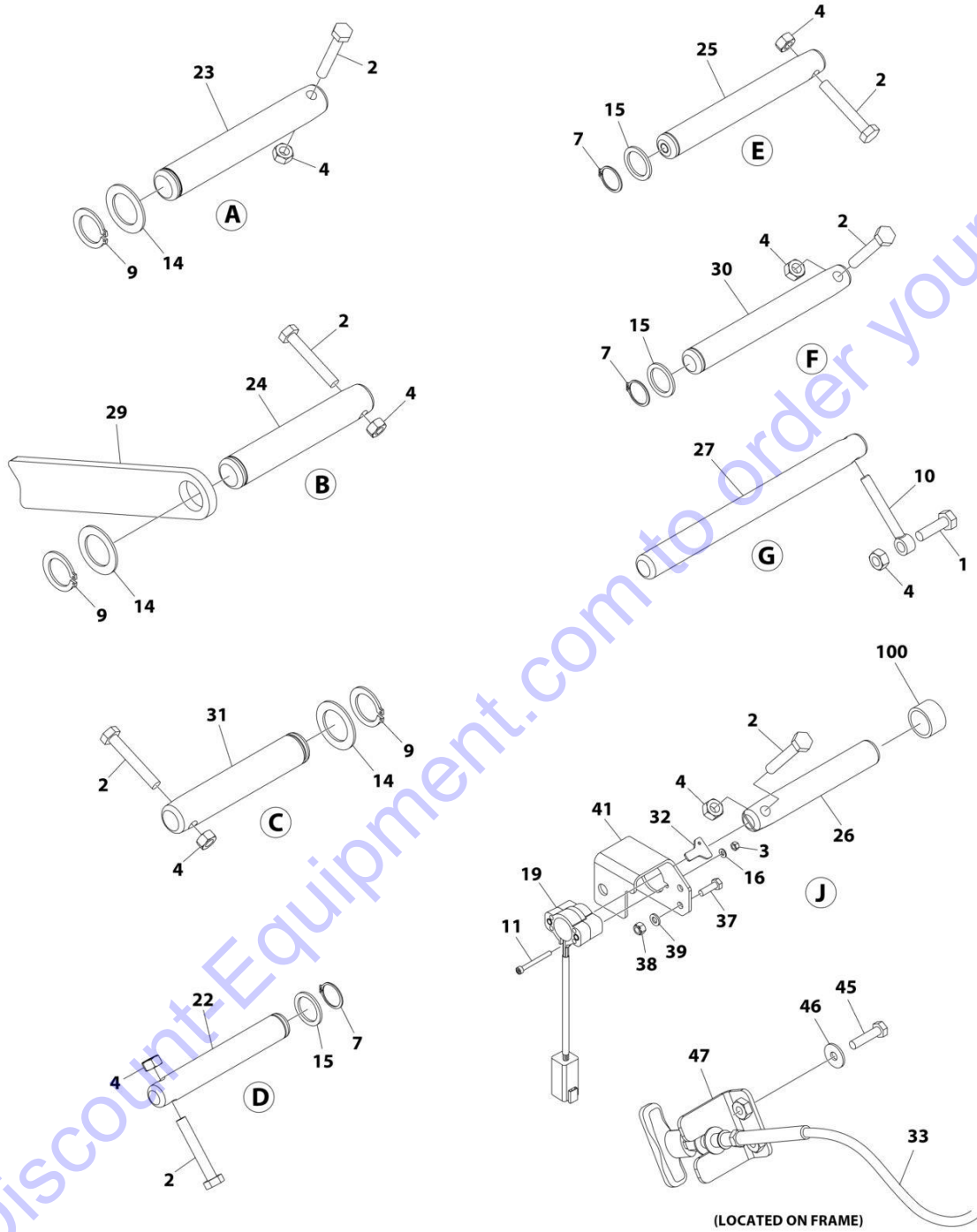
SECTION 3 - SCISSORS ARMS

FIGURE 3-3. SCISSORS ARMS INSTALLATION – R1932/R1932i (PVC 1910)



ART_1001204087_I_10F2

SECTION 3 - SCISSORS ARMS



ART_1001204087_I_2OF2

SECTION 3 - SCISSORS ARMS

FIGURE 3-3. SCISSORS ARMS INSTALLATION – R1932/R1932i (PVC 1910)

ITEM	PART NUMBER	QTY	DESCRIPTION	REV
	1001204087	Ref	SCISSORS ARMS INSTALLATION	I
1	0701015	AR	Bolt M10 x 35	
2	0701021	22	Bolt M10 x 65	
3	3290405	2	Nut M4	
4	3291007	AR	Nut M10	
5	3321402	1	Nut 1/4	
6	3340962	24	Pad	
7	3760115	12	Ring, Retaining	
8	3760170	4	Ring, Split	
9	3760387	8	Ring, Retaining	
10	3841143	2	Keeper, Pin	
11	4031512	2	Capscrew M4 x 40	
12	4160078	1	Spring	
13	4240017	5	Tie-Strap (Not Shown)	
14	4740438	8	Washer	
15	4740531	12	Washer	
16	4811400	2	Washer M4	
17	4812000	4	Washer M10	
18	1001198935	1	Lift Cylinder Assembly (See Separate Breakdown in CYLINDER SECTION)	
19	1001146963	1	Sensor, Angle	
19	4460899	1	Receptacle, Female - 6 Position	
19	4460464	6	Pin, Male	
20	1001222687	1	Lift Down Harness (See Separate Breakdown in ELECTRICAL SECTION)	
21	1001201355	1	Scissors Arms Kit (See Separate Breakdown in this Section)	
22	1001203443	7	Pin	
23	1001203444	4	Pin	
24	1001203445	1	Pin	
25	1001203446	4	Pin	
26	1001203447	1	Pin	
27	1001203448	2	Pin	
28	1001204311	2	Block, Slide	
29	1001204312	1	Plate, Prop	
30	1001204781	2	Pin	
31	1001204994	3	Pin	
32	1001205345	1	Key, Angle Sensor	
33	1061034	1	Cable, Manual Descent	
33	7020218	1	T-Handle (1/4 Threads)	
33	70001878	1	T-Handle (M5 Threads)	
34	1001206487	2	Support	
36	1001235104	1	Transducer, Pressure	
37	0760610	2	Bolt M6 x 20	
37	0700620	2	Bolt M6 x 60	
38	3290605	2	Nut M6	
39	4811700	2	Washer M6	
41	1001231268	1	Mount, Sensor	
42	2221116	1	Fitting, 90 ORB/ORB	
42	2221116	1	Fitting, 90 ORB/ORB	
43	1001225164	1	Transducer, Pressure	

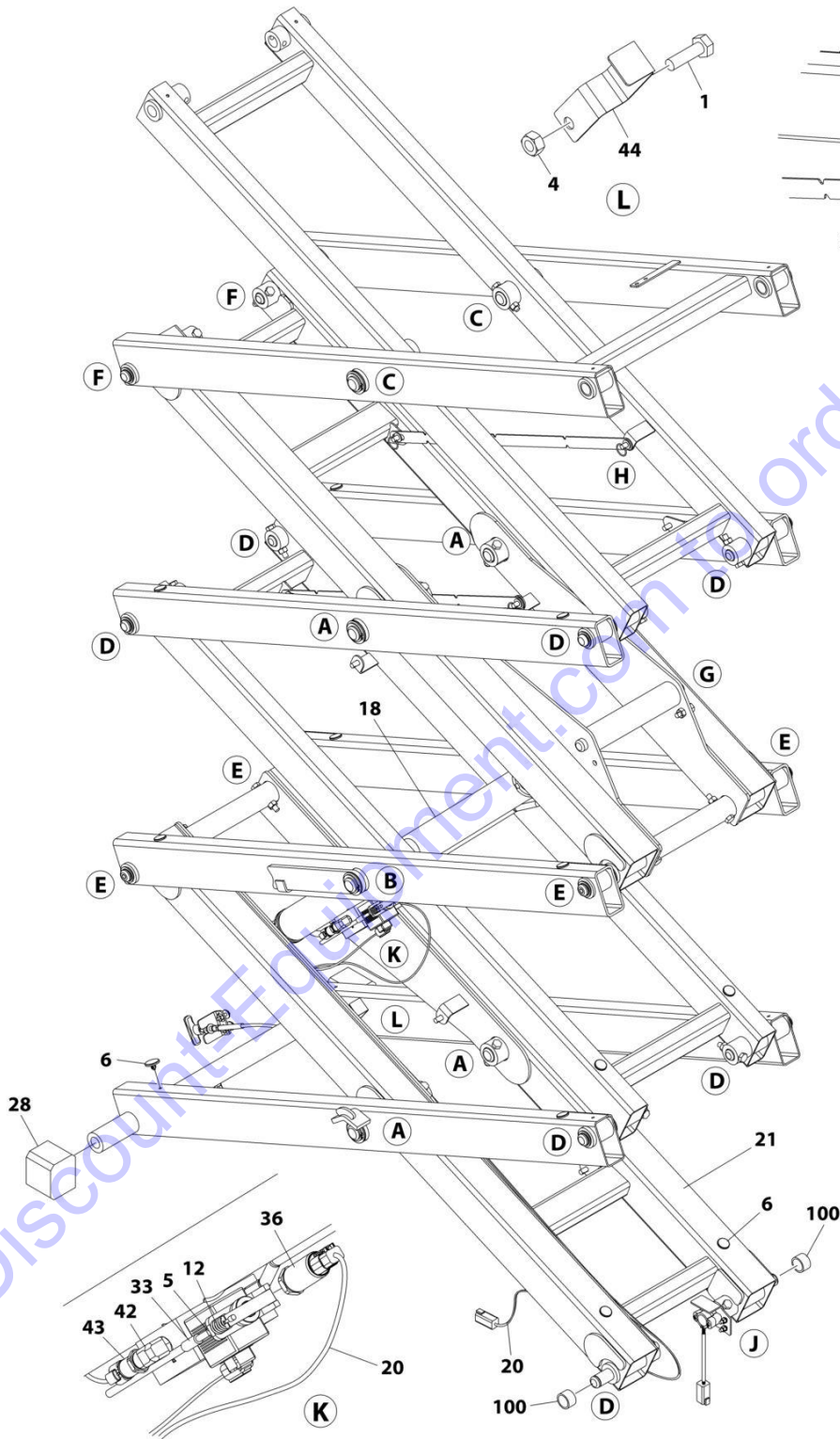
SECTION 3 - SCISSORS ARMS

ITEM	PART NUMBER	QTY	DESCRIPTION	REV
43	1001225164	1	Transducer, Pressure	
44	1001226791	1	Bracket	
44	1001226791	1	Bracket	
45	0760612	2	Bolt M6 x 25	
46	4811702	2	Washer M6	
47	1001253153	1	Mount	
100	1001134289	2	Bearing (Part of Frame)	

Go to Discount-Equipment.com to order your parts

SECTION 3 - SCISSORS ARMS

FIGURE 3-4. SCISSORS ARMS INSTALLATION – R1932/R1932i (PVC 2004)



ART_1001204087_J_10F2

SECTION 3 - SCISSORS ARMS

FIGURE 3-4. SCISSORS ARMS INSTALLATION – R1932/R1932I (PVC 2004)

ITEM	PART NUMBER	QTY	DESCRIPTION	REV
	1001204087	Ref	SCISSORS ARMS INSTALLATION	J
1	0701015	AR	Bolt M10 x 35	
2	0701021	22	Bolt M10 x 65	
3	3290405	2	Nut M4	
4	3291007	AR	Nut M10	
5	3321402	1	Nut 1/4	
6	3340962	24	Pad	
7	3760115	12	Ring, Retaining	
8	3760170	4	Ring, Split	
9	3760387	8	Ring, Retaining	
10	3841143	2	Keeper, Pin	
11	4031512	2	Capscrew M4 x 40	
12	4160078	1	Spring	
13	4240017	5	Tie-Strap (Not Shown)	
14	4740438	8	Washer	
15	4740531	12	Washer	
16	4811400	2	Washer M4	
17	4812000	4	Washer M10	
18	1001198935	1	Lift Cylinder Assembly (See Separate Breakdown in CYLINDER SECTION)	
19	1001146963	1	Sensor, Angle	
19	4460899	1	Receptacle, Female - 6 Position	
19	4460464	6	Pin, Male	
20	1001222687	1	Lift Down Harness (See Separate Breakdown in ELECTRICAL SECTION)	
21	1001201355	1	Scissors Arms Kit (See Separate Breakdown in this Section)	
22	1001203443	7	Pin	
23	1001203444	4	Pin	
24	1001203445	1	Pin	
25	1001203446	6	Pin	
26	1001203447	1	Pin	
27	1001203448	2	Pin	
28	1001204311	2	Block, Slide	
29	1001204312	1	Plate, Prop	
31	1001204994	3	Pin	
32	1001234204	1	Key, Angle Sensor	
33	1061034	1	Cable, Manual Descent	
33	7020218	1	T-Handle (1/4 Threads)	
33	70001878	1	T-Handle (M5 Threads)	
34	1001206487	2	Support	
36	1001235104	1	Transducer, Pressure	
37	0700620	2	Bolt M6 x 60	
38	3290605	2	Nut M6	
39	4811700	2	Washer M6	
41	1001231268	1	Mount, Sensor	
42	2221116	1	Fitting, 90 ORB/ORB	
43	1001225164	1	Transducer, Pressure	
44	1001226791	1	Bracket	
45	0760612	2	Bolt M6 x 25	
46	4811702	2	Washer M6	

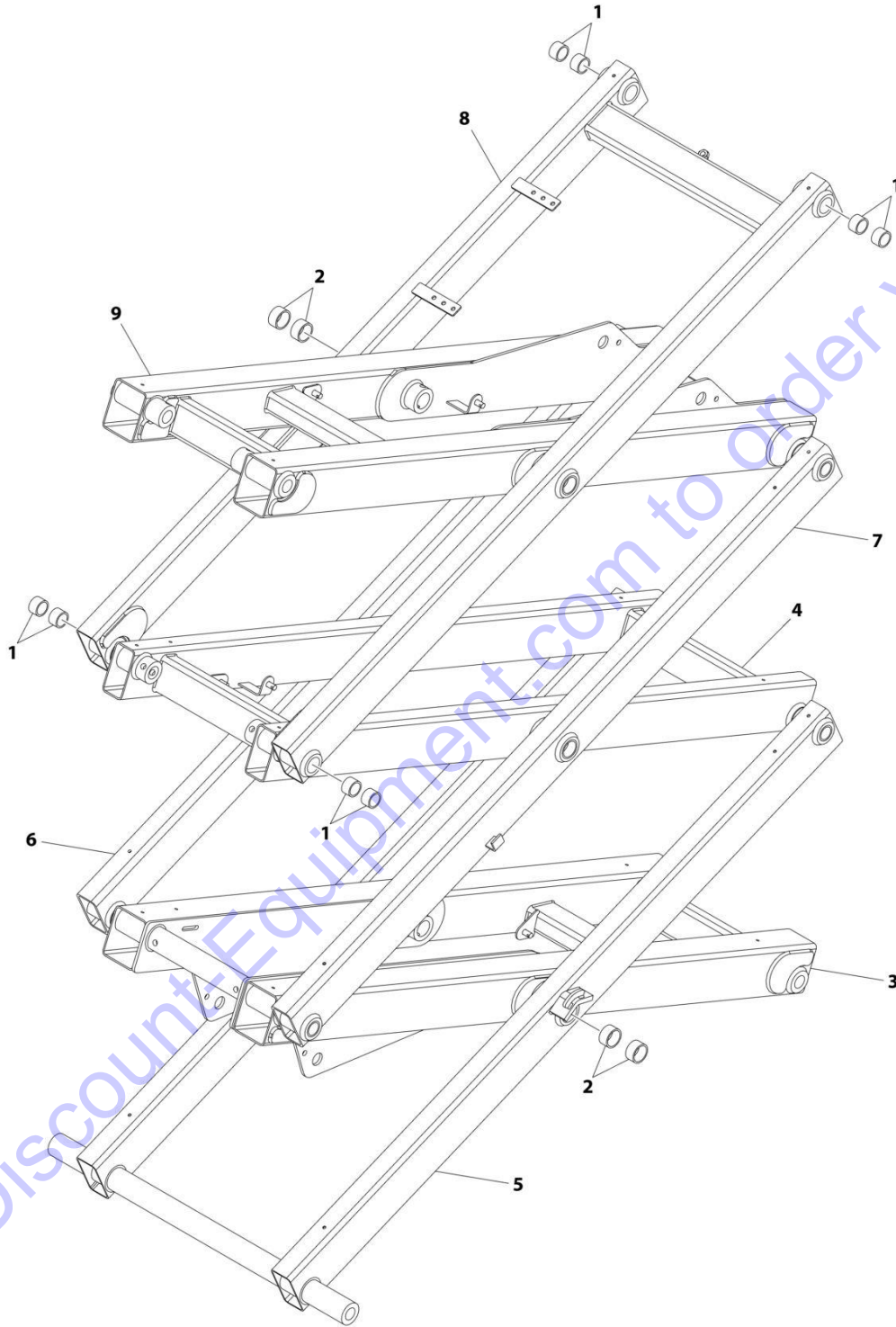
SECTION 3 - SCISSORS ARMS

ITEM	PART NUMBER	QTY	DESCRIPTION	REV
47	1001253153	1	Mount	
100	1001134289	2	Bearing (Part of Frame)	

Go to Discount-Equipment.com to order your parts

SECTION 3 - SCISSORS ARMS

FIGURE 3-5. SCISSORS ARMS KIT - R1532I



ART_1001235059

SECTION 3 - SCISSORS ARMS

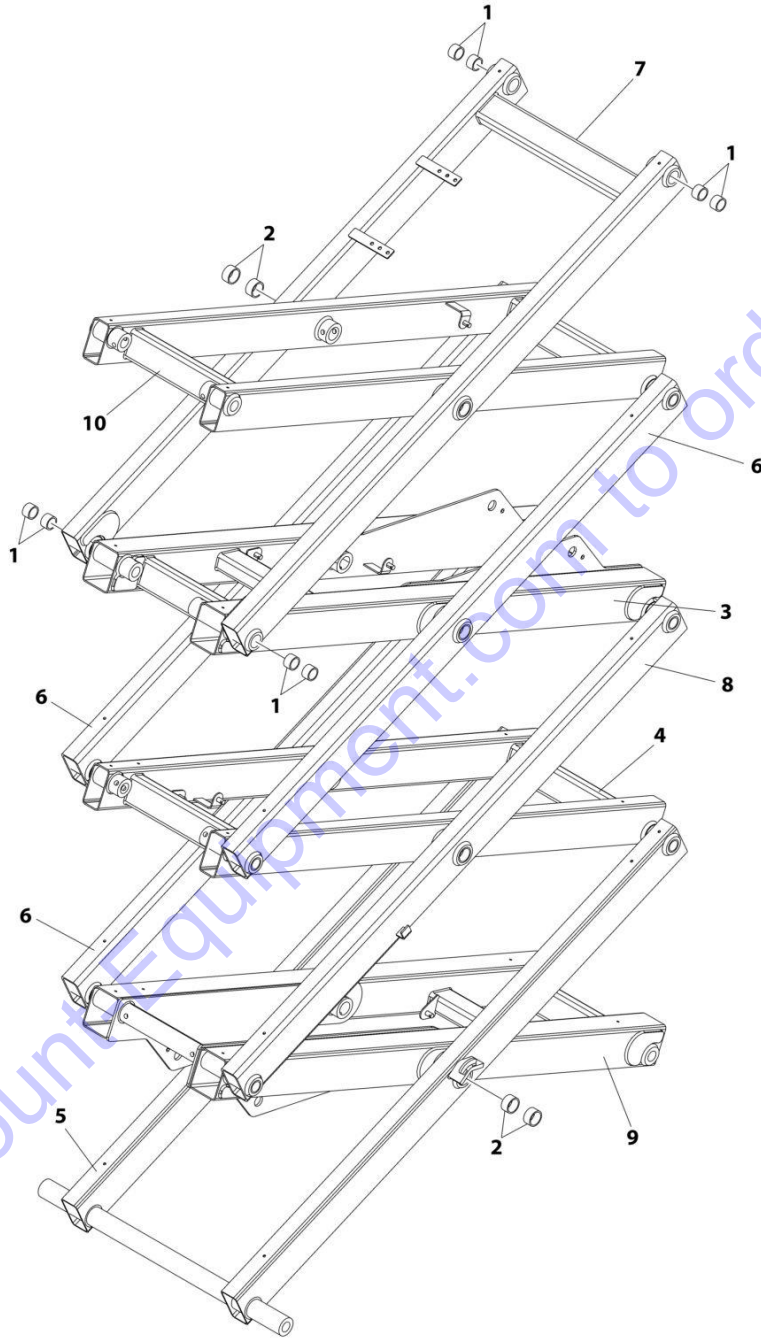
FIGURE 3-5. SCISSORS ARMS KIT - R1532I

ITEM	PART NUMBER	QTY	DESCRIPTION	REV
	1001235059	Ref	SCISSORS ARMS KIT	B
1	0440264	20	Bearing	
2	0440265	12	Bearing	
3	1001235024	2	Arm, Inboard (Bottom)	
4	1001203974	1	Arm, Inboard (Mid)	
5	1001203975	1	Arm, Outboard (Bottom)	
6	1001203976	1	Arm, Outboard (Mid Left Side)	
7	1001213554	1	Arm, Outboard (Mid Right Side)	
8	1001204621	1	Arm, Outboard (Top)	
9	1001235025	1	Arm, Inboard (Top)	

Go to Discount-Equipment.com to order your parts

SECTION 3 - SCISSORS ARMS

FIGURE 3-6. SCISSORS ARMS KIT - R1932/R1932I



ART_1001201355_D

SECTION 3 - SCISSORS ARMS

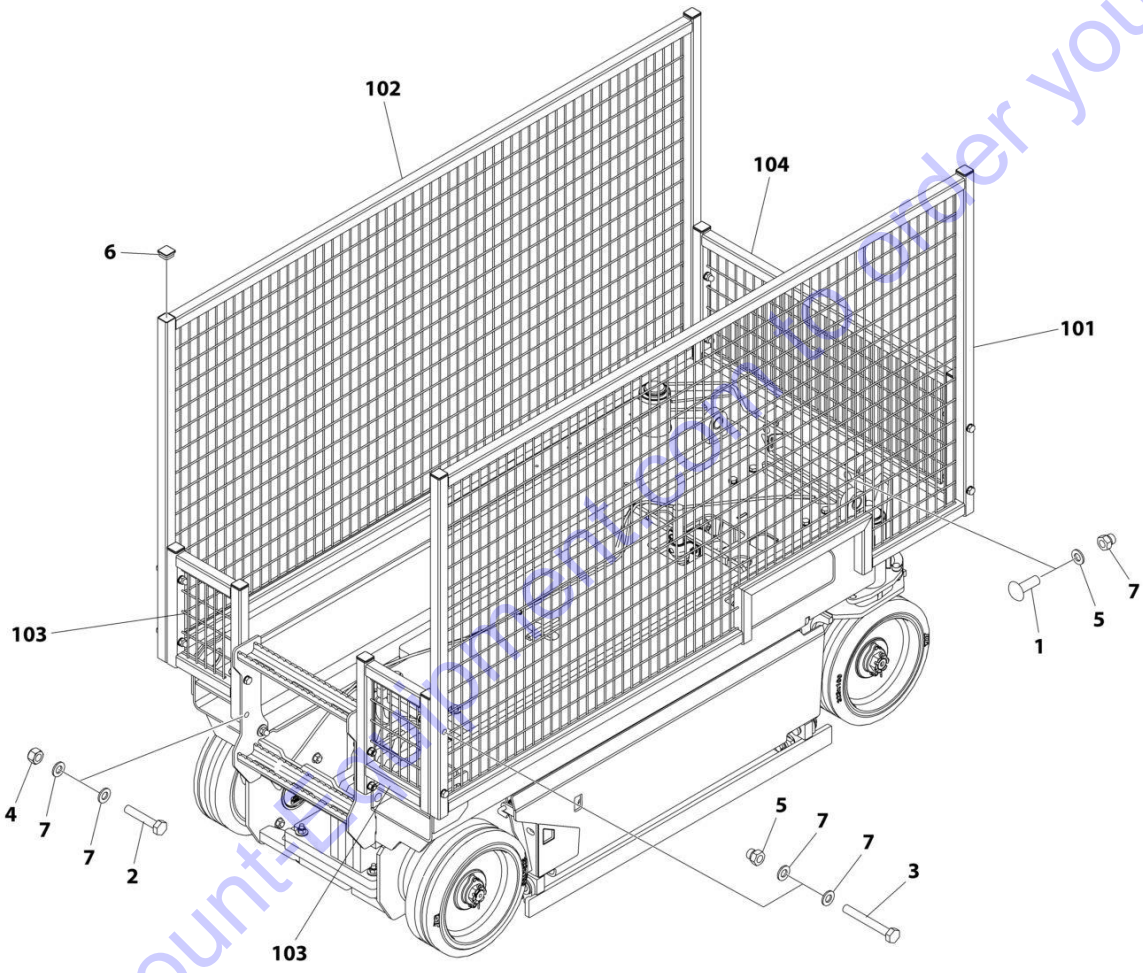
FIGURE 3-6. SCISSORS ARMS KIT - R1932/R1932I

ITEM	PART NUMBER	QTY	DESCRIPTION	REV
	1001201355	Ref	SCISSORS ARMS KIT	D
1	0440264	28	Bearing	
2	0440265	16	Bearing	
3	1001203973	1	Arm, Inboard (Upper Mid)	
4	1001203974	1	Arm, Inboard (Lower Mid)	
5	1001203975	1	Arm, Outboard (Bottom)	
6	1001203976	3	Arm, Outboard (Lower Mid Left Side and Upper Mid Right/Left)	
7	1001204621	1	Arm, Outboard (Top)	
8	1001213554	1	Arm, Outboard (Lower Mid Right Side)	
9	1001241604	1	Arm, Inboard (Bottom)	
10	1001241605	1	Arm, Inboard (Top)	

Go to Discount-Equipment.com to order your parts

SECTION 3 - SCISSORS ARMS

FIGURE 3-7. ARM GUARD INSTALLATION



ART_1001224623

SECTION 3 - SCISSORS ARMS

FIGURE 3-7. ARM GUARD INSTALLATION

ITEM	PART NUMBER	QTY	DESCRIPTION	REV
	1001224623	Ref	ARM GUARD INSTALLATION	A
1	0630613	2	Bolt M10 x 30	
2	0701019	4	Bolt M10 x 55	
3	0701024	8	Bolt M10 x 80	
4	3291005	4	Nut M10	
5	3291006	10	Nut M10	
6	3520072	10	Plug	
7	4812000	26	Washer M10	
8	1001224622	1	Arm Guard Kit	
101	1001224604	1	Guard, Arm (RH)	
102	1001224608	1	Guard, Arm (LH)	
103	1001224614	2	Guard, Arm (Rear)	
104	1001224620	1	Guard, Arm (Front)	

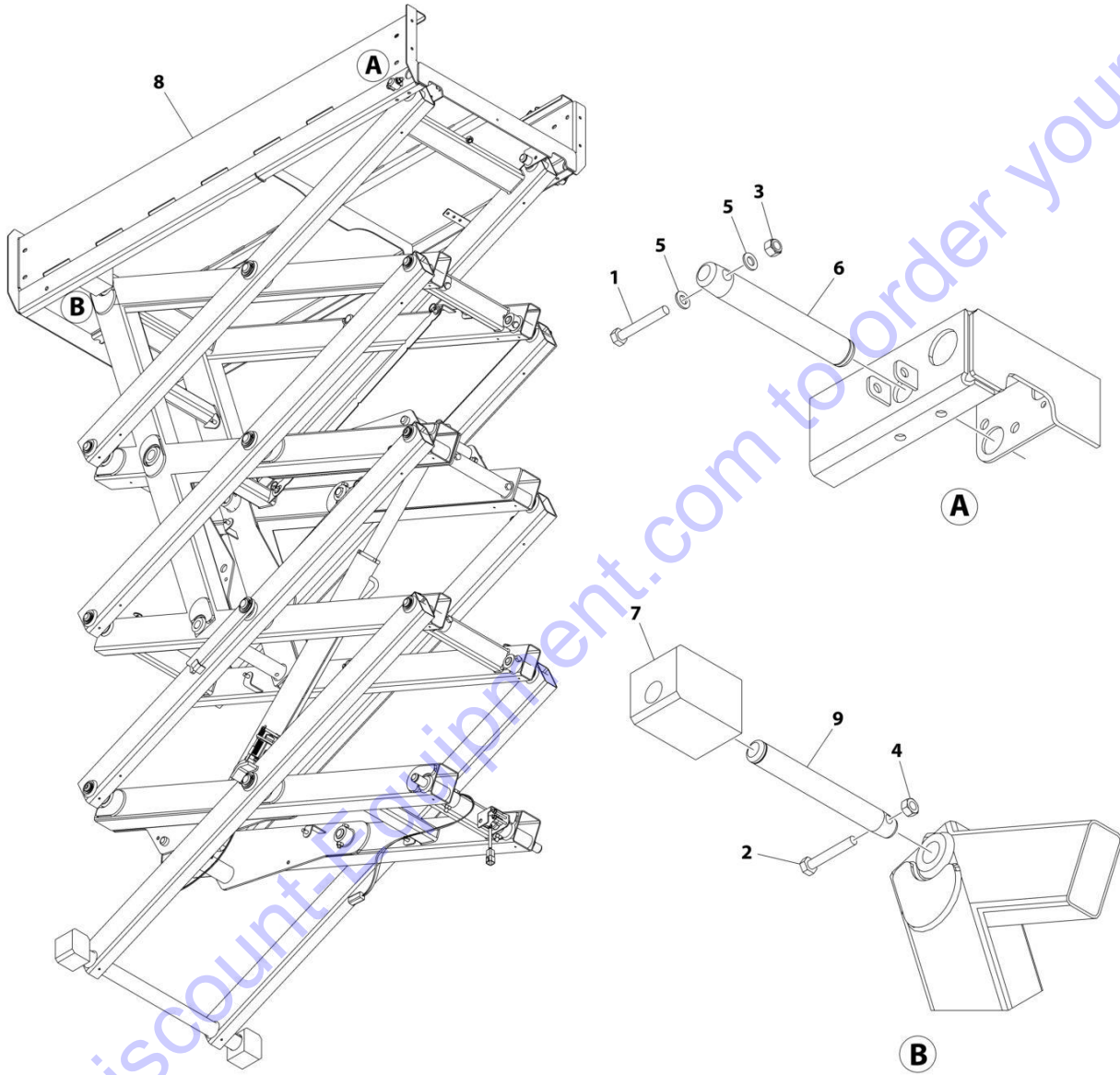
Go to Discount-Equipment.com to order your parts

SECTION 4 - PLATFORM

Go to Discount-Equipment.com to order your parts

SECTION 4 - PLATFORM

FIGURE 4-1. PLATFORM INSTALLATION – R1532I



ART_1001226948

SECTION 4 - PLATFORM

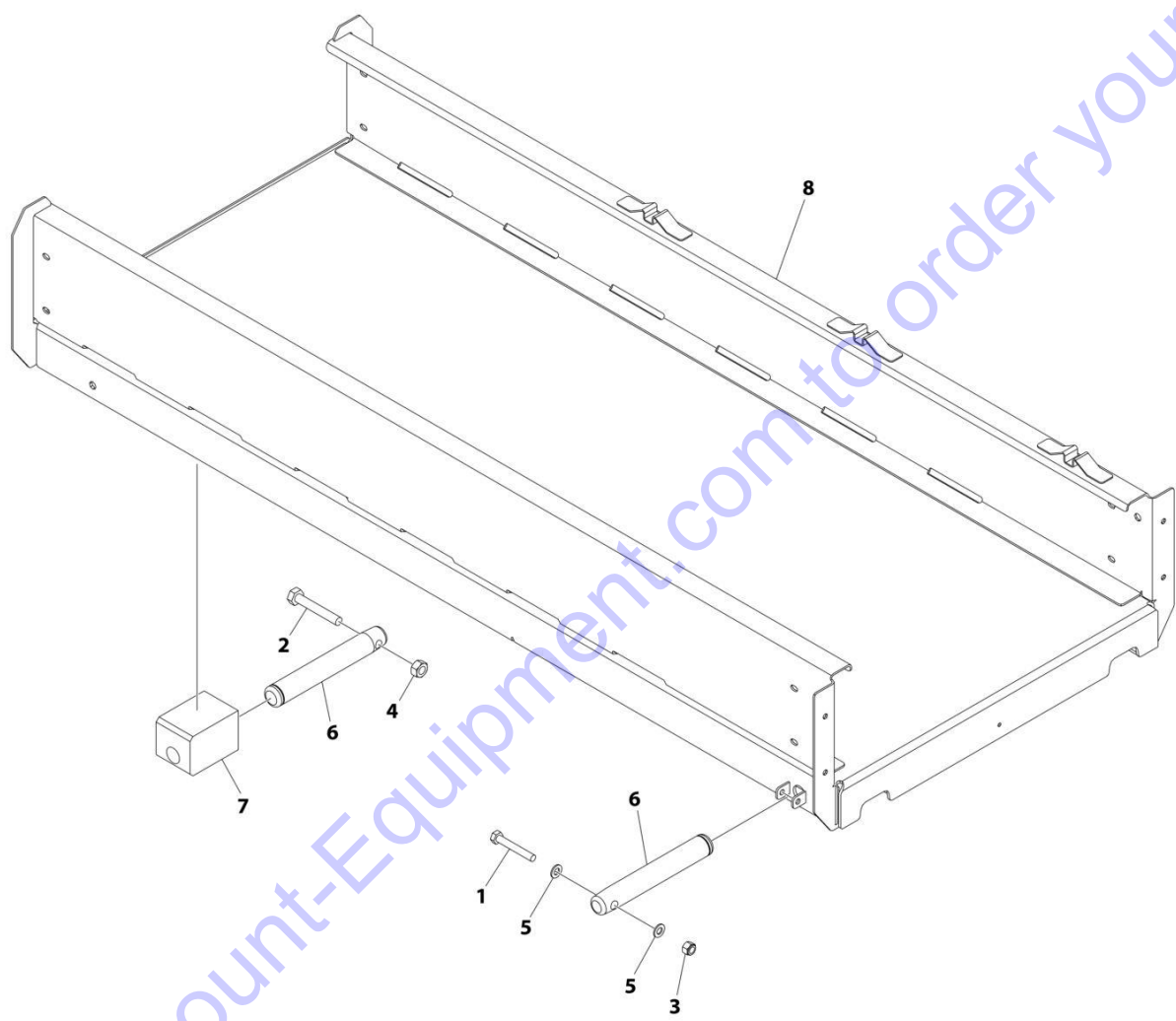
FIGURE 4-1. PLATFORM INSTALLATION – R1532I

ITEM	PART NUMBER	QTY	DESCRIPTION	REV
	1001235018	Ref	PLATFORM INSTALLATION	A
1	0700819	2	Bolt M8 x 55	
2	0701021	2	Bolt M10 x 65	
3	3290805	2	Nut M8	
4	3291007	2	Nut M10	
5	4811900	4	Washer M8	
6	1001203443	2	Pin	
7	1001205156	2	Block, Slide	
8	1001235541	1	Platform	
9	1001204781	2	Pin	

Go to Discount-Equipment.com to order your parts

SECTION 4 - PLATFORM

FIGURE 4-2. PLATFORM INSTALLATION - R1932/R1932I



Go to Discount-Equipment.com to order your parts

ART_1001205709_C

SECTION 4 - PLATFORM

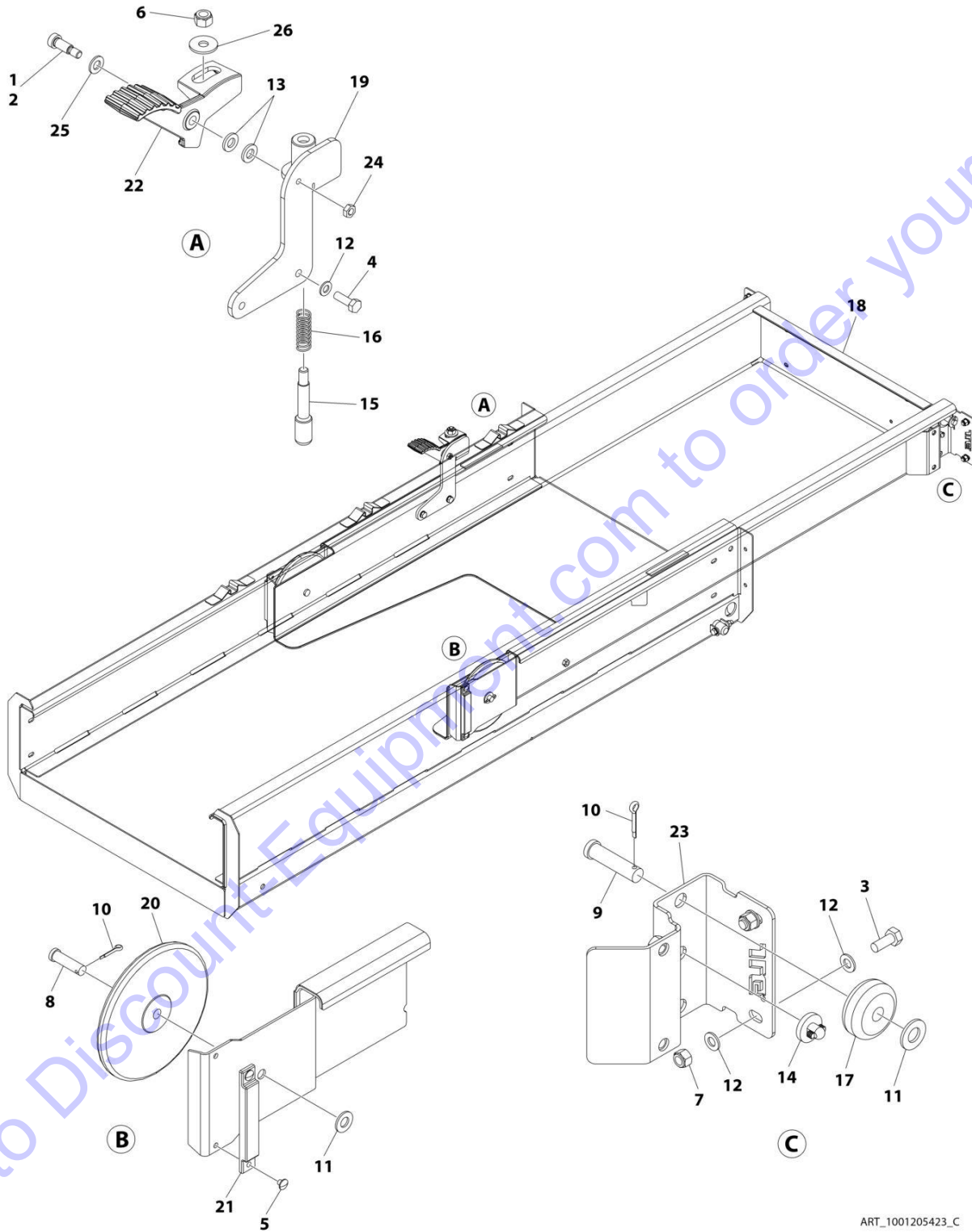
FIGURE 4-2. PLATFORM INSTALLATION - R1932/R1932i

ITEM	PART NUMBER	QTY	DESCRIPTION	REV
	1001205709	Ref	PLATFORM INSTALLATION	C
1	0700819	2	Bolt M8 x 55	
2	0701021	2	Bolt M10 x 65	
3	3290805	2	Nut M8	
4	3291007	2	Nut M10	
5	4811900	4	Washer M8	
6	1001203443	4	Pin	
7	1001205156	2	Block, Slide	
8	1001235541	1	Platform	

Go to Discount-Equipment.com to order your parts

SECTION 4 - PLATFORM

FIGURE 4-3. PLATFORM EXTENSION INSTALLATION



ART_1001205423_C

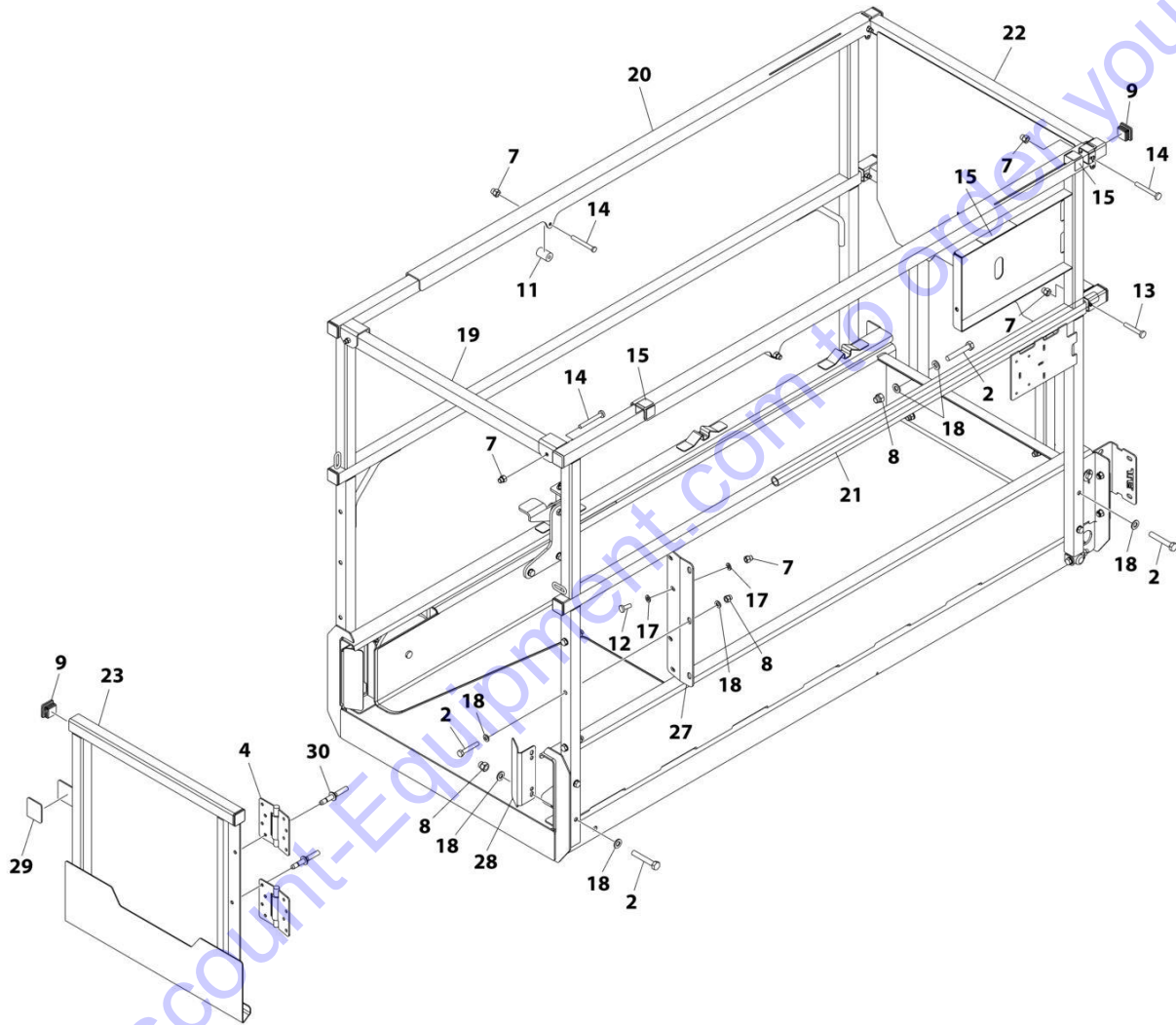
SECTION 4 - PLATFORM

FIGURE 4-3. PLATFORM EXTENSION INSTALLATION

ITEM	PART NUMBER	QTY	DESCRIPTION	REV
	1001205423	Ref	PLATFORM EXTENSION INSTALLATION	C
1	0100011	AR	Compound, Locking	
2	0630183	1	Screw 3/8 x 1	
3	0760810	4	Bolt M8 x 20	
4	0760812	2	Bolt M8 x 25	
5	2080040	4	Fastener	
6	3290605	AR	Nut M6	
6	3291005	AR	Nut M10	
7	3290805	4	Nut M8	
8	3430814	2	Pin	
9	3430816	2	Pin	
10	3450403	4	Pin, Cotter 1/8 x 3/4	
11	4711800	4	Washer 1/2	
12	4811900	11	Washer M8	
13	5241000	5	Washer M10	
14	1001137675	2	Bumper	
15	1001221476	1	Rod	
16	1001221475	1	Spring	
17	1001205422	2	Roller (Front)	
18	1001205424	1	Extension, Platform	
19	1001236129	1	Bracket	
20	1001205430	2	Roller (Rear)	
21	1001208852	2	Pad	
22	1001217043	1	Plate	
23	1001210064	2	Support	
24	3311502	1	Nut 5/16	
25	4812000	AR	Washer M10	
26	4812002	AR	Washer M10	

SECTION 4 - PLATFORM

FIGURE 4-4. RAILS INSTALLATION - FIXED RAILS/GATE ENTRY (INSIDE TUBE SLIDER)



ART_1001207806_F

SECTION 4 - PLATFORM

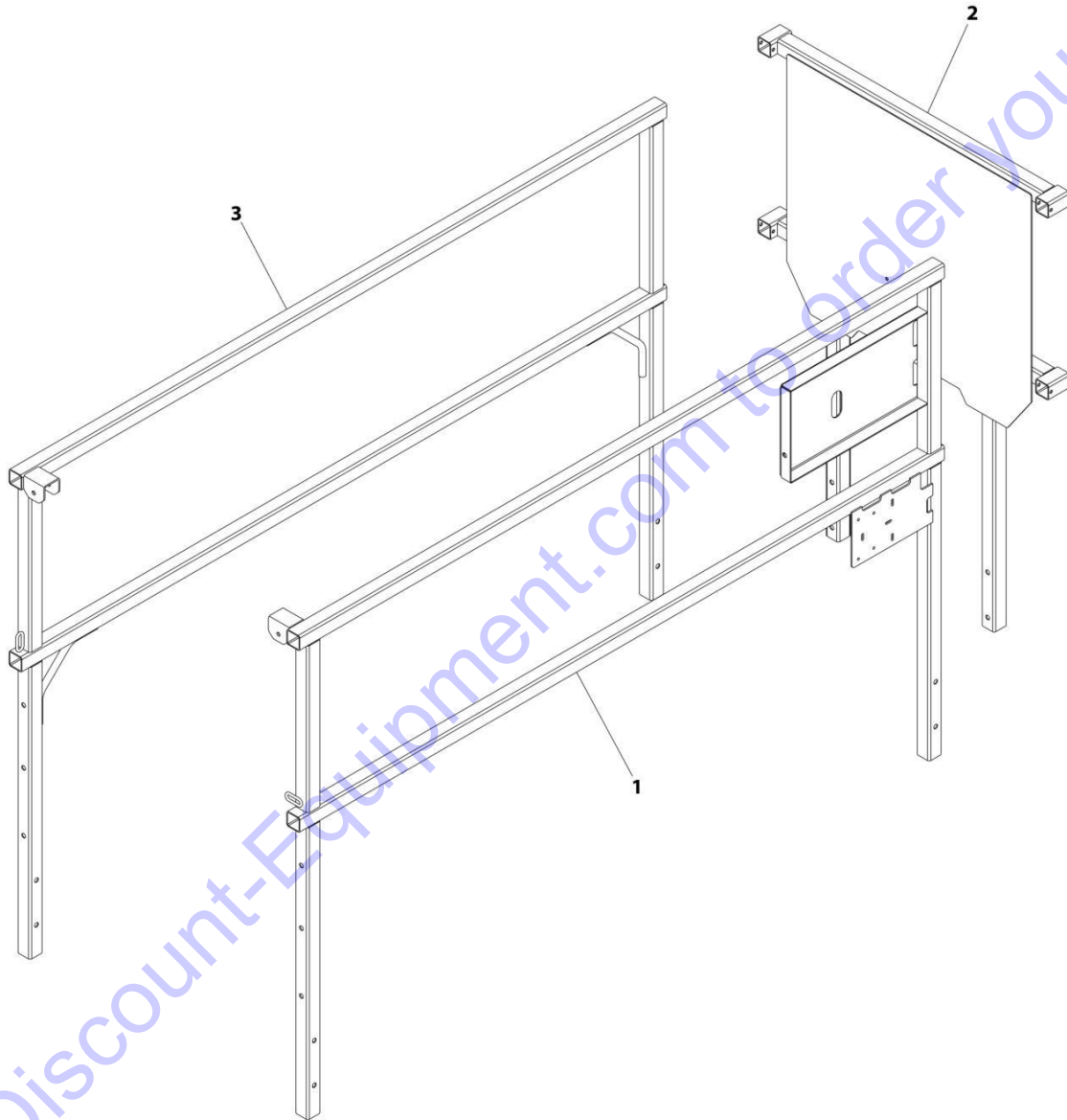
FIGURE 4-4. RAILS INSTALLATION - FIXED RAILS/GATE ENTRY (INSIDE TUBE SLIDER)

ITEM	PART NUMBER	QTY	DESCRIPTION	REV
	1001207806	Ref	RAILS INSTALLATION - FIXED RAILS/GATE ENTRY (INSIDE TUBE SLIDER)	F
2	0700818	15	Bolt M8 x 50	
4	2600281	2	Hinge	
7	3290606	12	Nut M6	
8	3290806	11	Nut M8	
9	3520072	10	Plug	
11	3860111	2	Roller	
12	4010608	4	Screw M6 x 16	
13	4010616	2	Screw M6 x 40	
14	4010618	6	Screw M6 x 50	
15	4420062	1.3 ft/ 40cm	Tape	
17	4811700	8	Washer M6	
18	4811900	28	Washer M8	
19	1001206224	1	Tube (Rear)	
20	1001206225	2	Rail, Top Slide	
21	1001206226	2	Rod	
22	1001206228	1	Rail Kit - Fixed Rails (See Separate Breakdown in this Section)	
23	1001210302	1	Gate	
27	1001210586	1	Plate, Gate Hinge	
28	1001210963	2	Cover	
29	3080007	1	Magnet, Latch	
30	2080040	4	Fastener	

Go to Discount-Equipment.com to order your parts

SECTION 4 - PLATFORM

FIGURE 4-5. RAIL KIT - FIXED RAILS (INSIDE TUBE SLIDER)



ART_1001206228

SECTION 4 - PLATFORM

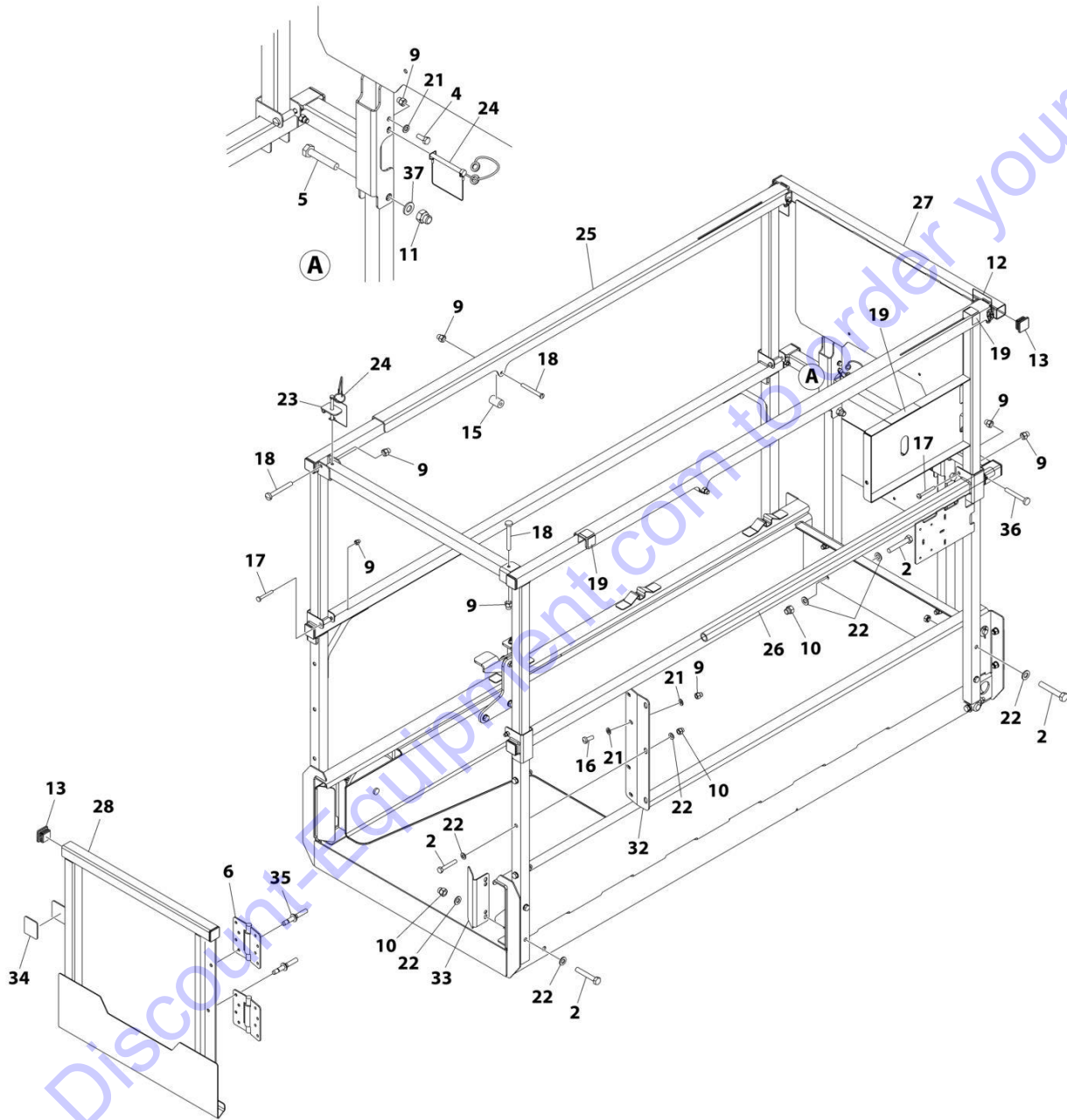
FIGURE 4-5. RAIL KIT - FIXED RAILS (INSIDE TUBE SLIDER)

ITEM	PART NUMBER	QTY	DESCRIPTION	REV
	1001206228	Ref	RAIL KIT - FIXED RAILS (INSIDE TUBE SLIDER)	C
1	1001206207	1	Rail (Right)	
2	1001206217	1	Rail Extension (Front)	
3	1001206222	1	Rail (Left)	

Go to Discount-Equipment.com to order your parts

SECTION 4 - PLATFORM

FIGURE 4-6. RAILS INSTALLATION - FOLD-DOWN RAILS/GATE ENTRY (INSIDE TUBE SLIDER)



ART_1001207807_E

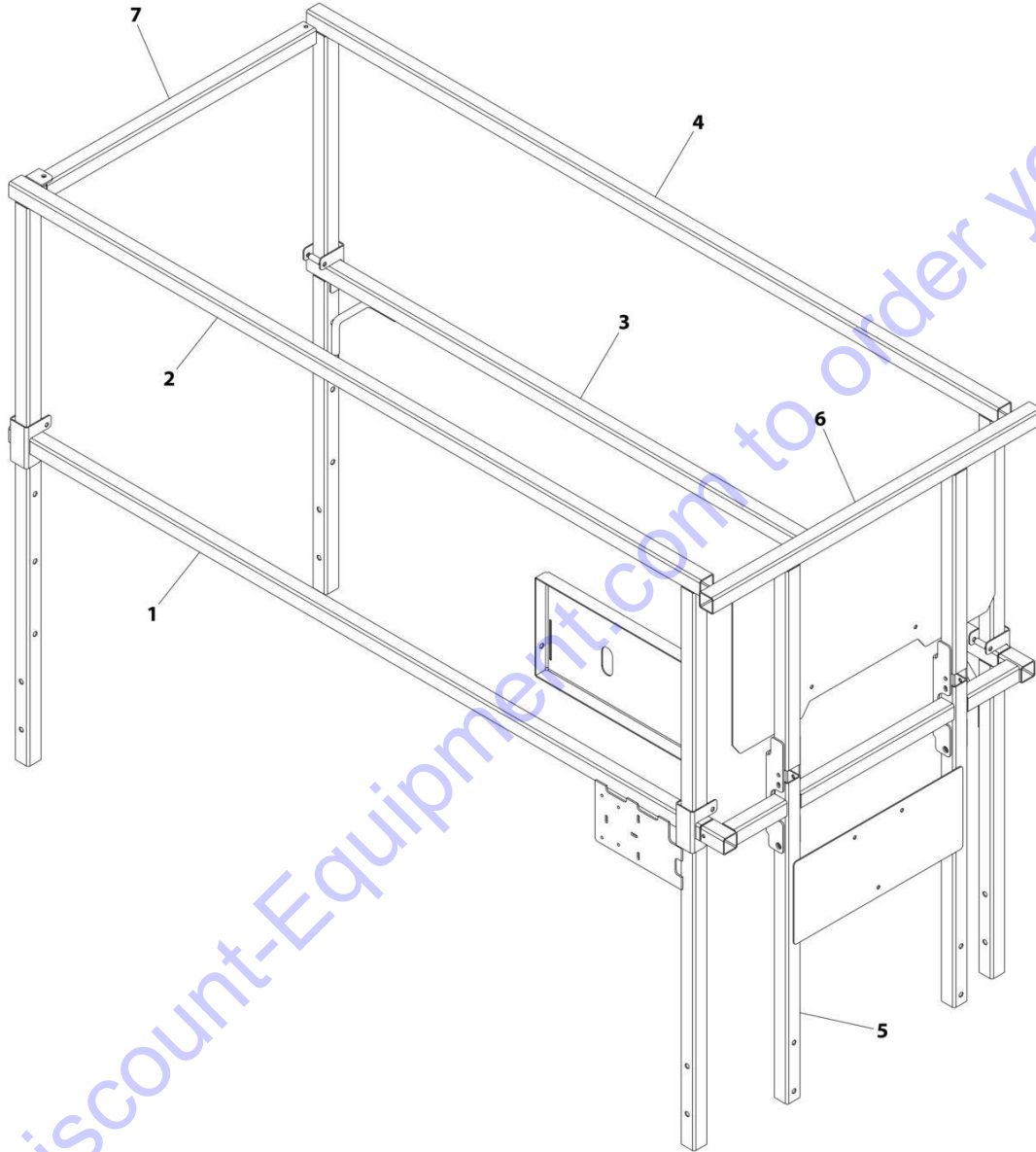
SECTION 4 - PLATFORM

FIGURE 4-6. RAILS INSTALLATION - FOLD-DOWN RAILS/GATE ENTRY (INSIDE TUBE SLIDER)

ITEM	PART NUMBER	QTY	DESCRIPTION	REV
	1001207807	Ref	RAILS INSTALLATION - FOLD-DOWN RAILS/GATE ENTRY (INSIDE TUBE SLIDER)	E
2	0700818	15	Bolt M8 x 50	
4	0760608	2	Bolt M6 x 16	
5	0761019	2	Bolt M10 x 55	
6	2600281	2	Hinge	
9	3290606	16	Nut M6	
10	3290806	11	Nut M8	
11	3291006	2	Nut M10	
12	3422219	2	Pin	
13	3520072	10	Plug	
15	3860111	2	Roller	
16	4010608	4	Screw M6 x 16	
17	4010617	4	Screw M6 x 45	
18	4010618	4	Screw M6 x 50	
19	4420062	1.3 ft/ 40cm	Tape	
21	4811700	10	Washer M6	
22	4811900	26	Washer M8	
23	1001154378	1	Bracket	
24	1001187587	3	Pin	
25	1001206225	2	Rail, Top Slide	
26	1001206226	2	Rod	
27	1001208073	1	Rail Kit - Fold-Down Rails (See Separate Breakdown in this Section)	
28	1001210302	1	Gate	
32	1001210586	1	Plate, Gate Hinge	
33	1001210963	2	Cover	
34	3080007	1	Magnet	
35	2080040	4	Fastener	
36	4010616	4	Screw M6 x 40	
37	4812000	2	Washer M10	

SECTION 4 - PLATFORM

FIGURE 4-7. RAIL KIT - FOLD-DOWN RAILS (INSIDE TUBE SLIDER)



ART_1001208073

SECTION 4 - PLATFORM

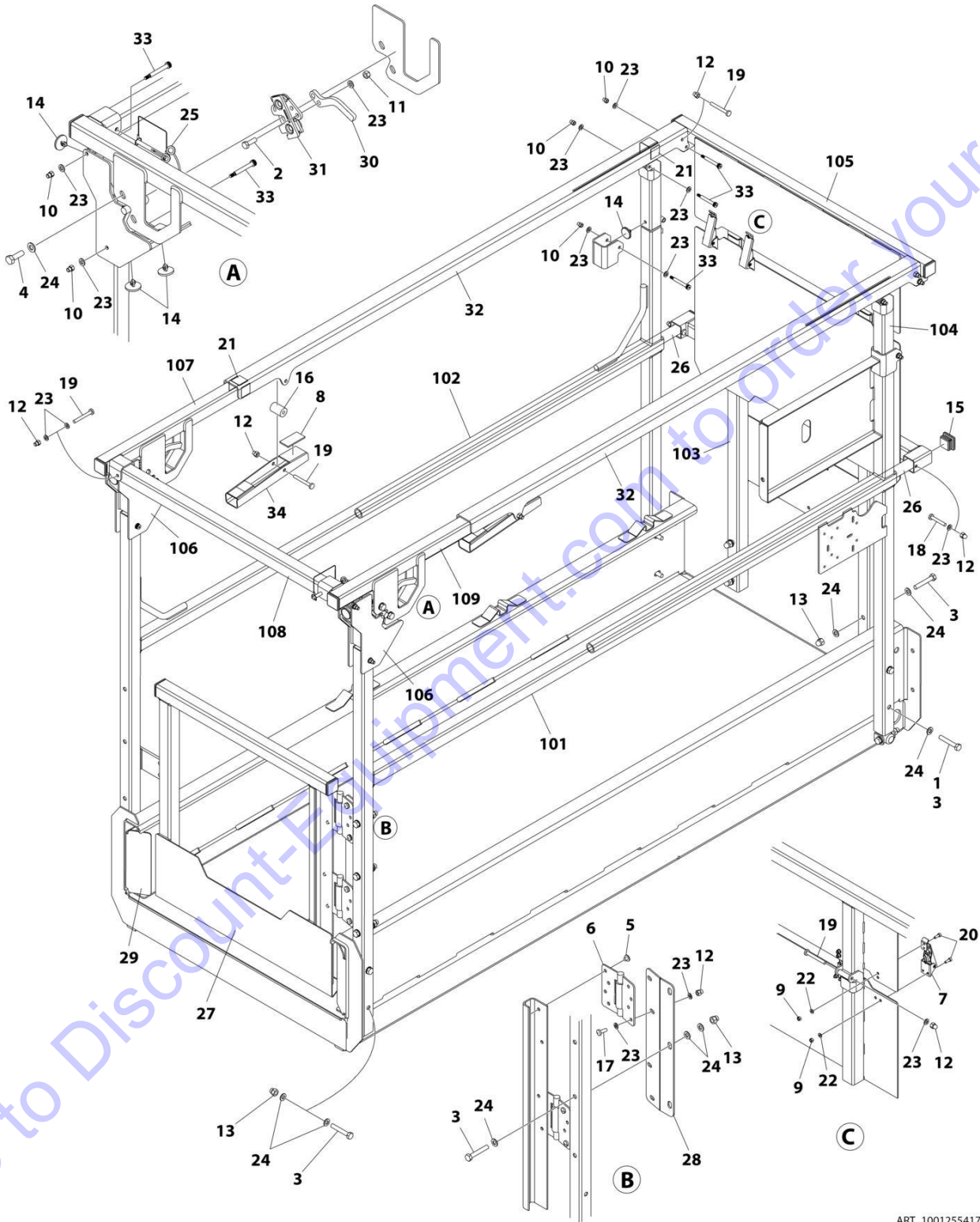
FIGURE 4-7. RAIL KIT - FOLD-DOWN RAILS (INSIDE TUBE SLIDER)

ITEM	PART NUMBER	QTY	DESCRIPTION	REV
	1001208073	Ref	RAIL KIT - FOLD-DOWN RAILS (INSIDE TUBE SLIDER)	B
1	1001210442	1	Rail - Lower (Right)	
2	1001210443	1	Rail - Upper (Right)	
3	1001210444	1	Rail - Lower (Left)	
4	1001210445	1	Rail - Upper (Left)	
5	1001210446	1	Rail - Extension Lower (Front)	
6	1001210447	1	Rail - Extension Upper (Front)	
7	1001210458	1	Rail (Rear)	

Go to Discount-Equipment.com to order your parts

SECTION 4 - PLATFORM

FIGURE 4-8. RAILS INSTALLATION - FOLD-DOWN RAILS/GATE ENTRY (QUIK FOLD) (INSIDE TUBE SLIDER)



ART_1001255417

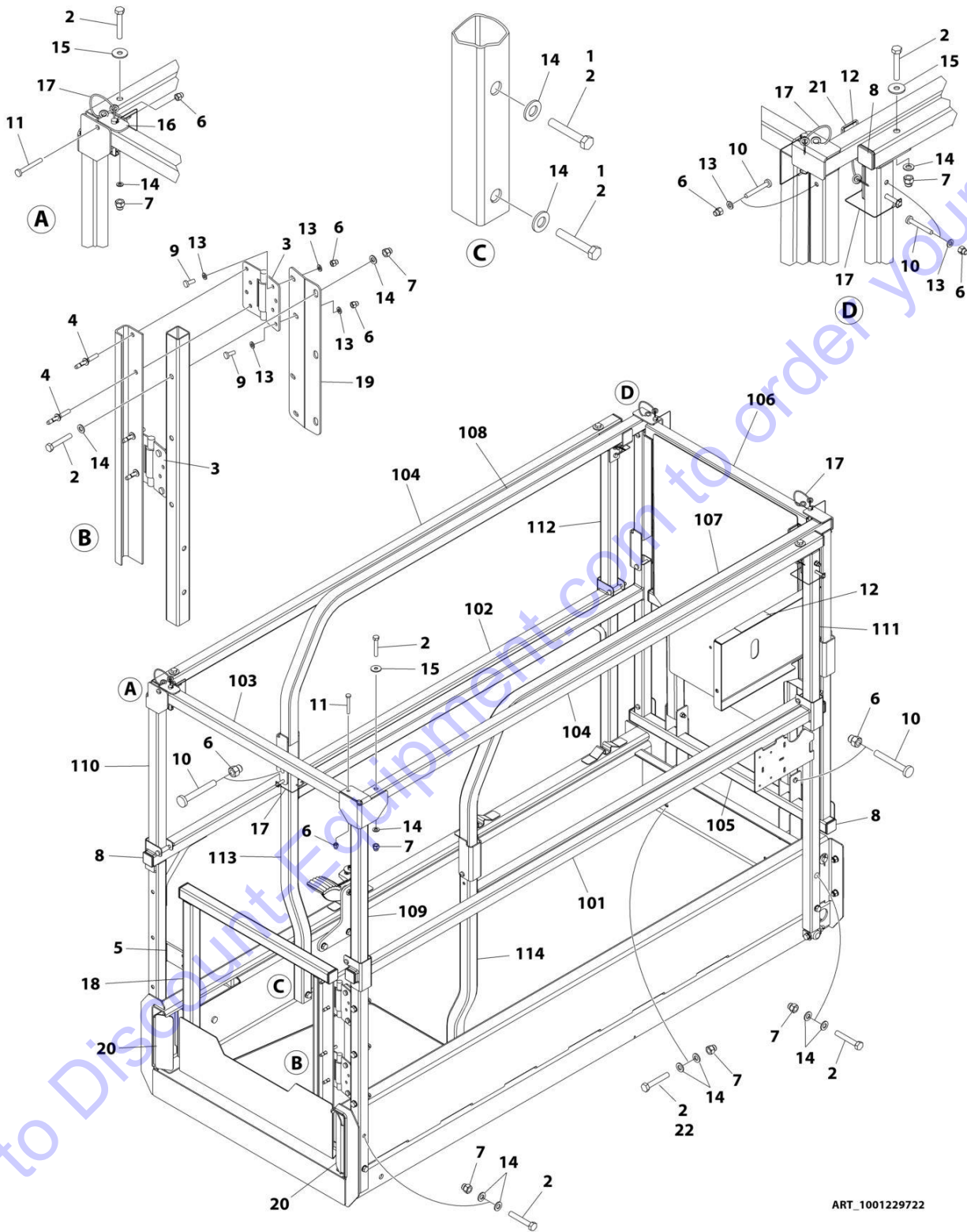
SECTION 4 - PLATFORM

FIGURE 4-8. RAILS INSTALLATION - FOLD-DOWN RAILS/GATE ENTRY (QUIK FOLD) (INSIDE TUBE SLIDER)

ITEM	PART NUMBER	QTY	DESCRIPTION	REV
	1001255417	Ref	RAILS INSTALLATION - FOLD-DOWN RAILS/GATE ENTRY (QUIK FOLD) (INSIDE TUBE SLIDER)	D
1	0100011	AR	Compound, Locking	
2	0700610	4	Bolt M6 x 20	
3	0700818	15	Bolt M8 x 50	
4	0700812	4	Bolt M8 x 25	
5	2080040	4	Fastener	
6	2600281	2	Hinge	
7	2940129	2	Latch	
8	3080007	3	Magnet	
9	3290405	8	Nut M4	
10	3290506	10	Nut M5	
11	3290605	4	Nut M6	
12	3290606	13	Nut M6	
13	3290806	11	Nut M8	
14	3340962	8	Pad	
15	3520072	10	Plug	
16	3860111	2	Roller	
17	4010608	4	Screw M6 x 16	
18	4010616	2	Screw M6 x 40	
19	4010618	7	Screw M6 x 50	
20	4031506	8	Bolt M4 x 12	
21	4420062	1.3 ft /40cm	Tape	
22	4811400	8	Washer M4	
23	4811700	38	Washer M6	
24	4811900	33	Washer M8	
25	1001187587	1	Pin	
26	1001206226	2	Rod	
27	1001210302	1	Gate	
28	1001210586	1	Plate, Gate Hinge	
29	1001210963	2	Cover	
30	1001259102	1	Plate, Latch Trigger	
31	1001255470	1	Latch Assembly	
32	1001255505	2	Rail, Top Slide	
33	1001256657	10	Bolt M6 x 40	
34	1001261149	2	Handle	
100	1001255420	1	Rail Kit (Not Shown)	D
101	1001255421	1	Rail (Right Platform)	
102	1001255428	1	Rail (Left Platform)	
103	1001255430	1	Rail (Platform Extension)	
104	1001255442	2	Tube (Rail Hinge)	
105	1001255457	1	Rail (Upper Extension)	
106	1001259105	2	Rail (Latch Assembly)	
107	1001259106	1	Rail (Upper Right)	
108	1001255491	1	Tube (Upper Extension)	
109	1001259107	1	Rail (Upper Left)	

SECTION 4 - PLATFORM

FIGURE 4-9. RAILS INSTALLATION - FOLD-DOWN RAILS/GATE ENTRY (OUTSIDE TUBE SLIDER)



ART_1001229722

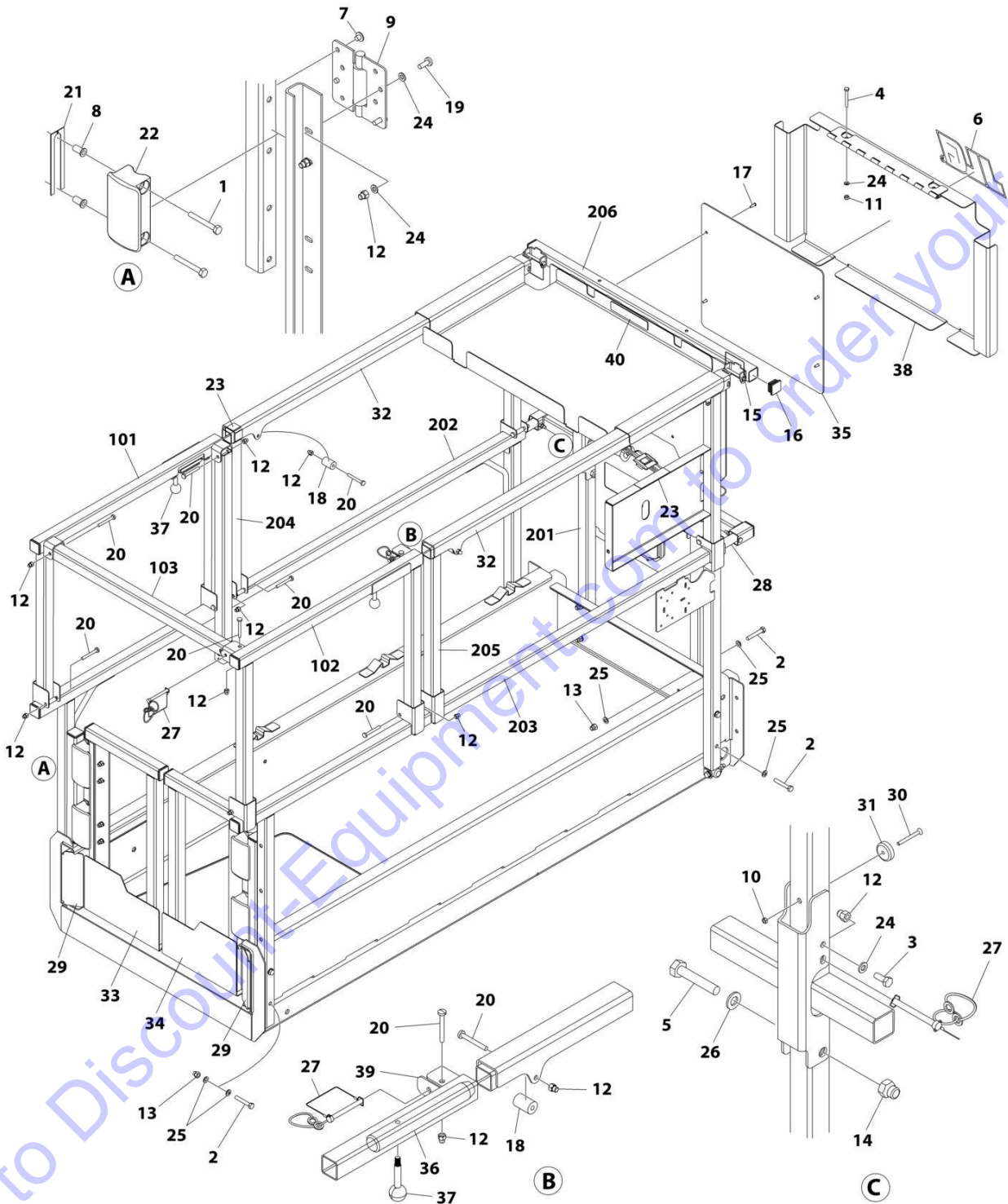
SECTION 4 - PLATFORM

FIGURE 4-9. RAILS INSTALLATION - FOLD-DOWN RAILS/GATE ENTRY (OUTSIDE TUBE SLIDER)

ITEM	PART NUMBER	QTY	DESCRIPTION	REV
	1001229722	Ref	RAILS INSTALLATION - FOLD-DOWN RAILS/GATE ENTRY	D
1	0100011	AR	Compound, Locking	
2	0700818	AR	Bolt M8 x 50	
3	2600281	2	Hinge	
4	2080040	4	Fastener	
5	3080007	1	Magnet	
6	3290606	23	Nut M6	
7	3290806	15	Nut M8	
8	3520072	12	Plug	
9	4010608	5	Screw M6 x 16	
10	4010617	16	Screw M6 x 45	
11	4010618	2	Screw M6 x 50	
12	4420062	15 in/ 37cm	Tape	
13	4811700	13	Washer M6	
14	4811900	30	Washer M8	
15	4811902	4	Washer M8	
16	1001154378	1	Bracket	
17	1001187587	6	Pin	
18	1001210302	1	Gate	
19	1001210586	1	Plate, Gate Support	
20	1001210963	2	Cover (LH)	
21	1001232257	2	Brace	
22	0700820	AR	Bolt M8 x 60	
100	1001229723	1	Rail (Not Shown)	
101	1001210442	1	Rail (Side Lower Right)	
102	1001210444	1	Rail (Side Lower Left)	
103	1001210458	1	Rail (Rear Top)	
104	1001223835	2	Rail (Side Top)	
105	1001231405	1	Rail (Extention Front Lower)	
106	1001229732	1	Rail (Extention Front Upper)	
107	1001229733	1	Rail (Extention Upper Right)	
108	1001229734	1	Rail (Extention Upper Left)	
109	1001229739	1	Rail (Rear Upper Right)	
110	1001229740	1	Rail (Rear Upper Left)	
111	1001229741	1	Rail (Front Upper Right)	
112	1001229742	1	Rail (Front Upper Left)	
113	1001230248	1	Rail (Extention Side Lower Left)	
114	1001230249	1	Rail (Extention Side Lower Right)	

SECTION 4 - PLATFORM

FIGURE 4-10. RAILS INSTALLATION – FOLD-DOWN RAILS/GATE ENTRY (NARROW ACCESS)



ART_1001249082

SECTION 4 - PLATFORM

FIGURE 4-10. RAILS INSTALLATION – FOLD-DOWN RAILS/GATE ENTRY (NARROW ACCESS)

ITEM	PART NUMBER	QTY	DESCRIPTION	REV
	1001249082	Ref	RAILS INSTALLATION - FOLD-DOWN RAILS/GATE ENTRY	B
1	0641416	8	Bolt 1/4 x 2	
2	0700818	12	Bolt M8 x 50	
3	0760608	2	Bolt M6 x 16	
4	0760618	2	Bolt M6 x 50	
5	0761019	2	Bolt M10 x 55	
6	1001256675	1	Decal - JLG	
7	2080040	8	Fastener	
8	2080043	8	Rivnut	
9	2600281	4	Hinge	
10	3290501	2	Nut M5	
11	3290605	2	Nut M6	
12	3290606	26	Nut M6	
13	3290806	8	Nut M8	
14	3291006	2	Nut M10	
15	3422219	2	Pin	
16	3520072	16	Plug	
17	3820032	4	Rivet	
18	3860111	2	Roller	
19	4010608	8	Screw M6 x 16	
20	4010618	16	Screw M6 x 50	
21	4071095	AR	Shim	
22	4220309	4	Stop	
23	4420062	1.5 ft /0.46m	Tape	
24	4811700	20	Washer M6	
25	4811900	20	Washer M8	
26	4812000	2	Washer M10	
27	1001187587	4	Pin	
28	1001206226	2	Rod	
29	1001210963	2	Cover (LH)	
30	1001234395	2	Bolt M5 x 50	
31	1001243528	2	Magnet	
32	1001249114	2	Rail (Upper Slide)	
33	1001251383	1	Gate (Right)	
34	1001251388	1	Gate (Left)	
35	1001254825	1	Panel	
36	1001256471	2	Rail (Platform Extension)	
37	1001257890	2	Knob	
38	1001258528	1	Plate	
39	1001258704	2	Bracket	
40	1001261040	1	Decal - Max Capacity	
100	1001258617	1	Rail Narrow Access Kit (Not Shown)	A
101	1001249109	1	Rail (Upper Left)	
102	1001249111	1	Rail (Upper Right)	
103	1001258620	2	Tube (Drop Bar)	
200	1001258618	1	Rail Narrow Access Kit (Not Shown)	A
201	1001210446	1	Rail (Lower Extension)	
202	1001249096	1	Rail (Lower Left)	
203	1001249107	1	Rail (Lower Right)	

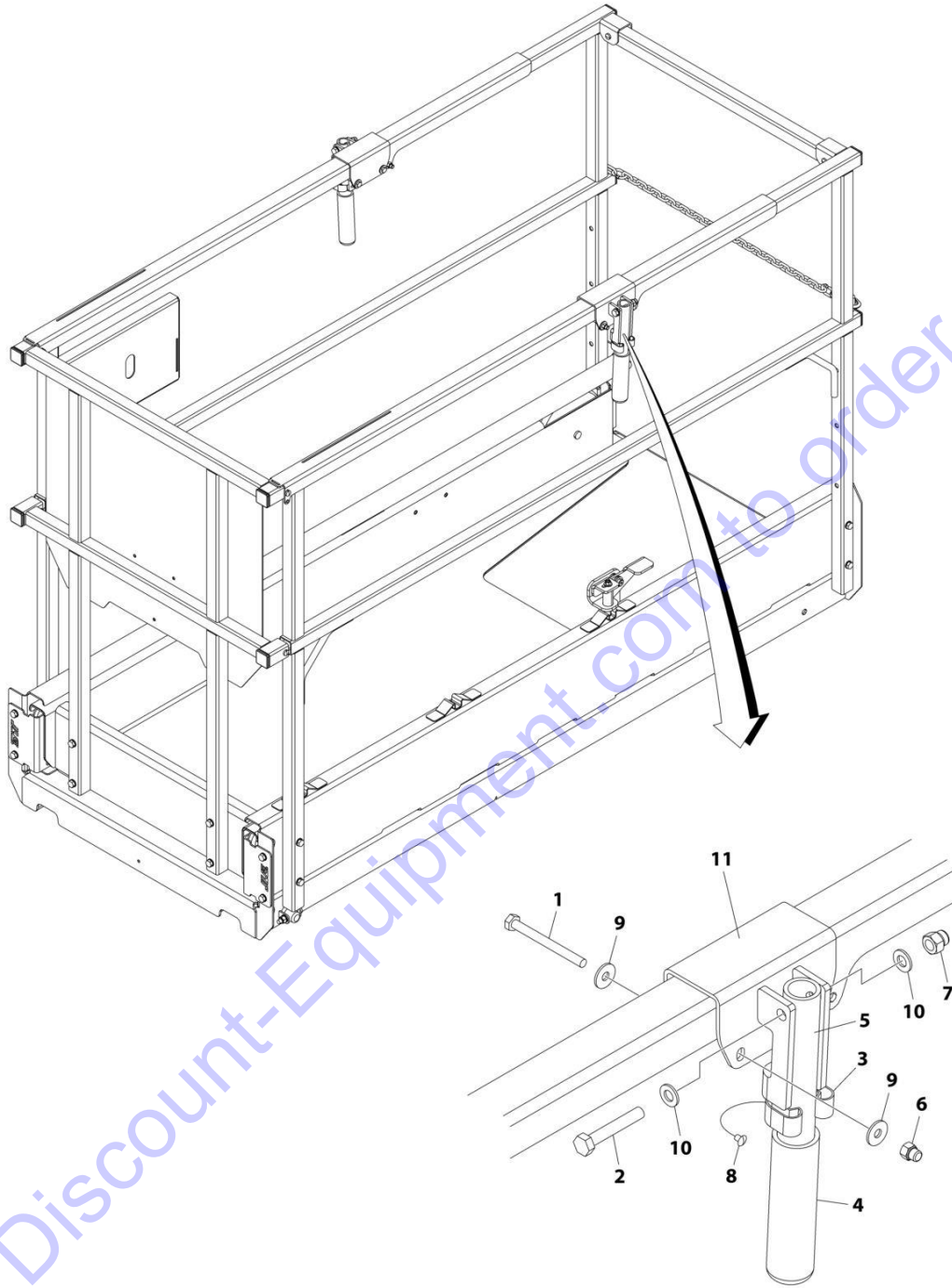
SECTION 4 - PLATFORM

ITEM	PART NUMBER	QTY	DESCRIPTION	REV
204	1001249110	1	Rail (Upper Left)	
205	1001249112	1	Rail (Upper Right)	
206	1001258411	1	Rail (Upper Extension)	

Go to Discount-Equipment.com to order your parts

SECTION 4 - PLATFORM

FIGURE 4-11. HANDLE EXTENSION INSTALLATION (OPTIONAL)



Go to Discount-Equipment.com to order your parts

ART_1001222587

SECTION 4 - PLATFORM

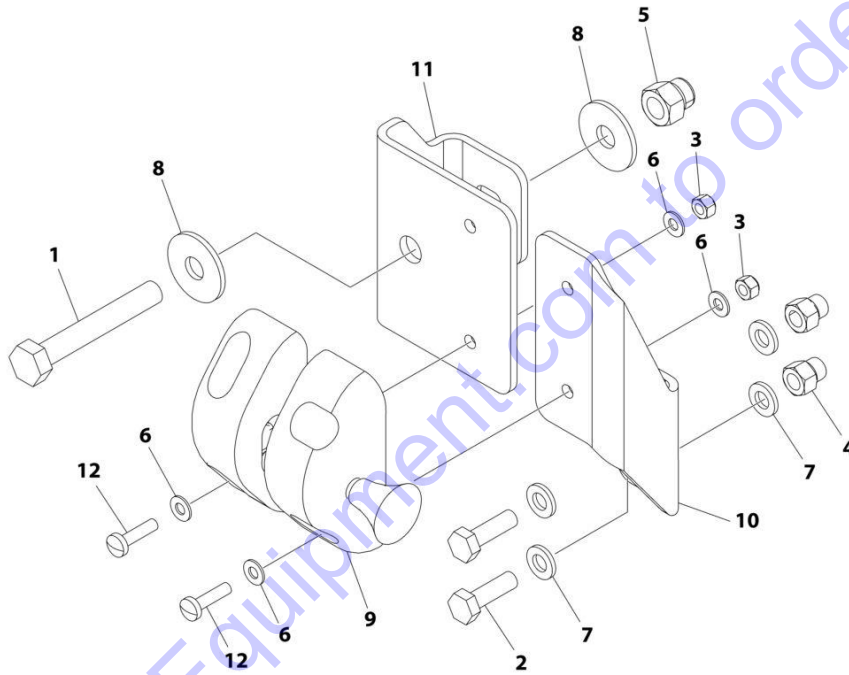
FIGURE 4-11. HANDLE EXTENSION INSTALLATION (OPTIONAL)

ITEM	PART NUMBER	QTY	DESCRIPTION	REV
	1001222587	Ref	HANDLE EXTENSION INSTALLATION (OPTIONAL)	B
1	0700621	4	Bolt M6 x 65	
2	0700818	2	Bolt M8 x 50	
3	1380132	2	Clip	
4	2560088	2	Grip, Handle	
5	2560190	2	Handle	
6	3290606	2	Nut M6	
7	3290806	2	Nut M8	
8	3820019	2	Rivet	
9	4811702	8	Washer M6	
10	4811900	4	Washer M8	
11	1001216823	2	Bracket	

Go to Discount-Equipment.com to order your parts

SECTION 4 - PLATFORM

FIGURE 4-12. GATE LATCH INSTALLATION - OPTIONAL



ART_1001220995

Go to Discount-Equipment.com to order your parts

SECTION 4 - PLATFORM

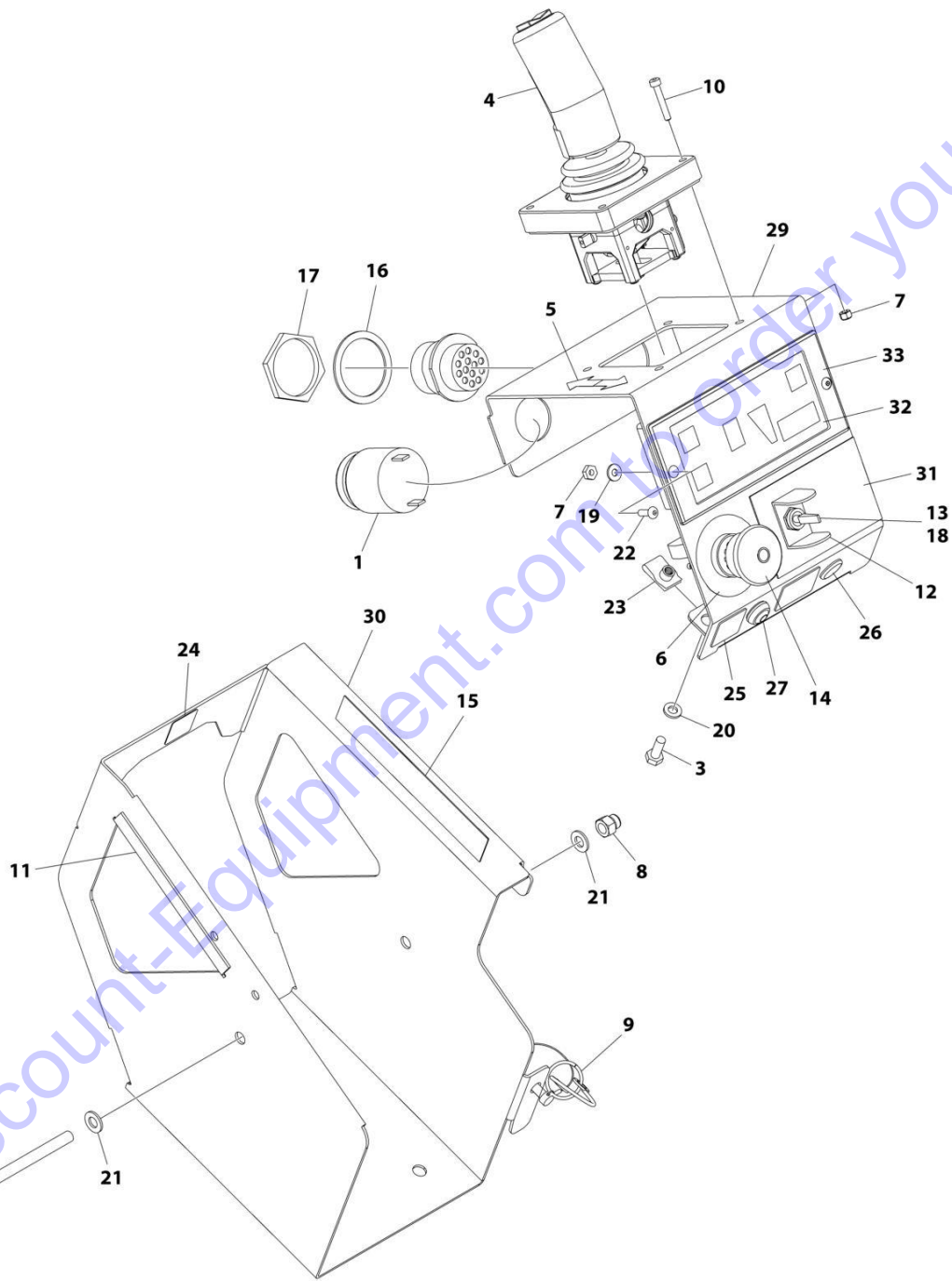
FIGURE 4-12. GATE LATCH INSTALLATION - OPTIONAL

ITEM	PART NUMBER	QTY	DESCRIPTION	REV
	1001220995	Ref	GATE LATCH INSTALLATION	B
1	0700819	1	Bolt M8 x 55	
2	0760610	2	Bolt M6 x 20	
3	3290405	4	Nut M4	
4	3290606	2	Nut M6	
5	3290806	1	Nut M8	
6	4811400	8	Washer M4	
7	4811700	4	Washer M6	
8	4811902	2	Washer M8	
9	1001134821	1	Latch	
10	1001220409	1	Mount	
11	1001220410	1	Plate	
12	4010408	4	Screw M4 x 16	

Go to Discount-Equipment.com to order your parts

SECTION 4 - PLATFORM

FIGURE 4-13. PLATFORM CONTROL BOX INSTALLATION (R1532I/R1932I)



ART_1001253938

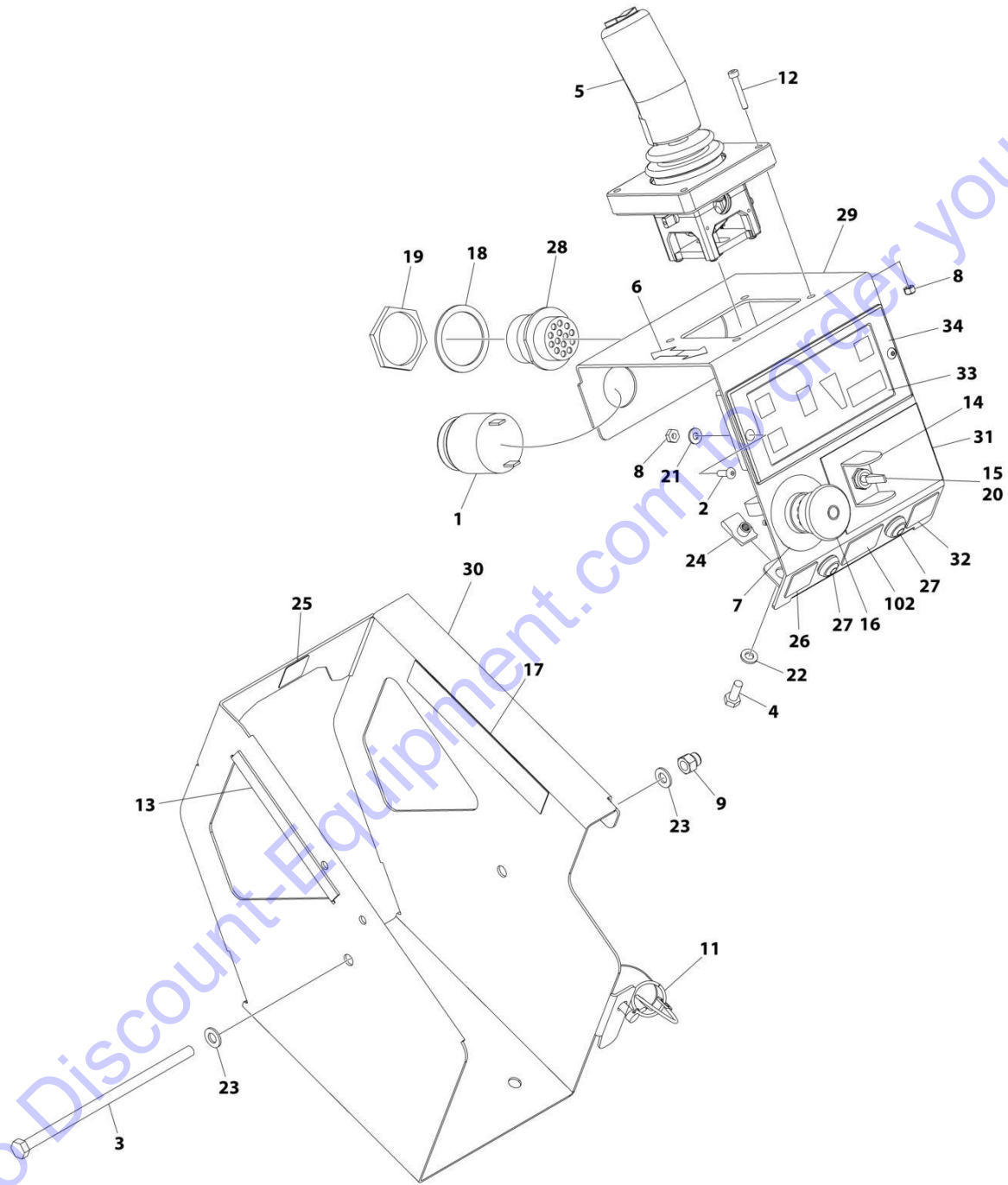
SECTION 4 - PLATFORM

FIGURE 4-13. PLATFORM CONTROL BOX INSTALLATION (R1532I/R1932I)

ITEM	PART NUMBER	QTY	DESCRIPTION	REV
	1001253938	Ref	PLATFORM CONTROL BOX INSTALLATION	A
1	0140030	1	Alarm	
2	0700835	1	Bolt M8 x 180	
3	0760610	2	Bolt M6 x 20	
4	1600402	1	Controller Assembly (See Separate Breakdown in this Section)	
5	1703819	1	Decal - Arrow	
6	1704260	1	Decal - Emergency Stop	
7	3290405	6	Nut M4	
8	3290806	1	Nut M8	
9	3423278	1	Pin, Snap with Lanyard	
10	4031509	4	Capscrew M4 x 25	
11	4060803	6 in/14cm	Flex-Trim	
12	4060906	1	Guard, Switch	
13	4360345	1	Switch, Toggle	
14	4360475	1	Switch, Emergency Stop	
14	7020175	1	Cap	
14	7020176	1	Block, Contact	
15	4420062	12 in/ 30cm	Tape	
16	4460496	1	Washer, Terminal	
17	4460497	1	Nut, Terminal	
18	4711700	1	Washer 7/16	
19	4811400	2	Washer M4	
20	4811700	2	Washer M6	
21	4811900	2	Washer M8	
22	1001047064	2	Screw M4 x 15	
23	1001130220	2	Nut, Tinnerman M6	
24	1001132358	1	Decal - Steer	
25	1001132361	1	Decal - Horn	
26	1001176626	1	Plug	
27	1001200633	2	Switch - Push Button	
28	1001200819	1	Platform Control Box Harness (Not Shown) (See Separate Breakdown in ELECTRICAL SECTION)	
29	1001209595	1	Plate, Box (Inside)	
30	1001209596	1	Plate, Box (Outside)	
31	1001213491	1	Decal - Lift/Drive Function	
32	1001218285	1	Decal - Platform Control	
33	1001228112	1	Module, Platform Control	

SECTION 4 - PLATFORM

FIGURE 4-14. PLATFORM CONTROL BOX INSTALLATION (R1932)



ART_1001236880_C

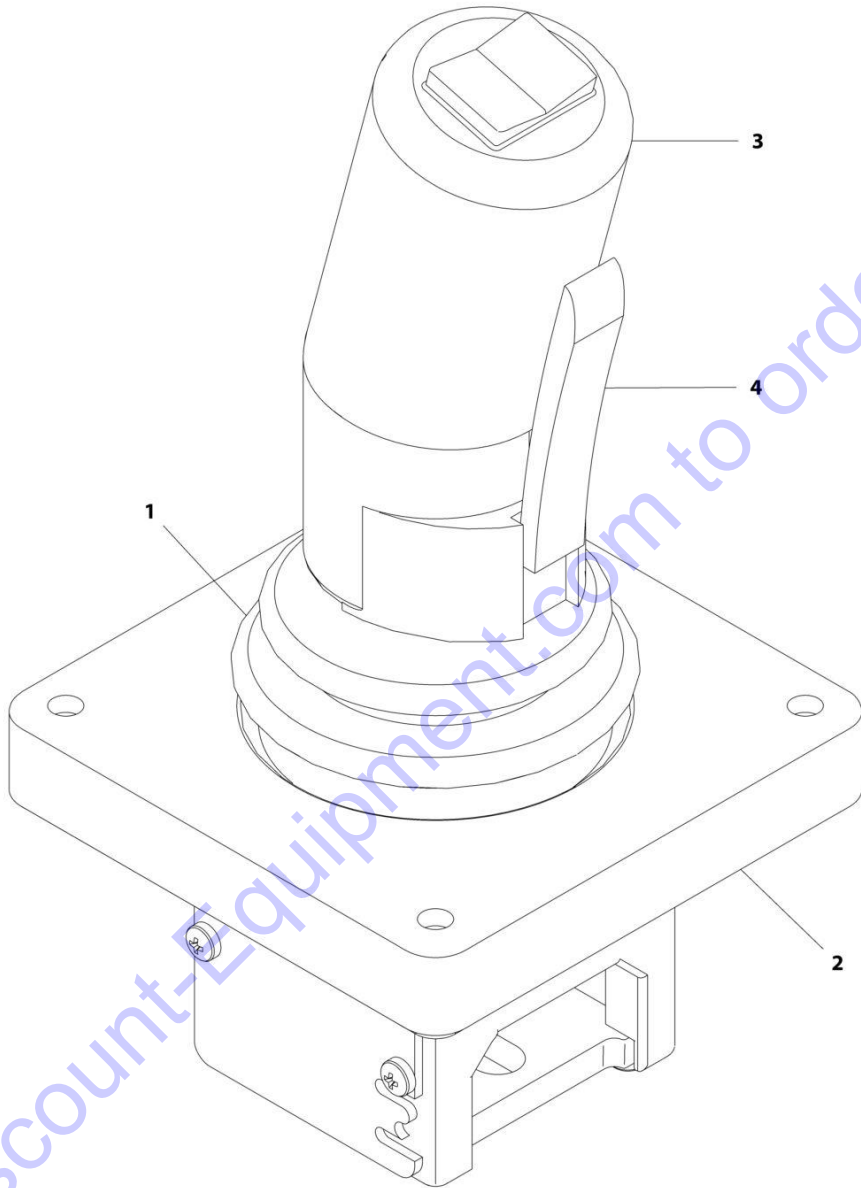
SECTION 4 - PLATFORM

FIGURE 4-14. PLATFORM CONTROL BOX INSTALLATION (R1932)

ITEM	PART NUMBER	QTY	DESCRIPTION	REV
	1001236880	Ref	PLATFORM CONTROL BOX INSTALLATION	C
1	0140030	1	Alarm	
2	1001047064	2	Screw	
3	0700835	1	Bolt M8 x 180	
4	0760610	2	Bolt M6 x 20	
5	1600402	1	Controller Assembly (See Separate Breakdown in this Section)	
6	1703819	1	Decal - Arrow	
7	1704260	1	Decal - Emergency Stop	
8	3290405	6	Nut M4	
9	3290806	1	Nut M8	
11	3423278	1	Pin, Snap with Lanyard	
12	4031509	4	Capscrew M4 x 25	
13	4060803	6 in/14cm	Flex-Trim	
14	4060906	1	Guard, Switch	
15	4360345	1	Switch, Toggle	
16	4360475	1	Switch, Emergency Stop	
16	7020175	1	Cap	
16	7020176	1	Block, Contact	
17	4420062	12 in/ 30cm	Tape	
18	4460496	1	Washer, Terminal	
19	4460497	1	Nut, Terminal	
20	4711700	1	Washer 7/16	
21	4811400	2	Washer M4	
22	4811700	2	Washer M6	
23	4811900	2	Washer M8	
24	1001130220	2	Nut, Tinnerman M6	
25	1001132358	1	Decal - Steer	
26	1001132361	1	Decal - Horn	
27	1001200633	2	Switch, Push Button	
28	1001200819	1	Platform Control Box Harness (Not Shown) (See Separate Breakdown in ELECTRICAL SECTION)	
29	1001209595	1	Plate, Box (Inside)	
30	1001209596	1	Plate, Box (Outside)	
31	1001213491	1	Decal - Lift/Drive Function	
32	1001213886	1	Decal - Indoor/Outdoor	
33	1001218285	1	Decal - Platform Control	
34	1001228112	1	Module, Platform Control	
	1001224868	Ref	PLATFORM CONTROL BOX INSTALLATION	E
102	1001258661	1	Decal - R1932	

SECTION 4 - PLATFORM

FIGURE 4-15. DRIVE/STEER CONTROLLER ASSEMBLY



ART_1600402

SECTION 4 - PLATFORM

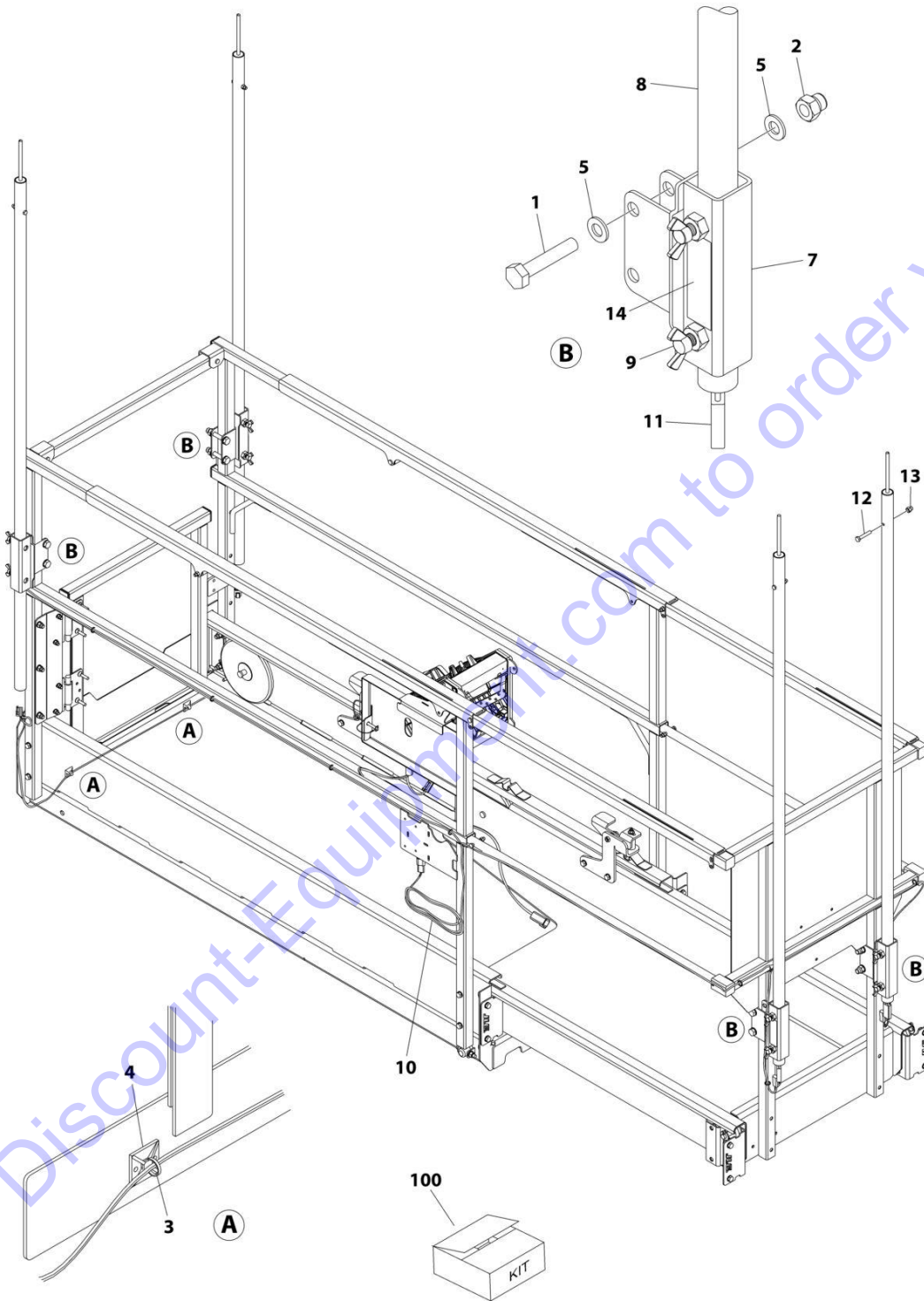
FIGURE 4-15. DRIVE/STEER CONTROLLER ASSEMBLY

ITEM	PART NUMBER	QTY	DESCRIPTION	REV
	1600402	Ref	DRIVE/STEER CONTROLLER ASSEMBLY	A
1	70001250	1	Boot, Panel	
2	70001252	1	Gasket, Mounting	
2	70001251	1	Bezel, Mounting	
3	70003650	1	Handle Repair Kit (Includes handle gasket, item#4 push button and item #4 lever installed in front handle half, back handle half, top actuator, boot and hardware.)	
3	70000084	1	Cap, Rubber	
3	70000082	1	Microswitch	
3	7027766	1	Ring, Retaining	
3	7027365	1	Actuator, Handle	
3	70001253	1	Gasket, Handle	
3	70000683	4	Washer, Neoprene	
3	70000685	2	Spacer, Plastic	
3	70000686	2	Screw (Top)	
3	70000684	2	Screw (Bottom)	
4	7027367	1	Switch, Push Button	
4	7027765	1	Lever, Enable	

Go to Discount-Equipment.com to order your parts

SECTION 4 - PLATFORM

FIGURE 4-16. OVERHEAD PROTECTION INSTALLATION (KOREAN SPECS)



ART_1001220216

SECTION 4 - PLATFORM

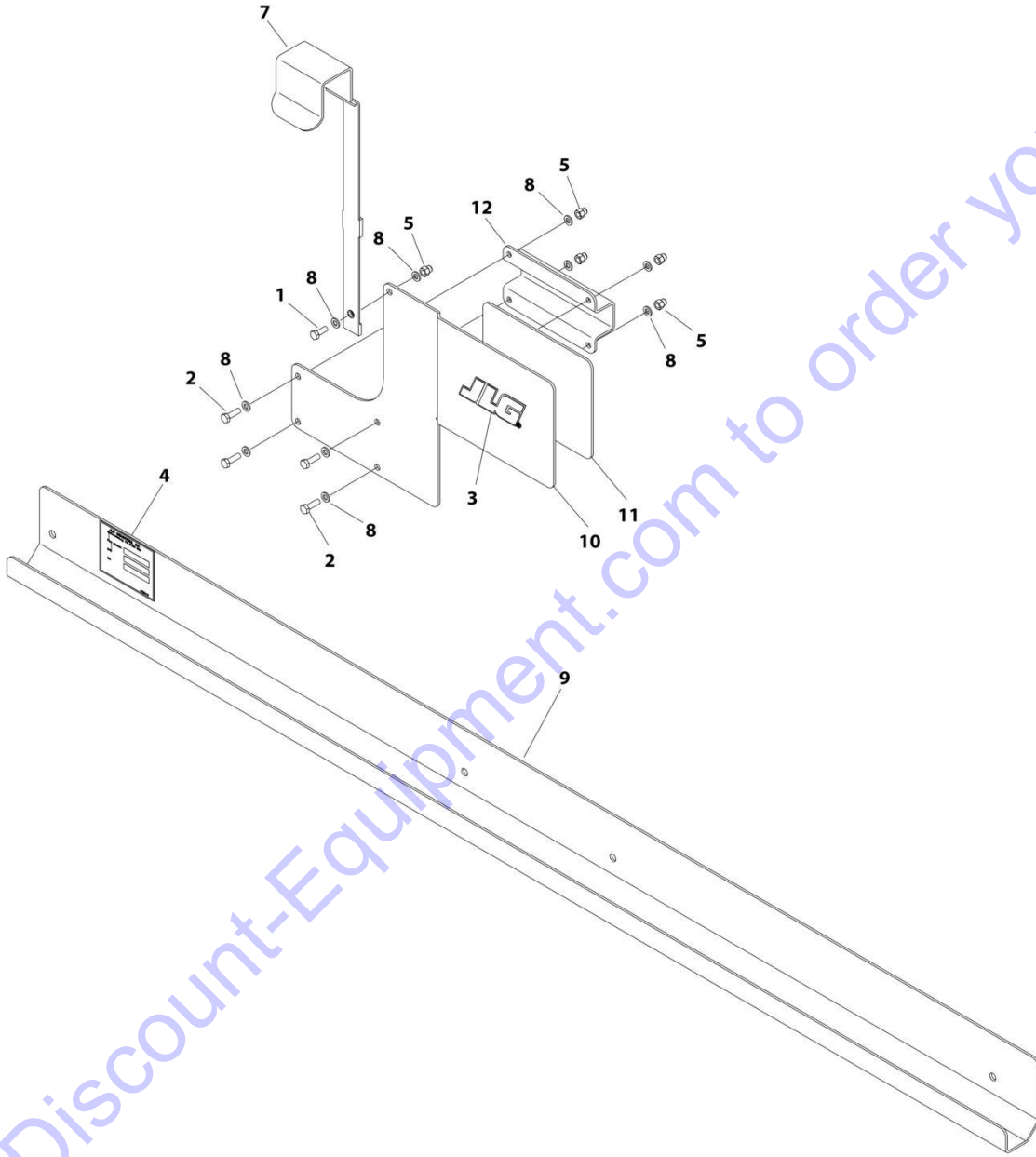
FIGURE 4-16. OVERHEAD PROTECTION INSTALLATION (KOREAN SPECS)

ITEM	PART NUMBER	QTY	DESCRIPTION	REV
	1001220216	Ref	OVERHEAD PROTECTION INSTALLATION (KOREAN SPECS)	B
1	0701019	8	Bolt M10 x 55	
2	3291006	8	Nut M10	
3	4240017	AR	Tie-Strap	
4	4460234	2	Mount, Tie-Strap	
5	4812000	16	Washer M10	
7	1001221275	4	Bracket	
8	1001221276	4	Tube	
9	1001222914	8	Thumb Screw	
10	1001224468	1	Overhead Protection Harness	
10	4460891	4	Plug, Male - 2 Position (SW03-SW06)	
10	4460465	8	Socket, Female	
10	4460536	1	Receptacle, Female - 3 Position (X567)	
10	4460464	2	Pin, Male	
10	4460466	1	Plug, Terminal	
11	1001226277	4	Switch, Overhead Protection	
12	0700616	4	Bolt M6 x 40	
13	3290606	4	Nut M6	
14	1001228184	1	Decal - Overhead Protection Weight	
100	1001221244	1	Overhead Protection Kit (Includes Items 1, 2, 5-9 & 11-14)	

Go to Discount-Equipment.com to order your parts

SECTION 4 - PLATFORM

FIGURE 4-17. PANEL CARRIER INSTALLATION (R1932)



ART_1001235924

SECTION 4 - PLATFORM

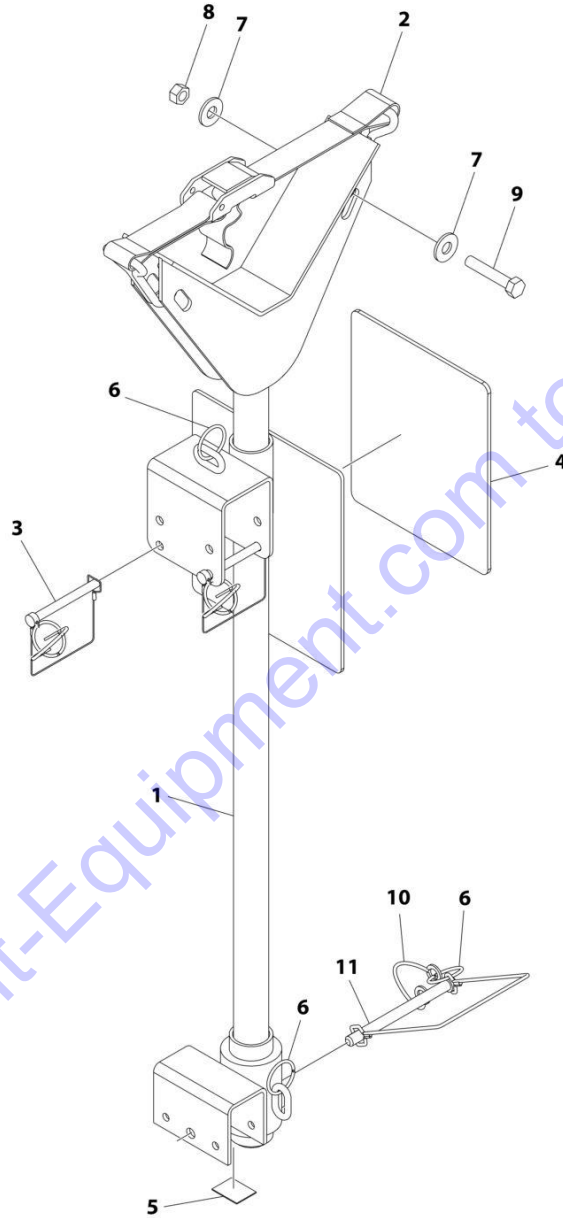
FIGURE 4-17. PANEL CARRIER INSTALLATION (R1932)

ITEM	PART NUMBER	QTY	DESCRIPTION	REV
	1001235924	Ref	PANEL CARRIER INSTALLATION	B
1	0760608	1	Bolt M6 x 16	
2	0760610	4	Bolt M6 x 20	
3	1702010	1	Decal - JLG	
4	See Note	NSS	Nameplate - Accessory SN (Note: Not Available for Purchase)	
5	3290606	5	Nut M6	
6	3574505	1	Plate	
7	4240165	1	Strap	
8	4811700	10	Washer M6	
9	1001235536	1	Channel	
10	1001235863	1	Plate	
11	1001236507	1	Decal – Panel Carrier Capacity	
12	4420037	6 in /15cm	Tape	

Go to Discount-Equipment.com to order your parts

SECTION 4 - PLATFORM

FIGURE 4-18. PIPE RACK INSTALLATION (R1932)



ART_1001229469

SECTION 4 - PLATFORM

FIGURE 4-18. PIPE RACK INSTALLATION (R1932)

ITEM	PART NUMBER	QTY	DESCRIPTION	REV
	1001229469	Ref	PIPE RACK INSTALLATION	A
1	1001199189	2	Rack Pipe	
2	0480100	2	Tie-Strap	
3	1001187587	4	Pin	
4	1001229441	2	Decal - Pipe Rack Capacity	
5	4420062	3 ft/ 1m	Tape	
6	3760170	6	Ring	
7	4751500	8	Washer 5/16	
8	3311505	4	Nut 5/16	
9	0641514	4	Bolt 5/16 x 1-3/4	
10	1060379	2	Lanyard	
11	3421854	2	Pin	

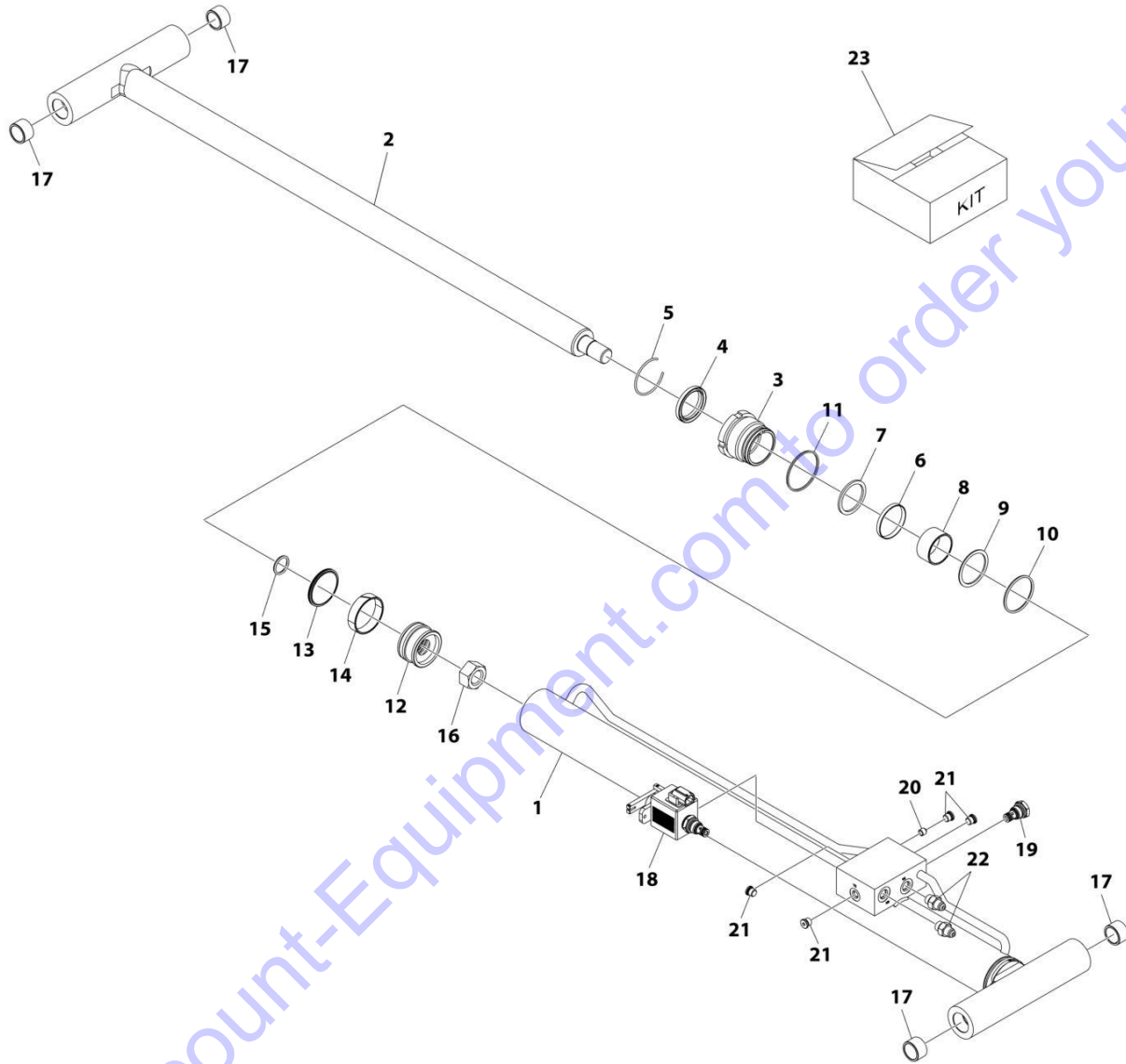
Go to Discount-Equipment.com to order your parts

SECTION 5 - CYLINDER

Go to Discount-Equipment.com to order your parts

SECTION 5 - CYLINDER

FIGURE 5-1. LIFT CYLINDER ASSEMBLY



ART_1001198935

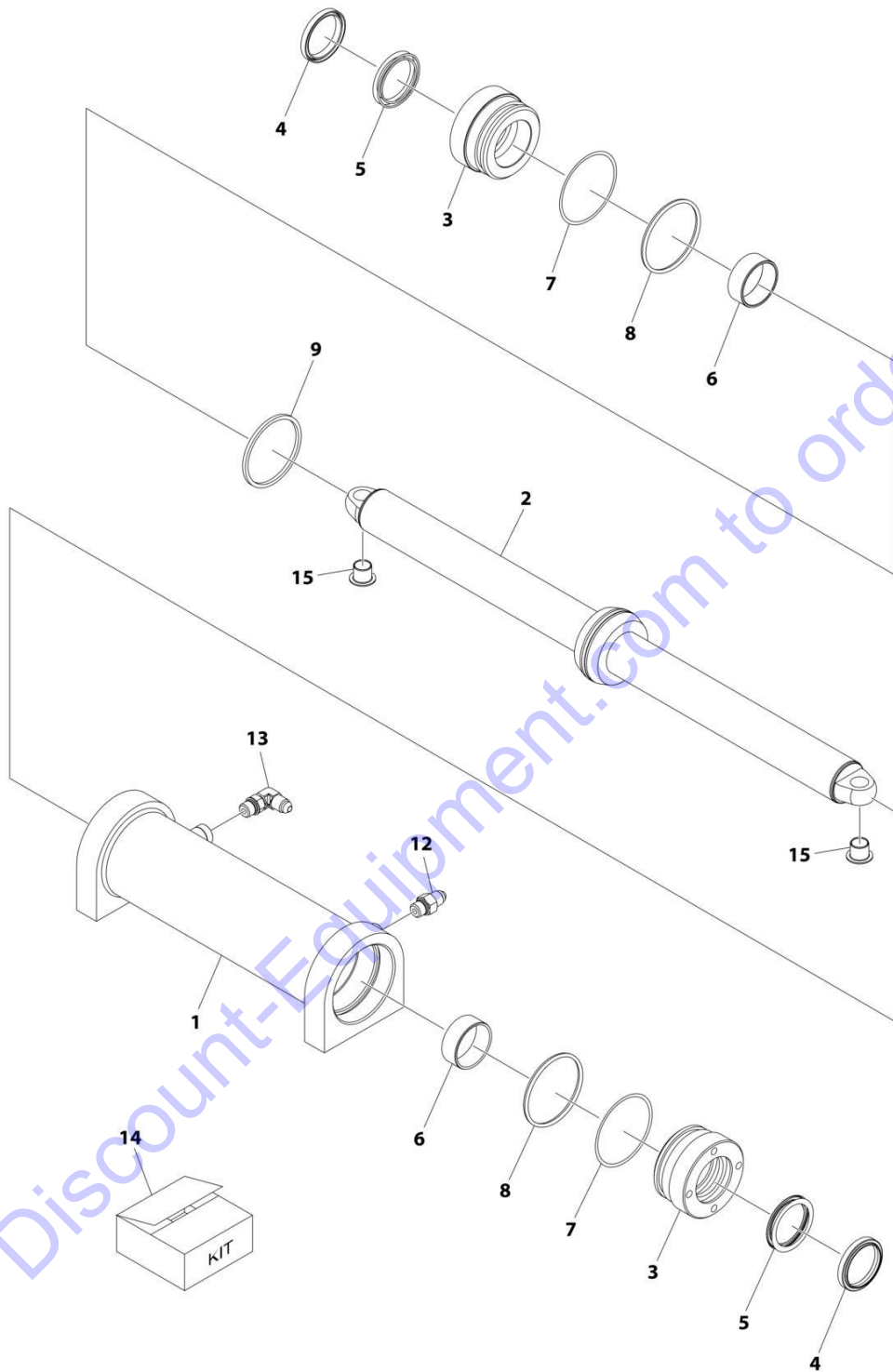
SECTION 5 - CYLINDER

FIGURE 5-1. LIFT CYLINDER ASSEMBLY

ITEM	PART NUMBER	QTY	DESCRIPTION	REV
	1001198935	Ref	LIFT CYLINDER ASSEMBLY	C
1	70005790	1	Barrel	
2	70005791	1	Rod	
3	70005792	1	Head	
4	See Note	1	Wiper (Note: Use Item 23)	
5	70002410	1	Ring, Retaining	
6	See Note	1	Seal, Rod (Note: Use Item 23)	
7	See Note	1	Ring, Back-up (Note: Use Item 23)	
8	70005793	1	Spacer	
9	See Note	1	O-Ring (Note: Use Item 23)	
10	See Note	1	Ring, Back-up (Note: Use Item 23)	
11	See Note	1	O-Ring (Note: Use Item 23)	
12	70005794	1	Piston	
13	See Note	1	Seal, Piston (Note: Use Item 23)	
14	See Note	1	Ring, Wear (Note: Use Item 23)	
15	See Note	1	O-Ring (Note: Use Item 23)	
16	70005796	1	Nut	
17	0962292	4	Bearing	
18	70004233	1	Valve, Manual Descent	
19	70004232	1	Valve, Check	
20	70004231	1	Orifice	
21	70023370	4	Plug	
22	70005795	2	Fitting, Straight JIC	
23	70005797	1	Seal Kit - Cylinder (Includes Items 4, 6, 7, 9-11 & 13-15)	

SECTION 5 - CYLINDER

FIGURE 5-2. STEER CYLINDER ASSEMBLY



ART_1001220570_A

SECTION 5 - CYLINDER

FIGURE 5-2. STEER CYLINDER ASSEMBLY

ITEM	PART NUMBER	QTY	DESCRIPTION	REV
	1001220570	Ref	STEER CYLINDER ASSEMBLY	A
		Ref	Note: See Usage Chart on Illustration before ordering parts.	
1	70005798	1	Barrel	
2	70006143	1	Rod	
3	70004241	2	Head	
4	See Note	NSS	Wiper (Note: Use Item 14)	
5	See Note	NSS	Seal (Note: Use Item 14)	
6	70005800	2	Spacer	
7	See Note	NSS	O-Ring (Note: Use Item 14)	
8	See Note	NSS	Ring, Back-up (Note: Use Item 14)	
9	See Note	NSS	Seal, Piston (Note: Use Item 14)	
12	70005803	1	Fitting, Straight JIC	
13	70005804	1	Fitting, 90 JIC	
14	70005805	1	Seal Kit - Cylinder (Includes Items 4, 5 & 7-9)	
15	0440259	2	Bushing	

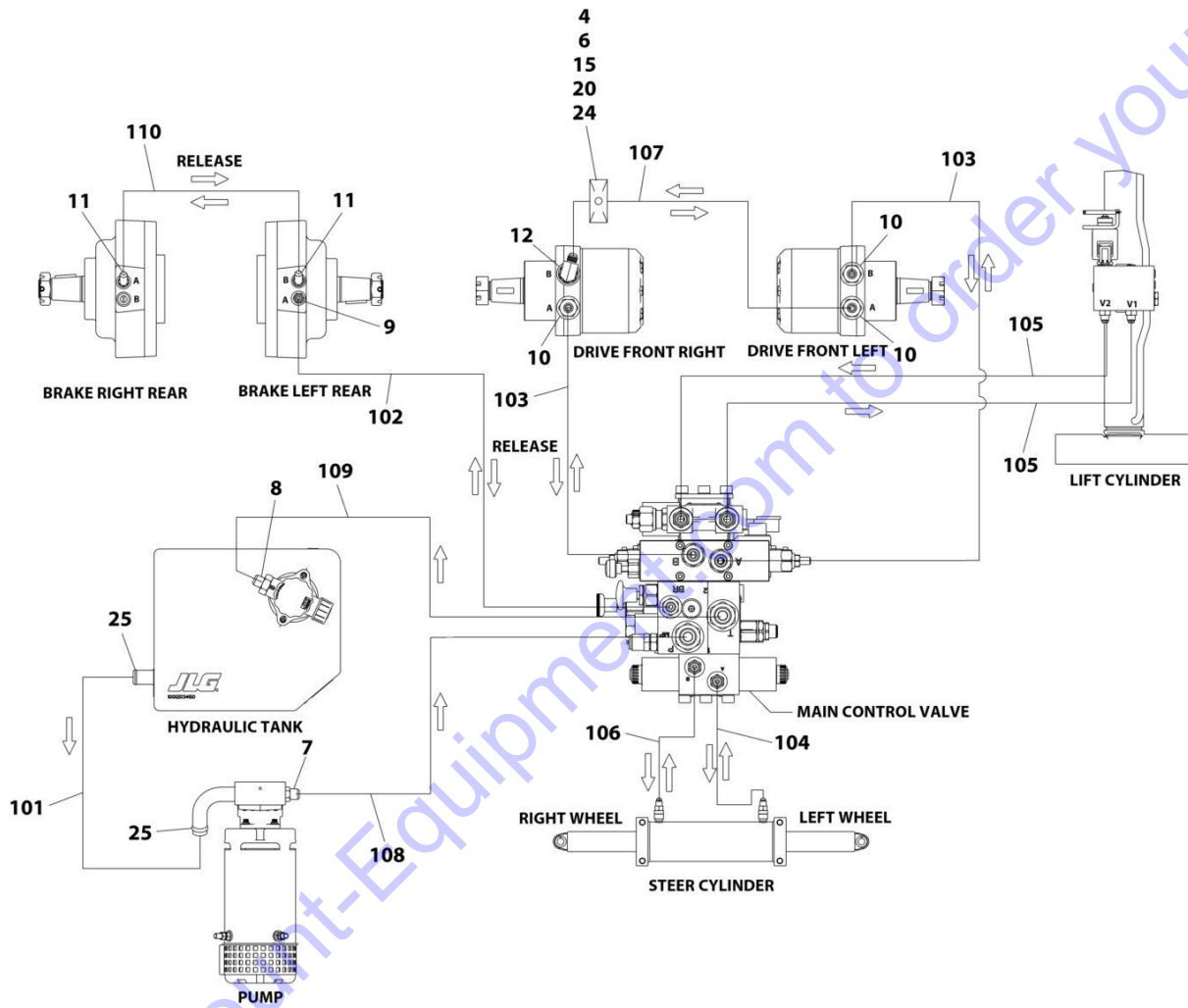
Go to Discount-Equipment.com to order your parts

SECTION 6 - HYDRAULIC

Go to Discount-Equipment.com to order your parts

SECTION 6 - HYDRAULIC

FIGURE 6-1. HYDRAULIC DIAGRAM



ART_1001253358_20F2

SECTION 6 - HYDRAULIC

FIGURE 6-1. HYDRAULIC DIAGRAM

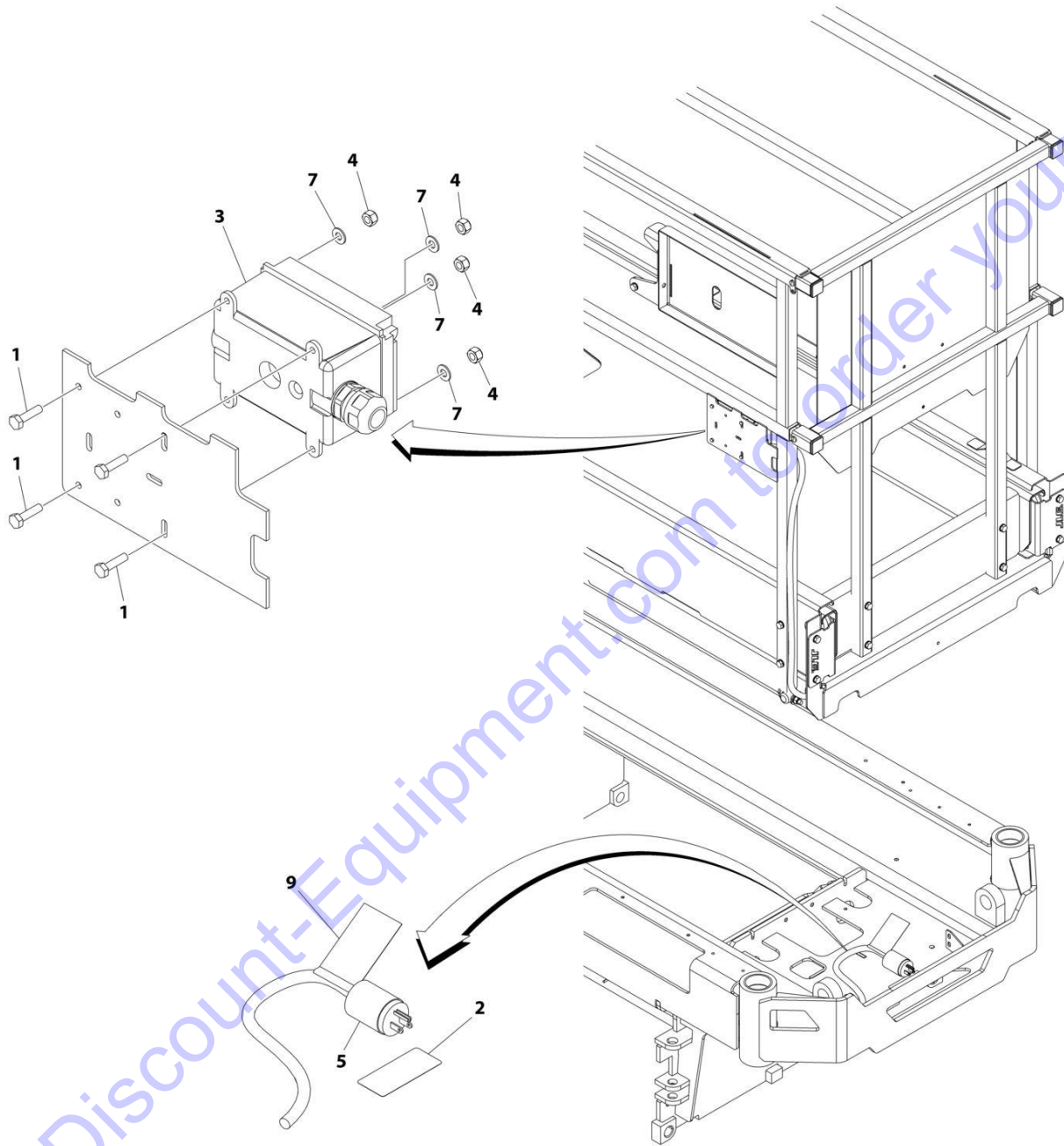
ITEM	PART NUMBER	QTY	DESCRIPTION	REV
	1001253358	Ref	HYDRAULIC DIAGRAM	B
4	0760827	1	Bolt M8 x 100	
6	1321752	2	Clamp	
7	2220373	1	Fitting, Straight JIC/ORB	
8	2220375	1	Fitting, Straight JIC/ORB	
9	2220415	1	Fitting, Straight JIC/ORB	
10	2220497	3	Fitting, Straight JIC/ORB	
11	2220502	2	Fitting, 45 JIC/ORB	
12	2220828	1	Fitting, 90 JIC/ORB	
15	3290805	1	Nut M8	
17	4240017	AR	Tie-Strap (Not Shown)	
20	4811900	2	Washer M8	
24	8750014	2	Clamp	
25	1001143501	2	Clamp	
100	1001255506	1	Hose Kit (Not Shown)	A
101	1001203835	1	Hose	
102	1001203837	1	Hose	
103	1001203838	2	Hose	
104	1001203839	1	Hose	
105	1001203840	2	Hose	
106	1001203844	1	Hose	
107	1001203846	1	Hose	
108	1001254225	1	Hose	
109	1001254226	1	Hose	
110	1001254227	1	Hose	

SECTION 7 - ELECTRICAL

Go to Discount-Equipment.com to order your parts

SECTION 7 - ELECTRICAL

FIGURE 7-1. AC BOX AT PLATFORM INSTALLATION - 110V GFI (ANSI, ANSI EXPORT, CHINA, CSA, JAPANESE AND KOREA SPECS)



ART_1001208930

SECTION 7 - ELECTRICAL

FIGURE 7-1. AC BOX AT PLATFORM INSTALLATION - 110V GFI (ANSI, ANSI EXPORT, CHINA, CSA, JAPANESE AND KOREA SPECS)

ITEM	PART NUMBER	QTY	DESCRIPTION	REV
	1001208930	Ref	AC BOX AT PLATFORM INSTALLATION - 110V GFI	C
1	0760408	4	Bolt M4 x 16	
2	1703464	1	Decal - AC Power	
3	2902431	1	Receptacle Box Kit (See Separate Breakdown in this Section)	
4	3290405	4	Nut M4	
5	4460138	1	Plug, Male - AC	
6	4460315	1	Terminal (Not Shown)	
7	4811400	4	Washer M4	
9	1001102258	1	Decal - AC Label	
10	4240017	AR	Tie-Strap (Not Shown)	

Go to Discount-Equipment.com to order your parts

SECTION 7 - ELECTRICAL

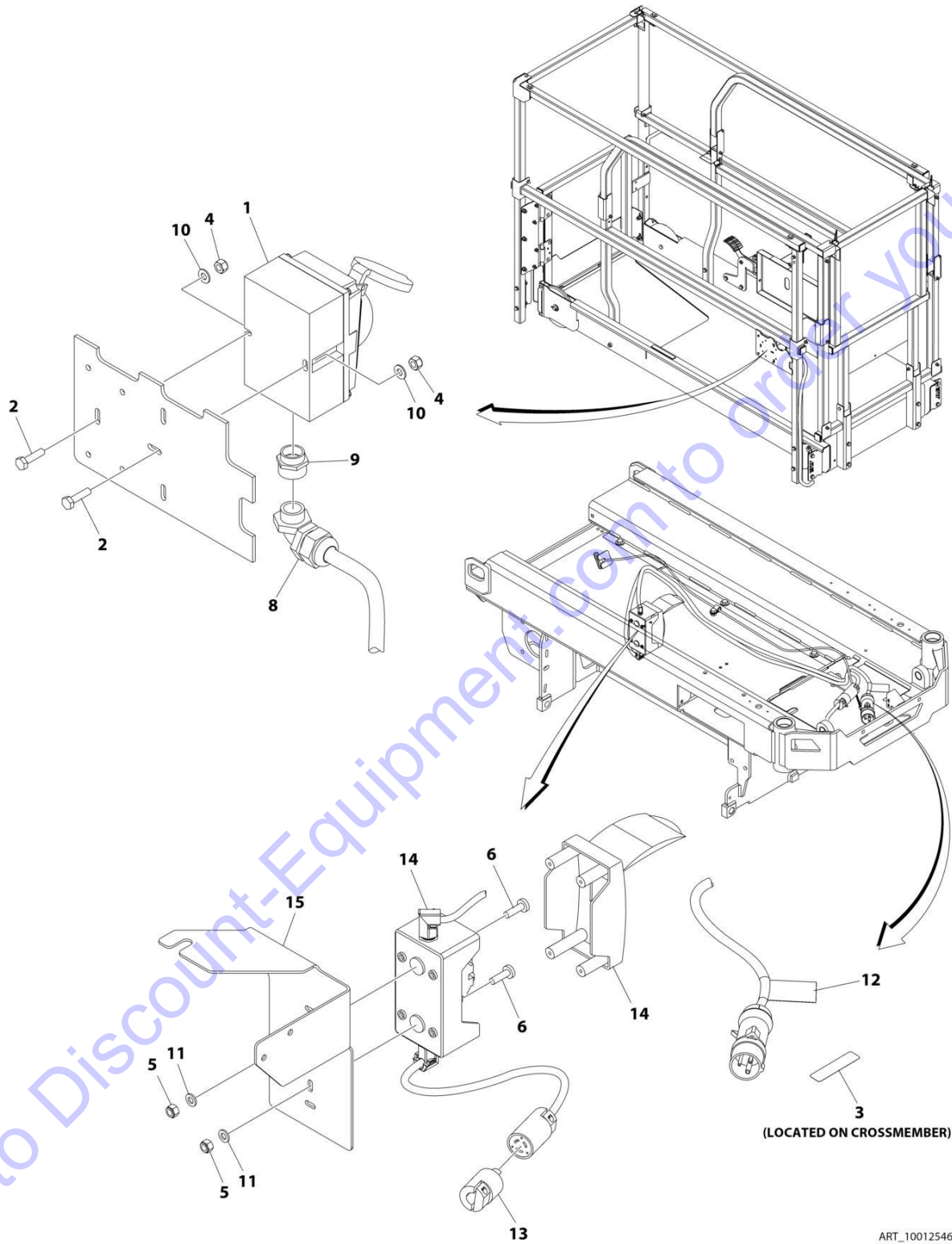
FIGURE 7-2. AC BOX AT PLATFORM INSTALLATION - 110V IEC YELLOW (CE SPECS)

ITEM	PART NUMBER	QTY	DESCRIPTION	REV
	1001254639	Ref	AC BOX AT PLATFORM INSTALLATION - 110V IEC YELLOW	A
1	0275216	1	Receptacle Box Kit - 110V IEC Yellow (See Separate Breakdown in this Section)	
2	0760408	2	Bolt M4 x 16	
3	1703464	1	Decal - AC Power	
4	3290405	2	Nut M4	
5	3290605	2	Nut M6	
6	4010610	2	Screw M6 x 20	
7	4240017	AR	Tie-Strap (Not Shown)	
8	4461257	1	Connector, Strain Relief	
9	4461258	1	Connector, Adapter	
10	4811400	2	Washer M4	
11	4811700	4	Washer M6	
12	1001102258	1	Decal - AC Label	
13	1001120204	1	Plug, Male Twist	
14	1001209776	1	Breaker Box Kit (See Separate Breakdown in this Section)	
15	1001253280	1	Bracket	

Go to Discount-Equipment.com to order your parts

SECTION 7 - ELECTRICAL

FIGURE 7-3. AC BOX AT PLATFORM INSTALLATION - 220V IEC BLUE (CE SPECS)



SECTION 7 - ELECTRICAL

FIGURE 7-3. AC BOX AT PLATFORM INSTALLATION - 220V IEC BLUE (CE SPECS)

ITEM	PART NUMBER	QTY	DESCRIPTION	REV
	1001254640	Ref	AC BOX AT PLATFORM INSTALLATION - 220V IEC BLUE	A
1	0275217	1	Receptacle Box Kit - 220V IEC Blue (See Separate Breakdown in this Section)	
2	0760408	2	Bolt M4 x 16	
3	3252507	1	Decal - AC Power	
4	3290405	2	Nut M4	
5	3290605	2	Nut M6	
6	4010610	2	Screw M6 x 20	
7	4240017	AR	Tie-Strap (Not Shown)	
8	4461257	1	Connector, Strain Relief	
9	4461258	1	Connector, Adapter	
10	4811400	2	Washer M4	
11	4811700	4	Washer M6	
12	1001102258	1	Decal - AC Label	
13	1001120204	1	Plug, Male Twist	
14	1001209776	1	Breaker Box Kit (See Separate Breakdown in this Section)	
15	1001253280	1	Bracket	

Go to Discount-Equipment.com to order your parts

SECTION 7 - ELECTRICAL

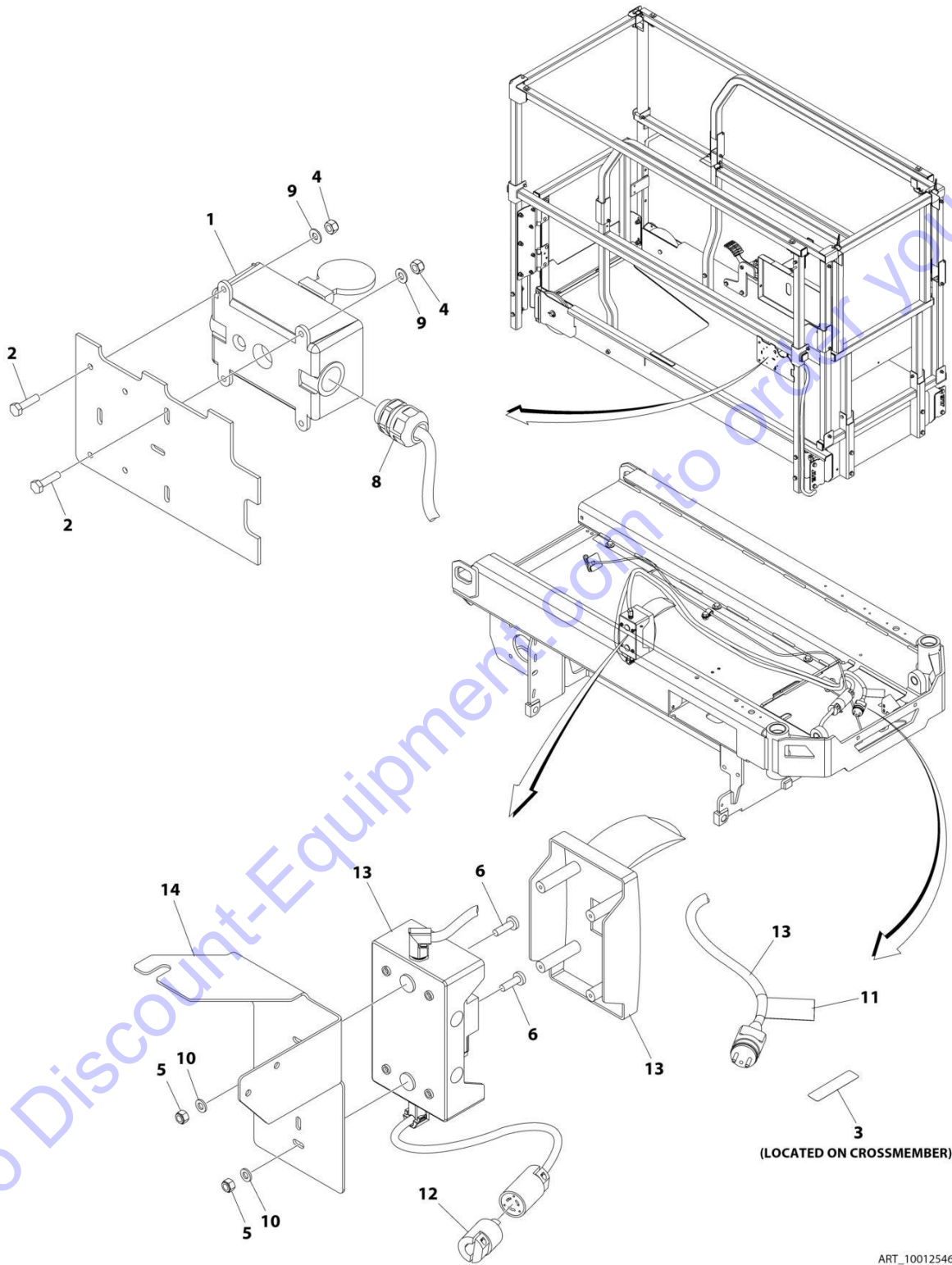
FIGURE 7-4. AC BOX AT PLATFORM INSTALLATION - 220V CEE7 POST GROUND (CE SPECS)

ITEM	PART NUMBER	QTY	DESCRIPTION	REV
	1001254636	Ref	AC BOX AT PLATFORM INSTALLATION - 220V CEE7 POST GROUND	A
1	0275452	1	Receptacle Box Kit - 220V CEE7 Post Ground (See Separate Breakdown in this Section)	
2	0760408	4	Bolt M4 x 16	
3	3252507	1	Decal - AC Power	
4	3290405	4	Nut M4	
5	3290605	2	Nut M6	
6	4010610	2	Screw M6 x 20	
7	4240017	AR	Tie-Strap (Not Shown)	
8	4460662	1	Connector, Strain Relief	
9	4811400	4	Washer M4	
10	4811700	4	Washer M6	
11	1001102258	1	Decal - AC Label	
12	1001120204	1	Plug, Male Twist	
13	1001209482	1	Breaker Box Kit (See Separate Breakdown in this Section)	
14	1001253280	1	Bracket	

Go to Discount-Equipment.com to order your parts

SECTION 7 - ELECTRICAL

FIGURE 7-5. AC BOX AT PLATFORM INSTALLATION - 220V CEE7 SIDE GROUND (CE SPECS)



ART_1001254637

SECTION 7 - ELECTRICAL

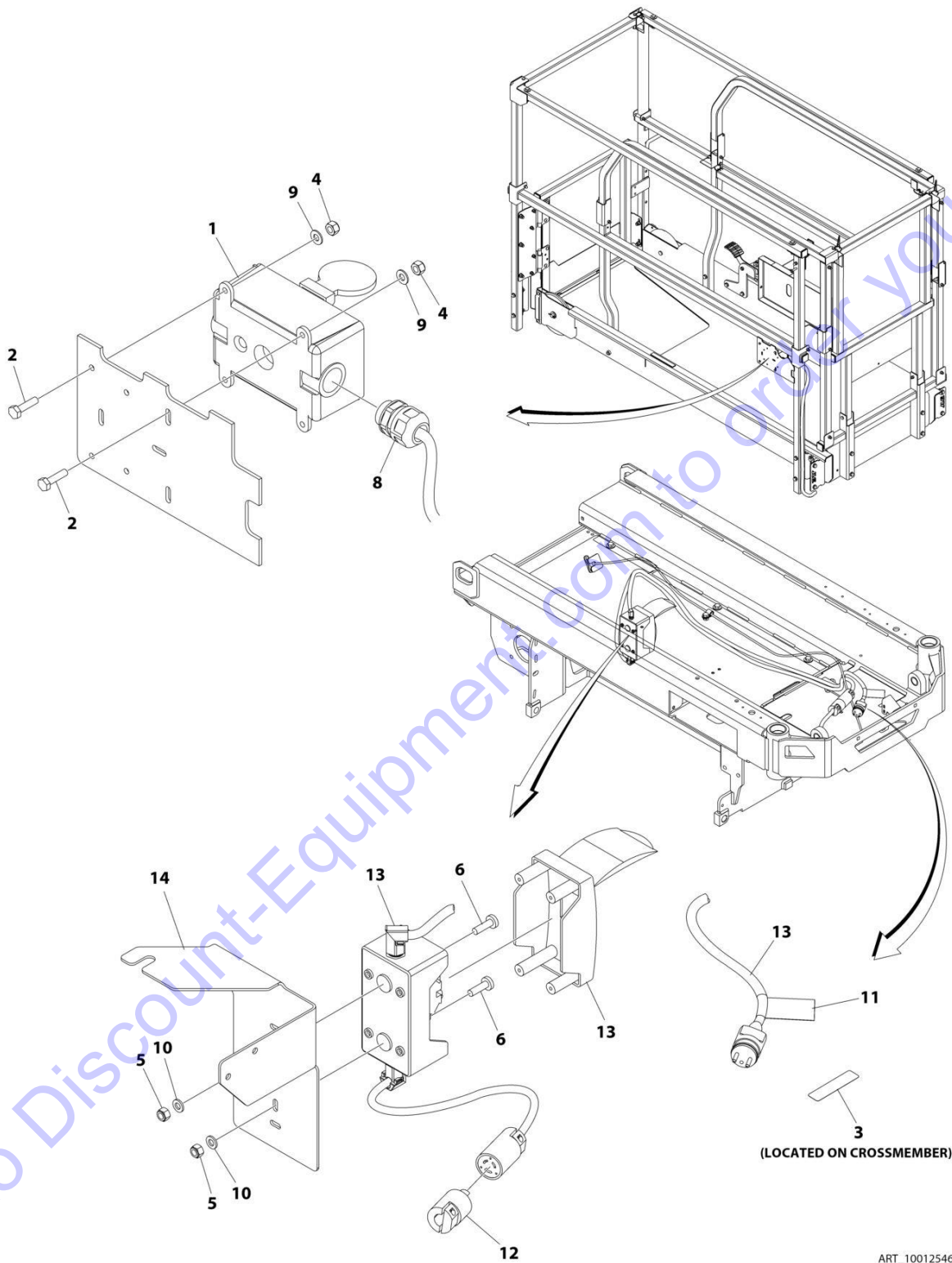
FIGURE 7-5. AC BOX AT PLATFORM INSTALLATION - 220V CEE7 SIDE GROUND (CE SPECS)

ITEM	PART NUMBER	QTY	DESCRIPTION	REV
	1001254637	Ref	AC BOX AT PLATFORM INSTALLATION - 220V CEE7 SIDE GROUND	A
1	0275453	1	Receptacle Box Kit - 220V CEE7 Side Ground (See Separate Breakdown in this Section)	
2	0760408	4	Bolt M4 x 16	
3	3252507	1	Decal - AC Power	
4	3290405	4	Nut M4	
5	3290605	2	Nut M6	
6	4010610	2	Screw M6 x 20	
7	4240017	AR	Tie-Strap (Not Shown)	
8	4460662	1	Connector, Strain Relief	
9	4811400	4	Washer M4	
10	4811700	4	Washer M6	
11	1001102258	1	Decal - AC Label	
12	1001120204	1	Plug, Male Twist	
13	1001209482	1	Breaker Box Kit (See Separate Breakdown in this Section)	
14	1001253280	1	Bracket	

Go to Discount-Equipment.com to order your parts

SECTION 7 - ELECTRICAL

FIGURE 7-6. AC BOX AT PLATFORM INSTALLATION - 220V AFSINT 107 (CE SPECS)



ART_1001254638

SECTION 7 - ELECTRICAL

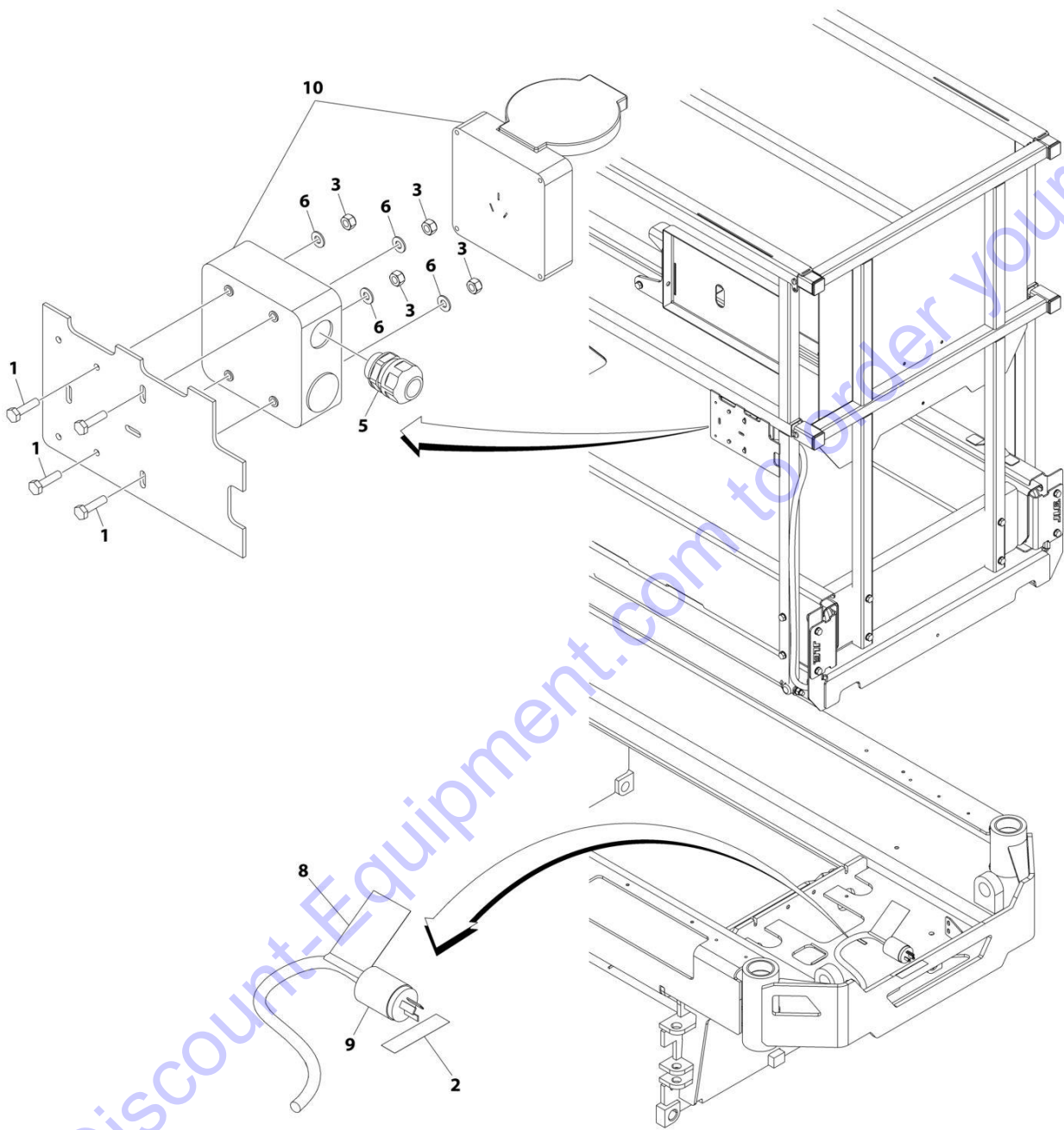
FIGURE 7-6. AC BOX AT PLATFORM INSTALLATION - 220V AFSINT 107 (CE SPECS)

ITEM	PART NUMBER	QTY	DESCRIPTION	REV
	1001254638	Ref	AC BOX AT PLATFORM INSTALLATION - 220V AFSINT 107	A
1	0275454	1	Receptacle Box Kit - 220V AFSINT 107 (See Separate Breakdown in this Section)	
2	0760408	4	Bolt M4 x 16	
3	3252507	1	Decal - AC Power	
4	3290405	4	Nut M4	
5	3290605	2	Nut M6	
6	4010610	2	Screw M6 x 20	
7	4240017	AR	Tie-Strap (Not Shown)	
8	4460662	1	Connector, Strain Relief	
9	4811400	4	Washer M4	
10	4811700	4	Washer M6	
11	1001102258	1	Decal - AC Label	
12	1001120204	1	Plug, Male Twist	
13	1001209776	1	Breaker Box Kit (See Separate Breakdown in this Section)	
14	1001253280	1	Bracket	

Go to Discount-Equipment.com to order your parts

SECTION 7 - ELECTRICAL

FIGURE 7-7. AC BOX AT PLATFORM INSTALLATION - 220V CHINA PLUG (CHINA SPECS)



ART_1001208938

SECTION 7 - ELECTRICAL

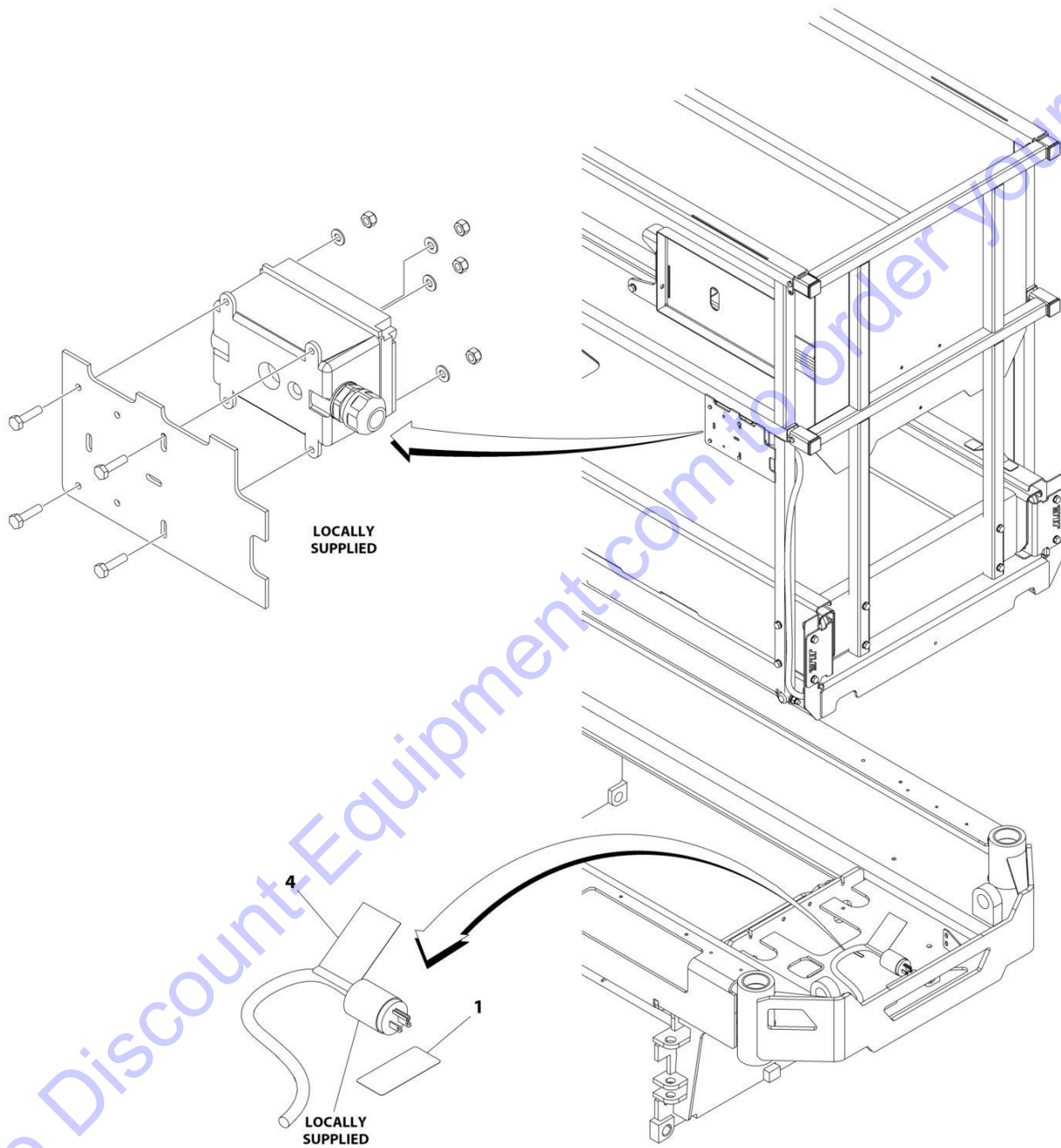
FIGURE 7-7. AC BOX AT PLATFORM INSTALLATION - 220V CHINA PLUG (CHINA SPECS)

ITEM	PART NUMBER	QTY	DESCRIPTION	REV
	1001208938	Ref	AC BOX AT PLATFORM INSTALLATION - 220V CHINA PLUG	B
1	0760408	4	Bolt M4 x 16	
2	3252507	1	Decal - 220 Volt	
3	3290405	4	Nut M4	
4	4460315	1	Terminal (Not Shown)	
5	4460968	1	Connector, Strain Relief	
6	4811400	4	Washer M4	
8	1001102258	1	Decal - AC Label	
9	1001187816	1	Plug	
10	1001188116	1	Box	
11	4240017	AR	Tie-Strap (Not Shown)	

Go to Discount-Equipment.com to order your parts

SECTION 7 - ELECTRICAL

FIGURE 7-8. AC BOX AT PLATFORM INSTALLATION - 220V LOCALLY SUPPLIED COMPONENTS
(ALL SPECS)



ART_1001208931

SECTION 7 - ELECTRICAL

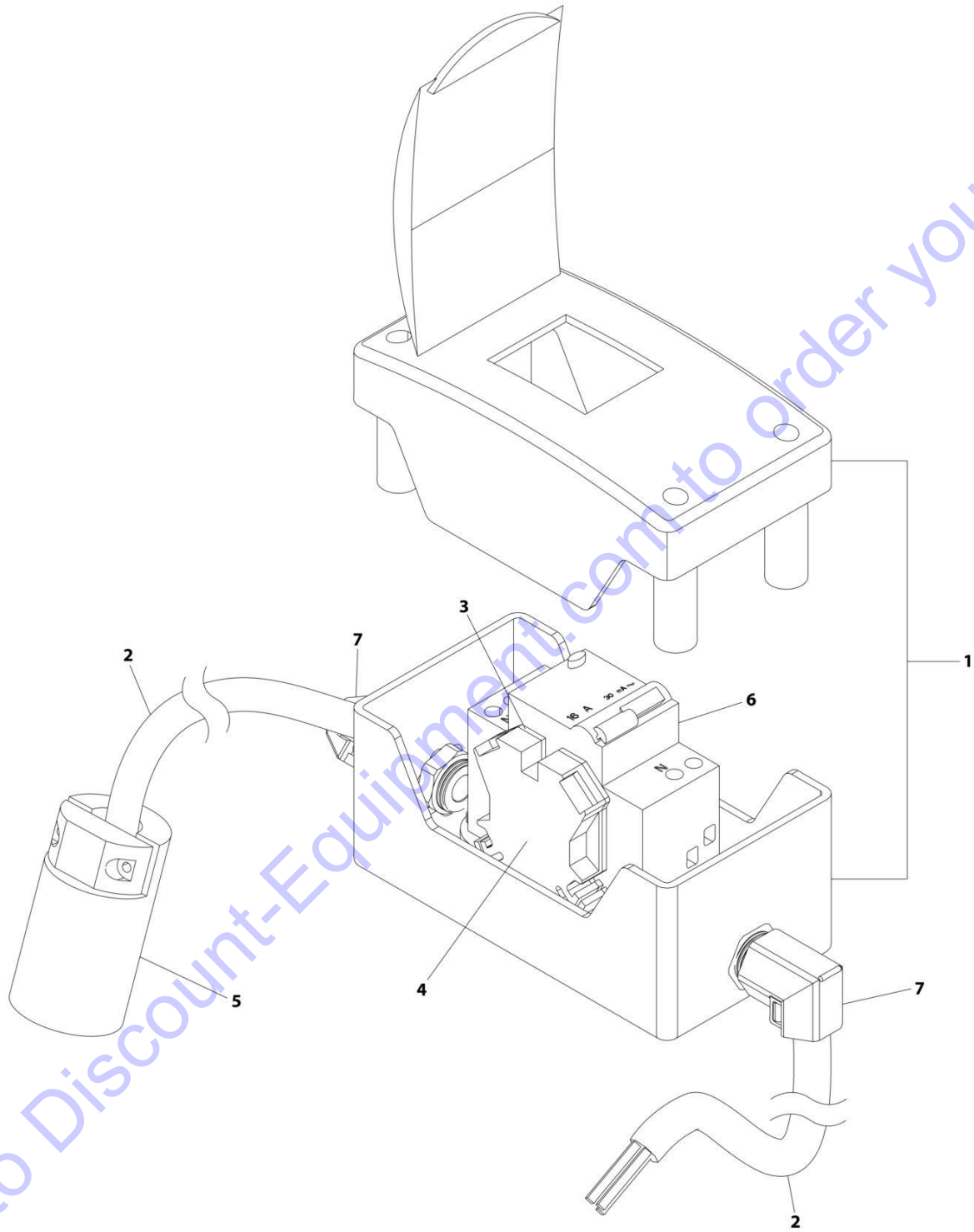
**FIGURE 7-8. AC BOX AT PLATFORM INSTALLATION - 220V LOCALLY SUPPLIED COMPONENTS
(ALL SPECS)**

ITEM	PART NUMBER	QTY	DESCRIPTION	REV
	1001208931	Ref	AC BOX AT PLATFORM INSTALLATION - 220V LOCALLY SUPPLIED COMPONENTS	C
1	3252507	1	Decal - 220 Volt	
4	1001102258	1	Decal - AC Label	
5	4240017	AR	Tie-Strap (Not Shown)	

Go to Discount-Equipment.com to order your parts

SECTION 7 - ELECTRICAL

FIGURE 7-9. BREAKER BOX KIT WITH 1 DOUBLE BREAKER



ART_1001209776

SECTION 7 - ELECTRICAL

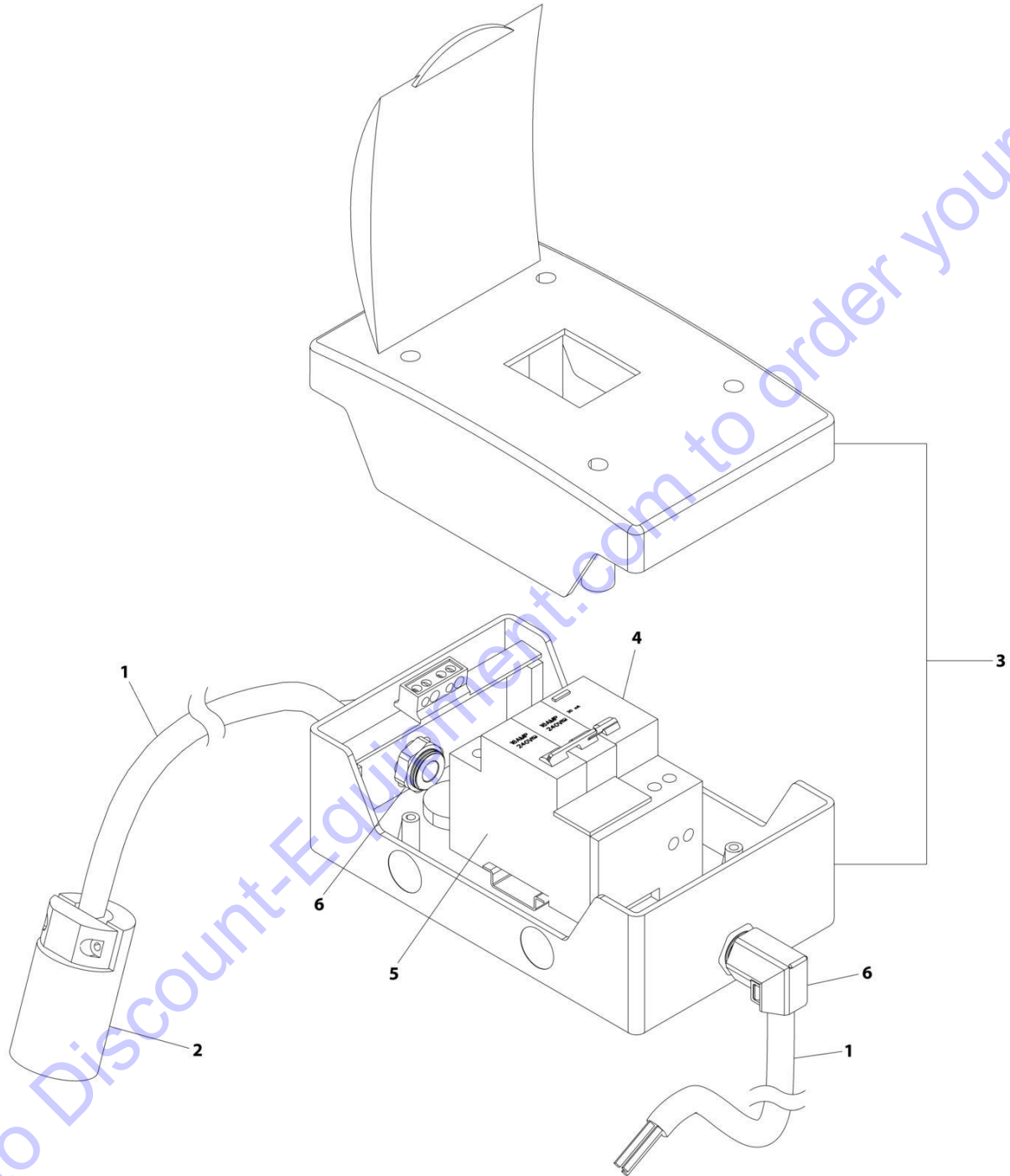
FIGURE 7-9. BREAKER BOX KIT WITH 1 DOUBLE BREAKER

ITEM	PART NUMBER	QTY	DESCRIPTION	REV
	1001209776	Ref	BREAKER BOX KIT WITH 1 DOUBLE BREAKER	C
1	0861880	1	Box	
2	1060908	9.5 ft /2.8m	Cable, 12/3	
3	4460956	1	Barrier, Terminal	
4	4460957	1	Block, Terminal	
5	1001120205	1	Connector, Female Twist	
6	1001181045	1	Breaker 30mAmp/16 Amp	
7	1001217164	2	Connector, Strain Relief 90	

Go to Discount-Equipment.com to order your parts

SECTION 7 - ELECTRICAL

FIGURE 7-10. BREAKER BOX KIT WITH 3 BREAKERS



ART_1001209482

SECTION 7 - ELECTRICAL

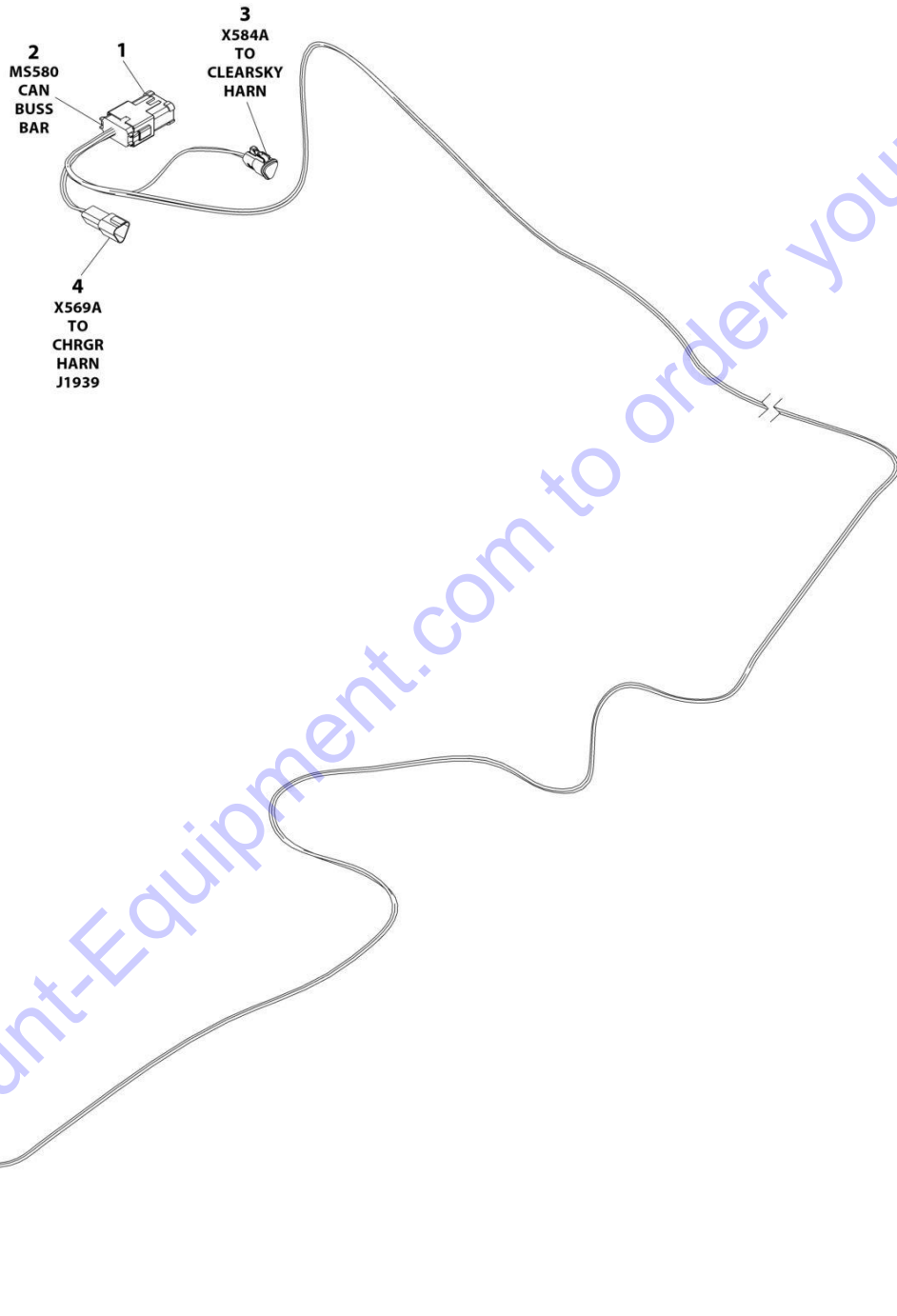
FIGURE 7-10. BREAKER BOX KIT WITH 3 BREAKERS

ITEM	PART NUMBER	QTY	DESCRIPTION	REV
	1001209482	Ref	BREAKER BOX KIT WITH 3 BREAKERS	C
1	1060908	9.5 ft /2.8m	Cable, 12/3	
2	1001120205	1	Connector, Female Twist	
3	1001152483	1	Box	
4	1001189171	1	Breaker, 30mAmp	
5	1001189172	1	Breaker 16 Amp, Double	
6	1001217164	2	Connector, Strain Relief 90	

Go to Discount-Equipment.com to order your parts

SECTION 7 - ELECTRICAL

FIGURE 7-11. CAN SPLICE HARNESS



ART_1001254027

SECTION 7 - ELECTRICAL

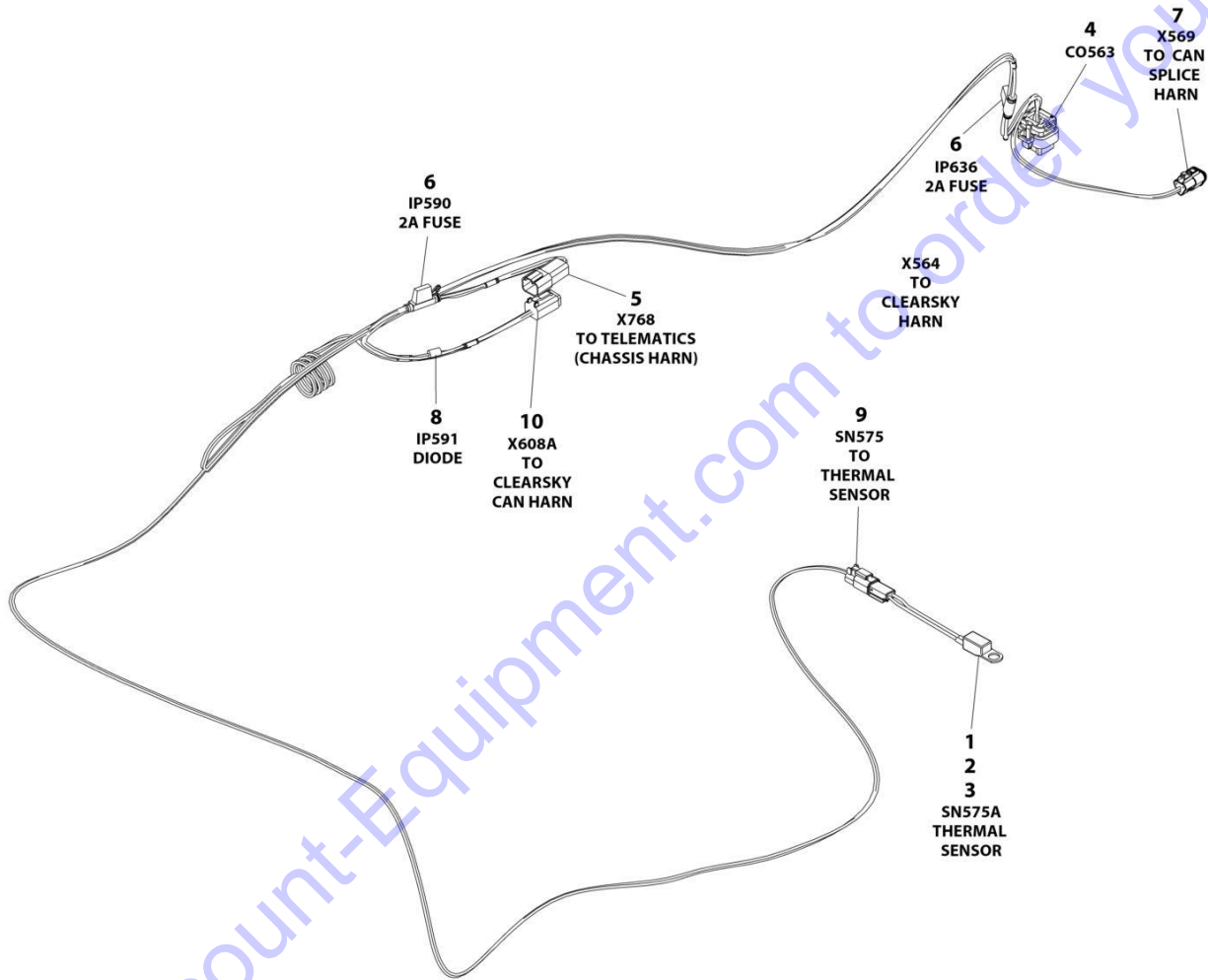
FIGURE 7-11. CAN SPLICE HARNESS

ITEM	PART NUMBER	QTY	DESCRIPTION	REV
	1001254027	Ref	CAN SPLICE HARNESS	A
1	1001125677	1	Connector, Bus Bar - 12 Position	
2	4460933	1	Plug, Male - 12 Position	
2	4460944	6	Socket, Female	
2	4460466	6	Plug, Terminal	
3	1001118812	1	Plug, Male - 3 Position	
3	4460944	2	Socket, Female	
3	4460466	1	Plug, Terminal	
4	1001144147	2	Receptacle, Female - 3 Position	
4	4460943	4	Pin, Male	
4	4460466	2	Plug, Terminal	

Go to Discount-Equipment.com to order your parts

SECTION 7 - ELECTRICAL

FIGURE 7-12. CHARGER HARNESS



ART_1001254028_B

SECTION 7 - ELECTRICAL

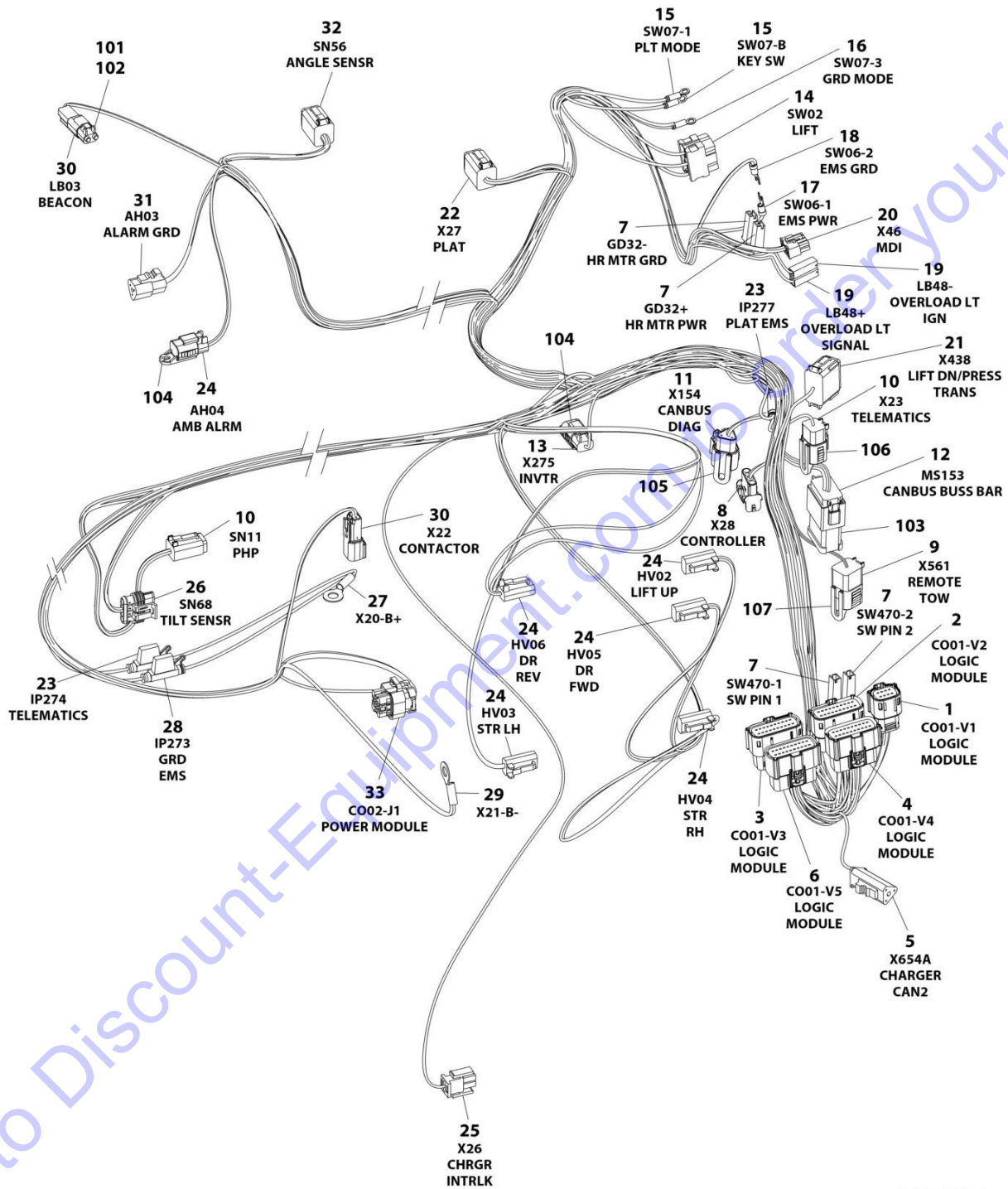
FIGURE 7-12. CHARGER HARNESS

ITEM	PART NUMBER	QTY	DESCRIPTION	REV
	1001254028	Ref	CHARGER HARNESS	B
1	4460464	2	Pin, Male	
2	4460897	1	Receptacle, Female - 2 Position	
3	1001102771	1	Sensor, Temperature	
4	4460872	1	Connector - 14 Position	
4	4460871	6	Terminal	
4	4460905	8	Plug, Terminal	
5	4460932	1	Receptacle, Female - 4 Position	
5	4460464	1	Pin, Male	
6	2400060	2	Fuseholder With Cover	
6	1001196634	2	Fuse 2A	
7	1001116812	1	Plug, Male - 3 Position	
7	4460944	2	Socket, Female	
7	4460466	1	Plug, Terminal	
8	3990001	1	Diode	
9	4460891	1	Plug, Male - 2 Position	
9	4460465	2	Socket, Female	
10	4460884	1	Plug, Male - 4 Position	
10	4460465	4	Socket, Female	

Go to Discount-Equipment.com to order your parts

SECTION 7 - ELECTRICAL

FIGURE 7-13. CHASSIS HARNESS



ART_1001254114

SECTION 7 - ELECTRICAL

FIGURE 7-13. CHASSIS HARNESS

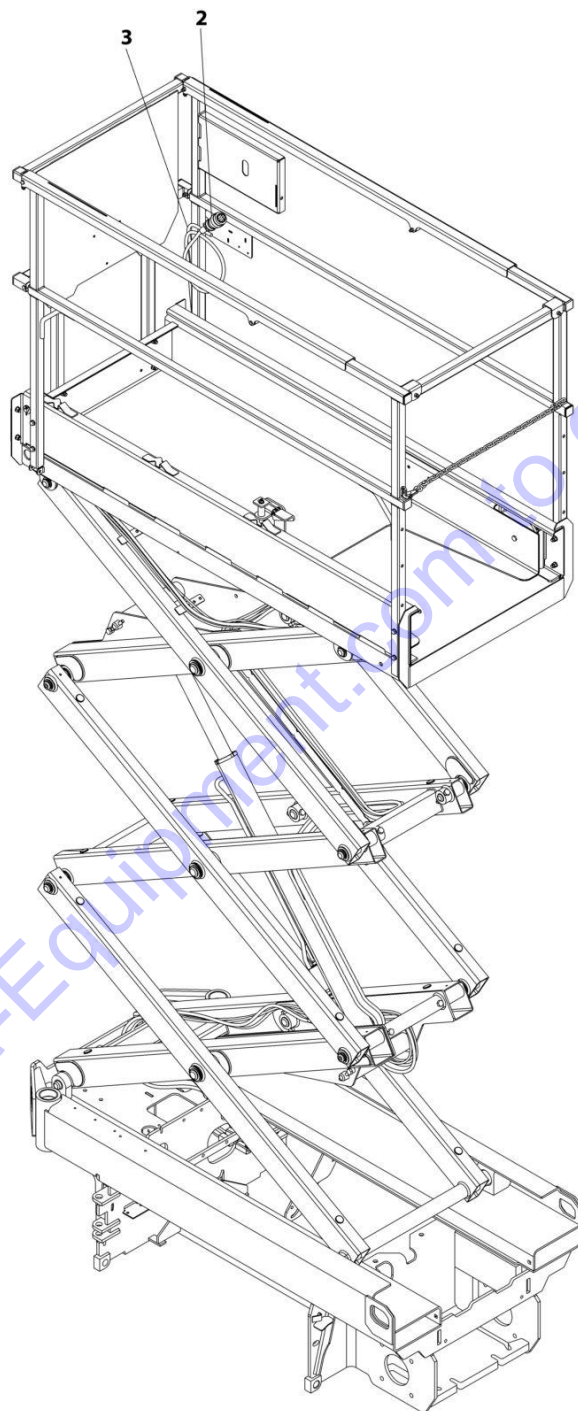
ITEM	PART NUMBER	QTY	DESCRIPTION	REV
	1001254114	Ref	CHASSIS HARNESS	B
1	1001205409	1	Connector - 8 Position	
1	1001162887	8	Terminal	
2	1001205410	1	Connector - 20 Position	
2	1001162887	15	Terminal	
2	1001163340	5	Plug, Terminal	
3	1001162886	1	Connector - 20 Position	
3	1001162887	15	Terminal	
3	1001163340	5	Plug, Terminal	
4	1001205411	1	Connector - 20 Position	
4	1001162887	17	Terminal	
4	1001163340	3	Plug, Terminal	
5	4460965	1	Connector - 3 Position	
5	4460944	2	Socket, Female	
5	4460466	1	Plug, Terminal	
6	1001205412	1	Connector - 20 Position	
6	1001162887	19	Terminal	
6	1001163340	1	Plug, Terminal	
7	4460260	4	Cover, Terminal	
7	4460259	4	Terminal	
8	4460761	1	Plug, Male - 4 Position	
8	4460227	4	Socket, Female	
9	4460894	1	Plug, Male - 6 Position	
9	4460465	4	Socket, Female	
9	4460466	2	Plug, Terminal	
10	4460884	2	Plug, Male - 4 Position	
10	4460465	8	Socket, Female	
11	1001116812	1	Receptacle, Female - 3 Position	
11	4460944	2	Pin, Male	
11	4460466	1	Plug, Terminal	
12	4460933	1	Plug, Male - 12 Position	
12	4460944	12	Socket, Female	
13	4460891	1	Plug, Male - 2 Position	
13	4460465	1	Socket, Female	
13	4460466	1	Plug, Terminal	
14	4460418	1	Connector - 6 Position	
14	1001159186	3	Terminal	
15	4460247	2	Terminal, Ring	
16	4460042	1	Terminal, Ring	
17	4460183	1	Terminal, Ring	
18	4460115	1	Terminal, Ring	
19	1001117000	2	Cover, Terminal	
19	1001118387	2	Terminal	
20	1001151629	1	Plug, Male - 8 Position	
20	4461023	2	Terminal	
20	4460877	2	Terminal	
21	4460933	1	Plug, Male - 12 Position	
21	4460944	10	Socket, Female	
21	4460466	2	Plug, Terminal	
22	4460894	1	Plug, Male - 6 Position	

SECTION 7 - ELECTRICAL

ITEM	PART NUMBER	QTY	DESCRIPTION	REV
22	4460465	4	Socket, Female	
22	4460944	2	Socket, Female	
23	2400060	2	Holder/Cover, Fuse	
23	8229242	2	Fuse 5 Amp	
24	4460891	6	Plug, Male - 2 Position	
24	4460465	12	Socket, Female	
25	4460320	1	Plug, Male - 2 Position	
25	4460226	1	Socket, Female	
26	1001103012	1	Plug, Male - 4 Position	
26	1001237212	4	Socket, Female	
26	1001197457	4	Seal, Terminal	
27	8220045	1	Terminal, Ring	
28	2400060	1	Holder/Cover, Fuse	
28	8229244	1	Fuse 15 Amp	
29	4460670	1	Terminal, Ring	
30	4460897	2	Receptacle, Female - 2 Position	
30	4460464	4	Pin, Male	
31	4460539	1	Plug, Male - 3 Position	
31	4460465	3	Socket, Female	
32	4460894	1	Plug, Male - 6 Position	
32	4460465	6	Socket, Female	
33	1001113961	1	Connector - 8 Position	
33	4460871	4	Socket, Female	
33	4460905	4	Plug, Terminal	
101	4460466	2	Plug, Terminal	
102	4460891	1	Plug, Male - 2 Position	
103	1001125677	1	Receptacle, Female Buss Bar - 2x6 Position	
104	1001144295	2	Cap - 2 Position	
105	1001144296	1	Cap - 3 Position	
106	1001192401	1	Cap, Dust	
107	1001213448	1	Cap - 6 Position	

SECTION 7 - ELECTRICAL

FIGURE 7-14. GROUND TO PLATFORM CABLE INSTALLATION - R1532I WITHOUT PLATFORM COIL CABLE



ART_1001225490

SECTION 7 - ELECTRICAL

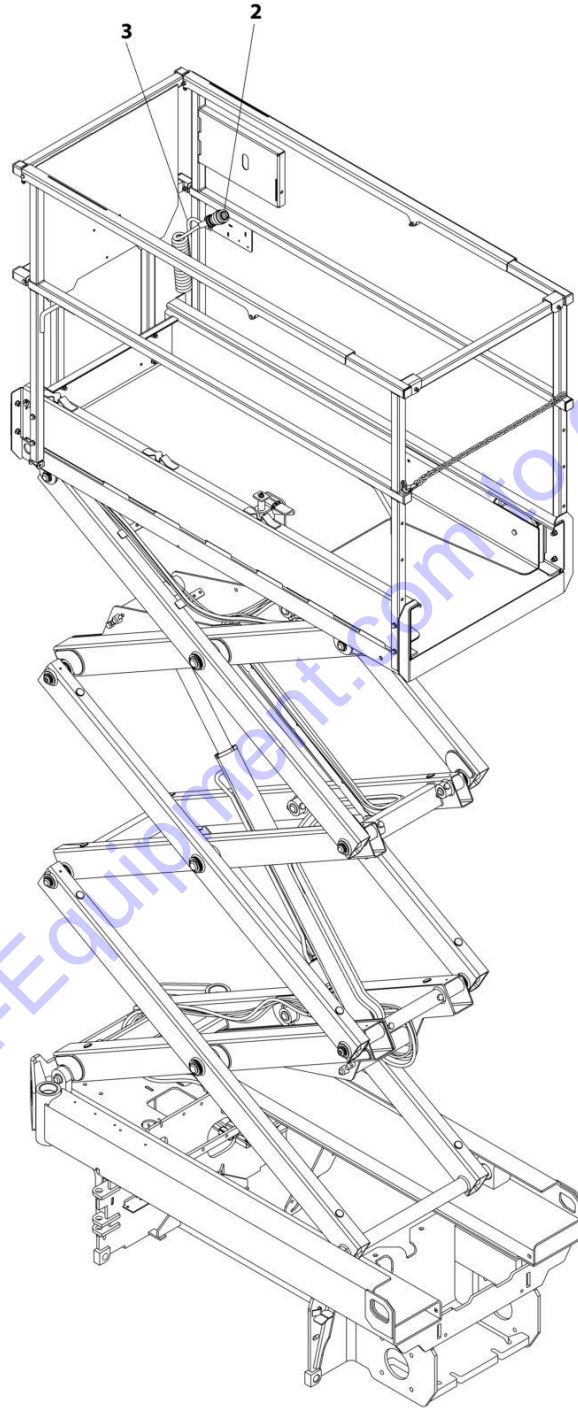
FIGURE 7-14. GROUND TO PLATFORM CABLE INSTALLATION - R1532I WITHOUT PLATFORM COIL CABLE

ITEM	PART NUMBER	QTY	DESCRIPTION	REV
	1001225490	Ref	GROUND TO PLATFORM CABLE INSTALLATION	A
1	4240017	AR	Tie-Strap (Not Shown)	
2	1001200812	1	Platform Harness	
2	4460899	1	Receptacle, Female - 6 Position (To Item 3)	
2	4460464	4	Pin, Male	
2	4460943	2	Pin, Male	
2	4460754	1	Connector - 14 Position (To Console Box)	
2	4460465	8	Socket, Female	
2	4460466	6	Plug, Terminal	
3	1001225377	1	Cable Assembly - Ground to Platform	
3	4460894	1	Plug, Male - 6 Position (To Platform Harness Item 2)	
3	4460465	4	Socket, Female	
3	4460944	2	Socket, Female	
3	4460899	1	Receptacle, Female - 6 Position (To Chassis Harness)	
3	4460464	4	Pin, Male	
3	4460943	2	Pin, Male	

Go to Discount-Equipment.com to order your parts

SECTION 7 - ELECTRICAL

FIGURE 7-15. GROUND TO PLATFORM CABLE INSTALLATION - R1532I WITH PLATFORM COIL CABLE



ART_1001225491

SECTION 7 - ELECTRICAL

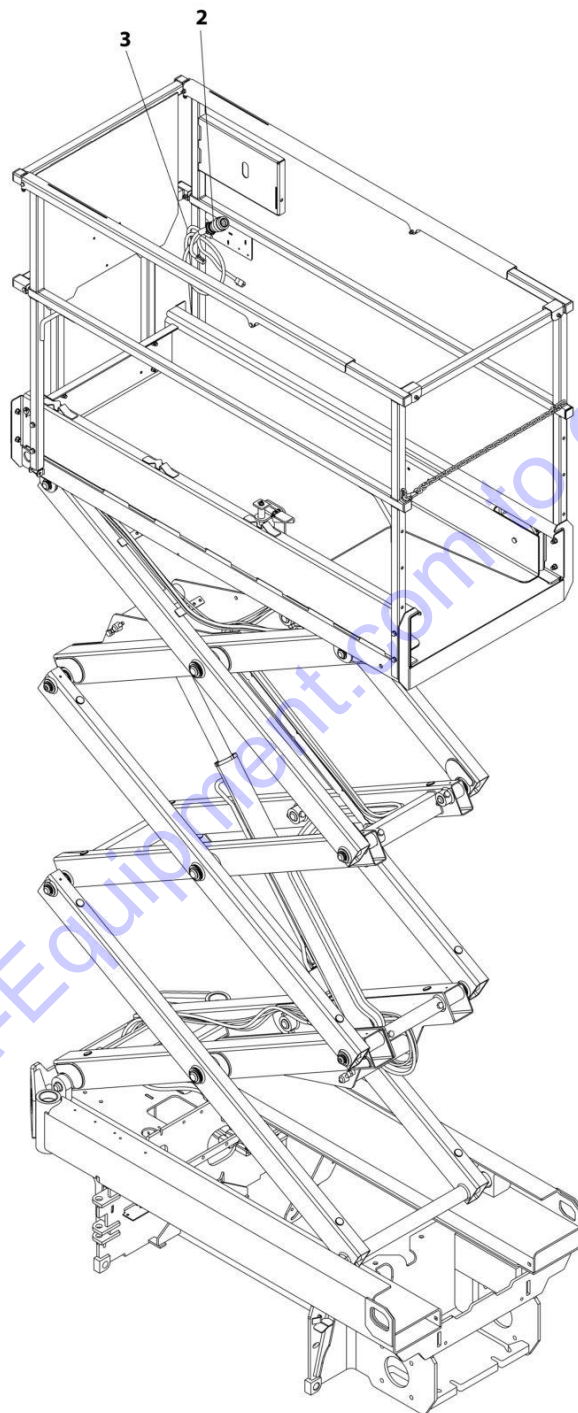
FIGURE 7-15. GROUND TO PLATFORM CABLE INSTALLATION - R1532I WITH PLATFORM COIL CABLE

ITEM	PART NUMBER	QTY	DESCRIPTION	REV
	1001225491	Ref	GROUND TO PLATFORM CABLE INSTALLATION	A
1	4240017	AR	Tie-Strap (Not Shown)	
2	1001202184	1	Platform Harness	
2	4460899	1	Receptacle, Female - 6 Position (To Item 3)	
2	4460464	4	Pin, Male	
2	4460943	2	Pin, Male	
2	4460754	1	Connector - 14 Position (To Console Box)	
2	4460465	8	Socket, Female	
2	4460466	6	Plug, Terminal	
3	1001225377	1	Cable Assembly - Ground to Platform	
3	4460894	1	Plug, Male - 6 Position (To Platform Harness Item 2)	
3	4460465	4	Socket, Female	
3	4460944	2	Socket, Female	
3	4460899	1	Receptacle, Female - 6 Position (To Chassis Harness)	
3	4460464	4	Pin, Male	
3	4460943	2	Pin, Male	

Go to Discount-Equipment.com to order your parts

SECTION 7 - ELECTRICAL

FIGURE 7-16. GROUND TO PLATFORM CABLE INSTALLATION - R1532I WITHOUT PLATFORM COIL CABLE AND WITH FOOTSWITCH



ART_1001225492

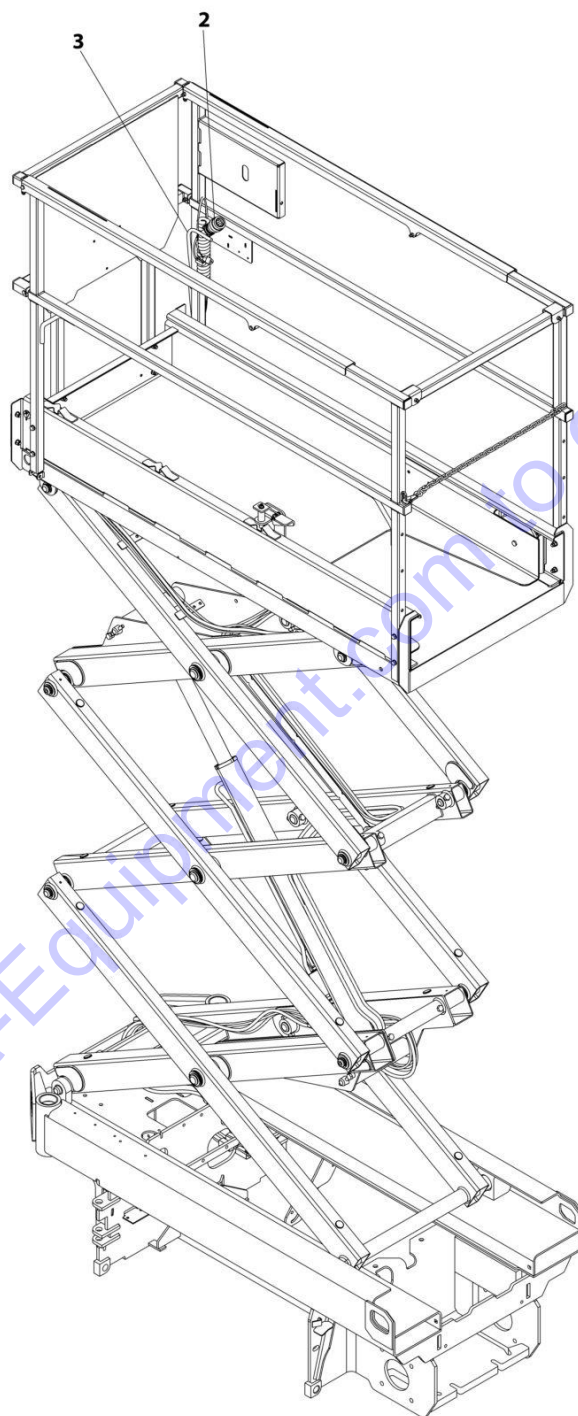
SECTION 7 - ELECTRICAL

FIGURE 7-16. GROUND TO PLATFORM CABLE INSTALLATION - R1532I WITHOUT PLATFORM COIL CABLE AND WITH FOOTSWITCH

ITEM	PART NUMBER	QTY	DESCRIPTION	REV
	1001225492	Ref	GROUND TO PLATFORM CABLE INSTALLATION	A
		Ref	Note: Only Available on Japanese Specs.	
1	4240017	AR	Tie-Strap (Not Shown)	
2	1001223263	1	Platform Harness	
2	4460899	1	Receptacle, Female - 6 Position (To Item 3)	
2	4460464	4	Pin, Male	
2	4460943	2	Pin, Male	
2	4460754	1	Connector - 14 Position (To Console Box)	
2	4460465	8	Socket, Female	
2	4460944	2	Socket, Female	
2	4460466	4	Plug, Terminal	
2	4460891	1	Plug, Male - 2 Position (To Footswitch)	
2	4460465	2	Socket, Female	
2	4460897	1	Receptacle, Female - 2 Position (Footswitch Jumper)	
2	4460464	2	Pin, Male	
2	4460539	1	Plug, Male - 3 Position (To Overhead Switches)	
2	4460465	2	Socket, Female	
2	4460466	1	Plug, Terminal	
3	1001225377	1	Cable Assembly - Ground to Platform	
3	4460894	1	Plug, Male - 6 Position (To Platform Harness Item 2)	
3	4460465	4	Socket, Female	
3	4460944	2	Socket, Female	
3	4460899	1	Receptacle, Female - 6 Position (To Chassis Harness)	
3	4460464	4	Pin, Male	
3	4460943	2	Pin, Male	

SECTION 7 - ELECTRICAL

FIGURE 7-17. GROUND TO PLATFORM CABLE INSTALLATION - R1532I WITH PLATFORM COIL CABLE AND FOOTSWITCH



ART_1001225493

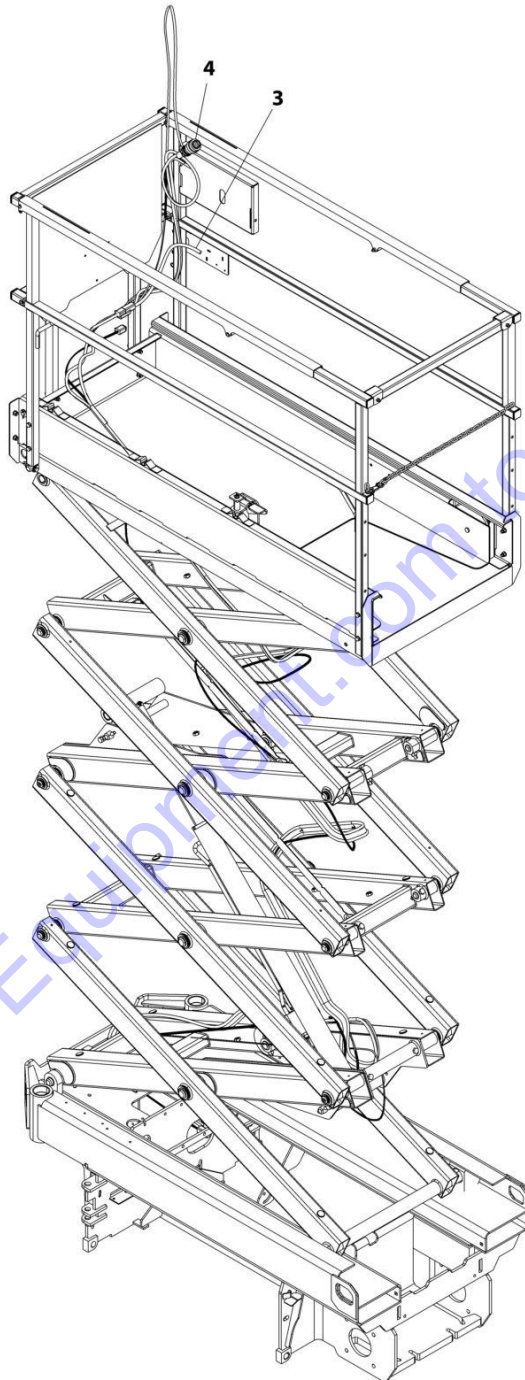
SECTION 7 - ELECTRICAL

FIGURE 7-17. GROUND TO PLATFORM CABLE INSTALLATION - R1532I WITH PLATFORM COIL CABLE AND FOOTSWITCH

ITEM	PART NUMBER	QTY	DESCRIPTION	REV
	1001225493	Ref	GROUND TO PLATFORM CABLE INSTALLATION	A
1	4240017	AR	Tie-Strap (Not Shown)	
2	1001223262	1	Platform Harness	
2	4460899	1	Receptacle, Female - 6 Position (To Item 3)	
2	4460464	4	Pin, Male	
2	4460943	2	Pin, Male	
2	4460754	1	Connector - 14 Position (To Console Box)	
2	4460465	8	Socket, Female	
2	4460944	2	Socket, Female	
2	4460466	4	Plug, Terminal	
2	4460891	1	Plug, Male - 2 Position (To Footswitch)	
2	4460465	2	Socket, Female	
2	4460897	1	Receptacle, Female - 2 Position (Footswitch Jumper)	
2	4460464	2	Pin, Male	
2	4460539	1	Plug, Male - 3 Position (To Overhead Switches)	
2	4460465	2	Socket, Female	
2	4460466	1	Plug, Terminal	
3	1001225377	1	Cable Assembly - Ground to Platform	
3	4460894	1	Plug, Male - 6 Position (To Platform Harness Item 2)	
3	4460465	4	Socket, Female	
3	4460944	2	Socket, Female	
3	4460899	1	Receptacle, Female - 6 Position (To Chassis Harness)	
3	4460464	4	Pin, Male	
3	4460943	2	Pin, Male	

SECTION 7 - ELECTRICAL

FIGURE 7-18. GROUND TO PLATFORM CABLE INSTALLATION – R1932i/R1932 WITHOUT PLATFORM COIL CABLE (ALL SPECS EXCEPT AUSTRALIAN AND KOREA SPECS)



ART_1001201087

SECTION 7 - ELECTRICAL

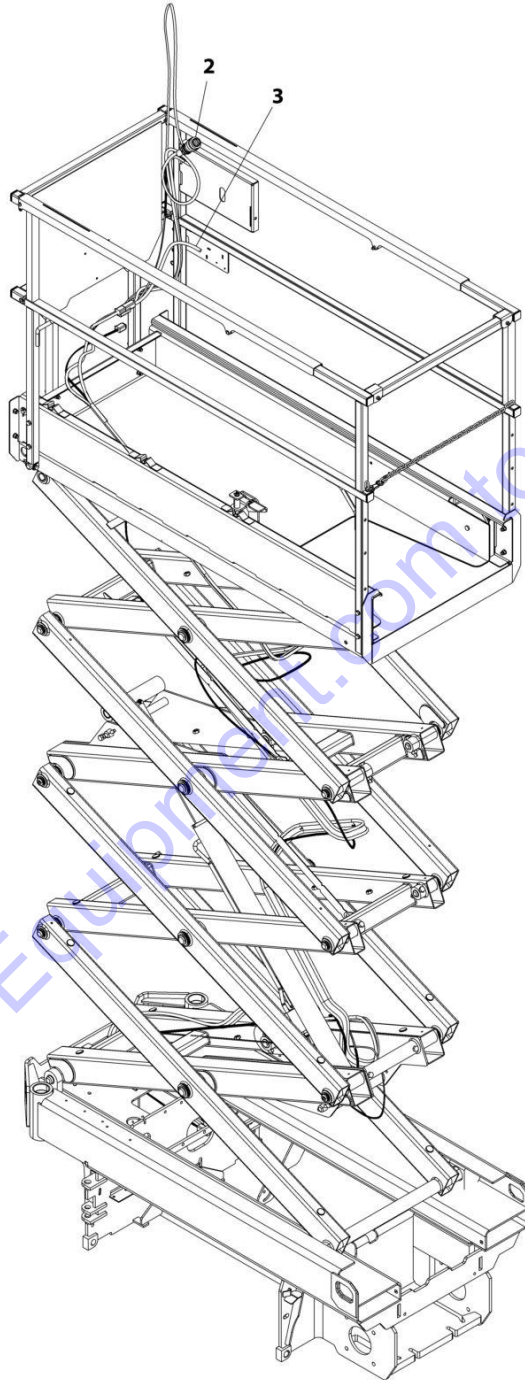
FIGURE 7-18. GROUND TO PLATFORM CABLE INSTALLATION – R1932I/R1932 WITHOUT PLATFORM COIL CABLE (ALL SPECS EXCEPT AUSTRALIAN AND KOREA SPECS)

ITEM	PART NUMBER	QTY	DESCRIPTION	REV
	1001201087	Ref	GROUND TO PLATFORM CABLE INSTALLATION	E
1	4240017	AR	Tie-Strap (Not Shown)	
3	1001200811	1	Cable Assembly - Ground to Platform	
3	4460894	1	Plug, Male - 6 Position (To Platform Harness Item 4)	
3	4460465	4	Socket, Female	
3	4460944	2	Socket, Female	
3	4460899	1	Receptacle, Female - 6 Position (To Chassis Harness)	
3	4460464	4	Pin, Male	
3	4460943	2	Pin, Male	
4	1001200812	1	Platform Harness	
4	4460899	1	Receptacle, Female - 6 Position (To Item 3)	
4	4460464	4	Pin, Male	
4	4460943	2	Pin, Male	
4	4460754	1	Connector - 14 Position (To Console Box)	
4	4460465	8	Socket, Female	
4	4460466	6	Plug, Terminal	

Go to Discount-Equipment.com to order your parts

SECTION 7 - ELECTRICAL

FIGURE 7-19. GROUND TO PLATFORM CABLE INSTALLATION - R1932 WITHOUT PLATFORM COIL CABLE (AUSTRALIAN SPECS)



ART_1001230932

SECTION 7 - ELECTRICAL

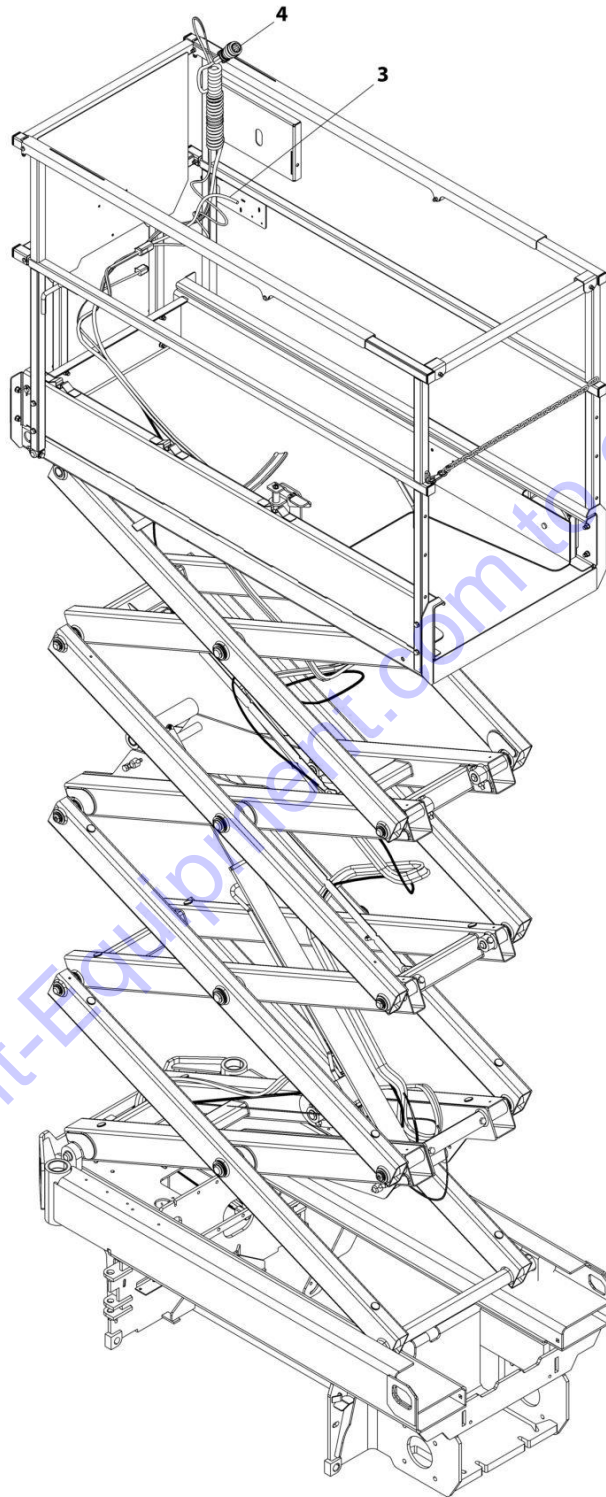
FIGURE 7-19. GROUND TO PLATFORM CABLE INSTALLATION - R1932 WITHOUT PLATFORM COIL CABLE (AUSTRALIAN SPECS)

ITEM	PART NUMBER	QTY	DESCRIPTION	REV
	1001230932	Ref	GROUND TO PLATFORM CABLE INSTALLATION	A
1	4240017	AR	Tie-Strap (Not Shown)	
2	1001200812	1	Platform Harness	
2	4460899	1	Receptacle, Female - 6 Position (To Item 3)	
2	4460464	4	Pin, Male	
2	4460943	2	Pin, Male	
2	4460754	1	Connector - 14 Position (To Console Box)	
2	4460465	8	Socket, Female	
2	4460466	6	Plug, Terminal	
3	1001230839	1	Cable Assembly - Ground to Platform	
3	4460894	1	Plug, Male - 6 Position (To Platform Harness Item 2)	
3	4460465	4	Socket, Female	
3	4460944	2	Socket, Female	
3	4460899	1	Receptacle, Female - 6 Position (To Chassis Harness)	
3	4460464	4	Pin, Male	
3	4460943	2	Pin, Male	

Go to Discount-Equipment.com to order your parts

SECTION 7 - ELECTRICAL

FIGURE 7-20. GROUND TO PLATFORM CABLE INSTALLATION - R1932I/R1932 WITH PLATFORM COIL CABLE (ALL SPECS EXCEPT AUSTRALIAN SPECS)



ART_1001203630

SECTION 7 - ELECTRICAL

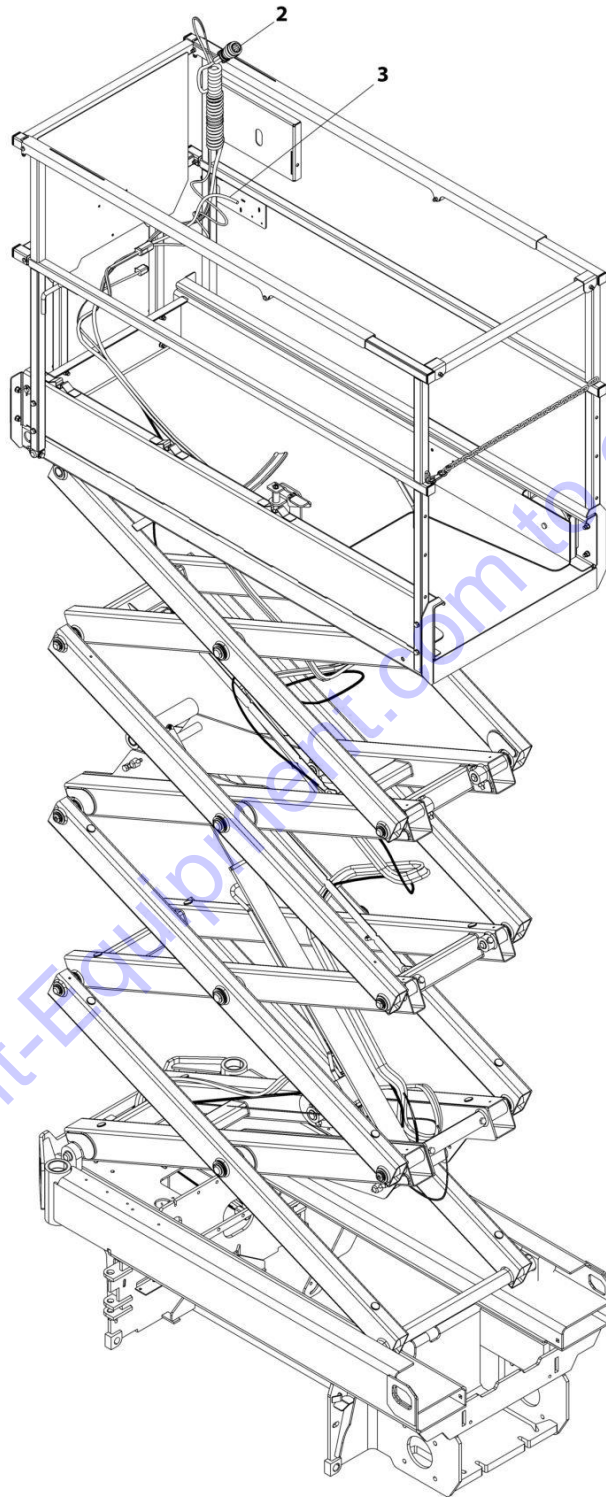
FIGURE 7-20. GROUND TO PLATFORM CABLE INSTALLATION - R1932i/R1932 WITH PLATFORM COIL CABLE (ALL SPECS EXCEPT AUSTRALIAN SPECS)

ITEM	PART NUMBER	QTY	DESCRIPTION	REV
	1001203630	Ref	GROUND TO PLATFORM CABLE INSTALLATION	E
1	4240017	AR	Tie-Strap (Not Shown)	
3	1001200811	1	Cable Assembly - Ground to Platform	
3	4460894	1	Plug, Male - 6 Position (To Platform Harness Item 4)	
3	4460465	4	Socket, Female	
3	4460944	2	Socket, Female	
3	4460899	1	Receptacle, Female - 6 Position (To Chassis Harness)	
3	4460464	4	Pin, Male	
3	4460943	2	Pin, Male	
4	1001202184	1	Platform Harness	
4	4460899	1	Receptacle, Female - 6 Position (To Item 3)	
4	4460464	4	Pin, Male	
4	4460943	2	Pin, Male	
4	4460754	1	Connector - 14 Position (To Console Box)	
4	4460465	8	Socket, Female	
4	4460466	6	Plug, Terminal	

Go to Discount-Equipment.com to order your parts

SECTION 7 - ELECTRICAL

FIGURE 7-21. GROUND TO PLATFORM CABLE INSTALLATION - R1932 WITH PLATFORM COIL CABLE (AUSTRALIAN SPECS)



ART_1001230933

SECTION 7 - ELECTRICAL

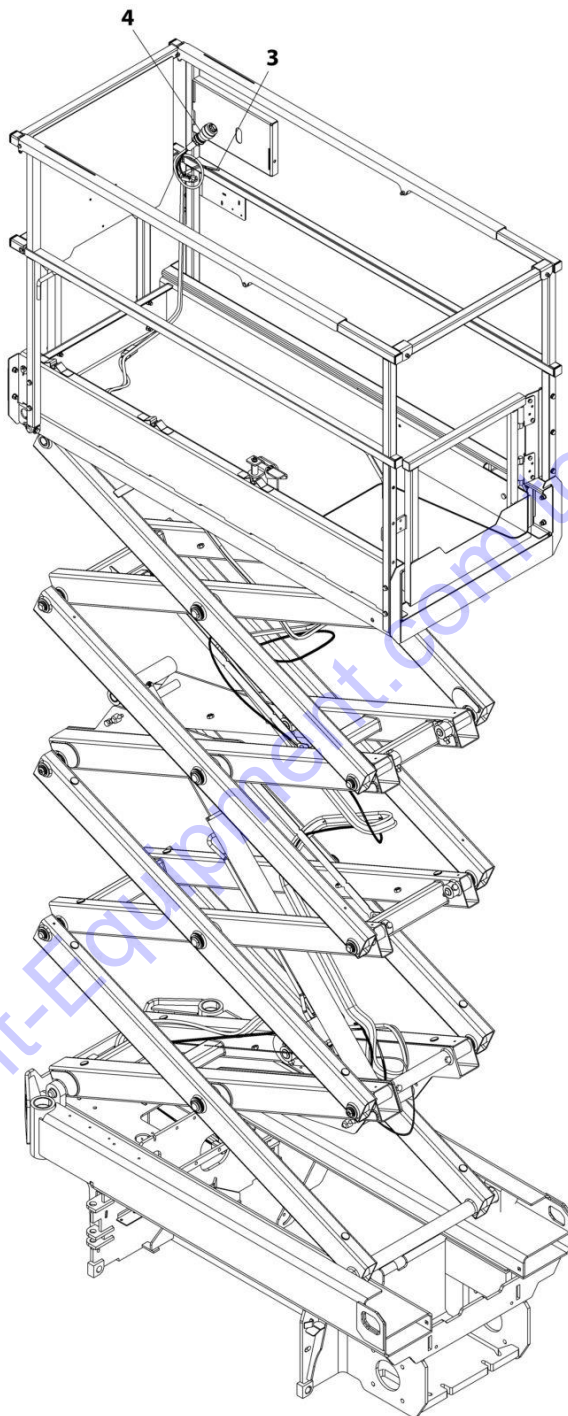
FIGURE 7-21. GROUND TO PLATFORM CABLE INSTALLATION - R1932 WITH PLATFORM COIL CABLE (AUSTRALIAN SPECS)

ITEM	PART NUMBER	QTY	DESCRIPTION	REV
	1001230933	Ref	GROUND TO PLATFORM CABLE INSTALLATION	A
1	4240017	AR	Tie-Strap (Not Shown)	
2	1001202184	1	Platform Harness	
2	4460899	1	Receptacle, Female - 6 Position (To Item 3)	
2	4460464	4	Pin, Male	
2	4460943	2	Pin, Male	
2	4460754	1	Connector - 14 Position (To Console Box)	
2	4460465	8	Socket, Female	
2	4460466	6	Plug, Terminal	
3	1001230839	1	Cable Assembly - Ground to Platform	
3	4460894	1	Plug, Male - 6 Position (To Platform Harness Item 2)	
3	4460465	4	Socket, Female	
3	4460944	2	Socket, Female	
3	4460899	1	Receptacle, Female - 6 Position (To Chassis Harness)	
3	4460464	4	Pin, Male	
3	4460943	2	Pin, Male	

Go to Discount-Equipment.com to order your parts

SECTION 7 - ELECTRICAL

FIGURE 7-22. GROUND TO PLATFORM CABLE INSTALLATION - R1932i/R1932 WITHOUT PLATFORM COIL CABLE AND WITH FOOTSWITCH



ART_1001201129_F

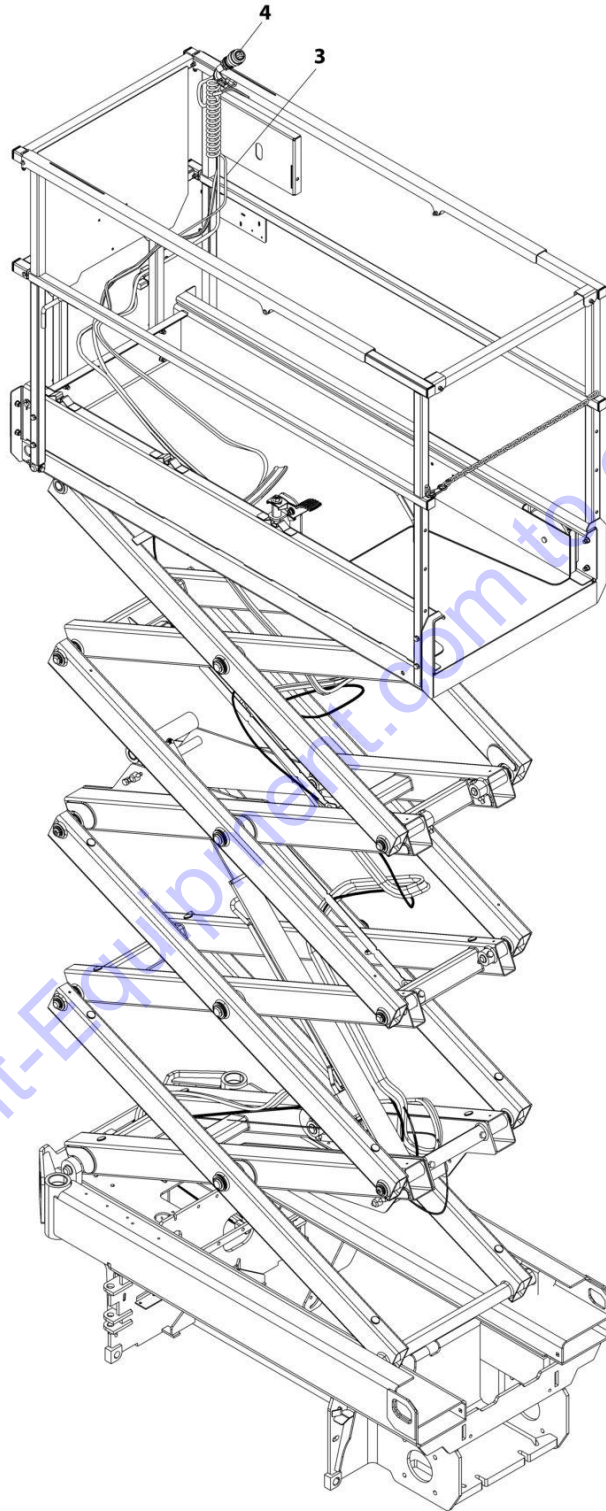
SECTION 7 - ELECTRICAL

FIGURE 7-22. GROUND TO PLATFORM CABLE INSTALLATION - R1932i/R1932 WITHOUT PLATFORM COIL CABLE AND WITH FOOTSWITCH

ITEM	PART NUMBER	QTY	DESCRIPTION	REV
	1001201129	Ref	GROUND TO PLATFORM CABLE INSTALLATION	F
		Ref	Note: Only Available on Japanese Specs.	
1	4240017	AR	Tie-Strap (Not Shown)	
3	1001200811	1	Cable Assembly - Ground to Platform	
3	4460894	1	Plug, Male - 6 Position (To Platform Harness Item 4)	
3	4460465	4	Socket, Female	
3	4460944	2	Socket, Female	
3	4460899	1	Receptacle, Female - 6 Position (To Chassis Harness)	
3	4460464	4	Pin, Male	
3	4460943	2	Pin, Male	
4	1001223263	1	Platform Harness	
4	4460899	1	Receptacle, Female - 6 Position (To Item 3)	
4	4460464	4	Pin, Male	
4	4460943	2	Pin, Male	
4	4460754	1	Connector - 14 Position (To Console Box)	
4	4460465	8	Socket, Female	
4	4460944	2	Socket, Female	
4	4460466	4	Plug, Terminal	
4	4460891	1	Plug, Male - 2 Position (To Footswitch)	
4	4460465	2	Socket, Female	
4	4460897	1	Receptacle, Female - 2 Position (Footswitch Jumper)	
4	4460464	2	Pin, Male	
4	4460539	1	Plug, Male - 3 Position (To Overhead Switches)	
4	4460465	2	Socket, Female	
4	4460466	1	Plug, Terminal	

SECTION 7 - ELECTRICAL

FIGURE 7-23. GROUND TO PLATFORM CABLE INSTALLATION - R1932I/R1932 WITH PLATFORM COIL CABLE AND FOOTSWITCH



ART_1001203631_F

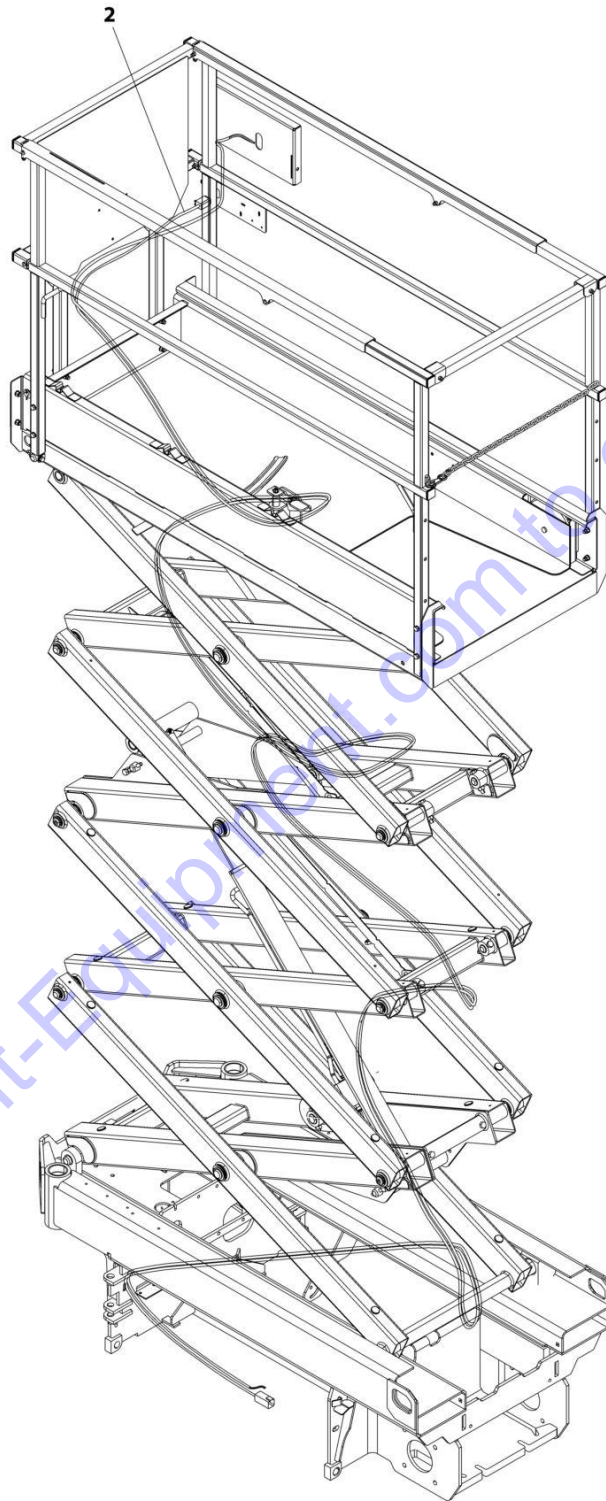
SECTION 7 - ELECTRICAL

FIGURE 7-23. GROUND TO PLATFORM CABLE INSTALLATION - R1932i/R1932 WITH PLATFORM COIL CABLE AND FOOTSWITCH

ITEM	PART NUMBER	QTY	DESCRIPTION	REV
	1001203631	Ref	GROUND TO PLATFORM CABLE INSTALLATION	F
		Ref	Note: Only Available on Japanese Specs.	
1	4240017	AR	Tie-Strap (Not Shown)	
3	1001200811	1	Cable Assembly - Ground to Platform	
3	4460894	1	Plug, Male - 6 Position (To Platform Harness Item 4)	
3	4460465	4	Socket, Female	
3	4460944	2	Socket, Female	
3	4460899	1	Receptacle, Female - 6 Position (To Chassis Harness)	
3	4460464	4	Pin, Male	
3	4460943	2	Pin, Male	
4	1001223262	1	Platform Harness	
4	4460899	1	Receptacle, Female - 6 Position (To Item 3)	
4	4460464	4	Pin, Male	
4	4460943	2	Pin, Male	
4	4460754	1	Connector - 14 Position (To Console Box)	
4	4460465	8	Socket, Female	
4	4460944	2	Socket, Female	
4	4460466	4	Plug, Terminal	
4	4460891	1	Plug, Male - 2 Position (To Footswitch)	
4	4460465	2	Socket, Female	
4	4460897	1	Receptacle, Female - 2 Position (Footswitch Jumper)	
4	4460464	2	Pin, Male	
4	4460539	1	Plug, Male - 3 Position (To Overhead Switches)	
4	4460465	2	Socket, Female	
4	4460466	1	Plug, Terminal	

SECTION 7 - ELECTRICAL

FIGURE 7-24. GROUND TO PLATFORM CABLE INSTALLATION - R1932 (EUROPEAN BUILT MACHINES)



ART_1001253807

SECTION 7 - ELECTRICAL

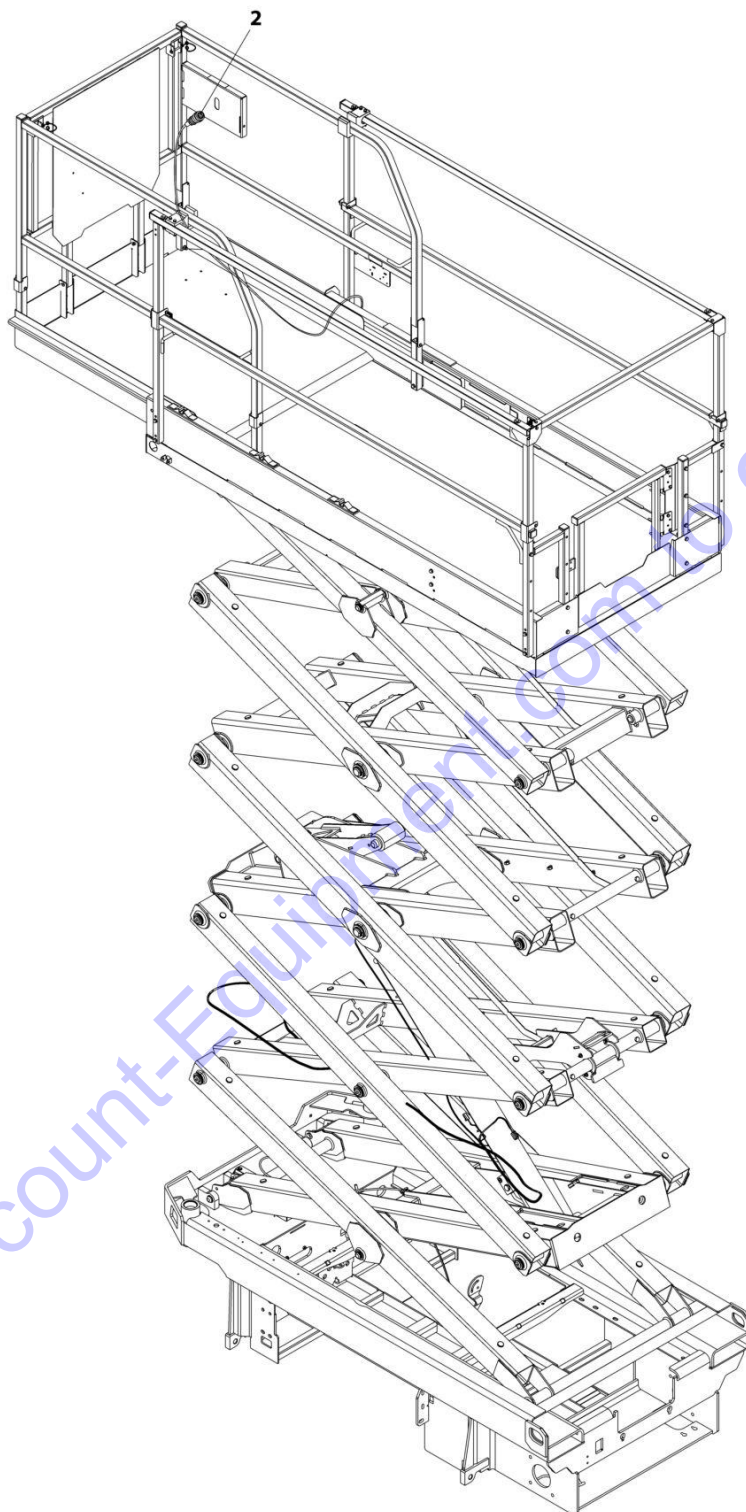
FIGURE 7-24. GROUND TO PLATFORM CABLE INSTALLATION - R1932 (EUROPEAN BUILT MACHINES)

ITEM	PART NUMBER	QTY	DESCRIPTION	REV
	1001253807	Ref	GROUND TO PLATFORM CABLE INSTALLATION - SCISSORS ARMS CABLE ONLY	A
1	4240017	AR	Tie-Strap (Not Shown)	
2	1001200811	1	Cable Assembly - Ground to Platform	
2	4460894	1	Plug, Male - 6 Position (To Platform Harness Item 2)	
2	4460465	4	Socket, Female	
2	4460944	2	Socket, Female	
2	4460899	1	Receptacle, Female - 6 Position (To Chassis Harness)	
2	4460464	4	Pin, Male	
2	4460943	2	Pin, Male	

Go to Discount-Equipment.com to order your parts

SECTION 7 - ELECTRICAL

FIGURE 7-25. GROUND TO PLATFORM CABLE INSTALLATION - R1932I/R1932 WITH PLATFORM STRAIGHT CABLE ONLY (EUROPEAN BUILT MACHINES)



ART_1001223650

SECTION 7 - ELECTRICAL

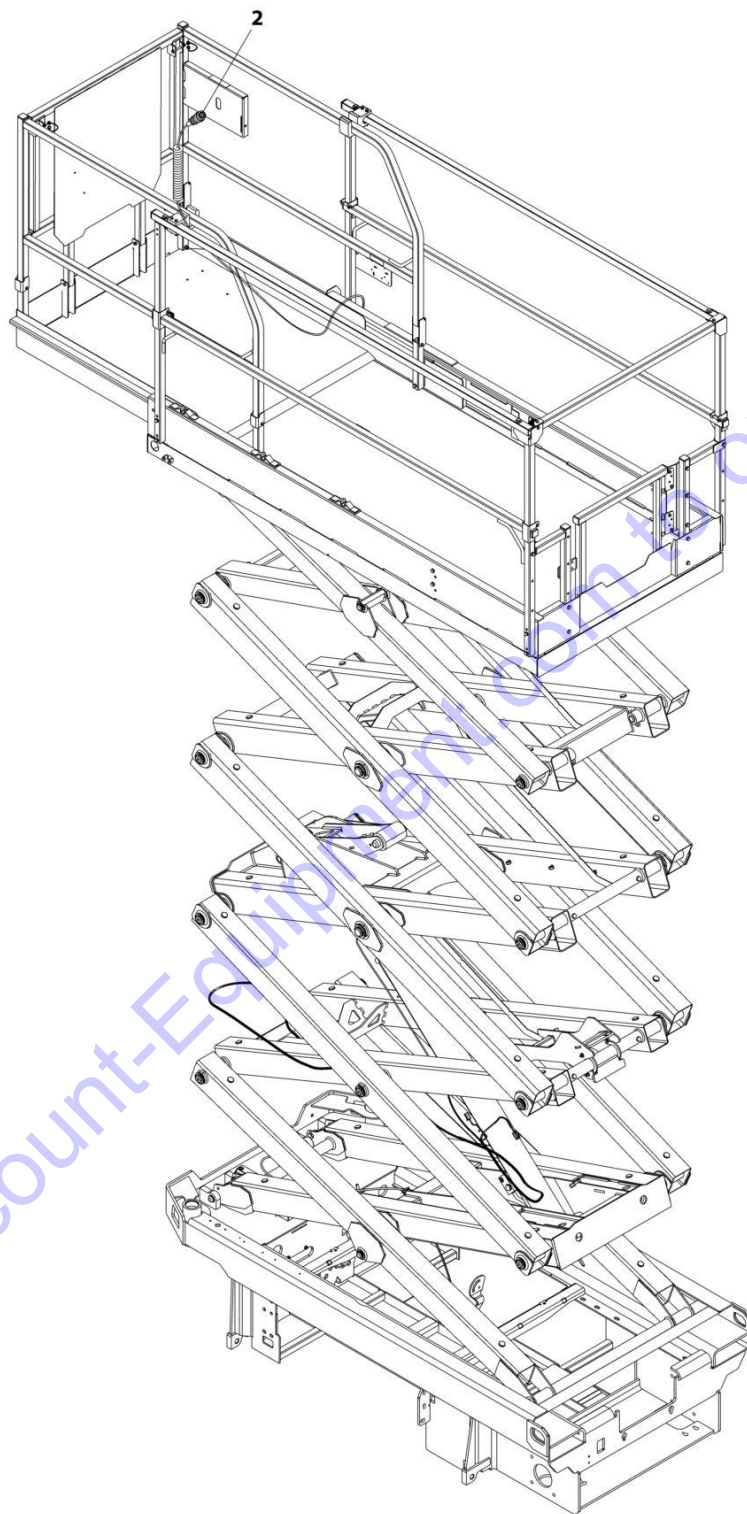
FIGURE 7-25. GROUND TO PLATFORM CABLE INSTALLATION - R1932I/R1932 WITH PLATFORM STRAIGHT CABLE ONLY (EUROPEAN BUILT MACHINES)

ITEM	PART NUMBER	QTY	DESCRIPTION	REV
	1001223650	Ref	GROUND TO PLATFORM CABLE INSTALLATION	A
1	4240017	AR	Tie-Strap (Not Shown)	
2	1001200812	1	Platform Harness	
2	4460899	1	Receptacle, Female - 6 position (To Platform/AC Cable Connector)	
2	4460464	4	Pin, Male	
2	4460943	2	Pin, Male	
2	4460754	1	Connector - 14 Position (To Console Box)	
2	4460465	8	Socket, Female	
2	4460466	6	Plug, Terminal	

Go to Discount-Equipment.com to order your parts

SECTION 7 - ELECTRICAL

FIGURE 7-26. GROUND TO PLATFORM CABLE INSTALLATION - R1932I/R1932 WITH PLATFORM COIL CABLE ONLY (EUROPEAN BUILT MACHINES)



ART_1001223651

SECTION 7 - ELECTRICAL

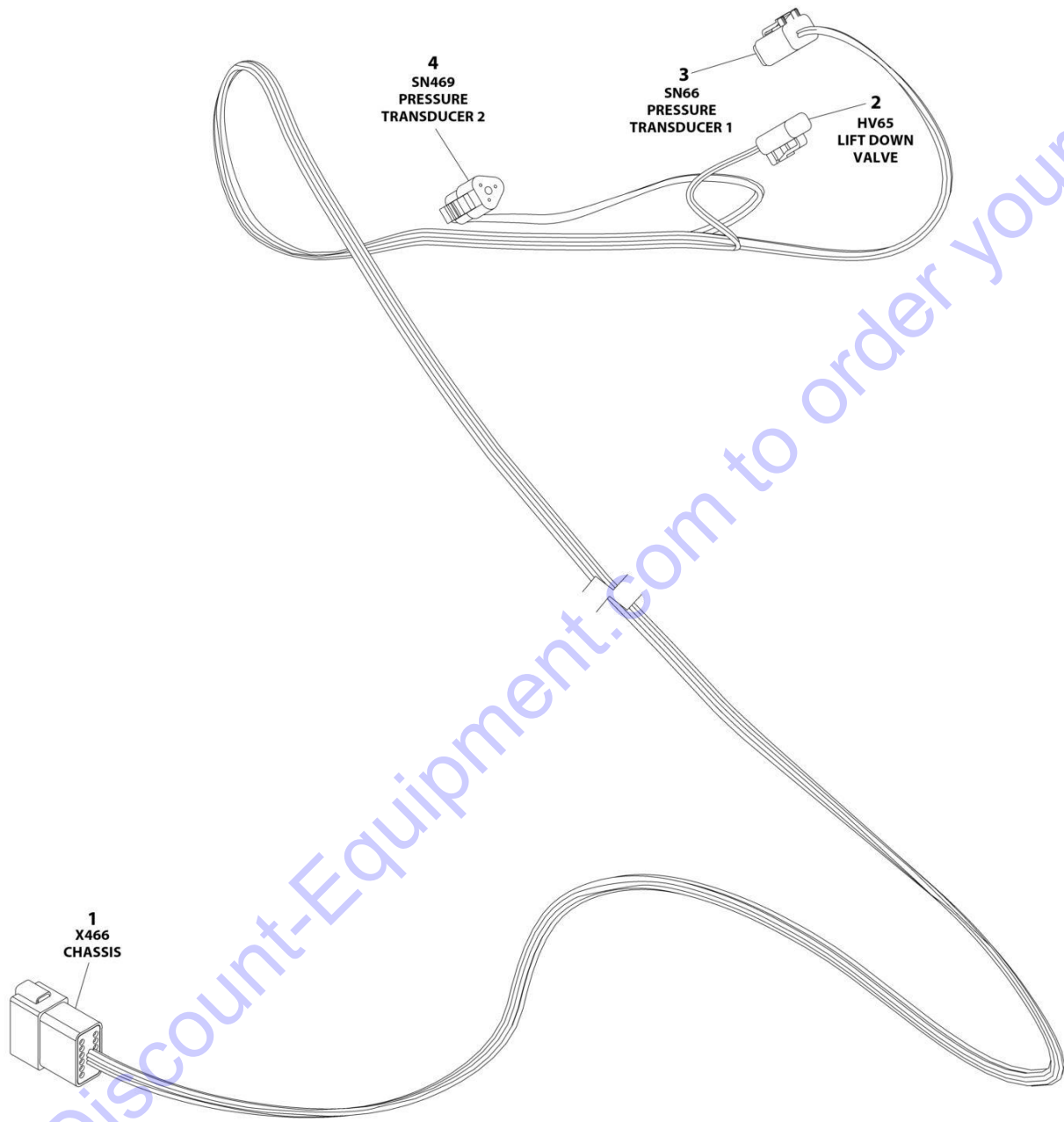
FIGURE 7-26. GROUND TO PLATFORM CABLE INSTALLATION - R1932I/R1932 WITH PLATFORM COIL CABLE ONLY (EUROPEAN BUILT MACHINES)

ITEM	PART NUMBER	QTY	DESCRIPTION	REV
	1001223651	Ref	GROUND TO PLATFORM CABLE INSTALLATION	A
1	4240017	AR	Tie-Strap (Not Shown)	
2	1001202184	1	Platform Harness	
2	4460899	1	Receptacle, Female - 6 position (To Platform/AC Cable Connector)	
2	4460464	4	Pin, Male	
2	4460943	2	Pin, Male	
2	4460754	1	Connector - 14 Position (To Console Box)	
2	4460465	8	Socket, Female	
2	4460466	6	Plug, Terminal	

Go to Discount-Equipment.com to order your parts

SECTION 7 - ELECTRICAL

FIGURE 7-27. LIFT DOWN HARNESS - WITH LSS



ART_1001222687_B

Go to Discount-Equipment.com to order your parts

SECTION 7 - ELECTRICAL

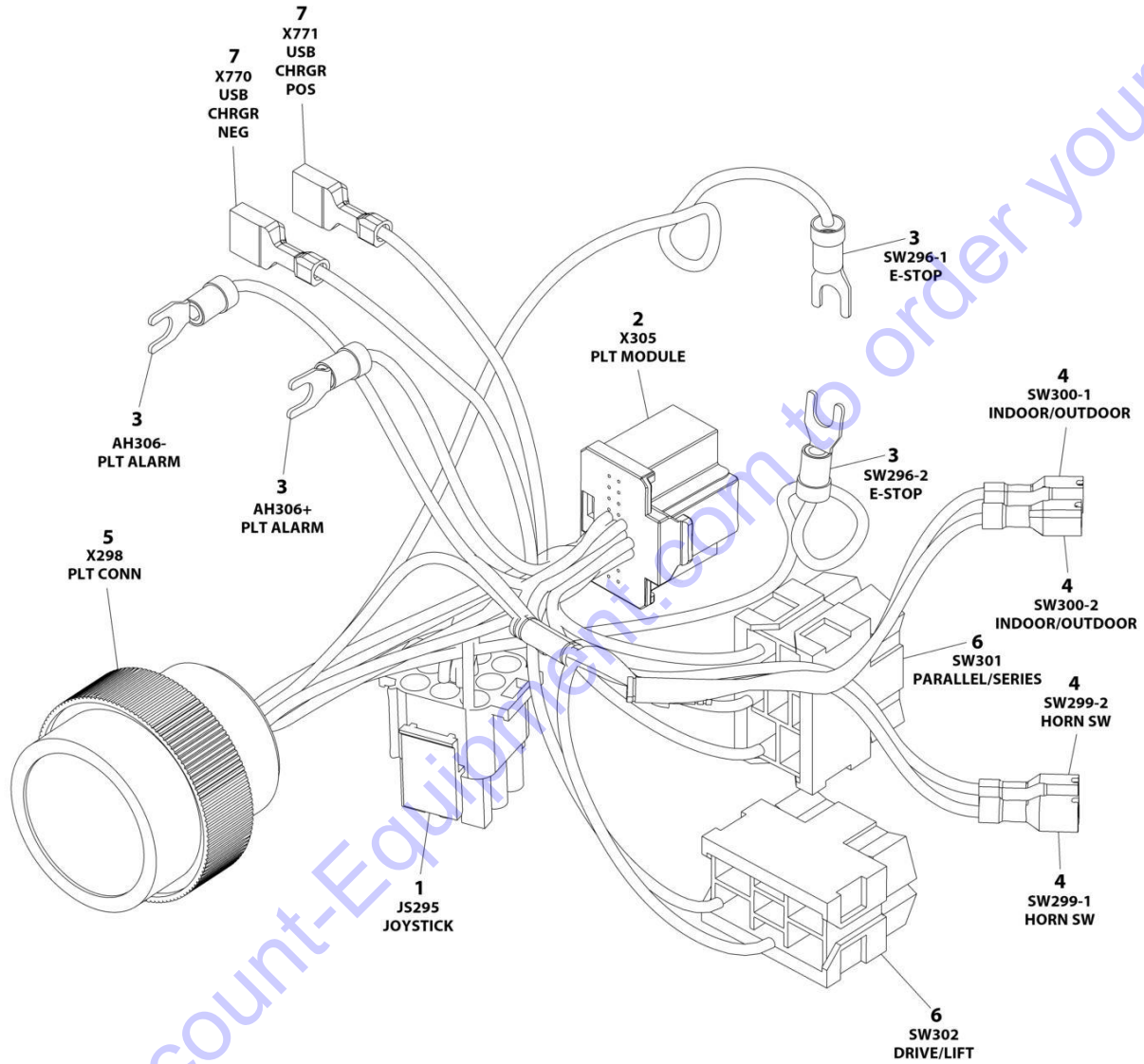
FIGURE 7-27. LIFT DOWN HARNESS - WITH LSS

ITEM	PART NUMBER	QTY	DESCRIPTION	REV
	1001222687	Ref	LIFT DOWN HARNESS - WITH LSS	B
1	4460970	1	Receptacle, Female - 12 Position	
1	4460464	9	Pin, Male	
1	4460466	3	Plug, Terminal	
2	4460891	1	Plug, Male - 4 Position	
2	4460465	2	Socket, Female	
3	4460884	1	Plug, Male - 4 Position	
3	4460465	4	Socket, Female	
4	4460539	1	Plug, Male - 3 Position	
4	4460465	3	Socket, Female	

Go to Discount-Equipment.com to order your parts

SECTION 7 - ELECTRICAL

FIGURE 7-28. PLATFORM BOX HARNESS



ART_1001200819

Go to Discount-Equipment.com to order your parts

SECTION 7 - ELECTRICAL

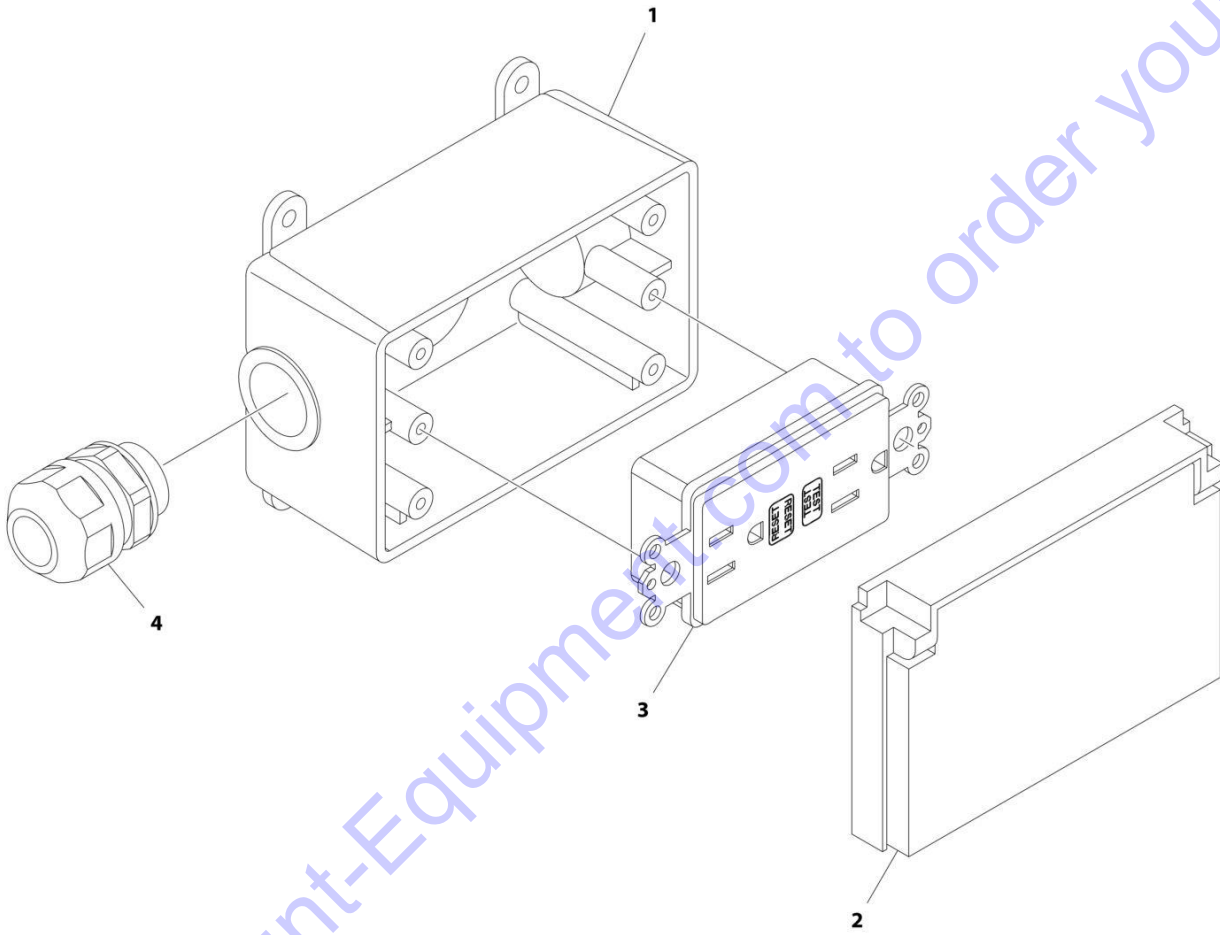
FIGURE 7-28. PLATFORM BOX HARNESS

ITEM	PART NUMBER	QTY	DESCRIPTION	REV
	1001200819	Ref	PLATFORM CONTROL BOX HARNESS	D
1	4460265	1	Plug, Male - 9 Position	
1	4460267	6	Pin, Male	
2	1001212036	1	Connector - 20 Position	
2	1001212035	16	Terminal	
3	4460183	4	Terminal, Fork	
4	1001201885	4	Terminal with Cover	
5	4461016	1	Connector - 14 Position	
5	4460464	8	Pin, Male	
5	4460466	6	Plug, Terminal	
6	4460418	2	Connector - 6 Position	
6	1001159186	5	Terminal	
7	1001194421	2	Terminal	

Go to Discount-Equipment.com to order your parts

SECTION 7 - ELECTRICAL

FIGURE 7-29. RECEPTACLE BOX KIT - 110V GFI



ART_2902431

SECTION 7 - ELECTRICAL

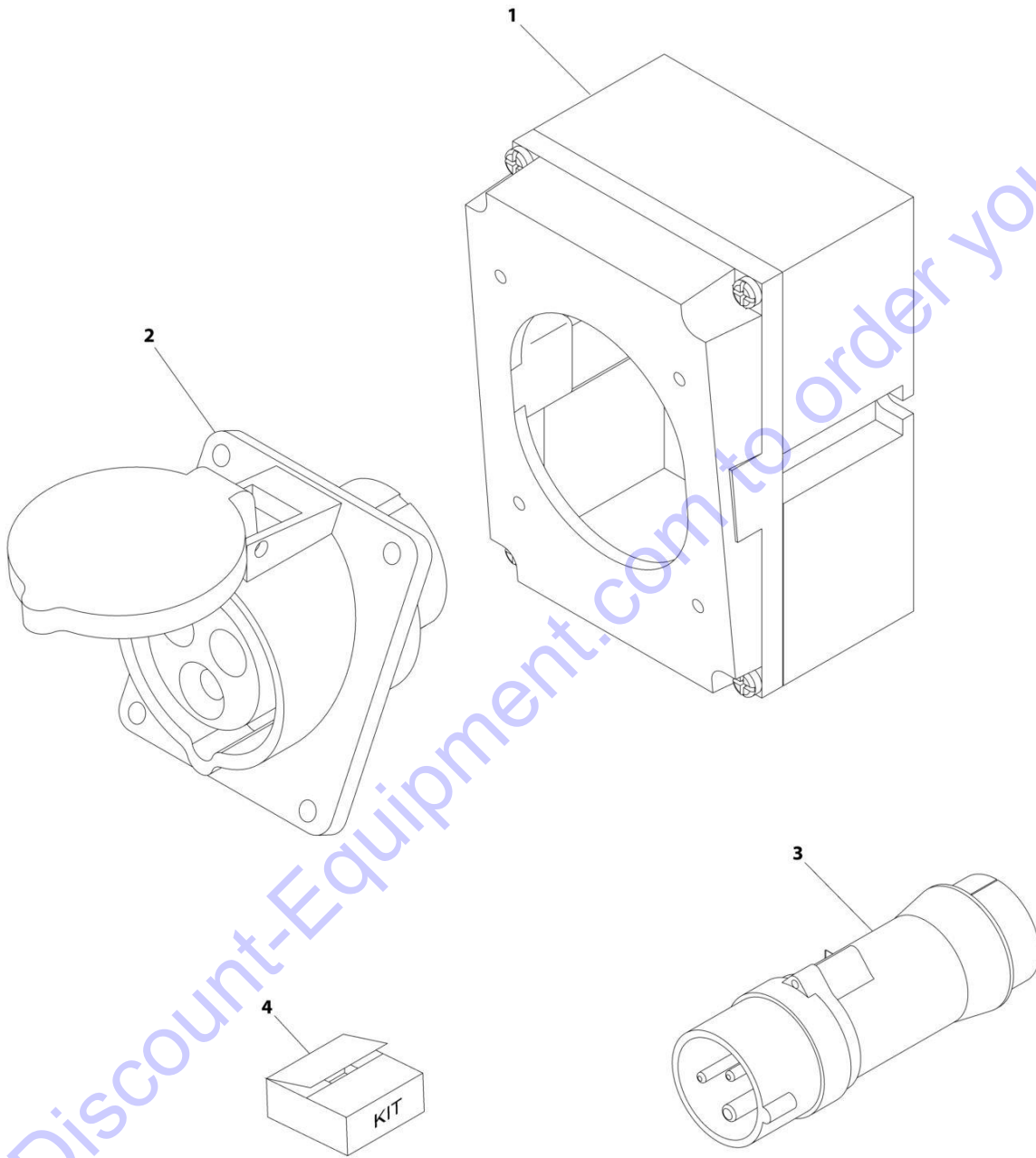
FIGURE 7-29. RECEPTACLE BOX KIT - 110V GFI

ITEM	PART NUMBER	QTY	DESCRIPTION	REV
	2902431	Ref	RECEPTACLE BOX KIT - 110V GFI	D
1	0861731	1	Box, Receptacle	
2	1671207	1	Cover, Receptacle	
3	4460346	1	Receptacle	
4	4460662	1	Connector, Strain Relief	

Go to Discount-Equipment.com to order your parts

SECTION 7 - ELECTRICAL

FIGURE 7-30. RECEPTACLE BOX KIT - 110V IEC YELLOW (CE SPEC)



ART_0275216

SECTION 7 - ELECTRICAL

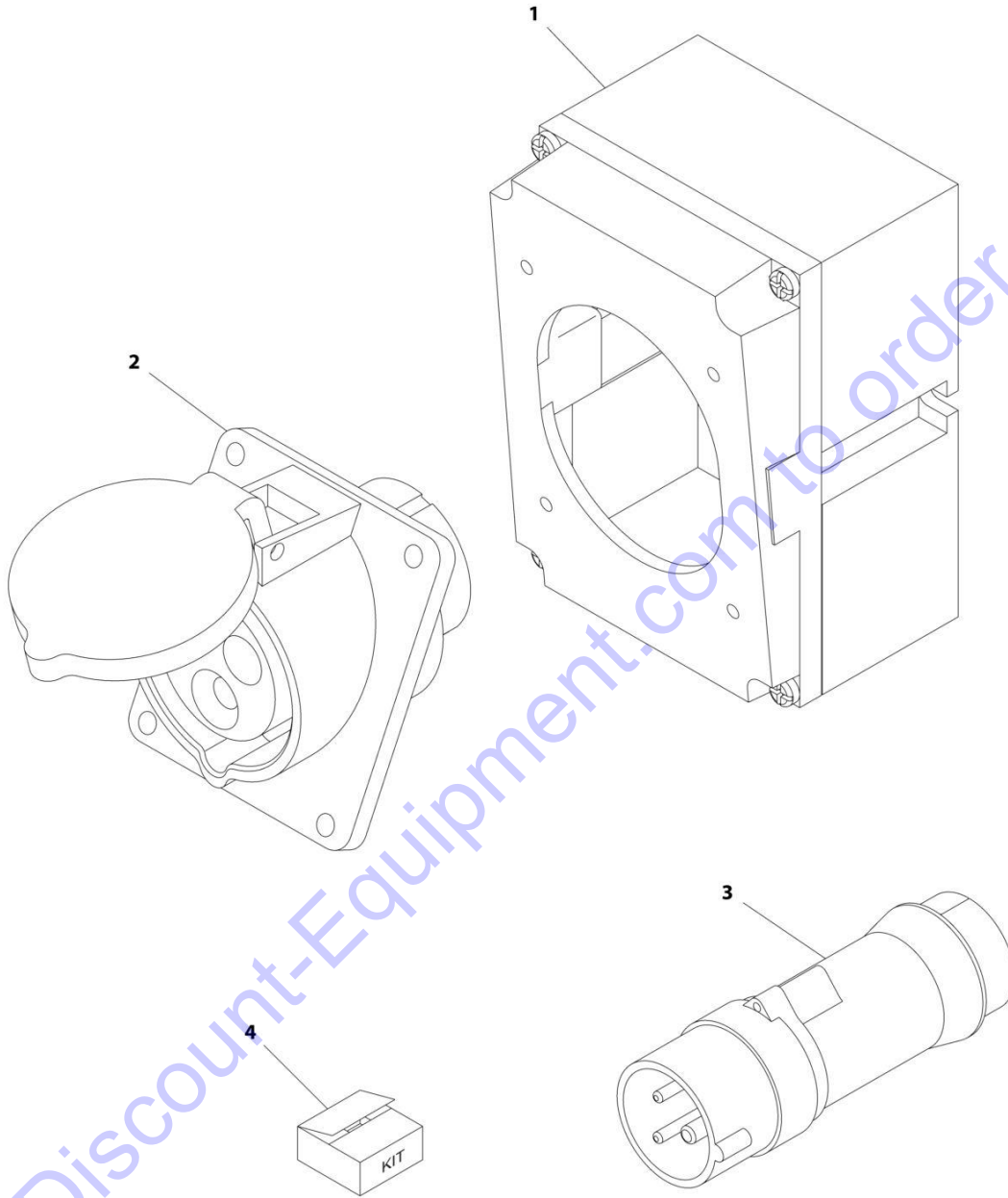
FIGURE 7-30. RECEPTACLE BOX KIT - 110V IEC YELLOW (CE SPEC)

ITEM	PART NUMBER	QTY	DESCRIPTION	REV
	0275216	Ref	RECEPTACLE BOX KIT - 110V IEC YELLOW	1
1	0861781	1	Box, Switch	
2	4461198	1	Receptacle	
3	4461196	1	Plug, Male	
4	1001100341	1	Plug and Socket Kit (Includes Items 1-3 and Female Plug p/n 4461197)	

Go to Discount-Equipment.com to order your parts

SECTION 7 - ELECTRICAL

FIGURE 7-31. RECEPTACLE BOX KIT - 220V IEC BLUE (CE SPEC)



ART_0275217

SECTION 7 - ELECTRICAL

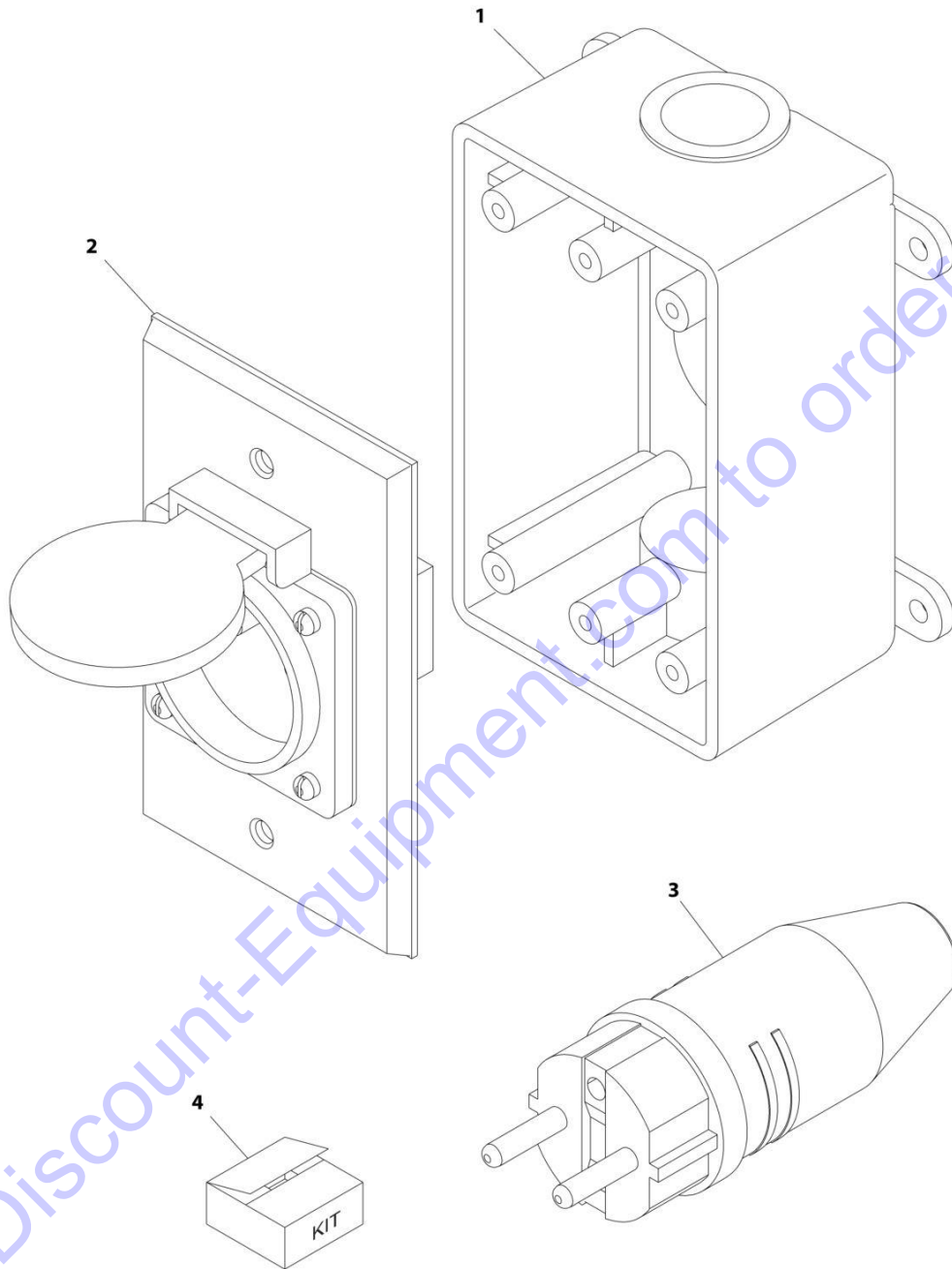
FIGURE 7-31. RECEPTACLE BOX KIT - 220V IEC BLUE (CE SPEC)

ITEM	PART NUMBER	QTY	DESCRIPTION	REV
	0275217	Ref	RECEPTACLE BOX KIT - 220V IEC BLUE	1
1	0861781	1	Box, Switch	
2	4461201	1	Receptacle	
3	4461199	1	Plug, Male	
4	1001100342	1	Plug and Socket Kit (Includes Items 1-3 and Female Plug p/n 4461200)	

Go to Discount-Equipment.com to order your parts

SECTION 7 - ELECTRICAL

FIGURE 7-32. RECEPTACLE BOX KIT - 220V CEE7 POST GROUND (CE SPEC)



ART_0275452-C

SECTION 7 - ELECTRICAL

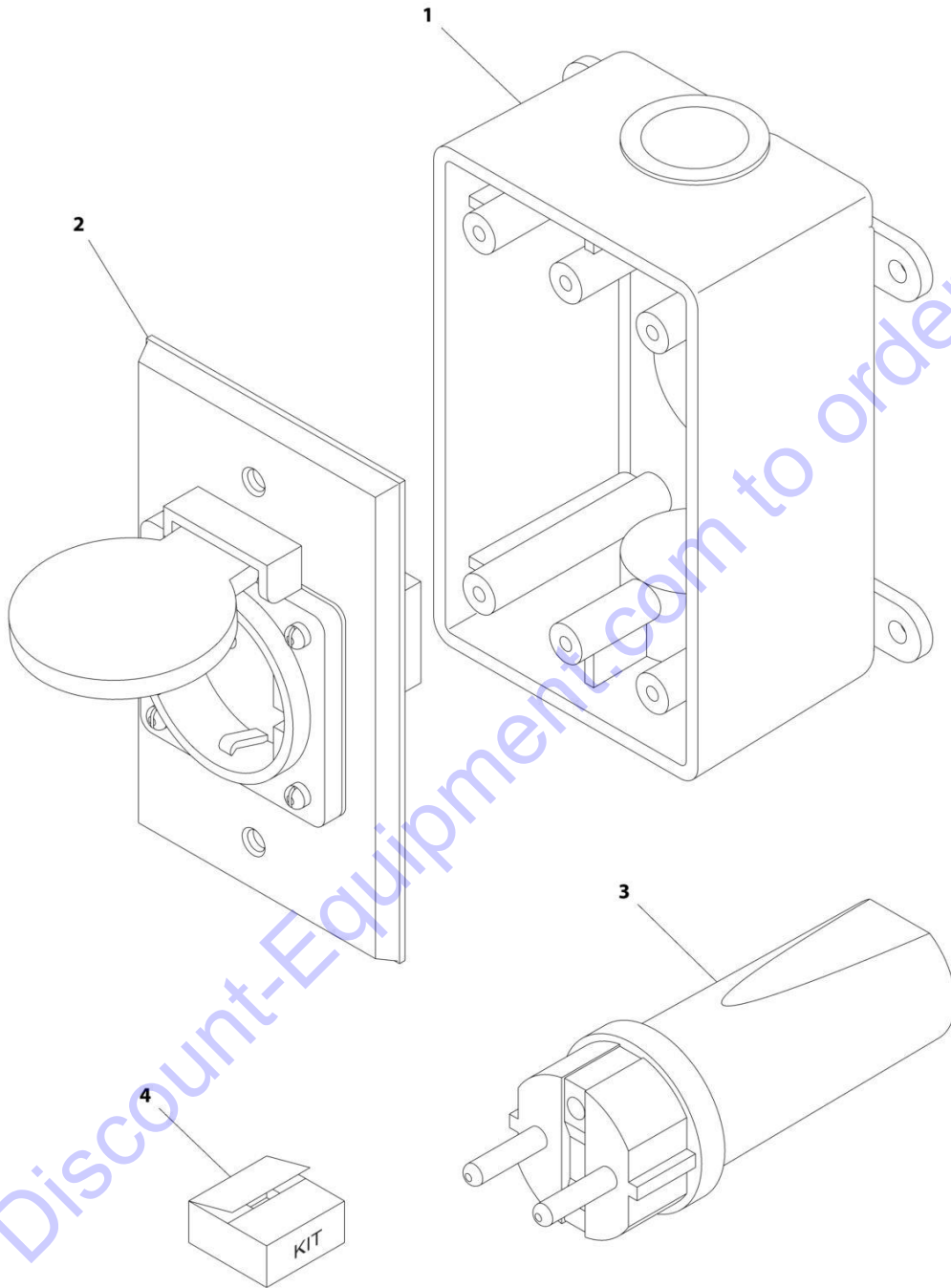
FIGURE 7-32. RECEPTACLE BOX KIT - 220V CEE7 POST GROUND (CE SPEC)

ITEM	PART NUMBER	QTY	DESCRIPTION	REV
	0275452	Ref	RECEPTACLE BOX KIT - 220V CEE7 POST GROUND	C
1	0861731	1	Box, Switch	
2	4461244	1	Receptacle	
3	4461205	1	Plug, Male	
4	1001100345	1	Plug and Socket Kit (Includes Items 1-3 and Female Plug p/n 4461203)	

Go to Discount-Equipment.com to order your parts

SECTION 7 - ELECTRICAL

FIGURE 7-33. RECEPTACLE BOX KIT - 220V CEE7 SIDE GROUND (CE SPEC)



ART_0275453

SECTION 7 - ELECTRICAL

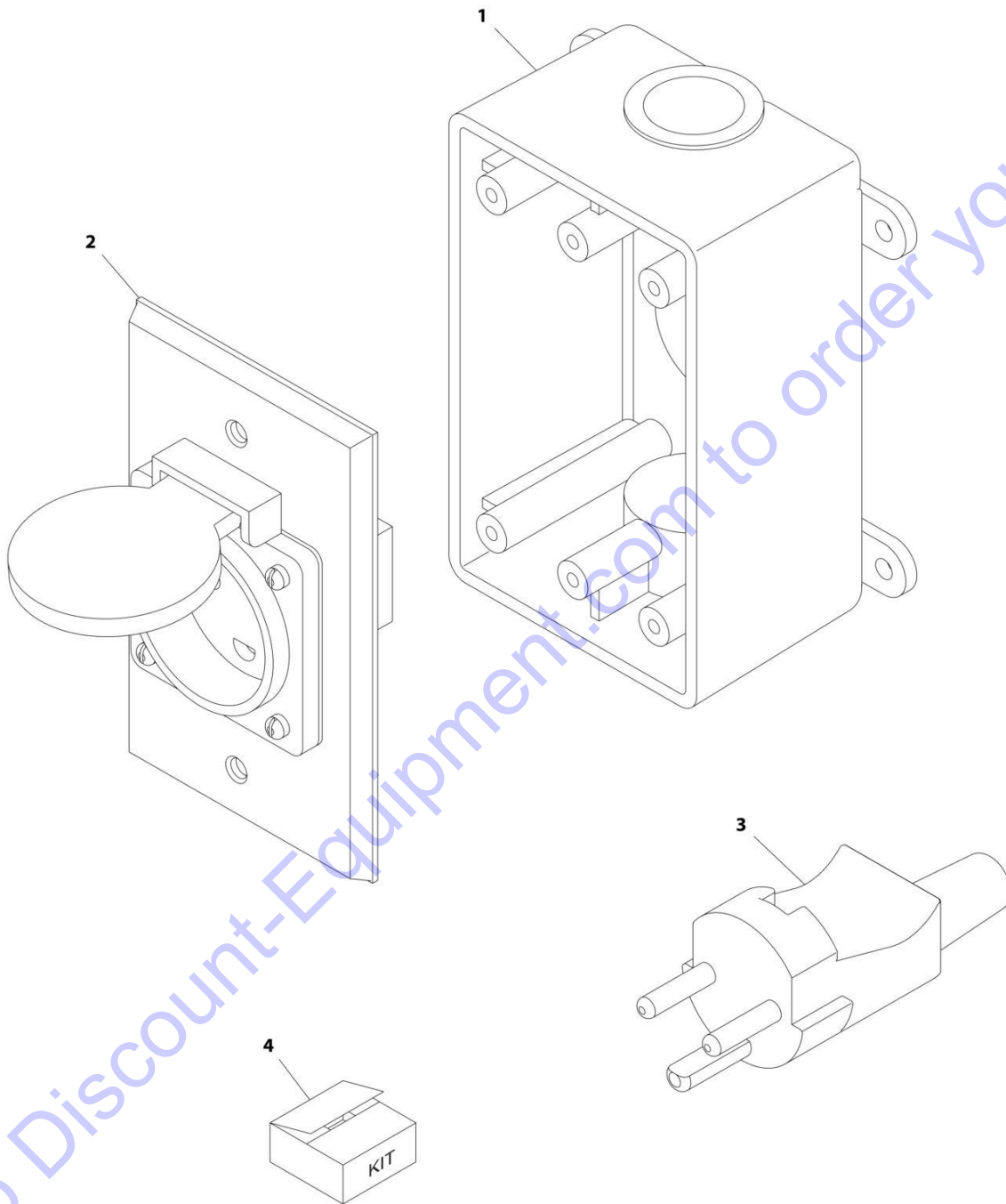
FIGURE 7-33. RECEPTACLE BOX KIT - 220V CEE7 SIDE GROUND (CE SPEC)

ITEM	PART NUMBER	QTY	DESCRIPTION	REV
	0275453	Ref	RECEPTACLE BOX KIT - 220V CEE7 SIDE GROUND	1
1	0861731	1	Box, Switch	
2	4461245	1	Receptacle	
3	4461205	1	Plug, Male	
4	1001100347	1	Plug and Socket Kit (Includes Items 1-3 and Female Plug p/n 4461206)	

Go to Discount-Equipment.com to order your parts

SECTION 7 - ELECTRICAL

FIGURE 7-34. RECEPTACLE BOX KIT - 220V AFSINT 107 (CE SPEC)



ART_0275454

SECTION 7 - ELECTRICAL

FIGURE 7-34. RECEPTACLE BOX KIT - 220V AFSINT 107 (CE SPEC)

ITEM	PART NUMBER	QTY	DESCRIPTION	REV
	0275454	Ref	RECEPTACLE BOX KIT - 220V AFSINT 107	1
1	0861731	1	Box, Switch	
2	4461246	1	Receptacle	
3	4461249	1	Plug, Male	
4	1001100346	1	Plug and Socket Kit (Includes Items 1-3 and Female Plug p/n 4461250)	

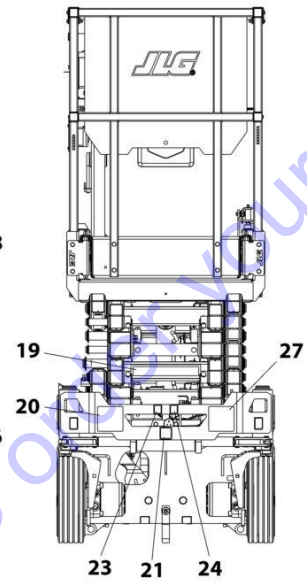
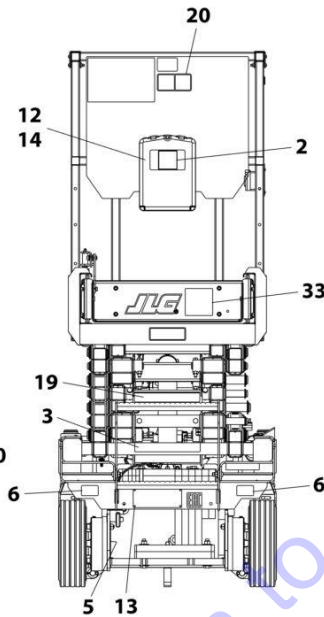
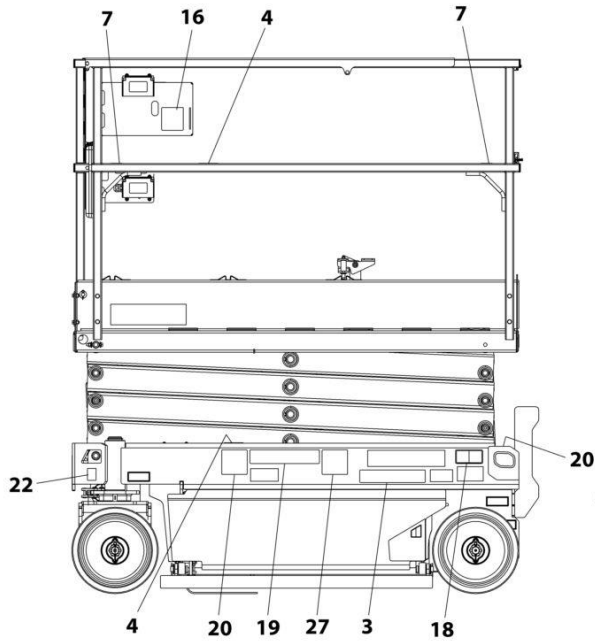
Go to Discount-Equipment.com to order your parts

SECTION 8 - DECALS

Go to Discount-Equipment.com to order your parts

SECTION 8 - DECALS

FIGURE 8-1. DECAL INSTALLATION (ANSI SPEC)

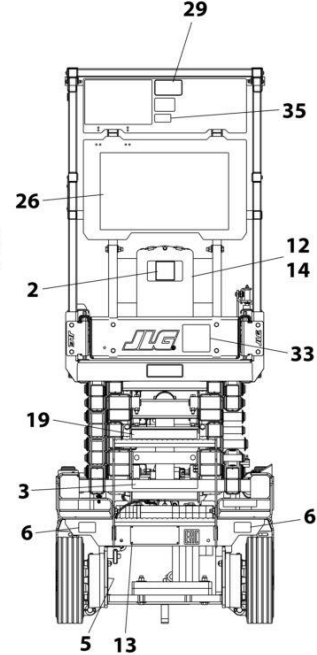
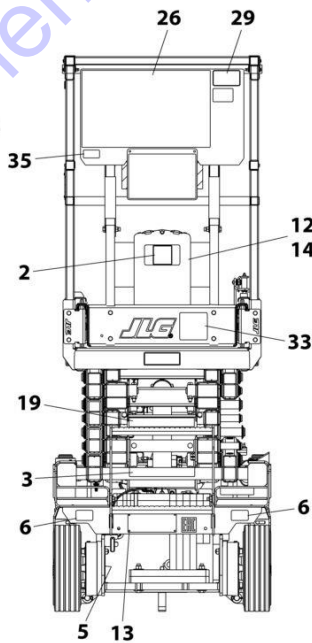
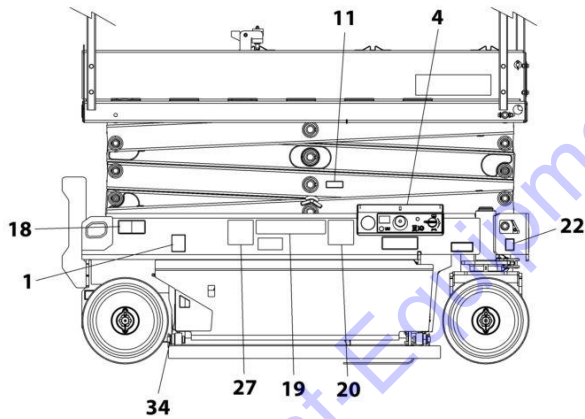


REAR VIEW - FIXED RAILS
(LADDER AND PLATFORM BOX
REMOVED FOR CLARITY)

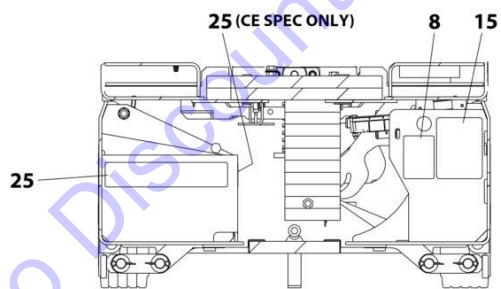
FRONT VIEW

NOTE: ITEMS SHOWN MAY NOT BE REQUIRED FOR ALL SPECS. REFER TO PARTS LISTS FOR USAGE.

NOTE: ADDITIONAL DECALS CALLED OUT ON DECAL INSTALLATION - OPTIONS.



REAR VIEW - FOLD-DOWN RAILS
(LADDER AND PLATFORM BOX REMOVED FOR CLARITY)



DETAIL OF COMPONENTS
INSIDE FRAME TRAYS

ART_1001209907_E

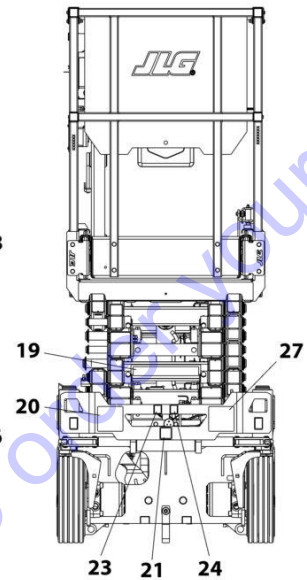
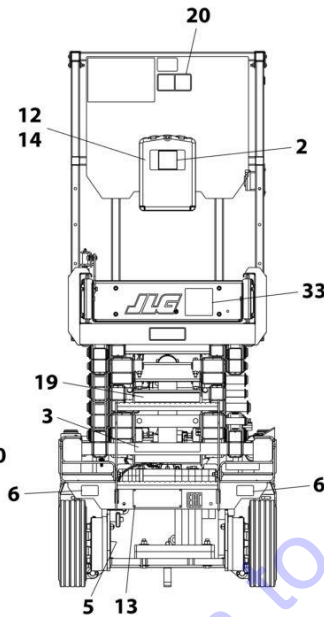
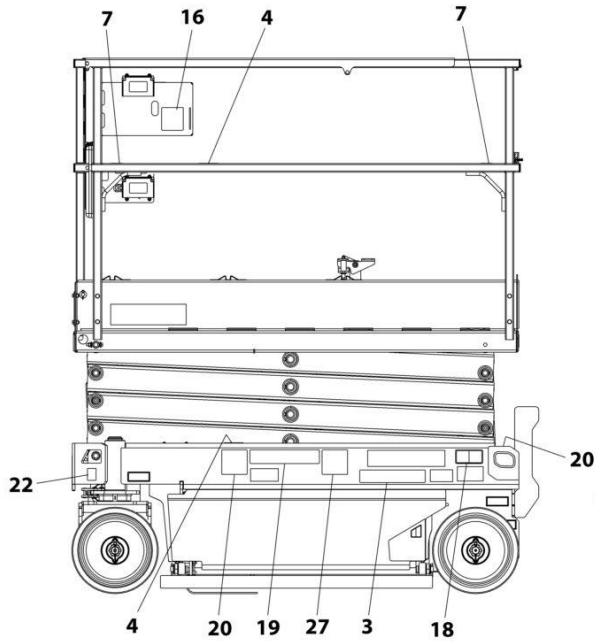
SECTION 8 - DECALS

FIGURE 8-1. DECAL INSTALLATION (ANSI SPEC)

ITEM	PART NUMBER	QTY	DESCRIPTION	REV
	1001209907	Ref	DECAL INSTALLATION	E
1	1701504	1	Decal - Hydraulic Oil	
2	1701640	1	Decal - Manual	
3	1703813	2	Decal - Warning Battery Ventilation	
4	1703819	4	Decal - Direction Arrow	
5	1703822	1	Decal - Manual Descent Instruction	
6	1704016	2	Decal - Fork Lift	
7	1704277	2	Decal - Lanyard Attach	
8	1704412	1	Decal - Hydraulic Oil	
11	1001220430	1	Decal - Safety Prop	
12	2080040	3	Fastener	
13	2080057	4	Fastener	
14	8990147	1	Holder, Manual	
15	1001131270	1	Decal - Patent	
16	1001132359	1	Decal - Control Box Locate	
18	1001162864	2	Decal - Lift Up/Tie Down	
19	1001211777	4	Decal - Crushing Hazard	
20	1001211779	4	Decal - Electrocution	
21	1001212290	1	Decal - Tie Down	
22	1001212291	2	Decal - Lifting Lug	
23	1001212292	1	Decal - No Lifting	
24	1001212293	1	Decal - No Forklift	
25	1001146794	1	Decal - Battery/Charger Service	
26	1703816	1	Decal - Danger/Warning	
29	1001231801	1	Decal - Prop 65 Warning	
34	1001223055	1	Decal - Yearly Inspection	
35	1001228370	1	Decal - ICES	

SECTION 8 - DECALS

FIGURE 8-2. DECAL INSTALLATION (AUSTRALIAN SPECS)

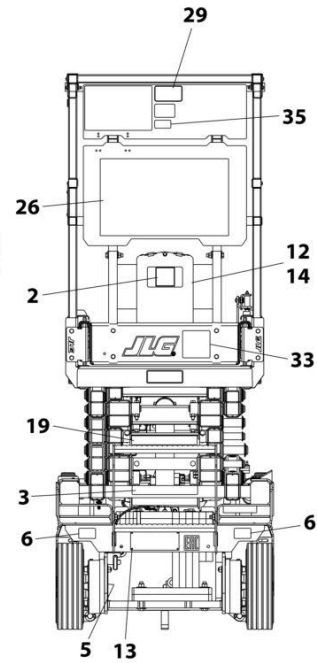
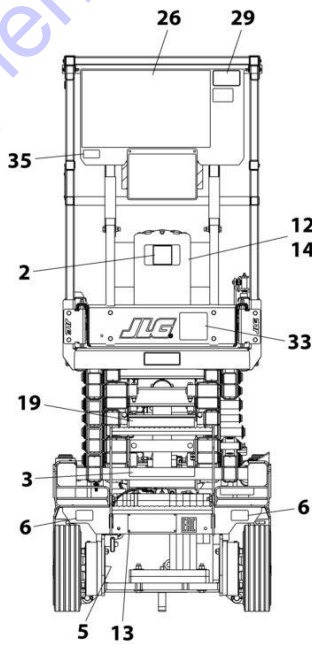
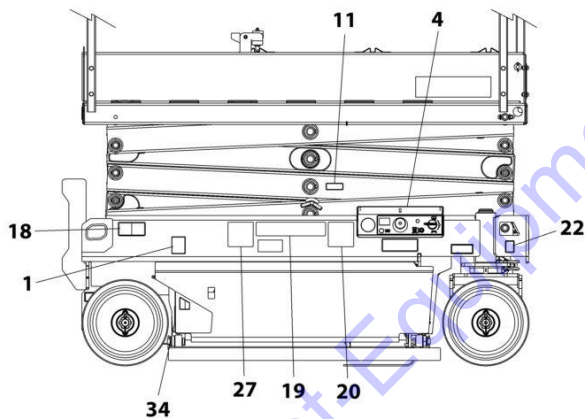


REAR VIEW - FIXED RAILS
(LADDER AND PLATFORM BOX
REMOVED FOR CLARITY)

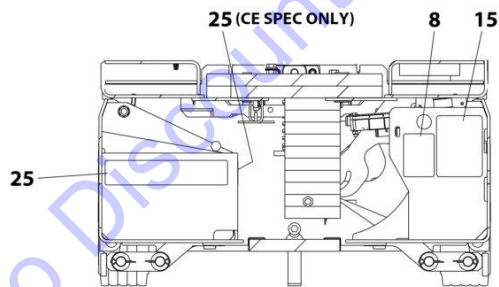
FRONT VIEW

NOTE: ITEMS SHOWN MAY NOT BE REQUIRED FOR ALL SPECS. REFER TO PARTS LISTS FOR USAGE.

NOTE: ADDITIONAL DECALS CALLED OUT ON DECAL INSTALLATION - OPTIONS.



REAR VIEW - FOLD-DOWN RAILS
(LADDER AND PLATFORM BOX REMOVED FOR CLARITY)



DETAIL OF COMPONENTS
INSIDE FRAME TRAYS

ART_1001209914_D

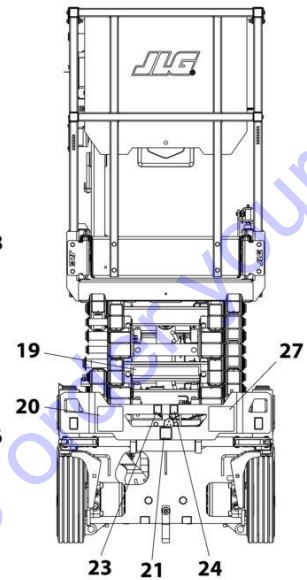
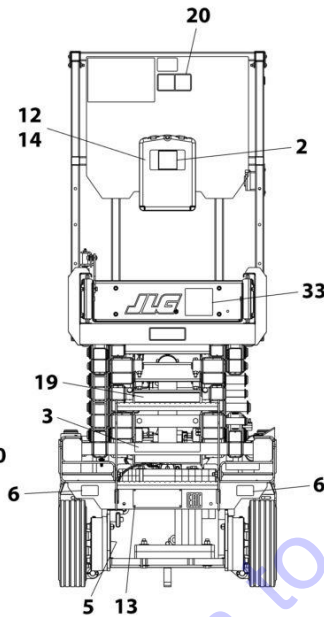
SECTION 8 - DECALS

FIGURE 8-2. DECAL INSTALLATION (AUSTRALIAN SPECS)

ITEM	PART NUMBER	QTY	DESCRIPTION	REV
	1001209914	Ref	DECAL INSTALLATION	D
1	1701504	1	Decal - Hydraulic Oil	
2	1701640	1	Decal - Manual	
3	1705670	2	Decal - Fire Hazard	
4	1703819	4	Decal - Direction Arrow	
5	1703822	1	Decal - Manual Descent Instruction	
6	1704016	2	Decal - Fork Lift	
7	1704277	2	Decal - Lanyard Attach	
8	1704412	1	Decal - Hydraulic Oil	
11	1001220430	1	Decal - Safety Prop	
12	2080040	3	Fastener	
13	2080057	4	Fastener	
14	8990147	1	Holder, Manual	
16	1001132359	1	Decal - Control Box Locate	
18	1001162864	2	Decal - Lift Up/Tie Down	
19	1001219172	4	Decal - Crushing	
20	1001219171	5	Decal - Electrocutation	
21	1001212290	1	Decal - Tie Down	
22	1001212291	2	Decal - Lifting Lug	
23	1001212292	1	Decal - No Lifting	
24	1001212293	1	Decal - No Forklift	
25	1001146794	1	Decal - Battery/Charger Service	

SECTION 8 - DECALS

FIGURE 8-3. DECAL INSTALLATION (BRAZIL SPECS)

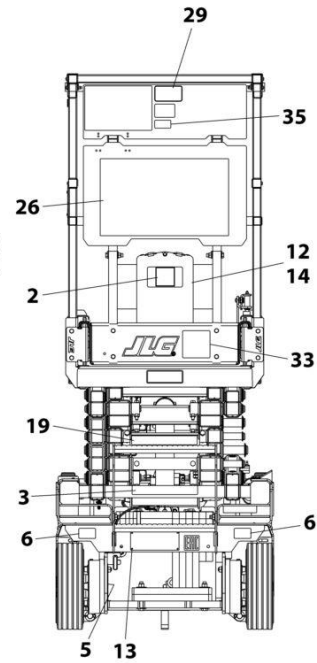
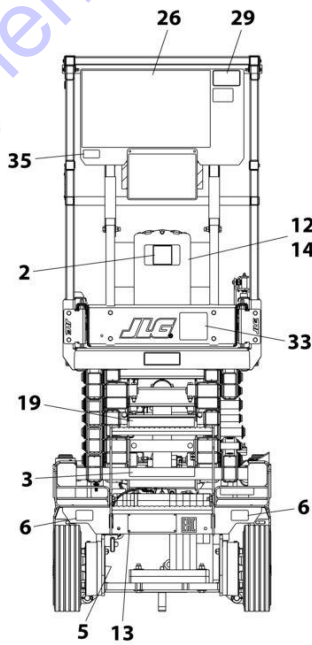
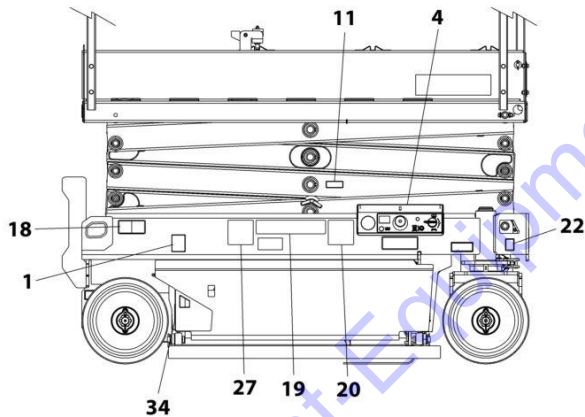


REAR VIEW - FIXED RAILS
(LADDER AND PLATFORM BOX
REMOVED FOR CLARITY)

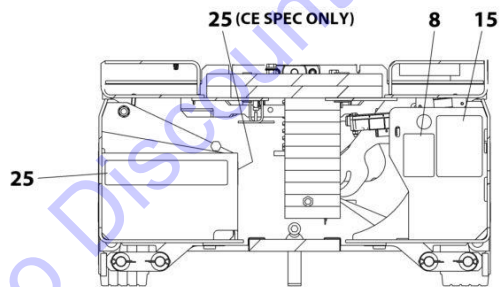
FRONT VIEW

NOTE: ITEMS SHOWN MAY NOT BE REQUIRED FOR ALL SPECS. REFER TO PARTS LISTS FOR USAGE.

NOTE: ADDITIONAL DECALS CALLED OUT ON DECAL INSTALLATION - OPTIONS.



REAR VIEW - FOLD-DOWN RAILS
(LADDER AND PLATFORM BOX REMOVED FOR CLARITY)



DETAIL OF COMPONENTS
INSIDE FRAME TRAYS

ART_1001209910_C

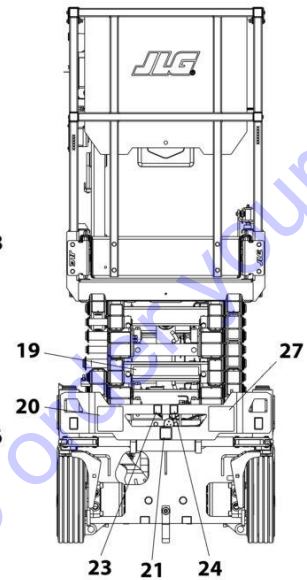
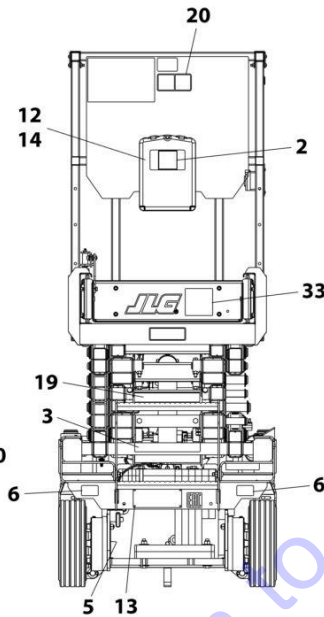
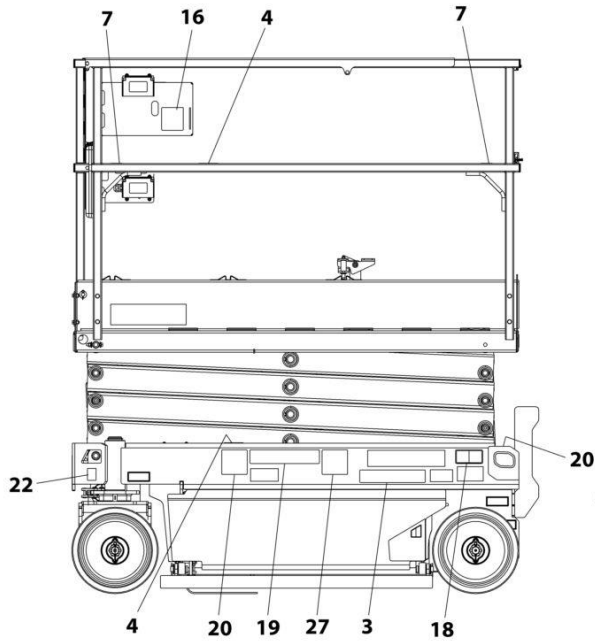
SECTION 8 - DECALS

FIGURE 8-3. DECAL INSTALLATION (BRAZIL SPECS)

ITEM	PART NUMBER	QTY	DESCRIPTION	REV
	1001209910	Ref	DECAL INSTALLATION	C
1	1701504	1	Decal - Hydraulic Oil	
2	1701640	1	Decal - Manual	
3	1704341	2	Decal - Warning Battery Ventilation	
4	1703819	4	Decal - Direction Arrow	
5	1703822	1	Decal - Manual Descent Instruction	
6	1704016	2	Decal - Fork Lift	
7	1704277	2	Decal - Lanyard Attach	
8	1704412	1	Decal - Hydraulic Oil	
11	1001220430	1	Decal - Safety Prop	
12	2080040	3	Fastener	
13	2080057	4	Fastener	
14	8990147	1	Holder, Manual	
16	1001132359	1	Decal - Control Box Locate	
18	1001162864	2	Decal - Lift Up/Tie Down	
19	1001216650	4	Decal - Crushing Hazard	
20	1001215748	4	Decal - Danger Electrocutation	
21	1001212290	1	Decal - Tie Down	
22	1001212291	2	Decal - Lifting Lug	
23	1001212292	1	Decal - No Lifting	
24	1001212293	1	Decal - No Forklift	
25	1001146794	1	Decal - Battery/Charger Service	
26	1704699	1	Decal - Danger/Warning	
27	1001216648	4	Decal - Danger Electrocutation	
34	1001224052	1	Decal - Yearly Inspection	

SECTION 8 - DECALS

FIGURE 8-4. DECAL INSTALLATION (CE SPECS)

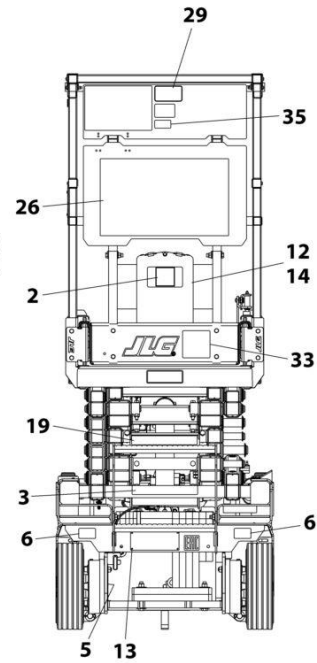
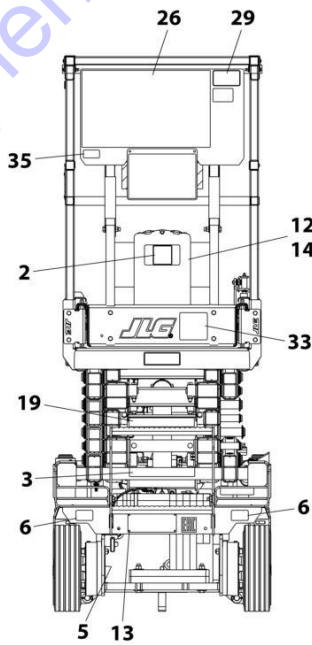
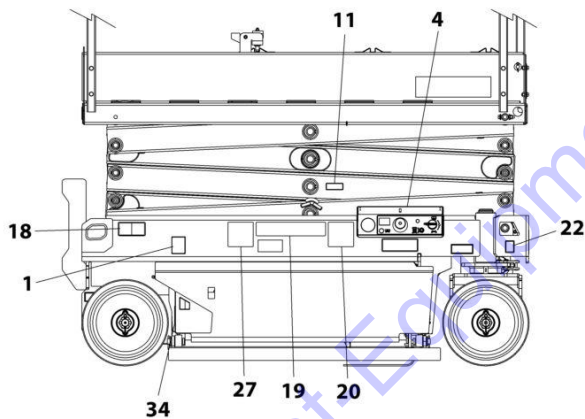


REAR VIEW - FIXED RAILS
(LADDER AND PLATFORM BOX
REMOVED FOR CLARITY)

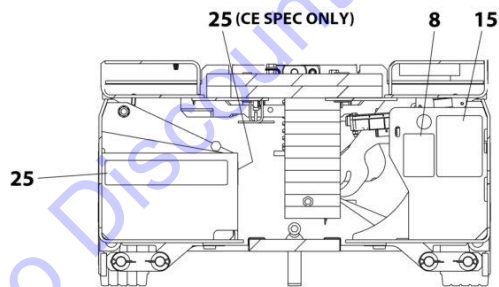
FRONT VIEW

NOTE: ITEMS SHOWN MAY NOT BE REQUIRED FOR ALL SPECS. REFER TO PARTS LISTS FOR USAGE.

NOTE: ADDITIONAL DECALS CALLED OUT ON DECAL INSTALLATION - OPTIONS.



REAR VIEW - FOLD-DOWN RAILS
(LADDER AND PLATFORM BOX REMOVED FOR CLARITY)



DETAIL OF COMPONENTS
INSIDE FRAME TRAYS

ART_1001209913_D

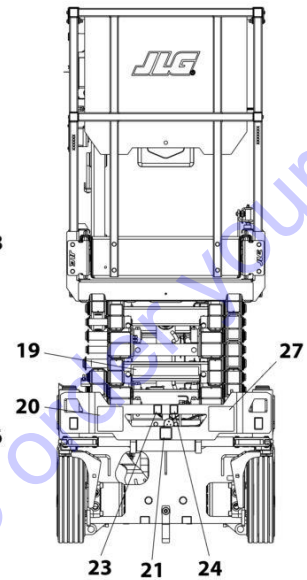
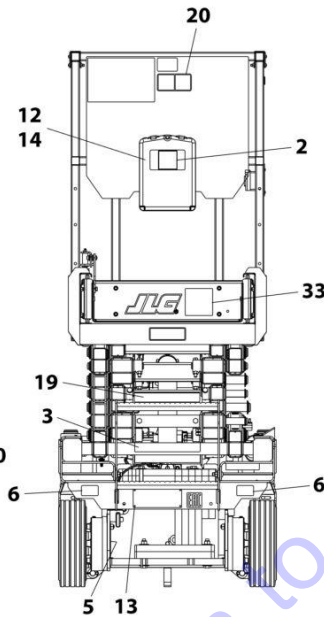
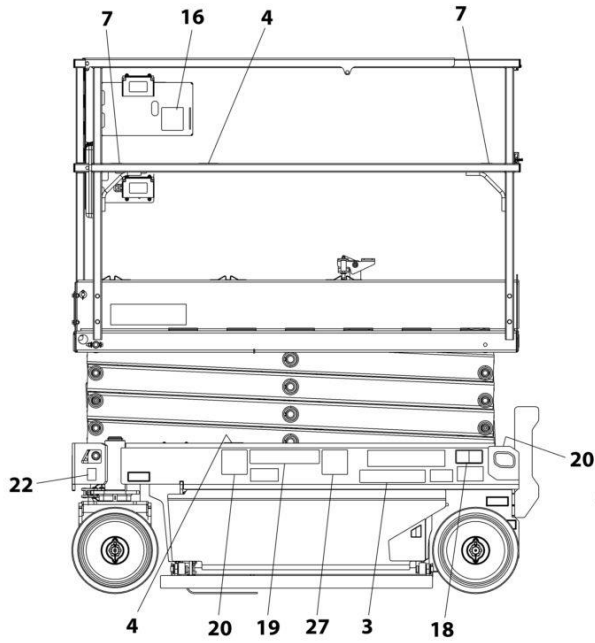
SECTION 8 - DECALS

FIGURE 8-4. DECAL INSTALLATION (CE SPECS)

ITEM	PART NUMBER	QTY	DESCRIPTION	REV
	1001209913	Ref	DECAL INSTALLATION	D
1	1701504	1	Decal - Hydraulic Oil	
2	1701640	1	Decal - Manual	
3	1704340	2	Decal - Warning Battery Ventilation	
4	1703819	4	Decal - Direction Arrow	
5	1703822	1	Decal - Manual Descent Instruction	
6	1704016	2	Decal - Fork Lift	
7	1704277	2	Decal - Lanyard Attach	
8	1704412	1	Decal - Hydraulic Oil	
11	1001220430	1	Decal - Safety Prop	
12	2080040	3	Fastener	
13	2080057	4	Fastener	
14	8990147	1	Holder, Manual	
16	1001132359	1	Decal - Control Box Locate	
18	1001162864	2	Decal - Lift Up/Tie Down	
19	1001215755	4	Decal - Crushing	
20	1001211779	4	Decal - Electrocutation	
21	1001212290	1	Decal - Tie Down	
22	1001212291	2	Decal - Lifting Lug	
23	1001212292	1	Decal - No Lifting	
24	1001212293	1	Decal - No Forklift	
25	1001146794	1	Decal - Battery/Charger Service	
26	1704684	1	Decal - Danger/Warning	
27	1001215749	4	Decal - Danger Electrocutation	
34	1001223971	1	Decal - Yearly Inspection	
35	1001228370	1	Decal - ICES	

SECTION 8 - DECALS

FIGURE 8-5. DECAL INSTALLATION (CHINA SPECS)

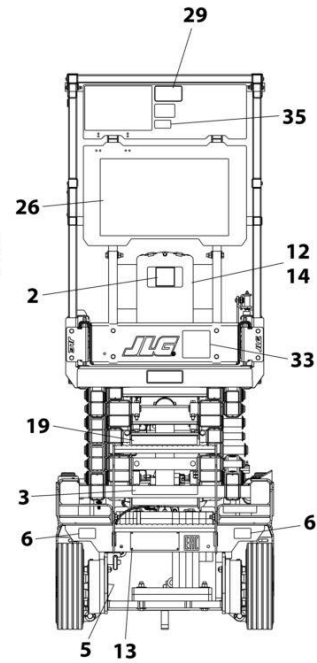
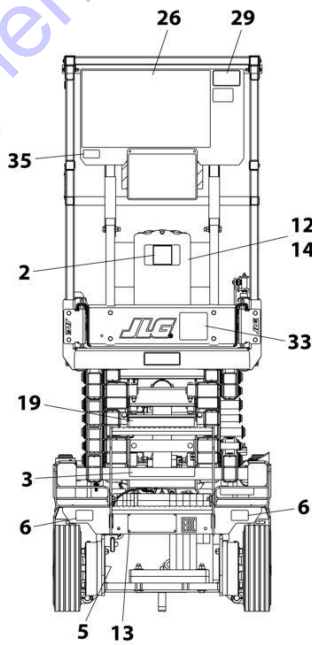
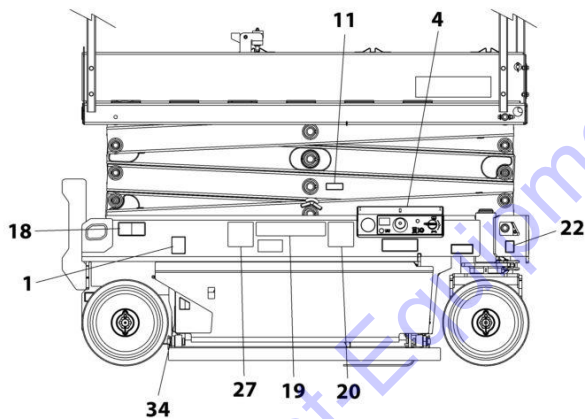


REAR VIEW - FIXED RAILS
(LADDER AND PLATFORM BOX
REMOVED FOR CLARITY)

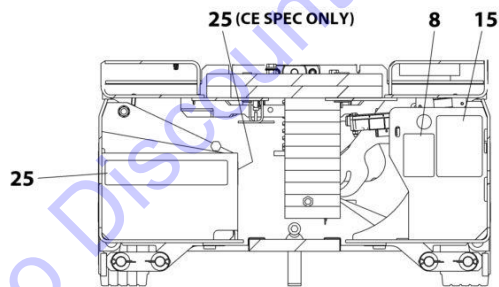
FRONT VIEW

NOTE: ITEMS SHOWN MAY NOT BE REQUIRED FOR ALL SPECS. REFER TO PARTS LISTS FOR USAGE.

NOTE: ADDITIONAL DECALS CALLED OUT ON DECAL INSTALLATION - OPTIONS.



REAR VIEW - FOLD-DOWN RAILS
(LADDER AND PLATFORM BOX REMOVED FOR CLARITY)



DETAIL OF COMPONENTS
INSIDE FRAME TRAYS

ART_1001209909_E

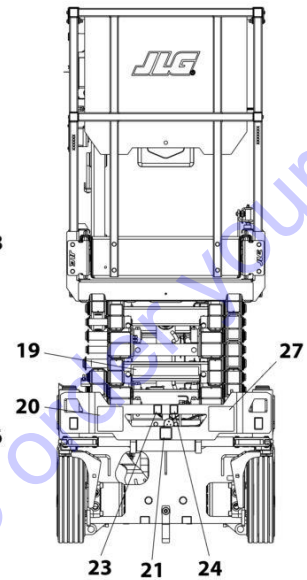
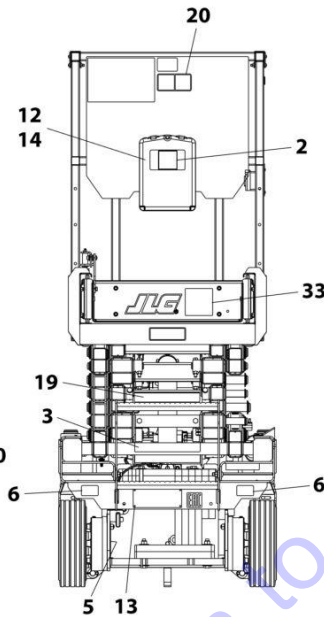
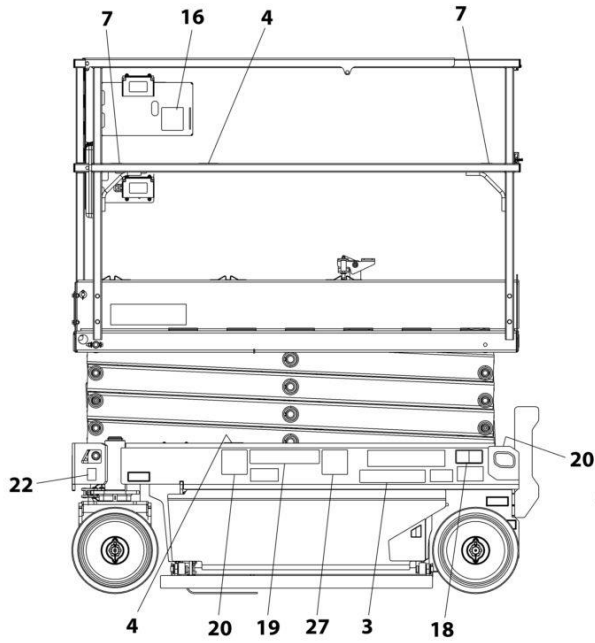
SECTION 8 - DECALS

FIGURE 8-5. DECAL INSTALLATION (CHINA SPECS)

ITEM	PART NUMBER	QTY	DESCRIPTION	REV
	1001209909	Ref	DECAL INSTALLATION	E
1	1701504	1	Decal - Hydraulic Oil	
2	1701640	1	Decal - Manual	
3	1704344	2	Decal - Warning Battery Ventilation	
4	1703819	4	Decal - Direction Arrow	
5	1703822	1	Decal - Manual Descent Instruction	
6	1704016	2	Decal - Fork Lift	
7	1704277	2	Decal - Lanyard Attach	
8	1704412	1	Decal - Hydraulic Oil	
11	1001220430	1	Decal - Safety Prop	
12	2080040	5	Fastener	
13	2080057	4	Fastener	
14	8990147	1	Holder, Manual	
16	1001132359	1	Decal - Control Box Locate	
18	1001162864	2	Decal - Lift Up/Tie Down	
19	1001215752	4	Decal - Crushing Hazard	
20	1001211779	4	Decal - Electrocutation	
21	1001212290	1	Decal - Tie Down	
22	1001212291	2	Decal - Lifting Lug	
23	1001212292	1	Decal - No Lifting	
24	1001212293	1	Decal - No Forklift	
25	1001146794	1	Decal - Battery/Charger Service	
26	1705195	1	Decal - Danger/Warning	
27	1001215747	4	Decal - Danger Electrocutation	
33	1001244298	2	Decal - Wechat	
34	1001224051	1	Decal - Yearly Inspection	

SECTION 8 - DECALS

FIGURE 8-6. DECAL INSTALLATION (CSA SPECS)

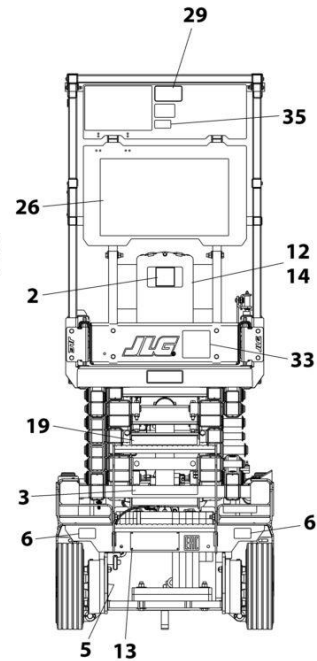
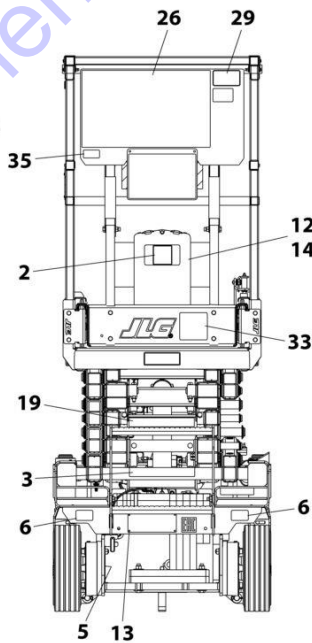
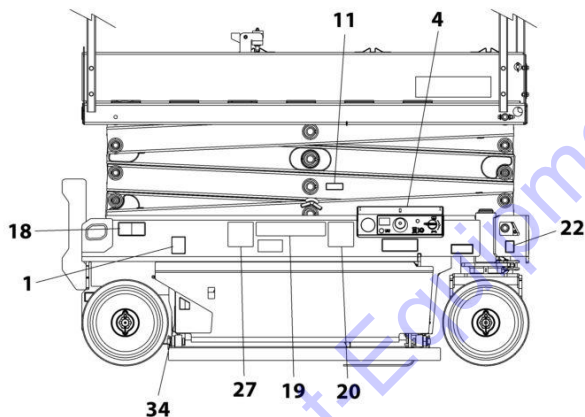


REAR VIEW - FIXED RAILS
(LADDER AND PLATFORM BOX
REMOVED FOR CLARITY)

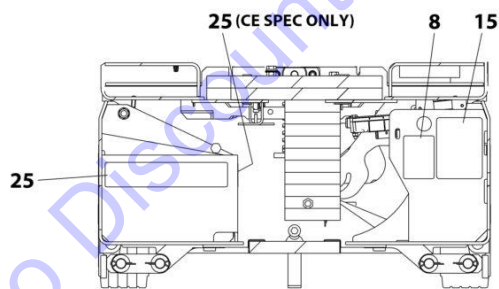
FRONT VIEW

NOTE: ITEMS SHOWN MAY NOT BE REQUIRED FOR ALL SPECS. REFER TO PARTS LISTS FOR USAGE.

NOTE: ADDITIONAL DECALS CALLED OUT ON DECAL INSTALLATION - OPTIONS.



REAR VIEW - FOLD-DOWN RAILS
(LADDER AND PLATFORM BOX REMOVED FOR CLARITY)



DETAIL OF COMPONENTS
INSIDE FRAME TRAYS

ART_1001219265_C

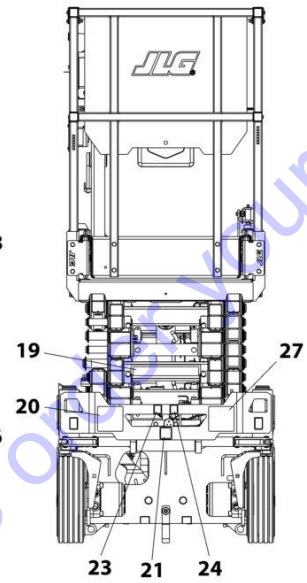
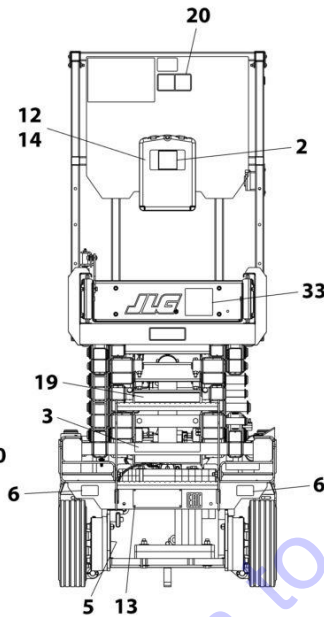
SECTION 8 - DECALS

FIGURE 8-6. DECAL INSTALLATION (CSA SPECS)

ITEM	PART NUMBER	QTY	DESCRIPTION	REV
	1001219265	Ref	DECAL INSTALLATION	C
1	1701504	1	Decal - Hydraulic Oil	
2	1701640	1	Decal - Manual	
3	1704340	2	Decal - Warning Battery Ventilation	
4	1703819	4	Decal - Direction Arrow	
5	1703822	1	Decal - Manual Descent Instruction	
6	1704016	2	Decal - Fork Lift	
7	1704277	2	Decal - Lanyard Attach	
8	1704412	1	Decal - Hydraulic Oil	
11	1001220430	1	Decal - Safety Prop	
12	2080040	5	Fastener	
13	2080057	4	Fastener	
14	8990147	1	Holder, Manual	
15	1001131270	1	Decal - Patent	
16	1001132359	1	Decal - Control Box Locate	
18	1001162864	2	Decal - Lift Up/Tie Down	
19	1001215755	4	Decal - Crushing Hazard	
20	1001211779	4	Decal - Electrocutation	
21	1001212290	1	Decal - Tie Down	
22	1001212291	2	Decal - Lifting Lug	
23	1001212292	1	Decal - No Lifting	
24	1001212293	1	Decal - No Forklift	
25	1001146794	1	Decal - Battery/Charger Service	
26	1704684	1	Decal - Danger/Warning	
27	1001215749	4	Decal - Danger Electrocutation	
34	1001223971	1	Decal - Yearly Inspection	
35	1001228370	1	Decal - ICES	

SECTION 8 - DECALS

FIGURE 8-7. DECAL INSTALLATION (KOREAN SPECS)

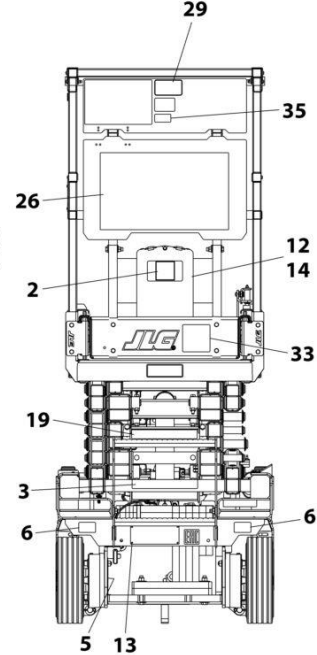
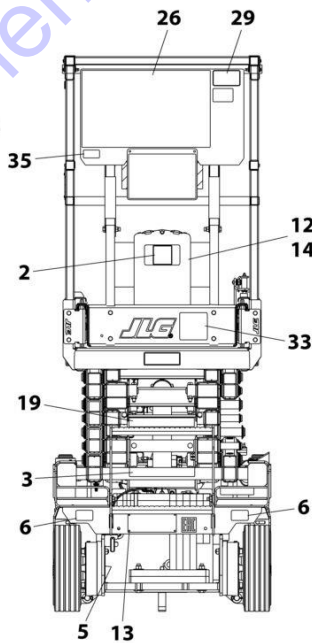
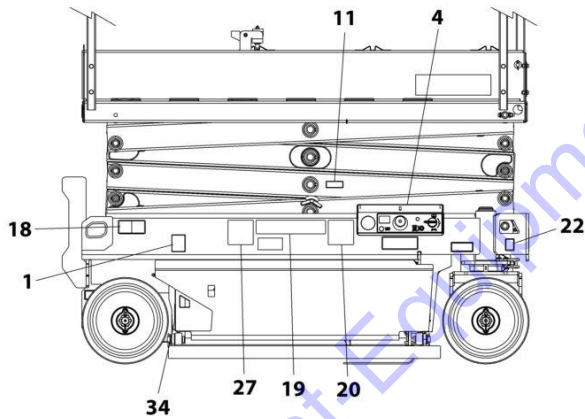


REAR VIEW - FIXED RAILS
(LADDER AND PLATFORM BOX
REMOVED FOR CLARITY)

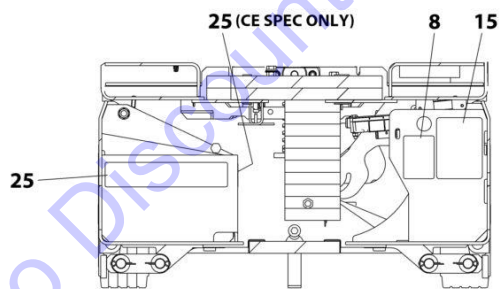
FRONT VIEW

NOTE: ITEMS SHOWN MAY NOT BE REQUIRED FOR ALL SPECS. REFER TO PARTS LISTS FOR USAGE.

NOTE: ADDITIONAL DECALS CALLED OUT ON DECAL INSTALLATION - OPTIONS.



REAR VIEW - FOLD-DOWN RAILS
(LADDER AND PLATFORM BOX REMOVED FOR CLARITY)



DETAIL OF COMPONENTS
INSIDE FRAME TRAYS

ART_1001209908_C

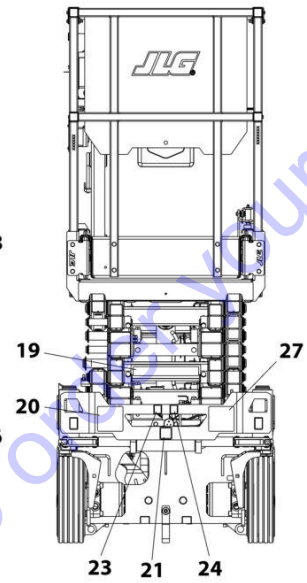
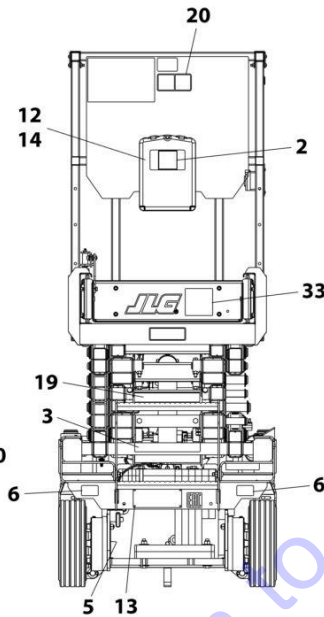
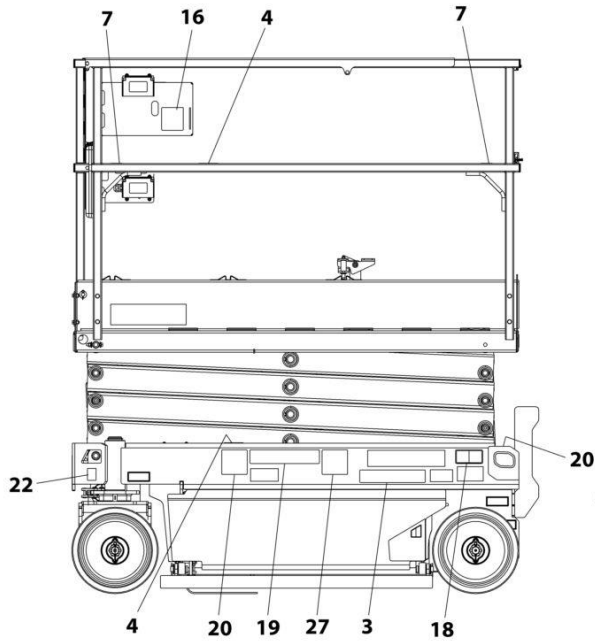
SECTION 8 - DECALS

FIGURE 8-7. DECAL INSTALLATION (KOREAN SPECS)

ITEM	PART NUMBER	QTY	DESCRIPTION	REV
	1001209908	Ref	DECAL INSTALLATION	C
1	1701504	1	Decal - Hydraulic Oil	
2	1701640	1	Decal - Manual	
3	1707022	2	Decal - Warning Battery Ventilation	
4	1703819	4	Decal - Direction Arrow	
5	1703822	1	Decal - Manual Descent Instruction	
6	1704016	2	Decal - Fork Lift	
7	1704277	2	Decal - Lanyard Attach	
8	1704412	1	Decal - Hydraulic Oil	
11	1001220430	1	Decal - Safety Prop	
12	2080040	3	Fastener	
13	2080057	4	Fastener	
14	8990147	1	Holder, Manual	
16	1001132359	1	Decal - Control Box Locate	
18	1001162864	2	Decal - Lift Up/Tie Down	
19	1001215751	4	Decal - Crushing Hazard	
20	1001211779	4	Decal - Electrocution	
21	1001212290	1	Decal - Tie Down	
22	1001212291	2	Decal - Lifting Lug	
23	1001212292	1	Decal - No Lifting	
24	1001212293	1	Decal - No Forklift	
25	1001146794	1	Decal - Battery/Charger Service	
26	1001162115	1	Decal - Danger/Warning	
27	1001215750	4	Decal - Danger Electrocution	
28	1001224048	1	Decal - Yearly Inspection	

SECTION 8 - DECALS

FIGURE 8-8. DECAL INSTALLATION (LATIN AMERICAN SPECS)

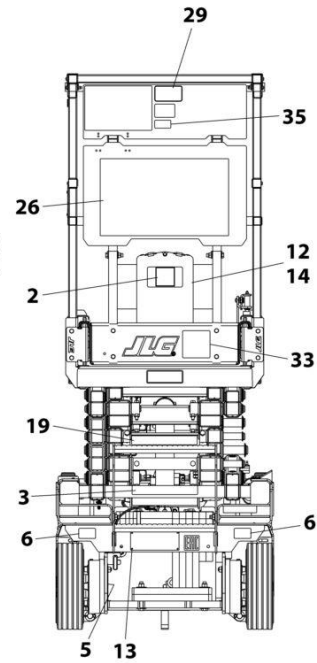
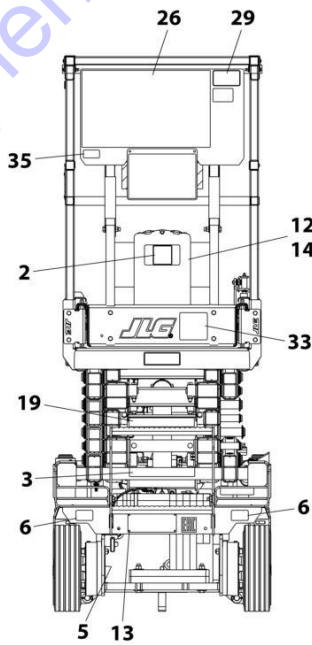
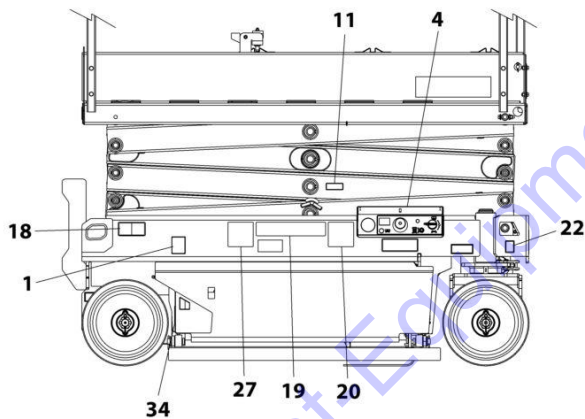


REAR VIEW - FIXED RAILS
(LADDER AND PLATFORM BOX
REMOVED FOR CLARITY)

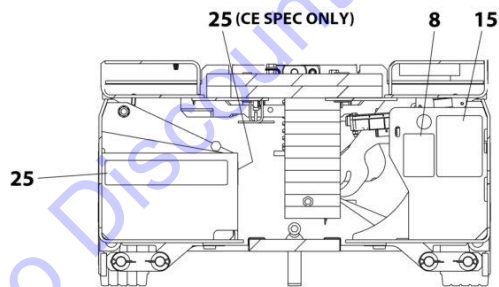
FRONT VIEW

NOTE: ITEMS SHOWN MAY NOT BE REQUIRED FOR ALL SPECS. REFER TO PARTS LISTS FOR USAGE.

NOTE: ADDITIONAL DECALS CALLED OUT ON DECAL INSTALLATION - OPTIONS.



REAR VIEW - FOLD-DOWN RAILS
(LADDER AND PLATFORM BOX REMOVED FOR CLARITY)



DETAIL OF COMPONENTS
INSIDE FRAME TRAYS

ART_1001209911_C

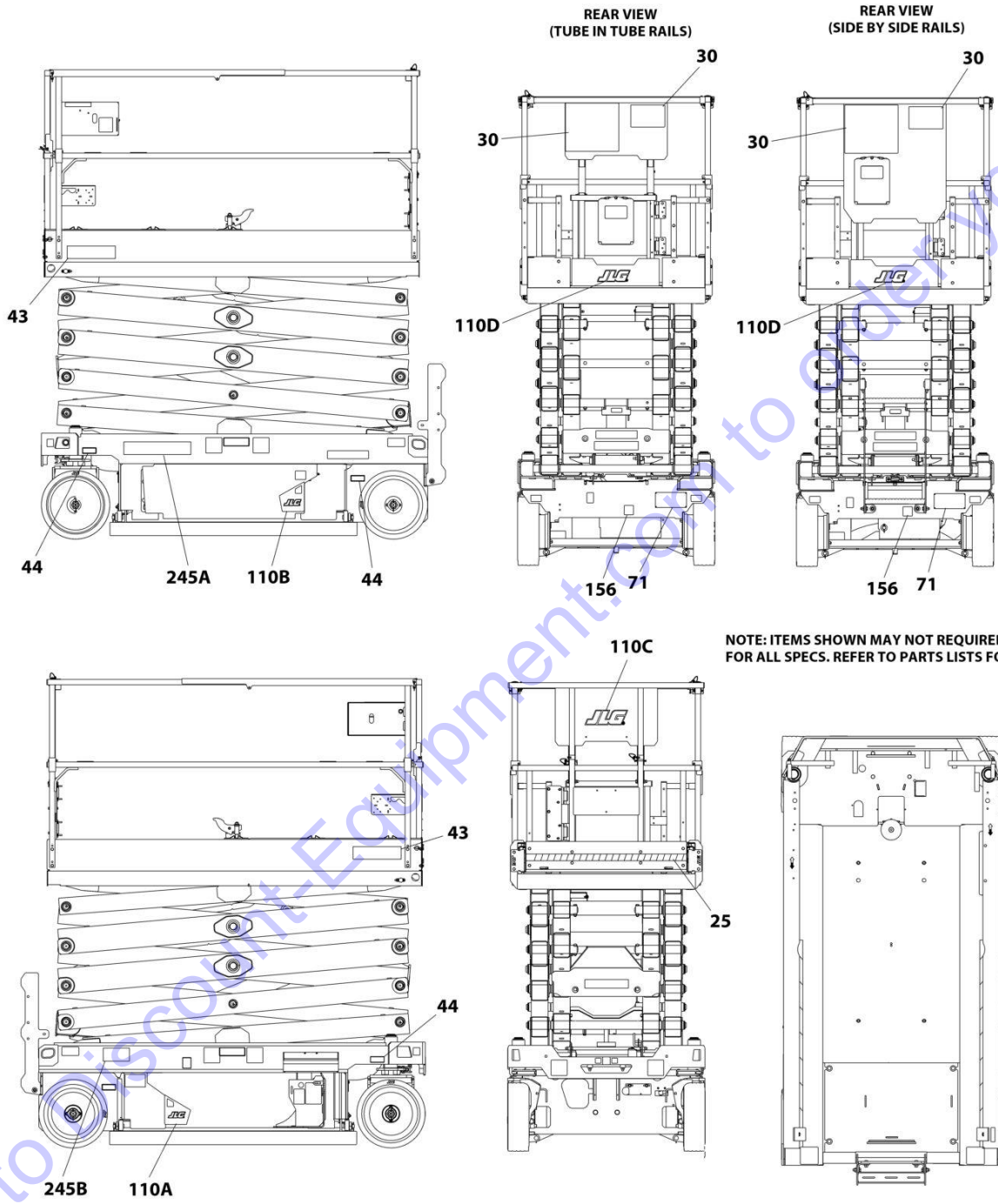
SECTION 8 - DECALS

FIGURE 8-8. DECAL INSTALLATION (LATIN AMERICAN SPECS)

ITEM	PART NUMBER	QTY	DESCRIPTION	REV
	1001209911	Ref	DECAL INSTALLATION	C
1	1701504	1	Decal - Hydraulic Oil	
2	1701640	1	Decal - Manual	
3	1704339	2	Decal - Warning Battery Ventilation	
4	1703819	4	Decal - Direction Arrow	
5	1703822	1	Decal - Manual Descent Instruction	
6	1704016	2	Decal - Fork Lift	
7	1704277	2	Decal - Lanyard Attach	
8	1704412	1	Decal - Hydraulic Oil	
11	1001220430	1	Decal - Safety Prop	
12	2080040	3	Fastener	
13	2080057	4	Fastener	
14	8990147	1	Holder, Manual	
16	1001132359	1	Decal - Control Box Locate	
18	1001162864	2	Decal - Lift Up/Tie Down	
19	1001215754	4	Decal - Crushing Hazard	
20	1001211779	4	Decal - Electrocutation	
21	1001212290	1	Decal - Tie Down	
22	1001212291	2	Decal - Lifting Lug	
23	1001212292	1	Decal - No Lifting	
24	1001212293	1	Decal - No Forklift	
25	1001146794	1	Decal - Battery/Charger Service	
26	1704691	1	Decal - Danger/Warning	
27	1001215748	4	Decal - Danger Electrocutation	
34	1001224049	1	Decal - Yearly Inspection	

SECTION 8 - DECALS

FIGURE 8-9. DECAL INSTALLATION - OPTIONS



ART_DECAL_OPTIONS

SECTION 8 - DECALS

FIGURE 8-9. DECAL INSTALLATION - OPTIONS

ITEM	PART NUMBER	QTY	DESCRIPTION	REV
		Ref	DECAL INSTALLATION - OPTIONS	
25	1001209906	Ref	Corner Stripes Installation	
25	4420051	2.5 ft /75cm	Tape, Safety	
30		Ref	Decal - Capacity Options	
30	1001256175	1	Decal - Capacity (600LB/272KG) (R1532i) (All Specs)	
30	1001258899	1	Decal - Capacity (600LB/272KG) (R1532i) (ANSI Export, China, CSA and Korea Specs)	
30	1001256174	1	Decal - Capacity (507LB/230KG) (R1932i) (All Specs Except Australian Specs)	
30	1001258900	1	Decal - Capacity (507LB/230KG) (R1932i) (ANSI Export, China, CSA and Korea Specs)	
30	1001256176	1	Decal - Capacity (507LB/230KG) (R1932) (All Specs)	
30	1001258822	1	Decal - Capacity (507LB/230KG) (R1932) (ANSI Export, China, CSA and Korea Specs)	
43		Ref	Decal - Model Designation Options:	
43	1001257171	2	Decal - R1532i	
43	1001257172	2	Decal - R1932i	
43	1001257173	2	Decal - R1932	
44		Ref	Decal - Maximum Tire Load Options:	
44	1001227703	4	Decal Maximum Tire Load - R1532i	
44	1705647	4	Decal Maximum Tire Load - R1932i	
44	1705648	4	Decal Maximum Tire Load - R1932	
71	See Note	NSS	Decal - Manufacturers Serial Number (Note: Not Available for Purchase)	
110	1001255102	Ref	JLG Decals Installation	
110A	1001255104	1	Decal - JLG (Right)	
110B	1001255105	1	Decal - JLG (Left)	
110C	1001256675	1	Decal - JLG	
110D	1001256676	1	Decal - JLG	
152		Ref	Decal - No Pipe Racks Allowed Options:	
152	1001092071	1	Decal - No Pipe Racks Allowed (English) (ANSI, ANSI Export and China Specs)	
152	1001092497	1	Decal - No Pipe Racks Allowed (English) (CE and Japanese Specs)	
152	1001120623	1	Decal - No Pipe Racks Allowed (Spanish/Portuguese) (Brazil Specs)	
152	1001120622	1	Decal - No Pipe Racks Allowed (English/Chinese) (China Specs)	
152	1001092580	1	Decal - No Pipe Racks Allowed (English/French) (CSA Specs)	
152	1001120621	1	Decal - No Pipe Racks Allowed (English/Korean) (Korean Specs)	
152	1001120629	1	Decal - No Pipe Racks Allowed (English/Spanish) (Latin American Specs)	
156	1001173703	1	Decal - EAC (Russian/CIS Specs)	
245	1001236984	Ref	Decal - ClearSky	
245A	1001166208	1	Decal - ClearSky	
245B	1001120989	1	Decal - Radio Frequency	

SECTION 9 - RECOMMENDED SERVICE PARTS STOCK

SECTION 9 - RECOMMENDED SERVICE PARTS STOCK

Go to Discount-Equipment.com to order your parts

SECTION 9 - RECOMMENDED SERVICE PARTS STOCK

FIGURE 9-1. RECOMMENDED SERVICE PARTS STOCK

ITEM	PART NUMBER	QTY	DESCRIPTION	REV
		Ref	Note: The following list will service one machine (built to current production per date on the front cover) with emergency repair parts which can be installed in the field. Parts from the list should be replaced when inventory is depleted to keep service parts stock supplied. For further information, contact your JLG dealer or the JLG Industries Parts Department.	
		Ref	STANDARD PARTS	
	70005423	6	Element, Filter	
	3740150	1	Relay	
	4360328	1	Switch, Toggle	
	4360469	1	Switch, Key	
	2860030	1	Key, Replacement	
	4360475	1	Switch, Emergency Stop	
	1600402	1	Controller, Drive/Steer	
	4360345	1	Switch, Toggle	
	1001200633	1	Switch, Push Button	
	8229242	2	Fuse 5Amp	
		Ref	VARIABLE PARTS	
	1001203871	1	Switch, Roller	
	1001186466	1	Sensor, Tilt	
	1001200629	1	Module, Control	
	1001216062	1	Module, Power	
	4360336	1	Switch, Toggle (Machines with Inverter)	
	1001146963	1	Sensor, Angle (Machines with LSS)	
	3080007	1	Magnet, Latch	
	1001228112	1	Module, Platform	
	1001181045	1	Breaker 30mAmp/16Amp (CE Specs Machines)	
	1001189171	1	Breaker 30mAmp (CE Specs Machines)	
	1001189172	1	Breaker 16Amp Double (CE Specs Machines)	

SECTION 10 - SPECIAL OPTIONS

Go to Discount-Equipment.com to order your parts

SECTION 10 - SPECIAL OPTIONS

FIGURE 10-1. SPECIAL OPTIONS

ITEM	PART NUMBER	QTY	DESCRIPTION	REV
		Ref	Note: This list is to accommodate machines ordered with special equipment. Options may not be applicable to all models. For more specific parts information contact the JLG Parts Department.	
		Ref	SPECIAL OPTIONS	
	1001236903	Ref	Antivandalism Package (Factory Installed)	
	1001249639	Ref	Antivandalism Add-on Kit (Dealer Installed)	
	1001249326	Ref	Beacon Light Add-on Kit (Dual Lights)	
	1001249229	Ref	Beacon Light Add-on Kit (Single Light)	
		Ref	ClearSky Installation Options (Factory Installed):	
	1001229107	Ref	ClearSky Installation - 3-Wire (ANSI & CSA Specs)	
	1001233237	Ref	ClearSky Installation - 3-Wire (ANSI Export & CE Specs)	
	1001251144	Ref	ClearSky Installation - Canbus (ANSI & CSA Specs)	
	1001251145	Ref	ClearSky Installation - Canbus (ANSI Export & CE Specs)	
	1001251146	Ref	ClearSky Installation - Canbus (R1932) (Australian Specs)	
		Ref	ClearSky Add-on Kit Options (Dealer Installed):	
	1001237256	Ref	ClearSky Add-on Kit - Canbus (ANSI, ANSI Export & CSA Specs)	
	1001237257	Ref	ClearSky Add-on Kit - Canbus (ANSI Export & CE Specs)	
	1001248502	Ref	ClearSky Add-on Kit - Canbus (Australian Specs)	
	1001248689	Ref	ClearSky Add-on Kit - Access Control	
	1001239115	Ref	Ground Control Box Cover Kit	
	1001218012	Ref	Drive Motor Covers installation	
	1001229076	Ref	Drive Noise Reduction Add-on Kit	
		Ref	Electrical Connector Kits	
	1001148902	Ref	Amp/Tyco Electrical Connector Kit	
	1001148903	Ref	Deutsch DT Electrical Connector Kit	
	1001148904	Ref	Deutsch HD Electrical Connector Kit	
	1001148905	Ref	Packard Electrical Connector Kit	
	1001148906	Ref	Various Electrical Connector Kit	
	1001217667	Ref	Fire Extinguisher Installation	
	1001241486	Ref	Foot Latch Add-on Kit	
	1001208061	Ref	Footswitch Installation (ANSI Export, Japanese and Korea Specs Only)	
	1001225925	Ref	Inverter Add-on Kit (ANSI USA Specs Only)	
	1001220933	Ref	Height Restrictor Switch Installation	
	1001245353	Ref	Mobile Control Installation (Factory Installed)	
	1001250532	Ref	Mobile Control Add-on Kit (Dealer Installed)	
	1001258356	Ref	Operator Access Control	
	1001229727	Ref	Overhead Protection Add-on Kit (ANSI Export Specs Only)	
	1001258633	Ref	Panel Decals Installation	
	1001225790	Ref	Platform Extension Deployment Handles Add-on Kit	
	1001255000	Ref	Remote Tow Valve Installation	
	1001224583	Ref	Service Kits List	
	1001255883	Ref	Skysense Level 1 Installation (Factory Installed) (R1932/R1932I)	
	1001255009	Ref	Subassembly Installation (European Built Machines)	
		Ref	Tools for Service	
	2901443	1	Analyzer Kit	
	1001232474	1	Benchtop Harness	
	8896941	1	Wire Stripper	

SECTION 10 - SPECIAL OPTIONS

ITEM	PART NUMBER	QTY	DESCRIPTION	REV
	7002821	1	Wire Crimper (To install wire ends to wires)	
	7002823	1	Pin/Socket Extractor - Universal (To Remove Pins/Sockets from Connectors)	
	4460467	1	Extractor - 16-18 Gauge (For Removal Pins/Sockets from Deutsch Connectors)	
	4460510	1	Extractor - 12-14 Gauge (For Removal of Pins/Sockets from Deutsch Connectors)	
	7002822	1	Screwdriver, Potentiometer (To Adjust Drive Controllers)	
	7016654	1	Screwdriver, Magnetic	
	7004275	1	Seal Installation Tool - 1in	
	7004276	1	Seal Installation Tool - 1-1/2in	
	7002826	1	Seal Installation Tool - 2in	

Go to Discount-Equipment.com to order your parts

PART NUMBER INDEX

Go to Discount-Equipment.com to order your parts

SECTION 10 - SPECIAL OPTIONS

0100011....13, 15, 21, 23, 61, 117, 127, 129	0861731 ... 221, 227, 229, 231	1001146794 235, 237, 239, 241, 243, 245, 247, 249	1001201711....73, 75, 77, 79, 81
0100051....73, 75, 77, 79, 81	0861781 223, 225	1001146963 ... 90, 94, 98, 102, 254	1001201885.....219
0140030.....139, 141	0861880 179	1001148902 256	1001202184.....193, 203, 205, 215
0140043.....65, 69	0962292 153	1001148903 256	1001202300.....13
0275216.....165, 223	1001047064 139, 141	1001148904 256	1001202689.....15
0275217.....167, 225	1001091102... 21, 47, 49, 65, 69	1001148905 256	1001202731.....19
0275452.....169, 227	1001092071 251	1001148906 256	1001202773.....15
0275453.....171, 229	1001092497 251	1001151629 187	1001202851.....61
0275454.....173, 231	1001092580 251	1001152483 181	1001202987.....21
0400215.....79	1001100341 223	1001153785 13	1001202988.....21
0440259.....13, 155	1001100342 225	1001154378 123, 129	1001202994.....21
0440263.....21	1001100345 227	1001157547 83	1001202999.....21
0440264.....105, 107	1001100346 231	1001159186 187, 219	1001203443...90, 94, 98, 102, 113, 115
0440265.....105, 107	1001100347 229	1001162115 247	1001203444...90, 94, 98, 102
0480100.....149	1001101540 83	1001162864 235, 237, 239, 241, 243, 245, 247, 249	1001203445...90, 94, 98, 102
0630183.....117	1001102258 163, 165, 167, 169, 171, 173, 175, 177	1001162886 187	1001203446...90, 94, 98, 102
0630587....65, 67, 69, 83	1001102489... 25, 27, 29, 31, 37, 39, 41, 43, 45	1001162887 187	1001203447...90, 94, 98, 102
0630613.....53, 109	1001102771 185	1001163340 187	1001203448...90, 94, 98, 102
0641416.....131	1001103012 188	1001166208 251	1001203450.....61
0641514.....149	1001103471 33, 35	1001173703 251	1001203453.....53
0700412.....65, 69	1001112112 75	1001176626 139	1001203457.....53
0700610.....127	1001113961 188	1001181045 179, 254	1001203630.....203
0700612....21, 23, 55, 57	1001116812 185, 187	1001182806 51	1001203631.....209
0700614....25, 27, 29, 31, 33, 35, 37, 39, 41, 43, 45	1001117000 187	1001186466 23, 254	1001203835.....159
0700616.....145	1001118387 187	1001187587 123, 127, 129, 131, 149	1001203837.....159
0700617.....65, 67	1001118812 183	1001187781 65	1001203838.....159
0700620...90, 94, 98, 102	1001120204 165, 167, 169, 171, 173	1001187816 175	1001203839.....159
0700621.....135	1001120205 179, 181	1001188116 175	1001203840.....159
0700812.....127	1001120621 251	1001189171 181, 254	1001203844.....159
0700814.....33, 35	1001120622 251	1001189172 181, 254	1001203846.....159
0700815.....21	1001120623 251	1001192401 188	1001203869.....21
0700817.....85	1001120629 251	1001194421 219	1001203870.....21
0700818....119, 123, 127, 129, 131, 135	1001120989 251	1001196634 185	1001203871.....21, 254
0700819....113, 115, 137	1001125483 83	1001197396 13	1001203872.....21
0700820.....129	1001125677 183, 188	1001197457 188	1001203973.....107
0700823.....21	1001130220... 25, 27, 29, 31, 33, 35, 37, 39, 41, 43, 45, 55, 57, 65, 67, 139, 141	1001198935 ...90, 94, 98, 102, 153	1001203974.....105, 107
0700835.....139, 141	1001130590 65, 67	1001199189 149	1001203975.....105, 107
0701014.....55	1001131270 235, 245	1001199937 15, 17	1001203976.....105, 107
0701015....85, 90, 94, 98, 102	1001132358 139, 141	1001200441 19	1001204087.....98, 102
0701019.....109, 145	1001132359 235, 237, 239, 241, 243, 245, 247, 249	1001200561 ...25, 29, 33, 37	1001204174.....61, 63
0701021...90, 94, 98, 102, 113, 115	1001132361 139, 141	1001200629 .. 65, 67, 254	1001204311....90, 94, 98, 102
0701024.....109	1001134280 33, 35	1001200631 65, 67	1001204312....90, 94, 98, 102
0760408....163, 165, 167, 169, 171, 173, 175	1001134289... 91, 95, 99, 103	1001200632 71	1001204495.....51
076060865, 67, 123, 131, 147	1001134821 137	1001200633 139, 141, 254	1001204621.....105, 107
0760610....43, 65, 67, 83, 98, 137, 139, 141, 147	1001136757 83	1001200811 199, 203, 207, 209, 211	1001204719.....61
0760612....25, 27, 29, 31, 33, 35, 37, 39, 51, 90, 94, 99, 102	1001137675 117	1001200812 191, 199, 201, 213	1001204781.....98, 113
0760613.....61	1001142173 83	1001200819 139, 141, 219	1001204994...90, 94, 98, 102
0760618.....131	1001142174 83	1001201087 199	1001205156.....113, 115
0760810.....61, 117	1001143009 83	1001201129 207	1001205345.....90, 98
0760812.....117	1001143010 83	1001201248 13	1001205409.....187
0760827.....61, 159	1001143501 159	1001201255 98, 102, 107	1001205410.....187
0761012.....13, 61	1001144147 183	1001201355 98, 102, 107	1001205411.....187
0761019.....123, 131	1001144295 188	1001201707 49	1001205412.....187
0761217.....85	1001144296 188	1001201708 ...73, 75, 77, 79, 81	1001205422.....117
			1001205423.....117

SECTION 10 - SPECIAL OPTIONS

1001205424 117	1001210879..... 83	1001220430.....235, 237, 239, 241, 243, 245, 247, 249	1001229722 129
1001205430 117	1001210880..... 83	1001220570..... 13, 155	1001229723 129
1001205598 41, 45	1001210881..... 83	1001220933.....256	1001229727 256
1001205709 115	1001210882..... 83	1001220995.....137	1001229732 129
1001205751 13	1001210963..... 119, 123, 127, 129, 131	1001221244.....145	1001229733 129
1001206207 121	1001210966..... 65, 67	1001221275.....145	1001229734 129
1001206217 121	1001210967..... 83	1001221276.....145	1001229739 129
1001206222 121	1001211777.....235	1001221475.....117	1001229740 129
1001206224 119	1001211779..... 235, 241, 243, 245, 247, 249	1001221476.....117	1001229741 129
1001206225 119, 123	1001212035.....219	1001221949.....37, 39	1001229742 129
1001206226 119, 123, 127, 131	1001212036.....219	1001222587.....135	1001229792 85
1001206228 119, 121	1001212068.....21	1001222687.....90, 94, 98, 102, 217	1001230248 129
1001206487 ... 90, 94, 98, 102	1001212290..... 235, 237, 239, 241, 243, 245, 247, 249	1001222914.....145	1001230249 129
1001206995 43	1001212291..... 235, 237, 239, 241, 243, 245, 247, 249	1001223055.....235	1001230839 201, 205
1001207009 ... 25, 27, 29, 31, 33, 35, 37, 39	1001212292..... 235, 237, 239, 241, 243, 245, 247, 249	1001223262.....197, 209	1001230932 201
1001207293 71	1001212292..... 235, 237, 239, 241, 243, 245, 247, 249	1001223263.....195, 207	1001230933 205
1001207494 65, 67	1001212292..... 235, 237, 239, 241, 243, 245, 247, 249	1001223650.....213	1001231268 ... 90, 94, 98, 102
1001207806 119	1001212293..... 235, 237, 239, 241, 243, 245, 247, 249	1001223651.....215	1001231405 129
1001207807 123	1001212294..... 61	1001223835.....129	1001231801 235
1001207970 29, 31, 43	1001213448.....188	1001223971 241, 245	1001232257 129
1001207973 41	1001213491..... 139, 141	1001224048.....247	1001232474 256
1001207974 ... 25, 27, 33, 35, 45	1001213554..... 105, 107	1001224049.....249	1001233237 256
1001208057 73	1001213886..... 141	1001224051.....243	1001234204 94, 102
1001208058 75	1001214217.....23	1001224052.....239	1001234395 131
1001208061 256	1001214347..... 77	1001224468.....145	1001235018 113
1001208073 123, 125	1001214526.....21	1001224583.....256	1001235024 105
1001208852 117	1001214810..... 85	1001224604.....109	1001235025 105
1001208930 163	1001215747.....243	1001224608.....109	1001235059 .. 90, 94, 105
1001208931 177	1001215748..... 239, 249	1001224614.....109	1001235060 90, 94
1001208938 175	1001215749..... 241, 245	1001224620.....109	1001235104 ... 90, 94, 98, 102
1001209482 169, 171, 181	1001215750.....247	1001224622.....109	1001235105 ... 25, 27, 29, 31, 33, 35, 37, 39
1001209595 139, 141	1001215751.....247	1001224623.....109	1001235152 29
1001209596 139, 141	1001215752.....243	1001224868.....141	1001235153 25
1001209682 65, 67	1001215754.....249	1001225164....90, 94, 98, 99, 102	1001235154 41
1001209776 165, 167, 173, 179	1001215755..... 241, 245	1001225377.....191, 193, 195, 197	1001235156 45
1001209906 251	1001215762..... 65, 67	1001225490.....191	1001235157 43
1001209907 235	1001215953.....21	1001225491.....193	1001235158 37
1001209908 247	1001216062... 65, 67, 254	1001225492.....195	1001235536 147
1001209909 243	1001216180..... 73	1001225493.....197	1001235541 113, 115
1001209910 239	1001216250..... 77	1001225790.....256	1001235559 65, 67
1001209911 249	1001216648.....239	1001225925.....256	1001235863 147
1001209913 241	1001216650.....239	1001226277.....145	1001235924 147
1001209914 237	1001216823..... 135	1001226791....90, 94, 99, 102	1001235946 41, 43, 45
1001209920 83	1001217043..... 117	1001227219.....33, 35	1001236129 117
1001210064 117	1001217059.....23	1001227267.....33, 35	1001236139 ... 25, 27, 29, 31, 33, 35, 37, 39, 41, 43, 45
1001210302 119, 123, 127, 129	1001217164..... 179, 181	1001227703.....251	1001236507 147
1001210401 ... 73, 75, 77, 79, 81	1001217667.....256	1001227966.....55, 57	1001236880 141
1001210440 83	1001218012.....256	1001228112..... 139, 141, 254	1001236903 256
1001210442 125, 129	1001218285..... 139, 141	1001228123....73, 75, 77, 79, 81	1001236984 251
1001210443 125	1001218307.....21	1001228184.....145	1001237212 188
1001210444 125, 129	1001218573..... 85	1001228370.....235, 241, 245	1001237256 256
1001210445 125	1001219171.....237	1001228406.....85	1001237257 256
1001210446 125, 131	1001219172.....237	1001229076.....256	1001239115 256
1001210447 125	1001219265.....245	1001229107.....256	1001239224 47, 49
1001210458 125, 129	1001220216.....145	1001229110....73, 75, 77, 79, 81	1001241486 256
1001210586 119, 123, 127, 129	1001220409.....137	1001229441.....149	1001241604 107
1001210605 83	1001220410.....137	1001229469.....149	1001241605 107
1001210878 83			1001242539 47, 49
			1001242697 47
			1001243528 131
			1001244298 243
			1001245353 256

SECTION 10 - SPECIAL OPTIONS

1001247862.....49	1001255009.....256	1702155 ... 73, 75, 77, 79, 81	165, 167, 169, 171, 173, 175
1001247926.....79, 81	1001255102.....251	1703464 163, 165	3290501.....131
1001248502.....256	1001255104.....251	1703813 235	3290505.....33, 35
1001248689.....256	1001255105.....251	1703816 235	3290506.....127
1001249082.....131	1001255417.....127	1703819 ... 139, 141, 235, 237, 239, 241, 243, 245, 247, 249	3290601.....23
1001249096.....131	1001255420.....127	1703822 ... 235, 237, 239, 241, 243, 245, 247, 249	3290605....25, 27, 29, 31, 33, 35, 37, 39, 41, 43, 45, 51, 61, 65, 67, 69, 83, 90, 94, 98, 102, 117, 127, 131, 165, 167, 169, 171, 173
1001249107.....131	1001255421.....127	1704016 ... 235, 237, 239, 241, 243, 245, 247, 249	3290606....119, 123, 127, 129, 131, 135, 137, 145, 147
1001249110.....132	1001255428.....127	1704260 139, 141	3290801.....21, 61
1001249111.....131	1001255430.....127	1704277 ... 235, 237, 239, 241, 243, 245, 247, 249	3290805....21, 33, 35, 85, 113, 115, 117, 159
1001249112.....132	1001255442.....127	1704339 249	3290806....119, 123, 127, 129, 131, 135, 137, 139, 141
1001249114.....131	1001255457.....127	1704340 241, 245	3291005..55, 61, 85, 109, 117
1001249229.....256	1001255470.....127	1704341 239	3291006.....53, 109, 123, 131, 145
1001249326.....256	1001255491.....127	1704344 243	3291007....85, 90, 94, 98, 102, 113, 115
1001249639.....256	1001255505.....127	1704412 ... 235, 237, 239, 241, 243, 245, 247, 249	3291201.....85
1001250378.....21	1001255506.....159	1704684 241, 245	3311502.....117
1001250431.....57	1001255555.....85	1704691 249	3311505.....149
1001250532.....256	1001255883.....256	1704699 239	3321402...90, 94, 98, 102
1001251144.....256	1001256174.....251	1705195 243	3331211.....15
1001251145.....256	1001256175.....251	1705647 251	3340962..90, 94, 98, 102, 127
1001251146.....256	1001256176.....251	1705648 251	3421854.....149
1001251232.....85	1001256471.....131	1705670 237	3422219.....123, 131
1001251233.....85	1001256503.....33, 35	1707022 247	3423037.....13
1001251234.....85	1001256657.....127	2080040 ... 117, 119, 123, 127, 129, 131, 235, 237, 239, 241, 243, 245, 247, 249	3423243.....85
1001251235.....85	1001256675.....131, 251	2080043 131	3423278.....139, 141
1001251242.....85	1001256676.....251	2080057 ... 235, 237, 239, 241, 243, 245, 247, 249	3430636.....21
1001251242.....85	1001257171.....251	2220371 63	3430814.....117
1001251383.....131	1001257172.....251	2220372 63	3430816.....117
1001251388.....131	1001257173.....251	2220373 159	3431212.....21
1001251436.....21	1001257173.....251	2220374 63	3431218.....21
1001251437.....21	1001257890.....131	2220375 159	3450302.....21
1001253038.....61	1001258356.....256	2220415 63, 159	3450303.....85
1001253039.....55	1001258411.....132	2220497 159	3450403.....117
1001253153....91, 95, 99, 103	1001258498.....81	2220502 159	3450505.....21
1001253280.....165, 167, 169, 171, 173	1001258528.....131	2220582 63	3450508.....19
1001253358.....61, 159	1001258617.....131	2220828 159	3520072....109, 119, 123, 127, 129, 131
1001253359.....55	1001258618.....131	2221086 63	3574505.....147
1001253647.....33	1001258620.....131	2221116 .. 90, 94, 98, 102	3740150...65, 69, 83, 254
1001253648.....35	1001258633.....256	2400060 185, 188	3760115...90, 94, 98, 102
1001253653.....31	1001258661.....141	2420172 65, 67	3760170..90, 94, 98, 102, 149
1001253654.....27	1001258704.....131	2560088 135	3760217.....13
1001253655.....39	1001258822.....251	2560190 135	3760387...90, 94, 98, 102
1001253730.....69	1001258899.....251	2600281 ... 119, 123, 127, 129, 131	3820019.....135
1001253807.....211	1001258900.....251	2860030 65, 67, 254	3820032.....131
1001253871.....67	1001259102.....127	2901443 256	3841143....85, 90, 94, 98, 102
1001253938.....139	1001259105.....127	2902431 163, 221	3860111....119, 123, 127, 131
1001253952....27, 31, 35, 39	1001259106.....127	2940129 127	3900381.....33, 35
1001254027....27, 31, 35, 39, 183	1001259107.....127	3080007 ... 119, 123, 127, 129, 254	3910804.....65, 67
1001254028....27, 31, 35, 39, 185	1001261040.....131	3252507 ... 167, 169, 171, 173, 175, 177	3990001.....185
1001254114...65, 69, 187	1001261149.....127	3290305 47, 49	
1001254173.....61	1060379 149	3290405 ... 21, 65, 69, 83, 90, 94, 98, 102, 127, 137, 139, 141, 163,	
1001254174.....61	1060908 179, 181		
1001254225.....159	1060998 ... 73, 75, 77, 79, 81		
1001254226.....159	1061034 ... 90, 94, 98, 102		
1001254227.....159	1321293 ... 25, 27, 29, 31, 37, 39, 41, 43, 45, 83		
1001254444.....65	1321752 159		
1001254636.....169	1380132 135		
1001254637.....171	1380153 13		
1001254638.....173	1600402 ... 139, 141, 143, 254		
1001254639.....165	1671207 221		
1001254640.....167	1701504 ... 235, 237, 239, 241, 243, 245, 247, 249		
1001254825.....131	1701640 ... 235, 237, 239, 241, 243, 245, 247, 249		
1001255000.....256	1702010 147		

SECTION 10 - SPECIAL OPTIONS

4010310	47, 49	4460464 ...	51, 83, 90, 94, 98, 102, 145, 185, 188, 191, 193, 195, 197, 199, 201, 203, 205, 207, 209, 211, 213, 215, 217, 219	4461199.....	225	70005790.....	153
4010408	137	4460465 47, 49, 145, 185,		4461201.....	225	70005791.....	153
4010608 ...	119, 123, 127, 129, 131	195, 197, 199, 201,		4461205.....	227, 229	70005792.....	153
4010610 ...	165, 167, 169, 171, 173	203, 205, 207, 209, 211, 213, 215, 217		4461244.....	227	70005793.....	153
4010616	119, 123, 127	4460466 ...	145, 183, 185, 187, 188, 191, 193, 195, 197, 199, 201, 203, 205, 207, 209, 213, 215, 217, 219	4461245.....	229	70005794.....	153
4010617	123, 129	4460467	257	4461246.....	231	70005795.....	153
4010618 ...	119, 123, 127, 129, 131	4460496	139, 141	4461249.....	231	70005796.....	153
4031506	127	4460497	139, 141	4461257.....	165, 167	70005797.....	153
4031509	139, 141	4460510	257	4461258.....	165, 167	70005798.....	155
4031511	21	4460536	145	4711700.....	139, 141	70005800.....	155
4031512 ..	90, 94, 98, 102	4460539 ...	188, 195, 197, 207, 209, 217	4711800.....	117	70005803.....	155
4031707	41, 45	4460662 ...	169, 171, 173, 221	4740438...90, 94, 98, 102		70005804.....	155
4031708	23, 41, 45	4460670	188	4740531...90, 94, 98, 102		70005805.....	155
4060803 55, 57, 139, 141		4460754 ...	191, 193, 195, 197, 199, 201, 203, 205, 207, 209, 213, 215	4751500.....	149	70005806.....	17
4060906	139, 141	4460761	187	4811400....83, 90, 94, 98, 102, 127, 137, 139, 141, 163, 165, 167, 169, 171, 173, 175		70005807.....	17
4071095	131	4460871	185, 188	4811700....51, 61, 65, 67, 69, 83, 90, 94, 98, 102, 119, 123, 127, 129, 131, 137, 139, 141, 147, 165, 167, 169, 171, 173		70005808.....	17
4160078 ..	90, 94, 98, 102	4460872	185	4811702....21, 23, 25, 27, 29, 31, 33, 35, 37, 39, 41, 43, 45, 55, 57, 90, 94, 99, 102, 135		70005809.....	17
4160202	21	4460877	187	481190021, 61, 113, 115, 117, 119, 123, 127, 129, 131, 135, 139, 141, 159		70005812.....	17
4160214	85	4460884	185, 187, 217	4811902....21, 33, 35, 61, 85, 129, 137		70005813.....	17
4220309	131	4460891 47, 49, 145, 185,		4812000....13, 21, 61, 85, 90, 94, 98, 102, 109, 117, 123, 131, 145		70005814.....	17
4240017 ...	25, 27, 29, 31, 33, 35, 37, 39, 41, 43, 45, 65, 67, 69, 73, 75, 77, 79, 81, 83, 90, 94, 98, 102, 145, 159, 163, 165, 167, 169, 171, 173, 175, 177, 191, 193, 195, 197, 199, 201, 203, 205, 207, 209, 211, 213, 215	4460894 ...	187, 188, 191, 193, 195, 197, 199, 201, 203, 205, 207, 209, 211	4812002....53, 55, 85, 117		70005815.....	61
4240018	49	4460897 51, 83, 185, 188,		4812500.....	21	70005816.....	61
4240147	21	195, 197, 207, 209		4831600.....	33, 35	70005817.....	61
4240165	147	4460899 .90, 94, 98, 102,		4846757.....	13	70005891.....	63
4360328	65, 67, 254	191, 193, 195, 197, 199, 201, 203, 205, 207, 209, 211, 213, 215		4923328....73, 75, 77, 79, 81		70005892.....	63
4360336	83, 254	4460905	185, 188	5241000.....	117	70005893.....	63
4360345	139, 141, 254	4460932	185	5241200.....	15	70005895.....	63
4360469	65, 67, 254	4460933	183, 187	5271808.....	61	70005896.....	63
4360475 65, 67, 139, 141, 254		4460943 ...	183, 191, 193, 195, 197, 199, 201, 203, 205, 207, 209, 211, 213, 215	5272117.....	15	70005899.....	63
4420037	147	4460944 ...	183, 185, 187, 188, 191, 193, 195, 197, 199, 201, 203, 205, 207, 209, 211	5272122.....	15	70005900.....	63
4420051	251	4460956	179	70000082.....	143	70005903.....	63
4420062	61, 119, 123, 127, 129, 131, 139, 141, 149	4460957	179	70000084.....	143	70005904.....	63
4460042	187	4460965	187	70000278.....	17	70005905.....	63
4460115	187	4460968	175	70000683.....	143	70005907.....	63
4460138	163	4460970	217	70000684.....	143	70005909.....	63
4460183	187, 219	4461016	219	70000685.....	143	70005911.....	63
4460226	188	4461023	187	70000686.....	143	70005912.....	63
4460227 ...	25, 27, 29, 31, 33, 35, 37, 39, 187	4461196	223	70001250.....	143	70005913.....	63
4460234	145	4461198	223	70001251.....	143	70005914.....	63
4460247	187			70001252.....	143	70005918.....	15
4460259	187			70001253.....	143	70005919.....	15
4460260	187			70001878.90, 94, 98, 102		70006143.....	155
4460265	219			70002410.....	153	70021209.....	63
4460267	219			70003650.....	143	70023370.....	153
4460315	163, 175			70004231.....	153	7002821	257
4460320	188			70004232.....	153	7002822	257
4460346	221			70004233.....	153	7002823	257
4460418	83, 187, 219			70004241.....	155	7002826	257
4460419	83			70005423.....	61, 254	7004275	257
4460424 ...	25, 27, 29, 31, 33, 35, 37, 39					7004276	257
						7016654	257
						7020175.65, 67, 139, 141	
						7020176.65, 67, 139, 141	
						7020218 ..90, 94, 98, 102	
						7023308	17
						7023310.....	17
						7023311	17
						7023315	17
						7023318	17
						7023319	17
						7023324	17
						7023328	17
						7027365	143
						7027367	143
						7027765	143

SECTION 10 - SPECIAL OPTIONS

7027766.....	143	8229242.....	188, 254	8750014.....	159	8990147.....	235, 237, 239,
8220045.....	188	8229244.....	188	8896941.....	256		241, 243, 245, 247, 249

Go to Discount-Equipment.com to order your parts



www.discount-equipment.com



Go to Discount-Equipment.com to order your parts

PARTS FINDER

**Search Website
by Part Number**



**Search Manual
Library For Parts
Manual & Lookup Part
Numbers – Purchase
or Request Quote**

Search Manuals

Enter your information to help us find the right parts manual for your machine.

* Brand:

* Model:

* Serial:

* Part Number:

SEARCH

**Can't Find Part or
Manual? Request Help
by Manufacturer,
Model & Description**

Parts Order Form

Please fill in the following information to help us find the right part for your machine.

Manufacturer:	<input type="text"/>
Model:	<input type="text"/>
Description:	<input type="text"/>
Part Number:	<input type="text"/>
Quantity:	<input type="text"/>
Notes:	<input type="text"/>

Submit

Discount-Equipment.com is your online resource for quality parts & equipment.

Florida: **561-964-4949** Outside Florida TOLL FREE: **877-690-3101**

Need parts?

Click on this link: <http://www.discount-equipment.com/category/5443-parts/> and choose one of the options to help get the right parts and equipment you are looking for. Please have the machine model and serial number available in order to help us get you the correct parts. If you don't find the part on the website or on one of the online manuals, please fill out the request form and one of our experienced staff members will get back to you with a quote for the right part that your machine needs.

We sell worldwide for the brands: Genie, Terex, JLG, MultiQuip, Mikasa, Essick, Whiteman, Mayco, Toro Stone, Diamond Products, Generac Magnum, Airman, Haulotte, Barreto, Power Blanket, Nifty Lift, Atlas Copco, Chicago Pneumatic, Allmand, Miller Curber, Skyjack, Lull, Skytrak, Tsurumi, Husquvarna Target, Stow, Wacker, Sakai, Mi-T-M, Sullair, Basic, Dynapac, MBW, Weber, Bartell, Bennar Newman, Haulotte, Ditch Runner, Menegotti, Morrison, Contec, Buddy, Crown, Edco, Wyco, Bomag, Laymor, EZ Trench, Bil-Jax, F.S. Curtis, Gehl Pavers, Heli, Honda, ICS/PowerGrit, IHI, Partner, Imer, Clipper, MMD, Koshin, Rice, CH&E, General Equipment, Amida, Coleman, NAC, Gradall, Square Shooter, Kent, Stanley, Tamco, Toku, Hatz, Kohler, Robin, Wisconsin, Northrock, Oztec, Toker TK, Rol-Air, APT, Wylie, Ingersoll Rand / Doosan, Innovatech, Con X, Ammann, Mecalac, Makinex, Smith Surface Prep, Small Line, Wanco, Yanmar