



**Count on it.**

**Parts Catalog**

**FP-4000**

**Forward Plate Compactor**

Model No. 68027—Serial No. 402300000 and Up

Go to [Discount-Equipment.com](http://Discount-Equipment.com) to order your parts



[www.discount-equipment.com](http://www.discount-equipment.com)



# PARTS FINDER

**Search Website  
by Part Number**



**Search Manual  
Library For Parts  
Manual & Lookup Part  
Numbers – Purchase  
or Request Quote**

**Search Manuals**

Enter your information to help us find the right parts manual for your equipment.

\* Brand:

\* Model:

\* Serial:

\* Part Number:

SEARCH

**Can't Find Part or  
Manual? Request Help  
by Manufacturer,  
Model & Description**

**Parts Order Form**

Please fill in the following information to help us find the right part for your equipment.

Manufacturer:	<input type="text"/>
Model:	<input type="text"/>
Description:	<input type="text"/>
Part Number:	<input type="text"/>
Quantity:	<input type="text"/>
Notes:	<input type="text"/>

Submit

Discount-Equipment.com is your online resource for quality parts & equipment.

Florida: **561-964-4949** Outside Florida TOLL FREE: **877-690-3101**

**Need parts?**

Click on this link: <http://www.discount-equipment.com/category/5443-parts/> and choose one of the options to help get the right parts and equipment you are looking for. Please have the machine model and serial number available in order to help us get you the correct parts. If you don't find the part on the website or on one of the online manuals, please fill out the request form and one of our experienced staff members will get back to you with a quote for the right part that your machine needs.

We sell worldwide for the brands: Genie, Terex, JLG, MultiQuip, Mikasa, Essick, Whiteman, Mayco, Toro Stone, Diamond Products, Generac Magnum, Airman, Haulotte, Barreto, Power Blanket, Nifty Lift, Atlas Copco, Chicago Pneumatic, Allmand, Miller Curber, Skyjack, Lull, Skytrak, Tsurumi, Husquvarna Target, Stow, Wacker, Sakai, Mi-T-M, Sullair, Basic, Dynapac, MBW, Weber, Bartell, Bennar Newman, Haulotte, Ditch Runner, Menegotti, Morrison, Contec, Buddy, Crown, Edco, Wyco, Bomag, Laymor, EZ Trench, Bil-Jax, F.S. Curtis, Gehl Pavers, Heli, Honda, ICS/PowerGrit, IHI, Partner, Imer, Clipper, MMD, Koshin, Rice, CH&E, General Equipment, Amida, Coleman, NAC, Gradall, Square Shooter, Kent, Stanley, Tamco, Toku, Hatz, Kohler, Robin, Wisconsin, Northrock, Oztec, Toker TK, Rol-Air, APT, Wylie, Ingersoll Rand / Doosan, Innovatech, Con X, Ammann, Mecalac, Makinex, Smith Surface Prep, Small Line, Wanco, Yanmar

# Ordering Replacement Parts

To order replacement parts, please supply the part number, the quantity, and the description of each part desired.

## Understanding Reference Numbers

Each identified part in an illustration has a reference number. The reference number for a part also appears in the parts list, along with other information about the part.

This catalog uses two special reference number formats, one to indicate parts in a service assembly and another to indicate the quantity of a given part in an illustration.

## Service Assembly Reference Numbers

Parts in service assemblies have reference numbers in the form a:b. The a represents the reference number of the entire service assembly and the b represents a sequential number unique to each part within the service assembly.

For example, a wheel assembly might be identified by reference number 6, the tire by 6:1, the valve by 6:2, and the wheel by 6:3. When you order the assembly identified by reference number 6, you receive all parts identified by reference numbers 6:1, 6:2, and 6:3. However, you may also order any part individually. Reference numbers of this type appear in illustration and in parts lists.

## Reference Numbers Indicating Quantity

In an illustration, if a reference number indicates more than one part, the reference number has the form nX y. The n represents the quantity of the part, the X is the multiplication symbol, and the y represents the reference number.

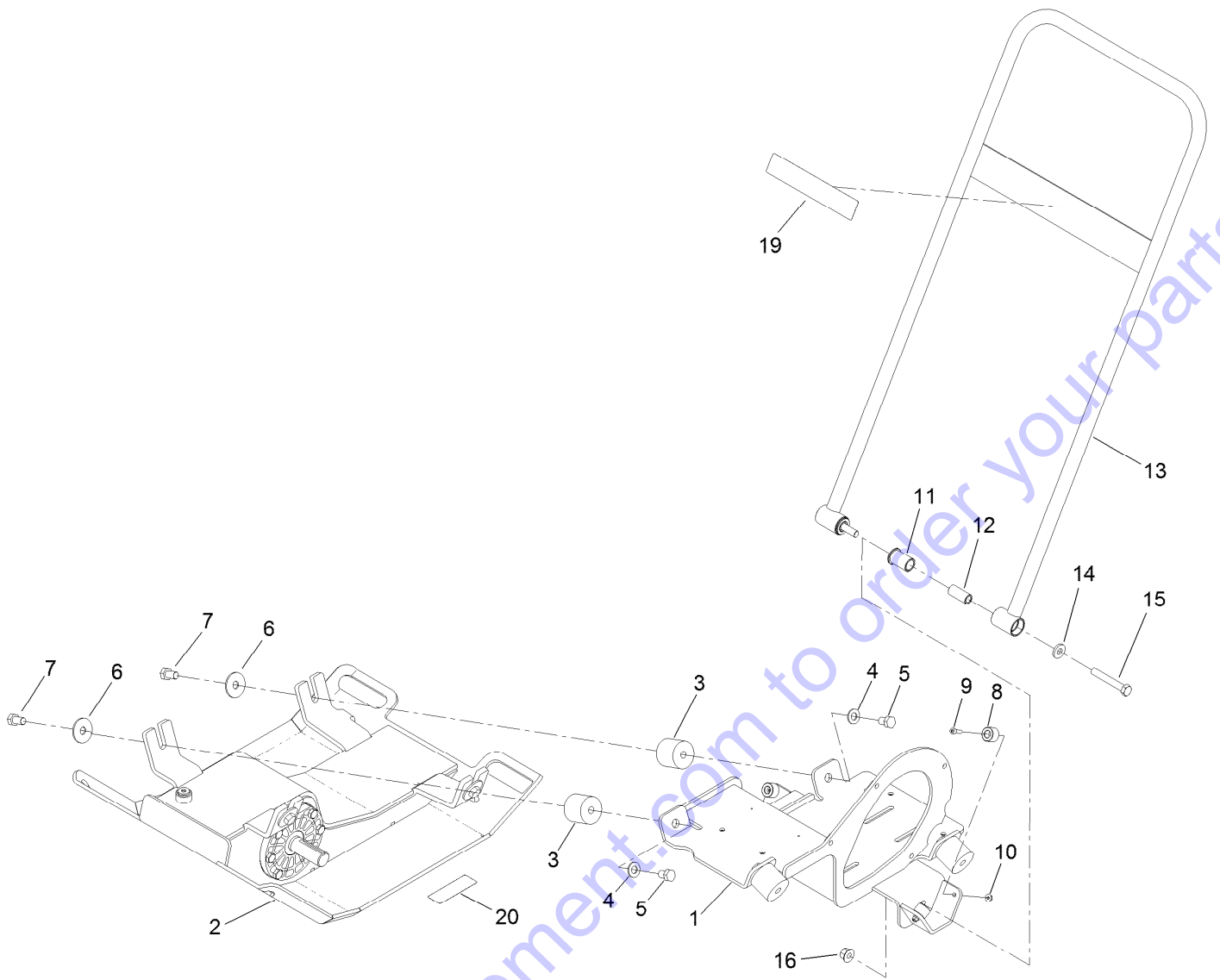
For example, in an illustration, the reference number 2X 37 means that two of the parts identified by reference number 37 are indicated.

Go to Discount-Equipment.com to order your parts

# Contents

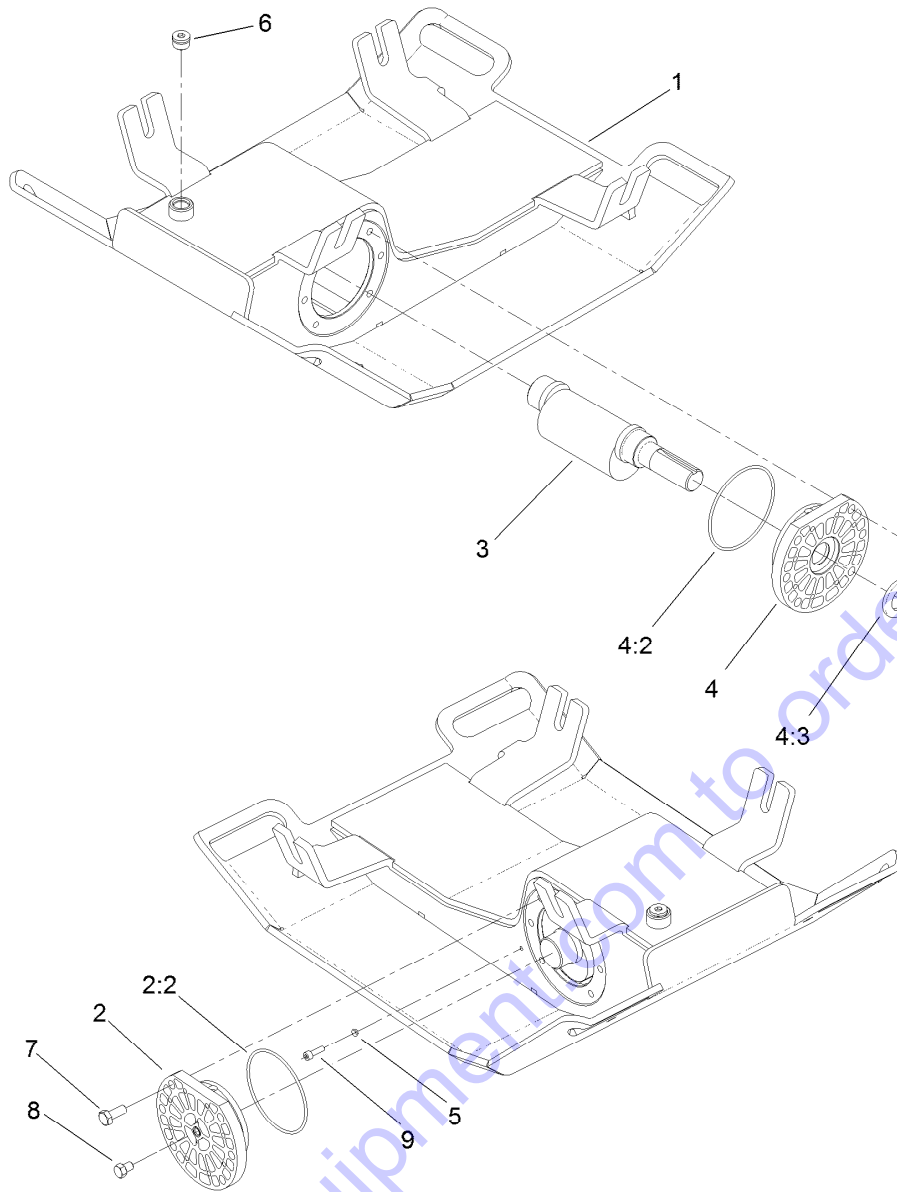
Handle and Base Assembly .....	4
Base Assembly No. 125-6237 .....	5
Engine Assembly .....	6
Roll Cage and Water Tank Assembly .....	7

Go to [Discount-Equipment.com](http://Discount-Equipment.com) to order your parts



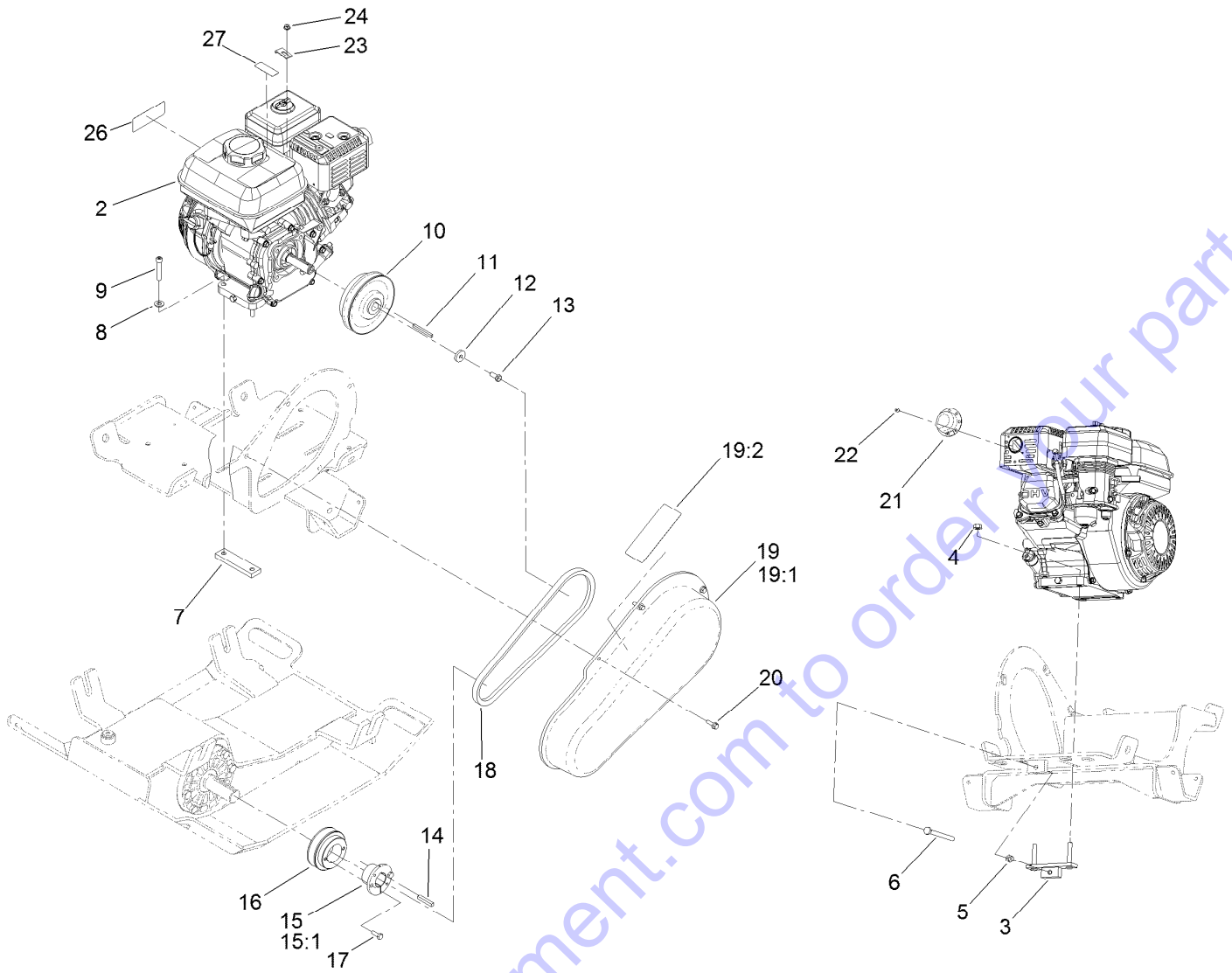
## Handle and Base Assembly

Ref.	Part Number	Qty.	Description	Ref.	Part Number	Qty.	Description
1	125-6249-03	1	Deck-Engine	10	33003-00	4	Nut-HF
2	125-6237	1	Base ASM	11	ST50263	2	Bushing-Handle, Main Plate
3	132-3869	4	Mount-Shock	12	ST50264	2	Spacer-Handle, Pivot
4	3256-26	4	Washer-Flat	13	ST50260-03	1	Handle-Main
5	325-2	4	Screw-HH	14	ST80891	2	Washer-Flat
6	86-1990	4	Washer-Thrust	15	33116-080	2	Screw-HH
7	325-3	4	Screw-HH	16	115-1115	2	Nut-Lock, HHF
8	ST50265	4	Spacer-Stop, Handle	19	125-4930	1	Decal
9	ST81213	4	Screw-HSH	20	117-4979	1	Decal-Warning, Shields



## Base Assembly No. 125-6237

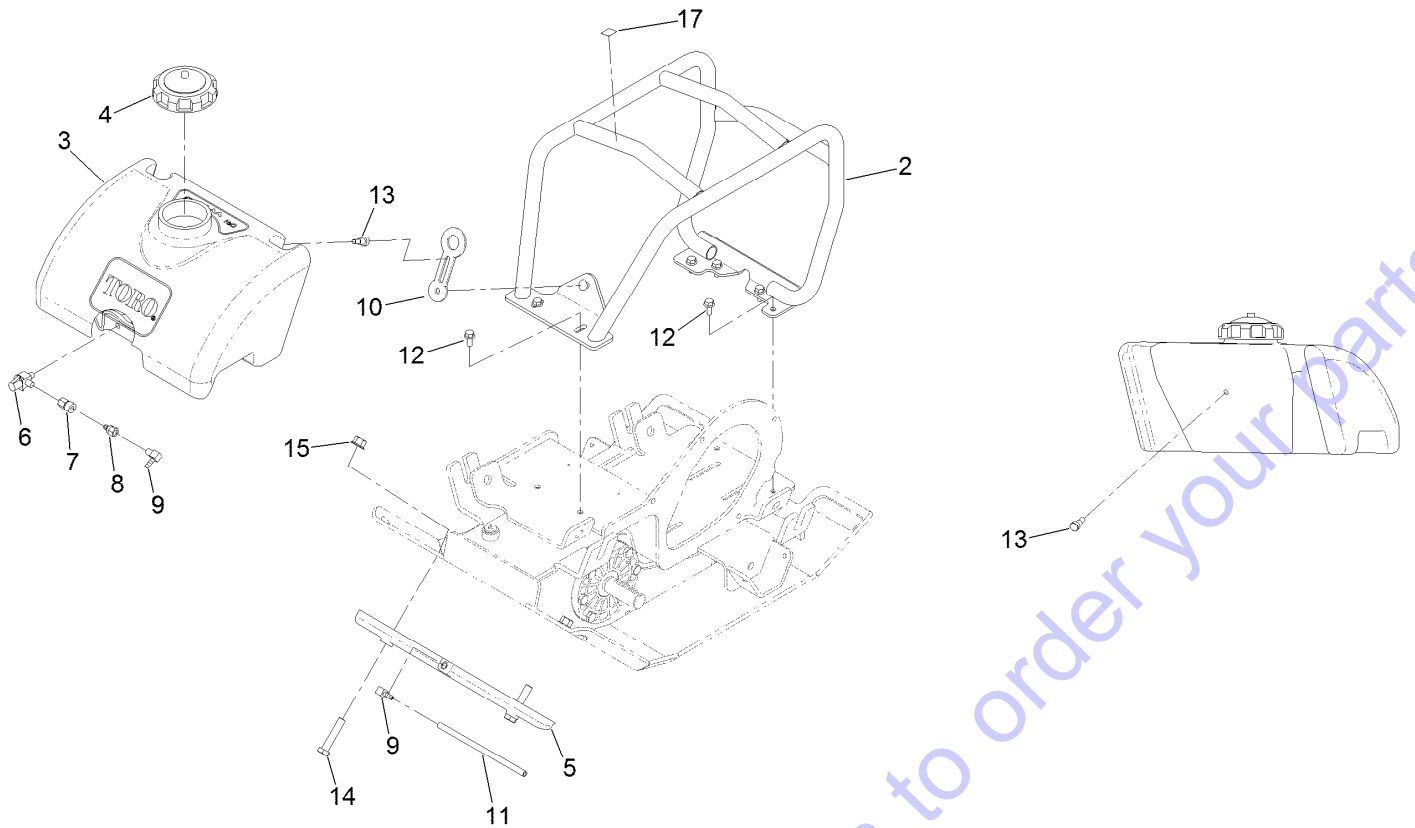
Ref.	Part Number	Qty.	Description
1	127-2821	1	Base
2	ST22063	1	Plate Cap Bearing ASM
2:2	ST32033	1	O-Ring
3	ST21543	1	Shaft-Eccentric
4	ST22062	1	Plate Cap Bearing ASM
4:2	ST32033	1	O-Ring
4:3	ST32047	2	Seal-Shaft
5	ST81210	1	Washer-Sealing, Nyltite
6	ST47647	1	Fitting-HYD
7	43-0090	12	Screw-HH
8	ST80185	1	Screw-HH
9	ST81213	1	Screw-HSH



## Engine Assembly

Ref.	Part Number	Qty.	Description
2	125-4813	1	Engine-Honda, Gx160
3	ST50257	1	Bracket-Adjuster, Engine
4	33004-00	2	Nut-HF
5	33014-00	1	Nut-Hex
6	ST81191	1	Screw
7	ST50506	1	Plate-Nut, Engine
8	33094-00	2	Washer-Plain
9	127-0517	2	Screw-HSH
10	ST32347	1	Clutch, S-Plate
11	ST80611	1	Key-Square
12	ST39233	1	Washer
13	3235-6	1	Screw-HH
14	67-7490	1	Key-Square
15	138-3106	1	Bushing-Locking

Ref.	Part Number	Qty.	Description
15:1	3245-42	1	Screw-Set
16	ST28314	1	Sheave-Eccentric
17	321-4	2	Screw-HH
18	ST50500	1	Belt-V
19	127-2819	1	Guard-Belt
19:1	125-4805	1	Guard-Belt
19:2	125-4943	1	Decal-Warning, Plate
20	33103-020	4	Screw-HHF
21	125-3866	1	Deflector
22	125-0519	2	Screw-Self Tapping
23	ST42790	1	Clip-Throttle
24	32128-17	1	Nut-Lock, Flange
26	133-5619	1	Decal-Arrester, Spark
27	130-8322	1	Decal-Warning, Ethanol



## Roll Cage and Water Tank Assembly

Ref.	Part Number	Qty.	Description
2	ST50215-03	1	Cage-Roll
3	125-4810	1	Tank-Water
4	ST47241	1	Cap-Plastic
5	125-8217	1	Sprinkler
6	ST50497	1	Valve-Ball
7	ST50498	1	Fitting-Quick, Female
8	ST50499	1	Fitting-Quick, Female, Nipple
9	ST34486	2	Fitting-HYD, 90 DEG
10	ST47182	1	Latch-Rubber
11	125-8733	1	Hose-Water
12	33104-020	6	Screw-HHF
13	ST81130	1	Screw-HSBH
14	33116-060	2	Screw-HH
15	115-1115	2	Nut-Lock, HHF
17	93-9084	1	Decal-Point, Lift





[www.discount-equipment.com](http://www.discount-equipment.com)



**Count on it.**

Go to [Discount-Equipment.com](http://Discount-Equipment.com) to order your parts