



**Count on it.**

**Parts Catalog**

**FP-2200 Forward Plate  
Compactor**

Model No. 68025—Serial No. 313000001 and Up

Go to [Discount-Equipment.com](http://Discount-Equipment.com) to order your parts



[www.discount-equipment.com](http://www.discount-equipment.com)



# PARTS FINDER

**Search Website  
by Part Number**



**Search Manual  
Library For Parts  
Manual & Lookup Part  
Numbers – Purchase  
or Request Quote**

**Search Manuals**

Enter your information to help us find the right parts manual for your machine.

\* Brand:

\* Model:

\* Serial:

\* Part Number:

SEARCH

**Can't Find Part or  
Manual? Request Help  
by Manufacturer,  
Model & Description**

**Parts Order Form**

Please fill in the following information to help us find the right part for your machine.

|               |                      |
|---------------|----------------------|
| Manufacturer: | <input type="text"/> |
| Model:        | <input type="text"/> |
| Description:  | <input type="text"/> |
| Part Number:  | <input type="text"/> |
| Quantity:     | <input type="text"/> |
| Notes:        | <input type="text"/> |

Submit

Discount-Equipment.com is your online resource for quality parts & equipment.

Florida: **561-964-4949** Outside Florida TOLL FREE: **877-690-3101**

**Need parts?**

Click on this link: <http://www.discount-equipment.com/category/5443-parts/> and choose one of the options to help get the right parts and equipment you are looking for. Please have the machine model and serial number available in order to help us get you the correct parts. If you don't find the part on the website or on one of the online manuals, please fill out the request form and one of our experienced staff members will get back to you with a quote for the right part that your machine needs.

We sell worldwide for the brands: Genie, Terex, JLG, MultiQuip, Mikasa, Essick, Whiteman, Mayco, Toro Stone, Diamond Products, Generac Magnum, Airman, Haulotte, Barreto, Power Blanket, Nifty Lift, Atlas Copco, Chicago Pneumatic, Allmand, Miller Curber, Skyjack, Lull, Skytrak, Tsurumi, Husquvarna Target, Stow, Wacker, Sakai, Mi-T-M, Sullair, Basic, Dynapac, MBW, Weber, Bartell, Bennar Newman, Haulotte, Ditch Runner, Menegotti, Morrison, Contec, Buddy, Crown, Edco, Wyco, Bomag, Laymor, EZ Trench, Bil-Jax, F.S. Curtis, Gehl Pavers, Heli, Honda, ICS/PowerGrit, IHI, Partner, Imer, Clipper, MMD, Koshin, Rice, CH&E, General Equipment, Amida, Coleman, NAC, Gradall, Square Shooter, Kent, Stanley, Tamco, Toku, Hatz, Kohler, Robin, Wisconsin, Northrock, Oztec, Toker TK, Rol-Air, APT, Wylie, Ingersoll Rand / Doosan, Innovatech, Con X, Ammann, Mecalac, Makinex, Smith Surface Prep, Small Line, Wanco, Yanmar

# Ordering Replacement Parts

To order replacement parts, please supply the part number, the quantity, and the description of each part desired.

## Understanding Reference Numbers

Each identified part in an illustration has a reference number. The reference number for a part also appears in the parts list, along with other information about the part.

This catalog uses two special reference number formats, one to indicate parts in a service assembly and another to indicate the quantity of a given part in an illustration.

## Service Assembly Reference Numbers

Parts in service assemblies have reference numbers in the form a:b. The a represents the reference number of the entire service assembly and the b represents a sequential number unique to each part within the service assembly.

For example, a wheel assembly might be identified by reference number 6, the tire by 6:1, the valve by 6:2, and the wheel by 6:3. When you order the assembly identified by reference number 6, you receive all parts identified by reference numbers 6:1, 6:2, and 6:3. However, you may also order any part individually. Reference numbers of this type appear in illustration and in parts lists.

## Reference Numbers Indicating Quantity

In an illustration, if a reference number indicates more than one part, the reference number has the form nX y. The n represents the quantity of the part, the X is the multiplication symbol, and the y represents the reference number.

For example, in an illustration, the reference number 2X 37 means that two of the parts identified by reference number 37 are indicated.

# List of Abbreviations

**AR:** as required

**ASM:** assembly

**BBC:** blade brake control

**BHTF:** button head thread forming

**CARR:** carriage

**CCW:** counter clockwise

**CW:** clockwise

**DEG:** degrees

**DPA:** Dual Point Adjustment

**ECM:** electronic control module

**EXT:** external

**FH:** flat head

**GA:** gauge

**HD:** heavy-duty

**HF:** hex flange

**HH:** hex head

**HHF:** hex head flange

**HHFTF:** hex head flange thread forming

**HJ:** hex jam

**HLH:** hex lag head

**HOC:** height-of-cut

**HSBH:** hex socket button head

**HSFH:** hex socket flat head

**HSH:** hex socket head

**HWH:** hex washer head

**HWHTF:** hex washer head thread forming

**HYD:** hydraulic

**LH:** left hand

**LP:** Liquefied Petroleum Gas

**LPG:** Liquefied Petroleum Gas

**NI:** nylon insert

**NPTF:** national pipe thread fine

**PFH:** phillips flat head

**PPH:** phillips pan head

**PPHTF:** phillips pan head thread forming

**PRH:** phillips round head

**PTH:** phillips truss head

**PTO:** power-take-off

**RH:** right hand

**ROPS:** roll-over protection system

**RRB:** rear roller brush

**SFH:** slotted fillister head

**SHH:** slotted hex head

**SHWH:** slotted hex washer head

**SPH:** slotted pan head

**SQH:** square head

**SRH:** slotted round head

**STD:** standard

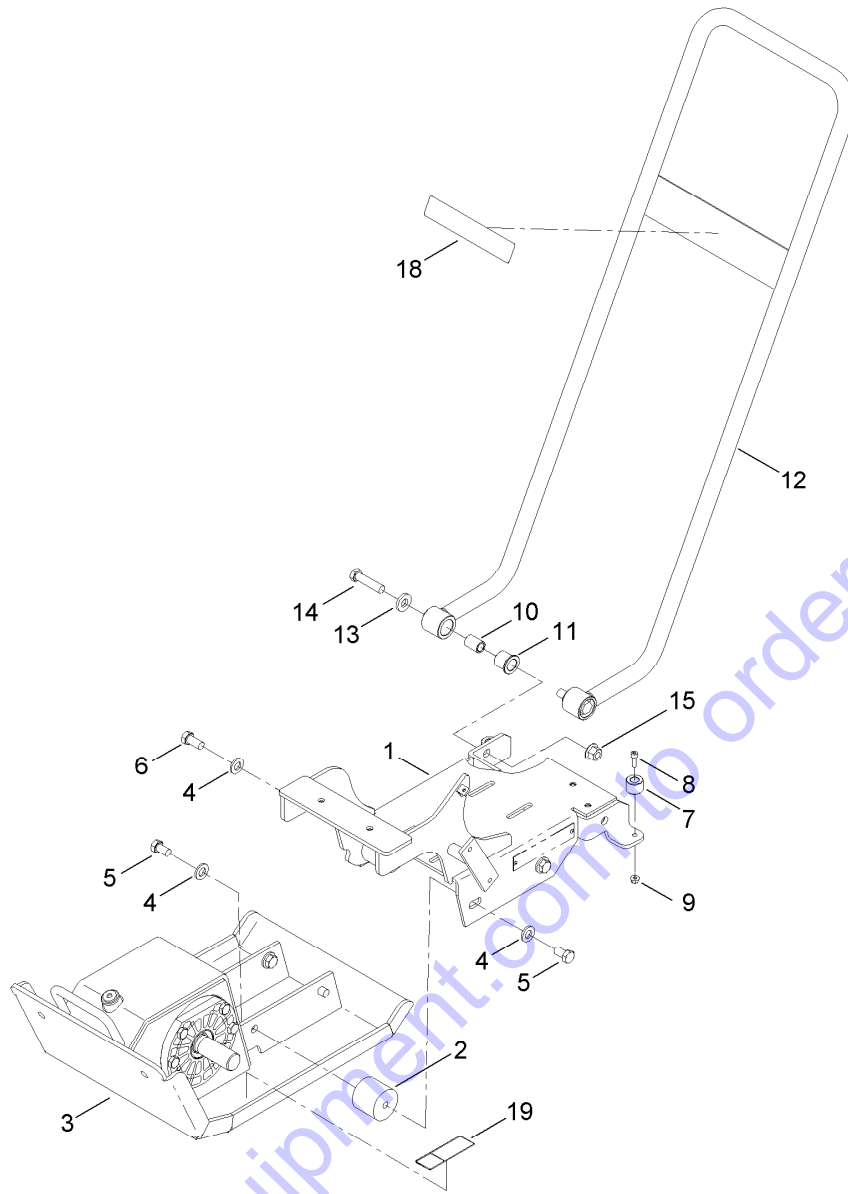
**TAP:** self tapping

**TTH:** torx truss head

# Contents

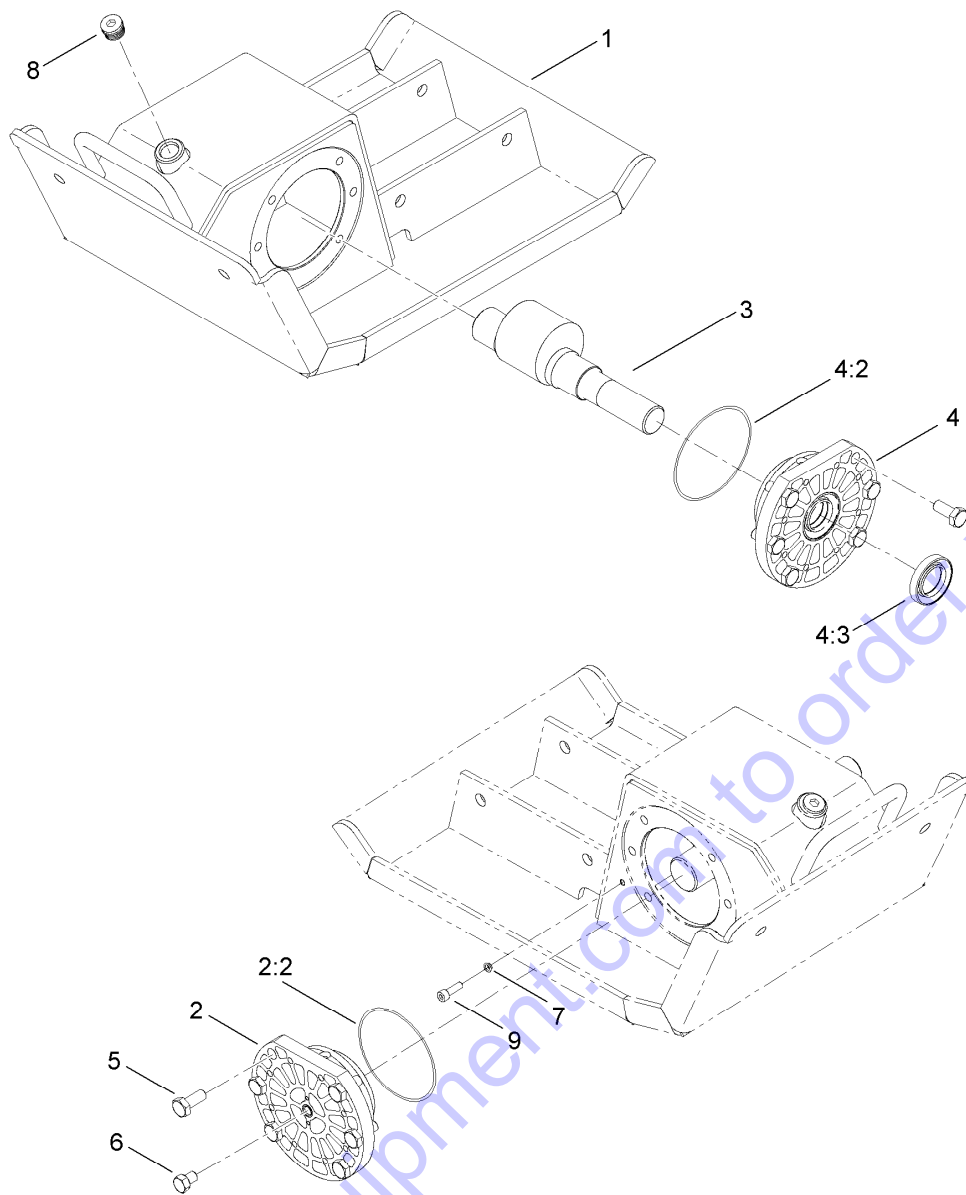
|   |   |
|---|---|
| Handle and Base Assembly .....          | 4 |
| Base Assembly No. 125-6229 .....        | 5 |
| Engine Assembly .....                   | 6 |
| Roll Cage and Water Tank Assembly ..... | 7 |

Go to [Discount-Equipment.com](http://Discount-Equipment.com) to order your parts



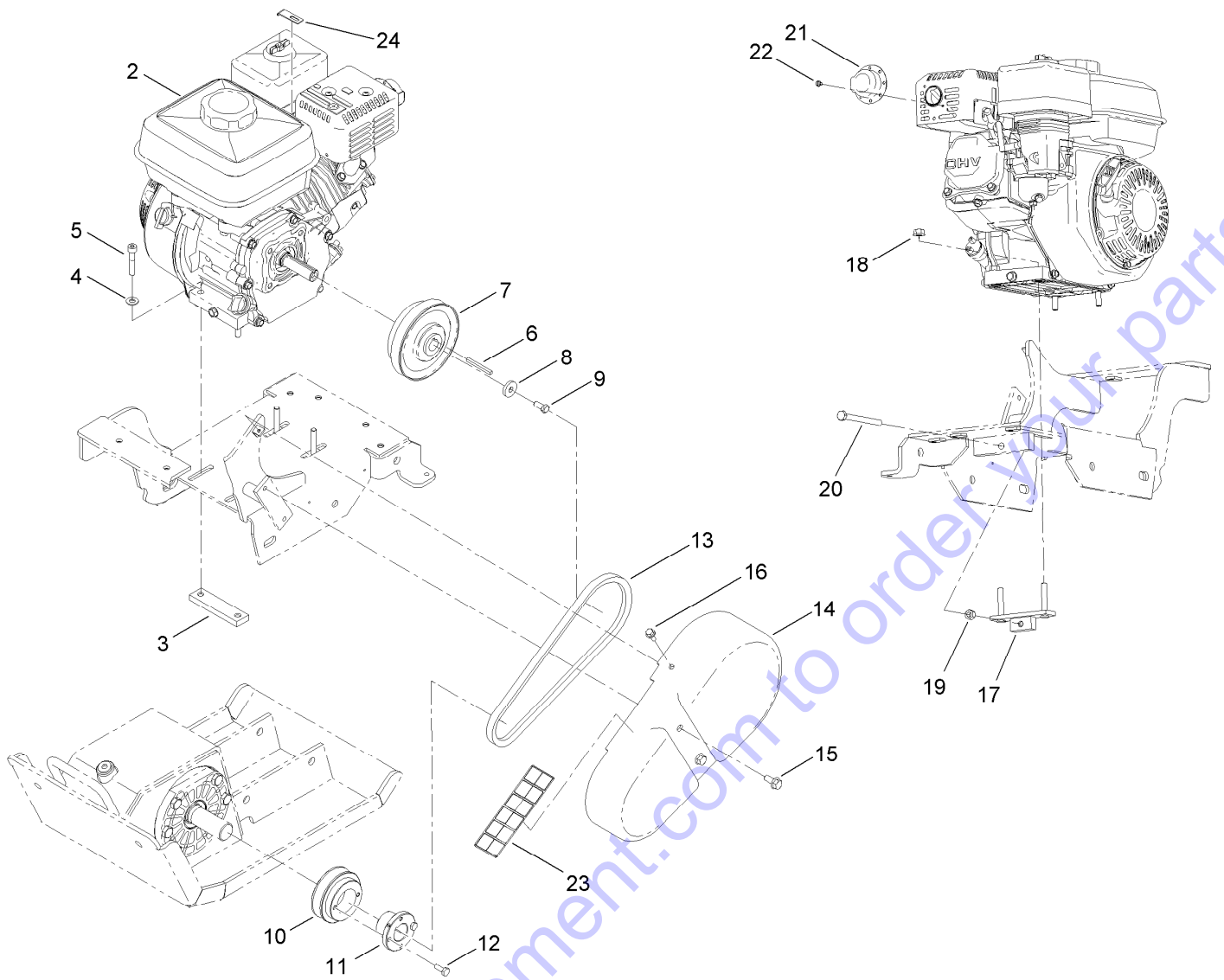
## Handle and Base Assembly

| Ref. | Part Number | Qty. | Description         | Ref. | Part Number | Qty. | Description                |
|------|-------------|------|---------------------|------|-------------|------|----------------------------|
| 1    | 125-6231-03 | 1    | Deck-Engine         | 10   | ST50510     | 2    | Spacer-Handle, Pivot       |
| 2    | ST65080     | 4    | Mount-Shock         | 11   | ST50509     | 2    | Bushing-Handle, Main Plate |
| 3    | 125-6229    | 1    | Base ASM            | 12   | ST50478-03  | 1    | Handle-Main                |
| 4    | 33096-00    | 8    | Washer-Flat         | 13   | ST80891     | 2    | Washer-Flat                |
| 5    | 33116-020   | 6    | Screw-HH            | 14   | 33116-060   | 2    | Screw-HH                   |
| 6    | 33116-025   | 2    | Screw-HH            | 15   | 115-1115    | 2    | Nut-HHF, Lock              |
| 7    | ST50265     | 2    | Spacer-Stop, Handle | 18   | 125-4928    | 1    | Decal                      |
| 8    | ST81213     | 2    | Screw-HSH           | 19   | 117-4979    | 1    | Decal-Warning, Shields     |
| 9    | 33003-00    | 2    | Nut-HF              |      |             |      |                            |



## Base Assembly No. 125-6229

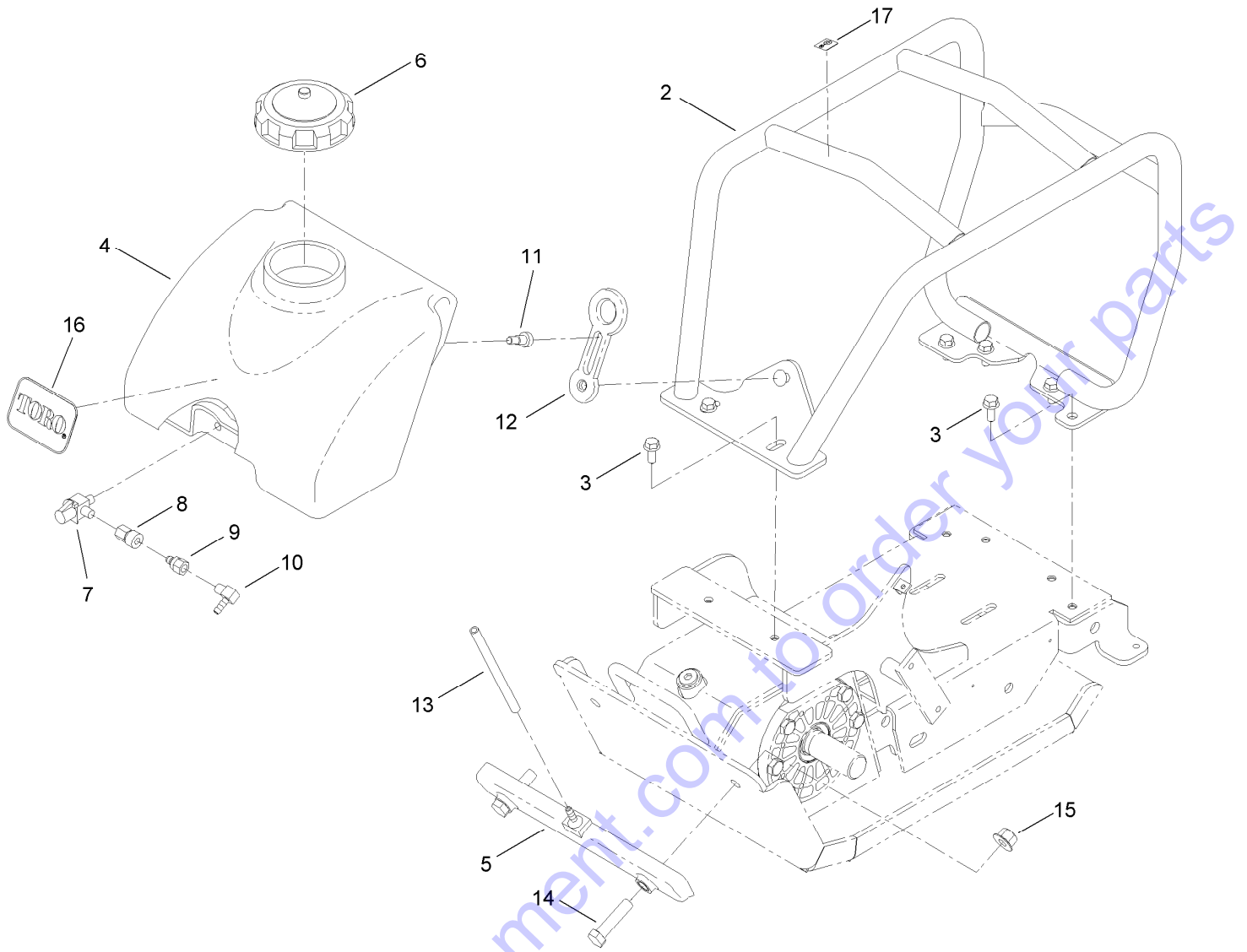
| Ref. | Part Number | Qty. | Description                        |
|------|-------------|------|------------------------------------|
| 1    | ST50469-03  | 1    | Base                               |
| 2    | ST22061     | 1    | Plate Cap Bearing ASM (Blind End)  |
| 2:2  | ST32033     | 1    | O-Ring                             |
| 3    | ST43950     | 1    | Shaft-Eccentric                    |
| 4    | ST22060     | 1    | Plate Cap Bearing ASM (Sheave End) |
| 4:2  | ST32033     | 1    | O-Ring                             |
| 4:3  | ST32047     | 2    | Seal-Shaft                         |
| 5    | 43-0090     | 12   | Screw-HH                           |
| 6    | ST80185     | 1    | Screw-HH                           |
| 7    | ST81210     | 1    | Washer-Sealing, Nyltite            |
| 8    | ST47647     | 1    | Fitting-HYD                        |
| 9    | ST81213     | 1    | Screw-HSH                          |



## Engine Assembly

| Ref. | Part Number | Qty. | Description         |
|------|-------------|------|---------------------|
| 2    | 125-4821    | 1    | Engine-Honda, Gx120 |
| 3    | ST50506     | 1    | Plate-Nut, Engine   |
| 4    | 33094-00    | 2    | Washer-Plain        |
| 5    | 127-0517    | 2    | Screw-HSH           |
| 6    | 105-9716    | 1    | Key-Square          |
| 7    | ST32347     | 1    | Clutch, S-Plate     |
| 8    | ST39233     | 1    | Washer              |
| 9    | 3235-6      | 1    | Screw-HH            |
| 10   | ST32797     | 1    | Sheave              |
| 11   | ST32798     | 1    | Bushing             |
| 12   | 3274-69     | 2    | Screw-HSBH          |
| 13   | ST39307     | 1    | Belt-V              |

| Ref. | Part Number | Qty. | Description              |
|------|-------------|------|--------------------------|
| 14   | 125-4802    | 1    | Guard-Belt               |
| 15   | 33104-020   | 2    | Screw-HHF                |
| 16   | 33103-016   | 1    | Screw-HHF                |
| 17   | ST50257     | 1    | Bracket-Adjuster, Engine |
| 18   | 33004-00    | 2    | Nut-HF                   |
| 19   | 33014-00    | 1    | Nut-Hex                  |
| 20   | ST81191     | 1    | Screw                    |
| 21   | 125-3866    | 1    | Deflector-Honda          |
| 22   | 120-1884    | 2    | Screw-PPHTF              |
| 23   | 125-4943    | 1    | Decal-Warning, Plate     |
| 24   | ST43978     | 1    | Clip-Throttle            |



## Roll Cage and Water Tank Assembly

| Ref. | Part Number | Qty. | Description                   |
|------|-------------|------|-------------------------------|
| 2    | ST50215-03  | 1    | Cage-Roll                     |
| 3    | 33104-020   | 6    | Screw-HHF                     |
| 4    | 125-4811    | 1    | Tank-Water                    |
| 5    | 125-8174    | 1    | Sprinkler                     |
| 6    | ST47241     | 1    | Cap-Plastic                   |
| 7    | ST50497     | 1    | Valve-Ball                    |
| 8    | ST50498     | 1    | Fitting-Quick, Female         |
| 9    | ST50499     | 1    | Fitting-Quick, Female, Nipple |

| Ref. | Part Number | Qty. | Description         |
|------|-------------|------|---------------------|
| 10   | ST34486     | 1    | Fitting-HYD, 90 DEG |
| 11   | ST81130     | 1    | Screw-HSBH          |
| 12   | ST47182     | 1    | Latch-Rubber        |
| 13   | 125-8733    | 1    | Hose-Water          |
| 14   | 33116-060   | 2    | Screw-HH            |
| 15   | 115-1115    | 2    | Nut-HHF, Lock       |
| 16   | 70-2200     | 1    | Decal               |
| 17   | 93-9084     | 1    | Decal-Point, Lift   |





**Count on it.**



[www.discount-equipment.com](http://www.discount-equipment.com)

Go to [Discount-Equipment.com](http://Discount-Equipment.com) to order your parts